

ETSI TS 151 010-3 V5.2.0 (2004-07)

Technical Specification

**Digital cellular telecommunications system (Phase 2+);
Mobile Station (MS) conformance specification;
Part 3: Layer3 (L3) Abstract Test Suite (ATS)
(3GPP TS 51.010-3 version 5.2.0 Release 5)**



Reference

RTS/TSGG-0351010-3v520

Keywords

GSM

ETSI

650 Route des Lucioles
F-06921 Sophia Antipolis Cedex - FRANCE

Tel.: +33 4 92 94 42 00 Fax: +33 4 93 65 47 16

Siret N° 348 623 562 00017 - NAF 742 C
Association à but non lucratif enregistrée à la
Sous-Préfecture de Grasse (06) N° 7803/88

Important notice

Individual copies of the present document can be downloaded from:

<http://www.etsi.org>

The present document may be made available in more than one electronic version or in print. In any case of existing or perceived difference in contents between such versions, the reference version is the Portable Document Format (PDF). In case of dispute, the reference shall be the printing on ETSI printers of the PDF version kept on a specific network drive within ETSI Secretariat.

Users of the present document should be aware that the document may be subject to revision or change of status. Information on the current status of this and other ETSI documents is available at

<http://portal.etsi.org/tb/status/status.asp>

If you find errors in the present document, please send your comment to one of the following services:

http://portal.etsi.org/chaicor/ETSI_support.asp

Copyright Notification

No part may be reproduced except as authorized by written permission.
The copyright and the foregoing restriction extend to reproduction in all media.

© European Telecommunications Standards Institute 2004.
All rights reserved.

DECTTM, **PLUGTESTS**TM and **UMTS**TM are Trade Marks of ETSI registered for the benefit of its Members.
TIPHONTM and the **TIPHON logo** are Trade Marks currently being registered by ETSI for the benefit of its Members.
3GPPTM is a Trade Mark of ETSI registered for the benefit of its Members and of the 3GPP Organizational Partners.

Intellectual Property Rights

IPRs essential or potentially essential to the present document may have been declared to ETSI. The information pertaining to these essential IPRs, if any, is publicly available for **ETSI members and non-members**, and can be found in ETSI SR 000 314: *"Intellectual Property Rights (IPRs); Essential, or potentially Essential, IPRs notified to ETSI in respect of ETSI standards"*, which is available from the ETSI Secretariat. Latest updates are available on the ETSI Web server (<http://webapp.etsi.org/IPR/home.asp>).

Pursuant to the ETSI IPR Policy, no investigation, including IPR searches, has been carried out by ETSI. No guarantee can be given as to the existence of other IPRs not referenced in ETSI SR 000 314 (or the updates on the ETSI Web server) which are, or may be, or may become, essential to the present document.

Foreword

This Technical Specification (TS) has been produced by ETSI 3rd Generation Partnership Project (3GPP).

The present document may refer to technical specifications or reports using their 3GPP identities, UMTS identities or GSM identities. These should be interpreted as being references to the corresponding ETSI deliverables.

The cross reference between GSM, UMTS, 3GPP and ETSI identities can be found under <http://webapp.etsi.org/key/queryform.asp>.

Contents

| | |
|---|-----------|
| Intellectual Property Rights | 2 |
| Foreword..... | 2 |
| Foreword..... | 5 |
| 1 Scope | 7 |
| 2 References | 7 |
| 3 Definitions and abbreviations..... | 12 |
| 3.1 Definitions | 12 |
| 3.2 Abbreviations | 13 |
| 4 Test Suite Structure (TSS)..... | 14 |
| 4.1 Test suite naming convention..... | 14 |
| 4.2 Suite Overview | 14 |
| 4.3 Test groups | 14 |
| 4.4 Test Step Structure | 15 |
| 4.4.1 Preambles..... | 15 |
| 4.4.2 Postambles | 15 |
| 5 Test Purposes (TP) | 15 |
| 5.1 TP and test case naming convention..... | 15 |
| 6 Abstract test method and test configurations..... | 15 |
| 6.1 Test system model..... | 15 |
| 6.2 Test Method..... | 16 |
| Annex A (normative): Partial IXIT proforma..... | 17 |
| A.0 Introduction | 17 |
| A.1 Identification Summary | 18 |
| A.2 Abstract Test Suite Summary..... | 18 |
| A.3 Test Laboratory | 18 |
| A.3.1 Test Laboratory Identification..... | 18 |
| A.3.2 Accreditation status of the test service | 19 |
| A.3.3 Manager of Test Laboratory | 19 |
| A.3.4 Contact person of Test Laboratory | 19 |
| A.3.5 Means of Testing..... | 20 |
| A.3.6 Instructions for Completion..... | 21 |
| A.4 Client | 22 |
| A.4.1 Client Identification..... | 22 |
| A.4.2 Client Test Manager | 22 |
| A.4.3 Client Contact person | 22 |
| A.4.4 Test Facilities Required..... | 23 |
| A.5 System Under Test | 24 |
| A.5.1 SUT Information | 24 |
| A.5.2 Limitations of the SUT | 25 |
| A.5.3 Environmental Conditions..... | 26 |
| A.6 Ancillary Protocols..... | 27 |
| A.6.1 Ancillary Protocols 1..... | 27 |
| A.6.2 Ancillary Protocols 2..... | 27 |
| A.7 Protocol Layer Information for L3 of Mobile Station..... | 28 |
| A.7.1 Information provided for test purposes by the MS supplier | 28 |
| A.7.2 MMI information..... | 42 |

| | | |
|-------------------------------|--|-----------|
| A.7.3 | Test house specified parameters..... | 45 |
| Annex B (normative): | PCTR Proforma..... | 71 |
| B.1 | PROTOCOL Conformance Test Report (PCTR)..... | 71 |
| Annex C (normative): | Layer 3 Abstract Test Suite | 72 |
| C.1 | The TTCN Graphical form (TTCN.GR) | 72 |
| C.2 | The TTCN Machine Processable form (TTCN.MP)..... | 72 |
| Annex D (normative): | Enhanced Full Rate Abstract Test Suite..... | 73 |
| D.1 | The TTCN Graphical form (TTCN.GR) | 73 |
| D.2 | The TTCN Machine Processable form (TTCN.MP)..... | 73 |
| Annex E (informative): | Cell Selection Abstract Test Suite | 74 |
| E.1 | The TTCN Graphical form (TTCN.GR) | 74 |
| E.2 | The TTCN Machine Processable form (TTCN.MP)..... | 74 |
| Annex F (informative): | Dual band Abstract Test Suite..... | 75 |
| F.1 | The TTCN Graphical form (TTCN.GR) | 75 |
| F.2 | The TTCN Machine Processable form (TTCN.MP)..... | 75 |
| Annex G (normative): | RGSM Abstract Test Suite..... | 76 |
| G.1 | The TTCN Graphical form (TTCN.GR) | 76 |
| G.2 | The TTCN Machine Processable form (TTCN.MP)..... | 76 |
| Annex H (normative): | ASCI Abstract Test Suite | 77 |
| H.1 | The TTCN Graphical form (TTCN.GR) | 77 |
| H.2 | The TTCN Machine Processable form (TTCN.MP)..... | 77 |
| Annex I (informative): | Change history | 78 |
| History | | 80 |

Foreword

This Technical Specification has been produced by the 3rd Generation Partnership Project (3GPP).

The present document describes the technical characteristics and methods of test for Mobile Stations (MSs), operating in the 900 MHz and 1 800 MHz frequency band (GSM 900 and DCS 1 800) within the digital cellular telecommunications system.

The present document corresponds to technical specification 3GPP TS 51.010-3, covering the Digital cellular telecommunications system (GSM Phase 2 and Phase 2+ Releases 96, 97, 98, 99 and 3GPP Release 4) version 5.1.0.

The present document, contains Tree and Tabular Combined Notation (TTCN) for Layer 3, cell selection, Enhanced Full Rate Speech, Multi-band, GSM-R band and ASCII service conformity specifications, for which Mobile Stations, within the digital cellular telecommunications system (GSM Phase 2 and Phase 2+ Releases 96, 97, 98, 99 and 3GPP Release 4), are tested for compliance.

The contents of the present document are subject to continuing work within the TSG and may change following formal TSG approval. Should the TSG modify the contents of the present document, it will be re-released by the TSG with an identifying change of release date and an increase in version number as follows:

Version x.y.z

where:

- x the first digit:
 - 1 presented to TSG for information;
 - 2 presented to TSG for approval;
 - 3 or greater indicates TSG approved document under change control.
- y the second digit is incremented for all changes of substance, i.e. technical enhancements, corrections, updates, etc.
- z the third digit is incremented when editorial only changes have been incorporated in the document.

The graphical form ATS

The electronic forms of the graphical representation (TTCN.GR format) corresponding to the ATSs for Layer 3, Enhanced Full Rate Speech, Cell Selection, Dual Band, R-GSM and ASCII are contained in the Adobe Portable Document Format™ files l3_510.PDF (Layer 3), ef_510.PDF (EFR), cs_510.PDF (Cell Selection), db_510.PDF (Dual Band), rgsm_510.PDF (R-GSM) and asci_510.PDF (ASCII) which accompany the present document (Part 3) (these files are contained in archive 51010c510ATS.ZIP).

The machine processable ATS

The electronic forms of the machine processable files (TTCN.MP format) corresponding to the ATS for Layer 3 Enhanced Full Rate Speech, Cell Selection, Dual Band, R-GSM and ASCII are contained in the files l3_510.mp (Layer 3), ef_510.mp (EFR), cs_510.mp (Cell Selection), db_510.mp (Dual Band), rgsm_510.mp (R-GSM) and asci_510.mp (ASCII) which accompany the present document (Part 3) (these files are contained in archive 51010c510ATS.ZIP).

The present document is part 3 of a multi-part 3GPP TS covering the digital cellular telecommunications system (GSM Phase2 and Phase 2+ Releases 96, 97, 98, 99 and 3GPP Release 4); Mobile Station (MS) conformance specification, as identified below:

- Part 1: Conformance specification
Reference: 3GPP TS 51.010-1.
- Part 2: Protocol Implementation Conformance Statement (PICS) proforma specification.
Reference: 3GPP TS 51.010-2.

Part 3: Layer 3 (L3) Abstract Test Suite (ATS).
Reference: 3GPP TS 51.010-3.

Part 4: SIM Application Toolkit conformance specification
Reference: 3GPP TS 11.10-4.

NOTE: At the present time, part 4 is 3GPP TS 11.10.

1 Scope

The present document specifies the Abstract Test Suites (ATS) and partial IXIT proforma for the Network Layer (Layer 3) at the mobile radio interface of the GSM/3GPP mobile stations (MS) conforming to the TSs for Layer 3, cell selection, Enhanced Full Rate Speech, Multi-band, GSM-R band (R-GSM) and ASCI (the voice group call service (VGCS), voice broadcast service (VBS), enhanced Multi-Level Precedence and Pre-emption service (eMLPP), User-to-user Signalling (UUS) service and the Follow Me service) for the digital cellular telecommunications systems.

The present document is valid for MS implemented according GSM Phase2 or Phase2+ R96, or R97, or R98, or R99, or 3GPP Release 4.

The ISO standards for the methodology of conformance testing and the TTCN language are used as the basis for the test specifications.

2 References

The following documents contain provisions which, through reference in this text, constitute provisions of the present document.

- References are either specific (identified by date of publication, edition number, version number, etc.) or non-specific.
- For a specific reference, subsequent revisions do not apply.
- For a non-specific reference, the latest version applies. In the case of a reference to a 3GPP document (including a GSM document), a non-specific reference implicitly refers to the latest version of that document *in the relevant Release*.
 - For a GSM Phase 2+ Release 4 MS, references to GSM documents are to version 4.x.y, when available.
 - For a GSM Phase 2+ Release 1999 MS, references to GSM documents are to version 8.x.y (for 01.-series to 12.-series) or (3.x.y for 21.-series to 35.-series), when available.
 - For a GSM Phase 2+ Release 1998 MS, references to GSM documents are to version 7.x.y, when available.
 - For a GSM Phase 2+ Release 1997 MS, references to GSM documents are to version 6.x.y, when available.
 - For a GSM Phase 2+ Release 1996 MS, references to GSM documents are to version 5.x.y, when available.
 - For a GSM Phase 2 MS, references to GSM documents are to version 4.x.y.

NOTE: References to 3GPP Technical Specifications and Technical Reports throughout this document shall be interpreted according to the Release shown in the formal reference in this clause, based upon the Release of the implementation under test.

Example 1: References for a Ph2 MS shall be interpreted as:

[1] 3GPP TS 01.04 Ph2

[2] 3GPP TS 02.02 Ph2

etc

Example 2: References for a Rel-4 MS shall be interpreted as:

[1] 3GPP TS 21.905 Rel-4

[2] 3GPP TS 22.002 Rel-4

etc

- [1] ISO/IEC 9646-1: "Information Technology-OSI- Conformance Testing Methodology and Framework, Part 1: General Concepts".
- [2] ISO/IEC 9646-2: "Information technology - Open Systems Interconnection - Conformance testing methodology and framework - Part 2: Abstract Test Suite Specification".
- [3] ISO/IEC 9646-3: "Information technology - Open Systems Interconnection - Conformance testing methodology and framework - Part 3: The Tree and Tabular Combined Notation (TTCN)".
- [4] ISO/IEC 9646-5: "Information technology - Open Systems Interconnection - Conformance testing methodology and framework - Part 5: Requirements on test laboratories and clients for the conformance assessment process".
- [5] ISO/IEC 8824: "Information technology - Open Systems Interconnection - Specification of Abstract Syntax Notation One (ASN.1)".
- [6] ISO/IEC 8825: "Information Technology - Open Systems Interconnection - Specification of Basic Encoding Rules for Abstract Syntax Notation One (ASN.1)".
- [7] ITU-T Recommendation Q.773: "Specifications of Signalling System No.7, Transaction capabilities formats and encoding".
- [8] ETSI ETS 300 287: "Integrated Services Digital Network (ISDN); Signalling System No.7, Transaction Capabilities Application Part (TCAP) version 2".
- [9] ETSI ETS 300 406 (1995): "Methods for Testing and Specification (MTS); Protocol and profile conformance testing specifications; Standardization methodology".
- [10] 3GPP TS 02.02 (Ph2 to R98): "Bearer Services (BS) supported by a GSM Public Land Mobile Network (PLMN)".
3GPP TS 22.002 (R99 onwards): "Circuit Bearer Services (BS) supported by a Public Land Mobile Network (PLMN)".
- [11] 3GPP TS 02.03 (Ph2 to R98): "Teleservices supported by a GSM Public Land Mobile Network (PLMN)".
3GPP TS 22.003 (R99 onwards): "Circuit Teleservices supported by a Public Land Mobile Network (PLMN)".
- [12] 3GPP TS 02.06 (Ph2 to R98): "Types of Mobile Stations (MS)".
- [13] 3GPP TS 02.07 (Ph2 to R98): "Mobile Station (MS) features".
- [14] 3GPP TS 02.30 (Ph2 to R98): "Man-Machine Interface (MMI) of the Mobile Station (MS)".
3GPP TS 22.030 (R99 onwards): "Man-Machine Interface (MMI) of the User Equipment (UE)".
- [15] 3GPP TS 02.67 (R96 to R98): "enhanced Multi-Level Precedence and Pre-emption service (eMLPP); Stage 1".
3GPP TS 22.067 (R99 onwards): "enhanced Multi-Level Precedence and Pre-emption service (eMLPP); Stage 1".
- [16] 3GPP TS 02.68 (R96 to R99): "Voice Group Call Service (VGCS); Stage 1".
3GPP TS 42.068 (Rel-4 onwards): "Voice Group Call Service (VGCS); Stage 1".
- [17] 3GPP TS 02.69 (R96 to R99): "Voice Broadcast Service (VBS); Stage 1".
3GPP TS 42.069 (Rel-4 onwards): "Voice Broadcast Service (VBS); Stage 1".
- [18] 3GPP TS 03.03 (Ph2 to R98): "Numbering, addressing and identification".
3GPP TS 23.003 (R99 onwards): "Numbering; Addressing and Identification".
- [19] 3GPP TS 03.09 (Ph2 to R98): "Handover procedures".

- 3GPP TS 23.009 (Rel-4 onwards): "Handover procedures".
- [20] 3GPP TS 03.10 (Ph2 to R99): "GSM Public Land Mobile Network (PLMN) connection types".
3GPP TS 43.010 (Rel-4 onwards): "GSM Public Land Mobile Network (PLMN) connection types".
- [21] 3GPP TS 03.11 (Ph2 to R98): "Technical realization of Supplementary Services".
3GPP TS 23.011 (R99 onwards): "Technical Realization of Supplementary Services".
- [22] 3GPP TS 03.12 (Ph2 to R98): "Location registration procedures".
3GPP TS 23.012 (R99 onwards): "Location management procedures".
- [23] 3GPP TS 03.14 (Ph2 to R98): "Support of Dual Tone Multi-Frequency signalling (DTMF) via the GSM system".
3GPP TS 23.014 (R99 onwards): "Support of Dual Tone Multi Frequency (DTMF) signalling".
- [24] 3GPP TS 03.22 (Ph2 to R99): "Functions related to Mobile Station (MS) in idle mode and group receive mode".
3GPP TS 43.022 (Rel-4 onwards): "Functions related to Mobile Station (MS) in idle mode".
- [25] 3GPP TS 03.40 (Ph2 to R98): "Technical realization of the Short Message Service (SMS)".
3GPP TS 23.040 (R99 onwards): "Technical realization of the Short Message Service (SMS)".
- [26] 3GPP TS 03.41 (Ph2 to R98): "Technical realization of Cell Broadcast Service (CBS)".
3GPP TS 23.041 (R99 onwards): "Technical realization of Cell Broadcast Service (CBS)".
- [27] 3GPP TS 03.67 (R96 to R98): "enhanced Multi-Level Precedence and Pre-emption service (eMLPP); Stage 2".
3GPP TS 23.067 (R99 onwards): "enhanced Multi-Level Precedence and Pre-emption service (e-MLPP); Stage 2".
- [28] 3GPP TS 03.68 (R96 to R99): "Voice Group Call Service (VGCS); Stage 2".
3GPP TS 43.068 (Rel-4 onwards): "Voice Group Call Service (VGCS); Stage 2".
- [29] 3GPP TS 03.69 (R96 to R99): "Voice Broadcast Service (VBS); Stage 2".
3GPP TS 43.069 (Rel-4 onwards): "Voice Broadcast Service (VBS); Stage 2".
- [30] 3GPP TS 04.01 (Ph2 to R99): "Mobile Station - Base Station System (MS - BSS) interface General aspects and principles".
3GPP TS 44.001 (Rel-4 onwards): "Mobile Station - Base Station System (MS - BSS) interface; General aspects and principles".
- [31] 3GPP TS 04.03 (Ph2 to R99): "Mobile Station - Base Station System (MS - BSS) interface Channel structures and access capabilities".
3GPP TS 44.003 (Rel-4 onwards): "Mobile Station - Base Station System (MS - BSS) interface; Channel structures and access capabilities".
- [32] 3GPP TS 04.04 (Ph2 to R99): " Layer 1; General requirements".
3GPP TS 44.004 (Rel-4 onwards): "Layer 1; General requirements".
- [33] 3GPP TS 04.05 (Ph2 to R99): "Data Link (DL) layer; General aspects".
3GPP TS 44.005 (Rel-4 onwards): "Data Link (DL) layer; General aspects".

- [34] 3GPP TS 04.06 (Ph2 to R99): "Mobile Station - Base Station System (MS - BSS) interface; Data Link (DL) layer specification".
3GPP TS 44.006 (Rel-4 onwards): "Mobile Station - Base Station System (MS - BSS) interface Data Link (DL) layer specification".
- [35] 3GPP TS 04.07 (Ph2 to R98): "Mobile radio interface signalling layer 3; General aspects".
3GPP TS 24.007 (R99 onwards): "Mobile Radio Interface Signalling Layer 3; General Aspects".
- [36] 3GPP TS 04.08 (Ph2 to R99): "Mobile radio interface layer 3 specification" (see note 1).
3GPP TS 24.008 (R99 onwards): "Mobile radio interface Layer 3 specification; Core network Protocols; Stage 3" (see note 1).
3GPP TS 44.008 (Rel-4): "Mobile radio interface layer 3 specification". (see note 1)
- [37] 3GPP TS 04.10 (Ph2 to R98): "Mobile radio interface layer 3 Supplementary services specification; General aspects".
3GPP TS 24.010 (R99 onwards): "Mobile radio Interface Layer 3 – Supplementary services specification; General Aspects".
- [38] 3GPP TS 04.11 (Ph2 to R98): "Point-to-Point (PP) Short Message Service (SMS) support on mobile radio interface".
3GPP TS 24.011 (R99 onwards): "Point-to-Point (PP) Short Message Service (SMS) Support on mobile radio interface".
- [39] 3GPP TS 04.12 (Ph2 to R99): "Short Message Service Cell Broadcast (SMSCB) support on the mobile radio interface".
3GPP TS 44.012 (Rel-4 onwards): "Short Message Service Cell Broadcast (SMSCB) Support on the mobile radio interface".
- [40] 3GPP TS 04.67 (R96 to R98): "enhanced Multi-Level Precedence and Pre-emption service (eMLPP); Stage 3".
3GPP TS 24.067 (R99 onwards): "enhanced Multi-level Precedence and Pre-emption service (eMLPP); Stage 3".
- [41] 3GPP TS 04.68 (R96 to R98): "Group Call Control (GCC) protocol".
3GPP TS 44.068 (Rel-4 onwards): "Group Call Control (GCC) protocol".
- [42] 3GPP TS 04.69 (R96 to R99): "Broadcast Call Control (BCC) protocol".
3GPP TS 44.069 (Rel-4 onwards): "Broadcast Call Control (BCC) protocol".
- [43] 3GPP TS 04.80 (Ph2 to R98): "Mobile radio interface layer 3 supplementary services specification; Formats and coding".
3GPP TS 24.080 (R99 onwards): "Mobile radio layer 3 supplementary service specification – Formats and coding".
- [44] 3GPP TS 04.81 (Ph2 to R98): "Line identification supplementary services; Stage 3".
3GPP TS 24.081 (R99 onwards): "Line identification supplementary service; Stage 3".
- [45] 3GPP TS 04.82 (Ph2 to R98): "Call Forwarding (CF) supplementary services; Stage 3".
3GPP TS 24.082 (R99 onwards): "Call Forwarding (CF) supplementary service; Stage 3".
- [46] 3GPP TS 04.83 (Ph2 to R98): "Call Waiting (CW) and Call Hold (HOLD) supplementary services; Stage 3".

- 3GPP TS 24.083 (R99 onwards): "Call Waiting (CW) and Call Hold (HOLD) Supplementary Service; Stage 3".
- [47] 3GPP TS 04.84 (Ph2 to R98): "MultiParty (MPTY) supplementary services; Stage 3".
3GPP TS 24.084 (R99 onwards): "Multiparty (MPTY) supplementary service; Stage 3".
- [48] 3GPP TS 04.85 (Ph2 to R98): "Closed User Group (CUG) supplementary services; Stage 3".
3GPP TS 24.085 (R99 onwards): "Closed User Group (CUG) supplementary service; Stage 3".
- [49] 3GPP TS 04.86 (Ph2 to R98): "Advice of Charge (AoC) supplementary services; Stage 3".
3GPP TS 24.086 (R99 onwards): "Advice of Charge (AoC) supplementary service; Stage 3".
- [50] 3GPP TS 04.88 (Ph2 to R98): "Call Barring (CB) supplementary services; Stage 3".
3GPP TS 24.088 (R99 onwards): "Call Barring (CB) supplementary services; Stage 3".
- [51] 3GPP TS 04.90 (Ph2 to R98): "Unstructured Supplementary Service Data (USSD); Stage 3".
3GPP TS 24.090 (R99 onwards): "Unstructured Supplementary Service Data (USSD); Stage 3".
- [52] 3GPP TS 05.01 (Ph2 to R99): "Physical layer on the radio path; General description".
3GPP TS 45.001 (Rel-4 onwards): "Physical layer on the radio path; General description".
- [53] 3GPP TS 05.02 (Ph2 to R99): "Multiplexing and multiple access on the radio path".
3GPP TS 45.002 (Rel-4 onwards): "Multiplexing and multiple access on the radio path".
- [54] 3GPP TS 05.03 (Ph2 to R99): "Channel coding".
3GPP TS 45.003 (Rel-4 onwards): "Channel coding".
- [55] 3GPP TS 05.04 (Ph2 to R99): "Modulation".
3GPP TS 45.004 (Rel-4 onwards): "Modulation".
- [56] 3GPP TS 05.05 (Ph2 to R99): "Radio transmission and reception".
3GPP TS 45.005 (Rel-4 onwards): "Radio transmission and reception".
- [57] 3GPP TS 05.08 (Ph2 to R99): "Radio subsystem link control".
3GPP TS 45.008 (Rel-4 onwards): "Radio subsystem link control".
- [58] 3GPP TS 05.10 (Ph2 to R99): "Radio subsystem synchronization".
3GPP TS 45.010 (Rel-4 onwards): "Radio subsystem synchronization".
- [59] 3GPP TS 07.01 (Ph2 to R98): "General on Terminal Adaptation Functions (TAF) for Mobile Stations (MS)".
3GPP TS 27.001 (R99 onwards): "General on Terminal Adaptation Functions (TAF) for Mobile stations (MS)".
- [60] 3GPP TS 08.08 (Ph2 to R99): " Mobile-services Switching Centre - Base Station System (MSC - BSS) interface; Layer 3 specification".
3GPP TS 48.008 (Rel-4 onwards): "Mobile-services Switching Centre - Base Station System (MSC - BSS) interface Layer 3 specification".
- [61] 3GPP TS 08.58 (Ph2 to R99): "Base Station Controller - Base Transceiver Station (BSC - BTS) interface; Layer 3 specification".
3GPP TS 48.058 (Rel-4 onwards): "Base Station Controller - Base Transceiver Station (BSC - BTS) interface; Layer 3 specification".

- [62] 3GPP TS 09.02 (Ph2 to R98): "Mobile Application Part (MAP) specification".
3GPP TS 29.002 (R99 onwards): "Mobile Application Part (MAP) specification".
- [63] 3GPP TS 51.010-1: "Mobile Station (MS) conformance specification; Part 1: Conformance specification".
- [64] 3GPP TS 51.010-2: "Mobile Station (MS) conformance specification; Part 2: Protocol Implementation Conformance Statement (PICS) proforma".
- [65] 3GPP TS 11.11 (Ph2 to R99): "Specification of the Subscriber Identity Module - Mobile Equipment (SIM - ME) interface".
3GPP TS 51.011 (Rel-4 onwards): "Specification of the Subscriber Identity Module - Mobile Equipment (SIM - ME) interface".
- [66] 3GPP TS 02.87 (R98): "User-to-User Signalling (UUS); Service description; Stage 1".
3GPP TS 22.087 (R99 onwards): "User-to-User Signalling (UUS); Service description; Stage 1".
- [67] 3GPP TS 22.094 (R99 onwards): "Follow Me Service description; Stage 1".
- [68] 3GPP TS 03.87 (R98): "User-to-User Signalling (UUS) Supplementary Service; Stage 2".
3GPP TS 23.087 (R99 onwards): "User-to-User Signalling (UUS) Supplementary Service; Stage 2".
- [69] 3GPP TS 23.094 (R99 onwards): "Follow-Me (FM); Stage 2".
- [70] 3GPP TS 04.87 (R98): "User-to-User Signalling (UUS) Supplementary Service; Stage 3".
3GPP TS 24.087 (R99 onwards): "User-to-User Signalling (UUS) Supplementary Service; Stage 3".
- [71] 3GPP TS 04.18 (R99): "Mobile radio interface layer 3 specification; Radio Resource Control Protocol" (see note 1).
3GPP TS 44.018 (Rel-4 onwards): "Mobile radio interface layer 3 specification; Radio Resource Control Protocol" (see note 1).

NOTE 1: From Rel-4 onwards, references to 3GPP TS 04.08 are replaced by references to 3GPP TS 44.018 (for RR) and 3GPP TS 24.008 (for CN).

3 Definitions and abbreviations

3.1 Definitions

For the purposes of the present document, the following terms and definitions apply:

Abstract Test Suite (ATS): See ISO/IEC 9646-1 [1].

Implementation Under Test (IUT): See ISO/IEC 9646-1 [1].

Partial Protocol Implementation eXtra Information for Testing (IXIT): See ISO/IEC 9646-1 [1].

Point of Controls and Observations (PCO): See ISO/IEC 9646-1 [1].

Protocol Implementation Conformance Statement (ICS): See ISO/IEC 9646-1 [1].

System Under Test (SUT): See ISO/IEC 9646-1 [1].

3.2 Abbreviations

For the purposes of the present document, the following abbreviations apply:

| | |
|-------|--|
| ATS | Abstract Test Suite |
| BI | Invalid Behaviour tests |
| BO | Inopportune Behaviour tests |
| BV | Valid Behaviour tests |
| CA | CApability tests |
| EDP-N | Event Detection Point - Notification |
| EDP-R | Event Detection Point - Request |
| FE | Functional Entity |
| FSM | Finite State Machine |
| ICS | Implementation Conformance Statement |
| IUT | Implementation Under Test |
| IXIT | Implementation eXtra Information for Testing |
| PDU | Protocol Data Unit |
| SUT | System Under Test |
| TP | Test Purpose |
| TSS | Test Suite Structure |

4 Test Suite Structure (TSS)

4.1 Test suite naming convention

The test group identifier for each group and subgroup is built according to the scheme in figure 1.

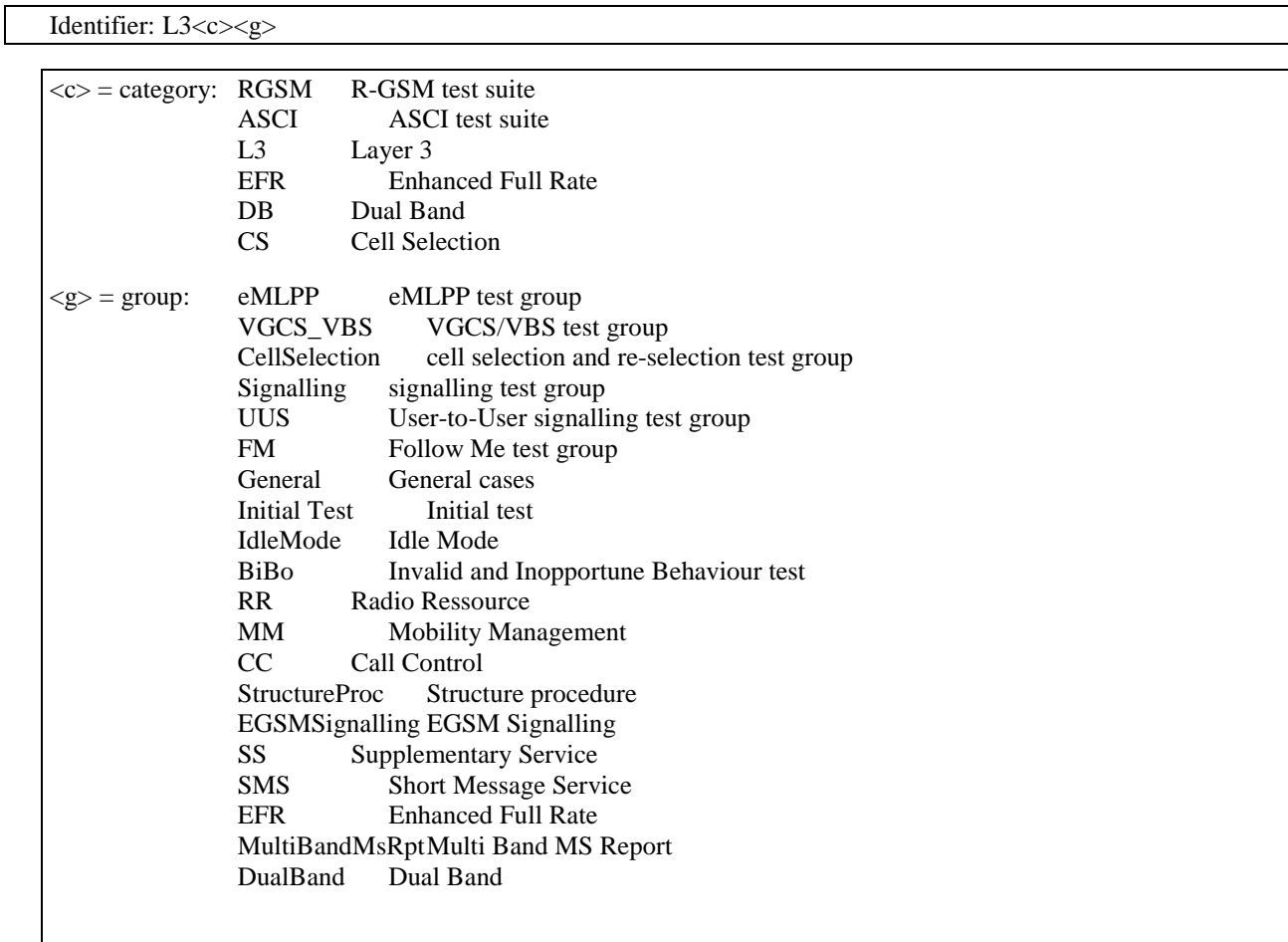


Figure 1: Test group identifier naming convention scheme

4.2 Suite Overview

Figure 2 shows the structure of the test suites in the present document.

| ATSS | | | | | |
|---------------|---------------|----------------|---------------|-------------|------------------------------------|
| L3 Phase 2 | CS Phase 2 | EFR Phase 2 | DB Phase 2 | RGSM R96 | ASCI R96 |
| | | | | | ASCI User-to-Dispatcher Rel4 |
| | | | | | UUS & FM R99 |

Figure 2: Test suite structure of the L3 tests

4.3 Test groups

Each test group corresponds to a clause in the 3GPP TS 11.10-1.

4.4 Test Step Structure

4.4.1 Preambles

The preamble is defined for each test case.

4.4.2 Postambles

After each test case the IUT shall be brought to the state as defined in the postamble for each test case.

5 Test Purposes (TP)

For each conformance requirement a Test Purpose (TP) is defined. The test purposes are specified in the ATS Dynamic part (annex A and C).

5.1 TP and test case naming convention

In order clearly to map the conformance requirements specified in the 3GPP TS 51.010-1/3GPP TS 11.10-1 and TTCN test cases in the ATS, the clause numbers in the 3GPP TS 51.010-1/3GPP TS 11.10-1 are used as test case names.

The identifier of each TP is identical to the name of the implemented TTCN test case.

"Test Purpose Identifier" = "Test Case Name" = TPI = TC_NN_A_B_C_D_E, where NN, A, B, C, D and E are digits used in the corresponding clause numbers of 3GPP TS 51.010-1/3GPP TS 11.10-1. For example, the test case name TC_26_14_1_2 is the TTCN specification corresponding to the conformance requirements and the test case in the clause 26.14.1.2 in the 3GPP TS 51.010-1/3GPP TS 11.10-1. TC_26_10_2_1R is the TTCN specification corresponding to the conformance requirements and the test case of the R-GSM part in the clause 26.10.2.1 in the 3GPP TS 51.010-1/3GPP TS 11.10-1.

In case where the clause has been implemented in more than one test case sub numbering has been introduced.

6 Abstract test method and test configurations

The distributed test method applies to the L3 MS testing. The test method uses a lower tester and a Man-Machine Interface (MMI) as an upper tester at the SUT.

6.1 Test system model

The model of the L3 test system is based on the original protocol architecture at the air interface. The test system consists conceptually of a lower tester LT, the L3 test programme (executable test suite), a L2 radio link emulator, a management functional unit, the L1 service provider and a TRx set (see figure 1).

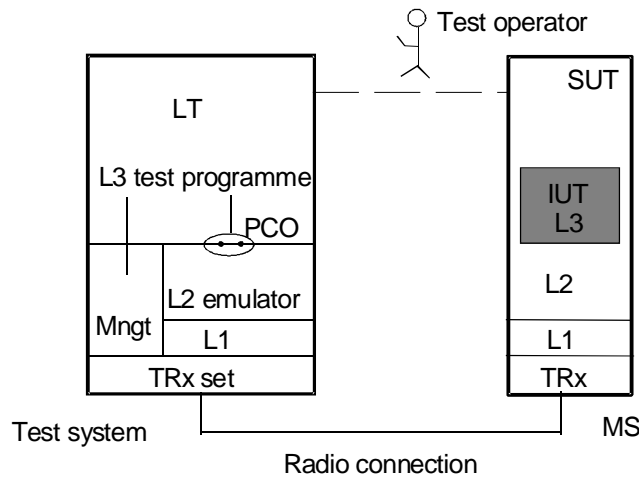


Figure 3: Test system and distributed test method

The LT provides the test environment and for test execution and the means of control and observation at the L3 lower service boundary within the test system.

The L3 TTCN test specification uses the three LT interfaces to communicate with the MS, the system under test, and with the other parts of the test system:

- Interface to the L2 emulator via the PCO;
- Interface to the management functional unit via TTCN test suite operations;
- Interface to the MS Man-Machine Interface (MMI) via a test operator.

6.2 Test Method

The PCO in the LT is defined as L2 SAP (SAP 0 + 3). The PCO has two FIFO queues (data buffers) to store all sending and receiving test events. The L2 primitives in the ATS which constitute mainly the interface to the L2 emulator are specified via the L2 primitives. In order to simulate multicell testing as required in some test cases, the defined primitives are able to address individual cells of the test system and the logic channels of each cell for the L3 message exchanges. The L2 emulator together with the underlying L1 and the TRx set support all message exchanges via correct radio links.

The management function unit has three management functions:

- L2 and L1 management;
- Channel management;
- TRx management.

The interface to the management function unit is presented in the ATS via a set of test suite operations. The major functions of the test suite management operations are:

- To load configuration parameters necessary for the test system.
- To control and get the necessary values of radio resources/ channels for tests.

The SUT (MS) has a more or less standardized MMI, such as keys, digital display, tones, etc. The ATS uses such kind of functions to provoke some procedures or to observe simple results at the SUT side. A human operator is needed during the test. The test system shall have an interface to the human operator to enable the test co-ordination.

Annex A (normative): Partial IXIT proforma

| |
|--|
| Notwithstanding the provisions of the copyright clause related to the text of the present document, 3GPP grants that users of the present document may freely reproduce the PIXIT proforma in this annex so that it can be used for its intended purposes and may further publish the completed PIXIT. |
|--|

A.0 Introduction

This partial IXIT proforma contained in the present document, after augmented by the Test Realizer, is proposed to be provided to the client for completion, when the related Abstract Test Suite is to be used against client's Implementation Under Test (IUT).

Text in *italics* is comments for guidance for the production of a IXIT, and is not to be included in the actual IXIT.

The completed IXIT will normally be used in conjunction with the completed ICS, as it adds precision to the information provided by the ICS.

A.1 Identification Summary

This table is completed by the test laboratory. The item "Contract References" is optional.

Table 1: Identification Summary

| | |
|----------------------------|--|
| IXIT Reference Number | |
| Test Laboratory Name | |
| Date of Issue | |
| Issued to (name of client) | |
| Contract References | |

A.2 Abstract Test Suite Summary

In the following table the test laboratory provides the version number of the protocol specification and the version number of ATS which are used in the conformance testing.

Table 2: ATS Summary

| | |
|-----------------------------------|----------------------------------|
| Protocol Specification | EN 300 557 |
| Version of Protocol Specification | |
| TSS & TP Specification | 3GPP TS 51.010-1/3GPP TS 11.10-1 |
| Version of TSS & TP Specification | |
| ATS Specification | 3GPP TS 51.010-3/3GPP TS 11.10-3 |
| Version of ATS Specification | |
| Abstract Test Method | Distributed Test Method |

A.3 Test Laboratory

A.3.1 Test Laboratory Identification

The test laboratory provides the following information.

Table 3: Test Laboratory Identification

| | |
|-------------------------|--|
| Name of Test Laboratory | |
| Postal Address | |
| Office address | |
| e-mail address | |
| Telephone Number | |
| FAX Number | |

A.3.2 Accreditation status of the test service

The test laboratory provides the following information.

Table 4: Accreditation status of the test service

| | |
|-------------------------|--|
| Accreditation status | |
| Accreditation Reference | |

A.3.3 Manager of Test Laboratory

The test laboratory provides the information about the manager of test laboratory in the following table.

Table 5: Manager of Test Laboratory

| | |
|------------------------------------|--|
| Name of Manager of Test Laboratory | |
| e-mail address | |
| Telephone Number | |
| FAX Number | |
| E-mail Address | |

A.3.4 Contact person of Test Laboratory

The test laboratory provides the information about the contact person of test laboratory in the following table.

Table 6: Contact person of Test Laboratory

| | |
|------------------------------------|--|
| Name of Contact of Test Laboratory | |
| e-mail address | |
| Telephone Number | |
| FAX Number | |
| E-mail Address | |

A.3.5 Means of Testing

In the table below, the test laboratory provides a statement of conformance of the Means Of Testing (MOT) to the reference standardized ATS, and identifies all restrictions for the test execution required by the MOT beyond those stated in the reference standardized ATS.

Table 7: Means of Testing

| Means of Testing |
|------------------|
|------------------|

A.3.6 Instructions for Completion

In this table, the test laboratory provides any specific instructions necessary for completion and return of the proforma from the client.

Table 8: Instruction for Completion

| Instructions for Completion |
|-----------------------------|
| |

A.4 Client

A.4.1 Client Identification

The client provides the identification in the following table.

Table 9: Client Identification

| | |
|------------------|--|
| Name of Client | |
| Postal Address | |
| Office Address | |
| Telephone Number | |
| FAX Number | |

A.4.2 Client Test Manager

In this table the client provides information about the test manager.

Table 10: Client Test Manager

| | |
|-----------------------------|--|
| Name of Client Test Manager | |
| Telephone Number | |
| FAX Number | |
| E-mail Address | |

A.4.3 Client Contact person

In this table the client provides information about the test contact person.

Table 11: Client Contact person

| | |
|-------------------------------|--|
| Name of Client contact person | |
| Telephone Number | |
| FAX Number | |
| E-mail Address | |

A.4.4 Test Facilities Required

In the following table, the client records the particular facilities required for testing, if a range of facilities is provided by the test laboratory.

Table 12: Test Facilities Required

| Test Facilities Required |
|--------------------------|
|--------------------------|

A.5 System Under Test

A.5.1 SUT Information

The client provides information about the SUT in the table below.

Table 13: SUT Information

| | |
|---------------------------------|--|
| System Name | |
| System Version | |
| SCS Reference | |
| Machine Configuration | |
| Operating System Identification | |
| IUT Identification | |
| ICS Reference for the IUT | |

A.5.2 Limitations of the SUT

In the table below, the client provides information explaining if any of the abstract tests cannot be executed.

Table 14: Limitation of the SUT

| Limitations of the SUT |
|------------------------|
| |

A.5.3 Environmental Conditions

In the table below the client provides information about any tighter environmental conditions for the correct operation of the SUT.

Table 15: Environmental Conditions

| Environmental Conditions |
|--------------------------|
| |

A.6 Ancillary Protocols

This clause is completed by the client in conjunction with the test laboratory.

In the following tables, the client identifies relevant information concerning each ancillary protocol in the SUT other than the IUT itself. One table for one ancillary protocol.

Based on the MOT the test laboratory should create question proforma for each ancillary protocol in the blank space following each table. The information required is dependent on the MOT and the SUT, and covers all the addressing, parameter values, timer values and facilities (relevant to ENs) as defined by the ICS for the ancillary protocol.

A.6.1 Ancillary Protocols 1

Table 16: Ancillary Protocol 1

| | |
|---------------------------|--------|
| Protocol Name | EN 300 |
| Version number | |
| ICS Reference (optional) | |
| IXIT Reference (optional) | |
| PCTR Reference (optional) | |

A.6.2 Ancillary Protocols 2

Table 17: Ancillary Protocol 2

| | |
|---------------------------|--------|
| Protocol Name | EN 300 |
| Version number | |
| ICS Reference (optional) | |
| IXIT Reference (optional) | |
| PCTR Reference (optional) | |

A.7 Protocol Layer Information for L3 of Mobile Station

A.7.1 Information provided for test purposes by the MS supplier

| Item | Description | Type/Allowed values | Supported Value | Release |
|--------------------------|---|---------------------|-----------------|---------|
| TSPC_24DataF | 2.4 k full rate data mode supported – must be TRUE if TSPC_24DataH = TRUE | BOOLEAN | | Phase 2 |
| TSPC_24DataH | 2.4 k half rate data mode supported | BOOLEAN | | Phase 2 |
| TSPC_48DataF | 4.8 k full rate data mode supported– must be TRUE if TSPC_48DataH = TRUE | BOOLEAN | | Phase 2 |
| TSPC_48DataH | 4.8 k half rate data mode supported | BOOLEAN | | Phase 2 |
| TSPC_96Data | 9.6 k full rate data mode supported | BOOLEAN | | Phase 2 |
| TSPC_Feat_A51 | ciphering algorithm A5/1 supported | BOOLEAN | | Phase 2 |
| TSPC_Feat_A52 | ciphering algorithm A5/2 supported | BOOLEAN | | Phase 2 |
| TSPC_AddCharSet | A, B, C, D chars supported | BOOLEAN | | Phase 2 |
| TSPC_AddInfo_PseudoSynch | Pseudo synchronized supported | BOOLEAN | | Phase 2 |
| TSPC_AlertInd | alerting indication to the user supported | BOOLEAN | | Phase 2 |
| TSPC_SvcOnTCH | at least one service on traffic channel supported | BOOLEAN | | Phase 2 |
| TSPC_SMS | at least one short message service supported | BOOLEAN | | Phase 2 |
| TSPC_SS | at least one supplementary service supported | BOOLEAN | | Phase 2 |
| TSPC_AutoAutoMode | automatically enter automatic selection of PLMN mode supported | BOOLEAN | | Phase 2 |
| TSPC_BasCharSet | Chars 0-9, *, # supported | BOOLEAN | | Phase 2 |
| TSPC_CalledNumDisp | called number display supported | BOOLEAN | | Phase 2 |
| TSPC_DCS | testing DCS1 800 | BOOLEAN | | Phase 2 |
| TSPC_DetachOnPwrDn | detach on power down supported | BOOLEAN | | Phase 2 |
| TSPC_DetachOnSIMRmv | detach on SIM remove supported | BOOLEAN | | Phase 2 |
| TSPC_DisprcvSMS | display of received SMS supported | BOOLEAN | | Phase 2 |
| TSPC_DualRate | dual rate channel types supported | BOOLEAN | | Phase 2 |
| TSPC_EGSM | both standard (PGSM) and extended GSM band supported | BOOLEAN | | Phase 2 |
| TSPC_EmgOnly | the only circuit switched basic service is emergency call | BOOLEAN | | Phase 2 |
| TSPC_followOnReq | follow-on request procedure supported | BOOLEAN | | Phase 2 |
| TSPC_HalfRateData | at least one half rate data supported | BOOLEAN | | Phase 2 |
| TSPC_HalfRateSpeech | half rate speech mode supported | BOOLEAN | | Phase 2 |
| TSPC_InCallMod | In-Call modification supported | BOOLEAN | | Phase 2 |
| TSPC_NoimmConn | at least one service not support immediate connection | BOOLEAN | | Phase 2 |
| TSPC_Feat_FND | FND feature supported | BOOLEAN | | Phase 2 |
| TSPC_NonCallSS | non call related supplementary service supported | BOOLEAN | | Phase 2 |
| TSPC_MTsvc | at least one MT circuit switched basic service supported | BOOLEAN | | Phase 2 |
| TSPC_MOsvc | at least one MO circuit switched basic service supported | BOOLEAN | | Phase 2 |

| Item | Description | Type/Allowed values | Supported Value | Release |
|-----------------------|---|---------------------|-----------------|---------|
| TSPC_PGSM | only standard GSM band supported | BOOLEAN | | Phase 2 |
| TSPC_RefusalCall | refusal of call supported | BOOLEAN | | Phase 2 |
| TSPC_ReplaceSMS | replace SMS supported | BOOLEAN | | Phase 2 |
| TSPC_ReplyProc | (SMS) reply procedures supported | BOOLEAN | | Phase 2 |
| TSPC_RFamp | RF amplification supported | BOOLEAN | | Phase 2 |
| TSPC_SDCCHOnly | only SDCCH supported | BOOLEAN | | Phase 2 |
| TSPC_Serv_SS_AoCC | Advice of Charge (Charging) SS supported | BOOLEAN | | Phase 2 |
| TSPC_Serv_SS_BAIC | Barring of All Incoming Calls SS supported | BOOLEAN | | Phase 2 |
| TSPC_Serv_SS_BI | BI SS supported | BOOLEAN | | Phase 2 |
| TSPC_Serv_SS_BICRoam | Barring of Incoming Calls when Roaming Outside the Home PLMN Country SS supported | BOOLEAN | | Phase 2 |
| TSPC_Serv_SS_BAOC | Barring of all Outgoing Calls SS supported | BOOLEAN | | Phase 2 |
| TSPC_Serv_SS_BOIC | Barring of Outgoing International Calls SS supported | BOOLEAN | | Phase 2 |
| TSPC_Serv_SS_BOICexHC | Barring of Outgoing International Calls except those directed to the Home PLMN Country SS supported | BOOLEAN | | Phase 2 |
| TSPC_Serv_SS_CFB | Call Forwarding on Mobile Subscriber Busy SS supported | BOOLEAN | | Phase 2 |
| TSPC_Serv_SS_CFNRY | Call Forwarding on No Reply SS supported | BOOLEAN | | Phase 2 |
| TSPC_Serv_SS_CFNRC | Call Forwarding on Mobile Subscriber Not Reachable SS supported | BOOLEAN | | Phase 2 |
| TSPC_Serv_SS_CFU | Call Forwarding Unconditional SS supported | BOOLEAN | | Phase 2 |
| TSPC_Serv_SS_HOLD | Call Hold SS supported | BOOLEAN | | Phase 2 |
| TSPC_Serv_SS_MPTY | multiparty SS supported | BOOLEAN | | Phase 2 |
| TSPC_Serv_SS_unstruct | USSD supported | BOOLEAN | | Phase 2 |
| TSPC_Serv_TS11 | telephony supported | BOOLEAN | | Phase 2 |
| TSPC_Serv_TS12 | emergency call supported | BOOLEAN | | Phase 2 |
| TSPC_Serv_TS21 | SMS MT/PP supported | BOOLEAN | | Phase 2 |
| TSPC_Serv_TS22 | SMS MO/PP supported | BOOLEAN | | Phase 2 |
| TSPC_Serv_TS23 | SMS cell broadcast supported | BOOLEAN | | Phase 2 |
| TSPC_Serv_TS61 | alternate speech and G3 fax (TS61) supported | BOOLEAN | | Phase 2 |
| TSPC_Serv_TS62 | automatic G3 fax (TS62) supported | BOOLEAN | | Phase 2 |
| TSPC_Serv_BS21 | data circuit duplex async 300 bit/s supported | BOOLEAN | | Phase 2 |
| TSPC_Serv_BS22 | data circuit duplex async 1 200 bit/s supported | BOOLEAN | | Phase 2 |
| TSPC_Serv_BS23 | data circuit duplex async 1 200/75 bit/s supported | BOOLEAN | | Phase 2 |
| TSPC_Serv_BS24 | data circuit duplex async 2 400 bit/s supported | BOOLEAN | | Phase 2 |
| TSPC_Serv_BS25 | data circuit duplex async 4 800 bit/s supported | BOOLEAN | | Phase 2 |
| TSPC_Serv_BS26 | data circuit duplex async 9 600 bit/s supported | BOOLEAN | | Phase 2 |
| TSPC_Serv_BS31 | data circuit duplex sync 1 200 bit/s supported | BOOLEAN | | Phase 2 |
| TSPC_Serv_BS32 | data circuit duplex sync 2 400 bit/s supported | BOOLEAN | | Phase 2 |
| TSPC_Serv_BS33 | data circuit duplex sync 4 800 bit/s supported | BOOLEAN | | Phase 2 |

| Item | Description | Type/Allowed values | Supported Value | Release |
|-----------------------------------|---|---------------------|-----------------|---------|
| TSPC_Serv_BS34 | data circuit duplex sync 9 600 bit/s supported | BOOLEAN | | Phase 2 |
| TSPC_Serv_BS41 | PAD access 300 bit/s supported | BOOLEAN | | Phase 2 |
| TSPC_Serv_BS42 | PAD access 1 200 bit/s supported | BOOLEAN | | Phase 2 |
| TSPC_Serv_BS43 | PAD access 1 200/75 bit/s supported | BOOLEAN | | Phase 2 |
| TSPC_Serv_BS44 | PAD access 2 400 bit/s supported | BOOLEAN | | Phase 2 |
| TSPC_Serv_BS45 | PAD access 4 800 bit/s supported | BOOLEAN | | Phase 2 |
| TSPC_Serv_BS46 | PAD access 9 600 bit/s supported | BOOLEAN | | Phase 2 |
| TSPC_Serv_BS51 | packet access 2 400 bit/s supported | BOOLEAN | | Phase 2 |
| TSPC_Serv_BS52 | packet access 4 800 bit/s supported | BOOLEAN | | Phase 2 |
| TSPC_Serv_BS53 | packet access 9 600 bit/s supported | BOOLEAN | | Phase 2 |
| TSPC_Serv_BS61 | alternate speech/data (BS61) supported | BOOLEAN | | Phase 2 |
| TSPC_Serv_BS81 | speech followed data (BS81) supported | BOOLEAN | | Phase 2 |
| TSPC_SMSStatusRepCap | SMS status report capabilities supported | BOOLEAN | | Phase 2 |
| TSPC_StoreRcvSMSME | Storage of received SMS in ME supported | BOOLEAN | | Phase 2 |
| TSPC_StoreRcvSMSSIM | Storage of received SMS in SIM supported | BOOLEAN | | Phase 2 |
| TSPC_SIMRmv | SIM removable without power down supported | BOOLEAN | | Phase 2 |
| TSPC_SwitchOnOff | switch on/off supported | BOOLEAN | | Phase 2 |
| TSPC_TranspDataOnly | only transparent data service supported | BOOLEAN | | Phase 2 |
| TSPC_CC | CC protocol for at least one BC supported | BOOLEAN | | Phase 2 |
| TSPC_TeleSvc | at least one teleservice supported | BOOLEAN | | Phase 2 |
| TSPC_EFR | Set to TRUE for EFR MS which supports any EFR features and FALSE otherwise | BOOLEAN | | Phase 2 |
| TSPC_EFR_Speech_v2 | Set to TRUE for EFR MS which supports EFR Speech Version 2 and FALSE otherwise | BOOLEAN | | Phase 2 |
| TSPC_EFR_Speech_v3 | Set to TRUE for EFR MS which supports EFR Speech Version 3 and FALSE otherwise | BOOLEAN | | Phase 2 |
| TSPC_EFR_EmgCallBcap | Set to TRUE if received ESETUP message contains bearer capability IE, otherwise FALSE | BOOLEAN | | Phase 2 |
| TSPC_FullRateSpeech | full rate speech mode supported – must be TRUE if TSPC_HalfRateSpeech = TRUE | BOOLEAN | | Phase 2 |
| TSPC_FullRateOnly | only full rate channel type supported | BOOLEAN | | Phase 2 |
| TSPC_StoredListCellSel | Stored List Cell Selection supported | BOOLEAN | | Phase 2 |
| TSPC_RGSM | both standard and R- GSM band supported | BOOLEAN | | R96 |
| TSPC_VGCS_Listening | VGCS listening supported | BOOLEAN | | R96 |
| TSPC_VGCS_Talking | VGCS talking supported | BOOLEAN | | R96 |
| TSPC_VGCS_Originating | VGCS call originating supported | BOOLEAN | | R96 |
| TSPC_VBS_Listening | VBS listening supported | BOOLEAN | | R96 |
| TSPC_VBS_Originating | VBS call originating supported | BOOLEAN | | R96 |
| TSPC_Reduced_Monitoring | Reduced monitoring on NCH supported | BOOLEAN | | R96 |
| TSPC_MonitorPCH_GroupTransmitMode | Monitor PCH in group transmit mode supported | BOOLEAN | | R96 |
| TSPC_Serv_SS_eMLPP | eMLPP service supported | BOOLEAN | | R96 |

| Item | Description | Type/Allowed values | Supported Value | Release |
|---------------------------------|--|---------------------|-----------------|---------|
| TSPC_Serv_SS_CallWaiting | Call waiting SS supported | BOOLEAN | | R96 |
| TSPC_Serv_SS_UUS | User-to-User Signalling | BOOLEAN | | R99 |
| TSPC_Serv_SS_ImpUUS1 | Implicit UUS1 | BOOLEAN | | R99 |
| TSPC_Serv_SS_Send_UUS1_ALERTING | Sending of implicit UUS1 in the ALERTING message | BOOLEAN | | R99 |
| TSPC_Serv_SS_Send_UUS1_CONNECT | Sending of implicit UUS1 in the ALERTING message | BOOLEAN | | R99 |
| TSPC_Serv_SS_FollowMe | Follow Me | BOOLEAN | | R99 |
| TSPC_Serv_UTDI | User-to-Dispatcher Information | BOOLEAN | | Rel4 |
| TSPC_Serv_Compr_UTDI | Compressed User-to-Dispatcher | BOOLEAN | | Rel4 |
| TSPX_TE_stopbit | Terminal Equipment configuration number stop bits. default value: '0'B, 1 bit | BITSTRING[1] | | Phase 2 |
| TSPX_TE_databit | Terminal Equipment configuration number data bits. '0'B, 7bits, '1'B, 8bits - default value: '1'B, 8 bits | BITSTRING[1] | | Phase 2 |
| TSPX_TE_FLCT | Terminal Equipment flow control. Type of flow control. 0-outband flow control, 1-inband flow control, 2-no flow control. default: 0, outband flow control | 0, 1, 2 | | Phase 2 |
| TSPX_TE_parity | Terminal Equipment configuration parity. 000=odd, 010=even, 011=none, 100=forced to 0, 101=forced to 1. default: '001'B, no parity | BITSTRING[3] | | Phase 2 |
| TSPX_BS_21_itc1 | Information Transfer Capability value supported for BS21 (async data 300bit/s). default value: '001'B, Unrestricted Digital Information | BITSTRING[3] | | Phase 2 |
| TSPX_BS_21_more_itc | more than one Information Transfer Capability value supported by BS21 (async data 300bit/s). default value: FALSE, only one itc | BOOLEAN | | Phase 2 |
| TSPX_BS_21_T_NT | both Transparent and Non-Transparent supported by BS21 (async data 300bit/s). default value: FALSE, not support both transparent and non transparent modes | BOOLEAN | | Phase 2 |
| TSPX_BS_21_ce | BS21 (async data 300bit/s). Connection Element value used in MO call and if the answer to TSPX_BS_21_T_NT is FALSE, the manufacturer must precise which mode is supported by the MS. default value: '00'B, transparent mode | BITSTRING[2] | | Phase 2 |
| TSPX_BS_21_sacp | BS21 (async data 300bit/s). Signalling Access Protocol value used in MO call. default value: '001'B, 1440/450 | BITSTRING[3] | | Phase 2 |
| TSPX_BS_21_itc2 | other Information Transfer Capability value supported by BS21 (async data 300bit/s), it shall be different from the previous one if the answer to TSPX_BS_21_more_itc is TRUE. default value: '001'B, Unrestricted Digital Information | BITSTRING[3] | | Phase 2 |

| Item | Description | Type/Allowed values | Supported Value | Release |
|---------------------|--|---------------------|-----------------|---------|
| TSPX_BS_22_itc1 | Information Transfer Capability value supported by BS22(async data 1200bit/s). default value: '010'B, 3.1kHz audio, exPLMN | BITSTRING[3] | | Phase 2 |
| TSPX_BS_22_more_itc | more than one Information Transfer Capability value supported by BS22(async data 1200bit/s). default value: FALSE, only one itc | BOOLEAN | | Phase 2 |
| TSPX_BS_22_T_NT | both Transparent and Non-Transparent supported by BS22(async data 1200bit/s). default value: FALSE, not support both transparent and non transparent modes | BOOLEAN | | Phase 2 |
| TSPX_BS_22_ce | BS22(async data 1200bit/s) Connection Element value used in MO call and if the answer to TSPX_BS_22_T_NT is FALSE, the manufacturer must precise which mode is supported by the MS. default value: '01'B, non transparent | BITSTRING[2] | | Phase 2 |
| TSPX_BS_22_sacp | BS22(async data 1200bit/s) Signalling Access Protocol value used in MO call. default value: '001'B, 1440/450 | BITSTRING[3] | | Phase 2 |
| TSPX_BS_22_itc2 | other Information Transfer Capability value supported by BS22(async data 1200bit/s), it shall be different from the previous one if the answer to TSPX_BS_22_more_itc is TRUE. default value: '010'B, 3.1kHz audio, exPLMN | BITSTRING[3] | | Phase 2 |
| TSPX_BS_23_itc | Information Transfer Capability value supported by BS23(async 1200/75 bit/s). default value: '010'B, 3.1kHz audio, exPLMN | BITSTRING[3] | | Phase 2 |
| TSPX_BS_23_T_NT | both Transparent and Non-Transparent supported for BS23(async 1200/75 bit/s). default value: FALSE, not support both transparent and non transparent modes | BOOLEAN | | Phase 2 |
| TSPX_BS_23_ce | BS23(async 1200/75 bit/s) Connection Element value used in MO call. default value: '00'B, transparent | BITSTRING[2] | | Phase 2 |
| TSPX_BS_23_sacp | BS23(async 1200/75 bit/s) Signalling Access Protocol value used in MO call. default value: '001'B, 1440/450 | BITSTRING[3] | | Phase 2 |
| TSPX_BS_24_itc1 | Information Transfer Capability value supported by BS24(async 2400 bit/s). default value: '010'B, 3.1kHz audio, exPLMN | BITSTRING[3] | | Phase 2 |
| TSPX_BS_24_more_itc | more than one Information Transfer Capability value supported by BS24(async 2400 bit/s). default value: FALSE, only one itc | BOOLEAN | | Phase 2 |

| Item | Description | Type/Allowed values | Supported Value | Release |
|---------------------|--|---------------------|-----------------|---------|
| TSPX_BS_24_T_NT | both Transparent and Non-Transparent supported by BS24(async 2400 bit/s). default value: FALSE, not support both transparent and non transparent modes | BOOLEAN | | Phase 2 |
| TSPX_BS_24_ce | BS24(async 2400 bit/s) Connection Element value used in MO call and if the answer to TSPX_BS_24_T_NT is FALSE, the manufacturer must precise which mode is supported by the MS. default value: '00'B, transparent | BITSTRING[2] | | Phase 2 |
| TSPX_BS_24_sacp | BS24(async 2400 bit/s) Signalling Access Protocol value used in MO call. default value: '001'B, I440/450 | BITSTRING[3] | | Phase 2 |
| TSPX_BS_24_itc2 | other Information Transfer Capability value supported by BS24(async 2400 bit/s), it shall be different from the previous one if the answer to TSPX_BS_24_more_itc is TRUE. default value: '010'B, 3.1kHz audio, exPLMN | BITSTRING[3] | | Phase 2 |
| TSPX_BS_25_itc1 | Information Transfer Capability value supported by BS25(async 4800 bit/s). default value: '001'B, Unrestricted Digital Information | BITSTRING[3] | | Phase 2 |
| TSPX_BS_25_more_itc | more than one Information Transfer Capability value supported by BS25(async 4800 bit/s). default value: FALSE, only one itc | BOOLEAN | | Phase 2 |
| TSPX_BS_25_T_NT | both Transparent and Non-Transparent supported by BS25(async 4800 bit/s). default value: FALSE, not support both transparent and non transparent modes | BOOLEAN | | Phase 2 |
| TSPX_BS_25_ce | BS25(async 4800 bit/s) Connection Element value used in MO call and if the answer to TSPX_BS_25_T_NT is FALSE, the manufacturer must precise which mode is supported by the MS. default value: '00'B, transparent | BITSTRING[2] | | Phase 2 |
| TSPX_BS_25_sacp | BS25(async 4800 bit/s) Signalling Access Protocol value used in MO call. default value: '001'B, I440/450 | BITSTRING[3] | | Phase 2 |
| TSPX_BS_25_itc2 | other Information Transfer Capability value supported by BS25(async 4800 bit/s), it shall be different from the previous one if the answer to TSPX_BS_25_more_itc is TRUE. default value: '001'B, Unrestricted Digital Information | BITSTRING[3] | | Phase 2 |
| TSPX_BS_26_itc1 | Information Transfer Capability value supported by BS26(async 9600 bit/s). default value: '010'B, 3.1kHz audio, exPLMN | BITSTRING[3] | | Phase 2 |

| Item | Description | Type/Allowed values | Supported Value | Release |
|----------------------|--|---------------------|-----------------|---------|
| TSPX_BS_26_more_itc | more than one Information Transfer Capability value supported by BS26(async 9600 bit/s). default value: FALSE, only one itc | BOOLEAN | | Phase 2 |
| TSPX_BS_26_T_NT | both Transparent and Non-Transparent supported by BS26(async 9600 bit/s). default value: FALSE, not support both transparent and non transparent modes | BOOLEAN | | Phase 2 |
| TSPX_BS_26_ce | BS26(async 9600 bit/s) Connection Element value used in MO call and if the answer to TSPX_BS_26_T_NT is FALSE, the manufacturer must precise which mode is supported by the MS. default value: '00'B, transparent | BITSTRING[2] | | Phase 2 |
| TSPX_BS_26_sacp | BS26(async 9600 bit/s) Signalling Access Protocol value used in MO call. default value: '001'B, I440/450 | BITSTRING[3] | | Phase 2 |
| TSPX_BS_26_itc2 | other Information Transfer Capability value supported by BS26, it shall be different from the previous one if the answer to TSPX_BS_26_more_itc is TRUE. default value: '010'B, 3.1kHz audio, exPLMN | BITSTRING[3] | | Phase 2 |
| TSPX_BS_31_more_itc | more than one Information Transfer Capability value supported by BS31(sync data 1200 bit/s). default value: FALSE, only one itc | BOOLEAN | | Phase 2 |
| TSPX_BS_31_more_sacp | more than one Signalling Access Protocol value supported by BS31(sync data 1200 bit/s). default value: FALSE, only one sacp | BOOLEAN | | Phase 2 |
| TSPX_BS_31_itc1 | Information Transfer Capability value supported by BS31(sync data 1200 bit/s). default value: '001'B, Unrestricted Digital Information | BITSTRING[3] | | Phase 2 |
| TSPX_BS_31_sacp1 | Signalling Access Protocol value supported by BS31(sync data 1200 bit/s). default value: '001'B, I440/450 | BITSTRING[3] | | Phase 2 |
| TSPX_BS_31_itc2 | other Information Transfer Capability value supported by BS31(sync data 1200 bit/s), it shall be different from the previous one if the answer to TSPX_BS_31_more_itc is TRUE. default value: '001'B, Unrestricted Digital Information | BITSTRING[3] | | Phase 2 |
| TSPX_BS_31_sacp2 | other Signalling Access Protocol value supported by BS31(sync data 1200 bit/s), it shall be different from the previous one if the answer to TSPX_BS_31_more_Signalling Access Protocol is TRUE. default value: '001'B, I440/450 | BITSTRING[3] | | Phase 2 |

| Item | Description | Type/Allowed values | Supported Value | Release |
|----------------------|--|---------------------|-----------------|---------|
| TSPX_BS_32_itc1 | Information Transfer Capability value supported by BS32(sync data 2400 bit/s). default value: '010'B, 3.1kHz audio, exPLMN | BITSTRING[3] | | Phase 2 |
| TSPX_BS_32_more_itc | more than one Information Transfer Capability value supported by BS32(sync data 2400 bit/s). default value: FALSE, only one itc | BOOLEAN | | Phase 2 |
| TSPX_BS_32_more_sacp | more than one Signalling Access Protocol value supported by BS32(sync data 2400 bit/s). default value: FALSE, only one sacp | BOOLEAN | | Phase 2 |
| TSPX_BS_32_sacp1 | Signalling Access Protocol value supported by BS32(sync data 2400 bit/s). default value: '110'B, X.32 | BITSTRING[3] | | Phase 2 |
| TSPX_BS_32_X32_T_NT | BS 32(sync data 2400 bit/s) both Transparent and Non-Transparent supported for X32 3.1kHz. default value: FALSE, not support both transparent and non transparent modes | BOOLEAN | | Phase 2 |
| TSPX_BS_32_X32_ce | BS32(sync data 2400 bit/s). If the answer to TSPX_BS_32_X32_T_NT is FALSE, the manufacturer must precise which mode is supported by the MS. Connection Element default value: '01'B, non transparent | BITSTRING[2] | | Phase 2 |
| TSPX_BS_32_itc2 | other Information Transfer Capability value supported by BS32(sync data 2400 bit/s), it shall be different from the previous one if the answer to TSPX_BS_32_more_itc is TRUE. default value: '010'B, 3.1kHz audio, exPLMN | BITSTRING[3] | | Phase 2 |
| TSPX_BS_32_sacp2 | other Signalling Access Protocol value supported by BS32(sync data 2400 bit/s), it shall be different from the previous one if the answer to TSPX_BS_32_more_sacp is TRUE. default value: '110'B, X.32 | BITSTRING[3] | | Phase 2 |
| TSPX_BS_33_itc1 | Information Transfer Capability value supported by BS33 (sync data 4800 bit/s). default value: '001'B, Unrestricted Digital Information | BITSTRING[3] | | Phase 2 |
| TSPX_BS_33_more_itc | more than one Information Transfer Capability value supported by BS33(sync data 4800 bit/s). default value: FALSE, only one itc | BOOLEAN | | Phase 2 |
| TSPX_BS_33_more_sacp | more than one Signalling Access Protocol value supported by BS33(sync data 4800 bit/s). default value: FALSE, only one sacp | BOOLEAN | | Phase 2 |
| TSPX_BS_33_sacp1 | Signalling Access Protocol value supported by BS33(sync data 4800 bit/s). default value: '010'B, X.21 | BITSTRING[3] | | Phase 2 |

| Item | Description | Type/Allowed values | Supported Value | Release |
|----------------------|--|---------------------|-----------------|---------|
| TSPX_BS_33_X32_T_NT | BS 33(sync data 4800 bit/s) both Transparent and Non-Transparent supported for X32 3.1kHz. default value: FALSE, not support both transparent and non transparent modes | BOOLEAN | | Phase 2 |
| TSPX_BS_33_X32_ce | BS33(sync data 4800 bit/s). If the answer to TSPX_BS_33_X32_T_NT is FALSE, the manufacturer must precise which mode is supported by the MS. Connection Element default value: '00'B, transparent | BITSTRING[2] | | Phase 2 |
| TSPX_BS_33_itc2 | other Information Transfer Capability value supported by BS33(sync data 4800 bit/s), it shall be different from the previous one if the answer to TSPX_BS_33_more_itc is TRUE. default value: '001'B, Unrestricted Digital Information | BITSTRING[3] | | Phase 2 |
| TSPX_BS_33_sacp2 | other Signalling Access Protocol value supported by BS33(sync data 4800 bit/s), it shall be different from the previous one if the answer to TSPX_BS_33_more_sacp is TRUE. default value: '010'B, X.21 | BITSTRING[3] | | Phase 2 |
| TSPX_BS_34_itc1 | Information Transfer Capability value supported by BS34(sync data 9600 bit/s). default value: '010'B, 3.1kHz audio, exPLMN | BITSTRING[3] | | Phase 2 |
| TSPX_BS_34_more_itc | more than one Information Transfer Capability value supported by BS34(sync data 9600 bit/s). default value: FALSE, only one itc | BOOLEAN | | Phase 2 |
| TSPX_BS_34_more_sacp | more than one Signalling Access Protocol value supported by BS34(sync data 9600 bit/s). default value: FALSE, only one sacp | BOOLEAN | | Phase 2 |
| TSPX_BS_34_sacp1 | Signalling Access Protocol value supported by BS34(sync data 9600 bit/s). default value: '001'B, I440/450 | BITSTRING[3] | | Phase 2 |
| TSPX_BS_34_X32_T_NT | BS 34(sync data 9600 bit/s) both Transparent and Non-Transparent supported for X32 3.1kHz. default value: FALSE, not support both transparent and non transparent modes | BOOLEAN | | Phase 2 |
| TSPX_BS_34_X32_ce | BS34(sync data 9600 bit/s). If the answer to TSPX_BS_34_X32_T_NT is FALSE, the manufacturer must precise which mode is supported by the MS. Connection Element default value: '00'B, transparent | BITSTRING[2] | | Phase 2 |

| Item | Description | Type/Allowed values | Supported Value | Release |
|------------------|--|---------------------|-----------------|---------|
| TSPX_BS_34_itc2 | other Information Transfer Capability value supported by BS34(sync data 9600 bit/s), it shall be different from the previous one if the answer to TSPX_BS_34_more_itc is TRUE. default value: '010'B, 3.1kHz audio, exPLMN | BITSTRING[3] | | Phase 2 |
| TSPX_BS_34_sacp2 | other Signalling Access Protocol value supported by BS34(sync data 9600 bit/s), it shall be different from the previous one if the answer to TSPX_BS_34_more_sacp is TRUE. default value: '001'B, I440/450 | BITSTRING[3] | | Phase 2 |
| TSPX_BS_41_T_NT | BS41(PAD access 300 bit/s) both Transparent and Non-Transparent supported. default value: FALSE, not support both | BOOLEAN | | Phase 2 |
| TSPX_BS_41_ce | Connection Element value used in BS41(PAD access 300 bit/s) MO call. default value: '00'B, transparent | BITSTRING[2] | | Phase 2 |
| TSPX_BS_42_T_NT | BS42(PAD access 1200 bit/s) both Transparent and Non-Transparent supported. default value: FALSE, not support both transparent and non transparent modes | BOOLEAN | | Phase 2 |
| TSPX_BS_42_ce | Connection Element value used in BS42(PAD access 1200 bit/s) MO call. default value: '00'B, transparent | BITSTRING[2] | | Phase 2 |
| TSPX_BS_43_T_NT | BS43(PAD access 1200/75 bit/s) both Transparent and Non-Transparent supported. default value: FALSE, not support both transparent and non transparent modes | BOOLEAN | | Phase 2 |
| TSPX_BS_43_ce | Connection Element value used in BS43(PAD access 1200/75 bit/s) MO call. default value: '00'B, transparent | BITSTRING[2] | | Phase 2 |
| TSPX_BS_44_T_NT | BS44(PAD access 2400 bit/s) both Transparent and Non-Transparent supported. default value: FALSE, not support both transparent and non transparent modes | BOOLEAN | | Phase 2 |
| TSPX_BS_44_ce | Connection Element value used in BS44(PAD access 2400 bit/s) MO call. default value: '00'B, transparent | BITSTRING[2] | | Phase 2 |
| TSPX_BS_45_T_NT | BS45(PAD access 4800 bit/s) both Transparent and Non-Transparent supported. default value: FALSE, not support both transparent and non transparent modes | BOOLEAN | | Phase 2 |
| TSPX_BS_45_ce | Connection Element value used in BS45(PAD access 4800 bit/s) MO call. default value: '00'B, transparent | BITSTRING[2] | | Phase 2 |

| Item | Description | Type/Allowed values | Supported Value | Release |
|-----------------------|--|---------------------|-----------------|---------|
| TSPX_BS_46_T_NT | BS46(PAD access 9600 bit/s) both Transparent and Non-Transparent supported. default value: FALSE, not support both transparent and non transparent modes | BOOLEAN | | Phase 2 |
| TSPX_BS_46_ce | Connection Element value used in BS46(PAD access 9600 bit/s) MO call. default value: '00'B, transparent | BITSTRING[2] | | Phase 2 |
| TSPX_BS_61_S | synchronous data supported by BS 61(alternate speech/data). default value: TRUE, synchronous mode | BOOLEAN | | Phase 2 |
| TSPX_BS_61_S_more_ur | more than one user rate for synchronous data service supported by BS61(alternate speech/data). default value: FALSE, only one user rate | BOOLEAN | | Phase 2 |
| TSPX_BS_61_S_ur1 | user rate value supported for synchronous data service of BS61(alternate speech/data). default value: '0100'B, 4.8 kbit/s | BITSTRING[4] | | Phase 2 |
| TSPX_BS_61_S_ur2 | another user rate value supported for synchronous data service of BS61(alternate speech/data). it shall be different from the previous one if the answer to TSPX_BS_61_S_more_ur is TRUE. default value: '0100'B, 4.8 kbit/s | BITSTRING[4] | | Phase 2 |
| TSPX_BS_61_A | asynchronous data service supported by BS61(alternate speech/data). default value: TRUE, asynchronous | BOOLEAN | | Phase 2 |
| TSPX_BS_61_A_ur1 | user rate value supported for asynchronous data service of BS61(alternate speech/data). default value: '0101'B, 9.6 kbit/s | BITSTRING[4] | | Phase 2 |
| TSPX_BS_61_A_ur1_T_NT | both Transparent and Non-Transparent supported for the rate TSPX_BS_61_A_ur1 of BS61(alternate speech/data). default value: FALSE, not support both transparent and non transparent modes | BOOLEAN | | Phase 2 |
| TSPX_BS_61_A_ur1_ce | BS61(alternate speech/data). If the answer to TSPX_BS_61_A_ur1_T_NT is FALSE, the manufacturer must precise which mode is supported by the MS. Connection Element default value: '00'B, transparent | BITSTRING[2] | | Phase 2 |
| TSPX_BS_61_A_more_ur | more than one user rate for asynchronous data service supported by BS61(alternate speech/data). default value: FALSE, only one user rate | BOOLEAN | | Phase 2 |
| TSPX_BS_61_A_ur2 | another user rate value supported for asynchronous data service of BS61(alternate speech/data).. it shall be different from the previous one if the answer to TSPX_BS_61_A_more_ur is TRUE. default value: '0101'B, 9.6 kbit/s | BITSTRING[4] | | Phase 2 |

| Item | Description | Type/Allowed values | Supported Value | Release |
|-----------------------|---|---------------------|-----------------|---------|
| TSPX_BS_61_A_ur2_T_NT | BS61(alternate speech/data). both Transparent and Non-Transparent supported for the rate TSPX_BS_61_A_ur2 of BS61. default value: FALSE, not support both transparent and non transparent modes | BOOLEAN | | Phase 2 |
| TSPX_BS_81_S | synchronous data supported by BS 81(speech followed by data). default value: TRUE, synchronous mode | BOOLEAN | | Phase 2 |
| TSPX_BS_81_S_more_ur | more than one user rate for synchronous data service supported by BS81(speech followed by data). default value: FALSE, only one user rate | BOOLEAN | | Phase 2 |
| TSPX_BS_81_S_ur1 | user rate value supported for synchronous data service of BS81(speech followed by data). default value: '0101'B, 9.6 kbit/s | BITSTRING[4] | | Phase 2 |
| TSPX_BS_81_S_ur2 | another user rate value supported for synchronous data service of BS81(speech followed by data). it shall be different from the previous one if the answer to TSPX_BS_81_S_more_ur is TRUE. default value: '0101'B, 9.6 kbit/s | BITSTRING[4] | | Phase 2 |
| TSPX_BS_81_A | asynchronous data service supported by BS81(speech followed by data). default value: TRUE, asynchronous mode | BOOLEAN | | Phase 2 |
| TSPX_BS_81_A_ur1 | user rate value supported for asynchronous data service of BS81(speech followed by data). default value: '0100'B, 4.8 kbit/s | BITSTRING[4] | | Phase 2 |
| TSPX_BS_81_A_ur1_T_NT | both Transparent and Non-Transparent supported for the rate TSPX_BS_81_A_ur1 of BS81(speech followed by data). default value: FALSE, not support both transparent and non transparent modes | BOOLEAN | | Phase 2 |
| TSPX_BS_81_A_ur1_ce | BS81(speech followed by data). if the answer to TSPX_BS_81_A_ur1_T_NT is FALSE, the manufacturer must precise which mode is supported by the MS. Connection Element default value: '01'B, non transparent | BITSTRING[2] | | Phase 2 |
| TSPX_BS_81_A_more_ur | more than one user rate for asynchronous data service supported by BS81(speech followed by data). default value: FALSE, only one user rate | BOOLEAN | | Phase 2 |
| TSPX_BS_81_A_ur2 | another user rate value supported for asynchronous data service of BS81(speech followed by data). it shall be different from the previous one if the answer to TSPX_BS_81_A_more_ur is TRUE. default value: '0100'B, 4.8 kbit/s | BITSTRING[4] | | Phase 2 |

| Item | Description | Type/Allowed values | Supported Value | Release |
|-----------------------|--|---------------------|-----------------|---------|
| TSPX_BS_81_A_ur2_T_NT | both Transparent and Non-Transparent supported for the rate TSPX_BS_81_A_ur2 of BS81 (speech followed by data). default value: FALSE, not support both transparent and non transparent modes | BOOLEAN | | Phase 2 |
| TSPX_TS_61_T_NT | both Transparent and Non-Transparent supported for TS61 (alternate speech and G3 fax). default value: FALSE, not support both transparent and non transparent modes | BOOLEAN | | Phase 2 |
| TSPX_TS_61_ce | TS61 (alternate speech and G3 fax). if the answer to TSPX_TS_61_T_NT is FALSE, the manufacturer must precise which mode is supported by the MS. Connection Element default value: '01'B, non transparent | BITSTRING[2] | | Phase 2 |
| TSPX_TS_61_ur1 | user rate for TS61 (alternate speech and G3 fax). default value: '0101'B, 9.6 kbit/s | BITSTRING[4] | | Phase 2 |
| TSPX_TS_61_more_ur | more than one user rate supported for TS61 (alternate speech and G3 fax). default value: FALSE, only one user rate | BOOLEAN | | Phase 2 |
| TSPX_TS_61_ur2 | another user rate for TS61 (alternate speech and G3 fax), it shall be different from the previous one if the answer to TSPX_TS_61_more_ur is TRUE. default value: '0101'B, 9.6 kbit/s | BITSTRING[4] | | Phase 2 |
| TSPX_TS_62_T_NT | both Transparent and Non-Transparent supported for TS62 (automatic G3 fax). default value: FALSE, not support both transparent and non transparent modes | BOOLEAN | | Phase 2 |
| TSPX_TS_62_ce | TS62 (automatic G3 fax). if the answer to TSPX_TS_62_T_NT is FALSE, the manufacturer must precise which mode is supported by the MS. Connection Element default value: '00'B, transparent | BITSTRING[2] | | Phase 2 |
| TSPX_TS_62_ur1 | user rate for TS62 (automatic G3 fax). default value: '0100'B, 4.8 kbit/s | BITSTRING[4] | | Phase 2 |
| TSPX_TS_62_more_ur | more than one user rate supported by TS62 (automatic G3 fax). default value: FALSE, only one user rate | BOOLEAN | | Phase 2 |
| TSPX_TS_62_ur2 | another user rate for TS62 (automatic G3 fax), it shall be different from the previous one if the answer to TSPX_TS_62_more_ur is TRUE. default value: '0100'B, 4.8 kbit/s | BITSTRING[4] | | Phase 2 |
| TSPX_DTMF | call control capabilities: value '1'B means MS supports DTMF | BITSTRING[1] | | Phase 2 |
| TSPX_modF | any non signalling full rate channel mode for TC_26_6_4_1 | BITSTRING[8] | | Phase 2 |
| TSPX_modH | any non signalling half channel mode for TC_26_6_4_1 | BITSTRING[8] | | Phase 2 |

| Item | Description | Type/Allowed values | Supported Value | Release |
|------------------|--|---------------------|-----------------|---------|
| TSPX_anymod | Any supported channel mode value except signalling and Full rate speech. | BITSTRING[8] | | Phase 2 |
| TSPX_CKSNA | cipher key sequence number 3GPP TS 04.08 / 3GPP TS 24.008, 10.5.1.2 | BITSTRING[3] | | Phase 2 |
| TSPX_CKSNB | cipher key sequence number 3GPP TS 04.08 / 3GPP TS 24.008, 10.5.1.2 | BITSTRING[3] | | Phase 2 |
| TSPX_CKSNC | cipher key sequence number 3GPP TS 04.08 / 3GPP TS 24.008, 10.5.1.2 | BITSTRING[3] | | Phase 2 |
| TSPX_CKSNDf | default cipher key sequence number 3GPP TS 04.08 / 3GPP TS 24.008, 10.5.1.2 | BITSTRING[3] | | Phase 2 |
| TSPX_RfPwrCap | RF power capability GSM: '000'B Class1 to '100'B Class 5 DCS: '000'B Class1 to '010'B Class 3 | BITSTRING[3] | | Phase 2 |
| TSPX_RevLevel | Revision level of classmark 1 – '00'B Phase 1, '01'B Phase 2 | BITSTRING[2] | | Phase 2 |
| TSPX_CiphAlgA5_1 | Default Algorithm - A5/1 algorithm: NB '0'B: available, '1'B: not available | BITSTRING[1] | | Phase 2 |
| TSPX_CiphAlgA5_2 | A5/2 algorithm: '1'B: available, '0'B: not available | BITSTRING[1] | | Phase 2 |
| TSPX_CiphAlgA5_3 | A5/3 algorithm: '1'B: available, '0'B: not available | BITSTRING[1] | | Phase 2 |
| TSPX_CiphAlgA5_4 | A5/4 algorithm: '1'B: available, '0'B: not available | BITSTRING[1] | | Phase 2 |
| TSPX_CiphAlgA5_5 | A5/5 algorithm: '1'B: available, '0'B: not available | BITSTRING[1] | | Phase 2 |
| TSPX_CiphAlgA5_6 | A5/6 algorithm: '1'B: available, '0'B: not available | BITSTRING[1] | | Phase 2 |
| TSPX_CiphAlgA5_7 | A5/7 algorithm: '1'B: available, '0'B: not available | BITSTRING[1] | | Phase 2 |
| TSPX_pSyncCap | pseudo synchronization capability, '0'B: not present '1'B: present | BITSTRING[1] | | Phase 2 |
| TSPX_SSscrnInd | SS screen indicator – 3GPP TS 04.80 | BITSTRING[2] | | Phase 2 |
| TSPX_SMCap | Support of mobile terminated point to point short messages, '0'B: not present '1'B: present | BITSTRING[1] | | Phase 2 |
| TSPX_frqCap | EGSM frequency capability. DCS: reserved, GSM: '0'B not support extension band, '1'B support extension band | BITSTRING[1] | | Phase 2 |
| TSPX_ClsMk3 | classmark 3 indicator, '0'B no addition capability info, '1'B additional capability info in class mark 3 | BITSTRING[1] | | Phase 2 |
| TSPX_ESIND | Controlled Early Classmark Sending option implementation – default =0, not implemented | BITSTRING[1] | | Phase 2 |
| TSPX_RfPwrCapAmp | RF power capability with external RF amplifier GSM: '000'B Class1 to '100'B Class 5 DCS: '000'B Class1 to '010'B Class 3 | BITSTRING[3] | | Phase 2 |
| TSPX_DTMFInd | DTMF indication to user supported | BOOLEAN | | Phase 2 |
| TSPX_IMEI | IMEI of the MS. | HEXSTRING | | Phase 2 |

| Item | Description | Type/Allowed values | Supported Value | Release |
|--------------------|---|---------------------|-----------------|---------|
| TSPX_IMEISV | IMEISV of the MS. Used in: TC_26_6_8_5, TC_26_7_3_1 | HEXSTRING | | Phase 2 |
| TSPX_TC1M | timer value for GSM timer TC1M (for SMS) | INTEGER | | Phase 2 |
| TSPX_MaxCPDataRetx | max. number of CP data retransmissions for SMS | INTEGER | | Phase 2 |
| TSPX_Immconn | Immediate connect for telephony supported ? | BOOLEAN | | Phase 2 |
| TSPX_Uupd | user-user protocol discriminator for TC_26_8_3 | BITSTRING[8] | | Phase 2 |
| TSPX_UuInfo | user-user information for TC_26_8_3 | OCTETSTRING | | Phase 2 |
| TSPX_UIC | VGCS uplink identity code | BITSTRING[6] | | R96 |
| TSPX_T_Term | Max. wait time for termination of a MO call after sending TERMINATION REQUEST | INTEGER (ms) | | R96 |

A.7.2 MMI information

| Description | Release |
|--|---------|
| How is the Accumulated Call Meter (ACM) on the SIM read ? NOTE: Used in Operation OO_ACMIncCHK and OO_ACMReading. | Phase 2 |
| How is the ACM on the SIM reset to zero, and ACMmax set to 2 units? NOTE: Used in Operation OO_ACMSetting. | Phase 2 |
| How is power amplification added to the mobile and removed? NOTE: Used in Operation OO_AddPwrAmp and OO_RemvPwrAmp. | Phase 2 |
| What alerting indication is given by the mobile? NOTE: Used in Operation OO_AltIndCHK. | Phase 2 |
| How is the called party number displayed on the mobile? NOTE: Used in Operation OO_CalledNumCHK and OO_CalledPtyNumCHK. | Phase 2 |
| How is a call placed on Hold? NOTE: Used in Operation OO_CallHold. | Phase 2 |
| How is the presence of short messages checked in the mobile and how are they displayed? NOTE: Used in Operation OO_CheckAllSMPresentBut4th and OO_CheckMessageDisplayed and OO_DisplaySMAndSendReplySM and OO_ReadSMAndRemove and OO_RecallAndDisplaySM. | Phase 2 |
| How is the presence of Cell Broadcast short messages in the mobile checked? NOTE: Used in Operation OO_CheckCBSMReceived. | Phase 2 |
| How is it checked whether the memory capacity of the SIM has been exceeded? NOTE: Used in Operation OO_CheckMCEFOOnSIM and OO_CheckMCEFOOnSIMUnset. | Phase 2 |
| How and where is the SIM inserted and removed? NOTE: Used in Operation OO_ConnectSIMSimulator and OO_SIMIns and OO_SIM2Ins and OO_SIM3Ins and OO_SIMRmv. | Phase 2 |
| Does the MS have an 'END' key? If not, what method is used to replace its function? NOTE: Used in Operation OO_DepressEndKey. | Phase 2 |
| How is a number entered in order to make an outgoing call? NOTE: Used in Operation OO_DiallCalledNum. | Phase 2 |
| How is a reply to a received short message sent? NOTE: Used in Operation OO_DisplaySMAndSendReplySM. | Phase 2 |
| How is it checked which DTMF character has been sent? NOTE: Used in Operation OO_DTMFIndCHK. | Phase 2 |
| How is the message store of the MS emptied? NOTE: Used in OO_EmptyMessageStorage. | Phase 2 |
| How is a password on the MS entered? NOTE: Used in Operation OO_EnterPswd. | Phase 2 |
| How is an incoming call answered? NOTE: Used in Operation OO_HookOff. | Phase 2 |
| For each service on the MS which requires the MS to be connected to an interface on other equipment (e.g. a computer), how is that interface set up for the purpose? NOTE: Used in Operation OO_IFsetup. | Phase 2 |
| How is an In-Call modification initiated on the MS? NOTE: Used in Operation OO_InCallMod. | Phase 2 |

| | |
|---|---------|
| For each mobile originating basic service supported by the MS, how is the MS configured to make an outgoing call on that service? NOTE: Used in Operation OO_InitCall. | Phase 2 |
| How is the MS to configured accept standard MMI sequences for the initiation of supplementary services? NOTE: Used in Operation OO_InitSS | Phase 2 |
| How is the MS checked whether it is in the normal service state (idle, updated). NOTE: Used in Operation OO_InServiceCHK and OO_PressKeyWhenInService. | Phase 2 |
| How is a Multi-Party call initiated on the MS. NOTE: Used in Operation OO_MptyCall | Phase 2 |
| How is the MS configured to store received Class 1 short messages in the mobile equipment (rather than in the SIM)? NOTE: Used in Operation OO_MSSetupStoreClass1SMInMEMemory. | Phase 2 |
| How is the list of available PLMNs checked? NOTE: Used in Operation OO_PLMNsCHK. | Phase 2 |
| How is the PLMN selection mode switched to automatic selection. NOTE: Used in operation OO_PLMNselModeAuto. | Phase 2 |
| How is the PLMN selection mode switched to manual selection. NOTE: Used in operation OO_PLMNselModeMan. | Phase 2 |
| How is the power source for the MS removed and replaced. (Note, this is not the same as switching the Mobile on and off using the on/off switch.) NOTE: Used in operation OO_PowerUp and OO_PowerDown. | Phase 2 |
| How is a short message removed from the message store? NOTE: Used in operation OO_ReadSMAndRemove. | Phase 2 |
| When in manual PLMN selection mode, how is a PLMN selected? NOTE: Used in OperationOO_SelPLMN | Phase 2 |
| How is a short message sent from the MS? NOTE: Used in operation OO_SendMOShortMessage. | Phase 2 |
| How is an SMS COMMAND message sent to delete the last short message sent? NOTE: Used in OO_SendSMSCOMMANDDe. | Phase 2 |
| How is an SMS COMMAND message sent enquiring about the last short message sent? NOTE: Used in OO_SendSMS_COMMANDEnq | Phase 2 |
| How is Call Refusal set on the MS? NOTE: Used in Operation OO_SetRefuseCall. | Phase 2 |
| How is a DTMF digit sent? NOTE: Used in operation OO_ShortKeyDepr. | Phase 2 |
| How is it checked whether a supplementary service result is correct? NOTE: Used in Operation OO_SSresultCHK | Phase 2 |
| How is the MS switched on and off? NOTE: Used in operation OO_SwitchOn and OO_SwitchOff. | Phase 2 |
| How is a call cleared? NOTE: Used in operation OO_TermCall. | Phase 2 |
| How does the ASCII MS indicate to the user that an user action is needed for showing the desire of talking? NOTE: Used in operation OO_CheckAsciUserTalkInd. | R96 |
| How is a desire of talking from the user set at the ASCII MS? NOTE: Used in operation OO_AsciUserDesireTalking. | R96 |
| How does the MS indicate a received notification for a group or broadcast call? How is the call reference indicated? NOTE: Used in operation OO_CheckNotifInd | R96 |
| How is a rejection of a group or broadcast call set at the MS when the new group or broadcast call has been indicated? NOTE: Used in operation OO_RejecAsciCall | R96 |
| How does the MS indicate a rejection to an intended request of the user? NOTE: Used in operation OO_CheckAsciReject | R96 |
| How does the MS indicate a received paging information for an MT call when it is in group receive mode or group transmit mode NOTE: Used in operation OO_CheckPagingInfoIndication | R96 |
| How is a rejection of an MT call set at the MS when it is in group receive mode or group transmit mode and has indicated a paging for the MT call? NOTE: Used in operation OO_RejectMTCall | R96 |
| How does the MS indicate the downlink channel is muted? NOTE: Used in operation OO_DownlinkMuted | R96 |
| How is the MS set to be ready for a VGCS configuration or for a VBS configuration? NOTE: Used in operation OO_lfsetup_Asci | R96 |
| How is a VGCS or a VBS call at the MS initiated? NOTE: Used in operation OO_Initcall_Asci | R96 |

| | |
|--|------|
| How is a VGCS or a VBS fast call at the MS initiated? NOTE: Used in operation OO_InitImmediateCall_Asci | R96 |
| How does the MS join a notified VGCS or a VBS call? NOTE: Used in operation OO_Join_AsciCall | R96 |
| How does the MS end an uplink access in a VGCS call? NOTE: Used in operation OO_VGCS_QuitUplinkAccess | R96 |
| How does the MS request an uplink access in a VGCS call? NOTE: Used in operation OO_VGCS_RequestUplinkAccess | R96 |
| How is a priority level set at the MS for an attempt VGCS or VBS call? NOTE: Used in operation OO_SelectPriorityLevel | R96 |
| How is a VGCS or VBS listening stopped? NOTE: Used in operation OO_StopAsciListening | R96 |
| How does the MS indicate that a call has been automatically answered? NOTE: Used in operation OO_CheckCallAutoAnswered | R96 |
| How is implicit USS1 activated ? NOTE: Used in operation OO_ActivateImplicitUUS1 | R99 |
| How does the MS display a UUS string ? NOTE: Used in operation OO_CheckUUSDisplay | R99 |
| How does the MS display the Follow Me responses received from the network ? NOTE: Used in operation OO_CheckUssdDisplay | R99 |
| How is the User-to-Dispatcher activated? NOTE: Used in operation OO_ActivateUTDI | Rel4 |

A.7.3 Test house specified parameters

| Item | Description | Type/Allowed values | Value chosen | Release |
|-----------------|--|---------------------|--------------|---------|
| TSPX_AltNb | use alternative neighbour cells description. default: FALSE | BOOLEAN | | Phase 2 |
| TSPX_CphAlgA | ciphering algorithm identifier – '000' A5/1 to '110' A5/7 | OCTETSTRING [1] | | Phase 2 |
| TSPX_CphAlgB | ciphering algorithm identifier – '000' A5/1 to '110' A5/7 | OCTETSTRING [1] | | Phase 2 |
| TSPX_CphAlgC | ciphering algorithm identifier – '000' A5/1 to '110' A5/7 | OCTETSTRING [1] | | Phase 2 |
| TSPX_CphAlgD | ciphering algorithm identifier – '000' A5/1 to '110' A5/7 | OCTETSTRING [1] | | Phase 2 |
| TSPX_CphAlgE | ciphering algorithm identifier – '000' A5/1 to '110' A5/7 | OCTETSTRING [1] | | Phase 2 |
| TSPX_CphAlgDef | default ciphering algorithm identifier – '000' A5/1 to '110' A5/7 | OCTETSTRING [1] | | Phase 2 |
| TSPX_NoOfHoAccA | number of handover access bursts, value range 10 - 20 TC_26_6_5_1(M=1, 8) TC_26_6_5_2(M=1,8) TC_26_6_5_4_1 TC_26_10_2_4_1 TC_26_10_2_4_2 TC_26_12_2_1(M=1,4,7,11) TC_26_12_2_2(M=1,4,7,8,11) TC_26_11_2_2_1 TC_26_11_5_1 TC_26_11_5_2 | INTEGER | | Phase 2 |
| TSPX_NoOfHoAccB | number of handover access bursts, value range 10 - 20 TC_26_6_5_1(M=2) TC_26_6_5_2(M=6,9) TC_26_12_2_1(M=2,5,8,13) TC_26_12_2_2(M=2,5,9) TC_26_11_2_2_1 | INTEGER | | Phase 2 |
| TSPX_NoOfHoAccC | number of handover access bursts, value range 10 - 20 TC_26_6_5_1(M=3) TC_26_6_5_2(M=7) TC_26_12_2_1(M=3,6,9,15) TC_26_12_2_2(M=3,6,10) TC_26_11_2_2_1 | INTEGER | | Phase 2 |
| TSPX_NoOfHoAccD | number of handover access bursts, value range 5 - 10 TC_26_6_5_1(M=4, 7) TC_26_6_5_2(M=2) TC_26_12_2_1(M=10) | INTEGER | | Phase 2 |
| TSPX_NoOfHoAccE | number of handover access bursts, value range 5 - 10 TC_26_6_5_1(M=5) TC_26_6_5_2(M=5) TC_26_12_2_2(M=12) | INTEGER | | Phase 2 |
| TSPX_NoOfHoAccF | number of handover access bursts, value range 5 - 10 TC_26_6_5_1(M=6) TC_26_6_5_2(M=10) TC_26_12_2_1(M=14) | INTEGER | | Phase 2 |
| TSPX_NoOfHoAccG | number of handover access bursts, value range 2 – 5 TC_26_6_5_2_3 | INTEGER | | Phase 2 |
| TSPX_NoOfHoAccH | number of handover access bursts, value range 2 - 5 TC_26_6_5_2_4 | INTEGER | | Phase 2 |
| TSPX_NoOfHoAccI | number of handover access bursts, value range 2 - 5 TC_26_10_2_4_1 | INTEGER | | Phase 2 |

| Item | Description | Type/Allowed values | Value chosen | Release |
|-------------|---|---------------------|--------------|---------|
| TSPX_HoRefA | Hand over reference, 3GPP TS 04.08 / 3GPP TS 44.018, 10.5.2.15 TC_26_6_5_1(M=1) TC_26_6_5_2(M=1) TC_26_6_5_4_1 TC_26_10_2_4_2 TC_26_12_2_1(M=1,11) TC_26_12_2_2(M=1) TC_26_11_5_1 TC_26_11_5_2 | BITSTRING [8] | | Phase 2 |
| TSPX_HoRefB | Hand over reference, 3GPP TS 04.08 / 3GPP TS 44.018, 10.5.2.15 TC_26_6_5_1(M=2, 8) TC_26_6_5_2(M=2) TC_26_12_2_1(M=2,12) TC_26_11_2_2_1 | BITSTRING [8] | | Phase 2 |
| TSPX_HoRefC | Hand over reference, 3GPP TS 04.08 / 3GPP TS 44.018, 10.5.2.15 TC_26_6_5_1(M=3) TC_26_6_5_2(M=3) TC_26_12_2_1(M=3,13) TC_26_12_2_2(M=3,6,10) TC_26_11_2_2_1 | BITSTRING [8] | | Phase 2 |
| TSPX_HoRefD | Hand over reference, 3GPP TS 04.08 / 3GPP TS 44.018, 10.5.2.15 TC_26_6_5_1(M=4) TC_26_6_5_2(M=4) TC_26_12_2_1(M=4,14) | BITSTRING [8] | | Phase 2 |
| TSPX_HoRefE | Hand over reference, 3GPP TS 04.08 / 3GPP TS 44.018, 10.5.2.15 TC_26_6_5_1(M=5) TC_26_6_5_2(M=5) TC_26_12_2_1(M=5,15) | BITSTRING [8] | | Phase 2 |
| TSPX_HoRefF | Hand over reference, 3GPP TS 04.08 / 3GPP TS 44.018, 10.5.2.15 TC_26_6_5_1(M=6) TC_26_6_5_2(M=6) TC_26_12_2_1(M=6) | BITSTRING [8] | | Phase 2 |
| TSPX_HoRefG | Hand over reference, 3GPP TS 04.08 / 3GPP TS 44.018, 10.5.2.15 TC_26_6_5_1(M=7) TC_26_6_5_2(M=7) TC_26_12_2_1(M=7) | BITSTRING [8] | | Phase 2 |
| TSPX_HoRefH | Hand over reference, 3GPP TS 04.08 / 3GPP TS 44.018, 10.5.2.15 TC_26_6_5_2(M=8) TC_26_12_2_1(M=8) | BITSTRING [8] | | Phase 2 |
| TSPX_HoRefI | Hand over reference, 3GPP TS 04.08 / 3GPP TS 44.018, 10.5.2.15 TC_26_6_5_2(M=9) TC_26_12_2_1(M=9) | BITSTRING [8] | | Phase 2 |
| TSPX_HoRefJ | Hand over reference, 3GPP TS 04.08 / 3GPP TS 44.018, 10.5.2.15 TC_26_6_5_2(M=10) TC_26_12_2_1(M=10) | BITSTRING [8] | | Phase 2 |
| TSPX_HSN | Hopping sequence number value range: 0 – 63 (0=Cyclic Hopping) | INTEGER | | Phase 2 |

| Item | Description | Type/Allowed values | Value chosen | Release |
|-------------------|---|---------------------|--------------|---------|
| TSPX_IMSI | IMSI of the MS – Phase 2 Test SIM value - 001010123456063 | HEXSTRING | | Phase 2 |
| TSPX_Ki | default authentication key used in testing | BITSTRING | | Phase 2 |
| TSPX_MAIO | mobile allocation index offset, value range: 0 - 63 | INTEGER | | Phase 2 |
| TSPX_MaxRetrans | Max-Retrans –Maximum number of re-transmissions of Channel Requests as defined in System Information (values 1, 2, 4 or 7 re-transmissions) | INTEGER | | Phase 2 |
| TSPX_MSTxpwrMax | maximum output power from MS 3GPP TS 05.05, 4.1.1 | 0..31 | | Phase 2 |
| TSPX_PwrlvIA | MS power level, value between 2 to 15 3GPP TS 05.05, 4.1.1 | INTEGER | | Phase 2 |
| TSPX_PwrlvIB | MS power level, value between 2 to 15 3GPP TS 05.05, 4.1.1 | INTEGER | | Phase 2 |
| TSPX_PwrlvIC | MS power level, value between 2 to 15 3GPP TS 05.05, 4.1.1 | INTEGER | | Phase 2 |
| TSPX_PwrlvID | MS power level, value between 2 to 15 3GPP TS 05.05, 4.1.1 | INTEGER | | Phase 2 |
| TSPX_RANDA | challenge RAND | BITSTRING [128] | | Phase 2 |
| TSPX_RANDB | challenge RAND | BITSTRING [128] | | Phase 2 |
| TSPX_RANDC | challenge RAND | BITSTRING [128] | | Phase 2 |
| TSPX_RANDDef | default challenge RAND | BITSTRING [128] | | Phase 2 |
| TSPX_SDCCH4SubA | TDMA offset of SDCCH/4 subchannel | BITSTRING[2] | | Phase 2 |
| TSPX_SDCCH4SubB | TDMA offset of SDCCH/4 subchannel | BITSTRING[2] | | Phase 2 |
| TSPX_SDCCH4SubC | TDMA offset of SDCCH/4 subchannel | BITSTRING[2] | | Phase 2 |
| TSPX_SDCCH4SubDef | TDMA offset of default SDCCH/4 subchannel | BITSTRING[2] | | Phase 2 |
| TSPX_SDCCH8SubA | TDMA offset of SDCCH/8 subchannel | BITSTRING[3] | | Phase 2 |
| TSPX_SDCCH8SubB | TDMA offset of SDCCH/8 subchannel | BITSTRING[3] | | Phase 2 |
| TSPX_SDCCH8SubC | TDMA offset of SDCCH/8 subchannel | BITSTRING[3] | | Phase 2 |
| TSPX_SDCCH8SubD | TDMA offset of SDCCH/8 subchannel | BITSTRING[3] | | Phase 2 |
| TSPX_SDCCH8SubE | TDMA offset of SDCCH/8 subchannel | BITSTRING[3] | | Phase 2 |
| TSPX_SDCCH8SubF | TDMA offset of SDCCH/8 subchannel | BITSTRING[3] | | Phase 2 |
| TSPX_SDCCH8SubG | TDMA offset of SDCCH/8 subchannel | BITSTRING[3] | | Phase 2 |
| TSPX_SDCCH8SubDef | TDMA offset of default SDCCH/8 subchannel | BITSTRING[3] | | Phase 2 |
| TSPX_TimadvA | timing advance in bit periods | INTEGER | | Phase 2 |
| TSPX_TimadvB | timing advance in bit periods | INTEGER | | Phase 2 |
| TSPX_TimadvC | timing advance in bit periods | INTEGER | | Phase 2 |
| TSPX_TmSltA | time slot, 3GPP TS 04.08 / 3GPP TS 44.018 10.5.2.5 | BITSTRING [3] | | Phase 2 |
| TSPX_TmSltB | time slot, 3GPP TS 04.08 / 3GPP TS 44.018 10.5.2.5 | BITSTRING [3] | | Phase 2 |
| TSPX_TmSltC | time slot, 3GPP TS 04.08 / 3GPP TS 44.018 10.5.2.5 | BITSTRING [3] | | Phase 2 |
| TSPX_TmSltD | time slot, 3GPP TS 04.08 / 3GPP TS 44.018 10.5.2.5 | BITSTRING [3] | | Phase 2 |
| TSPX_TmSltE | time slot, 3GPP TS 04.08 / 3GPP TS 44.018 10.5.2.5 | BITSTRING [3] | | Phase 2 |
| TSPX_TmSltF | time slot, 3GPP TS 04.08 / 3GPP TS 44.018 10.5.2.5 | BITSTRING [3] | | Phase 2 |

| Item | Description | Type/Allowed values | Value chosen | Release |
|----------------------|---|---------------------|--------------|---------|
| TSPX_TmSlitG | time slot, 3GPP TS 04.08 / 3GPP TS 44.018 10.5.2.5 | BITSTRING [3] | | Phase 2 |
| TSPX_TmSlitDef | default time slot, 3GPP TS 04.08 / 3GPP TS 44.018 10.5.2.5 | BITSTRING [3] | | Phase 2 |
| TSPX_TmSlitNotZero | time slot, arbitrarily value, but not zero. | BITSTRING [3] | | Phase 2 |
| TSPX_TmSlitNotZero1 | time slot, arbitrarily value, but not zero and not TSPX_TmSlitNotZero | BITSTRING [3] | | Phase 2 |
| TSPX_Txint | Tx-Integer, no of slots to spread transmission (values 3,4,5,6,7,8,9,10,11,12,14,16, 20,25,32 or 50) | INTEGER | | Phase 2 |
| TSPX_TscA | training sequence code, 3GPP TS 04.08 / 3GPP TS 44.018 10.5.2.5 | BITSTRING [3] | | Phase 2 |
| TSPX_TscB | training sequence code, 3GPP TS 04.08 / 3GPP TS 44.018 10.5.2.5 | BITSTRING [3] | | Phase 2 |
| TSPX_TscC | training sequence code, 3GPP TS 04.08 / 3GPP TS 44.018 10.5.2.5 | BITSTRING [3] | | Phase 2 |
| TSPX_TscD | training sequence code, 3GPP TS 04.08 / 3GPP TS 44.018 10.5.2.5 | BITSTRING [3] | | Phase 2 |
| TSPX_TscE | training sequence code, 3GPP TS 04.08 / 3GPP TS 44.018 10.5.2.5 | BITSTRING [3] | | Phase 2 |
| TSPX_TscF | training sequence code, 3GPP TS 04.08 / 3GPP TS 44.018 10.5.2.5 | BITSTRING [3] | | Phase 2 |
| TSPX_TscG | training sequence code, 3GPP TS 04.08 / 3GPP TS 44.018 10.5.2.5 | BITSTRING [3] | | Phase 2 |
| TSPX_TscDef | default training sequence code, 3GPP TS 04.08 / 3GPP TS 44.018 10.5.2.5 | BITSTRING [3] | | Phase 2 |
| TSPX_T3122 | value of timer T3122, HEXSTRING[2] | HEXSTRING [2] | | Phase 2 |
| TSPX_TCHcarrierA_ho | the value can be choosen arbitrarily from cell allocation of cell A (GSM), but not BCCH carrier.possible value is: 10, 17, 26, 34, 42, 45, 46, 52, 59, 66, 73, 74, 75, 76, 108, 114 | INTEGER | | Phase 2 |
| TSPX_TCHcarrierA_hod | the value can be choosen arbitrarily from cell allocation of cell A (DCS), but not BCCH carrier. possible value is: 734,741,754,759,762,766,767,773,775,779,782,791,798,829,832,844 | INTEGER | | Phase 2 |
| TSPX_TCHcarrierB | TCH and SDCCH channel frequency number of cell B (GSM) | INTEGER | | Phase 2 |
| TSPX_TCHcarrierBd | TCH and SDCCH channel frequency number of cell B (DCS) | INTEGER | | Phase 2 |
| TSPX_TCHcarrierB_ho | the value can be choosen arbitrarily from cell allocation of cell B (GSM), but not BCCH carrier. possibles value is: 14,18,22,24,30,31,38,60,66,73,74,75,76,108,114 | INTEGER | | Phase 2 |

| Item | Description | Type/Allowed values | Value chosen | Release |
|-----------------------|--|---------------------|--------------|---------|
| TSPX_TCHcarrierB_hod | not BCCH carrier of cell B. the value can be chosen arbitrarily from cell allocation of cell B (DCS), which is (739,743,746,749,756,758,761,771,779,782,791,798,829,832,844) | INTEGER | | Phase 2 |
| TSPX_TCHcarrierB2_ho | Chosen arbitrarily from cell allocation B for GSM HO cases, but not BCCH carrier! | INTEGER | | Phase 2 |
| TSPX_TCHcarrierB2_hod | Chosen arbitrarily from cell allocation B for DCS HO cases, but not BCCH carrier! | INTEGER | | Phase 2 |
| TSPX_TCHHSubA | TDMA offset of half rate subchannel | BITSTRING[1] | | Phase 2 |
| TSPX_TCHHSubDef | TDMA offset of default half rate subchannel | BITSTRING[1] | | Phase 2 |
| TSPX_TMSI | TMSI of the MS used in test | OCTETSTRING[4] | | Phase 2 |
| TSPX_TMSI1 | another TMSI used in test which shall differ from TSPX_TMSI, TSPX_TMSI + '01'O TSPX_TMSI + '02'O TSPX_TMSI + '03'O | OCTETSTRING[4] | | Phase 2 |
| TSPX_k | timing of cell A before cell B k bit periods for TC_26_6_5_1_?, TC_26_6_5_2_?, TC_26_6_5_4_?, TC_26_6_5_3_?. | INTEGER | | Phase 2 |
| TSPX_y | timing advance for TC_26_6_5_4_?, TC_26_6_5_3_?, TC_26_6_5_5_?,. the values of TSPX_k (or TSPX_k1) and TSPX_y shall be $0 < (2 * TSPX_k + TSPX_y) \text{ MOD } 256 < 60$. | INTEGER | | Phase 2 |
| TSPX_k1 | timing of cell A before cell B k bit periods for TC_26_6_5_5 | INTEGER | | Phase 2 |
| TSPX_k2 | timing of cell A before cell B k bit periods for TC_26_6_5_6 | INTEGER | | Phase 2 |
| TSPX_y2 | timing advance for TC_26_6_5_6, value range: 11 - 62. | INTEGER | | Phase 2 |
| TSPX_k3 | timing of cell A before cell B k bit periods for TC_26_6_5_7 | INTEGER | | Phase 2 |
| TSPX_y3 | timing advance for TC_26_6_5_7 | INTEGER | | Phase 2 |
| TSPX_nPara | the n'th ChReq for TC_26_6_1_2, shall be choose to [1..8], MAXRETRANS for TC_26_6_1_2 is 7 (See 11.10 for more explanation). | INTEGER | | Phase 2 |
| TSPX_kPara | the k'th ChReq for TC_26_6_1_2 (range 4...8) | INTEGER | | Phase 2 |
| TSPX_rPara | the r'th ChReq for TC_26_6_1_2 (range 4...8) | INTEGER | | Phase 2 |
| TSPX_i1Para | for TC_26_1_2(TSPX_nPara-3) < TSPX_i1Para <= TSPX_nPara | INTEGER | | Phase 2 |
| TSPX_i2Para | for TC_26_1_2 $0 < TSPX_i2Para <= (TSPX_kPara-3)$ | INTEGER | | Phase 2 |
| TSPX_i3Para | for TC_26_1_2(TSPX_rPara-3) < TSPX_i3Para <= TSPX_rPara | INTEGER | | Phase 2 |
| TSPX_n1Para | the n'th ChReq for TC_26_6_1_3 (range 1...8) | INTEGER | | Phase 2 |
| TSPX_i4Para | for TC_26_6_1_3 (TSPX_n1Para-3) < TSPX_i4Para <= TSPX_n1Para | INTEGER | | Phase 2 |
| TSPX_xPara | t3122 for TC_26_6_1_3 (range 5...255) | INTEGER | | Phase 2 |

| Item | Description | Type/Allowed values | Value chosen | Release |
|----------------|---|---------------------|--------------|---------|
| TSPX_AGBLKS1 | BS-AG-BLKS-RES for TC_26_6_2_3_1, TC_26_6_2_1_1 | INTEGER | | Phase 2 |
| TSPX_PAMFRMS1 | BS-PA-MFRMS for TC_26_6_2_3_1 (shall not be set to 9), TC_26_6_2_1_1 | INTEGER | | Phase 2 |
| TSPX_CcchConf1 | CCCH configuration for TC_26_6_2_3_1, TC_26_6_2_1_1 | BITSTRING[3] | | Phase 2 |
| TSPX_PgSubch | paging subchannel for TC_26_6_2_3_1 | INTEGER | | Phase 2 |
| TSPX_AGBLKS2 | BS-AG-BLKS-RES for TC_26_6_2_3_2 (range 0...2), TC_26_6_2_1_2 | INTEGER | | Phase 2 |
| TSPX_PAMFRMS2 | BS-PA-MFRMS for TC_26_6_2_3_2, TC_26_6_2_1_2 | INTEGER | | Phase 2 |
| TSPX_CcchConf2 | CCCH configuration for TC_26_6_2_3_2, TC_26_6_2_1_2 | BITSTRING[3] | | Phase 2 |
| TSPX_AGBLKS3 | BS-AG-BLKS-RES for TC_26_6_2_4, TC_26_6_2_2, TC_26_6_2_1_3 | INTEGER | | Phase 2 |
| TSPX_PAMFRMS3 | BS-PA-MFRMS for TC_26_6_2_4, TC_26_6_2_2, TC_26_6_2_1_3 | INTEGER | | Phase 2 |
| TSPX_CcchConf3 | CCCH configuration for TC_26_6_2_4, TC_26_6_2_2, TC_26_6_2_1_3 | BITSTRING[3] | | Phase 2 |
| TSPX_AGBLKS4 | BS-AG-BLKS-RES for TC_26_6_2_5 | INTEGER | | Phase 2 |
| TSPX_PAMFRMS4 | BS-PA-MFRMS for TC_26_6_2_5 | INTEGER | | Phase 2 |
| TSPX_CcchConf4 | CCCH configuration for TC_26_6_2_5 (shall be in the set ('010', '100', '110')) | BITSTRING[3] | | Phase 2 |
| TSPX_Chtp1 | channel type and TDMA offset for TC_26_6_13_1, any value supported by the MS | BITSTRING[5] | | Phase 2 |
| TSPX_ChMod1 | channel mode for TC_26_6_13_1, any value for the channel type of TSPX_Chtp1 | BITSTRING[8] | | Phase 2 |
| TSPX_Maio1 | Mobile allocation index offset hopping parameter for TC_26_6_13_1, its value between 0 and (the number of frequencies) -1, which is defined in TSPX_Ma1, default: 2 | INTEGER | | Phase 2 |
| TSPX_Ma1 | mobile allocation (3GPP TS 04.08 / 3GPP TS 44.018 10.5.2.21) for TC_26_6_13_1, its value shall indicate number of frequencies between 1 and 17. default: '010101'0 | OCTETSTRING[3] | | Phase 2 |
| TSPX_Hsn1 | hopping sequence number for TC_26_6_13_1. default: 1 | INTEGER | | Phase 2 |
| TSPX_Maio2 | Mobile allocation index offset hopping parameter for TC_26_6_13_1, its value between 0 and (the number of frequencies) -1, which is defined in TSPX_Ma2, default: 8 | INTEGER | | Phase 2 |
| TSPX_Ma2 | mobile allocation for TC_26_6_13_1, its value shall indicate number of frequencies between 1 and 17. default:'01362A'50 | OCTETSTRING[3] | | Phase 2 |

| Item | Description | Type/Allowed values | Value chosen | Release |
|-------------|--|---------------------|--------------|---------|
| TSPX_Hsn2 | hopping sequence number for TC_26_6_13_1, default: 6 | INTEGER | | Phase 2 |
| TSPX_Maio3 | Mobile allocation index offset hopping parameter for TC_26_6_13_1, its value between 0 and (the number of frequencies) -1, which is defined in TSPX_Ma3, default: 14 | INTEGER | | Phase 2 |
| TSPX_Ma3 | mobile allocation for TC_26_6_13_1, its value shall indicate number of frequencies between 1 and 17. default:'01FFFA'O | OCTETSTRING[3] | | Phase 2 |
| TSPX_Hsn3 | hopping sequence number for TC_26_6_13_1, default: 0 | INTEGER | | Phase 2 |
| TSPX_Chtp2 | channel type for TC_26_6_13_2, any value supported by the MS | BITSTRING[5] | | Phase 2 |
| TSPX_ChMod2 | channel mode for TC_26_6_13_2 | BITSTRING[8] | | Phase 2 |
| TSPX_Maio4 | Mobile allocation index offset hopping parameter for TC_26_6_13_2, its value between 0 and (the number of frequencies) -1, which is defined in TSPX_Ma4, default: 3 | INTEGER | | Phase 2 |
| TSPX_Ma4 | mobile allocation for TC_26_6_13_2, its value shall indicate number of frequencies between 1 and 17. default: '001141'O | OCTETSTRING[3] | | Phase 2 |
| TSPX_Hsn4 | hopping sequence number for TC_26_6_13_2, default: 0 | INTEGER | | Phase 2 |
| TSPX_Maio5 | Mobile allocation index offset hopping parameter for TC_26_6_13_2, its value between 0 and (the number of frequencies) -1, which is defined in TSPX_Ma5, default: 9 | INTEGER | | Phase 2 |
| TSPX_Ma5 | mobile allocation for TC_26_6_13_2, its value shall indicate number of frequencies between 1 and 17. default: '01ABCB'O | OCTETSTRING[3] | | Phase 2 |
| TSPX_Hsn5 | hopping sequence number for TC_26_6_13_2, default: 16 | INTEGER | | Phase 2 |
| TSPX_Chtp3 | channel type for TC_26_6_13_3, any value supported by the MS | BITSTRING[5] | | Phase 2 |
| TSPX_Maio6 | Mobile allocation index offset hopping parameter for TC_26_6_13_3, its value between 0 and (the number of frequencies) -1, which is defined in TSPX_Ma6, default: 4 | INTEGER | | Phase 2 |
| TSPX_Ma6 | mobile allocation for TC_26_6_13_3, its value shall indicate number of frequencies between 1 and 17. default:'006248'O | OCTETSTRING[3] | | Phase 2 |
| TSPX_Hsn6 | hopping sequence number for TC_26_6_13_3, default: 4 | INTEGER | | Phase 2 |
| TSPX_Maio7 | Mobile allocation index offset hopping parameter for TC_26_6_13_3, its value between 0 and (the number of frequencies) -1, which is defined in TSPX_Ma7, default: 10 | INTEGER | | Phase 2 |

| Item | Description | Type/Allowed values | Value chosen | Release |
|-------------|---|---------------------|--------------|---------|
| TSPX_Ma7 | mobile allocation for TC_26_6_13_3, its value shall indicate number of frequencies between 2 and 17. default: '009AFB'O | OCTETSTRING[3] | | Phase 2 |
| TSPX_Chtp4 | channel type for TC_26_6_13_3, any value supported by the MS | BITSTRING[5] | | Phase 2 |
| TSPX_Maio8 | Mobile allocation index offset hopping parameter for TC_26_6_13_3, its value between 0 and (the number of frequencies) -1, which is defined in TSPX_Ma8, default: 1 | INTEGER | | Phase 2 |
| TSPX_Ma8 | mobile allocation for TC_26_6_13_3, its value shall indicate number of frequencies between 2 and 17. default: '002800'O | OCTETSTRING[3] | | Phase 2 |
| TSPX_Hsn8 | hopping sequence number for TC_26_6_13_3, default: 40 | INTEGER | | Phase 2 |
| TSPX_Maio9 | Mobile allocation index offset hopping parameter for TC_26_6_13_3, its value between 0 and (the number of frequencies) -1, which is defined in TSPX_Ma9, default: 15 | INTEGER | | Phase 2 |
| TSPX_Ma9 | mobile allocation for TC_26_6_13_3, its value shall indicate number of frequencies between 2 and 17. default: '01FFFB'O | OCTETSTRING[3] | | Phase 2 |
| TSPX_Hsn9 | hopping sequence number for TC_26_6_13_3, default: 8 | INTEGER | | Phase 2 |
| TSPX_Chtp5 | SDDCH8 subchannel immediately assigned in TC_26_6_13_4 | BITSTRING[5] | | Phase 2 |
| TSPX_Maio10 | Mobile allocation index offset hopping parameter for TC_26_6_13_4, its value between 0 and (the number of frequencies) -1, which is defined in TSPX_Ma10, default: 5 | INTEGER | | Phase 2 |
| TSPX_Ma10 | mobile allocation for TC_26_6_13_4, its value shall indicate number of frequencies between 1 and 17. default: '01D082'O | OCTETSTRING[3] | | Phase 2 |
| TSPX_Hsn10 | hopping sequence number for TC_26_6_13_4, default: 0 | INTEGER | | Phase 2 |
| TSPX_Maio11 | Mobile allocation index offset hopping parameter for TC_26_6_13_4, its value between 0 and (the number of frequencies) -1, which is defined in TSPX_Ma11, default: 11 | INTEGER | | Phase 2 |
| TSPX_Ma11 | mobile allocation for TC_26_6_13_4, its value shall indicate number of frequencies between 2 and 17. default: '00CFF3'O | OCTETSTRING[3] | | Phase 2 |
| TSPX_Chtp6 | channel type of a non existing channel in the Assignment Command for TC_26_6_13_4 | BITSTRING[5] | | Phase 2 |

| Item | Description | Type/Allowed values | Value chosen | Release |
|-------------|---|---------------------|--------------|---------|
| TSPX_Maio12 | Mobile allocation index offset hopping parameter for TC_26_6_13_4, its value between 0 and (the number of frequencies) -1, which is defined in TSPX_Ma12, default: 1 | INTEGER | | Phase 2 |
| TSPX_Ma12 | mobile allocation for TC_26_6_13_4, its value shall indicate number of frequencies between 1 and 17. default: '010100'O | OCTETSTRING[3] | | Phase 2 |
| TSPX_Hsn12 | hopping sequence number for TC_26_6_13_4, default: 39 | INTEGER | | Phase 2 |
| TSPX_Maio13 | Mobile allocation index offset hopping parameter for TC_26_6_13_4, its value between 0 and (the number of frequencies) -1, which is defined in TSPX_Ma13, default: 6 | INTEGER | | Phase 2 |
| TSPX_Ma13 | mobile allocation for TC_26_6_13_4, its value shall indicate number of frequencies between 1 and 17. default: '00E690'O | OCTETSTRING[3] | | Phase 2 |
| TSPX_Hsn13 | hopping sequence number for TC_26_6_13_4, default: 42 | INTEGER | | Phase 2 |
| TSPX_Chtp7 | channel type for TC_26_6_13_5 | BITSTRING[5] | | Phase 2 |
| TSPX_ChMod4 | channel mode for TC_26_6_13_5 | BITSTRING[8] | | Phase 2 |
| TSPX_Maio14 | Mobile allocation index offset hopping parameter for TC_26_6_13_5, its value between 0 and (the number of frequencies) -1, which is defined in TSPX_Ma14, default: 4 | INTEGER | | Phase 2 |
| TSPX_Ma14 | mobile allocation for TC_26_6_13_5, its value shall indicate number of frequencies between 1 and 17. default: '004A28'O | OCTETSTRING[3] | | Phase 2 |
| TSPX_Hsn14 | hopping sequence number for TC_26_6_13_5, default: 50 | INTEGER | | Phase 2 |
| TSPX_Maio15 | Mobile allocation index offset hopping parameter for TC_26_6_13_5, its value between 0 and (the number of frequencies) -1, which is defined in TSPX_Ma15, default: 12 | INTEGER | | Phase 2 |
| TSPX_Ma15 | mobile allocation for TC_26_6_13_5, its value shall indicate number of frequencies between 1 and 16. default: '00FF79'O | OCTETSTRING[3] | | Phase 2 |
| TSPX_Hsn15 | hopping sequence number for TC_26_6_13_5, default: 33 | INTEGER | | Phase 2 |
| TSPX_Maio16 | Mobile allocation index offset hopping parameter for TC_26_6_13_5, its value between 0 and (the number of frequencies) -1, which is defined in TSPX_Ma16, default: 2 | INTEGER | | Phase 2 |
| TSPX_Ma16 | mobile allocation for TC_26_6_13_5, its value shall indicate number of frequencies between 1 and 16. default: '001110'O | OCTETSTRING[3] | | Phase 2 |

| Item | Description | Type/Allowed values | Value chosen | Release |
|-------------|---|---------------------|--------------|---------|
| TSPX_Hsn16 | hopping sequence number for TC_26_6_13_5, default: 21 | INTEGER | | Phase 2 |
| TSPX_Chtp8 | channel type for TC_26_6_13_6 | BITSTRING[5] | | Phase 2 |
| TSPX_ChMod5 | channel mode for TC_26_6_13_6 | BITSTRING[8] | | Phase 2 |
| TSPX_Maio17 | Mobile allocation index offset hopping parameter for TC_26_6_13_6, its value between 0 and (the number of frequencies) -1, which is defined in TSPX_Ma17, default: 7 | INTEGER | | Phase 2 |
| TSPX_Ma17 | mobile allocation for TC_26_6_13_6, its value shall indicate number of frequencies between 1 and 17. default: '00E6A1'O | OCTETSTRING[3] | | Phase 2 |
| TSPX_Hsn17 | hopping sequence number for TC_26_6_13_6, default: 22 | INTEGER | | Phase 2 |
| TSPX_Maio18 | Mobile allocation index offset hopping parameter for TC_26_6_13_6, its value between 0 and (the number of frequencies) -1, which is defined in TSPX_Ma18, default: 13 | INTEGER | | Phase 2 |
| TSPX_Ma18 | mobile allocation for TC_26_6_13_6, its value shall indicate number of frequencies between 1 and 16. default: '00FFF9'O | OCTETSTRING[3] | | Phase 2 |
| TSPX_Hsn18 | hopping sequence number for TC_26_6_13_6, default: 9 | INTEGER | | Phase 2 |
| TSPX_Maio19 | Mobile allocation index offset hopping parameter for TC_26_6_13_6, its value between 0 and (the number of frequencies) -1, which is defined in TSPX_Ma19, default: 3 | INTEGER | | Phase 2 |
| TSPX_Ma19 | mobile allocation for TC_26_6_13_6, its value shall indicate number of frequencies between 1 and 16. default: '001111'O | OCTETSTRING[3] | | Phase 2 |
| TSPX_Hsn19 | hopping sequence number for TC_26_6_13_6, default: 44 | INTEGER | | Phase 2 |
| TSPX_Chtp9 | channel type for TC_26_6_13_7 | BITSTRING[5] | | Phase 2 |
| TSPX_ChMod6 | channel mode for TC_26_6_13_7 | BITSTRING[8] | | Phase 2 |
| TSPX_Maio20 | Mobile allocation index offset hopping parameter for TC_26_6_13_7, its value between 0 and (the number of frequencies) -1, which is defined in TSPX_Ma20, default: 8 | INTEGER | | Phase 2 |
| TSPX_Ma20 | mobile allocation for TC_26_6_13_7, its value shall indicate number of frequencies between 1 and 17. default: '016699'O | OCTETSTRING[3] | | Phase 2 |
| TSPX_Hsn20 | hopping sequence number for TC_26_6_13_7, default: 30 | INTEGER | | Phase 2 |
| TSPX_Maio21 | Mobile allocation index offset hopping parameter for TC_26_6_13_7, its value between 0 and (the number of frequencies) -1, which is defined in TSPX_Ma21, default: 14 | INTEGER | | Phase 2 |

| Item | Description | Type/Allowed values | Value chosen | Release |
|-------------|---|---------------------|--------------|---------|
| TSPX_Ma21 | mobile allocation for TC_26_6_13_7, its value shall indicate number of frequencies between 1 and 17. default: '01FEFB'O | OCTETSTRING[3] | | Phase 2 |
| TSPX_Chtp10 | channel type for TC_26_6_13_7 | BITSTRING[5] | | Phase 2 |
| TSPX_Maio22 | Mobile allocation index offset hopping parameter for TC_26_6_13_7, its value between 0 and (the number of frequencies) -1, which is defined in TSPX_Ma22, default: 4 | INTEGER | | Phase 2 |
| TSPX_Ma22 | mobile allocation for TC_26_6_13_7, its value shall indicate number of frequencies between 1 and 16. default: '006241'O | OCTETSTRING[3] | | Phase 2 |
| TSPX_Hsn22 | hopping sequence number for TC_26_6_13_7, default: 11 | INTEGER | | Phase 2 |
| TSPX_Maio23 | Mobile allocation index offset hopping parameter for TC_26_6_13_7, its value between 0 and (the number of frequencies) -1, which is defined in TSPX_Ma23, default: 11 | INTEGER | | Phase 2 |
| TSPX_Ma23 | mobile allocation for TC_26_6_13_7, its value shall indicate number of frequencies between 1 and 16. default: '00FF1B'O | OCTETSTRING[3] | | Phase 2 |
| TSPX_Hsn23 | hopping sequence number for TC_26_6_13_7, default: 60 | INTEGER | | Phase 2 |
| TSPX_Chtp11 | SDCCH8 subchannel immediately assigned, TC_26_6_13_8 | BITSTRING[5] | | Phase 2 |
| TSPX_ChMod7 | channel mode for TC_26_6_13_8 | BITSTRING[8] | | Phase 2 |
| TSPX_Maio24 | Mobile allocation index offset hopping parameter for TC_26_6_13_8, its value between 0 and (the number of frequencies) -1, which is defined in TSPX_Ma24, default: 9 | INTEGER | | Phase 2 |
| TSPX_Ma24 | mobile allocation for TC_26_6_13_8, its value shall indicate number of frequencies between 1 and 17. default: '00E6E9'O | OCTETSTRING[3] | | Phase 2 |
| TSPX_Hsn24 | hopping sequence number for TC_26_6_13_8, default: 7 | INTEGER | | Phase 2 |
| TSPX_Maio25 | Mobile allocation index offset hopping parameter for TC_26_6_13_8, its value between 0 and (the number of frequencies) -1, which is defined in TSPX_Ma25, default: 15 | INTEGER | | Phase 2 |
| TSPX_Ma25 | mobile allocation for TC_26_6_13_8, its value shall indicate number of frequencies between 1 and 17. default: '01FFFF'O | OCTETSTRING[3] | | Phase 2 |
| TSPX_Chtp12 | channel type of a non-existing channel in the Assignment Command for TC_26_6_13_8 | BITSTRING[5] | | Phase 2 |

| Item | Description | Type/Allowed values | Value chosen | Release |
|-------------|--|---------------------|--------------|---------|
| TSPX_Maio26 | Mobile allocation index offset hopping parameter for TC_26_6_13_8, its value between 0 and (the number of frequencies) -1, which is defined in TSPX_Ma26, default: 5 | INTEGER | | Phase 2 |
| TSPX_Ma26 | mobile allocation for TC_26_6_13_8, its value shall indicate number of frequencies between 1 and 16. default: '009168'O | OCTETSTRING[3] | | Phase 2 |
| TSPX_Hsn26 | hopping sequence number for TC_26_6_13_8, default: 9 | INTEGER | | Phase 2 |
| TSPX_Maio27 | Mobile allocation index offset hopping parameter for TC_26_6_13_8, its value between 0 and (the number of frequencies) -1, which is defined in TSPX_Ma27, default: 1 | INTEGER | | Phase 2 |
| TSPX_Ma27 | mobile allocation for TC_26_6_13_8, its value shall indicate number of frequencies between 1 and 16. default: '004080'O | OCTETSTRING[3] | | Phase 2 |
| TSPX_Hsn27 | hopping sequence number for TC_26_6_13_8, default: 38 | INTEGER | | Phase 2 |
| TSPX_Chtp13 | channel type for TC_26_6_13_9 | BITSTRING[5] | | Phase 2 |
| TSPX_Tm3 | Timer for TC_26_6_13_9, value between 60 -100 | INTEGER | | Phase 2 |
| TSPX_Maio28 | Mobile allocation index offset hopping parameter for TC_26_6_13_9, its value between 0 and (the number of frequencies) -1, which is defined in TSPX_Ma28, default: 10 | INTEGER | | Phase 2 |
| TSPX_Ma28 | mobile allocation for TC_26_6_13_9, its value shall indicate number of frequencies between 1 and 17. default: '00EE7A'O | OCTETSTRING[3] | | Phase 2 |
| TSPX_Hsn28 | hopping sequence number for TC_26_6_13_9, default: 11 | INTEGER | | Phase 2 |
| TSPX_Maio29 | Mobile allocation index offset hopping parameter for TC_26_6_13_9, its value between 0 and (the number of frequencies) -1, which is defined in TSPX_Ma29, default: 6 | INTEGER | | Phase 2 |
| TSPX_Ma29 | mobile allocation for TC_26_6_13_9, its value shall indicate number of frequencies between 1 and 17. default: '00F070'O | OCTETSTRING[3] | | Phase 2 |
| TSPX_Chtp14 | channel type for TC_26_6_13_10 | BITSTRING[5] | | Phase 2 |
| TSPX_Maio30 | Mobile allocation index offset hopping parameter for TC_26_6_13_10, its value between 0 and (the number of frequencies) -1, which is defined in TSPX_Ma30, default: 11 | INTEGER | | Phase 2 |
| TSPX_Ma30 | mobile allocation for TC_26_6_13_10, its value shall indicate number of frequencies between 1 and 17. default: '017F69'O | OCTETSTRING[3] | | Phase 2 |

| Item | Description | Type/Allowed values | Value chosen | Release |
|----------------|---|--|--------------|---------|
| TSPX_Hsn30 | hopping sequence number for TC_26_6_13_10, default: 62 | INTEGER | | Phase 2 |
| TSPX_Maio31 | Mobile allocation index offset hopping parameter for TC_26_6_13_10, its value between 0 and (the number of frequencies) -1, which is defined in TSPX_Ma31, default: 1 | INTEGER | | Phase 2 |
| TSPX_Ma31 | mobile allocation for TC_26_6_13_10, its value shall indicate number of frequencies between 1 and 17. default: '000101'O | OCTETSTRING[3] | | Phase 2 |
| TSPX_MOBscSvcA | any supported MO basic service | "C_Telephony", "C_EmgCallSRV", "C_AltSpchG3", "C_AutoG3", "C_300cda", "C_1200cda", "C_120075cda", "C_2400cda", "C_4800cda", "C_2400cda", "C_4800cda", "C_4800cda", "C_PAD300", "C_PAD1200", "C_PAD120075", "C_PAD2400", "C_PAD4800", "C_PAD9600", "C_Pkt2400", "C_Pkt4800", "C_Pkt9600", "C_AltSpchData", "C_SpchData" | | Phase 2 |
| TSPX_MOBscSvcB | any supported MO basic service | "C_Telephony", "C_EmgCallSRV", "C_AltSpchG3", "C_AutoG3", "C_300cda", "C_1200cda", "C_120075cda", "C_2400cda", "C_4800cda", "C_2400cda", "C_4800cda", "C_4800cda", "C_PAD300", "C_PAD1200", "C_PAD120075", "C_PAD2400", "C_PAD4800", "C_PAD9600", "C_Pkt2400", "C_Pkt4800", "C_Pkt9600", "C_AltSpchData", "C_SpchData" | | Phase 2 |

| Item | Description | Type/Allowed values | Value chosen | Release |
|----------------|--------------------------------|--|--------------|---------|
| TSPX_MOBscSvcC | any supported MO basic service | "C_Telephony", "C_EmgCallSRV", "C_AltSpchG3", "C_AutoG3", "C_300cda", "C_1200cda", "C_120075cda", "C_2400cda", "C_4800cda", "C_2400cda", "C_4800cda", "C_4800cda", "C_PAD300", "C_PAD1200", "C_PAD120075", "C_PAD2400", "C_PAD4800", "C_PAD9600", "C_Pkt2400", "C_Pkt4800", "C_Pkt9600", "C_AltSpchData", "C_SpchData" | | Phase 2 |
| TSPX_MOBscSvcD | any supported MO basic service | "C_Telephony", "C_EmgCallSRV", "C_AltSpchG3", "C_AutoG3", "C_300cda", "C_1200cda", "C_120075cda", "C_2400cda", "C_4800cda", "C_2400cda", "C_4800cda", "C_4800cda", "C_PAD300", "C_PAD1200", "C_PAD120075", "C_PAD2400", "C_PAD4800", "C_PAD9600", "C_Pkt2400", "C_Pkt4800", "C_Pkt9600", "C_AltSpchData", "C_SpchData" | | Phase 2 |
| TSPX_MOBscSvcE | any supported MO basic service | "C_Telephony", "C_EmgCallSRV", "C_AltSpchG3", "C_AutoG3", "C_300cda", "C_1200cda", "C_120075cda", "C_2400cda", "C_4800cda", "C_2400cda", "C_4800cda", "C_4800cda", "C_PAD300", "C_PAD1200", "C_PAD120075", "C_PAD2400", "C_PAD4800", "C_PAD9600", "C_Pkt2400", "C_Pkt4800", "C_Pkt9600", "C_AltSpchData", "C_SpchData" | | Phase 2 |

| Item | Description | Type/Allowed values | Value chosen | Release |
|----------------|--------------------------------|--|--------------|---------|
| TSPX_MOBscSvcF | any supported MO basic service | "C_Telephony", "C_EmgCallSRV", "C_AltSpchG3", "C_AutoG3", "C_300cda", "C_1200cda", "C_120075cda", "C_2400cda", "C_4800cda", "C_2400cda", "C_4800cda", "C_4800cda", "C_PAD300", "C_PAD1200", "C_PAD120075", "C_PAD2400", "C_PAD4800", "C_PAD9600", "C_Pkt2400", "C_Pkt4800", "C_Pkt9600", "C_AltSpchData", "C_SpchData" | | Phase 2 |
| TSPX_MOBscSvcG | any supported MO basic service | "C_Telephony", "C_EmgCallSRV", "C_AltSpchG3", "C_AutoG3", "C_300cda", "C_1200cda", "C_120075cda", "C_2400cda", "C_4800cda", "C_2400cda", "C_4800cda", "C_4800cda", "C_PAD300", "C_PAD1200", "C_PAD120075", "C_PAD2400", "C_PAD4800", "C_PAD9600", "C_Pkt2400", "C_Pkt4800", "C_Pkt9600", "C_AltSpchData", "C_SpchData" | | Phase 2 |
| TSPX_MOBscSvcH | any supported MO basic service | "C_Telephony", "C_EmgCallSRV", "C_AltSpchG3", "C_AutoG3", "C_300cda", "C_1200cda", "C_120075cda", "C_2400cda", "C_4800cda", "C_2400cda", "C_4800cda", "C_4800cda", "C_PAD300", "C_PAD1200", "C_PAD120075", "C_PAD2400", "C_PAD4800", "C_PAD9600", "C_Pkt2400", "C_Pkt4800", "C_Pkt9600", "C_AltSpchData", "C_SpchData" | | Phase 2 |

| Item | Description | Type/Allowed values | Value chosen | Release |
|--------------------|------------------------------------|--|--------------|---------|
| TSPX_MOBscSvcI | any supported MO basic service | "C_Telephony", "C_EmgCallSRV", "C_AltSpchG3", "C_AutoG3", "C_300cda", "C_1200cda", "C_120075cda", "C_2400cda", "C_4800cda", "C_2400cda", "C_4800cda", "C_4800cda", "C_PAD300", "C_PAD1200", "C_PAD120075", "C_PAD2400", "C_PAD4800", "C_PAD9600", "C_Pkt2400", "C_Pkt4800", "C_Pkt9600", "C_AltSpchData", "C_SpchData" | | Phase 2 |
| TSPX_MOBscSvcJ | any supported MO basic service | "C_Telephony", "C_EmgCallSRV", "C_AltSpchG3", "C_AutoG3", "C_300cda", "C_1200cda", "C_120075cda", "C_2400cda", "C_4800cda", "C_2400cda", "C_4800cda", "C_4800cda", "C_PAD300", "C_PAD1200", "C_PAD120075", "C_PAD2400", "C_PAD4800", "C_PAD9600", "C_Pkt2400", "C_Pkt4800", "C_Pkt9600", "C_AltSpchData", "C_SpchData" | | Phase 2 |
| TSPX_MT_DualModSvc | any supported MT dual mode service | "C_Telephony", "C_EmgCallSRV", "C_AltSpchG3", "C_AutoG3", "C_300cda", "C_1200cda", "C_120075cda", "C_2400cda", "C_4800cda", "C_2400cda", "C_4800cda", "C_4800cda", "C_PAD300", "C_PAD1200", "C_PAD120075", "C_PAD2400", "C_PAD4800", "C_PAD9600", "C_Pkt2400", "C_Pkt4800", "C_Pkt9600", "C_AltSpchData", "C_SpchData" | | Phase 2 |

| Item | Description | Type/Allowed values | Value chosen | Release |
|-------------------|------------------------------------|--|--------------|---------|
| TSPX_MT_NonSptSvc | any not supported MT basic service | "C_Telephony", "C_EmgCallSRV", "C_AltSpchG3", "C_AutoG3", "C_300cda", "C_1200cda", "C_120075cda", "C_2400cda", "C_4800cda", "C_2400cda", "C_4800cda", "C_4800cda", "C_PAD300", "C_PAD1200", "C_PAD120075", "C_PAD2400", "C_PAD4800", "C_PAD9600", "C_Pkt2400", "C_Pkt4800", "C_Pkt9600", "C_AltSpchData", "C_SpchData" | | Phase 2 |
| TSPX_MTBscSvcA | any supported MT basic service | "C_Telephony", "C_EmgCallSRV", "C_AltSpchG3", "C_AutoG3", "C_300cda", "C_1200cda", "C_120075cda", "C_2400cda", "C_4800cda", "C_2400cda", "C_4800cda", "C_4800cda", "C_PAD300", "C_PAD1200", "C_PAD120075", "C_PAD2400", "C_PAD4800", "C_PAD9600", "C_Pkt2400", "C_Pkt4800", "C_Pkt9600", "C_AltSpchData", "C_SpchData" | | Phase 2 |
| TSPX_MTBscSvcB | any supported MT basic service | "C_Telephony", "C_EmgCallSRV", "C_AltSpchG3", "C_AutoG3", "C_300cda", "C_1200cda", "C_120075cda", "C_2400cda", "C_4800cda", "C_2400cda", "C_4800cda", "C_4800cda", "C_PAD300", "C_PAD1200", "C_PAD120075", "C_PAD2400", "C_PAD4800", "C_PAD9600", "C_Pkt2400", "C_Pkt4800", "C_Pkt9600", "C_AltSpchData", "C_SpchData" | | Phase 2 |

| Item | Description | Type/Allowed values | Value chosen | Release |
|----------------|--------------------------------|--|--------------|---------|
| TSPX_MTBscSvcC | any supported MT basic service | "C_Telephony", "C_EmgCallSRV", "C_AltSpchG3", "C_AutoG3", "C_300cda", "C_1200cda", "C_120075cda", "C_2400cda", "C_4800cda", "C_2400cda", "C_4800cda", "C_4800cda", "C_PAD300", "C_PAD1200", "C_PAD120075", "C_PAD2400", "C_PAD4800", "C_PAD9600", "C_Pkt2400", "C_Pkt4800", "C_Pkt9600", "C_AltSpchData", "C_SpchData" | | Phase 2 |
| TSPX_MTBscSvcD | any supported MT basic service | "C_Telephony", "C_EmgCallSRV", "C_AltSpchG3", "C_AutoG3", "C_300cda", "C_1200cda", "C_120075cda", "C_2400cda", "C_4800cda", "C_2400cda", "C_4800cda", "C_4800cda", "C_PAD300", "C_PAD1200", "C_PAD120075", "C_PAD2400", "C_PAD4800", "C_PAD9600", "C_Pkt2400", "C_Pkt4800", "C_Pkt9600", "C_AltSpchData", "C_SpchData" | | Phase 2 |
| TSPX_MTBscSvcE | any supported MT basic service | "C_Telephony", "C_EmgCallSRV", "C_AltSpchG3", "C_AutoG3", "C_300cda", "C_1200cda", "C_120075cda", "C_2400cda", "C_4800cda", "C_2400cda", "C_4800cda", "C_4800cda", "C_PAD300", "C_PAD1200", "C_PAD120075", "C_PAD2400", "C_PAD4800", "C_PAD9600", "C_Pkt2400", "C_Pkt4800", "C_Pkt9600", "C_AltSpchData", "C_SpchData" | | Phase 2 |

| Item | Description | Type/Allowed values | Value chosen | Release |
|----------------|--------------------------------|--|--------------|---------|
| TSPX_MTBscSvcF | any supported MT basic service | "C_Telephony", "C_EmgCallSRV", "C_AltSpchG3", "C_AutoG3", "C_300cda", "C_1200cda", "C_120075cda", "C_2400cda", "C_4800cda", "C_2400cda", "C_4800cda", "C_4800cda", "C_PAD300", "C_PAD1200", "C_PAD120075", "C_PAD2400", "C_PAD4800", "C_PAD9600", "C_Pkt2400", "C_Pkt4800", "C_Pkt9600", "C_AltSpchData", "C_SpchData" | | Phase 2 |
| TSPX_MTBscSvcG | any supported MT basic service | "C_Telephony", "C_EmgCallSRV", "C_AltSpchG3", "C_AutoG3", "C_300cda", "C_1200cda", "C_120075cda", "C_2400cda", "C_4800cda", "C_2400cda", "C_4800cda", "C_4800cda", "C_PAD300", "C_PAD1200", "C_PAD120075", "C_PAD2400", "C_PAD4800", "C_PAD9600", "C_Pkt2400", "C_Pkt4800", "C_Pkt9600", "C_AltSpchData", "C_SpchData" | | Phase 2 |
| TSPX_MTBscSvcH | any supported MT basic service | "C_Telephony", "C_EmgCallSRV", "C_AltSpchG3", "C_AutoG3", "C_300cda", "C_1200cda", "C_120075cda", "C_2400cda", "C_4800cda", "C_2400cda", "C_4800cda", "C_4800cda", "C_PAD300", "C_PAD1200", "C_PAD120075", "C_PAD2400", "C_PAD4800", "C_PAD9600", "C_Pkt2400", "C_Pkt4800", "C_Pkt9600", "C_AltSpchData", "C_SpchData" | | Phase 2 |

| Item | Description | Type/Allowed values | Value chosen | Release |
|--------------------|---|--|--------------|---------|
| TSPX_MTBscSvcI | any supported MT basic service | "C_Telephony", "C_EmgCallSRV", "C_AltSpchG3", "C_AutoG3", "C_300cda", "C_1200cda", "C_120075cda", "C_2400cda", "C_4800cda", "C_2400cda", "C_4800cda", "C_4800cda", "C_PAD300", "C_PAD1200", "C_PAD120075", "C_PAD2400", "C_PAD4800", "C_PAD9600", "C_Pkt2400", "C_Pkt4800", "C_Pkt9600", "C_AltSpchData", "C_SpchData" | | Phase 2 |
| TSPX_MTBscSvcJ | any supported MT basic service | "C_Telephony", "C_EmgCallSRV", "C_AltSpchG3", "C_AutoG3", "C_300cda", "C_1200cda", "C_120075cda", "C_2400cda", "C_4800cda", "C_2400cda", "C_4800cda", "C_4800cda", "C_PAD300", "C_PAD1200", "C_PAD120075", "C_PAD2400", "C_PAD4800", "C_PAD9600", "C_Pkt2400", "C_Pkt4800", "C_Pkt9600", "C_AltSpchData", "C_SpchData" | | Phase 2 |
| TSPX_MTNIC_BscSvcA | any supported MT basic service without immediate connection | "C_Telephony", "C_EmgCallSRV", "C_AltSpchG3", "C_AutoG3", "C_300cda", "C_1200cda", "C_120075cda", "C_2400cda", "C_4800cda", "C_2400cda", "C_4800cda", "C_4800cda", "C_PAD300", "C_PAD1200", "C_PAD120075", "C_PAD2400", "C_PAD4800", "C_PAD9600", "C_Pkt2400", "C_Pkt4800", "C_Pkt9600", "C_AltSpchData", "C_SpchData" | | Phase 2 |

| Item | Description | Type/Allowed values | Value chosen | Release |
|--------------------|---|--|--------------|---------|
| TSPX_MTNIC_BscSvcB | any supported MT basic service without immediate connection | "C_Telephony", "C_EmgCallSRV", "C_AltSpchG3", "C_AutoG3", "C_300cda", "C_1200cda", "C_120075cda", "C_2400cda", "C_4800cda", "C_2400cda", "C_4800cda", "C_4800cda", "C_PAD300", "C_PAD1200", "C_PAD120075", "C_PAD2400", "C_PAD4800", "C_PAD9600", "C_Pkt2400", "C_Pkt4800", "C_Pkt9600", "C_AltSpchData", "C_SpchData" | | Phase 2 |
| TSPX_MTNIC_BscSvcC | any supported MT basic service without immediate connection | "C_Telephony", "C_EmgCallSRV", "C_AltSpchG3", "C_AutoG3", "C_300cda", "C_1200cda", "C_120075cda", "C_2400cda", "C_4800cda", "C_2400cda", "C_4800cda", "C_4800cda", "C_PAD300", "C_PAD1200", "C_PAD120075", "C_PAD2400", "C_PAD4800", "C_PAD9600", "C_Pkt2400", "C_Pkt4800", "C_Pkt9600", "C_AltSpchData", "C_SpchData" | | Phase 2 |
| TSPX_MTNIC_BscSvcD | any supported MT basic service without immediate connection | "C_Telephony", "C_EmgCallSRV", "C_AltSpchG3", "C_AutoG3", "C_300cda", "C_1200cda", "C_120075cda", "C_2400cda", "C_4800cda", "C_2400cda", "C_4800cda", "C_4800cda", "C_PAD300", "C_PAD1200", "C_PAD120075", "C_PAD2400", "C_PAD4800", "C_PAD9600", "C_Pkt2400", "C_Pkt4800", "C_Pkt9600", "C_AltSpchData", "C_SpchData" | | Phase 2 |

| Item | Description | Type/Allowed values | Value chosen | Release |
|--------------------|---|--|--------------|---------|
| TSPX_MTNIC_BscSvcE | any supported MT basic service without immediate connection | "C_Telephony", "C_EmgCallSRV", "C_AltSpchG3", "C_AutoG3", "C_300cda", "C_1200cda", "C_120075cda", "C_2400cda", "C_4800cda", "C_2400cda", "C_4800cda", "C_4800cda", "C_PAD300", "C_PAD1200", "C_PAD120075", "C_PAD2400", "C_PAD4800", "C_PAD9600", "C_Pkt2400", "C_Pkt4800", "C_Pkt9600", "C_AltSpchData", "C_SpchData" | | Phase 2 |
| TSPX_MTNIC_BscSvcF | any supported MT basic service without immediate connection | "C_Telephony", "C_EmgCallSRV", "C_AltSpchG3", "C_AutoG3", "C_300cda", "C_1200cda", "C_120075cda", "C_2400cda", "C_4800cda", "C_2400cda", "C_4800cda", "C_4800cda", "C_PAD300", "C_PAD1200", "C_PAD120075", "C_PAD2400", "C_PAD4800", "C_PAD9600", "C_Pkt2400", "C_Pkt4800", "C_Pkt9600", "C_AltSpchData", "C_SpchData" | | Phase 2 |
| TSPX_MTNIC_BscSvcG | any supported MT basic service without immediate connection | "C_Telephony", "C_EmgCallSRV", "C_AltSpchG3", "C_AutoG3", "C_300cda", "C_1200cda", "C_120075cda", "C_2400cda", "C_4800cda", "C_2400cda", "C_4800cda", "C_4800cda", "C_PAD300", "C_PAD1200", "C_PAD120075", "C_PAD2400", "C_PAD4800", "C_PAD9600", "C_Pkt2400", "C_Pkt4800", "C_Pkt9600", "C_AltSpchData", "C_SpchData" | | Phase 2 |

| Item | Description | Type/Allowed values | Value chosen | Release |
|--------------------|---|--|--------------|---------|
| TSPX_MTNIC_BscSvcH | any supported MT basic service without immediate connection | "C_Telephony", "C_EmgCallSRV", "C_AltSpchG3", "C_AutoG3", "C_300cda", "C_1200cda", "C_120075cda", "C_2400cda", "C_4800cda", "C_2400cda", "C_4800cda", "C_4800cda", "C_PAD300", "C_PAD1200", "C_PAD120075", "C_PAD2400", "C_PAD4800", "C_PAD9600", "C_Pkt2400", "C_Pkt4800", "C_Pkt9600", "C_AltSpchData", "C_SpchData" | | Phase 2 |
| TSPX_MTNIC_BscSvcI | any supported MT basic service without immediate connection | "C_Telephony", "C_EmgCallSRV", "C_AltSpchG3", "C_AutoG3", "C_300cda", "C_1200cda", "C_120075cda", "C_2400cda", "C_4800cda", "C_2400cda", "C_4800cda", "C_4800cda", "C_PAD300", "C_PAD1200", "C_PAD120075", "C_PAD2400", "C_PAD4800", "C_PAD9600", "C_Pkt2400", "C_Pkt4800", "C_Pkt9600", "C_AltSpchData", "C_SpchData" | | Phase 2 |
| TSPX_MTNIC_BscSvcJ | any supported MT basic service without immediate connection | "C_Telephony", "C_EmgCallSRV", "C_AltSpchG3", "C_AutoG3", "C_300cda", "C_1200cda", "C_120075cda", "C_2400cda", "C_4800cda", "C_2400cda", "C_4800cda", "C_4800cda", "C_PAD300", "C_PAD1200", "C_PAD120075", "C_PAD2400", "C_PAD4800", "C_PAD9600", "C_Pkt2400", "C_Pkt4800", "C_Pkt9600", "C_AltSpchData", "C_SpchData" | | Phase 2 |

| Item | Description | Type/Allowed values | Value chosen | Release |
|---------------------|---|---------------------|--------------|---------|
| TSPX_Telephony_Rate | channel rate for TS11 (telephony), default value: "F" | "F", "H" | | Phase 2 |
| TSPX_MOChRateA | channel rate for TSPX_MOBscSvcA, default value: "F" | "F", "H" | | Phase 2 |
| TSPX_MOChRateB | channel rate for TSPX_MOBscSvcB, default value: "F" | "F", "H" | | Phase 2 |
| TSPX_MOChRateC | channel rate for TSPX_MOBscSvcC, default value: "F" | "F", "H" | | Phase 2 |
| TSPX_MOChRateD | channel rate for TSPX_MOBscSvcD, default value: "F" | "F", "H" | | Phase 2 |
| TSPX_MOChRateE | channel rate for TSPX_MOBscSvcE, default value: "F" | "F", "H" | | Phase 2 |
| TSPX_MOChRateF | channel rate for TSPX_MOBscSvcF, default value: "F" | "F", "H" | | Phase 2 |
| TSPX_MOChRateG | channel rate for TSPX_MOBscSvcG, default value: "F" | "F", "H" | | Phase 2 |
| TSPX_MOChRateH | channel rate for TSPX_MOBscSvcH, default value: "F" | "F", "H" | | Phase 2 |
| TSPX_MOChRateI | channel rate for TSPX_MOBscSvcI, default value: "F" | "F", "H" | | Phase 2 |
| TSPX_MOChRateJ | channel rate for TSPX_MOBscSvcJ, default value: "F" | "F", "H" | | Phase 2 |
| TSPX_MTChRateA | channel rate for TSPX_MTBscSvcA, default value: "F" | "F", "H" | | Phase 2 |
| TSPX_MTChRateB | channel rate for TSPX_MTBscSvcB, default value: "F" | "F", "H" | | Phase 2 |
| TSPX_MTChRateC | channel rate for TSPX_MTBscSvcC, default value: "F" | "F", "H" | | Phase 2 |
| TSPX_MTChRateD | channel rate for TSPX_MTBscSvcD, default value: "F" | "F", "H" | | Phase 2 |
| TSPX_MTChRateE | channel rate for TSPX_MTBscSvcE, default value: "F" | "F", "H" | | Phase 2 |
| TSPX_MTChRateF | channel rate for TSPX_MTBscSvcF, default value: "F" | "F", "H" | | Phase 2 |
| TSPX_MTChRateG | channel rate for TSPX_MTBscSvcG, default value: "F" | "F", "H" | | Phase 2 |
| TSPX_MTChRateH | channel rate for TSPX_MTBscSvcH, default value: "F" | "F", "H" | | Phase 2 |
| TSPX_MTChRateI | channel rate for TSPX_MTBscSvcI, default value: "F" | "F", "H" | | Phase 2 |
| TSPX_MTChRateJ | channel rate for TSPX_MTBscSvcJ, default value: "F" | "F", "H" | | Phase 2 |
| TSPX_MTNIC_ChRateA | channel rate for TSPX_MTNIC_BscSvcA, default value: "F" | "F", "H" | | Phase 2 |

| Item | Description | Type/Allowed values | Value chosen | Release |
|--------------------|---|--|--------------|---------|
| TSPX_MTNIC_ChRateB | channel rate for TSPX_MTNIC_BscSvcB, default value: "F" | "F", "H" | | Phase 2 |
| TSPX_MTNIC_ChRateC | channel rate for TSPX_MTNIC_BscSvcC, default value: "F" | "F", "H" | | Phase 2 |
| TSPX_MTNIC_ChRateD | channel rate for TSPX_MTNIC_BscSvcD, default value: "F" | "F", "H" | | Phase 2 |
| TSPX_MTNIC_ChRateE | channel rate for TSPX_MTNIC_BscSvcE, default value: "F" | "F", "H" | | Phase 2 |
| TSPX_MTNIC_ChRateF | channel rate for TSPX_MTNIC_BscSvcF, default value: "F" | "F", "H" | | Phase 2 |
| TSPX_MTNIC_ChRateG | channel rate for TSPX_MTNIC_BscSvcG, default value: "F" | "F", "H" | | Phase 2 |
| TSPX_MTNIC_ChRateH | channel rate for TSPX_MTNIC_BscSvcH, default value: "F" | "F", "H" | | Phase 2 |
| TSPX_MTNIC_ChRateI | channel rate for TSPX_MTNIC_BscSvcI, default value: "F" | "F", "H" | | Phase 2 |
| TSPX_MTNIC_ChRateJ | channel rate for TSPX_MTNIC_BscSvcJ, default value: "F" | "F", "H" | | Phase 2 |
| TSPX_EmgCallRate | Rate for the basic service supported for MO emergency calls | "F", "H" | | Phase 2 |
| TSPX_MO_NonCallSS | any supported MO non-call related supplementary service | "C_Telephony", "C_EmgCallSRV", "C_AltSpchG3", "C_AutoG3", "C_300cda", "C_1200cda", "C_120075cda", "C_2400cda", "C_4800cda", "C_2400cda", "C_4800cda", "C_2400cda", "C_4800cda", "C_PAD300", "C_PAD1200", "C_PAD120075", "C_PAD2400", "C_PAD4800", "C_PAD9600", "C_Pkt2400", "C_Pkt4800", "C_Pkt9600", "C_AltSpchData", "C_SpchData" | | Phase 2 |

| Item | Description | Type/Allowed values | Value chosen | Release |
|-------------------------|--|--|-------------------------|---------|
| TSPX_MO_BscSvc_SMS | any supported MO SMS calls | "C_Telephony", "C_EmgCallSRV", "C_AltSpchG3", "C_AutoG3", "C_300cda", "C_1200cda", "C_120075cda", "C_2400cda", "C_4800cda", "C_2400cda", "C_4800cda", "C_4800cda", "C_PAD300", "C_PAD1200", "C_PAD120075", "C_PAD2400", "C_PAD4800", "C_PAD9600", "C_Pkt2400", "C_Pkt4800", "C_Pkt9600", "C_AltSpchData", "C_SpchData" | | Phase 2 |
| TSPX_MO_DualModSvc | any supported MO dual mode call | "C_Telephony", "C_EmgCallSRV", "C_AltSpchG3", "C_AutoG3", "C_300cda", "C_1200cda", "C_120075cda", "C_2400cda", "C_4800cda", "C_2400cda", "C_4800cda", "C_4800cda", "C_PAD300", "C_PAD1200", "C_PAD120075", "C_PAD2400", "C_PAD4800", "C_PAD9600", "C_Pkt2400", "C_Pkt4800", "C_Pkt9600", "C_AltSpchData", "C_SpchData" | | Phase 2 |
| TSPX_MO_DualModRate | Rate for the supported MO dual mode call in TSPX_MO_DualModSvc | "F", "H" | | Phase 2 |
| TSPX_Vcallref_Active1 | VGCS/VBS call reference active | BITSTRING[27] | Group ID 1 on test SIM | R96 |
| TSPX_Vcallref_Active2 | VGCS/VBS call reference active | BITSTRING[27] | Group ID 4 on test SIM | R96 |
| TSPX_Vcallref_Active3 | VGCS/VBS call reference active | BITSTRING[27] | Group ID 20 on test SIM | R96 |
| TSPX_Vcallref_Active4 | VGCS/VBS call reference active | BITSTRING[27] | Group ID 30 on test SIM | R96 |
| TSPX_Vcallref_Active5 | VGCS/VBS call reference active | BITSTRING[27] | Group ID 50 on test SIM | R96 |
| TSPX_Vcallref_NotActive | VGCS/VBS call reference non-active | BITSTRING[27] | Group ID 48 on test SIM | R96 |

Annex B (normative): PCTR Proforma

| |
|--|
| Notwithstanding the provisions of the copyright clause related to the text of the present document, 3GPP grants that users of the present document may freely reproduce the PCTR proforma in this annex so that it can be used for its intended purposes and may further publish the completed PCTR. |
|--|

B.1 PROTOCOL Conformance Test Report (PCTR)

Global System for Mobile Communication, GSM, User-Network Access

Layer 3 Signalling Functions

| | |
|----------------|----------|
| Test Candidate | |
| Name : | SUT name |
| Model : | model |
| H/W version : | hw |
| S/W version : | sw |
| Serial No. : | serienr |

| | |
|--------------------|--|
| Client | |
| Name : | |
| Street/ No. : | |
| Postal Code/ City: | |
| Country : | |

| |
|--|
| <i>This Test Report shall not be reproduced except in full without the written permission of TEST LAB REFERENCE, and shall not be quoted out of context.</i> |
|--|

Annex C (normative): Layer 3 Abstract Test Suite

This ATS has been produced using the Tree and Tabular Combined Notation (TTCN) according to ISO/IEC 9646-3 [3].

The ATS was developed on a separate TTCN software tool and therefore the TTCN tables are not completely referenced in the contents table. The ATS itself contains a test suite overview part which provides additional information and references.

C.1 The TTCN Graphical form (TTCN.GR)

The TTCN.GR representation of the ATS is contained in an Adobe Portable Document Format™ file (I3_510.PDF contained in archive 51010c510ATS.ZIP) which accompanies the present document (Part 3).

C.2 The TTCN Machine Processable form (TTCN.MP)

The TTCN.MP representation corresponding to the ATS for is contained in an ASCII file (I3_510.mp contained in archive 51010c510ATS.ZIP) which accompanies the present document (Part 3).

Annex D (normative): Enhanced Full Rate Abstract Test Suite

This ATS has been produced using the Tree and Tabular Combined Notation (TTCN) according to ISO/IEC 9646-3 [3].

The ATS was developed on a separate TTCN software tool and therefore the TTCN tables are not completely referenced in the contents table. The ATS itself contains a test suite overview part which provides additional information and references.

D.1 The TTCN Graphical form (TTCN.GR)

The TTCN.GR representation of the ATS is contained in an Adobe Portable Document Format™ file (ef_510.PDF contained in archive 51010c510ATS.ZIP) which accompanies the present document (Part 3).

D.2 The TTCN Machine Processable form (TTCN.MP)

The TTCN.MP representation corresponding to the ATS for is contained in an ASCII file (ef_510.mp contained in archive 51010c510ATS.ZIP) which accompanies the present document (Part 3).

Annex E (informative): Cell Selection Abstract Test Suite

This ATS has been produced using the Tree and Tabular Combined Notation (TTCN) according to ISO/IEC 9646-3 [3].

The ATS was developed on a separate TTCN software tool and therefore the TTCN tables are not completely referenced in the contents table. The ATS itself contains a test suite overview part which provides additional information and references.

E.1 The TTCN Graphical form (TTCN.GR)

The TTCN.GR representation of the ATS is contained in an Adobe Portable Document Format™ file (cs_510.PDF contained in archive 51010c510ATS.ZIP) which accompanies the present document (Part 3).

E.2 The TTCN Machine Processable form (TTCN.MP)

The TTCN.MP representation corresponding to the ATS for is contained in an ASCII file (cs_510.mp contained in archive 51010c510ATS.ZIP) which accompanies the present document (Part 3).

Annex F (informative): Dual band Abstract Test Suite

This ATS has been produced using the Tree and Tabular Combined Notation (TTCN) according to ISO/IEC 9646-3 [3].

The ATS was developed on a separate TTCN software tool and therefore the TTCN tables are not completely referenced in the contents table. The ATS itself contains a test suite overview part which provides additional information and references.

F.1 The TTCN Graphical form (TTCN.GR)

The TTCN.GR representation of the ATS is contained in an Adobe Portable Document Format™ file (db_510.PDF contained in archive 51010c510ATS.ZIP) which accompanies the present document (Part 3).

F.2 The TTCN Machine Processable form (TTCN.MP)

The TTCN.MP representation corresponding to the ATS for is contained in an ASCII file (db_510.mp contained in archive 51010c510ATS.ZIP) which accompanies the present document (Part 3).

Annex G (normative): RGSM Abstract Test Suite

This ATS has been produced using the Tree and Tabular Combined Notation (TTCN) according to ISO/IEC 9646-3 [3].

The ATS was developed on a separate TTCN software tool and therefore the TTCN tables are not completely referenced in the contents table. The ATS itself contains a test suite overview part which provides additional information and references.

G.1 The TTCN Graphical form (TTCN.GR)

The TTCN.GR representation of the ATS is contained in an Adobe Portable Document Format™ file (rgsm_510.PDF contained in archive 51010c510ATS.ZIP) which accompanies the present document (Part 3).

G.2 The TTCN Machine Processable form (TTCN.MP)

The TTCN.MP representation corresponding to the ATS for is contained in an ASCII file (rgsm_510.mp contained in archive 51010c510ATS.ZIP) which accompanies the present document (Part 3).

Annex H (normative): ASCI Abstract Test Suite

This ATS has been produced using the Tree and Tabular Combined Notation (TTCN) according to ISO/IEC 9646-3 [3].

The ATS contains groups for VGCS/VBS (R96), User-to-Dispatcher (Rel4), eMLPP (R96), UUS (R99) and Follow Me services (R99). The ATS was developed on a separate TTCN software tool and therefore the TTCN tables are not completely referenced in the contents table. The ATS itself contains a test suite overview part, which provides additional information and references.

H.1 The TTCN Graphical form (TTCN.GR)

The TTCN.GR representation of the ATS is contained in an Adobe Portable Document Format™ file (asci_510.PDF) contained in archive 51010c510ATS.ZIP) which accompanies the present document (Part 3).

H.2 The TTCN Machine Processable form (TTCN.MP)

The TTCN.MP representation corresponding to the ATS for is contained in an ASCII file (asci_510.mp, contained in archive 51010c510ATS.ZIP) which accompanies the present document (Part 3).

Annex I (informative): Change history

| Change history | | | | | | | | | | |
|----------------|-----------|-----|-----|---|-----|----------------|-----------------|-----------|-----------|--|
| TSG # | TSG Doc | CR | Rev | Subject/Comment | Cat | Old | New | WG Doc | Work item | |
| | | | | 31/08/2000: Conversion to 3GPP TS format | | 11.10-3 v9.0.0 | 51.010-3 v4.0.0 | | | |
| GP-02 | GP-000494 | 001 | | Correction of the release number for User-to-Dispatcher, UUS and FM test cases | F | 4.0.0 | 4.1.0 | | | |
| GP-05 | GP-011153 | 002 | | Creation of merged 51.010-3 including all the available ATS from Ph2 to Rel4 | F | 4.1.0 | 4.2.0 | | | |
| GP-06 | GP-011467 | 003 | | Alignment of TC_26_2_4_3_2 with 51.010-1 section 26.5.3.2 | F | 4.2.0 | 4.3.0 | | | |
| GP-06 | GP-011467 | 004 | | Proposal to allow handover access bursts on a SACCH. | F | 4.2.0 | 4.3.0 | | | |
| GP-06 | GP-011467 | 005 | | Alignment of TC_26_2_4_7& TC_26_2_4_8 with 51.010-1 section 26.2.4.7 & 26.2.4.8 | F | 4.2.0 | 4.3.0 | | | |
| GP-07 | GP-012121 | 006 | | Classmark 2 modification to support R96 and later mobiles | F | 4.3.0 | 4.4.0 | | | |
| GP-07 | GP-012122 | 007 | | Mobile originated Setup PDU additions to support R96 and later mobiles. | F | 4.3.0 | 4.4.0 | | | |
| GP-07 | GP-012123 | 008 | | Classmark 2 modification | F | 4.3.0 | 4.4.0 | | | |
| GP-07 | GP-012278 | 010 | | CR 51.010-3-010 on Corrections to BA-IND values Rel-4 | F | 4.3.0 | 4.4.0 | | | |
| GP-07 | GP-012651 | 011 | 1 | Updating EFR to accept Version 3 Speech (Rel 4) | F | 4.3.0 | 4.4.0 | | | |
| GP-07 | GP-012162 | 012 | | Bearer Capability additions (Rel 4) | F | 4.3.0 | 4.4.0 | | | |
| GP-08 | GP-020065 | 013 | | Update of references | F | 4.4.0 | 4.5.0 | | | |
| GP-09 | GP-020550 | 014 | | Correction to reference clause | F | 4.5.0 | 4.6.0 | | | |
| GP-10 | GP-021486 | 015 | - | 26.6.5.5.1, 26.6.5.5.2, 26.6.5.6, 26.6.5.7, 26.6.5.8, 26.6.5.9, 26.8.1.4.3.1, 26.10.2.4.2 - Allowing handover access bursts on a SACCH. | F | 4.6.0 | 4.7.0 | | | |
| GP-10 | GP-021851 | 016 | 1 | 34.2.3 & 34.2.5.3 – Correct guard timers | F | 4.6.0 | 4.7.0 | | | |
| GP-10 | GP-021852 | 017 | 1 | 26.12.2.1.14 & 26.12.2.1.15 – Suppress Halfrate testing for non-Halfrate MS | F | 4.6.0 | 4.7.0 | | | |
| GP-14 | GP-030947 | 018 | 1 | 20.14 - Implementation of new Test Case | F | 4.7.0 | 4.8.0 | | | |
| GP-14 | GP-030948 | 019 | 1 | 20.6 – Bring 51.010-3 into alignment with 51.010-1 | F | 4.7.0 | 4.8.0 | | | |
| GP-14 | GP-030949 | 020 | 1 | 34.3 - Update Number change in Cell Broadcasting message | F | 4.7.0 | 4.8.0 | | | |
| GP-14 | GP-030950 | 021 | 1 | Change to CCCAP Information Element | F | 4.7.0 | 4.8.0 | | | |
| GP-18 | GP-040451 | 018 | 1 | 34.3 - Correction in verdict qualifiers in lines 26 and 28 during the 5th SMS-Cell Broadcast and promotion 51.010-3 to Release 5 | F | 4.8.0 | 5.0.0 | | | |
| GP-18 | GP-040236 | 019 | - | 26.6.5.2..x - Correction to TTCN handling of handover commands | F | 4.8.0 | 5.0.0 | | | |
| GP-18 | GP-040237 | 020 | - | Promote to Release 5 | F | 4.8.0 | 5.0.0 | | | |
| GP-18 | GP-040405 | 021 | - | Upgrade in TTCN to support R99 core specifications | F | 4.8.0 | 5.0.0 | | | |
| | | | | Addition of missing machine processable files (TTCN.MP format) files. | | 5.0.0 | 5.0.1 | | | |
| GP-19 | GP-040648 | 022 | - | Correction to TTCN handling of handover commands | F | 5.0.1 | 5.1.0 | GP-040648 | GSM | |
| GP-19 | GP-040649 | 023 | - | Repeat indicator value Sequential for successive selection' ("0011") is selected in the test case which is a reserved value in R99. | F | 5.0.1 | 5.1.0 | GP-040649 | GSM | |
| GP-19 | GP-040650 | 024 | - | During "speech full rate version 3", "Multi rate IE" should be included as part of Channel Mode Modify message. | F | 5.0.1 | 5.1.0 | GP-040650 | GSM | |
| GP-19 | GP-040651 | 025 | - | Sending Physical information before the handover access bursts. | F | 5.0.1 | 5.1.0 | GP-040651 | GSM | |
| GP-19 | GP-040652 | 026 | - | Test step 29 "+Checktree(C_RegPswd)" is not required. | F | 5.0.1 | 5.1.0 | GP-040652 | GSM | |
| GP-20 | GP-041265 | 028 | - | 26.6.5.1 - Incorrect handling of Timing advance. | F | 5.1.0 | 5.2.0 | GP-041265 | GSM | |
| GP-20 | GP-041266 | 029 | - | 26.6.5.2.4 – Handover Command sent on wrong channel in DCS band | F | 5.1.0 | 5.2.0 | GP-041266 | GSM | |
| GP-20 | GP-041267 | 030 | - | 26.8.1.4.3.2 – Assignment Command must not contain both frequency list and mobile allocation | F | 5.1.0 | 5.2.0 | GP-041267 | GSM | |

| Change history | | | | | | | | | |
|----------------|-----------|-----|-----|--|-----|-------|-------|-----------|-----------|
| TSG # | TSG Doc | CR | Rev | Subject/Comment | Cat | Old | New | WG Doc | Work item |
| GP-20 | GP-041268 | 031 | - | 26.10.3.1 - Check whether TCH is connected | F | 5.1.0 | 5.2.0 | GP-041268 | GSM |

History

| Document history | | |
|-------------------------|------------|-------------|
| V5.0.1 | March 2004 | Publication |
| V5.1.0 | May 2004 | Publication |
| V5.2.0 | July 2004 | Publication |
| | | |
| | | |