

ETSI TS 148 056 V7.0.0 (2007-10)

Technical Specification

**Digital cellular telecommunications system (Phase 2+);
Base Station Controller -
Base Transceiver Station (BSC - BTS) interface;
Layer 2 specification
(3GPP TS 48.056 version 7.0.0 Release 7)**



ReferenceRTS/TSGG-0248056v700

Keywords

GSM

ETSI

650 Route des Lucioles
F-06921 Sophia Antipolis Cedex - FRANCE

Tel.: +33 4 92 94 42 00 Fax: +33 4 93 65 47 16

Siret N° 348 623 562 00017 - NAF 742 C
Association à but non lucratif enregistrée à la
Sous-Préfecture de Grasse (06) N° 7803/88

Important notice

Individual copies of the present document can be downloaded from:

<http://www.etsi.org>

The present document may be made available in more than one electronic version or in print. In any case of existing or perceived difference in contents between such versions, the reference version is the Portable Document Format (PDF). In case of dispute, the reference shall be the printing on ETSI printers of the PDF version kept on a specific network drive within ETSI Secretariat.

Users of the present document should be aware that the document may be subject to revision or change of status. Information on the current status of this and other ETSI documents is available at

<http://portal.etsi.org/tb/status/status.asp>

If you find errors in the present document, please send your comment to one of the following services:

http://portal.etsi.org/chaicor/ETSI_support.asp

Copyright Notification

No part may be reproduced except as authorized by written permission.
The copyright and the foregoing restriction extend to reproduction in all media.

© European Telecommunications Standards Institute 2007.
All rights reserved.

DECTTM, **PLUGTESTS**TM and **UMTS**TM are Trade Marks of ETSI registered for the benefit of its Members.
TIPHONTM and the **TIPHON logo** are Trade Marks currently being registered by ETSI for the benefit of its Members.
3GPPTM is a Trade Mark of ETSI registered for the benefit of its Members and of the 3GPP Organizational Partners.

Intellectual Property Rights

IPRs essential or potentially essential to the present document may have been declared to ETSI. The information pertaining to these essential IPRs, if any, is publicly available for **ETSI members and non-members**, and can be found in ETSI SR 000 314: *"Intellectual Property Rights (IPRs); Essential, or potentially Essential, IPRs notified to ETSI in respect of ETSI standards"*, which is available from the ETSI Secretariat. Latest updates are available on the ETSI Web server (<http://webapp.etsi.org/IPR/home.asp>).

Pursuant to the ETSI IPR Policy, no investigation, including IPR searches, has been carried out by ETSI. No guarantee can be given as to the existence of other IPRs not referenced in ETSI SR 000 314 (or the updates on the ETSI Web server) which are, or may be, or may become, essential to the present document.

Foreword

This Technical Specification (TS) has been produced by ETSI 3rd Generation Partnership Project (3GPP).

The present document may refer to technical specifications or reports using their 3GPP identities, UMTS identities or GSM identities. These should be interpreted as being references to the corresponding ETSI deliverables.

The cross reference between GSM, UMTS, 3GPP and ETSI identities can be found under <http://webapp.etsi.org/key/queryform.asp>.

Contents

Intellectual Property Rights	2
Foreword.....	2
Foreword.....	4
1 Scope	5
2 References	5
3 Definitions and abbreviations.....	6
4 General description.....	6
5 Functional contents	7
6 LAPD functions.....	7
6.1 Exceptions and modifications.....	7
6.1.1 Void	7
6.1.2 Command/Response field bit (C/R).....	7
6.1.3 Service Access Point Identifier (SAPI).....	7
6.1.4 TEI for point-to-point data link connection	8
6.1.5 Commands and responses	8
6.1.6 Exchange identification (XID) command/response	8
6.1.7 MDL-XID	8
6.1.8 PH-DATA, PH DEACTIVATE and PH-ACTIVATE.....	8
6.1.9 MPH-ACTIVATE, MPH-DEACTIVATE an MPH-INFORMATION	8
6.1.10 Priority indicator.....	9
6.1.11 Terminal Endpoint Identifier (TEI) management procedures.....	9
6.1.11.1 General	9
6.1.11.2 TEI assignment procedure.....	9
6.1.11.3 TEI identity verify procedure	11
6.1.11.4 Formats and codes.....	11
6.1.12 Automatic negotiation of data link layer parameters	11
6.1.13 Establishment procedures	11
6.1.14 N(S) sequence error	11
6.1.15 List of system parameters	11
6.1.15.1 Timer T200	12
6.1.15.2 Maximum number of retransmissions (N200)	12
6.1.15.3 Maximum number of octets in an information field (N201).....	12
6.1.15.4 Maximum number of transmission of the TEI identity request message (N202).....	12
6.1.15.5 Maximum number of outstanding frames (K).....	12
6.1.15.6 Timer T201	12
6.1.15.7 Timer T202	12
6.1.15.8 Timer T203	12
6.1.16 Data link layer monitor function.....	13
6.1.17 Miscellaneous	13
Annex A (informative): Change History	14
History	15

Foreword

This Technical Specification has been produced by the 3rd Generation Partnership Project (3GPP).

The contents of the present document are subject to continuing work within the TSG and may change following formal TSG approval. Should the TSG modify the contents of the present document, it will be re-released by the TSG with an identifying change of release date and an increase in version number as follows:

Version x.y.z

where:

- x the first digit:
 - 1 presented to TSG for information;
 - 2 presented to TSG for approval;
 - 3 or greater indicates TSG approved document under change control.
- y the second digit is incremented for all changes of substance, i.e. technical enhancements, corrections, updates, etc.
- z the third digit is incremented when editorial only changes have been incorporated in the document.

1 Scope

The present document specifies the link layer used for signalling on the A-bis interface between BSC and BTS. The use and general aspects of the A-bis interface are described in 3GPP TS 48.051 and the interface aspects in 3GPP TS 48.052.

The Link Access Procedure on the D-channel (LAPD) specification used on the A-bis interface in the GSM PLMN is a subset of the EN 300 125 which in turn has less options than the CCITT Recommendation Q.921.

This description contains first the protocol definitions and second the services provided by the layer 2 to the layer 3.

2 References

The following documents contain provisions which, through reference in this text, constitute provisions of the present document.

- References are either specific (identified by date of publication, edition number, version number, etc.) or non-specific.
- For a specific reference, subsequent revisions do not apply.
- For a non-specific reference, the latest version applies. In the case of a reference to a 3GPP document (including a GSM document), a non-specific reference implicitly refers to the latest version of that document *in the same Release as the present document*.

- [1] 3GPP TS 21.905: "Vocabulary for 3GPP Specifications".
- [2] 3GPP TS 48.051: "Base Station Controller - Base Transceiver Station (BSC - BTS) interface; General aspects".
- [3] 3GPP TS 48.052: "Base Station Controller - Base Transceiver Station (BSC - BTS) interface; Interface principles".
- [4] Void.
- [5] Void.
- [6] Void.
- [7] Void.
- [8] Void.
- [9] Void.
- [10] Void.
- [11] Void.
- [12] Void.
- [13] Void.
- [14] Void.
- [15] Void.
- [16] Void.
- [17] Void.
- [18] Void.

- [19] CCITT Recommendation Q.921: "Integrated services digital network (ISDN) user-network interface - Data link layer specification".
- [20] EN 300 125: "Integrated Services Digital Network (ISDN); User-network interface data link layer specification Application of CCITT Recommendations Q.920/I.440 and Q.921/I.441".

3 Definitions and abbreviations

Abbreviations used in the present document are listed in 3GPP TS 21.905.

4 General description

The following information categories are supported by the procedures of this layer 2 Recommendation:

- signalling (including Short Message Service (SMS) information);
- operation and maintenance;
- layer 2 management.

For each of these categories the BSC may have one or more layer 2 links to every TRX and BCF.

The signalling links over the A-bis interface are addressed to the different units by Terminal Endpoint Identifiers (TEI).

The same unit will normally have more than one functional entity. The logical links between different functional entities are identified by functional addresses, the Service Access Points Identifier (SAPI).

Figure 1 shows the architectural model with different layer 2 links.

A number of logical links may be multiplexed on each physical link. The same layer 2 logical link may not be distributed over more than one physical link.

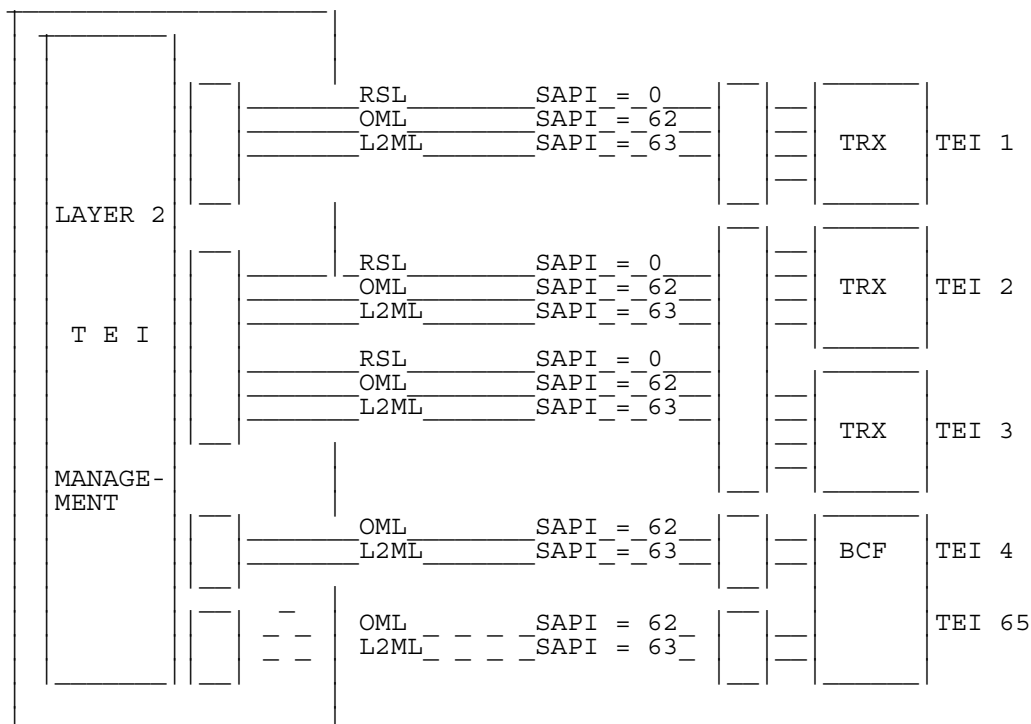


Figure 4.1: An example of Logical Layer 2 links supported by three permanent and one semipermanent links

5 Functional contents

The basic functional content of the layer 2 protocol is:

- transparent layer 2 links and time fill;
- point-to-point dedicated layer 2 links addressing both physical entities and functional entities;
- point-to-multipoint addressed links used for layer 2 management;
- basic functions for TEI assignment and management;
- basic priority functions;
- basic supervision of links when not carrying traffic;
- sequence control;
- transmission error control;
- control of errors not recoverable by retransmission.

6 LAPD functions

The LAPD functions as specified in EN 300 125 are applicable. However, the exceptions and modifications specified in the remainder of the present document shall be used.

6.1 Exceptions and modifications

In the following headlines from EN 300 125 are kept and references are made to the corresponding clause of EN 300 125.

6.1.1 Void

6.1.2 Command/Response field bit (C/R)

(Refer to EN 300 125, part 2, clause 3.3.2)

In GSM PLMN's BSC represents the network side and TRX/BCF the user side of the interface.

6.1.3 Service Access Point Identifier (SAPI)

(Refer to EN 300 125, part 2, clause 3.3.3)

The SAPI values for the A-bis interface are as listed in table 6.1.3.

Table 6.1.3: Allocation of SAPI values and priority classes

SAPI value	Related layer 3 or layer management entity	Priority
0	Radio signalling procedures	2
1	Reserved for packet mode communications using Q.931 call control procedures (Not used in GSM PLMN)	-
16	Reserved for packet communication conforming to X.25 level 3 procedures (Not used in GSM PLMN)	-
62	Operation and maintenance procedure	1
63	Layer 2 management procedures	1
All others	Reserved for future standardization	-

6.1.4 TEI for point-to-point data link connection

(Refer to EN 300 125, part 2, clause 3.3.4.2).

The remaining Terminal Endpoint Identifier (TEI) values are used for the point-to-point data link connections associated with the addressed Service Access Point (SAP). The range of TEI values shall be allocated as shown in table 6.1.4.

Table 6.1.4: Allocation of TEI values

TEI value	User type
0-63	TEI assignment for fixed TRX and BCF addresses
64-126	TEI assignment for additional, TRX or BCF addresses

NOTE: A BCF is given a separate layer 2 link only if it is not integrated with a TRX.

6.1.5 Commands and responses

(Refer to EN 300 125, part 2, clause 3.6.1)

The XID command and response are not used.

6.1.6 Exchange identification (XID) command/response

(Refer to EN 300 125, part 2, clause 3.6.12)

This functionality is not used.

6.1.7 MDL-XID

(Refer to EN 300 125, part 2, clause 4.1.1.9)

This functionality is not used.

6.1.8 PH-DATA, PH DEACTIVATE and PH-ACTIVATE

(Refer to EN 300 125, part 2, clauses 4.1.1.10 - 4.1.1.12)

This functionality is not relevant.

6.1.9 MPH-ACTIVATE, MPH-DEACTIVATE and MPH-INFORMATION

(Refer to EN 300 125, part 2, clauses 4.1.1.13 - 4.1.1.15)

This functionality is not relevant.

6.1.10 Priority indicator

(Refer to EN 300 125, part 2, clause 4.1.3.1)

The different SAPIs are given the priority classes as listed in table 1 when contending (with priority one as the highest).

6.1.11 Terminal Endpoint Identifier (TEI) management procedures

(Refer to EN 300 125, part 2, clause 5.3)

Due to the special assignment functions needed on the A-bis interface there are modifications and additions to the assignment procedures. The rest of clause 5.3 in EN 300 125, part 2, is kept if not stated otherwise.

6.1.11.1 General

(Refer to EN 300 125, part 2, clause 5.3.1)

TEI management for A-bis interface is based on the following procedural means:

- a Subset of the TEI assignment procedures;
- the TEI check procedures;
- the TEI remove procedures;
- an additional TEI assignment procedure.

The TEI management needs procedures to check the used TEI values and procedures for reaction in situation where more than one TRX equipment uses the same TEI value. In addition to the fixed values it shall be possible to use additional TEI value to the same TRX equipment and thus increase the signalling capacity.

6.1.11.2 TEI assignment procedure

(Refer to EN 300 125, part 2, clause 5.3.2)

The TEI assignment procedure used on the A-bis interface has some additions to the automatic TEI assignment procedure specified in EN 300 125, part 2.

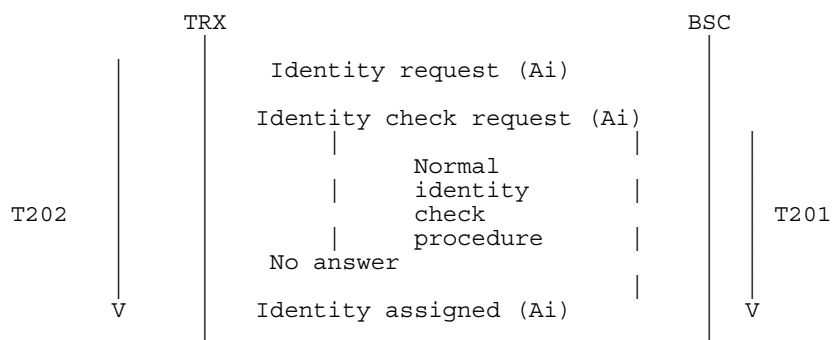
To facilitate the configuration control in the BSC each TRX will have a fixed TEI and possibly get access to one or more additional TEIs assigning physical channels/layer 2 links.

The layer 2 links may all be turned on and off according to the normal automatic TEI assignment scheme but the TRX may only request identified TEI values which is (semi-) permanently programmed or programmed by operation and maintenance messages.

In GSM the reference number R_i is not used. It is only misoperation situations resulting from double failures that could be prevented/solved faster by this parameter. The marginal advantage is not supposed to motivate the application of a random generator and the checking procedure.

The subset of the automatic assignment procedure applicable for the first layer 2 link to a TRX shall have the following modifications to EN 300 125, part 2:

- the identity request shall have an A_i value in the range 0-63 identifying the TEI value which is requested for activation;
- on reception of the identity request message the BSC will check that the requested TEI may be used from the configurations aspects and then perform a normal TEI check procedure to prevent a double assignment;
- if the TEI request is accepted an identity assigned message with the requested TEI number is received by TRX before the expiry of timer T202;
- a successful assignment procedure is shown in figure 6.1.11.2.a.



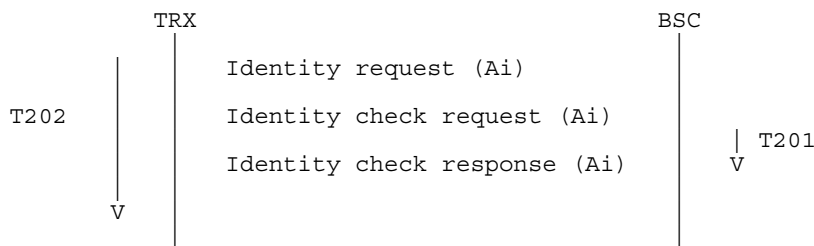
If timer T201 expires the request shall be repeated once and timer T201 restarted

Figure 6.1.11.2.a: A successful assignment procedure

If timer T202 expires the assignment procedure did not succeed, and the TRX will take further actions in accordance with the procedures as specified in EN 300 125, part 2.

If within the assignment procedure an identity check response is received, then the requested TEI value is already in use. There shall be no answer to the requesting TRX and an error indication shall be sent to O&M.

An example of a non-successful assignment procedure is shown in figure 6.1.11.2.b.



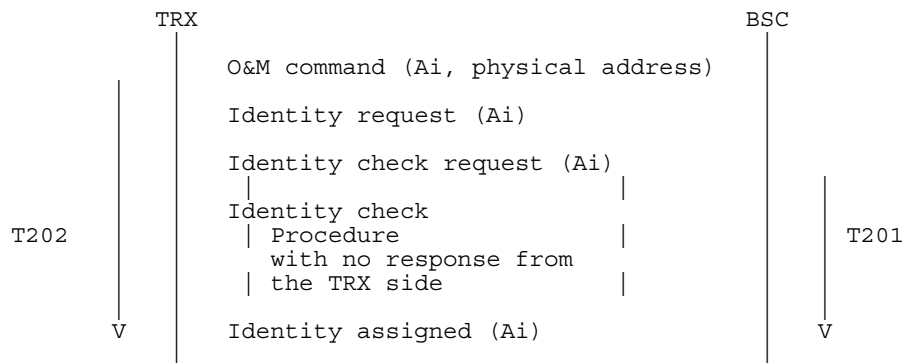
If timer T201 expires the request shall be repeated once and timer T201 restarted

Figure 6.1.11.2.b: An example of assignment in error case (TEI value already in use)

The additional TEI assignment procedure is equivalent to the normal one with two exceptions:

- the TEI value is in the range: 64-126;
- the TEI value and the identification of which physical link it shall operate on is transmitted to the TRX from BSC in an operation and maintenance message. This layer 3 O&M message is transferred on an already assigned layer 2 link. (See 12-series of GSM Technical Specifications).

The successful additional assignment procedure is shown in figure 6.1.11.2.c.



If timer T201 expires the request shall be repeated once and timer T201 restarted

Figure 6.1.11.2.c: The procedure for assigning an additional TEI to a TRX or BCF

6.1.11.3 TEI identity verify procedure

(Refer to EN 300 125, part 2, clause 5.3.5)

This procedure is not used.

6.1.11.4 Formats and codes.

(Refer to EN 300 125, part 2, clause 5.3.6)

All messages except Identity verify and Identity denied are used. The Ai is used as described in clause 6.1.11.2, the modification to EN 300 125, part 2, clause 5.3.2. The Ri parameter is not used and will always be coded 0000 0000.

The coding of each field of the various messages is specified in table 6.1.11.4.a.

Table 6.1.11.4.a: Codes for messages concerning TEI management procedures

Message name	Layer management entity identifier	Reference number Ri	Message type	Action indicator Ai
Identity request (user to network)	0000 1111	Not used (code 0)	0000 0001	Ai = 0-126
Identity assigned (network to user)	0000 1111	Not used (code 0)	0000 0010	Ai = 0-126 Assigned TEI value
Identity check request (network to user)	0000 1111	Not used (code 0)	0000 0100	Ai = 0-127 Check all TEI values
				Ai = 0-126 TEI value to be checked
Identity check response (user to network)	0000 1111	Not used (code 0)	0000 0101	Ai = 0-126 TEI value in use
Identity remove (network to user)	0000 1111	Not used (code 0)	0000 0110	Ai = 0-127 Request for removal of all TEI values
				Ai = 0-126 TEI value to be removed

6.1.12 Automatic negotiation of data link layer parameters

(Refer to EN 300 125, part 2, clause 5.4 and annex IV)

The procedures are not supported.

6.1.13 Establishment procedures

(Refer to EN 300 125, part 2, clause 5.5.1.2)

The timer T203 shall be implemented in the equipment on both sides of interface A-bis.

6.1.14 N(S) sequence error

(Refer to EN 300 125, part 2, clause 5.8.1 and appendix I)

As it is the case in EN 300 125, the optional procedure for retransmission as described in Appendix I is not supported.

6.1.15 List of system parameters

(Refer to EN 300 125, part 2, clause 5.9)

All the default values are given in the following clauses.

6.1.15.1 Timer T200

(Refer to EN 300 125, part 2, clause 5.9.1)

The default value of timer T200 is 240 ms starting from the end of a transmitted frame.

NOTE: This timer depends on the timer values used for supervising the message flow between the Mobile Station (MS) and the network. The proper operation of the procedure requires timer T200 to be greater than the maximum time between transmission of command frames and the reception of their corresponding response or acknowledgement frames and shorter than the shortest layer 3 timer used for supervising this message flow.

6.1.15.2 Maximum number of retransmissions (N200)

(Refer to EN 300 125, part 2, clause 5.9.2)

The default value of (N200) is 3.

6.1.15.3 Maximum number of octets in an information field (N201)

(Refer to EN 300 125, part 2, clause 5.9.3)

The default and maximum value of (N201) is 260 octets for all SAPI values.

6.1.15.4 Maximum number of transmission of the TEI identity request message (N202)

(Refer to EN 300 125, part 2, clause 5.9.4)

Not used (i.e. equivalent to infinity).

6.1.15.5 Maximum number of outstanding frames (K)

(Refer to EN 300 125, part 2, clause 5.9.5)

For the SAPI value 0 identifying radio signalling the default (K) value shall be 2. For all other SAPIs the value shall be set to the fixed value of 1.

NOTE: The value of K for SAPI value 0 shall always be greater than the k value for the other SAPIs.

6.1.15.6 Timer T201

(Refer to EN 300 125, part 2, clause 5.9.6)

Timer T201 shall have the default value 1 second.

6.1.15.7 Timer T202

(Refer to EN 300 125, part 2, clause 5.9.7)

The minimum time between the transmission of TEI Identity request messages is a system parameter (T202) which shall be set to 15 seconds.

6.1.15.8 Timer T203

(Refer to EN 300 125, part 2, clause 5.9.8)

The timer T203 represents the maximum time allowed without frames being exchanged for each TEI. The value of timer T203 shall be 10 seconds.

6.1.16 Data link layer monitor function

(Refer to EN 300 125, part 2, clause 5.10)

The supervisory function will be used in the equipment on both sides of the A-bis interface.

6.1.17 Miscellaneous

(Refer to EN 300 125, part 2, appendix I-IV)

The functionalities specified in appendix I-IV of EN 300 125, part 2, is not used.

Annex A (informative): Change History

TSG #	TSG Doc.	CR	Rev	Subject/Comment	New
GP-34	-	-	-	Rel-7 version created based on v6.0.0	7.0.0

History

Document history		
V7.0.0	October 2007	Publication