

# ETSI TS 144 160 V5.2.0 (2002-12)

---

*Technical Specification*

**Digital cellular telecommunications system (Phase 2+);  
General Packet Radio Service (GPRS);  
Mobile Station (MS) - Base Station System (BSS) interface;  
Radio Link Control/Medium Access Control (RLC/MAC)  
protocol for Iu mode  
(3GPP TS 44.160 version 5.2.0 Release 5)**

---



---

Reference

RTS/TSGG-0244160v520

---

Keywords

GSM

**ETSI**

650 Route des Lucioles  
F-06921 Sophia Antipolis Cedex - FRANCE

Tel.: +33 4 92 94 42 00 Fax: +33 4 93 65 47 16

Siret N° 348 623 562 00017 - NAF 742 C  
Association à but non lucratif enregistrée à la  
Sous-Préfecture de Grasse (06) N° 7803/88

---

**Important notice**

Individual copies of the present document can be downloaded from:

<http://www.etsi.org>

The present document may be made available in more than one electronic version or in print. In any case of existing or perceived difference in contents between such versions, the reference version is the Portable Document Format (PDF). In case of dispute, the reference shall be the printing on ETSI printers of the PDF version kept on a specific network drive within ETSI Secretariat.

Users of the present document should be aware that the document may be subject to revision or change of status. Information on the current status of this and other ETSI documents is available at

<http://portal.etsi.org/tb/status/status.asp>

If you find errors in the present document, send your comment to:

[editor@etsi.org](mailto:editor@etsi.org)

---

**Copyright Notification**

No part may be reproduced except as authorized by written permission.  
The copyright and the foregoing restriction extend to reproduction in all media.

© European Telecommunications Standards Institute 2002.  
All rights reserved.

**DECT**<sup>TM</sup>, **PLUGTESTS**<sup>TM</sup> and **UMTS**<sup>TM</sup> are Trade Marks of ETSI registered for the benefit of its Members.  
**TIPHON**<sup>TM</sup> and the **TIPHON logo** are Trade Marks currently being registered by ETSI for the benefit of its Members.  
**3GPP**<sup>TM</sup> is a Trade Mark of ETSI registered for the benefit of its Members and of the 3GPP Organizational Partners.

---

## Intellectual Property Rights

IPRs essential or potentially essential to the present document may have been declared to ETSI. The information pertaining to these essential IPRs, if any, is publicly available for **ETSI members and non-members**, and can be found in ETSI SR 000 314: *"Intellectual Property Rights (IPRs); Essential, or potentially Essential, IPRs notified to ETSI in respect of ETSI standards"*, which is available from the ETSI Secretariat. Latest updates are available on the ETSI Web server (<http://webapp.etsi.org/IPR/home.asp>).

All published ETSI deliverables shall include information which directs the reader to the above source of information.

---

## Foreword

This Technical Specification (TS) has been produced by ETSI 3rd Generation Partnership Project (3GPP).

The present document may refer to technical specifications or reports using their 3GPP identities, UMTS identities or GSM identities. These should be interpreted as being references to the corresponding ETSI deliverables.

The cross reference between GSM, UMTS, 3GPP and ETSI identities can be found under [www.etsi.org/key](http://www.etsi.org/key) .

# Contents

|  |    |
|--|----|
| Intellectual Property Rights .....   | 2  |
| Foreword.....  | 2  |
| Foreword.....  | 10 |
| 1 Scope .....  | 11 |
| 1.1 General .....  | 11 |
| 1.2 Related documents .....  | 11 |
| 1.3 Use of logical control channels .....                                  | 11 |
| 1.4 Use of logical traffic channels .....                                  | 12 |
| 1.5 Conventions.....   | 12 |
| 2 References .....   | 12 |
| 3 Definitions, symbols and abbreviations .....                             | 13 |
| 3.1 Definitions .....  | 13 |
| 3.2 Symbols.....   | 14 |
| 3.3 Abbreviations .....  | 14 |
| 4 Layered overview of radio interface.....                                 | 15 |
| 4.1 Layer services.....  | 16 |
| 4.2 Layer functions.....   | 16 |
| 4.2.1 RLC function .....   | 16 |
| 4.2.2 MAC layer function .....   | 17 |
| 4.3 Service primitives.....  | 18 |
| 4.3.1 MAC to Physical Layer Primitives .....                               | 18 |
| 4.3.2 PDCP to RLC Primitives .....   | 18 |
| 4.3.2.1 Primitives .....   | 18 |
| 4.3.2.2 Primitive parameters .....   | 19 |
| 4.3.3 RRC to RLC Primitives .....  | 19 |
| 4.3.3.1 Primitives .....   | 19 |
| 4.3.3.2 Primitive parameters .....   | 20 |
| 4.3.4 RRC to MAC Primitives.....   | 21 |
| 4.3.4.1 Primitives .....   | 21 |
| 4.3.4.2 Primitive Parameters .....   | 22 |
| 4.4 Services required from lower layers.....                               | 22 |
| 5 Introduction to the Medium Access Control (MAC) procedures .....         | 23 |
| 5.1 General .....  | 23 |
| 5.2 Multiplexing principles .....  | 23 |
| 5.2.1 Temporary Block Flow .....   | 23 |
| 5.2.2 Temporary Flow Identity .....  | 23 |
| 5.2.2.1 Temporary Flow Identity for SBPSCH .....                           | 23 |
| 5.2.2.2 Temporary Flow Identity for DBPSCH .....                           | 24 |
| 5.2.3 Uplink State Flag .....  | 24 |
| 5.2.4 Medium Access modes .....  | 24 |
| 5.2.4.1 Medium Access modes for SBPSCH .....                               | 24 |
| 5.2.4.2 Medium Access modes for DBPSCH .....                               | 24 |
| 5.2.5 Multiplexing of GPRS and EGPRS TBF mode capable mobile stations..... | 24 |
| 5.3 MAC States .....   | 25 |
| 5.3.1 MAC-Idle state .....   | 25 |
| 5.3.1.1 General .....  | 25 |
| 5.3.1.2 Establishment of a SBPSCH .....                                    | 25 |
| 5.3.1.3 Establishment of a DBPSCH.....                                     | 25 |
| 5.3.2 MAC-Shared state .....   | 25 |
| 5.3.2.1 General .....  | 25 |
| 5.3.2.2 Release of all SBPSCHs.....  | 25 |
| 5.3.2.3 Establishment of a DBPSCH.....                                     | 25 |
| 5.3.2.4 Radio bearer reconfiguration.....                                  | 25 |

|           |  |    |
|-----------|--|----|
| 5.3.3     | MAC-DTM state.....   | 25 |
| 5.3.3.1   | General.....   | 25 |
| 5.3.3.2   | Release of all SBPSCHs.....  | 26 |
| 5.3.3.3   | Release of all DBPSCHs.....  | 26 |
| 5.3.3.4   | Release of all SBPSCHs and DBPSCHs.....                              | 26 |
| 5.3.4     | MAC-Dedicated state.....   | 26 |
| 5.3.4.1   | General.....   | 26 |
| 5.3.4.2   | Release of all DBPSCHs.....  | 26 |
| 5.3.4.3   | Radio bearer reconfiguration.....                                    | 26 |
| 5.3.5     | MAC state machine.....   | 26 |
| 5.4       | General MAC procedures in MAC-Idle state and MAC-Shared state.....   | 27 |
| 5.4.1     | Mobile station side.....   | 27 |
| 5.4.1.1   | General.....   | 27 |
| 5.4.1.2   | Cell reselection.....  | 27 |
| 5.4.1.3   | Network Assisted Cell Change.....                                    | 28 |
| 5.4.1.4   | Release of DBPSCHs.....  | 28 |
| 5.4.1.4.1 | General.....   | 28 |
| 5.4.1.4.2 | Continuation of PBCCH information.....                               | 28 |
| 5.4.1.4.3 | Receipt of PSI14 message in MAC-DTM state.....                       | 29 |
| 5.4.1.5   | System information on PBCCH.....                                     | 29 |
| 5.4.1.6   | System information on BCCH.....                                      | 29 |
| 5.4.1.6.1 | General.....   | 29 |
| 5.4.1.6.2 | Establishment of PBCCH.....  | 29 |
| 5.4.1.6.3 | SI13 reception failure.....  | 29 |
| 5.4.1.7   | Acquisition of system information on the broadcast channel.....      | 30 |
| 5.4.1.8   | Discontinuous reception (DRX).....                                   | 30 |
| 5.4.1.9   | Page mode procedures on PCCCH.....                                   | 30 |
| 5.4.1.10  | Frequency Parameters.....  | 30 |
| 5.4.1.11  | G-RNTI Management.....   | 30 |
| 5.4.2     | Network side.....  | 31 |
| 5.4.2.1   | System Information broadcasting.....                                 | 31 |
| 5.4.2.1.1 | System information on PBCCH.....                                     | 31 |
| 5.4.2.1.2 | System information on BCCH.....                                      | 31 |
| 5.4.2.1.3 | System information on PACCH (and other logical channels).....        | 31 |
| 5.4.2.1.4 | Consistent sets of system information messages.....                  | 32 |
| 5.4.2.2   | Paging.....  | 32 |
| 5.4.2.3   | Network Assisted Cell Change.....                                    | 32 |
| 5.5       | Measurement reports.....   | 33 |
| 5.5.1     | General.....   | 33 |
| 5.5.2     | Network Control (NC) measurement reporting.....                      | 33 |
| 5.5.3     | Extended measurement (EM) reporting.....                             | 34 |
| 5.5.4     | Additional measurement and reporting parameters.....                 | 34 |
| 5.6       | Mapping of Signalling Radio Bearers (SRB) onto logical channels..... | 34 |
| 5.6.1     | Downlink.....  | 34 |
| 5.6.2.1   | MAC-Dedicated State.....   | 34 |
| 5.6.2.2   | MAC-Shared State.....  | 35 |
| 5.6.2.3   | MAC-DTM State.....   | 35 |
| 6         | Paging procedures.....   | 36 |
| 6.1       | General.....   | 36 |
| 6.2       | Paging initiation in MAC-Idle state.....                             | 36 |
| 6.3       | Paging initiation in MAC-Shared state.....                           | 36 |
| 6.4       | Reception of PACKET PAGING REQUEST by an MS.....                     | 36 |
| 7         | Medium Access Control (MAC) procedures on PCCCH.....                 | 37 |
| 7.1       | General.....   | 37 |
| 7.2       | TBF establishment initiated by the mobile station on PCCCH.....      | 37 |
| 7.2.1     | General.....   | 37 |
| 7.2.2     | Permission to access the network.....                                | 37 |
| 7.2.3     | Initiation of a TBF establishment.....                               | 37 |
| 7.2.3.1   | Initiation of the packet access procedure.....                       | 37 |
| 7.2.3.1.1 | General.....   | 37 |

|             |   |    |
|-------------|---|----|
| 7.2.3.1.2   | Access persistence control on PRACH.....  | 39 |
| 7.2.3.2     | Packet assignment procedure .....   | 39 |
| 7.2.3.2.1   | On receipt of a PACKET CHANNEL REQUEST or EGPRS PACKET CHANNEL<br>REQUEST message.....          | 39 |
| 7.2.3.2.1.2 | Allocation of resource on SBPSCH(s).....  | 39 |
| 7.2.3.2.1.3 | Allocation of resource on DBPSCH(s) .....   | 39 |
| 7.2.3.3     | Contention resolution at one phase access .....   | 40 |
| 7.2.3.3.1   | Contention resolution at one phase access on SBPSCHs .....                                      | 40 |
| 7.2.3.3.2   | Contention resolution at one phase access on DBPSCH .....                                       | 40 |
| 7.2.3.4     | RLC/MAC procedures during contention resolution .....   | 42 |
| 7.2.3.4.1   | RLC/MAC procedures during contention resolution on SBPSCHs .....                                | 42 |
| 7.2.3.4.2   | RLC/MAC procedures during contention resolution on DBPSCHs.....                                 | 42 |
| 7.2.3.5     | One phase packet access completion.....   | 42 |
| 7.2.3.5.1   | One phase packet access completion on SBPSCHs.....  | 42 |
| 7.2.3.5.2   | One phase packet access completion on DBPSCHs .....   | 42 |
| 7.2.3.6     | Timing Advance.....   | 43 |
| 7.2.3.6.1   | Timing advance on SBPSCHs.....  | 43 |
| 7.2.3.6.2   | Timing advance on DBPSCHs .....   | 43 |
| 7.2.4       | TBF establishment using two phase access .....  | 43 |
| 7.2.4.1     | Initiation of the Packet resource request procedure .....                                       | 43 |
| 7.2.4.2     | Packet resource assignment for uplink procedure .....   | 43 |
| 7.2.4.2.1   | On receipt of a PACKET RESOURCE REQUEST message requesting resources for one<br>TBF.....        | 43 |
| 7.2.4.2.2   | On receipt of a PACKET RESOURCE REQUEST message requesting resources for multiple<br>TBFs ..... | 44 |
| 7.2.4.3     | Contention resolution at two phase access .....   | 44 |
| 7.2.4.4     | Two phase packet access completion.....   | 44 |
| 7.2.4.5     | Timing Advance.....   | 44 |
| 7.2.5       | Abnormal cases.....   | 45 |
| 7.3         | TBF establishment initiated by the network on PCCCH.....  | 46 |
| 7.3.1       | General.....  | 46 |
| 7.3.2       | Entering the MAC-Shared state .....   | 46 |
| 7.3.2.1     | General .....   | 46 |
| 7.3.2.2     | Packet downlink assignment procedure .....  | 46 |
| 7.3.2.2.1   | Packet downlink assignment procedure.....   | 46 |
| 7.3.2.2.2   | HFN synchronization.....  | 46 |
| 7.3.2.3     | Packet downlink assignment procedure completion .....   | 46 |
| 7.3.2.4     | Packet polling procedure.....   | 46 |
| 7.3.2.5     | Abnormal cases .....  | 46 |
| 7.3.3       | Entering the MAC-Dedicated state.....   | 46 |
| 7.3.3.1     | General .....   | 46 |
| 7.3.3.2     | Packet DBPSCH assignment procedure.....   | 47 |
| 7.3.3.3     | Packet DBPSCH assignment procedure completion.....  | 47 |
| 7.3.3.4     | Packet polling procedure.....   | 47 |
| 7.3.3.5     | Abnormal cases .....  | 47 |
| 7.4         | Procedure for measurement report sending in MAC-Idle state .....                                | 48 |
| 7.4.1       | General.....  | 48 |
| 7.4.2       | Measurement report sending procedure initiated on PCCCH.....                                    | 48 |
| 7.4.2.1     | General .....   | 48 |
| 7.4.2.2     | On receipt of a PACKET CHANNEL REQUEST message .....  | 48 |
| 7.4.2.3     | On receipt of a PACKET UPLINK ASSIGNMENT message.....   | 48 |
| 7.4.2.4     | On receipt of a PACKET ACCESS REJECT message.....   | 48 |
| 7.4.2.5     | Abnormal cases .....  | 48 |
| 7.5         | Cell Change Order procedures in MAC-Idle state .....  | 48 |
| 7.5.1       | General.....  | 48 |
| 7.6         | Measurement Order procedures in MAC-Idle state.....   | 49 |
| 7.6.1       | General.....  | 49 |
| 7.6.2       | Measurement Order procedures initiated on PCCCH.....  | 49 |
| 8           | Medium Access Control (MAC) procedures on SBPSCH.....   | 49 |
| 8.1         | General .....   | 49 |
| 8.1a        | Resource stealing (SFACCH).....   | 50 |

|             |  |    |
|-------------|--|----|
| 8.2         | Transfer of RLC data blocks .....  | 50 |
| 8.2.1       | Medium access mode.....  | 50 |
| 8.2.2       | Uplink RLC data block transfer.....                                      | 51 |
| 8.2.2.0     | General .....  | 51 |
| 8.2.2.0.1   | General .....  | 51 |
| 8.2.2.0.2   | Establishment of additional uplink TBF(s).....                           | 51 |
| 8.2.2.0.3   | Uplink resource reallocation / reconfiguration .....                     | 51 |
| 8.2.2.0.4   | Establishment of downlink TBF(s).....                                    | 51 |
| 8.2.2.1     | Dynamic Allocation uplink RLC data block transfer.....                   | 51 |
| 8.2.2.1.1   | PACCH operation.....   | 52 |
| 8.2.2.1.2   | Resource Allocation / Reallocation for Uplink.....                       | 52 |
| 8.2.2.1.2.2 | On receipt of the PACKET RESOURCE REQUEST .....                          | 52 |
| 8.2.2.1.3   | Establishment of downlink TBF.....                                       | 54 |
| 8.2.2.1.3.1 | General.....   | 54 |
| 8.2.2.1.3.2 | Abnormal cases.....  | 54 |
| 8.2.2.2     | Extended Dynamic Allocation uplink RLC data block transfer .....         | 55 |
| 8.2.2.2.0   | General .....  | 55 |
| 8.2.2.2.1   | Uplink PDCH Allocation.....  | 55 |
| 8.2.2.2.2   | PACCH operation.....   | 55 |
| 8.2.2.2.3   | Neighbour cell power measurements.....                                   | 55 |
| 8.2.2.3     | Exclusive Allocation uplink RLC data block transfer.....                 | 55 |
| 8.2.2.3.1   | Voic .....   | 56 |
| 8.2.2.3.2   | Void.....  | 56 |
| 8.2.2.3.3   | Void.....  | 56 |
| 8.2.2.3.4   | Void.....  | 56 |
| 8.2.2.3.5   | Void.....  | 56 |
| 8.2.2.3.6   | Void.....  | 56 |
| 8.2.2.4     | Network initiated release of uplink TBF.....                             | 56 |
| 8.2.2.5     | Abnormal cases .....   | 56 |
| 8.2.3       | Downlink RLC data block transfer .....                                   | 56 |
| 8.2.3.1     | General .....  | 56 |
| 8.2.3.1.0   | General .....  | 56 |
| 8.2.3.1.1   | Downlink resource reallocation.....                                      | 56 |
| 8.2.3.1.2   | Establishment of uplink TBF(s) during downlink data transfer .....       | 57 |
| 8.2.3.2     | Downlink RLC data block transfer procedure .....                         | 57 |
| 8.2.3.2.0   | General .....  | 57 |
| 8.2.3.2.1   | Abnormal cases .....   | 57 |
| 8.2.3.3     | Polling for Packet Downlink Ack/Nack.....                                | 58 |
| 8.2.3.4     | Resource Reassignment for downlink.....                                  | 59 |
| 8.2.3.5     | Establishment of uplink TBF .....  | 59 |
| 8.2.3.5.0   | General .....  | 59 |
| 8.2.3.5.1   | Abnormal cases .....   | 60 |
| 8.2.3.6     | Network initiated abnormal release of downlink TBF .....                 | 61 |
| 8.3         | Packet PDCH Release .....  | 61 |
| 8.4         | Procedure for measurement report sending in MAC-Shared state .....       | 61 |
| 8.5         | Network Controlled cell reselection procedures in MAC-Shared state ..... | 61 |
| 8.6         | Measurement Order procedures in MAC-Shared state.....                    | 62 |
| 8.7         | PACKET CONTROL ACKNOWLEDGEMENT .....                                     | 62 |
| 8.8         | Abnormal cases .....   | 62 |
| 8.8.1       | General.....   | 62 |
| 8.8.2       | Abnormal release without retry .....                                     | 62 |
| 8.8.3       | Abnormal release with access retry .....                                 | 62 |
| 8.8.4       | Abnormal release with system information .....                           | 62 |
| 8.8.5       | Abnormal release of an Uplink TBF with access retry .....                | 62 |
| 8.8.6       | Abnormal release of a Downlink TBF.....                                  | 62 |
| 8.9         | Network Assisted Cell Change procedures in MAC-Shared state.....         | 63 |
| 9           | Medium Access Control (MAC) procedures on DBPSCH.....                    | 63 |
| 9.1         | General .....  | 63 |
| 9.2         | Transfer of RLC/MAC blocks.....  | 63 |
| 9.2.0       | General.....   | 63 |
| 9.2.1       | Dedicated allocation .....   | 64 |

|          |  |    |
|----------|--|----|
| 9.2.1.1  | General .....  | 64 |
| 9.2.1.2  | Performance requirements for TCH and DCCH TBF modes.....                   | 64 |
| 9.2.2    | Transfer of RLC/MAC blocks on TCH .....                                    | 65 |
| 9.2.3    | Transfer of RLC/MAC blocks on FACCH, SACCH and SDCCH.....                  | 65 |
| 9.2.4    | Transfer of RLC/MAC blocks on PDTCH .....                                  | 66 |
| 9.2.4.1  | General .....  | 66 |
| 9.2.4.2  | Scheduling an inactive TBF on a DBPSCH.....                                | 66 |
| 9.3      | PACKET CONTROL ACKNOWLEDGEMENT .....                                       | 66 |
| 9.3a     | Handover Access and Physical Information.....                              | 67 |
| 9.3a.1   | Handover Access .....  | 67 |
| 9.3a.2   | Physical Information.....  | 67 |
| 9.4      | Abnormal cases .....   | 67 |
| 10       | Radio Link Control (RLC) procedures on PDTCH and PACCH.....                | 67 |
| 10.1     | General .....  | 67 |
| 10.2     | Procedures and parameters for peer-to-peer operation.....                  | 68 |
| 10.2.1   | Send state variable V(S) .....   | 68 |
| 10.2.2   | Control send state variable V(CS) .....                                    | 68 |
| 10.2.3   | Acknowledge state variable V(A).....                                       | 68 |
| 10.2.4   | Acknowledge state array V(B).....  | 68 |
| 10.2.5   | Block sequence number BSN .....  | 68 |
| 10.2.6   | Receive state variable V(R) .....  | 68 |
| 10.2.7   | Receive window state variable V(Q).....                                    | 68 |
| 10.2.8   | Receive state array V(N).....  | 68 |
| 10.2.9   | Starting sequence number (SSN) and received block bitmap (RBB) .....       | 68 |
| 10.2.10  | Window Size.....   | 68 |
| 10.2.10a | RLC buffer.....  | 68 |
| 10.2.11  | Compression .....  | 69 |
| 10.2.12  | Segmentation of upper layer PDUs into RLC data units .....                 | 69 |
| 10.2.13  | Re-assembly of upper layer PDUs from RLC data units .....                  | 69 |
| 10.2.14  | Segmentation of RLC/MAC control messages into RLC/MAC control blocks ..... | 69 |
| 10.2.15  | Re-assembly of RLC/MAC control messages from RLC/MAC control blocks .....  | 69 |
| 10.3     | Operation during RLC/MAC control message transfer .....                    | 69 |
| 10.4     | Operation during RLC data block transfer .....                             | 70 |
| 10.4.1   | General.....   | 70 |
| 10.4.2   | Countdown procedure.....   | 70 |
| 10.4.3   | Delayed release of downlink Temporary Block Flow .....                     | 70 |
| 10.4.4   | Extended uplink TBF mode .....   | 70 |
| 10.4.5   | Acknowledged mode operation .....  | 70 |
| 10.4.5.1 | General .....  | 70 |
| 10.4.5.2 | Additional functionality in acknowledged EGPRS TBF Mode .....              | 70 |
| 10.4.5.3 | Establishment of Temporary Block Flow .....                                | 70 |
| 10.4.5.4 | Operation of uplink Temporary Block Flow.....                              | 70 |
| 10.4.5.5 | Release of uplink Temporary Block Flow .....                               | 70 |
| 10.4.5.6 | Operation of downlink Temporary Block Flow .....                           | 70 |
| 10.4.5.7 | Release of downlink Temporary Block Flow.....                              | 71 |
| 10.4.6   | Unacknowledged mode operation.....   | 71 |
| 10.4.6.1 | General .....  | 71 |
| 10.4.6.2 | Establishment of Temporary Block Flow .....                                | 71 |
| 10.4.6.3 | Operation of uplink Temporary Block Flow.....                              | 71 |
| 10.4.6.4 | Release of uplink Temporary Block Flow .....                               | 71 |
| 10.4.6.5 | Operation of downlink Temporary Block Flow .....                           | 71 |
| 10.4.6.6 | Release of downlink Temporary Block Flow.....                              | 71 |
| 10.5     | Abnormal release cases .....   | 71 |
| 10.5.1   | Abnormal release with access retry .....                                   | 71 |
| 10.5.2   | Abnormal release with cell reselection .....                               | 71 |
| 10.6     | Uplink TBF release in extended uplink TBF mode.....                        | 71 |
| 11       | Radio Link Control (RLC) procedures on TCH, FACCH, SACCH and SDCCH .....   | 73 |
| 11.1     | General .....  | 73 |
| 11.2     | Procedures and parameters for peer-to-peer operation.....                  | 73 |
| 11.2.1   | Send state variable V(S) .....   | 73 |



|            |  |    |
|------------|--|----|
| 11.2.2     | Control send state variable V(CS) .....                                    | 73 |
| 11.2.3     | Acknowledge state variable V(A).....                                       | 73 |
| 11.2.4     | Acknowledge state array V(B).....  | 73 |
| 11.2.5     | Block sequence number BSN .....  | 74 |
| 11.2.5.1   | Block sequence number for TCH TBF mode.....                                | 74 |
| 11.2.5.2   | Block sequence number for DCCH TBF mode.....                               | 74 |
| 11.2.6     | Reduced block sequence number RBSN .....                                   | 74 |
| 11.2.7     | Receive state variable V(R) .....  | 74 |
| 11.2.8     | Receive window state variable V(Q).....                                    | 74 |
| 11.2.9     | Receive state array V(N).....  | 74 |
| 11.2.10    | Starting sequence number (SSN) and received block bitmap (RBB) .....       | 74 |
| 11.2.11    | Window Size.....   | 75 |
| 11.2.11.1  | TCH.....   | 75 |
| 11.2.11.2  | FACCH, SACCH and SDCCH .....   | 75 |
| 11.2.11a   | RLC buffer.....  | 75 |
| 11.2.12    | Segmentation of upper layer PDUs into RLC data units .....                 | 75 |
| 11.2.13    | Re-assembly of upper layer PDUs from RLC data units .....                  | 76 |
| 11.2.14    | Segmentation of RLC/MAC control messages into RLC/MAC control blocks ..... | 76 |
| 11.2.15    | Re-assembly of RLC/MAC control messages from RLC/MAC control blocks .....  | 76 |
| 11.3       | Operation during RLC/MAC control message transfer.....                     | 76 |
| 11.4       | Operation during RLC data block transfer .....                             | 76 |
| 11.4.1     | General.....   | 76 |
| 11.4.2     | Acknowledged mode operation.....   | 77 |
| 11.4.2.1   | General .....  | 77 |
| 11.4.2.2   | On TCH.....  | 77 |
| 11.4.2.2.1 | General .....  | 77 |
| 11.4.2.2.2 | Uplink.....  | 77 |
| 11.4.2.2.3 | Downlink.....  | 77 |
| 11.4.2.3   | On FACCH, SACCH or SDCCH.....  | 78 |
| 11.4.2.3.1 | General .....  | 78 |
| 11.4.2.3.2 | Uplink.....  | 78 |
| 11.4.2.3.3 | Downlink.....  | 78 |
| 11.4.3     | Unacknowledged mode operation .....  | 79 |
| 11.4.3.1   | General .....  | 79 |
| 11.4.3.2   | On TCH.....  | 79 |
| 11.4.3.2.1 | Uplink.....  | 79 |
| 11.4.3.2.2 | Downlink.....  | 79 |
| 11.4.3.3   | On FACCH, SACCH or SDCCH.....  | 79 |
| 11.4.3.3.1 | Uplink.....  | 79 |
| 11.4.3.3.2 | Downlink.....  | 80 |
| 11.4.4     | Transparent mode operation (TCH TBF mode only).....                        | 80 |
| 12         | RLC/MAC block structure .....  | 80 |
| 12.1       | RLC/MAC block structure .....  | 80 |
| 12.2       | RLC/MAC block format conventions .....                                     | 80 |
| 12.3       | Spare bits .....   | 80 |
| 12.4       | GPRS RLC data blocks (PDTCH) .....   | 80 |
| 12.4.1     | Downlink RLC data block .....  | 80 |
| 12.4.2     | Uplink RLC data block .....  | 81 |
| 12.5       | RLC/MAC control blocks (PACCH) .....                                       | 81 |
| 12.6       | EGPRS RLC data blocks and RLC/MAC headers (PDTCH) .....                    | 82 |
| 12.6.1     | General.....   | 82 |
| 12.6.2     | EGPRS downlink RLC data block.....   | 82 |
| 12.6.3     | EGPRS uplink RLC data block.....   | 82 |
| 12.6.4     | EGPRS downlink RLC/MAC header .....  | 82 |
| 12.6.5     | EGPRS uplink RLC/MAC header .....  | 82 |
| 12.7       | RLC/MAC block formats on FACCH, SACCH and SDCCH.....                       | 83 |
| 12.7.1     | RLC/MAC block .....  | 83 |
| 12.7.2     | Downlink RLC/MAC block for data transfer .....                             | 83 |
| 12.7.3     | Uplink RLC/MAC block for data transfer .....                               | 84 |
| 12.7.4     | RLC/MAC block for control message transfer .....                           | 84 |
| 12.8       | RLC/MAC block format on TCH (NT-RLC).....                                  | 84 |

|  |   |           |
|--|---|-----------|
| 12.8.1   | RLC/MAC block .....   | 84        |
| 12.8.1.1   | General .....   | 84        |
| 12.8.1.2   | RLC/MAC block for E-TCH/F28.8 coding scheme.....                                | 85        |
| 12.8.1.3   | RLC/MAC block for E-TCH/F32.0 coding scheme.....                                | 85        |
| 12.8.1.4   | RLC/MAC block for E-TCH/F43.2 coding scheme.....                                | 85        |
| 12.8.2   | Downlink RLC/MAC block for data transfer .....                                  | 86        |
| 12.8.3   | Uplink RLC/MAC block for data transfer .....                                    | 86        |
| 12.8.4   | RLC/MAC block for control message transfer .....                                | 86        |
| 12.9   | Header fields .....   | 86        |
| 12.9.1   | General.....  | 86        |
| 12.9.2   | Payload Type (PT) field.....  | 87        |
| 12.9.3   | Polling (P) bit.....  | 87        |
| 12.9.4   | Reduced Radio Bearer identity (RRBid) field .....                               | 87        |
| 12.9.5   | More (M) bit and Extension (E) bit .....  | 87        |
| 12.9.6   | Extension bis (Ebis) bit.....   | 88        |
| 12.9.7   | Stall Indicator (SI) bit .....  | 88        |
| 12.9.8   | Ack Indicator (AI) field .....  | 88        |
| 12.9.9   | Ack/Nack Description field .....  | 88        |
| 12.9.10  | G-RNTI indicator (GI) bit.....  | 89        |
| 12.9.11  | Segmentation (S) bit .....  | 89        |
| 12.9.12  | Reduced Block Sequence Number (RBSN) bit .....                                  | 89        |
| 12.9.13  | Final Segment (FS) field.....   | 89        |
| 12.9.14  | Radio Transaction Identifier (RTI) field.....                                   | 89        |
| 12.9.15  | Block Sequence Number (BSN) field.....  | 89        |
| 12.9.16  | Radio Bearer Identity (RB Id) field .....                                       | 89        |
| 12.9.17  | Signalling Radio Bearer Identity (SRB Id) field.....                            | 90        |
| 12.9.18  | GERAN Radio Network Temporary Identity Extension (G-RNTI Extension) field ..... | 90        |
| 12.9.19  | Length Indicator (LI) field.....  | 90        |
| 12.9.20  | PFI Indicator (PI) field.....   | 90        |
| 12.9.21  | HFN Least Significant Bit (HFN_LSB) field .....                                 | 90        |
| 13   | Ciphering.....  | 90        |
| 13.1   | General .....   | 90        |
| 13.2   | Applicability of ciphering .....  | 91        |
| 13.3   | Ciphering at RLC sublayer.....  | 91        |
| 13.3.1   | General.....  | 91        |
| 13.3.2   | Parameter settings.....   | 91        |
| 13.3.2.1   | Input parameters to the ciphering algorithm .....                               | 91        |
| 13.3.2.2   | Handling of the HFN.....  | 91        |
| 13.3.3   | Ciphering of RLC PDUs in non-transparent RLC mode .....                         | 92        |
| 13.4   | Ciphering at MAC sublayer.....  | 92        |
| 13.4.1   | General.....  | 92        |
| 13.4.2   | Parameter settings.....   | 92        |
| 13.4.2.1   | Input parameters to the ciphering algorithm .....                               | 92        |
| 13.4.2.2   | Handling of the HFN.....  | 93        |
| 13.4.2.2.1   | Ciphering in transparent RLC mode.....  | 93        |
| 13.4.2.2.2   | Ciphering of RLC/MAC control messages.....                                      | 94        |
| 13.4.3   | Ciphering of RLC/MAC control messages.....                                      | 94        |
| 13.4.4   | Ciphering of RLC PDUs in transparent RLC mode.....                              | 95        |
| 14   | RLC suspension, stop and re-establishment procedures .....                      | 95        |
| 14.1   | General .....   | 95        |
| 14.2   | Local suspend/resume function (NT-RLC) .....                                    | 95        |
| 14.3   | Stop/continue function (NT-RLC) .....   | 96        |
| 14.4   | RLC re-establishment function (NT-RLC).....                                     | 97        |
| <b>Annex A (informative): Change History .....</b> |   | <b>98</b> |
| History .....                                      |   | 99        |

---

# Foreword

This Technical Specification has been produced by the 3<sup>rd</sup> Generation Partnership Project (3GPP).

The contents of the present document are subject to continuing work within the TSG and may change following formal TSG approval. Should the TSG modify the contents of the present document, it will be re-released by the TSG with an identifying change of release date and an increase in version number as follows:

Version x.y.z

where:

- x the first digit:
  - 1 presented to TSG for information;
  - 2 presented to TSG for approval;
  - 3 or greater indicates TSG approved document under change control.
- y the second digit is incremented for all changes of substance, i.e. technical enhancements, corrections, updates, etc.
- z the third digit is incremented when editorial only changes have been incorporated in the document.

---

# 1 Scope

## 1.1 General

The present document specifies procedures for the following layers of the radio interface (*Um* reference point), the interface between the GSM/EDGE Radio Access Network (GERAN) and the Mobile Station (MS) in GERAN *Iu mode*:

- Radio Link Control (RLC).
- Medium Access Control (MAC), including Physical Link Control functions.

## 1.2 Related documents

The following documents provide information related to the present document:

- 3GPP TS 43.051 is an overall description of the GSM/EDGE Radio Access Network (GERAN) in *Iu mode*.
- 3GPP TS 44.003 specifies channel types, access capabilities and channel configurations at the *Um* reference point.
- 3GPP TS 44.004 specifies services offered by the physical layer of the *Um* reference point. It also specifies control channels. RLC and MAC use these services and control channels.
- 3GPP TS 24.007 specifies, in general terms, this protocol's structured functions, its procedures and its relationship with other layers and entities. It also specifies the basic message format and error handling applied by layer 3 protocols.
- 3GPP TS 44.118 specifies the RRC procedures when operating in *Iu mode*.
- 3GPP TS 44.060 specifies RLC/MAC procedures specific to *A/Gb mode* as well as the procedures that are common to both *A/Gb mode* and *Iu mode*. It also specifies the messages and Information Elements for both modes.
- 3GPP TS 51.010 specifies test procedures for radio-interface signalling.

## 1.3 Use of logical control channels

3GPP TS 45.002 defines the following logical control channels:

- Broadcast Control Channel (BCCH): downlink only, used to broadcast Cell specific information.
- Packet Broadcast Control Channel (PBCCH): downlink only, used to broadcast Cell specific information.
- Packet Paging Channel (PPCH): downlink only, used to send page requests to Mobile Stations (MSs).
- Packet Random Access Channel (PRACH): uplink only, used to request GPRS resources.
- Packet Access Grant Channel (PAGCH): downlink only, used to allocate GPRS resources.
- Packet Associated Control Channel (PACCH): bi-directional, associated with a Temporary Block Flow (TBF).
- Packet Timing advance control channel uplink (PTCCH/U): used to transmit random access bursts to allow estimation of the timing advance for one MS in transfer state.
- Packet Timing advance control channel downlink (PTCCH/D): used to transmit timing advance updates for several MS. One PTCCH/D is paired with several PTCCH/U's.

## 1.4 Use of logical traffic channels

3GPP TS 45.002 defines the following logical traffic channels used by RLC and MAC:

- Traffic Channel (TCH): bidirectional, carries encoded speech or user data using GMSK on a dedicated basic physical subchannel (DBPSCH). TCH can be full-rate (TCH/F) or half-rate (TCH/H).
- Octal Traffic Channel (O-TCH): bidirectional, carries encoded speech using 8-PSK on a DBPSCH. O-TCH can be full-rate (O-TCH/F) or half-rate (O-TCH/H).
- Enhanced Traffic Channel (E-TCH): bidirectional, carries user data using 8-PSK on a DBPSCH.
- Packet Data Traffic Channel (PDTCH): downlink or uplink, carries user data using GMSK or 8-PSK on a shared basic physical subchannel (SBPSCH) or a DBPSCH. PDTCHs can be full-rate (PDTCH/F) or half-rate (PDTCH/H).

## 1.5 Conventions

Unless explicitly stated otherwise, the following conventions apply:

- The notations "further study", "FS" or "FFS" indicate the annotated text is not normative.
- References to "PDCH" also apply to "SBPSCH" and vice-versa.

---

## 2 References

The following documents contain provisions which, through reference in this text, constitute provisions of the present document.

- References are either specific (identified by date of publication, edition number, version number, etc.) or non-specific.
- For a specific reference, subsequent revisions do not apply.
- For a non-specific reference, the latest version applies. In the case of a reference to a 3GPP document (including a GSM document), a non-specific reference implicitly refers to the latest version of that document *in the same Release as the present document*.

- [1] 3GPP TR 21.905: "Vocabulary for 3GPP Specifications".
- [2] 3GPP TS 23.003: "Numbering, addressing and identification".
- [3] 3GPP TS 43.013: "Discontinuous Reception (DRX) in the GSM system".
- [4] 3GPP TS 24.002: "GSM-UMTS Public Land Mobile Network (PLMN) access reference configuration".
- [5] 3GPP TS 44.003: "Mobile Station - Base Station System (MS - BSS) interface; Channel structures and access capabilities".
- [6] 3GPP TS 44.004: "Layer 1 - General requirements".
- [7] 3GPP TS 44.118: "Mobile radio interface layer 3 specification; Radio Resource Control (RRC) protocol Iu mode".
- [8] 3GPP TS 45.002: "Multiplexing and multiple access on the radio path".
- [9] 3GPP TS 45.003: "Channel coding".
- [10] 3GPP TS 45.008: "Radio subsystem link control".
- [11] 3GPP TS 45.010: "Radio subsystem synchronization".

- [12] 3GPP TS 51.010-1: "Mobile Station (MS) conformance specification; Part 1: Conformance specification".
- [13] 3GPP TS 51.021: "GSM radio aspects base station system equipment specification".
- [14] 3GPP TS 25.331: "Radio Resource Control (RRC) protocol specification".
- [15] 3GPP TS 25.133: "Requirements for support of radio resource management (FDD)".
- [16] 3GPP TS 25.123: "Requirements for support of radio resource management (TDD)".
- [17] 3GPP TS 43.051: "GSM/EDGE Radio Access Network (GERAN); Overall Description; Stage 2".
- [18] 3GPP TS 44.060: "General Packet Radio Service (GPRS); Mobile Station (MS) - Base Station System (BSS) interface; Radio Link Control/ Medium Access Control (RLC/MAC) protocol".
- [19] 3GPP TS 51.010-2: "Mobile Station (MS) conformance specification; Part 2: Protocol Implementation Conformance Statement (ICS) proforma specification".
- [20] 3GPP TS 51.010-3: "Mobile Station (MS) conformance specification; Part 3: Layer 3 (L3) Abstract Test Suite (ATS)".
- [21] 3GPP TS 51.010-4: "Mobile Station (MS) conformance specification; Part 4: SIM application toolkit conformance specification".
- [22] 3GPP TS 35.201: "Specification of the 3GPP confidentiality and integrity algorithms; Document 1: f8 and f9 specifications".
- [23] 3GPP TS 24.008: "Mobile radio interface Layer 3 specification; Core network protocols; Stage 3".
- [24] 3GPP TS 44.018: "Mobile radio interface layer 3 specification; Radio Resource Control Protocol".
- [25] 3GPP TS 45.005: "Radio transmission and reception".
- [26] 3GPP TS 43.064: "Overall description of the GPRS radio interface; Stage 2".
- [27] 3GPP TS 24.007: "Mobile radio interface signalling layer 3; General Aspects".

---

## 3 Definitions, symbols and abbreviations

### 3.1 Definitions

For the purposes of the present document, the terms and definitions given in 3GPP TS 44.060 and the following apply:

**block period:** sequence of timeslots on a SBPSCH or a DBPSCH used to convey one radio block.

There are 4 timeslots in this sequence for PDTCH, PACCH, SACCH, SDCCH, TCH/AHS, E-FACCH. There are 6 timeslots in this sequence for FACCH/H. There are 8 timeslots in this sequence for TCH/AFS and FACCH/F. There are 22 timeslots in this sequence for (E-)TCH/F.

**DCCH TBF mode:** refers to a TBF mapped onto a FACCH, SACCH or SDCCH.

**radio block:** sequence of normal bursts carrying one RLC/MAC protocol data unit (see 3GPP TS 44.004).

(The one exception is a radio block occasionally used on PACCH consisting of a sequence of four access bursts, each carrying a repetition of one short RLC/MAC block.). There are 4 normal bursts in this sequence for PDTCH, PACCH, SACCH, SDCCH, TCH/AHS, E-FACCH. There are 6 normal bursts in this sequence for FACCH/H. There are 8 normal bursts in this sequence for TCH/AFS and FACCH/F. There are 22 normal bursts in this sequence for (E-)TCH/F.

**RLC non-transparent mode:** refers to either RLC acknowledged mode or RLC unacknowledged mode.

**TCH TBF mode:** refers to a TBF mapped onto a TCH.

NOTE: *Iu mode* specific definitions that are not used in 3GPP TS 44.060 should be added here.

## 3.2 Symbols

For the purposes of the present document, the following symbols apply:

|              |   |
|--------------|---|
| <i>A</i>     | Interface between a BSS and a 2G MSC                        |
| <i>Gb</i>    | Interface between a BSS and a 2G SGSN                       |
| <i>Iu</i>    | Interface between a BSS or an RNC and a 3G MSC or a 3G SGSN |
| <i>Iu-cs</i> | Interface between a BSS or an RNC and a 3G MSC              |
| <i>Iu-ps</i> | Interface between a BSS or an RNC and a 3G SGSN             |
| <i>Um</i>    | Interface between an MS and the GERAN                       |

## 3.3 Abbreviations

For the purposes of the present document, the abbreviations given in 3GPP TR 21.905 and 3GPP TS 43.064, and the following apply:

|               |   |
|---------------|---|
| ARQ           | Automatic Repeat reQuest                    |
| BCCH          | Broadcast Control CHannel                   |
| BSS           | Base Station Subsystem                      |
| CBCH          | Cell Broadcast CHannel                      |
| CCN           | Cell Change Notification                    |
| CN            | Core Network                                |
| CS- <i>i</i>  | GPRS Coding Scheme <i>i</i>                 |
| DBPSCH        | Dedicated Basic Physical Sub CHannel        |
| ECSD          | Enhanced Circuit Switched Data              |
| EDGE          | Enhanced Data rates for Global Evolution    |
| EGPRS         | Enhanced General Packet Radio Service       |
| FACCH         | Fast Associated Control CHannel             |
| GERAN         | GSM/EDGE Radio Access Network               |
| GPRS          | General Packet Radio Service                |
| GRA           | GERAN Registration Area                     |
| G-RNTI        | GERAN Radio Network Temporary Identity      |
| GSM           | Global System for Mobile communications     |
| HFN           | Hyper Frame Number                          |
| IMSI          | International Mobile Subscriber Identity    |
| LCS           | LoCation Services                           |
| MAC           | Medium Access Control                       |
| MCS- <i>i</i> | EGPRS Modulation and Coding Scheme <i>i</i> |
| MS            | Mobile Station                              |
| MSC           | Mobile Switching Centre                     |
| NAS           | Non Access Stratum                          |
| NSAPI         | Network-layer SAPI                          |
| NT-RLC        | RLC non-transparent mode                    |
| PBCCH         | Packet BCCH                                 |
| PDCH          | Packet Data CHannel                         |
| PDCP          | Packet Data Convergence Protocol            |
| PDP           | Packet Data Protocol                        |
| PDTCH         | Packet Data TCH                             |
| PDU           | Protocol Data Unit                          |
| PLMN          | Public Land Mobile Network                  |
| PTCCH         | Packet Timing-advance Control CHannel       |
| P-TMSI        | Packet TMSI                                 |
| QoS           | Quality of Service                          |
| RB            | Radio Bearer                                |
| RBid          | Radio bearer identity                       |
| RLC           | Radio Link Control                          |
| RNC           | Radio Network Controller                    |
| RR            | Radio Resource                              |
| RRBid         | Reduced RBid                                |
| RRC           | Radio Resource Control                      |
| SACCH         | Slow Associated Control CHannel             |

|        |   |
|--------|---|
| SAP    | Service Access Point                      |
| SAPI   | Service Access Point Identifier           |
| SBPSCH | Shared Basic Physical Sub CHannel         |
| SDCCH  | Stand-alone Dedicated Control CHannel     |
| SDU    | Service Data Unit                         |
| SGSN   | Serving GPRS Support Node                 |
| SRB    | Signalling Radio Bearer                   |
| TBF    | Temporary Block Flow                      |
| TCH    | Traffic Channel                           |
| TMSI   | Temporary Mobile Subscriber Identity      |
| T-RLC  | RLC transparent mode                      |
| UMTS   | Universal Mobile Telecommunication System |
| URB    | User Radio Bearer                         |
| USF    | Uplink State Flag                         |
| UTRAN  | UMTS Terrestrial Radio Access Network     |

## 4 Layered overview of radio interface

The protocol architecture for the radio interface is shown in figure 4.1.

The RLC/MAC function provides a service to PDCP for User plane data, to RRC for Control plane data and to the application layer of the CS User plane.

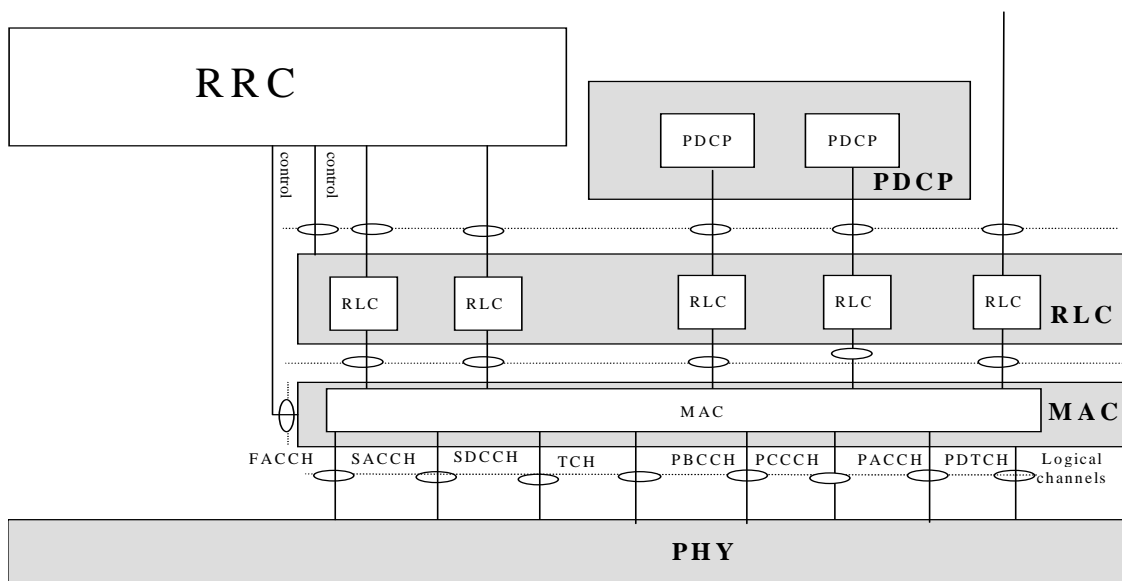


Figure 4.1: Radio Interface Protocol architecture



## 4.1 Layer services

The RLC/MAC sublayer provides services for the transfer over the physical layer between the network and mobile station of upper layer PDUs for one mobile station when operating on a dedicated basic physical subchannel, or for one or more mobile stations when operating on a shared basic physical subchannel.

The RLC function provides the following services to the upper layers:

- **Transparent data transfer:** This service transmits higher layer PDUs without adding any protocol information.
- **Acknowledged data transfer:** This service transmits higher layer PDUs and guarantees delivery to the peer entity.
- **Unacknowledged data transfer:** This service transmits higher layer PDUs without guaranteeing delivery to the peer entity.
- **Notification of unrecoverable errors:** RLC notifies the upper layer of errors that cannot be resolved by RLC itself by normal exception handling procedures.
- **Notification of discard:** RLC notifies the upper layer of the higher layer PDUs (RLC SDUs) it discards.
- **Suspend:** The RLC entity does not transmit any new RLC PDUs to the lower layer.
- **Resume:** The RLC entity resumes data transmission.
- **Stop:** The RLC entity does not transmit any RLC PDUs to the lower layer and does not receive any PDUs from the lower layer.
- **Continue:** The RLC entity resumes data transmission and reception.
- **Re-establishment:** The RLC entity is re-established.

The MAC function provides the following service to the upper layer:

- **Data transfer.**

## 4.2 Layer functions

### 4.2.1 RLC function

The functions provided by the RLC are given in table 4.1. Transparent RLC mode provides no functionality.

Table 4.1: RLC Functions

|  | Acknowledged mode RLC | Unacknowledged mode RLC | Transparent mode RLC |
|--|-----------------------|-------------------------|----------------------|
| Segmentation of upper layer PDUs into RLC data blocks  | X                     | X                       |                      |
| Concatenation of upper layer PDUs into RLC data blocks   | X                     | X                       |                      |
| Padding to fill out RLC data block   | X                     | X                       |                      |
| Backward Error Correction (BEC) procedure enabling the selective retransmission of RLC data blocks                       | X                     |                         |                      |
| Discard of RLC SDUs not yet segmented into RLC PDUs, according to the delay requirements of the associated Radio Bearers | X                     |                         |                      |
| Reassembly of RLC data blocks into upper layer PDUs  | X                     | X                       |                      |
| In-sequence delivery of upper layer PDUs   | X                     | X                       |                      |
| Link Adaptation  | X                     | X                       |                      |
| Ciphering  | X                     | X                       |                      |
| Sequence number check to detect lost RLC blocks  | X                     | X                       |                      |

## 4.2.2 MAC layer function

The functions of the MAC layer include:

- **Configuring the mapping between logical channels and basic physical subchannels:** The MAC layer is responsible for configuring the mapping of logical channel(s) onto the appropriate basic physical subchannel(s).
- **Selecting logical channels to be used for each signalling radio bearer service:** The MAC layer is responsible for mapping SRBs onto logical channels. There are a set of rules defined for this mapping (see subclause 5.6) which shall be used in the uplink and should be used in the downlink. The mapping is dependent on the SRB to be sent, the MAC state, and the logical channels available. The selection of the logical channel may depend on the number of RLC data blocks for the SRB being below a certain threshold. The SFACCH may be selected in preference to the PDTCH if a TBF is not already established for the SRB. In the downlink there is an additional requirement that the PHYSICAL INFORMATION message is always sent on the FACCH.
- **Selecting logical channels to be used for each user radio bearer service:** The logical channels used by the MAC for user radio bearers are set up by configuration from RRC.
- **Assignment, reconfiguration and release of shared radio resources for a TBF:** The MAC layer may handle the assignment of radio resources needed for a TBF including needs from both the control and user plane. The MAC layer may reconfigure radio resources of a TBF.
- **MS measurement reporting and control of the reporting:** The MAC layer is responsible for sending information that control the MS measurement reporting when using PBCCH or PACCH channels. The MAC layer also performs the reporting of the measurements from the MS to the network using PACCH.
- **Broadcasting/listening of/to PBCCH and PCCCH:** The MAC layer broadcasts/listens (to) the PBCCH of the serving cell for the sending/decoding of packet system information messages. The MAC layer also sends paging information on the PCCCH or and monitors the paging occasions according to the DRX cycle. Within the Mobile Station, the MAC layer notifies the RRC layer when receiving a paging message; within the network, it is responsible for aggregating and sending paging messages addressed to one or more Mobile Stations when received from the RRC layer.
- **Timing advance control:** The MAC layer controls the operation of timing advance on shared basic physical subchannels.
- **Ciphering and deciphering** (only in combination with transparent RLC mode).

When the MAC layer is providing services to a non-transparent RLC mode entity, the MAC layer supports the following additional functions:

- **Ciphering.**
- **Identification of different traffic flows of one or more MSs on the basic physical subchannels:** Inband identification is needed to address a flow to an MS in the downlink or identify a flow from an MS in the uplink.
- **Multiplexing/demultiplexing of higher layer PDUs:** This may include priority handling between data flows of one or more mobile stations, e.g. by attributes of Radio Bearer services.
- **Multiplexing/demultiplexing user and control plane data to/from the physical layer for PDTCHs:** The MAC layer is responsible for multiplexing/demultiplexing RLC data blocks carried on PDTCH and RLC/MAC control blocks carried on PACCH.
- **Scheduling of RLC/MAC data and control PDUs delivered to the physical layer on shared basic physical subchannels:** This includes USF and RRBP field monitoring for uplink transfer and sharing radio resources on the downlink.
- **Splitting/recombining:** This includes splitting/recombining of the RLC/MAC PDU flow belonging to one or more TBF(s) onto/from several shared logical channels. This function does not apply for RLC/MAC control blocks.

## 4.3 Service primitives

### 4.3.1 MAC to Physical Layer Primitives

These are defined in 3GPP TS 44.004

### 4.3.2 PDCP to RLC Primitives

#### 4.3.2.1 Primitives

The primitives between PDCP and RLC are shown in table 4.2.

**Table 4.2: Primitives between RLC and upper layers**

| Generic Name       | Parameters     |                       |             |             |
|--------------------|----------------|-----------------------|-------------|-------------|
|                    | Req.           | Ind.                  | Resp.       | Conf.       |
| <b>RLC-AM-DATA</b> | Data, CNF, MUI | Data                  | Not Defined | Status, MUI |
| <b>RLC-UM-DATA</b> | Data           | Data                  | Not Defined | Not Defined |
| <b>RLC-TM-DATA</b> | Data           | Data, Error_Indicator | Not Defined | Not Defined |

Each Primitive is defined as follows:

#### **RLC-AM-DATA-Req/Ind/Conf**

- RLC-AM-DATA-Req is used by upper layers to request transmission of an RLC SDU in acknowledged mode.
- RLC-AM-DATA-Ind is used by the AM RLC entity to deliver to upper layers an RLC SDU that has been transmitted in acknowledged mode.
- RLC-AM-DATA-Conf is used by the AM RLC entity to confirm to upper layers the reception of an RLC SDU by the peer-RLC AM entity or to inform the upper layers of a discarded RLC SDU.

**RLC-UM-DATA-Req/Ind/Conf**

- RLC-UM-DATA-Req is used by upper layers to request transmission of an RLC SDU in unacknowledged mode.
- RLC-UM-DATA-Ind is used by the UM RLC entity to deliver to upper layers an RLC SDU that has been transmitted in unacknowledged mode.

**RLC-TM-DATA-Req/Ind/Conf**

- RLC-TM-DATA-Req is used by upper layers to request transmission of an RLC SDU in transparent mode.
- RLC-TM-DATA-Ind is used by the TM RLC entity to deliver to upper layers an RLC SDU that has been transmitted in transparent mode.

**4.3.2.2 Primitive parameters**

The following parameters are used in the primitives:

- 1) The parameter Data is the RLC SDU that is mapped onto the Data field in RLC PDUs.
- 2) The parameter Confirmation Request (CNF) indicates whether the transmitting side of the AM RLC entity needs to confirm the reception of the RLC SDU by the peer-RLC AM entity. If required, once all AMD PDUs that make up the RLC SDU are positively acknowledged by the receiving AM RLC entity, the transmitting AM RLC entity notifies upper layers.
- 3) The parameter Message Unit Identifier (MUI) is an identity of the RLC SDU, which is used to indicate which RLC SDU that is confirmed with the RLC-AM-DATA-Conf. Primitive.
- 4) The Error\_Indicator parameter indicates that the RLC SDU is erroneous.
- 5) The parameter Status is only applicable for AM operation. This parameter indicates whether a RLC SDU is successfully transmitted or discarded.

**4.3.3 RRC to RLC Primitives****4.3.3.1 Primitives**

The primitives between RRC and RLC are shown in table 4.3.

**Table 4.3: Primitives between RRC and RLC**

| Generic Name                         | Parameters   |             |             |                      |
|--------------------------------------|--|-------------|-------------|----------------------|
|                                      | Req.   | Ind.        | Resp.       | Conf.                |
| <b>RLC-AM-DATA</b>                   | Data, CNF, MUI, DiscardReq   | Data        | Not Defined | Status, MUI          |
| <b>RLC-UM-DATA</b>                   | Data   | Data        | Not Defined | Not Defined          |
| <b>CRLC-CONFIG</b>                   | E/R, Stop (UM/AM only), Continue (UM/AM only),<br>Ciphering Elements (UM/AM only),<br>TM_parameters (TM only), UM_parameters (UM<br>only-SDU discard, EGPRS window size),<br>AM_parameters (AM only –SDU discard, resegment<br>bit, EGPRS window size) | Not Defined | Not Defined | Not Defined          |
| <b>CRLC-SUSPEND<br/>(UM/AM only)</b> | N  | Not Defined | Not Defined | V(S) (AM/UM<br>only) |
| <b>CRLC-RESUME<br/>(UM/AM only)</b>  | No Parameter   | Not Defined | Not Defined | Not Defined          |

Each Primitive is defined as follows:

#### **RLC-AM-DATA-Req/Ind/Conf**

- RLC-AM-DATA-Req is used by upper layers to request transmission of an RLC SDU in acknowledged mode.
- RLC-AM-DATA-Ind is used by the AM RLC entity to deliver to upper layers an RLC SDU that has been transmitted in acknowledged mode.
- RLC-AM-DATA-Conf is used by the AM RLC entity to confirm to upper layers the reception of an RLC SDU by the peer-RLC AM entity.

#### **RLC-UM-DATA-Req/Ind/Conf**

- RLC-UM-DATA-Req is used by upper layers to request transmission of an RLC SDU in unacknowledged mode.
- RLC-UM-DATA-Ind is used by the UM RLC entity to deliver to upper layers an RLC SDU that has been transmitted in unacknowledged mode.

#### **CRLC-CONFIG-Req**

This primitive is used by upper layers to establish, re-establish, release, stop, continue or modify the RLC. Ciphering elements are included for UM and AM operation.

#### **CRLC-SUSPEND-Req/Conf**

- CRLC-SUSPEND-Req is used by upper layers to suspend the UM or AM RLC entity.
- CRLC-SUSPEND-Conf is used by the UM or AM RLC entity to confirm that the entity is suspended.

#### **CRLC-RESUME-Req**

This primitive is used by upper layers to resume the UM or AM RLC entity after the UM or AM RLC entity has been suspended.

### **4.3.3.2 Primitive parameters**

Following parameters are used in the primitives:

- 1) The parameter Data is the RLC SDU that is mapped onto the Data field in RLC PDUs.
- 2) The parameter Confirmation Request (CNF) indicates whether the transmitting side of the AM RLC entity needs to confirm the reception of the RLC SDU by the peer-RLC AM entity. If required, once all AMD PDUs that make up the RLC SDU are positively acknowledged by the receiving AM RLC entity, the transmitting AM RLC entity notifies upper layers.
- 3) The parameter Message Unit Identifier (MUI) is an identity of the RLC SDU, which is used to indicate which RLC SDU that is confirmed with the RLC-AM-DATA-Conf. Primitive.
- 4) The parameter E/R indicates establishment, re-establishment, release or modification of an RLC entity, where re-establishment is applicable to AM and UM RLC entities only.
- 5) The parameter Ciphering Elements are only applicable for UM and AM operations. These parameters are Ciphering Key, Activation Time (Sequence Number (BSN) to activate a new ciphering configuration) and HFN (Hyper Frame Number).
- 6) The AM\_parameters are only applicable for AM operation.
- 7) The Stop parameter is applicable to AM and UM RLC entities only and indicates to the RLC entity to not transmit nor receive any RLC PDUs.
- 8) The Continue parameter is applicable to AM and UM RLC entities only and indicates to the RLC entity to continue transmission and reception of RLC PDUs.
- 9) The UM\_parameters are only applicable for UM operation.
- 10) The TM\_parameters are only applicable for TM operation.

- 11) The N parameter indicates that an RLC entity will not send a PDU with "Sequence Number" $\geq V(S)+N$  for UM/AM RLC entities where N is a non-negative integer.
- 12) The V(S) parameter indicates the value of the Send State Variable for the case of the AM/UM RLC entities.
- 13) The parameter Status is only applicable for AM operation. This parameter indicates whether a RLC SDU is successfully transmitted or discarded.
- 14) The parameter DiscardReq indicates whether the transmitting RLC entity needs to inform the upper layers of the discarded RLC SDU. If required, the transmitting RLC entity notifies upper layers when the RLC SDU is discarded..

## 4.3.4 RRC to MAC Primitives

### 4.3.4.1 Primitives

The primitives between MAC and RRC are shown in table 4.4.

**Table 4.4: Primitives between RRC sub-layer and MAC**

| Generic Name         | Parameter  |   |          |         |
|----------------------|--|---|----------|---------|
|                      | Request  | Indication  | Response | Confirm |
| <b>CMAC-CONFIG</b>   | MS information elements,<br>RB information elements,<br>Ciphering elements,        |   |          |         |
| <b>CMAC-SYS-INFO</b> | System Information Elements  |   |          |         |
| <b>PAGING</b>        | MS Identity, CN Domain Identity,<br>Paging Cause, Paging Record Type<br>Identifier | MS Identity, CN Domain<br>Identity, Paging Cause,<br>Paging Record Type<br>Identifier | NA       | NA      |
| <b>HANDOVER</b>      | Handover Reference Value   | Handover Reference Value  | NA       | NA      |
| <b>PHYSICAL-INFO</b> | Timing Advance Value   | Timing Advance Value  | NA       | NA      |

#### CMAC-CONFIG-Req

- CMAC-CONFIG-Req is used to request for setup, release and configuration of a logical channel. G-RNTI allocation, mapping between radio bearer and logical channel.

#### CMAC-SYS-INFO-Req

- CMAC-SYS-INFO-Req is used to pass information elements needed for the generation of system information messages within the MAC entity.

#### PAGING-Req/Ind:

- PAGING-Req is used by RRC to page a MS.
- PAGING-Ind is used by the MS to inform the RRC of the reception of a PACKET PAGING REQUEST message.

#### HANDOVER-Req/Ind:

- HANDOVER-Req is used by the mobile station's RRC to trigger the transmission of the HANDOVER ACCESS message to the network
- HANDOVER-Ind is used by the network to inform the RRC of the reception of a HANDOVER ACCESS message

#### PHYSICAL-INFO-Req/Ind:

- PHYSICAL-INFO-Req is used by the network's RRC to trigger the transmission of the PHYSICAL INFORMATION message to the mobile station

- PHYSICAL-INFO-Ind is used by the mobile station to inform the RRC of the reception of the PHYSICAL INFORMATION message

#### 4.3.4.2 Primitive Parameters

The MAC configuration primitives use the following parameters. See 3GPP TS 44.118 for a detailed description of the MS, and RB information elements.

- 1) MS information elements
  - G-RNTI
  - SRNC identity
  - Activation time
- 2) RB information elements
  - RB multiplexing info (Logical channel identity, radio priority, mapping of reduced radio bearer id to radio bearer id)
- 3) Ciphering elements
  - Ciphering key
  - Activation Time (TDMA Frame Number)    HFN

The system information primitives use the following parameter:

- 1) System Information elements
  - See 3GPP TS 44.118

The paging primitives use the following parameters:

- 1) The *MS Identity* parameter is the IMSI, TMSI, PTMSI, or G-RNTI.
- 2) The *CN Domain Identity* parameter indicates whether a CN-initiated page is from the packet domain or circuit domain.
- 3) The *Paging Cause* parameter indicates the reason for the page.
- 4) The *Paging Record Type Identifier* parameter indicates the type of MS identity used by the CN in a CN-initiated page, e.g. IMSI (GSM), IMSI (DS-41), TMSI/PTMSI (GSM).

The handover primitives use the following parameter:

- 1) The *Handover Reference Value* parameter indicates the handover reference value used for access identification in the HANDOVER ACCESS message

The physical info primitives use the following parameter:

- 1) The *Timing Advance Value* parameter indicates the timing advance value in the PHYSICAL INFORMATION message to be applied by the mobile station

## 4.4 Services required from lower layers

The RLC/MAC function uses the services provided by the physical link layer as defined in 3GPP TS 44.004.

The following services are required of the physical layer:

- **Access capabilities:** The physical layer offers logical channels and the transmission services associated to higher layers. Logical channels are multiplexed either in a fixed predefined manner (multiframe structure) or dynamically by the MAC layer on basic physical subchannels. Basic physical subchannels are the units scheduled on the radio medium. Some are reserved by the network for common use (e.g. for use by a combination of CCCH and BCCH), others are assigned to dedicated connections with MSs (dedicated basic physical subchannels), or are assigned to a shared usage between MSs (shared basic physical subchannels).
- **Error detection:** The physical layer offers an error protected transmission service, it includes error detection functions and to a lower level, error correction functions. Erroneous received frames may be notified to upper layers and, depending on the need of the upper layer, offered to it. The probability of one or more errors in a

physical block transferred by the physical layer is defined in 3GPP TS 45.005. Due to non-specified methods of quality detection, the probability of residual errors in transferred blocks may vary between implementations.

- **Measurement of the signal strength of neighbouring base stations.** Measurements are transferred to RRC.
- **Measurement of the signal quality of the basic physical subchannel used.** Measurements are transferred to the MAC layer for reporting to the base station.
- **Cell/PLMN selection in MAC-Idle state.** In MAC-Idle state the physical layer selects the best cell with its BCCH in close co-operation with layer 3, meeting requirements for PLMN selection specified in 3GPP TS 42.011.

---

## 5 Introduction to the Medium Access Control (MAC) procedures

### 5.1 General

The Medium Access Control procedures include the functions related to the management of the shared transmission resources (e.g. the packet data physical channels and the radio link connections on packet data physical channels) and dedicated transmission resources (e.g. the multiplexing of logical channels onto DBPSCHs).

The Medium Access Control procedures support the provision of Temporary Block Flows that allow the point-to-point transfer of signalling and user data within a cell between the network and a mobile station.

Moreover, the Medium Access Control procedures include the procedures for reception of PBCCH and PCCCH, which permits autonomous cell reselection performed by the mobile station (see 3GPP TS 45.008).

### 5.2 Multiplexing principles

#### 5.2.1 Temporary Block Flow

A TBF is a logical connection used by two MAC entities to support the unidirectional transfer of upper-layer PDUs on basic physical sub-channels.

The TBF is allocated radio resources on one or more BPSCHs of the same type (i.e. either SBPSCH(s) or DBPSCH(s)) and may only be mapped on one logical channel type at a time. A TBF shall not be mapped on more than one DBPSCH/S. The TBF comprises a number of RLC/MAC blocks carrying one or more upper-layer PDUs.

A TBF mapped on PDTCH(s) may operate in either GPRS TBF mode or EGPRS TBF mode. If this TBF is operating on SBPSCH(s), the network sets the TBF mode in the PACKET UPLINK ASSIGNMENT message, PACKET DOWNLINK ASSIGNMENT message. If this TBF is operating on DBPSCH(s), the network sets the TBF mode using RRC procedures (see 3GPP TS 44.118). The EGPRS TBF mode is only supported by EGPRS capable MSs.

A TBF mapped on FACCH, SACCH or SDCCH operates implicitly in DCCH TBF mode.

A TBF mapped on TCH operates implicitly in TCH TBF mode.

A TBF associated with a URB may operate in either GPRS TBF mode, EGPRS TBF mode, DCCH TBF mode or TCH TBF mode.

A TBF associated with a SRB may operate in either GPRS TBF mode (CS-1 coding only) or DCCH TBF mode. It shall not operate in EGPRS TBF mode.

#### 5.2.2 Temporary Flow Identity

##### 5.2.2.1 Temporary Flow Identity for SBPSCH

See 3GPP TS 44.060 subclause 5.2.2.



Global\_TFI is used in an uplink or a downlink RLC/MAC control message to unambiguously identify the mobile station or one of its TBFs on SBPSCH. If present, the Global TFI addresses the mobile station using either an uplink TFI or a downlink TFI. The TFI used shall obey the rules below:

- If the TFI is used to identify the mobile station, any TFI may be used provided:
  - The timeslot number (TN) of the SBPSCH on which the RLC/MAC control message is sent corresponds to a timeslot assigned to the TBF in the direction of the TBF.
- If the TFI is used to identify a TBF, the TFI of this TBF shall be used. Additionally if the RLC/MAC control message is sent in uplink, and the TBF is a downlink TBF:
  - If the timeslot number (TN) of the SBPSCH on which the RLC/MAC control message is sent does not correspond to any of the timeslots assigned to the TBF in the direction of the TBF, the TN of the TBF shall be included in the RLC/MAC control message to uniquely identify this TBF.

### 5.2.2.2 Temporary Flow Identity for DBPSCH

A TBF mapped on DBPSCH(s) may operate in either GPRS, EGPRS, DCCH or TCH TBF mode. A TBF mapped on DBPSCH/S shall operate in DCCH TBF mode.

A TBF in either GPRS TBF mode, EGPRS TBF mode is implicitly assigned a TFI that equals the identity (RBid) of the radio bearer it carries. An RLC/MAC block associated with such TBF shall contain a TFI. The TBF to which a RLC data block belongs is identified by the TFI and the direction (uplink or downlink) in which this RLC data block is sent. The TBF to which a RLC/MAC control message belongs is identified by the TFI, the direction in which this RLC/MAC control message is sent and the message type.

A TBF in TCH TBF mode is not assigned a TFI. This TBF is in its direction the only user of the TCH on which it is mapped, as described in subclause 9.2.2.

A TBF in DCCH TBF mode is implicitly assigned a Reduced Radio Bearer identity (RRBid) that provides a one-to-one mapping with the RBid of the radio bearer it carries. In case this radio bearer is a User-plane Radio Bearer (URB), the mapping between RRBid and RBid is given at radio bearer set-up of this URB by means of primitive exchange between RRC and MAC (CMAC-CONFIG). An RLC/MAC block associated with a DCCH TBF mode shall contain a RRBid. The TBF to which a RLC data block belongs is identified by the RRBid and the direction (uplink or downlink) in which this RLC data block is sent. The TBF to which a RLC/MAC control message belongs is identified by the RRBid, the direction in which this RLC/MAC control message is sent and the message type.

### 5.2.3 Uplink State Flag

See 3GPP TS 44.060 subclause 5.2.3.

### 5.2.4 Medium Access modes

#### 5.2.4.1 Medium Access modes for SBPSCH

See 3GPP TS 44.060 subclause 5.2.4.

#### 5.2.4.2 Medium Access modes for DBPSCH

The dedicated allocation is applicable exclusively on a dedicated channel (i.e. mapped onto a DBPSCH). No other MAC mode may apply on DBPSCH. If the mobile station is assigned a DBPSCH (e.g. PACKET DBPSCH ASSIGNMENT), dedicated allocation shall be used in both uplink and downlink directions on this DBPSCH.

### 5.2.5 Multiplexing of GPRS and EGPRS TBF mode capable mobile stations

See 3GPP TS 44.060 subclause 5.2.4a.

## 5.3 MAC States

### 5.3.1 MAC-Idle state

#### 5.3.1.1 General

In MAC-Idle state no TBF exists and the mobile station monitors relevant paging subchannels on the PCCCH. The mobile station may use DRX for monitoring the PCCCH.

#### 5.3.1.2 Establishment of a SBPSCH

In MAC-Idle state, upper layers may require the transfer of an upper-layer PDU, which may trigger the establishment of a TBF on SBPSCH(s) and the transition to MAC-Shared state.

#### 5.3.1.3 Establishment of a DBPSCH

In MAC-Idle state upper layers may require the transfer of an upper-layer PDU, which may trigger the establishment of a TBF on DBPSCH(s) either through RRC procedures (see 3GPP TS 44.118) or RLC/MAC procedures, in which case the mobile station leaves MAC-Idle state and enters the MAC-Dedicated state immediately after assignment of the DBPSCH(s). A mobile station shall not be assigned more than one DBPSCH/S.

### 5.3.2 MAC-Shared state

#### 5.3.2.1 General

In MAC-Shared state, the mobile station is allocated radio resources providing a TBF for a point-to-point connection on one or more SBPSCHs. The TBF is used for the unidirectional transfer of upper-layer PDUs between the network and the mobile station. In MAC-Shared state the following services are offered:

- transfer of upper-layer PDUs in RLC acknowledged mode;
- transfer of upper-layer PDUs in RLC unacknowledged mode.

#### 5.3.2.2 Release of all SBPSCHs

In MAC-Shared state, when all TBFs have been released in the downlink and uplink direction, the mobile station returns to MAC-Idle state.

#### 5.3.2.3 Establishment of a DBPSCH

In MAC-Shared state upper layers may require the transfer of an upper-layer PDU, which may trigger the establishment of a TBF on a DBPSCH through RRC procedures (see 3GPP TS 44.118), in which case the mobile station leaves MAC-Shared state and enters the MAC-DTM state.

#### 5.3.2.4 Radio bearer reconfiguration

Upon reconfiguration of all Radio Bearers from SBPSCH(s) to DBPSCH(s), the mobile station shall leave the MAC-Shared state and enter the MAC-Dedicated state after release of all TBFs on SBPSCH(s) and set-up of the first DBPSCH. See 3GPP TS 44.118.

### 5.3.3 MAC-DTM state

#### 5.3.3.1 General

In MAC-DTM state a mobile station has been allocated radio resources providing one or more DBPSCHs and one or more SBPSCHs. A mobile station shall not be allocated radio resources providing a DBPSCH/S with any other

BPSCH(s). The allocation of radio resources is co-ordinated by the network, in agreement with the capabilities of the mobile station.

The transfer of upper-layer PDUs in RLC acknowledged, RLC unacknowledged mode or RLC transparent mode is provided.

#### 5.3.3.2 Release of all SBPSCHs

In MAC-DTM state, when all TBFs on SBPSCHs have been released, in downlink and uplink directions, the mobile station enters MAC-Dedicated state.

#### 5.3.3.3 Release of all DBPSCHs

In MAC-DTM state, upon release of all DBPSCHs, the mobile station enters the MAC-Shared state.

#### 5.3.3.4 Release of all SBPSCHs and DBPSCHs

In MAC-DTM state, upon release of all SBPSCHs and DBPSCHs, the mobile station enters the MAC-Idle state.

### 5.3.4 MAC-Dedicated state

#### 5.3.4.1 General

In MAC-Dedicated state a mobile station has been allocated radio resources providing one or more DBPSCHs. A mobile station shall not be allocated more than one DBPSCH/S. The allocation of radio resources is co-ordinated by the network, in agreement with the capabilities of the mobile station.

The transfer of upper-layer PDUs in RLC acknowledged, RLC unacknowledged mode or RLC transparent mode is provided.

#### 5.3.4.2 Release of all DBPSCHs

In MAC-Dedicated state, upon release of all DBPSCHs, the mobile station shall enter the MAC-Idle state.

#### 5.3.4.3 Radio bearer reconfiguration

Upon reconfiguration of all Radio Bearers from DBPSCH(s) to SBPSCH(s), the mobile station shall leave the MAC-Dedicated state and enter the MAC-Shared state after release of all DBPSCH(s) and set-up of the first TBF on SBPSCH(s) (see 3GPP TS 44.118).

### 5.3.5 MAC state machine

Figure 5.1 represents the state machine of the MAC sublayer.

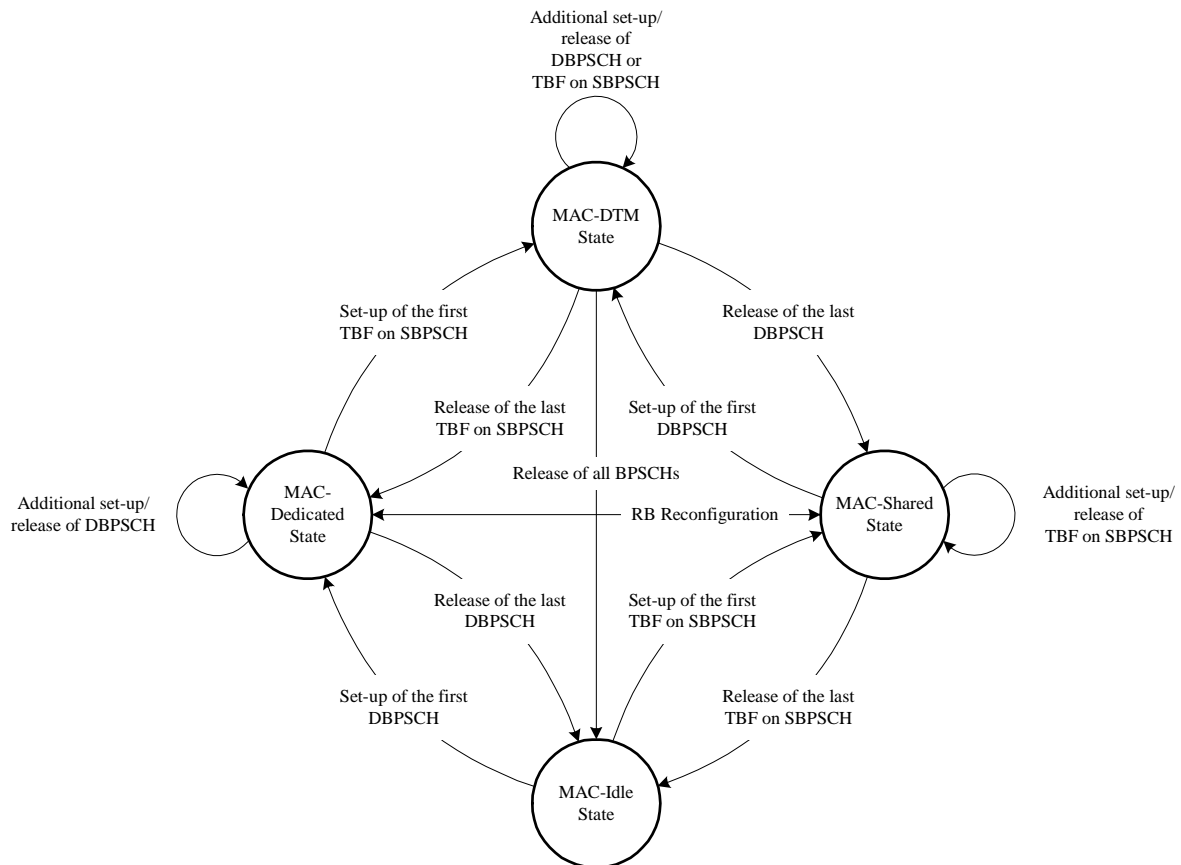


Figure 5.1: MAC state machine

## 5.4 General MAC procedures in MAC-Idle state and MAC-Shared state

### 5.4.1 Mobile station side

#### 5.4.1.1 General

A mobile station in MAC-Idle state or MAC-Shared state shall monitor the system information broadcast in the cell.

In MAC-Idle state, the mobile station shall monitor the radio blocks on PCCCH as defined in subclauses 5.4.1.8 and 5.4.1.9. The determination of the paging group for the mobile station is defined in 3GPP TS 45.002.

#### 5.4.1.2 Cell reselection

Cell reselection in MAC-Idle state and MAC-Shared state is specified in 3GPP TS 45.008. The MAC entity on the mobile station side indicates to the RRC layer the availability of a cell and a cell change when decided by the MAC sublayer. RRC is advised of system information broadcast in the cell when a new cell has been selected or when a relevant part of this information changes.

If the new cell supports *Iu mode* the mobile station shall operate in *Iu mode* unless ordered to operate in *A/Gb mode* by the network. If the new cell does not support *Iu mode*, a mobile station which supports *A/Gb mode* shall operate in *A/Gb mode* as described in 3GPP TS 44.060. If operating in *Iu mode*, the mobile station shall perform packet access in *Iu mode* otherwise the mobile station shall perform packet access in *A/Gb mode*.

When a cell reselection is determined by the mobile station or ordered by the network, the mobile station may continue its operation in MAC-Idle state or MAC-Shared state in the old serving cell, while acquiring certain system information for the target cell.

If the old cell does not support CCN, the operation in the old cell shall be aborted when one of the following conditions are met:

- the mobile station starts to receive information on PBCCH in the target cell;
- the mobile station has received the SI13 message (see 3GPP TS 44.018) and there is no PBCCH present in the target cell; or
- the criteria for camping on the old cell are no longer fulfilled (see 3GPP TS 45.008).

If PBCCH is present in the target cell, the mobile station shall delay the start of receiving information on PBCCH until the first occurrence of PSI1 in block B0. If the reception of PSI1 or PSI2 messages fails (see subclause 5.4.1.5) the mobile station may re-establish and continue its operation in the old cell, until the next occurrence of PSI1 in block B0.

While the operation is maintained in the old cell, the mobile station may suspend its TBF(s) or suspend the monitoring of radio blocks on PCCCH, in order to receive necessary information on BCCH in the target cell. Such suspension may be required in MAC-Idle state and MAC-Shared state. It is performed without notification to the network.

Suspension of the operation in the old cell for this purpose is allowed during the time required, for each message and according to the mobile station's multislot class, to receive the required messages on BCCH in the target cell. The allowable suspension of an uplink TBF may be extended with one block period, in case of dynamic or extended dynamic allocation, if the mobile station is unable to receive the corresponding USF due to the suspension of downlink operation.

When the conditions are fulfilled to switch to the new cell, the mobile station shall abort any TBF in progress by immediately ceasing to decode the downlink, ceasing to transmit on the uplink, stopping all RLC/MAC timers except for timers related to measurement reporting. The mobile station shall then switch to the identified specified new cell and shall obey the relevant RLC/MAC procedures on this new cell.

If the old cell supports CCN, a mobile station shall, when the cell reselection has been determined, follow the procedures for Network Assisted Cell Change as specified in 3GPP TS 44.060 subclauses 5.5.1.1a.2 and 8.8.2.

Under no circumstances and independent of whether CCN mode is supported, operations in the old cell shall be continued more than 5 seconds after a cell reselection has been determined.

### 5.4.1.3 Network Assisted Cell Change

See 3GPP TS 44.060 subclause 5.5.1.1a.

### 5.4.1.4 Release of DBPSCHs

#### 5.4.1.4.1 General

The mobile station shall acquire system information broadcast in the serving cell when in MAC-Idle state, after the release of all DBPSCHs if the mobile station had been unable to monitor the system information broadcast on PBCCH while one or more DBPSCHs were allocated:

- The acquisition of system information shall be performed according to the requirements in sub-clause 5.4.1.5.
- The mobile station shall not attempt a packet access or accept a packet downlink assignment before these requirements are fulfilled.

The following exceptions, stated in sub-clauses 5.4.1.4.2 and 5.4.1.4.3, may apply.

#### 5.4.1.4.2 Continuation of PBCCH information

At the allocation of a DBPSCH, the mobile station may keep the PSI messages received on PBCCH before the allocation of the DBPSCH. If all DBPSCHs are released in the same serving cell within 30 s after the PSI1 message was last received, the mobile station may resume the supervision of PBCCH\_CHANGE\_MARK and update of PBCCH information, defined in 3GPP TS 44.060 subclause 5.5.1.2.1, and need not initiate a *complete acquisition* of PBCCH information, as specified in subclause 5.4.1.5.

#### 5.4.1.4.3 Receipt of PSI14 message in MAC-DTM state

In MAC-DTM state, the mobile station may receive the PSI14 message on PACCH in the serving cell. If all DBPSCHs are released in the same serving cell within 30 s after the PSI14 message was last received, the mobile station may use the PSI14 message as a substitute for the SI13 or SI13-Alt message after the release of all DBPSCHs, until either the SI13 or SI13-Alt message has been received or the mobile station starts to receive information on PBCCH.

The presence of a PBCCH in the cell is indicated by a PBCCH description in the PSI14 message. If the message does not contain the PBCCH description, the mobile station shall assume that PBCCH is not present in the cell.

After the release of all of DBPSCHs, the mobile station shall perform a *complete acquisition* of PBCCH information, as defined in subclause 5.4.1.5.

#### 5.4.1.5 System information on PBCCH

See 3GPP TS 44.060 subclause 5.5.1.2.

#### 5.4.1.6 System information on BCCH

##### 5.4.1.6.1 General

The support of *Iu mode* shall be indicated in SI3 message sent on BCCH. In addition, the support of *Iu mode* shall be indicated in either SI4 or SI7 and 8 messages. The SI3, SI4, SI7 and SI8 messages contain the CBQ3 parameter that indicates if *Iu mode* is supported in the cell (see 3GPP TS 44.018).

If CBQ3 information parameter sent in SI3 on BCCH indicates that *Iu mode* is supported in the cell then a mobile station shall acquire a PBCCH description from either SI13 or SI13-Alt and shall operate in *Iu mode* (see 3GPP TS 44.118).

If CBQ3 indicates that *Iu mode* is not supported in the cell then a mobile station may operate in *A/Gb mode* as described in 3GPP TS 44.060 and the presence of a PBCCH in the cell is indicated by a PBCCH description in the SI13 message on BCCH. If the mobile station receives an SI13 message without a PBCCH description, it shall assume that PBCCH is not present in the cell. If PBCCH is not present in the serving cell, the mobile station shall receive the SYSTEM INFORMATION (SI) messages broadcast on BCCH.

When a new cell has been selected where PBCCH is not present, the mobile station shall perform a *complete acquisition* of BCCH messages (see subclause 5.4.1.7). The mobile station shall not perform packet access in the selected cell, or enter the MAC-Shared state, until it has:

- acquired the SYSTEM INFORMATION TYPE 3 (SI3), SI13 and, if present, SI1 messages;
- made at least one attempt to receive other SI messages that may be scheduled within one TC cycle on BCCH (see 3GPP TS 45.002).

If the network supports the PACKET SI STATUS message, the mobile station may perform packet access, and enter MAC-Shared state, as soon as the SI3, SI13 and, if present, SI1 messages have been received. In this case, the mobile station shall implement the request for acquisition of system information (see 3GPP TS 44.060 subclause 5.5.1.4.3).

When the SI13 message has been received, the mobile station shall supervise the BCCH\_CHANGE\_MARK and perform update of BCCH information.

##### 5.4.1.6.2 Establishment of PBCCH

The mobile station may receive an SI13, SI13-Alt or PSI13 message providing a PBCCH description indicating that PBCCH is present in the cell. The mobile station shall then perform a *complete acquisition* of PBCCH messages using the indicated PBCCH (see subclause 5.4.1.7).

##### 5.4.1.6.3 SI13 reception failure

If the mobile station has not received the SI13, SI13-Alt or the PSI13 message within the last 60 s, an SI13 reception failure has occurred. An SI13 reception failure shall result in a cell reselection.

#### 5.4.1.7 Acquisition of system information on the broadcast channel

See 3GPP TS 44.060 subclause 5.5.1.4.

#### 5.4.1.8 Discontinuous reception (DRX)

A mobile station in MAC-Idle state may use Discontinuous Reception (DRX) to reduce its power consumption.

In DRX mode, the MAC layer receives the paging group relevant for the mobile station from the RRC layer via the CMAC-CONFIG primitive. The computation of the paging group is defined in 3GPP TS 44.118. The mobile station shall only monitor the blocks corresponding to its paging group. The GERAN shall initiate paging procedures for this mobile station on the blocks corresponding to its paging group.

In non-DRX mode, the mobile station shall monitor all paging blocks on the monitored PCCCH (see 3GPP TS 45.002).

There are three cases when the mobile station enters a non-DRX mode period:

- 1) When entering the MAC-Idle state, the mobile station shall enter the non-DRX mode period.

The duration of the non-DRX mode period is determined by the value of the DRX\_TIMER\_MAX parameter broadcast in the cell.

If the mobile station receives a new value of the DRX\_TIMER\_MAX parameter during the non-DRX mode period, the mobile station may wait to apply the new value until the next time the non-DRX mode period is entered.

- 2) When the network operates in NC2 mode and the MS sends a NC measurement report, both the MS and the network shall enter the NC2 non-DRX mode period. The duration of this period is defined by the NC\_NON\_DRX\_PERIOD parameter.
- 3) When initiating the MM procedures for GPRS attach and routing area update defined in 3GPP TS 24.008, the mobile station shall enter the MM non-DRX mode period. This period ends when either of the messages GPRS ATTACH ACCEPT, GPRS ATTACH REJECT, ROUTING AREA UPDATE ACCEPT or ROUTING AREA UPDATE REJECT is received by the mobile station. This period also ends after timeout when waiting for any of these messages.

The non-DRX mode periods defined above run independent of each other and may overlap. In RRC-Idle mode, the mobile station shall be in non-DRX mode during any of the non-DRX mode periods.

#### 5.4.1.9 Page mode procedures on PCCCH

See 3GPP TS 44.060 subclause 5.5.1.6.

#### 5.4.1.10 Frequency Parameters

See 3GPP TS 44.060 subclause 5.5.1.7.

#### 5.4.1.11 G-RNTI Management

G-RNTI is used to identify a mobile station during contention resolution and is allocated by RRC in the GERAN. If a mobile station does not possess a GERAN allocated G-RNTI when making a contention access it shall use a Random G-RNTI. Upon receiving a G-RNTI allocation from the GERAN a mobile station shall use it for subsequent contention accesses for as long as it remains valid.

## 5.4.2 Network side

### 5.4.2.1 System Information broadcasting

#### 5.4.2.1.1 System information on PBCCH

If PBCCH is present in the cell, the network regularly broadcasts PACKET SYSTEM INFORMATION TYPE (PSI) 1, 2, 3, 3bis and PSI16 messages, and optionally PSI3ter, PSI3quater and some types of PSI messages on the PBCCH. The PSI 2, PSI 3bis, PSI3 ter, PSI3quater messages and some further types of PSI messages may be broadcast in multiple number of instances. Based on the information broadcast in PSI messages, a mobile station is able to decide whether and how it may gain access to the system via the current cell.

NOTE: The network should take into account the limitations of earlier version of mobile equipments to understand the 3-digit MNC format of the location area identification, see 3GPP TS 44.060 subclause 12.23 and 3GPP TS 44.018, table "Location Area Identification information element".

Instances of the PSI 4 message are broadcast on PBCCH if the mobile stations camping on the cell shall perform interference measurements for power control (see 3GPP TS 45.008).

Instances of the PSI 5 message are broadcast on PBCCH if the mobile stations camping on the cell shall perform measurement reporting (see 3GPP TS 45.008).

Instances of the PSI6 and PSI7 message may be broadcast on the PBCCH if non-GSM broadcast information is transmitted.

The PSI8 message may be broadcast on the PBCCH if additional information (i.e. CBCH configuration and dynamic ARFCN mapping) shall be provided to the mobile station camping on the cell.

The PSI16 message shall be broadcast on the PBCCH to provide mobile stations with additional information required for *Iu mode* operation.

The PSI11 message contains the PBCCH\_CHANGE\_MARK and PSI\_CHANGE\_FIELD parameters. The value of the PBCCH\_CHANGE\_MARK may be incremented by one, modulo 8, each time the network makes a change in the PBCCH information. Such change includes any addition, removal or replacement of PSI messages, contents of PSI messages, or change in the scheduling of PSI messages on PBCCH. A change in the contents of the PSI11 message alone shall not be reflected in the PBCCH\_CHANGE\_MARK. When the PBCCH\_CHANGE\_MARK is incremented, the PSI\_CHANGE\_FIELD parameter shall be set to an appropriate value to indicate the nature of the latest change in the PBCCH information.

The network may increment the PBCCH\_CHANGE\_MARK value by more than one, modulo 8, in order to enforce a complete acquisition of PBCCH information of all mobile stations.

In order to avoid extensive TBF suspensions following an increment of the PBCCH\_CHANGE\_MARK parameter, the network may send PSI messages on PACCH to mobile stations in MAC-Shared state.

The network indicates the support of the PACKET PSI STATUS and EGPRS PACKET CHANNEL REQUEST messages in the PSI11 message.

#### 5.4.2.1.2 System information on BCCH

In addition to the requirements in 3GPP TS 44.018, a SYSTEM INFORMATION TYPE 13 (SI13) message or a SYSTEM INFORMATION TYPE 13 Alt (SI13-Alt) message is regularly broadcast by the network on the BCCH to support *Iu mode*. Note that either the SI13 message or the SI13-Alt message is required on BCCH to support *Iu mode*.

The network indicates the support of the PACKET SI STATUS message in the SI13 message and the SI13-Alt message.

#### 5.4.2.1.3 System information on PACCH (and other logical channels)

See 3GPP TS 44.060 subclause 5.5.2.1.3.



#### 5.4.2.1.4 Consistent sets of system information messages

Certain types of PSI and SI messages are sent on PBCCH and BCCH in a multiple number of instances. If such a PSI or SI message type is sent on (P)BCCH, a mobile station shall receive a consistent set of that type of PSI or SI message. In some cases, more than one type of PSI messages may be joined into one consistent set, see table 5.4.2.1.4.

**Table 5.4.2.1.4: Consistent sets of system information messages**

| Consistent set / Message Type(s)  | Broadcast Channel | Number of instances | PSI or SI change mark parameter                         | PSI or SI index parameter | PSI or SI count parameter |
|---|-------------------|---------------------|---|---------------------------|---------------------------|
| PSI2  | PBCCH             | 1 – 8               | PSI2_CHANGE_MARK  | PSI2_INDEX                | PSI2_COUNT                |
| PSI3  | PBCCH             | 1                   | PSI3_CHANGE_MARK  |                           |                           |
| PSI3 bis  | PBCCH             | 1 – 16              | PSI3_CHANGE_MARK  | PSI3bis_INDEX             | PSI3bis_COUNT             |
| PSI3 ter  | PBCCH             | 0 – 16              | PSI3_CHANGE_MARK  | PSI3ter_INDEX             | PSI3ter_COUNT             |
| PSI3 quater   | PBCCH             | 0 – 16              | PSI3_CHANGE_MARK  | PSI3quater_INDEX          | PSI3quater_COUNT          |
| PSI4  | PBCCH             | 0 – 8               | PSI4_CHANGE_MARK  | PSI4_INDEX                | PSI4_COUNT                |
| PSI5  | PBCCH             | 0 – 8               | PSI5_CHANGE_MARK  | PSI5_INDEX                | PSI5_COUNT                |
| PSI6  | PBCCH             | 0 – 8               | PSI6_CHANGE_MARK  | PSI6_INDEX                | PSI6_COUNT                |
| PSI7  | PBCCH             | 0 – 8               | PSI7_CHANGE_MARK  | PSI7_INDEX                | PSI7_COUNT                |
| PSI8  | PBCCH             | 0 – 8               | PSI8_CHANGE_MARK  | PSI8_INDEX                | PSI8_COUNT                |
| PSI16   | PBCCH             | 0 – 8               | PSI16_CHANGE_MARK                                       | PSI16_INDEX               | PSI16_COUNT               |
| SI13<br>(notes 1 and 2)   | BCCH              | 1                   | SI13_CHANGE_MARK  |                           |                           |
| SI13-Alt  | BCCH              | 1                   | SI13_CHANGE_MARK  |                           |                           |
| SI2 ter   | BCCH              | 0 – 8               | SI2ter_MP_CHANGE_M<br>ARK and SI2ter_3G_<br>CHANGE_MARK | SI2ter_INDEX              | SI2ter_COUNT              |
| SI2 quater  | BCCH              | 0 – 16              | BA_IND, 3G_BA_IND<br>and<br>MP_CHANGE_MARK              | SI2quater_INDEX           | SI2quater_COUNT           |
| SI18  | BCCH              | 0 – 8               | SI18_CHANGE_MARK  | SI18_INDEX                | None (note 4)             |
| SI19  | BCCH              | 0 – 8               | SI19_CHANGE_MARK  | SI19_INDEX                | None (note 4)             |
| SI20  | BCCH              | 0 – 8               | SI20_CHANGE_MARK  | SI20_INDEX                | None (note 4)             |
| <p>NOTE 1: If the SI13 or SI13-Alt message provides a GPRS mobile allocation, it shall also provide an SI13_CHANGE_MARK. The SI13_CHANGE_MARK shall be used if the indirect encoding of the frequency information is applied in a packet assignment, referring to the GPRS mobile allocation provided in either the SI13 or SI13-Alt message. There is only one instance of the SI13 or SI13-Alt message.</p> <p>NOTE 2: The PSI13 message may be received on PACCH. It provides the same information as the SI13 or SI13-Alt message, including the SI13_CHANGE_MARK.</p> <p>NOTE 3: If PSI2 and SI13 <i>change mark</i> values need to be distinguished, e.g. during an activation or release of PBCCH, the network should assign appropriate values to these parameters.</p> <p>NOTE 4: For SI18, SI19 and SI20 messages, there is no <i>count</i> parameter (see 3GPP TS 44.018).</p> |                   |                     |   |                           |                           |

A consistent set of system information messages is identified by a PSI or SI *change mark* parameter included in each message in the set. All messages within a consistent set shall have the same value of this parameter.

The total number of system information messages of a certain type within a consistent set is indicated by a PSI or SI *count* parameter included in each message in the set. The position of a certain message instance within the consistent set of system information messages is indicated by a PSI or SI *index* parameter.

The PSI or SI *count* parameter shall have the value N–1, where N is the number of instances of the particular message type present in the consistent set. The PSI or SI *index* parameter shall have a range from zero to N–1. Different instances of a particular message type in a consistent set shall have different values of the PSI or SI *index* parameter.

#### 5.4.2.2 Paging

See 3GPP TS 44.060 subclause 5.5.2.2.

#### 5.4.2.3 Network Assisted Cell Change

See 3GPP TS 44.060 subclause 5.5.2.3.

## 5.5 Measurement reports

### 5.5.1 General

See 3GPP TS 44.060 subclause 5.6.0.

### 5.5.2 Network Control (NC) measurement reporting

The behaviour of the mobile station is controlled by the parameter NETWORK\_CONTROL\_ORDER broadcast in the PSI5 message on PBCCH, in the SII3, SII3-Alt and SI2quater messages on the BCCH and in the PSI13 message on PACCH. Alternatively, the network may send the NETWORK\_CONTROL\_ORDER parameters in a PACKET MEASUREMENT ORDER or in a PACKET CELL CHANGE ORDER message on PCCCH or PACCH to a particular mobile station. The parameter NETWORK\_CONTROL\_ORDER may have one of the values NC0, NC1, NC2 or RESET (see 3GPP TS 45.008).

When in mode NC1 or NC2, the mobile station shall perform the NC measurements as defined in 3GPP TS 45.008. The reporting periods are indicated in the NC\_REPORTING\_PERIOD\_I and NC\_REPORTING\_PERIOD\_T field of the PSI5, the SI2quater, the PACKET CELL CHANGE ORDER or the PACKET MEASUREMENT ORDER message. If NC\_NON\_DRX\_PERIOD, NC\_REPORTING\_PERIOD\_I or NC\_REPORTING\_PERIOD\_T have not been received by the mobile station the default values shall be used. The mobile station shall apply to the timer T3158 either the NC\_REPORTING\_PERIOD\_I when in MAC-Idle state or the NC\_REPORTING\_PERIOD\_T when in MAC-Shared state. The measurement results shall be sent to the network using the procedures specified in subclause 7.4 for MAC Idle state, and in subclause 8.4 for MAC-Shared state.

On expiry of timer T3158, the mobile station shall restart timer T3158 with the indicated reporting period, perform the measurements and send either the PACKET MEASUREMENT REPORT message or the PACKET ENHANCED MEASUREMENT REPORT to the network. The condition for sending the PACKET ENHANCED MEASUREMENT REPORT message instead of the PACKET MEASUREMENT REPORT message is based on the REPORT\_TYPE parameter and if the MS has received BSIC information for all cells. For the detailed conditions see 3GPP TS 44.060 subclause 11.2.23, subclause 11.2.4 and subclause 11.2.9b and also 3GPP TS 44.018 subclause 10.5.2.33b.

A mobile station in mode NC1 or NC2 may receive a new indicated reporting period while timer T3158 is active. If the new indicated reporting period is less than the time to expiry of timer T3158, the mobile station shall immediately restart timer T3158 with the new indicated reporting period. Otherwise, the timer T3158 shall continue to run.

When changing from MAC-Shared state to MAC-Idle state, a mobile station in mode NC1 or NC2 shall restart the timer T3158 with the reporting period determined by the NC\_REPORTING\_PERIOD\_I parameter if at least one PACKET MEASUREMENT REPORT or PACKET ENHANCED MEASUREMENT REPORT message was sent in MAC-Shared state. Otherwise the timer T3158 shall continue to run.

When changing from MAC-Idle state to MAC-Shared state, a mobile station in mode NC1 or NC2 shall restart the timer T3158 with the reporting period determined by the NC\_REPORTING\_PERIOD\_T parameter if the reporting period is less than the time to expiry of timer T3158. Otherwise the timer T3158 shall continue to run.

When a mobile station in *Iu mode* leaves RRC-Cell Shared state and enters RRC-GRA\_PCH state or RRC-Idle mode, the timer T3158 shall be stopped and no more measurement reports shall be sent to the network.

A mobile station may reselect a new cell or may be ordered to reselect a new cell with mode NC1 or NC2 while timer T3158 is active. If time to expiry of timer T3158 is greater than the indicated reporting period for the new cell, the mobile station shall immediately restart timer T3158 with the indicated reporting period for the new cell. Otherwise, the timer T3158 shall continue to run.

At cell reselection the NC measurement parameters valid for the mobile station in the new cell (NETWORK\_CONTROL\_ORDER, NC\_NON\_DRX\_PERIOD, NC\_REPORTING\_PERIOD\_I and NC\_REPORTING\_PERIOD\_T) are either:

- brought from the old cell (if received in a PACKET MEASUREMENT ORDER or PACKET CELL CHANGE ORDER message); or

- received in a broadcast PSI5, SI13, SI13-Alt, PSI13 or SI2quater message in the new cell. If no parameters have been brought from the old cell, and until individual measurement parameters are received in the new cell, the mobile station shall use the broadcast measurement parameters from PSI5 or use the default parameter values.

The default frequency list to be applied in the new cell shall be the BA(GPRS) list of that cell until a new PACKET MEASUREMENT ORDER message is received. The BA(GPRS) list could also have been modified by frequency parameters received in a PACKET\_CELL\_CHANGE\_ORDER message in the old cell.

For (NC) measurement reporting, the Mobile Station shall use PACKET ENHANCED MEASUREMENT REPORT messages instead of PACKET MEASUREMENT REPORT messages if that is indicated by the parameter REPORT\_TYPE and if at least one BSIC is allocated to each frequency in the BA(GPRS) list.

For a multi-RAT mobile station, reports on 3G cells may also be included in the reporting. For report with the PACKET MEASUREMENT REPORT message, reporting is performed on two separate lists: the BA(GPRS) and the 3G Neighbour Cell List (for a multi-RAT MS). For report with the PACKET ENHANCED MEASUREMENT REPORT message, reporting is performed on the Neighbour Cell List (defined in 3GPP TS 44.060 subclause 5.6.3.3).

A mobile station that has been allocated one or more DBPSCHs, shall not send Network Control measurement reports to the network during that period. The mobile station shall return to the previous reporting mode when all the DBPSCHs have been released.

### 5.5.3 Extended measurement (EM) reporting

See 3GPP TS 44.060 subclause 5.6.3.

### 5.5.4 Additional measurement and reporting parameters

See 3GPP TS 44.060 subclause 5.6.4.

## 5.6 Mapping of Signalling Radio Bearers (SRB) onto logical channels

### 5.6.1 Downlink

In downlink direction, the mapping of SRBs onto logical channels is left up to network implementation. The rules defined in subclause 5.6.2 should be used. The MS shall be able to receive SRB data on any of the following logical channels if available: SDCCH, SACCH, FACCH, PDTCH and SFACCH.

#### 5.6.2 Uplink

##### 5.6.2.1 MAC-Dedicated State

Table 5.6.1 represents the alternatives for mapping a given SRB onto a given logical channel when the MS is in MAC-Dedicated state. The MS shall obey the rules given in this table. Only the logical channels available for SRBs are listed.

**Table 5.6.1: Mapping of SRBs onto logical channels in MAC-Dedicated State**

|             | MAC-Dedicated State |               |               |
|-------------|---------------------|---------------|---------------|
|             | SDCCH + SACCH       | FACCH + SACCH | PDTCH + SACCH |
| <b>SRB1</b> | SACCH               | SACCH         | SACCH         |
| <b>SRB2</b> | SDCCH               | FACCH         | PDTCH         |
| <b>SRB3</b> | SDCCH               | FACCH         | PDTCH         |
| <b>SRB4</b> | SDCCH               | SACCH         | PDTCH         |

### 5.6.2.2 MAC-Shared State

Table 5.6.2 represents the alternatives for mapping a given SRB onto a given logical channel when the MS is in MAC-Shared state. The MS shall obey the rules given in this table. Only the logical channels available for SRBs are listed.

**Table 5.6.2: Mapping of SRBs onto logical channels in MAC-Shared State**

| <b>MAC-Shared State</b> |   |
|-------------------------|---|
| <b>PDTCH + SFACCH</b>   |   |
| <b>SRB1</b>             | PDTCH xor SFACCH ( <i>i</i> )   |
| <b>SRB2</b>             | PDTCH xor SFACCH ( <i>i</i> )   |
| <b>SRB3</b>             | PDTCH xor SFACCH ( <i>i</i> )   |
| <b>SRB4</b>             | PDTCH xor SFACCH ( <i>i</i> )   |
| Rule <i>i</i> :         | PDTCH shall be used if and only if the corresponding TBF is established for this SRB, otherwise SFACCH shall be used. |

### 5.6.2.3 MAC-DTM State

Table 5.6.3 represents the alternatives for mapping a given SRB onto a given logical channel when the MS is in MAC-DTM state. The MS shall obey the rules given in this table. Only the logical channels available for SRBs are listed.

**Table 5.6.3: Mapping of SRBs onto logical channels in MAC-DTM State**

| <b>MAC-DTM State</b>   |                                   |
|--|-----------------------------------|
| <b>(FACCH/H + SACCH/H) + (PDTCH/H (see note) + SFACCH/H)</b> |                                   |
| <b>SRB1</b>  | SACCH/H                           |
| <b>SRB2</b>  | PDTCH/H xor SFACCH/H ( <i>i</i> ) |
| <b>SRB3</b>  | PDTCH/H xor SFACCH/H ( <i>i</i> ) |
| <b>SRB4</b>  | PDTCH/H xor SFACCH/H ( <i>i</i> ) |

| <b>MAC-DTM State</b>                              |                                   |
|---|-----------------------------------|
| <b>(FACCH/F + SACCH/F) + (PDTCH/F + SFACCH/F)</b> |                                   |
| <b>SRB1</b>                                       | SACCH/F                           |
| <b>SRB2</b>                                       | FACCH/F xor PDTCH/F ( <i>ii</i> ) |
| <b>SRB3</b>                                       | PDTCH/F xor SFACCH/F ( <i>i</i> ) |
| <b>SRB4</b>                                       | PDTCH/F xor SFACCH/F ( <i>i</i> ) |

| <b>MAC-DTM State</b>                      |   |
|---|---|
| <b>(PDTCH + SACCH) + (PDTCH + SFACCH)</b> |   |
| <b>SRB1</b>                               | SACCH   |
| <b>SRB2</b>                               | PDTCH xor SFACCH ( <i>iii</i> )   |
| <b>SRB3</b>                               | PDTCH xor SFACCH ( <i>iii</i> )   |
| <b>SRB4</b>                               | PDTCH xor SFACCH ( <i>iii</i> )   |
| Rule <i>i</i> :                           | PDTCH shall be used if and only if the corresponding TBF is established for this SRB, otherwise SFACCH shall be used. |
| Rule <i>ii</i> :                          | PDTCH/F shall be used if and only if the corresponding TBF is established for SRB2, else FACCH shall be used.         |
| Rule <i>iii</i> :                         | PDTCH shall be used if and only if the corresponding TBF is established for this SRB, otherwise SFACCH shall be used. |
| NOTE:                                     | Single-slot operation with exclusive allocation.  |

---

## 6 Paging procedures

### 6.1 General

The Packet Paging procedure is always initiated upon request by RRC. RRC shall provide all the necessary information to construct a PACKET PAGING REQUEST message. The MAC layer shall include in the PACKET PAGING REQUEST message all information received from the RRC layer. A number of mobile stations can be paged in the same paging message.

On receipt of a PACKET PAGING REQUEST message, the MAC shall forward all received information for this mobile station to RRC.

### 6.2 Paging initiation in MAC-Idle state

In MAC-Idle state and upon request from RRC, the MAC layer initiates the Packet Paging procedure by transmitting a PACKET PAGING REQUEST message on an appropriate paging subchannel on the PCCCH, taking into account the DRX parameters valid for each targeted mobile station (see subclause 5.4.1.8).

The following IEs shall be included in the in the PACKET PAGING REQUEST message. RRC determines the values of the IEs (see 3GPP TS 44.118).

- MS Identity (IMSI, TMSI, P-TMSI or G-RNTI).

The following IEs may be included in the in the PACKET PAGING REQUEST message. RRC determines which IEs to include and their values (see 3GPP TS 44.118).

- CN domain identity.
- Paging cause.
- Paging Record Type Identifier.

### 6.3 Paging initiation in MAC-Shared state

In MAC-Shared state and upon request from RRC, the MAC layer initiates the paging procedure by transmitting a PACKET PAGING REQUEST message on the PACCH.

The following IEs shall be included in the in the PACKET PAGING REQUEST message. RRC determines the values of the IEs (see 3GPP TS 44.118).

- MS Identity (IMSI, TMSI, P-TMSI or G-RNTI).

The following IEs may be included in the in the PACKET PAGING REQUEST message. RRC determines which IEs to include and their values (see 3GPP TS 44.118).

- CN domain identity.
- Paging cause.
- Paging Record Type Identifier.

### 6.4 Reception of PACKET PAGING REQUEST by an MS

Upon reception of a PACKET PAGING REQUEST message on either PCCCH or PACCH, the MAC shall forward all received information for this mobile station to RRC.

---

## 7 Medium Access Control (MAC) procedures on PCCCH

### 7.1 General

The establishment of a Temporary Block Flow (TBF) can be initiated by either the mobile station or the network.

The request for establishment of a TBF using the PCCCH is described in this subclause. For mobile stations in MAC-Idle state measurement reports messages are sent on temporary fixed allocations without the establishment of an uplink TBF (see subclause 7.4).

### 7.2 TBF establishment initiated by the mobile station on PCCCH

#### 7.2.1 General

The purpose of the packet access procedure is to establish a TBF to support the transfer of upper-layer PDUs in the direction from the mobile station to the network. Packet access shall be done on PCCCH, as defined in this subclause. The packet access can be done in either one phase (subclause 7.2.3) or in two phases (subclauses 7.2.3 and 7.2.4).

TBF establishment can also be done on PACCH if a TBF for transfer of upper-layer PDUs in the direction from the network to the mobile station is already established (see subclause 8.2.2.1.3). TBF establishment can also be done on PACCH if the mobile station is releasing its last TBF for transfer of upper-layer PDUs in the direction from the mobile station to the network and TBF for transfer of upper-layer PDUs in the direction from the network to the mobile station is not established (see subclause 10.4.5.5 and subclause 10.4.6.4).

If the mobile station is in MAC-Dedicated state the establishment of a TBF shall be performed by the procedures specified in 3GPP TS 44.118.

The packet access procedure is initiated by the mobile station. Initiation is triggered by a request from upper layers to transfer an upper-layer PDU using the primitives that are defined in subclause 4.3.

Upon such a request:

- if access to the network is allowed (subclause 7.2.2), the mobile station shall initiate the packet access procedure as defined in subclause 7.2.3.1.1;
- otherwise, the MAC sublayer in the mobile station shall reject the request.

#### 7.2.2 Permission to access the network

See 3GPP TS 44.060 subclause 7.1.1.

#### 7.2.3 Initiation of a TBF establishment

##### 7.2.3.1 Initiation of the packet access procedure

###### 7.2.3.1.1 General

The mobile station shall initiate the packet access procedure by scheduling the sending of PACKET CHANNEL REQUEST messages on the PRACH corresponding to its PCCCH\_GROUP. The mobile station shall use the last access parameters received on PBCCH. At sending of the first PACKET CHANNEL REQUEST message, the mobile station shall store the value for the Retry (R) bit to be transmitted in all the subsequent MAC headers for this TBF as 'MS sent channel request message once'. If a second PACKET CHANNEL REQUEST message is sent, the mobile station shall change the value for the Retry (R) bit to 'MS sent channel request message once or more'.

While waiting for a response to the PACKET CHANNEL REQUEST message, the mobile station shall monitor the full PCCCH corresponding to its PCCCH\_GROUP. The mobile station shall perform signal strength measurements as they are defined for MAC-Idle state (see 3GPP TS 45.008).

While monitoring the full PCCCH, the mobile station shall decode any occurrence of the PERSISTENCE\_LEVEL parameter included in a message received on PCCCH. When the mobile station receives the PERSISTENCE\_LEVEL parameter, the value of the PERSISTENCE\_LEVEL parameter shall be taken into account at the next PACKET CHANNEL REQUEST attempt that follows.

The PACKET CHANNEL REQUEST messages are sent on PRACH and contain an indication of the type of access and parameters required to indicate the mobile station's demand of radio resource.

There are two formats of the PACKET CHANNEL REQUEST message containing either 8 bits or 11 bits of information. The format to be applied on PRACH is controlled by the parameter ACC\_BURST\_TYPE which is broadcast on PBCCH. The cause value to be used in the PACKET CHANNEL REQUEST message for a non-EGPRS TBF mode capable MS depends on the purpose of the packet access procedure as follows:

- If the mobile station intends to use the TBF to send user data it shall determine the RLC mode from the configuration of the radio bearer for which the TBF is to be established. If the requested RLC mode is acknowledged mode and the amount of data can fit in 8 or less than 8 RLC/MAC blocks, the mobile station shall indicate Short Access as access type. The number of blocks shall be calculated assuming channel coding scheme CS-1 for standard GPRS TBFs, and MCS-1 for EGPRS TBFs. If the requested RLC mode is acknowledged mode and the amount of data to send takes more than 8 RLC/MAC blocks, the mobile station shall request either one phase access or two phase access. If the requested RLC mode is unacknowledged mode, the mobile station shall indicate in the PACKET CHANNEL REQUEST message either One phase Access Request in RLC unacknowledged mode or two phase access.
- If the purpose of the packet access procedure is to send a message on SRB1, then the mobile station shall indicate either 'Single Block Without TBF Establishment' or 'One phase Access Request in RLC unacknowledged mode' in the PACKET CHANNEL REQUEST message.
- If the purpose of the packet access procedure is to send a message on SRB2-4, then the mobile station shall indicate either 'MM Procedure' or 'Dedicated channel request' in the PACKET CHANNEL REQUEST message.
- If the purpose of the packet access procedure is to initiate an Emergency Call, then the mobile station shall indicate 'Emergency Call' in the PACKET CHANNEL REQUEST message.
- If the purpose of the packet access procedure is to request multiple TBFs, the mobile station shall request a two phase access.

EGPRS TBF mode capable MSs shall monitor the GPRS Cell Options IE on the PBCCH (PSI1/PSI13) for the cell's EGPRS capability. In the GPRS Cell Options IE it is also indicated if the EGPRS PACKET CHANNEL REQUEST is supported in the cell.

- If the cell is EGPRS TBF mode capable and EGPRS PACKET CHANNEL REQUEST is supported in the cell the EGPRS PACKET CHANNEL REQUEST messages shall be used at one-phase access attempts (in RLC acknowledged or unacknowledged mode), two-phase access attempts, short access attempts, sending of a message on SRB2-4 if a dedicated channel is needed or initiation of an emergency call. The corresponding cause value shall be used.

If the cell is EGPRS TBF mode capable and EGPRS PACKET CHANNEL REQUEST messages are not supported in the cell the EGPRS TBF mode capable mobile station shall use the PACKET CHANNEL REQUEST message according to the parameter ACC\_BURST\_TYPE and shall initiate a two phase access request except:

- if the purpose of the packet access procedure is to send a message on SRB2-4 and a dedicated channel is not needed; in this case, the mobile station shall indicate 'MM procedure' in the PACKET CHANNEL REQUEST; or
- if the purpose of the packet access procedure is to send a message on SRB1; in this case, the mobile station shall indicate either 'Single Block Without TBF Establishment' or 'One phase Access Request in RLC unacknowledged mode' in the PACKET CHANNEL REQUEST message.

If the cell is not EGPRS TBF mode capable the EGPRS mobile station shall use the PACKET CHANNEL REQUEST message as for non-EGPRS TBF mode capable MSs (see above).

### 7.2.3.1.2 Access persistence control on PRACH

See 3GPP TS 44.060 subclause 7.1.2.1.1.

### 7.2.3.2 Packet assignment procedure

#### 7.2.3.2.1 On receipt of a PACKET CHANNEL REQUEST or EGPRS PACKET CHANNEL REQUEST message

##### 7.2.3.2.1.1 General

On receipt of a PACKET CHANNEL REQUEST or EGPRS PACKET CHANNEL REQUEST message, the network may assign to the mobile station a radio resource on either one or more SBPSCHs or on one or more DBPSCHs, based on the cause field in the received message. The network shall not assign more than one DBPSCH/S to the mobile station.

##### 7.2.3.2.1.2 Allocation of resource on SBPSCH(s)

See 3GPP TS 44.060 sub-clause 7.1.2.2.1

##### 7.2.3.2.1.3 Allocation of resource on DBPSCH(s)

When the mobile station has been allocated a resource on one or more DBPSCHs, the allocated dedicated resource is assigned to the mobile station in a PACKET DBPSCH ASSIGNMENT message, sent on any PAGCH block on the same PCCCH on which the network has received the PACKET CHANNEL REQUEST or EGPRS PACKET CHANNEL REQUEST message. The *Packet Request Reference* information element shall be used to address the mobile station and frequency parameters shall be included.

The mobile station may use information received on PBCCH or a previous assignment message to decode the frequency parameters contained in the assignment message. If the mobile station detects an invalid *Frequency Parameters* information element in the assignment message, it shall abort the procedure, if required initiate a partial acquisition of PBCCH information, and may then re-initiate this procedure.

On receipt of a PACKET DBPSCH ASSIGNMENT message corresponding to one of its 3 last PACKET CHANNEL REQUEST or EGPRS PACKET CHANNEL REQUEST messages the mobile station shall stop timers T3186 and T3170 if running and stop sending PACKET CHANNEL REQUEST or EGPRS PACKET CHANNEL REQUEST messages. The mobile station shall then switch to the assigned DBPSCH(s), enter the MAC-Dedicated state and proceed with contention resolution of the one phase packet access procedure according to sub-clause 7.2.3.3.2.

When the mobile station switches to the assigned DBPSCH(s), it shall take into account the power control parameters received in downlink SACCH blocks, perform signal strength measurements and apply output power control procedures as they are defined for MAC-Dedicated state (see 3GPP TS 45.008). The mobile station shall not send any measurement reports until contention resolution is complete. It shall follow the procedures in sub-clauses 9 and 11.

##### 7.2.3.2.1.4 Packet access queuing notification procedure

See 3GPP TS 44.060 subclause 7.1.2.2.2.

##### 7.2.3.2.1.5 Packet polling procedure

See 3GPP TS 44.060 subclause 7.1.2.2.3.

##### 7.2.3.2.1.6 Packet access reject procedure

See 3GPP TS 44.060 subclause 7.1.2.2.4.



### 7.2.3.3 Contention resolution at one phase access

#### 7.2.3.3.1 Contention resolution at one phase access on SBPSCHs

The G-RNTI is used to uniquely identify the mobile station when sending on uplink. The Radio bearer Id is used to identify the RLC instance to which the RLC/MAC block belongs. Every RLC data block that is sent on the TBF shall include the G-RNTI of the mobile station and the RB Id of the RLC instance being addressed, until the contention resolution is completed on the mobile station side. If MCS-7, MCS-8 or MCS-9 is used for the transmission of the G-RNTI and RB Id in EGPRS TBF mode (i.e. the RLC/MAC block is carrying two RLC data blocks), the G-RNTI and RB Id shall be inserted in both RLC data blocks. The G-RNTI and RB Id shall also be included in the PACKET RESOURCE REQUEST message, if sent during the contention resolution. If ciphering is used, the least significant bit of the uplink HFN of this radio bearer shall be inserted in each RLC data block sent on the TBF and if applicable in the PACKET RESOURCE REQUEST message until the contention resolution is completed on the mobile station side. If the least significant bit of the HFN in the network for the same radio bearer in the same direction is different from the one received from the mobile station, the network shall increase its HFN by one unit.

The retransmission of an RLC data block shall include the G-RNTI and RB Id if the RLC data block was originally transmitted including these fields, also if the retransmission occurs after the completion of the contention resolution.

At sending of the first RLC data block, the mobile station shall stop timer T3164, set counter N3104 to 1, and start timer T3166. The counter N3104 shall be stepped each time the mobile station sends an RLC data block.

The network shall respond by including the G-RNTI in the PACKET UPLINK ACK/NACK message after the first correctly received RLC data block that comprises the G-RNTI and RB Id. In EGPRS TBF mode, the network may instead respond by addressing the mobile station with the TFI of the assigned TBF and including the G-RNTI (in the CONTENTION\_RESOLUTION\_TLLI field) in a PACKET UPLINK ASSIGNMENT message, if the resources allocated for the TBF need to be reallocated (see subclause 8.2.2.1.2).

The contention resolution is completed on the network side when the network receives an RLC data block that comprises the G-RNTI value that identifies the mobile station, the RB Id that identifies the RLC instance being addressed and the TFI value associated with the TBF.

The contention resolution is successfully completed on the mobile station side when the mobile station receives a PACKET UPLINK ACK/NACK message addressing the mobile station with the TFI value associated with the uplink TBF and including the same G-RNTI value that the mobile station has included in the RLC header of the first RLC data blocks, or alternatively, in EGPRS TBF mode, a PACKET UPLINK ASSIGNMENT message addressing the mobile station with the TFI value associated with the uplink TBF and including the same G-RNTI value that the mobile station included in the RLC header of the first RLC data blocks. The mobile shall then stop timer T3166 and counter N3104.

The contention resolution has failed on the mobile station side when the counter N3104 reaches its maximum value, or timer T3166 expires. The contention resolution also fails, if the mobile station receives a PACKET UPLINK ACK/NACK message or in EGPRS TBF mode alternatively a PACKET UPLINK ASSIGNMENT message addressing the mobile station with the TFI associated with the uplink TBF and including a G-RNTI value other than that the mobile station included in the RLC header of the first RLC data blocks; in such a case, the mobile station shall not transmit a PACKET CONTROL ACKNOWLEDGEMENT in the uplink radio block specified if a valid RRBp field is received as part of the PACKET UPLINK ACK/NACK message or in EGPRS TBF mode alternatively as part of the PACKET UPLINK ASSIGNMENT message.

In case of a contention resolution failure on the mobile station side, the mobile station shall reset the counter N3104 and stop timer T3166. The mobile station shall stop transmitting on the TBF and reinitiate the packet access procedure, unless the packet access procedure has already been attempted four times. In that case, a TBF failure has occurred, see subclause 7.2.5.

#### 7.2.3.3.2 Contention resolution at one phase access on DBPSCH

##### 7.2.3.3.2.1 General

During contention resolution the mobile station shall only send on the RB for which packet access was initiated via the PCCCH. The RB may be mapped onto a PDTCH, SDCCH or FACCH logical channel.

#### 7.2.3.3.2.2 Contention resolution at one phase access on PDTCH

The G-RNTI is used to identify uniquely the mobile station when sending on uplink. The Radio bearer Id is used to identify the RLC instance to which the RLC/MAC block belongs. Every RLC data block that is sent on any of the mobile station's TBFs, shall include the G-RNTI of the mobile station, until the contention resolution is completed on the mobile station side.

The retransmission of an RLC data block shall include the G-RNTI if the RLC data block was originally transmitted including this field, also if the retransmission occurs after the completion of the contention resolution.

At sending of the first RLC data block, the mobile station shall set counter N3104 to 1, and start timer T3166. The counter N3104 shall be incremented each time the mobile station sends a RLC data block.

The network shall respond by including the G-RNTI in the PACKET UPLINK ACK/NACK message after the first correctly received RLC data block that comprises the G-RNTI and valid RB Id.

The contention resolution is completed on the network side when the network receives an RLC data block that comprises the G-RNTI value that identifies the mobile station, and a valid RB Id that identifies the RLC instance to which the RLC/MAC block belongs.

The contention resolution is successfully completed on the mobile station side when the mobile station receives a PACKET UPLINK ACK/NACK message addressing the mobile station with a valid RBId and including the same G-RNTI value that the mobile station included in the RLC header of the first RLC data blocks.

The contention resolution has failed on the mobile station side when the counter N3104 reaches its maximum value, or timer T3166 expires. The contention resolution also fails, if the mobile station receives a PACKET UPLINK ACK/NACK message addressing the mobile station with a G-RNTI value other than that the mobile station included in the RLC header of the first RLC data blocks; in such a case, the mobile station shall not transmit a PACKET CONTROL ACKNOWLEDGEMENT in the uplink radio block specified if a valid RRBp field is received as part of the PACKET UPLINK ACK/NACK message.

In case of a contention resolution failure on the mobile station side, the mobile station shall reset the counter N3104 and stop timer T3166. The mobile station shall stop transmitting on the TBF and reinitiate the packet access procedure, unless the packet access procedure has already been attempted four times. In that case, a TBF failure has occurred, see subclause 7.2.5.

#### 7.2.3.3.2.3 Contention resolution at one phase access on SDCCH or FACCH

The G-RNTI is used to identify uniquely the mobile station when sending on uplink. The Reduced Radio bearer Id is used to identify the RLC instance to which the RLC/MAC block belongs. Every RLC data block that is sent on any of the mobile station's TBFs, shall include the G-RNTI of the mobile station, until the contention resolution is completed on the mobile station side.

The retransmission of an RLC data block shall include the G-RNTI if the RLC data block was originally transmitted including this field, also if the retransmission occurs after the completion of the contention resolution.

At sending of the first RLC data block, the mobile station shall set counter N3104 to 1, and start timer T3166. The counter N3104 shall be incremented each time the mobile station sends a RLC data block.

The network shall respond by including the G-RNTI in the PACKET DBPSCH UPLINK ACK/NACK message after the first correctly received RLC data block that comprises the G-RNTI and valid RRB Id.

The contention resolution is completed on the network side when the network receives an RLC data block that comprises the G-RNTI value that identifies the mobile station, and a valid RRB Id that identifies the RLC instance to which the RLC/MAC block belongs.

The contention resolution is successfully completed on the mobile station side when the mobile station receives a PACKET DBPSCH UPLINK ACK/NACK message addressing the mobile station with a valid RRBId and including the same G-RNTI value that the mobile station included in the RLC header of the first RLC data blocks.

The contention resolution has failed on the mobile station side when the counter N3104 reaches its maximum value, or timer T3166 expires. The contention resolution also fails, if the mobile station receives a PACKET DBPSCH UPLINK ACK/NACK message addressing the mobile station with a G-RNTI value other than that the mobile station included in the RLC header of the first RLC data blocks; in such a case, the mobile station shall not transmit a PACKET CONTROL ACKNOWLEDGEMENT even if the poll bit is set in the received message.

In case of a contention resolution failure on the mobile station side, the mobile station shall reset the counter N3104 and stop timer T3166. The mobile station shall stop transmitting on the TBF and reinitiate the packet access procedure, unless the packet access procedure has already been attempted four times. In that case, a TBF failure has occurred, see subclause 7.2.5.

#### 7.2.3.4 RLC/MAC procedures during contention resolution

##### 7.2.3.4.1 RLC/MAC procedures during contention resolution on SBPSCHs

During the contention resolution, the mobile station may receive a non-distribution RLC/MAC control message addressing the mobile station by G-RNTI or the TFI value associated with the uplink TBF. The mobile station shall act on that message using the procedure defined for the message when it is received in MAC-Shared state during operation on an uplink TBF (see clause 8), with the following restrictions:

- The mobile station shall not accept a PACKET MEASUREMENT ORDER message, a PACKET CELL CHANGE ORDER message and a PACKET POWER CONTROL/TIMING ADVANCE message addressing the mobile station with the TFI value associated with the uplink TBF.
- The mobile station shall not accept a PACKET DOWNLINK ASSIGNMENT or a PACKET TIMESLOT RECONFIGURE message.

If a valid RRBp field is received as part of the RLC/MAC control block and the mobile station acts on the message, then it shall transmit a PACKET CONTROL ACKNOWLEDGEMENT message in the uplink radio block specified (see 3GPP TS 44.060 subclause 10.4.5); The mobile station shall not transmit a PACKET CONTROL ACKNOWLEDGEMENT message if it does act on the received message.

In either case, the mobile station shall continue with the contention resolution on the uplink TBF, till it either completes successfully or fails, or that the uplink TBF is released as a result of the procedure defined for the message that is received.

During the contention resolution at one phase access, the mobile station shall not send a Packet Resource Request message to request the establishment of additional UL TBFs.

##### 7.2.3.4.2 RLC/MAC procedures during contention resolution on DBPSCHs

During the contention resolution, the mobile station may receive a non-distribution RLC/MAC control message addressing the mobile station by G-RNTI, RB Id (PACCH) or the RRB Id (SDCCH or FACCH) value associated with one its uplink TBFs. The mobile station shall act on that message using the procedure defined for the message in clause 9.

If a RLC/MAC control block is received with the poll bitset or with valid RRBp field and the mobile station acts on the message, then it shall transmit a PACKET CONTROL ACKNOWLEDGEMENT message in the next possible uplink occurrence on the same logical channel. The mobile station shall continue with the contention resolution on the uplink TBF, until it either completes successfully or fails, or that the uplink TBF is released through release of the dedicated resource using the CRLC-CONFIG primitive (see subclause 4.3.3.1)

#### 7.2.3.5 One phase packet access completion

##### 7.2.3.5.1 One phase packet access completion on SBPSCHs

See 3GPP TS 44.060 subclause 7.1.2.4.

##### 7.2.3.5.2 One phase packet access completion on DBPSCHs

The one phase packet access procedure is completed upon a successful contention resolution.

### 7.2.3.6 Timing Advance

#### 7.2.3.6.1 Timing advance on SBPSCHs

See 3GPP TS 44.060 subclause 7.1.2.5.

#### 7.2.3.6.2 Timing advance on DBPSCHs

Initial timing advance may be provided in the PACKET DBPSCH ASSIGNMENT message in the TIMING\_ADVANCE\_VALUE field.

## 7.2.4 TBF establishment using two phase access

### 7.2.4.1 Initiation of the Packet resource request procedure

In the first phase of a two phase access in a cell provided with a PCCCH, the same procedures as for one phase access are used until the network sends a PACKET UPLINK ASSIGNMENT message including a Single Block Allocation struct denoting two phase access to the mobile station.

If PCCCH is provided in the cell, a two phase access can be initiated:

- by the network by ordering the mobile station to send a PACKET RESOURCE REQUEST message. The order is sent implicitly to the mobile station in the PACKET UPLINK ASSIGNMENT message by including the Single Block Allocation struct;
- by a mobile station, by requiring a two phase access in the PACKET CHANNEL REQUEST or EGPRS PACKET CHANNEL REQUEST message. In this case, if access is granted, the network shall order the mobile station to send a PACKET RESOURCE REQUEST message. The order is sent implicitly to the mobile station in the PACKET UPLINK ASSIGNMENT message by including the Single Block Allocation struct.

When the mobile station has received the PACKET UPLINK ASSIGNMENT message it shall respond with a PACKET RESOURCE REQUEST message in the first allocated radio block. The mobile station may request the establishment of multiple UL TBFs in the PACKET RESOURCE REQUEST message. The MS Radio Access Capability IE shall not be included in the PACKET RESOURCE REQUEST message. If ciphering is used, the least significant bit of the uplink HFN of the radio bearer for which radio resources are requested, shall be inserted in the PACKET RESOURCE REQUEST message. If the least significant bit of the HFN in the network for the same radio bearer in the same direction is different from the one received from the mobile station, the network shall increase its HFN by one unit.

When the mobile station switches to the assigned PDCH, it shall take the power control parameters received in the PACKET UPLINK ASSIGNMENT message into account, perform signal strength measurements and apply output power control procedures as they are defined for MAC-Shared state (see 3GPP TS 45.008).

At sending of the PACKET RESOURCE REQUEST message, the mobile station shall start timer T3168 for each of the radio bearers for which resources were requested. Further more, the mobile station shall not respond to PACKET DOWNLINK ASSIGNMENT or MULTIPLE TBF DOWNLINK ASSIGNMENT messages - but may acknowledge such messages if they contain a valid RRBP field - while timer T3168 is running.

The mobile station may request an open-ended or a close-ended TBF. If a close-ended TBF is requested, the number of octets of user data that the MS has to transfer in the TBF shall be indicated in the PACKET RESOURCE REQUEST message.

### 7.2.4.2 Packet resource assignment for uplink procedure

#### 7.2.4.2.1 On receipt of a PACKET RESOURCE REQUEST message requesting resources for one TBF

See 3GPP TS 44.060 subclause 7.1.3.2.1

#### 7.2.4.2.2 On receipt of a PACKET RESOURCE REQUEST message requesting resources for multiple TBFs

On receipt of a PACKET RESOURCE REQUEST message scheduled with a Single Block, the network shall respond by sending a PACKET UPLINK ASSIGNMENT or MULTIPLE TBF UPLINK ASSIGNMENT message (radio resources assignment on one or more PDCHs to be used by the mobile station for the TBF in EGPRS or GPRS TBF mode) or a PACKET ACCESS REJECT message to the mobile station on PACCH on the same PDCH on which the mobile station has sent the PACKET RESOURCE REQUEST message. These messages may only be for a subset of the resources requested in the PACKET RESOURCE REQUEST message. For the resource requests that have not been processed by the first assignment or reject message, additional PACKET UPLINK ASSIGNMENT, MULTIPLE TBF UPLINK ASSIGNMENT or PACKET ACCESS REJECT messages may be sent to the mobile station on the PACCH to which the mobile station has been assigned.

On receipt of a PACKET UPLINK ASSIGNMENT or MULTIPLE TBF UPLINK ASSIGNMENT message the mobile station shall switch to the assigned PDCHs. If dynamic or extended dynamic allocation is assigned then start timer T3164 for each of the TBFs that have been assigned resources.

At sending of the first RLC data block on a TBF, the mobile station shall stop timer T3164 for that TBF.

The mobile station may use information received on PBCCH or a previous assignment message to decode the frequency parameters contained in the assignment message. If the mobile station detects an invalid Frequency Parameters information element in the assignment message, it shall abort the procedure, if required initiate a *partial acquisition* of PBCCH information, and may then re-initiate the access on the PRACH.

On receipt of a PACKET ACCESS REJECT message that contains a Reject structure addressed to the mobile station, the mobile station shall stop timer T3168 and indicate a packet access failure to upper layer for those TBFs identified as rejected in the message.

If the PACKET ACCESS REJECT message contains a WAIT\_INDICATION field in a Reject structure addressed to the mobile station, the mobile station shall start timer T3172 with the indicated value (Wait Indication). The mobile station is not allowed to make a new attempt for packet access in the same cell until all instances of timer T3172 expires, but may attempt packet access in another cell after successful cell reselection.

On expiry of timer T3168, contention resolution has failed on the mobile station side. The mobile station shall then reinitiate the packet access procedure unless the packet access procedure has already been attempted four times. In that case, TBF failure has occurred and an RLC/MAC error should be reported to the higher layer for each of the radio bearers that requested resources.

#### 7.2.4.3 Contention resolution at two phase access

The contention resolution is completed on the network side when the network receives a G-RNTI value identifying the mobile station, as part of the contention resolution procedure on the TBF.

The contention resolution is completed on the mobile station side when the mobile station receives a PACKET UPLINK ASSIGNMENT message with the same G-RNTI as the mobile station has included in the PACKET RESOURCE REQUEST message. The mobile station shall then stop timer T3168 for this requested resource. It does not include its G-RNTI in any RLC data block.

The contention resolution has failed on the mobile station side when the mobile station does not receive a PACKET UPLINK ASSIGNMENT message with its G-RNTI before expiry of timer T3168. The mobile station shall then reinitiate the packet access procedure unless the packet access procedure has already been attempted four times. In that case, TBF failure has occurred for all of the requested TBF(s).

#### 7.2.4.4 Two phase packet access completion

See 3GPP TS 44.060 subclause 7.1.3.4.

#### 7.2.4.5 Timing Advance

See 3GPP TS 44.060 subclause 7.1.3.5.

## 7.2.5 Abnormal cases

If a failure occurs on the mobile station side of the new TBF before the mobile station has successfully completed contention resolution, the newly reserved resources are released; the subsequent behaviour of the mobile station depends on the type of failure and previous actions.

- If the failure is due to a G-RNTI mismatch, or to the expiry of timers T3166 or T3168, or to the fact that the counter N3104 reaches its maximum value in the contention resolution procedure, and repetition as described in subclauses 7.2.3.3, 3GPP TS 44.060 subclause 7.1.3.2.1 or subclause 7.1.3.3 has been performed, the mobile station shall return to MAC-Idle state, notify higher layer (TBF establishment failure), transactions in progress shall be aborted and cell reselection may take place, unless the failure takes place during a Packet Cell Change Order procedure, in which case the mobile behaviour shall be as described in the Abnormal cases of the Network controlled cell reselection procedure in 3GPP TS 44.060 subclause 8.4.2.
- If the mobile station has been assigned more PDCHs than it supports according to its MS multislot class, the mobile station shall reinitiate the packet access procedure unless the packet access procedure has already been attempted four times. In that case, TBF failure has occurred.
- If the information in the PACKET UPLINK ASSIGNMENT message does not properly specify an uplink PDCH or violates the mobile station's multislot capabilities, the mobile station shall reinitiate the packet access procedure unless the packet access procedure has already been attempted four times. In that case, TBF failure has occurred.
- If the mobile station has been assigned more than one DBPSCH/S, the mobile station shall reinitiate the packet access procedure unless the packet access procedure has been attempted four times. In that case, TBF failure has occurred.
- If the information in the PACKET DBPSCH ASSIGNMENT message does not properly specify a DBPSCH or violates the mobile station's multislot capabilities, the mobile station shall reinitiate the packet access procedure (i.e. using access cause "dedicated channel request") unless the packet access procedure has already been attempted four times. In that case, TBF failure has occurred.
- If the mobile station has been assigned a TCH that it does not support (e.g. using 8-PSK), the mobile station shall return to MAC-Idle state and notify higher layers (TBF establishment failure).
- If the information in the MULTIPLE TBF UPLINK ASSIGNMENT message does not properly specify an uplink PDCH or violates the mobile station's multislot capabilities, the mobile station shall reinitiate the packet access procedure for each of the TBFs for which there is an error unless the procedure has already been attempted 4 times for the TBF. In that case, TBF failure has occurred.
- If the MULTIPLE TBF UPLINK ASSIGNMENT message contains assignments for radio bearers for which a TBF was not requested, the mobile station shall not act upon these assignments. The mobile station shall act upon the valid assignments.
- If the MULTIPLE TBF UPLINK ASSIGNMENT message contains assignments such that more than one RB is mapped onto one TBF, then TBF failure has occurred for each of the RBs that are mapped onto the same TBF.
- If the mobile station has been assigned a TBF in EGPRS mode and the MS does not support EGPRS, or has been assigned an MCS (e.g. 8-PSK in the Uplink) that the MS does not support, the MS shall return to MAC-Idle state and notify higher layers (TBF establishment failure).
- On expiry of timer T3164, the mobile station shall reinitiate the packet access procedure for the related RB unless the packet access procedure has already been attempted four times for this RB, in which case the mobile station shall notify higher layers of TBF establishment failure. If the mobile station has no remaining TBFs it shall return to MAC-Idle state.
- If the failure is due to any other reason, the mobile station shall return to MAC-Idle state, notify higher layer (TBF establishment failure), transactions in progress shall be aborted and cell reselection continues.

## 7.3 TBF establishment initiated by the network on PCCCH

### 7.3.1 General

The purpose of network initiated TBF establishment is to establish a TBF to support the transfer of upper layer PDUs in the direction from the network to the mobile station. The procedure may be entered when the mobile station is in MAC-Idle state. Network initiated TBF establishment can also be done on PACCH if a TBF for transfer of upper layer PDUs in the direction from the mobile station to the network is already established (subclause 8.2.3.5).

If the mobile station is in MAC-Dedicated state the establishment of a TBF shall be performed by procedures that are specified in 3GPP TS 44.118.

### 7.3.2 Entering the MAC-Shared state

#### 7.3.2.1 General

The procedure is triggered by a request from upper layers on the network side to transfer an upper layer PDU to a mobile station in MAC-Idle state. The request is implicit when receiving an upper layer PDU to a mobile station not already having any assigned radio resources. Upon such a request, the network shall initiate a packet downlink assignment procedure as defined in subclause 7.3.2.2.

#### 7.3.2.2 Packet downlink assignment procedure

##### 7.3.2.2.1 Packet downlink assignment procedure

See 3GPP TS 44.060 subclause 7.2.1.1.

##### 7.3.2.2.2 HFN synchronization

If ciphering is used, the least significant bit of the downlink HFN of this radio bearer shall be inserted in the PACKET DOWNLINK ASSIGNMENT message sent in the packet downlink assignment procedure (see subclause 7.3.2.2.1). If the least significant bit of the HFN in the mobile station for the same radio bearer in the same direction is different from the one received from the network, the mobile station shall increase its HFN by one unit.

#### 7.3.2.3 Packet downlink assignment procedure completion

See 3GPP TS 44.060 subclause 7.2.1.2.

#### 7.3.2.4 Packet polling procedure

See 3GPP TS 44.060 subclause 7.2.1.3.

#### 7.3.2.5 Abnormal cases

See 3GPP TS 44.060 subclause 7.2.2.

### 7.3.3 Entering the MAC-Dedicated state

#### 7.3.3.1 General

The procedure is triggered by a request from upper layers on the network side to transfer an upper layer PDU to a mobile station in MAC-Idle state. The request is implicit when receiving an upper layer PDU to a mobile station not already having any assigned radio resources and the request requires dedicated resources. Upon such a request, the network shall initiate a packet DBPSCH assignment procedure as defined in subclause 7.3.3.2.

### 7.3.3.2 Packet DBPSCH assignment procedure

The network may assign a radio resource on one or more DBPSCHs to be used for the TBF. The amount of radio resources to be reserved is a network dependent choice. The network shall not assign radio resources on more than one DBPSCH/S to the TBF.

The allocated radio resource is assigned to the mobile station in a PACKET DBPSCH ASSIGNMENT message to the mobile station. The PACKET DBPSCH ASSIGNMENT message is transmitted on the PCCCH timeslot corresponding to the PCCCH group the mobile station belongs to. The appropriate PCCCH group is calculated from the IMSI (see 3GPP TS 45.002). The behaviour of the network when the IMSI is not provided by the upper layers is implementation dependent for the calculation of the PCCCH group where the PACKET DBPSCH ASSIGNMENT message has to be sent. If the mobile station is in non-DRX mode or if the IMSI or the DRX parameters are not provided by the upper layers, there is no further restriction on what part of the downlink PCCCH timeslot this PACKET DBPSCH ASSIGNMENT message can be sent, provided that this part corresponds to one or more blocks where paging may appear. If the mobile station applies DRX, this message shall be sent in one or more PCCCH block(s) corresponding to a paging group determined for the mobile station in MAC-Idle state (see 3GPP TS 45.002). The multislot capabilities of the mobile station shall be considered.

Initial timing advance can be provided in the PACKET DBPSCH ASSIGNMENT message as Timing Advance Value field. For the case where Timing Advance Value is not provided in the assignment message, the mobile station is not allowed to send normal bursts (e.g. PACKET DOWNLINK ACK/NACK message) on the uplink until it receives a valid timing advance on the SACCH.

The mobile station shall use information received on the PBCCH to decode the channel descriptions contained in the assignment. If frequency hopping is applied, the mobile station shall use the last CA received on PBCCH to decode the Mobile Allocation. Alternatively, the network may provide a Mobile Allocation in the assignment. The radio resource is assigned to the mobile station in a PACKET DBPSCH ASSIGNMENT message. On receipt of a PACKET DBPSCH ASSIGNMENT message, the mobile station shall switch to the assigned DBPSCHs.

If the mobile station receives more than one PACKET DBPSCH ASSIGNMENT message while it monitors the PCCCH, it shall act upon the most recently received message and shall ignore the previous message.

When the PACKET DBPSCH ASSIGNMENT message is received the mobile station shall switch to the assigned DBPSCH(s), start timer T3190 and enters the MAC-Dedicated state. The timer T3190 is restarted when receiving the first valid RLC data block addressed to itself.

When the mobile station switches to the assigned DBPSCHs, it shall take the power control parameters received in the PACKET DBPSCH ASSIGNMENT message into account, perform signal strength measurements and apply output power control procedures as they are defined for MAC-Dedicated state (see 3GPP TS 45.008).

On expiry of timer T3190, the mobile station shall abort the procedure and return to MAC-Idle state.

### 7.3.3.3 Packet DBPSCH assignment procedure completion

The Packet DBPSCH assignment procedure is completed when the mobile station receives a valid RLC/MAC block.

### 7.3.3.4 Packet polling procedure

On receipt of a control message with the poll bit set, the mobile station shall respond to the network with the PACKET CONTROL ACKNOWLEDGEMENT message.

### 7.3.3.5 Abnormal cases

If a failure occurs on the mobile station side of the new TBF before mobile station has successfully entered the MAC-Dedicated state, the newly reserved resources are released; the subsequent behaviour of the mobile station depends on the type of failure and previous actions.

- If the mobile station has been assigned more DBPSCHs than it supports according to its MS multislot class, the mobile station shall ignore the assignment and return to MAC-Idle state.
- If the mobile station has been assigned more than one DBPSCH/S, the mobile station shall ignore the assignment and return to MAC-Idle state



- On expiry of timer T3190, the mobile station shall return to MAC-Idle state.
- If the failure is due to any other reason, the mobile station shall ignore the assignment and return to MAC-Idle state and cell reselection continues.

## 7.4 Procedure for measurement report sending in MAC-Idle state

### 7.4.1 General

The procedure for measurement report sending shall be initiated by the mobile station at expiry of either the NC measurement report interval timer T3158 or the EM measurement report interval timer T3178. At expiry of the timer T3158 or T3178 the mobile station shall restart the expired timer T3158 or T3178, perform the measurements and initiate the packet access.

The procedure for measurement report sending is initiated by the mobile station on PCCCH (subclause 7.4.2).

If the mobile station initiates the establishment of a DBPSCH, the timers T3158 and T3178 shall be stopped and no measurement reports shall be sent. When the last DBPSCH is released and if the mobile station has not changed cell, the measurement reporting procedure shall be restarted.

If a cell change has occurred while the mobile station had one or more DBPSCHs allocated, the measurements shall be cancelled until new NC or EM-orders have been received (see subclause 5.5).

### 7.4.2 Measurement report sending procedure initiated on PCCCH

#### 7.4.2.1 General

The packet access procedure is initiated by the MAC entity in the mobile station as specified in subclauses 7.2.3.1 and 7.2.3.2 but with access type "Single block without TBF establishment" indicated in the PACKET CHANNEL REQUEST message.

#### 7.4.2.2 On receipt of a PACKET CHANNEL REQUEST message

See 3GPP TS 44.060 subclause 7.3.1.1.

#### 7.4.2.3 On receipt of a PACKET UPLINK ASSIGNMENT message

See 3GPP TS 44.060 subclause 7.3.1.2.

#### 7.4.2.4 On receipt of a PACKET ACCESS REJECT message

See 3GPP TS 44.060 subclause 7.3.1.3.

#### 7.4.2.5 Abnormal cases

See 3GPP TS 44.060 subclause 7.3.1.4.

## 7.5 Cell Change Order procedures in MAC-Idle state

### 7.5.1 General

For an individual mobile station in MAC-Idle state, the network may initiate the cell change order procedure on PCCCH.

The network may initiate the cell change order procedure by sending a PACKET CELL CHANGE ORDER message in a PCCCH block monitored by the mobile station. No TBF shall be established.

The PACKET CELL CHANGE ORDER message contains:

- The characteristics of the new cell that are necessary to identify it (i.e. BSIC + BCCH frequency).
- The NC measurement parameters valid for the mobile station in the new cell (NETWORK\_CONTROL\_ORDER and optionally: NC\_NON\_DRX\_PERIOD, NC\_REPORTING\_PERIOD\_I and NC\_REPORTING\_PERIOD\_T).

For a multi-RAT mobile station, the PACKET CELL CHANGE ORDER message may contain information on a 3G target cell; in the case of UTRAN, the establishment of channel(s) and subsequent measurement reporting are defined in 3GPP TS 25.331.

Upon receipt of the PACKET CELL CHANGE ORDER message, the mobile station shall stop all relevant RLC/MAC timers except for timers related to measurement reporting and start timer T3174. The mobile station shall then switch to the specified new cell and obey the relevant RLC/MAC procedures on this new cell. If a valid RRBP field was received in the PACKET CELL CHANGE ORDER message then the MS shall send a PACKET CONTROL ACKNOWLEDGMENT message in the reserved uplink radio block specified by the RRBP field before switching to the new cell. If the timers related to measurement reporting expire while the reselection procedure has not yet been completed, these timers shall be restarted so that the mobile station resumes the measurement reporting procedures once camped on the new cell. The mobile station shall obey the PACKET CELL CHANGE ORDER message irrespective of whether or not the mobile station has any knowledge of the relative synchronisation of the target cell to the serving cell. A UTRAN capable mobile station shall obey the command irrespective of whether the cell is known or not known (see 3GPP TS 25.133 and 3GPP TS 25.123).

The procedure for completion of the cell change order is defined in 3GPP TS 44.060 subclause 8.4.1 and abnormal procedures are defined in 3GPP TS 44.060 subclause 8.4.2.

## 7.6 Measurement Order procedures in MAC-Idle state

### 7.6.1 General

To send either the NC Measurement order or the Extended Measurement order to an individual mobile station in MAC-Idle state, the network may establish a connection on PCCCH.

NOTE: This procedure is under the control of RRC and is only applicable when the MS is in RRC Cell Shared State.

### 7.6.2 Measurement Order procedures initiated on PCCCH

See 3GPP TS 44.060 subclause 7.5.1.

---

## 8 Medium Access Control (MAC) procedures on SBPSCH

### 8.1 General

The MAC procedures defined in this subclause are applicable in MAC-Shared state and MAC-DTM state.

The full set of downlink assignment messages comprises the PACKET DOWNLINK ASSIGNMENT, PACKET TIMESLOT RECONFIGURE, MULTIPLE TBF DOWNLINK ASSIGNMENT and MULTIPLE TBF TIMESLOT RECONFIGURE messages.

The full set of uplink assignment messages comprises the PACKET UPLINK ASSIGNMENT, PACKET TIMESLOT RECONFIGURE, MULTIPLE TBF UPLINK ASSIGNMENT and MULTIPLE TBF TIMESLOT RECONFIGURE messages.

The network may choose to send either single assignment messages (PACKET UPLINK ASSIGNMENT, PACKET DOWNLINK ASSIGNMENT, PACKET TIMESLOT RECONFIGURE) or multiple TBF assignment messages (MULTIPLE TBF DOWNLINK ASSIGNMENT, MULTIPLE TBF UPLINK ASSIGNMENT, MULTIPLE TBF TIMESLOT RECONFIGURE) on the PACCH. The network shall only use the multiple TBF assignment messages when assigning or reallocating the mobile station with more than one uplink TBF and/or more than one downlink TBF.

## 8.1a Resource stealing (SFACCH)

As specified in sub-clause 5.6.2.2, SFACCH may be used in MAC-Shared state for SRBs 1 through 4.

As specified in sub-clause 5.6.2.3, SFACCH may be used in MAC-DTM state for SRBs 3 and 4. SFACCH shall not be used for SRBs 1 and 2 in MAC-DTM state.

If the mobile station has data to send for an SRB that can be sent on SFACCH, and neither a TBF nor a TBF establishment request is ongoing for this SRB, the following procedure applies:

- The mobile station may select a current TBF on an SBPSCH, construct an uplink RLC data block that includes octet 3 (this octet contains the SRBId), and send the SRB data at the TBF's next scheduled transmission opportunity for an RLC data block. GERAN shall use the SRBId to route the SRB data to the correct RLC instance.
- Otherwise, the mobile station shall initiate a new TBF operating on an SBPSCH (see sub-clause 8.2.2.0.2).

If the mobile station has data to send for an SRB, and a TBF exists for this SRB, the following procedure applies:

- The mobile station shall construct an uplink RLC data block that does not include octet 3 and send the SRB data on the TBF.

If GERAN has data to send for an SRB that can be sent on SFACCH, and no TBF exists for this SRB, the following procedure applies:

- GERAN may select a current TBF on an SBPSCH, construct a downlink RLC data block that includes octet 3, and send the SRB data at the TBF's next scheduled transmission opportunity for an RLC data block. The mobile station shall use the SRBId to route the SRB data to the correct RLC instance.
- Otherwise, GERAN shall establish a new TBF operating on an SBPSCH (see sub-clause 8.2.2.0.2).

If GERAN has data to send for an SRB, and a TBF exists for this SRB, the following procedure applies:

- GERAN shall construct a downlink RLC data block that does not include octet 3 and send the SRB data on the TBF.

## 8.2 Transfer of RLC data blocks

### 8.2.1 Medium access mode

The transfer of RLC data blocks on SBPSCH is governed by different principles on both uplink and downlink for each of the defined medium access modes: dynamic allocation, extended dynamic allocation, and exclusive allocation.

The medium access mode the mobile station is to use, except when exclusive allocation is applied in MAC-DTM state, is given by the MAC\_MODE parameter. The MAC\_MODE parameter is included in the downlink assignment (e.g. PACKET DOWNLINK ASSIGNMENT or PACKET TIMESLOT RECONFIGURE) message, whereas in the uplink the MAC\_MODE parameter is given by the EXTENDED\_DYNAMIC\_ALLOCATION parameter. The value of the MAC\_MODE parameter shall not be changed while the mobile station is in MAC-Shared state or MAC-DTM state.

Exclusive allocation is applicable only in MAC-DTM state when a single TBF is allocated on a half-rate PDCH.

When the conditions for exclusive allocation are fulfilled, the mobile station shall store the value of the MAC\_MODE parameter. The MAC\_MODE parameter has no effect as long as exclusive allocation is used. When the conditions for exclusive allocation are not fulfilled, the mobile station shall use the medium access mode given by the value of the MAC\_MODE parameter.

## 8.2.2 Uplink RLC data block transfer

See 3GPP TS 44.060 subclause 8.1.1.

### 8.2.2.0 General

#### 8.2.2.0.1 General

See 3GPP TS 44.060 sub-clause 8.1.1.

#### 8.2.2.0.2 Establishment of additional uplink TBF(s)

When the mobile station has data to send that does not have the same radio bearer identity as (any of) the uplink TBF(s) or TBF request(s) in progress, the mobile station shall request uplink resources through one of the following procedures:

- If the data belongs to a signalling radio bearer
  - Use the SFACCH (see sub-clause 8.1a)
  - Establish an additional TBF (sub-clause 8.2.2.1.2)
- If the mobile station cannot support the establishment of an additional TBF, then the network may release an on-going TBF in order to establish a new TBF (sub-clause 8.2.2.1.2)- If the data belongs to a user radio bearer
  - Establish an additional TBF (sub-clause 8.2.2.1.2)
- If the mobile station cannot support the establishment of an additional TBF, then the network may release an on-going TBF in order to establish a new TBF (sub-clause 8.2.2.1.2)

#### 8.2.2.0.3 Uplink resource reallocation / reconfiguration

Neither the mobile station nor the network are allowed to modify the RLC mode, TBF mode or radio bearer identity of an already established TBF. If the mobile station has data to send that requires a modification of existing uplink resources, an uplink resource request shall be sent, see sub-clause 8.2.2.0.2.

If no modifications to the uplink resources are required, the network may reallocate existing resources through one of the following procedures:

- The network may send a PACKET TIMESLOT RECONFIGURE or MULTIPLE TBF TIMESLOT RECONFIGURE message to the mobile station on the PACCH to reallocate uplink (and also downlink) resources, see sub-clause 8.2.2.1.2.2.
- The network may send a PACKET UPLINK ASSIGNMENT or MULTIPLE TBF UPLINK ASSIGNMENT message to the mobile station on the PACCH to reallocate uplink resources, see sub-clause 8.2.2.1.2.2.

#### 8.2.2.0.4 Establishment of downlink TBF(s)

During uplink data transfer, the network may initiate downlink data transfer for one or more TBFs by sending a downlink assignment message to the mobile station on the downlink PACCH.

The network initiates assignment of a single downlink TBF by sending a PACKET DOWNLINK ASSIGNMENT or a PACKET TIMESLOT RECONFIGURE message. The network initiates assignment of more than one downlink TBF by sending a MULTIPLE TBF DOWNLINK ASSIGNMENT or a MULTIPLE TBF TIMESLOT RECONFIGURE message.

The procedure to be followed is described in sub-clause 8.2.2.1.3.

### 8.2.2.1 Dynamic Allocation uplink RLC data block transfer

See 3GPP TS 44.060 subclause 8.1.1.1.

### 8.2.2.1.1 PACCH operation

See 3GPP TS 44.060 subclause 8.1.1.1.1.

### 8.2.2.1.2 Resource Allocation / Reallocation for Uplink

#### 8.2.2.1.2.1 General

The mobile station shall initiate the uplink resource (re)allocation procedure by sending a PACKET RESOURCE REQUEST message on the PACCH and starting timer T3168 for each TBF request included in the Iu mode Channel Request Description IE.

#### 8.2.2.1.2.2 On receipt of the PACKET RESOURCE REQUEST

On receipt of the PACKET RESOURCE REQUEST message the network shall respond by sending one or more uplink assignment messages (e.g. PACKET UPLINK ASSIGNMENT, MULTIPLE TBF UPLINK ASSIGNMENT, MULTIPLE TBF TIMESLOT RECONFIGURE or PACKET TIMESLOT RECONFIGURE) and/or a PACKET ACCESS REJECT message and/or a PACKET TBF RELEASE message to the mobile station on the downlink PACCH.

When the mobile station has already been allocated the maximum number of TBFs in the uplink direction that it can support, the network shall respond with either a PACKET ACCESS REJECT message, or a PACKET TBF RELEASE message followed by an uplink assignment message.

On receipt of an uplink assignment message the mobile station shall stop timer T3168 for each uplink TBF assigned in the assignment message and switch to the assigned SBPSCHs. A new assignment shall not terminate the previous assignment unless the uplink assignment message explicitly contains a reassignment for an on-going TBF.

On expiry of timer T3168 the mobile station shall retransmit the PACKET RESOURCE REQUEST message for the TBF(s) for which T3168 has expired unless the PACKET RESOURCE REQUEST message has already been transmitted four times for this TBF in which case the mobile station shall indicate a packet access failure to upper layer and perform an abnormal release without retry (see sub-clause 8.7.1).

If no uplink assignment message is received for a TBF for which timer T3168 is running before the mobile station has completed its currently assigned TBF(s), the mobile station shall stop timer T3168 for that TBF, return to MAC-Idle state and start the packet access procedure on the PCCCH.

The network may at any time during an uplink TBF initiate a change of resources or allocation of new resources by sending on the downlink PACCH monitored by the MS, an unsolicited uplink assignment message to the mobile station.

On receipt of a PACKET ACCESS REJECT message, the mobile station shall stop timer T3168, if running, for each TBF request rejected in the PACKET ACCESS REJECT message and indicate a packet access failure to the upper layer. If no other uplink or downlink TBFs exist, the mobile station in MAC-Shared state shall return to MAC-Idle state; the mobile station in MAC-DTM state shall return to MAC-Dedicated state. The DRX mode procedures shall be applied, as specified in sub-clause 5.5.1.5.

If the PACKET ACCESS REJECT message contains a WAIT\_INDICATION field in a Reject structure addressed to the mobile station, the mobile station shall

- start timer T3172 for each TBF request rejected in the message (listed by radio bearer identity). The mobile station is not allowed to make a new attempt for an uplink TBF establishment for this radio bearer in the same cell until this instance of timer T3172 expires. It may attempt a TBF establishment for another radio bearer while T3172 is running. It may attempt an uplink TBF establishment in another cell after successful cell reselection. While T3172 is running, the mobile station shall ignore all received PACKET PAGING REQUEST messages.

The value of the WAIT\_INDICATION field (i.e. timer T3172) relates to the cell from which it was received.

#### 8.2.2.1.2.3 Abnormal cases

The following abnormal cases apply:

- If the mobile station receives a PACKET UPLINK ASSIGNMENT, MULTIPLE TBF UPLINK ASSIGNMENT, PACKET TIMESLOT RECONFIGURE or MULTIPLE TBF TIMESLOT RECONFIGURE message and detects an invalid Frequency Parameters information element in the message, the mobile station shall perform an abnormal release with system information (see sub-clause 8.8.4), performing a partial acquisition of system information messages containing frequency information.
- If the information in the PACKET UPLINK ASSIGNMENT or MULTIPLE TBF UPLINK ASSIGNMENT message incorrectly specifies one or more uplink PDCHs, the mobile station shall perform an abnormal release with access retry of the uplink TBF(s) with erroneous assignments (see sub-clause 8.8.5). The mobile station shall act upon the valid assignments.
- If the information in the PACKET TIMESLOT RECONFIGURE or MULTIPLE TBF TIMESLOT RECONFIGURE message incorrectly specifies one or more uplink and/or downlink PDCHs, the mobile station shall perform an abnormal release with access retry of the uplink TBF(s) with erroneous assignments (see sub-clause 8.8.5). The mobile station shall act upon the valid assignments.
- If the information in the PACKET UPLINK ASSIGNMENT, MULTIPLE TBF UPLINK ASSIGNMENT, PACKET TIMESLOT RECONFIGURE or MULTIPLE TBF TIMESLOT RECONFIGURE message violates the mobile station's multislot capabilities, the mobile station shall perform an abnormal release with access retry (see sub-clause 8.8.3).
- If the mobile station receives a PACKET UPLINK ASSIGNMENT, MULTIPLE TBF UPLINK ASSIGNMENT, PACKET TIMESLOT RECONFIGURE or MULTIPLE TBF TIMESLOT RECONFIGURE message specifying frequencies that are not all in one frequency band then the mobile station shall perform an abnormal release with access retry (see sub-clause 8.8.3).
- If the mobile station receives a PACKET UPLINK ASSIGNMENT or MULTIPLE TBF UPLINK ASSIGNMENT message containing a Frequency Parameters information element specifying a frequency that is in a frequency band not supported by the mobile station then the mobile station shall perform an abnormal release with access retry (see sub-clause 8.8.3).
- If the mobile station receives a PACKET UPLINK ASSIGNMENT, MULTIPLE TBF UPLINK ASSIGNMENT, PACKET TIMESLOT RECONFIGURE or MULTIPLE TBF TIMESLOT RECONFIGURE message containing assignments such that more than one radio bearer is mapped onto one TBF, then the mobile station shall perform an abnormal release with access retry (see sub-clause 8.8.3).
- If the PACKET UPLINK ASSIGNMENT, MULTIPLE TBF UPLINK ASSIGNMENT, PACKET TIMESLOT RECONFIGURE, or MULTIPLE TBF TIMESLOT RECONFIGURE message assigns the same USF to more than one TBF on the same timeslot, then the mobile station shall perform an abnormal release with access retry (sub-clause 8.8.3).
- If the PACKET UPLINK ASSIGNMENT, MULTIPLE TBF UPLINK ASSIGNMENT, PACKET TIMESLOT RECONFIGURE or MULTIPLE TBF TIMESLOT RECONFIGURE message specifies a RB Id that is not assigned to the mobile station, then the mobile station shall perform an abnormal release with access retry (sub-clause 8.8.3).
- If a mobile station in MAC-DTM state receives a PACKET UPLINK ASSIGNMENT, MULTIPLE TBF UPLINK ASSIGNMENT, PACKET TIMESLOT RECONFIGURE or MULTIPLE TBF TIMESLOT RECONFIGURE message including the Frequency Parameters information element, the mobile station shall perform an abnormal release with access retry (see sub-clause 8.8.3).
- If the MULTIPLE TBF UPLINK ASSIGNMENT or MULTIPLE TBF TIMESLOT RECONFIGURE message does not specify a Channel Coding scheme for one or more of the uplink TBFs that it is assigning, then the mobile station shall perform an abnormal release with access retry of the uplink TBFs with erroneous assignments (see sub-clause 8.8.5). The mobile station shall act upon the valid assignments.
- If a failure in the PACKET UPLINK ASSIGNMENT, MULTIPLE TBF UPLINK ASSIGNMENT, PACKET TIMESLOT RECONFIGURE or MULTIPLE TBF TIMESLOT RECONFIGURE message is due to any other reason, the mobile station shall perform an abnormal release with access retry (see sub-clause 8.8.3).

A PACKET UPLINK ASSIGNMENT, MULTIPLE TBF UPLINK ASSIGNMENT, PACKET TIMESLOT RECONFIGURE or MULTIPLE TBF TIMESLOT RECONFIGURE message received by a multi-band mobile station shall not be considered invalid if it indicates new frequencies that are all in a different frequency band to that of the PDCH(s) on which the assignment was received. The assignment may however be rendered invalid for some other reason.

### 8.2.2.1.3 Establishment of downlink TBF

#### 8.2.2.1.3.1 General

During uplink transfer, the network may initiate one or more downlink TBFs by sending a downlink assignment message (e.g. PACKET DOWNLINK ASSIGNMENT, PACKET TIMESLOT RECONFIGURE, MULTIPLE TBF DOWNLINK ASSIGNMENT, MULTIPLE TBF TIMESLOT RECONFIGURE) to the mobile station on the PACCH.

If a PACKET TIMESLOT RECONFIGURE message is sent, then the message shall contain the DOWNLINK\_TFI\_ASSIGNMENT field. The multislot restrictions of the mobile station shall be observed.

A mobile allocation or reference frequency list, received as part of a downlink assignment, replaces the previous parameters and shall be used until a new assignment is received or the mobile station has released all TBFs.

On receipt of a downlink assignment message, and after the TBF starting time, if present, the mobile station shall switch to the assigned SBPSCHs, and start timer T3190 for each TBF. The operation of the downlink TBF follows the procedures in sub-clause 8.2.3 and 3GPP TS 44.060 sub-clause 8.1.2 with the following additions:

- the mobile station shall prioritise transmission of RLC/MAC control blocks associated with the downlink TBF over RLC/MAC control blocks associated with the uplink TBF;
- if a timer or counter expiry causes the uplink TBF to be aborted in the mobile station triggering an abnormal release with access retry on PCCCH (see sub-clause 8.8.3), the mobile station shall also abort all downlink TBF(s). The mobile station shall not abort the downlink TBF(s) in case an abnormal release with access retry on PACCH is triggered;
- If both uplink and downlink TBFs are already established and if more than one TBF is already established in either/both direction(s), then the network may send a MULTIPLE TBF TIMESLOT RECONFIGURE message. If this message contains a change in frequency in the frequency parameters and does not contain a reassignment for one or more of the mobile station's TBFs, these TBFs are to be released upon moving to the new frequency. If no change in frequency parameters is included, the TBFs not explicitly reconfigured shall continue according to their original assignment.

#### 8.2.2.1.3.2 Abnormal cases

In the following abnormal cases it is assumed that at least one uplink TBF exists. The subsequent behaviour of the mobile station depends on the type of failure and previous actions:

- If the information in the PACKET TIMESLOT RECONFIGURE or MULTIPLE TBF TIMESLOT RECONFIGURE message incorrectly specifies an uplink and/or downlink PDCH, the mobile station shall perform an abnormal release of the downlink TBF(s) with erroneous assignments (see sub-clause 8.8.6). The mobile station shall act upon the valid assignments.
- If the information in the PACKET TIMESLOT RECONFIGURE or MULTIPLE TBF TIMESLOT RECONFIGURE message violates the mobile station's multislot capabilities, the mobile station shall perform an abnormal release with access retry (see sub-clause 8.8.3).
- If a downlink TBF is not already established and the PACKET TIMESLOT RECONFIGURE message does not include a DOWNLINK\_TFI\_ASSIGNMENT field, then the mobile station shall perform an abnormal release with access retry (sub-clause 8.8.3).
- If a downlink TBF is not already established and the MULTIPLE TBF TIMESLOT RECONFIGURE message does not assign any downlink TBFs, then the mobile station shall perform an abnormal release with access retry (sub-clause 8.8.3).
- If the mobile station receives a PACKET DOWNLINK ASSIGNMENT, MULTIPLE TBF DOWNLINK ASSIGNMENT, PACKET TIMESLOT RECONFIGURE or MULTIPLE TBF TIMESLOT

RECONFIGURE message containing assignments such that more than one radio bearer is mapped onto a TBF, then the mobile station shall perform an abnormal release with access retry (see sub-clause 8.8.3).

- If the PACKET DOWNLINK ASSIGNMENT, MULTIPLE TBF DOWNLINK ASSIGNMENT, PACKET TIMESLOT RECONFIGURE or MULTIPLE TBF TIMESLOT RECONFIGURE message specifies a RB Id not assigned to the mobile station, then the mobile station shall perform an abnormal release with access retry (sub-clause 8.8.3).
- If a mobile station in MAC-DTM state receives a PACKET DOWNLINK ASSIGNMENT, MULTIPLE TBF DOWNLINK ASSIGNMENT, PACKET TIMESLOT RECONFIGURE or MULTIPLE TBF TIMESLOT RECONFIGURE message including the Frequency Parameters information element, the mobile station shall perform an abnormal release with access retry (sub-clause 8.8.3).
- If a failure in the PACKET DOWNLINK ASSIGNMENT, MULTIPLE TBF DOWNLINK ASSIGNMENT, PACKET TIMESLOT RECONFIGURE or MULTIPLE TBF TIMESLOT RECONFIGURE message is due to any other reason, the mobile station shall abort the procedure. If other uplink TBFs exist, the mobile station shall perform an abnormal release with access retry (sub-clause 8.8.3). If only downlink TBFs exist, the mobile station shall continue the normal operation of these TBFs. If no other TBFs exist, the mobile station shall perform an abnormal release without retry (see sub-clause 8.8.2).

## 8.2.2.2 Extended Dynamic Allocation uplink RLC data block transfer

### 8.2.2.2.0 General

The Extended Dynamic Allocation medium access method extends the Dynamic Allocation medium access method to allow higher uplink throughput.

This sub-clause defines the extensions to the Dynamic Allocation medium access method. All procedures defined in sub-clause 8.2.2.1 apply, except where this sub-clause defines a new procedure. In cases where this sub-clause conflicts with sub-clause 8.2.2.1, this sub-clause takes precedence.

#### 8.2.2.2.1 Uplink PDCH Allocation

See 3GPP TS 44.060 sub-clause 8.1.1.2.1.

#### 8.2.2.2.2 PACCH operation

See 3GPP TS 44.060 sub-clause 8.1.1.2.2.

#### 8.2.2.2.3 Neighbour cell power measurements

See 3GPP TS 44.060 sub-clause 8.1.1.2.3.

## 8.2.2.3 Exclusive Allocation uplink RLC data block transfer

See 3GPP TS 44.060 sub-clause 8.1.1.3a.



- 8.2.2.3.1 Voic
- 8.2.2.3.2 Void
- 8.2.2.3.3 Void
- 8.2.2.3.4 Void
- 8.2.2.3.5 Void
- 8.2.2.3.6 Void

#### 8.2.2.4 Network initiated release of uplink TBF

See 3GPP TS 44.060 subclause 8.1.1.4.

#### 8.2.2.5 Abnormal cases

The following additional abnormal cases are applicable to an uplink transfer:-

- if the mobile station receives a PACKET UPLINK ACK/NACK message with missing mandatory fields, the mobile station shall perform an abnormal release with access retry of the uplink TBF (sub-clause 8.8.5) associated with this message.
- if the mobile station receives a PACKET UPLINK ACK/NACK message that contains a RB Id that is not assigned to the mobile station or that is assigned to the mobile station but without any corresponding uplink TBF, the mobile station shall perform an abnormal release with access retry (sub-clause 8.8.3).

### 8.2.3 Downlink RLC data block transfer

#### 8.2.3.1 General

##### 8.2.3.1.0 General

The network initiates assignment of a single downlink TBF by sending a PACKET DOWNLINK ASSIGNMENT or a PACKET TIMESLOT RECONFIGURE message on the downlink PACCH. The network initiates assignment of more than one downlink TBF by sending a MULTIPLE TBF DOWNLINK ASSIGNMENT or a MULTIPLE TBF TIMESLOT RECONFIGURE message on the downlink PACCH. Prior to the initiation of RLC data block transfer on the downlink, the network assigns the following parameters to the downlink TBF in the downlink assignment message:

- A Temporary Flow Identity (TFI): The TFI applies to all radio blocks transferred in regards to the downlink Temporary Block Flow (TBF).
- A Radio Bearer identity (RB Id): There is a one-to-one mapping between the TFI and the RB Id of the radio bearer for which the downlink TBF is established.
- A set of PDCHs to be used for the downlink transfer.
- Optionally: a TBF starting time indication.

For each TBF, the network shall prioritise RLC/MAC control blocks, not containing a PACKET DOWNLINK DUMMY CONTROL BLOCK message, to be transmitted ahead of RLC data blocks for that TBF. If the network has no other RLC/MAC block to transmit, but wishes to transmit on the downlink, the network shall transmit an RLC/MAC control block containing a PACKET DOWNLINK DUMMY CONTROL BLOCK message.

##### 8.2.3.1.1 Downlink resource reallocation

Neither the mobile station nor the network are allowed to modify the RLC mode, TBF mode or radio bearer identity of an already established TBF.

If no modifications to the downlink resources are required, the network may reallocate existing resources through one of the following procedures:

- The network may send a PACKET TIMESLOT RECONFIGURE or MULTIPLE TBF TIMESLOT RECONFIGURE message to the mobile station on the PACCH to reallocate downlink (and also uplink) resources, see sub-clause 8.2.3.2.
- The network may send a PACKET DOWNLINK ASSIGNMENT or MULTIPLE TBF DOWNLINK ASSIGNMENT message to the mobile station on the PACCH to reallocate downlink resources, see sub-clause 8.2.3.2.

#### 8.2.3.1.2 Establishment of uplink TBF(s) during downlink data transfer

During downlink data transfer, the mobile station may initiate the packet access procedure for uplink data transfer by sending the Iu mode Channel Request Description information element in the PACKET DOWNLINK ACK/NACK message on the PACCH and starting timer T3168 for each TBF requested.

On receipt of an Iu mode Channel Request Description information element in the PACKET DOWNLINK ACK/NACK message, the network may assign radio resources to the mobile station as specified in sub-clause 8.2.3.5.

#### 8.2.3.2 Downlink RLC data block transfer procedure

##### 8.2.3.2.0 General

Upon reception of a downlink assignment message (e.g. PACKET DOWNLINK ASSIGNMENT, PACKET TIMESLOT RECONFIGURE, MULTIPLE TBF DOWNLINK ASSIGNMENT, MULTIPLE TBF TIMESLOT RECONFIGURE) that does not contain a TBF starting time the mobile station shall start timer T3190 for each downlink TBF assigned in the downlink assignment message and, within the reaction time defined in 3GPP TS 45.010, it shall attempt to decode every downlink block on its assigned SBPSCH(s). If the downlink assignment message contains a TBF starting time information element and there are no downlink TBFs in progress, but one or more uplink TBFs are in progress, the mobile station shall remain on the assigned SBPSCHs until the TDMA frame number indicated by the TBF starting time, at which time the mobile station shall start timer T3190 for each downlink TBF assigned in the downlink assignment message and immediately begin decoding the assigned downlink SBPSCH(s).

If the downlink assignment message contains a TBF starting time and there are one or more downlink TBFs already in progress, the mobile station shall continue to use the parameters of the downlink TBFs in progress until the TDMA frame number indicated in the TBF starting time occurs, at which time the mobile station shall immediately begin to use the new assigned downlink TBF parameters. If, while waiting for the frame number indicated by the TBF starting time, the mobile station receives another downlink assignment for the same TBF, the mobile station shall act upon the most recently received downlink assignment and shall ignore the previous downlink assignment. Procedures on receipt of a downlink assignment message (e.g. PACKET DOWNLINK ASSIGNMENT message) while no TBF is in progress are specified in sub-clause sub-clause 7.3.2.1 and 3GPP TS 44.060 sub-clause 7.2.1.1.

If the mobile station receives a valid RLC data block addressed to (one of) its TBF(s), the mobile station shall restart timer T3190 for that TBF. If timer T3190 expires for a TBF and if one or more uplink TBFs are in progress, the mobile station shall perform an abnormal release with access retry (see sub-clause 8.8.3, 3GPP TS 44.060 sub-clause 8.7.2). If no other TBFs are in progress, the mobile station shall perform an abnormal release without retry (see sub-clause 8.7.1).

Upon receipt of a PACKET TBF RELEASE message referring to the downlink TBF, the mobile station shall follow the procedure in sub-clause 8.1.2.8.

##### 8.2.3.2.1 Abnormal cases

The following abnormal cases apply:

- If a mobile station receives a PACKET TIMESLOT RECONFIGURE, MULTIPLE TBF TIMESLOT RECONFIGURE, PACKET DOWNLINK ASSIGNMENT or MULTIPLE TBF DOWNLINK ASSIGNMENT PACKET DOWNLINK ASSIGNMENT or PACKET TIMESLOT RECONFIGURE message and detects an invalid Frequency Parameters information element in the message, it shall perform an abnormal release with

system information (see sub-clause 8.8.4), performing a partial acquisition of system information messages containing frequency information.

- If the information in the PACKET DOWNLINK ASSIGNMENT or MULTIPLE TBF DOWNLINK ASSIGNMENT message incorrectly specifies one or more downlink PDCHs, the mobile station shall perform an abnormal release of the downlink TBF(s) with erroneous assignments (see sub-clause 8.8.6). The mobile station shall act upon the valid assignments.
- If the information in the PACKET TIMESLOT RECONFIGURE or MULTIPLE TBF TIMESLOT RECONFIGURE message incorrectly specifies one or more uplink and/or downlink PDCHs, the mobile station shall perform an abnormal release of the downlink TBF(s) with erroneous assignments (see sub-clause 8.8.6). The mobile station shall act upon the valid assignments.
- If the information in the PACKET DOWNLINK ASSIGNMENT, MULTIPLE TBF DOWNLINK ASSIGNMENT, PACKET TIMESLOT RECONFIGURE or MULTIPLE TBF TIMESLOT RECONFIGURE message violates the mobile station's multislot capabilities, the mobile station shall perform an abnormal release without retry (see sub-clause 8.8.2).
- If a mobile station in MAC-DTM state receives a PACKET DOWNLINK ASSIGNMENT or MULTIPLE TBF DOWNLINK ASSIGNMENT message including the Frequency Parameters information element, the mobile station shall abort the procedure. If another TBF exists on a SBPSCH, the mobile station shall continue the normal operation of these TBFs. If no other TBF exists, the mobile station shall perform an abnormal release without retry (see sub-clause 8.8.2).
- If a mobile station in MAC-DTM state receives a PACKET TIMESLOT RECONFIGURE or MULTIPLE TBF TIMESLOT RECONFIGURE message including the Frequency Parameters information element, the mobile station shall perform an abnormal release without retry (see sub-clause 8.8.2).
- If one or more uplink TBFs are already established and the mobile station receives a PACKET DOWNLINK ASSIGNMENT or MULTIPLE TBF DOWNLINK ASSIGNMENT message containing different frequency parameters than are currently in effect for the uplink TBF(s), the mobile station shall ignore the received message and continue normal operation of the existing TBFs.
- If a downlink TBF is not already established and the PACKET TIMESLOT RECONFIGURE message does not include a DOWNLINK\_TFI\_ASSIGNMENT field, then the mobile station shall perform an abnormal release without retry (sub-clause 8.8.2).
- If a downlink TBF is not already established and the MULTIPLE TBF TIMESLOT RECONFIGURE message does not assign any downlink TBFs, then the mobile station shall perform an abnormal release without retry (sub-clause 8.8.2).
- If the mobile station receives a PACKET DOWNLINK ASSIGNMENT, MULTIPLE TBF DOWNLINK ASSIGNMENT, PACKET TIMESLOT RECONFIGURE or MULTIPLE TBF TIMESLOT RECONFIGURE message containing assignments such that more than one radio bearer is mapped onto a TBF, then the mobile station shall perform an abnormal release without retry (see sub-clause 8.8.2).
- If the PACKET DOWNLINK ASSIGNMENT, MULTIPLE TBF DOWNLINK ASSIGNMENT, PACKET TIMESLOT RECONFIGURE or MULTIPLE TBF TIMESLOT RECONFIGURE message specifies an RB Id that is not assigned to the mobile station, then the mobile station shall perform an abnormal release without retry (sub-clause 8.8.2).
- If a failure in the PACKET DOWNLINK ASSIGNMENT, MULTIPLE TBF DOWNLINK ASSIGNMENT, PACKET TIMESLOT RECONFIGURE or MULTIPLE TBF TIMESLOT RECONFIGURE message is due to any other reason, the mobile station shall abort the procedure. If other uplink TBFs exist, the mobile station shall perform an abnormal release with access retry (sub-clause 8.8.3). If only downlink TBFs exist, the mobile station shall continue the normal operation of these TBFs. If no other TBFs exist, the mobile station shall perform an abnormal release without retry (see sub-clause 8.8.2).

### 8.2.3.3 Polling for Packet Downlink Ack/Nack

Whenever the mobile station receives an RLC data block addressed to (one of) its TBF(s) with a valid RRBP field in the RLC data block header (i.e. is polled), the mobile station may transmit a PACKET DOWNLINK ACK/NACK message in the uplink radio block specified by the RRBP field whatever the BSN value of the received RLC data block, unless another RLC/MAC control message is waiting to be transmitted, in which case the other RLC/MAC control message

shall be sent. Among the other RLC/MAC control blocks the PACKET CELL CHANGE NOTIFICATION message shall be sent with highest priority. However, the mobile station shall transmit an RLC/MAC control message other than a PACKET DOWNLINK ACK/NACK message at most every second time it is polled for that TBF. Furthermore the mobile station shall not transmit an RLC/MAC control message other than a PACKET DOWNLINK ACK/NACK message if the PACKET DOWNLINK ACK/NACK message contains a Final Ack Indicator or Iu mode Channel Request Description IE. The mobile station shall not send a PACKET CONTROL ACKNOWLEDGEMENT message unless otherwise specified.

In EGPRS TBF mode the mobile station shall react on a poll inside an erroneously received RLC data block for which the header is correctly received and which addresses the mobile station.

Whenever the network receives a valid RLC/MAC control message from the TBF, it shall reset counter N3105. The network shall increment counter N3105 for each radio block allocated to that TBF with the RRBP field, for which no RLC/MAC control message is received. If  $N3105 = N3105_{max}$ , the network shall release the downlink TBF internally and start timer T3195 for that TBF. When T3195 expires, the network may reuse the TFI.

The PACKET DOWNLINK ACK/NACK message contains a Channel Quality Report (see 3GPP TS 45.008). The optional I\_LEVEL measurement results shall be included in at least every other PACKET DOWNLINK ACK/NACK message.

In the case of simultaneous uplink and downlink TBFs, the transmission of the polling response takes precedence over the transmission of allocated uplink radio blocks.

A mobile station of multislot class 1 to 12 need not respond to the poll if it is not compliant with the mobile station's multislot class (see 3GPP TS 45.002).

A mobile station of multislot class 13 to 18 shall always respond to the poll.

NOTE: The mobile station is required to make neighbour cell measurements while transmitting the polling response (see 3GPP TS 45.008).

### 8.2.3.4 Resource Reassignment for downlink

The network initiates downlink resource reassignment by sending a downlink assignment message (e.g. PACKET DOWNLINK ASSIGNMENT, PACKET TIMESLOT RECONFIGURE, MULTIPLE TBF DOWNLINK ASSIGNMENT or MULTIPLE TBF TIMESLOT RECONFIGURE) to the mobile station on the PACCH.

If the mobile station has a TBF for which T3192 is running, the network may choose to reallocate this existing TBF and reuse the TFI value for the new data by setting the Control Ack bit to '1' as specified in 3GPP TS 44.060 sub-clauses 9.3.2.6 and 9.3.3.5.

On receipt of a downlink assignment message and after the TBF starting time, if present, the mobile station shall switch to the assigned SBPSCHs. Upon switching to the new SBPSCHs the mobile station shall restart timer T3190 for each newly assigned downlink TBF.

When the mobile station receives an RLC/MAC block addressed to (one of) its TBF(s) on any of the new assigned resources it shall restart timer T3190 for the TBF. If timer T3190 expires, the mobile station shall perform an abnormal release without retry (see sub-clause 8.7.1).

### 8.2.3.5 Establishment of uplink TBF

#### 8.2.3.5.0 General

The mobile station initiates the packet access procedure by sending the Iu mode Channel Request Description information element in the PACKET DOWNLINK ACK/NACK message on the PACCH and starting timer T3168 for each TBF requested.

On receipt of an Iu mode Channel Request Description information element in the PACKET DOWNLINK ACK/NACK message, the network may assign radio resources to the mobile station on one or more SBPSCHs by transmitting an uplink assignment (e.g. PACKET UPLINK ASSIGNMENT, PACKET TIMESLOT RECONFIGURE, MULTIPLE TBF UPLINK ASSIGNMENT or MULTIPLE TBF TIMESLOT RECONFIGURE) message on the PACCH, or may reject the request by sending a PACKET ACCESS REJECT message on the PACCH.

If the PACKET TIMESLOT RECONFIGURE message is sent, then the message shall contain the UPLINK\_TFI\_ASSIGNMENT field.

A mobile allocation or reference frequency list, when received in the Frequency Parameters IE, as part of an uplink assignment, replaces the previous parameters and shall be used until a new assignment is received or the mobile station has released all TBFs.

On receipt of an uplink assignment message the mobile station shall follow the procedure below. On reception of an uplink assignment message the mobile station shall stop timer T3168 for each TBF assigned in the message.

The mobile station shall, after expiry of the TBF starting time, if present, act upon the uplink assignment.

The mobile station shall then switch to the assigned uplink SBPSCHeS and begin to send RLC data blocks on the assigned SBPSCHeS. The G-RNTI shall not be included in any of the uplink RLC data blocks.

On receipt of a PACKET ACCESS REJECT message that contains a Reject structure addressed to the mobile station, the mobile station shall stop timer T3168 for each TBF rejected in the PACKET ACCESS REJECT message and indicate a packet access failure to the upper layer.

If the PACKET ACCESS REJECT message contains a WAIT\_INDICATION field in a Reject structure addressed to the mobile station, the mobile station shall start timer T3172 for each TBF rejected with the indicated value (Wait Indication). The mobile station is not allowed to make a new attempt for an uplink TBF establishment in the same cell until all instances of timer T3172 expire, but it may attempt uplink TBF establishment in another cell after successful cell reselection.

If timer T3168 expires for a TBF, the mobile station shall retransmit the Iu mode Channel Request Description information element in the next PACKET DOWNLINK ACK/NACK message unless the Iu mode Channel Request Description has already been transmitted four times for that TBF in which case the mobile station shall perform an abnormal release with access retry (see sub-clause 8.8.3, 3GPP TS 44.060 sub-clause 8.7.2). If the downlink TBF is released, including expiry of timer T3192, before expiry of timer T3168, the mobile station shall stop timer T3168 for each TBF and perform an abnormal release with access retry (see sub-clause 8.8.3, 3GPP TS 44.060 sub-clause 8.7.2).

#### 8.2.3.5.1 Abnormal cases

In the following abnormal cases it is assumed that at least one downlink TBF exists. The subsequent behaviour of the mobile station depends on the type of failure and previous actions.

- If the information in the PACKET UPLINK ASSIGNMENT or MULTIPLE TBF UPLINK ASSIGNMENT message incorrectly specifies one or more uplink PDCHs, the mobile station shall perform an abnormal release with access retry of the uplink TBF(s) with erroneous assignments (see sub-clause 8.8.5). The mobile station shall act upon the valid assignments.
- If the information in the PACKET TIMESLOT RECONFIGURE or MULTIPLE TBF TIMESLOT RECONFIGURE message incorrectly specifies one or more uplink and/or downlink PDCHs, the mobile station shall perform an abnormal release with access retry of the uplink TBF(s) with erroneous assignments (see sub-clause 8.8.5). The mobile station shall act upon the valid assignments.
- If the information in the PACKET UPLINK ASSIGNMENT, MULTIPLE TBF UPLINK ASSIGNMENT, PACKET TIMESLOT RECONFIGURE or MULTIPLE TBF TIMESLOT RECONFIGURE message violates the mobile station's multislot capabilities, the mobile station shall perform an abnormal release with access retry (see sub-clause 8.8.3).
- If the mobile station receives a PACKET UPLINK ASSIGNMENT or MULTIPLE TBF UPLINK ASSIGNMENT message containing different frequency parameters than are currently in effect for its existing TBFs, the mobile station shall ignore the PACKET UPLINK ASSIGNMENT or MULTIPLE TBF UPLINK ASSIGNMENT message, continue normal operation of the existing TBFs, and reinitiate the establishment of the new uplink TBFs unless the establishment of any of these TBFs has already been attempted four times, in which case, the mobile station shall perform an abnormal release with access retry (see sub-clause 8.8.3).

- If a mobile station in MAC-DTM state receives a PACKET UPLINK ASSIGNMENT or MULTIPLE TBF UPLINK ASSIGNMENT message including the Frequency Parameters information element, the mobile station shall perform an abnormal release with access retry (see sub-clause 8.8.3).
- If an uplink TBF is not already established and the PACKET TIMESLOT RECONFIGURE message does not include a UPLINK\_TFI\_ASSIGNMENT field, then the mobile station shall perform an abnormal release with access retry (sub-clause 8.8.3).
- If an uplink TBF is not already established and the MULTIPLE TBF TIMESLOT RECONFIGURE message does not assign any uplink TBFs, then the mobile station shall perform an abnormal release with access retry (sub-clause 8.8.3).
- If the mobile station receives a PACKET UPLINK ASSIGNMENT, MULTIPLE TBF UPLINK ASSIGNMENT, PACKET TIMESLOT RECONFIGURE or MULTIPLE TBF TIMESLOT RECONFIGURE message contains assignments such that more than one radio bearer is mapped onto a TBF, then the mobile station shall perform an abnormal release with access retry (see sub-clause 8.8.3).
- If the MULTIPLE TBF UPLINK ASSIGNMENT or MULTIPLE TBF TIMESLOT RECONFIGURE message does not specify a Channel Coding scheme for all of the uplink TBFs that it is assigning, then the mobile station shall perform an abnormal release with access retry of the uplink TBFs with erroneous assignments (see sub-clause 8.8.5). The mobile station shall act upon the valid assignments.
- If the PACKET UPLINK ASSIGNMENT, MULTIPLE TBF UPLINK ASSIGNMENT, MULTIPLE TBF TIMESLOT RECONFIGURE message assigns the same USF to more than one TBF on the same timeslot, then the mobile station shall perform an abnormal release with access retry (sub-clause 8.8.3).
- If the PACKET UPLINK ASSIGNMENT, MULTIPLE TBF UPLINK ASSIGNMENT, PACKET TIMESLOT RECONFIGURE, MULTIPLE TBF TIMESLOT RECONFIGURE message specifies a RB Id that is not assigned to the mobile station, then the mobile station shall perform an abnormal release with access retry (sub-clause 8.8.3).
- If a mobile station in MAC-DTM state receives a PACKET TIMESLOT RECONFIGURE or MULTIPLE TBF TIMESLOT RECONFIGURE message including the Frequency Parameters information element, the mobile station shall perform an abnormal release with access retry (see sub-clause 8.8.3).
- If a failure in the PACKET UPLINK ASSIGNMENT, MULTIPLE TBF UPLINK ASSIGNMENT, PACKET TIMESLOT RECONFIGURE or MULTIPLE TBF TIMESLOT RECONFIGURE message is due to any other reason, the mobile station shall perform an abnormal release with access retry (see sub-clause 8.8.3).

#### 8.2.3.6 Network initiated abnormal release of downlink TBF

See 3GPP TS 44.060 subclause 8.1.2.8.

### 8.3 Packet PDCH Release

See 3GPP TS 44.060 subclause 8.2.

### 8.4 Procedure for measurement report sending in MAC-Shared state

See 3GPP TS 44.060 subclause 8.3.

### 8.5 Network Controlled cell reselection procedures in MAC-Shared state

See 3GPP TS 44.060 subclause 8.4.

## 8.6 Measurement Order procedures in MAC-Shared state

See 3GPP TS 44.060 subclause 8.5.

## 8.7 PACKET CONTROL ACKNOWLEDGEMENT

See 3GPP TS 44.060 subclause 8.6.

## 8.8 Abnormal cases

### 8.8.1 General

See 3GPP TS 44.060 subclause 8.7.0.

### 8.8.2 Abnormal release without retry

See 3GPP TS 44.060 subclause 8.7.1.

### 8.8.3 Abnormal release with access retry

The mobile station shall abort all TBFs in progress. The mobile station in MAC-Shared state shall return to MAC-Idle state and initiate the establishment of a new uplink TBF on SBPSCH(s), using the procedures on PCCCH, as defined in subclause 7.2.

The mobile station in MAC-DTM state shall return to MAC-Dedicated state and initiate the establishment of a new uplink TBF on SBPSCH(s) using DTM procedures on SRB2, as defined in 3GPP TS 44.118.

In case the mobile station fails to establish a new uplink TBF on SBPSCH(s), the mobile station shall report an RLC/MAC failure to upper layers. The DRX mode procedures shall be applied, as specified in subclause 5.4.1.8.

### 8.8.4 Abnormal release with system information

See 3GPP TS 44.060 subclause 8.7.3.

### 8.8.5 Abnormal release of an Uplink TBF with access retry

The mobile station shall abort the uplink TBF.

If there are no remaining TBFs on SBPSCHs and the mobile station was in MAC-Shared state, then it shall return to MAC-Idle state and reinitiate the establishment of the uplink TBF on SBPSCH(s) using the procedures on PCCCH, as defined in sub-clause 7.2. In the case that this TBF was not the last remaining TBF on SBPSCHs, the mobile station shall reinitiate the establishment of the TBF on SBPSCHs, using the procedures defined on PACCH, as defined in sub-clauses 8.2.3 and 8.3.3.

If there are no remaining TBFs on SBPSCHs and the mobile station was in MAC-DTM state, then it shall return to MAC-Dedicated state and initiate the establishment of the uplink TBF on SBPSCH(s) using DTM procedures on SRB2, as defined in 3GPP TS 44.118. In the case that this TBF was not the last remaining TBF on SBPSCHs, the mobile station shall initiate the establishment of the TBF on SBPSCHs, using the procedures defined on PACCH, as defined in sub-clauses 8.2.3 and 8.3.3.

In case the mobile station fails to establish the new uplink TBF on SBPSCH(s), the mobile station shall report an RLC/MAC failure to upper layers. The DRX mode procedures shall be applied, as specified in sub-clause 5.4.1.8.

### 8.8.6 Abnormal release of a Downlink TBF

The mobile station shall abort the downlink TBF.

If there are no remaining TBFs on SBPSCHs and the mobile station was in MAC-Shared state, then it shall return to MAC-Idle state.

If there are no remaining TBFs on SBPSCHs and the mobile station in MAC-DTM state, then it shall return to MAC-Dedicated state.

If there is a TBF remaining on SBPSCHs, then the mobile station shall remain in its current state.

The DRX mode procedures shall be applied as specified in sub-clause 5.5.1.5, 3GPP TS 44.160 sub-clause 5.4.1.8.

## 8.9 Network Assisted Cell Change procedures in MAC-Shared state

See 3GPP TS 44.060 subclause 8.8.

---

# 9 Medium Access Control (MAC) procedures on DBPSCH

## 9.1 General

The MAC procedures defined in this subclause are applicable in MAC-Dedicated state and in MAC-DTM state on DBPSCH only. When a radio bearer is set-up on DBPSCH(s) (see 3GPP TS 44.118) the corresponding TBF is implicitly established, on this DBPSCH(s), on the logical channel on which this TBF is mapped. This TBF shall use the TBF mode as specified in subclause 5.2.2.2 and according to the radio bearer attributes as may be indicated in the CMAC-CONFIG primitive received from RRC.

## 9.2 Transfer of RLC/MAC blocks

### 9.2.0 General

Tables 9.2.0.1 to 9.2.0.3 summarise the RLC/MAC control messages that may be sent on a logical channel that is mapped onto a DBPSCH.

**Table 9.2.0.1: RLC/MAC control messages on PACCH when mapped on DBPSCH**

| <b>RLC messages:</b>                | <b>Reference</b>                 |
|-------------------------------------|----------------------------------|
| Packet Downlink Ack/Nack            | 3GPP TS 44.060 subclause 11.2.6  |
| EGPRS Packet Downlink Ack/Nack      | 3GPP TS 44.060 subclause 11.2.6a |
| Packet Uplink Ack/Nack              | 3GPP TS 44.060 subclause 11.2.28 |
| <b>Miscellaneous messages:</b>      | <b>Reference</b>                 |
| Packet Control Acknowledgement      | 3GPP TS 44.060 subclause 11.2.2  |
| Packet Downlink Dummy Control Block | 3GPP TS 44.060 subclause 11.2.8  |
| Packet Uplink Dummy Control Block   | 3GPP TS 44.060 subclause 11.2.8b |
| Packet Mobile TBF Status            | 3GPP TS 44.060 subclause 11.2.9c |
| Packet Polling Request              | 3GPP TS 44.060 subclause 11.2.12 |
| Handover Access                     | 3GPP TS 44.060 subclause 11.2.33 |
| Physical Information                | 3GPP TS 44.060 subclause 11.2.34 |



**Table 9.2.0.2: RLC/MAC control messages on SDCCH, SACCH, FACCH (PT="01")**

| <b>RLC messages:</b>                | <b>Reference</b>                  |
|-------------------------------------|-----------------------------------|
| Packet DBPSCH Downlink Ack/Nack     | 3GPP TS 44.060 subclause 11.2.6b  |
| Packet DBPSCH Uplink Ack/Nack       | 3GPP TS 44.060 subclause 11.2.28a |
| <b>Miscellaneous messages:</b>      | <b>Reference</b>                  |
| Packet Control Acknowledgement      | 3GPP TS 44.060 subclause 11.2.2   |
| Packet Downlink Dummy Control Block | 3GPP TS 44.060 subclause 11.2.8   |
| Packet Uplink Dummy Control Block   | 3GPP TS 44.060 subclause 11.2.8b  |
| Packet Mobile TBF Status            | 3GPP TS 44.060 subclause 11.2.9c  |
| Handover Access                     | 3GPP TS 44.060 subclause 11.2.33  |
| Physical Information (not on SACCH) | 3GPP TS 44.060 subclause 11.2.34  |

**Table 9.2.0.3: RLC/MAC control messages on FACCH (PT="10")**

| <b>RLC messages:</b>            | <b>Reference</b>                  |
|---------------------------------|-----------------------------------|
| Packet DBPSCH Downlink Ack/Nack | 3GPP TS 44.060 subclause 11.2.6b  |
| Packet DBPSCH Uplink Ack/Nack   | 3GPP TS 44.060 subclause 11.2.28a |
| <b>Miscellaneous messages:</b>  | <b>Reference</b>                  |
| Packet Control Acknowledgement  | 3GPP TS 44.060 subclause 11.2.2   |
| Packet Mobile TBF Status        | 3GPP TS 44.060 subclause 11.2.9c  |

## 9.2.1 Dedicated allocation

### 9.2.1.1 General

On DBPSCH, the transfer of RLC/MAC blocks is governed by the principles of the dedicated allocation. Dedicated allocation is applicable to GPRS TBF mode, EGPRS TBF mode, TCH TBF mode and DCCH TBF mode. No other medium access mode shall apply for TCH TBF mode and DCCH TBF mode.

A mobile station in dedicated allocation shall monitor the assigned DBPSCH(s). The mobile station shall attempt to decode every downlink RLC/MAC block on the assigned DBPSCH(s). Whenever the mobile station receives an RLC/MAC block containing an RLC/MAC control block, the mobile station shall attempt to interpret the message contained therein and act upon it.

Except for TCH TBF mode in T-RLC mode, PACKET UPLINK DUMMY CONTROL block(s) (respectively PACKET DOWNLINK DUMMY CONTROL block(s)) shall be sent in periods when no RLC/MAC block is scheduled for transmission in uplink direction (respectively downlink direction, following the scheduling requirements defined in 3GPP TS 45.008). For TCH TBF mode in T-RLC mode, DTX may apply.

### 9.2.1.2 Performance requirements for TCH and DCCH TBF modes

When the mobile station receives a DBPSCH assignment, the mobile station shall switch to the assigned DBPSCH(s) and be ready to transmit within the reaction time defined in 3GPP TS 45.010.

The network (NW) and the mobile station (MS) shall follow the performance requirements defined in the table below. These performance requirements are given on a logical channel and MAC state basis, and define the response time of the network and the mobile station upon receipt of a request from the remote peer entity, where:

- Trmin and Tresp denote respectively the minimum and maximum response times following the reception of a given request, expressed in TDMA frames, as follows:
  - if a polling request is received whose last burst has been physically transmitted in the TDMA frame number FNcomm, then the first burst carrying a segment of the corresponding response shall be physically transmitted in the TDMA frame number FNresp where:

$$FNcomm + Trmin + 1 \leq FNresp \leq FNcomm + Tresp + 1$$

- following the mapping of logical channels onto physical channels and the arithmetics on TDMA frame numbers specified in 3GPP TS 45.002.

Table 9.2.1: Response time

| Request sent on  | Response sent on               | Trmin                                    | Tresp (see note 1)  |   |
|--|--------------------------------|--|---|---|
|  |                                |  | MAC-Dedicated state                                       | MAC-DTM state                                       |
| SDCCH  | SDCCH                          | MS: 11<br>NW: TRMIN_SDCCH<br>(32 or 83)  | MS: 113<br>NW: TRESP_SDCCH (134 or 185, respectively)     | Not applicable                                      |
| SACCH  | SACCH                          | MS: 11<br>NW: 83                         | MS: 11<br>NW: 83  |   |
| SACCH<br>(with a TCH or PDTCH)   | SACCH<br>(with a TCH or PDTCH) | MS: 25<br>NW: TRMIN_SACCH<br>(25 or 129) | MS: 129<br>NW: TRESP_SACCH (129 or 233, respectively)     | MS: 25<br>NW: TRMIN_SACCH                           |
| FACCH/Full rate  | FACCH/Full rate                | MS: 9<br>NW: TRMIN                       | MS: 18 (max between 18 and 17)<br>NW: TRESP_MAC_Dedicated | MS: 14 (max between 13 and 14)<br>NW: TRESP_MAC_DTM |
| TCH/Full rate  | FACCH/Full rate                | MS: 9<br>NW: TRMIN                       | MS: 18 (max between 18 and 17)<br>NW: TRESP_MAC_Dedicated | MS: 14 (max between 13 and 14)<br>NW: TRESP_MAC_DTM |
| FACCH/Half rate  | FACCH/Half rate                | MS: 10<br>NW: TRMIN                      | MS: 28 (max between 28 and 27)<br>NW: TRESP_MAC_Dedicated | MS: 19 (max between 18 and 19)<br>NW: TRESP_MAC_DTM |
| NOTE 1: these values account for the maximum amount of Radio Bearers multiplexed on a given logical channel, and the priorities of associated RLC/MAC blocks. For FACCH, it also accounts for the RLC/MAC control signalling related to the traffic on the TCH.                    |                                |  |   |   |
| NOTE 2: The combination TCH/H – FACCH/H is not supported.  |                                |  |   |   |
| NOTE 3: "max between n and m" is to account for the shift of the start of the FACCH block where the response is sent, that occurs depending on the end of the TCH/FACCH block where the request was sent. (due to a different number of idle/SACCH frames included in the counts). |                                |  |   |   |

## 9.2.2 Transfer of RLC/MAC blocks on TCH

One and only one TBF in TCH TBF mode may be mapped onto a TCH.

No RLC/MAC control blocks shall be sent on TCH. RLC/MAC control blocks belonging to a TBF in TCH TBF mode operating in NT-RLC mode shall be sent on FACCH with Payload Type= (PT) "10". No RLC/MAC control block shall be sent on FACCH if the corresponding TCH is occupied by a TBF operating in T-RLC mode unless this RLC/MAC control block belongs to a TBF in DCCH TBF mode mapped on this FACCH.

RLC/MAC blocks shall be transmitted with the following priority (highest priority first):

- RLC/MAC blocks on FACCH, except Packet Uplink/Downlink Dummy Control Blocks;
- RLC data blocks on TCH;
- RLC/MAC control blocks on FACCH containing Packet Uplink/Downlink Dummy Control Blocks.

## 9.2.3 Transfer of RLC/MAC blocks on FACCH, SACCH and SDCCH

A TBF associated with a URB may operate in DCCH TBF mode but shall not be mapped on SACCH.

On SACCH, MAC shall ensure the following as long as there is data to send for SRB1, and SRB3 and/or SRB4:

- every second RLC/MAC block sent on SACCH shall belong to SRB1, and the other to SRB3 or SRB4, and
- every second RLC/MAC block belonging to SRB1 shall be discarded, the other shall be sent on SACCH.

All RLC data blocks belonging to a TBF in DCCH TBF mode shall be encoded using CS-1.

The mobile station shall attempt to decode every downlink RLC/MAC block on FACCH, SACCH or SDCCH.

Whenever the mobile station receives an RLC/MAC block containing an RLC/MAC control block, the mobile station shall attempt to interpret the message contained therein, and shall act on it.

Each RLC data block sent on FACCH, SACCH or SDCCH shall contain a Reduced Radio Bearer identity (RRBid) field corresponding to the radio bearer to which the RLC data block belongs.

On SDCCH, all the RLC data blocks of an uplink TBF shall each contain a G-RNTI field in the RLC data block header until contention resolution is completed on the mobile station side (see subclause 7.2.3.3.2.3). After the reaction time specified in 3GPP TS 45.010 no other RLC data blocks shall contain a G-RNTI field, except for those retransmitted RLC data blocks that originally contained a G-RNTI, which will be repeated including the same G-RNTI.

RLC/MAC blocks shall be transmitted with the following priority (highest priority first):

- RLC/MAC control blocks with a Payload Type (PT) = "01" i.e. related to a TBF in DCCH TBF mode, except Packet Uplink/Downlink Dummy Control blocks;
- RLC data blocks containing a piggy-backed acknowledgement;
- RLC/MAC control blocks with a Payload Type (PT) = "10" i.e. related to a TBF in TCH TBF mode, except Packet Uplink/Downlink Dummy Control blocks;
- RLC data blocks not containing a piggy-backed acknowledgement;
- RLC/MAC control blocks containing Packet Uplink/Downlink Dummy Control Blocks.

## 9.2.4 Transfer of RLC/MAC blocks on PDTCH

### 9.2.4.1 General

See clause 8.

### 9.2.4.2 Scheduling an inactive TBF on a DBPSCH

When a previously inactive TBF has data to send, the mobile station shall send one RLC data block for this TBF the next time the network schedules any of the mobile station's TBFs using the assigned USFs. This RLC data block shall not be sent in a block that has been reserved for sending a RLC/MAC control message via the RRBp field. On sending a RLC data block on a radio block that has been stolen by this mechanism, the mobile station start timer T3194 for the associated radio bearer. The mobile station shall stop timer T3194 on receipt of the USF for this radio bearer. The mobile station shall be able to steal further blocks from any of its scheduled TBFs, provided that no more than one block is stolen for a particular radio bearer during an interval defined by the duration of timer T3194. On expiry of timer T3194 the mobile station shall restart the timer unless it has expired four times, in which case the mobile station shall notify a link failure to the RRC layer.

## 9.3 PACKET CONTROL ACKNOWLEDGEMENT

Upon receipt by the mobile station of a polling request (see subclauses 12.7.4 and 12.9.3) within an RLC/MAC control message sent on a given logical channel, the mobile station shall send a corresponding PACKET CONTROL ACKNOWLEDGEMENT message within the next possible uplink occurrence on the same logical channel. The PACKET CONTROL ACKNOWLEDGEMENT message shall be formatted using the normal burst format. The next possible uplink occurrence is defined following the rules below:

- If the RLC/MAC control message is received on PACCH with a valid RRBp field as part of this RLC/MAC control message, the mobile station shall transmit a PACKET CONTROL ACKNOWLEDGEMENT message in the uplink radio block specified (see 3GPP TS 44.060 subclause 10.4.5)
- Otherwise, the mobile station shall send the PACKET CONTROL ACKNOWLEDGEMENT message following the requirements defined in subclause 9.2.1.2, considering the PACKET CONTROL ACKNOWLEDGEMENT message has higher priority than any other RLC/MAC control messages, and any RLC data block. Upon reception by the network of a PACKET CONTROL ACKNOWLEDGEMENT message that does not target a specific RLC entity, within the requirements defined in subclause 9.2.1.2, the network shall reset counter N3105. If the network does not receive a PACKET CONTROL ACKNOWLEDGEMENT message before the response time specified in subclause 9.2.1.2, it shall increment counter N3105. If counter N3105=N3105max, the network shall indicate a link failure to the RRC layer.

## 9.3a Handover Access and Physical Information

### 9.3a.1 Handover Access

During a handover, upon trigger from RRC through the HANOVER-Req primitive, the mobile station shall send a HANOVER ACCESS message containing the necessary handover reference value (see subclause 4.3.4) to the network on either FACCH, PACCH (on DBPSCH) or SDCCH. While the HANOVER ACCESS message is being sent on FACCH, PACCH (on DBPSCH) or SDCCH, the mobile station may send additional HANOVER ACCESS messages on SACCH. In this case, the HANOVER ACCESS message may be sent on any TDMA frame block (Bn) belonging to the allocated SACCH (see 3GPP TS 45.002). The mobile station shall not send any HANOVER ACCESS message on SACCH if no HANOVER ACCESS message is being sent on FACCH, PACCH or SDCCH.

Upon reception of a HANOVER ACCESS message by the network, the RRC shall be notified through the HANOVER-Ind primitive (see sub-clause 4.3.4) and the network shall then proceed as specified in 3GPP TS 44.118.

In case of non-synchronized cells (see 3GPP TS 44.118), no other RLC/MAC block than those containing the HANOVER ACCESS message shall be sent by the mobile station while the PHYSICAL INFORMATION message has not been received by this mobile station.

### 9.3a.2 Physical Information

During a handover, upon trigger from RRC layer through the PHYSICAL-INFO-Req primitive, the network shall send a PHYSICAL INFORMATION message containing the necessary timing advance value (see subclause 4.3.4) to the mobile station, on FACCH, PACCH (on DBPSCH) or SDCCH. The PHYSICAL INFORMATION message shall be ciphered if applicable i.e. if ciphering is started (see 3GPP TS 44.118).

Upon reception of a PHYSICAL INFORMATION message, the RRC shall be notified through the PHYSICAL-INFO-Ind primitive and the mobile station shall then proceed as specified in 3GPP TS 44.118.

## 9.4 Abnormal cases

- If the mobile station receives an RLC/MAC control message on a logical channel where this RLC/MAC control message is not allowed (see subclause 9.2.0), the mobile station shall ignore the message.
- If the mobile station receives an acknowledgement message (PACKET UPLINK ACK/NACK, PACKET DBPSCH UPLINK ACK/NACK) with missing mandatory fields, the mobile station shall notify the RRC layer, which shall in turn re-establish all RLC entities for the radio bearers currently established on the DBPSCH(s) and release the DBPSCH(s), as specified in 3GPP TS 44.118.
- If the mobile station receives an acknowledgement message (PACKET UPLINK ACK/NACK, PACKET DBPSCH UPLINK ACK/NACK) for a radio bearer that is either not established on the DBPSCH(s) or for which no data has been sent in the direction of the acknowledgement on the DBPSCH(s), the mobile station shall notify the RRC layer, which shall in turn re-establish all RLC entities for the radio bearers currently established on the DBPSCH(s) and release the DBPSCH(s), as specified in 3GPP TS 44.118.

---

## 10 Radio Link Control (RLC) procedures on PDTCH and PACCH

### 10.1 General

See 3GPP TS 44.060 subclause 9.0.

## 10.2 Procedures and parameters for peer-to-peer operation

### 10.2.1 Send state variable V(S)

See 3GPP TS 44.060 subclause 9.1.1.

### 10.2.2 Control send state variable V(CS)

See 3GPP TS 44.060 subclause 9.1.1a.

### 10.2.3 Acknowledge state variable V(A)

See 3GPP TS 44.060 subclause 9.1.2.

### 10.2.4 Acknowledge state array V(B)

See 3GPP TS 44.060 subclause 9.1.3.

### 10.2.5 Block sequence number BSN

See 3GPP TS 44.060 subclause 9.1.4.

### 10.2.6 Receive state variable V(R)

See 3GPP TS 44.060 subclause 9.1.5.

### 10.2.7 Receive window state variable V(Q)

See 3GPP TS 44.060 subclause 9.1.6.

### 10.2.8 Receive state array V(N)

See 3GPP TS 44.060 subclause 9.1.7.

### 10.2.9 Starting sequence number (SSN) and received block bitmap (RBB)

See 3GPP TS 44.060 subclause 9.1.8.

### 10.2.10 Window Size

See 3GPP TS 44.060 subclause 9.1.9.

#### 10.2.10a RLC buffer

The mobile station shall support one RLC buffer per direction (uplink and downlink). The RLC buffer in a given direction represents the amount of physical memory the mobile station shall support in this direction for RLC PDUs from all RLC instances in the transmit (uplink) or receive (downlink) window(s). The RLC buffer is given as a number of RLC data blocks assuming the highest (modulation and) coding scheme supported by the mobile station in this direction. The RLC buffer shall be as follows:

- A mobile station supporting GPRS (not supporting EGPRS) shall support a RLC buffer of size 64 in both uplink and downlink directions
- A mobile station supporting EGPRS shall support RLC buffers as defined in the table below

**Table 10.2.10a: RLC buffer in a given direction**

| RLC buffer (see note 2)  | Maximum amount of timeslots the MS can support in this direction (see note 1) |     |     |     |     |     |     |      |
|--|---|-----|-----|-----|-----|-----|-----|------|
|  | 1   | 2   | 3   | 4   | 5   | 6   | 7   | 8    |
|  | 192   | 256 | 384 | 512 | 640 | 768 | 896 | 1024 |
| NOTE 1: See 3GPP TS 45.002 for multislot classes   |   |     |     |     |     |     |     |      |
| NOTE 2: E.g. an EGPRS capable mobile station able to support up to 5 timeslots in downlink direction shall support a downlink RLC buffer that accommodates 640 RLC data blocks using MCS-9 |   |     |     |     |     |     |     |      |

NOTE: The total amount of RLC window size obtained by adding the RLC window size of each of the RLC instances running in the mobile station in a given direction may be larger than the mobile station's RLC buffer in this direction.

### 10.2.11 Compression

See 3GPP TS 44.060 subclause 9.1.10.

### 10.2.12 Segmentation of upper layer PDUs into RLC data units

See 3GPP TS 44.060 subclause 9.1.11.

If so ordered by RRC for a given signalling radio bearer using RLC acknowledged mode, in order to assure duplication avoidance at higher layer, RLC shall guarantee that no more than three upper layer PDUs shall be outstanding in the transmit window at any given time: there may be at most three upper layer PDUs that are being transmitted i.e. that have been segmented and for which the RLC PDUs are being transferred to the receiving end.

If so ordered by RRC (CRLC-CONFIG-Req primitive), the RLC transmitter may discard:

- in RLC acknowledged mode, RLC SDU(s) not yet segmented into RLC PDUs. The RLC transmitter shall notify the higher layer of all discarded RLC SDUs, if indicated (RLC-AM-DATA-DiscardReq primitive).
- in RLC unacknowledged mode, RLC SDU(s).

### 10.2.13 Re-assembly of upper layer PDUs from RLC data units

See 3GPP TS 44.060 subclause 9.1.12.

### 10.2.14 Segmentation of RLC/MAC control messages into RLC/MAC control blocks

See 3GPP TS 44.060 subclause 9.1.12a.

### 10.2.15 Re-assembly of RLC/MAC control messages from RLC/MAC control blocks

See 3GPP TS 44.060 subclause 9.1.12b.

## 10.3 Operation during RLC/MAC control message transfer

See 3GPP TS 44.060 subclause 9.2.

## 10.4 Operation during RLC data block transfer

### 10.4.1 General

See 3GPP TS 44.060 subclause 9.3.0.

### 10.4.2 Countdown procedure

See 3GPP TS 44.060 subclause 9.3.1.

The countdown value that is included in each uplink RLC data block by the mobile station shall correspond to the RLC instance to which the RLC data block belongs. In case SFACCH is used, a TBF shall have a countdown value for each of the RLC instances multiplexed onto the TBF.

### 10.4.3 Delayed release of downlink Temporary Block Flow

This procedure is applicable in MAC-Shared state and in MAC-DTM state, on SBPSCH only. See 3GPP TS 44.060 subclause 9.3.1a.

### 10.4.4 Extended uplink TBF mode

This procedure is applicable in MAC-Shared state and in MAC-DTM state, on SBPSCH only.

See 3GPP TS 44.060 subclause 9.3.1b.

### 10.4.5 Acknowledged mode operation

#### 10.4.5.1 General

See 3GPP TS 44.060 subclause 9.3.2.0.

#### 10.4.5.2 Additional functionality in acknowledged EGPRS TBF Mode

See 3GPP TS 44.060 subclause 9.3.2.1.

#### 10.4.5.3 Establishment of Temporary Block Flow

The establishment of a TBF occurs as described in clause 7. RLC functions related to the ARQ function shall not operate until RLC data block transfer has been initiated.

If for a given radio bearer, the uplink TBF ended with an incompletely transmitted upper layer PDU or any unacknowledged upper layer PDUs, the mobile station shall begin transmission on the new TBF corresponding to this radio bearer with the oldest unacknowledged upper layer PDU.

#### 10.4.5.4 Operation of uplink Temporary Block Flow

See 3GPP TS 44.060 subclause 9.3.2.3.

#### 10.4.5.5 Release of uplink Temporary Block Flow

See 3GPP TS 44.060 subclause 9.3.2.4.

#### 10.4.5.6 Operation of downlink Temporary Block Flow

See 3GPP TS 44.060 subclause 9.3.2.5.

#### 10.4.5.7 Release of downlink Temporary Block Flow

See 3GPP TS 44.060 subclause 9.3.2.6.

### 10.4.6 Unacknowledged mode operation

#### 10.4.6.1 General

See 3GPP TS 44.060 subclause 9.3.3.0.

#### 10.4.6.2 Establishment of Temporary Block Flow

If for a given radio bearer, the uplink TBF ended with an incompletely transmitted upper layer PDU, the mobile station shall begin transmission on the new TBF corresponding to this radio bearer with the last incompletely transmitted upper layer PDU.

#### 10.4.6.3 Operation of uplink Temporary Block Flow

See 3GPP TS 44.060 subclause 9.3.3.2.

#### 10.4.6.4 Release of uplink Temporary Block Flow

See 3GPP TS 44.060 subclause 9.3.3.3.

#### 10.4.6.5 Operation of downlink Temporary Block Flow

See 3GPP TS 44.060 subclause 9.3.3.4.

#### 10.4.6.6 Release of downlink Temporary Block Flow

See 3GPP TS 44.060 subclause 9.3.3.5.

## 10.5 Abnormal release cases

### 10.5.1 Abnormal release with access retry

Abnormal release with access retry is described in subclause 8.8.3. It is applicable in MAC-Shared state and in MAC-DTM state, on SBPSCH only.

### 10.5.2 Abnormal release with cell reselection

Abnormal release with cell reselection is applicable in MAC-Shared state only.

See 3GPP TS 44.060 subclause 9.4.2.

## 10.6 Uplink TBF release in extended uplink TBF mode

This procedure is applicable in MAC-Shared state and in MAC-DTM state, on SBPSCH only.

In the extended uplink TBF mode (see subclause 10.4.4), the network may initiate the release an uplink TBF by sending a PACKET UPLINK ACK/NACK message with the Final Ack Indicator set to '1'. The network shall include a valid RRB field in the RLC/MAC control block header and clear counter N3103. The network may use the TBF Est field in the PACKET UPLINK ACK/NACK message to allow the mobile station to request the establishment of new TBF. The release of the uplink TBF, using this procedure, may be initiated at a point determined by the network.

If the PACKET UPLINK ACK/NACK message has the Final Ack Indicator bit set to '1' and the following conditions are fulfilled: TBF Est field is set to '1'; the mobile station has new data to transmit; the mobile station has no ongoing



downlink TBF, the mobile station shall release the TBF and may request the establishment of new TBF using one of the following procedures:

- If Control Ack Type parameter in System Information indicates acknowledgement is access burst, the mobile station shall transmit the PACKET CONTROL ACKNOWLEDGEMENT message with the Ctrl Ack bits set to '00'. The mobile station shall start timer T3168 and continue to monitor the PDCH used for transmitting the PACKET CONTROL ACKNOWLEDGEMENT message. The mobile station shall stop timer T3168 upon reception of the PACKET UPLINK ASSIGNMENT message including Single Block Allocation structure or the PACKET ACCESS REJECT message. The mobile station shall use the same procedures as are used for TBF establishment using two phase access described in subclause 7.2.4 starting from the point where the mobile station receives the PACKET UPLINK ASSIGNMENT message including Single Block Allocation structure or the PACKET ACCESS REJECT message.
- If Control Ack Type parameter in System Information indicates acknowledgement is RLC/MAC control block, the mobile station shall transmit the PACKET RESOURCE REQUEST message and start timer T3168. The mobile station shall use the same procedures as are used for TBF establishment using two phase access described in subclause 7.2.4 starting from the point where the mobile station transmits the PACKET RESOURCE REQUEST message.

If the PACKET UPLINK ACK/NACK message has the Final Ack Indicator bit set to '1' and the mobile station does not initiate the establishment of a new uplink TBF according to one of the procedures described above, the mobile station shall transmit the PACKET CONTROL ACKNOWLEDGEMENT message and release the TBF. If there is no ongoing downlink TBF, the mobile station in MAC-Shared state shall return to respectively MAC-Idle state; the mobile station in MAC-DTM state shall return to MAC-Dedicated state. The DRX mode procedures shall be applied as specified in subclause 5.4.1.8.

When the network receives the PACKET CONTROL ACKNOWLEDGEMENT message or the PACKET RESOURCE REQUEST message in the radio block indicated by the RRBp field, it may reuse the TFI and USF resources.

If the network receives the PACKET CONTROL ACKNOWLEDGEMENT message with Ctrl Ack bits set to '00' or the PACKET RESOURCE REQUEST message in the radio block indicated by the RRBp field and the network has set the TBF Est field to '1' in the PACKET UPLINK ACK/NACK message, the network shall follow one of the following procedures:

- In case the mobile station requested the establishment of new TBF with the PACKET CONTROL ACKNOWLEDGEMENT message, the network shall respond to the mobile station with the PACKET UPLINK ASSIGNMENT message including Single Block Allocation structure or the PACKET ACCESS REJECT message on the same PDCH as the mobile station has sent the PACKET CONTROL ACKNOWLEDGEMENT message. The G-RNTI shall be used to identify the mobile station. The network shall use the same procedures as are used for TBF establishment using two phase access described in subclause 7.2.4 starting from the point where the network transmits the PACKET UPLINK ASSIGNMENT message including Single Block Allocation structure or the PACKET ACCESS REJECT message.
- In case the mobile station requested the establishment of new TBF with the PACKET RESOURCE REQUEST message, the network shall use the same procedures as are used for TBF establishment using two phase access described in subclause 7.2.4 starting from the point where the network has received the PACKET RESOURCE REQUEST message. The G-RNTI shall be used to identify the mobile station.

If the network does not receive the PACKET CONTROL ACKNOWLEDGEMENT message or the PACKET RESOURCE REQUEST message in the radio block indicated by the RRBp field, it shall increment counter N3103 and retransmit the PACKET UPLINK ACK/NACK message. If counter N3103 exceeds its limit, the network shall stop scheduling new uplink resources for the TBF, stop sending the PACKET UPLINK ACK/NACK message to the mobile station and start timer T3169.

When timer T3169 expires, the network may reuse the TFI and USF resources.

If for a given radio bearer the uplink TBF was operating in RLC acknowledged mode and there is an incompletely transmitted upper layer PDU or an upper layer PDU, which is not fully acknowledged, it shall be transmitted after establishing a new uplink TBF for this radio bearer.

# 11 Radio Link Control (RLC) procedures on TCH, FACCH, SACCH and SDCCH

## 11.1 General

This subclause describes the RLC procedures in TCH TBF mode and DCCH TBF mode applicable in MAC-Dedicated state and MAC-DTM state. Unless explicitly stated otherwise, the procedures and parameters in this subclause are not applicable in T-RLC mode.

In TCH TBF mode, the following definitions apply in NT-RLC mode only:

- Sequence Number Space (SNS): 256.
- Window Size (WS): 128.

In DCCH TBF mode, the following definitions apply:

- Sequence Number Space (SNS): 16.
- Window Size (WS): 8.

## 11.2 Procedures and parameters for peer-to-peer operation

### 11.2.1 Send state variable V(S)

See 3GPP TS 44.060 subclause 9.1.1.

### 11.2.2 Control send state variable V(CS)

See 3GPP TS 44.060 subclause 9.1.1a.

### 11.2.3 Acknowledge state variable V(A)

See 3GPP TS 44.060 subclause 9.1.2.

### 11.2.4 Acknowledge state array V(B)

In RLC acknowledged mode, each RLC endpoint transmitter shall have an associated acknowledge state array (V(B)). V(B) is an array of SNS elements indicating the acknowledgement status of WS previous RLC data blocks. The array is indexed relative to the acknowledge state variable V(A) modulo SNS. The values of V(B) shall be updated from the latest values received from its peer in the received block bitmap (RBB) of either the piggy-backed acknowledgement (DCCH TBF mode only) or the Packet Ack/Nack message (DCCH TBF mode or TCH TBF mode) (see subclause 11.2.10).

The transmitter shall transmit the oldest RLC data block whose corresponding element in V(B) indexed relative to V(A) has the value NACKED. As each RLC data block is transmitted the corresponding element in V(B) is set to the value PENDING\_ACK.

If  $[V(S) < V(A) + WS]$  modulo SNS and no RLC data blocks have a corresponding element in V(B) with the value NACKED, the RLC data block with  $BSN = V(S)$  shall be transmitted and the corresponding element in V(B) shall be set to the value PENDING\_ACK. If there are no further RLC data blocks available for transmission (i.e. the RLC data block with  $BSN = V(S)$  does not exist), the sending side shall transmit the oldest RLC data block whose corresponding element in V(B) has the value PENDING\_ACK, then the next oldest block whose corresponding element in V(B) has the value PENDING\_ACK, etc. If all RLC data blocks whose corresponding element in V(B) has the value PENDING\_ACK have been transmitted once, the process shall be repeated beginning with the oldest RLC data block.

If  $V(S) = V(A) + WS$  modulo SNS (i.e. the transmit window is stalled), the sending side shall transmit the oldest RLC data block whose corresponding element in V(B) has the value PENDING\_ACK, then the next oldest RLC data block

whose corresponding element in  $V(B)$  has the value PENDING\_ACK, etc. If all RLC data blocks whose corresponding element in  $V(B)$  has the value PENDING\_ACK have been transmitted once, the process shall be repeated beginning with the oldest RLC data block. This process of transmitting the oldest RLC data blocks whose value in  $V(B)$  has the value PENDING\_ACK shall continue, as long as equation  $[V(S)=V(A)+WS]$  modulo SNS holds.

When an element in  $V(B)$  falls outside of the active transmit window, i.e.  $[V(A) \leq BSN < V(S)]$  modulo SNS, the element shall be set to the value INVALID.

If  $V(S) = V(A)$  and there is no RLC data block with  $BSN = V(S)$  available, the mobile station shall stop sending RLC data blocks. The mobile station shall continue sending RLC data blocks when a RLC data block with  $BSN = V(S)$  is available.

## 11.2.5 Block sequence number BSN

### 11.2.5.1 Block sequence number for TCH TBF mode

Each RLC data block contains a block sequence number (BSN) field that is 8 bits in length. At the time that an in-sequence RLC data block is designated for transmission, the value of BSN is set equal to the value of the send state variable  $V(S)$ .

### 11.2.5.2 Block sequence number for DCCH TBF mode

Each RLC data block contains a block sequence number (BSN) field that is 4 bits in length. At the time that an in-sequence RLC data block is designated for transmission, the value of BSN is set equal to the value of the send state variable  $V(S)$ .

## 11.2.6 Reduced block sequence number RBSN

See 3GPP TS 44.060 subclause 9.1.4a.

## 11.2.7 Receive state variable $V(R)$

See 3GPP TS 44.060 subclause 9.1.5.

## 11.2.8 Receive window state variable $V(Q)$

See 3GPP TS 44.060 subclause 9.1.6.

## 11.2.9 Receive state array $V(N)$

See 3GPP TS 44.060 subclause 9.1.7.1.

## 11.2.10 Starting sequence number (SSN) and received block bitmap (RBB)

The Ack/Nack description IE contains a starting sequence number (SSN) and a received block bitmap (RBB). The Ack/Nack description IE is sent by the RLC receiver in a Packet Ack/Nack message (TCH TBF mode and DCCH TBF mode) or by piggy-backing within RLC data blocks (DCCH TBF mode) and is received by the RLC transmitter. The SSN and RBB are determined as defined in this subclause and transmitted in both RLC acknowledged and RLC unacknowledged mode. The SSN and RBB may be ignored by the RLC transmitter in unacknowledged mode.

The RBB is defined as a binary valued array of WS elements, where the index of each element takes value 0, 1, 2, ..., WS-1 in the given order, respectively. The BSN values specified in the RBB are interpreted by subtracting the bit position in the bitmap from the starting sequence number (SSN) modulo SNS.

A valid BSN value in the RBB is one that is in the range  $[V(A) \leq BSN < V(S)]$  modulo SNS.

These inequalities shall be interpreted in the following way:

BSN is valid if, and only if,  $[BSN - V(A)]$  modulo SNS  $< [V(S) - V(A)]$  modulo SNS.

At the RLC transmitter:

- For each bit in the RBB whose corresponding BSN value is within the transmit window, if the bit contains the value '1', the corresponding element in V(B) indexed relative to SSN shall be set to the value ACKED. If the bit contains the value '0', the element in V(B) shall be set to the value NACKED. A bit within the RBB whose corresponding BSN is not within the transmit window, shall be ignored. If the bit contains the value '0', the last burst of the corresponding RLC data block has been physically transmitted in the TDMA frame number FNcomm, and the first burst carrying a segment of the PACKET DBPSCH UPLINK ACK/NACK or PACKET DBPSCH DOWNLINK ACK/NACK messages or of the piggy-backed acknowledgement has been physically transmitted in the TDMA frame number FNresp where  $FNresp < FNcomm + Trmin + 1$  (i.e. the RLC data block was recently (re)transmitted and thus can not be validly negatively acknowledged in this particular acknowledgement), the element in V(B) shall not be modified. See subclause 9.2.1.2 for the definition of Trmin.

At the RLC receiver:

- The starting sequence number (SSN) is assigned the value of the receive state variable V(R). The received block bitmap (RBB) is assigned the WS elements whose indices, with incrementing order, correspond to elements in the receive state array V(N) at the receiver whose indices, with decrementing order, range backwards from  $[V(R) - 1]$  to  $[V(R) - WS]$  (modulo SNS). For each bit in the bitmap, the bit is assigned the value '1' if the corresponding element in V(N) indexed relative to SSN has the value RECEIVED. The bit is assigned the value '0' if the element in V(N) has the value INVALID.
- When polled within a downlink RLC data block, the mobile station shall acknowledge all the RLC data blocks that have been correctly received up to and including the radio block where the mobile station is polled.
- As an implementation option, the mobile station may also acknowledge as many as possible of the RLC data blocks that are correctly received after the radio block where the mobile station is polled.

## 11.2.11 Window Size

### 11.2.11.1 TCH

For TCH TBF mode, the window size (WS) shall be 128.

### 11.2.11.2 FACCH, SACCH and SDCCH

For DCCH TBF mode, the window size (WS) shall be 8.

### 11.2.11a RLC buffer

See subclause 10.2.10b.

## 11.2.12 Segmentation of upper layer PDUs into RLC data units

See 3GPP TS 44.060 subclause 9.1.11.

Once an RLC data block has been transmitted over the physical link, should it be necessary to re-transmit the RLC data block, it shall be re-transmitted using the same channel coding scheme and BSN as it had in the previous transmission.

NOTE: The only coding scheme available in DCCH TBF mode is CS-1 coding.

If so ordered by RRC for a given signalling radio bearer using RLC acknowledged mode, in order to assure duplication avoidance at higher layer, RLC shall guarantee that no more than three upper layer PDUs shall be outstanding in the transmit window at any given time: there may be at most three upper layer PDUs that are being transmitted i.e. that have been segmented and for which the RLC PDUs are being transferred to the receiving end.

If so ordered by RRC (CRLC-CONFIG-Req primitive), the RLC transmitter may discard:

- in RLC acknowledged mode, RLC SDU(s) not yet segmented into RLC PDUs. The RLC transmitter shall notify the higher layer of all discarded RLC SDUs, if indicated (RLC-AM-DATA-DiscardReq primitive).
- in RLC unacknowledged mode, RLC SDU(s).

### 11.2.13 Re-assembly of upper layer PDUs from RLC data units

See 3GPP TS 44.060 subclause 9.1.12.

### 11.2.14 Segmentation of RLC/MAC control messages into RLC/MAC control blocks

See 3GPP TS 44.060 subclause 9.1.12a.

### 11.2.15 Re-assembly of RLC/MAC control messages from RLC/MAC control blocks

See 3GPP TS 44.060 subclause 9.1.12b:

NOTE: FFS: applicability of timer T3200.

## 11.3 Operation during RLC/MAC control message transfer

RLC/MAC control blocks shall be used to transport RLC/MAC control messages. Segments of only one RLC/MAC control message shall be transported per RLC/MAC control block.

RLC/MAC control blocks shall be sent at a higher priority than RLC data blocks.

The receiving side shall determine the length of the RLC/MAC control message contents by interpreting the RLC/MAC control block contents.

No general acknowledgement shall be made as part of the transfer of RLC/MAC control blocks or RLC/MAC control messages. The receiver shall not acknowledge an RLC/MAC control block except when it is polled by the transmitter as indicated by the polling (P) bit in the MAC header of this RLC/MAC control block. The receiver shall not acknowledge an RLC/MAC control message except when the RLC/MAC procedures explicitly specify an acknowledgement. Upon reception of a polling request, the receiver shall respond following the rules defined in subclause 9.2.3 and the requirements defined in subclause 9.2.1.2.

A RLC/MAC control block header, may contain a Radio Transaction Identifier (RTI) field that is 2 bits in length and performs in effect a modulo 4 count of the downlink RLC/MAC control messages sent on FACCH. The RTI field shall be used to group the RLC/MAC control blocks that make up an RLC/MAC control message. The RTI field allows the transmitting and receiving entities to distinguish between up to 4 RLC/MAC control messages in a single transmit direction therefore allowing up to 4 parallel transactions per FACCH.

The network shall not use the same RTI value at the same time on the same FACCH for two separate RLC/MAC control messages. The network shall transmit both segments of a segmented control message on the same FACCH.

## 11.4 Operation during RLC data block transfer

### 11.4.1 General

The RLC ARQ functions are applicable in NT-RLC mode only and support two modes of operation: RLC acknowledged mode and RLC unacknowledged mode. RLC acknowledged mode operation uses retransmission of RLC data blocks to achieve high reliability. RLC unacknowledged mode operation does not utilize retransmission of RLC data blocks. No ARQ function shall apply in T-RLC mode.

A TBF may operate in either RLC acknowledged mode, RLC unacknowledged mode or RLC transparent mode.

For a URB, the RLC mode of the corresponding TBF is set to either RLC acknowledged mode, RLC unacknowledged mode or RLC transparent mode at set-up of this particular URB by means of primitive exchange between RRC and RLC (CRLC-CONFIG) (see 3GPP TS 44.118).

For a SRB, the RLC mode of the corresponding TBF is set implicitly to the proper RLC mode, according to the identity of this particular SRB as follows:

- SRB1: RLC unacknowledged mode.
- SRB2, SRB3, SRB4: RLC acknowledged mode.

## 11.4.2 Acknowledged mode operation

### 11.4.2.1 General

The transfer of RLC data blocks in RLC acknowledged mode uses retransmissions of RLC data blocks. The transmitting side numbers the RLC data blocks via the block sequence number (BSN). The BSN is used for retransmission and for reassembly. The receiving side sends acknowledgement in order to request retransmission of RLC data blocks. The operation in RLC acknowledged mode shall be as described in subclause 11.2.

### 11.4.2.2 On TCH

#### 11.4.2.2.1 General

In TCH TBF mode, the transfer of RLC data blocks in RLC acknowledged mode is controlled by a selective type I ARQ mechanism coupled with the numbering of the RLC data blocks.

#### 11.4.2.2.2 Uplink

The selection of the proper channel coding scheme (E-TCH/F28.8, E-TCH/F32.0 and E-TCH/F43.2) is controlled by the network and ordered by RRC during radio bearer set-up and reconfiguration procedures (see 3GPP TS 44.118). The RLC/MAC block format used shall be the one corresponding to this channel coding scheme (see subclause 12.8).

The network shall send PACKET DBPSCH UPLINK ACK/NACK messages on FACCH when needed. The mobile station may poll the network for sending a PACKET DBPSCH UPLINK ACK/NACK message by setting the polling (P) bit in an uplink RLC data block. Upon reception by the network of a polling request, the network shall send a PACKET DBPSCH UPLINK ACK/NACK message for the corresponding RLC entity to the mobile station in the next possible downlink radio block on FACCH following the rules described in subclause 9.2.3 and the requirements defined in subclause 9.2.1.2. Upon reception by the mobile station of a PACKET DBPSCH UPLINK ACK/NACK message for this RLC entity, the mobile station shall reset counter N3106. If the mobile station does not receive any PACKET DBPSCH UPLINK ACK/NACK message for this RLC entity before the response time specified in subclause 9.2.1.2, the mobile station shall increment counter N3106. If counter  $N3106=N3106_{max}$ , the mobile station shall indicate a link failure to the RRC layer which in turn shall stop the corresponding RLC entity (see subclause 14.3 and 3GPP TS 44.118).

The mobile station shall indicate a transmit window stall condition when  $V(S)=V(A) + WS$ . Upon detecting a transmit window stall condition the mobile station shall set the Stall Indicator (SI) bit in all subsequent uplink RLC data block until the stall condition ceases to exist.

Upon detecting the stall condition the mobile station shall also start timer T3182. Timer T3182 shall be stopped upon reception of a PACKET DBPSCH UPLINK ACK/NACK message that makes  $V(S)<V(A)+WS$ . If timer T3182 expires, the mobile station shall notify a link failure to the RRC layer which in turn shall stop the corresponding RLC entity (see subclause 14.3 and 3GPP TS 44.118).

#### 11.4.2.2.3 Downlink

The mobile station receives RLC/MAC blocks for data transfer on TCH.

The selection of the proper channel coding scheme (E-TCH/F28.8, E-TCH/F32.0 and E-TCH/F43.2) is controlled by the network and ordered by RRC during radio bearer set-up and reconfiguration procedures (see 3GPP TS 44.118). The RLC/MAC block format used shall be the one corresponding to this channel coding scheme (see subclause 12.8). The network may poll the mobile station for sending a PACKET DBPSCH DOWNLINK ACK/NACK message by setting the polling (P) bit in a downlink RLC data block. Upon reception by the mobile station of a polling request, the mobile station shall send a PACKET DBPSCH DOWNLINK ACK/NACK message to the network for the corresponding RLC entity in the next possible uplink radio block on FACCH following the rules described in subclause 9.2.3 and the requirements defined in subclause 9.2.1.2. Upon reception by the network of a PACKET DBPSCH DOWNLINK ACK/NACK message for this RLC entity, the network shall reset counter N3107. If the network does not receive any

PACKET DBPSCH DOWNLINK ACK/NACK message for this RLC entity before the response time specified in subclause 9.2.1.2, the network shall increment counter N3107. If counter N3107=N3107max, the network shall indicate a link failure to the RRC layer which shall in turn stop the corresponding RLC entity (see subclause 14.3 and 3GPP TS 44.118).

### 11.4.2.3 On FACCH, SACCH or SDCCH

#### 11.4.2.3.1 General

In DCCH TBF mode, the transfer of RLC Data Blocks in RLC acknowledged mode is controlled by a selective type I ARQ mechanism coupled with the numbering of the RLC data blocks.

#### 11.4.2.3.2 Uplink

The mobile station shall transmit an RLC/MAC block in each assigned uplink radio block following the rules described in sub-clause 9.2.3. The network shall send acknowledgement when needed. The mobile station may poll the network for sending an acknowledgement by setting the polling (P) bit in an uplink RLC data block. Upon reception by the network of a polling request, the network shall send an acknowledgement (PACKET DBPSCH UPLINK ACK/NACK message or piggy-backed acknowledgement) to the mobile station for the corresponding RLC entity in the next possible downlink radio block following the rules defined in sub-clause 9.2.3 and the requirements defined in sub-clause 9.2.1.2. Piggy-backing of acknowledgement is possible following the rules below:

- If on the corresponding logical channel an RLC data block is scheduled for transmission in the next radio block:
  - if this RLC data block is an initial transmission, the acknowledgement shall be piggy-backed within this RLC data block;
  - if this RLC data block is a retransmission of an RLC data block wherein an acknowledgement was initially piggy-backed, the acknowledgement shall be piggy-backed within this retransmitted RLC data block.
- Otherwise a PACKET DBPSCH UPLINK ACK/NACK message shall be sent.

Upon reception by the mobile station of a acknowledgement for this RLC entity, the mobile station shall reset counter N3106. If the mobile station does not receive any acknowledgement for this RLC entity before the response time specified in subclause 9.2.1.2, the mobile station shall increment counter N3106. If N3106=N3106max, the mobile station shall indicate a link failure to the RRC layer which in turn shall stop the corresponding RLC entity (see subclause 14.3 and 3GPP TS 44.118).

The mobile station shall indicate a transmit window stall condition when  $V(S) = V(A) + WS$ . Upon detecting a transmit window stall condition, the mobile station shall set the Stall indicator (SI) bit in all subsequent uplink RLC data block until the stall condition ceases to exist.

Upon detecting the stall condition the mobile station shall also start timer T3182. Timer T3182 shall be stopped upon reception of a PACKET DBPSCH UPLINK ACK/NACK message that makes  $V(S) < V(A) + WS$ . If timer T3182 expires, the mobile station shall notify a link failure to the RRC layer which in turn shall stop the corresponding RLC entity (see subclause 14.3 and 3GPP TS 44.118).

#### 11.4.2.3.3 Downlink

The mobile station shall be able to receive RLC/MAC blocks in RLC acknowledged mode on FACCH, SACCH and SDCCH. The mobile station shall, in the RLC/MAC header, identify the RRBid and decode the RLC data blocks belonging to the corresponding radio bearer.

The network may poll the mobile station for sending an acknowledgement by setting the polling (P) bit in a downlink RLC data block. Upon reception by the mobile station of a polling request, the mobile station shall send an acknowledgement (PACKET DBPSCH DOWNLINK ACK/NACK message or piggy-backed acknowledgement) for the corresponding RLC entity to the network in the next possible uplink radio block following the rules defined in subclause 9.2.3 and the requirements defined in subclause 9.2.1.2. Piggy-backing of acknowledgement is possible following the rules below:

- If on the corresponding logical channel an RLC data block is scheduled for transmission in the next radio block:

- if this RLC data block is an initial transmission, the acknowledgement shall be piggy-backed within this RLC data block.
- if this RLC data block is a retransmission of an RLC data block wherein an acknowledgement was initially piggy-backed, the acknowledgement shall be piggy-backed within this retransmitted RLC data block.
- Otherwise a PACKET DBPSCH DOWNLINK ACK/NACK message shall be sent.

Upon reception by the network of an acknowledgement for this RLC entity, the network shall reset counter N3107. If the network does not receive any acknowledgement for this RLC entity before the response time specified in subclause 9.2.1.2, the network shall increment counter N3107. If counter  $N3107=N3107_{max}$ , the network shall indicate a link failure to the RRC layer which shall in turn stop the corresponding RLC entity (see subclause 14.3 and 3GPP TS 44.118).

## 11.4.3 Unacknowledged mode operation

### 11.4.3.1 General

The transfer of RLC data blocks in RLC unacknowledged mode does not include any retransmissions. The block sequence number (BSN) in the RLC data block header is used to number the RLC data blocks for reassembly. The operation in RLC unacknowledged mode shall be as described in subclause 11.2.

### 11.4.3.2 On TCH

#### 11.4.3.2.1 Uplink

The network shall send acknowledgements when needed.

The mobile station shall set the Stall Indicator (SI) bit to "0" in all RLC data blocks.

If the mobile station transmits the number of RLC data blocks corresponding to the RLC window size (WS) (i.e. the mobile station's transmit window is stalled), the mobile station shall start timer T3182. Timer T3182 shall be stopped upon reception of a PACKET DBPSCH UPLINK ACK/NACK message targeting this RLC entity. If timer T3182 expires, the mobile station shall notify a link failure to the RRC layer which shall in turn stop the corresponding RLC entity.

#### 11.4.3.2.2 Downlink

The network may poll the mobile station for sending a PACKET CONTROL ACKNOWLEDGEMENT message by setting the polling (P) bit in a downlink RLC data block in order to detect possible link failures. Upon reception by the mobile station of a polling request, the mobile station shall send a PACKET CONTROL ACKNOWLEDGEMENT message for the corresponding RLC entity to the network in the next possible uplink radio block following the rules defined in subclause 9.2.3 and the requirements defined in subclause 9.2.1.2. The PACKET CONTROL ACKNOWLEDGEMENT message shall be formatted using the normal burst format. Upon reception by the network of a PACKET CONTROL ACKNOWLEDGEMENT message for this RLC entity, the network shall reset counter N3107. If the network does not receive any PACKET CONTROL ACKNOWLEDGEMENT message for this RLC entity before the response time specified in subclause 9.2.1.2, the network shall increment counter N3107. If counter  $N3107=N3107_{max}$ , the network shall indicate a link failure to the RRC layer which shall in turn stop the corresponding RLC entity (see subclause 14.3 and 3GPP TS 44.118).

### 11.4.3.3 On FACCH, SACCH or SDCCH

#### 11.4.3.3.1 Uplink

The network shall send acknowledgements when needed.

The mobile station shall set the Stall indicator (SI) bit to '0' in all RLC data blocks.

If the mobile station transmits the number of RLC data blocks corresponding to the RLC window size (WS) (i.e. if the mobile station's transmit window is stalled), the mobile station shall start timer T3182. Timer T3182 shall be stopped



upon reception of an acknowledgement (piggy-backing or PACKET DBPSCH UPLINK ACK/NACK message) targetting this RLC entity. If timer T3182 expires, the mobile station shall notify a link failure to the RRC layer which shall in turn stop the corresponding RLC entity.

#### 11.4.3.3.2 Downlink

The mobile station shall be able to receive RLC/MAC blocks in RLC unacknowledged mode on FACCH, SACCH and SDCCCH. The mobile station shall, in the RLC/MAC header, identify the RRBid and decode the RLC data blocks belonging to the corresponding radio bearer.

The network may poll the mobile station for sending a PACKET CONTROL ACKNOWLEDGEMENT message by setting the polling (P) bit in a downlink RLC data block, in order to detect possible radio link failures. Upon reception by the mobile station of a polling request, the mobile station shall send a PACKET CONTROL ACKNOWLEDGEMENT message for the corresponding RLC entity to the network in the next possible uplink radio block following the rules defined in subclause 9.2.3 and the requirements defined in subclause 9.2.1.2. The PACKET CONTROL ACKNOWLEDGEMENT message shall be formatted using the normal burst format. Upon reception by the network of a PACKET CONTROL ACKNOWLEDGEMENT message for this RLC entity, the network shall stop reset counter N3107. If the network does not receive any PACKET CONTROL ACKNOWLEDGEMENT for this RLC entity before the response time specified in subclause 9.2.1.2, the network shall increment counter N3107. If counter  $N3107=N3107_{max}$ , the network shall indicate a link failure to the RRC layer which shall in turn stop the corresponding RLC entity (see subclause 14.3 and 3GPP TS 44.118).

#### 11.4.4 Transparent mode operation (TCH TBF mode only)

When operating in transparent mode, the RLC protocol has no functionality. The incoming RLC SDUs are transferred to the MAC layer without being altered. No upper layer protocol information is removed. No RLC protocol information is added.

---

## 12 RLC/MAC block structure

### 12.1 RLC/MAC block structure

See 3GPP TS 44.060 subclause 10.0a.

### 12.2 RLC/MAC block format conventions

See 3GPP TS 44.060 subclause 10.0b.

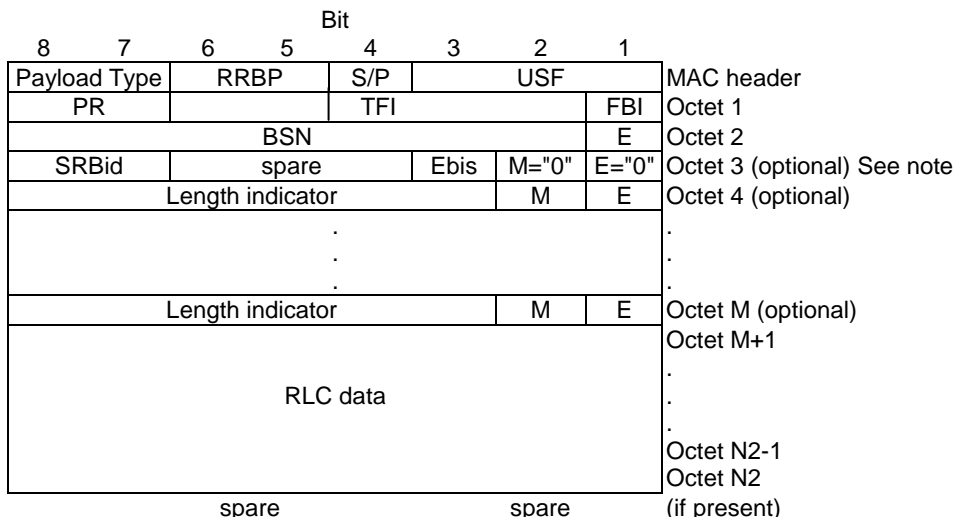
### 12.3 Spare bits

See 3GPP TS 44.060 subclause 10.1.

### 12.4 GPRS RLC data blocks (PDTCH)

#### 12.4.1 Downlink RLC data block

The Downlink RLC data block together with its MAC header is formatted as shown in figure 12.4.1.1.

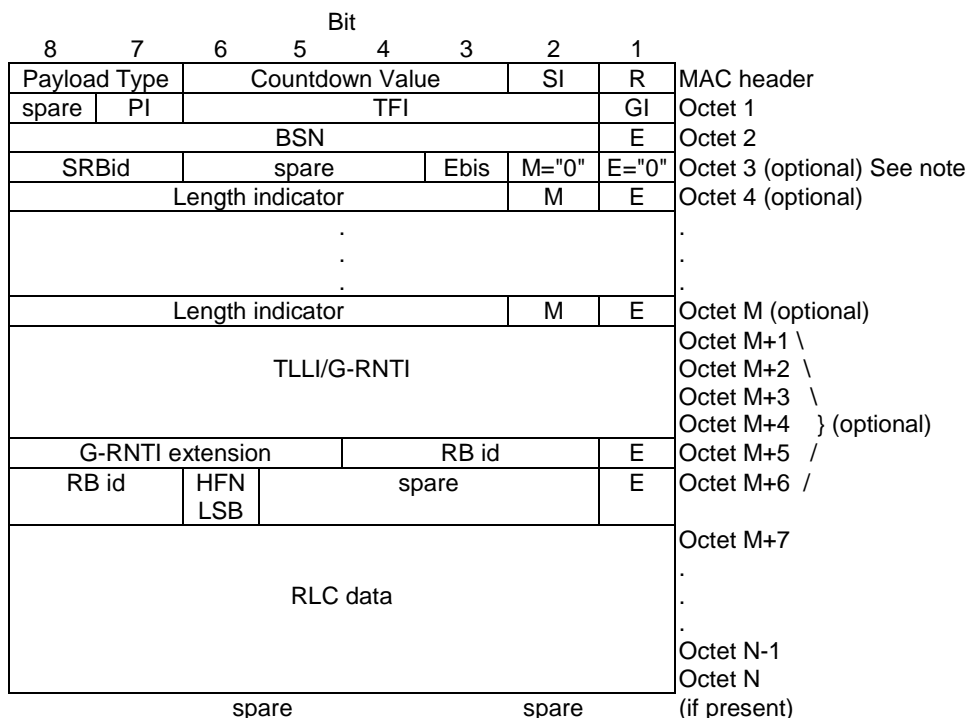


NOTE: This octet is present only in case the RLC data block is sent on SFACCH.

**Figure 12.4.1.1: Downlink RLC data block with MAC header**

### 12.4.2 Uplink RLC data block

The Uplink RLC data block together with its MAC header is formatted as shown in figure 12.4.2.1.



NOTE: This octet is present only in case the RLC data block is sent on SFACCH.

**Figure 12.4.2.1: Uplink RLC data block with MAC header**

## 12.5 RLC/MAC control blocks (PACCH)

See 3GPP TS 44.060 subclause 10.3.

## 12.6 EGPRS RLC data blocks and RLC/MAC headers (PDTCH)

### 12.6.1 General

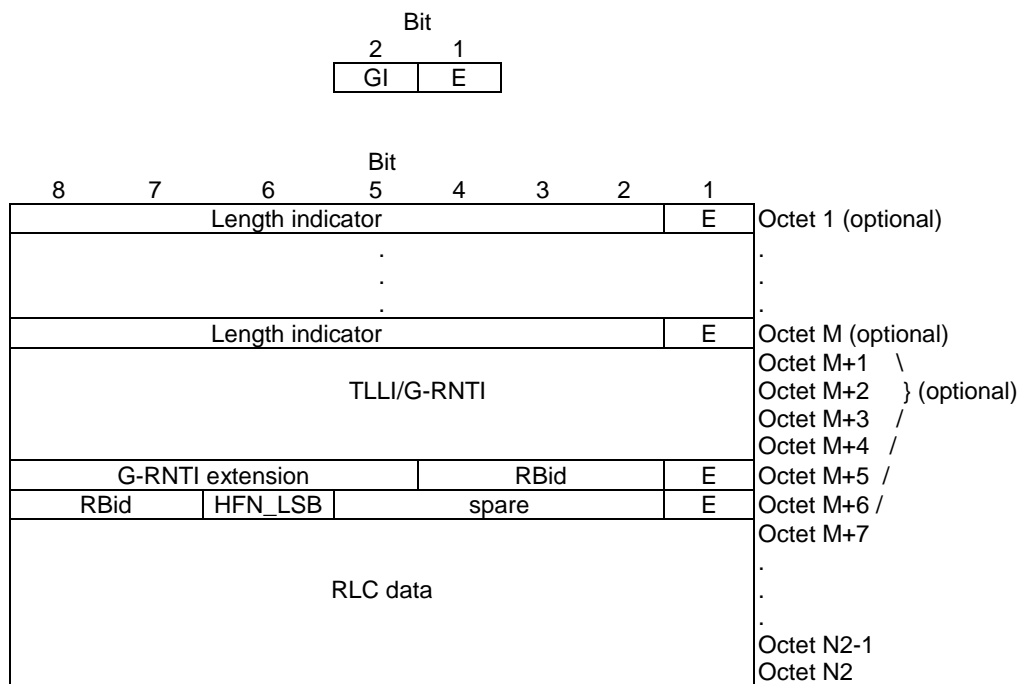
See 3GPP TS 44.060 subclause 10.3a.0.

### 12.6.2 EGPRS downlink RLC data block

See 3GPP TS 44.060 subclause 10.3a.1.

### 12.6.3 EGPRS uplink RLC data block

The EGPRS uplink RLC data block is formatted according to figure 12.6.3.1.



NOTE: The field mapping convention for EGPRS (see 3GPP TS 44.060 subclause 10.0b.3.2) applies. According to that, in particular regarding the TLLI/G-RNTI field, the *least significant octet* of the TLLI/G-RNTI value shall be mapped on octet M+1 and the *most significant octet* of the TLLI/G-RNTI value shall be mapped on octet M+4 of the uplink EGPRS RLC data block.

**Figure 12.6.3.1: Uplink EGPRS RLC data block**

### 12.6.4 EGPRS downlink RLC/MAC header

See 3GPP TS 44.060 subclause 10.3a.3.

### 12.6.5 EGPRS uplink RLC/MAC header

See 3GPP TS 44.060 subclause 10.3a.4.

## 12.7 RLC/MAC block formats on FACCH, SACCH and SDCCH

### 12.7.1 RLC/MAC block

The size of an RLC/MAC block on FACCH and SDCCH is 23 octets. On SACCH, it is 21 octets, due to a 2 octets physical layer header (see 3GPP TS 44.003). RLC/MAC blocks for FACCH and SDCCH, as well as SACCH blocks (RLC/MAC block together with the 2 octet physical layer header) shall always be encoded using the coding scheme CS-1 (see 3GPP TS 45.003 and 3GPP TS 44.004).

An RLC/MAC block may be for either data or control message transfer.

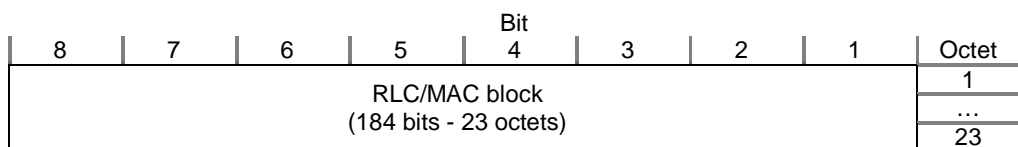


Figure 12.7.1.1: FACCH/SDCCH block

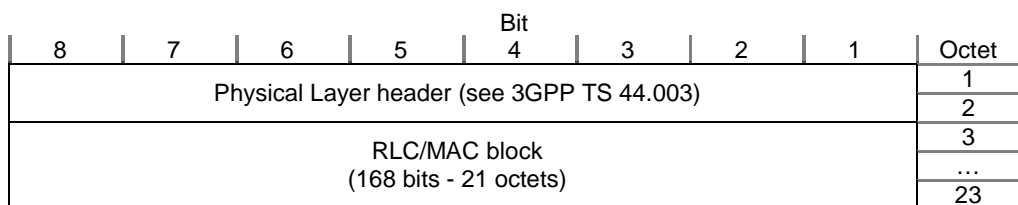
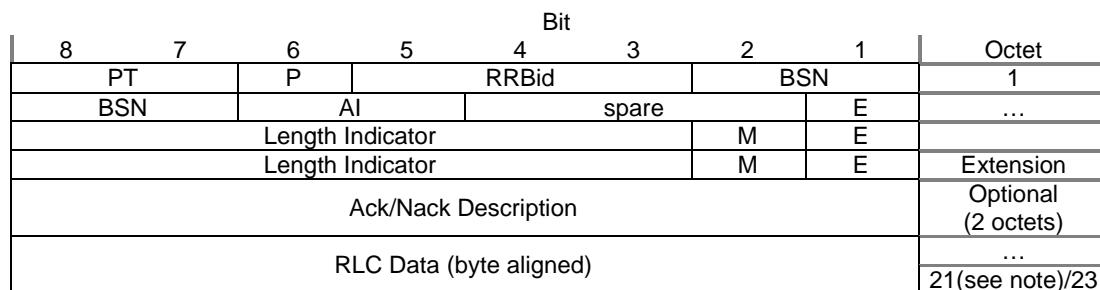


Figure 12.7.1.2: SACCH block

### 12.7.2 Downlink RLC/MAC block for data transfer



NOTE: 21 octets apply only in case of SACCH.

Figure 12.7.2.1: Downlink RLC/MAC block for data transfer on FACCH, SACCH and SDCCH (PT=00)

### 12.7.3 Uplink RLC/MAC block for data transfer

| Bit                     |   |    |       |    |    |       |   | Octet               |
|-------------------------|---|----|-------|----|----|-------|---|---------------------|
| 8                       | 7 | 6  | 5     | 4  | 3  | 2     | 1 |                     |
| PT                      |   | P  | RRBid |    |    | BSN   |   | 1                   |
| BSN                     |   | AI |       | SI | GI | spare | E | ...                 |
| Length Indicator        |   |    |       |    |    | M     | E | Extension           |
| Length Indicator        |   |    |       |    |    | M     | E |                     |
| Ack/Nack Description    |   |    |       |    |    |       |   | Optional (2 octets) |
| G-RNTI                  |   |    |       |    |    |       |   | Optional (4 octets) |
| RLC Data (byte aligned) |   |    |       |    |    |       |   | ...                 |
|                         |   |    |       |    |    |       |   | 21(see note)/23     |

NOTE: 21 octets apply only in case of SACCH.

**Figure 12.7.3.1: Uplink RLC/MAC block for data transfer on FACCH, SACCH and SDCCH (PT=00)**

### 12.7.4 RLC/MAC block for control message transfer

The RLC/MAC block formats for control message transfer are applicable in both uplink and downlink directions.

Figure 12.7.4.1 represents the RLC/MAC block for control message transfer related to an on-going temporary block flow on FACCH, SACCH or SDCCH.

| Bit                     |   |   |       |   |   |       |   | Octet |
|-------------------------|---|---|-------|---|---|-------|---|-------|
| 8                       | 7 | 6 | 5     | 4 | 3 | 2     | 1 |       |
| PT                      |   | P | RRBid |   |   | spare |   | 1     |
| Control Message Content |   |   |       |   |   |       |   | ...   |
|                         |   |   |       |   |   |       |   | 21/23 |

**Figure 12.7.4.1: RLC/MAC block for control message transfer on FACCH, SACCH and SDCCH (PT=01)**

Figure 12.7.4.2 represents the RLC/MAC block for control message transfer on FACCH related to an on-going temporary block flow on TCH. This message may be used for e.g. acknowledgement of the data transfer on TCH.

| Bit                     |   |   |   |      |    |     |   | Octet |
|-------------------------|---|---|---|------|----|-----|---|-------|
| 8                       | 7 | 6 | 5 | 4    | 3  | 2   | 1 |       |
| PT                      |   | P | S | RBSN | FS | RTI |   | 1     |
| Control Message Content |   |   |   |      |    |     |   | ...   |
|                         |   |   |   |      |    |     |   | 21/23 |

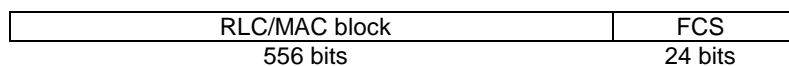
**Figure 12.7.4.2: RLC/MAC block for control message transfer on FACCH (PT=10)**

## 12.8 RLC/MAC block format on TCH (NT-RLC)

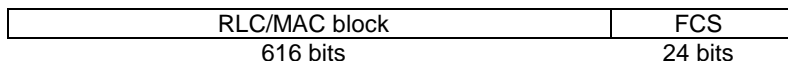
### 12.8.1 RLC/MAC block

#### 12.8.1.1 General

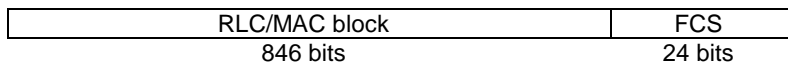
Each TCH block shall contain an RLC/MAC block followed by a 24-bit frame check sequence (FCS), as illustrated in figures 12.8.1.1.1, 12.8.1.1.2 and 12.8.1.1.3.



**Figure 12.8.1.1.1: E-TCH/F28.8 block structure**



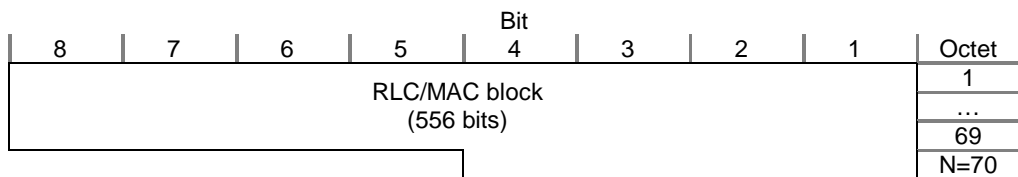
**Figure 12.8.1.1.2: E-TCH/F32.0 block structure**



**Figure 12.8.1.1.3: E-TCH/F43.2 block structure**

12.8.1.2 RLC/MAC block for E-TCH/F28.8 coding scheme

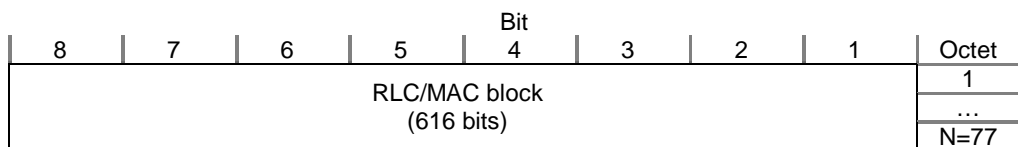
Figure 12.8.1.2.1 represents the RLC/MAC block for E-TCH/F28.8 coding scheme.



**Figure 12.8.1.2.1: RLC/MAC block for E-TCH/F28.8**

12.8.1.3 RLC/MAC block for E-TCH/F32.0 coding scheme

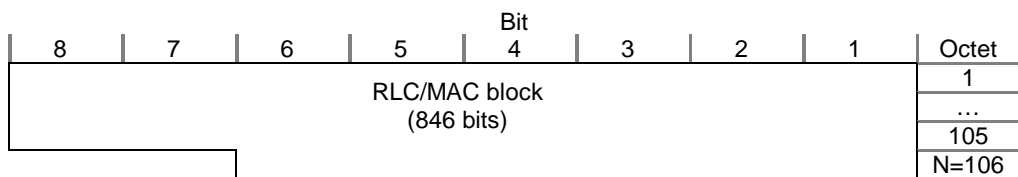
Figure 12.8.1.3.1 represents the RLC/MAC block for E-TCH/F32.0 coding scheme.



**Figure 12.8.1.3.1: RLC/MAC block for E-TCH/F32.0**

12.8.1.4 RLC/MAC block for E-TCH/F43.2 coding scheme

Figure 12.8.1.4.1 represents the RLC/MAC block for E-TCH/F43.2 coding scheme.



**Figure 12.8.1.4.1: RLC/MAC block for E-TCH/F43.2**

### 12.8.2 Downlink RLC/MAC block for data transfer

Figure 12.8.2.1 represents the RLC/MAC block for data transfer for E-TCH/F28.8, E-TCH/F32.0 and E-TCH/F43.2 coding schemes, achieving bit rates of 27,8 kbits/s, 30,8 kbits/s and 42,3 kbits/s respectively.

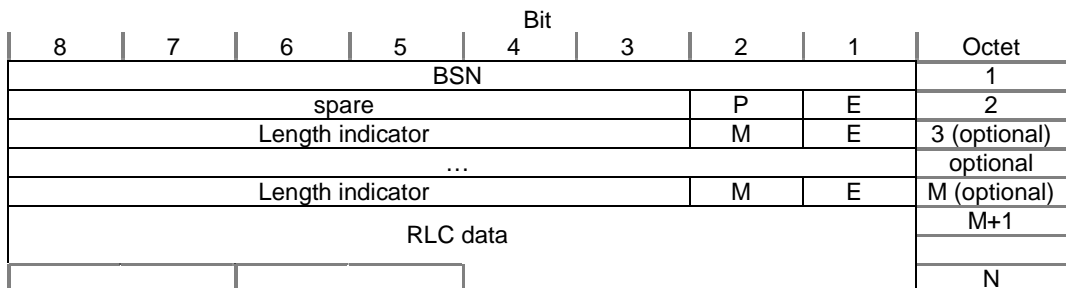


Figure 12.8.2.1: Downlink RLC/MAC block for data transfer on TCH

### 12.8.3 Uplink RLC/MAC block for data transfer

Figure 12.8.3.1 represents the RLC/MAC block for data transfer for E-TCH/F28.8, E-TCH/F32.0 and E-TCH/F43.2 coding schemes, achieving bit rates of 27,8 kbits/s, 30,8 kbits/s and 42,3 kbits/s respectively.

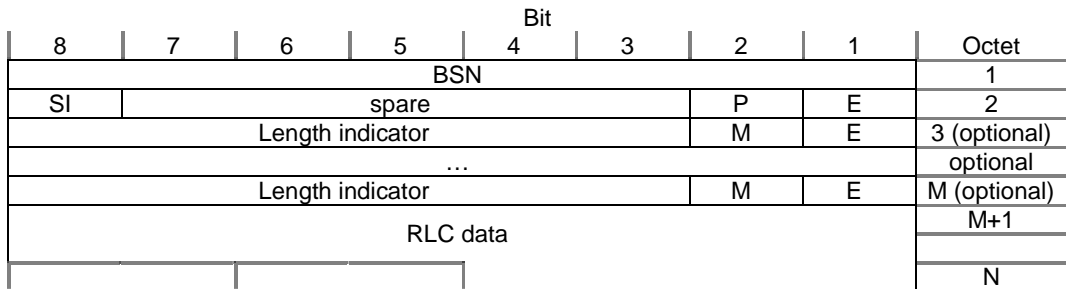


Figure 12.8.3.1: Uplink RLC/MAC block for data transfer on TCH

### 12.8.4 RLC/MAC block for control message transfer

RLC/MAC blocks for control message transfer shall be sent on FACCH with Payload Type = "10" as described in subclause 12.7.4.

## 12.9 Header fields

### 12.9.1 General

The header fields described in this subclause are applicable only for the blocks described in the present TS.

## 12.9.2 Payload Type (PT) field

The Payload Type field shall indicate the type of data contained in remainder of the RLC/MAC block. The encoding of the Payload Type field is shown in table 12.1.

**Table 12.1: Payload Type (PT) field**

| Bit<br>2 1 | PT: Payload Type   |
|------------|--|
| 0 0        | RLC Data block   |
| 0 1        | RLC Control block related to an on-going RLC Data flow on the same logical channel (The corresponding RB is referred to with Reduced RBid field) |
| 1 0        | RLC Control block on FACCH related to an on-going RLC Data flow on TCH   |
| 1 1        | Reserved   |

## 12.9.3 Polling (P) bit

The polling bit indicates whether or not the transmitter is polling for acknowledgement. It is encoded as shown in table 12.2.

**Table 12.2: Polling (P) bit**

| Bit | P: Polling Bit                    |
|-----|-----------------------------------|
| 0   | No polling                        |
| 1   | Polling: acknowledgement required |

## 12.9.4 Reduced Radio Bearer identity (RRBid) field

The reduced radio bearer identity field provides a one-to-one mapping with the RBid of the RB to which either the RLC data block belongs, or the RLC/MAC control block relates. This field is used in the same way as is the TFI in (E)GPRS RLC/MAC blocks. It is encoded as shown in table 12.3.

**Table 12.3: Reduced Radio Bearer identity (RRBid) field**

| Bit<br>3 2 1 | RRBid: Reduced Radio Bearer identity  |
|--------------|---|
| 0 0 0        | Signalling Radio Bearer 1   |
| 0 0 1        | Signalling Radio Bearer 2   |
| 0 1 0        | Signalling Radio Bearer 3   |
| 0 1 1        | Signalling Radio Bearer 4   |
| 1 x x        | User-plane Radio Bearer<br>The correspondence between Reduced RBid and the RBid in this case is provided at RB setup. |

## 12.9.5 More (M) bit and Extension (E) bit

These bits are used in the same way as is described in 3GPP TS 44.060 subclauses 10.4.11 and 10.4.13 for GPRS TBF mode.



## 12.9.6 Extension bis (Ebis) bit

The Extension bis (Ebis) bit is used to indicate the presence of an optional octet in the RLC data block header.

**Table 12.4: Extension bis (Ebis) bit**

| bit 1 | Ebis bit                            |
|-------|-------------------------------------|
| 0     | Extension octet follows immediately |
| 1     | No extension octet follows          |

## 12.9.7 Stall Indicator (SI) bit

The Stall Indicator bit is used as is described in 3GPP TS 44.060 subclause 10.4.3.

## 12.9.8 Ack Indicator (AI) field

The Ack Indicator field indicates whether or not an acknowledgement bitmap is piggy-backed in the RLC/MAC block. It is encoded as shown in table 12.5.

**Table 12.5: Ack Indicator (AI) field**

| Bit 2 1 | AI: Ack Indicator  |
|---------|--|
| 0 0     | Ack/Nack description field not included – Reserved   |
| 0 1     | Ack/Nack description not included. No retransmission requested (all RLC blocks received, similar to FINAL_ACK_INDICATION==1) |
| 1 0     | Ack/Nack description field included  |
| 1 1     | Reserved   |

## 12.9.9 Ack/Nack Description field

**Table 12.6: Ack/Nack Description field**

| Ack/Nack Description  |
|---|
| < Ack/Nack Description IE> ::=<br><Reduced RBid : bit(3)><br><STARTING_SEQUENCE_NUMBER : bit(4)><br><RECEIVED_BLOCK_BITMAP : bit(8)>  |
| <b>Reduced Rbid</b><br>The reduced radio bearer identity field provides a one-to-one mapping with the RBid of the RB in the opposite direction to which the acknowledgement bitmap is targeted. It is encoded as shown in table 12.3, subclause 12.9.4.   |
| <b>STARTING_SEQUENCE_NUMBER (SSN):</b><br>The SSN contains the value of V(R) when this field was transmitted. This field is encoded as the binary representation of V(R).<br>Range 0 to 15  |
| <b>RECEIVED_BLOCK_BITMAP (RBB):</b><br>The RBB is a bitmap representing Block Sequence Numbers. The bitmap is indexed relative to SSN as follows:<br><br>$\text{BSN} = (\text{SSN} - \text{bit\_number}) \text{ modulo } 16 \quad \text{for bit\_number} = 1 \text{ to } 8.$ The BSN values represented range from (SSN-1) mod 16 to (SSN-8) mod 16.<br>The value of each bit is encoded as:<br>0: Negative acknowledgement of the RLC data block with $\text{BSN} = (\text{SSN} - \text{bit\_number}) \text{ mod } 16$<br>1: Positive acknowledgement of the RLCdata block with $\text{BSN} = (\text{SSN} - \text{bit\_number}) \text{ mod } 16$ .<br>Mapping of the bitmap is defined in clause 11. |

### 12.9.10 G-RNTI indicator (GI) bit

The G-RNTI indicator bit indicates the presence of an optional G-RNTI field within the RLC data block, when on SDCCCH. It is encoded as shown in table 12.7.

**Table 12.7: G-RNTI indicator (GI) bit**

| Bit | GI: G-RNTI indicator bit    |
|-----|-----------------------------|
| 0   | G-RNTI field is not present |
| 1   | G-RNTI field is present     |

### 12.9.11 Segmentation (S) bit

The Segmentation bit indicates whether or not the RLC/MAC control block is a segment of an RLC/MAC control message. It is encoded as shown in table 12.8.

**Table 12.8: Segmentation (S) bit**

| Bit | S: Segmentation bit  |
|-----|--|
| 0   | The RLC/MAC control block contains an entire RLC/MAC control message |
| 1   | The RLC/MAC control block is a segment of an RLC/MAC control message |

### 12.9.12 Reduced Block Sequence Number (RBSN) bit

The Reduced Block Sequence Number (RBSN) bit carries the sequence number of the RLC/MAC control blocks. The RBSN bit is encoded as a binary number with range 0 to 1. The RBSN bit is present if and only if the S bit is set (see subclause 12.9.11).

### 12.9.13 Final Segment (FS) field

The Final Segment (FS) bit indicates that the RLC/MAC control block contains the final segment of an RLC/MAC control message. It is encoded as shown in 3GPP TS 44.060 subclause 10.4.9b. The FS field is present if and only if the S bit is set (see subclause 12.9.11).

### 12.9.14 Radio Transaction Identifier (RTI) field

The Radio Transaction Identifier (RTI) field is used to group the RLC/MAC control blocks that make up an RLC/MAC control message and identifies the segmented control message sequence with which the RLC/MAC control block is associated. The RTI field is 2 bits in length with range 0 to 3. The RTI field is present if and only if the S bit is set (see subclause 12.9.11).

### 12.9.15 Block Sequence Number (BSN) field

The Block Sequence Number (BSN) field carries the sequence absolute Block Sequence Number (BSN') modulo Sequence Number Space (SNS) (16 in DCCH TBF mode, 256 in TCH TBF mode (NT-RLC)) of each RLC data block within the TBF.

In DCCH TBF mode, the BSN is 4 bits in length and is encoded as a binary number with range 0 to 15.

In TCH TBF mode (NT-RLC), the BSN is 8 bits in length and is encoded as a binary number with range 0 to 255.

### 12.9.16 Radio Bearer Identity (RB Id) field

The Rb Id uniquely identifies a Radio Bearer. This field is encoded as a binary number with range 0-31.

### 12.9.17 Signalling Radio Bearer Identity (SRB Id) field

The Signalling Radio Bearer Identity (SRB Id) field is used to identify the SRB to which the RLC data block belongs. It is encoded as shown in table 12.9.

**Table 12.9: Signalling Radio Bearer Identity (SRB Id) field**

| Bit<br>2 1 | SRB Id: Signalling Radio Bearer Identity |
|------------|--|
| 0 0        | SRB1                                     |
| 0 1        | SRB2                                     |
| 1 0        | SRB3                                     |
| 1 1        | SRB4                                     |

### 12.9.18 GERAN Radio Network Temporary Identity Extension (G-RNTI Extension) field

This field contains the extra 4 bits of the G-RNTI not included in the TLLI / G-RNTI field.

### 12.9.19 Length Indicator (LI) field

The Length Indicator bit is used as is described in 3GPP TS 44.060 subclauses 10.4.14 and 10.4.14a.

### 12.9.20 PFI Indicator (PI) field

The PFI Indicator is not used in *Iu mode*.

### 12.9.21 HFN Least Significant Bit (HFN\_LSB) field

The HFN Least Significant Bit (HFN\_LSB) field contains the least significant bit of the HFN of the radio bearer to which the RLC/MAC block belongs, in the direction where this RLC/MAC block is sent.

## 13 Ciphering

### 13.1 General

The ciphering function is performed either in the RLC sublayer or in the MAC sublayer according to the following rules:

- The RLC sublayer is responsible for ciphering/deciphering RLC data blocks in case of non-transparent RLC mode (unacknowledged or acknowledged).
- The MAC sublayer is responsible for ciphering/deciphering user data in case of transparent RLC mode. It is also responsible for ciphering/deciphering some RLC/MAC control messages.

The ciphering function shall use the ciphering algorithm f8 specified in 3GPP TS 35.201. Four input parameters are necessary to configure the ciphering algorithm:

- *Ciphering key*: the 128-bit *ciphering key* is received from RRC by means of interlayer primitive.
- *Bearer*: the 5-bit *bearer* indicates, when available, the radio bearer identity of the radio bearer to cipher. It is received from RRC by means of interlayer primitive.
- *Direction*: the 1-bit *direction* indicates the direction of transmission, uplink or downlink, of the flow to cipher.
- *Count*: the 32-bit *count* is used to ensure that the blocks of a same flow are all ciphered differently.

A fifth parameter, *Length*, is used to indicate the length in bits of the plain data to cipher. Plain, ciphered and deciphered data are of the same length. Length is not input to the ciphering algorithm.

## 13.2 Applicability of ciphering

Ciphering may apply only between the mobile station and the serving BSS when contention resolution is successfully completed, i.e. uplink data (respectively downlink data) between the mobile station and the serving BSS may be ciphered after contention is successfully completed on mobile station side (respectively serving BSS side).

## 13.3 Ciphering at RLC sublayer

### 13.3.1 General

The RLC sublayer is responsible for ciphering/deciphering RLC data blocks in case of non-transparent RLC mode (unacknowledged or acknowledged).

For a given radio bearer, ciphering/deciphering is ordered by RRC by means of the CRLC-CONFIG-Req primitive containing the necessary ciphering elements (see subclause 4.3.3). Upon receipt of the CRLC-CONFIG-Req primitive containing the ciphering elements, ciphering shall be performed at RLC sublayer according to these ciphering elements for the corresponding radio bearer. Ciphering shall not be performed at RLC sublayer otherwise.

### 13.3.2 Parameter settings

#### 13.3.2.1 Input parameters to the ciphering algorithm

Table 13.1 defines how to set the input parameters to the ciphering algorithm.

**Table 13.1: Input parameters to the ciphering algorithm**

| Input parameters  | Size in bits |  | Settings                                    |                                    |                               |                                |                               |
|---|--------------|--|---|------------------------------------|-------------------------------|--------------------------------|-------------------------------|
|   |              |  | TBF mode<br>(see note 1)                    | DCCH                               | TCH                           | GPRS                           | EGPRS                         |
| Count   | 32           | MSB  | HFN (see note 2)                            | 27 bits<br><i>0...134217727</i>    | 23 bits<br><i>0...8388607</i> | 24 bits<br><i>0...16777215</i> | 20 bits<br><i>0...1048575</i> |
|   |              |  | RBid indicator                              | 1 bit<br><i>1 (RBid available)</i> |                               |                                |                               |
|   | LSB          | BSN  | 4 bits<br><i>0...15</i>                     | 8 bits<br><i>0...255</i>           | 7 bits<br><i>0...127</i>      | 11 bits<br><i>0...2047</i>     |                               |
| Direction   | 1            | Direction                                  | 1 bit<br><i>0 (uplink)<br/>1 (downlink)</i> |                                    |                               |                                |                               |
| Bearer  | 5            | RBid                                       | 5 bits<br><i>0...31</i>                     |                                    |                               |                                |                               |
| Length  | 10           | Length in bits of the plain data to cipher | 10 bits<br><i>0...592</i>                   |                                    |                               |                                |                               |
| NOTE 1: Four cases are distinguished as per the format of the BSN used in the RLC data block to cipher, according to the TBF mode: DCCH TBF mode, TCH TBF mode, GPRS TBF mode and EGPRS TBF mode. |              |  |   |                                    |                               |                                |                               |
| NOTE 2: The handling of the HFN is described in subclause 13.3.2.2.   |              |  |   |                                    |                               |                                |                               |
| NOTE 3: The values in italic represent the range for a given parameter.   |              |  |   |                                    |                               |                                |                               |

#### 13.3.2.2 Handling of the HFN

The HFN is radio bearer specific.

In RLC acknowledged mode, the HFN used at retransmission of an RLC data block shall be the same as the one used at original transmission of this RLC data block.

The HFN shall be increased by one at every cycle of the BSN, when the BSN reaches 0.

Further handling of the HFN is described in 3GPP TS 44.118.

### 13.3.3 Cipherng of RLC PDUs in non-transparent RLC mode

Cipherng may only apply on the payload of the RLC PDUs. For instance, if MCS-9 is used, only the 592 bits of the payload of each of the two RLC data blocks in the RLC/MAC block may be cipherng.

## 13.4 Cipherng at MAC sublayer

### 13.4.1 General

The MAC sublayer is responsible for cipherng/decipherng user data in case of transparent RLC mode. It is also responsible for cipherng some RLC/MAC control messages.

For a given radio bearer, cipherng/decipherng is ordered by RRC by means of the CMAC-CONFIG-Req primitive containing the necessary cipherng elements (see subclause 4.3.4). Upon receipt of the CMAC-CONFIG-Req primitive containing the cipherng elements, cipherng/decipherng shall be performed at MAC sublayer according to these cipherng elements for the corresponding radio bearer. Cipherng shall not be performed at MAC sublayer otherwise.

### 13.4.2 Parameter settings

#### 13.4.2.1 Input parameters to the cipherng algorithm

Table 13.2 defines how to set the input parameters to the cipherng algorithm in case of transparent RLC mode.

**Table 13.2: Input parameters to the cipherng algorithm for layer 2 data in transparent RLC mode**

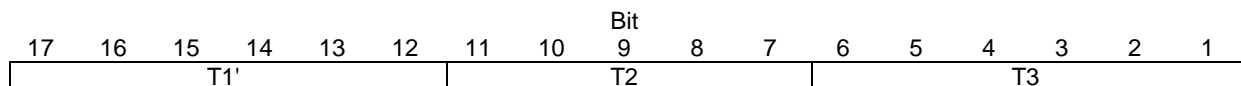
| Input parameters   | Size in bits | Settings                                   |   |
|--|--------------|--|---|
| <b>Count</b>   | 32 MSB       | HFN (see note 1)                           | 11 bits<br><i>0...2047</i>                  |
|  |              | TDMA Frame Number (see note 2)             | 17 bits                                     |
|  | LSB          | RBid indicator                             | 1 bit<br><i>1 (RBid available)</i>          |
|  |              | Timeslot number                            | 3 bits<br><i>0...7</i>                      |
| <b>Direction</b>   | 1            | Direction                                  | 1 bit<br><i>0 (uplink)<br/>1 (downlink)</i> |
| <b>Bearer</b>  | 5            | RBid                                       | 5 bits<br><i>0...31</i>                     |
| <b>Length</b>  | N            | Length in bits of the plain data to cipher | Size of the RLC PDU (see note 3)            |
| NOTE 1: The handling of the HFN is described in subclause 13.4.2.2.1.                          |              |  |   |
| NOTE 2: The 17-bit TDMA Frame Number is described below.                                       |              |  |   |
| NOTE 3: In transparent RLC mode, the size of an RLC PDU equals that of the RLC SDU it carries. |              |  |   |
| NOTE 4: The values in <i>italic</i> represent the range for a given parameter.                 |              |  |   |

Table 13.3 defines how to set the input parameters to the cipherng algorithm for cipherng of RLC/MAC control messages. The rules for cipherng RLC/MAC control messages are given in subclause 13.4.3.

**Table 13.3: Input parameters to the ciphering algorithm for RLC/MAC control messages**

| Input parameters  | Size in bits | Settings                                   |   |
|---|--------------|--|---|
| <b>Count</b>  | 32 MSB       | HFN (see note 1)                           | 11 bits<br><i>0...2047</i>                        |
|   |              | TDMA Frame Number (see note 2)             | 17 bits   |
|   | LSB          | RBid indicator                             | 1 bit<br><i>0</i> (RBid not available)            |
|   |              | Timeslot number                            | 3 bits<br><i>0...7</i>                            |
| <b>Direction</b>  | 1            | Direction                                  | 1 bit<br><i>0</i> (uplink)<br><i>1</i> (downlink) |
| <b>Bearer</b>   | 5            | RBid                                       | 5 bits<br><i>"00000"</i>                          |
| <b>Length</b>   | 9            | Length in bits of the plain data to cipher | 9 bits<br><i>0...368</i> (see note 3)             |
| NOTE 1: The handling of the HFN is described in subclause 13.4.2.2.2.<br>NOTE 2: The 17-bit TDMA Frame Number is described below.<br>NOTE 3: The length in bits of the plain data to cipher can be derived from the rules given in subclause 13.4.3 on a per RLC/MAC control message basis.<br>NOTE 4: The values in <i>italic</i> represent the range for a given parameter. |              |  |   |

The 17-bit TDMA Frame Number is constructed as follows:



**Figure 13.1: 17-bit TDMA Frame Number**

- T1' (6 bits)      range 0 to 63                      = T1 mod 64.
- T2 (5 bits)      range 0 to 25                              = FN mod 26 as defined in 3GPP TS 45.002.
- T3 (6 bits)      range 0 to 50                                = FN mod 51 as defined in 3GPP TS 45.002.

where

$T1 = FN \text{ div } (26 \times 51)$  as defined in 3GPP TS 45.002.

and

$FN = \text{TDMA frame number}$  as defined in 3GPP TS 45.002.

### 13.4.2.2 Handling of the HFN

#### 13.4.2.2.1 Ciphering in transparent RLC mode

The HFN is radio bearer specific. It shall obey the following rules for the lifetime of the corresponding radio bearer:

- It shall be incremented by 1 every time the TDMA Frame Number is smaller than the previous one.
- It shall also be incremented by 1 at every cell change.

Further handling of the HFN is described in 3GPP TS 44.118.

### 13.4.2.2.2 Cipherring of RLC/MAC control messages

The HFN presented in table 13.3 shall obey the following rules:

- It shall be reset to START value every time a new authentication is made.
- During an RRC connection:
  - It shall be incremented by 1 every time the TDMA Frame Number is smaller than the previous one.
  - It shall also be incremented by 1 at every cell change.
- It shall be incremented by 1 at every new RRC connection and notified to the network at RRC connection set-up see 3GPP TS 44.118.

### 13.4.3 Cipherring of RLC/MAC control messages

The following RLC/MAC control messages may be cipherrd:

- PACKET RESOURCE REQUEST, PACKET UPLINK ASSIGNMENT, MULTIPLE TBF UPLINK ASSIGNMENT, PACKET DOWNLINK ASSIGNMENT, MULTIPLE TBF DOWNLINK ASSIGNMENT, PACKET DBPSCH ASSIGNMENT, PACKET UPLINK ACK/NACK, PACKET DBPSCH UPLINK ACK/NACK, PACKET DOWNLINK ACK/NACK, EGPRS PACKET DOWNLINK ACK/NACK, PACKET DBPSCH DOWNLINK ACK/NACK, PACKET TIMESLOT RECONFIGURE, MULTIPLE TBF TIMESLOT RECONFIGURE, PACKET TBF RELEASE and PACKET CELL CHANGE ORDER, PHYSICAL INFORMATION.

NOTE 1: This list should be updated according to the RLC/MAC development i.e. if new messages are created or if some of the messages in this list are no more applicable to *Iu mode*. The list of Fields and IEs in the table below will also be updated according to the RLC/MAC development.

Within these messages, all CSN-1 syntax bits shall be kept uncipherrd. Furthermore, the cipherring of these messages shall obey the rules given in table 13.4.

NOTE 2: An informative annex will be introduced to illustrate an example of cipherring of an RLC/MAC control message.

**Table 13.4: Cipherring of RLC/MAC control messages**

| RLC/MAC Control Message | Direction | Fields and IEs that shall be kept uncipherrd |
|-------------------------|-----------|--|
|-------------------------|-----------|--|

|                                   |          |   |
|-----------------------------------|----------|---|
| Packet Resource Request           | Uplink   | Message type, GLOBAL_TFI, Length of MS RA capabilities, Length  |
| Packet Uplink Assignment          | Downlink | Message type, PAGE_MODE, PERSISTENCE_LEVEL, GLOBAL_TFI, TLLI/G-RNTI, G-RNTI extension, TQI, ALLOCATION_BITMAP_LENGTH, Length of MA Frequency List contents, MA_LENGTH |
| Multiple TBF Uplink Assignment    | Downlink | Message type, PAGE_MODE, PERSISTENCE_LEVEL, GLOBAL_TFI, TLLI/G-RNTI, G-RNTI extension   |
| Packet Downlink Assignment        | Downlink | Message type, PAGE_MODE, PERSISTENCE_LEVEL, GLOBAL_TFI, TLLI/G-RNTI, G-RNTI extension, Length of MA Frequency List contents, MA_LENGTH                                |
| Multiple TBF Downlink Assignment  | Downlink | Message type, PAGE_MODE, PERSISTENCE_LEVEL, GLOBAL_TFI, TLLI/G-RNTI, G-RNTI extension   |
| Packet DBPSCH Assignment          | Downlink | Message type, PAGE_MODE, PERSISTENCE_LEVEL, GLOBAL_TFI, G-RNTI  |
| Packet Uplink Ack/Nack            | Downlink | Message type, PAGE_MODE, UPLINK_TFI, CONTENTION_RESOLUTION_G-RNTI, G-RNTI extension, Extension length, COMPRESSED_BITMAP_LENGTH                                       |
| Packet DBPSCH Uplink Ack/Nack     | Downlink | Message type, RBId  |
| Packet Downlink Ack/Nack          | Uplink   | Message type, DOWNLINK_TFI  |
| EGPRS Packet Downlink Ack/Nack    | Uplink   | Message type, DOWNLINK_TFI, Extension length, COMPRESSED_BITMAP_LENGTH  |
| Packet DBPSCH Downlink Ack/Nack   | Uplink   | Message type, RBId  |
| Packet Timeslot Reconfigure       | Downlink | Message type, PAGE_MODE, GLOBAL_TFI ALLOCATION_BITMAP_LENGTH (1), Length of MA Frequency List contents, MA_LENGTH   |
| Multiple TBF Timeslot Reconfigure | Downlink | Message type, PAGE_MODE, GLOBAL_TFI   |
| Packet TBF Release                | Downlink | Message type, PAGE_MODE, GLOBAL_TFI   |
| Packet Cell Change Order          | Downlink | Message type, PAGE_MODE, GLOBAL_TFI, TLLI/G-RNTI, G-RNTI extension, NR_OF_REMOVED_FREQ, NR_OF_FREQUENCIES, FREQ_DIFF_LENGTH   |
| Physical Information              | Downlink | Message type  |

### 13.4.4 Cipherng of RLC PDUs in transparent RLC mode

Cipherng applies on the complete RLC PDUs.

---

## 14 RLC suspension, stop and re-establishment procedures

### 14.1 General

This subclause describes the following RLC procedures: suspend/resume, stop/continue and re-establishment. These procedures are requested by RRC (see 3GPP TS 44.118), and are applicable in NT-RLC only. Suspend/resume is used when e.g. cipherng parameters are changed. Stop/continue and re-establishment are used during e.g. RB reconfiguration.

### 14.2 Local suspend/resume function (NT-RLC)

The upper layers may suspend/resume a RLC entity. Suspension of a RLC entity is ordered through the CRLC-SUSPEND-Req primitive (see subclause 4.3.3). Resumption is ordered through the CRLC-RESUME-Req primitive (see subclause 4.3.3).



When a RLC entity operating in unacknowledged mode is suspended by upper layers with the parameter N, the RLC entity shall:

- acknowledge the suspend request through the CRLC-SUSPEND-Conf primitive containing the current value of the send-state variable V(S);
- not send any RLC data block with a "Block Sequence Number"  $BSN \geq (V(S)+N)$  modulo SNS;
- send Packet Uplink/Downlink Dummy control blocks on allocated radio resources if there is no other RLC/MAC control message to be sent.

When a RLC entity operating in acknowledged mode is suspended by upper layers with the parameter N, the RLC entity shall:

- acknowledge the suspend request through the CRLC-SUSPEND-Conf primitive containing the current value of the send-state variable V(S);
- not send any RLC data block with "Block Sequence Number"  $BSN \geq (V(S) + N)$  modulo SNS;
- proceed with retransmission procedures for RLC data blocks with  $BSN < (V(S) + N)$  modulo SNS as defined in subclauses 10.4.5 and 11.4.2;
- send Packet Uplink/Downlink Dummy control blocks on allocated radio resources if there is no other RLC/MAC control message or RLC data block to be sent.

When a RLC entity operating in unacknowledged mode is resumed by upper layers, the RLC entity shall:

- resume data transfer procedure.

When a RLC entity operating in acknowledged mode is resumed by upper layers, the RLC entity shall:

- resume data transfer procedure.

### 14.3 Stop/continue function (NT-RLC)

The RLC stop/continue procedure is applicable on DBPSCHs only.

The upper layer may stop/continue a RLC entity. Stop of a RLC entity is ordered through the CRLC-CONFIG-Req primitive (see subclause 4.3.3). Continuation of a RLC entity is ordered through the CRLC-CONFIG-Req primitive (see subclause 4.3.3).

When an uplink RLC entity is stopped, the mobile station shall pause the timers T3180 and T3182 if running. When a downlink RLC entity is stopped, the mobile station shall pause timer T3190 if running.

When an uplink RLC entity is continued, the mobile station shall continue the timers T3180 and T3182 if paused. When a downlink RLC entity is continued, the mobile station shall start timer T3190 if paused.

When a RLC entity is stopped by upper layers, the RLC entity shall:

- not submit any RLC data blocks to lower layer or accept any RLC data blocks;
- not submit any RLC/MAC control message to lower layer or accept any RLC/MAC control message;
- save all state variables.

When a RLC entity is continued by upper layers, the RLC entity shall:

- if the RLC entity is stopped:
  - continue the data transmission and reception from the stored state variables.
- otherwise, if the RLC is not stopped:
  - take no action.

## 14.4 RLC re-establishment function (NT-RLC)

The RLC re-establishment function is applicable in NT-RLC only, on DBPSCHs only.

The upper layers may re-establish a RLC entity. Re-establishment of a RLC entity is ordered through the RLC-CONFIG-Req primitive (see subclause 4.3.3).

When a RLC entity is re-established by upper layers, the RLC entity shall:

- reset the state variables to their initial value;
- set the configurable parameters (e.g. EGPRS RLC window size) to their configured value;
- set the hyper frame number (HFN) in UL and DL to the value configured by upper layers;
- if the RLC entity is operating in unacknowledged mode:
  - if it is a receiving RLC entity:
    - discard all RLC data blocks (PDUs).
  - if it is a transmitting RLC entity:
    - discard the RLC SDUs for which one or more segments have been submitted to the MAC layer.
- otherwise if the RLC entity is operating in acknowledged mode:
  - discard all RLC data blocks (PDUs) and RLC/MAC control messages for this RLC entity.

## Annex A (informative): Change History

| Date / Meeting | TSG Doc.  | CR  | Rev | Subject/Comment  | New   |
|----------------|-----------|-----|-----|--|-------|
| GP-10          | GP-022099 |     |     | First version  | 5.0.0 |
| GP-11          | GP-022763 | 001 | 1   | Clarification of SI 13-Alt in table 5.4.2.1.4  | 5.1.0 |
| GP-11          | GP-022764 | 002 | 1   | Ciphering of PACKET DBPSCH ACK/NACK messages   | 5.1.0 |
| GP-11          | GP-022254 | 003 |     | Clarification of measurement reporting   | 5.1.0 |
| GP-11          | GP-022248 | 004 |     | Clarification on countdown value for SFACCH  | 5.1.0 |
| GP-11          | GP-022245 | 005 |     | Correction TCH T-RLC   | 5.1.0 |
| GP-11          | GP-022760 | 008 | 1   | HFN synchronization at TBF establishment on SBPSCH   | 5.1.0 |
| GP-11          | GP-022246 | 009 |     | MS synchronization when no RLC/MAC block scheduled for transmission on DBPSCH                                  | 5.1.0 |
| GP-11          | GP-022805 | 010 | 2   | System performance requirements in TCH and DCCH TBF modes  | 5.1.0 |
| GP-11          | GP-022225 | 011 |     | Abnormal cases for TBF establishment during Packet Cell Change Order   | 5.1.0 |
| GP-11          | GP-022668 | 012 | 1   | Abnormal cases for TBF establishment via PCCCH   | 5.1.0 |
| GP-11          | GP-022804 | 013 | 2   | USF scheduling for PDTCH on DBPSCH   | 5.1.0 |
| GP-11          | GP-022673 | 014 | 1   | Incorrect reference to 44.060 in two phase access procedures   | 5.1.0 |
| GP-11          | GP-022675 | 016 | 1   | Correction to RLC/MAC PDU format   | 5.1.0 |
| GP-11          | GP-022803 | 017 | 2   | SFACCH operation   | 5.1.0 |
| GP-11          | GP-022767 | 019 | 1   | List of RLC/MAC Control messages that may be sent on the SACCH, SDCCH, FACCH and PACCH when mapped onto DBPSCH | 5.1.0 |
| GP-11          | GP-022798 | 020 | 2   | Description of the cause and message to be used upon uplink access in Iu mode                                  | 5.1.0 |
| GP-11          | GP-022650 | 022 |     | Clarification on T3190 management  | 5.1.0 |
| GP-11          | GP-022808 | 023 | 1   | Removal of thresholds T1 and T2 for mapping of SRBs on logical channels  | 5.1.0 |
| GP-12          | GP-022922 | 015 | 2   | Add abnormal cases to section 8  | 5.2.0 |
| GP-12          | GP-023160 | 024 | 1   | Section 8 - Multiple TBFs for Iu mode only   | 5.2.0 |
| GP-12          | GP-022905 | 025 |     | Handover Access and Physical Information   | 5.2.0 |
| GP-12          | GP-023253 | 026 | 2   | Clarification on 51-multiframe structure and DBPSCH: inclusion of DBPSCH/S                                     | 5.2.0 |
| GP-12          | GP-022906 | 027 |     | Correction RLC SDU Discard   | 5.2.0 |
| GP-12          | GP-022907 | 028 |     | Removal of timer T3197   | 5.2.0 |
| GP-12          | GP-023104 | 029 | 1   | Abnormal Cases for DBPSCH operation  | 5.2.0 |
| GP-12          | GP-022918 | 030 | 1   | Addition of GERAN Iu Mode Support Indication in SI4, SI7 and SI8   | 5.2.0 |
| GP-12          | GP-023366 | 031 | 2   | Definition of RLC Buffer   | 5.2.0 |

---

## History

| <b>Document history</b> |                |             |
|-------------------------|----------------|-------------|
| V5.0.0                  | June 2002      | Publication |
| V5.1.0                  | September 2002 | Publication |
| V5.2.0                  | December 2002  | Publication |
|                         |                |             |
|                         |                |             |