

ETSI TS 138 114 V18.4.0 (2025-01)



**5G;
NR;
Repeaters ElectroMagnetic Compatibility (EMC)
(3GPP TS 38.114 version 18.4.0 Release 18)**



Reference

RTS/TSGR-0438114vi40

Keywords

5G

ETSI

650 Route des Lucioles
F-06921 Sophia Antipolis Cedex - FRANCE

Tel.: +33 4 92 94 42 00 Fax: +33 4 93 65 47 16

Siret N° 348 623 562 00017 - APE 7112B
Association à but non lucratif enregistrée à la
Sous-Préfecture de Grasse (06) N° w061004871

Important notice

The present document can be downloaded from the
[ETSI Search & Browse Standards application](#).

The present document may be made available in electronic versions and/or in print. The content of any electronic and/or print versions of the present document shall not be modified without the prior written authorization of ETSI. In case of any existing or perceived difference in contents between such versions and/or in print, the prevailing version of an ETSI deliverable is the one made publicly available in PDF format on [ETSI deliver repository](#).

Users should be aware that the present document may be revised or have its status changed, this information is available in the [Milestones listing](#).

If you find errors in the present document, please send your comments to the relevant service listed under [Committee Support Staff](#).

If you find a security vulnerability in the present document, please report it through our [Coordinated Vulnerability Disclosure \(CVD\)](#) program.

Notice of disclaimer & limitation of liability

The information provided in the present deliverable is directed solely to professionals who have the appropriate degree of experience to understand and interpret its content in accordance with generally accepted engineering or other professional standard and applicable regulations.

No recommendation as to products and services or vendors is made or should be implied.

No representation or warranty is made that this deliverable is technically accurate or sufficient or conforms to any law and/or governmental rule and/or regulation and further, no representation or warranty is made of merchantability or fitness for any particular purpose or against infringement of intellectual property rights.

In no event shall ETSI be held liable for loss of profits or any other incidental or consequential damages.

Any software contained in this deliverable is provided "AS IS" with no warranties, express or implied, including but not limited to, the warranties of merchantability, fitness for a particular purpose and non-infringement of intellectual property rights and ETSI shall not be held liable in any event for any damages whatsoever (including, without limitation, damages for loss of profits, business interruption, loss of information, or any other pecuniary loss) arising out of or related to the use of or inability to use the software.

Copyright Notification

No part may be reproduced or utilized in any form or by any means, electronic or mechanical, including photocopying and microfilm except as authorized by written permission of ETSI.

The content of the PDF version shall not be modified without the written authorization of ETSI.

The copyright and the foregoing restriction extend to reproduction in all media.

© ETSI 2025.
All rights reserved.

Intellectual Property Rights

Essential patents

IPRs essential or potentially essential to normative deliverables may have been declared to ETSI. The declarations pertaining to these essential IPRs, if any, are publicly available for **ETSI members and non-members**, and can be found in ETSI SR 000 314: "*Intellectual Property Rights (IPRs); Essential, or potentially Essential, IPRs notified to ETSI in respect of ETSI standards*", which is available from the ETSI Secretariat. Latest updates are available on the [ETSI IPR online database](#).

Pursuant to the ETSI Directives including the ETSI IPR Policy, no investigation regarding the essentiality of IPRs, including IPR searches, has been carried out by ETSI. No guarantee can be given as to the existence of other IPRs not referenced in ETSI SR 000 314 (or the updates on the ETSI Web server) which are, or may be, or may become, essential to the present document.

Trademarks

The present document may include trademarks and/or tradenames which are asserted and/or registered by their owners. ETSI claims no ownership of these except for any which are indicated as being the property of ETSI, and conveys no right to use or reproduce any trademark and/or tradename. Mention of those trademarks in the present document does not constitute an endorsement by ETSI of products, services or organizations associated with those trademarks.

DECT™, **PLUGTESTS™**, **UMTS™** and the ETSI logo are trademarks of ETSI registered for the benefit of its Members. **3GPP™**, **LTE™** and **5G™** logo are trademarks of ETSI registered for the benefit of its Members and of the 3GPP Organizational Partners. **oneM2M™** logo is a trademark of ETSI registered for the benefit of its Members and of the oneM2M Partners. **GSM®** and the GSM logo are trademarks registered and owned by the GSM Association.

Legal Notice

This Technical Specification (TS) has been produced by the ETSI 3rd Generation Partnership Project (3GPP).

The present document may refer to technical specifications or reports using their 3GPP identities. These shall be interpreted as being references to the corresponding ETSI deliverables.

The cross reference between 3GPP and ETSI identities can be found at [3GPP to ETSI numbering cross-referencing](#).

Modal verbs terminology

In the present document "**shall**", "**shall not**", "**should**", "**should not**", "**may**", "**need not**", "**will**", "**will not**", "**can**" and "**cannot**" are to be interpreted as described in clause 3.2 of the [ETSI Drafting Rules](#) (Verbal forms for the expression of provisions).

"**must**" and "**must not**" are **NOT** allowed in ETSI deliverables except when used in direct citation.

Contents

Intellectual Property Rights	2
Legal Notice	2
Modal verbs terminology.....	2
Foreword.....	5
1 Scope	7
2 References	7
3 Definitions, symbols and abbreviations	9
3.1 Definitions	9
3.2 Symbols.....	13
3.3 Abbreviations	13
4 Test conditions	14
4.1 General	14
4.2 Arrangements for establishing a communication link	14
4.3 Narrow band responses	14
4.4 Exclusion bands.....	15
4.5 NR repeaters test configurations	15
5 Performance assessment.....	17
5.1 General	17
5.2 NR repeaters and NCR.....	17
5.3 Ancillary equipment.....	18
6 Performance criteria	18
6.1 Performance criteria for continuous phenomena	18
6.1.1A Performance criteria for continuous phenomena for NR repeaters and NCR-Fwd.....	18
6.1.1 Performance criteria for continuous phenomena for NCR-MT	18
6.2 Performance criteria for transient phenomena.....	19
6.2.1A Performance criteria for transient phenomena for NR repeaters and NCR-Fwd	19
6.2.1 Performance criteria for transient phenomena for NCR-MT	19
6.3 Performance criteria for continuous phenomena for Ancillary equipment.....	20
6.4 Performance criteria for transient phenomena for Ancillary equipment	20
7 Applicability overview	20
7.0 General	20
7.1 Emission.....	21
7.2 Immunity	21
8 Emission	22
8.1 Test configurations	22
8.2 Radiated emission.....	22
8.2.1 Radiated emission, Repeater and NCR	22
8.2.1.1 Definition	22
8.2.1.2 Test method.....	22
8.2.1.3 Limits	23
8.2.1.4 Interpretation of the measurement results	24
8.2.2 Radiated emission, ancillary equipment	25
8.2.2.1 Definition	25
8.2.2.2 Test method.....	25
8.2.2.3 Limits	25
8.3 Conducted emission DC power input/output port	26
8.3.1 Definition.....	26
8.3.2 Test method	26
8.3.3 Limits.....	26
8.4 Conducted emissions, AC mains power input/output port	26
8.4.1 Definition.....	26

8.4.2	Test method	26
8.4.3	Limits.....	27
8.5	Conducted emissions, telecommunication port	27
8.5.1	Definition.....	27
8.5.2	Test method	27
8.5.3	Limits.....	27
8.6	Harmonic Current emissions (AC mains input port).....	27
8.7	Voltage fluctuations and flicker (AC mains input port)	27
9	Immunity	28
9.1	Test configurations	28
9.2	RF electromagnetic field (80 MHz - 6000 MHz)	29
9.2.1	Definition.....	29
9.2.2	Test method and level.....	29
9.2.3	Performance criteria.....	30
9.3	Electrostatic discharge.....	30
9.3.1	Definition.....	31
9.3.2	Test method and level	31
9.3.3	Performance criteria.....	31
9.4	Fast transients common mode	31
9.4.1	Definition.....	31
9.4.2	Test method and level	31
9.4.3	Performance criteria.....	32
9.5	RF common mode (0.15 MHz - 80 MHz).....	32
9.5.1	Definition.....	32
9.5.2	Test method and level.....	32
9.5.3	Performance criteria.....	32
9.6	Voltage dips and interruptions.....	33
9.6.1	Definition.....	33
9.6.2	Test method and level.....	33
9.6.3	Performance criteria.....	33
9.7	Surges, common and differential mode.....	34
9.7.1	Definition.....	34
9.7.2	Test method and level.....	34
9.7.2.1	Test method for telecommunication ports directly connected to outdoor cables	34
9.7.2.2	Test method for telecommunication ports connected to indoor cables	34
9.7.2.3	Test method for AC power ports.....	34
9.7.3	Performance criteria.....	34
Annex A (informative): Change history		35
History		36

Foreword

This Technical Specification has been produced by the 3rd Generation Partnership Project (3GPP).

The contents of the present document are subject to continuing work within the TSG and may change following formal TSG approval. Should the TSG modify the contents of the present document, it will be re-released by the TSG with an identifying change of release date and an increase in version number as follows:

Version x.y.z

where:

- x the first digit:
 - 1 presented to TSG for information;
 - 2 presented to TSG for approval;
 - 3 or greater indicates TSG approved document under change control.
- y the second digit is incremented for all changes of substance, i.e. technical enhancements, corrections, updates, etc.
- z the third digit is incremented when editorial only changes have been incorporated in the document.

In the present document, modal verbs have the following meanings:

- shall** indicates a mandatory requirement to do something
- shall not** indicates an interdiction (prohibition) to do something

The constructions "shall" and "shall not" are confined to the context of normative provisions, and do not appear in Technical Reports.

The constructions "must" and "must not" are not used as substitutes for "shall" and "shall not". Their use is avoided insofar as possible, and they are not used in a normative context except in a direct citation from an external, referenced, non-3GPP document, or so as to maintain continuity of style when extending or modifying the provisions of such a referenced document.

- should** indicates a recommendation to do something
- should not** indicates a recommendation not to do something
- may** indicates permission to do something
- need not** indicates permission not to do something

The construction "may not" is ambiguous and is not used in normative elements. The unambiguous constructions "might not" or "shall not" are used instead, depending upon the meaning intended.

- can** indicates that something is possible
- cannot** indicates that something is impossible

The constructions "can" and "cannot" are not substitutes for "may" and "need not".

- will** indicates that something is certain or expected to happen as a result of action taken by an agency the behaviour of which is outside the scope of the present document
- will not** indicates that something is certain or expected not to happen as a result of action taken by an agency the behaviour of which is outside the scope of the present document
- might** indicates a likelihood that something will happen as a result of action taken by some agency the behaviour of which is outside the scope of the present document

might not indicates a likelihood that something will not happen as a result of action taken by some agency the behaviour of which is outside the scope of the present document

In addition:

is (or any other verb in the indicative mood) indicates a statement of fact

is not (or any other negative verb in the indicative mood) indicates a statement of fact

The constructions "is" and "is not" do not indicate requirements.

1 Scope

The present document covers the assessment of NR repeater, network-controlled repeater and ancillary equipment in respect of Electromagnetic Compatibility (EMC). For network-controlled repeater (NCR), requirements for NCR-Fwd and NCR-MT apply.

The present document specifies the applicable requirements, procedures, test conditions, performance assessment and performance criteria for NR repeater, NCR and associated ancillary equipment in the following categories:

- NR repeater equipped with antenna connectors which are possible to be terminated during EMC testing, meeting the *repeater type 1-C* RF requirements of TS 38.106 [2], with conformance demonstrated by compliance to TS 38.115-1 [3].
- NR repeater not equipped with antenna connectors, i.e. with antenna elements radiating during the EMC testing, meeting the *repeater type 2-O* RF requirements of TS 38.106 [2], with conformance demonstrated by compliance to TS 38.115-2 [4].
- NCR equipped with antenna connectors or TAB connectors which are possible to be terminated during EMC testing, meeting the NCR-Fwd/MT type 1-C and type 1-H RF requirements of TS 38.106 [2], with conformance demonstrated by compliance to TS 38.115-1 [3].
- NCR not equipped with antenna connectors, i.e. with antenna elements radiating during the EMC testing, meeting the NCR-Fwd/MT type 2-O RF requirements of TS 38.106 [2], with conformance demonstrated by compliance to TS 38.115-2 [4].

The environment classification used in the present document refers to the residential, commercial and light industrial environment classification used in IEC 61000-6-1 [6], IEC 61000-6-3 [7] and IEC 61000-6-8 [24].

The EMC requirements have been selected to ensure an adequate level of compatibility for apparatus at residential, commercial and light industrial environments. The levels, however, do not cover extreme cases which may occur in any location but with low probability of occurrence.

2 References

The following documents contain provisions which, through reference in this text, constitute provisions of the present document.

- References are either specific (identified by date of publication, edition number, version number, etc.) or non-specific.
- For a specific reference, subsequent revisions do not apply.
- For a non-specific reference, the latest version applies. In the case of a reference to a 3GPP document (including a GSM document), a non-specific reference implicitly refers to the latest version of that document *in the same Release as the present document*.

- [1] 3GPP TR 21.905: "Vocabulary for 3GPP Specifications"
- [2] 3GPP TS 38.106: "NR Repeater Radio Transmission and Reception"
- [3] 3GPP TS 38.115-1: "NR; Repeater conformance testing - Part 1: Conducted conformance testing"
- [4] 3GPP TS 38.115-2: "NR; Repeater conformance testing - Part 1: Radiated conformance testing"
- [5] CISPR 32: "Electromagnetic compatibility of multimedia equipment - Emission requirements".
- [6] IEC 61000-6-1: "Electromagnetic compatibility (EMC) - Part 6-1: Generic standards - Immunity for residential, commercial and light-industrial environments".
- [7] IEC 61000-6-3: "Electromagnetic compatibility (EMC) - Part 6-3: Generic standards - Emission standard for equipment in residential environments".

- [8] IEC 61000-3-2: "Electromagnetic compatibility (EMC) - Part 3-2: Limits - Limits for harmonic current emissions (equipment input current ≤ 16 A per phase)".
- [9] IEC 61000-3-3: "Electromagnetic compatibility (EMC) - Part 3-3: Limits - Limitation of voltage changes, voltage fluctuations and flicker in low-voltage supply systems, for equipment with rated current ≤ 16 A per phase and not subject to conditional connection".
- [10] IEC 61000-3-11: "Electromagnetic compatibility (EMC) - Part 3-11: Limits – Limitation of voltage changes, voltage fluctuations and flicker in low-voltage supply systems - Equipment with rated current ≤ 75 A and subject to conditional connections".
- [11] IEC 61000-3-12: "Electromagnetic compatibility (EMC) - Part 3-12: Limits - Limits for harmonic currents produced by equipment connected to public low-voltage system with input current >16 A and ≤ 75 A per phase".
- [12] IEC 61000-4-2: "Electromagnetic compatibility (EMC) - Part 4-2: Testing and measurement techniques - Electrostatic discharge immunity test".
- [13] IEC 61000-4-3:2006+AMD1:2007+AMD2:2010 CSV: "Electromagnetic compatibility (EMC) - Part 4-3: Testing and measurement techniques - Radiated, radio-frequency, electromagnetic field immunity test".
- [14] IEC 61000-4-4: "Electromagnetic compatibility (EMC) - Part 4-4: Testing and measurement techniques - Electrical fast transient/burst immunity test".
- [15] IEC 61000-4-5: "Electromagnetic compatibility (EMC) - Part 4-5: Testing and measurement techniques - Surge immunity test".
- [16] IEC 61000-4-6: "Electromagnetic compatibility (EMC) - Part 4-6: Testing and measurement techniques - Immunity to conducted disturbances, induced by radio frequency fields".
- [17] IEC 61000-4-11: "Electromagnetic compatibility (EMC) - Part 4-11: Testing and measurement techniques - Voltage dips, short interruptions and voltage variations immunity tests".
- [18] IEC 61000-4-21: "Electromagnetic compatibility (EMC) - Part 4-21: Testing and measurement techniques - Reverberation chamber test methods".
- [19] ITU-R SM.329: "Unwanted emissions in the spurious domain".
- [20] IEC 60050-161: "International Electrotechnical Vocabulary - Chapter 161: Electromagnetic compatibility".
- [21] ETSI EN 301 489-1: "Electromagnetic Compatibility (EMC) standard for radio equipment and services - Part 1: Common technical requirements - Harmonised Standard for Electromagnetic Compatibility".
- [22] ETSI EN 301 489-50: "Electromagnetic compatibility (EMC) standard for radio equipment and services; Part 50: Specific conditions for cellular communication base station (BS), repeater and ancillary equipment; Harmonised standard covering the essential requirements of article 3.1(b) of the Directive 2014/53/EU".
- [23] 3GPP TS 38.101-4: "NR; User Equipment (UE) radio transmission and reception; Part 4: Performance requirements".
- [24] IEC 61000-6-8: "Electromagnetic compatibility (EMC) - Part 6-8: Generic standards - Emission standard for professional equipment in commercial and light-industrial locations".
- [25] CISPR 16-1-4: "Specification for radio disturbance and immunity measuring apparatus and methods - Part 1-4: Radio disturbance and immunity measuring apparatus - Antennas and test sites for radiated disturbance measurements".
- [26] ITU-R SM.1539-1: "Variation of the boundary between the out-of-band and spurious domains required for the application of Recommendations ITU-R SM.1541 and ITU-R SM.329".

- [27] CISPR 16-4-2 : "Specification for radio disturbance and immunity measuring apparatus and methods - Part 4-2: Uncertainties, statistics and limit modelling - Measurement instrumentation uncertainty".
- [28] ETSI TR 100 028-1: "Electromagnetic Compatibility and Radio Spectrum Matters (ERM); Uncertainties in the Measurement of Mobile Radio Equipment Characteristics; Part 1".
- [29] 3GPP TR 38.867: "Study on NR network-controlled repeaters".

3 Definitions, symbols and abbreviations

3.1 Definitions

For the purposes of the present document, the terms and definitions given in TR 21.905 [1] and the following apply. A term defined in the present document takes precedence over the definition of the same term, if any, in TR 21.905 [1].

ancillary equipment: electrical or electronic equipment, that is intended to be used with a receiver or transmitter

NOTE: It is considered as an ancillary equipment if:

the equipment is intended for use with a receiver or transmitter to provide additional operational and/or control features to the radio equipment, (e.g. to extend control to another position or location); and

the equipment cannot be used on a stand alone basis to provide user functions independently of a receiver or transmitter; and

the receiver or transmitter, to which it is connected, is capable of providing some intended operation such as transmitting and/or receiving without the ancillary equipment (i.e. it is not a sub-unit of the main equipment essential to the main equipment basic functions).

antenna port: for EMC purposes, port for connection of an antenna used for intentional transmission and/or reception of radiated RF energy, equivalent to an RF antenna connector.

channel bandwidth: the RF bandwidth supporting a single NR RF carrier with the transmission bandwidth configured in the uplink or downlink of a cell. The *channel bandwidth* is measured in MHz and is used as a reference for transmitter and receiver RF requirements.

continuous phenomena: electromagnetic disturbance, the effects of which on a particular device or equipment cannot be resolved into a succession of distinct effects (IEC 60050-161 [20]).

exclusion band: frequency range(s) not subject to test or assessment.

multi-band repeater: *Repeater Type 1-C* whose *antenna connector* is associated with a transmitter and/or receiver that is characterized by the ability to process two or more *passband(s)* in common active RF components simultaneously, where at least one *passband* is configured at a different operating band than the other *passband(s)* and where this different operating band is not a sub-band or superseding-band of another supported operating band

NCR-MT: the NCR-MT is defined as a function entity to communicate with a gNB via a Control link (C-link) to enable exchange of control information (e.g. side control information at least for the control of NCR-Fwd). The C-link is based on NR Uu interface.

NCR-Fwd: the NCR-Fwd is defined as a function entity to perform the amplify-and-forwarding of UL/DL RF signal between gNB and UE via backhaul link and access link. The behavior of the NCR-Fwd will be controlled according to the received side control information from gNB.

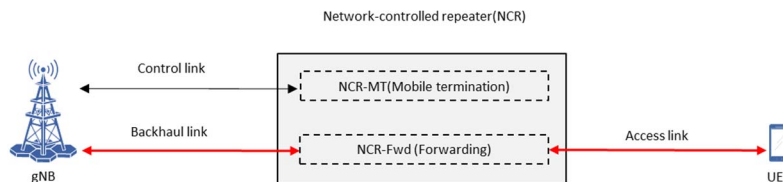


Figure 3.1-1: Conceptual model of network-controlled repeater

NCR type 1-C: network-controlled repeater including both NCR-MT and NCR-Fwd operating at FR1 with requirements set consisting only of conducted requirements defined at individual antenna connectors.

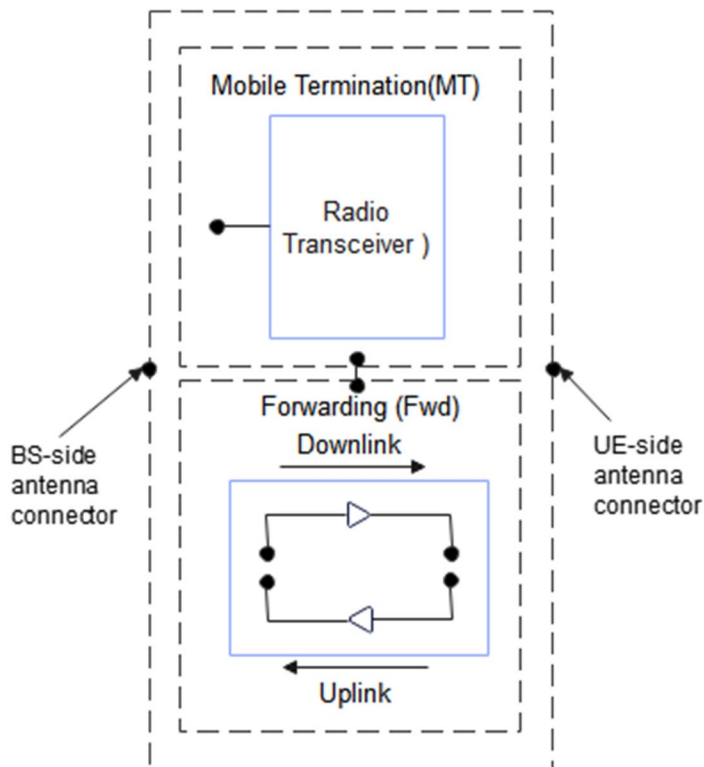


Figure 3.1-2: NCR type 1-C downlink and uplink interface

NOTE 1: the NCR-MT and NCR-Fwd may have the same or separate antenna connectors

NCR type 1-H: network-controlled repeater including both NCR-MT and NCR-Fwd operating at FR1 with a requirement set consisting of conducted requirements defined at individual TAB connectors and OTA requirements defined at RIB.

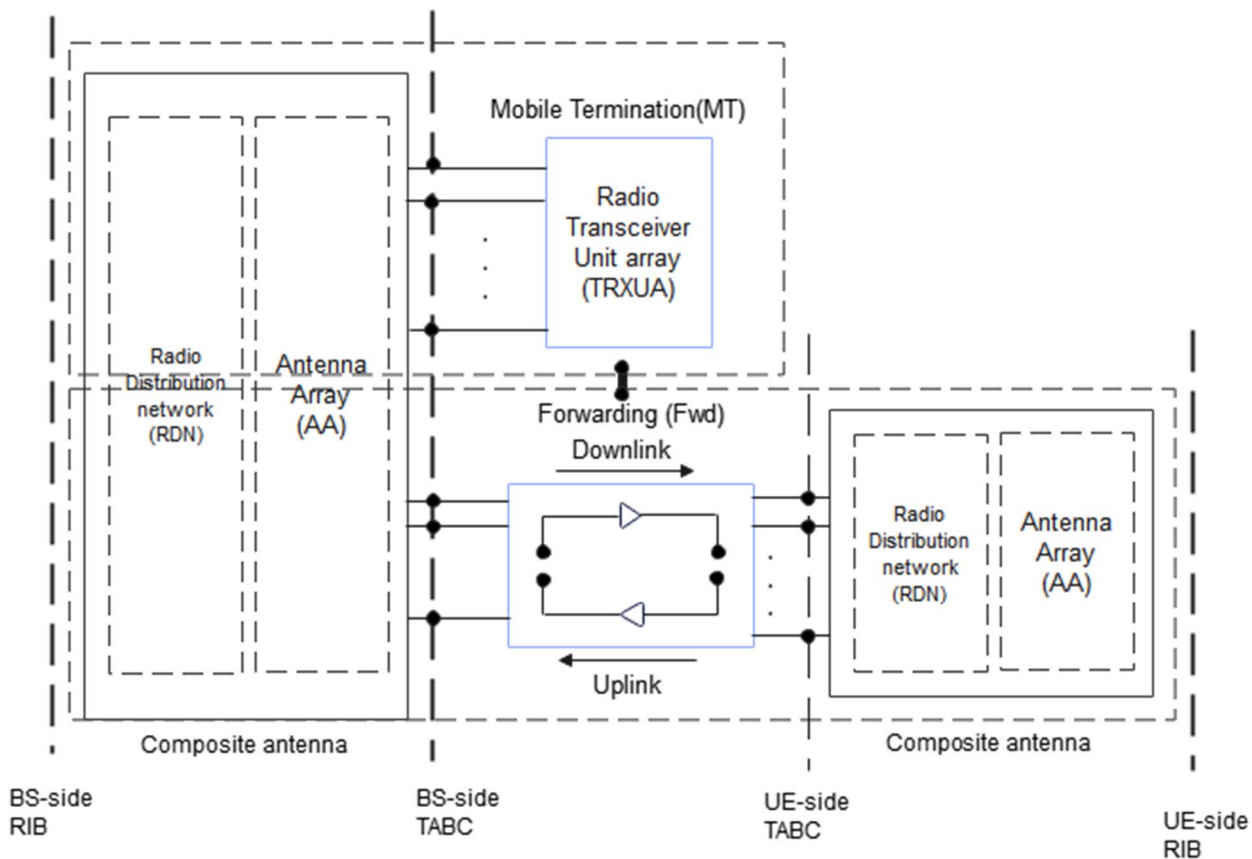


Figure 3.1-3: NCR type 1-H downlink and uplink interface

NOTE 1: the NCR-MT and NCR-Fwd may have the same or separate TAB connectors.

NCR type 2-O: network-controlled repeater including both NCR-MT and NCR-Fwd operating at FR2 with a requirement set consisting only of OTA requirements defined at the RIB.

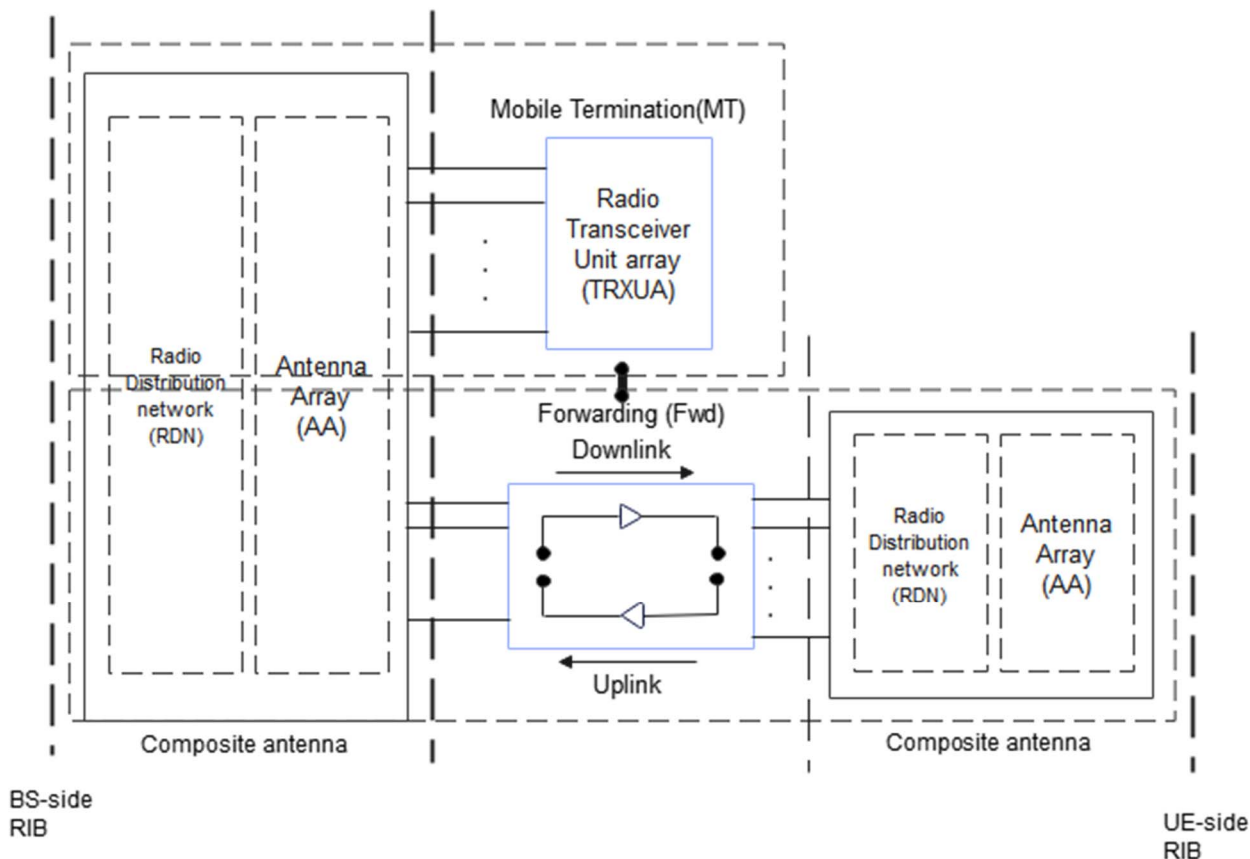


Figure 3.1-4: NCR type 2-O downlink and uplink interface

NOTE 1: the NCR-MT and NCR-Fwd may have the same or separate RIB.

operating band: frequency range in which NR operates (paired or unpaired), that is defined with a specific set of technical requirements.

passband edge: Frequency at the edge of the passband.

port: A particular interface, of the specified equipment (apparatus), with the electromagnetic environment. For example, any connection point on an equipment intended for connection of cables to or from that equipment is considered as a port (see Figure 3.1-1).

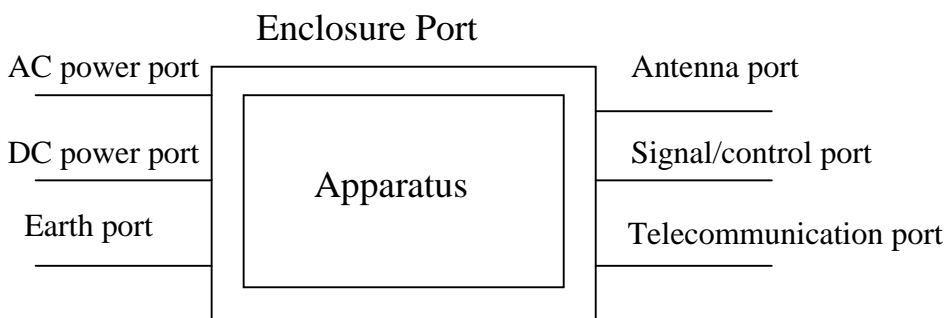


Figure 3.1-5: Examples of ports

repeater type 1-C: Repeater operating at FR1 with a requirement set consisting only of conducted requirements defined at individual *antenna connectors*.

repeater type 2-O: Repeater operating at FR2 with a requirement set consisting only of OTA requirements defined at the RIB.

radiated interface boundary: *operating band* specific radiated requirements reference where the radiated requirements apply.

signal/control port: port intended for the interconnection of components of an EUT, or between an EUT and associated equipment and used in accordance with relevant functional specifications (for example for the maximum length of cable connected to it).

single-band connector: *Repeater type 1-C antenna connector* supporting operation either in a single *operating band* only, or in multiple *operating bands* but does not meet the conditions for a *multi-band connector*

spatial exclusion zone: range of angles where no tests of radiated immunity are made for *repeater type 2-O* (i.e. half sphere around the EUT's radiating direction).

telecommunication port: ports which are intended to be connected to telecommunication networks (e.g. public switched telecommunication networks, integrated services digital networks), local area networks (e.g. Ethernet, Token Ring) and similar networks.

NOTE: *Telecommunication port* is called "wired network port" in CISPR 32 [5] and ETSI EN 301 489-1 [21].

transient phenomena: pertaining to or designating a phenomena or a quantity which varies between two consecutive steady states during a time interval short compared with the time-scale of interest (IEC 60050-161 [20]).

3.2 Symbols

For the purposes of the present document, the following symbols apply:

BW_{Channel}	Channel bandwidth
$P_{\text{rated,p,AC}}$	Rated passband output power per antenna connector
$P_{\text{rated,p,TRP}}$	Rated passband TRP output power declared per RIB
$P_{\text{max,p,AC}}$	<i>Maximum passband output power measured per antenna connector</i>
$P_{\text{max,p,TRP}}$	<i>Maximum passband TRP output power measured per RIB</i>

3.3 Abbreviations

For the purposes of the present document, the abbreviations given in TR 21.905 [1] and the following apply. An abbreviation defined in the present document takes precedence over the definition of the same abbreviation, if any, in TR 21.905 [1].

AC	Alternating Current
AMN	Artificial Mains Network
CDN	Coupling/Decoupling Network
C-link	Control link
DC	Direct Current
EMC	Electromagnetic Compatibility
EUT	Equipment Under Test
FR	Frequency Range
NCR	Network-controlled repeater
NCR-MT	NCR-Mobile termination
NCR-Fwd	NCR-Forwarding
NR	New Radio
RF	Radio Frequency
rms	root mean square

4 Test conditions

4.1 General

Requirements throughout the EMC specifications are in some cases defined separately for different frequency ranges (FR). The frequency ranges FR1 and FR2 are defined in clause 5.1 of TS 38.106 [2]. NR Repeater and NCR are designed to operate in FR1 and FR2-1.

The equipment shall be tested in normal test environment defined in the corresponding NR Repeater conformance testing specification TS 38.115-1 [3] for *NR Repeater type 1-C*, *NCR type 1-C* and *NCR type 1-H* or TS 38.115-2 [4] for *NR Repeater type 2-O* and *NCR type 2-O*. The test conditions shall be recorded in the test report.

For Repeater capable of multi-band operation, the requirements in the present document apply for each supported *operating band* unless otherwise stated. *Operating bands* shall be activated according to the test configuration in clause 4.5. Tests shall be performed relating to each type of port and all *operating bands* shall be assessed during the tests.

The manufacturer shall declare the supported *operating band(s)* according to the list of NR repeater and NCR *operating bands* defined in TS 38.106 [2].

NOTE 1: NR *operating bands* for *NR repeater type 1-C*, *NCR type 1-C* and *NCR type 1-H*, are declared by the manufacturer according to the declaration D.2 specified in TS 38.115-1 [3], table 4.6-1.

NOTE 2: NR *operating bands* for *NR repeater type 2-O* and *NCR type 2-O*, are declared by the manufacturer according to the declaration D.4 specified in TS 38.115-2 [4], table 4.6-1.

4.2 Arrangements for establishing a communication link

The wanted RF input signal nominal frequency shall be selected by setting the NR Absolute Radio Frequency Channel Number (NR-ARFCN) to an appropriate number, as defined in TS 38.106 [2], clause 5.3.1.1.

A communication link shall be set up with a suitable test system capable of evaluating the required performance criteria (hereafter called "the test system") at the radio interface and *telecommunication port(s)* (the BS interface). The test system shall be located outside of the test environment.

When the EUT is required to be in the uplink/downlink operation, the following conditions shall be met:

- For the *repeater type 1-C*, *NCR type 1-C* and *NCR type 1-H*, the EUT shall be commanded to operate at maximum rated output power;
- For the *repeater type 2-O* and *NCR type 2-O* testing, the EUT output power shall be configured as stated in clause 8.1 for emission test and clause 9.1 for immunity test accordingly;
- Adequate measures shall be taken to avoid the effect of the unwanted signal on the measuring equipment;

For immunity tests clause 4.3 shall apply and the conditions shall be as follows.

4.3 Narrow band responses

Responses on uplink or downlink occurring during the immunity test at discrete frequencies which are narrow band responses (spurious responses), are identified by the following method:

- if during an immunity test the quantity being monitored goes outside the specified tolerances (clause 6), it is necessary to establish whether the deviation is due to a narrow band response or to a wide band (EMC) phenomenon. Therefore, the test shall be repeated with the unwanted signal frequency increased, and then decreased by $2 \times BW_{\text{Channel}}$ MHz, where BW_{Channel} is the channel bandwidth as defined in TS 38.106 [2], clause 5.3;

- if the deviation disappears in either one or both of the above MHz offset cases, then the response is considered as a narrow band response;
- if the deviation does not disappear, this may be due to the fact that the offset has made the frequency of the unwanted signal correspond to the frequency of another narrow band response. Under these circumstances the procedure is repeated with the increase and decrease of the frequency of the unwanted signal set to $2.5 \times BW_{\text{Channel}}$ MHz;
- if the deviation does not disappear with the increased and/or decreased frequency, the phenomenon is considered wide band and therefore an EMC problem and the equipment fails the test.

For immunity test narrow band responses are disregarded.

For EUT capable of multi-band operation, all supported *operating bands* shall be considered for narrowband responses.

4.4 Exclusion bands

The *exclusion band* for NR repeater and NCR is the frequency range over which no tests of radiated immunity are made in UL or DL.

The *exclusion band* for DL is defined as:

$$F_{\text{DL,low}} - \Delta f_{\text{OBUE}} < f < F_{\text{DL,high}} + \Delta f_{\text{OBUE}}$$

Where values of $F_{\text{DL,low}}$ and $F_{\text{DL,high}}$ are defined for each *operating band* in TS 38.106 [2], clause 5.2.

The *exclusion band* for UL is defined as:

$$F_{\text{UL,low}} - \Delta f_{\text{OBUE}} < f < F_{\text{UL,high}} + \Delta f_{\text{OBUE}}$$

Where values of $F_{\text{UL,low}}$ and $F_{\text{UL,high}}$ are defined for each *operating band* in TS 38.106 [2], clause 5.2.

For NR repeater and NCR capable of multi-band operation, the total *exclusion band* is a combination of the *exclusion bands* for each *operating band* supported by NR repeater or NCR.

The Δf_{OBUE} values are defined in table 4.4-1 for both DL and UL.

Table 4.4-1: Δf_{OBUE} offset values

	Operating band characteristics	Δf_{OBUE} (MHz)
NCR type 1-H	$F_{\text{DL,high}} - F_{\text{DL,low}} < 100$ MHz, or $F_{\text{UL,high}} - F_{\text{UL,low}} < 100$ MHz	10
	$100 \text{ MHz} \leq F_{\text{DL,high}} - F_{\text{DL,low}} \leq 900$ MHz, or $100 \text{ MHz} \leq F_{\text{UL,high}} - F_{\text{UL,low}} \leq 900$	40
Repeater type 1-C, NCR type 1-C	$F_{\text{DL,high}} - F_{\text{DL,low}} < 200$ MHz, or $F_{\text{UL,high}} - F_{\text{UL,low}} < 200$ MHz	10
	$200 \text{ MHz} \leq F_{\text{DL,high}} - F_{\text{DL,low}} \leq 900$ MHz, or $200 \text{ MHz} \leq F_{\text{UL,high}} - F_{\text{UL,low}} \leq 900$ MHz	40

NOTE: As the radiated immunity testing is defined in the frequency range 80 MHz to 6 GHz, there is no exclusion band defined for FR2.

4.5 NR repeaters test configurations

The present clause defines the NR repeaters test configurations that shall be used for demonstrating conformance. A single NR repeater carrier shall be used for testing of single-carrier capable NR repeaters.

The signal's channel bandwidth and subcarrier spacing used to build NR repeater and NCR Test Configurations shall be selected according to table 4.7.2-1 in TS 38.115-1 [3] clause 4.7 for *NR repeaters type 1-C*, *NCR type 1-C* and *NCR type 1-H* and table 4.7.2.1-1 in TS 38.115-2 [4] clause 4.7 for *NR repeaters type 2-O* and *NCR type 2-O*. The passband

frequency range declared per *operating band* in TS 38.115-1 [3] clause 4.6, and TS 38.115-2 [4] clause 4.6 shall be used.

For other NR repeaters and NCR, the test configurations in tables 4.5-1, 4.5-2, 4.5-3 and 4.5-4 shall be used. The NR repeaters and NCR test configurations (RTCx) are defined in TS 38.115-1 [3], clause 4.7 for *NR repeaters type 1-C*, *NCR type 1-C* and *NCR type 1-H* and in TS 38.115-2 [4], clause 4.7 for *NR repeaters type 2-O*, *NCR type 2-O*.

Table 4.5-1: Test configurations for NR repeaters type 1-C

Repeater test case	Repeater capable of single or multiple passbands in a single band			Repeater capable of multi-band operation	
	Single passband repeater	Multiple passband capable repeater with identical parameters per passband	Multiple passband capable repeater with different parameters per passband	Common connector	Separate connectors
Emission tests	RTC1	RTC1, RTC2	RTC1, RTC2	RTC1/2 (Note 1), RTC4	RTC1/2 (Note 1, 2), RTC4 (Note 2)
Immunity tests	RTC1	RTC1, RTC2	RTC1, RTC2	RTC1/2 (Note 1), RTC4	RTC1/2 (Note 1, 2), RTC4 (Note 2)

NOTE 1: RTC1 and/or RTC2 shall be applied in each supported operating band.
 NOTE 2: For single-band operation test, other antenna connector(s) is (are) terminated.

Table 4.5-2: Test configurations for NR repeaters type 2-O

Repeater test case	Repeater capable of single or multiple passbands in a single band		
	Single passband repeater	Multiple passband capable repeater with identical parameters per passband	Multiple passband capable repeater with different parameters per passband
Emission tests	RTC1	RTC1, RTC2	RTC1, RTC2
Immunity tests	RTC1	RTC1, RTC2	RTC1, RTC2

Table 4.5-3: Test configurations for NCR type 1-C, NCR type 1-H

Repeater test case	Repeater capable of single or multiple passbands in a single band			Repeater capable of multi-band operation	
	Single passband repeater	Multiple passband capable repeater with identical parameters per passband	Multiple passband capable repeater with different parameters per passband	Common connector	Separate connectors
Emission tests	NCRTC1	NCRTC1, NCRTC2	NCRTC1, NCRTC2	NCRTC1/2 (Note 1), NCRTC4	NCRTC1/2 (Note 1, 3), NCRTC4 (Note 3)
Immunity tests	NCRTC1	NCRTC1, NCRTC2	NCRTC1, NCRTC2	NCRTC1/2 (Note 1), NCRTC4	NCRTC1/2 (Note 1, 3), NCRTC4 (Note 3)

Note 1: NCRTC1 and/or NCRTC2 shall be applied in each supported operating band.
 Note 2: NCRTC4 may be applied for Inter passband gap only.
 Note 3: For single-band operation test, other antenna connector(s) is (are) terminated.

Table 4.5-4: Test configurations for *NCR type 2-O*

Repeater test case	Repeater capable of single or multiple passbands in a single band		
	Single passband repeater	Multiple passband capable repeater with identical parameters per passband	Multiple passband capable repeater with different parameters per passband
Emission tests	NCRTC1	NCRTC1, NCRTC2	NCRTC1, NCRTC2
Immunity tests	NCRTC1	NCRTC1, NCRTC2	NCRTC1, NCRTC2

5 Performance assessment

5.1 General

The following information shall be recorded in or annexed to the test report:

- The primary functions of the radio equipment to be tested during and after the EMC testing;
- The intended functions of the radio equipment which shall be in accordance with the documentation accompanying the equipment;
- The method to be used to verify that a communications link is established and maintained;
- The user-control functions and stored data that are required for normal operation and the method to be used to assess whether these have been lost after EMC stress;
- The *ancillary equipment* to be combined with the radio equipment for testing (where applicable);
- The information about *ancillary equipment* intended to be used with the radio equipment;
- Information about the common and/or band-specific active RF components and other hardware blocks for a communication link in EUT capable of multi-band operation;
- An exhaustive list of ports (or RIBs), classified as either power or signal/control. Power ports shall further be classified as AC or DC power.

Performance assessment of a NR repeater or NCR with multiple enclosures may be done separately, according to the manufacturer's choice.

A communication link used by more than one *operating band*, shall be assessed on all *operating bands*. Communication link(s) and/or radio performance parameters for the *operating bands* can during the test be assessed simultaneously or separately for each band, depending on the test environment capability.

5.2 NR repeaters and NCR

The parameter used for assessment of performance of a NR repeater and NCR-Fwd is the power accuracy within the operating band.

For downlink assessment of the NCR-MT, a communication link shall be established between the transmitter (via port for the *NCR type 1-C* and *NCR type 1-H*, or via RIB for the *NCR type 2-O*) and the test equipment. Test equipment shall meet the requirements for the throughput assessment defined in TS 38.106 [2] for the bearer used in the immunity tests. The level of the signal supplied to the equipment should be within the range for which the assessment of throughput is not impaired. Power control shall be OFF during the immunity testing.

For uplink assessment of the NCR-MT, the value of the throughput at the output of the receiver shall be monitored at NG interface by using suitable test equipment.

5.3 Ancillary equipment

At the manufacturer's discretion the test may be performed on the *ancillary equipment* separately or on a representative configuration of the combination of radio and *ancillary equipment*. In each case EUT is tested against all applicable immunity and emission clauses of the present document and in each case, compliance enables the *ancillary equipment* to be used with different radio equipment.

6 Performance criteria

6.1 Performance criteria for continuous phenomena

6.1.1A Performance criteria for continuous phenomena for NR repeaters and NCR-Fwd

The power accuracy of the EUT shall be measured throughout the period of exposure of the phenomenon.

For *repeater type 1-C*, *NCR type 1-C*, and *NCR type 1-H*, the measured output power $P_{\max,p,AC}$ during the test shall not change from the rated passband output power $P_{\text{rated},p,AC}$ measured before the test by more than ± 1 dB.

For *repeater type 2-O* and *NCR type 2-O*, the maximum passband TRP output power $P_{\max,p,TRP}$ during the test shall not change from the rated passband TRP output power $P_{\text{rated},p,TRP}$ measured before the test by more than ± 1 dB.

At the conclusion of the test the EUT shall operate as intended with no loss of user control functions or stored data.

6.1.1 Performance criteria for continuous phenomena for NCR-MT

The test should, where possible, be performed using a bearer with the characteristics of data rate and throughput defined in table 6.1.1-1 and table 6.1.1-2. If the test is not performed using one of these bearers (for example, none of them are supported by the NCR-MT), the characteristics of the bearer used shall be recorded in the test report.

The throughput in table 6.1.1-1 and table 6.1.1-2 is stated relative to the maximum throughput of the FRC.

The NCR-MT uplink and downlink paths shall each meet the performance criteria defined in table 6.1.1-1 and table 6.1.1-2 during the test. If the uplink and downlink paths are evaluated as a one loop then the criteria is two times the throughput reduction shown in table 6.1.1-1 for FR1 WA NCR-MT and table 6.1.1-2 for FR2 NCR-MT (i.e. throughput > 90 % instead of throughput > 95 %). After each test case NCR-MT shall operate as intended with no loss of user control function, stored data and the communication link to both UE and donor test equipment shall be maintained.

For LA NCR-MT the performance criteria shall be that the throughput shall be $\geq 95\%$ of the maximum throughput of the reference measurement channel as specified in annex A in TS 38.101-1 [3] or TS 38.101-2 [4] for FR1 and FR2 respectively, with parameters specified in clause 7.3.2 in TS 38.101-1 [3] or TS 38.101-2 [4] during the test sequence.

Table 6.1.1-1: FR1 performance criteria for continuous phenomena for WA NCR-MT

NR channel bandwidth (MHz) as defined in TS 38.106 section 5.4.2 [2] for NCR-MT	Sub-carrier spacing (kHz)	Bearer information data rate for NCR-MT	Performance criteria (Note 1, Note 2)
10, 15	30	G-FR1-A1-22 in annex A.1 in TS 38.106 [2]	Throughput > 95 %, no loss of service
10, 15	60	G-FR1-A1-23 in annex A.1 in TS 38.106 [2]	
20 to 100	30	G-FR1-A1-25 in annex A.1 in TS 38.106 [2]	
20 to 100	60	G-FR1-A1-26 in annex A.1 in TS 38.106 [2]	
NOTE 1: The performance criteria, throughput > 95 %, no loss of service, applies also if a bearer with another characteristics is used in the test.			
NOTE 2: The performance criteria, throughput > 90 %, no loss of service, applies instead if the uplink and downlink paths are evaluated as a one loop.			

Table 6.1.1-2: FR2-1 performance criteria for continuous phenomena for NCR-MT

NR channel bandwidth (MHz)	Sub-carrier spacing (kHz)	Bearer information data rate for NCR-MT	Performance criteria (Note 1, Note 2)
50, 100, 200	60	G-FR2-A1-21 in annex A.1 in TS 38.106 [2]	Throughput > 95 %, no loss of service
50	120	G-FR2-A1-22 in annex A.1 in TS 38.106 [2]	
100, 200, 400	120	G-FR2-A1-23 in annex A.1 in TS 38.106 [2]	
NOTE 1: The performance criteria, throughput > 95 %, no loss of service, applies also if a bearer with another characteristics is used in the test.			
NOTE 2: The performance criteria, throughput > 90 %, no loss of service, applies instead if the uplink and downlink paths are evaluated as a one loop.			

6.2 Performance criteria for transient phenomena

6.2.1A Performance criteria for transient phenomena for NR repeaters and NCR-Fwd

The power accuracy of the EUT shall be measured before the test and after each exposure.

For repeater type 1-C, *NCR-Fwd type 1-C* and *NCR-Fwd type 1-H*, the measured output power $P_{\max,p,AC}$ after each exposure and after the total test shall not change from the rated passband output power $P_{\text{rated},p,AC}$ measured before the test by more than ± 1 dB.

For repeater type 2-O and *NCR-Fwd type 2-O*, the maximum passband TRP output power $P_{\max,p,TRP}$ after each exposure and after the total test shall not change from the rated passband TRP output power $P_{\text{rated},p,TRP}$ measured before the test by more than ± 1 dB.

At the conclusion of the total test comprising the series of individual exposures, the EUT shall operate as intended with no loss of user control functions or stored data.

6.2.1 Performance criteria for transient phenomena for NCR-MT

The test should, where possible, be performed using a bearer with the characteristics of data rate and throughput defined in table 6.2.1-1 and table 6.2.1-2. If the test is not performed using one of these bearers (for example, none of them are supported by the NCR-MT), the characteristics of the bearer used shall be recorded in the test report.

The NCR-MT uplink and downlink paths shall each meet the performance criteria defined in table 6.1.1-1 and table 6.1.1-2 during the test. If the uplink and downlink paths are evaluated as a one loop, then the criteria is two times the throughput reduction shown in table 6.1.1-1 for FR1 WA NCR-MT and table 6.1.1-2 for FR2 NCR-MT (i.e. throughput > 90 % instead of throughput > 95 %). After each test case NCR-MT shall operate as intended with no loss of user control function, stored data and the communication link to both UE and donor test equipments shall be maintained.

For LA NCR-MT the performance criteria shall be that the throughput shall be $\geq 95\%$ of the maximum throughput of the reference measurement channel as specified in annex A in TS 38.101-1 [3] or TS 38.101-2 [4] for FR1 and FR2 respectively, with parameters specified in clause 7.3.2 in TS 38.101-1 [3] or TS 38.101-2 [4] during the test sequence.

6.3 Performance criteria for continuous phenomena for Ancillary equipment

The apparatus shall continue to operate as intended during and after the test. No degradation of performance or loss of function is allowed below the performance level specified by the manufacturer, when the apparatus is used as intended. The performance level may be replaced by a permissible performance loss. If the minimum performance level or the permissible performance loss is not specified by the manufacturer, either of these may be derived from the product description and documentation and what the user may reasonably expect from the apparatus if used as intended.

6.4 Performance criteria for transient phenomena for Ancillary equipment

The apparatus shall continue to operate as intended after the test. No degradation of performance or loss of function is allowed below the performance level specified by the manufacturer, when the apparatus is used as intended. The performance level may be replaced by a permissible performance loss. During the test, degradation of performance is however allowed. If the minimum performance level or the permissible performance loss is not specified by the manufacturer, either of these may be derived from the product description and documentation and what the user may reasonably expect from the apparatus if used as intended.

7 Applicability overview

7.0 General

Throughout this specification, whenever the NCR repeater requirement is referred, its applicability shall be considered as applicable to the NCR node as a whole (i.e. NCR-Fwd and NCR-MT), irrespective of its implementation.

7.1 Emission

Table 7.1-1: Emission requirements applicability

Phenomenon	Application	Equipment test requirement			Reference clause in the present document	Reference standard
		NR repeater equipment	NCR equipment	Ancillary equipment		
Radiated emission	Enclosure	applicable for NR repeater type 1-C (Note 1)	applicable for NCR type 1-C and NCR type 1-H (Note 1)	not applicable	8.2.1	ITU-R SM.329 [19]
Radiated emission	Enclosure of ancillary equipment	not applicable	not applicable	applicable	8.2.2	CISPR 32 [5]
Conducted emission	DC power input/output port	applicable	applicable	applicable	8.3	CISPR 32 [5]
Conducted emission	AC mains input/output port	applicable	applicable	applicable	8.4	CISPR 32 [5]
Conducted emission	Telecommunication port	applicable	applicable	applicable	8.5	CISPR 32 [5]
Harmonic current emissions	AC mains input port	applicable	applicable	applicable	8.6	IEC 61000-3-2 [8] or IEC 61000-3-12 [11] (NOTE 2)
Voltage fluctuations and flicker	AC mains input port	applicable	applicable	applicable	8.7	IEC 61000-3-3 [9] or IEC 61000-3-11 [10] (NOTE 2)

NOTE 1: Radiated emission requirements for NR repeater type 2-O and NCR type 2-O are described in clause 8.2.1.

NOTE 2: Selection of the reference IEC specification is based on the rated input current of the EUT's power supply.

7.2 Immunity

Table 7.2-1: Immunity requirements applicability

Phenomenon	Application	Equipment test requirement			Reference clause in the present document	Reference standard
		NR repeater equipment	NCR equipment	Ancillary equipment		
RF electromagnetic field (80 – 6000 MHz)	Enclosure	applicable	applicable	applicable	9.2	IEC 61000-4-3 [13]
Electrostatic discharge	Enclosure	applicable	applicable	applicable	9.3	IEC 61000-4-2 [12]
Fast transients common mode	Signal, telecommunications and control ports, DC and AC power input ports	applicable	applicable	applicable	9.4	IEC 61000-4-4 [14]
RF common mode 0.15 - 80 MHz	Signal, telecommunications and control ports, DC and AC power input ports	applicable	applicable	applicable	9.5	IEC 61000-4-6 [16]
Voltage dips and interruptions	AC mains power input ports	applicable	applicable	applicable	9.6	IEC 61000-4-11 [17]
Surges, common and differential mode	AC power input ports and telecommunications port	applicable	applicable	applicable	9.7	IEC 61000-4-5 [15]

8 Emission

8.1 Test configurations

This clause defines the configurations for emission tests as follows:

- The equipment shall be tested under normal test conditions as specified in the functional standards;
- The test configuration shall be as close to normal intended use as possible;
- If the equipment is part of a system, or can be connected to ancillary equipment, then it shall be acceptable to test the equipment while connected to the minimum configuration of *ancillary equipment* necessary to exercise the ports;
- If the equipment has a large number of ports, then a sufficient number shall be selected to simulate actual operation conditions and to ensure that all the different types of termination are tested;
- The test conditions, test configuration and mode of operation shall be recorded in the test report;
- Ports which in normal operation are connected shall be connected to an *ancillary equipment* or to a representative piece of cable correctly terminated to simulate the input/output characteristics of the *ancillary equipment*; in case of *repeater type 1-C*, *NCR type 1-C* and *NCR type 1-H*, *antenna ports* shall be correctly terminated;
- For *repeater type 2-O* and *NCR type 2-O* without *antenna ports* but intentionally radiating through the *antenna array*, the equipment shall be placed in a test setup suitable for the radiated power;
- Ports which are not connected to cables during normal operation, e.g. service connectors, programming connectors, temporary connectors etc. shall not be connected to any cables for the purpose of EMC testing. Where cables have to be connected to these ports, or interconnecting cables have to be extended in length in order to exercise the EUT, precautions shall be taken to ensure that the evaluation of the EUT is not affected by the addition or extension of these cables;
- The test arrangements for uplink and downlink of the repeater and NCR are described separately for the sake of clarity. However, where possible the test of the uplink clause and downlink clause of the EUT may be carried out simultaneously to reduce test time.

8.2 Radiated emission

8.2.1 Radiated emission, Repeater and NCR

This test is applicable to *repeater type 1-C*, *NCR type 1-C* and *NCR type 1-H*. This test shall be performed on a representative configuration of repeater or NCR.

For *repeater type 2-O* and *NCR type 2-O*, the radiated emission is covered by radiated spurious emission requirement in TS 38.106 [2], conforming to the test requirement in TS 38.115-2 [4].

8.2.1.1 Definition

This test assesses the ability of repeater or NCR to limit unwanted emission from the *enclosure port*.

8.2.1.2 Test method

- a) A test site fulfilling the requirements of ITU-R SM.329 [19] shall be used. The repeater or NCR shall be placed on a non-conducting support and shall be operated from a power source via a RF filter to avoid radiation from the power leads. One of the following two alternative measurement methods shall be used:
 - 1) Field strength method measurement

The test method shall be in accordance with CISPR 32 [5]. The field strength measurements shall be performed on a test site that is validated according to the methods and requirements of CISPR 16-1-4 [25].

Unless otherwise stated, measurements are conducted at 3 m or 10 m on an open area test site (OATS) or semi anechoic chamber (SAC) for frequencies up to 1 GHz, or at 3 m on a free space open area test site (FSOATS) or fully-anechoic room (FAR) for frequencies above 1 GHz. Unless otherwise stated, all measurements are done with RMS detector and with the -3 dB bandwidth of the measuring filter equal to the reference bandwidth in table 8.2.1.3-1.

NOTE 1: Test site validation methods for radiated emissions tests are defined in CISPR 16-1-4 [25], clause 6 and 7. Examples of test site validation methods are listed below:

- 30 - 1000 MHz frequency range: Normalized Site Attenuation (NSA), Reference Site Method (RSM).
- 1 - 18 GHz frequency range: S_{VSWR} standard test procedure, S_{VSWR} reciprocal test procedure.

2) Substitution method measurement (also called a substitution method)

Mean power of any spurious components shall be detected by the test antenna and measuring receiver (e.g. a spectrum analyser). At each frequency at which a component is detected, the repeater or NCR shall be rotated and the height of the test antenna adjusted to obtain maximum response, and the effective radiated power (e.r.p.) of that component determined by a substitution measurement. The measurement shall be repeated with the test antenna in the orthogonal polarization plane. Unless otherwise stated, all measurements are done as mean power (RMS).

NOTE 2: Effective radiated power (e.r.p.) refers to the radiation of a half wave tuned dipole instead of an isotropic antenna. There is a constant difference of 2.15 dB between e.i.r.p. and e.r.p., as defined in ITU-R SM.329 annex 1 [19].

$$\text{e.r.p. (dBm)} = \text{EIRP (dBm)} - 2.15$$

- b) The repeater or NCR shall transmit with maximum power declared by the manufacturer with all transmitters active. Set the repeater or NCR to transmit a signal as stated in clause 4.5.
- c) The received power shall be measured over the frequency range from 30 MHz to $F_{DL,low} - \Delta f_{OBUE}$ and from $F_{DL,high} + \Delta f_{OBUE}$ up to 12750 MHz. For some *operating bands*, the upper limit is higher than 12.75 GHz in order to comply with the 5th harmonic limit of the downlink *operating band*, as specified in ITU-R SM.329 [19]. The video bandwidth shall be approximately three times the resolution bandwidth. If this video bandwidth is not available on the measuring receiver, it shall be the maximum available and at least 1 MHz. Unless otherwise stated, all measurements are done as mean power (RMS).

8.2.1.3 Limits

The frequency boundary and reference bandwidths for the detailed transitions of the limits between the requirements for out of band emissions and spurious emissions are based on ITU-R Recommendations SM.329 [19] and SM.1539-1 [26].

The *repeater type 1-C*, *NCR-Fwd type 1-C* and *NCR-Fwd type 1-H* shall meet the limits below:

Table 8.2.1.3-1: Limits for radiated emissions from repeater type 1-C, NCR-Fwd type 1-C, NCR-Fwd type 1-H

Frequency range	e.r.p. (dBm)	Field strength at 3 m (dB μ V/m) (NOTE 4)	Field strength at 10 m (dB μ V/m) (NOTE 4)	Reference bandwidth	Notes
30 MHz \leq f < 1000 MHz	-36	65.4 (NOTE 5)	54.9 (NOTE 5)	100 kHz	NOTE 7
1 GHz \leq f < 12.75 GHz	-30	67.4	Not applicable	1 MHz	NOTE 7
12.75 GHz \leq f < 5 th harmonic of the upper frequency edge of the DL operating band in GHz	-30	67.4	Not applicable	1 MHz	NOTE 1,7
12.75 GHz - 26 GHz	-30	67.4	Not applicable	1 MHz	NOTE 6,7
$F_{DL,low} - \Delta f_{OBUE} < f <$ $F_{DL,high} + \Delta f_{OBUE}$	Not defined	Not defined	Not defined	Not defined	NOTE 2,3,7

NOTE 1: This frequency range applies only for operating bands for which the 5th harmonic of the upper frequency edge of the DL operating band is reaching beyond 12.75 GHz.

NOTE 2: For repeater or NCR capable of multi-band operation, the frequency ranges relating to the RF bandwidths of all supported *operating bands* apply.

NOTE 3: Δf_{OBUE} is defined in clause 6.5.3 of TS 38.106 [2].

NOTE 4: The field strength measurements shall be conducted on OATS or SAC for frequencies up to 1 GHz, or on FSOATS or FAR for frequencies above 1 GHz.

NOTE 5: Limits for radiated emissions are translated from the e.r.p. limit of -36 dBm into the field strength limit of 61.4 dB μ V/m (at 3m) or 50.9 dB μ V/m (at 10m), and increased by the site gain value of 4 dB. The value of the site gain is based on ITU-R Recommendations SM.329 [19].

NOTE 6: For NCR when NCR-Fwd and NCR-MT are transmitting simultaneously, the RSE requirements should apply for sum of NCR-MT and NCR-Fwd transmission.

For *NCR-MT type 1-C* and *NCR-MT type 1-H*, the radiated emission is covered by radiated spurious emission requirement in clauses 6.5.4.4.2 of TS 38.106 [2].

8.2.1.4 Interpretation of the measurement results

The interpretation of the results recorded in a test report for the radiated emission measurements described in the present document shall be as follows:

- the measured value related to the corresponding limit will be used to decide whether an equipment meets the requirements of the present document;
- the value of the measurement uncertainty for the measurement of each parameter shall be included in the test report;
- the recorded value of the measurement uncertainty shall be, for each measurement, equal to or lower than the figures in table 8.2.1-4-1 for repeater or NCR.

Table 8.2.1.4-1 specifies the maximum measurement uncertainty of the test system. The test system shall enable the equipment under test to be measured with an uncertainty not exceeding the specified values. All tolerances and uncertainties are absolute values, and are valid for a confidence level of 95 %, unless otherwise stated.

A confidence level of 95 % is the measurement uncertainty tolerance interval for a specific measurement that contains 95% of the performance of a population of test equipment.

Table 8.2.1.4-1: Maximum measurement uncertainty (Repeater or NCR)

Parameter	Uncertainty for EUT dimension ≤ 1 m (NOTE 2)	Uncertainty for EUT dimension >1 m (NOTE 2)
Effective radiated RF power between 30 MHz and 180 MHz	± 6 dB	± 6 dB
Effective radiated RF power between 180 MHz and 4 GHz	± 4 dB	± 6 dB
Effective radiated RF power between 4 GHz and 12,75 GHz	± 6 dB	± 9 dB (NOTE 1)
Effective radiated RF power between 12,75 GHz and 26 GHz	± 6 dB	± 9 dB (NOTE 1)
Field strength between 30 MHz and 12,75 GHz	± 6 dB	± 6 dB
NOTE 1: This value may be reduced to ± 6 dB when further information on the potential radiation characteristic of the EUT is available.		
NOTE 2: These MU values estimates and are not based on the MU budget calculations. For more background on MU derivation analyses refer to CISPR 16-4-2 [27] and ETSI TR 100 028-1 [28].		

NOTE: If the Test System for a test is known to have a measurement uncertainty greater than that specified in table 8.2.1.4-1, this equipment can still be used, provided that an adjustment is made follows:

Any additional uncertainty in the Test System over and above that specified in table 8.2.1.4-1 is used to tighten the test requirements, i.e. making the test harder to pass.

This procedure will ensure that a test system not compliant with table 8.2.1.4-1 does not increase the probability of passing an EUT that would otherwise have failed a test if a test system compliant with table 8.2.1.4-1 had been used.

8.2.2 Radiated emission, ancillary equipment

This test is only applicable to *ancillary equipment* not incorporated in the radio equipment and intended to be measured on a stand-alone basis, as declared by the manufacturer. This test shall be performed on a representative configuration of the *ancillary equipment*.

This test is not applicable for *ancillary equipment* incorporated in the radio equipment, or for *ancillary equipment* intended to be measured in combination with the radio equipment. In these cases, the requirements of the relevant product standard for the effective use of the radio spectrum shall apply.

8.2.2.1 Definition

This test assesses the ability of *ancillary equipment* to limit unwanted emission from the *enclosure port*.

8.2.2.2 Test method

The test method shall be in accordance with CISPR 32 [5].

8.2.2.3 Limits

The *ancillary equipment* shall meet the limits according to CISPR 32 [5] table A.4 and table A.5.

For the referred limit values, the following shall apply:

- Where the limits value varies over a given frequency range, it changes linearly with respect to the logarithm of the frequency.
- Where there is a step in the relevant limit, the lower value shall be applied at the transition frequency.

Alternatively, for *ancillary equipment* intended to be used in telecommunication centres only, the class A limits given in CISPR 32 [5], annex A, table A.2 and table A.3 may be used.

8.3 Conducted emission DC power input/output port

This test is applicable to equipment which may have DC cables longer than 3 m.

If the DC power cable of the radio equipment is intended to be less than 3 m in length, and intended only for direct connection to a dedicated AC to DC power supply, then the measurement shall be performed only on the AC power input of that power supply as specified in clause 8.4.

This test shall be performed on a representative configuration of the radio equipment, the associated *ancillary equipment*, or representative configuration of the combination of radio and *ancillary equipment*.

8.3.1 Definition

This test assesses the ability of radio equipment and *ancillary equipment* to limit internal noise from the DC power input/output ports.

8.3.2 Test method

The test method shall be in accordance with CISPR 32 [5] and the Artificial Mains Network (AMN) shall be connected to a DC power source.

In the case of DC output ports, the ports shall be connected via an AMN to a load drawing the rated current of the source.

A measuring receiver shall be connected to each AMN measurement port in turn and the conducted emission recorded.

The equipment shall be installed with a ground plane as defined in CISPR 32 [5]. The reference earth point of the AMN shall be connected to the reference ground plane with a conductor as short as possible.

8.3.3 Limits

The equipment shall meet the limits according to CISPR 32 [5] table A.9, which are defined for average detector receiver and for quasi-peak detector receiver. If the average limit is met when using a quasi-peak detector, the equipment shall be deemed to meet both limits and measurement with the average detector receiver is not necessary.

Where there is a step in the referred limit values, the lower value shall be applied at the transition frequency.

8.4 Conducted emissions, AC mains power input/output port

This test is applicable to equipment powered by the AC mains.

This test is not applicable to AC output ports which are connected directly (or via a circuit breaker) to the AC power port of the EUT.

This test shall be performed on a representative configuration of the radio equipment, the associated *ancillary equipment*, or representative configuration of the combination of radio and *ancillary equipment*.

8.4.1 Definition

This test assesses the ability of radio equipment and *ancillary equipment* to limit internal noise from the AC mains power input/output ports.

8.4.2 Test method

The test method shall be in accordance with CISPR 32 [5].

8.4.3 Limits

The equipment shall meet the limits according to CISPR 32 [5] table A.10, which are defined for the average detector receiver and for quasi-peak detector receiver. If the average limit is met when using a quasi-peak detector, the equipment shall be deemed to meet both limits and measurement with the average detector receiver is not necessary.

For the referred limit values following shall apply:

Where the limits value varies over a given frequency range, it changes linearly with respect to the logarithm of the frequency.

Where there is a step in the relevant limit, the lower value shall be applied at the transition frequency.

Alternatively, for equipment intended to be used in telecommunication centres the limits given in CISPR 32 [5] table A.9 shall be used.

8.5 Conducted emissions, telecommunication port

This test is applicable for radio equipment and/or ancillary equipment for fixed use which have telecommunication ports.

This test shall be performed on a representative configuration of radio equipment, the associated *ancillary equipment*, or a representative configuration of the combination of radio and *ancillary equipment*.

8.5.1 Definition

This test assesses the EUT unwanted emission present at the *telecommunication ports*.

8.5.2 Test method

The test method shall be in accordance with CISPR 32 [5].

8.5.3 Limits

The *telecommunication ports* shall meet the limits according to CISPR 32 [5] table A.12.

For the referred limit values, following shall apply:

Where the limits value varies over a given frequency range, it changes linearly with respect to the logarithm of the frequency.

Where there is a step in the relevant limit, the lower value shall be applied at the transition frequency.

Alternatively, for equipment intended to be used in telecommunication centres only, the limits given in CISPR 32 [5] table A.11 may be used.

8.6 Harmonic Current emissions (AC mains input port)

The requirements of IEC 61000-3-2 [8] for harmonic current emission apply for equipment covered by the scope of the present document. For equipment with an input current greater than 16 A per phase, IEC 61000-3-12 [11] applies.

8.7 Voltage fluctuations and flicker (AC mains input port)

The requirements of IEC 61000-3-3 [9] for voltage fluctuations and flicker apply for equipment covered by the scope of the present document. For equipment with an input current greater than 16 A per phase, IEC 61000-3-11 [10] applies.

9 Immunity

9.1 Test configurations

This clause defines the configurations for immunity tests as follows:

- the equipment shall be tested under normal test conditions as specified in the functional standards;
- during the test, the RF output power may be reduced to a power level sufficient for establishing and maintaining the required communication link;
- the test configuration shall be as close to normal intended use as possible;
- if the equipment is part of a system, or can be connected to *ancillary equipment*, then it shall be acceptable to test the equipment while connected to the minimum configuration of *ancillary equipment* necessary to exercise the ports;
- if the equipment has a large number of ports, then a sufficient number shall be selected to simulate actual operation conditions and to ensure that all the different types of termination are tested;
- the test conditions, test configuration and mode of operation shall be recorded in the test report;
- ports which in normal operation are connected shall be connected to an *ancillary equipment* or to a representative piece of cable correctly terminated to simulate the input/output characteristics of the *ancillary equipment*. In case of *repeater type 1-C*, *NCR type 1-C* and *NCR type 1-H*, *antenna ports* shall be correctly terminated;
- ports which are not connected to cables during normal operation, shall not be connected to any cables for the purpose of EMC testing. Where cables have to be connected to these ports, or interconnecting cables have to be extended in length in order to exercise the EUT, precautions shall be taken to ensure that the evaluation of the EUT is not affected by the addition or extension of these cables;
- immunity tests on the entire NR repeater shall be performed by establishing communication links at the radio interface (e.g. with the mobile simulator) and the BS interface (e.g. with a BS simulator) and evaluating the power accuracy; (see figures 9.1-1 and 9.1-2);
- immunity tests on the entire NCR shall be performed by establishing communication links at the radio interface (e.g. with the mobile simulator) and the BS interface (e.g. with a BS simulator) and evaluating the power accuracy for NCR-Fwd and throughput for NCR-MT; (see figures 9.1-3 and 9.1-4);
- immunity tests shall be performed on both the uplink and downlink paths. The tests shall also include both the radio interface and the BS interface. Power accuracy or throughput evaluation may be carried out at either interface, where appropriate, and the measurements for the uplink and downlink paths may be carried out as a single path looped at either the radio interface or BS interface. In case of looping is used care have to be taken that the power accuracy or throughput information doesn't change due to looping;
- for NR repeater or NCR capable of multi-band operation, communication links shall be established in such a way that all *operating band(s)* are activated during the test according to the applicable test configurations in clause 4.5. Performance assessment may be done separately for each *operating band*.

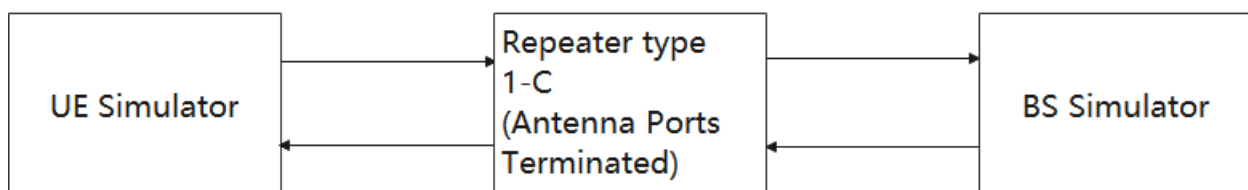


Figure 9.1-1: Communication link set up for *repeater type 1-C* immunity measurement

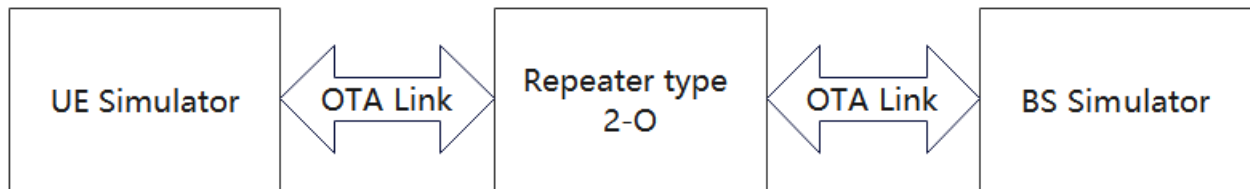


Figure 9.1-2: Communication link set up for *repeater type 2-O* immunity measurement

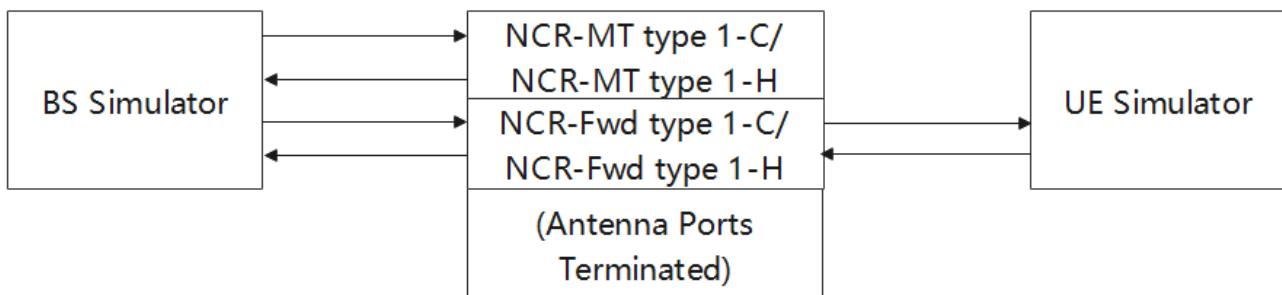


Figure 9.1-3: Communication link set up for *NCR type 1-C/NCR type 1-H* immunity measurement

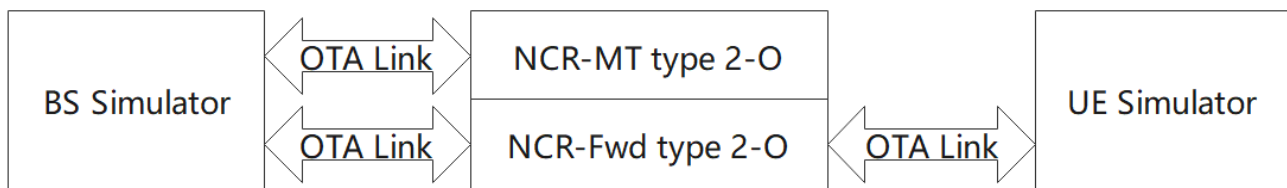


Figure 9.1-4: Communication link set up for *NCR type 2-O* immunity measurement

9.2 RF electromagnetic field (80 MHz - 6000 MHz)

The test shall be performed on a representative configuration of the equipment, the associated *ancillary equipment*, or representative configuration of the combination of radio and *ancillary equipment*.

9.2.1 Definition

This test assesses the ability of radio equipment and *ancillary equipment* to operate as intended in the presence of a radio frequency electromagnetic field disturbance at the enclosure.

9.2.2 Test method and level

The test method shall be in accordance with IEC 61000-4-3 [13], which specified test methodology based on anechoic chamber. The use of reverberation chamber test method according to IEC 61000-4-21 [18], clause 6.1 and Annex D as alternative method is allowed.

The following requirements shall apply:

- The test level shall be 3 V/m amplitude modulated to a depth of 80 % by a sinusoidal audio signal of 1 kHz;
- The stepped frequency increments shall be 1 % of the momentary frequency;
- The test shall be performed over the frequency range 80 MHz - 6000 MHz; with the exception of the exclusion band for receivers (see clause 4.4.2);

- Responses in stand-alone receivers or receivers which are part of transceivers occurring at discrete frequencies which are narrow band responses, shall be disregarded, see clause 4.3;
- The frequencies selected during the test shall be recorded in the test report.
- For the test method in accordance with IEC 61000-4-3 [13], for repeater or NCR operating in FR2-1 the *spatial exclusion zone* can be chosen to protect the NR repeater's and NCR's receiver. For the frequency arrange above 690 MHz (according to the test method in ETSI EN 301 489-50 [22]) the EMC RF electromagnetic field immunity requirement applies on the non-radiating faces of the *repeater type 2-O* or *NCR type 2-O*, as depicted on figure 9.2.2-1.

NOTE: Depending on the BS implementation, application of the spatial exclusion to all radiating faces of the NR repeater or NCR may not allow proper execution of the RI testing. In such cases, to protect the *repeater type 2-O* or *NCR type 2-O* receiver(s), exclusion bands shall be considered, as in table 4.4.2-2.

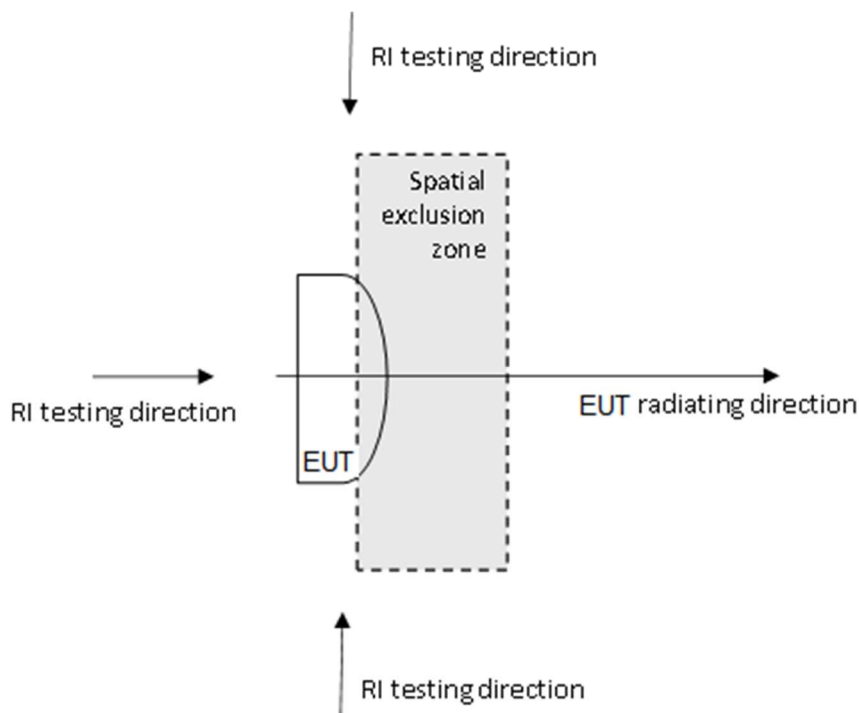


Figure 9.2.2-1: EMC RF electromagnetic field immunity requirement testing directions for NR *repeater type 2-O* or *NCR type 2-O* (horizontal plane depicted) with the *spatial exclusion zone* applied

9.2.3 Performance criteria

NR repeater or NCR:

The performance criteria of clause 6.1 shall apply for NR repeater.

The performance criteria of clause 6.1 shall apply for NCR-Fwd and clause 6.1.1 shall apply for NCR-MT.

Ancillary equipment:

The performance criteria of clause 6.3 shall apply.

9.3 Electrostatic discharge

The test shall be performed on a representative configuration of the radio equipment, the associated *ancillary equipment*, or representative configuration of the combination of radio and *ancillary equipment*.

9.3.1 Definition

This test assesses the ability of radio equipment and *ancillary equipment* to operate as intended in the event of an electrostatic discharge.

9.3.2 Test method and level

The test method shall be in accordance with IEC 61000-4-2 [12]:

- for contact discharge, the equipment shall pass at ± 4 kV;
- for air discharge shall pass at ± 8 kV;
- electrostatic discharge shall be applied to all exposed surfaces of the EUT except where the user documentation specially indicates a requirement for appropriate protective measures.

9.3.3 Performance criteria

NR repeater or NCR:

The performance criteria of clause 6.2 shall apply for NR repeater.

The performance criteria of clauses 6.2 shall apply for NCR-Fwd and clause 6.2.1 shall apply for NCR-MT.

Ancillary equipment:

The performance criteria of clause 6.4 shall apply.

9.4 Fast transients common mode

The test shall be performed on AC mains power input ports.

This test shall be performed on *signal ports*, *telecommunication ports*, *control ports* and DC power input/output ports if the cables may be longer than 3 m.

Where this test is not carried out on a port or any other ports because the manufacturer declares that it is not intended to be used with cables longer than 3 m, a list of ports which were not tested for this reason shall be included in the test report.

This test shall be performed on a representative configuration of the equipment, the associated *ancillary equipment*, or representative configuration of the combination of radio and *ancillary equipment*.

9.4.1 Definition

This test assesses the ability of radio equipment and *ancillary equipment* to operate as intended in the event of fast transients present on one of the input/output ports.

9.4.2 Test method and level

The test method shall be in accordance with IEC 61000-4-4 [14]:

- The test level for *signal ports*, *telecommunication ports* and *control ports* shall be 0.5 kV open circuit voltage as given in IEC 61000-4-4 [14];
- The test level for DC power input/output ports shall be 0.5 kV open circuit voltage as given in IEC 61000-4-4 [14];
- The test level for AC mains power input ports shall be 1 kV open circuit voltage as given in IEC 61000-4-4 [14].

9.4.3 Performance criteria

NR repeater or NCR:

The performance criteria of clause 6.2 shall apply for NR repeater.

The performance criteria of clauses 6.2 shall apply for NCR-Fwd and clause 6.2.1 shall apply for NCR-MT.

Ancillary equipment:

The performance criteria of clause 6.4 shall apply.

9.5 RF common mode (0.15 MHz - 80 MHz)

The test shall be performed on AC mains power input/output ports.

This test shall be performed on *signal ports*, telecommunication *ports*, control and DC power input/output ports, which may have cables longer than 3 m.

Where this test is not carried out on a port or any other ports because the manufacturer declares that it is not intended to be used with cables longer than stated above, a list of ports which were not tested shall be included in the test report.

This test shall be performed on a representative configuration of the equipment, the associated *ancillary equipment*, or representative configuration of the combination of radio and *ancillary equipment*.

9.5.1 Definition

This test assesses the ability of radio equipment and *ancillary equipment* to operate as intended in the presence of a radio frequency electromagnetic disturbance.

9.5.2 Test method and level

The test method shall be in accordance with IEC 61000-4-6 [16]:

- The test signal shall be amplitude modulated to a depth of 80 % by a sinusoidal audio signal of 1 kHz;
- The stepped frequency increments shall be 50 kHz in the frequency range 150 kHz to 5 MHz and 1% frequency increment of the momentary frequency in the frequency range 5 MHz to 80 MHz;
- The test level shall be severity level 2 as given in IEC 61000-4-6 [16] corresponding to 3 V rms, at a transfer impedance of 150 Ω ;
- The test shall be performed over the frequency range 150 kHz - 80 MHz;
- The injection method to be used shall be selected according to the basic standard IEC 61000-4-6 [16];
- Responses of stand-alone receivers or receivers which are part of transceivers occurring at discrete frequencies which are narrow band responses, shall be disregarded, see clause 4.3;
- The frequencies of the immunity test signal selected and used during the test shall be recorded in the test report.

9.5.3 Performance criteria

NR repeater or NCR:

The performance criteria of clause 6.1 shall apply for NR repeater.

The performance criteria of clauses 6.1 shall apply for NCR-Fwd and clause 6.1.1 shall apply for NCR-MT.

Ancillary equipment:

The performance criteria of clause 6.3 shall apply.

9.6 Voltage dips and interruptions

The tests shall be performed on AC mains power input ports.

These tests shall be performed on a representative configuration of the equipment, the associated *ancillary equipment*, or representative configuration of the combination of radio and *ancillary equipment*.

9.6.1 Definition

These tests assess the ability of radio equipment and *ancillary equipment* to operate as intended in the event of voltage dips and interruptions present on the AC mains power input ports.

9.6.2 Test method and level

The following requirements shall apply.

The test method shall be in accordance with IEC 61000-4-11 [17].

The test levels shall be:

- Voltage dip: 0 % residual voltage for 0.5 cycle;
- Voltage dip: 0 % residual voltage for 1 cycle;
- Voltage dip: 70 % residual voltage for 25/30 cycles (at 50/60 Hz);
- Voltage interruption: 0 % residual voltage for 250/300 cycles (at 50/60 Hz).

9.6.3 Performance criteria

For a 0 % residual voltage dip test, the performance criteria for transient phenomena shall be applied:

- Criteria 6.2 for NR repeater
- Criteria 6.2 for NCR-Fwd
- Criteria 6.2.1 for NCR-MT
- Criteria 6.4 for *ancillary equipment*

For a 70% residual voltage dip test and for voltage interruption test, the following applies:

1. In the case where the equipment is fitted with or connected to a battery back-up, the following performance criteria shall be applied:
 - Criteria 6.2 for NR repeater
 - Criteria 6.2 for NCR-Fwd
 - Criteria 6.2.1 for NCR-MT
 - Criteria 6.4 for *ancillary equipment*
 2. In the case where the equipment is powered solely from the AC mains supply (without the use of a parallel battery back-up) volatile user data may have been lost and if applicable the communication link need not to be maintained and lost functions should be recoverable by user or operator:
 - No unintentional responses shall occur at the end of the test
- In the event of loss of communications link or in the event of loss of user data, this fact shall be recorded in the test report.

9.7 Surges, common and differential mode

The tests shall be performed on AC mains power input ports.

This test shall be additionally performed on *telecommunication ports*.

These tests shall be performed on a representative configuration of the repeater, the associated *ancillary equipment*, or representative configuration of the combination of radio and *ancillary equipment*.

9.7.1 Definition

These tests assess the ability of radio equipment and *ancillary equipment* to operate as intended in the event of surges being present at the AC mains power input ports and *telecommunication ports*.

9.7.2 Test method and level

The test method shall be in accordance with IEC 61000-4-5 [15].

The requirements and evaluation of test results given in clause 9.7.2.1 (*telecommunication ports*, outdoor cables), clause 9.7.2.2 (*telecommunication ports*, indoor cables) and clause 9.7.2.3 (AC power ports) shall apply, but no test shall be required where normal functioning cannot be achieved, because of the impact of the CDN on the EUT.

9.7.2.1 Test method for telecommunication ports directly connected to outdoor cables

The test level for *telecommunications ports*, intended to be directly connected to the telecommunications network via outdoor cables, shall be 1 kV line to ground as given in IEC 61000-4-5 [15]. In this case the total output impedance of the surge generator shall be in accordance with the basic standard IEC 61000-4-5 [15].

The test generator shall provide the 1.2/50 μ s pulse as defined in IEC 61000-4-5 [15].

9.7.2.2 Test method for telecommunication ports connected to indoor cables

The test level for *telecommunication ports*, intended to be connected to indoor cables (longer than 10 m) shall be 0.5 kV line to ground. In this case the total output impedance of the surge generator shall be in accordance with the basic standard IEC 61000-4-5 [15].

The test generator shall provide the 1.2/50 μ s pulse as defined in IEC 61000-4-5 [15].

9.7.2.3 Test method for AC power ports

The test level for AC power input *ports* shall be 2 kV line to ground, and 1 kV line to line, with the output impedance of the surge generator as given in IEC 61000-4-5 [15].

In telecommunication centres 1 kV line to ground and 0.5 kV line to line shall be used.

The test generator shall provide the 1.2/50 μ s pulse as defined in IEC 61000-4-5 [15].

9.7.3 Performance criteria

NR repeater or NCR:

The performance criteria of clause 6.2 shall apply for NR repeater.

The performance criteria of clauses 6.2 shall apply for NCR-Fwd and clause 6.2.1 shall apply for NCR-MT.

Ancillary equipment:

The performance criteria of clause 6.4 shall apply.

Annex A (informative): Change history

Change history							
Date	Meeting	TDoc	CR	Rev	Cat	Subject/Comment	New version
2021-05	RAN4#99-e	R4-2109916				TS skeleton	0.0.1
2021-11	RAN4#101-e	R4-2118228				Updating TS38.114 to capture RAN4#101 agreements: R4-2118064, TP to TS38.114: Emission, ZTE Corporation R4-2120637, TPs to TS 38.114 on RF Repeater EMC section 1 (Scope) and section 9 (Immunity), Ericsson LM R4-2120638, TP to TS 38.114 for sections 4.3, 5.3, 6.3, 6.4, Huawei R4-2120639, TP to TS 38.114 - applicability overview, Nokia, Nokia Shanghai Bell	0.1.0
2022-01	RAN4#101-bis-e	R4-2200730				Updating TS38.114 to capture RAN4#101-bis agreements: R4-2202986, TP to TS 38.114: References, ZTE Corporation	0.2.0
2022-03	RAN4#102-e	R4-2204494				Updating TS38.114 to capture RAN4#102 agreements: R4-2204358, TP to TS38.114:Definitions, symbols and abbreviations, ZTE Corporation	0.3.0
2022-03	RAN#95-e	RP-220549				Draft version for approval to the RAN Plenary	1.0.0

Change history							
Date	Meeting	TDoc	CR	Rev	Cat	Subject/Comment	New version
2022-03	RAN#95					Approved by plenary – Rel-17 spec under change control	17.0.0
2022-03	RAN#95					Approved by plenary – Rel-17 spec under change control and editorial	17.0.1
2022-09	RAN#97	RP-222044	0002		B	Big CR for TS 38.114 (Rel-17, CAT B)	17.1.0
2022-12	RAN#98-e	RP-223305	0003		F	CR to TS38.114 repeater clause 8.1 R17	17.2.0
2022-12	RAN#98-e	RP-223305	0004	1	F	CR to TS 38.114 repeater performance criteria R17	17.2.0
2022-12	RAN#98-e	RP-223305	0005	1	B	CR to TS 38.114 Clause 4.5	17.2.0
2023-09	RAN#101	RP-232502	0006	1	F	[NR_newRAT-Core] CR on TS 38.114 NR repeater general maintenance R17	17.3.0
2023-12	RAN#102	RP-233350	0008		F	CR to TS 38.114 with update to manufacturer declaration and references	17.4.0
2023-12	RAN#102	RP-233334	0009		F	CR to TS 38.114 on correction of FR range to FR2-1	17.4.0

Change history							
Date	Meeting	TDoc	CR	Rev	Cat	Subject/Comment	New version
2023-12	RAN#102					Approved by plenary – Rel-18 spec under change control	18.0.0
2024-03	RAN#103	RP-240567	0010		A	(NR_newRAT-Perf)CR on TS 38.114 clause 4.4 Exclusion band R18	18.1.0
2024-06	RAN#104	RP-241402	0014		A	(NR_repeater-Perf)CR to TS38.114 repeater EMC performance criteria R18	18.2.0
2024-06	RAN#104	RP-241422	0015		B	Big CR for TS 38.114	18.2.0
2024-09	RAN#105	RP-242172	0016	1	F	CR to TS 38.114 with updates and corrections	18.3.0
2024-12	RAN#106	RP-243053	0018	1	F	CR for TS 38.114, Correction on terminology of NCR and RF repeater	18.4.0

History

Document history		
V18.1.0	May 2024	Publication
V18.2.0	August 2024	Publication
V18.3.0	October 2024	Publication
V18.4.0	January 2025	Publication