

ETSI TS 127 060 V5.1.0 (2002-06)

Technical Specification

**Digital cellular telecommunications system (Phase 2+);
Universal Mobile Telecommunications System (UMTS);
Packet domain;
Mobile Station (MS) supporting Packet Switched services
(3GPP TS 27.060 version 5.1.0 Release 5)**



Reference

RTS/TSGN-0327060v510

Keywords

GSM, UMTS

ETSI

650 Route des Lucioles
F-06921 Sophia Antipolis Cedex - FRANCE

Tel.: +33 4 92 94 42 00 Fax: +33 4 93 65 47 16

Siret N° 348 623 562 00017 - NAF 742 C
Association à but non lucratif enregistrée à la
Sous-Préfecture de Grasse (06) N° 7803/88

Important notice

Individual copies of the present document can be downloaded from:

<http://www.etsi.org>

The present document may be made available in more than one electronic version or in print. In any case of existing or perceived difference in contents between such versions, the reference version is the Portable Document Format (PDF). In case of dispute, the reference shall be the printing on ETSI printers of the PDF version kept on a specific network drive within ETSI Secretariat.

Users of the present document should be aware that the document may be subject to revision or change of status. Information on the current status of this and other ETSI documents is available at

<http://portal.etsi.org/tb/status/status.asp>

If you find errors in the present document, send your comment to:

editor@etsi.fr

Copyright Notification

No part may be reproduced except as authorized by written permission.
The copyright and the foregoing restriction extend to reproduction in all media.

© European Telecommunications Standards Institute 2002.
All rights reserved.

DECTTM, **PLUGTESTS**TM and **UMTS**TM are Trade Marks of ETSI registered for the benefit of its Members.
TIPHONTM and the **TIPHON logo** are Trade Marks currently being registered by ETSI for the benefit of its Members.
3GPPTM is a Trade Mark of ETSI registered for the benefit of its Members and of the 3GPP Organizational Partners.

Intellectual Property Rights

IPRs essential or potentially essential to the present document may have been declared to ETSI. The information pertaining to these essential IPRs, if any, is publicly available for **ETSI members and non-members**, and can be found in ETSI SR 000 314: "*Intellectual Property Rights (IPRs); Essential, or potentially Essential, IPRs notified to ETSI in respect of ETSI standards*", which is available from the ETSI Secretariat. Latest updates are available on the ETSI Web server (<http://webapp.etsi.org/IPR/home.asp>).

Pursuant to the ETSI IPR Policy, no investigation, including IPR searches, has been carried out by ETSI. No guarantee can be given as to the existence of other IPRs not referenced in ETSI SR 000 314 (or the updates on the ETSI Web server) which are, or may be, or may become, essential to the present document.

Foreword

This Technical Specification (TS) has been produced by ETSI 3rd Generation Partnership Project (3GPP).

The present document may refer to technical specifications or reports using their 3GPP identities, UMTS identities or GSM identities. These should be interpreted as being references to the corresponding ETSI deliverables.

The cross reference between GSM, UMTS, 3GPP and ETSI identities can be found under www.etsi.org/key.

Contents

Intellectual Property Rights	2
Foreword.....	2
Foreword.....	5
Introduction	5
1 Scope	6
2 References	6
3 Definitions abbreviations and symbols	8
3.1 Definitions	8
3.2 Abbreviations	8
3.3 Symbols.....	9
4 Access reference configuration	9
5 Functions to support data services.....	10
6 Interface to Packet Domain Bearer Services	10
6.1 A/Gb mode	10
6.2 Iu mode.....	10
7 Functions common to all configurations of a MS supporting Packet Switched Services	11
7.1 Mobile Station Modes of Operation	11
7.2 Physical Interface	11
7.3 Terminal context procedures	11
7.3.1 PS Attach	11
7.3.2 PS Detach	11
7.3.3 MS Originated PDP Context Activation	12
7.3.4 MS Originated Secondary PDP Context Activation	12
7.3.5 Network Requested PDP Context Activation	12
7.3.6 MS-Initiated PDP Context Modification	12
7.3.7 PDP Context Deactivation	12
7.3.8 PDP context related parameters	12
7.3.8.1 MS in A/Gb mode	12
7.3.8.2 MS in Iu mode.....	13
8 <VOID>	13
9 IP Based Services	13
9.1 Example mapping of functions between the R reference point and the Packet Domain bearer for IP over PPP	14
9.1.1 IPv4 over PPP	14
9.1.2 IPv6 over PPP	16
9.2 Example mapping of functions between the R reference point and the Packet Domain bearer for IP over MCML PPP	18
10 PPP Based Services	19
10.1 Example mapping of functions between the R reference point and the Packet Domain bearer (transparent PPP negotiation)	20
10.2 Example mapping of functions between the R reference point and the Packet Domain bearer (relayed PPP negotiation)	21
11 Internet Hosted Octet Stream Service (IHOSS)	22
12 AT commands	22
12.1 General on AT commands.....	23
12.1.1 Interaction of AT commands, Packet Domain management and PDPs	23
12.1.1.1 AT commands and responses	23
12.1.1.2 PDP and layer 2 protocol operation	23

12.1.1.3	Management of Packet Switched services	23
12.1.1.3.1	PS attachment	23
12.1.1.3.2	PDP context activation	24
12.1.2	Use of default context parameter values	24
12.1.2.1	PDP type	24
12.1.2.2	PDP address (of the MS).....	24
12.1.2.3	Access Point Name	24
12.1.2.4	QoS Requested	24
12.1.2.5	PDP Configuration Options	24
12.2	Example command sequences for dial-compatibility mode	25
12.2.1	PPP in dial compatibility mode.....	25
12.2.1.1	Mobile initiated IP context activation	25
12.2.1.2	Network requested IP context activation.....	26
Annex A (informative):	Summary of AT commands for the Packet Domain.....	28
Annex B (informative):	Octet Stream Protocol (OSP) PDP type.....	29
Annex C (informative):	Change history	30
History		31

Foreword

This Technical Specification (TS) has been produced by the 3rd Generation Partnership Project (3GPP).

The present document defines the requirements for TE-MT interworking over the R-reference point for the Packet Domain, within the 3GPP systems.

The contents of the present document are subject to continuing work within the TSG and may change following formal TSG approval. Should the TSG modify the contents of the present document, it will be re-released by the TSG with an identifying change of release date and an increase in version number as follows:

Version x.y.z

where:

- x the first digit:
 - 1 presented to TSG for information;
 - 2 presented to TSG for approval;
 - 3 or greater indicates TSG approved document under change control.
- y the second digit is incremented for all changes of substance, i.e. technical enhancements, corrections, updates, etc.
- z the third digit is incremented when editorial only changes have been incorporated in the document.

Introduction

The present document defines the requirements for TE-MT interworking over the R-reference point for the Packet Domain, within the 3GPP systems. It is up to the manufacturer how to implement the various functions but the present document and existing 3GPP TS 27.001, 27.002, and 27.003 shall be followed where applicable.

It is the intention that the present document shall remain as the specification to develop a MS for support of Packet Switched services and its text includes references to 3GPP standards.

1 Scope

The (A/Gb and Iu mode) PLMN supports a wide range of voice and non-voice services in the same network. In order to enable non-voice traffic in the PLMN there is a need to connect various kinds of terminal equipments to the Mobile Station (MS). The present document defines the requirements for TE-MT interworking over the R-reference point for the Packet Domain , including the protocols and signalling needed to support Packet Switched services, as defined in 3GPP TS 22.060 and 3GPP TS 23.060.

The present document is valid for PLMN in A/Gb mode as well as for PLMN in Iu mode. If text applies only for one of these systems it is explicitly mentioned by using the terms "A/Gb mode" and "Iu mode". Please note, that the A interface does not play any role in the scope of this document although the term "A/Gb mode" is used.

2 References

The following documents contain provisions which, through reference in this text, constitute provisions of the present document.

- References are either specific (identified by date of publication, edition number, version number, etc.) or non-specific.
- For a specific reference, subsequent revisions do not apply.
- For a non-specific reference, the latest version applies.

- [1] Void.
- [2] Void.
- [3] 3GPP TS 22.060: "General Packet Radio Service (GPRS); Service Description Stage 1".
- [4] Void.
- [5] Void.
- [6] Void.
- [7] Void.
- [8] Void.
- [9] 3GPP TS 23.060: "General Packet Radio Service (GPRS) Service Description Stage 2".
- [10] Void.
- [11] Void.
- [12] Void.
- [13] Void.
- [14] Void.
- [15] Void.
- [16] 3GPP TS 27.007: "AT command set for 3GPP User Equipment (UE)".
- [17] 3GPP TS 29.061: "Packet Domain; Interworking between the Public Land Mobile Network (PLMN) supporting Packet Based Services and Packet Data Networks (PDN)".
- [18] ITU-T Recommendation E.164: "Numbering plan for the ISDN era".

- [19] ITU-T Recommendation V.42 bis: "Data communication over the telephone network – Data compression procedures for data circuit-terminating equipment (DCE) using error correction procedures".
- [20] Void.
- [21] Void.
- [22] Void.
- [23] Void.
- [24] Void.
- [25] Void.
- [26] IETF RFC 768 (1980): "User Datagram Protocol" (STD 6).
- [27] IETF RFC 791 (1981): "Internet Protocol" (STD 5).
- [28] IETF RFC 792 (1981): "Internet Control Message Protocol" (STD 5).
- [29] IETF RFC 793 (1981): "Transmission Control Protocol" (STD 7).
- [30] ITU-T Recommendation V.250 (ex V.25ter): "Serial asynchronous automatic dialling and control".
- [31] ITU-T Recommendation V.24: "List of definitions for interchange circuits between data terminal equipment (DTE) and data circuit-terminating equipment (DCE)".
- [32] ITU-T Recommendation V.28: "Electrical Characteristics for unbalanced double-current interchange circuits".
- [33] ITU-T Recommendation V.80: "In-band DCE control and synchronous data modes for asynchronous DTE".
- [34] IETF RFC 1661 (1994): "The Point-to-Point Protocol (PPP)" (STD 51).
- [35] IETF RFC 1662 (1994): "PPP in HDLC-like framing" (STD 51).
- [36] IETF RFC 1700 (1994): "Assigned Numbers" (STD 2).
- [37] IETF RFC 1570 (1994): "PPP LCP Extensions".
- [38] IETF RFC 1989 (1996): "PPP Link Quality Monitoring".
- [39] IETF RFC 1332 (1992): "The PPP Internet Protocol Control Protocol (IPCP)".
- [40] IETF RFC 1877 (1995): "PPP IPCP Extensions for Name Server Addresses".
- [41] IETF RFC 2153 (1997): "PPP Vendor Extensions".
- [42] IETF RFC 1334 (1992): "PPP Authentication Protocols".
- [43] IETF RFC 1994 (1996): "PPP Challenge Handshake Authentication Protocol".
- [44] IETF RFC 2686 (1999): "The Multi-Class Extension to Multi-Link PPP".
- [45] IETF RFC 1990 (1996): "The PPP Multilink Protocol (MP)".
- [46] IETF RFC 2472 (1998): "IP Version 6 over PPP".
- [47] 3GPP TR 21.905: "Vocabulary for 3GPP Specifications".
- [48] 3GPP TS 23.221: "Architectural requirements".
- [49] IETF RFC 2373 (1998): "IP version 6 Addressing Architecture".

3 Definitions abbreviations and symbols

3.1 Definitions

For the purposes of the present document, the following terms and definitions given in 3GPP TS 22.060 and 3GPP TS 23.060 and the following apply:

2G- / 3G-: prefixes 2G- and 3G- refers to functionality that supports only A/Gb mode or Iu mode, respectively, e.g., 2G-SGSN refers only to the A/Gb mode functionality of an SGSN. When the prefix is omitted, reference is made independently from the A/Gb mode or Iu mode functionality.

A/Gb mode: indicates that the text applies only to a system or sub-system which operate in A/Gb mode of operation, i.e. with a functional division that is in accordance with the use of an A or a Gb interface between the radio access network and the core network

Iu mode: indicates that the text applies only to a system or a sub-system which operates in Iu mode of operation, i.e. with a functional division that is in accordance with the use of an Iu-CS or Iu-PS interface between the radio access network and the core network

3.2 Abbreviations

For the purposes of the present document, the following abbreviations apply:

APN	Access Point Name
GGSN	Gateway GPRS Support Node
GPRS	General Packet Radio Service
GSN	GPRS Support Node
GTP-U	GPRS Tunnelling Protocol for user plane
HDLC	High Level Data Link Control
ICMP	Internet Control Message Protocol
IETF	Internet Engineering Task Force
IP	Internet Protocol
IPv4	Internet Protocol version 4
IPv6	Internet Protocol version 6
IPV6CP	IPv6 Control Protocol
LA	Location Area
LCP	Link Control Protocol
LLC	Logical Link Control
MAC	Medium Access Control
MCML	Multi-Class Multi-Link PPP
ME	Mobile Equipment
MP	Multilink PPP
MS	Mobile Station
MT	Mobile Termination
NCP	Network Control Protocol
PDCP	Packet Data Convergence Protocol
PDN	Packet Data Network
PDP	Packet Data Protocol , e.g., IP or PPP
PDU	Protocol Data Unit
PPP	Point-to-Point Protocol
PS	Packet Switched
PTM	Point To Multipoint
PTP	Point To Point
PVC	Permanent Virtual Circuit
RA	Routing Area
SGSN	Serving GPRS Support Node
SNDPCP	SubNetwork Dependent Convergence Protocol
TCP	Transmission Control Protocol
TE	Terminal Equipment

TFT	Traffic Flow Template
UDP	User Datagram Protocol

3.3 Symbols

For the purposes of the present document, the following symbols apply:

Gb	Interface between a SGSN and a BSC.
Gi	Reference point between the Packet Domain and an external packet data network.
Gn	Interface between two GSNs within the same PLMN.
Gp	Interface between two GSNs in different PLMNs. The Gp interface allows support of Packet Domain network services across areas served by the co-operating PLMNs.
Gs	Interface between an SGSN and MSC.
Iu	Interface between the RNS and the core network. It is also considered as a reference point.
R	The reference point between a non-ISDN compatible TE and MT. Typically this reference point supports a standard serial interface.
Um	The interface between the MS and the fixed network part in A/Gb mode. The Um interface is the in A/Gb mode network interface for providing packet data services over the radio to the MS. The MT part of the MS is used to access the GSM services through this interface.
Uu	Interface between the mobile station (MS) and the fixed network part in Iu mode. The Uu interface is the Iu mode network interface for providing packet data services over the radio to the MS. The MT part of the MS is used to access the UMTS services through this interface.

4 Access reference configuration

Figure 1 shows the relationship between the MS, its terminal equipment and the PLMN in the overall Packet Domain environment.

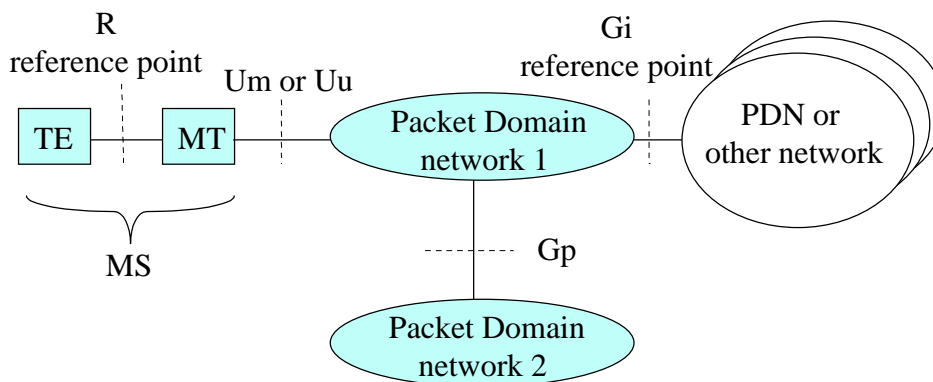


Figure 1: Packet Domain Access Interfaces and Reference Points

5 Functions to support data services

The main functions of the MT to support data services are:

- physical connection at the reference point R;
- flow control between TE and MT;
- mapping of user signalling to/from the Packet Domain bearer;
- mapping of packets belonging to different flows to appropriate PDP contexts;
- support of data integrity between the terminal equipment and the Packet Domain bearer;
- functions to support packet based data.

6 Interface to Packet Domain Bearer Services

6.1 A/Gb mode

The following figure 2 shows the relationship of the Packet Domain Bearer in A/Gb mode, terminating at the SNDCP layer, to the rest of the Packet Domain environment in A/Gb mode. It is shown for reference purposes only and detailed information can be found in 3GPP TS 23.060.

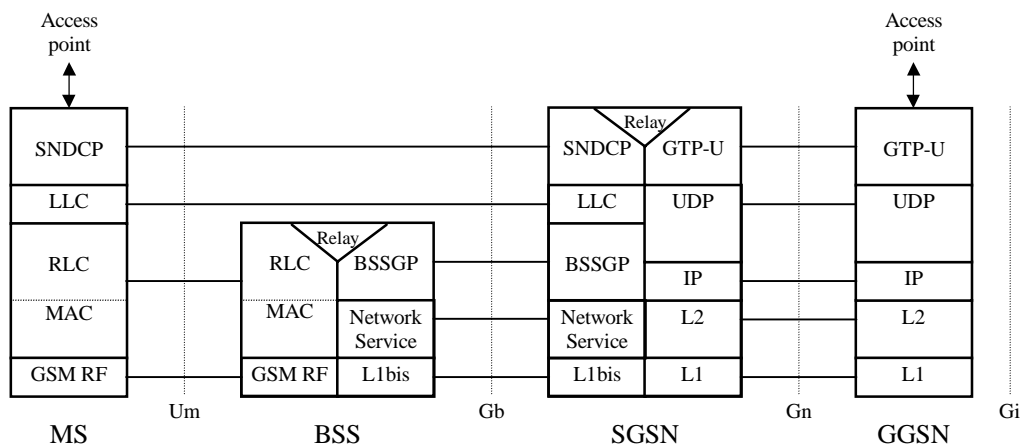


Figure 2: User Plane for Packet Domain services in A/Gb mode

6.2 Iu mode

The following figure 2a shows the relationship of the Packet Domain Bearer in Iu mode, terminating at the PDCP layer, to the rest of the Packet Domain environment in Iu mode. It is shown for reference purposes only and detailed information can be found in 3GPP TS 23.060.

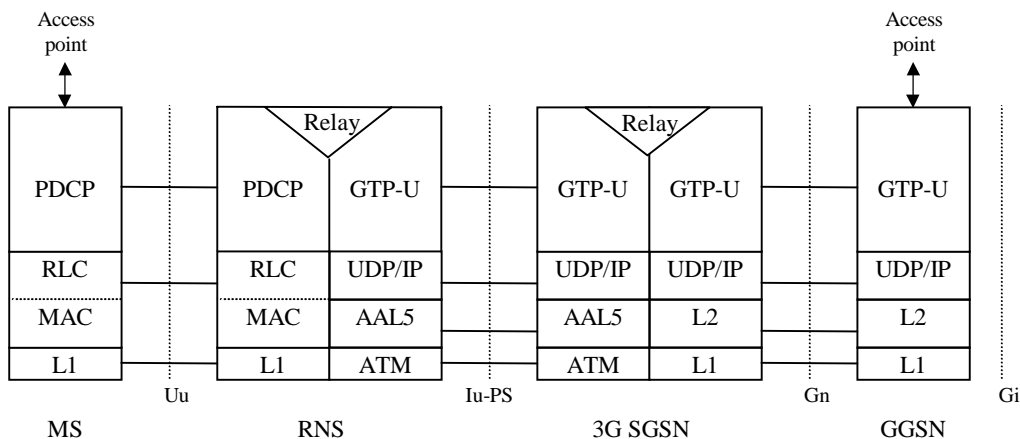


Figure 2a: User Plane for Packet Domain services in Iu mode

7 Functions common to all configurations of a MS supporting Packet Switched Services

7.1 Mobile Station Modes of Operation

Three MS modes of operation are identified for A/Gb mode: Class A, B, and C. These modes of operation are described in 3GPP TS 23.060.

Three MS modes of operation are supported for Iu mode: A PS/CS mode of operation corresponds to class-A mode of operation in A.Gb mode. A PS mode of operation corresponds to class-C mode of operation in A/Gb mode. A CS mode of operation is out of scope in the present document.

7.2 Physical Interface

The physical interface between the TE and the MT may conform to ITU-T V.24/V.28, or to IrDA IrPHY physical standard specification, or to PCMCIA PC-Card electrical specification. All signal levels and their operation shall be as specified in 3GPP TS 27.001, 27.002, and 27.003.

7.3 Terminal context procedures

This subclause describes the relationships for PS Attach and Detach, and PDP Context Activation, Modification and Deactivation. The procedures for these functions are described in 3GPP TS 23.060.

7.3.1 PS Attach

The PS Attach shall be performed prior to activating a PDP context. The PS Attach may be performed automatically or manually depending on the manufacturer's implementation and configuration.

7.3.2 PS Detach

The PS Detach may be performed automatically or manually depending on the manufacturer's implementation and configuration. The following cases are valid:

- if the connection between the TE and MT is broken then the MT may perform the PS Detach procedure;
- if the network originates a PS Detach the MT may inform the TE;
- if the radio connection is broken then the MT may inform the TE;

- if the TE deactivates the last PDP context then the MT may perform the PS Detach procedure.

7.3.3 MS Originated PDP Context Activation

The PDP Context Activation procedure may be performed automatically or manually depending on the manufacturer's implementation and configuration. Depending on the manufacturer's implementation and configuration, 0, 1, or more PDP contexts can be active simultaneously.

7.3.4 MS Originated Secondary PDP Context Activation

The Secondary PDP Context Activation procedure may be performed automatically or manually depending on the manufacturer's implementation and configuration. Depending on the manufacturer's implementation and configuration, 0, 1, or more PDP contexts can be active simultaneously for the same PDP address.

7.3.5 Network Requested PDP Context Activation.

The network can request a PS attached MS to activate a specific PDP context.

7.3.6 MS-Initiated PDP Context Modification

The MS-Initiated PDP Context Modification procedure may be performed automatically or manually depending on the manufacturer's implementation and configuration.

7.3.7 PDP Context Deactivation

The PDP Deactivation may be performed automatically or manually depending on the manufacturer's implementation and configuration. The following cases are valid:

- if the connection between the MT and the TE is broken then the MT may perform the PDP Context Deactivation procedure;
- if the radio connection is broken then the MT may inform the TE;
- if the DHCP lease expires or the renewal is rejected by the DHCP server or the IP Address is changed during DHCP lease renewal, the TE may deactivate the PDP context.
- if the TE deactivates the last PDP context then the MT may perform the PS Detach procedure.

7.3.8 PDP context related parameters

7.3.8.1 MS in A/Gb mode

It shall be possible to enquire and/or set the following parameters:

- requested quality of service;
- traffic flow template;
- compression on or off;
- TCP/IP header compression on or off;
- PDP address;
- PDP type;
- Access Point Name (APN);
- protocol configuration options (if required by the PDP type).

7.3.8.2 MS in lu mode

It shall be possible to enquire and/or set the following parameters:

- requested quality of service;
- traffic flow template;
- protocol control information compression, on or off;
- PDP address;
- PDP type;
- Access Point Name (APN);
- protocol configuration options (if required by the PDP type).

8 <VOID>

9 IP Based Services

All protocols that are supported by the underlying IP protocol are applicable in the Packet Domain environment. However there may be some limitations due to the RF environment.

The IP protocol can be run over various underlying protocols as shown in the figure 6.

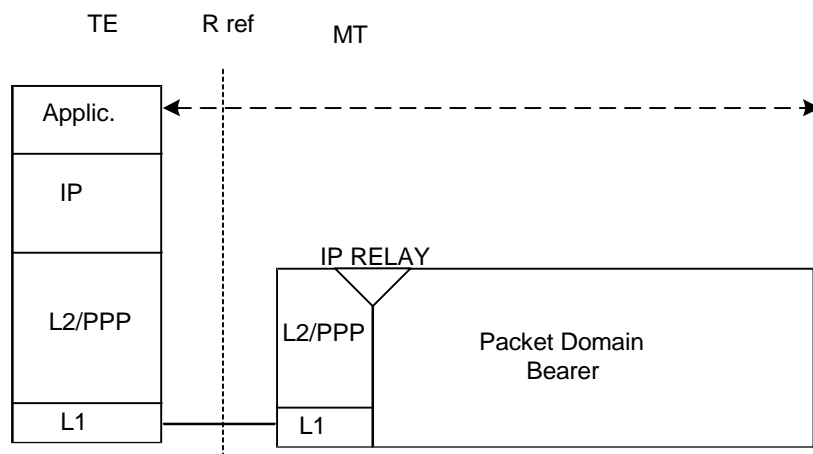


Figure 6: IP Based Services

PPP is a widely supported protocol in numerous operating systems and this alleviates the need for any Packet Domain specific protocol at the TE. PPP at the MT shall comply with the following specifications IETF STD 51 (RFC 1661, RFC 1662), RFC 1570, RFC 1989, RFC 1332 for IPv4, and optionally RFC 2472 for IPv6. Additionally for IPv4 any Domain Name Server information shall be delivered as defined in RFC 1877, and the delivery of any vendor-specific packets and options shall conform to RFC 2153.

As an alternative to PPP, an L2 protocol can be used which is defined as a manufacturer's operating system dependent protocol capable of carrying IP frames over the R reference point. An example for such an L2 protocol is the Multi-Class Multi-Link (MCML) PPP. The MCML is defined in RFC 2686 and is based on Multi-Link (MP) PPP which is defined in RFC 1990. For IPv6 the L2 protocol shall support negotiation of the IPv6 Interface-Identifier between the TE and the MT.

With IPv6, the process of setting up the IP connectivity is somewhat different than with IPv4 as it involves two distinct signalling phases. The first signalling phase is done in the control plane, followed by a second signalling phase done in

the user plane. The control plane signalling phase, in the case of IPv6 over PPP, is described in section 9.1.2. The user plane signalling phase can be either stateless or stateful and is described in 3GPP TS 29.061 [17]. Support of the stateful address autoconfiguration procedure in the MS is optional.

Stateful and Stateless Autoconfiguration may also co-exist. In that case, the MS shall use Stateless to configure the address and Stateful to configure additional parameters only. The MS shall not use Stateless and Stateful Address Autoconfiguration simultaneously since GPRS only supports one prefix per PDP Context (see 3GPP TS 29.061 [17]).

Besides what is specified in the present document and in 3GPP TS 29.061, an MS supporting IPv6 shall comply with the guidelines specified in 3GPP TS 23.221 [48], subclause "UE support of IPv6".

9.1 Example mapping of functions between the R reference point and the Packet Domain bearer for IP over PPP

The following examples illustrate the case when the IP over PPP functionality is used in the MT. The example does not include all the details of PPP, but only describes the logical operation of PPP connection establishment, host authentication and IP configuration.

Each interface at the R reference point can support only one PPP connection and each PPP connection can support only one IP session. Therefore, in PPP mode only one IP PDP context can be activated per interface at the R reference point. However, it is possible for a PCMCIA card (or other multiplexed interfaces) to support multiple virtual interfaces (communications ports) at the R reference point. Multiple PPP connections and IP contexts are possible in this case.

9.1.1 IPv4 over PPP

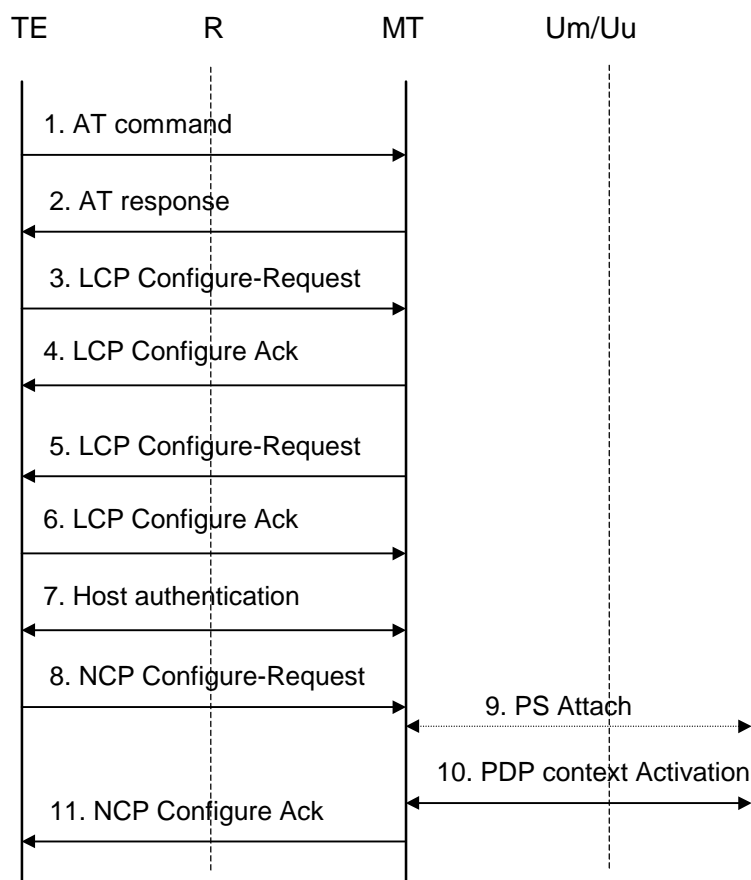


Figure 7a: IPv4 Over PPP Based Service

- 1) The TE issues AT commands to set up parameters and enter PPP mode (refer to subclause on AT commands for further details).
- 2) The MT sends AT responses to the TE.
- 3) The PPP protocol in the TE sends a LCP Configure-Request. This command is to establish a PPP link between the TE and the MT.
- 4) The MT returns LCP Configure-Ack to the TE to confirm that the PPP link has been established. The MT might previously have sent a LCP Configure-Nak in order to reject some options proposed by the TE. This in turn might have triggered a retransmission of the LCP Configure-Request with different options.
- 5) The PPP protocol in the MT sends a LCP Configure-Request in order to negotiate for the authentication protocol used for authentication of the host TE towards the MT. The MT shall initially negotiate for CHAP, and if this is unsuccessful, for PAP.
- 6) The TE returns a LCP Configure-Ack to the MT to confirm the use of the specified authentication protocol. The MT might previously have sent a LCP Configure-Nak in order to reject the protocol proposed by the TE. This in turn might have triggered a retransmission of the LCP Configure-Request with different options.
- 7) If the negotiated authentication protocol is either of CHAP or PAP, the TE authenticates itself towards the MT by means of that protocol. The MT stores the necessary authentication data and sends a locally generated positive acknowledgement of the authentication to the TE. If none of the protocols is supported by the host TE no authentication shall be performed. Refer to 3GPP TS 29.061 for further details on the authentication.
- 8) The PPP protocol in the TE sends to the MT a NCP Configure-Request. This command activates the IP protocol.
- 9) If the MS is not yet PS attached, the MT performs the PS Attach procedure as described in 3GPP TS 23.060.
- 10) The MT performs a PDP Context Activation as described in 3GPP TS 23.60. IP configuration parameters may be carried between the MT and the network in the Protocol Configuration Options IE in PDP Context Activation messages. The Protocol Configuration Options IE sent to the network may contain zero or one NCP Configure-Request packet (in addition to any LCP and authentication packets). The Protocol Configuration Options IE received from the network may contain zero or one NCP Configure-Ack, zero or one Configure-Nak and/or zero or one Configure-Reject packets (in addition to any LCP and authentication packets).
- 11) Based on the information received in the Protocol Configuration Options IE, the MT acknowledges to the PPP protocol in the TE that the IP protocol is now activated by sending a NCP Configure-Ack command. Before sending a NCP Configure-Ack, the MT might previously have sent a NCP Configure-Nak and/or Configure-Reject in order to reject some IP parameters proposed by the TE. This in turn might have triggered a retransmission of the NCP Configure-Request with different parameter values. The decision to reject a specific parameter or parameter value may be based on the information received from the network in the Protocol Configuration Options IE. NCP Configure-Ack may also carry IP protocol related parameters such as dynamic IP address to the TE. The MT shall also pass name server information to the TE if the TE has requested for it and if this information is provided by the GGSN. Other packet types and options may optionally be delivered. The MT may choose to immediately deactivate the PDP context due to the information received from the network in the Protocol Configurations Options IE.

9.1.2 IPv6 over PPP

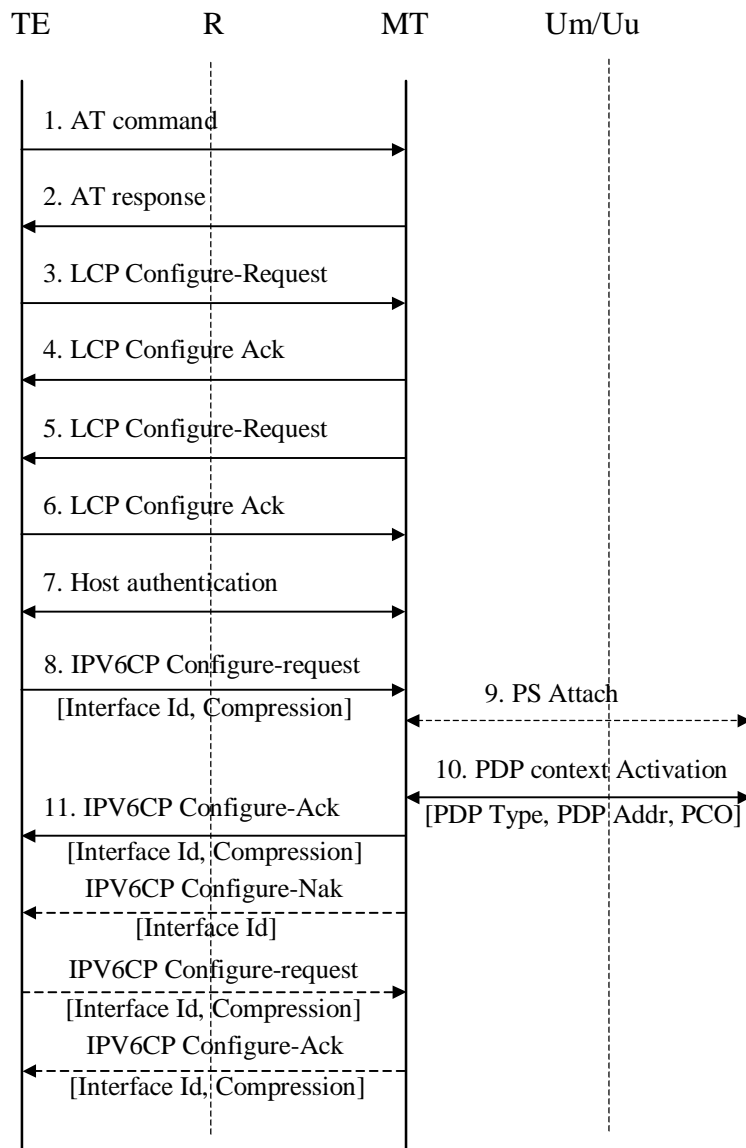


Figure 7b: PDP Context Activation for the IPv6 over PPP based services

- 1) The TE issues AT commands to set up parameters and enter PPP mode (refer to subclause on AT commands for further details).
- 2) The MT sends AT responses to the TE.
- 3) The PPP protocol in the TE sends a LCP Configure-Request. This command is to establish a PPP link between the TE and the MT.
- 4) The MT returns LCP Configure-Ack to the TE to confirm that the PPP link has been established. The MT might previously have sent a LCP Configure-Nak in order to reject some options proposed by the TE. This in turn might have triggered a retransmission of the LCP Configure-Request with different options.
- 5) The PPP protocol in the MT sends a LCP Configure-Request in order to negotiate for the authentication protocol used for authentication of the host TE towards the MT. The MT shall initially negotiate for CHAP, and if this is unsuccessful, for PAP.

- 6) The TE returns a LCP Configure-Ack to the MT to confirm the use of the specified authentication protocol. The MT might previously have sent a LCP Configure-Nak in order to reject the protocol proposed by the TE. This in turn might have triggered a retransmission of the LCP Configure-Request with different options.
- 7) If the negotiated authentication protocol is either of CHAP or PAP, the TE authenticates itself towards the MT by means of that protocol. The MT stores the necessary authentication data and sends a locally generated positive acknowledgement of the authentication to the TE. If none of the protocols is supported by the host TE no authentication shall be performed. Refer to 3GPP TS 29.061 for further details on the authentication.
- 8) The TE requests IPv6 Interface-Identifier negotiation by sending the IPV6CP Configure-Request message to the MT indicating the tentative Interface-Identifier chosen by the TE. The tentative Interface-Identifier has only local significance in the MT and shall not be forwarded to the GGSN.
- 9) If the MS is not yet PS attached, the MT performs the PS Attach procedure as described in 3GPP TS 23.060.
- 10) The MT sends the Activate PDP context request message to the network, including the PDP Type, PDP Address and Protocol Configuration Options. The Protocol Configuration Options may contain negotiated LCP options such as negotiated Authentication Protocol as well as any authentication data previously stored in the MT. The MS shall leave PDP Address empty and set PDP Type to 'IPv6'.

The network responds with an Activate PDP Context Accept or an Activate PDP Context Reject, to the MS. The PDP Address shall contain an IPv6 address composed of a Prefix and an Interface-Identifier. The size of the Prefix shall be according to the maximum prefix length for a global IPv6 address as specified in the IPv6 Addressing Architecture, see RFC 2373 [49]. The Interface-Identifier shall be used to create a link-local IPv6 address, to be used in continued MS – GGSN user-plane signalling. The Prefix in the PDP Address shall be ignored by the MS.

- 11) In case a PDP Context Accept was sent to the MS, the MT extracts the Interface-Identifier from the address received in the PDP Address IE and ignores the Prefix part. If this Interface-Identifier is identical to the tentative Interface-Identifier indicated in the IPV6CP Configure-Request message sent from the TE, the MT sends an IPV6CP Configure Ack packet, indicating this Interface-Identifier, to the TE.

If the Interface-Identifier extracted from the address contained in the PDP Address IE is not identical to the tentative Interface-Identifier indicated in the IPV6CP Configure-Request message sent from the TE, the MT sends an IPV6CP Configure Nak packet, indicating the Interface-Identifier extracted from the address contained in the PDP Address IE, to the TE. The TE then sends a new IPV6CP Configure-Request message to the MT, indicating the same Interface-Identifier as was indicated in the received IPV6CP Configure Nak. Finally the MT responds with an IPV6CP Configure Ack packet. The negotiated Interface-Identifier shall be used in the TE to create a link-local address.

After finalisation of the IPV6CP negotiations between TE and MT, the user plane link is established. Before the MS can communicate with other hosts on the Intranet/ISP it shall obtain an IPv6 Global or a Site-Local Unicast address. Given that exactly one Prefix is included in the Router Advertisement, depending upon whether the advertised Prefix is globally unique or Site-local unique, the MS can only generate either IPv6 Global address(es) or Site-local address(es) using this Prefix during the lifetime of a particular PDP Context. This is done using either Stateless or Stateful Address Autoconfiguration as described in 3GPP TS 29.061 [17].

When creating a Global or Site-Local Unicast Address, the MS may use the Interface-Identifier received during the PDP Context Activation phase or it may generate a new Interface-Identifier. [There is no restriction on the uniqueness of the Interface-Identifier of the Global or Site-Local Unicast Address, since the Prefix itself is unique.](#) Interface-Identifiers shall in any case be 64-bit long and follow standard interface-identifier guidelines as per IETF RFC 2373 [49] and RFC 2472 [46].

In case a PDP Context Reject was sent to the MS the MT sends an LCP Terminate-Request to the TE, the TE and MT negotiate for link termination. The MT may then send a final AT-response to inform the TE about the rejected PDP Context activation.

Note. When this version of this specification was released, work was still in progress within IETF for how to provide DNS configuration for MS not supporting Stateful Autoconfiguration, i.e. MS not supporting DHCP DNS configuration.

9.2 Example mapping of functions between the R reference point and the Packet Domain bearer for IP over MCML PPP

When MCML is used instead of standard PPP [34] at the R-reference point, it is possible to support multiple IP sessions on one MCML connection. This is achieved by using an additional MP header after the standard PPP header. MCML provides two different MP headers, a 2-byte header to have four IP sessions and a 4-byte header to have sixteen IP sessions multiplexed over the MCML connection.

Since both MP and MCML closely follow the PPP connection establishment and negotiation model described in subclause 9.1, it is not replicated in this subclause. The major difference is the additional negotiation capabilities used during the LCP configuration negotiation [44], [45].

10 PPP Based Services

By means of the PDP type 'PPP' the Packet Domain may support interworking with networks based on the point-to-point protocol (PPP), as well as with networks based on any protocol supported by PPP through one of its Network Control Protocols (NCPs). It may also support interworking by means of tunnelled PPP, by e.g. the Layer Two Tunnelling Protocol (L2TP). The protocol configurations are depicted in figures 8a and 8b.

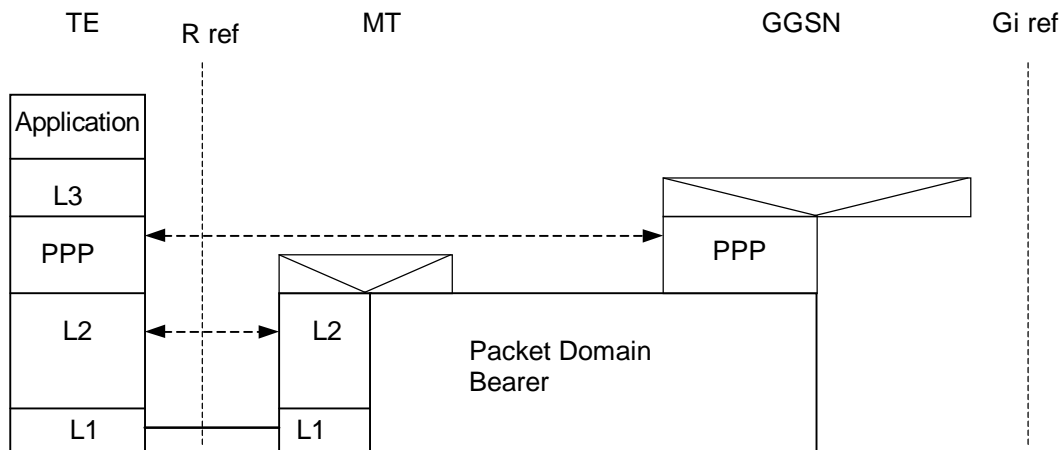
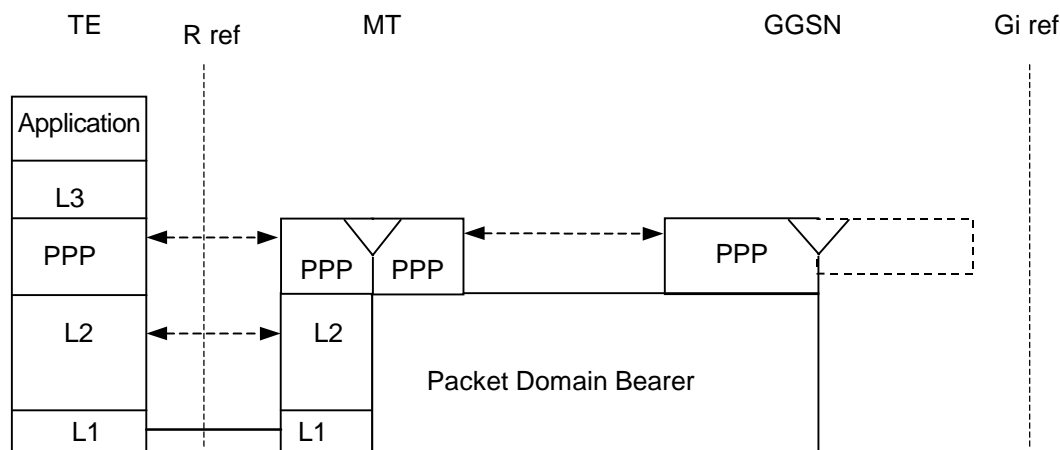


Figure 8a: PPP Based Services (transparent PPP negotiation)



NOTE. In the above case the 'L2' protocol is compliant with [35].

Figure 8b: PPP Based Services (relayed PPP negotiation)

The 'L3' protocol is a network layer protocol supported by one of the PPP NCP's. All protocols currently supported by NCP's are listed in [36].

The PPP is a widely supported protocol in numerous operating systems and this alleviates the need for any Packet Domain specific protocol at the TE. PPP at the GGSN shall comply with [34]. The Domain Name Server information shall be delivered as defined in [40]. The delivery of any vendor-specific packets and options shall conform to [41].

The 'L2' protocol may be the link layer protocol defined for the PPP suite [35]. As an alternative an 'L2' protocol can be used which is defined as a manufacturer's operating system dependent protocol capable of carrying PPP frames over the R reference point. In case the link layer protocol defined for the PPP suite [35] is used as 'L2' protocol, the MT may negotiate LCP options related to the 'L2' framing (e.g. 'ACCM' [35], 'ACFC' [34] and 'FCS-Alternatives' [37]), with the TE. The MT shall remove the 'L1' and 'L2' specific framing from PPP frames in the uplink direction and add it in the downlink direction (see figure 8b).

10.1 Example mapping of functions between the R reference point and the Packet Domain bearer (transparent PPP negotiation)

The following example illustrates the case when the PPP negotiation is carried out transparently between the TE and the GGSN. The example does not include all the details of PPP, but only describes the logical operation of PPP LCP, host authentication and PPP NCP negotiations.

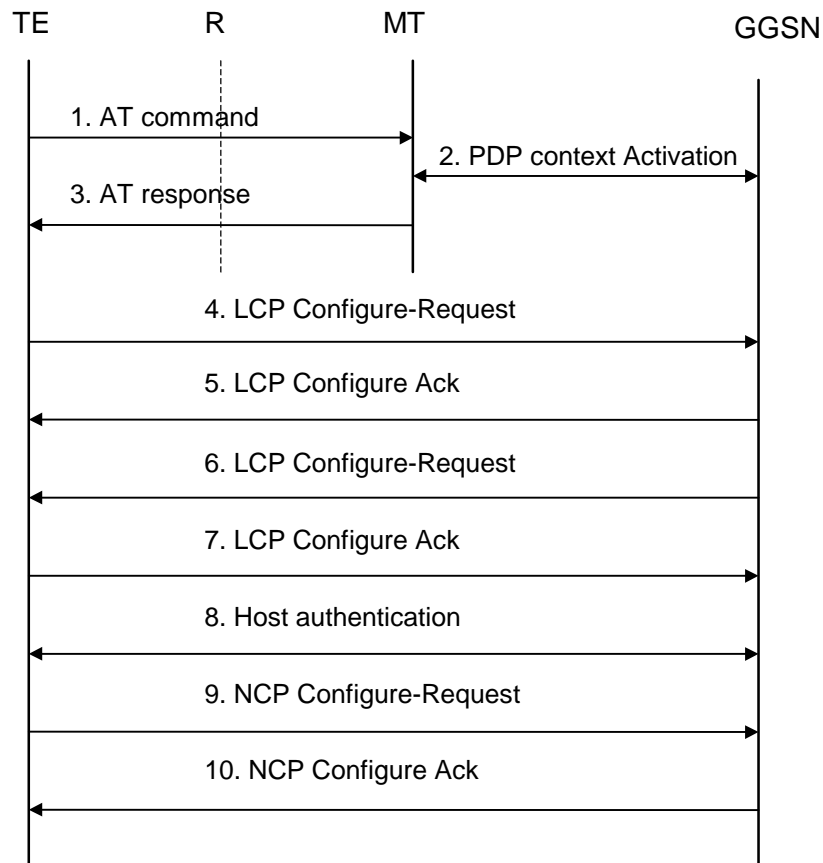


Figure 9a: PPP Based Service (transparent PPP negotiation)

- 1) The TE issues AT commands to set up parameters and activate a PDP Context (refer to sub-clause on AT commands for further details).
- 2) The MT performs a PDP Context Activation as described in 3GPP TS 23.060.
- 3) The MT sends AT responses to the TE.
- 4) The PPP protocol in the TE sends an LCP Configure-Request. This command establishes a PPP link between the TE and the GGSN.
- 5) The GGSN returns an LCP Configure-Ack to the TE to confirm that the PPP link has been established. The GGSN might previously have sent an LCP Configure-Nak in order to reject some options proposed by the TE. This in turn might have triggered a retransmission of the LCP Configure-Request with different options.
- 6) The PPP protocol in the GGSN sends an LCP Configure-Request in order to negotiate for the authentication protocol used for authentication of the host TE towards the GGSN.
- 7) The TE returns an LCP Configure-Ack to the GGSN to confirm the use of the specified authentication protocol. The GGSN might previously have sent an LCP Configure-Nak in order to reject the protocol proposed by the TE. This in turn might have triggered a retransmission of the LCP Configure-Request with different options.

- 8) The TE authenticates itself towards the GGSN by means of the negotiated protocol. If no authentication protocol can be negotiated the GGSN may reject the PPP connection. Refer to 3GPP TS 09.61 for further details on the authentication.
- 9) The PPP protocol in the TE sends to the GGSN an NCP Configure-Request. This command activates the network layer protocol.
- 10) The GGSN acknowledges to the PPP protocol in the TE that the network layer protocol is now activated by sending an NCP Configure-Ack command. Before sending an NCP Configure-Ack, the GGSN might previously have sent an NCP Configure-Nak in order to reject some parameters proposed by the TE. This in turn might have triggered a retransmission of the NCP Configure-Request with different parameter values.

10.2 Example mapping of functions between the R reference point and the Packet Domain bearer (relayed PPP negotiation)

The following example illustrates the case where the link layer protocol defined for the PPP suite [35] is used as 'L2' protocol. The LCP options related to the 'L2' framing (e.g. 'ACCM', 'ACFC' and 'FCS-Alternatives') are negotiated between the TE and the MT. All other PPP negotiation is relayed transparently between the TE and the GGSN. The example does not include all the details of PPP, but only describes the logical operation of PPP LCP, host authentication and PPP NCP negotiations.

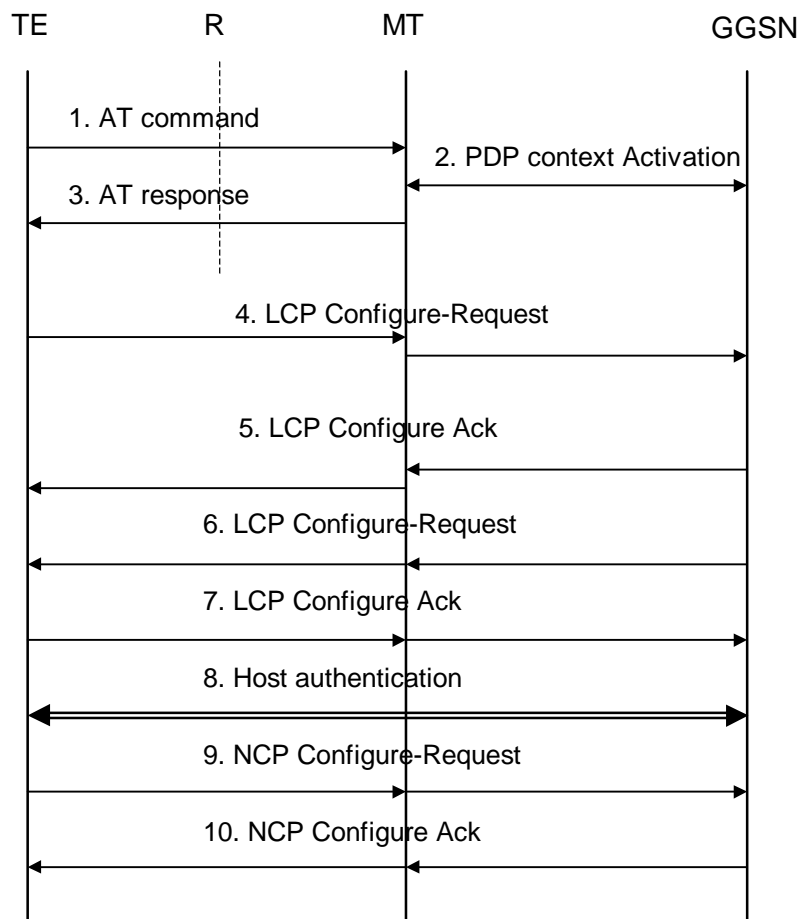


Figure 9b: PPP Based Service (relayed PPP negotiation)

- 1) The TE issues AT commands to set up parameters and activate a PDP Context (refer to sub-clause on AT commands for further details).
- 2) The MT performs a PDP Context Activation as described in 3GPP TS 23.060.

- 3) The MT sends AT responses to the TE.
- 4) The PPP protocol in the TE sends an LCP Configure-Request. If the request contains options related to the 'L2' framing these are negotiated by the MT. The LCP Configure-Request shall subsequently be relayed to the GGSN.
- 5) The GGSN returns an LCP Configure-Ack to the MT. The MT may change the value(s) of any options related to 'L2' framing and thereafter return an LCP Configure-Ack to the TE to confirm that the PPP link has been established. The MT might previously have sent an LCP Configure-Nak to the TE in order to reject some options proposed by the TE. This in turn might have triggered a retransmission of the LCP Configure-Request with different options.
- 6) The PPP protocol in the GGSN sends an LCP Configure-Request in order to negotiate for e.g. the authentication protocol used for authentication of the host TE towards the GGSN. The request is relayed to the TE.
- 7) The TE returns an LCP Configure-Ack to the MT to confirm the use of e.g. the specified authentication protocol. The acknowledgement is relayed to the GGSN. The GGSN might previously have sent an LCP Configure-Nak in order to reject the protocol proposed by the TE. This in turn might have triggered a retransmission of the LCP Configure-Request with different options.
- 8) The TE authenticates itself towards the GGSN by means of the negotiated protocol. The messages are relayed transparently by the MT. If no authentication protocol can be negotiated the GGSN may reject the PPP connection. Refer to 3GPP TS 29.061 for further details on the authentication.
- 9) The PPP protocol in the TE sends an NCP Configure-Request to the MT, which relays it transparently to the GGSN.
- 10) The GGSN acknowledges to the PPP protocol in the TE that the network layer protocol is now activated, by sending an NCP Configure-Ack command, transparently relayed by the MT. Before sending an NCP Configure-Ack, the GGSN might previously have sent an NCP Configure-Nak in order to reject some parameters proposed by the TE. This in turn might have triggered a retransmission of the NCP Configure-Request with different parameter values.

11 Internet Hosted Octet Stream Service (IHOSS)

Void.

12 AT commands

3GPP TS 27.007 defines commands that a TE may use to control a MT supporting Packet Switched services, via either a non-multiplexed character-stream interface or a multiplexed character stream interface (27.010). A non-multiplexed character stream interface places certain limitations on the functionality of the interface. For example, it is not possible for the MT to send control information to the TE or for the TE to send commands to the MT whilst the interface is in the V.250 online data state unless the layer 2 protocol itself supports this feature. However, a manufacturer-specific escape mechanism may be provided to enable the TE to switch the MT into the V.250 online command state. It is anticipated that MTs will vary widely in functionality. At one extreme, a class A or PS/CS MT might support multiple PDP types as well as circuit switched data, and use multiple external networks and QoS profiles. At the other extreme a class C or PS MT might support only a single PDP type using a single external network, and rely on the HLR to contain the context definition.

A comprehensive set of Packet Domain -specific AT commands is defined in 3GPP TS 27.007 to provide the flexibility needed by the more complex MT. The commands are designed to be expandable to accommodate new PDP types and interface protocols, merely by defining new values for many of the parameters. Multiple contexts may be activated if the interface link-layer protocol is able to support them. The commands use the extended information and error message capabilities described in 3GPP TS 27.007.

For MTs of intermediate complexity, most commands have simplified forms where certain parameters may be omitted.

For the simplest MTs, and for backwards compatibility with existing communications software, it is possible to control access to the Packet Domain using existing modem-compatible commands. A special dial-string syntax is defined for use with the D command. This "modem compatible" mode of operation is described in 3GPP TS 27.007.

Subclause 12.2 contains examples of command sequences for a number of applications.

Annex A of the present document lists the AT commands for the Packet Domain. They are fully defined in 3GPP TS 27.007.

12.1 General on AT commands

The following subclauses describe how the AT commands are used for the Packet Domain. The AT commands themselves are fully described in 3GPP TS 27.007. Reference to the particular AT command names are shown only for clarity. In all case refer to 3GPP TS 27.007 for the latest descriptions.

12.1.1 Interaction of AT commands, Packet Domain management and PDPs

State machines may be used to describe the behaviour of:

- AT commands (ITU-T V.250);
- PDP context management (3GPP TS 23.060);
- PDP startup, data transfer and termination (Packet Data Protocol specifications);
- the layer 2 protocol (if any) used across the TE-MT interface (layer 2 protocol specifications).

This subclause does not attempt to describe in detail how these state machines interact but rather to give some general guidance on their relationships.

12.1.1.1 AT commands and responses

AT commands may be issued and responses received by the TE only when the TE and MT are in V.250 command state.

The possibility of suspending the PDP and/or layer 2 protocol and entering V.250 online command state is not considered here; neither is the use of a multiplexed interface where the PDP and the AT commands use separate logical channels.

12.1.1.2 PDP and layer 2 protocol operation

The PDP (across the TE-MT interface) may startup, transfer data and terminate only when the TE and MT are in V.250 online data state. It may be necessary to startup a layer 2 protocol across the interface before starting the PDP. The PDP startup procedure may provide information needed for the PDP context activation procedure (see subclause 10.1.1.3.2).

12.1.1.3 Management of Packet Switched services

A particular PDP may be used to transfer data only when a context is active for that PDP. Before a context can be activated, the MT must be attached to the Packet Domain network.

In order to provide flexibility and support a variety of types of MT and PDP, AT commands are provided which give the TE explicit control over attachment and detachment (+CGATT), and context activation and deactivation (+CGACT) procedures. These commands allow the TE to retain control of the MT, and receive status information from the MT, after these actions have been performed.

12.1.1.3.1 PS attachment

The MT may be attached and detached using the +CGATT command. However, it may not be necessary to use the command since attachment may occur:

- on power up or reset;

- when an attempt is made to activate a context either explicitly (+CGACT) or as a result of a PDP startup - procedure;
- when the mobile class is changed (+CGCLASS).

Similarly, detachment may occur:

- as a result of a PDP termination procedure (if no other Packet Switched services are active);
- when the mobile class is changed (+CGCLASS).

12.1.1.3.2 PDP context activation

Certain information must be provided to the network in order for a context activation attempt to be successful. The TE may provide some of this information to the MT during the PDP startup procedure rather than through AT command procedures. In this case the context activation cannot be initiated by the +CGACT command but rather on receipt of the appropriate information during the PDP startup.

12.1.2 Use of default context parameter values

The activate context request message sent by the MT to the network contains a number of parameters whose values can usefully be set by the TE. Under certain circumstances the values for some or all of the parameters need not be provided by the TE, either via AT commands or the PDP startup procedure. The storage of context information in the SIM is not considered in the present document. Rules concerning what values shall be sent by the MT to the network under various circumstances are given in 3GPP TS 23.060.

One particular rule that is designed to simplify operation in modem compatibility mode is that if there is only one PDP context subscription in the HLR then all of PDP type, PDP address and APN may be omitted.

12.1.2.1 PDP type

This may be omitted:

- when the MT supports only one PDP type (it will be provided by the MT); or
- according to the rules given in 3GPP TS 23.060.

12.1.2.2 PDP address (of the MS)

This shall be omitted when:

- a dynamic address is required; or
- according to the rules given in 3GPP TS 23.060.

12.1.2.3 Access Point Name

This may be omitted:

- according to the rules given in 3GPP TS 23.060.

12.1.2.4 QoS Requested

This may be omitted when:

- the default subscribed QoS is acceptable.

12.1.2.5 PDP Configuration Options

These shall be omitted:

- when none are required for the PDP concerned; or

- according to the rules given for the PDP.

12.2 Example command sequences for dial-compatibility mode

12.2.1 PPP in dial compatibility mode

12.2.1.1 Mobile initiated IP context activation

In this mode of operation, the MT behaves like an originating modem and accepts the normal V.250 commands associated with placing and clearing a call to a dial-up PPP server. Although the procedures for setting up the IP context are initiated from the mobile end, IP-based sessions, for example the File Transfer Protocol (FTP), may be initiated from either end once the context is active.

For this example it is assumed that:

- the user has subscribed to only one PDP context (of type IP) and therefore no context parameter values are needed;
- the MT supports only PPP at the MT-TE interface and therefore no layer 2 protocol need be specified.

A possible sequence of events is:

- the MT begins in V.25 command state:
 - TE -> MT: AT<Packet Domain-specific configuration commands, if required>;
 - MT -> TE: OK.
- the TE sends a dial command requesting the Packet Switched service:
 - TE -> MT: ATD*99#;
 - MT -> TE CONNECT.
- the MT enters V.250 online data state:
 - TE starts up PPP (LCP exchange);
 - TE -> MT: LCP Configure-request;
 - MT -> TE: LCP Configure-ack:
 - PPP Authentication may take place (optional);
 - TE starts up IP (NCP for IP exchange):
 - TE -> MT: NCP(IP) Configure-request;
 - MT <-> network: MT performs the PS-attach procedure if the MT is not currently attached;
 - MT <-> network: MT performs the IP context activation procedure;
 - MT -> TE: NCP(IP) Configure-ack;
 - TE <-> MT <-> network: IP packets may now be transferred.
 - TE stops IP (optional):
 - TE-> MT: NCP(IP) Terminate-Request); this
 - MT<-> network: MT performs the IP context deactivation procedure); is
 - MT -> TE: NCP(IP) Terminate-Ack) optional.
- TE stops PPP:

- TE-> MT: LCP Terminate-Request;
 - MT <-> network: MT performs the IP context deactivation procedure if it has not already done so;
 - MT <-> network: MT may perform the PS-detach procedure if no other Packet Switched services are active;
 - MT -> TE: LCP Terminate-Ack.
- *the MT returns to V.250 command state and issues the final result code :*
- MT -> TE NO CARRIER.

The TE may recognise this as a return to V.250 command state. However, if it is using procedures intended for controlling modems, it may attempt to force a disconnect since in the modem case it cannot rely on the remote modem dropping the carrier. It will use some combination of:

- TE -> MT: TE drops circuit 108/2 (Data Terminal Ready);
- TE -> MT: escape sequence (e.g. +++);
- TE -> MT: ATH.

The MT should respond according to V.250 even if it is already in command state.

If the connection is lost at any time, the MT shuts down PPP, returns to V.250 command state and issues the final result code:

- MT -> TE NO CARRIER.

12.2.1.2 Network requested IP context activation

In this mode of operation, the MT behaves like an answering modem and accepts the normal V.250 commands associated with answering a call to a PPP server. Although the procedures for setting up the IP context are initiated from the network end, IP-based sessions, for example the File Transfer Protocol (FTP), may be initiated from either end once the context is active.

Two example sequences of events are given, for the cases of automatic and manual answering:

Case 1: automatic answering

The MT begins in V.250 command state:

- TE -> MT: AT<Packet Domain -specific configuration commands, if required >.

The TE sets automatic answering mode:

- TE -> MT: ATSO=1;
- MT <-> network: MT performs the PS-attach procedure if the MT is not currently attached.

Subsequently:

- network -> MT: Request PDP Context Activation message;
- MT -> TE: RING.

The MT returns the intermediate result code:

- MT -> TE CONNECT,

and enters V.250 online data state.

The TE and MT perform the PPP and IP startup procedures which include the MT requesting the network to activate the IP context.

Case 2: manual answering

The MT begins in V.250 command state:

- TE -> MT: AT<Packet Domain -specific configuration commands, if required >.

The TE sets manual answering mode and requests a PS-attach (if necessary):

- TE -> MT: ATSO=0;
- TE -> MT: AT+CGATT=1;
- MT <-> network: MT performs the PS-attach procedure if the MT is not currently attached;
- network -> MT: Request PDP Context Activation message;
- MT -> TE: RING.

The TE answers manually:

- TE -> MT: ATA;
- MT -> TE CONNECT,

and enters V.250 online data state.

The TE and MT perform the PPP and IP startup procedures which include the MT requesting the network to activate the IP context:

or the TE rejects the connection:

- TE -> MT: ATH.

and remains in V.250 command state.

Annex A (informative): Summary of AT commands for the Packet Domain

This informative annex lists the AT commands for the Packet Domain that are fully described in 3GPP TS 27.007.

Table A.1: Summary of AT commands for the packet domain

Command	Description
+CGACT	PDP context activate or deactivate
+CGANS	Manual response to a network request for PDP context activation
+CGATT	PS attach or detach
+CGAUTO	Automatic response to a network request for PDP context activation
+CGCLASS	PS mobile station class
+CGCLOSP	<VOID>
+CGCLPAD	<VOID>
+CGDATA	Enter data state
+CGDCONT	Define PDP context
+CGEREP	Control unsolicited PS event reporting
+CGPADDR	Show PDP address
+CGREG	Packet Domain network registration status
+CGQMIN	Quality of service profile (minimum acceptable)
+CGQREQ	Quality of service profile (requested)
+CGSMS	Select service for MO SMS messages

Table A.2: Summary of Packet Domain Extensions to existing A/Gb mode AT commands

Command	Description
+CEER	Extended error report (refer to 27.007)
+CMEE	Report mobile equipment error (refer to 27.007)
+CR	Service reporting control (refer to 27.007)
+CRC	Cellular result codes (refer to 27.007)

Table A.3: Summary of AT commands for Packet Domain modem compatibility mode

Command	Description
A	Answer – manual acceptance of a network request for PDP context activation
D	Dial – request Packet Domain service
H	On-hook - manual rejection of a network request for PDP context activation
S0	Automatic answering control - automatic acceptance of a network request for PDP context activation

Annex B (informative): Octet Stream Protocol (OSP) PDP type

Void

Annex C (informative): Change history

Change history							
Date	TSG #	TSG Doc.	CR	Rev	Subject/Comment	Old	New
05-1999					Transferred to 3GPP CN1	6.2.1	
03-1999	TSG#03				Approved at CN#03		3.0.0
06-1999	TSG#04		001		Correction to +CGAUTO command	3.0.0	3.1.0
06-1999	TSG#04		002		Move AT commands	3.0.0	3.1.0
06-1999	TSG#04		003		Access to PDN's and ISP's with the PDP-type PPP	3.0.0	3.1.0
06-1999	TSG#04		004		Internet Hosted Octet Stream Service (IHOSS) and Octet Stream Protocol (OSP)	3.0.0	3.1.0
09-1999	TSG#05		005		ATD Commands	3.1.0	3.2.0
12-1999	TSG#06		006		IPCP Negotiation Interworking at the MT	3.2.0	3.3.0
12-1999	TSG#06		007		Clarification on the PPP LCP Negotiation for PDP type PPP.	3.2.0	3.3.0
12-1999	TSG#06		008		Streamlining	3.2.0	3.3.0
12-1999	TSG#06		009		Parallel Handling of Multiple User Application Flows	3.2.0	3.3.0
03-2000	TSG#07		010		Correction of the support for IPv6 for the MS	3.3.0	3.4.0
03-2000	TSG#07		011		TSG CN1 Vocabulary Alignment	3.3.0	3.4.0
03-2000	TSG#07		012		Removal of X.25.	3.3.0	3.4.0
03-2000	TSG#07		013		Specification reference section clean-up	3.3.0	3.4.0
03-2001	TSG#11	NP-010044	014		DHCP lease Renewal	3.4.0	3.5.0
03-2001	TSG#11	NP-010044	015		Removal of IHOSS and OSP	3.4.0	3.5.0
03-2001	TSG#11				Upgraded to Release 4	3.5.0	4.0.0
12-2001	TSG#14	NP-010604	016	2	New terminology required by GERAN	4.0.0	5.0.0
06-2002	TSG#16	NP-020171	017	3	IPv6 Address autoconfiguration	5.0.0	5.1.0

History

Document history		
V5.1.0	June 2002	Publication