

ETSI TS 126 405 V13.0.0 (2016-01)



**Digital cellular telecommunications system (Phase 2+);
Universal Mobile Telecommunications System (UMTS);
LTE;**

**General audio codec audio processing functions;
Enhanced aacPlus general audio codec;
Encoder specification parametric stereo part
(3GPP TS 26.405 version 13.0.0 Release 13)**



Reference

RTS/TSGS-0426405vd00

Keywords

GSM,LTE,UMTS

ETSI

650 Route des Lucioles
F-06921 Sophia Antipolis Cedex - FRANCE

Tel.: +33 4 92 94 42 00 Fax: +33 4 93 65 47 16

Siret N° 348 623 562 00017 - NAF 742 C
Association à but non lucratif enregistrée à la
Sous-Préfecture de Grasse (06) N° 7803/88

Important notice

The present document can be downloaded from:
<http://www.etsi.org/standards-search>

The present document may be made available in electronic versions and/or in print. The content of any electronic and/or print versions of the present document shall not be modified without the prior written authorization of ETSI. In case of any existing or perceived difference in contents between such versions and/or in print, the only prevailing document is the print of the Portable Document Format (PDF) version kept on a specific network drive within ETSI Secretariat.

Users of the present document should be aware that the document may be subject to revision or change of status. Information on the current status of this and other ETSI documents is available at
<http://portal.etsi.org/tb/status/status.asp>

If you find errors in the present document, please send your comment to one of the following services:
<https://portal.etsi.org/People/CommiteeSupportStaff.aspx>

Copyright Notification

No part may be reproduced or utilized in any form or by any means, electronic or mechanical, including photocopying and microfilm except as authorized by written permission of ETSI.

The content of the PDF version shall not be modified without the written authorization of ETSI.
The copyright and the foregoing restriction extend to reproduction in all media.

© European Telecommunications Standards Institute 2016.
All rights reserved.

DECT™, **PLUGTESTS™**, **UMTS™** and the ETSI logo are Trade Marks of ETSI registered for the benefit of its Members.
3GPP™ and **LTE™** are Trade Marks of ETSI registered for the benefit of its Members and of the 3GPP Organizational Partners.
GSM® and the GSM logo are Trade Marks registered and owned by the GSM Association.

Intellectual Property Rights

IPRs essential or potentially essential to the present document may have been declared to ETSI. The information pertaining to these essential IPRs, if any, is publicly available for **ETSI members and non-members**, and can be found in ETSI SR 000 314: *"Intellectual Property Rights (IPRs); Essential, or potentially Essential, IPRs notified to ETSI in respect of ETSI standards"*, which is available from the ETSI Secretariat. Latest updates are available on the ETSI Web server (<https://ipr.etsi.org/>).

Pursuant to the ETSI IPR Policy, no investigation, including IPR searches, has been carried out by ETSI. No guarantee can be given as to the existence of other IPRs not referenced in ETSI SR 000 314 (or the updates on the ETSI Web server) which are, or may be, or may become, essential to the present document.

Foreword

This Technical Specification (TS) has been produced by ETSI 3rd Generation Partnership Project (3GPP).

The present document may refer to technical specifications or reports using their 3GPP identities, UMTS identities or GSM identities. These should be interpreted as being references to the corresponding ETSI deliverables.

The cross reference between GSM, UMTS, 3GPP and ETSI identities can be found under <http://webapp.etsi.org/key/queryform.asp>.

Modal verbs terminology

In the present document "**shall**", "**shall not**", "**should**", "**should not**", "**may**", "**need not**", "**will**", "**will not**", "**can**" and "**cannot**" are to be interpreted as described in clause 3.2 of the [ETSI Drafting Rules](#) (Verbal forms for the expression of provisions).

"**must**" and "**must not**" are **NOT** allowed in ETSI deliverables except when used in direct citation.

Contents

Intellectual Property Rights	2
Foreword.....	2
Modal verbs terminology.....	2
Foreword.....	4
1 Scope	5
2 Normative references	5
3 Definitions, symbols and abbreviations	5
3.1 Definitions	5
3.2 Symbols.....	5
3.3 Abbreviations	5
4 Outline description	6
5 Parametric stereo encoder	6
5.1 System overview	6
5.2 Analysis filterbank	7
5.2.1 QMF analysis filterbank	7
5.2.2 Low frequency filtering	7
5.3 Configurations	9
5.4 Stereo parameter extraction.....	9
5.4.1 Parameter estimation.....	9
5.4.2 Quantization of IID and ICC parameters	11
5.5 Writing to bitstream.....	11
5.6 Downmixing to mono.....	13
5.7 Synthesis filterbank	13
Annex A (informative): Change history	16
History	17

Foreword

The present document describes the detailed mapping of the general audio service employing the aacPlus general audio codec within the 3GPP system.

The contents of the present document are subject to continuing work within the TSG and may change following formal TSG approval. Should the TSG modify the contents of this TS, it will be re-released by the TSG with an identifying change of release date and an increase in version number as follows:

Version x.y.z

where:

- x the first digit:
 - 1 presented to TSG for information;
 - 2 presented to TSG for approval;
 - 3 Indicates TSG approved document under change control.
- y the second digit is incremented for all changes of substance, i.e. technical enhancements, corrections, updates, etc.
- z the third digit is incremented when editorial only changes have been incorporated in the specification;

1 Scope

This Telecommunication Standard (TS) describes the Parametric Stereo encoder part of the Enhanced aacPlus general audio codec [4].

2 Normative references

This TS incorporates by dated and undated reference, provisions from other publications. These normative references are cited in the appropriate places in the text and the publications are listed hereafter. For dated references, subsequent amendments to or revisions of any of these publications apply to this TS only when incorporated in it by amendment or revision. For undated references, the latest edition of the publication referred to applies.

- [1] ISO/IEC 14496-3:2001/AMD1:2003: "Bandwidth Extension".
 - [2] ISO/IEC 14496-3:2001/Amd.1:2003/DCOR1.
 - [3] ISO/IEC 14496-3:2001/ Amd.2:2004: "Parametric Coding for High Quality Audio".
 - [4] 3GPP TS 26.401: "Enhanced aacPlus general audio codec; General Description:."
-

3 Definitions, symbols and abbreviations

3.1 Definitions

For the purposes of this TS, the following definitions apply:

- hybrid QMF:** a QMF filterbank combined with additional filters to achieve higher frequency resolution for the lower QMF bands
- stereo band:** a group of consecutive hybrid QMF subbands used for coding one stereo parameter

3.2 Symbols

For the purposes of this TS, the following symbols apply:

- $l_k(n)$ Subsample in hybrid QMF matrix: left channel, band k , subsample n .
- $r_k(n)$ Subsample in hybrid QMF matrix: right channel, band k , subsample n .

3.3 Abbreviations

For the purposes of this TS, the following abbreviations apply.

- SBR Spectral Band Replication
- AAC Advanced Audio Coding
- aacPlus Combination of MPEG-4 AAC and MPEG-4 Bandwidth extension (SBR)
- Enhanced aacPlus Combination of MPEG-4 AAC, MPEG-4 Bandwidth extension (SBR) and MPEG-4 Parametric Stereo
- QMF Quadrature Mirror Filter
- MPEG Moving Picture Expert Group
- IID Inter Intensity Difference, (stereo parameter)
- ICC Inter Channel Coherence, (stereo parameter)

4 Outline description

This TS is structured as follows:

Section 5.2 describes the hybrid QMF filterbank and its integration in the Parametric Stereo system.

Section 5.3 describes the hybrid QMF filterbank and its integration in the Parametric Stereo system.

Section 5.4 describes the parameter estimation algorithms and quantization.

Section 5.5 describes how to convey the estimated parameters in the bitstream.

Section 5.6 and section 5.7 describes preparation of the signal that should feed the aacPlus mono encoder after the Parametric Stereo encoding.

5 Parametric stereo encoder

5.1 System overview

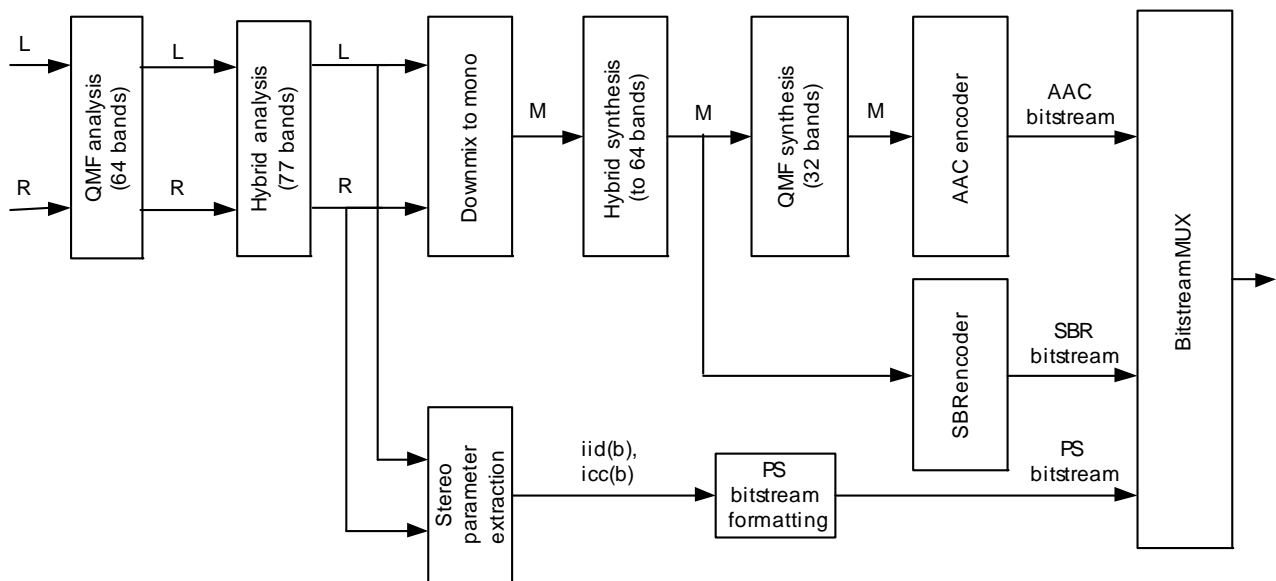


Figure 1: Encoder overview

The interface between the parametric stereo encoder tool and the aacPlus encoder is depicted in Figure 1. In the figure L and R denotes the left and right channel respectively, while M denotes the down-mixed mono signal which the aacPlus encoder operates on.

The parametric stereo coding tool is able to capture the stereo image into a limited number of parameters, requiring only a small overhead of a few kbit/s. Together with a controlled monaural downmix of the stereo input signal, the parametric stereo coding tool is able to regenerate the stereo signal at the decoder side.

The encoder operates as a non-modifying analyzer prior to the aacPlus encoder, though it shares the same QMF analysis filterbank. The decoder operates as a post process to aacPlus using the Parametric Stereo data conveyed by the bitstream to synthesize the stereo properties of the output signal. Part from the parametric stereo tool, the aacPlus runs in mono mode not affected by Parametric Stereo.

The bitstream syntax and decoder description of the parametric stereo tool in combination with aacPlus is defined in [3]. This system includes only the baseline level defined in that standard.

5.2 Analysis filterbank

5.2.1 QMF analysis filterbank

This filterbank is identical to the 64 complex QMF analysis filterbank as defined in ISO/IEC 14496-3/AMD1:2003, sub clause 4.B.18.2 [1], [2]. However, in the equation for matrix $\mathbf{M}(k,n)$ and in Figure 4.B.20, the term '(2*n+1)' has to be substituted by '(2*n-1)'. The input to the filterbank are blocks of 64 samples of the monaural synthesized signal M . For each block the filterbank outputs one slot of 64 QMF samples.

5.2.2 Low frequency filtering

The lower QMF subbands are further split in order to obtain a higher frequency resolution enabling a proper stereo analysis and synthesis for the lower frequencies. To achieve those, in total 77 frequency bands, a hybrid filterbank configurations have been defined. The filter used for this sub subband filtering, Q_p^q is defined according to:

$$G_q^p = g^p(n) \exp\left(j \frac{2\pi}{Q^p} \left(q + \frac{1}{2}\right) (n-6)\right)$$

where g^p represents the prototype filters in QMF subband p . Q^p represents the number of sub-subbands in QMF subband p , q the sub-subband index in QMF channel p and n the time index. The prototype filters are all of length 13 and have a delay of 6 QMF samples. The prototype filters are listed in Table 1.

Table 1: Prototype filter coefficients for the filters that split the lower QMF subbands

n	$g^0(n), Q^0 = 8$	$g^{1,2}(n), Q^{1,2} = 4$
0	0.00746082949812	-0.00305151927305
1	0.02270420949825	-0.00794862316203
2	0.04546865930473	0
3	0.07266113929591	0.04318924038756
4	0.09885108575264	0.12542448210445
5	0.11793710567217	0.21227807049160
6	0.125	0.25000000000000
7	0.11793710567217	0.21227807049160
8	0.09885108575264	0.12542448210445
9	0.07266113929591	0.04318924038756
10	0.04546865930473	0
11	0.02270420949825	-0.00794862316203
12	0.00746082949812	-0.00305151927305

Figure 2 and Figure 3 illustrate the hybrid analysis and synthesis filterbank for the 77 frequency bands configuration.

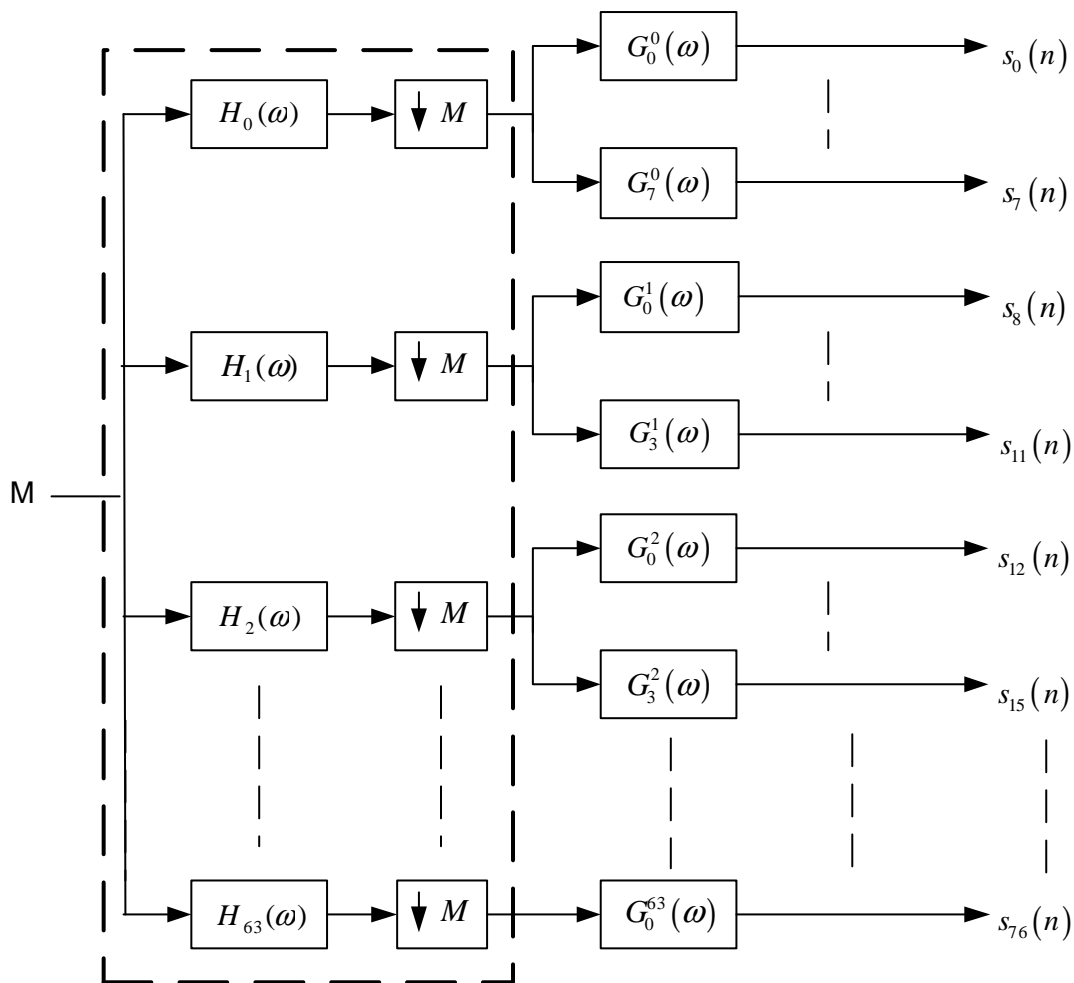


Figure 2: Hybrid QMF analysis filterbank providing 77 output bands. The three lower subbands of the 64 QMF (see dashed box) are further split to provide for increased resolution for the lower frequencies

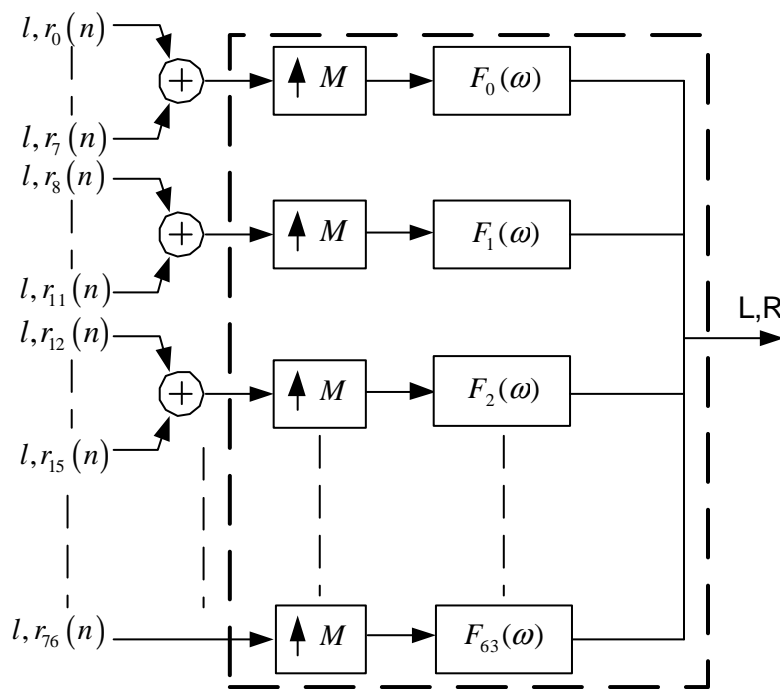


Figure 3: Hybrid QMF synthesis filterbank using 77 input bands. The coefficients offering higher resolution for the lower QMF subbands are simply added prior to the synthesis with the 64 subbands QMF (see dashed box)

In order to time align all the samples originating from the hybrid filterbank, the remaining QMF subbands that have not been filtered are delay compensated. This delay amounts to 6 QMF subband samples. This means $G_0^k(z) = z^{-6}$ for $k=3...63$. In order to compensate for the overall delay of the hybrid analysis filterbank, the first 10 sets (6 from delay and 4 from QMF filter) of hybrid subbands are flushed and therefore not taken into account for processing.

The resultant of this operation is a slot of hybrid subband samples consisting of a LF (low frequency) sub QMF subband portion and HF (high frequency) QMF subband portion.

5.3 Configurations

The parametric stereo encoder uses two different configurations depending on desired frequency resolution. The configuration parameter, *num_stereo_bands* determines what frequency resolution should be used for the stereo parameters. For all bitrates below 21000 bit/s, *num_stereo_bands* is set to 10 otherwise *num_stereo_bands* is set to 20.

5.4 Stereo parameter extraction

5.4.1 Parameter estimation

In order to estimate the stereo parameters the signals M, L and R are analyzed using the hybrid filterbank as in Figure 2 for providing the 77 frequency bands addressed by the index, $0 \leq k < 77$. This results in the (sub-)subband domain signals, $m(k,n)$, $l(k,n)$ and $r(k,n)$.

To estimate the parameters for the current frame the following is calculated:

$$e_l(b) = \sum_{k=k_l}^{k_h} \sum_{n=0}^{L-1} \left| l \left(k, -\frac{L}{2} + 1 + n \right) \right|^2 + \epsilon$$

$$e_r(b) = \sum_{k=k_l}^{k_h} \sum_{n=0}^{L-1} \left| r \left(k, -\frac{L}{2} + 1 + n \right) \right|^2 + \varepsilon$$

$$e_R(b) = \sum_{k=k_l}^{k_h} \sum_{n=0}^{L-1} l \left(k, -\frac{L}{2} + 1 + n \right) r^* \left(k, -\frac{L}{2} + 1 + n \right) + \varepsilon$$

where $e_l(b)$, $e_r(b)$ and $e_R(b)$ are the left channel excitation, the right channel excitation and the non-normalized cross-channel excitation between left and right channel for stereo bin b respectively, L the segment length, ε a very small value preventing division by zero ($\varepsilon = 10^{-10}$). The summation over k is shown in Table 2 for 20 bands case. For the 10 bands case additional formulas below are used.

Table 2: Summation range in 71 sub subbands in case of 20 bands

Parameter index b	Sub subband index	QMF channel
0	0	0
1	1	0
2	2	0
3	3	0
4	10	1
5	11	1
6	12	2
7	13	2
8	16	3
9	17	4
10	18	5
11	19	6
12	20	7
13	21	8
14	22-23	9-10
15	24-26	11-13
16	27-30	14-17
17	31-35	18-22
18	36-47	23-34
19	48-76	35-63

For the 10 band case, summation will be use the same table as the 20 band case but with the additional summation:

$$e_{l,10}(b) = \frac{e_l(2b) + e_l(2b+1)}{2}$$

$$e_{r,10}(b) = \frac{e_r(2b) + e_r(2b+1)}{2}$$

$$e_{R,10}(b) = \frac{e_R(2b) + e_R(2b+1)}{2}$$

Where $e_{l,10}$ and $e_{r,10}$ and $e_{R,10}$ should replace e_l and e_r and e_R in the following formulas for the 10 band case.

The IID, denoted as iid(b) and the ICC, denoted as icc(b), for each stereo band b are calculated as:

$$iid(b) = 10 \log_{10} \left(\frac{e_l(b)}{e_r(b)} \right)$$

$$icc(b) = \begin{cases} \frac{1 - \min \left(\frac{\operatorname{Re}(e_R(b))}{\sqrt{e_l(b)e_r(b)}}, 1 \right)}{2} & , b < 5 \text{ and } num_stereo_bands = 10 \text{ or} \\ & , b < 11 \text{ and } num_stereo_bands = 20 \\ \frac{1 - \min \left(\frac{|e_R(b)|}{\sqrt{e_l(b)e_r(b)}}, 1 \right)}{2} & , otherwise \end{cases}$$

5.4.2 Quantization of IID and ICC parameters

The obtained values for IID and ICC are quantized to the nearest lower value given in Table 3 and Table 4, respectively, then coded into Huffman words according to Huffman tables found in [4] section 8.B.1 Huffman tables ps_data.

Table 3: Quantization grid for iid

Index	-7	-6	-5	-4	-3	-2	-1	0
IID [dB]	-21.5	-16	-12	-8.5	-5.5	-3	-1	0
Index	1	2	3	4	5	6	7	
IID [dB]	1	3	5.5	8.5	12	16	21.5	

Table 1: Quantization grid for icc

index	0	1	2	3	4	5	6	7
icc	0	0.088900	0.229800	0.364250	0.504500	0.635100	0.799600f	0.945650

5.5 Writing to bitstream

The parametric stereo bitstream should be placed in the SBR extension field according to syntax in Table 5. The EXTENSION_ID_PS should be used as extension identifier. Note that due to SBR extension is design, the total size, in bytes, of the ps_data element has to be added to the SBR extension element before writing the actual ps_data.

Table 5: Syntax of sbr_extension()

Syntax	No. of bits	Mnemonic
<pre>sbr_extension(bs_extension_id, num_bits_left) { switch (bs_extension_id) { case EXTENSION_ID_PS: num_bits_left -= ps_data(); break; default: bs_fill_bits; num_bits_left = 0; break; } }</pre>		Note 1
	num_bits_left	bslbf
Note 1: ps_data() returns the number of bits read.		

Table 6: Values of the bs_extension_id field

Symbol	Value	Purpose
EXTENSION_ID_PS	2	Parametric Stereo Coding
	all other values	reserved

The syntax of the ps_data is defined in [4] Table 8.1. The bitstream elements in ps_data should be assigned values according to the following list.

enable_ps_header – Is set to 1 for all frames containing an SBR header. Is set to 0 for all other cases.

enable_iid – Is set to 0 if all values in the iid vector after quantization are zero. Is set to 1 for all other cases.

enable_icc – Is set to 0 if all values in the icc vector after quantization are zero. Is set to 1 for all other cases.

iid_mode – Is set to 0 if 10 stereo bands resolution is chosen. Is set to 1 for all other cases.

icc_mode – Is set to 0 if 10 stereo bands resolution is chosen. Is set to 1 for all other cases.

enable_ext – Is set to 0.

frame_class – Is set to 0.

num_env_idx – Is set to 0 if all values in the iid and icc vectors after quantization are unchanged since previous frame. Is set to 1 for all other cases.

iid_dt – Is set to 1 if differential coding of iid parameters over time gives a lower total Huffman code length than differential coding of iid parameters with respect to the previous parameter position. Is set to 0 for all other cases.

icc_dt – Is set to 1 if differential coding of icc parameters over time gives a lower total Huffman code length than differential coding of iid parameters with respect to the previous parameter position. Is set to 0 for all other cases.

iid_par_dt[n] – In case of differential coding of IID parameters over time (iid_dt==1), iid_par_dt[n] describes the IID difference with respect to the previous parameter position. If no previous parameter position is available, iid_par_dt[n] represents the IID difference with respect to the decoded value 0 (i.e. index=0).

iid_par_df[n] – In case of differential coding of IID parameters over frequency (iid_dt==0), iid_par_df[n] describes the Huffman encoded IID difference with respect to the parameter (n-1).

iid_par_df[0] – represents the IID difference with respect to the decoded value 0 (i.e. index=0).

icc_par_dt[n] – In case of differential coding of ICC parameters over time ($\text{icc_dt}=1$), $\text{icc_par_dt}[n]$ describes the difference with respect to the previous parameter position. If no previous parameter position is available, $\text{icc_par_dt}[n]$ represents the ICC difference with respect to the decoded value 1 (i.e. $\text{index}=0$).

icc_par_df[n] – In case of differential coding of ICC parameters over frequency ($\text{icc_dt}=0$), $\text{icc_par_df}[n]$ describes the ICC difference with respect to the parameter ($n-1$). $\text{icc_par_df}[0]$ represents the ICC difference with respect to the decoded value 1 (i.e. $\text{index}=0$).

5.6 Downmixing to mono

A monaural signal is needed for encoding of the HE AAC mono core. A simple stereo-to-mono downmixing scheme is performed after extraction of the stereo parameters. It combines equal parts of left and right channel and scales the resulting mono signal in order to preserve most of the original total power. The process is defined according to:

$$m(k,n) = \frac{l(k,n) + r(k,n)}{2} \cdot \gamma(k,n)$$

where the stereo scale factor, γ is defined by:

$$\gamma(k,n) = \min \left(2, \sqrt{\frac{|l(k,n)|^2 + |r(k,n)|^2}{0.5 \cdot |l(k,n) + r(k,n)|^2}} \right)$$

$$0 \leq k < \text{NUM_OF_BANDS}$$

5.7 Synthesis filterbank

The stereo to mono down-mixed hybrid subband signal $m(k,n)$ is fed into the hybrid synthesis filterbank, that is implemented as an adder of sub QMF samples. This is illustrated in Figure 3.

The synthesis filtering and implicit down-sampling of the 64 subband signals is achieved using a 32-channel QMF bank. The output from the filterbank is real-valued time domain samples. The process is given by the flowchart in Figure 4. The synthesis filtering comprises the following steps, where an array \mathbf{v} consisting of 640 samples is assumed:

- Shift the samples in the array \mathbf{v} by 64 positions. The oldest 64 samples are discarded.
- The array of 32 complex-valued subband samples \mathbf{Z} is separated into the real and imaginary components as $\mathbf{Z} = \mathbf{R} + i \mathbf{I}$. The components are scaled and DCT and DST type IV transformed as

$$r(n) = \frac{1}{64} \sum_{k=0}^{31} R(k) \cos \left[\frac{\pi}{32} \left(k + \frac{1}{2} \right) \left(n + \frac{1}{2} \right) \right]$$

$$i(n) = \frac{1}{64} \sum_{k=0}^{31} I(k) \sin \left[\frac{\pi}{32} \left(k + \frac{1}{2} \right) \left(n + \frac{1}{2} \right) \right]$$

$$, 0 \leq n < 32$$

- The arrays \mathbf{r} and \mathbf{i} are combined and stored in the positions 0 to 63 in array \mathbf{v} as

$$v(n) = i(n) - r(n) \quad , 0 \leq n < 32$$

$$v(63 - n) = i(n) + r(n) \quad , 0 \leq n < 32$$

- Extract samples from \mathbf{v} according to the flowchart in Figure 4 to create the 320-element array \mathbf{g} .
- Multiply the samples of array \mathbf{g} by every other coefficient of window \mathbf{w} . The window coefficients of \mathbf{c} can be found in Figure 4, and are the same as for the analysis filterbank.
- Calculate 32 new output samples by summation of samples from array \mathbf{w} according to the last step in the flowchart of Figure 4

Every SBR frame produces an output of $numTimeSlots \cdot RATE \cdot 32$ time domain samples. In the flowchart of Figure 4 $\mathbf{X}[k][l]$ corresponds to subband sample l in the QMF subband k , and every new loop produces 32 time domain samples as output.

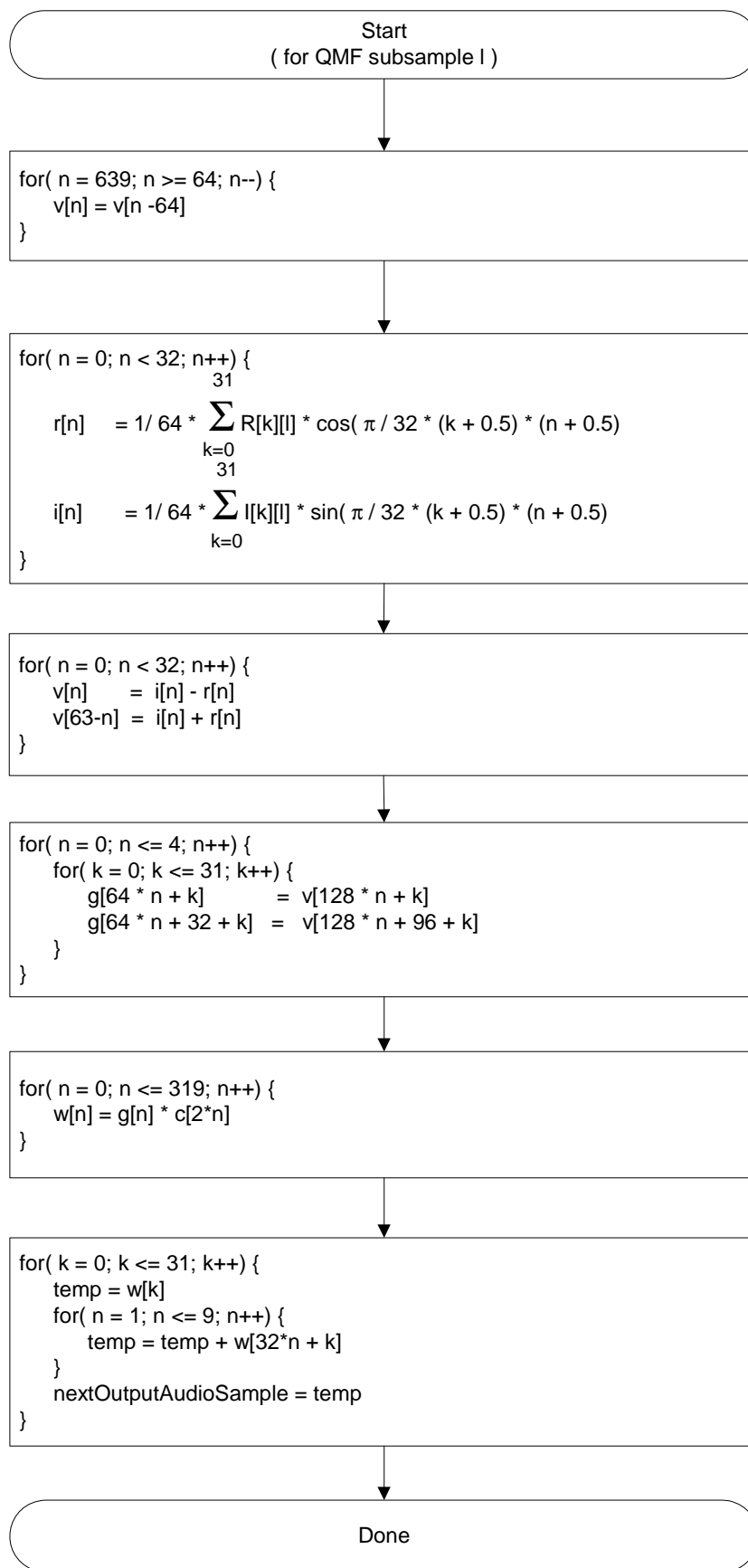


Figure 4: Flowchart of encoder synthesis QMF bank

Annex A (informative): Change history

Change history							
Date	TSG SA#	TSG Doc.	CR	Rev	Subject/Comment	Old	New
2004-09	25	SP-040637			Approved at SA#25	2.0.0	6.0.0
2005-03	27	SP-050095	001	1	Correction to written specification: wrong formula on ICC parameter extraction	6.0.0	6.1.0
2007-06	36				Version for Release 7	6.1.0	7.0.0
2008-12	42				Version for Release 8	7.0.0	8.0.0
2009-12	46				Version for Release 9	8.0.0	9.0.0
2011-03	51				Version for Release 10	9.0.0	10.0.0
2012-09	57				Version for Release 11	10.0.0	11.0.0
2014-09	65				Version for Release 12	11.0.0	12.0.0
2015-12	70				Version for Release 13	12.0.0	13.0.0

History

Document history		
V13.0.0	January 2016	Publication