

# ETSI TS 125 432 V14.0.0 (2017-04)



**Universal Mobile Telecommunications System (UMTS);  
UTRAN Iub interface: signalling transport  
(3GPP TS 25.432 version 14.0.0 Release 14)**



---

Reference

RTS/TSGR-0325432ve00

---

Keywords

UMTS

**ETSI**

650 Route des Lucioles  
F-06921 Sophia Antipolis Cedex - FRANCE

Tel.: +33 4 92 94 42 00 Fax: +33 4 93 65 47 16

Siret N° 348 623 562 00017 - NAF 742 C  
Association à but non lucratif enregistrée à la  
Sous-Préfecture de Grasse (06) N° 7803/88

---

**Important notice**

The present document can be downloaded from:  
<http://www.etsi.org/standards-search>

The present document may be made available in electronic versions and/or in print. The content of any electronic and/or print versions of the present document shall not be modified without the prior written authorization of ETSI. In case of any existing or perceived difference in contents between such versions and/or in print, the only prevailing document is the print of the Portable Document Format (PDF) version kept on a specific network drive within ETSI Secretariat.

Users of the present document should be aware that the document may be subject to revision or change of status. Information on the current status of this and other ETSI documents is available at  
<https://portal.etsi.org/TB/ETSIDeliverableStatus.aspx>

If you find errors in the present document, please send your comment to one of the following services:  
<https://portal.etsi.org/People/CommiteeSupportStaff.aspx>

---

**Copyright Notification**

No part may be reproduced or utilized in any form or by any means, electronic or mechanical, including photocopying and microfilm except as authorized by written permission of ETSI.

The content of the PDF version shall not be modified without the written authorization of ETSI.  
The copyright and the foregoing restriction extend to reproduction in all media.

© European Telecommunications Standards Institute 2017.  
All rights reserved.

**DECT™**, **PLUGTESTS™**, **UMTS™** and the ETSI logo are Trade Marks of ETSI registered for the benefit of its Members.  
**3GPP™** and **LTE™** are Trade Marks of ETSI registered for the benefit of its Members and of the 3GPP Organizational Partners.  
**GSM®** and the GSM logo are Trade Marks registered and owned by the GSM Association.

---

## Intellectual Property Rights

IPRs essential or potentially essential to the present document may have been declared to ETSI. The information pertaining to these essential IPRs, if any, is publicly available for **ETSI members and non-members**, and can be found in ETSI SR 000 314: "*Intellectual Property Rights (IPRs); Essential, or potentially Essential, IPRs notified to ETSI in respect of ETSI standards*", which is available from the ETSI Secretariat. Latest updates are available on the ETSI Web server (<https://ipr.etsi.org>).

Pursuant to the ETSI IPR Policy, no investigation, including IPR searches, has been carried out by ETSI. No guarantee can be given as to the existence of other IPRs not referenced in ETSI SR 000 314 (or the updates on the ETSI Web server) which are, or may be, or may become, essential to the present document.

---

## Foreword

This Technical Specification (TS) has been produced by ETSI 3rd Generation Partnership Project (3GPP).

The present document may refer to technical specifications or reports using their 3GPP identities, UMTS identities or GSM identities. These should be interpreted as being references to the corresponding ETSI deliverables.

The cross reference between GSM, UMTS, 3GPP and ETSI identities can be found under <http://webapp.etsi.org/key/queryform.asp>.

---

## Modal verbs terminology

In the present document "**shall**", "**shall not**", "**should**", "**should not**", "**may**", "**need not**", "**will**", "**will not**", "**can**" and "**cannot**" are to be interpreted as described in clause 3.2 of the [ETSI Drafting Rules](#) (Verbal forms for the expression of provisions).

"**must**" and "**must not**" are **NOT** allowed in ETSI deliverables except when used in direct citation.

---

# Contents

Intellectual Property Rights .....	2
Foreword.....	2
Modal verbs terminology.....	2
Foreword.....	4
1 Scope .....	5
2 References .....	5
3 Definitions, symbols and abbreviations .....	6
3.1 Definitions .....	6
3.2 Symbols.....	6
3.3 Abbreviations .....	6
4 Data Link Layer .....	6
4.1 ATM Transport Option .....	6
4.1.1 Protection switching at ATM Layer .....	6
4.2 Data Link Layer for IP Transport Option.....	6
5 NBAP signalling bearer.....	7
5.1 Introduction .....	7
5.2 Signalling bearer in case of ATM Transport Option .....	7
5.3 Signalling bearer in case of IP Transport Option .....	7
<b>Annex A (informative): Change history .....</b>	<b>9</b>
History .....	10

---

# Foreword

This Technical Specification has been produced by the 3<sup>rd</sup> Generation Partnership Project (3GPP).

The contents of the present document are subject to continuing work within the TSG and may change following formal TSG approval. Should the TSG modify the contents of the present document, it will be re-released by the TSG with an identifying change of release date and an increase in version number as follows:

Version x.y.z

where:

- x the first digit:
  - 1 presented to TSG for information;
  - 2 presented to TSG for approval;
  - 3 or greater indicates TSG approved document under change control.
- y the second digit is incremented for all changes of substance, i.e. technical enhancements, corrections, updates, etc.
- z the third digit is incremented when editorial only changes have been incorporated in the document.

---

# 1 Scope

The present document specifies the signalling transport related to NBAP signalling to be used across the Iub Interface. The Iub interface is a logical interface for the interconnection of Node B and Radio Network Controller (RNC) components of the UMTS Terrestrial Radio Access Network (UTRAN) for the UMTS system. The radio network control signalling between these nodes is based on the Node B application part (NBAP).

---

# 2 References

The following documents contain provisions which, through reference in this text, constitute provisions of the present document.

- References are either specific (identified by date of publication, edition number, version number, etc.) or non-specific.
- For a specific reference, subsequent revisions do not apply.
- For a non-specific reference, the latest version applies. In the case of a reference to a 3GPP document (including a GSM document), a non-specific reference implicitly refers to the latest version of that document *in the same Release as the present document*.

- [1] ITU-T Recommendation Q.2100 (1994-07): "B-ISDN signalling ATM adaptation layer (SAAL) overview description".
- [2] ITU-T Recommendation Q.2130 (1994-07): "B-ISDN signalling ATM adaptation layer – Service specific coordination function for support of signalling at the user network interface (SSCF–UNI)".
- [3] ITU-T Recommendation Q.2110 (1994-07): "B-ISDN ATM adaptation layer – Service specific connection oriented protocol (SSCOP)".
- [4] ITU-T Recommendation I.363.5 (1996-08): "B-ISDN ATM Adaptation Layer Specification : Type 5 AAL".
- [5] ITU-T Recommendation I.361 (1995-11): "B-ISDN ATM layer specification".
- [6] ITU-T Recommendation I.630 (1999-02): "ATM protection switching".
- [7] IETF RFC 2960 (2000-10): "Stream Control Transmission Protocol".
- [8] IETF RFC 2460 (1998-12): "Internet Protocol, Version 6 (IPv6) Specification".
- [9] IETF RFC 791 (1981-09): "Internet Protocol".
- [10] IETF RFC 2474 (1998-12): "Definition of the Differentiated Services Field (DS Field) in the IPv4 and IPv6 Headers".
- [11] IETF RFC 1661 (1994-07): "The Point-to-Point Protocol (PPP)".
- [12] IETF RFC 1662 (1994-07): "PPP in HDLC-like Framing".
- [13] IETF RFC 2507 (1999-02): "IP header compression".
- [14] IETF RFC 1990 (1996-08): "The PPP Multilink Protocol (MP)".
- [15] IETF RFC 2686 (1999-09): "The Multi-Class Extension to Multi-Link PPP".
- [16] IETF RFC 2509 (1999-02): "IP Header Compression over PPP".
- [17] IETF RFC 3153 (2001-08): "PPP Multiplexing".
- [18] IETF RFC 2364 (1998-07): "PPP over AAL5".
- [19] IETF RFC 3031 (2001-01): "Multiprotocol Label Switching Architecture".

- [20] IETF RFC 3309 (2002-09): "Stream Control Transmission Protocol (SCTP) Checksum Change".
- [21] 3GPP TS 25.433: "UTRAN Iub interface Node B Application Part (NBAP) signalling".

---

## 3 Definitions, symbols and abbreviations

### 3.1 Definitions

For the purposes of the present document, the following terms and definitions apply:

**IP UTRAN node:** An UTRAN Node supporting the IP Transport Option

### 3.2 Symbols

(void)

### 3.3 Abbreviations

AAL	ATM Adaptation Layer
ATM	Asynchronous Transfer Mode
HDLC	High-level Data Link Control
IP	Internet Protocol
NBAP	Node B Application Part
PPP	Point-to-Point Protocol
RNC	Radio Network Controller
SAAL	Signalling ATM Adaptation Layer
SCTP	Stream Control Transmission Protocol
SSCF	Service Specific Coordination Function
SSCOP	Service Specific Connection Oriented Protocol
UNI	User-Network Interface

---

## 4 Data Link Layer

### 4.1 ATM Transport Option

ATM shall be used in the radio network control plane according to ITU-T Rec. I.361 [5].

#### 4.1.1 Protection switching at ATM Layer

If redundancy of pathways at ATM layer between RNC and Node B is supported, it shall be implemented using ATM Protection Switching according to ITU-T Rec. I.630 [6].

### 4.2 Data Link Layer for IP Transport Option

A RNC or Node B supporting IP Transport Option shall support the PPP protocol with HDLC framing (IETF RFC 1661 [11], IETF RFC 1662 [12]).

**NOTE:** This does not preclude the single implementation and use of any other L2/L1 protocols (e.g. PPPMux/AAL5/ATM (IETF RFC 3153 [17], IETF RFC 2364 [18]), PPP/AAL2/ATM, Ethernet, MPLS/ATM (IETF RFC 3031 [19]), etc.) fulfilling the UTRAN requirements towards the upper layers.

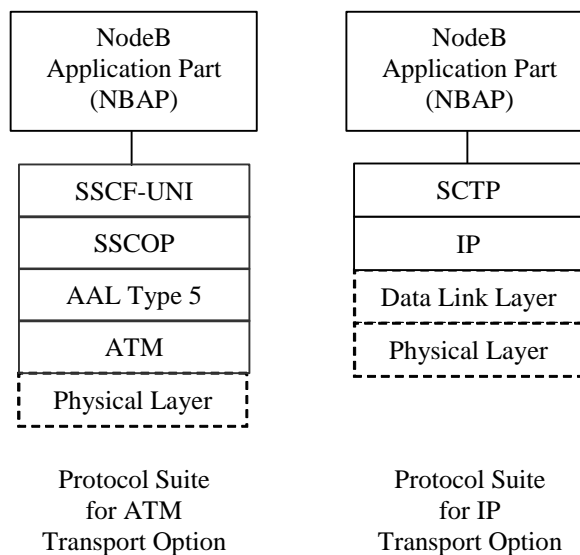
A RNC or Node B supporting IP transport option and having interfaces connected via slow bandwidth PPP links like E1/T1/J1 shall also support IP Header Compression (IETF RFC 2507 [13]) and the PPP extensions ML/MC-PPP (IETF

RFC 1990 [14], IETF RFC 2686 [15]). In this case, negotiation of header compression (IETF RFC 2507 [13]) over PPP shall be performed via (IETF RFC 2509 [16]).

## 5 NBAP signalling bearer

### 5.1 Introduction

The Signalling Bearer for NBAP (TS 25.433 [21]) is a point-to-point protocol. There may be multiple point-to-point links between an RNC and a Node B. As shown in figure 1, the standard allows operators to choose one out of two protocol suites for transporting the NBAP messages.



**Figure 1: Iub NBAP Signalling Transport**

### 5.2 Signalling bearer in case of ATM Transport Option

The signalling bearer in the Radio Network Control Plane is SAAL-UNI (ITU-T Rec. Q.2100 [1]) over ATM. The protocols to be used to support NBAP signalling are SSCF-UNI (ITU-T Rec. Q.2130 [2]) on top of SSCOP (ITU-T Rec. Q.2110 [3]) and AAL Type 5 (ITU-T Rec. I.363.5 [4]).

### 5.3 Signalling bearer in case of IP Transport Option

SCTP (IETF RFC 2960 [7]) over IP shall be supported as the transport for NBAP signalling bearer on Iub Interface. A RNC equipped with the SCTP stack option shall initiate the INIT procedure for establishing association. The data link layer is as specified in chapter 4.2.

The checksum method specified in IETF RFC 3309 [20] shall be used instead of the method specified in IETF RFC 2960 ([7]).

An IP UTRAN node shall support IPv6 (IETF RFC 2460 [8]). The support of IPv4 (IETF RFC 791 [9]) is optional.

**NOTE:** This does not preclude single implementation and use of IPv4.

IP dual stack is recommended for the potential transition period from IPv4 to IPv6 in the transport network.

Each signalling bearer between the RNC and Node B shall correspond to one single SCTP stream in UL and one single SCTP stream in DL direction, both streams belonging to the same SCTP association.



IP Differentiated Services code point marking (IETF RFC 2474 [10]) shall be supported. The Diffserv code point may be determined from the application parameters.

## Annex A (informative): Change history

Date / TSG	TSG Doc.	CR	Rev	Subject/Comment	New
12/2008	-	-	-	Creation of Rel-8 version based on v7.1.0	8.0.0
12/2009	-	-	-	Creation of Rel-9 version based on v8.0.0	9.0.0
SP-49	SP-100629			Clarification on the use of References (TS 21.801 CR#0030)	9.0.1
03/2011				Creation of Rel-10 version based on v9.0.1	10.0.0
52	RP-110685	0008	1	Correction to the References	10.1.0
09/2012				Update to Rel-11 version (MCC)	11.0.0
09/2014				Update to Rel-12 version (MCC)	12.0.0
12/2015				Update to Rel-13 version (MCC)	13.0.0

Change history							
Date	Meeting	TDoc	CR	Rev	Cat	Subject/Comment	New version
2017-03	SA#75					Promotion to Release 14 without technical change	14.0.0

---

# History

<b>Document history</b>		
V14.0.0	April 2017	Publication