

ETSI TS 125 305 V3.1.0 (2000-03)

Technical Specification

Universal Mobile Telecommunications System (UMTS); Stage 2 Functional Specification of Location Services in UTRAN (3G TS 25.305 version 3.1.0 Release 1999)



Reference

RTS/TSGR-0225305UR1

Keywords

UMTS

ETSI

650 Route des Lucioles
F-06921 Sophia Antipolis Cedex - FRANCE

Tel.: +33 4 92 94 42 00 Fax: +33 4 93 65 47 16

Siret N° 348 623 562 00017 - NAF 742 C
Association à but non lucratif enregistrée à la
Sous-Préfecture de Grasse (06) N° 7803/88

Important notice

Individual copies of the present document can be downloaded from:

<http://www.etsi.org>

The present document may be made available in more than one electronic version or in print. In any case of existing or perceived difference in contents between such versions, the reference version is the Portable Document Format (PDF).

In case of dispute, the reference shall be the printing on ETSI printers of the PDF version kept on a specific network drive within ETSI Secretariat.

Users of the present document should be aware that the document may be subject to revision or change of status.

Information on the current status of this and other ETSI documents is available at <http://www.etsi.org/tb/status/>

If you find errors in the present document, send your comment to:

editor@etsi.fr

Copyright Notification

No part may be reproduced except as authorized by written permission.
The copyright and the foregoing restriction extend to reproduction in all media.

© European Telecommunications Standards Institute 2000.

All rights reserved.

Intellectual Property Rights

IPRs essential or potentially essential to the present document may have been declared to ETSI. The information pertaining to these essential IPRs, if any, is publicly available for **ETSI members and non-members**, and can be found in SR 000 314: *"Intellectual Property Rights (IPRs); Essential, or potentially Essential, IPRs notified to ETSI in respect of ETSI standards"*, which is available from the ETSI Secretariat. Latest updates are available on the ETSI Web server (<http://www.etsi.org/ipr>).

Pursuant to the ETSI IPR Policy, no investigation, including IPR searches, has been carried out by ETSI. No guarantee can be given as to the existence of other IPRs not referenced in SR 000 314 (or the updates on the ETSI Web server) which are, or may be, or may become, essential to the present document.

Foreword

This Technical Specification (TS) has been produced by the ETSI 3rd Generation Partnership Project (3GPP).

The present document may refer to technical specifications or reports using their 3GPP identities, UMTS identities or GSM identities. These should be interpreted as being references to the corresponding ETSI deliverables.

The cross reference between GSM, UMTS, 3GPP and ETSI identities can be found under www.etsi.org/key.

Contents

Foreword	6
1 Scope.....	7
2 References.....	7
2.1 Normative references.....	7
2.2 Informative references	8
3 Definitions and abbreviations	8
3.1 Definitions	8
3.2 Abbreviations.....	8
4 Main concepts	8
4.1 Assumptions	9
4.2 Location Services Categories.....	9
4.3 Locating Methods	9
4.4 Standard LCS Methods.....	10
4.4.1 Cell ID Based Method.....	10
4.4.2 OTDOA-IPDL Method with network configurable idle periods	10
4.4.3 Network Assisted GPS Methods	10
4.5 Other methods.....	10
4.5.1 Angle of Arrival (AOA).....	10
4.5.2 Observed Time of Arrival (OTOA).....	11
4.5.3 Reference Node-Based Positioning (OTDOA-RNBP).....	11
4.5.4 OTDOA - Positioning Elements (OTDOA-PE).....	11
5 UTRAN LCS Architecture	11
5.1 LCS Operations	12
5.2 High-Level Functions	13
5.2.1 Co-ordination, Measurement and Calculation Functions	13
5.3 UTRAN LCS Functional Entities	14
5.3.1 Internal Client Group	15
5.3.1.1 Internal UTRAN Location Client Function (U-LCF).....	15
5.3.2 UTRAN System Handling group	15
5.3.2.1 UTRAN Location System Control Function (U-LSCF).....	15
5.3.2.2 UTRAN Location System Operations Function (U-LSOF)	16
5.3.3 Positioning group	16
5.3.3.1 UTRAN Position Radio Co-ordination Function (U-PRCF).....	16
5.3.3.2 UTRAN Position Calculation Function (U-PCF)	17
5.3.3.3 UTRAN Position Signal Measurement Function (U-PSMF)	17
5.3.3.4 UTRAN Position Radio Resource Management (U-PRRM)	17
5.4 Assignment of LCS Functional Entities to UTRAN Elements	17
5.5 Functional Description of UTRAN LCS Network elements	18
5.5.1 Radio Network Controller (RNC)	18
5.5.1.1 Serving RNC	18
5.5.1.2 Other RNC.....	18
5.5.2 Node-B	18
5.5.3 Location measurement unit (LMU).....	18
5.5.4 UE	20
6 Signalling protocols and interfaces.....	20
6.1 Generic signalling model for LCS	21
6.1.1 Protocol layering	21
6.1.2 Message segmentation.....	21
6.2 LCS signalling between SRNC and MSC/SGSN	21
6.3 SRNC signalling to a target UE.....	21
6.4 Associated RNC signalling to a standalone LMU	21
6.5 Associated RNC signalling to a LMU in Node B	21
6.6 RNC-to-RNC signalling for LCS support.....	21

6.7	Interfaces.....	21
6.7.1	Iu Interface	21
6.7.2	Iur Interface.....	21
6.7.3	Iub Interface	22
6.7.3.1	Signalling between RNC and associated LMU	22
6.7.4	Iu Interface.....	22
6.7.4.1	Signalling between S-RNC and Target UE	22
6.7.4.1.1	Assistance Data Delivery to UE.....	23
6.7.4.1.2	Error Handling	23
6.7.4.1.3	Broadcast of Assistance Data.....	23
6.7.4.1.4	Signalling Flow for Assistance Data Broadcast Using the Common UTRAN Broadcast Service	24
6.7.4.1.5	LCS Assistance Data Ciphering.....	24
6.7.4.1.6	LCS Assistance Data Ciphering Algorithm	24
6.7.4.2	Signalling between RNC and stand-alone LMU	25
6.7.4.2.1	Signalling using a signalling bearer	26
6.7.4.2.2	Signalling using a radio bearer	26
7	General UMTS location procedures	27
7.1	State description for RNC (for LCS)	27
7.2	State description for LMU (stand-alone)	27
7.3	State description for Node-B (for LCS).....	27
7.4	General network location procedures	27
7.5	Signalling procedures from the UMTS system point of view.....	29
7.6	Common procedures to support location	29
7.6.1	Information transfer between a SRNC and a target UE	29
7.7	Common procedures to support access to a LMU	29
7.8	Common control procedures for LMUs.....	29
7.8.1	Reset procedure.....	29
7.8.2	Status query procedure.....	29
7.8.3	Status update procedure	29
7.9	Common procedures supporting LCS interaction between RNCs.....	29
7.9.1	LCS information transfer between RNCs.....	29
7.10	Exception procedures.....	29
7.10.1	Procedures in the SRNC.....	29
7.10.2	Procedures in a LMU	29
7.10.3	Procedures in the target UE.....	29
7.11	Radio interface timing procedures	29
7.11.1	LMU functions	29
7.11.2	SRNC functions	29
7.11.3	LMU-SRNC interactions.....	29
8	Cell ID based location method.....	30
8.1	Cell ID determination	30
8.1.1	UE in Soft handover.....	30
8.1.2	Localised Service Area.....	31
8.1.3	UE in idle mode	31
8.2	Mapping the Cell ID to the Cell or Service Area Coverage.....	32
9	OTDOA location method.....	33
9.1	Use of Idle Periods.....	34
9.1.1	Operation and specification of idle periods.....	34
9.2	Relative Time Difference (RTD).....	36
9.3	Time of Day (ToD).....	37
9.4	Base Station Synchronisation	37
9.5	OTDOA-IPDL Modes	37
10	Network assisted GPS location method.....	38
10.1	Timing calibration	39
10.2	Timing assistance.....	39
10.3	Data assistance.....	39
10.4	UE search.....	40
10.5	Location determination	40

10.5.1 UE-based method 40

10.5.2 UE-assisted method..... 41

11 Other location methods 42

11.1 Reference Node Based..... 42

11.2 Round Trip Time (RTT) 42

12 Position calculation functionality 42

13 Information storage..... 42

14 Operational aspects 42

Annex A (informative): Definitions and Terms..... 43

Annex B (informative): Change history 45

Foreword

This Technical Specification (TS) has been produced by the 3rd Generation Partnership Project (3GPP).

The contents of the present document are subject to continuing work within the TSG and may change following formal TSG approval. Should the TSG modify the contents of the present document, it will be re-released by the TSG with an identifying change of release date and an increase in version number as follows:

Version x.y.z

where:

- x the first digit:
 - 1 presented to TSG for information;
 - 2 presented to TSG for approval;
 - 3 or greater indicates TSG approved document under change control.
- y the second digit is incremented for all changes of substance, i.e. technical enhancements, corrections, updates, etc.
- z the third digit is incremented when editorial only changes have been incorporated in the document.

1 Scope

The present document specifies the stage 2 of the LoCation Services (LCS) feature in UTRAN, which provides the mechanisms to support mobile location services for operators, subscribers and third party service providers.

The purpose of this stage2 specification is to define the UTRAN LCS architecture, functional entities and operations to support location methods. This description is confined to the aspects of LCS within the UTRAN and does not define nor describe the LCS entities or operations within the Core Network.

Location Services may be considered as a network provided enabling technology consisting of standardised service capabilities, which enable the provision of location applications. The application(s) may be service provider specific. The description of the numerous and varied possible location applications which are enabled by this technology are outside the scope of the present document. However, clarifying examples of how the functionality being described may be used to provide specific location services may be included.

This stage 2 specification covers the UTRAN LCS functional model and entities, the location methods, state descriptions, and message flows.

2 References

The following documents contain provisions which, through reference in this text, constitute provisions of the present document.

- References are either specific (identified by date of publication, edition number, version number, etc.) or non-specific.
- For a specific reference, subsequent revisions do not apply.
- For a non-specific reference, the latest version applies.

2.1 Normative references

- [1] 3G TS 23.171: "Functional stage 2 description of location services in UMTS".
- [2] GSM 01.04 (ETR 350): "Digital cellular telecommunication system (Phase 2+); Abbreviations and acronyms".
- [3] Technical Specification Group Services and System Aspects Service aspects; Terminology and Vocabulary within TSG-S1: Report and Recommendations, 28.7.99.
- [4] GSM 02.71: "Digital cellular telecommunications system (Phase 2+); Location Services (LCS); Service description, Stage 1".
- [5] GSM 03.71: "Digital cellular telecommunications system (Phase 2+); Location Services (LCS); (Functional description) - Stage 2".
- [6] GSM 03.32: "Universal Geographical Area Description".
- [7] 3G TS 22.100: "UMTS phase 1 Release 99".
- [8] 3G TS 22.101: "Service principles".
- [9] 3G TS 22.105: "Services and Service Capabilities".
- [10] 3G TS 22.115: "Charging and Billing".
- [11] 3G TS 22.121: "The Virtual Home Environment".
- [12] 3G TS 23.110: "UMTS Access Stratum; Services and Functions".
- [13] 3G TS 25.413: "UTRAN Iu interface RANAP signalling".

- [14] 3G TS 25.423: "UTRAN Iur interface RNSAP signalling".
- [15] 3G TS 25.433: "UTRAN Iub interface NBAP signalling".

2.2 Informative references

- [16] Third generation (3G) mobile communication system; Technical study report on the location services and technologies, ARIB ST9 December 1998.
- [17] The North American Interest Group of the GSM MoU ASSOCIATION: Location Based Services, Service Requirements Document of the Services Working Group.

3 Definitions and abbreviations

3.1 Definitions

For the purposes of the present document, the terms and definitions given in 3G TS 22.101 and some of the terms and definitions in annex A apply.

3.2 Abbreviations

For the purposes of the present document, the GSM-related abbreviations given in GSM 01.04 and the UMTS-related abbreviations given in UMTS TS 22.101 apply.

4 Main concepts

A general description of location services and the service requirements is given in the specification 3G TS 22.071 [4].

By measuring radio signals the capability to determine the geographic location of the user equipment (UE) shall be provided. The location information may be requested by and reported to a client (application) associated with the UE, or by a client within or attached to the Core Network. The location information may also be utilised internally by UTRAN, for example, for location assisted handover or to support other features such as home location billing. The location information shall be reported in standard formats, such as those for cell based or geographical co-ordinates, together with the time-of-day and the estimated errors (uncertainty) of the location of the UE.

It shall be possible for the majority of the UE (active or idle) within a network to use the feature without compromising the radio transmission or signalling capabilities of the UTRAN.

The uncertainty of the location measurement shall be network design (implementation) dependent at the choice of the network operator. The uncertainty may vary between networks as well as from one area within a network to another. The uncertainty may be hundreds of metres in some areas and only a few metres in others. In the event that the location measurement is also a UE assisted process, the uncertainty may also depend on the capabilities of the UE. In some jurisdictions, there is a regulatory requirement for location service accuracy that is part of an emergency service. Further details of the accuracy requirements can be found in [4].

The uncertainty of the location information is dependent on the method used, the location of the UE within the coverage area and the idle or active state of the UE. Several design options of the UTRAN system (e.g. size of cell, adaptive antenna technique, path loss estimation, timing accuracy, base station surveys) shall allow the network operator to choose a suitable and cost effective location service feature for their market.

There are many different possible uses for the location information. The location feature may be used internally by the UTRAN network (or attached networks), by value-added network services, by the UE itself or through the network, and by "third party" services. The feature may also be used by an emergency service (which may be mandated or "value-added"), but the location service is not exclusively for emergencies.

The UTRAN is a new radio system design without a pre-existing deployment of UE operating according to the air interface. This freedom from legacy equipment enables the location service feature design to make use of appropriate techniques to provide the most accurate results. The technique must also be a cost-effective total solution, must allow evolution to meet evolving service requirements and be able to take advantage of advances in technology over the lifetime of UTRAN deployments.

4.1 Assumptions

As a basis for the operation of LCS in UTRAN the following assumptions apply:

- in case an MS supports LCS, it shall support at least one of the locating method(s) specified in the present document;
- the provision of the location service in UTRAN is optional through support of the specified method(s) in Node-B and the associated RNC;
- LCS is applicable to any target UE whether or not the UE supports LCS, but with restrictions on choice of location method or notification of a location request to the UE user when LCS or individual location methods, respectively, are not supported by the UE;
- RNC contains SMLC functionality and LCS information is transported between RNCs via the Iur interface;
- LCS shall be applicable for both circuit switched and packet switched services;
- the location information may be used for internal system operations to improve system performance;
- there are different types of LMU, e.g. a standalone LMU and/or LMU integrated in Node B;
- the location process shall include the option to accommodate several techniques of measurement and processing to ensure evolution to follow changing service requirements and to take advantage of advancing technology.

4.2 Location Services Categories

Generally there are four categories of usage of the location service:

- the **Commercial LCS** (or **Value Added Services**);
- the **Internal LCS**;
- the **Emergency LCS**;
- the **Lawful Intercept LCS**.

These location services categories are further defined in [1] and [4].

4.3 Locating Methods

The LCS feature utilises one or more location methods in order to determine the location of User Equipment (UE) or Mobile Stations. Locating the UE involves two main steps:

- signal measurements; and
- location estimate computation based on the measurements.

The signal measurements may be made by the UE, the Node B or a dedicated location measuring unit (LMU). The basic signals measured are typically the UTRA radio transmissions, but some optional methods may make use of other transmissions such as general radio navigation signals. The location estimate computation may be made in the UE or by a calculation function located in the UTRAN.

4.4 Standard LCS Methods

The present document, for Release '99, specifies the following LCS location methods:

- cell ID based method;
- OTDOA method with network configurable idle periods (the idle period configurability is to be specified in the specification); and
- network assisted GPS methods.

NOTE: GPS based solutions are being standardised in T1P1; it is intended that the UTRAN navigational assisted solution will be synergistic with the work in T1P1.

4.4.1 Cell ID Based Method

In the cell ID based (i.e. cell coverage) method the location of an UE is estimated with the knowledge of its serving node-B. The information about the serving node-B and cell may be obtained by paging, locating area update, cell update, URA update, or routing area update.

The cell coverage based location information can be indicated as the Cell Identity of the used cell, the Service area identity or as the geographical co-ordinates of a location related to the serving cell. The location information shall include a QoS estimate (e.g. regarding achieved accuracy).

When geographical co-ordinates are used as the location information, the estimated location of the UE can be a fixed geographical location within the serving cell (e.g. location of the serving node-B), the geographical centre of the serving cell coverage area, or some other fixed location within the cell coverage area. The geographical location can also be obtained by combining information on the cell specific fixed geographical location with some other available information, such as the signal Round Trip Time (RTT).

The operation of the cell ID based location method is described in clause 8.

4.4.2 OTDOA-IPDL Method with network configurable idle periods

This method involves measurements made by the UE and LMU of the UTRA pilot signal (CPICH) radio transmissions. These measures are then sent to a Position Calculation Function (PCF) in the Serving RNC where the location of the UE is calculated.

Optionally, a PCF may be included in the UE, in which case the calculation of the location from the measurements may alternatively be performed in the UE.

The detailed description of the OTDOA-IPDL location method and its operation are described in clause 9.

4.4.3 Network Assisted GPS Methods

These methods make use of UEs which are equipped with radio receivers capable of receiving signals from the Global Positioning System (GPS).

The operation of the network assisted GPS methods is described in clause 10.

4.5 Other methods

4.5.1 Angle of Arrival (AOA)

The location method may make use of the angle of arrival of the radio signals to estimate the UE location. This technique may, for example, make use of the sector of the base station used for receiving or transmitting to establish the location region and to assist to resolve ambiguity in other techniques. Some other techniques may make use of narrow beam antennas to resolve the direction between the UE and the base station to a very small angle.

The AOA techniques and the signalling required for their support, are FFS.

4.5.2 Observed Time of Arrival (OTOA)

The location service technique may make use of measurements of the time of arrival of signals. A UE, for example, which has available a suitable reference time, may measure the time of arrival of signals from the base stations and others sources. Some of these may include reference signals from satellites. The time-of-arrival may be used to estimate the distance from the source and hence derive a location estimate.

The OTOA technique may also be used to measure signals transmitted by the UE. Base stations which are able to receive signals from the UE, and which share a suitable reference time, may each measure the time of arrival of signals from the UE. These times-of-arrival may be used to estimate the distance to the UE and hence derive a location estimate.

The OTOA techniques and the signalling required for their support, are FFS.

4.5.3 Reference Node-Based Positioning (OTDOA-RNBP)

The RNBP method is based on the OTDOA. The main principle of the RNBP method is that it chooses a reference node for providing auxiliary measurements for its location calculation. The reference node may be a mobile equipped by a GPS receiver that provides its co-ordinates, a fixed or movable LCS service provider equipment, a mobile capable of using cellular relay technique (e.g. located at the soft handover area).

RNPB can also utilised with other methods. It is especially useful in case of NLOS from/to the required number of neighbouring base stations. This may occur when the UE is located at the area where it may suffer from the hearability effect. Additionally it can support the LCS even in case UTRAN is not equipped by IPDL like mechanism to combat the hearability effect.

4.5.4 OTDOA - Positioning Elements (OTDOA-PE)

The PE method is based on OTDOA and makes use of Positioning Elements (PE) located within the coverage area. PEs are placed in accurately known locations other than those of the Node B equipment. They synchronise to the downlink in a cell and transmit their symbols at predefined - or signalled - offsets with regard to the arrival of the beginning of the BCH frame at the PE location. The offsets may be chosen to have a fixed relation to the occurrence of the idle periods in each cell. Each PE transmits a different and identifying code which is selected from the group of codes to which the 16 SSC codes belong to. The use of other signals (e.g. CIPCH) instead of SSC codes is for further study.

The time difference which is observed and reported by the UE is the difference - with respect to the time of arrival at the UE - between the first path of the BCH from the serving cell and the first path of the 256 chip code transmitted by a PE. The measurements result in an estimate of the UE distance to the PEs.

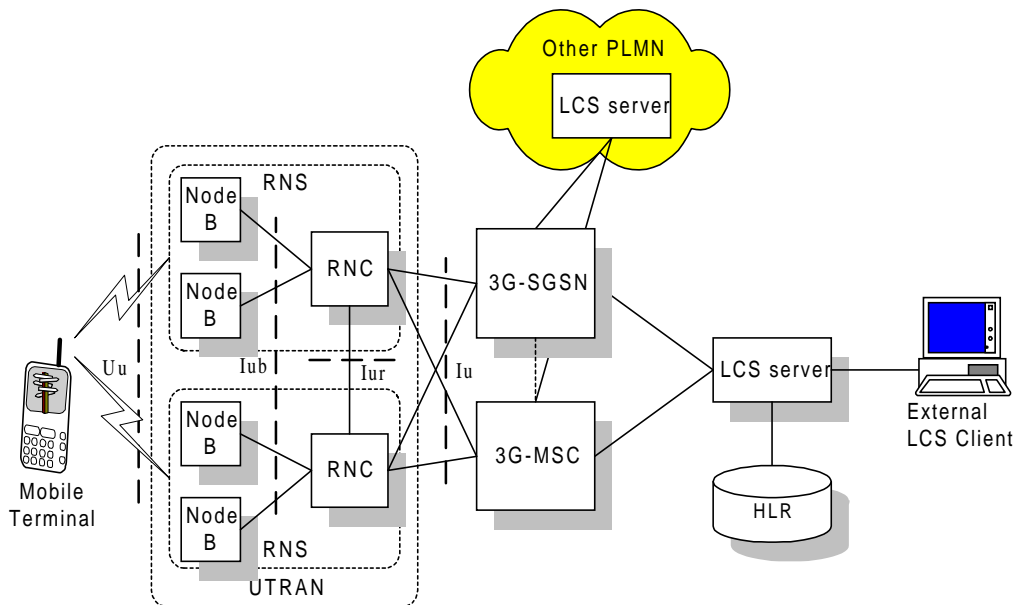
PE deployment is optional and may be used in conjunction with other methods in order to increase location accuracy in certain areas or to achieve a minimum desired accuracy in locations where reception of satellites and/or base stations other than the serving one is problematic (indoors, edge of cellular coverage, etc.). It may also be used as a stand alone method.

5 UTRAN LCS Architecture

Figure 5.1 shows the general arrangement of the Location Service feature. This illustrates, generally, the relation of LCS Clients and servers in the core network with the UTRAN. The definition and operation of LCS entities operating in the core network is outside the scope of the present document. The LCS entities within the UTRAN communicate with the Core Network (CN) across the Iu interface. Communication among the UTRAN LCS entities makes use of the messaging and signalling capabilities of the UTRAN.

As part of their service or operation, the LCS Clients may request the location information of User Equipment (UE) (UE without a valid SIM/USIM) or mobile stations. There may be more than one LCS client. These may be associated with the core network, associated with the UTRAN, operated as part of a UE application or accessed by the UE through its access to an application (e.g. through the Internet).

Within the UTRAN, typically the serving RNC, receives authenticated requests for LCS information from the core network across the Iu interface. LCS entities then manage the UTRAN resources, including the Node-Bs (base stations), LMU, the UE and calculation functions, to estimate the location of the UE and return the result to the CN.



NOTE: This figure requires some revision and will be the same as in the system specification.

Figure 5.1: General arrangement of LCS in UMTS

5.1 LCS Operations

The schematic functional description of LCS operations in UMTS is defined in [1].

Upon request from the UMTS LCS entities or for internal operations, the UTRAN LCS functional entities will:

- request measurements, typically from the UE and one or more Node-B radio apparatus;
- send the measurement results to the appropriate calculating function within UTRAN;
- receive the result from the calculating function within UTRAN;
- perform any needed co-ordinate transformations;
- send the results to the LCS entities in the core network or to application entities within UTRAN.

In the event that the client is internal to UTRAN the request may be made directly to the UTRAN LCS entities as the internal clients are considered to be "pre-authorized".

As part of its operation, the UTRAN LCS calculating function may require additional information. This may be obtained by the function directly by communication with a database, or it may be through a request to UTRAN LCS entities that will mediate the request and return of information from the appropriate database (or databases if more than one is needed to fulfil the requests).

There may possibly also be available independent information that is able to supply the location information directly, or may be able to supply auxiliary information to the calculation function. The UTRAN LCS co-ordination function, as part of its activity to supervise the location process, may query the UE or other elements of the UTRAN to determine their capabilities and use this information to select the mode of operation.

This general operation is outlined in the following (generic) sequence diagram figure 5.2. This figure is not intended to show the complete LCS operation for UTRAN, but to simply to outline the basis for operation.

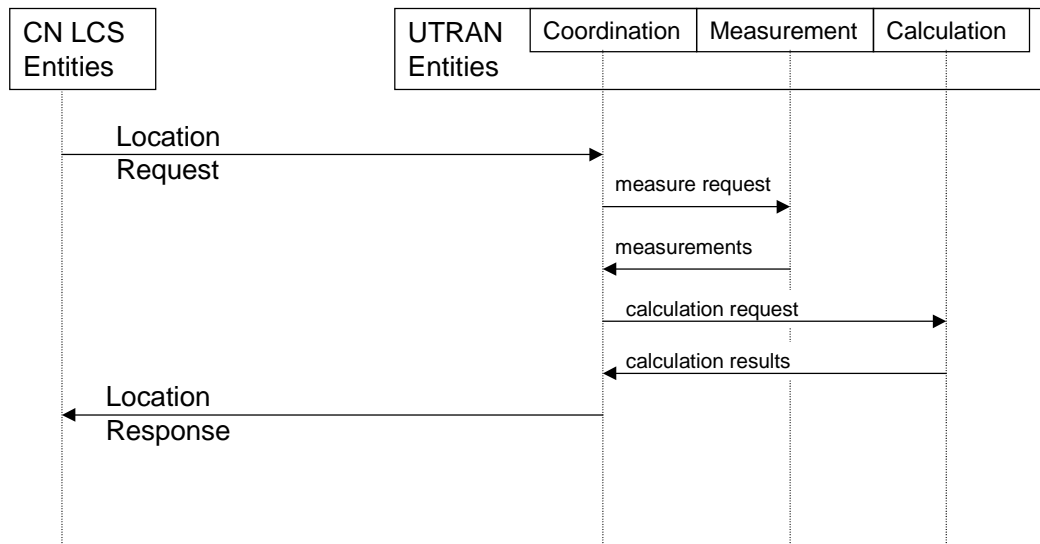


Figure 5.2: General sequence for LCS operation

5.2 High-Level Functions

Several functional groupings may be defined to describe the LCS. These groupings occur in both the Core Network and the UTRAN. The overall LCS functional grouping is described in reference [1]. Each grouping encompasses a number of functional components and functions.

The functions within the UTRAN are described in more detail in the following subclauses of the present document.

Within UTRAN the functional entities may be grouped as follows:

- the Internal Client group;
- the UTRAN System Handling group;
- the Positioning group.

5.2.1 Co-ordination, Measurement and Calculation Functions

These UTRAN functions (including functions in the System handling and Positioning groups) provide the co-ordination, measurement and calculation functions needed to provide a location estimate. The functions interface with the requesting application and select the appropriate location method and speed of response. The functions co-ordinate the operations of the radio and measurement equipment to transmit the needed signals and to make the needed measurements. The measurements may be made by Node-Bs, radio apparatus associated with the Node-B or separate Location Measurement Units (LMU) that may be associated with Node-B, independently located or remote (i.e. communicating over the Uu interface).

The functions may also access databases or other sources of information appropriate for the location method. The functions also provide the calculation functions appropriate for the location method to estimate the UE location and the accuracy of the report. The functions may also make co-ordinate translations to the geographic co-ordinate system requested by the application. The functions also may record information on the usage of the LCS that may be used for administrative purposes (e.g. forwarded to a billing function in the Core Network). If needed by the location method, the functions will ensure the broadcast of information and gather and update information concerning UTRAN operating parameters (e.g. timing of Node-B transmissions) needed for LCS operations.

These entities are mainly concerned with the location method, controlling the radio equipment and performing the calculations to determine the location and thus may be associated with the RNC in the UTRA access network. These functions may receive location requests from either the core network or from applications internal to the UTRAN.

The UTRAN LCS entities may also request the subscription and authorisation functions in the core network to authenticate an application or a UE subscription or to verify the subscriber privacy parameters.

These functions communicate with the core network across the Iu interface, with other entities in the UTRAN across the Iur interface and with the Node-B and LMU across the Iub interface and with the UE and the remote LMU across the Uu interface.

5.3 UTRAN LCS Functional Entities

The diagram of the UTRAN LCS functional entities is shown in figure 5.3. In this arrangement, the LCS clients in the core network communicate with the UTRAN LCS entities across the Iu interface. The LCS RNC Handling Entities and the Positioning Handling Entities work together with the UE to measure and calculate the location information for the requested target UE. These entities within the UTRAN are described in more detail in the following subclauses.

The figure shows the general arrangement of the Location Service feature in UTRAN. LCS entities are added to the UTRAN to provide the location service. Communication among these entities makes use of the messaging and signalling capabilities of the UTRAN across the Iu, Iur, Iub and Uu interfaces. A Location Measurement Unit (LMU) is also added to the UTRAN to make measurements as needed by the selected location method.

This figure does not include elements of the next generation mobile Core Network, but focuses on those that participate with the LCS functions in the UTRAN. The association of the LCS entities within the Core Network (CN) (e.g. with 3G-MSC or 3G-SGSN) is outside the scope of the present document and is not illustrated in the diagram.

Within the UTRAN, the LCS Entities may be associated with, or part of the RNC, the Node-B and the UE. Internal LCS Applications may also be part of the RNC and the UE.

The mobile position calculation function (PCF) is logically associated with the Serving RNC in UTRAN.

The LCS in UMTS also makes use of the standardised Iur interface between RNCs, when base station information, measurements and results are collected.

The functional model presented in the figure includes functional entities for UE utilising either or both circuit switched (CS) and packet switched (PS) services. This model also supports all the entities needed for different location methods (e.g. network based, mobile based, mobile assisted, and network assisted (see note 1) methods) exploiting either uplink or downlink measurements.

NOTE 1: In this approach mobile station may use the GPS technique but still make use of auxiliary information from the serving network.

Implementations may often associate the UTRAN LCS Entities with an RNC (as illustrated in the figure). However, for networks with a small volume of LCS requests, the LCS Entities in the UTRAN may also be implemented as a separate element (server) which interfaces with the RNCs, and the Node-B/LMUs.

NOTE 2: the Interface to be used for this separated LCS Entity is for further study.

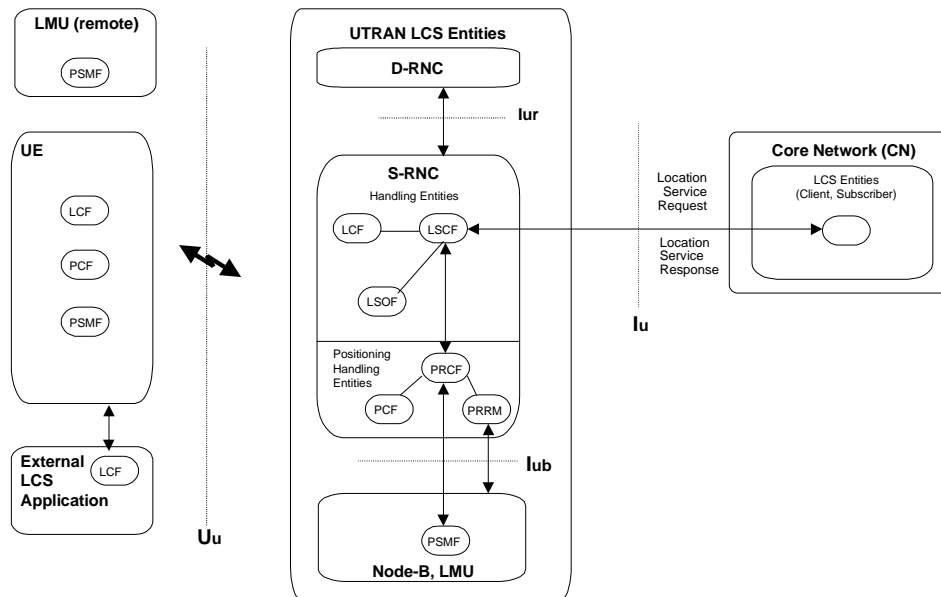


Figure 5.3: UTRAN LCS Functional Entities

5.3.1 Internal Client Group

5.3.1.1 Internal UTRAN Location Client Function (U-LCF)

The Location Client Function (U-LCF) represents a logical interface between the internal UTRAN LCS applications and the LCS RNC Handling entities (e.g. the Location System Control Function (U-LSCF) in the RNC).

NOTE: There is not necessarily a requirement for a LCCF (Location Client Control Function) for the UTRAN Internal Client as is described for external clients in reference [1] (the system stage specification).

The UTRAN may make use of location information for internal operations such as location assisted handover. In such a case, a U-LCF representing the internal UTRAN LCS application may communicate with the U-LSCF to request and receive the location information.

5.3.2 UTRAN System Handling group

5.3.2.1 UTRAN Location System Control Function (U-LSCF)

The UTRAN Location System Control Function in RNC is responsible for co-ordinating location requests within the RNC handling entity. This function manages call-related and non-call-related location requests and allocates network resources for handling them. This function "insulates" the Location clients in the Core Network from the detailed operation of the location method in order that the UTRAN may be used by several types of core network and with several location methods.

The U-LSCF provides flow control between simultaneous location requests. Simultaneous location requests must be queued in a controlled manner to account for priority requests (e.g. for Emergency Clients). The details of the flow control, priority selection and queuing are beyond the scope of the present document.

The U-LSCF will select the appropriate location method based on the availability of resources and parameters of the location request. The U-LSCF co-ordinates resources and activities needed to obtain data (e.g. base station geographic co-ordinates) needed for the location method. It also records LCS RNC usage data for the location service request that may be passed to a Location System Recording Function (U-LSRF) or OA&M function in the Core Network.

If the location technique requires the broadcast of system information, the LSCF initiates and maintains this activity through the Position Radio Co-ordination Function (U-PRCF). Broadcast information (such as the geographic co-ordinates of the base stations) may be required, for example, to support a Position Calculation Function (U-PCF) located in the mobile unit (UE). These broadcasts may also include other information (such as currently observable satellites) that may assist a UE in the use of external location services.

The information to be broadcast is selected based on the location techniques offered for use by the LCS and the needs of the UE. This broadcast information may be specially coded (i.e. encrypted) to ensure its availability only to subscribers of the service. The use of broadcasts or other methods for signalling to the UE or the LMU may be selected based on the chosen location method.

The information to be broadcast could include, for example:

- identification and spreading codes of the neighbouring base stations (the channels that are used for measurements);
- Real-Time-Difference (RTD), i.e. the timing offsets, asynchronicity between base stations, could be based on measurement results obtained by LMUs;
- roundtrip delay estimates in connected mode;
- the geographic location, co-ordinates, of the neighbouring base stations;
- the idle period places within the frame structure for multiple base stations;
- the local time-of-day.

Some of this information may be broadcast to support other UTRAN operations (e.g. handover). The function of the LSCF is to ensure information is broadcast when needed for the LCS operations and the LSCF may make use of other UTRAN processes to do so.

If there are frequency differences between the (unsynchronised) base stations, the OTDOA measurements must be reported together with the time-of-day they were made (timestamp). This is necessary so that the appropriate value of the RTD may be used by the calculation function.

5.3.2.2 UTRAN Location System Operations Function (U-LSOF)

The Location System Operations Function (LSOF) is responsible for provisioning of data, location capabilities, data related to clients and subscription (LCS client data and UE data), fault management and performance management of LCS within the RNC.

An LSOF may be associated with each entity. The LSOF interacts with Internal (OAM) Clients for administration and maintenance of the data.

5.3.3 Positioning group

5.3.3.1 UTRAN Position Radio Co-ordination Function (U-PRCF)

The UTRAN Position Radio Control Function manages a location request for a UE through overall co-ordination and scheduling of resources to perform location measurements. This function interfaces with the U-PSMF, the U-PRRM and the U-PCF. The U-PRCF determines the location method to be used based on the location request, the QoS, the capabilities of the UTRAN, and the UE's capabilities. The U-PRCF also manages the needed radio resources through the U-PRRM. It determines which U-PSMFs are to be involved, what to measure, and obtains processed signal measurements from the U-PSMF.

Some location methods may involve measurements made at the UE. In this case the U-PRCF interfaces with the UE to obtain the measurements (or the location results if they have been determined by the UE). Some location methods may involve measurements or information from several sources, including radio units at several Node-B (or other Location Measurement Units (LMU)) and involve a series of transmissions and receptions. The U-PRCF entity also provide ancillary measurements in case of network-assisted location method. Ancillary information may be extracted from navigating systems like GPS.

The U-PRCF forwards the signal measurement data to the U-PCF.

It is the function of the U-PRCF to co-ordinate the sequence of activities and compensate for failures (if they occur) to provide the location estimate.

5.3.3.2 UTRAN Position Calculation Function (U-PCF)

The UTRAN Position Calculation Function is responsible for calculating the location of the UE (mobile unit). This function applies an algorithmic computation on the collected signal measurements to compute the final location estimate and accuracy.

The U-PCF may also support conversion of the location estimate between different geographic reference systems. It may obtain related data (e.g.: base station geographic co-ordinates) needed for the calculation. There may be more than one calculating function available within, or associated with, the calculation function of the UTRAN.

The Position Calculation Function is also responsible for estimating the accuracy of the location estimate. This accuracy estimate should include, for example, the effect of geometric dilution of precision (GDP), the capabilities of the signal measuring hardware, the effects of multipath propagation and the effects of timing and synchronisation unknowns. The accuracy should be returned as a measure of distance in the same units as the location estimate. The accuracy zone may be reported as the axis and orientation of an ellipse surrounding the location estimate.

5.3.3.3 UTRAN Position Signal Measurement Function (U-PSMF)

The UTRAN Position Signal Measurement Function (U-PSMF) is responsible for performing and gathering uplink or downlink radio signal measurements for use in the calculation of a UE's location. These measurements can be location related or ancillary.

There may be one or more PSMF within a UTRAN and they may be located at the UE, the Node-B, or a separate Location Measurement Unit (LMU). The PSMF, generally, may provide measurement of signals (i.e. satellite signals) in addition to measurements of the UTRA radio transmissions. The measurements to be made will depend on the selected location method.

5.3.3.4 UTRAN Position Radio Resource Management (U-PRRM)

The UTRAN Position Radio Resource Management entity is responsible for managing the effect of LCS operations on the overall performance of the radio network. This may ensure, for example, that the operation of the U-PSMF does not degrade the QoS of other calls. The U-PRRM handles following functions:

- controlling the variation of the UL and DL signal power level due to the LCS application;
- calculating the DL and UL power/interference due to UE location operations;
- to admit/reject the new LCS requests;
- co-operating with Admission Control, and entities of the RRM (such as power control) to provide the system stability in terms of radio resources;
- controlling the RTD measurement mechanism. It may also forward the results of the RTD; ATD (or any similar timing parameter) measurements to the PRCF (or PCF);
- controlling the IPDL mechanism for location measurements. This may include the overall control of the periodical measurement fulfilment. Co-ordination among RNC (e.g. to assure non-overlapping idle periods) will be communicated through the Iur interface.

5.4 Assignment of LCS Functional Entities to UTRAN Elements

The preceding figure 5.3 and the following table 5.1 show the generic configuration for different location methods, including network-based, mobile-based, mobile-assisted and network-assisted methods. With this approach both the network and the mobiles are able to measure the timing of signals and compute the mobile's location estimate. Depending on the applied location method it is possible to utilise the corresponding configuration containing all needed entities. For instance, if a network-based location method is applied, the entities that are involved in measuring the mobile's signal and calculating its location estimate are allocated to the network elements of the access stratum. On the other hand, in case mobile-based or network-assisted methods are used these entities should be allocated to the mobile station.

Table 5.1: Example Allocation of LCS Functional Entities to Network Elements

U-	UE	Node-B	LMU	RNC
LCF	X			X
LSCF				X
PRCF				X
PCF	X			X
PRRM				X
PSMF	X	X	X	
LSOF	X	X	X	X

5.5 Functional Description of UTRAN LCS Network elements

5.5.1 Radio Network Controller (RNC)

5.5.1.1 Serving RNC

NOTE: Adapted from 03.71, to be elaborated for UTRAN.

The Serving RNC (SRNC) is a network element of UTRAN and contains functionality required to support LCS in one PLMN.

The SRNC manages the overall co-ordination and scheduling of resources required for the location of a mobile. It also calculates the final location estimate and estimates the achieved accuracy.

The SRNC may control a number of LMUs for the purpose of obtaining radio interface measurements to locate or help locate MS subscribers in the area that it serves. The SRNC is administered with the capabilities and types of measurement produced by each of its LMUs. Signalling between an SRNC and LMU is transferred using the Iub interface, sometimes the Iur interface [and also the Uu interface for possible stand-alone LMUs]. The following measurements returned by an LMU to an SRNC have a generic status in being usable for more than one location method:

- radio interface timing information.

The SRNC and GMLC are connected through the 3G-VMSC or 3G-SGSN. When the VMSC and GMLC are in different PLMNs, they are interconnected via the Lg interface.

5.5.1.2 Other RNC

5.5.2 Node-B

5.5.3 Location measurement unit (LMU)

The LCS Measurement Unit (LMU) entity makes measurements (e.g. of radio signals) and communicates these measurements to the S-RNC (e.g. the PRCF). The LMU contains a PSMF and may also perform calculations associated with the measurements.

The LMU may make its measurements in response to requests (e.g. from the S-RNC (e.g. the PRCF)), or it may autonomously measure and report regularly (e.g. timing of Node-B transmissions) or when there are significant changes in radio conditions (e.g. changes in the RTD).

There may be one or more LMU associated with the UTRAN and an LCS request may involve measurements by one or more LMU. The LMU may be of several types and the S-RNC will select the appropriate LMUs depending on the LCS method being used.

The LMU may be used, for example, to measure UTRA transmissions either uplink or downlink. These measurements may be made either, for example, to locate the UE or to measure a system parameter needed by the LCS system such as the timing offset (RTD) of transmissions of two or more base stations. The LMU may also measure other transmissions, such as those of satellite navigation systems (i.e. the Global Position System (GPS)) and either report the measurements for use by the S-RNC (e.g. the PCF), or report the location results as determined by internal calculations of the LMU). The details of the measurements to be made by the LMU will be defined by the chosen LCS method.

An LMU makes radio measurements to support one or more location methods. These measurements fall into one of two categories:

- (a) location measurements specific to one UE and used to compute its location;
- (b) assistance measurements applicable to all UEs in a certain geographic area.

All location and assistance measurements obtained by an LMU are supplied to a particular S-RNC associated with the LMU. Instructions concerning the timing, the nature and any periodicity of these measurements are either provided by the S-RNC or are pre-administered in the S-RNC (e.g. using O&M).

There are two classes of LMU:

- **Stand-Alone LMU:** accessed over the UTRAN air interface;
- **Associated LMU:** accessed over the Iub interface.

The associated LMU signalling protocol is the NBAP. The protocol for stand-alone LMU signalling has not been defined yet.

NOTE 1: The stand-alone LMU signalling protocol could be, for example, RRC or LLP, but this is still for further study.

Stand-Alone LMU

A stand-alone LMU is accessed exclusively over the UTRAN air interface (Uu interface). There is no other connection from the stand-alone LMU to any other UTRAN network element.

NOTE 2: This does not preclude a stand-alone LMU from also communicating with other networks (e.g. GSM) through interfaces that are not part of the present document.

A stand-alone LMU has a serving-Node-B that provides signalling access to a controlling S-RNC. A stand-alone LMU also has a serving 3G-MSC, VLR and a subscription profile in an HLR. A stand-alone LMU always has a unique IMSI and supports all radio resource and mobility management functions of the UTRAN air interface that are necessary to support signalling. A stand-alone LMU shall support those connection management functions necessary to support LCS signalling transactions with the S-RNC and may support certain call control functions of to support signalling to an S-RNC using a circuit switched data connection.

NOTE 3: A network operator may assign specific ranges of IMSI for its LMUs and may assign certain digits within the IMSI to indicate the associated S-RNC. Certain digits in the IMSI may also be used as a local identifier for an LMU within an S-RNC.

To ensure that a Stand-alone LMU and its associated S-RNC can always access one another, an LMU may be homed (camped) on a particular cell site or group of cell sites belonging to one 3G-MSC. For any Stand-alone LMU with a subscription profile in an HLR, a special profile may be used to indicate the assigned supplementary services (e.g. the SMS-PP MT for data download via the SIM application toolkit, and barring of all incoming and possibly outgoing calls). An identifier in the HLR profile also distinguishes an LMU from a normal UE. All other data specific to an LMU is administered in the LMU and in its associated S-RNC.

Associated LMU

An associated LMU is accessed over the Iub interface from an RNC. An associated LMU may make use of the radio apparatus and antennas of its associated Node-B. The LMU may be either a logically separate network element addressed using some pseudo-cell ID, or connected to or integrated in a Node-B. Signalling to an associated LMU is by means of messages routed through the controlling Node-B.

An associated LMU may be separated from the Node-B, but still communicate with the S-RNC via the Node-B Iub interface. The interface between the associated LMU and its Node-B is not part of the present document.

NOTE 4: An associated LMU is not precluded from also communicating with other networks (e.g. GSM) through interfaces that are not part of the present document.

Measurements

The assistance measurements obtained by an LMU have are generic and are usable by more than one location method. These include:

- **Radio Interface Timing measurements:** include Absolute Time Differences (ATDs) or Relative Time Differences (RTDs) of the signals transmitted by Node-B, where timing differences are measured relative to either some Absolute Time Difference (ATD) or the signals of another Node-B (RTD);
- **Inter-System Timing measurements:** include the Absolute Time Difference (ATD) or Relative Time Difference between the UTRAN radio signals transmitted by a Node-B and an external system such as the GPS satellite navigation system or GSM.

5.5.4 UE

The UE interacts with the measurement co-ordination functions to transmit the needed signals for uplink based LCS measurements and to make measurements of downlink signals. The measurements to be made will be determined by the chosen location method.

The UE may also contain LCS applications, or access an LCS application through communication with a network accessed by the UE or an application residing in the UE. This application may include the needed measurement and calculation functions to determine the UE's location with or without assistance of the UTRAN LCS entities.

The UE may also, for example, contain an independent location function (e.g., GPS) and thus be able to report its location, independent of the UTRAN transmissions. The UE with an independent location function may also make use of information broadcast by the UTRAN that assists the function.

6 Signalling protocols and interfaces

NOTE: This clause describes the information flows, the detailed messages and protocols is described in other clauses.

- 6.1 Generic signalling model for LCS
 - 6.1.1 Protocol layering
 - 6.1.2 Message segmentation
- 6.2 LCS signalling between SRNC and MSC/SGSN
- 6.3 SRNC signalling to a target UE
- 6.4 Associated RNC signalling to a standalone LMU
- 6.5 Associated RNC signalling to a LMU in Node B
- 6.6 RNC-to-RNC signalling for LCS support
- 6.7 Interfaces

There are four interfaces through which the LCS entities communicate. These are the Iu, the Iur, Iub and the Uu.

NOTE: the interfaces between the Internal or External LCS applications and the 3G-MSC or 3G-SGSN are outside the scope of the present document.

6.7.1 Iu Interface

The Iu interface is used to communicate between the LCS functional entities in the Core Network and the LCS entities in the UTRAN. Further specification of the messages and operations for LCS across the Iu interface may be found in reference [1].

6.7.2 Iur Interface

LCS operations at the Iur interface are defined in [14].

The Iur interface is used to communicate between the LCS functional entities associated with the serving RNC and other RNC in the UTRAN. The Iur interface is also used to communicate between the serving RNC and the Internal LCS Applications in the UTRAN. The LCS entities associated with the serving RNC are responsible for co-ordinating and responding to location requests received from the LCS entities in the core network or Internal Clients.

When communicating between the serving RNC and the UTRAN Internal LCS Applications (ILA), the messages and protocols are the same as those used over the Iur interface.

The Iur interface is also used to communicate between the LCS Entities in the serving RNC and those in other RNC. The location method, for example, may require measurements by several LMU or Node-B, some of which may be associated with other RNC. Commands and responses from these LCS Entities are communicated over the Iur interface. In some cases, the LCS Entities in the serving RNC may make use of entities associated with other RNC. For example, a calculating function (PCF) may be used in another RNC if the serving RNC is too busy or does not contain the function or database information required by the chosen location method.

The Iur interface may also pass messages relating to changes or reporting of the data associated with the Location System Operations Function (LSOF) in the RNC.

Iur shall be used for LCS signalling whenever it is available, even in the case when the RNCs connected to different 3G-MSCs or 3G-SGSN.

Within UTRAN, Iur supports inter-RNC soft handover. Inter-RNC handover should also include LCS, meaning that whenever an inter-RNC soft handover occurs, Iur should be able to support the functionality of the LCS entities in RNCs, including PCF, PRRM, PSMF, and LSOF.

In addition, in case of SRNC relocation Iur should support the relocation mechanism in order for DRNC to be able to handle the responsibility of SRNC in LCS process. That is, to transfer the PCF, PRRM, PSMF, and LSOF functionality from SRNC to DRNC. Iur shall be used also to collect RTD and other LCS information from base stations under different RNCs that are not involved in handover.

6.7.3 Iub Interface

LCS operations at the Iub interface are defined in [15].

The Iub interface is used to communicate among the LCS entities associated with the serving RNC, the Node-B and the associated Location Measurement Units (LMU).

This interface passes the request for measurements, the measurement results and requests for LCS related transmissions or other radio operations needed by the location method (e.g. broadcast of parameters needed for a UE based location method).

The Iub interface may also pass messages relating to changes or reporting of the data associated with the Location System Operations Function (LSOF) in the Node-B or the LMU.

6.7.3.1 Signalling between RNC and associated LMU

Signalling exchanges between an RNC and a LMU under the control of that RNC will be specified in the NBAP protocol for associated LMUs.

The protocol layers employed to enable signalling between the RNC and an associated LMU are defined in 25.430. The LMU signalling information elements are included directly in the NBAP protocol, defined in 25.433.

6.7.4 Uu Interface

LCS operations at the Uu interface are generally defined in [1]. This specification defines in more detail the procedures needed for messaging for each individual location method.

The Uu interface is used to communicate among the LCS entities associated with the RNC, the UEs and the stand-alone Location Measurement Units (LMU) (the Uu interface is also used to communicate between the LCS entities in the core network and the UE. Those communications are beyond the scope of this specification).

This interface may pass measurement requests and results to and from the UE or the stand-alone LMU.

The Uu interface may also pass location requests from internal or external LCS Applications at the UE.

NOTE: These requests may require the services of the LCS entities associated with the core network to authenticate clients and subscriber subscriptions to aspects of the LCS.

The Uu interface may also be used for broadcast of information that may be used by the UE or stand-alone LMU for their LCS operations. This may, for example, include timing and code information about nearby Node-B transmissions that may assist the UE or LMU in making their measurements.

The Uu interface may also pass messages relating to changes or reporting of the data associated with the Location System Operations Function (LSOF) in the UE or the remote LMU.

6.7.4.1 Signalling between S-RNC and Target UE

LCS related signalling between an S-RNC and a target UE is supported by the RRC protocol.

The location Request to UE signalling flow is generic for all UE based or assisted location methods (OTDOA and Network Assisted GPS).

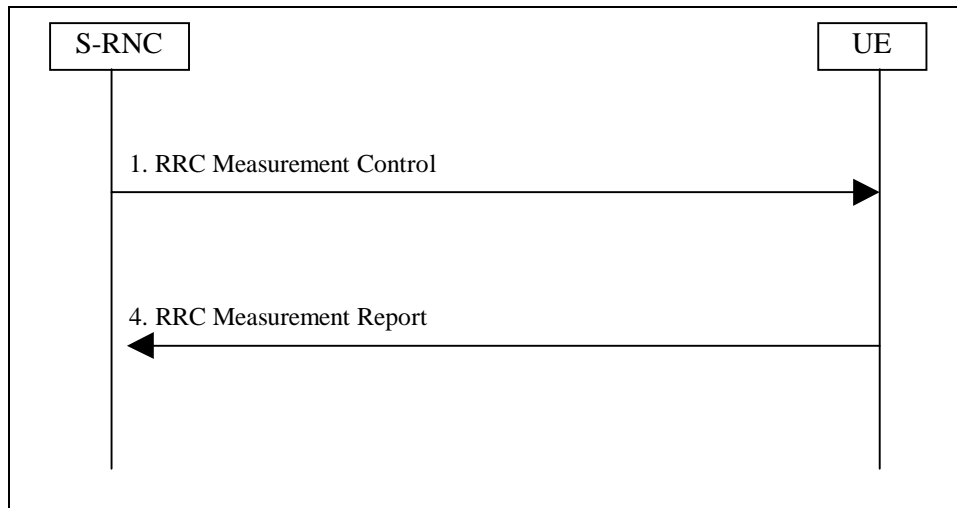


Figure 6.1: OTDOA /GPS Location Message Flow

1. The S-RNC determines possible assistance data and sends a MEASUREMENT CONTROL request to the UE.
2. Provided that location request meets the privacy criteria, the UE performs the requested measurements. If the UE is able to calculate its own location, and this is requested, the UE computes a location estimate based on measurements. Any assistance data necessary to perform these operations will either be provided in the MEASUREMENT CONTROL request or be available from broadcast sources. The resulting measurements or location estimate are returned to UTRAN in a MEASUREMENT REPORT response. If the UE cannot fulfil the request, a MEASUREMENT CONTROL FAILURE message is returned.

6.7.4.1.1 Assistance Data Delivery to UE

The assistance data signalling flow illustrated here is generic for UE based location methods, including OTDOA and Network Assisted GPS. Note that if the assistance data is sent as part of a broadcast message, then no assistance data acknowledgement is required.

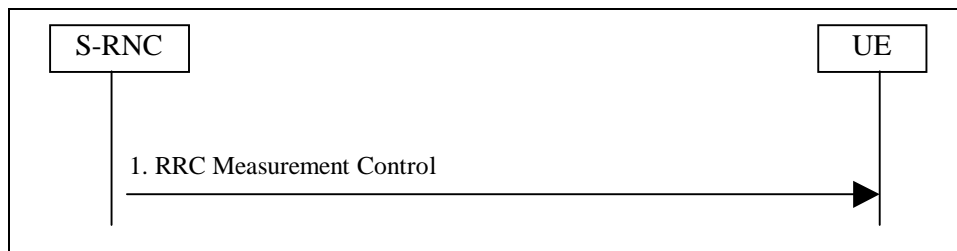


Figure 6.2: OTDOA or GPS Assistance Data Delivery Flow

1. The S-RNC determines assistance data and sends it in the RRC MEASUREMENT CONTROL message to the UE.

6.7.4.1.2 Error Handling

6.7.4.1.3 Broadcast of Assistance Data

In the UE Based OTDOA or Network Assisted GPS methods, where the measurements and/or location calculation is done in the UE, assistance data may be broadcast to the UE.

The assistance data to be broadcast for UE Based OTDOA contains the Relative Time Difference (RTD) values (e.g. in case of a non-synchronised network) and base station co-ordinates. In addition, the broadcast data may contain other information to simplify the OTDOA measurements. The length of the message depends on how many neighbours are included in the assistance data. Part of the broadcast message (e.g. the serving and neighbour base station geographic co-ordinates) may be ciphered.

Part of the broadcast message (e.g. the GPS differential corrections) may be ciphered.

The broadcast channel that is used for the OTDOA and GPS assistance data makes use of the common UTRAN broadcast service.

6.7.4.1.4 Signalling Flow for Assistance Data Broadcast Using the Common UTRAN Broadcast Service

The assistance data broadcast to UEs can be signalled via the RRC Measurement Control message as shown in subclause 6.2.4.2 or it can be broadcast by the UTRAN within the system information.

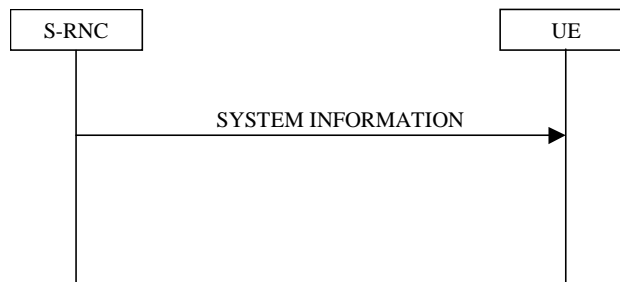


Figure 6.3: Broadcast of system information

6.7.4.1.5 LCS Assistance Data Ciphering

To allow control of access to the assistance data, parts of the broadcast assistance data may be ciphered. Ciphering is done with a specific ciphering key delivered by the core network for this purpose. The management of the key is described in the System Aspects Stage 2 ([1]).

6.7.4.1.6 LCS Assistance Data Ciphering Algorithm

NOTE: The text below is inherited from GSM. The choice of the algorithm should be discussed in 3GPP/SA. It can also be chosen to put this text in the System Aspect Stage 2.

The algorithm used for ciphering the LCS assistance data is the standard 56-bit Data Encryption Standard (DES) algorithm.

The deciphering of broadcast assistance messages is done in the UEs. The deciphering will utilize the deciphering keys delivered during the location update request.

The RNC ciphers the parts of the LCS Broadcast Data message to be protected using the 56-bit DES algorithm and a ciphering keys (56 bits) and Ciphering Serial Number (16 bits) for the broadcast location area.

The ciphered part is variable in length with one bit resolution. By using the LCS Broadcast Data message header, the UEs can determine what part of message is ciphered.

Inputs to the 56-bit DES algorithm are the following:

- 56-bit key K (deciphering key);
- 16-bit Ciphering Serial Number from broadcast message which is denoted here by IV (Initialization Vector);
- plain-text bits (the ciphered part of broadcast message).

The ciphering process is illustrated in the following diagram. Ciphering is done by producing a mask bit stream which is then "XORed" bit-by-bit to the plain-text data to obtain the cipher-text data. First, the Initialization Vector (IV) is concatenated with 0-bits in order to achieve a 64-bit block I_1 . This block is then encrypted by the DES algorithm using the key K. Output is a 64-bit block I_2 . This constitutes the first 64 bits of the mask bit stream. If the message is longer than 64 bits, then more bits are needed. These are produced by encrypting I_2 again by the DES algorithm using the key K. The output is a 64-bit block I_3 . This is the next 64 bits of the mask bit stream. This iteration is continued until enough bits are produced. The unnecessary bits from the last 64-bit block I_j are discarded. The figure below illustrates the first two mask bit generations and the two ciphered 64-bit blocks.

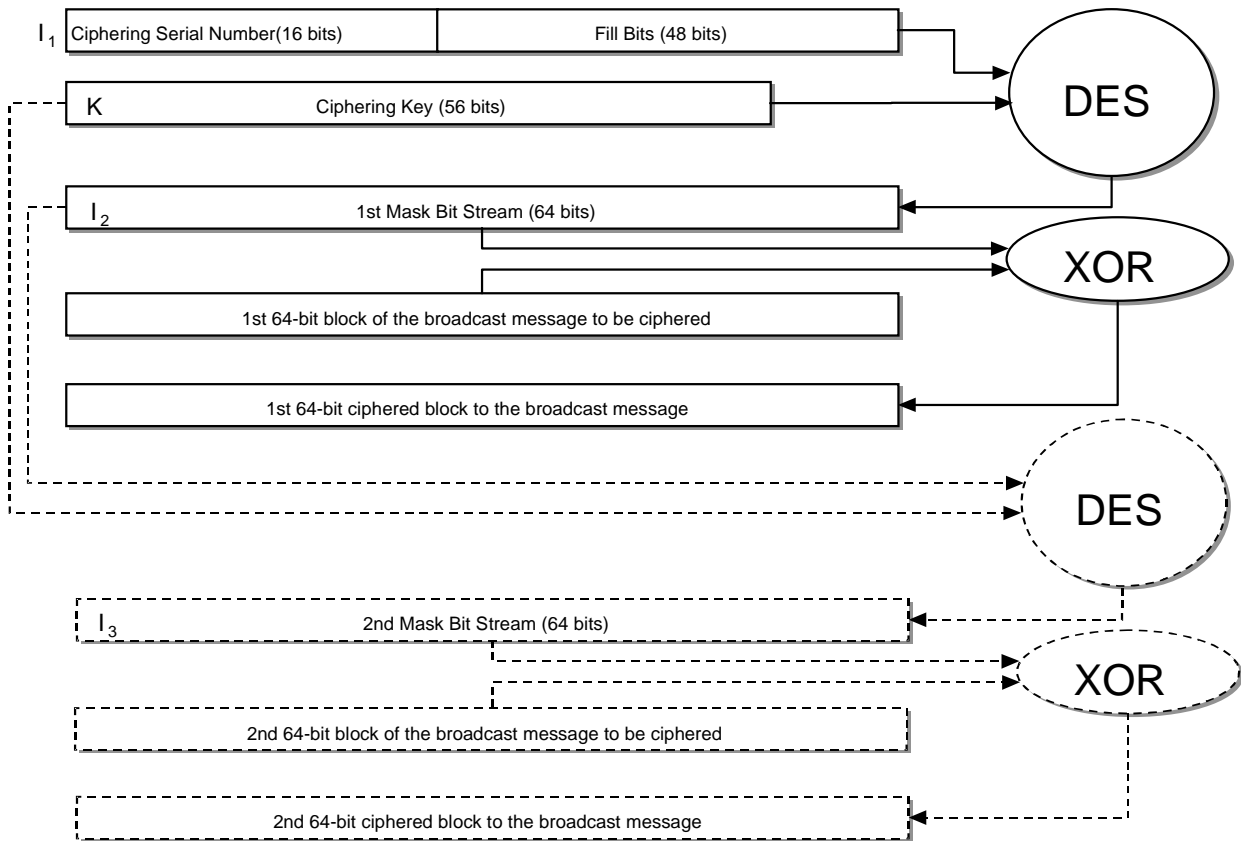


Figure 6.4: Data Assistance Ciphering Algorithm

Deciphering is done similarly. The same mask bit stream is produced and these are XORed, bit-by-bit, to the cipher-text data bits. The result will be the plain-text data.

6.7.4.2 Signalling between RNC and stand-alone LMU

The use of stand-alone LMUs is FFS. If it is decided to have stand-alone LMUs in the standard, the signalling will be performed with the new protocol LLP. If no need is seen for the stand-alone LMUs the LLP protocol will not be defined and it will be removed from 25.305.

The following figures illustrate the protocol layers used to support signalling between an RNC and a Stand-Alone LMU over the Uu interface.

6.7.4.2.1 Signalling using a signalling bearer

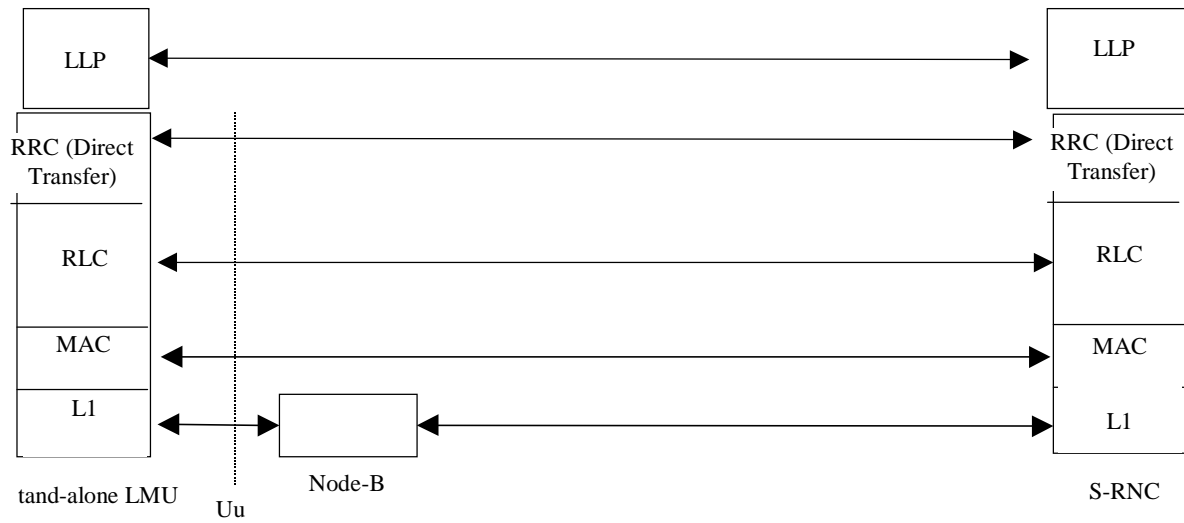


Figure 6.5: Signalling between an RNC and a Stand-Alone LMU using a signalling bearer

6.7.4.2.2 Signalling using a radio bearer

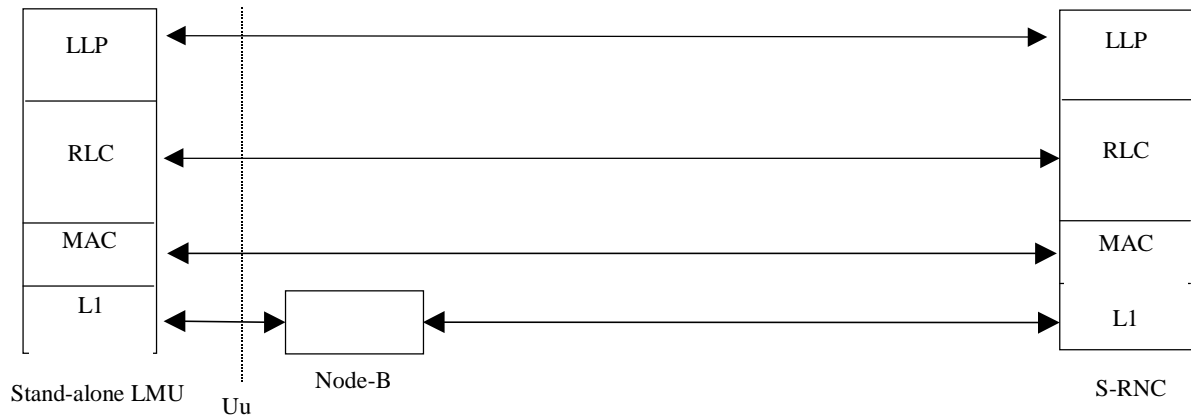


Figure 6.6: Signalling between an RNC and a Stand-Alone LMU using a radio bearer

7 General UMTS location procedures

NOTE: To be adapted from GSM 03.71.

7.1 State description for RNC (for LCS)

7.2 State description for LMU (stand-alone)

7.3 State description for Node-B (for LCS)

7.4 General network location procedures

The following diagram illustrates the operations for the OTDOA-LCS when the request for location information is initiated by an LCS application signalled from the Core Network. As these operations are internal to the RNC, this diagram is to illustrate information flow and implementations may use alternate arrangements.

This illustration only includes the information flow related to LCS operations and does not indicate other operations that may be required, for example, to establish a signalling connection between the UE and the SRNC. Also not illustrated is the signalling used to initiate the location service request (from the Location Client Function) from the Core Network or a UE based application.

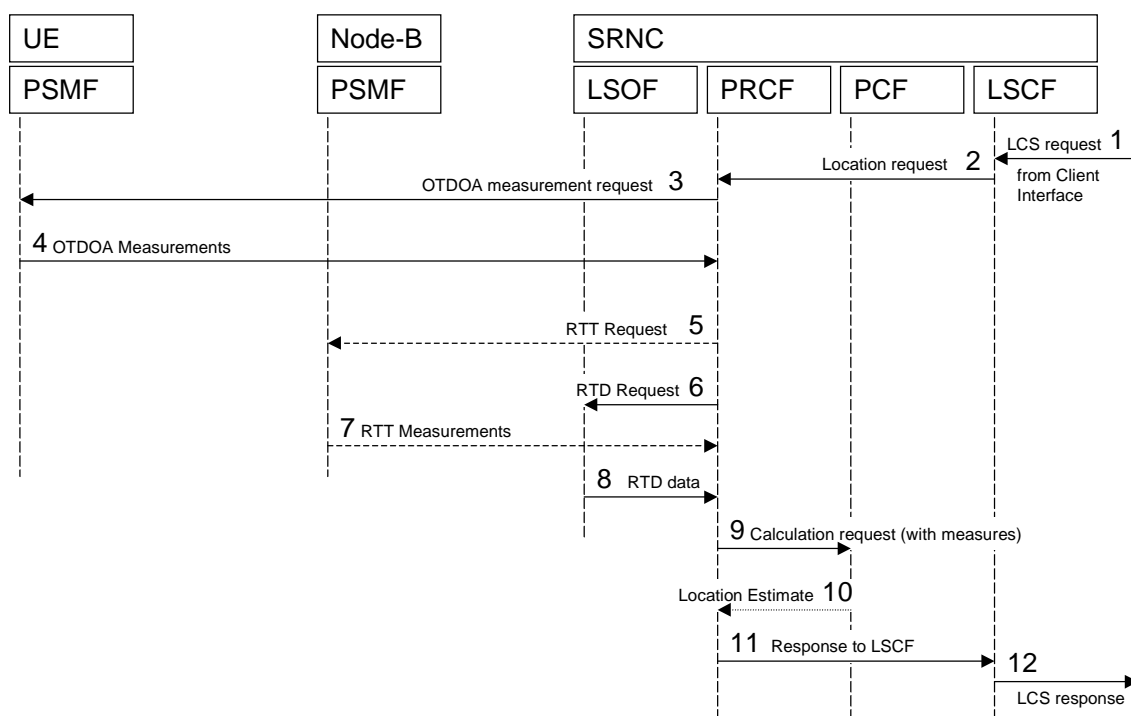


Figure 7.1: OTDOA Signalling Operations

1. The operation begins with an authenticated request for location information about a UE from an application in the core network being received at the LSCF. The LSCF acts as interface between the Core Network and the LCS entities in the UTRAN.
2. The LSCF considers the request and the capabilities of the UE and the network and forwards the request to the appropriate PRCF in the Serving RNC.
3. The PRCF requests from the UE the measurement of the OTDOA for the signals in the active and neighbourhood sets. These measurements may be made while the UE is in the idle state or while it is connected.

4. The UE returns the OTDOA measures to the PRCF. The PRCF receives the OTDOA information and co-ordinates obtaining other information to support the calculation request (not illustrated).
5. If there are insufficient OTDOA measures, or it is otherwise considered advantageous to do so, the PRCF requests the RTT measure for the UE from the PSMF in the serving Node-B.
6. The PRCF requests the RTD measures for the associated transmitters from the LSOF (database). These may be stored locally if they are constant over time, otherwise they must be updated to represent the RTD timing at the time-of-day the OTDOA measurements were made.
7. The PSMF in the Node-B returns the RTT measures to the PRCF if they were requested.
8. The LSOF returns the RTD information to the PRCF.
9. The PRCF passes the OTDOA, RTD and, if necessary, RTT information to the PCF and requests a location calculation. The calculation may include a co-ordinate transformation to the geographic system requested by the application.
10. The PCF returns the location estimate to the PRCF. This estimate includes the location, the estimated accuracy of the results and the time of day of the estimate.
11. The PRCF passes the location estimate to the LSCF.
12. The LSCF passes the location estimate to the Core Network.

- 7.5 Signalling procedures from the UMTS system point of view
- 7.6 Common procedures to support location
 - 7.6.1 Information transfer between a SRNC and a target UE
- 7.7 Common procedures to support access to a LMU
- 7.8 Common control procedures for LMUs
 - 7.8.1 Reset procedure
 - 7.8.2 Status query procedure
 - 7.8.3 Status update procedure
- 7.9 Common procedures supporting LCS interaction between RNCs
 - 7.9.1 LCS information transfer between RNCs
- 7.10 Exception procedures
 - 7.10.1 Procedures in the SRNC
 - 7.10.2 Procedures in a LMU
 - 7.10.3 Procedures in the target UE
- 7.11 Radio interface timing procedures
 - 7.11.1 LMU functions
 - 7.11.2 SRNC functions
 - 7.11.3 LMU-SRNC interactions

8 Cell ID based location method

8.1 Cell ID determination

8.1.1 UE in Soft handover

In order for the SRNC to provide the cell-ID(s) and map it to the corresponding Service Area Identifier (SAI) when it is requested for instance by LCS, additional operations may be needed if the UE is in a soft handover state, and there is no cell ID support in the RRC state.

In a soft state, the UE may have different signal branches connected to different cells, reporting different cell IDs. Therefore a cell ID selection decision should be made in SRNC to obtain more accurate location estimate when mapping the cell ID to the corresponding coverage area. The cell ID may be selected based on following principles:

- the cell ID is selected based on the parameters defining the quality of the received signal branches. That is, the cell ID with the best quality signal branch is selected as the cell ID reference to obtain the UE location estimates;
- the cell ID that was generated during connection set-up proceedings between the UE and the serving Node B;
- the oldest cell ID the UE associates with;
- the most recent cell ID the UE associates with;
- the most recent cell ID of the cell to which the UE has been recently handed over from a previous cell;
- the cell ID of the latest "new" cell that the UE has started to receive, but has not yet been handed over to;
- the cell ID to which UE has the shortest distance (to the site);
- the cell that provides an active connection for the UE at the time of receiving a new LCS request at the S-RNC.

Whenever the selection decision is based on measurement of one or several features of the signals between the mobile station and the respective base stations, it may happen that the measured feature, such as the signal strength or quality, changes rapidly. Therefore it may be advantageous to define a determination window or interval and to determine an average for the feature. The average will then be compared against the corresponding averages for the other signal branches, and the selection is made based on this comparison.

If the selection of the cell ID is based on the signal power or strength, the determination may be based on use of a reference signal. This specific embodiment may be based on one or several of the following principles:

- in a soft handover state or otherwise when there is an active set signal that includes several signal branches, a signal branch is selected and used as a reference branch as long as the selected branch belongs to the active set. If the reference branch is deleted or replaced, the cell identifier can be determined based on the second best reference signal (branch);
- the selected cell identifier can be changed (updated) as soon as a Primary Common Pilot Channel (CPICH, in WCDMA) that is not included in the active set becomes better than a Primary CPICH that belongs to the active set;
- the selected cell identifier may also be changed as soon as a Primary CPICH becomes better than the previously best primary CPICH;
- the selected cell identifier may also be changed as soon as a primary CPICH becomes better than an absolute threshold that may be based on the signal levels of the other active branches or be otherwise determined;
- the selected cell identifier may be changed as soon as a Primary CPICH becomes worse than an absolute threshold;
- the selected cell identifier may be changed as soon as a Primary Common Control Physical Channel (CCPCH) becomes better than the previous best primary CCPCH;
- the selected cell identifier may be changed as soon as a SIR (Signal to Interference) value of a timeslot becomes worse than an absolute threshold value;

- the selected cell identifier may be changed as soon as a Interference on Signal Code Power (ISCP) value of a timeslot becomes worse than an absolute threshold;
- the selected cell identifier may be changed as soon as an ISCP value of a timeslot becomes better than a certain predefined threshold;
- in general, a LCS_MARGIN may be utilised in a cell identifier determination process. The LCS_MARGIN can be based on Time-To-Trigger, pending time, power level of the signal (offset), or any similar approaches. The LCS_MARGIN may be used to prevent the unnecessary cell identifier updating to avoid the system performance to impair. The LCS_MARGIN may be applied either in forbidding or allowing the cell identifier update triggering.

8.1.2 Localised Service Area

In case of inter-mode environment applications such as Support of Localized Service Area (SoLSA), customised applications for mobile network enhanced logic (CAMEL), etc. the cell identifier based LCS or generally LCS may be implemented using existing toolkits such as a SIM Application Toolkit (SAT) or CAMEL. CAMEL may be used to provide cell-based applications in a CAMEL Service Environment (CSE), which can be used with the SoLSA. CSE includes e.g. charging modifications and call barring based on cell information. However, since the network may be implemented by using several service platforms, CAMEL is described herein only as an example.

In these cases other advanced location features of a cellular system should be taken into account. These include Localized Service Area (LSA) priority, LSA Only Access, Exclusive Access, Preferential Access, and so on. The inter-mode environment may include different cellular systems with multi-layered cellular structures, including macro-cells, micro-cells, pico-cells, and home-cells. In the following some examples of such features are described in more detail.

In addition, the other relevant mechanisms like Idle Period Downlink, (IPDL), Site Selection Diversity Transmit power control (SSDT), etc. should be taken into account when applying the cell ID selection procedure, for instance, in a soft or softer handover state.

The cell ID based method should support the UE location regardless of the UTRAN /RRC states, including URA_PCH, Cell_PCH, Cell_DCH, cell FACH, cell reselection, inter-system modes, as well as an idle mode.

8.1.3 UE in idle mode

The cell ID may not be obtained if the mobile station is not in an active state, i.e. there is no connection between the mobile station and at least one of the cells. For example, in the UMTS the cell ID can be provided only when a radio resource control (RRC) connection exists between the mobile station and at least one base station. Therefore, if the mobile station is in a mode where the cell identifier (or coverage) can not be provided then mobile station may be forced to a state where the cell identifier may be provided. For example, in a URA_PCH state the Cell identifier may not be available. The MS can be forced to Cell_FACH to define the cell identifier so that the cell identifier may be obtained whenever the LCS node needs it. Moreover, the network can prevent the MS to enter a URA update state in order to receive cell updates when the MS selects a new cell.

If the MS is in an idle mode and there is a need to page for it, then the paging triggering for LCS purposes may be originated either by the core network or the UTRAN access network.

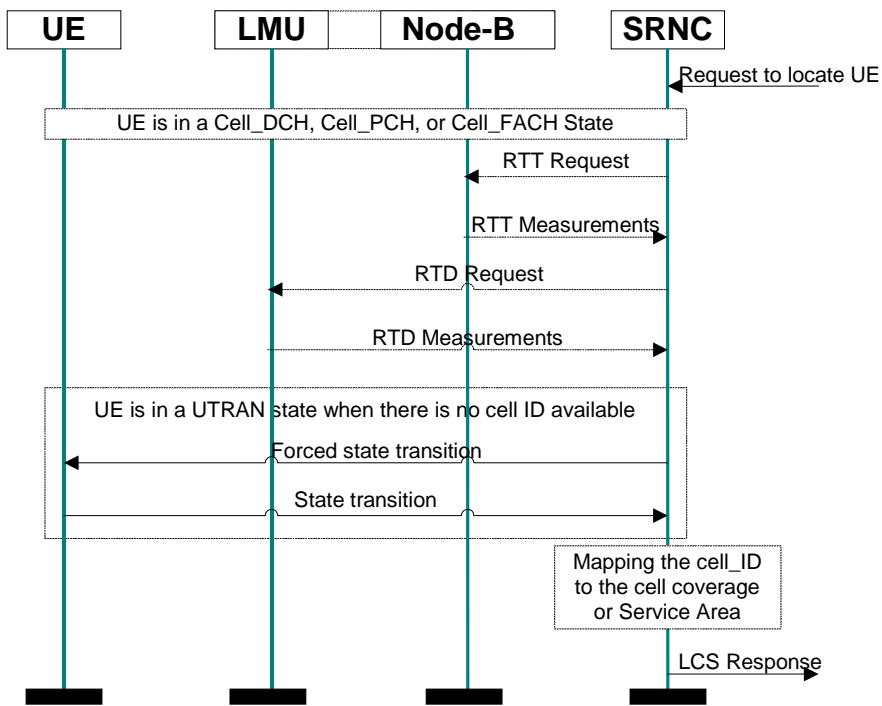


Figure 8.1: Cell ID Based Method

8.2 Mapping the Cell ID to the Cell or Service Area Coverage

In UMTS system, the UTRAN aspects are preferably hidden from the core network. For example, in a 3rd generation system a cell identifier should be mapped to a Service Area parameter to be transported over an Iu interface between a UTRAN network and the core network. The Service Area may include one or several cells. The mapping can be accomplished either in the RNC, in a Network Management System (NMS, including Network Management Unit, NEMU) or by co-operation of various access network elements. In order to determine a cell coverage estimate and to map it to the Service Area parameter, parameters such as the best reference signal, a Round Timing Trip (RTT), as well as antenna beam direction parameter may be utilised in association with the related cell identifier(s). In this case, the S-RNC may use a reference signal or RTT that is measured by the base station BS either periodically or on demand.

Alternatively, the range of a cell may be determined by using a reference signal power budget. Based on the reference signal power budget it is possible to obtain, for example, the base station transmitted power, isotropic path loss, coverage threshold at coverage area border for a given location probability, and a cell range for an indoor and outdoor coverage.

The S-RNC may use a reference signal link budget based cell range (radius) estimate in conjunction with the cell identifier to make a coverage estimation for a service area.

Additionally, the received power levels may be compared against the power budget, whereby more accurate information of the location of the UE may be provided. Computation made by two or more elements may also be combined.

In any above-mentioned cases, the interaction between neighbouring cell coverage areas, including the error margin, can be used to determine the more exact location of the mobile station.

9 OTDOA location method

The primary standard measurements are of the observed time difference of arrival (OTDOA) of downlink CPICH signals received at the UE. These measurements, together with other information concerning the surveyed geographic location of the transmitters and the relative time difference (RTD) of the actual transmissions of the downlink signals may be used to calculate an estimate of the location of the UE. Each OTDOA measurement for a pair of downlink transmissions describes a line of constant difference (a hyperbola (see note 1)) along which the UE may be located. The UE's location is determined by the intersection of these lines for at least two pairs of base stations. The accuracy of the location estimates made with this technique depends on the precision of the timing measurements, the relative location of the base stations involved (see note 2), and is also subject to the effects of multipath radio propagation. This is illustrated in the figure 9.1.

NOTE 1: This is really a figure in three dimensions, a hyperboloid. For convenience here, this will be simplified to the hyperbola representing the intersection of this surface with the surface of the earth. For location service in three dimensions the hyperboloid must be considered.

NOTE 2: The geometry of the base station locations may affect the accuracy of the location estimate. The best results are when the base stations equally surround the UE. If they do not, there is a reduction in accuracy, which is sometimes termed the Geometric Dilution of Position (GDP).

The primary TDOA measurements (made by the UE) are sent to the Position Calculation Function (PCF) in the serving RNC. These measures are sent via signalling over the Uu_{Iub} (and Iur) interfaces between the UE and the SRNC (PCF). The calculation function makes use of the measurements, the known locations of the transmitter sites and the relative time difference of the transmissions to estimate the UE's location.

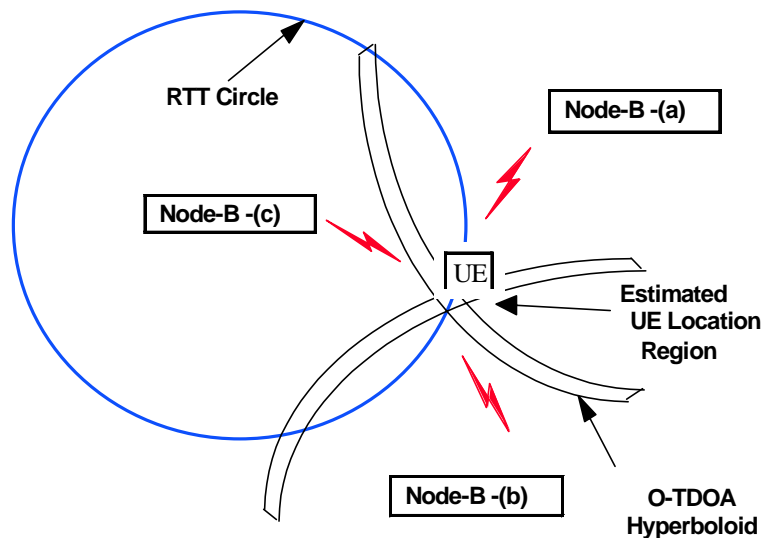


Figure 9.1: OTDOA Location Method

The OTDOA method may be operated in two modes: UE assisted OTDOA and UE based OTDOA. The two modes differ in where the actual location calculation is carried out. In the *UE assisted* mode, the UE measures the difference in time of arrival of several cells and signals the measurement results to the network, where a network element (the Position Calculation Function (PCF)) carries out the location calculation. In the *UE based* mode, the UE makes the measurements and also carries out the location calculation, and thus requires additional information (such as the location of the measured base stations) that is required for the location calculation. The signalling requirements for the two OTDOA modes are described in a later subclause. As the LCS involves measurements, there is always uncertainty in the results. Physical conditions, errors and resolution limits in the apparatus all contribute to uncertainty. To minimise the uncertainty in the LCS result, it is important that as many measurements of RTT and TDOA (and others) as are possible for a UE are provided to the PCF. Thus it is important that the standard method for LCS not be restricted to rely on a single measure. The UE thus provides OTDOA measures for as many pilot signals as it can receive. The pilot signals to be measured shall include those in the "cell reselection and monitoring set" and those in the "cell selection set".

In order to support the OTDOA method, the locations of the UTRAN transmitters needs to be accurately known by the calculation function (PCF). This information may be measured by appropriate conventional surveying techniques (see note 3). The surveyed location should be the electrical centre of the transmitting antenna (and not the location of the radio equipment building). The use of antenna diversity, beamforming or beam steering techniques may cause the effective antenna location to change with time and this information will need to be communicated to the PCF to assist with its calculations. The methods of measuring the location of the UTRAN transmitters are outside the scope of the present document.

NOTE 3: These surveying methods may, for example, make use of a GPS receiver.

In order to support the OTDOA method, the relative time difference (RTD) of the downlink transmissions must also be known by the calculation function (PCF). If the UTRAN transmitters are unsynchronised, the RTD will change over time as the individual clocks drift. Thus, measurements of RTD may need to be made regularly and the calculation function updated appropriately. The measurement of the RTD is outside the scope of the present document (see note 4).

NOTE 4: One convenient method is to make use of an LMU at a fixed location. This unit measures the observed time differences of all the local transmitters and reports these to the PCF. These measures may then be converted (translated) into the actual (absolute) relative time difference for each of the transmitters by making use of the known location of the LMU and the transmitters.

In some conditions a sufficient number of downlink pilot signals may not be available for measure at the UE. This may occur, for example, if the UE is located quite close to the UTRAN transmitter and its receiver is blocked by the strong local transmissions. This is referred to as the "hearability" problem.

9.1 Use of Idle Periods

For realising location based services the support of physical layer is a prerequisite, so that the measurements required for the terminal location calculation can be carried out. In UTRAN there are several factors that must be taken into account while considering the physical layer procedures related to location services:

- hearability: a basic consequence of a CDMA radio system is that a terminal near its serving base station cannot hear other base stations on the same frequency. In order to calculate terminal location the terminal should be able to receive at least three base stations. To facilitate this some special means are required;
- asynchronous network causes significant uncertainty to the time-difference-of-arrival (TDOA) measurements. To compensate for the effects of this, the relative time difference (the synchronicity) between base station transmissions must be measured, and used for correcting TDOA measurement;
- capacity loss: signalling related to location calculation may take capacity from other services. This capacity loss should be minimised.

Based on the results of the work done in ARIB SWG2/ST9 (see reference [16]) a solution for the above mentioned hearability problem is the IPDL (Idle Period DownLink) method. In this method each base station ceases its transmission for short periods of time (idle periods). During an idle period of a base station, terminals within the cell can measure other base stations and the hearability problem is reduced. Also, during idle periods the real time difference measurements can be carried out. Because the IPDL method is based on forward link (downlink) the location service can be provided efficiently to a large number of terminals simultaneously.

The specification and operation of the IPDL technique are provided in the following subclause.

9.1.1 Operation and specification of idle periods

To support time difference measurements that need to be made for location services there may need to be Idle Periods created in the DownLink (IPDL) during which time transmissions on all channels from a node B are temporally halted. During these Idle Periods the visibility of neighbour base stations from the UE is improved thus allowing the measurements to be performed.

The Idle Periods are arranged in a predetermined pseudo random fashion according to higher layer parameters. These parameters are used by layer 1 to arrange and use these Idle Periods. Idle Periods differ from compressed mode in that they are shorter in duration, all channels are silent simultaneously, and no attempt is made to prevent data loss.

In general there are two modes for these Idle Periods:

- continuous mode; and
- burst mode.

In continuous mode the Idle Periods are active all the time. In burst mode the Idle Periods are arranged in bursts where each burst contains enough Idle Periods to allow a UE to make sufficient measurements for its location to be calculated. The bursts are separated by a period where no Idle Periods occur.

The following are the parameters for the idle periods (IP).

Table 9.0

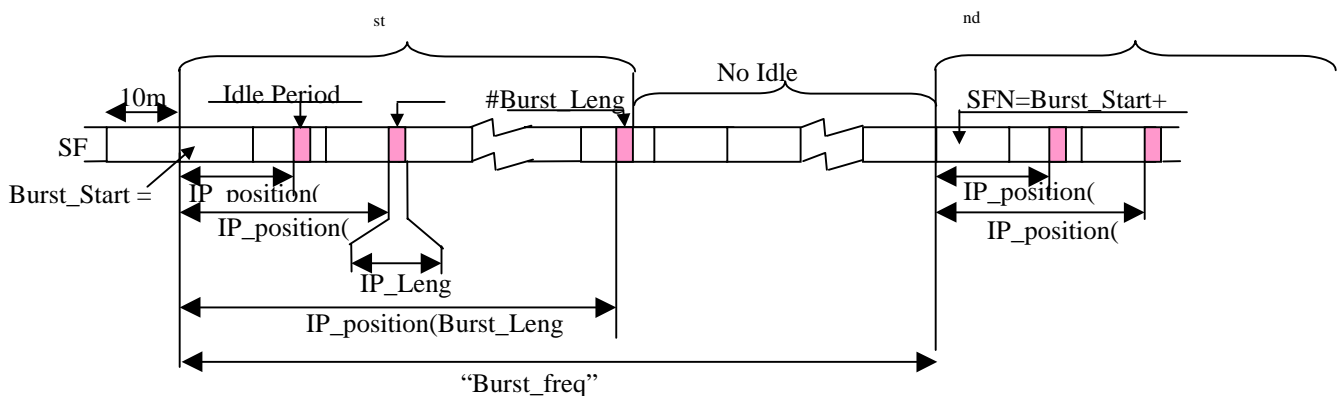
Parameter	Min value	Max value	Bits Required	Units (see note 1)	Description
IP_spacing	2^2+1	2^6	4	frames	Number of frames between Idle Periods.
IP_status	0	1	1	Logic Value	0 = Idle Periods active in continuous mode 1 = Idle Periods active in burst mode
IP_length	5	10	1	symbols	Length of Idle Periods
IP_offset	0	15	4	Symbols	A cell specific offset (can be used to synchronise Idle Periods from different sectors within a node B).
Max_dev	140	145	0 (depends on IP length)	symbols	Maximum deviation in time from beginning of frame
Seed	0 – 63			(no units)	Seed for random function "rand(x)"
rand(x)	= (106.rand(x-1) + 1283)%6075, rand(0)=seed				Random function used in the calculation of the Idle Periods. Note: rand(0) = Seed.
IP_position(x)	= $x \cdot \text{IP_spacing} \cdot 150 + \text{rand}(x \bmod 64) \bmod \text{Max_dev} + \text{IP_offset}$			symbols	Function for generating the exact positions of the x^{th} Idle Period. (see notes 2 & 4 below)
Extra parameters used in the case of burst mode operation (i.e. IP_status = 1)					
Burst_Start	[0]	$[2^4-1] \cdot 256$	[4]	SFN (in steps of 256 frames)	The frame number where the 1 st Idle Period Burst occurs within an SFN cycle.
Burst_Length	[10]	$[10+2^4]$	[4]	IPs	Number of Idle Periods in a 'burst' of Idle Periods
Burst_freq	$[2^8]$	$[2^{12}]$	[4]	frames	Number of 10ms frames between consecutive Idle Period bursts.

NOTE 1: The unit 'symbol' refers to symbols on the CPiCH channel.

NOTE 2: The function IP_position(x) yields the position of the x^{th} Idle Period relative to a) the start of the SFN cycle when in continuous mode or b) the start of a burst when in burst mode.

NOTE 3: The operator "%" denotes the modulo operator

NOTE 4: Regardless of mode of operation, the Idle Period pattern is reset at the start of every SFN cycle.



NOTE 5: Continuous mode can be considered as a specific case of the burst mode with just one burst spanning the whole SFN cycle. Note also that x will be reset to $x=1$ for the first idle period in a SFN cycle for both continuous and burst modes and will also, in the case of burst mode, be reset for the first Idle Period in every burst.

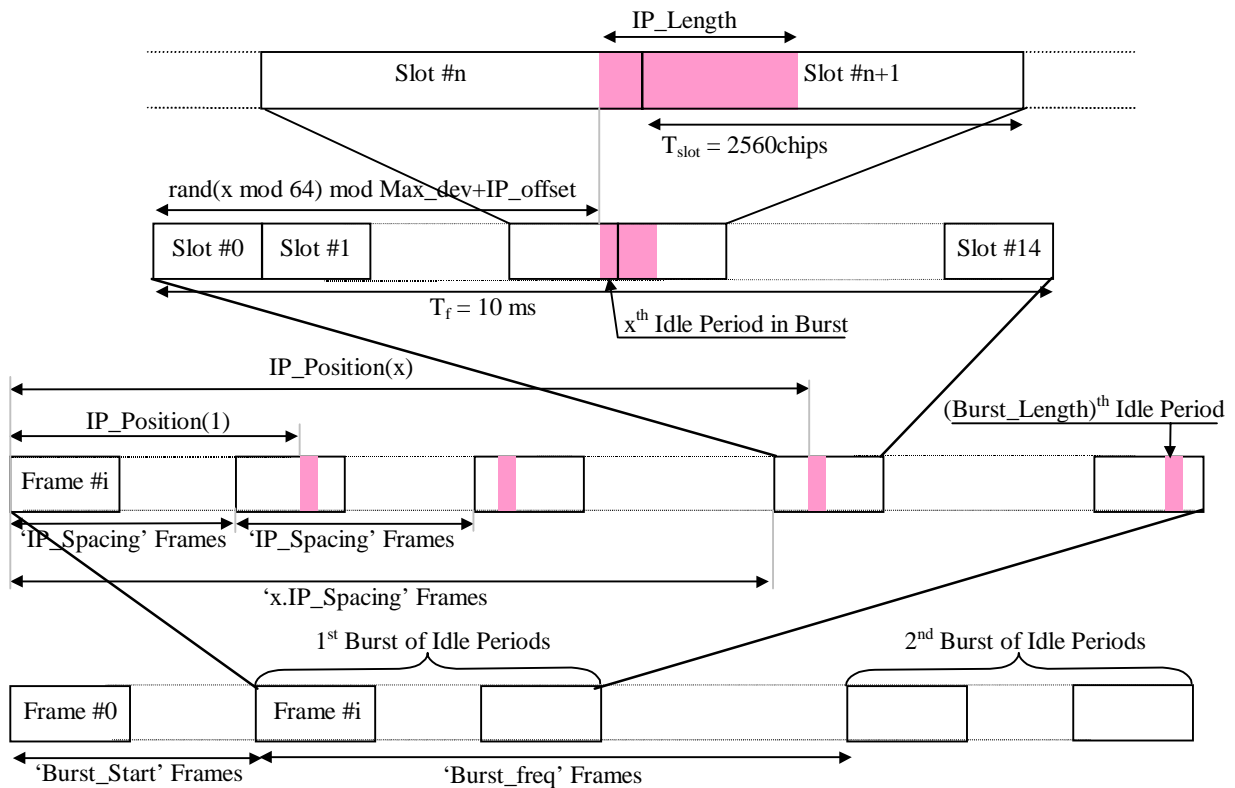


Figure 9.2: IPDL Timing

9.2 Relative Time Difference (RTD)

In order to calculate the estimate of the location of the UE, the calculation function needs to know:

- the OTDOA measurements;
- the surveyed geographic locations of the base stations that have had their signals measured; and
- the actual relative time difference between the transmissions of the base stations at the time the OTDOA measurements were made.

The accuracy of each of these measurements contributes to the overall accuracy of the location estimate. The measurement of the RTD is described in the following.

There are several approaches to determining the RTD. One is to synchronise the transmissions of the base stations. In this technique the RTD are known constant values (see NOTE) that may be entered in the database and used by the calculation function when making a location estimate. The synchronisation must be done to a level of accuracy of the order of tens of nanoseconds (as 10 nanoseconds uncertainty contributes 3 metres error in the location estimate). Drift and jitter in the synchronisation timing must also be well controlled as these also contribute uncertainty in the location estimate. Synchronisation to this level of accuracy is currently only readily available through satellite based time-transfer techniques. Generally in the TDD operating mode, the base stations are synchronised.

NOTE: The transmission times may all be aligned to a common reference (such as UTC) in which case all RTD have a common value. However, in a more general case the transmissions may have a fixed offset with reference to UTC, and thus the RTD values are non-zero and may be stored in the database for use by the calculation function.

Alternatively (typically in FDD mode), the base stations may be left to free run within some constraint of maximum frequency error. In this scenario, the RTD will change (slowly) with time. The rate of change will depend on the frequency difference and jitter between base stations. If, for example, the maximum frequency difference between two base stations is $\pm 10^{-9}$, then the start of transmission of a 10 millisecond code sequence will drift through a cycle in about 1 390 hours (or 57 days). With this relatively slow rate of drift the RTD can be measured by fixed units at known locations (these are LMUs, Location Measurement Units) and stored in the database for use by the calculation function. The jitter and drift of the individual oscillators in each base station may cause the change of timing to slow, remain constant or reverse direction over time. Ongoing measurements of the RTD may be made to assure the most current values are available for the calculation function. The RTD measurement units may be co-located with the base stations or installed at other convenient locations in the UTRAN coverage area, and report their results through the UTRAN signalling channels.

9.3 Time of Day (ToD)

If there are frequency differences between the (unsynchronised) base stations, as noted in the previous subclause, the OTDOA measurements must be reported together with the time-of-day they were made (timestamp). This is necessary so that the appropriate value of the RTD may be used by the calculation function.

In order to assure less than a 20 nanosecond uncertainty in the RTD value, the time of day must be known to better than 10 seconds (if the maximum frequency difference between the base stations is $\pm 10^{-9}$). The method by which the ToD is measured is FFS [but the frame number (which provides a 10 millisecond resolution) or encryption counter used in the downlink transmissions may provide a convenient measure].

9.4 Base Station Synchronisation

It is preferable that the location methods do not require the base station network to be synchronised. The needed level of synchronisation accuracy for LCS is not by any means straightforward to achieve. The necessary information of Relative Time Differences (RTD) between base stations can be measured by dedicated units (LMU, Location Measurement Unit) and distributed in the network (e.g. as broadcast information). Also, the measurements of RTD may benefit from the Idle Period DownLink (IPDL) option.

In the TDD operating mode the base stations will typically be synchronised and this may be of assistance to the LCS technique.

9.5 OTDOA-IPDL Modes

There are two modes of operation for the OTDOA method. In the *UE assisted* mode, the UE measures the difference in time of arrival of several cells and signals the measurement results to the network, where a network element (the Position Calculation Function (PCF)) carries out the location calculation. In the *UE based* mode, the UE makes the measurements and also carries out the location calculation, and thus requires additional information (such as the location of the measured base stations) that is required for the location calculation. This information is provided by the Location System Information Function (LSIF).

Table 9.1 lists the required information for both OTDOA modes. The range of values for the listed parameters are FFS. The required information can be signalled to the UE either in a broadcast channel or partly also as dedicated signalling.

Table 9.1: Information required for UE assisted and UE based OTDOA in the UTRAN (LSIF) to UE direction ('Yes' = information required, 'No' = Information not required)

Information	UE assisted OTDOA	UE based OTDOA
Intra frequency Cell Info (neighbour list).	Yes	Yes
Ciphering information for LCS (see note)	No	Yes
Measurement control information (idle period locations)	Yes	Yes
Sectorisation of the neighbouring cells	No	Yes
Measured RTD values for Cells mentioned at Intra frequency Cell Info	No	Yes
RTD accuracy	No	Yes
Measured roundtrip delay for primary serving cell	No	Yes
Geographical location of the primary serving cell.	No	Yes
Relative neighbour cell geographical location	No	Yes
Accuracy range of the geographic location values	No	Yes
NOTE: The idea behind LCS specific ciphering information is e.g. that the operator can sell information that the UE needs for calculating its location. For reference in the GSM world see [3].		

The information required from UE to UTRAN (PSMF/PCF) is listed in table 9.2.

Table 9.2: Information required for UE assisted and UE based OTDOA in the UE to UTRAN (PSMF/PCF) direction

Information	UE assisted OTDOA	UE based OTDOA
OTDOA measurement results	Yes	No
OTDOA measurement accuracy	Yes	No
UE geographical location	No	Yes
Location accuracy indicator (based on the signalled and measurement accuracies)	No	Yes

10 Network assisted GPS location method

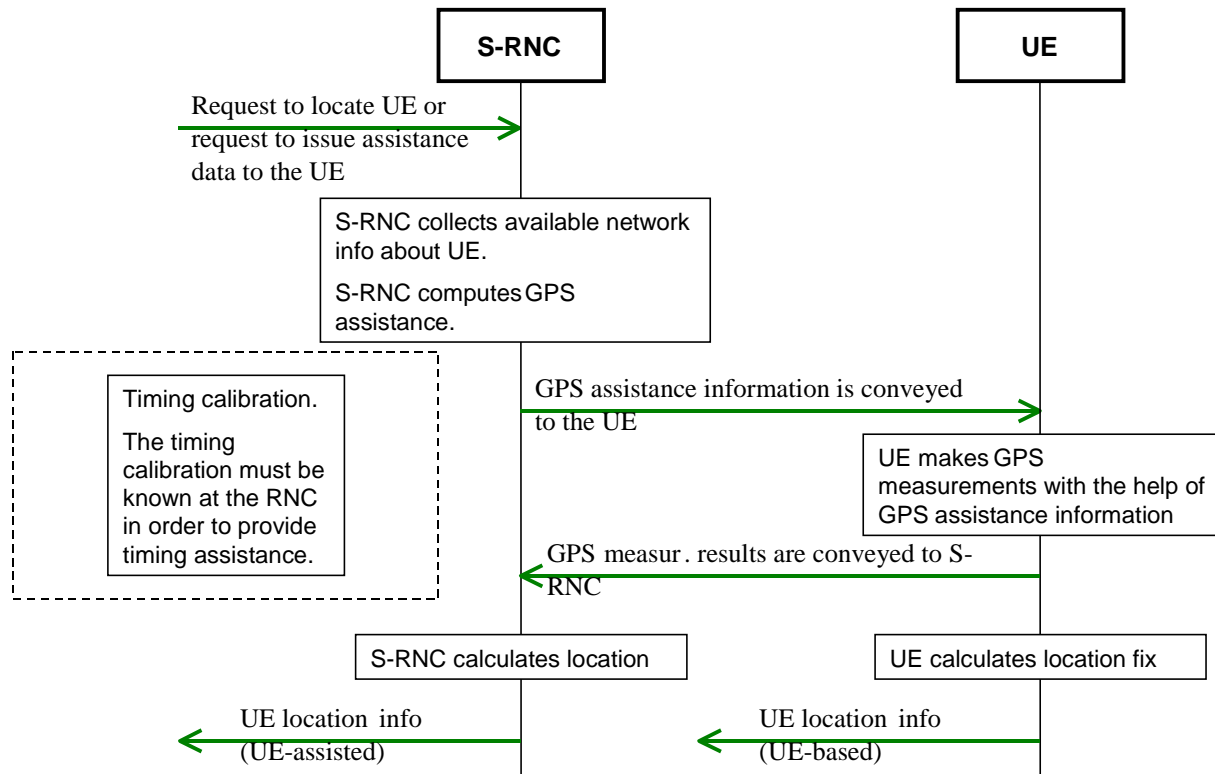
When GPS is designed to inter-work with the UTRAN, the network assists the UE GPS receiver to improve the performance in several respects. These performance improvements will:

- reduce the UE GPS start-up and acquisition times; the search window can be limited and the measurements sped up significantly;
- increase the UE GPS sensitivity; location assistance messages are obtained via UTRAN so the UE GPS can operate also in low SNR situations when it is unable to demodulate UE GPS signals;
- allow the UE to consume less handset power than with stand-alone GPS ; this is due to rapid start-up times as the GPS can be in idle mode when it is not needed.

The Network assisted GPS methods rely on signalling between possibly reduced complexity UE GPS receivers and a continuously operating GPS reference receiver network which has clear sky visibility of the same GPS constellation as the assisted UEs. GPS reference receivers may be connected to the UTRAN to enable derivation of UE assistance signals.

NOTE 1: Labels in figure 10.1 may need to be aligned with GSM 03.71.

NOTE 2: Charging and billing operations are not illustrated in figure 10.1.



NOTE: see reference [1].

Figure 10.1: Network assisted GPS methods

10.1 Timing calibration

Timing calibration is specified in TS 25.215.

10.2 Timing assistance

The UTRAN may derive the estimated UE location using UTRAN (eg. Cell-ID or IPDL) parameters and may use this information, in conjunction with satellite specific ephemeris data from the UTRAN based GPS reference receiver, to derive the estimated time difference (code phase) between equivalent GPS satellite signals received by the UTRAN based GPS reference receiver and the UE based GPS receiver. The estimated code phase data may be conveyed, together with $T_{\text{UTRAN-GPS}}$ (as specified in TS 25.215), from the UTRAN to the UE using higher layer signalling. The estimated code phase data value is uncertain to a degree depending on the accuracy of the UTRAN location determination method used.

10.3 Data assistance

The UE may receive GPS information through the UTRAN air interface, using higher layer signalling.

When the UE is unable to detect 4 or more satellites, the assisted GPS method can be combined with other location methods.

The assistance data signalled to the UE may include all information listed below or a selected subset:

- data assisting the measurements; e.g. reference time, visible satellite list, satellite signal Doppler, code phase search window. This data can be valid for a few hours (2-4 hrs);
- data providing means for location calculation; e.g. reference time, reference location, satellite ephemeris, clock corrections. This data is valid for four hours.

If DGPS is utilised, then differential corrections may also be transmitted. They are valid for about 30 seconds. The DGPS data is valid for a large geographical area, so one centrally located reference receiver can be used to service this large region.

10.4 UE search

Both timing and data assistance shall be applied in the UE search procedure.

"Modulation wipe-off" is defined here to mean a removal of the GPS spreading code modulation to GPS signals received at the UE, through the application of UTRAN timing and data assistance provided from the UTRAN to the UE.

Modulation wipe off may be applied at the UE to derive the despread GPS data signal.

10.5 Location determination

Computation of the location fix can either be performed in the network infrastructure (UE-assisted) or in the UE (UE-based).

There are two types of network assisted GPS method, namely UE-based and UE-assisted, which differ according to where the actual location calculation is carried out.

10.5.1 UE-based method

The UE-based method maintains a full GPS receiver in the UE, and the location calculation is carried out by the UE.

If the location was requested by an application in the network, then the calculated location is signalled to the proper network element.

The UE-based method maintains a full GPS receiver in the UE, thus allowing stand-alone location fixes.

If the location was requested by an application in the network, then the calculated location is signalled to the proper network element.

The following information may be signalled from the UTRAN (LSIF) to the UE:

- number of satellites for which assistance is provided;
- reference time for GPS ($T_{\text{UTRAN-GPS}}$) (specified in TS 25.215);
- reference location;
- ionospheric corrections;
- satellite ID for identifying the satellites for which the assistance is provided;
- IODE: sequence number for the ephemeris for the particular satellite;
- ephemeris to accurately model the orbit of the particular satellite and information when this becomes valid;
- clock corrections;
- DGPS corrections;
- almanac data.

The following information may be signalled from the UE to the UTRAN (LSIF):

- reference time for GPS;
- serving cell information;
- Latitude/Longitude/Altitude/Error ellipse;
- velocity estimate of the UE;
- satellite ID for which the measurement data is valid;
- Whole/Fractional chips for information about the code-phase measurements;

- C/N_0 of the received signal from the particular satellite used in the measurements;
- doppler frequency measured by the UE for the particular satellite signal;
- pseudorange RMS error;
- multipath indicator.

10.5.2 UE-assisted method

In the UE-assisted method, the UE employs a reduced complexity GPS receiver. This carries out the pseudorange (code phase) measurements. These are signalled, using higher layer signalling, to the specific network element that estimates the location of the UE and carries out the remaining GPS operations. In this method, accurately timed code phase signalling (as specified in TS 25.215) is required on the downlink. The signalling load in the uplink direction can be larger than in the UE-based method. If DGPS is performed in the UE, then differential corrections must be signalled to it. On the other hand, DGPS corrections can be applied to the final result in the network to improve the location accuracy without extra signalling to the UE.

The following information may be signalled from the UTRAN (LSIF) to the UE:

- number of satellites for which assistance is provided;
- reference time for GPS ($T_{\text{UTRAN-GPS}}$) (specified in TS 25.215);
- satellite ID for identifying the satellites for which the assistance is provided;
- doppler (0th order term);
- doppler (1st order term);
- code phase;
- code phase centre and Search Window width;
- ephemeris;
- azimuth;
- elevation.

The following information may be signalled from the UE to the UTRAN (LSIF):

- reference time for GPS ($T_{\text{UE-GPS}}$) (specified in TS 25.215);
- number of Pseudoranges;
- SVID;
- satellite C/N_0 ;
- doppler;
- satellite Code Phase;
- multipath Indicator;
- pseudorange RMS Error.

Additional parameters, such as round trip time (RTT), UE receiving transmitting time (UE RxTx), SFN-SFN observed time difference and CPICH E_c/N_0 , may be used to improve the performance of UE-assisted GPS. All the additional parameters are defined in TS 25.215 and can be made available through RRC signalling. Furthermore, some navigation bits, in addition to ephemeris data, may be sent from UTRAN to UE for sensitivity assistance.

11 Other location methods

11.1 Reference Node Based

11.2 Round Trip Time (RTT)

This method makes use of measurements by the Node-B or LMU of the round trip time for transmissions to and from the UE. The RTT measurement message from Node-B or LMU to the UTRAN (PSMF/PCF) contains the following information:

- round trip time (in fractional chips);
- time of measurement;
- received sector;
- doppler of received signal (Hz);
- multipath Indicator.

12 Position calculation functionality

NOTE: The functionality of the PCF is described in more detail in an informative annex FFS.

13 Information storage

NOTE This clause just outlines the information that may need to be stored in the UTRAN LCS elements (U-LCF, U-PSCF,U-LSCF, UE, etc) that may need to be standardised (if any).

14 Operational aspects

Annex A (informative): Definitions and Terms

This annex provides definitions and terms for the general LCS. Not all of these are applicable to the UTRAN environment.

CAMEL: CAMEL is a network functionality, which provides the mechanisms of Intelligent Network to a mobile user.

Current Location: after a location attempt has successfully delivered a location estimate and its associated time stamp, the location estimate and time stamp is referred to as the 'current location' at that point in time.

Deferred location request: a location request where the location response (responses) is (are) not required immediately.

Global Positioning System: the Global Positioning System (GPS) consists of three functional elements: Space Segment (satellites), User Segment (receivers), and Control Segment (maintenance etc.). The GPS receiver calculates its own location based on the received time differences for several satellites.

Immediate location request: a location request where a single location response only is required immediately.

Initial Location: in the context of an originating emergency call the location estimate and the associated time stamp at the commencement of the call set-up is referred to as 'initial location'.

Last Known Location: the current location estimate and its associated time stamp for Target MS stored in the LCS Server is referred to as the 'last known location' and until replaced by a later location estimate and a new time stamp is referred to as the 'last known location'.

LCS (LoCation Services): LCS is a service concept in system (e.g. GSM or UMTS) standardisation. LCS specifies all the necessary network elements and entities, their functionalities, interfaces, as well as communication messages, due to implement the location service functionality in a cellular network.

NOTE: LCS does not specify any location based (value added) services except locating of emergency calls.

LCS Client: a software and/or hardware entity that interacts with a LCS Server for the purpose of obtaining location information for one or more Mobile Stations. LCS Clients subscribe to LCS in order to obtain location information. LCS Clients may or may not interact with human users. The LCS Client is responsible for formatting and presenting data and managing the user interface (dialogue). The LCS Client may reside in the Mobile Station (MS).

LCS Client Access barring list: an optional list of MSISDNs per LCS Client where the LCS Client is not allowed to locate any MSISDN therein.

LCS Client Subscription Profile: a collection of subscription attributes of LCS related parameters that have been agreed for a contractual period of time between the LCS client and the service provider.

LCS Feature: the capability of a PLMN to support LCS Client/server interactions for locating Target MSs.

LCS Server: a software and/or hardware entity offering LCS capabilities. The LCS Server accepts requests, services requests, and sends back responses to the received requests. The LCS server consists of LCS components, which are distributed to one or more PLMN and/or service provider.

Local Service: a service, which can be exclusively provided in the current serving network by a Value added Service Provider.

Local Information: information related to a given location, or general information, which is made available in a given location.

Location (/location detecting): location is a functionality, which estimates a geographical location (of e.g. a mobile terminal).

Location (Based) Application: a location application is an application software processing location information or utilising it in some way. The location information can be input by a user or detected by network or MS. Navigation is one location application example.

Location Based Service (LBS): a service provided either by teleoperator or a 3rd party service provider that utilises the available location information of the terminal. Location Application offers the User Interface for the service. LBS is either a pull or a push type of service (see Location Dependent Services and Location Independent Services). In ETSI/GSM documentation of SoLSA, LBS is called "Location Related Service". ETSI and/or 3GPP –wide terminology harmonisation is expected here.

Location Dependent Service: a service provided either by teleoperator or a 3rd party service provider that is available (pull type) or is activated (push type) when the user arrives to a certain area. It doesn't require any subscription in advance, but the push type activation shall be confirmed by the user. The offered service itself can be any kind of service (e.g. a public Xerox machine or the discount list in a store).

Location Estimate: the geographic location of an MS and/or a valid Mobile Equipment (ME), expressed in latitude and longitude data. The Location Estimate shall be represented in a well-defined universal format. Translation from this universal format to another geographic location system may be supported, although the details are considered outside the scope of the primitive services.

Location Independent Service: a service provided either by teleoperator or a 3rd party service provider that is available and therefore can be activated anywhere in the network coverage. It is activated by the user's request or by other user's activated service, and therefore it requires a subscription in advance (pull type). The offered service itself can be any kind of service (e.g. MMS, SWDL, or LBS!).

Location method (/locating method): a principle and/or algorithm which the estimation of geographical location is based on, e.g. AOA, TOA, TDOA. For example, GPS is based on TOA, and E-OTD (on GSM) is based on TDOA.

Location technology (/locating technology): a technology or system concept including the specifications of RF interfaces, data types, etc. to process the estimation of a geographical location, e.g. GPS, E-OTD (GSM), and IPDL-TDOA (WCDMA).

PLMN Access barring list: an optional list of MSISDN per PLMN where any LCS Client is not allowed to locate any MSISDN therein except for certain exceptional cases.

Predefined area: a geographical area which is not related to cell or radio coverage. The mobile may take special action when it recognises it has entered or left a predefined area.

Privacy Class: list of LCS Clients defined within a privacy exception class to which permission may be granted to locate the target MS. The permission shall be granted either on activation by the target MS or permanently for a contractual period of time agreed between the target MS and the service provider.

Privacy Exception List: a list consisting of various types of privacy classes (i.e. operator related, personal etc.). Certain types of classes may require agreement between the service provider and the target MS.

Prohibited area: an area where the mobile must not activate its transmitter. The Prohibited area may be a Predefined area described above or related to radio cell(s).

Subscription Profile: the profile detailing the subscription to various types of privacy classes.

Target MS: the MS being located.

Annex B (informative): Change history

Change history					
TSG-RAN#	Version	CR	Tdoc RAN	New Version	Subject/Comment
RAN_06	-	-	RP-99635	3.0.0	(12/99) Approved at TSG-RAN #6 and placed under Change Control
RAN_07	3.0.0	001	RP-000038	3.1.0	(03/00) Network assisted GPS LCS
RAN_07	3.0.0	002	RP-000038	3.1.0	Enhancements for cell coverage based positioning
RAN_07	3.0.0	003	RP-000038	3.1.0	Replacement for Figure 4.1
RAN_07	3.0.0	004	RP-000038	3.1.0	Restructuring
RAN_07	3.0.0	006	RP-000038	3.1.0	Target UE-RNC signalling model
RAN_07	3.0.0	007	RP-000038	3.1.0	LMU description
RAN_07	3.0.0	008	RP-000038	3.1.0	LMU signalling description
RAN_07	3.0.0	009	RP-000038	3.1.0	Incorporation of R1 Liaisons R2-000022 and R2-000023
RAN_07	3.0.0	010	RP-000038	3.1.0	OTDOA - GPS Location Procedures
RAN_07	3.0.0	011	RP-000038	3.1.0	Clarification of the different LMU types

History

Document history		
V3.1.0	March 2000	Publication