

ETSI TS 124 483 V16.8.0 (2022-07)



**LTE ;
Mission Critical Services (MCS) Management Object (MO)
(3GPP TS 24.483 version 16.8.0 Release 16)**



Reference

RTS/TSGC-0124483vg80

Keywords

LTE

ETSI

650 Route des Lucioles
F-06921 Sophia Antipolis Cedex - FRANCE

Tel.: +33 4 92 94 42 00 Fax: +33 4 93 65 47 16

Siret N° 348 623 562 00017 - APE 7112B
Association à but non lucratif enregistrée à la
Sous-Préfecture de Grasse (06) N° w061004871

Important notice

The present document can be downloaded from:

<http://www.etsi.org/standards-search>

The present document may be made available in electronic versions and/or in print. The content of any electronic and/or print versions of the present document shall not be modified without the prior written authorization of ETSI. In case of any existing or perceived difference in contents between such versions and/or in print, the prevailing version of an ETSI deliverable is the one made publicly available in PDF format at www.etsi.org/deliver.

Users of the present document should be aware that the document may be subject to revision or change of status.

Information on the current status of this and other ETSI documents is available at

<https://portal.etsi.org/TB/ETSIDeliverableStatus.aspx>

If you find errors in the present document, please send your comment to one of the following services:

<https://portal.etsi.org/People/CommitteeSupportStaff.aspx>

If you find a security vulnerability in the present document, please report it through our
Coordinated Vulnerability Disclosure Program:

<https://www.etsi.org/standards/coordinated-vulnerability-disclosure>

Notice of disclaimer & limitation of liability

The information provided in the present deliverable is directed solely to professionals who have the appropriate degree of experience to understand and interpret its content in accordance with generally accepted engineering or other professional standard and applicable regulations.

No recommendation as to products and services or vendors is made or should be implied.

No representation or warranty is made that this deliverable is technically accurate or sufficient or conforms to any law and/or governmental rule and/or regulation and further, no representation or warranty is made of merchantability or fitness for any particular purpose or against infringement of intellectual property rights.

In no event shall ETSI be held liable for loss of profits or any other incidental or consequential damages.

Any software contained in this deliverable is provided "AS IS" with no warranties, express or implied, including but not limited to, the warranties of merchantability, fitness for a particular purpose and non-infringement of intellectual property rights and ETSI shall not be held liable in any event for any damages whatsoever (including, without limitation, damages for loss of profits, business interruption, loss of information, or any other pecuniary loss) arising out of or related to the use of or inability to use the software.

Copyright Notification

No part may be reproduced or utilized in any form or by any means, electronic or mechanical, including photocopying and microfilm except as authorized by written permission of ETSI.

The content of the PDF version shall not be modified without the written authorization of ETSI.

The copyright and the foregoing restriction extend to reproduction in all media.

© ETSI 2022.
All rights reserved.

Intellectual Property Rights

Essential patents

IPRs essential or potentially essential to normative deliverables may have been declared to ETSI. The declarations pertaining to these essential IPRs, if any, are publicly available for **ETSI members and non-members**, and can be found in ETSI SR 000 314: "*Intellectual Property Rights (IPRs); Essential, or potentially Essential, IPRs notified to ETSI in respect of ETSI standards*", which is available from the ETSI Secretariat. Latest updates are available on the ETSI Web server (<https://ipr.etsi.org/>).

Pursuant to the ETSI Directives including the ETSI IPR Policy, no investigation regarding the essentiality of IPRs, including IPR searches, has been carried out by ETSI. No guarantee can be given as to the existence of other IPRs not referenced in ETSI SR 000 314 (or the updates on the ETSI Web server) which are, or may be, or may become, essential to the present document.

Trademarks

The present document may include trademarks and/or tradenames which are asserted and/or registered by their owners. ETSI claims no ownership of these except for any which are indicated as being the property of ETSI, and conveys no right to use or reproduce any trademark and/or tradename. Mention of those trademarks in the present document does not constitute an endorsement by ETSI of products, services or organizations associated with those trademarks.

DECT™, **PLUGTESTS™**, **UMTS™** and the ETSI logo are trademarks of ETSI registered for the benefit of its Members. **3GPP™** and **LTE™** are trademarks of ETSI registered for the benefit of its Members and of the 3GPP Organizational Partners. **oneM2M™** logo is a trademark of ETSI registered for the benefit of its Members and of the oneM2M Partners. **GSM®** and the GSM logo are trademarks registered and owned by the GSM Association.

Legal Notice

This Technical Specification (TS) has been produced by ETSI 3rd Generation Partnership Project (3GPP).

The present document may refer to technical specifications or reports using their 3GPP identities. These shall be interpreted as being references to the corresponding ETSI deliverables.

The cross reference between 3GPP and ETSI identities can be found under <http://webapp.etsi.org/key/queryform.asp>.

Modal verbs terminology

In the present document "**shall**", "**shall not**", "**should**", "**should not**", "**may**", "**need not**", "**will**", "**will not**", "**can**" and "**cannot**" are to be interpreted as described in clause 3.2 of the [ETSI Drafting Rules](#) (Verbal forms for the expression of provisions).

"**must**" and "**must not**" are **NOT** allowed in ETSI deliverables except when used in direct citation.

Contents

Intellectual Property Rights	2
Legal Notice	2
Modal verbs terminology.....	2
Foreword.....	33
1 Scope	34
2 References	35
3 Definitions and abbreviations.....	36
3.1 Definitions	36
3.2 Abbreviations	36
4 MCPTT UE configuration MO	36
4.1 General	36
4.2 MCPTT UE configuration MO parameters	37
4.2.1 General.....	37
4.2.2 Node: <x>	37
4.2.3 /<x>/Name	37
4.2.4 /<x>/Ext/	38
4.2.5 /<x>/Common	38
4.2.6 /<x>/Common/PrivateCall	38
4.2.7 /<x>/Common/PrivateCall/MaxCallN10	38
4.2.8 /<x>/Common/MCPTTGroupCall.....	39
4.2.9 /<x>/Common/MCPTTGroupCall/MaxCallN4	39
4.2.10 /<x>/Common/MCPTTGroupCall/MaxTransmissionN5	39
4.2.11 /<x>/Common/MCPTTGroupCall/PrioritizedMCPTTGroup.....	39
4.2.12 /<x>/Common/MCPTTGroupCall/PrioritizedMCPTTGroup/<x>	39
4.2.13 /<x>/Common/MCPTTGroupCall/PrioritizedMCPTTGroup/<x>/ MCPTTGroupID	40
4.2.14 /<x>/Common/MCPTTGroupCall/PrioritizedMCPTTGroup/<x>/ MCPTTGroupPriorityHierarchy.....	40
4.2.15 /<x>/OnNetwork	40
4.2.16 /<x>/OnNetwork/RelayService.....	40
4.2.17 /<x>/OnNetwork/IPv6Preferred.....	41
4.2.18 /<x>/OnNetwork/RelayedMCPTTGroup.....	41
4.2.19 /<x>/OnNetwork/RelayedMCPTTGroup/<x>	41
4.2.20 /<x>/OnNetwork/RelayedMCPTTGroup/<x>/MCPTTGroupID	41
4.2.21 /<x>/OnNetwork/RelayedMCPTTGroup/<x>/RelayServiceCode	42
5 MCPTT user profile MO.....	42
5.1 General	42
5.2 MCPTT user profile MO parameters.....	45
5.2.1 General.....	45
5.2.2 Node: <x>	46
5.2.3 /<x>/Name	46
5.2.4 /<x>/Ext/	46
5.2.5 /<x>/<x>	46
5.2.6 /<x>/<x>/Common	47
5.2.7 /<x>/<x>/Common/MCPTTUserID	47
5.2.7A /<x>/<x>/Common/MCPTTUserProfileIndex	47
5.2.7B /<x>/<x>/Common/MCPTTUserProfileName.....	47
5.2.7C /<x>/<x>/Common/PreSelectedIndication	47
5.2.8 /<x>/<x>/Common/UserAliases.....	48
5.2.8A /<x>/<x>/Common/UserAliases/<x>	48
5.2.8B /<x>/<x>/Common/UserAliases/<x>/UserAlias	48
5.2.9 /<x>/<x>/Common/AuthorisedAlias	48
5.2.10 /<x>/<x>/Common/ParticipantType	49
5.2.11 /<x>/<x>/Common/Organization.....	49
5.2.12 /<x>/<x>/Common/PrivateCall.....	49

5.2.13	/<x>/<x>/Common/PrivateCall/Authorised	49
5.2.14	/<x>/<x>/Common/PrivateCall/AuthorisedAny	50
5.2.15	/<x>/<x>/Common/PrivateCall/UserList	50
5.2.16	/<x>/<x>/Common/PrivateCall/UserList/<x>	50
5.2.16A	/<x>/<x>/Common/PrivateCall/UserList/<x>/Entry	50
5.2.17	/<x>/<x>/Common/PrivateCall/UserList/<x>/Entry/MCPTTID	51
5.2.18	/<x>/<x>/Common/PrivateCall/UserList/<x>/Entry/DiscoveryGroupID	51
5.2.19	/<x>/<x>/Common/PrivateCall/UserList/<x>/Entry/UserInfoID	51
5.2.19A	/<x>/<x>/Common/PrivateCall/UserList/<x>/Entry/DisplayName	51
5.2.19B	/<x>/<x>/Common/PrivateCall/UserList/<x>/Entry/PrivateCallKMSURI	52
5.2.20	/<x>/<x>/Common/PrivateCall/ManualCommence	52
5.2.21	/<x>/<x>/Common/PrivateCall/AutoCommence	52
5.2.22	/<x>/<x>/Common/PrivateCall/AutoAnswer	52
5.2.23	/<x>/<x>/Common/PrivateCall/FailRestrict	53
5.2.24	/<x>/<x>/Common/PrivateCall/AllowedMediaProtection	53
5.2.25	/<x>/<x>/Common/PrivateCall/AllowedFloorControlProtection	53
5.2.26	/<x>/<x>/Common/PrivateCall/EmergencyCall	54
5.2.27	/<x>/<x>/Common/PrivateCall/EmergencyCall/Authorised	54
5.2.28	/<x>/<x>/Common/PrivateCall/EmergencyCall/CancelPriority	54
5.2.29	/<x>/<x>/Common/PrivateCall/EmergencyCall/MCPTTPrivateRecipient	54
5.2.29A	/<x>/<x>/Common/PrivateCall/EmergencyCall/MCPTTPrivateRecipient/Entry	55
5.2.29B	/<x>/<x>/Common/PrivateCall/EmergencyCall/MCPTTPrivateRecipient/Entry/ID	55
5.2.29C	/<x>/<x>/Common/PrivateCall/EmergencyCall/MCPTTPrivateRecipient/Entry/DiscoveryGroupID	55
5.2.29D	/<x>/<x>/Common/PrivateCall/EmergencyCall/MCPTTPrivateRecipient/Entry/UserInfoID	55
5.2.29E	/<x>/<x>/Common/PrivateCall/EmergencyCall/MCPTTPrivateRecipient/Entry/DisplayName	56
5.2.29F	/<x>/<x>/Common/PrivateCall/EmergencyCall/MCPTTPrivateRecipient/Entry/Usage	56
5.2.30	/<x>/<x>/Common/MCPTTGroupCall	56
5.2.31	/<x>/<x>/Common/MCPTTGroupCall/MaxSimultaneousCallsN6	57
5.2.32	/<x>/<x>/Common/MCPTTGroupCall/EmergencyCall	57
5.2.33	/<x>/<x>/Common/MCPTTGroupCall/EmergencyCall/Enabled	57
5.2.34	/<x>/<x>/Common/MCPTTGroupCall/EmergencyCall/MCPTTGroupInitiation	57
5.2.34A	/<x>/<x>/Common/MCPTTGroupCall/EmergencyCall/MCPTTGroupInitiation/Entry	58
5.2.34B	/<x>/<x>/Common/MCPTTGroupCall/EmergencyCall/MCPTTGroupInitiation/Entry/GroupID	58
5.2.34C	/<x>/<x>/Common/MCPTTGroupCall/EmergencyCall/ MCPTTGroupInitiation/Entry/DisplayName	58
5.2.34D	/<x>/<x>/Common/MCPTTGroupCall/EmergencyCall/MCPTTGroupInitiation/Entry/Usage	58
5.2.35	/<x>/<x>/Common/MCPTTGroupCall/EmergencyCall/CancelMCPTTGroup	59
5.2.36	/<x>/<x>/Common/MCPTTGroupCall/ImminentPerilCall	59
5.2.37	/<x>/<x>/Common/MCPTTGroupCall/ImminentPerilCall/Authorised	59
5.2.38	/<x>/<x>/Common/MCPTTGroupCall/ImminentPerilCall/Cancel	60
5.2.39	/<x>/<x>/Common/MCPTTGroupCall/ImminentPerilCall/MCPTTGroupInitiation	60
5.2.39A	/<x>/<x>/Common/MCPTTGroupCall/ImminentPerilCall/MCPTTGroupInitiation/Entry	60
5.2.39B	/<x>/<x>/Common/MCPTTGroupCall/ImminentPerilCall/MCPTTGroupInitiation/Entry/GroupID	60
5.2.39C	/<x>/<x>/Common/MCPTTGroupCall/ImminentPerilCall/MCPTTGroupInitiation/DisplayName	61
5.2.39D	/<x>/<x>/Common/MCPTTGroupCall/ImminentPerilCall/MCPTTGroupInitiation/Entry/Usage	61
5.2.40	/<x>/<x>/Common/MCPTTGroupCall/EmergencyAlert	61
5.2.41	/<x>/<x>/Common/MCPTTGroupCall/EmergencyAlert/Authorised	61
5.2.42	/<x>/<x>/Common/MCPTTGroupCall/EmergencyAlert/Cancel	62
5.2.43	Void	62
5.2.43A	/<x>/<x>/Common/MCPTTGroupCall/EmergencyAlert/Entry	62
5.2.43B	/<x>/<x>/Common/MCPTTGroupCall/EmergencyAlert/Entry/ID	62
5.2.43C	Void	63
5.2.43D	/<x>/<x>/Common/MCPTTGroupCall/EmergencyAlert/Entry/DisplayName	63
5.2.43E	/<x>/<x>/Common/MCPTTGroupCall/EmergencyAlert/Entry/Usage	63
5.2.43F	/<x>/<x>/Common/MCPTTGroupCall/Priority	63
5.2.44	Void	64
5.2.45	/<x>/<x>/Common/MCPTTGroupBroadcast	64
5.2.46	/<x>/<x>/Common/MCPTTGroupBroadcast/Authorised	64
5.2.47	/<x>/<x>/Common/UserBroadcast	64
5.2.48	/<x>/<x>/Common/UserBroadcast/Authorised	64
5.2.48A	/<x>/<x>/OnNetwork	65
5.2.48B1	/<x>/<x>/OnNetwork/MCPTTGroupList	65

5.2.48B2	/<x>/<x>/OnNetwork/MCPTTGroupList/<x>	65
5.2.48B3	/<x>/<x>/OnNetwork/MCPTTGroupList/<x>/Entry	65
5.2.48B4	/<x>/<x>/OnNetwork/MCPTTGroupList/<x>/Entry/ MCPTTGroupID	65
5.2.48B4A	/<x>/<x>/OnNetwork/MCPTTGroupList/<x>/Entry/ RulesForAffiliation	66
5.2.48B4A0	/<x>/<x>/OnNetwork/MCPTTGroupList/<x>/Entry/ RulesForAffiliation/<x>	66
5.2.48B4A1	/<x>/<x>/OnNetwork/MCPTTGroupList/<x>/Entry/ RulesForAffiliation/<x>/ListOfLocationCriteria/	66
5.2.48B4A2	/<x>/<x>/OnNetwork/MCPTTGroupList/<x>/Entry/ RulesForAffiliation/<x>/ListOfLocationCriteria/<x>	66
5.2.48B4A3	/<x>/<x>/OnNetwork/MCPTTGroupList/<x>/Entry/ RulesForAffiliation/<x>/ListOfLocationCriteria/<x>/Entry	67
5.2.48B4A4	/<x>/<x>/OnNetwork/MCPTTGroupList/<x>/Entry/ RulesForAffiliation/<x>/ListOfLocationCriteria/<x>/Entry/ EnterSpecificArea.....	67
5.2.48B4A5	/<x>/<x>/OnNetwork/MCPTTGroupList/<x>/Entry/ RulesForAffiliation/<x>/ListOfLocationCriteria/<x>/Entry/ EnterSpecificArea/PolygonArea.....	67
5.2.48B4A6	/<x>/<x>/OnNetwork/MCPTTGroupList/<x>/Entry/ RulesForAffiliation/<x>/ListOfLocationCriteria/<x>/Entry/ EnterSpecificArea/PolygonArea/<x>	68
5.2.48B4A7	/<x>/<x>/OnNetwork/MCPTTGroupList/<x>/Entry/ RulesForAffiliation/<x>/ListOfLocationCriteria/<x>/Entry/ EnterSpecificArea/PolygonArea/<x>/PointCoordinateType	68
5.2.48B4A8	/<x>/<x>/OnNetwork/MCPTTGroupList/<x>/Entry/ RulesForAffiliation/<x>/ListOfLocationCriteria/<x>/Entry/ EnterSpecificArea/PolygonArea/<x>/PointCoordinateType/ Longitude.....	68
5.2.48B4A9	/<x>/<x>/OnNetwork/MCPTTGroupList/<x>/Entry/ RulesForAffiliation/<x>/ListOfLocationCriteria/<x>/Entry/ EnterSpecificArea/PolygonArea/<x>/PointCoordinateType/Latitude.....	69
5.2.48B4A10	/<x>/<x>/OnNetwork/MCPTTGroupList/<x>/Entry/ RulesForAffiliation/<x>/ListOfLocationCriteria/<x>/Entry/ EnterSpecificArea/EllipsoidArcArea.....	69
5.2.48B4A11	/<x>/<x>/OnNetwork/MCPTTGroupList/<x>/Entry/ RulesForAffiliation/<x>/ListOfLocationCriteria/<x>/Entry/ EnterSpecificArea/EllipsoidArcArea/Center	69
5.2.48B4A12	/<x>/<x>/OnNetwork/MCPTTGroupList/<x>/Entry/ RulesForAffiliation/<x>/ListOfLocationCriteria/<x>/Entry/ EnterSpecificArea/EllipsoidArcArea/Center/PointCoordinateType.....	70
5.2.48B4A13	/<x>/<x>/OnNetwork/MCPTTGroupList/<x>/Entry/ RulesForAffiliation/<x>/ListOfLocationCriteria/<x>/Entry/ EnterSpecificArea/EllipsoidArcArea/Center/PointCoordinateType/ Longitude	70
5.2.48B4A14	/<x>/<x>/OnNetwork/MCPTTGroupList/<x>/Entry/ RulesForAffiliation/<x>/ListOfLocationCriteria/<x>/Entry/ EnterSpecificArea/EllipsoidArcArea/Center/PointCoordinateType/ Latitude	70
5.2.48B4A15	/<x>/<x>/OnNetwork/MCPTTGroupList/<x>/Entry/ RulesForAffiliation/<x>/ListOfLocationCriteria/<x>/Entry/ EnterSpecificArea/EllipsoidArcArea/Radius.....	71
5.2.48B4A16	/<x>/<x>/OnNetwork/MCPTTGroupList/<x>/Entry/ RulesForAffiliation/<x>/ListOfLocationCriteria/<x>/Entry/ EnterSpecificArea/EllipsoidArcArea/OffsetAngle	71
5.2.48B4A17	/<x>/<x>/OnNetwork/MCPTTGroupList/<x>/Entry/ RulesForAffiliation/<x>/ListOfLocationCriteria/<x>/Entry/ EnterSpecificArea/EllipsoidArcArea/IncludedAngle	71
5.2.48B4A18	/<x>/<x>/OnNetwork/MCPTTGroupList/<x>/Entry/ RulesForAffiliation/<x>/ListOfLocationCriteria/<x>/Entry/ EnterSpecificArea/Speed.....	72
5.2.48B4A19	/<x>/<x>/OnNetwork/MCPTTGroupList/<x>/Entry/ RulesForAffiliation/<x>/ListOfLocationCriteria/<x>/Entry/ EnterSpecificArea/Speed/MinimumSpeed	72
5.2.48B4A20	/<x>/<x>/OnNetwork/MCPTTGroupList/<x>/Entry/ RulesForAffiliation/<x>/ListOfLocationCriteria/<x>/Entry/ EnterSpecificArea/Speed/MaximumSpeed.....	72
5.2.48B4A21	/<x>/<x>/OnNetwork/MCPTTGroupList/<x>/Entry/ RulesForAffiliation/<x>/ListOfLocationCriteria/<x>/Entry/ EnterSpecificArea/Heading	73
5.2.48B4A22	/<x>/<x>/OnNetwork/MCPTTGroupList/<x>/Entry/ RulesForAffiliation/<x>/ListOfLocationCriteria/<x>/Entry/ EnterSpecificArea/Heading/MinimumHeading	73

5.2.48B4A23	/<x>/<x>/OnNetwork/MCPTTGroupList/<x>/Entry/ RulesForAffiliation/<x>/ListOfLocationCriteria/<x>/Entry/ EnterSpecificArea/Heading/MaximumHeading	73
5.2.48B4A24	/<x>/<x>/OnNetwork/MCPTTGroupList/<x>/Entry/ RulesForAffiliation/<x>/ListOfLocationCriteria/<x>/Entry/ ExitSpecificArea.....	74
5.2.48B4A25	/<x>/<x>/OnNetwork/MCPTTGroupList/<x>/Entry/ RulesForAffiliation/<x>/ListOfLocationCriteria/<x>/Entry/ ExitSpecificArea/PolygonArea.....	74
5.2.48B4A26	/<x>/<x>/OnNetwork/MCPTTGroupList/<x>/Entry/ RulesForAffiliation/<x>/ListOfLocationCriteria/<x>/Entry/ ExitSpecificArea/PolygonArea/<x>	74
5.2.48B4A27	/<x>/<x>/OnNetwork/MCPTTGroupList/<x>/Entry/ RulesForAffiliation/<x>/ListOfLocationCriteria/<x>/Entry/ ExitSpecificArea/PolygonArea/<x>/PointCoordinateType	75
5.2.48B4A28	/<x>/<x>/OnNetwork/MCPTTGroupList/<x>/Entry/ RulesForAffiliation/<x>/ListOfLocationCriteria/<x>/Entry/ ExitSpecificArea/PolygonArea/<x>/PointCoordinateType/Longitude	75
5.2.48B4A29	/<x>/<x>/OnNetwork/MCPTTGroupList/<x>/Entry/ RulesForAffiliation/<x>/ListOfLocationCriteria/<x>/Entry/ ExitSpecificArea/PolygonArea/<x>/PointCoordinateType/Latitude.....	75
5.2.48B4A30	/<x>/<x>/OnNetwork/MCPTTGroupList/<x>/Entry/ RulesForAffiliation/<x>/ListOfLocationCriteria/<x>/Entry/ ExitSpecificArea/EllipsoidArcArea.....	76
5.2.48B4A31	/<x>/<x>/OnNetwork/MCPTTGroupList/<x>/Entry/ RulesForAffiliation/<x>/ListOfLocationCriteria/<x>/Entry/ ExitSpecificArea/EllipsoidArcArea/Center	76
5.2.48B4A32	/<x>/<x>/OnNetwork/MCPTTGroupList/<x>/Entry/ RulesForAffiliation/<x>/ListOfLocationCriteria/<x>/Entry/ ExitSpecificArea/EllipsoidArcArea/Center/PointCoordinateType.....	76
5.2.48B4A33	/<x>/<x>/OnNetwork/MCPTTGroupList/<x>/Entry/ RulesForAffiliation/<x>/ListOfLocationCriteria/<x>/Entry/ ExitSpecificArea/EllipsoidArcArea/Center/PointCoordinateType/ Longitude	77
5.2.48B4A34	/<x>/<x>/OnNetwork/MCPTTGroupList/<x>/Entry/ RulesForAffiliation/<x>/ListOfLocationCriteria/<x>/Entry/ ExitSpecificArea/EllipsoidArcArea/Center/PointCoordinateType/ Latitude	77
5.2.48B4A35	/<x>/<x>/OnNetwork/MCPTTGroupList/<x>/Entry/ RulesForAffiliation/<x>/ListOfLocationCriteria/<x>/Entry/ ExitSpecificArea/EllipsoidArcArea/Radius.....	77
5.2.48B4A36	/<x>/<x>/OnNetwork/MCPTTGroupList/<x>/Entry/ RulesForAffiliation/<x>/ListOfLocationCriteria/<x>/Entry/ ExitSpecificArea/EllipsoidArcArea/OffsetAngle	78
5.2.48B4A37	/<x>/<x>/OnNetwork/MCPTTGroupList/<x>/Entry/ RulesForAffiliation/<x>/ListOfLocationCriteria/<x>/Entry/ ExitSpecificArea/EllipsoidArcArea/IncludedAngle	78
5.2.48B4A38	/<x>/<x>/OnNetwork/MCPTTGroupList/<x>/Entry/ RulesForAffiliation/<x>/ListOfLocationCriteria/<x>/Entry/ ExitSpecificArea/Speed.....	78
5.2.48B4A39	/<x>/<x>/OnNetwork/MCPTTGroupList/<x>/Entry/ RulesForAffiliation/<x>/ListOfLocationCriteria/<x>/Entry/ ExitSpecificArea/Speed/MinimumSpeed	79
5.2.48B4A40	/<x>/<x>/OnNetwork/MCPTTGroupList/<x>/Entry/ RulesForAffiliation/<x>/ListOfLocationCriteria/<x>/Entry/ ExitSpecificArea/Speed/MaximumSpeed.....	79
5.2.48B4A41	/<x>/<x>/OnNetwork/MCPTTGroupList/<x>/Entry/ RulesForAffiliation/<x>/ListOfLocationCriteria/<x>/Entry/ ExitSpecificArea/Heading	79
5.2.48B4A42	/<x>/<x>/OnNetwork/MCPTTGroupList/<x>/Entry/ RulesForAffiliation/<x>/ListOfLocationCriteria/<x>/Entry/ ExitSpecificArea/Heading/MinimumHeading	80
5.2.48B4A43	/<x>/<x>/OnNetwork/MCPTTGroupList/<x>/Entry/ RulesForAffiliation/<x>/ListOfLocationCriteria/<x>/Entry/ ExitSpecificArea/Heading/MaximumHeading	80
5.2.48B4A44	/<x>/<x>/OnNetwork/MCPTTGroupList/<x>/Entry/ RulesForAffiliation/<x>/ListOfActiveFunctionalAliases.....	80
5.2.48B4A45	/<x>/<x>/OnNetwork/MCPTTGroupList/<x>/Entry/ RulesForAffiliation/<x>/ListOfActiveFunctionalAliases/<x>	81

5.2.48B4A46	/<x>/<x>/OnNetwork/MCPTTGroupList/<x>/Entry/ RulesForAffiliation/<x>/ListOfActiveFunctionalAliases/<x>/Entry	81
5.2.48B4A47	/<x>/<x>/OnNetwork/MCPTTGroupList/<x>/Entry/ RulesForAffiliation/<x>/ListOfActiveFunctionalAliases/<x>/Entry/ FunctionalAlias.....	81
5.2.48B4B	/<x>/<x>/OnNetwork/MCPTTGroupList/<x>/Entry/ RulesForDeaffiliation	81
5.2.48B4B0	/<x>/<x>/OnNetwork/MCPTTGroupList/<x>/Entry/ RulesForDeaffiliation/<x>	82
5.2.48B4B1	/<x>/<x>/OnNetwork/MCPTTGroupList/<x>/Entry/ RulesForDeaffiliation/<x>/ListOfLocationCriteria/	82
5.2.48B4B2	/<x>/<x>/OnNetwork/MCPTTGroupList/<x>/Entry/ RulesForDeaffiliation/<x>/ListOfLocationCriteria/<x>	82
5.2.48B4B3	/<x>/<x>/OnNetwork/MCPTTGroupList/<x>/Entry/ RulesForDeaffiliation/<x>/ListOfLocationCriteria/<x>/Entry.....	82
5.2.48B4B4	/<x>/<x>/OnNetwork/MCPTTGroupList/<x>/Entry/ RulesForDeaffiliation/<x>/ListOfLocationCriteria/<x>/Entry/ EnterSpecificArea	83
5.2.48B4B5	/<x>/<x>/OnNetwork/MCPTTGroupList/<x>/Entry/ RulesForDeaffiliation/<x>/ListOfLocationCriteria/<x>/Entry/ EnterSpecificArea/PolygonArea	83
5.2.48B4B6	/<x>/<x>/OnNetwork/MCPTTGroupList/<x>/Entry/ RulesForDeaffiliation/<x>/ListOfLocationCriteria/<x>/Entry/ EnterSpecificArea/PolygonArea/<x>.....	83
5.2.48B4B7	/<x>/<x>/OnNetwork/MCPTTGroupList/<x>/Entry/ RulesForDeaffiliation/<x>/ListOfLocationCriteria/<x>/Entry/ EnterSpecificArea/PolygonArea/<x>/PointCoordinateType	84
5.2.48B4B8	/<x>/<x>/OnNetwork/MCPTTGroupList/<x>/Entry/ RulesForDeaffiliation/<x>/ListOfLocationCriteria/<x>/Entry/ EnterSpecificArea/PolygonArea/<x>/PointCoordinateType/ Longitude.....	84
5.2.48B4B9	/<x>/<x>/OnNetwork/MCPTTGroupList/<x>/Entry/ RulesForDeaffiliation/<x>/ListOfLocationCriteria/<x>/Entry/ EnterSpecificArea/PolygonArea/<x>/PointCoordinateType/Latitude.....	84
5.2.48B4B10	/<x>/<x>/OnNetwork/MCPTTGroupList/<x>/Entry/ RulesForDeaffiliation/<x>/ListOfLocationCriteria/<x>/Entry/ EnterSpecificArea/EllipsoidArcArea	85
5.2.48B4A11	/<x>/<x>/OnNetwork/MCPTTGroupList/<x>/Entry/ RulesForDeaffiliation/<x>/ListOfLocationCriteria/<x>/Entry/ EnterSpecificArea/EllipsoidArcArea/Center	85
5.2.48B4B12	/<x>/<x>/OnNetwork/MCPTTGroupList/<x>/Entry/ RulesForDeaffiliation/<x>/ListOfLocationCriteria/<x>/Entry/ EnterSpecificArea/EllipsoidArcArea/Center/PointCoordinateType.....	85
5.2.48B4B13	/<x>/<x>/OnNetwork/MCPTTGroupList/<x>/Entry/ RulesForDeaffiliation/<x>/ListOfLocationCriteria/<x>/Entry/ EnterSpecificArea/EllipsoidArcArea/Center/PointCoordinateType/ Longitude	86
5.2.48B4B14	/<x>/<x>/OnNetwork/MCPTTGroupList/<x>/Entry/ RulesForDeaffiliation/<x>/ListOfLocationCriteria/<x>/Entry/ EnterSpecificArea/EllipsoidArcArea/Center/PointCoordinateType/ Latitude	86
5.2.48B4B15	/<x>/<x>/OnNetwork/MCPTTGroupList/<x>/Entry/ RulesForDeaffiliation/<x>/ListOfLocationCriteria/<x>/Entry/ EnterSpecificArea/EllipsoidArcArea/Radius.....	86
5.2.48B4B16	/<x>/<x>/OnNetwork/MCPTTGroupList/<x>/Entry/ RulesForDeaffiliation/<x>/ListOfLocationCriteria/<x>/Entry/ EnterSpecificArea/EllipsoidArcArea/OffsetAngle	87
5.2.48B4B17	/<x>/<x>/OnNetwork/MCPTTGroupList/<x>/Entry/ RulesForDeaffiliation/<x>/ListOfLocationCriteria/<x>/Entry/ EnterSpecificArea/EllipsoidArcArea/IncludedAngle	87
5.2.48B4B18	/<x>/<x>/OnNetwork/MCPTTGroupList/<x>/Entry/ RulesForDeaffiliation/<x>/ListOfLocationCriteria/<x>/Entry/ EnterSpecificArea/Speed	87
5.2.48B4B19	/<x>/<x>/OnNetwork/MCPTTGroupList/<x>/Entry/ RulesForDeaffiliation/<x>/ListOfLocationCriteria/<x>/Entry/ EnterSpecificArea/Speed/MinimumSpeed	88
5.2.48B4B20	/<x>/<x>/OnNetwork/MCPTTGroupList/<x>/Entry/ RulesForDeaffiliation/<x>/ListOfLocationCriteria/<x>/Entry/ EnterSpecificArea/Speed/MaximumSpeed.....	88
5.2.48B4B21	/<x>/<x>/OnNetwork/MCPTTGroupList/<x>/Entry/ RulesForDeaffiliation/<x>/ListOfLocationCriteria/<x>/Entry/ EnterSpecificArea/Heading.....	88

5.2.48B4B22	/<x>/<x>/OnNetwork/MCPTTGroupList/<x>/Entry/ RulesForDeaffiliation/<x>/ListOfLocationCriteria/<x>/Entry/ EnterSpecificArea/Heading/MinimumHeading	89
5.2.48B4B23	/<x>/<x>/OnNetwork/MCPTTGroupList/<x>/Entry/ RulesForDeaffiliation/<x>/ListOfLocationCriteria/<x>/Entry/ EnterSpecificArea/Heading/MaximumHeading	89
5.2.48B4B24	/<x>/<x>/OnNetwork/MCPTTGroupList/<x>/Entry/ RulesForDeaffiliation/<x>/ListOfLocationCriteria/<x>/Entry/ ExitSpecificArea	89
5.2.48B4B25	/<x>/<x>/OnNetwork/MCPTTGroupList/<x>/Entry/ RulesForDeaffiliation/<x>/ListOfLocationCriteria/<x>/Entry/ ExitSpecificArea/PolygonArea	90
5.2.48B4B26	/<x>/<x>/OnNetwork/MCPTTGroupList/<x>/Entry/ RulesForDeaffiliation/<x>/ListOfLocationCriteria/<x>/Entry/ ExitSpecificArea/PolygonArea/<x>	90
5.2.48B4B27	/<x>/<x>/OnNetwork/MCPTTGroupList/<x>/Entry/ RulesForDeaffiliation/<x>/ListOfLocationCriteria/<x>/Entry/ ExitSpecificArea/PolygonArea/<x>/PointCoordinateType	90
5.2.48B4B28	/<x>/<x>/OnNetwork/MCPTTGroupList/<x>/Entry/ RulesForDeaffiliation/<x>/ListOfLocationCriteria/<x>/Entry/ ExitSpecificArea/PolygonArea/<x>/PointCoordinateType/Longitude	91
5.2.48B4B29	/<x>/<x>/OnNetwork/MCPTTGroupList/<x>/Entry/ RulesForDeaffiliation/<x>/ListOfLocationCriteria/<x>/Entry/ ExitSpecificArea/PolygonArea/<x>/PointCoordinateType/Latitude	91
5.2.48B4B30	/<x>/<x>/OnNetwork/MCPTTGroupList/<x>/Entry/ RulesForDeaffiliation/<x>/ListOfLocationCriteria/<x>/Entry/ ExitSpecificArea/EllipsoidArcArea	91
5.2.48B4B31	/<x>/<x>/OnNetwork/MCPTTGroupList/<x>/Entry/ RulesForDeaffiliation/<x>/ListOfLocationCriteria/<x>/Entry/ ExitSpecificArea/EllipsoidArcArea/Center	92
5.2.48B4B32	/<x>/<x>/OnNetwork/MCPTTGroupList/<x>/Entry/ RulesForDeaffiliation/<x>/ListOfLocationCriteria/<x>/Entry/ ExitSpecificArea/EllipsoidArcArea/Center/PointCoordinateType	92
5.2.48B4B33	/<x>/<x>/OnNetwork/MCPTTGroupList/<x>/Entry/ RulesForDeaffiliation/<x>/ListOfLocationCriteria/<x>/Entry/ ExitSpecificArea/EllipsoidArcArea/Center/PointCoordinateType/ Longitude	92
5.2.48B4B34	/<x>/<x>/OnNetwork/MCPTTGroupList/<x>/Entry/ RulesForDeaffiliation/<x>/ListOfLocationCriteria/<x>/Entry/ ExitSpecificArea/EllipsoidArcArea/Center/PointCoordinateType/ Latitude	93
5.2.48B4B35	/<x>/<x>/OnNetwork/MCPTTGroupList/<x>/Entry/ RulesForDeaffiliation/<x>/ListOfLocationCriteria/<x>/Entry/ ExitSpecificArea/EllipsoidArcArea/Radius	93
5.2.48B4B36	/<x>/<x>/OnNetwork/MCPTTGroupList/<x>/Entry/ RulesForDeaffiliation/<x>/ListOfLocationCriteria/<x>/Entry/ ExitSpecificArea/EllipsoidArcArea/OffsetAngle	93
5.2.48B4B37	/<x>/<x>/OnNetwork/MCPTTGroupList/<x>/Entry/ RulesForDeaffiliation/<x>/ListOfLocationCriteria/<x>/Entry/ ExitSpecificArea/EllipsoidArcArea/IncludedAngle	94
5.2.48B4B38	/<x>/<x>/OnNetwork/MCPTTGroupList/<x>/Entry/ RulesForDeaffiliation/<x>/ListOfLocationCriteria/<x>/Entry/ ExitSpecificArea/Speed	94
5.2.48B4B39	/<x>/<x>/OnNetwork/MCPTTGroupList/<x>/Entry/ RulesForDeaffiliation/<x>/ListOfLocationCriteria/<x>/Entry/ ExitSpecificArea/Speed/MinimumSpeed	94
5.2.48B4B40	/<x>/<x>/OnNetwork/MCPTTGroupList/<x>/Entry/ RulesForDeaffiliation/<x>/ListOfLocationCriteria/<x>/Entry/ ExitSpecificArea/Speed/MaximumSpeed	95
5.2.48B4B41	/<x>/<x>/OnNetwork/MCPTTGroupList/<x>/Entry/ RulesForDeaffiliation/<x>/ListOfLocationCriteria/<x>/Entry/ ExitSpecificArea/Heading	95
5.2.48B4B42	/<x>/<x>/OnNetwork/MCPTTGroupList/<x>/Entry/ RulesForDeaffiliation/<x>/ListOfLocationCriteria/<x>/Entry/ ExitSpecificArea/Heading/MinimumHeading	95
5.2.48B4B43	/<x>/<x>/OnNetwork/MCPTTGroupList/<x>/Entry/ RulesForDeaffiliation/<x>/ListOfLocationCriteria/<x>/Entry/ ExitSpecificArea/Heading/MaximumHeading	96
5.2.48B4B44	/<x>/<x>/OnNetwork/MCPTTGroupList/<x>/Entry/ RulesForDeaffiliation/<x>/ListOfActiveFunctionalAliases	96

5.2.48B4B45	/<x>/<x>/OnNetwork/MCPTTGroupList/<x>/Entry/ RulesForDeaffiliation/<x>/ListOfActiveFunctionalAliases/<x>	96
5.2.48B4B46	/<x>/<x>/OnNetwork/MCPTTGroupList/<x>/Entry/ RulesForDeaffiliation/<x>/ListOfActiveFunctionalAliases/<x>/Entry	96
5.2.48B4B47	/<x>/<x>/OnNetwork/MCPTTGroupList/<x>/Entry/ RulesForDeaffiliation/<x>/ListOfActiveFunctionalAliases/<x>/Entry/ FunctionalAlias	97
5.2.48B5	/<x>/<x>/OnNetwork/MCPTTGroupList/<x>/Entry/DisplayName	97
5.2.48B6	/<x>/<x>/OnNetwork/MCPTTGroupList/<x>/Entry/ ManualDeaffiliationNotAllowedIfAffiliationRulesAreMet	97
5.2.48B7	/<x>/<x>/OnNetwork/MCPTTGroupList/<x>/Entry/ RelativePresentationPriority	97
5.2.48B8	/<x>/<x>/OnNetwork/MCPTTGroupList/<x>/Entry/GMSServID	98
5.2.48B9	/<x>/<x>/OnNetwork/MCPTTGroupList/<x>/Entry/ IDMSSTokenEndPoint	98
5.2.48B10	/<x>/<x>/OnNetwork/MCPTTGroupList/<x>/Entry/GroupKMSURI	98
5.2.48C1	/<x>/<x>/OnNetwork/ImplicitAffiliations	98
5.2.48C2	/<x>/<x>/OnNetwork/ImplicitAffiliations/<x>	99
5.2.48C3	/<x>/<x>/OnNetwork/ImplicitAffiliations/<x>/Entry	99
5.2.48C4	/<x>/<x>/OnNetwork/ImplicitAffiliations/<x>/Entry/ MCPTTGroupID	99
5.2.48C5	/<x>/<x>/OnNetwork/ImplicitAffiliations/<x>/Entry/DisplayName	99
5.2.48D	/<x>/<x>/OnNetwork/AllowedRegroup	99
5.2.48E	/<x>/<x>/OnNetwork/AllowedPresenceStatus	100
5.2.48F	/<x>/<x>/OnNetwork/AllowedPresence	100
5.2.48G	/<x>/<x>/OnNetwork/EnabledParticipation	100
5.2.48H	/<x>/<x>/OnNetwork/AllowedTransmission	101
5.2.48I	/<x>/<x>/OnNetwork/AllowedManualSwitch	101
5.2.48J	/<x>/<x>/OnNetwork/PrivateCall	101
5.2.48K	/<x>/<x>/OnNetwork/PrivateCall/EmergencyAlert	101
5.2.48L	/<x>/<x>/OnNetwork/PrivateCall/EmergencyAlert/Entry	102
5.2.48M	/<x>/<x>/OnNetwork/PrivateCall/EmergencyAlert/Entry/ID	102
5.2.48N	/<x>/<x>/OnNetwork/PrivateCall/EmergencyAlert/Entry/ DisplayName	102
5.2.48O	/<x>/<x>/OnNetwork/PrivateCall/EmergencyAlert/Entry/Usage	102
5.2.48P	/<x>/<x>/OnNetwork/PrivateCall/AllowedCallBackRequest	103
5.2.48Q	/<x>/<x>/OnNetwork/PrivateCall/AllowedCallBackCancelRequest	103
5.2.48R	/<x>/<x>/OnNetwork/PrivateCall/ AllowedRemoteInitiatedAmbientListening	103
5.2.48S	/<x>/<x>/OnNetwork/PrivateCall/ AllowedLocallyInitiatedAmbientListening	103
5.2.48T	/<x>/<x>/OnNetwork/PrivateCall/ AllowedRequestFirstToAnswerCall	104
5.2.48U1	/<x>/<x>/OnNetwork/RemoteGroupSelection	104
5.2.48U2	/<x>/<x>/OnNetwork/RemoteGroupSelection/<x>	104
5.2.48U3	/<x>/<x>/OnNetwork/RemoteGroupSelection/<x>/Entry	104
5.2.48U4	/<x>/<x>/OnNetwork/RemoteGroupSelection/<x>/Entry/ MCPTTID	105
5.2.48U5	/<x>/<x>/OnNetwork/RemoteGroupSelection/<x>/Entry/ DisplayName	105
5.2.48V1	Void	106
5.2.48V2	Void	106
5.2.48V3	Void	106
5.2.48V4	Void	106
5.2.48V5	Void	106
5.2.48V6	Void	106
5.2.48V7	Void	106
5.2.48V8	Void	106
5.2.48V9	Void	106
5.2.48V10	Void	106
5.2.48V11	Void	106
5.2.48V12	Void	106
5.2.48V13	Void	106
5.2.48V14	Void	106
5.2.48V15	Void	106
5.2.48V16	Void	106
5.2.48V17	Void	106
5.2.48W1	/<x>/<x>/OnNetwork/AllowedRequestRemoteInitPrivateCall	106
5.2.48W2	/<x>/<x>/OnNetwork/AllowedRequestRemoteInitGroupCall	107
5.2.48W3	/<x>/<x>/OnNetwork/FunctionalAliasList	107
5.2.48W4	/<x>/<x>/OnNetwork/FunctionalAliasList/<x>	107
5.2.48W5	/<x>/<x>/OnNetwork/FunctionalAliasList/<x>/Entry	107

5.2.48W6 /<x>/<x>/OnNetwork/FunctionalAliasList/<x>/Entry/ FunctionalAlias 107

5.2.48W6A /<x>/<x>/OnNetwork/FunctionalAliasList/<x>/Entry/ LocationCriteriaForActivation 108

5.2.48W6A0 /<x>/<x>/OnNetwork/FunctionalAliasList/<x>/Entry/ LocationCriteriaForActivation/<x> 108

5.2.48W6A1 /<x>/<x>/OnNetwork/FunctionalAliasList/<x>/Entry/LocationCriteriaForActivation/<x>/EnterSpecificArea 108

5.2.48W6A2 /<x>/<x>/OnNetwork/FunctionalAliasList/<x>/Entry/LocationCriteriaForActivation/<x>/EnterSpecificArea/PolygonArea 108

5.2.48W6A3 /<x>/<x>/OnNetwork/FunctionalAliasList/<x>/Entry/LocationCriteriaForActivation/<x>/EnterSpecificArea/ PolygonArea/<x> 109

5.2.48W6A3A /<x>/<x>/OnNetwork/FunctionalAliasList/<x>/Entry/LocationCriteriaForActivation/<x>/EnterSpecificArea/ PolygonArea/<x>/PointCoordinateType 109

5.2.48W6A4 /<x>/<x>/OnNetwork/FunctionalAliasList/<x>/Entry/LocationCriteriaForActivation/<x>/EnterSpecificArea/ PolygonArea/<x>/PointCoordinateType/Longitude 109

5.2.48W6A5 /<x>/<x>/OnNetwork/FunctionalAliasList/<x>/Entry/LocationCriteriaForActivation/<x>/EnterSpecificArea/ PolygonArea/<x>/PointCoordinateType/Latitude 110

5.2.48W6A6 /<x>/<x>/OnNetwork/FunctionalAliasList/<x>/Entry/LocationCriteriaForActivation/<x>/EnterSpecificArea/ EllipsoidArcArea 110

5.2.48W6A7 /<x>/<x>/OnNetwork/FunctionalAliasList/<x>/Entry/LocationCriteriaForActivation/<x>/EnterSpecificArea/ EllipsoidArcArea/Center 110

5.2.48W6A7A /<x>/<x>/OnNetwork/FunctionalAliasList/<x>/Entry/LocationCriteriaForActivation/<x>/EnterSpecificArea/ EllipsoidArcArea/Center/PointCoordinateType 111

5.2.48W6A8 /<x>/<x>/OnNetwork/FunctionalAliasList/<x>/Entry/LocationCriteriaForActivation/<x>/EnterSpecificArea/ EllipsoidArcArea/Center/PointCoordinateType/Longitude 111

5.2.48W6A9 /<x>/<x>/OnNetwork/FunctionalAliasList/<x>/Entry/LocationCriteriaForActivation/<x>/EnterSpecificArea/ EllipsoidArcArea/Center/PointCoordinateType/Latitude 111

5.2.48W6A10/<x>/<x>/OnNetwork/FunctionalAliasList/<x>/Entry/ LocationCriteriaForActivation/<x>/EnterSpecificArea/EllipsoidArcArea/Radius 112

5.2.48W6A11/<x>/<x>/OnNetwork/FunctionalAliasList/<x>/Entry/ LocationCriteriaForActivation/<x>/EnterSpecificArea/EllipsoidArcArea/OffsetAngle 112

5.2.48W6A12/<x>/<x>/OnNetwork/FunctionalAliasList/<x>/Entry/ LocationCriteriaForActivation/<x>/EnterSpecificArea/EllipsoidArcArea/IncludedAngle 112

5.2.48W6A12A /<x>/<x>/OnNetwork/FunctionalAliasList/<x>/Entry/LocationCriteriaForActivation/<x>/EnterSpecificArea/Speed 113

5.2.48W6A12B /<x>/<x>/OnNetwork/FunctionalAliasList/<x>/Entry/LocationCriteriaForActivation/<x>/EnterSpecificArea/Speed/ MinimumSpeed 113

5.2.48W6A12C /<x>/<x>/OnNetwork/FunctionalAliasList/<x>/Entry/LocationCriteriaForActivation/<x>/EnterSpecificArea/Speed/ MaximumSpeed 113

5.2.48W6A12D /<x>/<x>/OnNetwork/FunctionalAliasList/<x>/Entry/LocationCriteriaForActivation/<x>/EnterSpecificArea/Heading 114

5.2.48W6A12E /<x>/<x>/OnNetwork/FunctionalAliasList/<x>/Entry/LocationCriteriaForActivation/<x>/EnterSpecificArea/Heading/ MinimumHeading 114

5.2.48W6A12F /<x>/<x>/OnNetwork/FunctionalAliasList/<x>/Entry/LocationCriteriaForActivation/<x>/EnterSpecificArea/Heading/ MaximumHeading 114

5.2.48W6A13/<x>/<x>/OnNetwork/FunctionalAliasList/<x>/Entry/ LocationCriteriaForActivation/<x>/ExitSpecificArea 115

5.2.48W6A14/<x>/<x>/OnNetwork/FunctionalAliasList/<x>/Entry/ LocationCriteriaForActivation/<x>/ExitSpecificArea/PolygonArea 115

5.2.48W6A15/<x>/<x>/OnNetwork/FunctionalAliasList/<x>/Entry/ LocationCriteriaForActivation/<x>/ExitSpecificArea/PolygonArea/<x> 115

5.2.48W6A15A /<x>/<x>/OnNetwork/FunctionalAliasList/<x>/Entry/LocationCriteriaForActivation/<x>/ExitSpecificArea/ PolygonArea/<x>/PointCoordinateType 116

5.2.48W6A16/<x>/<x>/OnNetwork/FunctionalAliasList/<x>/Entry/ LocationCriteriaForActivation/<x>/ExitSpecificArea/PolygonArea/<x>/PointCoordinateType/Longitude 116

5.2.48W6A17/<x>/<x>/OnNetwork/FunctionalAliasList/<x>/Entry/ LocationCriteriaForActivation/<x>/ExitSpecificArea/PolygonArea/<x>/PointCoordinateType/Latitude 116

5.2.48W6A18/<x>/<x>/OnNetwork/FunctionalAliasList/<x>/Entry/ LocationCriteriaForActivation/<x>/ExitSpecificArea/EllipsoidArcArea 117

5.2.48W6A19/<x>/<x>/OnNetwork/FunctionalAliasList/<x>/Entry/ LocationCriteriaForActivation/<x>/ ExitSpecificArea/EllipsoidArcArea/Center	117	
5.2.48W6A19A	/<x>/<x>/OnNetwork/FunctionalAliasList/<x>/Entry/ LocationCriteriaForActivation/<x>/ExitSpecificArea/ EllipsoidArcArea/Center/PointCoordinateType	117
5.2.48W6A20/<x>/<x>/OnNetwork/FunctionalAliasList/<x>/Entry/ LocationCriteriaForActivation/<x>/ ExitSpecificArea/EllipsoidArcArea/Center/PointCoordinateType/ Longitude	118	
5.2.48W6A21/<x>/<x>/OnNetwork/FunctionalAliasList/<x>/Entry/ LocationCriteriaForActivation/<x>/ ExitSpecificArea/EllipsoidArcArea/Center/PointCoordinateType/ Latitude	118	
5.2.48W6A22/<x>/<x>/OnNetwork/FunctionalAliasList/<x>/Entry/ LocationCriteriaForActivation/<x>/ ExitSpecificArea/EllipsoidArcArea/Radius.....	118	
5.2.48W6A23/<x>/<x>/OnNetwork/FunctionalAliasList/<x>/Entry/ LocationCriteriaForActivation/<x>/ ExitSpecificArea/EllipsoidArcArea/OffsetAngle	119	
5.2.48W6A24/<x>/<x>/OnNetwork/FunctionalAliasList/<x>/Entry/ LocationCriteriaForActivation/<x>/ ExitSpecificArea/EllipsoidArcArea/IncludedAngle	119	
5.2.48W6A24A	/<x>/<x>/OnNetwork/FunctionalAliasList/<x>/Entry/ LocationCriteriaForActivation/<x>/ExitSpecificArea/Speed	119
5.2.48W6A24B	/<x>/<x>/OnNetwork/FunctionalAliasList/<x>/Entry/ LocationCriteriaForActivation/<x>/ExitSpecificArea/Speed/ MinimumSpeed	120
5.2.48W6A24C	/<x>/<x>/OnNetwork/FunctionalAliasList/<x>/Entry/ LocationCriteriaForActivation/<x>/ExitSpecificArea/Speed/ MaximumSpeed.....	120
5.2.48W6A24D	/<x>/<x>/OnNetwork/FunctionalAliasList/<x>/Entry/ LocationCriteriaForActivation/<x>/ExitSpecificArea/Heading	120
5.2.48W6A24E.....	/<x>/<x>/OnNetwork/FunctionalAliasList/<x>/Entry/ LocationCriteriaForActivation/<x>/ExitSpecificArea/Heading/ MinimumHeading.....	121
5.2.48W6A24F.....	/<x>/<x>/OnNetwork/FunctionalAliasList/<x>/Entry/ LocationCriteriaForActivation/<x>/ExitSpecificArea/Heading/ MaximumHeading	121
5.2.48W6B /<x>/<x>/OnNetwork/FunctionalAliasList/<x>/Entry/ LocationCriteriaForDeactivation	121	
5.2.48W6B0 /<x>/<x>/OnNetwork/FunctionalAliasList/<x>/Entry/ LocationCriteriaForDeactivation/<x>	121	
5.2.48W6B1 /<x>/<x>/OnNetwork/FunctionalAliasList/<x>/Entry/ LocationCriteriaForDeactivation/<x>/EnterSpecificArea	122	
5.2.48W6B2 /<x>/<x>/OnNetwork/FunctionalAliasList/<x>/Entry/ LocationCriteriaForDeactivation/<x>/EnterSpecificArea/ PolygonArea	122	
5.2.48W6B3 /<x>/<x>/OnNetwork/FunctionalAliasList/<x>/Entry/ LocationCriteriaForDeactivation/<x>/EnterSpecificArea/ PolygonArea/<x>.....	122	
5.2.48W6B3A	/<x>/<x>/OnNetwork/FunctionalAliasList/<x>/Entry/ LocationCriteriaForDeactivation/<x>/EnterSpecificArea/ PolygonArea/<x>/PointCoordinateType	123
5.2.48W6B4 /<x>/<x>/OnNetwork/FunctionalAliasList/<x>/Entry/ LocationCriteriaForDeactivation/<x>/EnterSpecificArea/ PolygonArea/<x>/PointCoordinateType/Longitude	123	
5.2.48W6B5 /<x>/<x>/OnNetwork/FunctionalAliasList/<x>/Entry/ LocationCriteriaForDeactivation/<x>/EnterSpecificArea/ PolygonArea/<x>/PointCoordinateType/Latitude	123	
5.2.48W6B6 /<x>/<x>/OnNetwork/FunctionalAliasList/<x>/Entry/ LocationCriteriaForDeactivation/<x>/EnterSpecificArea/ EllipsoidArcArea	124	
5.2.48W6B7 /<x>/<x>/OnNetwork/FunctionalAliasList/<x>/Entry/ LocationCriteriaForDeactivation/<x>/EnterSpecificArea/ EllipsoidArcArea/Center	124	
5.2.48W6B7A	/<x>/<x>/OnNetwork/FunctionalAliasList/<x>/Entry/ LocationCriteriaForDeactivation/<x>/EnterSpecificArea/ EllipsoidArcArea/Center/PointCoordinateType	124
5.2.48W6B8 /<x>/<x>/OnNetwork/FunctionalAliasList/<x>/Entry/ LocationCriteriaForDeactivation/<x>/EnterSpecificArea/ EllipsoidArcArea/Center/PointCoordinateType/Longitude	125	
5.2.48W6B9 /<x>/<x>/OnNetwork/FunctionalAliasList/<x>/Entry/ LocationCriteriaForDeactivation/<x>/EnterSpecificArea/ EllipsoidArcArea/Center/PointCoordinateType/Latitude	125	
5.2.48W6B10/<x>/<x>/OnNetwork/FunctionalAliasList/<x>/Entry/ LocationCriteriaForDeactivation/<x>/ EnterSpecificArea/EllipsoidArcArea/Radius.....	125	
5.2.48W6B11/<x>/<x>/OnNetwork/FunctionalAliasList/<x>/Entry/ LocationCriteriaForDeactivation/<x>/ EnterSpecificArea/EllipsoidArcArea/OffsetAngle	126	
5.2.48W6B12/<x>/<x>/OnNetwork/FunctionalAliasList/<x>/Entry/ LocationCriteriaForDeactivation/<x>/ EnterSpecificArea/EllipsoidArcArea/IncludedAngle	126	

5.2.48W6B12A/<x>/<x>/OnNetwork/FunctionalAliasList/<x>/Entry/ LocationCriteriaForDeactivation/<x>/EnterSpecificArea/Speed	126
5.2.48W6B12B<x>/<x>/OnNetwork/FunctionalAliasList/<x>/Entry/ LocationCriteriaForDeactivation/<x>/EnterSpecificArea/Speed/ MinimumSpeed	127
5.2.48W6B12C<x>/<x>/OnNetwork/FunctionalAliasList/<x>/Entry/ LocationCriteriaForDeactivation/<x>/EnterSpecificArea/Speed/ MaximumSpeed	127
5.2.48W6B12D<x>/<x>/OnNetwork/FunctionalAliasList/<x>/Entry/ LocationCriteriaForDeactivation/<x>/EnterSpecificArea/Heading	127
5.2.48W6B12E<x>/<x>/OnNetwork/FunctionalAliasList/<x>/Entry/ LocationCriteriaForDeactivation/<x>/EnterSpecificArea/Heading/ MinimumHeading	128
5.2.48W6B12F<x>/<x>/OnNetwork/FunctionalAliasList/<x>/Entry/ LocationCriteriaForDeactivation/<x>/EnterSpecificArea/Heading/ MaximumHeading	128
5.2.48W6B13	<x>/<x>/OnNetwork/FunctionalAliasList/<x>/Entry/ LocationCriteriaForDeactivation/<x>/ ExitSpecificArea	128
5.2.48W6B14	<x>/<x>/OnNetwork/FunctionalAliasList/<x>/Entry/ LocationCriteriaForDeactivation/<x>/ ExitSpecificArea/PolygonArea	129
5.2.48W6B15	<x>/<x>/OnNetwork/FunctionalAliasList/<x>/Entry/ LocationCriteriaForDeactivation/<x>/ ExitSpecificArea/PolygonArea/<x>	129
5.2.48W6B15A<x>/<x>/OnNetwork/FunctionalAliasList/<x>/Entry/ LocationCriteriaForDeactivation/<x>/ExitSpecificArea/ PolygonArea/<x>/PointCoordinateType	129
5.2.48W6B16	<x>/<x>/OnNetwork/FunctionalAliasList/<x>/Entry/ LocationCriteriaForDeactivation/<x>/ ExitSpecificArea/PolygonArea/<x>/PointCoordinateType/Longitude	130
5.2.48W6B17	<x>/<x>/OnNetwork/FunctionalAliasList/<x>/Entry/ LocationCriteriaForDeactivation/<x>/ ExitSpecificArea/PolygonArea/<x>/PointCoordinateType/Latitude	130
5.2.48W6B18	<x>/<x>/OnNetwork/FunctionalAliasList/<x>/Entry/ LocationCriteriaForDeactivation/<x>/ ExitSpecificArea/EllipsoidArcArea	130
5.2.48W6B19	<x>/<x>/OnNetwork/FunctionalAliasList/<x>/Entry/ LocationCriteriaForDeactivation/<x>/ ExitSpecificArea/EllipsoidArcArea/Center	131
5.2.48W6B19A<x>/<x>/OnNetwork/FunctionalAliasList/<x>/Entry/ LocationCriteriaForDeactivation/<x>/ExitSpecificArea/ EllipsoidArcArea/Center/PointCoordinateType	131
5.2.48W6B20	<x>/<x>/OnNetwork/FunctionalAliasList/<x>/Entry/ LocationCriteriaForDeactivation/<x>/ ExitSpecificArea/EllipsoidArcArea/Center/PointCoordinateType/ Longitude	131
5.2.48W6B21	<x>/<x>/OnNetwork/FunctionalAliasList/<x>/Entry/ LocationCriteriaForDeactivation/<x>/ ExitSpecificArea/EllipsoidArcArea/Center/PointCoordinateType/ Latitude	132
5.2.48W6B22	<x>/<x>/OnNetwork/FunctionalAliasList/<x>/Entry/ LocationCriteriaForDeactivation/<x>/ ExitSpecificArea/EllipsoidArcArea/Radius	132
5.2.48W6B23	<x>/<x>/OnNetwork/FunctionalAliasList/<x>/Entry/ LocationCriteriaForDeactivation/<x>/ ExitSpecificArea/EllipsoidArcArea/OffsetAngle	132
5.2.48W6B24	<x>/<x>/OnNetwork/FunctionalAliasList/<x>/Entry/ LocationCriteriaForDeactivation/<x>/ ExitSpecificArea/EllipsoidArcArea/IncludedAngle	133
5.2.48W6B24A<x>/<x>/OnNetwork/FunctionalAliasList/<x>/Entry/ LocationCriteriaForDeactivation/<x>/ExitSpecificArea/Speed	133
5.2.48W6B24B<x>/<x>/OnNetwork/FunctionalAliasList/<x>/Entry/ LocationCriteriaForDeactivation/<x>/ExitSpecificArea/Speed/ MinimumSpeed	133
5.2.48W6B24C<x>/<x>/OnNetwork/FunctionalAliasList/<x>/Entry/ LocationCriteriaForDeactivation/<x>/ExitSpecificArea/Speed/ MaximumSpeed	134
5.2.48W6B24D<x>/<x>/OnNetwork/FunctionalAliasList/<x>/Entry/ LocationCriteriaForDeactivation/<x>/ExitSpecificArea/Heading	134
5.2.48W6B24E<x>/<x>/OnNetwork/FunctionalAliasList/<x>/Entry/ LocationCriteriaForDeactivation/<x>/ExitSpecificArea/Heading/ MinimumHeading	134
5.2.48W6B24F<x>/<x>/OnNetwork/FunctionalAliasList/<x>/Entry/ LocationCriteriaForDeactivation/<x>/ExitSpecificArea/Heading/ MaximumHeading	135
5.2.48W6C	<x>/<x>/OnNetwork/FunctionalAliasList/<x>/Entry/ ManualDeactivationNotAllowedIfLocationCriteriaMet	135
5.2.48W7	<x>/<x>/OnNetwork/FunctionalAliasList/<x>/Entry/DisplayName	135
5.2.48W7A	<x>/<x>/OnNetwork/FunctionalAliasList/<x>/Entry/ MaxSimultaneousEmergencyGroupCalls	135
5.2.48W8	<x>/<x>/OnNetwork/AllowedQueryFunctionalAliasOtherUser	136
5.2.48W9	<x>/<x>/OnNetwork/AllowedTakeoverFunctionalAliasOtherUser	136
5.2.48W10	<x>/<x>/OnNetwork/AllowedLocationInfoWhenTalking	136
5.2.48X	<x>/<x>/OnNetwork/AuthorisedIncomingAny	136
5.2.48Y1	<x>/<x>/OnNetwork/UserList	137

5.2.48Y2	/<x>/<x>/OnNetwork/UserList/<x>	137
5.2.48Y3	/<x>/<x>/OnNetwork/UserList/<x>/Entry	137
5.2.48Y4	/<x>/<x>/OnNetwork/UserList/<x>/Entry/MCPTTID	137
5.2.48Y5	/<x>/<x>/OnNetwork/UserList/<x>/Entry/PrivateCallKMSURI	138
5.2.48Z	/<x>/<x>/OnNetwork/AuthorisedReceiveNonAcknowledged	138
5.2.49	/<x>/<x>/OffNetwork	138
5.2.50	/<x>/<x>/OffNetwork/Authorised	138
5.2.51	/<x>/<x>/OffNetwork/MCPTTGroupInfo	139
5.2.52	/<x>/<x>/OffNetwork/MCPTTGroupInfo/<x>	139
5.2.52A	/<x>/<x>/OffNetwork/MCPTTGroupInfo/<x>/Entry	139
5.2.53	/<x>/<x>/OffNetwork/MCPTTGroupInfo/<x>/Entry/MCPTTGroupID	139
5.2.53A	/<x>/<x>/OffNetwork/MCPTTGroupInfo/<x>/Entry/DisplayName	139
5.2.53B	/<x>/<x>/OffNetwork/MCPTTGroupInfo/<x>/Entry/RelativePresentationPriority	140
5.2.53C	/<x>/<x>/OffNetwork/MCPTTGroupInfo/<x>/Entry/GMSServID	140
5.2.53D	/<x>/<x>/OffNetwork/MCPTTGroupInfo/<x>/Entry/IDMSTokenEndPoint	140
5.2.53E	/<x>/<x>/OffNetwork/MCPTTGroupInfo/<x>/Entry/GroupKMSURI	140
5.2.54	/<x>/<x>/OffNetwork/AllowedListen	141
5.2.55	/<x>/<x>/OffNetwork/AllowedTransmission	141
5.2.56	/<x>/<x>/OffNetwork/EmergencyCallChange	141
5.2.57	/<x>/<x>/OffNetwork/ImminentPerilCallChange	141
5.2.58	/<x>/<x>/OffNetwork/UserInfoID	142
5.2.58A1	Void	143
5.2.58A2	Void	143
5.2.58A3	Void	143
5.2.58A4	Void	143
5.2.58A5	Void	143
5.2.58A6	Void	143
5.2.58A7	Void	143
5.2.58A8	Void	143
5.2.58A9	Void	143
5.2.58A10	Void	143
5.2.58A11	Void	143
5.2.58A12	Void	143
5.2.58A13	Void	143
5.2.58A14	Void	143
5.2.58A15	Void	143
5.2.58A16	Void	143
5.2.58A17	Void	143
5.2.59	/<x>/Status	143
6	MCS group configuration MO	144
6.1	General	144
6.2	MCS group configuration MO parameters	147
6.2.1	General	147
6.2.2	Node: <x>	147
6.2.3	/<x>/Name	147
6.2.4	/<x>/Ext/	148
6.2.5	/<x>/<x>	148
6.2.6	/<x>/<x>/Common	148
6.2.7	/<x>/<x>/Common/MCPTTGroupID	148
6.2.8	/<x>/<x>/Common/MCPTTGroupAlias	149
6.2.9	/<x>/<x>/Common/MCPTTGroupMemberList	149
6.2.10	/<x>/<x>/Common/MCPTTGroupMemberList/<x>	149
6.2.11	/<x>/<x>/Common/MCPTTGroupMemberList/<x>/MCPTTID	149
6.2.12	/<x>/<x>/Common/MCPTTGroupMemberList/<x>/UserPriority	150
6.2.13	/<x>/<x>/Common/MCPTTGroupMemberList/<x>/ParticipantType	150
6.2.14	Void	150
6.2.15	/<x>/<x>/Common/MCPTTGroupOwner	150
6.2.16	/<x>/<x>/Common/PreferredVoiceCodec	150
6.2.17	/<x>/<x>/Common/MCPTTGroupLevel	151
6.2.18	/<x>/<x>/Common/UserLevel	151
6.2.19	/<x>/<x>/Common/AllowedEmergencyCall	151

6.2.20	/<x>/<x>/Common/AllowedImminentPerilCall	152
6.2.21	/<x>/<x>/Common/AllowedEmergencyAlert	152
6.2.22	/<x>/<x>/Common/MediaProtectionRequired	152
6.2.23	/<x>/<x>/Common/FloorControlProtectionRequired	152
6.2.23A	/<x>/<x>/Common/MediaProtectionSecurityMaterial	153
6.2.23B	/<x>/<x>/Common/MCData	153
6.2.23C	/<x>/<x>/Common/MCData/MediaProtectionRequired	153
6.2.23D	/<x>/<x>/Common/MCData/TxControlProtectionRequired	154
6.2.23E	/<x>/<x>/Common/MCData/MediaProtectionSecurityMaterial	154
6.2.23F	/<x>/<x>/Common/MCData/AllowedSDS	154
6.2.23G	/<x>/<x>/Common/MCData/AllowedFD	154
6.2.23H	/<x>/<x>/Common/MCData/AllowedConvMgmt	155
6.2.23I	/<x>/<x>/Common/MCData/AllowedTxControl	155
6.2.23J	/<x>/<x>/Common/MCData/AllowedRxControl	155
6.2.23K	/<x>/<x>/Common/MCData/AllowedEnhSvc	155
6.2.23L	/<x>/<x>/Common/MCData/EnhSvcOpValues	156
6.2.23M	/<x>/<x>/Common/MCData/EnhSvcOpValues/<x>	156
6.2.23N	/<x>/<x>/Common/MCData/EnhSvcOpValues/<x>/EnhSvcOpValue	156
6.2.23NA	/<x>/<x>/Common/MCData/EnhSvcOpValues/<x>/EnhSvcOpID	156
6.2.23O	/<x>/<x>/Common/MCData/AllowedTransmitDataInGroup	156
6.2.23P	/<x>/<x>/Common/MCData/MaxDataSingleRequest	157
6.2.23Q	/<x>/<x>/Common/MCData/MaxTimeSingleRequest	157
6.2.23R	/<x>/<x>/Common/MCVideo	157
6.2.23S	/<x>/<x>/Common/MCVideo/MediaProtectionRequired	157
6.2.23T	/<x>/<x>/Common/MCVideo/TxControlProtectionRequired	158
6.2.23U	/<x>/<x>/Common/MCVideo/MediaProtectionSecurityMaterial	158
6.2.23V	/<x>/<x>/Common/MCVideo/AllowedAudioCodecs	158
6.2.23W	/<x>/<x>/Common/MCVideo/AllowedAudioCodecs/<x>	158
6.2.23X	/<x>/<x>/Common/MCVideo/AllowedAudioCodecs/<x>/AudioCodec	159
6.2.23Y	/<x>/<x>/Common/MCVideo/AllowedVideoCodecs	159
6.2.23Z	/<x>/<x>/Common/MCVideo/AllowedVideoCodecs/<x>	159
6.2.23AA	/<x>/<x>/Common/MCVideo/AllowedVideoCodecs/<x>/VideoCodec	159
6.2.23AB	/<x>/<x>/Common/MCVideo/AllowedVideoResolutions	159
6.2.23AC	/<x>/<x>/Common/MCVideo/AllowedVideoResolutions/<x>	160
6.2.23AD	/<x>/<x>/Common/MCVideo/AllowedVideoResolutions/<x>/VideoResolution	160
6.2.23AE	/<x>/<x>/Common/MCVideo/AllowedVideoFrameRates	160
6.2.23AF	/<x>/<x>/Common/MCVideo/AllowedVideoFrameRates/<x>	160
6.2.23AG	/<x>/<x>/Common/MCVideo/AllowedVideoFrameRates/<x>/FrameRate	161
6.2.23AH	/<x>/<x>/Common/MCVideo/AllowedUrgentRealTimeMode	161
6.2.23AI	/<x>/<x>/Common/MCVideo/AllowedNonUrgentRealTimeMode	161
6.2.23AJ	/<x>/<x>/Common/MCVideo/AllowedNonRealTimeMode	161
6.2.23AK	/<x>/<x>/Common/MCVideo/ActiveNonRealTimeMode	162
6.2.23AL	/<x>/<x>/Common/MCVideo/MaxTransmitMembers	162
6.2.24	/<x>/<x>/OffNetwork	162
6.2.25	/<x>/<x>/OffNetwork/MCPTTGroupParameter	162
6.2.26	/<x>/<x>/OffNetwork/MCPTTGroupParameter/<x>	163
6.2.27	/<x>/<x>/OffNetwork/MCPTTGroupParameter/<x>/ProSeLayer2GroupID	163
6.2.28	/<x>/<x>/OffNetwork/MCPTTGroupParameter/<x>/IPMulticastAddress	163
6.2.29	/<x>/<x>/OffNetwork/MCPTTGroupParameter/<x>/RelayServiceCode	163
6.2.30	/<x>/<x>/OffNetwork/MCPTTGroupParameter/<x>/IPVersions	164
6.2.31	/<x>/<x>/OffNetwork/EmergencyCallCancel	164
6.2.32	/<x>/<x>/OffNetwork/ImminentPerilCallCancel	164
6.2.33	/<x>/<x>/OffNetwork/HangTime	164
6.2.34	/<x>/<x>/OffNetwork/MaxDuration	165
6.2.34A	/<x>/<x>/OffNetwork/QueueUsage	165
6.2.35	/<x>/<x>/OffNetwork/DefaultPPPP	165
6.2.36	/<x>/<x>/OffNetwork/DefaultPPPP/MCPTTGroupCallSignalling	166
6.2.37	/<x>/<x>/OffNetwork/DefaultPPPP/MCPTTGroupCallMedia	166
6.2.38	/<x>/<x>/OffNetwork/DefaultPPPP/MCPTTEmergencyGroupCallSignalling	166
6.2.39	/<x>/<x>/OffNetwork/DefaultPPPP/MCPTTEmergencyGroupCallMedia	167
6.2.40	/<x>/<x>/OffNetwork/DefaultPPPP/MCPTTImminentPerilGroupCallSignalling	167
6.2.41	/<x>/<x>/OffNetwork/DefaultPPPP/MCPTTImminentPerilGroupCallMedia	167

6.2.42	/<x>/<x>/OffNetwork/MCData	168
6.2.43	/<x>/<x>/OffNetwork/MCData/DefaultPPPP	168
6.2.44	/<x>/<x>/OffNetwork/MCData/DefaultPPPP/ MCDataGroupCallSignalling	168
6.2.45	/<x>/<x>/OffNetwork/MCData/DefaultPPPP/ MCDataGroupCallMedia.....	168
6.2.46	/<x>/<x>/OffNetwork/MCVideo.....	169
6.2.47	/<x>/<x>/OffNetwork/MCVideo/ArbitrationApproach.....	169
6.2.48	/<x>/<x>/OffNetwork/MCVideo/MaxTransmissions	169
6.2.49	/<x>/<x>/OffNetwork/MCVideo/DefaultPPPP	169
6.2.50	/<x>/<x>/OffNetwork/MCVideo/DefaultPPPP/ MCVideoGroupCallSignalling	170
6.2.51	/<x>/<x>/OffNetwork/MCVideo/DefaultPPPP/ MCVideoGroupCallMedia	170
6.2.52	/<x>/<x>/OffNetwork/MCVideo/DefaultPPPP/ MCVideoEmergencyGroupCallSignalling	170
6.2.53	/<x>/<x>/OffNetwork/MCVideo/DefaultPPPP/ MCVideoEmergencyGroupCallMedia	171
6.2.54	/<x>/<x>/OffNetwork/MCVideo/DefaultPPPP/ MCVideoImminentPerilGroupCallSignalling	171
6.2.55	/<x>/<x>/OffNetwork/MCVideo/DefaultPPPP/ MCVideoImminentPerilGroupCallMedia	171
6.2.56	/<x>/<x>/OffNetwork/MCVideo/MaxDuration	172
6.2.57	/<x>/<x>/OffNetwork/MCVideo/EmergencyCallCancel	172
6.2.58	/<x>/<x>/OffNetwork/MCVideo/ImminentPerilCallCancel	172
7	MCPTT service configuration MO	172
7.1	General	172
7.2	MCPTT service configuration MO parameters	173
7.2.1	General.....	173
7.2.2	Node: <x>	173
7.2.3	/<x>/Name	174
7.2.4	/<x>/Ext/	174
7.2.5	/<x>/Common	174
7.2.6	/<x>/Common/BroadcastMCPTTGroupCall	174
7.2.7	/<x>/Common/BroadcastMCPTTGroupCall/ NumLevelGroupHierarchy	175
7.2.8	/<x>/Common/BroadcastMCPTTGroupCall/ NumLevelUserHierarchy	175
7.2.9	/<x>/Common/MinLengthAliasID.....	175
7.2.10	/<x>/OffNetwork	176
7.2.11	/<x>/OffNetwork/PrivateCall	176
7.2.12	/<x>/OffNetwork/PrivateCall/MaxDuration	176
7.2.13	/<x>/OffNetwork/PrivateCall/HangTime	176
7.2.14	/<x>/OffNetwork/PrivateCall/CancelTimeout	176
7.2.15	/<x>/OffNetwork/EmergencyCall.....	177
7.2.16	/<x>/OffNetwork/EmergencyCall/MCPTTGroupTimeout.....	177
7.2.17	/<x>/OffNetwork/NumLevelHierarchy	177
7.2.18	/<x>/OffNetwork/TransmitTimeout.....	177
7.2.19	/<x>/OffNetwork/TransmissionWarning	178
7.2.20	/<x>/OffNetwork/HangTimeWarning	178
7.2.21	/<x>/OffNetwork/DefaultPPPP.....	178
7.2.22	/<x>/OffNetwork/DefaultPPPP/MCPTTPrivateCallSignalling	178
7.2.23	/<x>/OffNetwork/DefaultPPPP/MCPTTPrivateCallMedia	179
7.2.24	/<x>/OffNetwork/DefaultPPPP/ MCPTTEmergencyPrivateCallSignalling	179
7.2.25	/<x>/OffNetwork/DefaultPPPP/ MCPTTEmergencyPrivateCallMedia	179
7.2.26	/<x>/OffNetwork/LogMetadata	180
8	MCS UE initial configuration MO	180
8.1	General	180
8.2	MCS UE initial configuration MO parameters.....	184
8.2.1	General.....	184
8.2.2	Node: <x>	184
8.2.3	/<x>/Name	185
8.2.4	/<x>/Ext/	185
8.2.5	/<x>/DefaultUserProfile.....	185
8.2.6	/<x>/DefaultUserProfile/UserID.....	186
8.2.7	/<x>/DefaultUserProfile/UserProfileIndex	186
8.2.8	/<x>/OnNetwork	186
8.2.9	/<x>/OnNetwork/GMSURI.....	186
8.2.9A	/<x>/OnNetwork/GroupCreationXUI	186
8.2.9B	/<x>/OnNetwork/GMSXCAPRootURI	187

8.2.9C	/<x>/OnNetwork/CMSXCAPRootURI	187
8.2.10	/<x>/OnNetwork/Timers	187
8.2.11	/<x>/OnNetwork/Timers/T100	187
8.2.12	/<x>/OnNetwork/Timers/T101	188
8.2.13	/<x>/OnNetwork/Timers/T103	188
8.2.14	/<x>/OnNetwork/Timers/T104	188
8.2.15	/<x>/OnNetwork/Timers/T132	188
8.2.16	/<x>/OnNetwork/HPLMN	189
8.2.17	/<x>/OnNetwork/HPLMN/PLMN	189
8.2.18	/<x>/OnNetwork/HPLMN/Service	189
8.2.19	/<x>/OnNetwork/HPLMN/Service/MCPTTTToConRef	189
8.2.20	/<x>/OnNetwork/HPLMN/Service/MCPTTTToConRef/<x>	189
8.2.21	/<x>/OnNetwork/HPLMN/Service/MCPTTTToConRef/<x>/ConRef	190
8.2.22	/<x>/OnNetwork/HPLMN/Service/MCCommonCoreToConRef	190
8.2.23	/<x>/OnNetwork/HPLMN/Service/MCCommonCoreToConRef/<x>	190
8.2.24	/<x>/OnNetwork/HPLMN/Service/MCCommonCoreToConRef/<x>/ConRef	190
8.2.25	/<x>/OnNetwork/HPLMN/Service/MCIDMTToConRef	191
8.2.26	/<x>/OnNetwork/HPLMN/Service/MCIDMTToConRef/<x>	191
8.2.27	/<x>/OnNetwork/HPLMN/Service/MCIDMTToConRef/<x>/ConRef	191
8.2.28	/<x>/OnNetwork/HPLMN/VPLMN	191
8.2.29	/<x>/OnNetwork/HPLMN/VPLMN/PLMN	191
8.2.30	/<x>/OnNetwork/HPLMN/VPLMN/Service	192
8.2.31	/<x>/OnNetwork/HPLMN/VPLMN/Service/MCPTTTToConRef	192
8.2.32	/<x>/OnNetwork/HPLMN/VPLMN/Service/MCPTTTToConRef/<x>	192
8.2.33	/<x>/OnNetwork/HPLMN/VPLMN/Service/MCPTTTToConRef/<x>/ConRef	192
8.2.34	/<x>/OnNetwork/HPLMN/VPLMN/Service/MCCommonCoreToConRef	193
8.2.35	/<x>/OnNetwork/HPLMN/VPLMN/Service/MCCommonCoreToConRef/<x>	193
8.2.36	/<x>/OnNetwork/HPLMN/VPLMN/Service/MCCommonCoreToConRef/<x>/ConRef	193
8.2.37	/<x>/OnNetwork/HPLMN/VPLMN/Service/MCIDMTToConRef	193
8.2.38	/<x>/OnNetwork/HPLMN/VPLMN/Service/MCIDMTToConRef/<x>	194
8.2.39	/<x>/OnNetwork/HPLMN/VPLMN/Service/MCIDMTToConRef/<x>/ConRef	194
8.2.40	/<x>/OnNetwork/AppServerInfo	194
8.2.41	/<x>/OnNetwork/AppServerInfo/IDMSAuthEndpoint	194
8.2.41A	/<x>/OnNetwork/AppServerInfo/IDMSTokenEndpoint	194
8.2.41B	/<x>/OnNetwork/AppServerInfo/HTTPProxy	195
8.2.42	/<x>/OnNetwork/AppServerInfo/GMS	195
8.2.43	/<x>/OnNetwork/AppServerInfo/CMS	195
8.2.44	/<x>/OnNetwork/AppServerInfo/KMS	195
8.2.44A	/<x>/OnNetwork/AppServerInfo/TLSTunnelAuthMethod	196
8.2.44B	/<x>/OnNetwork/AppServerInfo/TLSTunnelAuthMethod/Mutual	196
8.2.44C	/<x>/OnNetwork/AppServerInfo/TLSTunnelAuthMethod/X509	196
8.2.44D	/<x>/OnNetwork/AppServerInfo/TLSTunnelAuthMethod/Key	196
8.2.44E	/<x>/OnNetwork/IntegrityProtection	196
8.2.44F	/<x>/OnNetwork/ConfidentialityProtection	197
8.2.44G1	/<x>/OnNetwork/MCPTTServiceDetails	197
8.2.44G2	/<x>/OnNetwork/MCPTTServiceDetails/IPv6Required	197
8.2.44G3	/<x>/OnNetwork/MCPTTServiceDetails/ServerURI	197
8.2.44G4	/<x>/OnNetwork/MCVideoServiceDetails	198
8.2.44G5	/<x>/OnNetwork/MCVideoServiceDetails/IPv6Required	198
8.2.44G6	/<x>/OnNetwork/MCVideoServiceDetails/ServerURI	198
8.2.44G7	/<x>/OnNetwork/MCDataServiceDetails	198
8.2.44G8	/<x>/OnNetwork/MCDataServiceDetails/IPv6Required	199
8.2.44G9	/<x>/OnNetwork/MCDataServiceDetails/ServerURI	199
8.2.45	/<x>/OffNetwork	199
8.2.46	/<x>/OffNetwork/Timers	199
8.2.47	/<x>/OffNetwork/Timers/TFG1	199
8.2.48	/<x>/OffNetwork/Timers/TFG2	200
8.2.49	/<x>/OffNetwork/Timers/TFG3	200
8.2.50	/<x>/OffNetwork/Timers/TFG4	200
8.2.51	/<x>/OffNetwork/Timers/TFG5	201
8.2.52	/<x>/OffNetwork/Timers/TFG11	201
8.2.53	/<x>/OffNetwork/Timers/TFG12	201

8.2.54	/<x>/OffNetwork/Timers/TFG13	201
8.2.54A	/<x>/OffNetwork/Timers/TFG14	202
8.2.55	/<x>/OffNetwork/Timers/TFP1	202
8.2.56	/<x>/OffNetwork/Timers/TFP2	202
8.2.57	/<x>/OffNetwork/Timers/TFP3	202
8.2.58	/<x>/OffNetwork/Timers/TFP4	203
8.2.59	/<x>/OffNetwork/Timers/TFP5	203
8.2.60	/<x>/OffNetwork/Timers/TFP6	203
8.2.61	/<x>/OffNetwork/Timers/TFP7	204
8.2.61A	/<x>/OffNetwork/Timers/TFP9	204
8.2.62	/<x>/OffNetwork/Timers/TFB1	204
8.2.63	/<x>/OffNetwork/Timers/TFB2	204
8.2.64	/<x>/OffNetwork/Timers/TFB3	205
8.2.65	/<x>/OffNetwork/Timers/T201	205
8.2.66	/<x>/OffNetwork/Timers/T203	205
8.2.67	/<x>/OffNetwork/Timers/T204	205
8.2.68	/<x>/OffNetwork/Timers/T205	206
8.2.69	Void	206
8.2.70	/<x>/OffNetwork/Timers/T233	206
8.2.71	/<x>/OffNetwork/Timers/TFE1	206
8.2.72	/<x>/OffNetwork/Timers/TFE2	206
8.2.73	/<x>/OffNetwork/Counters	207
8.2.74	/<x>/OffNetwork/Counters/CFP1	207
8.2.75	/<x>/OffNetwork/Counters/CFP3	207
8.2.76	/<x>/OffNetwork/Counters/CFP4	207
8.2.77	/<x>/OffNetwork/Counters/CFP6	208
8.2.78	/<x>/OffNetwork/Counters/CFG11	208
8.2.79	/<x>/OffNetwork/Counters/CFG12	208
8.2.80	/<x>/OffNetwork/Counters/C201	208
8.2.81	/<x>/OffNetwork/Counters/C204	209
8.2.82	/<x>/OffNetwork/Counters/C205	209
9	MCDData UE configuration MO	209
9.1	General	209
9.2	MCDData UE configuration MO parameters	210
9.2.1	General	210
9.2.2	Node: <x>	211
9.2.3	/<x>/Name	211
9.2.4	/<x>/Ext/	211
9.2.5	/<x>/Common	211
9.2.6	/<x>/Common/MCDDataGroupTxns	212
9.2.7	/<x>/Common/MCDDataGroupTxns/MaxSDSNc4	212
9.2.8	/<x>/Common/MCDDataGroupTxns/SDSPresentationPriority	212
9.2.9	/<x>/Common/MCDDataGroupTxns/SDSPresentationPriority/<x>	212
9.2.10	/<x>/Common/MCDDataGroupTxns/SDSPresentationPriority/<x>/MCDDataGroupID	212
9.2.11	/<x>/Common/MCDDataGroupTxns/SDSPresentationPriority/<x>/MCDDataGroupPriorityHierarchy	213
9.2.12	/<x>/Common/MCDDataGroupTxns/MaxFDNc4	213
9.2.13	/<x>/Common/MCDDataGroupTxns/FDPresentationPriority	213
9.2.14	/<x>/Common/MCDDataGroupTxns/FDPresentationPriority/<x>	213
9.2.15	/<x>/Common/MCDDataGroupTxns/FDPresentationPriority/<x>/MCDDataGroupID	214
9.2.16	/<x>/Common/MCDDataGroupTxns/FDPresentationPriority/<x>/MCDDataGroupPriorityHierarchy	214
9.2.17	/<x>/Common/MCDDataGroupTxns/ConversationPresentationPriority	214
9.2.18	/<x>/Common/MCDDataGroupTxns/ConversationPresentationPriority/<x>	214
9.2.19	/<x>/Common/MCDDataGroupTxns/ConversationPresentationPriority/<x>/MCDDataGroupID	215
9.2.20	/<x>/Common/MCDDataGroupTxns/ConversationPresentationPriority/<x>/ MCDDataGroupPriorityHierarchy	215
9.2.21	/<x>/Common/MCDDataGroupTxns/MaxTCNc4	215
9.2.22	/<x>/Common/MCDDataGroupTxns/MaxTCNc5	215
9.2.23	/<x>/Common/MCDDataGroupTxns/DataPresentationPriority	216
9.2.24	/<x>/Common/MCDDataGroupTxns/DataPresentationPriority/<x>	216
9.2.25	/<x>/Common/MCDDataGroupTxns/DataPresentationPriority/<x>/MCDDataGroupID	216
9.2.26	/<x>/Common/MCDDataGroupTxns/DataPresentationPriority/<x>/MCDDataGroupPriorityHierarchy	216

9.2.27	/<x>/Common/MCDataGroupTxns/MaxRCNc4	217
9.2.28	/<x>/Common/MCDataGroupTxns/MaxRCNc5	217
9.2.29	/<x>/OnNetwork	217
9.2.30	/<x>/OnNetwork/RelayService	217
9.2.31	/<x>/OnNetwork/IPv6Preferred	217
9.2.32	/<x>/OnNetwork/RelayedMCDataGroup	218
9.2.33	/<x>/OnNetwork/RelayedMCDataGroup/<x>	218
9.2.34	/<x>/OnNetwork/RelayedMCDataGroup/<x>/MCDataGroupID	218
9.2.35	/<x>/OnNetwork/RelayedMCDataGroup/<x>/RelayServiceCode	218
10	MCData user profile MO	219
10.1	General	219
10.2	MCData user profile MO parameters	222
10.2.1	General	222
10.2.2	Node: <x>	222
10.2.3	/<x>/Name	222
10.2.4	/<x>/Ext/	223
10.2.5	/<x>/<x>	223
10.2.6	/<x>/<x>/Common	223
10.2.7	/<x>/<x>/Common/MCDataUserID	223
10.2.8	/<x>/<x>/Common/MCDataUserProfileIndex	224
10.2.9	/<x>/<x>/Common/MCDataUserProfileName	224
10.2.9A	/<x>/<x>/Common/MCDataUserIDKMSURI	224
10.2.10	/<x>/<x>/Common/PreSelectedIndication	224
10.2.11	/<x>/<x>/Common/UserAliases	225
10.2.12	/<x>/<x>/Common/UserAliases/<x>	225
10.2.13	/<x>/<x>/Common/UserAliases/<x>/UserAlias	225
10.2.14	/<x>/<x>/Common/AuthorisedAlias	225
10.2.15	/<x>/<x>/Common/ParticipantType	226
10.2.16	/<x>/<x>/Common/Organization	226
10.2.16A	/<x>/<x>/Common/OnetoOne	226
10.2.16B	/<x>/<x>/Common/OnetoOne/UserList	226
10.2.16C	/<x>/<x>/Common/OnetoOne/UserList/<x>	226
10.2.16D	/<x>/<x>/Common/OnetoOne/UserList/<x>/Entry	227
10.2.16E	/<x>/<x>/Common/OnetoOne/UserList/<x>/Entry/MCDataID	227
10.2.16F	/<x>/<x>/Common/OnetoOne/UserList/<x>/Entry/DiscoveryGroupID	227
10.2.16G	/<x>/<x>/Common/OnetoOne/UserList/<x>/Entry/UserInfoID	227
10.2.16H	/<x>/<x>/Common/OnetoOne/UserList/<x>/Entry/MCDataIDKMSURI	228
10.2.16I	/<x>/<x>/Common/OnetoOne/UserList/<x>/Entry/DisplayName	228
10.2.16J	/<x>/<x>/Common/OnetoOne/UserList/<x>/Entry/IPInformation	228
10.2.16K	/<x>/<x>/Common/OnetoOne/UserList/<x>/Entry/IPInformation/<x>	228
10.2.16L	/<x>/<x>/Common/OnetoOne/UserList/<x>/Entry/IPInformation/<x>Entry	229
10.2.16M	/<x>/<x>/Common/OnetoOne/UserList/<x>/Entry/IPInformation/<x>Entry/IPv4Information	229
10.2.16N	/<x>/<x>/Common/OnetoOne/UserList/<x>/Entry/IPInformation/<x>Entry/IPv6Information	229
10.2.16O	/<x>/<x>/Common/OnetoOne/UserList/<x>/Entry/IPInformation/<x>Entry/FQDN	229
10.2.17	/<x>/<x>/Common/FileDistribution	230
10.2.18	/<x>/<x>/Common/FileDistribution/CancelList	230
10.2.19	/<x>/<x>/Common/FileDistribution/CancelList/<x>	230
10.2.20	/<x>/<x>/Common/FileDistribution/CancelList/<x>Entry	230
10.2.21	/<x>/<x>/Common/FileDistribution/CancelList/<x>Entry/MCDataID	230
10.2.21A	/<x>/<x>/Common/FileDistribution/CancelList/<x>Entry/MCDataIDKMSURI	231
10.2.22	/<x>/<x>/Common/FileDistribution/CancelList/<x>Entry/DisplayName	231
10.2.23	/<x>/<x>/Common/TxRxControl	231
10.2.24	/<x>/<x>/Common/TxRxControl/AuthorisedTransmit	231
10.2.25	/<x>/<x>/Common/TxRxControl/MaxData1To1	232
10.2.26	/<x>/<x>/Common/TxRxControl/MaxTime1To1	232
10.2.27	/<x>/<x>/Common/TxRxControl/ReleaseList	232
10.2.28	/<x>/<x>/Common/TxRxControl/ReleaseList/<x>	232
10.2.29	/<x>/<x>/Common/TxRxControl/ReleaseList/<x>Entry	233
10.2.30	/<x>/<x>/Common/TxRxControl/ReleaseList/<x>Entry/MCDataID	233
10.2.31	/<x>/<x>/Common/TxRxControl/ReleaseList/<x>Entry/DisplayName	233
10.2.32	/<x>/<x>/Common/MCDataGroupBroadcast	233

10.2.33	/<x>/<x>/Common/MCDataGroupBroadcast/Authorised	233
10.2.34	/<x>/<x>/Common/UserBroadcast	234
10.2.35	/<x>/<x>/Common/UserBroadcast/Authorised	234
10.2.36	/<x>/<x>/Common/GroupEmergencyAlert	234
10.2.37	/<x>/<x>/Common/GroupEmergencyAlert/Entry	234
10.2.38	/<x>/<x>/Common/GroupEmergencyAlert/Entry/ID	235
10.2.39	/<x>/<x>/Common/GroupEmergencyAlert/Entry/DisplayName	235
10.2.40	/<x>/<x>/Common/GroupEmergencyAlert/Entry/Usage	235
10.2.41	/<x>/<x>/Common/AllowedActivateAlert	235
10.2.42	/<x>/<x>/Common/AllowedCancelAlert	236
10.2.43	/<x>/<x>/OnNetwork	236
10.2.44	/<x>/<x>/OnNetwork/MCDataGroupList	236
10.2.45	/<x>/<x>/OnNetwork/MCDataGroupList/<x>	236
10.2.46	/<x>/<x>/OnNetwork/MCDataGroupList/<x>/Entry	236
10.2.47	/<x>/<x>/OnNetwork/MCDataGroupList/<x>/Entry/ MCDataGroupID	237
10.2.48	/<x>/<x>/OnNetwork/MCDataGroupList/<x>/Entry/DisplayName	237
10.2.49	Void	237
10.2.50	Void	237
10.2.51	/<x>/<x>/OnNetwork/MCDataGroupList/<x>/Entry/GMSServID	237
10.2.52	Void	238
10.2.53	Void	238
10.2.54	/<x>/<x>/OnNetwork/MCDataGroupList/<x>/Entry/ IdMSTokenEndPoint	238
10.2.54A	/<x>/<x>/OnNetwork/MCDataGroupList/<x>/Entry/GroupKMSURI	238
10.2.55	/<x>/<x>/OnNetwork/MCDataGroupList/<x>/Entry/ RelativePresentationPriority	238
10.2.55A	/<x>/<x>/OnNetwork/MCDataGroupList/<x>/Entry/ RulesForAffiliation	238
10.2.55A0	/<x>/<x>/OnNetwork/MCDataGroupList/<x>/Entry/ RulesForAffiliation/<x>	239
10.2.55A1	/<x>/<x>/OnNetwork/MCDataGroupList/<x>/Entry/ RulesForAffiliation/<x>/ListOfLocationCriteria/	239
10.2.55A2	/<x>/<x>/OnNetwork/MCDataGroupList/<x>/Entry/ RulesForAffiliation/<x>/ListOfLocationCriteria/<x>	239
10.2.55A3	/<x>/<x>/OnNetwork/MCDataGroupList/<x>/Entry/ RulesForAffiliation/<x>/ListOfLocationCriteria/<x>/Entry	239
10.2.55A4	/<x>/<x>/OnNetwork/MCDataGroupList/<x>/Entry/ RulesForAffiliation/<x>/ListOfLocationCriteria/<x>/Entry/ EnterSpecificArea	240
10.2.55A5	/<x>/<x>/OnNetwork/MCDataGroupList/<x>/Entry/ RulesForAffiliation/<x>/ListOfLocationCriteria/<x>/Entry/ EnterSpecificArea/PolygonArea	240
10.2.55A6	/<x>/<x>/OnNetwork/MCDataGroupList/<x>/Entry/ RulesForAffiliation/<x>/ListOfLocationCriteria/<x>/Entry/ EnterSpecificArea/PolygonArea/<x>	240
10.2.55A7	/<x>/<x>/OnNetwork/MCDataGroupList/<x>/Entry/ RulesForAffiliation/<x>/ListOfLocationCriteria/<x>/Entry/ EnterSpecificArea/PolygonArea/<x>/PointCoordinateType	241
10.2.55A8	/<x>/<x>/OnNetwork/MCDataGroupList/<x>/Entry/ RulesForAffiliation/<x>/ListOfLocationCriteria/<x>/Entry/ EnterSpecificArea/PolygonArea/<x>/PointCoordinateType/ Longitude	241
10.2.55A9	/<x>/<x>/OnNetwork/MCDataGroupList/<x>/Entry/ RulesForAffiliation/<x>/ListOfLocationCriteria/<x>/Entry/ EnterSpecificArea/PolygonArea/<x>/PointCoordinateType/ Latitude	241
10.2.55A10	/<x>/<x>/OnNetwork/MCDataGroupList/<x>/Entry/ RulesForAffiliation/<x>/ListOfLocationCriteria/<x>/Entry/ EnterSpecificArea/EllipsoidArcArea	242
10.2.55A11	/<x>/<x>/OnNetwork/MCDataGroupList/<x>/Entry/ RulesForAffiliation/<x>/ListOfLocationCriteria/<x>/Entry/ EnterSpecificArea/EllipsoidArcArea/Center	242
10.2.55A12	/<x>/<x>/OnNetwork/MCDataGroupList/<x>/Entry/ RulesForAffiliation/<x>/ListOfLocationCriteria/<x>/Entry/ EnterSpecificArea/EllipsoidArcArea/Center/PointCoordinateType	242
10.2.55A13	/<x>/<x>/OnNetwork/MCDataGroupList/<x>/Entry/ RulesForAffiliation/<x>/ListOfLocationCriteria/<x>/Entry/ EnterSpecificArea/EllipsoidArcArea/Center/PointCoordinateType/ Longitude	243
10.2.55A14	/<x>/<x>/OnNetwork/MCDataGroupList/<x>/Entry/ RulesForAffiliation/<x>/ListOfLocationCriteria/<x>/Entry/ EnterSpecificArea/EllipsoidArcArea/Center/PointCoordinateType/ Latitude	243

10.2.55A15	/<x>/<x>/OnNetwork/MCDataGroupList/<x>/Entry/ RulesForAffiliation/<x>/ListOfLocationCriteria/<x>/Entry/ EnterSpecificArea/EllipsoidArcArea/Radius	243
10.2.55A16	/<x>/<x>/OnNetwork/MCDataGroupList/<x>/Entry/ RulesForAffiliation/<x>/ListOfLocationCriteria/<x>/Entry/ EnterSpecificArea/EllipsoidArcArea/OffsetAngle	244
10.2.55A17	/<x>/<x>/OnNetwork/MCDataGroupList/<x>/Entry/ RulesForAffiliation/<x>/ListOfLocationCriteria/<x>/Entry/ EnterSpecificArea/EllipsoidArcArea/IncludedAngle	244
10.2.55A18	/<x>/<x>/OnNetwork/MCDataGroupList/<x>/Entry/ RulesForAffiliation/<x>/ListOfLocationCriteria/<x>/Entry/ EnterSpecificArea/Speed	244
10.2.55A19	/<x>/<x>/OnNetwork/MCDataGroupList/<x>/Entry/ RulesForAffiliation/<x>/ListOfLocationCriteria/<x>/Entry/ EnterSpecificArea/Speed/MinimumSpeed	245
10.2.55A20	/<x>/<x>/OnNetwork/MCDataGroupList/<x>/Entry/ RulesForAffiliation/<x>/ListOfLocationCriteria/<x>/Entry/ EnterSpecificArea/Speed/MaximumSpeed.....	245
10.2.55A21	/<x>/<x>/OnNetwork/MCDataGroupList/<x>/Entry/ RulesForAffiliation/<x>/ListOfLocationCriteria/<x>/Entry/ EnterSpecificArea/Heading	245
10.2.55A22	/<x>/<x>/OnNetwork/MCDataGroupList/<x>/Entry/ RulesForAffiliation/<x>/ListOfLocationCriteria/<x>/Entry/ EnterSpecificArea/Heading/MinimumHeading.....	246
10.2.55A23	/<x>/<x>/OnNetwork/MCDataGroupList/<x>/Entry/ RulesForAffiliation/<x>/ListOfLocationCriteria/<x>/Entry/ EnterSpecificArea/Heading/MaximumHeading	246
10.2.55A24	/<x>/<x>/OnNetwork/MCDataGroupList/<x>/Entry/ RulesForAffiliation/<x>/ListOfLocationCriteria/<x>/Entry/ ExitSpecificArea.....	246
10.2.55A25	/<x>/<x>/OnNetwork/MCDataGroupList/<x>/Entry/ RulesForAffiliation/<x>/ListOfLocationCriteria/<x>/Entry/ ExitSpecificArea/PolygonArea.....	247
10.2.55A26	/<x>/<x>/OnNetwork/MCDataGroupList/<x>/Entry/ RulesForAffiliation/<x>/ListOfLocationCriteria/<x>/Entry/ ExitSpecificArea/PolygonArea/<x>	247
10.2.55A27	/<x>/<x>/OnNetwork/MCDataGroupList/<x>/Entry/ RulesForAffiliation/<x>/ListOfLocationCriteria/<x>/Entry/ ExitSpecificArea/PolygonArea/<x>/PointCoordinateType	247
10.2.55A28	/<x>/<x>/OnNetwork/MCDataGroupList/<x>/Entry/ RulesForAffiliation/<x>/ListOfLocationCriteria/<x>/Entry/ ExitSpecificArea/PolygonArea/<x>/PointCoordinateType/ Longitude	248
10.2.55A29	/<x>/<x>/OnNetwork/MCDataGroupList/<x>/Entry/ RulesForAffiliation/<x>/ListOfLocationCriteria/<x>/Entry/ ExitSpecificArea/PolygonArea/<x>/PointCoordinateType/ Latitude.....	248
10.2.55A30	/<x>/<x>/OnNetwork/MCDataGroupList/<x>/Entry/ RulesForAffiliation/<x>/ListOfLocationCriteria/<x>/Entry/ ExitSpecificArea/EllipsoidArcArea.....	248
10.2.55A31	/<x>/<x>/OnNetwork/MCDataGroupList/<x>/Entry/ RulesForAffiliation/<x>/ListOfLocationCriteria/<x>/Entry/ ExitSpecificArea/EllipsoidArcArea/Center	249
10.2.55A32	/<x>/<x>/OnNetwork/MCDataGroupList/<x>/Entry/ RulesForAffiliation/<x>/ListOfLocationCriteria/<x>/Entry/ ExitSpecificArea/EllipsoidArcArea/Center/PointCoordinateType.....	249
10.2.55A33	/<x>/<x>/OnNetwork/MCDataGroupList/<x>/Entry/ RulesForAffiliation/<x>/ListOfLocationCriteria/<x>/Entry/ ExitSpecificArea/EllipsoidArcArea/Center/PointCoordinateType/ Longitude	249
10.2.55A34	/<x>/<x>/OnNetwork/MCDataGroupList/<x>/Entry/ RulesForAffiliation/<x>/ListOfLocationCriteria/<x>/Entry/ ExitSpecificArea/EllipsoidArcArea/Center/PointCoordinateType/ Latitude	250
10.2.55A35	/<x>/<x>/OnNetwork/MCDataGroupList/<x>/Entry/ RulesForAffiliation/<x>/ListOfLocationCriteria/<x>/Entry/ ExitSpecificArea/EllipsoidArcArea/Radius.....	250
10.2.55A36	/<x>/<x>/OnNetwork/MCDataGroupList/<x>/Entry/ RulesForAffiliation/<x>/ListOfLocationCriteria/<x>/Entry/ ExitSpecificArea/EllipsoidArcArea/OffsetAngle	250

10.2.55A37	/<x>/<x>/OnNetwork/MCDataGroupList/<x>/Entry/ RulesForAffiliation/<x>/ListOfLocationCriteria/<x>/Entry/ ExitSpecificArea/EllipsoidArcArea/IncludedAngle	251
10.2.55A38	/<x>/<x>/OnNetwork/MCDataGroupList/<x>/Entry/ RulesForAffiliation/<x>/ListOfLocationCriteria/<x>/Entry/ ExitSpecificArea/Speed	251
10.2.55A39	/<x>/<x>/OnNetwork/MCDataGroupList/<x>/Entry/ RulesForAffiliation/<x>/ListOfLocationCriteria/<x>/Entry/ ExitSpecificArea/Speed/MinimumSpeed	251
10.2.55A40	/<x>/<x>/OnNetwork/MCDataGroupList/<x>/Entry/ RulesForAffiliation/<x>/ListOfLocationCriteria/<x>/Entry/ ExitSpecificArea/Speed/MaximumSpeed	252
10.2.55A41	/<x>/<x>/OnNetwork/MCDataGroupList/<x>/Entry/ RulesForAffiliation/<x>/ListOfLocationCriteria/<x>/Entry/ ExitSpecificArea/Heading	252
10.2.55A42	/<x>/<x>/OnNetwork/MCDataGroupList/<x>/Entry/ RulesForAffiliation/<x>/ListOfLocationCriteria/<x>/Entry/ ExitSpecificArea/Heading/MinimumHeading	252
10.2.55A43	/<x>/<x>/OnNetwork/MCDataGroupList/<x>/Entry/ RulesForAffiliation/<x>/ListOfLocationCriteria/<x>/Entry/ ExitSpecificArea/Heading/MaximumHeading	253
10.2.55A44	/<x>/<x>/OnNetwork/MCDataGroupList/<x>/Entry/ RulesForAffiliation/<x>/ListOfActiveFunctionalAliases	253
10.2.55A45	/<x>/<x>/OnNetwork/MCDataGroupList/<x>/Entry/ RulesForAffiliation/<x>/ListOfActiveFunctionalAliases/<x>	253
10.2.55A46	/<x>/<x>/OnNetwork/MCDataGroupList/<x>/Entry/ RulesForAffiliation/<x>/ListOfActiveFunctionalAliases/<x>/Entry	253
10.2.55A47	/<x>/<x>/OnNetwork/MCDataGroupList/<x>/Entry/ RulesForAffiliation/<x>/ListOfActiveFunctionalAliases/<x>/Entry/ FunctionalAlias	254
10.2.55B	/<x>/<x>/OnNetwork/MCDataGroupList/<x>/Entry/ RulesForDeaffiliation	254
10.2.55B0	/<x>/<x>/OnNetwork/MCDataGroupList/<x>/Entry/ RulesForDeaffiliation/<x>	254
10.2.55B1	/<x>/<x>/OnNetwork/MCDataGroupList/<x>/Entry/ RulesForDeaffiliation/<x>/ListOfLocationCriteria/	254
10.2.55B2	/<x>/<x>/OnNetwork/MCDataGroupList/<x>/Entry/ RulesForDeaffiliation/<x>/ListOfLocationCriteria/<x>	255
10.2.55B3	/<x>/<x>/OnNetwork/MCDataGroupList/<x>/Entry/ RulesForDeaffiliation/<x>/ListOfLocationCriteria/<x>/Entry	255
10.2.55B4	/<x>/<x>/OnNetwork/MCDataGroupList/<x>/Entry/ RulesForDeaffiliation/<x>/ListOfLocationCriteria/<x>/Entry/ EnterSpecificArea	255
10.2.55B5	/<x>/<x>/OnNetwork/MCDataGroupList/<x>/Entry/ RulesForDeaffiliation/<x>/ListOfLocationCriteria/<x>/Entry/ EnterSpecificArea/PolygonArea	255
10.2.55B6	/<x>/<x>/OnNetwork/MCDataGroupList/<x>/Entry/ RulesForDeaffiliation/<x>/ListOfLocationCriteria/<x>/Entry/ EnterSpecificArea/PolygonArea/<x>....	256
10.2.55B7	/<x>/<x>/OnNetwork/MCDataGroupList/<x>/Entry/ RulesForDeaffiliation/<x>/ListOfLocationCriteria/<x>/Entry/ EnterSpecificArea/PolygonArea/<x>/PointCoordinateType	256
10.2.55B8	/<x>/<x>/OnNetwork/MCDataGroupList/<x>/Entry/ RulesForDeaffiliation/<x>/ListOfLocationCriteria/<x>/Entry/ EnterSpecificArea/PolygonArea/<x>/PointCoordinateType/ Longitude.....	256
10.2.55B9	/<x>/<x>/OnNetwork/MCDataGroupList/<x>/Entry/ RulesForDeaffiliation/<x>/ListOfLocationCriteria/<x>/Entry/ EnterSpecificArea/PolygonArea/<x>/PointCoordinateType/ Latitude.....	257
10.2.55B10	/<x>/<x>/OnNetwork/MCDataGroupList/<x>/Entry/ RulesForDeaffiliation/<x>/ListOfLocationCriteria/<x>/Entry/ EnterSpecificArea/EllipsoidArcArea	257
10.2.55B11	/<x>/<x>/OnNetwork/MCDataGroupList/<x>/Entry/ RulesForDeaffiliation/<x>/ListOfLocationCriteria/<x>/Entry/ EnterSpecificArea/EllipsoidArcArea/Center	257
10.2.55B12	/<x>/<x>/OnNetwork/MCDataGroupList/<x>/Entry/ RulesForDeaffiliation/<x>/ListOfLocationCriteria/<x>/Entry/ EnterSpecificArea/EllipsoidArcArea/Center/PointCoordinateType	258
10.2.55B13	/<x>/<x>/OnNetwork/MCDataGroupList/<x>/Entry/ RulesForDeaffiliation/<x>/ListOfLocationCriteria/<x>/Entry/ EnterSpecificArea/EllipsoidArcArea/Center/PointCoordinateType/ Longitude	258

10.2.55B14	/<x>/<x>/OnNetwork/MCDataGroupList/<x>/Entry/ RulesForDeaffiliation/<x>/ListOfLocationCriteria/<x>/Entry/ EnterSpecificArea/EllipsoidArcArea/Center/PointCoordinateType/ Latitude	258
10.2.55B15	/<x>/<x>/OnNetwork/MCDataGroupList/<x>/Entry/ RulesForDeaffiliation/<x>/ListOfLocationCriteria/<x>/Entry/ EnterSpecificArea/EllipsoidArcArea/Radius.....	259
10.2.55B16	/<x>/<x>/OnNetwork/MCDataGroupList/<x>/Entry/ RulesForDeaffiliation/<x>/ListOfLocationCriteria/<x>/Entry/ EnterSpecificArea/EllipsoidArcArea/OffsetAngle	259
10.2.55B17	/<x>/<x>/OnNetwork/MCDataGroupList/<x>/Entry/ RulesForDeaffiliation/<x>/ListOfLocationCriteria/<x>/Entry/ EnterSpecificArea/EllipsoidArcArea/IncludedAngle	259
10.2.55B18	/<x>/<x>/OnNetwork/MCDataGroupList/<x>/Entry/ RulesForDeaffiliation/<x>/ListOfLocationCriteria/<x>/Entry /EnterSpecificArea/Speed	260
10.2.55B19	/<x>/<x>/OnNetwork/MCDataGroupList/<x>/Entry/ RulesForDeaffiliation/<x>/ListOfLocationCriteria/<x>/Entry/ EnterSpecificArea/Speed/MinimumSpeed	260
10.2.55B20	/<x>/<x>/OnNetwork/MCDataGroupList/<x>/Entry/ RulesForDeaffiliation/<x>/ListOfLocationCriteria/<x>/Entry/ EnterSpecificArea/Speed/MaximumSpeed.....	260
10.2.55B21	/<x>/<x>/OnNetwork/MCDataGroupList/<x>/Entry/ RulesForDeaffiliation/<x>/ListOfLocationCriteria/<x>/Entry/ EnterSpecificArea/Heading.....	261
10.2.55B22	/<x>/<x>/OnNetwork/MCDataGroupList/<x>/Entry/ RulesForDeaffiliation/<x>/ListOfLocationCriteria/<x>/Entry/ EnterSpecificArea/Heading/MinimumHeading	261
10.2.55B23	/<x>/<x>/OnNetwork/MCDataGroupList/<x>/Entry/ RulesForDeaffiliation/<x>/ListOfLocationCriteria/<x>/Entry/ EnterSpecificArea/Heading/MaximumHeading	261
10.2.55B24	/<x>/<x>/OnNetwork/MCDataGroupList/<x>/Entry/ RulesForDeaffiliation/<x>/ListOfLocationCriteria/<x>/Entry/ ExitSpecificArea	262
10.2.55B25	/<x>/<x>/OnNetwork/MCDataGroupList/<x>/Entry/ RulesForDeaffiliation/<x>/ListOfLocationCriteria/<x>/Entry/ ExitSpecificArea/PolygonArea	262
10.2.55B26	/<x>/<x>/OnNetwork/MCDataGroupList/<x>/Entry/ RulesForDeaffiliation/<x>/ListOfLocationCriteria/<x>/Entry/ ExitSpecificArea/PolygonArea/<x>.....	262
10.2.55B27	/<x>/<x>/OnNetwork/MCDataGroupList/<x>/Entry/ RulesForDeaffiliation/<x>/ListOfLocationCriteria/<x>/Entry/ ExitSpecificArea/PolygonArea/<x>/PointCoordinateType	263
10.2.55B28	/<x>/<x>/OnNetwork/MCDataGroupList/<x>/Entry/ RulesForDeaffiliation/<x>/ListOfLocationCriteria/<x>/Entry/ ExitSpecificArea/PolygonArea/<x>/PointCoordinateType/ Longitude	263
10.2.55B29	/<x>/<x>/OnNetwork/MCDataGroupList/<x>/Entry/ RulesForDeaffiliation/<x>/ListOfLocationCriteria/<x>/Entry/ ExitSpecificArea/PolygonArea/<x>/PointCoordinateType/ Latitude.....	263
10.2.55B30	/<x>/<x>/OnNetwork/MCDataGroupList/<x>/Entry/ RulesForDeaffiliation/<x>/ListOfLocationCriteria/<x>/Entry/ ExitSpecificArea/EllipsoidArcArea	264
10.2.55B31	/<x>/<x>/OnNetwork/MCDataGroupList/<x>/Entry/ RulesForDeaffiliation/<x>/ListOfLocationCriteria/<x>/Entry/ ExitSpecificArea/EllipsoidArcArea/Center	264
10.2.55B32	/<x>/<x>/OnNetwork/MCDataGroupList/<x>/Entry/ RulesForDeaffiliation/<x>/ListOfLocationCriteria/<x>/Entry/ ExitSpecificArea/EllipsoidArcArea/Center/PointCoordinateType.....	264
10.2.55B33	/<x>/<x>/OnNetwork/MCDataGroupList/<x>/Entry/ RulesForDeaffiliation/<x>/ListOfLocationCriteria/<x>/Entry/ ExitSpecificArea/EllipsoidArcArea/Center/PointCoordinateType/ Longitude	265
10.2.55B34	/<x>/<x>/OnNetwork/MCDataGroupList/<x>/Entry/ RulesForDeaffiliation/<x>/ListOfLocationCriteria/<x>/Entry /ExitSpecificArea/EllipsoidArcArea/Center/PointCoordinateType/ Latitude	265
10.2.55B35	/<x>/<x>/OnNetwork/MCDataGroupList/<x>/Entry/ RulesForDeaffiliation/<x>/ListOfLocationCriteria/<x>/Entry/ ExitSpecificArea/EllipsoidArcArea/Radius.....	265

10.2.55B36	/<x>/<x>/OnNetwork/MCDataGroupList/<x>/Entry/ RulesForDeaffiliation/<x>/ListOfLocationCriteria/<x>/Entry/ ExitSpecificArea/EllipsoidArcArea/OffsetAngle	266
10.2.55B37	/<x>/<x>/OnNetwork/MCDataGroupList/<x>/Entry/ RulesForDeaffiliation/<x>/ListOfLocationCriteria/<x>/Entry/ ExitSpecificArea/EllipsoidArcArea/IncludedAngle	266
10.2.55B38	/<x>/<x>/OnNetwork/MCDataGroupList/<x>/Entry/ RulesForDeaffiliation/<x>/ListOfLocationCriteria/<x>/Entry/ ExitSpecificArea/Speed	266
10.2.55B39	/<x>/<x>/OnNetwork/MCDataGroupList/<x>/Entry/ RulesForDeaffiliation/<x>/ListOfLocationCriteria/<x>/Entry/ ExitSpecificArea/Speed/MinimumSpeed	267
10.2.55B40	/<x>/<x>/OnNetwork/MCDataGroupList/<x>/Entry/ RulesForDeaffiliation/<x>/ListOfLocationCriteria/<x>/Entry/ ExitSpecificArea/Speed/MaximumSpeed	267
10.2.55B41	/<x>/<x>/OnNetwork/MCDataGroupList/<x>/Entry/ RulesForDeaffiliation/<x>/ListOfLocationCriteria/<x>/Entry/ ExitSpecificArea/Heading	267
10.2.55B42	/<x>/<x>/OnNetwork/MCDataGroupList/<x>/Entry/ RulesForDeaffiliation/<x>/ListOfLocationCriteria/<x>/Entry/ ExitSpecificArea/Heading/MinimumHeading	268
10.2.55B43	/<x>/<x>/OnNetwork/MCDataGroupList/<x>/Entry/ RulesForDeaffiliation/<x>/ListOfLocationCriteria/<x>/Entry/ ExitSpecificArea/Heading/MaximumHeading	268
10.2.55B44	/<x>/<x>/OnNetwork/MCDataGroupList/<x>/Entry/ RulesForDeaffiliation/<x>/ListOfActiveFunctionalAliases	268
10.2.55B45	/<x>/<x>/OnNetwork/MCDataGroupList/<x>/Entry/ RulesForDeaffiliation/<x>/ListOfActiveFunctionalAliases/<x>	269
10.2.55B46	/<x>/<x>/OnNetwork/MCDataGroupList/<x>/Entry/ RulesForDeaffiliation/<x>/ListOfActiveFunctionalAliases/<x>/Entry	269
10.2.55B47	/<x>/<x>/OnNetwork/MCDataGroupList/<x>/Entry/ RulesForDeaffiliation/<x>/ListOfActiveFunctionalAliases/<x>/Entry/ FunctionalAlias	269
10.2.55B48	/<x>/<x>/OnNetwork/MCDataGroupList/<x>/Entry/ ManualDeaffiliationNotAllowedIfAffiliationRulesAreMet	269
10.2.56	/<x>/<x>/OnNetwork/ImplicitAffiliations	270
10.2.57	/<x>/<x>/OnNetwork/ImplicitAffiliations/<x>	270
10.2.58	/<x>/<x>/OnNetwork/ImplicitAffiliations/<x>/Entry	270
10.2.59	/<x>/<x>/OnNetwork/ImplicitAffiliations/<x>/Entry/ MCDataGroupID	270
10.2.60	/<x>/<x>/OnNetwork/ImplicitAffiliations/<x>/Entry/ DisplayName	271
10.2.61	/<x>/<x>/OnNetwork/PresenceStatus	271
10.2.62	/<x>/<x>/OnNetwork/PresenceStatus/<x>	271
10.2.63	/<x>/<x>/OnNetwork/PresenceStatus/<x>/Entry	271
10.2.64	/<x>/<x>/OnNetwork/PresenceStatus/<x>/Entry/MCDataID	271
10.2.65	/<x>/<x>/OnNetwork/PresenceStatus/<x>/Entry/ DisplayName	272
10.2.66	/<x>/<x>/OnNetwork/RemoteGroupChange	272
10.2.67	/<x>/<x>/OnNetwork/RemoteGroupChange/<x>	272
10.2.68	/<x>/<x>/OnNetwork/RemoteGroupChange/<x>/Entry	272
10.2.69	/<x>/<x>/OnNetwork/RemoteGroupChange/<x>/Entry/ MCDataID	272
10.2.70	/<x>/<x>/OnNetwork/RemoteGroupChange/<x>/Entry/ DisplayName	273
10.2.71	/<x>/<x>/OnNetwork/MaxAffiliationsN2	273
10.2.72	/<x>/<x>/OnNetwork/ConversationManagement	273
10.2.73	/<x>/<x>/OnNetwork/ConversationManagement/ GroupHangTime	273
10.2.74	/<x>/<x>/OnNetwork/ConversationManagement/ GroupHangTime/<x>	274
10.2.75	/<x>/<x>/OnNetwork/ConversationManagement/ GroupHangTime/<x>/Entry	274
10.2.76	/<x>/<x>/OnNetwork/ConversationManagement/ GroupHangTime/<x>/Entry/MCDataGroupID	274
10.2.77	/<x>/<x>/OnNetwork/ConversationManagement/ GroupHangTime/<x>/Entry/DisplayName	274
10.2.78	/<x>/<x>/OnNetwork/ConversationManagement/ GroupHangTime/<x>/Entry/HangTime	275
10.2.79	/<x>/<x>/OnNetwork/ConversationManagement/ DeliveredDisposition	275
10.2.80	/<x>/<x>/OnNetwork/ConversationManagement/ DeliveredDisposition/<x>	275
10.2.81	/<x>/<x>/OnNetwork/ConversationManagement/ DeliveredDisposition/<x>/Entry	275
10.2.82	/<x>/<x>/OnNetwork/ConversationManagement/ DeliveredDisposition/<x>/Entry/MCDataID	276
10.2.83	/<x>/<x>/OnNetwork/ConversationManagement/ DeliveredDisposition/<x>/Entry/DisplayName	276
10.2.84	/<x>/<x>/OnNetwork/ConversationManagement/ ReadDisposition	276
10.2.85	/<x>/<x>/OnNetwork/ConversationManagement/ ReadDisposition/<x>	276

10.2.86 /<x>/<x>/OnNetwork/ConversationManagement/ ReadDisposition/<x>/Entry277

10.2.87 /<x>/<x>/OnNetwork/ConversationManagement/ ReadDisposition/<x>/Entry/MCDataID.....277

10.2.88 /<x>/<x>/OnNetwork/ConversationManagement/ ReadDisposition/<x>/Entry/DisplayName277

10.2.89 /<x>/<x>/OnNetwork/OneToOneEmergencyAlert.....277

10.2.90 /<x>/<x>/OnNetwork/OneToOneEmergencyAlert/Entry.....278

10.2.91 /<x>/<x>/OnNetwork/OneToOneEmergencyAlert/Entry/ID.....278

10.2.92 /<x>/<x>/OnNetwork/OneToOneEmergencyAlert/Entry/ DisplayName278

10.2.93 /<x>/<x>/OnNetwork/OneToOneEmergencyAlert/Entry/Usage278

10.2.94 /<x>/<x>/OnNetwork/AllowedRegroup279

10.2.95 /<x>/<x>/OnNetwork/AllowedPresenceStatus279

10.2.96 /<x>/<x>/OnNetwork/AllowedPresence279

10.2.97 /<x>/<x>/OnNetwork/AllowedManualSwitch279

10.2.97A /<x>/<x>/OnNetwork/MCDataContentServerURI280

10.2.97B /<x>/<x>/OnNetwork/FunctionalAliasList280

10.2.97B1 /<x>/<x>/OnNetwork/FunctionalAliasList/<x>280

10.2.97B2 /<x>/<x>/OnNetwork/FunctionalAliasList/<x>/Entry280

10.2.97B3 /<x>/<x>/OnNetwork/FunctionalAliasList/<x>/Entry/ FunctionalAlias.....281

10.2.97B3A /<x>/<x>/OnNetwork/FunctionalAliasList/<x>/Entry/ DisplayName281

10.2.97B3B /<x>/<x>/OnNetwork/FunctionalAliasList/<x>/Entry/ LocationCriteriaForActivation281

10.2.97B3B0 /<x>/<x>/OnNetwork/FunctionalAliasList/<x>/Entry/ LocationCriteriaForActivation/<x>281

10.2.97B3B1 /<x>/<x>/OnNetwork/FunctionalAliasList/<x>/Entry/
LocationCriteriaForActivation/<x>/EnterSpecificArea.....282

10.2.97B3B2 /<x>/<x>/OnNetwork/FunctionalAliasList/<x>/Entry/
LocationCriteriaForActivation/<x>/EnterSpecificArea/PolygonArea.....282

10.2.97B3B3 /<x>/<x>/OnNetwork/FunctionalAliasList/<x>/Entry/
LocationCriteriaForActivation/<x>/EnterSpecificArea/PolygonArea/ <x>282

10.2.97B3B4 /<x>/<x>/OnNetwork/FunctionalAliasList/<x>/Entry/
LocationCriteriaForActivation/<x>/EnterSpecificArea/PolygonArea/ <x>/PointCoordinateType.....283

10.2.97B3B5 /<x>/<x>/OnNetwork/FunctionalAliasList/<x>/Entry/
LocationCriteriaForActivation/<x>/EnterSpecificArea/PolygonArea/
<x>/PointCoordinateType/Longitude283

10.2.97B3B6 /<x>/<x>/OnNetwork/FunctionalAliasList/<x>/Entry/
LocationCriteriaForActivation/<x>/EnterSpecificArea/PolygonArea/
<x>/PointCoordinateType/Latitude283

10.2.97B3B7 /<x>/<x>/OnNetwork/FunctionalAliasList/<x>/Entry/
LocationCriteriaForActivation/<x>/EnterSpecificArea/ EllipsoidArcArea.....284

10.2.97B3B8 /<x>/<x>/OnNetwork/FunctionalAliasList/<x>/Entry/
LocationCriteriaForActivation/<x>/EnterSpecificArea/ EllipsoidArcArea/Center284

10.2.97B3B9 /<x>/<x>/OnNetwork/FunctionalAliasList/<x>/Entry/
LocationCriteriaForActivation/<x>/EnterSpecificArea/
EllipsoidArcArea/Center/PointCoordinateType284

10.2.97B3B10/<x>/<x>/OnNetwork/FunctionalAliasList/<x>/Entry/
LocationCriteriaForActivation/<x>/EnterSpecificArea/
EllipsoidArcArea/Center/PointCoordinateType/Longitude.....285

10.2.97B3B11/<x>/<x>/OnNetwork/FunctionalAliasList/<x>/Entry/
LocationCriteriaForActivation/<x>/EnterSpecificArea/
EllipsoidArcArea/Center/PointCoordinateType/Latitude285

10.2.97B3B12/<x>/<x>/OnNetwork/FunctionalAliasList/<x>/Entry/
LocationCriteriaForActivation/<x>/EnterSpecificArea/ EllipsoidArcArea/Radius.....285

10.2.97B3B13/<x>/<x>/OnNetwork/FunctionalAliasList/<x>/Entry/
LocationCriteriaForActivation/<x>/EnterSpecificArea/ EllipsoidArcArea/OffsetAngle286

10.2.97B3B14/<x>/<x>/OnNetwork/FunctionalAliasList/<x>/Entry/
LocationCriteriaForActivation/<x>/EnterSpecificArea/ EllipsoidArcArea/IncludedAngle286

10.2.97B3B15/<x>/<x>/OnNetwork/FunctionalAliasList/<x>/Entry/
LocationCriteriaForActivation/<x>/EnterSpecificArea/Speed286

10.2.97B3B16/<x>/<x>/OnNetwork/FunctionalAliasList/<x>/Entry/
LocationCriteriaForActivation/<x>/EnterSpecificArea/Speed/ MinimumSpeed287

10.2.97B3B17/<x>/<x>/OnNetwork/FunctionalAliasList/<x>/Entry/
LocationCriteriaForActivation/<x>/EnterSpecificArea/Speed/ MaximumSpeed.....287

10.2.97B3B18/<x>/<x>/OnNetwork/FunctionalAliasList/<x>/Entry/
LocationCriteriaForActivation/<x>/EnterSpecificArea/Heading287

10.2.97B3B19/<x>/<x>/OnNetwork/FunctionalAliasList/<x>/Entry/ LocationCriteriaForActivation/<x>/EnterSpecificArea/Heading/ MinimumHeading.....	288
10.2.97B3B20/<x>/<x>/OnNetwork/FunctionalAliasList/<x>/Entry/ LocationCriteriaForActivation/<x>/EnterSpecificArea/Heading/ MaximumHeading.....	288
10.2.97B3B21/<x>/<x>/OnNetwork/FunctionalAliasList/<x>/Entry/ LocationCriteriaForActivation/<x>/ExitSpecificArea.....	288
10.2.97B3B22/<x>/<x>/OnNetwork/FunctionalAliasList/<x>/Entry/ LocationCriteriaForActivation/<x>/ExitSpecificArea/PolygonArea.....	289
10.2.97B3B23/<x>/<x>/OnNetwork/FunctionalAliasList/<x>/Entry/ LocationCriteriaForActivation/<x>/ExitSpecificArea/PolygonArea/ <x>.....	289
10.2.97B3B24/<x>/<x>/OnNetwork/FunctionalAliasList/<x>/Entry/ LocationCriteriaForActivation/<x>/ExitSpecificArea/PolygonArea/ <x>/PointCoordinateType.....	289
10.2.97B3B25/<x>/<x>/OnNetwork/FunctionalAliasList/<x>/Entry/ LocationCriteriaForActivation/<x>/ExitSpecificArea/PolygonArea/ <x>/PointCoordinateType/Longitude.....	290
10.2.97B3B26/<x>/<x>/OnNetwork/FunctionalAliasList/<x>/Entry/ LocationCriteriaForActivation/<x>/ExitSpecificArea/PolygonArea/ <x>/PointCoordinateType/Latitude.....	290
10.2.97B3B27/<x>/<x>/OnNetwork/FunctionalAliasList/<x>/Entry/ LocationCriteriaForActivation/<x>/ExitSpecificArea/ EllipsoidArcArea.....	290
10.2.97B3B28/<x>/<x>/OnNetwork/FunctionalAliasList/<x>/Entry/ LocationCriteriaForActivation/<x>/ExitSpecificArea/ EllipsoidArcArea/Center.....	291
10.2.97B3B29/<x>/<x>/OnNetwork/FunctionalAliasList/<x>/Entry/ LocationCriteriaForActivation/<x>/ExitSpecificArea/ EllipsoidArcArea/Center/PointCoordinateType.....	291
10.2.97B3B30/<x>/<x>/OnNetwork/FunctionalAliasList/<x>/Entry/ LocationCriteriaForActivation/<x>/ExitSpecificArea/ EllipsoidArcArea/Center/PointCoordinateType/Longitude.....	291
10.2.97B3B31/<x>/<x>/OnNetwork/FunctionalAliasList/<x>/Entry/ LocationCriteriaForActivation/<x>/ExitSpecificArea/ EllipsoidArcArea/Center/PointCoordinateType/Latitude.....	292
10.2.97B3B32/<x>/<x>/OnNetwork/FunctionalAliasList/<x>/Entry/ LocationCriteriaForActivation/<x>/ExitSpecificArea/ EllipsoidArcArea/Radius.....	292
10.2.97B3B33/<x>/<x>/OnNetwork/FunctionalAliasList/<x>/Entry/ LocationCriteriaForActivation/<x>/ExitSpecificArea/ EllipsoidArcArea/OffsetAngle.....	292
10.2.97B3B34/<x>/<x>/OnNetwork/FunctionalAliasList/<x>/Entry/ LocationCriteriaForActivation/<x>/ExitSpecificArea/ EllipsoidArcArea/IncludedAngle.....	293
10.2.97B3B35/<x>/<x>/OnNetwork/FunctionalAliasList/<x>/Entry/ LocationCriteriaForActivation/<x>/ExitSpecificArea/Speed.....	293
10.2.97B3B36/<x>/<x>/OnNetwork/FunctionalAliasList/<x>/Entry/ LocationCriteriaForActivation/<x>/ExitSpecificArea/Speed/ MinimumSpeed.....	293
10.2.97B3B37/<x>/<x>/OnNetwork/FunctionalAliasList/<x>/Entry/ LocationCriteriaForActivation/<x>/ExitSpecificArea/Speed/ MaximumSpeed.....	294
10.2.97B3B38/<x>/<x>/OnNetwork/FunctionalAliasList/<x>/Entry/ LocationCriteriaForActivation/<x>/ExitSpecificArea/Heading.....	294
10.2.97B3B39/<x>/<x>/OnNetwork/FunctionalAliasList/<x>/Entry/ LocationCriteriaForActivation/<x>/ExitSpecificArea/Heading/ MinimumHeading.....	294
10.2.97B3B40/<x>/<x>/OnNetwork/FunctionalAliasList/<x>/Entry/ LocationCriteriaForActivation/<x>/ExitSpecificArea/Heading/ MaximumHeading.....	295
10.2.97B3C/<x>/<x>/OnNetwork/FunctionalAliasList/<x>/Entry/ LocationCriteriaForDeactivation.....	295
10.2.97B3C0/<x>/<x>/OnNetwork/FunctionalAliasList/<x>/Entry/ LocationCriteriaForDeactivation/<x>.....	295
10.2.97B3C1/<x>/<x>/OnNetwork/FunctionalAliasList/<x>/Entry/ LocationCriteriaForDeactivation/<x>/EnterSpecificArea.....	295
10.2.97B3C2/<x>/<x>/OnNetwork/FunctionalAliasList/<x>/Entry/ LocationCriteriaForDeactivation/<x>/EnterSpecificArea/ PolygonArea.....	296
10.2.97B3C3/<x>/<x>/OnNetwork/FunctionalAliasList/<x>/Entry/ LocationCriteriaForDeactivation/<x>/EnterSpecificArea/ PolygonArea/<x>.....	296
10.2.97B3C4/<x>/<x>/OnNetwork/FunctionalAliasList/<x>/Entry/ LocationCriteriaForDeactivation/<x>/EnterSpecificArea/ PolygonArea/<x>/PointCoordinateType.....	296
10.2.97B3C5/<x>/<x>/OnNetwork/FunctionalAliasList/<x>/Entry/ LocationCriteriaForDeactivation/<x>/EnterSpecificArea/ PolygonArea/<x>/PointCoordinateType/Longitude.....	297

10.2.97B3C6	/<x>/<x>/OnNetwork/FunctionalAliasList/<x>/Entry/ LocationCriteriaForDeactivation/<x>/EnterSpecificArea/ PolygonArea/<x>/PointCoordinateType/Latitude	297
10.2.97B3C7	/<x>/<x>/OnNetwork/FunctionalAliasList/<x>/Entry/ LocationCriteriaForDeactivation/<x>/EnterSpecificArea/ EllipsoidArcArea	297
10.2.97B3C8	<x>/<x>/OnNetwork/FunctionalAliasList/<x>/Entry/ LocationCriteriaForDeactivation/<x>/EnterSpecificArea/ EllipsoidArcArea/Center	298
10.2.97B3C9	<x>/<x>/OnNetwork/FunctionalAliasList/<x>/Entry/ LocationCriteriaForDeactivation/<x>/EnterSpecificArea/ EllipsoidArcArea/Center/PointCoordinateType	298
10.2.97B3C10/<x>/<x>/OnNetwork/FunctionalAliasList/<x>/Entry/ LocationCriteriaForDeactivation/<x>/EnterSpecificArea/ EllipsoidArcArea/Center/PointCoordinateType/Longitude	298
10.2.97B3C11/<x>/<x>/OnNetwork/FunctionalAliasList/<x>/Entry/ LocationCriteriaForDeactivation/<x>/EnterSpecificArea/ EllipsoidArcArea/Center/PointCoordinateType/Latitude	299
10.2.97B3C12/<x>/<x>/OnNetwork/FunctionalAliasList/<x>/Entry/ LocationCriteriaForDeactivation/<x>/EnterSpecificArea/ EllipsoidArcArea/Radius	299
10.2.97B3C13/<x>/<x>/OnNetwork/FunctionalAliasList/<x>/Entry/ LocationCriteriaForDeactivation/<x>/EnterSpecificArea/ EllipsoidArcArea/OffsetAngle	299
10.2.97B3C14/<x>/<x>/OnNetwork/FunctionalAliasList/<x>/Entry/ LocationCriteriaForDeactivation/<x>/EnterSpecificArea/ EllipsoidArcArea/IncludedAngle	300
10.2.97B3C15/<x>/<x>/OnNetwork/FunctionalAliasList/<x>/Entry/ LocationCriteriaForDeactivation/<x>/EnterSpecificArea/Speed	300
10.2.97B3C16/<x>/<x>/OnNetwork/FunctionalAliasList/<x>/Entry/ LocationCriteriaForDeactivation/<x>/EnterSpecificArea/Speed/ MinimumSpeed	300
10.2.97B3C17/<x>/<x>/OnNetwork/FunctionalAliasList/<x>/Entry/ LocationCriteriaForDeactivation/<x>/EnterSpecificArea/Speed/ MaximumSpeed	301
10.2.97B3C18/<x>/<x>/OnNetwork/FunctionalAliasList/<x>/Entry/ LocationCriteriaForDeactivation/<x>/EnterSpecificArea/Heading	301
10.2.97B3C19/<x>/<x>/OnNetwork/FunctionalAliasList/<x>/Entry/ LocationCriteriaForDeactivation/<x>/EnterSpecificArea/Heading/ MinimumHeading	301
10.2.97B3C20/<x>/<x>/OnNetwork/FunctionalAliasList/<x>/Entry/ LocationCriteriaForDeactivation/<x>/EnterSpecificArea/Heading/ MaximumHeading	302
10.2.97B3C21/<x>/<x>/OnNetwork/FunctionalAliasList/<x>/Entry/ LocationCriteriaForDeactivation/<x>/ExitSpecificArea	302
10.2.97B3C22/<x>/<x>/OnNetwork/FunctionalAliasList/<x>/Entry/ LocationCriteriaForDeactivation/<x>/ExitSpecificArea/PolygonArea	302
10.2.97B3C23/<x>/<x>/OnNetwork/FunctionalAliasList/<x>/Entry/ LocationCriteriaForDeactivation/<x>/ExitSpecificArea/ PolygonArea/<x>	303
10.2.97B3C24/<x>/<x>/OnNetwork/FunctionalAliasList/<x>/Entry/ LocationCriteriaForDeactivation/<x>/ExitSpecificArea/ PolygonArea/<x>/PointCoordinateType	303
10.2.97B3C25/<x>/<x>/OnNetwork/FunctionalAliasList/<x>/Entry/ LocationCriteriaForDeactivation/<x>/ExitSpecificArea/ PolygonArea/<x>/PointCoordinateType/Longitude	303
10.2.97B3C26/<x>/<x>/OnNetwork/FunctionalAliasList/<x>/Entry/ LocationCriteriaForDeactivation/<x>/ExitSpecificArea/ PolygonArea/<x>/PointCoordinateType/Latitude	304
10.2.97B3C27/<x>/<x>/OnNetwork/FunctionalAliasList/<x>/Entry/ LocationCriteriaForDeactivation/<x>/ExitSpecificArea/ EllipsoidArcArea	304
10.2.97B3C28/<x>/<x>/OnNetwork/FunctionalAliasList/<x>/Entry/ LocationCriteriaForDeactivation/<x>/ExitSpecificArea/ EllipsoidArcArea/Center	304
10.2.97B3C29/<x>/<x>/OnNetwork/FunctionalAliasList/<x>/Entry/ LocationCriteriaForDeactivation/<x>/ExitSpecificArea/ EllipsoidArcArea/Center/PointCoordinateType	305
10.2.97B3C30/<x>/<x>/OnNetwork/FunctionalAliasList/<x>/Entry/ LocationCriteriaForDeactivation/<x>/ExitSpecificArea/ EllipsoidArcArea/Center/PointCoordinateType/Longitude	305
10.2.97B3C31/<x>/<x>/OnNetwork/FunctionalAliasList/<x>/Entry/ LocationCriteriaForDeactivation/<x>/ExitSpecificArea/ EllipsoidArcArea/Center/PointCoordinateType/Latitude	305

10.2.97B3C32/<x>/<x>/OnNetwork/FunctionalAliasList/<x>/Entry/
 LocationCriteriaForDeactivation/<x>/ExitSpecificArea/ EllipsoidArcArea/Radius 306

10.2.97B3C33/<x>/<x>/OnNetwork/FunctionalAliasList/<x>/Entry/
 LocationCriteriaForDeactivation/<x>/ExitSpecificArea/ EllipsoidArcArea/OffsetAngle 306

10.2.97B3C34/<x>/<x>/OnNetwork/FunctionalAliasList/<x>/Entry/
 LocationCriteriaForDeactivation/<x>/ExitSpecificArea/ EllipsoidArcArea/IncludedAngle 306

10.2.97B3C35/<x>/<x>/OnNetwork/FunctionalAliasList/<x>/Entry/
 LocationCriteriaForDeactivation/<x>/ExitSpecificArea/Speed 307

10.2.97B3C36/<x>/<x>/OnNetwork/FunctionalAliasList/<x>/Entry/
 LocationCriteriaForDeactivation/<x>/ExitSpecificArea/Speed/ MinimumSpeed..... 307

10.2.97B3C37/<x>/<x>/OnNetwork/FunctionalAliasList/<x>/Entry/
 LocationCriteriaForDeactivation/<x>/ExitSpecificArea/Speed/ MaximumSpeed 307

10.2.97B3C38/<x>/<x>/OnNetwork/FunctionalAliasList/<x>/Entry/
 LocationCriteriaForDeactivation/<x>/ExitSpecificArea/Heading..... 308

10.2.97B3C39/<x>/<x>/OnNetwork/FunctionalAliasList/<x>/Entry/
 LocationCriteriaForDeactivation/<x>/ExitSpecificArea/Heading/ MinimumHeading 308

10.2.97B3C40/<x>/<x>/OnNetwork/FunctionalAliasList/<x>/Entry/
 LocationCriteriaForDeactivation/<x>/ExitSpecificArea/Heading/ MaximumHeading..... 308

10.2.97B3D /<x>/<x>/OnNetwork/FunctionalAliasList/<x>/Entry/
 ManualDeactivationNotAllowedIfLocationCriteriaMet..... 309

10.2.97C /<x>/<x>/OnNetwork/AllowedQueryFunctionalAliasOtherUser..... 309

10.2.97D /<x>/<x>/OnNetwork/AllowedTakeoverFunctionalAliasOtherUser..... 309

10.2.97E /<x>/<x>/OnNetwork/MessageStoreHostname 309

10.2.97F /<x>/<x>/OnNetwork/AuthorisedIncomingAny 310

10.2.97G /<x>/<x>/OnNetwork/IncomingUserList..... 310

10.2.97G1 /<x>/<x>/OnNetwork/IncomingUserList/<x> 310

10.2.97G2 /<x>/<x>/OnNetwork/IncomingUserList/<x>/Entry 310

10.2.97G3 /<x>/<x>/OnNetwork/IncomingUserList/<x>/Entry/MCDataID 311

10.2.97G4 /<x>/<x>/OnNetwork/IncomingUserList/<x>/Entry/ MCDataIDKMSURI..... 311

10.2.98 /<x>/<x>/OffNetwork 311

10.2.99 /<x>/<x>/OffNetwork/Authorised 311

10.2.100 /<x>/<x>/OffNetwork/MCDataGroupList..... 312

10.2.101 /<x>/<x>/OffNetwork/MCDataGroupList/<x> 312

10.2.102 /<x>/<x>/OffNetwork/MCDataGroupList/<x>/Entry 312

10.2.103 /<x>/<x>/OffNetwork/MCDataGroupList/<x>/Entry/ MCDataGroupID 312

10.2.104 /<x>/<x>/OffNetwork/MCDataGroupList/<x>/Entry/DisplayName..... 312

10.2.105 Void 313

10.2.106 Void 313

10.2.107 /<x>/<x>/OffNetwork/MCDataGroupList/<x>/Entry/GMSServID 313

10.2.108 Void 313

10.2.109 Void 313

10.2.110 /<x>/<x>/OffNetwork/MCDataGroupList/<x>/Entry/ IdMSTokenEndPoint 313

10.2.110A /<x>/<x>/OffNetwork/MCDataGroupList/<x>/Entry/GroupKMSURI..... 313

10.2.111 /<x>/<x>/OffNetwork/MCDataGroupList/<x>/Entry/ RelativePresentationPriority 314

10.2.112 /<x>/<x>/OffNetwork/UserInfoID 314

10.2.113 Void 314

10.2.114 Void 314

10.2.115 Void 314

10.2.116 Void 314

10.2.117 Void 314

10.2.118 Void 314

10.2.119 Void 314

10.2.120 Void 314

10.2.121 /<x>/Status 314

11 MCData service configuration MO 315

11.1 General 315

11.2 MCData service configuration MO parameters..... 315

11.2.1 General..... 315

11.2.2 Node: <x> 316

11.2.3 /<x>/Name 316

11.2.4 /<x>/Ext/ 316

11.2.5	/<x>/Common	316
11.2.6	/<x>/Common/TxRxControl	317
11.2.7	/<x>/Common/TxRxControl/TimeTempDataWaiting	317
11.2.8	/<x>/Common/TxRxControl/TimePeriodicAnnouncement	317
11.2.9	/<x>/OffNetwork	317
11.2.10	/<x>/OffNetwork/DefaultPPPP	318
11.2.11	/<x>/OffNetwork/DefaultPPPP/MCDataOneToOneCallSignalling	318
11.2.12	/<x>/OffNetwork/DefaultPPPP/MCDataOneToOneCallMedia	318
12	MCVideo UE configuration MO	318
12.1	General	318
12.2	MCVideo UE configuration MO parameters	319
12.2.1	General	319
12.2.2	Node: <x>	319
12.2.3	/<x>/Name	320
12.2.4	/<x>/Ext/	320
12.2.5	/<x>/Common	320
12.2.5A	/<x>/Common/PrivateCall	320
12.2.5B	/<x>/Common/PrivateCall/MaxCallNc10	321
12.2.6	/<x>/Common/MCVideoGroupCall	321
12.2.7	/<x>/Common/MCVideoGroupCall/MaxCallNc4	321
12.2.8	/<x>/Common/MCVideoGroupCall/MaxTransmissionNc5	321
12.2.9	/<x>/Common/MCVideoGroupCall/PrioritizedMCVideoGroup	321
12.2.10	/<x>/Common/MCVideoGroupCall/PrioritizedMCVideoGroup/<x>	322
12.2.11	/<x>/Common/MCVideoGroupCall/PrioritizedMCVideoGroup/ <x>/MCVideoGroupID	322
12.2.12	/<x>/Common/MCVideoGroupCall/ PrioritizedMCVideoGroup/<x>/MCVideoGroupPriorityHierarchy	322
12.2.13	/<x>/OnNetwork	322
12.2.14	/<x>/OnNetwork/RelayService	323
12.2.15	/<x>/OnNetwork/IPv6Preferred	323
12.2.16	/<x>/OnNetwork/RelayedMCVideoGroup	323
12.2.17	/<x>/OnNetwork/RelayedMCVideoGroup/<x>	323
12.2.18	/<x>/OnNetwork/RelayedMCVideoGroup/<x>/MCVideoGroupID	324
12.2.19	/<x>/OnNetwork/RelayedMCVideoGroup/<x>/RelayServiceCode	324
13	MCVideo user profile MO	324
13.1	General	324
13.2	MCVideo user profile MO parameters	327
13.2.1	General	327
13.2.2	Node: <x>	327
13.2.3	/<x>/Name	327
13.2.4	/<x>/Ext/	327
13.2.5	/<x>/<x>	327
13.2.6	/<x>/<x>/Common	328
13.2.7	/<x>/<x>/Common/MCVideoUserID	328
13.2.8	/<x>/<x>/Common/MCVideoUserProfileIndex	328
13.2.9	/<x>/<x>/Common/MCVideoUserProfileName	328
13.2.10	/<x>/<x>/Common/PreSelectedIndication	329
13.2.11	/<x>/<x>/Common/UserAliases	329
13.2.12	/<x>/<x>/Common/UserAliases/<x>	329
13.2.13	/<x>/<x>/Common/UserAliases/<x>/UserAlias	329
13.2.14	Void	330
13.2.15	/<x>/<x>/Common/ParticipantType	330
13.2.16	/<x>/<x>/Common/Organization	330
13.2.17	/<x>/<x>/Common/MCVideoGroupBroadcast	330
13.2.18	/<x>/<x>/Common/MCVideoGroupBroadcast/Authorised	330
13.2.19	/<x>/<x>/Common/UserBroadcast	331
13.2.20	/<x>/<x>/Common/UserBroadcast/Authorised	331
13.2.21	Void	331
13.2.22	Void	331
13.2.23	Void	331
13.2.24	Void	331

13.2.25	Void	331
13.2.26	Void	331
13.2.27	Void	331
13.2.28	Void	331
13.2.29	/<<x>/<x>/Common/AllowedActivateAlert	331
13.2.30	/<<x>/<x>/Common/AllowedCancelAlert	332
13.2.31	Void	332
13.2.32	Void	332
13.2.33	Void	332
13.2.34	Void	332
13.2.35	Void	332
13.2.36	Void	332
13.2.37	Void	332
13.2.38	Void	332
13.2.38A	/<<x>/<x>/Common/MCVideoGroupCall	332
13.2.38A1	/<<x>/<x>/Common/MCVideoGroupCall/EmergencyAlert	332
13.2.38A2	/<<x>/<x>/Common/MCVideoGroupCall/EmergencyAlert/ Authorised	333
13.2.38A3	/<<x>/<x>/Common/MCVideoGroupCall/EmergencyAlert/ Cancel	333
13.2.38A4	/<<x>/<x>/Common/MCVideoGroupCall/EmergencyAlert/ Entry	333
13.2.38A5	/<<x>/<x>/Common/MCVideoGroupCall/EmergencyAlert/ Entry/ID	333
13.2.38A6	/<<x>/<x>/Common/MCVideoGroupCall/EmergencyAlert/ Entry/DisplayName	334
13.2.38A7	/<<x>/<x>/Common/MCVideoGroupCall/EmergencyAlert/ Entry/Usage	334
13.2.38B	/<<x>/<x>/Common/MCVideoGroupCall/EmergencyCall	334
13.2.38C	/<<x>/<x>/Common/MCVideoGroupCall/EmergencyCall/ Enabled	335
13.2.38D	/<<x>/<x>/Common/MCVideoGroupCall/EmergencyCall/ CancelMCVideoGroup	335
13.2.38D1	/<<x>/<x>/Common/MCVideoGroupCall/EmergencyCall/ MCVideoGroupInitiation	335
13.2.38D2	/<<x>/<x>/Common/MCVideoGroupCall/EmergencyCall/ MCVideoGroupInitiation/Entry	335
13.2.38D3	/<<x>/<x>/Common/MCVideoGroupCall/EmergencyCall/ MCVideoGroupInitiation/Entry/GroupID	336
13.2.38D4	/<<x>/<x>/Common/MCVideoGroupCall/EmergencyCall/ MCVideoGroupInitiation/Entry/DisplayName	336
13.2.38D5	/<<x>/<x>/Common/MCVideoGroupCall/EmergencyCall/ MCVideoGroupInitiation/Entry/Usage	336
13.2.38E	/<<x>/<x>/Common/MCVideoGroupCall/ImminentPerilCall	337
13.2.38F	/<<x>/<x>/Common/MCVideoGroupCall/ImminentPerilCall/ Authorised	337
13.2.38G	/<<x>/<x>/Common/MCVideoGroupCall/ImminentPerilCall/Cancel	337
13.2.38G1	/<<x>/<x>/Common/MCVideoGroupCall/ImminentPerilCall/ MCVideoGroupInitiation	337
13.2.38G2	/<<x>/<x>/Common/MCVideoGroupCall/ImminentPerilCall/ MCVideoGroupInitiation/Entry	338
13.2.38G3	/<<x>/<x>/Common/MCVideoGroupCall/ImminentPerilCall/ MCVideoGroupInitiation/Entry/GroupID	338
13.2.38G4	/<<x>/<x>/Common/MCVideoGroupCall/ImminentPerilCall/ MCVideoGroupInitiation/DisplayName	338
13.2.38G5	/<<x>/<x>/Common/MCVideoGroupCall/ImminentPerilCall/ MCVideoGroupInitiation/Entry/Usage	338
13.2.38G6	/<<x>/<x>/Common/MCVideoGroupCall/Priority	339
13.2.38G7	/<<x>/<x>/Common/MCVideoGroupCall/ MaxSimultaneousCallsN6	339
13.2.38H	/<<x>/<x>/Common/PrivateCall	339
13.2.38I	/<<x>/<x>/Common/PrivateCall/Authorised	339
13.2.38I1	/<<x>/<x>/Common/PrivateCall/AuthorisedAny	340
13.2.38I2	/<<x>/<x>/Common/PrivateCall/UserList	340
13.2.38I3	/<<x>/<x>/Common/PrivateCall/UserList/<x>	340
13.2.38I4	/<<x>/<x>/Common/PrivateCall/UserList/<x>/Entry	340
13.2.38I5	/<<x>/<x>/Common/PrivateCall/UserList/<x>/Entry/ MCVideoID	340
13.2.38I6	/<<x>/<x>/Common/PrivateCall/UserList/<x>/Entry/ DiscoveryGroupID	341
13.2.38I7	/<<x>/<x>/Common/PrivateCall/UserList/<x>/Entry/UserInfoID	341
13.2.38I8	/<<x>/<x>/Common/PrivateCall/UserList/<x>/Entry/ DisplayName	341
13.2.38I9	/<<x>/<x>/Common/PrivateCall/UserList/<x>/Entry/ PrivateCallKMSURI	341
13.2.38J	/<<x>/<x>/Common/PrivateCall/ManualCommence	342
13.2.38K	/<<x>/<x>/Common/PrivateCall/AutoCommence	342
13.2.38L	/<<x>/<x>/Common/PrivateCall/FailRestrict	342
13.2.38M	Void	343
13.2.38N	/<<x>/<x>/Common/PrivateCall/AllowedMediaProtection	343
13.2.38O	/<<x>/<x>/Common/PrivateCall/EmergencyCall	343
13.2.38P	/<<x>/<x>/Common/PrivateCall/EmergencyCall/Authorised	343
13.2.38Q	/<<x>/<x>/Common/PrivateCall/EmergencyCall/CancelPriority	343

13.2.38R	/<x>/<x>/Common/PrivateCall/EmergencyCall/ MCVideoPrivateRecipient.....	344
13.2.38S	/<x>/<x>/Common/PrivateCall/EmergencyCall/ MCVideoPrivateRecipient/Entry	344
13.2.38T	/<x>/<x>/Common/PrivateCall/EmergencyCall/ MCVideoPrivateRecipient/Entry/ID	344
13.2.38U	/<x>/<x>/Common/PrivateCall/EmergencyCall/ MCVideoPrivateRecipient/Entry/DiscoveryGroupID	344
13.2.38V	/<x>/<x>/Common/PrivateCall/EmergencyCall/ MCVideoPrivateRecipient/Entry/UserInfoID	345
13.2.38W	/<x>/<x>/Common/PrivateCall/EmergencyCall/ MCVideoPrivateRecipient/Entry/DisplayName	345
13.2.38X	/<x>/<x>/Common/PrivateCall/EmergencyCall/ MCVideoPrivateRecipient/Entry/Usage	345
13.2.38Y	/<x>/<x>/Common/PrivateCall/Auto Answer.....	346
13.2.39	/<x>/<x>/OnNetwork	346
13.2.40	/<x>/<x>/OnNetwork/MCVideoGroupList.....	346
13.2.41	/<x>/<x>/OnNetwork/MCVideoGroupList/<x>.....	346
13.2.42	/<x>/<x>/OnNetwork/MCVideoGroupList/<x>/Entry	347
13.2.43	/<x>/<x>/OnNetwork/MCVideoGroupList/<x>/Entry/ MCVideoGroupID	347
13.2.44	/<x>/<x>/OnNetwork/MCVideoGroupList/<x>/Entry/ DisplayName	347
13.2.45	Void	347
13.2.46	Void	347
13.2.47	/<x>/<x>/OnNetwork/MCVideoGroupList/<x>/Entry/GMSServID.....	347
13.2.48	Void	348
13.2.49	Void	348
13.2.50	/<x>/<x>/OnNetwork/MCVideoGroupList/<x>/Entry/ IdMSTokenEndPoint.....	348
13.2.50A	Void	348
13.2.50B	Void	348
13.2.50C	Void	348
13.2.50D	/<x>/<x>/OnNetwork/MCVideoGroupList/<x>/Entry/ GroupKMSURI.....	348
13.2.51	/<x>/<x>/OnNetwork/MCVideoGroupList/<x>/Entry/ RelativePresentationPriority.....	348
13.2.52	/<x>/<x>/OnNetwork/ImplicitAffiliations	349
13.2.53	/<x>/<x>/OnNetwork/ImplicitAffiliations/<x>	349
13.2.54	/<x>/<x>/OnNetwork/ImplicitAffiliations/<x>/Entry	349
13.2.55	/<x>/<x>/OnNetwork/ImplicitAffiliations/<x>/Entry/ MCVideoGroupID.....	349
13.2.56	/<x>/<x>/OnNetwork/ImplicitAffiliations/<x>/Entry/ DisplayName	349
13.2.57	/<x>/<x>/OnNetwork/PresenceStatus	350
13.2.58	/<x>/<x>/OnNetwork/PresenceStatus/<x>	350
13.2.59	/<x>/<x>/OnNetwork/PresenceStatus/<x>/Entry	350
13.2.60	/<x>/<x>/OnNetwork/PresenceStatus/<x>/Entry/ MCVideoGroupID.....	350
13.2.61	/<x>/<x>/OnNetwork/PresenceStatus/<x>/Entry/DisplayName.....	351
13.2.62	Void	351
13.2.63	Void	351
13.2.64	Void	351
13.2.65	Void	351
13.2.66	Void	351
13.2.67	/<x>/<x>/OnNetwork/MaxAffiliationsN2	351
13.2.68	/<x>/<x>/OnNetwork/AllowedRegroup	351
13.2.69	/<x>/<x>/OnNetwork/AllowedPresenceStatus	351
13.2.70	/<x>/<x>/OnNetwork/AllowedPresence	352
13.2.71	/<x>/<x>/OnNetwork/AllowedManualSwitch.....	352
13.2.72	Void	352
13.2.73	/<x>/<x>/OnNetwork/MaxSimultaneousVideoStreams	352
13.2.74	/<x>/<x>/OnNetwork/MaxSimultaneousVideoStreams/ MaxStreams	353
13.2.75	Void	353
13.2.76	Void	353
13.2.77	Void	353
13.2.78	Void	353
13.2.79	Void	353
13.2.80	Void	353
13.2.81	Void	353
13.2.82	Void	353
13.2.83	Void	353
13.2.84	Void	353
13.2.85	Void	353
13.2.86	Void	353
13.2.87	Void	353

13.2.87A	/<x>/<x>/OnNetwork/EnabledParticipation	353
13.2.87A1	/<x>/<x>/OnNetwork/AllowedRemoteInitiatedAmbientViewing	354
13.2.87A2	/<x>/<x>/OnNetwork/AllowedLocallyInitiatedAmbientViewing	354
13.2.87D	/<x>/<x>/OnNetwork/PrivateCall	354
13.2.87E	/<x>/<x>/OnNetwork/PrivateCall/EmergencyAlert	354
13.2.87F	/<x>/<x>/OnNetwork/PrivateCall/EmergencyAlert/Entry	355
13.2.87G	/<x>/<x>/OnNetwork/PrivateCall/EmergencyAlert/Entry/ID	355
13.2.87H	/<x>/<x>/OnNetwork/PrivateCall/EmergencyAlert/Entry/ DisplayName	355
13.2.87I	/<x>/<x>/OnNetwork/PrivateCall/EmergencyAlert/Entry/Usage	355
13.2.87J	/<x>/<x>/OnNetwork/RemoteGroupSelection	356
13.2.87K	/<x>/<x>/OnNetwork/RemoteGroupSelection/<x>	356
13.2.87L	/<x>/<x>/OnNetwork/RemoteGroupSelection/<x>/Entry	356
13.2.87M	/<x>/<x>/OnNetwork/RemoteGroupSelection/<x>/Entry/ MCVideoID	356
13.2.87N	/<x>/<x>/OnNetwork/RemoteGroupSelection/<x>/Entry/ DisplayName	356
13.2.88	/<x>/<x>/OffNetwork	357
13.2.89	/<x>/<x>/OffNetwork/Authorised	357
13.2.90	/<x>/<x>/OffNetwork/MCVideoGroupList	357
13.2.91	/<x>/<x>/OffNetwork/MCVideoGroupList/<x>	357
13.2.92	/<x>/<x>/OffNetwork/MCVideoGroupList/<x>/Entry	358
13.2.93	/<x>/<x>/OffNetwork/MCVideoGroupList/<x>/Entry/ MCVideoGroupID	358
13.2.94	/<x>/<x>/OffNetwork/MCVideoGroupList/<x>/Entry/DisplayName	358
13.2.95	Void	358
13.2.96	Void	358
13.2.97	/<x>/<x>/OffNetwork/MCVideoGroupList/<x>/Entry/GMSServID	358
13.2.98	Void	359
13.2.99	Void	359
13.2.100	/<x>/<x>/OffNetwork/MCVideoGroupList/<x>/Entry/ IdMSTokenEndPoint	359
13.2.100A	Void	359
13.2.100B	Void	359
13.2.100C	/<x>/<x>/OffNetwork/MCVideoGroupList/<x>/Entry/ GroupKMSURI	359
13.2.101	/<x>/<x>/OffNetwork/MCVideoGroupList/<x>/Entry/ RelativePresentationPriority	359
13.2.102	/<x>/<x>/OffNetwork/UserInfoID	360
13.2.102A	/<x>/<x>/OffNetwork/EmergencyCallChange	360
13.2.102B	/<x>/<x>/OffNetwork/ImminentPerilCallChange	360
13.2.103	/<x>/Status	360
14	MCVideo service configuration MO	361
14.1	General	361
14.2	MCVideo service configuration MO parameters	361
14.2.1	General	361
14.2.2	Node: <x>	361
14.2.3	/<x>/Name	362
14.2.4	/<x>/Ext/	362
14.2.5	/<x>/Common	362
14.2.6	/<x>/Common/BroadcastMCVideoGroupCall	362
14.2.7	/<x>/Common/BroadcastMCVideoGroupCall/ NumLevelGroupHierarchy	363
14.2.8	/<x>/Common/BroadcastMCVideoGroupCall/ NumLevelUserHierarchy	363
14.2.9	/<x>/Common/MinLengthAliasID	363
14.2.10	/<x>/OffNetwork	364
14.2.11	/<x>/OffNetwork/DefaultPPPP	364
14.2.12	/<x>/OffNetwork/DefaultPPPP/MCVideoPrivateCallSignalling	364
14.2.13	/<x>/OffNetwork/DefaultPPPP/MCVideoPrivateCallMedia	364
14.2.14	/<x>/OffNetwork/DefaultPPPP/ MCVideoEmergencyPrivateCallSignalling	365
14.2.15	/<x>/OffNetwork/DefaultPPPP/ MCVideoEmergencyPrivateCallMedia	365
14.2.16	/<x>/OffNetwork/PrivateCall	365
14.2.17	/<x>/OffNetwork/PrivateCall/MaxDuration	365
14.2.18	/<x>/OffNetwork/NumLevelHierarchy	366
Annex A (informative):	MCPTT UE configuration MO DDF	367
Annex B (informative):	MCPTT user profile MO DDF	368

Annex C (informative):	MCS group configuration MO DDF	369
Annex D (informative):	MCPTT service configuration MO DDF	370
Annex E (informative):	MCS UE initial configuration MO DDF	371
Annex F (informative):	MCVideo UE configuration MO DDF	372
Annex G (informative):	MCVideo user profile configuration MO DDF	373
Annex H (informative):	MCVideo service configuration MO DDF	374
Annex I (informative):	MCDData UE configuration MO DDF	375
Annex J (informative):	MCDData user profile configuration MO DDF	376
Annex K (informative):	MCDData service configuration MO DDF	377
Annex L (informative):	Change history	378
History		381

Foreword

This Technical Specification has been produced by the 3rd Generation Partnership Project (3GPP).

The contents of the present document are subject to continuing work within the TSG and may change following formal TSG approval. Should the TSG modify the contents of the present document, it will be re-released by the TSG with an identifying change of release date and an increase in version number as follows:

Version x.y.z

where:

- x the first digit:
 - 1 presented to TSG for information;
 - 2 presented to TSG for approval;
 - 3 or greater indicates TSG approved document under change control.
- y the second digit is incremented for all changes of substance, i.e. technical enhancements, corrections, updates, etc.
- z the third digit is incremented when editorial only changes have been incorporated in the document.

1 Scope

The present document defines a number of Mission Critical Services (MCSs) Management Objects (MO) that are configured for the UE for the operation of MCSs. The management objects are compatible with OMA Device Management protocol specifications, version 1.2 and upwards, and is defined using the OMA DM Device Description Framework as described in the Enabler Release Definition OMA OMA-ERELD_DM-V1_2 [2].

MCSs are services that require preferential handling compared to normal telecommunication services, e.g. in support of police or fire brigade.

MCSs can be used for public safety applications and also for general commercial applications (e.g., utility companies and railways).

The present document is applicable to an UE supporting on-line, off-line or both on-line and off-line configuration of the configuration management client.

The present document is applicable to an UE supporting off-line configuration of the group management client.

The parameters defined by the management objects in the present document are configured in the UE using on-line configuration over the CSC-4 reference point and using off-line configuration over the CSC-11 and CSC-12 reference points. Other specifications define how these parameters are used in the operation of MCSs, and whether they are applicable to on-network operation or off-network operation, or both:

- 3GPP TS 24.379 [7];
- 3GPP TS 24.380 [8];
- 3GPP TS 24.481 [9];
- 3GPP TS 24.482 [11];
- 3GPP TS 24.484 [12];
- 3GPP TS 24.282 [16];
- 3GPP TS 24.582 [17];
- 3GPP TS 24.281 [18]; and
- 3GPP TS 24.581 [19].

The common network operation means both on-network operation and off-network operation in the present document.

The following management objects are defined in the present document:

- MCPTT UE configuration MO;
- MCPTT user profile MO;
- MCS group configuration MO;
- MCPTT service configuration MO;
- MCS UE initial configuration MO;
- MCDData UE configuration MO;
- MCDData user profile MO;
- MCDData service configuration MO;
- MCVideo UE configuration MO;
- MCVideo user profile MO; and
- MCVideo service configuration MO.

The MOs listed above define repositories of data in the ME.

2 References

The following documents contain provisions which, through reference in this text, constitute provisions of the present document.

- References are either specific (identified by date of publication, edition number, version number, etc.) or non-specific.
- For a specific reference, subsequent revisions do not apply.
- For a non-specific reference, the latest version applies. In the case of a reference to a 3GPP document (including a GSM document), a non-specific reference implicitly refers to the latest version of that document *in the same Release as the present document*.

- [1] 3GPP TR 21.905: "Vocabulary for 3GPP Specifications".
- [2] OMA OMA-ERELD-DM-V1_2-20070209-A: "Enabler Release Definition for OMA Device Management, Version 1.2".
- [3] OMA OMA-TS-DM_Protocol-V1_2: "OMA Device Management Protocol".
- [4] OMA OMA-TS-XDM_Group-V1_1-20120403-A: "Group XDM Specification".
- [5] 3GPP TS 23.003: "Numbering, addressing and identification".
- [6] 3GPP TS 23.303: "Proximity-based Services (ProSe); Stage 2".
- [7] 3GPP TS 24.379: "Mission Critical Push To Talk (MCPTT) call control Protocol specification".
- [8] 3GPP TS 24.380: "Mission Critical Push To Talk (MCPTT) media plane control Protocol specification".
- [9] 3GPP TS 24.481: "Mission Critical Services (MCS) group management Protocol specification".
- [10] 3GPP TS 31.102: "Characteristics of the USIM Application".
- [11] 3GPP TS 24.482: "Mission Critical Services (MCS) identity management Protocol specification".
- [12] 3GPP TS 24.484: "Mission Critical Services (MCS) configuration management Protocol specification".
- [13] IETF RFC 4566 (July 2006): "Session Description Protocol".
- [14] Void.
- [15] 3GPP TS 23.179: "Functional architecture and information flows to support mission critical communication services; Stage 2".
- [16] 3GPP TS 24.282: "Mission Critical Data (MCData) signalling control Protocol specification".
- [17] 3GPP TS 24.582: "Mission Critical Data (MCData) media plane control Protocol specification".
- [18] 3GPP TS 24.281: "Mission Critical Video (MCVideo) signalling control Protocol specification".
- [19] 3GPP TS 24.581: "Mission Critical Video (MCVideo) media plane control Protocol specification".
- [20] 3GPP TS 33.180: "Security of the mission critical service".
- [21] 3GPP TS 23.032: "Universal Geographical Area Description (GAD)".

3 Definitions and abbreviations

3.1 Definitions

For the purpose of the present document, the following terms and definitions given in 3GPP TS 23.179 [15] apply:

Pre-selected MCPTT user profile

3.2 Abbreviations

For the purposes of the present document, the abbreviations given in 3GPP TR 21.905 [1] and the following apply. An abbreviation defined in the present document takes precedence over the definition of the same abbreviation, if any, in 3GPP TR 21.905 [1].

ACL	Access Control List
CMS	Configuration Management Server
DDF	Device Description Framework
DM	Device Management
GMS	Group Management Server
MCS	Mission Critical Service
MCSs	Mission Critical Services
MCPTT	Mission Critical Push To Talk
ME	Mobile Equipment
MO	Management Object
OMA	Open Mobile Alliance
ProSe	Proximity-based Services
RFC	Request For Comments
URI	Uniform Resource Identifier
URN	Uniform Resource Name
XCAP	XML Configuration Access Protocol
XML	eXtensible Markup Language
XUI	XCAP Unique Identifier

4 MCPTT UE configuration MO

4.1 General

The MCPTT UE configuration Management Object (MO) is used to configure MCPTT Client behaviour for the on-network or off-network MCPTT Service. The MCPTT UE configuration parameters may be stored in the ME, or in the USIM as specified in 3GPP TS 31.102 [10], or in both the ME and the USIM. If both the ME and the USIM contain the same parameters, the values stored in the USIM shall take precedence.

The Management Object Identifier is: urn:oma:mo:ext-3gpp-MCPTT-UE-configuration:1.0.

Protocol compatibility: This MO is compatible with OMA OMA DM 1.2 [3].

The OMA DM ACL property mechanism (see OMA OMA-ERELED-DM-V1_2 [2]) may be used to grant or deny access rights to OMA DM servers in order to modify nodes and leaf objects of the MCPTT UE configuration MO.

The following nodes and leaf objects are possible under the MCPTT UE configuration node as described in figure 4.1.1.

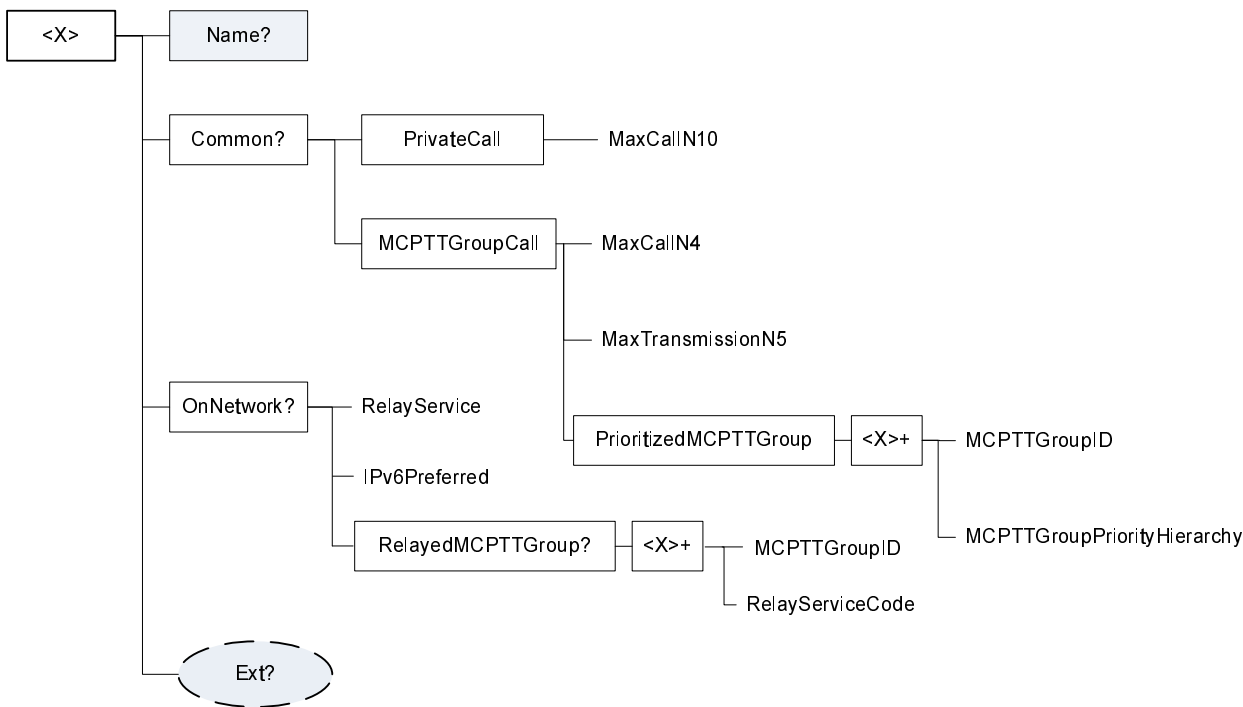


Figure 4.1.1: The MCPTT UE configuration MO

4.2 MCPTT UE configuration MO parameters

4.2.1 General

This clause describes the parameters for the MCPTT UE configuration Management Object (MO).

4.2.2 Node: <x>

Table 4.2.2.1: Node: <x>

<x>

Status	Occurrence	Format	Min. Access Types
Required	OneOrMore	node	Get

This interior node acts as a placeholder for the MCPTT UE configuration Management Object (MO).

For the MCPTT UE configuration MO, the namespace specific string is: "urn:oma:mo:oma-dm-mcptt-ue-configuration:1.0"

- Values: N/A

4.2.3 /<x>/Name

Table 4.2.3.1: /<x>/Name

Name

Status	Occurrence	Format	Min. Access Types
Required	ZeroOrOne	chr	Get

The Name leaf is a name for the MCPTT UE configuration settings.

- Values: <User displayable name>

4.2.4 /<x>/Ext/

Table 4.2.4.1: /<x>/Ext/

Ext

Status	Occurrence	Format	Min. Access Types
Optional	ZeroOrOne	node	Get, Replace

The Ext is an interior node for where the vendor specific information about the MCPTT UE configuration MO is being placed.

Usually the vendor extension is identified by vendor specific name under the ext node and contains the vendor meaning application vendor, device vendor etc. The tree structure under the vendor identified is not defined and can therefore include one or more un-standardized sub-trees.

- Values: N/A

4.2.5 /<x>/Common

Table 4.2.5.1: /<x>/Common

Common

Status	Occurrence	Format	Min. Access Types
Required	ZeroOrOne	node	Get, Replace

This interior node represents a container for the common network operation which means both on-network operation and off-network operation.

4.2.6 /<x>/Common/PrivateCall

Table 4.2.6.1: /<x>/Common/PrivateCall

Common/PrivateCall

Status	Occurrence	Format	Min. Access Types
Required	One	node	Get, Replace

This interior node is a placeholder for the private call configuration.

4.2.7 /<x>/Common/PrivateCall/MaxCallN10

Table 4.2.7.1: /<x>/Common/PrivateCall/MaxCallN10

Common/PrivateCall/MaxCallN10

Status	Occurrence	Format	Min. Access Types
Required	One	int	Get, Replace

This leaf node indicates the maximum number of private calls.

- Values: 0-255

4.2.8 `<x>/Common/MCPTTGroupCall`

Table 4.2.8.1: `<x>/Common/MCPTTGroupCall`

Common/MCPTTGroupCall

Status	Occurrence	Format	Min. Access Types
Required	One	node	Get, Replace

This interior node is a placeholder for the MCPTT group call configuration.

4.2.9 `<x>/Common/MCPTTGroupCall/MaxCallN4`

Table 4.2.9.1: `<x>/Common/MCPTTGroupCall/MaxCallN4`

Common/MCPTTGroupCall/MaxCallN4

Status	Occurrence	Format	Min. Access Types
Required	One	int	Get, Replace

This leaf node indicates the maximum number of simultaneous group calls.

- Values: 0-255

4.2.10 `<x>/Common/MCPTTGroupCall/MaxTransmissionN5`

Table 4.2.10.1: `<x>/Common/MCPTTGroupCall/MaxTransmissionN5`

Common/MCPTTGroupCall/MaxTransmissionN5

Status	Occurrence	Format	Min. Access Types
Required	One	int	Get, Replace

This leaf node indicates the maximum number of transmissions in a group.

- Values: 0-255

4.2.11 `<x>/Common/MCPTTGroupCall/PrioritizedMCPTTGroup`

Table 4.2.11.1: `<x>/Common/MCPTTGroupCall/PrioritizedMCPTTGroup`

Common/MCPTTGroupCall/PrioritizedMCPTTGroup

Status	Occurrence	Format	Min. Access Types
Required	One	node	Get, Replace

This interior node is a placeholder for the prioritized MCPTT group call configuration.

4.2.12 `<x>/Common/MCPTTGroupCall/PrioritizedMCPTTGroup/<x>`

Table 4.2.12.1: `<x>/Common/MCPTTGroupCall/PrioritizedMCPTTGroup/<x>`

Common/MCPTTGroupCall/PrioritizedMCPTTGroup `<x>`

Status	Occurrence	Format	Min. Access Types
Required	OneOrMore	node	Get, Replace

This interior node is a placeholder for one or more prioritized MCPTT group call configuration.

4.2.13 /<x>/Common/MCPTTGroupCall/PrioritizedMCPTTGroup/<x>/MCPTTGroupID

Table 4.2.13.1: /<x>/Common/MCPTTGroupCall/PrioritizedMCPTTGroup/<x>/MCPTTGroupID

Common/MCPTTGroupCall/PrioritizedMCPTTGroup/<x>/MCPTTGroupID

Status	Occurrence	Format	Min. Access Types
Required	One	chr	Get, Replace

This leaf node indicates the associated MCPTT group ID.

The value is a "uri" attribute specified in OMA OMA-TS-XDM_Group-V1_1 [4].

4.2.14 /<x>/Common/MCPTTGroupCall/PrioritizedMCPTTGroup/<x>/MCPTTGroupPriorityHierarchy

Table 4.2.14.1:

/<x>/Common/MCPTTGroupCall/PrioritizedMCPTTGroup/<x>/MCPTTGroupPriorityHierarchy

Common/MCPTTGroupCall/PrioritizedMCPTTGroup/<x>/MCPTTGroupPriorityHierarchy

Status	Occurrence	Format	Min. Access Types
Required	One	int	Get, Replace

This leaf node indicates the requested presentation priority of group call.

- Values: 0-7

The group with the lowest MCPTTGroupPriorityHierarchy value shall be considered as the group having the lowest priority among the groups.

4.2.15 /<x>/OnNetwork

Table 4.2.15.1: /<x>/OnNetwork

OnNetwork

Status	Occurrence	Format	Min. Access Types
Required	ZeroOrOne	node	Get, Replace

This interior node represents a container for on-network operation.

4.2.16 /<x>/OnNetwork/RelayService

Table 4.2.16.1: /<x>/OnNetwork/RelayService

OnNetwork/RelayService

Status	Occurrence	Format	Min. Access Types
Required	One	bool	Get, Replace

This leaf node indicates the authorisation to use a relay service.

When set to "true" the MCPTT group is allowed to use a relay service.

When set to "false" the MCPTT group is not allowed to use a relay service.

4.2.17 /<x>/OnNetwork/IPv6Preferred

Table 4.2.17.1: /<x>/OnNetwork/IPv6Preferred

OnNetwork/IPv6Preferred

Status	Occurrence	Format	Min. Access Types
Required	One	bool	Get, Replace

This leaf node indicates whether IPv6 is preferred over IPv4 for on-network operation when the MCPTT UE has both IPv4 and IPv6 host configuration.

If the MCPTT UE has both IPv4 and IPv6 host configuration and:

- if IPv6Preferred is set to "true" then the UE uses IPv6 for all on-network signalling and media; otherwise
- if IPv6Preferred is set to "false" then the UE uses IPv4 for all on-network signalling and media.

4.2.18 /<x>/OnNetwork/RelayedMCPTTGroup

Table 4.2.18.1: /<x>/OnNetwork/RelayedMCPTTGroup

OnNetwork/RelayedMCPTTGroup

Status	Occurrence	Format	Min. Access Types
Optional	ZeroOrOne	node	Get, Replace

This interior node is a placeholder for the allowed relayed MCPTT groups.

4.2.19 /<x>/OnNetwork/RelayedMCPTTGroup/<x>

Table 4.2.19.1: /<x>/OnNetwork/RelayedMCPTTGroup/<x>

OnNetwork/RelayedMCPTTGroup/<x>

Status	Occurrence	Format	Min. Access Types
Required	OneOrMore	node	Get, Replace

This interior node is a placeholder for one or more allowed relayed MCPTT groups.

4.2.20 /<x>/OnNetwork/RelayedMCPTTGroup/<x>/MCPTTGroupID

Table 4.2.20.1: /<x>/OnNetwork/RelayedMCPTTGroup/<x>/MCPTTGroupID

OnNetwork/RelayedMCPTTGroup/<x>/MCPTTGroupID

Status	Occurrence	Format	Min. Access Types
Required	One	chr	Get, Replace

This leaf node indicates the associated MCPTT group ID.

The value is a "uri" attribute specified in OMA OMA-TS-XDM_Group-V1_1 [4].

4.2.21 /<x>/OnNetwork/RelayedMCPTTGroup/<x>/RelayServiceCode

Table 4.2.21.1: /<x>/OnNetwork/RelayedMCPTTGroup/<x>/RelayServiceCode

OnNetwork/RelayedMCPTTGroup/<x>/RelayServiceCode

Status	Occurrence	Format	Min. Access Types
Required	One	chr	Get, Replace

This leaf node indicates the connectivity service that the ProSe UE-to-network relay provides to public safety applications as specified in 3GPP TS 23.303 [6].

5 MCPTT user profile MO

5.1 General

The MCPTT user profile configuration Management Object (MO) is used to configure the MCPTT Client behaviour for the on-network or off-network MCPTT Service. The MCPTT UE configuration parameters may be stored in the ME, or in the USIM as specified in 3GPP TS 31.102 [10], or in both the ME and the USIM. If both the ME and the USIM contain the same parameters, the values stored in the USIM shall take precedence.

The Management Object Identifier is: urn:oma:mo:ext-3gpp-MCPTT-user-profile:1.0.

Protocol compatibility: This MO is compatible with OMA OMA DM 1.2 [3].

The OMA DM ACL property mechanism (see OMA OMA-ERELED-DM-V1_2 [2]) may be used to grant or deny access rights to OMA DM servers in order to modify nodes and leaf objects of the MCPTT user profile MO.

The following nodes and leaf objects are possible under the MCPTT user profile node as described in figure 5.1.1, figure 5.1.2, figure 5.1.3, figure 5.1.4, figure 5.1.5, figure 5.1.6, figure 5.1.7, and figure 5.1.8.

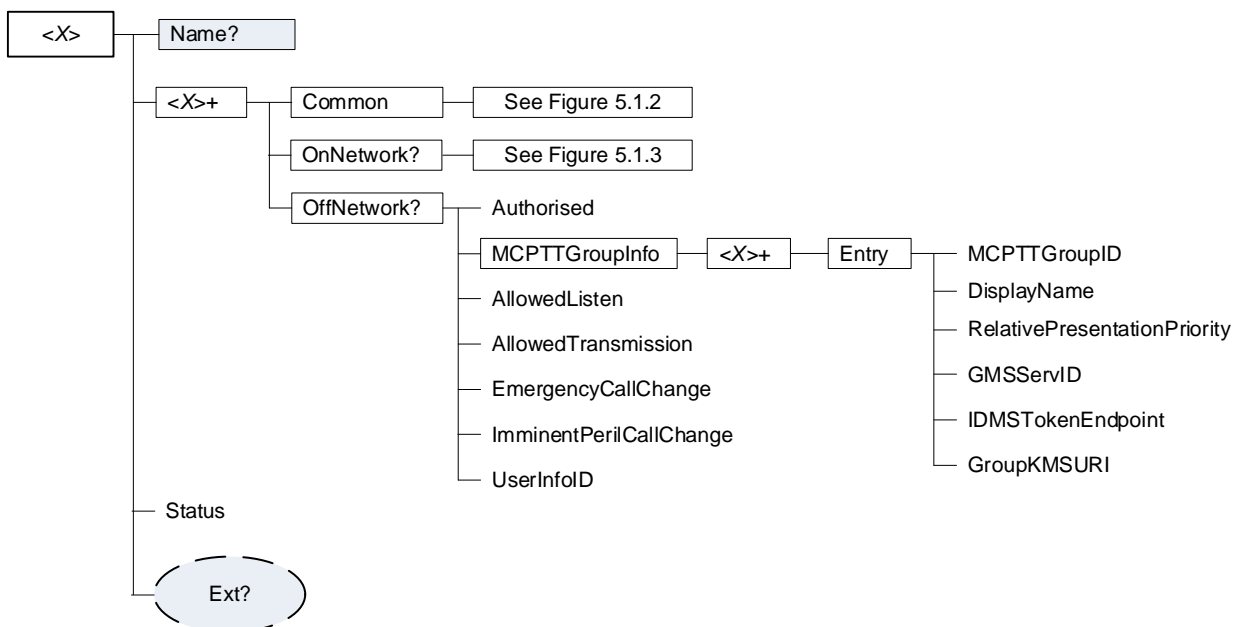


Figure 5.1.1: The MCPTT user profile MO (1 of 3)

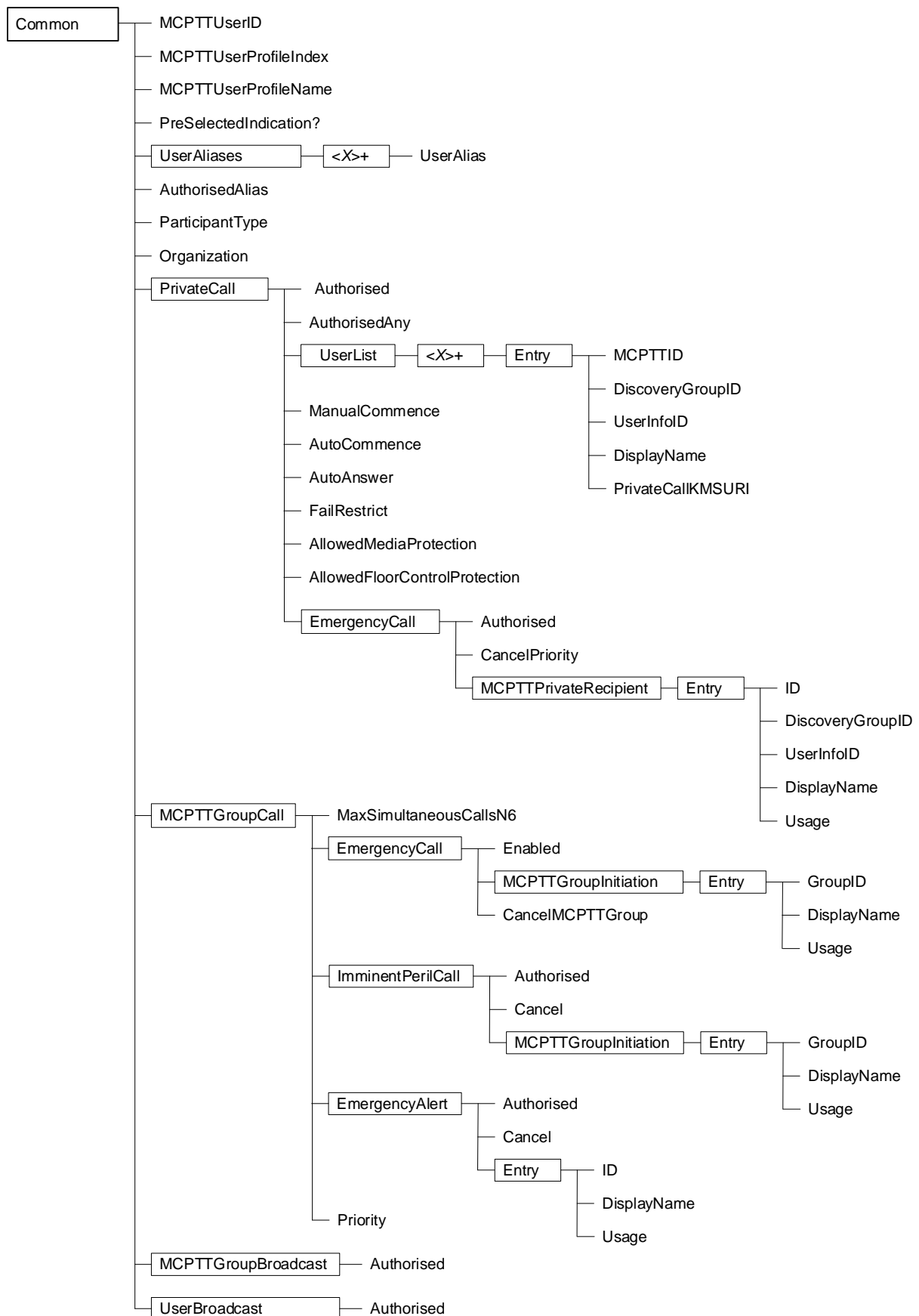


Figure 5.1.2: The MCPTT user profile MO (2 of 3)

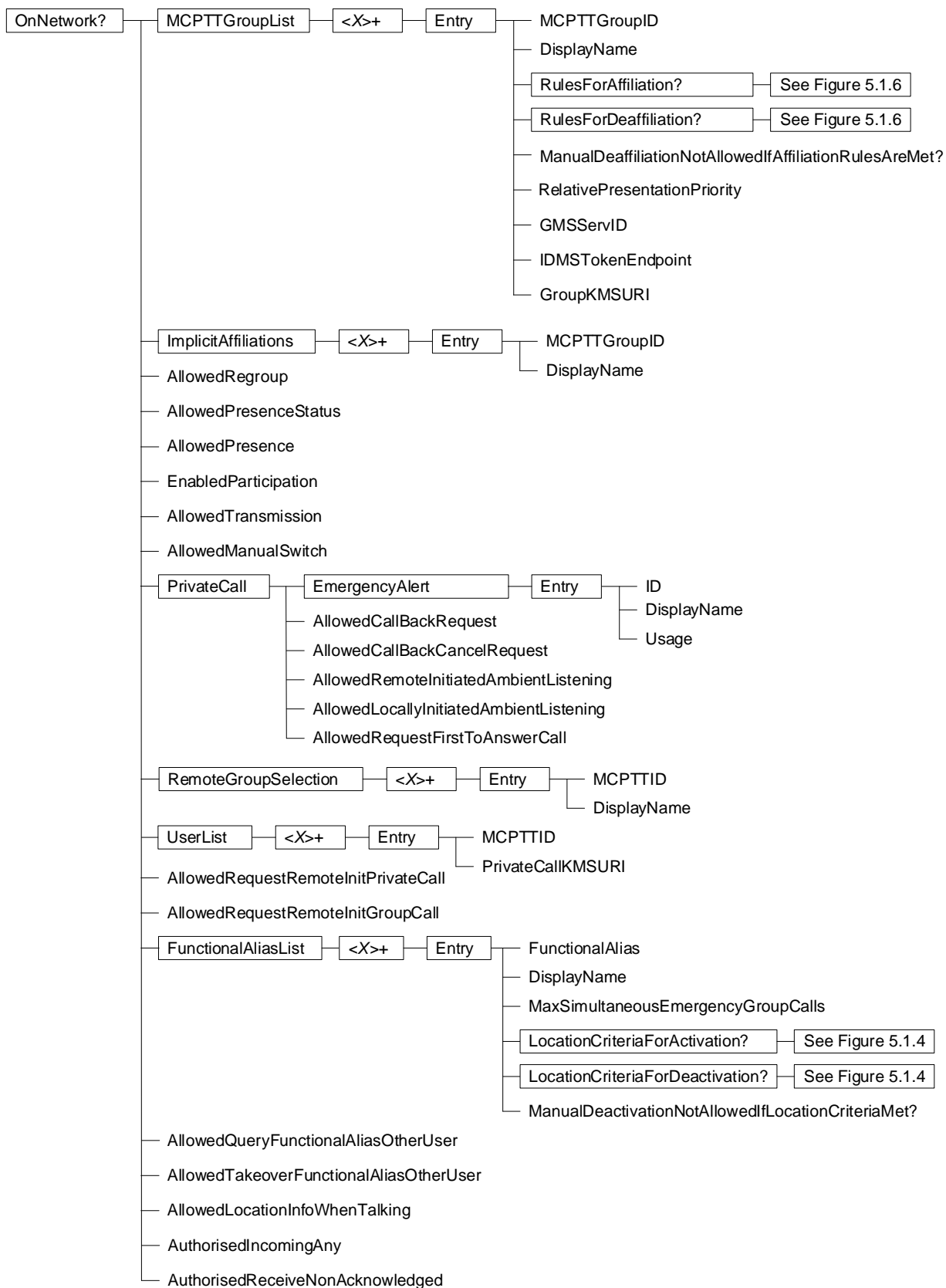
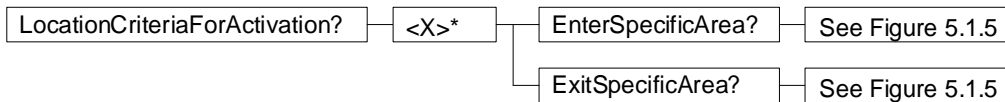


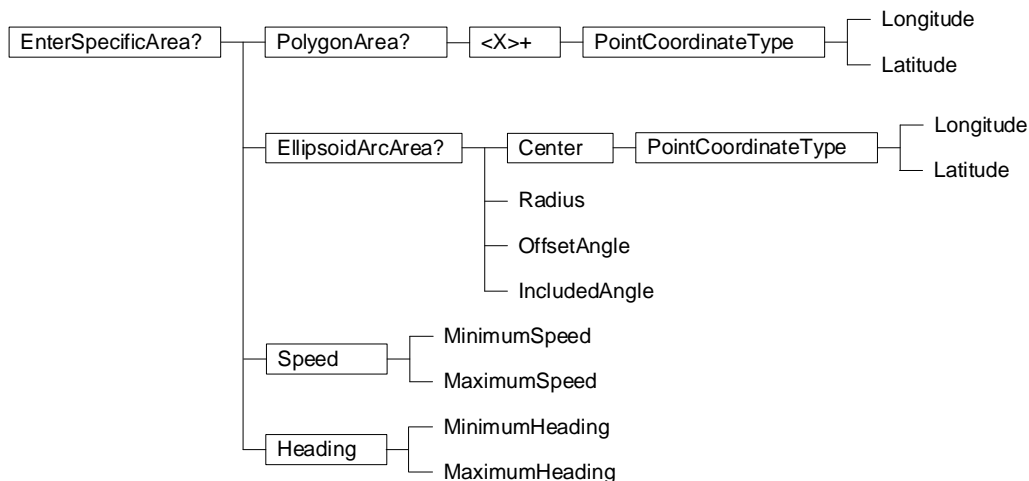
Figure 5.1.3: The MCPTT user profile MO (3 of 3)



NOTE 1: The LocationCriteriaForDeactivation MO contents are identical.

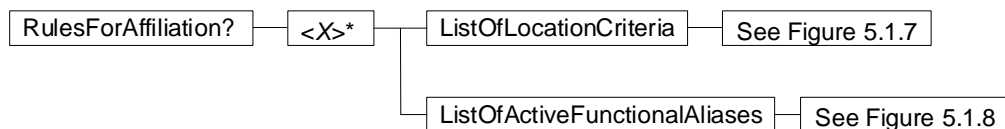
NOTE 2: This figure is referenced by figures 5.1.3 and 10.1.2.

Figure 5.1.4: LocationCriteriaForActivation MO contents



NOTE: The ExitSpecificArea MO contents are identical.

Figure 5.1.5: EnterSpecificArea MO contents



NOTE 1: The RulesForDeaffiliation MO contents are identical.

NOTE 2: This figure is referenced by figures 5.1.3 and 10.1.2.

Figure 5.1.6: RulesForAffiliation MO contents

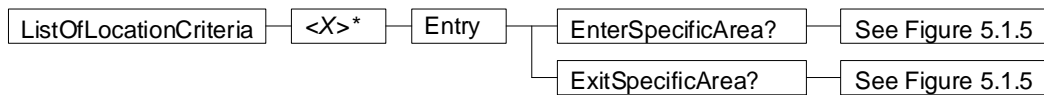


Figure 5.1.7: ListOfLocationCriteria MO contents

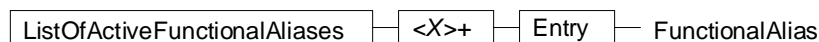


Figure 5.1.8: ListOfFunctionalAliases MO contents

5.2 MCPTT user profile MO parameters

5.2.1 General

This clause describes the parameters for the MCPTT user profile Management Object (MO).

5.2.2 Node: <x>

Table 5.2.2.1: Node: <x>

<x>

Status	Occurrence	Format	Min. Access Types
Required	OneOrMore	node	Get

This interior node acts as a placeholder for the MCPTT user profile Management Object (MO).

For the MCPTT user profile MO, the namespace specific string is: "urn:oma:mo:oma-dm-mcptt-user-profile:1.0"

- Values: N/A

5.2.3 /<x>/Name

Table 5.2.3.1: /<x>/Name

Name

Status	Occurrence	Format	Min. Access Types
Required	ZeroOrOne	chr	Get

The Name leaf is a name for the MCPTT user profile settings.

- Values: <User displayable name>

5.2.4 /<x>/Ext/

Table 5.2.4.1: /<x>/Ext/

Ext

Status	Occurrence	Format	Min. Access Types
Optional	ZeroOrOne	node	Get, Replace

The Ext is an interior node for where the vendor specific information about the MCPTT user profile MO is being placed.

Usually the vendor extension is identified by vendor specific name under the ext node and contains the vendor meaning application vendor, device vendor etc. The tree structure under the vendor identified is not defined and can therefore include one or more un-standardized sub-trees.

- Values: N/A

5.2.5 /<x>/<x>

Table 5.2.5.1: /<x>/<x>

<x>

Status	Occurrence	Format	Min. Access Types
Required	OneOrMore	node	Get, Replace

This interior node represents a container for on-network operation and off-network operation.

5.2.6 /<x>/<x>/Common

Table 5.2.6.1: /<x>/<x>/Common

<x>/Common

Status	Occurrence	Format	Min. Access Types
Required	One	node	Get, Replace

This interior node represents a container for the common network operation which means both on-network operation and off-network operation.

5.2.7 /<x>/<x>/Common/MCPTTUserID

Table 5.2.7.1: /<x>/<x>/Common/MCPTTUserID

<x>/Common/MCPTTUserID

Status	Occurrence	Format	Min. Access Types
Required	One	chr	Get, Replace

This leaf node indicates an MCPTT user identity (MCPTT ID) which is a globally unique identifier within the MCPTT service that represents the MCPTT user.

5.2.7A /<x>/<x>/Common/MCPTTUserProfileIndex

Table 5.2.7A.1: /<x>/<x>/Common/MCPTTUserProfileIndex

<x>/Common/MCPTTUserProfileIndex

Status	Occurrence	Format	Min. Access Types
Required	One	int	Get, Replace

This leaf node indicates an index for the particular MCPTT user profile.

- Values: 0-255

5.2.7B /<x>/<x>/Common/MCPTTUserProfileName

Table 5.2.7B.1: /<x>/<x>/Common/MCPTTUserProfileName

<x>/Common/MCPTTUserProfileName

Status	Occurrence	Format	Min. Access Types
Optional	One	chr	Get, Replace

This leaf node indicates a profile name for the particular MCPTT user profile.

5.2.7C /<x>/<x>/Common/PreSelectedIndication

Table 5.2.7C.1: /<x>/<x>/Common/PreSelectedIndication

<x>/Common/PreSelectedIndication

Status	Occurrence	Format	Min. Access Types
Optional	ZeroOrOne	null	Get, Replace

This leaf node indicates that this MCPTT user profile MO is designated to be the pre-selected MCPTT user profile as defined by 3GPP TS 23.179 [15]

- Values: null

When this leaf node is present, this MCPTT user profile MO is designated as the pre-selected MCPTT user profile.

When this leaf node is absent, this MCPTT user profile MO is not designated as the pre-selected MCPTT user profile.

If more than one MCPTT user profile MO is specified for the MCPTT user, then only one MCPTT user profile MO for the MCPTT user shall contain the `<x>/Common/PreSelectedIndication` leaf node.

If there is only one MCPTT user profile MO specified for the MCPTT user, then it is optional to include the `<x>/Common/PreSelectedIndication` leaf node.

5.2.8 `/<x>/<x>/Common/UserAliases`

Table 5.2.8.1: `/<x>/<x>/Common/UserAliases`

`<x>/Common/UserAliases`

Status	Occurrence	Format	Min. Access Types
Required	One	node	Get, Replace

This interior node is a placeholder for a list of aliases of an MCPTT user.

5.2.8A `/<x>/<x>/Common/UserAliases/<x>`

Table 5.2.8A.1: `/<x>/<x>/Common/UserAliases/<x>`

`<x>/Common/UserAliases/<x>`

Status	Occurrence	Format	Min. Access Types
Required	OneOrMore	node	Get, Replace

This interior node is a placeholder for one or more aliases of an MCPTT user.

5.2.8B `/<x>/<x>/Common/UserAliases/<x>/UserAlias`

Table 5.2.8B.1: `/<x>/<x>/Common/UserAliases/<x>/UserAlias`

`<x>/Common/UserAliases/<x>/UserAlias`

Status	Occurrence	Format	Min. Access Types
Required	One	chr	Get, Replace

This leaf node indicates an alphanumeric alias of the MCPTT user.

5.2.9 `/<x>/<x>/Common/AuthorisedAlias`

Table 5.2.9.1: `/<x>/<x>/Common/AuthorisedAlias`

`<x>/Common/AuthorisedAlias`

Status	Occurrence	Format	Min. Access Types
Optional	One	bool	Get, Replace

This leaf node indicates authorisation to create and delete aliases of other MCPTT users and their associated MCPTT user profiles.

When set to "true" the MCPTT user is authorised to create and delete aliases of other MCPTT users and their associated MCPTT user profiles.

When set to "false" the MCPTT user is not authorised to create and delete aliases of other MCPTT user and their associated MCPTT user profiles. This is the default if this leaf node is not present.

5.2.10 `<x>/Common/ParticipantType`

Table 5.2.10.1: `<x>/Common/ParticipantType`

`<x>/Common/ParticipantType`

Status	Occurrence	Format	Min. Access Types
Required	One	chr	Get, Replace

This leaf node indicates the participant type of the MCPTT user.

The ParticipantType means the functional category of the participant (e.g., first responder, second responder, dispatch, dispatch supervisor), typically defined by the MCPTT administrators.

5.2.11 `<x>/Common/Organization`

Table 5.2.11.1: `<x>/Common/Organization`

`<x>/Common/Organization`

Status	Occurrence	Format	Min. Access Types
Required	One	chr	Get, Replace

This leaf node indicates the organization an MCPTT user belongs to.

5.2.12 `<x>/Common/PrivateCall`

Table 5.2.12.1: `<x>/Common/PrivateCall`

`<x>/Common/PrivateCall`

Status	Occurrence	Format	Min. Access Types
Required	One	node	Get, Replace

This interior node is a placeholder for the MCPTT private call configuration.

5.2.13 `<x>/Common/PrivateCall/Authorised`

Table 5.2.13.1: `<x>/Common/PrivateCall/Authorised`

`<x>/Common/PrivateCall/Authorised`

Status	Occurrence	Format	Min. Access Types
Required	One	bool	Get, Replace

This leaf node indicates the authorisation to make a MCPTT private call.

When set to "true" the MCPTT user is allowed to make a MCPTT private call.

When set to "false" the MCPTT user is not allowed to make a MCPTT private call.

5.2.14 /<x>/<x>/Common/PrivateCall/AuthorisedAny

Table 5.2.14.1: /<x>/<x>/Common/PrivateCall/AuthorisedAny

<x>/Common/PrivateCall/AuthorisedAny

Status	Occurrence	Format	Min. Access Types
Required	One	bool	Get, Replace

This leaf node indicates the authorisation to make a MCPTT private call to any MCPTT user.

When set to "true" any MCPTT user is authorised to make an MCPTT private call to any MCPTT user.

When set to "false" any MCPTT user is not authorised to make an MCPTT private call to any MCPTT user.

5.2.15 /<x>/<x>/Common/PrivateCall/UserList

Table 5.2.15.1: /<x>/<x>/PrivateCall/UserList

<x>/Common/PrivateCall/UserList

Status	Occurrence	Format	Min. Access Types
Required	One	node	Get, Replace

This interior node is a placeholder for a list of MCPTT user(s) who can be called in a MCPTT private call.

5.2.16 /<x>/<x>/Common/PrivateCall/UserList/<x>

Table 5.2.16.1: /<x>/<x>/Common/PrivateCall/UserList/<x>

<x>/Common/PrivateCall/UserList/<x>

Status	Occurrence	Format	Min. Access Types
Optional	OneOrMore	node	Get, Replace

This interior node is a placeholder for one or more list of MCPTT users who can be called in a MCPTT private call.

5.2.16A /<x>/<x>/Common/PrivateCall/UserList/<x>/Entry

Table 5.2.16A.1: /<x>/<x>/Common/PrivateCall/UserList/<x>/Entry

<x>/Common/PrivateCall/UserList/<x>/Entry

Status	Occurrence	Format	Min. Access Types
Required	One	node	Get, Replace

This interior node is a placeholder for one or more MCPTT users who can be called in a private call.

5.2.17 /<x>/<x>/Common/PrivateCall/UserList/<x>/Entry/MCPTTID

Table 5.2.17.1: /<x>/<x>/Common/PrivateCall/UserList/<x>/Entry/MCPTTID

<x>/Common/PrivateCall/UserList/<x>/Entry/MCPTTID

Status	Occurrence	Format	Min. Access Types
Optional	One	chr	Get, Replace

This leaf node indicates an MCPTT user identity (MCPTT ID) which is a globally unique identifier within the MCPTT service that represents the MCPTT user.

The value is a "uri" attribute specified in OMA OMA-TS-XDM_Group-V1_1 [4].

5.2.18 /<x>/<x>/Common/PrivateCall/UserList/<x>/Entry/DiscoveryGroupID

Table 5.2.18.1: /<x>/<x>/Common/PrivateCall/UserList/<x>/Entry/DiscoveryGroupID

<x>/Common/PrivateCall/UserList/<x>/Entry/DiscoveryGroupID

Status	Occurrence	Format	Min. Access Types
Optional	One	int	Get, Replace

This leaf node indicates a discovery group ID as specified in 3GPP TS 23.303 [6].

The value is used as the discovery group ID in the ProSe discovery procedures as specified in 3GPP TS 23.303 [6].

5.2.19 /<x>/<x>/Common/PrivateCall/UserList/<x>/Entry/UserInfoID

Table 5.2.19.1: /<x>/<x>/Common/PrivateCall/UserList/<x>/Entry/UserInfoID

<x>/Common/PrivateCall/UserList/<x>/Entry/UserInfoID

Status	Occurrence	Format	Min. Access Types
Optional	One	int	Get, Replace

This leaf node indicates a ProSe user info ID as specified in 3GPP TS 23.303 [6].

5.2.19A /<x>/<x>/Common/PrivateCall/UserList/<x>/Entry/DisplayName

Table 5.2.19A.1: /<x>/<x>/Common/PrivateCall/UserList/<x>/Entry/DisplayName

<x>/Common/PrivateCall/UserList/<x>/Entry/DisplayName

Status	Occurrence	Format	Min. Access Types
Optional	One	chr	Get, Replace

This leaf node contains a human readable name.

5.2.19B /<x>/<x>/Common/PrivateCall/UserList/<x>/Entry/PrivateCallKMSURI

Table 5.2.19B.1: /<x>/<x>/Common/PrivateCall/UserList/<x>/Entry/PrivateCallKMSURI

<x>/Common/PrivateCall/UserList/<x>/Entry/PrivateCallKMSURI

Status	Occurrence	Format	Min. Access Types
Optional	One	chr	Get, Replace

This leaf node indicates the identity (URI) of the KMS associated with the MCPTTID. If the value is empty, the KMS leaf node present in the MCS UE initial configuration MO is used.

5.2.20 /<x>/<x>/Common/PrivateCall/ManualCommence

Table 5.2.20.1: /<x>/<x>/Common/PrivateCall/ManualCommence

<x>/Common/PrivateCall/ManualCommence

Status	Occurrence	Format	Min. Access Types
Required	One	bool	Get, Replace

This leaf node indicates the authorisation to make a MCPTT private call with manual commencement.

When set to "true" the MCPTT user is authorised to make a MCPTT private call in manual commencement mode.

When set to "false" the MCPTT user is not authorised to make a MCPTT private call in manual commencement mode.

5.2.21 /<x>/<x>/Common/PrivateCall/AutoCommence

Table 5.2.21.1: /<x>/<x>/Common/PrivateCall/AutoCommence

<x>/Common/PrivateCall/AutoCommence

Status	Occurrence	Format	Min. Access Types
Required	One	bool	Get, Replace

This leaf node indicates the authorisation to make a MCPTT private call with automatic commencement.

When set to "true" the MCPTT user is authorised to make a MCPTT private call in automatic commencement mode.

When set to "false" the MCPTT user is not authorised to make a MCPTT private call in automatic commencement mode.

5.2.22 /<x>/<x>/Common/PrivateCall/AutoAnswer

Table 5.2.22.1: /<x>/<x>/Common/PrivateCall/AutoAnswer

<x>/Common/PrivateCall/AutoAnswer

Status	Occurrence	Format	Min. Access Types
Required	One	bool	Get, Replace

This leaf node indicates the authorisation of MCPTT user to force automatic answer for a MCPTT private call.

When set to "true" the MCPTT user is authorised to force automatic answer for a MCPTT private call.

When set to "false" the MCPTT user is not authorised to force automatic answer for a MCPTT private call.

5.2.23 /<x>/<x>/Common/PrivateCall/FailRestrict

Table 5.2.23.1: /<x>/<x>/Common/PrivateCall/FailRestrict

<x>/Common/PrivateCall/FailRestrict

Status	Occurrence	Format	Min. Access Types
Required	One	bool	Get, Replace

This leaf node indicates the authorisation to restrict the provision of a notification of call failure reason for a MCPTT private call.

When set to "true" the MCPTT user is authorised to restrict notification of call failure reason for MCPTT private call.

When set to "false" the MCPTT user is not authorised to restrict notification of call failure reason for MCPTT private call.

5.2.24 /<x>/<x>/Common/PrivateCall/AllowedMediaProtection

Table 5.2.24.1: /<x>/<x>/Common/PrivateCall/AllowedMediaProtection

<x>/Common/PrivateCall/AllowedMediaProtection

Status	Occurrence	Format	Min. Access Types
Required	One	bool	Get, Replace

This leaf node indicates authorisation to protect confidentiality and integrity of media for MCPTT private calls.

When set to "true" the MCPTT user is authorised to protect confidentiality and integrity of media for MCPTT private calls.

When set to "false" the MCPTT user is not authorised to protect confidentiality and integrity of media for MCPTT private calls.

The default value is set to "true".

5.2.25 /<x>/<x>/Common/PrivateCall/AllowedFloorControlProtection

Table 5.2.25.1: /<x>/<x>/Common/PrivateCall/AllowedFloorControlProtection

<x>/Common/PrivateCall/AllowedFloorControlProtection

Status	Occurrence	Format	Min. Access Types
Required	One	bool	Get, Replace

This leaf node indicates authorisation to protect confidentiality and integrity of floor control signalling for MCPTT private calls.

When set to "true" the MCPTT user is authorised to protect confidentiality and integrity of floor control signalling for MCPTT private calls.

When set to "false" the MCPTT user is not authorised to protect confidentiality and integrity of floor control signalling for MCPTT private calls.

The default value is set to "true".

5.2.26 /<x>/<x>/Common/PrivateCall/EmergencyCall

Table 5.2.26.1: /<x>/<x>/Common/PrivateCall/EmergencyCall

<x>/Common/PrivateCall/EmergencyCall

Status	Occurrence	Format	Min. Access Types
Required	One	node	Get, Replace

This interior node is a placeholder for the MCPTT emergency call policy.

5.2.27 /<x>/<x>/Common/PrivateCall/EmergencyCall/Authorised

Table 5.2.27.1: /<x>/<x>/Common/PrivateCall/EmergencyCall/Authorised

<x>/Common/PrivateCall/EmergencyCall/Authorised

Status	Occurrence	Format	Min. Access Types
Required	One	bool	Get, Replace

This leaf node indicates the authorisation to make an MCPTT emergency private call.

When set to "true" the MCPTT user is authorised to make an MCPTT emergency private call.

When set to "false" the MCPTT user is not authorised to make an MCPTT emergency private call.

5.2.28 /<x>/<x>/Common/PrivateCall/EmergencyCall/CancelPriority

Table 5.2.28.1: /<x>/<x>/Common/PrivateCall/EmergencyCall/CancelPriority

<x>/Common/PrivateCall/EmergencyCall/CancelPriority

Status	Occurrence	Format	Min. Access Types
Required	One	bool	Get, Replace

This leaf node indicates the authorisation to cancel emergency priority in an MCPTT emergency private call by an authorised MCPTT user.

When set to "true" the MCPTT user is authorised to cancel an emergency priority in an MCPTT private call.

When set to "false" the MCPTT user is not authorised to cancel an emergency priority in an MPCTT private call.

5.2.29 /<x>/<x>/Common/PrivateCall/EmergencyCall/ MCPTTPrivateRecipient

Table 5.2.29.1: /<x>/<x>/Common/PrivateCall/EmergencyCall/MCPTTPrivateRecipient

<x>/Common/PrivateCall/EmergencyCall/MCPTTPrivateRecipient

Status	Occurrence	Format	Min. Access Types
Optional	One	node	Get, Replace

This interior node is a placeholder for the MCPTT private recipient for an MCPTT emergency private call.

5.2.29A /<x>/<x>/Common/PrivateCall/EmergencyCall/MCPTTPrivateRecipient/Entry

Table 5.2.29A.1: /<x>/<x>/Common/PrivateCall EmergencyCall/MCPTTPrivateRecipient/Entry

<x>/Common/PrivateCall/EmergencyCall/MCPTTPrivateRecipient/Entry

Status	Occurrence	Format	Min. Access Types
Required	One	node	Get, Replace

This interior node is a placeholder for the details of the MCPTT private recipient for an MCPTT emergency private call.

5.2.29B /<x>/<x>/Common/PrivateCall/EmergencyCall/MCPTTPrivateRecipient/Entry/ID

Table 5.2.29B.1: /<x>/<x>/Common/PrivateCall/EmergencyCall/MCPTTPrivateRecipient/Entry/ID

<x>/Common/PrivateCall/EmergencyCall/MCPTTPrivateRecipient/Entry/ID

Status	Occurrence	Format	Min. Access Types
Optional	One	chr	Get, Replace

This leaf node indicates the MCPTT private recipient used upon certain criteria on initiation of an MCPTT emergency private call.

5.2.29C /<x>/<x>/Common/PrivateCall/EmergencyCall/MCPTTPrivateRecipient/Entry/DiscoveryGroupID

Table 5.2.29C.1:

/<x>/<x>/Common/PrivateCall/EmergencyCall/MCPTTPrivateRecipient/Entry/DiscoveryGroupID

<x>/Common/PrivateCall/EmergencyCall/MCPTTPrivateRecipient/Entry/DiscoveryGroupID

Status	Occurrence	Format	Min. Access Types
Optional	One	int	Get, Replace

This leaf node indicates the discovery group ID as specified in 3GPP TS 23.303 [6].

5.2.29D /<x>/<x>/Common/PrivateCall/EmergencyCall/MCPTTPrivateRecipient/Entry/UserInfoID

Table 5.2.29D.1:

/<x>/<x>/Common/PrivateCall/EmergencyCall/MCPTTPrivateRecipient/Entry/UserInfoID

<x>/Common/PrivateCall/EmergencyCall/MCPTTPrivateRecipient/Entry/UserInfoID

Status	Occurrence	Format	Min. Access Types
Optional	One	int	Get, Replace

This leaf node indicates a ProSe user info ID as specified in 3GPP TS 23.303 [6].

The "UserInfoID" element identifies the MCPTT private recipient when making an off-network private call.

5.2.29E /<x>/<x>/Common/PrivateCall/EmergencyCall/MCPTTPrivateRecipient/Entry/DisplayName

Table 5.2.29E.1:

/<x>/<x>/Common/PrivateCall/EmergencyCall/MCPTTPrivateRecipient/Entry/DisplayName

<x>/Common/PrivateCall/EmergencyCall/MCPTTPrivateRecipient/Entry/DisplayName

Status	Occurrence	Format	Min. Access Types
Optional	One	chr	Get, Replace

This leaf node contains a human readable name that corresponds to the MCPTT private recipient ID.

5.2.29F /<x>/<x>/Common/PrivateCall/EmergencyCall/MCPTTPrivateRecipient/Entry/Usage

Table 5.2.29F.1: /<x>/<x>/Common/PrivateCall/EmergencyCall/MCPTTPrivateRecipient/Entry/Usage

<x>/Common/PrivateCall/EmergencyCall/MCPTTPrivateRecipient/Entry/Usage

Status	Occurrence	Format	Min. Access Types
Required	One	chr	Get, Replace

This leaf node indicates the criteria to determine when initiation of an MCPTT emergency private call uses the MCPTT private recipient ID.

The valid values are 'LocallyDetermined' and 'UsePreConfigured'.

When set to 'LocallyDetermined' then if the MCPTT user selects an MCPTT ID then use that MCPTT ID for the MCPTT emergency private call, if the MCPTT user does not select a MCPTT ID then use the MCPTT ID identified by the MCPTT private recipient ID in clause 5.2.29B for an on-network MCPTT emergency private call.

When set to 'UsePreConfigured' then use the MCPTT ID identified by the MCPTT private recipient ID in clause 5.2.29B for an on-network MCPTT emergency private call.

When set to 'LocallyDetermined' then if the MCPTT user selects an MCPTT user then use the UserInfoID that corresponds to that MCPTT user for the MCPTT emergency private call, if the MCPTT user does not select a MCPTT user then use the User Info ID identified by the UserInfoID in clause 5.2.29D for an off-network MCPTT emergency private call.

When set to 'UsePreConfigured' then use the User Info ID identified by the UserInfoID in clause 5.2.29D for an off-network MCPTT emergency private call.

5.2.30 /<x>/<x>/Common/MCPTTGroupCall

Table 5.2.30.1: /<x>/<x>/Common/MCPTTGroupCall

<x>/Common/MCPTTGroupCall

Status	Occurrence	Format	Min. Access Types
Required	One	node	Get, Replace

This interior node is a placeholder for the MCPTT group call configuration.

5.2.31 /<x>/<x>/Common/MCPTTGroupCall/MaxSimultaneousCallsN6

Table 5.2.31.1: /<x>/<x>/Common/MCPTTGroupCall/MaxSimultaneousCallsN6

<x>/Common/MCPTTGroupCall/MaxSimultaneousCallsN6

Status	Occurrence	Format	Min. Access Types
Required	One	int	Get, Replace

This leaf node indicates the maximum number of simultaneously received MCPTT group calls (N6).

5.2.32 /<x>/<x>/Common/MCPTTGroupCall/EmergencyCall

Table 5.2.32.1: /<x>/<x>/Common/MCPTTGroupCall/EmergencyCall

<x>/Common/MCPTTGroupCall/EmergencyCall

Status	Occurrence	Format	Min. Access Types
Required	One	node	Get, Replace

This interior node is a placeholder for the MCPTT emergency call policy.

5.2.33 /<x>/<x>/Common/MCPTTGroupCall/EmergencyCall/Enabled

Table 5.2.33.1: /<x>/<x>/Common/MCPTTGroupCall/EmergencyCall/Enabled

<x>/Common/MCPTTGroupCall/EmergencyCall/Enabled

Status	Occurrence	Format	Min. Access Types
Optional	One	bool	Get, Replace

This leaf node indicates the authorisation to make an MCPTT emergency group call functionality enabled for MCPTT user.

When set to "true" the MCPTT user is authorised to make an MCPTT emergency group call functionality enabled.

When set to "false" the MCPTT user is not authorised to make an MCPTT emergency group call functionality enabled.

5.2.34 /<x>/<x>/Common/MCPTTGroupCall/EmergencyCall/MCPTTGroupInitiation

Table 5.2.34.1: /<x>/<x>/Common/MCPTTGroupCall/EmergencyCall/MCPTTGroupInitiation

<x>/Common/MCPTTGroupCall/EmergencyCall/MCPTTGroupInitiation

Status	Occurrence	Format	Min. Access Types
Required	One	node	Get, Replace

This interior node is a placeholder for the group used on initiation of an MCPTT emergency group call.

5.2.34A /<x>/<x>/Common/MCPTTGroupCall/EmergencyCall/MCPTTGroupInitiation/Entry

Table 5.2.34A.1: /<x>/<x>/Common/MCPTTGroupCall/EmergencyCall/MCPTTGroupInitiation/Entry

<x>/Common/MCPTTGroupCall/EmergencyCall/MCPTTGroupInitiation/Entry

Status	Occurrence	Format	Min. Access Types
Required	One	node	Get, Replace

This interior node is a placeholder for the details of the group used on initiation of an MCPTT emergency group call.

5.2.34B /<x>/<x>/Common/MCPTTGroupCall/EmergencyCall/MCPTTGroupInitiation/Entry/GroupID

Table 5.2.34BA.1:

/<x>/<x>/Common/MCPTTGroupCall/EmergencyCall/MCPTTGroupInitiation/Entry/GroupID

<x>/Common/MCPTTGroupCall/EmergencyCall/MCPTTGroupInitiation/Entry/GroupID

Status	Occurrence	Format	Min. Access Types
Optional	One	chr	Get, Replace

This leaf node indicates the group used upon certain criteria on initiation of an MCPTT emergency group call.

5.2.34C /<x>/<x>/Common/MCPTTGroupCall/EmergencyCall/MCPTTGroupInitiation/Entry/DisplayName

Table 5.2.34C.1:

/<x>/<x>/Common/MCPTTGroupCall/EmergencyCall/MCPTTGroupInitiation/Entry/DisplayName

<x>/Common/MCPTTGroupCall/EmergencyCall/MCPTTGroupInitiation/Entry/DisplayName

Status	Occurrence	Format	Min. Access Types
Optional	One	chr	Get, Replace

This leaf node contains a human readable name that corresponds to the Group ID.

5.2.34D /<x>/<x>/Common/MCPTTGroupCall/EmergencyCall/MCPTTGroupInitiation/Entry/Usage

Table 5.2.34D.1:

/<x>/<x>/Common/MCPTTGroupCall/EmergencyCall/MCPTTGroupInitiation/Entry/Usage

<x>/Common/MCPTTGroupCall/EmergencyCall/MCPTTGroupInitiation/Entry/Usage

Status	Occurrence	Format	Min. Access Types
Required	One	chr	Get, Replace

This leaf node indicates the criteria to determine when initiation of an MCPTT emergency group call uses the GroupID.

The valid values are 'UseCurrentlySelectedGroup' and 'DedicatedGroup'.

When set to 'UseCurrentlySelectedGroup' then if the MCPTT user has currently selected an MCPTT group then use that MCPTT group for an on-network MCPTT emergency group call, if the MCPTT user does not have a currently selected MCPTT group then use the MCPTT group identified by the GroupID in clause 5.2.34B for an MCPTT emergency group call.

When set to 'DedicatedGroup' then use the MCPTT group identified by the GroupID in clause 5.2.34B for an MCPTT emergency group call.

5.2.35 /<x>/<x>/Common/MCPTTGroupCall/EmergencyCall/CancelMCPTTGroup

Table 5.2.35.1: /<x>/<x>/Common/MCPTTGroupCall/EmergencyCall/CancelMCPTTGroup

<x>/Common/MCPTTGroupCall/EmergencyCall/CancelMCPTTGroup

Status	Occurrence	Format	Min. Access Types
Required	One	bool	Get, Replace

This leaf node indicates the authorisation to cancel an in progress MCPTT emergency group call associated with a group.

When set to "true" the MCPTT user is authorised to cancel a MCPTT emergency group call.

When set to "false" the MCPTT user is not authorised to cancel a MCTT emergency group call.

5.2.36 /<x>/<x>/Common/MCPTTGroupCall/ImminentPerilCall

Table 5.2.36.1: /<x>/<x>/Common/MCPTTGroupCall/ImminentPerilCall

<x>/Common/MCPTTGroupCall/ImminentPerilCall

Status	Occurrence	Format	Min. Access Types
Required	One	node	Get, Replace

This interior node is a placeholder for the MCPTT imminent peril call policy.

5.2.37 /<x>/<x>/Common/MCPTTGroupCall/ImminentPerilCall/Authorised

Table 5.2.37.1: /<x>/<x>/Common/MCPTTGroupCall/ImminentPerilCall/Authorised

<x>/Common/MCPTTGroupCall/ImminentPerilCall/Authorised

Status	Occurrence	Format	Min. Access Types
Required	One	bool	Get, Replace

This leaf node indicates the authorisation to make an Imminent Peril group call.

When set to "true" the MCPTT user is authorised to create an MCPTT imminent peril group call.

When set to "false" the MCPTT user is not authorised to create an MCPTT imminent peril group call.

5.2.38 /<x>/<x>/Common/MCPTTGroupCall/ImminentPerilCall/Cancel

Table 5.2.38.1: /<x>/<x>/Common/MCPTTGroupCall/ImminentPerilCall/Cancel

<x>/Common/MCPTTGroupCall/ImminentPerilCall/Cancel

Status	Occurrence	Format	Min. Access Types
Required	One	bool	Get, Replace

This leaf node indicates the authorisation for in-progress MCPTT imminent peril cancellation.

When set to "true" the MCPTT user is authorised to cancel an MCPTT imminent peril call.

When set to "false" the MCPTT user is not authorised to cancel an MCPTT imminent peril call.

5.2.39 /<x>/<x>/Common/MCPTTGroupCall/ImminentPerilCall/MCPTTGroupInitiation

Table 5.2.39.1: /<x>/<x>/Common/MCPTTGroupCall/ImminentPerilCall/MCPTTGroupInitiation

<x>/Common/MCPTTGroupCall/ImminentPerilCall/MCPTTGroupInitiation

Status	Occurrence	Format	Min. Access Types
Optional	One	node	Get, Replace

This interior node is a placeholder for the group used on initiation of an MCPTT imminent peril group call.

5.2.39A /<x>/<x>/Common/MCPTTGroupCall/ImminentPerilCall/MCPTTGroupInitiation/Entry

Table 5.2.39A.1: /<x>/<x>/Common/MCPTTGroupCall/ImminentPerilCall/MCPTTGroupInitiation/Entry

<x>/Common/MCPTTGroupCall/ImminentPerilCall/MCPTTGroupInitiation/Entry

Status	Occurrence	Format	Min. Access Types
Required	One	node	Get, Replace

This interior node is a placeholder for the details of the group used on initiation of an imminent peril call.

5.2.39B /<x>/<x>/Common/MCPTTGroupCall/ImminentPerilCall/MCPTTGroupInitiation/Entry/GroupID

Table 5.2.39B.1:

/<x>/<x>/Common/MCPTTGroupCall/ImminentPerilCall/MCPTTGroupInitiation/Entry/GroupID

<x>/Common/MCPTTGroupCall/ImminentPerilCall/MCPTTGroupInitiation/Entry/GroupID

Status	Occurrence	Format	Min. Access Types
Required	One	chr	Get, Replace

This leaf node indicates the group used upon certain criteria on initiation of an MCPTT imminent peril group call.

5.2.39C /<x>/<x>/Common/MCPTTGroupCall/ImminentPerilCall/MCPTTGroupInitiation/DisplayName

Table 5.2.39C.1:

/<x>/<x>/Common/MCPTTGroupCall/ImminentPerilCall/MCPTTGroupInitiation/Entry/DisplayName

<x>/Common/MCPTTGroupCall/ImminentPerilCall/MCPTTGroupInitiation/Entry/DisplayName

Status	Occurrence	Format	Min. Access Types
Optional	One	chr	Get, Replace

This leaf node contains a human readable name that corresponds to the Group ID.

5.2.39D /<x>/<x>/Common/MCPTTGroupCall/ImminentPerilCall/MCPTTGroupInitiation/Entry/Usage

Table 5.2.39D.1:

/<x>/<x>/Common/MCPTTGroupCall/ImminentPerilCall/MCPTTGroupInitiation/Entry/Usage

<x>/Common/MCPTTGroupCall/ImminentPerilCall/MCPTTGroupInitiation/Entry/Usage

Status	Occurrence	Format	Min. Access Types
Required	One	chr	Get, Replace

This leaf node indicates the criteria to determine when initiation of an MCPTT imminent peril group call uses the GroupID.

The valid values are 'UseCurrentlySelectedGroup' and 'DedicatedGroup'.

When set to 'UseCurrentlySelectedGroup' then if the MCPTT user has currently selected an MCPTT group then use that MCPTT group for an on-network MCPTT imminent peril group call, if the MCPTT user does not have a currently selected MCPTT group then use the MCPTT group identified by the GroupID in clause 5.2.39B for an MCPTT imminent peril group call.

When set to 'DedicatedGroup' then use the MCPTT group identified by the GroupID in clause 5.2.39B for an MCPTT imminent peril group call.

5.2.40 /<x>/<x>/Common/MCPTTGroupCall/EmergencyAlert

Table 5.2.40.1: /<x>/<x>/Common/MCPTTGroupCall/EmergencyAlert

<x>/Common/MCPTTGroupCall/EmergencyAlert

Status	Occurrence	Format	Min. Access Types
Required	One	node	Get, Replace

This interior node is a placeholder for the MCPTT emergency alert policy.

5.2.41 /<x>/<x>/Common/MCPTTGroupCall/EmergencyAlert/Authorised

Table 5.2.41.1: /<x>/<x>/Common/MCPTTGroupCall/EmergencyAlert/Authorised

<x>/Common/MCPTTGroupCall/EmergencyAlert/Authorised

Status	Occurrence	Format	Min. Access Types
Required	One	bool	Get, Replace

This leaf node indicates the authorisation to activate an MCPTT emergency alert.

When set to "true" the MCPTT user is authorised to make an MCPTT emergency alert.

When set to "false" the MCPTT user is not authorised to make an MCPTT emergency alert.

5.2.42 /<x>/<x>/Common/MCPTTGroupCall/EmergencyAlert/Cancel

Table 5.2.42.1: /<x>/<x>/Common/MCPTTGroupCall/EmergencyAlert/Cancel

<x>/Common/MCPTTGroupCall/EmergencyAlert/Cancel

Status	Occurrence	Format	Min. Access Types
Required	One	bool	Get, Replace

This leaf node indicates the authorisation to cancel an MCPTT emergency alert.

When set to "true" the MCPTT user is authorised to cancel an MCPTT emergency alert.

When set to "false" the MCPTT user is not authorised to cancel an MCPTT emergency alert.

5.2.43 Void

5.2.43A /<x>/<x>/Common/MCPTTGroupCall/EmergencyAlert/Entry

Table 5.2.39A.1: /<x>/<x>/Common/MCPTTGroupCall/EmergencyAlert/Entry

<x>/Common/MCPTTGroupCall/EmergencyAlert/Entry

Status	Occurrence	Format	Min. Access Types
Required	One	node	Get, Replace

This interior node is a placeholder for the details of the MCPTT group of an MCPTT emergency alert.

5.2.43B /<x>/<x>/Common/MCPTTGroupCall/EmergencyAlert/Entry/ID

Table 5.2.43B.1: /<x>/<x>/Common/MCPTTGroupCall/EmergencyAlert/Entry/ID

<x>/Common/MCPTTGroupCall/EmergencyAlert/Entry/ID

Status	Occurrence	Format	Min. Access Types
Required	One	chr	Get, Replace

This leaf node indicates the MCPTT group used upon certain criteria on initiation of an MCPTT emergency alert.

5.2.43C Void

5.2.43D /<x>/<x>/Common/MCPTTGroupCall/EmergencyAlert/Entry/DisplayName

Table 5.2.43D.1: /<x>/<x>/Common/MCPTTGroupCall/EmergencyAlert/Entry/DisplayName

<x>/Common/MCPTTGroupCall/EmergencyAlert/Entry/DisplayName

Status	Occurrence	Format	Min. Access Types
Optional	One	chr	Get, Replace

This leaf node contains a human readable name that corresponds to the ID.

5.2.43E /<x>/<x>/Common/MCPTTGroupCall/EmergencyAlert/Entry/Usage

Table 5.2.43E.1: /<x>/<x>/Common/MCPTTGroupCall/EmergencyAlert/Entry/Usage

<x>/Common/MCPTTGroupCall/EmergencyAlert/Entry/Usage

Status	Occurrence	Format	Min. Access Types
Required	One	chr	Get, Replace

This leaf node indicates the criteria to determine when initiation of an MCPTT emergency alert uses the ID.

The valid values are 'LocallyDetermined', 'UseCurrentlySelectedGroup', 'UsePreConfigured' and 'DedicatedGroup'.

When set to 'LocallyDetermined' then if the MCPTT user selects an MCPTT ID then use that MCPTT ID for an on-network MCPTT emergency alert, if the MCPTT user does not select a MCPTT ID then use the MCPTT ID identified by the ID in clause 5.2.43B for an on-network MCPTT emergency alert.

When set to 'UseCurrentlySelectedGroup' then if the MCPTT user has currently selected an MCPTT group then use that MCPTT group for an on-network MCPTT emergency alert, if the MCPTT user does not have a currently selected MCPTT group then use the MCPTT group identified by the ID in clause 5.2.43B for an MCPTT emergency alert.

When set to 'UsePreConfigured' then use the ID identified by the ID in clause 5.2.43B for an on-network MCPTT emergency alert.

When set to 'DedicatedGroup' then use the MCPTT group identified by the ID in clause 5.2.43B for an MCPTT emergency alert.

5.2.43F /<x>/<x>/Common/MCPTTGroupCall/Priority

Table 5.2.43F.1: /<x>/<x>/Common/MCPTTGroupCall/Priority

<x>/Common/MCPTTGroupCall/Priority

Status	Occurrence	Format	Min. Access Types
Required	One	int	Get, Replace

This leaf node indicates the priority of the MCPTT group calls.

- Values: 0-255

The MCPTT group call with the lowest Priority value shall be considered as the MCPTT group call having the lowest level among the MCPTT group calls.

5.2.44 Void

5.2.45 /<x>/<x>/Common/MCPTTGroupBroadcast

Table 5.2.45.1: /<x>/<x>/Common/MCPTTGroupBroadcast

<x>/Common/MCPTTGroupBroadcast

Status	Occurrence	Format	Min. Access Types
Required	One	node	Get, Replace

This interior node is a placeholder for the group-broadcast group policy.

5.2.46 /<x>/<x>/Common/MCPTTGroupBroadcast/Authorised

Table 5.2.46.1: /<x>/<x>/Common/MCPTTGroupBroadcast/Authorised

<x>/Common/MCPTTGroupBroadcast/Authorised

Status	Occurrence	Format	Min. Access Types
Required	One	bool	Get, Replace

This leaf node indicates the authorisation to create a group-broadcast group.

When set to "true" the MCPTT user is authorised to create a group-broadcast group.

When set to "false" the MCPTT user is not authorised to create a group-broadcast group.

5.2.47 /<x>/<x>/Common/UserBroadcast

Table 5.2.47.1: /<x>/<x>/Common/UserBroadcast

<x>/Common/UserBroadcast

Status	Occurrence	Format	Min. Access Types
Required	One	node	Get, Replace

This interior node is a placeholder for the user-broadcast group policy.

5.2.48 /<x>/<x>/Common/UserBroadcast/Authorised

Table 5.2.48.1: /<x>/<x>/Common/UserBroadcast/Authorised

<x>/Common/UserBroadcast/Authorised

Status	Occurrence	Format	Min. Access Types
Required	One	bool	Get, Replace

This leaf node indicates the authorisation to create a user-broadcast group.

When set to "true" the MCPTT user is authorised to create a user-broadcast group.

When set to "false" the MCPTT user is not authorised to create a user-broadcast group.

5.2.48A /<x>/<x>/OnNetwork

Table 5.2.48A.1: /<x>/<x>/OnNetwork

<x>/OnNetwork

Status	Occurrence	Format	Min. Access Types
Required	ZeroOrOne	node	Get, Replace

This interior node represents a container for on-network operation.

5.2.48B1/<x>/<x>/OnNetwork/MCPTTGroupList

Table 5.2.48B1.1: /<x>/<x>/OnNetwork/MCPTTGroupList

<x>/OnNetwork/MCPTTGroupList

Status	Occurrence	Format	Min. Access Types
Required	One	node	Get, Replace

This interior node is a placeholder for the list of on-network MCPTT groups that the MCPTT user is allowed to affiliate to.

5.2.48B2/<x>/<x>/OnNetwork/MCPTTGroupList/<x>

Table 5.2.48B2.1: /<x>/<x>/OnNetwork/MCPTTGroupList/<x>

<x>/OnNetwork/MCPTTGroupList/<x>

Status	Occurrence	Format	Min. Access Types
Required	OneOrMore	node	Get, Replace

This interior node is a placeholder for one or more list of on-network MCPTT groups that the MCPTT user is allowed to affiliate to.

5.2.48B3/<x>/<x>/OnNetwork/MCPTTGroupList/<x>/Entry

Table 5.2.48B3.1: /<x>/<x>/OnNetwork/MCPTTGroupList/<x>/Entry

<x>/OnNetwork/MCPTTGroupList/<x>/Entry

Status	Occurrence	Format	Min. Access Types
Optional	One	node	Get, Replace

This interior node is a placeholder for the details of the on-network MCPTT groups that the MCPTT user is allowed to affiliate to.

5.2.48B4/<x>/<x>/OnNetwork/MCPTTGroupList/<x>/Entry/
MCPTTGroupID

Table 5.2.48B4.1: /<x>/<x>/OnNetwork/MCPTTGroupList/<x>/Entry/MCPTTGroupID

<x>/OnNetwork/MCPTTGroupList/<x>/Entry/MCPTTGroupID

Status	Occurrence	Format	Min. Access Types
Required	One	chr	Get, Replace

This leaf node indicates the MCPTT group ID for the on-network MCPTT group that the MCPTT user is allowed to affiliate to.

The value is a "uri" attribute specified in OMA OMA-TS-XDM_Group-V1_1 [4].

5.2.48B4A /<x>/<x>/OnNetwork/MCPTTGroupList/<x>/Entry/ RulesForAffiliation

Table 5.2.48B4A.1: /<x>/<x>/OnNetwork/MCPTTGroupList/<x>/Entry/RulesForAffiliation

<x>/OnNetwork/MCPTTGroupList/<x>/Entry/RulesForAffiliation

Status	Occurrence	Format	Min. Access Types
Optional	ZeroOrOne	node	Get, Replace

This interior node is a placeholder for the rules that control automatic affiliation.

5.2.48B4A0 /<x>/<x>/OnNetwork/MCPTTGroupList/<x>/Entry/ RulesForAffiliation/<x>

Table 5.2.48B4A0.1: /<x>/<x>/OnNetwork/MCPTTGroupList/<x>/Entry/RulesForAffiliation/<x>

<x>/OnNetwork/MCPTTGroupList/<x>/Entry/RulesForAffiliation/<x>

Status	Occurrence	Format	Min. Access Types
Optional	ZeroOrMore	node	Get, Replace

This interior node is a placeholder for the zero or more rules that control automatic affiliation.

5.2.48B4A1 /<x>/<x>/OnNetwork/MCPTTGroupList/<x>/Entry/ RulesForAffiliation/<x>/ListOfLocationCriteria/

Table 5.2.48B4A1.1:

/<x>/<x>/OnNetwork/MCPTTGroupList/<x>/Entry/RulesForAffiliation/<x>/ListOfLocationCriteria

<x>/OnNetwork/MCPTTGroupList/<x>/Entry/RulesForAffiliation/<x>/ListOfLocationCriteria

Status	Occurrence	Format	Min. Access Types
Optional	One	node	Get, Replace

This interior node is a placeholder for the location portion of the rules that control automatic affiliation.

5.2.48B4A2 /<x>/<x>/OnNetwork/MCPTTGroupList/<x>/Entry/ RulesForAffiliation/<x>/ListOfLocationCriteria/<x>

Table 5.2.48B84A2.1:

/<x>/<x>/OnNetwork/MCPTTGroupList/<x>/Entry/RulesForAffiliation/<x>/ListOfLocationCriteria/<x>

<x>/OnNetwork/MCPTTGroupList/<x>/Entry/RulesForAffiliation/<x>/ListOfLocationCriteria/<x>

Status	Occurrence	Format	Min. Access Types
Optional	ZeroOrMore	node	Get, Replace

This interior node is a placeholder for the location portion of the rules that control automatic affiliation.

5.2.48B4A3 /<x>/<x>/OnNetwork/MCPTTGroupList/<x>/Entry/ RulesForAffiliation/<x>/ListOfLocationCriteria/<x>/Entry

Table 5.2.48B4A3.1:

/<x>/<x>/OnNetwork/MCPTTGroupList/<x>/Entry/RulesForAffiliation/<x>/ListOfLocationCriteria/<x>/Entry

<x>/OnNetwork/MCPTTGroupList/<x>/Entry/RulesForAffiliation/<x>/ListOfLocationCriteria/<x>/Entry

Status	Occurrence	Format	Min. Access Types
Optional	One	node	Get, Replace

This interior node is a placeholder for the location portion of the rules that control automatic affiliation.

5.2.48B4A4 /<x>/<x>/OnNetwork/MCPTTGroupList/<x>/Entry/ RulesForAffiliation/<x>/ListOfLocationCriteria/<x>/Entry/ EnterSpecificArea

Table 5.2.48B4A4.1:

/<x>/<x>/OnNetwork/MCPTTGroupList/<x>/Entry/RulesForAffiliation/<x>/ListOfLocationCriteria/<x>/Entry/EnterSpecificArea

<x>/OnNetwork/MCPTTGroupList/<x>/Entry/RulesForAffiliation/<x>/ListOfLocationCriteria/<x>/Entry/EnterSpecificArea

Status	Occurrence	Format	Min. Access Types
Optional	ZeroOrOne	node	Get, Replace

This interior node contains a geographical area which when entered by the MC service UE triggers evaluation of the rules.

5.2.48B4A5 /<x>/<x>/OnNetwork/MCPTTGroupList/<x>/Entry/ RulesForAffiliation/<x>/ListOfLocationCriteria/<x>/Entry/ EnterSpecificArea/PolygonArea

Table 5.2.48B4A5.1:

/<x>/<x>/OnNetwork/MCPTTGroupList/<x>/Entry/RulesForAffiliation/<x>/ListOfLocationCriteria/<x>/Entry/EnterSpecificArea/PolygonArea

<x>/OnNetwork/MCPTTGroupList/<x>/Entry/RulesForAffiliation/<x>/ListOfLocationCriteria/<x>/Entry/EnterSpecificArea/PolygonArea

Status	Occurrence	Format	Min. Access Types
Optional	ZeroOrOne	node	Get, Replace

This interior node contains a geographical area described by a polygon.

5.2.48B4A6 /<x>/<x>/OnNetwork/MCPTTGroupList/<x>/Entry/
RulesForAffiliation/<x>/ListOfLocationCriteria/<x>/Entry/
EnterSpecificArea/PolygonArea/<x>

Table 5.2.48B4A6.1:

/<x>/<x>/OnNetwork/MCPTTGroupList/<x>/Entry/RulesForAffiliation/<x>/ListOfLocationCriteria/<x>/Entry/EnterSpecificArea/PolygonArea/<x>

<x>/OnNetwork/MCPTTGroupList/<x>/Entry/RulesForAffiliation/<x>/ListOfLocationCriteria/<x>/Entry/EnterSpecificArea/PolygonArea/<x>

Status	Occurrence	Format	Min. Access Types
Required	OneOrN	node	Get, Replace

This interior node contains the coordinates of the corners which define a polygon. The occurrence of this leaf node is "3 to 15" as per 3GPP TS 23.032 [21].

5.2.48B4A7 /<x>/<x>/OnNetwork/MCPTTGroupList/<x>/Entry/
RulesForAffiliation/<x>/ListOfLocationCriteria/<x>/Entry/
EnterSpecificArea/PolygonArea/<x>/PointCoordinateType

Table 5.2.48B4A7.1:

/<x>/<x>/OnNetwork/MCPTTGroupList/<x>/Entry/RulesForAffiliation/<x>/ListOfLocationCriteria/<x>/Entry/EnterSpecificArea/PolygonArea/<x>/PointCoordinateType

<x>/OnNetwork/MCPTTGroupList/<x>/Entry/RulesForAffiliation/<x>/ListOfLocationCriteria/<x>/Entry/EnterSpecificArea/PolygonArea/<x>/PointCoordinateType

Status	Occurrence	Format	Min. Access Types
Required	One	node	Get, Replace

This interior node contains the type of the coordinates.

5.2.48B4A8 /<x>/<x>/OnNetwork/MCPTTGroupList/<x>/Entry/
RulesForAffiliation/<x>/ListOfLocationCriteria/<x>/Entry/
EnterSpecificArea/PolygonArea/<x>/PointCoordinateType/
Longitude

Table 5.2.48B4A8.1:

/<x>/<x>/OnNetwork/MCPTTGroupList/<x>/Entry/RulesForAffiliation/<x>/ListOfLocationCriteria/<x>/Entry/EnterSpecificArea/PolygonArea/<x>/PointCoordinateType/Longitude

<x>/OnNetwork/MCPTTGroupList/<x>/Entry/RulesForAffiliation/<x>/ListOfLocationCriteria/<x>/Entry/EnterSpecificArea/PolygonArea/<x>/PointCoordinateType/Longitude

Status	Occurrence	Format	Min. Access Types
Required	One	int	Get, Replace

This leaf node contains the longitudinal coordinate of a corner.

5.2.48B4A9 /<x>/<x>/OnNetwork/MCPTTGroupList/<x>/Entry/ RulesForAffiliation/<x>/ListOfLocationCriteria/<x>/Entry/ EnterSpecificArea/PolygonArea/<x>/PointCoordinateType/Latitude

Table 5.2.48B4A9.1:

/<x>/<x>/OnNetwork/MCPTTGroupList/<x>/Entry/RulesForAffiliation/<x>/ListOfLocationCriteria/<x>/Entry/EnterSpecificArea/PolygonArea/<x>/PointCoordinateType/Latitude

<x>/OnNetwork/MCPTTGroupList/<x>/Entry/RulesForAffiliation/<x>/ListOfLocationCriteria/<x>/Entry/EnterSpecificArea/PolygonArea/<x>/PointCoordinateType/Latitude

Status	Occurrence	Format	Min. Access Types
Required	One	int	Get, Replace

This leaf node contains the latitudinal coordinate of a corner.

5.2.48B4A10 /<x>/<x>/OnNetwork/MCPTTGroupList/<x>/Entry/ RulesForAffiliation/<x>/ListOfLocationCriteria/<x>/Entry/ EnterSpecificArea/EllipsoidArcArea

Table 5.2.48B4A10.1:

/<x>/<x>/OnNetwork/MCPTTGroupList/<x>/Entry/RulesForAffiliation/<x>/ListOfLocationCriteria/<x>/Entry/EnterSpecificArea/EllipsoidArcArea

<x>/OnNetwork/MCPTTGroupList/<x>/Entry/RulesForAffiliation/<x>/ListOfLocationCriteria/<x>/Entry/EnterSpecificArea/EllipsoidArcArea

Status	Occurrence	Format	Min. Access Types
Optional	ZeroOrOne	node	Get, Replace

This interior node contains a geographical area described by an ellipsoid arc.

5.2.48B4A11 /<x>/<x>/OnNetwork/MCPTTGroupList/<x>/Entry/ RulesForAffiliation/<x>/ListOfLocationCriteria/<x>/Entry/ EnterSpecificArea/EllipsoidArcArea/Center

Table 5.2.48B4A11.1:

/<x>/<x>/OnNetwork/MCPTTGroupList/<x>/Entry/RulesForAffiliation/<x>/ListOfLocationCriteria/<x>/Entry/EnterSpecificArea/EllipsoidArcArea/Center

<x>/OnNetwork/MCPTTGroupList/<x>/Entry/RulesForAffiliation/<x>/ListOfLocationCriteria/<x>/Entry/EnterSpecificArea/EllipsoidArcArea/Center

Status	Occurrence	Format	Min. Access Types
Required	One	node	Get, Replace

This interior node contains the coordinates of the center point of the ellipsoid arc.

5.2.48B4A12 /<x>/<x>/OnNetwork/MCPTTGroupList/<x>/Entry/ RulesForAffiliation/<x>/ListOfLocationCriteria/<x>/Entry/ EnterSpecificArea/EllipsoidArcArea/Center/PointCoordinateType

Table 5.2.48B4A12.1:

**/<x>/<x>/OnNetwork/MCPTTGroupList/<x>/Entry/RulesForAffiliation/<x>/ListOfLocationCriteria/<x>/E
ntry/EnterSpecificArea/EllipsoidArcArea/Center/PointCoordinateType**

<x>/OnNetwork/MCPTTGroupList/<x>/Entry/RulesForAffiliation/<x>/ListOfLocationCriteria/<x>/Entry/EnterSpe
cificArea/EllipsoidArcArea/Center/PointCoordinateType

Status	Occurrence	Format	Min. Access Types
Required	One	node	Get, Replace

This interior node contains the coordinates of the center point of the ellipsoid arc.

5.2.48B4A13 /<x>/<x>/OnNetwork/MCPTTGroupList/<x>/Entry/ RulesForAffiliation/<x>/ListOfLocationCriteria/<x>/Entry/ EnterSpecificArea/EllipsoidArcArea/Center/PointCoordinateType/ Longitude

Table 5.2.48B4A13.1:

**/<x>/<x>/OnNetwork/MCPTTGroupList/<x>/Entry/RulesForAffiliation/<x>/ListOfLocationCriteria/<x>/E
ntry/EnterSpecificArea/EllipsoidArcArea/Center/PointCoordinateType/Longitude**

<x>/OnNetwork/MCPTTGroupList/<x>/Entry/RulesForAffiliation/<x>/ListOfLocationCriteria/<x>/Entry/EnterSpe
cificArea/EllipsoidArcArea/Center/PointCoordinateType/Longitude

Status	Occurrence	Format	Min. Access Types
Required	One	int	Get, Replace

This leaf node contains the longitudinal coordinate of the center.

5.2.48B4A14 /<x>/<x>/OnNetwork/MCPTTGroupList/<x>/Entry/ RulesForAffiliation/<x>/ListOfLocationCriteria/<x>/Entry/ EnterSpecificArea/EllipsoidArcArea/Center/PointCoordinateType/ Latitude

Table 5.2.48B4A14.1:

**/<x>/<x>/OnNetwork/MCPTTGroupList/<x>/Entry/RulesForAffiliation/<x>/ListOfLocationCriteria/<x>/E
ntry/EnterSpecificArea/EllipsoidArcArea/Center/PointCoordinateType/Latitude**

<x>/OnNetwork/MCPTTGroupList/<x>/Entry/RulesForAffiliation/<x>/ListOfLocationCriteria/<x>/Entry/EnterSpe
cificArea/EllipsoidArcArea/Center/PointCoordinateType/Latitude

Status	Occurrence	Format	Min. Access Types
Required	One	int	Get, Replace

This leaf node contains the latitudinal coordinate of a center.

5.2.48B4A15 /<x>/<x>/OnNetwork/MCPTTGroupList/<x>/Entry/ RulesForAffiliation/<x>/ListOfLocationCriteria/<x>/Entry/ EnterSpecificArea/EllipsoidArcArea/Radius

Table 5.2.48B4A15.1:

**/<x>/<x>/OnNetwork/MCPTTGroupList/<x>/Entry/RulesForAffiliation/<x>/ListOfLocationCriteria/<x>/E
ntry/EnterSpecificArea/EllipsoidArcArea/Radius**

<x>/OnNetwork/MCPTTGroupList/<x>/Entry/RulesForAffiliation/<x>/ListOfLocationCriteria/<x>/Entry/EnterSpe
cificArea/EllipsoidArcArea/Center/Radius

Status	Occurrence	Format	Min. Access Types
Required	One	int	Get, Replace

This leaf node contains the radius of the ellipsoid arc.

5.2.48B4A16 /<x>/<x>/OnNetwork/MCPTTGroupList/<x>/Entry/ RulesForAffiliation/<x>/ListOfLocationCriteria/<x>/Entry/ EnterSpecificArea/EllipsoidArcArea/OffsetAngle

Table 5.2.48B4A16.1:

**/<x>/<x>/OnNetwork/MCPTTGroupList/<x>/Entry/RulesForAffiliation/<x>/ListOfLocationCriteria/<x>/E
ntry/EnterSpecificArea/EllipsoidArcArea/OffsetAngle**

<x>/OnNetwork/MCPTTGroupList/<x>/Entry/RulesForAffiliation/<x>/ListOfLocationCriteria/<x>/Entry/EnterSpe
cificArea/EllipsoidArcArea/OffsetAngle

Status	Occurrence	Format	Min. Access Types
Required	One	int	Get, Replace

This leaf node contains the offset angle of the ellipsoid arc.

5.2.48B4A17 /<x>/<x>/OnNetwork/MCPTTGroupList/<x>/Entry/ RulesForAffiliation/<x>/ListOfLocationCriteria/<x>/Entry/ EnterSpecificArea/EllipsoidArcArea/IncludedAngle

Table 5.2.48B4A17.1:

**/<x>/<x>/OnNetwork/MCPTTGroupList/<x>/Entry/RulesForAffiliation/<x>/ListOfLocationCriteria/<x>/E
ntry/EnterSpecificArea/EllipsoidArcArea/IncludedAngle**

<x>/OnNetwork/MCPTTGroupList/<x>/Entry/RulesForAffiliation/<x>/ListOfLocationCriteria/<x>/Entry/EnterSpe
cificArea/EllipsoidArcArea/IncludedAngle

Status	Occurrence	Format	Min. Access Types
Required	One	int	Get, Replace

This leaf node contains the included angle of the ellipsoid arc.

5.2.48B4A18 /<x>/<x>/OnNetwork/MCPTTGroupList/<x>/Entry/ RulesForAffiliation/<x>/ListOfLocationCriteria/<x>/Entry/ EnterSpecificArea/Speed

Table 5.2.48B4A18.1:

/<x>/<x>/OnNetwork/MCPTTGroupList/<x>/Entry/RulesForAffiliation/<x>/ListOfLocationCriteria/<x>/Entry/EnterSpecificArea/Speed

<x>/OnNetwork/MCPTTGroupList/<x>/Entry/RulesForAffiliation/<x>/ListOfLocationCriteria/<x>/Entry/EnterSpecificArea/Speed

Status	Occurrence	Format	Min. Access Types
Optional	One	node	Get, Replace

This interior node contains the speed.

5.2.48B4A19 /<x>/<x>/OnNetwork/MCPTTGroupList/<x>/Entry/ RulesForAffiliation/<x>/ListOfLocationCriteria/<x>/Entry/ EnterSpecificArea/Speed/MinimumSpeed

Table 5.2.48B4A19.1:

/<x>/<x>/OnNetwork/MCPTTGroupList/<x>/Entry/RulesForAffiliation/<x>/ListOfLocationCriteria/<x>/Entry/EnterSpecificArea/Speed/MinimumSpeed

<x>/OnNetwork/MCPTTGroupList/<x>/Entry/RulesForAffiliation/<x>/ListOfLocationCriteria/<x>/Entry/EnterSpecificArea/Speed/MinimumSpeed

Status	Occurrence	Format	Min. Access Types
Required	One	int	Get, Replace

This leaf node contains the minimum speed.

- Values: non-negative integer in units of kilometers/hour.

5.2.48B4A20 /<x>/<x>/OnNetwork/MCPTTGroupList/<x>/Entry/ RulesForAffiliation/<x>/ListOfLocationCriteria/<x>/Entry/ EnterSpecificArea/Speed/MaximumSpeed

Table 5.2.48B4A20.1:

/<x>/<x>/OnNetwork/MCPTTGroupList/<x>/Entry/RulesForAffiliation/<x>/ListOfLocationCriteria/<x>/Entry/EnterSpecificArea/Speed/MaximumSpeed

<x>/OnNetwork/MCPTTGroupList/<x>/Entry/RulesForAffiliation/<x>/ListOfLocationCriteria/<x>/Entry/EnterSpecificArea/Speed/MaximumSpeed

Status	Occurrence	Format	Min. Access Types
Required	One	int	Get, Replace

This leaf node contains the maximum speed.

- Values: non-negative integer in units of kilometers/hour.

5.2.48B4A21 /<x>/<x>/OnNetwork/MCPTTGroupList/<x>/Entry/
RulesForAffiliation/<x>/ListOfLocationCriteria/<x>/Entry/
EnterSpecificArea/Heading

Table 5.2.48B4A21.1:

/<x>/<x>/OnNetwork/MCPTTGroupList/<x>/Entry/RulesForAffiliation/<x>/ListOfLocationCriteria/<x>/Entry/EnterSpecificArea/Heading

<x>/OnNetwork/MCPTTGroupList/<x>/Entry/RulesForAffiliation/<x>/ListOfLocationCriteria/<x>/Entry/EnterSpecificArea/Heading

Status	Occurrence	Format	Min. Access Types
Optional	One	node	Get, Replace

This interior node contains the heading.

5.2.48B4A22 /<x>/<x>/OnNetwork/MCPTTGroupList/<x>/Entry/
RulesForAffiliation/<x>/ListOfLocationCriteria/<x>/Entry/
EnterSpecificArea/Heading/MinimumHeading

Table 5.2.48B4A22.1:

/<x>/<x>/OnNetwork/MCPTTGroupList/<x>/Entry/RulesForAffiliation/<x>/ListOfLocationCriteria/<x>/Entry/EnterSpecificArea/Heading/MinimumHeading

<x>/OnNetwork/MCPTTGroupList/<x>/Entry/RulesForAffiliation/<x>/ListOfLocationCriteria/<x>/Entry/EnterSpecificArea/Heading/MinimumHeading

Status	Occurrence	Format	Min. Access Types
Required	One	int	Get, Replace

This leaf node contains the minimum heading.

- Values: 0-359

5.2.48B4A23 /<x>/<x>/OnNetwork/MCPTTGroupList/<x>/Entry/
RulesForAffiliation/<x>/ListOfLocationCriteria/<x>/Entry/
EnterSpecificArea/Heading/MaximumHeading

Table 5.2.48B4A23.1:

/<x>/<x>/OnNetwork/MCPTTGroupList/<x>/Entry/RulesForAffiliation/<x>/ListOfLocationCriteria/<x>/Entry/EnterSpecificArea/Heading/MaximumHeading

<x>/OnNetwork/MCPTTGroupList/<x>/Entry/RulesForAffiliation/<x>/ListOfLocationCriteria/<x>/Entry/EnterSpecificArea/Heading/MaximumHeading

Status	Occurrence	Format	Min. Access Types
Required	One	int	Get, Replace

This leaf node contains the maximum heading.

- Values: 0-359

5.2.48B4A24 /<x>/<x>/OnNetwork/MCPTTGroupList/<x>/Entry/ RulesForAffiliation/<x>/ListOfLocationCriteria/<x>/Entry/ ExitSpecificArea

Table 5.2.48B4A24.1:

/<x>/<x>/OnNetwork/MCPTTGroupList/<x>/Entry/RulesForAffiliation/<x>/ListOfLocationCriteria/<x>/Entry/ExitSpecificArea

<x>/OnNetwork/MCPTTGroupList/<x>/Entry/RulesForAffiliation/<x>/ListOfLocationCriteria/<x>/Entry/ExitSpecificArea

Status	Occurrence	Format	Min. Access Types
Optional	ZeroOrOne	node	Get, Replace

This interior node contains a geographical area which when entered by the MC service UE triggers evaluation of the rules.

5.2.48B4A25 /<x>/<x>/OnNetwork/MCPTTGroupList/<x>/Entry/ RulesForAffiliation/<x>/ListOfLocationCriteria/<x>/Entry/ ExitSpecificArea/PolygonArea

Table 5.2.48B4A25.1:

/<x>/<x>/OnNetwork/MCPTTGroupList/<x>/Entry/RulesForAffiliation/<x>/ListOfLocationCriteria/<x>/Entry/ExitSpecificArea/PolygonArea

<x>/OnNetwork/MCPTTGroupList/<x>/Entry/RulesForAffiliation/<x>/ListOfLocationCriteria/<x>/Entry/ExitSpecificArea/PolygonArea

Status	Occurrence	Format	Min. Access Types
Optional	ZeroOrOne	node	Get, Replace

This interior node contains a geographical area described by a polygon.

5.2.48B4A26 /<x>/<x>/OnNetwork/MCPTTGroupList/<x>/Entry/ RulesForAffiliation/<x>/ListOfLocationCriteria/<x>/Entry/ ExitSpecificArea/PolygonArea/<x>

Table 5.2.48B4A26.1:

/<x>/<x>/OnNetwork/MCPTTGroupList/<x>/Entry/RulesForAffiliation/<x>/ListOfLocationCriteria/<x>/Entry/ExitSpecificArea/PolygonArea/<x>

<x>/OnNetwork/MCPTTGroupList/<x>/Entry/RulesForAffiliation/<x>/ListOfLocationCriteria/<x>/Entry/ExitSpecificArea/PolygonArea/<x>

Status	Occurrence	Format	Min. Access Types
Required	OneOrN	node	Get, Replace

This interior node contains the coordinates of the corners which define a polygon. The occurrence of this leaf node is "3 to 15" as per 3GPP TS 23.032 [21].

5.2.48B4A27 /<x>/<x>/OnNetwork/MCPTTGroupList/<x>/Entry/ RulesForAffiliation/<x>/ListOfLocationCriteria/<x>/Entry/ ExitSpecificArea/PolygonArea/<x>/PointCoordinateType

Table 5.2.48B4A27.1:

**/<x>/<x>/OnNetwork/MCPTTGroupList/<x>/Entry/RulesForAffiliation/<x>/ListOfLocationCriteria/<x>/E
ntry/ExitSpecificArea/PolygonArea/<x>/PointCoordinateType**

<x>/OnNetwork/MCPTTGroupList/<x>/Entry/RulesForAffiliation/<x>/ListOfLocationCriteria/<x>/Entry/ExitSpeci
ficArea/PolygonArea/<x>/PointCoordinateType

Status	Occurrence	Format	Min. Access Types
Required	One	node	Get, Replace

This interior node contains the type of the coordinates.

5.2.48B4A28 /<x>/<x>/OnNetwork/MCPTTGroupList/<x>/Entry/ RulesForAffiliation/<x>/ListOfLocationCriteria/<x>/Entry/ ExitSpecificArea/PolygonArea/<x>/PointCoordinateType/Longitude

Table 5.2.48B4A28.1:

**/<x>/<x>/OnNetwork/MCPTTGroupList/<x>/Entry/RulesForAffiliation/<x>/ListOfLocationCriteria/<x>/E
ntry/ExitSpecificArea/PolygonArea/<x>/PointCoordinateType/Longitude**

<x>/OnNetwork/MCPTTGroupList/<x>/Entry/RulesForAffiliation/<x>/ListOfLocationCriteria/<x>/Entry/ExitSpeci
ficArea/PolygonArea/<x>/PointCoordinateType/Longitude

Status	Occurrence	Format	Min. Access Types
Required	One	int	Get, Replace

This leaf node contains the longitudinal coordinate of a corner.

5.2.48B4A29 /<x>/<x>/OnNetwork/MCPTTGroupList/<x>/Entry/ RulesForAffiliation/<x>/ListOfLocationCriteria/<x>/Entry/ ExitSpecificArea/PolygonArea/<x>/PointCoordinateType/Latitude

Table 5.2.48B4A29.1:

**/<x>/<x>/OnNetwork/MCPTTGroupList/<x>/Entry/RulesForAffiliation/<x>/ListOfLocationCriteria/<x>/E
ntry/ExitSpecificArea/PolygonArea/<x>/PointCoordinateType/Latitude**

<x>/OnNetwork/MCPTTGroupList/<x>/Entry/RulesForAffiliation/<x>/ListOfLocationCriteria/<x>/Entry/ExitSpeci
ficArea/PolygonArea/<x>/PointCoordinateType/Latitude

Status	Occurrence	Format	Min. Access Types
Required	One	int	Get, Replace

This leaf node contains the latitudinal coordinate of a corner.

5.2.48B4A30 /<x>/<x>/OnNetwork/MCPTTGroupList/<x>/Entry/ RulesForAffiliation/<x>/ListOfLocationCriteria/<x>/Entry/ ExitSpecificArea/EllipsoidArcArea

Table 5.2.48B4A30.1:

**/<x>/<x>/OnNetwork/MCPTTGroupList/<x>/Entry/RulesForAffiliation/<x>/ListOfLocationCriteria/<x>/E
ntry/ExitSpecificArea/EllipsoidArcArea**

<x>/OnNetwork/MCPTTGroupList/<x>/Entry/RulesForAffiliation/<x>/ListOfLocationCriteria/<x>/Entry/ExitSpeci
ficArea/EllipsoidArcArea

Status	Occurrence	Format	Min. Access Types
Optional	ZeroOrOne	node	Get, Replace

This interior node contains a geographical area described by an ellipsoid arc.

5.2.48B4A31 /<x>/<x>/OnNetwork/MCPTTGroupList/<x>/Entry/ RulesForAffiliation/<x>/ListOfLocationCriteria/<x>/Entry/ ExitSpecificArea/EllipsoidArcArea/Center

Table 5.2.48B4A31.1:

**/<x>/<x>/OnNetwork/MCPTTGroupList/<x>/Entry/RulesForAffiliation/<x>/ListOfLocationCriteria/<x>/E
ntry/ExitSpecificArea/EllipsoidArcArea/Center**

<x>/OnNetwork/MCPTTGroupList/<x>/Entry/RulesForAffiliation/<x>/ListOfLocationCriteria/<x>/Entry/ExitSpeci
ficArea/EllipsoidArcArea/Center

Status	Occurrence	Format	Min. Access Types
Required	One	node	Get, Replace

This interior node contains the coordinates of the center point of the ellipsoid arc.

5.2.48B4A32 /<x>/<x>/OnNetwork/MCPTTGroupList/<x>/Entry/ RulesForAffiliation/<x>/ListOfLocationCriteria/<x>/Entry/ ExitSpecificArea/EllipsoidArcArea/Center/PointCoordinateType

Table 5.2.48B4A32.1:

**/<x>/<x>/OnNetwork/MCPTTGroupList/<x>/Entry/RulesForAffiliation/<x>/ListOfLocationCriteria/<x>/E
ntry/ExitSpecificArea/EllipsoidArcArea/Center/PointCoordinateType**

<x>/OnNetwork/MCPTTGroupList/<x>/Entry/RulesForAffiliation/<x>/ListOfLocationCriteria/<x>/Entry/ExitSpeci
ficArea/EllipsoidArcArea/Center/PointCoordinateType

Status	Occurrence	Format	Min. Access Types
Required	One	node	Get, Replace

This interior node contains the coordinates of the center point of the ellipsoid arc.

5.2.48B4A33 /<x>/<x>/OnNetwork/MCPTTGroupList/<x>/Entry/
RulesForAffiliation/<x>/ListOfLocationCriteria/<x>/Entry/
ExitSpecificArea/EllipsoidArcArea/Center/PointCoordinateType/
Longitude

Table 5.2.48B4A33.1:

**/<x>/<x>/OnNetwork/MCPTTGroupList/<x>/Entry/RulesForAffiliation/<x>/ListOfLocationCriteria/<x>/E
ntry/ExitSpecificArea/EllipsoidArcArea/Center/PointCoordinateType/Longitude**

<x>/OnNetwork/MCPTTGroupList/<x>/Entry/RulesForAffiliation/<x>/ListOfLocationCriteria/<x>/Entry/ExitSpeci
ficArea/EllipsoidArcArea/Center/PointCoordinateType/Longitude

Status	Occurrence	Format	Min. Access Types
Required	One	int	Get, Replace

This leaf node contains the longitudinal coordinate of the center.

5.2.48B4A34 /<x>/<x>/OnNetwork/MCPTTGroupList/<x>/Entry/
RulesForAffiliation/<x>/ListOfLocationCriteria/<x>/Entry/
ExitSpecificArea/EllipsoidArcArea/Center/PointCoordinateType/
Latitude

Table 5.2.48B4A34.1:

**/<x>/<x>/OnNetwork/MCPTTGroupList/<x>/Entry/RulesForAffiliation/<x>/ListOfLocationCriteria/<x>/E
ntry/ExitSpecificArea/EllipsoidArcArea/Center/PointCoordinateType/Latitude**

<x>/OnNetwork/MCPTTGroupList/<x>/Entry/RulesForAffiliation/<x>/ListOfLocationCriteria/<x>/Entry/ExitSpeci
ficArea/EllipsoidArcArea/Center/PointCoordinateType/Latitude

Status	Occurrence	Format	Min. Access Types
Required	One	int	Get, Replace

This leaf node contains the latitudinal coordinate of a center.

5.2.48B4A35 /<x>/<x>/OnNetwork/MCPTTGroupList/<x>/Entry/
RulesForAffiliation/<x>/ListOfLocationCriteria/<x>/Entry/
ExitSpecificArea/EllipsoidArcArea/Radius

Table 5.2.48B4A35.1:

**/<x>/<x>/OnNetwork/MCPTTGroupList/<x>/Entry/RulesForAffiliation/<x>/ListOfLocationCriteria/<x>/E
ntry/ExitSpecificArea/EllipsoidArcArea/Radius**

<x>/OnNetwork/MCPTTGroupList/<x>/Entry/RulesForAffiliation/<x>/ListOfLocationCriteria/<x>/Entry/ExitSpeci
ficArea/EllipsoidArcArea/Center/Radius

Status	Occurrence	Format	Min. Access Types
Required	One	int	Get, Replace

This leaf node contains the radius of the ellipsoid arc.

5.2.48B4A36 /<x>/<x>/OnNetwork/MCPTTGroupList/<x>/Entry/
RulesForAffiliation/<x>/ListOfLocationCriteria/<x>/Entry/
ExitSpecificArea/EllipsoidArcArea/OffsetAngle

Table 5.2.48B4A36.1:

/<x>/<x>/OnNetwork/MCPTTGroupList/<x>/Entry/RulesForAffiliation/<x>/ListOfLocationCriteria/<x>/Entry/ExitSpecificArea/EllipsoidArcArea/OffsetAngle

<x>/OnNetwork/MCPTTGroupList/<x>/Entry/RulesForAffiliation/<x>/ListOfLocationCriteria/<x>/Entry/ExitSpecificArea/EllipsoidArcArea/OffsetAngle

Status	Occurrence	Format	Min. Access Types
Required	One	int	Get, Replace

This leaf node contains the offset angle of the ellipsoid arc.

5.2.48B4A37 /<x>/<x>/OnNetwork/MCPTTGroupList/<x>/Entry/
RulesForAffiliation/<x>/ListOfLocationCriteria/<x>/Entry/
ExitSpecificArea/EllipsoidArcArea/IncludedAngle

Table 5.2.48B4A37.1:

/<x>/<x>/OnNetwork/MCPTTGroupList/<x>/Entry/RulesForAffiliation/<x>/ListOfLocationCriteria/<x>/Entry/ExitSpecificArea/EllipsoidArcArea/IncludedAngle

<x>/OnNetwork/MCPTTGroupList/<x>/Entry/RulesForAffiliation/<x>/ListOfLocationCriteria/<x>/Entry/ExitSpecificArea/EllipsoidArcArea/IncludedAngle

Status	Occurrence	Format	Min. Access Types
Required	One	int	Get, Replace

This leaf node contains the included angle of the ellipsoid arc.

5.2.48B4A38 /<x>/<x>/OnNetwork/MCPTTGroupList/<x>/Entry/
RulesForAffiliation/<x>/ListOfLocationCriteria/<x>/Entry/
ExitSpecificArea/Speed

Table 5.2.48B4A38.1:

/<x>/<x>/OnNetwork/MCPTTGroupList/<x>/Entry/RulesForAffiliation/<x>/ListOfLocationCriteria/<x>/Entry/ExitSpecificArea/Speed

<x>/OnNetwork/MCPTTGroupList/<x>/Entry/RulesForAffiliation/<x>/ListOfLocationCriteria/<x>/Entry/ExitSpecificArea/Speed

Status	Occurrence	Format	Min. Access Types
Optional	One	node	Get, Replace

This interior node contains the speed.

5.2.48B4A39 /<x>/<x>/OnNetwork/MCPTTGroupList/<x>/Entry/ RulesForAffiliation/<x>/ListOfLocationCriteria/<x>/Entry/ ExitSpecificArea/Speed/MinimumSpeed

Table 5.2.48B4A39.1:

/<x>/<x>/OnNetwork/MCPTTGroupList/<x>/Entry/RulesForAffiliation/<x>/ListOfLocationCriteria/<x>/Entry/ExitSpecificArea/Speed/MinimumSpeed

<x>/OnNetwork/MCPTTGroupList/<x>/Entry/RulesForAffiliation/<x>/ListOfLocationCriteria/<x>/Entry/ExitSpecificArea/Speed/MinimumSpeed

Status	Occurrence	Format	Min. Access Types
Required	One	int	Get, Replace

This leaf node contains the minimum speed.

- Values: non-negative integer in units of kilometers/hour.

5.2.48B4A40 /<x>/<x>/OnNetwork/MCPTTGroupList/<x>/Entry/ RulesForAffiliation/<x>/ListOfLocationCriteria/<x>/Entry/ ExitSpecificArea/Speed/MaximumSpeed

Table 5.2.48B4A40.1:

/<x>/<x>/OnNetwork/MCPTTGroupList/<x>/Entry/RulesForAffiliation/<x>/ListOfLocationCriteria/<x>/Entry/ExitSpecificArea/Speed/MaximumSpeed

<x>/OnNetwork/MCPTTGroupList/<x>/Entry/RulesForAffiliation/<x>/ListOfLocationCriteria/<x>/Entry/ExitSpecificArea/Speed/MaximumSpeed

Status	Occurrence	Format	Min. Access Types
Required	One	int	Get, Replace

This leaf node contains the maximum speed.

- Values: non-negative integer in units of kilometers/hour.

5.2.48B4A41 /<x>/<x>/OnNetwork/MCPTTGroupList/<x>/Entry/ RulesForAffiliation/<x>/ListOfLocationCriteria/<x>/Entry/ ExitSpecificArea/Heading

Table 5.2.48B4A41.1:

/<x>/<x>/OnNetwork/MCPTTGroupList/<x>/Entry/RulesForAffiliation/<x>/ListOfLocationCriteria/<x>/Entry/ExitSpecificArea/Heading

<x>/OnNetwork/MCPTTGroupList/<x>/Entry/RulesForAffiliation/<x>/ListOfLocationCriteria/<x>/Entry/ExitSpecificArea/Heading

Status	Occurrence	Format	Min. Access Types
Optional	One	node	Get, Replace

This interior node contains the heading.

5.2.48B4A42 /<x>/<x>/OnNetwork/MCPTTGroupList/<x>/Entry/
RulesForAffiliation/<x>/ListOfLocationCriteria/<x>/Entry/
ExitSpecificArea/Heading/MinimumHeading

Table 5.2.48B4A42.1:

**/<x>/<x>/OnNetwork/MCPTTGroupList/<x>/Entry/RulesForAffiliation/<x>/ListOfLocationCriteria/<x>/E
ntry/ExitSpecificArea/Heading/MinimumHeading**

<x>/OnNetwork/MCPTTGroupList/<x>/Entry/RulesForAffiliation/<x>/ListOfLocationCriteria/<x>/Entry/ExitSpeci
ficArea/Heading/MinimumHeading

Status	Occurrence	Format	Min. Access Types
Required	One	int	Get, Replace

This leaf node contains the minimum heading.

- Values: 0-359

5.2.48B4A43 /<x>/<x>/OnNetwork/MCPTTGroupList/<x>/Entry/
RulesForAffiliation/<x>/ListOfLocationCriteria/<x>/Entry/
ExitSpecificArea/Heading/MaximumHeading

Table 5.2.48B4A43.1:

**/<x>/<x>/OnNetwork/MCPTTGroupList/<x>/Entry/RulesForAffiliation/<x>/ListOfLocationCriteria/<x>/E
ntry/ExitSpecificArea/Heading/MaximumHeading**

<x>/OnNetwork/MCPTTGroupList/<x>/Entry/RulesForAffiliation/<x>/ListOfLocationCriteria/<x>/Entry/ExitSpeci
ficArea/Heading/MaximumHeading

Status	Occurrence	Format	Min. Access Types
Required	One	int	Get, Replace

This leaf node contains the maximum heading.

- Values: 0-359

5.2.48B4A44 /<x>/<x>/OnNetwork/MCPTTGroupList/<x>/Entry/
RulesForAffiliation/<x>/ListOfActiveFunctionalAliases

Table 5.2.48B4A44.1:

**/<x>/<x>/OnNetwork/MCPTTGroupList/<x>/Entry/RulesForAffiliation/<x>/ListOfActiveFunctionalAlias
es**

<x>/OnNetwork/MCPTTGroupList/<x>/Entry/RulesForAffiliation/<x>/ListOfActiveFunctionalAliases

Status	Occurrence	Format	Min. Access Types
Optional	One	node	Get, Replace

This interior node is a placeholder for the functional alias part of rules that control automatic affiliation.

5.2.48B4A45 /<x>/<x>/OnNetwork/MCPTTGroupList/<x>/Entry/ RulesForAffiliation/<x>/ListOfActiveFunctionalAliases/<x>

Table 5.2.48B4A45.1:

/<x>/<x>/OnNetwork/MCPTTGroupList/<x>/Entry/RulesForAffiliation/<x>/ListOfActiveFunctionalAliases/<x>

<x>/OnNetwork/MCPTTGroupList/<x>/Entry/RulesForAffiliation/<x>/ListOfActiveFunctionalAliases/<x>

Status	Occurrence	Format	Min. Access Types
Optional	OneOrMore	node	Get, Replace

This interior node is a placeholder for the functional alias part of rules that control automatic affiliation.

5.2.48B4A46 /<x>/<x>/OnNetwork/MCPTTGroupList/<x>/Entry/ RulesForAffiliation/<x>/ListOfActiveFunctionalAliases/<x>/Entry

Table 5.2.48B4A46.1:

/<x>/<x>/OnNetwork/MCPTTGroupList/<x>/Entry/RulesForAffiliation/<x>/ListOfActiveFunctionalAliases/<x>/Entry

<x>/OnNetwork/MCPTTGroupList/<x>/Entry/RulesForAffiliation/<x>/ListOfActiveFunctionalAliases/<x>/Entry

Status	Occurrence	Format	Min. Access Types
Optional	One	node	Get, Replace

This interior node is a placeholder for the functional alias part of rules that control automatic affiliation.

5.2.48B4A47 /<x>/<x>/OnNetwork/MCPTTGroupList/<x>/Entry/ RulesForAffiliation/<x>/ListOfActiveFunctionalAliases/<x>/Entry/ FunctionalAlias

Table 5.2.48B4A47.1:

/<x>/<x>/OnNetwork/MCPTTGroupList/<x>/Entry/RulesForAffiliation/<x>/ListOfActiveFunctionalAliases/<x>/Entry/FunctionalAlias

<x>/OnNetwork/MCPTTGroupList/<x>/Entry/RulesForAffiliation/<x>/ListOfActiveFunctionalAliases/<x>/Entry/FunctionalAlias

Status	Occurrence	Format	Min. Access Types
Required	One	chr	Get, Replace

This leaf node contains a functional alias.

5.2.48B4B /<x>/<x>/OnNetwork/MCPTTGroupList/<x>/Entry/ RulesForDeaffiliation

Table 5.2.48B4B.1: /<x>/<x>/OnNetwork/MCPTTGroupList/<x>/Entry/RulesForDeaffiliation

<x>/OnNetwork/MCPTTGroupList/<x>/Entry/RulesForDeaffiliation

Status	Occurrence	Format	Min. Access Types
Optional	ZeroOrOne	node	Get, Replace

This interior node is a placeholder for the rules that control automatic deaffiliation.

5.2.48B4B0 /<x>/<x>/OnNetwork/MCPTTGroupList/<x>/Entry/
RulesForDeaffiliation/<x>

Table 5.2.48B4B0.1: /<x>/<x>/OnNetwork/MCPTTGroupList/<x>/Entry/RulesForDeaffiliation/<x>

<x>/OnNetwork/MCPTTGroupList/<x>/Entry/RulesForDeaffiliation/<x>

Status	Occurrence	Format	Min. Access Types
Optional	ZeroOrMore	node	Get, Replace

This interior node is a placeholder for the zero r more rules that control automatic deaffiliation.

5.2.48B4B1 /<x>/<x>/OnNetwork/MCPTTGroupList/<x>/Entry/
RulesForDeaffiliation/<x>/ListOfLocationCriteria/

Table 5.2.48B4B1.1:

/<x>/<x>/OnNetwork/MCPTTGroupList/<x>/Entry/RulesForDeaffiliation/<x>/ListOfLocationCriteria

<x>/OnNetwork/MCPTTGroupList/<x>/Entry/RulesForDeaffiliation/<x>/ListOfLocationCriteria

Status	Occurrence	Format	Min. Access Types
Optional	One	node	Get, Replace

This interior node is a placeholder for the location portion of the rules that control automatic deaffiliation.

5.2.48B4B2 /<x>/<x>/OnNetwork/MCPTTGroupList/<x>/Entry/
RulesForDeaffiliation/<x>/ListOfLocationCriteria/<x>

Table 5.2.48B84B2.1:

/<x>/<x>/OnNetwork/MCPTTGroupList/<x>/Entry/RulesForDeaffiliation/<x>/ListOfLocationCriteria/<x>

<x>/OnNetwork/MCPTTGroupList/<x>/Entry/RulesForDeaffiliation/<x>/ListOfLocationCriteria/<x>

Status	Occurrence	Format	Min. Access Types
Optional	ZeroOrMore	node	Get, Replace

This interior node is a placeholder for the location portion of the rules that control automatic deaffiliation.

5.2.48B4B3 /<x>/<x>/OnNetwork/MCPTTGroupList/<x>/Entry/
RulesForDeaffiliation/<x>/ListOfLocationCriteria/<x>/Entry

Table 5.2.48B4B3.1:

**/<x>/<x>/OnNetwork/MCPTTGroupList/<x>/Entry/RulesForDeaffiliation/<x>/ListOfLocationCriteria/<x>
/Entry**

<x>/OnNetwork/MCPTTGroupList/<x>/Entry/RulesForDeaffiliation/<x>/ListOfLocationCriteria/<x>/Entry

Status	Occurrence	Format	Min. Access Types
Optional	One	node	Get, Replace

This interior node is a placeholder for the location portion of the rules that control automatic deaffiliation.

5.2.48B4B4 /<x>/<x>/OnNetwork/MCPTTGroupList/<x>/Entry/ RulesForDeaffiliation/<x>/ListOfLocationCriteria/<x>/Entry/ EnterSpecificArea

Table 5.2.48B4B4.1:

**/<x>/<x>/OnNetwork/MCPTTGroupList/<x>/Entry/RulesForDeaffiliation/<x>/ListOfLocationCriteria/<x>
/Entry/EnterSpecificArea**

<x>/OnNetwork/MCPTTGroupList/<x>/Entry/RulesForDeaffiliation/<x>/ListOfLocationCriteria/<x>/Entry/EnterS
pecificArea

Status	Occurrence	Format	Min. Access Types
Optional	ZeroOrOne	node	Get, Replace

This interior node contains a geographical area which, when entered by the MC service UE triggers evaluation of the rules.

5.2.48B4B5 /<x>/<x>/OnNetwork/MCPTTGroupList/<x>/Entry/ RulesForDeaffiliation/<x>/ListOfLocationCriteria/<x>/Entry/ EnterSpecificArea/PolygonArea

Table 5.2.48B4B5.1:

**/<x>/<x>/OnNetwork/MCPTTGroupList/<x>/Entry/RulesForDeaffiliation/<x>/ListOfLocationCriteria/<x>
/Entry/EnterSpecificArea/PolygonArea**

<x>/OnNetwork/MCPTTGroupList/<x>/Entry/RulesForDeaffiliation/<x>/ListOfLocationCriteria/<x>/Entry/EnterS
pecificArea/PolygonArea

Status	Occurrence	Format	Min. Access Types
Optional	ZeroOrOne	node	Get, Replace

This interior node contains a geographical area described by a polygon.

5.2.48B4B6 /<x>/<x>/OnNetwork/MCPTTGroupList/<x>/Entry/ RulesForDeaffiliation/<x>/ListOfLocationCriteria/<x>/Entry/ EnterSpecificArea/PolygonArea/<x>

Table 5.2.48B4B6.1:

**/<x>/<x>/OnNetwork/MCPTTGroupList/<x>/Entry/RulesForDeaffiliation/<x>/ListOfLocationCriteria/<x>
/Entry/EnterSpecificArea/PolygonArea/<x>**

<x>/OnNetwork/MCPTTGroupList/<x>/Entry/RulesForDeaffiliation/<x>/ListOfLocationCriteria/<x>/Entry/EnterS
pecificArea/PolygonArea/<x>

Status	Occurrence	Format	Min. Access Types
Required	OneOrN	node	Get, Replace

This interior node contains the coordinates of the corners which define a polygon. The occurrence of this leaf node is "3 to 15" as per 3GPP TS 23.032 [21].

5.2.48B4B7 /<x>/<x>/OnNetwork/MCPTTGroupList/<x>/Entry/
RulesForDeaffiliation/<x>/ListOfLocationCriteria/<x>/Entry/
EnterSpecificArea/PolygonArea/<x>/PointCoordinateType

Table 5.2.48B4B7.1:

**/<x>/<x>/OnNetwork/MCPTTGroupList/<x>/Entry/RulesForDeaffiliation/<x>/ListOfLocationCriteria/<x>
/Entry/EnterSpecificArea/PolygonArea/<x>/PointCoordinateType**

<x>/OnNetwork/MCPTTGroupList/<x>/Entry/RulesForDeaffiliation/<x>/ListOfLocationCriteria/<x>/Entry/EnterS
pecificArea/PolygonArea/<x>/PointCoordinateType

Status	Occurrence	Format	Min. Access Types
Required	One	node	Get, Replace

This interior node contains the type of the coordinates.

5.2.48B4B8 /<x>/<x>/OnNetwork/MCPTTGroupList/<x>/Entry/
RulesForDeaffiliation/<x>/ListOfLocationCriteria/<x>/Entry/
EnterSpecificArea/PolygonArea/<x>/PointCoordinateType/
Longitude

Table 5.2.48B4B8.1:

**/<x>/<x>/OnNetwork/MCPTTGroupList/<x>/Entry/RulesForDeaffiliation/<x>/ListOfLocationCriteria/<x>
/Entry/EnterSpecificArea/PolygonArea/<x>/PointCoordinateType/Longitude**

<x>/OnNetwork/MCPTTGroupList/<x>/Entry/RulesForDeaffiliation/<x>/ListOfLocationCriteria/<x>/Entry/EnterS
pecificArea/PolygonArea/<x>/PointCoordinateType/Longitude

Status	Occurrence	Format	Min. Access Types
Required	One	int	Get, Replace

This leaf node contains the longitudinal coordinate of a corner.

5.2.48B4B9 /<x>/<x>/OnNetwork/MCPTTGroupList/<x>/Entry/
RulesForDeaffiliation/<x>/ListOfLocationCriteria/<x>/Entry/
EnterSpecificArea/PolygonArea/<x>/PointCoordinateType/Latitude

Table 5.2.48B4B9.1:

**/<x>/<x>/OnNetwork/MCPTTGroupList/<x>/Entry/RulesForDeaffiliation/<x>/ListOfLocationCriteria/<x>
/Entry/EnterSpecificArea/PolygonArea/<x>/PointCoordinateType/Latitude**

<x>/OnNetwork/MCPTTGroupList/<x>/Entry/RulesForDeaffiliation/<x>/ListOfLocationCriteria/<x>/Entry/EnterS
pecificArea/PolygonArea/<x>/PointCoordinateType/Latitude

Status	Occurrence	Format	Min. Access Types
Required	One	int	Get, Replace

This leaf node contains the latitudinal coordinate of a corner.

5.2.48B4B10 /<x>/<x>/OnNetwork/MCPTTGroupList/<x>/Entry/ RulesForDeaffiliation/<x>/ListOfLocationCriteria/<x>/Entry/ EnterSpecificArea/EllipsoidArcArea

Table 5.2.48B4B10.1:

**/<x>/<x>/OnNetwork/MCPTTGroupList/<x>/Entry/RulesForDeaffiliation/<x>/ListOfLocationCriteria/<x>
/Entry/EnterSpecificArea/EllipsoidArcArea**

<x>/OnNetwork/MCPTTGroupList/<x>/Entry/RulesForDeaffiliation/<x>/ListOfLocationCriteria/<x>/Entry/EnterS
pecificArea/EllipsoidArcArea

Status	Occurrence	Format	Min. Access Types
Optional	ZeroOrOne	node	Get, Replace

This interior node contains a geographical area described by an ellipsoid arc.

5.2.48B4A11 /<x>/<x>/OnNetwork/MCPTTGroupList/<x>/Entry/ RulesForDeaffiliation/<x>/ListOfLocationCriteria/<x>/Entry/ EnterSpecificArea/EllipsoidArcArea/Center

Table 5.2.48B4B11.1:

**/<x>/<x>/OnNetwork/MCPTTGroupList/<x>/Entry/RulesForDeaffiliation/<x>/ListOfLocationCriteria/<x>
/Entry/EnterSpecificArea/EllipsoidArcArea/Center**

<x>/OnNetwork/MCPTTGroupList/<x>/Entry/RulesForDeaffiliation/<x>/ListOfLocationCriteria/<x>/Entry/EnterS
pecificArea/EllipsoidArcArea/Center

Status	Occurrence	Format	Min. Access Types
Required	One	node	Get, Replace

This interior node contains the coordinates of the center point of the ellipsoid arc.

5.2.48B4B12 /<x>/<x>/OnNetwork/MCPTTGroupList/<x>/Entry/ RulesForDeaffiliation/<x>/ListOfLocationCriteria/<x>/Entry/ EnterSpecificArea/EllipsoidArcArea/Center/PointCoordinateType

Table 5.2.48B4B12.1:

**/<x>/<x>/OnNetwork/MCPTTGroupList/<x>/Entry/RulesForDeaffiliation/<x>/ListOfLocationCriteria/<x>
/Entry/EnterSpecificArea/EllipsoidArcArea/Center/PointCoordinateType**

<x>/OnNetwork/MCPTTGroupList/<x>/Entry/RulesForDeaffiliation/<x>/ListOfLocationCriteria/<x>/Entry/EnterS
pecificArea/EllipsoidArcArea/Center/PointCoordinateType

Status	Occurrence	Format	Min. Access Types
Required	One	node	Get, Replace

This interior node contains the coordinates of the center point of the ellipsoid arc.

5.2.48B4B13 /<x>/<x>/OnNetwork/MCPTTGroupList/<x>/Entry/
RulesForDeaffiliation/<x>/ListOfLocationCriteria/<x>/Entry/
EnterSpecificArea/EllipsoidArcArea/Center/PointCoordinateType/
Longitude

Table 5.2.48B4B13.1:

/<x>/<x>/OnNetwork/MCPTTGroupList/<x>/Entry/RulesForDeaffiliation/<x>/ListOfLocationCriteria/<x>/Entry/EnterSpecificArea/EllipsoidArcArea/Center/PointCoordinateType/Longitude

<x>/OnNetwork/MCPTTGroupList/<x>/Entry/RulesForDeaffiliation/<x>/ListOfLocationCriteria/<x>/Entry/EnterSpecificArea/EllipsoidArcArea/Center/PointCoordinateType/Longitude

Status	Occurrence	Format	Min. Access Types
Required	One	int	Get, Replace

This leaf node contains the longitudinal coordinate of the center.

5.2.48B4B14 /<x>/<x>/OnNetwork/MCPTTGroupList/<x>/Entry/
RulesForDeaffiliation/<x>/ListOfLocationCriteria/<x>/Entry/
EnterSpecificArea/EllipsoidArcArea/Center/PointCoordinateType/
Latitude

Table 5.2.48B4B14.1:

/<x>/<x>/OnNetwork/MCPTTGroupList/<x>/Entry/RulesForDeaffiliation/<x>/ListOfLocationCriteria/<x>/Entry/EnterSpecificArea/EllipsoidArcArea/Center/PointCoordinateType/Latitude

<x>/OnNetwork/MCPTTGroupList/<x>/Entry/RulesForDeaffiliation/<x>/ListOfLocationCriteria/<x>/Entry/EnterSpecificArea/EllipsoidArcArea/Center/PointCoordinateType/Latitude

Status	Occurrence	Format	Min. Access Types
Required	One	int	Get, Replace

This leaf node contains the latitudinal coordinate of a center.

5.2.48B4B15 /<x>/<x>/OnNetwork/MCPTTGroupList/<x>/Entry/
RulesForDeaffiliation/<x>/ListOfLocationCriteria/<x>/Entry/
EnterSpecificArea/EllipsoidArcArea/Radius

Table 5.2.48B4B15.1:

/<x>/<x>/OnNetwork/MCPTTGroupList/<x>/Entry/RulesForDeaffiliation/<x>/ListOfLocationCriteria/<x>/Entry/EnterSpecificArea/EllipsoidArcArea/Radius

<x>/OnNetwork/MCPTTGroupList/<x>/Entry/RulesForDeaffiliation/<x>/ListOfLocationCriteria/<x>/Entry/EnterSpecificArea/EllipsoidArcArea/Center/Radius

Status	Occurrence	Format	Min. Access Types
Required	One	int	Get, Replace

This leaf node contains the radius of the ellipsoid arc.

5.2.48B4B16 /<x>/<x>/OnNetwork/MCPTTGroupList/<x>/Entry/ RulesForDeaffiliation/<x>/ListOfLocationCriteria/<x>/Entry/ EnterSpecificArea/EllipsoidArcArea/OffsetAngle

Table 5.2.48B4B16.1:

**/<x>/<x>/OnNetwork/MCPTTGroupList/<x>/Entry/RulesForDeaffiliation/<x>/ListOfLocationCriteria/<x>
/Entry/EnterSpecificArea/EllipsoidArcArea/OffsetAngle**

<x>/OnNetwork/MCPTTGroupList/<x>/Entry/RulesForDeaffiliation/<x>/ListOfLocationCriteria/<x>/Entry/EnterS
pecificArea/EllipsoidArcArea/OffsetAngle

Status	Occurrence	Format	Min. Access Types
Required	One	int	Get, Replace

This leaf node contains the offset angle of the ellipsoid arc.

5.2.48B4B17 /<x>/<x>/OnNetwork/MCPTTGroupList/<x>/Entry/ RulesForDeaffiliation/<x>/ListOfLocationCriteria/<x>/Entry/ EnterSpecificArea/EllipsoidArcArea/IncludedAngle

Table 5.2.48B4B17.1:

**/<x>/<x>/OnNetwork/MCPTTGroupList/<x>/Entry/RulesForDeaffiliation/<x>/ListOfLocationCriteria/<x>
/Entry/EnterSpecificArea/EllipsoidArcArea/IncludedAngle**

<x>/OnNetwork/MCPTTGroupList/<x>/Entry/RulesForDeaffiliation/<x>/ListOfLocationCriteria/<x>/Entry/EnterS
pecificArea/EllipsoidArcArea/IncludedAngle

Status	Occurrence	Format	Min. Access Types
Required	One	int	Get, Replace

This leaf node contains the included angle of the ellipsoid arc.

5.2.48B4B18 /<x>/<x>/OnNetwork/MCPTTGroupList/<x>/Entry/ RulesForDeaffiliation/<x>/ListOfLocationCriteria/<x>/Entry/ EnterSpecificArea/Speed

Table 5.2.48B4B18.1:

**/<x>/<x>/OnNetwork/MCPTTGroupList/<x>/Entry/RulesForDeaffiliation/<x>/ListOfLocationCriteria/<x>
/Entry/EnterSpecificArea/Speed**

<x>/OnNetwork/MCPTTGroupList/<x>/Entry/RulesForDeaffiliation/<x>/ListOfLocationCriteria/<x>/Entry/EnterS
pecificArea/Speed

Status	Occurrence	Format	Min. Access Types
Optional	One	node	Get, Replace

This interior node contains the speed.

5.2.48B4B19 /<x>/<x>/OnNetwork/MCPTTGroupList/<x>/Entry/ RulesForDeaffiliation/<x>/ListOfLocationCriteria/<x>/Entry/ EnterSpecificArea/Speed/MinimumSpeed

Table 5.2.48B4B19.1:

**/<x>/<x>/OnNetwork/MCPTTGroupList/<x>/Entry/RulesForDeaffiliation/<x>/ListOfLocationCriteria/<x>
/Entry/EnterSpecificArea/Speed/MinimumSpeed**

<x>/OnNetwork/MCPTTGroupList/<x>/Entry/RulesForDeaffiliation/<x>/ListOfLocationCriteria/<x>/Entry/EnterS
pecificArea/Speed/MinimumSpeed

Status	Occurrence	Format	Min. Access Types
Required	One	int	Get, Replace

This leaf node contains the minimum speed.

- Values: non-negative integer in units of kilometers/hour.

5.2.48B4B20 /<x>/<x>/OnNetwork/MCPTTGroupList/<x>/Entry/ RulesForDeaffiliation/<x>/ListOfLocationCriteria/<x>/Entry/ EnterSpecificArea/Speed/MaximumSpeed

Table 5.2.48B4B20.1:

**/<x>/<x>/OnNetwork/MCPTTGroupList/<x>/Entry/RulesForDeaffiliation/<x>/ListOfLocationCriteria/<x>
/Entry/EnterSpecificArea/Speed/MaximumSpeed**

<x>/OnNetwork/MCPTTGroupList/<x>/Entry/RulesForDeaffiliation/<x>/ListOfLocationCriteria/<x>/Entry/EnterS
pecificArea/Speed/MaximumSpeed

Status	Occurrence	Format	Min. Access Types
Required	One	int	Get, Replace

This leaf node contains the maximum speed.

- Values: non-negative integer in units of kilometers/hour.

5.2.48B4B21 /<x>/<x>/OnNetwork/MCPTTGroupList/<x>/Entry/ RulesForDeaffiliation/<x>/ListOfLocationCriteria/<x>/Entry/ EnterSpecificArea/Heading

Table 5.2.48B4B21.1:

**/<x>/<x>/OnNetwork/MCPTTGroupList/<x>/Entry/RulesForDeaffiliation/<x>/ListOfLocationCriteria/<x>
/Entry/EnterSpecificArea/Heading**

<x>/OnNetwork/MCPTTGroupList/<x>/Entry/RulesForDeaffiliation/<x>/ListOfLocationCriteria/<x>/Entry/EnterS
pecificArea/Heading

Status	Occurrence	Format	Min. Access Types
Optional	One	node	Get, Replace

This interior node contains the heading.

5.2.48B4B22 /<x>/<x>/OnNetwork/MCPTTGroupList/<x>/Entry/ RulesForDeaffiliation/<x>/ListOfLocationCriteria/<x>/Entry/ EnterSpecificArea/Heading/MinimumHeading

Table 5.2.48B4B22.1:

**/<x>/<x>/OnNetwork/MCPTTGroupList/<x>/Entry/RulesForDeaffiliation/<x>/ListOfLocationCriteria/<x>
/Entry/EnterSpecificArea/Heading/MinimumHeading**

<x>/OnNetwork/MCPTTGroupList/<x>/Entry/RulesForDeaffiliation/<x>/ListOfLocationCriteria/<x>/Entry/EnterS
pecificArea/Heading/MinimumHeading

Status	Occurrence	Format	Min. Access Types
Required	One	int	Get, Replace

This leaf node contains the minimum heading.

- Values: 0-359

5.2.48B4B23 /<x>/<x>/OnNetwork/MCPTTGroupList/<x>/Entry/ RulesForDeaffiliation/<x>/ListOfLocationCriteria/<x>/Entry/ EnterSpecificArea/Heading/MaximumHeading

Table 5.2.48B4B23.1:

**/<x>/<x>/OnNetwork/MCPTTGroupList/<x>/Entry/RulesForDeaffiliation/<x>/ListOfLocationCriteria/<x>
/Entry/EnterSpecificArea/Heading/MaximumHeading**

<x>/OnNetwork/MCPTTGroupList/<x>/Entry/RulesForDeaffiliation/<x>/ListOfLocationCriteria/<x>/Entry/EnterS
pecificArea/Heading/MaximumHeading

Status	Occurrence	Format	Min. Access Types
Required	One	int	Get, Replace

This leaf node contains the maximum heading.

- Values: 0-359

5.2.48B4B24 /<x>/<x>/OnNetwork/MCPTTGroupList/<x>/Entry/ RulesForDeaffiliation/<x>/ListOfLocationCriteria/<x>/Entry/ ExitSpecificArea

Table 5.2.48B4B24.1:

**/<x>/<x>/OnNetwork/MCPTTGroupList/<x>/Entry/RulesForDeaffiliation/<x>/ListOfLocationCriteria/<x>
/Entry/ExitSpecificArea**

<x>/OnNetwork/MCPTTGroupList/<x>/Entry/RulesForDeaffiliation/<x>/ListOfLocationCriteria/<x>/Entry/ExitSpe
cificArea

Status	Occurrence	Format	Min. Access Types
Optional	ZeroOrOne	node	Get, Replace

This interior node contains a geographical area which when entered by the MC service UE triggers
evaluation of the rules.

5.2.48B4B25 /<x>/<x>/OnNetwork/MCPTTGroupList/<x>/Entry/ RulesForDeaffiliation/<x>/ListOfLocationCriteria/<x>/Entry/ ExitSpecificArea/PolygonArea

Table 5.2.48B4B25.1:

**/<x>/<x>/OnNetwork/MCPTTGroupList/<x>/Entry/RulesForDeaffiliation/<x>/ListOfLocationCriteria/<x>
/Entry/ExitSpecificArea/PolygonArea**

<x>/OnNetwork/MCPTTGroupList/<x>/Entry/RulesForDeaffiliation/<x>/ListOfLocationCriteria/<x>/Entry/ExitSpe
cificArea/PolygonArea

Status	Occurrence	Format	Min. Access Types
Optional	ZeroOrOne	node	Get, Replace

This interior node contains a geographical area described by a polygon.

5.2.48B4B26 /<x>/<x>/OnNetwork/MCPTTGroupList/<x>/Entry/ RulesForDeaffiliation/<x>/ListOfLocationCriteria/<x>/Entry/ ExitSpecificArea/PolygonArea/<x>

Table 5.2.48B4B26.1:

**/<x>/<x>/OnNetwork/MCPTTGroupList/<x>/Entry/RulesForDeaffiliation/<x>/ListOfLocationCriteria/<x>
/Entry/ExitSpecificArea/PolygonArea/<x>**

<x>/OnNetwork/MCPTTGroupList/<x>/Entry/RulesForDeaffiliation/<x>/ListOfLocationCriteria/<x>/Entry/ExitSpe
cificArea/PolygonArea/<x>

Status	Occurrence	Format	Min. Access Types
Required	OneOrN	node	Get, Replace

This interior node contains the coordinates of the corners which define a polygon. The occurrence of this leaf node is "3 to 15" as per 3GPP TS 23.032 [21].

5.2.48B4B27 /<x>/<x>/OnNetwork/MCPTTGroupList/<x>/Entry/ RulesForDeaffiliation/<x>/ListOfLocationCriteria/<x>/Entry/ ExitSpecificArea/PolygonArea/<x>/PointCoordinateType

Table 5.2.48B4B27.1:

**/<x>/<x>/OnNetwork/MCPTTGroupList/<x>/Entry/RulesForDeaffiliation/<x>/ListOfLocationCriteria/<x>
/Entry/ExitSpecificArea/PolygonArea/<x>/PointCoordinateType**

<x>/OnNetwork/MCPTTGroupList/<x>/Entry/RulesForDeaffiliation/<x>/ListOfLocationCriteria/<x>/Entry/ExitSpe
cificArea/PolygonArea/<x>/PointCoordinateType

Status	Occurrence	Format	Min. Access Types
Required	One	node	Get, Replace

This interior node contains the type of the coordinates.

5.2.48B4B28 /<x>/<x>/OnNetwork/MCPTTGroupList/<x>/Entry/
RulesForDeaffiliation/<x>/ListOfLocationCriteria/<x>/Entry/
ExitSpecificArea/PolygonArea/<x>/PointCoordinateType/Longitude

Table 5.2.48B4B28.1:

/<x>/<x>/OnNetwork/MCPTTGroupList/<x>/Entry/RulesForDeaffiliation/<x>/ListOfLocationCriteria/<x>
/Entry/ExitSpecificArea/PolygonArea/<x>/PointCoordinateType/Longitude

<x>/OnNetwork/MCPTTGroupList/<x>/Entry/RulesForDeaffiliation/<x>/ListOfLocationCriteria/<x>/Entry/ExitSpe
cificArea/PolygonArea/<x>/PointCoordinateType/Longitude

Status	Occurrence	Format	Min. Access Types
Required	One	int	Get, Replace

This leaf node contains the longitudinal coordinate of a corner.

5.2.48B4B29 /<x>/<x>/OnNetwork/MCPTTGroupList/<x>/Entry/
RulesForDeaffiliation/<x>/ListOfLocationCriteria/<x>/Entry/
ExitSpecificArea/PolygonArea/<x>/PointCoordinateType/Latitude

Table 5.2.48B4B29.1:

/<x>/<x>/OnNetwork/MCPTTGroupList/<x>/Entry/RulesForDeaffiliation/<x>/ListOfLocationCriteria/<x>
/Entry/ExitSpecificArea/PolygonArea/<x>/PointCoordinateType/Latitude

<x>/OnNetwork/MCPTTGroupList/<x>/Entry/RulesForDeaffiliation/<x>/ListOfLocationCriteria/<x>/Entry/ExitSpe
cificArea/PolygonArea/<x>/PointCoordinateType/Latitude

Status	Occurrence	Format	Min. Access Types
Required	One	int	Get, Replace

This leaf node contains the latitudinal coordinate of a corner.

5.2.48B4B30 /<x>/<x>/OnNetwork/MCPTTGroupList/<x>/Entry/
RulesForDeaffiliation/<x>/ListOfLocationCriteria/<x>/Entry/
ExitSpecificArea/EllipsoidArcArea

Table 5.2.48B4B30.1:

/<x>/<x>/OnNetwork/MCPTTGroupList/<x>/Entry/RulesForDeaffiliation/<x>/ListOfLocationCriteria/<x>
/Entry/ExitSpecificArea/EllipsoidArcArea

<x>/OnNetwork/MCPTTGroupList/<x>/Entry/RulesForDeaffiliation/<x>/ListOfLocationCriteria/<x>/Entry/ExitSpe
cificArea/EllipsoidArcArea

Status	Occurrence	Format	Min. Access Types
Optional	ZeroOrOne	node	Get, Replace

This interior node contains a geographical area described by an ellipsoid arc.

5.2.48B4B31 /<x>/<x>/OnNetwork/MCPTTGroupList/<x>/Entry/ RulesForDeaffiliation/<x>/ListOfLocationCriteria/<x>/Entry/ ExitSpecificArea/EllipsoidArcArea/Center

Table 5.2.48B431.1:

**/<x>/<x>/OnNetwork/MCPTTGroupList/<x>/Entry/RulesForDeaffiliation/<x>/ListOfLocationCriteria/<x>
/Entry/ExitSpecificArea/EllipsoidArcArea/Center**

<x>/OnNetwork/MCPTTGroupList/<x>/Entry/RulesForDeaffiliation/<x>/ListOfLocationCriteria/<x>/Entry/ExitSpe
cificArea/EllipsoidArcArea/Center

Status	Occurrence	Format	Min. Access Types
Required	One	node	Get, Replace

This interior node contains the coordinates of the center point of the ellipsoid arc.

5.2.48B4B32 /<x>/<x>/OnNetwork/MCPTTGroupList/<x>/Entry/ RulesForDeaffiliation/<x>/ListOfLocationCriteria/<x>/Entry/ ExitSpecificArea/EllipsoidArcArea/Center/PointCoordinateType

Table 5.2.48B4B32.1:

**/<x>/<x>/OnNetwork/MCPTTGroupList/<x>/Entry/RulesForDeaffiliation/<x>/ListOfLocationCriteria/<x>
/Entry/ExitSpecificArea/EllipsoidArcArea/Center/PointCoordinateType**

<x>/OnNetwork/MCPTTGroupList/<x>/Entry/RulesForDeaffiliation/<x>/ListOfLocationCriteria/<x>/Entry/ExitSpe
cificArea/EllipsoidArcArea/Center/PointCoordinateType

Status	Occurrence	Format	Min. Access Types
Required	One	node	Get, Replace

This interior node contains the coordinates of the center point of the ellipsoid arc.

5.2.48B4B33 /<x>/<x>/OnNetwork/MCPTTGroupList/<x>/Entry/ RulesForDeaffiliation/<x>/ListOfLocationCriteria/<x>/Entry/ ExitSpecificArea/EllipsoidArcArea/Center/PointCoordinateType/ Longitude

Table 5.2.48B4B33.1:

**/<x>/<x>/OnNetwork/MCPTTGroupList/<x>/Entry/RulesForDeaffiliation/<x>/ListOfLocationCriteria/<x>
/Entry/ExitSpecificArea/EllipsoidArcArea/Center/PointCoordinateType/Longitude**

<x>/OnNetwork/MCPTTGroupList/<x>/Entry/RulesForDeaffiliation/<x>/ListOfLocationCriteria/<x>/Entry/ExitSpe
cificArea/EllipsoidArcArea/Center/PointCoordinateType/Longitude

Status	Occurrence	Format	Min. Access Types
Required	One	int	Get, Replace

This leaf node contains the longitudinal coordinate of the center.

5.2.48B4B34 /<x>/<x>/OnNetwork/MCPTTGroupList/<x>/Entry/
RulesForDeaffiliation/<x>/ListOfLocationCriteria/<x>/Entry/
ExitSpecificArea/EllipsoidArcArea/Center/PointCoordinateType/
Latitude

Table 5.2.48B4B34.1:

**/<x>/<x>/OnNetwork/MCPTTGroupList/<x>/Entry/RulesForDeaffiliation/<x>/ListOfLocationCriteria/<x>
/Entry/ExitSpecificArea/EllipsoidArcArea/Center/PointCoordinateType/Latitude**

<x>/OnNetwork/MCPTTGroupList/<x>/Entry/RulesForDeaffiliation/<x>/ListOfLocationCriteria/<x>/Entry/ExitSpe
cificArea/EllipsoidArcArea/Center/PointCoordinateType/Latitude

Status	Occurrence	Format	Min. Access Types
Required	One	int	Get, Replace

This leaf node contains the latitudinal coordinate of a center.

5.2.48B4B35 /<x>/<x>/OnNetwork/MCPTTGroupList/<x>/Entry/
RulesForDeaffiliation/<x>/ListOfLocationCriteria/<x>/Entry/
ExitSpecificArea/EllipsoidArcArea/Radius

Table 5.2.48B4B35.1:

**/<x>/<x>/OnNetwork/MCPTTGroupList/<x>/Entry/RulesForDeaffiliation/<x>/ListOfLocationCriteria/<x>
/Entry/ExitSpecificArea/EllipsoidArcArea/Radius**

<x>/OnNetwork/MCPTTGroupList/<x>/Entry/RulesForDeaffiliation/<x>/ListOfLocationCriteria/<x>/Entry/ExitSpe
cificArea/EllipsoidArcArea/Center/Radius

Status	Occurrence	Format	Min. Access Types
Required	One	int	Get, Replace

This leaf node contains the radius of the ellipsoid arc.

5.2.48B4B36 /<x>/<x>/OnNetwork/MCPTTGroupList/<x>/Entry/
RulesForDeaffiliation/<x>/ListOfLocationCriteria/<x>/Entry/
ExitSpecificArea/EllipsoidArcArea/OffsetAngle

Table 5.2.48B4B36.1:

**/<x>/<x>/OnNetwork/MCPTTGroupList/<x>/Entry/RulesForDeaffiliation/<x>/ListOfLocationCriteria/<x>
/Entry/ExitSpecificArea/EllipsoidArcArea/OffsetAngle**

<x>/OnNetwork/MCPTTGroupList/<x>/Entry/RulesForDeaffiliation/<x>/ListOfLocationCriteria/<x>/Entry/ExitSpe
cificArea/EllipsoidArcArea/OffsetAngle

Status	Occurrence	Format	Min. Access Types
Required	One	int	Get, Replace

This leaf node contains the offset angle of the ellipsoid arc.

5.2.48B4B37 /<x>/<x>/OnNetwork/MCPTTGroupList/<x>/Entry/ RulesForDeaffiliation/<x>/ListOfLocationCriteria/<x>/Entry/ ExitSpecificArea/EllipsoidArcArea/IncludedAngle

Table 5.2.48B4B37.1:

**/<x>/<x>/OnNetwork/MCPTTGroupList/<x>/Entry/RulesForDeaffiliation/<x>/ListOfLocationCriteria/<x>
/Entry/ExitSpecificArea/EllipsoidArcArea/IncludedAngle**

<x>/OnNetwork/MCPTTGroupList/<x>/Entry/RulesForDeaffiliation/<x>/ListOfLocationCriteria/<x>/Entry/ExitSpe
cificArea/EllipsoidArcArea/IncludedAngle

Status	Occurrence	Format	Min. Access Types
Required	One	int	Get, Replace

This leaf node contains the included angle of the ellipsoid arc.

5.2.48B4B38 /<x>/<x>/OnNetwork/MCPTTGroupList/<x>/Entry/ RulesForDeaffiliation/<x>/ListOfLocationCriteria/<x>/Entry/ ExitSpecificArea/Speed

Table 5.2.48B4B38.1:

**/<x>/<x>/OnNetwork/MCPTTGroupList/<x>/Entry/RulesForDeaffiliation/<x>/ListOfLocationCriteria/<x>
/Entry/ExitSpecificArea/Speed**

<x>/OnNetwork/MCPTTGroupList/<x>/Entry/RulesForDeaffiliation/<x>/ListOfLocationCriteria/<x>/Entry/ExitSpe
cificArea/Speed

Status	Occurrence	Format	Min. Access Types
Optional	One	node	Get, Replace

This interior node contains the speed.

5.2.48B4B39 /<x>/<x>/OnNetwork/MCPTTGroupList/<x>/Entry/ RulesForDeaffiliation/<x>/ListOfLocationCriteria/<x>/Entry/ ExitSpecificArea/Speed/MinimumSpeed

Table 5.2.48B4B39.1:

**/<x>/<x>/OnNetwork/MCPTTGroupList/<x>/Entry/RulesForDeaffiliation/<x>/ListOfLocationCriteria/<x>
/Entry/ExitSpecificArea/Speed/MinimumSpeed**

<x>/OnNetwork/MCPTTGroupList/<x>/Entry/RulesForDeaffiliation/<x>/ListOfLocationCriteria/<x>/Entry/ExitSpe
cificArea/Speed/MinimumSpeed

Status	Occurrence	Format	Min. Access Types
Required	One	int	Get, Replace

This leaf node contains the minimum speed.

- Values: non-negative integer in units of kilometers/hour.

5.2.48B4B40 /<x>/<x>/OnNetwork/MCPTTGroupList/<x>/Entry/ RulesForDeaffiliation/<x>/ListOfLocationCriteria/<x>/Entry/ ExitSpecificArea/Speed/MaximumSpeed

Table 5.2.48B4B40.1:

**/<x>/<x>/OnNetwork/MCPTTGroupList/<x>/Entry/RulesForDeaffiliation/<x>/ListOfLocationCriteria/<x>
/Entry/ExitSpecificArea/Speed/MaximumSpeed**

<x>/OnNetwork/MCPTTGroupList/<x>/Entry/RulesForDeaffiliation/<x>/ListOfLocationCriteria/<x>/Entry/ExitSpe
cificArea/Speed/MaximumSpeed

Status	Occurrence	Format	Min. Access Types
Required	One	int	Get, Replace

This leaf node contains the maximum speed.

- Values: non-negative integer in units of kilometers/hour.

5.2.48B4B41 /<x>/<x>/OnNetwork/MCPTTGroupList/<x>/Entry/ RulesForDeaffiliation/<x>/ListOfLocationCriteria/<x>/Entry/ ExitSpecificArea/Heading

Table 5.2.48B4B41.1:

**/<x>/<x>/OnNetwork/MCPTTGroupList/<x>/Entry/RulesForDeaffiliation/<x>/ListOfLocationCriteria/<x>
/Entry/ExitSpecificArea/Heading**

<x>/OnNetwork/MCPTTGroupList/<x>/Entry/RulesForDeaffiliation/<x>/ListOfLocationCriteria/<x>/Entry/ExitSpe
cificArea/Heading

Status	Occurrence	Format	Min. Access Types
Optional	One	node	Get, Replace

This interior node contains the heading.

5.2.48B4B42 /<x>/<x>/OnNetwork/MCPTTGroupList/<x>/Entry/ RulesForDeaffiliation/<x>/ListOfLocationCriteria/<x>/Entry/ ExitSpecificArea/Heading/MinimumHeading

Table 5.2.48B4B42.1:

**/<x>/<x>/OnNetwork/MCPTTGroupList/<x>/Entry/RulesForDeaffiliation/<x>/ListOfLocationCriteria/<x>
/Entry/ExitSpecificArea/Heading/MinimumHeading**

<x>/OnNetwork/MCPTTGroupList/<x>/Entry/RulesForDeaffiliation/<x>/ListOfLocationCriteria/<x>/Entry/ExitSpe
cificArea/Heading/MinimumHeading

Status	Occurrence	Format	Min. Access Types
Required	One	int	Get, Replace

This leaf node contains the minimum heading.

- Values: 0-359

5.2.48B4B43 /<x>/<x>/OnNetwork/MCPTTGroupList/<x>/Entry/
RulesForDeaffiliation/<x>/ListOfLocationCriteria/<x>/Entry/
ExitSpecificArea/Heading/MaximumHeading

Table 5.2.48B4B43.1:

**/<x>/<x>/OnNetwork/MCPTTGroupList/<x>/Entry/RulesForDeaffiliation/<x>/ListOfLocationCriteria/<x>
/Entry/ExitSpecificArea/Heading/MaximumHeading**

<x>/OnNetwork/MCPTTGroupList/<x>/Entry/RulesForDeaffiliation/<x>/ListOfLocationCriteria/<x>/Entry/ExitSpe
cificArea/Heading/MaximumHeading

Status	Occurrence	Format	Min. Access Types
Required	One	int	Get, Replace

This leaf node contains the maximum heading.

- Values: 0-359

5.2.48B4B44 /<x>/<x>/OnNetwork/MCPTTGroupList/<x>/Entry/
RulesForDeaffiliation/<x>/ListOfActiveFunctionalAliases

Table 5.2.48B4B44.1:

**/<x>/<x>/OnNetwork/MCPTTGroupList/<x>/Entry/RulesForDeaffiliation/<x>/ListOfActiveFunctionalAli
ases**

<x>/OnNetwork/MCPTTGroupList/<x>/Entry/RulesForDeaffiliation/<x>/ListOfActiveFunctionalAliases

Status	Occurrence	Format	Min. Access Types
Optional	One	node	Get, Replace

This interior node is a placeholder for the functional alias part of rules that control automatic deaffiliation.

5.2.48B4B45 /<x>/<x>/OnNetwork/MCPTTGroupList/<x>/Entry/
RulesForDeaffiliation/<x>/ListOfActiveFunctionalAliases/<x>

Table 5.2.48B4B45.1:

**/<x>/<x>/OnNetwork/MCPTTGroupList/<x>/Entry/RulesForDeaffiliation/<x>/ListOfActiveFunctionalAli
ases/<x>**

<x>/OnNetwork/MCPTTGroupList/<x>/Entry/RulesForDeaffiliation/<x>/ListOfActiveFunctionalAliases/<x>

Status	Occurrence	Format	Min. Access Types
Optional	OneOrMore	node	Get, Replace

This interior node is a placeholder for the functional alias part of rules that control automatic deaffiliation.

5.2.48B4B46 /<x>/<x>/OnNetwork/MCPTTGroupList/<x>/Entry/
RulesForDeaffiliation/<x>/ListOfActiveFunctionalAliases/<x>/Entry

Table 5.2.48B4B46.1:

**/<x>/<x>/OnNetwork/MCPTTGroupList/<x>/Entry/RulesForDeaffiliation/<x>/ListOfActiveFunctionalAli
ases/<x>/Entry**

<x>/OnNetwork/MCPTTGroupList/<x>/Entry/RulesForDeaffiliation/<x>/ListOfActiveFunctionalAliases/<x>/Entry

Status	Occurrence	Format	Min. Access Types
Optional	One	node	Get, Replace

This interior node is a placeholder for the functional alias part of rules that control automatic deaffiliation.

5.2.48B4B47 /<x>/<x>/OnNetwork/MCPTTGroupList/<x>/Entry/ RulesForDeaffiliation/<x>/ListOfActiveFunctionalAliases/<x>/Entry/ FunctionalAlias

Table 5.2.48B4B47.1:

/<x>/<x>/OnNetwork/MCPTTGroupList/<x>/Entry/RulesForDeaffiliation/<x>/ListOfActiveFunctionalAliases/<x>/Entry/FunctionalAlias

<x>/OnNetwork/MCPTTGroupList/<x>/Entry/RulesForDeaffiliation/<x>/ListOfActiveFunctionalAliases/<x>/Entry/FunctionalAlias

Status	Occurrence	Format	Min. Access Types
Required	One	chr	Get, Replace

This leaf node contains a functional alias.

5.2.48B5/<x>/<x>/OnNetwork/MCPTTGroupList/<x>/Entry/DisplayName

Table 5.2.48B5.1: /<x>/<x>/OnNetwork/MCPTTGroupList/<x>/Entry/DisplayName

<x>/OnNetwork/MCPTTGroupList/<x>/Entry/DisplayName

Status	Occurrence	Format	Min. Access Types
Optional	One	chr	Get, Replace

This leaf node contains a human readable name that corresponds to the MCPTT Group ID.

5.2.48B6/<x>/<x>/OnNetwork/MCPTTGroupList/<x>/Entry/ ManualDeaffiliationNotAllowedIfAffiliationRulesAreMet

Table 5.2.48B6.1:

/<x>/<x>/OnNetwork/MCPTTGroupList/<x>/Entry/ManualDeaffiliationNotAllowedIfAffiliationRulesAreMet

<x>/OnNetwork/MCPTTGroupList/<x>/Entry/ManualDeaffiliationNotAllowedIfAffiliationRulesAreMet

Status	Occurrence	Format	Min. Access Types
Optional	ZeroOrOne	bool	Get, Replace

This leaf node indicates whether the MCPTT user is authorised to deaffiliate if the affiliation criteria are met.

5.2.48B7/<x>/<x>/OnNetwork/MCPTTGroupList/<x>/Entry/ RelativePresentationPriority

Table 5.2.48B7.1: /<x>/<x>/OnNetwork/MCPTTGroupList/<x>/Entry/RelativePresentationPriority

<x>/OnNetwork/MCPTTGroupList/<x>/Entry/RelativePresentationPriority

Status	Occurrence	Format	Min. Access Types
Optional	One	int	Get, Replace

This leaf node indicates the presentation priority of the on-network group, identified by the MCPTTGroupID, relative to other on-network groups and on-network users.

- Values: 0-255

The lowest RelativePresentationPriority value shall be considered as the MCPTT group transaction having the lowest priority for presentation among other group MCPTT and one-to-one user transactions.

5.2.48B8/ <x>/ <x>/OnNetwork/MCPTTGroupList/ <x>/Entry/GMSServID

Table 5.2.48B8.1: / <x>/ <x>/OnNetwork/MCPTTGroupList/ <x>/Entry/GMSServID

<x>/OnNetwork/MCPTTGroupList/ <x>/Entry/GMSServID

Status	Occurrence	Format	Min. Access Types
Required	One	chr	Get, Replace

This leaf node indicates the identity (URI) of the GMS owning the group identified by the MCPTTGroupID.

5.2.48B9/ <x>/ <x>/OnNetwork/MCPTTGroupList/ <x>/Entry/IDMSTokenEndPoint

Table 5.2.48B9.1: / <x>/ <x>/OnNetwork/MCPTTGroupList/ <x>/Entry/IDMSTokenEndPoint

<x>/OnNetwork/MCPTTGroupList/ <x>/Entry/IDMSTokenEndPoint

Status	Occurrence	Format	Min. Access Types
Required	One	chr	Get, Replace

This leaf node indicates the identity (URI) of the IDMS token endpoint for the group identified by the MCPTTGroupID. If the value is empty, the IDMS identities (IDMSAuthEndPoint and IDMSTokenEndPoint) present in the MCS UE initial configuration MO are used.

5.2.48B10 / <x>/ <x>/OnNetwork/MCPTTGroupList/ <x>/Entry/GroupKMSURI

Table 5.2.48B10.1: / <x>/ <x>/OnNetwork/MCPTTGroupList/ <x>/Entry/GroupKMSURI

<x>/OnNetwork/MCPTTGroupList/ <x>/Entry/GroupKMSURI

Status	Occurrence	Format	Min. Access Types
Required	One	chr	Get, Replace

This leaf node indicates the identity (URI) of the KMS identity (URI) for the group identified by the MCPTTGroupID. If the value is empty, the KMS identity (URI) (kms) present in the MCS UE initial configuration MO is used.

5.2.48C1 / <x>/ <x>/OnNetwork/ImplicitAffiliations

Table 5.2.48C1.1: / <x>/ <x>/OnNetwork/ImplicitAffiliations

<x>/OnNetwork/ImplicitAffiliations

Status	Occurrence	Format	Min. Access Types
Required	One	node	Get, Replace

This interior node is a placeholder for the implicit affiliation configuration.

5.2.48C2 /<x>/<x>/OnNetwork/ImplicitAffiliations/<x>

Table 5.2.48C2.1: /<x>/<x>/OnNetwork/ImplicitAffiliations/<x>

<x>/OnNetwork/ImplicitAffiliations/<x>

Status	Occurrence	Format	Min. Access Types
Required	OneOrMore	node	Get, Replace

This interior node is a placeholder for one or more implicit affiliation configuration.

5.2.48C3 /<x>/<x>/OnNetwork/ImplicitAffiliations/<x>/Entry

Table 5.2.48C3.1: /<x>/<x>/OnNetwork/ImplicitAffiliations/<x>/Entry

<x>/OnNetwork/ImplicitAffiliations/<x>/Entry

Status	Occurrence	Format	Min. Access Types
Optional	One	node	Get, Replace

This interior node is a placeholder for the details of the on-network MCPTT groups that the MCPTT user is implicitly affiliated to.

5.2.48C4 /<x>/<x>/OnNetwork/ImplicitAffiliations/<x>/Entry/
MCPTTGroupID**Table 5.2.48C4.1: /<x>/<x>/OnNetwork/ImplicitAffiliations/<x>/Entry/MCPTTGroupID**

<x>/OnNetwork/ImplicitAffiliations/<x>/Entry/MCPTTGroupID

Status	Occurrence	Format	Min. Access Types
Required	One	chr	Get, Replace

This leaf node indicates a MCPTT group ID to which the MCPTT user is implicitly affiliated to.

The value is a "uri" attribute specified in OMA OMA-TS-XDM_Group-V1_1 [4].

5.2.48C5 /<x>/<x>/OnNetwork/ImplicitAffiliations/<x>/Entry/DisplayName

Table 5.2.48C5.1: /<x>/<x>/OnNetwork/ImplicitAffiliations/<x>/Entry/DisplayName

<x>/OnNetwork/ImplicitAffiliations/<x>/Entry/DisplayName

Status	Occurrence	Format	Min. Access Types
Optional	One	chr	Get, Replace

This leaf node contains a human readable name that corresponds to the MCPTT Group ID.

5.2.48D /<x>/<x>/OnNetwork/AllowedRegroup

Table 5.2.48D.1: /<x>/<x>/OnNetwork/AllowedRegroup

<x>/OnNetwork/AllowedRegroup

Status	Occurrence	Format	Min. Access Types
Required	One	bool	Get, Replace

This leaf node indicates whether the MCPTT user is authorised to perform dynamic regrouping operations.

When set to "true" the MCPTT user is authorised to perform dynamic regrouping operations.

When set to "false" the MCPTT user is not authorised to perform dynamic regrouping operations.

5.2.48E /<x>/<x>/OnNetwork/AllowedPresenceStatus

Table 5.2.48E.1: /<x>/<x>/OnNetwork/AllowedPresenceStatus

<x>/OnNetwork/AllowedPresenceStatus

Status	Occurrence	Format	Min. Access Types
Optional	One	bool	Get, Replace

This leaf node indicates the presence status on the network of this MCPTT user is available.

When set to "true" the presence status on the network of this MCPTT user is available.

When set to "false" the presence status on the network of this MCPTT user is not available. This is the default if this leaf node is not present.

5.2.48F /<x>/<x>/OnNetwork/AllowedPresence

Table 5.2.48F.1: /<x>/<x>/OnNetwork/AllowedPresence

<x>/OnNetwork/AllowedPresence

Status	Occurrence	Format	Min. Access Types
Optional	One	bool	Get, Replace

This leaf node indicates whether the MCPTT user is authorised to obtain whether a particular MCPTT User is present on the network.

When set to "true" the MCPTT user is authorised to obtain whether a particular MCPTT User is present on the network.

When set to "false" the MCPTT user is not authorised to obtain whether a particular MCPTT User is present on the network.

5.2.48G /<x>/<x>/OnNetwork/EnabledParticipation

Table 5.2.48G.1: /<x>/<x>/OnNetwork/EnabledParticipation

<x>/OnNetwork/EnabledParticipation

Status	Occurrence	Format	Min. Access Types
Required	One	bool	Get, Replace

This leaf node indicates whether the MCPTT user is allowed to participate in MCPTT private calls that they are invited to.

When set to "true" the MCPTT user is allowed to participate in MCPTT private calls that they are invited to.

When set to "false" the MCPTT user is not allowed to participate in MCPTT private calls that they are invited to.

5.2.48H /<x>/<x>/OnNetwork/AllowedTransmission

Table 5.2.48H.1: /<x>/<x>/OnNetwork/AllowedTransmission

<x>/OnNetwork/AllowedTransmission

Status	Occurrence	Format	Min. Access Types
Required	One	bool	Get, Replace

This leaf node indicates whether the MCPTT user is authorised to override transmission in a MCPTT private call.

When set to "true" the MCPTT user is authorised to override transmission in a MCPTT private call.

When set to "false" the MCPTT user is not authorised to override transmission in a MCPTT private call.

5.2.48I /<x>/<x>/OnNetwork/AllowedManualSwitch

Table 5.2.48I.1: /<x>/<x>/OnNetwork/AllowedManualSwitch

<x>/OnNetwork/AllowedManualSwitch

Status	Occurrence	Format	Min. Access Types
Required	One	bool	Get, Replace

This leaf node indicates whether the MCPTT user is authorised to manually switch to off-network operation while in on-network operation.

When set to "true" the MCPTT user is authorised to manually switch to off-network operation while in on-network operation.

When set to "false" the MCPTT user is not authorised to manually switch to off-network operation while in on-network operation.

5.2.48J /<x>/<x>/OnNetwork/PrivateCall

Table 5.2.48J.1: /<x>/<x>/OnNetwork/PrivateCall

<x>/OnNetwork/PrivateCall

Status	Occurrence	Format	Min. Access Types
Required	One	node	Get, Replace

This interior node is a placeholder for the MCPTT private call configuration.

5.2.48K /<x>/<x>/OnNetwork/PrivateCall/EmergencyAlert

Table 5.2.48K.1: /<x>/<x>/OnNetwork/PrivateCall/EmergencyAlert

<x>/OnNetwork/PrivateCall/EmergencyAlert

Status	Occurrence	Format	Min. Access Types
Required	One	node	Get, Replace

This interior node is a placeholder for the MCPTT private emergency alert policy.

5.2.48L /<x>/<x>/OnNetwork/PrivateCall/EmergencyAlert/Entry

Table 5.2.48L.1: /<x>/<x>/OnNetwork/PrivateCall/EmergencyAlert/Entry

<x>/OnNetwork/PrivateCall/EmergencyAlert/Entry

Status	Occurrence	Format	Min. Access Types
Required	One	node	Get, Replace

This interior node is a placeholder for the details of an MCPTT private emergency alert for on-network.

5.2.48M /<x>/<x>/OnNetwork/PrivateCall/EmergencyAlert/Entry/ID

Table 5.2.48M.1: /<x>/<x>/OnNetwork/PrivateCall/EmergencyAlert/Entry/ID

<x>/OnNetwork/PrivateCall/EmergencyAlert/Entry/ID

Status	Occurrence	Format	Min. Access Types
Required	One	chr	Get, Replace

This leaf node indicates the MCPTT user ID used upon certain criteria on initiation of an MCPTT private emergency alert for on-network.

5.2.48N /<x>/<x>/OnNetwork/PrivateCall/EmergencyAlert/Entry/DisplayName

Table 5.2.48N.1: /<x>/<x>/OnNetwork/PrivateCall/EmergencyAlert/Entry/DisplayName

<x>/OnNetwork/PrivateCall/EmergencyAlert/Entry/DisplayName

Status	Occurrence	Format	Min. Access Types
Optional	One	chr	Get, Replace

This leaf node contains a human readable name that corresponds to the ID.

5.2.48O /<x>/<x>/OnNetwork/PrivateCall/EmergencyAlert/Entry/Usage

Table 5.2.48O.1: /<x>/<x>/OnNetwork/PrivateCall/EmergencyAlert/Entry/Usage

<x>/OnNetwork/PrivateCall/EmergencyAlert/Entry/Usage

Status	Occurrence	Format	Min. Access Types
Required	One	chr	Get, Replace

This leaf node indicates the criteria to determine when initiation of an MCPTT private emergency alert uses the ID.

The valid values are 'LocallyDetermined' and 'UsePreConfigured'.

When set to 'LocallyDetermined' then if the MCPTT user selects an MCPTT ID then use that MCPTT ID for an on-network MCPTT private emergency alert, if the MCPTT user does not select a MCPTT ID then use the MCPTT ID identified by the ID in clause 5.2.48M for an on-network MCPTT private emergency alert.

When set to 'UsePreConfigured' then use the ID identified by the ID in clause 5.2.48M for an on-network MCPTT private emergency alert.

5.2.48P /<x>/<x>/OnNetwork/PrivateCall/AllowedCallBackRequest

Table 5.2.48P.1: /<x>/<x>/OnNetwork/PrivateCall/AllowedCallBackRequest

<x>/OnNetwork/PrivateCall/AllowedCallBackRequest

Status	Occurrence	Format	Min. Access Types
Optional	One	bool	Get, Replace

This leaf node indicates whether the MCPTT user is allowed to request a private call call-back.

When set to "true" the MCPTT user is allowed to request a private call call-back.

When set to "false" the MCPTT user is not allowed to request a private call call-back.

5.2.48Q /<x>/<x>/OnNetwork/PrivateCall/AllowedCallBackCancelRequest

Table 5.2.48Q.1: /<x>/<x>/OnNetwork/PrivateCall/AllowedCallBackCancelRequest

<x>/OnNetwork/PrivateCall/AllowedCallBackCancelRequest

Status	Occurrence	Format	Min. Access Types
Optional	One	bool	Get, Replace

This leaf node indicates whether the MCPTT user is allowed to cancel an outstanding private call call-back request.

When set to "true" the MCPTT user is allowed to cancel an outstanding private call call-back request.

When set to "false" the MCPTT user is not allowed to cancel an outstanding private call call-back request.

5.2.48R /<x>/<x>/OnNetwork/PrivateCall/ AllowedRemoteInitiatedAmbientListening

Table 5.2.48R.1: /<x>/<x>/OnNetwork/PrivateCall/AllowedRemoteInitiatedAmbientListening

<x>/OnNetwork/PrivateCall/AllowedRemoteInitiatedAmbientListening

Status	Occurrence	Format	Min. Access Types
Optional	One	bool	Get, Replace

This leaf node indicates whether the MCPTT user is allowed to request a remote initiated ambient listening call.

When set to "true" the MCPTT user is allowed to request a remote initiated ambient listening call.

When set to "false" the MCPTT user is not allowed to request a remote initiated ambient listening call.

5.2.48S /<x>/<x>/OnNetwork/PrivateCall/ AllowedLocallyInitiatedAmbientListening

Table 5.2.48S.1: /<x>/<x>/OnNetwork/PrivateCall/AllowedLocallyInitiatedAmbientListening

<x>/OnNetwork/PrivateCall/AllowedLocallyInitiatedAmbientListening

Status	Occurrence	Format	Min. Access Types
Optional	One	bool	Get, Replace

This leaf node indicates whether the MCPTT user is allowed to request a locally initiated ambient listening call.

When set to "true" the MCPTT user is allowed to request a locally initiated ambient listening call.

When set to "false" the MCPTT user is not allowed to request a locally initiated ambient listening call.

5.2.48T /<x>/<x>/OnNetwork/PrivateCall/AllowedRequestFirstToAnswerCall

Table 5.2.48T.1: /<x>/<x>/OnNetwork/PrivateCall/AllowedRequestFirstToAnswerCall

<x>/OnNetwork/PrivateCall/AllowedRequestFirstToAnswerCall

Status	Occurrence	Format	Min. Access Types
Optional	One	bool	Get, Replace

This leaf node indicates whether the MCPTT user is allowed to request a first to answer call.

When set to "true" the MCPTT user is allowed to request a first to answer call.

When set to "false" the MCPTT user is not allowed to request a first to answer call.

5.2.48U1 /<x>/<x>/OnNetwork/RemoteGroupSelection

Table 5.2.48U1.1: /<x>/<x>/OnNetwork/RemoteGroupSelection

<x>/OnNetwork/RemoteGroupSelection

Status	Occurrence	Format	Min. Access Types
Required	One	node	Get, Replace

This interior node is a placeholder for the remote group selection configuration.

5.2.48U2 /<x>/<x>/OnNetwork/RemoteGroupSelection/<x>

Table 5.2.48U2.1: /<x>/<x>/OnNetwork/RemoteGroupSelection/<x>

<x>/OnNetwork/RemoteGroupSelection/<x>

Status	Occurrence	Format	Min. Access Types
Required	OneOrMore	node	Get, Replace

This interior node is a placeholder for one or more remote group selection configuration elements.

5.2.48U3 /<x>/<x>/OnNetwork/RemoteGroupSelection/<x>/Entry

Table 5.2.48U3.1: /<x>/<x>/OnNetwork/RemoteGroupSelection/<x>/Entry

<x>/OnNetwork/RemoteGroupSelection/<x>/Entry

Status	Occurrence	Format	Min. Access Types
Optional	One	node	Get, Replace

This interior node is a placeholder for the details of the on-network MCPTT users whose selected MCPTT group is allowed to be remotely changed by the MCPTT user.

5.2.48U4 /<x>/<x>/OnNetwork/RemoteGroupSelection/<x>/Entry/ MCPTTID

Table 5.2.48U4.1: /<x>/<x>/OnNetwork/RemoteGroupSelection/<x>/Entry/MCPTTID

<x>/OnNetwork/RemoteGroupSelection/<x>/Entry/MCPTTID

Status	Occurrence	Format	Min. Access Types
Required	One	chr	Get, Replace

This leaf node indicates a MCPTT ID of an MCPTT user whose selected MCPTT group is allowed to be remotely changed by the MCPTT user.

The value is a "uri" attribute specified in OMA OMA-TS-XDM_Group-V1_1 [4].

5.2.48U5 /<x>/<x>/OnNetwork/RemoteGroupSelection/<x>/Entry/ DisplayName

Table 5.2.48U5.1: /<x>/<x>/OnNetwork/RemoteGroupSelection/<x>/Entry/DisplayName

<x>/OnNetwork/RemoteGroupSelection/<x>/Entry/DisplayName

Status	Occurrence	Format	Min. Access Types
Optional	One	chr	Get, Replace

This leaf node contains a human readable name that corresponds to the MCPTT ID of the MCPTT user.

5.2.48V1Void

5.2.48V2Void

5.2.48V3Void

5.2.48V4Void

5.2.48V5Void

5.2.48V6Void

5.2.48V7Void

5.2.48V8Void

5.2.48V9Void

5.2.48V10 Void

5.2.48V11 Void

5.2.48V12 Void

5.2.48V13 Void

5.2.48V14 Void

5.2.48V15 Void

5.2.48V16 Void

5.2.48V17 Void

5.2.48W1 /<x>/<x>/OnNetwork/AllowedRequestRemoteInitPrivateCall

Table 5.2.48W1.1: /<x>/<x>/OnNetwork/AllowedRequestRemoteInitPrivateCall

<x>/OnNetwork/AllowedRequestRemoteInitPrivateCall

Status	Occurrence	Format	Min. Access Types
Required	One	bool	Get, Replace

This leaf node indicates whether the MCPTT user is authorised to request a remotely initiated private call.

When set to "true" the MCPTT user is authorised to request remotely initiated private calls.

When set to "false" the MCPTT user is not authorised to request remotely initiated private calls.

5.2.48W2 /<x>/<x>/OnNetwork/AllowedRequestRemoteInitGroupCall

Table 5.2.48W2.1: /<x>/<x>/OnNetwork/AllowedRequestRemoteInitGroupCall

<x>/OnNetwork/AllowedRequestRemoteInitGroupCall

Status	Occurrence	Format	Min. Access Types
Required	One	bool	Get, Replace

This leaf node indicates whether the MCPTT user is authorised to request a remotely initiated group call.

When set to "true" the MCPTT user is authorised to request remotely initiated group calls.

When set to "false" the MCPTT user is not authorised to request remotely initiated group calls.

5.2.48W3 /<x>/<x>/OnNetwork/FunctionalAliasList

Table 5.2.48W3.1: /<x>/<x>/OnNetwork/FunctionalAliasList

<x>/OnNetwork/FunctionalAliasList

Status	Occurrence	Format	Min. Access Types
Required	One	node	Get, Replace

This interior node is a placeholder for the functional alias configuration.

5.2.48W4 /<x>/<x>/OnNetwork/FunctionalAliasList/<x>

Table 5.2.48W4.1: /<x>/<x>/OnNetwork/FunctionalAliasList/<x>

<x>/OnNetwork/FunctionalAliasList/<x>

Status	Occurrence	Format	Min. Access Types
Required	OneOrMore	node	Get, Replace

This interior node is a placeholder for one or more functional alias configuration elements.

5.2.48W5 /<x>/<x>/OnNetwork/FunctionalAliasList/<x>/Entry

Table 5.2.48W5.1: /<x>/<x>/OnNetwork/FunctionalAliasList/<x>/Entry

<x>/OnNetwork/FunctionalAliasList/<x>/Entry

Status	Occurrence	Format	Min. Access Types
Optional	One	node	Get, Replace

This interior node is a placeholder for the details of the functional alias.

5.2.48W6 /<x>/<x>/OnNetwork/FunctionalAliasList/<x>/Entry/FunctionalAlias

Table 5.2.48W6.1: /<x>/<x>/OnNetwork/FunctionalAliasList/<x>/Entry/FunctionalAlias

<x>/OnNetwork/FunctionalAliasList/<x>/Entry/FunctionalAlias

Status	Occurrence	Format	Min. Access Types
Required	One	chr	Get, Replace

This leaf node indicates a functional alias that can be activated by the MCPTT user.

The value is a "uri" attribute specified in OMA OMA-TS-XDM_Group-V1_1 [4].

5.2.48W6A /<x>/<x>/OnNetwork/FunctionalAliasList/<x>/Entry/ LocationCriteriaForActivation

Table 5.2.48W6A.1: /<x>/<x>/OnNetwork/FunctionalAliasList/<x>/Entry/LocationCriteriaForActivation

<x>/OnNetwork/FunctionalAliasList/<x>/Entry/LocationCriteriaForActivation

Status	Occurrence	Format	Min. Access Types
Optional	ZeroOrOne	node	Get, Replace

This interior node contains the location criteria for activation of a functional alias.

5.2.48W6A0 /<x>/<x>/OnNetwork/FunctionalAliasList/<x>/Entry/ LocationCriteriaForActivation/<x>

**Table 5.2.48W6A0.1:
/<x>/<x>/OnNetwork/FunctionalAliasList/<x>/Entry/LocationCriteriaForActivation/<x>**

<x>/OnNetwork/FunctionalAliasList/<x>/Entry/LocationCriteriaForActivation/<x>

Status	Occurrence	Format	Min. Access Types
Optional	ZeroOrMore	node	Get, Replace

This interior node contains the zero or more location criteria for activation of a functional alias.

5.2.48W6A1 /<x>/<x>/OnNetwork/FunctionalAliasList/<x>/ Entry/LocationCriteriaForActivation/<x>/EnterSpecificArea

**Table 5.2.48W6A1.1:
/<x>/<x>/OnNetwork/FunctionalAliasList/<x>/Entry/LocationCriteriaForActivation/<x>/EnterSpecificArea**

<x>/OnNetwork/FunctionalAliasList/<x>/Entry/LocationCriteriaForActivation/<x>/EnterSpecificArea

Status	Occurrence	Format	Min. Access Types
Optional	ZeroOrOne	node	Get, Replace

This interior node contains a geographical area which when entered by the MC service UE triggers the functional alias activation.

5.2.48W6A2 /<x>/<x>/OnNetwork/FunctionalAliasList/<x>/Entry/ LocationCriteriaForActivation/<x>/EnterSpecificArea/PolygonArea

**Table 5.2.48W6A2.1:
/<x>/<x>/OnNetwork/FunctionalAliasList/<x>/Entry/LocationCriteriaForActivation/<x>/EnterSpecificArea/PolygonArea**

<x>/OnNetwork/FunctionalAliasList/<x>/Entry/LocationCriteriaForActivation/<x>/EnterSpecificArea/PolygonArea

Status	Occurrence	Format	Min. Access Types
Optional	ZeroOrOne	node	Get, Replace

This interior node contains a geographical area described by a polygon.

5.2.48W6A3 /<x>/<x>/OnNetwork/FunctionalAliasList/<x>/Entry/ LocationCriteriaForActivation/<x>/EnterSpecificArea/ PolygonArea/<x>

Table 5.2.48W6A3.1:

/<x>/<x>/OnNetwork/FunctionalAliasList/<x>/Entry/LocationCriteriaForActivation/<x>/EnterSpecificAr ea/PolygonArea/<x>

<x>/OnNetwork/FunctionalAliasList/<x>/Entry/LocationCriteriaForActivation/<x>/EnterSpecificArea/PolygonArea
/<x>

Status	Occurrence	Format	Min. Access Types
Required	OneOrN	node	Get, Replace

This interior node contains the coordinates of the corners which define a polygon. The occurrence of this leaf node is "3 to 15" as per 3GPP TS 23.032 [21].

5.2.48W6A3A /<x>/<x>/OnNetwork/FunctionalAliasList/<x>/Entry/ LocationCriteriaForActivation/<x>/EnterSpecificArea/ PolygonArea/<x>/PointCoordinateType

Table 5.2.48W6A3A.1:

/<x>/<x>/OnNetwork/FunctionalAliasList/<x>/Entry/LocationCriteriaForActivation/<x>/EnterSpecificAr ea/PolygonArea/<x>/PointCoordinateType

<x>/OnNetwork/FunctionalAliasList/<x>/Entry/LocationCriteriaForActivation/<x>/EnterSpecificArea/PolygonArea
/<x>/PointCoordinateType

Status	Occurrence	Format	Min. Access Types
Required	One	node	Get, Replace

This interior node contains the coordinates of the center point of the ellipsoid arc.

5.2.48W6A4 /<x>/<x>/OnNetwork/FunctionalAliasList/<x>/Entry/ LocationCriteriaForActivation/<x>/EnterSpecificArea/ PolygonArea/<x>/PointCoordinateType/Longitude

Table 5.2.48W6A4.1:

/<x>/<x>/OnNetwork/FunctionalAliasList/<x>/Entry/LocationCriteriaForActivation/<x>/EnterSpecificAr ea/PolygonArea/<x>/PointCoordinateType/Longitude

<x>/OnNetwork/FunctionalAliasList/<x>/Entry/LocationCriteriaForActivation/<x>/EnterSpecificArea/PolygonArea
/<x>/PointCoordinateType/Longitude

Status	Occurrence	Format	Min. Access Types
Required	One	int	Get, Replace

This leaf node contains the longitudinal coordinate of a corner.

- Values: 0-16777215

5.2.48W6A5 /<x>/<x>/OnNetwork/FunctionalAliasList/<x>/Entry/
LocationCriteriaForActivation/<x>/EnterSpecificArea/
PolygonArea/<x>/PointCoordinateType/Latitude

Table 5.2.48W6A5.1:

**/<x>/<x>/OnNetwork/FunctionalAliasList/<x>/Entry/LocationCriteriaForActivation/<x>/EnterSpecificAr
ea/PolygonArea/<x>/PointCoordinateType/Latitude**

<x>/OnNetwork/FunctionalAliasList/<x>/Entry/LocationCriteriaForActivation/<x>/EnterSpecificArea/PolygonArea
/<x>/PointCoordinateType/Latitude

Status	Occurrence	Format	Min. Access Types
Required	One	int	Get, Replace

This leaf node contains the latitudinal coordinate of a corner.

- Values: 0-16777215

5.2.48W6A6 /<x>/<x>/OnNetwork/FunctionalAliasList/<x>/Entry/
LocationCriteriaForActivation/<x>/EnterSpecificArea/
EllipsoidArcArea

Table 5.2.48W6A6.1:

**/<x>/<x>/OnNetwork/FunctionalAliasList/<x>/Entry/LocationCriteriaForActivation/<x>/EnterSpecificAr
ea/EllipsoidArcArea**

<x>/OnNetwork/FunctionalAliasList/<x>/Entry/LocationCriteriaForActivation/<x>/EnterSpecificArea/EllipsoidArc
Area

Status	Occurrence	Format	Min. Access Types
Optional	ZeroOrOne	node	Get, Replace

This interior node contains a geographical area described by an ellipsoid arc.

5.2.48W6A7 /<x>/<x>/OnNetwork/FunctionalAliasList/<x>/Entry/
LocationCriteriaForActivation/<x>/EnterSpecificArea/
EllipsoidArcArea/Center

Table 5.2.48W6A7.1:

**/<x>/<x>/OnNetwork/FunctionalAliasList/<x>/Entry/LocationCriteriaForActivation/<x>/EnterSpecificAr
ea/EllipsoidArcArea/Center**

<x>/OnNetwork/FunctionalAliasList/<x>/Entry/LocationCriteriaForActivation/<x>/EnterSpecificArea/EllipsoidArc
Area/Center

Status	Occurrence	Format	Min. Access Types
Required	One	node	Get, Replace

This interior node contains the coordinates of the center point of the ellipsoid arc.

5.2.48W6A7A /<x>/<x>/OnNetwork/FunctionalAliasList/<x>/Entry/
LocationCriteriaForActivation/<x>/EnterSpecificArea/
EllipsoidArcArea/Center/PointCoordinateType

Table 5.2.48W6A7A.1:

**/<x>/<x>/OnNetwork/FunctionalAliasList/<x>/Entry/LocationCriteriaForActivation/<x>/EnterSpecificAr
ea/EllipsoidArcArea/Center/PointCoordinateType**

<x>/OnNetwork/FunctionalAliasList/<x>/Entry/LocationCriteriaForActivation/<x>/EnterSpecificArea/EllipsoidArc
Area/Center/PointCoordinateType

Status	Occurrence	Format	Min. Access Types
Required	One	node	Get, Replace

This interior node contains the coordinates of the center point of the ellipsoid arc.

5.2.48W6A8 /<x>/<x>/OnNetwork/FunctionalAliasList/<x>/Entry/
LocationCriteriaForActivation/<x>/EnterSpecificArea/
EllipsoidArcArea/Center/PointCoordinateType/Longitude

Table 5.2.48W6A8.1:

**/<x>/<x>/OnNetwork/FunctionalAliasList/<x>/Entry/LocationCriteriaForActivation/<x>/EnterSpecificAr
ea/EllipsoidArcArea/Center/PointCoordinateType/Longitude**

<x>/OnNetwork/FunctionalAliasList/<x>/Entry/LocationCriteriaForActivation/<x>/EnterSpecificArea/EllipsoidArc
Area/Center/PointCoordinateType/Longitude

Status	Occurrence	Format	Min. Access Types
Required	One	int	Get, Replace

This leaf node contains the longitudinal coordinate of the center.

- Values: 0-16777215

5.2.48W6A9 /<x>/<x>/OnNetwork/FunctionalAliasList/<x>/Entry/
LocationCriteriaForActivation/<x>/EnterSpecificArea/
EllipsoidArcArea/Center/PointCoordinateType/Latitude

Table 5.2.48W6A9.1:

**/<x>/<x>/OnNetwork/FunctionalAliasList/<x>/Entry/LocationCriteriaForActivation/<x>/EnterSpecificAr
ea/EllipsoidArcArea/Center/PointCoordinateType/Latitude**

<x>/OnNetwork/FunctionalAliasList/<x>/Entry/LocationCriteriaForActivation/<x>/EnterSpecificArea/EllipsoidArc
Area/Center/PointCoordinateType/Latitude

Status	Occurrence	Format	Min. Access Types
Required	One	int	Get, Replace

This leaf node contains the latitudinal coordinate of the center.

- Values: 0-16777215

5.2.48W6A10/<x>/<x>/OnNetwork/FunctionalAliasList/<x>/Entry/
LocationCriteriaForActivation/<x>/
EnterSpecificArea/EllipsoidArcArea/Radius

Table 5.2.48W6A10.1:

**/<x>/<x>/OnNetwork/FunctionalAliasList/<x>/Entry/LocationCriteriaForActivation/<x>/EnterSpecificAr
ea/EllipsoidArcArea/Radius**

<x>/OnNetwork/FunctionalAliasList/<x>/Entry/LocationCriteriaForActivation/<x>/EnterSpecificArea/EllipsoidArc
Area/Radius

Status	Occurrence	Format	Min. Access Types
Required	One	int	Get, Replace

This leaf node contains the radius of the ellipsoid arc.

- Values: non-negative integer

5.2.48W6A11/<x>/<x>/OnNetwork/FunctionalAliasList/<x>/Entry/
LocationCriteriaForActivation/<x>/
EnterSpecificArea/EllipsoidArcArea/OffsetAngle

Table 5.2.48W6A11.1:

**/<x>/<x>/OnNetwork/FunctionalAliasList/<x>/Entry/LocationCriteriaForActivation/<x>/EnterSpecificAr
ea/EllipsoidArcArea/OffsetAngle**

<x>/OnNetwork/FunctionalAliasList/<x>/Entry/LocationCriteriaForActivation/<x>/EnterSpecificArea/EllipsoidArc
Area/OffsetAngle

Status	Occurrence	Format	Min. Access Types
Required	One	int	Get, Replace

This leaf node contains the offset angle of the ellipsoid arc.

- Values: 0-255

5.2.48W6A12/<x>/<x>/OnNetwork/FunctionalAliasList/<x>/Entry/
LocationCriteriaForActivation/<x>/
EnterSpecificArea/EllipsoidArcArea/IncludedAngle

Table 5.2.48W6A12.1:

**/<x>/<x>/OnNetwork/FunctionalAliasList/<x>/Entry/LocationCriteriaForActivation/<x>/EnterSpecificAr
ea/EllipsoidArcArea/IncludedAngle**

<x>/OnNetwork/FunctionalAliasList/<x>/Entry/LocationCriteriaForActivation/<x>/EnterSpecificArea/EllipsoidArc
Area/IncludedAngle

Status	Occurrence	Format	Min. Access Types
Required	One	int	Get, Replace

This leaf node contains the included angle of the ellipsoid arc.

- Values: 0-255

5.2.48W6A12A /<x>/<x>/OnNetwork/FunctionalAliasList/<x>/Entry/ LocationCriteriaForActivation/<x>/EnterSpecificArea/Speed

Table 5.2.48W6A12A.1:

/<x>/<x>/OnNetwork/FunctionalAliasList/<x>/Entry/LocationCriteriaForActivation/<x>/EnterSpecificArea/Speed

<x>/OnNetwork/FunctionalAliasList/<x>/Entry/LocationCriteriaForActivation/<x>/EnterSpecificArea/Speed

Status	Occurrence	Format	Min. Access Types
Optional	One	node	Get, Replace

This interior node contains the speed.

5.2.48W6A12B /<x>/<x>/OnNetwork/FunctionalAliasList/<x>/Entry/ LocationCriteriaForActivation/<x>/EnterSpecificArea/Speed/ MinimumSpeed

Table 5.2.48W6A12B.1:

/<x>/<x>/OnNetwork/FunctionalAliasList/<x>/Entry/LocationCriteriaForActivation/<x>/EnterSpecificArea/Speed/MinimumSpeed

<x>/OnNetwork/FunctionalAliasList/<x>/Entry/LocationCriteriaForActivation/<x>/EnterSpecificArea/Speed/MinimumSpeed

Status	Occurrence	Format	Min. Access Types
Required	One	int	Get, Replace

This leaf node contains the minimum speed.

- Values: non-negative integer in units of kilometers/hour.

5.2.48W6A12C /<x>/<x>/OnNetwork/FunctionalAliasList/<x>/Entry/ LocationCriteriaForActivation/<x>/EnterSpecificArea/Speed/ MaximumSpeed

Table 5.2.48W6A12C.1:

/<x>/<x>/OnNetwork/FunctionalAliasList/<x>/Entry/LocationCriteriaForActivation/<x>/EnterSpecificArea/Speed/MaximumSpeed

<x>/OnNetwork/FunctionalAliasList/<x>/Entry/LocationCriteriaForActivation/<x>/EnterSpecificArea/Speed/MaximumSpeed

Status	Occurrence	Format	Min. Access Types
Required	One	int	Get, Replace

This leaf node contains the maximum speed.

- Values: non-negative integer in units of kilometers/hour.

5.2.48W6A12D /<x>/<x>/OnNetwork/FunctionalAliasList/<x>/Entry/
LocationCriteriaForActivation/<x>/EnterSpecificArea/Heading

Table 5.2.48W6A12D.1:

/<x>/<x>/OnNetwork/FunctionalAliasList/<x>/Entry/LocationCriteriaForActivation/<x>/EnterSpecificArea/Heading

<x>/OnNetwork/FunctionalAliasList/<x>/Entry/LocationCriteriaForActivation/<x>/EnterSpecificArea/Heading

Status	Occurrence	Format	Min. Access Types
Optional	One	node	Get, Replace

This interior node contains the heading.

5.2.48W6A12E /<x>/<x>/OnNetwork/FunctionalAliasList/<x>/Entry/
LocationCriteriaForActivation/<x>/EnterSpecificArea/Heading/
MinimumHeading

Table 5.2.48W6A12E.1:

/<x>/<x>/OnNetwork/FunctionalAliasList/<x>/Entry/LocationCriteriaForActivation/<x>/EnterSpecificArea/Heading/MinimumHeading

<x>/OnNetwork/FunctionalAliasList/<x>/Entry/LocationCriteriaForActivation/<x>/EnterSpecificArea/Heading/MinimumHeading

Status	Occurrence	Format	Min. Access Types
Required	One	int	Get, Replace

This leaf node contains the minimum heading.

- Values: 0-359

5.2.48W6A12F /<x>/<x>/OnNetwork/FunctionalAliasList/<x>/Entry/
LocationCriteriaForActivation/<x>/EnterSpecificArea/Heading/
MaximumHeading

Table 5.2.48W6A12F.1:

/<x>/<x>/OnNetwork/FunctionalAliasList/<x>/Entry/LocationCriteriaForActivation/<x>/EnterSpecificArea/Heading/MaximumHeading

<x>/OnNetwork/FunctionalAliasList/<x>/Entry/LocationCriteriaForActivation/<x>/EnterSpecificArea/Heading/MaximumHeading

Status	Occurrence	Format	Min. Access Types
Required	One	int	Get, Replace

This leaf node contains the maximum heading.

- Values: 0-359

5.2.48W6A13/<x>/<x>/OnNetwork/FunctionalAliasList/<x>/Entry/
LocationCriteriaForActivation/<x>/
ExitSpecificArea

Table 5.2.48W6A13.1:

/<x>/<x>/OnNetwork/FunctionalAliasList/<x>/Entry/LocationCriteriaForActivation/<x>/ExitSpecificArea
a

<x>/OnNetwork/FunctionalAliasList/<x>/Entry/LocationCriteriaForActivation/<x>/ExitSpecificArea

Status	Occurrence	Format	Min. Access Types
Optional	ZeroOrOne	node	Get, Replace

This interior node contains a geographical area which when exited by the MC service UE triggers the functional alias activation.

5.2.48W6A14/<x>/<x>/OnNetwork/FunctionalAliasList/<x>/Entry/
LocationCriteriaForActivation/<x>/
ExitSpecificArea/PolygonArea

Table 5.2.48W6A14.1:

/<x>/<x>/OnNetwork/FunctionalAliasList/<x>/Entry/LocationCriteriaForActivation/<x>/ExitSpecificArea
a/PolygonArea

<x>/OnNetwork/FunctionalAliasList/<x>/Entry/LocationCriteriaForActivation/<x>/ExitSpecificArea/PolygonArea

Status	Occurrence	Format	Min. Access Types
Optional	ZeroOrOne	node	Get, Replace

This interior node contains a geographical area described by a polygon.

5.2.48W6A15/<x>/<x>/OnNetwork/FunctionalAliasList/<x>/Entry/
LocationCriteriaForActivation/<x>/
ExitSpecificArea/PolygonArea/<x>

Table 5.2.48W6A15.1:

/<x>/<x>/OnNetwork/FunctionalAliasList/<x>/Entry/LocationCriteriaForActivation/<x>/ExitSpecificArea
a/PolygonArea/<x>

<x>/OnNetwork/FunctionalAliasList/<x>/Entry/LocationCriteriaForActivation/<x>/ExitSpecificArea/PolygonArea/
<x>

Status	Occurrence	Format	Min. Access Types
Required	OneOrN	node	Get, Replace

This interior node contains the coordinates of the corners which define a polygon. The occurrence of this leaf node is "3 to 15" as per 3GPP TS 23.032 [21].

5.2.48W6A15A /<x>/<x>/OnNetwork/FunctionalAliasList/<x>/Entry/
LocationCriteriaForActivation/<x>/ExitSpecificArea/
PolygonArea/<x>/PointCoordinateType

Table 5.2.48W6A15A.1:

**/<x>/<x>/OnNetwork/FunctionalAliasList/<x>/Entry/LocationCriteriaForActivation/<x>/ExitSpecificArea/
a/PolygonArea/<x>/PointCoordinateType**

<x>/OnNetwork/FunctionalAliasList/<x>/Entry/LocationCriteriaForActivation/<x>/ExitSpecificArea/PolygonArea/
<x>/PointCoordinateType

Status	Occurrence	Format	Min. Access Types
Required	One	node	Get, Replace

This interior node contains the type of the coordinates.

5.2.48W6A16/<x>/<x>/OnNetwork/FunctionalAliasList/<x>/Entry/
LocationCriteriaForActivation/<x>/
ExitSpecificArea/PolygonArea/<x>/PointCoordinateType/Longitude

Table 5.2.48W6A16.1:

**/<x>/<x>/OnNetwork/FunctionalAliasList/<x>/Entry/LocationCriteriaForActivation/<x>/ExitSpecificArea/
a/PolygonArea/<x>/PointCoordinateType/Longitude**

<x>/OnNetwork/FunctionalAliasList/<x>/Entry/LocationCriteriaForActivation/<x>/ExitSpecificArea/PolygonArea/
<x>/PointCoordinateType/Longitude

Status	Occurrence	Format	Min. Access Types
Required	One	int	Get, Replace

This leaf node contains the longitudinal coordinate of a corner.

- Values: 0-16777215

5.2.48W6A17/<x>/<x>/OnNetwork/FunctionalAliasList/<x>/Entry/
LocationCriteriaForActivation/<x>/
ExitSpecificArea/PolygonArea/<x>/PointCoordinateType/Latitude

Table 5.2.48W6A17.1:

**/<x>/<x>/OnNetwork/FunctionalAliasList/<x>/Entry/LocationCriteriaForActivation/<x>/ExitSpecificArea/
a/PolygonArea/<x>/PointCoordinateType/Latitude**

<x>/OnNetwork/FunctionalAliasList/<x>/Entry/LocationCriteriaForActivation/<x>/ExitSpecificArea/PolygonArea/
<x>/PointCoordinateType/Latitude

Status	Occurrence	Format	Min. Access Types
Required	One	int	Get, Replace

This leaf node contains the latitudinal coordinate of a corner.

- Values: 0-16777215

5.2.48W6A18/ <x>/<x>/OnNetwork/FunctionalAliasList/<x>/Entry/ LocationCriteriaForActivation/<x>/ ExitSpecificArea/EllipsoidArcArea

Table 5.2.48W6A18.1:

/<x>/<x>/OnNetwork/FunctionalAliasList/<x>/Entry/LocationCriteriaForActivation/<x>/ExitSpecificArea/EllipsoidArcArea

<x>/OnNetwork/FunctionalAliasList/<x>/Entry/LocationCriteriaForActivation/<x>/ExitSpecificArea/EllipsoidArcArea

Status	Occurrence	Format	Min. Access Types
Optional	ZeroOrOne	node	Get, Replace

This interior node contains a geographical area described by an ellipsoid arc.

5.2.48W6A19/ <x>/<x>/OnNetwork/FunctionalAliasList/<x>/Entry/ LocationCriteriaForActivation/<x>/ ExitSpecificArea/EllipsoidArcArea/Center

Table 5.2.48W6A19.1:

/<x>/<x>/OnNetwork/FunctionalAliasList/<x>/Entry/LocationCriteriaForActivation/<x>/ExitSpecificArea/EllipsoidArcArea/Center

<x>/OnNetwork/FunctionalAliasList/<x>/Entry/LocationCriteriaForActivation/<x>/ExitSpecificArea/EllipsoidArcArea/Center

Status	Occurrence	Format	Min. Access Types
Required	One	node	Get, Replace

This interior node contains the coordinates of the center point of the ellipsoid arc.

5.2.48W6A19A /<x>/<x>/OnNetwork/FunctionalAliasList/<x>/Entry/ LocationCriteriaForActivation/<x>/ExitSpecificArea/ EllipsoidArcArea/Center/PointCoordinateType

Table 5.2.48W6A19A.1:

/<x>/<x>/OnNetwork/FunctionalAliasList/<x>/Entry/LocationCriteriaForActivation/<x>/ExitSpecificArea/EllipsoidArcArea/Center/PointCoordinateType

<x>/OnNetwork/FunctionalAliasList/<x>/Entry/LocationCriteriaForActivation/<x>/ExitSpecificArea/EllipsoidArcArea/Center/PointCoordinateType

Status	Occurrence	Format	Min. Access Types
Required	One	node	Get, Replace

This interior node contains the coordinates of the center point of the ellipsoid arc.

5.2.48W6A20/<x>/<x>/OnNetwork/FunctionalAliasList/<x>/Entry/
 LocationCriteriaForActivation/<x>/
 ExitSpecificArea/EllipsoidArcArea/Center/PointCoordinateType/
 Longitude

Table 5.2.48W6A20.1:

<x>/<x>/OnNetwork/FunctionalAliasList/<x>/Entry/LocationCriteriaForActivation/<x>/ExitSpecificArea/EllipsoidArcArea/Center/PointCoordinateType/Longitude

<x>/OnNetwork/FunctionalAliasList/<x>/Entry/LocationCriteriaForActivation/<x>/ExitSpecificArea/EllipsoidArcArea/Center/PointCoordinateType/Longitude

Status	Occurrence	Format	Min. Access Types
Required	One	int	Get, Replace

This leaf node contains the longitudinal coordinate of the center.

- Values: 0-16777215

5.2.48W6A21/<x>/<x>/OnNetwork/FunctionalAliasList/<x>/Entry/
 LocationCriteriaForActivation/<x>/
 ExitSpecificArea/EllipsoidArcArea/Center/PointCoordinateType/
 Latitude

Table 5.2.48W6A21.1:

<x>/<x>/OnNetwork/FunctionalAliasList/<x>/Entry/LocationCriteriaForActivation/<x>/ExitSpecificArea/EllipsoidArcArea/Center/PointCoordinateType/Latitude

<x>/OnNetwork/FunctionalAliasList/<x>/Entry/LocationCriteriaForActivation/<x>/ExitSpecificArea/EllipsoidArcArea/Center/PointCoordinateType/Latitude

Status	Occurrence	Format	Min. Access Types
Required	One	int	Get, Replace

This leaf node contains the latitudinal coordinate of the center.

- Values: 0-16777215

5.2.48W6A22/<x>/<x>/OnNetwork/FunctionalAliasList/<x>/Entry/
 LocationCriteriaForActivation/<x>/
 ExitSpecificArea/EllipsoidArcArea/Radius

Table 5.2.48W6A22.1:

<x>/<x>/OnNetwork/FunctionalAliasList/<x>/Entry/LocationCriteriaForActivation/<x>/ExitSpecificArea/EllipsoidArcArea/Radius

<x>/OnNetwork/FunctionalAliasList/<x>/Entry/LocationCriteriaForActivation/<x>/ExitSpecificArea/EllipsoidArcArea/Radius

Status	Occurrence	Format	Min. Access Types
Required	One	int	Get, Replace

This leaf node contains the radius of the ellipsoid arc.

- Values: non-negative integer

5.2.48W6A23/<x>/<x>/OnNetwork/FunctionalAliasList/<x>/Entry/
LocationCriteriaForActivation/<x>/
ExitSpecificArea/EllipsoidArcArea/OffsetAngle

Table 5.2.48W6A23.1:

/<x>/<x>/OnNetwork/FunctionalAliasList/<x>/Entry/LocationCriteriaForActivation/<x>/ExitSpecificArea/EllipsoidArcArea/OffsetAngle

<x>/OnNetwork/FunctionalAliasList/<x>/Entry/LocationCriteriaForActivation/<x>/ExitSpecificArea/EllipsoidArcArea/OffsetAngle

Status	Occurrence	Format	Min. Access Types
Required	One	int	Get, Replace

This leaf node contains the offset angle of the ellipsoid arc.

- Values: 0-255

5.2.48W6A24/<x>/<x>/OnNetwork/FunctionalAliasList/<x>/Entry/
LocationCriteriaForActivation/<x>/
ExitSpecificArea/EllipsoidArcArea/IncludedAngle

Table 5.2.48W6A24.1:

/<x>/<x>/OnNetwork/FunctionalAliasList/<x>/Entry/LocationCriteriaForActivation/<x>/ExitSpecificArea/EllipsoidArcArea/IncludedAngle

<x>/OnNetwork/FunctionalAliasList/<x>/Entry/LocationCriteriaForActivation/<x>/ExitSpecificArea/EllipsoidArcArea/IncludedAngle

Status	Occurrence	Format	Min. Access Types
Required	One	int	Get, Replace

This leaf node contains the included angle of the ellipsoid arc.

- Values: 0-255

5.2.48W6A24A /<x>/<x>/OnNetwork/FunctionalAliasList/<x>/Entry/
LocationCriteriaForActivation/<x>/ExitSpecificArea/Speed

Table 5.2.48W6A24A.1:

/<x>/<x>/OnNetwork/FunctionalAliasList/<x>/Entry/LocationCriteriaForActivation/<x>/ExitSpecificArea/Speed

<x>/OnNetwork/FunctionalAliasList/<x>/Entry/LocationCriteriaForActivation/<x>/ExitSpecificArea/Speed

Status	Occurrence	Format	Min. Access Types
Optional	One	node	Get, Replace

This interior node contains the speed.

5.2.48W6A24B /<x>/<x>/OnNetwork/FunctionalAliasList/<x>/Entry/ LocationCriteriaForActivation/<x>/ExitSpecificArea/Speed/ MinimumSpeed

Table 5.2.48W6A24B.1:

/<x>/<x>/OnNetwork/FunctionalAliasList/<x>/Entry/LocationCriteriaForActivation/<x>/ExitSpecificArea/Speed/MinimumSpeed

<x>/OnNetwork/FunctionalAliasList/<x>/Entry/LocationCriteriaForActivation/<x>/ExitSpecificArea/Speed/MinimumSpeed

Status	Occurrence	Format	Min. Access Types
Required	One	int	Get, Replace

This leaf node contains the minimum speed.

- Values: non-negative integer in units of kilometers/hour.

5.2.48W6A24C /<x>/<x>/OnNetwork/FunctionalAliasList/<x>/Entry/ LocationCriteriaForActivation/<x>/ExitSpecificArea/Speed/ MaximumSpeed

Table 5.2.48W6A24C.1:

/<x>/<x>/OnNetwork/FunctionalAliasList/<x>/Entry/LocationCriteriaForActivation/<x>/ExitSpecificArea/Speed/MaximumSpeed

<x>/OnNetwork/FunctionalAliasList/<x>/Entry/LocationCriteriaForActivation/<x>/ExitSpecificArea/Speed/MaximumSpeed

Status	Occurrence	Format	Min. Access Types
Required	One	int	Get, Replace

This leaf node contains the maximum speed.

- Values: non-negative integer in units of kilometers/hour.

5.2.48W6A24D /<x>/<x>/OnNetwork/FunctionalAliasList/<x>/Entry/ LocationCriteriaForActivation/<x>/ExitSpecificArea/Heading

Table 5.2.48W6A24D.1:

/<x>/<x>/OnNetwork/FunctionalAliasList/<x>/Entry/LocationCriteriaForActivation/<x>/ExitSpecificArea/Heading

<x>/OnNetwork/FunctionalAliasList/<x>/Entry/LocationCriteriaForActivation/<x>/ExitSpecificArea/Heading

Status	Occurrence	Format	Min. Access Types
Optional	One	node	Get, Replace

This interior node contains the heading.

5.2.48W6A24E /<x>/<x>/OnNetwork/FunctionalAliasList/<x>/Entry/ LocationCriteriaForActivation/<x>/ExitSpecificArea/Heading/ MinimumHeading

Table 5.2.48W6A24E.1:

/<x>/<x>/OnNetwork/FunctionalAliasList/<x>/Entry/LocationCriteriaForActivation/<x>/ExitSpecificArea/Heading/MinimumHeading

<x>/OnNetwork/FunctionalAliasList/<x>/Entry/LocationCriteriaForActivation/<x>/ExitSpecificArea/Heading/MinimumHeading

Status	Occurrence	Format	Min. Access Types
Required	One	int	Get, Replace

This leaf node contains the minimum heading.

- Values: 0-359

5.2.48W6A24F /<x>/<x>/OnNetwork/FunctionalAliasList/<x>/Entry/ LocationCriteriaForActivation/<x>/ExitSpecificArea/Heading/ MaximumHeading

Table 5.2.48W6A24E.1:

/<x>/<x>/OnNetwork/FunctionalAliasList/<x>/Entry/LocationCriteriaForActivation/<x>/ExitSpecificArea/Heading/MaximumHeading

<x>/OnNetwork/FunctionalAliasList/<x>/Entry/LocationCriteriaForActivation/<x>/ExitSpecificArea/Heading/MaximumHeading

Status	Occurrence	Format	Min. Access Types
Required	One	int	Get, Replace

This leaf node contains the maximum heading.

- Values: 0-359

5.2.48W6B /<x>/<x>/OnNetwork/FunctionalAliasList/<x>/Entry/ LocationCriteriaForDeactivation

Table 5.2.48W6B.1:

/<x>/<x>/OnNetwork/FunctionalAliasList/<x>/Entry/LocationCriteriaForDeactivation

<x>/OnNetwork/FunctionalAliasList/<x>/Entry/LocationCriteriaForDeactivation

Status	Occurrence	Format	Min. Access Types
Optional	ZeroOrOne	node	Get, Replace

This interior node contains the location criteria for de-activation of a functional alias.

5.2.48W6B0 /<x>/<x>/OnNetwork/FunctionalAliasList/<x>/Entry/ LocationCriteriaForDeactivation/<x>

Table 5.2.48W6B0.1:

/<x>/<x>/OnNetwork/FunctionalAliasList/<x>/Entry/LocationCriteriaForDeactivation/<x>

<x>/OnNetwork/FunctionalAliasList/<x>/Entry/LocationCriteriaForDeactivation/<x>

Status	Occurrence	Format	Min. Access Types
Optional	ZeroOrMore	node	Get, Replace

This interior node contains the zero or more location criteria for de-activation of a functional alias.

5.2.48W6B1 /<x>/<x>/OnNetwork/FunctionalAliasList/<x>/Entry/ LocationCriteriaForDeactivation/<x>/EnterSpecificArea

Table 5.2.48W6B1.1:

/<x>/<x>/OnNetwork/FunctionalAliasList/<x>/Entry/LocationCriteriaForDeactivation/<x>/EnterSpecific Area

<x>/OnNetwork/FunctionalAliasList/<x>/Entry/LocationCriteriaForDeactivation/<x>/EnterSpecificArea

Status	Occurrence	Format	Min. Access Types
Optional	ZeroOrOne	node	Get, Replace

This interior node contains a geographical area which when entered by the MC service UE triggers the functional alias de-activation.

5.2.48W6B2 /<x>/<x>/OnNetwork/FunctionalAliasList/<x>/Entry/ LocationCriteriaForDeactivation/<x>/EnterSpecificArea/ PolygonArea

Table 5.2.48W6B2.1:

/<x>/<x>/OnNetwork/FunctionalAliasList/<x>/Entry/LocationCriteriaForDeactivation/<x>/EnterSpecific Area/PolygonArea

<x>/OnNetwork/FunctionalAliasList/<x>/Entry/LocationCriteriaForDeactivation/<x>/EnterSpecificArea/PolygonAr

Status	Occurrence	Format	Min. Access Types
Optional	ZeroOrOne	node	Get, Replace

This interior node contains a geographical area described by a polygon.

5.2.48W6B3 /<x>/<x>/OnNetwork/FunctionalAliasList/<x>/Entry/ LocationCriteriaForDeactivation/<x>/EnterSpecificArea/ PolygonArea/<x>

Table 5.2.48W6B3.1:

/<x>/<x>/OnNetwork/FunctionalAliasList/<x>/Entry/LocationCriteriaForDeactivation/<x>/EnterSpecific Area/PolygonArea/<x>

<x>/OnNetwork/FunctionalAliasList/<x>/Entry/LocationCriteriaForDeactivation/<x>/EnterSpecificArea/PolygonAr
ea/<x>

Status	Occurrence	Format	Min. Access Types
Required	OneOrN	node	Get, Replace

This interior node contains the coordinates of the corners which define a polygon. The occurrence of this leaf node is "3 to 15" as per 3GPP TS 23.032 [21].

5.2.48W6B3A /<x>/<x>/OnNetwork/FunctionalAliasList/<x>/Entry/
LocationCriteriaForDeactivation/<x>/EnterSpecificArea/
PolygonArea/<x>/PointCoordinateType

Table 5.2.48W6B3A.1:

**/<x>/<x>/OnNetwork/FunctionalAliasList/<x>/Entry/LocationCriteriaForDeactivation/<x>/EnterSpecific
Area/PolygonArea/<x>/PointCoordinateType**

<x>/OnNetwork/FunctionalAliasList/<x>/Entry/LocationCriteriaForDeactivation/<x>/EnterSpecificArea/PolygonAr
ea/<x>/PointCoordinateType

Status	Occurrence	Format	Min. Access Types
Required	One	node	Get, Replace

This interior node contains the coordinates of the center point of the ellipsoid arc.

5.2.48W6B4 /<x>/<x>/OnNetwork/FunctionalAliasList/<x>/Entry/
LocationCriteriaForDeactivation/<x>/EnterSpecificArea/
PolygonArea/<x>/PointCoordinateType/Longitude

Table 5.2.48W6B4.1:

**/<x>/<x>/OnNetwork/FunctionalAliasList/<x>/Entry/LocationCriteriaForDeactivation/<x>/EnterSpecific
Area/PolygonArea/<x>/PointCoordinateType/Longitude**

<x>/OnNetwork/FunctionalAliasList/<x>/Entry/LocationCriteriaForDeactivation/<x>/EnterSpecificArea/PolygonAr
ea/<x>/PointCoordinateType/Longitude

Status	Occurrence	Format	Min. Access Types
Required	One	int	Get, Replace

This leaf node contains the longitudinal coordinate of a corner.

- Values: 0-16777215

5.2.48W6B5 /<x>/<x>/OnNetwork/FunctionalAliasList/<x>/Entry/
LocationCriteriaForDeactivation/<x>/EnterSpecificArea/
PolygonArea/<x>/PointCoordinateType/Latitude

Table 5.2.48W6B5.1:

**/<x>/<x>/OnNetwork/FunctionalAliasList/<x>/Entry/LocationCriteriaForDeactivation/<x>/EnterSpecific
Area/PolygonArea/<x>/PointCoordinateType/Latitude**

<x>/OnNetwork/FunctionalAliasList/<x>/Entry/LocationCriteriaForDeactivation/<x>/EnterSpecificArea/PolygonAr
ea/<x>/PointCoordinateType/Latitude

Status	Occurrence	Format	Min. Access Types
Required	One	int	Get, Replace

This leaf node contains the latitudinal coordinate of a corner.

- Values: 0-16777215

5.2.48W6B6 /<x>/<x>/OnNetwork/FunctionalAliasList/<x>/Entry/ LocationCriteriaForDeactivation/<x>/EnterSpecificArea/ EllipsoidArcArea

Table 5.2.48W6B6.1:

/<x>/<x>/OnNetwork/FunctionalAliasList/<x>/Entry/LocationCriteriaForDeactivation/<x>/EnterSpecific Area/EllipsoidArcArea

<x>/OnNetwork/FunctionalAliasList/<x>/Entry/LocationCriteriaForDeactivation/<x>/EnterSpecificArea/EllipsoidArcArea

Status	Occurrence	Format	Min. Access Types
Optional	ZeroOrOne	node	Get, Replace

This interior node contains a geographical area described by an ellipsoid arc.

5.2.48W6B7 /<x>/<x>/OnNetwork/FunctionalAliasList/<x>/Entry/ LocationCriteriaForDeactivation/<x>/EnterSpecificArea/ EllipsoidArcArea/Center

Table 5.2.48W6B7.1:

/<x>/<x>/OnNetwork/FunctionalAliasList/<x>/Entry/LocationCriteriaForDeactivation/<x>/EnterSpecific Area/EllipsoidArcArea/Center

<x>/OnNetwork/FunctionalAliasList/<x>/Entry/LocationCriteriaForDeactivation/<x>/EnterSpecificArea/EllipsoidArcArea/Center

Status	Occurrence	Format	Min. Access Types
Required	One	node	Get, Replace

This interior node contains the coordinates of the center point of the ellipsoid arc.

5.2.48W6B7A /<x>/<x>/OnNetwork/FunctionalAliasList/<x>/Entry/ LocationCriteriaForDeactivation/<x>/EnterSpecificArea/ EllipsoidArcArea/Center/PointCoordinateType

Table 5.2.48W6B7A.1:

/<x>/<x>/OnNetwork/FunctionalAliasList/<x>/Entry/LocationCriteriaForDeactivation/<x>/EnterSpecific Area/EllipsoidArcArea/Center/PointCoordinateType

<x>/OnNetwork/FunctionalAliasList/<x>/Entry/LocationCriteriaForDeactivation/<x>/EnterSpecificArea/EllipsoidArcArea/Center/PointCoordinateType

Status	Occurrence	Format	Min. Access Types
Required	One	node	Get, Replace

This interior node contains the coordinates of the center point of the ellipsoid arc.

5.2.48W6B8 /<x>/<x>/OnNetwork/FunctionalAliasList/<x>/Entry/ LocationCriteriaForDeactivation/<x>/EnterSpecificArea/ EllipsoidArcArea/Center/PointCoordinateType/Longitude

Table 5.2.48W6B8.1:

/<x>/<x>/OnNetwork/FunctionalAliasList/<x>/Entry/LocationCriteriaForDeactivation/<x>/EnterSpecific Area/EllipsoidArcArea/Center/PointCoordinateType/Longitude

<x>/OnNetwork/FunctionalAliasList/<x>/Entry/LocationCriteriaForDeactivation/<x>/EnterSpecificArea/EllipsoidA
rcArea/Center/PointCoordinateType/Longitude

Status	Occurrence	Format	Min. Access Types
Required	One	int	Get, Replace

This leaf node contains the longitudinal coordinate of the center.

- Values: 0-16777215

5.2.48W6B9 /<x>/<x>/OnNetwork/FunctionalAliasList/<x>/Entry/ LocationCriteriaForDeactivation/<x>/EnterSpecificArea/ EllipsoidArcArea/Center/PointCoordinateType/Latitude

Table 5.2.48W6B9.1:

/<x>/<x>/OnNetwork/FunctionalAliasList/<x>/Entry/LocationCriteriaForDeactivation/<x>/EnterSpecific Area/EllipsoidArcArea/Center/PointCoordinateType/Latitude

<x>/OnNetwork/FunctionalAliasList/<x>/Entry/LocationCriteriaForDeactivation/<x>/EnterSpecificArea/EllipsoidA
rcArea/Center/PointCoordinateType/Latitude

Status	Occurrence	Format	Min. Access Types
Required	One	int	Get, Replace

This leaf node contains the latitudinal coordinate of the center.

- Values: 0-16777215

5.2.48W6B10/<x>/<x>/OnNetwork/FunctionalAliasList/<x>/Entry/ LocationCriteriaForDeactivation/<x>/ EnterSpecificArea/EllipsoidArcArea/Radius

Table 5.2.48W6B10.1:

/<x>/<x>/OnNetwork/FunctionalAliasList/<x>/Entry/LocationCriteriaForDeactivation/<x>/EnterSpecific Area/EllipsoidArcArea/Radius

<x>/OnNetwork/FunctionalAliasList/<x>/Entry/LocationCriteriaForDeactivation/<x>/EnterSpecificArea/EllipsoidA
rcArea/Radius

Status	Occurrence	Format	Min. Access Types
Required	One	int	Get, Replace

This leaf node contains the radius of the ellipsoid arc.

- Values: non-negative integer

5.2.48W6B11/<x>/<x>/OnNetwork/FunctionalAliasList/<x>/Entry/
LocationCriteriaForDeactivation/<x>/
EnterSpecificArea/EllipsoidArcArea/OffsetAngle

Table 5.2.48W6B11.1:

**/<x>/<x>/OnNetwork/FunctionalAliasList/<x>/Entry/LocationCriteriaForDeactivation/<x>/EnterSpecific
Area/EllipsoidArcArea/OffsetAngle**

<x>/OnNetwork/FunctionalAliasList/<x>/Entry/LocationCriteriaForDeactivation/<x>/EnterSpecificArea/EllipsoidA
rcArea/OffsetAngle

Status	Occurrence	Format	Min. Access Types
Required	One	int	Get, Replace

This leaf node contains the offset angle of the ellipsoid arc.

- Values: 0-255

5.2.48W6B12/<x>/<x>/OnNetwork/FunctionalAliasList/<x>/Entry/
LocationCriteriaForDeactivation/<x>/
EnterSpecificArea/EllipsoidArcArea/IncludedAngle

Table 5.2.48W6B12.1:

**/<x>/<x>/OnNetwork/FunctionalAliasList/<x>/Entry/LocationCriteriaForDeactivation/<x>/EnterSpecific
Area/EllipsoidArcArea/IncludedAngle**

<x>/OnNetwork/FunctionalAliasList/<x>/Entry/LocationCriteriaForDeactivation/<x>/EnterSpecificArea/EllipsoidA
rcArea/IncludedAngle

Status	Occurrence	Format	Min. Access Types
Required	One	int	Get, Replace

This leaf node contains the included angle of the ellipsoid arc.

- Values: 0-255

5.2.48W6B12A /<x>/<x>/OnNetwork/FunctionalAliasList/<x>/Entry/
LocationCriteriaForDeactivation/<x>/EnterSpecificArea/Speed

Table 5.2.48W6B12A.1:

**/<x>/<x>/OnNetwork/FunctionalAliasList/<x>/Entry/LocationCriteriaForDeactivation/<x>/EnterSpecific
Area/Speed**

<x>/OnNetwork/FunctionalAliasList/<x>/Entry/LocationCriteriaForDeactivation/<x>/EnterSpecificArea/Speed

Status	Occurrence	Format	Min. Access Types
Optional	One	node	Get, Replace

This interior node contains the speed.

5.2.48W6B12B /<x>/<x>/OnNetwork/FunctionalAliasList/<x>/Entry/ LocationCriteriaForDeactivation/<x>/EnterSpecificArea/Speed/ MinimumSpeed

Table 5.2.48W6B12B.1:

/<x>/<x>/OnNetwork/FunctionalAliasList/<x>/Entry/LocationCriteriaForDeactivation/<x>/EnterSpecific Area/Speed/MinimumSpeed

<x>/OnNetwork/FunctionalAliasList/<x>/Entry/LocationCriteriaForDeactivation/<x>/EnterSpecificArea/Speed/Min
imumSpeed

Status	Occurrence	Format	Min. Access Types
Required	One	int	Get, Replace

This leaf node contains the minimum speed.

- Values: non-negative integer in units of kilometers/hour.

5.2.48W6B12C /<x>/<x>/OnNetwork/FunctionalAliasList/<x>/Entry/ LocationCriteriaForDeactivation/<x>/EnterSpecificArea/Speed/ MaximumSpeed

Table 5.2.48W6B12C.1:

/<x>/<x>/OnNetwork/FunctionalAliasList/<x>/Entry/LocationCriteriaForDeactivation/<x>/EnterSpecific Area/Speed/MaximumSpeed

<x>/OnNetwork/FunctionalAliasList/<x>/Entry/LocationCriteriaForDeactivation/<x>/EnterSpecificArea/Speed/Max
imumSpeed

Status	Occurrence	Format	Min. Access Types
Required	One	int	Get, Replace

This leaf node contains the maximum speed.

- Values: non-negative integer in units of kilometers/hour.

5.2.48W6B12D /<x>/<x>/OnNetwork/FunctionalAliasList/<x>/Entry/ LocationCriteriaForDeactivation/<x>/EnterSpecificArea/Heading

Table 10.2.97B3C18.1:

/<x>/<x>/OnNetwork/FunctionalAliasList/<x>/Entry/LocationCriteriaForDeactivation/<x>/EnterSpecific Area/Heading

<x>/OnNetwork/FunctionalAliasList/<x>/Entry/LocationCriteriaForDeactivation/<x>/EnterSpecificArea/Heading

Status	Occurrence	Format	Min. Access Types
Optional	One	node	Get, Replace

This interior node contains the heading.

5.2.48W6B12E /<x>/<x>/OnNetwork/FunctionalAliasList/<x>/Entry/ LocationCriteriaForDeactivation/<x>/EnterSpecificArea/Heading/ MinimumHeading

Table 5.2.48W6B12E.1:

/<x>/<x>/OnNetwork/FunctionalAliasList/<x>/Entry/LocationCriteriaForDeactivation/<x>/EnterSpecific Area/Heading/MinimumHeading

<x>/OnNetwork/FunctionalAliasList/<x>/Entry/LocationCriteriaForDeactivation/<x>/EnterSpecificArea/Heading/M
inimumHeading

Status	Occurrence	Format	Min. Access Types
Required	One	int	Get, Replace

This leaf node contains the minimum heading.

- Values: 0-359

5.2.48W6B12F /<x>/<x>/OnNetwork/FunctionalAliasList/<x>/Entry/ LocationCriteriaForDeactivation/<x>/EnterSpecificArea/Heading/ MaximumHeading

Table 5.2.48W6B12F.1:

/<x>/<x>/OnNetwork/FunctionalAliasList/<x>/Entry/LocationCriteriaForDeactivation/<x>/EnterSpecific Area/Heading/MaximumHeading

<x>/OnNetwork/FunctionalAliasList/<x>/Entry/LocationCriteriaForDeactivation/<x>/EnterSpecificArea/Heading/M
aximumHeading

Status	Occurrence	Format	Min. Access Types
Required	One	int	Get, Replace

This leaf node contains the maximum heading.

- Values: 0-359

5.2.48W6B13/<x>/<x>/OnNetwork/FunctionalAliasList/<x>/Entry/ LocationCriteriaForDeactivation/<x>/ ExitSpecificArea

Table 5.2.48W6B13.1:

/<x>/<x>/OnNetwork/FunctionalAliasList/<x>/Entry/LocationCriteriaForDeactivation/<x>/ExitSpecificA rea

<x>/OnNetwork/FunctionalAliasList/<x>/Entry/LocationCriteriaForDeactivation/<x>/ExitSpecificArea

Status	Occurrence	Format	Min. Access Types
Optional	ZeroOrOne	node	Get, Replace

This interior node contains a geographical area which when exited by the MC service UE triggers the functional alias de-activation.

5.2.48W6B14/ <x>/<x>/OnNetwork/FunctionalAliasList/<x>/Entry/ LocationCriteriaForDeactivation/<x>/ ExitSpecificArea/PolygonArea

Table 5.2.48W6B14.1:

/<x>/<x>/OnNetwork/FunctionalAliasList/<x>/Entry/LocationCriteriaForDeactivation/<x>/ExitSpecificArea/PolygonArea

<x>/OnNetwork/FunctionalAliasList/<x>/Entry/LocationCriteriaForDeactivation/<x>/ExitSpecificArea/PolygonArea

Status	Occurrence	Format	Min. Access Types
Optional	ZeroOrOne	node	Get, Replace

This interior node contains a geographical area described by a polygon.

5.2.48W6B15/ <x>/<x>/OnNetwork/FunctionalAliasList/<x>/Entry/ LocationCriteriaForDeactivation/<x>/ ExitSpecificArea/PolygonArea/<x>

Table 5.2.48W6B15.1:

/<x>/<x>/OnNetwork/FunctionalAliasList/<x>/Entry/LocationCriteriaForDeactivation/<x>/ExitSpecificArea/PolygonArea/<x>

<x>/OnNetwork/FunctionalAliasList/<x>/Entry/LocationCriteriaForDeactivation/<x>/ExitSpecificArea/PolygonArea/<x>

Status	Occurrence	Format	Min. Access Types
Required	OneOrN	node	Get, Replace

This interior node contains the coordinates of the corners which define a polygon. The occurrence of this leaf node is "3 to 15" as per 3GPP TS 23.032 [21].

5.2.48W6B15A /<x>/<x>/OnNetwork/FunctionalAliasList/<x>/Entry/ LocationCriteriaForDeactivation/<x>/ExitSpecificArea/ PolygonArea/<x>/PointCoordinateType

Table 5.2.48W6B15A.1:

/<x>/<x>/OnNetwork/FunctionalAliasList/<x>/Entry/LocationCriteriaForDeactivation/<x>/ExitSpecificArea/PolygonArea/<x>/PointCoordinateType

<x>/OnNetwork/FunctionalAliasList/<x>/Entry/LocationCriteriaForDeactivation/<x>/ExitSpecificArea/PolygonArea/<x>/PointCoordinateType

Status	Occurrence	Format	Min. Access Types
Required	One	node	Get, Replace

This interior node contains the coordinates of the center point of the ellipsoid arc.

5.2.48W6B16/<x>/<x>/OnNetwork/FunctionalAliasList/<x>/Entry/
LocationCriteriaForDeactivation/<x>/
ExitSpecificArea/PolygonArea/<x>/PointCoordinateType/Longitude

Table 5.2.48W6B16.1:

/<x>/<x>/OnNetwork/FunctionalAliasList/<x>/Entry/LocationCriteriaForDeactivation/<x>/ExitSpecificArea/PolygonArea/<x>/PointCoordinateType/Longitude

<x>/OnNetwork/FunctionalAliasList/<x>/Entry/LocationCriteriaForDeactivation/<x>/ExitSpecificArea/PolygonArea/<x>/PointCoordinateType/Longitude

Status	Occurrence	Format	Min. Access Types
Required	One	int	Get, Replace

This leaf node contains the longitudinal coordinate of a corner.

- Values: 0-16777215

5.2.48W6B17/<x>/<x>/OnNetwork/FunctionalAliasList/<x>/Entry/
LocationCriteriaForDeactivation/<x>/
ExitSpecificArea/PolygonArea/<x>/PointCoordinateType/Latitude

Table 5.2.48W6B17.1:

/<x>/<x>/OnNetwork/FunctionalAliasList/<x>/Entry/LocationCriteriaForDeactivation/<x>/ExitSpecificArea/PolygonArea/<x>/PointCoordinateType/Latitude

<x>/OnNetwork/FunctionalAliasList/<x>/Entry/LocationCriteriaForDeactivation/<x>/ExitSpecificArea/PolygonArea/<x>/PointCoordinateType/Latitude

Status	Occurrence	Format	Min. Access Types
Required	One	int	Get, Replace

This leaf node contains the latitudinal coordinate of a corner.

- Values: 0-16777215

5.2.48W6B18/<x>/<x>/OnNetwork/FunctionalAliasList/<x>/Entry/
LocationCriteriaForDeactivation/<x>/
ExitSpecificArea/EllipsoidArcArea

Table 5.2.48W6B18.1:

/<x>/<x>/OnNetwork/FunctionalAliasList/<x>/Entry/LocationCriteriaForDeactivation/<x>/ExitSpecificArea/EllipsoidArcArea

<x>/OnNetwork/FunctionalAliasList/<x>/Entry/LocationCriteriaForDeactivation/<x>/ExitSpecificArea/EllipsoidArcArea

Status	Occurrence	Format	Min. Access Types
Optional	ZeroOrOne	node	Get, Replace

This interior node contains a geographical area described by an ellipsoid arc.

5.2.48W6B19/<x>/<x>/OnNetwork/FunctionalAliasList/<x>/Entry/
LocationCriteriaForDeactivation/<x>/
ExitSpecificArea/EllipsoidArcArea/Center

Table 5.2.48W6B19.1:

/<x>/<x>/OnNetwork/FunctionalAliasList/<x>/Entry/LocationCriteriaForDeactivation/<x>/ExitSpecificArea/EllipsoidArcArea/Center

<x>/OnNetwork/FunctionalAliasList/<x>/Entry/LocationCriteriaForDeactivation/<x>/ExitSpecificArea/EllipsoidArcArea/Center

Status	Occurrence	Format	Min. Access Types
Required	One	node	Get, Replace

This interior node contains the coordinates of the center point of the ellipsoid arc.

5.2.48W6B19A /<x>/<x>/OnNetwork/FunctionalAliasList/<x>/Entry/
LocationCriteriaForDeactivation/<x>/ExitSpecificArea/
EllipsoidArcArea/Center/PointCoordinateType

Table 5.2.48W6B19A.1:

/<x>/<x>/OnNetwork/FunctionalAliasList/<x>/Entry/LocationCriteriaForDeactivation/<x>/ExitSpecificArea/EllipsoidArcArea/Center/PointCoordinateType

<x>/OnNetwork/FunctionalAliasList/<x>/Entry/LocationCriteriaForDeactivation/<x>/ExitSpecificArea/EllipsoidArcArea/Center/PointCoordinateType

Status	Occurrence	Format	Min. Access Types
Required	One	node	Get, Replace

This interior node contains the coordinates of the center point of the ellipsoid arc.

5.2.48W6B20/<x>/<x>/OnNetwork/FunctionalAliasList/<x>/Entry/
LocationCriteriaForDeactivation/<x>/
ExitSpecificArea/EllipsoidArcArea/Center/PointCoordinateType/
Longitude

Table 5.2.48W6B20.1:

/<x>/<x>/OnNetwork/FunctionalAliasList/<x>/Entry/LocationCriteriaForDeactivation/<x>/ExitSpecificArea/EllipsoidArcArea/Center/PointCoordinateType/Longitude

<x>/OnNetwork/FunctionalAliasList/<x>/Entry/LocationCriteriaForDeactivation/<x>/ExitSpecificArea/EllipsoidArcArea/Center/PointCoordinateType/Longitude

Status	Occurrence	Format	Min. Access Types
Required	One	int	Get, Replace

This leaf node contains the longitudinal coordinate of the center.

- Values: 0-16777215

5.2.48W6B21/<x>/<x>/OnNetwork/FunctionalAliasList/<x>/Entry/
LocationCriteriaForDeactivation/<x>/
ExitSpecificArea/EllipsoidArcArea/Center/PointCoordinateType/
Latitude

Table 5.2.48W6B21.1:

/<x>/<x>/OnNetwork/FunctionalAliasList/<x>/Entry/LocationCriteriaForDeactivation/<x>/ExitSpecificA
rea/EllipsoidArcArea/Center/PointCoordinateType/Latitude

<x>/OnNetwork/FunctionalAliasList/<x>/Entry/LocationCriteriaForDeactivation/<x>/ExitSpecificArea/EllipsoidArc
Area/Center/PointCoordinateType/Latitude

Status	Occurrence	Format	Min. Access Types
Required	One	int	Get, Replace

This leaf node contains the latitudinal coordinate of the center.

- Values: 0-16777215

5.2.48W6B22/<x>/<x>/OnNetwork/FunctionalAliasList/<x>/Entry/
LocationCriteriaForDeactivation/<x>/
ExitSpecificArea/EllipsoidArcArea/Radius

Table 5.2.48W6B22.1:

/<x>/<x>/OnNetwork/FunctionalAliasList/<x>/Entry/LocationCriteriaForDeactivation/<x>/ExitSpecificA
rea/EllipsoidArcArea/Radius

<x>/OnNetwork/FunctionalAliasList/<x>/Entry/LocationCriteriaForDeactivation/<x>/ExitSpecificArea/EllipsoidArc
Area/Radius

Status	Occurrence	Format	Min. Access Types
Required	One	int	Get, Replace

This leaf node contains the radius of the ellipsoid arc.

- Values: non-negative integer

5.2.48W6B23/<x>/<x>/OnNetwork/FunctionalAliasList/<x>/Entry/
LocationCriteriaForDeactivation/<x>/
ExitSpecificArea/EllipsoidArcArea/OffsetAngle

Table 5.2.48W6B23.1:

/<x>/<x>/OnNetwork/FunctionalAliasList/<x>/Entry/LocationCriteriaForDeactivation/<x>/ExitSpecificA
rea/EllipsoidArcArea/OffsetAngle

<x>/OnNetwork/FunctionalAliasList/<x>/Entry/LocationCriteriaForDeactivation/<x>/ExitSpecificArea/EllipsoidArc
Area/OffsetAngle

Status	Occurrence	Format	Min. Access Types
Required	One	int	Get, Replace

This leaf node contains the offset angle of the ellipsoid arc.

- Values: 0-255

5.2.48W6B24/<x>/<x>/OnNetwork/FunctionalAliasList/<x>/Entry/ LocationCriteriaForDeactivation/<x>/ ExitSpecificArea/EllipsoidArcArea/IncludedAngle

Table 5.2.48W6B24.1:

/<x>/<x>/OnNetwork/FunctionalAliasList/<x>/Entry/LocationCriteriaForDeactivation/<x>/ExitSpecificArea/EllipsoidArcArea/IncludedAngle

<x>/OnNetwork/FunctionalAliasList/<x>/Entry/LocationCriteriaForDeactivation/<x>/ExitSpecificArea/EllipsoidArcArea/IncludedAngle

Status	Occurrence	Format	Min. Access Types
Required	One	int	Get, Replace

This leaf node contains the included angle of the ellipsoid arc.

- Values: 0-255

5.2.48W6B24A /<x>/<x>/OnNetwork/FunctionalAliasList/<x>/Entry/ LocationCriteriaForDeactivation/<x>/ExitSpecificArea/Speed

Table 5.2.48W6B24A.1:

/<x>/<x>/OnNetwork/FunctionalAliasList/<x>/Entry/LocationCriteriaForDeactivation/<x>/ExitSpecificArea/Speed

<x>/OnNetwork/FunctionalAliasList/<x>/Entry/LocationCriteriaForDeactivation/<x>/ExitSpecificArea/Speed

Status	Occurrence	Format	Min. Access Types
Optional	One	node	Get, Replace

This interior node contains the speed.

5.2.48W6B24B /<x>/<x>/OnNetwork/FunctionalAliasList/<x>/Entry/ LocationCriteriaForDeactivation/<x>/ExitSpecificArea/Speed/ MinimumSpeed

Table 5.2.48W6B24B.1:

/<x>/<x>/OnNetwork/FunctionalAliasList/<x>/Entry/LocationCriteriaForDeactivation/<x>/ExitSpecificArea/Speed/MinimumSpeed

<x>/OnNetwork/FunctionalAliasList/<x>/Entry/LocationCriteriaForDeactivation/<x>/ExitSpecificArea/Speed/MinimumSpeed

Status	Occurrence	Format	Min. Access Types
Required	One	int	Get, Replace

This leaf node contains the minimum speed.

- Values: non-negative integer in units of kilometers/hour.

5.2.48W6B24C /<x>/<x>/OnNetwork/FunctionalAliasList/<x>/Entry/
LocationCriteriaForDeactivation/<x>/ExitSpecificArea/Speed/
MaximumSpeed

Table 5.2.48W6B24C.1:

/<x>/<x>/OnNetwork/FunctionalAliasList/<x>/Entry/LocationCriteriaForDeactivation/<x>/ExitSpecificArea/Speed/MaximumSpeed

<x>/OnNetwork/FunctionalAliasList/<x>/Entry/LocationCriteriaForDeactivation/<x>/ExitSpecificArea/Speed/MaximumSpeed

Status	Occurrence	Format	Min. Access Types
Required	One	int	Get, Replace

This leaf node contains the maximum speed.

- Values: non-negative integer in units of kilometers/hour.

5.2.48W6B24D /<x>/<x>/OnNetwork/FunctionalAliasList/<x>/Entry/
LocationCriteriaForDeactivation/<x>/ExitSpecificArea/Heading

Table 5.2.48W6B24D.1:

/<x>/<x>/OnNetwork/FunctionalAliasList/<x>/Entry/LocationCriteriaForDeactivation/<x>/ExitSpecificArea/Heading

<x>/OnNetwork/FunctionalAliasList/<x>/Entry/LocationCriteriaForDeactivation/<x>/ExitSpecificArea/Heading

Status	Occurrence	Format	Min. Access Types
Optional	One	node	Get, Replace

This interior node contains the heading.

5.2.48W6B24E /<x>/<x>/OnNetwork/FunctionalAliasList/<x>/Entry/
LocationCriteriaForDeactivation/<x>/ExitSpecificArea/Heading/
MinimumHeading

Table 5.2.48W6B24E.1:

/<x>/<x>/OnNetwork/FunctionalAliasList/<x>/Entry/LocationCriteriaForDeactivation/<x>/ExitSpecificArea/Heading/MinimumHeading

<x>/OnNetwork/FunctionalAliasList/<x>/Entry/LocationCriteriaForDeactivation/<x>/ExitSpecificArea/Heading/MinimumHeading

Status	Occurrence	Format	Min. Access Types
Required	One	int	Get, Replace

This leaf node contains the minimum heading.

- Values: 0-359

5.2.48W6B24F /<x>/<x>/OnNetwork/FunctionalAliasList/<x>/Entry/ LocationCriteriaForDeactivation/<x>/ExitSpecificArea/Heading/ MaximumHeading

Table 5.2.48W6B24F.1:

/<x>/<x>/OnNetwork/FunctionalAliasList/<x>/Entry/LocationCriteriaForDeactivation/<x>/ExitSpecificArea/Heading/MaximumHeading

<x>/OnNetwork/FunctionalAliasList/<x>/Entry/LocationCriteriaForDeactivation/<x>/ExitSpecificArea/Heading/MaximumHeading

Status	Occurrence	Format	Min. Access Types
Required	One	int	Get, Replace

This leaf node contains the maximum heading.

- Values: 0-359

5.2.48W6C/<x>/<x>/OnNetwork/FunctionalAliasList/<x>/Entry/ ManualDeactivationNotAllowedIfLocationCriteriaMet

Table 5.2.48W6E.1:

/<x>/<x>/OnNetwork/FunctionalAliasList/<x>/Entry/ManualDeactivationNotAllowedIfLocationCriteriaMet

<x>/OnNetwork/FunctionalAliasList/<x>/Entry/ManualDeactivationNotAllowedIfLocationCriteriaMet

Status	Occurrence	Format	Min. Access Types
Optional	ZeroOrOne	bool	Get, Replace

This leaf node indicates whether the MCPTT user is authorised to de-activate a functional alias if the location criteria is met.

5.2.48W7 /<x>/<x>/OnNetwork/FunctionalAliasList/<x>/Entry/DisplayName

Table 5.2.48W7.1: /<x>/<x>/OnNetwork/FunctionalAliasList/<x>/Entry/DisplayName

<x>/OnNetwork/FunctionalAliasList/<x>/Entry/DisplayName

Status	Occurrence	Format	Min. Access Types
Optional	One	chr	Get, Replace

This leaf node contains a human readable name that corresponds to a functional alias that can be activated by the MCPTT user.

5.2.48W7A/<x>/<x>/OnNetwork/FunctionalAliasList/<x>/Entry/ MaxSimultaneousEmergencyGroupCalls

Table 5.2.48W7A.1:

/<x>/<x>/OnNetwork/FunctionalAliasList/<x>/Entry/MaxSimultaneousEmergencyGroupCalls

<x>/OnNetwork/FunctionalAliasList/<x>/Entry/MaxSimultaneousEmergencyGroupCalls

Status	Occurrence	Format	Min. Access Types
Optional	One	int	Get, Replace

This leaf node indicates the maximum number of simultaneous emergency group calls for a functional alias.

5.2.48W8 /<x>/<x>/OnNetwork/AllowedQueryFunctionalAliasOtherUser

Table 5.2.48W8.1: /<x>/<x>/OnNetwork/AllowedQueryFunctionalAliasOtherUser

<x>/OnNetwork/AllowedQueryFunctionalAliasOtherUser

Status	Occurrence	Format	Min. Access Types
Required	One	bool	Get, Replace

This leaf node indicates whether the MCPTT user is authorised query the functional alias(es) activated by another MCPTT user.

When set to "true" the MCPTT user is authorised to query the functional alias(es) activated by another MCPTT user.

When set to "false" the MCPTT user is not authorised to query the functional alias(es) activated by another MCPTT user.

5.2.48W9 /<x>/<x>/OnNetwork/AllowedTakeoverFunctionalAliasOtherUser

Table 5.2.48W9.1: /<x>/<x>/OnNetwork/AllowedTakeoverFunctionalAliasOtherUser

<x>/OnNetwork/AllowedTakeoverFunctionalAliasOtherUser

Status	Occurrence	Format	Min. Access Types
Required	One	bool	Get, Replace

This leaf node indicates whether the MCPTT user is authorised to take over the functional alias(es) previously activated by another MCPTT user.

When set to "true" the MCPTT user is authorised to take over the functional alias(es) previously activated by another MCPTT user.

When set to "false" the MCPTT user is not authorised to take over the functional alias(es) previously activated by another MCPTT user.

5.2.48W10 /<x>/<x>/OnNetwork/AllowedLocationInfoWhenTalking

Table 5.2.48W10.1: /<x>/<x>/OnNetwork/AllowedLocationInfoWhenTalking

<x>/OnNetwork/AllowedLocationInfoWhenTalking

Status	Occurrence	Format	Min. Access Types
Required	One	bool	Get, Replace

This leaf node indicates whether the MCPTT user is authorised to send its location information when it is requesting the floor.

When set to "true" the MCPTT user is authorised to send its location information when it is requesting the floor.

When set to "false" the MCPTT user is not authorised to send its location information when it is requesting the floor.

5.2.48X /<x>/<x>/OnNetwork/AuthorisedIncomingAny

Table 5.2.48.1: /<x>/<x>/OnNetwork/AuthorisedIncomingAny

<x>/OnNetwork/AuthorisedIncomingAny

Status	Occurrence	Format	Min. Access Types

Required	One	bool	Get, Replace
----------	-----	------	--------------

This leaf node indicates the authorisation to receive a MCPTT private call by any MCPTT user.

When set to "true" the MCPTT user is authorised to receive an MCPTT private call by any MCPTT user.

When set to "false" the MCPTT user is not authorised to receive an MCPTT private call by any MCPTT user.

5.2.48Y1/<x>/<x>/OnNetwork/UserList

Table 5.2.48Y1.1: /<x>/<x>/OnNetwork/UserList

<x>/OnNetwork/UserList

Status	Occurrence	Format	Min. Access Types
Required	One	node	Get, Replace

This interior node is a placeholder for a list of MCPTT user(s) who can call this particular user in a MCPTT private call.

5.2.48Y2/<x>/<x>/OnNetwork/UserList/<x>

Table 5.2.48Y2.1: /<x>/<x>/OnNetwork/UserList/<x>

<x>/OnNetwork/UserList/<x>

Status	Occurrence	Format	Min. Access Types
Optional	OneOrMore	node	Get, Replace

This interior node is a placeholder for one or more list of MCPTT users who can call this particular user in a MCPTT private call.

5.2.48Y3/<x>/<x>/OnNetwork/UserList/<x>/Entry

Table 5.2.48Y3.1: /<x>/<x>/OnNetwork/UserList/<x>/Entry

<x>/OnNetwork/UserList/<x>/Entry

Status	Occurrence	Format	Min. Access Types
Required	One	node	Get, Replace

This interior node is a placeholder for one or more MCPTT users who can call the particular user in a private call.

5.2.48Y4/<x>/<x>/OnNetwork/UserList/<x>/Entry/MCPTTID

Table 5.2.48Y4.1: /<x>/<x>/OnNetwork/UserList/<x>/Entry/MCPTTID

<x>/OnNetwork/UserList/<x>/Entry/MCPTTID

Status	Occurrence	Format	Min. Access Types
Optional	One	chr	Get, Replace

This leaf node indicates an MCPTT user identity (MCPTT ID) which is a globally unique identifier within the MCPTT service that represents the MCPTT user.

The value is a "uri" attribute specified in OMA OMA-TS-XDM_Group-V1_1 [4].

5.2.48Y5 /<x>/<x>/OnNetwork/UserList/<x>/Entry/PrivateCallKMSURI

Table 5.2.48Y5.1: /<x>/<x>/OnNetwork/UserList/<x>/Entry/PrivateCallKMSURI

<x>/OnNetwork/UserList/<x>/Entry/PrivateCallKMSURI

Status	Occurrence	Format	Min. Access Types
Optional	One	chr	Get, Replace

This leaf node indicates the identity (URI) of the KMS associated with the MCPTTID. If the value is empty, the KMS leaf node present in the MCS UE initial configuration MO is used.

5.2.48Z /<x>/<x>/OnNetwork/AuthorisedReceiveNonAcknowledged

Table 5.2.48Z.1: /<x>/<x>/OnNetwork/AuthorisedReceiveNonAcknowledged

<x>/OnNetwork/AuthorisedReceiveNonAcknowledged

Status	Occurrence	Format	Min. Access Types
Required	One	bool	Get, Replace

This leaf node indicates the authorisation to receive the list of non-acknowledged MCPTT users to a group session invitation.

When set to "true" the MCPTT user is authorised to receive information about the MCPTT Users that did not acknowledge a group session invitation.

When set to "false" the MCPTT user is not authorised to receive information about MCPTT Users that did not acknowledge a group session invitation.

5.2.49 /<x>/<x>/OffNetwork

Table 5.2.49.1: /<x>/<x>/OffNetwork

<x>/OffNetwork

Status	Occurrence	Format	Min. Access Types
Required	ZeroOrOne	node	Get, Replace

This interior node represents a container for off-network operation.

5.2.50 /<x>/<x>/OffNetwork/Authorised

Table 5.2.50.1: /<x>/<x>/OffNetwork/Authorised

<x>/OffNetwork/Authorised

Status	Occurrence	Format	Min. Access Types
Required	One	bool	Get, Replace

This leaf node indicates the authorisation for off-network services.

When set to "true" the MCPTT user is authorised for off-network.

When set to "false" the MCPTT user is not authorised for off-network operation.

5.2.51 /<x>/<x>/OffNetwork/MCPTTGroupInfo

Table 5.2.51.1: /<x>/<x>/OffNetwork/MCPTTGroupInfo

<x>/OffNetwork/MCPTTGroupInfo

Status	Occurrence	Format	Min. Access Types
Required	One	node	Get, Replace

This interior node is a placeholder for group information.

5.2.52 /<x>/<x>/OffNetwork/MCPTTGroupInfo/<x>

Table 5.2.52.1: /<x>/<x>/OffNetwork/MCPTTGroupInfo/<x>

<x>/OffNetwork/MCPTTGroupInfo/<x>

Status	Occurrence	Format	Min. Access Types
Required	OneOrMore	node	Get, Replace

This interior node is a placeholder for one or more group information.

5.2.52A /<x>/<x>/OffNetwork/MCPTTGroupInfo/<x>/Entry

Table 5.2.52A.1: /<x>/<x>/OffNetwork/MCPTTGroupInfo/<x>/Entry

<x>/OffNetwork/MCPTTGroupInfo/<x>/Entry

Status	Occurrence	Format	Min. Access Types
Required	One	node	Get, Replace

This interior node is a placeholder for one or more off-network MCPTT groups for use by an MCPTT user.

5.2.53 /<x>/<x>/OffNetwork/MCPTTGroupInfo/<x>/Entry/MCPTTGroupID

Table 5.2.53.1: /<x>/<x>/OffNetwork/MCPTTGroupInfo/<x>/Entry/MCPTTGroupID

<x>/OffNetwork/MCPTTGroupInfo/<x>/Entry/MCPTTGroupID

Status	Occurrence	Format	Min. Access Types
Required	One	int	Get, Replace

This leaf node indicates an off-network MCPTT group for use by an MCPTT user.

5.2.53A /<x>/<x>/OffNetwork/MCPTTGroupInfo/<x>/Entry/DisplayName

Table 5.2.53A.1: /<x>/<x>/OffNetwork/MCPTTGroupInfo/<x>/Entry/DisplayName

<x>/OffNetwork/MCPTTGroupInfo/<x>/Entry/DisplayName

Status	Occurrence	Format	Min. Access Types
Optional	One	chr	Get, Replace

This leaf node contains a human readable name that corresponds to the MCPTT group represented by the MCPTT group ID.

5.2.53B /<x>/<x>/OffNetwork/MCPTTGroupInfo/<x>/Entry/ RelativePresentationPriority

Table 5.2.53B.1: /<x>/<x>/OffNetwork/MCPTTGroupInfo/<x>/Entry/RelativePresentationPriority

<x>/OffNetwork/MCPTTGroupInfo/<x>/Entry/RelativePresentationPriority

Status	Occurrence	Format	Min. Access Types
Optional	One	int	Get, Replace

This leaf node indicates indicating the presentation priority of the off-network group for the MCPTT user relative to other off-network groups and off-network users.

- Values: 0-255

The lowest RelativePresentationPriority value shall be considered as the MCPTT group transaction having the lowest priority for presentation among other group MCPTT and one-to-one user transactions.

5.2.53C /<x>/<x>/OffNetwork/MCPTTGroupInfo/<x>/Entry/GMSServID

Table 5.2.53C.1: /<x>/<x>/OffNetwork/MCPTTGroupInfo/<x>/Entry/GMSServID

<x>/OffNetwork/MCPTTGroupInfo/<x>/Entry/GMSServID

Status	Occurrence	Format	Min. Access Types
Required	One	chr	Get, Replace

This leaf node indicates the identity (URI) of the GMS owning a specific group contained in the off-network MCPTTGroupList.

5.2.53D /<x>/<x>/OffNetwork/MCPTTGroupInfo/<x>/Entry/ IDMSTokenEndPoint

Table 5.2.53D.1: /<x>/<x>/OffNetwork/MCPTTGroupInfo/<x>/Entry/IDMSTokenEndPoint

<x>/OffNetwork/MCPTTGroupInfo/<x>/Entry/IDMSTokenEndPoint

Status	Occurrence	Format	Min. Access Types
Required	One	chr	Get, Replace

This leaf node indicates the identity (URI) of the IDMS token endpoint for a specific group contained in the off-network MCPTTGroupList. If the value is empty, the IDMS identities (IDMSAuthEndpoint and IDMSTokenEndpoint) present in the MCS UE initial configuration MO are used.

5.2.53E /<x>/<x>/OffNetwork/MCPTTGroupInfo/<x>/Entry/GroupKMSURI

Table 5.2.53E.1: /<x>/<x>/OffNetwork/MCPTTGroupInfo/<x>/Entry/GroupKMSURI

<x>/OffNetwork/MCPTTGroupInfo/<x>/Entry/GroupKMSURI

Status	Occurrence	Format	Min. Access Types
Required	One	chr	Get, Replace

This leaf node indicates the identity (URI) of the KMS identity (URI) for a specific group contained in the off-network MCPTTGroupList. If the value is empty, the KMS identity (URI) (kms) present in the MCS UE initial configuration MO is used.

5.2.54 /<x>/<x>/OffNetwork/AllowedListen

Table 5.2.54.1: /<x>/<x>/OffNetwork/AllowedListen

<x>/OffNetwork/AllowedListen

Status	Occurrence	Format	Min. Access Types
Required	One	bool	Get, Replace

This leaf node indicates whether the MCPTT user is allowed to listen both overriding and overridden.

When set to "true" the MCPTT user is allowed to listen both overriding and overridden.

When set to "false" the MCPTT user is not allowed to listen both overriding and overridden.

5.2.55 /<x>/<x>/OffNetwork/AllowedTransmission

Table 5.2.55.1: /<x>/<x>/OffNetwork/AllowedTransmission

<x>/OffNetwork/AllowedTransmission

Status	Occurrence	Format	Min. Access Types
Required	One	bool	Get, Replace

This leaf node indicates whether the MCPTT user is allowed to transmit in case of override (overriding and/or overridden).

When set to "true" the MCPTT user is allowed to transmit in case of override (overriding and/or overridden).

When set to "false" the MCPTT user is not allowed to transmit in case of override (overriding and/or overridden).

5.2.56 /<x>/<x>/OffNetwork/EmergencyCallChange

Table 5.2.56.1: /<x>/<x>/OffNetwork/EmergencyCallChange

<x>/OffNetwork/EmergencyCallChange

Status	Occurrence	Format	Min. Access Types
Required	One	bool	Get, Replace

This leaf node indicates the authorization for a participant to change an off-network group call in-progress to an off-network MCPTT emergency group call.

When set to "true" the MCPTT user is authorised to change an MCPTT emergency group call.

When set to "false" the MCPTT user is not authorised to change an MCPTT emergency group call.

5.2.57 /<x>/<x>/OffNetwork/ImminentPerilCallChange

Table 5.2.57.1: /<x>/<x>/OffNetwork/ImminentPerilCallChange

<x>/OffNetwork/ImminentPerilCallChange

Status	Occurrence	Format	Min. Access Types
Required	One	bool	Get, Replace

This leaf node indicates the authorization for a participant to change an off-network group call in-progress to an off-network MCPTT imminent peril group call.

When set to "true" the MCPTT user is authorised to change an MCPTT imminent peril group call.

When set to "false" the MCPTT user is not authorised to change an MCPTT imminent peril group call.

5.2.58 /<x>/<x>/OffNetwork/UserInfoID

Table 5.2.58.1: /<x>/<x>/OffNetwork/UserInfoID

<x>/OffNetwork/UserInfoID

Status	Occurrence	Format	Min. Access Types
Required	One	chr	Get, Replace

This leaf node indicates the ProSe user info ID as specified in 3GPP TS 23.303 [6].

5.2.58A1Void

5.2.58A2Void

5.2.58A3Void

5.2.58A4Void

5.2.58A5Void

5.2.58A6Void

5.2.58A7Void

5.2.58A8Void

5.2.58A9Void

5.2.58A10 Void

5.2.58A11 Void

5.2.58A12 Void

5.2.58A13 Void

5.2.58A14 Void

5.2.58A15 Void

5.2.58A16 Void

5.2.58A17 Void

5.2.59 /<x>/Status

Table 5.2.59.1: /<x>/Status

Status

Status	Occurrence	Format	Min. Access Types
Optional	One	bool	Get, Replace

This leaf node indicates whether this MCPTT user profile is enabled or disabled.

When set to "true" this MCPTT user profile is enabled.

When set to "false" this MCPTT user profile is disabled.

6 MCS group configuration MO

6.1 General

The MCS group configuration Management Object (MO) is used to configure the MCS Client behaviour for the on-network or off-network MC services. The MCS group configuration parameters may be stored in the ME, or in the USIM as specified in 3GPP TS 31.102 [10], or in both the ME and the USIM. If both the ME and the USIM contain the same parameters, the values stored in the USIM shall take precedence.

NOTE: For historical reasons some of the elements in the MCS group configuration Management Object (MO) use the terminology "MCPTT", however this MO is common to all MCS with some MCPTT specific elements, some MCDATA specific elements and some MCVideo specific elements. Not all elements that contain the terminology "MCPTT" are just MCPTT specific. In the clauses that follow, it is made clear what aspects are specific to MCPTT and what aspects are specific to all MC services. MCDATA specific elements are contained under "MCDATA" nodes. MCVideo specific elements are contained under "MCVideo" nodes.

The Management Object Identifier is: urn:oma:mo:ext-3gpp-MCPTT-group-configuration:1.0.

Protocol compatibility: This MO is compatible with OMA OMA DM 1.2 [3].

The OMA DM ACL property mechanism (see OMA OMA-ERELD-DM-V1_2 [2]) may be used to grant or deny access rights to OMA DM servers in order to modify nodes and leaf objects of the MCS group configuration MO.

The following nodes and leaf objects are possible under the MCS group configuration node as described in figure 6.1.1.



Figure 6.1.1: The MCS group configuration MO (1 of 5)

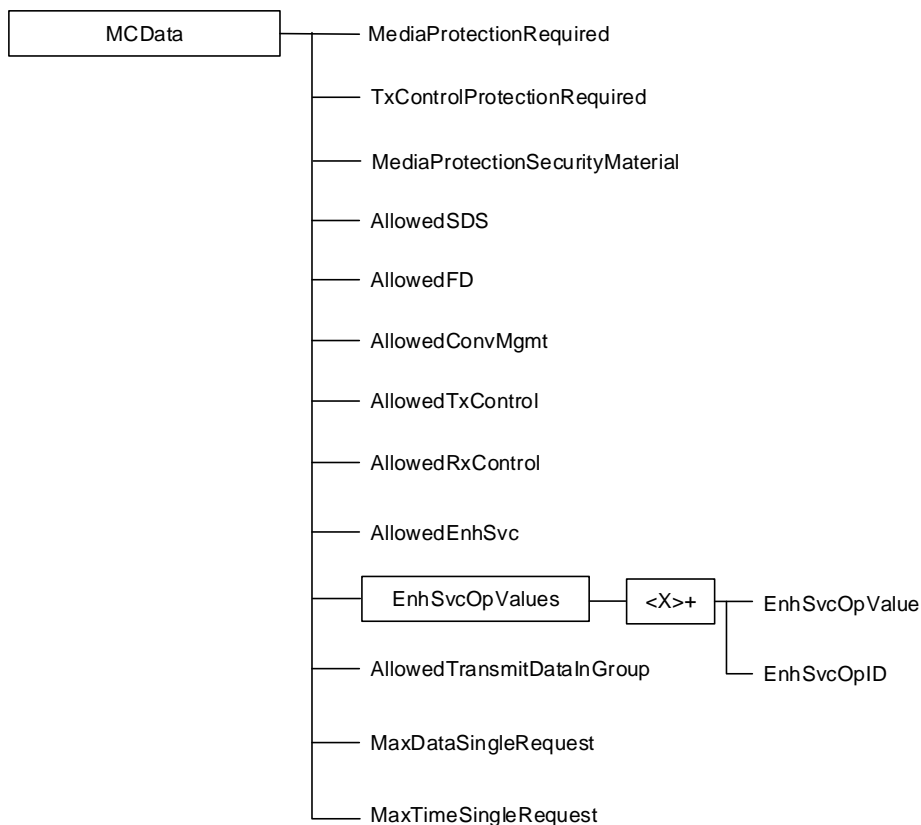


Figure 6.1.2: The MCS group configuration MO (2 of 5)

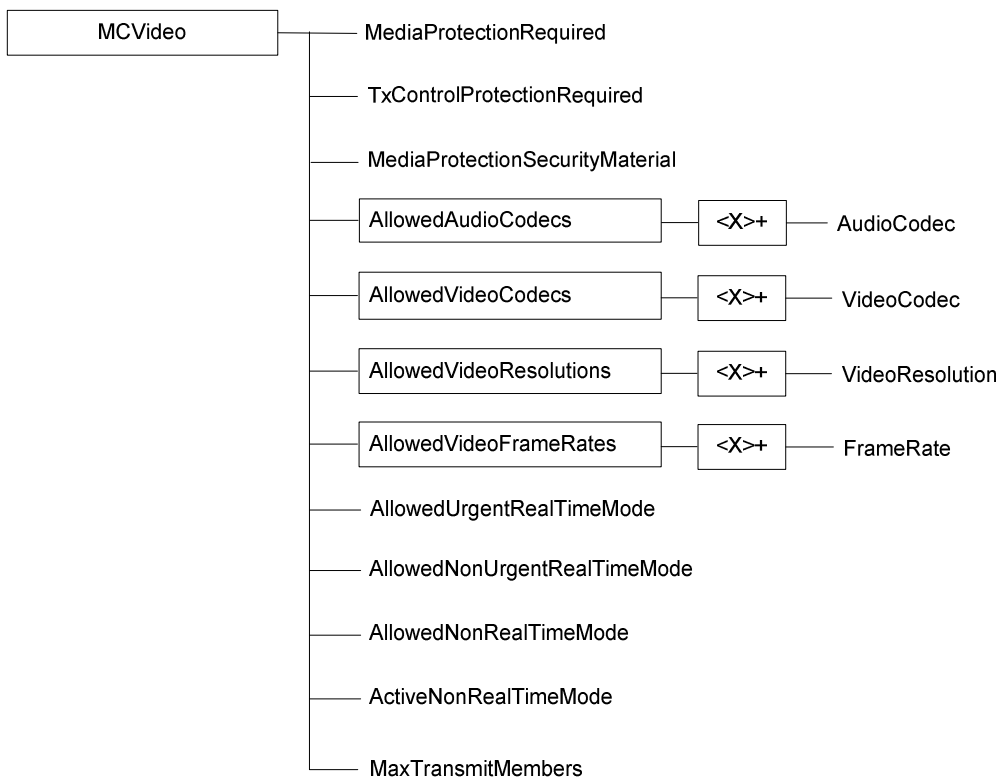


Figure 6.1.3: The MCS group configuration MO (3 of 5)

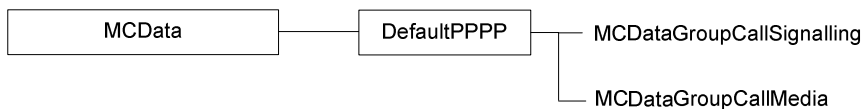


Figure 6.1.4: The MCS group configuration MO (4 of 5)

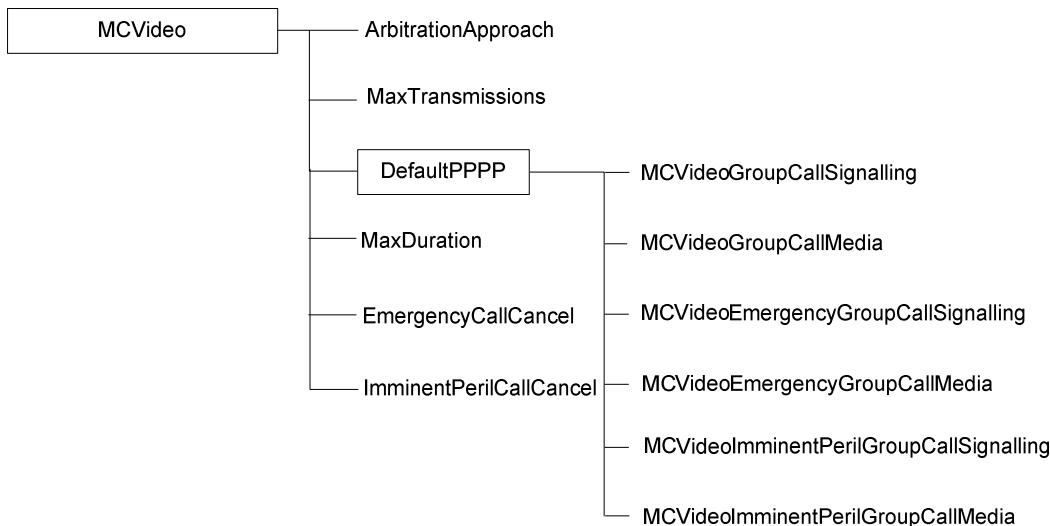


Figure 6.1.5: The MCS group configuration MO (5 of 5)

6.2 MCS group configuration MO parameters

6.2.1 General

This clause describes the parameters for the MCS group configuration Management Object (MO).

6.2.2 Node: <x>

Table 6.2.2.1: Node: <x>

<x>

Status	Occurrence	Format	Min. Access Types
Required	OneOrMore	node	Get

This interior node acts as a placeholder for the MCS group configuration Management Object (MO).

For the MCS group configuration MO, the namespace specific string is: "urn:oma:mo:oma-dm-mcptt-group configuration:1.0"

- Values: N/A

6.2.3 /<x>/Name

Table 6.2.3.1: Node: <x>

Name

Status	Occurrence	Format	Min. Access Types
--------	------------	--------	-------------------

Required	ZeroOrOne	chr	Get
----------	-----------	-----	-----

The Name leaf is a name for the MCS group configuration settings.

- Values: <User displayable name>

6.2.4 /<x>/Ext/

Table 6.2.4.1: /<x>/Ext/

Ext

Status	Occurrence	Format	Min. Access Types
Optional	ZeroOrOne	node	Get, Replace

The Ext is an interior node for where the vendor specific information about the MCSgroup configuration MO is being placed.

Usually the vendor extension is identified by vendor specific name under the ext node and contains the vendor meaning application vendor, device vendor etc. The tree structure under the vendor identified is not defined and can therefore include one or more un-standardized sub-trees.

- Values: N/A

6.2.5 /<x>/<x>

Table 6.2.5.1: /<x>/<x>

<x>

Status	Occurrence	Format	Min. Access Types
Required	ZeroOrMore	node	Get, Replace

This interior node represents a container for on-network operation and off-network operation.

6.2.6 /<x>/<x>/Common

Table 6.2.6.1: /<x>/<x>/Common

<x>/Common

Status	Occurrence	Format	Min. Access Types
Required	ZeroOrOne	node	Get, Replace

This interior node represents a container for the common network operation which means both on-network operation and off-network operation.

6.2.7 /<x>/<x>/Common/MCPTTGroupID

Table 6.2.7.1: /<x>/<x>/Common/MCPTTGroupID

<x>/Common/MCPTTGroupID

Status	Occurrence	Format	Min. Access Types
Required	One	chr	Get, Replace

This leaf node indicates the MCS group ID.

The value is a "uri" attribute specified in OMA OMA-TS-XDM_Group-V1_1 [4].

NOTE: This element is common for all MC services.

6.2.8 /<x>/<x>/Common/MCPTTGroupAlias

Table 6.2.8.1: /<x>/<x>/Common/MCPTTGroupAlias

<x>/Common/MCPTTGroupAlias

Status	Occurrence	Format	Min. Access Types
Required	One	chr	Get, Replace

This leaf node indicates the MCS group alias.

The value is a <display-name> element specified in OMA OMA-TS-XDM_Group-V1_1 [4].

NOTE: This element is common for all MC services.

6.2.9 /<x>/<x>/Common/MCPTTGroupMemberList

Table 6.2.9.1: /<x>/<x>/Common/MCPTTGroupMemberList

<x>/Common/MCPTTGroupMemberList

Status	Occurrence	Format	Min. Access Types
Required	One	node	Get, Replace

This interior node is a placeholder for a list of MCS group members (group membership information).

NOTE: This element is common for all MC services.

6.2.10 /<x>/<x>/Common/MCPTTGroupMemberList/<x>

Table 6.2.10.1: /<x>/<x>/Common/MCPTTGroupMemberList/<x>

<x>/Common/MCPTTGroupMemberList/<x>

Status	Occurrence	Format	Min. Access Types
Required	OneOrMore	node	Get, Replace

This interior node is a placeholder for one or more list(s) of MCS group members.

NOTE: This element is common for all MC services.

6.2.11 /<x>/<x>/Common/MCPTTGroupMemberList/<x>/MCPTTID

Table 6.2.11.1: /<x>/<x>/Common/MCPTTGroupMemberList/<x>/MCPTTID

<x>/Common/MCPTTGroupMemberList/<x>/MCPTTID

Status	Occurrence	Format	Min. Access Types
Required	One	chr	Get, Replace

This leaf node indicates an MCS user identity (MC Service ID) which is a globally unique identifier within the MC service that represents the MCS user.

The value is a "uri" attribute specified in OMA OMA-TS-XDM_Group-V1_1 [4].

NOTE: This element is common for all MC services.

6.2.12 /<x>/<x>/Common/MCPTTGroupMemberList/<x>/UserPriority

Table 6.2.12.1: /<x>/<x>/Common/MCPTTGroupMemberList/<x>/UserPriority

<x>/Common/MCPTTGroupMemberList/<x>/UserPriority

Status	Occurrence	Format	Min. Access Types
Required	One	int	Get, Replace

This leaf node indicates the user priority for the group.

The value is a <user-priority> element specified in 3GPP TS 24.481 [9] clause 7.2.4.2.

NOTE: This element is common for all MC services.

6.2.13 /<x>/<x>/Common/MCPTTGroupMemberList/<x>/ParticipantType

Table 6.2.13.1: /<x>/<x>/Common/MCPTTGroupMemberList/<x>/ParticipantType

<x>/Common/MCPTTGroupMemberList/<x>/ParticipantType

Status	Occurrence	Format	Min. Access Types
Required	One	chr	Get, Replace

This leaf node indicates the participant type for the group.

The ParticipantType values are defined and configured by the Mission Critical Organisation (e.g.first responder, second responder, dispatcher, dispatch supervisor, MCS administrator).

NOTE: This element is common for all MC services.

6.2.14 Void

6.2.15 /<x>/<x>/Common/MCPTTGroupOwner

Table 6.2.15.1: /<x>/<x>/Common/MCPTTGroupOwner

<x>/Common/MCPTTGroupOwner

Status	Occurrence	Format	Min. Access Types
Required	One	chr	Get, Replace

This leaf node indicates the group's owner (Mission Critical Organisation).

NOTE: This element is common for all MC services.

6.2.16 /<x>/<x>/Common/PreferredVoiceCodec

Table 6.2.16.1: /<x>/<x>/Common/PreferredVoiceCodec

<x>/Common/PreferredVoiceCodec

Status	Occurrence	Format	Min. Access Types
Required	One	chr	Get, Replace

This leaf node indicates the MCPTT preferred voice codec for an MCS group.

The value of the preferred voice codec is a RTP payload format name specified in IETF RFC 4566 [13].

NOTE: This element is specific for MCPTT.

6.2.17 /<x>/<x>/Common/MCPTTGroupLevel

Table 6.2.17.1: /<x>/<x>/Common/MCPTTGroupLevel

<x>/Common/MCPTTGroupLevel

Status	Occurrence	Format	Min. Access Types
Required	One	int	Get, Replace

This leaf node indicates the level within a group hierarchy (only applicable for group-broadcast group).

- Values: 0-255

The group-broadcast group with the lowest MCPTTGroupLevel value shall be considered as the group-broadcast group having the lowest level among the groups.

NOTE: This element is common for all MC services.

6.2.18 /<x>/<x>/Common/UserLevel

Table 6.2.18.1: /<x>/<x>/Common/UserLevel

<x>/Common/UserLevel

Status	Occurrence	Format	Min. Access Types
Required	One	int	Get, Replace

This leaf node indicates the level within user hierarchy (only applicable for user-broadcast group).

The user-broadcast group with the lowest UserLevel value shall be considered as the user-broadcast group having the lowest level among the groups.

NOTE: This element is common for all MC services.

6.2.19 /<x>/<x>/Common/AllowedEmergencyCall

Table 6.2.19.1: /<x>/<x>/Common/AllowedEmergencyCall

<x>/Common/AllowedEmergencyCall

Status	Occurrence	Format	Min. Access Types
Required	One	bool	Get, Replace

This leaf node indicates whether an MCPTT emergency group call is permitted on the MCS group.

When set to "true" the MCPTT emergency group call is allowed on the group.

When set to "false" the MCPTT emergency group call is not allowed on the group.

NOTE: This element is specific for MCPTT.

6.2.20 `<x>/<x>/Common/AllowedImminentPerilCall`

Table 6.2.20.1: `<x>/<x>/Common/AllowedImminentPerilCall`

`<x>/Common/AllowedImminentPerilCall`

Status	Occurrence	Format	Min. Access Types
Required	One	bool	Get, Replace

This leaf node indicates whether an MCPTT imminent peril group call is permitted on the MCS group.

When set to "true" the MCPTT imminent peril group call is allowed on the group.

When set to "false" the MCPTT imminent peril group call is not allowed on the group.

NOTE: This element is specific for MCPTT.

6.2.21 `<x>/<x>/Common/AllowedEmergencyAlert`

Table 6.2.21.1: `<x>/<x>/Common/AllowedEmergencyAlert`

`<x>/Common/AllowedEmergencyAlert`

Status	Occurrence	Format	Min. Access Types
Required	One	bool	Get, Replace

This leaf node indicates whether an MCPTT emergency alert is possible on the MCS group.

When set to "true" the MCPTT emergency alert is allowed on the group.

When set to "false" the MCPTT emergency alert is not allowed on the group.

NOTE: This element is for specific for MCPTT.

6.2.22 `<x>/<x>/Common/MediaProtectionRequired`

Table 6.2.22.1: `<x>/<x>/Common/MediaProtectionRequired`

`<x>/Common/MediaProtectionRequired`

Status	Occurrence	Format	Min. Access Types
Required	One	bool	Get, Replace

This leaf node indicates whether confidentiality and integrity of MCPTT media is required on the MCS group.

When set to "true" confidentiality and integrity of media is required on the group.

When set to "false" confidentiality and integrity of media is not required on the group.

The default value is set to "true".

NOTE: This element is specific for MCPTT.

6.2.23 `<x>/<x>/Common/FloorControlProtectionRequired`

Table 6.2.23.1: `<x>/<x>/Common/FloorControlProtectionRequired`

`<x>/Common/FloorControlProtectionRequired`

Status	Occurrence	Format	Min. Access Types

Required	One	bool	Get, Replace
----------	-----	------	--------------

This leaf node indicates whether confidentiality and integrity of MCPTT floor control signalling is required on the MCS group.

When set to "true" confidentiality and integrity of floor control signalling is required on the group.

When set to "false" confidentiality and integrity of floor control signalling is not required on the group.

The default value is set to "true".

NOTE: This element is specific for MCPTT.

6.2.23A /<x>/<x>/Common/MediaProtectionSecurityMaterial

Table 6.2.23A.1: /<x>/<x>/Common/MediaProtectionSecurityMaterial

<x>/Common/MediaProtectionSecurityMaterial

Status	Occurrence	Format	Min. Access Types
Required	One	chr	Get, Replace

This leaf node indicates security material (as specified in 3GPP TS 33.180 [20]) for MCPTTmedia protection in the MCS group.

NOTE: This element is specific for MCPTT.

6.2.23B /<x>/<x>/Common/MCData

Table 6.2.23B.1: /<x>/<x>/Common/MCData

<x>/Common/MCData

Status	Occurrence	Format	Min. Access Types
Required	One	node	Get, Replace

This interior node is a placeholder for a Common MCData group information

6.2.23C /<x>/<x>/Common/MCData/MediaProtectionRequired

Table 6.2.23C.1: /<x>/<x>/Common/MCData/MediaProtectionRequired

<x>/Common/MCData/MediaProtectionRequired

Status	Occurrence	Format	Min. Access Types
Required	One	bool	Get, Replace

This leaf node indicates whether confidentiality and integrity of media is required for MCData transactions on the MCS group.

When set to "true" confidentiality and integrity of MCData media is required on the group.

When set to "false" confidentiality and integrity of MCData media is not required on the group.

The default value is set to "true".

6.2.23D /<x>/<x>/Common/MCData/TxControlProtectionRequired

Table 6.2.23D.1: /<x>/<x>/Common/MCData/TxControlProtectionRequired

<x>/Common/MCData/TxControlProtectionRequired

Status	Occurrence	Format	Min. Access Types
Required	One	bool	Get, Replace

This leaf node indicates whether confidentiality and integrity protection is required for on-network and off-network MCData transmission control signalling on the MCS group

When set to "true" confidentiality and integrity of MCData transmission control signalling is required on the group.

When set to "false" confidentiality and integrity of MCData transmission control signalling is not required on the group.

The default value is set to "true".

6.2.23E /<x>/<x>/Common/MCData/MediaProtectionSecurityMaterial

Table 6.2.23E.1: /<x>/<x>/Common/MCData/MediaProtectionSecurityMaterial

<x>/Common/MCData/MediaProtectionSecurityMaterial

Status	Occurrence	Format	Min. Access Types
Required	One	chr	Get, Replace

This leaf node indicates security material (as specified in 3GPP TS 33.180 [xx]) for MCData media protection in the MCS group.

6.2.23F /<x>/<x>/Common/MCData/AllowedSDS

Table 6.2.23F.1: /<x>/<x>/Common/MCData/AllowedSDS

<x>/Common/MCData/AllowedSDS

Status	Occurrence	Format	Min. Access Types
Required	One	bool	Get, Replace

This leaf node indicates whether Short Data Service (SDS) is enabled for the group.

When set to "true" the Short Data Service (SDS) is allowed on the group.

When set to "false" the Short Data Service (SDS) is not allowed on the group.

6.2.23G /<x>/<x>/Common/MCData/AllowedFD

Table 6.2.23G.1: /<x>/<x>/Common/MCData/AllowedFD

<x>/Common/MCData/AllowedFD

Status	Occurrence	Format	Min. Access Types
Required	One	bool	Get, Replace

This leaf node indicates whether File Distribution (FD) is enabled for the group.

When set to "true" File Distribution (FD) is allowed on the group.

When set to "false" File Distribution (FD) is not allowed on the group.

6.2.23H /<x>/<x>/Common/MCData/AllowedConvMgmt

Table 6.2.23H.1: /<x>/<x>/Common/MCData/AllowedConvMgmt

<x>/Common/MCData/AllowedConvMgmt

Status	Occurrence	Format	Min. Access Types
Required	One	bool	Get, Replace

This leaf node indicates whether conversation management is enabled for the group.

When set to "true" conversation management is allowed on the group.

When set to "false" conversation management is not allowed on the group.

6.2.23I /<x>/<x>/Common/MCData/AllowedTxControl

Table 6.2.23I.1: /<x>/<x>/Common/MCData/AllowedTxControl

<x>/Common/MCData/AllowedTxControl

Status	Occurrence	Format	Min. Access Types
Required	One	bool	Get, Replace

This leaf node indicates whether transmission control is enabled for the group.

When set to "true" transmission control is allowed on the group.

When set to "false" transmission control is not allowed on the group.

6.2.23J /<x>/<x>/Common/MCData/AllowedRxControl

Table 6.2.23J.1: /<x>/<x>/Common/MCData/AllowedRxControl

<x>/Common/MCData/AllowedRxControl

Status	Occurrence	Format	Min. Access Types
Required	One	bool	Get, Replace

This leaf node indicates whether reception control is enabled for the group.

When set to "true" reception control is allowed on the group.

When set to "false" reception control not allowed on the group.

6.2.23K /<x>/<x>/Common/MCData/AllowedEnhSvc

Table 6.2.23K.1: /<x>/<x>/Common/MCData/AllowedEnhSvc

<x>/Common/MCData/AllowedEnhSvc

Status	Occurrence	Format	Min. Access Types
Required	One	bool	Get, Replace

This leaf node indicates whether Enhanced Service is enabled for the group.

When set to "true" Enhanced Service is allowed on the group.

When set to "false" Enhanced Service is not allowed on the group.

6.2.23L /<x>/<x>/Common/MCData/EnhSvcOpValues

Table 6.2.23L.1: /<x>/<x>/Common/MCData/EnhSvcOpValues

<x>/Common/MCData/EnhSvcOpValues

Status	Occurrence	Format	Min. Access Types
Required	One	node	Get, Replace

This interior node is a placeholder for a list of operational values for Enhanced Service.

6.2.23M /<x>/<x>/Common/MCData/EnhSvcOpValues/<x>

Table 6.2.23M.1: /<x>/<x>/Common/MCData/EnhSvcOpValues/<x>

<x>/Common/MCData/EnhSvcOpValues/<x>

Status	Occurrence	Format	Min. Access Types
Optional	OneOrMore	node	Get, Replace

This interior node is a placeholder for one or more list of operational values for Enhanced Service.

6.2.23N /<x>/<x>/Common/MCData/EnhSvcOpValues/<x>/EnhSvcOpValue

Table 6.2.23N.1: /<x>/<x>/Common/MCData/EnhSvcOpValues/<x>/EnhSvcOpValue

<x>/Common/MCData/EnhSvcOpValues/<x>/EnhSvcOpValue

Status	Occurrence	Format	Min. Access Types
Optional	One	chr	Get, Replace

This leaf node indicates an enhanced service operational value.

6.2.23NA /<x>/<x>/Common/MCData/EnhSvcOpValues/<x>/EnhSvcOpID

Table 6.2.23NA.1: /<x>/<x>/Common/MCData/EnhSvcOpValues/<x>/EnhSvcOpID

<x>/Common/MCData/EnhSvcOpValues/<x>/EnhSvcOpID

Status	Occurrence	Format	Min. Access Types
Optional	One	int	Get, Replace

This leaf node indicates a unique id associated with enhanced service operational value.

6.2.23O /<x>/<x>/Common/MCData/AllowedTransmitDataInGroup

Table 6.2.23O.1: /<x>/<x>/Common/MCData/AllowedTransmitDataInGroup

<x>/Common/MCData/AllowedTransmitDataInGroup

Status	Occurrence	Format	Min. Access Types
Required	One	bool	Get, Replace

This leaf node indicates whether an MC data user is permitted to transmit data in the group.

When set to "true" an MC data user is allowed to transmit data in the group.

When set to "false" an MC data user is not allowed to transmit data in the group.

6.2.23P /<x>/<x>/Common/MCData/MaxDataSingleRequest

Table 6.2.23P.1: /<x>/<x>/Common/MCData/MaxDataSingleRequest

<x>/Common/MCData/MaxDataSingleRequest

Status	Occurrence	Format	Min. Access Types
Required	One	int	Get, Replace

This leaf node indicates the maximum amount of data (in megabytes) that an MCData user can transmit in a single request during group communication.

- Values: 0-65535

The MaxData1to1 size is in megabytes.

6.2.23Q /<x>/<x>/Common/MCData/MaxTimeSingleRequest

Table 6.2.23Q.1: /<x>/<x>/Common/MCData/MaxTimeSingleRequest

<x>/Common/MCData/MaxTimeSingleRequest

Status	Occurrence	Format	Min. Access Types
Required	One	int	Get, Replace

This leaf node indicates the maximum amount of time that an MCData user can transmit for in a single request during group communication.

- Values: 0-65535

The MaxTime1To1 time is in seconds.

6.2.23R /<x>/<x>/Common/MCVideo

Table 6.2.23R.1: /<x>/<x>/Common/MCVideo

<x>/Common/MCVideo

Status	Occurrence	Format	Min. Access Types
Required	One	node	Get, Replace

This interior node is a placeholder for a Common MCVideo group information

6.2.23S /<x>/<x>/Common/MCVideo/MediaProtectionRequired

Table 6.2.23S.1: /<x>/<x>/Common/MCVideo/MediaProtectionRequired

<x>/Common/MCVideo/MediaProtectionRequired

Status	Occurrence	Format	Min. Access Types
Required	One	bool	Get, Replace

This leaf node indicates whether confidentiality and integrity of media is required for MCVideo calls on the MCS group.

When set to "true" confidentiality and integrity of MCvideo media is required on the group.

When set to "false" confidentiality and integrity of MCVideo media is not required on the group.

The default value is set to "true".

6.2.23T /<x>/<x>/Common/MCVideo/TxControlProtectionRequired

Table 6.2.23T.1: /<x>/<x>/Common/MCVideo/TxControlProtectionRequired

<x>/Common/MCVideo/TxControlProtectionRequired

Status	Occurrence	Format	Min. Access Types
Required	One	bool	Get, Replace

This leaf node indicates whether confidentiality and integrity protection is required for on-network and off-network MCVideo transmission control signalling on the MCS group

When set to "true" confidentiality and integrity of MCVideo transmission control signalling is required on the group.

When set to "false" confidentiality and integrity of MCVideo transmission control signalling is not required on the group.

The default value is set to "true".

6.2.23U /<x>/<x>/Common/MCVideo/MediaProtectionSecurityMaterial

Table 6.2.23U.1: /<x>/<x>/Common/MCVideo/MediaProtectionSecurityMaterial

<x>/Common/MCVideo/MediaProtectionSecurityMaterial

Status	Occurrence	Format	Min. Access Types
Required	One	chr	Get, Replace

This leaf node indicates security material (as specified in 3GPP TS 33.180 [xx]) for MCVideo media protection in the MCS group.

6.2.23V /<x>/<x>/Common/MCVideo/AllowedAudioCodecs

Table 6.2.23V.1: /<x>/<x>/Common/MCVideo/AllowedAudioCodecs

<x>/Common/MCVideo/AllowedAudioCodecs

Status	Occurrence	Format	Min. Access Types
Required	One	node	Get, Replace

This interior node is a placeholder for a list of allowed audio codecs for MCVideo sessions on the group

6.2.23W /<x>/<x>/Common/MCVideo/AllowedAudioCodecs/<x>

Table 6.2.23W.1: /<x>/<x>/Common/MCVideo/AllowedAudioCodecs/<x>

<x>/Common/MCVideo/AllowedAudioCodecs/<x>

Status	Occurrence	Format	Min. Access Types
Optional	OneOrMore	node	Get, Replace

This interior node is a placeholder for one or more list of allowed audio codecs for MCVideo sessions on the group

6.2.23X /<x>/<x>/Common/MCVideo/AllowedAudioCodecs/<x>/AudioCodec

Table 6.2.23X.1: /<x>/<x>/Common/MCVideo/AllowedAudioCodecs/<x>/AudioCodec

<x>/Common/MCVideo/AllowedAudioCodecs/<x>/AudioCodec

Status	Occurrence	Format	Min. Access Types
Optional	One	chr	Get, Replace

This leaf node indicates the preferred RTP payload format to be used for audio encoding in MCVideo group sessions for the group.

6.2.23Y /<x>/<x>/Common/MCVideo/AllowedVideoCodecs

Table 6.2.23Y.1: /<x>/<x>/Common/MCVideo/AllowedVideoCodecs

<x>/Common/MCVideo/AllowedVideoCodecs

Status	Occurrence	Format	Min. Access Types
Required	One	node	Get, Replace

This interior node is a placeholder for a list of allowed video codecs for MCVideo sessions on the group

6.2.23Z /<x>/<x>/Common/MCVideo/AllowedVideoCodecs/<x>

Table 6.2.23Z.1: /<x>/<x>/Common/MCVideo/AllowedVideoCodecs/<x>

<x>/Common/MCVideo/AllowedVideoCodecs/<x>

Status	Occurrence	Format	Min. Access Types
Optional	OneOrMore	node	Get, Replace

This interior node is a placeholder for one or more list of allowed video codecs for MCVideo sessions on the group

6.2.23AA /<x>/<x>/Common/MCVideo/AllowedVideoCodecs/<x>/VideoCodec

Table 6.2.23AA.1: /<x>/<x>/Common/MCVideo/AllowedVideoCodecs/<x>/VideoCodec

<x>/Common/MCVideo/AllowedVideoCodecs/<x>/VideoCodec

Status	Occurrence	Format	Min. Access Types
Optional	One	chr	Get, Replace

This leaf node indicates the preferred RTP payload format to be used for video encoding in MCVideo group sessions for the group.

6.2.23AB /<x>/<x>/Common/MCVideo/AllowedVideoResolutions

Table 6.2.23AB.1: /<x>/<x>/Common/MCVideo/AllowedVideoResolutions

<x>/Common/MCVideo/AllowedVideoResolutions

Status	Occurrence	Format	Min. Access Types
Required	One	node	Get, Replace

This interior node is a placeholder for a list of allowed video resolutions used in MCVideo group sessions for the group.

6.2.23AC /<x>/<x>/Common/MCVideo/AllowedVideoResolutions/<x>

Table 6.2.23AC.1: /<x>/<x>/Common/MCVideo/AllowedVideoResolutions/<x>

<x>/Common/MCVideo/AllowedVideoResolutions/<x>

Status	Occurrence	Format	Min. Access Types
Optional	OneOrMore	node	Get, Replace

This interior node is a placeholder for one or more list of allowed video resolutions used in MCVideo group sessions for the group.

6.2.23AD /<x>/<x>/Common/MCVideo/AllowedVideoResolutions/<x>/VideoResolution

Table 6.2.23AD.1: /<x>/<x>/Common/MCVideo/AllowedVideoResolutions/<x>/VideoResolution

<x>/Common/MCVideo/AllowedVideoResolutions/<x>/VideoResolution

Status	Occurrence	Format	Min. Access Types
Optional	One	chr	Get, Replace

This leaf node indicates a video resolution (number of horizontal pixels x number of vertical pixels) to be used in MCVideo group sessions for the group.

6.2.23AE /<x>/<x>/Common/MCVideo/AllowedVideoFrameRates

Table 6.2.23AE.1: /<x>/<x>/Common/MCVideo/AllowedVideoFrameRates

<x>/Common/MCVideo/AllowedVideoFrameRates

Status	Occurrence	Format	Min. Access Types
Required	One	node	Get, Replace

This interior node is a placeholder for a list of allowed video frame rates to be used in MCVideo group sessions for the group.

6.2.23AF /<x>/<x>/Common/MCVideo/AllowedVideoFrameRates/<x>

Table 6.2.23AF.1: /<x>/<x>/Common/MCVideo/AllowedVideoFrameRates/<x>

<x>/Common/MCVideo/AllowedVideoFrameRates/<x>

Status	Occurrence	Format	Min. Access Types
Optional	OneOrMore	node	Get, Replace

This interior node is a placeholder for one or more list of allowed video frame rates to be used in MCVideo group sessions for the group.

6.2.23AG /<x>/<x>/Common/MCVideo/AllowedVideoFrameRates/<x>/FrameRate

Table 6.2.23AG.1: /<x>/<x>/Common/MCVideo/AllowedVideoFrameRates/<x>/FrameRate

<x>/Common/MCVideo/AllowedVideoFrameRates/<x>/FrameRate

Status	Occurrence	Format	Min. Access Types
Optional	One	int	Get, Replace

This leaf node indicates a video frame rate (in frames per second) to be used in MCVideo group sessions for the group.

6.2.23AH /<x>/<x>/Common/MCVideo/AllowedUrgentRealTimeMode

Table 6.2.23AH.1: /<x>/<x>/Common/MCVideo/AllowedUrgentRealTimeMode

<x>/Common/MCVideo/AllowedUrgentRealTimeMode

Status	Occurrence	Format	Min. Access Types
Required	One	bool	Get, Replace

This leaf node indicates whether urgent real time mode is allowed for MCVideo sessions on the group.

When set to "true" urgent real-time video mode is allowed for MCVideo sessions on the group.

When set to "false" urgent real-time video mode is not allowed for MCVideo sessions on the group.

6.2.23AI /<x>/<x>/Common/MCVideo/AllowedNonUrgentRealTimeMode

Table 6.2.23AI.1: /<x>/<x>/Common/MCVideo/AllowedNonUrgentRealTimeMode

<x>/Common/MCVideo/AllowedNonUrgentRealTimeMode

Status	Occurrence	Format	Min. Access Types
Required	One	bool	Get, Replace

This leaf node indicates whether non-urgent real time mode is allowed for MCVideo sessions on the group.

When set to "true" non-urgent real-time video mode is allowed for MCVideo sessions on the group.

When set to "false" non-urgent real-time video mode is not allowed for MCVideo sessions on the group.

6.2.23AJ /<x>/<x>/Common/MCVideo/AllowedNonRealTimeMode

Table 6.2.23AJ.1: /<x>/<x>/Common/MCVideo/AllowedNonRealTimeMode

<x>/Common/MCVideo/AllowedNonRealTimeMode

Status	Occurrence	Format	Min. Access Types
Required	One	bool	Get, Replace

This leaf node indicates whether non-real time mode is allowed for MCVideo sessions on the group.

When set to "true" non-real-time video mode is allowed for MCVideo sessions on the group.

When set to "false" non-real-time video mode is not allowed for MCVideo sessions on the group.

6.2.23AK /<x>/<x>/Common/MCVideo/ActiveNonRealTimeMode

Table 6.2.23AK.1: /<x>/<x>/Common/MCVideo/ActiveNonRealTimeMode

<x>/Common/MCVideo/ActiveNonRealTimeMode

Status	Occurrence	Format	Min. Access Types
Required	One	chr	Get, Replace

This leaf node indicates the active non-real-time mode used for MCVideo sessions on the group.

The valid values are:

- a) "urgent-real-time";
- b) "non-urgent-real-time"; and
- c) "non-real-time".

6.2.23AL/<x>/<x>/Common/MCVideo/MaxTransmitMembers

Table 6.2.23AL.1: /<x>/<x>/Common/MCVideo/MaxTransmitMembers

<x>/Common/MCVideo/MaxTransmitMembers

Status	Occurrence	Format	Min. Access Types
Required	One	int	Get, Replace

This leaf node indicates the maximum number of simultaneous transmitting group members for MCVideo sessions on the group.

- Values: 0-65535

6.2.24 /<x>/<x>/OffNetwork

Table 6.2.24.1: /<x>/<x>/OffNetwork

<x>/OffNetwork

Status	Occurrence	Format	Min. Access Types
Required	ZeroOrOne	node	Get, Replace

This interior node represents a container for off-network operation.

6.2.25 /<x>/<x>/OffNetwork/MCPTTGroupParameter

Table 6.2.25.1: /<x>/<x>/OffNetwork/MCPTTGroupParameter

<x>/OffNetwork/MCPTTGroupParameter

Status	Occurrence	Format	Min. Access Types
Required	One	node	Get, Replace

This interior node is a placeholder for the group parameters.

6.2.26 /<x>/<x>/OffNetwork/MCPTTGroupParameter/<x>

Table 6.2.26.1: /<x>/<x>/OffNetwork/MCPTTGroupParameter/<x>

<x>/OffNetwork/MCPTTGroupParameter/<x>

Status	Occurrence	Format	Min. Access Types
Required	OneOrMore	node	Get, Replace

This interior node is a placeholder for one or more group parameters.

6.2.27 /<x>/<x>/OffNetwork/MCPTTGroupParameter/<x>/ProSeLayer2GroupID

Table 6.2.27.1: /<x>/<x>/OffNetwork/MCPTTGroupParameter/<x>/ProSeLayer2GroupID

<x>/OffNetwork/MCPTTGroupParameter/<x>/ProSeLayer2GroupID

Status	Occurrence	Format	Min. Access Types
Required	One	chr	Get, Replace

This leaf node indicates the Prose layer-2 group ID as specified in 3GPP TS 23.303 [6].

NOTE: This element is common for all MC services.

6.2.28 /<x>/<x>/OffNetwork/MCPTTGroupParameter/<x>/IPMulticastAddress

Table 6.2.28.1: /<x>/<x>/OffNetwork/MCPTTGroupParameter/<x>/IPMulticastAddress

<x>/OffNetwork/MCPTTGroupParameter/<x>/IPMulticastAddress

Status	Occurrence	Format	Min. Access Types
Required	One	chr	Get, Replace

This leaf node indicates the ProSe group IP multicast address as specified in 3GPP TS 23.303 [6].

The value is an IPv4 address or an IPv6 address.

NOTE: This element is common for all MC services.

6.2.29 /<x>/<x>/OffNetwork/MCPTTGroupParameter/<x>/RelayServiceCode

Table 6.2.29.1: /<x>/<x>/OffNetwork/MCPTTGroupParameter/<x>/RelayServiceCode

<x>/OffNetwork/MCPTTGroupParameter/<x>/RelayServiceCode

Status	Occurrence	Format	Min. Access Types
Required	One	chr	Get, Replace

This leaf node indicates the connectivity service that the ProSe UE-to-network relay provides to public safety applications as specified in 3GPP TS 23.303 [6].

NOTE: This element is common for all MC services.

6.2.30 /<x>/<x>/OffNetwork/MCPTTGroupParameter/<x>/IPVersions

Table 6.2.30.1: /<x>/<x>/OffNetwork/MCPTTGroupParameter/<x>/IPVersions

<x>/OffNetwork/MCPTTGroupParameter/<x>/IPVersions

Status	Occurrence	Format	Min. Access Types
Required	One	chr	Get, Replace

This leaf node indicates whether IPv4 or IPv6 is used for the MCS group as specified in 3GPP TS 23.303 [6].

The value is "IPv4" or "IPv6".

NOTE: This element is common for all MC services.

6.2.31 /<x>/<x>/OffNetwork/EmergencyCallCancel

Table 6.2.31.1: /<x>/<x>/OffNetwork/EmergencyCallCancel

<x>/OffNetwork/EmergencyCallCancel

Status	Occurrence	Format	Min. Access Types
Required	One	int	Get, Replace

This leaf node indicates the timeout value for the cancellation of an in progress emergency group call for MCPTT.

- Values: 0-65535

The EmergencyCallCancel time is in seconds.

NOTE: This element is specific for MCPTT.

6.2.32 /<x>/<x>/OffNetwork/ImminentPerilCallCancel

Table 6.2.32.1: /<x>/<x>/OffNetwork/ImminentPerilCallCancel

<x>/OffNetwork/ImminentPerilCallCancel

Status	Occurrence	Format	Min. Access Types
Required	One	int	Get, Replace

This leaf node indicates the timeout value for the cancellation of an in progress MCPTT imminent peril group call.

- Values: 0-65535

The ImminentPerilCallCancel time is in seconds.

NOTE: This element is specific for MCPTT.

6.2.33 /<x>/<x>/OffNetwork/HangTime

Table 6.2.33.1: /<x>/<x>/OffNetwork/HangTime

<x>/OffNetwork/HangTime

Status	Occurrence	Format	Min. Access Types
Required	One	int	Get, Replace

This leaf node indicates the group call hang timer.

- Values: 0-65535

The HangTime is in seconds.

NOTE: This element is specific for MCPTT.

6.2.34 /<x>/<x>/OffNetwork/MaxDuration

Table 6.2.34.1: /<x>/<x>/OffNetwork/MaxDuration

<x>/OffNetwork/MaxDuration

Status	Occurrence	Format	Min. Access Types
Required	One	int	Get, Replace

This leaf node indicates the max duration of group calls.

- Values: 0-65535

The MaxDuration time is in seconds.

NOTE: This element is specific for MCPTT.

6.2.34A /<x>/<x>/OffNetwork/QueueUsage

Table 6.2.34A.1: /<x>/<x>/OffNetwork/QueueUsage

<x>/OffNetwork/QueueUsage

Status	Occurrence	Format	Min. Access Types
Required	One	bool	Get, Replace

This leaf node indicates if queuing is enabled or not.

When set to "true" queuing floor requests is enabled on the group.

When set to "false" queuing floor requests is not enabled on the group.

The default value is set to "true".

NOTE: This element is specific for MCPTT.

6.2.35 /<x>/<x>/OffNetwork/DefaultPPPP

Table 6.2.35.1: /<x>/<x>/OffNetwork/DefaultPPPP

<x>/OffNetwork/DefaultPPPP

Status	Occurrence	Format	Min. Access Types
Required	One	node	Get, Replace

This interior node is a placeholder for the default ProSe Per-Packet Priority (PPPP) configuration.

6.2.36 /<x>/<x>/OffNetwork/DefaultPPPP/MCPTTGroupCallSignalling

Table 6.2.36.1: /<x>/<x>/OffNetwork/DefaultPPPP/MCPTTGroupCallSignalling

<x>/OffNetwork/DefaultPPPP/MCPTTGroupCallSignalling

Status	Occurrence	Format	Min. Access Types
Required	One	int	Get, Replace

This leaf node indicates the default ProSe Per-Packet Priority (PPPP) value (as specified in 3GPP TS 23.303 [6]) for the group call signalling for MCPTT.

- Values: 1-8

The MCPTT user data with the lowest ProSe Per-Packet Priority value shall be considered as the MCPTT user data having the highest priority among the MCPTT user data.

NOTE: This element is specific for MCPTT.

6.2.37 /<x>/<x>/OffNetwork/DefaultPPPP/MCPTTGroupCallMedia

Table 6.2.37.1: /<x>/<x>/OffNetwork/DefaultPPPP/MCPTTGroupCallMedia

<x>/OffNetwork/DefaultPPPP/MCPTTGroupCallMedia

Status	Occurrence	Format	Min. Access Types
Required	One	int	Get, Replace

This leaf node indicates the default ProSe Per-Packet Priority (PPPP) value (as specified in 3GPP TS 23.303 [6]) for the group call media for MCPTT.

- Values: 1-8

The MCPTT user data with the lowest ProSe Per-Packet Priority value shall be considered as the MCPTT user data having the highest priority among the MCPTT user data.

NOTE: This element is specific for MCPTT.

6.2.38 /<x>/<x>/OffNetwork/DefaultPPPP/MCPTTEmergencyGroupCallSignalling

Table 6.2.38.1: /<x>/<x>/OffNetwork/DefaultPPPP/MCPTTEmergencyGroupCallSignalling

<x>/OffNetwork/DefaultPPPP/MCPTTEmergencyGroupCallSignalling

Status	Occurrence	Format	Min. Access Types
Required	One	int	Get, Replace

This leaf node indicates the default ProSe Per-Packet Priority (PPPP) value (as specified in 3GPP TS 23.303 [6]) for the MCPTT emergency group call signalling.

- Values: 1-8

The MCPTT user data with the lowest ProSe Per-Packet Priority value shall be considered as the MCPTT user data having the highest priority among the MCPTT user data.

NOTE: This element is specific for MCPTT.

6.2.39 /<x>/<x>/OffNetwork/DefaultPPPP/MCPTTEmergencyGroupCallMedia

Table 6.2.39.1: /<x>/<x>/OffNetwork/DefaultPPPP/MCPTTEmergencyGroupCallMedia

<x>/OffNetwork/DefaultPPPP/MCPTTEmergencyGroupCallMedia

Status	Occurrence	Format	Min. Access Types
Required	One	int	Get, Replace

This leaf node indicates the default ProSe Per-Packet Priority (PPPP) value (as specified in 3GPP TS 23.303 [6]) for the MCPTT emergency group call media.

- Values: 1-8

The MCPTT user data with the lowest ProSe Per-Packet Priority value shall be considered as the MCPTT user data having the highest priority among the MCPTT user data.

NOTE: This element is specific for MCPTT.

6.2.40 /<x>/<x>/OffNetwork/DefaultPPPP/MCPTTImminentPerilGroupCallSignalling

Table 6.2.40.1: /<x>/<x>/OffNetwork/DefaultPPPP/MCPTTImminentPerilGroupCallSignalling

<x>/OffNetwork/DefaultPPPP/MCPTTImminentPerilGroupCallSignalling

Status	Occurrence	Format	Min. Access Types
Required	One	int	Get, Replace

This leaf node indicates the default ProSe Per-Packet Priority (PPPP) value (as specified in 3GPP TS 23.303 [6]) for the MCPTT imminent peril group call signalling.

- Values: 1-8

The MCPTT user data with the lowest ProSe Per-Packet Priority value shall be considered as the MCPTT user data having the highest priority among the MCPTT user data.

NOTE: This element is specific for MCPTT.

6.2.41 /<x>/<x>/OffNetwork/DefaultPPPP/MCPTTImminentPerilGroupCallMedia

Table 6.2.41.1: /<x>/<x>/OffNetwork/DefaultPPPP/MCPTTImminentPerilGroupCallMedia

<x>/OffNetwork/DefaultPPPP/MCPTTImminentPerilGroupCallMedia

Status	Occurrence	Format	Min. Access Types
Required	One	int	Get, Replace

This leaf node indicates the default ProSe Per-Packet Priority (PPPP) value (as specified in 3GPP TS 23.303 [6]) for the MCPTT imminent peril group call media.

- Values: 1-8

The MCPTT user data with the lowest ProSe Per-Packet Priority value shall be considered as the MCPTT user data having the highest priority among the MCPTT user data.

NOTE: This element is specific for MCPTT.

6.2.42 /<x>/<x>/OffNetwork/MCData

Table 6.2.42.1: /<x>/<x>/OffNetwork/MCData

<x>/OffNetwork/MCData

Status	Occurrence	Format	Min. Access Types
Required	One	node	Get, Replace

This interior node is a placeholder for off-network MCData configuration.

6.2.43 /<x>/<x>/OffNetwork/MCData/DefaultPPPP

Table 6.2.43.1: /<x>/<x>/OffNetwork/MCData/DefaultPPPP

<x>/OffNetwork/MCData/DefaultPPPP

Status	Occurrence	Format	Min. Access Types
Required	One	node	Get, Replace

This interior node is a placeholder for the default ProSe Per-Packet Priority (PPPP) configuration.

6.2.44 /<x>/<x>/OffNetwork/MCData/DefaultPPPP/ MCDataGroupCallSignalling

Table 6.2.44.1: /<x>/<x>/OffNetwork/MCData/DefaultPPPP/MCDataGroupCallSignalling

<x>/OffNetwork/MCData/DefaultPPPP/MCDataGroupCallSignalling

Status	Occurrence	Format	Min. Access Types
Required	One	int	Get, Replace

This leaf node indicates the default ProSe Per-Packet Priority (PPPP) value (as specified in 3GPP TS 23.303 [6]) for the group call signalling for MCData.

- Values: 1-8

The MCData user data with the lowest ProSe Per-Packet Priority value shall be considered as the MCData user data having the highest priority among the MCData user data.

6.2.45 /<x>/<x>/OffNetwork/MCData/DefaultPPPP/ MCDataGroupCallMedia

Table 6.2.45.1: /<x>/<x>/OffNetwork/MCData/DefaultPPPP/MCDataGroupCallMedia

<x>/OffNetwork/MCData/DefaultPPPP/MCDataGroupCallMedia

Status	Occurrence	Format	Min. Access Types
Required	One	int	Get, Replace

This leaf node indicates the default ProSe Per-Packet Priority (PPPP) value (as specified in 3GPP TS 23.303 [6]) for the group call media for MCData.

- Values: 1-8

The MCData user data with the lowest ProSe Per-Packet Priority value shall be considered as the MCData user data having the highest priority among the MCData user data.

6.2.46 /<x>/<x>/OffNetwork/MCVideo

Table 6.2.46.1: /<x>/<x>/OffNetwork/MCVideo

<x>/OffNetwork/MCVideo

Status	Occurrence	Format	Min. Access Types
Required	One	node	Get, Replace

This interior node is a placeholder for off-network MCVideo group configuration.

6.2.47 /<x>/<x>/OffNetwork/MCVideo/ArbitrationApproach

Table 6.2.47.1: /<x>/<x>/OffNetwork/MCVideo/ArbitrationApproach

<x>/OffNetwork/MCVideo/ArbitrationApproach

Status	Occurrence	Format	Min. Access Types
Required	One	chr	Get, Replace

This leaf node indicates the arbitration approach used for off-network video transmissions on the group

The valid values are:

- a) "single" which indicates transmission participants rely on a single participant designated as transmission arbitrator for the arbitration of transmission requests; and
- b) "self" which indicates each transmission participant arbitrates its own transmission based on its view of the topology.

6.2.48 /<x>/<x>/OffNetwork/MCVideo/MaxTransmissions

Table 6.2.48.1: /<x>/<x>/OffNetwork/MCVideo/MaxTransmissions

<x>/OffNetwork/MCVideo/MaxTransmissions

Status	Occurrence	Format	Min. Access Types
Required	One	int	Get, Replace

This leaf node indicates maximum number of simultaneous transmissions for off-network MCVideo procedures.

- Values: 0-65535

6.2.49 /<x>/<x>/OffNetwork/MCVideo/DefaultPPPP

Table 6.2.49.1: /<x>/<x>/OffNetwork/MCVideo/DefaultPPPP

<x>/OffNetwork/MCVideo/DefaultPPPP

Status	Occurrence	Format	Min. Access Types
Required	One	node	Get, Replace

This interior node is a placeholder for the default ProSe Per-Packet Priority (PPPP) configuration.

6.2.50 /<x>/<x>/OffNetwork/MCVideo/DefaultPPPP/ MCVideoGroupCallSignalling

Table 6.2.50.1: /<x>/<x>/OffNetwork/MCVideo/DefaultPPPP/MCVideoGroupCallSignalling

<x>/OffNetwork/MCVideo/DefaultPPPP/MCVideoGroupCallSignalling

Status	Occurrence	Format	Min. Access Types
Required	One	int	Get, Replace

This leaf node indicates the default ProSe Per-Packet Priority (PPPP) value (as specified in 3GPP TS 23.303 [6]) for the group call signalling for MCVideo.

- Values: 1-8

The MCVideo user data with the lowest ProSe Per-Packet Priority value shall be considered as the MCVideo user data having the highest priority among the MCVideo user data.

6.2.51 /<x>/<x>/OffNetwork/MCVideo/DefaultPPPP/ MCVideoGroupCallMedia

Table 6.2.51.1: /<x>/<x>/OffNetwork/MCVideo/DefaultPPPP/MCVideoGroupCallMedia

<x>/OffNetwork/MCVideo/DefaultPPPP/MCVideoGroupCallMedia

Status	Occurrence	Format	Min. Access Types
Required	One	int	Get, Replace

This leaf node indicates the default ProSe Per-Packet Priority (PPPP) value (as specified in 3GPP TS 23.303 [6]) for the group call media for MCVideo.

- Values: 1-8

The MCVideo user data with the lowest ProSe Per-Packet Priority value shall be considered as the MCVideo user data having the highest priority among the MCVideo user data.

6.2.52 /<x>/<x>/OffNetwork/MCVideo/DefaultPPPP/ MCVideoEmergencyGroupCallSignalling

Table 6.2.52.1: /<x>/<x>/OffNetwork/MCVideo/DefaultPPPP/MCVideoEmergencyGroupCallSignalling

<x>/OffNetwork/MCVideo/DefaultPPPP/MCVideoEmergencyGroupCallSignalling

Status	Occurrence	Format	Min. Access Types
Required	One	int	Get, Replace

This leaf node indicates the default ProSe Per-Packet Priority (PPPP) value (as specified in 3GPP TS 23.303 [6]) for the MCVideo emergency group call signalling.

- Values: 1-8

The MCVideo user data with the lowest ProSe Per-Packet Priority value shall be considered as the MCVideo user data having the highest priority among the MCVideo user data.

6.2.53 /<x>/<x>/OffNetwork/MCVideo/DefaultPPPP/ MCVideoEmergencyGroupCallMedia

Table 6.2.53.1: /<x>/<x>/OffNetwork/MCVideo/DefaultPPPP/MCVideoEmergencyGroupCallMedia

<x>/OffNetwork/MCVideo/DefaultPPPP/MCVideoEmergencyGroupCallMedia

Status	Occurrence	Format	Min. Access Types
Required	One	int	Get, Replace

This leaf node indicates the default ProSe Per-Packet Priority (PPPP) value (as specified in 3GPP TS 23.303 [6]) for the MCVideo emergency group call media.

- Values: 1-8

The MCVideo user data with the lowest ProSe Per-Packet Priority value shall be considered as the MCVideo user data having the highest priority among the MCVideo user data.

6.2.54 /<x>/<x>/OffNetwork/MCVideo/DefaultPPPP/ MCVideoImminentPerilGroupCallSignalling

Table 6.2.54.1:

/<x>/<x>/OffNetwork/MCVideo/DefaultPPPP/MCVideoImminentPerilGroupCallSignalling

<x>/OffNetwork/MCVideo/DefaultPPPP/MCVideoImminentPerilGroupCallSignalling

Status	Occurrence	Format	Min. Access Types
Required	One	int	Get, Replace

This leaf node indicates the default ProSe Per-Packet Priority (PPPP) value (as specified in 3GPP TS 23.303 [6]) for the MCVideo imminent peril group call signalling.

- Values: 1-8

The MCVideo user data with the lowest ProSe Per-Packet Priority value shall be considered as the MCVideo user data having the highest priority among the MCVideo user data.

6.2.55 /<x>/<x>/OffNetwork/MCVideo/DefaultPPPP/ MCVideoImminentPerilGroupCallMedia

Table 6.2.55.1: /<x>/<x>/OffNetwork/MCVideo/DefaultPPPP/MCVideoImminentPerilGroupCallMedia

<x>/OffNetwork/MCVideo/DefaultPPPP/MCVideoImminentPerilGroupCallMedia

Status	Occurrence	Format	Min. Access Types
Required	One	int	Get, Replace

This leaf node indicates the default ProSe Per-Packet Priority (PPPP) value (as specified in 3GPP TS 23.303 [6]) for the MCVideo imminent peril group call media.

- Values: 1-8

The MCVideo user data with the lowest ProSe Per-Packet Priority value shall be considered as the MCVideo user data having the highest priority among the MCVideo user data.

6.2.56 /<x>/<x>/OffNetwork/MCVideo/MaxDuration

Table 6.2.56.1: /<x>/<x>/OffNetwork/MCVideo/MaxDuration

<x>/OffNetwork/MCVideo/MaxDuration

Status	Occurrence	Format	Min. Access Types
Required	One	int	Get, Replace

This leaf node indicates the max duration of MCVideo group calls.

- Values: 0-65535

The MaxDuration time is in seconds.

6.2.57 /<x>/<x>/OffNetwork/MCVideo/EmergencyCallCancel

Table 6.2.57.1: /<x>/<x>/OffNetwork/MCVideo/EmergencyCallCancel

<x>/OffNetwork/EmergencyCallCancel

Status	Occurrence	Format	Min. Access Types
Required	One	int	Get, Replace

This leaf node indicates the timeout value for the cancellation of an in progress MCVideo emergency group call for MCVideo.

- Values: 0-65535

The EmergencyCallCancel time is in seconds.

6.2.58 /<x>/<x>/OffNetwork/MCVideo/ImminentPerilCallCancel

Table 6.2.58.1: /<x>/<x>/OffNetwork/MCVideo/ImminentPerilCallCancel

<x>/OffNetwork/ImminentPerilCallCancel

Status	Occurrence	Format	Min. Access Types
Required	One	int	Get, Replace

This leaf node indicates the timeout value for the cancellation of an in progress MCVideo imminent peril group call.

- Values: 0-65535

The ImminentPerilCallCancel time is in seconds.

7 MCPTT service configuration MO

7.1 General

The MCPTT service configuration Management Object (MO) is used to configure MCPTT Client behaviour for the on-network or off-network MCPTT Service. The MCPTT service configuration parameters may be stored in the ME, or in the USIM as specified in 3GPP TS 31.102 [10], or in both the ME and the USIM. If both the ME and the USIM contain the same parameters, the values stored in the USIM shall take precedence.

The Management Object Identifier is: urn:oma:mo:ext-3gpp-MCPTT-service-configuration:1.0.

Protocol compatibility: This MO is compatible with OMA OMA DM 1.2 [3].

The OMA DM ACL property mechanism (see OMA OMA-ERELED-DM-V1_2 [2]) may be used to grant or deny access rights to OMA DM servers in order to modify nodes and leaf objects of the MCPTT service configuration MO.

The following nodes and leaf objects are possible under the MCPTT service configuration node as described in figure 7.1.1.

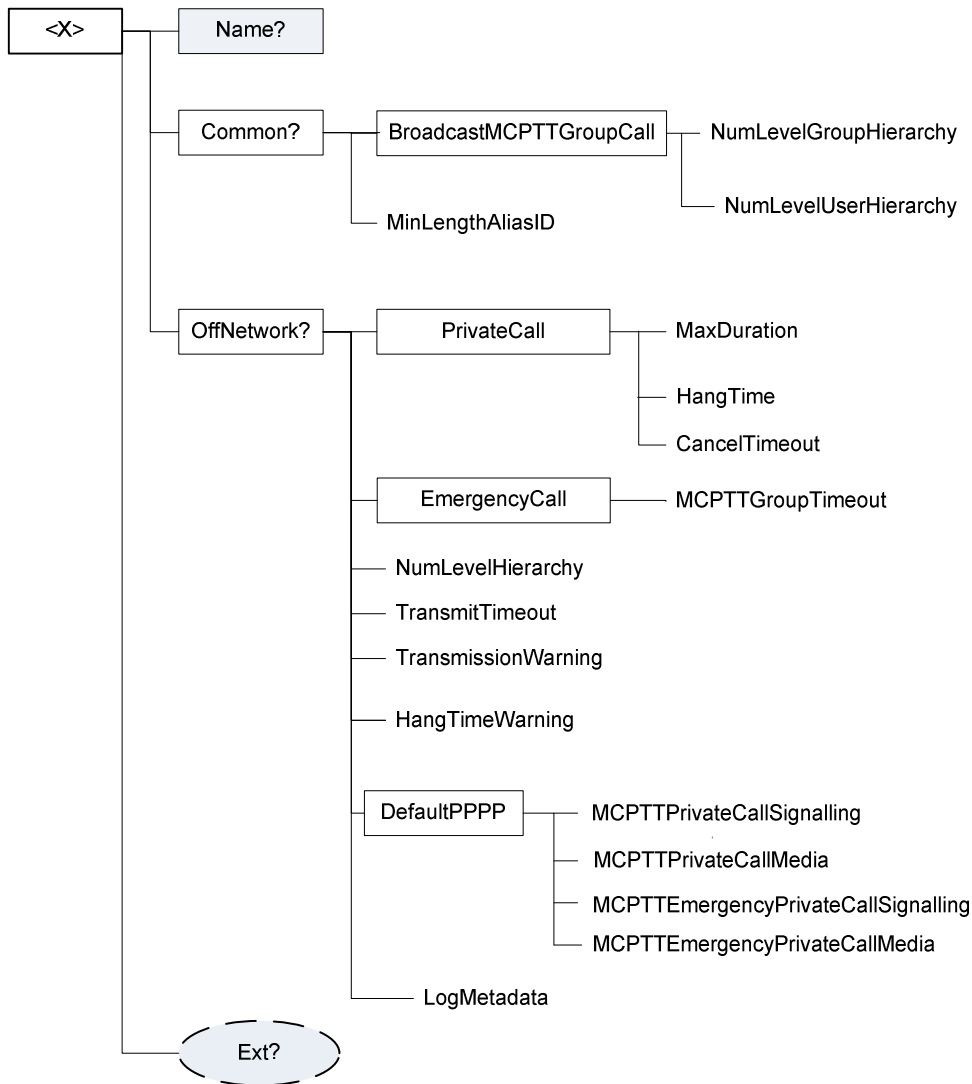


Figure 7.1.1: The MCPTT service configuration MO

7.2 MCPTT service configuration MO parameters

7.2.1 General

This clause describes the parameters for the MCPTT service configuration Management Object (MO).

7.2.2 Node: <x>

Table 7.2.2.1: Node: <x>

<x>

Status	Occurrence	Format	Min. Access Types
--------	------------	--------	-------------------

Required	OneOrMore	node	Get
----------	-----------	------	-----

This interior node acts as a placeholder for the MCPTT service configuration Management Object (MO).

For the MCPTT service configuration MO, the namespace specific string is: "urn:oma:mo:oma-dm-mcptt-service-configuration:1.0"

- Values: N/A

7.2.3 /<x>/Name

Table 7.2.3.1: /<x>/Name

Name

Status	Occurrence	Format	Min. Access Types
Required	ZeroOrOne	chr	Get

The Name leaf is a name for the MCPTT service configuration settings.

- Values: <User displayable name>

7.2.4 /<x>/Ext/

Table 7.2.4.1: /<x>/Ext/

Ext

Status	Occurrence	Format	Min. Access Types
Optional	ZeroOrOne	node	Get, Replace

The Ext is an interior node for where the vendor specific information about the MCPTT service configuration MO is being placed.

Usually the vendor extension is identified by vendor specific name under the ext node and contains the vendor meaning application vendor, device vendor etc. The tree structure under the vendor identified is not defined and can therefore include one or more un-standardized sub-trees.

- Values: N/A

7.2.5 /<x>/Common

Table 7.2.5.1: /<x>/Common

Common

Status	Occurrence	Format	Min. Access Types
Required	ZeroOrOne	node	Get, Replace

This interior node represents a container for the common network operation which means both on-network operation and off-network operation.

7.2.6 /<x>/Common/BroadcastMCPTTGroupCall

Table 7.2.6.1: /<x>/Common/BroadcastMCPTTGroupCall

Common/BroadcastMCPTTGroupCall

Status	Occurrence	Format	Min. Access Types
Required	One	node	Get, Replace

This interior node is a placeholder for Broadcast MCPTT Group Call configuration.

7.2.7 /<x>/Common/BroadcastMCPTTGroupCall/ NumLevelGroupHierarchy

Table 7.2.7.1: /<x>/Common/BroadcastMCPTTGroupCall/NumLevelGroupHierarchy

Common/BroadcastMCPTTGroupCall/NumLevelGroupHierarchy

Status	Occurrence	Format	Min. Access Types
Required	One	int	Get, Replace

This leaf node indicates the number of levels of group hierarchy for group-broadcast groups.

- Values: 0-255

The group-broadcast group with the lowest NumLevelGroupHierarchy value shall be considered as the group-broadcast group having the lowest level among the groups.

7.2.8 /<x>/Common/BroadcastMCPTTGroupCall/ NumLevelUserHierarchy

Table 7.2.8.1: /<x>/Common/BroadcastMCPTTGroupCall/NumLevelUserHierarchy

Common/BroadcastMCPTTGroupCall/NumLevelUserHierarchy

Status	Occurrence	Format	Min. Access Types
Required	One	int	Get, Replace

This leaf node indicates the number of levels of user hierarchy for user-broadcast groups.

- Values: 0-255

The user-broadcast group with the lowest NumLevelUserHierarchy value shall be considered as the user-broadcast group the lowest level among the groups.

7.2.9 /<x>/Common/MinLengthAliasID

Table 7.2.9.1: /<x>/Common/MinLengthAliasID

Common/MinLengthAliasID

Status	Occurrence	Format	Min. Access Types
Required	One	int	Get, Replace

This leaf node indicates minimum length of an alphanumeric identifier (i.e., alias) assigned by an MCPTT administrator.

- Values: 0-255

7.2.10 /<x>/OffNetwork

Table 7.2.10.1: /<x>/OffNetwork

OffNetwork

Status	Occurrence	Format	Min. Access Types
Required	ZeroOrOne	node	Get, Replace

This interior node represents a container for off-network operation.

7.2.11 /<x>/OffNetwork/PrivateCall

Table 7.2.11.1: /<x>/OffNetwork/PrivateCall

OffNetwork/PrivateCall

Status	Occurrence	Format	Min. Access Types
Required	One	node	Get, Replace

This interior node is a placeholder for private call configuration.

7.2.12 /<x>/OffNetwork/PrivateCall/MaxDuration

Table 7.2.12.1: /<x>/OffNetwork/PrivateCall/MaxDuration

OffNetwork/PrivateCall/MaxDuration

Status	Occurrence	Format	Min. Access Types
Required	One	int	Get, Replace

This leaf node indicates max private call (with floor control) duration.

- Values: 0-65535

The MaxDuration time is in seconds.

7.2.13 /<x>/OffNetwork/PrivateCall/HangTime

Table 7.2.13.1: /<x>/OffNetwork/PrivateCall/HangTime

OffNetwork/PrivateCall/HangTime

Status	Occurrence	Format	Min. Access Types
Required	One	int	Get, Replace

This leaf node indicates hang timer for private calls (with floor control).

- Values: 0-65535

The HangTime is in seconds.

7.2.14 /<x>/OffNetwork/PrivateCall/CancelTimeout

Table 7.2.14.1: /<x>/OffNetwork/PrivateCall/CancelTimeout

OffNetwork/PrivateCall/CancelTimeout

Status	Occurrence	Format	Min. Access Types

Required	One	int	Get, Replace
----------	-----	-----	--------------

This leaf node indicates timeout value for the cancellation of an in progress emergency for an MCPTT private call.

- Values: 0-65535

The CancelTimeout is in seconds.

7.2.15 /<x>/OffNetwork/EmergencyCall

Table 7.2.15.1: /<x>/OffNetwork/EmergencyCall

OffNetwork/EmergencyCall

Status	Occurrence	Format	Min. Access Types
Required	One	node	Get, Replace

This interior node indicates a placeholder for the MCPTT emergency call policy.

7.2.16 /<x>/OffNetwork/EmergencyCall/MCPTTGroupTimeout

Table 7.2.16.1: /<x>/OffNetwork/EmergencyCall/MCPTTGroupTimeout

OffNetwork/EmergencyCall/MCPTTGroupTimeout

Status	Occurrence	Format	Min. Access Types
Required	One	int	Get, Replace

This leaf node indicates time limit for an in progress MCPTT emergency call related to an MCPTT group.

- Values: 0-65535

The GroupTimeout is in seconds.

7.2.17 /<x>/OffNetwork/NumLevelHierarchy

Table 7.2.17.1: /<x>/OffNetwork/NumLevelHierarchy

OffNetwork/NumLevelHierarchy

Status	Occurrence	Format	Min. Access Types
Required	One	int	Get, Replace

This leaf node indicates the number of levels of hierarchy for floor control override in off-network.

- Values: 4-256

The request with the lowest NumLevelHierarchy value shall be considered as the request having the lowest priority level given to override an active transmission among the requests.

7.2.18 /<x>/OffNetwork/TransmitTimeout

Table 7.2.18.1: /<x>/OffNetwork/TransmitTimeout

OffNetwork/TransmitTimeout

Status	Occurrence	Format	Min. Access Types
--------	------------	--------	-------------------

Required	One	int	Get, Replace
----------	-----	-----	--------------

This leaf node indicates transmit time limit from a single request to transmit in a group or private call.

- Values: 0-65535

The TransmitTimeout is in seconds.

7.2.19 /<x>/OffNetwork/TransmissionWarning

Table 7.2.19.1: /<x>/OffNetwork/TransmissionWarning

OffNetwork/TransmissionWarning

Status	Occurrence	Format	Min. Access Types
Required	One	int	Get, Replace

This leaf node indicates configuration of warning time before time limit of transmission is reached (off-network).

- Values: 0-255

The TransmissionWarning time is in seconds.

7.2.20 /<x>/OffNetwork/HangTimeWarning

Table 7.2.20.1: /<x>/OffNetwork/HangTimeWarning

OffNetwork/HangTimeWarning

Status	Occurrence	Format	Min. Access Types
Required	One	int	Get, Replace

This leaf node indicates configuration of warning time before hang time is reached (off-network).

- Values: 0-255

The HangTimeWarning time is in seconds.

7.2.21 /<x>/OffNetwork/DefaultPPPP

Table 7.2.21.1: /<x>/OffNetwork/DefaultPPPP

OffNetwork/DefaultPPPP

Status	Occurrence	Format	Min. Access Types
Required	One	node	Get, Replace

This interior node is a placeholder for the default ProSe Per-Packet Priority (PPPP) configuration.

7.2.22 /<x>/OffNetwork/DefaultPPPP/MCPTTPrivateCallSignalling

Table 7.2.22.1: /<x>/OffNetwork/DefaultPPPP/MCPTTPrivateCallSignalling

OffNetwork/DefaultPPPP/MCPTTPrivateCallSignalling

Status	Occurrence	Format	Min. Access Types
Required	One	int	Get, Replace

This leaf node indicates the default ProSe Per-Packet Priority (PPPP) value (as specified in 3GPP TS 23.303 [6]) for the MCPTT private call signalling.

- Values: 1-8

The MCPTT user data with the lowest ProSe Per-Packet Priority value shall be considered as the MCPTT user data having the highest priority among the MCPTT user data.

7.2.23 /<x>/OffNetwork/DefaultPPPP/MCPTTPrivateCallMedia

Table 7.2.23.1: /<x>/OffNetwork/DefaultPPPP/MCPTTPrivateCallMedia

OffNetwork/DefaultPPPP/MCPTTPrivateCallMedia

Status	Occurrence	Format	Min. Access Types
Required	One	int	Get, Replace

This leaf node indicates the default ProSe Per-Packet Priority (PPPP) value (as specified in 3GPP TS 23.303 [6]) for the MCPTT private call media.

- Values: 1-8

The MCPTT user data with the lowest ProSe Per-Packet Priority value shall be considered as the MCPTT user data having the highest priority among the MCPTT user data.

7.2.24 /<x>/OffNetwork/DefaultPPPP/MCPTTEmergencyPrivateCallSignalling

Table 7.2.24.1: /<x>/OffNetwork/DefaultPPPP/MCPTTEmergencyPrivateCallSignalling

OffNetwork/DefaultPPPP/MCPTTEmergencyPrivateCallSignalling

Status	Occurrence	Format	Min. Access Types
Required	One	int	Get, Replace

This leaf node indicates the default ProSe Per-Packet Priority (PPPP) value (as specified in 3GPP TS 23.303 [6]) for the MCPTT emergency private call signalling.

- Values: 1-8

The MCPTT user data with the lowest ProSe Per-Packet Priority value shall be considered as the MCPTT user data having the highest priority among the MCPTT user data.

7.2.25 /<x>/OffNetwork/DefaultPPPP/MCPTTEmergencyPrivateCallMedia

Table 7.2.25.1: /<x>/OffNetwork/DefaultPPPP/MCPTTEmergencyPrivateCallMedia

OffNetwork/DefaultPPPP/MCPTTEmergencyPrivateCallMedia

Status	Occurrence	Format	Min. Access Types
Required	One	int	Get, Replace

This leaf node indicates the default ProSe Per-Packet Priority (PPPP) value (as specified in 3GPP TS 23.303 [6]) for the MCPTT emergency private call media.

- Values: 1-8

The MCPTT user data with the lowest ProSe Per-Packet Priority value shall be considered as the MCPTT user data having the highest priority among the MCPTT user data.

7.2.26 /<x>/OffNetwork/LogMetadata

Table 7.2.26.1: /<x>/OffNetwork/LogMetadata

OffNetwork/LogMetadata

Status	Occurrence	Format	Min. Access Types
Required	One	bool	Get, Replace

This leaf node indicates whether logging of metadata for MCPTT group calls, MCPTT private calls and non-call activities is permitted.

When set to "true" logging of metadata for MCPTT group calls, MCPTT private calls and non-call activities, is enabled.

When set to "false" logging of metadata for MCPTT group calls, MCPTT private calls and non-call activities, is not enabled.

8 MCS UE initial configuration MO

8.1 General

The MCS UE initial configuration Management Object (MO) is used to configure the MCS Client behaviour for the on-network or off-network MCS Service. The MCS UE initial configuration parameters may be stored in the ME, or in the USIM as specified in 3GPP TS 31.102 [10], or in both the ME and the USIM. If both the ME and the USIM contain the same parameters, the values stored in the USIM shall take precedence.

NOTE: For historical reasons some of the elements in the MCS UE initial MO uses the terminology "MCPTT", however this MO is common to all MCS with some MCPTT specific elements, some MCDATA specific elements and some MCVideo specific elements. Not all elements that contain the terminology "MCPTT" are just MCPTT specific.

The Management Object Identifier is: urn:oma:mo:ext-3gpp-MCPTT-UE-initial-configuration:1.0.

Protocol compatibility: This MO is compatible with OMA OMA DM 1.2 [3].

The OMA DM ACL property mechanism (see OMA OMA-ERELED-DM-V1_2 [2]) may be used to grant or deny access rights to OMA DM servers in order to modify nodes and leaf objects of the MCPTT user profile MO.

The following nodes and leaf objects are possible under the MCPTT node as described in figure 8.1.1, figure 8.1.2, figure 8.1.3 and figure 8.1.4.

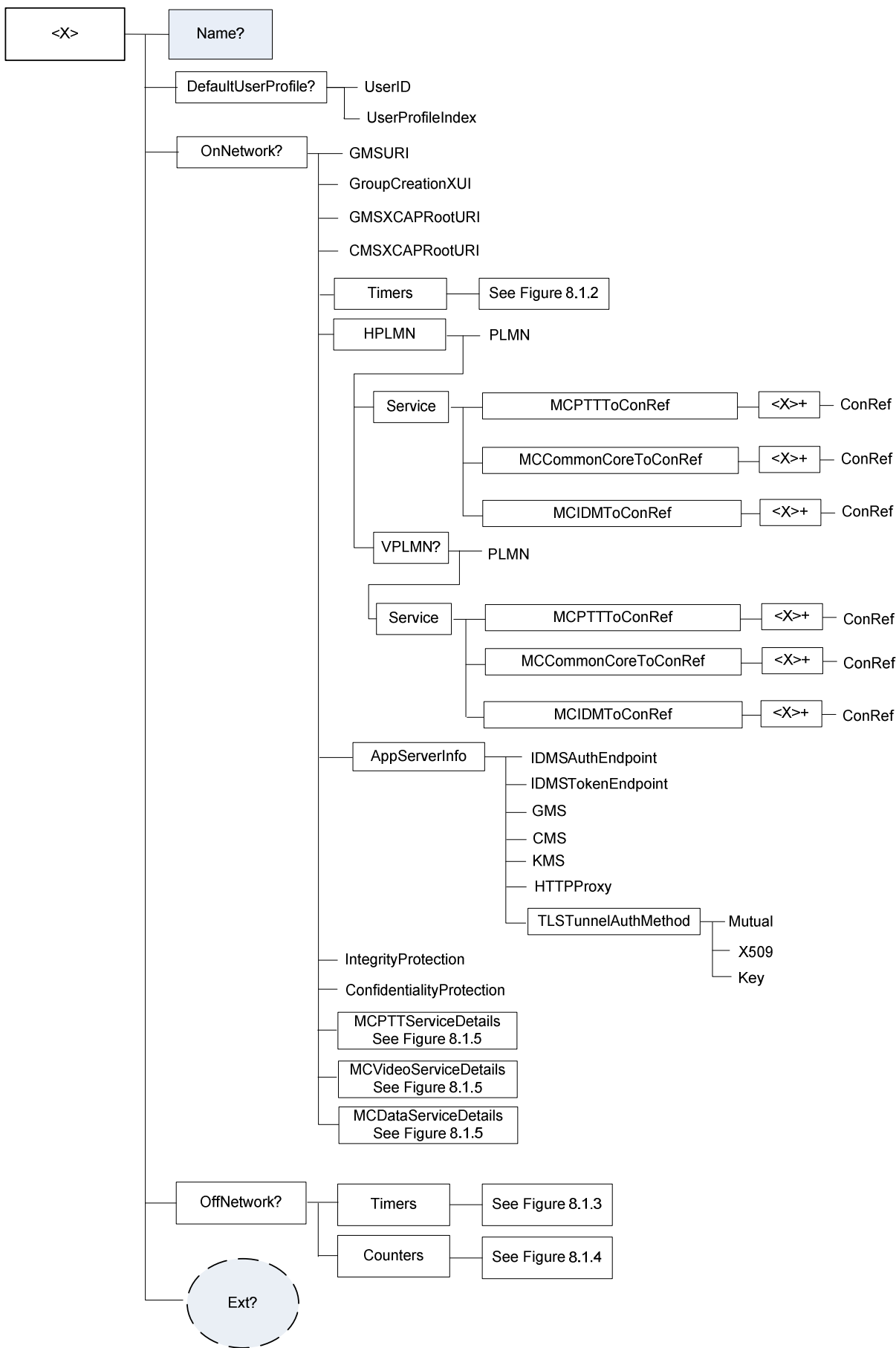


Figure 8.1.1: The MCS UE initial configuration MO (1 of 5)

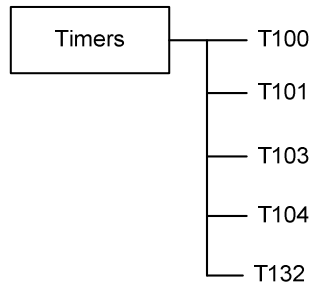


Figure 8.1.2: The MCS UE initial configuration MO (2 of 5)

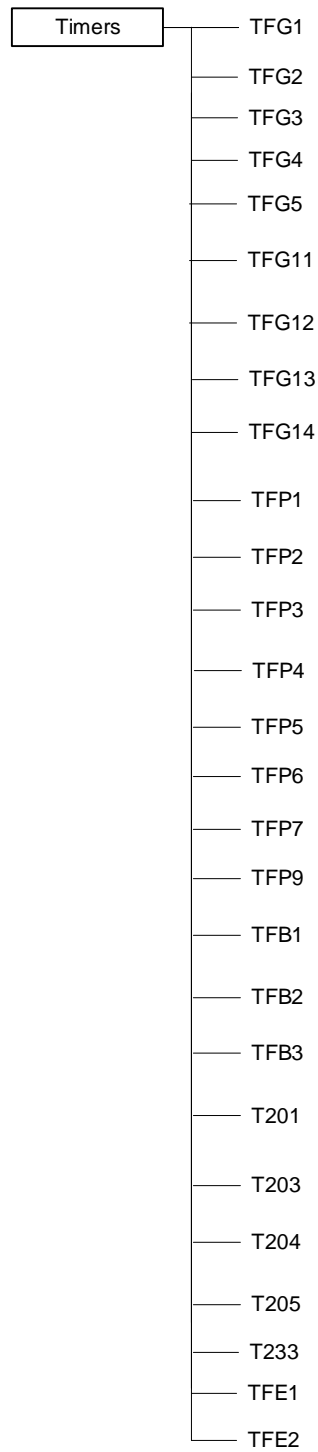


Figure 8.1.3: The MCS UE initial configuration MO (3 of 5)

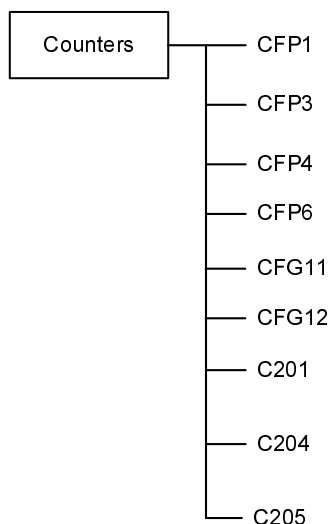


Figure 8.1.4: The MCS UE initial configuration MO (4 of 5)

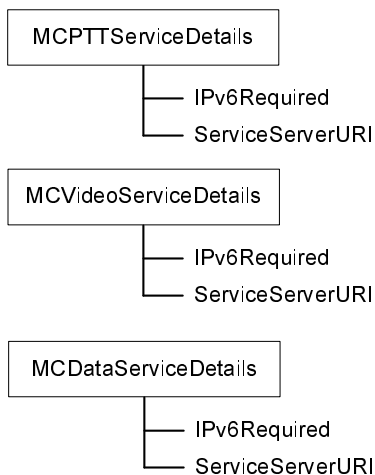


Figure 8.1.5: The MCS UE initial configuration MO (5 of 5)

8.2 MCS UE initial configuration MO parameters

8.2.1 General

This clause describes the parameters for the MCS UE initial configuration Management Object (MO).

8.2.2 Node: <x>

Table 8.2.2.1: Node: <x>

<x>

Status	Occurrence	Format	Min. Access Types
Required	OneOrMore	node	Get

This interior node acts as a placeholder for the MCS UE initial configuration Management Object (MO).

For the MCS UE initial configuration MO, the namespace specific string is: "urn:oma:mo:oma-dm-mcptt-ue-initial-configuration:1.0"

- Values: N/A

8.2.3 /<x>/Name

Table 8.2.3.1: /<x>/Name

Name

Status	Occurrence	Format	Min. Access Types
Required	ZeroOrOne	chr	Get

The Name leaf is a name for the MCPTT UE initial configuration settings.

- Values: <User displayable name>

8.2.4 /<x>/Ext/

Table 8.2.4.1: /<x>/Ext/

Ext

Status	Occurrence	Format	Min. Access Types
Optional	ZeroOrOne	node	Get, Replace

The Ext is an interior node for where the vendor specific information about the MCPTT UE initial configuration MO is being placed.

Usually the vendor extension is identified by vendor specific name under the ext node and contains the vendor meaning application vendor, device vendor etc. The tree structure under the vendor identified is not defined and can therefore include one or more un-standardized sub-trees.

- Values: N/A

8.2.5 /<x>/DefaultUserProfile

Table 8.2.5.1: /<x>/Ext/DefaultUserProfile

DefaultUserProfile

Status	Occurrence	Format	Min. Access Types
Required	ZeroOrOne	node	Get, Replace

This interior node represents a container for the default user profile.

The DefaultUserProfile nodes are:

- the same MCPTT user profile nodes defined in MCPTT user profile MO with a default MCPTT user ID;
- the same MCDData user profile nodes defined in MCDData user profile MO with a default MCDData user ID; or
- the same MCVideo user profile nodes defined in MCVideo user profile MO with a default MCVideo user ID.

8.2.6 /<x>/DefaultUserProfile/UserID

Table 8.2.6.1: /<x>/Ext/DefaultUserProfile/UserID

DefaultUserProfile/UserID

Status	Occurrence	Format	Min. Access Types
Required	One	chr	Get, Replace

This leaf node indicates a default MCS user identity.

8.2.7 /<x>/DefaultUserProfile/UserProfileIndex

Table 8.2.7.1: /<x>/Ext/DefaultUserProfile/UserProfileIndex

DefaultUserProfile/UserProfileIndex

Status	Occurrence	Format	Min. Access Types
Required	One	int	Get, Replace

This leaf node represents an indicator for the particular user profile.

- Values: 0-255

8.2.8 /<x>/OnNetwork

Table 8.2.8.1: /<x>/OnNetwork

OnNetwork

Status	Occurrence	Format	Min. Access Types
Required	ZeroOrOne	node	Get, Replace

This interior node represents a container for on-network operation.

8.2.9 /<x>/OnNetwork/GMSURI

Table 8.2.9.1: <x>/OnNetwork/GMSURI

OnNetwork/GMSURI

Status	Occurrence	Format	Min. Access Types
Required	One	chr	Get, Replace

This leaf node indicates the group management service URI information which contains the public service identity for performing subscription proxy function of the GMS.

The value is a URI as specified in 3GPP TS 23.003 [5].

8.2.9A /<x>/OnNetwork/GroupCreationXUI

Table 8.2.9A.1: <x>/OnNetwork/GroupCreationXUI

OnNetwork/GroupCreationXUI

Status	Occurrence	Format	Min. Access Types
Required	One	chr	Get, Replace

This leaf node indicates the group creation XUI information for creation of groups.

The value is a URI as specified in 3GPP TS 23.003 [5].

8.2.9B /<x>/OnNetwork/GMSXCAPRootURI

Table 8.2.9B.1: <x>/OnNetwork/GMSXCAPRootURI

OnNetwork/GMSXCAPRootURI

Status	Occurrence	Format	Min. Access Types
Required	One	chr	Get, Replace

This leaf node indicates the group management server XCAP Root URI information.

The value is a URI as specified in 3GPP TS 23.003 [5].

8.2.9C /<x>/OnNetwork/CMSXCAPRootURI

Table 8.2.9C.1: <x>/OnNetwork/CMSXCAPRootURI

OnNetwork/CMSXCAPRootURI

Status	Occurrence	Format	Min. Access Types
Required	One	chr	Get, Replace

This leaf node indicates the configuration management server XCAP Root URI information.

The value is a URI as specified in 3GPP TS 23.003 [5].

8.2.10 /<x>/OnNetwork/Timers

Table 8.2.10.1: /<x>/OnNetwork/Timers

OnNetwork/Timers

Status	Occurrence	Format	Min. Access Types
Required	One	node	Get, Replace

This interior node is a placeholder for timer configuration.

8.2.11 /<x>/OnNetwork/Timers/T100

Table 8.2.11.1: /<x>/OnNetwork/Timers/T100

OnNetwork/Timers/T100

Status	Occurrence	Format	Min. Access Types
Required	One	int	Get, Replace

This leaf node indicates the MCPTT timer for floor release as specified in 3GPP TS 24.380 [8].

- Values: 0-255

The T100 is in seconds.

8.2.12 /<x>/OnNetwork/Timers/T101

Table 8.2.12.1: /<x>/OnNetwork/Timers/T101

OnNetwork/Timers/T101

Status	Occurrence	Format	Min. Access Types
Required	One	int	Get, Replace

This leaf node indicates the MCPTT timer for floor request as specified in 3GPP TS 24.380 [8].

- Values: 0-255

The timer T101 is in seconds.

8.2.13 /<x>/OnNetwork/Timers/T103

Table 8.2.13.1: /<x>/OnNetwork/Timers/T103

OnNetwork/Timers/T103

Status	Occurrence	Format	Min. Access Types
Required	One	int	Get, Replace

This leaf node indicates the MCPTT timer for end of RTP media as specified in 3GPP TS 24.380 [8].

- Values: 0-255

The timer T103 is in seconds.

8.2.14 /<x>/OnNetwork/Timers/T104

Table 8.2.14.1: /<x>/OnNetwork/Timers/T104

OnNetwork/Timers/T104

Status	Occurrence	Format	Min. Access Types
Required	One	int	Get, Replace

This leaf node indicates the MCPTT timer for floor queue position request as specified in 3GPP TS 24.380 [8].

- Values: 0-255

The timer T104 is in seconds.

8.2.15 /<x>/OnNetwork/Timers/T132

Table 8.2.15.1: /<x>/OnNetwork/Timers/T132

OnNetwork/Timers/T132

Status	Occurrence	Format	Min. Access Types
Required	One	int	Get, Replace

This leaf node indicates the MCPTT timer for queued request granted MCPTT user action as specified in 3GPP TS 24.380 [8].

- Values: 0-255

The timer T132 is in seconds.

8.2.16 /<x>/OnNetwork/HPLMN

Table 8.2.16.1: /<x>/OnNetwork/HPLMN

OnNetwork/HPLMN

Status	Occurrence	Format	Min. Access Types
Required	One	node	Get, Replace

This interior node is a placeholder for the HPLMN configuration.

8.2.17 /<x>/OnNetwork/HPLMN/PLMN

Table 8.2.17.1: /<x>/OnNetwork/HPLMN/PLMN

OnNetwork/HPLMN/PLMN

Status	Occurrence	Format	Min. Access Types
Required	One	chr	Get, Replace

This leaf node indicates the HPLMN code.

- Values: <PLMN>

The format of the PLMN is defined by 3GPP TS 23.003 [5].

8.2.18 /<x>/OnNetwork/HPLMN/Service

Table 8.2.18.1: /<x>/OnNetwork/HPLMN/Service

OnNetwork/HPLMN/Service

Status	Occurrence	Format	Min. Access Types
Required	One	node	Get, Replace

This interior node indicates the MCS related services on a per HPLMN basis.

8.2.19 /<x>/OnNetwork/HPLMN/Service/MCPTTTtoConRef

Table 8.2.19.1: /<x>/OnNetwork/HPLMN/Service/MCPTTTtoConRef

OnNetwork/HPLMN/Service/MCPTTTtoConRef

Status	Occurrence	Format	Min. Access Types
Required	One	node	Get, Replace

This interior node contains the configuration parameters for establishment of the PDN connection for the MCS service on a per HPLMN basis.

8.2.20 /<x>/OnNetwork/HPLMN/Service/MCPTTTtoConRef/<x>

Table 8.2.20.1: /<x>/OnNetwork/HPLMN/Service/MCPTTTtoConRef/<x>

OnNetwork/HPLMN/Service/MCPTTTtoConRef/<x>

Status	Occurrence	Format	Min. Access Types

Required	OneorMore	node	Get, Replace
----------	-----------	------	--------------

This run-time node acts as a placeholder for each reference to the connectivity parameters on a per HPLMN basis.

8.2.21 /<x>/OnNetwork/HPLMN/Service/MCPTTTToConRef/<x>/ConRef

Table 8.2.21.1: /<x>/OnNetwork/HPLMN/Service/MCPTTTToConRef/<x>/ConRef

OnNetwork/HPLMN/Service/MCPTTTToConRef/<x>/ConRef

Status	Occurrence	Format	Min. Access Types
Required	One	chr	Get, Replace

The ConRef specifies a specific linkage to the connectivity parameters on a per HPLMN basis.

- Values: <A network access point object>

8.2.22 /<x>/OnNetwork/HPLMN/Service/MCCommonCoreToConRef

Table 8.2.22.1: /<x>/OnNetwork/HPLMN/Service/MCCommonCoreToConRef

OnNetwork/HPLMN/Service/MCCommonCoreToConRef

Status	Occurrence	Format	Min. Access Types
Required	One	node	Get, Replace

This interior node contains the configuration parameters for establishment of the PDN connection for the MC common core service on a per HPLMN basis.

8.2.23 /<x>/OnNetwork/HPLMN/Service/MCCommonCoreToConRef/<x>

Table 8.2.23.1: /<x>/OnNetwork/HPLMN/Service/MCCommonCoreToConRef/<x>

OnNetwork/HPLMN/Service/MCCommonCoreToConRef/<x>

Status	Occurrence	Format	Min. Access Types
Required	OneorMore	node	Get, Replace

This run-time node acts as a placeholder for each reference to the connectivity parameters on a per HPLMN basis.

8.2.24 /<x>/OnNetwork/HPLMN/Service/ MCCommonCoreToConRef/<x>/ConRef

Table 8.2.24.1: /<x>/OnNetwork/HPLMN/Service/MCCommonCoreToConRef/<x>/ConRef

OnNetwork/HPLMN/Service/MCCommonCoreToConRef/<x>/ConRef

Status	Occurrence	Format	Min. Access Types
Required	One	chr	Get, Replace

The ConRef specifies a specific linkage to the connectivity parameters on a per HPLMN basis.

- Values: <A network access point object>

8.2.25 /<x>/OnNetwork/HPLMN/Service/MCIDMTtoConRef

Table 8.2.25.1: /<x>/OnNetwork/HPLMN/Service/MCIDMTtoConRef

OnNetwork/HPLMN/Service/MCIDMTtoConRef

Status	Occurrence	Format	Min. Access Types
Required	One	node	Get, Replace

This interior node contains the configuration parameters for establishment of the PDN connection for the MC identity management service on a per HPLMN basis.

8.2.26 /<x>/OnNetwork/HPLMN/Service/MCIDMTtoConRef/<x>

Table 8.2.26.1: /<x>/OnNetwork/HPLMN/Service/MCIDMTtoConRef/<x>

OnNetwork/HPLMN/Service/MCIDMTtoConRef/<x>

Status	Occurrence	Format	Min. Access Types
Required	OneorMore	node	Get, Replace

This run-time node acts as a placeholder for each reference to the connectivity parameters on a per HPLMN basis.

8.2.27 /<x>/OnNetwork/HPLMN/Service/MCIDMTtoConRef/<x>/ConRef

Table 8.2.27.1: /<x>/OnNetwork/HPLMN/Service/MCIDMTtoConRef/<x>/ConRef

OnNetwork/HPLMN/Service/MCIDMTtoConRef/<x>/ConRef

Status	Occurrence	Format	Min. Access Types
Required	One	chr	Get, Replace

The ConRef specifies a specific linkage to the connectivity parameters on a per HPLMN basis.

- Values: <A network access point object>

8.2.28 /<x>/OnNetwork/HPLMN/VPLMN

Table 8.2.28.1: /<x>/OnNetwork/HPLMN/VPLMN

OnNetwork/HPLMN/VPLMN

Status	Occurrence	Format	Min. Access Types
Optional	ZeroOrOne	node	Get, Replace

This interior node is a placeholder for the VPLMN configuration.

8.2.29 /<x>/OnNetwork/HPLMN/VPLMN/PLMN

Table 8.2.29.1: /<x>/OnNetwork/HPLMN/VPLMN/PLMN

OnNetwork/HPLMN/VPLMN/PLMN

Status	Occurrence	Format	Min. Access Types
Required	One	chr	Get, Replace

This leaf node indicates the VPLMN code.

- Values: <PLMN>

The format of the PLMN is defined by 3GPP TS 23.003 [5].

8.2.30 /<x>/OnNetwork/HPLMN/VPLMN/Service

Table 8.2.30.1: /<x>/OnNetwork/HPLMN/VPLMN/Service

OnNetwork/HPLMN/VPLMN/Service

Status	Occurrence	Format	Min. Access Types
Required	One	node	Get, Replace

This interior node indicates the MCS related services on a per VPLMN and HPLMN basis.

8.2.31 /<x>/OnNetwork/HPLMN/VPLMN/Service/MCPTTTtoConRef

Table 8.2.31.1: /<x>/OnNetwork/HPLMN/VPLMN/Service/MCPTTTtoConRef

OnNetwork/HPLMN/VPLMN/Service/MCPTTTtoConRef

Status	Occurrence	Format	Min. Access Types
Required	One	node	Get, Replace

This interior node contains the configuration parameters for establishment of the PDN connection for the MCS service on a per VPLMN and HPLMN basis.

8.2.32 /<x>/OnNetwork/HPLMN/VPLMN/Service/MCPTTTtoConRef/<x>

Table 8.2.32.1: /<x>/OnNetwork/HPLMN/Service/MCPTTTtoConRef/<x>

OnNetwork/HPLMN/VPLMN/Service/MCPTTTtoConRef/<x>

Status	Occurrence	Format	Min. Access Types
Required	OneorMore	node	Get, Replace

This run-time node acts as a placeholder for each reference to the connectivity parameters on a per VPLMN and HPLMN basis.

8.2.33 /<x>/OnNetwork/HPLMN/VPLMN/Service/ MCPTTTtoConRef/<x>/ConRef

Table 8.2.33.1: /<x>/OnNetwork/HPLMN/VPLMN/Service/MCPTTTtoConRef/<x>/ConRef

OnNetwork/HPLMN/VPLMN/Service/MCPTTTtoConRef/<x>/ConRef

Status	Occurrence	Format	Min. Access Types
Required	One	chr	Get, Replace

The ConRef specifies a specific linkage to the connectivity parameters on a per VPLMN and HPLMN basis.

- Values: <A network access point object>

8.2.34 /<x>/OnNetwork/HPLMN/VPLMN/Service/MCCommonCoreToConRef

Table 8.2.34.1: /<x>/OnNetwork/HPLMN/VPLMN/Service/MCCommonCoreToConRef

OnNetwork/HPLMN/VPLMN/Service/MCCommonCoreToConRef

Status	Occurrence	Format	Min. Access Types
Required	One	node	Get, Replace

This interior node contains the configuration parameters for establishment of the PDN connection for the MC common core service on a per VPLMN and HPLMN basis.

8.2.35 /<x>/OnNetwork/HPLMN/VPLMN/Service/MCCommonCoreToConRef/<x>

Table 8.2.35.1: /<x>/OnNetwork/HPLMN/VPLMN/Service/MCCommonCoreToConRef/<x>

OnNetwork/HPLMN/VPLMN/Service/MCCommonCoreToConRef/<x>

Status	Occurrence	Format	Min. Access Types
Required	OneorMore	node	Get, Replace

This run-time node acts as a placeholder for each reference to the connectivity parameters on a per VPLMN and HPLMN basis.

8.2.36 /<x>/OnNetwork/HPLMN/VPLMN/Service/MCCommonCoreToConRef/<x>/ConRef

Table 8.2.36.1: /<x>/OnNetwork/HPLMN/VPLMN/Service/MCCommonCoreToConRef/<x>/ConRef

OnNetwork/HPLMN/VPLMN/Service/MCCommonCoreToConRef/<x>/ConRef

Status	Occurrence	Format	Min. Access Types
Required	One	chr	Get, Replace

The ConRef specifies a specific linkage to the connectivity parameters on a per VPLMN and HPLMN basis.

- Values: <A network access point object>

8.2.37 /<x>/OnNetwork/HPLMN/VPLMN/Service/MCIDMTToConRef

Table 8.2.37.1: /<x>/OnNetwork/HPLMN/VPLMN/Service/MCIDMTToConRef

OnNetwork/HPLMN/VPLMN/Service/MCIDMTToConRef

Status	Occurrence	Format	Min. Access Types
Required	One	node	Get, Replace

This interior node contains the configuration parameters for establishment of the PDN connection for the MC identity management service on a per VPLMN and HPLMN basis.

8.2.38 /<x>/OnNetwork/HPLMN/VPLMN/Service/MCIDMToConRef/<x>

Table 8.2.38.1: /<x>/OnNetwork/HPLMN/VPLMN/Service/MCIDMToConRef/<x>

OnNetwork/HPLMN/VPLMN/Service/MCIDMToConRef/<x>

Status	Occurrence	Format	Min. Access Types
Required	OneorMore	node	Get, Replace

This run-time node acts as a placeholder for each reference to the connectivity parameters on a per VPLMN and HPLMN basis.

8.2.39 /<x>/OnNetwork/HPLMN/VPLMN/Service/MCIDMToConRef/<x>/ConRef

Table 8.2.39.1: /<x>/OnNetwork/HPLMN/VPLMN/Service/MCIDMToConRef/<x>/ConRef

OnNetwork/HPLMN/VPLMN/Service/MCIDMToConRef/<x>/ConRef

Status	Occurrence	Format	Min. Access Types
Required	One	chr	Get, Replace

The ConRef specifies a specific linkage to the connectivity parameters on a per VPLMN and HPLMN basis.

- Values: <A network access point object>

8.2.40 /<x>/OnNetwork/AppServerInfo

Table 8.2.40.1: /<x>/OnNetwork/AppServerInfo

OnNetwork/AppServerInfo

Status	Occurrence	Format	Min. Access Types
Required	One	node	Get, Replace

This interior node is a placeholder for the application plane server identity information configuration.

8.2.41 /<x>/OnNetwork/AppServerInfo/IDMSAuthEndpoint

Table 8.2.41.1: /<x>/OnNetwork/AppServerInfo/IDMSAuthEndpoint

OnNetwork/AppServerInfo/IDMSAuthEndpoint

Status	Occurrence	Format	Min. Access Types
Required	One	chr	Get, Replace

This leaf node indicates the identity management server authorisation endpoint identity information.

The value is a URI as specified in 3GPP TS 23.003 [5].

8.2.41A /<x>/OnNetwork/AppServerInfo/IDMSTokenEndpoint

Table 8.2.41A.1: /<x>/OnNetwork/AppServerInfo/IDMSTokenEndpoint

OnNetwork/AppServerInfo/IDMSTokenEndpoint

Status	Occurrence	Format	Min. Access Types
Required	One	chr	Get, Replace

This leaf node indicates the identity management server token endpoint identity information.

The value is a URI as specified in 3GPP TS 23.003 [5].

8.2.41B /<x>/OnNetwork/AppServerInfo/HTTPProxy

Table 8.2.41B.1: /<x>/OnNetwork/AppServerInfo/HTTPProxy

OnNetwork/AppServerInfo/HTTPProxy

Status	Occurrence	Format	Min. Access Types
Required	One	chr	Get, Replace

This leaf node indicates the HTTP Proxy identity information.

The value is a URI as specified in 3GPP TS 23.003 [5].

8.2.42 /<x>/OnNetwork/AppServerInfo/GMS

Table 8.2.42.1: /<x>/OnNetwork/AppServerInfo/GMS

OnNetwork/AppServerInfo/GMS

Status	Occurrence	Format	Min. Access Types
Required	One	chr	Get, Replace

This leaf node indicates the group management server identity information.

The value is a URI as specified in 3GPP TS 23.003 [5].

8.2.43 /<x>/OnNetwork/AppServerInfo/CMS

Table 8.2.43.1: /<x>/OnNetwork/AppServerInfo/CMS

OnNetwork/AppServerInfo/CMS

Status	Occurrence	Format	Min. Access Types
Required	One	chr	Get, Replace

This leaf node indicates the configuration management server identity information.

The value is a URI as specified in 3GPP TS 23.003 [5].

8.2.44 /<x>/OnNetwork/AppServerInfo/KMS

Table 8.2.44.1: /<x>/OnNetwork/AppServerInfo/KMS

OnNetwork/AppServerInfo/KMS

Status	Occurrence	Format	Min. Access Types
Required	One	chr	Get, Replace

This leaf node indicates key management server identity information.

The value is a URI as specified in 3GPP TS 23.003 [5].

8.2.44A /<x>/OnNetwork/AppServerInfo/TLSTunnelAuthMethod

Table 8.2.44A.1: /<x>/OnNetwork/AppServerInfo/TLSTunnelAuthMethod

OnNetwork/AppServerInfo/TLSTunnelAuthMethod

Status	Occurrence	Format	Min. Access Types
Required	One	node	Get, Replace

This interior node is a placeholder for the TLS tunnel authentication method configuration.

8.2.44B /<x>/OnNetwork/AppServerInfo/TLSTunnelAuthMethod/Mutual

Table 8.2.44B.1: /<x>/OnNetwork/AppServerInfo/TLSTunnelAuthMethod/Mutual

OnNetwork/AppServerInfo/TLSTunnelAuthMethod/Mutual

Status	Occurrence	Format	Min. Access Types
Required	One	bool	Get, Replace

This leaf node indicates whether mutual authentication is used for the TLS tunnel authentication.

When set to "true" mutual authentication is used.

When set to "false" one-way authentication based on the server certificate is used.

The default value is "false".

8.2.44C /<x>/OnNetwork/AppServerInfo/TLSTunnelAuthMethod/X509

Table 8.2.44C.1: /<x>/OnNetwork/AppServerInfo/TLSTunnelAuthMethod/X509

OnNetwork/AppServerInfo/TLSTunnelAuthMethod/X509

Status	Occurrence	Format	Min. Access Types
Optional	One	chr	Get, Replace

This leaf node contains the X.509 certificate for mutual authentication for the TLS tunnel authentication.

8.2.44D /<x>/OnNetwork/AppServerInfo/TLSTunnelAuthMethod/Key

Table 8.2.44D.1: /<x>/OnNetwork/AppServerInfo/TLSTunnelAuthMethod/Key

OnNetwork/AppServerInfo/TLSTunnelAuthMethod/Key

Status	Occurrence	Format	Min. Access Types
Optional	One	chr	Get, Replace

This leaf node contains the pre-shared key for mutual authentication for the TLS tunnel authentication.

8.2.44E /<x>/OnNetwork/IntegrityProtection

Table 8.2.44E.1: /<x>/OnNetwork/IntegrityProtection

OnNetwork/IntegrityProtection

Status	Occurrence	Format	Min. Access Types
Required	One	bool	Get, Replace

This leaf node indicates whether integrity protection is enabled.

When set to "true" integrity protection is enabled.

When set to "false" integrity protection is disabled.

The default value is "true".

8.2.44F /<x>/OnNetwork/ConfidentialityProtection

Table 8.2.44F.1: /<x>/OnNetwork/ConfidentialityProtection

OnNetwork/ConfidentialityProtection

Status	Occurrence	Format	Min. Access Types
Required	One	bool	Get, Replace

This leaf node indicates whether integrity protection is enabled.

When set to "true" confidentiality protection is enabled.

When set to "false" confidentiality protection is disabled.

The default value is "true".

8.2.44G1 /<x>/OnNetwork/MCPTTServiceDetails

Table 8.2.44G1.1: /<x>/OnNetwork/MCPTTServiceDetails

OnNetwork/MCPTTServiceDetails

Status	Occurrence	Format	Min. Access Types
Required	One	node	Get, Replace

This interior node is a placeholder for the details of the MCPTT service.

8.2.44G2 /<x>/OnNetwork/MCPTTServiceDetails/IPv6Required

Table 8.2.44G2.1: /<x>/OnNetwork/MCPTTServiceDetails/IPv6Required

OnNetwork/MCPTTServiceDetails/IPv6Required

Status	Occurrence	Format	Min. Access Types
Required	One	Bool	Get, Replace

This leaf node indicates whether IP version 6 is required to use to access the MCPTT service.

When set to "true", IPv6 shall be used to access the service.

When set to "false", IPv4 shall be used to access the service.

8.2.44G3 /<x>/OnNetwork/MCPTTServiceDetails/ServerURI

Table 8.2.44G3.1: /<x>/OnNetwork/MCPTTServiceDetails/ServerURI

OnNetwork/MCPTTServiceDetails/ServerURI

Status	Occurrence	Format	Min. Access Types

Required	One	Chr	Get, Replace
----------	-----	-----	--------------

This leaf node indicates the URI to use to access the MCPTT service.

The value is a URI as specified in 3GPP TS 23.003 [5].

8.2.44G4 /<x>/OnNetwork/MCVideoServiceDetails

Table 8.2.44G4.1: /<x>/OnNetwork/MCVideoServiceDetails

OnNetwork/MCVideoServiceDetails

Status	Occurrence	Format	Min. Access Types
Required	One	node	Get, Replace

This interior node is a placeholder for the details of the MCVideo service.

8.2.44G5 /<x>/OnNetwork/MCVideoServiceDetails/IPv6Required

Table 8.2.44G5.1: /<x>/OnNetwork/MCVideoServiceDetails/IPv6Required

OnNetwork/MCVideoServiceDetails/IPv6Required

Status	Occurrence	Format	Min. Access Types
Required	One	Bool	Get, Replace

This leaf node indicates the IP version to use to access the MCVideo service.

When set to "true", IPv6 shall be used to access the service.

When set to "false", IPv4 shall be used to access the service.

8.2.44G6 /<x>/OnNetwork/MCVideoServiceDetails/ServerURI

Table 8.2.44G6.1: /<x>/OnNetwork/MCVideoServiceDetails/ServerURI

OnNetwork/MCVideoServiceDetails/ServerURI

Status	Occurrence	Format	Min. Access Types
Required	One	Chr	Get, Replace

This leaf node indicates the URI to use to access the MCVideo service.

The value is a URI as specified in 3GPP TS 23.003 [5].

8.2.44G7 /<x>/OnNetwork/MCDataServiceDetails

Table 8.2.44G7.1: /<x>/OnNetwork/MCDataServiceDetails

OnNetwork/MCDataServiceDetails

Status	Occurrence	Format	Min. Access Types
Required	One	node	Get, Replace

This interior node is a placeholder for the details of the MCData service.

8.2.44G8 /<x>/OnNetwork/MCDataServiceDetails/IPv6Required

Table 8.2.44G8.1: /<x>/OnNetwork/MCDataServiceDetails/IPv6Required

OnNetwork/MCDataServiceDetails/IPv6Required

Status	Occurrence	Format	Min. Access Types
Required	One	Bool	Get, Replace

This leaf node indicates the IP version to use to access the MCData service.

When set to "true", IPv6 shall be used to access the service.

When set to "false", IPv4 shall be used to access the service.

8.2.44G9 /<x>/OnNetwork/MCDataServiceDetails/ServerURI

Table 8.2.44G9.1: /<x>/OnNetwork/MCDataServiceDetails/ServerURI

OnNetwork/MCDataServiceDetails/ServerURI

Status	Occurrence	Format	Min. Access Types
Required	One	Chr	Get, Replace

This leaf node indicates the URI to use to access the MCData service.

The value is a URI as specified in 3GPP TS 23.003 [5].

8.2.45 /<x>/OffNetwork

Table 8.2.45.1: /<x>/OffNetwork

OffNetwork

Status	Occurrence	Format	Min. Access Types
Required	ZeroOrOne	node	Get, Replace

This interior node represents a container for the off-network operation.

8.2.46 /<x>/OffNetwork/Timers

Table 8.2.46.1: /<x>/OffNetwork/Timers

OffNetwork/Timers

Status	Occurrence	Format	Min. Access Types
Required	One	node	Get, Replace

This interior node is a placeholder for the timer configuration.

8.2.47 /<x>/OffNetwork/Timers/TFG1

Table 8.2.47.1: /<x>/OffNetwork/Timers/TFG1

OffNetwork/Timers/TFG1

Status	Occurrence	Format	Min. Access Types
Required	One	int	Get, Replace

This leaf node indicates the MCPTT timer for wait for call announcement as specified in 3GPP TS 24.379 [7].

- Values: 0-65535

The timer TFG1 is in milliseconds.

8.2.48 /<x>/OffNetwork/Timers/TFG2

Table 8.2.48.1: /<x>/OffNetwork/Timers/TFG2

OffNetwork/Timers/TFG2

Status	Occurrence	Format	Min. Access Types
Required	One	int	Get, Replace

This leaf node indicates the MCPTT timer for call announcement as specified in 3GPP TS 24.379 [7].

- Values: 0-65535

The timer TFG2 is in milliseconds.

8.2.49 /<x>/OffNetwork/Timers/TFG3

Table 8.2.49.1: /<x>/OffNetwork/Timers/TFG3

OffNetwork/Timers/TFG3

Status	Occurrence	Format	Min. Access Types
Required	One	int	Get, Replace

This leaf node indicates the MCPTT timer for call probe retransmission as specified in 3GPP TS 24.379 [7].

- Values: 0-65535

The timer TFG3 is in milliseconds.

8.2.50 /<x>/OffNetwork/Timers/TFG4

Table 8.2.50.1: /<x>/OffNetwork/Timers/TFG4

OffNetwork/Timers/TFG4

Status	Occurrence	Format	Min. Access Types
Required	One	int	Get, Replace

This leaf node indicates the MCPTT timer for waiting for the MCPTT user as specified in 3GPP TS 24.379 [7].

- Values: 0-60

The timer TFG4 is in seconds.

8.2.51 /<x>/OffNetwork/Timers/TFG5

Table 8.2.51.1: /<x>/OffNetwork/Timers/TFG5

OffNetwork/Timers/TFG5

Status	Occurrence	Format	Min. Access Types
Required	One	int	Get, Replace

This leaf node indicates the MCPTT timer for not present incoming call announcements as specified in 3GPP TS 24.379 [7].

- Values: 0-255

The timer TFG5 is in seconds.

8.2.52 /<x>/OffNetwork/Timers/TFG11

Table 8.2.52.1: /<x>/OffNetwork/Timers/TFG11

OffNetwork/Timers/TFG11

Status	Occurrence	Format	Min. Access Types
Required	One	int	Get, Replace

This leaf node indicates the timer for MCPTT emergency end retransmission as specified in 3GPP TS 24.379 [7].

- Values: 0-65535

The timer TFG11 is in milliseconds.

8.2.53 /<x>/OffNetwork/Timers/TFG12

Table 8.2.53.1: /<x>/OffNetwork/Timers/TFG12

OffNetwork/Timers/TFG12

Status	Occurrence	Format	Min. Access Types
Required	One	int	Get, Replace

This leaf node indicates the timer for MCPTT imminent peril end retransmission as specified in 3GPP TS 24.379 [7].

- Values: 0-65535

The timer TFG12 is in milliseconds.

8.2.54 /<x>/OffNetwork/Timers/TFG13

Table 8.2.54.1: /<x>/OffNetwork/Timers/TFG13

OffNetwork/Timers/TFG13

Status	Occurrence	Format	Min. Access Types
Required	One	int	Get, Replace

This leaf node indicates the MCPTT timer for implicit priority downgrade as specified in 3GPP TS 24.379 [7].

- Values: 0-255

The timer TFG13 is in seconds.

8.2.54A /<x>/OffNetwork/Timers/TFG14

Table 8.2.54A.1: /<x>/OffNetwork/Timers/TFG14

OffNetwork/Timers/TFG14

Status	Occurrence	Format	Min. Access Types
Required	One	int	Get, Replace

This leaf node indicates the MCPTT timer for implicit priority downgrade (imminent peril) as specified in 3GPP TS 24.379 [7].

- Values: 0-255

The timer TFG14 is in seconds.

8.2.55 /<x>/OffNetwork/Timers/TFP1

Table 8.2.55.1: /<x>/OffNetwork/Timers/TFP1

OffNetwork/Timers/TFP1

Status	Occurrence	Format	Min. Access Types
Required	One	int	Get, Replace

This leaf node indicates the MCPTT timer for private call request retransmission as specified in 3GPP TS 24.379 [7].

- Values: 0-65535

The timer TFP1 is in milliseconds.

8.2.56 /<x>/OffNetwork/Timers/TFP2

Table 8.2.56.1: /<x>/OffNetwork/Timers/TFP2

OffNetwork/Timers/TFP2

Status	Occurrence	Format	Min. Access Types
Required	One	int	Get, Replace

This leaf node indicates the MCPTT timer for waiting for the MCPTT user to respond to the setup request message when manual commencement mode is used as specified in 3GPP TS 24.379 [7].

- Values: 0-60

The timer TFP2 is in seconds.

8.2.57 /<x>/OffNetwork/Timers/TFP3

Table 8.2.57.1: /<x>/OffNetwork/Timers/TFP3

OffNetwork/Timers/TFP3

Status	Occurrence	Format	Min. Access Types
Required	One	int	Get, Replace

This leaf node indicates the MCPTT timer for private call release retransmission as specified in 3GPP TS 24.379 [7].

- Values: 0-65535

The timer TFP3 is in milliseconds.

8.2.58 /<x>/OffNetwork/Timers/TFP4

Table 8.2.58.1: /<x>/OffNetwork/Timers/TFP4

OffNetwork/Timers/TFP4

Status	Occurrence	Format	Min. Access Types
Required	One	int	Get, Replace

This leaf node indicates the MCPTT timer for private call accept retransmission as specified in 3GPP TS 24.379 [7].

- Values: 0-65535

The timer TFP4 is in milliseconds.

8.2.59 /<x>/OffNetwork/Timers/TFP5

Table 8.2.59.1: /<x>/OffNetwork/Timers/TFP5

OffNetwork/Timers/TFP5

Status	Occurrence	Format	Min. Access Types
Required	One	int	Get, Replace

This leaf node indicates the MCPTT timer for call release as specified in 3GPP TS 24.379 [7].

- Values: 0-600

The timer TFP5 is in seconds.

8.2.60 /<x>/OffNetwork/Timers/TFP6

Table 8.2.60.1: /<x>/OffNetwork/Timers/TFP6

OffNetwork/Timers/TFP6

Status	Occurrence	Format	Min. Access Types
Required	One	int	Get, Replace

This leaf node indicates the MCPTT timer for MCPTT emergency private call cancel retransmission as specified in 3GPP TS 24.379 [7].

- Values: 0-65535

The timer TFP6 is in milliseconds.

8.2.61 /<x>/OffNetwork/Timers/TFP7

Table 8.2.61.1: /<x>/OffNetwork/Timers/TFP7

OffNetwork/Timers/TFP7

Status	Occurrence	Format	Min. Access Types
Required	One	int	Get, Replace

This leaf node indicates the MCPTT timer for waiting for any message with same call identifier as specified in 3GPP TS 24.379 [7].

- Values: 0-255

The timer TFP7 is in seconds.

8.2.61A /<x>/OffNetwork/Timers/TFP9

Table 8.2.61A: /<x>/OffNetwork/Timers/TFP9

OffNetwork/Timers/TFP9

Status	Occurrence	Format	Min. Access Types
Required	One	int	Get, Replace

This leaf node indicates the MCPTT timer for waiting for call response message as specified in 3GPP TS 24.379 [7].

- Values: 0-60

The timer TFP9 is in seconds.

8.2.62 /<x>/OffNetwork/Timers/TFB1

Table 8.2.62.1: /<x>/OffNetwork/Timers/TFB1

OffNetwork/Timers/TFB1

Status	Occurrence	Format	Min. Access Types
Required	One	int	Get, Replace

This leaf node indicates the MCPTT timer for max duration as specified in 3GPP TS 24.379 [7].

- Values: 0-600

The timer TFB1 is in seconds.

8.2.63 /<x>/OffNetwork/Timers/TFB2

Table 8.2.63.1: /<x>/OffNetwork/Timers/TFB2

OffNetwork/Timers/TFB2

Status	Occurrence	Format	Min. Access Types
Required	One	int	Get, Replace

This leaf node indicates the MCPTT timer for broadcast retransmission as specified in 3GPP TS 24.379 [7].

- Values: 0-10

The timer TFB2 is in seconds.

8.2.64 /<x>/OffNetwork/Timers/TFB3

Table 8.2.64.1: /<x>/OffNetwork/Timers/TFB3

OffNetwork/Timers/TFB3

Status	Occurrence	Format	Min. Access Types
Required	One	int	Get, Replace

This leaf node indicates the MCPTT timer for waiting for the MCPTT user as specified in 3GPP TS 24.379 [7].

- Values: 0-60

The timer TFB3 is in seconds.

8.2.65 /<x>/OffNetwork/Timers/T201

Table 8.2.65.1: /<x>/OffNetwork/Timers/T201

OffNetwork/Timers/T201

Status	Occurrence	Format	Min. Access Types
Required	One	int	Get, Replace

This leaf node indicates the MCPTT timer for floor request as specified in 3GPP TS 24.380 [8].

- Values: 0-65535

The timer T201 is in milliseconds.

8.2.66 /<x>/OffNetwork/Timers/T203

Table 8.2.66.1: /<x>/OffNetwork/Timers/T203

OffNetwork/Timers/T203

Status	Occurrence	Format	Min. Access Types
Required	One	int	Get, Replace

This leaf node indicates the MCPTT timer for end of RTP media as specified in 3GPP TS 24.380 [8].

- Values: 0-255

The timer T203 is in seconds.

8.2.67 /<x>/OffNetwork/Timers/T204

Table 8.2.67.1: /<x>/OffNetwork/Timers/T204

OffNetwork/Timers/T204

Status	Occurrence	Format	Min. Access Types
Required	One	int	Get, Replace

This leaf node indicates the MCPTT timer for floor queue position request as specified in 3GPP TS 24.380 [8].

- Values: 0-65535

The timer T204 is in milliseconds.

8.2.68 /<x>/OffNetwork/Timers/T205

Table 8.2.68.1: /<x>/OffNetwork/Timers/T205

OffNetwork/Timers/T205

Status	Occurrence	Format	Min. Access Types
Required	One	int	Get, Replace

This leaf node indicates the MCPTT timer for floor granted request as specified in 3GPP TS 24.380 [8].

- Values: 0-65535

The timer T205 is in milliseconds.

8.2.69 Void

8.2.70 /<x>/OffNetwork/Timers/T233

Table 8.2.70.1: /<x>/OffNetwork/Timers/T233

OffNetwork/Timers/T233

Status	Occurrence	Format	Min. Access Types
Required	One	int	Get, Replace

This leaf node indicates the MCPTT timer for pending user action as specified in 3GPP TS 24.380 [8].

- Values: 0-255

The timer T233 is in seconds.

8.2.71 /<x>/OffNetwork/Timers/TFE1

Table 8.2.71.1: /<x>/OffNetwork/Timers/TFE1

OffNetwork/Timers/TFE1

Status	Occurrence	Format	Min. Access Types
Required	One	int	Get, Replace

This leaf node indicates the timer for MCPTT emergency alert as specified in 3GPP TS 24.379 [7].

- Values: 0-65535

The timer TFE1 is in seconds.

8.2.72 /<x>/OffNetwork/Timers/TFE2

Table 8.2.72.1: /<x>/OffNetwork/Timers/TFE2

OffNetwork/Timers/TFE2

Status	Occurrence	Format	Min. Access Types
Required	One	int	Get, Replace

This leaf node indicates the timer for MCPTT emergency alert retransmission as specified in 3GPP TS 24.379 [7].

- Values: 0-10

The timer TFE2 is in seconds.

8.2.73 /<x>/OffNetwork/Counters

Table 8.2.73.1: /<x>/OffNetwork/Counters

OffNetwork/Counters

Status	Occurrence	Format	Min. Access Types
Required	One	node	Get, Replace

This interior node is a placeholder for the counter configuration.

8.2.74 /<x>/OffNetwork/Counters/CFP1

Table 8.2.74.1: /<x>/OffNetwork/Counters/CFP1

OffNetwork/Counters/CFP1

Status	Occurrence	Format	Min. Access Types
Required	One	int	Get, Replace

This leaf node indicates the MCPTT counter for private call request retransmission as specified in 3GPP TS 24.379 [7].

- Values: 0-255

8.2.75 /<x>/OffNetwork/Counters/CFP3

Table 8.2.75.1: /<x>/OffNetwork/Counters/CFP3

OffNetwork/Counters/CFP3

Status	Occurrence	Format	Min. Access Types
Required	One	int	Get, Replace

This leaf node indicates the MCPTT counter for private call release retransmission as specified in 3GPP TS 24.379 [7].

- Values: 0-255

8.2.76 /<x>/OffNetwork/Counters/CFP4

Table 8.2.76.1: /<x>/OffNetwork/Counters/CFP4

OffNetwork/Counters/CFP4

Status	Occurrence	Format	Min. Access Types
Required	One	int	Get, Replace

This leaf node indicates the MCPTT counter for private call accept retransmission as specified in 3GPP TS 24.379 [7].

- Values: 0-255

8.2.77 /<x>/OffNetwork/Counters/CFP6

Table 8.2.77.1: /<x>/OffNetwork/Counters/CFP6

OffNetwork/Counters/CFP6

Status	Occurrence	Format	Min. Access Types
Required	One	int	Get, Replace

This leaf node indicates the MCPTT counter for emergency private call cancel retransmission as specified in 3GPP TS 24.379 [7].

- Values: 0-255

8.2.78 /<x>/OffNetwork/Counters/CFG11

Table 8.2.78.1: /<x>/OffNetwork/Counters/CFG11

OffNetwork/Counters/CFG11

Status	Occurrence	Format	Min. Access Types
Required	One	int	Get, Replace

This leaf node indicates the counter for MCPTT group call emergency end retransmission as specified in 3GPP TS 24.379 [7].

- Values: 0-255

8.2.79 /<x>/OffNetwork/Counters/CFG12

Table 8.2.79.1: /<x>/OffNetwork/Counters/CFG12

OffNetwork/Counters/CFG12

Status	Occurrence	Format	Min. Access Types
Required	One	int	Get, Replace

This leaf node indicates the counter for MCPTT imminent peril call emergency end retransmission as specified in 3GPP TS 24.379 [7].

- Values: 0-255

8.2.80 /<x>/OffNetwork/Counters/C201

Table 8.2.80.1: /<x>/OffNetwork/Counters/C201

OffNetwork/Counters/C201

Status	Occurrence	Format	Min. Access Types
Required	One	int	Get, Replace

This leaf node indicates the MCPTT counter for floor request as specified in 3GPP TS 24.380 [8].

- Values: 0-255

8.2.81 /<x>/OffNetwork/Counters/C204

Table 8.2.81.1: /<x>/OffNetwork/Counters/C204

OffNetwork/Counters/C204

Status	Occurrence	Format	Min. Access Types
Required	One	int	Get, Replace

This leaf node indicates the MCPTT counter for floor queue position request as specified in 3GPP TS 24.380 [8].

- Values: 0-255

8.2.82 /<x>/OffNetwork/Counters/C205

Table 8.2.82.1: /<x>/OffNetwork/Counters/C205

OffNetwork/Counters/C205

Status	Occurrence	Format	Min. Access Types
Required	One	int	Get, Replace

This leaf node indicates the MCPTT counter for floor granted request as specified in 3GPP TS 24.380 [8].

- Values: 0-255

9 MCDData UE configuration MO

9.1 General

The MCDData UE configuration Management Object (MO) is used to configure MCDData Client behaviour for the on-network or off-network MCDData Service. The MCDData UE configuration parameters may be stored in the ME, or in the USIM as specified in 3GPP TS 31.102 [10], or in both the ME and the USIM. If both the ME and the USIM contain the same parameters, the values stored in the USIM shall take precedence.

The Management Object Identifier is: urn:oma:mo:ext-3gpp-MCDData-UE-configuration:1.0.

Protocol compatibility: This MO is compatible with OMA OMA DM 1.2 [3].

The OMA DM ACL property mechanism (see OMA OMA-ERELD-DM-V1_2 [2]) may be used to grant or deny access rights to OMA DM servers in order to modify nodes and leaf objects of the MCDData UE configuration MO.

The following nodes and leaf objects are possible under the MCDData UE configuration node as described in figure 9.1.1 and figure 9.1.2.

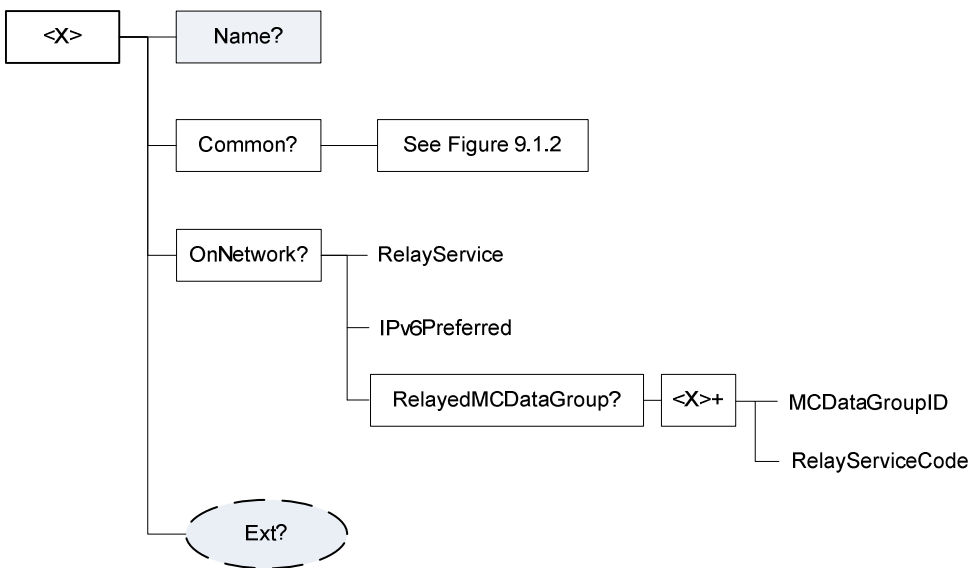


Figure 9.1.1: The MCDData UE configuration MO (1 of 2)

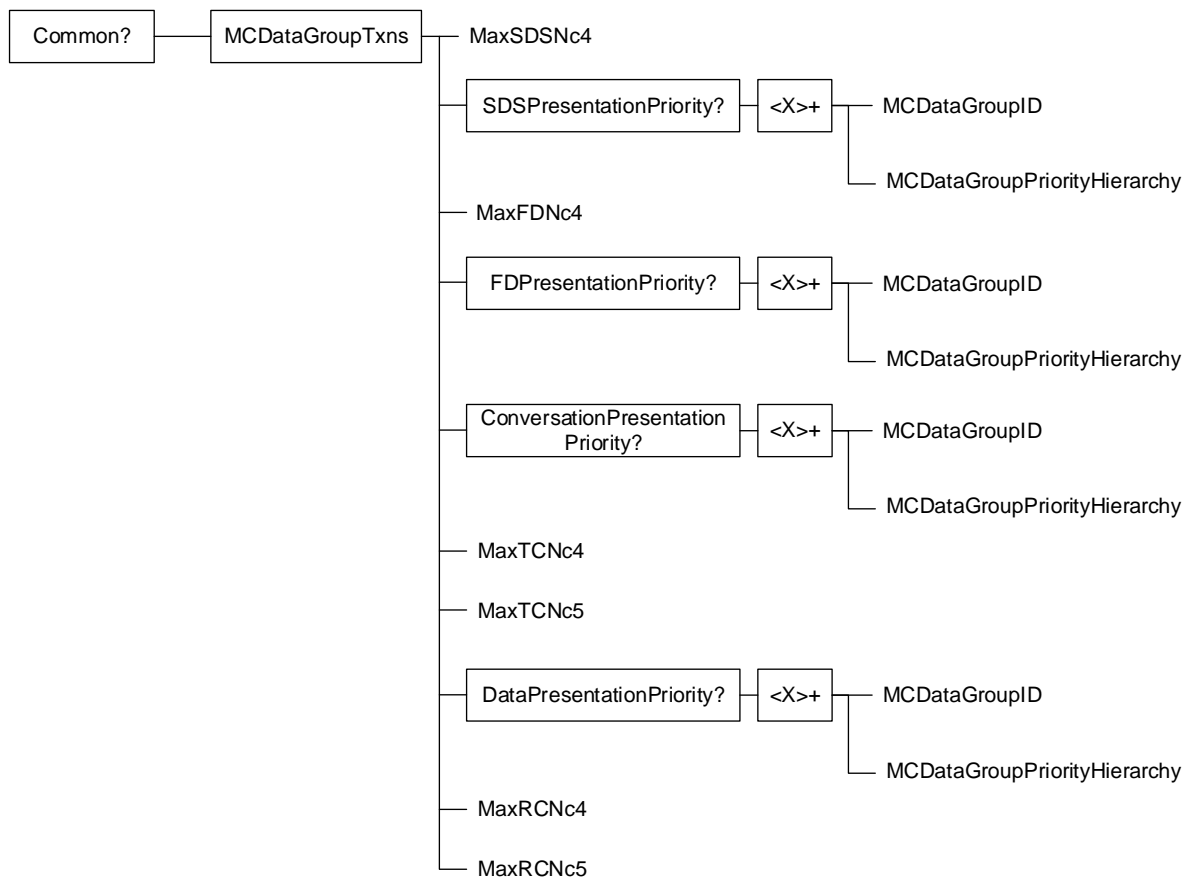


Figure 9.1.2: The MCDData UE configuration MO (2 of 2)

9.2 MCDData UE configuration MO parameters

9.2.1 General

This clause describes the parameters for the MCDData UE configuration Management Object (MO).

9.2.2 Node: <x>

Table 9.2.2.1: Node: <x>

<x>

Status	Occurrence	Format	Min. Access Types
Required	OneOrMore	node	Get

This interior node acts as a placeholder for the MCDData UE configuration Management Object (MO).

For the MCDData UE configuration MO, the namespace specific string is: "urn:oma:mo:oma-dm-mcdata-ue-configuration:1.0"

- Values: N/A

9.2.3 /<x>/Name

Table 9.2.3.1: /<x>/Name

Name

Status	Occurrence	Format	Min. Access Types
Required	ZeroOrOne	chr	Get

The Name leaf is a name for the MCDData UE configuration settings.

- Values: <User displayable name>

9.2.4 /<x>/Ext/

Table 9.2.4.1: /<x>/Ext/

Ext

Status	Occurrence	Format	Min. Access Types
Optional	ZeroOrOne	node	Get, Replace

The Ext is an interior node for where the vendor specific information about the MCDData UE configuration MO is being placed.

Usually the vendor extension is identified by vendor specific name under the ext node and contains the vendor meaning application vendor, device vendor etc. The tree structure under the vendor identified is not defined and can therefore include one or more un-standardized sub-trees.

- Values: N/A

9.2.5 /<x>/Common

Table 9.2.5.1: /<x>/Common

Common

Status	Occurrence	Format	Min. Access Types
Required	ZeroOrOne	node	Get, Replace

This interior node represents a container for the common network operation which means both on-network operation and off-network operation.

9.2.6 /<x>/Common/MCDataGroupTxns

Table 9.2.6.1: /<x>/Common/MCDataGroupTxns

Common/MCDataGroupTxns

Status	Occurrence	Format	Min. Access Types
Required	One	node	Get, Replace

This interior node is a placeholder for the MCData group transactions configuration.

9.2.7 /<x>/Common/MCDataGroupTxns/MaxSDSNc4

Table 9.2.7.1: /<x>/Common/MCDataGroupTxns/MaxSDSNc4

Common/MCDataGroupTxns/MaxSDSNc4

Status	Occurrence	Format	Min. Access Types
Required	One	int	Get, Replace

This leaf node indicates the maximum number of simultaneous SDS transactions.

- Values: 0-255

9.2.8 /<x>/Common/MCDataGroupTxns/SDSPresentationPriority

Table 9.2.8.1: /<x>/Common/MCDataGroupTxns/SDSPresentationPriority

Common/MCDataGroupTxns/SDSPresentationPriority

Status	Occurrence	Format	Min. Access Types
Required	ZeroOrOne	node	Get, Replace

This interior node is a placeholder for the prioritized MCData SDS configuration.

9.2.9 /<x>/Common/MCDataGroupTxns/SDSPresentationPriority/<x>

Table 9.2.9.1: /<x>/Common/MCDataGroupTxns/SDSPresentationPriority/<x>

Common/MCDataGroupTxns/SDSPresentationPriority/<x>

Status	Occurrence	Format	Min. Access Types
Required	OneOrMore	node	Get, Replace

This interior node is a placeholder for one or more prioritized MCData SDS configuration.

9.2.10 /<x>/Common/MCDataGroupTxns/ SDSPresentationPriority/<x>/MCDataGroupID

Table 9.2.10.1: /<x>/Common/MCDataGroupTxns/SDSPresentationPriority/<x>/MCDataGroupID

Common/MCDataGroupTxns/SDSPresentationPriority/<x>/MCDataGroupID

Status	Occurrence	Format	Min. Access Types
Required	One	chr	Get, Replace

This leaf node indicates the associated MCData group ID.

The value is a "uri" attribute specified in OMA OMA-TS-XDM_Group-V1_1 [4].

9.2.11 /<x>/Common/MCDataGroupTxns/ SDSPresentationPriority/ <x>/MCDataGroupPriorityHierarchy

Table 9.2.11.1:

/<x>/Common/MCDataGroupTxns/SDSPresentationPriority/<x>/MCDataGroupPriorityHierarchy

Common/MCDataGroupTxns/SDSPresentationPriority/<x>/MCDataGroupPriorityHierarchy

Status	Occurrence	Format	Min. Access Types
Required	One	int	Get, Replace

This leaf node indicates the requested presentation priority of SDS transactions.

- Values: 0-255

The group with the lowest MCDataGroupPriorityHierarchy value shall be considered as the group having the lowest priority among the groups.

9.2.12 /<x>/Common/MCDataGroupTxns/MaxFDNc4

Table 9.2.12.1: /<x>/Common/MCDataGroupTxns/MaxFDNc4

Common/MCDataGroupTxns/MaxFDNc4

Status	Occurrence	Format	Min. Access Types
Required	One	int	Get, Replace

This leaf node indicates the maximum number of simultaneous FD transactions.

- Values: 0-255

9.2.13 /<x>/Common/MCDataGroupTxns/FDPresentationPriority

Table 9.2.13.1: /<x>/Common/MCDataGroupTxns/FDPresentationPriority

Common/MCDataGroupTxns/FDPresentationPriority

Status	Occurrence	Format	Min. Access Types
Required	ZeroOrOne	node	Get, Replace

This interior node is a placeholder for the prioritized MCData FD configuration.

9.2.14 /<x>/Common/MCDataGroupTxns/FDPresentationPriority/<x>

Table 9.2.14.1: /<x>/Common/MCDataGroupTxns/FDPresentationPriority/<x>

Common/MCDataGroupTxns/FDPresentationPriority /<x>

Status	Occurrence	Format	Min. Access Types
Required	OneOrMore	node	Get, Replace

This interior node is a placeholder for one or more prioritized MCData FD configuration.

9.2.15 /<x>/Common/MCDataGroupTxns/ FDPresentationPriority/<x>/MCDataGroupID

Table 9.2.15.1: /<x>/Common/MCDataGroupTxns/FDPresentationPriority/<x>/MCDataGroupID

Common/MCDataGroupTxns/FDPresentationPriority/<x>/MCDataGroupID

Status	Occurrence	Format	Min. Access Types
Required	One	chr	Get, Replace

This leaf node indicates the associated MCData group ID.

The value is a "uri" attribute specified in OMA OMA-TS-XDM_Group-V1_1 [4].

9.2.16 /<x>/Common/MCDataGroupTxns/FDPresentationPriority/ <x>/MCDataGroupPriorityHierarchy

Table 9.2.16.1:

/<x>/Common/MCDataGroupTxns/FDPresentationPriority/<x>/MCDataGroupPriorityHierarchy

Common/MCDataGroupTxns/FDPresentationPriority/<x>/MCDataGroupPriorityHierarchy

Status	Occurrence	Format	Min. Access Types
Required	One	int	Get, Replace

This leaf node indicates the requested presentation priority of FD transactions.

- Values: 0-255

The group with the lowest MCDataGroupPriorityHierarchy value shall be considered as the group having the lowest priority among the groups.

9.2.17 /<x>/Common/MCDataGroupTxns/ConversationPresentationPriority

Table 9.2.17.1: /<x>/Common/MCDataGroupTxns/ConversationPresentationPriority

Common/MCDataGroupTxns/ConversationPresentationPriority

Status	Occurrence	Format	Min. Access Types
Required	ZeroOrOne	node	Get, Replace

This interior node is a placeholder for the prioritized MCData conversation management configuration.

9.2.18 /<x>/Common/MCDataGroupTxns/ ConversationPresentationPriority/<x>

Table 9.2.18.1: /<x>/Common/MCDataGroupTxns/ConversationPresentationPriority/<x>

Common/MCDataGroupTxns/ConversationPresentationPriority /<x>

Status	Occurrence	Format	Min. Access Types
Required	OneOrMore	node	Get, Replace

This interior node is a placeholder for one or more prioritized MCData conversation management configuration.

9.2.19 /<x>/Common/MCDataGroupTxns/ ConversationPresentationPriority/<x>/MCDataGroupID

Table 9.2.19.1:

/<x>/Common/MCDataGroupTxns/ConversationPresentationPriority/<x>/MCDataGroupID

Common/MCDataGroupTxns/ConversationPresentationPriority/<x>/MCDataGroupID

Status	Occurrence	Format	Min. Access Types
Required	One	chr	Get, Replace

This leaf node indicates the associated MCData group ID.

The value is a "uri" attribute specified in OMA OMA-TS-XDM_Group-V1_1 [4].

9.2.20 /<x>/Common/MCDataGroupTxns/ ConversationPresentationPriority/<x>/ MCDataGroupPriorityHierarchy

Table 9.2.20.1:

/<x>/Common/MCDataGroupTxns/ConversationPresentationPriority/<x>/MCDataGroupPriorityHierarchy

Common/MCDataGroupTxns/ConversationPresentationPriority/<x>/MCDataGroupPriorityHierarchy

Status	Occurrence	Format	Min. Access Types
Required	One	int	Get, Replace

This leaf node indicates the requested presentation priority of conversation management transactions.

- Values: 0-255

The group with the lowest MCDataGroupPriorityHierarchy value shall be considered as the group having the lowest priority among the groups.

9.2.21 /<x>/Common/MCDataGroupTxns/MaxTCNc4

Table 9.2.21.1: /<x>/Common/MCDataGroupTxns/MaxTCNc4

Common/MCDataGroupTxns/MaxTCNc4

Status	Occurrence	Format	Min. Access Types
Required	One	int	Get, Replace

This leaf node indicates the maximum number of simultaneous data transmissions.

- Values: 0-255

9.2.22 /<x>/Common/MCDataGroupTxns/MaxTCNc5

Table 9.2.22.1: /<x>/Common/MCDataGroupTxns/MaxTCNc5

Common/MCDataGroupTxns/MaxTCN5

Status	Occurrence	Format	Min. Access Types
Required	One	int	Get, Replace

This leaf node indicates the maximum number of data transmissions in a group.

- Values: 0-255

9.2.23 /<x>/Common/MCDataGroupTxns/DataPresentationPriority

Table 9.2.23.1: /<x>/Common/MCDataGroupTxns/DataPresentationPriority

Common/MCDataGroupTxns/DataPresentationPriority

Status	Occurrence	Format	Min. Access Types
Required	ZeroOrOne	node	Get, Replace

This interior node is a placeholder for the prioritized MCData Transmission Control configuration.

9.2.24 /<x>/Common/MCDataGroupTxns/DataPresentationPriority/<x>

Table 9.2.24.1: /<x>/Common/MCDataGroupTxns/DataPresentationPriority/<x>

Common/MCDataGroupTxns/DataPresentationPriority/<x>

Status	Occurrence	Format	Min. Access Types
Required	OneOrMore	node	Get, Replace

This interior node is a placeholder for one or more prioritized MCData Transmission Control configuration.

9.2.25 /<x>/Common/MCDataGroupTxns/ DataPresentationPriority/<x>/MCDataGroupID

Table 9.2.25.1: /<x>/Common/MCDataGroupTxns/DataPresentationPriority/<x>/MCDataGroupID

Common/MCDataGroupTxns/DataPresentationPriority/<x>/MCDataGroupID

Status	Occurrence	Format	Min. Access Types
Required	One	chr	Get, Replace

This leaf node indicates the associated MCData group ID.

The value is a "uri" attribute specified in OMA OMA-TS-XDM_Group-V1_1 [4].

9.2.26 /<x>/Common/MCDataGroupTxns/DataPresentationPriority/ <x>/MCDataGroupPriorityHierarchy

Table 9.2.26.1:

/<x>/Common/MCDataGroupTxns/DataPresentationPriority/<x>/MCDataGroupPriorityHierarchy

Common/MCDataGroupTxns/DataPresentationPriority/<x>/MCDataGroupPriorityHierarchy

Status	Occurrence	Format	Min. Access Types
Required	One	int	Get, Replace

This leaf node indicates the requested presentation priority of data received.

- Values: 0-255

The group with the lowest MCDataGroupPriorityHierarchy value shall be considered as the group having the lowest priority among the groups.

9.2.27 /<x>/Common/MCDataGroupTxns/MaxRCNc4

Table 9.2.27.1: /<x>/Common/MCDataGroupTxns/MaxRCNc4

Common/MCDataGroupTxns/MaxRCNc4

Status	Occurrence	Format	Min. Access Types
Required	One	int	Get, Replace

This leaf node indicates the maximum number of simultaneous data receptions.

- Values: 0-255

9.2.28 /<x>/Common/MCDataGroupTxns/MaxRCNc5

Table 9.2.28.1: /<x>/Common/MCDataGroupTxns/MaxRCNc5

Common/MCDataGroupTxns/MaxRCN5

Status	Occurrence	Format	Min. Access Types
Required	One	int	Get, Replace

This leaf node indicates the maximum number of data receptions in a group.

- Values: 0-255

9.2.29 /<x>/OnNetwork

Table 9.2.29.1: /<x>/OnNetwork

OnNetwork

Status	Occurrence	Format	Min. Access Types
Required	ZeroOrOne	node	Get, Replace

This interior node represents a container for on-network operation.

9.2.30 /<x>/OnNetwork/RelayService

Table 9.2.30.1: /<x>/OnNetwork/RelayService

OnNetwork/RelayService

Status	Occurrence	Format	Min. Access Types
Required	One	bool	Get, Replace

This leaf node indicates the authorisation to use a relay service.

When set to "true" the MCData group is allowed to use a relay service.

When set to "false" the MCData group is not allowed to use a relay service.

9.2.31 /<x>/OnNetwork/IPv6Preferred

Table 9.2.31.1: /<x>/OnNetwork/IPv6Preferred

OnNetwork/IPv6Preferred

Status	Occurrence	Format	Min. Access Types

Required	One	bool	Get, Replace
----------	-----	------	--------------

This leaf node indicates whether IPv6 is preferred over IPv4 for on-network operation when the MCDData UE has both IPv4 and IPv6 host configuration.

If the MCDData UE has both IPv4 and IPv6 host configuration and:

- if IPv6Preferred is set to "true" then the UE uses IPv6 for all on-network signalling and media; otherwise
- if IPv6Preferred is set to "false" then the UE uses IPv4 for all on-network signalling and media.

9.2.32 /<x>/OnNetwork/RelayedMCDDataGroup

Table 9.2.32.1: /<x>/OnNetwork/RelayedMCDDataGroup

OnNetwork/RelayedMCDDataGroup

Status	Occurrence	Format	Min. Access Types
Optional	ZeroOrOne	node	Get, Replace

This interior node is a placeholder for the allowed relayed MCDData groups.

9.2.33 /<x>/OnNetwork/RelayedMCDDataGroup/<x>

Table 9.2.33.1: /<x>/OnNetwork/RelayedMCDDataGroup/<x>

OnNetwork/RelayedMCDDataGroup/<x>

Status	Occurrence	Format	Min. Access Types
Required	OneOrMore	node	Get, Replace

This interior node is a placeholder for one or more allowed relayed MCDData groups.

9.2.34 /<x>/OnNetwork/RelayedMCDDataGroup/<x>/MCDDataGroupID

Table 9.2.34.1: /<x>/OnNetwork/RelayedMCDDataGroup/<x>/MCDDataGroupID

OnNetwork/RelayedMCDDataGroup/<x>/MCDDataGroupID

Status	Occurrence	Format	Min. Access Types
Required	One	chr	Get, Replace

This leaf node indicates the associated MCDData group ID.

The value is a "uri" attribute specified in OMA OMA-TS-XDM_Group-V1_1 [4].

9.2.35 /<x>/OnNetwork/RelayedMCDDataGroup/<x>/RelayServiceCode

Table 9.2.35.1: /<x>/OnNetwork/RelayedMCDDataGroup/<x>/RelayServiceCode

OnNetwork/RelayedMCDDataGroup/<x>/RelayServiceCode

Status	Occurrence	Format	Min. Access Types
Required	One	chr	Get, Replace

This leaf node indicates the connectivity service that the ProSe UE-to-network relay provides to public safety applications as specified in 3GPP TS 23.303 [6].

10 MCDData user profile MO

10.1 General

The MCDData user profile configuration Management Object (MO) is used to configure the MCDData Client behaviour for the on-network or off-network MCDData Service. The MCDData user profile configuration parameters may be stored in the ME, or in the USIM as specified in 3GPP TS 31.102 [10], or in both the ME and the USIM. If both the ME and the USIM contain the same parameters, the values stored in the USIM shall take precedence.

The Management Object Identifier is: urn:oma:mo:ext-3gpp-MCDData-user-profile:1.0.

Protocol compatibility: This MO is compatible with OMA OMA DM 1.2 [3].

The OMA DM ACL property mechanism (see OMA OMA-ERELED-DM-V1_2 [2]) may be used to grant or deny access rights to OMA DM servers in order to modify nodes and leaf objects of the MCDData user profile MO.

The following nodes and leaf objects are possible under the MCDData user profile node as described in figures 10.1.1 through 10.1.4.

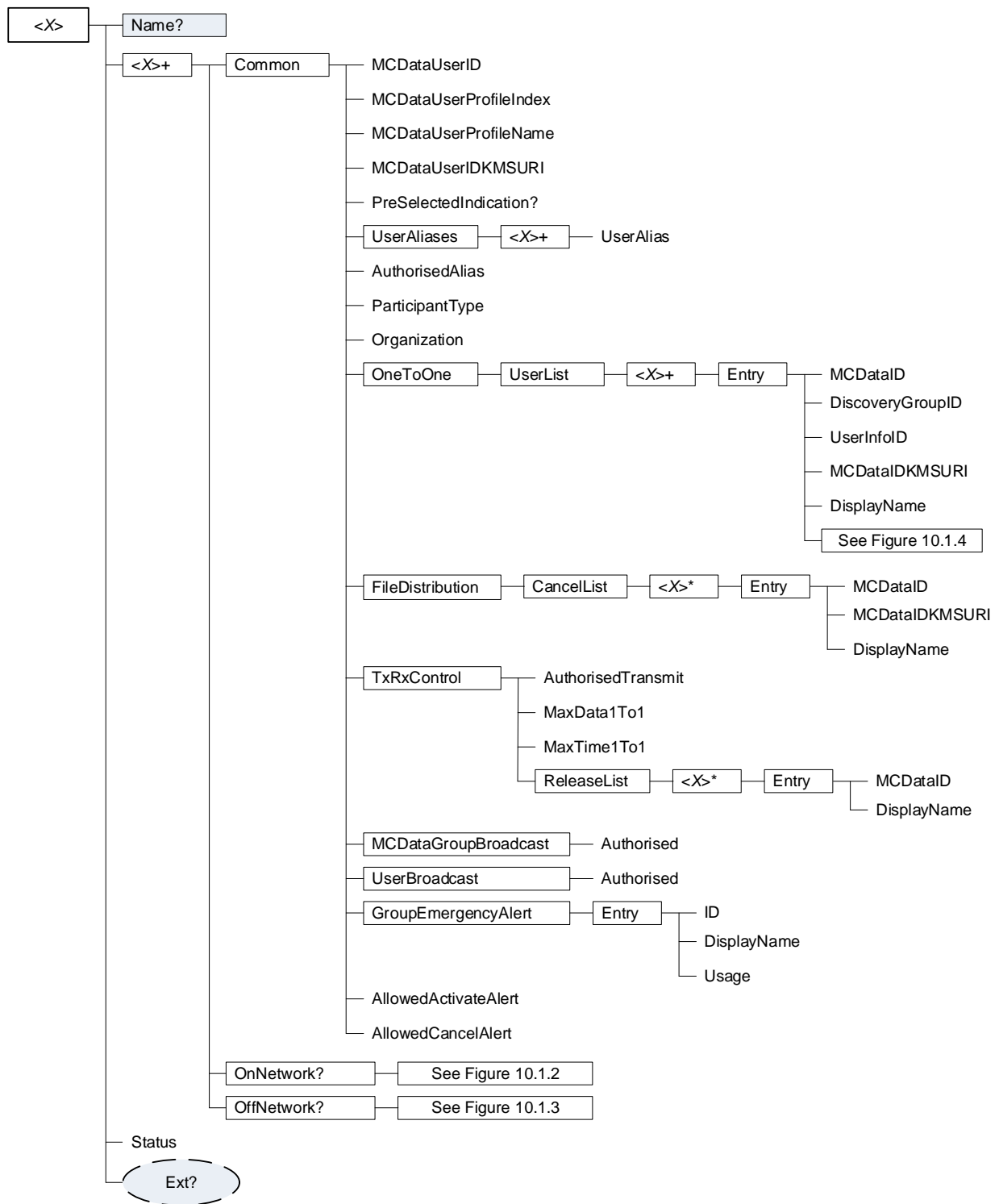


Figure 10.1.1: The MCDATA user profile MO (1 of 4)

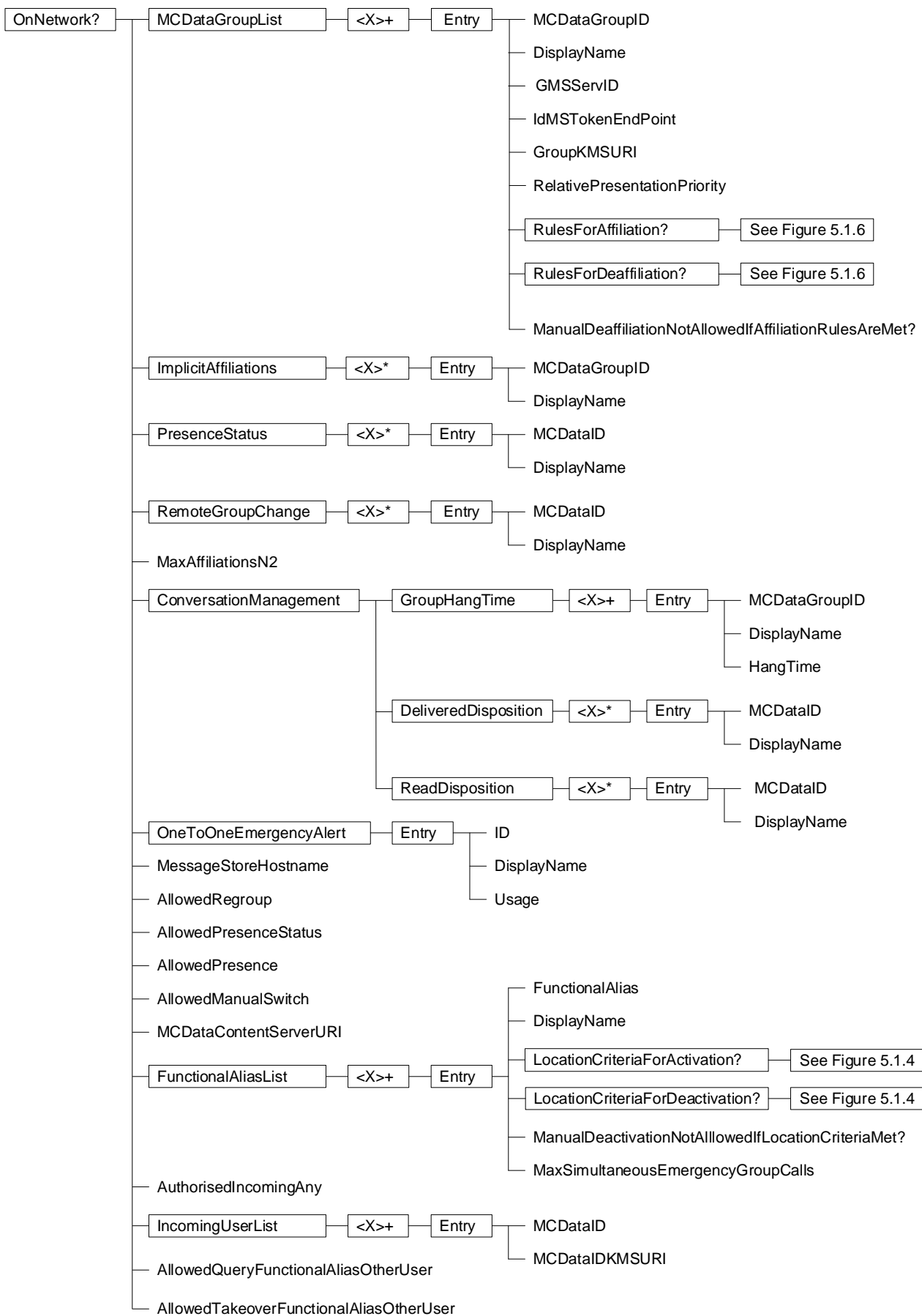


Figure 10.1.2: The MCDATA user profile MO (2 of 4)

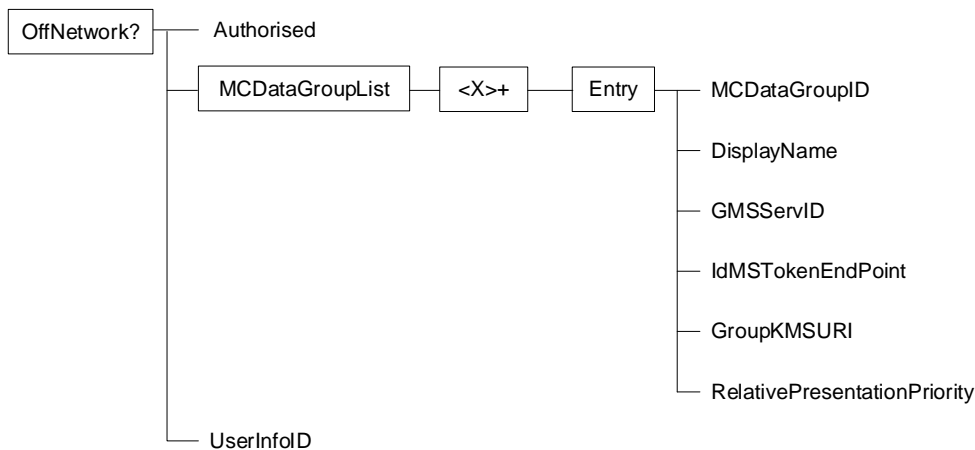


Figure 10.1.3: The MCDATA user profile MO (3 of 4)

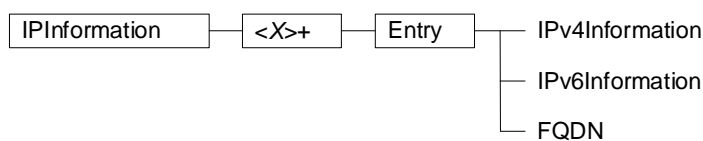


Figure 10.1.4: The MCDATA user profile MO (4 of 4)

10.2 MCDATA user profile MO parameters

10.2.1 General

This clause describes the parameters for the MCDATA user profile Management Object (MO).

10.2.2 Node: <x>

Table 10.2.2.1: Node: <x>

<x>

Status	Occurrence	Format	Min. Access Types
Required	OneOrMore	node	Get

This interior node acts as a placeholder for the MCDATA user profile Management Object (MO).

For the MCDATA user profile MO, the namespace specific string is: "urn:oma:mo:oma-dm-mcddata-user-profile:1.0"

- Values: N/A

10.2.3 /<x>/Name

Table 10.2.3.1: /<x>/Name

Name

Status	Occurrence	Format	Min. Access Types
Required	ZeroOrOne	chr	Get

The Name leaf is a name for the MCDATA user profile settings.

- Values: <User displayable name>

10.2.4 /<x>/Ext/

Table 10.2.4.1: /<x>/Ext/

Ext

Status	Occurrence	Format	Min. Access Types
Optional	ZeroOrOne	node	Get, Replace

The Ext is an interior node for where the vendor specific information about the MCDData user profile MO is being placed.

Usually the vendor extension is identified by vendor specific name under the ext node and contains the vendor meaning application vendor, device vendor etc. The tree structure under the vendor identified is not defined and can therefore include one or more un-standardized sub-trees.

- Values: N/A

10.2.5 /<x>/<x>

Table 10.2.5.1: /<x>/<x>

<x>

Status	Occurrence	Format	Min. Access Types
Required	OneOrMore	node	Get, Replace

This interior node represents a container for on-network operation and off-network operation.

10.2.6 /<x>/<x>/Common

Table 10.2.6.1: /<x>/<x>/Common

<x>/Common

Status	Occurrence	Format	Min. Access Types
Required	One	node	Get, Replace

This interior node represents a container for the common network operation which means both on-network operation and off-network operation.

10.2.7 /<x>/<x>/Common/MCDDataUserID

Table 10.2.7.1: /<x>/<x>/Common/MCDDataUserID

<x>/Common/MCDDataUserID

Status	Occurrence	Format	Min. Access Types
Required	One	chr	Get, Replace

This leaf node indicates an MCDData user identity (MCDData ID) which is a globally unique identifier within the MCDData service that represents the MCDData user.

10.2.8 /<x>/<x>/Common/MCDataUserProfileIndex

Table 10.2.8.1: /<x>/<x>/Common/MCDataUserProfileIndex

<x>/Common/MCDataUserProfileIndex

Status	Occurrence	Format	Min. Access Types
Required	One	int	Get, Replace

This leaf node indicates an index for the particular MCData user profile.

- Values: 0-255

10.2.9 /<x>/<x>/Common/MCDataUserProfileName

Table 10.2.9.1: /<x>/<x>/Common/MCDataUserProfileName

<x>/Common/MCDataUserProfileName

Status	Occurrence	Format	Min. Access Types
Optional	One	chr	Get, Replace

This leaf node indicates a profile name for the particular MCData user profile.

10.2.9A /<x>/<x>/Common/MCDataUserIDKMSURI

Table 10.2.9A.1: /<x>/<x>/Common/MCDataUserIDKMSURI

<x>/Common/MCDataUserIDKMSURI

Status	Occurrence	Format	Min. Access Types
Optional	One	chr	Get, Replace

This leaf node indicates key management server URI for the security domain of the MCData user.

The value is a URI as specified in 3GPP TS 23.003 [5].

10.2.10 /<x>/<x>/Common/PreSelectedIndication

Table 10.2.10.1: /<x>/<x>/Common/PreSelectedIndication

<x>/Common/PreSelectedIndication

Status	Occurrence	Format	Min. Access Types
Optional	ZeroOrOne	null	Get, Replace

This leaf node indicates that this MCData user profile MO is designated to be the pre-selected MCData user profile as defined by 3GPP TS 23.179 [15]

- Values: null

When this leaf node is present, this MCData user profile MO is designated as the pre-selected MCData user profile.

When this leaf node is absent, this MCData user profile MO is not designated as the pre-selected MCData user profile.

If more than one MCData user profile MO is specified for the MCData user, then only one MCData user profile MO for the MCData user shall contain the <x>/Common/PreSelectedIndication leaf node.

If there is only one MCDATA user profile MO specified for the MCDATA user, then it is optional to include the `<x>/Common/PreSelectedIndication` leaf node.

10.2.11 `<x>/<x>/Common/UserAliases`

Table 10.2.11.1: `<x>/<x>/Common/UserAliases`

`<x>/Common/UserAliases`

Status	Occurrence	Format	Min. Access Types
Required	One	node	Get, Replace

This interior node is a placeholder for a list of aliases of an MCDATA user.

10.2.12 `<x>/<x>/Common/UserAliases/<x>`

Table 10.2.12.1: `<x>/<x>/Common/UserAliases/<x>`

`<x>/Common/UserAliases/<x>`

Status	Occurrence	Format	Min. Access Types
Required	OneOrMore	node	Get, Replace

This interior node is a placeholder for one or more aliases of an MCDATA user.

10.2.13 `<x>/<x>/Common/UserAliases/<x>UserAlias`

Table 10.2.13.1: `<x>/<x>/Common/UserAliases/<x>/UserAlias`

`<x>/Common/UserAliases/<x>/UserAlias`

Status	Occurrence	Format	Min. Access Types
Required	One	chr	Get, Replace

This leaf node indicates an alphanumeric alias of the MCDATA user.

10.2.14 `<x>/<x>/Common/AuthorisedAlias`

Table 10.2.14.1: `<x>/<x>/Common/AuthorisedAlias`

`<x>/Common/AuthorisedAlias`

Status	Occurrence	Format	Min. Access Types
Optional	One	bool	Get, Replace

This leaf node indicates authorisation to create and delete aliases of other MCDATA users and their associated MCDATA user profiles.

When set to "true" the MCDATA user is authorised to create and delete aliases of other MCDATA users and their associated MCDATA user profiles.

When set to "false" the MCDATA user is not authorised to create and delete aliases of other MCDATA user and their associated MCDATA user profiles. This is the default if this leaf node is not present.

10.2.15 /<x>/<x>/Common/ParticipantType

Table 10.2.15.1: /<x>/<x>/Common/ParticipantType

<x>/Common/ParticipantType

Status	Occurrence	Format	Min. Access Types
Required	One	chr	Get, Replace

This leaf node indicates the participant type of the MCDData user.

The ParticipantType means the functional category of the participant (e.g., first responder, second responder, dispatch, dispatch supervisor), typically defined by the MCDData administrators.

10.2.16 /<x>/<x>/Common/Organization

Table 10.2.16.1: /<x>/<x>/Common/Organization

<x>/Common/Organization

Status	Occurrence	Format	Min. Access Types
Required	One	chr	Get, Replace

This leaf node indicates the organization an MCDData user belongs to.

10.2.16A/<x>/<x>/Common/OnetoOne

Table 10.2.16A.1: /<x>/<x>/Common/OnetoOne

<x>/Common/OnetoOne

Status	Occurrence	Format	Min. Access Types
Required	One	node	Get, Replace

This interior node is a placeholder for the MCDData on-network or off-network one-to-one communication configuration.

10.2.16B/<x>/<x>/Common/OnetoOne/UserList

Table 10.2.16B.1: /<x>/<x>/Common/OnetoOne/UserList

<x>/Common/OnetoOne/UserList

Status	Occurrence	Format	Min. Access Types
Required	One	node	Get, Replace

This interior node is a placeholder for a list of MCDData users who can be involved in an on-network or off-network MCDData one-to-one transaction.

10.2.16C /<x>/<x>/Common/OnetoOne/UserList/<x>

Table 10.2.16C.1: /<x>/<x>/Common/OnetoOne/UserList/<x>

<x>/Common/OnetoOne/UserList/<x>

Status	Occurrence	Format	Min. Access Types
Optional	OneOrMore	node	Get, Replace

This interior node is a placeholder for one or more list of MCDData users who can be involved in an on-network or off-network MCDData one-to-one transaction.

10.2.16D /<x>/<x>/Common/OnetoOne/UserList/<x>/Entry

Table 10.2.16D.1: /<x>/<x>/Common/OnetoOne/UserList/<x>/Entry

<x>/Common/OnetoOne/UserList/<x>/Entry

Status	Occurrence	Format	Min. Access Types
Required	One	node	Get, Replace

This interior node is a placeholder for one or more MCDData users who can be involved in an on-network or off-network MCDData one-to-one transaction.

10.2.16E /<x>/<x>/Common/OnetoOne/UserList/<x>/Entry/MCDDataID

Table 10.2.16E.1: /<x>/<x>/Common/OnetoOne/UserList/<x>/Entry/MCDDataID

<x>/Common/OnetoOne/UserList/<x>/Entry/MCDDataID

Status	Occurrence	Format	Min. Access Types
Optional	One	chr	Get, Replace

This leaf node indicates an MCDData user identity (MCDData ID) which is a globally unique identifier within the MCDData service that represents the MCDData user.

The value is a "uri" attribute specified in OMA OMA-TS-XDM_Group-V1_1 [4].

10.2.16F /<x>/<x>/Common/OnetoOne/UserList/<x>/Entry/DiscoveryGroupID

Table 10.2.16F.1: /<x>/<x>/Common/OnetoOne/UserList/<x>/Entry/DiscoveryGroupID

<x>/Common/OnetoOne/UserList/<x>/Entry/DiscoveryGroupID

Status	Occurrence	Format	Min. Access Types
Optional	One	int	Get, Replace

This leaf node indicates a discovery group ID as specified in 3GPP TS 23.303 [6].

The value is used as the discovery group ID in the ProSe discovery procedures as specified in 3GPP TS 23.303 [6].

10.2.16G /<x>/<x>/Common/OnetoOne/UserList/<x>/Entry/UserInfoID

Table 10.2.16G.1: /<x>/<x>/Common/OnetoOne/UserList/<x>/Entry/UserInfoID

<x>/Common/OnetoOne/UserList/<x>/Entry/UserInfoID

Status	Occurrence	Format	Min. Access Types
Optional	One	int	Get, Replace

This leaf node indicates a ProSe user info ID as specified in 3GPP TS 23.303 [6].

10.2.16H /<x>/<x>/Common/OnetoOne/UserList/<x>/Entry/ MCDataDKMSURI

Table 10.2.16H.1: /<x>/<x>/Common/OnetoOne/UserList/<x>/Entry/MCDataUserDKMSURI

<x>/Common/OnetoOne/UserList/<x>/Entry/MCDataUserDKMSURI

Status	Occurrence	Format	Min. Access Types
Optional	One	chr	Get, Replace

This leaf node indicates key management server URI for the security domain of the MCData user of an MCData user that the configured MCData user is authorised to initiate a one-to-one communication with.

The value is a URI as specified in 3GPP TS 23.003 [5].

10.2.16I /<x>/<x>/Common/OnetoOne/UserList/<x>/Entry/DisplayName

Table 10.2.16I.1: /<x>/<x>/Common/OnetoOne/UserList/<x>/Entry/DisplayName

<x>/Common/OnetoOne/UserList/<x>/Entry/DisplayName

Status	Occurrence	Format	Min. Access Types
Optional	One	chr	Get, Replace

This leaf node contains a human readable name.

10.2.16J /<x>/<x>/Common/OnetoOne/UserList/<x>/Entry/IPInformation

Table 10.2.16J.1: /<x>/<x>/Common/OnetoOne/UserList/<x>/Entry/IPInformation

<x>/Common/OnetoOne/UserList/<x>/Entry/IPInformation

Status	Occurrence	Format	Min. Access Types
Optional	One	node	Get, Replace

This interior node is a placeholder for one or more list of IPInformation data that can be used in the setup of an IP Connectivity session for a specific MCData user in a one-to-one communication.

10.2.16K /<x>/<x>/Common/OnetoOne/UserList/<x>/Entry/ IPInformation/<x>

Table 10.2.16K.1: /<x>/<x>/Common/OnetoOne/UserList/<x>/Entry/IPInformation/<x>

<x>/Common/OnetoOne/UserList/<x>/Entry/IPInformation/<x>

Status	Occurrence	Format	Min. Access Types
Optional	OneOrMore	node	Get, Replace

This interior node is a placeholder for one or more list of IPInformation data that can be used in the setup of an IP Connectivity session for a specific MCData user in a one-to-one communication.

10.2.16L /<x>/<x>/Common/OnetoOne/UserList/<x>/Entry/ IPInformation/<x>Entry

Table 10.2.16L.1: /<x>/<x>/Common/OnetoOne/UserList/<x>/Entry/IPInformation/<x>/Entry

<x>/Common/OnetoOne/UserList/<x>/Entry/IPInformation/<x>/Entry

Status	Occurrence	Format	Min. Access Types
Required	One	node	Get, Replace

This interior node is a placeholder for one or more list of IPInformation data that can be used in the setup of an IP Connectivity session for a specific MCDData user in a one-to-one communication.

10.2.16M /<x>/<x>/Common/OnetoOne/UserList/<x>/Entry/ IPInformation/<x>Entry/IPv4Information

Table 10.2.16M.1:

/<x>/<x>/Common/OnetoOne/UserList/<x>/Entry/IPInformation/<x>/Entry/IPv4Information

<x>/Common/OnetoOne/UserList/<x>/Entry/IPInformation/<x>/Entry/IPv4Information

Status	Occurrence	Format	Min. Access Types
Optional	One	chr	Get, Replace

This leaf node indicates an IPv4 host address or an IPv4 network that can be addressed on an IP Connectivity session in a one-to-one communication for a specific MCDData ID.

10.2.16N /<x>/<x>/Common/OnetoOne/UserList/<x>/Entry/ IPInformation/<x>Entry/IPv6Information

Table 10.2.16N.1:

/<x>/<x>/Common/OnetoOne/UserList/<x>/Entry/IPInformation/<x>/Entry/IPv6Information

<x>/Common/OnetoOne/UserList/<x>/Entry/IPInformation/<x>/Entry/IPv6Information

Status	Occurrence	Format	Min. Access Types
Optional	One	chr	Get, Replace

This leaf node indicates an IPv6 host address or an IPv6 network that can be addressed on an IP Connectivity session in a one-to-one communication for a specific MCDData ID.

10.2.16O /<x>/<x>/Common/OnetoOne/UserList/<x>/Entry/ IPInformation/<x>Entry/FQDN

Table 10.2.16O.1: /<x>/<x>/Common/OnetoOne/UserList/<x>/Entry/IPInformation/<x>/Entry/FQDN

<x>/Common/OnetoOne/UserList/<x>/Entry/IPInformation/<x>/Entry/FQDN

Status	Occurrence	Format	Min. Access Types
Optional	One	chr	Get, Replace

This leaf node indicates a fully qualified domain name for a specific host or domain that can be addressed on an IP Connectivity session in a one-to-one communication for a specific MCDData ID.

10.2.17 /<x>/<x>/Common/FileDistribution

Table 10.2.17.1: /<x>/<x>/Common/FileDistribution

<x>/Common/FileDistribution

Status	Occurrence	Format	Min. Access Types
Required	One	node	Get, Replace

This interior node is a placeholder for the MCDData file distribution configuration.

10.2.18 /<x>/<x>/Common/FileDistribution/CancelList

Table 10.2.18.1: /<x>/<x>/Common/FileDistribution/CancelList

<x>/Common/FileDistribution/CancelList

Status	Occurrence	Format	Min. Access Types
Required	One	node	Get, Replace

This interior node is a placeholder for a list of MCDData user(s) this MCDData user is allowed to cancel distribution of files beings sent or waiting to be sent.

10.2.19 /<x>/<x>/Common/FileDistribution/CancelList/<x>

Table 10.2.19.1: /<x>/<x>/Common/FileDistribution/CancelList/<x>

<x>/Common/FileDistribution/CancelList/<x>

Status	Occurrence	Format	Min. Access Types
Optional	ZeroOrMore	node	Get, Replace

This interior node is a placeholder for zero or more list of MCDData users this MCDData user is allowed to cancel distribution of files beings sent or waiting to be sent.

10.2.20 /<x>/<x>/Common/FileDistribution/CancelList/<x>/Entry

Table 10.2.20.1: /<x>/<x>/Common/FileDistribution/CancelList/<x>/Entry

<x>/Common/FileDistribution/CancelList/<x>/Entry

Status	Occurrence	Format	Min. Access Types
Required	One	node	Get, Replace

This interior node is a placeholder for one or more MCDData users this MCDData user is allowed to cancel distribution of files beings sent or waiting to be sent.

10.2.21 /<x>/<x>/Common/FileDistribution/CancelList/<x>/Entry/MCDDataID

Table 10.2.21.1: /<x>/<x>/Common/FileDistribution/CancelList/<x>/Entry/MCDDataID

<x>/Common/FileDistribution/CancelList/<x>/Entry/MCDDataID

Status	Occurrence	Format	Min. Access Types
Optional	One	chr	Get, Replace

This leaf node indicates an MCDData user identity (MCDData ID) which is a globally unique identifier within the MCDData service that represents the MCDData user.

The value is a "uri" attribute specified in OMA OMA-TS-XDM_Group-V1_1 [4].

10.2.21A /<x>/<x>/Common/FileDistribution/CancelList/<x>/Entry/MCDataDKMSURI

Table 10.2.21A.1: /<x>/<x>/Common/FileDistribution/CancelList/<x>/Entry/MCDataDKMSURI

<x>/Common/FileDistribution/CancelList/<x>/Entry/MCDataDKMSURI

Status	Occurrence	Format	Min. Access Types
Optional	One	chr	Get, Replace

This leaf node indicates key management server URI for the security domain of the MCData user of an MCData user that the configured MCData user is authorised to cancel distribution of files being sent or waiting to be sent.

The value is a URI as specified in 3GPP TS 23.003 [5].

10.2.22 /<x>/<x>/Common/FileDistribution/CancelList/<x>/Entry/DisplayName

Table 10.2.22.1: /<x>/<x>/Common/FileDistribution/CancelList/<x>/Entry/DisplayName

<x>/Common/FileDistribution/CancelList/<x>/Entry/DisplayName

Status	Occurrence	Format	Min. Access Types
Optional	One	chr	Get, Replace

This leaf node contains a human readable name.

10.2.23 /<x>/<x>/Common/TxRxControl

Table 10.2.23.1: /<x>/<x>/Common/TxRxControl

<x>/Common/TxRxControl

Status	Occurrence	Format	Min. Access Types
Required	One	node	Get, Replace

This interior node is a placeholder for the MCData transmission and reception control configuration.

10.2.24 /<x>/<x>/Common/TxRxControl/AuthorisedTransmit

Table 10.2.24.1: /<x>/<x>/Common/TxRxControl/AuthorisedTransmit

<x>/Common/TxRxControl/AuthorisedTransmit

Status	Occurrence	Format	Min. Access Types
Required	One	bool	Get, Replace

This leaf node indicates the authorisation to transmit data.

When set to "true" the MCData user is authorised to transmit data.

When set to "false" the MCData user is not authorised to transmit data.

10.2.25 /<x>/<x>/Common/TxRxControl/MaxData1To1

Table 10.2.25.1: /<x>/<x>/Common/TxRxControl/MaxData1To1

<x>/Common/TxRxControl/MaxData1To1

Status	Occurrence	Format	Min. Access Types
Required	One	int	Get, Replace

This leaf node indicates the maximum amount of data (in megabytes) that an MCDData user can transmit in a single request during one-to-one communication.

- Values: 0-65535

The MaxData1to1 size is in megabytes.

10.2.26 /<x>/<x>/Common/TxRxControl/MaxTime1To1

Table 10.2.26.1: /<x>/<x>/Common/TxRxControl/MaxTime1To1

<x>/Common/TxRxControl/MaxTime1To1

Status	Occurrence	Format	Min. Access Types
Required	One	int	Get, Replace

This leaf node indicates the maximum amount of time that an MCDData user can transmit for in a single request during one-to-one communication.

- Values: 0-65535

The MaxTime1To1 time is in seconds.

10.2.27 /<x>/<x>/Common/TxRxControl/ReleaseList

Table 10.2.27.1: /<x>/<x>/Common/TxRxControl/ReleaseList

<x>/Common/TxRxControl/ReleaseList

Status	Occurrence	Format	Min. Access Types
Required	One	node	Get, Replace

This interior node is a placeholder for a list of MCDData users that this MCDData user is allowed to request release of an ongoing transmission.

10.2.28 /<x>/<x>/Common/TxRxControl/ReleaseList/<x>

Table 10.2.28.1: /<x>/<x>/Common/TxRxControl/ReleaseList/<x>

<x>/Common/TxRxControl/ReleaseList/<x>

Status	Occurrence	Format	Min. Access Types
Optional	ZeroOrMore	node	Get, Replace

This interior node is a placeholder for zero or more list of MCDData users this MCDData user is allowed to request release of an ongoing transmission.

10.2.29 /<x>/<x>/Common/TxRxControl/ReleaseList/<x>/Entry

Table 10.2.29.1: /<x>/<x>/Common/TxRxControl/ReleaseList/<x>/Entry

<x>/Common/TxRxControl/ReleaseList/<x>/Entry

Status	Occurrence	Format	Min. Access Types
Required	One	node	Get, Replace

This interior node is a placeholder for one or more MCDData users this MCDData user is allowed to request release of an ongoing transmission.

10.2.30 /<x>/<x>/Common/TxRxControl/ReleaseList/<x>/Entry/MCDDataID

Table 10.2.30.1: /<x>/<x>/Common/TxRxControl/ReleaseList/<x>/Entry/MCDDataID

<x>/Common/TxRxControl/ReleaseList/<x>/Entry/MCDDataID

Status	Occurrence	Format	Min. Access Types
Optional	One	chr	Get, Replace

This leaf node indicates an MCDData user identity (MCDData ID) which is a globally unique identifier within the MCDData service that represents the MCDData user.

The value is a "uri" attribute specified in OMA OMA-TS-XDM_Group-V1_1 [4].

10.2.31 /<x>/<x>/Common/TxRxControl/ReleaseList/<x>/Entry/DisplayName

Table 10.2.31.1: /<x>/<x>/Common/TxRxControl/ReleaseList/<x>/Entry/DisplayName

<x>/Common/TxRxControl/ReleaseList/<x>/Entry/DisplayName

Status	Occurrence	Format	Min. Access Types
Optional	One	chr	Get, Replace

This leaf node contains a human readable name.

10.2.32 /<x>/<x>/Common/MCDDataGroupBroadcast

Table 10.2.32.1: /<x>/<x>/Common/MCDDataGroupBroadcast

<x>/Common/MCDDataGroupBroadcast

Status	Occurrence	Format	Min. Access Types
Required	One	node	Get, Replace

This interior node is a placeholder for the group-broadcast group policy.

10.2.33 /<x>/<x>/Common/MCDDataGroupBroadcast/Authorised

Table 10.2.33.1: /<x>/<x>/Common/MCDDataGroupBroadcast/Authorised

<x>/Common/MCDDataGroupBroadcast/Authorised

Status	Occurrence	Format	Min. Access Types
Required	One	bool	Get, Replace

This leaf node indicates the authorisation to create a group-broadcast group.

When set to "true" the MCDData user is authorised to create a group-broadcast group.

When set to "false" the MCDData user is not authorised to create a group-broadcast group.

10.2.34 /<x>/<x>/Common/UserBroadcast

Table 10.2.34.1: /<x>/<x>/Common/UserBroadcast

<x>/Common/UserBroadcast

Status	Occurrence	Format	Min. Access Types
Required	One	node	Get, Replace

This interior node is a placeholder for the user-broadcast group policy.

10.2.35 /<x>/<x>/Common/UserBroadcast/Authorised

Table 10.2.35.1: /<x>/<x>/Common/UserBroadcast/Authorised

<x>/Common/UserBroadcast/Authorised

Status	Occurrence	Format	Min. Access Types
Required	One	bool	Get, Replace

This leaf node indicates the authorisation to create a user-broadcast group.

When set to "true" the MCDData user is authorised to create a user-broadcast group.

When set to "false" the MCDData user is not authorised to create a user-broadcast group.

10.2.36 /<x>/<x>/Common/GroupEmergencyAlert

Table 10.2.36.1: /<x>/<x>/Common/GroupEmergencyAlert

<x>/Common/GroupEmergencyAlert

Status	Occurrence	Format	Min. Access Types
Required	One	node	Get, Replace

This interior node is a placeholder for Group Emergency Alert configuration.

10.2.37 /<x>/<x>/Common/GroupEmergencyAlert/Entry

Table 10.2.37.1: /<x>/<x>/Common/GroupEmergencyAlert/Entry

<x>/Common/GroupEmergencyAlert/Entry

Status	Occurrence	Format	Min. Access Types
Required	One	node	Get, Replace

This interior node is a placeholder for the details of the MCDData group of an MCDData emergency alert.

10.2.38 /<x>/<x>/Common/GroupEmergencyAlert/Entry/ID

Table 10.2.38.1: /<x>/<x>/Common/GroupEmergencyAlert/Entry/ID

<x>/Common/GroupEmergencyAlert/Entry/ID

Status	Occurrence	Format	Min. Access Types
Required	One	chr	Get, Replace

This leaf node indicates the MCDData group used upon certain criteria on initiation of an MCDData emergency alert.

10.2.39 /<x>/<x>/Common/GroupEmergencyAlert/Entry/DisplayName

Table 10.2.39.1: /<x>/<x>/Common/GroupEmergencyAlert/Entry/DisplayName

<x>/Common/GroupEmergencyAlert/Entry/DisplayName

Status	Occurrence	Format	Min. Access Types
Optional	One	chr	Get, Replace

This leaf node contains a human readable name that corresponds to the ID.

10.2.40 /<x>/<x>/Common/GroupEmergencyAlert/Entry/Usage

Table 10.2.40.1: /<x>/<x>/Common/GroupEmergencyAlert/Entry/Usage

<x>/Common/GroupEmergencyAlert/Entry/Usage

Status	Occurrence	Format	Min. Access Types
Required	One	chr	Get, Replace

This leaf node indicates the criteria to determine when initiation of an MCDData emergency alert uses the ID.

The valid values are 'UseCurrentlySelectedGroup' and 'DedicatedGroup'.

When set to 'UseCurrentlySelectedGroup' then if the MCDData user has currently selected an MCDData group then use that MCDData group for an on-network MCDData emergency alert, if the MCDData user does not have a currently selected MCDData group then use the MCDData group identified by the ID in clause 10.2.38 for an MCDData emergency alert.

When set to 'DedicatedGroup' then use the MCDData group identified by the ID in clause 10.2.38 for an MCDData emergency alert.

10.2.41 /<x>/<x>/Common/AllowedActivateAlert

Table 10.2.41.1: /<x>/<x>/Common/AllowedActivateAlert

<x>/Common/AllowedActivateAlert

Status	Occurrence	Format	Min. Access Types
Optional	One	bool	Get, Replace

This leaf node indicates whether the MCDData user is authorised to activate an emergency alert

When set to "true" the MCDData user is authorised to activate an emergency alert.

When set to "false" the MCDData user is not authorised to activate an emergency alert.

10.2.42 /<x>/<x>/Common/AllowedCancelAlert

Table 10.2.42.1: /<x>/<x>/Common/AllowedCancelAlert

<x>/Common/AllowedCancelAlert

Status	Occurrence	Format	Min. Access Types
Required	One	bool	Get, Replace

This leaf node indicates whether the MCDData user is allowed to cancel an emergency alert.

When set to "true" the MCDData user is authorised to cancel an emergency alert.

When set to "false" the MCDData user is not authorised to cancel an emergency alert.

10.2.43 /<x>/<x>/OnNetwork

Table 10.2.43.1: /<x>/<x>/OnNetwork

<x>/OnNetwork

Status	Occurrence	Format	Min. Access Types
Required	ZeroOrOne	node	Get, Replace

This interior node represents a container for on-network operation.

10.2.44 /<x>/<x>/OnNetwork/MCDDataGroupList

Table 10.2.44.1: /<x>/<x>/OnNetwork/MCDDataGroupList

<x>/OnNetwork/MCDDataGroupList

Status	Occurrence	Format	Min. Access Types
Required	One	node	Get, Replace

This interior node is a placeholder for the list of on-network MCDData groups that the MCDData user is allowed to use.

10.2.45 /<x>/<x>/OnNetwork/MCDDataGroupList/<x>

Table 10.2.45.1: /<x>/<x>/OnNetwork/MCDDataGroupList/<x>

<x>/OnNetwork/MCDDataGroupList/<x>

Status	Occurrence	Format	Min. Access Types
Required	OneOrMore	node	Get, Replace

This interior node is a placeholder for one or more list of on-network MCDData groups that the MCDData user is allowed to use.

10.2.46 /<x>/<x>/OnNetwork/MCDDataGroupList/<x>/Entry

Table 10.2.46.1: /<x>/<x>/OnNetwork/MCDDataGroupList/<x>/Entry

<x>/OnNetwork/MCDDataGroupList/<x>/Entry

Status	Occurrence	Format	Min. Access Types
Optional	One	node	Get, Replace

This interior node is a placeholder for the details of the on-network MCDATA groups that the MCDATA user is allowed to use.

10.2.47 /<x>/<x>/OnNetwork/MCDATAGroupList/<x>/Entry/MCDATAGroupID

Table 10.2.47.1: /<x>/<x>/OnNetwork/MCDATAGroupList/<x>/Entry/MCDATAGroupID

<x>/OnNetwork/MCDATAGroupList/<x>/Entry/MCDATAGroupID

Status	Occurrence	Format	Min. Access Types
Required	One	chr	Get, Replace

This leaf node indicates the MCDATA group ID for the on-network MCDATA group that the MCDATA user is allowed to use.

The value is a "uri" attribute specified in OMA OMA-TS-XDM_Group-V1_1 [4].

10.2.48 /<x>/<x>/OnNetwork/MCDATAGroupList/<x>/Entry/DisplayName

Table 10.2.48.1: /<x>/<x>/OnNetwork/MCDATAGroupList/<x>/Entry/DisplayName

<x>/OnNetwork/MCDATAGroupList/<x>/Entry/DisplayName

Status	Occurrence	Format	Min. Access Types
Optional	One	chr	Get, Replace

This leaf node contains a human readable name that corresponds to the MCDATA Group ID.

10.2.49 Void

10.2.50 Void

10.2.51 /<x>/<x>/OnNetwork/MCDATAGroupList/<x>/Entry/GMSServID

Table 10.2.51.1: /<x>/<x>/OnNetwork/MCDATAGroupList/<x>/Entry/GMSServID

<x>/OnNetwork/MCDATAGroupList/<x>/Entry/GMSServID

Status	Occurrence	Format	Min. Access Types
Optional	One	chr	Get, Replace

This leaf node indicates the identity (URI) of the group management server hosting the MCDATA Group ID.

10.2.52 Void

10.2.53 Void

10.2.54 /<x>/<x>/OnNetwork/MCDataGroupList/<x>/Entry/
IdMSTokenEndPoint**Table 10.2.54.1: /<x>/<x>/OnNetwork/MCDataGroupList/<x>/Entry/IdMSTokenEndPoint**

<x>/OnNetwork/MCDataGroupList/<x>/Entry/IdMSTokenEndPoint

Status	Occurrence	Format	Min. Access Types
Optional	One	chr	Get, Replace

This leaf node indicates the identity (URI) of the IDMS token endpoint for the MCData Group ID in the MCDataGroupList. If the value is empty, the IDMS identities (IDMSAuthEndpoint and IDMSTokenEndpoint) present in the MCS UE initial configuration MO are used.

10.2.54A/<x>/<x>/OnNetwork/MCDataGroupList/<x>/Entry/GroupKMSURI

Table 10.2.54A.1: /<x>/<x>/OnNetwork/MCDataGroupList/<x>/Entry/GroupKMSURI

<x>/OnNetwork/MCDataGroupList/<x>/Entry/GroupKMSURI

Status	Occurrence	Format	Min. Access Types
Required	One	chr	Get, Replace

This leaf node indicates key management server URI for the security domain of the MCData group identity (MCData Group ID) of the on-network MCData group

The value is a URI as specified in 3GPP TS 23.003 [5].

10.2.55 /<x>/<x>/OnNetwork/MCDataGroupList/<x>/Entry/
RelativePresentationPriority**Table 10.2.55.1: /<x>/<x>/OnNetwork/MCDataGroupList/<x>/Entry/RelativePresentationPriority**

<x>/OnNetwork/MCDataGroupList/<x>/Entry/RelativePresentationPriority

Status	Occurrence	Format	Min. Access Types
Optional	One	int	Get, Replace

This leaf node indicates indicating the presentation priority of the on-network group for the MCData user relative to other on-network groups and on-network users.

- Values: 0-255

The lowest RelativePresentationPriority value shall be considered as the MCData group transaction having the lowest priority for presentation among other group MCData and one-to-one user transactions.

10.2.55A/<x>/<x>/OnNetwork/MCDataGroupList/<x>/Entry/
RulesForAffiliation**Table 10.2.55A.1: /<x>/<x>/OnNetwork/MCDataGroupList/<x>/Entry/RulesForAffiliation**

<x>/OnNetwork/MCDataGroupList/<x>/Entry/RulesForAffiliation

Status	Occurrence	Format	Min. Access Types
Optional	ZeroOrOne	node	Get, Replace

This interior node is a placeholder for the rules that control automatic affiliation.

10.2.55A0 /<x>/<x>/OnNetwork/MCDataGroupList/<x>/Entry/ RulesForAffiliation/<x>

Table 10.2.55A0.1: /<x>/<x>/OnNetwork/MCDataGroupList/<x>/Entry/RulesForAffiliation/<x>

<x>/OnNetwork/MCDataGroupList/<x>/Entry/RulesForAffiliation/<x>

Status	Occurrence	Format	Min. Access Types
Optional	ZeroOrMore	node	Get, Replace

This interior node is a placeholder for the zero or more rules that control automatic affiliation.

10.2.55A1 /<x>/<x>/OnNetwork/MCDataGroupList/<x>/Entry/ RulesForAffiliation/<x>/ListOfLocationCriteria/

Table 10.2.55A1.1:

/<x>/<x>/OnNetwork/MCDataGroupList/<x>/Entry/RulesForAffiliation/<x>/ListOfLocationCriteria

<x>/OnNetwork/MCDataGroupList/<x>/Entry/RulesForAffiliation/<x>/ListOfLocationCriteria

Status	Occurrence	Format	Min. Access Types
Optional	One	node	Get, Replace

This interior node is a placeholder for the location portion of the rules that control automatic affiliation.

10.2.55A2 /<x>/<x>/OnNetwork/MCDataGroupList/<x>/Entry/ RulesForAffiliation/<x>/ListOfLocationCriteria/<x>

Table 10.2.55A2.1:

/<x>/<x>/OnNetwork/MCDataGroupList/<x>/Entry/RulesForAffiliation/<x>/ListOfLocationCriteria/<x>

<x>/OnNetwork/MCDataGroupList/<x>/Entry/RulesForAffiliation/<x>/ListOfLocationCriteria/<x>

Status	Occurrence	Format	Min. Access Types
Optional	ZeroOrMore	node	Get, Replace

This interior node is a placeholder for the location portion of the rules that control automatic affiliation.

10.2.55A3 /<x>/<x>/OnNetwork/MCDataGroupList/<x>/Entry/ RulesForAffiliation/<x>/ListOfLocationCriteria/<x>/Entry

Table 10.2.55A3.1:

**/<x>/<x>/OnNetwork/MCDataGroupList/<x>/Entry/RulesForAffiliation/<x>/ListOfLocationCriteria/<x>/
Entry**

<x>/OnNetwork/MCDataGroupList/<x>/Entry/RulesForAffiliation/<x>/ListOfLocationCriteria/<x>/Entry

Status	Occurrence	Format	Min. Access Types
Optional	One	node	Get, Replace

This interior node is a placeholder for the location portion of the rules that control automatic affiliation.

10.2.55A4 /<x>/<x>/OnNetwork/MCDataGroupList/<x>/Entry/ RulesForAffiliation/<x>/ListOfLocationCriteria/<x>/Entry/ EnterSpecificArea

Table 10.2.55A4.1:

/<x>/<x>/OnNetwork/MCDataGroupList/<x>/Entry/RulesForAffiliation/<x>/ListOfLocationCriteria/<x>/Entry/EnterSpecificArea

<x>/OnNetwork/MCDataGroupList/<x>/Entry/RulesForAffiliation/<x>/ListOfLocationCriteria/<x>/Entry/EnterSpecificArea

Status	Occurrence	Format	Min. Access Types
Optional	ZeroOrOne	node	Get, Replace

This interior node contains a geographical area which when entered by the MC service UE triggers evaluation of the rules.

10.2.55A5 /<x>/<x>/OnNetwork/MCDataGroupList/<x>/Entry/ RulesForAffiliation/<x>/ListOfLocationCriteria/<x>/Entry/ EnterSpecificArea/PolygonArea

Table 10.2.55A5.1:

/<x>/<x>/OnNetwork/MCDataGroupList/<x>/Entry/RulesForAffiliation/<x>/ListOfLocationCriteria/<x>/Entry/EnterSpecificArea/PolygonArea

<x>/OnNetwork/MCDataGroupList/<x>/Entry/RulesForAffiliation/<x>/ListOfLocationCriteria/<x>/Entry/EnterSpecificArea/PolygonArea

Status	Occurrence	Format	Min. Access Types
Optional	ZeroOrOne	node	Get, Replace

This interior node contains a geographical area described by a polygon.

10.2.55A6 /<x>/<x>/OnNetwork/MCDataGroupList/<x>/Entry/ RulesForAffiliation/<x>/ListOfLocationCriteria/<x>/Entry/ EnterSpecificArea/PolygonArea/<x>

Table 10.2.55A6.1:

/<x>/<x>/OnNetwork/MCDataGroupList/<x>/Entry/RulesForAffiliation/<x>/ListOfLocationCriteria/<x>/Entry/EnterSpecificArea/PolygonArea/<x>

<x>/OnNetwork/MCDataGroupList/<x>/Entry/RulesForAffiliation/<x>/ListOfLocationCriteria/<x>/Entry/EnterSpecificArea/PolygonArea/<x>

Status	Occurrence	Format	Min. Access Types
Required	OneOrN	node	Get, Replace

This interior node contains the coordinates of the corners which define a polygon. The occurrence of this leaf node is "3 to 15" as per 3GPP TS 23.032 [21].

10.2.55A7 /<x>/<x>/OnNetwork/MCDataGroupList/<x>/Entry/
RulesForAffiliation/<x>/ListOfLocationCriteria/<x>/Entry/
EnterSpecificArea/PolygonArea/<x>/PointCoordinateType

Table 10.2.55A7.1:

/<x>/<x>/OnNetwork/MCDataGroupList/<x>/Entry/RulesForAffiliation/<x>/ListOfLocationCriteria/<x>/Entry/EnterSpecificArea/PolygonArea/<x>/PointCoordinateType

<x>/OnNetwork/MCDataGroupList/<x>/Entry/RulesForAffiliation/<x>/ListOfLocationCriteria/<x>/Entry/EnterSpecificArea/PolygonArea/<x>/PointCoordinateType

Status	Occurrence	Format	Min. Access Types
Required	One	node	Get, Replace

This interior node contains the type of the coordinates.

10.2.55A8 /<x>/<x>/OnNetwork/MCDataGroupList/<x>/Entry/
RulesForAffiliation/<x>/ListOfLocationCriteria/<x>/Entry/
EnterSpecificArea/PolygonArea/<x>/PointCoordinateType/
Longitude

Table 10.2.55A8.1:

/<x>/<x>/OnNetwork/MCDataGroupList/<x>/Entry/RulesForAffiliation/<x>/ListOfLocationCriteria/<x>/Entry/EnterSpecificArea/PolygonArea/<x>/PointCoordinateType/Longitude

<x>/OnNetwork/MCDataGroupList/<x>/Entry/RulesForAffiliation/<x>/ListOfLocationCriteria/<x>/Entry/EnterSpecificArea/PolygonArea/<x>/PointCoordinateType/Longitude

Status	Occurrence	Format	Min. Access Types
Required	One	int	Get, Replace

This leaf node contains the longitudinal coordinate of a corner.

10.2.55A9 /<x>/<x>/OnNetwork/MCDataGroupList/<x>/Entry/
RulesForAffiliation/<x>/ListOfLocationCriteria/<x>/Entry/
EnterSpecificArea/PolygonArea/<x>/PointCoordinateType/
Latitude

Table 10.2.55A9.1:

/<x>/<x>/OnNetwork/MCDataGroupList/<x>/Entry/RulesForAffiliation/<x>/ListOfLocationCriteria/<x>/Entry/EnterSpecificArea/PolygonArea/<x>/PointCoordinateType/Latitude

<x>/OnNetwork/MCDataGroupList/<x>/Entry/RulesForAffiliation/<x>/ListOfLocationCriteria/<x>/Entry/EnterSpecificArea/PolygonArea/<x>/PointCoordinateType/Latitude

Status	Occurrence	Format	Min. Access Types
Required	One	int	Get, Replace

This leaf node contains the latitudinal coordinate of a corner.

10.2.55A10 /<x>/<x>/OnNetwork/MCDataGroupList/<x>/Entry/ RulesForAffiliation/<x>/ListOfLocationCriteria/<x>/Entry/ EnterSpecificArea/EllipsoidArcArea

Table 10.2.55A10.1:

**/<x>/<x>/OnNetwork/MCDataGroupList/<x>/Entry/RulesForAffiliation/<x>/ListOfLocationCriteria/<x>/
Entry/EnterSpecificArea/EllipsoidArcArea**

<x>/OnNetwork/MCDataGroupList/<x>/Entry/RulesForAffiliation/<x>/ListOfLocationCriteria/<x>/Entry/EnterSpe
cificArea/EllipsoidArcArea

Status	Occurrence	Format	Min. Access Types
Optional	ZeroOrOne	node	Get, Replace

This interior node contains a geographical area described by an ellipsoid arc.

10.2.55A11 /<x>/<x>/OnNetwork/MCDataGroupList/<x>/Entry/ RulesForAffiliation/<x>/ListOfLocationCriteria/<x>/Entry/ EnterSpecificArea/EllipsoidArcArea/Center

Table 10.2.55A11.1:

**/<x>/<x>/OnNetwork/MCDataGroupList/<x>/Entry/RulesForAffiliation/<x>/ListOfLocationCriteria/<x>/
Entry/EnterSpecificArea/EllipsoidArcArea/Center**

<x>/OnNetwork/MCDataGroupList/<x>/Entry/RulesForAffiliation/<x>/ListOfLocationCriteria/<x>/Entry/EnterSpe
cificArea/EllipsoidArcArea/Center

Status	Occurrence	Format	Min. Access Types
Required	One	node	Get, Replace

This interior node contains the coordinates of the center point of the ellipsoid arc.

10.2.55A12 /<x>/<x>/OnNetwork/MCDataGroupList/<x>/Entry/ RulesForAffiliation/<x>/ListOfLocationCriteria/<x>/Entry/ EnterSpecificArea/EllipsoidArcArea/Center/PointCoordinateType

Table 10.2.55A12.1:

**/<x>/<x>/OnNetwork/MCDataGroupList/<x>/Entry/RulesForAffiliation/<x>/ListOfLocationCriteria/<x>/
Entry/EnterSpecificArea/EllipsoidArcArea/Center/PointCoordinateType**

<x>/OnNetwork/MCDataGroupList/<x>/Entry/RulesForAffiliation/<x>/ListOfLocationCriteria/<x>/Entry/EnterSpe
cificArea/EllipsoidArcArea/Center/PointCoordinateType

Status	Occurrence	Format	Min. Access Types
Required	One	node	Get, Replace

This interior node contains the coordinates of the center point of the ellipsoid arc.

10.2.55A13 /<x>/<x>/OnNetwork/MCDataGroupList/<x>/Entry/
RulesForAffiliation/<x>/ListOfLocationCriteria/<x>/Entry/
EnterSpecificArea/EllipsoidArcArea/Center/PointCoordinateType/
Longitude

Table 10.2.55A13.1:

/<x>/<x>/OnNetwork/MCDataGroupList/<x>/Entry/RulesForAffiliation/<x>/ListOfLocationCriteria/<x>/
Entry/EnterSpecificArea/EllipsoidArcArea/Center/PointCoordinateType/Longitude

<x>/OnNetwork/MCDataGroupList/<x>/Entry/RulesForAffiliation/<x>/ListOfLocationCriteria/<x>/Entry/EnterSpe
cificArea/EllipsoidArcArea/Center/PointCoordinateType/Longitude

Status	Occurrence	Format	Min. Access Types
Required	One	int	Get, Replace

This leaf node contains the longitudinal coordinate of the center.

10.2.55A14 /<x>/<x>/OnNetwork/MCDataGroupList/<x>/Entry/
RulesForAffiliation/<x>/ListOfLocationCriteria/<x>/Entry/
EnterSpecificArea/EllipsoidArcArea/Center/PointCoordinateType/
Latitude

Table 10.2.55A14.1:

/<x>/<x>/OnNetwork/MCDataGroupList/<x>/Entry/RulesForAffiliation/<x>/ListOfLocationCriteria/<x>/
Entry/EnterSpecificArea/EllipsoidArcArea/Center/PointCoordinateType/Latitude

<x>/OnNetwork/MCDataGroupList/<x>/Entry/RulesForAffiliation/<x>/ListOfLocationCriteria/<x>/Entry/EnterSpe
cificArea/EllipsoidArcArea/Center/PointCoordinateType/Latitude

Status	Occurrence	Format	Min. Access Types
Required	One	int	Get, Replace

This leaf node contains the latitudinal coordinate of a center.

10.2.55A15 /<x>/<x>/OnNetwork/MCDataGroupList/<x>/Entry/
RulesForAffiliation/<x>/ListOfLocationCriteria/<x>/Entry/
EnterSpecificArea/EllipsoidArcArea/Radius

Table 10.2.55A15.1:

/<x>/<x>/OnNetwork/MCDataGroupList/<x>/Entry/RulesForAffiliation/<x>/ListOfLocationCriteria/<x>/
Entry/EnterSpecificArea/EllipsoidArcArea/Radius

<x>/OnNetwork/MCDataGroupList/<x>/Entry/RulesForAffiliation/<x>/ListOfLocationCriteria/<x>/Entry/EnterSpe
cificArea/EllipsoidArcArea/Center/Radius

Status	Occurrence	Format	Min. Access Types
Required	One	int	Get, Replace

This leaf node contains the radius of the ellipsoid arc.

10.2.55A16 /<x>/<x>/OnNetwork/MCDataGroupList/<x>/Entry/ RulesForAffiliation/<x>/ListOfLocationCriteria/<x>/Entry/ EnterSpecificArea/EllipsoidArcArea/OffsetAngle

Table 10.2.55A16.1:

**/<x>/<x>/OnNetwork/MCDataGroupList/<x>/Entry/RulesForAffiliation/<x>/ListOfLocationCriteria/<x>/
Entry/EnterSpecificArea/EllipsoidArcArea/OffsetAngle**

<x>/OnNetwork/MCDataGroupList/<x>/Entry/RulesForAffiliation/<x>/ListOfLocationCriteria/<x>/Entry/EnterSpe
cificArea/EllipsoidArcArea/OffsetAngle

Status	Occurrence	Format	Min. Access Types
Required	One	int	Get, Replace

This leaf node contains the offset angle of the ellipsoid arc.

10.2.55A17 /<x>/<x>/OnNetwork/MCDataGroupList/<x>/Entry/ RulesForAffiliation/<x>/ListOfLocationCriteria/<x>/Entry/ EnterSpecificArea/EllipsoidArcArea/IncludedAngle

Table 10.2.55A17.1:

**/<x>/<x>/OnNetwork/MCDataGroupList/<x>/Entry/RulesForAffiliation/<x>/ListOfLocationCriteria/<x>/
Entry/EnterSpecificArea/EllipsoidArcArea/IncludedAngle**

<x>/OnNetwork/MCDataGroupList/<x>/Entry/RulesForAffiliation/<x>/ListOfLocationCriteria/<x>/Entry/EnterSpe
cificArea/EllipsoidArcArea/IncludedAngle

Status	Occurrence	Format	Min. Access Types
Required	One	int	Get, Replace

This leaf node contains the included angle of the ellipsoid arc.

10.2.55A18 /<x>/<x>/OnNetwork/MCDataGroupList/<x>/Entry/ RulesForAffiliation/<x>/ListOfLocationCriteria/<x>/Entry/ EnterSpecificArea/Speed

Table 10.2.55A18.1:

**/<x>/<x>/OnNetwork/MCDataGroupList/<x>/Entry/RulesForAffiliation/<x>/ListOfLocationCriteria/<x>/
Entry/EnterSpecificArea/Speed**

<x>/OnNetwork/MCDataGroupList/<x>/Entry/RulesForAffiliation/<x>/ListOfLocationCriteria/<x>/Entry/EnterSpe
cificArea/Speed

Status	Occurrence	Format	Min. Access Types
Optional	One	node	Get, Replace

This interior node contains the speed.

10.2.55A19 /<x>/<x>/OnNetwork/MCDataGroupList/<x>/Entry/
RulesForAffiliation/<x>/ListOfLocationCriteria/<x>/Entry/
EnterSpecificArea/Speed/MinimumSpeed

Table 10.2.55A19.1:

/<x>/<x>/OnNetwork/MCDataGroupList/<x>/Entry/RulesForAffiliation/<x>/ListOfLocationCriteria/<x>/Entry/EnterSpecificArea/Speed/MinimumSpeed

<x>/OnNetwork/MCDataGroupList/<x>/Entry/RulesForAffiliation/<x>/ListOfLocationCriteria/<x>/Entry/EnterSpecificArea/Speed/MinimumSpeed

Status	Occurrence	Format	Min. Access Types
Required	One	int	Get, Replace

This leaf node contains the minimum speed.

- Values: non-negative integer in units of kilometers/hour.

10.2.55A20 /<x>/<x>/OnNetwork/MCDataGroupList/<x>/Entry/
RulesForAffiliation/<x>/ListOfLocationCriteria/<x>/Entry/
EnterSpecificArea/Speed/MaximumSpeed

Table 10.2.55A20.1:

/<x>/<x>/OnNetwork/MCDataGroupList/<x>/Entry/RulesForAffiliation/<x>/ListOfLocationCriteria/<x>/Entry/EnterSpecificArea/Speed/MaximumSpeed

<x>/OnNetwork/MCDataGroupList/<x>/Entry/RulesForAffiliation/<x>/ListOfLocationCriteria/<x>/Entry/EnterSpecificArea/Speed/MaximumSpeed

Status	Occurrence	Format	Min. Access Types
Required	One	int	Get, Replace

This leaf node contains the maximum speed.

- Values: non-negative integer in units of kilometers/hour.

10.2.55A21 /<x>/<x>/OnNetwork/MCDataGroupList/<x>/Entry/
RulesForAffiliation/<x>/ListOfLocationCriteria/<x>/Entry/
EnterSpecificArea/Heading

Table 10.2.55A21.1:

/<x>/<x>/OnNetwork/MCDataGroupList/<x>/Entry/RulesForAffiliation/<x>/ListOfLocationCriteria/<x>/Entry/EnterSpecificArea/Heading

<x>/OnNetwork/MCDataGroupList/<x>/Entry/RulesForAffiliation/<x>/ListOfLocationCriteria/<x>/Entry/EnterSpecificArea/Heading

Status	Occurrence	Format	Min. Access Types
Optional	One	node	Get, Replace

This interior node contains the heading.

10.2.55A22 /<x>/<x>/OnNetwork/MCDataGroupList/<x>/Entry/
RulesForAffiliation/<x>/ListOfLocationCriteria/<x>/Entry/
EnterSpecificArea/Heading/MinimumHeading

Table 10.2.55A22.1:

/<x>/<x>/OnNetwork/MCDataGroupList/<x>/Entry/RulesForAffiliation/<x>/ListOfLocationCriteria/<x>/Entry/EnterSpecificArea/Heading/MinimumHeading

<x>/OnNetwork/MCDataGroupList/<x>/Entry/RulesForAffiliation/<x>/ListOfLocationCriteria/<x>/Entry/EnterSpecificArea/Heading/MinimumHeading

Status	Occurrence	Format	Min. Access Types
Required	One	int	Get, Replace

This leaf node contains the minimum heading.

- Values: 0-359

10.2.55A23 /<x>/<x>/OnNetwork/MCDataGroupList/<x>/Entry/
RulesForAffiliation/<x>/ListOfLocationCriteria/<x>/Entry/
EnterSpecificArea/Heading/MaximumHeading

Table 10.2.55A23.1:

/<x>/<x>/OnNetwork/MCDataGroupList/<x>/Entry/RulesForAffiliation/<x>/ListOfLocationCriteria/<x>/Entry/EnterSpecificArea/Heading/MaximumHeading

<x>/OnNetwork/MCDataGroupList/<x>/Entry/RulesForAffiliation/<x>/ListOfLocationCriteria/<x>/Entry/EnterSpecificArea/Heading/MaximumHeading

Status	Occurrence	Format	Min. Access Types
Required	One	int	Get, Replace

This leaf node contains the maximum heading.

- Values: 0-359

10.2.55A24 /<x>/<x>/OnNetwork/MCDataGroupList/<x>/Entry/
RulesForAffiliation/<x>/ListOfLocationCriteria/<x>/Entry/
ExitSpecificArea

Table 10.2.55A24.1:

/<x>/<x>/OnNetwork/MCDataGroupList/<x>/Entry/RulesForAffiliation/<x>/ListOfLocationCriteria/<x>/Entry/ExitSpecificArea

<x>/OnNetwork/MCDataGroupList/<x>/Entry/RulesForAffiliation/<x>/ListOfLocationCriteria/<x>/Entry/ExitSpecificArea

Status	Occurrence	Format	Min. Access Types
Optional	ZeroOrOne	node	Get, Replace

This interior node contains a geographical area which when entered by the MC service UE triggers evaluation of the rules.

10.2.55A25 /<x>/<x>/OnNetwork/MCDataGroupList/<x>/Entry/ RulesForAffiliation/<x>/ListOfLocationCriteria/<x>/Entry/ ExitSpecificArea/PolygonArea

Table 10.2.55A25.1:

**/<x>/<x>/OnNetwork/MCDataGroupList/<x>/Entry/RulesForAffiliation/<x>/ListOfLocationCriteria/<x>/
Entry/ExitSpecificArea/PolygonArea**

<x>/OnNetwork/MCDataGroupList/<x>/Entry/RulesForAffiliation/<x>/ListOfLocationCriteria/<x>/Entry/ExitSpeci
ficArea/PolygonArea

Status	Occurrence	Format	Min. Access Types
Optional	ZeroOrOne	node	Get, Replace

This interior node contains a geographical area described by a polygon.

10.2.55A26 /<x>/<x>/OnNetwork/MCDataGroupList/<x>/Entry/ RulesForAffiliation/<x>/ListOfLocationCriteria/<x>/Entry/ ExitSpecificArea/PolygonArea/<x>

Table 10.2.55A26.1:

**/<x>/<x>/OnNetwork/MCDataGroupList/<x>/Entry/RulesForAffiliation/<x>/ListOfLocationCriteria/<x>/
Entry/ExitSpecificArea/PolygonArea/<x>**

<x>/OnNetwork/MCDataGroupList/<x>/Entry/RulesForAffiliation/<x>/ListOfLocationCriteria/<x>/Entry/ExitSpeci
ficArea/PolygonArea/<x>

Status	Occurrence	Format	Min. Access Types
Required	OneOrN	node	Get, Replace

This interior node contains the coordinates of the corners which define a polygon. The occurrence of this leaf node is "3 to 15" as per 3GPP TS 23.032 [21].

10.2.55A27 /<x>/<x>/OnNetwork/MCDataGroupList/<x>/Entry/ RulesForAffiliation/<x>/ListOfLocationCriteria/<x>/Entry/ ExitSpecificArea/PolygonArea/<x>/PointCoordinateType

Table 10.2.55A27.1:

**/<x>/<x>/OnNetwork/MCDataGroupList/<x>/Entry/RulesForAffiliation/<x>/ListOfLocationCriteria/<x>/
Entry/ExitSpecificArea/PolygonArea/<x>/PointCoordinateType**

<x>/OnNetwork/MCDataGroupList/<x>/Entry/RulesForAffiliation/<x>/ListOfLocationCriteria/<x>/Entry/ExitSpeci
ficArea/PolygonArea/<x>/PointCoordinateType

Status	Occurrence	Format	Min. Access Types
Required	One	node	Get, Replace

This interior node contains the type of the coordinates.

10.2.55A28 /<x>/<x>/OnNetwork/MCDataGroupList/<x>/Entry/
RulesForAffiliation/<x>/ListOfLocationCriteria/<x>/Entry/
ExitSpecificArea/PolygonArea/<x>/PointCoordinateType/
Longitude

Table 10.2.55A28.1:

/<x>/<x>/OnNetwork/MCDataGroupList/<x>/Entry/RulesForAffiliation/<x>/ListOfLocationCriteria/<x>/Entry/ExitSpecificArea/PolygonArea/<x>/PointCoordinateType/Longitude

<x>/OnNetwork/MCDataGroupList/<x>/Entry/RulesForAffiliation/<x>/ListOfLocationCriteria/<x>/Entry/ExitSpecificArea/PolygonArea/<x>/PointCoordinateType/Longitude

Status	Occurrence	Format	Min. Access Types
Required	One	int	Get, Replace

This leaf node contains the longitudinal coordinate of a corner.

10.2.55A29 /<x>/<x>/OnNetwork/MCDataGroupList/<x>/Entry/
RulesForAffiliation/<x>/ListOfLocationCriteria/<x>/Entry/
ExitSpecificArea/PolygonArea/<x>/PointCoordinateType/
Latitude

Table 10.2.55A29.1:

/<x>/<x>/OnNetwork/MCDataGroupList/<x>/Entry/RulesForAffiliation/<x>/ListOfLocationCriteria/<x>/Entry/ExitSpecificArea/PolygonArea/<x>/PointCoordinateType/Latitude

<x>/OnNetwork/MCDataGroupList/<x>/Entry/RulesForAffiliation/<x>/ListOfLocationCriteria/<x>/Entry/ExitSpecificArea/PolygonArea/<x>/PointCoordinateType/Latitude

Status	Occurrence	Format	Min. Access Types
Required	One	int	Get, Replace

This leaf node contains the latitudinal coordinate of a corner.

10.2.55A30 /<x>/<x>/OnNetwork/MCDataGroupList/<x>/Entry/
RulesForAffiliation/<x>/ListOfLocationCriteria/<x>/Entry/
ExitSpecificArea/EllipsoidArcArea

Table 10.2.55A30.1:

/<x>/<x>/OnNetwork/MCDataGroupList/<x>/Entry/RulesForAffiliation/<x>/ListOfLocationCriteria/<x>/Entry/ExitSpecificArea/EllipsoidArcArea

<x>/OnNetwork/MCDataGroupList/<x>/Entry/RulesForAffiliation/<x>/ListOfLocationCriteria/<x>/Entry/ExitSpecificArea/EllipsoidArcArea

Status	Occurrence	Format	Min. Access Types
Optional	ZeroOrOne	node	Get, Replace

This interior node contains a geographical area described by an ellipsoid arc.

10.2.55A31 /<x>/<x>/OnNetwork/MCDataGroupList/<x>/Entry/
RulesForAffiliation/<x>/ListOfLocationCriteria/<x>/Entry/
ExitSpecificArea/EllipsoidArcArea/Center

Table 10.2.55A31.1:

/<x>/<x>/OnNetwork/MCDataGroupList/<x>/Entry/RulesForAffiliation/<x>/ListOfLocationCriteria/<x>/Entry/ExitSpecificArea/EllipsoidArcArea/Center

<x>/OnNetwork/MCDataGroupList/<x>/Entry/RulesForAffiliation/<x>/ListOfLocationCriteria/<x>/Entry/ExitSpecificArea/EllipsoidArcArea/Center

Status	Occurrence	Format	Min. Access Types
Required	One	node	Get, Replace

This interior node contains the coordinates of the center point of the ellipsoid arc.

10.2.55A32 /<x>/<x>/OnNetwork/MCDataGroupList/<x>/Entry/
RulesForAffiliation/<x>/ListOfLocationCriteria/<x>/Entry/
ExitSpecificArea/EllipsoidArcArea/Center/PointCoordinateType

Table 10.2.55A32.1:

/<x>/<x>/OnNetwork/MCDataGroupList/<x>/Entry/RulesForAffiliation/<x>/ListOfLocationCriteria/<x>/Entry/ExitSpecificArea/EllipsoidArcArea/Center/PointCoordinateType

<x>/OnNetwork/MCDataGroupList/<x>/Entry/RulesForAffiliation/<x>/ListOfLocationCriteria/<x>/Entry/ExitSpecificArea/EllipsoidArcArea/Center/PointCoordinateType

Status	Occurrence	Format	Min. Access Types
Required	One	node	Get, Replace

This interior node contains the coordinates of the center point of the ellipsoid arc.

10.2.55A33 /<x>/<x>/OnNetwork/MCDataGroupList/<x>/Entry/
RulesForAffiliation/<x>/ListOfLocationCriteria/<x>/Entry/
ExitSpecificArea/EllipsoidArcArea/Center/PointCoordinateType/
Longitude

Table 10.2.55A33.1:

/<x>/<x>/OnNetwork/MCDataGroupList/<x>/Entry/RulesForAffiliation/<x>/ListOfLocationCriteria/<x>/Entry/ExitSpecificArea/EllipsoidArcArea/Center/PointCoordinateType/Longitude

<x>/OnNetwork/MCDataGroupList/<x>/Entry/RulesForAffiliation/<x>/ListOfLocationCriteria/<x>/Entry/ExitSpecificArea/EllipsoidArcArea/Center/PointCoordinateType/Longitude

Status	Occurrence	Format	Min. Access Types
Required	One	int	Get, Replace

This leaf node contains the longitudinal coordinate of the center.

10.2.55A34 /<x>/<x>/OnNetwork/MCDataGroupList/<x>/Entry/
RulesForAffiliation/<x>/ListOfLocationCriteria/<x>/Entry/
ExitSpecificArea/EllipsoidArcArea/Center/PointCoordinateType/
Latitude

Table 10.2.55A34.1:

/<x>/<x>/OnNetwork/MCDataGroupList/<x>/Entry/RulesForAffiliation/<x>/ListOfLocationCriteria/<x>/Entry/ExitSpecificArea/EllipsoidArcArea/Center/PointCoordinateType/Latitude

<x>/OnNetwork/MCDataGroupList/<x>/Entry/RulesForAffiliation/<x>/ListOfLocationCriteria/<x>/Entry/ExitSpecificArea/EllipsoidArcArea/Center/PointCoordinateType/Latitude

Status	Occurrence	Format	Min. Access Types
Required	One	int	Get, Replace

This leaf node contains the latitudinal coordinate of a center.

10.2.55A35 /<x>/<x>/OnNetwork/MCDataGroupList/<x>/Entry/
RulesForAffiliation/<x>/ListOfLocationCriteria/<x>/Entry/
ExitSpecificArea/EllipsoidArcArea/Radius

Table 10.2.55A35.1:

/<x>/<x>/OnNetwork/MCDataGroupList/<x>/Entry/RulesForAffiliation/<x>/ListOfLocationCriteria/<x>/Entry/ExitSpecificArea/EllipsoidArcArea/Radius

<x>/OnNetwork/MCDataGroupList/<x>/Entry/RulesForAffiliation/<x>/ListOfLocationCriteria/<x>/Entry/ExitSpecificArea/EllipsoidArcArea/Center/Radius

Status	Occurrence	Format	Min. Access Types
Required	One	int	Get, Replace

This leaf node contains the radius of the ellipsoid arc.

10.2.55A36 /<x>/<x>/OnNetwork/MCDataGroupList/<x>/Entry/
RulesForAffiliation/<x>/ListOfLocationCriteria/<x>/Entry/
ExitSpecificArea/EllipsoidArcArea/OffsetAngle

Table 10.2.55A36.1:

/<x>/<x>/OnNetwork/MCDataGroupList/<x>/Entry/RulesForAffiliation/<x>/ListOfLocationCriteria/<x>/Entry/ExitSpecificArea/EllipsoidArcArea/OffsetAngle

<x>/OnNetwork/MCDataGroupList/<x>/Entry/RulesForAffiliation/<x>/ListOfLocationCriteria/<x>/Entry/ExitSpecificArea/EllipsoidArcArea/OffsetAngle

Status	Occurrence	Format	Min. Access Types
Required	One	int	Get, Replace

This leaf node contains the offset angle of the ellipsoid arc.

10.2.55A37 /<x>/<x>/OnNetwork/MCDataGroupList/<x>/Entry/
RulesForAffiliation/<x>/ListOfLocationCriteria/<x>/Entry/
ExitSpecificArea/EllipsoidArcArea/IncludedAngle

Table 10.2.55A37.1:

/<x>/<x>/OnNetwork/MCDataGroupList/<x>/Entry/RulesForAffiliation/<x>/ListOfLocationCriteria/<x>/Entry/ExitSpecificArea/EllipsoidArcArea/IncludedAngle

<x>/OnNetwork/MCDataGroupList/<x>/Entry/RulesForAffiliation/<x>/ListOfLocationCriteria/<x>/Entry/ExitSpecificArea/EllipsoidArcArea/IncludedAngle

Status	Occurrence	Format	Min. Access Types
Required	One	int	Get, Replace

This leaf node contains the included angle of the ellipsoid arc.

10.2.55A38 /<x>/<x>/OnNetwork/MCDataGroupList/<x>/Entry/
RulesForAffiliation/<x>/ListOfLocationCriteria/<x>/Entry/
ExitSpecificArea/Speed

Table 10.2.55A38.1:

/<x>/<x>/OnNetwork/MCDataGroupList/<x>/Entry/RulesForAffiliation/<x>/ListOfLocationCriteria/<x>/Entry/ExitSpecificArea/Speed

<x>/OnNetwork/MCDataGroupList/<x>/Entry/RulesForAffiliation/<x>/ListOfLocationCriteria/<x>/Entry/ExitSpecificArea/Speed

Status	Occurrence	Format	Min. Access Types
Optional	One	node	Get, Replace

This interior node contains the speed.

10.2.55A39 /<x>/<x>/OnNetwork/MCDataGroupList/<x>/Entry/
RulesForAffiliation/<x>/ListOfLocationCriteria/<x>/Entry/
ExitSpecificArea/Speed/MinimumSpeed

Table 10.2.55A39.1:

/<x>/<x>/OnNetwork/MCDataGroupList/<x>/Entry/RulesForAffiliation/<x>/ListOfLocationCriteria/<x>/Entry/ExitSpecificArea/Speed/MinimumSpeed

<x>/OnNetwork/MCDataGroupList/<x>/Entry/RulesForAffiliation/<x>/ListOfLocationCriteria/<x>/Entry/ExitSpecificArea/Speed/MinimumSpeed

Status	Occurrence	Format	Min. Access Types
Required	One	int	Get, Replace

This leaf node contains the minimum speed.

- Values: non-negative integer in units of kilometers/hour.

10.2.55A40 /<x>/<x>/OnNetwork/MCDataGroupList/<x>/Entry/ RulesForAffiliation/<x>/ListOfLocationCriteria/<x>/Entry/ ExitSpecificArea/Speed/MaximumSpeed

Table 10.2.55A40.1:

**/<x>/<x>/OnNetwork/MCDataGroupList/<x>/Entry/RulesForAffiliation/<x>/ListOfLocationCriteria/<x>/
Entry/ExitSpecificArea/Speed/MaximumSpeed**

<x>/OnNetwork/MCDataGroupList/<x>/Entry/RulesForAffiliation/<x>/ListOfLocationCriteria/<x>/Entry/ExitSpeci
ficArea/Speed/MaximumSpeed

Status	Occurrence	Format	Min. Access Types
Required	One	int	Get, Replace

This leaf node contains the maximum speed.

- Values: non-negative integer in units of kilometers/hour.

10.2.55A41 /<x>/<x>/OnNetwork/MCDataGroupList/<x>/Entry/ RulesForAffiliation/<x>/ListOfLocationCriteria/<x>/Entry/ ExitSpecificArea/Heading

Table 5. 10.2.55A41.1:

**/<x>/<x>/OnNetwork/MCDataGroupList/<x>/Entry/RulesForAffiliation/<x>/ListOfLocationCriteria/<x>/
Entry/ExitSpecificArea/Heading**

<x>/OnNetwork/MCDataGroupList/<x>/Entry/RulesForAffiliation/<x>/ListOfLocationCriteria/<x>/Entry/ExitSpeci
ficArea/Heading

Status	Occurrence	Format	Min. Access Types
Optional	One	node	Get, Replace

This interior node contains the heading.

10.2.55A42 /<x>/<x>/OnNetwork/MCDataGroupList/<x>/Entry/ RulesForAffiliation/<x>/ListOfLocationCriteria/<x>/Entry/ ExitSpecificArea/Heading/MinimumHeading

Table 10.2.55A42.1:

**/<x>/<x>/OnNetwork/MCDataGroupList/<x>/Entry/RulesForAffiliation/<x>/ListOfLocationCriteria/<x>/
Entry/ExitSpecificArea/Heading/MinimumHeading**

<x>/OnNetwork/MCDataGroupList/<x>/Entry/RulesForAffiliation/<x>/ListOfLocationCriteria/<x>/Entry/ExitSpeci
ficArea/Heading/MinimumHeading

Status	Occurrence	Format	Min. Access Types
Required	One	int	Get, Replace

This leaf node contains the minimum heading.

- Values: 0-359

10.2.55A43 /<x>/<x>/OnNetwork/MCDataGroupList/<x>/Entry/
RulesForAffiliation/<x>/ListOfLocationCriteria/<x>/Entry/
ExitSpecificArea/Heading/MaximumHeading

Table 10.2.55A43.1:

/<x>/<x>/OnNetwork/MCDataGroupList/<x>/Entry/RulesForAffiliation/<x>/ListOfLocationCriteria/<x>/Entry/ExitSpecificArea/Heading/MaximumHeading

<x>/OnNetwork/MCDataGroupList/<x>/Entry/RulesForAffiliation/<x>/ListOfLocationCriteria/<x>/Entry/ExitSpecificArea/Heading/MaximumHeading

Status	Occurrence	Format	Min. Access Types
Required	One	int	Get, Replace

This leaf node contains the maximum heading.

- Values: 0-359

10.2.55A44 /<x>/<x>/OnNetwork/MCDataGroupList/<x>/Entry/
RulesForAffiliation/<x>/ListOfActiveFunctionalAliases

Table 10.2.55A44.1:

/<x>/<x>/OnNetwork/MCDataGroupList/<x>/Entry/RulesForAffiliation/<x>/ListOfActiveFunctionalAliases

<x>/OnNetwork/MCDataGroupList/<x>/Entry/RulesForAffiliation/<x>/ListOfActiveFunctionalAliases

Status	Occurrence	Format	Min. Access Types
Optional	One	node	Get, Replace

This interior node is a placeholder for the functional alias part of rules that control automatic affiliation.

10.2.55A45 /<x>/<x>/OnNetwork/MCDataGroupList/<x>/Entry/
RulesForAffiliation/<x>/ListOfActiveFunctionalAliases/<x>

Table 10.2.55A45.1:

/<x>/<x>/OnNetwork/MCDataGroupList/<x>/Entry/RulesForAffiliation/<x>/ListOfActiveFunctionalAliases/<x>

<x>/OnNetwork/MCDataGroupList/<x>/Entry/RulesForAffiliation/<x>/ListOfActiveFunctionalAliases/<x>

Status	Occurrence	Format	Min. Access Types
Optional	OneOrMore	node	Get, Replace

This interior node is a placeholder for the functional alias part of rules that control automatic affiliation.

10.2.55A46 /<x>/<x>/OnNetwork/MCDataGroupList/<x>/Entry/
RulesForAffiliation/<x>/ListOfActiveFunctionalAliases/<x>/Entry

Table 10.2.55A46.1:

/<x>/<x>/OnNetwork/MCDataGroupList/<x>/Entry/RulesForAffiliation/<x>/ListOfActiveFunctionalAliases/<x>/Entry

<x>/OnNetwork/MCDataGroupList/<x>/Entry/RulesForAffiliation/<x>/ListOfActiveFunctionalAliases/<x>/Entry

Status	Occurrence	Format	Min. Access Types
Optional	One	node	Get, Replace

This interior node is a placeholder for the functional alias part of rules that control automatic affiliation.

10.2.55A47 /<x>/<x>/OnNetwork/MCDataGroupList/<x>/Entry/
RulesForAffiliation/<x>/ListOfActiveFunctionalAliases/<x>/Entry/
FunctionalAlias

Table 10.2.55A47.1:

/<x>/<x>/OnNetwork/MCDataGroupList/<x>/Entry/RulesForAffiliation/<x>/ListOfActiveFunctionalAliases/<x>/Entry/FunctionalAlias

<x>/OnNetwork/MCDataGroupList/<x>/Entry/RulesForAffiliation/<x>/ListOfActiveFunctionalAliases/<x>/Entry/FunctionalAlias

Status	Occurrence	Format	Min. Access Types
Required	One	chr	Get, Replace

This leaf node contains a functional alias.

10.2.55B/<x>/<x>/OnNetwork/MCDataGroupList/<x>/Entry/
RulesForDeaffiliation

Table 10.2.55B.1: /<x>/<x>/OnNetwork/MCDataGroupList/<x>/Entry/RulesForDeaffiliation

<x>/OnNetwork/MCDataGroupList/<x>/Entry/RulesForDeaffiliation

Status	Occurrence	Format	Min. Access Types
Optional	ZeroOrOne	node	Get, Replace

This interior node is a placeholder for the rules that control automatic deaffiliation.

10.2.55B0 /<x>/<x>/OnNetwork/MCDataGroupList/<x>/Entry/
RulesForDeaffiliation/<x>

Table 10.2.55B0.1: /<x>/<x>/OnNetwork/MCDataGroupList/<x>/Entry/RulesForDeaffiliation/<x>

<x>/OnNetwork/MCDataGroupList/<x>/Entry/RulesForDeaffiliation/<x>

Status	Occurrence	Format	Min. Access Types
Optional	ZeroOrMore	node	Get, Replace

This interior node is a placeholder for the zero or more rules that control automatic deaffiliation.

10.2.55B1 /<x>/<x>/OnNetwork/MCDataGroupList/<x>/Entry/
RulesForDeaffiliation/<x>/ListOfLocationCriteria/

Table 10.2.55B1.1:

/<x>/<x>/OnNetwork/MCDataGroupList/<x>/Entry/RulesForDeaffiliation/<x>/ListOfLocationCriteria

<x>/OnNetwork/MCDataGroupList/<x>/Entry/RulesForDeaffiliation/<x>/ListOfLocationCriteria

Status	Occurrence	Format	Min. Access Types
Optional	One	node	Get, Replace

This interior node is a placeholder for the location portion of the rules that control automatic deaffiliation.

10.2.55B2 /<x>/<x>/OnNetwork/MCDataGroupList/<x>/Entry/
RulesForDeaffiliation/<x>/ListOfLocationCriteria/<x>

Table 10.2.55B2.1:

<x>/<x>/OnNetwork/MCDataGroupList/<x>/Entry/RulesForDeaffiliation/<x>/ListOfLocationCriteria/<x>

<x>/OnNetwork/MCDataGroupList/<x>/Entry/RulesForDeaffiliation/<x>/ListOfLocationCriteria/<x>

Status	Occurrence	Format	Min. Access Types
Optional	ZeroOrMore	node	Get, Replace

This interior node is a placeholder for the location portion of the rules that control automatic deaffiliation.

10.2.55B3 /<x>/<x>/OnNetwork/MCDataGroupList/<x>/Entry/
RulesForDeaffiliation/<x>/ListOfLocationCriteria/<x>/Entry

Table 10.2.55B3.1:

<x>/<x>/OnNetwork/MCDataGroupList/<x>/Entry/RulesForDeaffiliation/<x>/ListOfLocationCriteria/<x>/Entry

<x>/OnNetwork/MCDataGroupList/<x>/Entry/RulesForDeaffiliation/<x>/ListOfLocationCriteria/<x>/Entry

Status	Occurrence	Format	Min. Access Types
Optional	One	node	Get, Replace

This interior node is a placeholder for the location portion of the rules that control automatic deaffiliation.

10.2.55B4 /<x>/<x>/OnNetwork/MCDataGroupList/<x>/Entry/
RulesForDeaffiliation/<x>/ListOfLocationCriteria/<x>/Entry/
EnterSpecificArea

Table 10.2.55B4.1:

<x>/<x>/OnNetwork/MCDataGroupList/<x>/Entry/RulesForDeaffiliation/<x>/ListOfLocationCriteria/<x>/Entry/EnterSpecificArea

<x>/OnNetwork/MCDataGroupList/<x>/Entry/RulesForDeaffiliation/<x>/ListOfLocationCriteria/<x>/Entry/EnterSpecificArea

Status	Occurrence	Format	Min. Access Types
Optional	ZeroOrOne	node	Get, Replace

This interior node contains a geographical area which, when entered by the MC service UE triggers evaluation of the rules.

10.2.55B5 /<x>/<x>/OnNetwork/MCDataGroupList/<x>/Entry/
RulesForDeaffiliation/<x>/ListOfLocationCriteria/<x>/Entry/
EnterSpecificArea/PolygonArea

Table 10.2.55B5.1:

<x>/<x>/OnNetwork/MCDataGroupList/<x>/Entry/RulesForDeaffiliation/<x>/ListOfLocationCriteria/<x>/Entry/EnterSpecificArea/PolygonArea

<x>/OnNetwork/MCDataGroupList/<x>/Entry/RulesForDeaffiliation/<x>/ListOfLocationCriteria/<x>/Entry/EnterSpecificArea/PolygonArea

Status	Occurrence	Format	Min. Access Types

Optional	ZeroOrOne	node	Get, Replace
----------	-----------	------	--------------

This interior node contains a geographical area described by a polygon.

10.2.55B6 /<x>/<x>/OnNetwork/MCDataGroupList/<x>/Entry/ RulesForDeaffiliation/<x>/ListOfLocationCriteria/<x>/Entry/ EnterSpecificArea/PolygonArea/<x>

Table 10.2.55B6.1:

/<x>/<x>/OnNetwork/MCDataGroupList/<x>/Entry/RulesForDeaffiliation/<x>/ListOfLocationCriteria/<x>/Entry/EnterSpecificArea/PolygonArea/<x>

<x>/OnNetwork/MCDataGroupList/<x>/Entry/RulesForDeaffiliation/<x>/ListOfLocationCriteria/<x>/Entry/EnterSpecificArea/PolygonArea/<x>

Status	Occurrence	Format	Min. Access Types
Required	OneOrN	node	Get, Replace

This interior node contains the coordinates of the corners which define a polygon. The occurrence of this leaf node is "3 to 15" as per 3GPP TS 23.032 [21].

10.2.55B7 /<x>/<x>/OnNetwork/MCDataGroupList/<x>/Entry/ RulesForDeaffiliation/<x>/ListOfLocationCriteria/<x>/Entry/ EnterSpecificArea/PolygonArea/<x>/PointCoordinateType

Table 10.2.55B7.1:

/<x>/<x>/OnNetwork/MCDataGroupList/<x>/Entry/RulesFordeaffiliation/<x>/ListOfLocationCriteria/<x>/Entry/EnterSpecificArea/PolygonArea/<x>/PointCoordinateType

<x>/OnNetwork/MCDataGroupList/<x>/Entry/RulesForDeaffiliation/<x>/ListOfLocationCriteria/<x>/Entry/EnterSpecificArea/PolygonArea/<x>/PointCoordinateType

Status	Occurrence	Format	Min. Access Types
Required	One	node	Get, Replace

This interior node contains the type of the coordinates.

10.2.55B8 /<x>/<x>/OnNetwork/MCDataGroupList/<x>/Entry/ RulesForDeaffiliation/<x>/ListOfLocationCriteria/<x>/Entry/ EnterSpecificArea/PolygonArea/<x>/PointCoordinateType/ Longitude

Table 10.2.55B8.1:

/<x>/<x>/OnNetwork/MCDataGroupList/<x>/Entry/RulesForDeaffiliation/<x>/ListOfLocationCriteria/<x>/Entry/EnterSpecificArea/PolygonArea/<x>/PointCoordinateType/Longitude

<x>/OnNetwork/MCDataGroupList/<x>/Entry/RulesForDeaffiliation/<x>/ListOfLocationCriteria/<x>/Entry/EnterSpecificArea/PolygonArea/<x>/PointCoordinateType/Longitude

Status	Occurrence	Format	Min. Access Types
Required	One	int	Get, Replace

This leaf node contains the longitudinal coordinate of a corner.

10.2.55B9 /<x>/<x>/OnNetwork/MCDataGroupList/<x>/Entry/
RulesForDeaffiliation/<x>/ListOfLocationCriteria/<x>/Entry/
EnterSpecificArea/PolygonArea/<x>/PointCoordinateType/
Latitude

Table 10.2.55B9.1:

/<x>/<x>/OnNetwork/MCDataGroupList/<x>/Entry/RulesForDeaffiliation/<x>/ListOfLocationCriteria/<x>/Entry/EnterSpecificArea/PolygonArea/<x>/PointCoordinateType/Latitude

<x>/OnNetwork/MCDataGroupList/<x>/Entry/RulesForDeaffiliation/<x>/ListOfLocationCriteria/<x>/Entry/EnterSpecificArea/PolygonArea/<x>/PointCoordinateType/Latitude

Status	Occurrence	Format	Min. Access Types
Required	One	int	Get, Replace

This leaf node contains the latitudinal coordinate of a corner.

10.2.55B10 /<x>/<x>/OnNetwork/MCDataGroupList/<x>/Entry/
RulesForDeaffiliation/<x>/ListOfLocationCriteria/<x>/Entry/
EnterSpecificArea/EllipsoidArcArea

Table 10.2.55B10.1:

/<x>/<x>/OnNetwork/MCDataGroupList/<x>/Entry/RulesForDeaffiliation/<x>/ListOfLocationCriteria/<x>/Entry/EnterSpecificArea/EllipsoidArcArea

<x>/OnNetwork/MCDataGroupList/<x>/Entry/RulesForDeaffiliation/<x>/ListOfLocationCriteria/<x>/Entry/EnterSpecificArea/EllipsoidArcArea

Status	Occurrence	Format	Min. Access Types
Optional	ZeroOrOne	node	Get, Replace

This interior node contains a geographical area described by an ellipsoid arc.

10.2.55B11 /<x>/<x>/OnNetwork/MCDataGroupList/<x>/Entry/
RulesForDeaffiliation/<x>/ListOfLocationCriteria/<x>/Entry/
EnterSpecificArea/EllipsoidArcArea/Center

Table 10.2.55B11.1:

/<x>/<x>/OnNetwork/MCDataGroupList/<x>/Entry/RulesForDeaffiliation/<x>/ListOfLocationCriteria/<x>/Entry/EnterSpecificArea/EllipsoidArcArea/Center

<x>/OnNetwork/MCDataGroupList/<x>/Entry/RulesForDeaffiliation/<x>/ListOfLocationCriteria/<x>/Entry/EnterSpecificArea/EllipsoidArcArea/Center

Status	Occurrence	Format	Min. Access Types
Required	One	node	Get, Replace

This interior node contains the coordinates of the center point of the ellipsoid arc.

10.2.55B12 /<x>/<x>/OnNetwork/MCDataGroupList/<x>/Entry/
RulesForDeaffiliation/<x>/ListOfLocationCriteria/<x>/Entry/
EnterSpecificArea/EllipsoidArcArea/Center/PointCoordinateType

Table 10.2.55B12.1:

/<x>/<x>/OnNetwork/MCDataGroupList/<x>/Entry/RulesForDeaffiliation/<x>/ListOfLocationCriteria/<x>/Entry/EnterSpecificArea/EllipsoidArcArea/Center/PointCoordinateType

<x>/OnNetwork/MCDataGroupList/<x>/Entry/RulesForDeaffiliation/<x>/ListOfLocationCriteria/<x>/Entry/EnterSpecificArea/EllipsoidArcArea/Center/PointCoordinateType

Status	Occurrence	Format	Min. Access Types
Required	One	node	Get, Replace

This interior node contains the coordinates of the center point of the ellipsoid arc.

10.2.55B13 /<x>/<x>/OnNetwork/MCDataGroupList/<x>/Entry/
RulesForDeaffiliation/<x>/ListOfLocationCriteria/<x>/Entry/
EnterSpecificArea/EllipsoidArcArea/Center/PointCoordinateType/
Longitude

Table 10.2.55B13.1:

/<x>/<x>/OnNetwork/MCDataGroupList/<x>/Entry/RulesForDeaffiliation/<x>/ListOfLocationCriteria/<x>/Entry/EnterSpecificArea/EllipsoidArcArea/Center/PointCoordinateType/Longitude

<x>/OnNetwork/MCDataGroupList/<x>/Entry/RulesForDeaffiliation/<x>/ListOfLocationCriteria/<x>/Entry/EnterSpecificArea/EllipsoidArcArea/Center/PointCoordinateType/Longitude

Status	Occurrence	Format	Min. Access Types
Required	One	int	Get, Replace

This leaf node contains the longitudinal coordinate of the center.

10.2.55B14 /<x>/<x>/OnNetwork/MCDataGroupList/<x>/Entry/
RulesForDeaffiliation/<x>/ListOfLocationCriteria/<x>/Entry/
EnterSpecificArea/EllipsoidArcArea/Center/PointCoordinateType/
Latitude

Table 10.2.55B14.1:

/<x>/<x>/OnNetwork/MCDataGroupList/<x>/Entry/RulesForDeaffiliation/<x>/ListOfLocationCriteria/<x>/Entry/EnterSpecificArea/EllipsoidArcArea/Center/PointCoordinateType/Latitude

<x>/OnNetwork/MCDataGroupList/<x>/Entry/RulesForDeaffiliation/<x>/ListOfLocationCriteria/<x>/Entry/EnterSpecificArea/EllipsoidArcArea/Center/PointCoordinateType/Latitude

Status	Occurrence	Format	Min. Access Types
Required	One	int	Get, Replace

This leaf node contains the latitudinal coordinate of a center.

10.2.55B15 /<x>/<x>/OnNetwork/MCDataGroupList/<x>/Entry/ RulesForDeaffiliation/<x>/ListOfLocationCriteria/<x>/Entry/ EnterSpecificArea/EllipsoidArcArea/Radius

Table 10.2.55B15.1:

/<x>/<x>/OnNetwork/MCDataGroupList/<x>/Entry/RulesForDeaffiliation/<x>/ListOfLocationCriteria/<x>/Entry/EnterSpecificArea/EllipsoidArcArea/Radius

<x>/OnNetwork/MCDataGroupList/<x>/Entry/RulesForDeaffiliation/<x>/ListOfLocationCriteria/<x>/Entry/EnterSpecificArea/EllipsoidArcArea/Center/Radius

Status	Occurrence	Format	Min. Access Types
Required	One	int	Get, Replace

This leaf node contains the radius of the ellipsoid arc.

10.2.55B16 /<x>/<x>/OnNetwork/MCDataGroupList/<x>/Entry/ RulesForDeaffiliation/<x>/ListOfLocationCriteria/<x>/Entry/ EnterSpecificArea/EllipsoidArcArea/OffsetAngle

Table 10.2.55B16.1:

/<x>/<x>/OnNetwork/MCDataGroupList/<x>/Entry/RulesForDeaffiliation/<x>/ListOfLocationCriteria/<x>/Entry/EnterSpecificArea/EllipsoidArcArea/OffsetAngle

<x>/OnNetwork/MCDataGroupList/<x>/Entry/RulesForDeaffiliation/<x>/ListOfLocationCriteria/<x>/Entry/EnterSpecificArea/EllipsoidArcArea/OffsetAngle

Status	Occurrence	Format	Min. Access Types
Required	One	int	Get, Replace

This leaf node contains the offset angle of the ellipsoid arc.

10.2.55B17 /<x>/<x>/OnNetwork/MCDataGroupList/<x>/Entry/ RulesForDeaffiliation/<x>/ListOfLocationCriteria/<x>/Entry/ EnterSpecificArea/EllipsoidArcArea/IncludedAngle

Table 10.2.55B17.1:

/<x>/<x>/OnNetwork/MCDataGroupList/<x>/Entry/RulesForDeaffiliation/<x>/ListOfLocationCriteria/<x>/Entry/EnterSpecificArea/EllipsoidArcArea/IncludedAngle

<x>/OnNetwork/MCDataGroupList/<x>/Entry/RulesForDeaffiliation/<x>/ListOfLocationCriteria/<x>/Entry/EnterSpecificArea/EllipsoidArcArea/IncludedAngle

Status	Occurrence	Format	Min. Access Types
Required	One	int	Get, Replace

This leaf node contains the included angle of the ellipsoid arc.

10.2.55B18 /<x>/<x>/OnNetwork/MCDataGroupList/<x>/Entry/ RulesForDeaffiliation/<x>/ListOfLocationCriteria/<x>/Entry/ /EnterSpecificArea/Speed

Table 10.2.55B18.1:

/<x>/<x>/OnNetwork/MCDataGroupList/<x>/Entry/RulesForDeaffiliation/<x>/ListOfLocationCriteria/<x>/Entry/EnterSpecificArea/Speed

<x>/OnNetwork/MCDataGroupList/<x>/Entry/RulesForDeaffiliation/<x>/ListOfLocationCriteria/<x>/Entry/EnterSpecificArea/Speed

Status	Occurrence	Format	Min. Access Types
Optional	One	node	Get, Replace

This interior node contains the speed.

10.2.55B19 /<x>/<x>/OnNetwork/MCDataGroupList/<x>/Entry/ RulesForDeaffiliation/<x>/ListOfLocationCriteria/<x>/Entry/ EnterSpecificArea/Speed/MinimumSpeed

Table 10.2.55B19.1:

/<x>/<x>/OnNetwork/MCDataGroupList/<x>/Entry/RulesForDeaffiliation/<x>/ListOfLocationCriteria/<x>/Entry/EnterSpecificArea/Speed/MinimumSpeed

<x>/OnNetwork/MCDataGroupList/<x>/Entry/RulesForDeaffiliation/<x>/ListOfLocationCriteria/<x>/Entry/EnterSpecificArea/Speed/MinimumSpeed

Status	Occurrence	Format	Min. Access Types
Required	One	int	Get, Replace

This leaf node contains the minimum speed.

- Values: non-negative integer in units of kilometers/hour.

10.2.55B20 /<x>/<x>/OnNetwork/MCDataGroupList/<x>/Entry/ RulesForDeaffiliation/<x>/ListOfLocationCriteria/<x>/Entry/ EnterSpecificArea/Speed/MaximumSpeed

Table 10.2.55B20.1:

/<x>/<x>/OnNetwork/MCDataGroupList/<x>/Entry/RulesForDeaffiliation/<x>/ListOfLocationCriteria/<x>/Entry/EnterSpecificArea/Speed/MaximumSpeed

<x>/OnNetwork/MCDataGroupList/<x>/Entry/RulesForDeaffiliation/<x>/ListOfLocationCriteria/<x>/Entry/EnterSpecificArea/Speed/MaximumSpeed

Status	Occurrence	Format	Min. Access Types
Required	One	int	Get, Replace

This leaf node contains the maximum speed.

- Values: non-negative integer in units of kilometers/hour.

10.2.55B21 /<x>/<x>/OnNetwork/MCDataGroupList/<x>/Entry/ RulesForDeaffiliation/<x>/ListOfLocationCriteria/<x>/Entry/ EnterSpecificArea/Heading

Table 10.2.55B21.1:

/<x>/<x>/OnNetwork/MCDataGroupList/<x>/Entry/RulesForDeaffiliation/<x>/ListOfLocationCriteria/<x>/Entry/EnterSpecificArea/Heading

<x>/OnNetwork/MCDataGroupList/<x>/Entry/RulesForDeaffiliation/<x>/ListOfLocationCriteria/<x>/Entry/EnterSpecificArea/Heading

Status	Occurrence	Format	Min. Access Types
Optional	One	node	Get, Replace

This interior node contains the heading.

10.2.55B22 /<x>/<x>/OnNetwork/MCDataGroupList/<x>/Entry/ RulesForDeaffiliation/<x>/ListOfLocationCriteria/<x>/Entry/ EnterSpecificArea/Heading/MinimumHeading

Table 10.2.55B22.1:

/<x>/<x>/OnNetwork/MCDataGroupList/<x>/Entry/RulesForDeaffiliation/<x>/ListOfLocationCriteria/<x>/Entry/EnterSpecificArea/Heading/MinimumHeading

<x>/OnNetwork/MCDataGroupList/<x>/Entry/RulesForDeaffiliation/<x>/ListOfLocationCriteria/<x>/Entry/EnterSpecificArea/Heading/MinimumHeading

Status	Occurrence	Format	Min. Access Types
Required	One	int	Get, Replace

This leaf node contains the minimum heading.

- Values: 0-359

10.2.55B23 /<x>/<x>/OnNetwork/MCDataGroupList/<x>/Entry/ RulesForDeaffiliation/<x>/ListOfLocationCriteria/<x>/Entry/ EnterSpecificArea/Heading/MaximumHeading

Table 10.2.55B23.1:

/<x>/<x>/OnNetwork/MCDataGroupList/<x>/Entry/RulesForDeaffiliation/<x>/ListOfLocationCriteria/<x>/Entry/EnterSpecificArea/Heading/MaximumHeading

<x>/OnNetwork/MCDataGroupList/<x>/Entry/RulesForDeaffiliation/<x>/ListOfLocationCriteria/<x>/Entry/EnterSpecificArea/Heading/Maximum

Status	Occurrence	Format	Min. Access Types
Required	One	int	Get, Replace

This leaf node contains the maximum heading.

- Values: 0-359

10.2.55B24 /<x>/<x>/OnNetwork/MCDataGroupList/<x>/Entry/ RulesForDeaffiliation/<x>/ListOfLocationCriteria/<x>/Entry/ ExitSpecificArea

Table 10.2.55B24.1:

/<x>/<x>/OnNetwork/MCDataGroupList/<x>/Entry/RulesForDeaffiliation/<x>/ListOfLocationCriteria/<x>/Entry/ExitSpecificArea

<x>/OnNetwork/MCDataGroupList/<x>/Entry/RulesForDeaffiliation/<x>/ListOfLocationCriteria/<x>/Entry/ExitSpecificArea

Status	Occurrence	Format	Min. Access Types
Optional	ZeroOrOne	node	Get, Replace

This interior node contains a geographical area which when entered by the MC service UE triggers evaluation of the rules.

10.2.55B25 /<x>/<x>/OnNetwork/MCDataGroupList/<x>/Entry/ RulesForDeaffiliation/<x>/ListOfLocationCriteria/<x>/Entry/ ExitSpecificArea/PolygonArea

Table 10.2.55B25.1:

/<x>/<x>/OnNetwork/MCDataGroupList/<x>/Entry/RulesForDeaffiliation/<x>/ListOfLocationCriteria/<x>/Entry/ExitSpecificArea/PolygonArea

<x>/OnNetwork/MCDataGroupList/<x>/Entry/RulesForDeaffiliation/<x>/ListOfLocationCriteria/<x>/Entry/ExitSpecificArea/PolygonArea

Status	Occurrence	Format	Min. Access Types
Optional	ZeroOrOne	node	Get, Replace

This interior node contains a geographical area described by a polygon.

10.2.55B26 /<x>/<x>/OnNetwork/MCDataGroupList/<x>/Entry/ RulesForDeaffiliation/<x>/ListOfLocationCriteria/<x>/Entry/ ExitSpecificArea/PolygonArea/<x>

Table 10.2.55B26.1:

/<x>/<x>/OnNetwork/MCDataGroupList/<x>/Entry/RulesForDeaffiliation/<x>/ListOfLocationCriteria/<x>/Entry/ExitSpecificArea/PolygonArea/<x>

<x>/OnNetwork/MCDataGroupList/<x>/Entry/RulesForDeaffiliation/<x>/ListOfLocationCriteria/<x>/Entry/ExitSpecificArea/PolygonArea/<x>

Status	Occurrence	Format	Min. Access Types
Required	OneOrN	node	Get, Replace

This interior node contains the coordinates of the corners which define a polygon. The occurrence of this leaf node is "3 to 15" as per 3GPP TS 23.032 [21].

10.2.55B27 /<x>/<x>/OnNetwork/MCDataGroupList/<x>/Entry/ RulesForDeaffiliation/<x>/ListOfLocationCriteria/<x>/Entry/ ExitSpecificArea/PolygonArea/<x>/PointCoordinateType

Table 10.2.55B27.1:

/<x>/<x>/OnNetwork/MCDataGroupList/<x>/Entry/RulesForDeaffiliation/<x>/ListOfLocationCriteria/<x>/Entry/ExitSpecificArea/PolygonArea/<x>/PointCoordinateType

<x>/OnNetwork/MCDataGroupList/<x>/Entry/RulesForDeaffiliation/<x>/ListOfLocationCriteria/<x>/Entry/ExitSpecificArea/PolygonArea/<x>/PointCoordinateType

Status	Occurrence	Format	Min. Access Types
Required	One	node	Get, Replace

This interior node contains the type of the coordinates.

10.2.55B28 /<x>/<x>/OnNetwork/MCDataGroupList/<x>/Entry/ RulesForDeaffiliation/<x>/ListOfLocationCriteria/<x>/Entry/ ExitSpecificArea/PolygonArea/<x>/PointCoordinateType/ Longitude

Table 10.2.55B28.1:

/<x>/<x>/OnNetwork/MCDataGroupList/<x>/Entry/RulesForDeaffiliation/<x>/ListOfLocationCriteria/<x>/Entry/ExitSpecificArea/PolygonArea/<x>/PointCoordinateType/Longitude

<x>/OnNetwork/MCDataGroupList/<x>/Entry/RulesForDeaffiliation/<x>/ListOfLocationCriteria/<x>/Entry/ExitSpecificArea/PolygonArea/<x>/PointCoordinateType/Longitude

Status	Occurrence	Format	Min. Access Types
Required	One	int	Get, Replace

This leaf node contains the longitudinal coordinate of a corner.

10.2.55B29 /<x>/<x>/OnNetwork/MCDataGroupList/<x>/Entry/ RulesForDeaffiliation/<x>/ListOfLocationCriteria/<x>/Entry/ ExitSpecificArea/PolygonArea/<x>/PointCoordinateType/ Latitude

Table 10.2.55B29.1:

/<x>/<x>/OnNetwork/MCDataGroupList/<x>/Entry/RulesForDeaffiliation/<x>/ListOfLocationCriteria/<x>/Entry/ExitSpecificArea/PolygonArea/<x>/PointCoordinateType/Latitude

<x>/OnNetwork/MCDataGroupList/<x>/Entry/RulesForDeaffiliation/<x>/ListOfLocationCriteria/<x>/Entry/ExitSpecificArea/PolygonArea/<x>/PointCoordinateType/Latitude

Status	Occurrence	Format	Min. Access Types
Required	One	int	Get, Replace

This leaf node contains the latitudinal coordinate of a corner.

10.2.55B30 /<x>/<x>/OnNetwork/MCDataGroupList/<x>/Entry/ RulesForDeaffiliation/<x>/ListOfLocationCriteria/<x>/Entry/ ExitSpecificArea/EllipsoidArcArea

Table 10.2.55B30.1:

/<x>/<x>/OnNetwork/MCDataGroupList/<x>/Entry/RulesForDeaffiliation/<x>/ListOfLocationCriteria/<x>/Entry/ExitSpecificArea/EllipsoidArcArea

<x>/OnNetwork/MCDataGroupList/<x>/Entry/RulesForDeaffiliation/<x>/ListOfLocationCriteria/<x>/Entry/ExitSpecificArea/EllipsoidArcArea

Status	Occurrence	Format	Min. Access Types
Optional	ZeroOrOne	node	Get, Replace

This interior node contains a geographical area described by an ellipsoid arc.

10.2.55B31 /<x>/<x>/OnNetwork/MCDataGroupList/<x>/Entry/ RulesForDeaffiliation/<x>/ListOfLocationCriteria/<x>/Entry/ ExitSpecificArea/EllipsoidArcArea/Center

Table 10.2.55B31.1:

/<x>/<x>/OnNetwork/MCDataGroupList/<x>/Entry/RulesForDeaffiliation/<x>/ListOfLocationCriteria/<x>/Entry/ExitSpecificArea/EllipsoidArcArea/Center

<x>/OnNetwork/MCDataGroupList/<x>/Entry/RulesForDeaffiliation/<x>/ListOfLocationCriteria/<x>/Entry/ExitSpecificArea/EllipsoidArcArea/Center

Status	Occurrence	Format	Min. Access Types
Required	One	node	Get, Replace

This interior node contains the coordinates of the center point of the ellipsoid arc.

10.2.55B32 /<x>/<x>/OnNetwork/MCDataGroupList/<x>/Entry/ RulesForDeaffiliation/<x>/ListOfLocationCriteria/<x>/Entry/ ExitSpecificArea/EllipsoidArcArea/Center/PointCoordinateType

Table 10.2.55B32.1:

/<x>/<x>/OnNetwork/MCDataGroupList/<x>/Entry/RulesForDeaffiliation/<x>/ListOfLocationCriteria/<x>/Entry/ExitSpecificArea/EllipsoidArcArea/Center/PointCoordinateType

<x>/OnNetwork/MCDataGroupList/<x>/Entry/RulesForDeaffiliation/<x>/ListOfLocationCriteria/<x>/Entry/ExitSpecificArea/EllipsoidArcArea/Center/PointCoordinateType

Status	Occurrence	Format	Min. Access Types
Required	One	node	Get, Replace

This interior node contains the coordinates of the center point of the ellipsoid arc.

10.2.55B33 /<x>/<x>/OnNetwork/MCDataGroupList/<x>/Entry/
RulesForDeaffiliation/<x>/ListOfLocationCriteria/<x>/Entry/
ExitSpecificArea/EllipsoidArcArea/Center/PointCoordinateType/
Longitude

Table 10.2.55B33.1:

/<x>/<x>/OnNetwork/MCDataGroupList/<x>/Entry/RulesForDeaffiliation/<x>/ListOfLocationCriteria/<x>/Entry/ExitSpecificArea/EllipsoidArcArea/Center/PointCoordinateType/Longitude

<x>/OnNetwork/MCDataGroupList/<x>/Entry/RulesForDeaffiliation/<x>/ListOfLocationCriteria/<x>/Entry/ExitSpecificArea/EllipsoidArcArea/Center/PointCoordinateType/Longitude

Status	Occurrence	Format	Min. Access Types
Required	One	int	Get, Replace

This leaf node contains the longitudinal coordinate of the center.

10.2.55B34 /<x>/<x>/OnNetwork/MCDataGroupList/<x>/Entry/
RulesForDeaffiliation/<x>/ListOfLocationCriteria/<x>/Entry/
/ExitSpecificArea/EllipsoidArcArea/Center/PointCoordinateType/
Latitude

Table 10.2.55B34.1:

/<x>/<x>/OnNetwork/MCDataGroupList/<x>/Entry/RulesForDeaffiliation/<x>/ListOfLocationCriteria/<x>/Entry/ExitSpecificArea/EllipsoidArcArea/Center/PointCoordinateType/Latitude

<x>/OnNetwork/MCDataGroupList/<x>/Entry/RulesForDeaffiliation/<x>/ListOfLocationCriteria/<x>/Entry/ExitSpecificArea/EllipsoidArcArea/Center/PointCoordinateType/Latitude

Status	Occurrence	Format	Min. Access Types
Required	One	int	Get, Replace

This leaf node contains the latitudinal coordinate of a center.

10.2.55B35 /<x>/<x>/OnNetwork/MCDataGroupList/<x>/Entry/
RulesForDeaffiliation/<x>/ListOfLocationCriteria/<x>/Entry/
ExitSpecificArea/EllipsoidArcArea/Radius

Table 10.2.55B35.1:

/<x>/<x>/OnNetwork/MCDataGroupList/<x>/Entry/RulesForDeaffiliation/<x>/ListOfLocationCriteria/<x>/Entry/ExitSpecificArea/EllipsoidArcArea/Radius

<x>/OnNetwork/MCDataGroupList/<x>/Entry/RulesForDeaffiliation/<x>/ListOfLocationCriteria/<x>/Entry/ExitSpecificArea/EllipsoidArcArea/Center/Radius

Status	Occurrence	Format	Min. Access Types
Required	One	int	Get, Replace

This leaf node contains the radius of the ellipsoid arc.

10.2.55B36 /<x>/<x>/OnNetwork/MCDataGroupList/<x>/Entry/ RulesForDeaffiliation/<x>/ListOfLocationCriteria/<x>/Entry/ ExitSpecificArea/EllipsoidArcArea/OffsetAngle

Table 10.2.55B36.1:

/<x>/<x>/OnNetwork/MCDataGroupList/<x>/Entry/RulesForDeaffiliation/<x>/ListOfLocationCriteria/<x>/Entry/ExitSpecificArea/EllipsoidArcArea/OffsetAngle

<x>/OnNetwork/MCDataGroupList/<x>/Entry/RulesForDeaffiliation/<x>/ListOfLocationCriteria/<x>/Entry/ExitSpecificArea/EllipsoidArcArea/OffsetAngle

Status	Occurrence	Format	Min. Access Types
Required	One	int	Get, Replace

This leaf node contains the offset angle of the ellipsoid arc.

10.2.55B37 /<x>/<x>/OnNetwork/MCDataGroupList/<x>/Entry/ RulesForDeaffiliation/<x>/ListOfLocationCriteria/<x>/Entry/ ExitSpecificArea/EllipsoidArcArea/IncludedAngle

Table 10.2.55B37.1:

/<x>/<x>/OnNetwork/MCDataGroupList/<x>/Entry/RulesForDeaffiliation/<x>/ListOfLocationCriteria/<x>/Entry/ExitSpecificArea/EllipsoidArcArea/IncludedAngle

<x>/OnNetwork/MCDataGroupList/<x>/Entry/RulesForDeaffiliation/<x>/ListOfLocationCriteria/<x>/Entry/ExitSpecificArea/EllipsoidArcArea/IncludedAngle

Status	Occurrence	Format	Min. Access Types
Required	One	int	Get, Replace

This leaf node contains the included angle of the ellipsoid arc.

10.2.55B38 /<x>/<x>/OnNetwork/MCDataGroupList/<x>/Entry/ RulesForDeaffiliation/<x>/ListOfLocationCriteria/<x>/Entry/ ExitSpecificArea/Speed

Table 10.2.55B38.1:

/<x>/<x>/OnNetwork/MCDataGroupList/<x>/Entry/RulesForDeaffiliation/<x>/ListOfLocationCriteria/<x>/Entry/ExitSpecificArea/Speed

<x>/OnNetwork/MCDataGroupList/<x>/Entry/RulesForDeaffiliation/<x>/ListOfLocationCriteria/<x>/Entry/ExitSpecificArea/Speed

Status	Occurrence	Format	Min. Access Types
Optional	One	node	Get, Replace

This interior node contains the speed.

10.2.55B39 /<x>/<x>/OnNetwork/MCDataGroupList/<x>/Entry/
RulesForDeaffiliation/<x>/ListOfLocationCriteria/<x>/Entry/
ExitSpecificArea/Speed/MinimumSpeed

Table 10.2.55B39.1:

/<x>/<x>/OnNetwork/MCDataGroupList/<x>/Entry/RulesForDeaffiliation/<x>/ListOfLocationCriteria/<x>/Entry/ExitSpecificArea/Speed/MinimumSpeed

<x>/OnNetwork/MCDataGroupList/<x>/Entry/RulesForDeaffiliation/<x>/ListOfLocationCriteria/<x>/Entry/ExitSpecificArea/Speed/MinimumSpeed

Status	Occurrence	Format	Min. Access Types
Required	One	int	Get, Replace

This leaf node contains the minimum speed.

- Values: non-negative integer in units of kilometers/hour.

10.2.55B40 /<x>/<x>/OnNetwork/MCDataGroupList/<x>/Entry/
RulesForDeaffiliation/<x>/ListOfLocationCriteria/<x>/Entry/
ExitSpecificArea/Speed/MaximumSpeed

Table 10.2.55B40.1:

/<x>/<x>/OnNetwork/MCDataGroupList/<x>/Entry/RulesForDeaffiliation/<x>/ListOfLocationCriteria/<x>/Entry/ExitSpecificArea/Speed/MaximumSpeed

<x>/OnNetwork/MCDataGroupList/<x>/Entry/RulesForDeaffiliation/<x>/ListOfLocationCriteria/<x>/Entry/ExitSpecificArea/Speed/MaximumSpeed

Status	Occurrence	Format	Min. Access Types
Required	One	int	Get, Replace

This leaf node contains the maximum speed.

- Values: non-negative integer in units of kilometers/hour.

10.2.55B41 /<x>/<x>/OnNetwork/MCDataGroupList/<x>/Entry/
RulesForDeaffiliation/<x>/ListOfLocationCriteria/<x>/Entry/
ExitSpecificArea/Heading

Table 10.2.55B41.1:

/<x>/<x>/OnNetwork/MCDataGroupList/<x>/Entry/RulesForDeaffiliation/<x>/ListOfLocationCriteria/<x>/Entry/ExitSpecificArea/Heading

<x>/OnNetwork/MCDataGroupList/<x>/Entry/RulesForDeaffiliation/<x>/ListOfLocationCriteria/<x>/Entry/ExitSpecificArea/Heading

Status	Occurrence	Format	Min. Access Types
Optional	One	node	Get, Replace

This interior node contains the heading.

10.2.55B42 /<x>/<x>/OnNetwork/MCDataGroupList/<x>/Entry/ RulesForDeaffiliation/<x>/ListOfLocationCriteria/<x>/Entry/ ExitSpecificArea/Heading/MinimumHeading

Table 10.2.55B42.1:

/<x>/<x>/OnNetwork/MCDataGroupList/<x>/Entry/RulesForDeaffiliation/<x>/ListOfLocationCriteria/<x>/Entry/ExitSpecificArea/Heading/MinimumHeading

<x>/OnNetwork/MCDataGroupList/<x>/Entry/RulesForDeaffiliation/<x>/ListOfLocationCriteria/<x>/Entry/ExitSpecificArea/Heading/MinimumHeading

Status	Occurrence	Format	Min. Access Types
Required	One	int	Get, Replace

This leaf node contains the minimum heading.

- Values: in the range 0-359.

10.2.55B43 /<x>/<x>/OnNetwork/MCDataGroupList/<x>/Entry/ RulesForDeaffiliation/<x>/ListOfLocationCriteria/<x>/Entry/ ExitSpecificArea/Heading/MaximumHeading

Table 10.2.55B43.1:

/<x>/<x>/OnNetwork/MCDataGroupList/<x>/Entry/RulesForDeaffiliation/<x>/ListOfLocationCriteria/<x>/Entry/ExitSpecificArea/Heading/MaximumHeading

<x>/OnNetwork/MCDataGroupList/<x>/Entry/RulesForDeaffiliation/<x>/ListOfLocationCriteria/<x>/Entry/ExitSpecificArea/Heading/MaximumHeading

Status	Occurrence	Format	Min. Access Types
Required	One	int	Get, Replace

This leaf node contains the maximum heading.

- Values: 0-359

10.2.55B44 /<x>/<x>/OnNetwork/MCDataGroupList/<x>/Entry/ RulesForDeaffiliation/<x>/ListOfActiveFunctionalAliases

Table 10.2.55B44.1:

/<x>/<x>/OnNetwork/MCDataGroupList/<x>/Entry/RulesForDeaffiliation/<x>/ListOfActiveFunctionalAliases

<x>/OnNetwork/MCDataGroupList/<x>/Entry/RulesForDeaffiliation/<x>/ListOfActiveFunctionalAliases

Status	Occurrence	Format	Min. Access Types
Optional	One	node	Get, Replace

This interior node is a placeholder for the functional alias part of rules that control automatic deaffiliation.

10.2.55B45 /<x>/<x>/OnNetwork/MCDataGroupList/<x>/Entry/
RulesForDeaffiliation/<x>/ListOfActiveFunctionalAliases/<x>

Table 10.2.55B45.1:

/<x>/<x>/OnNetwork/MCDataGroupList/<x>/Entry/RulesForDeaffiliation/<x>/ListOfActiveFunctionalAliases/<x>

<x>/OnNetwork/MCDataGroupList/<x>/Entry/RulesForDeaffiliation/<x>/ListOfActiveFunctionalAliases/<x>

Status	Occurrence	Format	Min. Access Types
Optional	OneOrMore	node	Get, Replace

This interior node is a placeholder for the functional alias part of rules that control automatic deaffiliation.

10.2.55B46 /<x>/<x>/OnNetwork/MCDataGroupList/<x>/Entry/
RulesForDeaffiliation/<x>/ListOfActiveFunctionalAliases/<x>/Entry

Table 10.2.55B46.1:

/<x>/<x>/OnNetwork/MCDataGroupList/<x>/Entry/RulesForDeaffiliation/<x>/ListOfActiveFunctionalAliases/<x>/Entry

<x>/OnNetwork/MCDataGroupList/<x>/Entry/RulesForDeaffiliation/<x>/ListOfActiveFunctionalAliases/<x>/Entry

Status	Occurrence	Format	Min. Access Types
Optional	One	node	Get, Replace

This interior node is a placeholder for the functional alias part of rules that control automatic deaffiliation.

10.2.55B47 /<x>/<x>/OnNetwork/MCDataGroupList/<x>/Entry/
RulesForDeaffiliation/<x>/ListOfActiveFunctionalAliases/<x>/Entry/
FunctionalAlias

Table 10.2.55B47.1:

/<x>/<x>/OnNetwork/MCDataGroupList/<x>/Entry/RulesForDeaffiliation/<x>/ListOfActiveFunctionalAliases/<x>/Entry/FunctionalAlias

<x>/OnNetwork/MCDataGroupList/<x>/Entry/RulesForDeaffiliation/<x>/ListOfActiveFunctionalAliases/<x>/Entry/FunctionalAlias

Status	Occurrence	Format	Min. Access Types
Required	One	chr	Get, Replace

This leaf node contains a functional alias.

10.2.55B48 /<x>/<x>/OnNetwork/MCDataGroupList/<x>/Entry/
ManualDeaffiliationNotAllowedIfAffiliationRulesAreMet

Table 10.2.55B48.1:

/<x>/<x>/OnNetwork/MCDataGroupList/<x>/Entry/ManualDeaffiliationNotAllowedIfAffiliationRulesAreMet

<x>/OnNetwork/MCDataGroupList/<x>/Entry/ManualDeaffiliationNotAllowedIfAffiliationRulesAreMet

Status	Occurrence	Format	Min. Access Types
Optional	ZeroOrOne	bool	Get, Replace

This leaf node indicates whether the MCDData user is authorised to deaffiliate if the affiliation criteria are met.

10.2.56 /<x>/<x>/OnNetwork/ImplicitAffiliations

Table 10.2.56.1: /<x>/<x>/OnNetwork/ImplicitAffiliations

<x>/OnNetwork/ImplicitAffiliations

Status	Occurrence	Format	Min. Access Types
Required	One	node	Get, Replace

This interior node is a placeholder for the implicit affiliation configuration.

10.2.57 /<x>/<x>/OnNetwork/ImplicitAffiliations/<x>

Table 10.2.57.1: /<x>/<x>/OnNetwork/ImplicitAffiliations/<x>

<x>/OnNetwork/ImplicitAffiliations/<x>

Status	Occurrence	Format	Min. Access Types
Required	ZeroOrMore	node	Get, Replace

This interior node is a placeholder for zero or more implicit affiliation configuration.

10.2.58 /<x>/<x>/OnNetwork/ImplicitAffiliations/<x>/Entry

Table 10.2.58.1: /<x>/<x>/OnNetwork/ImplicitAffiliations/<x>/Entry

<x>/OnNetwork/ImplicitAffiliations/<x>/Entry

Status	Occurrence	Format	Min. Access Types
Optional	One	node	Get, Replace

This interior node is a placeholder for the details of the on-network MCDData groups that the MCDData user is implicitly affiliated to.

10.2.59 /<x>/<x>/OnNetwork/ImplicitAffiliations/<x>/Entry/MCDataGroupID

Table 10.2.59.1: /<x>/<x>/OnNetwork/ImplicitAffiliations/<x>/Entry/MCDataGroupID

<x>/OnNetwork/ImplicitAffiliations/<x>/Entry/MCDataGroupID

Status	Occurrence	Format	Min. Access Types
Required	One	chr	Get, Replace

This leaf node indicates a MCDData group ID to which the MCDData user is implicitly affiliated to.

The value is a "uri" attribute specified in OMA OMA-TS-XDM_Group-V1_1 [4].

10.2.60 /<x>/<x>/OnNetwork/ImplicitAffiliations/<x>/Entry/DisplayName

Table 10.2.60.1: /<x>/<x>/OnNetwork/ImplicitAffiliations/<x>/Entry/DisplayName

<x>/OnNetwork/ImplicitAffiliations/<x>/Entry/DisplayName

Status	Occurrence	Format	Min. Access Types
Optional	One	chr	Get, Replace

This leaf node contains a human readable name that corresponds to the MCDData Group ID.

10.2.61 /<x>/<x>/OnNetwork/PresenceStatus

Table 10.2.61.1: /<x>/<x>/OnNetwork/PresenceStatus

<x>/OnNetwork/PresenceStatus

Status	Occurrence	Format	Min. Access Types
Required	One	node	Get, Replace

This interior node is a placeholder for the presence status configuration.

10.2.62 /<x>/<x>/OnNetwork/PresenceStatus/<x>

Table 10.2.62.1: /<x>/<x>/OnNetwork/PresenceStatus/<x>

<x>/OnNetwork/PresenceStatus/<x>

Status	Occurrence	Format	Min. Access Types
Required	ZeroOrMore	node	Get, Replace

This interior node is a placeholder for zero or more presence status configuration.

10.2.63 /<x>/<x>/OnNetwork/PresenceStatus/<x>/Entry

Table 10.2.63.1: /<x>/<x>/OnNetwork/PresenceStatus/<x>/Entry

<x>/OnNetwork/PresenceStatus/<x>/Entry

Status	Occurrence	Format	Min. Access Types
Optional	One	node	Get, Replace

This interior node is a placeholder for the details of the MCDData IDs of MCDData users that the configured MCDData user is authorised to obtain presence status.

10.2.64 /<x>/<x>/OnNetwork/PresenceStatus/<x>/Entry/MCDDataID

Table 10.2.64.1: /<x>/<x>/OnNetwork/PresenceStatus/<x>/Entry/MCDDataID

<x>/OnNetwork/PresenceStatus/<x>/Entry/MCDDataID

Status	Occurrence	Format	Min. Access Types
Required	One	chr	Get, Replace

This leaf node indicates an MCDData ID of an MCDData user that the configured MCDData user is authorised to obtain presence status.

The value is a "uri" attribute specified in OMA OMA-TS-XDM_Group-V1_1 [4].

10.2.65 /<x>/<x>/OnNetwork/PresenceStatus/<x>/Entry/DisplayName

Table 10.2.65.1: /<x>/<x>/OnNetwork/PresenceStatus/<x>/Entry/DisplayName

<x>/OnNetwork/PresenceStatus/<x>/Entry/DisplayName

Status	Occurrence	Format	Min. Access Types
Optional	One	chr	Get, Replace

This leaf node contains a human readable name that corresponds to the MCDData ID.

10.2.66 /<x>/<x>/OnNetwork/RemoteGroupChange

Table 10.2.66.1: /<x>/<x>/OnNetwork/RemoteGroupChange

<x>/OnNetwork/RemoteGroupChange

Status	Occurrence	Format	Min. Access Types
Required	One	node	Get, Replace

This interior node is a placeholder for the remote group change configuration.

10.2.67 /<x>/<x>/OnNetwork/RemoteGroupChange/<x>

Table 10.2.67.1: /<x>/<x>/OnNetwork/RemoteGroupChange/<x>

<x>/OnNetwork/RemoteGroupChange/<x>

Status	Occurrence	Format	Min. Access Types
Required	ZeroOrMore	node	Get, Replace

This interior node is a placeholder for zero or more remote group change configuration.

10.2.68 /<x>/<x>/OnNetwork/RemoteGroupChange/<x>/Entry

Table 10.2.68.1: /<x>/<x>/OnNetwork/RemoteGroupChange/<x>/Entry

<x>/OnNetwork/RemoteGroupChange/<x>/Entry

Status	Occurrence	Format	Min. Access Types
Optional	One	node	Get, Replace

This interior node is a placeholder for the details of the MCDData IDs of MCDData users whose selected groups are authorised to be remotely changed by the configured MCDData user.

10.2.69 /<x>/<x>/OnNetwork/RemoteGroupChange/<x>/Entry/MCDDataID

Table 10.2.69.1: /<x>/<x>/OnNetwork/RemoteGroupChange/<x>/Entry/MCDDataID

<x>/OnNetwork/RemoteGroupChange/<x>/Entry/MCDDataID

Status	Occurrence	Format	Min. Access Types
Required	One	chr	Get, Replace

This leaf node indicates an MCDData ID of an MCDData user whose selected groups are authorised to be remotely changed by the configured MCDData user.

The value is a "uri" attribute specified in OMA OMA-TS-XDM_Group-V1_1 [4].

10.2.70 /<x>/<x>/OnNetwork/RemoteGroupChange/<x>/Entry/DisplayName

Table 10.2.70.1: /<x>/<x>/OnNetwork/RemoteGroupChange/<x>/Entry/DisplayName

<x>/OnNetwork/RemoteGroupChange/<x>/Entry/DisplayName

Status	Occurrence	Format	Min. Access Types
Optional	One	chr	Get, Replace

This leaf node contains a human readable name that corresponds to the MCDData ID.

10.2.71 /<x>/<x>/OnNetwork/MaxAffiliationsN2

Table 10.2.71.1: /<x>/<x>/OnNetwork/MaxAffiliationsN2

<x>/OnNetwork/MaxAffiliationsN2

Status	Occurrence	Format	Min. Access Types
Optional	One	int	Get, Replace

This leaf node indicates the maximum number of MCDData groups that the MCDData user is authorised to affiliate with.

- Values: 0-65535

10.2.72 /<x>/<x>/OnNetwork/ConversationManagement

Table 10.2.72.1: /<x>/<x>/OnNetwork/ConversationManagement

<x>/OnNetwork/ConversationManagement

Status	Occurrence	Format	Min. Access Types
Required	One	node	Get, Replace

This interior node is a placeholder for conversation management configuration

10.2.73 /<x>/<x>/OnNetwork/ConversationManagement/GroupHangTime

Table 10.2.73.1: /<x>/<x>/OnNetwork/ConversationManagement/GroupHangTime

<x>/OnNetwork/ConversationManagement/GroupHangTime

Status	Occurrence	Format	Min. Access Types
Required	One	node	Get, Replace

This interior node is a placeholder for group hang time configuration

10.2.74 /<x>/<x>/OnNetwork/ConversationManagement/GroupHangTime/<x>

Table 10.2.74.1: /<x>/<x>/OnNetwork/ConversationManagement/GroupHangTime/<x>

<x>/OnNetwork/ConversationManagement/GroupHangTime/<x>

Status	Occurrence	Format	Min. Access Types
Required	OneOrMore	node	Get, Replace

This interior node is a placeholder for one or more hang time configurations.

10.2.75 /<x>/<x>/OnNetwork/ConversationManagement/GroupHangTime/<x>/Entry

Table 10.2.75.1: /<x>/<x>/OnNetwork/ConversationManagement/GroupHangTime/<x>/Entry

<x>/OnNetwork/ConversationManagement/GroupHangTime/<x>/Entry

Status	Occurrence	Format	Min. Access Types
Optional	One	node	Get, Replace

This interior node is a placeholder for the conversation hang time configuration associated with the configured MCDData group, for the MCDData user.

10.2.76 /<x>/<x>/OnNetwork/ConversationManagement/GroupHangTime/<x>/Entry/MCDDataGroupID

Table 10.2.76.1:

/<x>/<x>/OnNetwork/ConversationManagement/GroupHangTime/<x>/Entry/MCDDataGroupID

<x>/OnNetwork/ConversationManagement/GroupHangTime/<x>/Entry/MCDDataGroupID

Status	Occurrence	Format	Min. Access Types
Required	One	chr	Get, Replace

This leaf node indicates the MCDData group ID for the on-network MCDData group.

The value is a "uri" attribute specified in OMA OMA-TS-XDM_Group-V1_1 [4].

10.2.77 /<x>/<x>/OnNetwork/ConversationManagement/GroupHangTime/<x>/Entry/DisplayName

Table 10.2.77.1:

/<x>/<x>/OnNetwork/ConversationManagement/GroupHangTime/<x>/Entry/DisplayName

<x>/OnNetwork/ConversationManagement/GroupHangTime/<x>/Entry/DisplayName

Status	Occurrence	Format	Min. Access Types
Optional	One	chr	Get, Replace

This leaf node contains a human readable name that corresponds to the MCDData Group ID.

10.2.78 /<x>/<x>/OnNetwork/ConversationManagement/GroupHangTime/<x>/Entry/HangTime

Table 10.2.78.1: /<x>/<x>/OnNetwork/ConversationManagement/GroupHangTime/<x>/Entry/HangTime

<x>/OnNetwork/ConversationManagement/GroupHangTime/<x>/Entry/HangTime

Status	Occurrence	Format	Min. Access Types
Required	One	int	Get, Replace

This leaf node indicates the group call hang timer of the MCDData group for conversation management, for the MCDData user.

- Values: 0-65535

The HangTime is in seconds.

10.2.79 /<x>/<x>/OnNetwork/ConversationManagement/DeliveredDisposition

Table 10.2.79.1: /<x>/<x>/OnNetwork/ConversationManagement/DeliveredDisposition

<x>/OnNetwork/ConversationManagement/DeliveredDisposition

Status	Occurrence	Format	Min. Access Types
Required	One	node	Get, Replace

This interior node is a placeholder for delivered disposition configuration

10.2.80 /<x>/<x>/OnNetwork/ConversationManagement/DeliveredDisposition/<x>

Table 10.2.80.1: /<x>/<x>/OnNetwork/ConversationManagement/DeliveredDisposition/<x>

<x>/OnNetwork/ConversationManagement/DeliveredDisposition/<x>

Status	Occurrence	Format	Min. Access Types
Required	ZeroOrMore	node	Get, Replace

This interior node is a placeholder for zero or more delivered disposition configurations.

10.2.81 /<x>/<x>/OnNetwork/ConversationManagement/DeliveredDisposition/<x>/Entry

Table 10.2.81.1: /<x>/<x>/OnNetwork/ConversationManagement/DeliveredDisposition/<x>/Entry

<x>/OnNetwork/ConversationManagement/DeliveredDisposition/<x>/Entry

Status	Occurrence	Format	Min. Access Types
Optional	One	node	Get, Replace

This interior node is a placeholder for the delivered disposition configuration associated with the MCDData user, indicating an MCDData ID of an MCDData user who is to be sent a message delivered disposition notification in addition to the message sender.

10.2.82 /<x>/<x>/OnNetwork/ConversationManagement/DeliveredDisposition/<x>/Entry/MCDataID

Table 10.2.82.1:

/<x>/<x>/OnNetwork/ConversationManagement/DeliveredDisposition/<x>/Entry/MCDataID

<x>/OnNetwork/ConversationManagement/DeliveredDisposition/<x>/Entry/MCDataID

Status	Occurrence	Format	Min. Access Types
Required	One	chr	Get, Replace

This leaf node indicates the MCData ID for the on-network MCData user.

The value is a "uri" attribute specified in OMA OMA-TS-XDM_Group-V1_1 [4].

10.2.83 /<x>/<x>/OnNetwork/ConversationManagement/DeliveredDisposition/<x>/Entry/DisplayName

Table 10.2.83.1:

/<x>/<x>/OnNetwork/ConversationManagement/DeliveredDisposition/<x>/Entry/DisplayName

<x>/OnNetwork/ConversationManagement/DeliveredDisposition/<x>/Entry/DisplayName

Status	Occurrence	Format	Min. Access Types
Optional	One	chr	Get, Replace

This leaf node contains a human readable name that corresponds to the MCData ID.

10.2.84 /<x>/<x>/OnNetwork/ConversationManagement/ReadDisposition

Table 10.2.84.1: /<x>/<x>/OnNetwork/ConversationManagement/ReadDisposition

<x>/OnNetwork/ConversationManagement/ReadDisposition

Status	Occurrence	Format	Min. Access Types
Required	One	node	Get, Replace

This interior node is a placeholder for read disposition configuration

10.2.85 /<x>/<x>/OnNetwork/ConversationManagement/ReadDisposition/<x>

Table 10.2.85.1: /<x>/<x>/OnNetwork/ConversationManagement/ReadDisposition/<x>

<x>/OnNetwork/ConversationManagement/ReadDisposition/<x>

Status	Occurrence	Format	Min. Access Types
Required	ZeroOrMore	node	Get, Replace

This interior node is a placeholder for zero or more read disposition configurations.

10.2.86 /<x>/<x>/OnNetwork/ConversationManagement/ReadDisposition/<x>/Entry

Table 10.2.86.1: /<x>/<x>/OnNetwork/ConversationManagement/ReadDisposition/<x>/Entry

<x>/OnNetwork/ConversationManagement/ReadDisposition/<x>/Entry

Status	Occurrence	Format	Min. Access Types
Optional	One	node	Get, Replace

This interior node is a placeholder for the read disposition configuration associated with the MCDData user, indicating an MCDData ID of an MCDData user who is to be sent a message read disposition notification in addition to the message sender.

10.2.87 /<x>/<x>/OnNetwork/ConversationManagement/ReadDisposition/<x>/Entry/MCDDataID

Table 10.2.87.1: /<x>/<x>/OnNetwork/ConversationManagement/ReadDisposition/<x>/Entry/MCDDataID

<x>/OnNetwork/ConversationManagement/ReadDisposition/<x>/Entry/MCDDataID

Status	Occurrence	Format	Min. Access Types
Required	One	chr	Get, Replace

This leaf node indicates the MCDData ID for the on-network MCDData user.

The value is a "uri" attribute specified in OMA OMA-TS-XDM_Group-V1_1 [4].

10.2.88 /<x>/<x>/OnNetwork/ConversationManagement/ReadDisposition/<x>/Entry/DisplayName

Table 10.2.88.1:

/<x>/<x>/OnNetwork/ConversationManagement/ReadDisposition/<x>/Entry/DisplayName

<x>/OnNetwork/ConversationManagement/ReadDisposition/<x>/Entry/DisplayName

Status	Occurrence	Format	Min. Access Types
Optional	One	chr	Get, Replace

This leaf node contains a human readable name that corresponds to the MCDData ID.

10.2.89 /<x>/<x>/OnNetwork/OneToOneEmergencyAlert

Table 10.2.89.1: /<x>/<x>/OnNetwork/OneToOneEmergencyAlert

<x>/OnNetwork/OneToOneEmergencyAlert

Status	Occurrence	Format	Min. Access Types
Required	One	node	Get, Replace

This interior node is a placeholder for on-network one-to-one emergency alert configuration.

10.2.90 /<x>/<x>/OnNetwork/OneToOneEmergencyAlert/Entry

Table 10.2.90.1: /<x>/<x>/OnNetwork/OneToOneEmergencyAlert/Entry

<x>/OnNetwork/OneToOneEmergencyAlert/Entry

Status	Occurrence	Format	Min. Access Types
Required	One	node	Get, Replace

This interior node is a placeholder for the details of the MCDData ID of an MCDData emergency alert.

10.2.91 /<x>/<x>/OnNetwork/OneToOneEmergencyAlert/Entry/ID

Table 10.2.91.1: /<x>/<x>/OnNetwork/OneToOneEmergencyAlert/Entry/ID

<x>/OnNetwork/OneToOneEmergencyAlert/Entry/ID

Status	Occurrence	Format	Min. Access Types
Required	One	chr	Get, Replace

This leaf node indicates the MCDData user ID used upon certain criteria on initiation of a one-to-one MCDData emergency alert.

10.2.92 /<x>/<x>/OnNetwork/OneToOneEmergencyAlert/Entry/DisplayName

Table 10.2.92.1: /<x>/<x>/OnNetwork/OneToOneEmergencyAlert/Entry/DisplayName

<x>/OnNetwork/OneToOneEmergencyAlert/Entry/DisplayName

Status	Occurrence	Format	Min. Access Types
Optional	One	chr	Get, Replace

This leaf node contains a human readable name that corresponds to the ID.

10.2.93 /<x>/<x>/OnNetwork/OneToOneEmergencyAlert/Entry/Usage

Table 10.2.93.1: /<x>/<x>/OnNetwork/OneToOneEmergencyAlert/Entry/Usage

<x>/OnNetwork/OneToOneEmergencyAlert/Entry/Usage

Status	Occurrence	Format	Min. Access Types
Required	One	chr	Get, Replace

This leaf node indicates the criteria to determine when initiation of an MCDData emergency alert uses the ID.

The valid values are 'LocallyDetermined' and 'UsePreConfigured'.

When set to 'LocallyDetermined' then if the MCDData user selects an MCDData ID then use that MCDData ID for an on-network MCDData emergency alert, if the MCDData user does not select a MCDData ID then use the MCDData ID identified by the ID in clause 10.2.91 for an on-network MCDData emergency alert.

When set to 'UsePreConfigured' then use the ID identified by the ID in clause 10.2.91 for an on-network MCDData emergency alert.

10.2.94 /<x>/<x>/OnNetwork/AllowedRegroup

Table 10.2.94.1: /<x>/<x>/OnNetwork/AllowedRegroup

<x>/OnNetwork/AllowedRegroup

Status	Occurrence	Format	Min. Access Types
Required	One	bool	Get, Replace

This leaf node indicates whether the MCDData user is authorised to perform dynamic regrouping operations.

When set to "true" the MCDData user is authorised to perform dynamic regrouping operations.

When set to "false" the MCDData user is not authorised to perform dynamic regrouping operations.

10.2.95 /<x>/<x>/OnNetwork/AllowedPresenceStatus

Table 10.2.95.1: /<x>/<x>/OnNetwork/AllowedPresenceStatus

<x>/OnNetwork/AllowedPresenceStatus

Status	Occurrence	Format	Min. Access Types
Optional	One	bool	Get, Replace

This leaf node indicates the presence status on the network of this MCDData user is available.

When set to "true" the presence status on the network of this MCDData user is available.

When set to "false" the presence status on the network of this MCDData user is not available. This is the default if this leaf node is not present.

10.2.96 /<x>/<x>/OnNetwork/AllowedPresence

Table 10.2.96.1: /<x>/<x>/OnNetwork/AllowedPresence

<x>/OnNetwork/AllowedPresence

Status	Occurrence	Format	Min. Access Types
Optional	One	bool	Get, Replace

This leaf node indicates whether the MCDData user is authorised to obtain whether a particular MCDData User is present on the network.

When set to "true" the MCDData user is authorised to obtain whether a particular MCDData User is present on the network.

When set to "false" the MCDData user is not authorised to obtain whether a particular MCDData User is present on the network.

10.2.97 /<x>/<x>/OnNetwork/AllowedManualSwitch

Table 10.2.97.1: /<x>/<x>/OnNetwork/AllowedManualSwitch

<x>/OnNetwork/AllowedManualSwitch

Status	Occurrence	Format	Min. Access Types
Required	One	bool	Get, Replace

This leaf node indicates whether the MCDData user is authorised to manually switch to off-network operation while in on-network operation.

When set to "true" the MCDData user is authorised to manually switch to off-network operation while in on-network operation.

When set to "false" the MCDData user is not authorised to manually switch to off-network operation while in on-network operation.

10.2.97A/<x>/<x>/OnNetwork/MCDDataContentServerURI

Table 10.2.97A.1: /<x>/<x>/OnNetwork/MCDDataContentServerURI

<x>/OnNetwork/MCDDataContentServerURI

Status	Occurrence	Format	Min. Access Types
Required	One	chr	Get, Replace

This leaf node indicates the absolute URI associated with the media storage function of the MCDData content server.

The value is a URI as specified in 3GPP TS 23.003 [5].

10.2.97B/<x>/<x>/OnNetwork/FunctionalAliasList

Table 10.2.97B.1: /<x>/<x>/OnNetwork/FunctionalAliasList

<x>/OnNetwork/FunctionalAliasList

Status	Occurrence	Format	Min. Access Types
Required	One	node	Get, Replace

This interior node is a placeholder for the functional alias configuration.

10.2.97B1 /<x>/<x>/OnNetwork/FunctionalAliasList/<x>

Table 10.2.97B1.1: /<x>/<x>/OnNetwork/FunctionalAliasList/<x>

<x>/OnNetwork/FunctionalAliasList/<x>

Status	Occurrence	Format	Min. Access Types
Required	OneOrMore	node	Get, Replace

This interior node is a placeholder for one or more functional alias configuration elements.

10.2.97B2 /<x>/<x>/OnNetwork/FunctionalAliasList/<x>/Entry

Table 10.2.97B2.1: /<x>/<x>/OnNetwork/FunctionalAliasList/<x>/Entry

<x>/OnNetwork/FunctionalAliasList/<x>/Entry

Status	Occurrence	Format	Min. Access Types
Optional	One	node	Get, Replace

This interior node is a placeholder for the details of the functional alias.

10.2.97B3 /<x>/<x>/OnNetwork/FunctionalAliasList/<x>/Entry/ FunctionalAlias

Table 10.2.97B3.1: /<x>/<x>/OnNetwork/FunctionalAliasList/<x>/Entry/FunctionalAlias

<x>/OnNetwork/FunctionalAliasList/<x>/Entry/FunctionalAlias

Status	Occurrence	Format	Min. Access Types
Required	One	chr	Get, Replace

This leaf node indicates a functional alias that can be activated by the MCDData user.

The value is a "uri" attribute specified in OMA OMA-TS-XDM_Group-V1_1 [4].

10.2.97B3A /<x>/<x>/OnNetwork/FunctionalAliasList/<x>/Entry/ DisplayName

Table 10.2.97B3A.1: /<x>/<x>/OnNetwork/FunctionalAliasList/<x>/Entry/DisplayName

<x>/OnNetwork/FunctionalAliasList/<x>/Entry/DisplayName

Status	Occurrence	Format	Min. Access Types
Optional	One	chr	Get, Replace

This leaf node contains a human readable name that corresponds to a functional alias that can be activated by the MCDData user.

10.2.97B3B /<x>/<x>/OnNetwork/FunctionalAliasList/<x>/Entry/ LocationCriteriaForActivation

Table 10.2.97B3B.1: /<x>/<x>/OnNetwork/FunctionalAliasList/<x>/Entry/LocationCriteriaForActivation

<x>/OnNetwork/FunctionalAliasList/<x>/Entry/LocationCriteriaForActivation

Status	Occurrence	Format	Min. Access Types
Optional	ZeroOrOne	node	Get, Replace

This interior node contains the location criteria for activation of a functional alias.

10.2.97B3B0 /<x>/<x>/OnNetwork/FunctionalAliasList/<x>/Entry/ LocationCriteriaForActivation/<x>

Table 10.2.97B3B0.1:

/<x>/<x>/OnNetwork/FunctionalAliasList/<x>/Entry/LocationCriteriaForActivation/<x>

<x>/OnNetwork/FunctionalAliasList/<x>/Entry/LocationCriteriaForActivation/<x>

Status	Occurrence	Format	Min. Access Types
Optional	ZeroOrMore	node	Get, Replace

This interior node contains the zero or more location criteria for activation of a functional alias.

10.2.97B3B1 /<x>/<x>/OnNetwork/FunctionalAliasList/<x>/Entry/LocationCriteriaForActivation/<x>/EnterSpecificArea

Table 10.2.97B3B1.1:

/<x>/<x>/OnNetwork/FunctionalAliasList/<x>/Entry/LocationCriteriaForActivation/<x>/EnterSpecificArea

<x>/OnNetwork/FunctionalAliasList/<x>/Entry/LocationCriteriaForActivation/<x>/EnterSpecificArea

Status	Occurrence	Format	Min. Access Types
Optional	ZeroOrOne	node	Get, Replace

This interior node contains a geographical area which when entered by the MC service UE triggers the functional alias activation.

10.2.97B3B2 /<x>/<x>/OnNetwork/FunctionalAliasList/<x>/Entry/LocationCriteriaForActivation/<x>/EnterSpecificArea/PolygonArea

Table 10.2.97B3B2.1:

/<x>/<x>/OnNetwork/FunctionalAliasList/<x>/Entry/LocationCriteriaForActivation/<x>/EnterSpecificArea/PolygonArea

<x>/OnNetwork/FunctionalAliasList/<x>/Entry/LocationCriteriaForActivation/<x>/EnterSpecificArea/PolygonArea

Status	Occurrence	Format	Min. Access Types
Optional	ZeroOrOne	node	Get, Replace

This interior node contains a geographical area described by a polygon.

10.2.97B3B3 /<x>/<x>/OnNetwork/FunctionalAliasList/<x>/Entry/LocationCriteriaForActivation/<x>/EnterSpecificArea/PolygonArea/<x>

Table 10.2.97B3B3.1:

/<x>/<x>/OnNetwork/FunctionalAliasList/<x>/Entry/LocationCriteriaForActivation/<x>/EnterSpecificArea/PolygonArea/<x>

<x>/OnNetwork/FunctionalAliasList/<x>/Entry/LocationCriteriaForActivation/<x>/EnterSpecificArea/PolygonArea/<x>

Status	Occurrence	Format	Min. Access Types
Required	OneOrN	node	Get, Replace

This interior node contains the coordinates of the corners which define a polygon. The occurrence of this leaf node is "3 to 15" as per 3GPP TS 23.032 [21].

10.2.97B3B4 /<x>/<x>/OnNetwork/FunctionalAliasList/<x>/Entry/ LocationCriteriaForActivation/<x>/EnterSpecificArea/PolygonArea/ <x>/PointCoordinateType

Table 10.2.97B3B4.1:

**/<x>/<x>/OnNetwork/FunctionalAliasList/<x>/Entry/LocationCriteriaForActivation/<x>/EnterSpecificAr
ea/PolygonArea/<x>/PointCoordinateType**

<x>/OnNetwork/FunctionalAliasList/<x>/Entry/LocationCriteriaForActivation/<x>/EnterSpecificArea/PolygonArea
<x>/PointCoordinateType

Status	Occurrence	Format	Min. Access Types
Required	One	node	Get, Replace

This interior node contains the coordinates of the center point of the ellipsoid arc.

10.2.97B3B5 /<x>/<x>/OnNetwork/FunctionalAliasList/<x>/Entry/ LocationCriteriaForActivation/<x>/EnterSpecificArea/PolygonArea/ <x>/PointCoordinateType/Longitude

Table 10.2.97B3B5.1:

**/<x>/<x>/OnNetwork/FunctionalAliasList/<x>/Entry/LocationCriteriaForActivation/<x>/EnterSpecificAr
ea/PolygonArea/<x>/PointCoordinateType/Longitude**

<x>/OnNetwork/FunctionalAliasList/<x>/Entry/LocationCriteriaForActivation/<x>/EnterSpecificArea/PolygonArea
<x>/PointCoordinateType/Longitude

Status	Occurrence	Format	Min. Access Types
Required	One	int	Get, Replace

This leaf node contains the longitudinal coordinate of a corner.

- Values: 0-16777215

10.2.97B3B6 /<x>/<x>/OnNetwork/FunctionalAliasList/<x>/Entry/ LocationCriteriaForActivation/<x>/EnterSpecificArea/PolygonArea/ <x>/PointCoordinateType/Latitude

Table 10.2.97B3B6.1:

**/<x>/<x>/OnNetwork/FunctionalAliasList/<x>/Entry/LocationCriteriaForActivation/<x>/EnterSpecificAr
ea/PolygonArea/<x>/PointCoordinateType/Latitude**

<x>/OnNetwork/FunctionalAliasList/<x>/Entry/LocationCriteriaForActivation/<x>/EnterSpecificArea/PolygonArea
<x>/PointCoordinateType/Latitude

Status	Occurrence	Format	Min. Access Types
Required	One	int	Get, Replace

This leaf node contains the latitudinal coordinate of a corner.

- Values: 0-16777215

10.2.97B3B7 /<x>/<x>/OnNetwork/FunctionalAliasList/<x>/Entry/
LocationCriteriaForActivation/<x>/EnterSpecificArea/
EllipsoidArcArea

Table 10.2.97B3B7.1:

**/<x>/<x>/OnNetwork/FunctionalAliasList/<x>/Entry/LocationCriteriaForActivation/<x>/EnterSpecificAr
ea/EllipsoidArcArea**

<x>/OnNetwork/FunctionalAliasList/<x>/Entry/LocationCriteriaForActivation/<x>/EnterSpecificArea/EllipsoidArc
Area

Status	Occurrence	Format	Min. Access Types
Optional	ZeroOrOne	node	Get, Replace

This interior node contains a geographical area described by an ellipsoid arc.

10.2.97B3B8 /<x>/<x>/OnNetwork/FunctionalAliasList/<x>/Entry/
LocationCriteriaForActivation/<x>/EnterSpecificArea/
EllipsoidArcArea/Center

Table 10.2.97B3B8.1:

**/<x>/<x>/OnNetwork/FunctionalAliasList/<x>/Entry/LocationCriteriaForActivation/<x>/EnterSpecificAr
ea/EllipsoidArcArea/Center**

<x>/OnNetwork/FunctionalAliasList/<x>/Entry/LocationCriteriaForActivation/<x>/EnterSpecificArea/EllipsoidArc
Area/Center

Status	Occurrence	Format	Min. Access Types
Required	One	node	Get, Replace

This interior node contains the coordinates of the center point of the ellipsoid arc.

10.2.97B3B9 /<x>/<x>/OnNetwork/FunctionalAliasList/<x>/Entry/
LocationCriteriaForActivation/<x>/EnterSpecificArea/
EllipsoidArcArea/Center/PointCoordinateType

Table 10.2.97B3B9.1:

**/<x>/<x>/OnNetwork/FunctionalAliasList/<x>/Entry/LocationCriteriaForActivation/<x>/EnterSpecificAr
ea/EllipsoidArcArea/Center/PointCoordinateType**

<x>/OnNetwork/FunctionalAliasList/<x>/Entry/LocationCriteriaForActivation/<x>/EnterSpecificArea/EllipsoidArc
Area/Center/PointCoordinateType

Status	Occurrence	Format	Min. Access Types
Required	One	node	Get, Replace

This interior node contains the coordinates of the center point of the ellipsoid arc.

10.2.97B3B10 /<x>/<x>/OnNetwork/FunctionalAliasList/<x>/Entry/
LocationCriteriaForActivation/<x>/EnterSpecificArea/
EllipsoidArcArea/Center/PointCoordinateType/Longitude

Table 10.2.97B3B8.1:

**/<x>/<x>/OnNetwork/FunctionalAliasList/<x>/Entry/LocationCriteriaForActivation/<x>/EnterSpecificAr
ea/EllipsoidArcArea/Center/PointCoordinateType/Longitude**

<x>/OnNetwork/FunctionalAliasList/<x>/Entry/LocationCriteriaForActivation/<x>/EnterSpecificArea/EllipsoidArc
Area/Center/PointCoordinateType/Longitude

Status	Occurrence	Format	Min. Access Types
Required	One	int	Get, Replace

This leaf node contains the longitudinal coordinate of the center.

- Values: 0-16777215

10.2.97B3B11 /<x>/<x>/OnNetwork/FunctionalAliasList/<x>/Entry/
LocationCriteriaForActivation/<x>/EnterSpecificArea/
EllipsoidArcArea/Center/PointCoordinateType/Latitude

Table 10.2.97B3B11.1:

**/<x>/<x>/OnNetwork/FunctionalAliasList/<x>/Entry/LocationCriteriaForActivation/<x>/EnterSpecificAr
ea/EllipsoidArcArea/Center/PointCoordinateType/Latitude**

<x>/OnNetwork/FunctionalAliasList/<x>/Entry/LocationCriteriaForActivation/<x>/EnterSpecificArea/EllipsoidArc
Area/Center/PointCoordinateType/Latitude

Status	Occurrence	Format	Min. Access Types
Required	One	int	Get, Replace

This leaf node contains the latitudinal coordinate of the center.

- Values: 0-16777215

10.2.97B3B12 /<x>/<x>/OnNetwork/FunctionalAliasList/<x>/Entry/
LocationCriteriaForActivation/<x>/EnterSpecificArea/
EllipsoidArcArea/Radius

Table 10.2.97B3B12.1:

**/<x>/<x>/OnNetwork/FunctionalAliasList/<x>/Entry/LocationCriteriaForActivation/<x>/EnterSpecificAr
ea/EllipsoidArcArea/Radius**

<x>/OnNetwork/FunctionalAliasList/<x>/Entry/LocationCriteriaForActivation/<x>/EnterSpecificArea/EllipsoidArc
Area/Radius

Status	Occurrence	Format	Min. Access Types
Required	One	int	Get, Replace

This leaf node contains the radius of the ellipsoid arc.

- Values: non-negative integer

10.2.97B3B13 /<x>/<x>/OnNetwork/FunctionalAliasList/<x>/Entry/ LocationCriteriaForActivation/<x>/EnterSpecificArea/ EllipsoidArcArea/OffsetAngle

Table 10.2.97B3B13.1:

**/<x>/<x>/OnNetwork/FunctionalAliasList/<x>/Entry/LocationCriteriaForActivation/<x>/EnterSpecificAr
ea/EllipsoidArcArea/OffsetAngle**

<x>/OnNetwork/FunctionalAliasList/<x>/Entry/LocationCriteriaForActivation/<x>/EnterSpecificArea/EllipsoidArc
Area/OffsetAngle

Status	Occurrence	Format	Min. Access Types
Required	One	int	Get, Replace

This leaf node contains the offset angle of the ellipsoid arc.

- Values: 0-255

10.2.97B3B14 /<x>/<x>/OnNetwork/FunctionalAliasList/<x>/Entry/ LocationCriteriaForActivation/<x>/EnterSpecificArea/ EllipsoidArcArea/IncludedAngle

Table 10.2.97B3B14.1:

**/<x>/<x>/OnNetwork/FunctionalAliasList/<x>/Entry/LocationCriteriaForActivation/<x>/EnterSpecificAr
ea/EllipsoidArcArea/IncludedAngle**

<x>/OnNetwork/FunctionalAliasList/<x>/Entry/LocationCriteriaForActivation/<x>/EnterSpecificArea/EllipsoidArc
Area/IncludedAngle

Status	Occurrence	Format	Min. Access Types
Required	One	int	Get, Replace

This leaf node contains the included angle of the ellipsoid arc.

- Values: 0-255

10.2.97B3B15 /<x>/<x>/OnNetwork/FunctionalAliasList/<x>/Entry/ LocationCriteriaForActivation/<x>/EnterSpecificArea/Speed

Table 10.2.97B3B15.1:

**/<x>/<x>/OnNetwork/FunctionalAliasList/<x>/Entry/LocationCriteriaForActivation/<x>/EnterSpecificAr
ea/Speed**

<x>/OnNetwork/FunctionalAliasList/<x>/Entry/LocationCriteriaForActivation/<x>/EnterSpecificArea/Speed

Status	Occurrence	Format	Min. Access Types
Optional	One	node	Get, Replace

This interior node contains the speed.

10.2.97B3B16 /<x>/<x>/OnNetwork/FunctionalAliasList/<x>/Entry/ LocationCriteriaForActivation/<x>/EnterSpecificArea/Speed/ MinimumSpeed

Table 10.2.97B3B16.1:

/<x>/<x>/OnNetwork/FunctionalAliasList/<x>/Entry/LocationCriteriaForActivation/<x>/EnterSpecificArea/Speed/MinimumSpeed

<x>/OnNetwork/FunctionalAliasList/<x>/Entry/LocationCriteriaForActivation/<x>/EnterSpecificArea/Speed/MinimumSpeed

Status	Occurrence	Format	Min. Access Types
Required	One	int	Get, Replace

This leaf node contains the minimum speed.

- Values: non-negative integer in units of kilometers/hour.

10.2.97B3B17 /<x>/<x>/OnNetwork/FunctionalAliasList/<x>/Entry/ LocationCriteriaForActivation/<x>/EnterSpecificArea/Speed/ MaximumSpeed

Table 10.2.97B3B17.1:

/<x>/<x>/OnNetwork/FunctionalAliasList/<x>/Entry/LocationCriteriaForActivation/<x>/EnterSpecificArea/Speed/MaximumSpeed

<x>/OnNetwork/FunctionalAliasList/<x>/Entry/LocationCriteriaForActivation/<x>/EnterSpecificArea/Speed/MaximumSpeed

Status	Occurrence	Format	Min. Access Types
Required	One	int	Get, Replace

This leaf node contains the maximum speed.

- Values: non-negative integer in units of kilometers/hour.

10.2.97B3B18 /<x>/<x>/OnNetwork/FunctionalAliasList/<x>/Entry/ LocationCriteriaForActivation/<x>/EnterSpecificArea/Heading

Table 10.2.97B3B18.1:

/<x>/<x>/OnNetwork/FunctionalAliasList/<x>/Entry/LocationCriteriaForActivation/<x>/EnterSpecificArea/Heading

<x>/OnNetwork/FunctionalAliasList/<x>/Entry/LocationCriteriaForActivation/<x>/EnterSpecificArea/Heading

Status	Occurrence	Format	Min. Access Types
Optional	One	node	Get, Replace

This interior node contains the heading.

10.2.97B3B19 /<x>/<x>/OnNetwork/FunctionalAliasList/<x>/Entry/
LocationCriteriaForActivation/<x>/EnterSpecificArea/Heading/
MinimumHeading

Table 10.2.97B3B19.1:

**/<x>/<x>/OnNetwork/FunctionalAliasList/<x>/Entry/LocationCriteriaForActivation/<x>/EnterSpecificAr
ea/Heading/MinimumHeading**

<x>/OnNetwork/FunctionalAliasList/<x>/Entry/LocationCriteriaForActivation/<x>/EnterSpecificArea/Heading/Min
imumHeading

Status	Occurrence	Format	Min. Access Types
Required	One	int	Get, Replace

This leaf node contains the minimum heading.

- Values: 0-359

10.2.97B3B20 /<x>/<x>/OnNetwork/FunctionalAliasList/<x>/Entry/
LocationCriteriaForActivation/<x>/EnterSpecificArea/Heading/
MaximumHeading

Table 10.2.97B3B20.1:

**/<x>/<x>/OnNetwork/FunctionalAliasList/<x>/Entry/LocationCriteriaForActivation/<x>/EnterSpecificAr
ea/Heading/MaximumHeading**

<x>/OnNetwork/FunctionalAliasList/<x>/Entry/LocationCriteriaForActivation/<x>/EnterSpecificArea/Heading/Max
imumHeading

Status	Occurrence	Format	Min. Access Types
Required	One	int	Get, Replace

This leaf node contains the maximum heading.

- Values: 0-359

10.2.97B3B21 /<x>/<x>/OnNetwork/FunctionalAliasList/<x>/Entry/
LocationCriteriaForActivation/<x>/ExitSpecificArea

Table 10.2.97B3B21.1:

**/<x>/<x>/OnNetwork/FunctionalAliasList/<x>/Entry/LocationCriteriaForActivation/<x>/ExitSpecificAre
a**

<x>/OnNetwork/FunctionalAliasList/<x>/Entry/LocationCriteriaForActivation/<x>/ExitSpecificArea

Status	Occurrence	Format	Min. Access Types
Optional	ZeroOrOne	node	Get, Replace

This interior node contains a geographical area which when exited by the MC service UE triggers the functional alias activation.

10.2.97B3B22 /<x>/<x>/OnNetwork/FunctionalAliasList/<x>/Entry/ LocationCriteriaForActivation/<x>/ExitSpecificArea/PolygonArea

Table 10.2.97B3B22.1:

**/<x>/<x>/OnNetwork/FunctionalAliasList/<x>/Entry/LocationCriteriaForActivation/<x>/ExitSpecificArea/
a/PolygonArea**

<x>/OnNetwork/FunctionalAliasList/<x>/Entry/LocationCriteriaForActivation/<x>/ExitSpecificArea/PolygonArea

Status	Occurrence	Format	Min. Access Types
Optional	ZeroOrOne	node	Get, Replace

This interior node contains a geographical area described by a polygon.

10.2.97B3B23 /<x>/<x>/OnNetwork/FunctionalAliasList/<x>/Entry/ LocationCriteriaForActivation/<x>/ExitSpecificArea/PolygonArea/ <X>

Table 10.2.97B3B23.1:

**/<x>/<x>/OnNetwork/FunctionalAliasList/<x>/Entry/LocationCriteriaForActivation/<x>/ExitSpecificArea/
a/PolygonArea/<x>**

<x>/OnNetwork/FunctionalAliasList/<x>/Entry/LocationCriteriaForActivation/<x>/ExitSpecificArea/PolygonArea/
<x>

Status	Occurrence	Format	Min. Access Types
Required	OneOrN	node	Get, Replace

This interior node contains the coordinates of the corners which define a polygon. The occurrence of this leaf node is "3 to 15" as per 3GPP TS 23.032 [21].

10.2.97B3B24 /<x>/<x>/OnNetwork/FunctionalAliasList/<x>/Entry/ LocationCriteriaForActivation/<x>/ExitSpecificArea/PolygonArea/ <x>/PointCoordinateType

Table 10.2.97B3B24.1:

**/<x>/<x>/OnNetwork/FunctionalAliasList/<x>/Entry/LocationCriteriaForActivation/<x>/ExitSpecificArea/
a/PolygonArea/<x>/PointCoordinateType**

<x>/OnNetwork/FunctionalAliasList/<x>/Entry/LocationCriteriaForActivation/<x>/ExitSpecificArea/PolygonArea/
<x>/PointCoordinateType

Status	Occurrence	Format	Min. Access Types
Required	One	node	Get, Replace

This interior node contains the type of the coordinates.

10.2.97B3B25 /<x>/<x>/OnNetwork/FunctionalAliasList/<x>/Entry/
LocationCriteriaForActivation/<x>/ExitSpecificArea/PolygonArea/
<x>/PointCoordinateType/Longitude

Table 10.2.97B3B25.1:

**/<x>/<x>/OnNetwork/FunctionalAliasList/<x>/Entry/LocationCriteriaForActivation/<x>/ExitSpecificArea/
a/PolygonArea/<x>/PointCoordinateType/Longitude**

<x>/OnNetwork/FunctionalAliasList/<x>/Entry/LocationCriteriaForActivation/<x>/ExitSpecificArea/PolygonArea/
<x>/PointCoordinateType/Longitude

Status	Occurrence	Format	Min. Access Types
Required	One	int	Get, Replace

This leaf node contains the longitudinal coordinate of a corner.

- Values: 0-16777215

10.2.97B3B26 /<x>/<x>/OnNetwork/FunctionalAliasList/<x>/Entry/
LocationCriteriaForActivation/<x>/ExitSpecificArea/PolygonArea/
<x>/PointCoordinateType/Latitude

Table 10.2.97B3B26.1:

**/<x>/<x>/OnNetwork/FunctionalAliasList/<x>/Entry/LocationCriteriaForActivation/<x>/ExitSpecificArea/
a/PolygonArea/<x>/PointCoordinateType/Latitude**

<x>/OnNetwork/FunctionalAliasList/<x>/Entry/LocationCriteriaForActivation/<x>/ExitSpecificArea/PolygonArea/
<x>/PointCoordinateType/Latitude

Status	Occurrence	Format	Min. Access Types
Required	One	int	Get, Replace

This leaf node contains the latitudinal coordinate of a corner.

- Values: 0-16777215

10.2.97B3B27 /<x>/<x>/OnNetwork/FunctionalAliasList/<x>/Entry/
LocationCriteriaForActivation/<x>/ExitSpecificArea/
EllipsoidArcArea

Table 10.2.97B3B27.1:

**/<x>/<x>/OnNetwork/FunctionalAliasList/<x>/Entry/LocationCriteriaForActivation/<x>/ExitSpecificArea/
a/EllipsoidArcArea**

<x>/OnNetwork/FunctionalAliasList/<x>/Entry/LocationCriteriaForActivation/<x>/ExitSpecificArea/EllipsoidArcA

Status	Occurrence	Format	Min. Access Types
Optional	ZeroOrOne	node	Get, Replace

This interior node contains a geographical area described by an ellipsoid arc.

10.2.97B3B28 /<x>/<x>/OnNetwork/FunctionalAliasList/<x>/Entry/ LocationCriteriaForActivation/<x>/ExitSpecificArea/ EllipsoidArcArea/Center

Table 10.2.97B3B28.1:

**/<x>/<x>/OnNetwork/FunctionalAliasList/<x>/Entry/LocationCriteriaForActivation/<x>/ExitSpecificArea/
a/EllipsoidArcArea/Center**

<x>/OnNetwork/FunctionalAliasList/<x>/Entry/LocationCriteriaForActivation/<x>/ExitSpecificArea/EllipsoidArcArea/Center

Status	Occurrence	Format	Min. Access Types
Required	One	node	Get, Replace

This interior node contains the coordinates of the center point of the ellipsoid arc.

10.2.97B3B29 /<x>/<x>/OnNetwork/FunctionalAliasList/<x>/Entry/ LocationCriteriaForActivation/<x>/ExitSpecificArea/ EllipsoidArcArea/Center/PointCoordinateType

Table 10.2.97B3B29.1:

**/<x>/<x>/OnNetwork/FunctionalAliasList/<x>/Entry/LocationCriteriaForActivation/<x>/ExitSpecificArea/
a/EllipsoidArcArea/Center/PointCoordinateType**

<x>/OnNetwork/FunctionalAliasList/<x>/Entry/LocationCriteriaForActivation/<x>/ExitSpecificArea/EllipsoidArcArea/Center/PointCoordinateType

Status	Occurrence	Format	Min. Access Types
Required	One	node	Get, Replace

This interior node contains the coordinates of the center point of the ellipsoid arc.

10.2.97B3B30 /<x>/<x>/OnNetwork/FunctionalAliasList/<x>/Entry/ LocationCriteriaForActivation/<x>/ExitSpecificArea/ EllipsoidArcArea/Center/PointCoordinateType/Longitude

Table 10.2.97B3B30.1:

**/<x>/<x>/OnNetwork/FunctionalAliasList/<x>/Entry/LocationCriteriaForActivation/<x>/ExitSpecificArea/
a/EllipsoidArcArea/Center/PointCoordinateType/Longitude**

<x>/OnNetwork/FunctionalAliasList/<x>/Entry/LocationCriteriaForActivation/<x>/ExitSpecificArea/EllipsoidArcArea/Center/PointCoordinateType/Longitude

Status	Occurrence	Format	Min. Access Types
Required	One	int	Get, Replace

This leaf node contains the longitudinal coordinate of the center.

- Values: 0-16777215

10.2.97B3B31 /<x>/<x>/OnNetwork/FunctionalAliasList/<x>/Entry/
LocationCriteriaForActivation/<x>/ExitSpecificArea/
EllipsoidArcArea/Center/PointCoordinateType/Latitude

Table 10.2.97B3B31.1:

**/<x>/<x>/OnNetwork/FunctionalAliasList/<x>/Entry/LocationCriteriaForActivation/<x>/ExitSpecificArea/
EllipsoidArcArea/Center/PointCoordinateType/Latitude**

<x>/OnNetwork/FunctionalAliasList/<x>/Entry/LocationCriteriaForActivation/<x>/ExitSpecificArea/EllipsoidArcArea/Center/PointCoordinateType/Latitude

Status	Occurrence	Format	Min. Access Types
Required	One	int	Get, Replace

This leaf node contains the latitudinal coordinate of the center.

- Values: 0-16777215

10.2.97B3B32 /<x>/<x>/OnNetwork/FunctionalAliasList/<x>/Entry/
LocationCriteriaForActivation/<x>/ExitSpecificArea/
EllipsoidArcArea/Radius

Table 10.2.97B3B32.1:

**/<x>/<x>/OnNetwork/FunctionalAliasList/<x>/Entry/LocationCriteriaForActivation/<x>/ExitSpecificArea/
EllipsoidArcArea/Radius**

<x>/OnNetwork/FunctionalAliasList/<x>/Entry/LocationCriteriaForActivation/<x>/ExitSpecificArea/EllipsoidArcArea/Radius

Status	Occurrence	Format	Min. Access Types
Required	One	int	Get, Replace

This leaf node contains the radius of the ellipsoid arc.

- Values: non-negative integer

10.2.97B3B33 /<x>/<x>/OnNetwork/FunctionalAliasList/<x>/Entry/
LocationCriteriaForActivation/<x>/ExitSpecificArea/
EllipsoidArcArea/OffsetAngle

Table 10.2.97B3B33.1:

**/<x>/<x>/OnNetwork/FunctionalAliasList/<x>/Entry/LocationCriteriaForActivation/<x>/ExitSpecificArea/
EllipsoidArcArea/OffsetAngle**

<x>/OnNetwork/FunctionalAliasList/<x>/Entry/LocationCriteriaForActivation/<x>/ExitSpecificArea/EllipsoidArcArea/OffsetAngle

Status	Occurrence	Format	Min. Access Types
Required	One	int	Get, Replace

This leaf node contains the offset angle of the ellipsoid arc.

- Values: 0-255

10.2.97B3B34 /<x>/<x>/OnNetwork/FunctionalAliasList/<x>/Entry/ LocationCriteriaForActivation/<x>/ExitSpecificArea/ EllipsoidArcArea/IncludedAngle

Table 10.2.97B3B34.1:

**/<x>/<x>/OnNetwork/FunctionalAliasList/<x>/Entry/LocationCriteriaForActivation/<x>/ExitSpecificArea/
EllipsoidArcArea/IncludedAngle**

<x>/OnNetwork/FunctionalAliasList/<x>/Entry/LocationCriteriaForActivation/<x>/ExitSpecificArea/EllipsoidArcArea/IncludedAngle

Status	Occurrence	Format	Min. Access Types
Required	One	int	Get, Replace

This leaf node contains the included angle of the ellipsoid arc.

- Values: 0-255

10.2.97B3B35 /<x>/<x>/OnNetwork/FunctionalAliasList/<x>/Entry/ LocationCriteriaForActivation/<x>/ExitSpecificArea/Speed

Table 10.2.97B3B35.1:

**/<x>/<x>/OnNetwork/FunctionalAliasList/<x>/Entry/LocationCriteriaForActivation/<x>/ExitSpecificArea/
a/Speed**

<x>/OnNetwork/FunctionalAliasList/<x>/Entry/LocationCriteriaForActivation/<x>/ExitSpecificArea/Speed

Status	Occurrence	Format	Min. Access Types
Optional	One	node	Get, Replace

This interior node contains the speed.

10.2.97B3B36 /<x>/<x>/OnNetwork/FunctionalAliasList/<x>/Entry/ LocationCriteriaForActivation/<x>/ExitSpecificArea/Speed/ MinimumSpeed

Table 10.2.97B3B36.1:

**/<x>/<x>/OnNetwork/FunctionalAliasList/<x>/Entry/LocationCriteriaForActivation/<x>/ExitSpecificArea/
a/Speed/MinimumSpeed**

<x>/OnNetwork/FunctionalAliasList/<x>/Entry/LocationCriteriaForActivation/<x>/ExitSpecificArea/Speed/MinimumSpeed

Status	Occurrence	Format	Min. Access Types
Required	One	int	Get, Replace

This leaf node contains the minimum speed.

- Values: non-negative integer in units of kilometers/hour.

10.2.97B3B37 /<x>/<x>/OnNetwork/FunctionalAliasList/<x>/Entry/LocationCriteriaForActivation/<x>/ExitSpecificArea/Speed/MaximumSpeed

Table 10.2.97B3B37.1:

/<x>/<x>/OnNetwork/FunctionalAliasList/<x>/Entry/LocationCriteriaForActivation/<x>/ExitSpecificArea/Speed/MaximumSpeed

<x>/OnNetwork/FunctionalAliasList/<x>/Entry/LocationCriteriaForActivation/<x>/ExitSpecificArea/Speed/MaximumSpeed

Status	Occurrence	Format	Min. Access Types
Required	One	int	Get, Replace

This leaf node contains the maximum speed.

- Values: non-negative integer in units of kilometers/hour.

10.2.97B3B38 /<x>/<x>/OnNetwork/FunctionalAliasList/<x>/Entry/LocationCriteriaForActivation/<x>/ExitSpecificArea/Heading

Table 10.2.97B3B38.1:

/<x>/<x>/OnNetwork/FunctionalAliasList/<x>/Entry/LocationCriteriaForActivation/<x>/ExitSpecificArea/Heading

<x>/OnNetwork/FunctionalAliasList/<x>/Entry/LocationCriteriaForActivation/<x>/ExitSpecificArea/Heading

Status	Occurrence	Format	Min. Access Types
Optional	One	node	Get, Replace

This interior node contains the heading.

10.2.97B3B39 /<x>/<x>/OnNetwork/FunctionalAliasList/<x>/Entry/LocationCriteriaForActivation/<x>/ExitSpecificArea/Heading/MinimumHeading

Table 10.2.97B3B39.1:

/<x>/<x>/OnNetwork/FunctionalAliasList/<x>/Entry/LocationCriteriaForActivation/<x>/ExitSpecificArea/Heading/MinimumHeading

<x>/OnNetwork/FunctionalAliasList/<x>/Entry/LocationCriteriaForActivation/<x>/ExitSpecificArea/Heading/MinimumHeading

Status	Occurrence	Format	Min. Access Types
Required	One	int	Get, Replace

This leaf node contains the minimum heading.

- Values: 0-359

10.2.97B3B40 /<x>/<x>/OnNetwork/FunctionalAliasList/<x>/Entry/ LocationCriteriaForActivation/<x>/ExitSpecificArea/Heading/ MaximumHeading

Table 10.2.97B3B40.1:

/<x>/<x>/OnNetwork/FunctionalAliasList/<x>/Entry/LocationCriteriaForActivation/<x>/ExitSpecificArea/Heading/MaximumHeading

<x>/OnNetwork/FunctionalAliasList/<x>/Entry/LocationCriteriaForActivation/<x>/ExitSpecificArea/Heading/MaximumHeading

Status	Occurrence	Format	Min. Access Types
Required	One	int	Get, Replace

This leaf node contains the maximum heading.

- Values: 0-359

10.2.97B3C /<x>/<x>/OnNetwork/FunctionalAliasList/<x>/Entry/ LocationCriteriaForDeactivation

Table 10.2.97B3C.1:

/<x>/<x>/OnNetwork/FunctionalAliasList/<x>/Entry/LocationCriteriaForDeactivation

<x>/OnNetwork/FunctionalAliasList/<x>/Entry/LocationCriteriaForDeactivation

Status	Occurrence	Format	Min. Access Types
Optional	ZeroOrOne	node	Get, Replace

This interior node contains the location criteria for de-activation of a functional alias.

10.2.97B3C0 /<x>/<x>/OnNetwork/FunctionalAliasList/<x>/Entry/ LocationCriteriaForDeactivation/<x>

Table 10.2.97B3C0.1:

/<x>/<x>/OnNetwork/FunctionalAliasList/<x>/Entry/LocationCriteriaForDeactivation/<x>

<x>/OnNetwork/FunctionalAliasList/<x>/Entry/LocationCriteriaForDeactivation/<x>

Status	Occurrence	Format	Min. Access Types
Optional	ZeroOrMore	node	Get, Replace

This interior node contains the zero or more location criteria for de-activation of a functional alias.

10.2.97B3C1 /<x>/<x>/OnNetwork/FunctionalAliasList/<x>/Entry/ LocationCriteriaForDeactivation/<x>/EnterSpecificArea

Table 10.2.97B3C1.1:

/<x>/<x>/OnNetwork/FunctionalAliasList/<x>/Entry/LocationCriteriaForDeactivation/<x>/EnterSpecificArea

<x>/OnNetwork/FunctionalAliasList/<x>/Entry/LocationCriteriaForDeactivation/<x>/EnterSpecificArea

Status	Occurrence	Format	Min. Access Types
Optional	ZeroOrOne	node	Get, Replace

This interior node contains a geographical area which when entered by the MC service UE triggers the functional alias de-activation.

10.2.97B3C2 /<x>/<x>/OnNetwork/FunctionalAliasList/<x>/Entry/ LocationCriteriaForDeactivation/<x>/EnterSpecificArea/ PolygonArea

Table 10.2.97B3C2.1:

**/<x>/<x>/OnNetwork/FunctionalAliasList/<x>/Entry/LocationCriteriaForDeactivation/<x>/EnterSpecific
Area/PolygonArea**

<x>/OnNetwork/FunctionalAliasList/<x>/Entry/LocationCriteriaForDeactivation/<x>/EnterSpecificArea/PolygonAr

Status	Occurrence	Format	Min. Access Types
Optional	ZeroOrOne	node	Get, Replace

This interior node contains a geographical area described by a polygon.

10.2.97B3C3 /<x>/<x>/OnNetwork/FunctionalAliasList/<x>/Entry/ LocationCriteriaForDeactivation/<x>/EnterSpecificArea/ PolygonArea/<x>

Table 10.2.97B3C3.1:

**/<x>/<x>/OnNetwork/FunctionalAliasList/<x>/Entry/LocationCriteriaForDeactivation/<x>/EnterSpecific
Area/PolygonArea/<x>**

<x>/OnNetwork/FunctionalAliasList/<x>/Entry/LocationCriteriaForDeactivation/<x>/EnterSpecificArea/PolygonAr
ea/<x>

Status	Occurrence	Format	Min. Access Types
Required	OneOrN	node	Get, Replace

This interior node contains the coordinates of the corners which define a polygon. The occurrence of this leaf node is "3 to 15" as per 3GPP TS 23.032 [21].

10.2.97B3C4 /<x>/<x>/OnNetwork/FunctionalAliasList/<x>/Entry/ LocationCriteriaForDeactivation/<x>/EnterSpecificArea/ PolygonArea/<x>/PointCoordinateType

Table 10.2.97B3C4.1:

**/<x>/<x>/OnNetwork/FunctionalAliasList/<x>/Entry/LocationCriteriaForDeactivation/<x>/EnterSpecific
Area/PolygonArea/<x>/PointCoordinateType**

<x>/OnNetwork/FunctionalAliasList/<x>/Entry/LocationCriteriaForDeactivation/<x>/EnterSpecificArea/PolygonAr
ea/<x>/PointCoordinateType

Status	Occurrence	Format	Min. Access Types
Required	One	node	Get, Replace

This interior node contains the coordinates of the center point of the ellipsoid arc.

10.2.97B3C5 /<x>/<x>/OnNetwork/FunctionalAliasList/<x>/Entry/LocationCriteriaForDeactivation/<x>/EnterSpecificArea/PolygonArea/<x>/PointCoordinateType/Longitude

Table 10.2.97B3C5.1:

/<x>/<x>/OnNetwork/FunctionalAliasList/<x>/Entry/LocationCriteriaForDeactivation/<x>/EnterSpecificArea/PolygonArea/<x>/PointCoordinateType/Longitude

<x>/OnNetwork/FunctionalAliasList/<x>/Entry/LocationCriteriaForDeactivation/<x>/EnterSpecificArea/PolygonArea/<x>/PointCoordinateType/Longitude

Status	Occurrence	Format	Min. Access Types
Required	One	int	Get, Replace

This leaf node contains the longitudinal coordinate of a corner.

- Values: 0-16777215

10.2.97B3C6 /<x>/<x>/OnNetwork/FunctionalAliasList/<x>/Entry/LocationCriteriaForDeactivation/<x>/EnterSpecificArea/PolygonArea/<x>/PointCoordinateType/Latitude

Table 10.2.97B3C6.1:

/<x>/<x>/OnNetwork/FunctionalAliasList/<x>/Entry/LocationCriteriaForDeactivation/<x>/EnterSpecificArea/PolygonArea/<x>/PointCoordinateType/Latitude

<x>/OnNetwork/FunctionalAliasList/<x>/Entry/LocationCriteriaForDeactivation/<x>/EnterSpecificArea/PolygonArea/<x>/PointCoordinateType/Latitude

Status	Occurrence	Format	Min. Access Types
Required	One	int	Get, Replace

This leaf node contains the latitudinal coordinate of a corner.

- Values: 0-16777215

10.2.97B3C7 /<x>/<x>/OnNetwork/FunctionalAliasList/<x>/Entry/LocationCriteriaForDeactivation/<x>/EnterSpecificArea/EllipsoidArcArea

Table 10.2.97B3C7.1:

/<x>/<x>/OnNetwork/FunctionalAliasList/<x>/Entry/LocationCriteriaForDeactivation/<x>/EnterSpecificArea/EllipsoidArcArea

<x>/OnNetwork/FunctionalAliasList/<x>/Entry/LocationCriteriaForDeactivation/<x>/EnterSpecificArea/EllipsoidArcArea

Status	Occurrence	Format	Min. Access Types
Optional	ZeroOrOne	node	Get, Replace

This interior node contains a geographical area described by an ellipsoid arc.

10.2.97B3C8 /<x>/<x>/OnNetwork/FunctionalAliasList/<x>/Entry/ LocationCriteriaForDeactivation/<x>/EnterSpecificArea/ EllipsoidArcArea/Center

Table 10.2.97B3C8.1:

/<x>/<x>/OnNetwork/FunctionalAliasList/<x>/Entry/LocationCriteriaForDeactivation/<x>/EnterSpecific Area/EllipsoidArcArea/Center

<x>/OnNetwork/FunctionalAliasList/<x>/Entry/LocationCriteriaForDeactivation/<x>/EnterSpecificArea/EllipsoidA
rcArea/Center

Status	Occurrence	Format	Min. Access Types
Required	One	node	Get, Replace

This interior node contains the coordinates of the center point of the ellipsoid arc.

10.2.97B3C9 /<x>/<x>/OnNetwork/FunctionalAliasList/<x>/Entry/ LocationCriteriaForDeactivation/<x>/EnterSpecificArea/ EllipsoidArcArea/Center/PointCoordinateType

Table 10.2.97B3C9.1:

/<x>/<x>/OnNetwork/FunctionalAliasList/<x>/Entry/LocationCriteriaForDeactivation/<x>/EnterSpecific Area/EllipsoidArcArea/Center/PointCoordinateType

<x>/OnNetwork/FunctionalAliasList/<x>/Entry/LocationCriteriaForDeactivation/<x>/EnterSpecificArea/EllipsoidA
rcArea/Center/PointCoordinateType

Status	Occurrence	Format	Min. Access Types
Required	One	node	Get, Replace

This interior node contains the coordinates of the center point of the ellipsoid arc.

10.2.97B3C10 /<x>/<x>/OnNetwork/FunctionalAliasList/<x>/Entry/ LocationCriteriaForDeactivation/<x>/EnterSpecificArea/ EllipsoidArcArea/Center/PointCoordinateType/Longitude

Table 10.2.97B3C10.1:

/<x>/<x>/OnNetwork/FunctionalAliasList/<x>/Entry/LocationCriteriaForDeactivation/<x>/EnterSpecific Area/EllipsoidArcArea/Center/PointCoordinateType/Longitude

<x>/OnNetwork/FunctionalAliasList/<x>/Entry/LocationCriteriaForDeactivation/<x>/EnterSpecificArea/EllipsoidA
rcArea/Center/PointCoordinateType/Longitude

Status	Occurrence	Format	Min. Access Types
Required	One	int	Get, Replace

This leaf node contains the longitudinal coordinate of the center.

- Values: 0-16777215

10.2.97B3C11 /<x>/<x>/OnNetwork/FunctionalAliasList/<x>/Entry/
LocationCriteriaForDeactivation/<x>/EnterSpecificArea/
EllipsoidArcArea/Center/PointCoordinateType/Latitude

Table 10.2.97B3C11.1:

**/<x>/<x>/OnNetwork/FunctionalAliasList/<x>/Entry/LocationCriteriaForDeactivation/<x>/EnterSpecific
Area/EllipsoidArcArea/Center/PointCoordinateType/Latitude**

<x>/OnNetwork/FunctionalAliasList/<x>/Entry/LocationCriteriaForDeactivation/<x>/EnterSpecificArea/EllipsoidA
rcArea/Center/PointCoordinateType/Latitude

Status	Occurrence	Format	Min. Access Types
Required	One	int	Get, Replace

This leaf node contains the latitudinal coordinate of the center.

- Values: 0-16777215

10.2.97B3C12 /<x>/<x>/OnNetwork/FunctionalAliasList/<x>/Entry/
LocationCriteriaForDeactivation/<x>/EnterSpecificArea/
EllipsoidArcArea/Radius

Table 10.2.97B3C12.1:

**/<x>/<x>/OnNetwork/FunctionalAliasList/<x>/Entry/LocationCriteriaForDeactivation/<x>/EnterSpecific
Area/EllipsoidArcArea/Radius**

<x>/OnNetwork/FunctionalAliasList/<x>/Entry/LocationCriteriaForDeactivation/<x>/EnterSpecificArea/EllipsoidA
rcArea/Radius

Status	Occurrence	Format	Min. Access Types
Required	One	int	Get, Replace

This leaf node contains the radius of the ellipsoid arc.

- Values: non-negative integer

10.2.97B3C13 /<x>/<x>/OnNetwork/FunctionalAliasList/<x>/Entry/
LocationCriteriaForDeactivation/<x>/EnterSpecificArea/
EllipsoidArcArea/OffsetAngle

Table 10.2.97B3C13.1:

**/<x>/<x>/OnNetwork/FunctionalAliasList/<x>/Entry/LocationCriteriaForDeactivation/<x>/EnterSpecific
Area/EllipsoidArcArea/OffsetAngle**

<x>/OnNetwork/FunctionalAliasList/<x>/Entry/LocationCriteriaForDeactivation/<x>/EnterSpecificArea/EllipsoidA
rcArea/OffsetAngle

Status	Occurrence	Format	Min. Access Types
Required	One	int	Get, Replace

This leaf node contains the offset angle of the ellipsoid arc.

- Values: 0-255

10.2.97B3C14 /<x>/<x>/OnNetwork/FunctionalAliasList/<x>/Entry/ LocationCriteriaForDeactivation/<x>/EnterSpecificArea/ EllipsoidArcArea/IncludedAngle

Table 10.2.97B3C14.1:

**/<x>/<x>/OnNetwork/FunctionalAliasList/<x>/Entry/LocationCriteriaForDeactivation/<x>/EnterSpecific
Area/EllipsoidArcArea/IncludedAngle**

<x>/OnNetwork/FunctionalAliasList/<x>/Entry/LocationCriteriaForDeactivation/<x>/EnterSpecificArea/EllipsoidA
rcArea/IncludedAngle

Status	Occurrence	Format	Min. Access Types
Required	One	int	Get, Replace

This leaf node contains the included angle of the ellipsoid arc.

- Values: 0-255

10.2.97B3C15 /<x>/<x>/OnNetwork/FunctionalAliasList/<x>/Entry/ LocationCriteriaForDeactivation/<x>/EnterSpecificArea/Speed

Table 10.2.97B3C15.1:

**/<x>/<x>/OnNetwork/FunctionalAliasList/<x>/Entry/LocationCriteriaForDeactivation/<x>/EnterSpecific
Area/Speed**

<x>/OnNetwork/FunctionalAliasList/<x>/Entry/LocationCriteriaForDeactivation/<x>/EnterSpecificArea/Speed

Status	Occurrence	Format	Min. Access Types
Optional	One	node	Get, Replace

This interior node contains the speed.

10.2.97B3C16 /<x>/<x>/OnNetwork/FunctionalAliasList/<x>/Entry/ LocationCriteriaForDeactivation/<x>/EnterSpecificArea/Speed/ MinimumSpeed

Table 10.2.97B3C16.1:

**/<x>/<x>/OnNetwork/FunctionalAliasList/<x>/Entry/LocationCriteriaForDeactivation/<x>/EnterSpecific
Area/Speed/MinimumSpeed**

<x>/OnNetwork/FunctionalAliasList/<x>/Entry/LocationCriteriaForDeactivation/<x>/EnterSpecificArea/Speed/Min
imumSpeed

Status	Occurrence	Format	Min. Access Types
Required	One	int	Get, Replace

This leaf node contains the minimum speed.

- Values: non-negative integer in units of kilometers/hour.

10.2.97B3C17 /<x>/<x>/OnNetwork/FunctionalAliasList/<x>/Entry/
LocationCriteriaForDeactivation/<x>/EnterSpecificArea/Speed/
MaximumSpeed

Table 10.2.97B3C17.1:

**/<x>/<x>/OnNetwork/FunctionalAliasList/<x>/Entry/LocationCriteriaForDeactivation/<x>/EnterSpecific
Area/Speed/MaximumSpeed**

<x>/OnNetwork/FunctionalAliasList/<x>/Entry/LocationCriteriaForDeactivation/<x>/EnterSpecificArea/Speed/Max
imumSpeed

Status	Occurrence	Format	Min. Access Types
Required	One	int	Get, Replace

This leaf node contains the maximum speed.

- Values: non-negative integer in units of kilometers/hour.

10.2.97B3C18 /<x>/<x>/OnNetwork/FunctionalAliasList/<x>/Entry/
LocationCriteriaForDeactivation/<x>/EnterSpecificArea/Heading

Table 10.2.97B3C18.1:

**/<x>/<x>/OnNetwork/FunctionalAliasList/<x>/Entry/LocationCriteriaForDeactivation/<x>/EnterSpecific
Area/Heading**

<x>/OnNetwork/FunctionalAliasList/<x>/Entry/LocationCriteriaForDeactivation/<x>/EnterSpecificArea/Heading

Status	Occurrence	Format	Min. Access Types
Optional	One	node	Get, Replace

This interior node contains the heading.

10.2.97B3C19 /<x>/<x>/OnNetwork/FunctionalAliasList/<x>/Entry/
LocationCriteriaForDeactivation/<x>/EnterSpecificArea/Heading/
MinimumHeading

Table 10.2.97B3C19.1:

**/<x>/<x>/OnNetwork/FunctionalAliasList/<x>/Entry/LocationCriteriaForDeactivation/<x>/EnterSpecific
Area/Heading/MinimumHeading**

<x>/OnNetwork/FunctionalAliasList/<x>/Entry/LocationCriteriaForDeactivation/<x>/EnterSpecificArea/Heading/M
inimumHeading

Status	Occurrence	Format	Min. Access Types
Required	One	int	Get, Replace

This leaf node contains the minimum heading.

- Values: 0-359

10.2.97B3C20 /<x>/<x>/OnNetwork/FunctionalAliasList/<x>/Entry/LocationCriteriaForDeactivation/<x>/EnterSpecificArea/Heading/MaximumHeading

Table 10.2.97B3C20.1:

/<x>/<x>/OnNetwork/FunctionalAliasList/<x>/Entry/LocationCriteriaForDeactivation/<x>/EnterSpecificArea/Heading/MaximumHeading

<x>/OnNetwork/FunctionalAliasList/<x>/Entry/LocationCriteriaForDeactivation/<x>/EnterSpecificArea/Heading/MaximumHeading

Status	Occurrence	Format	Min. Access Types
Required	One	int	Get, Replace

This leaf node contains the maximum heading.

- Values: 0-359

10.2.97B3C21 /<x>/<x>/OnNetwork/FunctionalAliasList/<x>/Entry/LocationCriteriaForDeactivation/<x>/ExitSpecificArea

Table 10.2.97B3C21.1:

/<x>/<x>/OnNetwork/FunctionalAliasList/<x>/Entry/LocationCriteriaForDeactivation/<x>/ExitSpecificArea

<x>/OnNetwork/FunctionalAliasList/<x>/Entry/LocationCriteriaForDeactivation/<x>/ExitSpecificArea

Status	Occurrence	Format	Min. Access Types
Optional	ZeroOrOne	node	Get, Replace

This interior node contains a geographical area which when exited by the MC service UE triggers the functional alias de-activation.

10.2.97B3C22 /<x>/<x>/OnNetwork/FunctionalAliasList/<x>/Entry/LocationCriteriaForDeactivation/<x>/ExitSpecificArea/PolygonArea

Table 10.2.97B3C22.1:

/<x>/<x>/OnNetwork/FunctionalAliasList/<x>/Entry/LocationCriteriaForDeactivation/<x>/ExitSpecificArea/PolygonArea

<x>/OnNetwork/FunctionalAliasList/<x>/Entry/LocationCriteriaForDeactivation/<x>/ExitSpecificArea/PolygonArea

Status	Occurrence	Format	Min. Access Types
Optional	ZeroOrOne	node	Get, Replace

This interior node contains a geographical area described by a polygon.

10.2.97B3C23 /<x>/<x>/OnNetwork/FunctionalAliasList/<x>/Entry/
LocationCriteriaForDeactivation/<x>/ExitSpecificArea/
PolygonArea/<x>

Table 10.2.97B3C23.1:

**/<x>/<x>/OnNetwork/FunctionalAliasList/<x>/Entry/LocationCriteriaForDeactivation/<x>/ExitSpecificArea/
PolygonArea/<x>**

<x>/OnNetwork/FunctionalAliasList/<x>/Entry/LocationCriteriaForDeactivation/<x>/ExitSpecificArea/
PolygonArea/<x>

Status	Occurrence	Format	Min. Access Types
Required	OneOrN	node	Get, Replace

This interior node contains the coordinates of the corners which define a polygon. The occurrence of this leaf node is "3 to 15" as per 3GPP TS 23.032 [21].

10.2.97B3C24 /<x>/<x>/OnNetwork/FunctionalAliasList/<x>/Entry/
LocationCriteriaForDeactivation/<x>/ExitSpecificArea/
PolygonArea/<x>/PointCoordinateType

Table 10.2.97B3C24.1:

**/<x>/<x>/OnNetwork/FunctionalAliasList/<x>/Entry/LocationCriteriaForDeactivation/<x>/ExitSpecificArea/
PolygonArea/<x>/PointCoordinateType**

<x>/OnNetwork/FunctionalAliasList/<x>/Entry/LocationCriteriaForDeactivation/<x>/ExitSpecificArea/
PolygonArea/<x>/PointCoordinateType

Status	Occurrence	Format	Min. Access Types
Required	One	node	Get, Replace

This interior node contains the coordinates of the center point of the ellipsoid arc.

10.2.97B3C25 /<x>/<x>/OnNetwork/FunctionalAliasList/<x>/Entry/
LocationCriteriaForDeactivation/<x>/ExitSpecificArea/
PolygonArea/<x>/PointCoordinateType/Longitude

Table 10.2.97B3C25.1:

**/<x>/<x>/OnNetwork/FunctionalAliasList/<x>/Entry/LocationCriteriaForDeactivation/<x>/ExitSpecificArea/
PolygonArea/<x>/PointCoordinateType/Longitude**

<x>/OnNetwork/FunctionalAliasList/<x>/Entry/LocationCriteriaForDeactivation/<x>/ExitSpecificArea/
PolygonArea/<x>/PointCoordinateType/Longitude

Status	Occurrence	Format	Min. Access Types
Required	One	int	Get, Replace

This leaf node contains the longitudinal coordinate of a corner.

- Values: 0-16777215

10.2.97B3C26 /<x>/<x>/OnNetwork/FunctionalAliasList/<x>/Entry/
LocationCriteriaForDeactivation/<x>/ExitSpecificArea/
PolygonArea/<x>/PointCoordinateType/Latitude

Table 10.2.97B3C26.1:

/<x>/<x>/OnNetwork/FunctionalAliasList/<x>/Entry/LocationCriteriaForDeactivation/<x>/ExitSpecificArea/PolygonArea/<x>/PointCoordinateType/Latitude

<x>/OnNetwork/FunctionalAliasList/<x>/Entry/LocationCriteriaForDeactivation/<x>/ExitSpecificArea/PolygonArea/<x>/PointCoordinateType/Latitude

Status	Occurrence	Format	Min. Access Types
Required	One	int	Get, Replace

This leaf node contains the latitudinal coordinate of a corner.

- Values: 0-16777215

10.2.97B3C27 /<x>/<x>/OnNetwork/FunctionalAliasList/<x>/Entry/
LocationCriteriaForDeactivation/<x>/ExitSpecificArea/
EllipsoidArcArea

Table 10.2.97B3C27.1:

/<x>/<x>/OnNetwork/FunctionalAliasList/<x>/Entry/LocationCriteriaForDeactivation/<x>/ExitSpecificArea/EllipsoidArcArea

<x>/OnNetwork/FunctionalAliasList/<x>/Entry/LocationCriteriaForDeactivation/<x>/ExitSpecificArea/EllipsoidArcArea

Status	Occurrence	Format	Min. Access Types
Optional	ZeroOrOne	node	Get, Replace

This interior node contains a geographical area described by an ellipsoid arc.

10.2.97B3C28 /<x>/<x>/OnNetwork/FunctionalAliasList/<x>/Entry/
LocationCriteriaForDeactivation/<x>/ExitSpecificArea/
EllipsoidArcArea/Center

Table 10.2.97B3C28.1:

/<x>/<x>/OnNetwork/FunctionalAliasList/<x>/Entry/LocationCriteriaForDeactivation/<x>/ExitSpecificArea/EllipsoidArcArea/Center

<x>/OnNetwork/FunctionalAliasList/<x>/Entry/LocationCriteriaForDeactivation/<x>/ExitSpecificArea/EllipsoidArcArea/Center

Status	Occurrence	Format	Min. Access Types
Required	One	node	Get, Replace

This interior node contains the coordinates of the center point of the ellipsoid arc.

10.2.97B3C29 /<x>/<x>/OnNetwork/FunctionalAliasList/<x>/Entry/
LocationCriteriaForDeactivation/<x>/ExitSpecificArea/
EllipsoidArcArea/Center/PointCoordinateType

Table 10.2.97B3C29.1:

/<x>/<x>/OnNetwork/FunctionalAliasList/<x>/Entry/LocationCriteriaForDeactivation/<x>/ExitSpecificArea/EllipsoidArcArea/Center/PointCoordinateType

<x>/OnNetwork/FunctionalAliasList/<x>/Entry/LocationCriteriaForDeactivation/<x>/ExitSpecificArea/EllipsoidArcArea/Center/PointCoordinateType

Status	Occurrence	Format	Min. Access Types
Required	One	node	Get, Replace

This interior node contains the coordinates of the center point of the ellipsoid arc.

10.2.97B3C30 /<x>/<x>/OnNetwork/FunctionalAliasList/<x>/Entry/
LocationCriteriaForDeactivation/<x>/ExitSpecificArea/
EllipsoidArcArea/Center/PointCoordinateType/Longitude

Table 10.2.97B3C30.1:

/<x>/<x>/OnNetwork/FunctionalAliasList/<x>/Entry/LocationCriteriaForDeactivation/<x>/ExitSpecificArea/EllipsoidArcArea/Center/PointCoordinateType/Longitude

<x>/OnNetwork/FunctionalAliasList/<x>/Entry/LocationCriteriaForDeactivation/<x>/ExitSpecificArea/EllipsoidArcArea/Center/PointCoordinateType/Longitude

Status	Occurrence	Format	Min. Access Types
Required	One	int	Get, Replace

This leaf node contains the longitudinal coordinate of the center.

- Values: 0-16777215

10.2.97B3C31 /<x>/<x>/OnNetwork/FunctionalAliasList/<x>/Entry/
LocationCriteriaForDeactivation/<x>/ExitSpecificArea/
EllipsoidArcArea/Center/PointCoordinateType/Latitude

Table 10.2.97B3C31.1:

/<x>/<x>/OnNetwork/FunctionalAliasList/<x>/Entry/LocationCriteriaForDeactivation/<x>/ExitSpecificArea/EllipsoidArcArea/Center/PointCoordinateType/Latitude

<x>/OnNetwork/FunctionalAliasList/<x>/Entry/LocationCriteriaForDeactivation/<x>/ExitSpecificArea/EllipsoidArcArea/Center/PointCoordinateType/Latitude

Status	Occurrence	Format	Min. Access Types
Required	One	int	Get, Replace

This leaf node contains the latitudinal coordinate of the center.

- Values: 0-16777215

10.2.97B3C32 /<x>/<x>/OnNetwork/FunctionalAliasList/<x>/Entry/ LocationCriteriaForDeactivation/<x>/ExitSpecificArea/ EllipsoidArcArea/Radius

Table 10.2.97B3C32.1:

/<x>/<x>/OnNetwork/FunctionalAliasList/<x>/Entry/LocationCriteriaForDeactivation/<x>/ExitSpecificA rea/EllipsoidArcArea/Radius

<x>/OnNetwork/FunctionalAliasList/<x>/Entry/LocationCriteriaForDeactivation/<x>/ExitSpecificArea/EllipsoidArc
Area/Radius

Status	Occurrence	Format	Min. Access Types
Required	One	int	Get, Replace

This leaf node contains the radius of the ellipsoid arc.

- Values: non-negative integer

10.2.97B3C33 /<x>/<x>/OnNetwork/FunctionalAliasList/<x>/Entry/ LocationCriteriaForDeactivation/<x>/ExitSpecificArea/ EllipsoidArcArea/OffsetAngle

Table 10.2.97B3C33.1:

/<x>/<x>/OnNetwork/FunctionalAliasList/<x>/Entry/LocationCriteriaForDeactivation/<x>/ExitSpecificA rea/EllipsoidArcArea/OffsetAngle

<x>/OnNetwork/FunctionalAliasList/<x>/Entry/LocationCriteriaForDeactivation/<x>/ExitSpecificArea/EllipsoidArc
Area/OffsetAngle

Status	Occurrence	Format	Min. Access Types
Required	One	int	Get, Replace

This leaf node contains the offset angle of the ellipsoid arc.

- Values: 0-255

10.2.97B3C34 /<x>/<x>/OnNetwork/FunctionalAliasList/<x>/Entry/ LocationCriteriaForDeactivation/<x>/ExitSpecificArea/ EllipsoidArcArea/IncludedAngle

Table 10.2.97B3C34.1:

/<x>/<x>/OnNetwork/FunctionalAliasList/<x>/Entry/LocationCriteriaForDeactivation/<x>/ExitSpecificA rea/EllipsoidArcArea/IncludedAngle

<x>/OnNetwork/FunctionalAliasList/<x>/Entry/LocationCriteriaForDeactivation/<x>/ExitSpecificArea/EllipsoidArc
Area/IncludedAngle

Status	Occurrence	Format	Min. Access Types
Required	One	int	Get, Replace

This leaf node contains the included angle of the ellipsoid arc.

- Values: 0-255

10.2.97B3C35 /<x>/<x>/OnNetwork/FunctionalAliasList/<x>/Entry/ LocationCriteriaForDeactivation/<x>/ExitSpecificArea/Speed

Table 10.2.97B3C35.1:

/<x>/<x>/OnNetwork/FunctionalAliasList/<x>/Entry/LocationCriteriaForDeactivation/<x>/ExitSpecificArea/Speed

<x>/OnNetwork/FunctionalAliasList/<x>/Entry/LocationCriteriaForDeactivation/<x>/ExitSpecificArea/Speed

Status	Occurrence	Format	Min. Access Types
Optional	One	node	Get, Replace

This interior node contains the speed.

10.2.97B3C36 /<x>/<x>/OnNetwork/FunctionalAliasList/<x>/Entry/ LocationCriteriaForDeactivation/<x>/ExitSpecificArea/Speed/ MinimumSpeed

Table 10.2.97B3C36.1:

/<x>/<x>/OnNetwork/FunctionalAliasList/<x>/Entry/LocationCriteriaForDeactivation/<x>/ExitSpecificArea/Speed/MinimumSpeed

<x>/OnNetwork/FunctionalAliasList/<x>/Entry/LocationCriteriaForDeactivation/<x>/ExitSpecificArea/Speed/MinimumSpeed

Status	Occurrence	Format	Min. Access Types
Required	One	int	Get, Replace

This leaf node contains the minimum speed.

- Values: non-negative integer in units of kilometers/hour.

10.2.97B3C37 /<x>/<x>/OnNetwork/FunctionalAliasList/<x>/Entry/ LocationCriteriaForDeactivation/<x>/ExitSpecificArea/Speed/ MaximumSpeed

Table 10.2.97B3C37.1:

/<x>/<x>/OnNetwork/FunctionalAliasList/<x>/Entry/LocationCriteriaForDeactivation/<x>/ExitSpecificArea/Speed/MaximumSpeed

<x>/OnNetwork/FunctionalAliasList/<x>/Entry/LocationCriteriaForDeactivation/<x>/ExitSpecificArea/Speed/MaximumSpeed

Status	Occurrence	Format	Min. Access Types
Required	One	int	Get, Replace

This leaf node contains the maximum speed.

- Values: non-negative integer in units of kilometers/hour.

10.2.97B3C38 /<x>/<x>/OnNetwork/FunctionalAliasList/<x>/Entry/ LocationCriteriaForDeactivation/<x>/ExitSpecificArea/Heading

Table 10.2.97B3C38.1:

/<x>/<x>/OnNetwork/FunctionalAliasList/<x>/Entry/LocationCriteriaForDeactivation/<x>/ExitSpecificArea/Heading

<x>/OnNetwork/FunctionalAliasList/<x>/Entry/LocationCriteriaForDeactivation/<x>/ExitSpecificArea/Heading

Status	Occurrence	Format	Min. Access Types
Optional	One	node	Get, Replace

This interior node contains the heading.

10.2.97B3C39 /<x>/<x>/OnNetwork/FunctionalAliasList/<x>/Entry/ LocationCriteriaForDeactivation/<x>/ExitSpecificArea/Heading/ MinimumHeading

Table 10.2.97B3C39.1:

/<x>/<x>/OnNetwork/FunctionalAliasList/<x>/Entry/LocationCriteriaForDeactivation/<x>/ExitSpecificArea/Heading/MinimumHeading

<x>/OnNetwork/FunctionalAliasList/<x>/Entry/LocationCriteriaForDeactivation/<x>/ExitSpecificArea/Heading/MinimumHeading

Status	Occurrence	Format	Min. Access Types
Required	One	int	Get, Replace

This leaf node contains the minimum heading.

- Values: 0-359

10.2.97B3C40 /<x>/<x>/OnNetwork/FunctionalAliasList/<x>/Entry/ LocationCriteriaForDeactivation/<x>/ExitSpecificArea/Heading/ MaximumHeading

Table 10.2.97B3C40.1:

/<x>/<x>/OnNetwork/FunctionalAliasList/<x>/Entry/LocationCriteriaForDeactivation/<x>/ExitSpecificArea/Heading/MaximumHeading

<x>/OnNetwork/FunctionalAliasList/<x>/Entry/LocationCriteriaForDeactivation/<x>/ExitSpecificArea/Heading/MaximumHeading

Status	Occurrence	Format	Min. Access Types
Required	One	int	Get, Replace

This leaf node contains the maximum heading.

- Values: 0-359

10.2.97B3D /<x>/<x>/OnNetwork/FunctionalAliasList/<x>/Entry/ ManualDeactivationNotAllowedIfLocationCriteriaMet

Table 10.2.97B3D.1:

/<x>/<x>/OnNetwork/FunctionalAliasList/<x>/Entry/ManualDeactivationNotAllowedIfLocationCriteriaMet

<x>/OnNetwork/FunctionalAliasList/<x>/Entry/ManualDeactivationNotAllowedIfLocationCriteriaMet

Status	Occurrence	Format	Min. Access Types
Optional	ZeroOrOne	bool	Get, Replace

This leaf node indicates whether the MCDData user is authorised to de-activate a functional alias if the location criteria are met.

10.2.97C /<x>/<x>/OnNetwork/AllowedQueryFunctionalAliasOtherUser

Table 10.2.97C.1: /<x>/<x>/OnNetwork/AllowedQueryFunctionalAliasOtherUser

<x>/OnNetwork/AllowedQueryFunctionalAliasOtherUser

Status	Occurrence	Format	Min. Access Types
Required	One	bool	Get, Replace

This leaf node indicates whether the MCDData user is authorised query the functional alias(es) activated by another MCDData user.

When set to "true" the MCDData user is authorised to query the functional alias(es) activated by another MCDData user.

When set to "false" the MCDData user is not authorised to query the functional alias(es) activated by another MCDData user.

10.2.97D /<x>/<x>/OnNetwork/AllowedTakeoverFunctionalAliasOtherUser

Table 10.2.97D.1: /<x>/<x>/OnNetwork/AllowedTakeoverFunctionalAliasOtherUser

<x>/OnNetwork/AllowedTakeoverFunctionalAliasOtherUser

Status	Occurrence	Format	Min. Access Types
Required	One	bool	Get, Replace

This leaf node indicates whether the MCDData user is authorised to take over the functional alias(es) previously activated by another MCDData user.

When set to "true" the MCDData user is authorised to take over the functional alias(es) previously activated by another MCDData user.

When set to "false" the MCDData user is not authorised to take over the functional alias(es) previously activated by another MCDData user.

10.2.97E/<x>/<x>/OnNetwork/MessageStoreHostname

Table 10.2.97E.1: /<x>/<x>/OnNetwork/MessageStoreHostname

<x>/OnNetwork/MessageStoreHostname

Status	Occurrence	Format	Min. Access Types
Required	One	chr	Get, Replace

This leaf node indicates value of the hostname identifying the message store function.

The value is a string.

10.2.97F /<x>/<x>/OnNetwork/AuthorisedIncomingAny

Table 10.2.97F.1: /<x>/<x>/OnNetwork/AuthorisedIncomingAny

<x>/OnNetwork/AuthorisedIncomingAny

Status	Occurrence	Format	Min. Access Types
Required	One	bool	Get, Replace

This leaf node indicates the authorisation to receive MCDData communication from any MCDData user.

When set to "true" the MCDData user is authorised to receive MCDData communication from any MCDData user.

When set to "false" the MCDData user is not authorised to receive an MCDData communication from any MCDData user, but only from the MCDData users contained in the IncomingUserList.

10.2.97G /<x>/<x>/OnNetwork/IncomingUserList

Table 10.2.97G.1: /<x>/<x>/OnNetwork/IncomingUserList

<x>/OnNetwork/IncomingUserList

Status	Occurrence	Format	Min. Access Types
Required	One	node	Get, Replace

This interior node is a placeholder for a list of MCDData user(s) who are authorised to initiate one-to-one MCDData communication to the configured MCDData user.

10.2.97G1 /<x>/<x>/OnNetwork/IncomingUserList/<x>

Table 10.2.97G1.1: /<x>/<x>/OnNetwork/IncomingUserList/<x>

<x>/OnNetwork/IncomingUserList/<x>

Status	Occurrence	Format	Min. Access Types
Optional	OneOrMore	node	Get, Replace

This interior node is a placeholder for one or more list of MCDData users who are authorised to initiate one-to-one MCDData communication to the configured MCDData user.

10.2.97G2 /<x>/<x>/OnNetwork/IncomingUserList/<x>/Entry

Table 10.2.97G2.1: /<x>/<x>/OnNetwork/IncomingUserList/<x>/Entry

<x>/OnNetwork/IncomingUserList/<x>/Entry

Status	Occurrence	Format	Min. Access Types
Required	One	node	Get, Replace

This interior node is a placeholder for one or more MCDData users who are authorised to initiate one-to-one MCDData communication to the configured MCDData user.

10.2.97G3 /<x>/<x>/OnNetwork/IncomingUserList/<x>/Entry/MCDataID

Table 10.2.97G3.1: /<x>/<x>/OnNetwork/IncomingUserList/<x>/Entry/MCDataID

<x>/OnNetwork/IncomingUserList/<x>/Entry/MCDataID

Status	Occurrence	Format	Min. Access Types
Optional	One	chr	Get, Replace

This leaf node indicates an MCData user identity (MCData ID) which is a globally unique identifier within the MCData service that represents the MCData user.

The value is a "uri" attribute specified in OMA OMA-TS-XDM_Group-V1_1 [4].

10.2.97G4 /<x>/<x>/OnNetwork/IncomingUserList/<x>/Entry/MCDataDKMSURI

Table 10.2.97G4.1: /<x>/<x>/OnNetwork/IncomingUserList/<x>/Entry/MCDataDKMSURI

<x>/OnNetwork/IncomingUserList/<x>/Entry/MCDataDKMSURI

Status	Occurrence	Format	Min. Access Types
Optional	One	chr	Get, Replace

This leaf node indicates the identity (URI) of the KMS associated with the MCDataID of an MCData user who is authorised to initiate a one-to-one communication to the configured MCData user.

The value is a URI as specified in 3GPP TS 23.003 [5].

10.2.98 /<x>/<x>/OffNetwork

Table 10.2.98.1: /<x>/<x>/OffNetwork

<x>/OffNetwork

Status	Occurrence	Format	Min. Access Types
Required	ZeroOrOne	node	Get, Replace

This interior node represents a container for off-network operation.

10.2.99 /<x>/<x>/OffNetwork/Authorised

Table 10.2.99.1: /<x>/<x>/OffNetwork/Authorised

<x>/OffNetwork/Authorised

Status	Occurrence	Format	Min. Access Types
Required	One	bool	Get, Replace

This leaf node indicates the authorisation for off-network services.

When set to "true" the MCData user is authorised for off-network.

When set to "false" the MCData user is not authorised for off-network operation.

10.2.100 /<x>/<x>/OffNetwork/MCDataGroupList

Table 10.2.100.1: /<x>/<x>/OffNetwork/MCDataGroupList

<x>/OffNetwork/MCDataGroupList

Status	Occurrence	Format	Min. Access Types
Required	One	node	Get, Replace

This interior node is a placeholder for the list of off-network MCData groups that the MCData user is allowed to use.

10.2.101 /<x>/<x>/OffNetwork/MCDataGroupList/<x>

Table 10.2.101.1: /<x>/<x>/OffNetwork/MCDataGroupList/<x>

<x>/OffNetwork/MCDataGroupList/<x>

Status	Occurrence	Format	Min. Access Types
Required	OneOrMore	node	Get, Replace

This interior node is a placeholder for one or more list of off-network MCData groups that the MCData user is allowed to use.

10.2.102 /<x>/<x>/OffNetwork/MCDataGroupList/<x>/Entry

Table 10.2.102.1: /<x>/<x>/OffNetwork/MCDataGroupList/<x>/Entry

<x>/OffNetwork/MCDataGroupList/<x>/Entry

Status	Occurrence	Format	Min. Access Types
Optional	One	node	Get, Replace

This interior node is a placeholder for the details of the off-network MCData groups that the MCData user is allowed to use.

10.2.103 /<x>/<x>/OffNetwork/MCDataGroupList/<x>/Entry/ MCDataGroupID

Table 10.2.103.1: /<x>/<x>/OffNetwork/MCDataGroupList/<x>/Entry/MCDataGroupID

<x>/OffNetwork/MCDataGroupList/<x>/Entry/MCDataGroupID

Status	Occurrence	Format	Min. Access Types
Required	One	chr	Get, Replace

This leaf node indicates the MCData group ID for the off-network MCData group that the MCData user is allowed to use.

The value is a "uri" attribute specified in OMA OMA-TS-XDM_Group-V1_1 [4].

10.2.104 /<x>/<x>/OffNetwork/MCDataGroupList/<x>/Entry/DisplayName

Table 10.2.104.1: /<x>/<x>/OffNetwork/MCDataGroupList/<x>/Entry/DisplayName

<x>/OffNetwork/MCDataGroupList/<x>/Entry/DisplayName

Status	Occurrence	Format	Min. Access Types

Optional	One	chr	Get, Replace
----------	-----	-----	--------------

This leaf node contains a human readable name that corresponds to the MCDData Group ID.

10.2.105 Void

10.2.106 Void

10.2.107 /<x>/<x>/OffNetwork/MCDDataGroupList/<x>/Entry/GMSServID

Table 10.2.107.1: /<x>/<x>/OffNetwork/MCDDataGroupList/<x>/Entry/GMSServID

<x>/OffNetwork/MCDDataGroupList/<x>/Entry/GMSServID

Status	Occurrence	Format	Min. Access Types
Optional	One	chr	Get, Replace

This leaf node indicates the identity (URI) of the group management server hosting the MCDData Group ID.

10.2.108 Void

10.2.109 Void

10.2.110 /<x>/<x>/OffNetwork/MCDDataGroupList/<x>/Entry/IdMSTokenEndPoint

Table 10.2.110.1: /<x>/<x>/OffNetwork/MCDDataGroupList/<x>/Entry/IdMSTokenEndPoint

<x>/OffNetwork/MCDDataGroupList/<x>/Entry/IdMSTokenEndPoint

Status	Occurrence	Format	Min. Access Types
Optional	One	chr	Get, Replace

This leaf node indicates the identity (URI) of the IDMS token endpoint for the MCDData Group ID in the MCDDataGroupList. If the value is empty, the IDMS identities (IDMSAuthEndPoint and IDMSTokenEndPoint) present in the MCS UE initial configuration MO are used.

10.2.110A /<x>/<x>/OffNetwork/MCDDataGroupList/<x>/Entry/GroupKMSURI

Table 10.2.110A.1: /<x>/<x>/OffNetwork/MCDDataGroupList/<x>/Entry/GroupKMSURI

<x>/OffNetwork/MCDDataGroupList/<x>/Entry/GroupKMSURI

Status	Occurrence	Format	Min. Access Types
Required	One	chr	Get, Replace

This leaf node indicates key management server URI for the security domain of the MCDData group identity (MCDData Group ID) of the off-network MCDData group

The value is a URI as specified in 3GPP TS 23.003 [5].

10.2.111 /<x>/<x>/OffNetwork/MCDataGroupList/<x>/Entry/RelativePresentationPriority

Table 10.2.111.1: /<x>/<x>/OffNetwork/MCDataGroupList/<x>/Entry/RelativePresentationPriority

<x>/OffNetwork/MCDataGroupList/<x>/Entry/RelativePresentationPriority

Status	Occurrence	Format	Min. Access Types
Optional	One	int	Get, Replace

This leaf node indicates indicating the presentation priority of the off-network group for the MCData user relative to other off-network groups and off-network users.

- Values: 0-255

The lowest RelativePresentationPriority value shall be considered as the MCData group transaction having the lowest priority for presentation among other group MCData and one-to-one user transactions.

10.2.112 /<x>/<x>/OffNetwork/UserInfoID

Table 10.2.112.1: /<x>/<x>/OffNetwork/UserInfoID

<x>/OffNetwork/UserInfoID

Status	Occurrence	Format	Min. Access Types
Required	One	chr	Get, Replace

This leaf node indicates the ProSe user info ID as specified in 3GPP TS 23.303 [6].

10.2.113 Void

10.2.114 Void

10.2.115 Void

10.2.116 Void

10.2.117 Void

10.2.118 Void

10.2.119 Void

10.2.120 Void

10.2.121 /<x>/Status

Table 10.2.121.1: /<x>/Status

Status

Status	Occurrence	Format	Min. Access Types
Optional	One	bool	Get, Replace

This leaf node indicates whether this MCDData user profile is enabled or disabled.

When set to "true" this MCDData user profile is enabled.

When set to "false" this MCDData user profile is disabled.

11 MCDData service configuration MO

11.1 General

The MCDData service configuration Management Object (MO) is used to configure MCDData Client behaviour for the on-network or off-network MCDData Service. The MCDData service configuration parameters may be stored in the ME, or in the USIM as specified in 3GPP TS 31.102 [10], or in both the ME and the USIM. If both the ME and the USIM contain the same parameters, the values stored in the USIM shall take precedence.

The Management Object Identifier is: urn:oma:mo:ext-3gpp-MCDData-service-configuration:1.0.

Protocol compatibility: This MO is compatible with OMA OMA DM 1.2 [3].

The OMA DM ACL property mechanism (see OMA OMA-ERELED-DM-V1_2 [2]) may be used to grant or deny access rights to OMA DM servers in order to modify nodes and leaf objects of the MCDData service configuration MO.

The following nodes and leaf objects are possible under the MCDData service configuration node as described in figure 11.1.1.

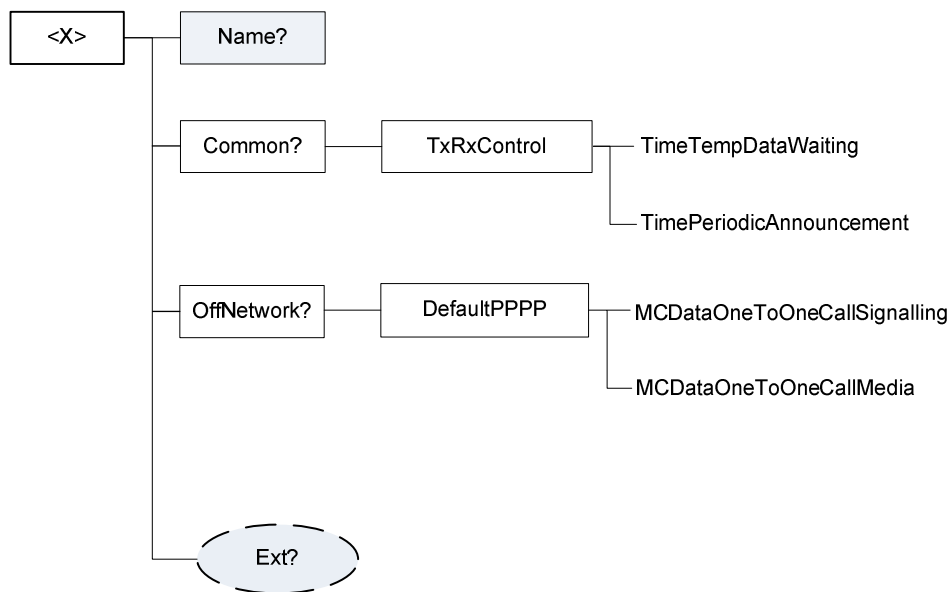


Figure 11.1.1: The MCDData service configuration MO

11.2 MCDData service configuration MO parameters

11.2.1 General

This clause describes the parameters for the MCDData service configuration Management Object (MO).

11.2.2 Node: <x>

Table 11.2.2.1: Node: <x>

<x>

Status	Occurrence	Format	Min. Access Types
Required	OneOrMore	node	Get

This interior node acts as a placeholder for the MCDATA service configuration Management Object (MO).

For the MCDATA service configuration MO, the namespace specific string is: "urn:oma:mo:oma-dm-mcdata-service configuration:1.0"

- Values: N/A

11.2.3 /<x>/Name

Table 11.2.3.1: /<x>/Name

Name

Status	Occurrence	Format	Min. Access Types
Required	ZeroOrOne	chr	Get

The Name leaf is a name for the MCDATA service configuration settings.

- Values: <User displayable name>

11.2.4 /<x>/Ext/

Table 11.2.4.1: /<x>/Ext/

Ext

Status	Occurrence	Format	Min. Access Types
Optional	ZeroOrOne	node	Get, Replace

The Ext is an interior node for where the vendor specific information about the MCDATA service configuration MO is being placed.

Usually the vendor extension is identified by vendor specific name under the ext node and contains the vendor meaning application vendor, device vendor etc. The tree structure under the vendor identified is not defined and can therefore include one or more un-standardized sub-trees.

- Values: N/A

11.2.5 /<x>/Common

Table 11.2.5.1: /<x>/Common

Common

Status	Occurrence	Format	Min. Access Types
Required	ZeroOrOne	node	Get, Replace

This interior node represents a container for the common network operation which means both on-network operation and off-network operation.

11.2.6 /<x>/Common/TxRxControl

Table 11.2.6.1: /<x>/Common/TxRxControl

Common/TxRxControl

Status	Occurrence	Format	Min. Access Types
Required	One	node	Get, Replace

This interior node is a placeholder for transmission and reception control configuration.

11.2.7 /<x>/Common/TxRxControl/TimeTempDataWaiting

Table 11.2.7.1: /<x>/Common/TxRxControl/TimeTempDataWaiting

Common/TxRxControl/TimeTempDataWaiting

Status	Occurrence	Format	Min. Access Types
Required	One	int	Get, Replace

This leaf node indicates the time limit for the temporarily stored data that is waiting to be delivered to a receiving user.

- Values: 0-65535

The TimeTempDataWaiting is in minutes.

11.2.8 /<x>/Common/TxRxControl/TimePeriodicAnnouncement

Table 11.2.8.1: /<x>/Common/TxRxControl/TimePeriodicAnnouncement

Common/TxRxControl/TimePeriodicAnnouncement

Status	Occurrence	Format	Min. Access Types
Required	One	int	Get, Replace

This leaf node indicates the timer for the periodic announcement which contains a list of available recently invited data group communications.

- Values: 0-65535

The TimePeriodicAnnouncement is in minutes.

11.2.9 /<x>/OffNetwork

Table 11.2.9.1: /<x>/OffNetwork

OffNetwork

Status	Occurrence	Format	Min. Access Types
Required	ZeroOrOne	node	Get, Replace

This interior node represents a container for off-network operation.

11.2.10 /<x>/OffNetwork/DefaultPPPP

Table 11.2.10.1: /<x>/OffNetwork/DefaultPPPP

OffNetwork/DefaultPPPP

Status	Occurrence	Format	Min. Access Types
Required	One	node	Get, Replace

This interior node is a placeholder for the default ProSe Per-Packet Priority (PPPP) configuration.

11.2.11 /<x>/OffNetwork/DefaultPPPP/MCDataOneToOneCallSignalling

Table 11.2.11.1: /<x>/OffNetwork/DefaultPPPP/MCDataOneToOneCallSignalling

OffNetwork/DefaultPPPP/MCDataOneToOneCallSignalling

Status	Occurrence	Format	Min. Access Types
Required	One	int	Get, Replace

This leaf node indicates the default ProSe Per-Packet Priority (PPPP) value (as specified in 3GPP TS 23.303 [6]) for the MCData one-to-one call signalling.

- Values: 1-8

The MCData user data with the lowest ProSe Per-Packet Priority value shall be considered as the MCData user data having the highest priority among the MCData user data.

11.2.12 /<x>/OffNetwork/DefaultPPPP/MCDataOneToOneCallMedia

Table 11.2.12.1: /<x>/OffNetwork/DefaultPPPP/MCDataOneToOneCallMedia

OffNetwork/DefaultPPPP/MCDataOneToOneCallMedia

Status	Occurrence	Format	Min. Access Types
Required	One	int	Get, Replace

This leaf node indicates the default ProSe Per-Packet Priority (PPPP) value (as specified in 3GPP TS 23.303 [6]) for the MCData private call media.

- Values: 1-8

The MCData user data with the lowest ProSe Per-Packet Priority value shall be considered as the MCData user data having the highest priority among the MCData user data.

12 MCVideo UE configuration MO

12.1 General

The MCVideo UE configuration Management Object (MO) is used to configure MCVideo Client behaviour for the on-network or off-network MCVideo Service. The MCVideo UE configuration parameters may be stored in the ME, or in the USIM as specified in 3GPP TS 31.102 [10], or in both the ME and the USIM. If both the ME and the USIM contain the same parameters, the values stored in the USIM shall take precedence.

The Management Object Identifier is: urn:oma:mo:ext-3gpp-MCVideo-UE-configuration:1.0.

Protocol compatibility: This MO is compatible with OMA OMA DM 1.2 [3].

The OMA DM ACL property mechanism (see OMA OMA-ERELED-DM-V1_2 [2]) may be used to grant or deny access rights to OMA DM servers in order to modify nodes and leaf objects of the MCVideo UE configuration MO.

The following nodes and leaf objects are possible under the MCVideo UE configuration node as described in figure 12.1.1.

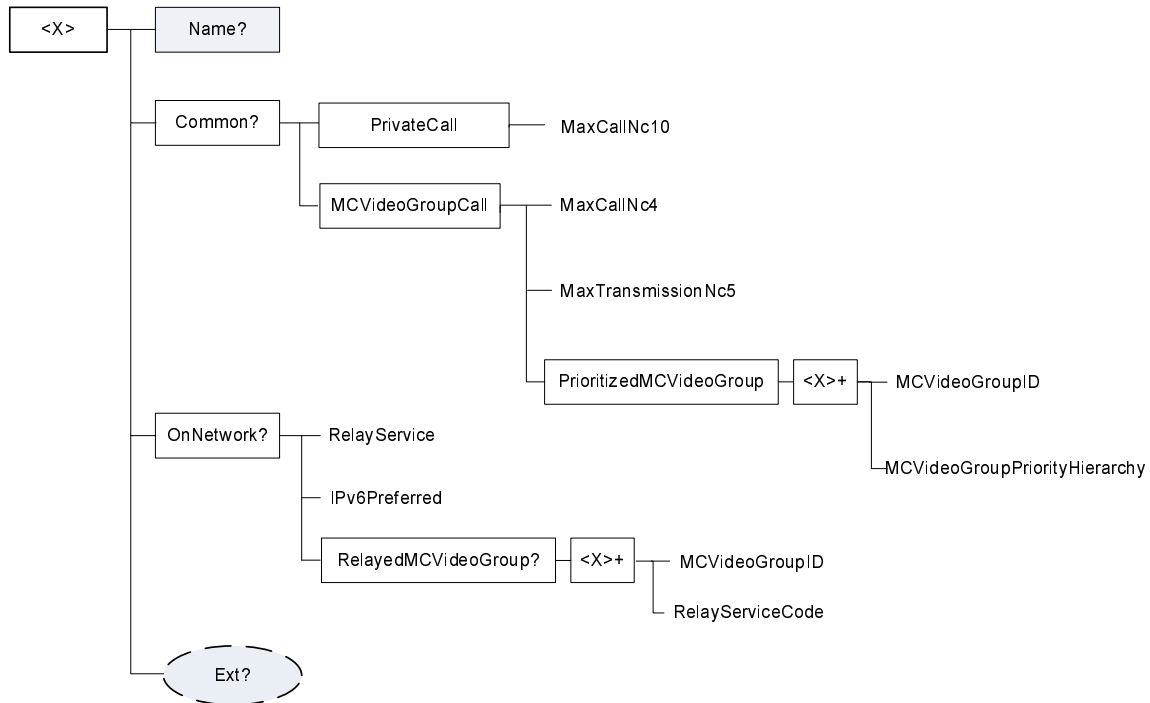


Figure 12.1.1: The MCVideo UE configuration MO

12.2 MCVideo UE configuration MO parameters

12.2.1 General

This clause describes the parameters for the MCVideo UE configuration Management Object (MO).

12.2.2 Node: <x>

Table 12.2.2.1: Node: <x>

<x>

Status	Occurrence	Format	Min. Access Types
Required	OneOrMore	node	Get

This interior node acts as a placeholder for the MCVideo UE configuration Management Object (MO).

For the MCVideo UE configuration MO, the namespace specific string is: "urn:oma:mo:oma-dm-mcvideo-ue-configuration:1.0"

- Values: N/A

12.2.3 /<x>/Name

Table 12.2.3.1: /<x>/Name

Name

Status	Occurrence	Format	Min. Access Types
Required	ZeroOrOne	chr	Get

The Name leaf is a name for the MCVideo UE configuration settings.

- Values: <User displayable name>

12.2.4 /<x>/Ext/

Table 12.2.4.1: /<x>/Ext/

Ext

Status	Occurrence	Format	Min. Access Types
Optional	ZeroOrOne	node	Get, Replace

The Ext is an interior node for where the vendor specific information about the MCVideo UE configuration MO is being placed.

Usually the vendor extension is identified by vendor specific name under the ext node and contains the vendor meaning application vendor, device vendor etc. The tree structure under the vendor identified is not defined and can therefore include one or more un-standardized sub-trees.

- Values: N/A

12.2.5 /<x>/Common

Table 12.2.5.1: /<x>/Common

Common

Status	Occurrence	Format	Min. Access Types
Required	ZeroOrOne	node	Get, Replace

This interior node represents a container for the common network operation which means both on-network operation and off-network operation.

12.2.5A /<x>/Common/PrivateCall

Table 12.2.5A.1: /<x>/Common/PrivateCall

Common/PrivateCall

Status	Occurrence	Format	Min. Access Types
Required	One	node	Get, Replace

This interior node is a placeholder for the private call configuration.

12.2.5B /<x>/Common/PrivateCall/MaxCallNc10

Table 12.2.5B.1: /<x>/Common/PrivateCall/MaxCallNc10

Common/PrivateCall/MaxCallNc10

Status	Occurrence	Format	Min. Access Types
Required	One	int	Get, Replace

This leaf node indicates the maximum number of private calls.

- Values: 0-255

12.2.6 /<x>/Common/MCVideoGroupCall

Table 12.2.6.1: /<x>/Common/MCVideoGroupCall

Common/MCVideoGroupCall

Status	Occurrence	Format	Min. Access Types
Required	One	node	Get, Replace

This interior node is a placeholder for the MCVideo group call configuration.

12.2.7 /<x>/Common/MCVideoGroupCall/MaxCallNc4

Table 12.2.7.1: /<x>/Common/MCVideoGroupCall/MaxCallNc4

Common/MCVideoGroupCall/MaxCallNc4

Status	Occurrence	Format	Min. Access Types
Required	One	int	Get, Replace

This leaf node indicates the maximum number of simultaneous MCVideo group calls.

- Values: 0-255

12.2.8 /<x>/Common/MCVideoGroupCall/MaxTransmissionNc5

Table 12.2.8.1: /<x>/Common/MCVideoGroupCall/MaxTransmissionNc5

Common/MCVideoGroupCall/MaxTransmissionNc5

Status	Occurrence	Format	Min. Access Types
Required	One	int	Get, Replace

This leaf node indicates the maximum number of video transmissions in a group.

- Values: 0-255

12.2.9 /<x>/Common/MCVideoGroupCall/PrioritizedMCVideoGroup

Table 12.2.9.1: /<x>/Common/MCVideoGroupCall/PrioritizedMCVideoGroup

Common/MCVideoGroupCall/PrioritizedMCVideoGroup

Status	Occurrence	Format	Min. Access Types
Required	One	node	Get, Replace

This interior node is a placeholder for the prioritized MCVideo group call configuration.

12.2.10 /<x>/Common/MCVideoGroupCall/PrioritizedMCVideoGroup/<x>

Table 12.2.10.1: /<x>/Common/MCVideoGroupCall/PrioritizedMCVideoGroup/<x>

Common/MCVideoGroupCall/PrioritizedMCVideoGroup/<x>

Status	Occurrence	Format	Min. Access Types
Required	OneOrMore	node	Get, Replace

This interior node is a placeholder for one or more prioritized MCVideo group call configuration.

12.2.11 /<x>/Common/MCVideoGroupCall/PrioritizedMCVideoGroup/<x>/MCVideoGroupID

Table 12.2.11.1: /<x>/Common/MCVideoGroupCall/PrioritizedMCVideoGroup/<x>/MCVideoGroupID

Common/MCVideoGroupCall/PrioritizedMCVideoGroup/<x>/MCVideoGroupID

Status	Occurrence	Format	Min. Access Types
Required	One	chr	Get, Replace

This leaf node indicates the associated MCVideo group ID.

The value is a "uri" attribute specified in OMA OMA-TS-XDM_Group-V1_1 [4].

12.2.12 /<x>/Common/MCVideoGroupCall/PrioritizedMCVideoGroup/<x>/MCVideoGroupPriorityHierarchy

Table 12.2.12.1:

/<x>/Common/MCVideoGroupCall/PrioritizedMCVideoGroup/<x>/MCVideoGroupPriorityHierarchy

Common/MCVideoGroupCall/PrioritizedMCVideoGroup/<x>/MCVideoGroupPriorityHierarchy

Status	Occurrence	Format	Min. Access Types
Required	One	int	Get, Replace

This leaf node indicates the requested presentation priority of MCVideo group call.

- Values: 0-255

The group with the lowest MCVideoGroupPriorityHierarchy value shall be considered as the group having the lowest priority among the groups.

12.2.13 /<x>/OnNetwork

Table 12.2.13.1: /<x>/OnNetwork

OnNetwork

Status	Occurrence	Format	Min. Access Types
Required	ZeroOrOne	node	Get, Replace

This interior node represents a container for on-network operation.

12.2.14 /<x>/OnNetwork/RelayService

Table 12.2.14.1: /<x>/OnNetwork/RelayService

OnNetwork/RelayService

Status	Occurrence	Format	Min. Access Types
Required	One	bool	Get, Replace

This leaf node indicates the authorisation to use a relay service.

When set to "true" the MCVideo group is allowed to use a relay service.

When set to "false" the MCVideo group is not allowed to use a relay service.

12.2.15 /<x>/OnNetwork/IPv6Preferred

Table 12.2.15.1: /<x>/OnNetwork/IPv6Preferred

OnNetwork/IPv6Preferred

Status	Occurrence	Format	Min. Access Types
Required	One	bool	Get, Replace

This leaf node indicates whether IPv6 is preferred over IPv4 for on-network operation when the MCVideo UE has both IPv4 and IPv6 host configuration.

If the MCVideo UE has both IPv4 and IPv6 host configuration and:

- if IPv6Preferred is set to "true" then the UE uses IPv6 for all on-network signalling and media; otherwise
- if IPv6Preferred is set to "false" then the UE uses IPv4 for all on-network signalling and media.

12.2.16 /<x>/OnNetwork/RelayedMCVideoGroup

Table 12.2.16.1: /<x>/OnNetwork/RelayedMCVideoGroup

OnNetwork/RelayedMCVideoGroup

Status	Occurrence	Format	Min. Access Types
Optional	ZeroOrOne	node	Get, Replace

This interior node is a placeholder for the allowed relayed MCVideo groups.

12.2.17 /<x>/OnNetwork/RelayedMCVideoGroup/<x>

Table 12.2.17.1: /<x>/OnNetwork/RelayedMCVideoGroup/<x>

OnNetwork/RelayedMCVideoGroup/<x>

Status	Occurrence	Format	Min. Access Types
Required	OneOrMore	node	Get, Replace

This interior node is a placeholder for one or more allowed relayed MCVideo groups.

12.2.18 /<x>/OnNetwork/RelayedMCVideoGroup/<x>/MCVideoGroupID

Table 12.2.18.1: /<x>/OnNetwork/RelayedMCVideoGroup/<x>/MCVideoGroupID

OnNetwork/RelayedMCVideoGroup/<x>/MCVideoGroupID

Status	Occurrence	Format	Min. Access Types
Required	One	chr	Get, Replace

This leaf node indicates the associated MCVideo group ID.

The value is a "uri" attribute specified in OMA OMA-TS-XDM_Group-V1_1 [4].

12.2.19 /<x>/OnNetwork/RelayedMCVideoGroup/<x>/RelayServiceCode

Table 12.2.19.1: /<x>/OnNetwork/RelayedMCVideoGroup/<x>/RelayServiceCode

OnNetwork/RelayedMCVideoGroup/<x>/RelayServiceCode

Status	Occurrence	Format	Min. Access Types
Required	One	chr	Get, Replace

This leaf node indicates the connectivity service that the ProSe UE-to-network relay provides to public safety applications as specified in 3GPP TS 23.303 [6].

13 MCVideo user profile MO

13.1 General

The MCVideo user profile configuration Management Object (MO) is used to configure the MCVideo Client behaviour for the on-network or off-network MCVideo Service. The MCVideo user profile configuration parameters may be stored in the ME, or in the USIM as specified in 3GPP TS 31.102 [10], or in both the ME and the USIM. If both the ME and the USIM contain the same parameters, the values stored in the USIM shall take precedence.

The Management Object Identifier is: urn:oma:mo:ext-3gpp-MCVideo-user-profile:1.0.

Protocol compatibility: This MO is compatible with OMA OMA DM 1.2 [3].

The OMA DM ACL property mechanism (see OMA OMA-ERELD-DM-V1_2 [2]) may be used to grant or deny access rights to OMA DM servers in order to modify nodes and leaf objects of the MCVideo user profile MO.

The following nodes and leaf objects are possible under the MCVideo user profile node as described in figure 13.1.1, figure 13.1.2 and figure 13.1.3.

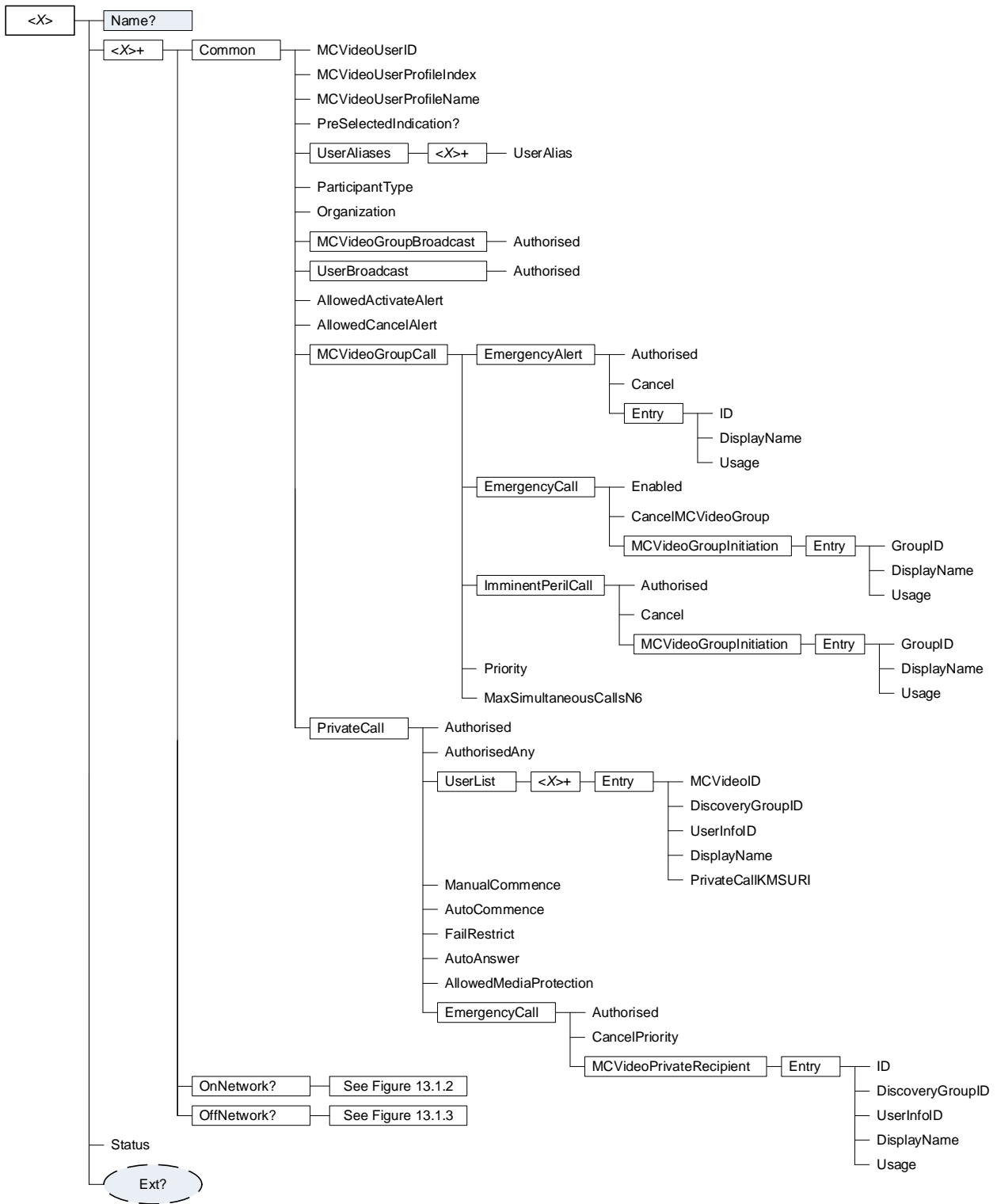


Figure 13.1.1: The MCVideo user profile MO (1 of 3)

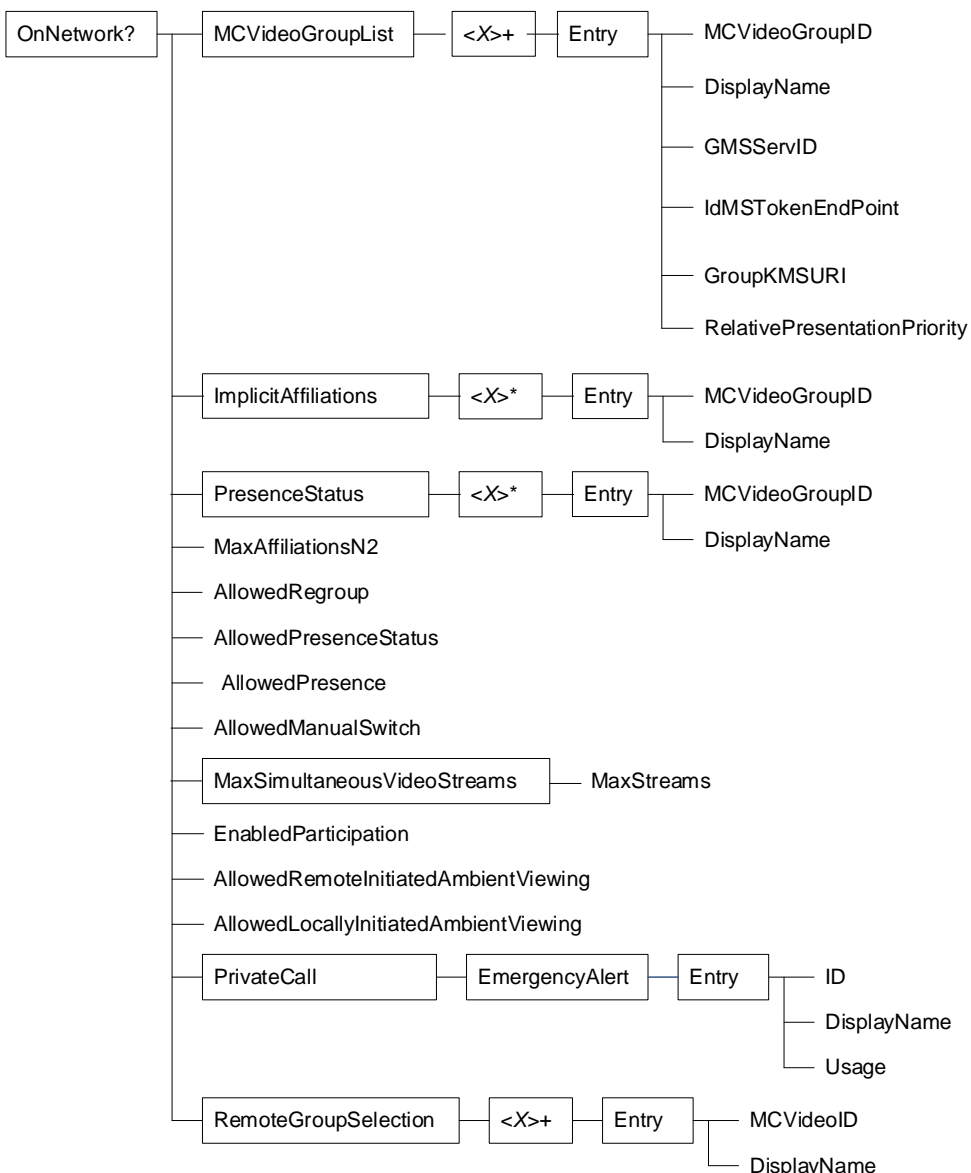


Figure 13.1.2: The MCVideo user profile MO (2 of 3)

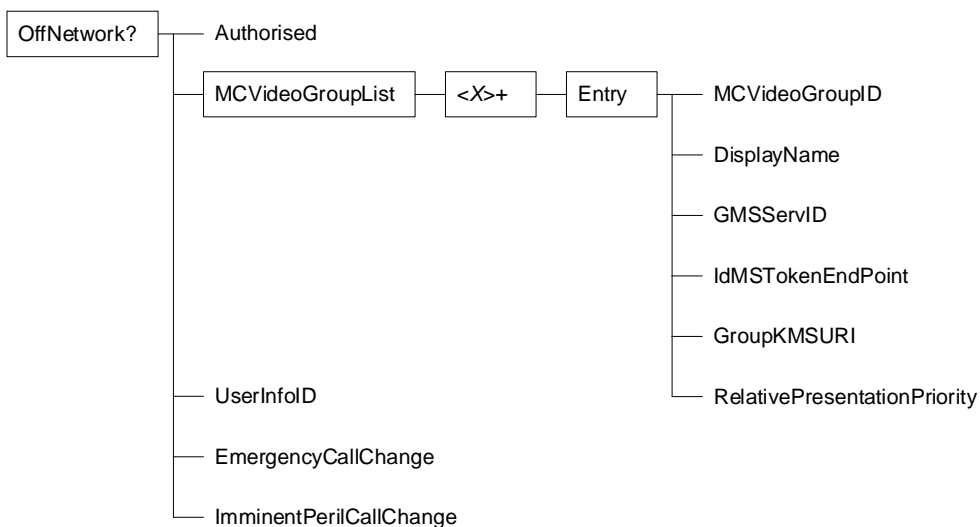


Figure 13.1.3: The MCVideo user profile MO (3 of 3)

13.2 MCVideo user profile MO parameters

13.2.1 General

This clause describes the parameters for the MCVideo user profile Management Object (MO).

13.2.2 Node: <x>

Table 13.2.2.1: Node: <x>

<x>

Status	Occurrence	Format	Min. Access Types
Required	OneOrMore	node	Get

This interior node acts as a placeholder for the MCVideo user profile Management Object (MO).

For the MCVideo user profile MO, the namespace specific string is: "urn:oma:mo:oma-dm-mcvideo-user-profile:1.0"

- Values: N/A

13.2.3 /<x>/Name

Table 13.2.3.1: /<x>/Name

Name

Status	Occurrence	Format	Min. Access Types
Required	ZeroOrOne	chr	Get

The Name leaf is a name for the MCVideo user profile settings.

- Values: <User displayable name>

13.2.4 /<x>/Ext/

Table 13.2.4.1: /<x>/Ext/

Ext

Status	Occurrence	Format	Min. Access Types
Optional	ZeroOrOne	node	Get, Replace

The Ext is an interior node for where the vendor specific information about the MCVideo user profile MO is being placed.

Usually the vendor extension is identified by vendor specific name under the ext node and contains the vendor meaning application vendor, device vendor etc. The tree structure under the vendor identified is not defined and can therefore include one or more un-standardized sub-trees.

- Values: N/A

13.2.5 /<x>/<x>

Table 13.2.5.1: /<x>/<x>

<x>

Status	Occurrence	Format	Min. Access Types
Required	OneOrMore	node	Get, Replace

This interior node represents a container for on-network operation and off-network operation.

13.2.6 /<x>/<x>/Common

Table 13.2.6.1: /<x>/<x>/Common

<x>/Common

Status	Occurrence	Format	Min. Access Types
Required	One	node	Get, Replace

This interior node represents a container for the common network operation which means both on-network operation and off-network operation.

13.2.7 /<x>/<x>/Common/MCVideoUserID

Table 13.2.7.1: /<x>/<x>/Common/MCVideoUserID

<x>/Common/MCVideoUserID

Status	Occurrence	Format	Min. Access Types
Required	One	chr	Get, Replace

This leaf node indicates an MCVideo user identity (MCVideo ID) which is a globally unique identifier within the MCVideo service that represents the MCVideo user.

13.2.8 /<x>/<x>/Common/MCVideoUserProfileIndex

Table 13.2.8.1: /<x>/<x>/Common/MCVideoUserProfileIndex

<x>/Common/MCVideoUserProfileIndex

Status	Occurrence	Format	Min. Access Types
Required	One	int	Get, Replace

This leaf node indicates an index for the particular MCVideo user profile.

- Values: 0-255

13.2.9 /<x>/<x>/Common/MCVideoUserProfileName

Table 13.2.9.1: /<x>/<x>/Common/MCVideoUserProfileName

<x>/Common/MCVideoUserProfileName

Status	Occurrence	Format	Min. Access Types
Optional	One	chr	Get, Replace

This leaf node indicates a profile name for the particular MCVideo user profile.

13.2.10 /<x>/<x>/Common/PreSelectedIndication

Table 13.2.10.1: /<x>/<x>/Common/PreSelectedIndication

<x>/Common/PreSelectedIndication

Status	Occurrence	Format	Min. Access Types
Optional	ZeroOrOne	null	Get, Replace

This leaf node indicates that this MCVideo user profile MO is designated to be the pre-selected MCVideo user profile as defined by 3GPP TS 23.179 [15]

- Values: null

When this leaf node is present, this MCVideo user profile MO is designated as the pre-selected MCVideo user profile.

When this leaf node is absent, this MCVideo user profile MO is not designated as the pre-selected MCVideo user profile.

If more than one MCVideo user profile MO is specified for the MCVideo user, then only one MCVideo user profile MO for the MCVideo user shall contain the <x>/Common/PreSelectedIndication leaf node.

If there is only one MCVideo user profile MO specified for the MCVideo user, then it is optional to include the <x>/Common/PreSelectedIndication leaf node.

13.2.11 /<x>/<x>/Common/UserAliases

Table 13.2.11.1: /<x>/<x>/Common/UserAliases

<x>/Common/UserAliases

Status	Occurrence	Format	Min. Access Types
Required	One	node	Get, Replace

This interior node is a placeholder for a list of aliases of an MCVideo user.

13.2.12 /<x>/<x>/Common/UserAliases/<x>

Table 13.2.12.1: /<x>/<x>/Common/UserAliases/<x>

<x>/Common/UserAliases/<x>

Status	Occurrence	Format	Min. Access Types
Required	OneOrMore	node	Get, Replace

This interior node is a placeholder for one or more aliases of an MCVideo user.

13.2.13 /<x>/<x>/Common/UserAliases/<x>/UserAlias

Table 13.2.13.1: /<x>/<x>/Common/UserAliases/<x>/UserAlias

<x>/Common/UserAliases/<x>/UserAlias

Status	Occurrence	Format	Min. Access Types
Required	One	chr	Get, Replace

This leaf node indicates an alphanumeric alias of the MCVideo user.

13.2.14 Void

13.2.15 /<x>/<x>/Common/ParticipantType

Table 13.2.15.1: /<x>/<x>/Common/ParticipantType

<x>/Common/ParticipantType

Status	Occurrence	Format	Min. Access Types
Required	One	chr	Get, Replace

This leaf node indicates the participant type of the MCVideo user.

The ParticipantType means the functional category of the participant (e.g., first responder, second responder, dispatch, dispatch supervisor), typically defined by the MCVideo administrators.

13.2.16 /<x>/<x>/Common/Organization

Table 13.2.16.1: /<x>/<x>/Common/Organization

<x>/Common/Organization

Status	Occurrence	Format	Min. Access Types
Required	One	chr	Get, Replace

This leaf node indicates the organization an MCVideo user belongs to.

13.2.17 /<x>/<x>/Common/MCVideoGroupBroadcast

Table 13.2.17.1: /<x>/<x>/Common/MCVideoGroupBroadcast

<x>/Common/MCVideoGroupBroadcast

Status	Occurrence	Format	Min. Access Types
Required	One	node	Get, Replace

This interior node is a placeholder for the group-broadcast group policy.

13.2.18 /<x>/<x>/Common/MCVideoGroupBroadcast/Authorised

Table 13.2.18.1: /<x>/<x>/Common/MCVideoGroupBroadcast/Authorised

<x>/Common/MCVideoGroupBroadcast/Authorised

Status	Occurrence	Format	Min. Access Types
Required	One	bool	Get, Replace

This leaf node indicates the authorisation to create a group-broadcast group.

When set to "true" the MCVideo user is authorised to create a group-broadcast group.

When set to "false" the MCVideo user is not authorised to create a group-broadcast group.

13.2.19 /<x>/<x>/Common/UserBroadcast

Table 13.2.19.1: /<x>/<x>/Common/UserBroadcast

<x>/Common/UserBroadcast

Status	Occurrence	Format	Min. Access Types
Required	One	node	Get, Replace

This interior node is a placeholder for the user-broadcast group policy.

13.2.20 /<x>/<x>/Common/UserBroadcast/Authorised

Table 13.2.20.1: /<x>/<x>/Common/UserBroadcast/Authorised

<x>/Common/UserBroadcast/Authorised

Status	Occurrence	Format	Min. Access Types
Required	One	bool	Get, Replace

This leaf node indicates the authorisation to create a user-broadcast group.

When set to "true" the MCVideo user is authorised to create a user-broadcast group.

When set to "false" the MCVideo user is not authorised to create a user-broadcast group.

13.2.21 Void

13.2.22 Void

13.2.23 Void

13.2.24 Void

13.2.25 Void

13.2.26 Void

13.2.27 Void

13.2.28 Void

13.2.29 /<x>/<x>/Common/AllowedActivateAlert

Table 13.2.29.1: /<x>/<x>/Common/AllowedActivateAlert

<x>/Common/AllowedActivateAlert

Status	Occurrence	Format	Min. Access Types
Required	One	bool	Get, Replace

This leaf node indicates whether the MCVideo user is authorised to activate an emergency alert.

When set to "true" the MCVideo user is authorised to activate an emergency alert.

When set to "false" the MCVideo user is not authorised to activate an emergency alert.

13.2.30 /<x>/<x>/Common/AllowedCancelAlert

Table 13.2.30.1: /<x>/<x>/Common/AllowedCancelAlert

<x>/Common/AllowedCancelAlert

Status	Occurrence	Format	Min. Access Types
Required	One	bool	Get, Replace

This leaf node indicates whether the MCVideo user is allowed to cancel an emergency alert.

When set to "true" the MCVideo user is authorised to cancel an emergency alert.

When set to "false" the MCVideo user is not authorised to cancel an emergency alert.

13.2.31 Void

13.2.32 Void

13.2.33 Void

13.2.34 Void

13.2.35 Void

13.2.36 Void

13.2.37 Void

13.2.38 Void

13.2.38A/<x>/<x>/Common/MCVideoGroupCall

Table 13.2.38A.1: /<x>/<x>/Common/MCVideoGroupCall

<x>/Common/MCVideoGroupCall

Status	Occurrence	Format	Min. Access Types
Required	One	node	Get, Replace

This interior node is a placeholder for the MCVideo group call configuration.

13.2.38A1 /<x>/<x>/Common/MCVideoGroupCall/EmergencyAlert

Table 13.2.38A1.1: /<x>/<x>/Common/MCVideoGroupCall/EmergencyAlert

<x>/Common/MCVideoGroupCall/EmergencyAlert

Status	Occurrence	Format	Min. Access Types
Required	One	node	Get, Replace

This interior node is a placeholder for the MCVideo emergency alert policy.

13.2.38A2 /<x>/<x>/Common/MCVideoGroupCall/EmergencyAlert/Authorised

Table 13.2.38A2.1: /<x>/<x>/Common/MCVideoGroupCall/EmergencyAlert/Authorised

<x>/Common/MCVideoGroupCall/EmergencyAlert/Authorised

Status	Occurrence	Format	Min. Access Types
Required	One	bool	Get, Replace

This leaf node indicates the authorisation to activate an MCVideo emergency alert.

When set to "true" the MCVideo user is authorised to make an MCVideo emergency alert.

When set to "false" the MCVideo user is not authorised to make an MCVideo emergency alert.

13.2.38A3 /<x>/<x>/Common/MCVideoGroupCall/EmergencyAlert/Cancel

Table 13.2.38A3.1: /<x>/<x>/Common/MCVideoGroupCall/EmergencyAlert/Cancel

<x>/Common/MCVideoGroupCall/EmergencyAlert/Cancel

Status	Occurrence	Format	Min. Access Types
Required	One	bool	Get, Replace

This leaf node indicates the authorisation to cancel an MCVideo emergency alert.

When set to "true" the MCVideo user is authorised to cancel an MCVideo emergency alert.

When set to "false" the MCVideo user is not authorised to cancel an MCVideo emergency alert.

13.2.38A4 /<x>/<x>/Common/MCVideoGroupCall/EmergencyAlert/Entry

Table 13.2.338A4.1: /<x>/<x>/Common/MCVideoGroupCall/EmergencyAlert/Entry

<x>/Common/MCVideoGroupCall/EmergencyAlert/Entry

Status	Occurrence	Format	Min. Access Types
Required	One	node	Get, Replace

This interior node is a placeholder for the details of the MCVideo group of an MCVideo emergency alert.

13.2.38A5 /<x>/<x>/Common/MCVideoGroupCall/EmergencyAlert/Entry/ID

Table 13.2.38A5.1: /<x>/<x>/Common/MCVideoGroupCall/EmergencyAlert/Entry/ID

<x>/Common/MCVideoGroupCall/EmergencyAlert/Entry/ID

Status	Occurrence	Format	Min. Access Types
Required	One	chr	Get, Replace

This leaf node indicates the MCVideo group used upon certain criteria on initiation of an MCVideo emergency alert.

13.2.38A6 /<x>/<x>/Common/MCVideoGroupCall/EmergencyAlert/Entry/DisplayName

Table 13.2.38A6.1: /<x>/<x>/Common/MCVideoGroupCall/EmergencyAlert/Entry/DisplayName

<x>/Common/MCVideoGroupCall/EmergencyAlert/Entry/DisplayName

Status	Occurrence	Format	Min. Access Types
Optional	One	chr	Get, Replace

This leaf node contains a human readable name that corresponds to the ID.

13.2.38A7 /<x>/<x>/Common/MCVideoGroupCall/EmergencyAlert/Entry/Usage

Table 13.2.38A7.1: /<x>/<x>/Common/MCVideoGroupCall/EmergencyAlert/Entry/Usage

<x>/Common/MCVideoGroupCall/EmergencyAlert/Entry/Usage

Status	Occurrence	Format	Min. Access Types
Required	One	chr	Get, Replace

This leaf node indicates the criteria to determine when initiation of an MCVideo emergency alert uses the ID.

The valid values are 'LocallyDetermined', 'UseCurrentlySelectedGroup', 'UsePreConfigured' and 'DedicatedGroup'.

When set to 'LocallyDetermined' then if the MCVideo user selects an MCVideo ID then use that MCVideo ID for an on-network MCVideo emergency alert, if the MCVideo user does not select a MCVideo ID then use the MCVideo ID identified by the ID in clause 13.2.38A5 for an on-network MCVideo emergency alert.

When set to 'UseCurrentlySelectedGroup' then if the MCVideo user has currently selected an MCVideo group then use that MCVideo group for an on-network MCVideo emergency alert, if the MCVideo user does not have a currently selected MCVideo group then use the MCVideo group identified by the ID in clause 13.2.38A5 for an MCVideo emergency alert.

When set to 'UsePreConfigured' then use the ID identified by the ID in clause 13.2.38A5 for an on-network MCVideo emergency alert.

When set to 'DedicatedGroup' then use the MCVideo group identified by the ID in clause 13.2.38A5 for an MCVideo emergency alert.

13.2.38B/<x>/<x>/Common/MCVideoGroupCall/EmergencyCall

Table 13.2. 38B.1: /<x>/<x>/Common/MCVideoGroupCall/EmergencyCall

<x>/Common/MCVideoGroupCall/EmergencyCall

Status	Occurrence	Format	Min. Access Types
Required	One	node	Get, Replace

This interior node is a placeholder for the MCVideo emergency call policy.

13.2.38C /<x>/<x>/Common/MCVideoGroupCall/EmergencyCall/Enabled

Table 13.2.38C.1: /<x>/<x>/Common/MCVideoGroupCall/EmergencyCall/Enabled

<x>/Common/MCVideoGroupCall/EmergencyCall/Enabled

Status	Occurrence	Format	Min. Access Types
Optional	One	bool	Get, Replace

This leaf node indicates the authorisation to make an MCVideo emergency group call functionality enabled for MCVideo user.

When set to "true" the MCVideo user is authorised to make an MCVideo emergency group call functionality enabled.

When set to "false" the MCVideo user is not authorised to make an MCVideo emergency group call functionality enabled.

13.2.38D /<x>/<x>/Common/MCVideoGroupCall/EmergencyCall/CancelMCVideoGroup

Table 13.2.38D.1: /<x>/<x>/Common/MCVideoGroupCall/EmergencyCall/CancelMCVideoGroup

<x>/Common/MCVideoGroupCall/EmergencyCall/CancelMCVideoGroup

Status	Occurrence	Format	Min. Access Types
Required	One	bool	Get, Replace

This leaf node indicates the authorisation to cancel an in progress MCVideo emergency group call associated with a group.

When set to "true" the MCVideo user is authorised to cancel a MCVideo emergency group call.

When set to "false" the MCVideo user is not authorised to cancel a MCTT emergency group call.

13.2.38D1 /<x>/<x>/Common/MCVideoGroupCall/EmergencyCall/MCVideoGroupInitiation

Table 13.2.38D1.1: /<x>/<x>/Common/MCVideoGroupCall/EmergencyCall/MCVideoGroupInitiation

<x>/Common/MCVideoGroupCall/EmergencyCall/MCVideoGroupInitiation

Status	Occurrence	Format	Min. Access Types
Required	One	node	Get, Replace

This interior node is a placeholder for the group used on initiation of an MCVideo emergency group call.

13.2.38D2 /<x>/<x>/Common/MCVideoGroupCall/EmergencyCall/MCVideoGroupInitiation/Entry

Table 13.2.38D2.1:

/<x>/<x>/Common/MCVideoGroupCall/EmergencyCall/MCVideoGroupInitiation/Entry

<x>/Common/MCVideoGroupCall/EmergencyCall/MCVideoGroupInitiation/Entry

Status	Occurrence	Format	Min. Access Types
Required	One	node	Get, Replace

This interior node is a placeholder for the details of the group used on initiation of an MCVideo emergency group call.

13.2.38D3 /<x>/<x>/Common/MCVideoGroupCall/EmergencyCall/MCVideoGroupInitiation/Entry/GroupID

Table 13.2.38D3.1:

/<x>/<x>/Common/MCVideoGroupCall/EmergencyCall/MCVideoGroupInitiation/Entry/GroupID

<x>/Common/MCVideoGroupCall/EmergencyCall/MCVideoGroupInitiation/Entry/GroupID

Status	Occurrence	Format	Min. Access Types
Optional	One	chr	Get, Replace

This leaf node indicates the group used upon certain criteria on initiation of an MCVideo emergency group call.

13.2.38D4 /<x>/<x>/Common/MCVideoGroupCall/EmergencyCall/MCVideoGroupInitiation/Entry/DisplayName

Table 13.2.38D4.1:

/<x>/<x>/Common/MCVideoGroupCall/EmergencyCall/MCVideoGroupInitiation/Entry/DisplayName

<x>/Common/MCVideoGroupCall/EmergencyCall/MCVideoGroupInitiation/Entry/DisplayName

Status	Occurrence	Format	Min. Access Types
Optional	One	chr	Get, Replace

This leaf node contains a human readable name that corresponds to the Group ID.

13.2.38D5 /<x>/<x>/Common/MCVideoGroupCall/EmergencyCall/MCVideoGroupInitiation/Entry/Usage

Table 13.2.38D5.1:

/<x>/<x>/Common/MCVideoGroupCall/EmergencyCall/MCVideoGroupInitiation/Entry/Usage

<x>/Common/MCVideoGroupCall/EmergencyCall/MCVideoGroupInitiation/Entry/Usage

Status	Occurrence	Format	Min. Access Types
Required	One	chr	Get, Replace

This leaf node indicates the criteria to determine when initiation of an MCVideo emergency group call uses the GroupID.

The valid values are 'UseCurrentlySelectedGroup' and 'DedicatedGroup'.

When set to 'UseCurrentlySelectedGroup' then if the MCVideo user has currently selected an MCVideo group then use that MCVideo group for an on-network MCVideo emergency group call, if the MCVideo user does not have a currently selected MCVideo group then use the MCVideo group identified by the GroupID in clause 13.2.38D3 for an MCVideo emergency group call.

When set to 'DedicatedGroup' then use the MCVideo group identified by the GroupID in clause 13.2.38D3 for an MCVideo emergency group call.

13.2.38E /<x>/<x>/Common/MCVideoGroupCall/ImminentPerilCall

Table 13.2.38E.1: /<x>/<x>/Common/MCVideoGroupCall/ImminentPerilCall

<x>/Common/MCVideoGroupCall/ImminentPerilCall

Status	Occurrence	Format	Min. Access Types
Required	One	node	Get, Replace

This interior node is a placeholder for the MCVideo imminent peril call policy.

13.2.38F /<x>/<x>/Common/MCVideoGroupCall/ImminentPerilCall/Authorised

Table 13.2.38F.1: /<x>/<x>/Common/MCVideoGroupCall/ImminentPerilCall/Authorised

<x>/Common/MCVideoGroupCall/ImminentPerilCall/Authorised

Status	Occurrence	Format	Min. Access Types
Required	One	bool	Get, Replace

This leaf node indicates the authorisation to make an Imminent Peril group call.

When set to "true" the MCVideo user is authorised to create an MCVideo imminent peril group call.

When set to "false" the MCVideo user is not authorised to create an MCVideo imminent peril group call.

13.2.38G /<x>/<x>/Common/MCVideoGroupCall/ImminentPerilCall/Cancel

Table 13.2.38G.1: /<x>/<x>/Common/MCVideoGroupCall/ImminentPerilCall/Cancel

<x>/Common/MCVideoGroupCall/ImminentPerilCall/Cancel

Status	Occurrence	Format	Min. Access Types
Required	One	bool	Get, Replace

This leaf node indicates the authorisation for in-progress MCVideo imminent peril cancelation.

When set to "true" the MCVideo user is authorised to cancel an MCVideo imminent peril call.

When set to "false" the MCVideo user is not authorised to cancel an MCVideo imminent peril call.

13.2.38G1 /<x>/<x>/Common/MCVideoGroupCall/ImminentPerilCall/MCVideoGroupInitiation

Table 13.2.38G1.1: /<x>/<x>/Common/MCVideoGroupCall/ImminentPerilCall/MCVideoGroupInitiation

<x>/Common/MCVideoGroupCall/ImminentPerilCall/MCVideoGroupInitiation

Status	Occurrence	Format	Min. Access Types
Optional	One	node	Get, Replace

This interior node is a placeholder for the group used on initiation of an MCVideo imminent peril group call.

13.2.38G2 /<x>/<x>/Common/MCVideoGroupCall/ImminentPerilCall/ MCVideoGroupInitiation/Entry

Table 13.2.38G2.1:

/<x>/<x>/Common/MCVideoGroupCall/ImminentPerilCall/MCVideoGroupInitiation/Entry

<x>/Common/MCVideoGroupCall/ImminentPerilCall/MCVideoGroupInitiation/Entry

Status	Occurrence	Format	Min. Access Types
Required	One	node	Get, Replace

This interior node is a placeholder for the details of the group used on initiation of an imminent peril call.

13.2.38G3 /<x>/<x>/Common/MCVideoGroupCall/ImminentPerilCall/ MCVideoGroupInitiation/Entry/GroupID

Table 13.2.38G3.1:

/<x>/<x>/Common/MCVideoGroupCall/ImminentPerilCall/MCVideoGroupInitiation/Entry/GroupID

<x>/Common/MCVideoGroupCall/ImminentPerilCall/MCVideoGroupInitiation/Entry/GroupID

Status	Occurrence	Format	Min. Access Types
Required	One	chr	Get, Replace

This leaf node indicates the group used upon certain criteria on initiation of an MCVideo imminent peril group call.

13.2.38G4 /<x>/<x>/Common/MCVideoGroupCall/ImminentPerilCall/ MCVideoGroupInitiation/DisplayName

Table 13.2.38G4.1:

/<x>/<x>/Common/MCVideoGroupCall/ImminentPerilCall/MCVideoGroupInitiation/Entry/DisplayName

<x>/Common/MCVideoGroupCall/ImminentPerilCall/MCVideoGroupInitiation/Entry/DisplayName

Status	Occurrence	Format	Min. Access Types
Optional	One	chr	Get, Replace

This leaf node contains a human readable name that corresponds to the Group ID.

13.2.38G5 /<x>/<x>/Common/MCVideoGroupCall/ImminentPerilCall/ MCVideoGroupInitiation/Entry/Usage

Table 13.2.38G5.1:

/<x>/<x>/Common/MCVideoGroupCall/ImminentPerilCall/MCVideoGroupInitiation/Entry/Usage

<x>/Common/MCVideoGroupCall/ImminentPerilCall/MCVideoGroupInitiation/Entry/Usage

Status	Occurrence	Format	Min. Access Types
Required	One	chr	Get, Replace

This leaf node indicates the criteria to determine when initiation of an MCVideo imminent peril group call uses the GroupID.

The valid values are 'UseCurrentlySelectedGroup' and 'DedicatedGroup'.

When set to 'UseCurrentlySelectedGroup' then if the MCVideo user has currently selected an MCVideo group then use that MCVideo group for an on-network MCVideo imminent peril group call, if the MCVideo user does not have a currently selected MCVideo group then use the MCVideo group identified by the GroupID in clause 13.2.38G3 for an MCVideo imminent peril group call.

When set to 'DedicatedGroup' then use the MCVideo group identified by the GroupID in clause 13.2.38G3 for an MCVideo imminent peril group call.

13.2.38G6 /<x>/<x>/Common/MCVideoGroupCall/Priority

Table 13.2.38G6.1: /<x>/<x>/Common/MCVideoGroupCall/Priority

<x>/Common/MCVideoGroupCall/Priority

Status	Occurrence	Format	Min. Access Types
Required	One	int	Get, Replace

This leaf node indicates the priority of the MCVideo group calls.

- Values: 0-255

The MCVideo group call with the lowest Priority value shall be considered as the MCVideo group call having the lowest level among the MCVideo group calls.

13.2.38G7 /<x>/<x>/Common/MCVideoGroupCall/MaxSimultaneousCallsN6

Table 13.2.38G7.1: /<x>/<x>/Common/MCVideoGroupCall/MaxSimultaneousCallsN6

<x>/Common/MCVideoGroupCall/MaxSimultaneousCallsN6

Status	Occurrence	Format	Min. Access Types
Required	One	int	Get, Replace

This leaf node indicates the maximum number of simultaneously received MCVideo group calls (N6).

13.2.38H /<x>/<x>/Common/PrivateCall

Table 13.2.38H.1: /<x>/<x>/Common/PrivateCall

<x>/Common/PrivateCall

Status	Occurrence	Format	Min. Access Types
Required	One	node	Get, Replace

This interior node is a placeholder for the MCVideo private call configuration.

13.2.38I /<x>/<x>/Common/PrivateCall/Authorised

Table 13.2.38I.1: /<x>/<x>/Common/PrivateCall/Authorised

<x>/Common/PrivateCall/Authorised

Status	Occurrence	Format	Min. Access Types
Required	One	bool	Get, Replace

This leaf node indicates the authorisation to make a MCVideo private call.

13.2.38I1 /<x>/<x>/Common/PrivateCall/AuthorisedAny

Table 13.2.38I1.1: /<x>/<x>/Common/PrivateCall/AuthorisedAny

<x>/Common/PrivateCall/AuthorisedAny

Status	Occurrence	Format	Min. Access Types
Required	One	bool	Get, Replace

This leaf node indicates the authorisation to make a MCVideo private call to any MCVideo user.

When set to "true" the MCVideo user is authorised to make an MCVideo private call to any MCVideo user.

When set to "false" the MCVideo user is not authorised to make an MCVideo private call to any MCVideo user.

13.2.38I2 /<x>/<x>/Common/PrivateCall/UserList

Table 13.2.38I2.1: /<x>/<x>/Common/PrivateCall/UserList

<x>/Common/PrivateCall/UserList

Status	Occurrence	Format	Min. Access Types
Required	One	node	Get, Replace

This interior node is a placeholder for a list of MCVideo user(s) who can be called in a MCVideo private call.

13.2.38I3 /<x>/<x>/Common/PrivateCall/UserList/<x>

Table 13.2.38I3.1: /<x>/<x>/Common/PrivateCall/UserList/<x>

<x>/Common/PrivateCall/UserList/<x>

Status	Occurrence	Format	Min. Access Types
Optional	OneOrMore	node	Get, Replace

This interior node is a placeholder for one or more list of MCVideo users who can be called in a MCVideo private call.

13.2.38I4 /<x>/<x>/Common/PrivateCall/UserList/<x>/Entry

Table 13.2.38I4.1: /<x>/<x>/Common/PrivateCall/UserList/<x>/Entry

<x>/Common/PrivateCall/UserList/<x>/Entry

Status	Occurrence	Format	Min. Access Types
Required	One	node	Get, Replace

This interior node is a placeholder for one or more MCVideo users who can be called in a private call.

13.2.38I5 /<x>/<x>/Common/PrivateCall/UserList/<x>/Entry/
MCVideoID**Table 13.2.38I5.1: /<x>/<x>/Common/PrivateCall/UserList/<x>/Entry/MCVideoID**

<x>/Common/PrivateCall/UserList/<x>/Entry/MCVideoID

Status	Occurrence	Format	Min. Access Types
Optional	One	chr	Get, Replace

This leaf node indicates an MCVideo user identity (MCVideo ID) which is a globally unique identifier within the MCVideo service that represents the MCVideo user.

The value is a "uri" attribute specified in OMA OMA-TS-XDM_Group-V1_1 [4].

13.2.3816 /<x>/<x>/Common/PrivateCall/UserList/<x>/Entry/DiscoveryGroupID

Table 13.2.3816.1: /<x>/<x>/Common/PrivateCall/UserList/<x>/Entry/DiscoveryGroupID

<x>/Common/PrivateCall/UserList/<x>/Entry/DiscoveryGroupID

Status	Occurrence	Format	Min. Access Types
Optional	One	int	Get, Replace

This leaf node indicates a discovery group ID as specified in 3GPP TS 23.303 [6].

The value is used as the discovery group ID in the ProSe discovery procedures as specified in 3GPP TS 23.303 [6].

13.2.3817 /<x>/<x>/Common/PrivateCall/UserList/<x>/Entry/UserInfoID

Table 13.2.3817.1: /<x>/<x>/Common/PrivateCall/UserList/<x>/Entry/UserInfoID

<x>/Common/PrivateCall/UserList/<x>/Entry/UserInfoID

Status	Occurrence	Format	Min. Access Types
Optional	One	int	Get, Replace

This leaf node indicates a ProSe user info ID as specified in 3GPP TS 23.303 [6].

13.2.3818 /<x>/<x>/Common/PrivateCall/UserList/<x>/Entry/DisplayName

Table 13.2.3818.1: /<x>/<x>/Common/PrivateCall/UserList/<x>/Entry/DisplayName

<x>/Common/PrivateCall/UserList/<x>/Entry/DisplayName

Status	Occurrence	Format	Min. Access Types
Optional	One	chr	Get, Replace

This leaf node contains a human readable name.

13.2.3819 /<x>/<x>/Common/PrivateCall/UserList/<x>/Entry/PrivateCallKMSURI

Table 13.2.3819.1: /<x>/<x>/Common/PrivateCall/UserList/<x>/Entry/PrivateCallKMSURI

<x>/Common/PrivateCall/UserList/<x>/Entry/PrivateCallKMSURI

Status	Occurrence	Format	Min. Access Types
Optional	One	chr	Get, Replace

This leaf node indicates the identity (URI) of the KMS associated with the MCVideoID. If the value is empty, the KMS leaf node present in the MCS UE initial configuration MO is used.

13.2.38J /<x>/<x>/Common/PrivateCall/ManualCommence

Table 13.2.38J.1: /<x>/<x>/Common/PrivateCall/ManualCommence

<x>/Common/PrivateCall/ManualCommence

Status	Occurrence	Format	Min. Access Types
Required	One	bool	Get, Replace

This leaf node indicates the authorisation to make a MCVideo private call with manual commencement.

When set to "true" the MCVideo user is authorised to make a MCVideo private call in manual commencement mode.

When set to "false" the MCVideo user is not authorised to make a MCVideo private call in manual commencement mode.

13.2.38K /<x>/<x>/Common/PrivateCall/AutoCommence

Table 13.2.38K.1: /<x>/<x>/Common/PrivateCall/AutoCommence

<x>/Common/PrivateCall/AutoCommence

Status	Occurrence	Format	Min. Access Types
Required	One	bool	Get, Replace

This leaf node indicates the authorisation to make a MCVideo private call with automatic commencement.

When set to "true" the MCVideo user is authorised to make a MCVideo private call in automatic commencement mode.

When set to "false" the MCVideo user is not authorised to make a MCVideo private call in automatic commencement mode.

13.2.38L /<x>/<x>/Common/PrivateCall/FailRestrict

Table 13.2.38L.1: /<x>/<x>/Common/PrivateCall/FailRestrict

<x>/Common/PrivateCall/FailRestrict

Status	Occurrence	Format	Min. Access Types
Required	One	bool	Get, Replace

This leaf node indicates the authorisation to restrict the provision of a notification of call failure reason for a MCVideo private call.

When set to "true" the MCVideo user is authorised to restrict notification of call failure reason for MCVideo private call.

When set to "false" the MCVideo user is not authorised to restrict notification of call failure reason for MCVideo private call.

13.2.38M Void

13.2.38N /<x>/<x>/Common/PrivateCall/AllowedMediaProtection

Table 13.2.38N.1: /<x>/<x>/Common/PrivateCall/AllowedMediaProtection

<x>/Common/PrivateCall/AllowedMediaProtection

Status	Occurrence	Format	Min. Access Types
Required	One	bool	Get, Replace

This leaf node indicates authorisation to protect confidentiality and integrity of media for MCVideo private calls.

When set to "true" the MCVideo user is authorised to protect confidentiality and integrity of media for MCVideo private calls.

When set to "false" the MCVideo user is not authorised to protect confidentiality and integrity of media for MCVideo private calls.

The default value is set to "true".

13.2.38O /<x>/<x>/Common/PrivateCall/EmergencyCall

Table 13.2.38O.1: /<x>/<x>/Common/PrivateCall/EmergencyCall

<x>/Common/PrivateCall/EmergencyCall

Status	Occurrence	Format	Min. Access Types
Required	One	node	Get, Replace

This interior node is a placeholder for the MCVideo emergency call policy.

13.2.38P/<x>/<x>/Common/PrivateCall/EmergencyCall/Authorised

Table 13.2.38P.1: /<x>/<x>/Common/PrivateCall/EmergencyCall/Authorised

<x>/Common/PrivateCall/EmergencyCall/Authorised

Status	Occurrence	Format	Min. Access Types
Required	One	bool	Get, Replace

This leaf node indicates the authorisation to make an MCVideo emergency private call.

When set to "true" the MCVideo user is authorised to make an MCVideo emergency private call.

When set to "false" the MCVideo user is not authorised to make an MCVideo emergency private call.

13.2.38Q /<x>/<x>/Common/PrivateCall/EmergencyCall/CancelPriority

Table 13.2.38Q.1: /<x>/<x>/Common/PrivateCall/EmergencyCall/CancelPriority

<x>/Common/PrivateCall/EmergencyCall/CancelPriority

Status	Occurrence	Format	Min. Access Types
Required	One	bool	Get, Replace

This leaf node indicates the authorisation to cancel emergency priority in an MCVideo emergency private call by an authorised MCVideo user.

When set to "true" the MCVideo user is authorised to cancel an emergency priority in an MCVideo private call.

When set to "false" the MCVideo user is not authorised to cancel an emergency priority in an MPCTT private call.

13.2.38R /<x>/<x>/Common/PrivateCall/EmergencyCall/ MCVideoPrivateRecipient

Table 13.2.38R.1: /<x>/<x>/Common/PrivateCall/EmergencyCall/MCVideoPrivateRecipient

<x>/Common/PrivateCall/EmergencyCall/MCVideoPrivateRecipient

Status	Occurrence	Format	Min. Access Types
Optional	One	node	Get, Replace

This interior node is a placeholder for the MCVideo private recipient for an MCVideo emergency private call.

13.2.38S /<x>/<x>/Common/PrivateCall/EmergencyCall/ MCVideoPrivateRecipient/Entry

Table 13.2.38S.1: /<x>/<x>/Common/PrivateCall/EmergencyCall/MCVideoPrivateRecipient/Entry

<x>/Common/PrivateCall/EmergencyCall/MCVideoPrivateRecipient/Entry

Status	Occurrence	Format	Min. Access Types
Required	One	node	Get, Replace

This interior node is a placeholder for the details of the MCVideo private recipient for an MCVideo emergency private call.

13.2.38T /<x>/<x>/Common/PrivateCall/EmergencyCall/ MCVideoPrivateRecipient/Entry/ID

Table 13.2.38T.1: /<x>/<x>/Common/PrivateCall/EmergencyCall/MCVideoPrivateRecipient/Entry/ID

<x>/Common/PrivateCall/EmergencyCall/MCVideoPrivateRecipient/Entry/ID

Status	Occurrence	Format	Min. Access Types
Optional	One	chr	Get, Replace

This leaf node indicates the MCVideo private recipient used upon certain criteria on initiation of an MCVideo emergency private call.

13.2.38U /<x>/<x>/Common/PrivateCall/EmergencyCall/ MCVideoPrivateRecipient/Entry/DiscoveryGroupID

Table 13.2.38U.1:

/<x>/<x>/Common/PrivateCall/EmergencyCall/MCVideoPrivateRecipient/Entry/DiscoveryGroupID

<x>/Common/PrivateCall/EmergencyCall/MCVideoPrivateRecipient/Entry/DiscoveryGroupID

Status	Occurrence	Format	Min. Access Types
Optional	One	int	Get, Replace

This leaf node indicates the discovery group ID as specified in 3GPP TS 23.303 [6].

13.2.38V/ <x>/<x>/Common/PrivateCall/EmergencyCall/ MCVideoPrivateRecipient/Entry/UserInfoID

Table 13.2.38V.1:

/<x>/<x>/Common/PrivateCall/EmergencyCall/MCVideoPrivateRecipient/Entry/UserInfoID

<x>/Common/PrivateCall/EmergencyCall/MCVideoPrivateRecipient/Entry/UserInfoID

Status	Occurrence	Format	Min. Access Types
Optional	One	int	Get, Replace

This leaf node indicates a ProSe user info ID as specified in 3GPP TS 23.303 [6].

The "UserInfoID" element identifies the MCVideo private recipient when making an off-network private call.

13.2.38W /<x>/<x>/Common/PrivateCall/EmergencyCall/ MCVideoPrivateRecipient/Entry/DisplayName

Table 13.2.38W.1:

/<x>/<x>/Common/PrivateCall/EmergencyCall/MCVideoPrivateRecipient/Entry/DisplayName

<x>/Common/PrivateCall/EmergencyCall/MCVideoPrivateRecipient/Entry/DisplayName

Status	Occurrence	Format	Min. Access Types
Optional	One	chr	Get, Replace

This leaf node contains a human readable name that corresponds to the MCVideo private recipient ID.

13.2.38X/ <x>/<x>/Common/PrivateCall/EmergencyCall/ MCVideoPrivateRecipient/Entry/Usage

Table 13.2.38X.1:

/<x>/<x>/Common/PrivateCall/EmergencyCall/MCVideoPrivateRecipient/Entry/Usage

<x>/Common/PrivateCall/EmergencyCall/MCVideoPrivateRecipient/Entry/Usage

Status	Occurrence	Format	Min. Access Types
Required	One	chr	Get, Replace

This leaf node indicates the criteria to determine when initiation of an MCVideo emergency private call uses the MCVideo private recipient ID.

The valid values are 'LocallyDetermined' and 'UsePreConfigured'.

When set to 'LocallyDetermined' then if the MCVideo user selects an MCVideo ID then use that MCVideo ID for the MCVideo emergency private call, if the MCVideo user does not select a MCVideo ID then use the MCVideo ID identified by the MCVideo private recipient ID in clause 13.2.38T for an on-network MCVideo emergency private call.

When set to 'UsePreConfigured' then use the MCVideo ID identified by the MCVideo private recipient ID in clause 13.2.38T for an on-network MCVideo emergency private call.

When set to 'LocallyDetermined' then if the MCVideo user selects an MCVideo user then use the UserInfoID that corresponds to that MCVideo user for the MCVideo emergency private call, if the MCVideo user does not select a MCVideo user then use the User Info ID identified by the UserInfoID in clause 13.2.38T for an off-network MCVideo emergency private call.

When set to 'UsePreConfigured' then use the User Info ID identified by the UserInfoID in clause 13.2.38T for an off-network MCVideo emergency private call.

13.2.38Y /<x>/<x>/Common/PrivateCall/AutoAnswer

Table 13.2.38Y.1: /<x>/<x>/Common/PrivateCall/AutoAnswer

<x>/Common/PrivateCall/AutoAnswer

Status	Occurrence	Format	Min. Access Types
Required	One	bool	Get, Replace

This leaf node indicates the authorisation of MCVideo user to force automatic answer for a MCVideo private call.

When set to "true" the MCVideo user is authorised to force automatic answer for a MCVideo private call.

When set to "false" the MCVideo user is not authorised to force automatic answer for a MCVideo private call.

13.2.39 /<x>/<x>/OnNetwork

Table 13.2.39.1: /<x>/<x>/OnNetwork

<x>/OnNetwork

Status	Occurrence	Format	Min. Access Types
Required	ZeroOrOne	node	Get, Replace

This interior node represents a container for on-network operation.

13.2.40 /<x>/<x>/OnNetwork/MCVideoGroupList

Table 13.2.40.1: /<x>/<x>/OnNetwork/MCVideoGroupList

<x>/OnNetwork/MCVideoGroupList

Status	Occurrence	Format	Min. Access Types
Required	One	node	Get, Replace

This interior node is a placeholder for the list of on-network MCVideo groups that the MCVideo user is allowed to use.

13.2.41 /<x>/<x>/OnNetwork/MCVideoGroupList/<x>

Table 13.2.41.1: /<x>/<x>/OnNetwork/MCVideoGroupList/<x>

<x>/OnNetwork/MCVideoGroupList/<x>

Status	Occurrence	Format	Min. Access Types
Required	OneOrMore	node	Get, Replace

This interior node is a placeholder for one or more list of on-network MCVideo groups that the MCVideo user is allowed to use.

13.2.42 /<x>/<x>/OnNetwork/MCVideoGroupList/<x>/Entry

Table 13.2.42.1: /<x>/<x>/OnNetwork/MCVideoGroupList/<x>/Entry

<x>/OnNetwork/MCVideoGroupList/<x>/Entry

Status	Occurrence	Format	Min. Access Types
Optional	One	node	Get, Replace

This interior node is a placeholder for the details of the on-network MCVideo groups that the MCVideo user is allowed to use.

13.2.43 /<x>/<x>/OnNetwork/MCVideoGroupList/<x>/Entry/MCVideoGroupID

Table 13.2.43.1: /<x>/<x>/OnNetwork/MCVideoGroupList/<x>/Entry/MCVideoGroupID

<x>/OnNetwork/MCVideoGroupList/<x>/Entry/MCVideoGroupID

Status	Occurrence	Format	Min. Access Types
Required	One	chr	Get, Replace

This leaf node indicates the MCVideo group ID for the on-network MCVideo group that the MCVideo user is allowed to use.

The value is a "uri" attribute specified in OMA OMA-TS-XDM_Group-V1_1 [4].

13.2.44 /<x>/<x>/OnNetwork/MCVideoGroupList/<x>/Entry/DisplayName

Table 13.2.44.1: /<x>/<x>/OnNetwork/MCVideoGroupList/<x>/Entry/DisplayName

<x>/OnNetwork/MCVideoGroupList/<x>/Entry/DisplayName

Status	Occurrence	Format	Min. Access Types
Optional	One	chr	Get, Replace

This leaf node contains a human readable name that corresponds to the MCVideo Group ID.

13.2.45 Void

13.2.46 Void

13.2.47 /<x>/<x>/OnNetwork/MCVideoGroupList/<x>/Entry/GMSServID

Table 13.2.47.1: /<x>/<x>/OnNetwork/MCVideoGroupList/<x>/Entry/GMSServID

<x>/OnNetwork/MCVideoGroupList/<x>/Entry/GMSServID

Status	Occurrence	Format	Min. Access Types
Optional	One	chr	Get, Replace

This leaf node indicates the identity (URI) of the group management server hosting the MCVideo Group ID.

13.2.48 Void

13.2.49 Void

13.2.50 /<x>/<x>/OnNetwork/MCVideoGroupList/<x>/Entry/
IdMSTokenEndPoint

Table 13.2.50.1: /<x>/<x>/OnNetwork/MCVideoGroupList/<x>/Entry/IdMSTokenEndPoint

<x>/OnNetwork/MCVideoGroupList/<x>/Entry/IdMSTokenEndPoint

Status	Occurrence	Format	Min. Access Types
Optional	One	chr	Get, Replace

This leaf node indicates the identity (URI) of the identity management server hosting the MCVideo Group ID.

13.2.50A Void

13.2.50B Void

13.2.50C Void

13.2.50D /<x>/<x>/OnNetwork/MCVideoGroupList/<x>/Entry/
GroupKMSURI

Table 13.2.50D.1: /<x>/<x>/OnNetwork/MCVideoGroupList/<x>/Entry/GroupKMSURI

<x>/OnNetwork/MCVideoGroupList/<x>/Entry/GroupKMSURI

Status	Occurrence	Format	Min. Access Types
Required	One	chr	Get, Replace

This leaf node indicates the identity (URI) of the KMS identity (URI) for a specific group contained in the MCVideoGroupList. If the value is empty, the KMS identity (URI) (kms) present in the MCS UE initial configuration MO is used.

13.2.51 /<x>/<x>/OnNetwork/MCVideoGroupList/<x>/Entry/
RelativePresentationPriority

Table 13.2.51.1: /<x>/<x>/OnNetwork/MCVideoGroupList/<x>/Entry/RelativePresentationPriority

<x>/OnNetwork/MCVideoGroupList/<x>/Entry/RelativePresentationPriority

Status	Occurrence	Format	Min. Access Types
Optional	One	int	Get, Replace

This leaf node indicates indicating the presentation priority of the on-network group for the MCVideo user relative to other on-network groups and on-network users.

- Values: 0-255

The lowest RelativePresentationPriority value shall be considered as the MCVideo group transaction having the lowest priority for presentation among other group MCVideo and one-to-one user transactions.

13.2.52 /<x>/<x>/OnNetwork/ImplicitAffiliations

Table 13.2.52.1: /<x>/<x>/OnNetwork/ImplicitAffiliations

<x>/OnNetwork/ImplicitAffiliations

Status	Occurrence	Format	Min. Access Types
Required	One	node	Get, Replace

This interior node is a placeholder for the implicit affiliation configuration.

13.2.53 /<x>/<x>/OnNetwork/ImplicitAffiliations/<x>

Table 13.2.53.1: /<x>/<x>/OnNetwork/ImplicitAffiliations/<x>

<x>/OnNetwork/ImplicitAffiliations/<x>

Status	Occurrence	Format	Min. Access Types
Required	ZeroOrMore	node	Get, Replace

This interior node is a placeholder for zero or more implicit affiliation configuration.

13.2.54 /<x>/<x>/OnNetwork/ImplicitAffiliations/<x>/Entry

Table 13.2.54.1: /<x>/<x>/OnNetwork/ImplicitAffiliations/<x>/Entry

<x>/OnNetwork/ImplicitAffiliations/<x>/Entry

Status	Occurrence	Format	Min. Access Types
Optional	One	node	Get, Replace

This interior node is a placeholder for the details of the on-network MCVideo groups that the MCVideo user is implicitly affiliated to.

13.2.55 /<x>/<x>/OnNetwork/ImplicitAffiliations/<x>/Entry/ MCVideoGroupID

Table 13.2.55.1: /<x>/<x>/OnNetwork/ImplicitAffiliations/<x>/Entry/MCVideoGroupID

<x>/OnNetwork/ImplicitAffiliations/<x>/Entry/MCVideoGroupID

Status	Occurrence	Format	Min. Access Types
Required	One	chr	Get, Replace

This leaf node indicates a MCVideo group ID to which the MCVideo user is implicitly affiliated to.

The value is a "uri" attribute specified in OMA OMA-TS-XDM_Group-V1_1 [4].

13.2.56 /<x>/<x>/OnNetwork/ImplicitAffiliations/<x>/Entry/ DisplayName

Table 13.2.56.1: /<x>/<x>/OnNetwork/ImplicitAffiliations/<x>/Entry/DisplayName

<x>/OnNetwork/ImplicitAffiliations/<x>/Entry/DisplayName

Status	Occurrence	Format	Min. Access Types
Optional	One	chr	Get, Replace

This leaf node contains a human readable name that corresponds to the MCVideo Group ID.

13.2.57 /<x>/<x>/OnNetwork/PresenceStatus

Table 13.2.57.1: /<x>/<x>/OnNetwork/PresenceStatus

<x>/OnNetwork/PresenceStatus

Status	Occurrence	Format	Min. Access Types
Required	One	node	Get, Replace

This interior node is a placeholder for the presence status configuration.

13.2.58 /<x>/<x>/OnNetwork/PresenceStatus/<x>

Table 13.2.58.1: /<x>/<x>/OnNetwork/PresenceStatus/<x>

<x>/OnNetwork/PresenceStatus/<x>

Status	Occurrence	Format	Min. Access Types
Required	ZeroOrMore	node	Get, Replace

This interior node is a placeholder for zero or more presence status configuration.

13.2.59 /<x>/<x>/OnNetwork/PresenceStatus/<x>/Entry

Table 13.2.59.1: /<x>/<x>/OnNetwork/PresenceStatus/<x>/Entry

<x>/OnNetwork/PresenceStatus/<x>/Entry

Status	Occurrence	Format	Min. Access Types
Optional	One	node	Get, Replace

This interior node is a placeholder for the details of the MCVideo IDs of MCVideo users that the configured MCVideo user is authorised to obtain presence status.

13.2.60 /<x>/<x>/OnNetwork/PresenceStatus/<x>/Entry/ MCVideoGroupID

Table 13.2.60.1: /<x>/<x>/OnNetwork/PresenceStatus/<x>/Entry/MCVideoGroupID

<x>/OnNetwork/PresenceStatus/<x>/Entry/MCVideoGroupID

Status	Occurrence	Format	Min. Access Types
Required	One	chr	Get, Replace

This leaf node indicates an MCVideo ID of an MCVideo user that the configured MCVideo user is authorised to obtain presence status.

The value is a "uri" attribute specified in OMA OMA-TS-XDM_Group-V1_1 [4].

13.2.61 /<x>/<x>/OnNetwork/PresenceStatus/<x>/Entry/DisplayName

Table 13.2.61.1: /<x>/<x>/OnNetwork/PresenceStatus/<x>/Entry/DisplayName

<x>/OnNetwork/PresenceStatus/<x>/Entry/DisplayName

Status	Occurrence	Format	Min. Access Types
Optional	One	chr	Get, Replace

This leaf node contains a human readable name that corresponds to the MCVideo ID.

13.2.62 Void

13.2.63 Void

13.2.64 Void

13.2.65 Void

13.2.66 Void

13.2.67 /<x>/<x>/OnNetwork/MaxAffiliationsN2

Table 13.2.67.1: /<x>/<x>/OnNetwork/MaxAffiliationsN2

<x>/OnNetwork/MaxAffiliationsN2

Status	Occurrence	Format	Min. Access Types
Optional	One	int	Get, Replace

This leaf node indicates the maximum number of MCVideo groups that the MCVideo user is authorised to affiliate with.

- Values: 0-65535

13.2.68 /<x>/<x>/OnNetwork/AllowedRegroup

Table 13.2.68.1: /<x>/<x>/OnNetwork/AllowedRegroup

<x>/OnNetwork/AllowedRegroup

Status	Occurrence	Format	Min. Access Types
Required	One	bool	Get, Replace

This leaf node indicates whether the MCVideo user is authorised to perform dynamic regrouping operations.

When set to "true" the MCVideo user is authorised to perform dynamic regrouping operations.

When set to "false" the MCVideo user is not authorised to perform dynamic regrouping operations.

13.2.69 /<x>/<x>/OnNetwork/AllowedPresenceStatus

Table 13.2.69.1: /<x>/<x>/OnNetwork/AllowedPresenceStatus

<x>/OnNetwork/AllowedPresenceStatus

Status	Occurrence	Format	Min. Access Types
Optional	One	bool	Get, Replace

This leaf node indicates the presence status on the network of this MCVideo user is available.

When set to "true" the presence status on the network of this MCVideo user is available.

When set to "false" the presence status on the network of this MCVideo user is not available. This is the default if this leaf node is not present.

13.2.70 /<x>/<x>/OnNetwork/AllowedPresence

Table 13.2.70.1: /<x>/<x>/OnNetwork/AllowedPresence

<x>/OnNetwork/AllowedPresence

Status	Occurrence	Format	Min. Access Types
Optional	One	bool	Get, Replace

This leaf node indicates whether the MCVideo user is authorised to obtain whether a particular MCVideo User is present on the network.

When set to "true" the MCVideo user is authorised to obtain whether a particular MCVideo User is present on the network.

When set to "false" the MCVideo user is not authorised to obtain whether a particular MCVideo User is present on the network. This is the default if this leaf node is not present.

13.2.71 /<x>/<x>/OnNetwork/AllowedManualSwitch

Table 13.2.71.1: /<x>/<x>/OnNetwork/AllowedManualSwitch

<x>/OnNetwork/AllowedManualSwitch

Status	Occurrence	Format	Min. Access Types
Required	One	bool	Get, Replace

This leaf node indicates whether the MCVideo user is authorised to manually switch to off-network operation while in on-network operation.

When set to "true" the MCVideo user is authorised to manually switch to off-network operation while in on-network operation.

When set to "false" the MCVideo user is not authorised to manually switch to off-network operation while in on-network operation.

13.2.72 Void

13.2.73 /<x>/<x>/OnNetwork/MaxSimultaneousVideoStreams

Table 13.2.73.1: /<x>/<x>/OnNetwork/MaxSimultaneousVideoStreams

<x>/OnNetwork/MaxSimultaneousVideoStreams

Status	Occurrence	Format	Min. Access Types
Required	One	node	Get, Replace

This interior node is a placeholder for maximum number of simultaneous video streams that can be received.

13.2.74 /<x>/<x>/OnNetwork/MaxSimultaneousVideoStreams/MaxStreams

Table 13.2.74.1: /<x>/<x>/OnNetwork/MaxSimultaneousVideoStreams/MaxStreams

<x>/OnNetwork/MaxSimultaneousVideoStreams/MaxStreams

Status	Occurrence	Format	Min. Access Types
Optional	One	int	Get, Replace

This leaf node indicates the maximum number of simultaneous video streams that can be received.

- Values: 1-65535

13.2.75 Void

13.2.76 Void

13.2.77 Void

13.2.78 Void

13.2.79 Void

13.2.80 Void

13.2.81 Void

13.2.82 Void

13.2.83 Void

13.2.84 Void

13.2.85 Void

13.2.86 Void

13.2.87 Void

13.2.87A/<x>/<x>/OnNetwork/EnabledParticipation

Table 13.2.87A.1: /<x>/<x>/OnNetwork/EnabledParticipation

<x>/OnNetwork/EnabledParticipation

Status	Occurrence	Format	Min. Access Types
Required	One	bool	Get, Replace

This leaf node indicates whether the MCVideo user is allowed to participate in MCVideo private calls that they are invited to.

When set to "true" the MCVideo user is allowed to participate in MCVideo private calls that they are invited to.

When set to "false" the MCVideo user is not allowed to participate in MCVideo private calls that they are invited to.

13.2.87A1 /<x>/<x>/OnNetwork/AllowedRemoteInitiatedAmbientViewing

Table 13.2.87A1.1: /<x>/<x>/AllowedRemoteInitiatedAmbientViewing

<x>/OnNetwork/AllowedRemoteInitiatedAmbientViewing

Status	Occurrence	Format	Min. Access Types
Optional	One	bool	Get, Replace

This leaf node indicates the presence status on the network of this MCVideo user is available.

When set to "true" the MCVideo user is authorised to remotely initiate ambient viewing at another MCVideo user's device.

When set to "false" the MCVideo user is not authorised to remotely initiate ambient viewing at another MCVideo user's device.

13.2.87A2 /<x>/<x>/OnNetwork/AllowedLocallyInitiatedAmbientViewing

Table 13.2.87A2.1: /<x>/<x>/OnNetwork/AllowedLocallyInitiatedAmbientViewing

<x>/OnNetwork/AllowedLocallyInitiatedAmbientViewing

Status	Occurrence	Format	Min. Access Types
Optional	One	bool	Get, Replace

This leaf node indicates the presence status on the network of this MCVideo user is available.

When set to "true" the MCVideo user is authorised to locally initiate ambient viewing.

When set to "false" the MCVideo user is not authorised to locally initiate ambient viewing.

13.2.87D /<x>/<x>/OnNetwork/PrivateCall

Table 13.2.87D.1: /<x>/<x>/OnNetwork/PrivateCall

<x>/OnNetwork/PrivateCall

Status	Occurrence	Format	Min. Access Types
Required	One	node	Get, Replace

This interior node is a placeholder for the MCVideo private call configuration.

13.2.87E/<x>/<x>/OnNetwork/PrivateCall/EmergencyAlert

Table 13.2.87E.1: /<x>/<x>/OnNetwork/PrivateCall/EmergencyAlert

<x>/OnNetwork/PrivateCall/EmergencyAlert

Status	Occurrence	Format	Min. Access Types
Required	One	node	Get, Replace

This interior node is a placeholder for the MCVideo private emergency alert policy.

13.2.87F /<x>/<x>/OnNetwork/PrivateCall/EmergencyAlert/Entry

Table 13.2.87F.1: /<x>/<x>/OnNetwork/PrivateCall/EmergencyAlert/Entry

<x>/OnNetwork/PrivateCall/EmergencyAlert/Entry

Status	Occurrence	Format	Min. Access Types
Required	One	node	Get, Replace

This interior node is a placeholder for the details of an MCVideo private emergency alert for on-network.

13.2.87G /<x>/<x>/OnNetwork/PrivateCall/EmergencyAlert/Entry/ID

Table 13.2.87G.1: /<x>/<x>/OnNetwork/PrivateCall/EmergencyAlert/Entry/ID

<x>/OnNetwork/PrivateCall/EmergencyAlert/Entry/ID

Status	Occurrence	Format	Min. Access Types
Required	One	chr	Get, Replace

This leaf node indicates the MCVideo user ID used upon certain criteria on initiation of an MCVideo private emergency alert for on-network.

13.2.87H /<x>/<x>/OnNetwork/PrivateCall/EmergencyAlert/Entry/DisplayName

Table 13.2.87H.1: /<x>/<x>/OnNetwork/PrivateCall/EmergencyAlert/Entry/DisplayName

<x>/OnNetwork/PrivateCall/EmergencyAlert/Entry/DisplayName

Status	Occurrence	Format	Min. Access Types
Optional	One	chr	Get, Replace

This leaf node contains a human readable name that corresponds to the ID.

13.2.87I /<x>/<x>/OnNetwork/PrivateCall/EmergencyAlert/Entry/Usage

Table 13.2.87I.1: /<x>/<x>/OnNetwork/PrivateCall/EmergencyAlert/Entry/Usage

<x>/OnNetwork/PrivateCall/EmergencyAlert/Entry/Usage

Status	Occurrence	Format	Min. Access Types
Required	One	chr	Get, Replace

This leaf node indicates the criteria to determine when initiation of an MCVideo private emergency alert uses the ID.

The valid values are 'LocallyDetermined' and 'UsePreConfigured'.

When set to 'LocallyDetermined' then if the MCVideo user selects an MCVideo ID then use that MCVideo ID for an on-network MCVideo private emergency alert, if the MCVideo user does not select a MCVideo ID then use the MCVideo ID identified by the ID in clause 13.2.38I12 for an on-network MCVideo private emergency alert.

When set to 'UsePreConfigured' then use the ID identified by the ID in clause 13.2.38I12 for an on-network MCVideo private emergency alert.

13.2.87J /<x>/<x>/OnNetwork/RemoteGroupSelection

Table 13.2.87J.1: /<x>/<x>/OnNetwork/RemoteGroupSelection

<x>/OnNetwork/RemoteGroupSelection

Status	Occurrence	Format	Min. Access Types
Required	One	node	Get, Replace

This interior node is a placeholder for the remote group selection configuration.

13.2.87K /<x>/<x>/OnNetwork/RemoteGroupSelection/<x>

Table 13.2.87K.1: /<x>/<x>/OnNetwork/RemoteGroupSelection/<x>

<x>/OnNetwork/RemoteGroupSelection/<x>

Status	Occurrence	Format	Min. Access Types
Required	OneOrMore	node	Get, Replace

This interior node is a placeholder for one or more remote group selection configuration elements.

13.2.87L /<x>/<x>/OnNetwork/RemoteGroupSelection/<x>/Entry

Table 13.2.87L.1: /<x>/<x>/OnNetwork/RemoteGroupSelection/<x>/Entry

<x>/OnNetwork/RemoteGroupSelection/<x>/Entry

Status	Occurrence	Format	Min. Access Types
Optional	One	node	Get, Replace

This interior node is a placeholder for the details of the on-network MCVideo users whose selected MCVideo group is allowed to be remotely changed by the MCVideo user.

13.2.87M /<x>/<x>/OnNetwork/RemoteGroupSelection/<x>/Entry/ MCVideoID

Table 13.2.87M.1: /<x>/<x>/OnNetwork/RemoteGroupSelection/<x>/Entry/MCVideoID

<x>/OnNetwork/RemoteGroupSelection/<x>/Entry/MCVideoID

Status	Occurrence	Format	Min. Access Types
Required	One	chr	Get, Replace

This leaf node indicates a MCVideo ID of an MCVideo user whose selected MCVideo group is allowed to be remotely changed by the MCVideo user.

The value is a "uri" attribute specified in OMA OMA-TS-XDM_Group-V1_1 [4].

13.2.87N /<x>/<x>/OnNetwork/RemoteGroupSelection/<x>/Entry/ DisplayName

Table 13.2.87N.1: /<x>/<x>/OnNetwork/RemoteGroupSelection/<x>/Entry/DisplayName

<x>/OnNetwork/RemoteGroupSelection/<x>/Entry/DisplayName

Status	Occurrence	Format	Min. Access Types
Optional	One	chr	Get, Replace

This leaf node contains a human readable name that corresponds to the MCVideo ID of the MCVideo user.

13.2.88 /<x>/<x>/OffNetwork

Table 13.2.88.1: /<x>/<x>/OffNetwork

<x>/OffNetwork

Status	Occurrence	Format	Min. Access Types
Required	ZeroOrOne	node	Get, Replace

This interior node represents a container for off-network operation.

13.2.89 /<x>/<x>/OffNetwork/Authorised

Table 13.2.89.1: /<x>/<x>/OffNetwork/Authorised

<x>/OffNetwork/Authorised

Status	Occurrence	Format	Min. Access Types
Required	One	bool	Get, Replace

This leaf node indicates the authorisation for off-network services.

When set to "true" the MCVideo user is authorised for off-network operation.

When set to "false" the MCVideo user is not authorised for off-network operation.

13.2.90 /<x>/<x>/OffNetwork/MCVideoGroupList

Table 13.2.90.1: /<x>/<x>/OffNetwork/MCVideoGroupList

<x>/OffNetwork/MCVideoGroupList

Status	Occurrence	Format	Min. Access Types
Required	One	node	Get, Replace

This interior node is a placeholder for the list of off-network MCVideo groups that the MCVideo user is allowed to use.

13.2.91 /<x>/<x>/OffNetwork/MCVideoGroupList/<x>

Table 13.2.91.1: /<x>/<x>/OffNetwork/MCVideoGroupList/<x>

<x>/OffNetwork/MCVideoGroupList/<x>

Status	Occurrence	Format	Min. Access Types
Required	OneOrMore	node	Get, Replace

This interior node is a placeholder for one or more list of off-network MCVideo groups that the MCVideo user is allowed to use.

13.2.92 /<x>/<x>/OffNetwork/MCVideoGroupList/<x>/Entry

Table 13.2.92.1: /<x>/<x>/OffNetwork/MCVideoGroupList/<x>/Entry

<x>/OffNetwork/MCVideoGroupList/<x>/Entry

Status	Occurrence	Format	Min. Access Types
Optional	One	node	Get, Replace

This interior node is a placeholder for the details of the off-network MCVideo groups that the MCVideo user is allowed to use.

13.2.93 /<x>/<x>/OffNetwork/MCVideoGroupList/<x>/Entry/MCVideoGroupID

Table 13.2.93.1: /<x>/<x>/OffNetwork/MCVideoGroupList/<x>/Entry/MCVideoGroupID

<x>/OffNetwork/MCVideoGroupList/<x>/Entry/MCVideoGroupID

Status	Occurrence	Format	Min. Access Types
Required	One	chr	Get, Replace

This leaf node indicates the MCVideo group ID for the off-network MCVideo group that the MCVideo user is allowed to use.

The value is a "uri" attribute specified in OMA OMA-TS-XDM_Group-V1_1 [4].

13.2.94 /<x>/<x>/OffNetwork/MCVideoGroupList/<x>/Entry/DisplayName

Table 13.2.94.1: /<x>/<x>/OffNetwork/MCVideoGroupList/<x>/Entry/DisplayName

<x>/OffNetwork/MCVideoGroupList/<x>/Entry/DisplayName

Status	Occurrence	Format	Min. Access Types
Optional	One	chr	Get, Replace

This leaf node contains a human readable name that corresponds to the MCVideo Group ID.

13.2.95 Void

13.2.96 Void

13.2.97 /<x>/<x>/OffNetwork/MCVideoGroupList/<x>/Entry/GMSServID

Table 13.2.97.1: /<x>/<x>/OffNetwork/MCVideoGroupList/<x>/Entry/GMSServID

<x>/OffNetwork/MCVideoGroupList/<x>/Entry/GMSServID

Status	Occurrence	Format	Min. Access Types
Optional	One	chr	Get, Replace

This leaf node indicates the identity (URI) of the group management server hosting the MCVideo Group ID.

13.2.98 Void

13.2.99 Void

13.2.100 /<x>/<x>/OffNetwork/MCVideoGroupList/<x>/Entry/
IdMSTokenEndPoint

Table 13.2.100.1: /<x>/<x>/OffNetwork/MCVideoGroupList/<x>/Entry/IdMSTokenEndPoint

<x>/OffNetwork/MCVideoGroupList/<x>/Entry/IdMSTokenEndPoint

Status	Occurrence	Format	Min. Access Types
Optional	One	chr	Get, Replace

This leaf node indicates the identity (URI) of the identity management server hosting the MCVideo Group ID.

13.2.100A Void

13.2.100B Void

13.2.100C /<x>/<x>/OffNetwork/MCVideoGroupList/<x>/Entry/
GroupKMSURI

Table 13.2.100C.1: /<x>/<x>/OffNetwork/MCVideoGroupList/<x>/Entry/GroupKMSURI

<x>/OffNetwork/MCVideoGroupList/<x>/Entry/GroupKMSURI

Status	Occurrence	Format	Min. Access Types
Required	One	chr	Get, Replace

This leaf node indicates the identity (URI) of the KMS identity (URI) for a specific group contained in the off-network MCVideoGroupList. If the value is empty, the KMS identity (URI) (kms) present in the MCS UE initial configuration MO is used.

13.2.101 /<x>/<x>/OffNetwork/MCVideoGroupList/<x>/Entry/
RelativePresentationPriority

Table 13.2.101.1: /<x>/<x>/OffNetwork/MCVideoGroupList/<x>/Entry/RelativePresentationPriority

<x>/OffNetwork/MCVideoGroupList/<x>/Entry/RelativePresentationPriority

Status	Occurrence	Format	Min. Access Types
Optional	One	int	Get, Replace

This leaf node indicates indicating the presentation priority of the off-network group for the MCVideo user relative to other off-network groups and off-network users.

- Values: 0-255

The lowest RelativePresentationPriority value shall be considered as the MCVideo group transaction having the lowest priority for presentation among other group MCVideo and one-to-one user transactions.

13.2.102 /<x>/<x>/OffNetwork/UserInfoID

Table 13.2.102.1: /<x>/<x>/OffNetwork/UserInfoID

<x>/OffNetwork/UserInfoID

Status	Occurrence	Format	Min. Access Types
Required	One	chr	Get, Replace

This leaf node indicates the ProSe user info ID as specified in 3GPP TS 23.303 [6].

13.2.102A /<x>/<x>/OffNetwork/EmergencyCallChange

Table 13.2.102A.1: /<x>/<x>/OffNetwork/EmergencyCallChange

<x>/OffNetwork/EmergencyCallChange

Status	Occurrence	Format	Min. Access Types
Required	One	bool	Get, Replace

This leaf node indicates the authorization for a participant to change an off-network group call in-progress to an off-network MCVideo emergency group call.

When set to "true" the MCVideo user is authorised to change an MCVideo emergency group call.

When set to "false" the MCVideo user is not authorised to change an MCVideo emergency group call.

13.2.102B /<x>/<x>/OffNetwork/ImminentPerilCallChange

Table 13.2.102B.1: /<x>/<x>/OffNetwork/ImminentPerilCallChange

<x>/OffNetwork/ImminentPerilCallChange

Status	Occurrence	Format	Min. Access Types
Required	One	bool	Get, Replace

This leaf node indicates the authorization for a participant to change an off-network group call in-progress to an off-network MCVideo imminent peril group call.

When set to "true" the MCVideo user is authorised to change an MCVideo imminent peril group call.

When set to "false" the MCVideo user is not authorised to change an MCVideo imminent peril group call.

13.2.103 /<x>/Status

Table 13.2.103.1: /<x>/Status

Status

Status	Occurrence	Format	Min. Access Types
Optional	One	bool	Get, Replace

This leaf node indicates whether this MCVideo user profile is enabled or disabled.

When set to "true" this MCVideo user profile is enabled.

When set to "false" this MCVideo user profile is disabled.

14 MCVideo service configuration MO

14.1 General

The MCVideo service configuration Management Object (MO) is used to configure MCVideo Client behaviour for the on-network or off-network MCVideo Service. The MCVideo service configuration parameters may be stored in the ME, or in the USIM as specified in 3GPP TS 31.102 [10], or in both the ME and the USIM. If both the ME and the USIM contain the same parameters, the values stored in the USIM shall take precedence.

The Management Object Identifier is: urn:oma:mo:ext-3gpp-MCVideo-service-configuration:1.0.

Protocol compatibility: This MO is compatible with OMA OMA DM 1.2 [3].

The OMA DM ACL property mechanism (see OMA OMA-ERELED-DM-V1_2 [2]) may be used to grant or deny access rights to OMA DM servers in order to modify nodes and leaf objects of the MCVideo service configuration MO.

The following nodes and leaf objects are possible under the MCVideo service configuration node as described in figure 14.1.1.

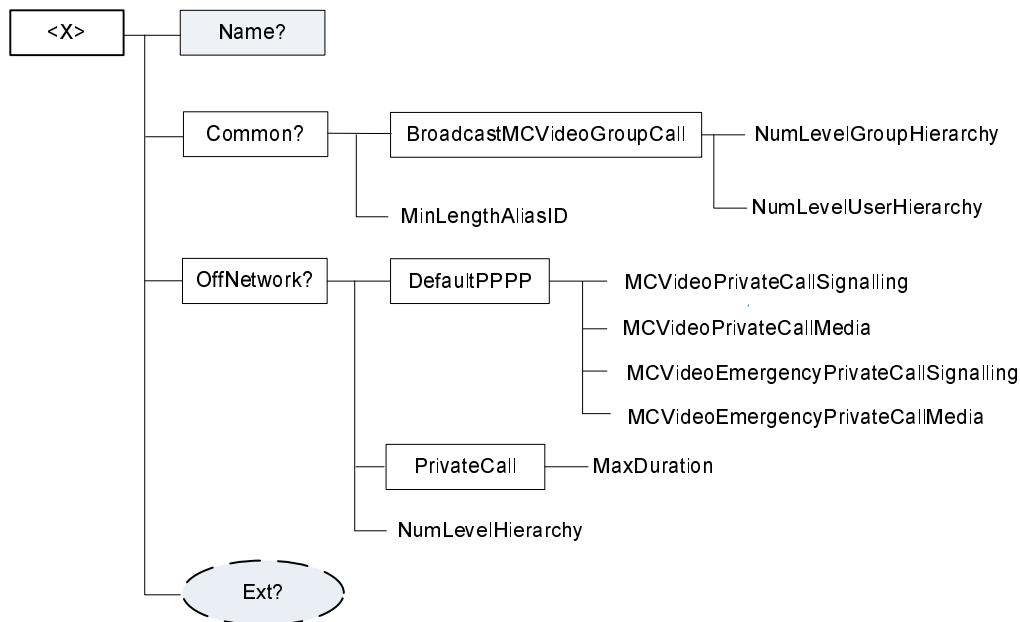


Figure 14.1.1: The MCVideo service configuration MO

14.2 MCVideo service configuration MO parameters

14.2.1 General

This clause describes the parameters for the MCVideo service configuration Management Object (MO).

14.2.2 Node: <x>

Table 14.2.2.1: Node: <x>

<x>

Status	Occurrence	Format	Min. Access Types
--------	------------	--------	-------------------

Required	OneOrMore	node	Get
----------	-----------	------	-----

This interior node acts as a placeholder for the MCVideo service configuration Management Object (MO).

For the MCVideo service configuration MO, the namespace specific string is: "urn:oma:mo:oma-dm-mcvideo-service configuration:1.0"

- Values: N/A

14.2.3 /<x>/Name

Table 14.2.3.1: /<x>/Name

Name

Status	Occurrence	Format	Min. Access Types
Required	ZeroOrOne	chr	Get

The Name leaf is a name for the MCVideo service configuration settings.

- Values: <User displayable name>

14.2.4 /<x>/Ext/

Table 14.2.4.1: /<x>/Ext/

Ext

Status	Occurrence	Format	Min. Access Types
Optional	ZeroOrOne	node	Get, Replace

The Ext is an interior node for where the vendor specific information about the MCVideo service configuration MO is being placed.

Usually the vendor extension is identified by vendor specific name under the ext node and contains the vendor meaning application vendor, device vendor etc. The tree structure under the vendor identified is not defined and can therefore include one or more un-standardized sub-trees.

- Values: N/A

14.2.5 /<x>/Common

Table 14.2.5.1: /<x>/Common

Common

Status	Occurrence	Format	Min. Access Types
Required	ZeroOrOne	node	Get, Replace

This interior node represents a container for the common network operation which means both on-network operation and off-network operation.

14.2.6 /<x>/Common/BroadcastMCVideoGroupCall

Table 14.2.6.1: /<x>/Common/BroadcastMCVideoGroupCall

Common/BroadcastMCVideoGroupCall

Status	Occurrence	Format	Min. Access Types
Required	One	node	Get, Replace

This interior node is a placeholder for Broadcast MCVideo Group Call configuration.

14.2.7 /<x>/Common/BroadcastMCVideoGroupCall/ NumLevelGroupHierarchy

Table 14.2.7.1: /<x>/Common/BroadcastMCVideoGroupCall/NumLevelGroupHierarchy

Common/BroadcastMCVideoGroupCall/NumLevelGroupHierarchy

Status	Occurrence	Format	Min. Access Types
Required	One	int	Get, Replace

This leaf node indicates the number of levels of group hierarchy for group-broadcast groups.

- Values: 0-255

The group-broadcast group with the lowest NumLevelGroupHierarchy value shall be considered as the group-broadcast group having the lowest level among the groups.

14.2.8 /<x>/Common/BroadcastMCVideoGroupCall/ NumLevelUserHierarchy

Table 14.2.8.1: /<x>/Common/BroadcastMCVideoGroupCall/NumLevelUserHierarchy

Common/BroadcastMCVideoGroupCall/NumLevelUserHierarchy

Status	Occurrence	Format	Min. Access Types
Required	One	int	Get, Replace

This leaf node indicates the number of levels of user hierarchy for user-broadcast groups.

- Values: 0-255

The user-broadcast group with the lowest NumLevelUserHierarchy value shall be considered as the user-broadcast group the lowest level among the groups.

14.2.9 /<x>/Common/MinLengthAliasID

Table 14.2.9.1: /<x>/Common/MinLengthAliasID

Common/MinLengthAliasID

Status	Occurrence	Format	Min. Access Types
Required	One	int	Get, Replace

This leaf node indicates minimum length of an alphanumeric identifier (i.e., alias) assigned by an MCVideo administrator.

- Values: 0-255

14.2.10 /<x>/OffNetwork

Table 14.2.10.1: /<x>/OffNetwork

OffNetwork

Status	Occurrence	Format	Min. Access Types
Required	ZeroOrOne	node	Get, Replace

This interior node represents a container for off-network operation.

14.2.11 /<x>/OffNetwork/DefaultPPPP

Table 14.2.11.1: /<x>/OffNetwork/DefaultPPPP

OffNetwork/DefaultPPPP

Status	Occurrence	Format	Min. Access Types
Required	One	node	Get, Replace

This interior node is a placeholder for the default ProSe Per-Packet Priority (PPPP) configuration.

14.2.12 /<x>/OffNetwork/DefaultPPPP/MCVideoPrivateCallSignalling

Table 14.2.12.1: /<x>/OffNetwork/DefaultPPPP/MCVideoPrivateCallSignalling

OffNetwork/DefaultPPPP/MCVideoPrivateCallSignalling

Status	Occurrence	Format	Min. Access Types
Required	One	int	Get, Replace

This leaf node indicates the default ProSe Per-Packet Priority (PPPP) value (as specified in 3GPP TS 23.303 [6]) for the MCVideo private call signalling.

- Values: 1-8

The MCVideo user data with the lowest ProSe Per-Packet Priority value shall be considered as the MCVideo user data having the highest priority among the MCVideo user data.

14.2.13 /<x>/OffNetwork/DefaultPPPP/MCVideoPrivateCallMedia

Table 14.2.13.1: /<x>/OffNetwork/DefaultPPPP/MCVideoPrivateCallMedia

OffNetwork/DefaultPPPP/MCVideoPrivateCallMedia

Status	Occurrence	Format	Min. Access Types
Required	One	int	Get, Replace

This leaf node indicates the default ProSe Per-Packet Priority (PPPP) value (as specified in 3GPP TS 23.303 [6]) for the MCVideo private call media.

- Values: 1-8

The MCVideo user data with the lowest ProSe Per-Packet Priority value shall be considered as the MCVideo user data having the highest priority among the MCVideo user data.

14.2.14 /<x>/OffNetwork/DefaultPPPP/ MCVideoEmergencyPrivateCallSignalling

Table 14.2.14.1: /<x>/OffNetwork/DefaultPPPP/MCVideoEmergencyPrivateCallSignalling

OffNetwork/DefaultPPPP/MCVideoEmergencyPrivateCallSignalling

Status	Occurrence	Format	Min. Access Types
Required	One	int	Get, Replace

This leaf node indicates the default ProSe Per-Packet Priority (PPPP) value (as specified in 3GPP TS 23.303 [6]) for the MCVideo emergency private call signalling.

- Values: 1-8

The MCVideo user data with the lowest ProSe Per-Packet Priority value shall be considered as the MCVideo user data having the highest priority among the MCVideo user data.

14.2.15 /<x>/OffNetwork/DefaultPPPP/ MCVideoEmergencyPrivateCallMedia

Table 14.2.15.1: /<x>/OffNetwork/DefaultPPPP/MCVideoEmergencyPrivateCallMedia

OffNetwork/DefaultPPPP/MCVideoEmergencyPrivateCallMedia

Status	Occurrence	Format	Min. Access Types
Required	One	int	Get, Replace

This leaf node indicates the default ProSe Per-Packet Priority (PPPP) value (as specified in 3GPP TS 23.303 [6]) for the MCVideo emergency private call media.

- Values: 1-8

The MCVideo user data with the lowest ProSe Per-Packet Priority value shall be considered as the MCVideo user data having the highest priority among the MCVideo user data.

14.2.16 /<x>/OffNetwork/PrivateCall

Table 14.2.16.1: /<x>/OffNetwork/PrivateCall

OffNetwork/PrivateCall

Status	Occurrence	Format	Min. Access Types
Required	One	node	Get, Replace

This interior node is a placeholder for private call configuration.

14.2.17 /<x>/OffNetwork/PrivateCall/MaxDuration

Table 14.2.17.1: /<x>/OffNetwork/PrivateCall/MaxDuration

OffNetwork/PrivateCall/MaxDuration

Status	Occurrence	Format	Min. Access Types
Required	One	int	Get, Replace

This leaf node indicates max private call duration.

- Values: 0-65535

The MaxDuration time is in seconds.

14.2.18 /<x>/OffNetwork/NumLevelHierarchy

Table 14.2.18.1: /<x>/OffNetwork/NumLevelHierarchy

OffNetwork/NumLevelHierarchy

Status	Occurrence	Format	Min. Access Types
Required	One	int	Get, Replace

This leaf node indicates the number of levels of hierarchy for transmission control override in off-network.

- Values: 4-256

The request with the lowest NumLevelHierarchy value shall be considered as the request having the lowest priority level given to override an active transmission among the requests.

Annex A (informative): MCPTT UE configuration MO DDF

This DDF is the standardized minimal set. A vendor can define its own DDF for the complete device. This DDF can include more features than this minimal standardized version. The DDF is included as an XML file.

Annex B (informative): MCPTT user profile MO DDF

This DDF is the standardized minimal set. A vendor can define its own DDF for the complete device. This DDF can include more features than this minimal standardized version. The DDF is included as an XML file.

Annex C (informative): MCS group configuration MO DDF

This DDF is the standardized minimal set. A vendor can define its own DDF for the complete device. This DDF can include more features than this minimal standardized version. The DDF is included as an XML file.

Annex D (informative): MCPTT service configuration MO DDF

This DDF is the standardized minimal set. A vendor can define its own DDF for the complete device. This DDF can include more features than this minimal standardized version. The DDF is included as an XML file.

Annex E (informative): MCS UE initial configuration MO DDF

This DDF is the standardized minimal set. A vendor can define its own DDF for the complete device. This DDF can include more features than this minimal standardized version. The DDF is included as an XML file.

Annex F (informative): MCVideo UE configuration MO DDF

This DDF is the standardized minimal set. A vendor can define its own DDF for the complete device. This DDF can include more features than this minimal standardized version. The DDF is included as an XML file.

Annex G (informative): MCVideo user profile configuration MO DDF

This DDF is the standardized minimal set. A vendor can define its own DDF for the complete device. This DDF can include more features than this minimal standardized version. The DDF is included as an XML file.

Annex H (informative): MCVideo service configuration MO DDF

This DDF is the standardized minimal set. A vendor can define its own DDF for the complete device. This DDF can include more features than this minimal standardized version. The DDF is included as an XML file.

Annex I (informative): MCData UE configuration MO DDF

This DDF is the standardized minimal set. A vendor can define its own DDF for the complete device. This DDF can include more features than this minimal standardized version. The DDF is included as an XML file.

Annex J (informative): MCData user profile configuration MO DDF

This DDF is the standardized minimal set. A vendor can define its own DDF for the complete device. This DDF can include more features than this minimal standardized version. The DDF is included as an XML file.

Annex K (informative): MCData service configuration MO DDF

This DDF is the standardized minimal set. A vendor can define its own DDF for the complete device. This DDF can include more features than this minimal standardized version. The DDF is included as an XML file.

Annex L (informative): Change history

Change history							
Date	TSG #	TSG Doc.	CR	Rev	Subject/Comment	Old	New
2015-07					Initial proposal to CT1	-	0.0.0
2015-08					Included skeleton from C1ah-150016 and scope from C1ah-150038 agreed at CT1#92bis	0.0.0	0.10
2015-08					Included CRs C1-152964 and C1-152965 agreed at CT1#93	0.1.0	0.2.0
2015-08					Revision number changed due to cover sheet modifications	0.2.0	0.2.1
2015-09					Modifying the cover sheet to add the TS number. Changes by the rapporteur.	0.2.1	0.2.2
2015-10					Included CRs C1-153754, and C1-153755 agreed at CT1#94	0.2.2	0.3.0
2016-01					Included CRs C1-160352, C1-160474, C1-160475, C1-160476, C1-160477 and C1-160478 agreed at CT1#95bis	0.3.0	0.4.0
2016-01					Editorial and formatting fixes	0.4.0	0.4.1
2016-02					Included CRs C1-161077, C1-161078, C1-161231, C1-161324, C1-161326, C1-161327, C1-161509 and C1-161510 agreed at CT1#96 Editorial and formatting fixes by the rapporteur.	0.4.1	0.5.0
2016-03	CT-71	CP-160056			Version 1.0.0 created for presentation for information and approval	0.5.0	1.0.0
2016-03	CT-71				Version 13.0.0 created after approval	1.0.0	13.0.0
2016-03					An editorial change from TS rapporteur	13.0.0	13.0.10
2016-06	CT-72	CP-160322	0002	1	Corrections to the scope of MCPTT Management Object (MO)	13.0.1	13.1.0
2016-06	CT-72	CP-160322	0003	3	Correction for MCPTT UE configuration management object (MO)	13.0.1	13.1.0
2016-06	CT-72	CP-160322	0004	3	Correction for MCPTT user profile management object (MO)	13.0.1	13.1.0
2016-06	CT-72	CP-160322	0005	2	Correction for MCPTT group configuration management object (MO)	13.0.1	13.1.0
2016-06	CT-72	CP-160322	0006	1	Correction for MCPTT service configuration management object (MO)	13.0.1	13.1.0
2016-06	CT-72	CP-160322	0007	3	Correction for MCPTT UE initial configuration management object (MO)	13.0.1	13.1.0
2016-06	CT-72	CP-160322	0011		Correction for security configuration parameters in MCPTT management object (MO)	13.0.1	13.1.0

Change history							
Date	Meeting	TDoc	CR	Rev	Cat	Subject/Comment	New version
2016-09	CT#73	CP-160565	0013	3	F	Correction for configuration parameters in MCPTT user profile management object (MO)	13.2.0
2016-09	CT#73	CP-160503	0014	1	F	Correction for group related parameters in MCPTT UE initial configuration management object (MO)	13.2.0
2016-09	CT#73	CP-160503	0015	1	F	Correction for security material parameter in MCPTT group configuration management object (MO)	13.2.0
2016-09	CT#73	CP-160503	0016		F	Correction for "MCPTTGroupPriorityHierarchy" value in MCPTT UE configuration management object (MO)	24.383 13.2.0
2016-12	CT#74					Change of spec number from 24.383 to 24.483 with wider scope and changed title	24.483 13.2.1
2016-12	CT#74	CP-160733	0018	1	F	Identity management endpoint UE initial configuration MO correction (24.383 CR)	13.3.0
2016-12	CT#74	CP-160733	0019	1	F	Correction for ProSe related configuration parameters (24.383 CR)	13.3.0
2016-12	CT#74	CP-160733	0020	3	F	Correction for MCPTT Private Call and Group Call in MCPTT user profile management (MO) (24.383 CR)	13.3.0
2016-12	CT#74	CP-160733	0021		F	Modify number of levels for priority hierarchy (24.383 CR)	13.3.0
2016-12	CT#74	CP-160733	0022	1	F	Identification of pre-selected MCPTT user profile in MCPTT user profile managed object. (24.383 CR)	13.3.0
2016-12	CT#74	CP-160734	0023	2	F	Off-network configuration parameter for queue (24.383 CR)	13.3.0
2017-03	CT#75	CP-170117	0001	2	F	Scope alignment with TS 24.483 title	13.4.0
2017-03	CT#75	CP-170117	0004		F	Corrections to upper limits	13.4.0
2017-03	CT#75	CP-170127	0002	1	F	Modifying references in TS 24.483 to cater for rel-14 Stage 2 and Stage 3 mission critical restructure	14.0.0
2017-03	CT#75	CP-170127	0003	1	F	Corrections and clean-up for 24.483	14.0.0
2017-03	CT#75	CP-170125	0005	1	B	MCPTT user profile MO modifications in support of private call call-back	14.0.0
2017-06	CT#76	CP-171080	0006		B	Updating general parts of TS 24.483 for MCDData, MCVideo and the initial configuration MO	14.1.0
2017-06	CT#76	CP-171080	0007	2	B	Modifications to the Group Configuration MO for MCDData and MCVideo	14.1.0
2017-06	CT#76	CP-171081	0008	1	B	MCVideo UE configuration MO	14.1.0
2017-06	CT#76	CP-171081	0009	2	B	MCVideo user profile configuration MO	14.1.0
2017-06	CT#76	CP-171081	0010		B	MCVideo service configuration MO	14.1.0
2017-06	CT#76	CP-171080	0011	2	B	MCDData UE configuration MO	14.1.0
2017-06	CT#76	CP-171080	0012	2	B	MCDData user profile configuration MO	14.1.0
2017-06	CT#76	CP-171080	0013	1	B	MCDData service configuration MO	14.1.0
2017-06	CT#76	CP-171114	0014	1	B	eMCPTT user profile MO updates	14.1.0
2017-06	CT#76	CP-171113	0016	1	A	AllowedFloorControlProtection configuration parameter	14.1.0
2017-06	CT#76	CP-171113	0018		A	QueueUsage configuration parameter	14.1.0
2017-06	CT#76	CP-171082	0019	1	F	Correction of User Aliases configuration parameter in the MCPTT user profile MO	14.1.0
2017-09	CT#77	CP-172101	0020	1	B	User profile MO additions for eMCPTT	14.2.0
2017-09	CT#77	CP-172096	0022	1	A	Clause 4 - Correction of occurrences of parameters	14.2.0
2017-09	CT#77	CP-172104	0025		F	Clause 6 - Correction of occurrences of parameters	14.2.0
2017-09	CT#77	CP-172102	0026	1	F	Clause 9 - Correction of occurrences of parameters	14.2.0
2017-09	CT#77	CP-172143	0028	2	F	Specify KMS-URI configuration for MCDATA in the MCDData User Profile Management Object.	14.2.0
2017-09	CT#77	CP-172144	0029	2	F	Clause 10 - Correction of names and formats of some parameters	14.2.0
2017-09	CT#77	CP-172104	0030		F	Clause 12 - Correction of occurrences of parameters	14.2.0
2017-09	CT#77	CP-172104	0031		F	Clause 13 - Correction of occurrences of parameters and their graphical representation	14.2.0
2017-09	CT#77	CP-172096	0032	2	A	Clause 8 – Inclusion of missing timer TFG14	14.2.0
2017-09	CT#77	CP-172096	0034	1	A	Include missing elements in MCPTT UE initial configuration MO	14.2.0
2017-09	CT#77	CP-172134	0037		F	DDF files for TS 24.483	14.2.0
2017-12	CT#78	CP-173066	0039	1	F	Off-network MCVideo configurations	14.3.0
2017-12	CT#78	CP-173073	0038	1	B	Authorisation parameters for remotely initiated calls - user profile MO	15.0.0
2018-03	CT#79	CP-180087	0040	1	B	User profile MO updates for functional alias	15.1.0
2018-03	CT#79	CP-180072	0042	1	A	User profile presentation priority	15.1.0
2018-06	CT#80	CP-181064	0043		F	Unique ID leaf node for enhanced status operational value	15.2.0
2018-09	CT#81	CP-182149	0045	2	B	Location of Talker	15.3.0
2018-09	CT#81	CP-182148	0046		B	Reception Priority	15.3.0
2019-03	CT#83	CP-190078	0051	1	A	Correction of MO counter names CFx11 and CFx12	15.4.0
2019-03	CT#83	CP-190078	0055	1	A	Remove T230 from TS 24.483	15.4.0
2019-03	CT#83	CP-190103	0048	2	F	24.483 Server URI and IP version additions	16.0.0
2019-03	CT#83	CP-190103	0052	1	F	Correction of Annex C and Annex E	16.0.0
2019-09	CT#85	CP-192066	0057	1	B	Restricting incoming private communications MO	16.1.0
2019-12	CT#86	CP-193110	0058	1	B	MO for limiting the number of emergency group calls for a specific functional alias	16.2.0

2019-12	CT#86	CP-193110	0059	1	B	Automatic activation and deactivation of functional aliases based on location	16.2.0
2019-12	CT#86	CP-193082	0063		A	Correction of single timer TFP2 mistakenly use for two different purposes	16.2.0
2019-12	CT#86	CP-193110	0065		B	List of MCPTT group members who did not acknowledge the group call request	16.2.0
2020-03	CT#87e	CP-200122	0064	3	B	Automatic group affiliation and deaffiliation based on location or functional alias	16.3.0
2020-03	CT#87e	CP-200115	0066	1	C	Included absolute URI associated with the media storage function of MCDData content server	16.3.0
2020-06	CT#88e	CP-201124	0067	1	B	IPConnectivity extension to include IP Information	16.4.0
2020-06	CT#88e	CP-201086	0071	1	A	Correction of unit values for T204 and T205	16.4.0
2020-06	CT#88e	CP-201124	0072	1	B	Add PointCoordinate, Speed, Heading nodes in 5.2.48W	16.4.0
2020-06	CT#88e	CP-201124	0073	1	D	Correct capitalisation in ListOfFunctionalaliases	16.4.0
2020-06	CT#88e	CP-201124	0074	1	B	MCDData FA (de)affiliation by location criteria MOs	16.4.0
2020-06	CT#88e	CP-201124	0075	1	B	MCDData Functional Alias by location criteria	16.4.0
2020-06	CT#88e	CP-201121	0076		F	Correction of node formats	16.4.0
2020-06	CT#88e	CP-201112	0077	1	B	Included the MessageStoreHostname element	16.4.0
2020-06	CT#88e	CP-201124	0078	1	F	Restricting incoming MCDData communications MO	16.4.0
2020-09	CT#89e	CP-202165	0081		F	MOs Corrections related to MONASTERY2 CRs implementation	16.5.0
2021-06	CT#92e	CP-211125	0102	2	A	Correct MCVideo MOs R16	16.6.0
2021-06	CT#92e	CP-211125	0107		A	Clause 12: name of node indicating the maximum number of private calls	16.6.0
2021-06	CT#92e	CP-211126	0110		A	Invalid MCPTT user profile MO DDF	16.6.0
2021-06	CT#92e	CP-211132	0112	1	F	Occurrence "ThreeToFifteen" in MCPTT user profile MO	16.6.0
2021-06	CT#92e	CP-211132	0114	1	F	Occurrence "ThreeToFifteen" in MCDData user profile MO	16.6.0
2021-09	CT#93e	CP-212113	0122		A	MCPTT user profile MO: occurrence of the node "Common"	16.7.0
2021-09	CT#93e	CP-212115	0126		A	MCDData user profile MO: occurrence of the node "Common"	16.7.0
2021-09	CT#93e	CP-212115	0130		A	MCVideo user profile MO: occurrence of the node "Common"	16.7.0
2021-09	CT#93e	CP-212123	0132		F	Occurrence of the ManualDeactivationNotAllowedIfLocationCriteriaMet	16.7.0
2022-06	CT#96	CP-221193	0152	1	A	Group info and presentation priorities, MO	16.8.0

History

Document history		
V16.4.0	August 2020	Publication
V16.5.0	October 2020	Publication
V16.6.0	July 2021	Publication
V16.7.0	September 2021	Publication
V16.8.0	July 2022	Publication