

# ETSI TS 123 171 V3.0.0 (2000-03)

---

*Technical Specification*

## **Universal Mobile Telecommunications System (UMTS); Functional stage 2 description of location services in UMTS (3G TS 23.171 version 3.0.0 Release 1999)**

---



---

**Reference**

DTS/TSGS-0223171U

---

**Keywords**

UMTS

**ETSI**

650 Route des Lucioles  
F-06921 Sophia Antipolis Cedex - FRANCE

---

Tel.: +33 4 92 94 42 00 Fax: +33 4 93 65 47 16

Siret N° 348 623 562 00017 - NAF 742 C  
Association à but non lucratif enregistrée à la  
Sous-Préfecture de Grasse (06) N° 7803/88

---

**Important notice**

---

Individual copies of the present document can be downloaded from:

<http://www.etsi.org>

The present document may be made available in more than one electronic version or in print. In any case of existing or perceived difference in contents between such versions, the reference version is the Portable Document Format (PDF).

In case of dispute, the reference shall be the printing on ETSI printers of the PDF version kept on a specific network drive within ETSI Secretariat.

Users of the present document should be aware that the document may be subject to revision or change of status.

Information on the current status of this and other ETSI documents is available at <http://www.etsi.org/tb/status/>

If you find errors in the present document, send your comment to:

editor@etsi.fr

---

**Copyright Notification**

---

No part may be reproduced except as authorized by written permission.  
The copyright and the foregoing restriction extend to reproduction in all media.

© European Telecommunications Standards Institute 2000.

All rights reserved.

---

## Intellectual Property Rights

IPRs essential or potentially essential to the present document may have been declared to ETSI. The information pertaining to these essential IPRs, if any, is publicly available for **ETSI members and non-members**, and can be found in SR 000 314: *"Intellectual Property Rights (IPRs); Essential, or potentially Essential, IPRs notified to ETSI in respect of ETSI standards"*, which is available from the ETSI Secretariat. Latest updates are available on the ETSI Web server (<http://www.etsi.org/ipr>).

Pursuant to the ETSI IPR Policy, no investigation, including IPR searches, has been carried out by ETSI. No guarantee can be given as to the existence of other IPRs not referenced in SR 000 314 (or the updates on the ETSI Web server) which are, or may be, or may become, essential to the present document.

---

## Foreword

This Technical Specification (TS) has been produced by the ETSI 3<sup>rd</sup> Generation Partnership Project (3GPP).

The present document may refer to technical specifications or reports using their 3GPP identities, UMTS identities or GSM identities. These should be interpreted as being references to the corresponding ETSI deliverables.

The cross reference between GSM, UMTS, 3GPP and ETSI identities can be found under [www.etsi.org/key](http://www.etsi.org/key) .

# Contents

Foreword .....	6
1 Scope.....	7
2 References.....	7
2.1 Normative references.....	7
2.2 Informative references .....	8
3 Definitions and abbreviations .....	8
3.1 Definitions .....	8
3.2 Symbols .....	10
3.3 Abbreviations.....	10
4 Main concepts .....	12
4.1 Location services in UMTS Release 1999 .....	12
4.2 Assumptions .....	12
4.3 Location Services Categories.....	13
4.4 Positioning methods.....	13
4.4.1 Standard LCS Methods in UTRAN Release 99 .....	13
4.5 Location information sources, network interaction .....	14
5 General LCS architecture.....	14
5.1 LCS access interfaces and reference points .....	14
5.2 LCS Functional diagram, high level functions .....	15
5.3 LCS Client functional group.....	16
5.3.1 External Location Client Function (LCF) .....	16
5.3.2 Internal Location Client Function (U-LCF) .....	16
5.4 LCS Server functional group in UMTS .....	16
5.4.1 Client handling component .....	16
5.4.1.1 Location Client Control Function (LCCF) .....	16
5.4.1.2 Location Client Authorization Function (LCAF) .....	16
5.3.1.2.1 Access Subfunction.....	17
5.3.1.2.2 Subscription Subfunction.....	17
5.4.1.3 Location Client Co-ordinate Transformation Function (LCCTF) .....	17
5.4.2 System handling component .....	17
5.4.2.1 Location System Control Function in general (LSCF).....	17
5.4.2.2 Access Network Location System Control Function(U-LSCF) .....	18
5.4.2.3 Location System Billing Function (LSBF).....	18
5.4.2.4 Location System Operations Function (LSOF) .....	18
5.4.2.5 Location System Broadcast Function (LSBcF) .....	18
5.4.3 Subscriber handling Component .....	18
5.4.2.3.1 Location Subscriber Authorization Function (LSAF) .....	18
5.4.2.3.2 Location Subscriber Privacy Function (LSPF).....	18
5.4.4 Positioning components .....	18
5.5 Information Flows between Client and Server.....	19
5.5.1 Location Service Request.....	19
5.5.2 Location Service Response .....	19
6 UMTS LCS Architecture .....	20
6.1 Schematic functional description of LCS operations in UMTS.....	20
6.2 Allocation of LCS functions to UMTS network elements.....	21
6.3 Functional description of LCS per network element .....	24
6.3.1 Access Network .....	24
6.3.2 LCS Clients and LCS applications .....	24
6.3.3 Gateway Mobile Location Center, GMLC.....	24
6.3.4 Serving RNC, UTRAN case.....	24
6.3.5 LCS support in the Mobile Station.....	24
6.3.6 LMU.....	24
6.3.7 3G-MSC/VLR.....	25

6.3.8	3G-SGSN .....	25
6.3.9	Home Location Register, HLR.....	25
6.3.10	gsmSCF .....	25
6.4	Addressing the target UE for LCS purposes .....	25
7	Signaling Protocols and Interfaces.....	25
7.1	Signalling protocols for LCS support in UMTS .....	25
7.1.1	Protocol layering .....	25
7.1.2	{ Message Segmentation } .....	25
7.2	Iu interface .....	25
7.2.1	Core network location request.....	26
7.2.2	Location Report.....	26
7.3	Uu Interface .....	26
7.4	MAP Interfaces .....	26
8	General network location procedures .....	27
8.1	State description for GMLC.....	27
8.1.1	Title? .....	27
8.1.1.1	NULL State .....	27
8.1.1.2	INTERROGATION State.....	27
8.1.1.3	LOCATION State.....	27
8.1.2	State Functionality.....	28
8.1.2.1	State Transitions .....	28
8.1.2.2	INTERROGATION Timer Function.....	28
8.1.2.3	LOCATION Timer Function.....	28
8.2	State description for 3G-VMSC/VLR.....	29
8.2.1	3G-VMSC States.....	29
8.2.1.1	LCS IDLE State.....	29
8.2.1.2	LOCATION State.....	29
8.2.2	State Functionality.....	29
8.2.2.1	State Transitions .....	29
8.2.2.2	LOCATION Timer Function.....	30
8.3	LCS State description for 3G-SGSN .....	30
8.3.1	3G-SGSN States.....	30
8.3.1.1	LCS IDLE State.....	30
8.3.1.2	LOCATION State.....	30
8.3.2	State Functionality.....	30
8.3.2.1	State Transitions .....	30
8.3.2.2	LOCATION Timer Function.....	31
8.4	State description for RNC in UTRAN .....	31
8.5	Iu Signaling Connection .....	31
8.6	General Network Positioning Procedures .....	31
8.7	Mobile Terminating Location Request .....	31
8.7.1	Circuit Switched Mobile Terminating Location Request (CS-MT-LR).....	31
8.7.1.1	Location Preparation Procedure .....	32
8.7.1.2	Positioning Measurement Establishment Procedure.....	33
8.7.1.3	Location Calculation and Release Procedure .....	34
8.7.2	MT-LR and PS-MT-LR for a previously obtained location estimate.....	34
8.7.2.1	Initial Location .....	34
8.7.2.2	Current Location.....	34
8.7.2.3	Last known Location .....	34
8.7.2.4	Security and Privacy.....	34
8.7.2.5	Failing to locate the target UE.....	35
8.7.2.5.1	Target UE is "Not Reachable" .....	35
8.7.2.5.2	Target UE is "Detached".....	35
8.7.2.5.3	Target UE is Reachable but Positioning Fails.....	35
8.7.2.5.4	An indicator of "last known location" returned shall be marked at the CDR at VMSC or 3G-SGSN.Target UE is "Purged" .....	35
8.7.3	Network Induced Location Request (NI-LR).....	36
8.7.3.1	Location Preparation Procedure .....	36
8.7.3.2	Positioning Measurement Establishment Procedure.....	37
8.7.3.3	Location Calculation and Release Procedure .....	37

8.7.4	Network Induced Location Request (NI-LR and PS-NI-LR) from a Serving RNC for a target UE in dedicated mode .....	37
8.7.4.1	Location Preparation Procedure .....	38
8.7.4.2	Positioning Measurement Establishment Procedure.....	38
8.7.4.3	Location Calculation and Release Procedure .....	38
8.7.5	Packet Switched Mobile Terminating Location Request (PS-MT-LR).....	39
8.7.5.1	Location Preparation Procedure .....	39
8.7.5.2	Positioning Measurement Establishment Procedure.....	41
8.7.5.3	Location Calculation and Release Procedure .....	41
8.8	Mobile Originating Location Request.....	41
8.8.1	Mobile Originating Location Request, Circuit Switched (CS-MO-LR).....	41
8.8.1.1	Location Preparation Procedure .....	42
8.8.1.2	Positioning Measurement Establishment Procedure.....	43
8.8.1.3	Location Calculation and Release Procedure .....	43
8.8.2	Mobile Originating Location Request, Packet Switched (PS-MO-LR) .....	43
8.8.2.1	Location Preparation Procedure .....	44
8.8.2.2	Positioning Measurement Establishment Procedure.....	44
8.8.2.3	Location Calculation and Release Procedure .....	45
8.9	LCS signaling procedures specified in UTRAN Stage 2, TS35.305.....	45
8.10	Exception Procedures .....	45
8.10.1	Procedures in the VMSC.....	46
8.10.2	Further Procedures for Handover .....	46
8.10.2.1	MSC procedure for Inter-MSC Handover .....	46
8.10.2.2	Handling of an ongoing handover while a request for positioning arrives at MSC/VLR.....	47
8.11	Privacy .....	47
8.11.1	Privacy Override Indicator (POI).....	47
8.11.2	Privacy Procedures.....	47
8.11.3	UE Privacy Options.....	47
8.12	Mobile Originating Location .....	49
8.13	CM Procedures .....	50
8.13.1	Location request for a mobile in idle-mode .....	50
8.13.2	Location request for a mobile in dedicated-mode .....	50
9	Information storage.....	50
9.1	HLR .....	50
9.1.1	LCS Data in the HLR for an UE Subscriber .....	50
9.2	VLR .....	52
9.3	GMLC.....	52
9.4	Recovery and Restoration Procedures .....	53
10	Operational Aspects.....	53
10.1	Charging .....	53
10.2	Charging Information Collected by the Visited PLMN .....	54
<b>Annex A (informative): Change history .....</b>		<b>55</b>

---

# Foreword

This Technical Specification (TS) has been produced by the 3<sup>rd</sup> Generation Partnership Project (3GPP).

The contents of the present document are subject to continuing work within the TSG and may change following formal TSG approval. Should the TSG modify the contents of the present document, it will be re-released by the TSG with an identifying change of release date and an increase in version number as follows:

Version x.y.z

where:

- x the first digit:
  - 1 presented to TSG for information;
  - 2 presented to TSG for approval;
  - 3 or greater indicates TSG approved document under change control.
- y the second digit is incremented for all changes of substance, i.e. technical enhancements, corrections, updates, etc.
- z the third digit is incremented when editorial only changes have been incorporated in the document.

---

# 1 Scope

The present document specifies the stage 2 of the LoCation Services (LCS) feature in UMTS, which provides the mechanisms to support mobile location services for operators, subscribers and third party service providers.

Location Services may be considered as a network provided enabling technology consisting of standardised service capabilities, which enable the provision of location applications. The application(s) may be service provider specific. The description of the numerous and varied possible location applications which are enabled by this technology are outside the scope of the present document. However, clarifying examples of how the functionality being described may be used to provide specific location services may be included.

This stage 2 service description covers the LCS system functional model for the whole system, the LCS system architecture, state descriptions, message flows, etc.

---

# 2 References

The following documents contain provisions which, through reference in this text, constitute provisions of the present document.

- References are either specific (identified by date of publication, edition number, version number, etc.) or non-specific.
- For a specific reference, subsequent revisions do not apply.
- For a non-specific reference, the latest version applies.

## 2.1 Normative references

- [1] 3G TR 25.305: "Functional stage 2 specification of location services in UTRAN".
- [2] GSM 01.04 (ETR 350): "Abbreviations and acronyms".
- [3] 3G TS 21.905: "UMTS Abbreviations and acronyms".
- [4] 3G TS 22.071: "Location Services (LCS); Service description, Stage 1".
- [5] GSM 03.71: "Location Services (LCS); (Functional description) - Stage 2".
- [6] GSM 03.32: "Universal Geographical Area Description".
- [7] 3G TS 22.100: "UMTS phase 1 Release 99".
- [8] 3G TS 22.101: "Service principles".
- [9] 3G TS 22.105: "Services and Service Capabilities".
- [10] 3G TS 22.115: "Charging and Billing".
- [11] 3G TS 22.121: "The Virtual Home Environment".
- [12] 3G TS 23.110: "UMTS Access Stratum; Services and Functions".
- [13] PD 30.lcs: "Project Plan for location services in UMTS".
- [14] 3G TS 25.413: "UTRAN Iu Interface RANAP signalling".
- [15] 3G TS 23.060: "General Packet Radio Service (GPRS); Service description; Stage 2".



## 2.2 Informative references

- [16] Third generation (3G) mobile communication system; Technical study report on the location services and technologies, ARIB ST9 December 1998.
- [17] The North American Interest Group of the GSM MoU ASSOCIATION: Location Based Services, Service Requirements Document of the Services Working Group.

---

## 3 Definitions and abbreviations

Text marked within { brackets } is intended for releases later than Release 99.

### 3.1 Definitions

For the purposes of the present document, the following terms and definitions apply:

**CAMEL:** CAMEL is a network functionality, which provides the mechanisms of Intelligent Network to a mobile user

**Current Location:** after a location attempt has successfully delivered a location estimate and its associated time stamp, the location estimate and time stamp is referred to as the "current location" at that point in time

**Deferred location request:** a location request where the location response (responses) is (are) not required immediately

**Global Positioning System:** the Global Positioning System (GPS) consists of three functional elements: Space Segment (satellites), User Segment (receivers), and Control Segment (maintenance etc.). The GPS receiver calculates its own position based on the received time differences for several satellites

**Immediate location request:** a location request where a single location response only is required immediately

**Initial Location:** in the context of an originating emergency call the location estimate and the associated time stamp at the commencement of the call set-up is referred to as "initial location"

**Last Known Location:** the current location estimate and its associated time stamp for Target UE stored in the LCS Server is referred to as the "last known location" and until replaced by a later location estimate and a new time stamp is referred to as the "last known location"

**LCS (LoCation Services):** LCS is a service concept in system (e.g. GSM or UMTS) standardization. LCS specifies all the necessary network elements and entities, their functionalities, interfaces, as well as communication messages, due to implement the positioning functionality in a cellular network. Note that LCS does not specify any location based (value added) services except locating of emergency calls

**LCS Client:** a software and/or hardware entity that interacts with a LCS Server for the purpose of obtaining location information for one or more Mobile Stations. LCS Clients subscribe to LCS in order to obtain location information. LCS Clients may or may not interact with human users. The LCS Client is responsible for formatting and presenting data and managing the user interface (dialogue). The LCS Client may reside in the Mobile Station (UE)

**LCS Client Access barring list:** an optional list of MSISDNs per LCS Client where the LCS Client is not allowed to locate any MSISDN therein

**LCS Client Subscription Profile:** a collection of subscription attributes of LCS related parameters that have been agreed for a contractual period of time between the LCS client and the service provider.

**LCS Feature:** the capability of a PLMN to support LCS Client/server interactions for locating Target UEs

**LCS Server:** a software and/or hardware entity offering LCS capabilities. The LCS Server accepts requests, services requests, and sends back responses to the received requests. The LCS server consists of LCS components, which are distributed to one or more PLMN and/or service provider

**Local Service:** a service, which can be exclusively provided in the current serving network by a Value added Service Provider

**Local Information:** information related to a given location, or general information, which is made available in a given location

**Location (Based) Application:** a location application is an application software processing location information or utilizing it in some way. The location information can be input by a user or detected by network or UE. Navigation is one location application example

**Location Based Service (LBS):** a service provided either by teleoperator or a 3<sup>rd</sup> party service provider that utilizes the available location information of the terminal. Location Application offers the User Interface for the service. LBS is either a pull or a push type of service (see Location Dependent Services and Location Independent Services). In ETSI/GSM documentation of SoLSA, LBS is called "Location Related Service". ETSI and/or 3GPP –wide terminology harmonization is expected here

**Location Dependent Service:** a service provided either by teleoperator or a 3<sup>rd</sup> party service provider that is available (pull type) or is activated (push type) when the user arrives to a certain area. It doesn't require any subscription in advance, but the push type activation shall be confirmed by the user. The offered service itself can be any kind of service (e.g. a public Xerox machine or the discount list in a store)

**Location Estimate:** the geographic location of an UE and/or a valid Mobile Equipment (ME), expressed in latitude and longitude data. The Location Estimate shall be represented in a well-defined universal format. Translation from this universal format to another geographic location system may be supported, although the details are considered outside the scope of the primitive services

**Location Independent Service:** a service provided either by teleoperator or a 3<sup>rd</sup> party service provider that is available and therefore can be activated anywhere in the network coverage. It is activated by the user's request or by other user's activated service, and therefore it requires a subscription in advance (pull type). The offered service itself can be any kind of service (e.g. MMS, SWDL, or LBS!)

**Mobile Assisted positioning:** any mobile centric positioning method (e.g. E-OTD, GPS) in which the UE provides position measurements to the network for computation of a location estimate by the network. The network may provide assistance data to the UE to enable position measurements and/or improve measurement performance

**Mobile Based positioning:** any mobile centric positioning method (e.g. E-OTD, GPS) in which the UE performs both position measurements and computation of a location estimate and where assistance data useful or essential to one or both of these functions is provided to the UE by the network. Position methods where an UE performs measurements and location computation without network assistance data are not considered within this category

**Mobile Station:** the mobile station (UE) consists of Mobile or User Equipment (ME or UE) with a valid SIM or USIM attached

**PLMN Access barring list:** an optional list of MSISDN per PLMN where any LCS Client is not allowed to locate any MSISDN therein except for certain exceptional cases

**Positioning (/location detecting):** positioning is a functionality, which detects a geographical location (of e.g. a mobile terminal)

**Positioning method (/locating method):** a principle and/or algorithm which the estimation of geographical location is based on, e.g. AOA, TOA, TDOA. For example, GPS is based on TOA, and E-OTD (on GSM) is based on TDOA

**Positioning technology (/locating technology):** a technology or system concept including the specifications of RF interfaces, data types, etc. to process the estimation of a geographical location, e.g. GPS, E-OTD (GSM), and IPDL-TDOA (WCDMA)

**Predefined area:** a geographical area which is not related to cell or radio coverage. The mobile may take special action when it recognises it has entered or left a predefined area

**Privacy Class:** list of LCS Clients defined within a privacy exception class to which permission may be granted to locate the target UE. The permission shall be granted either on activation by the target UE or permanently for a contractual period of time agreed between the target UE and the service provider

**Privacy Exception List:** a list consisting of various types of privacy classes (i.e. operator related, personal etc.). Certain types of classes may require agreement between the service provider and the target UE

**Prohibited area:** an area where the mobile must not activate its transmitter. The Prohibited area may be a Predefined area described above or related to radio cell(s)

**Subscription Profile:** the profile detailing the subscription to various types of privacy classes

**Target UE:** the UE being positioned

Further UMTS related definitions are given in 3G TS 22.101.

## 3.2 Symbols

For the purposes of the present document, the following symbols apply:

Lc	Interface between gateway MLC and gsmSCF (CAMEL interface)
Le	Interface between External User and MLC (external interface)
Lh	Interface between Gateway MLC and HLR (HLR interface)
Lg	Interface between Gateway MLC and VMSC (gateway MLC interface)
Lg'	Interface between Gateway MLC and SGSN (gateway MLC interface)
Uu	Air Interface to a stand-alone LMU (measurement interface)

## 3.3 Abbreviations

For the purposes of the present document, the following abbreviations apply:

3G-MSC	3 <sup>rd</sup> Generation MSC
3G-SGSN	3 <sup>rd</sup> Generation SGSN
AC	Admission Control
AI	Application Interface (prefix to interface class method)
ANM	Answer Message (ISUP)
ARIB	Association of Radio Industries and Business
ATD	Absolute Time Difference
BCCH	Broadcast Control Channel
BER	Bit Error Rate
BS	Base Station
BSS	Base Station Subsystem
CAMEL	Customised Application For Mobile Network Enhanced Logic
CAP	CAMEL Application Part
CM	Connection Management
CN	Core Network
CSE	Camel Service Environment
DL	Downlink
DRNC	Drift RNC
E-OTD	Enhanced Observed Time Difference
FER	Frame Error Rate
GGSN	Gateway GPRS Support Node
GMLC	Gateway MLC
GPRS	General Packet Radio System
GPS	Global Positioning System
HE	Home Environment
HLR	Home Location Register
HPLMN	Home Public Land Mobile Network
IMEI	International Mobile Equipment Identity
IUEI	International Mobile Subscriber Station Identity
IP	Internet Protocol
IPDL	Idle Period Downlink
LA	Location Application
LAF	Location Application Function
LBS	Location Based Services
LCAF	Location Client Authorization Function
LCCF	Location Client Control Function
LCCTF	Location Client Co-ordinate Transformation Function

LCF	Location Client Function
LCS	LoCation Services
LDR	Location Deferred Request
LIR	Location Immediate Request,
LMU	Location Measurement Unit
LSAF	Location Subscriber Authorization Function
LSBF	Location System Billing Function
LSBcF	Location System Broadcast Function
LSCF	Location System Control Function
LSOF	Location System Operation Function
LSPF	Location Subscriber Privacy Function
MAP	Mobile Application Part
ME	Mobile Equipment
MExE	Mobile Station (Application) Execution Environment
MLC	Mobile Location Center
MM	Mobility Management
MO-LR	Mobile Originated Location Request
UE	Mobile Station
MSC	Mobile services Switching Centre
MSISDN	Mobile Station Integrated Services Data Network
MT-LR	Mobile Terminated Location Request
NI-LR	Network Induced Location Request
OSA	Open Service Architecture
OTDOA	Observed Time Difference Of Arrival
PC	Power Control
PCF	Power Calculation Function
PLMN	Public Land Mobile Network
PRCF	Positioning Radio Co-ordination Function
PRRM	Positioning Radio Resource Management
PSE	Personal Service Environment
PSMF	Positioning Signal Measurement Function
PSTN	Public Switched Telephone Network
QoS	Quality of Service
RA	Routing Area
RACH	Random Access Channel
RAN	Radio Access Network
RANAP	Radio Access Network Application Part
RIS	Radio Interface Synchronization
RNC	Radio Network Controller
RRM	Radio Resource Management
RTD	Real Time Difference
SAT	SIM Application Tool-Kit
SGSN	Serving GPRS Support Node
SI	Service Interface (prefix to interface class method)
SIM	Subscriber Identity Module
SMS	Short Message Service
SIR	Signal Interference Ratio
SP	Service Point
SRNC	Serving RNC
SS7	Signalling System No 7
TA	Timing Advance
TMSI	Temporary Mobile Subscriber Identity
TOA	Time Of Arrival
U-.....	UMTS-(LCS functional block)
UDT	SCCP Unitdata message
UE	User Equipment
UL	Uplink
UMTS	Universal Mobile Telecommunication System
USIM	User Service Identity Module
UTRAN	Universal Terrestrial Radio Access Network
VASP	Value Added Service Provider
VHE	Virtual Home Environment

WCDMA      Wideband Code Division Multiple Access

Further GSM related abbreviations are given in GSM 01.04. Further UMTS related abbreviations are given in UMTS TS 22.101.

---

## 4 Main concepts

A general description of location services and service requirements are given in the specification 3G TS 22.071 [4]. The positioning of the UE is a service provided by the UMTS Access Stratum. In particular, all Access Networks (e.g. UTRAN, GSM BSS), that facilitate determination of the locations of User Equipments, shall be able to exchange location information with the UMTS core network as defined in the present document (when connected to a UMTS Core Network).

By making use of the radio signals the capability to determine the (geographic) location of the user equipment (UE) mobile station shall be provided. The location information may be requested by and reported to a client (application) associated with the UE, or by a client within or attached to the Core Network. The location information may also be utilised internally by UMTS; for example, for location assisted handover or to support other features such as home location billing. The position information shall be reported in standard, i.e. geographical co-ordinates, together with the time-of-day and the estimated errors (uncertainty) of the location of the UE.

It shall be possible for the majority of the UE (active or idle) within a network to use the feature without compromising the radio transmission or signalling capabilities of the UMTS.

The uncertainty of the location measurement shall be network design (implementation) dependent at the choice of the network operator, this is further described in TS 25.305.

There are many different possible uses for the location information. The positioning feature may be used internally by the UMTS network (or attached networks), by value-added network services, by the UE itself or through the network, and by "third party" services. The positioning feature may also be used by an emergency service (which may be mandated or "value-added"), but the position service is not exclusively for emergencies.

### 4.1 Location services in UMTS Release 1999

It should be noted that UMTS Release 99 supports only cell coverage based LCS in the circuit switched domain. In addition UMTS Release 99 also contains LCS "hooks" for compatibility with future releases.

These "hooks" in UTRAN are descriptions of the positioning methods OTDOA-IPDL (observed time difference of arrival with network adjustable idle periods) and assisted GPS methods that are specified in the UTRAN Stage 2 specification 25.305 and in the present document 23.171 from system point of view.

LCS support in the packet switched domain is regarded as LCS Core Network "hooks", which in R99 are defined only in the present document 23.171.

### 4.2 Assumptions

As a basis for the development work on LCS in UMTS the following assumptions apply:

- Positioning methods are Access Network specific, although commonalities should be encouraged between Access Networks.
- Commercial location services are only applicable for an UE with a valid SIM or USIM.
- The provision of the location services in the Access Network is optional through support of the specified method(s).
- The provision of location services is optional in 3G-MSC and 3G-SGSN.
- LCS is applicable to any target UE whether or not the UE supports LCS, but with restrictions on choice of positioning method or notification of a location request to the UE user when LCS or individual positioning methods, respectively, are not supported by the UE.

- LCS shall be applicable for {both} circuit switched {and packet switched} services.
- The location information may be used for internal system operations to improve system performance.
- It shall be possible to accommodate future techniques of measurement and processing to take advantage of advancing technology so as to meet new service requirements.
- Iur shall be used for LCS signalling, even in the case when the RNSs are connected to different 3G-MSCs or 3G-SGSNs.

## 4.3 Location Services Categories

Generally there are four categories of usage of the location service. These are the Commercial LCS, the Internal LCS, the Emergency LCS and the Lawful Intercept LCS. The definition of these services and their categories is outside the scope of the present document.

- The **Commercial LCS** (or **Value Added Services**) will typically be associated with an application that provides a value-added service through knowledge of the UE location to the subscriber of the service. This may be, for example, a directory of restaurants in the local area of the UE, together with directions for reaching them from the current UE location.
- The **Internal LCS** will typically be developed to make use of the location information of the UE for Access Network internal operations. This may include; for example, location assisted handover and traffic and coverage measurement. This may also include support certain O&M related tasks, supplementary services, IN related services and GSM bearer services and teleservices.
- The **Emergency LCS** will typically be part of a service provided to assist subscribers who place emergency calls. In this service, the location of the UE caller is provided to the emergency service provider to assist them in their response. This service may be mandatory in some jurisdictions. In the United States, for example, this service is mandated for all mobile voice subscribers.
- The **Lawful Intercept LCS** will use the location information to support various legally required or sanctioned services.

## 4.4 Positioning methods

The LCS feature utilises one or more positioning methods in order to determine the location of user equipment (UE). Determining the position of a UE involves two main steps:

- Radio signal measurements; and
- Position estimate computation based on the measurements.

The positioning methods for UTRAN are further described in [0].

### 4.4.1 Standard LCS Methods in UTRAN Release 99

The specification 25.305 UTRAN Stage 2 specifies the locating method to be supported in Release 99:

- Cell coverage based positioning method.

The following locating methods are described in 25.305, but will be fully specified in Release 2000:

- OTDOA positioning method;
- Network assisted GPS positioning methods.

For more details on these positioning methods, refer to [1].

## 4.5 Location information sources, network interaction

The location service design should not be limited to a single technique or source of information. As operating conditions vary both within and between networks, the LCS design should be able to make use of as many measurements and techniques as are available and are appropriate for the needs of (and the cost of) the service being provided.

The location process shall include the option to include all of the available UTRAN signals, including those from other networks with coverage available to the UE. While it should not be necessary for the UE to access these other networks, the UE and the location process should be able to make use of the signals from these sources in addition to those of the serving network. It should be noted that the UE does not need to access a foreign network in order to make measurements of the downlink signals.

It is critical to positioning accuracy that as many measurements are used as possible. This is particularly important in regions where the serving operator may provide coverage with only a single base station. Typically there will be additional coverage of these regions by other operators, but perhaps only from one base station from each operator. By making measurements of the signals from several operators the UE will typically be able to obtain information to make a better location estimate than would be possible with just the signals from a single operator (assuming that the base stations are not collocated). The use of signals and other information from several operators would, of course, be subject to suitable operator agreement.

In some cases the UE may be able to operate in other modes (e.g. GSM) for which a location service feature is also provided. The signals of the other mode and location information may be helpful to the UMTS LCS. For example, measurements of the GSM signals may be used by the UTRAN LCS calculation function to supplement the UTRAN radio measurements. The use of this information would, of course, be subject to suitable operator agreements. The techniques for this inter-mode operation and any signalling between networks are FFS.

The LCS information sources and the signalling required for their interaction, are FFS.

---

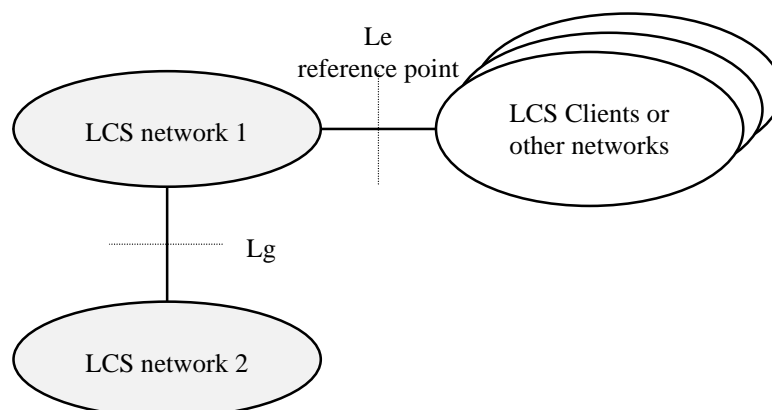
## 5 General LCS architecture

### 5.1 LCS access interfaces and reference points

There is one reference point between the LCS server and LCS client called  $Le$ , see Figure 5.1.  $Le$  is described in TS 22.071 [4], however the protocol specifics are for further study. There may be more than a single LCS network interface to several different LCS clients or other networks. These networks may both differ in ownership as well as in communications protocol. The network operator should define and negotiate interconnect with each external LCS client or other network.

An interface differs from a reference point in that an interface is defined where specific LCS information is exchanged and needs to be fully recognized.

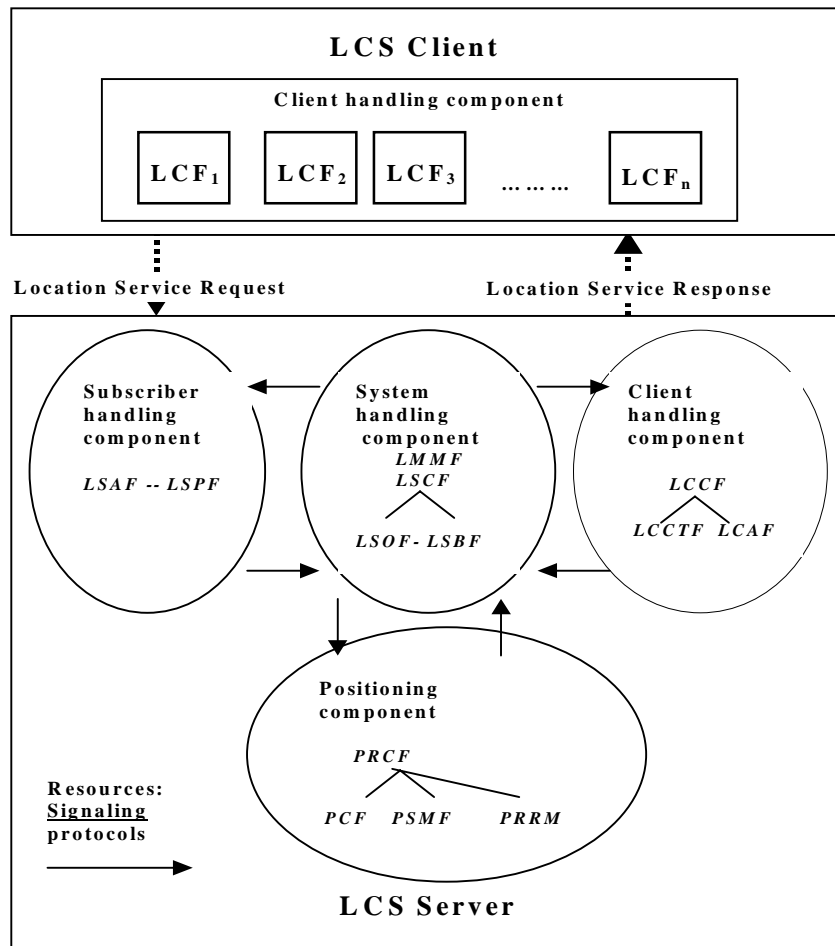
There is an interface called  $Lg$  that connects two independent LCS networks (different PLMNs) for message exchange.



**Figure 5.1: LCS Access Interfaces and Reference Points**

## 5.2 LCS Functional diagram, high level functions

TS 22.071 [4] describes LCS services from the LCS client point of view. In the present document, a more detailed description of LCS is given. The LCS functional diagram shown in Figure 5.2 depicts the interaction of the LCS client and the LCS server within the PLMN. The PLMN uses the various LCS components within the LCS server to provide the target UE Location Information to the LCS client.



**Figure 5.2: UMTS LCS capability server Functional Diagram**

The following list gives the logical functional entities for the LCS. Two main functional groupings are defined which encompass a number of smaller functions.

The LCS Functional entities are grouped as follows:

- The LCS Client functional group.
- The LCS Server functional group consists of functions in the UMTS PLMN supporting LCS:
  - Client handling component;
  - System handling component;
  - Subscriber handling Component;
  - Positioning component.

The functions of the LCS Client and the LCS Server in UMTS PLMN are described in more detail in this subclause.

The allocation of LCS functions to UMTS network elements is specified in clause 6.



## 5.3 LCS Client functional group

An LCS client contains an LCS component with one or more client(s), which by using location information can provide location, based services.

An LCS client is a logical functional entity that requests from the LCS server in the PLMN location information for one or more than one target UE within a specified set of parameters such as Quality of Service (QoS). The LCS Client may reside in an entity (including the UE) within the PLMN or in an entity external to the PLMN.

The specification of the LCS Client's internal logic and its relation to the external use is outside the scope of the present document.

### 5.3.1 External Location Client Function (LCF)

The Location Client Function (LCF) provides a logical interface between the LCS client and the LCS server.

This function is responsible for requesting location information for one or more MEs/UEs, with a specified "QoS" and receiving a response, which contains either location information or a failure indicator.

[Editor's note: this is only possible if the location request originates in the core network]

### 5.3.2 Internal Location Client Function (U-LCF)

The Location Client Function (LCF) provides a logical interface between the internal ACCESS NETWORK LCS applications and the ACCESS NETWORK LCS system handling entities (e.g. the Location System Control Function (U-LSCF) in the ACCESS NETWORK). This interface may be internal to one network element.

The ACCESS NETWORK may make use of location information for internal operations such as location assisted handover. In such a case, a U-LCF representing the internal ACCESS NETWORK LCS application may communicate with the U-LSCF to request and receive the location information.

For UTRAN, this interface is further described in [1].

## 5.4 LCS Server functional group in UMTS

The LCS server functional group consists of the UMTS functions that are needed for UMTS to support Location Services.

### 5.4.1 Client handling component

#### 5.4.1.1 Location Client Control Function (LCCF)

The Location Client Control Function (LCCF) manages the external interface towards LCF. The LCCF identifies the LCS client by requesting client verification and authorization ( i.e. verifies that the LCS client is allowed to position the subscriber) through interaction with the Location Client Authorization Function (LCAF). The LCCF handles mobility management for location services (LCS) e.g., forwarding of positioning requests to 3G-VMSC. The LCCF determines if the final positioning estimate satisfies the QoS for the purpose of retry/reject. The LCCF provides flow control of positioning requests between simultaneous positioning requests. It may order the Location Client Co-ordinate Transformation Function (LCCTF) to perform a transformation to local co-ordinates. It also generates charging and billing related data for LCS via the Location System Billing Function (LSBF).

#### 5.4.1.2 Location Client Authorization Function (LCAF)

The Location Client Authorization Function (LCAF) is responsible for providing access and subscription authorization to a client. Specifically, it provides authorization to a LCS client requesting access to the network and authorizes the subscription of a client. LCAF provides authorization to a LCS client requesting Location Information of a specific UE.

#### 5.3.1.2.1 Access Subfunction

An *Access Subfunction* enables LCS clients to access LCS services. This subfunction provides verification and authorization of the requesting client.

When a LCS is requested, the Access Subfunction uses the information stored in the LCS client *subscription profile* to verify that:

- the LCS client is registered; and
- the LCS client is authorized to use the specified LCS request type;
- the LCS client is allowed to request location information for the subscriber(s) specified in the LCS request.

#### 5.3.1.2.2 Subscription Subfunction

The LCS client Subscription profile shall contain a minimum set of parameters assigned on per LCS client basis for an agreed contractual period. The LCS client profile shall contain the following set of access parameters:

- LCS client identity;
- Allowed LCS request types (i.e. LIR, LDR or both); (see note)
- Maximum number of subscribers allowed in a single LCS request;
- Priority;
- Position override indicator;
- State(s);
- Event(s) (applicable to LDR requests only);
- Local coordinate system;
- LCS client access barring list (optional);
- PLMN access barring list applicability;

NOTE: LIR = Location Immediate Request; and LDR = Location Deferred Request.

For certain authorized LCS client internal to the PLMN, a subscription profile is unnecessary. These clients are empowered to access any defined service that is not barred for an UE subscriber. This permits positioning of emergency calls without the need for pre-subscription.

#### 5.4.1.3 Location Client Co-ordinate Transformation Function (LCCTF)

The Location Client Co-ordinate Transformation Function (LCCTF) provides conversion of a location estimate expressed according to a universal latitude and longitude system into an estimate expressed according to a local geographic system understood by the LCF and known as location information. The local system required for a particular LCF will be either known from subscription information or explicitly indicated by the LCF.

### 5.4.2 System handling component

#### 5.4.2.1 Location System Control Function in general (LSCF)

The Location System Control Function (LSCF) is responsible for co-ordinating location requests. This function manages call-related and non-call-related positioning requests of LCS and allocates network resources for handling them. The LSCF retrieves UE classmark for the purpose of determining a positioning method. The LSCF performs call setup if required as part of a LCS e.g., putting the ME on dedicated radio resources. It also caters for co-ordinating resources and activities with regard to requests related to providing assistance data needed for positioning. This function interfaces with the LCCF, LSPF, LSBF and PRCF. Using these interfaces, it conveys positioning requests to the PRCF, relays positioning data to the LCCF and passes charging related data to the LSBF.

#### 5.4.2.2 Access Network Location System Control Function(U-LSCF)

The Access Network Location System Control Function is responsible for co-ordinating location requests. This function manages call-related and non-call-related location requests and allocates network resources for handling them. This function "insulates" the Location clients in the Core Network from the detailed operation of the location method in order that the Access Network may be used by several types of core network and with several location methods.

The U-LSCF for UTRAN is further described in [1].

#### 5.4.2.3 Location System Billing Function (LSBF)

The Location System Billing Function (LSBF) is responsible for charging and billing activity within the network related to location services (LCS). This includes charging and billing of both clients and subscribers. Specifically, it collects charging related data and data for accounting between PLMNs.

#### 5.4.2.4 Location System Operations Function (LSOF)

The Location System Operations Function (LSOF) is responsible for provisioning of data, positioning capabilities, data related to clients and subscription (LCS client data and UE data), validation, fault management and performance management of UMTS LCS.

An LSOF may be associated with each entity.

[Editor's note: This is being studied in GSM. FFS in UMTS. Internal LCF may be part of O&M functions.]

#### 5.4.2.5 Location System Broadcast Function (LSBcF)

The Location System Broadcast Function (LSBcF) provides broadcast capability. The LSBcF capability is only used when broadcast data is required for OTDOA or assisted GPS positioning methods.

### 5.4.3 Subscriber handling Component

#### 5.4.2.3.1 Location Subscriber Authorization Function (LSAF)

The Location Subscriber Authorization Function (LSAF) is responsible for authorizing the provision of a location service (LCS) for a particular mobile station (UE with SIM/USIM). Specifically, this function validates that a LCS can be applied to a given subscriber. In case LCF is in the UE then LSAF verifies that the UE subscriber has subscribed to the requested LCS service.

#### 5.4.2.3.2 Location Subscriber Privacy Function (LSPF)

The Location Subscriber Privacy function is responsible performs all privacy related authorizations. For a target UE it shall authorize the positioning request versus the privacy options of the target UE, if any.

### 5.4.4 Positioning components

The positioning components UMTS Access Network - Positioning Radio Co-ordination Function (U-PRCF), UMTS ACCESS NETWORK Positioning Calculation Function (U-PCF), UMTS Access Network - Positioning Signal Measurement Function (U-PSMF) and UMTS Access Network - Positioning Radio Resource Management (U-PRRM) are described in documents specific to each Access Network type.

For location services the Access Network shall send the result of the positioning to the core network in geographical co-ordinates as defined in TS 23.032. For UTRAN the SRNC shall map the cell(s) the Target UE is associated with into geographical co-ordinates, but this mapping is not standardized.

These entities are defined for UTRAN in [1].

## 5.5 Information Flows between Client and Server

Other types of national specific information flows may be supported in addition to the information flow specified here.

Any of the information flows here indicated may not be externally realized if the information does not flow over an open interface. On the other hand, if a flow goes over an open interface, it shall abide to a well-defined protocol, which will be further specified in other relevant specifications.

### 5.5.1 Location Service Request

Via the Location Service Request, the LCS client communicates with the LCS server to request for the location information of one or more than one UE within a specified quality of service. There exist two types of location service requests:

- Location Immediate Request (LIR); and
- Location Deferred Request (LDR).

The attributes for the information exchange between the LCS Client and the LCS Server have not been standardized for GSM. This information exchange may be standardized in later releases.

{ The following attributes are identified for Location Service Request information flow:

[Editor's note: This list is subject to further review and the listed attributes should be defined.]

- Target UE;
- [Indication what could be the achievable accuracy for the Target UE, generated based on UE capabilities and radio conditions, this attribute probably can be replaced by "Requested QoS", this is ffs.]
- LCS identity;
- State (idle, dedicated);
- Event (applicable to LDR requests only);
- Requested Quality of Service information;
- Local coordinate reference system;
- Geographical area, [should be checked with the meaning of "Geographical area" in 03.71.] }

### 5.5.2 Location Service Response

The Location Service Response is sent to the LCS client as the result of the Location Service Request by the LCS Server:

- Immediate Response; and
- Deferred Response.

These deferred responses can be either single or periodic.

{ The following attributes are identified for the Location Service Response information flow:

[Editor's note: This list is subject to further review and the listed attributes should be defined.]

- Location indication of UE in geographical coordinates;
- Location of UE as an ellipsoid with axes and direction of all axis;
- Estimated achieved QoS;
- Indication when UE enters or leaves the Geographical area.

Some information attributes may be common and repeated for the location service request and location service response, such as Target UE, LCS identity, State, Event, Local co-ordinate system, geographical area. }

## 6 UMTS LCS Architecture

Figure 6.1 shows the general arrangement of the Location Service feature in UMTS. This illustrates, generally, the relation of LCS Clients and servers in the core network with the UMTS Access Network. The LCS entities within the Access Network communicate with the Core Network (CN) across the Iu interface. Communication among the Access Network LCS entities makes use of the messaging and signalling capabilities of the Access Network.

As part of their service or operation, the LCS Clients may request the location information of user equipment UE (UE without a valid SIM/USIM) or mobile stations. There may be more than one LCS client. These may be associated with the UMTS network or the Access Network operated as part of a UE application or accessed by the UE through its access to an application (e.g. through the Internet).

The clients make their requests to a LCS Server. There may be more than one LCS Server. The client must be authenticated and the resources of the network must be co-ordinated including the UE and the calculation functions, to estimate the location of the UE and result returned to the client. As part of this process, information from other systems (other Access Networks) can be used. As part of the location information returned to the client, an estimate of the accuracy of the estimate and the time-of-day the measurement was made shall be provided.

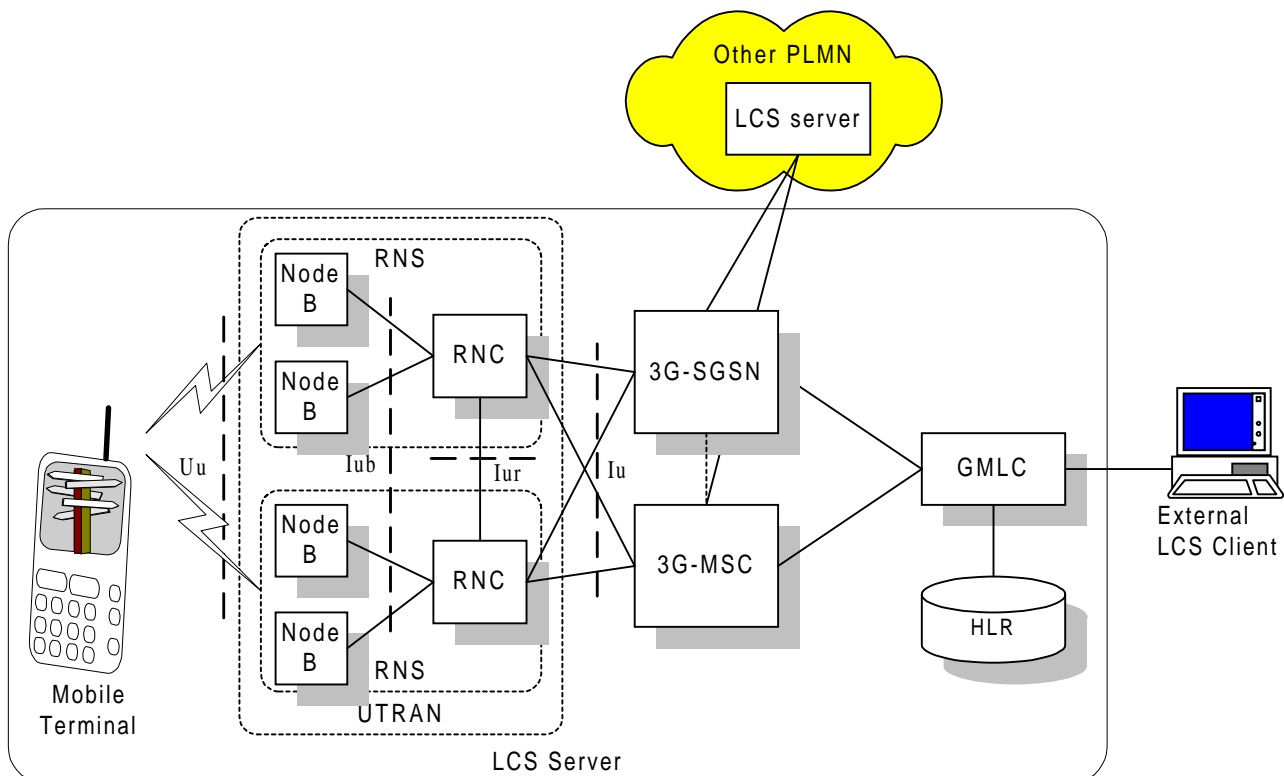


Figure 6.1: General arrangement of LCS in UMTS, UTRAN example

### 6.1 Schematic functional description of LCS operations in UMTS

The allocation of LCS functional blocks to the Client, LCS server, Core Network, Access Network and UE is based on the schematic functional description below. The detailed functions and interactions are specified later in the present document and in TS 25.305 and corresponding Stage 3 specifications.

The operation begins with a LCS Client requesting location information for a UE from the LCS server. The LCS server will pass the request to the LCS functional entities in the UMTS core network. The LCS functional entities in the core network shall then:

- verify that the LCS Client is authorized to request the location of the UE or subscriber;
- verify that LCS is supported by the UE;
- establish whether it is allowed to locate the UE or subscriber, for privacy or other reasons;
- establish which Serving RNC should receive the Location request if necessary by establishing a connection with the UE;
- request the Access Network (via the Iu interface) to provide location information for an identified UE, with indicated QoS;
- receive information about the location of the UE from the Access Network and forward it to the Client;
- send appropriate accounting information to an accounting function.

The Access Network LCS functional entities shall typically:

- request measurements, typically from the UE and radio network apparatus;
- send the measurement results to the appropriate calculating function within the Access Network;
- receive the result from the calculating function within Access Network;
- indicate the geographical co-ordinates of the Target UE corresponding to the cell(s) the Target UE is associated with;
- perform any needed co-ordinate transformations;
- send the results to the LCS entities in the core network.

In the event that the client is internal to the Access Network the request may be made directly to the Access Network LCS entities as the internal clients are considered to be "pre-authorized".

As part of its operation, the calculating function may require additional information. This may be obtained by the function directly by communication with a database, or it may be through a request to LCS entities that will mediate the request and return of information from the appropriate database (or databases if more than one is needed to fulfil the requests). The LCS application may make use of the position information itself, or further process and then forward the information to other authorised applications within or external to the Access Network.

There may possibly also be available independent information that is able to supply the location information directly, or may be able to supply auxiliary information to the calculation function. The LCS co-ordination function, as part of its activity to supervise the positioning process, may query the UE or other elements of the network to determine their capabilities and use this information to select the mode of operation.

## 6.2 Allocation of LCS functions to UMTS network elements

Table 6.1 shows a summary of the Functional Groups and Functional Blocks for Location services in UMTS. Table 6.2 and Figure 6.2 show the generic configuration for LCS in UMTS and the distribution of LCS functional blocks to UMTS network elements. Different positioning methods, including network-based, mobile-based, mobile-assisted and network-assisted positioning methods may be used. With this configuration both the network and the mobiles are able to measure the timing of signals and compute the mobile's location estimate. Depending on the applied positioning method it is possible to utilise the corresponding configuration containing all needed entities. For instance, if network-based positioning is applied, the entities that are involved in measuring the mobile's signal and calculating its location estimate are allocated to the network elements of the access stratum. On the other hand, in case mobile-based or network-assisted methods are used these entities should be allocated to the mobile station.

LCS is logically implemented on the UMTS structure through the addition of one network node, the Mobile Location Center (MLC). It is necessary to name a number of new interfaces. The LCS generic architecture can be combined to produce LCS architecture variants.

**Table 6.1: Summary of Functional Groups and Functional Blocks for Location services in UMTS**

<b>Funct.G roup</b>	<b>Functional component</b>	<b>Full name of Functional Block</b>	<b>Abbrev.</b>
<b>Loc. Client</b>	Location Client component	(External) Location Client Function	LCF
		Internal Location Client Function	U-LCF -internal
<b>LCS Server in PLMN</b>	Client handling component	Location Client Control Function	LCCF
		Location Client Authorization Function	LCAF
	System handling component	Stand-alone LMU Mobility Management Function	LMMF
		Location System Control Function	LSCF
		Location System Control Function in RNC	U-LSCF
		Location System Billing Function	LSBF
		Location System Operations Function	LSOF
	Subscr. handling component	Location Subscriber Authorization Function	LSAF
		Location Subscriber Privacy function	LSPF
	Positioning component	UMTS- Positioning Radio Control Function	U-PRCF
UMTS- Positioning Calculation Function		U-PCF	
UMTS- Positioning Signal Measurement Function		U-PSMF	
UMTS- Positioning Radio Resource Management		U-PRRM	

Table 6.2 and Figure 6.2 illustrate the allocation of functional entities in the reference configuration of LCS in UMTS. It is assumed that the CS and PS have either their own independent mobility management or use the joint mobility management through the optional Gs interface.

It is also seen that LCS in UMTS shall take benefit of the standardized Iur interface between RNSs, when uplink radio information and measurement results are collected.

The functional model presented in the figure includes functional entities for both CS and PS related LCS. In addition, it consists of all the entities needed for different positioning methods, i.e. network based, mobile based, mobile assisted, and network assisted positioning, exploiting either uplink or downlink measurements. It is noted that the mobile station may use e.g. the GPS positioning mechanism, but still demand e.g. auxiliary measurements from the serving network.

Table 6.2: Allocation of LCS functional entities to network elements

	UE	RAN	GMLC	3G-SGSN	3G-MSC	Client
Location client functions						
<b>LCF</b>	X			X	X	X
<b>U-LCF</b> <i>Internal</i>	ffs	X				
Client handling functions						
<b>LCCTF</b>			X			
<b>LCCF</b>			X			
<b>LCAF</b>			X			
System handling functions						
<b>LMMF</b>				?	?	
<b>LSCF</b>				X	X	
<b>U-LSCF</b>		X				
<b>LSBF</b>			X	X	X	
<b>LSOF</b>	X	X	X	X	X	
Subscriber handling functions						
<b>LSAF</b>				X	X	
<b>LSPF</b>				X	X	
Positioning functions						
<b>PRCF</b>		X				
<b>PCF</b>	X	X				
<b>PSMF</b>	X	X				
<b>PRRM</b>		X				
	UE	RAN	GMLC	3G-SGSN	3G-MSC	Client

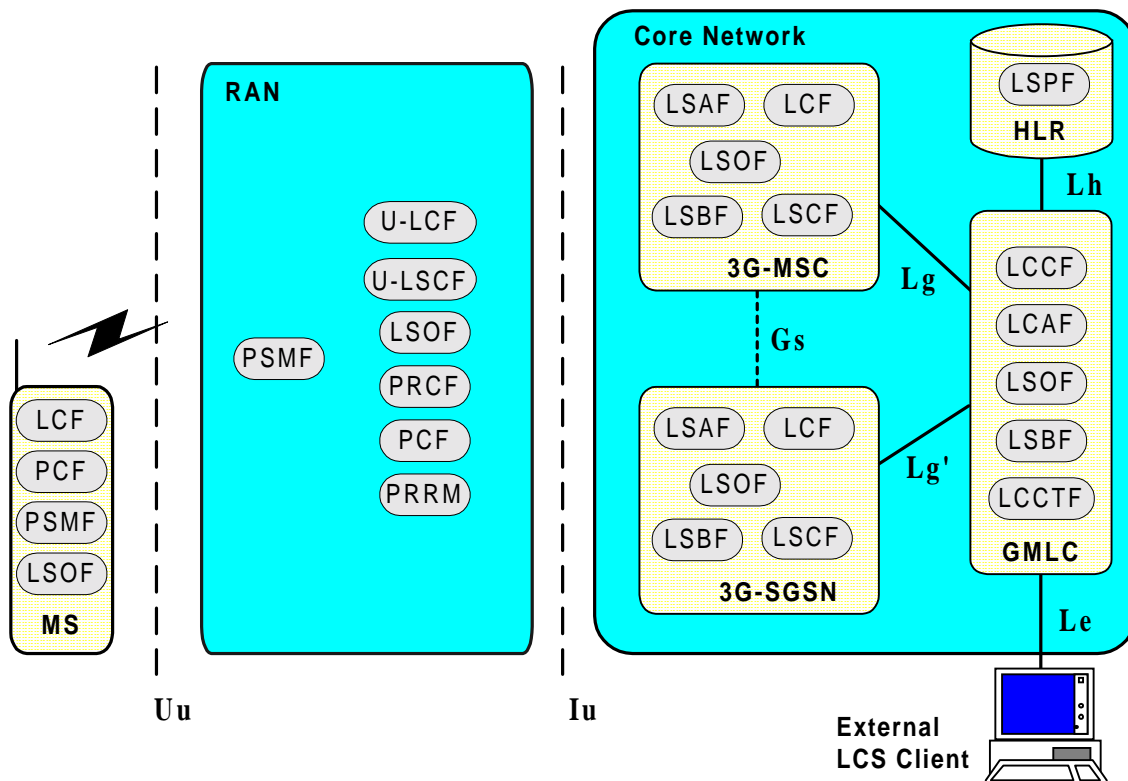


Figure 6.2: Generic LCS Logical Architecture



## 6.3 Functional description of LCS per network element

### 6.3.1 Access Network

The Access Network is involved in the handling of various positioning procedures.

Specific UTRAN functionality is specified in each of the positioning procedures sections in the UTRAN Stage 2, TS 25.305.

### 6.3.2 LCS Clients and LCS applications

There are two classes of LCS Application – Internal applications and External applications. Internal applications represent entities internal to the UMTS that make use of location information for the (improved) operation of the network. External applications represent entities (such as Commercial or Emergency services) that make use of location information for operations external to the mobile communications network. The LCS Applications interface to the LCS entities through their Location Client functions (LCF).

The LCS Client and LCS applications are outside the scope of the present document.

### 6.3.3 Gateway Mobile Location Center, GMLC

The Gateway Mobile Location Center (GMLC) contains functionality required to support LCS. In one PLMN, there may be more than one GMLC.

The GMLC is the first node an external LCS client accesses in a GSM PLMN (i.e. the Le reference point is supported by the GMLC). The GMLC may request routing information from the HLR via the Lh interface or from 3G-SGSN via the Lg' interface. After performing registration authorization, it sends positioning requests to and receives final location estimates from the 3G-VMSC via the Lg interface or from the 3G-SGSN via the Lg' interface.

### 6.3.4 Serving RNC, UTRAN case

The Serving RNC (SRNC) is a network element of UTRAN and contains functionality required to support LCS in PLMN. The LCS functionality of SRNC is given in [1].

### 6.3.5 LCS support in the Mobile Station

The UE may be involved in the various positioning procedures. Specific UE involvement is specified in each of the positioning procedures specified in TR 25.305.

The UE interacts with the measurement co-ordination functions to transmit the needed signals for uplink based LCS measurements and to make measurements of downlink signals. The measurements to be made will be determined by the chosen location method.

The UE may also contain LCS applications, or access a LCS application through communication with a network accessed by the UE or an application residing in the UE. This application may include the needed measurement and calculation functions to determine the UE's location with or without assistance of the UMTS LCS entities.

The UE may also, for example, contain an independent location function (e.g. Global Satellite Positioning Service GPS) and thus be able to report its location, independent of the UTRAN transmissions. The UE with an independent location function may also make use of information broadcast by the UTRAN that assists the function.

### 6.3.6 LMU

The Location Measurement Unit LMU entity makes measurements (e.g. of radio signals) and communicates these measurements within the Access Network. The LMU is described in [1].

### 6.3.7 3G-MSC/VLR

The 3G-MSC/VLR contains functionality responsible for UE subscription authorization and managing call-related and non-call related positioning requests of LCS. The 3G-MSC is accessible to the GMLC via the Lg interface. The LCS functions of 3G-MSC are related to charging and billing, LCS co-ordination, location request, authorization and operation of the LCS services.

### 6.3.8 3G-SGSN

The 3G-service GPRS support node 3G-SGSN contains functionality responsible for UE subscription authorization and managing call-related and non-call related positioning requests of LCS. The 3G-SGSN is accessible to the GMLC via the Lg' interface. The LCS functions of 3G-SGSN are related to charging and billing, LCS co-ordination, location request, authorization and operation of the LCS services.

### 6.3.9 Home Location Register, HLR

The HLR contains LCS subscription data and routing information. The HLR is accessible from the GMLC via the Lh interface. For roaming UEs, HLR may be in a different PLMN than the current SRNC.

### 6.3.10 gsmSCF

The Lc interface supports CAMEL access to LCS and is applicable only in CAMEL [phase 3?]. The procedures and signaling associated with it are defined in TS 23.078 and TS 29.002, respectively.

## 6.4 Addressing the target UE for LCS purposes

It shall be possible to address and indicate the target UE using MSISDN {and IP} addresses. This is FFS in later releases.

---

## 7 Signaling Protocols and Interfaces

### 7.1 Signalling protocols for LCS support in UMTS

#### 7.1.1 Protocol layering

The Iu protocol stacks are defined in TS 25.410. The functions performed by each protocol layer are described in reference [1].

#### 7.1.2 { Message Segmentation }

{ Message segmentation could be needed to transport large LCS messages also in UMTS, but this is for further study. The possible segmentation of radio network layer messages is taken care of by the transport layer and the independencies of radio network layer from the transport layer is an important principle of the UTRAN Iub/Iur protocol. For the air interface, the RLC-c is taking care of the segmentation of RRC messages when needed. }

### 7.2 Iu interface

The Iu interface is used to communicate between the LCS functional entities in the Core Network and the LCS entities in the Access Network.

This interface passes the location requests and responses from authenticated external and internal LCS applications between the LCS entities in the Core Network and the Access Network LCS entities. Support for LCS signaling over Iu is specified in TS 25.413 RANAP signalling [14].

## 7.2.1 Core network location request

The core network request for a location estimate of a target MS shall contain sufficient information to enable location of the Target UE according to the required QoS using any positioning method supported by the PLMN and, where necessary, UE. { The core network may also request LCS assistance data transfer to an UE or request deciphering keys for LCS broadcast assistance data. }

For location services the core network may request the geographical co-ordinates of the Target UE. The core network may also request in which Service Area (consisting of one {or more than one } cell) the Target UE is located. The Service Area information may be used for routing of corresponding Emergency calls, or for CAMEL services and this corresponds to the usage of Cell ID in the core network of GSM. (The MSC shall not send the Service Area Identity to GMLC).

It should be noted that the Service Area concept is different from the Localized Service Area concept used for SoLSA services.

When the location of a Target UE in Idle Mode is requested, the core network shall determine which RNC is associated with the Target UE.

## 7.2.2 Location Report

The access network reports the location of the Target UE to the core network entities via the Iu interface. The location report may contain the following information as defined in the corresponding location request:

- the geographical co-ordinates of the Target UE;
- the service area in which the Target UE is located;
- achieved quality level of the location estimate;
- { indication when the Target UE enters or leaves a "predefined geographical area" (as described in Stage 1, TS 22.071). in case this indication is generated by the Access network (and not by the UE itself). }

## 7.3 Uu Interface

The Uu interface is used to communicate among the LCS entities associated with the RNC, the UEs and the stand-alone Location Measurement Units (LMU). The Uu interface is also used to communicate between the LCS entities in the core network and the UE.

This interface may pass measurement requests and results to and from UE or the stand-alone LMU.

The Uu interface may also pass location requests from internal or external LCS Clients (Applications) at the UE. Note that these requests may require the services of the LCS entities associated with the core network to authenticate clients and subscriber subscriptions to aspects of the LCS.

The Uu interface may also be used for broadcast of information that may be used by the UE or stand-alone LMU for their LCS operations. This may, for example, include timing and code information about nearby Node-B transmissions that may assist the UE or LMU in making their measurements.

The Uu interface may also pass messages relating to changes or reporting of the data associated with the Location System Operations Function (LSOF) in the UE or the remote LMU.

UTRAN Stage 2 specification 25.305 [1] specifies LCS signaling over the Uu interface.

## 7.4 MAP Interfaces

The MAP interfaces defined for GSM LCS should be re-used as much as possible in UMTS. It is seen feasible to use the same MAP interface between GMLC and 3G-SGSN, as between GMLC and 3G-MSC.

There are two MAP interfaces in the UMTS Location Services:

- Interface between GMLC and HLR (Lh interface).

This interface is used by the GMLC to request the address of the visited MSC or 3G-SGSN for a particular target UE whose location has been requested.

- Interface between GMLC - MSC and GMLC – 3G-SGSN (Lg interface).

This interface is used by the GMLC to convey a location request to the MSC or 3G-SGSN currently serving a particular target UE whose location was requested. The interface is used by the MSC or 3G-SGSN to return location results to the GMLC.

The following MAP services are defined for GSM LCS and should be re-used for UMTS LCS:

- MAP-SEND-ROUTING-INFO-FOR-LCS Service.

This service is used between the GMLC and the HLR to retrieve the routing information needed for routing a location service request to the servicing 3G-VMSC or 3G-SGSN.

- MAP-PROVIDE-SUBSCRIBER-LOCATION Service.

This service is used by a GMLC to request the location of a target UE from the visited MSC or 3G-SGSN at any time.

- MAP-SUBSCRIBER-LOCATION-REPORT Service.

This service is used by a 3G-VMSC or 3G-SGSN to provide the location of a target UE to a GMLC when a request for location is either implicitly administered or made at some earlier time.

{ The MAP Subscriber Location Report could also be used to send information about location of the Target UE (for MO-LR) to an external client. }

---

## 8 General network location procedures

### 8.1 State description for GMLC

#### 8.1.1 GMLC states

##### 8.1.1.1 NULL State

In the NULL state, a particular location request from some LCS client either has not been received yet or has already been completed. After a location request is received from a LCS client, the GMLC remains in the NULL state while the identity of the client and nature of its location request are verified. While the NULL state exists conceptually, it need not be represented explicitly in the GMLC.

##### 8.1.1.2 INTERROGATION State

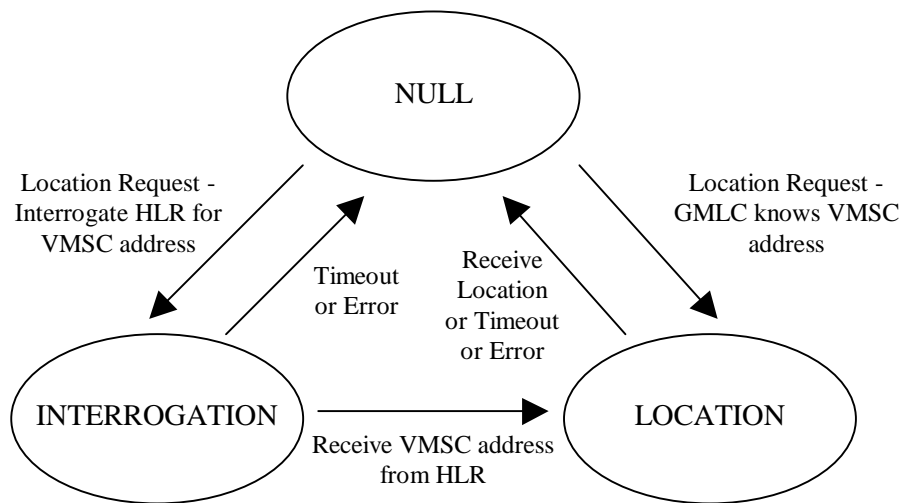
In this state, the GMLC has sent an interrogation to the home HLR of the UE to be located and is awaiting a response giving the 3G-VMSC and/or 3G-SGSN address and IMSI for this UE.

##### 8.1.1.3 LOCATION State

In this state, the GMLC has sent a location request to the 3G-VMSC/3G-SGSN serving the UE to be located and is awaiting a response containing a location estimate.

## 8.1.2 State functionality

### 8.1.2.1 State Transitions



**Figure 8.1: State Transitions in the GMLC**

#### Moving from NULL to INTERROGATION state:

If the GMLC does not know the 3G-VMSC/3G-SGSN address or IMSI when it receives a location service request from some LCS client, it moves from the NULL state to the INTERROGATION state and sends a request to the UE's home HLR for the 3G-VMSC/3G-SGSN address and IMSI.

#### Moving from NULL to LOCATION state:

If the GMLC already knows both the 3G-VMSC/3G-SGSN address and UE IMSI when it receives a location service request from some LCS client (e.g. from information retained for an earlier location request for the same UE), it moves from the NULL state to the LOCATION state and sends a location request to the 3G-VMSC/3G-SGSN.

#### Moving from INTERROGATION to LOCATION state:

After the GMLC, in the INTERROGATION state, receives the 3G-VMSC/3G-SGSN address and IMSI from the home HLR, it enters the LOCATION state and sends a location request to the 3G-VMSC of the UE being located.

#### Moving from LOCATION to NULL state:

After the GMLC receives a location estimate response from the 3G-VMSC/3G-SGSN, it forwards the location estimate to the requesting LCS client and re-enters the NULL state.

### 8.1.2.2 INTERROGATION Timer Function

The GMLC runs a timer while in the INTERROGATION state to limit the amount of time waiting for an interrogation response from the HLR. If the timer expires before an interrogation response is received, the GMLC indicates a location failure to the LCS client and re-enters the NULL state.

### 8.1.2.3 LOCATION Timer Function

The GMLC runs a timer while in the LOCATION state to limit the amount of time waiting for a location estimate response from the 3G-VMSC/3G-SGSN. If the timer expires before a response is received, the GMLC indicates a location failure to the LCS client and re-enters the NULL state.

## 8.2 State description for 3G-VMSC/VLR

### 8.2.1 3G-VMSC States

#### 8.2.1.1 LCS IDLE State

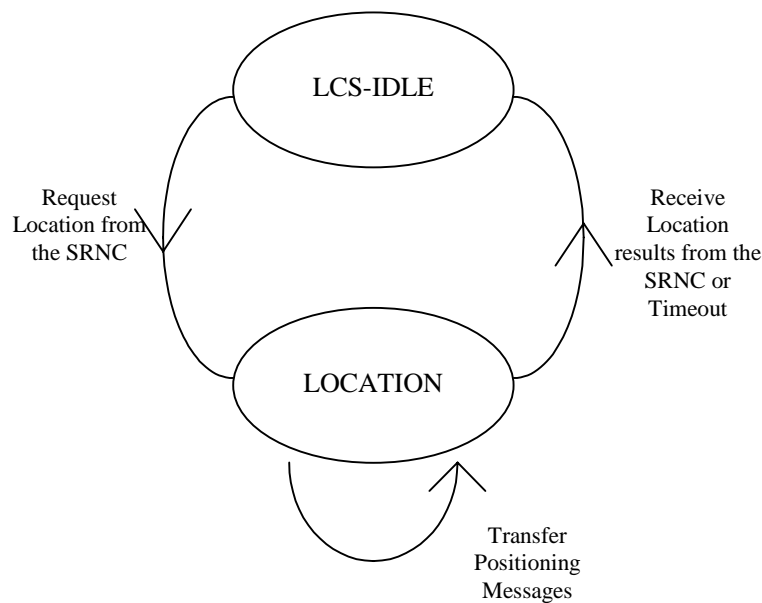
In this state, the 3G-VMSC location service is inactive for a particular UE. The UE may be known in the VLR (except for a USIM less or SIM less Emergency call or where the UE record has been cancelled or lost in the VLR), but there may not be an active Mobility Management or Radio Resource connection to the UE.

#### 8.2.1.2 LOCATION State

In this state, the 3G-VMSC is awaiting a response from SRNC after requesting the location for a particular UE. In this state, a RRC and a Mobility Management connection and the LCS layer of the Connection Management connection to the target UE will be active – allowing the SRNC and UE to exchange positioning related messages for mobile based and mobile assisted position methods.

### 8.2.2 State Functionality

#### 8.2.2.1 State Transitions



**Figure 8.2: State Transitions in the 3G-VMSC**

#### **Moving from LCS IDLE to LOCATION state:**

After a request has been received to locate a particular UE and the UE subscription options have been verified, a location request is sent to the SRNC associated with the serving cell of the UE to be located: the 3G-VMSC then enters the LOCATION state. Before entering this state, the 3G-VMSC must have setup a Mobility Management connection to the UE if none was previously active. The mobile is paged and authenticated before positioning.

#### **Moving from LOCATION to LCS IDLE state:**

After the return of a location estimate result from SRNC, the 3G-VMSC shall re-enter IDLE state.

### 8.2.2.2 LOCATION Timer Function

The 3G-VMSC runs a timer while in the LOCATION state to limit the amount of time waiting for a location response from the RNC. If the timer expires before such information is received, the 3G-VMSC indicates a location failure to the original requesting entity and re-enters IDLE state.

## 8.3 LCS State description for 3G-SGSN

### 8.3.1 3G-SGSN States

#### 8.3.1.1 LCS IDLE State

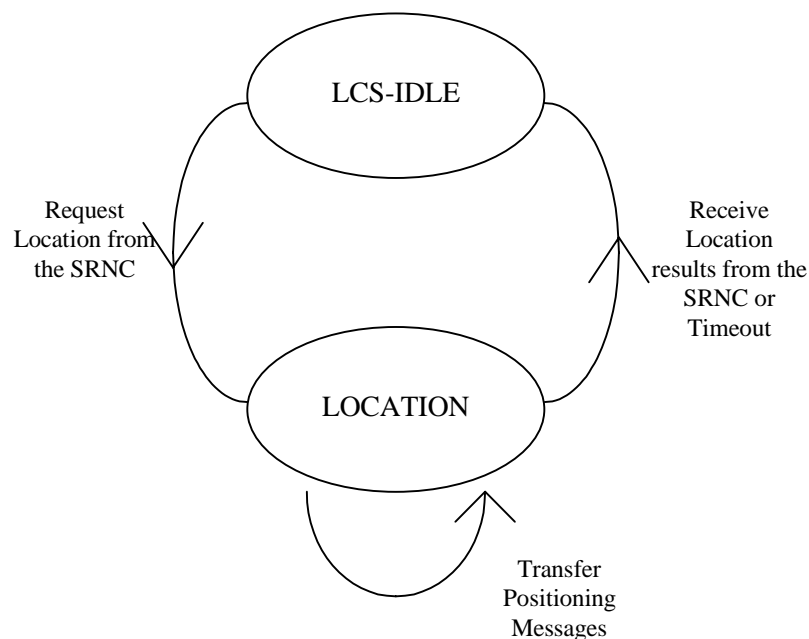
In this state, the 3G-SGSN location service is inactive for a particular UE.

#### 8.3.1.2 LOCATION State

In this state, the 3G-SGSN is awaiting a response from the SRNC after requesting the location for a particular UE.

### 8.3.2 State Functionality

#### 8.3.2.1 State Transitions



**Figure 8.3: State Transitions in the 3G-SGSN**

#### **Moving from LCS-IDLE to LOCATION state:**

After a request has been received to locate a particular UE and the UE subscription options have been verified to allow this, the 3G-SGSN sends a location request to the SRNC associated with the UE to be located. The 3G-SGSN then enters the LOCATION state.

#### **Moving from LOCATION to LCS IDLE state:**

After the return of a location estimate result from SRNC, or if the Location Timer described below expires, the 3G-SGSN shall re-enter IDLE state.

### 8.3.2.2 LOCATION Timer Function

The 3G-SGSN runs a timer while in the LOCATION state to limit the amount of time waiting for a location response from the SRNC. If the timer expires before such information is received, the 3G-SGSN indicates a location failure to the original requesting entity and re-enters IDLE state.

## 8.4 State description for RNC in UTRAN

The state description of RNC in UTRAN is specified in TS 25.305.

## 8.5 Iu Signaling Connection

Before 3G-MSC/3G-SGSN can request location information of a Target UE from SRNC, an Iu Signaling Connection must have been established between 3G-MSC/3G-SGSN and SRNC. The 3G-MSC/3G-SGSN sends a RANAP Location Reporting control message to the SRNC, SRNC determines the location of the target UE related to this Iu Signalling Connection and sends a Location Report to 3G-MSC/3G-SGSN over the same Iu Signalling Connection.

## 8.6 General Network Positioning Procedures

The generic network positioning procedure of providing the location information of an UE subscriber can be partitioned into the following procedures:

### **Location Preparation Procedure**

This generic procedure is concerned with verifying the privacy restrictions of the UE subscriber, reserving network resources, communicating with the UE to be located and determining the positioning method to be used for locating the UE subscriber based on the requested QoS and the UE and network capabilities.

### **Positioning Measurement Establishment Procedure**

This procedure is concerned with performing measurements by involving the necessary network and/or UE resources. Depending on the positioning method to be used for locating the UE the internals of this procedure can be positioning method dependent. The procedure is completed with the end of the positioning measurements.

### **Location Calculation and Release Procedure**

This generic procedure is initiated after the measurements are completed and is concerned with calculating the location of the UE and releasing all network and/or UE resources involved in the positioning.

## 8.7 Mobile Terminating Location Request

[Editorial note: The GPRS specification TS 23.060 requires periodical UE position reporting (GSM Phase 1 allows only a single response to one query). The MT signaling flows below should be enhanced to show "multiple responses to one query". It should be noted that the connection may be closed down between responses.]

### 8.7.1 Circuit Switched Mobile Terminating Location Request (CS-MT-LR)

Figure 8.4 illustrates general network positioning for LCS clients external to the PLMN. In this scenario, it is assumed that the target UE is identified using either an MSISDN or IMSI.



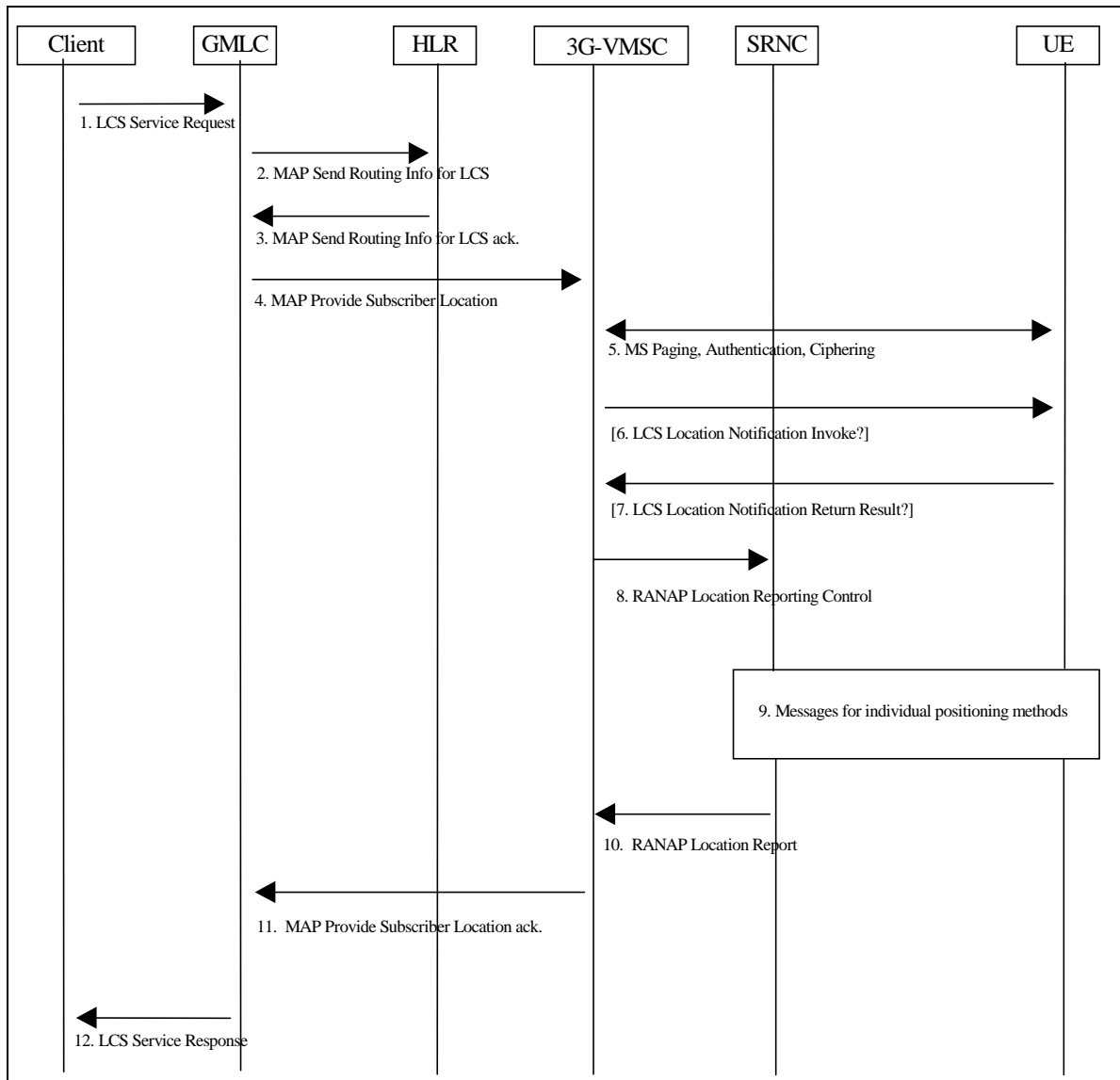


Figure 8.4: General Network Positioning for a MT-LR

8.7.1.1 Location Preparation Procedure

- (1) An external LCS client requests the current location of a target UE from a GMLC. The GMLC verifies the identity of the LCS client and its subscription to the LCS service requested and derives the MSISDN or IMSI of the target UE to be located and the LCS QoS from either subscription data or data supplied by the LCS client. For a call related location request, the GMLC obtains and authenticates the called party number of the LCS client [(refer to Annex A for further details)]. If location is required for more than one UE, or if periodic location is requested, steps 2 to 12 below may be repeated.
- (2) If the GMLC already knows both the 3G-VMSC location and IMSI for the particular MSISDN (e.g. from a previous location request), this step and step 3 may be skipped. Otherwise, the GMLC sends a MAP\_SEND\_ROUTING\_INFO\_FOR\_LCS message to the home HLR of the target UE to be located with either the IMSI or MSISDN of this UE.
- (3) The HLR verifies that the calling party SCCP address of the GMLC corresponds to a known UMTS network element that is authorized to request UE location information. The HLR then returns the current 3G-VMSC address and whichever of the IMSI and MSISDN was not provided in step (2) for the particular UE.

- (4) The GMLC sends a MAP\_PROVIDE\_SUBSCRIBER\_LOCATION message to the 3G-MSC indicated by the HLR. This message carries the type of location information requested (e.g. current location), the UE subscriber's IMSI, LCS QoS information (e.g. accuracy, response time) and an indication of whether the LCS client has the override capability. For a call related location request, the message also carries the LCS client's called party number. The message may optionally carry the identity of the LCS client.
- (5) If the GMLC is located in another PLMN or another country, the 3G-VMSC first authenticates that a location request is allowed from this PLMN or from this country. If not, an error response is returned. The 3G-VMSC then verifies LCS barring restrictions in the UE user's subscription profile in the VLR. In verifying the barring restrictions, barring of the whole location request is assumed if any part of it is barred or any requisite condition is not satisfied. If LCS is to be barred without notifying the target UE and a LCS client accessing a GMLC in the same country does not have the override capability, an error response is returned to the GMLC. Otherwise, if the UE is in idle mode, the Core Network performs paging, authentication and ciphering. If the target UE supports any UE based or UE assisted positioning method(s), the UE will also provide the SRNC and MSC with the positioning method(s) it supports via controlled early classmark sending. If the UE is instead in dedicated mode, the VMSC will already have any early classmark information.

[GSM LCS: If the target UE has an established circuit call other than speech, the location request may be denied and an error response is then returned to the GMLC. If the location request is allowed for a non-speech circuit call, it shall be up to the SRNC to decide, on the basis of the applicable position methods and requested QoS, whether positioning is possible. [this is FFS]]

- (6) If the location request comes from a value added LCS client and the UE subscription profile indicates that the UE must either be notified or notified with privacy verification and the UE supports notification of LCS (according to the UE Classmark 2), an LCS Location Notification Invoke message is sent to the target UE indicating the type of location request (e.g. current location) and the identity of the LCS client and whether privacy verification is required. Optionally, the VMSC may after sending the LCS Location Notification Invoke message continue in parallel the location process, i.e. continue to step 8 without waiting for a LCS Location Notification Return Result message in step 7.
- (7) The target UE notifies the UE user of the location request. If privacy verification was requested, the target UE indicates to the UE user whether the location request will be allowed or not allowed in the absence of a response and waits for the user to grant or withhold permission. The UE then returns an LCS Location Notification Return Result to the 3G-VMSC indicating, if privacy verification was requested, whether permission is granted or denied. Optionally, the LCS Location Notification Return Result message can be returned some time after step 6, but before step 11. If the UE user does not respond after a predetermined time period, the VMSC shall infer a "no response" condition. The 3G-VMSC shall return an error response to the GMLC if privacy verification was requested and either the UE user denies permission or there is no response with the UE subscription profile indicating barring of the location request in the absence of a response.
- (8) The 3G-MSC sends a RANAP Reporting Control message to the SRNC. This message includes the type of location information requested, the UE's location capabilities and requested QoS.

### 8.7.1.2 Positioning Measurement Establishment Procedure

- (9) If the requested location information and the location accuracy within the QoS can be satisfied based on cell coverage, cell ID and, if available, RTT value, the SRNC may send a RANAP Location Report immediately. Otherwise, the SRNC determines the positioning method and instigates the particular message sequence for this method, as specified in UTRAN Stage 2 [1]. If the position method returns position measurements, the SRNC uses them to compute a location estimate. If there has been a failure to obtain position measurements, the SRNC may use the current cell information and, if available, RTT value to derive an approximate location estimate. If the UE returns an already computed location estimate to SRNC using an UE based position method, the SRNC may verify consistency with the current cell and, if available, RTT value. If the location estimate so obtained does not satisfy the requested accuracy or the location attempt failed, e.g. due to missing data, and sufficient response time still remains, the SRNC may instigate a further location attempt using the same (e.g. providing more assistance data to UE) or a different position method. If a vertical location co-ordinate is requested but the SRNC can only obtain horizontal co-ordinates, these may be returned.

In case IPDL is used the SRNC may send a message to the BS/Node B to configure the power cease period of the Node Bs involved in the positioning process. However, if the IPDL alignment is specified in lower layers e.g. layer 1 then the functional split of IPDL processing may partly be included in network elements functionality.

### 8.7.1.3 Location Calculation and Release Procedure

- (10) When a location estimate best satisfying the requested QoS has been obtained, the SRNC returns it to the 3G-MSC in a Location Report message. If a location estimate could not be obtained, the SRNC returns a Location Report message containing a failure cause and no location estimate.
- (11) The 3G-MSC returns the location information and its age to the GMLC, if the VMSC has not initiated the Privacy Verification process in step 6. If step 6 has been performed for privacy verification, the VMSC returns the location information only, if it has received a LCS Location Notification Return Result indicating that permission is granted. If a LCS Location Notification Return Result message indicating that permission is not granted is received, or there is no response, with the UE subscription profile indicating barring of location in the absence of a response, the VMSC shall return an error response to the GMLC. If the SRNC did not return a successful location estimate, but the privacy checks in steps 6-7 were successfully executed, the 3G-VMSC may return the last known location of the target UE if this is known and the LCS client is requesting the current or last known location. The VLR may then release the Mobility Management connection to the UE, if the UE was previously idle, and the 3G-MSC may record billing information.
- (12) The GMLC returns the UE location estimate to the requesting LCS client. If the LCS client requires it, the GMLC may first transform the universal location co-ordinates provided by the 3G-MSC into some local geographic system. The GMLC may record billing for both the LCS client and inter-network revenue charges from the 3G-MSC's network.

## 8.7.2 MT-LR and PS-MT-LR for a previously obtained location estimate

Every time the location estimate of a target UE subscriber is returned by the SRNC to the 3G-VMSC or 3G-SGSN, the 3G-VMSC or 3G-SGSN may store the location estimate together with a time stamp. The 3G-MSC may store this information in the subscriber's VLR record.

The time stamp is the time at which the location estimate is stored at the VLR or 3G-SGSN i.e. after the SRNC returns the location estimate to the 3G-VMSC or 3G-SGSN. The time stamp indicates the "age" of the location estimate.

### 8.7.2.1 Initial Location

In the context of an originating emergency call the location estimate and the associated time stamp at the commencement of the call set-up is referred to as "*initial location*".

### 8.7.2.2 Current Location

After a location attempt has successfully delivered a location estimate and its associated time stamp, the location estimate and time stamp is referred to as the "*current location*" at that point in time.

### 8.7.2.3 Last known Location

The current location estimate and its associated time stamp are stored in MSC/VLR or 3G-SGSN and until replaced by a later location estimate and a new time stamp is referred to as the "*last known location*". The last known location may be distinct from the initial location – i.e. more recent.

### 8.7.2.4 Security and Privacy

The handling of security and privacy of the target UE with regard to returning the last known or initial location estimate of the target UE shall be the same as when the target UE is reachable for positioning. (i.e. the requesting LCS client is authorized and the privacy of the target UE is secured before the 3G-VMSC check the VLR status of the target UE (i.e. whether the UE is marked as attached or detached in the VLR) or the 3G-SGSN checks the status of the target UE.

### 8.7.2.5 Failing to locate the target UE

In case of a "Detached" or "Not Reachable" target UE, the last known location and a time stamp stored at the VLR or 3G-SGSN, may be returned to a LCS client requesting location information if the LCS client specifically requested the current or last known location. This does not apply to a value added LCS client where the target UE subscribes to notification of the location request: if the notification cannot be performed, the 3G-VMSC or 3G-SGSN shall reject the location request.

NOTE: Due to CAMEL, the 3G-MSC/VLR may already be storing other location information parameters like location number, service area identity and VLR number in the subscriber's VLR record.

When a request for location information is received at the 3G-VMSC or 3G-SGSN, the request shall indicate whether the "last known location of the target UE" should be returned in case of a "detached" or "not reachable" target UE.

If the VLR or 3G-SGSN has a valid copy of the subscriber's permanent data and the target UE's privacy settings are such that positioning is allowed, then the following two cases can occur.

#### 8.7.2.5.1 Target UE is "Not Reachable"

If the target UE is marked as "attached" in the VLR or 3G-SGSN, the 3G-VMSC or 3G-SGSN orders paging of the target UE. If paging fails, due to target UE being "not reachable" then 3G-VMSC or 3G-SGSN shall check whether the LCS client has requested "last known location" in case of "not reachable" target UE.

If such a request exists and notification to the target UE does not apply for a value added LCS client, the 3G-VMSC or 3G-SGSN shall include the last known location together with the time stamp available in its response to the request for location information.

An indicator of "last known location" returned shall be marked at the CDR at 3G-VMSC or 3G-SGSN.

#### 8.7.2.5.2 Target UE is "Detached"

If the target UE is marked as "detached" in the VLR or 3G-SGSN, the 3G-VMSC or 3G-SGSN shall check whether the LCS client has requested "last known location" in case of "detached" target UE.

If such a request exists and notification to the target UE does not apply for a value added LCS client, the 3G-VMSC or 3G-SGSN includes the "last known location" together with the time stamp available in its response to the request for location information.

An indicator of "last known location" returned shall be marked at the CDR at 3G-VMSC or 3G-SGSN.

#### 8.7.2.5.3 Target UE is Reachable but Positioning Fails

If the target UE is reachable (e.g. paging succeeds), but the VMSC or 3G-SGSN is unable to obtain a current location estimate, the VMSC or 3G-SGSN shall check whether the LCS client has requested "last known location".

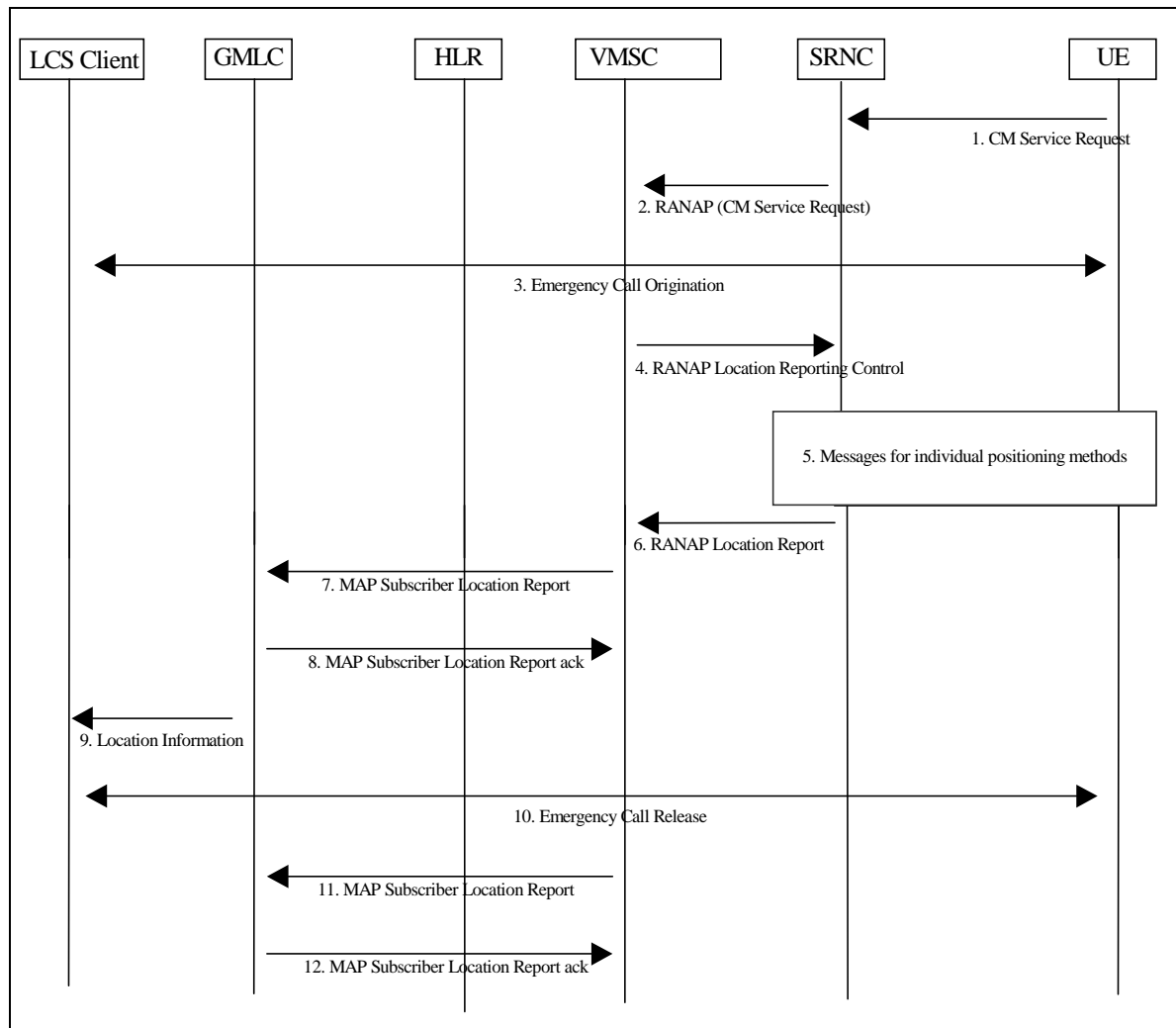
If such a request exists and notification to the target UE either does not apply or was successfully executed for a value added LCS client, the VMSC or 3G-SGSN includes the "last known location" together with the time stamp available in its response to the request for location information.

#### 8.7.2.5.4 An indicator of "last known location" returned shall be marked at the CDR at VMSC or 3G-SGSN. Target UE is "Purged"

If the target UE is marked as "Purged" in HLR, then an indication "Absent Subscriber" is returned to the GMLC.

### 8.7.3 Network Induced Location Request (NI-LR)

Figure 8.5 illustrates positioning for an emergency service call.



**Figure 8.5: Positioning for a NI-LR Emergency Service Call**

#### 8.7.3.1 Location Preparation Procedure

- (1) An initially idle UE requests RRC setup (RACH) Service Request indicating a request for an Emergency Service call to the 3G-VMSC via the SRNC.
- (2) The SRNC shall convey the CM service request across the Iu-interface. (Before having a CM connection there must be a RRC connection.) The UE may identify itself using a TMSI, IMSI or IMEI.
- (3) The emergency call procedure is applied.
- (4) The 3G-VMSC, SRNC and UE continue the normal procedure for emergency call origination towards the appropriate emergency services client. Depending on local regulatory requirements, the sending of call setup information into the PSTN may be delayed until either the UE's location has been obtained or the location attempt has failed or a PLMN defined timer has expired before location was obtained. Call setup information sent into the PSTN may include the UE location (if already obtained) plus information that will enable the emergency service provider to request UE location at a later time (e.g. NA-ESRD and NA-ESRK in North America).

- (5) At any time after step 1 and after sufficient time has been allowed to enable completion of early classmark sending to the SRNC and MSC where the UE supports any UE assisted or UE based positioning method(s), the 3G-VMSC may initiate procedures to obtain the UE's location. These procedures may run either in parallel with the emergency call origination or while emergency call origination is suspended to delay sending of call setup information into the PSTN according to step 3. The 3G-VMSC sends a RANAP Location Request message to the SRNC associated with the UE's current location area (see step 8 for a MT-LR). This message includes indication about the UE's location capabilities, and the QoS required for an emergency call.

### 8.7.3.2 Positioning Measurement Establishment Procedure

- (6) The actions described under step 9 for a MT-LR are performed. If a speech compatible traffic channel is established, the same traffic channel may be used for both the positioning and the emergency call. In that case, the traffic channel may be allocated by either the positioning procedure or emergency call origination procedure.

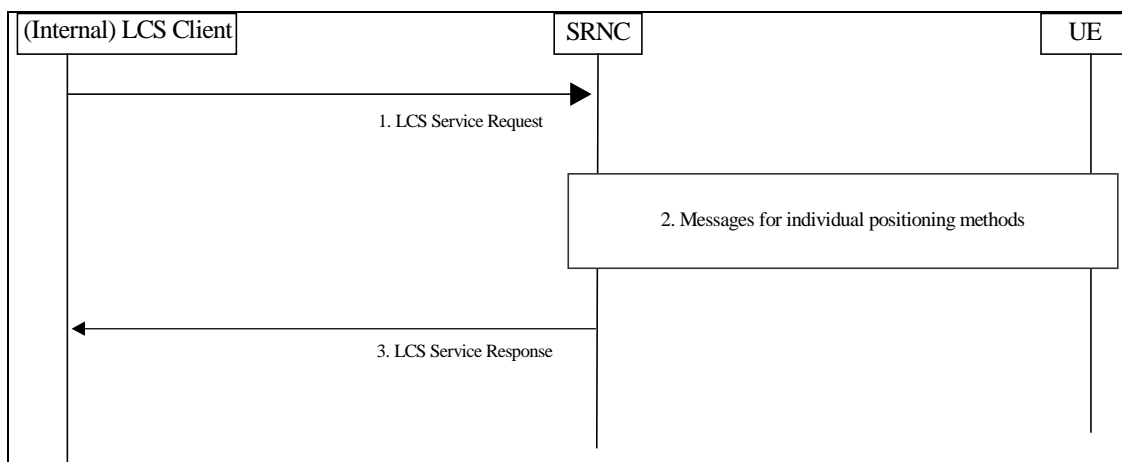
### 8.7.3.3 Location Calculation and Release Procedure

- (7) When a location estimate best satisfying the requested QoS has been obtained, the SRNC returns it to the 3G-VMSC.
- (8) Depending on local regulatory requirements, the 3G-VMSC may send a MAP Subscriber Location report to a GMLC associated with the emergency services provider to which the emergency call has been or will be sent. This message shall carry any location estimate returned in step 7, the age of this estimate and may carry the MSISDN, IMSI and IMEI of the calling UE. In North America, any NA-ESRD and any NA-ESRK that may have been assigned by the 3G-VMSC shall be included. The message shall also indicate the event that triggered the location report. If location failed (i.e. an error result was returned by the SRNC in step 7), an indication of failure rather than a location estimate may be sent to the GMLC: the indication of failure is conveyed by not including a location estimate in the MAP Subscriber Location Report.
- (9) The GMLC acknowledges receipt of the location information. For a North American Emergency Services call, the GMLC shall store the location information for later retrieval by the emergency services LCS client.
- (10) The GMLC may optionally forward the information received in step 8 to the emergency services LCS client. For a North American emergency services call the client is expected to obtain the location information by requesting it from the GMLC.
- (11) At some later time, the emergency services call is released.
- (12) For a North American Emergency Services call, the 3G-MSC sends another MAP Subscriber Location Report to the GMLC. This message may include the same parameters as before except that there is no position estimate and an indication of emergency call termination is included.
- (13) The GMLC acknowledges the 3G-MSC notification and may then release all information previously stored for the emergency call.

## 8.7.4 Network Induced Location Request (NI-LR and PS-NI-LR) from a Serving RNC for a target UE in dedicated mode

Figure 8.6 illustrates how a serving RNC may obtain the location of a target UE that is already in dedicated mode<sup>1)</sup> on behalf of some PLMN operator LCS client – e.g. to support handover. The procedure is valid for SRNC when local regulatory requirements do not require privacy checking for PLMN operator initiated location. The procedure is valid in PS and CS modes.

1) "Dedicated mode" is defined in TS 25.331.



**Figure 8.6: Network Induced Location Request from a Serving RNC**

#### 8.7.4.1 Location Preparation Procedure

(1) A LCS client within the SRNC requests the current location of a target UE from the SRNC.

#### 8.7.4.2 Positioning Measurement Establishment Procedure

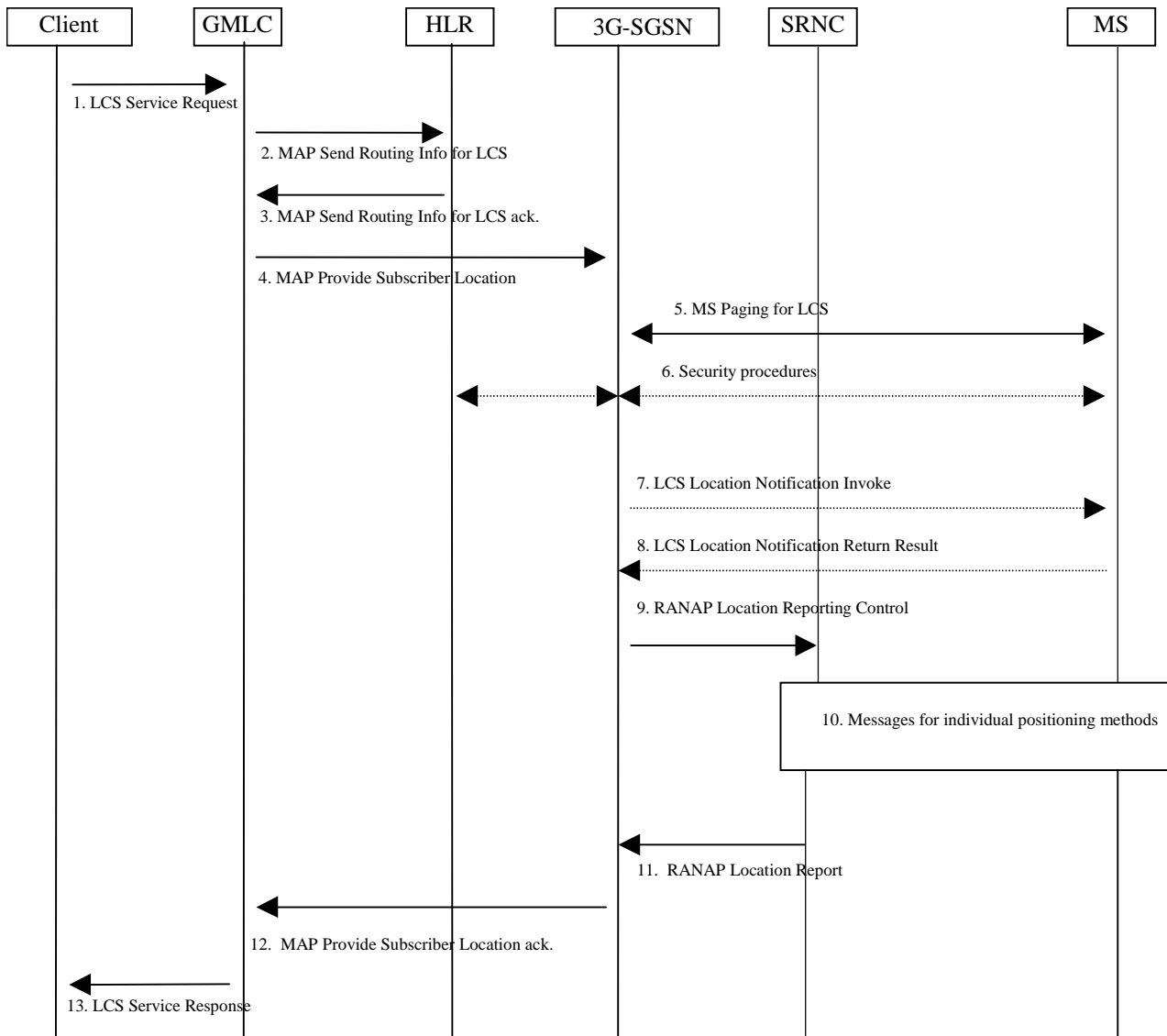
(2) Refer to step 9 for a MT-LR or step 10 in PS-MT-LR.

#### 8.7.4.3 Location Calculation and Release Procedure

(3) The SRNC returns the UE location estimate to the requesting LCS client.

## 8.7.5 Packet Switched Mobile Terminating Location Request (PS-MT-LR)

Figure 8.7 illustrates the general network positioning for LCS clients external to the PLMN for packet switched services. In this scenario, it is assumed that the target UE is identified using an MSISDN, PDP address or IMSI.



**Figure 8.7: General Network Positioning for Packet Switched MT-LR**

### 8.7.5.1 Location Preparation Procedure

- (3) An external LCS client requests the current location of a target UE from a GMLC. The GMLC verifies the identity of the LCS client and its subscription to the LCS service requested and derives the PDP address, MSISDN or IMSI of the target UE to be located and the LCS QoS from either subscription data or data supplied by the LCS client. For a call related location request (VoIP), the GMLC obtains and authenticates the called party identity of the LCS. If location is required for more than one UE, or if periodic location is requested, steps 2 to 13 above may be repeated.
- (4) If the GMLC already knows both the 3G-SGSN location and IMSI for the particular PDP address or MSISDN (e.g. from a previous location request), this step and step 3 may be skipped. Otherwise, the GMLC sends a MAP\_SEND\_ROUTING\_INFO\_FOR\_LCS message to the home HLR of the target UE to be located with the IMSI, PDP address or MSISDN of this UE.



- (5) The HLR verifies that the SCCP calling party address of the GMLC, corresponds to a known GSM/UMTS network element that is authorized to request UE location information. The HLR then returns the current SGSN and/or VMSC addresses, conceivably prioritizing one of the addresses to be used for positioning the UE and whichever of the IMSI or MSISDN was not provided in step (2) for the particular UE.
- (6) In case the GMLC receives both SGSN and VMSC addresses it has to decide where to send the location request. In case 3G-SGSN is chosen then the GMLC sends a MAP\_PROVIDE\_SUBSCRIBER\_LOCATION message to the 3G-SGSN indicated by the HLR. This message carries the type of location information requested (e.g. current location), the UE subscriber's IMSI, LCS QoS information (e.g. accuracy, response time) and an indication of whether the LCS client has the override capability. For a call related (VoIP) location request, the message also carries the LCS client's called party identity. The message shall carry the identity of the LCS client.
- (7) If the GMLC is located in another PLMN or another country, the 3G-SGSN first authenticates that a location request is allowed from this PLMN or from this country. If not, an error response is returned. The 3G-SGSN then verifies LCS barring restrictions in the UE user's subscription profile in the 3G-SGSN. In verifying the barring restrictions, barring of the whole location request is assumed if any part of it is barred or any requisite condition is not satisfied. If LCS is to be barred without notifying the target UE and a LCS client accessing a GMLC in the same country does not have the override capability, an error response is returned to the GMLC. Otherwise, the 3G-SGSN performs paging for location services. Paging is performed at the 3G-SGSN by sending a RANAP paging message indicating "Paging for LCS" to the RNC. The RNC converts the Paging message to a RRC Paging Request indicating paging for LCS.
- (8) The UE may be paged for location services even in Ready Mode. This makes it possible for the UE to start preparing an anticipated location service coming later by e.g. starting to measure GPS signals.
- (9) Upon receipt of a Packet Paging Request message indicating paging for LCS, the UE shall respond with a layer 3 LCS Paging Response. This message may include information about the location of the UE (e.g. recently calculated position with its age, if such is available).
- (10) Security functions may be executed. These procedures are defined in [ 23.060].
- (11) If the location request comes from a value added LCS client and the UE subscription profile indicates that the UE must either be notified or notified with privacy verification and the UE supports notification of LCS (according to the UE's capability information), an LCS Location Notification Invoke message is sent to the target UE indicating the type of location request (e.g. current location) and the identity of the LCS client and whether privacy verification is required. Optionally, the 3G-SGSN may after sending the LCS Location Notification Invoke message continue in parallel the location process, i.e. continue to step 9 without waiting for a LCS Location Notification Return Result message in step 8.] [This functionality needs to be further studied.]
- (12) [The target UE notifies the UE user of the location request and, if privacy verification was requested, waits for the user to grant or withhold permission. The UE then returns an LCS Location Notification Return Result to the 3G-SGSN indicating, if privacy verification was requested, whether permission is granted or denied. Optionally, the LCS Location Notification Return Result message can be returned some time after step 7, but before step 12. If the UE user does not respond after a predetermined time period, the 3G-SGSN shall infer a "no response" condition. The 3G-SGSN shall return an error response to the GMLC if privacy verification was requested and either the UE user denies permission or there is no response with the UE subscription profile indicating barring of the location request.] [This functionality needs to be further studied].
- (13) The 3G-SGSN sends a RANAP Location Reporting Control message to the SRNC. This message includes the type of location information requested, the UE's location capabilities, the requested QoS and any other location information received in paging response.

### 8.7.5.2 Positioning Measurement Establishment Procedure

- (14) If the requested location information and the location accuracy within the QoS can be satisfied based on parameters received from the 3G-SGSN and the parameters obtained by the SRNC e.g. cell coverage and timing information (i.e. RTT or TA), the SRNC may send a RANAP Location Report immediately. Otherwise, the SRNC determines the positioning method and instigates the particular message sequence for this method in UTRAN Stage 2 [1]. If the position method returns position measurements, the SRNC uses them to compute a location estimate. If there has been a failure to obtain position measurements, the SRNC may use the current cell information and, if available, TA or RTT value to derive an approximate location estimate. If an already computed location estimate is returned for an UE based position method, the SRNC may verify consistency with the current cell and, if available, RTT or TA value. If the location estimate so obtained does not satisfy the requested accuracy and sufficient response time still remains, the SRNC may instigate a further location attempt using the same or a different position method. If a vertical location co-ordinate is requested but the SRNC can only obtain horizontal co-ordinates, these may be returned.

In case IPDL is used the SRNC may send a message to Node B to configure the power cease period of the Node Bs involved in the positioning process. However, if the IPDL alignment is specified in lower layers e.g. layer 1 then the functional split of IPDL processing may be partly included in the network element functionality.

### 8.7.5.3 Location Calculation and Release Procedure

- (15) When location information best satisfying the requested location type and QoS has been obtained, the SRNC returns it to the 3G-SGSN in a RANAP Location Report message. If a location estimate could not be obtained, the SRNC returns a Location Report message containing a failure cause and no location estimate.
- (16) The 3G-SGSN returns the location information and its age to the GMLC, if the 3G-SGSN has not initiated the Privacy Verification process in step 7. If step 7 has been performed for privacy verification, the 3G-SGSN returns the location information only, if it has received a LCS Location Notification Return Result indicating that permission is granted. If a LCS Location Notification Return Result message indicating that permission is not granted is received, or there is no response, with the UE subscription profile indicating barring of location, the 3G-SGSN shall return an error response to the GMLC. If the 3G-SGSN did not return a successful location estimate, but the privacy checks were successfully executed, the 3G-SGSN may return the last known location of the target UE if this is known and the LCS client is requesting the current or last known location. The 3G-SGSN may record billing information.
- (17) The GMLC returns the UE location information to the requesting LCS client. If the LCS client requires it, the GMLC may first transform the universal location co-ordinates provided by the 3G-SGSN into some local geographic system. The GMLC may record billing for both the LCS client and inter-network revenue charges from the 3G-SGSN's network.

## 8.8 Mobile Originating Location Request

### 8.8.1 Mobile Originating Location Request, Circuit Switched (CS-MO-LR)

The following procedure shown in Figure 8.8 allows an UE to request either its own location, location assistance data or broadcast assistance data message ciphering keys from the network. Location assistance data may be used subsequently by the UE to compute its own location throughout an extended interval using a mobile based position method. The ciphering key enables the UE to decipher other location assistance data broadcast periodically by the network. The MO-LR after location update request may be used to request ciphering keys or GPS assistance data using the follow-on procedure described in TS 24.008. The procedure may also be used to enable an UE to request that its own location be sent to another LCS client.

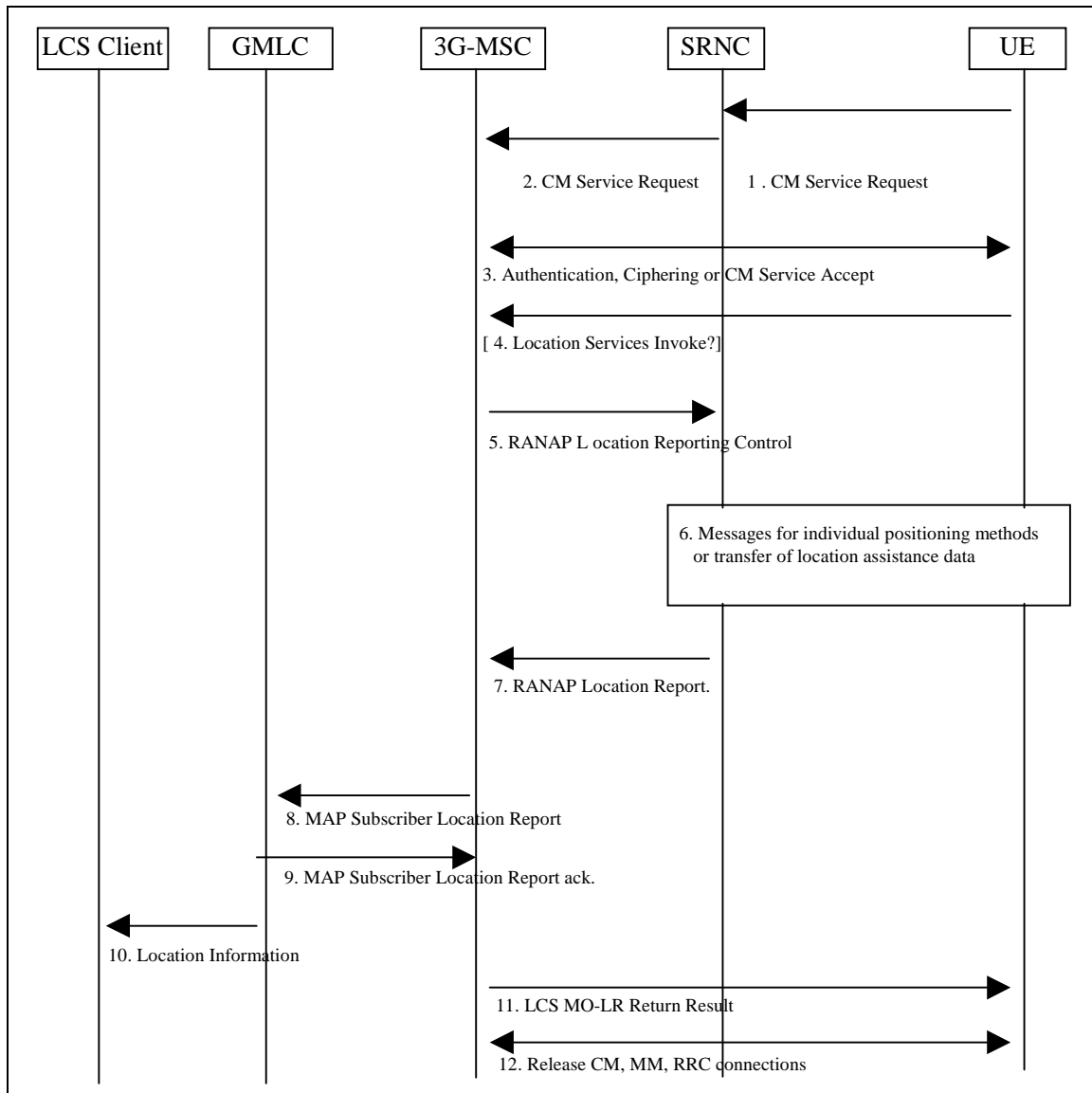


Figure 8.8: General Network Positioning for MO-LR

8.8.1.1 Location Preparation Procedure

- 1) If the UE is in idle mode, the UE requests an RACH and sends a CM service request indicating a request for a call independent supplementary services to the 3G-VMSC via the SRNC.
- 2) The SRNC shall convey the CM service request across the Iu-interface. If the UE is in dedicated mode, the UE sends a CM Service Request on the already established RACH.
- 3) The 3G-VMSC instigates authentication and ciphering if the UE was in idle mode or returns a Direct Transfer CM Service Accept if the UE was in dedicated mode. If the target UE supports any UE based or UE assisted positioning method(s), the UE will provide the SRNC and 3G-MSC with the positioning method(s) it supports via controlled early classmark sending.

- 4) The UE sends a LCS MO-LR Location Services invoke to the 3G-VMSC. If the UE is requesting its own location or that its own location be sent to another LCS client, this message carries LCS requested QoS information (e.g. accuracy, response time). If the UE is requesting that its location be sent to another LCS client, the message shall include the identity of the LCS client and may include the address of the GMLC through which the LCS client should be accessed. If a GMLC address is not included, the 3G-VMSC may assign its own GMLC address and may verify that the identified LCS client is supported by this GMLC. If a GMLC address is not available for this case, the 3G-VMSC shall reject the location request. If the UE is instead requesting location assistance data or ciphering keys, the message specifies the type of assistance data or deciphering keys and the positioning method for which the assistance data or ciphering applies. The 3G-VMSC verifies in the UE's subscription profile that the UE has permission to request its own location, request that its location be sent to another LCS client or request location assistance data or deciphering keys (whichever applies). If the UE is requesting positioning and has an established call, the 3G-VMSC may reject the request for certain non-speech call types.
- 5) The 3G-VMSC sends a RANAP Location Reporting Control message to the SRNC associated with the Target UE. The RANAP message indicates whether a location estimate or location assistance data is requested and includes the UE's location capabilities. If the UE's location is requested, the message also includes the requested QoS. If location assistance data is requested, the message carries the requested types of location assistance data.

### 8.8.1.2 Positioning Measurement Establishment Procedure

- 6) If the UE is requesting its own location, the actions described under step 9 for a MT-LR are performed. If the UE is instead requesting location assistance data, the SRNC transfers this data to the UE as described in subsequent sections. The SRNC determines the exact location assistance data to transfer according to the type of data specified by the UE, the UE location capabilities and the current cell.

### 8.8.1.3 Location Calculation and Release Procedure

- 7) When a location estimate best satisfying the requested QoS has been obtained or when the requested location assistance data has been transferred to the UE, the SRNC returns a RANAP Location Report to the 3G-VMSC. This message carries the location estimate or ciphering keys if this was obtained. If a location estimate or deciphering keys were not successfully obtained or if the requested location assistance data could not be transferred successfully to the UE, a failure cause is included in the Location Report.
- 8) If the UE requested transfer of its location to another LCS client and a location estimate was successfully obtained, the 3G-VMSC shall send a MAP Subscriber Location Report to the GMLC obtained in step 4 carrying the MSISDN of the UE, the identity of the LCS client, the event causing the location estimate (MO-LR) and the location estimate and its age.
- 9) The GMLC shall acknowledge receipt of the location estimate provided that it serves the identified LCS client and the client is accessible.
- 10) The GMLC transfers the location information to the LCS client either immediately or upon request from the client.
- 11) The 3G-VMSC returns an LCS MO-LR Return Result to the UE carrying any location estimate requested by the UE, ciphering keys or a confirmation that a location estimate was successfully transferred to the GMLC serving an LCS client.
- 12) The 3G-VMSC may release the CM, MM and RRC connections to the UE, if the UE was previously idle, and the 3G-VMSC may record billing information.

NOTE: In case of positioning of emergency call stage 3 of the previous sequence is naturally omitted.

## 8.8.2 Mobile Originating Location Request, Packet Switched (PS-MO-LR)

The following procedure shown in Figure 8.9 allows an UE to request either its own location; location assistance data or broadcast assistance data message ciphering keys from the network. Location assistance data may be used subsequently by the UE to compute its own location throughout an extended interval using a mobile based position method. A ciphering key enables the UE to decipher other location assistance data broadcast periodically by the network. The MO-LR may be used to request ciphering keys or GPS assistance data. The procedure may also be used to enable an UE to request that its own location be sent to another LCS client.

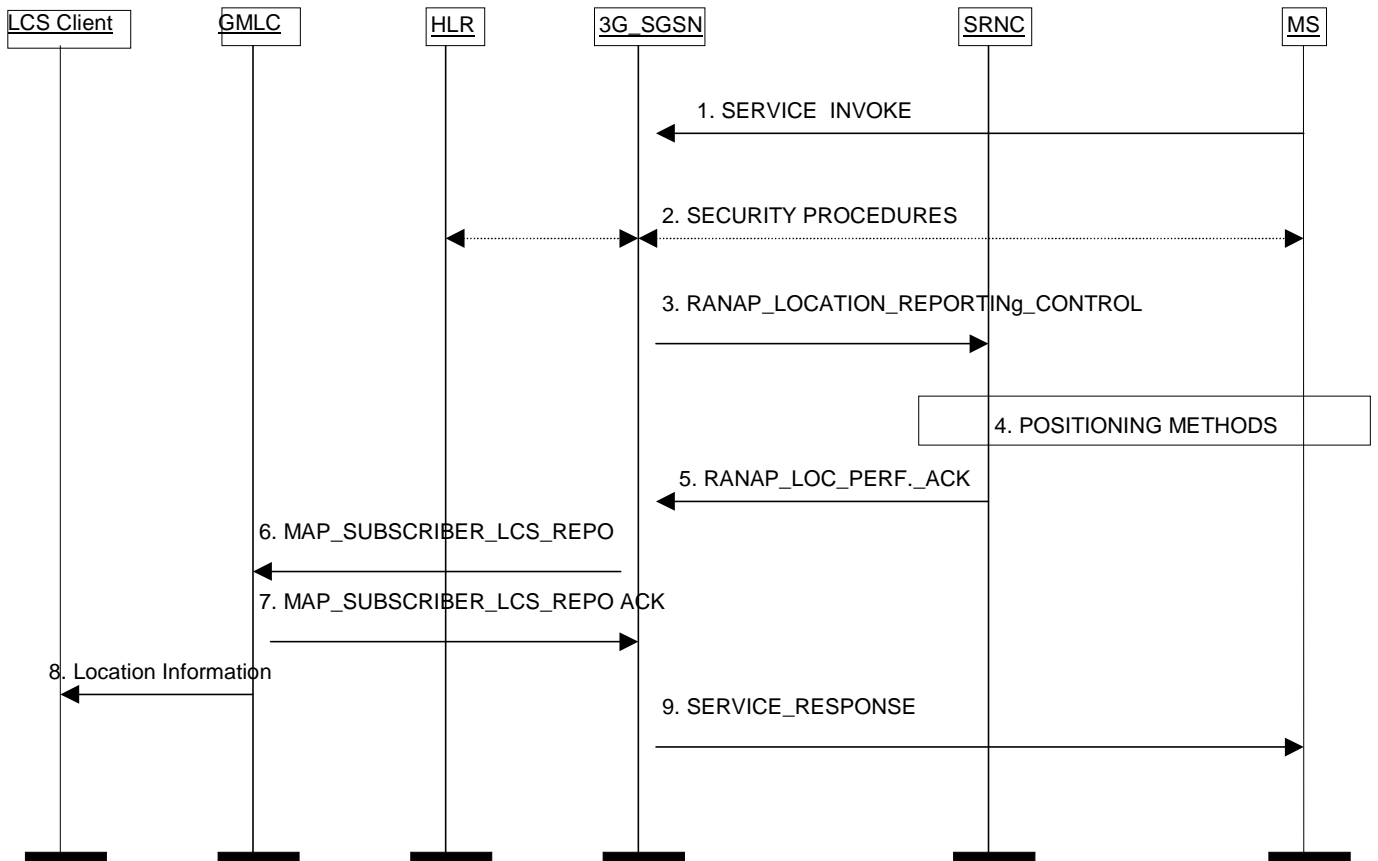


Figure 8.9: General Network Positioning for packet switched MO-LR

### 8.8.2.1 Location Preparation Procedure

- (1) The mobile station originated location request in packet mode starts at the mobile station by sending a SERVICE INVOKE message to the 3G-SGSN. Different types of location services can be requested: location of the UE, location of the UE to be sent to another LCS client, location assistance data or ciphering keys. If the UE is requesting its own location or that its own location be sent to another LCS client, this message carries LCS requested QoS information (e.g. accuracy, response time). If the UE is requesting that its location be sent to another LCS client, the message shall include the identity of the LCS client and may include the address of the GMLC through which the LCS client should be accessed. If a GMLC address is not included, the 3G-SGSN may assign its own GMLC address and may verify that the identified LCS client is supported by this GMLC. If a GMLC address is not available for this case, the 3G-SGSN shall reject the location request. If the UE is instead requesting location assistance data or ciphering keys, the message specifies the type of assistance data or deciphering keys and the positioning method for which the assistance data or ciphering applies. The 3G-SGSN verifies the subscription profile of the UE and decides if the requested service is allowed or not.
- (2) Security functions may be executed. These procedures are described in [23.060].
- (3) The 3G-SGSN sends a RANAP Perform Location message to the SRNC associated with the Target UE's location. The RANAP message indicates whether a location estimate or location assistance data is requested and includes the UE's location capabilities. If the UE's location is requested, the message also includes the requested QoS. If location assistance data is requested, the message carries the requested types of location assistance data. The message carries also location parameters received in the Service Invoke message.

### 8.8.2.2 Positioning Measurement Establishment Procedure

- (4) If the UE is requesting its own location, the actions described under [to be defined] performed. If the UE is instead requesting location assistance data, the SRNC transfers this data to the UE as described in subsequent sections. The SRNC determines the exact location assistance data to transfer according to the type of data specified by the UE, the UE location capabilities and the current cell.

### 8.8.2.3 Location Calculation and Release Procedure

- (5) When a location estimate best satisfying the requested QoS has been obtained or when the requested location assistance data has been transferred to the UE, the SRNC returns a RANAP Location Report to the 3G-SGSN. This message carries the location estimate or ciphering keys if this was obtained. If a location estimate or deciphering keys were not successfully obtained or if the requested location assistance data could not be transferred successfully to the UE, a failure cause is included in the Location Report.
- (6) If the UE requested transfer of its location to another LCS client and a location estimate was successfully obtained, the 3G-SGSN shall send a MAP Subscriber Location Report to the GMLC obtained in step 1 carrying the MSISDN or PDP address of the UE, the identity of the LCS client, the event causing the location estimate (MO-LR-PS) and the location estimate and its age.
- (7) The GMLC shall acknowledge receipt of the location estimate provided that it serves the identified LCS client and the client is accessible.
- (8) The GMLC transfers the location information to the LCS client either immediately or upon request from the client.
- (9) The 3G-SGSN returns a Service Response message to the UE carrying any location estimate requested by the UE, ciphering keys or a confirmation that a location estimate was successfully transferred to the GMLC serving an LCS client.

## 8.9 LCS signaling procedures specified in UTRAN Stage 2, TS 35.305

The following signaling procedures are specified in UTRAN LCS Stage 2, reference [1]:

- 1) Common Procedures to Support Positioning. These procedures are:
  - Information Transfer between SRNC and a Target UE
  - LCS Information Transfer between SRNC and other RNCs
- 2) Common Procedures to Support Access to an LMU:
  - The information transfer between SRNC and an LMU associated with Node B
  - The information transfer between SRNC and a standalone LMU
- 3) Common Control Procedures for LMUs:
  - The LMU Reset Procedure
  - LMU Status Query Procedure
  - LMU Status Update Procedures
- 4) LCS signaling interactions between SRNC and other RNCs.

## 8.10 Exception Procedures

The procedures in this subclause apply to all variants of an MT-LR, NI-LR and MO-LR where a RANAP Location reporting control message has been sent to an SRNC requesting some location service (e.g. provision of a location estimate for a target UE or transfer of assistance data to a target UE).

## 8.10.1 Procedures in the VMSC

After the VMSC has requested a location service for a particular UE from the SRNC, certain events may occur that may temporarily or permanently interfere with the location service attempt. For each such event notified to the VMSC, the VMSC shall employ one of the following error recovery actions.

### Restart the Location Service

This action shall be employed for any event that temporarily impedes a location service attempt and cannot be delayed until the location service attempt is complete. When such an event is notified to the 3G-VMSC, it shall immediately cancel the location service attempt and the associated RANAP dialogue with SRNC, if this still exists by sending a "stop reporting" message to the SRNC. The "stop reporting" message shall contain the reason for the location procedure cancellation.

After aborting the location request dialogue with the SRNC, the 3G-VMSC may queue the location service request until the event causing the restart has terminated (if not already terminated). The 3G-VMSC may optionally wait for an additional time period (e.g. if the queuing delay is minimal) to ensure that any resources allocated in and by the SRNC have time to be released. The 3G-VMSC may then send another location service request to the SRNC associated with the target UE.

### Abort the Location Service

This action shall be employed for any event that permanently impedes a location service attempt, such as loss of the dedicated signaling channel to the target MS. When such an event is notified to the 3G-VMSC, it shall cancel the current location service attempt and the associated RANAP dialogue with the SRNC, if still existing, by sending a "stop reporting" message to the SRNC. The "stop reporting" message shall contain the reason for the location procedure cancellation. The 3G-VMSC shall then return an error response to the client or network entity from which the location request was originally received. The 3G-VMSC shall also release all resources specifically allocated for the location attempt.

The following table indicates the appropriate error recovery procedure for certain events. For events not listed in the table, the 3G-VMSC need take no action.

**Table 8.1: LCS Error Recovery Procedures in the VMSC for certain Events**

Event	VMSC Error Recovery
Release of radio channel to the UE	Abort
Any error response from the SRNC except for inter-SRNC or inter-MS handover	Abort
Inter-SRNC Handover	Restart after handover completed
Inter-MS Handover	Restart after handover completed

If the RNC is in an overload condition, it may reject a location request by indicating congestion. The MSC may reduce the frequency of future location service requests until rejection due to overload has ceased.

## 8.10.2 Further Procedures for Handover

[Editor's note: During soft and softer handovers in WCDMA (inter Node-B, inter RNC) the existing RRC connection can be used with no need for aborting the on-going positioning process. In case of hard handovers, e.g. inter RNC hard handover (or SRNC relocation) and inter CN (MSC, SGSN) handovers the same approach can be followed as for any service connection (e.g. call handover). Therefore, aborting the service requests, including LCS request, because of handovers is not needed. The exception procedures and error cases in UMTS need to be further studied.]

### 8.10.2.1 MSC procedure for Inter-MS Handover

[When a location estimate is required for a target UE with an established call in a state of inter-MS handover, the serving location area ID shall be used by the visited MSC to identify the correct SRNC to perform the location. All Location request related messages that are transferred over the Iu-interface shall now be sent via MAP/E interface piggy-backed in MAP\_FORWARD\_ACCESS\_SIGNALLING and MAP\_PROCESS\_ACCESS\_SIGNALLING between the visited and serving MSCs. The handling of LCS request during Inter-MS handover in UMTS is FFS.]

### 8.10.2.2 Handling of an ongoing handover while a request for positioning arrives at MSC/VLR

[If during an ongoing radio handover procedure a request for location information arrives at the SRNC, the request shall be suspended until the handover is completed. On completion of the handover, the SRNC shall continue with location preparation procedure.]

## 8.11 Privacy

### 8.11.1 Privacy Override Indicator (POI)

The POI is used to determine whether the privacy settings of the subscriber to be positioned shall be overridden by the request for location services. The assignment of a POI value with an "override" or "not override" value in the LCS client profile is done during the LCS client provisioning. The type of LCS client requesting location information (i.e. emergency, law-enforcement etc.) shall determine the value of the POI assigned to the LCS client profile.

There are two distinct cases regarding the handling of the privacy override indicator.

**Procedure A:** If the subscriber to be positioned is in the same PLMN or same country as the GMLC then the POI shall override the subscriber's privacy options.

**Procedure B:** Otherwise the POI shall not override the subscriber's privacy options.

### 8.11.2 Privacy Procedures

The SLPP shall contain the privacy options defined in the HLR of the UE subscriber.

The SLPP shall be downloaded to the VMSC together with the rest of his subscription information in the existing MAP operation INSERT\_SUBSCRIBER\_DATA. It will be deleted with the existing MAP operation DELETE\_SUBSCRIBER\_DATA.

The POI is transferred from the GMLC to the VMSC in the location request. Based on the location of the GMLC the VMSC evaluates whether to accept or ignore the received POI according to the definition in subclause 8.11.3.

If the POI is accepted the location requested is unconditionally performed. Otherwise if the POI is ignored the VMSC evaluates the privacy options in the UE subscriber's subscription profile (assuming this is held in the VLR). If the VLR does not contain the UE subscription profile, LCS will rely on the existing GSM recovery mechanisms to obtain the profile.

If the location request is allowed by the privacy options the location request is performed. Otherwise, if the location request is barred by the privacy options, the location request is refused an error response is returned to the GMLC with a cause code indicating that the request was rejected by the subscriber.

### 8.11.3 UE Privacy Options

The UE privacy options in the SLPP apply to an MT-LR or NI-LR and either indicate that no MT-LR or NI-LR is allowed for the UE (except as may be overridden by the POI or local regulatory requirements) or define the particular classes of LCS client for which an MT-LR or NI-LR for location are allowed, with the following classes being possible:

- a) Universal Class – allow positioning by all LCS clients
- b) Call related Class – comprises any LCS client to which the UE originated a call that is currently established. For all clients in the call related class, one of the following subscription options shall apply:
  - positioning allowed without notifying the UE user (default case)
  - positioning allowed with notification to the UE user
  - positioning requires notification and verification by the UE user; positioning is allowed only if granted by the UE user or if there is no response to the notification



- positioning requires notification and verification by the UE user; positioning is allowed only if granted by the UE user
- c) Non-Call related Class – allow positioning by specific identified LCS Clients or groups of LCS Client with the following restrictions allowed for each identified LCS Client or group of LCS Clients
- Location request allowed only from GMLCs identified in the SLPP
  - Location request allowed only from a GMLC in the home country
  - Location request allowed from any GMLC (default case)

For each identified value added LCS client in the privacy exception list, one of the following subscription options shall apply:

- positioning allowed without notifying the UE user (default case)
- positioning allowed with notification to the UE user
- positioning requires notification and verification by the UE user; positioning is allowed only if granted by the UE user or if there is no response to the notification
- positioning requires notification and verification by the UE user; positioning is allowed only if granted by the UE user

For all value added LCS clients sending a non-call related MT-LR that are not identified in the privacy exception list, one of the following subscription option shall apply:

- positioning not allowed (default case)
- positioning allowed with notification to the UE user
- positioning requires notification and verification by the UE user; positioning is allowed only if granted by the UE user or if there is no response to the notification
- positioning requires notification and verification by the UE user; positioning is allowed only if granted by the UE user

- d) PLMN operator Class – allow positioning by specific types of client within or associated with the VPLMN, with the following types of client identified:
- clients providing a location related broadcast service
  - O&M client in the HPLMN (when the UE is currently being served by the HPLMN)
  - O&M client in the VPLMN
  - Clients recording anonymous location information without any UE identifier
  - Clients enhancing or supporting any supplementary service, IN service, bearer service or teleservice subscribed to by the target UE subscriber

If the UE subscribes to the universal class, any MT-LR or NI-LR shall be allowed by the VMSC. If local regulatory requirements mandate it, any MT-LR for an emergency services LCS client and any NI-LR for an emergency services call origination shall be allowed by the VMSC.

If the UE subscribes to the call-related class, an MT-LR may be allowed if the UE previously originated a call that is still established and the called party number either dialed by the UE or used by the VMSC for routing matches the called party number received from the GMLC. If the called party number conditions are satisfied, the MT-LR shall be allowed if the UE user subscribes to either location without notification or location with notification. If the UE user subscribes to location with notification and privacy verification, the MT-LR shall be allowed following notification to the UE if the UE user either returns a response indicating that location is allowed or returns no response but subscribes to allowing location in the absence of a response. In all other cases, the MT-LR shall be restricted.

If the UE subscribes to the non-call related class, an MT-LR may be allowed by the network if the identity of the LCS client or LCS client group supplied by the GMLC matches the identity of any LCS Client or LCS Client group contained in the UE's SLPP and any other GMLC restrictions associated with this LCS Client identity in the SLPP are also met.

If the LCS client is correctly matched in this way and any GMLC restrictions are satisfied, the MT-LR shall be allowed if the UE user subscribes to either location without notification or location with notification. If the UE user subscribes to location with notification and privacy verification, the MT-LR shall be allowed following notification to the UE if the UE user either returns a response indicating that location is allowed or returns no response but subscribes to location in the absence of a response. In all other cases, the MT-LR shall be restricted.

If the UE subscribes to the non-call related class, an MT-LR from an LCS client that is not contained in the UE's SLPP shall be allowed or restricted according to the following conditions. For any non-matched LCS client, the MT-LR shall be allowed if the UE user subscribes to location with notification. If the UE user subscribes to location with notification and privacy verification, the MT-LR shall be allowed following notification to the UE if the UE user either returns a response indicating that location is allowed or returns no response but subscribes to location in the absence of a response. In all other cases, the MT-LR shall be restricted.

If the UE subscribes to the PLMN class, an NI-LR or MT-LR shall be allowed if the client within the VPLMN, for an NI-LR, or the client identified by the GMLC, for an MT-LR, either matches a generic type of client contained in the UE's SLPP or is otherwise authorized by local regulatory requirements to locate the UE.

In evaluating privacy where any address "A" associated with the LCS client (e.g. LCS client ID or GMLC address) needs to be compared with a corresponding address "B" in the target UE's SLPP, a match shall be determined if a match is found for each of the following components of each address:

- a) Numbering Plan
- b) Nature of Address Indicator
- c) Corresponding address digits for all digits in "B" (the digits or initial digits in "A" must match all the digits in "B", but "A" may contain additional digits beyond those in "B")

All addresses shall be transferred to the UEC/VLR in international format.

## 8.12 Mobile Originating Location

An UE may subscribe to any of the following classes of mobile originating location:

- A) Basic Self Location
- B) Autonomous Self Location
- C) Transfer to Third Party

An MO-LR shall be allowed by the VMSC if the type of request is supported by the appropriate subscription according to the following table.

**Table 8.2: Required UE Subscription Options for MO-LR Requests**

Type of MO-LR Request	Required UE Subscription
UE requests own location	Basic Self Location
UE requests location assistance data	Autonomous Self Location
UE requests transfer of own location to another LCS Client	Transfer to Third Party

## 8.13 CM Procedures

### 8.13.1 Location request for a mobile in idle-mode

When a request for location information is received at the VMSC the LCS-layer shall order paging of the UE subscriber. In case of first unsuccessful paging, normal paging procedures should apply. After successful paging the LCS-layer shall invoke the location preparation procedure.

### 8.13.2 Location request for a mobile in dedicated-mode

When a request for location information is received at the VMSC, if the UE is already busy on CM level, the LCS-layer shall attempt to establish a parallel transaction to the existing one. If successful, the LCS-layer shall invoke the location preparation procedure.

---

## 9 Information storage

This clause describes information storage structures that are mandatory (M), conditional (C) or optional (O) for LCS, and the recovery and restoration procedures needed to maintain service if inconsistencies in databases occur and for lost or invalid database information. Information storage in SRNC and LMU is specified in UTRAN Stage 2, reference [1].

### 9.1 HLR

The HLR holds LCS data for both UE subscribers and LMUs.

#### 9.1.1 LCS Data in the HLR for an UE Subscriber

The IMSI is the primary key for LCS UE subscription data in the HLR. This subscription data may be stored in a Multiple Subscriber Profile (MSP), with the HLR able to hold a number of MSPs per IMSI.

LCS UE subscription data includes a privacy exception list containing the privacy classes for which location of the target UE is permitted. Each privacy class is treated as a distinct supplementary service with its own supplementary service code. The following logical states are applicable to each privacy class (refer to GSM 23.011 for an explanation of the notation):

**Table 9.1: Logical States for each LCS Privacy Class**

Provisioning State	Registration State	Activation State	HLR Induction State
(Not Provisioned,	Not Applicable,	Not Active,	Not Induced)
(Provisioned,	Not Applicable,	Active and Operative,	Not Induced)

For each LCS privacy class, the HLR shall store the logical state of the class on a per-subscriber (or per subscriber MSP) basis. In addition, the permanent data indicated below shall be stored on a per subscriber (or per subscriber MSP) basis when the logical provisioning state of the associated LCS privacy class is "provisioned". For the meaning of each LCS privacy class, refer to clause 8 and to TS 22.071.

**Table 9.2: LCS data stored in the HLR privacy exception list for an UE Subscriber (or UE Subscriber MSP)**

LCS Privacy Class	Status	Additional HLR Data when Class is provisioned
Universal Class	-	No additional data
Call Related Class	M	Indication of one of the following mutually exclusive options: <ul style="list-style-type: none"> <li>• Location allowed without notification (default case)</li> <li>• Location allowed with notification</li> <li>• Location with notification and privacy verification; location allowed if no response</li> <li>• Location with notification and privacy verification; location restricted if no response</li> </ul>
Call Unrelated Class	M	Indication of one of the following mutually exclusive options for any LCS client not in the external LCS client list: <ul style="list-style-type: none"> <li>• Location not allowed (default case)</li> <li>• Location allowed with notification</li> <li>• Location with notification and privacy verification; location allowed if no response</li> <li>• Location with notification and privacy verification; location restricted if no response</li> </ul>
	O	External LCS client list: a list of zero or more LCS clients, with the following data stored for each LCS client in the list:
	C	<ul style="list-style-type: none"> <li>• International E.164 address identifying a single LCS client or a single group of LCS clients that are permitted to locate this target UE</li> </ul>
	O	<ul style="list-style-type: none"> <li>• Restriction on the GMLC. Possible values are: <ul style="list-style-type: none"> <li>- identified GMLCs only</li> <li>- Any GMLC in the home country</li> </ul> </li> </ul>
	C	<ul style="list-style-type: none"> <li>• Indication of one of the following mutually exclusive options: <ul style="list-style-type: none"> <li>- Location allowed without notification (default case)</li> <li>- Location allowed with notification</li> <li>- Location with notification and privacy verification; location allowed if no response</li> <li>- Location with notification and privacy verification; location restricted if no response</li> </ul> </li> </ul>
PLMN Operator Class	O	LCS client list: a list of one or more generic classes of LCS client that are allowed to locate the particular UE. The following classes are distinguished: <ul style="list-style-type: none"> <li>• LCS client broadcasting location related information</li> <li>• O&amp;M LCS client in the HPLMN</li> <li>• O&amp;M LCS client in the VPLMN</li> <li>• LCS client recording anonymous location information</li> <li>• LCS Client supporting a bearer service, teleservice or supplementary service to the target UE</li> </ul>

LCS UE subscription data may include a mobile originating list containing the LCS mobile originating classes that an UE is permitted to request. Each LCS mobile originating class is treated as a distinct supplementary service with its own supplementary service code. The following logical states are applicable to each mobile originating class (refer to TS23.011 for an explanation of the notation):

**Table 9.3: Logical States for each Mobile Originating LCS Class**

Provisioning State	Registration State	Activation State	HLR Induction State
(Not Provisioned,	Not Applicable,	Not Active,	Not Induced)
(Provisioned,	Not Applicable,	Active and Operative,	Not Induced)

For each LCS Mobile Originating class, the HLR shall store the logical state of the class on a per-subscriber (or per subscriber MSP) basis. In this version of LCS, there is no additional permanent data in the HLR. The table below shows the defined mobile originating classes. For the meaning of each LCS mobile originating class, refer to clause 8 and to GSM 22.071.

**Table 9.4: Data stored in the HLR for the LCS Mobile Originating List for an UE (or UE Subscriber MSP)**

LCS Mobile Originating Class	Status	Additional HLR Data when Class is provisioned
Basic Self Location	-	No additional data
Autonomous Self Location	-	No additional data
Transfer to Third Party	-	No additional data

In addition to the privacy exception list, the following other data iteUE may be stored in the UE subscription profile in the HLR to support LCS:

**Table 9.5: Temporary LCS data in the HLR**

Other Data in the HLR	Status	Description
GMLC List	O	List of one or more E.164 addresses of the GMLCs from which a location request for an MT-LR is allowed, The addresses are only relevant to an LCS client that is restricted (in the UE privacy exception list) to making call unrelated location requests.

## 9.2 VLR

The VLR contains the same LCS permanent data for each registered UE subscriber, as does the HLR. This data is downloaded to the VLR as part of the location update procedure between the VLR and HLR for an UE subscriber.

## 9.3 GMLC

The GMLC holds data for a set of external LCS clients that may make call related or non-call related MT-LR requests to this GMLC. The permanent data administered for each LCS client is as follows.

Table 9.6: GMLC Permanent Data for a LCS Client

LCS Client data in GMLC	Status	Description
LCS Client Type	M	Identifies the type LCS client from among the following: <ul style="list-style-type: none"> <li>• Emergency Services</li> <li>• Value Added Services</li> <li>• PLMN Operator Services</li> <li>• - Lawful Intercept Services</li> </ul>
External identity	M	A list of one or more identifiers used to identify an external LCS client when making an MT-LR – the nature and content of the identifier(s) is outside the scope of the present document
Authentication data	M	Data employed to authenticate the identity of an LCS client – details are outside the scope of the present document
Call related identity	O	A list of one or more international E.164 addresses to identify the client for a call related MT-LR Each call related identity may be associated with a specific external identity
Non-call related identity	O	A list of one or more international E.164 addresses to identify the client for a non-call related MT-LR. Each non-call related identity may be associated with a specific external identity
Override capability	O	Indication of whether the LCS client possesses the override capability (not applicable to a value added client)
Authorized UE List	O	A list of MSISDNs or groups of MSISDN for which the LCS client may issue a non-call related MT-LR. Separate lists of MSISDNs and groups of MSISDN may be associated with each distinct external or non-call related client identity.
Priority	M	The priority of the LCS client – to be treated as either the default priority when priority is not negotiated between the LCS server and client or the highest allowed priority when priority is negotiated
QoS parameters	M	The default QoS requirements for the LCS client, comprising: <ul style="list-style-type: none"> <li>• Accuracy</li> <li>• Response time</li> </ul> Separate default QoS parameters may be maintained for each distinct LCS client identity (external, non-call related, call related)
Allowed LCS Request Types	M	Indicates which of the following are allowed: <ul style="list-style-type: none"> <li>• Non-call related MT-LR</li> <li>• Call related MT-LR</li> <li>• Specification or negotiation of priority</li> <li>• Specification or negotiation of QoS parameters</li> <li>• Request of current location</li> <li>• Request of current or last known location</li> </ul>
Local Co-ordinate System	O	Definition of the co-ordinate system(s) in which a location estimate shall be provided – details are outside the scope of the present document
Access Barring List(s)	O	List(s) of MSISDNs or groups of MSISDN for which a location request is barred

## 9.4 Recovery and Restoration Procedures

The LCS recovery and restoration procedures allow temporary data to be recovered or reinitialized following loss or corruption of data, such that normal LCS service is rapidly restored and inconsistency between the data held by different LCS network elements is removed. For a full description, refer to TS 23.007.

---

## 10 Operational Aspects

### 10.1 Charging

Charging Information collected by the PLMN serving the LCS Client.

The following charging information shall be collected by the PLMN serving the LCS Client:

- Type and Identity of the LCS Client;
- Identity of the target UE;
- Results (e.g. success/failure, method used if known, response time, accuracy) - to be repeated for each instance of positioning for a deferred location request;
- Identity of the visited PLMN;
- LCS request type (i.e. LDR or LIR);
- State;
- Event (applicable to LDR requests only);
- Time Stamp;
- Type of co-ordinate system used.

## 10.2 Charging Information Collected by the Visited PLMN

The following charging information shall be collected by the visited PLMN:

- Date and time;
- Type and Identity of the LCS Client (if known)
- Identity of the target UE;
- Location of the target UE (e.g., MSC, location area ID, cell ID, location co-ordinates);
- Which location services were requested;
- Results (e.g. success/failure, positioning method used, response time, accuracy) - to be repeated for each instance of positioning for a batch location request;
- Identity of the GMLC or PLMN serving the LCS Client;
- State;
- Event (applicable to LDR requests only).

---

## Annex A (informative): Change history

Date	Version	Comment
March 2000	3.0.0	Output from SA#7. Minor editorial changes compared to v.2.0.0
Editor: Jan Kåll Email: <a href="mailto:jan.kall@nokia.com">jan.kall@nokia.com</a> Telephone: +358400 400056		

---

## History

Document history		
V3.0.0	March 2000	Approved at TSG SA #7. Under TSG SA Change Control.



---

## History

<b>Document history</b>		
V3.0.0	March 2000	Publication