

ETSI TS 123 153 V17.0.0 (2022-04)



TECHNICAL SPECIFICATION

**Digital cellular telecommunications system (Phase 2+) (GSM);
Universal Mobile Telecommunications System (UMTS);
LTE;
Out of band transcoder control;
Stage 2
(3GPP TS 23.153 version 17.0.0 Release 17)**



Reference

RTS/TSGC-0423153vh00

Keywords

GSM,LTE,UMTS

ETSI

650 Route des Lucioles
F-06921 Sophia Antipolis Cedex - FRANCE

Tel.: +33 4 92 94 42 00 Fax: +33 4 93 65 47 16

Siret N° 348 623 562 00017 - APE 7112B
Association à but non lucratif enregistrée à la
Sous-Préfecture de Grasse (06) N° w061004871

Important notice

The present document can be downloaded from:

<http://www.etsi.org/standards-search>

The present document may be made available in electronic versions and/or in print. The content of any electronic and/or print versions of the present document shall not be modified without the prior written authorization of ETSI. In case of any existing or perceived difference in contents between such versions and/or in print, the prevailing version of an ETSI deliverable is the one made publicly available in PDF format at www.etsi.org/deliver.

Users of the present document should be aware that the document may be subject to revision or change of status.

Information on the current status of this and other ETSI documents is available at

<https://portal.etsi.org/TB/ETSIDeliverableStatus.aspx>

If you find errors in the present document, please send your comment to one of the following services:

<https://portal.etsi.org/People/CommitteeSupportStaff.aspx>

If you find a security vulnerability in the present document, please report it through our
Coordinated Vulnerability Disclosure Program:

<https://www.etsi.org/standards/coordinated-vulnerability-disclosure>

Notice of disclaimer & limitation of liability

The information provided in the present deliverable is directed solely to professionals who have the appropriate degree of experience to understand and interpret its content in accordance with generally accepted engineering or other professional standard and applicable regulations.

No recommendation as to products and services or vendors is made or should be implied.

No representation or warranty is made that this deliverable is technically accurate or sufficient or conforms to any law and/or governmental rule and/or regulation and further, no representation or warranty is made of merchantability or fitness for any particular purpose or against infringement of intellectual property rights.

In no event shall ETSI be held liable for loss of profits or any other incidental or consequential damages.

Any software contained in this deliverable is provided "AS IS" with no warranties, express or implied, including but not limited to, the warranties of merchantability, fitness for a particular purpose and non-infringement of intellectual property rights and ETSI shall not be held liable in any event for any damages whatsoever (including, without limitation, damages for loss of profits, business interruption, loss of information, or any other pecuniary loss) arising out of or related to the use of or inability to use the software.

Copyright Notification

No part may be reproduced or utilized in any form or by any means, electronic or mechanical, including photocopying and microfilm except as authorized by written permission of ETSI.

The content of the PDF version shall not be modified without the written authorization of ETSI.

The copyright and the foregoing restriction extend to reproduction in all media.

© ETSI 2022.
All rights reserved.

Intellectual Property Rights

Essential patents

IPRs essential or potentially essential to normative deliverables may have been declared to ETSI. The declarations pertaining to these essential IPRs, if any, are publicly available for **ETSI members and non-members**, and can be found in ETSI SR 000 314: "*Intellectual Property Rights (IPRs); Essential, or potentially Essential, IPRs notified to ETSI in respect of ETSI standards*", which is available from the ETSI Secretariat. Latest updates are available on the ETSI Web server (<https://ipr.etsi.org/>).

Pursuant to the ETSI Directives including the ETSI IPR Policy, no investigation regarding the essentiality of IPRs, including IPR searches, has been carried out by ETSI. No guarantee can be given as to the existence of other IPRs not referenced in ETSI SR 000 314 (or the updates on the ETSI Web server) which are, or may be, or may become, essential to the present document.

Trademarks

The present document may include trademarks and/or tradenames which are asserted and/or registered by their owners. ETSI claims no ownership of these except for any which are indicated as being the property of ETSI, and conveys no right to use or reproduce any trademark and/or tradename. Mention of those trademarks in the present document does not constitute an endorsement by ETSI of products, services or organizations associated with those trademarks.

DECT™, **PLUGTESTS™**, **UMTS™** and the ETSI logo are trademarks of ETSI registered for the benefit of its Members. **3GPP™** and **LTE™** are trademarks of ETSI registered for the benefit of its Members and of the 3GPP Organizational Partners. **oneM2M™** logo is a trademark of ETSI registered for the benefit of its Members and of the oneM2M Partners. **GSM®** and the GSM logo are trademarks registered and owned by the GSM Association.

Legal Notice

This Technical Specification (TS) has been produced by ETSI 3rd Generation Partnership Project (3GPP).

The present document may refer to technical specifications or reports using their 3GPP identities. These shall be interpreted as being references to the corresponding ETSI deliverables.

The cross reference between 3GPP and ETSI identities can be found under <http://webapp.etsi.org/key/queryform.asp>.

Modal verbs terminology

In the present document "**shall**", "**shall not**", "**should**", "**should not**", "**may**", "**need not**", "**will**", "**will not**", "**can**" and "**cannot**" are to be interpreted as described in clause 3.2 of the [ETSI Drafting Rules](#) (Verbal forms for the expression of provisions).

"**must**" and "**must not**" are **NOT** allowed in ETSI deliverables except when used in direct citation.

Contents

Intellectual Property Rights	2
Legal Notice	2
Modal verbs terminology.....	2
Foreword.....	6
1 Scope	7
2 References	7
3 Definitions and abbreviations.....	8
3.1 Definitions	8
3.2 Abbreviations	11
4 Out-of-Band Transcoder control functionality.....	11
4.1 OoBTC Requirements	11
4.2 Relationship between OoBTC and In-band TFO	12
4.3 Lawful interception	13
5 General Principles	13
5.1 Network Model	13
5.2 Simple call set-up	14
5.3 Media Gateway Control for Codec Handling	15
5.4 UP Framing Protocol Handling for TrFO.....	16
5.4.1 Framing Protocol Initialisation	16
5.4.2 RFCI Storage	17
5.4.3 RFCI Value Correction.....	18
5.4.4 TrFO Break	18
5.4.5 TrFO Break Recovery.....	18
5.4.6 MGW Control Protocol Iu Framing Package properties.....	19
5.5 TrFO/TFO Codec Negotiation Harmonisation.....	19
5.6 CN Node handling of Codec Types & Codec Modes.....	21
5.6.1 Signalling between UE and MSC	21
5.6.2 Node originating the OoBTC codec negotiation.....	22
5.6.3 Intermediate node	23
5.6.4 Node terminating the OoBTC codec negotiation.....	23
5.6.5 Signalling between server and MGW	25
5.6.6 Signalling between MSC and UTRAN or GERAN Iu-mode	25
5.6.7 Signalling between MSC and GERAN AoIP-mode	25
5.7 Inband Rate Control	26
5.8 Modification Procedures	26
5.8.1 Modification of Selected Codec.....	27
5.8.2 Modification of Available Codecs List.....	29
5.8.3 Mid-call Codec negotiation.....	30
5.8.4 Detailed Procedures For Iu Framing Protocol & Codec Modification	31
5.8.5 Unsuccessful Codec Modification	34
5.9 DTMF Handling For TrFO Connections.....	38
5.10 Framing Protocol for GERAN AoIP mode.....	38
6 Detailed Call Procedures	39
6.1 Mobile to Mobile TrFO Call Establishment.....	39
6.2 SRNS Relocation during TrFO	42
6.2.1 Intra-MSC SRNS Relocation	43
6.2.2 Inter-MSC SRNS Relocation	47
6.2.3 Codec Modification/ Mid-Call Codec Negotiation after Inter-MSC Relocation.....	52
6.2.3.1 Codec Modification Initiated by the Far End Side	52
6.2.3.2 Mid-Call Codec Negotiation Initiated by the Far End Side.....	56
6.2.3.3 Modification Procedure after Codec Change in the Serving MSC.....	59
6.3 IN and Call Forward SS	59

6.3.1	TrFO interworking with SS (VMSC = service interworking node).....	60
6.3.2	IN interworking (VMSC ≠ service interworking node).....	62
6.4	Information flow for interaction with Multiparty SS	63
6.5	Information flow for handover from UMTS to GSM after TrFO establishment.....	64
6.6	Call Hold/Call Wait.....	66
6.7	External Network to Mobile TrFO Call Establishment.....	71
6.8	Mobile to External Network TrFO Call Establishment.....	72
6.9	Mobile to Mobile TrFO Call Establishment for GERAN Iu-mode.....	73
6.10	Relocation during TrFO towards GERAN Iu-mode.....	74
6.11	Inter-MSC Handover during TrFO.....	75
6.11.1	Inter-MSC Handover	75
6.11.2	Codec Modification/Mid-Call Codec Negotiation after Inter-MSC Handover.....	76
6.11.2.1	Codec Modification/Mid-Call Codec Negotiation Initiated by the Far End Side.....	76
6.11.2.2	TFO Codec Mismatch Resolution in the Serving MSC	76
6.11.2.3	Modification Procedure after Codec Change in the Serving MSC.....	77
6.12	Incoming data call from PSTN.....	77
6.12.1	Identification of data call at Visited MSC	77
6.12.2	Handling at transit exchange in inhomogenous networks.....	77
6.12.3	Identification of data call at G-MSC using multi-numbering	78
6.13	Mobile to Mobile TrFO Call Establishment in GERAN AoIP mode.....	79
6.14	Handover in GERAN AoIP mode during TrFO.....	82
6.14.1	Inter-MSC Handover in GERAN AoIP mode	82
6.14.2	Codec Modification/ Mid-Call Codec Negotiation after Inter-MSC Handover.....	87
6.14.2.1	Codec Modification Initiated by the Far End Side.....	87
6.14.2.2	Mid-Call Codec Negotiation Initiated by the Far End Side	88
6.14.2.3	Modification Procedure after Codec Change in the Serving MSC.....	88
7	Interactions with supplementary services.....	89
7.1	Call Deflection service (GSM 23.072).....	89
7.2	Line identification services (GSM 23.081)	89
7.2.1	Calling Line Identification Presentation (CLIP).....	89
7.2.2	Calling Line Identification Restriction (CLIR).....	89
7.2.3	Connected Line Identification Presentation (COLP).....	89
7.2.4	Connected Line Identification Restriction (COLR).....	89
7.3	Call forwarding services (GSM 23.082).....	89
7.3.1	Call Forwarding Unconditional (CFU).....	89
7.3.2	Call Forwarding on mobile subscriber Busy (CFB)	89
7.3.3	Call Forwarding on No Reply (CFNRy).....	89
7.3.4	Call Forwarding on mobile subscriber Not Reachable (CFNRc).....	89
7.4	Call wait (GSM 23.083)	89
7.5	Call hold (GSM 23.083).....	90
7.6	Multiparty (GSM 23.084).....	90
7.7	Closed user group (GSM 23.085).....	90
7.8	Advice of charge (GSM 23.086)	90
7.9	Userto-user signalling (GSM 23.087)	90
7.10	Call barring (GSM 23.088).....	90
7.10.1	Barring of outgoing calls	90
7.10.2	Barring of incoming calls	90
7.11	Explicit Call Transfer (GSM 23.091).....	90
7.12	Completion of Calls to Busy Subscriber (3G TS 23.093)	90
8	Charging.....	90
9	Codec Negotiation For SIP-I on Nc	91
9.1	General	91
9.2	Framing Protocol.....	91
9.3	Basic Procedures	91
9.3.0	Applicability	91
9.3.1	3GPP Node Originating SDP Offer	91
9.3.2	3GPP Node Terminating SDP Offer.....	91
9.3.3	3GPP Intermediate Node Receiving SDP Offer	92
9.3.4	3GPP Intermediate Node Receiving SDP Answer.....	92
9.4	Semantics of 3GPP OoBTC Indicator	92

9.5	Handling of Auxiliary Payload types.....	93
9.6	Codec Negotiation Example Sequences	93
9.7	Codec Lists Structure	99
9.7.1	General.....	99
9.7.2	Rules for Constructing an Offer.....	99
9.7.3	Rules for Constructing an Answer	99
9.8	Void	99
Annex A (informative):	Codec Re-negotiation.....	100
Annex B (normative):	Wideband Speech Service	101
Annex C (informative):	Change history	103
History		106

Foreword

This Technical Specification has been produced by the 3rd Generation Partnership Project (3GPP).

The contents of the present document are subject to continuing work within the TSG and may change following formal TSG approval. Should the TSG modify the contents of the present document, it will be re-released by the TSG with an identifying change of release date and an increase in version number as follows:

Version x.y.z

where:

- x the first digit:
 - 1 presented to TSG for information;
 - 2 presented to TSG for approval;
 - 3 or greater indicates TSG approved document under change control.
- y the second digit is incremented for all changes of substance, i.e. technical enhancements, corrections, updates, etc.
- z the third digit is incremented when editorial only changes have been incorporated in the document.

1 Scope

The present document specifies the stage 2 description of the Out-of-Band Transcoder Control for speech services. It describes the principles and procedures to support Transcoder Free Operation, Tandem Free Operation and the interworking between TrFO and TFO. Transcoder at the edge is also part of the present document.

The present document specifies functions, procedures and information which apply to GERAN Iu mode. However, functionality related to GERAN Iu mode is neither maintained nor enhanced.

2 References

The following documents contain provisions which, through reference in this text, constitute provisions of the present document.

- References are either specific (identified by date of publication, edition number, version number, etc.) or non-specific.
- For a specific reference, subsequent revisions do not apply.
- For a non-specific reference, the latest version applies. In the case of a reference to a 3GPP document (including a GSM document), a non-specific reference implicitly refers to the latest version of that document *in the same Release as the present document*.

- [1] 3GPP TS 23.107: "QoS Concept and Architecture".
- [2] 3GPP TS 24.008: "Mobile radio interface layer 3 specification Core Network Protocols –Stage 3".
- [3] 3GPP TS 25.413: "UTRAN Iu Interface RANAP Signalling".
- [4] 3GPP TS 25.415: "UTRAN Iu Interface User Plane Protocols".
- [5] 3GPP TS 26.103: "Speech codec list for GSM and UMTS".
- [6] 3GPP TS 29.205: "3rd Generation Partnership Project; Technical Specification Group CoreNetwork; Application of Q.1900 series to Bearer Independent circuit-switched core Network architecture; Stage 3".
- [7] ITU-T Recommendation Q.765.5: "Signalling system No. 7; Application transport mechanism: Bearer Independent Call Control (BICC)".
- [8] 3GPP TS 23.205: "Bearer-independent CS Core Network.".
- [9] 3GPP TS 33.106: "3GPP Security; Lawful Interception Requirements".
- [10] 3GPP TS 28.062: "Inband Tandem Free Operation (TFO) of Speech Codecs; Service Description; Stage 3".
- [11] 3GPP TS 23.009: "Handover Procedures".
- [12] 3GPP TS 29.232: "Media Gateway Controller (MGC) – Media Gateway (MGW) interface; Stage 3".
- [13] ITU-T H.248: "Gateway Control Protocol".
- [14] 3GPP TS 29.415: "Customised Applications for Mobile network Enhanced Logic (CAMEL) Phase 3; CAMEL Application Part (CAP) specification".
- [15] 3GPP TS 48.008: "Mobile-services Switching Centre – Base Station System (MSC – BSS) interface; layer 3 specification"
- [16] 3GPP TS 43.051: "Technical Specification Group GSM/EDGE; Radio Access Network; Overall description - Stage 2; "

- [17] 3GPP TS 23.172: "Technical realization of Circuit Switched (CS) multimedia service; UDI/RDI fallback and service modification - Stage 2".
- [18] 3GPP TS 34.108: "Common test environments for User Equipment (UE) conformance testing".
- [19] 3GPP TS 29.007: "General requirements on interworking between the Public Land Mobile Network (PLMN) and the Integrated Services Digital Network (ISDN) or Public Switched Telephone Network (PSTN)".
- [20] 3GPP TS 23.231: "SIP-I Based Circuit-Switched Core Network; Stage 2".
- [21] 3GPP TS 29.231: " Application of SIP-I Protocols to Circuit Switched (CS) core network architecture; Stage 3".
- [22] IETF RFC 4733 "RTP Payload for DTMF Digits, Telephony Tones and Telephony Signals".
- [23] IETF RFC 3389: " Real-time Transport Protocol (RTP) Payload for Comfort Noise (CN)".
- [24] IETF RFC 3264: "An Offer/Answer Model with the Session Description Protocol (SDP)".
- [25] IETF RFC 4040: "RTP Payload Format for a 64 kbit/s Transparent Call"
- [26] ITU-T Recommendation T.38: "Procedures for real-time Group 3 facsimile communication over IP networks"
- [27] IETF RFC 3362: "Real-time Facsimile (T.38) - image/t38 MIME Sub-type Registration"

3 Definitions and abbreviations

3.1 Definitions

For the purposes of the present document, the following definitions apply:

Codec: device to encode information from its original representation into an encoded form and to decode encoded information into its original representation

Codec Lists, Selected Codecs: The OoBTC procedures pass a number of codec lists created by comparing the capabilities of the different nodes or equipment involved. For the different interfaces involved during call setup, handover, and relocation, the following codec lists and selected codecs need to be distinguished - where codec lists are ordered, "ordered" is included in the description:

- 1) Supported Codecs List (DTAP) – this is the list of codecs supported by the UE. It is subdivided into codecs supported for the currently used radio access and codecs that can be used for other radio accesses supported by the UE. The list contains only the codec types, but not the individual configuration, as the UE is mandated to support all configurations for a given codec type.
- 2) Supported Codecs List (BSSMAP) - "BSC-SCL" - this is the list of codecs supported by the BSS (BSS-SCL). The list contains the codec types as well as the individual codec configurations supported by the radio access at the very moment of call setup.
- 3) Supported Codecs List (BICC) – this ordered list is used on NNI (BICC) OoBTC signalling. At call setup it is sent forward by the node originating the OoBTC signalling and contains the default PCM codec and a set of codecs that is common to the nodes and the equipment involved in setting up the call. For a mobile originating call, these are the UE and the MGWs involved in the connection and, for UTRAN, GERAN Iu-mode and GERAN AoIP mode, also the originating radio access. At inter-MSR relocation and inter-MSR handover, the Supported Codecs List (BICC) is sent forward by the anchor MSR towards the target MSR and contains the default PCM codec and a set of codecs that is common to the anchor MSR and the nodes involved in setting up the new call leg towards the target MSR. For UDI/RDI multimedia calls with fallback and service change according to 3GPP TS 23.172 [17], the multimedia dummy codec will be included (see 3GPP TS 26.103 [5]).
- 4) Available Codecs List (BICC) – this is the list of codecs available for the NNI connection. It is returned in the backward signalling to the node that originated the OoBTC and is a subset of the Supported Codecs List (BICC)

sent forward. At call setup the Available Codecs List (BICC) contains the default PCM codec and a common set of codecs that can be supported by all nodes and, if Transcoder Free Operation has been achieved end-to-end, also by the UEs and the radio access networks that are involved in the call. At inter-MSR relocation and inter-MSR handover to UMTS, the Available Codecs List (BICC) contains the default PCM codec and a set of codecs that can be supported by all nodes involved in setting up the new call leg towards the target MSR and, if Transcoder Free Operation can be maintained end-to-end after the handover or relocation, also by the UE and the target radio access network.

- 5) Selected Codec (BICC) – this is the codec selected to be used on the NNI connection. It is one of the codecs contained in the Available Codecs List (BICC) and may be different from the codec that is used on the radio interface, but if end-to-end Transcoder Free Operation has been achieved, this will be the common codec for all nodes, the UEs, and the radio accesses.
- 6) Iu-Supported Codecs List (MAP) – this ordered list is used for MAP signalling from the anchor MSR to the target MSR. It is subdivided into lists for UTRAN and GERAN Iu-mode and contains the codecs common to the UE and to the anchor MGW for each radio access supported by the UE. The codec capabilities of the serving radio access, i.e. the radio access used prior to the inter-MSR handover or relocation, are not taken into account. Codecs that are only applicable to the NNI, e.g. the default PCM codec or the multimedia dummy codec (see 3GPP TS 26.103 [5]), are not included.
- 7) Iu-Available Codecs List (MAP) – this is the list of codecs available for the target Iu interface. When returned by the target MSR to the anchor MSR in response to an initial Prepare Handover message it is the Iu-Supported Codecs List (MAP) reduced according to the capabilities of the target MGW and the target radio access. After a subsequent intra-MSR handover or relocation, the target MSR may update the Iu-Available Codecs List (MAP) according to the capabilities of its associated MGW and the new target radio access, if necessary.
- 8) Iu-Selected Codec (MAP) – this is the codec selected for the target Iu interface. It is one of the codecs contained in the Iu-Available Codecs List (MAP). In response to a Prepare Handover request message this is the codec selected by the target MSR and indicated back to the anchor MSR. When sent from the anchor MSR in a Forward Access Signalling request message during a codec modification, it contains the codec type and configuration chosen by the anchor MSR.
- 9) Iu-Currently Used Codec (MAP) – this is the codec in use on the serving Iu interface prior to an inter-MSR handover.
- 10) TFO Codec List (H.248) – this is the list of codecs for use by the MGW during TFO in-band negotiations with a distant node. The list is passed via the Mc interface from the server to the MGW. The first entry of the TFO Codec List (H.248) is to be used by the MGW as the 'Local Used Codec' (see [10]).
- 11) Distant Codec List (H.248) – this is the list of codecs received by the MGW from a distant node during TFO in-band negotiations. The list is passed via the Mc interface from the MGW to the server. The first entry of the Distant Codec List (H.248) is the 'Distant Used Codec' received by the MGW (see [10]).
- 12) Codec (H.248) – this is the codec for use on a certain MGW termination. It is passed via the Mc interface from the server to the MGW.
- 13) MSR Preferred Codec List (BSSMAP) – "MSR-PCL" - this is the list of codecs supported by both the MSR and the MS as allowed by the MSR for this assignment or handover, ordered by the MSR with the most preferred Codec Types first (e.g. the ones that may enable TrFO or TFO).
- 14) AoIP-Supported Codecs List (Anchor) (MAP) - this ordered list is used for MAP signalling from the anchor MSR to the target MSR if anchor MSR supports GERAN AoIP mode. It contains codecs supported by the UE and by the anchor MSR for GSM access. Codecs that are only applicable to the NNI, e.g. the default PCM codec or the CSData Dummy Codec (see 3GPP TS 26.103 [5]), are not included.
- 15) AoIP-Selected Codec (Target) (MAP) - the codec selected by the target BSS, to be used by the UE/MS in GERAN A/Gb mode after the handover to the BSS using A interface over IP. This is the Speech Codec (BSS chosen) as returned by the Target BSS in BSSAP.
- 16) AoIP-Available Codecs List (MAP) - a list of codecs for GERAN A/Gb mode available for the target AoIP interface signalled via MAP. This is the Codec List (BSS Supported) returned by the Target BSS in BSSAP reduced according to the capabilities of the Target MSR.

Within the ordered codec lists, the codecs are ordered in decreasing order of priority, the first entry in the list being the highest priority codec (preferred codec).

Tandem Free Operation: configuration of a connection with two transcoders that support TFO protocol and whose external coding schemes are compatible, thus enabling compressed speech to pass between them

NOTE 1: When the TFO protocol is not supported by both transcoders or the coding schemes are not compatible then normal "Tandem" operation occurs and PCM encoded speech is passed between them.

Transcoder: device to change the encoding of information from one particular encoding scheme to a different one, most commonly to/from a compressed speech algorithm from/to PCM.

Transcoder Free Operation: configuration of a speech or multimedia call for which no transcoder device is physically present in the communication path and hence no control or conversion or other functions can be associated with it

Out of Band Transcoder Control: capability of a system to negotiate the types of codecs and codec modes on a call per call basis through out-of-band signalling, required to establish Transcoder Free Operation.

Default PCM Codec: network default 64kb/s codec for speech in PCM domain

NOTE 2: For example ITU G.711 A-law.

Transcoding free link (TrFL): bearer link, where compressed voice is being carried between bearer endpoints

NOTE 3: Within the UMTS network, the compressed voice is transmitted in Iu/ Nb User Plane format, depending on the related interface.

Tandem free link (TFOL): bearer link between transcoders that are operating in Tandem Free Operation mode, i.e. bypassing the transcoding functions

NOTE 4: The involved transcoders can be a UMTS transcoder or a GSM TRAU with TFO functionality.

Transcoder free operation (TrFO): calls that have no transcoders involved in the connection between the source codecs

NOTE 5: For mobile to mobile calls this is UE to UE, although the connection could be UE to another type of terminal. TrFO operation is considered a concatenation of TrFLs between RNCs.

NOTE 6: In case of mobile to fixed network calls the term "Transcoder free operation" is applicable for the TrFLs carrying compressed speech. The TrFO usually ends at the Gateway to the PSTN where the speech is transcoded e.g. to G.711.

Tandem free and Transcoding free operation (TaTrFO): concatenation of "transcoding free links" and "tandem free links"

Iu Framing: framing protocol used for the speech packets on both the Iu User Plane interface and the Nb User Plane interface

NOTE 7: The Iu framing protocol is specified by [4].

In addition, the definitions of **ACS**, **SCS**, **OM**, and **MACS** provided in [5] apply.

Direct Codec: is a codec that can be used without any additional transcoding stage inserted at the MGW that is offering the codec list. E.g., a direct codec can be AMR or another mobile codec when the end terminal is a mobile station, or G.711 when interworking with the PSTN.

Indirect Codec: is a codec that requires transcoding at the MGW providing the codec list.

Auxiliary RTP payload type: is a payload type used in combination with a speech codec to transmit some non-speech audio via RTP. The Telephony Event RTP Payload Type and the , Comfort Noise Codec are the only "Auxiliary" RTP payload type defined in the present Release.

3.2 Abbreviations

For the purposes of the present document, the abbreviations defined in GSM 01.04 and the following apply:

ACS	Active Codec mode Set
APM	Application Transport Mechanism
BC	Bearer Control
BICC	Bearer Independent Call Control
CC	Call Control
CCD	Conference Call Device
CFNRc	Call Forward Not Reachable
CFNRy	Call Forward on No Reply
EVS	Enhanced Voice Services
IN	Intelligent Network
IuFP	Iu Framing Protocol
MACS	Maximal number of codec modes in the ACS
OM	Optimization Mode
OoBTC	Out-of-Band Transcoder Control
QoS	Quality of Service
RAB	Radio Access Bearer
SCS	Supported Codec mode Set
TFO	Tandem Free Operation
TICC	Transport Independent Call Control
TrFO	Transcoder Free Operation
UP	User Plane

4 Out-of-Band Transcoder control functionality

Cellular networks depend heavily on codecs to provide their services. Codecs are necessary to compress speech in order to utilise efficiently the expensive bandwidth resources both in the radio interface and in the transmission networks.

Unnecessary transcoding of speech significantly degrades quality and, therefore, cellular systems try to avoid it for mobile-to-mobile calls when both UEs and the network support a common codec type.

Although the main reason for avoiding transcoding in mobile-to-mobile calls has been speech quality, the transmission of compressed information in the CN and CN-CN interface of the cellular network also offers the possibility of bandwidth savings. Therefore Out-of-Band Transcoder Control is not limited to mobile-to-mobile calls but can be applied for calls to or from an external network as well.

Digital cellular systems support an increasing number of codec types. As a result, in order to allocate transcoders for a call inside the network, and to select the appropriate codec type inside the UEs, signalling procedures are defined to convey the codec type selected for a call to all the affected nodes (UEs and (potential) transcoding points inside the network). Also, codec negotiation capabilities are being defined to enable the selection of a codec type supported in all the affected nodes, i.e. to resolve codec mismatch situations. This codec negotiation maximises the chances of operating in compressed mode end-to-end for mobile-to-mobile calls.

To allow transport of information in a compressed way in transmission networks, these networks make use of the transport -independent call control protocol as specified in [8] that provides means for signalling codec information, negotiation and selection of codecs end-to-end.

4.1 OoBTC Requirements

The OoBTC mechanism shall support the following:

- The capability to negotiate the preferred codec type to be used between two end nodes and to avoid the use of transcoders in the network at call set-up.

The originating UE indicates the list of its supported codec types for codec negotiation. This list shall be conveyed to the terminating MSC. The terminating UE indicates its list of supported codec types to the terminating MSC. The terminating MSC shall convey the selected codec to the originating MSC, which then indicates the selected codec to the originating UE.

Where no compatible codec type can be selected between the UEs then the default PCM coding shall be selected. Therefore, the default PCM codec shall always be included in the codec list for OoBTC. The originating MSC shall insert a transcoder in the path from the originating UE. Codec selection for the terminating UE is then performed within the terminating MSC, independently of the originating MSC.

NOTE: For a codec type supporting various modes, the described functionality shall also be applicable to negotiate the set of codec modes common to originating and terminating UEs. Other negotiations such as Initialisation and Rate control are performed at a later point in time by the Iu framing protocol.

- The capability to control the presence of transcoders in the network after call set-up.

Where a change to the call state of a transcoder free connection occurs, such that compressed speech cannot be maintained, it shall be possible to insert a transcoder or pair of transcoders where needed in the path. If this results in change to the encoding of the speech in other nodes then it shall be possible to inform the end points of this segment that the speech coding is changed. Such examples where this could occur are:

- SS interruptions (e.g. A to B call connection becomes to multiparty call connection.)
- Handover to an incompatible partner.
- Synchronisation loss

Where a change in call state as described above is temporary then it shall be possible to return to a transcoder free connection by removing the inserted transcoders and informing the endpoints that the connection has resumed to compressed speech encoding.

- The codec types comprise codecs for speech in the first phase of the present document. The transcoder control should have enough expandability to support future enhancements of codec types.
- The transcoder control procedure shall not cause a perceivable time lag in the cases of establishing transcoder free connection and reverting to normal (double transcoded) call connection in the cases described above for control of the presence of transcoders.
- The capability to insert transcoder (in cases where a TrFO connection is not possible) at the most appropriate location, i.e. to save bandwidth it should be located at the CN edge between an ATM or IP transport network and a STM network. When Transcoders are inserted, the OoBTC procedures shall provide support for TFO for inband codec negotiation and transmission of compressed speech.

When a transport network cannot maintain compressed voice then reversion to the default PCM coding shall occur. A transcoder shall be inserted at that point and OoBTC procedures terminated. TrFO link is then possible between that point and the preceding nodes.

When a Non-TrFO call reaches the UMTS CN then OoBTC procedures are initiated from that point and after codec negotiation has been performed, if compressed voice can be supported through the CN then a transcoder is inserted at the edge of the CN.

- The OoBTC signalling procedures shall be supported by the call control protocol on the Nc interface, for example codec negotiation, codec modification, codec list modification, codec renegotiation, and codec list renegotiation. BICC CS2 (see 3GPP TS 29.205 [6]) supports such a mechanism, through the APM procedures defined by [7].
- If TMR = 3.1Khz Audio is set for incoming calls, this shall be kept if OoBTC is initiated at the edge of the PLMN.

For mobile originating calls, TMR=speech shall be used for speech calls with OoBTC. For other TMR values OoBTC shall not be used.

- The OoBTC signalling procedures shall be supported by the bearer control protocol on the Iu and Nb interfaces, for example to increase the bandwidth of the bearer (if needed) in the procedures for the codec modification.

4.2 Relationship between OoBTC and In-band TFO

OoBTC is used before call set-up to attempt to establish an UE-UE transcoder free connection. If successful the result is a saving of transcoding equipment in the path and provides a cost efficient transmission.

The In-band TFO protocol (described in [10]) is activated after call set-up only if transcoders are inserted in the path. In case two transcoders in tandem (a pair of transcoders with PCM coding between them) are able to communicate to each other (both support TFO), then the inband TFO protocol allows the transcoders to compare coding schemes. If compatible codec types exist, the transcoders are able to overwrite the PCM coding with the pure compressed speech (effectively bypassing the transcoding functions). In-band TFO provides fast fallback mechanisms in case the TFO connection can not be maintained (insertion of CCD, DTMF, tones, etc). In-band TFO provides no direct saving of transmission costs.

If the OoBTC fails to establish the TrFO and transcoders are required, then in-band TFO may be used after call set-up. Inband TFO shall be the fallback mechanism when transcoders cannot be avoided, either at set-up or during the communication phase. In-band TFO shall be used for interworking with the 2G systems (e.g. GSM) using PCM coding.

4.3 Lawful interception

The TrFO shall be maintained if the interception is made due to the lawful interception. Two decoders are needed to monitor the TrFO call.

Lawful interception shall not have any influence on the establishment or maintenance of the TrFO connection in order to avoid any audible effect in speech quality or noticeable effect in speech delay to the end users.

The existing requirements for lawful interception shall be considered, these are described in [9].

5 General Principles

5.1 Network Model

The codec negotiation mechanism (OoBTC) is designed to work in the general situation where more than two call control (CC) nodes need to participate in the codec negotiation. The codec negotiation mechanism works as follows:

- Originating CC node: sends its list of supported codec types and options, listed in order of preference.
- Transit CC nodes: if needed, analyse the received list of options, delete unsupported options from the list and forward the list. No modification is done to the preference levels of any of the listed codecs.
- Terminating CC node: analyse the received list of options with their associated priorities and selects the supported option with highest indicated priority appropriate for the call.

Figure 5.1/1 illustrates the architecture for Rel-4 for UMTS to UMTS TrFO connection. The transit network may exist for calls between PLMNs or between islands of mobile CNs separated by transit networks. This figure is a basic illustration, OoBTC shall apply to other access technologies where the OoBTC procedures are supported, i.e. not limited to this figure. The negotiation occurs at call set-up phase, and possibly later on in the call due to other changes such as handover or relocation. *However, as described in the next clause, it shall be possible to modify the selected codec at any moment during the active phase of the call.*

Further detail of the Call & Bearer Separation for 3GPP is described in [8].

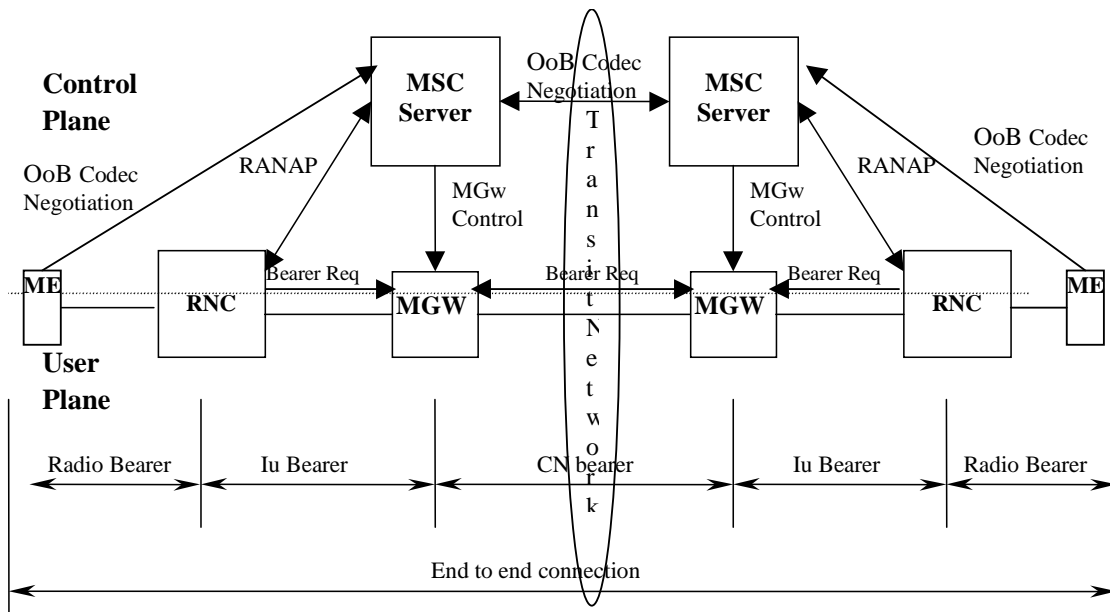


Figure 5.1/1. Basic Architecture for UMTS to UMTS TrFO Connection

The following clauses describe successful call establishment scenarios using the codec negotiation mechanism.

5.2 Simple call set-up

The signalling flow for the simple call set-up case is illustrated in figure 5.2/1. Codec negotiation is done prior to the establishment of bearer connections, so that appropriate bearer resources are committed to the call. In the proposed sequence, the codec negotiation starts with the IAM message containing the list of supported codec types (in this example v, w, x, y, z), sent by the Originating MSC (O-MSC). Transit nodes may puncture out (i.e. delete) codec types from the list (in this example y). The terminating MSC (T-MSC) selects the codec type (here v). The selected codec is conveyed in an APM message, together with the remaining list of alternative, but currently not selected codec types (here v, x, z).

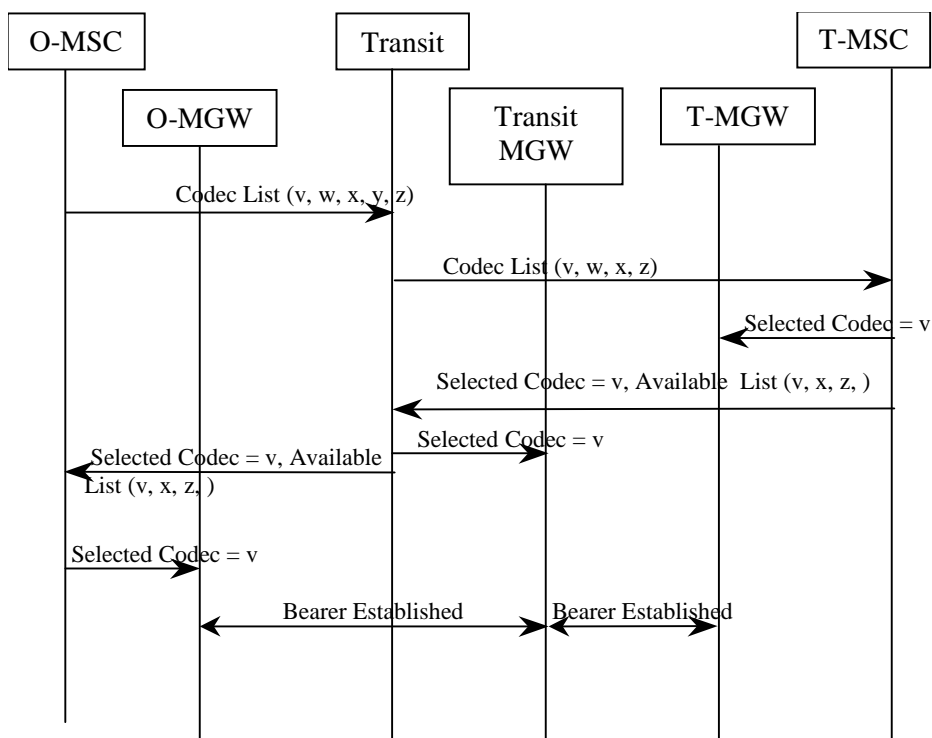


Figure 5.2/1. Basic Codec Negotiation Sequence

The codec list for BICC is specified according to [7], where each 3GPP codec entry is defined according to [5].

5.3 Media Gateway Control for Codec Handling

The general handling of MGW control procedures are detailed in [8]. Specific handling related to the control of the speech encoding is detailed in Figure. 5.3/1. The terms context, termination, streams and stream properties are described in the ITU-T H.248 "Media Gateway Control Protocol" [13].

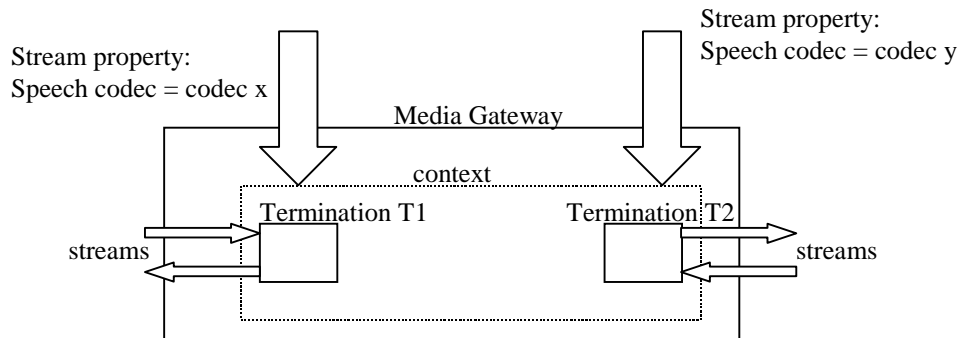


Figure 5.3/1. MGW control for speech codec

The handling of transcoding between one codec type (media stream property applied at one termination) and another codec type (media stream property at other termination) is a function of the MGW. The media stream property for Audio Codec Type is defined in Annex C of the ITU-T MGW control protocol, H.248.

If TFO-incompatible codec types are applied at different terminations of the same context, the MGW shall insert a transcoder. For the definition of TFO-compatibility between 3GPP codec types and codec configurations see [10], clauses 11 and 12.

Between codecs of the AMR type, the MGW need not insert a transcoder, if the codec types are TFO-compatible according to [10], table 11-1, and

- the codecs use the same ACS; or
- the ACSs are TFO-compatible and the use of codec modes is restricted to a common subset of the ACSs by means of maximum rate control. In this case the MGW shall coordinate the rate control request.

Between codecs of the AMR-WB type, the MGW need not insert a transcoder, if

- the codecs use the same ACS; or
- the use of codec modes is restricted to a common subset of the ACSs by means of maximum rate control. In this case the MGW shall coordinate the rate control request.

Between codecs of the EVS type, the MGW need not insert a transcoder, if

- the codecs use the same ACS; or
- the use of codec modes is restricted to a common subset of the ACSs by means of maximum rate control. In this case the MGW shall coordinate the rate control request.

Between codecs of the AMR-WB type and codecs of the EVS type, the MGW need not insert a transcoder, if

- the codecs of the EVS family are operating in AMR-WB IO mode; and
- the codecs use the same ACS or the use of codec modes is restricted to a common subset of the ACSs by means of maximum rate control. In the latter case the MGW shall coordinate the rate control request.

5.4 UP Framing Protocol Handling for TrFO

5.4.1 Framing Protocol Initialisation

For TrFO calls the compressed speech is carried end to end (RNC to RNC or between RNC and other compressed voice terminal). In 3GPP Core Networks compressed voice framing protocol shall be specified by the Nb User Plane specification. The specification for Iu interface is defined in [4], the specification for the Nb interface is defined in [12]. The framing protocol for these interfaces is the same, Iu framing and is thus described as such, for both the Iu interface and the Nb interface. For compressed voice only the support mode is used, thus for TrFO the UP Initialisation procedure defined for the Nb UP shall be supported by the CN, when a CN MGW is required to establish a connection.

When negotiating TrFO OoB, a given serving MSC server shall consider the capabilities of the RNCs and MGWs, which are candidates to handle the TrFO call and which are controlled by this MSC server via an Iu/Mc interface. For TrFO, the selected RNC and MGW have to be able to support at least one Iu/Nb UP version with TrFO capabilities. Each MGW and RNC that supports TrFO shall support Iu/Nb UP version 2. If an RNC only supports Iu UP version 1 without TrFO capabilities, the MSC server shall insert a transcoder at the MGW that is connected to this RNC. For a TrFO call, each MSC server shall indicate in the "RAB assignment"/"Add request" only UP versions with TrFO capabilities. In the inband UP framing protocol version negotiation during framing protocol initialisation, the informed RNCs/MGW shall only offer and/or accept UP version listed in the "RAB assignment"/"Add request".

The Iu framing Protocol is established through the CN in a forward direction, independently of the bearer establishment direction. The Notify message to indicate bearer establishment shall not be sent until the Iu framing has been initialised. The continuity message (COT) shall not be sent forward until the Notify message has been received from the MGW and also the COT from the previous server has been received. The sequences for mobile originated calls are shown in figures 5.4/1 and 5.4/2 for forward bearer and backward bearer establishment, respectively. The parameters in the Add Request messages in the Figures are described in further detail in clause 5.4.5.

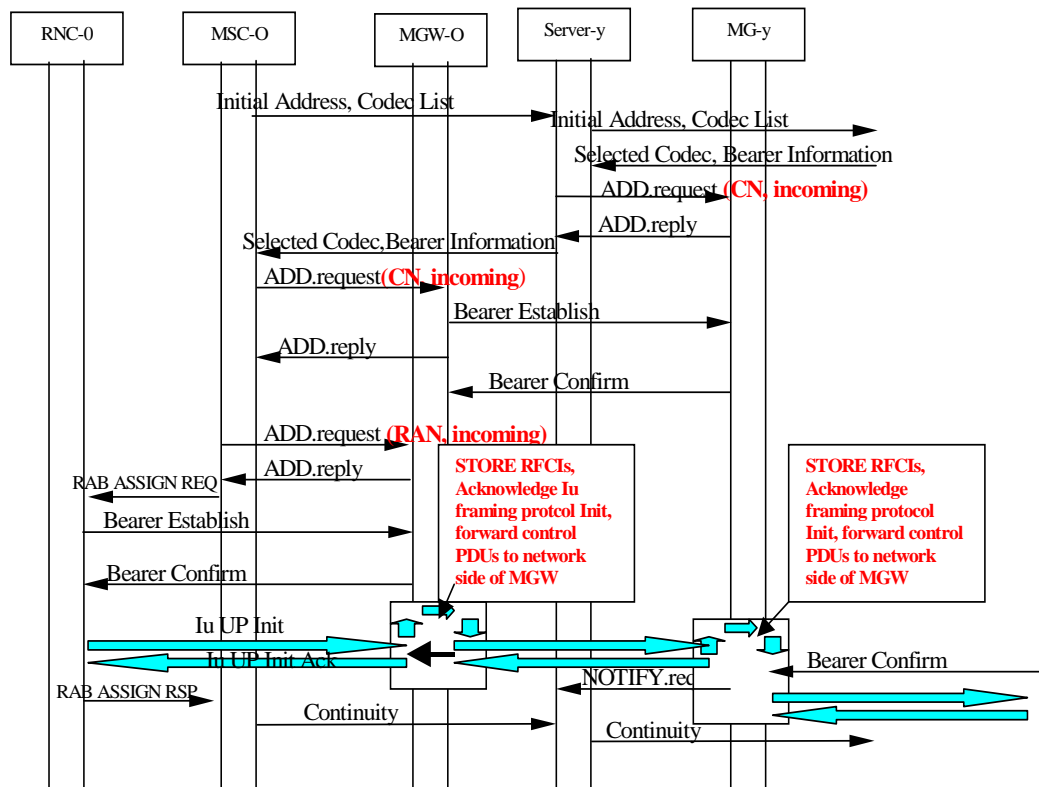


Figure 5.4.1/1: Iu Framing Protocol Establishment, Forward Bearer

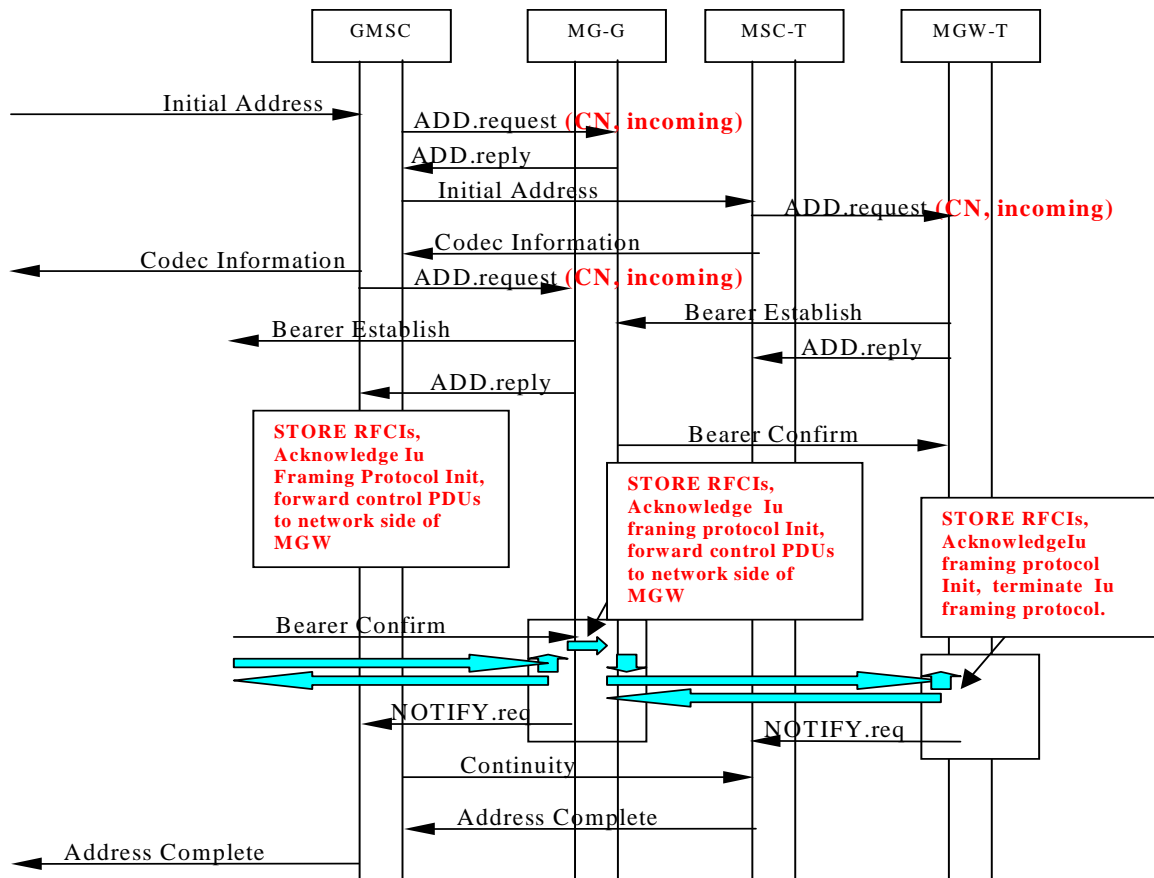


Figure 5.4.1/2: Iu Framing Protocol Establishment, backward bearer.

The transport independent call control procedures in [8] shall support a continuity mechanism, as described above.

5.4.2 RFCI Storage

The RNC shall allocate RAB Subflow Combination Indicators to the SDU formats (SDU formats sent to the RNC by the MSC in the RAB Assignment). This allocation is then sent in the Iu Framing Initialisation PDU by the RNC in the User Plane. For further details see [3] and [4].

During the TrFO call establishment each MGW linked into the call shall store the RFCIs received from Iu Framing PDU Type 14. The first subflow combination in the initialisation frame corresponds to an Initial Rate Control, i.e. indicates the highest rate for the first speech mode to be used in the direction of the Initialisation Acknowledgement frame.

After the out of band codec negotiation has been performed, if the originating side is a UTRAN, then on request from the MSC for a RAB Assignment, it shall initiate the Iu user plane. If the originating side is a network that does not support Iu Framing then the Iu Framing initialisation is initiated by the GMSC, as described in detail in Clause 6.7. An Initialisation Protocol Data Unit (PDU) shall be sent to the first MGW in the call connection. Each initialisation leg is acknowledged per TrFO Link, i.e. per MGW-MGW interface. The subsequent initialisation is performed using the same RFCI set as received from the preceding node, independently of the Stream mode directions (i.e. if the terminations are not through connected).

This is shown figure 5.4.2/1.

Figure 5.4.2/1: RFCI Storage and subsequent initialisation in MGW

When the MGW terminations are through-connected and the RFCIs at both terminations are matching, then the MGW may revert to transparent mode; the RNCs shall not perform any subsequent Iu Framing initialisations without explicit request by the serving MSCs.

All succeeding MGWs in the path shall behave in a similar way as described above.

5.4.3 RFCI Value Correction

At the terminating end of a TrFO connection with Iu Framing initialised to the terminating MGW, the originating RFCI allocation is stored. The terminating RNC is then requested to perform a RAB Assignment towards the terminating MGW. This results in an Iu Framing initialisation, where the allocation of the RFCI values is independent from the Originating RNC's allocation. These values may then be different to the originating RNC's set.

The terminating MGW shall acknowledge the Iu Framing Initialisation and compare the RFCI values stored from the originating side. If the allocated index values do not match, then the MGW shall perform one of the following procedures:

- 1) initiate an Iu Framing Initialisation PDU towards the terminating RNC with the RFCI allocation as defined by the preceding node (previously stored in the MGW. This behavior is shown in figure 5.4.3/1 and termed "RFCI value correction") As the first Subflow combination received from the terminating RNC corresponds to an initial (maximum) rate control the MGW shall send a Rate Control PDU indicating this maximum speech mode back to the preceding node in the core-network.
- 2) map the RFCI indices of the incoming side to the corresponding RFCI indices at the outgoing side for all SDUs passed between the Iu Framing protocol terminations. As the first Subflow combination in the IuUP initialisation corresponds to an initial rate control, i.e. indicates maximum rate for the mode to be used (in direction of Initialisation acknowledgement frame) it is treated as the initial maximum rate control (see [4]) the MGW shall initiate a Rate Control PDU indicating this maximum speech mode toward the terminating RNC. Similarly as the first Subflow combination received from the terminating RNC corresponds to an initial (maximum) rate control the MGW shall send a Rate Control PDU indicating this maximum speech mode back to the preceding node in the core-network. For further details on the rate control see clause 5.7.

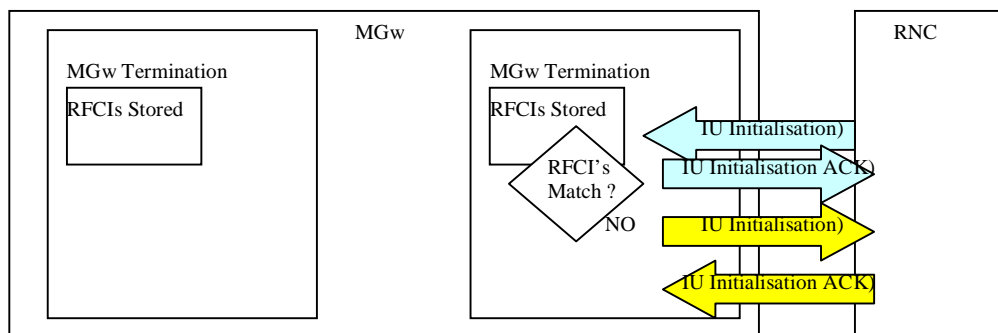


Figure 5.4.3/1:RFCI Value Correction

Further details of the TrFO call establishment are described in clause 6.

This resolution handling is required also during RNC relocation; further details are described in clause 6.

5.4.4 TrFO Break

The event and procedure when a TrFO connection must be interrupted at a certain point in the path, e.g. due to a supplementary service invocation or for handover/relocation, is termed "TrFO Break". A TrFO Break may occur at a MGW as a consequence of a command directed by the associated Server. During this period the Iu User Plane protocol is terminated by this MGW, in general at both sides of the MGW. This means that it must respond to new Initialisation PDUs and Inband Rate Control PDUs. The MGW inserts a TrFO Break Function, which then makes use of the stored RFCI values, in order to perform the required Iu Framing protocol functions and interpret the payload. Further call scenarios for specific services that incur a TrFO break are described in clause 6..

5.4.5 TrFO Break Recovery

During the TrFO break situation the individual connections are free to change, the RFCIs may have changed and also the rate control (maximum rate, current rate). After the service that caused the TrFO break is complete, the MGW shall check if TrFO can be re-established. If the coding schemes are matching but the RFCI's have changed then RFCI value correction can be performed at the RNC side. In order to correct any changes in rate control between two RNCs, the

MGW shall send a rate control request from each Termination, with the current rate and maximum rate applied at the other Termination. This will then result in the Distributed Rate Decision between the two RNCs in the call.

5.4.6 MGW Control Protocol Iu Framing Package properties

The following is a summary of the Iu Framing H.248 requirements; the procedures are described in [12] and are valid for Iu Framing in Support Mode:

Additional Package Properties:

Iu Framing Termination Type: Values - Iu-RAN (Iu Framing Protocol on Iu Interface)

- Iu-CN (Iu Framing Protocol on Nb Interface)

Iu Framing Initialisation Procedure: Values – Incoming (For Iu-CN: the Iu Framing Protocol initialisation is received by the media gateway and used for subsequent initialisation from this MGW. For Iu-RAN this indicates the originating RNC interface).

- Outgoing (For Iu-CN the Iu Framing Protocol is generated by the core network MGW, i.e. initialised on the Nb Interface. For the Iu-RAN interface this specifies the terminating RNC Interface)

5.5 TrFO/TFO Codec Negotiation Harmonisation

When OoBTC procedures are initiated to a node where compressed voice cannot be supported (either at the node or to the preceding node) then a transcoder is inserted. This can be due to the transport technology (e.g. TDM) or due to the access technology (e.g. GSM with TDM based A-interface). The OoBTC procedures can result in the following call scenarios:

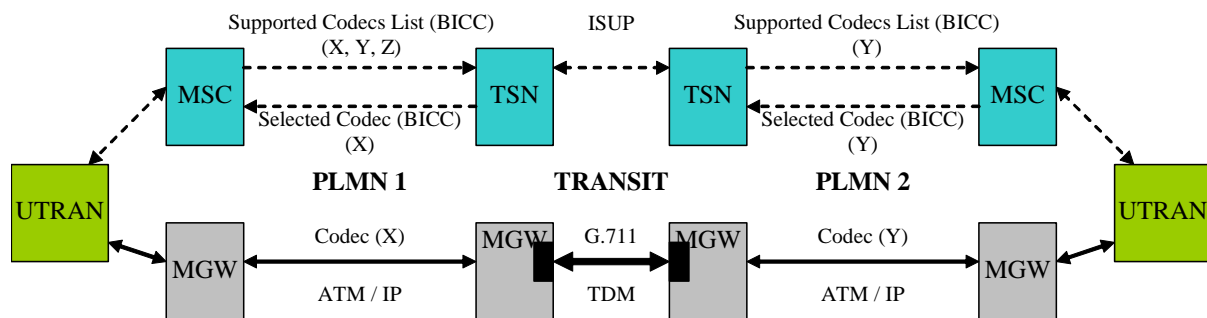


Figure 5.5/1: Cascaded TrFO & Transcoding

In Figure 5.5/ 1 the OoBTC cannot proceed as the call crosses a transit network that does not support compressed voice. The same could occur if the transit network did not support out of band codec negotiation (Support in BICC is optional).

In Figure 5.5/2 the OoBTC procedures result in the call terminating to a TDM based GSM access. As the GSM radio access transcodes to default PCM codec, the OoBTC results in default PCM selected. The reply is passed back to the originating network, which then inserts a transcoder from default PCM to AMR or EVS for the UMTS radio access.

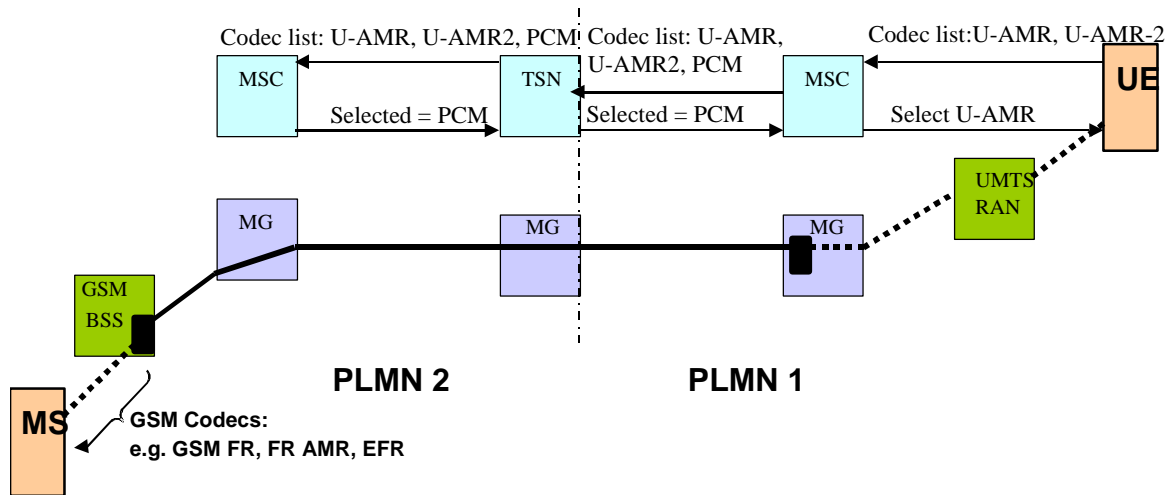


Figure 5.5/2: UMTS to GSM interworking

In a similar situation to that described in Figure 5.5/2, it is also possible that the OoBTC procedures result in UMTS_AMR_2 as the selected codec, as this is compatible with FR_AMR codec. This is the optimal codec selection for speech quality purposes. In this case, the transcoder shall be inserted at the terminating MGW in order to transcode between PCM and UMTS_AMR_2, and UMTS_AMR_2 shall be signalled back to the originating UE. TFO can then be used on the terminating A-interface to allow FR_AMR to be passed between the tandemed codecs, allowing the best speech quality in the core network.

Further to the scenario described above in Figure 5.5/2, where there is no TFO compatible codec between the UMTS UE and the GSM MS it is also possible that the OoBTC procedures result in UMTS_AMR or UMTS_EVS as the selected codec. In this case, the transcoder shall be inserted at the terminating MGW in order to transcode between PCM and UMTS_AMR (as an example), and UMTS_AMR shall be signalled back to the originating UE. Bandwidth savings and avoiding degradation in speech quality are then achieved in the core network.

For TFO to establish between the transcoders in the above scenarios, each TRAU must send a codec list inband after the call has been established. If a common codec type is available (determined by pre-defined rules, described in TFO specification [10]) then the OoBTC procedures need to be informed so that a codec modification can be performed. This is shown in Figure 5.5/3. Note – a modification could also be required when a common codec type has been selected but the ACS is not common.

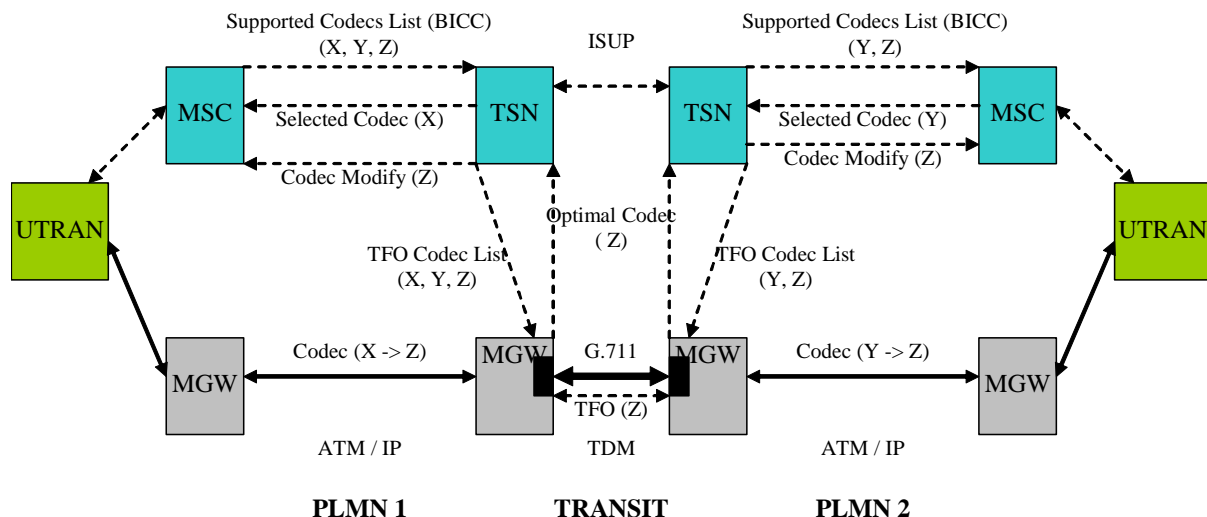


Figure 5.5/3: TFO support by OoBTC signalling

In H.248, the vertical MG control protocol, the coding types are specified by Media Stream Property, as defined by Annex C of H.248 specification. A specific package is used for TFO (see [12]).

The basic requirements are listed below:

- i) Property for TFO Codec List (same format as for [5])
- ii) Event for Optimal Codec, as determined by TFO in-band protocol
- iii) Event for Distant Codec List sent by the distant TFO partner
- iv) Event for TFO status
- v) Procedures to define and enable TFO

The TFO package allows the Server to request the MGW to initiate the TFO in-band protocol towards a far end transcoder. The package includes a property to turn on/off the TFO (tfoenable); this may be required prior to TrFO break situations such as handover.

The TFO Codec List (H.248) is passed via the Mc interface from the Server to the MGW. The first entry of the TFO Codec List (H.248) shall be used by the MGW as the 'Local Used Codec' (see 3GPP TS 28.062[10]). All the entries of the TFO Codec List (H.248) shall be used by the MGW as Local Codec List in the TFO in-band negotiation. For adaptive multi-rate codecs (AMR and AMR-WB codecs) some control of the level of negotiation is performed by the "Optimization Mode" parameter in the respective Single Codec information element in the TFO Codec List (H.248) (see [5] and [12]). This allows a node to indicate if the offered ACS may be modified or not during TFO procedures, and this is mapped to the appropriate parameter in the TFO protocol by the MGW. If for a Single Codec information element in the TFO Package from the Server to the MGW the OM is set to "Optimization of the ACS not supported", then the TFO Negotiation shall not change the offered ACS of the respective Single Codec information element.

The MGW returns Notification Events for the Distant Codec List sent by the far end and the Optimal Codec Type as selected by the Codec Selection mechanism in TFO. The first entry of the Distant Codec List (H.248) is the 'Distant Used Codec' (see 3GPP TS 28.062[10]) as received by the MGW during TFO in-band negotiations. All the entries of the Distant Codec List (H.248) are the entries of the Distant Codec List as received by the MGW from the distant TFO Partner. The Server then compares the Distant Codec List (H.248) with its previously negotiated Available Codec List (BICC). If the lists are not the same then an OoBTCCoec List Modification or Mid-call Codec Negotiation may be performed. If for a Single Codec information element in the TFO Package from the MGW to the Server the OM is set to "Optimization of the ACS not supported", then the offered ACS of the respective Single Codec information element shall not be changed during OoBTC procedures.

If the TFO Status event is supported by the MGW and has been configured by the MSC Server, the MGW shall return notification indicating whether a TFO link has been established or broken. The MGW should not report transient TFO status change.

5.6 CN Node handling of Codec Types & Codec Modes

5.6.1 Signalling between UE and MSC

The default Codec Type for "R99 UMTS only" terminals is UMTS_AMR, the default Codec Type for all terminals supporting GSM and UMTS radio access is UMTS_AMR_2, (see [5] for the detailed description). The UMTS_AMR_2 is a superset of the UMTS_AMR. It behaves as a FR_AMR codec in the UL and as a UMTS_AMR codec in the DL. This allows all UMTS terminals, except R99 UMTS only terminals, to operate in TFO with GSM terminals. The UMTS_AMR_2 is fully compatible with R99 CN nodes (TC in MGW). In any multi-mode configuration the UMTS_AMR shall be treated as only TFO and TrFO compatible to itself, not to any other AMR codec Type, to avoid incompatibilities in TFO-TrFO-TFO interworking scenarios. In single mode configuration, UMTS_AMR and UMTS_AMR_2 are TFO and TrFO compatible, when both codec types use the same single rate ACS, (see [10]).

During call setup, a UE supporting Rel-4 or later releases will indicate to the MSC the codecs supported by the UE in the Supported Codecs List (DTAP) (see [2]). For the codecs in this Supported Codecs List (DTAP), no order of priority is defined.

If no Supported Codecs List (DTAP) is received and the UE is "UMTS only", then the MSC shall assume UMTS_AMR as supported Codec Type. If no Supported Codecs List (DTAP) is received, but the UE is "dual system", then the MSC shall assume UMTS_AMR_2 as the supported codec type. The MSC shall assume "dual system" support only if the UE indicates at least one GSM speech version in Octet 3a etc. of the Bearer Capability.

5.6.2 Node originating the OoBTC codec negotiation

The node originating the OoBTC codec negotiation shall implement the procedures described in Q.1902.4, clause 8.3.1 [6]. Additionally, the following applies:

In UTRAN, GERAN Iu mode or GERAN AoIP mode, when constructing the list of codecs (and configurations for AMR, AMR-WB or EVS codecs) for the Supported Codecs List (BICC), the MSC Server should take the codec types and codec configurations supported by the RNC or BSC into account (see clause 5.6.6 for UTRAN or GERAN Iu mode and clause 5.6.7 for GERAN AoIP mode). The MSC may include more than one Single codec element indicating the same codec type, but different configurations, in the Supported Codecs List (BICC) (see [5]).

NOTE 1: This may be necessary, e.g. if the RNC supports for an AMR codec different sets of codec modes, e.g., (a, b, c, d) and (e, f, g), which are not subsets of each other, and the RNC does not support combinations of these sets, e.g. (a, b, c, d, e, f, g).

For AMR codecs the originating CN node shall use the "Optimization Mode" parameter in the Single Codec information element in the Supported Codec List (BICC) (see [5]) to indicate whether or not other nodes may change the offered ACS.

EXAMPLE: An RNC implementing only the prioritised RABs for interoperability testing specified in [18] will support for the UMTS_AMR_2 codec e.g. the set of codec modes (12.2, 7.4, 5.9, 4.75), but none of its subsets containing 2 or 3 codec modes. If the MSC Server connected to this RNC includes the codec configuration (12.2, 7.4, 5.9, 4.75) in the Supported Codecs List (BICC), it will therefore set the OM parameter of the respective Single Codec information element to "Optimization of the ACS not supported".

For AMR codecs, if the OM is set to "Optimization of the ACS supported", the originating CN node shall indicate the maximum number of codec modes (MACS) that may be selected for the ACS during speech codec negotiation. This maximum number of codec modes may depend on optimization strategies applied by the originating CN node. The recommended value is 4 (see [10]).

For AMR-WB codecs the "Optimization Mode" is defined implicitly by the configuration parameter "Config-WB-Code" in the Single Codec information element (see [5]). If for a configuration the OM is set to "Optimization of the ACS supported", then the configuration may be changed to any other allowed configuration specified in [5].

NOTE 2: For the UMTS_EVS codec type, there is no "Optimization Mode" parameter included in the Single Codec information element or in the allowed configurations (see [5]). The "Optimization Mode" parameter is not used.

For the UMTS_EVS codec type, the originating CN node shall include at least configuration 0, 1 or 2 (see [5], table 5.7A-1) in the Single Codec information element, and it may also include configuration 3, as follows:

- if only one configuration is included, it shall be configuration 0, 1 or 2 in octet Config-EVS, and octet Config-EVS2 shall not be included; and
- if two configurations are included, configuration 3 shall be included in octet Config-EVS, and configuration 0, 1 or 2 shall be included in octet Config-EVS2.

In order to support interworking with 2G systems it is recommended that MGWs support 2G codecs (GSM_HR, GSM_FR, GSM_EFR, PDC_EFR, TDMA_EFR). In order to avoid modifications during handover between 2G and 3G systems the MSC nodes may give preference to a suitable 2G codec.

Whenever one or several TrFO links have been already established and initialised, the CN node (e.g. the serving CN in case of Call Hold scenarios, the visited CN node in case of Call Forwarding scenarios, etc.) initiating a subsequent codec negotiation on a new call leg or a mid-call codec negotiation on an established and initialised TrFO link, should give the already negotiated Selected Codec (BICC), including its ACS, highest preference to reduce the probability of having to perform a bearer re-establishment or UP re-initialisation of the already established and initialised TrFO links.

The creation of a "structured" Supported codec list shall be as described for SIP-I (see Clause 9.7.2).

NOTE 3: The auxiliary payload types do not apply to BICC.

5.6.3 Intermediate node

An intermediate node taking part in an OoBTC codec negotiation shall implement the procedures described in Q.1902.4, clause 8.3.2 [6]. Additionally, the following applies:

If a Single Codec information element for an AMR codec is included in the Supported Codecs List (BICC), with the OM set to "Optimization of the ACS not supported", the intermediate node shall delete the Single Codec information element

- 1) if the codec type is not supported; or
- 2) if one or more codec modes of the offered ACS are not supported.

If a Single Codec information element for an AMR codec is included in the Supported Codecs List (BICC), with the OM set to "Optimization of the ACS supported", the intermediate node

- 1) shall delete the Single Codec information element, if the codec type is not supported;
- 2) shall delete codec modes from the offered SCS and ACS, if they are not supported. If the last codec mode is deleted from the offered SCS, the Single Codec information element shall be deleted from the Supported Codecs List (BICC);
- 3) shall reduce MACS to a locally supported value, if necessary;
- 4) may change the ACS to a different ACS within the offered SCS; and
- 5) shall change the OM parameter from "Optimization of the ACS supported" to "not supported", if necessary.

NOTE: In interworking scenarios with TFO, step (iv) may prevent the establishment of an end-to-end tandem free and transcoder free connection; therefore, the intermediate node should not do this without a good reason.

During the processing of a Single Codec information element of an AMR codec with the OM set to "Optimization of the ACS supported", the intermediate node may replace the original Single Codec information element by two or more new Single Codec information elements, which can be derived from the original Single Codec information element by the steps (i) to (v) listed above.

If a Single Codec information element for an AMR-WB codec is included in the Supported Codecs List (BICC), the intermediate node shall

- 1) delete the Single Codec information element, if the codec type or codec configuration is not supported; or
- 1) replace a Single Codec information element with configuration 1, 3, or 5 (see [5], table 5.7-1) by a Single Codec information element with configuration 0 and, optionally, another Single Codec information element with configuration 2 or 4, if configuration 3 or 5 is not supported.

If a Single Codec information element for the UMTS_EVS codec type is included in the Supported Codecs List (BICC), the intermediate node shall:

- 1) delete the Single Codec information element, if the codec type or codec configuration is not supported;
- 2) replace the Single Codec information element with configuration 2 (see [5], table 5.7A-1) by the Single Codec information element with configuration 0 or 1, if configuration 2 is not supported;
- 3) replace the Single Codec information element with configuration 1 (see [5], table 5.7A-1) by the Single Codec information element with configuration 0, if configuration 1 is not supported; or
- 4) replace configuration 3 (see [5], table 5.7A-1) with configuration 0, 1 or 2 in octet Config-EVS of the Single Codec information element, and remove octet Config-EVS2 from the Single Codec information element, if configuration 3 is not supported.

5.6.4 Node terminating the OoBTC codec negotiation

The node terminating the OoBTC codec negotiation shall implement the procedures described in Q.1902.4, clause 8.3.3 [6]. Additionally, the following procedures apply:

The terminating node shall process the Supported Codecs List (BICC) as described for the intermediate node in clause 5.6.3.

In UTRAN, GERAN Iu mode or GERAN AoIP mode, when processing the codec types (and configurations for AMR, AMR-WB or EVS codecs) in the Supported Codecs List (BICC), the terminating MSC Server should take the codec types and codec configurations supported by the terminating RNC or BSC into account (see clause 5.6.6 for UTRAN or GERAN Iu mode and clause 5.6.7 for GERAN AoIP mode).

For the selection of the Selected Codec (BICC) from the Supported Codecs List (BICC), the following additional procedures apply:

If an adaptive multi-rate codec is selected, then the decision about the actual codec modes to be included in the selected ACS shall also be made by the terminating CN node. If the OM of the offered configuration is set to "Optimization of the ACS supported", the selected ACS may be different from the offered ACS, but it shall be a subset of the offered SCS and be consistent with MACS.

In order to provide harmonisation of out of band codec negotiation (for TrFO) and inband codec negotiation (for TFO) similar codec type and codec configuration selection mechanisms as those being defined for TFO should be applied for TrFO (see [10]).

NOTE 1: For TrFO codec negotiation, besides the speech quality additional aspects may be considered which are not applicable to TFO, e.g. the location of the transcoder that may need to be inserted or possible bandwidth savings in the core network.

If an adaptive multi-rate codec is selected, the terminating MSC Server shall exactly specify the ACS in the Selected Codec (BICC) and set the OM to "Optimization of the ACS not supported".

In the Available Codecs List (BICC), sent back to the originating node, the terminating MSC server may include more than one Single Codec information element indicating the same codec type, but different configurations. Single Codec information elements for adaptive multi-rate codecs may also be included with the OM set to "Optimization of the ACS supported" and the ACS being a subset of the SCS.

According to Q.1902.4, clause 8.3.3 [6], the terminating node shall include the Selected Codec (BICC) in the Available Codecs List (BICC). For AMR, AMR-WB and EVS codecs, the following applies:

If the Selected Codec (BICC) is an AMR codec, it shall be considered as included in the Available Codecs List (BICC), if the Available Codecs List (BICC) contains a Single Codec information element with the same codec type and:

- exactly the same configuration, i.e. the same ACS and the OM set to "Optimization of the ACS not supported"; or
- the Selected Codec (BICC) is consistent with the Single Codec information element, i.e. the selected ACS is a subset of the SCS of the Single Codec information element, the Number of codec modes in the selected ACS is less or equal to the MACS parameter of the Single Codec information element, and the OM of the Single Codec information element is set to "Optimization of the ACS supported".

If the Selected Codec (BICC) is an AMR-WB codec, it shall be considered as included in the Available Codecs List (BICC), if the Available Codecs List (BICC) contains a Single Codec information element with the same codec type and:

- exactly the same configuration, i.e. the same the configuration parameter "Config-WB-Code"; or
- any configuration for which the OM is set to "Optimization of the ACS supported".

If the Selected Codec (BICC) is an EVS codec, it shall be considered as included in the Available Codecs List (BICC), if the Available Codecs List (BICC) contains a Single Codec information element with the same codec type and exactly the same configuration, i.e. the same the configuration in parameter "Config-EVS-Code" or parameter "Config-EVS-Code 2".

Additionally, if the Selected Codec (BICC) is an EVS codec, the terminating MSC Server shall specify exactly one configuration as per the rules specified in [5], table 5.7A-3, and indicate this configuration in octet Config-EVS of the Selected Codec (BICC).

The creation of a "structured" Available codec list shall be as described for SIP-I (see Clause 9.7.3).

NOTE 2: The auxiliary payload types do not apply to BICC.

5.6.5 Signalling between server and MGW

According to Q.1902.4, clause 8.3 [6], during the OoBTC codec negotiation a server can provide its associated MGW with the preferred codec from the Supported Codecs List (BICC), and as a result of the negotiation the server will provide its associated MGW with the Selected Codec (BICC). The information is sent via the Mc interface as Codec (H.248).

If the Codec (H.248) is an adaptive multi-rate codec, the server shall exactly specify the ACS in the respective Single Codec information element and set the OM to "Optimization of the ACS not supported", both for the preferred codec and the Selected Codec (BICC).

For the Single Codec information elements of adaptive multi-rate codecs in the TFO Codec List (H.248), the OM may be set to "Optimization of the ACS supported", and the ACS may be a subset of the SCS. This applies also to the first entry in the TFO Codec List (H.248), the Local Used Codec.

NOTE: In some scenarios the flexible configuration of the Local Used Codec may be used for a faster TFO establishment (see [10]).

5.6.6 Signalling between MSC and UTRAN or GERAN Iu-mode

The MSC Server shall know the codec types and codec configurations supported by the RNC. The MSC Server shall select only from these configurations for the RAB assignment.

For GERAN Iu-mode the MSC Server receives a list of codec types (for definition see [15]) as well as the supported codec modes (for an adaptive multi-rate codec type) within the RANAP INITIAL UE MESSAGE, indicating the GERAN capabilities, which will be available at the RAB establishment procedure. With this information the MSC Server shall delete those codec types and codec modes (for an adaptive multi-rate codec type) from the Supported Codecs List (BICC) which are not supported by the GERAN, taking into account the GERAN classmark and the MS capabilities. This possibly reduced list shall be used by the MSC Server during the codec negotiation procedure. The value of the maximum number of supported codec modes shall be set to 4 (see [10]).

When the MSC node requests a RAB assignment the Subflow Combinations provided shall either all be initialised by the RNC or all rejected with appropriate cause code.

The MSC shall always assume "Discontinuous Transmission (DTX)" as mandatory and shall define "SID" SDUs in addition to the negotiated speech codec modes. This is because for TrFO the RAB requested by one RNC must match that requested by the peer RNC – they are effectively the same RAB. If one MSC requires DTX support then the RAB requested by the far end MSC must also support DTX (even if it is not desired by that MSC). As no Out Of Band negotiation for DTX is supported nor DTX control to the UE, DTX shall be mandatory for TrFO connections.

Once an adaptive multi-rate codec with an ACS has been selected as Selected Codec (BICC), the MSCs shall indicate in the RAB Assignment parameters [3] for the Guaranteed Bitrate the lowest speech mode in the ACS (assuming any SID frames are smaller than the SDU for lowest speech mode, otherwise the Guaranteed Bitrate shall be set to the largest SID frame). The Maximum bitrate shall correspond to the highest mode in the ACS.

5.6.7 Signalling between MSC and GERAN AoIP-mode

In both mobile originating and mobile terminating calls the MSC Server receives the Supported Codecs List (BSSMAP) – "BSC-SCL" - containing a list of Codec types (for definition see 3GPP TS 48.008 [15]) as well as the codec configurations (for adaptive multi-rate codec types) within the BSSMAP COMPLETE LAYER 3 INFORMATION message, indicating the temporary GERAN capabilities for this call in this cell.

The Codec Types within this BSC-SCL can be viewed as divided into three different A-Interface types:

- 1) Codecs with PCM only on the A-Interface – transcoding always occurs inside the BSS.
- 2) Codecs with transcoding inside the BSS, but supported with TFO on the A-Interface.
- 3) Codecs supported with "Full IP" for the A-Interface – no transcoding inside the BSS.

These are described in detail in 3GPP TS 48.008 [15], clause 3.2.2.103.

These A-Interface types may then be used by the MSC to create a structured "Supported Codec List", with Direct Codecs and Indirect Codecs, as described in clause 9.7.2.

When creating the Supported Codecs List (BICC or SIP-I), only codecs supported in GERAN with either "Full IP" or TrFO shall be included in the "direct" part of the Supported Codecs List (BICC or SIP-I), if also the MS and the MGW support them in this way. Codec types and codec configurations not supported in GERAN (with either Full IP or TrFO) or MS, but supported by the MGW with transcoding, may be negotiated as "indirect" codec types.

This potentially reduced direct codec list and potentially increased indirect codec list shall be used by the MSC Server during the codec negotiation procedure.

During the Assignment procedure, the MSC server shall include the MSC-Preferred-Codec-List (BSSMAP) as defined in 3GPP TS 48.008 [15] clause 3.2.2.103.

5.7 Inband Rate Control

Inband rate control shall only allow the RNCs to set the maximum codec mode (maximum bitrate) from the set of codec modes that have been negotiated out of band. This procedure is called Maximum Rate Control. The final maximum mode selected results from a rate control request from one side and the maximum rate supported at the receiving side; the lower rate of these is selected. This is known as Distributed Rate Decision. In TrFO maximum rate control shall be supported through the Iu Framing protocol and through transit networks supporting compressed voice. The maximum rate control procedures are further defined within the Iu Framing protocol [4].

When the MSC requests for a RAB to be assigned, it shall always define 1 speech mode SDU (lowest rate), and DTX SDU as non-rate controllable. Other SDU formats for higher rates shall be defined as rate controllable. The first subflow combination in the IuUP initialisation shall be treated as an initial maximum rate control. Where a node is in TrFO break (e.g. the terminating MGW) this initial maximum rate control received at a given MGW/IuUP termination shall be signalled to the other TrFO link using the IuUP Rate Control PDU unless the IuUP Initialisation frame is to be sent on to the next link as in RFCI Value Correction (see clause 5.4.3).

At SRNS relocation the new RNC shall send a rate control frame at Relocation Detect indicating its current maximum rate, it will receive in the acknowledgement the current maximum rate from the far end. This procedure is called Immediate Rate Control. Again the distributed rate decision means both RNCs will operate within a common limit.

5.8 Modification Procedures

The OoBTC procedures shall support the following modification mechanisms:

- i) Modification of Selected Codec.
(The codec type of the Selected Codec (BICC) may be switched to another type within the Available Codecs List (BICC), and/or the Active Codec mode Set of the Selected Codec (BICC) may be modified, and/or the Supported Codec mode Set of the Selected Codec (BICC) may be reduced.)
- ii) Modification of Available Codecs List
(The Available Codecs List (BICC) may be reduced by removing codec types and modes)
- iii) Mid-call Codec Negotiation
(The Available Codec List (BICC) is re-negotiated, allowing the addition and removal of codec types and modes compared to the previous Available Codec List (BICC), and a new Selected Codec (BICC) is chosen out of the new Available Codec List (BICC))

The specific call flows when such procedures may be required are detailed in Clause 6. Further information on the Available Codecs List (BICC) and the Selected Codec (BICC) is provided in clause 5.2. Further information on codec types, codec modes, a Supported Codec mode Set and an Active Codec mode Set is provided in TS 26.103 [5]. The basic codec negotiation principles are defined by the BICC Call Control Procedures (see [6]) but the explicit Mc interface procedures are added.

5.8.1 Modification of Selected Codec

The codec modification procedures shall support the following changes:

- 1) change of the codec type or codec configuration of the current Selected Codec (BICC) to another codec type or codec configuration within the Available Codecs List (BICC);
- 2) modification of the Available Codecs List (BICC) according to clause 5.8.2, (i) to (v), in combination with any change of the codec type or codec configuration of the current Selected Codec (BICC) to another codec type or codec configuration within the new Available Codecs List (BICC). The modification of the Available Codecs List (BICC) may include removal of the current Selected Codec (BICC) from the list.

The procedures described in Q.1902.4, clauses 10.4.1 to 10.4.3 [6] shall apply.

The new codec type and codec configuration may be selected freely from the Available Codecs List (BICC). For an AMR codec, AMR-WB or EVS codec, a codec configuration may be selected if it is considered to be included in the Available Codecs List (BICC) according to the criteria specified at the end of clause 5.6.4.

For the coding of the new Selected Codec (BICC), the new Available Codecs List (BICC), and the new Codec (H.248), the same rules apply as specified in clauses 5.6.4 and 5.6.5.

In Figure 5.8.1/1 and 5.8.1/2 the basic codec modification procedure is shown. This Figure is an example; the codec modification procedure may be initiated by any node within the call.

Upon Reception of a Modify Codec message (action 5 and 9 in Figure 5.8.1/1), a server node shall check if the Selected Codec is altered according to the criteria above. If the Selected Codec is not altered, the procedures in clause 5.8.2 (Modification of the Available Codec List) apply, otherwise the server node shall send a "Reserve Characteristics" procedure to the attached MGW for the corresponding termination (action 6 and 10 in Figure 5.8.1/1)

To perform a modification of the selected codec at an Iu interface, the MSC server shall send a "Modify Bearer Characteristics" procedure to the attached MGW (action 1 and 12 in Figure 5.8.1/1). Upon completion of the "Modify Bearer Characteristics" procedure, the server node shall send a "RAB Assignment Request" to the radio access network (action 2 and 13 in Figure 5.8.1/1). The MSC server shall then wait to receive a corresponding "RAB Assignment Response" message from the radio access network (action 3 and 14 in Figures 5.8.1/2 and 5.8.1/3) before continuing the modification procedure.

An MSC server shall use the "Reserve Characteristic" procedure for the termination towards the preceding node (with respect to the Modify Codec message) to perform the necessary bearer level modification. The MGW shall respond for that termination with the "Bearer Modified" procedure to indicate that the possible bearer modification to increase bandwidth was successful. The MGW shall not wait until the Iu UP initialisation is complete before replying with the "Bearer Modified" procedure. Each server shall not send forward the modify request to the succeeding node until the indication from its MGW that any necessary bearer level modification has been completed (BNC_Modified notification). The MSC server shall use the "Confirm Characteristics" procedure to confirm the modification at that termination.

An MSC server shall use the "Modify Characteristic" procedure for the termination towards the succeeding node (with respect to the Modify Codec message) to confirm the codec modification.

The specific handling of the Iu UP initialisation is described in clause 5.8.4.

Error Cases are described in clause 5.8.5.

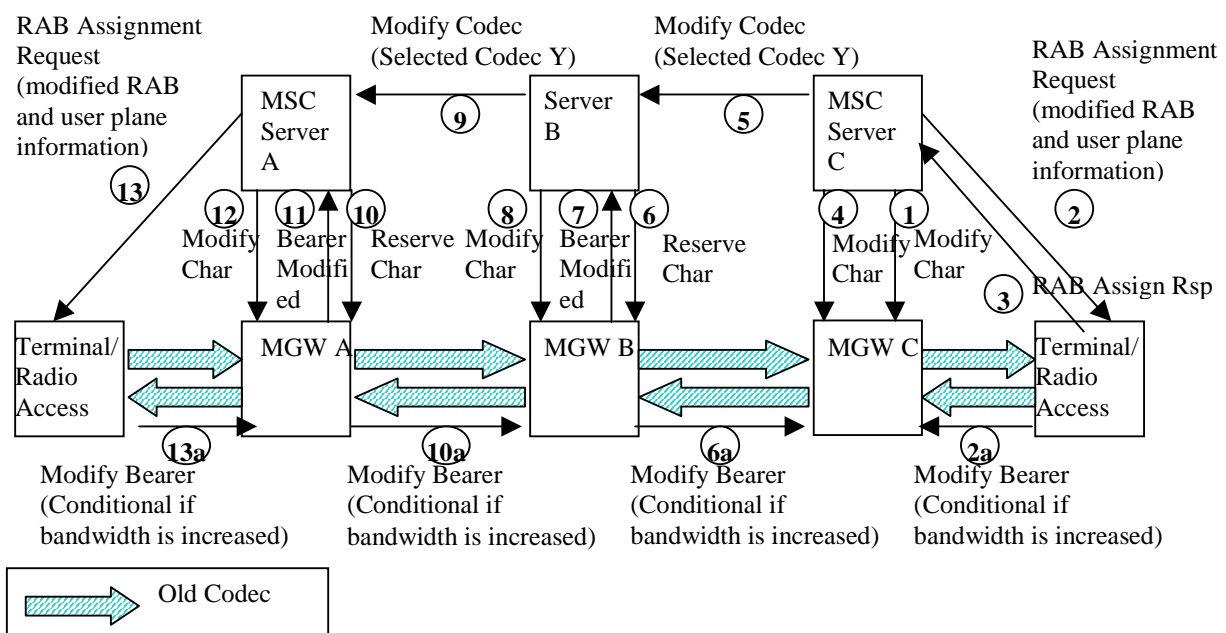


Figure 5.8.1/1: Codec Modification Control Procedures

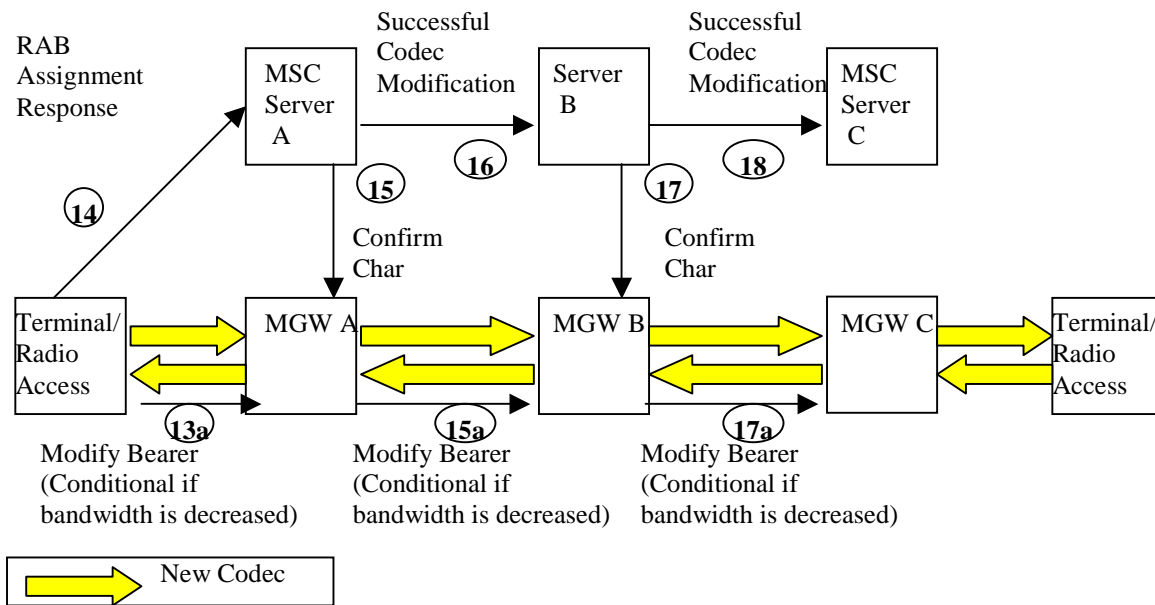


Figure 5.8.1/2: Codec Modification acknowledgement

5.8.2 Modification of Available Codecs List

The modification of the Available Codecs List (BICC) shall support the following changes:

- 1) reduction of the ACS of any Single Codec information element in the Available Codecs List (BICC) for which OM is set to "Optimization of the ACS supported";
- 2) reduction of the SCS of any Single Codec information element in the Available Codecs List (BICC) for which OM is set to "Optimization of the ACS supported";
- 3) reduction of the MACS of any Single Codec information element in the Available Codecs List (BICC) for which OM is set to "Optimization of the ACS supported";
- 4) change of the OM of any Single Codec information element in the Available Codecs List (BICC) from "Optimization of the ACS supported" to "not supported"; and
- 5) deletion of one or more Single Codec information elements from the Available Codecs List (BICC).

This shall not include the removal of the Selected Codec (BICC) or of modes from the ACS of the Selected Codec (BICC), as this would require a Modification of Selected Codec as described in 5.8.1.

The procedures described in Q.1902.4, clauses 10.4.1 to 10.4.3 [6] shall apply.

For the coding of the new Available Codecs List (BICC), the same rules apply as specified in clause 5.6.4.

No modification of the user plane and signalling towards the MGWs and radio access network is required.

In Figure 5.8.2/1 the basic "modification of available codec list" procedure is shown. This Figure is an example; the codec modification procedure may be initiated by any node within the call.

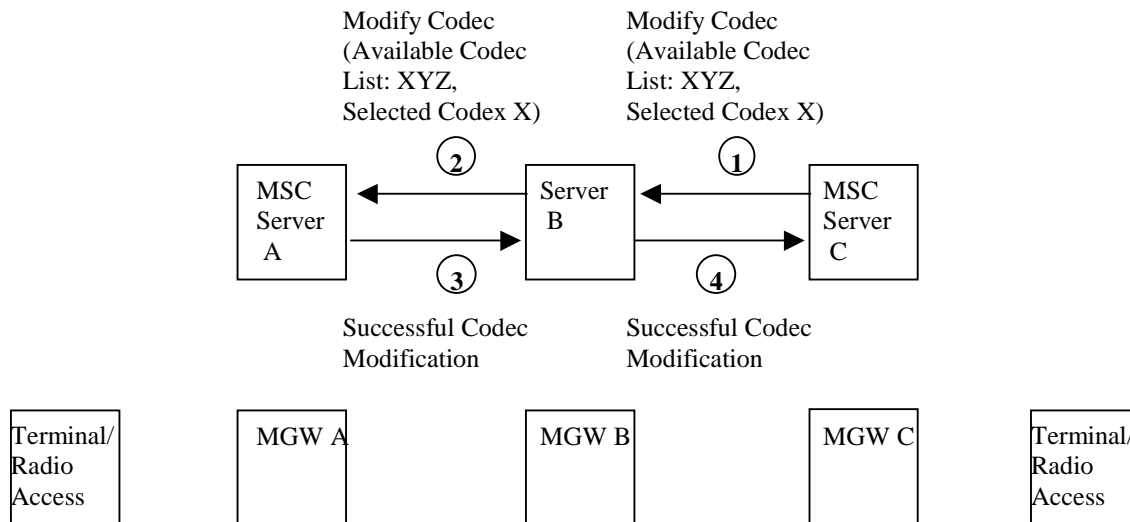


Figure 5.8.2/1: Modification of Available Codec List

5.8.3 Mid-call Codec negotiation

The Selected Codec (BICC) and the Available Codecs List (BICC) can be (re-) negotiated during the call using the "Mid Call Codec Negotiation" mechanism. The Mid-Call Codec Negotiation mechanism results in a new Available Codecs List (BICC), where new codec types or modes not within the previous Available Codecs List (BICC) may be included. The codec negotiation procedure is performed as for call set-up.

The procedures described in Q.1902.4, clauses 10.4.4 to 10.4.6 [6] shall apply.

The sequence is shown in Figure 5.8.3/1. Starting with the Modify to Selected Codec message, the remaining sequence is the same as for the Codec Modification in clause 5.8.1 except that the message name for the modify request is "Modify To Selected Codec" (instead of "Modify Codec") in order to allow collisions between the two procedures to be resolved. Everything stated in clause 5.8.1 shall also apply for the Mid-Call Codec Negotiation procedure.

The node initiating the "Mid Call Codec Negotiation" mechanism (MSC Server A in Figure 5.8.3/1) shall select a Preferred Codec and a Supported Codecs List (BICC), which may contain new codecs and also may not contain codecs from the previous Available Codecs List (BICC). If the list no longer contains the previous Selected Codec (BICC), then a new codec shall be selected as Preferred Codec. If the previous Selected Codec (BICC) exists within the Supported Codecs List (BICC), this codec should be selected as the Preferred Codec.

If a server node removes the Preferred Codec, from the Supported Codecs List (BICC), the node shall select a new Preferred Codec.

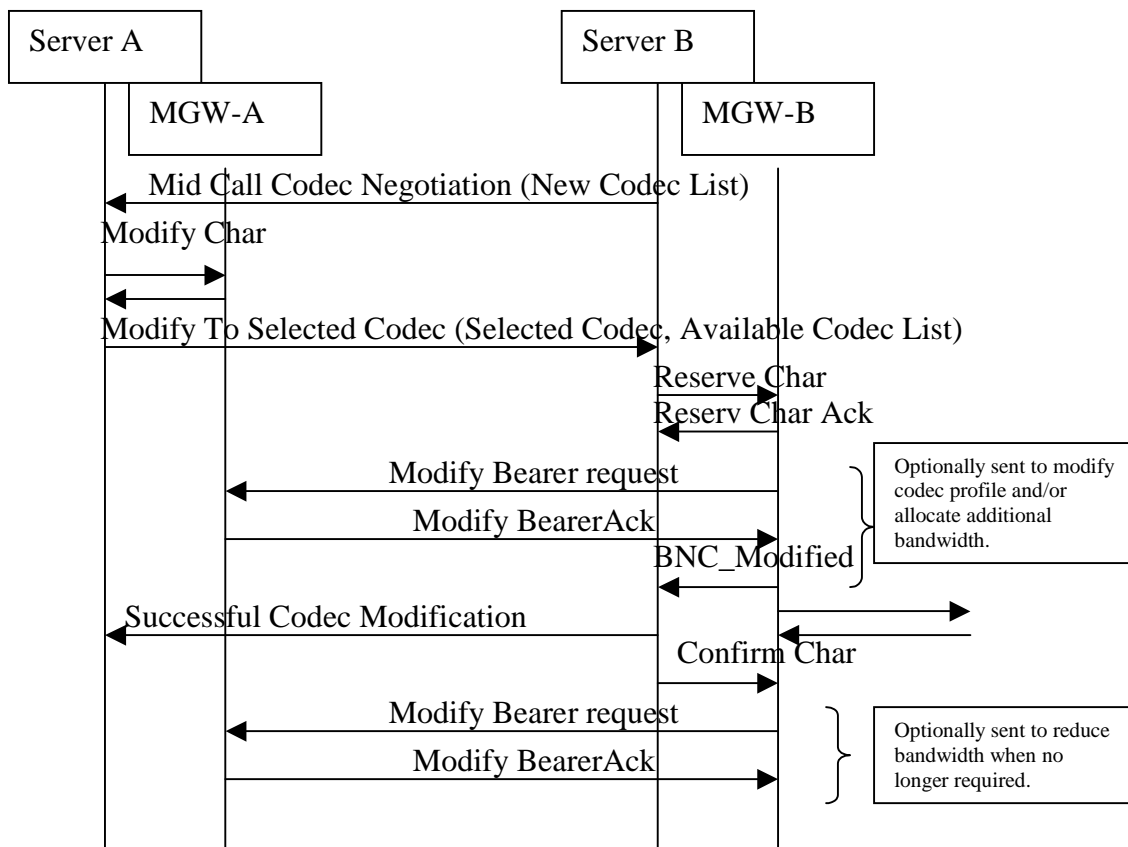


Figure 5.8.3/1: Mid Call Codec Negotiation

5.8.4 Detailed Procedures For Iu Framing Protocol & Codec Modification

The IuFP must be initialised sequentially from one end to the other in order to store new RFCIs in each node to allow TrFO to resume. The IuFP shall be initialised in the backward direction with respect to the Codec Modification/Modify To Selected Codec message as shown in Figure 5.8.4/1.

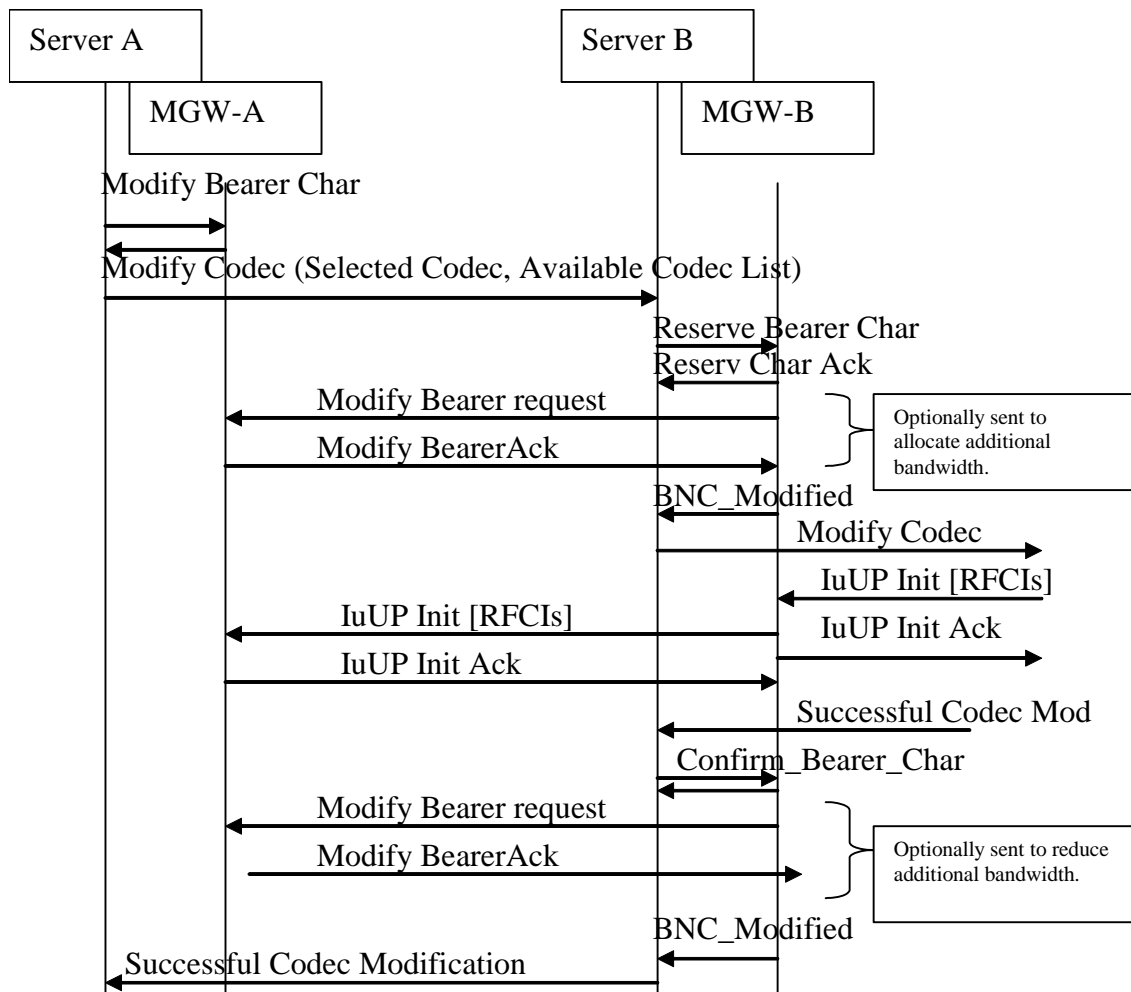


Figure 5.8.4/1: Successful Codec Modification including IuFP

A MGW receiving a Modify Bearer Characteristics procedure shall be prepared to receive an incoming modify bearer procedure, this may be to increase the bandwidth prior to IuUP Initialisation or to reduce the bandwidth after the IuUP Initialisation. The new codec indicated in the Modify Bearer Characteristics procedure shall always result in the MGW being prepared to receive an Iu UP initialisation for the new codec, even if the SDU format is unchanged. The MSC shall send the RAB Parameters IE and NAS Synchronisation Indicator IE to the RNC to indicate that the codec has changed and IuUP Initialisation shall be generated..

Each termination receiving a Reserve_Char will initiate bearer level modification to the preceding node if needed - i.e. if the bandwidth needs to be increased to support the new IuUP. No IuUP initialisation occurs at this point in time. If the Codec Modification Request is terminated by a MGW the IuUP init through the core-network is triggered by the setting of the 3GUP package property "initialisation direction" to "OUT" in either the Reserve_Char or the Confirm_Char procedure; the MGW shall then start the IuUP Initialisation out from that Termination. If the node terminating the modification is an RNC then it will generate a new IuUP Initialisation toward its access MGW, each Termination shall have the initialisation direction set to "IN". Each MGW shall in turn acknowledge the IuUP Init to the succeeding node (with respect to the modification request) and forward the RFCIs in an IuUP Initialisation to the preceding MGW (as for call set-up). After completing the Iu UP initialisation and receiving the "Confirm Characteristics" procedure, the MGW may decrease the bandwidth of the corresponding bearer performing the "Modify Bearer" procedure (if needed) - no bearer bandwidth reduction shall be initiated while the UP is still initialised for the old codec.

An example call sequence is shown in Figures 5.8.4/2 and 5.8.4/3.

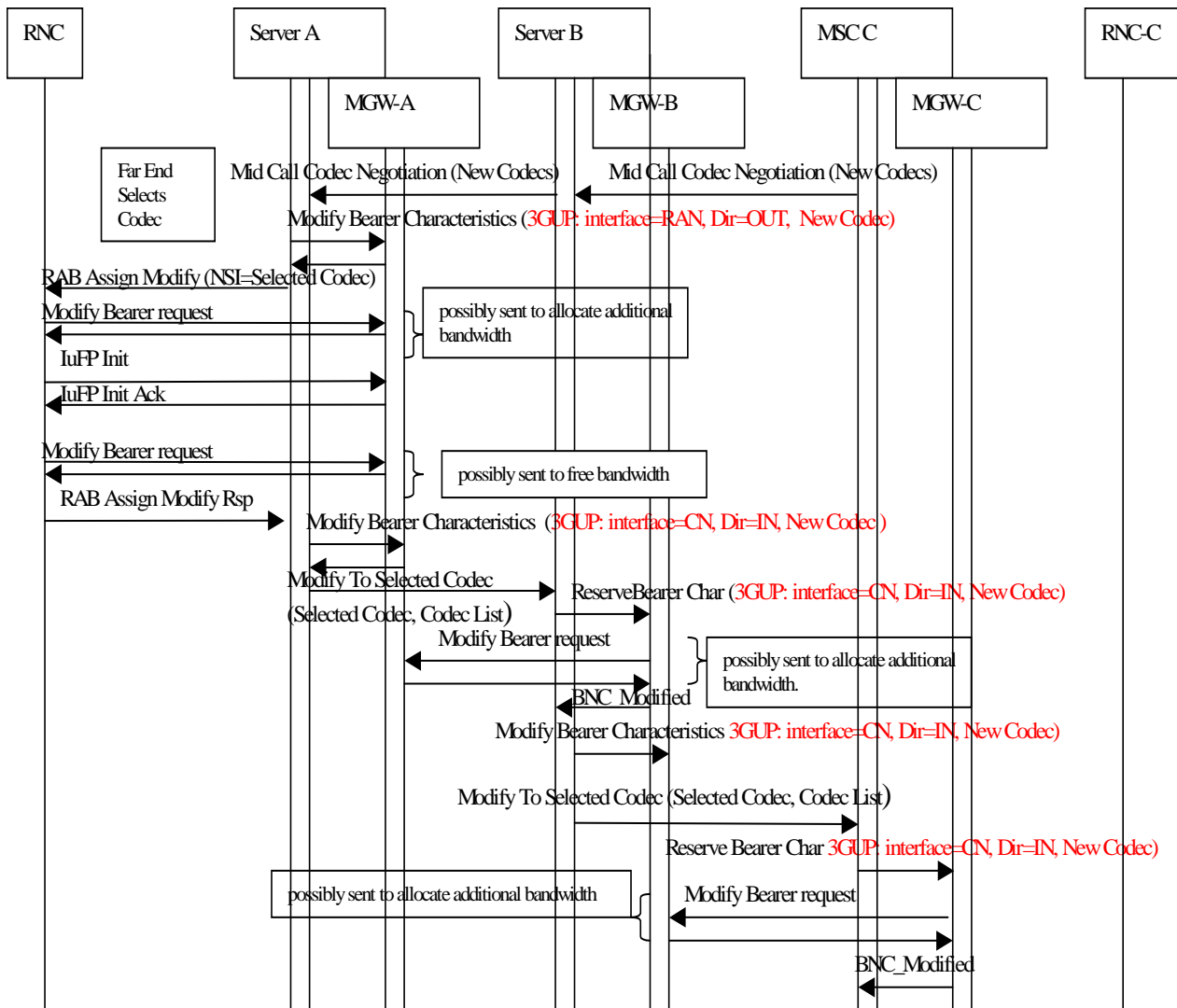


Figure 5.8.4/2: Mid Call Codec Negotiation Call Sequence. Call Flow Part 1

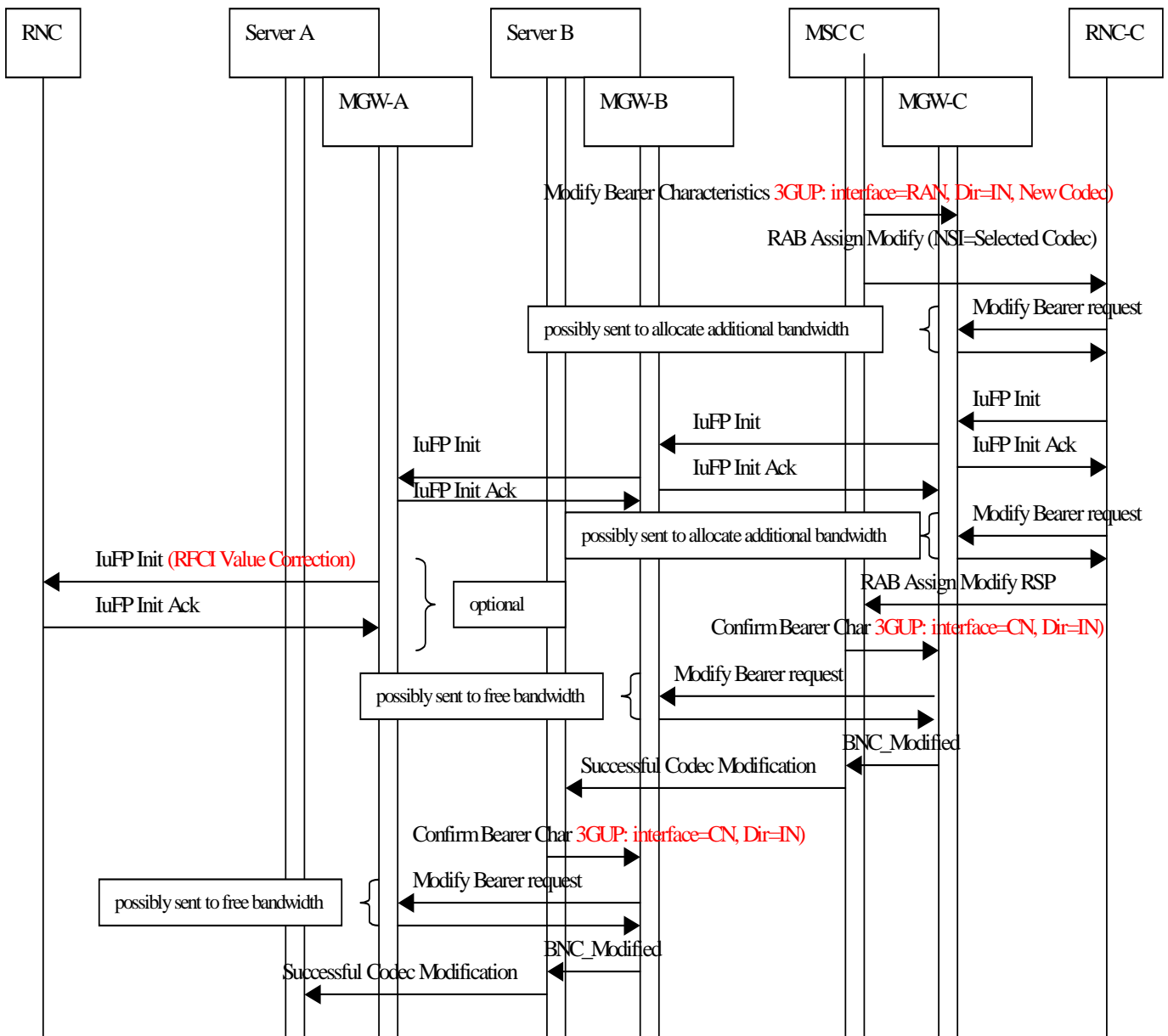


Figure 5.8.4/3: Mid Call Codec Negotiation Call Sequence. Call Flow Part 2

5.8.5 Unsuccessful Codec Modification

If the Codec Modification is unsuccessful at a certain node in the connection (due to the MGW rejecting a request to reserve the resources or a server rejecting the request to modify the codec) the Confirm_Char message shall be sent to a termination that previously performed a successful Reserve_Char Procedure to change the bearer back to its original bandwidth (if needed) and free up any reserved resources. However as the IuUP has not been modified, the Confirm_Char shall not trigger an IuFP re-initialisation. The basic sequence is shown in Figure 5.8.5/1 and a detailed call flow is described in Figure 5.8.5/2. A server that performed a Modify Bearer Characteristics procedure to a termination with the new codec shall perform a subsequent Modify Bearer Characteristics procedure to that termination with the old codec in the failure case. As no IuFP initialisation occurs in the unsuccessful case the IuFP currently initialised will then match the old codec restored by the subsequent Modify Bearer Char; the MGW then knows that it can return to TrFO.

The Codec Modification Failure message shall not be returned to a preceding node until notification of the bearer level modification (BNC_Modified).

RAB Assigment Modification Failure

If the reason for failed codec modification is due to an unsuccessful RAB Modification Request then the MSC shall assume that the old RAB is resumed and thus shall restore the old codec.

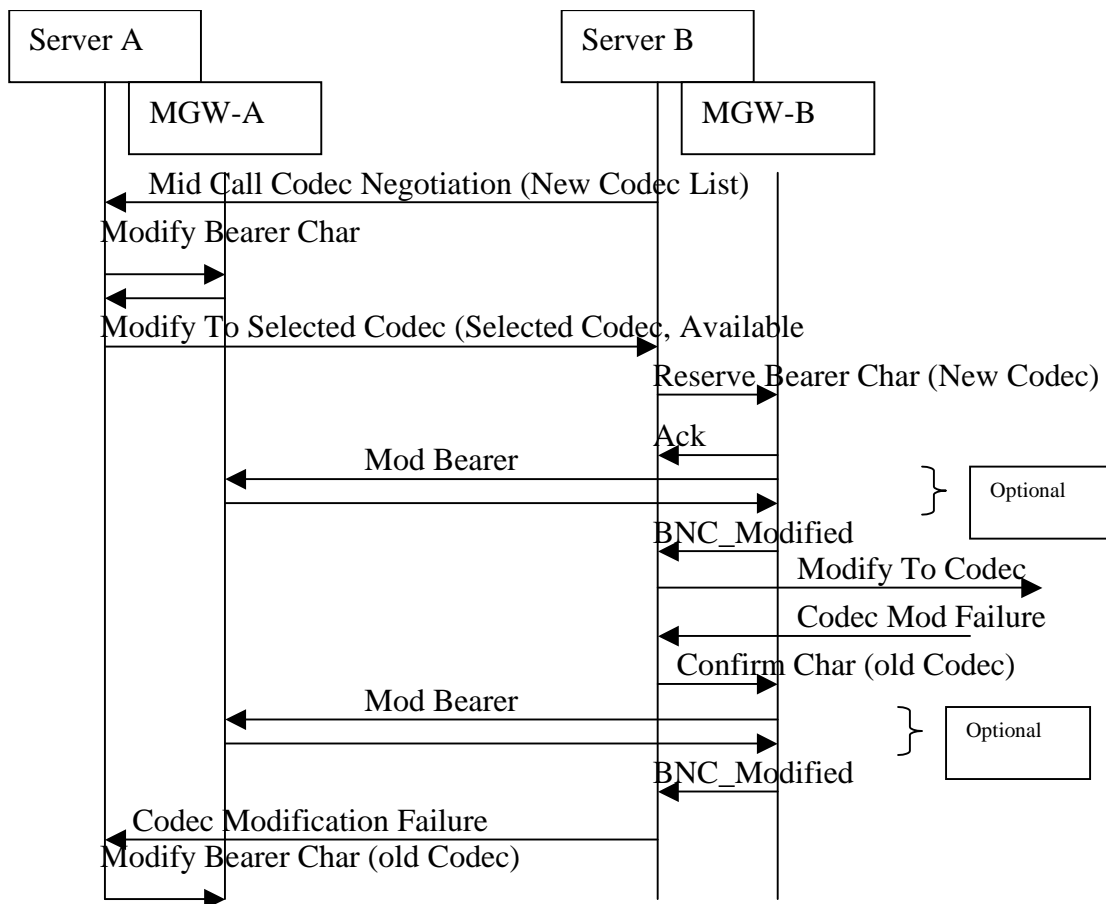


Figure 5.8.5/1: Unsuccessful Codec Modification

IuUP Initialisation Unsuccessful

If the IuUP initialisation fails (this must be due to some protocol error or transmission error because the resources have already been successfully reserved) then the UP protocol is cleared by the peers (see TS 25.415) and therefore the MGW shall notify the Server with a Bearer_Released notification, the call shall be cleared (normal MGW initiated call clearing applies – see TS 23.205 clause 7.4 [8]).

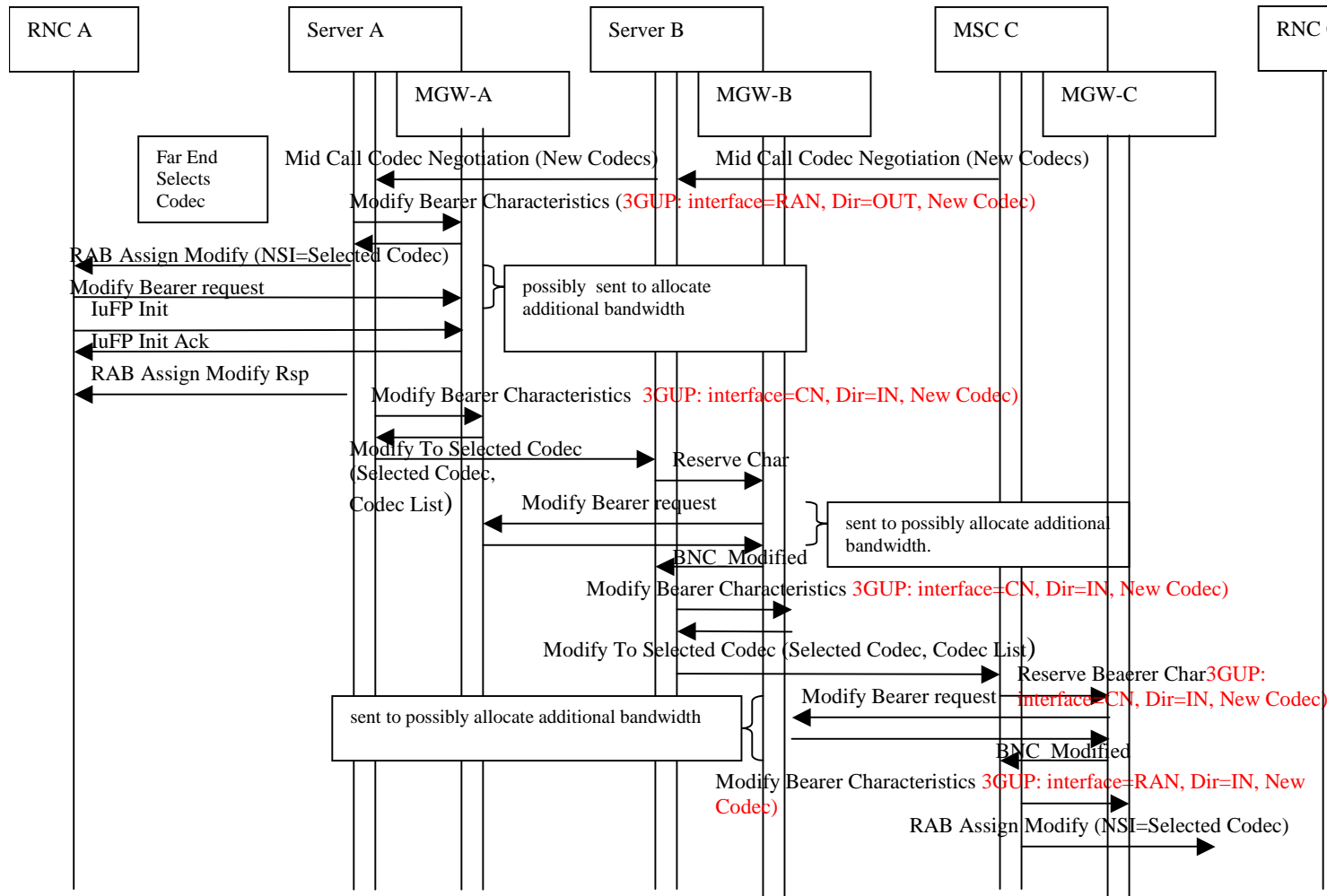


Figure 5.8.5/2: Call Sequence for Unsuccessful Modification. Call Flow Part 1

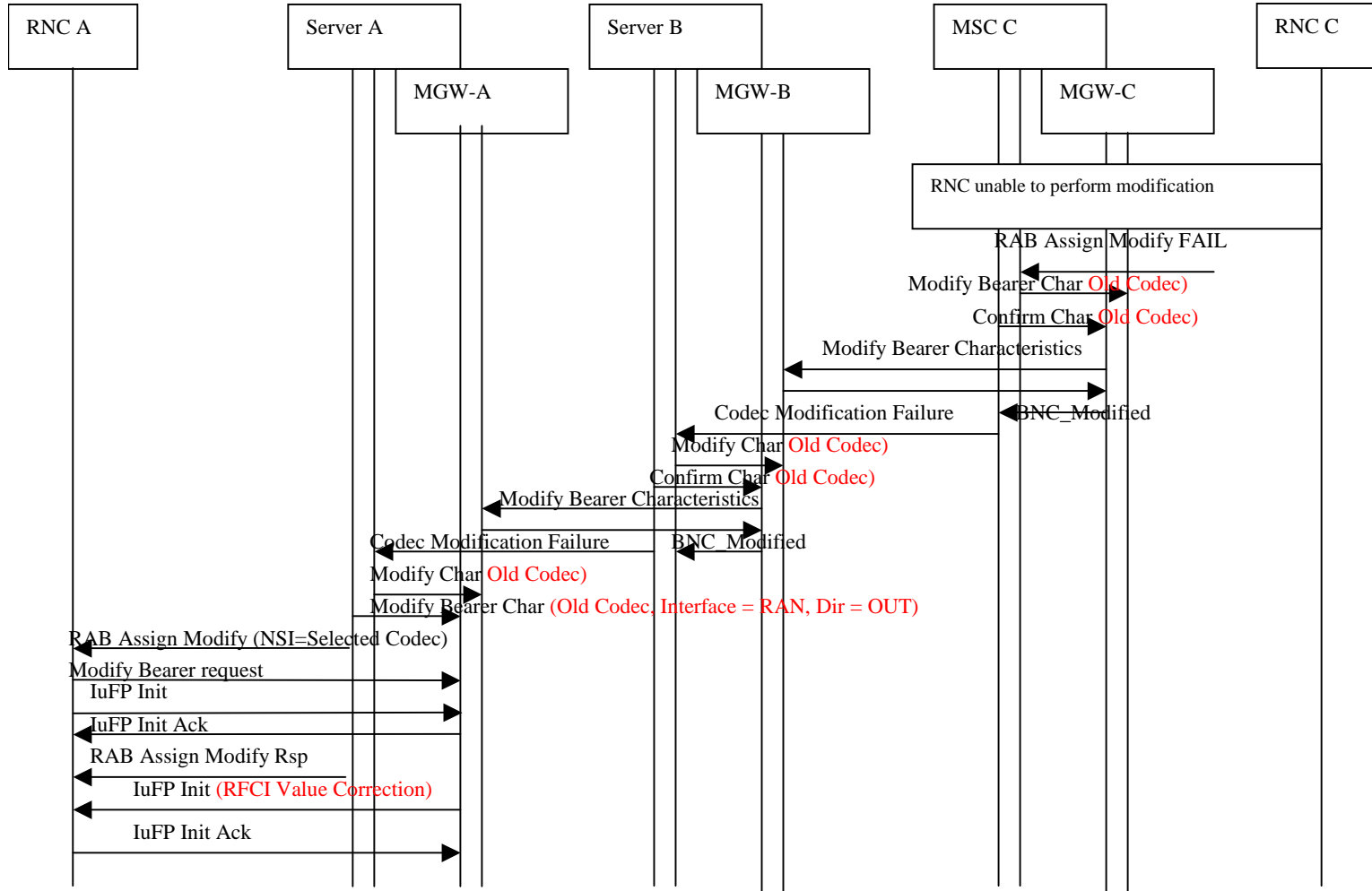


Figure5.8.5/2: Call Sequence for Unsuccessful Modification. Call Flow Part 2

5.9 DTMF Handling For TrFO Connections

DTMF from the UE is sent via DTAP procedures out-band. For a TrFO call the Originating MSC shall use an out-band DTMF procedure, all CN nodes shall support this procedure in their call control protocol. The out-band DTMF procedure shall also be used when TrFO is not achieved in order that TFO is possible. Insertion of DTMF in the PCM payload can result in the break of the TFO connection.

For terminating calls DTMF may need to be received by the core network (for voice-prompted services, voicemail control procedures etc). If the DTMF is received out-band then out-band procedures shall be maintained in core network.

If the DTMF is received for a TrFO call from an external network inband, in I.366.2 profile or RTP payload type, then the gateway MGW which interworks between Iu Framing and the external framing protocol shall report the DTMF tones via H.248 procedures to its server. The server shall then use out-band procedures to pass the DTMF through the CN. See Figure 5.9/1.

The same shall apply if a DTMF tone is received for a TrFO call from an external network inband in a PCM coded stream. The DTMF tone shall be detected by the MGW and reported via H.248 procedures to its server. In order to prevent duplication of DTMF tones due to subsequent PCM legs in the call, when encoding to compressed codecs the detected tones shall not be allowed to continue in the compressed stream; the DTMF Digits shall be deleted by the MGW before entering the speech encoding stage.

The MGW may also optionally pass DTMF inband where such an option exists for the Nb interface, and is supported by the proceeding MGW.

Transcoding to default PCM to send DTMF tones shall be avoided for TrFO connections.

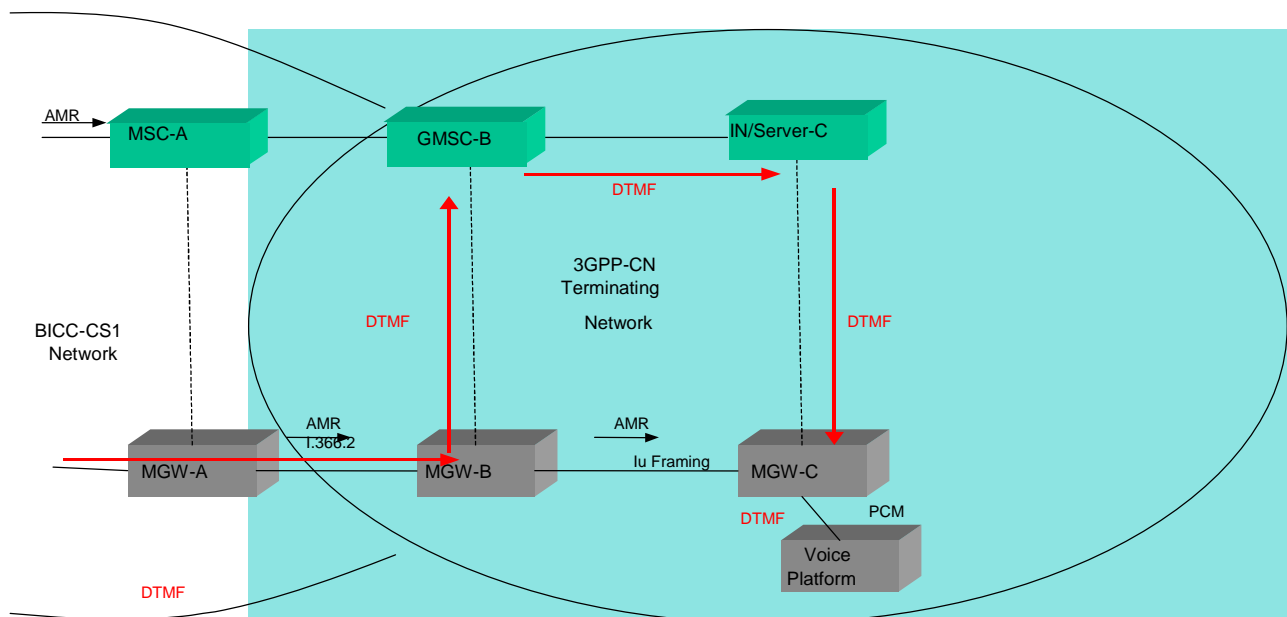


Figure 5.9/1:DTMF received inband from external network

5.10 Framing Protocol for GERAN AoIP mode

AoIP user plane does not use IuFP framing protocol or associated 3GUP procedures. Rate control procedures are performed within RTP.

6 Detailed Call Procedures

6.1 Mobile to Mobile TrFO Call Establishment

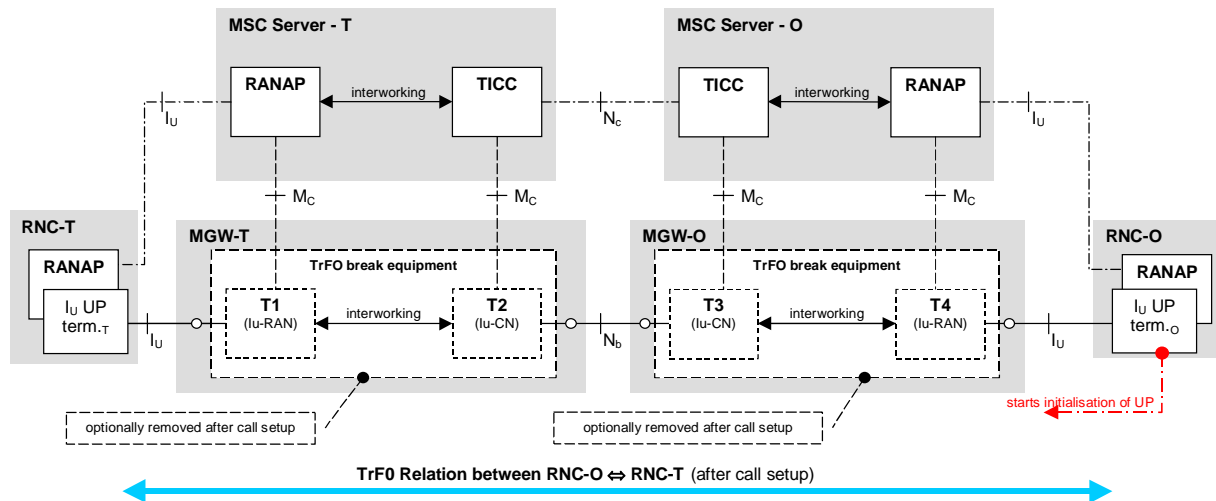


Figure 6.1/1: Configuration during Call Setup of a Mobile to Mobile Call

Following network and protocol entities are involved in the scenario, outlined in Figure 6.1/1:

RNC-T, RNC-O: terminating/originating RNCs.

MSC Server-T, MSC Server-O: MSC Servers, performing service, i.e. codec negotiation.

MGW-T, MGW-O: terminating/originating MGWs with the optional capability to insert/remove so called.

TrFO break equipment (TBEs), i.e. contexts containing an UTRAN- and a CN side I_U Framing termination (**T1** – **T4**), inter-working in a distinct manner on control level. [Note: *context* is meant to be the H.248 specific throughout the document]. It is aimed to design protocols for TrFO in a way, that these pieces of HW can be removed after call setup phase to allow to revert to "simple" AAL2 switching in case of ATM transport.

I_U FP term.T, I_U FP term.o: Terminating- and originating-side TrFO peers (I_U Framing terminations in RNC's in Figure 6.1/1).

RANAP, TICC: C-plane protocol incarnations, responsible for codec negotiation, controlling the respective interfaces (I_U, N_C), creating, modifying, removing etc. terminations and contexts.

The final configuration is (at least logically) an end to end TrFO relation between RNC-T and RNC-O with the option to remove the TBEs from the user data path, i.e. to revert to pure AAL2 switching in case of ATM Transport.

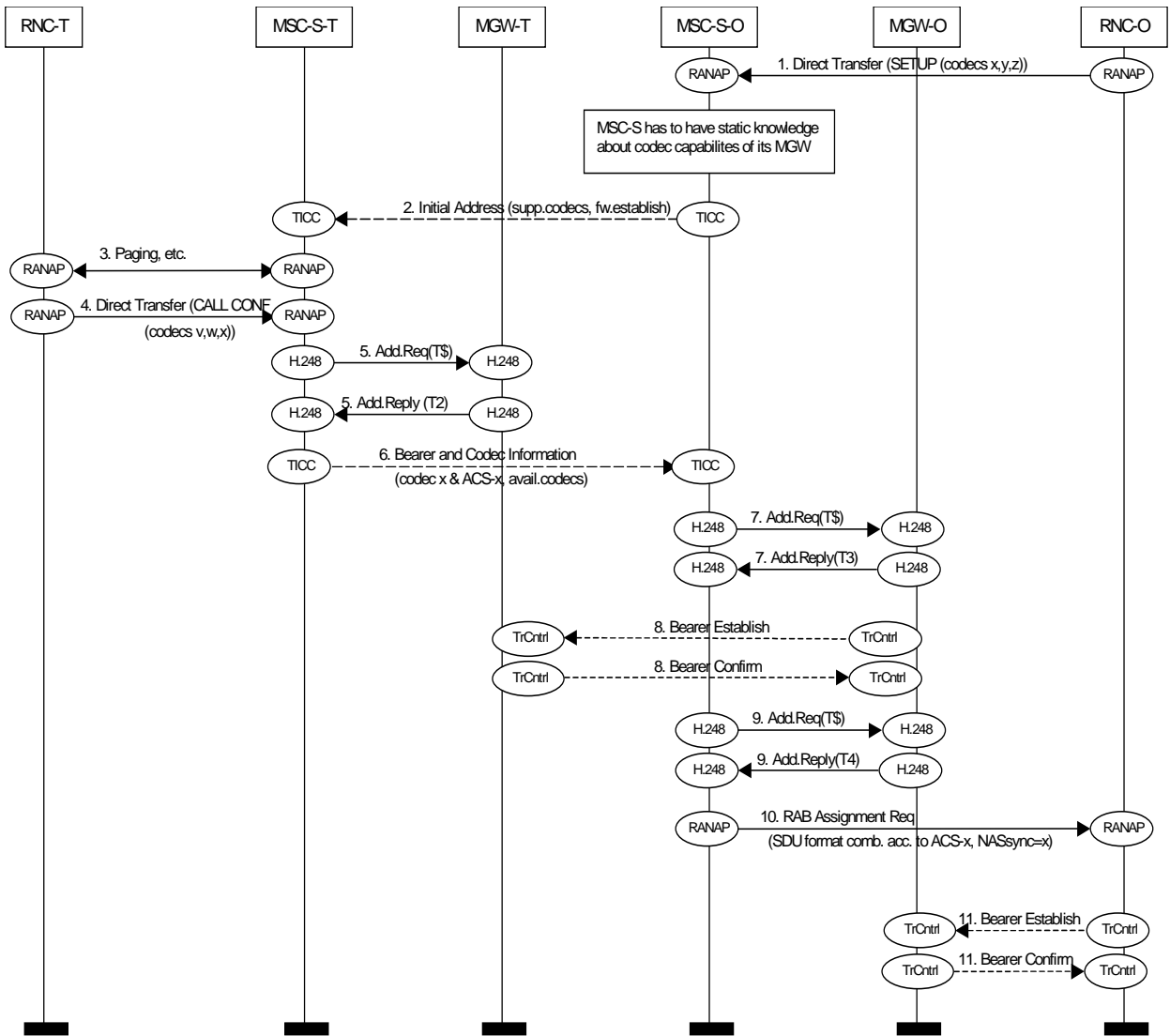


Figure 6.1/2: Call Setup. Mobile to Mobile Call. Message Flow part 1

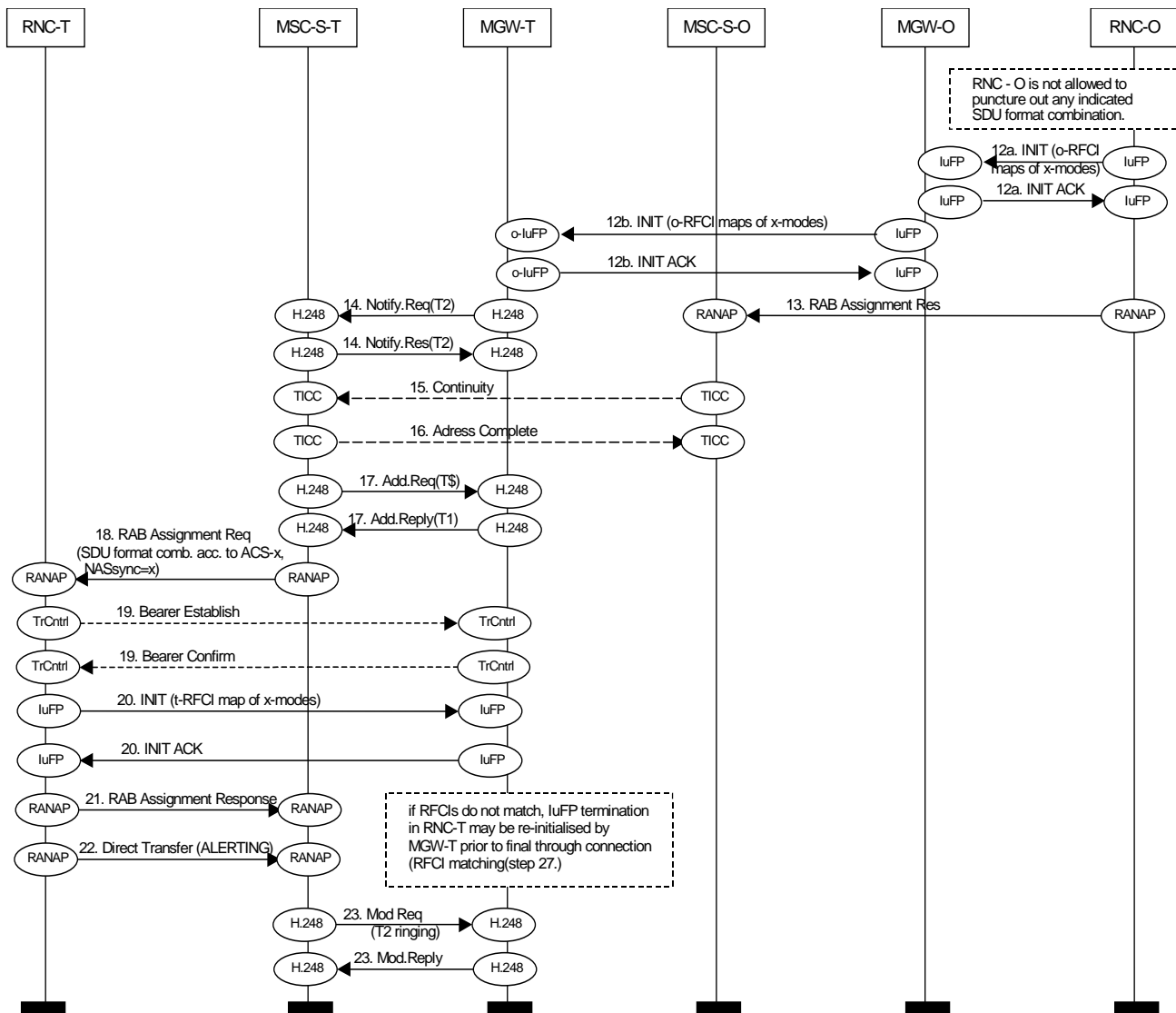


Figure 6.1/3: Call Setup. Mobile to Mobile Call. Message Flow part 2

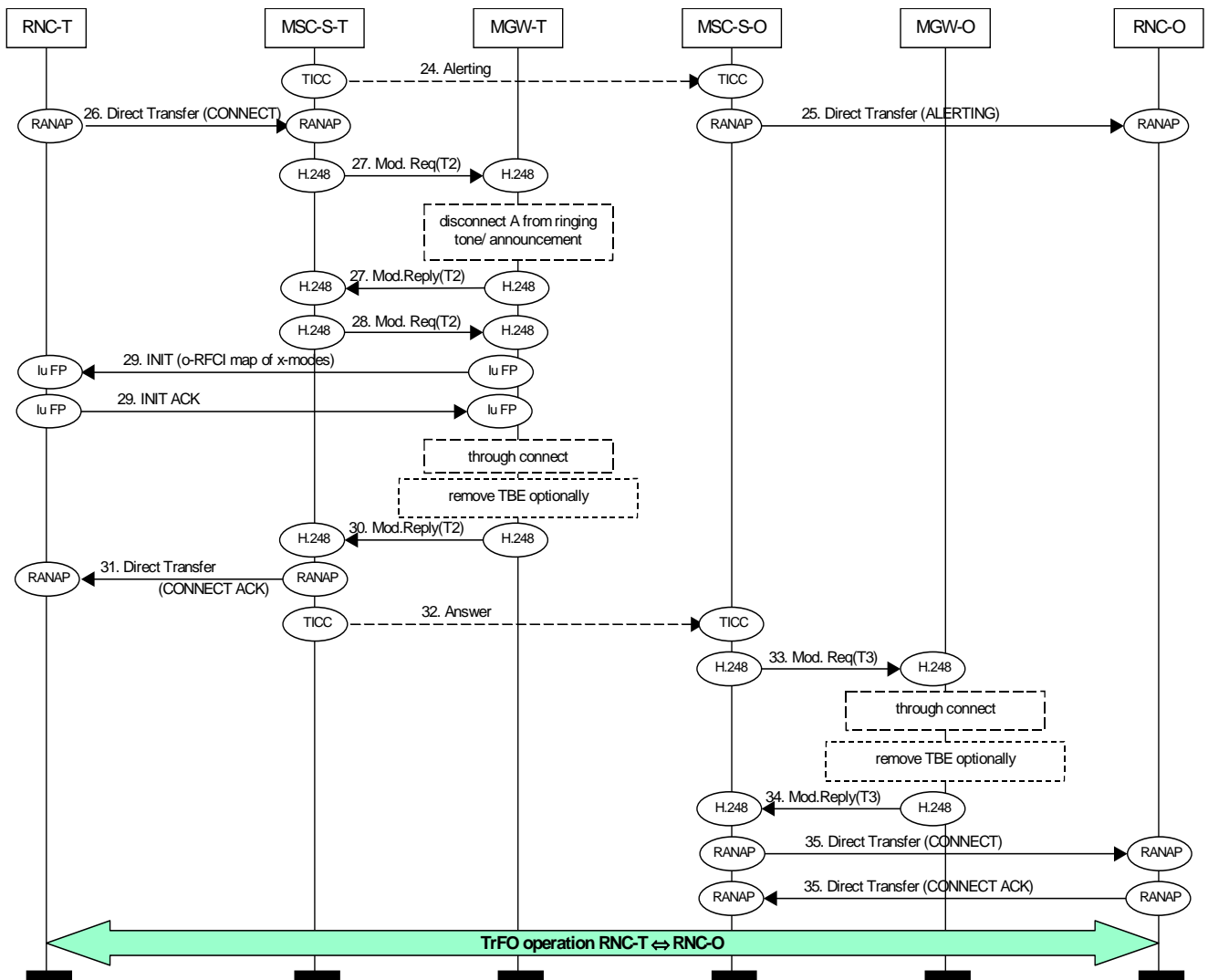


Figure 6.1/4: Call Setup. Mobile to Mobile Call. Message Flow part 3

Codec negotiation

Steps 1. to 6. give the codec negotiation phase. The mobiles inform the network about their capabilities (1. and 4.). Afterwards the MSC-Server performs codec negotiation according to clause 5.6.

Network side bearer establishment

MSC-T/MSC-O shall request seizure of network side bearer terminations with IuFP properties (see steps 5. and 7.). Intermediate CN nodes that may perform certain service interactions (e.g. IN nodes) have to seize terminations with IuFP properties as well.

RAB Assignment

RAN side terminations with IuFP property have to be seized (9. and 17.) before sending RAB Assignment (steps 10. and 18.), that contains RAB parameters according to the selected codec and the negotiated ACS. In addition, the respective NAS synchronisation indicator shall be included.

6.2 SRNS Relocation during TrFO

In order to maintain TrFO connection in SRNS Relocation, procedures specified in 3GPP TS 23.205 [8] and 3GPP TS 23.009 [11] for "Intra-MSC SRNS Relocation" or "Inter-MSC SRNS Relocation" shall be followed. Note that the "Intra-MSC SRNS Relocation" procedure can also be used for relocation between RNCs connected to different 3G MSCs (see 3GPP TS 23.009 [11], clause 1, "Flexible Iu interface for handover/relocation" option and "Intra domain connection of RAN nodes to multiple CN nodes" option).

6.2.1 Intra-MSC SRNS Relocation

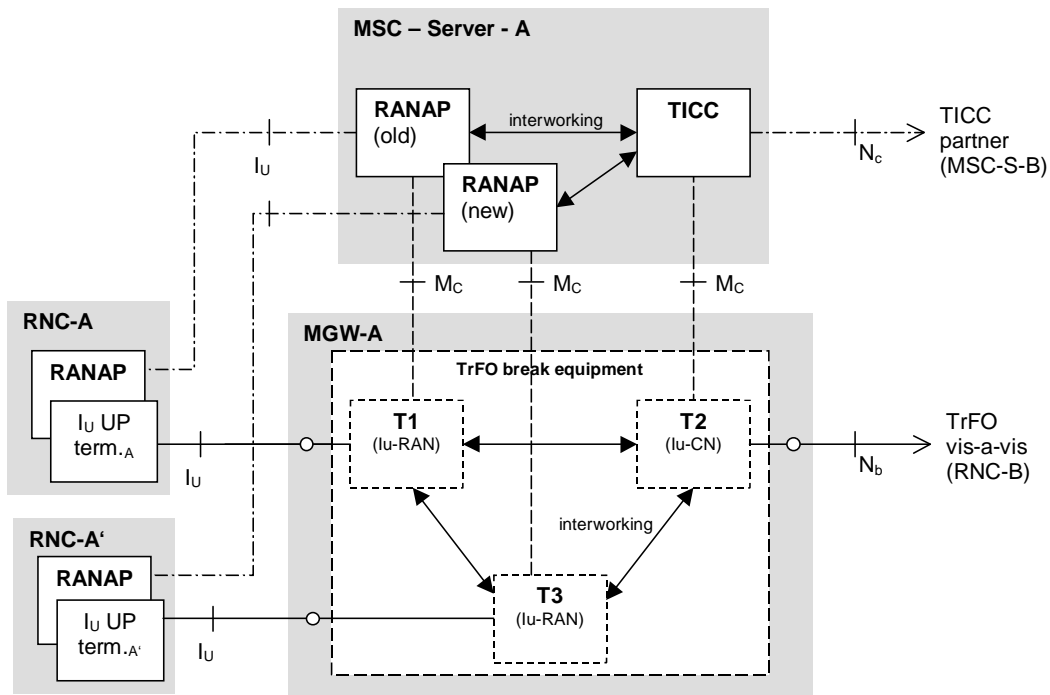


Figure 6.2/1: Configuration during intra-MSC SRNS Relocation

Figure 6.1/1 shows the configuration during intra-MSC SRNS relocation. After setting up the new I_U interface (towards RNC-A') until releasing the old one, the original TrFO relation (A↔B) and the target TrFO relation (A'↔B) exist in parallel. Within the respective context (TBE) interworking between T1, T2 and T3 is necessary:

T3 will receive initialisation from RNC-A'.

T2 shall hide initialisation performed on I_{U,A'} from RNC-B.

If the option to remove the TBE was applied after call setup, the whole context (TBE) needs to be inserted prior to performing SRNS Relocation. Initialisation data need to be available within MGW-A. After Relocation, the context (TBE) may be removed again, i.e. the MGW-A again acts as a pure AAL2 switch.

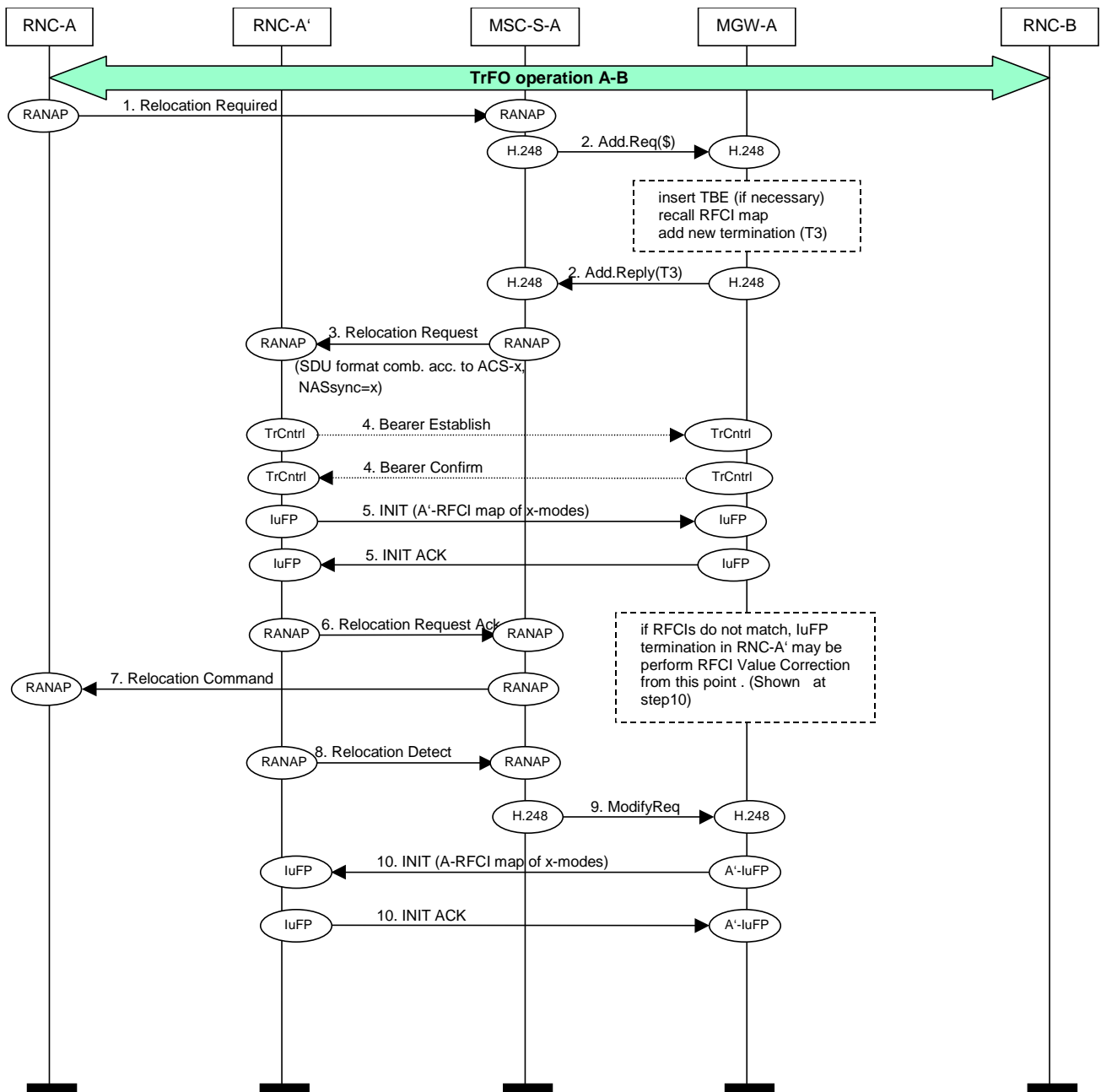


Figure 6.2/2: Intra-MSC SRNS Relocation and TrFO. Flow chart part 1

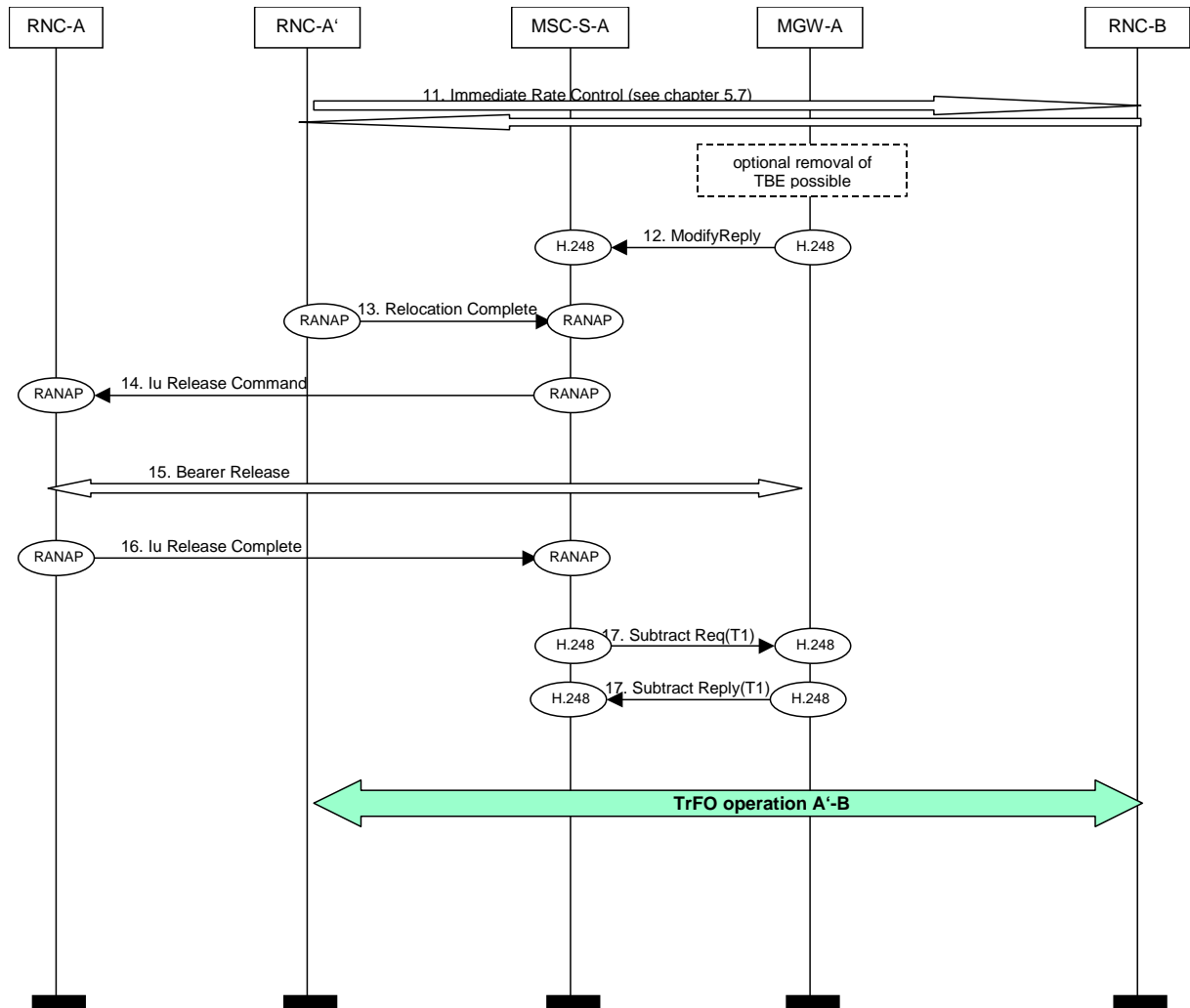


Figure 6.2/3: Intra-MSC SRNS Relocation and TrFO. Flow chart part 2

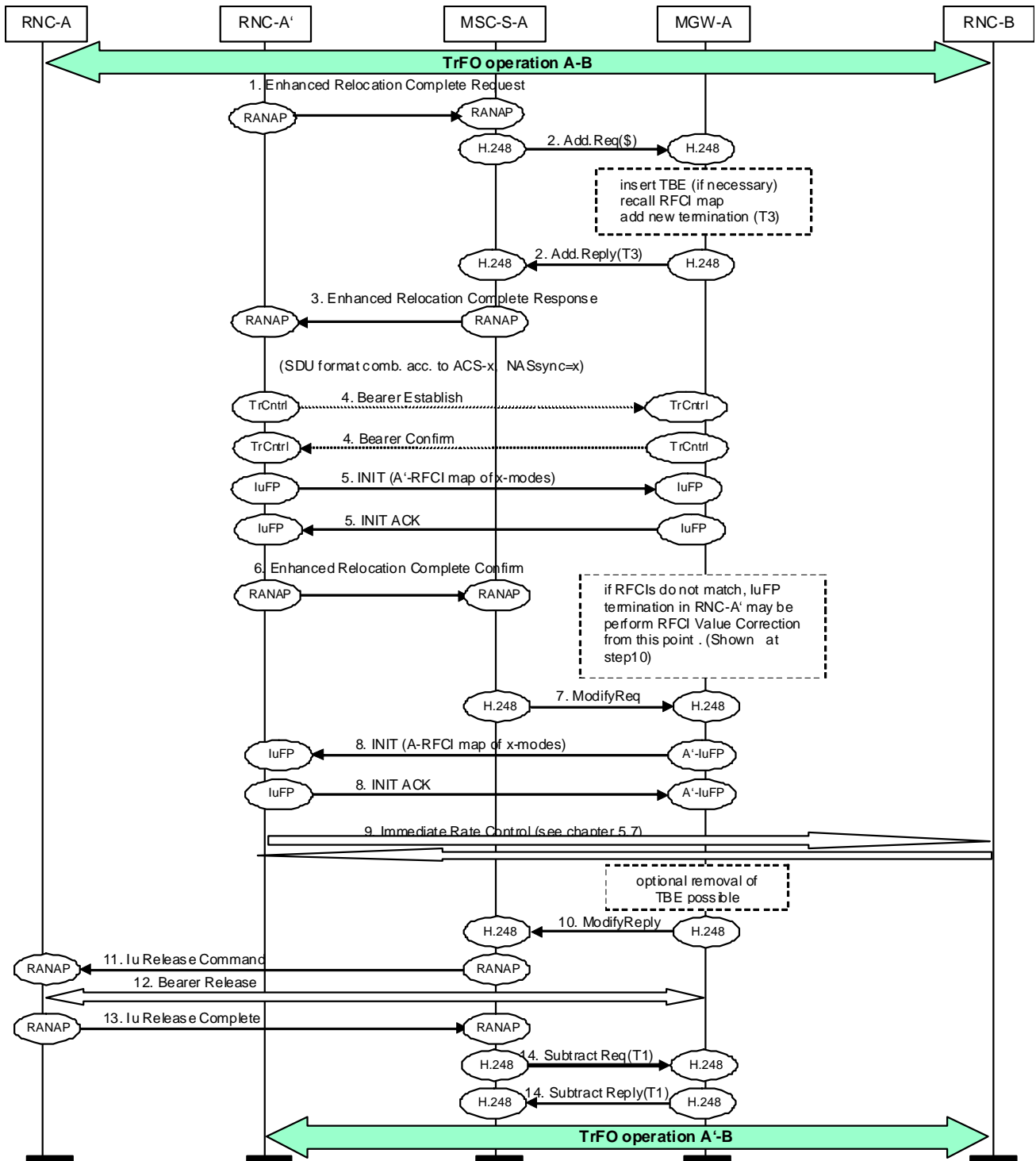


Figure 6.2/3: Intra-MSC enhanced SRNS Relocation and TrFO. Flow chart

RAB Assignment on the new Iu leg:

A RAN side terminations with IuFP property (T3) has to be added to the already seized call context (step 2.) before sending Relocation Request (4.), that contains all the RAB parameters already applied on the Iu leg towards RNC-A.

UP initialisation

RNC-A' shall accept the requested set of codec modes and is not allowed to puncture out any negotiated mode. The INIT frames shall be according to the RAB parameters received.

At reception of an INIT frame from the new RNC, the termination at MGW-A shall not perform forwarding of the IuFP initialisation. The MGW shall check whether the received RFCI allocations match the stored RFCI allocation. If it does not match, it may re-initialise the IuFP towards RNC-A' at this point in time.

Removal of TrFO Break Equipment (TBE)

If the MGW supports the removal of TBEs, it shall insert the TBE before seizing the additional termination. It may again remove the TBE after performing RFCI matching and through-connection of the new termination and the termination to the far end party.

6.2.2 Inter-MSC SRNS Relocation

The following figures are describing inter-MSC SRNS relocation. The figures are a combination of figure 6.2/1 for intra-MSC SRNS relocation and of figures 8.4/1 and 8.4/2 in 3GPP TS 23.205 [8].

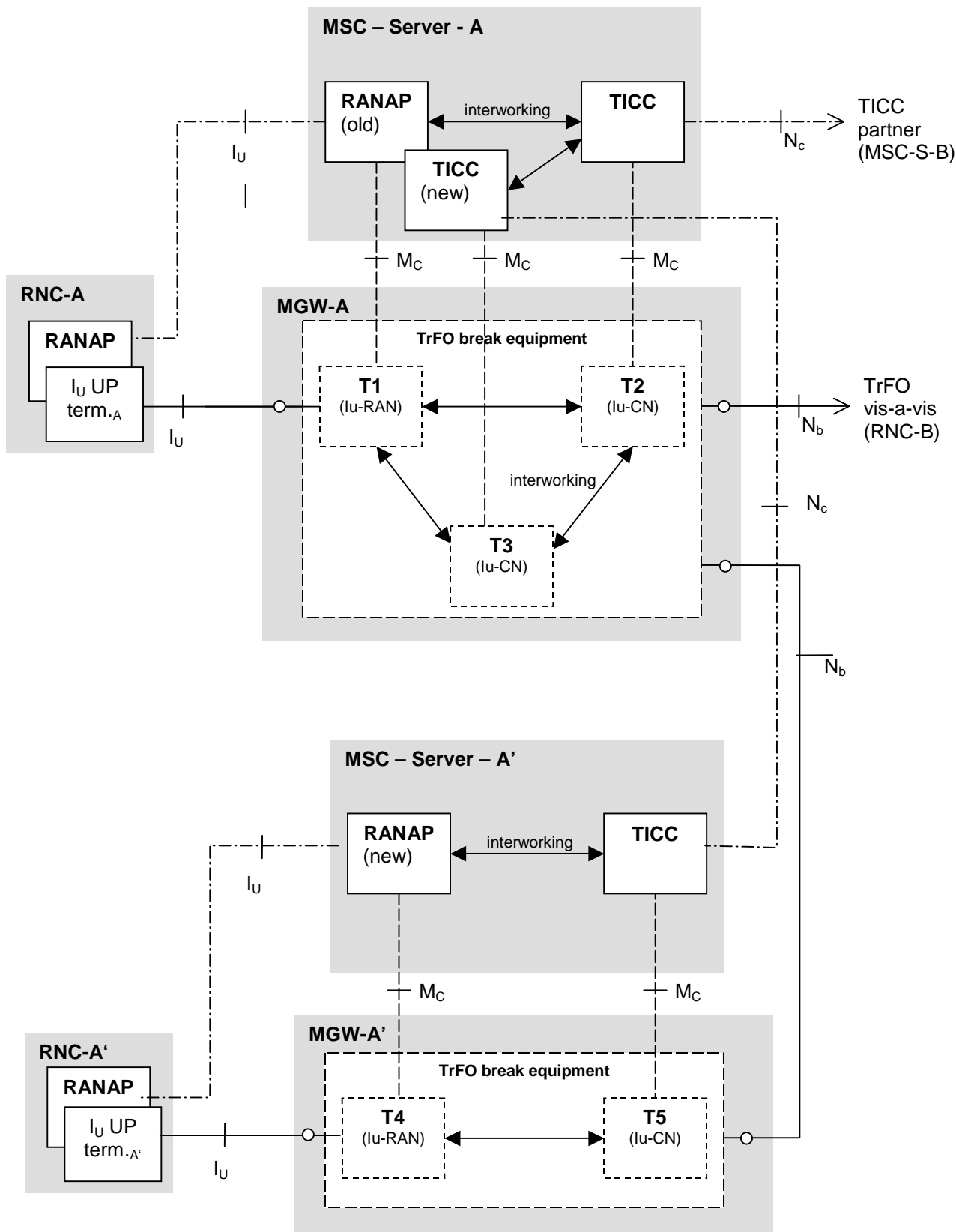


Figure 6.2/4: Configuration during inter-MSC SRNS Relocation

Figure 6.2/4 shows the configuration during inter-MSC SRNS relocation. After setting up the new I_U interface (towards RNC-A') until releasing the old one, the original TrFO relation (A↔B) and the target TrFO relation (A'↔B) exist in

parallel. Within the respective contexts (TBE) interworking between T4 and T5 at MGW-A' and T1, T2 and T3 at MGW-A are necessary:

T3 (MGW-A) shall perform initialisation towards MGW-A'.

T4 (MGW-A') will receive initialisation from RNC-A'.

T5 (MGW-A') shall hide initialisation performed on I_{U,A'} from MGW-A and RNC-B.

If the option to remove the TBE was applied in MGW-A after call setup, the whole context (TBE) needs to be inserted prior to performing inter-MSC SRNS Relocation. Initialisation data need to be available within MGW-A. After Relocation, the context (TBE) may be removed again.

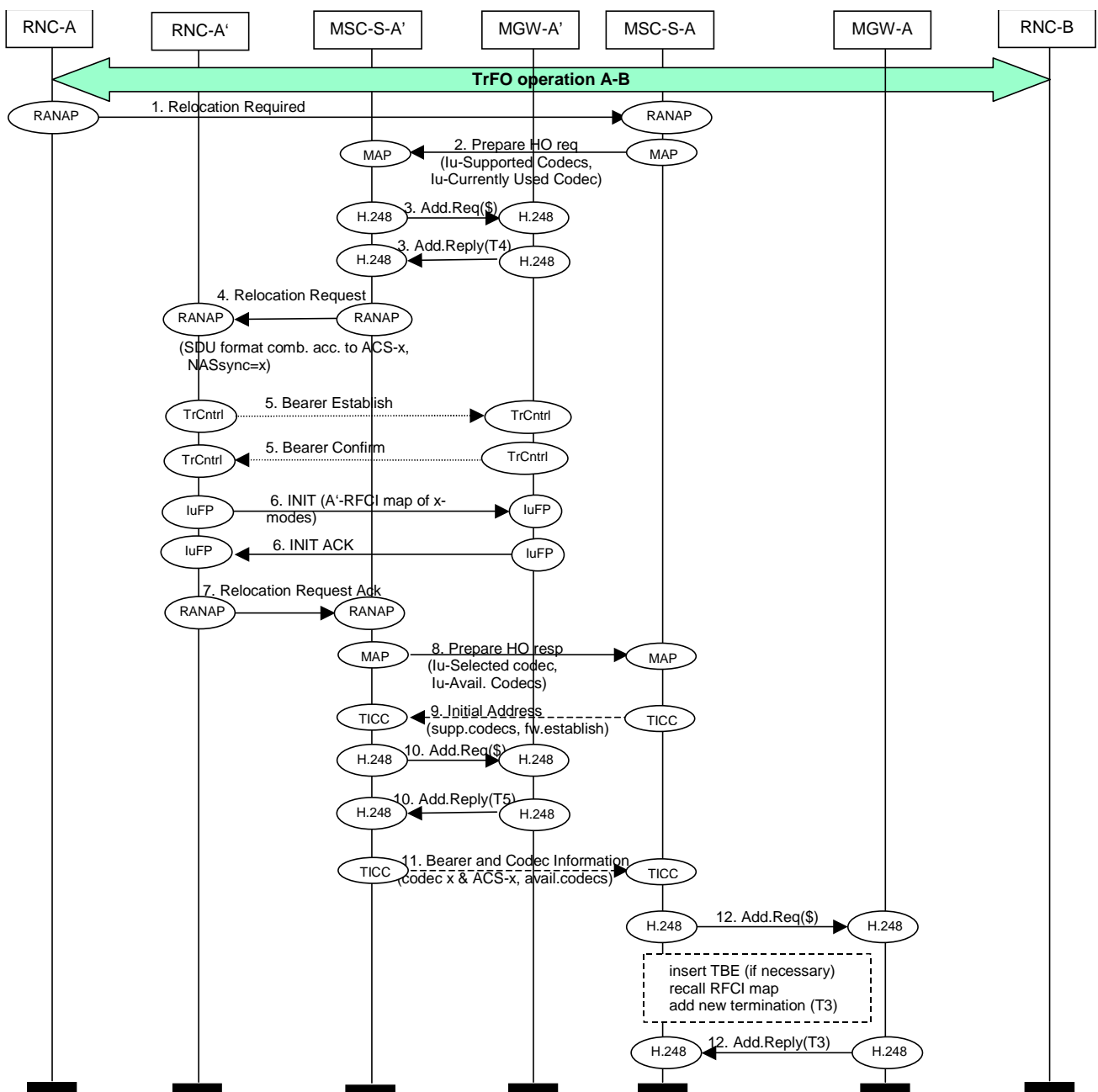
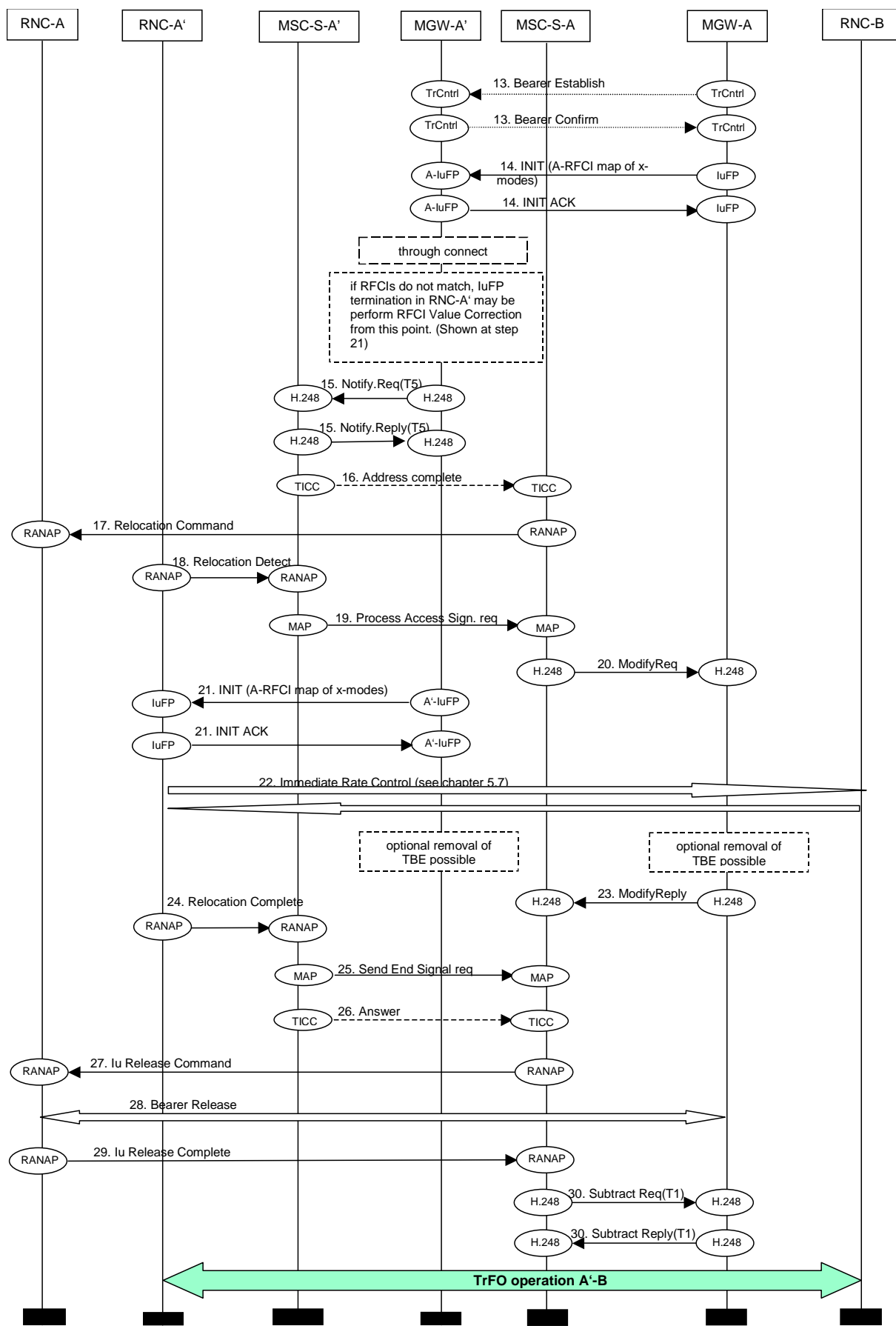


Figure 6.2/5: Inter-MSC SRNS Relocation and TrFO. Flow chart part 1



Note: There can be interim network transit nodes between MSC-A and MSC-A'

Figure 6.2/6: Inter-MSC SRNS Relocation and TrFO. Flow chart part 2

RAB Assignment on the new Iu leg:

A RAN side termination with IuFP property (T4 (MSC-A')) has to be seized (step 3.) before sending Relocation Request (4.), that contains all the RAB parameters already applied on the Iu leg towards RNC-A.

MAP signalling for handover and codec negotiation

The MSC-A server shall include an Iu-Supported Codecs List and an Iu-Currently Used Codec in the MAP Prepare Handover request. When selecting the order of priority for the codecs within the Iu-Supported Codecs List, MSC-A shall take the Available Codecs List (BICC) negotiated with the far end party into account.

If the MSC-A server supports GERAN AoIP-mode then it may insert an AoIP-Supported Codecs List (Anchor) (MAP) in the MAP Prepare Handover Request message to allow MSC-A' to use this information during a subsequent intra-MSC handover to GERAN AoIP-mode, see Clause 6.14.1.

NOTE: the full list of codec types supported by the UE and the anchor MSC for GERAN access is included in Radio Resource Information IE in MAP Prepare Handover Request message.

MSC-A' shall include in the MAP Prepare Handover response the Iu-Selected codec and the Iu-Available Codecs List, i.e. the list of codecs available at the Iu interface in MSC-A' after handover.

Network side bearer establishment and codec handling

The handling of the bearer establishment between MSC-A and MSC-A' shall be performed as for a normal call with OoBTC. For a speech bearer, the MSC-A server shall perform a call set-up with codec negotiation towards the MSC-A' server, using a Supported Codec List (BICC) containing:

- a) optionally, the Iu-Selected codec (MAP) (negotiated with MSC-A' during the MAP E-interface signalling) if it is different from list item b;

NOTE 1: This codec can be included as the preferred codec, if MSC-A knows by means of configuration information that all nodes of the network support OoBTC, or TrFO/TFO interworking and TFO, including codec mismatch resolution. If this codec does not match the Selected Codec (BICC), but is eventually selected for the network side bearer to the target MSC (MSC-A'), then either MSC-A must transcode at the anchor MGW or MSC-A will need to trigger a codec modification to the far end. Given that the anchor MSC cannot trigger all these changes at once, it must first establish the network side bearer – i.e. insert a transcoder at the anchor MGW and then trigger the codec modification to the far end as a second step.

- b) the Selected codec (BICC), previously selected for the leg towards the far end party;

NOTE 2: This codec is preferred, if the anchor MSC-A does not know by means of configuration information if all nodes in the network support OoBTC, or TrFO/TFO interworking and TFO, including codec mismatch resolution. This is also the best codec to be selected if the goal is to avoid additional transcoding in MSC-A or a codec modification from MSC-A towards the far end party.

- c) the default PCM codec;
- d) optionally, further codecs from the Iu-Supported Codecs List (MAP) that are applicable to the target radio access, e.g. the Iu-Selected codec (MAP), if it is not already included according to list item a or b; and
- e) optionally, for subsequent inter-RAT intra MSC-A' handover further codecs from the Available Codec List (BICC) that are applicable to other radio access types.

For UDI/RDI multimedia calls with fallback and service change according to 3GPP TS 23.172 [17], the Supported Codecs List (BICC) shall contain the multimedia dummy codec and the Available Codecs List (BICC) can contain this codec (see [17], clause 4.3.7). If the MSC-A server wants to establish a bearer for the multimedia dummy codec, it shall include this codec as the preferred codec.

If MSC-A' receives a Supported Codec List (BICC) with the IAM message, MSC-A' shall select a codec from this list, taking the Iu-Selected codec and the priorities expressed by the order of the codecs in the Supported Codec List (BICC) into account.

NOTE 3: Usually, selection of the preferred codec of the Supported Codec List (BICC) will result in the best speech quality or best transcoder location or both; however, e.g. if MSC-A' knows by means of configuration information that OoBTC is not supported on some links in the network, and some nodes in the network are not supporting the creation of a "structured" Supported Codec List (BICC) as specified in clause 9.7.2, MSC-A' can select another codec, e.g. the Iu-Selected codec or the default PCM codec.

If MSC-A' selects the default PCM codec, or if MSC-A' receives an IAM message without a Supported Codec List (BICC), MSC-A' shall insert a transcoder in MGW-A'.

If the Selected Codec (BICC) received by MSC-A in response to the BICC codec negotiation towards the target MSC (MSC-A') is different from the current Selected Codec (BICC) used towards the far end, the MSC-A shall insert a transcoder in MGW-A.

MSC-A/MSC-A' shall request seizure of network side bearer terminations with IuFP properties (see steps 10. and 12.). MSC-A' shall send the Address Complete message only after MGW-A' has indicated the successful initialisation of the IuFP (step 15.).

Additionally, when the bearer between MGW-A and MGW-A' was established successfully, MSC-A may initiate a codec modification or mid-call codec negotiation as described in Annex A.

UP initialisation

RNC-A' shall accept the requested set of codec modes and is not allowed to puncture out any negotiated mode. The INIT frames shall be according to the RAB parameters received.

MSC-A' shall request seizure of network side bearer terminations with IuFP properties.

At reception of an INIT frame from the new RNC, the termination at MGW-A' shall not perform forwarding of the IuFP initialisation. When the NbFP has been initialised from MGW-A towards MGW-A', the MGW-A' shall check whether the received RFCI allocations match the stored RFCI allocation. If it does not match, the MGW-A' may re-initialise the IuFP towards RNC-A' at this point in time.

Removal of TrFO Break Equipment (TBE)

If the MGW-A supports the removal of TBEs, it shall insert the TBE before seizing the additional termination. It may again remove the TBE after through-connection of the new termination and the termination to the far end party.

If the MGW-A' supports the removal of TBEs, it may remove the TBE after performing RFCI matching and through-connection of the terminations.

6.2.3 Codec Modification/ Mid-Call Codec Negotiation after Inter-MSC Relocation

6.2.3.1 Codec Modification Initiated by the Far End Side

Modification of Available Codec List

If after inter-MSC SRNS relocation the anchor MSC (MSC-S-A) receives a "Modification of Available Codec List" procedure from the far end side as described in clause 5.8.2, i.e. the Available Codecs List (BICC) is reduced, the anchor MSC may terminate the procedure at that point or forward the "Modification of Available Codec List" procedure to the serving MSC (MSC-S-A'). I.e. for a modification of the Available Codec List (BICC) without modification of the Selected codec, no MAP signalling is used.

Modification of Selected Codec

If after inter-MSC SRNS relocation the anchor MSC (MSC-S-A) receives a "Modification of Selected Codec" procedure from the far end side as described in clause 5.8.1, and both the old and the new Selected Codec (BICC) are speech codecs, the anchor MSC may terminate the codec modification procedure, inserting a transcoder if required. Alternatively, the anchor MSC may forward the request to modify the codec to the serving MSC (MSC-S-A'), using the procedure described below.

NOTE: The anchor MSC may decide to forward the request to the serving MSC (MSC-S-A'), e.g. when the new Selected Codec (BICC) for the call leg between the anchor MSC and the far end side was included in the Iu-Available Codec List previously received from the serving MSC, and it is possible to (re-)establish TrFO end-to-end from the far end side up to the serving MSC.

If the anchor MSC (MSC-S-A) receives a "Modification of Selected Codec" procedure from the far end side as described in clause 5.8.1, and either the old or the new Selected Codec (BICC) is the multimedia dummy codec, i.e. the far end side requests a service change between speech and multimedia, and the Available Codecs List (BICC) previously negotiated between the anchor MSC and the serving MSC (MSC-S-A') indicates that the service change is supported end-to-end, the anchor MSC shall forward the request to modify the radio access bearer to the serving MSC (MSC-S-A') and then perform a codec modification procedure for the Nb/Nc interface towards the serving MSC (MSC-S-A'). If the service change cannot be performed successfully, the anchor MSC shall reject the request for codec modification towards the far end party.

An example call sequence for the modification of the selected speech codec is shown in figures 6.2/7 and 6.2/8. The configuration depicted in figure 6.2/4 applies.

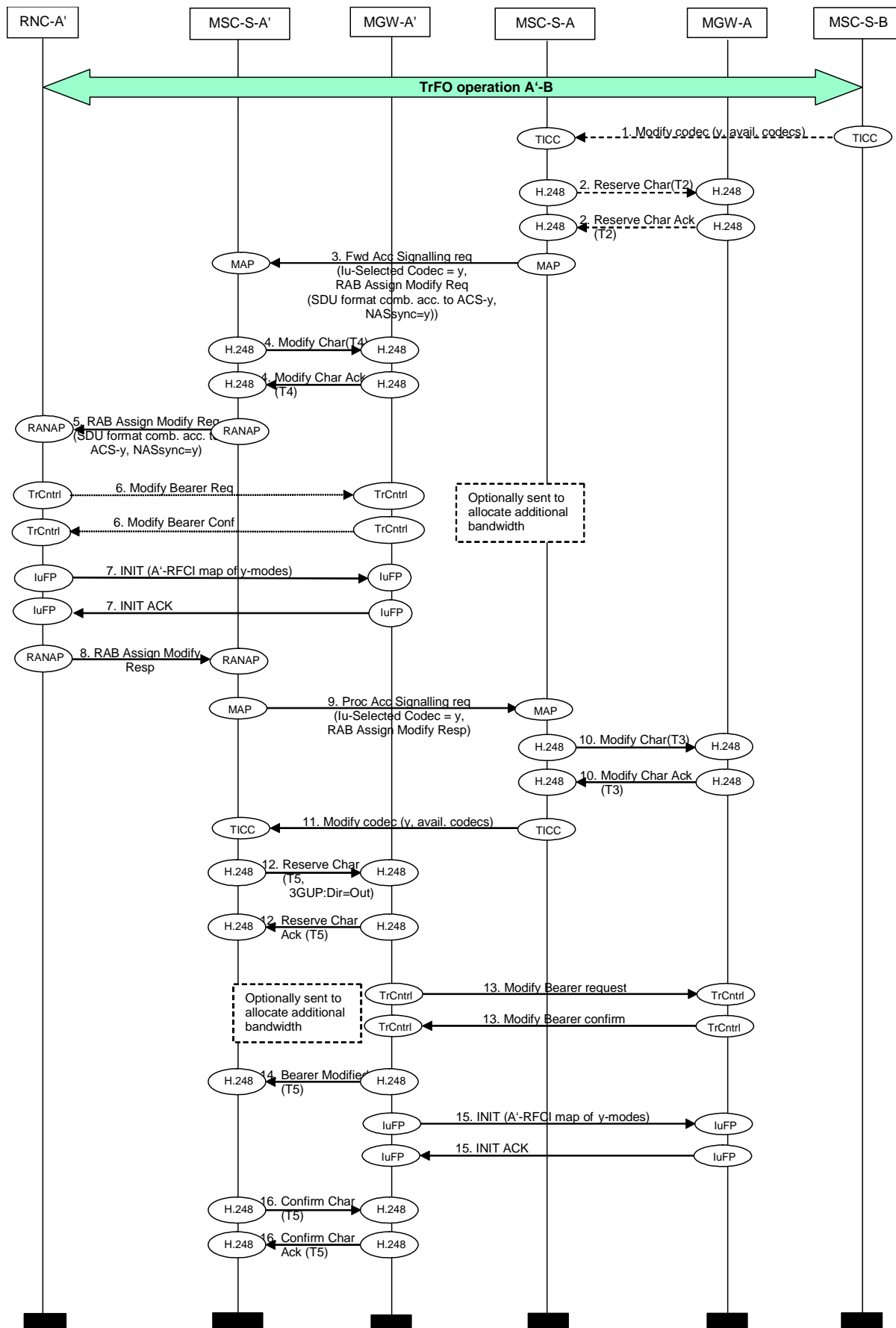
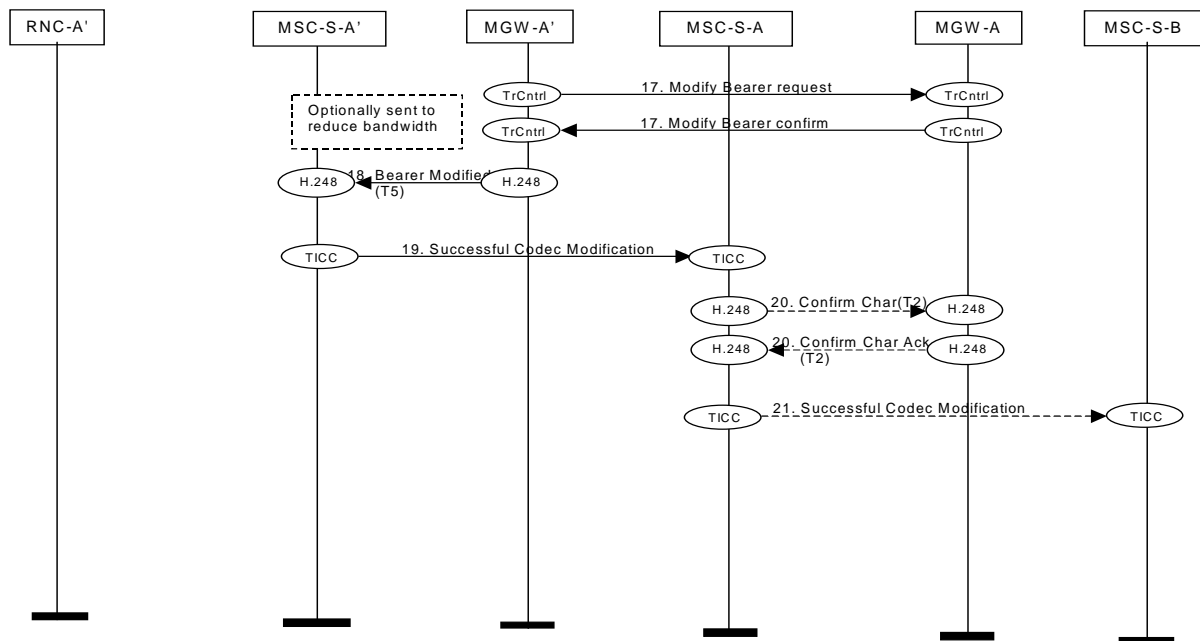


Figure 6.2/7: Codec modification after Inter-MSC SRNS Relocation. Flow Chart Part 1.



Note: There can be interim network transit nodes between MSC-A and MSC-A'

Figure 6.2/8: Codec modification after Inter-MSC SRNS Relocation. Flow Chart Part 2.

If the anchor MSC (MSC-S-A) wants to forward the modification of the codec used towards the UE and the serving MSC (MSC-S-A') from one speech codec to another speech codec within the Iu-Available Codecs List, it shall apply the following procedure:

The anchor MSC shall send a MAP Forward Access Signalling request (3) containing the new Iu-Selected Codec and the corresponding RAB Assign Modify Request message to the serving MSC (MSC-S-A').

On reception of the MAP Forward Access Signalling request (3) the serving MSC (MSC-S-A') shall configure the attached MGW-A' for the new codec and trigger the "RAB Assign Modify" procedure (5-8) towards the RNC-A'. When the serving MSC receives the RAB Assign Modify Response message (8), it shall send a MAP Process Access Signalling Request (9) containing the RAB Assign Modify Response and the Iu-Selected codec to the anchor MSC (MSC-S-A).

When the anchor MSC (MSC-S-A) receives the MAP Process Access Signalling Request (9), it shall start the codec modification procedure (11-19) for the Nb/Nc interface towards the serving MSC (MSC-S-A'), as described in clause 5.8.1. If the anchor MSC needs to change also the Available Codecs List (BICC), it shall additionally initiate a procedure as described in clause 5.8.2.

When receiving the "Modify Codec" request (11), the serving MSC (MSC-S-A') shall not reconfigure the RAN and shall configure the attached MGW-A' to initiate an Nb framing protocol initiation towards MGW-A.

If the anchor MSC (MSC-S-A) needs to perform a service change from multimedia to speech, it shall send a MAP Forward Access Signalling request (3) containing the Iu-Supported Codecs List and the corresponding RAB Assign Modify Request message to the serving MSC (MSC-S-A'). After successful modification of the RAB, on reception of the MAP Process Access Signalling Request (9) the anchor MSC (MSC-S-A) shall start the codec modification procedure (11-19) for the Nb/Nc interface towards the serving MSC (MSC-S-A'), as described in clause 5.8.1.

If the anchor MSC (MSC-S-A) needs to perform a service change from speech to multimedia, it shall send a MAP Forward Access Signalling request (3) containing the corresponding RAB Assign Modify Request message for a data bearer, but no Iu-Selected Codec to the serving MSC (MSC-S-A'). After successful modification of the RAB, on reception of the MAP Process Access Signalling Request (9) the anchor MSC (MSC-S-A) shall start the codec

modification procedure (11-19) for the Nb/Nc interface towards the serving MSC (MSC-S-A'), as described in clause 5.8.1.

Unsuccessful Codec Modification in the Serving MSC

After receipt of MAP Forward Access Signalling request (3), if the modification to the new Iu-Selected codec is not possible, e.g. because necessary resources are temporarily unavailable in the serving cell or in MGW-A', or the RAN does not support the "RAB Assign Modify" procedure, the serving MSC (MSC-S-A') shall keep the old codec and the corresponding RAB configuration and shall send a MAP Process Access Signalling request, containing a RAB Assign Modify Response ("failed to modify") message, to the anchor MSC (MSC-S-A). If the anchor MSC detects that the RAB modification failed, it shall abort the codec modification procedure towards the serving MSC and shall complete the codec modification procedure towards the far end side.

Unsuccessful BICC Codec Modification between Anchor MSC and Serving MSC

After receipt of a MAP Process Access Signalling Request, containing a RAB Assign Modify Response ("success") message, if the subsequent BICC codec modification procedure between anchor MSC and serving MSC fails due to a MGW rejecting a request to reserve the resources or a server rejecting the request to modify the codec, the anchor MSC shall change the codec used at the Iu interface back by sending a MAP Forward Access Signalling request containing the previous Iu-Selected Codec to the serving MSC (MSC-S-A'). After receipt of the confirmation that the previous codec has been restored at the Iu interface, the anchor MSC shall complete the codec modification procedure towards the far end side.

6.2.3.2 Mid-Call Codec Negotiation Initiated by the Far End Side

If after inter-MSC SRNS relocation the anchor MSC receives a "Mid-call Codec Negotiation" procedure from the far end side as described in clause 5.8.3, and both the old and the new Selected Codec (BICC) are speech codecs, the anchor MSC may terminate the mid-call codec negotiation procedure, inserting a transcoder if required. Alternatively, if the new Selected Codec (BICC) was included in the last Iu-Available Codec List sent by the serving MSC (MSC-S-A') the anchor MSC may forward the request to the serving MSC (MSC-S-A'), using the procedure described below.

If the anchor MSC (MSC-S-A) receives a "Mid-call Codec Negotiation" procedure from the far end side as described in clause 5.8.3, and either the old or the new Selected Codec (BICC) is the multimedia dummy codec, i.e. the far end side requests a service change between speech and multimedia, and the Available Codecs List (BICC) previously negotiated between the anchor MSC and the serving MSC (MSC-S-A') indicates that the service change is supported end-to-end, the anchor MSC shall forward the request to modify the radio access bearer to the serving MSC (MSC-S-A') and then perform a mid-call codec negotiation procedure for the Nb/Nc interface towards the serving MSC (MSC-S-A'). If the service change between speech and multimedia cannot be performed successfully, the anchor MSC shall reject the request for mid-call codec negotiation towards the far end party.

An example call sequence for the mid-call codec negotiation of speech codecs is shown in figures 6.2/9 and 6.2/10. The configuration depicted in figure 6.2/4 applies.

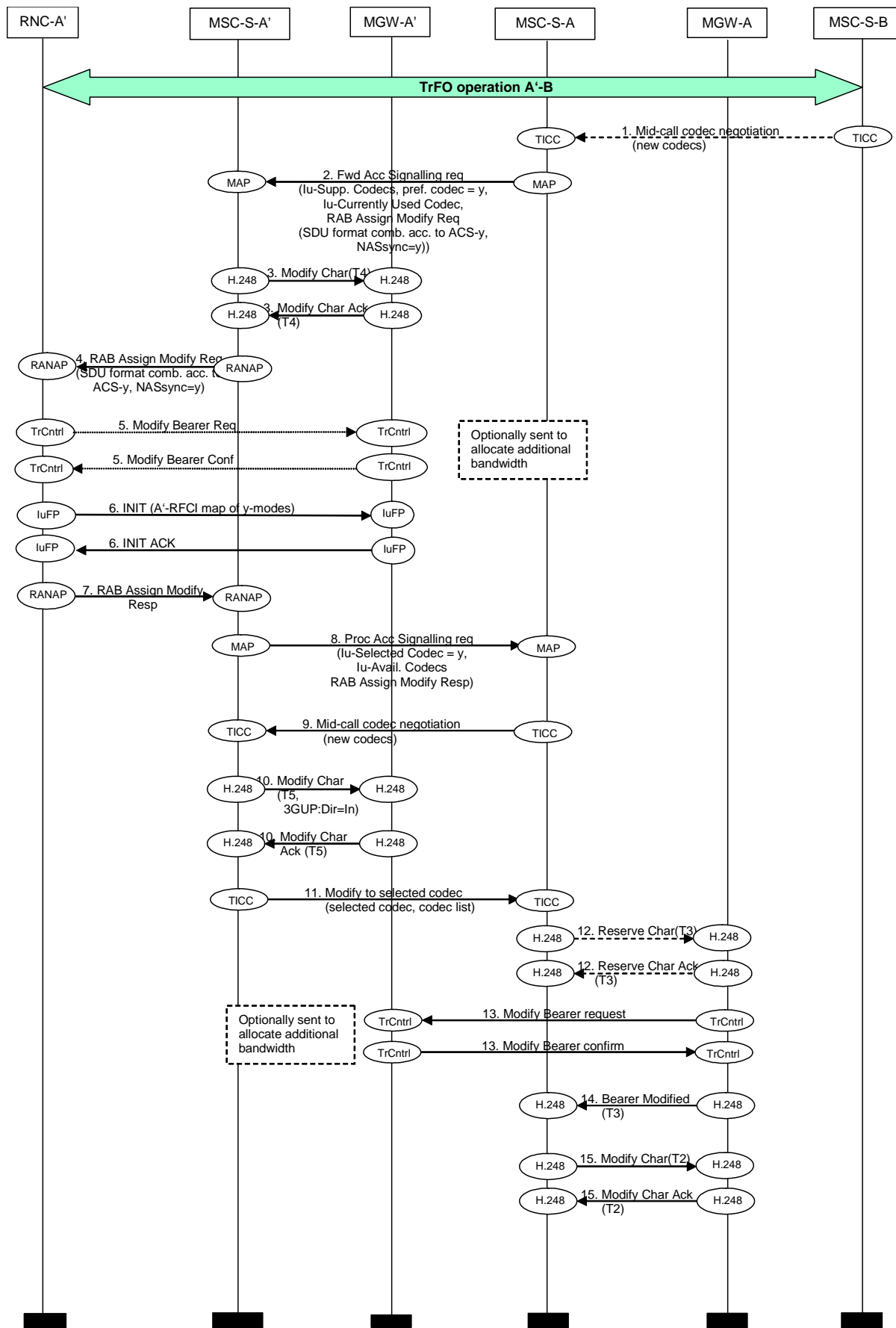
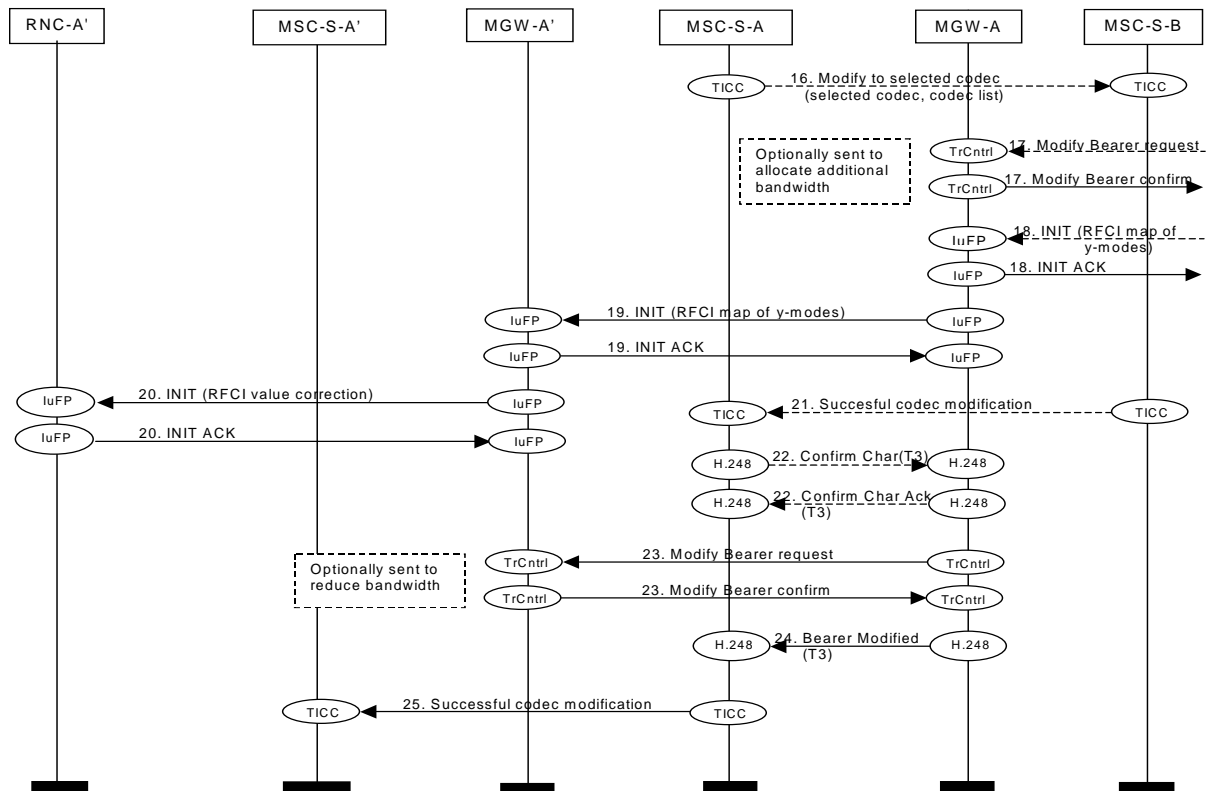


Figure 6.2/9: Mid-call codec negotiation after Inter-MS-C SRNS Relocation. Flow Chart Part 1.



Note: There can be interim network transit nodes between MSC-A and MSC-A'

Figure 6.2/10: Mid-call codec negotiation after Inter-MSC SRNS Relocation. Flow Chart Part 2.

If the anchor MSC (MSC-S-A) wants to forward the (re-)negotiation of the selected codec and the Available Codecs List (BICC) towards the UE and the serving MSC (MSC-S-A'), it shall apply the following procedure:

The anchor MSC shall send a MAP Forward Access Signalling request (2) containing the new Iu-Supported Codecs List and the corresponding RAB Assign Modify Request to the current serving MSC (MSC-S-A'). When selecting the order of priority for the codecs within the new Iu-Supported Codecs List, the anchor MSC shall take the new Available Codecs List (BICC) negotiated with the far end party into account.

On reception of the MAP Forward Access Signalling request (2) the serving MSC (MSC-S-A') shall select a codec from the Iu-Supported Codecs List, configure the attached MGW-A' for the new codec, and trigger the "RAB Assign Modify" procedure (4-7) towards the RNC-A'. For details concerning the handling of the RAB Assign Modify Request message by MSC-S-A' see 3GPP TS 23.009 [11], clause 13.4.1. When the serving MSC receives the RAB Assign Modify Response message (7), it shall send a MAP Process Access Signalling Request (10) containing the RAB Assign Modify Response, the Iu-Selected codec, and the Iu-Available Codecs List to the anchor MSC (MSC-S-A).

When the anchor MSC (MSC-S-A) receives the MAP Process Access Signalling Request (8), it shall start the mid-call codec negotiation procedure (9-25) for the Nb/Nc interface towards the serving MSC (MSC-S-A'), as described in clause 5.8.

When receiving the "Mid-call codec negotiation" procedure (9), the serving MSC (MSC-S-A') shall not reconfigure the RAN and shall configure the attached MGW-A' to wait for an Nb framing protocol initiation from MGW-A.

Unsuccessful Codec Modification in the Serving MSC

After receipt of MAP Forward Access Signalling request (3), if the modification to the new Iu-Selected codec is not possible, e.g. because necessary resources are temporarily unavailable in the serving cell or in MGW-A', or the RAN does not support the "RAB Assign Modify" procedure, the serving MSC (MSC-S-A') shall keep the old codec and the corresponding RAB configuration and shall send a MAP Process Access Signalling request, containing a RAB Assign Modify Response ("failed to modify") message, to the anchor MSC (MSC-S-A). If the anchor MSC detects that the

RAB modification failed, it shall abort the mid-call codec negotiation procedure towards the serving MSC and complete the mid-call codec negotiation procedure towards the far end side.

Unsuccessful BICC Mid-call Codec Negotiation between Anchor MSC and Serving MSC

If after a successful modification of the Iu-Selected Codec (MAP) the subsequent BICC codec mid-call codec negotiation procedure between anchor MSC and serving MSC fails due to a MGW rejecting a request to reserve the resources or a server rejecting the request to (re-)negotiate the codecs, the anchor MSC shall change the codec used at the Iu interface back by sending a MAP Forward Access Signalling request containing the previous Iu-Selected Codec to the serving MSC (MSC-S-A'). After receipt of the confirmation that the previous codec has been restored at the Iu interface, the anchor MSC shall complete the mid-call codec negotiation procedure towards the far end side.

6.2.3.3 Modification Procedure after Codec Change in the Serving MSC

According to 3GPP TS 23.009 [11], clause 4.4.1, the serving MSC (MSC-S-A') will inform the anchor MSC (MSC-S-A) when the Iu-Selected codec was changed during a subsequent intra-MSC handover/relocation by sending a MAP Process Access Signalling request. If the Iu-Available Codecs List was changed during the handover/relocation, the serving MSC shall send a MAP Process Access Signalling request including the new Iu-Available Codecs List.

On reception of the MAP Process Access Signalling request the anchor MSC may initiate one of the modification procedures as described in clauses 5.8.1, 5.8.2, and 5.8.3 towards the serving MSC and/or towards the far end side. I.e. towards the serving MSC no MAP signalling is used. Besides, towards the serving MSC (MSC-A') the procedures described in clauses 5.8.1, 5.8.2, and 5.8.3 are applicable with the modification that the serving MSC shall not modify the radio access bearer.

6.3 IN and Call Forward SS

In some cases, IN services (e.g. voice prompting) are triggered at CC-IN nodes that require the establishment of an UP bearer for tones or announcements to be sent to the calling party. In order to establish this bearer, it is necessary that the CC-IN node temporarily selects one codec from the codec list sent from the initiating node, and informs the initiating node about the selected codec. Afterwards, the call may continue its establishment to the another node, which may not support the selected codec but requests that another one in the list be selected instead.

A similar situation arises with the CFNRy supplementary service. A UP connection needs to be established between the originating and "provisional" terminating CC nodes to enable ringing tones to be sent to the calling party. The type of codec must be agreed prior to the establishment of the bearer connection. Afterwards, the call is redirected to another node that may not support the selected code but requests the selection of another one.

6.3.1 TrFO interworking with SS (VMSC = service interworking node)

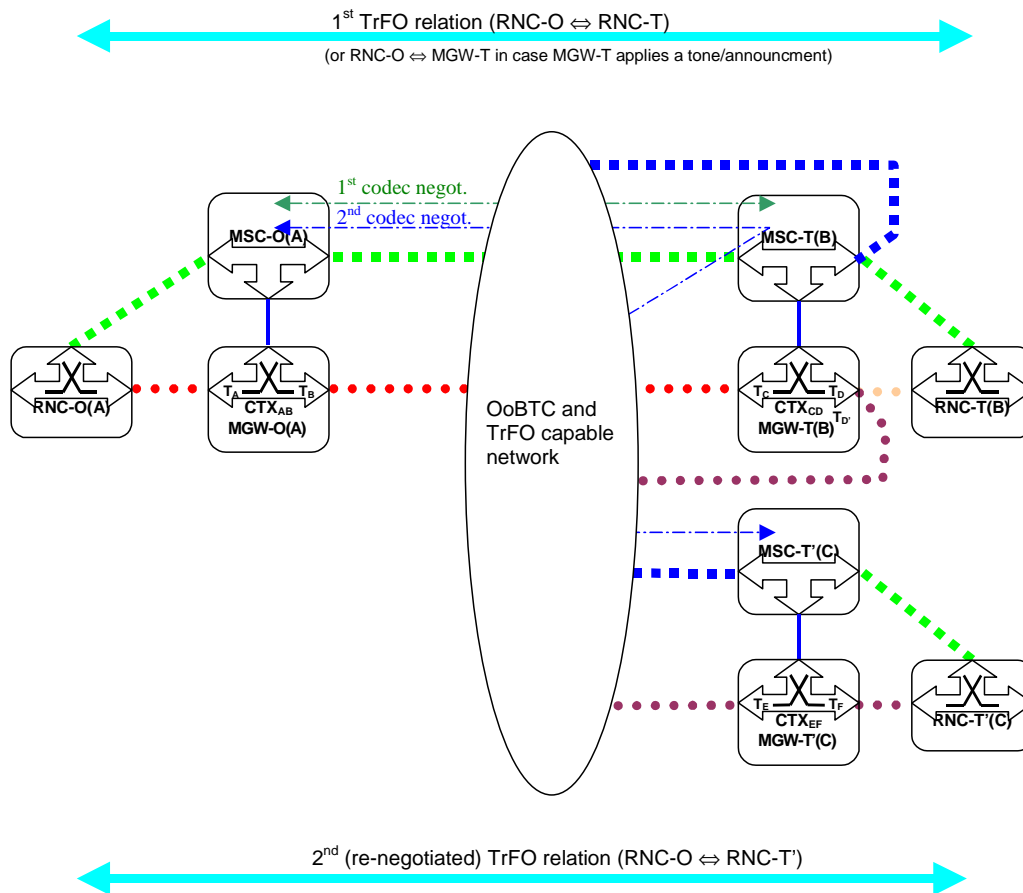


Figure 6.3.1/1. Codec Modification in case of SS interworking

In case of supplementary service interworking, it may become necessary to apply codec modification out of band. Figure 6.3.1/1 shows the network model, that may apply for a certain set of SS's (call deflection (CD), call forwarding on no reply (CFNRy), CF on user determined busy (CFUB), etc.). Common to these scenarios is:

- the service interworking is controlled by the VMSC (this is common to all SSs).
- MSC-T extends the call towards MSC-T' according to the forwarded-/deflected-to-number.

An intermediate TrFO relation will in general already exist between two RNC's (RNC-O and RNC-T in figure 6.3.1/1) before the call is diverted to another node, as the ringing tone was applied in backward direction.

In order to perform codec negotiation with the third node (MSC-T') as well it is necessary to forward the supported codec list from MSC-O. MSC-T' signals back the codec it selected and the available codec list. If the codec negotiation result is different from the previously performed codec negotiation between MSC-O and MSC-T, MSC-O shall be informed. MSC-O shall be able to decide based on the received modified codec type whether Iu Framing re-initialisation and bearer modification is required. This scenario is depicted in Figure 6.3.1/2 below. If no codec modification has to be applied, MSC-T(B) shall extend the UP initialisation towards MSC-T'(C), i.e. MSC-T(B) shall initialise a termination (TD) with the property Initialisation Procedure = outgoing. MSC-T' (C) shall also initialise a termination TE with the property Initialisation Procedure = incoming. Further call handling follows the mobile to mobile call establishment (see clause 6.1).

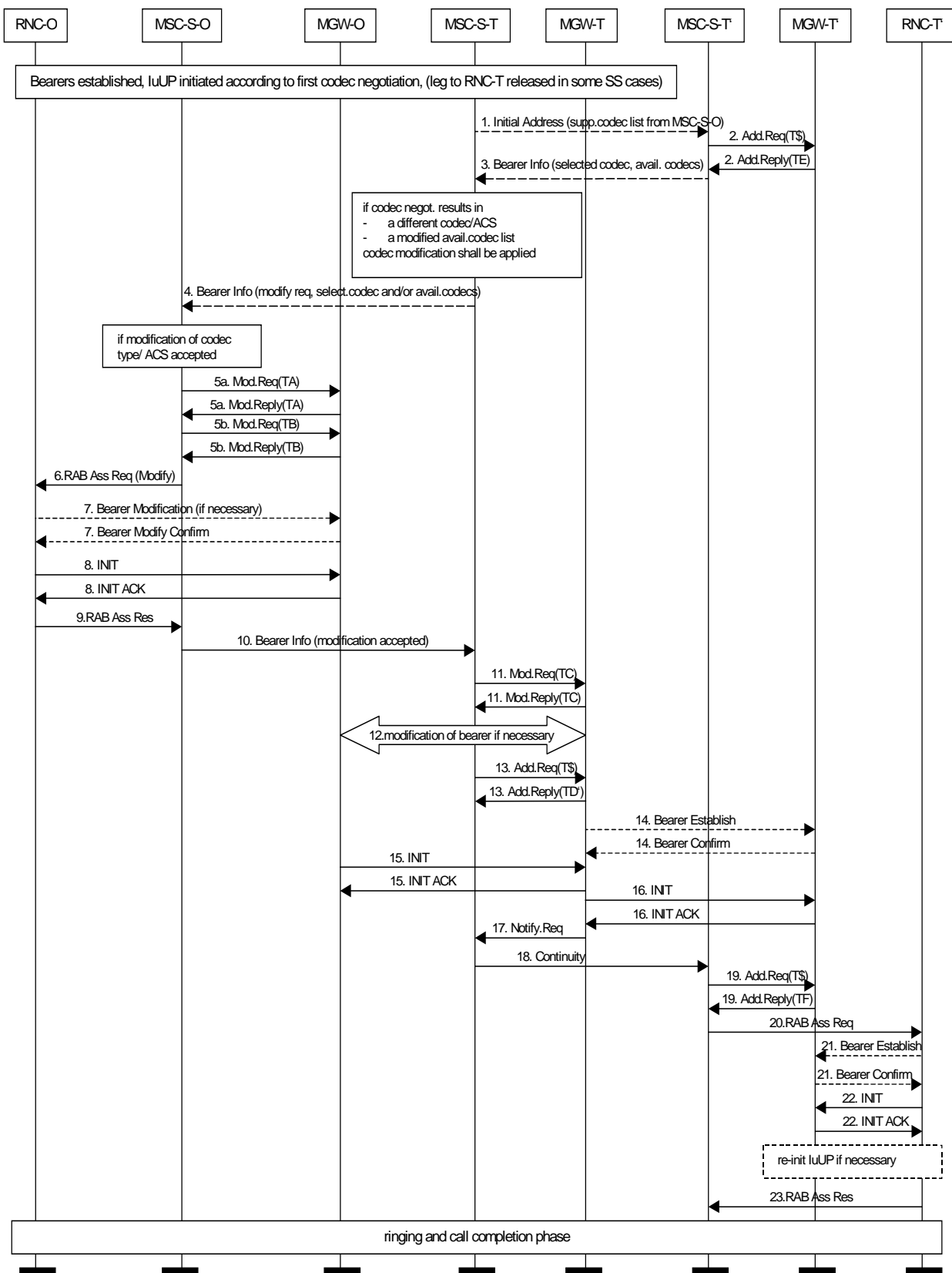


Figure 6.3.1/2: Codec Modification for SS-interworking & UP re-initialisation

6.3.2 IN interworking (VMSC ≠ service interworking node)

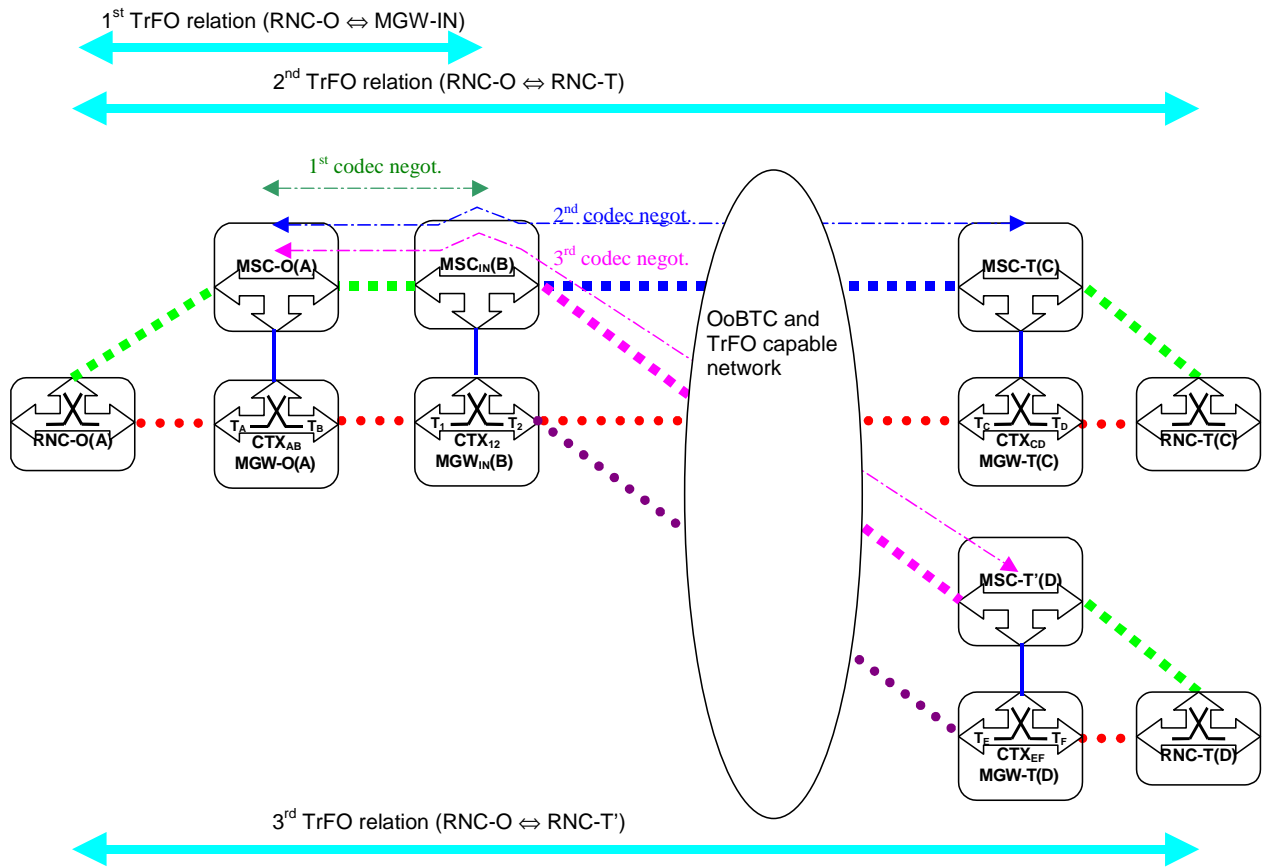


Figure 6.3.2/1. Codec Modification in case of IN interworking

Common to IN interworking scenarios is that service interworking is controlled by an IN service node that is generally not the VMSC.

IN interworking (i.e. in case of a separate IN service node, this is often a Gateway-MSC) may interrupt call establishment and apply an intermediate announcement back to the originating side. This means, that codec negotiation was in fact performed between the IN service node and the MSC-O.

When performing further call establishment, it is necessary to proceed with codec negotiation towards MSC-T. The codec negotiation process shall consider the capabilities of MGW-IN.

IN services, similar to call forwarding SS, are possible. The fact that this service interworking is controlled by an IN service node, may cause, that the leg towards MSC-T has to be released and a new leg towards MSC-T' will be established. Codec negotiation is again necessary from MSC-IN on.

The sequence chart given in figure 6.3.1/2 applies in principle for the 1st and the 2nd negotiation scenarios with following modifications:

- as MSC-IN may be involved in subsequent service interworking again, the capabilities of MGW-IN shall be taken into account during codec negotiation with MSC-T or MSC-T'. This means, that the codec list forwarded to the succeeding nodes is in fact the available codec list of the 1st negotiation.
- For the 3rd negotiation scenario, the leg between MSC-IN(B) and MSC-T (C) has to be released and a new leg toward MSC-T'(D) has to be setup.

6.4 Information flow for interaction with Multiparty SS

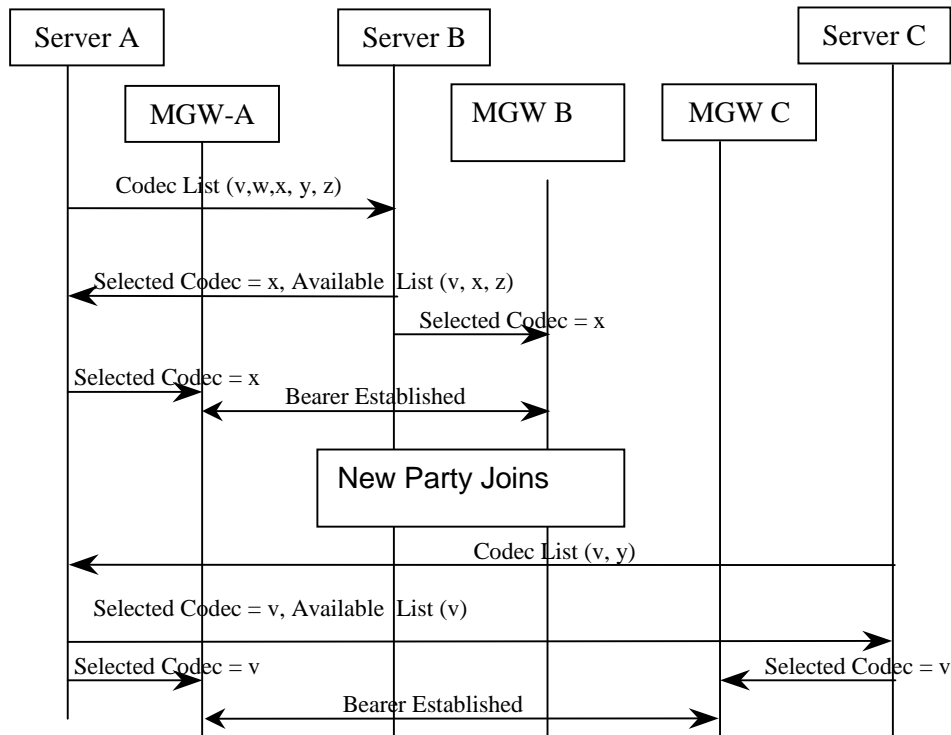


Figure 6.4/1: Multi-party Call

The operation of the MGW for conference calls is implementation dependent. The sequence in Figure 6.4/1 shows three connections to the MGW, where two were configured TrFO and have matching codecs but the third connection could not be made with the same codec type.

The Iu Framing connections for each multi-party call leg shall be terminated in the MGW where the multi-party call is controlled. The MGW shall control each connection independently during the multi-party call.

When the multi-party call is released, if two parties remain in the connection it shall be possible to either revert directly to a TrFO connection if both codecs match or OoBTC procedures could be performed to modify one or both of the codec types to achieve a TrFO connection. However, if the Server does not perform this then the MGW shall continue to resolve the difference in codecs by internal transcoding procedures.

Codec modification procedures may be employed (see clause 5.8.1) if a common codec exists, this is shown in Figure 6.4/2, where codec v is common to all parties.

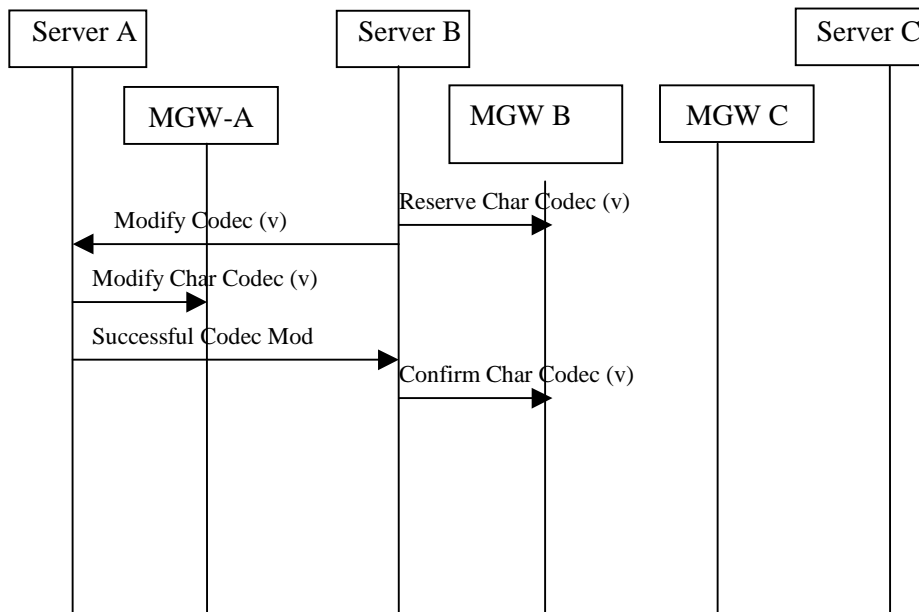


Figure 6.4/2: Multi-party Call, with codec modification

6.5 Information flow for handover from UMTS to GSM after TrFO establishment

Inter-system handover procedures are described at call control level in [11] and details for bearer independent architecture is described in [8]. For TrFO connected UMTS call, when a handover occurs to GSM radio access, by definition the A-interface to the BSC shall be default PCM. Prior to receipt of Handover Detect the Anchor MGW has one leg (A-interface) stream mode as default PCM and two terminations with compressed voice codec properties. It is recommended that after the Handover Complete procedure, the network property is maintained as compressed. Thus the Anchor MGW inserts a "TFO Partner" transcoder. Thus no modification to the compressed bearer to 64k PCM is required. TFO procedures may then ensure that speech quality is maintained by avoiding transcoding.

In the Intra-MS-C case shown in Figure 6.5/1 the MSC controlling the handover has both codec lists for each radio access. The codec negotiation for the UMTS call was performed end to end with UMTS list. If this negotiation resulted in a codec being selected that is also included in the GSM list then at handover the MSC shall indicate this codec as the current speech version to the BSC and TFO can be achieved. If the selected codec is not supported for the GSM radio access but the GSM list contains a codec that is also in the Available Codecs list then the MSC has the option to perform codec modification to ensure TFO can be achieved. The MSC may also perform codec list modification by sending forward the GSM list to update nodes in the network of the change to the Available Codecs List.

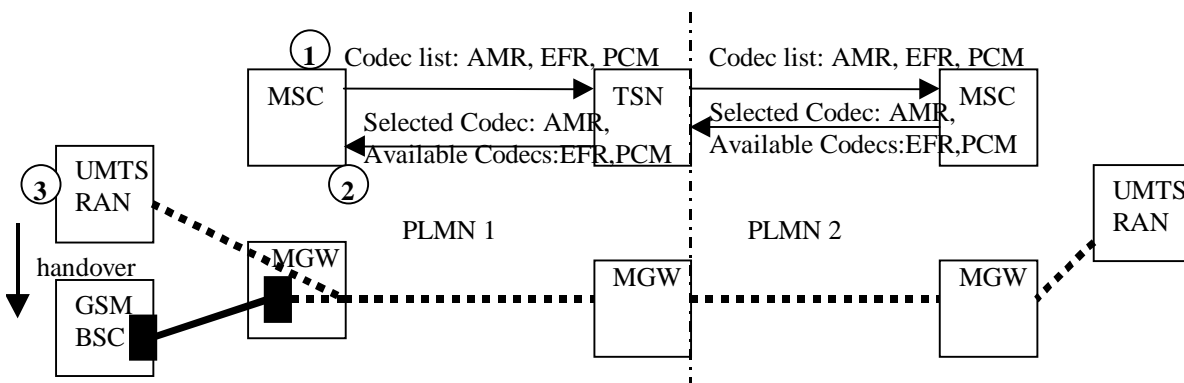


Figure 6.5/1: UMTS to GSM Inter-System Handover

If the Inter-system handover is an inter-MSC handover then the Anchor MSC sends the current speech version and the supported speech versions in the Prepare Handover Request message to the MSC-B. If the anchor MSC supports GERAN AoIP mode then the Prepare Handover Request message may contain AoIP-Supported Codecs List (Anchor) (MAP), see Clause 6.14.1.

If the current speech version (codec selected for UMTS call) is not included in the GSM list then the MSC-A shall indicate a preferred codec in the current speech version parameter. The speech version for the GSM access that is finally selected by the MSC-B's BSS, is returned to MSC-A in the Prepare Handover Response message. If the following are satisfied:

- target MSC and BSC support GERAN AoIP mode;
- AoIP-Supported Codecs List (Anchor) (MAP) was received in MAP Prepare Handover Request; and
- target MSC supports AoIP codec selection based on received AoIP-Supported Codecs List (Anchor) (MAP),

then the Prepare Handover Response message shall contain the AoIP-Selected Codec (Target) (MAP) and AoIP-Available Codecs List (MAP).

The MSC-A can then decide if codec modification or codec re-negotiation shall be performed as described for the intra-MSC case. For further details on the inter-MSC signalling see clause 6.11. The connections are shown in Figure 6.5/2.

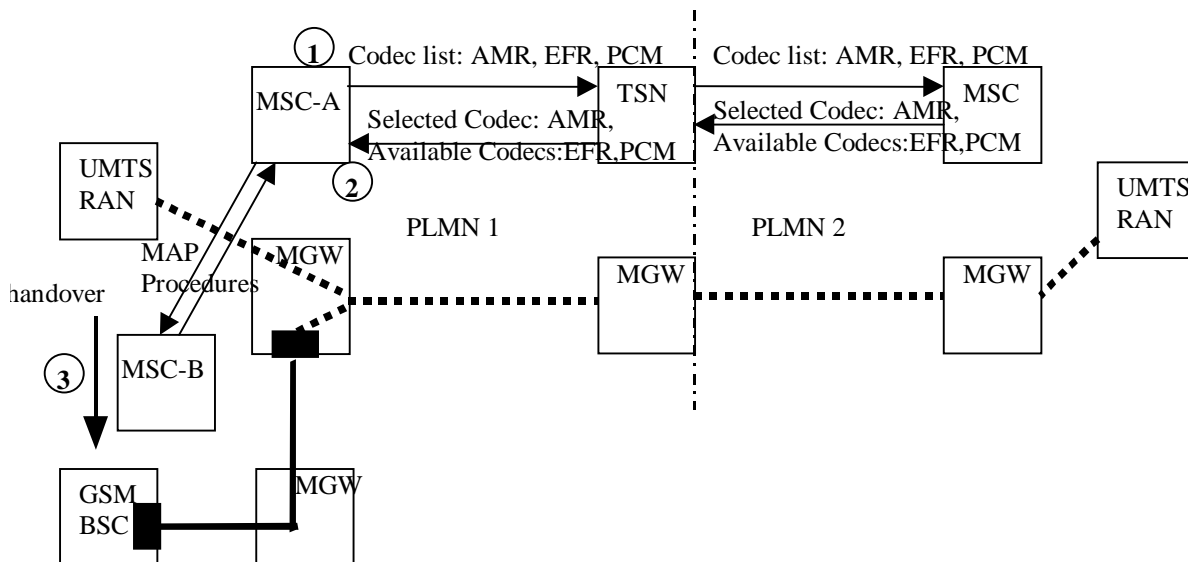


Figure 6.5/2: Inter-MSC, UMTS to GSM handover, with TDM transport between anchor MSC (MSC-A) and target MSC (MSC-B)

6.6 Call Hold/Call Wait

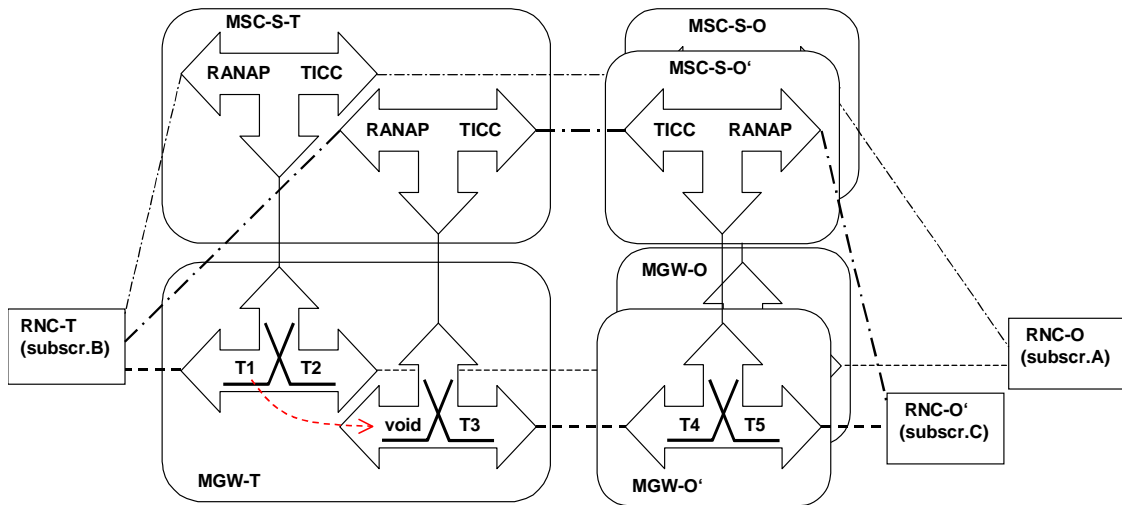


Figure 6.6/1: Configuration during Call Hold/Call Wait scenario

This scenario assumes subscriber C (served by RNC-O') calls subscriber B (served by RNC-T), currently in communication with subscriber A. Subscriber C receives a tone/announcement, applied by terminating side. Then subscriber B puts subscriber A on Hold and A receives an announcement (applied again by terminating side.)

MGW-O has to establish an originating side call context (T4, T5), MGW-T the respective terminating one (T3 only, T1 from subscriber will be moved to it during the scenario), the B party context has to be inserted into path again (if TBE was removed).

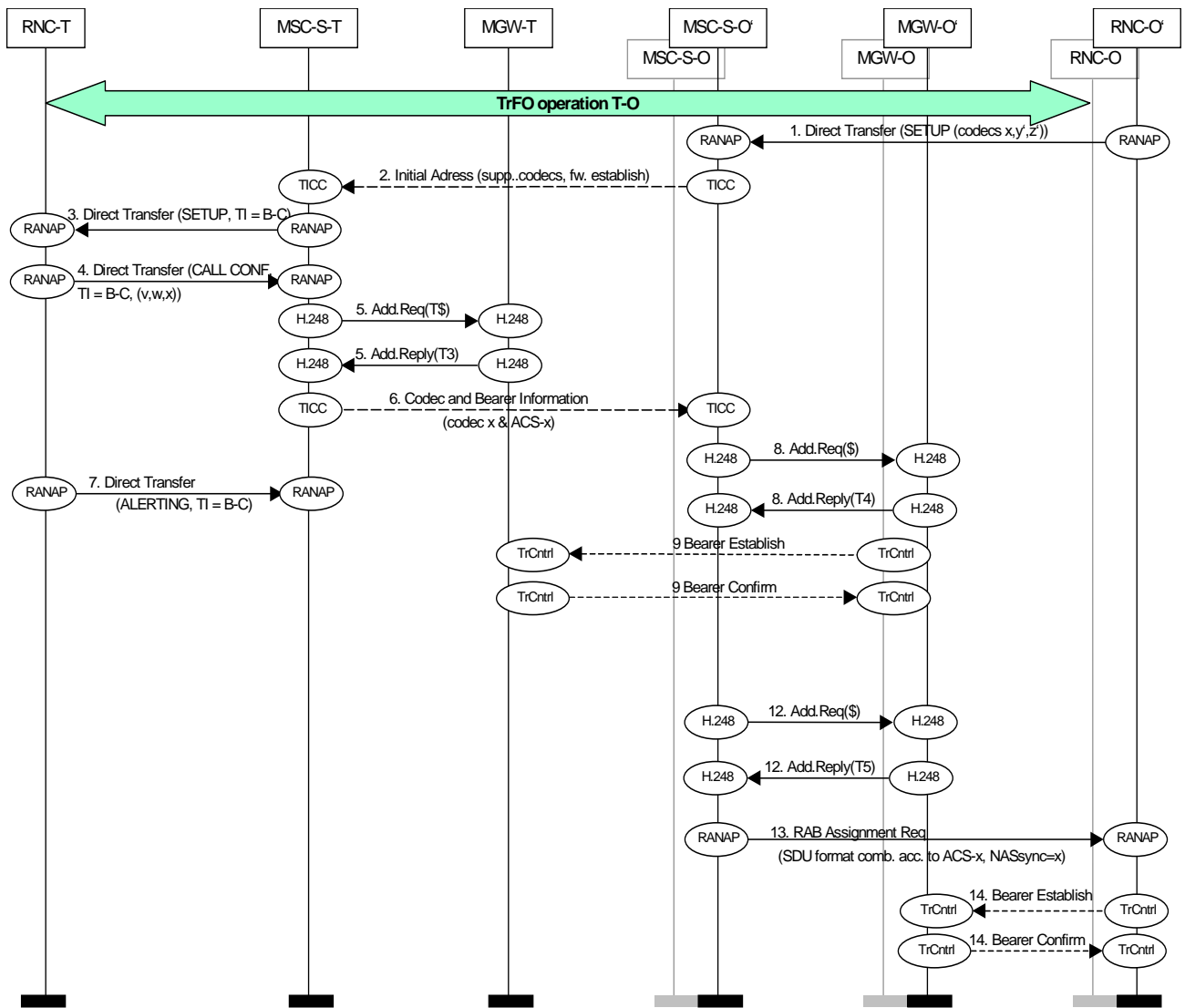


Figure 6.6/2: Call Hold/Call Wait and TrFO. Message flow part 1

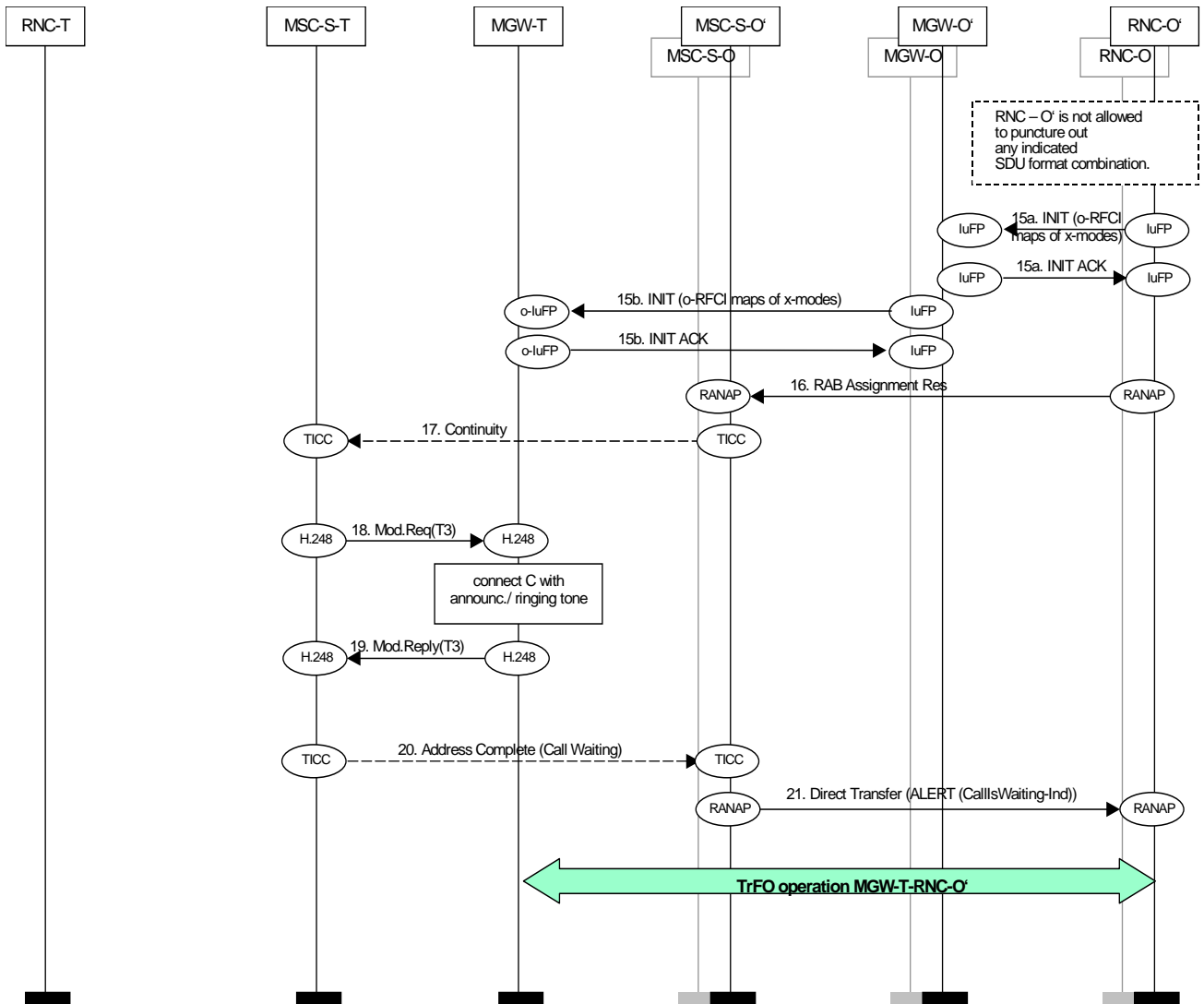


Figure 6.6/3: Call Hold/Call Wait and TrFO. Message flow part 2

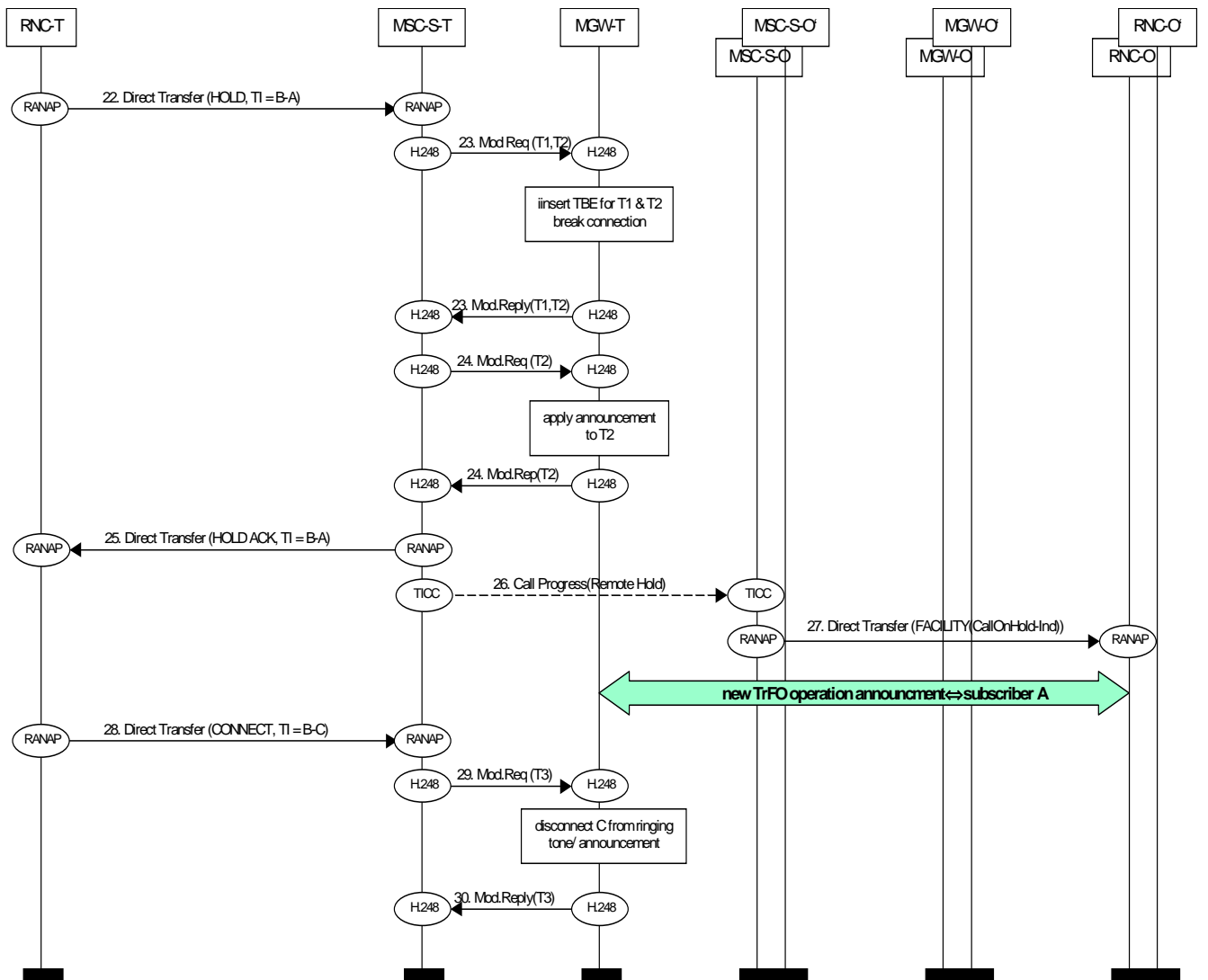


Figure 6.6/4: Call Hold/Call Wait and TrFO. Message flow part 3

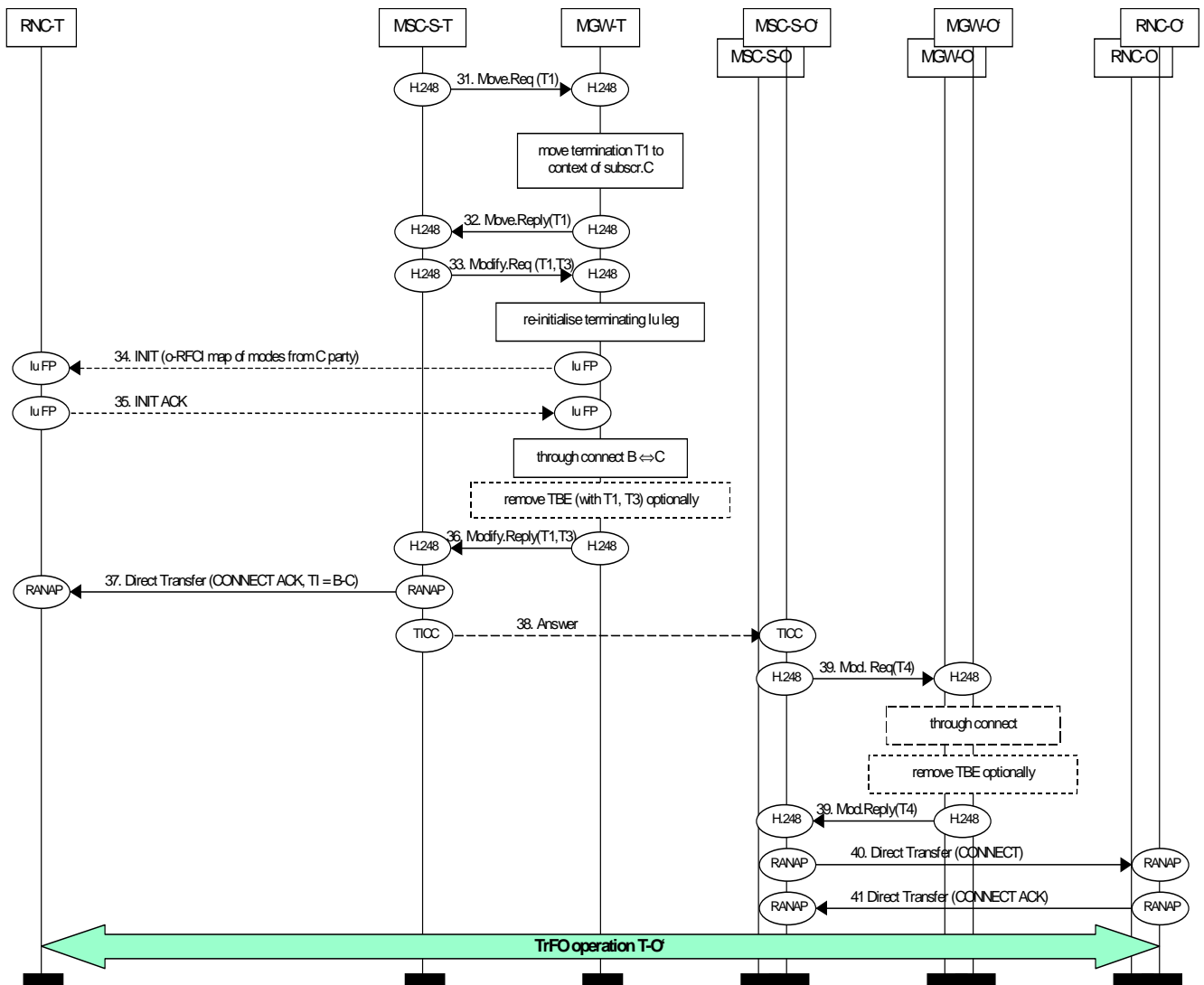


Figure 6.6/5: Call Hold/Call Wait and TrFO. Message flow part 4

6.7 External Network to Mobile TrFO Call Establishment

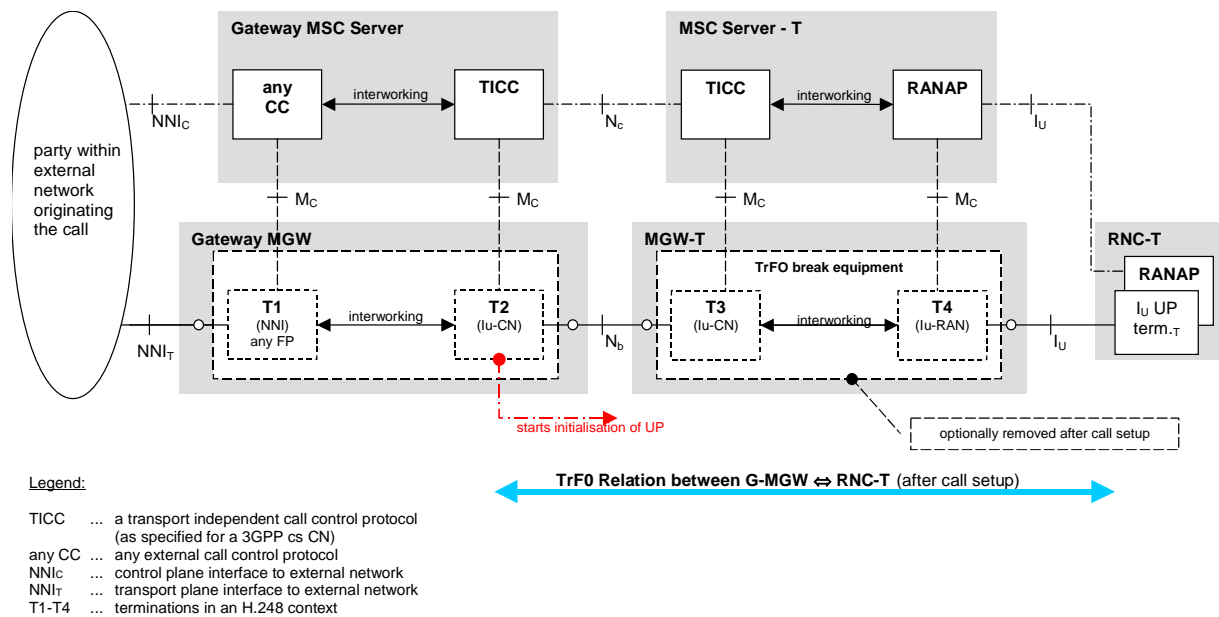


Figure 6.7/1. Configuration during Call Setup of an External Network to Mobile Call

The description of Figure 6.1/1 (Configuration during Call Setup of a Mobile to Mobile Call) within clause 6.1 applies for the network and protocol entities involved in the External Network to Mobile Call scenario with following modifications:

No RNC-O is present – a party served by an external network originates the call instead.

The originating CN nodes are Gateway nodes (Gateway MSC Server/Gateway MGW).

The Gateway MGW call context is no TrFO break equipment in general, i.e. T1 in general do not support the IuFP framing protocol. Appropriate interworking (in some cases transcoding) has to be performed between T1 and T2.

Therefore Figures 6.1/2 to 6.1/4. (the respective message flows for mobile to mobile call setup) apply in principle as well with appropriate modifications outlined below:

Codec negotiation

Step 1. Until 6., that give the codec negotiation phase in Figure 6.1/2, shall be applied with following modifications:

There is no originating UE involved in this negotiation phase

If the preceding node of the Gateway MSC-Server doesn't support OoBTC procedures for compressed voice types, the Gateway MSC-Server shall initiate OoBTC procedures in order to enable transcoders placement at the edge gateway node.

The edge gateway node shall always send the complete list of the codec types and modes it supports for this type of call setup.

UP initialisation

The main difference compared to the Mobile to Mobile call setup is, that the CN side termination of the Gateway MGW (T2 in figure 6.7/1) shall start the initialisation of the IuFP according to the result of the codec negotiation. The forward initialisation principle shall be followed in any setup scenario.

6.8 Mobile to External Network TrFO Call Establishment

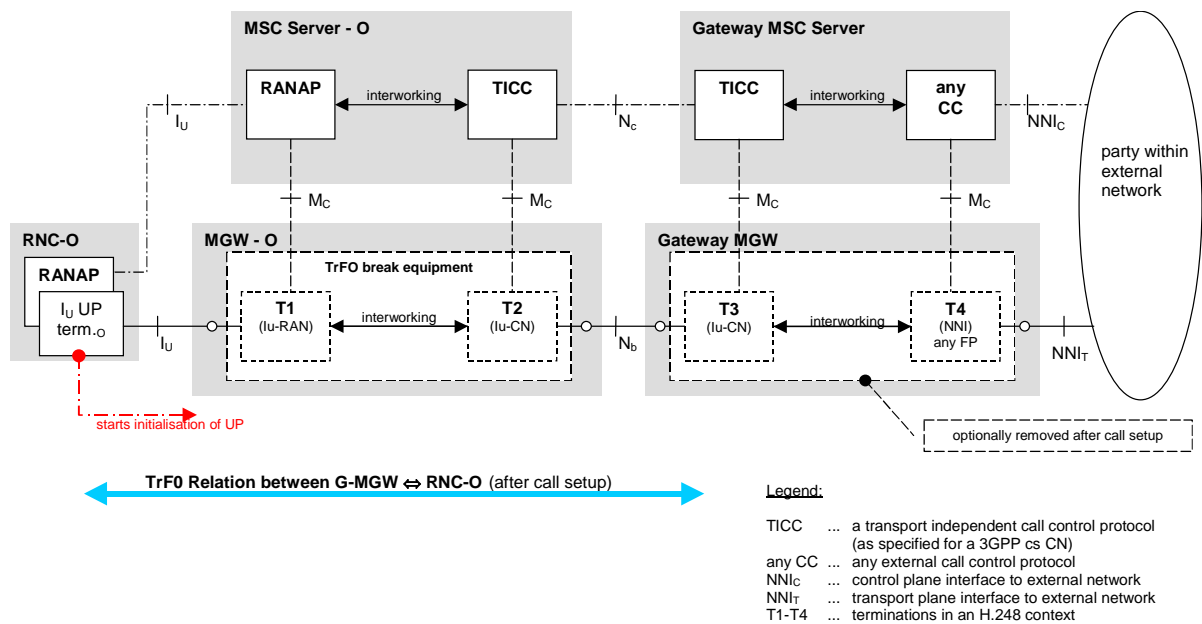


Figure 6.8/1. Configuration during Call Setup of a Mobile to External Network Call

The description of Figure 6.1/1 (Configuration during Call Setup of a Mobile to Mobile Call) within clause 6.1 applies for the network and protocol entities involved in the External Network to Mobile Call scenario with following modifications:

No RNC-T is present – a party served by an external network is the terminating side of the call instead.

The terminating side CN nodes are Gateway nodes (Gateway MSC Server/Gateway MGW).

The Gateway MGW call context is no TrFO break equipment in general, i.e. T4 in general do not support the IuFP framing protocol. Appropriate interworking (in some cases transcoding) has to be performed between T3 and T4.

Therefore Figures 6.1/2 to 6.1/4. (the respective message flows for mobile to mobile call setup) apply in principle as well with appropriate modifications outlined below:

Codec negotiation

Step 1. Until 6., that give the codec negotiation phase in Figure 6.1/2, shall be applied with following modifications:

There is no terminating UE involved in this negotiation phase.

If the succeeding node of the Gateway MSC-Server doesn't support OoBTC procedures for compressed voice types, the Gateway MSC-Server terminates the OoBTC procedures in order to enable transcoder placement at the edge gateway node.

The edge gateway node should accept the Codec Type MSC-O prefers and should not puncture out any Codec Mode. If TFO is to be supported then the Gateway MSC-Server shall supply the MGW with the codec list and the selected Codec Type in order that inband TFO negotiation may be performed. For further details see clause 5.5.

6.9 Mobile to Mobile TrFO Call Establishment for GERAN Iu-mode

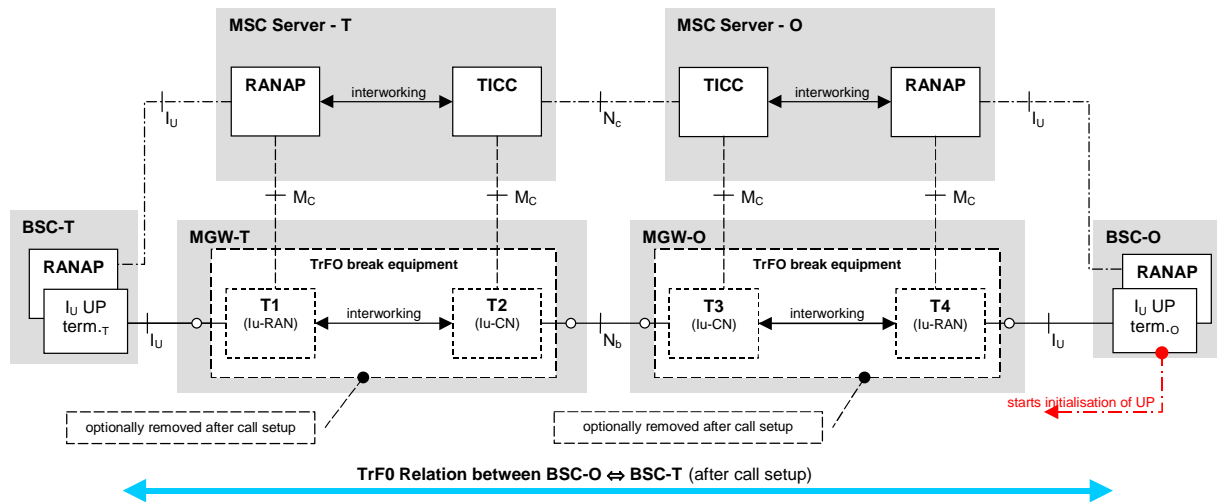


Figure 6.9/1: Configuration during Call Setup of a Mobile to Mobile Call for GERAN Iu-mode

The description of Figure 6.1/1 (Configuration during Call Setup of a Mobile to Mobile Call) within clause 6.1 applies for the network and protocol entities involved in the Mobile to Mobile Call for GERAN Iu-mode scenario with following modifications:

BSC-T acts as a RNC-T.

BSC-O acts as a RNC-O.

Therefore Figures 6.1/2 to 6.1/4. (the respective message flows for mobile to mobile call setup) apply as well with the appropriate modifications outlined below:

Codec negotiation

Step 1. until 6., that give the codec negotiation phase in Figure 6.1/2, shall be applied with following modifications:

Before step 1 (BSC-O to MSC-S-O) and step 4 (BSC-T to MSC-S-T) the RANAP Initial UE message will be sent indicating the GERAN capabilities, which will be available at the RAB establishment procedure. The IE describing the GERAN capabilities contains a list of codec types as well as the supported codec modes (for an adaptive multi-rate codec type), which will be available at the RAB establishment procedure. With this information the MSC Server shall puncture out (i.e. delete) those codec types and codec modes (for an adaptive multi-rate codec type) from the supported codec list taking into account the GERAN classmark and the MS capabilities which are not supported by the GERAN. This possibly reduced list shall be used by the MSC Server during the negotiation procedure (step 2 and step 6). For definition of list of supported codec types see [15].

The MSC-Server performs codec negotiation according to clause 5.6 with the following modifications:

The value of the maximum number of supported codec modes shall be set to "four" (see [10]).

RAB Assignment

RAB Assignment shall be performed as described in clause 6.1 with following modifications:

Additionally, the MSC Server shall include the selected codec type within RAB Assignment.

6.10 Relocation during TrFO towards GERAN Iu-mode

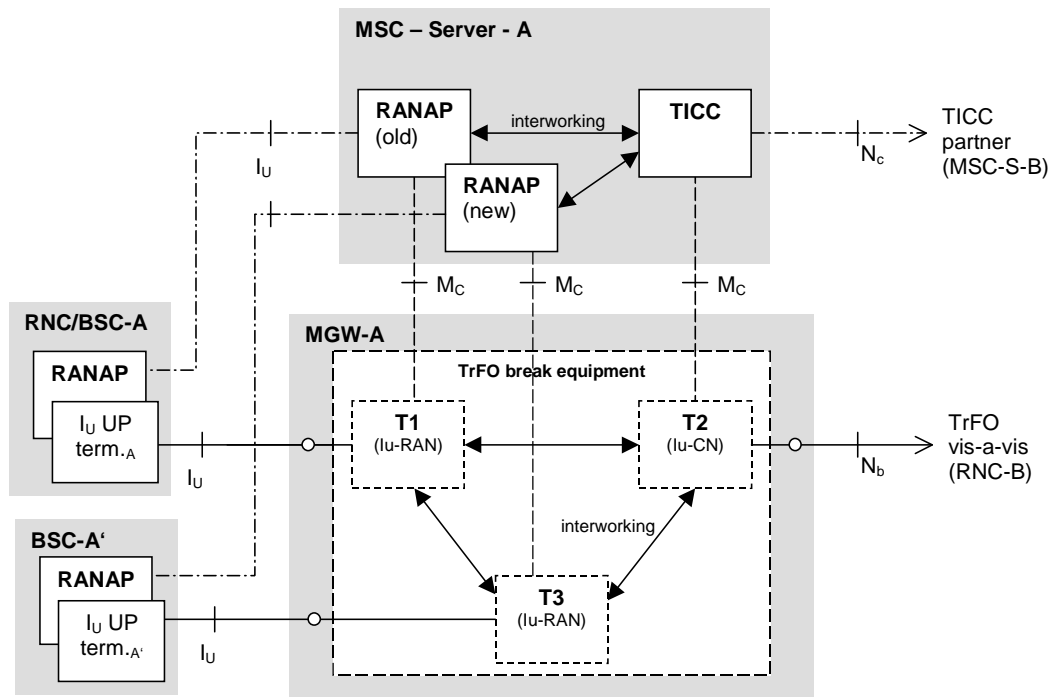


Figure 6.10/1: Configuration during intra-MSC SRNS Relocation towards GERAN Iu-mode

The description of Figure 6.2/1 (Configuration during intra-MSC SRNS Relocation) within clause 6.2 applies for the network and protocol entities involved in the Relocation towards GERAN Iu-mode scenario with following modifications:

RAN node A either is a RNC or a BSC. In the latter case BSC-A acts as a RNC-A.

BSC-A' acts as a RNC-A'.

Therefore Figures 6.2/2 to 6.2/3. (the respective message flows for SRNS Relocation and TrFO) apply as well with the appropriate modifications outlined below:

Relocation Initiation

If the MSC-Server-A received the GERAN capabilities of the target cell within the RANAP Relocation Required message (for details when the capabilities are included see [16]), MSC-Server-A shall compare these capabilities with the current Selected Codec (BICC) and the Available Codecs List (BICC), taking into account Supported Codec Set and Active Codec Set for adaptive multimode codecs. If the GERAN capabilities in terms of codec types and modes for adaptive multimode codecs do not include all codes types and modes in the Available Codecs List (BICC) and all modes and the type of the Selected Codec (BICC), MSC Server A shall invoke the appropriate of the modification procedures in clause 5.8. Criteria for the selection of the appropriate procedure are given in clause 5.8. Upon completion of this procedure, or if no modification procedure is required, MSC server A shall proceed with the Relocation procedure as described in Figure 6.2/2 to 6.2/3 (Step 2. to 17.).

RAB Assignment on the new Iu leg:

RAB Assignment on the new Iu leg shall be performed as described in clause 6.2 with following modifications:

The Relocation Request (Step 3.) contains possibly new RAB parameters depending on the actions executed as outlined above during the Relocation Initiation phase according to the decision on the selected codec as well as on the selected codec modes (for an adaptive multi-rate codec type). In addition, the MSC-Server-A shall include the selected codec type within Relocation Request message. For definition of list of supported codec type see [15].

6.11 Inter-MSC Handover during TrFO

6.11.1 Inter-MSC Handover

If MSC-A supports GERAN AoIP-mode then it may insert AoIP-Supported Codecs List (Anchor) (MAP) in the MAP Prepare Handover Request message to allow MSC-A' to use this information if target radio access is GERAN AoIP-mode, or during a subsequent intra-MSC handover to GERAN AoIP-mode. The detailed procedure is described in clause 6.14.1.

In order to enable the use of Tandem free and Transcoder free operation after inter-MSC handover, the procedures specified in 3GPP TS 23.205 [8] and 3GPP TS 23.009 [11] for "Inter-MSC Handover" shall be followed. For the handling of the codec lists and selected codecs the following rules apply:

The Prepare Handover request message shall include the Iu-Supported Codecs List (MAP).

NOTE 1: The codec types listed in the Channel Type Information Element included in the BSSMAP HANDOVER REQUEST message in the MAP Prepare Handover request are the full list of codec types supported by the UE (as recognized by the Anchor MSC-A); this list is not affected by the Available Codecs List (BICC).

If the serving radio access is UTRAN or GERAN Iu-mode, the Prepare Handover request message shall contain the Iu-Currently Used Codec (MAP). Otherwise, if the serving radio access is A/Gb mode, the currently used codec is indicated by the Speech Version (Chosen) in the BSSMAP Handover Request message included in the Prepare Handover request message.

If the target radio access is UTRAN or GERAN Iu-mode, the Prepare Handover response message shall contain the Iu-Selected Codec (MAP) and the Iu-Available Codecs List (MAP). Otherwise, if the target radio access is A/Gb mode, the selected codec is indicated by the Speech Version (Chosen) in the BSSMAP Handover Request Ack message included in the Prepare Handover response message.

If the target radio access is UTRAN or GERAN Iu-mode, then for a speech bearer, the MSC-A server shall perform a call set-up with codec negotiation towards the MSC-A' server, using a Supported Codecs List (BICC) as specified in clause 6.2.2. When MSC-A' receives a Supported Codecs List (BICC) with the IAM message, it shall follow the procedures specified in clause 6.2.2.

If the target radio access is GERAN A/Gb mode, then for a speech bearer the anchor MSC shall perform a call set-up with codec negotiation towards the target MSC, using a Supported Codec List (BICC) ordered as:

- a) optionally, the GSM codec indicated by the serving MSC during the MAP E-interface signalling as Speech Version (Chosen), if it is different from list item b and if supported on Nb bearer;

NOTE 2: This codec can be included as the preferred codec, if MSC-A knows by means of configuration information that all nodes of the network support TrFO/TFO interworking and TFO, including codec mismatch resolution. If this codec does not match the Selected Codec (BICC), but is eventually selected for the network side bearer to the target MSC (MSC-A'), then either MSC-A must transcode at the anchor MGW or MSC-A will need to trigger a codec modification to the far end. Given that the anchor MSC cannot trigger all these changes at once, it must first establish the network side bearer – i.e. insert a transcoder at the anchor MGW and then trigger the codec modification to the far end as a second step.

- b) the Selected codec (BICC), previously selected for the leg towards the far end party;

NOTE 3: This codec is preferred, if the anchor MSC-A does not know by means of configuration information if all nodes in the network support OoBTC, or TrFO/TFO interworking and TFO, including codec mismatch resolution. This is also the best codec to be selected if the goal is to avoid additional transcoding in MSC-A or a codec modification from MSC-A towards the far end party.

- c) the default PCM codec;
- d) optionally, further GSM codecs that are supported by its associated MGW, e.g. the GSM codec indicated by the serving MSC during the MAP E-interface signalling as Speech Version (Chosen), if it is not already included according to list item a or b and if supported on Nb bearer; and
- e) optionally, for subsequent inter-RAT intra MSC-A' handover further codecs from the Available Codec List (BICC) that are applicable to other radio access types.

For UDI/RDI multimedia calls with fallback and service change according to 3GPP TS 23.172 [17], the Supported Codecs List (BICC) shall contain the multimedia dummy codec and the Available Codecs List (BICC) can contain this codec (see [17], clause 4.3.7). If the MSC-A server wants to establish a bearer for the multimedia dummy codec, it shall include this codec as the preferred codec.

If the target radio access is GERAN A/Gb mode and MSC-A' receives a Supported Codec List (BICC) with the IAM message, MSC-A' shall select a codec from this list, taking the Speech Version (Chosen) and the priorities expressed by the order of the codecs in the Supported Codec List (BICC) into account.

NOTE 4: Usually, selection of the preferred codec of the Supported Codec List (BICC) will result in the best speech quality or best transcoder location or both; however, e.g. if MSC-A' knows by means of configuration information that OoBTC is not supported on some links in the network, and some nodes in the network are not supporting the creation of a "structured" Supported Codec List (BICC) as specified in clause 9.7.2, MSC-A' can select another codec, e.g. the codec corresponding to the Speech Version (Chosen) or the default PCM codec.

NOTE 5: If the procedure specified in this clause is followed for AoIP (e.g. if the AoIP MAP codec negotiation is not supported by MSC-A or MSC-A'), the selection of the Speech Version (Chosen) when not the Selected Codec (BICC) will result in transcoding in the anchor MSC or codec modification to the far end. If the MSC-A' selects the preferred codec in the Supported Codec List (BICC) above and this codec is not equal to the Speech Version (Chosen), this will result in transcoding in the non-anchor MGW.

If the Selected Codec (BICC) received by MSC-A in response to the BICC codec negotiation towards the target MSC (MSC-A') is different from the current Selected Codec (BICC) used towards the far end, the MSC-A shall insert a transcoder in MGW-A.

6.11.2 Codec Modification/Mid-Call Codec Negotiation after Inter-MSCHandover

6.11.2.1 Codec Modification/Mid-Call Codec Negotiation Initiated by the Far End Side

If the serving radio access after inter-MSCHandover is GERAN A/Gb mode, and the anchor MSC (MSC-S-A) receives a "Modification of Selected Codec" procedure or a "Mid-Call Codec Negotiation" procedure from the far end side the MAP signalling between the anchor MSC (MSC-S-A) and the serving MSC (MSC-S-A') shall be performed only, if the old or the new Selected Codec (BICC) is the multimedia dummy codec.

If both the old and the new Selected Codec (BICC) are speech codecs, the anchor MSC may terminate the codec modification or mid-call negotiation procedure, inserting a transcoder if required. Alternatively, the anchor MSC may forward the request to the serving MSC (MSC-S-A'), using the procedures as described in clause 5.8.

NOTE: The anchor MSC may decide to forward the request to the serving MSC (MSC-S-A'), e.g. when it is possible to (re-)establish Tandem free and Transcoder free operation end-to-end from the far end side up to the serving TRAU.

If either the old or the new Selected Codec (BICC) is the multimedia dummy codec, i.e. the far end side requests a service change between speech and multimedia, and the Available Codecs List (BICC) previously negotiated between the anchor MSC and the serving MSC (MSC-S-A') indicates that the service change is supported end-to-end, the anchor MSC shall forward the request to modify the radio access bearer to the serving MSC (MSC-S-A') and then perform a codec modification or mid-call negotiation for the Nb/Nc interface towards the serving MSC (MSC-S-A'), using the procedures as described in clause 5.8. If the service change between speech and multimedia cannot be performed successfully, the anchor MSC shall reject the request for codec modification or mid-call negotiation towards the far end party.

6.11.2.2 TFO Codec Mismatch Resolution in the Serving MSC

If the serving radio access after inter-MSCHandover is GERAN A/Gb mode, and TrFO has been established between the anchor MSC and the serving MSC, the serving MSC may detect a TFO codec mismatch between the Selected Codec (BICC) used on the TrFO link and the GSM speech codec chosen by the serving BSC.

If the serving MSC supports the codec mismatch resolution procedure (see 3GPP TS 28.062 [10], clause 6.3) and wants to change the Selected Codec (BICC) due to this procedure, the serving MSC shall initiate a codec modification or mid-call codec negotiation procedure towards the anchor MSC as described in clauses 5.8.1, 5.8.2 and 5.8.3.

In the event of a collision of codec modification/mid-call codec negotiation procedures initiated by the anchor MSC and the serving MSC, the procedures described in Q.1902.4, clause 10.4.7.5 [6] shall apply, with the following modification of the first sentence in clause 10.4.7.5 [6], list item 2:

Codec modification/mid-call codec negotiation requests initiated in the direction towards the serving MSC shall take precedence over codec modification/mid-call codec negotiation requests initiated in the direction towards the anchor MSC.

6.11.2.3 Modification Procedure after Codec Change in the Serving MSC

The procedures as specified in clause 6.2.3.3 apply.

6.12 Incoming data call from PSTN

For incoming calls from PSTN, the TMR may not allow to identify the requested service, since the same value may be used to identify both voice and data calls.

6.12.1 Identification of data call at Visited MSC

An incoming data call from the PSTN may be identified as data call using signalling interaction with the terminating UE at the Visited MSC. The following procedures are recommended in a network supporting TrFO to allow the Visited MSC to identify the data call using interactions with the terminating UE:

The GMSC includes a G.711 (and possibly other codecs) in the BICC supported codec list.

If the Visited MSC determines that an incoming call is a data call, it shall select G.711 as codec.

Note: A 64 kbit/s bearer, as required for data calls, will be set up if G.711 is selected.

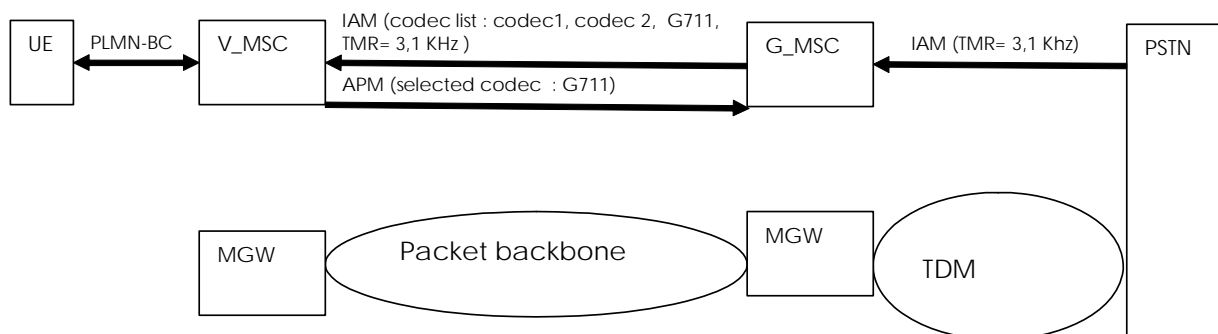


Figure 6.12.1/1. Identification of incoming data call at Visited MSC

6.12.2 Handling at transit exchange in inhomogenous networks

If a transit exchange connecting a packet backbone and a TDM backbone in an inhomogenous network is not able to determine if an incoming call from the packet backbone side is a data call or a speech call (e.g. TMR=3.1kHz is received), it may select G.711 as codec to enable possible data calls.

Note: A 64 kbit/s bearer, as required for data calls, will be set up if G.711 is selected.

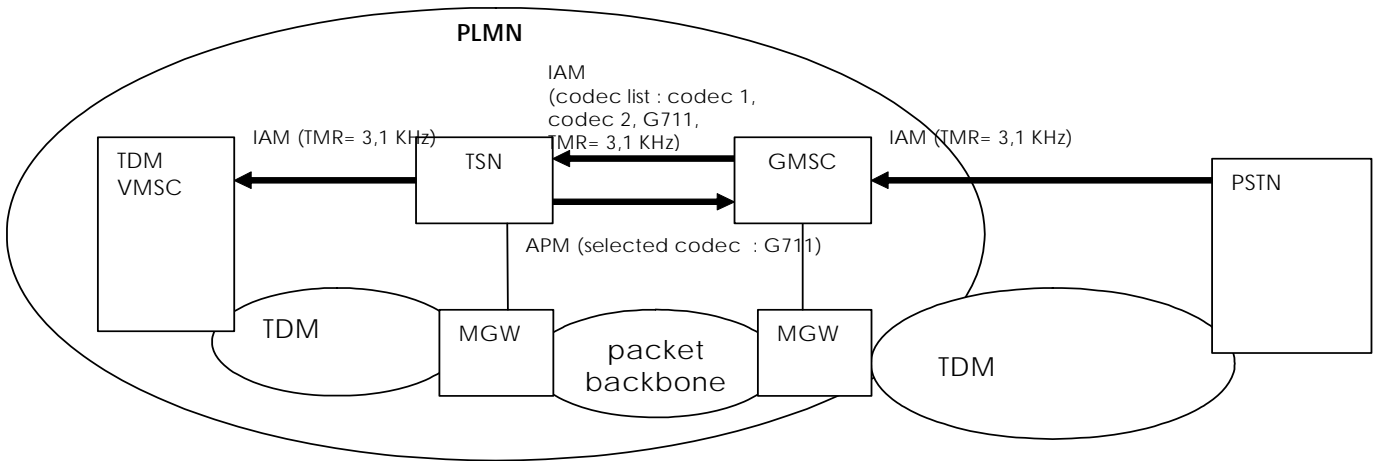


Figure 6.12.2/1. Handling of possible data call at transit exchange between TDM and packet backbone

6.12.3 Identification of data call at G-MSC using multi-numbering

If the called mobile subscriber is configured with mult numbering service, the GMSC may use the GSM Bearer Capability that may be received from the HLR during the Send Routing Information procedure to identify the requested service and select directly a codec transparent for data call. It may also pass the bearer capability information to subsequent nodes to allow them to select a codec transparent for data call as well (see 3GPP TS 29.007 [19]). This may be particularly useful in configurations where the terminating MSC does not participate to the codec negotiation procedure, as illustrated in figures 6.12/1 and 6.12/2.

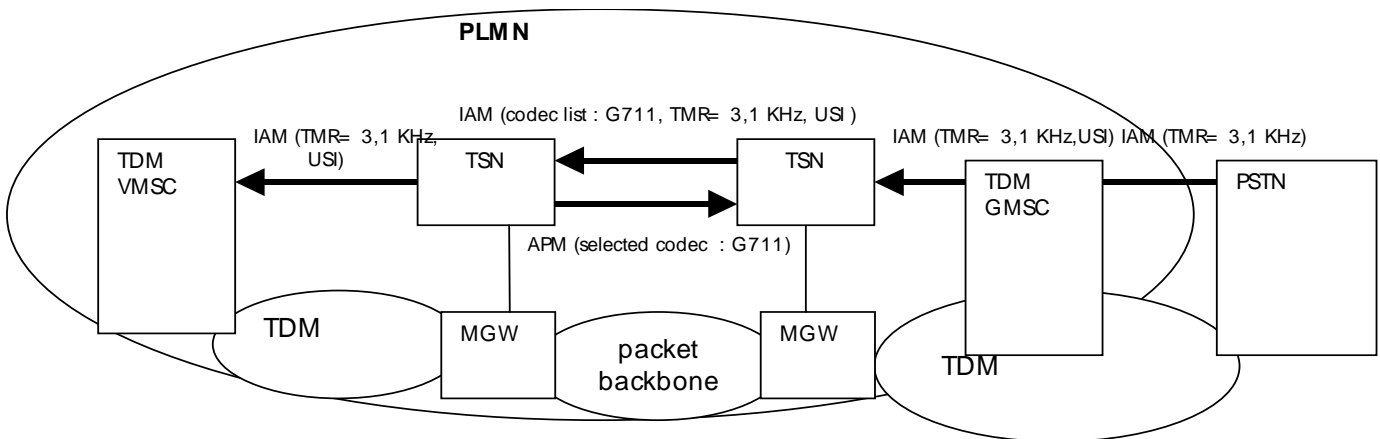


Figure 6.12.3/1. Use of the GSM Bearer Capability by TDM GMSC for incoming data call from PSTN

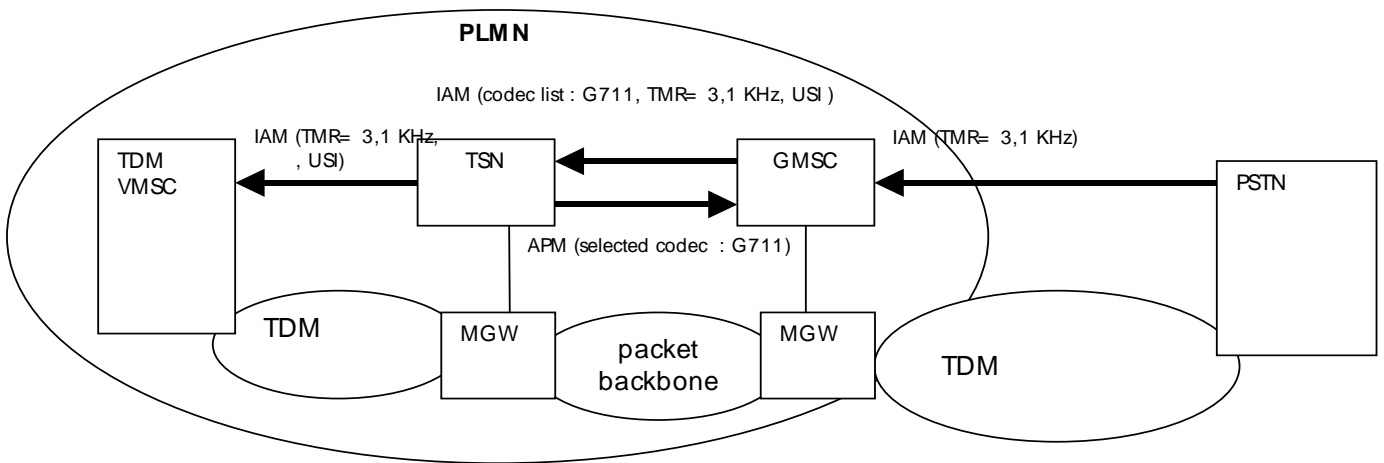


Figure 6.12.3/2. Use of the GSM Bearer Capability by GMSC for incoming data call from PSTN

6.13 Mobile to Mobile TrFO Call Establishment in GERAN AoIP mode

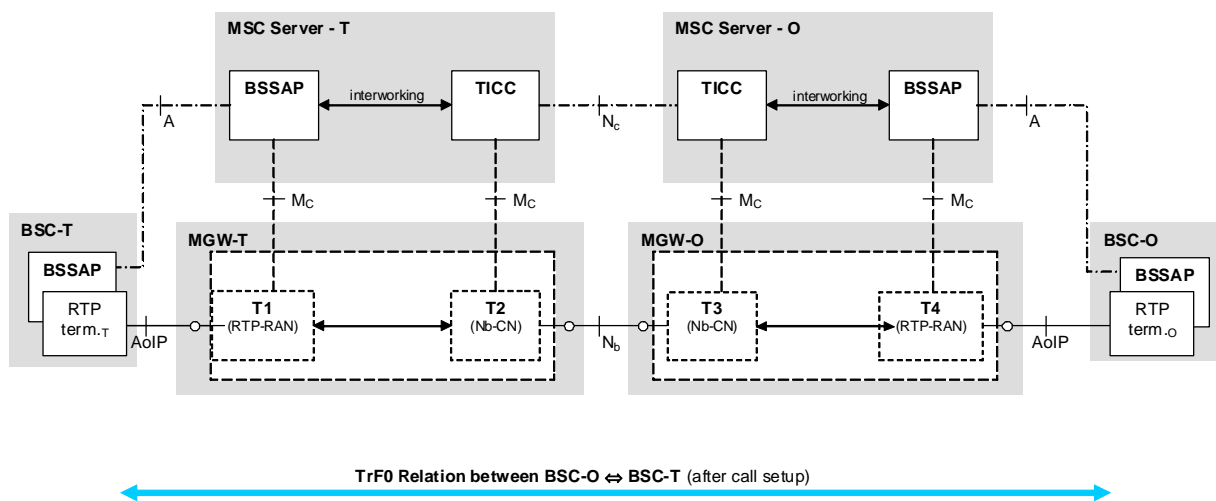


Figure 6.13/1: Configuration during Call Setup of a Mobile to Mobile Call in GERAN AoIP mode

Figure 6.13/1 shows the configuration for mobile to mobile call establishment in GERAN AoIP mode.

Following network and protocol entities are involved in the scenario, outlined in Figure 6.z/1:

BSC-T, BSC-O: terminating/originating BSCs.

MSC Server-T, MSC Server-O: MSC Servers, performing service, i.e. codec negotiation.

MGW-T, MGW-O: terminating/originating MGWs.

BSSAP, TICC: C-plane protocol incarnations, responsible for codec negotiation, controlling the respective interfaces (A, N_c), creating, modifying, removing etc. terminations and contexts.

NOTE: The following sequences are examples, further detailed call flows are described in TS 23.205 [6].

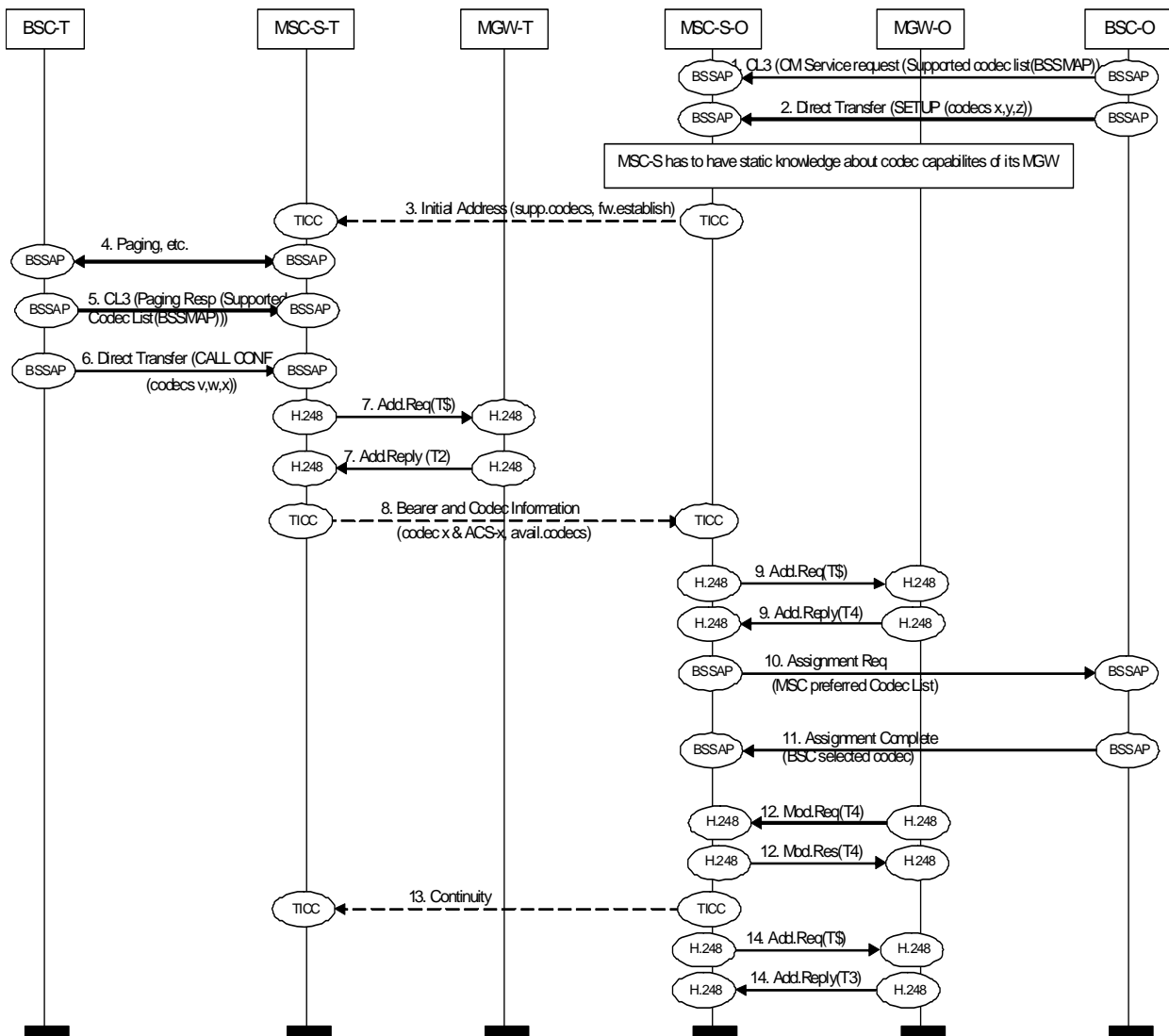


Figure 6.13/2: Call Setup. Mobile to Mobile Call in GERAN AoIP mode. Message Flow part 1

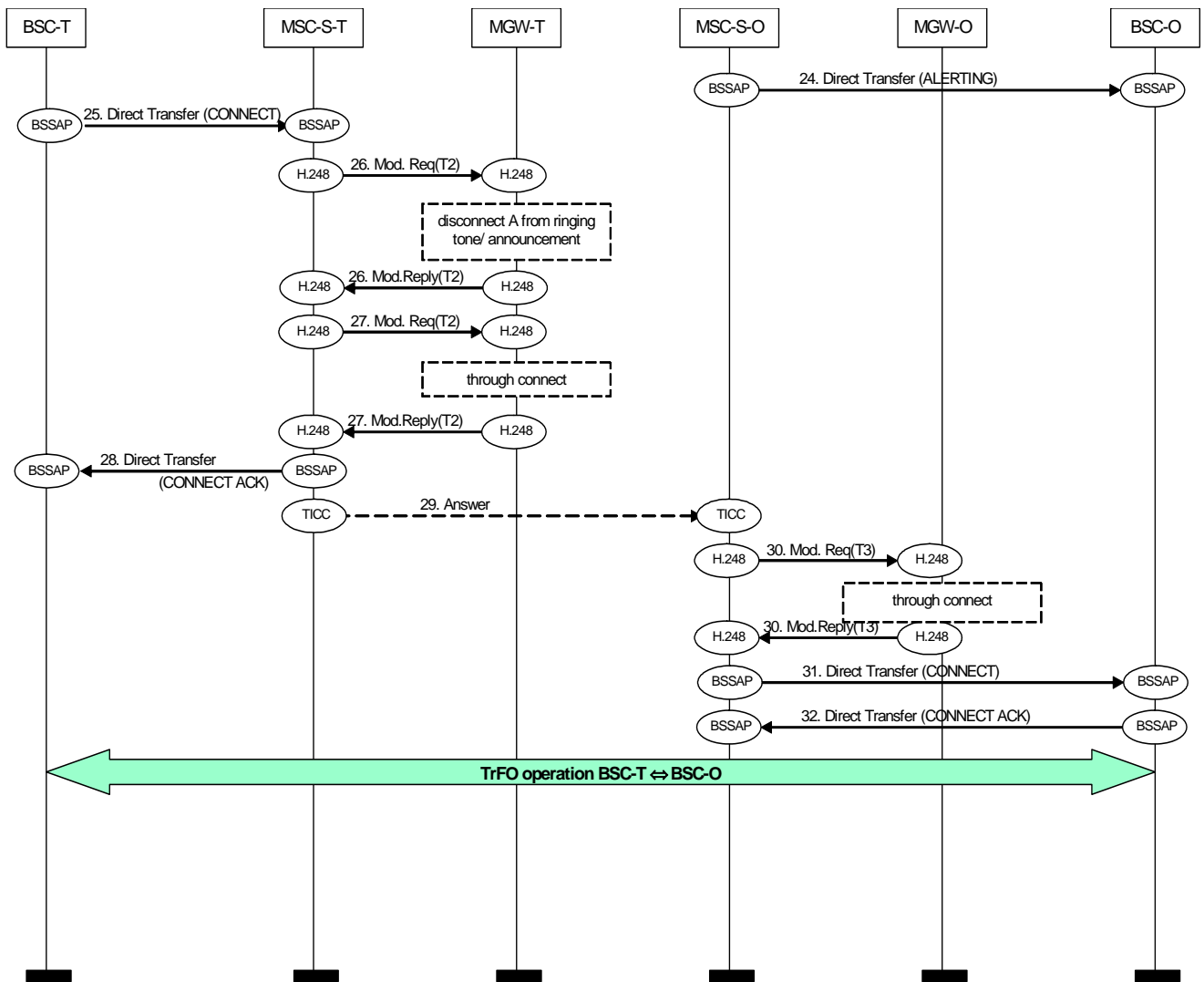


Figure 6.13/4: Call Setup. Mobile to Mobile Call in AoIP mode. Message Flow part 3

Codec negotiation

Steps 1. to 8. give the codec negotiation phase. The BSCs inform the MSC servers their capabilities (1. and 5.). The mobiles inform the network about their capabilities (2. and 6.). The MSC-Server performs codec negotiation according to clause 5.6.

Assignment procedure

RAN side terminations have to be seized (9. and 17.) before sending Assignment Request message (steps 10. and 18.). Assignment Request message contains the MSC server preferred codec list. BSC retains the decision to choose the final codec for the radio access and informs the MSC server about the codec to be used in the radio access in Assignment Complete message. Step 20 may then be required to modify the selected codec (SDP) if different from the preferred codec included at step 17.

NOTE: The BSC should offer codecs that it can support for the call and should therefore under normal circumstances select the MSC preferred codec.

6.14 Handover in GERAN AoIP mode during TrFO

6.14.1 Inter-MSC Handover in GERAN AoIP mode

The following figures are describing inter-MSC handover in GERAN AoIP mode.

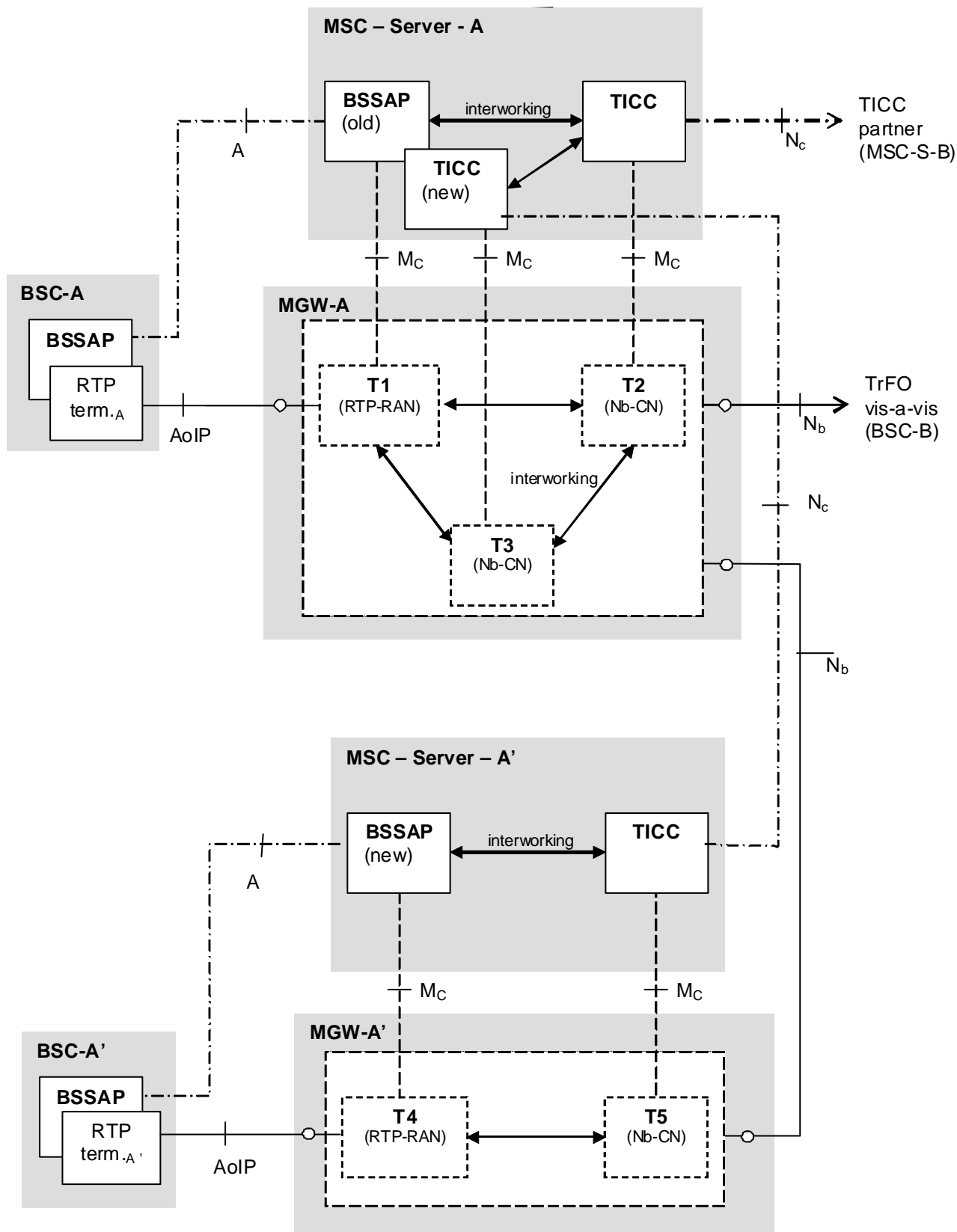


Figure 6.14/1: Configuration during inter-MSC Handover in GERAN AoIP mode

Figure 6.14/1 shows the configuration during inter-MSC Handover in GERAN AoIP mode. After setting up the new AoIP interface (towards BSC-A') until releasing the old one, the original TrFO relation (A↔B) and the target TrFO

relation (A'↔B) exist in parallel. Within the respective contexts interworking between T4 and T5 at MGW-A' and T1, T2 and T3 at MGW-A are necessary:

T3 (MGW-A) shall perform initialisation towards MGW-A'.

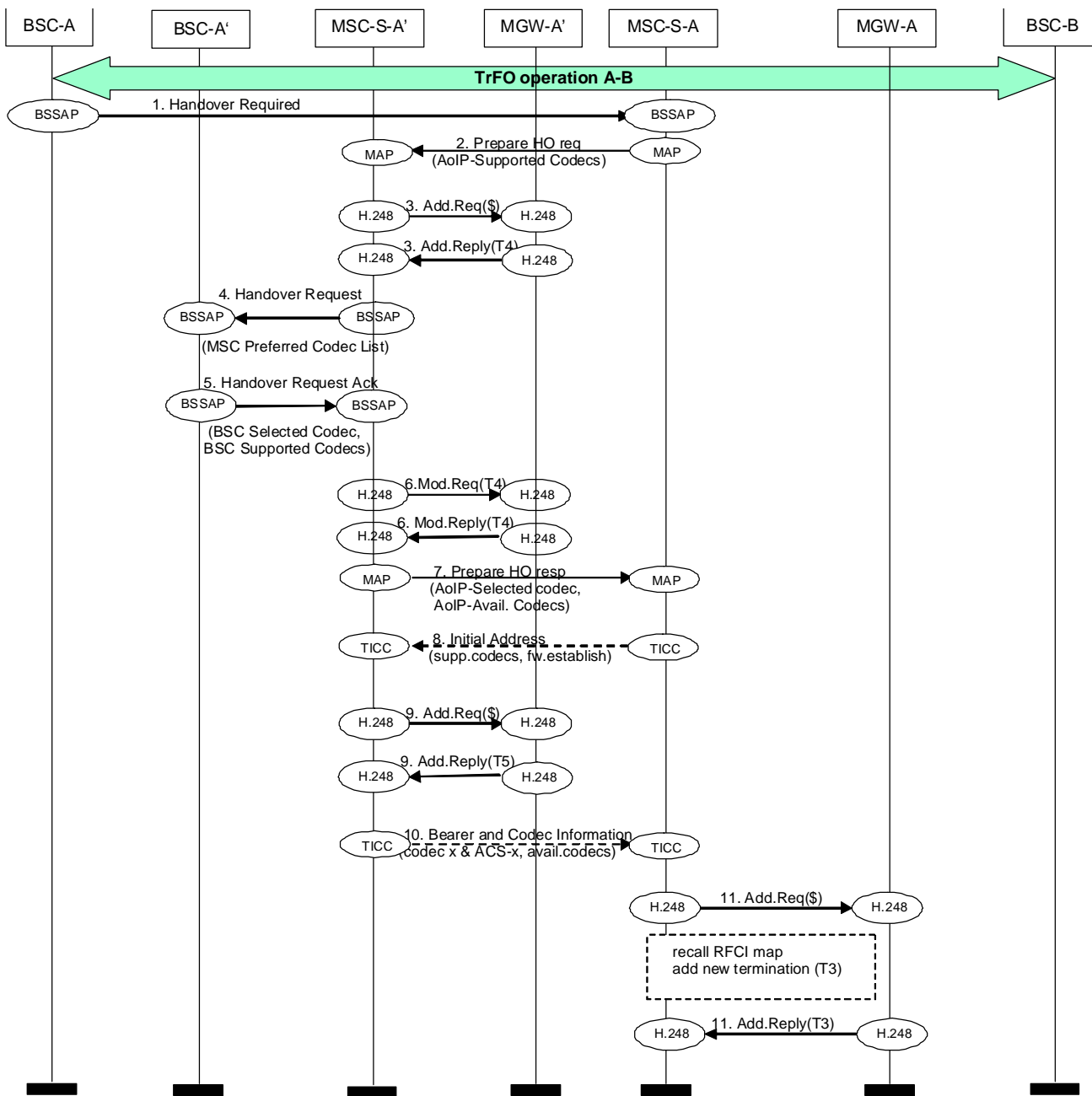
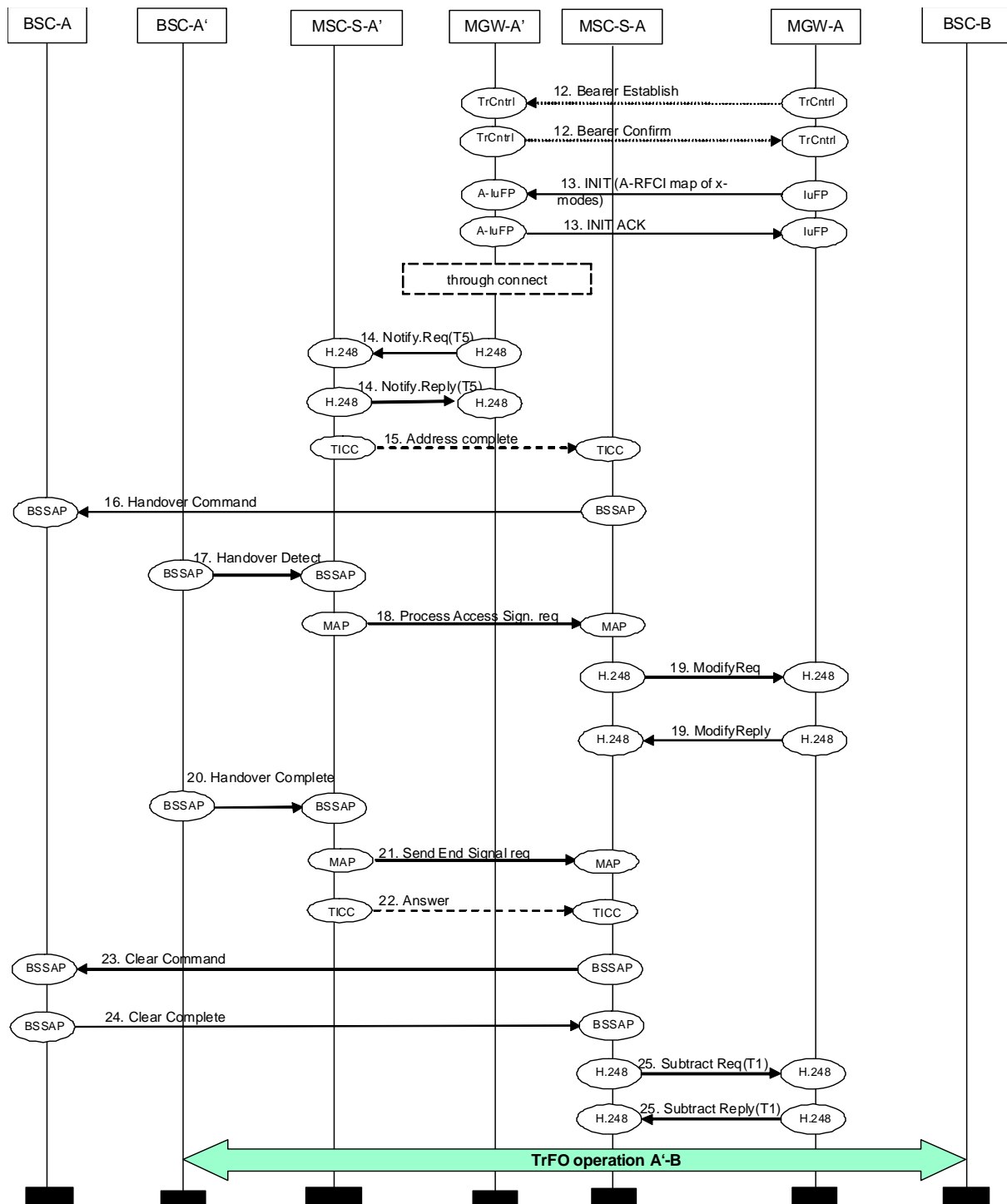


Figure 6.14/2: Inter-MSC Handover in GERAN AoIP mode and TrFO. Flow chart part 1



Note: There can be interim network transit nodes between MSC-A and MSC-A'

Figure 6.14/3: Inter-MSC Handover in GERAN AoIP mode and TrFO. Flow chart part 2

MAP signalling for handover and codec negotiation

The MSC-A server may include an AoIP-Supported Codecs List (Anchor) (MAP) in the MAP Prepare Handover request if MSC-A supports GERAN AoIP mode. Only GSM codecs supported both by the UE and by the anchor MSC may be included in this list. The codec capabilities of the serving radio access, i.e. the radio access used prior to the inter-MSC handover or relocation, need not be taken into account.

The anchor MSC-A may decide to include in the AoIP-Supported Codecs List (Anchor) (MAP) only codecs that are also included in the Available Codecs List (BICC) or that are TrFO compatible to codecs in this list.

NOTE 1: The codec types listed in the Channel Type Information Element are the full list of codec types supported by the UE (as recognised by the Anchor MSC); this list is not affected by the Available Codecs List (BICC) or any resultant AoIP-Supported Codecs List (Anchor) (MAP) IE.

NOTE 2: If the Available Codecs List (BICC) is kept up-to-date by the far end side by means of modifications of the Available Codecs List (BICC), and the target BSC selects one of the codecs from this list, it may be possible to achieve TrFO after the inter-MSB handover by performing a codec modification to the far end instead of a mid-call codec negotiation.

When selecting the order of priority for the codecs within the AoIP-Supported Codecs List (Anchor) (MAP), MSC-A shall take the Selected Codec (BICC) and the Available Codecs List (BICC) negotiated with the far end party into account.

- If it is desired to achieve immediate TrFO upon completion of the inter-MSB handover, then the MSC-A server shall include the codec type and configuration of the Selected Codec (BICC) negotiated with the far end or a TrFO compatible codec type and configuration as preferred codec in the AoIP-Supported Codecs List (Anchor) (MAP).
- If the anchor MSC-A prefers a codec different from the Selected Codec (BICC), then the MSC-A server shall include this other codec as the preferred codec in the AoIP-Supported-Codecs List (Anchor) (MAP). If the preferred codec is selected by the target BSC, transcoding will be required after the inter-MSB handover. The location of the transcoder will be determined during the network side codec negotiation.

NOTE 3: The anchor MSC-A can select the second alternative e.g. if a subsequent codec modification or mid-call codec negotiation towards the far end is intended.

If the target MSC-A' receives the AoIP-Supported Codecs List (Anchor) (MAP) and supports AoIP codec selection based on this list, it shall remove from the AoIP-Supported Codecs List (Anchor) (MAP) and from the BSSMAP Channel Type IE any codecs not supported by its own MGW-A' or by local policy. MSC-A' shall include the remaining codecs in the MSC Preferred Codec List (BSSMAP).

MSC-A' shall ensure consistency between the contents of the MSC Preferred Codec List (BSSMAP) and the BSSMAP Channel Type IE sent to the target BSS (see 3GPP TS 48.008 [15], clause 3.2.1.8). To this purpose MSC-A' may add codecs to the MSC Preferred Codec List (BSSMAP), if the codec type is also included in the Channel Type IE. For the added codecs MSC-A' shall select a codec configuration supported by MGW-A' and according to preferences configured locally in the target MSC-A'. MSC-A' shall remove any codec types from the BSSMAP Channel Type IE that are not included in the resultant MSC Preferred Codec List (BSSMAP).

If MSC-A does not include an AoIP-Supported Codecs List (Anchor) (MAP) in the MAP Prepare Handover request then MSC-A' shall proceed with the handover as described in clause 6.11.1.

MSC-A' shall include in the MAP Prepare Handover response the AoIP-Selected codec (Target) (MAP) and the AoIP-Available Codecs List (MAP), i.e. the BSS Supported Codecs list returned by BSS-A', if:

- the target access is GERAN AoIP mode;
- the target MSC received the AoIP-Supported Codecs List (Anchor) (MAP) in MAP Prepare Handover Request; and
- the target MSC supports AoIP codec selection based on the received AoIP-Supported Codecs List (Anchor) (MAP).

If MSC-A' does not include the AoIP-Selected Codec (Target) (MAP) and the AoIP-Available Codecs List (MAP) IEs in the MAP Prepare Handover response, both MSC-A and MSC-A' shall proceed as described in clause 6.11.1.

Network side bearer establishment and codec handling

The handling of the bearer establishment between MSC-A and MSC-A' shall be performed as for a normal call with OoBTC. For a speech bearer, the MSC-A server shall perform a call set-up with codec negotiation towards the MSC-A' server, using a Supported Codec List (BICC) containing:

- a) optionally, the AoIP-Selected Codec (Target) (MAP) (negotiated with MSC-A' during the MAP E-interface signalling), if it is not already included according to list item b);

NOTE 3: This codec can be included as the preferred codec, if MSC-A knows by means of configuration information that all nodes of the network support TrFO/TFO interworking and TFO, including codec mismatch resolution. If this codec does not match the Selected Codec (BICC), but is eventually selected for the network side bearer to the target MSC (MSC-A), then either MSC-A must transcode at the anchor MGW or MSC-A will need to trigger a codec modification to the far end. Given that the anchor MSC cannot trigger all these changes at once it must first establish the network side bearer – i.e. insert a transcoder at the anchor MGW and then trigger the codec modification to the far end as a second step.

b) the Selected codec (BICC), previously selected for the leg towards the far end party;

NOTE 4: This codec is preferred, if the anchor MSC-A does not know by means of configuration information if all nodes in the network support OoBTC, or TrFO/TFO interworking and TFO, including codec mismatch resolution. This is also the best codec to be selected if the goal is to avoid additional transcoding in MSC-A or a codec modification from MSC-A towards the far end party.

c) the default PCM codec;

d) optionally, further codecs from the AoIP-Supported Codecs List (Anchor) (MAP) that are applicable to the target radio access, e.g. the AoIP-Selected Codec (Target) (MAP), if it is not already included according to list item a or b; and

e) optionally, for subsequent inter-RAT intra MSC-A' handover further codecs from the Available Codec List (BICC) that are applicable to other radio access types.

For UDI/RDI multimedia calls with fallback and service change according to 3GPP TS 23.172 [17], the Supported Codecs List (BICC) shall contain the multimedia dummy codec and the Available Codecs List (BICC) can contain this codec (see [17], clause 4.3.7).

If MSC-A' receives a Supported Codec List (BICC) with the IAM message, MSC-A' shall select a codec from this list, taking the AoIP-Selected codec (Target) (MAP) and the priorities expressed by the order of the codecs in the Supported Codec List (BICC) into account.

NOTE 5: Usually, selection of the preferred codec of the Supported Codec List (BICC) will result in the best speech quality or best transcoder location or both; however, e.g. if MSC-A' knows by means of configuration information that OoBTC is not supported on some links in the network, and some nodes in the network are not supporting the creation of a "structured" Supported Codec List (BICC) as specified in clause 9.7.2, MSC-A' can select another codec, e.g. the AoIP-Selected codec (Target) (MAP) or the default PCM codec.

If MSC-A' selects a codec different from the AoIP-Selected codec (Target) (MAP) or if MSC-A' receives an IAM message without a Supported Codec List (BICC), MSC-A' shall insert a transcoder in MGW-A'.

If the Selected Codec (BICC) received by MSC-A in response to the BICC codec negotiation towards the target MSC (MSC-A') is different from the current Selected Codec (BICC) used towards the far end, the MSC-A shall insert a transcoder in MGW-A.

Subsequent inter MSC handover to a third MSC

The anchor MSC (MSC-A) server may include AoIP-Supported Codecs List (Anchor) (MAP) in the MAP Prepare Handover request towards the third MSC.

6.14.2 Codec Modification/ Mid-Call Codec Negotiation after Inter-MSC Handover

6.14.2.1 Codec Modification Initiated by the Far End Side

Modification of Available Codec List

If after inter-MSC handover in GERAN AoIP mode the anchor MSC (MSC-S-A) receives a "Modification of Available Codec List" procedure from the far end side as described in clause 5.8.2, i.e. the Available Codecs List (BICC) is reduced, the anchor MSC may terminate the procedure at that point or forward the "Modification of Available Codec List" procedure to the serving MSC (MSC-S-A'). I.e. no MAP signalling is used.

Modification of Selected Codec

If after inter-MSC handover in GERAN AoIP mode the anchor MSC (MSC-S-A) receives a "Modification of Selected Codec" procedure from the far end side as described in clause 5.8.1, and both the old and the new Selected Codec (BICC) are speech codecs, the anchor MSC may terminate the codec modification procedure, inserting a transcoder if required. Alternatively, the anchor MSC may forward the request to modify the codec to the serving MSC (MSC-S-A'), using the procedures as described in clause 5.8.1. I.e. no MAP signalling is used.

NOTE: The anchor MSC may decide to forward the request to the serving MSC (MSC-S-A'), e.g. when the new Selected Codec (BICC) for the call leg between the anchor MSC and the far end side is TrFO compatible to a codec that was included in the AoIP-Available Codecs List (MAP) previously received from the serving MSC, and it is possible to (re-)establish TrFO end-to-end from the far end side up to the serving MSC.

If the serving MSC (MSC-S-A') receives a request to modify the codec, both the old and the new Selected Codec (BICC) are speech codecs, and the new Selected Codec (BICC) is TrFO compatible to a codec sent by the serving BSC-A' in the latest Supported Codecs List (BSSMAP) – "BSC-SCL", then the serving MSC (MSC-S-A') may initiate an internal handover procedure towards the serving BSC to modify the A interface used codec as specified in 3GPP TS 23.009 [11], clause 6.3, and 3GPP TS 23.205 [8], clause 8.4.6. Upon completion of the internal handover procedure, the serving MSC (MSC-S-A') shall proceed with the codec modification procedure towards the anchor MSC (MSC-S-A).

If the anchor MSC (MSC-S-A) receives a "Modification of Selected Codec" procedure from the far end side as described in clause 5.8.1, and the new Selected Codec (BICC) is the multimedia dummy codec, i.e. the far end side requests a service change from speech to multimedia then the anchor MSC shall reject the request for codec modification towards the far end party.

6.14.2.2 Mid-Call Codec Negotiation Initiated by the Far End Side

Support of this procedure is FFS.

6.14.2.3 Modification Procedure after Codec Change in the Serving MSC

According to 3GPP TS 23.009 [11], after a subsequent intra-MSC handover, the serving MSC (MSC-S-A') informs the anchor MSC (MSC-S-A) by sending a MAP Process Access Signalling request including a BSSMAP Handover Performed message. As specified in 3GPP TS 23.009 [11], clause 6.1 and 6.3.2, the serving MSC (MSC-S-A') may inform the anchor MSC (MSC-S-A) about a change of the AoIP-Selected codec Target (MAP) during the subsequent intra-MSC handover by including the new AoIP-Selected codec Target (MAP) in the MAP Process Access Signalling request. If the AoIP-Available Codecs List (MAP) was changed during the handover, the serving MSC may insert the new AoIP-Available Codecs List (MAP) into MAP Process Access Signalling request.

NOTE 1: If the codec type or codec configuration used at the AoIP interface was changed and TrFO was established between the serving MSC/MGW and the anchor MSC/MGW before the handover, the serving MSC will insert a transcoder to maintain an end-to-end voice connection before informing the anchor MSC about the handover.

On reception of the MAP Process Access Signalling request the anchor MSC may initiate one of the modification procedures as described in clauses 5.8.1, 5.8.2, and 5.8.3 towards the serving MSC and/or towards the far end side. I.e. towards the serving MSC no MAP signalling is used.

NOTE 2: The anchor MSC can initiate the codec modification procedure as a result of the change of the codec type or codec configuration used at the AoIP interface, if MSC-A knows by means of configuration information that all nodes of the network support TrFO/TFO interworking and TFO, including codec mismatch resolution. The intention of that codec modification procedure is to remove the transcoder inserted by the serving MSC according to NOTE 1 and not to trigger a new change of the radio access bearer.

Alternatively the serving MSC may initiate one of the modification procedures as described in clauses 5.8.1, 5.8.2, and 5.8.3 towards the anchor MSC.

In the event of a collision of codec modification/mid-call codec negotiation procedures initiated by the anchor MSC and the serving MSC, the procedures as specified in clause 6.11.2.2 apply.

7 Interactions with supplementary services

7.1 Call Deflection service (GSM 23.072)

In order to apply the confirmation tone to the originating party, the speech insertion procedure described in clause 6.3 is applied.

7.2 Line identification services (GSM 23.081)

7.2.1 Calling Line Identification Presentation (CLIP)

No impact.

7.2.2 Calling Line Identification Restriction (CLIR)

No impact.

7.2.3 Connected Line Identification Presentation (COLP)

No impact.

7.2.4 Connected Line Identification Restriction (COLR)

No impact.

7.3 Call forwarding services (GSM 23.082)

7.3.1 Call Forwarding Unconditional (CFU)

In order to apply the confirmation tone to the originating party, the speech insertion procedure described in clause 6.3 is applied.

7.3.2 Call Forwarding on mobile subscriber Busy (CFB)

In order to apply the confirmation tone to the originating party, the speech insertion procedure described in clause 6.3 is applied.

7.3.3 Call Forwarding on No Reply (CFNRy)

In order to apply the confirmation tone to the originating party, the speech insertion procedure described in clauses 6.3 is applied.

7.3.4 Call Forwarding on mobile subscriber Not Reachable (CFNRc)

In order to apply the confirmation tone to the originating party, the speech insertion procedure described in clauses 6.3 is applied.

7.4 Call wait (GSM 23.083)

In order to apply the notice tone to the interjected party, the speech insertion procedure described in clause 6.4 is applied.

7.5 Call hold (GSM 23.083)

In order to apply the notice tone to the held party, the speech insertion procedure described in clause 6.4 is applied.

7.6 Multiparty (GSM 23.084)

In order to mix calls, the speech insertion procedure described in clause 6.4 is applied.

7.7 Closed user group (GSM 23.085)

No impact.

7.8 Advice of charge (GSM 23.086)

No impact.

7.9 User-to-user signalling (GSM 23.087)

No impact.

7.10 Call barring (GSM 23.088)

7.10.1 Barring of outgoing calls

No impact.

7.10.2 Barring of incoming calls

No impact.

7.11 Explicit Call Transfer (GSM 23.091)

In case that a call A-B is transferred to C by B (A-C as result), A-B may use codec x, A-C may use codec y, the procedure described in clause 6.3 is applied.

7.12 Completion of Calls to Busy Subscriber (3G TS 23.093)

Within CCBS there exists an option for CCBS calls where a bearer can be established before setup in the state "CC-establishment confirmed". If the selected codec after setup is different to the one which was used to establish the bearer, RAB assignment (modify) may be required when RAB parameters are different.

8 Charging

The selected codec shall be included in all the call data records of the call legs involved in out-band codec negotiation belonging to a particular subscriber.

9 Codec Negotiation For SIP-I on Nc

9.1 General

Codec negotiation procedures for SIP-I are described in the following clauses, where additions or exclusions to the general procedures and principles described in the previous clauses for BICC are required; otherwise it shall be assumed that the others clauses in this specification shall apply to SIP-I on Nc. Normal call handling procedures for SIP-I on Nc are described in 3GPP TS 23.231 [20].

SIP-I codec negotiation procedures defined in the present specification extend the normal Offer/Answer rules defined by IETF RFC 3264 [24]. In order to identify the compliance to these enhancements, the 3GPP OoBTC Indicator is defined, see 3GPP TS 29.231 [21].

NOTE: Non-speech RTP payload types may also need to be negotiated within the offer/answer procedures, e.g. the Telephony Event RTP payload type or the ClearMode codec. This is further described in specific clauses in other specifications such as 3GPP TS 23.231 [20] and 3GPP TS 29.007 [19].

9.2 Framing Protocol

SIP-I user plane does not use IuFP framing protocol or associated 3GUP procedures. Rate control procedures are performed within RTP.

9.3 Basic Procedures

9.3.0 Applicability

The procedures in the subsequent clauses 9.3.1 to 9.3.4 are applicable for speech calls and SCUDIF calls. Procedures for SCUDIF calls are further specified in 3GPP TS 23.172 [17]. Procedures to establish data calls are specified in 3GPP TS 23.231 [20] and 3GPP TS 29.007 [19].

NOTE: For SCUDIF, a Multimedia Dummy Codec is offered together with a speech codec in a single SDP m-line.

If an offerer is not able to determine if a call is a data call or a speech call, it shall only offer speech codecs including the PCM codec and apply the procedures in clause 6.12. If codecs other than PCM are also offered, it shall also apply the procedures specified in clauses 9.3.1 to 9.3.4.

9.3.1 3GPP Node Originating SDP Offer

- An MSC-S initiating an offer shall include the OoBTC Indicator in the offer.
- If the offering MSC-S receives an answer without the OoBTC Indicator, the codec list shall be interpreted in accordance with the IETF codec rules. If the answer contains multiple codecs, the MSC-S shall initiate a second offer with the selected codec and may include the OoBTC Indicator or leave it out.
- If the offering MSC-S receives an answer with the OoBTC Indicator, then the codec list contains the 3GPP Selected Codec and Available Codec List and shall be interpreted to be in accordance with the codec negotiation procedures described in this specification.

9.3.2 3GPP Node Terminating SDP Offer

- If the 3GPP MSC-S terminating the codec negotiation receives an offer with the OoBTC Indicator, it shall include the OoBTC Indicator in the Answer. The returned codec list shall be formatted as a 3GPP Selected Codec List and Available Codec List.

- If the 3GPP MSC-S terminating the codec negotiation receives an offer without the OoBTC Indicator, the codec list shall be interpreted in accordance with the IETF codec rules and the MSC-S shall initiate an answer with a single codec. It may include the OoBTC Indicator in the Answer or leave it out.

9.3.3 3GPP Intermediate Node Receiving SDP Offer

- A 3GPP intermediate node receiving an offer with the OoBTC Indicator shall forward the OoBTC Indicator in the Offer to the succeeding node.
- A 3GPP intermediate node receiving an offer without the OoBTC Indicator shall behave according to two options dependent on implementation option:
 1. The 3GPP intermediate node may forward the (IETF type) codec list to the succeeding node without the OoBTC Indicator.
 2. The 3GPP intermediate node may include the OoBTC indicator in the offer it sends to the succeeding node.

NOTE: The intermediate node may forward an INVITE for a call that was initiated by the external network (External NW -> intermediate node(s) -> external NW), in which case the offer received from the preceding node may not contain the OoBTC Indicator.

9.3.4 3GPP Intermediate Node Receiving SDP Answer

- A 3GPP intermediate node receiving an answer with the OoBTC Indicator shall behave according to the presence of the OoBTC Indicator in the initial offer received from the preceding node.
 1. If the Initial Offer included the OoBTC Indicator, the 3GPP intermediate node shall forward the Answer with the OoBTC Indicator to the preceding node. The codec list shall be formatted as a 3GPP Selected Codec and Available Codec List.
 2. If the Initial Offer did not include the OoBTC Indicator, the 3GPP intermediate node shall forward the Answer without the OoBTC Indicator to the preceding node. The answer shall contain a single codec (mapped from the 3GPP Selected Codec).
- A 3GPP intermediate node receiving the answer with multiple codecs and without the OoBTC Indicator shall behave according to the three options below, dependent on implementation option:
 1. The 3GPP intermediate node may forward the (IETF type) codec list to the preceding node, regardless of whether the preceding node included the OoBTC Indicator in the offer. The answer shall not contain the OoBTC Indicator.

NOTE: This may be permitted when the intermediate node can support multiple speech codecs during a given session; if this is not the case then option 3 shall be performed.

2. If the initial offer received by the intermediate node contained the OoBTC Indicator, the 3GPP intermediate node may map the (IETF type) codec list into a 3GPP Selected Codec and Available Codec List and forward this to the preceding node with the OoBTC Indicator. This exchange concludes the offer/answer from the perspective of the preceding node. If the answer contains multiple codecs, the 3GPP intermediate node shall initiate a second offer toward the succeeding node with a single codec (same as the 3GPP Selected Codec) without the OoBTC Indicator.
3. If the initial offer received by the intermediate node did not contain the OoBTC Indicator the 3GPP intermediate node may signal back to the preceding node a single codec (it shall select the most appropriate codec from the list of received codecs). This exchange concludes the offer/answer from the perspective of the preceding node. The 3GPP intermediate node shall initiate a second offer toward the succeeding node with a single codec (same as the 3GPP Selected Codec) without the OoBTC Indicator.

9.4 Semantics of 3GPP OoBTC Indicator

After the 3GPP OoBTC Indicator has been negotiated, i.e. the 3GPP OoBTC indicator has been included in both SDP offer and corresponding SDP answer the following rules apply. for both offerer and answerer:

- A change from the Selected Codec to a codec within the Available Codec List (ACL) in the answer, is only permitted using a new SDP offer-answer exchange to re-negotiate the Selected Codec. Inband switching of speech codec types (by sending the new codec with corresponding RTP payload type) is not permitted, and no resources for these codecs need to be reserved e.g. at a MGW.
- Codecs in the Available Codec List indicate codecs that are supported. This information may be used by an MSC to decide if a change of the Selected Codec to some other codec using a new SDP offer-answer exchange is attempted.

NOTE: The Available Codec List may be used by a (G)MSC as decision criterion if a codec re-negotiation is attempted. However, this does not preclude that an (G)MSC offers codecs not included in the previous ACL in a codec re-negotiation.

- A change from the Selected Codec in the answer to an "auxiliary" payload type within the answer, i.e. the RTP Telephony Event (see IETF RFC 4733 [22]) or the comfort noise codec (see IETF RFC3389 [yx]), and vice versa is permitted without new SDP offer-answer exchange by "Inband" switching, i.e. by simply sending the other RTP payload type.

9.5 Handling of Auxiliary Payload types

If auxiliary payload types are negotiated the MSC Server shall configure the MGW to support the multiple payload types for a given termination/stream where applicable (i.e. for speech codec and for RTP Telephony Event and/or comfort noise codec) with the following condition:

- Resources for a possible comfort noise codec (RFC3389) within the answer codec shall only be reserved in the MGW by the MSC Server if the comfort noise codec (RFC3389) is applicable for the selected codec. For instance, AMR does contain an internal comfort noise mode and is not used in combination with the comfort noise codec (see IETF RFC3389 [23]).

9.6 Codec Negotiation Example Sequences

The following figures show examples of codec negotiation for a selection of common call scenarios to highlight the principles agreed in the preceding clause; the sequences are not exhaustive.

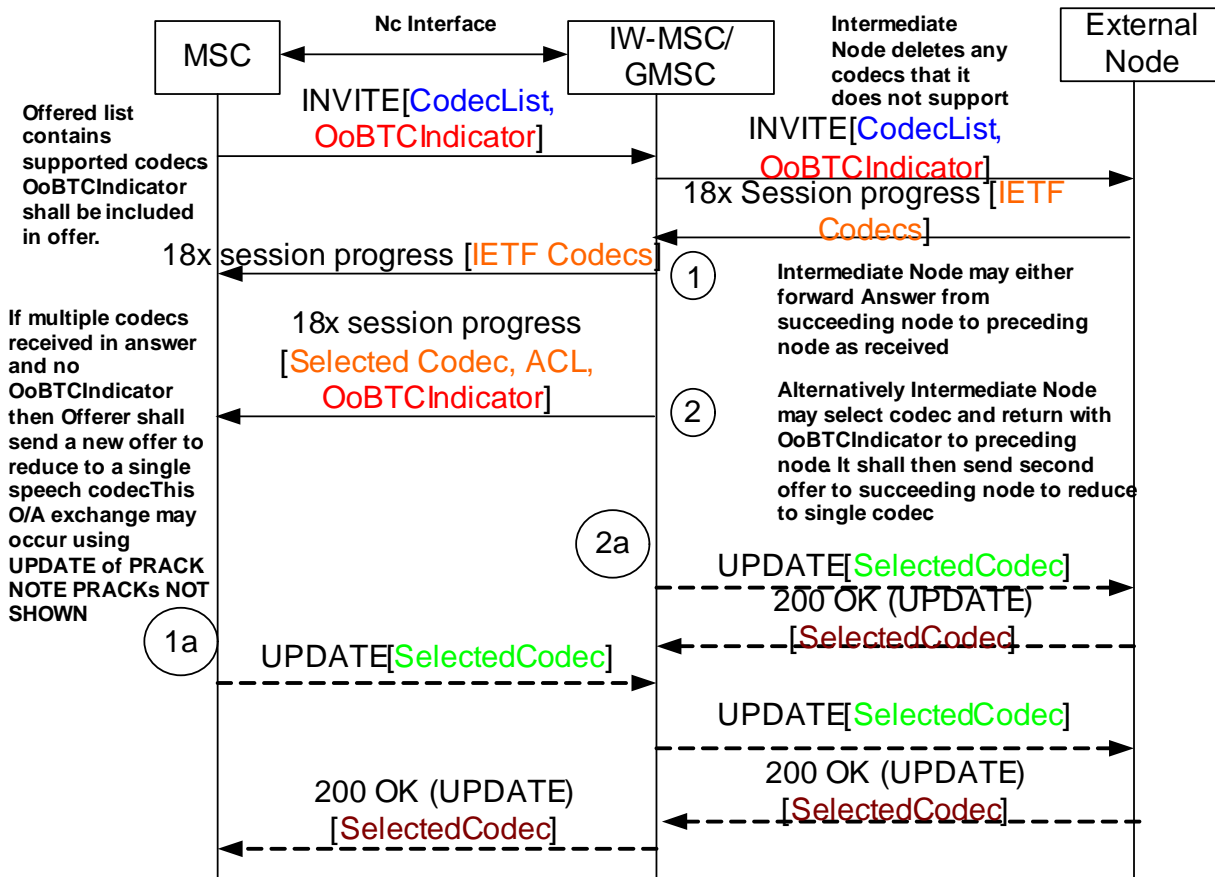


Figure 9.6.1: Mobile Originating Codec Negotiation

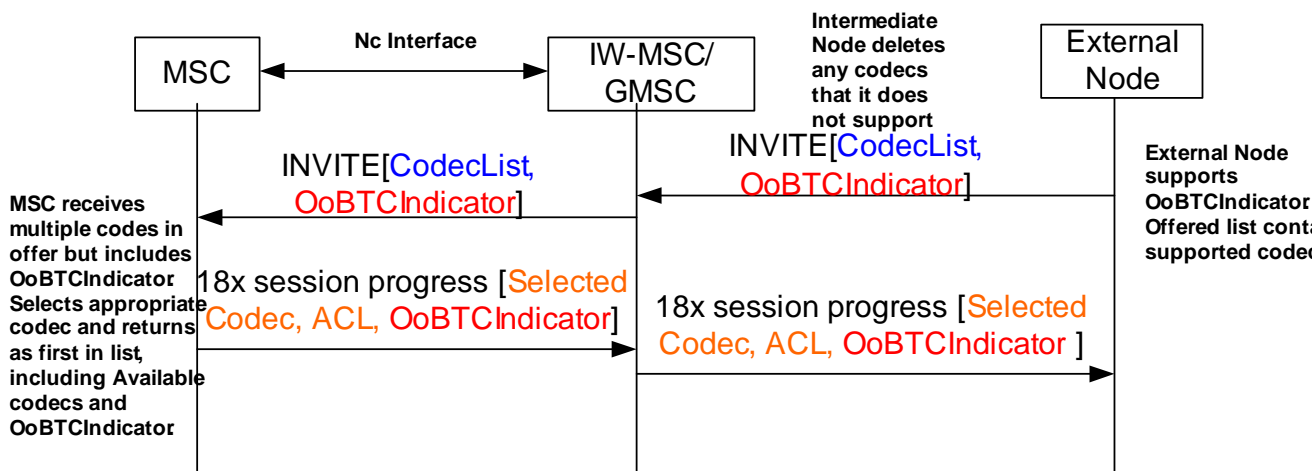


Figure 9.6.2: Mobile Terminating Codec Negotiation – External Node supports OoBTCIndicator

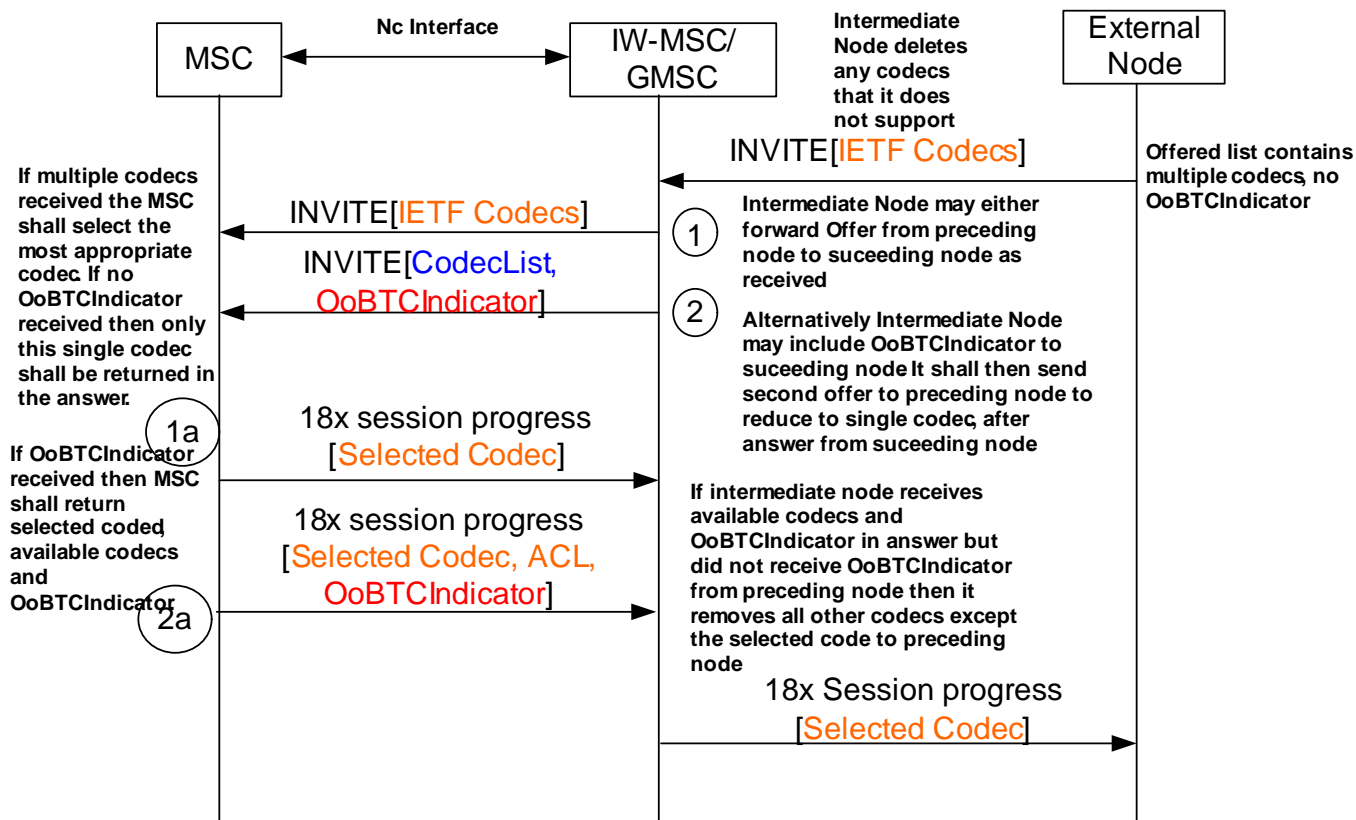


Figure 9.6.3: Mobile Terminating Codec Negotiation – External Node does not support OoBTCIndicator

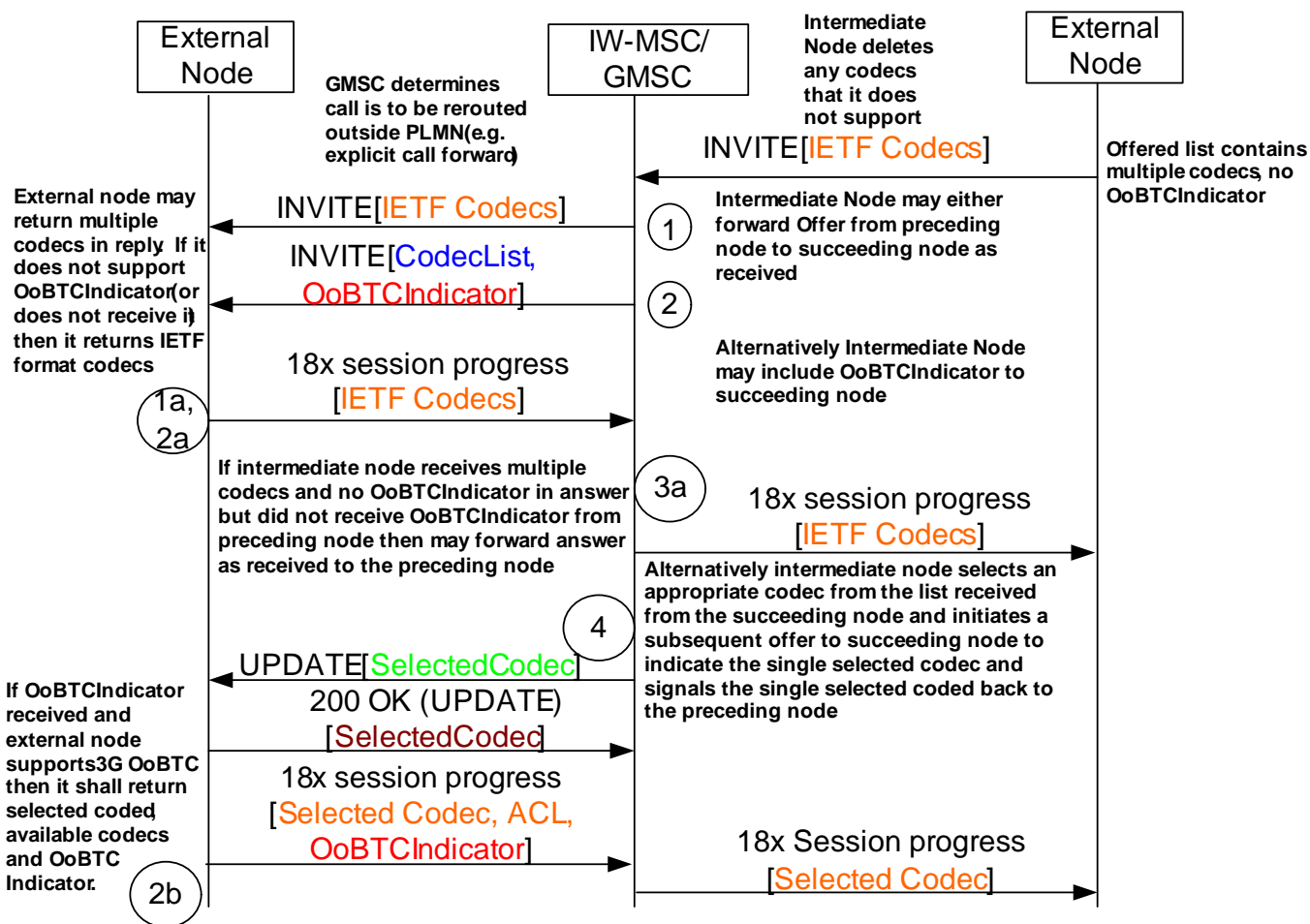


Figure 9.6.4: Codec Negotiation during call forwarding outside of PLMN – external incoming node does not support 3G OoBTCIndicator

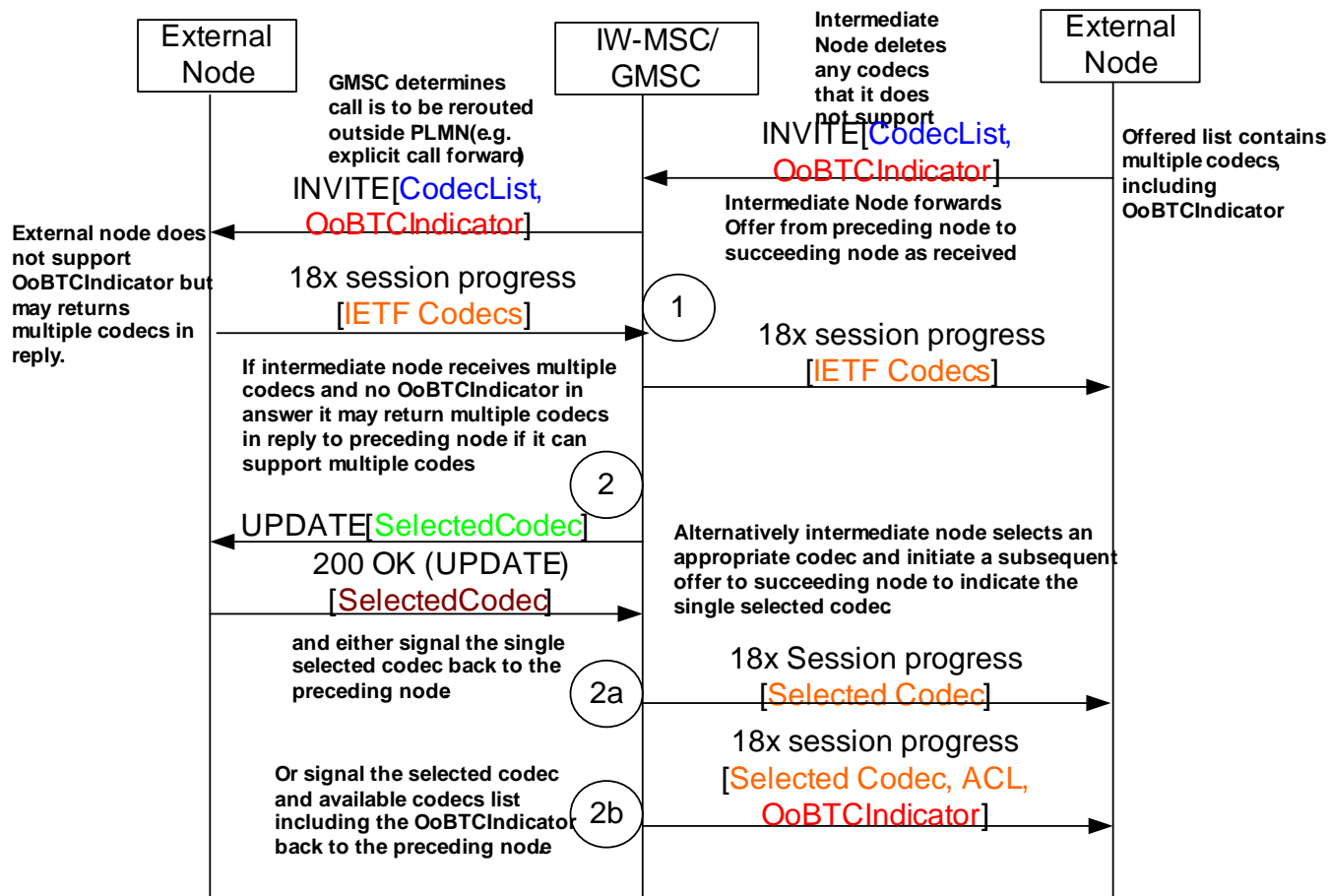


Figure 9.6.5: Codec Negotiation during call forwarding outside of PLMN – external node supports 3G extension

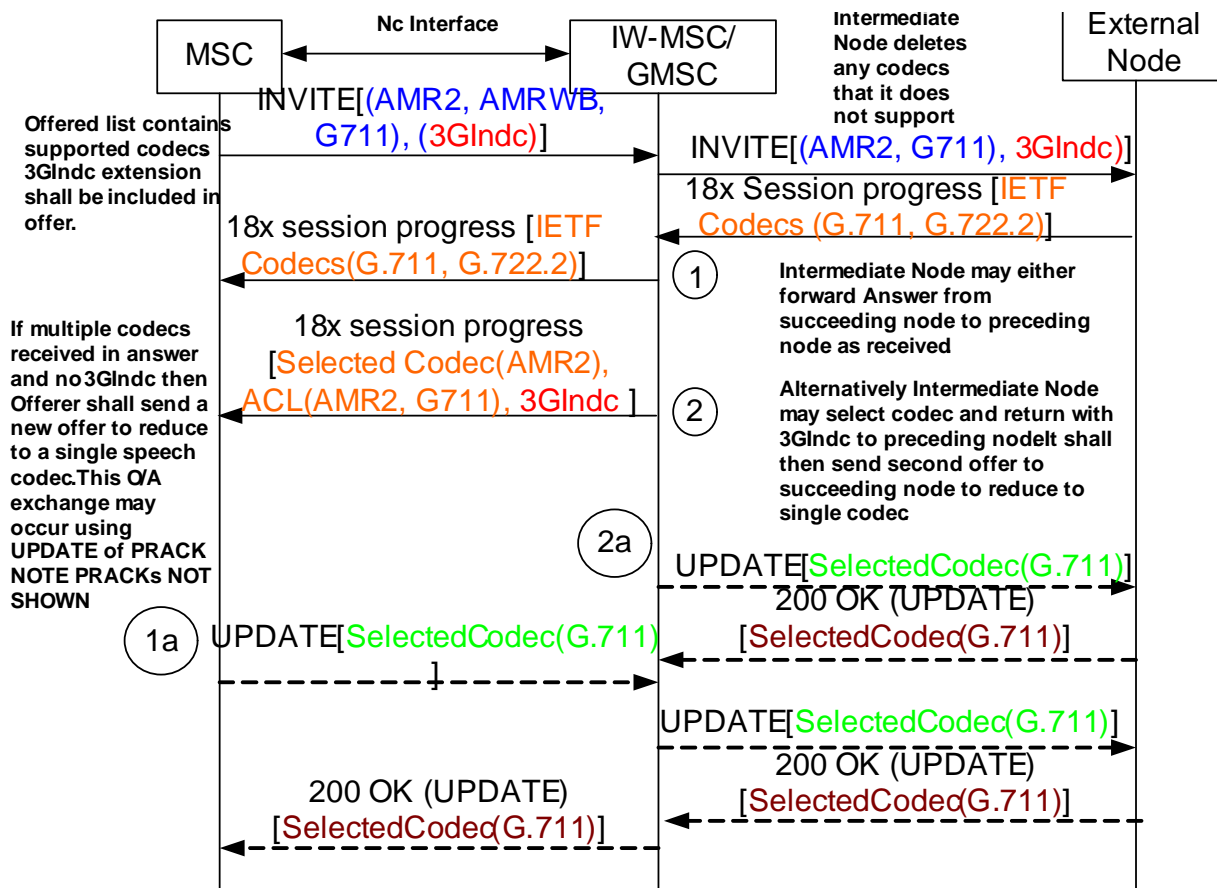


Figure 9.6.6: Mobile Originating Codec Negotiation with specific codec examples

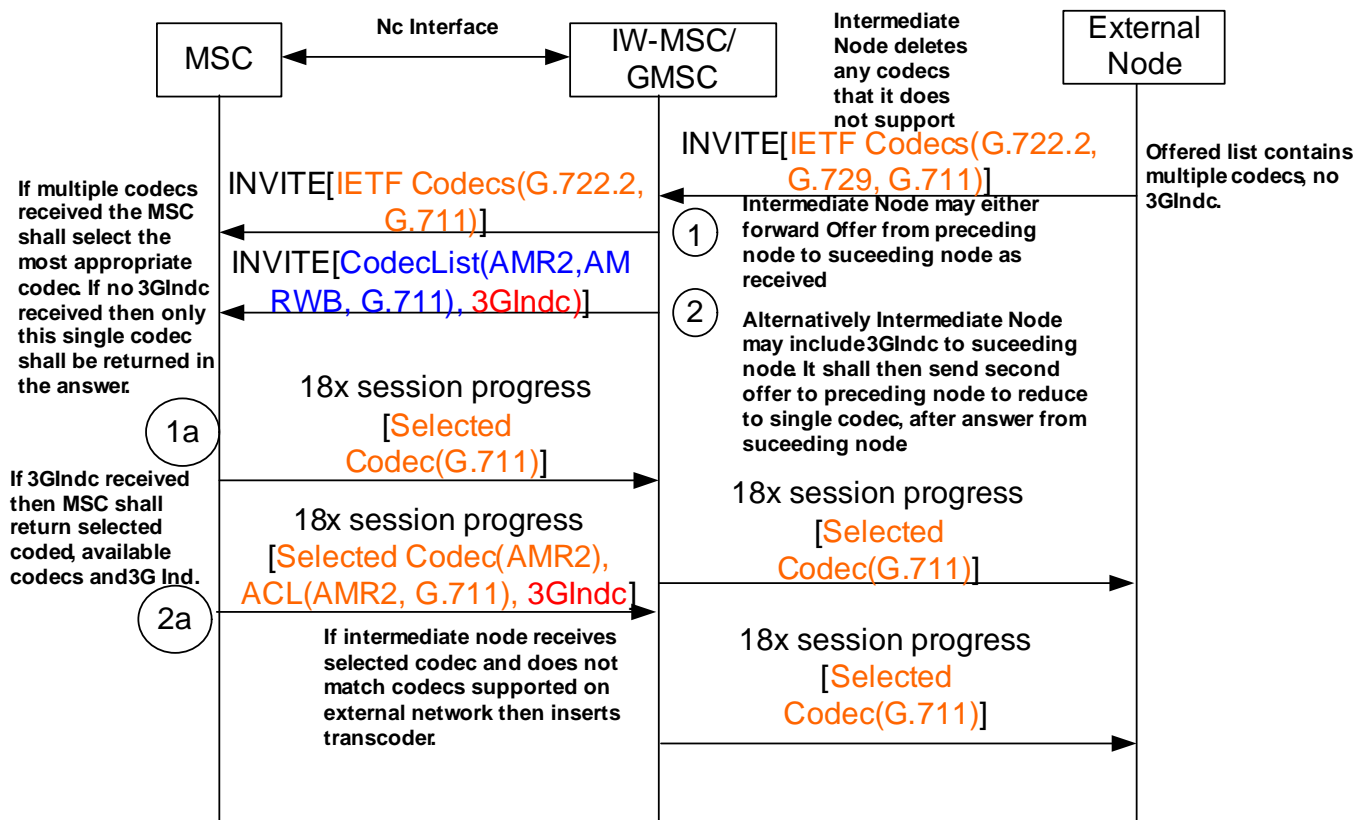


Figure 9.6.7: Mobile Terminating Codec Negotiation with specific codec examples

9.7 Codec Lists Structure

9.7.1 General

The following are rules that are applied when populating a Session Description Protocol (SDP) media offer or an SDP media answer for 3GPP SIP-I OoBTC. A SIP-I signalling endpoint shall initiate an SDP Offer/Answer exchange during call establishment and may initiate an SDP Offer/Answer exchange at any time that the bearer configuration changes, e.g., during handover or invocation of a supplementary service such as 3pty.

9.7.2 Rules for Constructing an Offer

The Codec List/SDP in the Offer shall contain codecs/payload types defined as follows:

- "Direct Codec" payload types that can be used between bearer endpoints without any additional transcoding stage;
- "Indirect Codec" payload types that can be used between bearer endpoints with an additional transcoding stage; and
- "Auxiliary" payload types unrelated to the primary codec selection process may be included.

The Offered Codec List shall contain two sub-lists ordered as: zero or more "Direct Codecs" plus zero or more "Indirect Codecs". A list of zero or more "auxiliary" payload types, e.g., RTP Telephony Events, CN (comfort noise), which are not used in the process of selecting the primary codec, may follow after the direct and indirect codec types.

The direct and indirect codec sub-lists shall be ordered in decreasing preference.

G.711 shall always be included either as direct or indirect codec. When present, the indirect codec sub-list shall always start with G.711, if G.711 is not a direct codec. However, an entry for G.711 shall appear only once in the offered codec list.

The offer may contain a list of several direct and indirect codec types.

NOTE: These rules for constructing an SDP Offer enable TrFO in the network by assuring that the network configures the minimum number of transcoders for each session. These rules are needed to enable TrFO in the network and are consistent with IETF RFC 3264 [24], but are not part of IETF RFC 3264 [24]. Other SIP endpoints may not follow the same conventions for prioritizing codecs. As an exception to the aforementioned rules, the offerer could choose to construct an Offered Codec List in a different order from the one described in the above rules, but this is not recommended as the answerer may select a codec that does not minimize the number of transcoders for the session and does not enable TrFO.

9.7.3 Rules for Constructing an Answer

The answering signalling endpoint shall, before processing the Offer and before populating the Answer, structure the available codec types on its access into "Direct Codecs," "Indirect Codecs", and "auxiliary" payload types.

The answering signalling endpoint shall then take both structured Codec Lists, the one received in the Offer and the one created locally, into account and shall select the "optimal" codec type for the Answer, which shall be the first codec type in the Answer; the Selected Codec. The Answer shall contain at least one direct or indirect codec from among those listed in the Offer. The criteria for selecting the "optimal" codec may depend on operator choices and preferences (local policy), such as Speech Quality, Bit Rate on transport or DSP load (for transcoding) or other.

If the Answer to a subsequent Offer comprises all or a subset of the Direct and Indirect codecs in the preceding Answer within the dialog, then the IP address, and port information in the SDP Answer should remain the same.

Ideally the Selected "optimal" Codec is a direct codec type on both accesses, which results in no transcoding being necessary.

9.8 Void

Annex A (informative): Codec Re-negotiation

A node may perform a procedure (e.g. handover) that results in a completely new list from that which was originally negotiated. Assuming that the current Selected Codec is still common (no Selected Codec Modification or re-negotiation) then the node shall send a Re-negotiation Request with the new Supported Codec List. The Supported codec list may then be punctured by nodes in the network in the same way as for the basic Codec Negotiation procedure and a new Available Codecs List returned.

If a node performs a procedure (e.g. handover) that results in both a completely new list and also the need for a new codec then Codec Re-negotiation may be performed with a request for a new codec selection. The procedure is then the same as for an initial codec negotiation.

Annex B (normative): Wideband Speech Service

Support Of WB speech service

Several compatible Codec Types to enable wideband (WB) speech service are defined in 3G TS 26.103 v.5.0.0. Support of these Codec Types by a UE is indicated to the MSC by inclusion in the Supported Codecs IE. Note, for GERAN there is also a specific classmark, which includes the radio access' support of WB Codec Types. Normal TrFO signalling shall apply, where wideband Codec Types may be given preference in the codec list if the wideband service is available to that user.

Call Establishment

Where end-to-end TrFO cannot be achieved (e.g. the external network does not support OoBTC procedures) a decision whether to accept the WB codec type at the interworking point and transcode to narrowband PCM (G.711) or to remove the wideband codec type from the codec list and only allow narrowband service to continue has to be made. The decision making factors are:

- 1) Is TFO supported? TFO allows the WB service to be negotiated inband and if successful allow end-to-end WB speech.
- 2) If TFO is supported then a NB speech Codec Type may be selected as the initial codec type. If the TFO inband protocol resolves that end-to-end WB speech is possible then mid-call codec negotiation/modification procedures shall be employed to switch to WB service. Alternatively if AMR-WB or EVS is proposed then codec modification will be required if TFO can be successful in NB but cannot be successful in WB. The decision on which Type to select initially should be based on the probability of acceptance of the service.
- 3) Which WB Codec Modes shall be permitted? AMR-WB has 3 mandatory modes for all RANs (6.60, 8.85, 12.65) and 2 optional modes for UTRAN & GERAN-8PSK_FR (15.85, 23.85). If transcoding from a WB mode to G.711 then only narrowband speech quality will result. Therefore no gain is obtained by allowing the higher modes whereas additional radio access bandwidth is used.

Editor's note: [EVSoCS-CT, CR 0130] A description of the mandatory modes and of the optional modes for EVS will be added once SA4 has added the allowed configurations for EVS in 3GPP TS 26.103 [5].

- 4) Decision rules for codec type selection and AMR-WB codec mode selection are described in TFO specification TS 28.062.
- 5) Is charging applied to use of higher modes?

Note: Transcoding between WB source encoding and default PCM/G.711 provides similar quality (but no better) as would be achieved by NB source encoding. Thus in many cases avoiding modification back to NB codec (when TrFO cannot be achieved) is preferred. On the other hand the WB Codec Types require slightly higher bit rates and thus are slightly less error robust.

Handover between WB and NB speech

Handover of a successfully established WB speech call to a radio access that cannot guarantee the support of WB speech again requires a decision whether to transcode or modify.

If the call has been established end-to-end in WB TrFO, or end-to-end in WB quality including TFO links, then a modification to NB speech on the TrFO link may be preferable – to avoid inserting of 2 transcoders (one transcoding between WB speech and NB speech). It depends on the possibility to get WB TFO support on that NB radio access. In general the same decision rules apply as for call establishment described above.

Interworking with external networks (PSTN/ISDN)

In ITU-T a WB speech codecalgorithm is defined based on the 3GPP AMR-WB codec algorithm: G.722.2.

Note: It is desired that all Codec Types based on that WB algorithm are exactly compatible with the 3GPP AMR-WB Codec Types to enable end-to-end WB speech between fixed and mobile. This means that all configuration parameters must be compatible, for example codec mode change in sending direction (encoder side) should adhere to the 40ms interval required for GERAN radio access.

Provided that G.722.2 is directly compatible interworking to external networks should indicate support for this codec type in the Supported Codec List when AMR-WB codec is received from the UE. Receipt of G.722.2 from an external network shall be translated to support of AMR-WB by the PLMN nodes.

Multi-party Calls

A decision whether to modify any WB legs to NB source encoding may be made based on similar decisions as for the call establishment when TrFO is not successful.

Note: The conference bridge is assumed to convert any WB call leg into NB speech. Calls established in WB that result in subsequent parties being joined in conference or calls being established toward a specific conference bridge will under the existing conferencing technology result in NB speech quality.

Lawful Interception

Lawful Interception of AMR WB speech service or EVS speech service shall be in accordance with clause 4.3.

Annex C (informative): Change history

Date	TSG #	TSG Doc.	CR	Rev	Subject/Comment	New
Sep 1999					First draft prepared by the rapporteur	0.0.0
Oct 1999					2nd draft prepared by the rapporteur (Updated version from Abiko.)	0.1.0
Nov 1999					3rd draft prepared by the rapporteur	0.2.0
Dec 1999					Submitted to CN#06 for information	1.0.0
Feb 2000					4th draft prepared by the rapporteur	1.1.0
Feb 2000					5th draft prepared by the rapporteur (Updated version from Milan.)	1.2.0
Feb 2000					6th draft prepared by the rapporteur (Updated version from Milan.)	1.3.0
Feb 2000					7th draft prepared by the rapporteur (Updated version from Milan.)	1.4.0
Feb 2000					8th draft prepared by the rapporteur (Updated version from Milan.)	1.5.0
Mar 2000					Submitted to TSG CN#07 for approval	2.0.0
Oct 2000					9th draft prepared by the rapporteur (Updated version from Windsor)	2.0.3
Nov 2000					10th draft accepted, input to TrFO workshop #5, Stockholm	2.1.0
Nov 2000					11th draft, workshop #5 interim editors document.	2.1.1
Nov 2000					Final Draft for approval at CN4 WG #5 (Paris)	2.2.0
Nov 2000					Final Clean version for Approval CN TSG (Bangkok)	2.3.0
Dec 2000	CN#10	NP-000653			TS 23.153 Out of Band Transcoder Control - Stage 2 approved as version 4.0.0	4.0.0
Mar 2001	CN#11	NP-010084	001	1	Correct wording of Nb/Iu UP protocol	4.1.0
Mar 2001	CN#11	NP-010084	003	1	Alignment of codec modification procedures with current BICC CS2 procedures	4.1.0
Mar 2001	CN#11	NP-010084	004	1	Alignment of codec modification procedures with current BICC CS2 procedures	4.1.0
Mar 2001	CN#11	NP-010084	005	1	Alignment of codec modification procedures with current BICC CS2 procedures	4.1.0
Mar 2001	CN#11	NP-010084	006	1	Interaction with CCBS	4.1.0
Mar 2001	CN#11	NP-010084	007	2	Clause 5.6, establishment of additional calls	4.1.0
Mar 2001	CN#11	NP-010084	009	1	Editorials and minor corrections	4.1.0
Mar 2001	CN#11	NP-010084	012	2	Change of terminology from "Node X" to "MSC Server X"	4.1.0
Mar 2001	CN#11	NP-010084	014	1	Alignment of codec modification procedures with current BICC CS2 procedures	4.1.0
Mar 2001	CN#11	NP-010084	015		Alignment of SRNS Relocation with 3G TS 23.205	4.1.0
Mar 2001	CN#11	NP-010084	016		Inter-MSC Serving Area SRNS Relocation	4.1.0
Mar 2001	CN#11	NP-010084	017	1	General Improvements	4.1.0
Mar 2001	CN#11	NP-010084	020		Reference to Q.2630 in certain diagrams should be bearer independent	4.1.0
Mar 2001	CN#11	NP-010084	021	1	Initialisation Issues	4.1.0
Mar 2001	CN#11	NP-010084	022	2	Avoiding double description of Iu framing package procedure	4.1.0

Date	TSG #	TSG Doc.	CR	Rev	Subject/Comment	New
Jun 2001	CN#12	NP-010284	024	1	Role of MSC server in FP UP version negotiation for TrFO	4.2.0
Jun 2001	CN#12	NP-010297	025		Default Codec For UMTS & GSM dual systems	4.2.0
Sep 2001	CN#13	NP-010457	026		Optional FRCI value Correction	4.3.0
Sep 2001	CN#13	NP-010532	027	1	Default Codec Types For "UMTS only" and "UMTS & GSM dual system" UEs	4.3.0
Sep 2001	CN#13				Editorial clean up	4.3.0
Dec 2001	CN#14	NP-010620	028		Removal of "No Data" SDUs	4.4.0
Dec 2001	CN#14	NP-010620	029		Clarification for Codec Modification in case of SS/IN interworking	4.4.0
Mar 2002	CN#15	NP-020066	030	2	Codec fallback in TrFO Call Establishment to External Network	5.0.0
Jun 2002	CN#16	NP-020247	033	2	Introduction of AMR-WB	5.1.0
Sep 2002	CN#17	NP-020458	031	4	Introduction of GERAN lu-mode	5.2.0
Sep 2002	CN#17	NP-020444	041		Initial Bitrate For TrFO	5.2.0
Sep 2002	CN#17	NP-020444	043	1	Handling of UMTS_AMR & UMTS_AMR_2 codecs in OoBTC	5.2.0
Dec 2002	CN#18	NP-020578	039	2	Correction/clarification to Codec Modification Procedures	5.3.0
Dec 2002	CN#18	NP-020578	049	2	Alignment on the optionality on usage of Global Titel Translation in case of relocation between RNC's connected to different 3G MSC's	5.3.0
Mar 2003	CN#19	NP-030097	053		Guaranteed Bitrate & Maximum Bitrate settings for TrFO	5.4.0
Jun 2003	CN#20	NP-030222	051		Inter-MSC SRNS relocation with TrFO	5.5.0
Jun 2003	CN#20	NP-030211	055	2	Clarification of use of Default PCM codec and handling of the Codec List	5.5.0
Jun 2003	CN#20	NP-030211	057		Clarification of handling of DTMF in TrFO	5.5.0
Jun 2003	CN#20	NP-030211	059	1	Clarification of use of TMR for codec negotiation	5.5.0
Sep 2003	CN#21	NP-030380	063	1	Clarification on codec modification	5.6.0
Sep 2003	CN#21	NP-030380	067	1	Clarification of luUP Initialisation during codec modification	5.6.0
Sep 2003	CN#23	NP-040053	068	5	Codec Modification/ Mid-Call Codec Negotiation after Inter-MSC Relocation	5.7.0
Sep 2003	CN#23	NP-040053	069	4	Correction of Inter-MSC SRSN Relocation procedure	5.7.0
Jun 2004	CN#24	NP-040214	071	1	Correction of Codec Negotiation and supported codec mode configurations	5.8.0
Jun 2004	CN#24	NP-040219	072		Correction to clause 6.5 on information flow after UMTS to GSM handover	5.8.0
Dec 2004	CN#26	NP-040520	076		TFO/TrFO compatibility of UMTS_AMR and UMTS_AMR2	5.9.0
Dec 2004	CN#26	NP-040520	078	1	Detailed description of the handling of codec negotiation parameters	5.9.0
Dec 2004	CN#26	NP-040520	080	3	Addition of missing condition for transcoder free operation in the MGW	5.9.0
Dec 2004	CN#26	NP-040528	081		Correction of the inter-MSC handover during TrFO	5.9.0
Dec 2004	CN#26	NP-040548	074	1	3GUP properties correction	6.0.0
Mar 2005	CN#27	NP-050053	085	2	New 'TFO status' event	6.1.0
Mar 2005	CN#27	NP-050034	089		Correction of the condition for the insertion of a transcoder	6.1.0
Jun 2005	CT#28	CP-050079	092	1	Codec Selection at Terminating Call Control Node for OoBTC	6.2.0

Date	TSG #	TSG Doc.	CR	Rev	Subject/Comment	New
Sep 2005	CT#29	CP-050285	095	2	TrFO/TFO Codec Negotiation	6.3.0
Sep 2005	CT#29	CP-050316	098	2	CS data Mobile Terminating calls from PSTN	7.0.0
Dec 2005	CT#30	CP-050628	0099	2	Handling of CS data calls in inhomogeneous networks	7.1.0
Mar 2007	CT#35	CP-070014	0100		Codec negotiation during Inter-MSC handover	7.2.0
Dec 2007	CT#38	CP-070752	0101	3	Addition of Codec Negotiation for SIP-I	8.0.0
Sep 2008	CT#41	CP-080466	0106	1	AoIP impacts to OoBTC procedures	8.1.0
Sep 2008	CT#41	CP-080464	0107	1	Addition of CS data call related codec considerations	8.1.0
Dec 2008	CT#42	CP-080710	0108		Enhanced SRNS relocation	8.2.0
Dec 2008	CT#42	CP-080710	0110	1	OoBTC BICC Codec List	8.2.0
Dec 2008	CT#42	CP-080686	0111	1	Removal of SDP offer/answer requirements for CSD calls	8.2.0
Dec 2008	CT#42	CP-080697	0112	1	Correction to Codec lists definitions	8.2.0
Dec 2008	CT#42	CP-080697	0114	2	Signalling between MSC and GERAN AoIP-mode	8.2.0
Mar 2009	CT#43	CP-090030	0115	2	Clarification of MSC-PCL contents	8.3.0
2009-12	-	-	-	-	Update to Rel-9 version (MCC)	9.0.0
Dec 2010	CT#50	CP-100682	0116	10	AoIP – MAP level codec negotiation for GSM codecs	9.1.0
Mar 2011	CT#51	CP-110050	0118	1	Codec modification after inter-MSC handover	9.2.0
Mar 2011	-	-	-	-	Update to Rel-10 version (MCC)	10.0.0
Dec 2011	CT#54	CP-110813	0119	1	Usage of TFO Codec List	11.0.0
Jun 2012	CT#56	CP-120268	0122	4	Correction of codec modification after inter-MSC handover	11.1.0
Sep 2013	CT#61	CP-130462	0129	1	GERAN lu Mode	12.0.0
Jun 2015	CT#68	CP-150272	0130	1	Adding support for the EVS codec over UMTS CS	13.0.0
Mar 2016	CT#71	CP-160027	0131	1	Resolution of Editor's notes on EVS over UMTS CS	13.1.0
2016-12	CT#74	CP-160662	0133	1	Updates to OoBTC codec negotiation procedures for EVS	13.2.0
2017-03	CT#75	-	-	-	Update to Rel-14 version (MCC)	14.0.0
2018-06	-	-	-	-	Update to Rel-15 version (MCC)	15.0.0
2020-07	CT#88e	-	-	-	Update to Rel-16 version (MCC)	16.0.0
2022-03	-	-	-	-	Update to Rel-17 version (MCC)	17.0.0

History

Document history		
V17.0.0	April 2022	Publication