

# ETSI TS 101 376-4-7 V2.2.1 (2005-03)

---

*Technical Specification*

**GEO-Mobile Radio Interface Specifications (Release 2)  
General Packet Radio Service;  
Part 4: Radio interface protocol specifications;  
Sub-part 7: Mobile Radio Interface Signalling Layer 3  
General Aspects;  
GMPRS-1 04.007**

---



---

Reference

RTS/SES-00226-4-7

---

Keywords

GMR, GMPRS, GPRS, GSM, GSO, interface,  
layer3, MES, mobile, MSS, radio, satellite,  
signalling, S-PCN

**ETSI**

650 Route des Lucioles  
F-06921 Sophia Antipolis Cedex - FRANCE

Tel.: +33 4 92 94 42 00 Fax: +33 4 93 65 47 16

Siret N° 348 623 562 00017 - NAF 742 C  
Association à but non lucratif enregistrée à la  
Sous-Préfecture de Grasse (06) N° 7803/88

---

**Important notice**

Individual copies of the present document can be downloaded from:

<http://www.etsi.org>

The present document may be made available in more than one electronic version or in print. In any case of existing or perceived difference in contents between such versions, the reference version is the Portable Document Format (PDF). In case of dispute, the reference shall be the printing on ETSI printers of the PDF version kept on a specific network drive within ETSI Secretariat.

Users of the present document should be aware that the document may be subject to revision or change of status. Information on the current status of this and other ETSI documents is available at

<http://portal.etsi.org/tb/status/status.asp>

If you find errors in the present document, please send your comment to one of the following services:

[http://portal.etsi.org/chaicor/ETSI\\_support.asp](http://portal.etsi.org/chaicor/ETSI_support.asp)

---

**Copyright Notification**

No part may be reproduced except as authorized by written permission.  
The copyright and the foregoing restriction extend to reproduction in all media.

© European Telecommunications Standards Institute 2005.  
All rights reserved.

**DECT™**, **PLUGTESTS™** and **UMTS™** are Trade Marks of ETSI registered for the benefit of its Members.  
**TIPHON™** and the **TIPHON logo** are Trade Marks currently being registered by ETSI for the benefit of its Members.  
**3GPP™** is a Trade Mark of ETSI registered for the benefit of its Members and of the 3GPP Organizational Partners.

# Contents

Intellectual Property Rights .....	6
Foreword.....	6
Introduction .....	7
1 Scope .....	8
2 References .....	8
3 Definitions and abbreviations.....	9
3.1 Definitions .....	9
3.2 Abbreviations .....	9
4 Introduction .....	9
4.1 General .....	9
4.1.1 Applicability of functional blocks .....	10
4.2 Objectives.....	10
4.2.1 Objectives for non-GMPRS layer 3.....	10
4.2.2 Objectives of GMPRS-1 layer-3.....	11
4.3 General characteristics .....	11
4.3.1 Technique of description .....	11
4.3.2 Primitives.....	11
4.3.3 Peer-to-Peer communication.....	11
4.3.4 Contents of signalling layer 3 related technical specifications .....	12
5 Structure of signalling layer 3 functions .....	12
5.1 Basic groups of functions .....	12
5.2 Protocol architecture.....	13
6 Services provided by signalling layer 3 at the Mobile Earth Station side.....	17
6.1 Registration services.....	17
6.1.1 Service state diagram.....	17
6.1.2 Service primitives .....	17
6.2 Call control services .....	18
6.3 Call-independent supplementary services support .....	18
6.4 Short Message Services support.....	18
6.5 MN-RR state services support.....	18
6.5.1 Service state diagram.....	18
6.5.2 Service primitives .....	19
6.5.2.1 RR_ALERT_IND .....	19
6.5.2.2 MNRR_GPS_REQUIRED_IND .....	19
6.5.2.3 MNRR_CLOSE_IND .....	19
6.5.2.4 MNRR_ABORT_REQ .....	19
6.5.2.5 MNRR_ABORT_CNF.....	19
6.6 Position information support.....	20
6.6.1 Service primitives .....	20
6.6.1.1 MNRR_REGION_IND.....	20
6.6.1.2 MNRR_POSITION_IND.....	20
6.7 DTMF digits transmission and reception service .....	20
6.7.1 Service primitives .....	20
6.7.1.1 DTMF_DIGIT_START_REQ .....	20
6.7.1.2 DTMF_DIGIT_STOP_REQ .....	20
6.7.1.3 DTMF_DIGIT_START_IND.....	21
6.7.1.4 DTMF_DIGIT_STOP_IND.....	21
6.8 Session Management services for GMPRS service.....	21
6.9 Registration services for GMPRS services.....	21
6.10 Services provided to SMDCP entities by GMPRS Logical Link Control services.....	21
6.11 Dark-beam information support .....	21
6.11.1 Service primitives .....	21

6.11.1.1	GMMDB_DARKBEAM_IND .....	22
6.11.1.2	GMMDB_LIGHTBEAM_IND.....	22
7	Services provided by signalling layer 3 on the network side .....	22
7.1	Call Control services .....	22
7.2	Call-independent supplementary services support .....	22
7.3	Short Message Services support .....	22
7.4	Services provided to SMDCP and SMS entities by GMPRS Logical Link Control services .....	22
7.5	Session Management services for GMPRS-1 .....	22
8	Services assumed from signalling layers 1 and 2.....	22
9	Interlayer service interfaces on the Mobile Earth Station side .....	23
9.1	Services provided by the Radio Resource management entity .....	23
9.1.1	Service state diagram .....	23
9.1.2	Service primitives .....	23
9.1.2.1	RR_EST_REQ .....	23
9.1.2.2	RR_EST_IND .....	23
9.1.2.3	RR_EST_CNF .....	23
9.1.2.4	RR_REL_IND.....	24
9.1.2.5	RR_SYNC_IND.....	24
9.1.2.6	RR_DATA_REQ .....	24
9.1.2.7	RR_DATA_IND .....	24
9.1.2.8	RR_UNIT_DATA_IND.....	24
9.1.2.9	RR_ABORT_REQ.....	24
9.1.2.10	RR_ABORT_IND.....	24
9.1.2.11	RR_ACT_REQ .....	24
9.1.2.12	RR_LU_NEEDED_IND .....	24
9.1.2.13	RR_COVERAGE_IND.....	24
9.1.2.14	RR_POSITION_IND .....	25
9.2	Services provided by the Mobility Management entity .....	25
9.2.1	Service state diagram .....	25
9.2.2	Service primitives .....	25
9.2.2.1	MMXX_EST_REQ.....	25
9.3	Services provided by radio resource management entity for GMPRS services .....	25
9.3.1	Service primitives for GRR-SAP .....	25
9.3.1.1	GRR-DATA-REQ.....	25
9.3.1.2	GRR-DATA-IND.....	25
9.3.1.3	GRR-UNITDATA-REQ .....	25
9.3.1.4	GRR-UNITDATA-IND .....	26
9.3.1.5	GRR-STATUS-IND.....	26
9.3.2	Service primitives for GMMRR-SAP .....	26
9.3.2.1	GMMRR-ASSIGN-REQ .....	26
9.3.2.2	GMMRR-PAGE-IND .....	26
9.3.2.3	GMMRR-SUSPEND-IND .....	26
9.3.2.4	GMMRR-REL-IND .....	26
9.3.2.5	GMMRR-RESUME-REQ.....	26
9.3.2.6	GMMRR-RESUME-CNF.....	26
9.4	Services provided by LLC entity for GMPRS services .....	27
9.5	Registration Services provided for GMPRS services .....	27
9.5.1	Service primitives for GMMSM-SAP .....	27
9.5.2	Service primitives for GMMAA-SAP .....	27
9.5.3	Service primitives for GMMSMS-SAP .....	27
10	Interlayer service interfaces on the network side .....	27
11	Standard layer 3 messages.....	27
11.1	Components of a standard layer 3 message.....	27
11.2	Imperative part of a standard layer 3 message.....	28
11.2.1	Protocol discriminator.....	28
11.2.2	Skip Indicator.....	28
11.2.3	Transaction identifier .....	28
11.2.4	Message type .....	28
11.2.5	Further information elements of the imperative part .....	28

11.3	Non-imperative part of a standard layer 3 message.....	28
11.4	Presence requirements of information elements.....	28
11.5	Handling of superfluous information .....	28
11.5.1	Information elements that are unnecessary in a message.....	28
<b>Annex A (informative):</b>	<b>MN-Services arrow diagram.....</b>	<b>29</b>
<b>Annex B (informative):</b>	<b>Description of CSN.1 .....</b>	<b>31</b>
<b>Annex C (informative):</b>	<b>GMPRS services sequence diagram .....</b>	<b>32</b>
<b>Annex D (informative):</b>	<b>Bibliography.....</b>	<b>33</b>
History .....		34

---

# Intellectual Property Rights

IPRs essential or potentially essential to the present document may have been declared to ETSI. The information pertaining to these essential IPRs, if any, is publicly available for **ETSI members and non-members**, and can be found in ETSI SR 000 314: *"Intellectual Property Rights (IPRs); Essential, or potentially Essential, IPRs notified to ETSI in respect of ETSI standards"*, which is available from the ETSI Secretariat. Latest updates are available on the ETSI Web server (<http://webapp.etsi.org/IPR/home.asp>).

Pursuant to the ETSI IPR Policy, no investigation, including IPR searches, has been carried out by ETSI. No guarantee can be given as to the existence of other IPRs not referenced in ETSI SR 000 314 (or the updates on the ETSI Web server) which are, or may be, or may become, essential to the present document.

---

## Foreword

This Technical Specification (TS) has been produced by ETSI Technical Committee Satellite Earth Stations and Systems (SES).

The contents of the present document are subject to continuing work within TC-SES and may change following formal TC-SES approval. Should TC-SES modify the contents of the present document it will then be republished by ETSI with an identifying change of release date and an increase in version number as follows:

Version 2.m.n

where:

- the third digit (n) is incremented when editorial only changes have been incorporated in the specification;
- the second digit (m) is incremented for all other types of changes, i.e. technical enhancements, corrections, updates, etc.

The present document is part 4, sub-part 7 of a multi-part deliverable covering the GEO-Mobile Radio Interface Specifications (Release 2) General Packet Radio Service, as identified below:

Part 1: "General specifications";

Part 2: "Service specifications";

Part 3: "Network specifications";

**Part 4: "Radio interface protocol specifications":**

Sub-part 1: "Mobile Earth Station-Gateway Station System (MES-GSS) Interface";

Sub-part 2: "GMR-1 Satellite Network Access Reference Configuration";

Sub-part 3: "Channel Structures and Access Capabilities";

Sub-part 4: "Layer 1 General Requirements";

Sub-part 5: "Data Link Layer General Aspects";

Sub-part 6: "Mobile earth Station-Gateway Station Interface Data Link Layer Specifications";

**Sub-part 7: "Mobile Radio Interface Signalling Layer 3 General Aspects";**

Sub-part 8: "Mobile Radio Interface Layer 3 Specifications";

Sub-part 9: "Performance Requirements on the Mobile Radio Interface";

Sub-part 10: "Rate Adaptation on the Access Terminal-Gateway Station Subsystem (MES-GSS) Interface";

Sub-part 11: "Radio Link Protocol (RLP) for Data Services";

Sub-part 12: "Mobile Earth Station (MES) - Base Station System (BSS) interface; Radio Link Control/Medium Access Control (RLC/MAC) protocol".

Part 5: "Radio interface physical layer specifications";

Part 6: "Speech coding specifications";

Part 7: "Terminal adaptor specifications".

---

## Introduction

GMR stands for GEO (Geostationary Earth Orbit) Mobile Radio interface, which is used for mobile satellite services (MSS) utilizing geostationary satellite(s). GMR is derived from the terrestrial digital cellular standard GSM and supports access to GSM core networks.

The present document is part of the GMR Release 2 specifications. Release 2 specifications are identified in the title and can also be identified by the version number:

- Release 1 specifications have a GMR-1 prefix in the title and a version number starting with "1" (V1.x.x.).
- Release 2 specifications have a GMPRS-1 prefix in the title and a version number starting with "2" (V2.x.x.).

The GMR release 1 specifications introduce the GEO-Mobile Radio interface specifications for circuit mode mobile satellite services (MSS) utilizing geostationary satellite(s). GMR release 1 is derived from the terrestrial digital cellular standard GSM (phase 2) and it supports access to GSM core networks.

The GMR release 2 specifications add packet mode services to GMR release 1. The GMR release 2 specifications introduce the GEO-Mobile Packet Radio Service (GMPRS). GMPRS is derived from the terrestrial digital cellular standard GPRS (included in GSM Phase 2+) and it supports access to GSM/GPRS core networks.

Due to the differences between terrestrial and satellite channels, some modifications to the GSM standard are necessary. Some GSM specifications are directly applicable, whereas others are applicable with modifications. Similarly, some GSM specifications do not apply, while some GMR specifications have no corresponding GSM specification.

Since GMR is derived from GSM, the organization of the GMR specifications closely follows that of GSM. The GMR numbers have been designed to correspond to the GSM numbering system. All GMR specifications are allocated a unique GMR number. This GMR number has a different prefix for Release 2 specifications as follows:

- Release 1: GMR-n xx.zyy.
- Release 2: GMPRS-n xx.zyy.

where:

- xx.0yy ( $z = 0$ ) is used for GMR specifications that have a corresponding GSM specification. In this case, the numbers xx and yy correspond to the GSM numbering scheme.
- xx.2yy ( $z = 2$ ) is used for GMR specifications that do not correspond to a GSM specification. In this case, only the number xx corresponds to the GSM numbering scheme and the number yy is allocated by GMR.
- n denotes the first ( $n = 1$ ) or second ( $n = 2$ ) family of GMR specifications.

A GMR system is defined by the combination of a family of GMR specifications and GSM specifications as follows:

- If a GMR specification exists it takes precedence over the corresponding GSM specification (if any). This precedence rule applies to any references in the corresponding GSM specifications.

NOTE: Any references to GSM specifications within the GMR specifications are not subject to this precedence rule. For example, a GMR specification may contain specific references to the corresponding GSM specification.

- If a GMR specification does not exist, the corresponding GSM specification may or may not apply. The applicability of the GSM specifications is defined in GMPRS-1 01.201 [2].

---

# 1 Scope

The present document defines the architecture of Layer 3 and its sublayers on the GeoMobile (GMR-1) Air Interface. Most of the procedures defined for Layer 3 are similar to those defined in Global System for Mobile (GSM) as defined in GSM 04.07 (Phase 2) [8] and GSM 04.07 (Phase 2+) [12]. Only significant differences are described here.

---

# 2 References

The following documents contain provisions which, through reference in this text, constitute provisions of the present document.

- References are either specific (identified by date of publication and/or edition number or version number) or non-specific.
- For a specific reference, subsequent revisions do not apply.
- For a non-specific reference, the latest version applies.

Referenced documents which are not found to be publicly available in the expected location might be found at <http://docbox.etsi.org/Reference>.

- [1] GMPRS-1 01.004 (ETSI TS 101 376-1-1): "GEO-Mobile Radio Interface Specifications (Release 2); General Packet Radio Service (GMPRS); Part 1: General specifications; Sub-part 1: Abbreviations and acronyms".
- [2] GMPRS-1 01.201 (ETSI TS 101 376-1-2): "GEO-Mobile Radio Interface Specifications (Release 2); General Packet Radio Service (GMPRS); Part 1: General specifications; Sub-part 2: Introduction to the GMR-1 family".
- [3] GMPRS-1 03.297 (ETSI TS 101 376-3-19): "GEO-Mobile Radio Interface Specifications (Release 2); General Packet Radio Service; Part 3: Network specifications; Sub-part 19: Optimal Routing technical realization".
- [4] GMR-1 03.298 (ETSI TS 101 376-3-20): "GEO-Mobile Radio Interface Specifications; Part 3: Network specifications; Sub-part 20: Technical realization of High-Penetration Alerting".

NOTE: This is a reference to a GMR-1 Release 1 specification. See the introduction for more details.

- [5] GMR-1 04.001 (ETSI TS 101 376-4-1): "GEO-Mobile Radio Interface Specifications; Part 4: Radio interface protocol specifications; Sub-part 1: Mobile Earth Station-Gateway Station System (MES-GSS) Interface".

NOTE: This is a reference to a GMR-1 Release 1 specification. See the introduction for more details.

- [6] GMR-1 04.006 (ETSI TS 101 376-4-6): "GEO-Mobile Radio Interface Specifications; Part 4: Radio interface protocol specifications; Sub-part 6: Mobile earth Station-Gateway Station Interface Data Link Layer Specifications".

NOTE: This is a reference to a GMR-1 Release 1 specification. See the introduction for more details.

- [7] GMPRS-1 04.008 (ETSI TS 101 376-4-8): "GEO-Mobile Radio Interface Specifications (Release 2); General Packet Radio Service; Part 4: Radio interface protocol specifications; Sub-part 8: Mobile Radio Interface Layer 3 Specifications".
- [8] GSM 04.07 (ETSI ETS 300 556): "European digital cellular telecommunications system (Phase 2); Mobile radio interface signalling layer 3; General aspects". (GSM Phase 2).
- [9] GSM 04.07 (ETSI TS 100 939): "Digital cellular telecommunications system (Phase 2+); Mobile radio interface signalling layer 3; General aspects". (Release 1997).
- [10] GSM 04.10 (ETSI ETS 300 558): "Digital cellular telecommunications system (Phase 2); Mobile radio interface layer 3; Supplementary services specification; General aspects". (GSM Phase 2).



- [11] GSM 04.11 (ETSI ETS 300 559): "Digital cellular telecommunications system (Phase 2) (GSM); Point-to-Point (PP) Short Message Service (SMS) support on mobile radio interface". (GSM Phase 2).
- [12] GSM 04.07 (ETSI TS 100 939): "Digital cellular telecommunications system (Phase 2+); Mobile radio interface signalling layer 3; General aspects". (Release 1998).
- [13] GMPRS-1 04.060 (ETSI TS 101 376-4-12): "GEO-Mobile Radio Interface Specifications (Release 2); General Packet Radio Service; Part 4: Radio interface protocol specifications; Sub-part 12: Mobile Earth Station (MES) - Base Station System (BSS) interface; Radio Link Control/Medium Access Control (RLC/MAC) protocol".
- [14] ITU-T Recommendation X.200: "Information technology - Open Systems Interconnection - Basic Reference Model: The basic model".
- [15] GSM 04.64 (ETSI TS 101 351): "Digital cellular telecommunications system (Phase 2+); General Packet Radio Service (GPRS); Logical Link Control (LLC)". (Release 1997).

---

## 3 Definitions and abbreviations

### 3.1 Definitions

For the purposes of the present document, the terms and definitions given in GMPRS-1 01.201 [2] apply.

### 3.2 Abbreviations

For the purposes of the present document, the abbreviations given in GMPRS-1 01.004 [1] apply.

---

## 4 Introduction

### 4.1 General

Two models are defined for Layer 3, one model for non-GMPRS services and one for GMPRS services.

Signalling Layer 3 for non-GMPRS services provides the functions required to establish, maintain and terminate circuit-switched connections across a GMR-1 Public Land Mobile Network (PLMN) and other networks to which the GMR-1 PLMN is connected. Layer 3 provides the necessary supporting operations related to supplementary services and short messages service control. It also includes the actions required for mobility and radio resource management.

Layer 3 contains three sublayers having the following functions:

- Radio Resource (RR) management.
- Mobility Management (MM).
- Connection Management (CM).

The layer 3 for GMPRS services is composed of four sublayers comprising:

- Radio Resource (RR) management functions.
- Mobility Management functions (GMM).
- Logical Link Control (LLC).
- The Connection Management (CM) functions.

- Session Management (SM) functions to activate, modify and delete the contexts for Packet Data Protocols (PDP).
- Supporting functions for short messages service control.

The Connection Management (CM) is composed of functional blocks for:

- Call Control (CC) for non-GMPRS services.
- Short Message Service Support (SMS) for non-GMPRS services.
- GMPRS Short Message Service Support (GSMS) for GMPRS services supporting Class C MESs.
- Session Management (SM) for GMPRS services supporting Class C MESs.
- Supplementary Services Support for non-GMPRS services.

The RR sublayer contains:

- The RR management protocol.
- The Dual Tone Multiple Frequency (DTMF) transmission and Dual Tone Reception Service (DTRS) management.

The present document does not consider the distribution of signalling functions among the different network equipments. The signalling functions are described between two systems which represent the MES side and the network side of the radio interface of layer 3. Only the functions in the network for signalling communication with one MES is considered.

For GMPRS services, in addition to the signalling functions also the user data transfer is included in the present document.

### 4.1.1 Applicability of functional blocks

Support of non GMPRS services is optional in the MES and the network.

Support of GMPRS services is optional in the MES and the network.

## 4.2 Objectives

### 4.2.1 Objectives for non-GMPRS layer 3

The objectives of Layer 3 in non-GMPRS systems are to provide the means for:

- the establishment, operation and release of a dedicated radio channel connection, exchange of position information and support for optimal routing and single-hop MES-MES calls (RR);
- the transmission and reception of DTMF digits dialled by the mobile user over the air to the peer entity (MES or GS) (DTRS);
- the location updating, authentication, Temporary Mobile Subscriber Identity (TMSI) reallocation and support for optimal routing (MM);
- the establishment, maintenance and termination of Circuit-Switched Calls (CC);
- SS support;
- SMS support.

## 4.2.2 Objectives of GMPRS-1 layer-3

The objectives of Layer 3 in GMPRS-1 systems are:

- support for location updating, authentication, Temporary Mobile Subscriber Identity (TMSI) reallocation;
- support for dark-beam operations;
- the establishment, maintenance and termination of logical link connections;
- GSMS support.

## 4.3 General characteristics

### 4.3.1 Technique of description

Layer 3 signalling is described in terms of:

- the services provided by signalling Layer 3;
- the services assumed from signalling Layer 2;
- the functions of signalling Layer 3.

The signalling Layer 3 functions are performed by means of the signalling Layer 3 protocols between two systems representing the MES and network sides of the radio interface (as viewed by the MES). The present document does not consider the distribution of signalling functions among the different network equipment. The functions of Layer 3 and its supporting lower layers provide the Mobile Network Signalling (MNS) service to the upper layers.

The service interfaces to the upper layers and to the data link Layer 2 are described by the primitives and parameters as recommended in ITU-T Recommendation X.200 [14].

The same technique of description is used for the three sublayers.

### 4.3.2 Primitives

The services provided by the various sublayers are described in the present document. The primitives describe the elementary interactions among adjacent sublayers. Primitives consist of requests, responses, indications and confirmations. The basic syntax of a primitive is specified in GMR-1 04.001 [5].

### 4.3.3 Peer-to-Peer communication

Exchange of information between two peers of signalling Layer 3 is performed by means of the three sublayer protocols CM, MM, RR. A protocol is a set of rules and formats over which the control information and user data are exchanged between the two peers. The information is exchanged by use of messages which are defined in the protocol. (Therefore, the messages are also called Protocol Data Units, PDUs).

There are several protocols of the RR sublayer, one protocol of the LLC sublayer, three protocols of the MM sublayer, and several protocols of the CM sublayer. For each functional block of the CM sublayer as defined in clause 4.1 there is one protocol. The CM protocols are specified in the technical specifications identified in clause 4.3.4.

In the model used in the present document, there is:

- 1) For non-GMPRS services:
  - One RR sub-layer entity in the MES and one RR sub-layer entity in the network.
  - One MM sub-layer entity in the MES and one MM sub-layer entity in the network.

- For each functional block of the CM sublayer as defined in clause 4.1 which is supported in the MES (in the network), there are, depending on the protocol, one or more entities in the MES (in the network). Two different entities of the same functional block in the MES (in the network) are called parallel entities. The entities of the same functional block in the MES correspond in a one-to-one relation to the entities of the functional block in the network. The corresponding entities are called peer entities.
- 2) For GMPRS services supporting Class C MESs:
- One RR sublayer entity in the MES and one RR sublayer entity in the network.
  - Six LLC sublayer entities (QoS1-QoS4, signalling, SMS) in the MES and six LLC sublayer entities in the network.
  - One MM sublayer entity (GMM) in the MES and one MM sublayer entity in the network (GMM, i.e. the network does not know if several MM sublayer entities belong to the same MES or not).
  - One SM entity in the MES's CM sublayer and one SM sublayer entity in the network's CM sublayer.
  - One or more GSMS functional blocks in the CM sublayer if supported.

As each sub-layer entity is specified by one and only one protocol, it is also called a protocol entity or protocol control entity.

When two peer protocol entities exchange PDUs, a transaction is said to be established (or: to be active; or: to exist). It depends from the protocol when exactly a protocol entity considers the transaction to be active, normally this is the case:

- From the moment when it has passed the first suitable message to lower (sub-) layers or received the first suitable message from its peer entity.
- Up to the moment when it has released the transaction.

#### 4.3.4 Contents of signalling layer 3 related technical specifications

GMPRS-1 04.008 [7] specifies the protocols for CC, MM, DTRS, SM and RR management.

GSM 04.10 (Phase 2) [10] specifies the protocols for SS support.

GSM 04.11 (Phase 2) [11] specifies the protocols for SMS support.

GSM 04.64 (Phase 2+) [15] specifies the protocol for Logical Link Control.

GMPRS-1 04.060 [13] defines the protocol for GMPRS-1 Radio Resource.

---

## 5 Structure of signalling layer 3 functions

### 5.1 Basic groups of functions

Signalling Layer 3 contains the following groups of signalling functions:

- CC
- SMS
- SS Support
- GSMS
- MM
- GMM

- RR Management
- GRR Management
- LLC
- DTRS

These functional groups are realized by separate protocol control entities:

Other functions contained in Layer 3 are related to the transport of messages such as multiplexing and splitting. These functions are defined in the RR management sublayer and the MM sublayer. They route the messages according to the PD which is included as part of the message header.

A CM sublayer protocol may also define a Transaction Identifier (TI) as a part of the message header. This is at least the case if there are parallel entities of the same functional block, clause 4.3.3. If it is a part of the message the TI is also used by the routing functions.

The MM sublayer routing function shall route the messages of the CM entities and of the MM and GMM entities of its own sublayer in the uplink direction toward the service access point of RR, GRR and LLC. This sublayer shall also multiplex these messages for parallel transactions.

The routing function of the RR management sublayer shall distribute the messages to be sent according to their PD and the actual channel configuration and, if applicable, to further information received from upper sub-layers to the appropriate service access point of layer 2 (identified by SAPI and logical channel). Paging messages received from the PCH are distributed to GMM or MM based on the temporary identifier (TMSI or TLLI).

The DTRS entity uses the same routing function to send messages to the RR entity to transmit DTMF tone related information. The RR entity internally checks whether a Data Link (DL) connection on SAPI = 2 on the FACCH Terminal-to-Terminal (TtT) signalling link exists for messages with PD of DTRS. If so, it transmits the information using this DL connection or it uses the SAPI = 0 connection (the main signalling link). The RR suppresses transmission of a message internally if there is no RR connection present or if it is at the network side of a single hop TtT call.

The messages provided at the different service access points of Layer 2 in the downlink direction are split by the RR sublayer routing function according to the PD. Messages with a PD equal to RR are passed to the RR entity of their own sublayer. All other messages are provided to the DTRS/MM sublayer at the service access point RR-SAP. The DTRS entity extracts messages using its own PD and passes the remaining messages on to the MM sublayer.

The routing function of MM passes the messages according to the protocol discriminator (PD) and, if applicable, the transaction identifier (TI) or the PDP address towards the MM entity or towards the CM entities via the various MM-SAPs. GMPRS-1 L3 messages are routed to Mobility Management or session management based on the protocol discriminator.

The routing function of LLC passes the messages according to the SAPIs to the MM sublayer or to the SNDSCP entities.

The message header or parts of it are not removed by the RR routing function before being passed to the MM sublayer because further routing shall be done by MM using the same criteria. This is not in line with the rules of the ISO reference model but it reduces the number of message octets.

## 5.2 Protocol architecture

A hierarchy of three sublayers is defined as follows:

- the RR sublayer provides services to the MM sublayer and utilizes the services of signalling Layer 2. The RR and DTRS protocol entities are included;
- the MM sublayer provides common services to the entities of the CM sublayer;
- the CM sublayer includes the CC, SS and SMS entities, which are independent entities.

See figure 5.1 for the Layer 3 MES side protocol architecture. This shows the protocol architecture for a MES not supporting the GMPRS service, restricting the representation of CM sublayer protocols to three paradigmatic examples, CC, SS and SMS. Note that the protocol stack for a class C GMPRS service may be present in the MES but it is not active simultaneously.

Figure 5.2 shows the protocol architecture for a MES supporting the Class C GMPRS service. (Note that the protocol stack for a circuit switched services may be present in the MES but it is not active simultaneously.)

Figure 5.3 shows the protocol architecture for a MES supporting Class B GMPRS service.

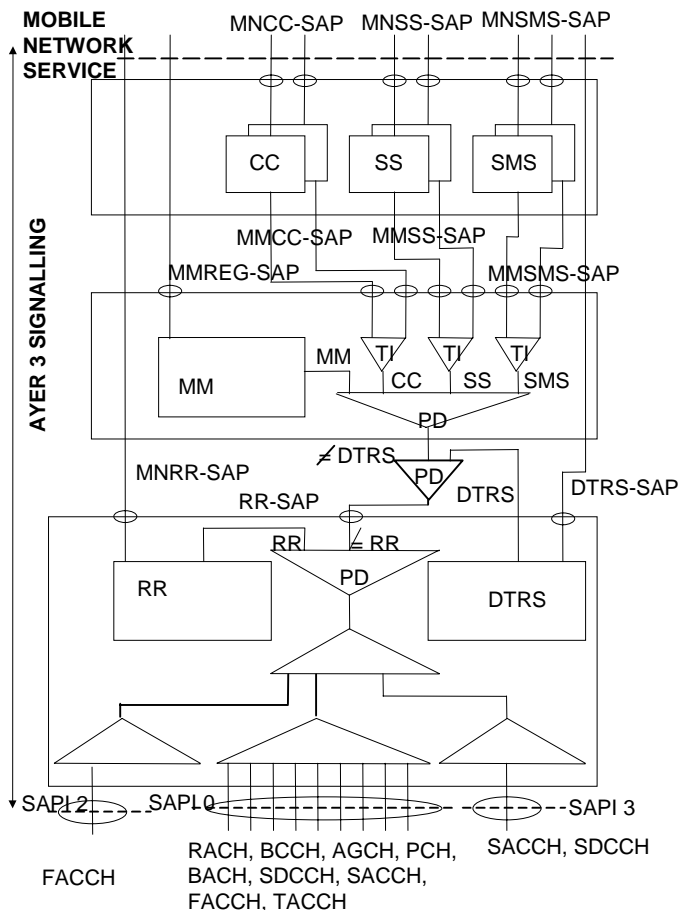


Figure 5.1: Protocol architecture of signalling layer 3 - MES - side

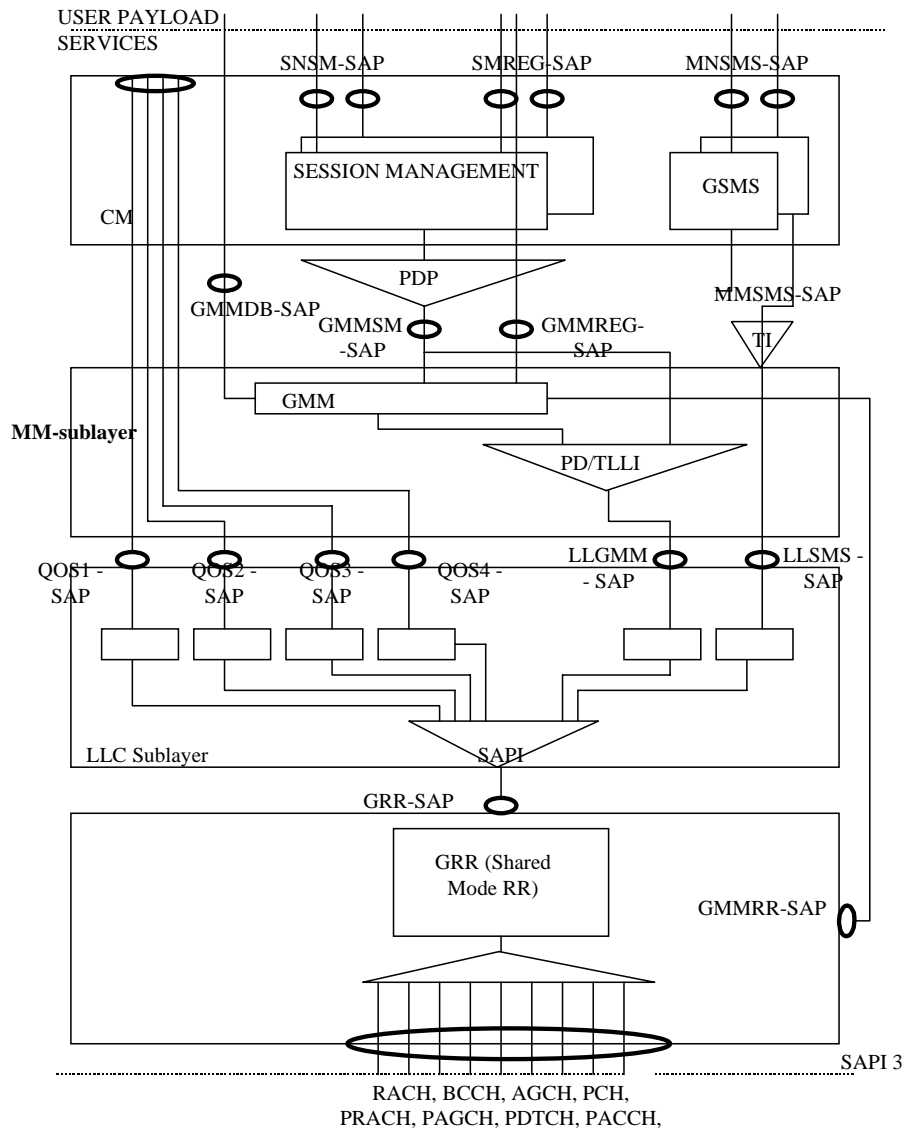


Figure 5.2: Protocol architecture supporting GMPRS class C MESS, MES - side

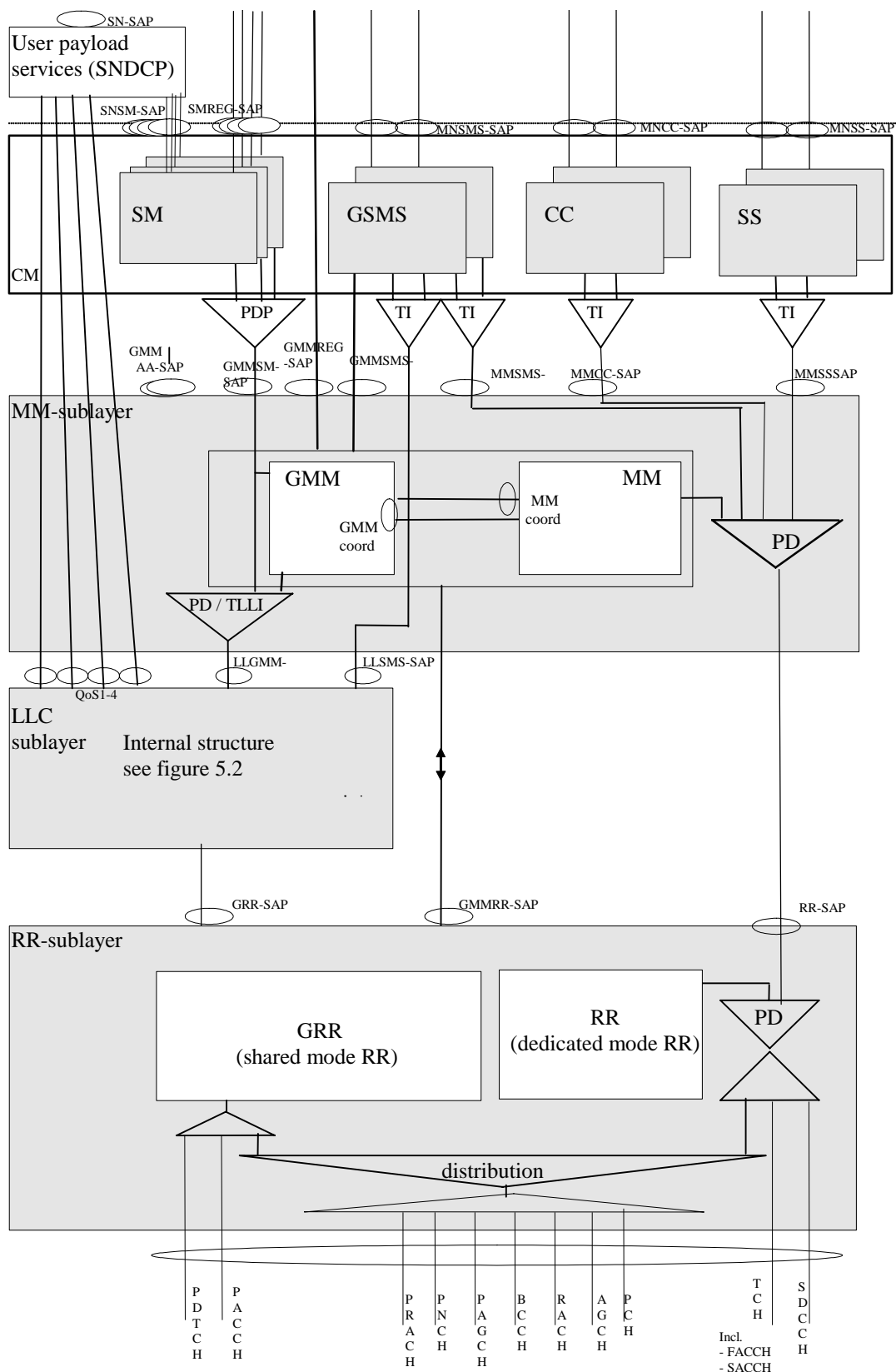


Figure 5.3: Protocol architecture supporting GMPRS class B MESSs, MES - side

Figure 5.2 defines four sublayers for GMPRS services:

- the RR sublayer provides services to the MM and LLC sublayers;
- the LLC sublayer provides services to the MM sublayer, the SNDSCP and GSMS entities and uses services of the RR sublayer;



- the GMM sublayer provides services to the SM entities of the CM. The GMM sublayer contains one GMM entity for non-anonymous access;
- the CM sublayer includes the SM and GSMS entities. The SM entity provides services to the SNDCP entity and uses services of the MM sublayer. The GSMS entity is identical to the SMS entity for non-GMPRS services except it uses the services from the LLC sublayer.

Figure 5.3 defines four sublayers for non-GMPRS and GMPRS-services supporting Class B MESs:

- the RR sublayer provides services to the MM and LLC sublayers;
- the LLC sublayer provides services to the MM sublayer, the SNDCP and GSMS entities and uses services of the RR sublayer;
- the MM sublayer provides services to the SNDCP entity and to the entities of the Connection Management (CM) sublayer. In addition to the MM entity for non-GPRS services, the MM sublayer further includes one GMM entity;
- the CM sublayer includes, among others, the CC, SS, GSMS and SM entities, which are independent entities.

The SM entity provides services to the SNDCP entity and uses services of the MM sublayer.

The GSMS entity is an extension of the SMS entity for non-GPRS services. For message transfer it uses the services both from the LLC sublayer and the MM entity of the MM sublayer. Furthermore it retrieves from the MM entity information about which transport service to use.

---

## 6 Services provided by signalling layer 3 at the Mobile Earth Station side

The different classes of services provided by signalling Layer 3 at the MES side are accessible at the following service access points:

- alert indications and position information at the MNRR-SAP;
- registration services at the MMREG-SAP;
- DTRS at the DTRS-SAP;
- CC services for normal and emergency calls including call-related supplementary services support at the MNCC-SAP;
- short message services support at the MNSMS-SAP;
- call-independent supplementary services support at the MNSS-SAP;
- Session Management services at the SMREG-SAP and at the SNSM-SAP.

### 6.1 Registration services

Same as clause 6.1 of GSM 04.07 (Phase 2) [8].

#### 6.1.1 Service state diagram

Same as clause 6.1.1 of GSM 04.07 (Phase 2) [8].

#### 6.1.2 Service primitives

Same as clause 6.1.2 of GSM 04.07 (Phase 2) [8].

## 6.2 Call control services

Same as GSM 04.07 (Phase 2) [8] with the exception of clauses 6.2.2.23 through 6.2.2.26, which are not required. The following primitives are not supported:

- MNCC\_START\_DTMF\_REQ
- MNCC\_START\_DTMF\_CNF
- MNCC\_STOP\_DTMF\_REQ
- MNCC\_STOP\_DTMF\_CNF

## 6.3 Call-independent supplementary services support

Same as clause 6.3 of GSM 04.07 (Phase 2) [8].

## 6.4 Short Message Services support

Same as clause 6.4 of GSM 04.07 (Phase 2) [8].

## 6.5 MN-RR state services support

The RR sublayer provides services related to the state of the RR session at the MNRR-SAP.

### 6.5.1 Service state diagram

The primitives provided by the Radio Resource Management sublayer at the MNRR\_SAP and the transitions between permitted states are shown in figure 6.1.

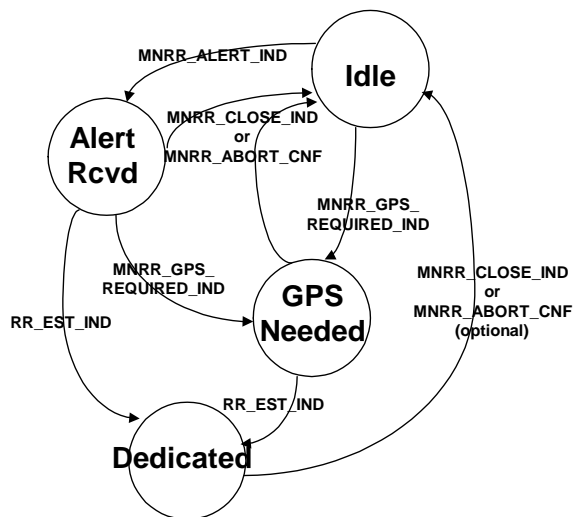


Figure 6.1: Service graph of RR service primitives for network services layer

## 6.5.2 Service primitives

Table 6.1 lists the state-related primitives and parameters supported at the MNRR-SAP of the MES.

**Table 6.1: RR State primitives and parameters at MNRR-SAP - MES only**

Primitives	Parameters (Information elements of message)	Reference
MNRR_ALERT_IND	Alert timer value	6.5.1.1
MNRR_GPS_REQUIRED_IND	None	6.5.1.2
MNRR_CLOSE_IND	Close error code	6.5.1.3
MNRR_ABORT_REQ	None	6.5.1.4
MNRR_ABORT_CNF	None	6.5.1.5

### 6.5.2.1 RR\_ALERT\_IND

The RR sublayer issues the MNRR\_ALERT\_IND to the network services layer when an alert indication has been received. The alert timer contains the network-configured maximum amount of time that an MES shall wait before accessing the network (see GMPRS-1 04.008 [7]).

### 6.5.2.2 MNRR\_GPS\_REQUIRED\_IND

The RR sublayer issues the MNRR\_GPS\_REQUIRED\_IND primitive to the network services layer when a new GPS is required for a MT RR session establishment. User cooperation may be required for the GPS receiver to successfully compute a position fix.

### 6.5.2.3 MNRR\_CLOSE\_IND

The RR sublayer issues the MNRR\_CLOSE\_IND primitive to the network services layer at these times.

- 1) Anytime the RR sublayer has previously issued either an MNRR\_ALERT\_IND or an MNRR\_GPS\_IND, and there is not a successful establishment of an RR session, for any reason. The MNRR\_CLOSE\_IND contains an error code with the reason for failure to establish the session in this case.
- 2) Upon close of an established RR session and provided that the RR sublayer has previously issued either an MNRR\_ALERT\_IND or an MNRR\_GPS\_IND prior to the establishment of the RR session. The primitive contains the "normal" error code response in this case.

### 6.5.2.4 MNRR\_ABORT\_REQ

The network services layer can issue this primitive to the RR sublayer. This primitive causes the RR to abort an attempt to establish an RR session. Optionally for RR, RR may also abort an established RR session. The primitive has this effect only if the RR session has previously issued either MNRR\_ALERT\_IND or an MNRR\_GPS\_IND.

### 6.5.2.5 MNRR\_ABORT\_CNF

The RR sublayer issues the MNRR\_ABORT\_CNF only in response to the MNRR\_ABORT\_REQ. The network services sublayer shall only assume the actions regarding an MNRR\_ABORT\_REQ have been completed when it receives either the MNRR\_ABORT\_CNF or MNRR\_CLOSE\_IND.

## 6.6 Position information support

### 6.6.1 Service primitives

The position primitives and parameters supported at the MNRR-SAP of the MES are listed in table 6.2.

**Table 6.2: Position primitives and parameters at MNRR-SAP - MES only**

Primitives	Parameters (Info elements of message)	Reference
MNRR_REGION_IND	Country code, region name	6.6.1.1
MNRR_POSITION_IND	GPS_Timer, GPS_Required	6.6.1.2

#### 6.6.1.1 MNRR\_REGION\_IND

This primitive conveys the country and/or the region string to the network services layer.

#### 6.6.1.2 MNRR\_POSITION\_IND

This primitive conveys GPS position information to the network services layer. Each parameter is optional to allow RR to send a partial string of parameters. RR shall, at minimum, issue this primitive immediately upon camp-on after power-on and after all GPS position computations.

- GPS\_Required parameter: indication whether the network requires or does not require GPS reporting.
- GPS\_Timer parameter: period of time for which a GPS position can be considered to be "current", if required by the network. This period begins at time of issue of the primitive.

## 6.7 DTMF digits transmission and reception service

The DTRS permits the user at the MES to send information about user-dialled DTMF digits of variable duration to the remote end. This service also enables an MES or a GS to receive the DTMF digit information dialled by the peer MES user. The DTMF digits transmission and reception service is provided at the DTRS-SAP. This is directly accessed at the RR sublayer (DTRS protocol service).

### 6.7.1 Service primitives

The primitives and parameters supported at the DTRS-SAP at the MES side are listed in table 6.3.

**Table 6.3: Primitives and parameters at DTRS-SAP - MES side**

Primitives	Parameters (Info elements of message)	Reference
DTMF_DIGIT_START_REQ	Digit value	6.7.1.1
DTMF_DIGIT_STOP_REQ		6.7.1.2
DTMF_DIGIT_START_IND	Digit value	6.7.1.3
DTMF_DIGIT_STOP_IND		6.7.1.4

#### 6.7.1.1 DTMF\_DIGIT\_START\_REQ

The network services layer uses this primitive to initiate the transfer of the DTMF digit still pressed. This primitive is used by the network services layer immediately upon detection of the user pressing a key. The network services layer passes the digit value along with this primitive.

#### 6.7.1.2 DTMF\_DIGIT\_STOP\_REQ

The network service layer initiates this primitive when it detects the release of the key for which a digit start request has already been sent.

This primitive is used by the network service layer to stop generation of the indicated tone to the peer.

### 6.7.1.3 DTMF\_DIGIT\_START\_IND

The DTRS protocol entity uses this primitive upon receipt of tone information from the peer. This informs the local network services layer that the user on the other end has started to generate a DTMF digit (the keypress event). The DTRS entity passes the DTMF digit value to the network services layer. The network services layer then responds by initiating the generation of the corresponding DTMF tone. This tone continues until a DTMF\_DIGIT\_STOP\_IND has been received. The network services layer should then implement a timeout after which it can be assumed that the pressed digit has been released. This may be required to prevent the possible loss of the digit stop information from the peer entity.

### 6.7.1.4 DTMF\_DIGIT\_STOP\_IND

The DTRS uses this primitive to inform the network services layer that the DTMF digit transmitted earlier is now released. The network services layer should treat the DTMF digit as completed. The duration field indicates that the DTMF digit was pressed for the time identified by the duration. The network services layer now generates a tone for at least the same length of time as the duration. The tone actually generated may be of greater duration due to the finite time used by the protocol message exchange to indicate the starting and stopping of the DTMF digit.

## 6.8 Session Management services for GMPRS service

Same as clause 6.5 GSM 04.07 (Phase 2+) [12] except:

The parameters of SMREG\_PDP\_ACTIVATE\_IND are only PDP\_Type and AccessPointName.

Following Service primitives are not currently supported in GMR-1 GMPRS.

- SMREG-AA-PDP-ACTIVATE-REQ
- SMREG-AA-PDP-ACTIVATE-CNF
- SMREG-AA-PDP-ACTIVATE-REJ
- SMREG-AA-PDP-DEACTIVATE-REQ
- SMREG-AA-PDP-DEACTIVATE-IND

## 6.9 Registration services for GMPRS services

Same as clause 6.6 of GSM 04.07 (Phase 2+) [12].

## 6.10 Services provided to SMDCP entities by GMPRS Logical Link Control services

Same as clause 6.7 of GSM 04.07 (Phase 2+) [12].

## 6.11 Dark-beam information support

### 6.11.1 Service primitives

The position primitives and parameters supported at the GMMDB-SAP of the MES are listed in table 6.4.

**Table 6.4: Position primitives and parameters at GMMDB-SAP - MES only**

Primitives	Parameters (Info elements of message)	Reference
GMMDB_DARKBEAM_IND	-	6.11.1.1
GMMDB_LIGHTBEAM_IND	-	6.11.1.2

#### 6.11.1.1 GMMDB\_DARKBEAM\_IND

This primitive conveys the information that the MES is currently in a Dark Beam to the network services layer.

#### 6.11.1.2 GMMDB\_LIGHTBEAM\_IND

This primitive conveys the information that the MES is currently not in a Dark Beam to the network services layer.

---

## 7 Services provided by signalling layer 3 on the network side

### 7.1 Call Control services

Same as GSM 04.07 (Phase 2) [8] with the exception of clauses 7.1.2.23 to 7.1.2.26, which are not required. The following primitives are not supported:

- MNCC\_START\_DTMF\_REQ
- MNCC\_START\_DTMF\_CNF
- MNCC\_STOP\_DTMF\_REQ
- MNCC\_STOP\_DTMF\_CNF

### 7.2 Call-independent supplementary services support

Same as GSM 04.07 (Phase 2) [8].

### 7.3 Short Message Services support

Same as clause 7.3 of GSM 04.07 (Phase 2) [8].

### 7.4 Services provided to SMDCP and SMS entities by GMPRS Logical Link Control services

Same as GSM 04.07 (Phase 2+) [12].

### 7.5 Session Management services for GMPRS-1

Same as GSM 04.07 (Phase 2+) [12].

---

## 8 Services assumed from signalling layers 1 and 2

Same as clause 8 of GSM 04.07 (Phase 2+) [12].

## 9 Interlayer service interfaces on the Mobile Earth Station side

### 9.1 Services provided by the Radio Resource management entity

Same as clause 9.1 of GSM 04.07 (Phase 2) [8].

#### 9.1.1 Service state diagram

Same as clause 9.1.1 of GSM 04.07 (Phase 2) [8].

#### 9.1.2 Service primitives

**Table 9.1: Service primitives, parameters, and corresponding references**

PRIMITIVES	PARAMETERS	REFERENCES
RR_EST_REQ	Layer 3 message, called party number	9.1.2.1
RR_EST_IND	-	9.1.2.2
RR_EST_CNF	Location update indication	9.1.2.3
RR_REL_IND	Cause	9.1.2.4
RR_SYNC_IND	Cause (ciphering, reassess, mode modify)	9.1.2.5
RR_DATA_REQ	Layer 3 message	9.1.2.6
RR_DATA_IND	Layer 3 message	9.1.2.7
RR_UNIT_DATA_IND	Layer 3 message	9.1.2.8
RR_ABORT_REQ	Cause	9.1.2.9
RR_ABORT_IND	Cause	9.1.2.10
RR_ACT_REQ	Reselection mode	9.1.2.11
RR_LU_NEEDED_IND	-	9.1.2.12
RR_COVERAGE_IND	Coverage level	9.1.2.13
RR_POSITION_IND	Invalid position	9.1.2.14

##### 9.1.2.1 RR\_EST\_REQ

The RR\_EST\_REQ primitive is used by the Mobility Management entity to request the establishment of a mobile-originated RR connection. This request shall be made only in the IDLE state when the mobile earth station listens to the Common Control Channel (CCCH) and the previously selected Broadcast Control Channel (BCCH). The called party's number is included as part of this message to support optimal routing of Mobile-Originated (MO) calls.

##### 9.1.2.2 RR\_EST\_IND

Same as clause 9.1.2.2 of GSM 04.07 (Phase 2) [8].

##### 9.1.2.3 RR\_EST\_CNF

The RR\_EST\_CNF primitive is used by the RR to indicate the successful completion of a mobile-originated RR connection establishment. It indicates that the RR connection exists and that the RR is in dedicated mode. This primitive includes an indication to command the MM sublayer to perform a location update on the established link before sending any additional messages. The presence of this indication means that the original message sent by the MM in RR\_EST\_REQ has not been sent to the network and that it should be sent by the MM after the commanded location update.

#### 9.1.2.4 RR\_REL\_IND

RR\_REL\_IND is used by the RR to indicate the release of an RR connection to the MM entity when the RR has received a CHANNEL RELEASE from the network and has triggered a normal release of the DLL. It is also used to indicate that a requested RR connection cannot be established. In this case, the RR\_REL\_IND is accompanied by appropriate reject reason. In both cases, RR returns to idle mode.

This primitive is also used by the DTRS entity to detect when an existing RR connection has been released. It shall flush out its internal transmit buffer upon the detection of this event.

#### 9.1.2.5 RR\_SYNC\_IND

Same as clause 9.1.2.5 of GSM 04.07 (Phase 2) [8].

#### 9.1.2.6 RR\_DATA\_REQ

The RR\_DATA\_REQ primitive is identical to that discussed in GSM 04.07 (Phase 2) [8]. Additionally, the DTRS entity shall use this primitive to transfer DTMF tone generation related information to its peer.

#### 9.1.2.7 RR\_DATA\_IND

The RR\_DATA\_IND primitive is identical to that discussed in GSM 04.07 (Phase 2) [8]. Additionally, the RR entity shall use this primitive to indicate to the DTRS entity that DTMF tone generation related information has been received from its peer.

#### 9.1.2.8 RR\_UNIT\_DATA\_IND

Same as clause 9.1.2.8 of GSM 04.07 (Phase 2) [8].

#### 9.1.2.9 RR\_ABORT\_REQ

Same as clause 9.1.2.9 of GSM 04.07 (Phase 2) [8].

#### 9.1.2.10 RR\_ABORT\_IND

Same as clause 9.1.2.10 of GSM 04.07 (Phase 2) [8]. This primitive shall also be used by the DTRS entity to detect when an existing RR connection has been aborted. It shall flush its internal transmit buffer upon detection of this event.

#### 9.1.2.11 RR\_ACT\_REQ

The RR\_ACT\_REQ primitive is used by the Mobility Management entity to initiate the RR spot beam selection procedure at the moment of power-on or of Subscriber Identity Module (SIM) insertion.

#### 9.1.2.12 RR\_LU\_NEEDED\_IND

The RR\_LU\_NEEDED\_IND primitive is used by the RR to indicate to the Mobility Management entity to perform a location update due to change in position of the MES.

#### 9.1.2.13 RR\_COVERAGE\_IND

The RR\_COVERAGE\_IND primitive is used by the RR to indicate the coverage state of the MES to the MM. The coverage state may be:

- camped-normal;
- camped-high penetration;
- no spot beam available.

Note that the indication denotes the physical coverage of the MES and not the service available to it.



9.1.2.14 RR\_POSITION\_IND

This primitive is used by the RR to indicate to the MM entity that it is in an invalid position.

EXAMPLE: Due to physical layer issues or due to permission issues, the MES will be unable to get any service from any spot beam of any satellite in its current position.

9.2 Services provided by the Mobility Management entity

Same as clause 9.2 of GSM 04.07 (Phase 2) [8].

9.2.1 Service state diagram

Same as clause 9.2.1 of GSM 04.07 (Phase 2) [8].

9.2.2 Service primitives

Same as clause 9.2.2 of GSM 04.07 (Phase 2) [8] except for clause 9.2.2.1. which is replaced with the following clause.

9.2.2.1 MMXX\_EST\_REQ

The MMXX\_EST\_REQ primitive is used by the CC, SS, and SMS respectively to request establishment of an MM connection. Several MM connections may be provided in parallel to the requesting entities. The primitive may contain parameters relevant to the CM SERVICE REQUEST message to distinguish a basic call from an emergency call. The called party's number is included as part of the MMCC\_EST\_REQ message to support optimal routing of MO calls.

9.3 Services provided by radio resource management entity for GMPRS services

9.3.1 Service primitives for GRR-SAP

Table 9.2: Primitives and parameters at GRR-SAP

PRIMITIVE	PARAMETER (message, info elements of message, other parameters)	REFERENCE
GRR-DATA-REQ	LLC PDU, Priority, Cause, USE_RACH	9.3.1.1
GRR-DATA-IND	LLC PDU	9.3.1.2
GRR-UNITDATA-REQ	LLC PDU, Priority, USE_RACH	9.3.1.3
GRR-UNITDATA-IND	LLC PDU	9.3.1.4
GRR-STATUS-IND	cause	9.3.1.5

9.3.1.1 GRR-DATA-REQ

Request used by the LL sublayer for acknowledged data transmission with a certain priority. Cause indicates if the GRR-DATA-REQ was triggered as an implicit page response. If the field USE\_RACH is set, the PDU shall only be transmitted by establishing a TBF using contention channel over the CCCH.

9.3.1.2 GRR-DATA-IND

Same as clause 9.3.1.2, GSM 04.07 (Phase 2+) [12].

9.3.1.3 GRR-UNITDATA-REQ

Request used by the LL sublayer for unacknowledged data transmission with a certain priority. If the field USE\_RACH is set, the PDU shall only be transmitted by establishing a TBF using contention channel over the CCCH.

### 9.3.1.4 GRR-UNITDATA-IND

Same as clause 9.3.1.4 of GSM 04.07 (Phase 2+) [12].

### 9.3.1.5 GRR-STATUS-IND

Same as clause 9.3.1.5 of GSM 04.07 (Phase 2+) [12].

## 9.3.2 Service primitives for GMMRR-SAP

**Table 9.3: Primitives and Parameters at GMMRR-SAP - MES side**

PRIMITIVE	PARAMETER (message, info elements of message, other parameters)	REFERENCE
GMMRR-ASSIGN-REQ	new TLLI	9.3.2.1
GMMRR-PAGE-IND	TLLI	9.3.2.2
GMMRR-SUSPEND-IND		9.3.2.3
GMMRR-REL-IND		9.3.2.4
GMMRR-RESUME-REQ	TLLI	9.3.2.5
GMMRR-RESUME-CNF	Result (successful or unsuccessful)	9.3.2.6

### 9.3.2.1 GMMRR-ASSIGN-REQ

Same as clause 9.3.2.1, GSM 04.07 (Phase 2+) [12].

### 9.3.2.2 GMMRR-PAGE-IND

Same as clause 9.3.2.2, GSM 04.07 (Phase 2+) [12].

### 9.3.2.3 GMMRR-SUSPEND-IND

When a MES is operating in GMPRS Class-B mode, this primitive is used by RR entity to indicate to the GMM entity to suspend GMPRS activity. RR entity informs the GMM entity to suspend GMPRS activity when responding to a page for circuit switched services or on receipt of RR\_EST\_REQ from MM entity.

### 9.3.2.4 GMMRR-REL-IND

When a MES is operating in GMPRS Class-B mode, this primitive is used by RR entity to indicate to the GMM entity that the MES has left dedicated mode or all attempts to enter dedicated mode were unsuccessful. This primitive shall be used by GMM entity to trigger resumption of GMPRS activity by means of a periodic routing area update or GMPRS resume procedure. If periodic routing area update timer has expired or if MES has moved into a new routing area then GMM shall initiate a routing area update procedure. In all other cases GMM shall initiate a GMPRS resume procedure.

### 9.3.2.5 GMMRR-RESUME-REQ

When a MES is operating in GMPRS Class-B mode, this primitive is used by GMM entity to request resumption of GMPRS activity. RR entity shall initiate GMPRS resume procedure on receiving this primitive.

### 9.3.2.6 GMMRR-RESUME-CNF

When a MES is operating in GMPRS Class-B mode, this primitive is used by RR entity to indicate to the GMM entity if resumption of GMPRS activity was successful or not. GMM entity shall initiate a routing area update procedure if the resumption of GMPRS activity was unsuccessful.

## 9.4 Services provided by LLC entity for GMPRS services

Same as clause 9.4 of GSM 04.07 (Phase 2+) [12] with the following exceptions:

PRIMITIVE	PARAMETER (message, info elements of message, other parameters)	REFERENCE
LL_UNIT_DATA_REQ	TLLI, GMM-PDU, protect, cipher, use_rach	9.4.1.8

## 9.5 Registration Services provided for GMPRS services

### 9.5.1 Service primitives for GMMSM-SAP

Same as clause 9.5.1 of GSM 04.07 (Phase 2+) [12].

### 9.5.2 Service primitives for GMMAA-SAP

This clause is not supported.

### 9.5.3 Service primitives for GMMSMS-SAP

Same as clause 9.5.3 of GSM 04.07 (Phase 2+) [12].

---

## 10 Interlayer service interfaces on the network side

The interlayer service interfaces on the network side are identical to those discussed in GSM 04.07 (Phase 2+) [12] with the following exceptions:

- clause 10.6 is not applicable;
- the following paragraph is added:
  - The DTRS entity uses the following RR primitives to transmit DTMF tone generation related information to its peer entity and to maintain its internal transmit buffers:
    - RR\_DATA\_REQ
    - RR\_DATA\_IND
    - RR\_REL\_IND
    - RR\_ABORT\_IND

---

## 11 Standard layer 3 messages

In this clause the structure of standard L3 messages and their basic handling are defined. Standard L3 messages are used in layer 3 protocols of the Um interface when the relevant protocol specifications, e.g. GMPRS-1 04.008 [7], define so.

### 11.1 Components of a standard layer 3 message

Same as GSM 04.07 (Phase 2) [8].

## 11.2 Imperative part of a standard layer 3 message

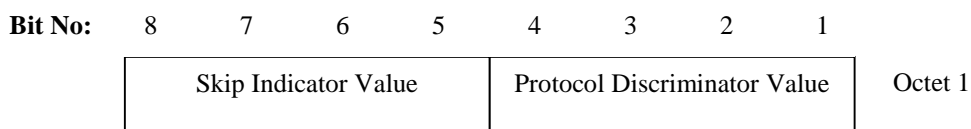
Same as GSM 04.07 (Phase 2) [8].

### 11.2.1 Protocol discriminator

Same as GSM 04.07 (Phase 2) [8] with the addition of a protocol discriminator for the DTRS. This protocol discriminator contains bits 1 to 4 set to the escape value of "1110" with the extended PD value (bits 8 to 5) set to "0001".

### 11.2.2 Skip Indicator

Bits 5 to 8 of octet 1 of a standard L 3 message may contain the skip indicator Identification Element (IE). The skip indicator IE is a type 1 IE and it always has format V in a standard L3 message. The relevant protocol specification can state that a standard L3 message received shall be ignored if the skip indicator has certain values. The encoding of the skip indicator is shown in figure 11.1.



**Figure 11.1: Skip indicator in a standard layer 3 message**

The RR and the MM shall use default value 0 for the skip indicator field. Any message received from the peer entity shall be discarded if this message is received with a nonzero value in this field. DTRS messages do not have a skip indicator.

### 11.2.3 Transaction identifier

Same as GSM 04.07 (Phase 2) [8].

### 11.2.4 Message type

Same as GSM 04.07 (Phase 2) [8].

### 11.2.5 Further information elements of the imperative part

Same as GSM 04.07 (Phase 2) [8].

## 11.3 Non-imperative part of a standard layer 3 message

Same as GSM 04.07 (Phase 2) [8].

## 11.4 Presence requirements of information elements

Same as GSM 04.07 (Phase 2) [8].

## 11.5 Handling of superfluous information

Same as GSM 04.07 (Phase 2) [8].

### 11.5.1 Information elements that are unnecessary in a message

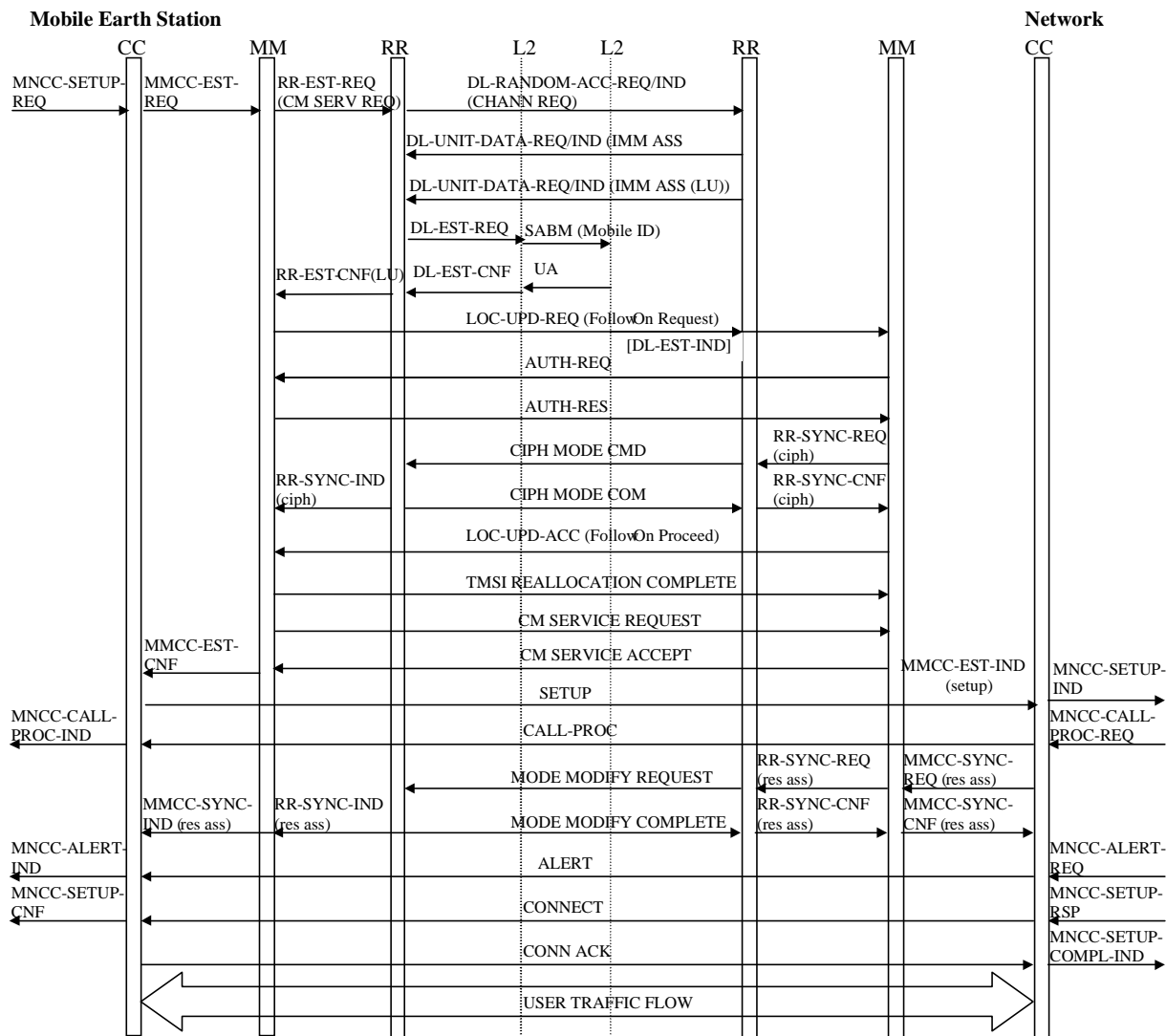
Same as GSM 04.07 (Phase 2) [8].

# Annex A (informative): MN-Services arrow diagram

Figures A.1 to A.4, A.6 and A.7 are identical to those presented in GSM 04.07 (Phase 2) [8].

Figure A.5 in GSM 04.07 (Phase 2) [8] is not applicable (handover is not required).

Figures A.8 and A.9 are included.



**Figure A.8: Mobile-originated call setup with optimal routing.  
Successful case (see GMPRS-1 03.297 [3])**

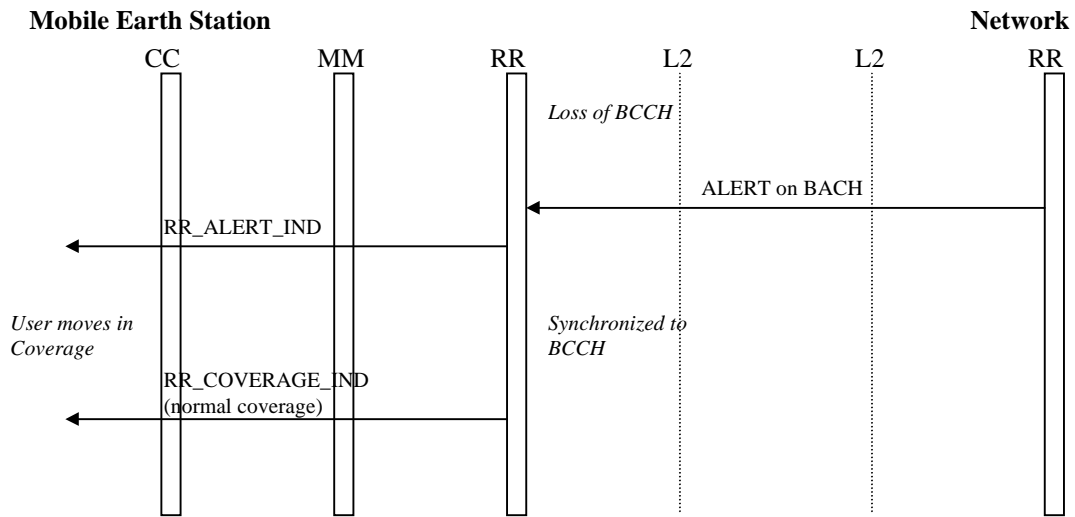


Figure A.9: Alerting. Successful case (see GMR-1 03.298 [4])

---

## Annex B (informative): Description of CSN.1

Same as GSM 04.07 (Phase 2+) [9] with the additional comment that all the Layer 3 messages that use the notation given in the clause need to be mapped to the string of octets. The convention for formatting the binary string into an octet string is given in GMR-1 04.006 [6].

---

## Annex C (informative): GMPRS services sequence diagram

Same as annex C, GSM 04.07 (Phase 2+) [12].

For all ladder diagrams starting with MS unknown in network, there is an implicit LLGMM\_ASSIGN\_REQ with the random/foreign TLLI before the start of the sequence diagram.

Anonymous Context Activation is not supported.



---

## Annex D (informative): Bibliography

GMPRS-1 03.022 (ETSI TS 101 376-3-10): "GEO-Mobile Radio Interface Specifications (Release 2); General Packet Radio Service; Part 3: Network specifications; Sub-part 10: Functions related to Mobile Earth Station (MES) in idle mode".

GMR-1 03.296 (ETSI TS 101 376-3-18): "GEO-Mobile Radio Interface Specifications; Part 3: Network specifications; Sub-part 18: Terminal-to-Terminal Call (TtT)".

NOTE: This is a reference to a GMR-1 Release 1 specification. See the introduction for more details.

GMR-1 03.299 (ETSI TS 101 376-3-21): "GEO-Mobile Radio Interface Specifications; Part 3: Network specifications; Sub-part 21: Position Reporting services; Stage 2 Service description".

NOTE: This is a reference to a GMR-1 Release 1 specification. See the introduction for more details.

GMR-1 04.005 (ETSI TS 101 376-4-5): "GEO-Mobile Radio Interface Specifications; Part 4: Radio interface protocol specifications; Sub-part 5: Data Link Layer General Aspects".

NOTE: This is a reference to a GMR-1 Release 1 specification. See the introduction for more details.

---

## History

<b>Document history</b>		
V2.1.1	March 2003	Publication
V2.2.1	March 2005	Publication