



TECHNICAL
BASIS for
REGULATION

TBR 44

May 1998

Source: SES

Reference: DTBR/SES-00022

ICS: 33.020

Key words: Satellite, earth station, mobile, LMES, type approval

**Satellite Earth Stations and Systems (SES);
Land Mobile Earth Stations (LMES)
operating in the 1,5 GHz and 1,6 GHz bands
providing voice and/or data communications**

ETSI

European Telecommunications Standards Institute

ETSI Secretariat

Postal address: F-06921 Sophia Antipolis CEDEX - FRANCE

Office address: 650 Route des Lucioles - Sophia Antipolis - Valbonne - FRANCE

Internet: secretariat@etsi.fr - <http://www.etsi.fr> - <http://www.etsi.org>

Tel.: +33 4 92 94 42 00 - Fax: +33 4 93 65 47 16

Copyright Notification: No part may be reproduced except as authorized by written permission. The copyright and the foregoing restriction extend to reproduction in all media.

© European Telecommunications Standards Institute 1998. All rights reserved.

Contents

Foreword	5
Introduction	5
1 Scope	6
2 Normative references	6
3 Definitions and abbreviations	7
3.1 Definitions	7
3.2 Abbreviations	8
4 Requirements	8
4.1 Unwanted emissions outside the band 1 625,8 MHz to 1 661,2 MHz	8
4.1.1 Justification	8
4.1.2 Specification	8
4.1.3 Conformance test	10
4.2 Maximum unwanted emissions within the 1 625,8 MHz to 1 661,2 MHz band	10
4.2.1 Justification	10
4.2.2 Specifications	11
4.2.3 Conformance test	11
4.3 ElectroMagnetic Compatibility (EMC)	11
4.4 Control and Monitoring Functions (CMF)	11
4.4.1 Processor monitoring	11
4.4.1.1 Justification	11
4.4.1.2 Specification	11
4.4.1.3 Conformance test	12
4.4.2 Transmit subsystem monitoring	12
4.4.2.1 Justification	12
4.4.2.2 Specification	12
4.4.2.3 Conformance test	12
4.4.3 Power-on/reset	12
4.4.3.1 Justification	12
4.4.3.2 Specification	12
4.4.3.3 Conformance test	12
4.4.4 Control Channel (CC) reception	12
4.4.4.1 Justification	12
4.4.4.2 Specification	12
4.4.4.3 Conformance test	12
4.4.5 Network control commands	13
4.4.5.1 Justification	13
4.4.5.2 Specification	13
4.4.5.3 Conformance test	13
4.4.6 Initial burst transmission	13
4.4.6.1 Justification	13
4.4.6.2 Specification	13
4.4.6.3 Conformance test	13
5 Test methods	14
5.1 Measurement of unwanted emissions	14
5.1.1 General	14
5.1.2 Test site	15
5.1.3 Test method	15
5.1.3.1 Receive test equipment	16
5.1.3.1.1 Measuring receiver for measurements up to 1 000 MHz	16

	5.1.3.1.2	Spectrum analyser for measurements above 1 000 MHz	16
5.1.4	Procedure		16
	5.1.4.1	Test arrangements.....	16
5.1.4.2	Unwanted emissions up to 1 000 MHz		17
5.1.4.3	Unwanted emissions above 1 000 MHz		17
5.2	LMES Control and Monitoring Functions (CMF)		18
	5.2.1	Test arrangement	18
	5.2.2	Processor monitoring.....	19
	5.2.2.1	Test method	19
	5.2.3	Transmit subsystem monitoring.....	19
	5.2.3.1	Test method	19
	5.2.4	Power-on/Reset	20
	5.2.4.1	Test method	20
	5.2.5	Control Channel (CC) reception	20
	5.2.5.1	Test method	20
	5.2.6	Network control commands	21
	5.2.6.1	Test method	21
5.2.7	Initial burst transmission.....		22
	5.2.7.1	Test method.....	22
Annex A (normative):	The TBR Requirements Table (TBR-RT)		23
Annex B (informative):	Bibliography		24
History			25

Foreword

This Technical Basis for Regulation (TBR) has been produced by the Satellite Earth Stations and Systems (SES) Technical Committee of the European Telecommunications Standards Institute (ETSI).

The present document has been produced by ETSI in response to a mandate from the European Commission issued under Council Directive 83/189/EEC (as amended) laying down a procedure for the provision of information in the field of technical standards and regulations.

The present document is intended to become a Harmonized Standard, the reference of which will be published in the Official Journal of the European Communities referencing the Council Directive 91/97/EEC of 29 October 1993 supplementing Directive 91/263/EEC in respect of satellite earth station equipment (the "SES Directive").

A common technical regulation may be established by the European Commission in accordance with the Directive.

This TBR is based on ETS 300 423 which has been used for type approval purposes on a national basis for several years.

Due to a new requirement for the protection of the Aeronautical Radio Navigation Service based on the Global Navigation Satellite System (GNSS), scheduled to offer approach and landing operational services likely not before the year 2005, new limits for unwanted emissions will be necessary. These new limits may not be completely met by existing or presently marketed equipment that was developed on the basis of ETS 300 423. Consequently the following transitional arrangement is necessary.

This TBR incorporates two sets of limits. One set (table 2a) applicable up to 1 June 2002 and a more stringent set of limits (table 2b) applicable after this date for the protection of the Aeronautical Radio Navigation Service in the GNSS band.

This TBR is intended to be part of an Intermediate Common Technical Regulation (I-CTR), the applicability of which is expected to be limited to 1 June 2002. It is intended that the final CTR contains only table 2b as normative and table 2a as an informative historical annex.

A TBR is limited to being the basis for equipment type approval. This TBR therefore cannot contain regulations for the prevention of interference to GNSS operation after 2005 due to terminals type approved prior to 1 June 2002, on the basis of this TBR or on the basis of a past national regulation (e.g. based on ETS 300 423).

The protection of the GNSS band from the year 2005 onwards from harmful interference from LMESs approved before 1 June 2002 or already in service before the CTR enters into force may be obtained either by decisions of the national regulatory authorities to stop the operation of such equipment, or by operational restrictions agreed by the regulatory authority with satellite operators. It is recommended that such decisions should be harmonized at the European level. Such decisions are outside the scope of a TBR.

Introduction

The Satellite Earth Station (SES) Directive [1] which supplements the Telecommunications Terminal Equipment (TTE) Directive [2] concerns the harmonization of conditions for the placing on the market of such equipment.

Two classes of standards are applicable to SES equipment. European Telecommunication Standards (ETS) give the full technical specifications for this equipment, whereas Technical Bases for Regulation (TBR) give the essential requirements under the SES Directive [1] and the TTE Directive [2] for placing such equipment on the market. Receive-only equipment not intended for terrestrial connection to the public telecommunications network may be put into use. Nothing in this TBR shall be construed to prevent the use of Community internal production control procedures as set out in the annexes to the two Directives for such receive-only equipment. This TBR is based on ETS 300 423 (see annex B, Bibliography).

1 Scope

This Technical Basis for Regulation (TBR) specifies the technical requirements that apply to Land Mobile Earth Stations (LMES) for compliance with Articles 4.1 and 4.3 of the SES Directive [1].

These LMES have the following characteristics:

- the LMES are operating in one or more frequency ranges of the Land Mobile Satellite Service (LMSS):
 - 1 525,0 MHz to 1 544,0 MHz (space-to-earth);
 - 1 555,0 MHz to 1 559,0 MHz (space-to-earth);
 - 1 631,5 MHz to 1 634,5 MHz (earth-to-space);
 - 1 656,5 MHz to 1 660,5 MHz (earth-to-space);
- the LMES could be either vehicle mounted or portable equipment;
- the LMES operate through geostationary satellites as part of a network providing voice and/or data communications;
- the LMES are controlled and monitored by a Network Control Facility (NCF). The NCF is outside the scope of this TBR.

This TBR applies to the LMES operated under the conditions which are within the ranges of humidity, temperature and supply voltage declared by the manufacturer.

The requirements have been selected to ensure an adequate level of compatibility with other radio services. The levels, however, do not cover extreme cases which may occur in any location but with a low probability of occurrence.

This TBR may not cover those cases where a potential source of interference which is producing individually repeated transient phenomena or a continuous phenomenon is present, e.g. a radar or broadcast site in the near vicinity. In such a case it may be necessary to use special protection applied to either the source of interference, or the interfered part or both.

This TBR does not contain any requirement, recommendation or information about the installation of the LMES.

Compliance of a LMES to the requirements of this TBR does not imply compliance to any requirement related to the use of the LMES (e.g. licensing requirements).

2 Normative references

This TBR incorporates by dated or undated reference, provisions from other publications. These references are cited at the appropriate places in the text and the publications are listed hereafter. For dated references, subsequent amendments to, or revisions of any of these publications apply to this TBR only when incorporated into it by amendment or revision. For undated references the latest edition of the publication referred to applies.

- [1] SES Directive: "Council Directive 93/97/EEC of 29 October 1993 supplementing Directive 91/263/EEC in respect of satellite earth station equipment".
- [2] TTE Directive: "Council Directive 91/263/EEC of 29 April 1991 on the approximation of the laws of Member States concerning telecommunications terminal equipment, including the mutual recognition of their conformity".
- [3] ETS 300 339 (1997): "Radio Equipment and Systems (RES); General electromagnetic compatibility (EMC) for radio communications equipment".

- [4] CISPR N 16-1 (1993): "Specification for radio interference measuring apparatus and measurements methods; Part 1: Radio disturbance and immunity measuring apparatus; Annex G: Validation procedure of open area test site for the frequency range of 30 MHz to 1 000 MHz".

NOTE: This TBR also contains a number of informative references which have been included to indicate the sources from which various material has been derived, hence they do not have an associated normative reference number. Details of these publications are given in annex B (Bibliography).

3 Definitions and abbreviations

3.1 Definitions

For the purposes of this TBR, the following definitions apply:

antenna transmit gain: The ratio, expressed in decibels, of the power that would have to be supplied to an isotropic radiator to the power supplied to the antenna being considered, so that they produce the same field strength at the same distance in the same direction.

carrier-off state: A LMES is in this state when either it is authorized by the Network Control Facility (NCF) to transmit but when it does not transmit any signal, or when it is not authorized by the NCF to transmit.

carrier-on state: A LMES is in this state when it is authorized by the NCF to transmit and when it transmits a signal.

Control Channel (CC): A channel or channels by which LMES receive control information from the NCF for their network.

Externally Mounted Equipment (EME): The EME consists of those of the modules of the IE which are intended to be mounted externally to the vehicle as stated by the manufacturer.

Installable Equipment (IE): An equipment which is intended to be fitted to a vehicle. An IE may consist of one or several interconnected modules.

Internally Mounted Equipment (IME): Those of the modules of the IE which are not declared by the manufacturer as EME are defined as Internally Mounted Equipment (IME).

manufacturer: The legal entity responsible under the terms of the SES Directive [1] for placing the product on the market in a member state.

nominated bandwidth: The bandwidth of the LMES radio frequency transmission is nominated by the manufacturer. The nominated bandwidth is wide enough to encompass all spectral elements of the transmission necessary for communication and which have a level greater than the specified unwanted emissions limits. The nominated bandwidth is wide enough to take account of the transmit carrier frequency stability. The nominated bandwidth is within the LMSS transmit frequency band within which the LMES operates.

Portable Equipment (PE): A portable equipment is generally intended to be self-contained, free standing and portable. A PE would normally consist of a single module, but may consist of several interconnected modules.

unwanted emissions: Unwanted emissions are those falling outside the nominated bandwidth.

3.2 Abbreviations

For the purposes of this TBR, the following abbreviations apply:

CC	Control Channel
CMF	Control and Monitoring Functions
EIRP	Equivalent Isotropically Radiated Power
EMC	ElectroMagnetic Compatibility
EME	Externally Mounted Equipment
EUT	Equipment Under Test
IE	Installable Equipment
IME	Internally Mounted Equipment
LMES	Land Mobile Earth Station
LMSS	Land Mobile Satellite Service
MES	Mobile Earth Station
NCF	Network Control Facility
PE	Portable Equipment
RF	Radio Frequency
STE	Special Test Equipment

4 Requirements

4.1 Unwanted emissions outside the band 1 625,8 MHz to 1 661,2 MHz

4.1.1 Justification

Protection of terrestrial and satellite services from emissions caused by LMES outside the band 1 625,8 MHz to 1 661,2 MHz.

4.1.2 Specification

Unwanted emissions from Mobile Earth Stations (MESs) outside the band 1 625,8 MHz to 1 661,2 MHz shall be below the following limits.

- 1) The unwanted emissions over the frequency range 30 MHz to 1 000 MHz shall not exceed the limits in table 1.

Table 1: Limits of unwanted emissions up to 1 000 MHz at a measuring distance of 10 m

Frequency (MHz)	Quasi-peak limits (dB(μV/m))
30 to 230	30
230 to 1 000	37

The lower limit shall apply at the transition frequency.

- 2) The unwanted emissions Equivalent Isotropically Radiated Power (EIRP) above 1 000 MHz in the measurement bandwidth and in all directions shall not exceed:
 - before 1 June 2002 the limits of table 2a;
 - from 1 June 2002 the limits of table 2b.

**Table 2a: Limits of unwanted emissions above 1 000 MHz
and outside the bands 1 625,8 MHz to 1 661,2 MHz,
applicable before 1 June 2002**

Frequency range (MHz)	Carrier-on		Carrier-off	
	EIRP limit (dBpW)	Measurement bandwidth (kHz)	EIRP limit (dBpW)	Measurement bandwidth (kHz)
1 000,0 to 1 525,0	49	100	48	100
1 525,0 to 1 559,0	49	100	17	3
1 559,0 to 1 600,0	49	100	48	100
1 600,0 to 1 625,8	74	100	48	100
1 625,8 to 1 661,2	(note 1)	(note 1)	(note 1)	(note 1)
1 661,2 to 1 690,0	74	100	48	100
1 690,0 to 3 400,0	49 (note 2)	100	48	100
3 400 to 10 700	55 (notes 3 & 4)	100	48	100
10 700 to 21 200	61	100	54	100
21 200 to 40 000	67	100	60	100
NOTE 1:	The unwanted emissions in that frequency range are limited by subclause 4.2.			
NOTE 2:	In the band 3 263,0 MHz to 3 321,0 MHz the maximum EIRP in one, and only one, 100 kHz measurement bandwidth shall not exceed 82 dBpW. Elsewhere in this band the power limit in table 2a shall be applied.			
NOTE 3:	In each of the bands 4 894,5 MHz to 4 981,5 MHz, 6 526,0 MHz to 6 642,0 MHz and 8 175,5 MHz to 8 302,5 MHz the maximum EIRP in one, and only one, 100 kHz measurement bandwidth shall not exceed 72 dBpW. Elsewhere in this band the power limit in table 2a shall be applied.			
NOTE 4:	In the band 9 789,0 MHz to 9 963,0 MHz the maximum power EIRP in one, and only one, 100 kHz measurement bandwidth shall not exceed 61 dBpW. Elsewhere in this band the power limit in table 2a shall be applied.			

**Table 2b: Limits of unwanted emissions above 1 000 MHz
and outside the band 1 625,8 MHz to 1 661,2 MHz,
applicable from 1 June 2002**

Frequency range (MHz)	Carrier-on		Carrier-off	
	EIRP limit (dBpW)	Measurement bandwidth (kHz)	EIRP limit (dBpW)	Measurement bandwidth (kHz)
1 000,0 to 1 525,0	49	100	48	100
1 525,0 to 1 559,0	49	100	17	3
1 559,0 to 1 580,42	50	1 000	50	1 000
1 580,42 to 1 605,0	50	1 000	50	1 000
1 605,0 to 1 610,0	(note 5)	100	(note 6)	100
1 610,0 to 1 625,8	74	100	48	100
1 625,8 to 1 661,2	(note 1)	(note 1)	(note 1)	(note 1)
1 661,2 to 1 690,0	74	100	48	100
1 690,0 to 3 400,0	49 (note 2)	100	48	100
3 400 to 10 700	55 (notes 3 & 4)	100	48	100
10 700 to 21 200	61	100	54	100
21 200 to 40 000	67	100	60	100
NOTE 1:	The unwanted emissions in that frequency range are limited by subclause 4.2.			
NOTE 2:	In the band 3 263,0 MHz to 3 321,0 MHz the maximum EIRP in one, and only one, 100 kHz measurement bandwidth shall not exceed 82 dBpW. Elsewhere in this band the power limit in table 2b shall be applied.			
NOTE 3:	In each of the bands 4 894,5 MHz to 4 981,5 MHz, 6 526,0 MHz to 6 642,0 MHz and 8 175,5 MHz to 8 302,5 MHz the maximum EIRP in one, and only one, 100 kHz measurement bandwidth shall not exceed 72 dBpW. Elsewhere in this band the power limit in table 2b shall be applied.			
NOTE 4:	In the band 9 789,0 MHz to 9 963,0 MHz the maximum EIRP in one, and only one, 100 kHz measurement bandwidth shall not exceed 61 dBpW. Elsewhere in this band the power limit in table 2b shall be applied.			
NOTE 5:	Linearly interpolated from 40 dBpW in 100 kHz at 1 605,0 MHz to 74 dBpW in 100 kHz at 1 610,0 MHz.			
NOTE 6:	Linearly interpolated from 40 dBpW in 100 kHz at 1 605,0 MHz to 48 dBpW in 100 kHz at 1 610,0 MHz.			

4.1.3 Conformance test

Conformance test shall be carried out in accordance with subclause 5.1.

4.2 Maximum unwanted emissions within the 1 625,8 MHz to 1 661,2 MHz band

4.2.1 Justification

Protection of satellite and terrestrial services operating in the 1 625,8 MHz to 1 661,2 MHz frequency band.

4.2.2 Specifications

Specification 1: Carrier-on state

The unwanted emission EIRP in any 3 kHz band within the 1 625,8 MHz to 1 661,2 MHz band, but outside the nominated bandwidth, shall not exceed the limits of table 3.

Table 3: Limits for unwanted emissions within the 1 625,8 MHz to 1 661,2 MHz band

Offset from the edge of the band of the nominated bandwidth (kHz)	Maximum EIRP (dBpW)
0 to 10	125
10 to 20	110
20 to 100	105
100 to 200	95
200 to 700	85
greater than 700	75

The limits in table 3 may be exceeded provided that the sum in watts of the spectrum components exceeding the limits of table 3 does not exceeds 104 dBpW.

Specification 2: Carrier-off state

The EIRP of any emission in any 3 kHz band within the 1 625,8 MHz to 1 661,2 MHz band shall not exceed 57 dBpW.

4.2.3 Conformance test

Conformance test shall be carried out in accordance with subclause 5.1.

4.3 ElectroMagnetic Compatibility (EMC)

There are no specific EMC requirements under this TBR, however ETS 300 339 [3] contains general EMC specifications. Once ETS 300 339 [3] becomes a harmonized EMC standard, and until a product specific harmonized EMC standard is published, compliance to the general harmonized EMC standard will give presumption of compliance with the EMC Directive (see bibliography). Upon publication of the product specific harmonized EMC standard, compliance with that standard will give presumption of compliance with the EMC Directive (see bibliography).

4.4 Control and Monitoring Functions (CMF)

The following minimum set of CMF shall be implemented in LMES in order to minimize the probability that they originate unwanted transmissions that may give rise to harmful interference to other systems.

Under any fault condition when the LMES transmissions are being suppressed the limits for carrier-off state shall apply.

4.4.1 Processor monitoring

4.4.1.1 Justification

To ensure that the LMES can suppress transmissions in the event of a processor sub-system failure.

4.4.1.2 Specification

The LMES shall incorporate a processor monitoring function for each of its processors involved in the manipulation of traffic and in Control and Monitoring Functions (CMF).

The processor monitoring function shall detect any failure of the processor hardware and software.

No later than one second after any fault condition occurs, the LMES shall enter the carrier-off state until the processor monitoring function has determined that all fault conditions have been cleared.

4.4.1.3 Conformance test

Conformance test shall be carried out in accordance with subclause 5.2.

4.4.2 Transmit subsystem monitoring

4.4.2.1 Justification

To ensure the correct operation of the transmit frequency generation sub-system and to inhibit transmissions should the sub-system fail.

4.4.2.2 Specification

The LMES shall monitor the operation of its transmit frequency generation sub-system.

No later than 5 seconds after any fault condition of the transmit frequency generation sub-system occurs, the LMES shall enter the carrier-off state until the transmit sub-system monitoring function has determined that all fault conditions have been cleared.

4.4.2.3 Conformance test

Conformance test shall be carried out in accordance with subclause 5.2.

4.4.3 Power-on/reset

4.4.3.1 Justification

To demonstrate that the LMES achieves a controlled non-transmitting state following the powering of the unit, or the occurrence of a reset made by a local operator when this function is implemented.

4.4.3.2 Specification

During and following "power-on" or a manual reset when this function is implemented, the LMES shall remain in the carrier-off state.

4.4.3.3 Conformance test

Conformance test shall be carried out in accordance with subclause 5.2.

4.4.4 Control Channel (CC) reception

4.4.4.1 Justification

To ensure that the LMES cannot transmit unless it correctly receives the Control Channel (CC) messages from the NCF.

4.4.4.2 Specification

- a) Without correct reception of the CC messages from the NCF, the LMES shall remain in the carrier-off state.
- b) The LMES shall enter the carrier-off state immediately after a period not exceeding 30 seconds without correct reception of the CC messages from the NCF.

4.4.4.3 Conformance test

Conformance test shall be carried out in accordance with subclause 5.2.

4.4.5 Network control commands

4.4.5.1 Justification

These requirements ensure that the LMES is capable of:

- a) retaining a unique identification in the network and transmitting it upon reception of an appropriate request;
- b) receiving commands from the NCF through its Control Channel(s) (CCs) and executing those commands.

4.4.5.2 Specification

The LMES shall hold, in non-volatile memory, its unique identification code in the network.

The LMES shall be capable of receiving through its Control Channel(s) (CCs) dedicated messages (addressed to the LMES) from the NCF, and which contain:

- transmission enable commands;
- transmission disable commands;
- identification request.

Once a transmission enable command is received the LMES is authorized to transmit.

After power-on or reset the LMES shall remain in the carrier-off state until it receives a transmission enable command. For systems where no transmission enable command is expected after power-on or reset the LMES may only transmit initial bursts (see subclause 4.5.6).

Once a transmission disable command is received, within 1 second the LMES shall enter into, and shall remain in, the carrier-off state until the transmission disable command is superseded by a subsequent transmission enable command.

The LMES shall be capable of transmitting its identification code upon reception of an identification request.

4.4.5.3 Conformance test

Conformance test shall be carried out in accordance with subclause 5.2.

4.4.6 Initial burst transmission

4.4.6.1 Justification

To limit disturbance to other services.

4.4.6.2 Specification

For systems where no transmission enable command is expected after power-on or reset the LMES may transmit initial bursts.

- a) the transmission of the initial burst shall not exceed 1 % of the time;
- b) each burst shall not last more than one second.

4.4.6.3 Conformance test

Conformance test shall be carried out in accordance with subclause 5.2.

5 Test methods

The values of measurement uncertainty associated with each measurement parameter apply to all of the test cases described in this TBR. The measurement uncertainties shall not exceed the values shown in table 4.

Table 4: Measurement uncertainty

Measurement parameter	Uncertainty
Radio Frequency (RF)	± 10 kHz
RF power	$\pm 0,75$ dB
conducted spurious	± 4 dB
antenna gain	± 2 dB
radiated spurious	± 6 dB

To enable the performance tests to be carried out the use of Special Test Equipment (STE), made available by the manufacturer may be necessary. Since this test equipment will be specific to the particular system, it is not possible to provide detailed specifications in this TBR. However, the following baseline is provided:

- if the LMES requires to receive a modulated carrier from the satellite in order to transmit, then special test arrangements are required to simulate the satellite signal, thus enabling the LMES to transmit allowing measurement of transmission parameters;
- any characteristic of these special test arrangements which may have direct or indirect effects on the parameters to be measured shall be clearly stated by the manufacturer.

All tests in the carrier-on state shall be undertaken with the transmitter operating at the maximum power setting and with the maximum transmit burst rate where applicable.

All technical characteristics and operational conditions declared by the manufacturer shall be entered in the test report.

5.1 Measurement of unwanted emissions

5.1.1 General

For purposes of the test, the EUT comprises:

- a) for IE:
 - the EME;
 - the IME;
 - interconnecting cables between IME and EME units as supplied by the manufacturer;
 - the necessary power supply cables and any other cable ensuring a proper functioning of the terminal;
- b) for PE:
 - for a single module PE, the module itself with any deployable parts in their normal operating configuration;
 - for a multiple module PE, all such modules with all necessary interconnecting cables of lengths as normally supplied by the manufacturer; again any deployable parts should be in their normal operating configuration.

For measurements up to 1 000 MHz the distance between the EUT and the measuring antenna shall be 10 m. For measurements above 1 000 MHz the distance between the EUT and the measuring antenna shall be such that the radiating near-field of each antenna shall not overlap with that of the other.

The highest frequency to which tests shall be performed shall be the 10th harmonic of the highest conversion frequency or ten times the highest transmit frequency, whichever is the greater.

The upper and lower extremes of the tuning range shall be stated by the manufacturer.

5.1.2 Test site

The test shall be performed either in an open area test site, a semi-anechoic chamber or an anechoic chamber. Ambient noise levels shall be at least 6 dB below the applicable unwanted emissions limit.

An open area test site shall be flat, free of overhead wires and nearby reflecting structures, sufficiently large to permit aerial placement at the specified measuring distance and provide adequate separation between aerial, test unit and reflecting structures.

A metal ground plane shall be inserted on the natural ground plane and it shall extend at least 1 m beyond the perimeter of the EUT at one end and at least 1 m beyond the measurement antenna at the other end.

5.1.3 Test method

For IE, the EUT shall be installed with a separation of about 0,5 m between the IME and the EME, the maximum length connection cable specified by the manufacturer shall be installed. The height of the cable shall be between 0,5 m and 1 m. The cable shall be maintained in that position by non-metallic means. The EME shall be set, in its normal operating configuration on a non-metallic turn-table at a height between 0,5 m and 1 m. The IME shall be set on a non-metallic turn-table at a height of 0,8 m for tests up to 1 000 MHz and between 0,5 m and 1 m for tests above 1 000 MHz. Any associated equipment, e.g. portable computer or data terminal if required for operation of the LMES, shall be placed next to, and at the same height as, the IME.

For PE, the equipment shall be arranged in its normal operating configuration as recommended by the manufacturer on a non-metallic turn table at a height between 0,5 m and 1 m.

The EUT shall be terminated with matched impedance at the terrestrial ports if recommended by the manufacturer in the user documentation and if there is no associated equipment connected to such port.

For frequencies up to 80 MHz the measuring antenna shall be a balanced dipole which has a length equal to the 80 MHz resonant length and shall be matched to the feeder by a suitable transforming device. Measurements with broad band antennas are also possible provided that the test site has been calibrated according to the requirements of CISPR N 16-1 [4].

For frequencies between 80 MHz and 1 000 MHz the measuring antenna shall be a balanced dipole which shall be resonant in length. Measurements with broad band antennas are also possible provided that the test site has been calibrated according to the requirements of CISPR N°16-1 [4].

For frequencies above 1 000 MHz the antenna shall be a horn radiator of known gain/frequency characteristics. When used for reception the antenna and any associated amplification system shall have an amplitude/frequency response within ± 2 dB of the combined calibration curves across the measurement frequency range considered for the antenna. The antenna is mounted on a support capable of allowing the antenna to be used in either horizontal or vertical polarization and at the specified height.

For tests up to 1 000 MHz the receive test equipment shall be a measuring receiver. For tests above 1 000 MHz the receive test equipment shall be a spectrum analyser.

5.1.3.1 Receive test equipment

5.1.3.1.1 Measuring receiver for measurements up to 1 000 MHz

Measuring receivers shall conform to the following characteristics:

- the response to a constant amplitude sine wave signal shall remain within ± 1 dB across the frequency range of interest;
- quasi-peak detection shall be used in a -6 dB bandwidth of 120 kHz;
- the receiver shall be operated at more than 1 dB below the compression point during tests/measurements.

5.1.3.1.2 Spectrum analyser for measurements above 1 000 MHz

The spectrum analyser resolution bandwidth shall be set to the specified measuring bandwidth or as close as possible. If the resolution bandwidth is different from the specified measuring bandwidth, bandwidth correction shall be performed for noise-like wideband signals. The measuring system shall be capable of detecting signals at least 6 dB below the applicable unwanted emissions limit.

5.1.4 Procedure

5.1.4.1 Test arrangements

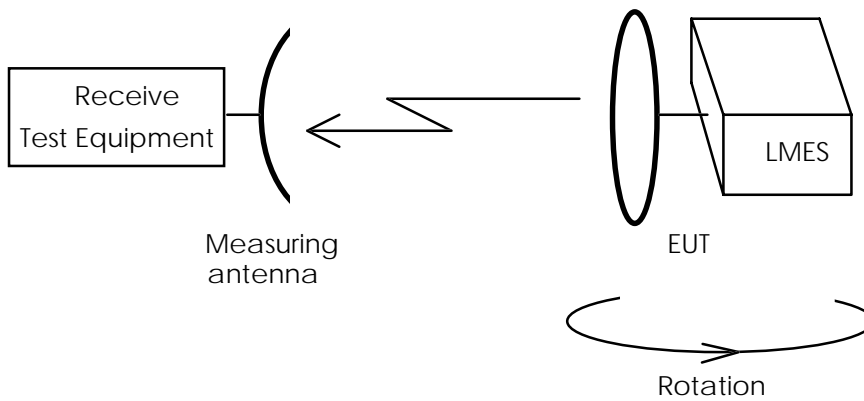


Figure 1: Test arrangement - emissions measurement, first axis

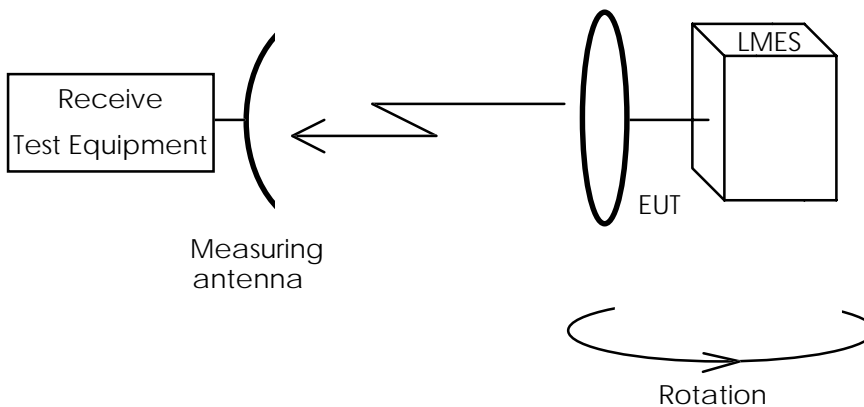


Figure 2: Test arrangement - emissions measurement, second axis

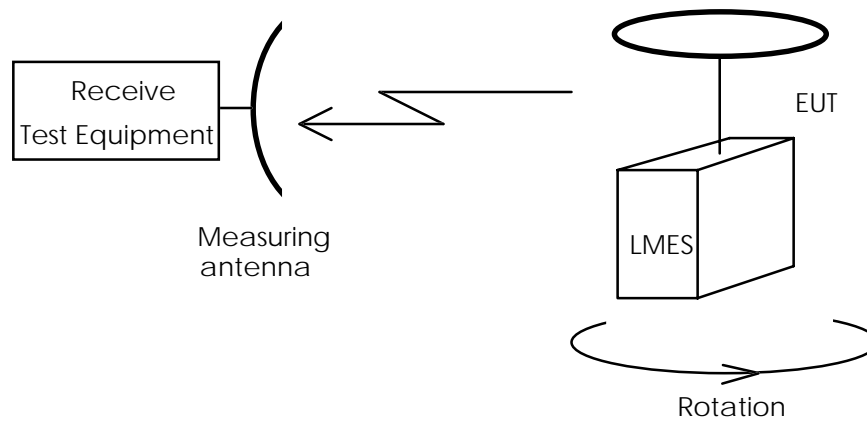


Figure 3: Test arrangement - emissions measurement, third axis

5.1.4.2 Unwanted emissions up to 1 000 MHz

- a) The test arrangement shall be as shown in figure 1 with the measuring receiver installed. EUTs with adjustable antennas shall have the antenna boresight axis in the plane of rotation. The measuring antenna boresight axis shall coincide with the plane of rotation of the boresight of the EUT.
- b) The EUT shall be in the carrier-on state with the carrier at the lowest possible centre frequency.
- c) The EUT shall be rotated through 360° LMES whilst unwanted emissions are measured in frequency and amplitude, over the frequency range 30 MHz to 1 000 MHz. The frequency and amplitude of each signal shall be noted.
- d) The measurements shall be repeated with the measuring antenna in the orthogonal polarization and the signal levels similarly noted.
- e) The tests in c) and d) above shall be repeated with the EUT carrier at the highest possible centre frequency.
- f) The tests in c) and d) above shall be repeated with the carrier-off.
- g) The tests in b) to f) above shall be repeated with the EUT turned so that its axis of rotation is orthogonal to that of the first case, as shown in figure 2. The EUT antenna boresight axis shall remain in the plane of rotation.
- h) The tests in b) to f) above shall be repeated with the EUT turned so that its axis of rotation is mutually orthogonal to those of the first two cases, as shown in figure 3. The EUT antenna boresight axis shall be perpendicular to the plane of rotation.

5.1.4.3 Unwanted emissions above 1 000 MHz

- a) The test arrangement shall be as shown in figure 1 with the spectrum analyser installed. EUTs with adjustable antennas shall have the antenna boresight axis in the plane of rotation. The measuring antenna boresight axis shall coincide with the plane of rotation of the boresight of the EUT.
- b) The EUT shall be in the carrier-on state with the carrier at the lowest possible centre frequency.
- c) The EUT shall be rotated through 360° whilst unwanted emissions are measured in frequency and amplitude, over the frequency range 1 000 MHz to 40 GHz. The frequency and amplitude of each signal shall be noted.
- d) The measurements shall be repeated with the measuring antenna in the orthogonal polarization and the signal levels similarly noted.
- e) The tests in c) and d) above shall be repeated with the EUT carrier at the highest possible centre frequency.

- f) The tests in c) and d) above shall be repeated with the carrier-off.
- g) The tests in b) to f) above shall be repeated with the EUT turned so that its axis of rotation is orthogonal to that of the first case, as shown in figure 2. The EUT antenna boresight axis shall remain in the plane of rotation.
- h) The tests in b) to f) above shall be repeated with the EUT turned so that its axis of rotation is mutually orthogonal to those of the first two cases, as shown in figure 3. The EUT antenna boresight axis shall be perpendicular to the plane of rotation

5.2 LMES Control and Monitoring Functions (CMF)

If the EUT is a LMES that has been modified by the manufacturer for these tests then full documentation of such modification(s) shall be provided to prove that the modification(s) will simulate the required test condition.

For the purpose of this test, the EUT is the LMES either with, or without its antenna connected.

The measurement of the EIRP spectral density shall be limited within either the nominated bandwidth or to a 10 MHz bandwidth centred on the carrier frequency whichever is the greater.

5.2.1 Test arrangement

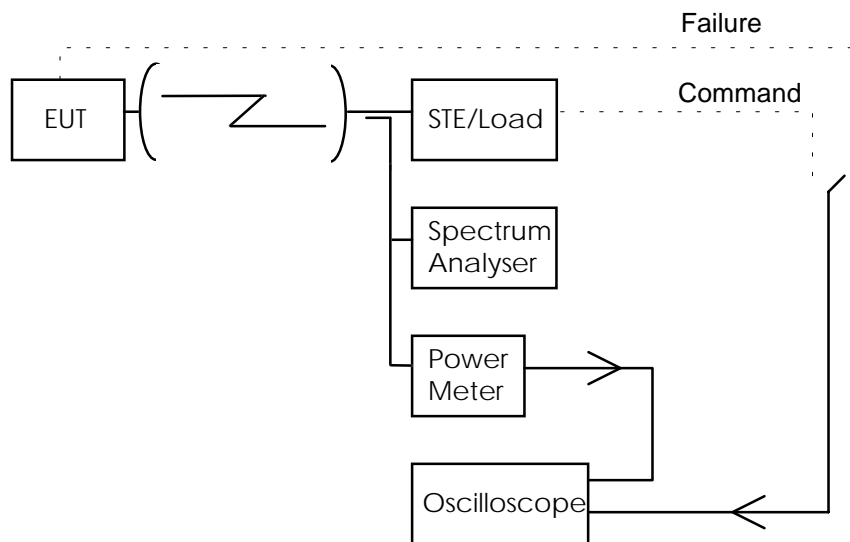


Figure 4: General test arrangement for control and monitoring tests for radiated measurements

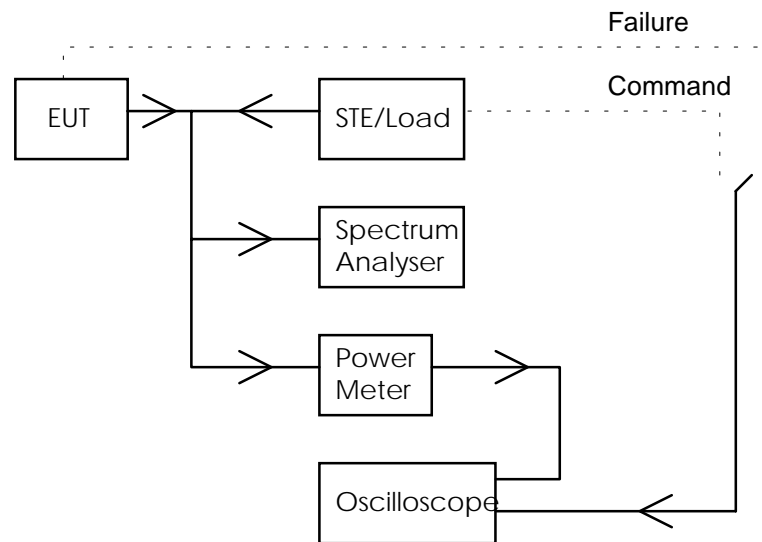


Figure 5: General test arrangement for control and monitoring tests for conducted measurements

The test arrangement shall be as shown in figures 4 or 5. The EUT shall be authorized to transmit and shall be in the carrier-on state at the commencement of each test, unless otherwise stated. The oscilloscope shall monitor by measuring the time difference between the command, or failure, and the occurrence of the expected event (e.g. the transmission suppression). The spectrum analyser and the power meter shall monitor the EUT output level.

5.2.2 Processor monitoring

5.2.2.1 Test method

- a) Each of the processors within the EUT shall, in turn, be caused to fail.
- b) Within 1 second of such failure the EUT shall cease to transmit as measured by the oscilloscope.
- c) The power meter and spectrum analyser shall be observed to ascertain that the transmissions have been suppressed.
- d) The failed processor shall be restored to normal working condition and the EUT shall restore automatically to normal working before the next processor shall be induced to fail.

5.2.3 Transmit subsystem monitoring

5.2.3.1 Test method

- a) The frequency lock subsystem within the EUT shall be caused to fail.
- b) Within 6 seconds of such failure the EUT shall cease to transmit as measured by the oscilloscope.
- c) The power meter and spectrum analyser shall be observed to ascertain that the transmissions have been suppressed.
- d) The failed elements shall be restored to normal working state and the EUT shall be restored to normal working.
- e) The frequency generation subsystem within the EUT shall be caused to fail.
- f) Within 6 seconds of such failure the EUT shall cease to transmit as measured by the oscilloscope.
- g) The power meter and spectrum analyser shall be observed to ascertain that the transmissions have been suppressed.

- h) The failed elements shall be restored to normal working state and the EUT shall be restored to normal working.

5.2.4 Power-on/Reset

5.2.4.1 Test method

- a) The EUT shall be switched off and the STE shall not transmit the CC.
b) The EUT shall be switched on.
c) The EUT shall not transmit during and after switching-on, and shall enter the carrier-off state.

The events from a) to c) shall be displayed and verified with the oscilloscope and by measurement of the transmitted signal. If a manual reset function is implemented the following test shall be performed:

- d) The EUT shall be switched on and the STE shall transmit the CC.
e) A call shall be initiated from the EUT and the EUT shall enter the carrier-on state.
f) The reset function shall be initiated.
g) The EUT shall enter the carrier-off state.

The event from e) to g) shall be displayed and verified with the oscilloscope and by measurement of the transmitted signal.

5.2.5 Control Channel (CC) reception

5.2.5.1 Test method

The following tests shall be performed:

- case where the CC has never been received by the EUT;
- case where the CC is lost by the EUT during a transmission period of a call;
- case where the CC is lost by the EUT during a period without transmission;
- case where the CC is being lost by the EUT and a call is initiated within the Time-Out period T1.

The Time-Out period T1 used in the tests shall be 30 seconds.

- a) Case where the CC has never been received by the EUT:
- a1) The EUT shall be switched off and the STE shall not transmit the CC.
 - a2) The EUT shall be switched on.
 - a3) A call shall be initiated from the EUT.
 - a4) The EUT shall remain in the carrier-off state.

The events from a2) to a4) shall be displayed and verified with the oscilloscope and by measurement of the transmit signal.

- b) Case where the CC is lost by the EUT during a transmission period of a call:
- b1) The EUT shall be switched-on and the STE shall transmit the CC.
 - b2) A call shall be initiated from the EUT.
 - b3) The STE shall stop transmitting the CC.
 - b4) Within T1 from b3), the EUT shall enter the carrier-off state.

The events from b2) to b4) shall be displayed and verified with the oscilloscope and by measurement of the transmitted signal.

- c) Case where the CC is lost by the EUT during a period without transmission:
- c1) The EUT shall be switched on and the STE shall transmit the CC.

- c2) The STE shall stop transmitting the CC.
- c3) More than T1 later, a call shall be initiated from the EUT.
- c4) The EUT shall remain in the carrier-off state

The events from c2) to c4) shall be displayed and verified with the oscilloscope and by measurement of the transmitted signal.

- d) Case where the CC is being lost by the EUT and a call is initiated within the T1 period:

- d1) The EUT shall be switched on and the STE shall transmit the CC.
- d2) The STE shall stop transmitting the CC.
- d3) Within the period T1 from d2), a call shall be initiated from the EUT.
- d4) The EUT may transmit but within the T1 period the EUT shall enter the carrier-off state.

The events from d2) to d4) shall be displayed and verified with the oscilloscope and by measurement of the transmitted signal.

5.2.6 Network control commands

5.2.6.1 Test method

The following tests shall be performed in sequence:

- transmission enable command;
- transmission disable command;
- identification request.

- a) Transmission enable command:

- a1) The EUT shall be switched-on and the STE shall transmit the CC.
- a2) The EUT shall enter the carrier-off state.
- a3) A call shall be initiated from the EUT, the EUT shall remain in the carrier-off state.
- a4) The STE shall transmit an enable command to the EUT.
- a5) A call shall be initiated from the EUT.
- a6) The EUT shall enter the carrier-on state and shall transmit.

The events from a2) to a6) shall be displayed and verified with the oscilloscope and by measurement of the transmitted signal.

- b) Transmission disable command:

- b1) Continue from a6).
- b2) The STE shall transmit a disable command to the EUT.
- b3) The EUT shall enter the carrier-off state within 1 second.
- b4) A call shall be initiated from the EUT.
- b5) The EUT shall remain in the carrier-off state.
- b6) The STE shall transmit an enable command.
- b7) A call shall be initiated from the EUT.
- b8) The EUT shall enter the carrier-on state and shall transmit.
- b9) The call shall be terminated at the EUT.

The events from b2) to b9) shall be displayed and verified with the oscilloscope and by measurement of the transmitted signal.

- c) Identification request:

- c1) Continue from b9).
- c2) The STE shall transmit an identification request.
- c3) The EUT shall enter the carrier-on state and shall transmit its identification code.

The STE shall display the identification code sent by the EUT.

5.2.7 Initial burst transmission

5.2.7.1 Test method

- a) The EUT shall be switched-off and the STE shall transmit the CC.
- b) The EUT shall be switched-on.
- c) The EUT shall not transmit, except the initial bursts, if any.
- d) Each initial burst shall not last more than 1 second, and the transmission of the initial bursts shall not exceed 1 % of the time.

The events from b) to d) shall be displayed and verified with the oscilloscope and by measurement of the transmitted signal.

Annex A (normative): The TBR Requirements Table (TBR-RT)

Notwithstanding the provisions of the copyright clause related to the text of this TBR, ETSI grants that users of this TBR may freely reproduce the TBR-RT proforma in this annex so that it can be used for its intended purposes and may further publish the completed TBR-RT.

Table A.1: TBR Requirements Table (TBR-RT)

TBR Reference			TBR 044		
No	Category	Reference	TBR-R	Status	Support
1	4.3	4.1	Unwanted emissions outside the band 1 625,8 MHz to 1 661,2 MHz	M	
2	4.3	4.2	Maximum unwanted emission within the band 1 625,8 MHz to 1 661,2 MHz	M	
3	4.3	4.4.1	Processor monitoring	M	
4	4.3	4.4.2	Transmit subsystem monitoring	M	
5	4.3	4.4.3	Power-on/Reset	M	
6	4.3	4.4.4	Control Channel reception	M	
7	4.3	4.4.5	Network control commands	M	
8	4.3	4.4.6	Initial burst transmission	M	

Key to columns:

- No** TBR-RT entry number;
- Category** Category of essential requirement per Article 4 of the SES Directive [1];
- Reference** Clause reference within this TBR of the supporting text for the entry;
- TBR-R** Title of entry within this TBR-RT;
- Status** Status of the entry (M = Mandatory, shall be implemented under all circumstances);
- Support** Does the equipment support the essential requirement of this entry; Y/N.

Annex B (informative): Bibliography

- ETS 300 423: "Satellite Earth Stations and Systems (SES); Land Mobile Earth Stations (LMES) operating in the 1,5/1,6 GHz bands providing voice and/or data communications".
- EMC Directive: "Council Directive 89/336/EEC of 3 May 1989 on the approximation of the laws of Member States relating to electromagnetic compatibility".
- EN 55022 (1994): "Limits and methods of measurement of radio disturbance characteristics of information technology equipment".
- ETR 169 (1995): "Satellite Earth Stations and Systems (SES); Common Technical Regulations (CTRs) in the satellite earth station equipment field".

History

Document history	
June 1997	Public Enquiry PE 9746: 1997-06-20 to 1997-11-14
February 1998	Vote V 9817: 1998-02-24 to 1998-04-24
May 1998	First Edition