



**T**ECHNICAL  
**B**ASIS for  
**R**EGULATION

**TBR 38**

May 1998

---

Source: ATA

Reference: DTBR/ATA-004050

ICS: 33.020

**Key words:** analogue, PSTN, telephony, terminal, type approval

**Public Switched Telephone Network (PSTN);  
Attachment requirements for a terminal equipment incorporating  
an analogue handset function capable of supporting  
the justified case service when connected  
to the analogue interface of the PSTN in Europe**

**ETSI**

European Telecommunications Standards Institute

**ETSI Secretariat**

**Postal address:** F-06921 Sophia Antipolis CEDEX - FRANCE

**Office address:** 650 Route des Lucioles - Sophia Antipolis - Valbonne - FRANCE

**Internet:** [secretariat@etsi.fr](mailto:secretariat@etsi.fr) - <http://www.etsi.fr> - <http://www.etsi.org>

Tel.: +33 4 92 94 42 00 - Fax: +33 4 93 65 47 16

---

**Copyright Notification:** No part may be reproduced except as authorized by written permission. The copyright and the foregoing restriction extend to reproduction in all media.

© European Telecommunications Standards Institute 1998. All rights reserved.



## Contents

Foreword .....	5
Introduction .....	5
1 Scope .....	7
2 Normative references .....	7
3 Definitions, symbols and abbreviations .....	8
3.1 Definitions .....	8
3.2 Symbols .....	9
3.3 Abbreviations .....	9
4 Speech transmission aspects .....	9
4.1 General .....	9
4.1.1 Polarity independence .....	9
4.1.2 Feed conditions .....	10
4.1.3 Power supply .....	10
4.1.4 Volume control .....	10
4.2 Speech performance characteristics .....	11
4.2.1 Sensitivity/frequency response .....	11
4.2.1.1 Sending Sensitivity .....	11
4.2.1.2 Receiving Sensitivity .....	12
4.2.2 Sending and Receiving Loudness Ratings (SLR and RLR) .....	13
4.2.2.1 Sending Loudness Rating (SLR) .....	13
4.2.2.2 Receiving Loudness Rating (RLR) .....	13
4.2.3 Sidetone .....	14
4.2.4 Distortion .....	14
4.2.4.1 Sending distortion .....	14
4.2.4.2 Receiving distortion .....	15
4.2.5 Linearity (variation of gain with input level) .....	15
4.2.5.1 Sending linearity .....	15
4.2.5.2 Receiving linearity .....	15
4.2.6 Noise .....	16
4.2.6.1 Sending noise .....	16
4.2.6.2 Receiving noise .....	16
4.2.7 Instability .....	17
4.2.8 Echo Return Loss (ERL) .....	17
Annex A (normative): Speech transmission compliance tests .....	18
A.1 General conditions for testing .....	18
A.1.1 Environment for tests .....	18
A.1.2 Accuracy of measurements and test equipment setting .....	18
A.1.3 Order of tests .....	18
A.1.4 Acoustic environment .....	19
A.1.5 Handset mounting .....	19
A.1.6 Test levels .....	19
A.1.6.1 Sending .....	19
A.1.6.2 Receiving .....	19
A.1.6.3 Sidetone .....	19
A.1.7 Volume control .....	19
A.1.8 Test equipment requirements .....	19
A.1.9 Alternative test methods .....	20
A.1.10 Testing arrangements .....	20

A.2	Speech transmission performance tests .....	23
A.2.1	Sensitivity/frequency response.....	23
A.2.1.1	Sending sensitivity .....	23
A.2.1.2	Receiving sensitivity.....	23
A.2.2	Loudness ratings.....	24
A.2.2.1	Sending loudness rating .....	24
A.2.2.2	Receiving loudness rating.....	24
A.2.3	Sidetone .....	25
A.2.4	Distortion .....	26
A.2.4.1	Sending distortion .....	26
A.2.4.2	Receiving distortion .....	27
A.2.5	Linearity (variation of gain with input level).....	27
A.2.5.1	Sending linearity .....	27
A.2.5.2	Receiving linearity .....	28
A.2.6	Noise .....	28
A.2.6.1	Sending noise .....	28
A.2.6.2	Receiving noise .....	28
A.2.7	Instability.....	29
A.2.8	Echo Return Loss (ERL) .....	31
Annex B (normative):	TBR Requirements Table (TBR-RT) .....	32
B.1	TBR requirements table.....	32
Annex C (informative):	Information for test purposes.....	33
C.1	Introduction .....	33
C.2	Guidance for the completion of the information required for test purposes.....	33
C.2.1	Options .....	33
C.2.2	General information.....	33
Annex D (informative):	Bibliography .....	35
History .....		36

## Foreword

This Technical Basis for Regulation (TBR) has been produced by the ETSI Project Analogue Terminals and Access (EP ATA).

The present document has been produced by ETSI in response to a mandate from the European Commission issued under Council Directive 83/189/EEC (as amended) laying down a procedure for the provision of information in the field of technical standards and regulations.

The present document is intended to become a Harmonized Standard as requested by the above mentioned mandate, the reference of which will be published in the Official Journal of the European Communities referencing the Council Directive relating to telecommunications terminal equipment and satellite earth station equipment, including the mutual recognition of their conformity (Directive 98/13/EC).

A common technical regulation may be established by the European Commission in accordance with the Directive.

Technical specifications relevant to the 98/13/EC Directive are given in the TBR-Requirements Table (TBR-RT) in annex B.

<b>Transposition dates</b>	
Date of adoption of this TBR:	01 May 1998
Date of latest announcement of this TBR (doa):	31 August 1998
Date of latest publication of new National Standard or endorsement of this TBR (dop/e):	31 November 1998
Date of withdrawal of any conflicting National Standard (dow):	31 November 1999

## Introduction

This TBR is written in response to an European Commission standardization mandate requesting a harmonized standard for analogue voice terminals.

The scope of this TBR was laid down by ACTE and the requirements are based on I-ETS 300 677 (Public Switched Telephone Network (PSTN); Requirements for handset telephony), and on I-ETS 300 480 (Public Switched Telephone Network (PSTN); Testing specification for analogue handset telephony).

This TBR specifies only the technical characteristics for handset telephony and shall be used in conjunction with an appropriate access standard.

Blank page

## 1 Scope

This Technical Basis for Regulation (TBR) specifies the technical characteristics (electrical and acoustic requirements) under Article 5(g) of Directive 98/13/EC to be provided by a single, handset telephony, terminal equipment which is intended:

- a) for pan-European approval; and
- b) for connection by 2 wires to an analogue interface of a PSTN. This interface is characterized by a d.c. loop to indicate seizure and clearing, low frequency a.c. ringing signals below the speech passband to indicate an incoming call and the transmission phase having an approximate bandwidth of 3 kHz at the network terminating point; and
- c) for supporting the voice telephony justified case service.

The objective of this TBR is to ensure minimum speech quality when interworking via the public network between two single items of equipment.

This TBR only applies to terminal equipment supporting handset telephony.

This TBR is applicable to handset telephony function. In the case of multiple functions provided in the same terminal equipment, this TBR does not apply when those other functions are active in conjunction with handset telephony.

This TBR specifies the functions necessary to provide 2-way real-time speech conversation. Where a function is indicated as optional, it need not be provided, but, where such a function is provided, the terminal needs to conform to the requirements and test specified in this TBR.

A test is given for each requirement in this TBR including measurement methods. The terminal equipment may be stimulated to perform the tests by additional equipment if necessary.

The application of this TBR is not mandatory for:

- a) a handset telephony function with speech transmission performance specially designed for the disabled (e.g. with amplification of received speech as an aid for the hard of hearing);
- b) a handset telephony function employing a radio link (e.g. cordless telephones);
- c) a handset telephony function with speech transmission performance specifically designed to cater for hostile environments;
- d) any handsfree or loudspeaking voice telephony function;
- e) a handset telephony function employing non-linear or time variant techniques for the processing of the signal.

NOTE: The terminal equipment may provide additional functions or facilities to that of handset telephony.

## 2 Normative references

This TBR incorporates by dated and undated reference, provisions from other publications. These normative references are cited at the appropriate places in the text and the publications are listed hereafter. For dated references, subsequent amendments to or revisions of any of these publications apply to this TBR only when incorporated in it by amendment or revision. For undated references the latest edition of the publication referred to applies.

- [1] ITU-T Recommendation G.122 (03/93): "Influence of national systems on stability and talker echo in international connections".
- [2] I-ETS 300 480: "Public Switched Telephone Network (PSTN); Testing specification for analogue handset telephony".
- [3] ITU-T Recommendation P.64 (04/97): "Determination of sensitivity/frequency characteristics of local telephone systems".
- [4] ITU-T Recommendation P.51 (08/96): "Artificial mouth".
- [5] ITU-T Recommendation P.57 (08/96): "Artificial ears".
- [6] IEC 651: "Sound level meters".
- [7] ISO 3 (1973): "Preferred numbers - Series of preferred numbers".
- [8] ITU-T Recommendation P.79 (03/93): "Calculation of loudness ratings for telephone sets".
- [9] ITU-T Recommendation O.41 (10/94): "Psophometer for use on telephone-type circuits".

## 3 Definitions, symbols and abbreviations

### 3.1 Definitions

For the purposes of this TBR, the following definitions apply:

**artificial ear:** A device for the calibration of earphones incorporating an acoustic coupler and a calibrated microphone for the measurement of sound pressure and having an overall acoustic impedance similar to that of the average human ear over a given frequency band.

**Echo Return Loss (ERL):** Return loss averaged with 1/f power weighting over the telephone band (300 Hz - 3 400 Hz), in accordance with clause 4 of ITU-T Recommendation G.122 [1].

**handset:** A combination of telephone microphone and receiver in a form convenient for holding simultaneously to mouth and ear, which, when in use, retains the microphone in a position fixed in relation to the receiver.

**handset telephony:** A function provided by terminal equipment whereby two-way real-time speech is supported by means of a handset that forms an integral part of the terminal equipment. The term "live speech" is also frequently used to describe "real-time speech". For the purposes of this TBR, they should be considered as having the same meaning.

**handsfree function:** A function whereby telephony transmission and reception is facilitated by the use of microphone(s) and loudspeaker(s) placed at a distance from the user. No handset is required to be used and normally the handset is not active.

**loop state:** The state where the TE draws sufficient DC current to activate the exchange.

**loop steady state:** A loop state excluding the transitions from and to quiescent state.



**loudness rating:** A measure, expressed in decibels, for characterizing the loudness performance of complete telephone connections or of parts thereof such as sending system, line, receiving system.

**loudspeaking function:** A function of a handset telephone using a loudspeaker associated with an amplifier as a telephone receiver.

**Mouth Reference Point (MRP):** A point 25 mm in front of and on the axis of the lip position of a typical human mouth (or artificial mouth).

**nominal setting:** A setting of the volume control where the RLR is as close as possible to -8 dB.

### 3.2 Symbols

For the purposes of this TBR, the following symbols apply:

$\Omega$	Ohm
dB	decibel
dBPa	sound pressure level with respect to 1 Pa, expressed in dB
dBPa(A)	"A" weighted sound pressure level with respect to 1 Pa, expressed in dB
dBV	voltage level with respect to 1 V, expressed in dB
dBVp	psophometrically weighted voltage level with respect to 1 V, expressed in dB
Pa	Pascal
SPL	Sound Pressure Level
V	Volt

### 3.3 Abbreviations

For the purposes of this TBR, the following abbreviations apply:

a.c.	alternating current
d.c.	direct current
e.m.f.	electromotive force
ERL	Echo Return Loss
ERP	Ear Reference Point
ITU-T	International Telecommunications Union -Telecommunications sector
LRGP	Loudness Rating Guard-ring Position
MRP	Mouth Reference Point
PSTN	Public Switched Telephone Network
r.m.s.	root mean square
RL	Return Loss
RLR	Receiving Loudness Rating
SLR	Sending Loudness Rating
STMR	SideTone Masking Rating
TBR-RT	Technical Basis for Regulation - Requirements Table
TE	Terminal Equipment

## 4 Speech transmission aspects

### 4.1 General

#### 4.1.1 Polarity independence

**Reference:** I-ETS 300 677, subclause 4.1.1.

**Requirement:** The TE shall conform to the requirements of this TBR for both polarities of line feeding voltage.

**Justification:** 98/13/EC, Article 5(g).

Interworking of terminal equipment via the public telecommunications network requires the TE to provide adequate speech performance with both feed polarities, since a fixed polarity is not guaranteed by the PSTN.

**Test:** Compliance shall be demonstrated by reversal of the d.c. voltage applied to the line terminals from test to test or between changes of test configuration when performing the tests of annex A.

#### 4.1.2 Feed conditions

**Reference:** I-ETS 300 677, subclause 4.1.2.

**Requirement:** The TE shall conform to the requirements of this TBR when tested with a supply voltage of 50 V and with feed resistances ranging from 500  $\Omega$  to 2 800  $\Omega$ .

NOTE: Some requirements are only specified for single or specific values of feed resistance.

**Justification:** 98/13/EC, Article 5(g).

Interworking of terminal equipment via the public telecommunications network requires the TE to provide adequate speech performance over the range of feed conditions occurring in the loop steady state when connected to the PSTN.

**Test:** Compliance shall be demonstrated by performing the tests of annex A with the feed resistances specified in subclause 4.2 which are chosen from those permitted by I-ETS 300 480 [2].

#### 4.1.3 Power supply

**Reference:** I-ETS 300 677, subclause 4.1.3.

**Requirement:** Where the terminal handset function is intended to be used with power additional to that derived from the network, the requirements of subclause 4.2 shall apply only when such additional power is provided and operating within specification.

**Justification:** 98/13/EC, Article 5(g).

Interworking of terminal equipment via the public telecommunications network requires any TE which needs a source of external power for its speech functions to have adequate speech performance when its power supply is connected and operative.

**Test:** Compliance shall be demonstrated by performing the tests of annex A with the power supply connected and operative.

#### 4.1.4 Volume control

**Reference:** I-ETS 300 677, subclause 4.1.4.

**Requirement:** For TE with a user-controlled receiving volume control, the speech performance characteristics requirements apply with the user-controlled receiving volume control at the setting where the RLR is as close as possible to -8 dB, unless stated otherwise. This setting is to be taken as the nominal setting of the volume control.

**Justification:** 98/13/EC, Article 5(g).

Interworking of terminal equipment via the public telecommunications network requires the TE to provide adequate speech performance for at least one setting of the volume control.

**Test:** Compliance tests of annex A shall be carried out at the setting of the volume control where the RLR is as close as possible to -8 dB when measured with the feed resistance  $R_f$  set to 1 000  $\Omega$ , unless otherwise specified in the appropriate requirement.

NOTE: It is not necessary to strive to achieve values closer than 1 dB.

4.2 Speech performance characteristics

4.2.1 Sensitivity/frequency response

4.2.1.1 Sending Sensitivity

**Reference:** I-ETS 300 677, subclause 4.2.1.1.

**Requirement:** The sending sensitivity when measured according to ITU-T Recommendation P.64 [3] with a load of 600 Ω, as a function of frequency, shall be not greater than the upper limit and not less than the lower limit given in table 1 and shown in figure 1.

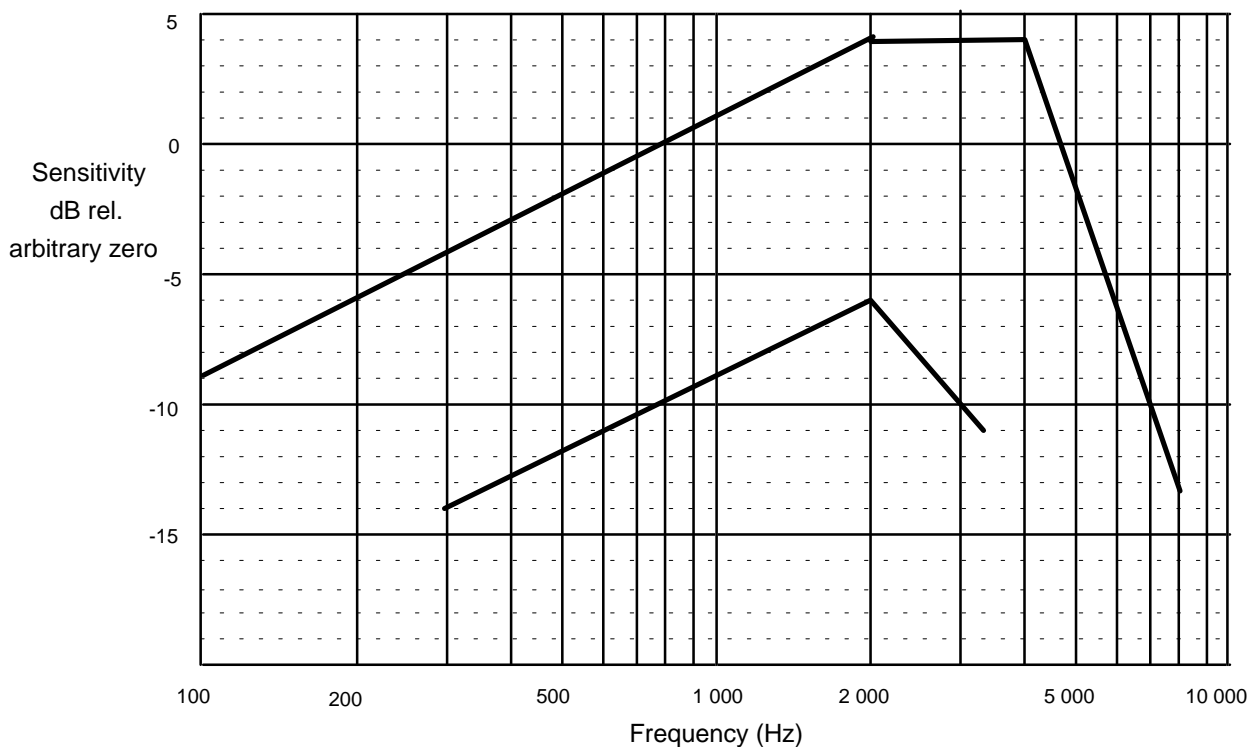
**Justification:** 98/13/EC, Article 5(g).

Interworking of terminal equipment via the public telecommunications network requires the TE to have a sensitivity/frequency response compatible with the network and with other telephones connected to the network so as to be capable of providing adequate speech performance.

**Test:** Compliance shall be checked by the test described in subclause A.2.1.1 when measured with the feed resistance  $R_f$  set to 1 000 Ω.

**Table 1: Co-ordinates of sending sensitivity limit curves**

	Frequency (Hz)	dB relative to arbitrary level
<b>Upper limit</b>	100	-9
	2 000	+4
	4 000	+4
	8 000	-13
<b>Lower limit</b>	300	-14
	2 000	-6
	3 400	-11



**Figure 1: Sending sensitivity/frequency limits**

4.2.1.2 Receiving Sensitivity

Reference: I-ETS 300 677, subclause 4.2.1.2.

**Requirement:** The receiving sensitivity when measured according to ITU-T Recommendation P.64 [3], as a function of frequency, shall be not greater than the upper limit and not less than the lower limit given in table 2 and shown in figure 2.

Additionally, the sensitivity at 8 kHz shall be at least 20 dB below the sensitivity at 1 kHz.

**Justification:** 98/13/EC, Article 5(g).

Interworking of terminal equipment via the public telecommunications network requires the TE to have a sensitivity/frequency response compatible with the network and with other telephones connected to the network so as to be capable of providing adequate speech performance.

**Test:** Compliance shall be checked by the test described in subclause A.2.1.2 when measured with the feed resistance  $R_f$  set to 1 000  $\Omega$ .

Table 2: Co-ordinates of receiving sensitivity limit curves

	Frequency (Hz)	dB relative to arbitrary level
<b>Upper limit</b>	100	-10
	200	+2
	4 000	+2
	8 000	-15
<b>Lower limit</b>	300	-9
	1 000	-7
	3 400	-12

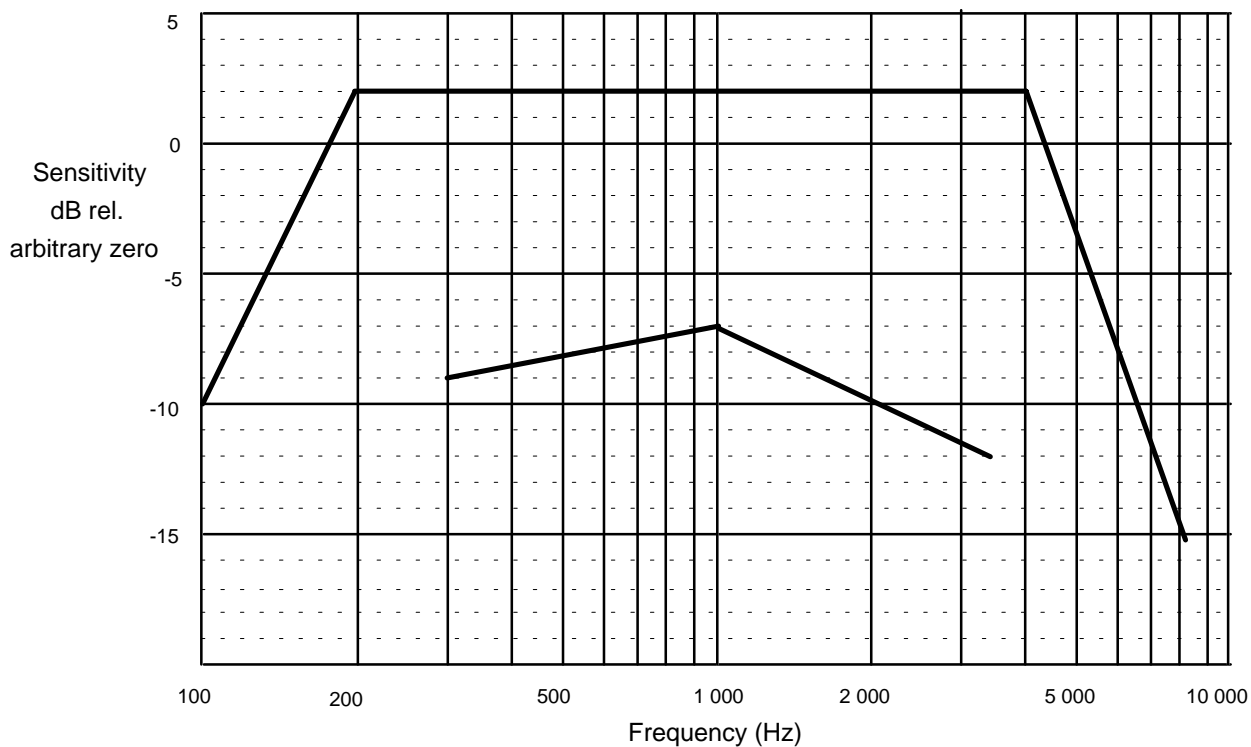


Figure 2: Receiving sensitivity/frequency limits

## 4.2.2 Sending and Receiving Loudness Ratings (SLR and RLR)

### 4.2.2.1 Sending Loudness Rating (SLR)

**Reference:** I-ETS 300 677, subclause 4.2.2.1.

**Requirement:** The Sending Loudness Rating (SLR) shall be  $+3 \text{ dB} \pm 4 \text{ dB}$  when measured with the feed resistance  $R_f$  set to  $2\ 800 \ \Omega$  and  $1\ 000 \ \Omega$  and  $+3 \text{ dB} + 7/- 4 \text{ dB}$  when measured with the feed resistance  $R_f$  set to  $500 \ \Omega$ .

For terminal equipment supporting handsfree or loudspeaking functions which is not powered from a separate power supply, the requirement to measure with  $R_f$  set to  $2\ 800 \ \Omega$  shall be replaced by a requirement to measure with  $R_f$  set to  $2\ 300 \ \Omega$ .

**NOTE:** In some countries, lines are in use which provide less current than that provided by this test. When connected to such lines, TEs with handsfree or loudspeaking functions may not operate correctly.

**Justification:** 98/13/EC, Article 5(g).

Interworking of terminal equipment via the public telecommunications network requires the TE to have a SLR compatible with other telephones connected to the network so as to be capable of providing adequate speech performance. It is also essential that the terminal performance permits a network transmission plan capable of meeting ITU-T Recommendations at the international boundary.

**Test:** Compliance shall be checked by the test described in subclause A.2.2.1.

### 4.2.2.2 Receiving Loudness Rating (RLR)

**Reference:** I-ETS 300 677, subclause 4.2.2.2.

**Requirement:** The Receiving Loudness Rating (RLR) shall be  $-8 \text{ dB} \pm 4 \text{ dB}$  when measured with the feed resistance  $R_f$  set to  $2\ 800 \ \Omega$  and  $1\ 000 \ \Omega$  and  $-8 \text{ dB} + 7/- 4 \text{ dB}$  when measured with the feed resistance  $R_f$  set to  $500 \ \Omega$ .

For terminal equipment supporting handsfree or loudspeaking functions which is not powered from a separate power supply, the requirement to measure with  $R_f$  set to  $2\ 800 \ \Omega$  shall be replaced by a requirement to measure with  $R_f$  set to  $2\ 300 \ \Omega$ .

**NOTE:** In some countries, lines are in use which provide less current than that provided by this test. When connected to such lines, TEs with handsfree or loudspeaking functions may not operate correctly.

**Justification:** 98/13/EC, Article 5(g).

Interworking of terminal equipment via the public telecommunications network requires the TE to have a RLR compatible with other telephones connected to the network so as to be capable of providing adequate speech performance. It is also essential that the terminal performance permits a network transmission plan capable of meeting ITU-T Recommendations at the international boundary.

**Test:** Compliance shall be checked by the test described in subclause A.2.2.2.

#### 4.2.3 Sidetone

**Reference:** I-ETS 300 677, subclause 4.2.3.

**Requirement:** When measured by the test described in subclause A.2.3, the SideTone Masking Rating (STMR) shall be not less than the value shown in table 3 for each termination specified in that table.

**Table 3: Sidetone rating**

Value of SideTone Masking Rating (dB)		
Termination of figure A.6	Termination of figure A.7	Termination of figure A.8
STMR	STMR	STMR
≥ +5	≥ +10	≥ +7

**Justification:** 98/13/EC, Article 5(g).

Interworking of terminal equipment via the public telecommunications network requires the TE to have a sidetone performance which neither disturbs the user nor interferes with the speech levels to such an extent as to render the telephone incompatible with adequate speech performance and with ITU-T Recommendations.

**Test:** Compliance shall be checked by the test described in subclause A.2.3.

#### 4.2.4 Distortion

##### 4.2.4.1 Sending distortion

**Reference:** I-ETS 300 677, subclause 4.2.4.1.

**Requirement:** The "total" harmonic distortion (summed up to the 5th harmonic) for fundamental frequencies in the range 315 Hz to 1 000 Hz shall be not greater than 7 % with an input of -4,7 dBPa when measured with a load of 600 Ω.

With a sinusoidal input signal of +5 dBPa at a frequency of 1 000 Hz, the "total" harmonic distortion (summed up to the 5th harmonic) shall be not greater than 10 %.

**Justification:** 98/13/EC, Article 5(g).

Interworking of terminal equipment via the public telecommunications network requires the TE not to produce distortion of the transmitted speech signals sufficient to interfere with adequate speech performance.

**Test:** Compliance shall be checked by the test described in subclause A.2.4.1 with the feed resistance  $R_f$  set to 2 800 Ω and 500 Ω.

For terminal equipment supporting handsfree or loudspeaking functions which is not powered from a separate power supply, the test with  $R_f$  set to 2 800 Ω shall be replaced by a test with  $R_f$  set to 2 300 Ω.

**NOTE:** In some countries, lines are in use which provide less current than that provided by this test. When connected to such lines, TEs with handsfree or loudspeaking functions may not operate correctly.

#### 4.2.4.2 Receiving distortion

**Reference:** I-ETS 300 677, subclause 4.2.4.2.

**Requirement:** The "total" harmonic distortion (summed up to the 5th harmonic) for fundamental frequencies in the range 315 Hz to 1 000 Hz shall be not greater than 7 %, when measured with an input e.m.f. of -12 dBV.

With an input e.m.f. of 0 dBV at a frequency of 1 000 Hz, the "total" harmonic distortion (summed up to the 5th harmonic) shall be not greater than 10 %.

**Justification:** 98/13/EC, Article 5(g).

Interworking of terminal equipment via the public telecommunications network requires the TE not to produce distortion of the received speech signals sufficient to interfere with adequate speech performance.

**Test:** Compliance shall be checked by the test described in subclause A.2.4.2 with the feed resistance  $R_f$  set to 2 800  $\Omega$  and 500  $\Omega$ .

For terminal equipment supporting handsfree or loudspeaking functions which is not powered from a separate power supply, the test with  $R_f$  set to 2 800  $\Omega$  shall be replaced by a test with  $R_f$  set to 2 300  $\Omega$ .

NOTE: In some countries, lines are in use which provide less current than that provided by this test. When connected to such lines, TEs with handsfree or loudspeaking functions may not operate correctly.

#### 4.2.5 Linearity (variation of gain with input level)

##### 4.2.5.1 Sending linearity

**Reference:** I-ETS 300 677, subclause 4.2.5.1.

**Requirement:** The sensitivity determined with an input sound pressure level of -4,7 dBPa shall not differ by more than  $\pm 2$  dB from the sensitivity determined with an input sound pressure level of -19,7 dBPa when measured with a load of 600  $\Omega$ .

**Justification:** 98/13/EC, Article 5(g).

Interworking of terminal equipment via the public telecommunications network requires the TE not to vary its response to input speech signals sufficient to interfere with adequate speech performance.

**Test:** Compliance shall be checked by the test described in subclause A.2.5.1 with the feed resistance  $R_f$  set to 1 000  $\Omega$ .

##### 4.2.5.2 Receiving linearity

**Reference:** I-ETS 300 677, subclause 4.2.5.2.

**Requirement:** The sensitivity determined with an input signal with an e.m.f. of -12 dBV shall not differ by more than  $\pm 2$  dB from the sensitivity determined with an input signal with an e.m.f. of -32 dBV.

**Justification:** 98/13/EC, Article 5(g).

Interworking of terminal equipment via the public telecommunications network requires the TE not to vary its response to received speech signals sufficient to interfere with adequate speech performance.

**Test:** Compliance shall be checked by the test described in subclause A.2.5.2 with the feed resistance  $R_f$  set to 1 000  $\Omega$ .

#### 4.2.6 Noise

##### 4.2.6.1 Sending noise

**Reference:** I-ETS 300 677, subclause 4.2.6.1.

**Requirement:** The psophometrically weighted noise produced by the apparatus in the sending direction shall be not greater than -66 dBVp when the feed resistance  $R_f$  is set to 500  $\Omega$ , -64 dBVp when the feed resistance  $R_f$  is set to 1 000  $\Omega$ , and -60 dBVp when the feed resistance  $R_f$  is set to 2 800  $\Omega$ .

For terminal equipment supporting handsfree or loudspeaking functions which is not powered from a separate power supply, the requirement to measure with  $R_f$  set to 2 800  $\Omega$  shall be replaced by a requirement to measure with  $R_f$  set to 2 300  $\Omega$ .

**NOTE:** In some countries, lines are in use which provide less current than that provided by this test. When connected to such lines, TEs with handsfree or loudspeaking functions may not operate correctly.

**Justification:** 98/13/EC, Article 5(g).

Interworking of terminal equipment via the public telecommunications network requires the TE not to generate noise levels sufficient to interfere with adequate speech performance or to be incompatible with ITU-T Recommendations.

**Test:** Compliance shall be checked by the test described in subclause A.2.6.1.

##### 4.2.6.2 Receiving noise

**Reference:** I-ETS 300 677, subclause 4.2.6.2.

**Requirement:** The A-weighted noise produced by the apparatus in the receiving direction shall be not greater than -49 dBPa(A).

**Justification:** 98/13/EC, Article 5(g).

Interworking of terminal equipment via the public telecommunications network requires the TE not to generate noise levels sufficient to interfere with adequate speech performance or to be incompatible with ITU-T Recommendations.

**Test:** Compliance shall be checked by the test described in subclause A.2.6.2 with the feed resistance  $R_f$  set to 2 800  $\Omega$  and 500  $\Omega$ .

For terminal equipment supporting handsfree or loudspeaking functions which is not powered from a separate power supply, the test with  $R_f$  set to 2 800  $\Omega$  shall be replaced by a test with  $R_f$  set to 2 300  $\Omega$ .

**NOTE:** In some countries, lines are in use which provide less current than that provided by this test. When connected to such lines, TEs with handsfree or loudspeaking functions may not operate correctly.



#### 4.2.7 Instability

**Reference:** I-ETS 300 677, subclause 4.2.8.

**Requirement:** Instability (sustained audible oscillations), shall not be induced when the volume control is set to give maximum receiving gain and the apparatus is subjected to the conditions specified in the compliance test described in subclause A.2.7.

**Justification:** 98/13/EC, Article 5(g).

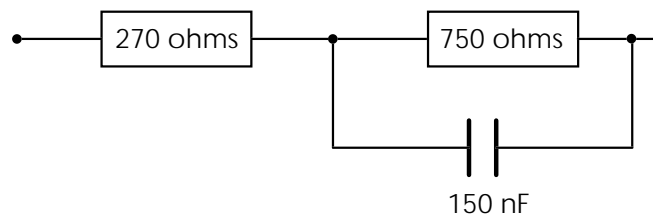
Interworking of terminal equipment via the public telecommunications network requires the TE not to be so unstable as to prevent the TE from operating in the normal speech mode or to be incompatible with ITU-T Recommendations.

**Test:** Compliance shall be checked by the test described in subclause A.2.7.

#### 4.2.8 Echo Return Loss (ERL)

**Reference:** I-ETS 300 677, subclause 4.2.7.

**Requirement:** The Echo Return Loss (ERL) shall be not less than 14 dB with respect to the impedance shown in figure 3.



**Figure 3: Terminating impedance**

**Justification:** 98/13/EC, Article 5(g).

Interworking of terminal equipment via the public telecommunications network requires the TE not to cause echo of sufficient magnitude as to interfere with adequate speech performance.

**Test:** Compliance shall be checked by determination of the echo loss as described in subclause A.2.8 with the feed resistance  $R_f$  set to 2 800  $\Omega$  and 500  $\Omega$ .

For terminal equipment supporting handsfree or loudspeaking functions which is not powered from a separate power supply, the test with  $R_f$  set to 2 800  $\Omega$  shall be replaced by a test with  $R_f$  set to 2 300  $\Omega$ .

**NOTE:** In some countries, lines are in use which provide less current than that provided by this test. When connected to such lines, TEs with handsfree or loudspeaking functions may not operate correctly.

## Annex A (normative): Speech transmission compliance tests

### A.1 General conditions for testing

#### A.1.1 Environment for tests

The following conditions shall apply for the testing environment:

- a) Ambient temperature: 15°C to 35°C (inclusive);
- b) Relative humidity: 5 % to 85 %;
- c) Air pressure: 86 kPa to 106 kPa (860 mbar to 1 060 mbar).

#### A.1.2 Accuracy of measurements and test equipment setting

Unless specified otherwise, the accuracy of measurements made by test equipment shall be equal to or better than:

**Table A.1: Accuracy of measurements**

Item	Accuracy
Electrical signal level	±0,2 dB for levels ≥ -50 dBV ±0,4 dB for levels < -50 dBV
Sound pressure	±0,7 dB
Frequency	±0,2 %

Unless specified otherwise, the accuracy of the signals generated by the test equipment shall be better than:

**Table A.2: Accuracy of signals**

Quantity	Accuracy
Sound pressure level at Mouth Reference Point (MRP)	±3 dB for frequencies from 100 Hz to 200 Hz ±1 dB for frequencies from 200 Hz to 4 000 Hz ±3 dB for frequencies from 4 000 Hz to 8 000 Hz
Electrical excitation levels	±0,4 dB across the whole frequency range.
Frequency generation	±2 % (see note)
Specified component values	±1 %
NOTE:	This tolerance may be used to avoid measurements at critical frequencies, e.g. those due to sampling operations within the terminal under test.

For terminal equipment which is directly powered from the mains supply, all tests shall be carried out within ±5 % of the rated voltage of that supply. If the equipment is powered by other means and those means are not supplied as part of the apparatus, all tests shall be carried out within the power supply limit declared by the supplier. If the power supply is a.c., the test shall be conducted within ±4 % of the rated frequency.

#### A.1.3 Order of tests

Tests are made in any order except where otherwise specified.

Where testing involves taking measurements using different feeding resistances, measurements shall be made with the highest feed resistance, then at lower values of resistance, decreasing sequentially to the minimum, in order to avoid a heating effect in the test arrangement.

#### **A.1.4 Acoustic environment**

Acoustic tests shall be carried out in an environment where the ambient noise is insufficient to influence the acoustic measurements being made.

Tests for noise and Echo Return Loss (ERL) shall be carried out in an environment where the ambient noise is less than -64 dBPa(A).

#### **A.1.5 Handset mounting**

Unless otherwise stated in a particular test, where the mouthpiece of the TE is fixed relative to the earcap, the handset shall be placed in the Loudness Rating Guard-ring Position (LRGP) as described in annex C of ITU-T Recommendation P.64 [3].

In the case of a moveable microphone part, measurements are to be carried out at the setting for normal usage as defined by the manufacturer.

Where the mouthpiece of the TE is separate from the earpiece, the front plane of the mouthpiece shall be mounted 15 mm in front of the lip ring and coaxial with the artificial mouth.

The earcap shall be applied to the artificial ear.

#### **A.1.6 Test levels**

##### **A.1.6.1 Sending**

Unless otherwise stated in this TBR, a pure tone signal with a sound pressure level of -4,7 dBPa shall be applied at the Mouth Reference Point (MRP) as described in ITU-T Recommendation P.64 [3].

##### **A.1.6.2 Receiving**

Unless otherwise stated in this TBR, a pure tone signal with an e.m.f. of -12 dBV from a 600  $\Omega$  resistive source shall be connected between the terminals A and B shown in figure A.1.

##### **A.1.6.3 Sidetone**

Unless otherwise stated in this TBR, a pure tone signal with a sound pressure level of -4,7 dBPa shall be applied at the Mouth Reference Point (MRP) as described in ITU-T Recommendation P.64 [3].

#### **A.1.7 Volume control**

Where a user-controlled volume control is provided, compliance tests shall be carried out at a setting of the volume control as specified in the appropriate requirement.

If no setting of the volume control is specified, compliance tests shall be carried out at the nominal setting of the volume control defined in subclause 4.1.4.

#### **A.1.8 Test equipment requirements**

Artificial mouth: the artificial mouth shall conform to ITU-T Recommendation P.51 [4].

Artificial ear: the ITU-T Recommendation P.57 [5] Type 1 shall normally be used unless another artificial ear described in that Recommendation is requested by the terminal supplier.

Where a Type 1 ear is not used:

- a) the sound pressure measurements shall be referred to the Ear Reference Point (ERP) by the correction characteristics specified in ITU-T Recommendation P.57 [5];
- b) no leakage correction shall be made in the calculations of RLR (i.e.  $L_E = 0$ ).

Sound level measuring equipment: the sound level measuring equipment shall conform to IEC 651 [6], Type 1.

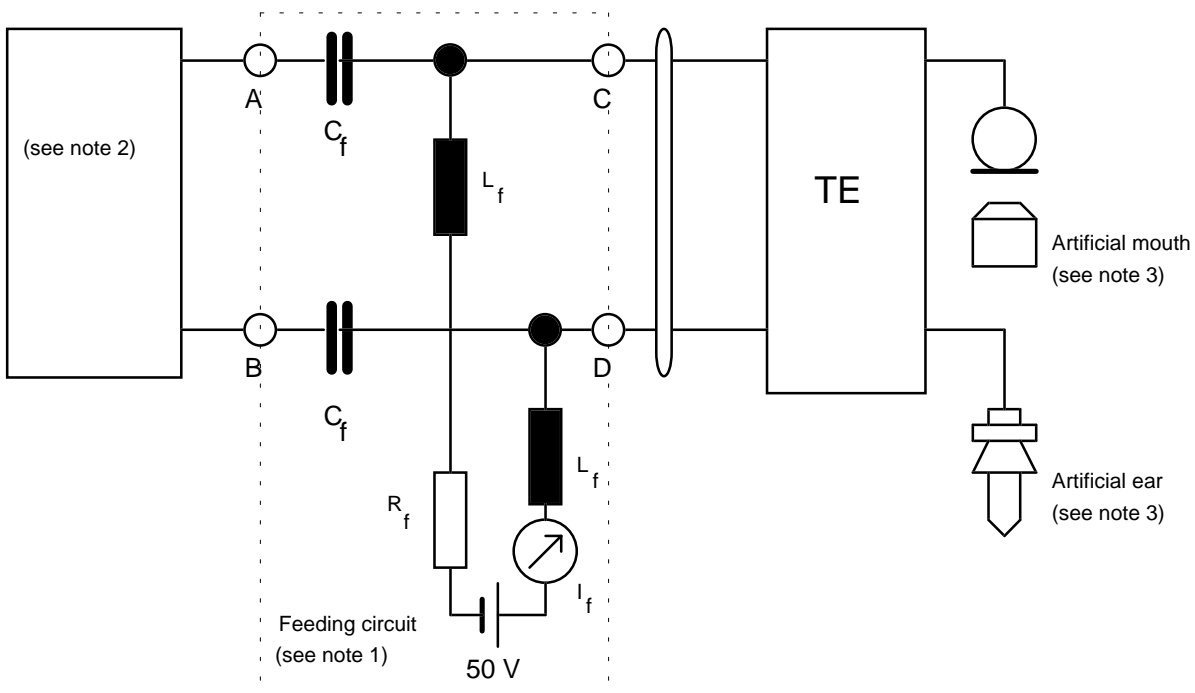
**A.1.9 Alternative test methods**

The requirements of this test specification were written on the basis of the standard test methods described in this TBR. For some parameters it is recognized that alternative test methods may exist. It is the responsibility of the test house to ensure that any alternative method used is equivalent to that described in this TBR.

For TE with adaptive modification of any transmission parameter dependent on the electrical operating conditions e.g. automatic adjustment of sidetone balance, each of the feed conditions for the compliance tests for the transmission parameters should be treated as a new installation and should be conditioned according to any instructions provided by the supplier.

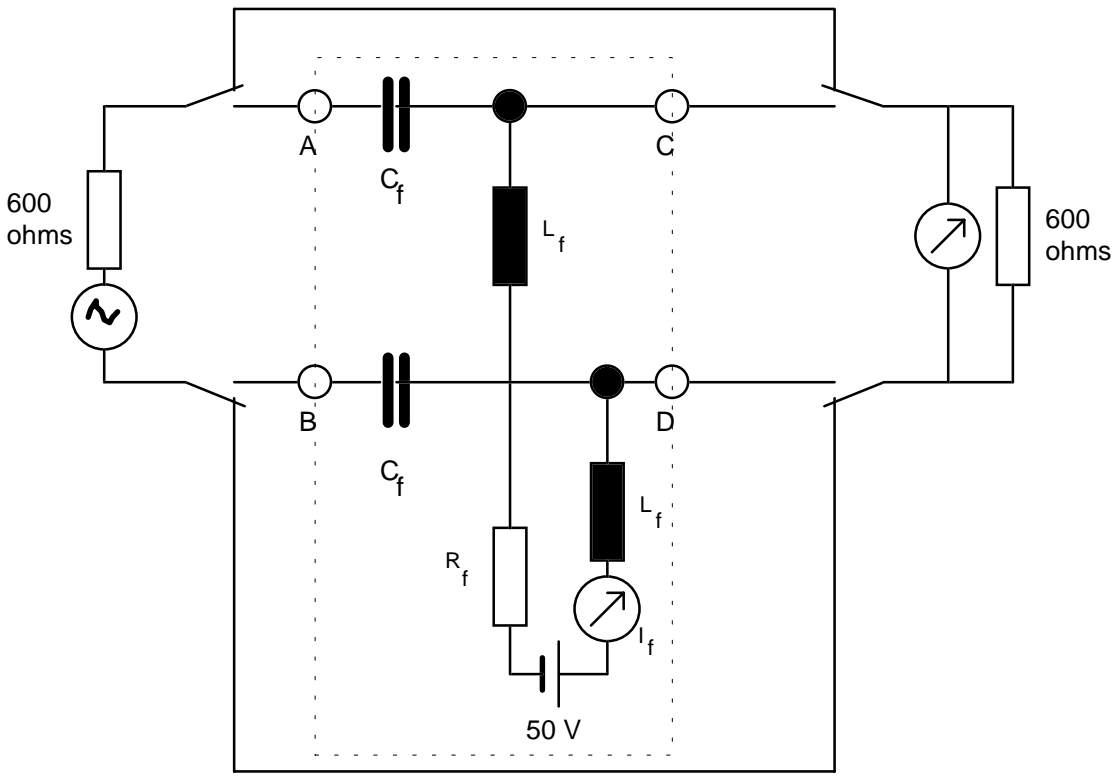
**A.1.10 Testing arrangements**

All tests for transmission performance shall be carried out with the TE connected to the test arrangement shown in figure A.1. The values of the feed resistance  $R_f$  are chosen appropriate to the requirement under test.



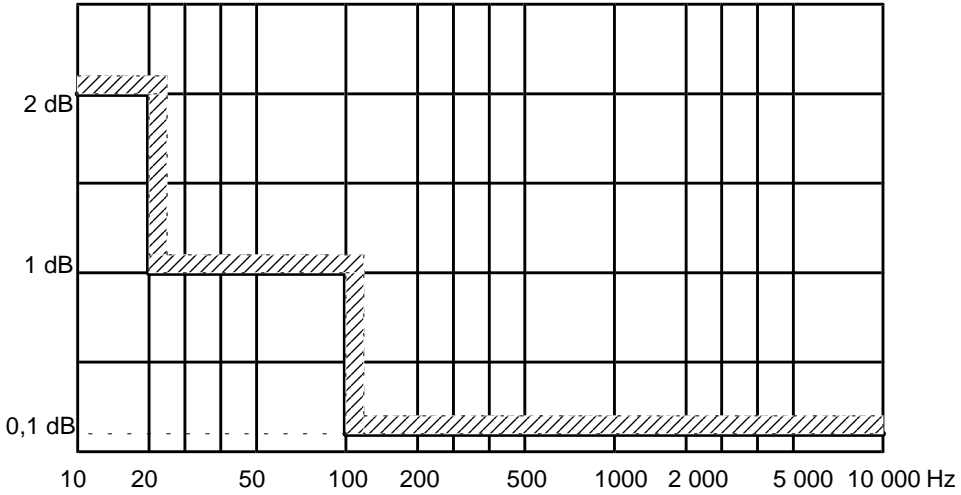
- NOTE 1: The d.c. feeding circuit shown is an idealized arrangement. Performance requirements are given in figures A.3 and A.5.
- NOTE 2: The equipment used for testing is connected between terminals A and B and consists of the following as appropriate: a signal generator with an impedance of  $600 \Omega$ , a measuring set, the network either of figure A.6, or figure A.7, or figure A.8 or a  $600 \Omega$  resistor.
- NOTE 3: The artificial mouth and ear are described in ITU-T Recommendations P.51 [4] and P.57 [5] respectively. The TE handset is mounted in the LRGP and the earcap is applied to the artificial ear.

**Figure A.1: Circuit for measurement of transmission characteristics**

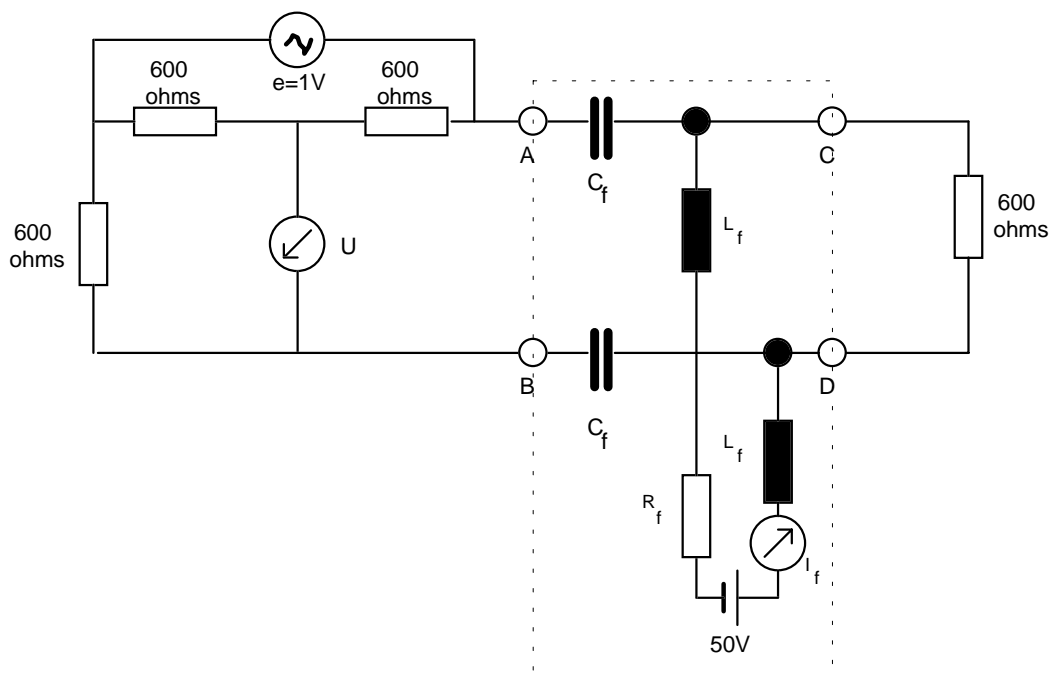


**Figure A.2: Insertion loss test arrangement for the d.c. feeding circuit**

When measured with the circuit shown in figure A.2, the insertion loss of the d.c. feeding circuit shown in figure A.1 shall have a value less than that given in figure A.3 for all resistances and frequencies at which it is used.



**Figure A.3: Maximum limit for insertion loss**



NOTE: In the absence of the d.c. feeding circuit, the return loss shall be greater than 40 dB.

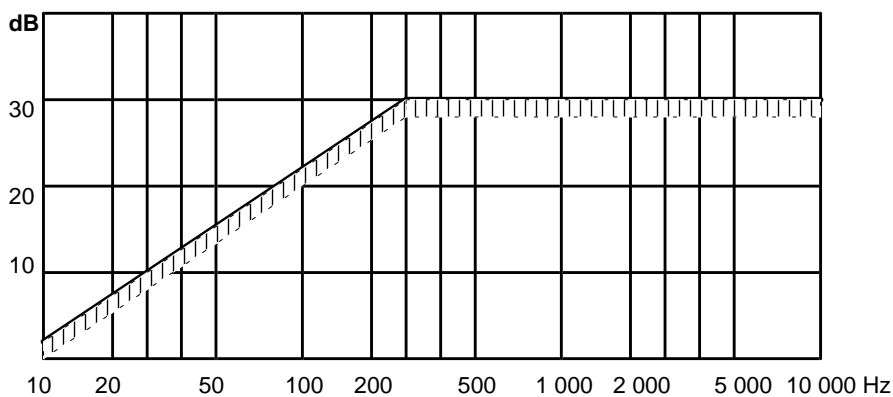
**Figure A.4: Return loss test arrangement for the d.c. feeding circuit**

When measured with the circuit shown in figure A.4, the return loss of the d.c. feeding circuit shown in figure A.1 shall have a value greater than that given in figure A.5 for all values of  $R_f$  and at all frequencies at which it is used.

The return loss (in dB) is calculated from the formula:

$$RL = 20 \log_{10} \left[ \frac{e}{2U} \right]$$

where  $e$  is the generator voltage and  $U$  is the voltage measured by the measuring set.



**Figure A.5: Minimum limit for return loss**

## A.2 Speech transmission performance tests

All tests for transmission performance shall be carried out with the TE connected to the test arrangements specified in subclause A.1.10.

Values of  $R_f$  are chosen appropriate to the requirement under test.

### A.2.1 Sensitivity/frequency response

#### A.2.1.1 Sending sensitivity

**Purpose:**

To demonstrate compliance with the requirements of subclause 4.2.1.1.

**Test configuration:**

A measuring set calibrated in dBV, with an impedance of 600  $\Omega$  shall be connected between terminals A and B shown in figure A.1.

**Measurement execution:**

The sending sensitivity/frequency response shall be determined as described in clause 8 of ITU-T Recommendation P.64 [3] and by using the procedure described in clause 11 of that Recommendation. The output voltage is measured at the fundamental frequency of the stimulus. The results are expressed in dBV/Pa.

Measurements shall be made for  $R_f$  set to 1 000  $\Omega$ , at 1/12 octave intervals at the preferred frequencies given by the R40 series of preferred numbers in ISO 3 [7] for frequencies from 100 Hz to 8 kHz.

#### A.2.1.2 Receiving sensitivity

**Purpose:**

To demonstrate compliance with the requirements of subclause 4.2.1.2.

**Test configuration:**

A signal generator shall be connected between terminals A and B shown in figure A.1.

**Measurement execution:**

The receiving sensitivity/frequency response shall be determined as described in clause 9 of ITU-T Recommendation P.64 [3] and by using the procedure described in clause 11 of that Recommendation. The sound pressure is measured at the fundamental frequency of the stimulus. The results are expressed in dBPa/V.

Measurements shall be made for  $R_f$  set to 1 000  $\Omega$ , at 1/12 octave intervals at the preferred frequencies given by the R40 series of preferred numbers in ISO 3 [7] for frequencies from 100 Hz to 8 kHz.

## A.2.2 Loudness ratings

### A.2.2.1 Sending loudness rating

**Purpose:**

To demonstrate compliance with the requirements of subclause 4.2.2.1.

**Test configuration:**

A measuring set calibrated in dBV, with an impedance of 600  $\Omega$  shall be connected between terminals A and B shown in figure A.1.

**Measurement execution:**

Measurements shall be performed at each of the 14 frequencies given in table 1 of ITU-T Recommendation P.79 [8], bands 4 to 17, to yield values of the sending sensitivity, expressed in dBV/Pa.

Measurements shall be made with  $R_f$  set to 2 800  $\Omega$  (or 2 300  $\Omega$  as appropriate), 1 000  $\Omega$  and 500  $\Omega$ .

The Sending Loudness Rating (SLR) (in dB) for each value of  $R_f$  specified shall be calculated according to the formula 2-1 of ITU-T Recommendation P.79 [8], over bands 4 to 17, using  $m = 0,175$  and the sending weighting factors from table 1 of ITU-T Recommendation P.79 [8].

NOTE: ITU-T Recommendation P.65 allows the use of alternative signal sources for measurement of loudness ratings, e.g. noise rather than sinusoidal signals. These alternative methods are believed to produce the same results.

### A.2.2.2 Receiving loudness rating

**Purpose:**

To demonstrate compliance with the requirements of subclause 4.2.2.2.

**Test configuration:**

A signal generator shall be connected between terminals A and B shown in figure A.1.

**Measurement execution:**

Measurements shall be performed at each of the 14 frequencies given in table 1 of ITU-T Recommendation P.79 [8], bands 4 to 17, to yield values of the receiving sensitivity, expressed in dBPa/V.

Measurements shall be made with  $R_f$  set to 2 800  $\Omega$  (or 2 300  $\Omega$  as appropriate), 1 000  $\Omega$  and 500  $\Omega$ .

The Receiving Loudness Rating (RLR) (in dB) for each value of  $R_f$  specified shall be calculated according to the formula 2-1 of ITU-T Recommendation P.79 [8], over bands 4 to 17, using  $m = 0,175$  and the receiving weighting factors from table 1 of ITU-T Recommendation P.79 [8].

The Type 1 artificial ear sensitivity shall be corrected using the real ear correction ( $L_E$ ) of table 2 of ITU-T Recommendation P.79 [8].

NOTE 1: The values of real ear correction of table 2 of ITU-T Recommendation P.79 [8] were derived for one type of handset conforming to the shape defined in CCITT Recommendation P.35.

NOTE 2: ITU-T Recommendation P.65 allows the use of alternative signal sources for measurement of loudness ratings e.g. noise rather than sinusoidal signals. These methods are believed to produce the same results.



### A.2.3 Sidetone

#### Purpose:

To demonstrate compliance with the requirements of subclause 4.2.3.

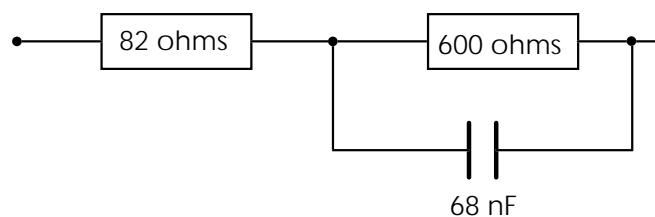
#### Test configuration:

For the first test, the terminating impedance shown in figure A.8 shall be connected to terminals A and B shown in figure A.1 and the feeding resistance  $R_f$  shall be set to 2 800  $\Omega$  (or 2 300  $\Omega$  as appropriate).

For the second test, the terminating impedance shown in figure A.7 shall be connected to terminals A and B shown in figure A.1 and the feeding resistance  $R_f$  shall be set to 1 000  $\Omega$ .

For the third test, the terminating impedance shown in figure A.6 shall be connected to terminals A and B shown in figure A.1 and the feeding resistance  $R_f$  shall be set to 500  $\Omega$ .

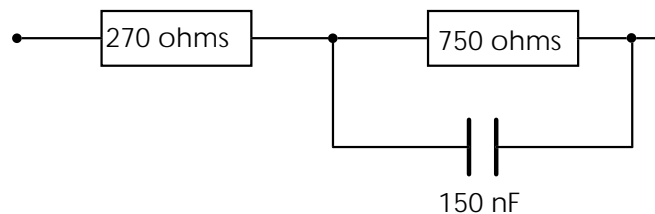
- a) the impedance shown in figure A.6 is intended to represent a short line terminated with 600  $\Omega$ ;



**Figure A.6: Terminating impedance - impedance "a"**

For impedance "a", the measurement shall be made with the feeding resistance  $R_f$  set to 500  $\Omega$ .

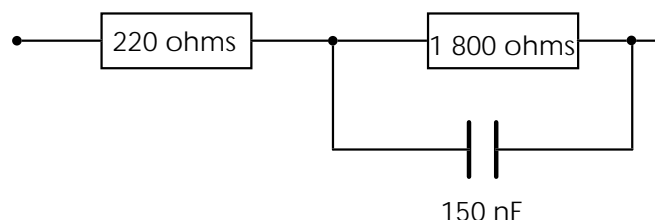
- b) the impedance shown in figure A.7 is the harmonized European impedance;



**Figure A.7: Terminating impedance - impedance "b"**

For impedance "b", the measurement shall be made with the feeding resistance  $R_f$  set to 1 000  $\Omega$ .

- c) The impedance shown in figure A.8 is intended to represent a very long line.



**Figure A.8: Terminating impedance - impedance "c"**

For impedance "c", the measurement shall be made with the feeding resistance  $R_f$  set to 2 800  $\Omega$  (or 2 300  $\Omega$  as appropriate).

For terminal equipment supporting handsfree or loudspeaking functions which is not powered from a separate power supply, the test with  $R_f$  set to 2 800  $\Omega$  shall be replaced by a test with  $R_f$  set to 2 300  $\Omega$ .

NOTE: In some countries, lines are in use which provide less current than that provided by this test. When connected to such lines, TEs with handsfree or loudspeaking functions may not operate correctly.

#### Measurement execution:

The sidetone sensitivity/frequency response shall be determined at each of the frequency bands 1-20 in table 1 of ITU-T Recommendation P.79 [8] by the procedure described in clauses 8 and 11 of ITU-T Recommendation P.64 [3]. The sound pressure shall be measured in the artificial ear at the fundamental frequency of the stimulus. The results are expressed in dB.

The SideTone Masking Rating (STMR) (in dB) shall be calculated according to the formula 2-1 of ITU-T Recommendation P.79 [8], over bands 1 to 20, using  $m = 0,225$  and the weighting factors of column headed  $W_{MSi}$  of table 3 of ITU-T Recommendation P.79 [8] irrespective of which artificial ear is used.

NOTE: ITU-T Recommendation P.65 allows the use of alternative signal sources for measurement of loudness ratings e.g. noise rather than sinusoidal signals. These methods are believed to produce the same results.

### A.2.4 Distortion

#### A.2.4.1 Sending distortion

##### Purpose:

To demonstrate compliance with the requirements of subclause 4.2.4.1.

##### Test configuration:

A 600  $\Omega$  resistor shall be connected between terminals A and B shown in figure A.1.

A high impedance measuring set, capable of measuring harmonic distortion up to the 5th harmonic of signals with fundamental frequencies in the range 315 Hz to 1 000 Hz, shall be connected between terminals A and B shown in figure A.1.

##### Measurement execution:

For the test with an input of -4,7 dBPa, pure tones at frequencies of 315 Hz, 500 Hz and 1 000 Hz shall be applied at the MRP.

For the test with an input of +5 dBPa, a frequency of 1 000 Hz shall be used.

The percentage total harmonic distortion,  $d_t$ , shall be determined from the equation:

$$d_t = 100 \sqrt{\frac{v_2^2 + v_3^2 + v_4^2 + v_5^2}{v_1^2 + v_2^2 + v_3^2 + v_4^2 + v_5^2}}$$

where  $v_n$  is the measured r.m.s. voltage at harmonic  $n$  measured for each frequency and with  $R_f$  set to 2 800  $\Omega$  (or 2 300  $\Omega$  as appropriate) and 500  $\Omega$ .

#### A.2.4.2 Receiving distortion

**Purpose:**

To demonstrate compliance with the requirements of subclause 4.2.4.2.

**Test configuration:**

A signal generator shall be connected between terminals A and B shown in figure A.1.

A measuring set, capable of measuring harmonic distortion up to the 5th harmonic of signals with fundamental frequencies in the range 315 Hz to 1 000 Hz, shall be connected to the artificial ear.

**Measurement execution:**

For the test with an input e.m.f. of -12 dBV the generator is operated at frequencies of 315 Hz, 500 Hz and 1 000 Hz.

For the test with an input e.m.f. of 0 dBV, a frequency of 1 000 Hz shall be used.

The percentage total harmonic distortion,  $d_t$ , shall be determined from the equation:

$$d_t = 100 \sqrt{\frac{p_2^2 + p_3^2 + p_4^2 + p_5^2}{p_1^2 + p_2^2 + p_3^2 + p_4^2 + p_5^2}}$$

where  $p_n$  is the measured r.m.s. sound pressure at harmonic  $n$  which is measured for each frequency and with  $R_f$  set to 2 800  $\Omega$  (or 2 300  $\Omega$  as appropriate) and 500  $\Omega$ .

#### A.2.5 Linearity (variation of gain with input level)

##### A.2.5.1 Sending linearity

**Purpose:**

To demonstrate compliance with the requirements of subclause 4.2.5.1.

**Test configuration:**

A measuring set calibrated in dBV, with an impedance of 600  $\Omega$  shall be connected between terminals A and B shown in figure A.1.

**Measurement execution:**

Measurements shall be made with  $R_f$  set to 1 000  $\Omega$ .

The sending sensitivity at a frequency of 1 000 Hz shall be determined as described in clause 8 of ITU-T Recommendation P.64 [3] with the input sound pressure level set to -4,7 dBPa and by using the procedure described in clause 11 of that Recommendation. The output voltage is measured at the fundamental frequency of the stimulus. The results are expressed in dBV/Pa.

The test is repeated with the input sound pressure level set to -19,7 dBPa.

#### A.2.5.2 Receiving linearity

**Purpose:**

To demonstrate compliance with the requirements of subclause 4.2.5.2.

**Test configuration:**

A signal generator shall be connected between terminals A and B shown in figure A.1.

**Measurement execution:**

Measurements shall be made with  $R_f$  set to 1 000  $\Omega$ .

The receiving sensitivity at a frequency of 1 000 Hz shall be determined as described in clause 9 of ITU-T Recommendation P.64 [3] with the input e.m.f. set to -12 dBV and by using the procedure described in clause 11 of that Recommendation. The sound pressure is measured at the fundamental frequency of the stimulus. The results are expressed in dBPa/V.

The test is repeated with the input e.m.f. set to -32 dBV.

#### A.2.6 Noise

##### A.2.6.1 Sending noise

**Purpose:**

To demonstrate compliance with the requirements of subclause 4.2.6.1.

**Test configuration:**

A 600  $\Omega$  resistor shall be connected between terminals A and B shown in figure A.1.

An measuring set of high impedance, calibrated in dBV and using psophometric weighting according to table 1 of ITU-T Recommendation O.41 [9], shall be connected between terminals A and B shown in figure A.1.

**Measurement execution:**

Measurements shall be made with  $R_f$  set to 2 800  $\Omega$  (or 2 300  $\Omega$  as appropriate) and 500  $\Omega$ .

The noise level shall be measured by averaging over a minimum period of 1 s. The measurement is made three times and the lowest value of the three measurements shall be selected as a determination of the noise level.

##### A.2.6.2 Receiving noise

**Purpose:**

To demonstrate compliance with the requirements of subclause 4.2.6.2.

**Test configuration:**

A 600  $\Omega$  resistor shall be connected between terminals A and B shown in figure A.1.

A measuring set calibrated in dBPa and using A weighting shall be connected to the artificial ear shown in figure A.1.

**Measurement execution:**

Measurements shall be made with  $R_f$  set to 2 800  $\Omega$  (or 2 300  $\Omega$  as appropriate) and 500  $\Omega$ .

The noise level shall be measured by averaging over a minimum period of 1 s. The measurement is made three times and the lowest value of the three measurements shall be selected as a determination of the noise level.

**A.2.7 Instability**

**Purpose:**

To demonstrate compliance with the requirements of subclause 4.2.7.

**Test configuration:**

Measurements shall be made under the following conditions:

- with  $R_f$  set to 2 800  $\Omega$  (or 2 300  $\Omega$  as appropriate), with the impedance shown in figure A.8 connected between terminals A and B shown in figure A.1;
- with  $R_f$  set to 500  $\Omega$ , with a resistance of 600  $\Omega$  connected between terminals A and B shown in figure A.1.

If necessary, e.g. in the case of a one piece telephone, the handset should be raised just sufficiently to achieve the "off-hook" position.

For terminal equipment supporting handsfree or loudspeaking functions which is not powered from a separate power supply, the test with  $R_f$  set to 2 800  $\Omega$  shall be replaced by a test with  $R_f$  set to 2 300  $\Omega$ .

NOTE: In some countries, lines are in use which provide less current than that provided by this test. When connected to such lines, TEs with handsfree or loudspeaking functions may not operate correctly.

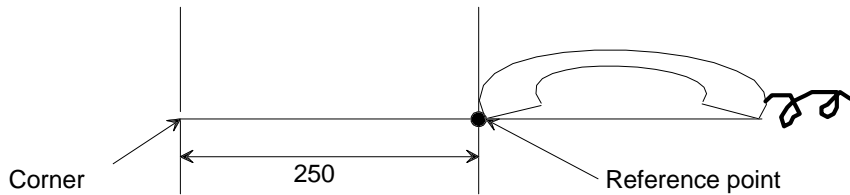
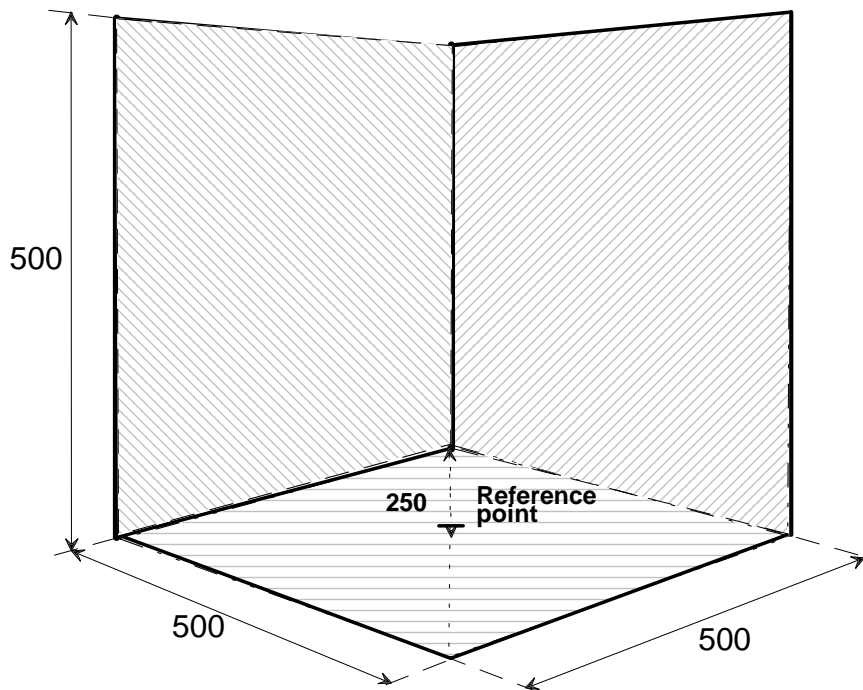
The handset shall be positioned on one inside surface that is of three perpendicular plane, smooth, hard surfaces forming a corner. Each surface shall extend 0,5 m from the apex of the corner. One surface shall be marked with a diagonal line extending from the corner formed by the three surfaces, as shown in figure A.9.

The handset, with the transmission circuit fully active and with the volume control set to give maximum receiving gain, shall be positioned on the defined surface as follows:

- the mouthpiece and earcap shall face towards the surface;
- the handset shall be placed centrally along the diagonal line with the earcap nearer to the apex of the corner;
- the extremity of the handset shall coincide with the normal to the reference point, as shown in figure A.9.

**Measurement execution:**

Checks shall be made to establish that the signal level resulting from any sustained audio frequency oscillation (up to 10 kHz) measured between terminals A and B shown in figure A.1 is less than -40 dBV.



All dimensions are in millimeters

**Figure A.9: Handset position for instability test**

## A.2.8 Echo Return Loss (ERL)

### Purpose:

To demonstrate compliance with the requirements of subclause 4.2.8.

### Test configuration:

A suitable measuring set for measuring impedance shall be connected between terminals A and B shown in figure A.1.

The earcap shall be applied to the artificial ear.

### Measurement execution:

Measurements shall be made with  $R_f$  set to 2 800  $\Omega$  (or 2 300  $\Omega$  as appropriate) and 500  $\Omega$ .

The test level across terminals A and B shown in figure A.1 shall be -18 dBV.

The input impedance of the apparatus shall be measured at frequencies spaced not greater than one-twelfth of an octave apart, within the range 300 Hz to 3 400 Hz inclusive.

NOTE: The frequencies do not need to be harmonically related.

For each value of impedance measured, the Return Loss (RL) (in dB) shall be calculated from the formula:

$$RL = 20 \log_{10} \left| \frac{Z_b + Z_t}{Z_b - Z_t} \right|$$

where:

$Z_t$  is the apparatus impedance, measured;

$Z_b$  is the reference impedance shown in figure A.7.

For each value of  $R_f$  specified, the Echo Return Loss (ERL) shall be calculated (in dB), in accordance with ITU-T Recommendation G.122 [1], using the formula:

$$ERL = 3,24 - 10 \log_{10} \sum_{i=1}^n (A_i + A_{i-1}) \times (\log_{10} f_i - \log_{10} f_{i-1})$$

where:

$A_i$  is the return loss power ratio at frequency  $f_i$  expressed as

$$A_i = 10^{-(\text{decibel return loss at } f_i)/10};$$

$A_0$  is the ratio at  $f_0 = 300$  Hz;

$A_n$  is the ratio at  $f_n = 3\,400$  Hz.

**Annex B (normative): TBR Requirements Table (TBR-RT)**

Notwithstanding the provisions of the copyright clause related to the text of this TBR, ETSI grants that users of this TBR may freely reproduce the TBR-RT proforma in this annex so that it can be used for its intended purposes and may further publish the completed TBR-RT.

**B.1 TBR requirements table**

**Table B.1: TBR requirements table**

Item	Reference	TBR requirement	Status	Support (Y/N)	Comments
R.1	4.1.1	Polarity Independence	M		
R.2	4.1.2	Feed conditions	M		
R.3	4.1.3	Power supply	O		
R.4	4.1.4	Volume control	O		
R.5	4.2.1.1	Sending sensitivity	M		
R.6	4.2.1.2	Receiving sensitivity	M		
R.7	4.2.2.1	Sending loudness rating	M		
R.8	4.2.2.2	Receiving loudness rating	M		
R.9	4.2.3	Sidetone performance	M		
R.10	4.2.4.1	Sending distortion	M		
R.11	4.2.4.2	Receiving distortion	M		
R.12	4.2.5.1	Sending linearity	M		
R.13	4.2.5.2	Receiving linearity	M		
R.14	4.2. 6.1	Sending noise	M		
R.15	4.2.6.2	Receiving noise	M		
R.16	4.2.7	Instability	M		
R.17	4.2.8	Echo return loss	M		

**NOTE:** In this table, the Item column provides a unique identifier to each requirement.  
The Reference column lists the subclause reference in the TBR where the requirement may be found.  
The Requirement column gives the clause title of the relevant clause, supplemented by any additional information necessary to identify the requirement.  
The Status column contains one of the following items, possibly followed by a numerical suffix referring to a note at the base of the table.  
M Mandatory, shall be implemented in all circumstances.  
O Optional, may not be provided, but if provided shall be implemented in accordance with the requirements.  
The blank column headed "Support (Y/N)" allows the supplier to indicate whether the requirement is supported.  
The column headed "Comments" permits the addition of comments or references to other documents (e.g. the appropriate section of the user manual).



## Annex C (informative): Information for test purposes

Notwithstanding the provisions of the copyright clause related to the text of this TBR, ETSI grants that users of this ETS may freely reproduce the tables C.1 and C.2 in this annex so that they can be used for their intended purposes and may further publish the completed tables.

### C.1 Introduction

In order to test an item of terminal equipment, extra information relating to the implementation is necessary. This annex indicates what information is necessary for test purposes, and provides a standard layout for the provision of such information by suppliers to test laboratories.

### C.2 Guidance for the completion of the information required for test purposes

#### C.2.1 Options

Table C.1 permits the identification of those options implemented in the equipment and provides a numeric identification of the options permitted.

The column headed "Comments" permits the addition of comments or references to other documents (e.g. the appropriate section of the user manual).

The table includes a blank column allowing the supplier to indicate whether the option is supported.

#### C.2.2 General information

In table C.2, "TE name" means the name or model number given by the supplier to the equipment.

"TE version" means any version numbers, software release codes etc. necessary to identify the correct version of the equipment.

**Table C.1: Options**

Item	Reference	Information	Yes/No	Comments
C.1	4.1.3	Does the apparatus require an external power source?		
C.2	4.1.4	Is the apparatus provided with a user-controlled receiving volume control?		
C.3	4.2.2.1, 4.2.2.2 and others	Does the apparatus support a handsfree or loudspeaking function which is not powered from a separate power supply,		

Table C.2: General information

<b>Terminal Equipment (TE) identification:</b>	
TE name:	_____
TE version:	_____
<b>Product supplier:</b>	
Name:	_____
Address:	_____
	_____
	_____
Telephone number:	_____
Facsimile number:	_____
Additional information:	_____
	_____
	_____
	_____
<b>Contact person:</b>	
Name:	_____
Address:	_____
	_____
	_____
Telephone number:	_____
Facsimile number:	_____
Additional information:	_____
	_____
	_____
	_____

## **Annex D (informative): Bibliography**

For the purposes of this TBR, the following references have been provided within the text for information:

- 91/263/EEC: "Council Directive on the approximation of the laws of the Member States concerning telecommunications terminal equipment, including the mutual recognition of their conformity".
- 98/13/EC: "Council Directive relating to telecommunications terminal equipment and satellite earth station equipment, including the mutual recognition of their conformity".
- I-ETS 300 677: "Public Switched Telephone Network (PSTN); Requirements for handset telephony".
- CCITT Recommendation P.35 (1988, Blue Book): "Handset telephones".
- ITU-T Recommendation P.65 (03/93): "Objective instrumentation for the determination of loudness ratings".

## History

Document history			
June 1997	Public Enquiry	PE 9746:	1997-06-20 to 1997-11-14
February 1998	Vote	V 9817:	1998-02-24 to 1998-04-24
May 1998	First Edition		