



EUROPEAN
TELECOMMUNICATION
STANDARD

ETS 300 976

July 1998

Fifth Edition

Source: SMG

Reference: RE/SMG-040907QR6

ICS: 33.020

Key words: Digital cellular telecommunications system, Global System for Mobile communications (GSM)



**Digital cellular telecommunications system (Phase 2+);
General requirements on interworking between the Public Land
Mobile Network (PLMN) and the Integrated Services Digital
Network (ISDN) or Public Switched Telephone Network (PSTN)
(GSM 09.07 version 5.6.1)**

ETSI

European Telecommunications Standards Institute

ETSI Secretariat

Postal address: F-06921 Sophia Antipolis CEDEX - FRANCE

Office address: 650 Route des Lucioles - Sophia Antipolis - Valbonne - FRANCE

Internet: secretariat@etsi.fr - <http://www.etsi.fr> - <http://www.etsi.org>

Tel.: +33 4 92 94 42 00 - Fax: +33 4 93 65 47 16

Copyright Notification: No part may be reproduced except as authorized by written permission. The copyright and the foregoing restriction extend to reproduction in all media.

© European Telecommunications Standards Institute 1998. All rights reserved.

Contents

Foreword		7
1	Scope	9
2	Normative references	9
3	Definitions and abbreviations	11
4	Introduction.....	13
5	Not used	13
6	Network Characteristics	14
6.1	Key Characteristics of Networks Concerned	14
6.1.1	Characteristics of PLMNs.....	14
6.1.2	Characteristics of PSTNs	14
6.1.3	Characteristics of ISDN	15
7	Interworking classifications	15
7.1	Service interworking.....	15
7.2	Network interworking	15
7.3	Signalling interworking	17
7.4	Numbering	17
7.5	Supplementary service interworking	17
8	Compatibility and subscription checking	18
9	Interworking to PSTN	18
9.1	Speech Calls.....	18
9.1.1	Interworking indications to PLMN terminal	18
9.1.2	Transmission aspects	18
9.1.3	Generation of In-band Tones and Announcements (PLMN-PSTN).....	18
9.2	Data Calls	18
9.2.1	Network interworking mobile originated	19
9.2.1.1	Selection of interworking function	19
9.2.1.2	Modem Selection.....	20
9.2.1.3	DTE/Modem interface (Filtering)	20
9.2.1.4	Mapping of BC-IE from GSM 04.08 to ISUP (or other).....	21
9.2.2	Network Interworking Mobile terminated PSTN Originated.....	21
9.2.3	Transparent service support	26
9.2.3.1	Not used	26
9.2.3.2	Rate adaptation process in MSC/IWF	26
9.2.3.3	Mapping of signalling MS/MSC/IWF to modem interface requirements.....	26
9.2.3.4	Establishment of end-to-end terminal synchronizations	27
9.2.3.5	Network Independent Clocking (NIC)	28
9.2.4	Non-transparent service support.....	29
9.2.4.1	MSC-IWF Rate adaptation scheme.....	29
9.2.4.2	Protocol layer structure in the MSC/IWF	29
9.2.4.3	Re-constitution of user data.....	29
9.2.4.4	Layer 2 relay functionality	29
9.2.4.5	In band signalling mapping flow control.....	29
9.2.4.5.1	Conditions requiring flow control towards the fixed network	30

		9.2.4.5.2	Conditions requiring flow control towards the MS	30
		9.2.4.6	Data buffers	30
		9.2.4.6.1	Transmit buffers (towards MS).....	30
		9.2.4.6.2	Receive buffers (from MS)	30
		9.2.4.7	Transportation of the Break condition	30
		9.2.4.8	In band signalling mapping modem status information.....	31
		9.2.4.9	Support of out-band flow control	31
		9.2.4.10	Establishment of end-to-end terminal synchronizations	31
		9.2.4.11	Data compression	32
9.3	Interworking		Alternate Speech / Data Calls.....	32
	9.3.1		Alternate Speech/Data Interworking	32
		9.3.1.1	General	32
		9.3.1.2	Mobile originated PSTN terminated calls.....	32
		9.3.1.3	PSTN originated mobile terminated calls.....	32
	9.3.2		Speech followed by data interworking	33
		9.3.2.1	General	33
10	Interworking to the ISDN.....			33
	10.1		Speech Calls	34
	10.2		Data Calls.....	34
		10.2.1	Network interworking mobile originated.....	34
		10.2.1.1	Circuit switched calls.....	34
		10.2.1.2	Packet calls.....	34
		10.2.2	Network interworking mobile terminated	34
		10.2.2.1	Circuit switched calls.....	53
		10.2.2.2	Packet calls.....	53
		10.2.3	Transparent service support (see GSM 03.10)	53
		10.2.3.1	MSC - IWF rate adaptation scheme	53
		10.2.3.2	Rate adaptation process in MSC/IWF	54
		10.2.3.3	Mapping of signalling MS/MSC/IWF to modem interface requirements	54
		10.2.3.4	Establishment of end-to-end terminal synchronizations	54
		10.2.3.5	Network independent Clocking (NIC).....	55
		10.2.4	Non-transparent service support (See GSM 03.10)	55
		10.2.4.1	MSC - IWF Rate adaptation scheme	55
		10.2.4.2	Protocol layer structure in the MSC/IWF.....	55
		10.2.4.3	Re-constitution of user data	56
		10.2.4.4	Layer 2 relay functionality.....	56
		10.2.4.5	In band signalling mapping flow control	56
		10.2.4.5.1	Conditions requiring flow control - if flow control is provided -towards the fixed network	57
		10.2.4.5.2	Conditions requiring flow control towards the MS	57
		10.2.4.6	Data buffers	57
		10.2.4.6.1	Transmit buffers (towards MS).....	57
		10.2.4.6.2	Receive buffers (from MS)	57
		10.2.4.7	BREAK Indication.....	58
		10.2.4.8	Signalling mapping modem status information or in band rate adapted frame information.....	58
		10.2.4.9	Support of out-band flow control	58
		10.2.4.10	Synchronizations.....	58
		10.2.4.10.1	V.110 and V.120 Frame synchronizations.....	58
		10.2.4.10.2	RLP Frame start indication.....	58
		10.2.4.10.3	L2R Frame synchronizations.....	58
		10.2.4.10.4	Establishment of end-to-end terminal synchronizations.....	58
		10.2.4.11	Data compression	59
		10.2.4.12	Additional aspects of V.120 Interworking.....	59
		10.2.4.12.1	V.120 Signalling parameters	60

		10.2.4.12.2	V.120 Protocol parameters	60
		10.2.4.12.3	Data compression on the ISDN	60
	10.2.4.13		Interworking with restricted 64 kbit/s networks	60
		10.2.4.13.1	Rate adaptation.....	60
		10.2.4.13.2	MSC - ISDN signalling	60
	10.2.5		DTE/Modem interface (Filtering)	60
10.3	Interworking		Alternate speech data calls	62
	10.3.1		Alternate speech data bearer interworking.....	62
		10.3.1.1	General	62
		10.3.1.2	Mobile originated ISDN terminated.....	62
		10.3.1.3	ISDN originated mobile terminated.....	62
	10.3.2		Speech followed by data interworking	63
		10.3.2.1	General	63
11	Frame Synchronization			63
	11.1		Initial frame synchronization	63
	11.2		Action on loss of frame synchronization for non transparent services.....	63
	11.3		Action on loss of frame synchronization for transparent services.....	64
	Annex A (Informative):		SDLs.....	65
	History.....			67

Blank page

Foreword

This European Telecommunication Standard (ETS) has been produced by the Special Mobile Group (SMG) of the European Telecommunications Standards Institute (ETSI).

This ETS identifies the Mobile-services Switching Centre/Interworking functions (MSC/IWFs) and requirements to support interworking between:

- i) PLMN and PSTN
- ii) PLMN and ISDN

within the digital cellular telecommunications system.

The contents of this ETS are subject to continuing work within SMG and may change following formal SMG approval. Should SMG modify the contents of this ETS, it will then be resubmitted for OAP by ETSI with an identifying change of release date and an increase in version number as follows:

Version 5.x.y

where:

- y the third digit is incremented when editorial only changes have been incorporated in the specification;
- x the second digit is incremented for all other types of changes, i.e. technical enhancements, corrections, updates, etc.

Transposition dates	
Date of adoption of this ETS:	19 June 1998
Date of latest announcement of this ETS (doa):	31 October 1998
Date of latest publication of new National Standard or endorsement of this ETS (dop/e):	30 April 1999
Date of withdrawal of any conflicting National Standard (dow):	30 April 1999

Blank page

1 Scope

This European Telecommunication Standard (ETS) identifies the Mobile-services Switching Centre/Interworking Functions (MSC/IWFs) and requirements to support interworking between:

- a) PLMN and PSTN
- b) PLMN and ISDN

It is not possible to treat ISDN and PSTN as one type of network, even when both ISDN and PSTN subscribers are served by the same exchange because of the limitations of the PSTN subscribers access i.e. analogue connection without D-channel signalling.

Within this ETS, the requirements for voice and non-voice (data) calls are considered separately.

2 Normative references

This ETS incorporates by dated and undated reference, provisions from other publications. These normative references are cited at the appropriate places in the text and the publications are listed hereafter. For dated references, subsequent amendments to or revisions of any of these publications apply to this ETS only when incorporated in it by amendment or revision. For undated references, the latest edition of the publication referred to applies.

- [1] CCITT Recommendation G.711: "Pulse code modulation (PCM) of voice frequencies".
- [2] CCITT Recommendation I.460: "Multiplexing, rate adaption and support of existing interfaces".
- [3] CCITT Recommendation V.25: "Automatic answering equipment and/or parallel automatic calling equipment on the general switched telephone network including procedures for disabling of echo control devices for both manually and automatically established calls".
- [4] CCITT Recommendation V.42bis: "Data Compression for Data Circuit Terminating Equipment (DCE) using Error Correction Procedures"
- [5] CCITT Recommendation V.110: "Support of data terminal equipments (DTEs) with V-Series interfaces by an integrated services digital network".
- [6] ETS 300 102-1 Edition 1 (1990): "Integrated Services Digital Network (ISDN); User-network interface layer 3 Specifications for basic call control".
- [7] ETS 300 121: "Integrated Services Digital Network (ISDN); Application of the ISDN User Part (ISUP) of CCITT Signalling System No.7 for international ISDN interconnections (ISUP version 1)".
- [8] GSM 01.04 (ETR 350): "Digital cellular telecommunication system (Phase 2+); Abbreviations and acronyms".
- [9] GSM 02.01: "Digital cellular telecommunication system (Phase 2+); Principles of telecommunication services supported by a GSM Public Land Mobile Network (PLMN)".
- [10] GSM 02.02 (ETS 300 904): "Digital cellular telecommunications system (Phase 2+); Bearer Services (BS) supported by a GSM Public Land Mobile Network (PLMN)".
- [11] GSM 02.03 (ETS 300 905): "Digital cellular telecommunications system (Phase 2+); Teleservices supported by a GSM Public Land Mobile Network (PLMN)".

- [12] GSM 02.04 (ETS 300 918): "Digital cellular telecommunications system (Phase 2+); General on supplementary services".
- [13] GSM 02.81: "Digital cellular telecommunication system; Line identification supplementary services - Stage 1".
- [14] GSM 02.82: "Digital cellular telecommunication system; Call Forwarding (CF) supplementary services - Stage 1".
- [15] GSM 02.83: "Digital cellular telecommunication system; Call Waiting (CW) and Call Hold (HOLD) supplementary services - Stage 1".
- [16] GSM 02.84: "Digital cellular telecommunication system; MultiParty (MPTY) supplementary services - Stage 1".
- [17] GSM 02.85: "Digital cellular telecommunication system; Closed User Group (CUG) supplementary services - Stage 1".
- [18] GSM 02.86: "Digital cellular telecommunication system; Advice of charge (AoC) supplementary services - Stage 1".
- [19] GSM 02.88: "Digital cellular telecommunication system; Call Barring (CB) supplementary services - Stage 1".
- [20] GSM 03.03 (ETS 300 927): "Digital cellular telecommunications system (Phase 2+); Numbering, addressing and identification".
- [21] GSM 03.08: "Digital cellular telecommunication system (Phase 2+); Organization of subscriber data".
- [22] GSM 03.11 (ETS 300 928): "Digital cellular telecommunications system; Technical realization of supplementary services".
- [23] GSM 03.45 (ETS 300 931): "Digital cellular telecommunications system; Technical realization of facsimile group 3 transparent".
- [24] GSM 03.46: "Digital cellular telecommunication system; Technical realization of facsimile group 3 non-transparent".
- [25] GSM 03.50 (ETS 300 903): "Digital cellular telecommunications system (Phase 2+); Transmission planning aspects of the speech service in the GSM Public Land Mobile Network (PLMN) system".
- [26] GSM 04.08 (ETS 300 940): "Digital cellular telecommunications system (Phase 2+); Mobile radio interface layer 3 specification".
- [27] GSM 04.21 (ETS 300 945): "Digital cellular telecommunications system; Rate adaption on the Mobile Station - Base Station System (MS - BSS) interface".
- [28] GSM 04.22 (ETS 300 946): "Digital cellular telecommunications system (Phase 2+); Radio Link Protocol (RLP) for data and telematic services on the Mobile Station - Base Station System (MS - BSS) interface and the Base Station System - Mobile-services Switching Centre (BSS - MSC) interface".
- [29] GSM 07.01 (ETS 300 913): "Digital cellular telecommunications system (Phase 2+); General on Terminal Adaptation Functions (TAF) for Mobile Stations (MS)".
- [30] GSM 07.02 (ETS 300 914): "Digital cellular telecommunications system (Phase 2+); Terminal Adaptation Functions (TAF) for services using asynchronous bearer capabilities".

- [31] GSM 07.03 (ETS 300 915): "Digital cellular telecommunications system (Phase 2+); Terminal Adaptation Functions (TAF) for services using synchronous bearer capabilities".
- [32] GSM 07.05: "Digital cellular telecommunication system (Phase 2+); Use of Data Terminal Equipment - Data Circuit terminating Equipment (DTE - DCE) interface for Short Message Service (SMS) and Cell Broadcast Service (CBS)".
- [35] GSM 08.20: "Digital cellular telecommunication system; Rate adaption on the Base Station System - Mobile-services Switching Centre (BSS - MSC) interface".
- [36] GSM 08.60 (ETS 300 737): "Digital cellular telecommunications system (Phase 2+); Inband control of remote transcoders and rate adaptors for Enhanced Full Rate (EFR) and full rate traffic channels".
- [37] GSM 09.02 (ETS 300 974): "Digital cellular telecommunications system (Phase 2+); Mobile Application Part (MAP) specification".
- [38] GSM 09.03: "Digital cellular telecommunication system; Signalling requirements on interworking between the Integrated Services Digital Network (ISDN) or Public Switched Telephone Network (PSTN) and the Public Land Mobile Network (PLMN)".
- [39] GSM 09.05: "Digital cellular telecommunication system; Interworking between the Public Land Mobile Network (PLMN) and the Packet Switched Public Data Network (PSPDN) for Packet Assembly/Disassembly facility (PAD) access".
- [40] GSM 09.06 (ETS 300 975): "Digital cellular telecommunications system (Phase 2+); Interworking between a Public Land Mobile Network (PLMN) and a Packet Switched Public Data Network/Integrated Services Digital Network (PSPDN/ISDN) for the support of packet switched data transmission services".
- [41] CCITT Recommendation V.120: "Support by an ISDN of data terminal equipment with V-Series type interfaces with provision for statistical multiplexing".
- [42] ETR 018: "Integrated Services Digital Network (ISDN); Application of the Bearer Capability (BC), High Layer Compatibility (HLC) and Low Layer Compatibility (LLC) information elements by terminals supporting ISDN services".
- [43] CCITT Recommendation I.464: "Multiplexing, rate adaption and support of existing interfaces for restricted 64 kbit/s transfer capability".
- [44] CCITT Recommendation Q.922 (1992): "DSS 1 Data link layer: ISDN data link layer specification for frame mode bearer services"

NOTE: As regards ETS 300 102-1 [6], the first edition of this ETS from 1990 shall be used, with one exception: the encoding of the field modem type in the ISDN BC-IE shall be handled as specified in table 6A and 6B of GSM 09.07.

3 Definitions and abbreviations

Use is made of the following terms within this ETS. These terms refer to information requirements necessary to support interworking functions, some of these terms will be identifiable with their use in other GSM specifications.

bearer capability information: Specific information defining the lower layer characteristics required within the network.

low layer compatibility information: Information defining the lower layer characteristics of the terminal.

high layer compatibility information: Information defining the higher layer characteristics of the terminal.

compatibility information: This term subsumes the entirety of Bearer Capability, Low Layer Compatibility, High Layer Compatibility, Progress Indicator and Address Information conveyed out-of-band prior to call establishment for the support of compatibility checking and terminal/function/service selection at the ISDN-type user-network interface.

protocol identifier: Information defining the specific protocols utilized for the support of data transfer by a terminal.

progress indicator: Information supplied to indicate to the terminal that network interworking has taken place.

out-of-band parameter exchange: Information exchanged via an associated or non-associated signalling link e.g. SS No 7.

PSTN: Subscriber to network interface supports only analogue terminals.

ISDN: Subscriber to network interface supports digital or analogue terminals, plus a standardized user to network associated signalling system and a standardized internetwork signalling system.

autobauding type 1: This information element value may be contained in the setup or call confirm messages from the MS in association with a non transparent data service. This implies that the MSC/IWF may select any speed and modem type according to what it can negotiate with the remote modem on the PSTN/ISDN. The maximum speed to be used by the MSC/IWF is the user speed indicated in the setup/call confirm message.

multi self selecting speed modem: This term applies to V series modems capable of handling one or more lower speeds as a fall back position. When such a modem is requested in the call setup or call confirm message from the MS in association with a non transparent service, the MSC/IWF may select any of the speeds supported according to the negotiation with the remote modem on the PSTN/ISDN. In this instance the maximum starting negotiation speed to be used by the MSC/IWF is the one indicated by the user speed in the setup/call confirm message.

unrestricted 64 kbit/s network: A digital network which has 64 kbit/s octet-structured Information Transfer Capability (ITC) with no restrictions on the contents of each octet.

restricted 64 kbit/s network: CCITT I.464 defines "restricted 64 kbit/s transfer capability" as "64 kbit/s octet-structured capability with the exception that an all-zero octet is not permitted". In this specification, the term "restricted 64 kbit/s network" refers not only to networks with the I.464 restriction but also to those in which the 8th bit of each octet is unusable for data transmission.

directly connected restricted 64 kbit/s network: A restricted 64 kbit/s network which is connected directly to the MSC/IWF.

indirectly connected restricted 64 kbit/s network: A restricted 64 kbit/s network which is connected to the MSC/IWF via an unrestricted 64 kbit/s network.

In addition to the following, abbreviations used in this ETS are listed in GSM 01.04 [8].

ADPCM	Adaptive Differential Pulse Coded Modulation
DP	Dial Pulse
DSS1	Digital Subscriber Signalling 1
ITC	Information Transfer Capability
LE	Local Exchange
NT	Network Termination
PABX	Private Automatic Branch Exchange
SPC	Stored Program Control
SS No.7	Signalling System No.7
TE	Terminal Equipment

TA	Terminal Adaptor
TUP	Telephone User Part (of Signalling System No.7)
UNI	User Network Interface

4 Introduction

General Network Interworking Scenarios are described in GSM 09.01. Since the numbering plan for the ISDN era (E.164) includes the numbering plan for the telephone network (E.163), it is not possible to distinguish by the number whether a given subscriber is a PSTN or ISDN subscriber. Further, in some countries both PSTN and ISDN subscribers will be connected to the same exchange, so the only difference for this type of combined network will be in the nature of the customer access. In this document a PSTN is considered to support only an analogue interface towards the subscriber. An ISDN shall be considered to support digital interface towards the subscriber. In addition, the ISDN is considered to support a standardized outband signalling protocol both between the subscriber and the network and within the network, i.e DSS1 and ISUP, thus enabling the generation and transport of Compatibility Information for compatibility checking and terminal/function/service selection at the user-network interface as well as for MSC/IWF selection.

There now exist networks which do not fall into either of these categories in that they provide for digital connectivity from subscriber to subscriber through the network. The subscribers have access to a wide range of services by a limited set of standard multi-purpose user network interfaces. However, these networks do not support the standardized inter-exchange signalling protocol throughout, in that they are e.g. using TUP or National User Part (NUP). These types of network support 64 kbit/s connections, so in service support are comparable to ISDN, however, the signalling system provided may not support transport of all Compatibility Information allowed for in the standardized ISDN signalling. This document will therefore identify interworking to PSTN and ISDN on the principle of the network characteristics as identified in the previous paragraph. The aforementioned existing networks then constitute one particular case in the ISDN interworking scenarios. These cases will be itemized when the implication of the various degrees of exhaustiveness of the Compatibility Information - delivered via the ISDN - used for deducting a GSM Basic Service needs to be set forth.

When two dissimilar networks are required to interwork in order to support a communication between two subscribers, one on each network, a number of Interworking Functions (MSC/IWFs) are required to support the communication. Some of these are related to the differences in signalling and are dealt with in GSM 09.03.

Examples of other aspects of interworking are:

- a) the need or otherwise of echo control devices;
- b) the need or otherwise of modem pools and network-based rate adaptation.

For the purposes of determining the required MSC/IWFs, it is necessary, however, to consider separately each type of interworking (i.e. PLMN-ISDN and PLMN-PSTN) since, in the worst case, "PSTN" could refer to an essentially analogue network with electromechanical switching not controlled by software and without common-channel signalling.

Some facilities associated with alternate speech and data may not be available with version 1 of the MAP (GSM 09.02). Version 1 of the Mobile Application Part (MAP) does not support transfer between the HLR and VLR, and VLR and VMSC of multiple bearer capabilities. In addition, version 1 of the MAP does not support in-call modification and channel mode modification following an inter-MSC handover.

5 Not used

6 Network Characteristics

6.1 Key Characteristics of Networks Concerned

Table 1/09.07: Key Characteristics of Networks Concerned

Characteristic	GSM PLMN	ISDN	PSTN
Subscriber Interface	Digital	Digital	Analogue
User-network signalling	GSM 04.08	DSS1, other UNIs	loop-disconnect and DTMF
User-terminal equipment supported	MT0, MT1 or MT2 functions (see GSM 04.02)	Digital TE (ISDN NT, TE1 or TE2+TA) see e.g. I.411	Analogue TE (e.g. dial pulse telephones PABXs modem equipped DTEs)
Inter-exchange signalling	SS No.7 ISUP TUP+, MAP	SS No.7 ISUP TUP+, TUP, NUP	Channel associated (e.g. R2, No.4, No.5) or common channel (e.g. No.6)
Transmission facilities	Digital	Digital	Analogue
Exchange types	Digital	Digital	Analogue/digital
Information transfer mode	Circuit	Circuit/Packet	Circuit
Information transfer capability	Speech, digital unrestricted, alternate speech/ group 3 fax etc.	Speech, digital unrestricted, 3,1 kHz audio, video etc.	3,1 kHz audio (voice/voice- band data)

6.1.1 Characteristics of PLMNs

The GSM PLMN is fully defined in the GSM Technical Specifications.

6.1.2 Characteristics of PSTNs

Because of the efforts at an early stage to standardize ISDNs in different countries, the differences between any two ISDNs will be small compared with the differences between PSTNs, which have evolved in different ways in different countries. In some cases the evolution has occurred over many decades, and therefore each PSTN is distinct, and for a recommendation on interworking, it is necessary to make certain assumptions about a generalized PSTN.

Whilst the key characteristics of PSTNs are given in table 1/09.07 above, the specific MSC/IWFs needed to allow interworking between a PLMN and a PSTN will depend on the nature of the PSTN concerned.

Table 2/09.07 below gives a number of categories that can be used to classify PSTNs and a number of possibilities within each category.

Table 2/09.07: Characteristics of PSTNs

Category	Possibilities within Category
Type of subscriber signalling	a) PSTN with loop disconnect subscriber signalling (10 pps) b) PSTN with DTMF subscriber signalling
Type of interexchange signalling	a) PSTN with channel-associated signalling b) PSTN with common-channel signalling
Type of interexchange transmission	a) Analogue b) Digital
Type of exchange switching	a) PSTN with electro-mechanical switching b) PSTN with electronic (non-digital) switching c) PSTN with electronic digital switching
Type of exchange control	a) Non-SPC b) SPC

NOTE: Under each category, it is possible that a PSTN will have a combination of the possibilities rather than only one.

6.1.3 Characteristics of ISDN

For the "standardized ISDN" in principle taken into account here, these are defined in the ETS-series.

7 Interworking classifications

7.1 Service interworking

Service interworking is required when the Teleservices at the calling and called terminals are different. No service interworking, except for facsimile group 3 (GSM Teleservice 61 or 62 interworking with standard facsimile group 3 service), has been identified as a requirement of the GSM system for PSTN/ISDN network based services.

7.2 Network interworking

Network interworking is required whenever a PLMN and a non-PLMN together are involved to provide an end to end connection and may be required in instances of PLMN to PLMN connections.

The concept of Bearer Services was developed for the ISDN and has been extended to the PLMN. A bearer service is defined (in GSM 02.01) as:

A type of telecommunication service that provides the capability for the transmission of signals between user-network interfaces.

Bearer services are described by a number of attributes, where an attribute is defined as a specified characteristic of an object or element whose values distinguish that object or element from others.

For the purpose of this TS, a PSTN is assumed to provide a bearer service which equates to an ISDN 3,1 kHz audio bearer service.

Refer to GSM 02.02 for complete list of bearer services. Refer to GSM 04.08 for coding of Bearer Capabilities.

Table 3/09.07: Bearer Service Interworking

Bearer service category in GSM PLMN	Bearer Service in GSM	Bearer service in ISDN	Service in PSTN
Circuit mode unstructured with unrestricted digital capability Transparent and Non transparent	Asynchronous Data 300 bit/s	Cct mode structured 64 kbit/s unrestricted	Not Applicable
	Asynchronous Data 1.2 kbit/s		
	Asynchronous Data 1 200/75 bit/s		
	Asynchronous Data 2.4 kbit/s		
	Asynchronous Data 4.8 kbit/s		
	Asynchronous Data 9.6 kbit/s		
	Asynchronous Data general		
Circuit mode unstructured with unrestricted digital capability Transparent	Synchronous Data 1.2 kbit/s		
	Synchronous Data 2.4 kbit/s		
	Synchronous Data 4.8 kbit/s		
	Synchronous Data 9.6 kbit/s		
	Synchronous Data general		
Circuit mode unstructured with unrestricted digital capability. Non-transparent	Packet Services see GSM 09.06	Packet Services see GSM 09.06	
3,1 kHz Audio Ex PLMN Transparent and Non-transparent	Asynchronous Data 300 bit/s	Cct Mode 3,1 kHz Audio	Cct Mode 3,1 kHz Audio
	Asynchronous Data 1.2 kbit/s		
	Asynchronous Data 1 200/75 bit/s		
	Asynchronous Data 2.4 kbit/s		
	Asynchronous Data 4.8 kbit/s		
	Asynchronous Data 9,6 kbit/s		
	Asynchronous Data general		
3,1 kHz Audio Ex PLMN Transparent	Synchronous Data 1.2 kbit/s		
	Synchronous Data 2.4 kbit/s		
	Synchronous Data 4.8 kbit/s		
	Synchronous Data 9.6 kbit/s		
	Synchronous Data general		
	(continued)		

Table 3/09.07 (concluded): Bearer Service Interworking

Bearer service category in GSM PLMN	Bearer Service in GSM	Bearer service in ISDN	Service in PSTN
3,1 kHz Audio Ex PLMN Non Transparent	See GSM 09.06	See GSM 09.06	
Alternate speech /data circuit mode unstructured with 3,1 kHz audio ex PLMN Transparent	alternate speech/ asynchronous (with user rates 300 to 28800 bit/s as above) alternate speech/ synchronous (with user rates 1200 to 28800 bit/s as above)		
Alternate speech/data circuit mode unstructured with 3,1 kHz audio ex PLMN non transparent	alternate speech/ asynchronous (with user rates 300 to 28800 bit/s as above)	Cct mode 3,1 kHz Audio	Cct mode 3,1 kHz Audio
Circuit mode with speech followed by data Transparent and Non transparent	Cct mode speech followed by data 300 to 28800 bit/s asynchronous as above	Cct mode 3,1 kHz audio	

Table 4/09.07: Network interworking of GSM Teleservices

Teleservice in GSM PLMN	Lower layer capabilities addressed in the GSM Bearer Capabilities IE	Bearer service in ISDN	Service in PSTN
Telephony	Unstructured with speech capability	Speech or Cct mode 3,1 kHz audio	Cct Mode 3,1 kHz audio
Emergency calls	Unstructured with speech capability		
Alternate speech/ facsimile group 3	Data Cct duplex synchronous access alternate speech group 3 fax	Cct mode 3,1 kHz audio	Cct mode 3,1 kHz audio
Automatic Facsimile group 3	Data Cct duplex synchronous access group 3 fax	Cct mode 3,1 kHz audio	

This table does not identify any relationship between Teleservices in the GSM PLMN with those in the ISDN/PSTN, it is merely to identify the interworking of the lower network layers of that teleservice with the network layers i.e. bearer service in the ISDN/PSTN.

7.3 Signalling interworking

See GSM 09.03.

7.4 Numbering

See GSM 03.03.

7.5 Supplementary service interworking

For general aspects of supplementary services refer to GSM 03.11, GSM 03.8x and 03.9x series.

Not every supplementary service may be used in combination with each basic service. The applicability of each supplementary service for a basic service is defined in GSM 02.8x and 02.9x-series. Certain application rules are also set out in GSM 02.03, 09.05 and 09.06.

This subclause only deals with data service specific aspects of supplementary services, i.e. MSC/IWF functions concerned in combination with supplementary services. This interworking is described in GSM 02.04, GSM 02.8x, and 02.9x-series, GSM 03.11, GSM 03.8x and GSM 03.9x-series, if applicable.

8 Compatibility and subscription checking

Compatibility checking is carried out on the following items:

- a) Low layer compatibility - utilizing low layer compatibility and bearer capability information elements.
- b) High layer compatibility - utilizing high layer compatibility information element.

The use of the progress indicator for compatibility checking is outside the scope of this ETS.

Indication of compatibility requirements is carried out as described in subclause 9.2.2 under "a) Functional operation" or "b) Mobile subscriber indicates requirement in call confirmation message" and subclause 10.2.2 "Network interworking mobile terminated".

For subscription checking, relevant for the interworking described in clauses 9 and 10 of this ETS, refer to GSM 02.01.

9 Interworking to PSTN

9.1 Speech Calls

9.1.1 Interworking indications to PLMN terminal

An indication to inform the PLMN terminal that:

- i) instead of receiving out-of-band indications for certain types of failure conditions, a tone or announcement will be received in-band from the PSTN.
- ii) the available compatibility information will be not exhaustive for deducing a GSM Basic Service and there will be a limitation on address - the terminal may be required to accept the call on the basis of indicating its compatibility requirements.
- iii) (if a DTE) in-band handshaking signals should be anticipated.

9.1.2 Transmission aspects

Includes control of Speech Processing and Echo Control Devices, see GSM 03.50.

9.1.3 Generation of In-band Tones and Announcements (PLMN-PSTN)

In-band tones and announcements shall be provided for all speech and 3,1 kHz audio bearer services between a PLMN and a PSTN.

9.2 Data Calls

Low Layer Compatibility Checking on the received GSM bearer capability information element will be carried out by the MSC/IWF to check if the call setup is compatible to the bearer service (3,1 kHz audio) provided by a PSTN and to the IWFs provided by the PLMN.

In case the call setup does not conform to these requirements (e.g. an information transfer capability value "unrestricted digital information" is requested), the call shall fail with an error cause indicating that the network is unable to support the service requested.

As well as compatibility checking subscription checking shall be performed. If the subscription check fails the call setup shall be rejected.

For the case where the MS offers negotiable values in the GSM bearer capability information element (e.g. both transparent and non-transparent connection element) refer to the definitions specified in GSM 07.01.

For interworking of data calls between a PLMN and a PSTN a modem will be utilized to provide the interworking function.

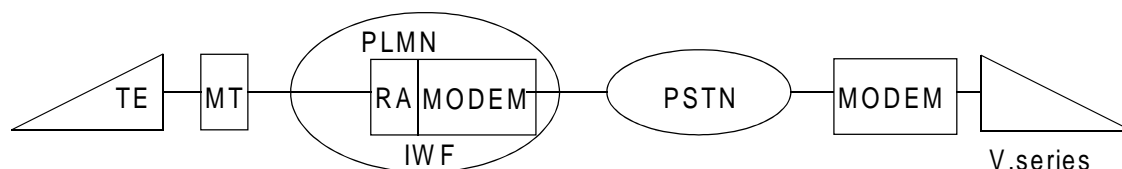


Figure 1: PLMN PSTN interworking for circuit switched calls

9.2.1 Network interworking mobile originated

9.2.1.1 Selection of interworking function

The interworking function will need to negotiate with the user to establish the appropriate modem selection e.g. data rate, modulation scheme, etc. In addition, it will also be required to convert the signalling format, from a combination of out of band and in band, to that suitable for controlling the modem and the autocalling line procedure function where applicable. In the following modem selection procedures it is assumed that the interworking function and modems will be associated with each MSC. As an alternative, a centralized modem resource is possible as a network provider option. Signalling between the MSC and the centralized modem resource is outside the scope of this specification.

For a data call originated by a circuit mode data terminal on the PLMN, the modem selection is done by using the element "modem type" in the call set-up message (bearer capability).

In addition, other elements of the call setup will indicate the user rate, etc. to be used via that modem. The use of this information however means that the network is only able to select a modem from the modem pool which conforms to the speed which the terminal is utilizing at the DTE/DCE interface at the MS (e.g. V.22 for 1 200 bps). The exception to this is where the user has selected the non transparent service in which case either an autobauding or multi self selecting speed modem (e.g. V.32) may be used.

In case the GSM-BC(s) received with the set-up message indicated a multislot or 14.4kbit/s-operation (refer to GSM 07.01) and the network does not support this service, the GSM-BC(s) sent with the call proceeding message shall not contain the "fixed network user rate", "other modem type" and "user initiated modification indicator" parameters - the MSC shall discard the multislot or 14.4kbit/s-related parameters and use the fall-back bearer service indicated by the remaining parameters of the GSM-BS(s) on a singleslot configuration (refer to GSM 08.20 and GSM 04.21) on the MSC/IWF-BSS link. The MSC/IWF shall modify the relevant parameters in a possibly present LLC accordingly.

If the MSC supports the multislot or 14.4kbit/s-operation, the GSM-BC(s) shall include the "fixed network user rate", "other modem type" and if applicable the "user initiated modification indicator" parameters. The MSC shall apply a singleslot configuration when the "maximum number of traffic channels" indicates '1 TCH' and the "user initiated modification indicator" indicates either 'user initiated modification not requested' or 'user initiated modification up to 1 TCH/F requested', otherwise a multislot configuration (refer to GSM 08.20 and GSM 04.21) shall be used on the MSC/IWF-BSS link.

In case the GSM-BC(s) received with the set-up message did not indicate a multislot or 14.4kbit/s-operation, the MSC shall not include the "fixed network user rate", "other modem type" and "user initiated modification indicator" parameters in the GSM-BC(s) of the call proceeding message - the MSC shall use a singleslot configuration on the MSC/IWF-BSS link.

The MSC may negotiate parameters with the MS according to the rules defined in GSM 07.01. For multislot and 14,4 kbit/s-operations the MSC/IWF shall modify the relevant parameters in a possibly present LLC accordingly.

9.2.1.2 Modem Selection

In general terms the indication of the bearer capability parameter "Information Transfer Capability" will be utilized in the call set-up message to determine when the modem should be selected in the call.

In case of single calls, the modem function shall operate in the calling mode in case of mobile originated calls and in the answering mode in case of mobile terminated calls.

In case of dual data calls (alternate speech/data, speech followed by data) the operation mode of the modem (working in calling or answering mode) depend on the initial call setup direction and on the optional parameter "Reverse Call Setup Direction" information element of the MODIFY message. If this information element is omitted the direction is derived from the initial call setup direction, i.e the mode is the same as in case of single calls.

For the attribute value "3,1 kHz audio Ex PLMN" and "facsimile group 3", the modem will be selected immediately. The line procedure according to V.25 will then be carried out using the appropriate modem functions.

For the Bearer Service 61 "Alternate speech/data" or the Teleservice 61 "Alternate speech/facsimile group 3", (if speech is selected as the first service) and the Bearer Service 81 "Speech followed by data", the modem is made available but not selected until the subscriber indicates the change of service request (see subclause 9.3).

In case of the Bearer Service 61 "Alternate speech/data" and the Bearer Service 81 "Speech followed by data", instead of the line procedures for the autocalling mode according to CCITT Recommendation V.25 (i.e. 1 300 Hz tone sending and 2 100 Hz tone recognition for mobile originated single calls) the manual data calling procedure shall apply. For mobile terminated single calls the modem function shall send the 2 100 Hz answering tone.

For "alternate speech/facsimile group 3" calls refer to GSM 03.45 and 03.46.

9.2.1.3 DTE/Modem interface (Filtering)

The DTEs taken into account for the PLMN at the MS side conform to CCITT's DTE/Modem interface specifications, which assume basically an error-free environment, i.e.:

- limited distance, point-to-point local interconnection of the interface circuits for data and status;
- steady state signalling.

The envisaged use of these DTEs in the PLMN environment leads to the exposure of these "interconnections" to the PLMN Radio Channel. To assure proper operation even under these conditions appropriate measures have to be taken. In the "non-transparent case" the RLP satisfies the requirement for both data and status lines. In the "transparent" case, the

- data line aspects have to be dealt with end-to-end between the users, while
- status line aspects are of concern to the network which are dealt with in the following.

The use of the channel control information for the remote control of the DTE/Modem control interchange-circuits between the MS and the MSC/IWF (the conveyance of which is supported by the rate adaptation scheme adopted for PLMN application) requires alignment to the particular transmission occurrences in the traffic channel to be taken into account within the PLMN. In principle this can be best achieved by:

- relying only on the PLMN outband signalling as far as connection control is concerned;
- eliminating the dependence upon the transmission of channel control information via the radio link.

Support for this strategy is given to a certain extent by the confinement of PLMN data connection to:

- full duplex operation;
- switched service (demand access);
- mapping of connection-control relevant conditions of the DTE/DCE control interchange-circuits to/from outband PLMN signalling according to GSM 04.08 after successful traffic channel synchronization (refer to subclause 9.2.3.4);
- flow control by a network entity supported only in non-transparent mode;
- support of connections with the same user data rate only (no TA end-to-end flow control in case of transparent mode).

The only DTE/Modem control interchange-circuit conditions, which actually are not covered by the above confinements, are the indications of readiness for data transmission, i.e. CT106/109 in case of V.-series interface and I-circuit in case of X.-series interface. As the effect of a conditions change of the aforementioned DTE/Modem interchange-circuits depends on the:

- phase within the course of the connection;
- direction of change (ON-OFF or OFF-ON).

The required precaution to be applied (Filtering) must be determined individually in view of:

- function deduced from the change;
- resilience of the connection needed;
- error condition possibly invoked due to a delay in performing the condition change of the control interchange circuit;
- potential loss of performance in connection usage.

The details of the filtering function are laid down in GSM 07-series. Filtering of channel control information is only relevant at the MS side in the transparent mode of operation.

9.2.1.4 Mapping of BC-IE from GSM 04.08 to ISUP (or other)

As it cannot be determined from the called address whether the distant network is a PSTN or an ISDN the same mapping takes place as for ISDN calls (see table 6a), if ISDN signalling is used between different MSCs (e.g. on the link VMSC - GMSC).

9.2.2 Network Interworking Mobile terminated PSTN Originated

This subclause describes the interworking of calls where the calling subscriber cannot generate or communicate Compatibility Information exhaustive for deducing a GSM Basic Service to a PLMN (gateway MSC/interrogating node) because of lack of ISDN signalling capability. Thus the HLR is relieved from any compatibility checking for such calls.

Two methods of allocating MS International ISDN Numbers (MSISDNs) are allowed: Firstly, a separate MSISDN may be allocated for each service, or service option, which a subscriber uses for incoming calls; or, alternatively, a single number, applicable for all incoming calls is used.

It should be noted that it is possible for both schemes to co-exist within the PLMN and that they are not mutually exclusive.

- a) Multiple MSISDNs are used ("The Multi-numbering Scheme"). See figure 2.

In this scheme, the HPLMN will allocate a number of MSISDNs to a subscriber and associate with each of these numbers some interworking information ("IWI"). According to GSM 03.08 this IWI comprises of either one or two complete GSM Bearer Capability (GSM BC) information element(s) (Contents according to GSM 07.01 and coded as per GSM 04.08) . In either case, when the HLR receives an interrogation relating to an incoming call (i.e. the MAP "Send Routing Information" procedure), it requests a roaming number (MSRN) from the VLR. This request will contain the GSM BC(s) reflecting the service associated with the called MSISDN, i.e. the GSM BC(s) are passed to the VLR.

If two GSM BC-IE have to be sent to the VLR they are preceded by a repeat indicator information element according to GSM 04.08. These three information elements shall be included within the MAP parameter "GSM Bearer Capability" of the message "Provide Roaming Number".

At the VMSC, when the incoming call arrives, the GSM BC(s) associated with the MSRN are retrieved from the VLR and sent to the MS at call set-up.

Where the PLMN specific parameters "connection element" and "radio channel" requirements contained in the retrieved GSM BC-IE, indicate dual capabilities then the VMSC shall set them according to its capabilities/preferences. Additionally the parameters correlated to those mentioned above may have to be modified in accordance with GSM 07.01.

The same applies to the parameter modem type if "autobauding type 1" is indicated but the IWF does not support this feature. The parameter "data compression" may also be modified according to the capabilities of the IWF.

Where single capabilities are indicated then the VMSC shall use the requested values if it is able to support the service requested. If it is unable to support the requested service then it shall set them according to its capabilities/preferences.

Where the Compatibility Information is provided in a degree exhaustive to deduce a GSM Basic Service (see application rules in subclause 10.2.2), then the VMSC in providing the GSM BC IE in the setup message shall set the PLMN specific parameters to its capabilities/preferences.

On receipt of a Set-up message containing the compatibility information, the MS will analyse the contents to decide whether the service can be supported (with or without modification, see GSM 07.01) and the call will be accepted or rejected as appropriate.

These negotiable parameters in the GSM BC-IE are: Connection Element (Transparent/non-transparent), Data Compression, number of data bits, number of stop bits and parity as well as the correlated parameters Structure, Intermediate Rate, Modem Type and User Information Layer 2 Protocol. For multislot or 14.4kbit/s--operations additionally the parameters Fixed Network User Rate, Other Modem Type and User Initiated Modification Indicator can be negotiated, see GSM 07.01. This negotiation takes place by means of the MS reflecting back to the MSC a complete bearer capability information element in the call confirm message, with the relevant parameters changed. If this does not take place (i.e. if there is no GSM BC present in the call confirmed message), then the MSC will assume that the values originally transmitted to the MS are accepted. In case the GSM-BC(s) sent with the set-up message contained the "fixed network user rate", "other modem type" and "user initiated modification parameter" parameters and no multislot or 14.4kbit/s--related parameters (refer to GSM 07.01) are received in the GSM-BC(s) of the call confirmed message or no GSM-BC(s) are received, the MSC shall discard the "fixed network user rate", "other modem type" and "user initiated modification parameter" parameters - the MSC shall use the fall-back bearer service indicated by the remaining parameters of the GSM-BC(s) on a singleslot configuration (refer to GSM 08.20 and GSM 04.21) on the MSC/IWF-BSS link.

On the other hand, if the GSM-BC(s) received with the call confirmed message contain(s) multislot or 14.4kbit/s--related parameters the MSC shall apply a singleslot configuration when the "maximum number of traffic channels" indicates '1 TCH' and the "user initiated modification indicator" indicates either 'user initiated modification not requested' or 'user initiated modification upto 1 TCH/F requested', otherwise a multislot configuration (refer to GSM 08.20 and GSM 04.21) shall be used on the MSC/IWF-BSS link.

In addition the MS may propose to the network to modify the User Rate as well as the correlated parameters Modem Type and Intermediate Rate in the CALL CONFIRMED message. The network may accept or release the call. For multislots or 14.4kbit/s--operations, the MS may also propose to the network to modify the Fixed Network User Rate and Other Modem Type parameters (see GSM 07.01).

- b) A Single MSISDNs is used ("The Single-numbering Scheme"). See figure 3.

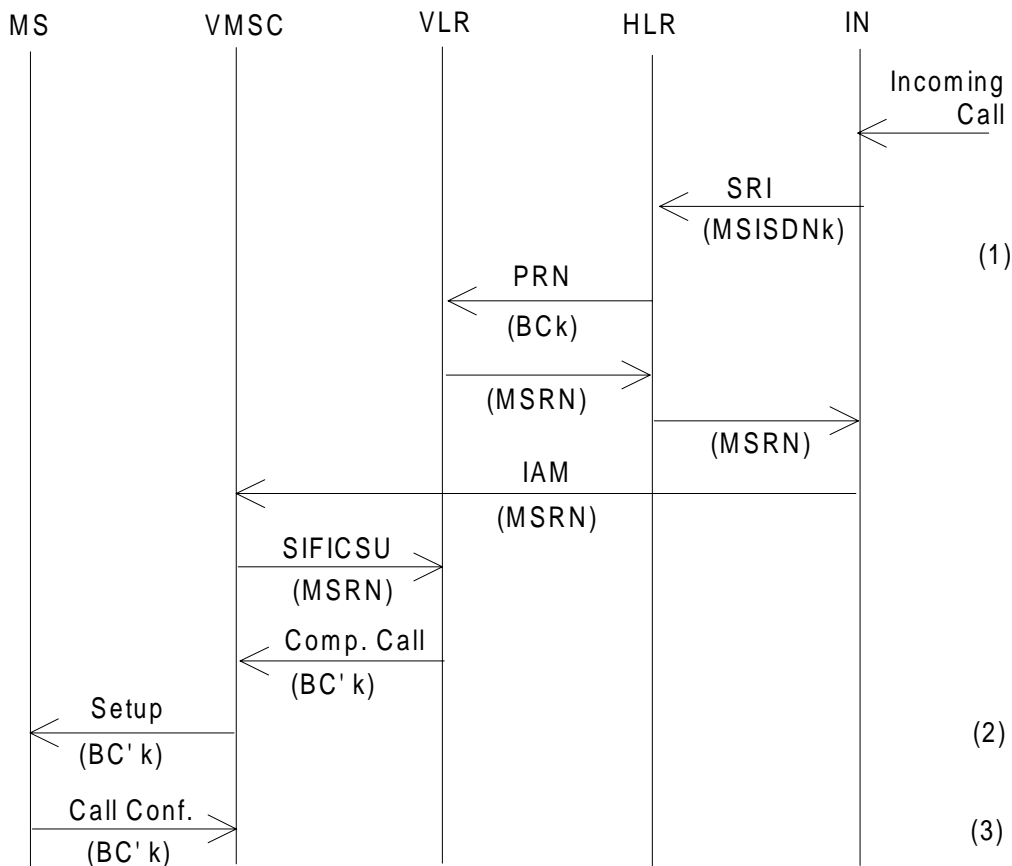
In the single-numbering scheme, the HPLMN will allocate one MSISDN to a subscriber, applicable to all services.

In this case, when the HLR receives an interrogation relating to an incoming call without compatibility information exhaustive for deducing a GSM Basic Service (i.e. the MAP "Send Routing Information" procedure), the request to the VLR for a roaming number will not contain compatibility information i.e. a GSM BC.

At the VLR, when the incoming call arrives, there is no GSM BC associated with the MSRN and so the call set-up to the mobile will not contain the GSM BC element.

In this case, the MS will return a complete single or dual GSM BC in the Call Confirmed message, indicating the service required by the mobile subscriber. The VMSC will analyse this GSM BC(s) and optionally perform subscription checking (see GSM 02.01). If the requested GSM BC can be supported the call is established, otherwise the call will be released.

Mobile terminated, PSTN originated call compatibility information provided not exhaustive for deducing a GSM Bearer Service; HLR uses multiple MSISDN numbers with corresponding BCs.

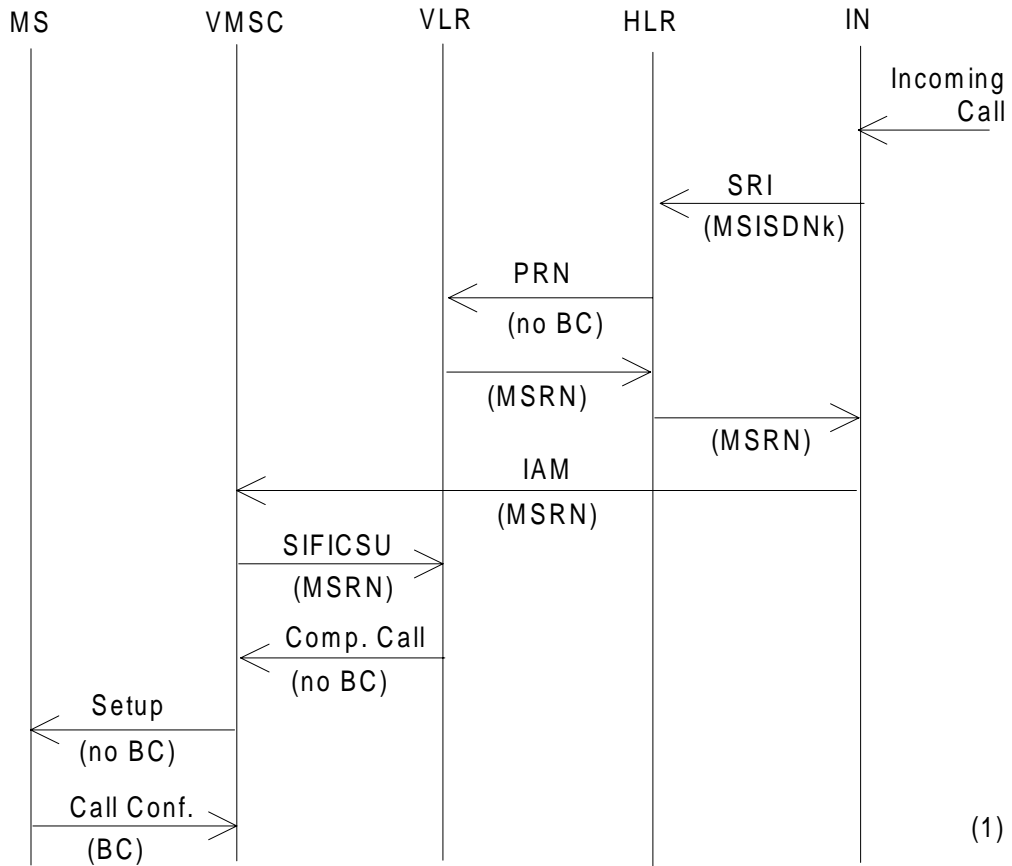


- NOTES:
- (1) The HLR translates the received MSISDN_ called address (MSISDNk) into the relevant bearer capability information (BCK).
 - (2) Some parameters of BCK may be provided/modified according to the MSC's capabilities/preferences. See subclause 9.2.2.
 - (3) In the "Call Confirm" message, the MS may modify some parameters of the BC. See subclause 9.2.2.

Abbr.: SRI - Send Routing Information
 PRN - Provide Roaming Number
 MSRN - Mobile Station Roaming Number
 IAM - Initial Address Message
 SIFICSU - Send Information For Incoming Call Set Up

Figure 2

Mobile terminated, PSTN originated call Compatibility Information provided not exhaustive for deducing a GSM Bearer Service; HLR uses single MSISDN numbers (no corresponding BC stored). Per call MSRN allocation.



NOTE: (1) This BC is derived from information stored in the MS, according to its configuration.

Abbreviations: see figure 2.

Figure 3

9.2.3 Transparent service support

NOTE: See GSM 03.10.

GSM 08.20 identifies the rate adaptation scheme to be utilized on the BS to MSC link. The transcoding function will generate the 64 kbit/s rate adapted format utilizing the 8 and 16 kbit/s intermediate data rates. The MSC to MSC/IWF link (e.g. in the case of handover) will utilize the same 64 kbit/s rate adaptation scheme as that indicated in GSM 08.20.

For the transparent service support the MSC/IWF will select the modem and speed based on the Compatibility information contained in either the call set-up or call confirmed message reference subclause 9.2.1 and 9.2.2. Where the modem type indicated is one of the multi-speed versions, e.g. V.32, then the MSC/IWF will restrict the modem to the speed indicated in the call set-up and call confirmed message, respectively, i.e. will inhibit the modem from changing speed, irrespective of the conditions, error rate, encountered on the PSTN link. This scenario is also applicable for the use of "autobauding" modems, in that only the specifically requested modem type and speed will be selected at the MSC/IWF (however Facsimile Gp 3 can use channel mode modify).

9.2.3.1 Not used

9.2.3.2 Rate adaptation process in MSC/IWF

This process is a reverse of that provided in the Terminal Adaptation function of the MS. The rate adaptation RA1 is based on the CCITT V.110 80 bit frame for TCH/F2.4, TCH/F4.8 and TCH/F9.6 and on A-TRAU frame for TCH/F14.4. GSM 04.21 and 08.20, respectively, refer to the rate adaptation mechanisms to be provided. For multislot configurations refer to GSM 03.10.

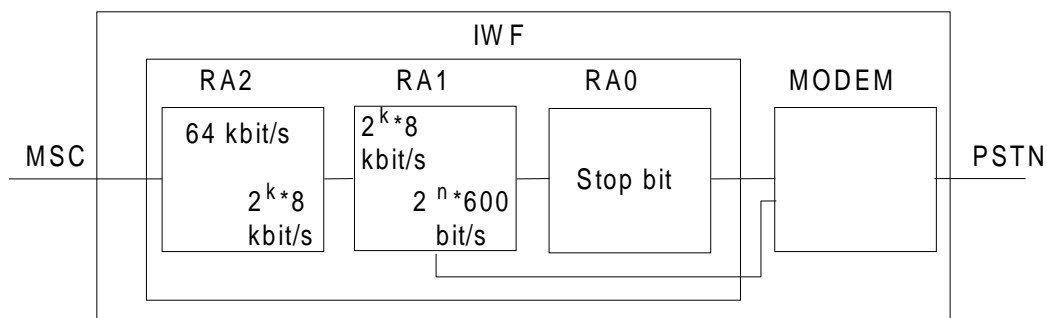


Figure 4: Rate adaptation schematic

In case of asynchronous bearer services and the facsimile teleservices in the transparent mode, the IWF shall disregard the value of bits E4, E5, E6 and E7 in the data transmission phase.

9.2.3.3 Mapping of signalling MS/MSC/IWF to modem interface requirements

This process also is a reverse of the function provided in the Terminal Adaption function of the MS for the mapping of DTE/DCE signalling information to Dm channel and in band signalling information. GSM 07.02, and 07.03 refer.

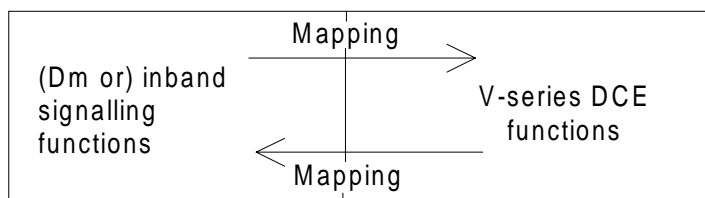


Figure 5: Signalling mapping schematic

In general it is not required for the modem in the MSC/IWF to support a "remote looping" request from a modem in the PSTN. In addition the invocation of a "remote looping" request from the mobile subscriber

to a modem in the PSTN need not be supported (see also GSM 07.01). Specific test loops for mobile subscribers to contact may be provided at the network operators discretion.

9.2.3.4 Establishment of end-to-end terminal synchronizations

Prior to exposing the traffic channel of a PLMN connection to transmission of user data, the controlling entities of the connection have to assure of the availability of the traffic channel. This is done by a so called synchronizations process:

- starting on the indication of "physical connection established" resulting from the PLMN-inherent outband signalling procedure. This indication is given on sending the message CONNECT in case of MOC, CONNECT ACKNOWLEDGEMENT in case of MTC and MODIFY COMPLETE (which is sent after reception of the ASSIGN COMPLETE message) in case of in-call modification.
- ending by indicating the successful execution of this process to the controlling entity, which then takes care of the further use of the inband information (data, status).

Network interworking within an MSC/IWF is concerned with the terminating side (to the MS) and the transit side (to the fixed network) of a connection. Both sides have to be treated individually related to the synchronizations process.

With respect to the terminating side the procedure for all traffic channel types except TCH/F14.4 is as follows:

- sending of synchronizations pattern 1/OFF (all data bits "1"/all status bits "OFF") to the MS using the RA1/RA2 rate adaptation function. In multislot transparent operation, the synchronisation pattern sent is 1/OFF with the exception of the bit positions S1, first X, S3, and S4 which contain the substream number and multiframe alignment pattern (Ref. GSM TS 04.21).
- searching for detection of the synchronizations pattern from the MS within valid V.110 frames, and in multislot operation, also searching for the multiframe alignment pattern "0000 1001 0110 0111 1100 0110 1110 101" (Ref. to GSM 04.21) in bit position S4 and substream numbers in bit positions S1, first X, and S3. This implies that the E1, E2 and E3 bit of the V.110 frame shall be checked for the appropriate user rate in order to distinguish the synchronization pattern from the BSS idle data frame.

With respect to the terminating side the procedure for TCH/F14.4 is as follows:

- Searching for detection of the A-TRAU frame alignment pattern (TS 08.20) from the BSS.
- After the detection of the A-TRAU frame alignment pattern, sending A-TRAU frames with the data rate set in the bits C1-C4 (TS 08.20) and data bits set to one, sending the multiframe structure with the alignment pattern (bit M1) and with the status bits OFF (bit M2) and, in a multislot case, sending substream numbers (bit M2).
- Searching for the detection of the multiframe alignment pattern „0000 1001 0110 0111 1100 0110 1110 101“ (TS 04.21) in the bit M1 and, in a multislot case, searching for substream numbers in the bit M2. (Any 5 bit sequence in the multiframe alignment pattern is unique, i.e. the multiframe alignment can take place by recognition of five successive M1 bits.)

With respect to the transit side the procedure is as follows:

- holding the modem interchange circuits (with the exception of CT108) in the OFF condition until timer T (see below) expires, when they are switched to ON.

When the frame alignment pattern and, in case of multislot operation or TCH/F14.4, the multiframe alignment pattern have been recognized as a steady state, the MSC/IWF continues sending the synchronizations patterns to the MS unless a timer T (= 500 ms) expires. From this time, after the expiration of the timer T of each allocated traffic channel, the information on CT106 and CT109 from the Local Modem are directly mapped to the Sb and X bits toward the MS, for TCH/F14.4 the Sb and X bits are mapped to the M2 multiframe bits acc. to GSM 04.21. The IWF is allowed to map CT 104 to the data bits sent towards the MS and to map data bits received from the MS to CT 103.

Mobile Originated

At the start of timer T for each of the allocated traffic channel(s) of the call, i.e. on receipt of the synchronizations pattern from the MS, circuit 108 to the selected modem associated with the connection will be switched from the "OFF" to "ON" condition, thus initiating the auto calling sequence.

Mobile Terminated

At the start of timer T for each of the allocated traffic channel(s) of the call, i.e. on receipt of the synchronizations pattern from the MS, circuit 108 to the selected modem associated with the connection will be switched from the "OFF" to "ON" condition, thus initiating the establishment of the modem connection.

It should be noted that in a GSM-PLMN V.-series and X.-series interfaces are only supported in full duplex mode. Thus the call control phase can be mapped almost completely to the signalling procedure (the S-bits during the call control phase are irrelevant). However, the "ready for data" condition (i.e. CT106/109, in case of V.-series interface, and I-circuit, in case of X.-series interface) is mapped directly to the applicable status bits of a V.110 frame towards the MS (see also filtering of channel control information).

9.2.3.5 Network Independent Clocking (NIC)

The network independent clocking function is invoked by the VMSC/IWF when the service requested (MO or MT) is 3,1 kHz Ex PLMN and synchronous. The above rule applies irrespective of the information contained in the GSM 04.08 setup message regarding NIC. For all other services NIC is not used.

Within the GSM network the coding of the values for bits associated with NIC is specified in GSM 04.21/08.20. In the forward (transmitting) direction the multiframes shall be coded in exact accordance with that specified in those GSM specifications. Bit E6 is set to "1" in alternate modified V.110 frames at the transmitter. However, the use of this bit at the receiver for monitoring frame Synchronization, or any other purpose, is not specified and is left to the discretion of the implementor.

A "perfect linear block Code" is used in C1-C5, whose error correction properties may be utilized in the receiver, in order to ensure reliable operation of NIC.

The NIC sending function has to recognize when the difference between the applicable clock speed of the GSM network and the interface speed generates a positive or negative whole bit requirement. When this positive or negative condition occurs, the NIC codewords specified in GSM 04.21 are used to transport this condition to the receiving NIC function. Transmission of the codeword shall clear the positive or negative condition related to that codeword at the sending function. The sending function shall not send more than one positive or negative compensation within a contiguous period of time corresponding to 10 000 user data bits minus the maximum NIC code framing delay (e.g. in the case of TCH/F2.4, TCH/F4.8 or TCH/F9.6, the number of user data bits necessary to make up an even number of V.110 frames between compensation). NIC compensation is coded in two V.110 frames in the case of TCH/F2.4, TCH/F4.8 or TCH/F9.6 and in one multiframe in the case of TCH/F14.4. This results from the requirements to compensate for maximum clock differences of ± 100 parts per million. If the receiving function receives NIC compensations in the average more often than a contiguous period of time corresponding to 10000 user data bits, there is no guarantee that data will not be lost.

The NIC receiving function has to provide the capability to support the compensation requirements of the sending function. This compensation is managed by manipulating the clock speed of the interface, within the standard constraints of that interface.

Overall, the compensation functions have to be capable of managing clock tolerances of ± 100 parts per million.

Action on loss of synchronization

If five consecutive NIC multiframes in the V.110 frame have incorrect framing bit values in E7 or if the A-TRAU multiframe synchronisation is lost, the receiver shall stop applying clocking compensation to the

received data. Resynchronization will be attempted and compensation will resume when synchronization is achieved.

9.2.4 Non-transparent service support

NOTE: See GSM 03.10.

GSM 08.20 identifies the corresponding necessary support concerning the rate adaptation scheme to be utilized on the BS-MSC link.

9.2.4.1 MSC-IWF Rate adaptation scheme

This will be the same as for the transparent case.

9.2.4.2 Protocol layer structure in the MSC/IWF

GSM 03.10 identifies the protocol layer structures for the non-transparent case, the physical layer to the PSTN is provided by means of a modem.

9.2.4.3 Re-constitution of user data

GSM 04.22 refers to the frame of user data in the radio link protocol. The layer 2 relay functions in the MS and the MSC/IWF (identified in GSM 03.10) contain the mechanism for packing and unpacking the user data into the L2R protocol data units.

9.2.4.4 Layer 2 relay functionality

Specific functionality is required of the L2R dependant upon the service which is being requested to be supported. The selection of the appropriate L2R function will be determined by the MSC/IWF on the basis of the bearer capability information signalled in either the call set-up request, or call confirmation messages. The prime information element being transparent or non transparent service indication. In addition the particular L2R function will be selected on the basis of the users layer 2 indication - type of protocol to be terminated and mode of flow control to be applied (see appropriate clauses of the 07 series).

The specific interaction between the L2R function and the RLP function and the L2R frame structure will be the same as that detailed in the annex to the appropriate GSM 07 series.

9.2.4.5 In band signalling mapping flow control

This entails the L2R function providing the means of controlling and responding to flow control functions of the modem plus any synchronization requirements related to flow control. For synchronous services flow control is covered by the protocol indicated, whereas for asynchronous services a specific rule applies for flow control (see GSM 07.01).

The flow control function chosen will be dependent upon the information contained or not contained in the "user information layer 2" information element of the GSM BC received from the MS.

If flow control is provided, irrespective of the type used the L2R function must:

- (a) provide immediate indication of flow control to the fixed network on receipt of flow control request from the MS.

and/or

- (b) provide immediate indication of flow control to the MS on receipt of flow control request from the fixed network i.e. in the next available L2R status octet to be transmitted.

Where in-band (X-on/X-off) flow control is in use, then the X-on/X-off characters will not be passed across the radio interface.

For outband flow control refer to subclause 9.2.4.9.

If no flow control is provided, the involved end systems are responsible for performing in-band flow control on their own by taking into account the buffer capacity of the MSC/IWF stated below.

9.2.4.5.1 Conditions requiring flow control towards the fixed network

The L2R function will initiate flow control - if flow control is present - in the following circumstances:

- 1) The transmit buffer reaches a preset threshold (BACK PRESSURE).
- 2) The L2R function receives an explicit "flow control active" indication.

No flow control initiation/removal will take place at the L2R function and loss of data may occur if no flow control is provided.

On removal of buffer congestion or receipt of L2R "flow control inactive" the flow control will be removed.

9.2.4.5.2 Conditions requiring flow control towards the MS

The L2R function will transmit to the MS an explicit "flow control active indication" if flow control is provided in the following circumstances:

- 1) If the receive buffer from the radio side reaches a preset threshold (BACK PRESSURE).
- 2) If a flow control indication is received from the fixed network customer. On receipt of this flow control indication, transmission of data from the receive buffers towards the fixed network terminal is halted.

On removal of the buffer congestion or fixed network flow control indication, the L2R function will send a "flow control inactive" indication towards the MS. In addition, for the fixed network indication, transmission of data from the receive buffers will be restarted.

If no flow control is provided at the L2R function, no flow control initiation/removal will take place by the MSC/IWF. Data might be lost without any indication by the MSC/IWF to the end systems involved.

9.2.4.6 Data buffers

9.2.4.6.1 Transmit buffers (towards MS)

Incoming data from the fixed network customer shall be buffered such that if the MSC/IWF is unable to transfer data over the radio path the data is not lost.

The buffer shall be capable of holding the data. Its size is up to the implementors. When the buffer is half full flow control towards the fixed network shall be initiated if flow control is provided as per subclause 9.2.4.5.1.

9.2.4.6.2 Receive buffers (from MS)

Incoming data from the MS is buffered such that if the fixed network terminal is unable to accept the data then it is not lost.

The buffer shall be capable of holding the data. Its size is up to the implementors. When the buffer becomes half full, the L2R function will send a "flow control active" indication towards the MS if flow control is provided at the L2R function, as per subclause 9.2.4.5.2.

9.2.4.7 Transportation of the Break condition

The "BREAK" condition must be recognized by the L2R function and passed immediately to the MS. The L2R will generate a "BREAK" condition towards the fixed network on receipt of a break indication from the

MS. The action of the "BREAK" on the L2R transmit and receive and the length of the "BREAK" signal to be generated towards the fixed network is described in GSM 07.02.

9.2.4.8 In band signalling mapping modem status information

Status information from the modem will be carried by the L2R function to/from the L2R function in the terminal adaptation function. The MSC/IWF is not intended to utilize this information for any purpose. The use of "Data carrier detect" or "clear to send" by the terminal adaptation function to determine PSTN link establishment or failure is not utilized by the MSC/IWF; e.g. call clearing, in event of line failure, will be generated normally by the MS and not by the MSC/IWF.

9.2.4.9 Support of out-band flow control

Out-band flow control in case of PSTN requires V.42 functionality of the modem (refer to GSM 07.01).

If this functionality is requested by the MS but cannot be provided by the MSC/IWF or the remote (fixed network) modem for any reason, the call shall be supported without V.42 functionality (fall back to the non-error correction mode according to V.42).

This implies that no flow control initiation/removal (refer to subclause 9.2.4.5.1) is possible towards the fixed network. In this case the L2R transmit buffers in the IWF (towards the MS, refer to subclause 9.2.4.6.1) shall overbridge temporary throughput problems on the radio interface and the case where the MS initiates flow control. The IWF however shall release the connection if an overflow of these buffers occurs in order to prevent loss of data.

9.2.4.10 Establishment of end-to-end terminal synchronizations

Prior to exposing the traffic channel of a PLMN connection to transmission of user data, the controlling entities of the connection have to assure of the availability of the traffic channel. This is done by a so called synchronization process

- starting on the indication of "physical connection established" resulting from the PLMN-inherent outband signalling procedure. This indication is given on sending the message CONNECT in case of MOC, CONNECT ACKNOWLEDGEMENT in case of MTC and MODIFY COMPLETE (which is sent after reception of the ASSIGN COMPLETE message) in case of in-call modification.
- ending by indicating the successful execution of this process to the controlling entity, which then takes care of the further use of the in-band information (data, status).

Network interworking within an MSC/IWF is concerned with the terminating side (to the MS) and the transit side (to the fixed network) of a connection. Both sides have to be treated individually related to the synchronization process.

With respect to the terminating side the procedure is as follows:

- reception of V.110 or A-TRAU frames on all allocated traffic channels for the call is required before the MSC/IWF shall reply with an RLP-UA frame to the MT's RLP link establishment request (if the MSC/IWF initiates the RLP link establishment, reception of V.110 frames or A-TRAU on all allocated traffic channels for the call must be detected first).
- waiting for the RLP link establishment by the MT (in addition the MSC/IWF may initiate the RLP establishment).

Depending upon implementation - CT108 will be turned ON to enable the autocalling/autoanswering function of the selected modem either when the RLP has been established or in parallel to RLP establishment. If CT 108 is turned ON in parallel to the RLP establishment, the modem connection may be established before the RLP is established. In this case, data received from the transit side during RLP establishment shall be stored within the L2R buffers until the RLP establishment at the terminating side has been finished. When the RLP has been established, the information from/to the RLP including status changes will be mapped by the L2R entity applicable to the particular bearer capability.

It should be noted that in a GSM-PLMN V.-series and X.-series interfaces are only supported in full duplex mode. Thus the call control phase can be mapped almost completely to the signalling procedure (the S-bits during the call control phase are irrelevant). However, the "ready for data" condition (i.e. CT106/109, in case of V.-series interface, and I-circuit, in case of X.-series interface) is derived directly from the traffic channel (see also filtering of channel control information).

9.2.4.11 Data compression

When data compression is invoked within a non-transparent bearer service, interworking to the fixed network is realized as follows:

The GSM BC is used to indicate the interworking modem type and user rate. The modems must try to negotiate data compression and flow control. If negotiation of data compression fails in the fixed network, the call continues with data compression between MS and IWF only.

9.3 Interworking Alternate Speech / Data Calls

Data in this context is defined here to mean 3,1kHz Ex PLMN , or Facsimile Group 3.

9.3.1 Alternate Speech/Data Interworking

9.3.1.1 General

The procedure for the alternate speech/data bearer services is invoked at MS-MSC link during the call set-up phase. This service is invoked by indication of repeated bearer capability information elements in the setup message and/or call confirmed message respectively (preceded by a repeat indicator "circular"), one indicating speech and the other indicating the specific data service, as for normal data calls. The data service requested will be indicated by the information transfer capability, either "3,1kHz audio Ex PLMN" and the specific user data rate etc. or "facsimile group 3", as for normal data calls. The bearer capability first indicated i.e. speech or 3,1 kHz Audio Ex PLMN, etc. determines the first selection required of the network by the subscriber. Depending on the type of service requested and direction of call establishment (M0/MT, see relevant clauses of GSM 07 series) low layer and high layer capabilities may also be included. The MSC/IWF will perform both compatibility checking and subscription checking on both sets of capabilities as for normal data calls. If either the subscription check or the compatibility check fails then the call will be rejected. The only exception to this is when TS61/TS62 negotiation takes place, see GSM 07.01.

The applicable rules for provision of supplementary services are laid down in GSM 02.04.

The "speech" phase of the call, when invoked is handled by the transcoder and will utilize normal telephony teleservice interworking requirements and mobile network capabilities. This includes any requirements for echo cancellers etc. as indicated in subclause 9.1. The "3,1kHz Audio Ex PLMN" and "facsimile group 3" phase of the call, when invoked, will utilize the appropriate data interworking capability (IWF including modem) and may use either the transparent or non-transparent mobile network capability.

The network shall provide, for service and operational reasons, a rapid and reliable changeover of capability upon request from the mobile user. This changeover may involve the disabling, by-passing or introduction of particular network functions (e.g. speech coder, modem etc.) and change of the channel configuration on the radio interface. This changeover is initiated on the receipt of the "MODIFY" message (see GSM 04.08) from the MS. The network itself will not initiate a changeover.

9.3.1.2 Mobile originated PSTN terminated calls

The call is set up in the normal manner (but with repeated bearer capability information elements as described in subclause 9.3.1.1 and handled by the MSC/IWF as indicated in the general clause.

9.3.1.3 PSTN originated mobile terminated calls

The call set up request for this particular service is performed in a similar manner to that indicated in subclause 9.2 for normal PSTN originated calls.

When multiple MSISDNs are used by the HLR ("Multi-numbering scheme"), two GSM BC-IE (contents in principle according to GSM 07.01, facsimile group 3 constitutes an exception, coded as per GSM 04.08) preceded by a repeat indicator "circular" are passed to the VLR in the MAP operation "provide roaming number" exceptionally for facsimile group 3 where only one GSM BC-IE with the ITC value set to "alternate speech/facsimile group 3, starting with speech" is needed. The VLR stores this information against the MSRN.

When the call arrives at the visited MSC this information is retrieved from the VLR and sent to the MS in the setup message as defined in GSM 07.01.

If the ITC of the GSM BC-IE retrieved from the VLR has the value "alternate speech/facsimile group 3, starting with speech" this GSM BC-IE has to be mapped to two GSM BC-IEs (preceded by a repeat indicator "circular"), one representing speech, the other representing facsimile group 3. The order in which these two GSM BC-IEs are sent towards the MS, in the setup message, is a network option.

In order to allow auto answering mode for the data phase (i.e. the call starts automatically with the data phase), the MS can reflect back to MSC the dual Bearer Capability in the Call Confirm message with the BC elements interchanged to those in the original Call Set-up message (i.e. data element first or negotiate to facsimile only, see subclause 9.2.2 and GSM 07.01). In all other aspects it is handled as indicated for mobile originated.

NOTE: However, the PLMN specific parameters "connection element" and "radio channel requirements" of the retrieved GSM BC-IE may be modified, or added in line with the principles identified in subclause 9.2.2.

When a single MSISDN is allocated to the subscriber ("single numbering scheme"), the call is handled as described in case b) of subclause 9.2.2. In the "call confirmed" message, however, two GSM BC-IEs are preceded by a repeat indicator "circular", with the first GSM BC-IE indicating the initial phase of the connection.

9.3.2 Speech followed by data interworking

9.3.2.1 General

The set up and selection of interworking function for this service is the same as that indicated for the alternate speech/data service. The service will be indicated by repeated GSM BC-IEs, (the first indicating speech and the second indicating the data service) with the information transfer capability "3,1kHz audio Ex PLMN" and the specific data service parameters as for normal data calls. The GSM BC-IEs are preceded by a repeat indicator "sequential". The only difference in this service is that speech will always be the first bearer capability selection and once the changeover command "MODIFY" message is received from the MS then all network resources associated with the handling of the speech call may be released for reallocation to other calls, i.e. they will not be required again in the handling of this call. Both mobile originated and terminated are dealt with as detailed in subclauses 9.3.1.2 and 9.3.1.3.

10 Interworking to the ISDN

The interworking to the ISDN is specified on the principle of the network supporting standardized associated signalling protocol as outlined in clause 2, i.e. DSS1 and ISUP. An ISDN not complying with this definition differs - for the purpose of this ETS - in that it does not support the compatibility information to that degree necessary for deducing a GSM Basic Service. These networks will find their reflection in the following where those implications are to be set out.

The calling address sent in a mobile originated call to the ISDN is always the basic MSISDN even if the ISDN user has to use a different MSISDN (multi numbering scheme, see 9.2.2 case a) for a mobile terminated call (call back) as only the basic MSISDN is available at the VLR (see GSM 09.02).

The scope of this clause is to describe the handling of the content of the Information Elements where "content" is understood to be the value of the parameter fields of the Information Elements, namely BC-IE, HLC and LLC, after the length indicator. For the transport of these Information Elements within the PLMN refer to GSM 09.02.

The handling of multislot or 14.4kbit/s-related parameter of the call control signalling and the applicability of single- or multislot configurations (refer to GSM 08.20 and GSM 04.21) is the same as for the PSTN interworking cases. For multislot or 14.4kbit/s-operations, the MS may also propose to the network to modify the Fixed Network User Rate and Other Modem Type parameters (see GSM 07.01). In case a CE:T is used, the call shall be released. For a CE:NT with flow control, the MSC/IWF shall use towards the fixed network the unmodified "fixed network user rate" and shall use the "wanted air interface user rate" towards the mobile station.

10.1 Speech Calls

Since at the interworking point the transcoder provides for A law PCM at 64 kbit/s, no particular interworking is required. It is anticipated that the ISDN Teleservice Telephony and ISDN Bearer Service speech, respectively would be used. Transmission aspects are covered in GSM 03.50. Any further requirements are a national matter.

10.2 Data Calls

In this case it is assumed that the ISDN bearer service 3,1 kHz audio shall only be interworked by means of a modem pool in the PLMN. If a network operator provides this facility, then the MSC/IWF operation will be similar to that described for interworking to the PSTN.

10.2.1 Network interworking mobile originated

Low layer compatibility checking of the mobile originated call is carried out by the MSC/IWF to determine the appropriate bearer service selection in the ISDN. This will entail the MSC/IWF in mapping appropriately the GSM BC-IE to the ISDN BC-IE (bearer capability information element). If it is not possible for the MSC/IWF to provide a bearer service match, then the MSC/IWF shall fail the call and indicate the reason to the user.

The MS shall provide further compatibility information (LLC/HLC-IEs) if required for defining end-to-end compatibility.

As well as compatibility checking, subscription checking should be performed.

10.2.1.1 Circuit switched calls

Where the bearer capability information indicates that the call is a circuit switched unrestricted digital call, then the MSC/IWF shall select the appropriate rate adapted ISDN bearer service.

The selection of the MSC/IWF will be by means of the bearer capability information within the call set up message. The mobile subscriber shall be able to select the unrestricted digital capability, which the MSC/IWF will map to the same capability in the ISDN call set up message. If an interworking point is encountered within the ISDN which does not support this service request, then either a call release message including an appropriate error cause or progress message is returned to the PLMN, indicating that the ISDN network is unable to support the service requested. In the case of a call release message the network shall release the call. In the case of progress message the network releases the call or forwards it (see GSM 04.08) to the mobile which will release the call.

10.2.1.2 Packet calls

The mobile network offers only Bm channel access for the packet mode service. The ISDN offers both B and D channel access for the packet mode service. The interworking of mobile packet service calls is described in GSM 09.06.

10.2.2 Network interworking mobile terminated

This subclause describes the interworking of calls where the calling subscriber can communicate ISDN compatibility information with exhaustive contents for deducing a GSM Basic Service to a PLMN (gateway MSC/interrogating node) i.e. by means of ISDN signalling.

The GMSC has to perform a mapping of the received Basic Service Information for the transport to the HLR, for details of this transport refer to GSM 09.02.

Compatibility checking of the low layers of the ISDN originated call is carried out by the MSC/IWF to determine the appropriate bearer service selection in the PLMN. This will entail the MSC/IWF in mapping appropriately the ISDN BC/LLC-IE to the GSM BC-IE.

As well as compatibility checking, subscription checking should be performed. If either the subscription check or the compatibility check fails then the call will be rejected.

For ISDN originated calls it will not be possible to signal mobile specific requirements e.g. transparent/non transparent, full/half rate channel. Therefore the MSC/IWF shall select a default setting appropriate to the visited PLMN's network capabilities. In general it will be beneficial, where a network supports both full and half rate channels and transparent/non transparent capabilities, to indicate so in the appropriate GSM BC field of GSM 04.08. The mobile subscriber has the option to indicate in the call confirmation message a change to this default setting according to the rules specified in GSM 07.01. The appropriate MSC/IWF shall be selected on the basis of this requirement.

At call Set-up, the interrogating node passes in the "send routing information" to the HLR, the ISDN BC, LLC and HLC received in the initial address message. The coding of these parameters must comply with ETS 300 102-1 edition 1, with one exception: for the mapping of the parameter modem type to/from the ISDN BC-IE, refer to tables 6A and 6B.

According to the contents of the Compatibility Information, i.e. the ISDN BC, LLC and HLC received, the HLR applies one of the following alternatives:

- 1) No ISDN BC is received, or one from which a GSM Basic Service cannot be deduced with the information Transfer Capability field set to "3,1 kHz audio" but without any associated modem type¹ in the ISDN BC and LLC, or without HLC indication of group 3 facsimile. Two cases have to be considered:
 - a) The called MSISDN has one or two corresponding GSM BC-IE(s) stored in the HLR (see option a) of 9.2.2); then the service attached to this number in the HLR tables is applicable and the corresponding GSM BC-IE(s) is passed to the VLR in "provide roaming number". See figure 6.

If two GSM BC-IE have to be sent to the VLR they are preceded by a repeat indicator information element according to 04.08. These three information elements shall be included within the MAP parameter "GSM Bearer Capability" of the message "Provide Roaming Number".

NOTE: For the case of two GSM BC-IEs see subclause 10.3.
 - b) The called MSISDN has no corresponding GSM BC-IE(s) stored in the HLR (see option b in 9.2.2). In this case no GSM BC is passed to the VLR in the "provide roaming number" message.
- 2) Compatibility Information is received from which a GSM Basic Service can be deduced, i.e. the ITC field in the ISDN BC received is "unrestricted digital" and the fields for the applicable user layer 1 protocol and user rate are available (either in the ISDN BC or LLC), or the ITC field is "3,1 kHz audio", and a modem type, user rate, etc. is indicated but the HLC does not indicate "facsimile group 3". The received ISDN BC (and possibly LLC plus HLC) is then considered applicable regardless of the kind of MSISDN received (GSM BC associated or not) and either the equivalent GSM BC or the original ISDN BC/LLC is sent to the VLR. Additionally in both cases the originally received HLC may also be sent to the VLR, see figure 7.

When the HLR interworks with a phase 1 VPLMN (VLR/VMSC), then the HLR shall convert the ISDN BC to the equivalent GSM BC, and forward to the VLR. In this case however no LLC can be forwarded.

¹ "Modem type" in connection with the ITC value "3.1 kHz audio" means hereafter that either an ISDN BC modem type value is present or the autobauding modem function is indicated (see note 16 of table 6B)

- 3) Compatibility Information is received from which the GSM Teleservice category Facsimile transmission can be deduced i.e. the ITC field in the ISDN BC received is "3,1kHz audio" and the HLC indicates "facsimile group 3" (see figure 7), the following two cases have to be considered:
- a) The called MSISDN has a corresponding GSM BC stored in the HLR (either stating TS 61 or TS 62). In this case the service attached to the MSISDN in the HLR tables is applicable and the corresponding GSM BC is passed to the VLR in the "provide roaming number" message, see also subclause 10.3.1.3.
 - b) The called MSISDN has no corresponding GSM BC stored in the HLR. In this case the HLR shall forward the appropriate GSM BC to the VLR in line with the subscribers subscription to teleservice 61 or 62.

For TS 61 the value of the GSM BC-IE parameter "Information Transfer Capability" shall be set to "alternate speech/facsimile group 3, starting with speech"

In both cases the HLC IE should be passed to the VLR in the "provide roaming number" message.

Alternatively the HLR may forward the originally received ISDN/LLC/HLC, when interworking with a phase 2 VLR.

- 4) In the case where Compatibility Information received does not allow for deducing a GSM Bearer Service but an ISDN BC is received with the ITC field indicating "unrestricted digital", but without the fields indicating applicable "user layer 1 protocol", user rate, etc., neither in the ISDN BC or the ISDN LLC then the following shall apply. The call is managed as for an udi call according to section 9.2.2, i.e either the "multi numbering" or "single numbering" scenario is applied depending on which capability is provided by home PLMN/HLR.

At the VMSC, when the incoming call arrives, the LLC/HLC and the GSM or ISDN BC associated with the MSRN is retrieved from the VLR. LLC and HLC are sent with the GSM BC in general to the MS at call set-up. In particular, however the following rules apply:

- 1) If the Initial Address Message (IAM) contains no ISDN BC and there is no GSM or ISDN BC/LLC/HLC retrieved from the VLR, the call is handled as subclause 9.2.2 case b.
- 2) If there is no ISDN BC in the IAM but a GSM or ISDN BC/LLC/HLC was signalled in the "provide roaming number" message, the retrieved GSM or ISDN BC/LLC/HLC applies.
- 3) If there is an ISDN BC in the IAM with the ITC field set to "3,1 kHz audio" but without any associated modem type or indication of facsimile group 3 in the HLC, the GSM or ISDN BC/LLC/HLC retrieved from the VLR is considered as applicable when it exists. If no GSM or ISDN BC is retrieved from the VLR, the call is handled as in subclause 9.2.2 case b.
- 4) If the ISDN BC received in the IAM has the ITC field set to the value "unrestricted digital information" and the fields for the applicable "user layer 1 protocol" and "user rate" are available (either in the ISDN BC or ISDN LLC), or if 3,1 kHz audio and a modem type is indicated, this ISDN BC is applicable regardless of what has been retrieved from the VLR. In this case the ISDN BC has to be mapped to an appropriate GSM BC (refer to table 6B-09.07).
- 5) If the ISDN BC received in the IAM has the ITC field set to the value "3,1kHz audio" and a HLC "facsimile group 3" is indicated, the GSM BC retrieved from the VLR is applicable when it exists. If a GSM BC-IE with the parameter "information transfer capability" set to "alternate speech/facsimile group 3, starting with speech" (stating TS61) is retrieved from the VLR, this shall be mapped to two GSM BC-IE preceded by a repeat indicator, one representing speech, the other representing facsimile group 3.

When no GSM BC is retrieved from the VLR, either two GSM BCs preceded by a repeat indicator (stating teleservice 61), or a single GSM BC-IE (stating TS 62), are sent in the setup message, depending whether TS 61 or TS 62 is subscribed (see also subclause 10.3.1.3).

In case of TS 61, the order in which the two GSM BC-IEs are sent towards the MS, in the setup message, is a network option.

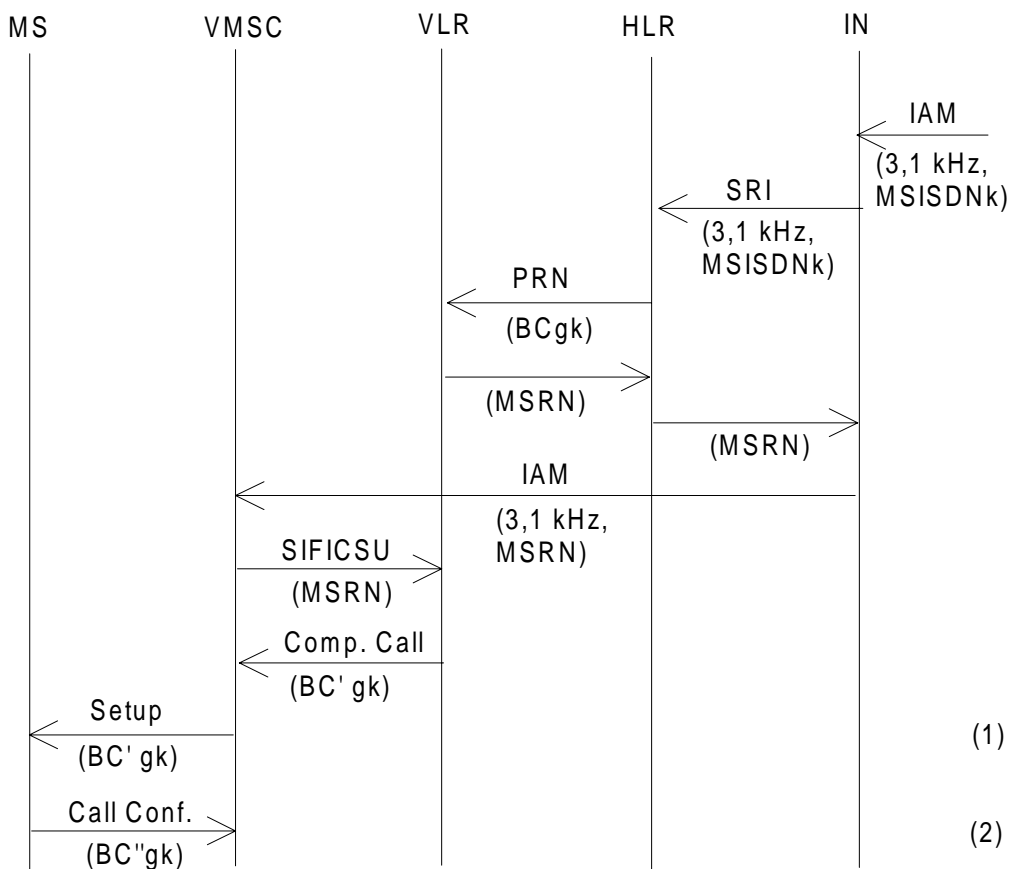
- 6) If the ISDN BC received in the IAM has a ITC value "unrestricted digital information" but without applicable "user layer 1 protocol" and "user rate", etc. fields, neither in the ISDN BC nor ISDN LLC, then the GSM or ISDN BC/LLC retrieved from the VLR is applicable, if available otherwise subclause 9.2.2 case b applies.

In case of an ISDN BC/LLC/HLC was attached to the MSRN this has to be mapped to an appropriate GSM BC (refer to table 6B-09.07). However in both cases (GSM or ISDN BC attached) the PLMN specific parameters of the GSM BC-IEs may be added/modified in line with procedures identified in subclause 9.2.2.

In all cases when no GSM or ISDN BC is retrieved from the VLR and no ISDN Compatibility information allowing deduction of a GSM Bearer Service is available, then no GSM BC is inserted by the VMSC and subclause 9.2.2 case b applies.

The mapping between GSM and ISDN BCs is shown in table 6/09.07.

Mobile terminated, ISDN originated call compatibility Information provided not exhaustive for deducing a GSM Bearer Service, but Information Transfer Capability = 3,1 kHz audio, no modem type and no HLC IE indicating facsimile group 3. HLR stores GSM BC against MSISDN number multi-numbering scheme.



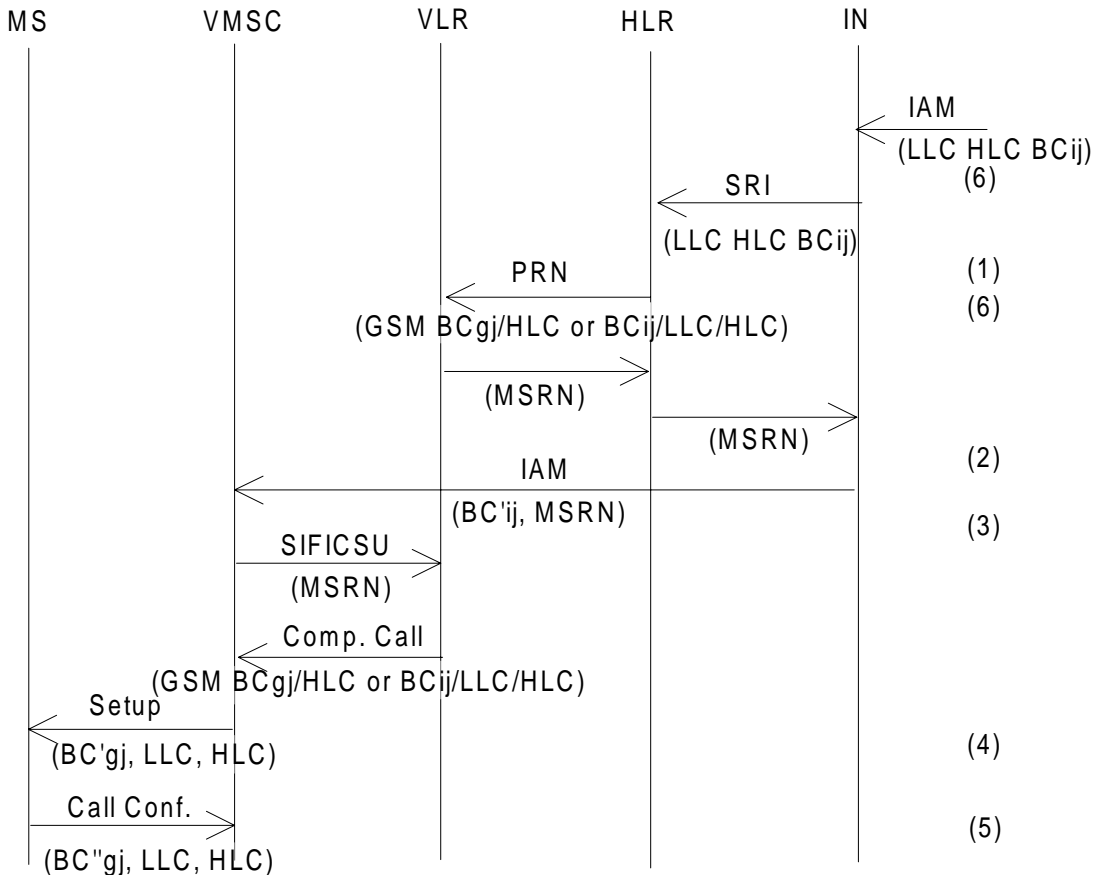
Abbreviations: see figure 2.

- NOTE:
- (1) Some parameters of BCgk may be provided/modified according to the MSC's capabilities/preferences. See subclause 9.2.2
 - (2) In the "Call Confirm" message, the MS may modify some parameters of the GSM BC. See subclause 9.2.2.

Figure 6

Mobile terminated, ISDN originated call compatibility Information provides sufficient information to deduce:

- a GSM Bearer Service, or
- Information Transfer Capability = 3,1 kHz audio with HLC IE indicating facsimile group 3.



- NOTES:
- (1) BCij denotes ISDN ETS 300 102-1 BC*; BCgj is the corresponding GSM BC.
 - (2) Assumes signalling capabilities permit the transfer of BC between IN and VMSC. If this is not the case, the VLR uses the stored BC/LLC/HLC.
 - (3) BC'ij denotes BCij as maybe modified by intervening networks.
 - (4) Some parameters of BCgk may be provided/modified according to the MSC's capabilities/preferences. See subclause 9.2.2.
 - (5) In the "Call Confirm" message, the MS may modify some parameters of the BC. See subclause 9.2.2.
 - (6) For details on how the BC, HLC, and LLC are transported, refer to GSM 09.02.

* HLC and LLC refers to ISDN values.

Abbreviations: see figure 2.

Figure 7

The following tables (6A + 6B) show that only the ISDN BC is used for mapping (exceptions are indicated).

NOTE: The ISDN/GSM BC-IE mapping shall be performed as specified in tables 6A and 6B. This must be done to allow setup of a compatible end-to-end connection between two MSs or one MS and an ISDN terminal.

It has been acknowledged that octets 5a, 5b, 5c and 5d or a combination of them may also be sent and received in 3,1 kHz audio calls. Follow-up versions of ETS 300 102-1 (i.e. ETS 300 403-1), confirm this interpretation. This is especially important for MOC-ISDN terminating calls, where early Customer Premise Equipment (e.g. PABXs), may reject these calls.

In the following table the comparison is drawn between parameters in the GSM call set up request message and that of the ISDN call set up request message. In some cases no comparable values are available and these will be marked as such. In these cases reference will need to be made to the table of network interworking in GSM 09.07 to identify the appropriate choice. In some cases it is not necessary to support a particular option, and in this case those parameters will be annotated appropriately.

Table 6A-09.07: Comparable setting of parameters in GSM 04.08 and ETS 300 102-1 (ETSI ISDN user to network signalling) Mobile Originated

Octet	GSM 04.08 parameter value as in GSM 07.01	Octet	ETS 300 102-1 parameter value
1	Bearer Capability IEI	1	Bearer Capability IEI
2	Length of BC contents	2	Length of BC contents
3 #7..6	Radio channel requirement half rate channel full rate channel dual, full, rate preferred dual, half rate preferred		No comparable field
3 #4	Coding Standard GSM standard coding	3 #7..6	Coding Standard CCITT standardized coding
3 #4	Transfer mode circuit mode packet mode (note7)	4 #7..6	Transfer mode circuit mode packet mode
3 #3..1	Information transfer capability speech unrestricted digital 3,1 kHz audio ex PLMN facsimile group 3 (note 1) other ITC (see octet 5a)	3 #5..1	Information transfer capability speech unrestricted digital 3,1 kHz audio see table 4 in GSM 09.07 no comparable value
5a #7..6	Other ITC restricted digital		(note 18)
4 #7	Compression (note 14) data compression allowed data compression not allowed		No comparable field
4 #6..5	Structure SDU integrity unstructured	4a #7..5	Structure (note 4)
4 #4	Duplex mode half duplex full duplex	5d #7	Duplex mode half duplex full duplex

(continued)

Table 6A-09.07 (continued): Comparable setting of parameters in GSM 04.08 and ETS 300 102-1 (ETSI ISDN user to network signalling) Mobile Originated

Octet	GSM 04.08 parameter value as in GSM 07.01	Octet	ETS 300 102-1 parameter value
4 #3	Configuration point to point	4a #4..3	Configuration (note 4) point to point
4 #1	Establishment demand	4a #2..1	Establishment (note 4) demand
4	NIRR (note 12) meaning Data ≤ 4.8kbit/s, FR nt, 6kbit/s radio interface is requested		No comparable field
5 #5..4	Rate adaptation no rate adaptation (note 2) V.110/X.30 rate adaptation CCITT X.31 flag stuffing No comparable value (note 11) No comparable value (note 11) No comparable value (note 11) other rate adaptation (see octet 5a)	5 #5..1	User information layer 1 protocol no comparable value CCITT standardized rate adaption V.110/X.30 CCITT standardized rate adaption X.31 flag stuffing Recommendation G.711 μ law Recommendation G.711 A law (note 3) Recommendation G.721 32 kbit/s ADPCM and I.460 No comparable value
5a #5..4	Other rate adaptation V.120 (note 17)		No comparable value
5 #3..1	Signalling access protocol I.440/I.450 X.21 X.28, ded.PAD, indiv.NUI X.28, ded PAD, univ.NUI X.28, non-ded PAD X.32		No comparable field
6 #1	Synchronous/asynchronous synchronous asynchronous	5a #7	Synchronous/asynchronous synchronous asynchronous
6 #5..2	User info. layer 1 protocol default layer 1 protocol	5 #5..1	User info. layer 1 protocol see section under rate adaptation for GSM 04.08 above
6a #7	Number of stop bits 1 bit 2 bits	5c #7..6	Number of stop bits 1 bit 2 bits
6a #6	Negotiation In band neg. not possible no comparable value	5a #6	Negotiation In band neg. not possible In band neg. possible (note 10)
6a #5	Number of data bits 7 bits 8 bits	5c #5..4	Number of data bits excluding parity if present 7 bits 8 bits

(continued)

Table 6A-09.07 (continued): Comparable setting of parameters in GSM 04.08 and ETS 300 102-1 (ETSI ISDN user to network signalling) Mobile Originated

Octet	GSM 04.08 parameter value as in GSM 07.01	Octet	ETS 300 102-1 parameter value
6a #4..1	User rate 0.3 kbit/s 1.2 kbit/s 2.4 kbit/s 4.8 kbit/s 9.6 kbit/s 12 kbit/s (note 7) 1.2 kbit/s / 75 bit/s any value no comparable value	5a #5..1	User rate 0.3 kbit/s 1.2 kbit/s 2.4 kbit/s 4.8 kbit/s 9.6 kbit/s 12 kbit/s 75 bit/s / 1.2 kbit/s 19.2 kbit/s (note 14) Ebits or inband negotiation (note 10)
6b #7..6	Intermediate rate 8 kbit/s 16 kbit/s any value	5b #7..6	Intermediate rate (note 13) 8 kbit/s or not used 16 kbit/s or not used 32 kbit/s or not used (note 14)
6b #5	NIC on Tx does not require requires (note7)	5b #5b	NIC on Tx does not require requires (note 8)
6b #4	NIC on Rx cannot accept can accept (note 7)	5b #4	NIC on Rx cannot accept can accept (note 8)
6b #3..1	Parity information odd even none forced to 0 forced to 1	5c #3..1	Parity information odd even none forced to 0 forced to 1
6c #7..6	Connection element transparent non-transparent (RLP) both, transp. preferred both, non-transp. preferred		No comparable field
6c #5..1	Modem type none V.21 V.22 V.22bis V.23 V.26ter V.32 modem for undef. interface autobauding type 1	5d #6..1	Modem type (note 9) no comparable value (note 5) V.21 V.22 V.22bis V.23 V.26ter V.32 No comparable value (note 5) No comparable value (note 5, note 10)
7 #5..1	User info. layer 2 protocol X.25 link level ISO 6429, codeset 0 COPnoFICt videotex profile 1 (note 7) X.75 layer 2 modified (CAPI)	6	User info. layer 2 prot. (note 6) X.25 link level no comparable value no comparable value no comparable value X.25 link level

Table 6A-09.07 (concluded): Comparable setting of parameters in GSM 04.08 and ETS 300 102-1 (ETSI ISDN user to network signalling) Mobile Originated

6d #5..1	Fixed network user rate (note 15) FNUR not applicable (note 7) 9,6 kbit/s 12 kbit/s (note 7) 14,4 kbit/s 19,2 kbit/s 28,8 kbit/s 38,4 kbit/s 48,0 kbit/s 56,0 kbit/s 64,0 kbit/s	5a #5..1	User rate no comparable value 9,6 kbit/s 12 kbit/s 14,4 kbit/s 19,2 kbit/s 28,8 kbit/s 38,4 kbit/s 48,0 kbit/s 56,0 kbit/s no comparable value (note 16)
6e #3..1	Maximum number of traffic channels 1 TCH 2 TCH 3 TCH 4 TCH 5 TCH 6 TCH 7 TCH (note 7) 8 TCH (note 7)		No comparable field
6f #4..1	Wanted air interface user rate air interface user rate not applicable (note 7) 9,6 kbit/s 14,4 kbit/s 19,2 kbit/s 28,8 kbit/s 38,4 kbit/s 43,2 kbit/s 57,6 kbit/s interpreted by the network as 38.4 kbit/s (note 7)		No comparable field
6d #7..6	Other modem type (note 15) No other modem type V.34	5d #6..1	Modem type no comparable value V.34
6e #7..4	Acceptable channel coding(s) TCH/F4.8 acceptable TCH/F9.6 acceptable TCH/F14.4 acceptable		No comparable field
6f #7..5	User initiated modification indicator User initiated modification not required User initiated modification upto 1 TCH/F may be requested User initiated modification upto 2 TCH/F may be requested User initiated modification upto 3 TCH/F may be requested User initiated modification upto 4 TCH/F may be requested		No comparable field

The application rules for coding the information elements ISDN-BC/LLC/HLC as set out in ETR 018 and ETS 300 102-1 shall apply.

Other field values in the ISDN BC-IE of ETS 300 102-1 not supported in GSM 04.08 are:

Information transfer rate: In this case default 64 kbit/s is selected.

Symmetry: In this case default bi-directional symmetric is selected for all user data rates (note 5).

Flow control on transmission: This shall be selected if outband flow control applies.

Flow control on reception: This shall be selected if outband flow control applies.

NOTE: Outband flow control is indicated by the absence of the UIL2P parameter for non-transparent connections.

User information layer 3 protocol:

Octet 7 shall not be sent unless specific application rules are given for particular cases (to be defined by GSM). End-to-end significant User Information layer 3 protocol shall be sent by LLC.

NOTE 1: In the case where GSM BC "Information Transfer Capability" indicates "Facsimile group 3" and only a single GSM BC is contained in the call set-up request then this shall be mapped to an ISDN BC with:

Coding standard: CCITT
Information Transfer capability 3,1 kHz audio
Transfer mode circuit
Information transfer rate 64 kbit/s
User layer 1 protocol G711 A Law
and

- If an HLC is not present, the network will insert a "Facsimile group 2/3" HLC.
- If an HLC element is present, the network will pass it through unmodified.

In the case where GSM BC "Information Transfer Capability" indicates "Facsimile group 3" and two GSM BCs are contained in the call set-up request, then the same ISDN BC as mentioned above is created. If the first GSM BC indicates "facsimile group 3" an HLC "facsimile group 2/3" will be inserted by the network (if not received from the MS). However if the first GSM BC indicates "speech", the network will not send a HLC, irrespective where a HLC was received from the MS or not.

NOTE 2: This value is present in combination with information transfer capability parameter value "3,1 kHz audio Ex PLMN" or "facsimile group 3" and will therefore be mapped to the value "CCITT Recommendation G.711 A Law" of the ETS 300 102-1 parameter user layer 1 protocol (see note 3).

NOTE 3: The value "CCITT Recommendation G.711 A Law" applies only when the ETS 300 102-1 parameter information transfer capability indicates "3,1 kHz audio" or "speech".

NOTE 4: Octets 4a and 4b shall not be included because default values apply.

NOTE 5: In this case octet 5d shall not be included.

NOTE 6: Octet 6 shall not be sent unless specific application rules are given for a particular case (GSM specified). End-to-end significant user information layer 2 protocol shall be sent by LLC.

NOTE 7: Not used for currently defined Bearer Services and Teleservices.

- NOTE 8: These values will only be set if the "Information Transfer Capability" indicates "3,1 kHz audio", synchronous data transmission is used and octet 5b of the ISDN BC is present.
- NOTE 9: The mapping of the modem type shall be according to Draft ETS 300 102-1/prA1.
- NOTE 10: The GSM BC-IE parameter value "autobauding modem type 1" will be mapped to the ISDN BC-IE parameter values "inband negotiation possible" and "user rate indicated by E-bits specified in CCITT Rec I.460 or may be negotiated inband" (octet 5a of ISDN BC-IE). In case of data compression high speed modems, like V.32bis and/or V.34 may be used in the IWF.
- NOTE 11: The ITC value of the GSM BC-IE "speech", "3,1 kHz audio Ex PLMN" will indicate these requirements.
- NOTE 12: For the use of NIRRR see GSM 07.01.
- NOTE 13: The value of the Intermediate Rate field of the ISDN Bearer Capability information element shall only depend on the values of the User Rate and the Information Transfer Capability in the same information element. The correspondence is:

Intermediate Rate = not used if User Rate > than 19.2 kbit/s
 Intermediate Rate = 32 kbit/s if User Rate = 19,2 kbit/s or 14.4 kbit/s
 Intermediate Rate = 16 kbit/s if User Rate = 9,6 kbit/s
 Intermediate Rate = 8 kbit/s otherwise.

In case of Audio calls the value of the Intermediate Rate may be set to "not used".

- NOTE 14: If compression is supported by the MSC and "data compression allowed" is indicated, then the ISDN user rate for UDI calls shall be set as follows. If the parameter "FNUR" is present the ISDN user rate shall be set to this value. Otherwise the GSM user rate shall be mapped to an equal or any higher ISDN user rate value (in case of V.110 the highest ISDN user rate shall be 19.2 kbit/s). The Intermediate Rate shall be set to an appropriate value.(see subclause 10.2.4.11).

In case of "3,1 kHz audio" the modem must try to negotiate data compression and flow control (see subclause 9.2.4.11). In case of "autobauding type 1" high speed modems may be used (see note 10).

- NOTE 15: User rate of the GSM-BC is overridden by the fixed network user rate of the GSM BC-IE if available. When the MT indicates „autobauding“, „modem for undefined interface“ or „none“, the other modem type shall be set to „no other modem type“; any other value of the modem type is overridden by the other modem type value (see GSM 07.01).

- NOTE 16: The ISDN-BC will consist of the octets 1 to 4 only, coded:

Coding standard:	CCITT
Information Transfer capability	UDI
Transfer mode	circuit
Information transfer rate	64 kbit/s

- NOTE 17: V.120 interworking is selected.

If an LLC element is not present, the network will insert an LLC. If an LLC is present it may be modified. The GSM-BC parameters negotiated with the MS shall be mapped to the LLC parameters. The LLC parameter Rate Adaptation will be set to "V.120".

When interworking with unrestricted 64 kbit/s networks the ISDN BC shall be coded according to note 16.

NOTE 18: When the MSC is directly connected to a restricted 64 kbit/s network, the ISDN BC-IE is coded with an ITC = RDI (not applicable to ISDNs conforming to ETS 300 102-1). When indirectly interworking with a restricted 64 kbit/s network the ISDN BC-IE shall be coded according to ETR 018, as shown below:

Coding standard:	CCITT
Information Transfer capability:	UDI
Transfer mode:	circuit
Information transfer rate:	64 kbit/s
User information layer 1 protocol:	V.110/X.30
Synchronous/Asynchronous:	synchronous
Negotiation:	In-band negotiation not possible
User rate:	56 kbit/s

If an LLC element is not present, the network will insert an LLC. If an LLC is present it may be modified. The GSM-BC parameters negotiated with the MS shall be mapped to the LLC parameters according to the rules in this table. The LLC parameter Information Transfer Capability will be set to „restricted digital“

Table 6B-09.07: Comparability and Mapping of bearer capability parameter values according to ETS 300 102-1 and GSM 04.08 within the HLR for a mobile terminated Call

Octet	ETS 300 102-1 parameter value	Octet	GSM 04.08 parameter value
1	Bearer Capability IEI	1	Bearer Capability IEI
2	Length of BC contents	2	Length of BC contents
	no comparable field	3 #7..6	Radio channel requirement (note 1) half rate channel full rate channel both, half rate preferred both, full rate preferred
3 #7..6	Coding standard CCITT standardized coding	3 #5	Coding standard GSM standardized coding
3 #5..1	Information transfer capability speech unrestricted digital 3,1 kHz audio no comparable value no comparable value 7 kHz audio video (note 23)	3 #3..1 5a #7..6	Information transfer capability speech unrestricted digital 3,1 kHz audio ex PLMN (note2) facsimile group 3 (note 3) other ITC (see octet 5a) not supported not supported Other ITC restricted digital
4 #7..6	Transfer mode circuit mode packet mode	3 #4	Transfer mode circuit mode circuit mode

(continued)

Table 6B-09.07 (continued): Comparability and Mapping of bearer capability parameter values according to ETS 300 102-1 and GSM 04.08 within the HLR for a mobile terminated Call

Octet	ETS 300 102-1 parameter value	Octet	GSM 04.08 parameter value
4 #5..1	Information transfer rate 64 kbit/s		no comparable field
	No comparable field	4 #7	Compression (note 18) data compression possible data compression not possible
4a #7..5	Structure default 8 kHz integrity SDU integrity unstructured	(4) 4 #6..5	Structure no comparable value no comparable value SDU integrity (note 9) unstructured (note 5)
4a #4..3	Configuration point-to-point	4 #3	Configuration point-to-point (*)
	No comparable field	4 #2	NIRR (note 17) No meaning Data ≤ 4.8 kbit/s, FR nt, 6 kbit/s radio interface requested
4a #2..1	Establishment demand	4 #1	Establishment demand (*)
4b #7..6	Symmetry bi-directional symmetric		no comparable field
4b #5..1	Information transfer rate (dest->orig.) 64 kbit/s		no comparable field
5 #5..1	User information layer 1 protocol no comparable value CCITT V.110 / X.30 CCITT G.711 A-law CCITT X.31 flag stuffing no comparable value	5 #5..4	Rate adaption no rate adaption (note 11) V.110/X.30 rate adaption no comparable value CCITT X.31 flag stuffing other rate adaption (see octet 5a)
	No comparable value	5a #5..4	Other rate adaptation V.120 (note 24)
	no comparable field	5 #3..1	Signalling access protocol I.440/I.450 X.21 X.28, ded.PAD, indiv.NUI X.28, ded.PAD, univ.NUI X.28, non-ded.PAD X.32
	see above	6 #5..2	User information layer 1 protocol default layer 1 protocol
5a #7	Synchronous / asynchronous synchronous asynchronous	6 #1	Synchronous/asynchronous synchronous asynchronous

(continued)

Table 6B-09.07 (continued): Comparability and Mapping of bearer capability parameter values according to ETS 300 102-1 and GSM 04.08 within the HLR for a mobile terminated Call

Octet	ETS 300 102-1 parameter value	Octet	GSM 04.08 parameter value
5a #6	Negotiation not possible inband neg, possible (note 16)	6a #6	Negotiation not possible no comparable value
5a #5..1	User rate 0,3 kbit/s 1,2 kbit/s 2,4 kbit/s 4,8 kbit/s 9,6 kbit/s 12 kbit/s rate is indicated by Ebit as specified in CCITT rec. I.460 0,6 kbit/s 3,6 kbit/s 7,2 kbit/s 8 kbit/s 14,4 kbit/s 16 kbit/s 28.8 kbit/s 32 kbit/s 38.4 kbit/s 48 kbit/s 56 kbit/s 64 kbit/s 0,1345 kbit/s 0,1 kbit/s 75 bit/s / 1,2 kbit/s 1,2 kbit/s / 75 bit/s 0,110 kbit/s 0,115 kbit/s 0,2 kbit/s	6a #4..1	User rate (note 18) 0,3 kbit/s 1,2 kbit/s 2,4 kbit/s 4,8 kbit/s 9,6 kbit/s 12 kbit/s (note 13) (note 16) not supported not supported not supported not supported (note 20) not supported (note 20) not supported (note 20) (note 20) (note 20) not supported
5b #7..6	Intermediate rate not used (note 19) 8 kbit/s 16 kbit/s	6b #7..6	Intermediate rate (note 6) (note 18) 8 or 16 kbit/s 8 kbit/s 16 kbit/s
5b #5	NIC on Tx (note 14) does not require requires	6b #5	NIC on Tx does not require requires (note 13)
5b #4	NIC on Rx (note 14) cannot accept can accept	6b #4	NIC on Rx cannot accept can accept (note 13)
5b #3	Flow control on Tx (note 15) Not Required Required		no comparable field
5b #2	Flow control on Rx (note 15) Cannot Accept Accept		no comparable field

(continued)

Table 6B-09.07 (continued): Comparability and Mapping of bearer capability parameter values according to ETS 300 102-1 and GSM 04.08 within the HLR for a mobile terminated Call

Octet	ETS 300 102-1 parameter value	Octet	GSM 04.08 parameter value
5c #7..6	Number of stop bits 1 bit 2 bits not used 1.5 bits	6a #7	Number of stop bits 1 bit 2 bits no comparable value not supported
5c #5..4	Number of data bits 7 bits 8 bits not used 5 bits	6a #5	Number of data bits 7 bits 8 bits no comparable value not supported
5c #3..1	Parity information odd even none forced to 0 forced to 1	6b #3..1	Parity information odd even none forced to 0 forced to 1
	no comparable field	6c #7..6	Connection element (note 1) transparent non-transparent (RLP) both, transp. preferred both, non-transp preferred
5d #7	Duplex mode half duplex full duplex	4 #4	Duplex mode half duplex (note 13) full duplex (*)
5d #6..1	Modem type reserved V.21 V.22 V.22bis V.23 V.26ter V.32 V.26 V.26bis V.27 V.27bis V.29 V.35 no comparable value	6c #5..1	Modem type (note 12) none (note 7) V.21 V.22 V.22bis V.23 V.26ter V.32 not supported autobauding type 1 (note 16)

(continued)

Table 6B-09.07 (concluded): Comparability and Mapping of bearer capability parameter values according to ETS 300 102-1 and GSM 04.08 within the HLR for a mobile terminated Call

Octet	ETS 300 102-1 parameter value	Octet	GSM 04.08 parameter value
5a #5..1	User rate no comparable value 9,6 kbit/s 14,4 kbit/s 19,2 kbit/s 28,8 kbit/s 38,4 kbit/s 48 kbit/s 56 kbit/s no comparable value	6d #5..1	Fixed network user rate (note 20) FNUR not applicable (note 7) 9,6 kbit/s 14,4 kbit/s 19,2 kbit/s 28,8 kbit/s 38,4 kbit/s 48,0 kbit/s 56,0 kbit/s 64,0 kbit/s (note 22)
	Modem type no comparable value (note 21) V.34	6d #7..6	Other modem type No other modem type V.34
	No comparable field	6f #7..5	User initiated modification indicator (note 1) User initiated modification not required User initiated modification upto 1 TCH/F may be requested User initiated modification upto 2 TCH/F may be requested User initiated modification upto 3 TCH/F may be requested User initiated modification upto 4 TCH/F may be requested
6 #5..1	User information layer 2 protocol (note 10) Q.921 (I.441) X.25, link level no comparable value	7	User information layer 2 protocol (note 8) no comparable value X.25, link level ISO 6429, codeset 0
7	User information layer 3 protocol (note 10) Q.931 (I.451) X.25, packet level		not supported

General notes:

- 1) Other ETS 300 102-1 parameter values than those listed in the table, if indicated in the BC-IE, will be rejected by clearing the call.
- 2) Only the GSM 04.08 parameter values listed in the table may be generated (comparable values) during a mobile-terminated call by mapping the ETS 300 102-1 parameter values, exception see (10).
- 3) According to ETS 300 102-1 and GSM 04.08, respectively, the octets are counted from 1 to n onwards; the bit position in a particular octet is indicated by #x..y, with {x,y} = 1..8 (bit 1 is the least and bit 8 the most significant bit).
- 4) If octets 5 to 5d of the ISDN BC are absent but present in the LLC, the LLC octets should apply for the mapping as indicated above. In the case of V.120 interworking (see note 24) these LLC octets shall apply.
- 5) If within the ISDN BC the parameters information transfer capability indicates "3,1 kHz audio" and user layer 1 protocol indicates "G711 A Law" but no modem type is available and the HLC does not indicate "facsimile group 3", octets 5 to 5d of the LLC, if available, apply for the above mapping procedure.
- 6) The number of octets which shall be encoded for the GSM BC-IE must comply to encoding rules in GSM 04.08 and the combination of the different parameter values shall be in accordance to GSM 07.01.

Notes regarding the mapping:

- (*) This GSM 04.08 parameter value is inserted, if the comparable ETS 300 102-1 parameter value is missing.
- 1) This GSM 04.08 parameter value is inserted according to user rate requirements and network capabilities / preferences.
- 2) This GSM 04.08 parameter value is inserted, if the information transfer capability in ISDN BC is "3,1kHz audio" and a comparable modem type is specified.
- 3) This GSM 04.08 parameter value is inserted, if the information transfer capability is "3,1 kHz audio" and the content of the HLC-IE, if any, indicates "facsimile group 2/3", (for details refer to subclause 10.2.2 case 3 for HLR action and case 5 for VMSC action). Note that via MAP the value "alternate speech/facsimile group 3 - starting with speech" shall be used, when TS 61 applies.
- 4) If octet 4a is omitted the default condition according to ETS 300 102-1 applies.
- 5) The GSM 04.08 parameter value shall be set to "unstructured" where the network indicates connection element "transparent".
- 6) The value of the Intermediate Rate field of the GSM Bearer Capability information element shall only depend on the values of the user rate or the radio channel requirement in the same information element. If the connection element is "transparent", the value is 16 kbit/s, if the user rate is 9.6 or 12 kbit/s, and 8 kbit/s otherwise. For any other connection element setting the value is 16 kbit/s, if the radio channel requirements are "full rate" or "dual, full rate preferred", or "dual, half rate preferred", and 8 kbit/s, if the radio channel requirements is "half rate".
- 7) This GSM 04.08 parameter value is inserted, if the GSM BC parameter "Information Transfer Capability" indicates "Unrestricted digital information", "facsimile group 3" or "alternate speech/facsimile group 3, starting with speech".
- 8) Where the network indicates "asynchronous" and connection elements "non-transparent", "both, transparent preferred" or "both, non-transparent preferred" , then the GSM BC should be forwarded without parameter user information layer 2 protocol, see also (10).

- 9) Where the network indicates connection elements "non transparent" "both, transparent preferred" or "both, non transparent preferred" the value of the parameter structure shall be set to "SDU Integrity".
- 10) Mapping of parameter values of this octet to GSM BC parameters and values are subject to specific application rules, i.e. unless otherwise explicitly stated in an appropriate TS mapping to GSM BC parameters shall not take place.
- 11) This value shall be used when the value of the GSM BC parameter "Information Transfer Capability" indicates the value "3,1 kHz audio ex PLMN", "facsimile group 3" or "alternate speech/facsimile group 3, starting with speech" which is reserved for MAP operations.
- 12) The modem encoding of both Draft ETS 300 102-1/prA1 and ETS 300 102-1 version 1 shall be accepted and mapped according to GSM 04.08.
- 13) Value not used for currently defined bearer services and Teleservices.
- 14) NIC is only supported for "3,1 kHz Ex PLMN audio" interworking with synchronous data transmission.
- 15) Because the required flow control mechanism can not be indicated to the MS (refer to GSM 07.01), the network shall check if the flow control mechanism selected by the MS and indicated in the CALL CONFIRMED message suits to the requirements requested by the ISDN terminal adaptor. In case of a mismatch the call shall be released in the IWF.

Because an asymmetric flow control mechanism (with respect to transmitting and receiving side) is not supported in GSM PLMNs, the different values of the ISDN BC-IE parameters "flow control on Tx" and "flow control on Rx" shall be interpreted in the following way:

- "Flow control on Rx" set to "accepted" matches with "outband flow control", irrespective of the value of the parameter "flow control on Tx"
 - "Flow control on Rx" set to "not accepted" and "flow control on Tx" set to "not required" matches with "inband flow control" and "no flow control"
 - where "Flow control on Rx" is set to "not accepted" and "flow control on Tx" to "required" the call shall be released by the IWF
- 16) If in case of 3,1 kHz audio interworking "inband negotiation possible" is indicated and the parameter user rate is set to "rate is indicated by E bits specified in Rec I.460 or may be negotiated inband" the user rate in the GSM BC-IE shall be set according to a network preferred value, whereas the preferred value of the Radio Channel Requirement shall be considered. If parameter ISDN-BC modem type is present, its value shall be ignored. The parameter GSM-BC modem shall be set according to the user rate in case of connection element "transparent" and to "autobauding type 1" in case of connection element "non transparent", "both, transparent preferred" or "both, non transparent preferred". In case of data compression high speed modems, like V.32bis and/or V.34 may be used in the IWF.
For unrestricted digital interworking the call shall be rejected if these values are indicated.
 - 17) For the use of NIRR see GSM 07.01. The VMSC shall set this parameter dependent upon its capabilities and preferences.
 - 18) If compression is supported by the MSC, the value "data compression possible" may be set. Depending on the capabilities of the MSC, the user rate value and the intermediate rate value is set to an appropriate value.
 - 19) Only applicable if the parameter ISDN-BC ITC indicates "3.1 kHz audio" and for "UDI" calls if User Rate > "19.2 kbit/s".
 - 20) The user rate of the GSM BC is set to the value for the fall-back bearer service. In case the mobile station does not support the fixed network user rate (i.e. the call confirmation message does not contain the fixed network user rate parameter), the network may release the call for a transparent connection element.

- 21) The modem type parameter of the GSM-BC is taken into account, only.
- 22) In case no LLC is received and the ISDN-BC received consists of octets 1 to 4 only, coded:
 Coding standard: CCITT
 Information Transfer capability UDI
 Transfer mode circuit
 Information transfer rate 64kbit/s,
 the following GSM-BC parameters, indicating a 64 kbit/s bit transparent service, shall be set to:
 fixed network user rate 64 kbit/s
 connection element transparent
 The other parameters of the GSM-BC shall be set to values indicating a fall-back service.
- (23) When the MSC is directly connected to a restricted 64 kbit/s network, the ISDN BC-IE is coded with an ITC = RDI (not applicable to ISDNs conforming to ETS 300 102-1). An ISDN BC-IE, as specified in ETR 018 and shown below, shall be taken to indicate that interworking with an indirectly connected restricted 64 kbit/s network is required

Coding standard:	CCITT
Information Transfer capability:	UDI
Transfer mode:	circuit
Information transfer rate:	64 kbit/s
User information layer 1 protocol:	V.110/X.30
Synchronous/Asynchronous:	synchronous
Negotiation:	In-band negotiation not possible
User rate:	56 kbit/s

In this case the GSM BC parameter Information Transfer Capability is set to „Other ITC“ and Other ITC parameter is set to „restricted digital“. All the corresponding fields in the GSM BC shall be derived from the ISDN LLC.

- 24) V.120 interworking is required if the ISDN LLC parameter User Information Layer 1 Protocol is set to „V.120“. In this case the GSM BC parameter Rate Adaptation is set to „Other rate adaptation“ and Other Rate Adaptation parameter is set to „V.120“. All the corresponding fields in the GSM BC shall be derived from the ISDN LLC.

10.2.2.1 Circuit switched calls

Where the bearer capability information indicated that the call is a circuit switched unrestricted digital call, then the MSC/IWF shall select the appropriate rate adapted PLMN bearer service.

10.2.2.2 Packet calls

The mobile network offers only Bm channel access for the packet mode service. The ISDN offers both B and D channel access for the packet mode service. The interworking of mobile packet calls is described in GSM 09.06.

10.2.3 Transparent service support (see GSM 03.10)

GSM 08.20 identifies the rate adaptation scheme to be utilized on the BS to MSC link. The transcoding function will generate the 64 kbit/s rate adapted format utilizing the 8 and 16 kbit/s intermediate data rates. The MSC - MSC/IWF will utilize the same rate adaptation scheme as that indicated in GSM 08.20, i.e. adapted to 64 kbit/s.

10.2.3.1 MSC - IWF rate adaptation scheme

This link consists of a 64 kbit/s channel with the information, both user data and in band parameter information (where provided) rate adapted in conformance to GSM 08.20.

10.2.3.2 Rate adaptation process in MSC/IWF

When interworking to the unrestricted digital bearer service then no further rate adaptation will be necessary within the MSC/IWF. For multislot or TCH/F14.4 operations MSC/IWF shall adapt the data stream as defined in GSM 04.21 and GSM 08.20.

When interworking to the 3,1 kHz audio service, then the same process as for the PSTN case is necessary.

10.2.3.3 Mapping of signalling MS/MSC/IWF to modem interface requirements

Only necessary for the 3'1 kHz audio interworking case (see section 9.2.3.3). For a multislot configuration refer to GSM 03.10.

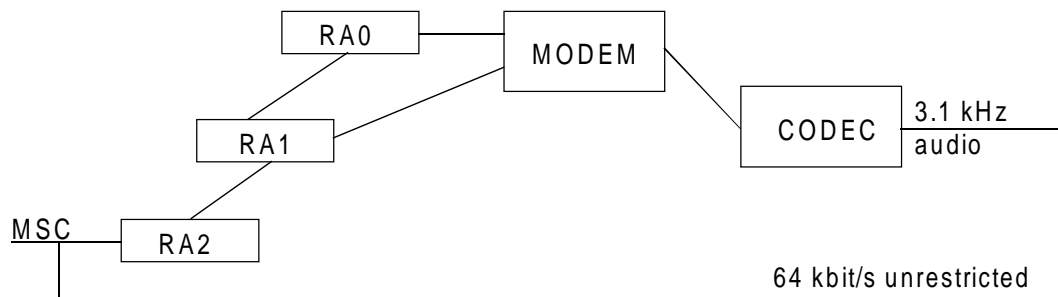


Figure 8: Protocol structure in the MSC/IWF (transparent)

10.2.3.4 Establishment of end-to-end terminal synchronizations

Prior to exposing the traffic channel of a PLMN connection to transmission of user data, the controlling entities of the connection have to assure of the availability of the traffic channel. This is done by a so called synchronizations process:

- starting on the indication of "physical connection established" resulting from the PLMN-inherent outband signalling procedure This indication is given on sending the message CONNECT in case of MOC, CONNECT ACKNOWLEDGEMENT in case of MTC and MODIFY COMPLETE (which is sent after reception of the ASSIGN COMPLETE message) in case of in-call modification.
- ending by indicating the successful execution of this process to the controlling entity, which then takes care of the further use of the inband information (data, status).

Network interworking within an MSC/IWF is concerned with the terminating side (to the MS) and the transit side (to the fixed network) of a connection. Both sides have to be treated individually related to the synchronizations process.

With respect to the terminating side the procedure for all traffic channel types except TCH/F14.4 is as follows:

- sending of synchronizations pattern 1/OFF (all data bits "1"/all status bits "OFF") to the MS using the RA1/RA2 rate adaptation function. In multislot transparent operation, the synchronisation pattern sent is 1/OFF with the exception of the bit positions S1, first X, S3, and S4 which contain the substream number and multiframe alignment pattern (Ref. GSM TS 04.21);
- searching for detection of the synchronizations pattern from the MS within valid V.110 frames, and in multislot operation, also searching for the multiframe alignment pattern "0000 1001 0110 0111 1100 0110 1110 101" (Ref. to GSM 04.21) in bit position S4 and substream numbers in bit positions S1, first X, and S3. This implies that the E1, E2 and E3 bit of the V.110 frame shall be checked for the appropriate user rate in order to distinguish the synchronization pattern from the BSS idle data frame.

With respect to the terminating side the procedure for TCH/F14.4 is as follows:

- Searching for detection of the A-TRAU frame alignment pattern (TS 08.20) from the BSS.
- After the detection of the A-TRAU frame alignment pattern, sending A-TRAU frames with the data rate set in the bits C1-C4 (TS 08.20) and data bits set to one, sending the multiframe structure with the alignment pattern (bit M1) and with the status bits OFF (bit M2) and, in a multislot case, sending substream numbers (bit M2).
- Searching for the detection of the multiframe alignment pattern „0000 1001 0110 0111 1100 0110 1110 101“ (TS 04.21) in the bit M1 and, in a multislot case, searching for substream numbers in the bit M2. (Any 5 bit sequence in the multiframe alignment pattern is unique, i.e. the multiframe alignment can take place by recognition of five successive M1 bits.)

In case of interworking to the ISDN "3,1 kHz audio" bearer service the synchronization process is as for the PSTN interworking case (see subclause 9.2.3.4). In case of interworking to the ISDN unrestricted digital bearer service the following synchronization process has to be performed.

When the frame alignment pattern and, in case of multislot operation or TCH/F14,4, the multiframe alignment pattern have been recognised as a steady state, the MSC/IWF continues sending the synchronizations patterns to the MS unless a timer T expires. From this time, after the expiration of the timer T of each allocated traffic channel, the information on the receiving lines from the MS and from the fixed network are directly mapped to the respective sending lines.

During the synchronizations process described above, i.e. while the synchronizations pattern is being sent by the MSC/IWF, the MSC/IWF will not send the V110 frame structure to the ISDN transit network. Once timer "T" for each of the allocated traffic channel(s) of the call expires the synchronizations pattern will continue to be transmitted from the MSC/IWF to the MS, however, the MSC/IWF will start sending the V110 frames received from the MS to the ISDN transit network. The MSC/IWF will start looking for the ISDN frame alignment to be received from the ISDN. On recognising frame alignment the MSC/IWF will cease sending its synchronizations pattern to the MS and connect the ISDN through to the MS. In case of multislot operation or TCH/14.4 the IWF shall adapt the data stream as defined in GSM TS 04.21 and 08.20.

It should be noted that in a GSM PLMN V.-series and X.-series interfaces are only supported in full duplex mode. Thus the call control phase can be mapped almost completely to the signalling procedure (the S-bits during the call control phase are irrelevant). However, the "ready for data" condition (i.e. CT106/109, in case of V.-series interface, and I-circuit, in case of X.-series interface) is derived directly from the traffic channel (see also filtering of channel control information).

10.2.3.5 Network independent Clocking (NIC)

Due to the incompatibility between the ISDN and the GSM requirements for NIC interworking is not provided between these two formats. As such no NIC function is required in providing interworking to the ISDN. In this case, the IWF shall disregard the value of bits E4, E5, E6 and E7 in the data transmission phase.

10.2.4 Non-transparent service support (See GSM 03.10)

GSM 08.20 identifies the corresponding necessary support concerning the rate adaptation scheme to be utilized on the BS-MSC link.

10.2.4.1 MSC - IWF Rate adaptation scheme

This will be the same as for the transparent case.

10.2.4.2 Protocol layer structure in the MSC/IWF

GSM 03.10 identifies the protocol layer structure for the non-transparent case, the MSC/IWF provides the inverse of the action in the terminal adaptation function. For a multislot configuration refer to GSM 03.10.

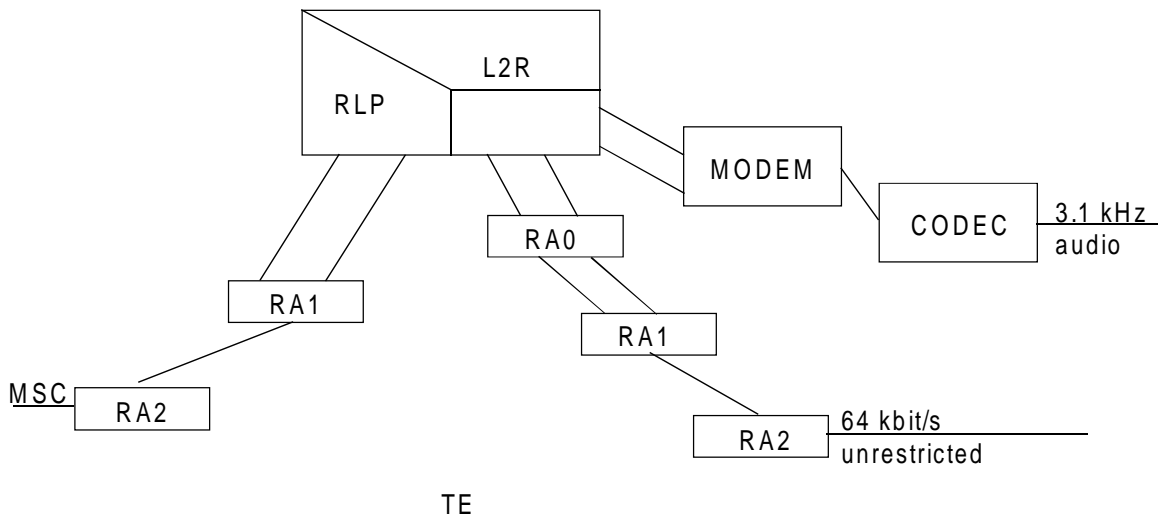


Figure 9: Protocol structure in the MSC/IWF (non-transparent)

10.2.4.3 Re-constitution of user data

GSM 04.22 refers to the frame of user data in the radio link protocol. The layer 2 relay functions in the MS and the MSC/IWF (identified in GSM 03.10) contain the mechanism for packing and unpacking the user data into the L2R protocol data units.

10.2.4.4 Layer 2 relay functionality

Specific functionality is required on the L2R dependant upon the service which is being requested to be supported. The selection of the appropriate L2R function will be determined by the MSC/IWF on the basis of the bearer capability information signalled in the call set-up request, or call confirmation message. The prime information element being transparent or non transparent service indication. In addition the particular L2R function - type of protocol to be terminated and mode of flow control to be applied (see appropriate subclauses in 07 series) - will be selected on the basis of the user's layer 2 indication.

The specific interaction between the L2R function and the RLP function and the L2R frame structure will be the same as that detailed in the Annex to the appropriate GSM 07 series.

10.2.4.5 In band signalling mapping flow control

This entails the L2R function providing the means of controlling and responding to flow control function of the modem (or in the rate adapted frame) plus any synchronizations requirements related to flow control. for synchronous services flow control is covered by the protocol indicated whereas for asynchronous services a specific rule applies for flow control (see GSM 07.01).

In case of interworking to the ISDN "3,1kHz audio" bearer service the flow control process is as for the PSTN interworking case (see subclause 9.2.4.5). In case of interworking to the ISDN unrestricted digital bearer service the following procedures apply:

The flow control function chosen will be dependent upon the availability of the "user information layer 2" information element of the GSM BC and if available its value.

For V.110 interworking, outband flow control will be by means of the "X" bit in the V.110 frame to the ISDN.

For V.120 interworking, outband flow control shall be as follows. In Multiple frame acknowledged mode the functions of the data link control sublayer (send RNR or withhold update of the sequence state variable V(R)) shall be used. In Unacknowledged mode the RR bit in the Control State octet shall be used.

If flow control is provided irrespective of the type used, the L2R function must:

- a) provide immediate indication of flow control to the fixed network on receipt of flow control request from the MS.

and/or

- b) provide immediate indication of flow control to the MS on receipt of flow control request from the fixed network i.e. in the next available L2R status octet to be transmitted.

Where in band (X-on/X-off) flow control is in use, then the X-on/X-off characters will not be passed across the radio interface.

If no flow control is provided the involved end systems are responsible for performing in-band flow control on their own by taking into account the buffer capacity of the MSC/IWF as stated below.

10.2.4.5.1 Conditions requiring flow control - if flow control is provided -towards the fixed network

The L2R function will initiate flow control in the following circumstances:

- 1) The transmit buffer reaches a preset threshold (BACK PRESSURE).
- 2) The L2R function receives a "flow control active" indication.

On removal of buffer congestion or receipt of L2R "flow control inactive" the flow control will be removed.

No flow initiation/removal will take place at the L2R function and loss of data may occur, if no flow control is provided.

10.2.4.5.2 Conditions requiring flow control towards the MS

The L2R function will transmit to the MS a "flow control active indication", if flow control is provided, in the following circumstances:

- 1) If the receive buffer from the radio side reaches a preset threshold (BACK PRESSURE).
- 2) If a flow control indication is received from the fixed network customer. On receipt of this flow control indication, transmission of data from the receive buffers towards the fixed network terminal is halted.

On removal of the buffer congestion or fixed network flow control indication, the L2R function will send a "flow control inactive" indication towards the MS. In addition, for the fixed network indication, transmission of data from the receive buffers will be restarted.

If no flow control is provided at the L2R function, no flow control initiation/removal will take place by the MSC/IWF. Data might be lost without any indication by the MSC/IWF to the end systems involved.

10.2.4.6 Data buffers

10.2.4.6.1 Transmit buffers (towards MS)

Incoming data from the fixed network customer shall be buffered such that if the MSC/IWF is unable to transfer data over the radio path the data is not lost.

The buffer shall be capable of holding the data. Its size is up to the implementors. When the buffer is half full flow control towards the fixed network shall be initiated if flow control is provided as per subclause 10.2.4.5.1.

10.2.4.6.2 Receive buffers (from MS)

Incoming data from the MS is buffered such that if the fixed network terminal is unable to accept the data then it is not lost.

The buffer shall be capable of holding the data. Its size is up to the implementors. When the buffer becomes half full, the L2R function will send a "flow control active" indication towards the MS if flow control is provided at the L2R function, as per subclause 10.2.4.5.2.

10.2.4.7 BREAK Indication

The BREAK indication is managed as detailed in subclause 9.2.4.7.

When V.120 rate adaptation is being used in protocol sensitive asynchronous mode on the ISDN, the L2R break condition shall map on to the BR bit of the V.120 header octet.

10.2.4.8 Signalling mapping modem status information or in band rate adapted frame information

Status information from the modem or within the rate adapted frame, will be carried by the L2R function, in the MSC/IWF, to/from the L2R function in the terminal adaptation function. The MSC/IWF is not intended to utilize this information for any purpose. The use of "Data carrier detect" or "clear to send" by the terminal adaptation function to determine ISDN link establishment or failure is not utilized by the MSC/IWF. For example, call clearing, in event of line failure, will be generated normally by the MS not the MSC/IWF.

10.2.4.9 Support of out-band flow control

Out-band flow control in the case of V.110 rate adaption requires V.110 TA to TA "end-to-end flow control" as defined therein. If this functionality is requested by MS but cannot be supported by the MSC/IWF for any reason (refer also to note 15 of table 6B-09.07) the call pending shall be released.

For V.120 interworking, outband flow control shall be as follows. In Multiple frame acknowledged mode the functions of the data link control sublayer (send RNR or withhold update of the sequence state variable V(R)) shall be used. In Unacknowledged mode the RR bit in the Control State octet shall be used.

10.2.4.10 Synchronizations

In case of interworking to the ISDN "3,1kHz audio" bearer service the synchronization process is as for the PSTN interworking case (see subclause 9.2.3.4). In case of interworking to the ISDN unrestricted digital bearer service the following synchronization process has to be performed:

10.2.4.10.1 V.110 and V.120 Frame synchronizations

The ISDN frame synchronizations will need to be mapped to the frame synchronizations utilized on the MSC/IWF to MSC link.

10.2.4.10.2 RLP Frame start indication

The frame start indication is defined in GSM 08.20. Link establishment and frame error recovery are defined in GSM 04.22.

10.2.4.10.3 L2R Frame synchronizations

The synchronizations of user data and its interaction between the L2R function and RLP function are defined in GSM 07 series .

10.2.4.10.4 Establishment of end-to-end terminal synchronizations

Prior to exposing the traffic channel of a PLMN connection to transmission of user data, the controlling entities of the connection have to assure of the availability of the traffic channel. This is done by a so called synchronization process:

- starting on the indication of "physical connection established" resulting from the PLMN-inherent outband signalling procedure This indication is given on sending the message CONNECT in case of

MOC, CONNECT ACKNOWLEDGEMENT in case of MTC and MODIFY COMPLETE (which is sent after reception of the ASSIGN COMPLETE message) in case of in-call modification;

- ending by indicating the successful execution of this process to the controlling entity, which then takes care of the further use of the in-band information (data, status).

Network interworking within an MSC/IWF is concerned with the terminating side (to the MS) and the transit side (to the fixed network) of a connection. Both sides have to be treated individually related to the synchronization process.

With respect to the terminating side the procedure is as follows:

- reception of V.110 or A-TRAU frames on all allocated traffic channels for the call is required before the MSC/IWF shall reply with an RLP-UA frame to the MT's RLP link establishment request (if the MSC/IWF initiates the RLP link establishment, reception of V.110 or A-TRAU frames on all allocated traffic channels for the call must be detected first)
- waiting for RLP link establishment by the MT (in addition the MSC/IWF may initiate the RLP link establishment).

Depending upon implementation, the synchronization of the V.110 or V.120 rate adaptation protocol on the ISDN transit network may be performed either after RLP establishment or in parallel to the RLP establishment. In case of the parallel establishment, data received from the transit side during RLP establishment shall be stored within the L2R buffers until the RLP establishment at the terminating side has been finished. When the RLP has been established and on recognizing frame alignment the information from/to the RLP is mapped by the L2R entity applicable to this particular bearer capability.

For V.110 rate adaptation on the ISDN, the synchronization process consists of sending the V.110 frame structure and looking for incoming frame synchronization. For V.120 rate adaptation the following applies. In Multiple frame acknowledged mode, data (I frames) may be sent following an exchange of SABME and UA in the traffic channel. In Unacknowledged mode, data (UI frames) may be sent immediately after an ISUP CONNECT or CONNECT COMPLETE message has been received on the ISDN signalling channel. Optionally, an XID exchange may take place in the traffic channel to verify link integrity.

Note. UI frames may be sent in Multiple frame acknowledged mode at any time in addition to I frames. Although not specified in V.120, it is recommended that the recipient should deliver to the user the sequence of I and UI frames in the order in which they are received.

It should be noted that in a GSM/PLMN, V.-series and X.-series interfaces are only supported in full duplex mode. Thus the call control phase can be mapped almost completely to the signalling procedure (the S-bits during the call control phase are irrelevant). However, the "ready for data" condition (i.e. CT106/109, in case of V.-series interface, and I-circuit, in case of X.-series interface) is derived directly from the traffic channel (see also filtering of channel control information).

10.2.4.11 Data compression

When data compression is invoked within a non-transparent bearer service, interworking to the ISDN is realized by mapping the GSM user rate to at least the same user rate in the ISDN. When the ISDN user rate is the same flow control will ensure data integrity, but the overall performance will be slow. When the ISDN user rate is higher the overall performance may be faster.

10.2.4.12 Additional aspects of V.120 Interworking

V.120 rate adaptation applies on the ISDN, whereas between the MS and IWF V.110 applies. The interworking between V.110 and V.120 shall be performed in the MSC/IWF. V.120 rate adaptation may be invoked with either synchronous or asynchronous services. V.120 is applicable to both UDI and RDI connections.

10.2.4.12.1 V.120 Signalling parameters

The signalling parameters relevant to V.120 will be carried in the ISDN LLC and GSM BC and GSM LLC information elements. The mapping of the parameter values takes place in the MSC/IWF.

For mobile terminated calls both single-numbering and multi-numbering scenarios may apply, as defined in subclause 9.2.2. The HLR shall not store an ISDN LLC with the MSISDN.

10.2.4.12.2 V.120 Protocol parameters

The following restrictions apply for the parameters relevant for V.120:

- BS 2x NT will use the protocol sensitive asynchronous mode, BS 3x NT will use the protocol sensitive synchronous mode. As a consequence, the rate adaption header shall always be present.
- Only the default logical link will be established, i.e. the LLI negotiation value is "Default, LLI=256 only".
- V.120 recommends the use of the multiple frame acknowledged information transfer procedure for the protocol sensitive mode of operation.
- The IWF shall use the default value for the V.120 window size and the default value for the maximum transmit information field size. It shall be able to receive frames with the default maximum size.

Note. V.120 does not specify the values for these and other HDLC-related parameters directly. They are specified in Q.922 (1992) section 5.9. The information field includes the V.120 terminal adaption data field, the rate adaption header and the header extension (Control State octet), if present.

10.2.4.12.3 Data compression on the ISDN

Whilst V.110 rate adaptation does not support standardized data compression, V.42bis data compression may be used with V.120 protocol sensitive asynchronous mode. This is described in V.120 (10/96) annex C.

10.2.4.13 Interworking with restricted 64 kbit/s networks

10.2.4.13.1 Rate adaptation

Both V.110 and V.120 rate adaption protocols may be used on a restricted 64 kbit/s network.

For V.110 rate adaption, the procedure is described in CCITT Rec. I.464. The RA2 function shall set the 8th bit of each octet in the 64 kbit/s stream to binary 1. A consequence of this is that the highest permitted intermediate rate is 32 kbit/s. At the receiver, the 8th bit shall be ignored.

Rec. V.120 states that the user data shall be rate adapted to 56 kbit/s by using only the first 7 bits of each octet in the 64 kbit/s stream. The 8th bit shall be set to binary 1. At the receiver, the 8th bit shall be ignored.

10.2.4.13.2 MSC - ISDN signalling

When interworking indirectly with restricted 64 kbit/s networks the ISDN BC information element shall be coded according to ETR 018 (as shown in the notes to tables 6A and 6B). The information corresponding to the GSM BC-IE shall be communicated in the ISDN LLC-IE which shall be provided by the MS for mobile originated calls.

In the case of direct interworking, an ITC = RDI in the GSM BC-IE maps on to an ITC = RDI in the ISDN BC-IE for both MO and MT calls (not applicable to ISDNs conforming to ETS 300 102-1).

10.2.5 DTE/Modem interface (Filtering)

The DTEs taken into account for the PLMN at the MS side conform to CCITT's DTE/Modem interface specifications, which assume basically an error-free environment, i.e.:

- limited distance, point-to-point local interconnection of the interface circuits for data and status;

- steady state signalling.

The envisaged use of these DTE's in the PLMN environment leads to the exposure of these "interconnections" - which may, in the ISDN case, lead to the ISDN Rate Adaptation rather than to a Modem in the MSC/IWF - to the PLMN Radio Channel. To assure proper operation even under these conditions appropriate measures have to be taken. In the "non-transparent case" the RLP satisfies the requirement for both data and status lines. In the "transparent" case, the:

- data line aspects have to be dealt with end-to-end between the users, while
- status line aspects are of concern to the network which are dealt with in the following.

The use of the channel control information for the remote control of the DTE/Modem control interchange-circuits between the MS and the MSC/IWF (the conveyance of which is supported by the rate adaptation scheme adopted for PLMN application) requires alignment to the particular transmission occurrences in the traffic channel to be taken into account within the PLMN. In principle this can be best achieved by:

- relying only on the PLMN outband signalling as far as connection control is concerned;
- eliminating the dependence upon the transmission of channel control information via the radio link.

Support for this strategy is given to a certain extent by the confinement of PLMN data connections to:

- full duplex operation;
- switched service (demand access);
- mapping of connection-control relevant conditions of the DTE/DCE control interchange-circuits to/from outband PLMN signalling according to GSM 04.08 after successful traffic channel synchronization (refer to subclause 10.2.3.4);
- flow control by a network entity supported only in non-transparent mode;
- support of connections with the same user data rate only (no TA to TA end-to-end flow control in case of transparent mode).

The only DTE/Modem control interchange-circuit conditions, which actually are not covered by the above confinements, are the indications of readiness for data transmission, i.e. CT106/109 in case of V.-series interface and I-circuit of X.-series interface. As the effect of a condition change of the afore-mentioned DTE/Modem interchange-circuits depends on the:

- phase within the course of the connection;
- direction of change (ON-OFF or OFF-ON).

The required precaution to be applied (Filtering) must be determined individually in view of:

- function deduced from the change;
- resilience of the connection needed;
- error condition possibly invoked due to a delay in performing the condition change of the control interchange circuit;
- potential loss of performance in connection usage.

The details of the filtering function are laid down in GSM 07- series.

10.3 Interworking Alternate speech data calls

Alternation between speech and unrestricted digital (BS61) and speech followed by unrestricted digital (BS 81) are not applicable for interworking with the ISDN, since the alternate speech/unrestricted bearer service is currently not specified in the ISDN.

A BS 61 or BS 81 call where one of the two bearer capability information elements indicates the ITC value "unrestricted digital information" shall therefore be rejected.

10.3.1 Alternate speech data bearer interworking

10.3.1.1 General

The procedure for the alternate speech/data service is invoked at the MS-MSC link during the call set-up phase. This service is invoked by indication of repeated bearer capability information elements in the setup message and/or call confirmed message, respectively (preceded by a repeat indicator "circular"), one indicating speech and the other indicating the specific data service with the ITC, "3,1 kHz audio Ex PLMN" or "facsimile group 3" plus user rate etc., as for normal data calls. The bearer capability first indicated i.e. speech or 3,1 kHz Ex PLMN, etc. determines the first selection required of the network by the subscriber. Depending on the type of service requested and direction of call establishment (MO/MT, see relevant clauses of the 07 series) low layer and high layer capabilities may also be included. The MSC/IWF will perform both compatibility checking and subscription checking for mobile originated calls and optionally for mobile terminated calls (single numbering scheme) on both sets of capabilities as for normal data calls. If either the subscription check or the compatibility check fails then the call shall be rejected. The only exception to this is when TS61/TS62 negotiation takes place, see GSM 07.01.

As regards the supplementary services the application rules are laid down in GSM 02.04.

The speech phase of the call, when invoked, is handled by the transcoder and will utilize the normal telephony teleservice interworking requirements and mobile network capabilities. The 3,1 kHz audio Ex PLMN and Facsimile group 3 phase of the call, when invoked, will utilize the appropriate data interworking capability (e.g. IWF) and may use either the transparent or non-transparent mobile network capability.

The network shall provide, for service and operational reasons, a rapid and reliable changeover of capability upon request from the mobile user. This changeover may involve the disabling, by-passing or introduction of particular network functions (e.g. speech coder, modem etc.) and change of the channel configuration on the radio interface. This changeover is initiated on the receipt of the "MODIFY" message (see GSM 04.08) from the MS. The network itself will not initiate a changeover.

10.3.1.2 Mobile originated ISDN terminated

If one bearer capability information element indicates the ITC value "3,1 kHz audio Ex PLMN" or "facsimile group 3", the call set up is as for the PSTN case. Interworking is provided to the ISDN bearer service 3,1 kHz audio for the whole connection, including the speech phase. The MODIFY message (see GSM 04.08) will be generated by the mobile subscriber. This message is not transmitted to the ISDN, i.e. no outband correlation between the user on the fixed network and the mobile user will be possible. In this instance it is necessary for change of network capabilities to be carried out in the mobile network.

10.3.1.3 ISDN originated mobile terminated

In principle this is handled as for normal ISDN originated call. In the following however, the different cases are described in more detail:

- a) When the calling user indicates an ISDN BC-IE with an ITC value "3,1 kHz audio" with no other ISDN BC information such as modem type, etc. and the HLC is not "facsimile group 3", i.e. the calls arrive at the GMSC with compatibility information not exhaustive to deduce a GSM Bearer Service the call setup is as for the PSTN case described in subclause 9.2.1.3.

- b) When the calling user however indicates an ISDN BC-IE with an ITC value "3,1 kHz audio" and a HLC "facsimile group 3", i.e. the call arrives at the GSM with compatibility information allowing for deducing the Teleservice "Facsimile transmission", the call setup is as described in subclause 10.2.2 (case 3 in HLR, case 5 in VMSC).

In the information transfer phase the call is dealt with as indicated in the previous paragraph.

10.3.2 Speech followed by data interworking

10.3.2.1 General

The set up and selection of interworking function for this service is the same as that indicated for the alternate speech/data service. The service will be indicated by repeated BC-IEs (the first indicating speech and the second indicating the appropriate data service with the ITC "3,1 kHz audio Ex PLMN") and the specific data user rate, etc. as for normal data calls, preceded by a repeat indicator "sequential". The only difference in this service is that speech will always be the first bearer capability selection and once the MODIFY message, see GSM 04.08, is received from the MS then all network resources associated with the handling of the speech call may be released for reallocation to other calls, i.e. they will not be required again in the handling of this call. Both mobile originated and terminated are dealt with as detailed in subclauses 10.3.1.2 and 10.3.1.3.

11 Frame Synchronization

Potentially two links are involved in the MSC/IWF regarding the need for frame synchronization, i.e. the MSC/IWF-BSS interface and the MSC/IWF-ISDN network interface. The MSC/IWF-BSS links are covered by the TSs dealing with the GSM transcoder function (i.e. GSM TS 08.20 and 08.60). For the MSC/IWF-ISDN network in principle the respective sections of V.110 apply and are as defined below in subclause 11.2.

11.1 Initial frame synchronization

For transparent/non-transparent and interworking to the PSTN or ISDN the interface to the BSS is managed as follows. As soon as the outband signalling exchange indicates that the traffic channel is available the MSC/IWF will start sending frames with the frame contents set as indicated in subclause 9.2.3.4 towards the BSS. The MSC/IWF will seek to attain V.110 or A-TRAU frame synchronization on the incoming data from the BSS. V.110 synchronization will be considered to be completed in line with the V.110 procedures. A-TRAU frame synchronization will be considered to be completed in line with the procedures described in 9.2.3.4. The incoming data will only be considered valid once the frame synchronization procedure defined in section 9.2.3.4 is complete.

In the case of interworking to the PSTN V.110 framing is not used towards the PSTN.

In the case of interworking to the ISDN the procedures for initial synchronization for the transparent services are covered in subclause 10.2.3.4 and the non transparent services in subclause 10.2.4.10.4.

11.2 Action on loss of frame synchronization for non transparent services

If loss of frame synchronization is detected from the ISDN, in line with the procedures specified in CCITT V.110, then re-synchronization is initiated on that link in line with the procedures specified in CCITT V.110. No action should be taken by the L2R/RLP on the BSS/MSC link.

If loss of synchronization is detected on the BSS/MSC link then a re-synchronization process should be initiated. However for this link to the BSS it is only necessary to search for the frame alignment pattern incoming from the BSS. In the case of A-TRAU the synchronisation has to take care of the multiframe alignment according to section 9.2.3.4. There shall be no action regarding the outgoing frame towards the BSS, other than to continue sending the rate adapted RLP frames. Once synchronization has been re-attained the RLP will recover any possible loss of data on the BSS/MSC link. No action shall be taken regarding the frames generated towards the ISDN during the re-synchronization process. L2R function will continue to act as an interface to the ISDN terminal until the link to the MS is re-established.

11.3 Action on loss of frame synchronization for transparent services

If loss of frame synchronization is detected from the ISDN, in line with the procedures specified in CCITT V.110, then re-synchronization is initiated on that link in line with the procedures specified in CCITT V.110. No further action should be taken by the MSC/IWF on the BSS/MSC link or on the outgoing V.110 frames towards the ISDN.

For both PSTN and ISDN, if loss of synchronization is detected on the BSS/MSC link then a re-synchronization process should be initiated. However for this link to the BSS it is only necessary to search for the frame alignment pattern incoming from the BSS. In the case of A-TRAU the synchronisation has to take care of the multiframe alignment according to section 9.2.3.4. There shall be no action regarding the outgoing frame towards the BSS, other than to continue sending the rate adapted frames made up of the incoming data from the fixed network. Additionally the status bits should continue to be mapped to the modem/incoming V.110 frame. The data and status bit information will continue to be extracted from the information stream incoming from the BSS as if the frame synchronization was still available. The data stream is passed on towards the fixed network either via the modem (PSTN), or the V.110 frame (ISDN). No action shall be taken regarding the frames generated towards the ISDN during the re-synchronization process.

Annex A (Informative): SDLs

The following SDLs are intended to assist in the interpretation of the text in subclause 10.2.2 and are not intended to indicate implementation requirements. Therefore these SDLs are informative only.

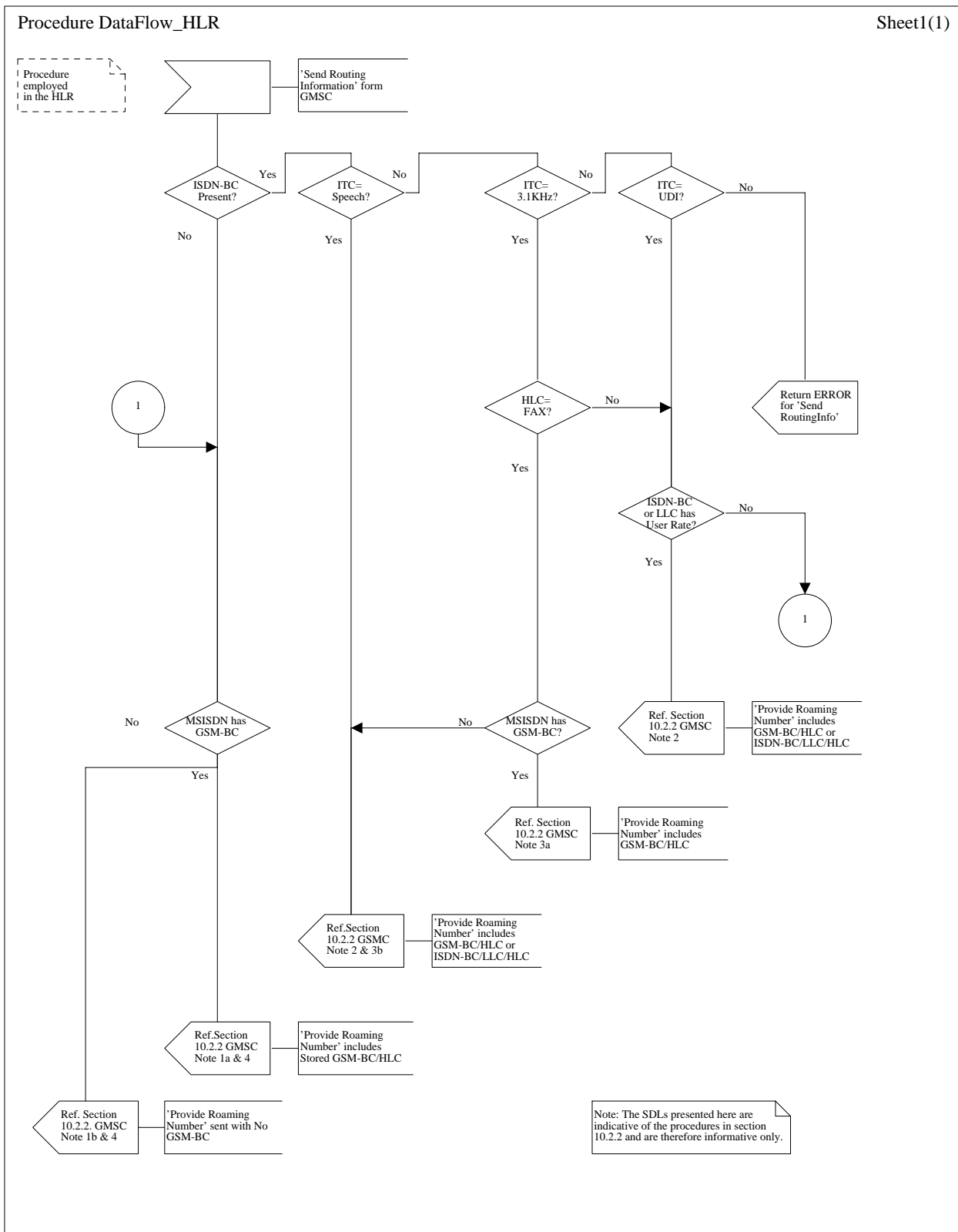


Figure A-1 (Sheet 1 of 1): Procedures in the HLR

History

Document history			
December 1995	Publication of GTS 09.07 version 5.0.0		
March 1996	Publication of GTS 09.07 version 5.0.1		
May 1996	Publication of GTS 09.07 version 5.1.0		
July 1996	Publication of GTS 09.07 version 5.2.0		
December 1996	Unified Approval Procedure	UAP 60:	1996-12-02 to 1997-03-28
April 1997	One-step Approval Procedure (Second Edition)	OAP 9733:	1997-04-18 to 1997-08-15
August 1997	One-step Approval Procedure (Third Edition)	OAP 9852:	1998-08-28 to 1998-12-25
September 1997	Second Edition		
November 1997	One-step Approval Procedure (Fourth Edition)	OAP 9813:	1997-11-28 to 1998-03-27
January 1998	Third Edition		
February 1998	One-step Approval Procedure (Fifth Edition)	OAP 9824:	1998-02-13 to 1998-06-12
March 1998	Fourth Edition		
July 1998	Fifth Edition		