

EUROPEAN
TECHNICAL
STANDARD

DRAFT
pr **ETS 300 961**

December 1997

Second Edition

Source: SMG

Reference: RE/SMG-110610QR1

ICS: 33.020

Key words: Digital cellular telecommunications system, Global System for Mobile communications (GSM)



**Digital cellular telecommunications system (Phase 2+);
Full rate speech;
Transcoding
(GSM 06.10 version 5.1.0)**

ETSI

European Telecommunications Standards Institute

ETSI Secretariat

Postal address: F-06921 Sophia Antipolis CEDEX - FRANCE

Office address: 650 Route des Lucioles - Sophia Antipolis - Valbonne - FRANCE

X.400: c=fr, a=atlas, p=etsi, s=secretariat - **Internet:** secretariat@etsi.fr

Tel.: +33 4 92 94 42 00 - Fax: +33 4 93 65 47 16

Copyright Notification: No part may be reproduced except as authorized by written permission. The copyright and the foregoing restriction extend to reproduction in all media.

© European Telecommunications Standards Institute 1997. All rights reserved.

Contents

| | | |
|---------------|---|----|
| Foreword..... | | 7 |
| 1 | Scope | 9 |
| 1.1 | Normative references | 9 |
| 1.1.1 | Abbreviations..... | 10 |
| 1.2 | Outline description | 10 |
| 1.3 | Functional description of audio parts | 10 |
| 1.4 | PCM Format conversion | 11 |
| 1.5 | Principles of the RPE-LTP encoder | 11 |
| 1.6 | Principles of the RPE-LTP decoder | 11 |
| 1.7 | Sequence and subjective importance of encoded parameters..... | 12 |
| 2 | Transmission characteristics..... | 14 |
| 2.1 | Performance characteristics of the analogue/digital interfaces | 14 |
| 2.2 | Transcoder delay | 14 |
| 3 | Functional description of the RPE-LTP codec | 15 |
| 3.1 | Functional description of the RPE-LTP encoder..... | 15 |
| 3.1.1 | Offset compensation | 15 |
| 3.1.2 | Pre-emphasis | 15 |
| 3.1.3 | Segmentation | 16 |
| 3.1.4 | Autocorrelation | 16 |
| 3.1.5 | Schur Recursion..... | 16 |
| 3.1.6 | Transformation of reflection coefficients to Log.-Area Ratios | 16 |
| 3.1.7 | Quantization and coding of Log.-Area Ratios..... | 17 |
| 3.1.8 | Decoding of the quantized Log.-Area Ratios..... | 17 |
| 3.1.9 | Interpolation of Log.-Area Ratios..... | 17 |
| 3.1.10 | Transformation of Log.-Area Ratios into reflection coefficients | 17 |
| 3.1.11 | Short term analysis filtering | 18 |
| 3.1.12 | Sub-segmentation | 18 |
| 3.1.13 | Calculation of the LTP parameters..... | 18 |
| 3.1.14 | Coding/Decoding of the LTP lags..... | 19 |
| 3.1.15 | Coding/Decoding of the LTP gains..... | 19 |
| 3.1.16 | Long term analysis filtering..... | 19 |
| 3.1.17 | Long term synthesis filtering..... | 20 |
| 3.1.18 | Weighting Filter | 20 |
| 3.1.19 | Adaptive sample rate decimation by RPE grid selection..... | 20 |
| 3.1.20 | APCM quantization of the selected RPE sequence | 20 |
| 3.1.21 | APCM inverse quantization | 22 |
| 3.1.22 | RPE grid positioning..... | 22 |
| 3.2 | Decoder | 22 |
| 3.2.1 | RPE decoding section | 22 |
| 3.2.2 | Long Term Prediction section..... | 22 |
| 3.2.3 | Short term synthesis filtering section..... | 22 |
| 3.2.4 | Post-processing..... | 22 |
| 4 | Codec homing | 26 |
| 4.1 | Functional description | 26 |
| 4.2 | Definitions | 26 |
| 4.3 | Encoder homing..... | 27 |
| 4.4 | Decoder homing..... | 27 |
| 4.5 | Encoder home state..... | 28 |
| 4.6 | Decoder home state | 28 |
| 5 | Computational details of the RPE-LTP codec..... | 29 |
| 5.1 | Data representation and arithmetic operations | 29 |
| 5.2 | Fixed point implementation of the RPE-LTP coder..... | 31 |

| | | |
|-------------------------|--|----|
| 5.2.0 | Scaling of the input variable..... | 31 |
| 5.2.1 | Downscaling of the input signal | 31 |
| 5.2.2 | Offset compensation..... | 31 |
| 5.2.3 | Pre-emphasis..... | 32 |
| 5.2.4 | Autocorrelation..... | 32 |
| 5.2.5 | Computation of the reflection coefficients..... | 33 |
| 5.2.6 | Transformation of reflection coefficients to Log.-Area Ratios..... | 34 |
| 5.2.7 | Quantization and coding of the Log.-Area Ratios | 34 |
| 5.2.8 | Decoding of the coded Log.-Area Ratios..... | 34 |
| 5.2.9 | Computation of the quantized reflection coefficients | 35 |
| 5.2.9.1 | Interpolation of the LARpp[1..8] to get the LARp[1..8] | 35 |
| 5.2.9.2 | Computation of the rp[1..8] from the interpolated LARp[1..8] | 35 |
| 5.2.10 | Short term analysis filtering | 35 |
| 5.2.11 | Calculation of the LTP parameters | 36 |
| 5.2.12 | Long term analysis filtering | 37 |
| 5.2.13 | Weighting filter | 38 |
| 5.2.14 | RPE grid selection | 38 |
| 5.2.15 | APCM quantization of the selected RPE sequence..... | 39 |
| 5.2.16 | APCM inverse quantization..... | 40 |
| 5.2.17 | RPE grid positioning | 40 |
| 5.2.18 | Update of the reconstructed short term residual signal dp[-120..-1]..... | 40 |
| 5.3 | Fixed point implementation of the RPE-LTP decoder..... | 40 |
| 5.3.1 | RPE decoding section | 40 |
| 5.3.2 | Long term synthesis filtering..... | 41 |
| 5.3.3 | Computation of the decoded reflection coefficients..... | 41 |
| 5.3.4 | Short term synthesis filtering section | 41 |
| 5.3.5 | De-emphasis filtering..... | 42 |
| 5.3.6 | Upscaling of the output signal..... | 42 |
| 5.3.7 | Truncation of the output variable | 42 |
| 5.4 | Tables used in the fixed point implementation of the RPE-LTP coder and decoder..... | 43 |
| 6 | Digital test sequences..... | 44 |
| 6.1 | Input and output signals | 45 |
| 6.2 | Configuration for the application of the test sequences | 45 |
| 6.2.1 | Configuration 1 (encoder only)..... | 45 |
| 6.2.2 | Configuration 2 (decoder only)..... | 45 |
| 6.3 | Test sequences..... | 46 |
| 6.3.1 | Test sequences for configuration 1 | 46 |
| 6.3.2 | Test sequences for configuration 2 | 47 |
| 6.3.3 | Additional Testsequences for Codec Homing | 51 |
| 6.3.3.1 | Codec homing frames..... | 51 |
| 6.3.3.2 | Sequence for an extensive test of the decoder homing..... | 51 |
| 6.3.3.3 | Sequences for finding the 20 ms framing of the GSM full rate speech encoder | 51 |
| 6.3.3.4 | Formats and sizes of the synchronization sequences | 52 |
| Annex A1 (informative): | Codec performance | 54 |
| A.1 | Performance of the RPE-LTP..... | 54 |
| A.1.1 | Introduction..... | 54 |
| A.1.2 | Speech performance..... | 54 |
| A.1.2.1 | Single encoding | 54 |
| A.1.2.2 | Speech performance when interconnected with coding systems on an analogue basis..... | 55 |
| A.1.2.2.1 | Performance with 32 kbit/s ADPCM (G.721, superseded by G.726) | 55 |
| A.1.2.2.2 | Performance with another RPE-LTP codec..... | 55 |
| A.1.2.2.3 | Performance with encoding other than RPE-LTP and 32 kbit/s ADPCM (G.721, superseded by G.726) | 55 |
| A.1.3 | Non-speech performance..... | 55 |
| A.1.3.1 | Performance with single sine waves..... | 55 |
| A.1.3.2 | Performance with DTMF tones..... | 56 |

| | | |
|------------------------|---|----|
| A.1.3.3 | Performance with information tones..... | 56 |
| A.1.3.4 | Performance with voice-band data..... | 56 |
| A.1.4 | Delay..... | 56 |
| A.1.5 | Bibliography | 57 |
| A.2 | Subjective relevance of the speech coder output bits..... | 58 |
| A.3 | Format for test sequence distribution..... | 59 |
| A.3.1 | Type of files provided..... | 59 |
| A.3.2 | File format description | 60 |
| Annex B (informative): | Test sequence diskettes..... | 62 |
| History..... | | 63 |

Blank page

Foreword

This draft second edition European Telecommunication Standard (ETS) has been produced by the Special Mobile Group (SMG) of the European Telecommunications Standards Institute (ETSI) and is now submitted for the One-step Approval Procedure (OAP) phase of the ETSI standards approval process.

This ETS specifies the full rate speech transcoding within the digital cellular telecommunications system.

NOTE: This ETS is a reproduction of recommendation T/L/03/11 "13 kbit/s Regular Pulse Excitation - Long Term Prediction - Linear Predictive Coder for use in the digital cellular telecommunications system".

Five 3,5 inch diskettes (annex B) are attached to the back cover of this ETS, the diskettes contain test sequences, as described in clause 6 and annex A.3.

The diskettes are labelled as follows:

| | |
|------------|--|
| Diskette 1 | ETS 300 961, annex B: Test sequences for the GSM Full Rate speech codec; Test sequences SEQ01.xxx to SEQ05.xxx. (Diskette 1 contains LHA compressed files.) |
| Diskette 2 | ETS 300 961, annex B: Test sequences for the GSM Full Rate speech codec with homing frames; Test sequences SEQ01H.* to SEQ02H.*. |
| Diskette 3 | ETS 300 961, annex B: Test sequences for the GSM Full Rate speech codec with homing frames; Test sequences SEQ03H.* to SYNC159.COD. |
| Diskette 4 | ETS 300 961, annex B : 8 bit A-law test sequences for the GSM Full Rate speech codec with and without homing frames (Diskette 4 contains self-extracting files). |
| Diskette 5 | ETS 300 961, annex B: 8 bit μ -law test sequences for the GSM Full Rate speech codec with and without homing frames (Diskette 5 contains self-extracting files). |

The specification from which this ETS has been derived was originally based on CEPT documentation, hence the presentation of this ETS may not be entirely in accordance with the ETSI/PNE rules.

| Proposed transposition dates | |
|---|---------------------------------|
| Date of latest announcement of this ETS (doa): | 3 months after ETSI publication |
| Date of latest publication of new National Standard or endorsement of this ETS (dop/e): | 6 months after doa |
| Date of withdrawal of any conflicting National Standard (dow): | 6 months after doa |

Blank page

1 Scope

The transcoding procedure specified in this European Telecommunication Standard (ETS) is applicable for the full-rate Traffic Channel (TCH) in the digital cellular telecommunications system. The use of this transcoding scheme for other applications has not been considered.

In GSM 06.01, a reference configuration for the speech transmission chain of the digital cellular telecommunications system is shown. According to this reference configuration, the speech encoder takes its input as a 13 bit uniform PCM signal either from the audio part of the mobile station or on the network side, from the PSTN via an 8 bit/A-law to 13 bit uniform PCM conversion. The encoded speech at the output of the speech encoder is delivered to a channel encoder unit which is specified in GSM 05.03. In the receive direction, the inverse operations take place.

This ETS describes the detailed mapping between input blocks of 160 speech samples in 13 bit uniform PCM format to encoded blocks of 260 bits and from encoded blocks of 260 bits to output blocks of 160 reconstructed speech samples. The sampling rate is 8000 sample/s leading to an average bit rate for the encoded bit stream of 13 kbit/s. The coding scheme is the so-called Regular Pulse Excitation - Long Term prediction - Linear Predictive Coder, here-after referred to as RPE-LTP.

This ETS also specifies the conversion between A-law PCM and 13 bit uniform PCM. Performance requirements for the audio input and output parts are included only to the extent that they affect the transcoder performance. The ETS also describes the codec down to the bit level, thus enabling the verification of compliance to the ETS to a high degree of confidence by use of a set of digital test sequences. These test sequences are described and are included in this ETS on diskette.

1.1 Normative references

This ETS incorporates by dated and undated reference, provisions from other publications. These normative references are cited at the appropriate places in the text and the publications are listed hereafter. For dated references, subsequent amendments to or revisions of any of these publications apply to this ETS only when incorporated in it by amendment or revision. For undated references, the latest edition of the publication referred to applies.

- [1] GSM 01.04 (ETR 350): "Digital cellular telecommunications system (Phase 2+); Abbreviations and acronyms".
- [2] GSM 05.03 (ETS 300 909): "Digital cellular telecommunications system (Phase 2+); Channel coding".
- [3] GSM 06.01 (ETS 300 960): "Digital cellular telecommunications system (Phase 2+); Full rate speech; Processing functions".
- [4] GSM 11.10 (ETS 300 607): "Digital cellular telecommunications system (Phase 2); Mobile Station (MS) conformity specification".
- [5] ETS 300 085: "Integrated Services Digital Network (ISDN); 3,1kHz telephony teleservice; Attachment requirements for handset terminals (Candidate NET 33)".
- [6] ITU-T Recommendation G.711: "Pulse code modulation (PCM) of voice frequencies".
- [7] ITU-T Recommendation G.712: "Transmission performance characteristics of pulse code modulation".
- [8] ITU-T Recommendation G.726: "40, 32, 24, 16 kbit/s adaptive differential pulse code modulation (ADPCM)".
- [9] ITU-T Recommendation Q.35: "Technical characteristics of tones for the telephone service".

- [10] ITU-T Recommendation V.21: "300 bits per second duplex modem standardized for use in the general switched telephone network".
- [11] ITU-T Recommendation V.23: "600/1 200-band modem standardized for use in the general switched telephone network".
- [12] GSM 06.32 (ETS 300 965): "Digital cellular telecommunications system (Phase 2+); Voice Activity Detector (VAD)".

1.1.1 Abbreviations

Abbreviations used in this ETS are listed in GSM 01.04.

1.2 Outline description

The ETS is structured as follows:

Subclause 1.3 contains a functional description of the audio parts including the A/D and D/A functions. Subclause 1.4 describes the conversion between 13 bit uniform and 8 bit A-law samples. Subclauses 1.5 and 1.6 present a simplified description of the principles of the RPE-LTP encoding and decoding process respectively. In subclause 1.7, the sequence and subjective importance of encoded parameters are given.

Clause 2 deals with the transmission characteristics of the audio parts that are relevant for the performance of the RPE-LTP codec.

Some transmission characteristics of the RPE-LTP codec are also specified in clause 2. Clause 3 presents the functional description of the RPE-LTP coding and decoding procedures, whereas clause 4 describes the computational details of the algorithm. Procedures for the verification of the correct functioning of the RPE-LTP are described in clause 5.

Performance and network aspects of the RPE-LTP codec are contained in annex A1.

1.3 Functional description of audio parts

The analogue-to-digital and digital-to-analogue conversion will in principle comprise the following elements:

1) Analogue to uniform digital:

- microphone;
- input level adjustment device;
- input anti-aliasing filter;
- sample-hold device sampling at 8 kHz;
- analogue-to-uniform digital conversion to 13 bits representation.

The uniform format shall be represented in two's complement.

2) Uniform digital to analogue:

- conversion from 13 bit /8 kHz uniform PCM to analogue;
- a hold device;
- reconstruction filter including $x/\sin x$ correction;
- output level adjustment device;
- earphone or loudspeaker.

In the terminal equipment, the A/D function may be achieved either:

- by direct conversion to 13 bit uniform PCM format;
- or by conversion to 8 bit/A-law companded format, based on a standard A-law codec/filter according to ITU-T Recommendation G.711/714, followed by the 8-bit to 13-bit conversion according to the procedure specified in subclause 1.4.

For the D/A operation, the inverse operations take place.

In the latter case it should be noted that the specifications in ITU-T recommendation G.714 (superseded by G.712) are concerned with PCM equipment located in the central parts of the network. When used in the terminal equipment, this specification does not on its own ensure sufficient out-of-band attenuation.

The specification of out-of-band signals is defined in section 2 between the acoustic signal and the digital interface to take into account that the filtering in the terminal can be achieved both by electronic and acoustical design.

1.4 PCM Format conversion

The conversion between 8 bit A-law companded format and the 13-bit uniform format shall be as defined in ITU-T Recommendation G.721 (superseded by G.726), subclause 4.2.1, sub-block EXPAND and subclause 4.2.7, sub-block COMPRESS. The parameter LAW = 1 should be used.

1.5 Principles of the RPE-LTP encoder

A simplified block diagram of the RPE-LTP encoder is shown in figure 1.1. In this diagram the coding and quantization functions are not shown explicitly.

The input speech frame, consisting of 160 signal samples (uniform 13 bit PCM samples), is first pre-processed to produce an offset-free signal, which is then subjected to a first order pre-emphasis filter. The 160 samples obtained are then analysed to determine the coefficients for the short term analysis filter (LPC analysis). These parameters are then used for the filtering of the same 160 samples. The result is 160 samples of the short term residual signal. The filter parameters, termed reflection coefficients, are transformed to log.area ratios, LARs, before transmission.

For the following operations, the speech frame is divided into 4 sub-frames with 40 samples of the short term residual signal in each. Each sub-frame is processed blockwise by the subsequent functional elements.

Before the processing of each sub-block of 40 short term residual samples, the parameters of the long term analysis filter, the LTP lag and the LTP gain, are estimated and updated in the LTP analysis block, on the basis of the current sub-block of the present and a stored sequence of the 120 previous reconstructed short term residual samples.

A block of 40 long term residual signal samples is obtained by subtracting 40 estimates of the short term residual signal from the short term residual signal itself. The resulting block of 40 long term residual samples is fed to the Regular Pulse Excitation analysis which performs the basic compression function of the algorithm.

As a result of the RPE-analysis, the block of 40 input long term residual samples are represented by one of 4 candidate sub-sequences of 13 pulses each. The subsequence selected is identified by the RPE grid position (M). The 13 RPE pulses are encoded using Adaptive Pulse Code Modulation (APCM) with estimation of the sub-block amplitude which is transmitted to the decoder as side information.

The RPE parameters are also fed to a local RPE decoding and reconstruction module which produces a block of 40 samples of the quantized version of the long term residual signal.

By adding these 40 quantized samples of the long term residual to the previous block of short term residual signal estimates, a reconstructed version of the current short term residual signal is obtained.

The block of reconstructed short term residual signal samples is then fed to the long term analysis filter which produces the new block of 40 short term residual signal estimates to be used for the next sub-block thereby completing the feedback loop.

1.6 Principles of the RPE-LTP decoder

The simplified block diagram of the RPE-LTP decoder is shown in fig 1.2. The decoder includes the same structure as the feed-back loop of the encoder. In error-free transmission, the output of this stage will be

the reconstructed short term residual samples. These samples are then applied to the short term synthesis filter followed by the de-emphasis filter resulting in the reconstructed speech signal samples.

1.7 Sequence and subjective importance of encoded parameters

As indicated in fig 1.1 the three different groups of data are produced by the encoder are:

- the short term filter parameters;
- the Long Term Prediction (LTP) parameters;
- the RPE parameters.

The encoder will produce this information in a unique sequence and format, and the decoder shall receive the same information in the same way. In table 1.1, the sequence of output bits b1 to b260 and the bit allocation for each parameter is shown.

The different parameters of the encoded speech and their individual bits have unequal importance with respect to subjective quality. Before being submitted to the channel encoding function the bits have to be rearranged in the sequence of importance as given in GSM 05.03. The ranking has been determined by subjective testing and the procedure used is described in annex A2.

Table 1.1a: Encoder output parameters in order of occurrence and bit allocation within the speech frame of 260 bits/20 ms

| Parameter | Parameter number | Parameter name | Var. name | Number of bits | Bit no. (LSB-MSB) |
|------------|------------------|------------------|-----------|----------------|-------------------|
| | 1 | | LAR 1 | 6 | b1 - b6 |
| | 2 | | LAR 2 | 6 | b7 - b12 |
| FILTER | 3 | Log. Area ratios | LAR 3 | 5 | b13 - b17 |
| | 4 | | LAR 4 | 5 | b18 - b22 |
| PARAMETERS | 5 | 1 - 8 | LAR 5 | 4 | b23 - b26 |
| | 6 | | LAR 6 | 4 | b27 - b30 |
| | 7 | | LAR 7 | 3 | b31 - b33 |
| | 8 | | LAR 8 | 3 | b34 - b36 |

Sub-frame no.1

| | | | | | |
|------------|----|-------------------|--------|---|-----------|
| LTP | 9 | LTP lag | N1 | 7 | b37 - b43 |
| PARAMETERS | 10 | LTP gain | b1 | 2 | b44 - b45 |
| | 11 | RPE grid position | M1 | 2 | b46 - b47 |
| RPE | 12 | Block amplitude | Xmax1 | 6 | b48 - b53 |
| PARAMETERS | 13 | RPE-pulse no.1 | x1(0) | 3 | b54 - b56 |
| | 14 | RPE-pulse no.2 | x1(1) | 3 | b57 - b59 |
| | ⋮ | ⋮ | ⋮ | ⋮ | ⋮ |
| | 25 | RPE-pulse no.13 | x1(12) | 3 | b90 - b92 |

Sub-frame no.2

| | | | | | |
|------------|----|-------------------|--------|---|------------|
| LTP | 26 | LTP lag | N2 | 7 | b93 - b99 |
| PARAMETERS | 27 | LTP gain | b2 | 2 | b100- b101 |
| | 28 | RPE grid position | M2 | 2 | b102- b103 |
| RPE | 29 | Block amplitude | Xmax2 | 6 | b104- b109 |
| PARAMETERS | 30 | RPE-pulse no.1 | x2(0) | 3 | b110- b112 |
| | 31 | RPE-pulse no.2 | x2(1) | 3 | b113- b115 |
| | ⋮ | ⋮ | ⋮ | ⋮ | ⋮ |
| | 42 | RPE-pulse no.13 | x2(12) | 3 | b146- b148 |

Table 1.1b: Encoder output parameters in order of occurrence and bit allocation within the speech frame of 260 bits/20 ms

Sub-frame no.3

| | | | | | |
|------------|----|-------------------|--------|----|------------|
| ===== | | | | | |
| LTP | 43 | LTP lag | N3 | 7 | b149- b155 |
| PARAMETERS | 44 | LTP gain | b3 | 2 | b156- b157 |
| ----- | | | | | |
| RPE | 45 | RPE grid position | M3 | 2 | b158- b159 |
| PARAMETERS | 46 | Block amplitude | Xmax3 | 6 | b160- b165 |
| | 47 | RPE-pulse no.1 | x3(0) | 3 | b166- b168 |
| | 48 | RPE-pulse no.2 | x3(1) | 3 | b169- b171 |
| | .. | ... | .. | .. | .. |
| | 59 | RPE-pulse no.13 | x3(12) | 3 | b202- b204 |
| ===== | | | | | |

Sub-frame no.4

| | | | | | |
|------------|----|-------------------|--------|----|------------|
| ===== | | | | | |
| LTP | 60 | LTP lag | N4 | 7 | b205- b211 |
| PARAMETERS | 61 | LTP gain | b4 | 2 | b212- b213 |
| ----- | | | | | |
| RPE | 62 | RPE grid position | M4 | 2 | b214- b215 |
| PARAMETERS | 63 | Block amplitude | Xmax4 | 6 | b216- b221 |
| | 64 | RPE-pulse no.1 | x4(0) | 3 | b222- b224 |
| | 65 | RPE-pulse no.2 | x4(1) | 3 | b225- b227 |
| | .. | ... | .. | .. | .. |
| | 76 | RPE-pulse no.13 | x4(12) | 3 | b258- b260 |
| ===== | | | | | |

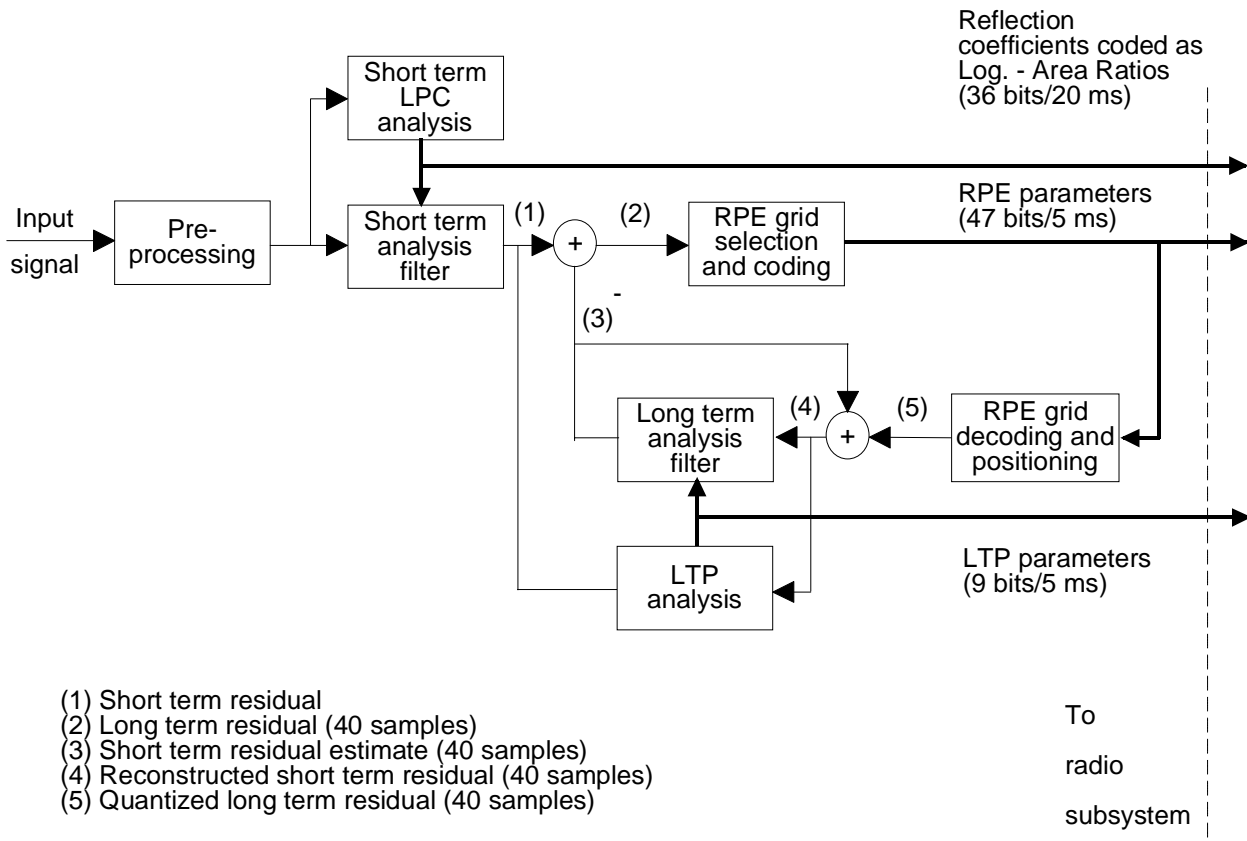


Figure 1.1: Simplified block diagram of the RPE - LTP encoder

Reflection coefficients coded
as Log. - Area Ratios
(36 bits/20 ms)

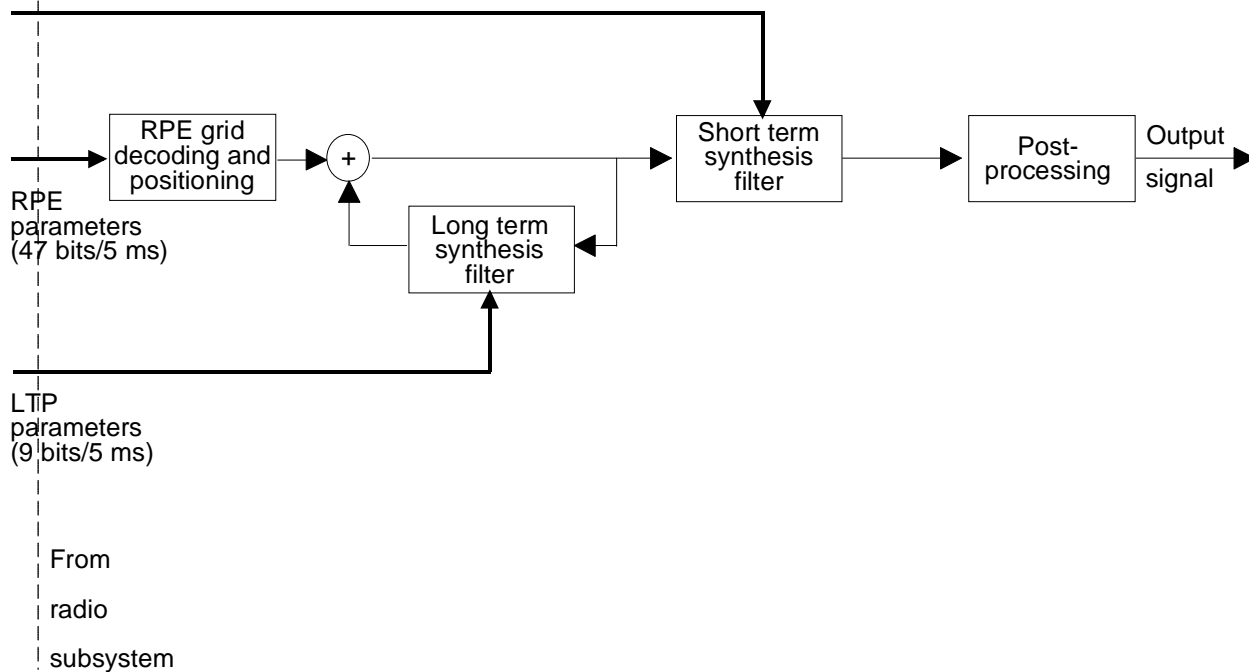


Figure 1.2: Simplified block diagram of the RPE - LTP decoder

2 Transmission characteristics

This clause specifies the necessary performance characteristics of the audio parts for proper functioning of the speech transcoder. Some transmission performance characteristics of the RPE-LTP transcoder are also given to assist the designer of the speech transcoder function. The information given here is redundant and the detailed specifications are contained in recommendation GSM 11.10.

The performance characteristics are referred to the 13 bit uniform PCM interface.

NOTE: To simplify the verification of the specifications, the performance limits may be referred to an A-law measurement interface according to ITU-T Recommendation G.711. In this way, standard measuring equipments for PCM systems can be utilized for measurements. The relationship between the 13 bit format and the A-law companded shall follow the procedures defined in subclause 1.4.

2.1 Performance characteristics of the analogue/digital interfaces

Concerning 1) discrimination against out-of-band signals (sending) and 2) spurious out-of-band signals (receiving), the same requirements as defined in ETSI standard TE 04-15 (digital telephone, candidate NET33) apply.

2.2 Transcoder delay

Consider a back to back configuration where the parameters generated by the encoder are delivered to the speech decoder as soon as they are available.

The transcoder delay is defined as the time interval between the instant a speech frame of 160 samples has been received at the encoder input and the instant the corresponding 160 reconstructed speech samples have been out-put by the speech decoder at an 8 kHz sample rate.

The theoretical minimum delay which can be achieved is 20 ms. The requirement is that the transcoder delay should be less than 30 ms.

3 Functional description of the RPE-LTP codec

The block diagram of the RPE-LTP-coder is shown in figure 3.1. The individual blocks are described in the following subclauses.

3.1 Functional description of the RPE-LTP encoder

The **Pre-processing section** of the RPE-LTP encoder comprises the following two sub-blocks:

- Offset compensation (3.1.1);
- Pre-emphasis (3.1.2).

The **LPC analysis section** of the RPE-LTP encoder comprises the following five sub-blocks:

- Segmentation (3.1.3);
- Auto-Correlation (3.1.4);
- Schur Recursion (3.1.5);
- Transformation of reflection coefficients to Log.-Area Ratios (3.1.6);
- Quantization and coding of Log.-Area Ratios (3.1.7).

The **Short term analysis filtering section** of the RPE-LTP comprises the following four sub-blocks:

- Decoding of the quantized Log.-Area Ratios (LARs) (3.1.8);
- Interpolation of Log.-Area Ratios (3.1.9);
- Transformation of Log.-Area Ratios into reflection coefficients (3.1.10);
- Short term analysis filtering (3.1.11).

The **Long Term Predictor (LTP) section** comprises 4 sub-blocks working on subsegments (3.1.12) of the short term residual samples:

- Calculation of LTP parameters (3.1.13);
- Coding of the LTP lags (3.1.14) and the LTP gains (3.1.15);
- Decoding of the LTP lags (3.1.14) and the LTP gains (3.1.15);
- Long term analysis filtering (3.1.16), and Long term synthesis filtering (3.1.17).

The **RPE encoding section** comprises five different sub-blocks:

- Weighting filter (3.1.18);
- Adaptive sample rate decimation by RPE grid selection (3.1.19);
- APCM quantization of the selected RPE sequence (3.1.20);
- APCM inverse quantization (3.1.21);
- RPE grid positioning (3.1.22).

Pre-processing section

3.1.1 Offset compensation

Prior to the speech encoder an offset compensation, by a notch filter is applied in order to remove the offset of the input signal s_o to produce the offset-free signal s_{of} .

$$\begin{aligned} s_{of}(k) &= s_o(k) - s_o(k-1) + \alpha * s_{of}(k-1) \\ \alpha &= 32735 * 2^{-15} \end{aligned} \quad (3.1.1)$$

3.1.2 Pre-emphasis

The signal s_{of} is applied to a first order FIR pre-emphasis filter leading to the input signal s of the analysis section.

$$s(k) = s_{of}(k) - \beta * s_{of}(k-1) \quad (3.1.2)$$

$$\beta = 28180 * 2^{-15}$$

LPC analysis section

3.1.3 Segmentation

The speech signal $s(k)$ is divided into non-overlapping frames having a length of $T_0 = 20$ ms (160 samples). A new LPC-analysis of order $p=8$ is performed for each frame.

3.1.4 Autocorrelation

The first $p+1 = 9$ values of the Auto-Correlation function are calculated by:

$$\text{ACF}(k) = \sum_{i=k}^{159} s(i)s(i-k) \quad , k = 0, 1, \dots, 8 \quad (3.2)$$

3.1.5 Schur Recursion

The reflection coefficients are calculated as shown in figure 3.2 using the Schur Recursion algorithm. The term "reflection coefficient" comes from the theory of linear prediction of speech (LPC), where a vocal tract representation consisting of series of uniform cylindrical sections is assumed. Such a representation can be described by the reflection coefficients or the area ratios of connected sections.

3.1.6 Transformation of reflection coefficients to Log.-Area Ratios

The reflection coefficients $r(i)$, ($i=1..8$), calculated by the Schur algorithm, are in the range:

$$-1 \leq r(i) \leq +1$$

Due to the favourable quantization characteristics, the reflection coefficients are converted into Log.-Area Ratios which are strictly defined as follows:

$$\text{Logarea}(i) = \log_{10} \left(\frac{1 + r(i)}{1 - r(i)} \right) \quad (3.3)$$

Since it is the companding characteristic of this transformation that is of importance, the following segmented approximation is used.

$$\begin{aligned} \text{LAR}(i) = & \text{sign}[r(i)] * [2|r(i)| - 0.675] \quad ; \quad |r(i)| < 0.675 \\ & \text{sign}[r(i)] * [8|r(i)| - 6.375] \quad ; \quad 0.675 \leq |r(i)| < 0.950 \\ & \text{sign}[r(i)] * [8|r(i)| - 6.375] \quad ; \quad 0.950 \leq |r(i)| \leq 1.000 \end{aligned} \quad (3.4)$$

with the result that instead of having to divide and obtain the logarithm of particular values, it is merely necessary to multiply, add and compare these values.

The following equation (3.5) gives the inverse transformation.

$$\begin{aligned} \text{LAR}'(i) & \quad ; \quad |\text{LAR}'(i)| < 0.675 \\ r'(i) = & \text{sign}[\text{LAR}'(i)] * [0.500 * |\text{LAR}'(i)| \\ & + 0.337500] \quad ; \quad 0.675 \leq |\text{LAR}'(i)| < 1.225 \\ & \text{sign}[\text{LAR}'(i)] * [0.125 * |\text{LAR}'(i)| \\ & + 0.796875] \quad ; \quad 1.225 \leq |\text{LAR}'(i)| \leq 1.625 \end{aligned} \quad (3.5)$$

3.1.7 Quantization and coding of Log.-Area Ratios

The Log.-Area Ratios $LAR(i)$ have different dynamic ranges and different asymmetric distribution densities. For this reason, the transformed coefficients $LAR(i)$ are limited and quantized differently according to the following equation (3.6), with $LAR_c(i)$ denoting the quantized and integer coded version of $LAR(i)$.

$$LAR_c(i) = \text{Nint}\{A(i)*LAR(i) + B(i)\} \quad (3.6)$$

with

$$\text{Nint}\{z\} = \text{int}\{z + \text{sign}\{z\} * 0.5\} \quad (3.6a)$$

Function Nint defines the rounding to the nearest integer value, with the coefficients $A(i)$, $B(i)$, and different extreme values of $LAR_c(i)$ for each coefficient $LAR(i)$ given in table 3.1.

Table 3.1: Quantization of the Log.-Area Ratios $LAR(i)$

| LAR No i | A(i) | B(i) | Minimum $LAR_c(i)$ | Maximum $LAR_c(i)$ |
|----------|--------|--------|--------------------|--------------------|
| 1 | 20.000 | 0.000 | -32 | +31 |
| 2 | 20.000 | 0.000 | -32 | +31 |
| 3 | 20.000 | 4.000 | -16 | +15 |
| 4 | 20.000 | -5.000 | -16 | +15 |
| 5 | 13.637 | 0.184 | - 8 | + 7 |
| 6 | 15.000 | -3.500 | - 8 | + 7 |
| 7 | 8.334 | -0.666 | - 4 | + 3 |
| 8 | 8.824 | -2.235 | - 4 | + 3 |

Short-term analysis filtering section

The current frame of the speech signal s is retained in memory until calculation of the LPC parameters $LAR(i)$ is completed. The frame is then read out and fed to the short term analysis filter of order $p=8$. However, prior to the analysis filtering operation, the filter coefficients are decoded and pre-processed by interpolation.

3.1.8 Decoding of the quantized Log.-Area Ratios

In this block the quantized and coded Log.-Area Ratios ($LAR_c(i)$) are decoded according to equation (3.7).

$$LAR''(i) = (LAR_c(i) - B(i)) / A(i) \quad (3.7)$$

3.1.9 Interpolation of Log.-Area Ratios

To avoid spurious transients which may occur if the filter coefficients are changed abruptly, two subsequent sets of Log.-Area Ratios are interpolated linearly. Within each frame of 160 analysed speech samples the short term analysis filter and the short term synthesis filter operate with four different sets of coefficients derived according to table 3.2.

Table 3.2: Interpolation of LAR parameters (J=actual segment)

| k | $LAR''_J(i) =$ |
|---------|---|
| 0...12 | $0.75*LAR''_{J-1}(i) + 0.25*LAR''_J(i)$ |
| 13...26 | $0.50*LAR''_{J-1}(i) + 0.50*LAR''_J(i)$ |
| 27...39 | $0.25*LAR''_{J-1}(i) + 0.75*LAR''_J(i)$ |
| 40..159 | $LAR''_J(i)$ |

3.1.10 Transformation of Log.-Area Ratios into reflection coefficients

The reflection coefficients are finally determined using the inverse transformation according to equation (3.5).

3.1.11 Short term analysis filtering

The Short term analysis filter is implemented according to the lattice structure depicted in figure 3.3.

$$d_0(k) = s(k) \tag{3.8a}$$

$$u_0(k) = s(k) \tag{3.8b}$$

$$d_i(k) = d_{i-1}(k) + r'_i * u_{i-1}(k-1) \quad \text{with } i=1, \dots, 8 \tag{3.8c}$$

$$u_i(k) = u_{i-1}(k-1) + r'_i * d_{i-1}(k) \quad \text{with } i=1, \dots, 8 \tag{3.8d}$$

$$d(k) = d_8(k) \tag{3.8e}$$

Long-Term Predictor (LTP) section

3.1.12 Sub-segmentation

Each input frame of the short term residual signal contains 160 samples, corresponding to 20 ms. The long term correlation is evaluated four times per frame, for each 5 ms subsegment. For convenience in the following, we note $j=0, \dots, 3$ the sub-segment number, so that the samples pertaining to the j -th sub-segment of the residual signal are now denoted by $d(k_j+k)$ with $j = 0, \dots, 3$; $k_j = k_0 + j*40$ and $k = 0, \dots, 39$ where k_0 corresponds to the first value of the current frame.

3.1.13 Calculation of the LTP parameters

For each of the four sub-segments a long term correlation lag N_j , ($j=0, \dots, 3$), and an associated gain factor b_j , ($j=0, \dots, 3$) are determined. For each sub-segment, the determination of these parameters is implemented in three steps.

- 1) The first step is the evaluation of the cross-correlation $R_j(\lambda)$ of the current sub-segment of short term residual signal $d(k_j+i)$, ($i=0, \dots, 39$) and the previous samples of the reconstructed short term residual signal $d'(k_j+i)$, ($i=-120, \dots, -1$):

$$R_j(\lambda) = \sum_{i=0}^{39} d(k_j+i) * d'(k_j+i-\lambda); \quad \begin{matrix} j = 0, \dots, 3 \\ k_j = k_0 + j*40 \\ \lambda = 40, \dots, 120 \end{matrix} \tag{3.9}$$

The cross-correlation is evaluated for lags λ greater than or equal to 40 and less than or equal to 120, i.e. corresponding to samples outside the current sub-segment and not delayed by more than two sub-segments.

- 2) The second step is to find the position N_j of the peak of the cross-correlation function within this interval:

$$R_j(N_j) = \max_{j = 0, \dots, 3} \{ R_j(\lambda); \lambda = 40..120 \}; \tag{3.10}$$

- 3) The third step is the evaluation of the gain factor b_j according to:

$$b_j = R_j(N_j) / S_j(N_j); \quad j = 0, \dots, 3 \tag{3.11}$$

with

$$S_j(N_j) = \sum_{i=0}^{39} d^2(k_j+i-N_j); \quad j = 0, \dots, 3 \tag{3.12}$$

It is clear that the last 120 samples of the reconstructed short term residual signal $d'(k_j+i)$, ($i=-120, \dots, -1$) shall be retained until the next sub-segment so as to allow the evaluation of the relations (3.9), ..., (3.12).

3.1.14 Coding/Decoding of the LTP lags

The long term correlation lags $N_j, (j=0, \dots, 3)$ can have values in the range (40, ..., 120), and so shall be coded using 7 bits with:

$$N_{cj} = N_j; \quad j = 0, \dots, 3 \quad (3.13)$$

At the receiving end, assuming an error free transmission, the decoding of these values will restore the actual lags:

$$N_j' = N_{cj}; \quad j = 0, \dots, 3 \quad (3.14)$$

3.1.15 Coding/Decoding of the LTP gains

The long term prediction gains $b_j, (j=0, \dots, 3)$ are encoded with 2 bits each, according to the following algorithm:

$$\begin{aligned} & \text{if } b_j \leq \text{DLB}(i) \text{ then } b_{cj} = 0; \quad i=0 \\ & \text{if } \text{DLB}(i-1) < b_j \leq \text{DLB}(i) \text{ then } b_{cj} = i; \quad i=1, 2 \\ & \text{if } \text{DLB}(i-1) < b_j \text{ then } b_{cj} = 3; \quad i=3 \end{aligned} \quad (3.15)$$

where $\text{DLB}(i), (i=0, \dots, 2)$ denotes the decision levels of the quantizer, and b_{cj} represents the coded gain value. Decision levels and quantizing levels are given in table 3.3.

Table 3.3: Quantization table for the LTP gain

| i | Decision level DLB(i) | Quantizing level QLB(i) |
|---|--------------------------|----------------------------|
| 0 | 0.2 | 0.10 |
| 1 | 0.5 | 0.35 |
| 2 | 0.8 | 0.65 |
| 3 | | 1.00 |

The decoding rule is implemented according to:

$$b_j' = \text{QLB}(b_{cj}); \quad j = 0, \dots, 3 \quad (3.16)$$

where $\text{QLB}(i), (i=0, \dots, 3)$ denotes the quantizing levels, and b_j' represents the decoded gain value (see table 3.3).

3.1.16 Long term analysis filtering

The short term residual signal $d(k_0+k), (k=0, \dots, 159)$ is processed by sub-segments of 40 samples. From each of the four sub-segments ($j=0, \dots, 3$) of short term residual samples, denoted here $d(k_j+k), (k=0, \dots, 39)$, an estimate $d''(k_j+k), (k=0, \dots, 39)$ of the signal is subtracted to give the long term residual signal $e(k_j+k), (k=0, \dots, 39)$ (see figure 3.1):

$$\begin{aligned} e(k_j+k) &= d(k_j+k) - d''(k_j+k) & ; & \quad \begin{aligned} j &= 0, \dots, 3 \\ k &= 0, \dots, 39 \\ k_j &= k_0 + j*40 \end{aligned} \end{aligned} \quad (3.17)$$

Prior to this subtraction, the estimated samples $d''(k_j+k)$ are computed from the previously reconstructed short term residual samples d' , adjusted to the current sub-segment LTP lag N_j' and weighted with the sub-segment LTP gain b_j' :

$$\begin{aligned} d''(k_j+k) &= b_j' * d'(k_j+k-N_j') & ; & \quad \begin{aligned} j &= 0, \dots, 3 \\ k &= 0, \dots, 39 \\ k_j &= k_0 + j*40 \end{aligned} \end{aligned} \quad (3.18)$$

3.1.17 Long term synthesis filtering

The reconstructed long term residual signal $e'(k_0+k), (k=0, \dots, 159)$ is processed by sub-segments of 40 samples. To each sub-segment, denoted here $e'(k_j+k), (k=0, \dots, 39)$, the estimate $d''(k_j+k), (k=0, \dots, 39)$ of the signal is added to give the reconstructed short term residual signal $d'(k_j+k), (k=0, \dots, 39)$:

$$d'(k_j+k) = e'(k_j+k) + d''(k_j+k) \quad ; \quad \begin{matrix} j = 0, \dots, 3 \\ k = 0, \dots, 39 \\ k_j = k_0 + j*40 \end{matrix} \quad (3.19)$$

RPE encoding section

3.1.18 Weighting Filter

A FIR "block filter" algorithm is applied to each sub-segment by convolving 40 samples $e(k)$ with the impulse response $H(i) ; i=0, \dots, 10$ (see table 3.4).

Table 3.4: Impulse response of block filter (weighting filter)

| | | | | | | |
|---------------|----------|--------------|--------------|--------------|--------------|---------------|
| i | 5 | 4 (6) | 3 (7) | 2 (8) | 1 (9) | 0 (10) |
| $H(i)*2^{13}$ | 8192 | 5741 | 2054 | 0 | -374 | -134 |

$$|H(\Omega=0)| = 2.779;$$

The conventional convolution of a sequence having 40 samples with an 11-tap impulse response would produce $40+11-1=50$ samples. In contrast to this, the "block filter" algorithm produces the 40 central samples of the conventional convolution operation. For notational convenience the block filtered version of each sub-segment is denoted by $x(k), k=0, \dots, 39$.

$$x(k) = \sum_{i=0}^{10} H(i) * e(k+5-i) \quad \text{with } k = 0, \dots, 39 \quad (3.20)$$

NOTE: $e(k+5-i) = 0$ for $k+5-i < 0$ and $k+5-i > 39$.

3.1.19 Adaptive sample rate decimation by RPE grid selection

For the next step, the filtered signal x is down-sampled by a ratio of 3 resulting in 3 interleaved sequences of lengths 14, 13 and 13, which are split up again into 4 sub-sequences x_m of length 13:

$$x_m(i) = x(k_j+m+3*i) \quad ; \quad \begin{matrix} i = 0, \dots, 12 \\ m = 0, \dots, 3 \end{matrix} \quad (3.21)$$

with m denoting the position of the decimation grid. According to the explicit solution of the RPE mean squared error criterion, the optimum candidate sub-sequence x_M is selected which is the one with the maximum energy:

$$E_M = \max_m \sum_{i=0}^{12} x_m^2(i) \quad ; \quad m = 0, \dots, 3 \quad (3.22)$$

The optimum grid position M is coded as M_c with 2 bits.

3.1.20 APCM quantization of the selected RPE sequence

The selected sub-sequence $x_M(i)$ (RPE sequence) is quantized, applying APCM (Adaptive Pulse Code Modulation). For each RPE sequence consisting of a set of 13 samples $x_M(i)$, the maximum x_{max} of the absolute values $|x_M(i)|$ is selected and quantized logarithmically with 6 bits as x_{maxc} as given in table 3.5.

Table 3.5: Quantization of the block maximum x_{\max}

| x_{\max} | x'_{\max} | $x_{\max c}$ | x_{\max} | x'_{\max} | $x_{\max c}$ |
|--------------|-------------|--------------|----------------|-------------|--------------|
| 0 .. 31 | 31 | 0 | 2048 .. 2303 | 2303 | 32 |
| 32 .. 63 | 63 | 1 | 2304 .. 2559 | 2559 | 33 |
| 64 .. 95 | 95 | 2 | 2560 .. 2815 | 2815 | 34 |
| 96 .. 127 | 127 | 3 | 2816 .. 3071 | 3071 | 35 |
| 128 .. 159 | 159 | 4 | 3072 .. 3327 | 3327 | 36 |
| 160 .. 191 | 191 | 5 | 3328 .. 3583 | 3583 | 37 |
| 192 .. 223 | 223 | 6 | 3584 .. 3839 | 3839 | 38 |
| 224 .. 255 | 255 | 7 | 3840 .. 4095 | 4095 | 39 |
| 256 .. 287 | 287 | 8 | 4096 .. 4607 | 4607 | 40 |
| 288 .. 319 | 319 | 9 | 4608 .. 5119 | 5119 | 41 |
| 320 .. 351 | 351 | 10 | 5120 .. 5631 | 5631 | 42 |
| 352 .. 383 | 383 | 11 | 5632 .. 6143 | 6143 | 43 |
| 384 .. 415 | 415 | 12 | 6144 .. 6655 | 6655 | 44 |
| 416 .. 447 | 447 | 13 | 6656 .. 7167 | 7167 | 45 |
| 448 .. 479 | 479 | 14 | 7168 .. 7679 | 7679 | 46 |
| 480 .. 511 | 511 | 15 | 7680 .. 8191 | 8191 | 47 |
| 512 .. 575 | 575 | 16 | 8192 .. 9215 | 9215 | 48 |
| 576 .. 639 | 639 | 17 | 9216 .. 10239 | 10239 | 49 |
| 640 .. 703 | 703 | 18 | 10240 .. 11263 | 11263 | 50 |
| 704 .. 767 | 767 | 19 | 11264 .. 12287 | 12287 | 51 |
| 768 .. 831 | 831 | 20 | 12288 .. 13311 | 13311 | 52 |
| 832 .. 895 | 895 | 21 | 13312 .. 14335 | 14335 | 53 |
| 896 .. 959 | 959 | 22 | 14336 .. 15359 | 15359 | 54 |
| 960 .. 1023 | 1023 | 23 | 15360 .. 16383 | 16383 | 55 |
| 1024 .. 1151 | 1151 | 24 | 16384 .. 18431 | 18431 | 56 |
| 1152 .. 1279 | 1279 | 25 | 18432 .. 20479 | 20479 | 57 |
| 1280 .. 1407 | 1407 | 26 | 20480 .. 22527 | 22527 | 58 |
| 1408 .. 1535 | 1535 | 27 | 22528 .. 24575 | 24575 | 59 |
| 1536 .. 1663 | 1663 | 28 | 24576 .. 26623 | 26623 | 60 |
| 1664 .. 1791 | 1791 | 29 | 26624 .. 28671 | 28671 | 61 |
| 1792 .. 1919 | 1919 | 30 | 28672 .. 30719 | 30719 | 62 |
| 1920 .. 2047 | 2047 | 31 | 30720 .. 32767 | 32767 | 63 |

For the normalization, the 13 samples are divided by the decoded version x'_{\max} of the block maximum. Finally, the normalized samples:

$$x'(i) = x_M(i)/x'_{\max} ; \quad i=0, \dots, 12 \quad (3.23)$$

are quantized uniformly with three bits to $x_{Mc}(i)$ as given in table 3.6.

Table 3.6: Quantization of the normalized RPE-samples

| $x' \cdot 2^{15}$ (Interval-limits) | $x_M' \cdot 2^{15}$ | x_{Mc} (Channel) |
|--|---------------------|-----------------------|
| -32768 ... -24577 | -28672 | 0 = 000 |
| -24576 ... -16385 | -20480 | 1 = 001 |
| -16384 ... -8193 | -12288 | 2 = 010 |
| -8192 ... -1 | -4096 | 3 = 011 |
| 0 ... 8191 | 4096 | 4 = 100 |
| 8192 ... 16383 | 12288 | 5 = 101 |
| 16384 ... 24575 | 20480 | 6 = 110 |
| 24576 ... 32767 | 28672 | 7 = 111 |

3.1.21 APCM inverse quantization

The $x_{Mc}(i)$ are decoded to $\underline{x}_M'(i)$ and denormalized using the decoded value x'_{maxc} leading to the decoded sub-sequence $x'_M(i)$.

3.1.22 RPE grid positioning

The quantized sub-sequence is upsampled by a ratio of 3 by inserting zero values according to the grid position given with Mc .

3.2 Decoder

The decoder comprises the following 4 sections. Most of the sub-blocks are also needed in the encoder and have been described already. Only the short term synthesis filter and the de-emphasis filter are added in the decoder as new sub-blocks.

- RPE decoding section (3.2.1);
- Long Term Prediction section (3.2.2);
- Short term synthesis filtering section (3.2.3);
- Post-processing (3.2.4).

The complete block diagram for the decoder is shown in figure 3.4. The variables and parameters of the decoder are marked by the index r to distinguish the received values from the encoder values.

3.2.1 RPE decoding section

The input signal of the long term synthesis filter (reconstruction of the long term residual signal) is formed by decoding and denormalizing the RPE-samples (APCM inverse quantization - 3.1.21) and by placing them in the correct time position (RPE grid positioning - 3.1.22). At this stage, the sampling frequency is increased by a factor of 3 by inserting the appropriate number of intermediate zero-valued samples.

3.2.2 Long Term Prediction section

The reconstructed long term residual signal e_r' is applied to the long term synthesis filter (see 3.1.16 and 3.1.17) which produces the reconstructed short term residual signal d_r' for the short term synthesizer.

3.2.3 Short term synthesis filtering section

The coefficients of the short term synthesis filter (see figure 3.5) are reconstructed applying the identical procedure to that in the encoder (3.1.8 - 3.1.10). The short term synthesis filter is implemented according to the lattice structure depicted in figure 3.5.

$$s_r(0)(k) = d_r'(k) \quad (3.24a)$$

$$s_r(i)(k) = s_r(i-1)(k) - r_r'(9-i) * v_{8-i}(k-1); \quad i=1, \dots, 8 \quad (3.24b)$$

$$v_{9-i}(k) = v_{8-i}(k-1) + r_r'(9-i) * s_r(i)(k); \quad i=1, \dots, 8 \quad (3.24c)$$

$$s_r'(k) = s_r(8)(k) \quad (3.24d)$$

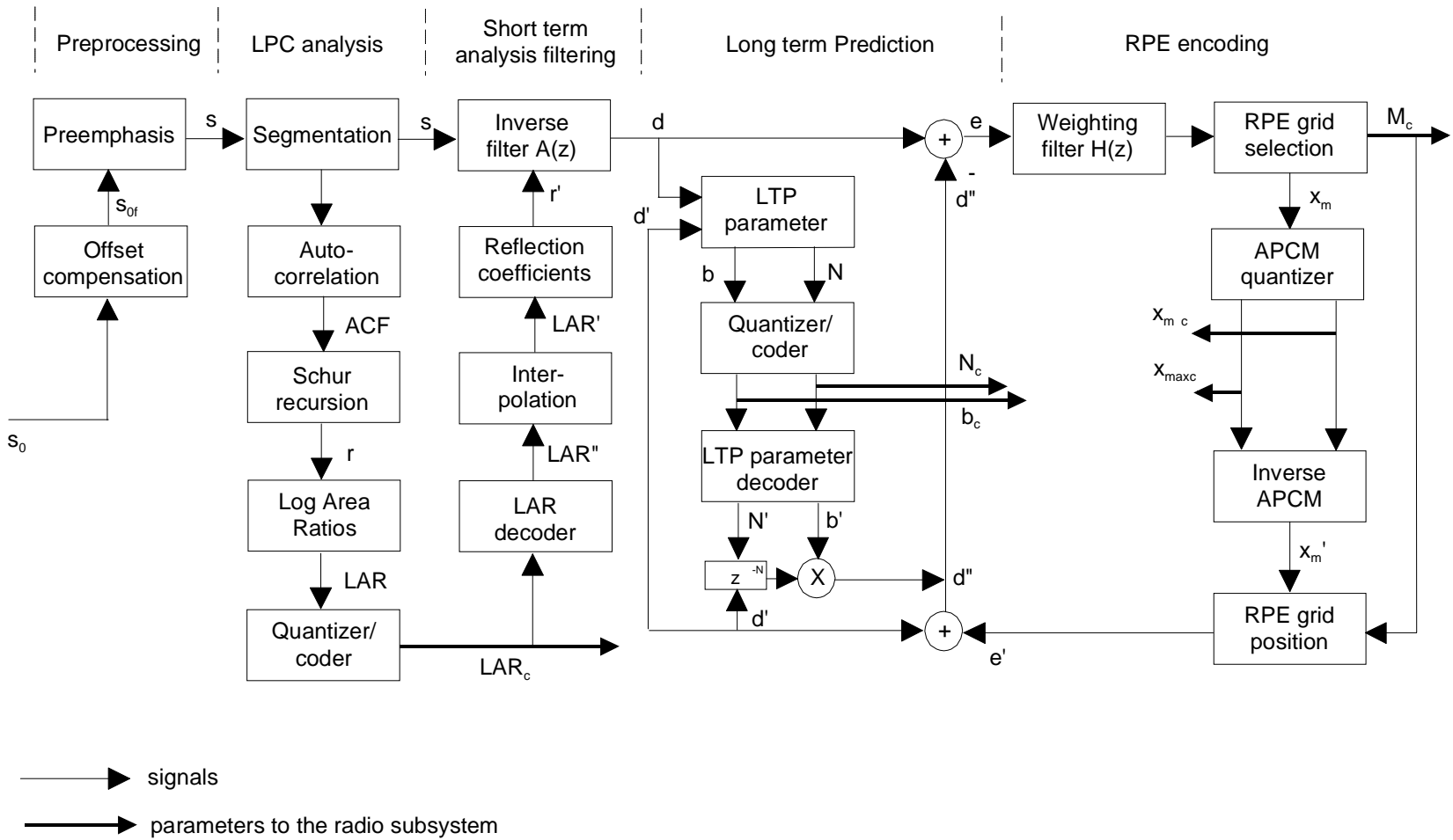
$$v_0(k) = s_r(8)(k) \quad (3.24e)$$

3.2.4 Post-processing

The output of the synthesis filter $s_r(k)$ is fed into the IIR- de-emphasis filter leading to the output signal s_{r0} .

$$s_{r0}(k) = s_r(k) + \text{beta} * s_{r0}(k-1); \quad \text{beta} = 28180 * 2^{-15} \quad (3.25)$$

Figure 3.1: Block diagram of the RPE - LTP encoder



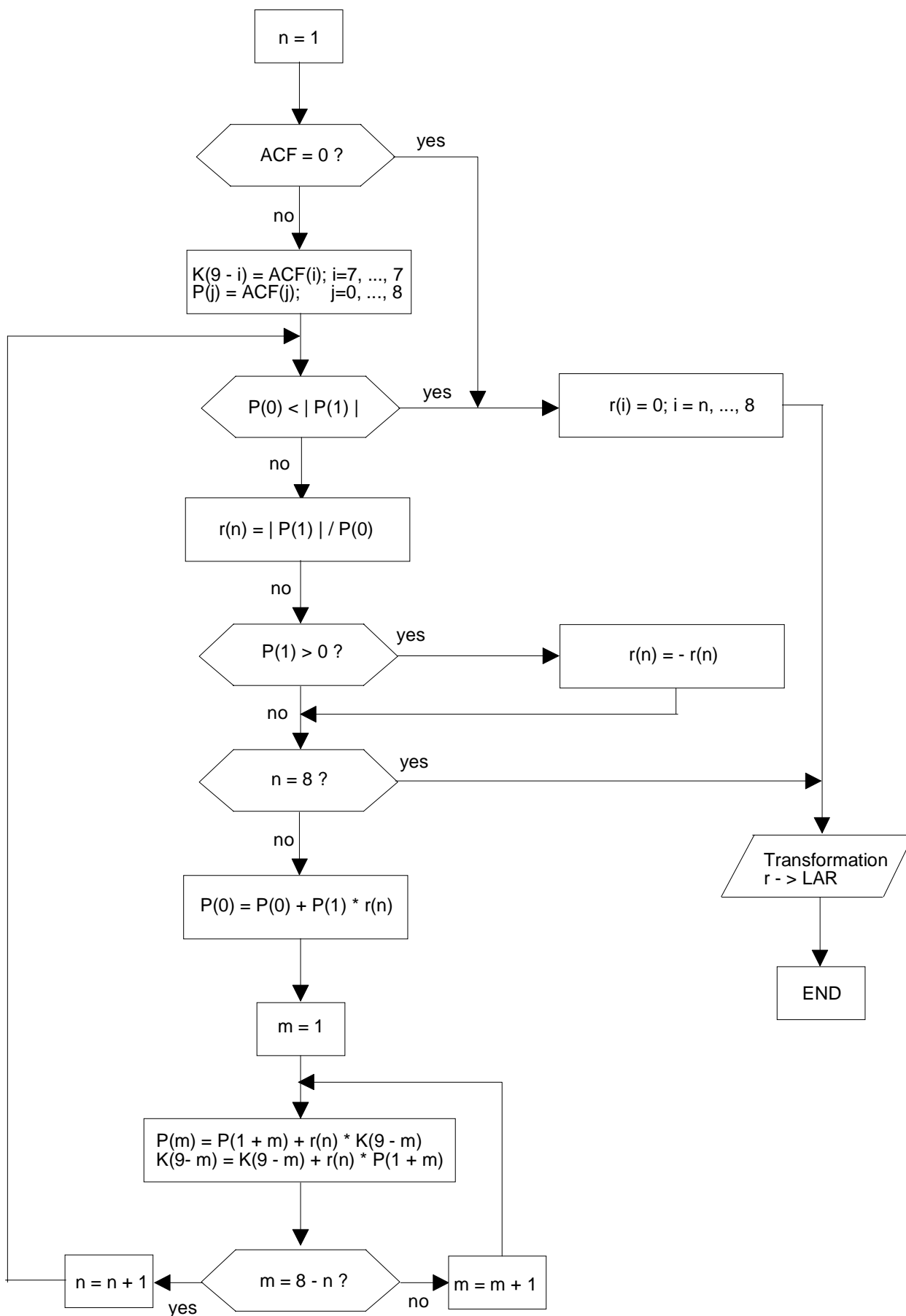


Figure 3.2: LPC analysis using Schur recursion

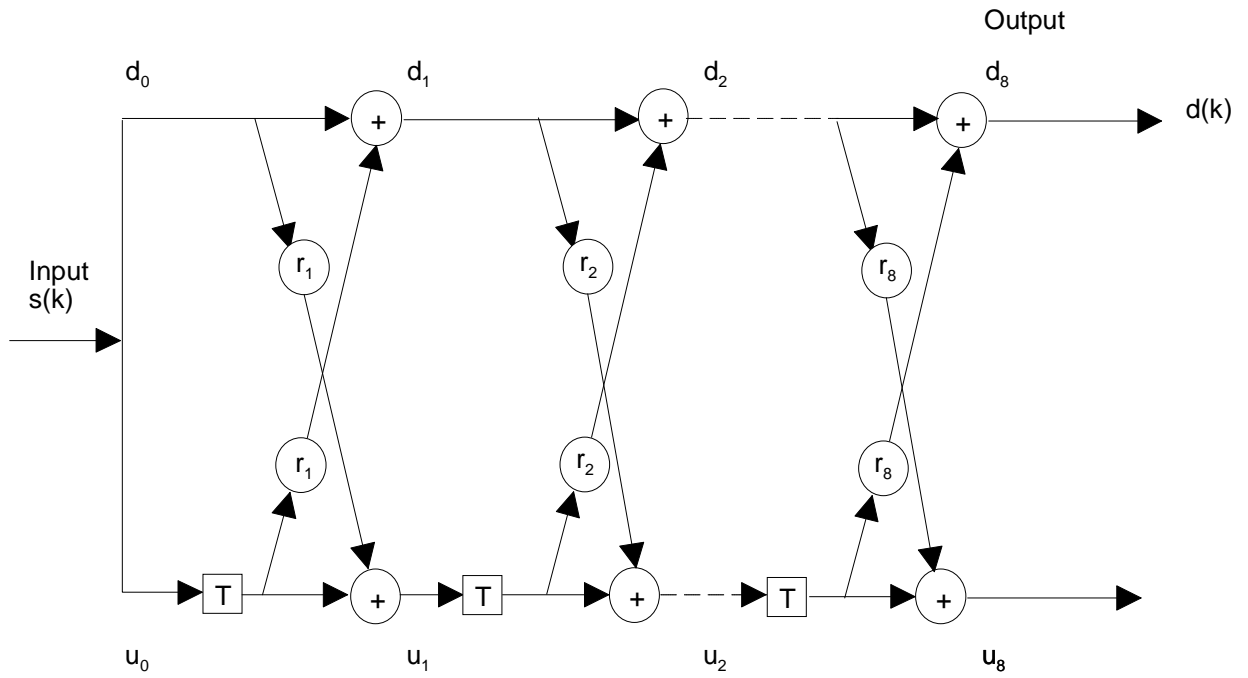


Figure 3.3: Short term analysis filter

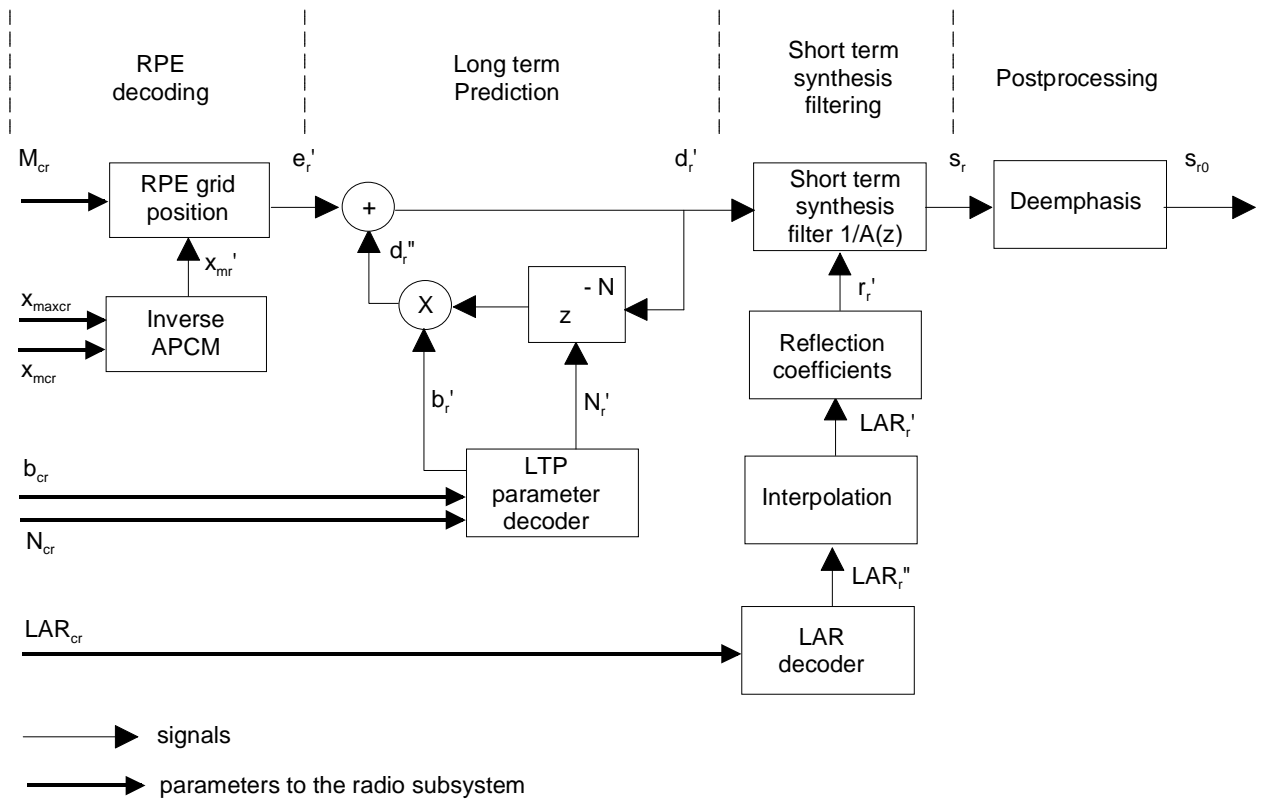


Figure 3.4: Block diagram of the RPE-LTP decoder

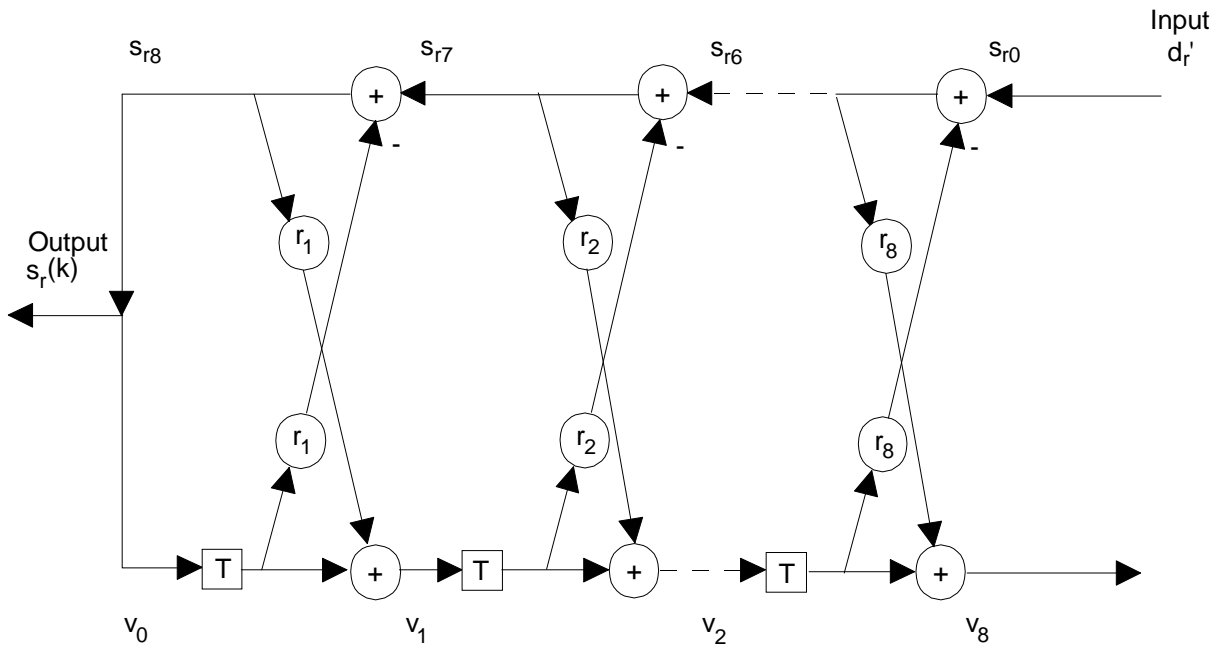


Figure 3.5: Short terms synthesis filter

4 Codec homing

The below described codec homing procedure is introduced to the GSM Full Rate speech codec as an optional feature to simplify bit-exact codec tests. It is free to the manufacturers to implement this feature or not.

4.1 Functional description

The full rate speech codec is described in a bit-exact arithmetic to ease type approval as well as general testing purposes of the full rate speech codec.

The response of the codec to a predefined input sequence can only be foreseen if the internal state variables of the codec are in a predefined state at the beginning of the experiment. Therefore, the codec has to be put into a so called home state before a bit-exact test can be performed. This is usually done by a reset (a procedure in which the internal state variables of the codec are set to their defined initial values).

To allow a reset of the codec in remote locations, special homing frames have been defined for the encoder and the decoder, thus enabling a codec homing by inband signalling.

The codec homing procedure is defined in such a way, that in either direction (encoder or decoder) the homing functions are called after processing the homing frame that is input. The output corresponding to the first homing frame is therefore dependent on the codec state when receiving that frame and hence usually not known. The response to any further homing frame in one direction is by definition a homing frame of the other direction. This procedure allows homing of both, the encoder and decoder from either side, if a loop back configuration is implemented, taking proper framing into account.

4.2 Definitions

Encoder-homing-frame: The encoder-homing-frame consists of 160 identical samples, each 13 bits long, with the least significant bit set to "one" and all other bits set to "zero". When written to 16-bit words with left justification, the samples have a value of 0008 hex. The speech decoder has to produce this frame as a response to the second and any further decoder-homing-frame if at least two decoder-homing-frames were input to the decoder consecutively.

Decoder-homing-frame: The decoder-homing-frame has a fixed set of speech parameters as described in table 4.1 a/b. It is the natural response of the speech encoder to the second and any further encoder-homing-frame if at least two encoder-homing-frames were input to the encoder consecutively.

Table 4.1 a: LAR parameter values for the decoder-homing-frame

| LARc[1] | LARc[2] | LARc[3] | LARc[4] | LARc[5] | LARc[6] | LARc[7] | LARc[8] |
|---------|---------|---------|---------|---------|---------|---------|---------|
| 0x0009 | 0x0017 | 0x000F | 0x0008 | 0x0007 | 0x0003 | 0x0003 | 0x0002 |

Table 4.1 b: Sub-frame parameter values for the decoder-homing-frame

| Parameter | | Sub-frame 1 | Sub-frame 2 | Sub-frame 3 | Sub-frame 4 |
|-----------------|---------|-------------|-------------|-------------|-------------|
| LTP lag | Nc | 0x0028 | 0x0028 | 0x0028 | 0x0028 |
| LTP gain | bc | 0x0000 | 0x0000 | 0x0000 | 0x0000 |
| RPE grid | Mc | 0x0000 | 0x0000 | 0x0000 | 0x0000 |
| block amplitude | xmaxc | 0x0000 | 0x0000 | 0x0000 | 0x0000 |
| RPE pulse 0 | xMc[0] | 0x0004 | 0x0004 | 0x0004 | 0x0004 |
| RPE pulse 1 | xMc[1] | 0x0004 | 0x0004 | 0x0004 | 0x0004 |
| RPE pulse 2 | xMc[2] | 0x0004 | 0x0004 | 0x0004 | 0x0004 |
| RPE pulse 3 | xMc[3] | 0x0004 | 0x0004 | 0x0004 | 0x0004 |
| RPE pulse 4 | xMc[4] | 0x0004 | 0x0004 | 0x0004 | 0x0003 |
| RPE pulse 5 | xMc[5] | 0x0004 | 0x0004 | 0x0004 | 0x0004 |
| RPE pulse 6 | xMc[6] | 0x0004 | 0x0004 | 0x0004 | 0x0004 |
| RPE pulse 7 | xMc[7] | 0x0004 | 0x0004 | 0x0004 | 0x0004 |
| RPE pulse 8 | xMc[8] | 0x0004 | 0x0004 | 0x0004 | 0x0004 |
| RPE pulse 9 | xMc[9] | 0x0004 | 0x0004 | 0x0004 | 0x0004 |
| RPE pulse 10 | xMc[10] | 0x0004 | 0x0004 | 0x0004 | 0x0004 |
| RPE pulse 11 | xMc[11] | 0x0004 | 0x0004 | 0x0004 | 0x0004 |
| RPE pulse 12 | xMc[12] | 0x0004 | 0x0004 | 0x0004 | 0x0004 |

4.3 Encoder homing

Whenever the full rate speech encoder receives at its input an encoder-homing-frame exactly aligned with its internal speech frame segmentation, the following events take place:

- Step 1: The speech encoder performs its normal operation including VAD and DTX and produces a speech parameter frame at its output which is in general unknown. If the speech encoder is already in its home state at the beginning of that frame, then the resulting speech parameter frame is identical to the decoder-homing-frame. This is how the decoder-homing-frame was constructed.
- Step 2: After successful completion of that operation, the speech encoder provokes the homing functions for all sub-modules including VAD and DTX and sets all state variables into their home state. On the reception of the next input frame, the speech encoder will start from its home state.

NOTE: Applying a sequence of N encoder-homing-frames will cause at least N-1 decoder-homing-frames at the output of the speech encoder.

4.4 Decoder homing

Whenever the speech decoder receives at its input a decoder-homing-frame (which is not marked as a bad frame), then the following events take place:

- Step 1: The speech decoder performs its normal operation and produces a speech frame at its output which is in general unknown. If the speech decoder is already in its home state at the beginning of that frame, then the resulting speech frame is replaced by the encoder-homing-frame. This would not naturally be the case but is forced by this definition here.

Step 2: After successful completion of that operation, the speech decoder provokes the homing functions for all sub-modules including the comfort noise generator and sets all state variables into their home state. On the reception of the next input frame, the speech decoder will start from its home state.

NOTE 1: Applying a sequence of N decoder-homing-frames will cause at least N-1 encoder-homing-frames at the output of the speech decoder.

NOTE 2: By definition, the first frame of each decoder test sequence must differ from the decoder-homing-frame at least in one bit position within the parameters for LARs and first subframe. Therefore, if the decoder is in its home state, it is sufficient to check only these parameters to detect a subsequent decoder-homing-frame. This definition is made to support a delay-optimized implementation in the TRAU uplink direction.

4.5 Encoder home state

In table 4.2, a listing of all the encoder state variables with their predefined values when in the home state is given.

Table 4.2: Initial values of the encoder state variables

| | Variable | Initial value |
|-----------------------------------|------------------|---------------|
| Offset compensation filter memory | z1 | set to 0 |
| Offset compensation filter memory | L_z2 | set to 0 |
| Pre-emphasis filter memory | mp | set to 0 |
| LARs from previous frame | LARpp(j-1)[1..8] | all set to 0 |
| Short term analysis filter memory | u[0..7] | all set to 0 |
| LTP delay line | dp[-120...-1] | all set to 0 |

Initial values for variables used by the VAD algorithm are listed in GSM 06.32 [12]. In addition, the state variables of the DTX system have to be brought into their home state. As the DTX system is not specified in a bit-exact way, no common reset table can be given here.

4.6 Decoder home state

In table 4.3, a listing of all the decoder state variables with their predefined values when in the home state is given.

Table 4.3: Initial values of the decoder state variables

| | Variable | Initial value |
|------------------------------------|-------------------|---------------|
| LTP lag from previous frame | nrp | set to 40 |
| LTP delay line | drp[-120...-1] | all set to 0 |
| LARs from previous frame | LARrpp(j-1)[1..8] | all set to 0 |
| Short term synthesis filter memory | v[0..8] | all set to 0 |
| De-emphasis filter memory | msr | set to 0 |

In addition, the state variables of the bad frame handling (error concealment) module and the comfort noise insertion module have to be brought into their home state. As these modules are not specified in a bit-exact way, no common reset table can be given here.

5 Computational details of the RPE-LTP codec

5.1 Data representation and arithmetic operations

Only two types of variables are used along the implementation of the RPE-LTP algorithm in fixed point arithmetic. These two types are:

Integer on 16 bits;
Long integer on 32 bits.

This assumption simplifies the detailed description and allows the maximum reach of precision.

In different places of the recommendation, different scaling factors are used according to different operations. To help the reader in the comparison of corresponding floating point and fixed point values given in section 3 and 4 comments of the format:

```
/* var = integer( real_var * scalefactor ) */
```

are used at several points of section 5. var is the rounded fixed point representation of the floating point representation of var (real_var) using the given scaling factor.

In the description, input signal samples, coded parameters and output signal samples are represented by 16 bit words. At the receiving part it shall therefore be ensured that only valid bits (13 bits for samples signal and two to seven bits for coded parameters) are used. In verification tests, the testing system may introduce random bit at non valid places inside these samples (3 LSBs) or parameters (MSBs) to test this function. In the digital test sequences all non valid bits are set to 0.

The following part of this section describes the required set of arithmetic operations to implement the RPE-LTP algorithm in fixed point.

For arithmetics operations or variables with a long integer type (32 bit) a prefix L_ is used in order to distinguish them from the 16 bit variables or arithmetic operations.

All the names of the variables are identical to those of the functional description of the RPE-LTP Codec (section 3) but variables like x', x'' are respectively called:

```
x'  -----> xp
x'' -----> xpp
```

in order to avoid any confusing notation.

NOTE: The x', x'' variables are examples but are not used within the following description.

The following notations are used in the arithmetic operations:

Square brackets ([..]) are used for arrays and when needed, the starting index and the ending index are put inside the bracket. For example x[0..159] means that x is an array of 160 words of 16 bits with beginning index 0 and ending index 159 and x[k] is an element of the array x[0..159].

All functions' names are underlined. For example add(x, y) means that we perform the addition of x and y.

- << n: denotes a n-bit arithmetic shift left operation (zero fill) on variables of type short or long; if n is less than 0, this operation becomes an arithmetic right shift of -n;
- >> n: denotes a n-bit arithmetic right shift operation (sign extension) on variables of type short or long; if n is less than 0, this operation becomes an arithmetic left shift of -n (zero fill);
- a > b: denotes the "greater than" condition;
- a >= b: denotes the "greater than or equal" condition;
- a < b: denotes the "less than" condition;

$a \leq b$: denotes the "less than or equal" condition;

$a = b$: denotes the "equal to" condition.

The basic structure of the FOR-NEXT loop is used in this description for loop computation; the declaration is:

```

|== FOR k= start to end:
|   inner computation;
|== NEXT k:

```

Also the IF.. ELSE IF structure is used throughout this detailed description. The basic structure is:

```

IF (condition1) THEN statement1;
ELSE IF ( condition2) THEN statement2;
ELSE IF ( condition3) THEN statement3;

```

The word EXIT is used to exit immediately from a procedure.

The following arithmetic operations are defined:

add(var1, var2): performs the addition (var1+var2) with overflow control and saturation; the result is set at +32767 when overflow occurs or at -32768 when underflow occurs.

sub(var1, var2): performs the subtraction (var1-var2) with overflow control and saturation; the result is set at +32767 when overflow occurs or at -32768 when underflow occurs.

mult(var1, var2): performs the multiplication of var1 by var2 and gives a 16 bits result which is scaled i.e.
 $\text{mult}(\text{var1}, \text{var2}) = (\text{var1 times var2}) \gg 15$ and $\text{mult}(-32768, -32768) = 32767$

mult_r(var1, var2): same as mult but with rounding i.e. $\text{mult}_r(\text{var1}, \text{var2}) = ((\text{var1 times var2}) + 16384) \gg 15$ and $\text{mult}_r(-32768, -32768) = 32767$

abs(var1): absolute value of var1; $\text{abs}(-32768) = 32767$

div(var1, var2): div produces a result which is the fractional integer division of var1 by var2; var1 and var2 shall be positive and var2 shall be greater or equal to var1; The result is positive (leading bit equal to 0) and truncated to 16 bits. if $\text{var1} = \text{var2}$ then $\text{div}(\text{var1}, \text{var2}) = 32767$

L_mult(var1, var2): L_mult is a 32 bit result for the multiplication of var1 times var2 with a one bit shift left. $\text{L_mult}(\text{var1}, \text{var2}) = (\text{var1 times var2}) \ll 1$. The condition L_mult (-32768, -32768) does not occur in the algorithm.

L_add(L_var1, L_var2): 32 bits addition of two 32 bits variables (L_var1 + L_var2) with overflow control and saturation; the result is set at 2147483647 when overflow occurs and at -2147483648 when underflow occurs.

L_sub(L_var1, L_var2): 32 bits subtraction of two 32 bits variables (L_var1 - L_var2) with overflow control and saturation; the result is set at 2147483647 when overflow occurs and at -2147483648 when underflow occurs.

norm(L_var1): norm produces the number of left shifts needed to normalize the 32 bits variable L_var1 for positive values on the interval with minimum of 1073741824 and maximum of 2147483647 and for negative values on the interval with minimum of -2147483648 and maximum of -1073741824; in order to normalize the result, the following operation shall be done: $\text{L_norm_var1} = \text{L_var1} \ll \text{norm}(\text{L_var1})$

$\text{L_var2} = \text{var1}$: deposit the 16 bits of var1 in the LSB 16 bits of L_var2 with sign extension.

$\text{var2} = \text{L_var1}$: extract the 16 LSB bits of L_var1 to put in var2.

When a constant is used in an operation on 32 bits, it shall be first sign-extended on 32 bits.

5.2 Fixed point implementation of the RPE-LTP coder

The RPE-LTP coder works on a frame by frame basis. The length of the frame is equal to 160 samples. Some computations are done once per frame (analysis) and some others for each of the four sub-segments (40 samples).

In the following detailed description, procedure 5.2.0 to 5.2.10 are done once per frame to produce at the output of the coder the LARc[1..8] parameters which are the coded LAR coefficients and also to realize the inverse filtering operation for the entire frame (160 samples of signal d[0..159]). These parts produce at the output of the coder:

```

| LARc[1..8]      : Coded LAR coefficients
|--> These parameters are calculated and sent once per frame.

```

Procedure 5.2.11 to 5.2.18 are to be executed four times per frame. That means once for each sub-segment RPE-LTP analysis of 40 samples. These parts produce at the output of the coder:

```

| Nc           : LTP lag;
| bc          : Coded LTP gain;
| Mc          : RPE grid selection;
| xmaxc       : Coded maximum amplitude of the RPE sequence;
| xMc[0..12]  : Codes of the normalized RPE samples;
|--> These parameters are calculated and sent four times per frame.

```

Pre-processing section

5.2.0 Scaling of the input variable

After A-law to linear conversion (or directly from the A to D converter) the following scaling is assumed for input to the RPE-LTP algorithm:

```

S.v.v.v.v.v.v.v.v.v.v.v.v.v.v.x.x.x ( 2's complement format).
Where S is the sign bit, v a valid bit, and x a "don't care" bit.
The original signal is called sop[..];

```

5.2.1 Downscaling of the input signal

```

|== FOR k=0 to 159:
|   so[k] = sop[k] >> 3;
|   so[k] = so[k] << 2;
|== NEXT k:

```

5.2.2 Offset compensation

This part implements a high-pass filter and requires extended arithmetic precision for the recursive part of this filter.

The input of this procedure is the array so[0..159] and the output the array sof[0..159].

```

|== FOR k = 0 to 159:

|   Compute the non-recursive part.
|   s1 = sub( so[k], z1 );
|   z1 = so[k];

|   Compute the recursive part.
|   L_s2 = s1;
|   L_s2 = L_s2 << 15;
|   Execution of a 31 by 16 bits multiplication.
|   msp = L_z2 >> 15;
|   lsp = L_sub( L_z2, ( msp << 15 ) );
|   temp = mult_r( lsp, 32735 );
|   L_s2 = L_add( L_s2, temp );
|   L_z2 = L_add( L_mult( msp, 32735 ) >> 1, L_s2 );

```

```

| Compute sof[k] with rounding.
|   sof[k] = L_add( L_z2, 16384 ) >> 15;
|== NEXT k:

```

Keep z1 and L_z2 in memory for the next frame.

Initial value: z1=0; L_z2=0;

5.2.3 Pre-emphasis

```

|== FOR k=0 to 159:
|   s[k] = add( sof[k], mult_r( mp, -28180 ) );
|   mp = sof[k];
|== NEXT k:

```

Keep mp in memory for the next frame.

Initial value: mp=0;

LPC analysis section

5.2.4 Autocorrelation

The goal is to compute the array L_ACF[k]. The signal s[i] shall be scaled in order to avoid an overflow situation.

Dynamic scaling of the array s[0..159].

Search for the maximum.

```

smax = 0;
|== FOR k = 0 to 159:
|   temp = abs( s [k] );
|   IF ( temp > smax ) THEN smax = temp;
|== NEXT k;

```

Computation of the scaling factor.

```

IF ( smax == 0 ) THEN scalauto = 0;
ELSE scalauto = sub( 4, norm( smax << 16 ) );

```

Scaling of the array s[0..159].

```

IF ( scalauto > 0 ) THEN
|   temp = 16384 >> sub( scalauto,1);
|== FOR k = 0 to 159:
|   s[k] = mult_r( s[k], temp);
|== NEXT k:

```

Compute the L_ACF[.].

```

|== FOR k=0 to 8:
|   L_ACF[k] = 0;
|==== FOR i=k to 159:
|   L_temp = L_mult( s[i], s[i-k] );
|   L_ACF[k] = L_add( L_ACF[k], L_temp );
|==== NEXT i:
|== NEXT k:

```

Rescaling of the array s[0..159].

```

IF ( scalauto > 0 ) THEN
|== FOR k = 0 to 159:
|   s[k] = s[k] << scalauto;
|== NEXT k:

```


5.2.5 Computation of the reflection coefficients

Schur recursion with 16 bits arithmetic.

```

IF( L_ACF[0] == 0 ) THEN
    |== FOR i = 1 to 8:
    |   r[i] = 0;
    |== NEXT i:
    |   EXIT; /continue with section 5.2.6/
temp = norm( L_ACF[0] );
|== FOR k=0 to 8:
|   ACF[k] = ( L_ACF[k] << temp ) >> 16;
|== NEXT k:

```

Initialize array P[..] and K[..] for the recursion.

```

|== FOR i=1 to 7:
|   K[9-i] = ACF[i];
|== NEXT i:
|== FOR i=0 to 8:
|   P[i] = ACF[i];
|== NEXT i:

```

Compute reflection coefficients.

```

|== FOR n=1 to 8:
|   IF( P[0] < abs( P[1] ) ) THEN
|       |== FOR i = n to 8:
|       |   r[i] = 0;
|       |== NEXT i:
|       |   EXIT; /continue with
|       |       section 5.2.6/
|   r[n] = div( abs( P[1] ), P[0] );
|   IF ( P[1] > 0 ) THEN r[n] = sub( 0, r[n] );
|
|   IF ( n == 8 ) THEN EXIT; /continue with
|       section 5.2-6/

```

Schur recursion.

```

|   P[0] = add( P[0], mult_r( P[1], r[n] ) );
|==== FOR m=1 to 8-n:
|   P[m] = add( P[m+1], mult_r( K[9-m], r[n] ) );
|   K[9-m] = add( K[9-m], mult_r( P[m+1], r[n] ) );
|==== NEXT m:
|
|== NEXT n:

```

NOTE: The following lines gives one correct implementation of the `div(num, denum)` arithmetic operation. Compute `div` which is the integer division of `num` by `denum`: with `denum >= num > 0`.

```

L_num = num;
L_denum = denum;
div = 0;
|== FOR k = 0 to 14:
|   div = div << 1;
|   L_num = L_num << 1;
|   IF ( L_num >= L_denum ) THEN
|       |   L_num = L_sub( L_num, L_denum );
|       |   div = add( div, 1 );
|== NEXT k:

```

5.2.6 Transformation of reflection coefficients to Log.-Area Ratios

The following scaling for r[.] and LAR[.] has been used:

```

/* r[.] = integer( real_r[.]*32768. );  -1. <= real_r <1. */
/*
/* LAR[.] = integer( real_LAR[.]*16384. );
/*
/* with  -1.625 <= real_LAR <= 1.625
*/

```

Computation of the LAR[1..8] from the r[1..8].

```

|== FOR i = 1 to 8:
|   temp = abs( r[i] );
|   IF ( temp < 22118 ) THEN temp = temp >> 1;
|       ELSE IF ( temp < 31130 ) THEN
|           temp= sub(temp, 11059);
|       ELSE temp = sub( temp, 26112 ) << 2;
|   LAR[i] = temp;
|   IF ( r[i] < 0 ) THEN LAR[i] = sub( 0, LAR[i] );
|== NEXT i:

```

5.2.7 Quantization and coding of the Log.-Area Ratios

This procedure needs four tables; the following equations give the optimum scaling for the constants:

```

/* A[1..8]= integer( real_A[1..8]*1024); 8 values (see table5.1)*/
/*
/* B[1..8]= integer( real_B[1..8]*512); 8 values (see table5.1)*/
/*
/* MAC[1..8]= maximum of the LARc[1..8]; 8 values (see table5.1)*/
/*
/* MIC[1..8]= minimum of the LARc[1..8]; 8 values (see table5.1)*/

```

Computation for quantizing and coding the LAR[1..8].

```

|== FOR i =1 to 8:
|   temp= mult( A[i], LAR[i] );
|   temp= add( temp, B[i] );
|   temp= add( temp, 256);      for rounding
|   LARc[i]= temp >> 9;
|
|   Check IF LARc[i] lies between MIN and MAX
|
|   IF ( LARc[i] > MAC[i] ) THEN LARc[i] = MAC[i];
|   IF ( LARc[i] < MIC[i] ) THEN LARc[i] = MIC[i];
|   LARc[i] = sub( LARc[i], MIC[i] ); /See note below/
|== NEXT i:

```

NOTE: The equation is used to make all the LARc[i] positive.

Short term analysis filtering section

5.2.8 Decoding of the coded Log.-Area Ratios

This procedure requires for efficient implementation two tables.

```

/* INVA[1..8]=integer((32768*8)/(real_A[1..8]));
/*
/* 8 values (table 5.2 )
/*
/* MIC[1..8]=minimum value of the LARc[1..8];
/*
/* 8 values (table 5.1)
*/

```

Compute the LARpp[1..8].

```

|== FOR i=1 to 8:
|   temp1 = add( LARc[i], MIC[i] ) << 10; /See note below/
|   temp2 = B[i] << 1;
|   temp1 = sub( temp1, temp2);
|   temp1 = mult_r( INVA[i], temp1);
|   LARpp[i] = add( temp1, temp1);
|== NEXT i:

```

NOTE: The addition of MIC[i] is used to restore the sign of LARc[i].

5.2.9 Computation of the quantized reflection coefficients

Within each frame of 160 analysed speech samples the short term analysis and synthesis filters operate with four different sets of coefficients, derived from the previous set of decoded LARs(LARpp(j-1)) and the actual set of decoded LARs (LARpp(j)).

5.2.9.1 Interpolation of the LARpp[1..8] to get the LARp[1..8]

For k_start = 0 to k_end = 12.

```

|==== FOR i= 1 to 8:
|   LARp[i] = add((LARpp(j-1)[i] >> 2),(LARpp(j)[i] >> 2));
|   LARp[i] = add( LARp[i] , ( LARpp(j-1)[i] >> 1 ) );
|==== NEXT i:

```

For k_start = 13 to k_end = 26.

```

|==== FOR i= 1 to 8:
|   LARp[i] = add((LARpp(j-1)[i] >> 1),(LARpp(j)[i] >> 1 ));
|==== NEXT i:

```

For k_start = 27 to k_end = 39.

```

|==== FOR i= 1 to 8:
|   LARp[i] = add((LARpp(j-1)[i] >> 2),(LARpp(j)[i] >> 2 ));
|   LARp[i] = add( LARp[i] , ( LARpp(j)[i] >> 1 ) );
|==== NEXT i:

```

For k_start = 40 to k_end = 159.

```

|==== FOR i= 1 to 8:
|   LARp[i] = LARpp(j)[i];
|==== NEXT i:

```

Initial value: LARpp(j-1)[1..8]=0;

5.2.9.2 Computation of the rp[1..8] from the interpolated LARp[1..8]

The input of this procedure is the interpolated LARp[1..8] array. The reflection coefficients, rp[i], are used in the analysis filter and in the synthesis filter.

```

|== FOR i=1 to 8:
|   temp = abs( LARp[i] );
|   IF ( temp < 11059 ) THEN temp = temp << 1;
|       ELSE IF (temp < 20070) THEN
|           temp = add(temp, 11059);
|       ELSE temp = add( (temp >> 2), 26112 );
|   rp[i] = temp;
|   IF ( LARp[i] < 0 ) THEN rp[i] = sub( 0, rp[i] );
|== NEXT i:

```

5.2.10 Short term analysis filtering

This procedure computes the short term residual signal d[.] to be fed to the RPE-LTP loop from the s[.] signal and from the local rp[.] array (quantized reflection coefficients). As the call of this procedure can be done in many ways (see the interpolation of the LAR coefficient), it is assumed that the computation

begins with index k_start (for arrays $d[.]$ and $s[.]$) and stops with index k_end (k_start and k_end are defined in 5.2.9.1). This procedure also needs to keep the array $u[0..7]$ in memory for each call.

```

|== FOR k = k_start to k_end:
|   di = s[k]
|   sav = di;
|==== FOR i = 1 to 8:
|   temp = add( u[i-1], mult_r( rp[i], di ) );
|   di = add( di, mult_r( rp[i], u[i-1] ) );
|   u[i-1] = sav;
|   sav = temp;
|==== NEXT i:
|   d[k] = di;
|== NEXT k:

```

Keep the array $u[0..7]$ in memory.

Initial value: $u[0..7]=0$;

Long Term Predictor (LTP) section

5.2.11 Calculation of the LTP parameters

This procedure computes the LTP gain (bc) and the LTP lag (Nc) for the long term analysis filter. This is done by calculating a maximum of the cross-correlation function between the current sub-segment short term residual signal $d[0..39]$ (output of the short term analysis filter; for simplification the index of this array begins at 0 and ends at 39 for each sub-segment of the RPE-LTP analysis) and the previous reconstructed short term residual signal $dp[-120..-1]$. A dynamic scaling shall be performed to avoid overflow.

Search of the optimum scaling of $d[0..39]$.

```

dmax = 0;
|== FOR k = 0 to 39:
|   temp = abs( d[k] );
|   IF ( temp > dmax ) THEN dmax = temp;
|== NEXT k:

temp = 0;
IF ( dmax == 0 ) THEN scal = 0;
  ELSE temp = norm( dmax << 16 );
IF ( temp > 6 ) THEN scal = 0;
  ELSE scal = sub( 6, temp );

```

Initialization of a working array $wt[0..39]$.

```

|== FOR k = 0 to 39:
|   wt[k] = d[k] >> scal;
|== NEXT k:

```

Search for the maximum cross-correlation and coding of the LTP lag.

```

L_max = 0;
Nc = 40; (index for the maximum cross-correlation)
|== FOR lambda = 40 to 120:
|   L_result = 0;
|==== FOR k = 0 to 39:
|   L_temp = L_mult( wt[k], dp[k-lambda] );
|   L_result = L_add( L_temp, L_result );
|==== NEXT k:
|   IF ( L_result > L_max ) THEN
|
|                                     | Nc = lambda;
|                                     | L_max = L_result ;
|== NEXT lambda:

```

Rescaling of L_max.

```
L_max = L_max >> ( sub( 6, scal ) );
```

Initialization of a working array wt[0..39].

```
== FOR k = 0 to 39:
|   wt[k] = dp[k-Nc] >> 3;
== NEXT k:
```

Compute the power of the reconstructed short term residual signal dp[..].

```
L_power = 0;
== FOR k = 0 to 39:
|   L_temp = L_mult( wt[k], wt[k] );
|   L_power = L_add( L_temp, L_power );
== NEXT k:
```

Normalization of L_max and L_power.

```
IF ( L_max <= 0 ) THEN
|   bc = 0;
|   EXIT; /cont. with 5.2.12/
IF ( L_max >= L_power ) THEN
|   bc = 3;
|   EXIT; /cont. with 5.2.12/
temp = norm( L_power );
R = ( L_max << temp ) >> 16;
S = ( L_power << temp ) >> 16;
```

Coding of the LTP gain.

Table 5.3a shall be used to obtain the level DLB[i] for the quantization of the LTP gain b to get the coded version bc.

```
== FOR bc = 0 to 2:
|   IF ( R <= mult(S, DLB[bc])) THEN EXIT; /cont. with
|                                           5.2.12/
== NEXT bc;
bc = 3;
```

Initial value: dp[-120..-1]=0;

5.2.12 Long term analysis filtering

In this part, we have to decode the bc parameter to compute the samples of the estimate dpp[0..39]. The decoding of bc needs the use of table 5.3b. The long term residual signal e[0..39] is then calculated to be fed to the RPE encoding section.

Decoding of the coded LTP gain.

```
bp = qlb[bc];
```

Calculating the array e[0..39] and the array dpp[0..39].

```
== FOR k = 0 to 39:
|   dpp[k] = mult_r( bp, dp[k-Nc] );
|   e[k] = sub( d[k], dpp[k] );
== NEXT k:
```

RPE encoding section

5.2.13 Weighting filter

The coefficients of the weighting filter are stored in a table (see table 5.4). The following scaling is used:

```
/* H[0..10] = integer( real_H[0..10]*8192 ); */
```

Initialization of a temporary working array wt[0..49].

```
|== FOR k= 0 to 4:  
|   wt[k] = 0;  
|== NEXT k:  
  
|== FOR k = 5 to 44:  
|   wt[k] = e[k-5];  
|== NEXT k:  
  
|== FOR k= 45 to 49:  
|   wt[k] = 0;  
|== NEXT k:
```

Compute the signal x[0..39].

```
|== FOR k= 0 to 39:  
|   L_result = 8192; /rounding of the output  
|                   of the filter/  
|==== FOR i = 0 to 10:  
|   L_temp = L_mult( wt[k+i], H[i] );  
|   L_result = L_add( L_result, L_temp );  
|==== NEXT i:  
|   L_result = L_add(L_result,L_result); /scaling (x2)/  
|   L_result = L_add(L_result,L_result); /scaling (x4)/  
|   x[k] = L_result >> 16;  
|== NEXT k:
```

5.2.14 RPE grid selection

The signal x[0..39] is used to select the RPE grid which is represented by Mc.

```
EM = 0;  
Mc = 0;  
  
|== FOR m = 0 to 3:  
|   L_result = 0;  
|==== FOR i = 0 to 12:  
|   temp1 = x[m+(3*i)] >> 2;  
|   L_temp = L_mult( temp1, temp1 );  
|   L_result = L_add( L_temp, L_result );  
|==== NEXT i:  
|   IF ( L_result > EM) THEN  
|                                     | Mc = m;  
|                                     | EM = L_result;  
|== NEXT m:
```

Down-sampling by a factor 3 to get the selected xM[0..12] RPE sequence.

```
|== FOR i = 0 to 12:  
|   xM[i] = x[Mc +(3*i)];  
|== NEXT i:
```

5.2.15 APCM quantization of the selected RPE sequence

Find the maximum absolute value xmax of xM[0..12].

```
xmax = 0;
|== FOR i = 0 to 12:
|   temp = abs( xM[i] ) ;
|   IF ( temp > xmax ) THEN xmax = temp;
|== NEXT i;
```

Quantizing and coding of xmax to get xmaxc.

```
exp = 0;
temp = xmax >> 9;
itest = 0;
|== FOR i = 0 to 5:
|   IF ( temp <= 0 ) THEN itest = 1;
|   temp = temp >> 1;
|   IF ( itest == 0 ) THEN exp = add( exp, 1 ) ;
|== NEXT i;

temp = add( exp, 5 ) ;
xmaxc = add( ( xmax >> temp ), ( exp << 3 ) ) ;
```

Quantizing and coding of the xM[0..12] RPE sequence to get the xMc[0..12].

This computation uses the fact that the decoded version of xmaxc can be calculated by using the exponent and the mantissa part of xmaxc (logarithmic table).

So, this method avoids any division and uses only a scaling of the RPE samples by a function of the exponent. A direct multiplication by the inverse of the mantissa (NRFAC[0..7] found in table 5.5) gives the 3 bit coded version xMc[0..12] of the RPE samples.

Compute exponent and mantissa of the decoded version of xmaxc.

```
exp = 0 ;
IF ( xmaxc > 15 ) THEN exp = sub( ( xmaxc >> 3 ), 1 ) ;
mant = sub( xmaxc , ( exp << 3 ) );
```

Normalize mantissa 0 <= mant <= 7.

```
IF ( mant == 0 ) THEN | exp = -4;
| mant = 15;
ELSE | itest = 0;
|== FOR i = 0 to 2:
|   IF ( mant > 7 ) THEN itest = 1;
|   IF ( itest == 0 ) THEN mant = add((mant << 1),1);
|   IF ( itest == 0 ) THEN exp = sub( exp, 1 );
|== NEXT i;
mant = sub( mant, 8 );
```

Direct computation of xMc[0..12] using table 5.5.

```
temp1= sub( 6, exp ); /normalization by the exponent/
temp2 = NRFAC[mant]; /see table 5.5 (inverse mantissa)/

|== FOR i = 0 to 12:
|   temp = xM[i] << temp1;
|   temp = mult( temp , temp2 );
|   xMc[i] = add( ( temp >> 12 ), 4 ); /See note below/
|== NEXT I;
```

NOTE: This equation is used to make all the xMc[i] positive.

Keep in memory exp and mant for the following inverse APCM quantizer.

5.2.16 APCM inverse quantization

This part is for decoding the RPE sequence of coded $xMc[0..12]$ samples to obtain the $xMp[0..12]$ array. Table 5.6 is used to get the mantissa of $xmaxc$ (FAC[0..7]).

```

temp1 = FAC[mant]; see 5.2.15 for mant
temp2= sub( 6, exp ); see 5.2.15 for exp
temp3= 1 << sub( temp2, 1 );

|== FOR i =0 to 12:
|   temp = sub( ( xMc[i] << 1 ), 7 ); /See note below/
|   temp = temp << 12;
|   temp = mult_r( temp1, temp );
|   temp = add( temp, temp3 );
|   xMp[i] = temp >> temp2;
|== NEXT i;
```

NOTE: This subtraction is used to restore the sign of $xMc[i]$.

5.2.17 RPE grid positioning

This procedure computes the reconstructed long term residual signal $ep[0..39]$ for the LTP analysis filter. The inputs are the Mc which is the grid position selection and the $xMp[0..12]$ decoded RPE samples which are upsampled by a factor of 3 by inserting zero values.

```

|== FOR k = 0 to 39:
|   ep[k] = 0;
|== NEXT k:

|== FOR i = 0 to 12:
|   ep[Mc +(3*i)] = xMp[i];
|== NEXT i;
```

5.2.18 Update of the reconstructed short term residual signal $dp[-120..-1]$

This procedure adds the reconstructed long term residual signal $ep[0..39]$ to the estimated signal $dpp[0..39]$ from the long term analysis filter to compute the reconstructed short term residual signal $dp[-40..-1]$; also the reconstructed short term residual array $dp[-120..-41]$ is updated.

```

|== FOR k = 0 to 79:
|   dp[-120+k] = dp[-80+k];
|== NEXT k:

|== FOR k = 0 to 39:
|   dp[-40+k] = add( ep[k], dpp[k] );
|== NEXT k;
```

Keep the array $dp[-120..-1]$ in memory for the next sub-segment.

Initial value: $dp[-120..-1]=0$;

5.3 Fixed point implementation of the RPE-LTP decoder

Only the synthesis filter and the de-emphasis procedure are different from the procedures found in the RPE-LTP coder. Procedures 5.3.1 and 5.3.2 are executed for each sub-segment (four times per frame). Procedures 5.3.3, 5.3.4 and 5.3.5 are executed once per frame.

5.3.1 RPE decoding section

Procedures 5.2.15 (only the part to get mant and exp of $xmaxc$), 5.2.16 and 5.2.17 are used to obtain the reconstructed long term residual signal $erp[0..39]$ signal from the received parameters for each sub-segment (i.e. M_{cr} , x_{maxcr} , $x_{mcr}[0..12]$).

5.3.2 Long term synthesis filtering

This procedure uses the b_{cr} and N_{cr} parameter to realize the long term synthesis filtering. The decoding of b_{cr} needs the use of table 5.3b.

- N_r is the received and decoded LTP lag.
- An array $drp[-120..39]$ is used in this procedure.

The elements for -120 to -1 of the array drp are kept in memory for the long term synthesis filter. For each sub-segment (40 samples), this procedure computes the $drp[0..39]$ to be fed to the synthesis filter.

Check the limits of N_r .

```
Nr = Ncr;
IF ( Ncr < 40 ) THEN Nr = nrp;
IF ( Ncr > 120 ) THEN Nr = nrp;
nrp= Nr;
```

Keep the nrp value for the next sub-segment.

Initial value: $nrp=40$;

Decoding of the LTP gain b_{cr} .

```
brp = QLB[bcr]
```

Computation of the reconstructed short term residual signal $drp[0..39]$.

```
== FOR k = 0 to 39:
|   drpp = mult_r( brp, drp[k-Nr] );
|   drp[k] = add( exp[k], drpp );
== NEXT k:
```

Update of the reconstructed short term residual signal $drp[-1..-120]$.

```
== FOR k = 0 to 119:
|   drp[-120+k] = drp[-80+k];
== NEXT k:
```

Keep the array $drp[-120..-1]$ for the next sub-segment.

Initial value: $drp[-120..-1]=0$;

5.3.3 Computation of the decoded reflection coefficients

This procedure (which is executed once per frame) is the same as the one described in the CODER part. For decoding of the received $LAR_{cr}[1..8]$, see procedure 5.2.8. For the interpolation of the decoded Log.-Area Ratios, see procedure 5.2.9.1 and for the computation of the reflection coefficients $rrp[1..8]$, see procedure 5.2.9.2.

5.3.4 Short term synthesis filtering section

This procedure uses the $drp[0..39]$ signal and produces the $sr[0..159]$ signal which is the output of the short term synthesis filter. For ease of explanation, a temporary array $wt[0..159]$ is used.

Initialization of the array $wt[0..159]$.

For the first sub-segment in a frame:

```
== FOR k = 0 to 39:
|   wt[k] = drp[k];
== NEXT k:
```

For the second sub-segment in a frame:

Where S is the sign bit, v a valid bit.

NOTE: When a linear to A-law compression is needed, then the sub-block COMPRESS of CCITT G721 recommendation shall be used with inputs:

```
SR = srop[k] >> 3;
LAW = 1;
```

5.4 Tables used in the fixed point implementation of the RPE-LTP coder and decoder

Table 5.1: Quantization of the Log.-Area Ratios

| i | A[i] | B[i] | MIC[i] | MAC[i] |
|---|-------|-------|--------|--------|
| 1 | 20480 | 0 | -32 | 31 |
| 2 | 20480 | 0 | -32 | 31 |
| 3 | 20480 | 2048 | -16 | 15 |
| 4 | 20480 | -2560 | -16 | 15 |
| 5 | 13964 | 94 | -8 | 7 |
| 6 | 15360 | -1792 | -8 | 7 |
| 7 | 8534 | -341 | -4 | 3 |
| 8 | 9036 | -1144 | -4 | 3 |

Table 5.2. Tabulation of 1/A[1..8]

| i | INVA[i] |
|---|---------|
| 1 | 13107 |
| 2 | 13107 |
| 3 | 13107 |
| 4 | 13107 |
| 5 | 19223 |
| 6 | 17476 |
| 7 | 31454 |
| 8 | 29708 |

Table 5.3a: Decision level of the LTP gain quantizer

| bc | DLB[bc] |
|----|---------|
| 0 | 6554 |
| 1 | 16384 |
| 2 | 26214 |
| 3 | 32767 |

Table 5.3b: Quantization levels of the LTP gain quantizer

| bc | QLB[bc] |
|----|---------|
| 0 | 3277 |
| 1 | 11469 |
| 2 | 21299 |
| 3 | 32767 |

Table 5.4: Coefficients of the weighting filter

| i | H[i] |
|----------|-------------|
| 0 | -134 |
| 1 | -374 |
| 2 | 0 |
| 3 | 2054 |
| 4 | 5741 |
| 5 | 8192 |
| 6 | 5741 |
| 7 | 2054 |
| 8 | 0 |
| 9 | -374 |
| 10 | -134 |

Table 5.5: Normalized inverse mantissa used to compute xM/x_{max}

| i | NRFAC[i] |
|----------|-----------------|
| 0 | 29128 |
| 1 | 26215 |
| 2 | 23832 |
| 3 | 21846 |
| 4 | 20165 |
| 5 | 18725 |
| 6 | 17476 |
| 7 | 16384 |

Table 5.6: Normalized direct mantissa used to compute xM/x_{max}

| i | FAC[i] |
|----------|---------------|
| 0 | 18431 |
| 1 | 20479 |
| 2 | 22527 |
| 3 | 24575 |
| 4 | 26623 |
| 5 | 28671 |
| 6 | 30719 |
| 7 | 32767 |

6 Digital test sequences

This chapter provides information on the digital test sequences that have been designed to help in the verification of implementations of the RPE-LTP codec. Copies of these sequences are available (see annex A3). As the codec homing procedure (see clause 4) is an optional feature two sets of test vectors are provided, one set without codec homing frames and a second set with codec homing frames. In addition A-law and μ -law compressed test sequences are provided for each set as a further option for TRAU testing.

6.1 Input and output signals

Table 6.1 defines the input and output signals for the test sequences. The words defined in this table use 16 bits. The left or right justification is indicated in the table. The codewords described in the table correspond to one frame of coder input or decoder output signal; i.e. for 20 ms of input signal the 76 codewords are obtained at the output of the coder and 76 codewords provided at the input of the decoder will yield 20 ms of output signal in the decoder. Three types of files are provided:

- speech encoder input samples, sop[.] *.INP
- coded parameters (encoded speech data) *.COD
- speech decoder output samples, srop[.] *.OUT

6.2 Configuration for the application of the test sequences

Two configurations are appropriate in order to test an implementation of the RPE-LTP codec. The first is for testing the coder part of the RPE-LTP algorithm which means that a sop[.] signal (on files: *.INP) is provided at the input of the encoder which responds with frames of coded parameters. The encoder output has to be checked against reference files (files: *.COD). The other configuration is for testing the decoder part of the RPE-LTP algorithm. In this case, frames of coded parameters (see table 5.1, files: *.COD) are sent to the RPE-LTP decoder which responds with the srop[.] signal. These samples have to be checked against reference files (files: *.OUT).

6.2.1 Configuration 1 (encoder only)

A reset signal (RS) shall be applied to the RPE-LTP encoder under test to set all internal variables to the exact states specified in section 5 of this recommendation prior to the start of an input test sequence in order to obtain the correct output values for this test. But please note, this reset signal is only required for a codec implementation without codec homing procedure. If codec homing is implemented the reset of the internal state variables is done by the means of software. This test shall be done in real-time with a sampling rate of 8 kHz at the input of the encoder under test (see figure 6.1). All the necessary hardware and software should be installed by the user in order to capture in real time the output coded parameters of the RPE-LTP encoder and to compare them to the dedicated reference file.

Codec homing not implemented:

In the case of a correct hardware implementation undergoing test, all speech encoder output frames must be identical to the corresponding frames in the *.COD file.

Codec homing implemented:

Each *.H.INP file includes two homing frames at the start of the test sequence. The function of these is to reset the speech encoder state variables to their initial value. In the case of a correct hardware implementation undergoing test, the first speech encoder output frame is undefined and need not be identical to the first frame in the *.H.COD file. All subsequent speech encoder output frames must be identical to the corresponding frames in the *.H.COD file.

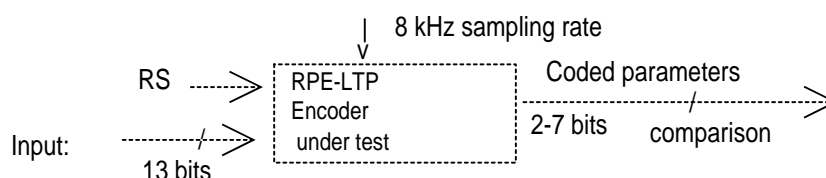


Figure 6.1: Configuration 1: RPE-LTP encoder under test

6.2.2 Configuration 2 (decoder only)

Figure 6.2 shows a RPE-LTP decoder under test. In the same way as described in the coder part, a reset signal (RS) shall be used before the processing of the first frame of coded parameters. But please note that also for the decoder this reset signal is only required if the codec homing procedure is not implemented. The decoder shall be tested for a continuous output with a sampling rate of 8 kHz. At the input of the decoder, the 76 parameters shall be sent in a time interval of 20 ms.

Codec homing not implemented:

In the case of a correct hardware implementation undergoing testing, all speech decoder output frames must be identical to the corresponding frames in the *.OUT file.

Codec homing implemented:

Each *.H.COD file includes two homing frames at the start of the test sequence. The function of these is to reset the speech decoder state variables to their initial value. In the case of a correct hardware implementation undergoing testing, the first speech decoder output frame is undefined and need not be identical to first frame in the *.H.OUT file. All subsequent speech decoder output frames must be identical to the corresponding frames in the *.H.OUT file.

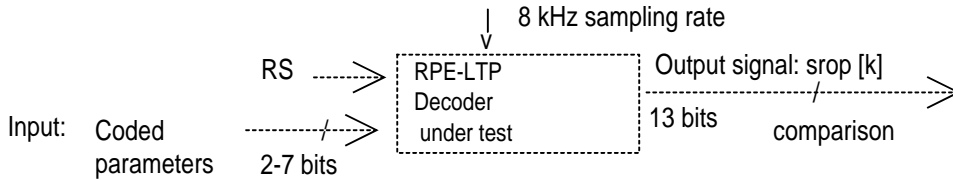


Figure 6.2: Configuration 2: RPE-LTP decoder under test

6.3 Test sequences

The letter 'H' at the end of a file name denotes a test sequences with codec homing frames.

6.3.1 Test sequences for configuration 1

For configuration 1, four different input test sequence are provided:

- SRQ01/SEQ01H Sequence for testing the overflow controls in the encoder;
- SEQ02/SEQ02H Sequence for testing the LPC part of the encoder;
- SEQ03/SEQ03H Sequence for testing the LTP part of the encoder;
- SEQ04/SEQ04H Sequence for testing various critical parts of the algorithm.

Sequence SEQ01/SEQ01H uses a large number of saturated samples. The residual LPC signal reaches very high values, which has two effects on the processing:

- occurrence of a large number of overflows in addition/subtraction operations. Table 6.2 describes each overflow point and the number of occurrences for each.
- the excitation RPE samples have a large dynamic range and the 64 codewords of the sub-block maximum are each obtained at least once on output.

Sequence SEQ02/SEQ02H focuses successively on each reflection coefficient calculated in the Schur recursion. Table 6.3 shows which frames deal with which reflection coefficient and its dynamic range. The Log.-Area codewords output by the coder cover the full range of their possible values except the 2nd LARc that does not reach the value 0 and 63 (min and max). The maximum value (63) is however obtained in sequence 4.

Sequence SEQ03/SEQ03H tests the long term predictor part of the algorithm. It has been generated by exciting a sharply resonant filter with a periodic train of impulses; this produces a pitched signal. Each part corresponding to a given pitch is 128 ms (4 blocks of 256 words) long. The pitch periods have been randomly drawn in the range [2,15] ms and the random order is shown in table 6.4.

Sequence SEQ04/SEQ04H accounts for various remaining non tested points of the algorithm where implementing errors may be suspected. Tables 6.5 and 6.6 summarize the critical points that this sequence has been designed to check (i.e. where the three previous sequences were ineffective). Table 6.5 shows the list of tested points where errors can be detected. Each tested error is described and the frame number corresponding to the first occurrence of a divergence between the exact and the degraded algorithm is also indicated.

Table 6.6 illustrates three paths of the algorithm that are never explored during the processing of the three previous sequences; the table shows which condition leads to each path and the number of associated occurrences in sequence SEQ04/SEQ04H.

Notice finally one point where special care shall be taken:

- A small degradation (i.e. +/- 1) of DLB[2] (the third decision level of the LTP gain quantizer (see table 5.3a) is unable to provide any noticeable effect on the output of the four sequences described above).

6.3.2 Test sequences for configuration 2

Five different input test sequence are provided for this configuration. Four sequences obtained in configuration 1 at the output of the encoder (coded parameters) are used as input for the decoder under test in configuration 2.

Table 6.7 gives the list of tested overflow points and their occurrence on sequence SEQ01/SEQ01H for this configuration.

Sequence SEQ05/SEQ05H is provided to scan all possible codes for each parameter. This sequence is an artificial sequence and does not correspond to any encoder output. The codewords have been randomly generated and cover the entire range of codewords values. Moreover, the delay value N_r belonging to [40,120] in an error-free transmission condition, takes in this sequence its value in [0,127]. In this case the decoder behaviour on non-allowed values of N_r will be tested.

Table 6.1a: Signals used in digital test sequences (*.INP)

| Name | Description | Justification |
|---------------|--------------------------------|---------------|
| ENCODER INPUT | | |
| sop[k] | 13 bits: encoder input signal. | left |

Table 6.1b: Signals used in digital test sequences (*.COD)

| Name | Description | Justification |
|---------------------------------------|-----------------------------------|---------------|
| ENCODER OUTPUT / DECODER INPUT | | |
| LARc[1] | 6 bits : 1st Log.-Area Ratio | right |
| LARc[2] | 6 bits : 2nd Log.-Area Ratio | right |
| LARc[3] | 5 bits : 3rd Log.-Area Ratio | right |
| LARc[4] | 5 bits : 4th Log.-Area Ratio | right |
| LARc[5] | 4 bits : 5th Log.-Area Ratio | right |
| LARc[6] | 4 bits : 6th Log.-Area Ratio | right |
| LARc[7] | 3 bits : 7th Log.-Area Ratio | right |
| LARc[8] | 3 bits : 8th Log.-Area Ratio | right |
| Sub-frame no 1 | | |
| Nc | 7 bits : LTP lag | right |
| bc | 2 bits : LTP gain | right |
| Mc | 2 bits : RPE grid position | right |
| xmaxc | 6 bits : Block amplitude | right |
| xMc[0..12] | 3 bits : RPE pulses index 0 to 12 | right |
| Sub-frame no 2 | | |
| Nc | 7 bits : LTP lag | right |
| bc | 2 bits : LTP gain | right |
| Mc | 2 bits : RPE grid position | right |
| xmaxc | 6 bits : Block amplitude | right |
| xMc[0..12] | 3 bits : RPE pulses index 0 to 12 | right |
| Sub-frame no 3 | | |
| Nc | 7 bits : LTP lag | right |
| bc | 2 bits : LTP gain | right |
| Mc | 2 bits : RPE grid position | right |
| xmaxc | 6 bits : Block amplitude | right |
| xMc[0..12] | 3 bits : RPE pulses index 0 to 12 | right |
| Sub-frame no 4 | | |
| Nc | 7 bits : LTP lag | right |
| bc | 2 bits : LTP gain | right |
| Mc | 2 bits : RPE grid position | right |
| xmaxc | 6 bits : Block amplitude | right |
| xMc[0..12] | 3 bits : RPE pulses index 0 to 12 | right |

Table 6.1c. Signals used in digital test sequences (*.OUT)

| Name | Description | Justification |
|-----------------------|---|---------------|
| DECODER OUTPUT | | |
| srop[k] | 13 bits: decoder output signal. The 3 LSB's of the 16 bits are equal to 0 | left |

Table 6.5: Errors specially detected by sequence 4/Config 1

| Test point | Error checked : incorrect / correct statement / statement | No of the 1st frame with error |
|--|---|--------------------------------------|
| Autocorrelation function (5.2.4) | k=0 to 158/k=0 to 159 | 27 |
| Computation of the reflect. coefficients (5.2.5) | if(P[0] <= / if(P[0] < abs(P[1])) / abs(P[1])) | 514 |
| Quantization and coding of the LARs (5.2.7) | A[4] + 1 / A[4] | 21 |
| | A[5] - 1 / A[5] | 35 |
| | A[5] + 1 / A[5] | 430 |
| | A[6] - 1 / A[6] | 427 |
| | A[8] - 1 / A[8] | 8 |
| | MAC[2] - 1 / MAC[2] | 24 |
| | MAC[2] + 1 / MAC[2] | 516 |
| Comput. of the rp from the interp. LARp (5.2.9) | 11058 / 11059 | 19 |
| | 20069 / 20070 | 25 |
| Calc. of the LTP parameters ->Search of the opt scaling (5.2.11) | k= 0 to 38 / k= 0 to 39 | 32 |
| | ->Coding of the LTP gain (5.2.11) | mult_r/ mult |
| DLB[0] + 1 / DLB[0] | | 511 |
| DLB[1] + 1 / DLB[1] | | 373 |
| ADPCM inverse quantizer (5.2.16) | FAC[2] + 1 / FAC[2] | 422 |
| | FAC[3] - 1 / FAC[3] | 179 |
| | FAC[4] + 1 / FAC[4] | 74 |
| | FAC[5] - 1 / FAC[5] | 439 |
| | FAC[5] + 1 / FAC[5] | 74 |
| | FAC[6] - 1 / FAC[6] | 479 |
| | FAC[6] + 1 / FAC[6] | 330 |
| | FAC[7] - 1 / FAC[7] | 139 |

Table 6.6: Paths specially explored by sequence 4/Config 1

| Test point | Number of occurrences |
|--|--------------------------|
| Autocorrelation function (5.2.4) condition smax == 0 | 8 |
| Computation of the reflection coefficients : -> condition L_ACF[0] == 0 (5.2.5) -> condition P[0] < abs(P[1])(5.2.5) | 8 |
| | 4 |

Table 6.7: List of tested overflows points for sequence 1 (decoder part)

| Overflow Point | Nb of occurrences | | |
|--|-------------------|------------|------------|
| | Sequence 1 | Sequence 2 | Sequence 3 |
| Long term synthesis filter (5.3.2) : add | 126 | 0 | 0 |
| Short term synthesis filter : (5.3.4) | | | |
| 1st add: | 4499 | 0 | 0 |
| 2nd add: | 405 | 1 | 0 |
| De-emphasize filter (5.3.5): add | 89 | 0 | 0 |
| Scaling of the output signal (5.3.6): add | 16691 | 339 | 19 |

6.3.3 Additional Testsequences for Codec Homing

The test sequences described below are only required if the codec homing procedure is implemented.

6.3.3.1 Codec homing frames

In addition to the test sequences described above, two homing sequences are provided to assist in codec testing. SEQ06H.INP contains one encoder-homing-frame. SEQ06H.COD contains one decoder-homing-frame.

6.3.3.2 Sequence for an extensive test of the decoder homing

If the decoder receives a complete decoder-homing-frame (which is not marked as a bad frame), then it is sufficient that the following frame contains only the LARs and the first subframe data of the decoder-homing-frame to cause a decoder reset and the output of the encoder-homing-frame. To check this behaviour the test sequence HOMING01.COD/OUT was produced. As the test sequences SEQ01H...05H the sequence HOMING01 contains 2 complete decoder-homing-frames at the beginning and inside there is a mixture of complete and fractional (incomplete) decoder-homing-frames.

6.3.3.3 Sequences for finding the 20 ms framing of the GSM full rate speech encoder

When testing the decoder, alignment of the test sequences used to the decoder framing is achieved by the air interface (MS test) or can be reached easily on the A_{bis} -interface (test on network side).

When testing the encoder, usually there is no information available about where the encoder starts its 20 ms segments of speech input to the encoder.

In the following, a procedure is described to find the 20 ms framing of the encoder using special synchronization sequences. This procedure can be used for MS as well as for network side.

Synchronization can be achieved in two steps. First, bit synchronization has to be found. In a second step, frame synchronization can be determined. This procedure takes advantage of the codec homing feature of the full rate codec, which puts the codec in a defined home state after the reception of the first homing frame. On the reception of further homing frames, the output of the codec is predefined which can be used as a trigger reference.

- Bit synchronization

The input to the speech encoder is a series of 13 bit long words (104 kbits/s, 13 bit linear PCM). When starting to test the speech encoder, no knowledge is available of bit synchronization, i.e., where the encoder expects its least significant bits, and where it expects the most significant bits.

The encoder-homing-frame consists of 160 samples, all set to zero with the exception of the least significant bit, which is set to one (0 0000 0000 0001 binary, or 0x0008 hex if written into 16 bit words left justified). If two such encoder-homing-frames are input to the encoder consecutively, the decoder-homing-frame is expected at the output as a reaction of the second encoder-homing-frame.

Since there are only 13 possibilities for bit synchronization, after a maximum of 13 trials bit synchronization can be reached. In each trial three consecutive encoder-homing-frames are input to the encoder. If the decoder-homing-frame is not detected at the output, the relative bit position of the three input frames is shifted by one and another trial is performed. As soon as the decoder-homing-frame is detected at the output, bit synchronization is found, and the first step can be terminated.

The reason why three consecutive encoder-homing-frames are needed is that frame synchronization is not known at this stage. To be sure that the encoder reads two complete homing frames, three frames have to be input. Wherever the encoder has its 20 ms segmentation, it will always read at least two complete encoder-homing-frames.

An example of the 13 different frame triplets is given in sequence BITSYNC.INP.

- Frame synchronization

Once bit synchronization is found, frame synchronization can be found by inputting one special frame that delivers 160 different output frames, depending on the 160 different positions that this frame can possibly have with respect to the encoder framing.

This special synchronization frame was found by taking one input frame and shifting it through the positions 0 to 159. The corresponding 160 encoded speech frames were calculated and it was verified that all 160 output frames were different. When shifting the input synchronization frame, the samples at the beginning were set to 0x0008 hex, which corresponds to the samples of the encoder-homing-frame.

Before inputting this special synchronization frame to the encoder, again the encoder has to be reset by one encoder-homing-frame. A second encoder-homing-frame is needed to provoke a decoder-homing-frame at the output that can be used as a trigger reference. Since the framing of the encoder is not known at that stage, three encoder-homing-frames have to precede the special synchronization frame to ensure that the encoder reads at least two homing frames, and at least one decoder-homing-frame is produced at the output, serving as a trigger for recording.

The special synchronization frame preceded by the three encoder-homing-frames are given in SEQSYNC.INP. The corresponding 160 different output frames are given in SYNC000.COD through SYNC159.COD. The three digit number in the filename indicates the number of samples by which the input is retarded with respect to the encoder framing. By a corresponding shift in the opposite direction, alignment with the encoder framing can be attained.

6.3.3.4 Formats and sizes of the synchronization sequences

BIT SYNC.INP:

This sequence consists of 13 frame triplets. It has the format of the speech encoder input test sequences (13 bit left justified with the three least significant bits set to zero).

The size of it is therefore:

$$\text{SIZE (BITSYNC.INP)} = 13 * 3 * 160 * 2 \text{ bytes} = 12\,480 \text{ bytes}$$

SEQSYNC.INP:

This sequence consists of 3 encoder reset frames and the special synchronization frame. It has the format of the speech encoder input test sequences (13 bit left justified with the three least significant bits set to zero).

The size of it is therefore:

$$\text{SIZE (SEQSYNC.INP)} = 4 * 160 * 2 \text{ bytes} = 1\ 280 \text{ bytes}$$

SYNCXXX.COD:

These sequences consists of 1 encoder output frame each. They have the format of the speech encoder output test sequences (16 bit words right justified).

The size of them is therefore:

$$\text{SIZE (SYNCXXX.COD)} = 76 * 2 \text{ bytes} = 152 \text{ bytes}$$

Optional 8 bit Test Sequences

In addition to the test sequences with and without homing as described above, two complete sets of test sequences with A-law and μ -law compressed are provided. These sequences allow the test of TRAU equipment by means of the A-Interface. On the A-Interface speech data is available as a 64 kbps PCM data stream of compressed samples with 8 bits each.

The usage of these 8 bit test sequences is exactly the same as described above for the 13 bit linear test sequences except that the A-Interface is used instead of feeding/taking them directly into/from the speech codec. Therefore bit synchronization is not necessary, too.

Provided are the encoder input sequences `_x.INP`, the encoder output sequences `_x.COD` and the decoder output sequences `_x.OUT`.

The `_x.INP` sequences are used at the encoder input and result in the `_x.COD` sequences at the encoder output.

The linear decoder input sequences `.COD` (without `-x` in their names) have to be used to force the 8 bit compressed decoder output sequences `-x.OUT`.

The format of the `_x.INP` and `_x.OUT` sequences is such that 160 samples of a speech frame are contained in one byte each. This results in a file size of half the size of the 13 bit linear test sequences

The format of the `*.cod` files remains unchanged.

Annex A1 (informative): Codec performance

A.1 Performance of the RPE-LTP

A.1.1 Introduction

The purpose of this annex is to give a broad outline of the performance of the RPE-LTP codec with other parts of the digital network. Some general guidance is also offered on non-voice services.

A.1.2 Speech performance

Planning rules for digital processes are defined in terms of quantizing distortion units (qdu) which can be realized from the following formula (reference 1) using the assumption that the formula accuracy represents the determination of qdus from QN measurements:

$$QN = 37 - 15 \log_{10}(n) \quad , \text{where } n \text{ is the qdu} \quad (\text{A1.1})$$

By definition 1 qdu is the quantization distortion arising from one commercial PCM codec.

NOTE: The subjective testing methodology to determine QN for the RPE-LTP codec was consistent with current ITU-T methods (reference 2).

A.1.2.1 Single encoding

Under error-free transmission conditions the perceived quality of the RPE-LTP codec (see figure A.1.1) is lower than both codecs conforming to recommendations ITU-T G.711 and ITU-T G.721 (superseded by G.726). Table A.1.1 indicates the relative performance of the codec and can be compared with codecs conforming to recommendations ITU-T G.711 and ITU-T G.721 (superseded by G.726).

The performance of the RPE-LTP codec has been found to be substantially unaffected down to a carrier to interference (C/I) ratio of 10 dB, but may be considered to have acceptable performance down to 7 dB. Smaller C/I ratios produce unacceptable degradation of speech performance and should be avoided.

NOTE 1: It should be noted that there are doubts as to whether the simulations which generated the error pattern properly represent real operating conditions. The C/I values quoted should therefore only be considered as parameters of this simulation. They may not correspond to real radio interference conditions. Results from early GSM validation hardware show that the C/I values which give the performance quoted may be several dBs higher. Some error statistics of the simulations are shown in table A.1.2.

NOTE 2: The real condition C/I = 10 dB is believed to correspond to about 90 % coverage.

Table A.1.1: Relative levels of speech performance under error-free conditions

| Codec | QN (dB) | qdu |
|---|---------|---------|
| G.711 (64 kbit/s, A-law PCM) | 37 | 1 |
| G.721 (superseded by G.726) (32 kbit/s, ADPCM) | 29 | 3.5 (*) |
| RPE-LTP | 23-25 | 7-8 (*) |
| (*) Commercial A-law PCM input and output circuitry included. | | |
| NOTE: The qdu value for the RPE-LTP codec is a conservative estimate. At present there are no specific CCITT rules for determining qdus for encoding below 32 kbit/s. | | |

Table A1.2: Bit error statistics for C/I test conditions

| Simulated C/I ratio: | 10 dB | 7 dB | 4 dB |
|---|--|-------|-------|
| Total number of errors in class I (182 bits protected by a 1/2 rate code) | 0.016% | 0.61% | 4.1% |
| Total number of errors in class II (78 bits unprotected) | 4.5% | 8.3% | 13.0% |
| Number of "frame erasure" indications by CRC | 1 | 15 | 95 |
| Number of "frame erasures" not detected by CRC | 1 | 14 | 76 |
| NOTE: | The total number of frames was 750. CRC means Cyclic Redundancy Check. | | |

A.1.2.2 Speech performance when interconnected with coding systems on an analogue basis

A.1.2.2.1 Performance with 32 kbit/s ADPCM (G.721, superseded by G.726)

The speech performance of the RPE-LTP codec when interconnected with encoding at 32 kbit/s (see figure A.1.3 and A.1.4) decreases in accordance with the formula in section A.1.2, and appears to obey the law of additivity when q_{dus} have been determined for the individual codecs.

A.1.2.2.2 Performance with another RPE-LTP codec

The speech performance of the RPE-LTP codec when interconnected with another codec of the same type (see figure A1.2) is lower than that of A1.2.2.1. It again appears to obey the law of additivity when q_{dus} have been determined for the individual codecs.

A.1.2.2.3 Performance with encoding other than RPE-LTP and 32 kbit/s ADPCM (G.721, superseded by G.726)

No information is available on this point, so great care shall be exercised when interconnection is made to codecs with encoding different from that of A.1.2.2.1 and A.1.2.2.2.

A.1.3 Non-speech performance

It should be noted that the RPE-LTP speech codec is an adaptive system which has been optimized for speech inputs. Great care shall be taken when making measurements with non-speech signals because the normal assumptions of time invariance and linearity cannot be made.

A.1.3.1 Performance with single sine waves

Detailed experiments have shown that the RPE-LTP codec will pass sine waves with segmental signal to noise ratios generally in excess of 20 dB in the frequency range of 100 - 2000 Hz. However, in some cases reproduction above 2000 Hz is not as good.

It should be noted that sine waves above 1300 Hz may be reproduced with significant fluctuations in amplitude and frequency due to the adaptive sub-sampling technique employed. This results in irregularities in the measured frequency response.

A typical frequency response measured with A-law PCM input circuitry is shown in figure A.1.5. If 13 bit linear PCM input circuitry is used, the irregularity is less.

A.1.3.2 Performance with DTMF tones

It has been shown that the RPE-LTP codec transfers DTMF signals of 80 ms duration. However, questions like minimum allowable signal duration, pause duration and the behaviour in the presence of transmission errors have not been investigated.

A.1.3.3 Performance with information tones

Experiments have shown that network originated signalling tones, conforming to recommendation ITU-T Q.35, are easily recognizable when passed through the RPE-LTP codec.

A.1.3.4 Performance with voice-band data

Tests have shown that voice-band data transmission does not work satisfactorily with 1200 bit/s modems according to recommendation ITU-T V.23. Voice-band data according to recommendation ITU-T V.21 (300 bit/s) will not be subject to any significant degradation.

This behaviour has been tested for one RPE-LTP link (encoder-decoder). The effect of transmission errors has not been tested.

A.1.4 Delay

The theoretical minimum delay of the RPE-LTP codec is 20 ms. However, practical realizations may have an additional processing time in the order of 3 - 8 ms.

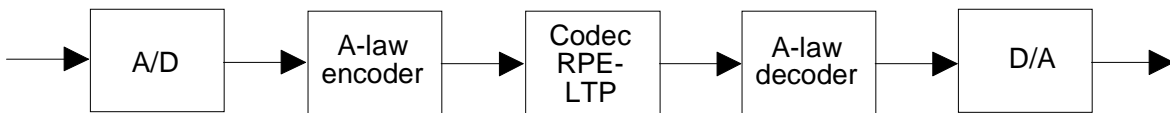


Figure A.1.1: One - transcoding scheme

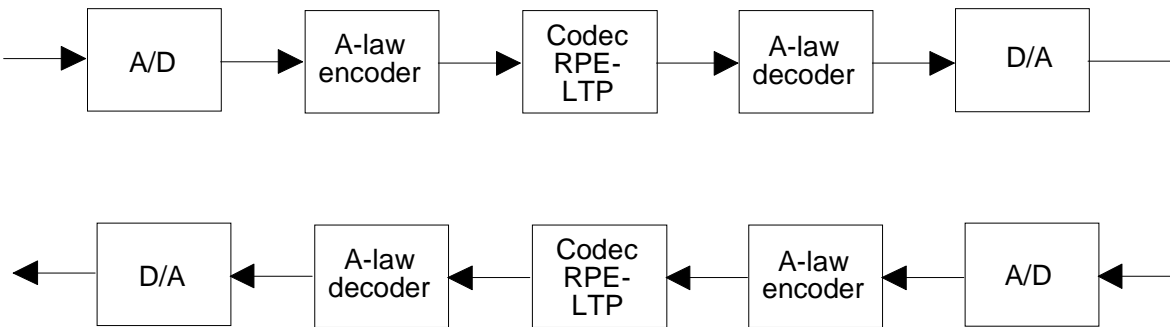


Figure A.1.2: Two - transcodings scheme

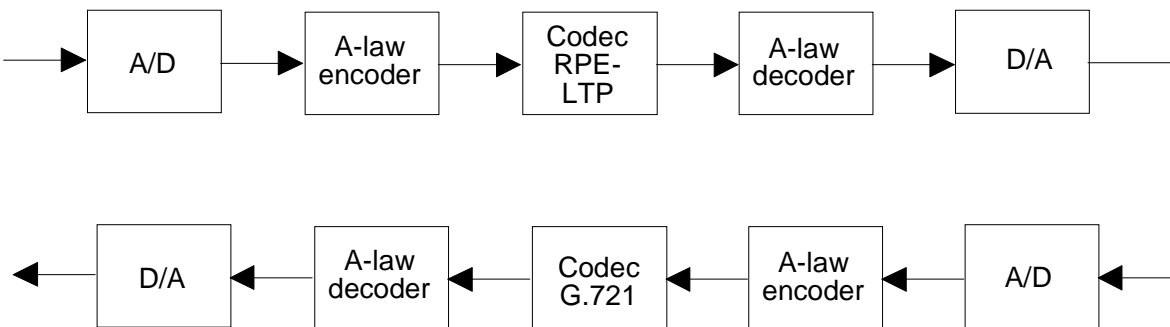


Figure A.1.3: Mixed transcodings - scheme 1

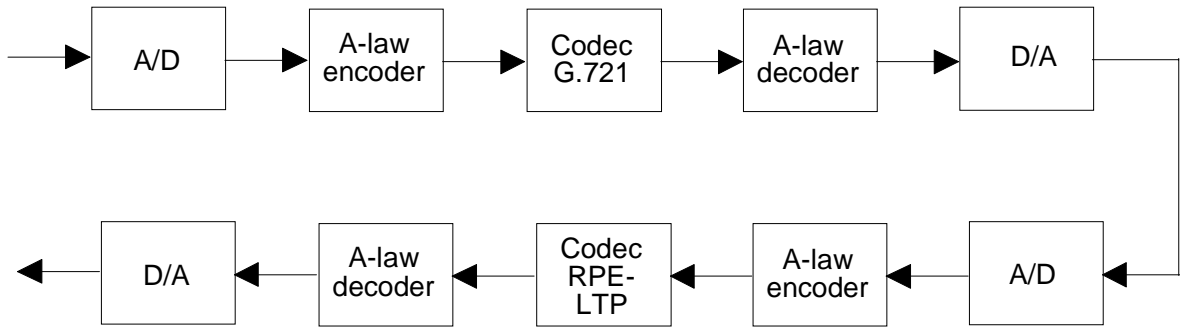


Figure A 1.4: Mixed transcodings - scheme 2

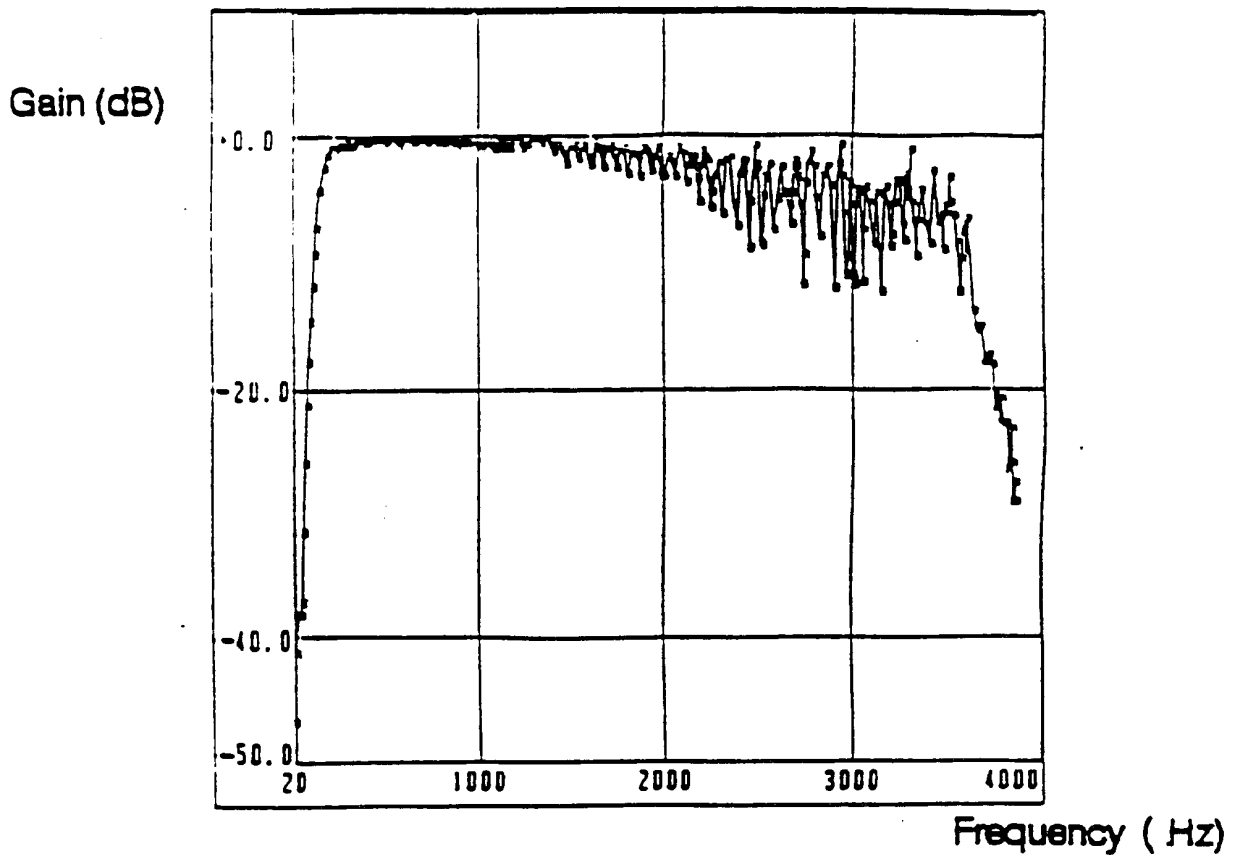


Figure A.1.5: Frequency response for RPE-LTP codec
 (with commercial A-law PCM input and output circuitry)

A.1.5 Bibliography

- 1) ITU-T: "Subjective performance assessment of digital processes using the Modulated Noise Reference Unit (MNRU)", annex C, Supplement no 14, Red book, volume V, 1985.
- 2) ITU-T: "Subjective performance assessment of digital processes using the Modulated Noise Reference Unit (MNRU)", annex A, Supplement no 14, Red book, volume V, 1985.
- 3) ITU-T: "Technical characteristics of tones for the telephone service", recommendation Q.35, Red book, volume VI.1, 1985.

A.2 Subjective relevance of the speech coder output bits

Since no valid objective quality criterion for speech signals is available, the only way to build up such a relevance table is to perform listening tests. The procedure described below was used to obtain the relevance classification given in table A.2.1 of the recommendation.

To classify a single bit, say bit *i* of parameter *k*, a short speech signal (2 sec) was encoded, then this bit was inverted in each frame (the other bits were left unchanged) and the resulting bit stream was fed into the speech decoder. The listeners had to compare the quality of the signal with the quality of six reference signals with different levels of distortion. Repeating this procedure for all bits would result in a subdivision of the 260 bits into six relevance classes. It can be observed that many of the bits have the same physical meaning and it can be expected that bits with the same meaning have the same relevance (e.g. the MSB's of the RPE samples). Relying on this assumption, only one of the equivalent parameters was considered. Since there are 13 parameters with different physical meaning with 56 bits in total, the number of tests is reduced from 260 to 56.

The reference signals were the same speech signal distorted by inverting one of the six bits of LAR coefficient number one. This resulted in an adequate quantization of distortion levels ranging from "not intelligible" (MSB inverted) to "negligible distortion" (LSB inverted).

The test was carried out using three listeners and one female speaker. Since the three listeners came to rather similar results, no more listeners were considered to be required. Averaging the three outcomes led to the relevance table given in table A.2.1, where the order of all bits between two successive bits of the first parameter (LAR 1) are arbitrarily chosen.

**Table A.2.1a: Subjective importance of encoded bits
(the parameter and bit numbers refer to table 1.1)**

| Importance class | Parameter name | Parameter number | Bit number |
|------------------|--|--|---|
| 1 | Log.area ratio 1 Block amplitude | 1 12,29,46,63 | b6 b53,b109,b165,b221 |
| 2 | Log.area ratio 1 Log.area ratio 2 Log.area ratio 3 | 1 2 3 | b5 b12 b17 |
| 3 | Log.area ratio 1 Log.area ratio 2 Log.area ratio 3 Log.area ratio 4 LTP lag Block amplitude Log.area ratio 2,5,6 LTP lag LTP lag LTP lag LTP lag | 1 2 3 4 9,26,43,60 12,29,46,63 2,5,6 9,26,43,60 9,26,43,60 9,26,43,60 9,26,43,60 | b4 b11 b16 b22 b43,b99,b155,b211 b52,b108,b164,b220 b10,b26,b30 b42,b98,b154,b210 b41,b97,b153,b209 b40,b96,b152,b208 b39,b95,b151,b207 |
| 4 | Block amplitude Log.area ratio 1 Log.area ratio 4 Log.area ratio 7 LTP lag Log.area ratio 5,6 LTP gain LTP lag Grid position | 12,29,46,63 1 4 7 9,26,43,60 5,6 10,27,44,61 9,26,43,60 11,28,45,62 | b51,b107,b163,b219 b3 b21 b33 b38,b94,b150,b206 b25,b29 b45,b101,b157,b213 b37,b93,b149,b205 b47,b103,b159,b215 |

**Table A.2.1b: Subjective importance of encoded bits
(the parameter and bit numbers refer to table 1.1)**

| Importance | Parameter class | Parameter name | Bit number number |
|------------|------------------------|----------------|---------------------|
| 5 | Log.area ratio 1 | 1 | b2 |
| | Log.area ratio 2,3,8,4 | 2,3,8,4 | b9,b15,b36,b20 |
| | Log.area ratio 5,7 | 5,7 | b24,b32 |
| | LTP gain | 10,27,44,61 | b44,b100,b156,b212 |
| | Block amplitude | 12,29,46,63 | b50,b106,b162,b218 |
| | RPE pulses | 13..25 | b56,b59,...,b92 |
| | RPE pulses | 30..42 | b112,b115,...,b148 |
| | RPE pulses | 47..59 | b168,b171,...,b204 |
| | RPE pulses | 64..76 | b224,b227,...,b260 |
| | Grid position | 11,28,45,62 | b46,b102,b158,b214 |
| | Block amplitude | 12,29,46,63 | b49,b105,b161,b217 |
| | RPE pulses | 13..25 | b55,b58,...,b91 |
| | RPE pulses | 30..42 | b111,b114,...,b147 |
| | RPE pulses | 47..59 | b167,b170,...,b203 |
| | RPE pulses | 64..67 | b223,b226,b229,b232 |
| | RPE pulses | 68..76 | b235,b238,...,b259 |
| 6 | Log.area ratio 1 | 1 | b1 |
| | Log.area ratio 2,3,6 | 2,3,6 | b8,b14,b28 |
| | Log.area ratio 7 | 7 | b31 |
| | Log.area ratio 8 | 8 | b35 |
| | Log.area ratio 8,3 | 8,3 | b34,b13 |
| | Log.area ratio 4 | 4 | b19 |
| | Log.area ratio 4,5 | 4,5 | b18,b23 |
| | Block amplitude | 12,29,46,63 | b48,b104,b160,b216 |
| | RPE pulses | 13..25 | b54,b57,...,b90 |
| | RPE pulses | 30..42 | b110,b113,...,b146 |
| | RPE pulses | 47..59 | b166,b169,...,b202 |
| | RPE pulses | 64..76 | b222,b225,...,b258 |
| | Log.area ratio 2,6 | 2,6 | b7,b27 |

A.3 Format for test sequence distribution

A.3.1 Type of files provided

Three types of files are provided:

- Files for input of the encoder: *.INP;
- Files for input of decoder or comparison with encoder output: *.COD;
- Files for comparison with the decoder output: *.OUT;

Five diskettes are provided containing all the digital test sequences. Disk 1 contains all test sequences that are required for a codec implementation without codec homing while disk 2 and 3 contain the test sequences required for a codec implementation with codec homing. Disk 4 and 5 contain the 8 bit test sequences with A-law and μ -law compression, respectively.

Disk 1 contains the SEQ01.INP, SEQ01.COD, SEQ01.OUT, SEQ02.INP, SEQ02.COD, SEQ02.OUT, SEQ03.INP, SEQ03.COD, SEQ03.OUT, SEQ04.INP, SEQ04.COD, SEQ04.OUT, SEQ05.COD, SEQ05.OUT files. Disk 2 contains the SEQ01H.INP, SEQ01H.COD, SEQ01H.OUT, SEQ02H.INP, SEQ02H.COD, SEQ02H.OUT files.

Disk 3 contains the SEQ03H.INP, SEQ03H.COD, SEQ03H.OUT, SEQ04H.INP, SEQ04H.COD, SEQ04H.OUT, SEQ05H.COD, SEQ05H.OUT, SEQ06H.INP, SEQ06H.COD, HOMING01.COD, HOMING01.OUT, BITSYNC.INP, SEQSYNC.INP and SYNC000...159.COD files.

Disk 4 contains the A-law compressed 8 bit test sequences with and without homing. All the files of diskettes 1- 3 except for BITSYNC.INP, which is not necessary for TRAU testing, are on disk 4. The extension _A is added to the filenames in order to indicate A-law. The files HOMING01, SEQSYN and SYNC000... are renamed to HOM01_A, SEQSYN_A and SYN000_A, respectively.

Disk 5 contains the μ -law compressed 8 bit test sequences with and without homing similar to disk 4. The _u in the filenames stands for μ -law.

Table A.3.1a/b gives the contents of the five disks and also the size in bytes and the number of frames for each test sequence file.

A.3.2 File format description

All the files with the linear 13 bit test sequences are written in binary using 16 bit words. This means that input samples (sop[k], on files: *.INP), output samples (srop[k], on files: *.OUT) and coded parameters (on files: *.COD) use 2 bytes each. Hence the sizes of the files are directly related to the number of processed frames.

For files with linear 13 bit sequences and .INP or .OUT extension type:

$$\text{Size (in bytes)} = \text{No of frames} * 160 * 2;$$

All files _x.INP and _x.OUT with the compressed 8 bit test sequences are written in binary using 1 byte per sample.

For files with compressed 8 bit sequences and _x.INP or _x.OUT type:

$$\text{Size (in bytes)} = \text{No of frames} * 160 * ;$$

For all files with .COD extension type:

$$\text{Size (in bytes)} = \text{No of frames} * 76 * 2;$$

Table A.3.1 shows the size of all the 13 bit linear files written in direct binary format. The size of the files containing the optional 8 bit test sequences with type _x.INP and _x.OUT is half the size shown in the table (diskette No. 4 and diskette No. 5).

The diskettes are formatted according to the high capacity (1,44 Mb) specifications for MS/DOS PC-AT compatible computers.

Table A.3.1a: Contents of diskette 1 (test sequences without codec homing frames and file sizes)

| Disk No. | Purpose of Sequence | Name of Sequence | No. Of Frames | Size in Bytes | Justification |
|----------|-----------------------|------------------|---------------|---------------|---------------|
| 1/5 | Codec test sequence | SEQ01.INP | 584 | 186 880 | Left |
| 1/5 | Codec test sequence | SEQ01.COD | 584 | 88 768 | Right |
| 1/5 | Codec test sequence | SEQ01.OUT | 584 | 186 880 | Left |
| 1/5 | Codec test sequence | SEQ02.INP | 947 | 303 040 | Left |
| 1/5 | Codec test sequence | SEQ02.COD | 947 | 143 944 | Right |
| 1/5 | Codec test sequence | SEQ02.OUT | 947 | 303 040 | Left |
| 1/5 | Codec test sequence | SEQ03.INP | 673 | 215 360 | Left |
| 1/5 | Codec test sequence | SEQ03.COD | 673 | 102 296 | Right |
| 1/5 | Codec test sequence | SEQ03.OUT | 673 | 215 360 | Left |
| 1/5 | Codec test sequence | SEQ04.INP | 520 | 166 400 | Left |
| 1/5 | Codec test sequence | SEQ04.COD | 520 | 79 040 | Right |
| 1/5 | Codec test sequence | SEQ04.OUT | 520 | 166 400 | Left |
| 1/5 | Decoder test sequence | SEQ05.COD | 64 | 9 728 | Right |
| 1/5 | Decoder test sequence | SEQ05.OUT | 64 | 20 480 | Left |

Table A.3.1b: Contents of diskettes 2 and 3 (test sequences with codec homing frames and file sizes)

| Disk No. | Purpose of Sequence | Name of Sequence | No. Of Frames | Size in Bytes | Justification |
|----------|--------------------------------|------------------|---------------|---------------|---------------|
| 2/5 | Codec test sequence | SEQ01H.INP | 586 | 187 520 | Left |
| 2/5 | Codec test sequence | SEQ01H.COD | 586 | 89 072 | Right |
| 2/5 | Codec test sequence | SEQ01H.OUT | 586 | 187 520 | Left |
| 2/5 | Codec test sequence | SEQ02H.INP | 949 | 303 680 | Left |
| 2/5 | Codec test sequence | SEQ02H.COD | 949 | 144 248 | Right |
| 2/5 | Codec test sequence | SEQ02H.OUT | 949 | 303 680 | Left |
| 3/5 | Codec test sequence | SEQ03H.INP | 675 | 216 000 | Left |
| 3/5 | Codec test sequence | SEQ03H.COD | 675 | 102 600 | Right |
| 3/5 | Codec test sequence | SEQ03H.OUT | 675 | 216 000 | Left |
| 3/5 | Codec test sequence | SEQ04H.INP | 522 | 167 040 | Left |
| 3/5 | Codec test sequence | SEQ04H.COD | 522 | 79 344 | Right |
| 3/5 | Codec test sequence | SEQ04H.OUT | 522 | 167 040 | Left |
| 3/5 | Decoder test sequence | SEQ05H.COD | 66 | 10 032 | Right |
| 3/5 | Decoder test sequence | SEQ05H.OUT | 66 | 21 120 | Left |
| 3/5 | Encoder-homing-frame | SEQ06H.INP | 1 | 320 | Left |
| 3/5 | Decoder-homing-frame | SEQ06H.COD | 1 | 152 | Right |
| 3/5 | Decoder homing test | HOMING01.COD | 100 | 15 200 | Right |
| 3/5 | Decoder homing test | HOMING01.OUT | 100 | 32 000 | Left |
| 3/5 | Bit Synchronization | BITSYNC.INP | 39 | 1 2480 | Left |
| 3/5 | Frame Synchronization (input) | SEQSYNC.INP | 4 | 1 280 | Left |
| 3/5 | Frame Synchronization (output) | SYNC000.COD | 1 | 152 | Right |
| 3/5 | | SYNC001.COD | 1 | 152 | Right |
| 3/5 | | SYNC002.COD | 1 | 152 | Right |
| " | | " | " | " | " |
| " | | " | " | " | " |
| 3/5 | | SYNC159.COD | 1 | 152 | Right |

Annex B (informative): Test sequence diskettes

History

| Document history | | | |
|-------------------------|---|-----------|--------------------------|
| December 1996 | Unified Approval Procedure | UAP 61: | 1996-12-16 to 1997-04-11 |
| May 1997 | First Edition | | |
| December 1997 | One-step Approval Procedure (Second Edition) | OAP 9817: | 1997-12-26 to 1998-04-24 |
| | | | |
| | | | |