



EUROPEAN
TELECOMMUNICATION
STANDARD

ETS 300 904

April 1997

Source: ETSI TC-SMG

Reference: DE/SMG-010202QR1

ICS: 33.020

Key words: Digital cellular telecommunications system, Global System for Mobile communications (GSM)



**Digital cellular telecommunications system (Phase 2+);
Bearer Services (BS) supported by a GSM
Public Land Mobile Network (PLMN)
(GSM 02.02 version 5.2.1)**

ETSI

European Telecommunications Standards Institute

ETSI Secretariat

Postal address: F-06921 Sophia Antipolis CEDEX - FRANCE

Office address: 650 Route des Lucioles - Sophia Antipolis - Valbonne - FRANCE

X.400: c=fr, a=atlas, p=etsi, s=secretariat - **Internet:** secretariat@etsi.fr

Tel.: +33 4 92 94 42 00 - Fax: +33 4 93 65 47 16

Copyright Notification: No part may be reproduced except as authorized by written permission. The copyright and the foregoing restriction extend to reproduction in all media.

© European Telecommunications Standards Institute 1997. All rights reserved.

Contents

Foreword	5
0 Scope	7
0.1 Normative references	7
0.2 Abbreviations	8
1 Framework for defining Bearer Services.....	8
2 Bearer Service categories	10
3 Bearer Services.....	11
3.1 General bearer service user data characteristics	13
3.1.1 3.1 kHz Audio	13
3.1.2 V.110 UDI.....	14
3.1.3 X.31 Flag Stuffing UDI.....	14
3.1.4 V.120	14
3.1.5 Bit Transparent Mode.....	15
History.....	16

Blank page

Foreword

This European Telecommunication Standard (ETS) has been produced by the Special Mobile Group (SMG) Technical Committee (TC) of the European Telecommunications Standards Institute (ETSI).

This ETS defines a set of Bearer Services to be provided within the digital cellular telecommunications system (Phase 2+).

This ETS is a TC-SMG approved GSM technical specification version 5, which contains GSM Phase 2+ enhancements/features to the version 4 GSM technical specification.

The contents of this ETS is subject to continuing work within TC-SMG and may change following formal TC-SMG approval. Should TC-SMG modify the contents of this ETS, it will be resubmitted for OAP by ETSI with an identifying change of release date and an increase in version number as follows:

Version 5.x.y

where:

- y the third digit is incremented when editorial only changes have been incorporated in the specification;

- x the second digit is incremented for all other types of changes, i.e. technical enhancements, corrections, updates, etc.

The specification from which this ETS has been derived was originally based on CEPT documentation, hence the presentation of this ETS may not be entirely in accordance with the ETSI drafting rules.

Transposition dates	
Date of adoption:	21 March 1997
Date of latest announcement of this ETS (doa):	31 July 1997
Date of latest publication of new National Standard or endorsement of this ETS (dop/e):	31 January 1998
Date of withdrawal of any conflicting National Standard (dow):	31 January 1998

Blank page

0 Scope

This European Telecommunication Standard (ETS) defines a set of Bearer Services to be provided to GSM PLMN subscribers by a GSM PLMN itself and in connection with other networks. This ETS should also be used as a reference for defining the corresponding required mobile network capabilities which are specified by means of the "GSM PLMN connection type" concept, defined in GSM 03.10 [4].

The recommended provision of the Bearer Services is under the control of the GSM MoU and is out of the scope of ETSI TC-SMG.

Bearer Services not included in this ETS that require modifications to the GSM signalling specifications should not be introduced unilaterally by a mobile network operator.

0.1 Normative references

This ETS incorporates by dated and undated reference, provisions from other publications. These normative references are cited at the appropriate places in the text and the publications are listed hereafter. For dated references, subsequent amendments to or revisions of any of these publications apply to this ETS only when incorporated in it by amendment or revision. For undated references, the latest edition of the publication referred to applies.

- [1] GSM 01.04 (ETR 350): "Digital cellular telecommunications system (Phase 2+); Abbreviations and acronyms".
- [2] GSM 02.01: "Digital cellular telecommunications system (Phase 2+); Principles of telecommunication services supported by a GSM Public Land Mobile Network (PLMN)".
- [3] GSM 02.04 (ETS 300 918): "Digital cellular telecommunications system (Phase 2+); General on supplementary services".
- [4] GSM 03.10: "Digital cellular telecommunications system (Phase 2+); GSM Public Land Mobile Network (PLMN) connection types".
- [5] GSM 04.02: "Digital cellular telecommunications system (Phase 2+); GSM Public Land Mobile Network (PLMN) access reference configuration".
- [6] GSM 07.01 (ETS 300 913): "Digital cellular telecommunications system (Phase 2+); General on Terminal Adaptation Functions (TAF) for Mobile Stations (MS)".
- [7] GSM 07.02 (ETS 300 914): "Digital cellular telecommunications system (Phase 2+); Terminal Adaptation Functions (TAF) for services using asynchronous bearer capabilities".
- [8] GSM 07.03 (ETS 300 915): "Digital cellular telecommunications system (Phase 2+); Terminal Adaptation Functions (TAF) for services using synchronous bearer capabilities".
- [9] GSM 07.05: "Digital cellular telecommunications system (Phase 2+); Use of Data Terminal Equipment - Data Circuit terminating Equipment (DTE - DCE) interface for Short Message Service (SMS) and Cell Broadcast Service (CBS)".
- [10] GSM 09.02 (ETS 300 974): "Digital cellular telecommunications system (Phase 2+); Mobile Application Part (MAP) specification".
- [11] GSM 09.03: "Digital cellular telecommunications system; Signalling requirements on interworking between the Integrated Services Digital Network (ISDN) or Public Switched Telephone Network (PSTN) and the Public Land Mobile Network (PLMN)".

- [12] GSM 09.04: "Digital cellular telecommunications system; Interworking between the Public Land Mobile Network (PLMN) and the Circuit Switched Public Data Network (CSPDN)".
- [13] GSM 09.05: "Digital cellular telecommunications system; Interworking between the Public Land Mobile Network (PLMN) and the Packet Switched Public Data Network (PSPDN) for Packet Assembly/Disassembly (PAD) facility access".
- [14] GSM 09.06 (ETS 300 975): "Digital cellular telecommunications system (Phase 2+); Interworking between a Public Land Mobile Network (PLMN) and a Packet Switched Public Data Network/Integrated Services Digital Network (PSPDN/ISDN) for the support of packet switched data transmission services".
- [15] GSM 09.07 (ETS 300 976): "Digital cellular telecommunications system (Phase 2+); General requirements on interworking between the Public Land Mobile Network (PLMN) and the Integrated Services Digital Network (ISDN) or Public Switched Telephone Network (PSTN)".
- [16] GSM 09.10: "Digital cellular telecommunications system (Phase 2+); Information element mapping between Mobile Station - Base Station System (MS - BSS) and Base Station System - Mobile-services Switching Centre (BSS - MSC) Signalling procedures and the Mobile Application Part (MAP)".
- [17] GSM 09.11: "Digital cellular telecommunications system (Phase 2+); Signalling interworking for supplementary services".
- [18] CCITT Recommendation V.120: "Support by an ISDN of data terminal equipment with V-series type interfaces with provision for statistical multiplexing".

0.2 Abbreviations

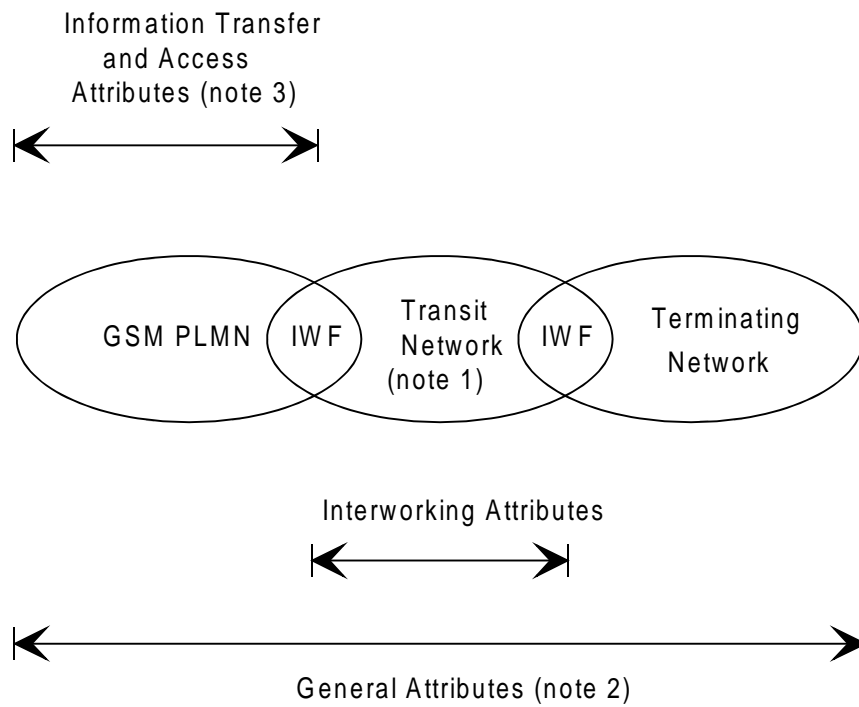
Abbreviations used in this ETS are listed in GSM 01.04 [1].

1 Framework for defining Bearer Services

Bearer Services are described by attributes, which are intended to be independent. These attributes are described and defined in GSM 02.01 [2]. They are grouped into four categories:

- i) Information transfer attributes, which characterize the network capabilities for transferring information from a user access point in a GSM PLMN to a user access point in another network. (See GSM 02.01 [2] and GSM 04.02 [5] for definitions of user access points, originating and terminating networks.)
- ii) Access attributes, which describe the means for accessing network functions or facilities as seen at the access point in the PLMN (see GSM 02.01 [2]).
- iii) Interworking attributes, which describe properties of the terminating network and its access point. The terminating network may include another GSM PLMN or the originating PLMN (see GSM 02.01 [2]).
- iv) General attributes, which deal with the service in general.

Figure 1 shows the relation between the groups of attributes and their fields of applicability.



NOTE 1: A transit network may not exist for a Bearer Service.

NOTE 2: Communication may be established from either end.

NOTE 3: The information transfer and access attributes of a Bearer Service relate to a direct peer-to-peer communication of:

- TE to TE;
- TE to a network gateway (supporting, for example, PSTN interworking); or
- network gateway to a TE.

Figure 1: Relation between the groups of attributes and fields of applicability

The following table lists the individual attributes in each of the four groups. The GSM Bearer Service definitions in this ETS are based on the "Minimal Set" of attributes.

Table 1: List of Bearer Service attributes

	Minimal Set
Information Transfer Attributes	
Information Transfer Mode	X
Information Transfer Rate	X
Information Transfer Capability	X
Establishment of Communication	X
Symmetry	X
Communication Configuration	X
Data Compression	
Access Attributes	
Access Channel and Rate	
Signalling Access Protocols	
Information Access Protocols	
Information Access Structure	X
Information Access Rate	X
Interworking Attributes	
General Attributes	
Supplementary Services Provided	
Quality of Service	X
Operational and Commercial	

Attributes that are not part of the minimal set provide further technical detail and are required to fully define the use of each Bearer Service.

See the GSM 07-series specifications [6], [7], [8], [9] for information about the Signalling Access Protocols, Information Access Protocols and related access attributes.

GSM supplementary services are defined in GSM 02.04 [3].

Intercommunication is required with services in the PSTN, ISDN, CSPDN and other PLMNs. The capabilities that describe the Interworking Attributes are described in GSM 03.10 [4] and the GSM 09-series specifications [10] to [15].

2 Bearer Service categories

All Bearer Service categories provide information transfer between R/S reference points and allow the use of sub-rate information streams which are rate-adapted.

The Bearer Services can be grouped into the following categories:

- Unrestricted Digital Information (UDI);
Provides the transfer of unrestricted digital information.
- 3.1 kHz (External to the PLMN);
Used to select a "3.1 kHz audio" interworking function at the MSC. This service category is used when interworking with the ISDN or PSTN "3.1 kHz audio" service and includes the capability to select a modem at the interworking function. "External to the PLMN" indicates that the "3.1 kHz audio" service is only used outside of the PLMN, in the ISDN/PSTN. The connection within the PLMN, user access point to the interworking function, is an unrestricted digital connection.
- PAD;
Provides an asynchronous connection to a PAD. This enables PLMN subscribers to access a packet network (PSPDN/ISDN). See GSM 09.05 [13] for service and interworking specifications.

- Packet;
Provides a synchronous connection that enables PLMN subscribers to access a packet network (PSPDN/ISDN). See GSM 09.06 [14] for service and interworking specifications.
- Alternate Speech/Data;
Provides the capability to swap between speech and data during a call.

If either the speech or data portion of the call requires a full rate channel, a full rate channel shall be used for the duration of the call.

The access interface at the mobile station for the data portion is assumed to be a standard data interface. Some means must be provided to select the speech/data capability.

- Speech followed by Data;
Provides a speech connection first and then at some time while the call is in progress, the user can switch to a data connection. The user cannot switch back to speech after the data portion.

If either the speech or data portion of the call requires a full rate channel, a full rate channel shall be used from the start of the call. The network may then change to a half rate channel for the data portion.

3 Bearer Services

This clause provides a list of the existing GSM Bearer Services and indicates the values for each attribute in the minimal set.

The following attributes have the same value for all GSM Bearer Services. Their values are as follows:

Information Transfer Mode:	"Circuit";
Information Transfer Rate:	Not applicable (note 1);
Establishment of Communication:	"Demand";
Symmetry:	"Bi-directional Symmetric" (note 2);
Communication Configuration:	"Point-to-point".

NOTE 1: The Information Transfer Rate attribute is not applicable because it depends on the reference point assumed in the GSM PLMN, transit or terminating network.

NOTE 2: Asynchronous services using 1 200/75 bps. require a value of "Bi-directional Asymmetric".

All GSM asynchronous NT Bearer Services may support data compression to enhance user data throughput.

GSM NT Bearer Services 2x and 3x may support V.120 interworking, enabling data terminals connected to an MS to interwork with V.120 [18] terminal adapters on the ISDN as shown in the figure 2 below.

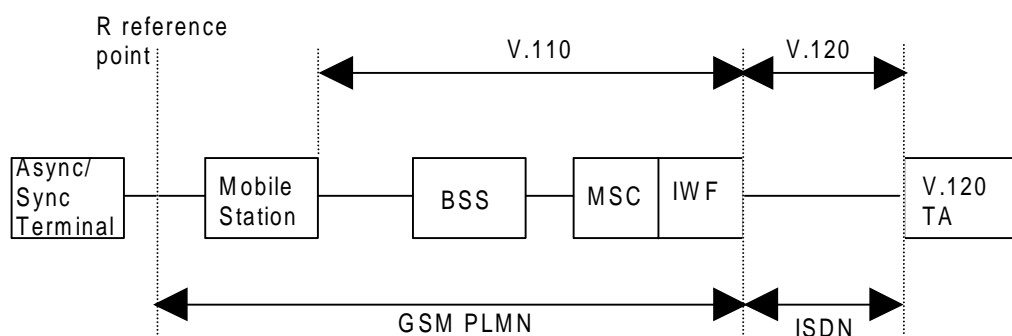


Figure 2: Model of GSM V.120 Interworking

Table 2 contains the list of the Bearer Services and the values for the remaining attributes in the minimal set.

Table 2

Bearer Service Number	Bearer Service Name	Access Structure	Access Rate	Information Transfer Capability	QOS Attribute	Notes
20	Asynchronous General Bearer Service	Asynch	note 7	note 7	note 7	See note 6
21	Asynchronous 300 bps	Asynch	300 bps	UDI or 3.1 kHz	T or NT	
22	Asynchronous 1.2 kbps	Asynch	1.2 kbps	UDI or 3.1 kHz	T or NT	
23	Asynchronous 1 200/75 bps	Asynch	1 200/75 bps	UDI or 3.1 kHz	T or NT	See note 4
24	Asynchronous 2.4 kbps	Asynch	2.4 kbps	UDI or 3.1 kHz	T or NT	
25	Asynchronous 4.8 kbps	Asynch	4.8 kbps	UDI or 3.1 kHz	T or NT	
26	Asynchronous 9.6 kbps	Asynch	9.6 kbps	UDI or 3.1 kHz	T or NT	
30	Synchronous General Bearer Service	Synch	note 7	note 7	note 7	See notes 1 and 6
31	Synchronous 1.2 kbps	Synch	1.2 kbps	UDI or 3.1 kHz	T	
32	Synchronous 2.4 kbps	Synch	2.4 kbps	UDI or 3.1 kHz	T or NT	See note 1
33	Synchronous 4.8 kbps	Synch	4.8 kbps	UDI or 3.1 kHz	T or NT	See note 1
34	Synchronous 9.6 kbps	Synch	9.6 kbps	UDI or 3.1 kHz	T or NT	See note 1
40	General PAD Access Bearer Service	Asynch	note 7	note 7	note 7	See notes 2,4, 5 and 6
41	PAD Access 300 bps	Asynch	300 bps	UDI	T or NT	See note 2 See note 5
42	PAD Access 1.2 kbps	Asynch	1.2 kbps	UDI	T or NT	See note 2 See note 5
43	PAD Access 1 200/75 bps	Asynch	1 200/75 bps	UDI	T or NT	See note 2 See note 4 See note 5
44	PAD Access 2.4 kbps	Asynch	2.4 kbps	UDI	T or NT	See note 2 See note 5
45	PAD Access 4.8 kbps	Asynch	4.8 kbps	UDI	T or NT	See note 2 See note 5
46	PAD Access 9.6 kbps	Asynch	9.6 kbps	UDI	T or NT	See note 2 See note 5
50	General Packet Access Bearer Service	Synch	note 7	note 7	note 7	See notes 5 and 6
51	Packet Access 2.4 kbps	Synch	2.4 kbps	UDI	NT	See note 5
52	Packet Access 4.8 kbps	Synch	4.8 kbps	UDI	NT	See note 5
53	Packet Access 9.6 kbps	Synch	9.6 kbps	UDI	NT	See note 5
61	Alternate Speech/ Data					See note 3
81	Speech Followed by Data					See note 3

- NOTE 1: The non-transparent versions of Bearer Services 32, 33 and 34 are only specified for the Basic Packet service, defined in GSM 09.06 [14].
- NOTE 2: Although the general information transfer capability is UDI, the information transfer capability on the network-specific interface between the IWF and the PAD may be UDI or 3.1 kHz and is the choice of the network operator.
- NOTE 3: The data phase of Bearer Services 61 and 81 will be the same as Bearer Services 20 to 34 with 3.1 kHz Information Transfer Capability.
- NOTE 4: Bearer Service 23 and 43 are applicable to Mobile Originated (MO) calls only. The 75 bps is used in the uplink and the 1 200 bps is used in the downlink.
- NOTE 5: This Bearer Service is applicable to Mobile Originated (MO) calls only.
- NOTE 6: This General Bearer is independent of any nominal rate. It is elaborated in more detail in subclause 3.1
- NOTE 7: Please refer to subclause 3.1.

3.1 General bearer service user data characteristics

The tables below describe the characteristics of the General Bearer Services. The indicated fixed network user rates are possible, but support of General Bearer Service does not imply support of all rates.

3.1.1 3.1 kHz Audio

Fixed Network User Rate	Access Structure	Information Transfer Capability	QoS attributes	Note
0.3 kbit/s	Asynch	3.1 kHz	NT or T	note 2
1.2 kbit/s	Asynch, Synch	3.1 kHz	NT or T	note 1 and 2
1.2/0.075 kbit/s	Asynch	3.1 kHz	NT or T	note 2
2.4 kbit/s	Asynch, Synch	3.1 kHz	NT or T	note 2
4.8 kbit/s	Asynch, Synch	3.1 kHz	NT or T	note 2
9.6 kbit/s	Asynch, Synch	3.1 kHz	NT or T	note 2
14.4 kbit/s	Asynch, Synch	3.1 kHz	NT or T	
19.2 kbit/s	Asynch, Synch	3.1 kHz	NT or T	
28.8 kbit/s	Asynch, Synch	3.1 kHz	NT or T	

- NOTE 1: Not applicable to synchronous NT service.
- NOTE 2: These services are also supported by the GSM Phase 2 Specifications.

3.1.2 V.110 UDI

Fixed Network User Rate	Access Structure	User Information Layer 1 protocol	QoS Attribute	Notes
0.3 kbit/s	Asynch	V.110	NT or T	note 2
1.2 kbit/s	Asynch, Synch	V.110	NT or T	note 1 note 2
2.4 kbit/s	Asynch, Synch	V.110	NT or T	note 2
4.8 kbit/s	Asynch, Synch	V.110	NT or T	note 2
9.6 kbit/s	Asynch, Synch	V.110	NT or T	note 2
14.4 kbit/s	Asynch, Synch	V.110	NT or T	
19.2 kbit/s	Asynch, Synch	V.110	NT or T	
28.8 kbit/s	Asynch, Synch	V.110	NT or T	
38.4 kbit/s	Asynch, Synch	V.110	NT or T	
48 kbit/s	Synch	V.110	T	
56 kbit/s	Synch	V.110	T (in a 64 kbit/s environment)	

NOTE 1: Not applicable to synchronous NT service.

NOTE 2: These services are also supported by the GSM Phase 2 Specifications.

3.1.3 X.31 Flag Stuffing UDI

Fixed Network User Rate	Access Structure	User Information Layer 1 protocol	QoS Attribute	Notes
2.4 kbit/s	Synch	X.31 Flag Stuffing	NT	note 1
4.8 kbit/s	Synch	X.31 Flag Stuffing	NT	note 1
9.6 kbit/s	Synch	X.31 Flag Stuffing	NT	note 1
14.4 kbit/s	Synch	X.31 Flag Stuffing	NT	
19.2 kbit/s	Synch	X.31 Flag Stuffing	NT	
28.8 kbit/s	Synch	X.31 Flag Stuffing	NT	
38.4 kbit/s	Synch	X.31 Flag Stuffing	NT	
48 kbit/s	Synch	X.31 Flag Stuffing	NT	
56 kbit/s	Synch	X.31 Flag Stuffing	NT	

NOTE 1: These services are also supported by the GSM Phase 2 Specifications.

3.1.4 V.120

Fixed Network User Rate	Access Structure	User Information Layer 1 protocol	QoS Attribute	Notes
1.2 kbit/s	Asynch	V.120	NT	
2.4 kbit/s	Asynch, Synch	V.120	NT	
4.8 kbit/s	Asynch, Synch	V.120	NT	
9.6 kbit/s	Asynch, Synch	V.120	NT	
14.4 kbit/s	Asynch, Synch	V.120	NT	
19.2 kbit/s	Asynch, Synch	V.120	NT	
28.8 kbit/s	Asynch, Synch	V.120	NT	note 1
38.4 kbit/s	Asynch, Synch	V.120	NT	
48 kbit/s	Asynch, Synch	V.120	NT	
56 kbit/s	Asynch, Synch	V.120	NT	note 2

NOTE 1: Requires a new code point in V.120 specification to be defined.

NOTE 2: Not applicable in a 56 kbit/s environment.

3.1.5 Bit Transparent Mode

Fixed Network User Rate	Access Structure	User Information Layer 1 protocol	QoS Attribute	Notes
56 kbit/s	Synch	Bit transparent	T (RDI) (in a 56 kbit/s environment)	
64 kbit/s	Synch	Bit transparent	T (UDI) (in a 64 kbit/s environment)	

History

Document history	
October 1995	Publication of GTS 02.02 version 5.0.0
May 1996	Publication of GTS 02.02 version 5.1.0
November 1996	Unified Approval Procedure UAP 58: 1996-11-18 to 1997-03-14
April 1997	First Edition