



**E**UROPEAN  
**T**ELECOMMUNICATION  
**S**TANDARD

**DRAFT**  
pr **ETS 300 902**

August 1997

Third Edition

---

Source: ETSI SMG

Reference: RE/SMG-040341QR5

ICS: 33.020

**Key words:** Digital cellular telecommunications system, Global System for Mobile communications (GSM)



**Digital cellular telecommunications system (Phase 2+);  
Technical realization of Short Message Service  
Cell Broadcast (SMSCB)  
(GSM 03.41 version 5.6.0)**

**ETSI**

European Telecommunications Standards Institute

**ETSI Secretariat**

**Postal address:** F-06921 Sophia Antipolis CEDEX - FRANCE

**Office address:** 650 Route des Lucioles - Sophia Antipolis - Valbonne - FRANCE

**X.400:** c=fr, a=atlas, p=etsi, s=secretariat - **Internet:** secretariat@etsi.fr

Tel.: +33 4 92 94 42 00 - Fax: +33 4 93 65 47 16

---

**Copyright Notification:** No part may be reproduced except as authorized by written permission. The copyright and the foregoing restriction extend to reproduction in all media.

© European Telecommunications Standards Institute 1997. All rights reserved.



## Contents

Foreword .....		5
1	Scope .....	7
1.1	Normative references .....	7
1.2	Abbreviations .....	7
2	General description .....	8
3	Network Architecture .....	9
4	CBE Functionality .....	9
5	CBC Functionality .....	9
6	BSC Functionality .....	10
7	BTS Functionality .....	10
8	MS Functionality .....	10
9	Protocols and Protocol Architecture .....	11
9.1	CBC-BSC Primitives .....	13
9.1.1	Identification of a message .....	13
9.1.2	WRITE-REPLACE Request/Indication .....	14
9.1.3	KILL Request/Indication .....	15
9.1.4	REPORT Response/Confirm .....	15
9.1.5	STATUS-CBCH-QUERY Request/Indication .....	15
9.1.6	STATUS-CBCH-QUERY Response/Confirm .....	15
9.1.7	STATUS-MESSAGE-QUERY Request/Indication .....	16
9.1.8	STATUS-MESSAGE-QUERY Response/Confirm .....	16
9.1.9	REJECT Response/Confirm .....	16
9.1.10	RESTART-INDICATION Request/Indication .....	16
9.1.11	RESET Request/Indication .....	17
9.1.12	FAILURE-INDICATION Request/Indication .....	17
9.1.13	SET-DRX Request/Indication .....	17
9.1.14	SET-DRX- REPORT Response/Confirm .....	18
9.2	Parameters .....	18
9.2.1	Message-Identifier .....	18
9.2.2	Old-Serial-Number .....	18
9.2.3	New-Serial-Number .....	18
9.2.4	Number-of-Pages .....	18
9.2.5	Cell-List .....	18
9.2.6	Channel Indicator .....	18
9.2.7	Category .....	19
9.2.8	Repetition-Rate .....	19
9.2.9	No-of-Broadcasts-Requested .....	19
9.2.10	No-of-Broadcasts-Completed-List .....	19
9.2.11	Cell-Identifier .....	19
9.2.12	Schedule-Period .....	20
9.2.13	Reserved-Slots .....	20
9.2.14	Failure-List .....	20
9.2.15	CBCH-Loading-List .....	20
9.2.16	Cause .....	21
9.2.17	Diagnostic .....	21
9.2.18	Data Coding Scheme .....	21
9.2.19	CBS-Message-Information-Page n .....	21

9.2.20	CBS-Message-Information-Length n .....	21
9.2.21	Recovery-Indication .....	22
9.3	Message Format on BTS-MS Interface .....	22
9.3.1	General Description .....	22
9.3.2	Message Content.....	22
9.4	CBS Compression.....	24
10	SMSCB Index .....	25
Annex A (informative):	Protocols for interconnecting CBC and BSC .....	27
History .....		28

## Foreword

This European Telecommunications Standard (ETS) has been produced by the Special Mobile Group (SMG) (TC) of the European Telecommunications Standards Institute (ETSI) and is now submitted for the One-step Approval Procedure (OAP) of the ETSI standards approval process.

This ETS defines the Cell Broadcast short message service (CBS). It defines the primitives over the Cell Broadcast Centre - Base Station System (CBC-BSS) interface and the message formats over the Base Station System - Mobile Station (BSS-MS) interface for Teleservice 23 within the digital cellular telecommunications system (Phase 2+).

The contents of this ETS is subject to continuing work within SMG and may change following formal SMG approval. Should SMG modify the contents of this ETS, it will be resubmitted for OAP by ETSI with an identifying change of release date and an increase in version number as follows:

Version 5.x.y

where:

- y the third digit is incremented when editorial only changes have been incorporated in the specification;
- x the second digit is incremented for all other types of changes, i.e. technical enhancements, corrections, updates, etc.

<b>Proposed transposition dates</b>	
Date of latest announcement of this ETS (doa):	3 months after ETSI publication
Date of latest publication of new National Standard or endorsement of this ETS (dop/e):	6 months after doa
Date of withdrawal of any conflicting National Standard (dow):	6 months after doa

Blank page

## 1 Scope

This European Telecommunications Standard (ETS) describes the Cell Broadcast short message service (CBS). It defines the primitives over the Cell Broadcast Centre - Base Station System (CBC-BSS) interface and the message formats over the Base Station System - Mobile Station (BSS-MS) interface for Teleservice 23 as specified in GSM 02.03 [2].

### 1.1 Normative references

This ETS incorporates by dated and undated reference, provisions from other publications. These normative references are cited at the appropriate places in the text and the publications are listed hereafter. For dated references, subsequent amendments to or revisions of any of these publications apply to this ETS only when incorporated in it by amendment or revision. For undated references, the latest edition of the publication referred to applies.

- [1] GSM 01.04 (ETR 350): "Digital cellular telecommunication system (Phase 2+); Abbreviations and acronyms".
- [2] GSM 02.03 (ETS 300 905): "Digital cellular telecommunication system (Phase 2+); Teleservices supported by a GSM Public Land Mobile Network (PLMN)".
- [3] GSM 03.38 (ETS 300 900): "Digital cellular telecommunication system (Phase 2+); Alphabets and language-specific information".
- [4] GSM 03.40 (ETS 300 901): "Digital cellular telecommunication system (Phase 2+); Technical realization of the Short Message Service (SMS) Point to Point (PP)".
- [5] GSM 03.47 (ETR 354): "Digital cellular telecommunication system; Example protocol stacks for interconnecting Service Centre(s) (SC) and Mobile-services Switching Centre(s) (MSC)".
- [6] GSM 03.49: "Digital cellular telecommunication system (Phase 2+); Example protocol stacks for interconnecting Cell Broadcast Centre (CBC) and Mobile-services Switching Centre (MSC)".
- [7] GSM 04.12 (ETS 300 943): "Digital cellular telecommunication system (Phase 2+); Short Message Service Cell Broadcast (SMSCB) support on the mobile radio interface".
- [8] GSM 05.02 (ETS 300 908): "Digital cellular telecommunication system (Phase 2+); Multiplexing and multiple access on the radio path".
- [9] GSM 07.05: "Digital cellular telecommunication system (Phase 2+); Use of Data Terminal Equipment - Data Circuit terminating Equipment (DTE - DCE) interface for Short Message Service (SMS) and Cell Broadcast Service (CBS)".
- [10] GSM 08.52: "Digital cellular telecommunication system; Base Station Controller - Base Transceiver Station (BSC - BTS) interface Interface principles".
- [11] GSM 08.58: "Digital cellular telecommunication system (Phase 2+); Base Station Controller - Base Transceiver Station (BSC - BTS) interface Layer 3 specification".
- [12] CCITT Recommendation X.210: "Open systems interconnection layer service definition conventions".

### 1.2 Abbreviations

Abbreviations used in this ETS are listed in GSM 01.04 [1].

## 2 General description

The CBS service is analogous to the Teletex service offered on television, in that like Teletex, it permits a number of unacknowledged general messages to be broadcast to all receivers within a particular region. CBS messages are broadcast to defined geographical areas known as cell broadcast areas. These areas may comprise of one or more cells, or may comprise the entire PLMN. Individual CBS messages will be assigned their own geographical coverage areas by mutual agreement between the information provider and the PLMN operator. CBS messages may originate from a number of Cell Broadcast Entities (CBEs), which are connected to the Cell Broadcast Centre. CBS messages are then sent from the CBC to the BTSs, in accordance with the CBS's coverage requirements.

The CBS message comprises of 82 octets, which, using the default character set, equates to 93 characters. Up to 15 of these messages (pages) may be concatenated to form a macromessage. Each page of such macromessages will have the same message identifier (indicating the source of the message), and the same serial number. Using this information, the MS is able to identify and ignore re-broadcasts of already received messages.

CBS messages are broadcast cyclically by the BTS at a frequency and for a duration specified by the information provider. The frequency at which messages are repeatedly transmitted will be dependent on the information that they contain; for example, it is likely that dynamic information such as road traffic information, will require more frequent transmission than weather information. The repetition rate will also be affected by the desire for messages to be received by high speed mobiles which rapidly traverse cells. All suitably equipped mobiles within the catchment area of the transmitting BTS will be able to receive the broadcast messages, provided that they are switched on and in the idle state.

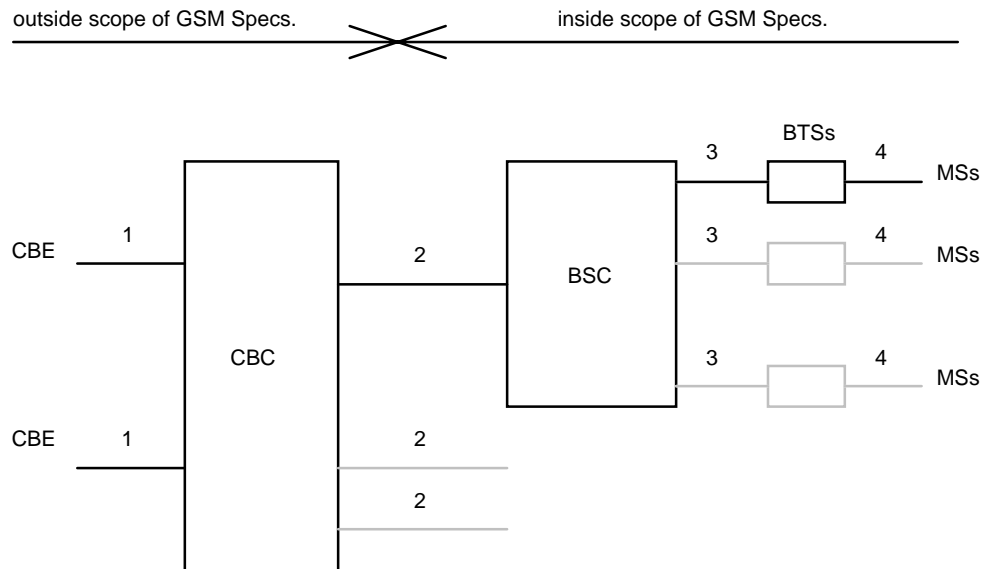
CBS messages may be broadcast on two different cell broadcast channels, which are characterized by different QoS. A MS is always able to read the basic channel (see [8]). The reading of the extended channel may collide with other tasks of the MS. Therefore the probability of receiving a CBS message on the extended channel is smaller than on the basic channel. The reading of the extended channel for MSs is optional. The scheduling on the channels will be done independently.

To permit mobiles to selectively display only those messages required by the MS user, CBS messages are assigned a message class which categorises the type of information that they contain and the language in which the message has been compiled. Through the use of appropriate MMI, the user is then able to ignore message types that he does not wish to receive, e.g. advertising information or messages in an unfamiliar language.



### 3 Network Architecture

The basic network structure of CBS is depicted by figure 1.



**Figure 1**

- message transfer on link 1 is outside the scope of GSM Specifications;
- message transfer on link 2 is described in Section 9.1;
- message transfer on link 3 is described in GSM 08.58;
- message transfer on link 4 is described in GSM 04.12 and the timing of messages transferred on link 4 is described in GSM 05.02.

### 4 CBE Functionality

The functionality of the CBE is outside of the scope of GSM Specifications; however it is assumed that the CBE is responsible for all aspects of formatting CBS, including the splitting of a CBS message into a number of pages.

### 5 CBC Functionality

As the CBC (and any originating point for cell broadcast short messages) is regarded as a node outside the PLMN, only the requirements placed upon the CBC by CBS functionality are specified by this specification.

The CBC may be connected to several BSCs. The CBC may be connected to several CBEs. The CBC shall be responsible for the management of cell broadcast short messages including:

- allocation of serial numbers;
- modifying or deleting messages held by the BSC;
- initiating broadcast by sending fixed length cell broadcast short messages to a BSC for each language provided by the cell, and where necessary padding the message with the appropriate character to a length of 82 octets;
- determining the set of cells/BTSs to which a message should be broadcast, and indicating within the Serial Number the geographical scope of each message;
- determining the time at which a message should commence being broadcast;

- determining the time at which a message should cease being broadcast and subsequently instructing each BSC to cease broadcast of the message;
- determining the rate at which broadcast of the message should be repeated;
- determining the cell broadcast channel, on which the message should be broadcast.

To work efficiently on the interfaces, the BSC - which is normally controlling more than one cell of a broadcast area - should be used as a concentrator as far as CB message handling is concerned. Hence, the CBC should work on lists of cells when issuing CB related requests towards the BSC.

## 6 BSC Functionality

The BSC shall interface to only one CBC. A BSC may interface to several BTSs as indicated by GSM 08.52. The BSC shall be responsible for:

- interpretation of commands from the CBC;
- storage of cell broadcast messages;
- scheduling of cell broadcast messages on the CBCH;
- providing an indication to the CBC when the desired repetition rate cannot be achieved;
- providing to the CBC acknowledgement of successful execution of commands received from the CBC;
- reporting to the CBC failure when a command received from the CBC is not understood or cannot be executed;
- routing cell broadcast messages to the appropriate BTSs;
- transferring CBS information to each appropriate BTS via a sequence of 4 SMS BROADCAST REQUEST messages or 1 SMS BROADCAST COMMAND message (see GSM 08.58), indicating the channel which shall be used.
- optionally generating Schedule Messages, indicating the intended schedule of transmissions (see GSM 04.12);
- optionally receiving CBCH Load Indication messages and reacting by broadcasting a burst of scheduled SMSCB messages or by suspending the broadcast for a period indicated by BTS (see GSM 08.58);

To work efficiently on the interfaces, the BSC should forward CB related messages to the CBC using cell lists as far as applicable.

## 7 BTS Functionality

The BTS is responsible for conveying CBS information received via SMS BROADCAST REQUEST or SMS BROADCAST COMMAND messages over the radio path to the MS.

- optionally generating CBCH Load Indication messages, indicating an underflow or overflow situation on the CBCH (see GSM 08.58).

## 8 MS Functionality

The MS is responsible for recombination of the blocks received via the radio path to reconstitute the cell broadcast short message. The precise method of display of cell broadcast short messages is outside the scope of GSM Specifications, however it is assumed that an MS will:

- discard sequences transferred via the radio path (see GSM 04.12) which do not consist of consecutive blocks;

- have the ability to discard CBS information which is not in a suitable data coding scheme;
- have the ability to discard a message which has a message identifier indicating that it is of subject matter which is not of interest to the MS;
- have the ability to ignore repeat broadcasts of messages already received (message has not changed since it was last broadcast i.e. sequence number has not changed within the message's indicated geographical area);
- have the ability to transfer a message via the R interface when the R interface is supported;
- optionally enter SMSCB DRX mode based upon received Schedule Messages (see GSM 04.12);
- optionally skip reception of the remaining block(s) of a cell broadcast message which do(es) not contain cell broadcast information (see GSM 04.12);
- optionally read the extended channel.

## 9 Protocols and Protocol Architecture

Commands interpreted by the BSC will result in a sequence of 4 SMS BROADCAST REQUEST messages or 1 SMS BROADCAST COMMAND message being sent to a BTS, which in turn result in a sequence of 4 messages being transferred via the BTS-MS interface (see GSM 04.12).

With the SMS BROADCAST REQUEST mode of operation, the 88 octet fixed length CBS page which is specified in Section 9.3 is split into four 22 octet blocks which are carried in SMS BROADCAST REQUEST messages as follows:

octets 1-22 are transferred in the 1<sup>st</sup> SMS BROADCAST REQUEST  
with a sequence number (see GSM 04.12) indicating first block

octets 23-44 are transferred in the 2<sup>nd</sup> SMS BROADCAST REQUEST  
with a sequence number (see GSM 04.12) indicating second block

octets 45-66 are transferred in the 3<sup>rd</sup> SMS BROADCAST REQUEST  
with a sequence number (see GSM 04.12) indicating third block

octets 67-88 are transferred in the 4<sup>th</sup> SMS BROADCAST REQUEST  
with a sequence number (see GSM 04.12) indicating fourth block.

Figure 2 illustrates the protocol architecture and the scope of the various GSM Specifications for the SMS BROADCAST REQUEST mode of operation.

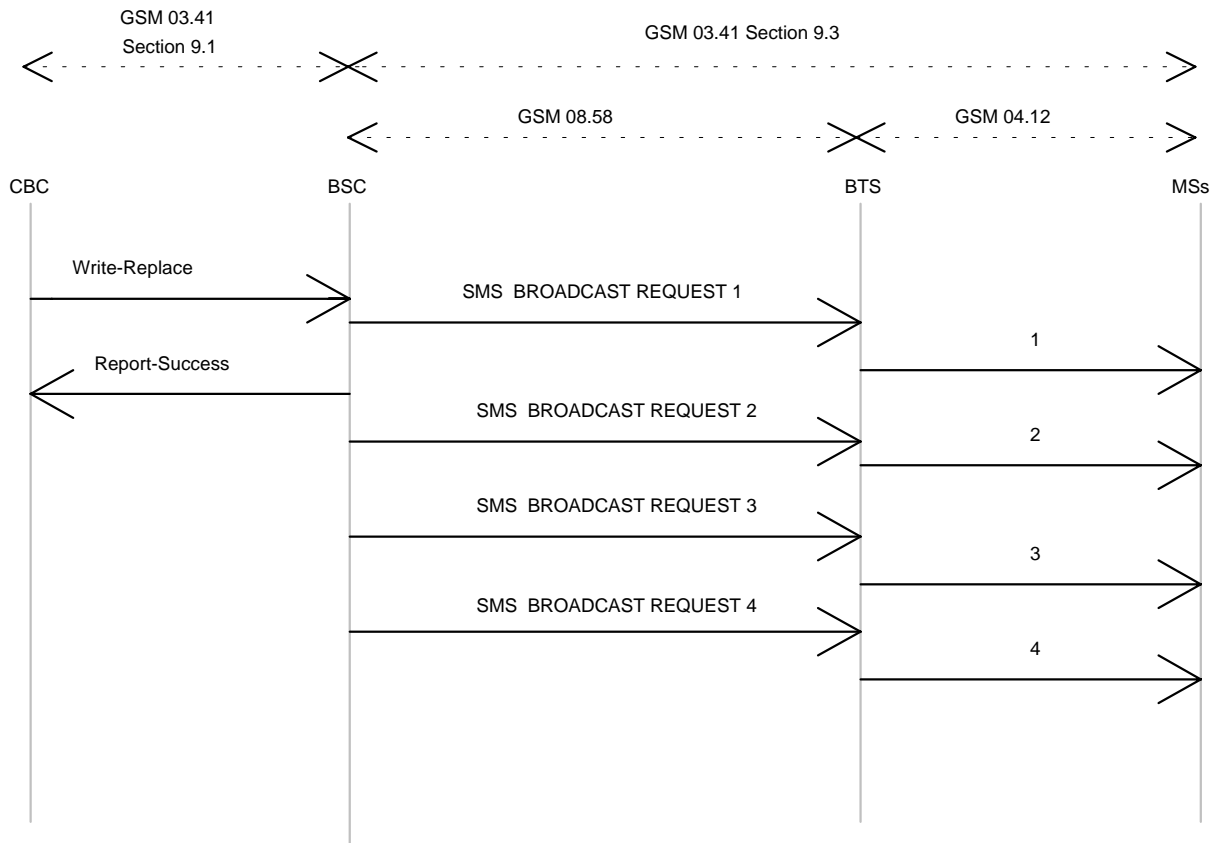


Figure 2

With the SMS BROADCAST COMMAND mode of operation, the BSC sends to the BTS in one single message the 88 octet fixed length CBS page. The BTS then splits the page into four 22 octet blocks, adds the sequence number (see GSM 04.12) and transmits the four resulting blocks on the air.

Figure 3 illustrates the protocol architecture and the scope of the various GSM Specifications for the SMS BROADCAST COMMAND mode of operation.

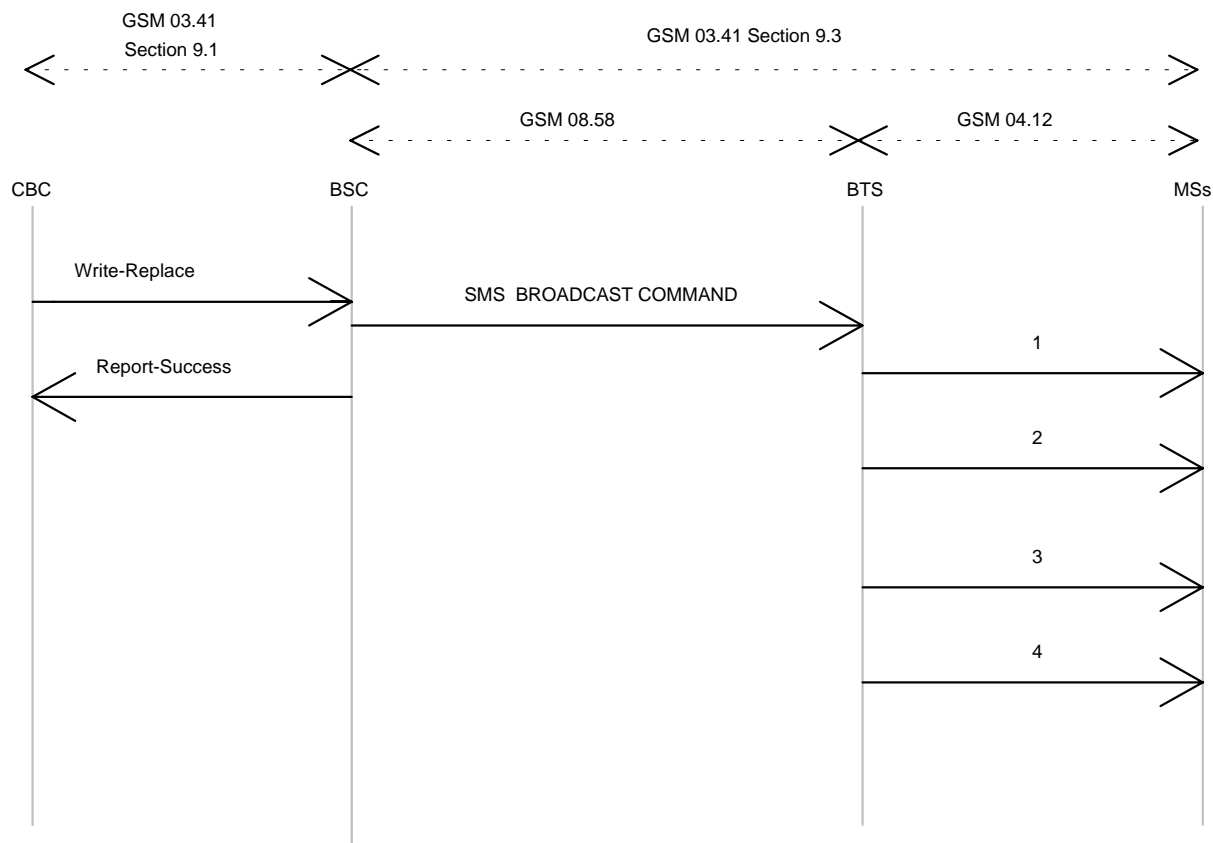


Figure 3

## 9.1 CBC-BSC Primitives

The term primitive is used to indicate "an abstract, implementation independent interaction between a service user and a service provider" (see CCITT X.210). For the CBC-BSC interface, the service provider would be the protocol interconnecting CBC and BSC. A Primitive may therefore be viewed as an abstract, implementation independent request/indication or response/confirm interaction between the service user (CBC or BSC) and the service provider (protocol). A set of primitives for use between the CBC and BSC is specified appropriate to the functionality assigned to the CBC and BSC in Sections 5 and 6. No mandatory protocol between the CBC and the BSC is specified by GSM, this is a matter of agreement between CBC and PLMN operators. GSM 03.49 (see also annex A of this ETS) provides example protocol stacks using the primitives defined as follows.

NOTE: In the following definitions, M indicates "mandatory parameter" and O indicates "optional parameter".

### 9.1.1 Identification of a message

Within a CBC-BSC interface, a message is uniquely identified by the quartet (message\_identifier, serial\_number, Cell Identifier, Channel Indicator). This means that even when two messages have the same semantic contents (for example the same weather forecast) but in different languages or coding schemes, they are considered as different and must therefore be identified by a different quartet.

The serial number is managed cyclically and therefore this does not prevent to re-use the same quartet for a different message when the serial number have been incremented a sufficient number of times. How to manage the ambiguity is described here-after.

This unique identification of a message across the CBC-BSC interface is used in all the primitived defined hereafter. This means that the quartet will be implicitly or explicitly present in every interface primitive which applies to a given message.

This unique quartet will be referred in the rest of the document as the « message reference ».

## 9.1.2 WRITE-REPLACE Request/Indication

PARAMETER	REFERENCE	PRESENCE
Message-Identifier	9.2.1	M
Old-Serial-Number	9.2.2	O
New-Serial-Number	9.2.3	M
Cell-List	9.2.5	M
Channel Indicator	9.2.6	O
Category	9.2.6	O
Repetition-Rate	9.2.7	M
No-of-Broadcasts-Requested	9.2.8	M
Number-of-Pages	9.2.4	M
Data Coding Scheme	9.2.17	M
CBS-Message-Information-Page 1	9.2.18	M
CBS-Message-Information-Length 1	9.2.19	M
CBS-Message-Information-Page 2	9.2.18	O
CBS-Message-Information-Length 2	9.2.19	O
:	:	:
CBS-Message-Information-Page n	9.2.18	O
CBS-Message-Information-Length n	9.2.19	O

This primitive is sent by the CBC to the BSC. The CBC will use this primitive to either cause a new message to be broadcast or to change a message currently being broadcast.

If no old serial number is present then the primitive will be interpreted by the BSC as an instruction to broadcast a new message in all the cells of the Cell list and on the channel derived by the Channel Indicator (see the section on parameters that describes the implicit value of the Channel Indicator when not present in the message). The BSC will build as many message references as the number of cells in the list. These message references will be used in particular in the subsequent write\_replace and kill primitives.

If an old serial number is present, then the primitive will cause all information currently associated with the combination of message identifier, serial number, Channel Indicator and the list of cells in the Cell list to be deleted from the cells in the BSC (i.e. for all cells provided in the Cell-List parameter) and be replaced by information conveyed in the primitive.

All cells which should perform the broadcasting are mentioned in the Cell-List parameter.

The broadcast of the referenced message in the cells which are not mentioned in the Cell-List remains unaffected. The BSC will build as many message references as the number of cells in the list. These references will be used in particular in the subsequent write\_replace and kill primitives.

When a message reference is derived from a primitive without any old serial number (write primitive) and the message reference is already known by the BSC for certain cells in the list, the primitive will be rejected with the cause « message reference already used ». The list of cells where the message reference is not valid will be provided in the REPORT message.

If no category is present, the default category is interpreted by the BSC, see the parameter section.

This primitive is responded by a REPORT or REJECT primitive.

NOTE: in the case of multipage messages, the individual pages are considered as independent by the BSC scheduling algorithm.

**9.1.3 KILL Request/Indication**

PARAMETER	REFERENCE	PRESENCE
Message-Identifier	9.2.1	M
Old-Serial-Number	9.2.2	M
Cell-List	9.2.5	M
Channel Indicator	9.2.6	O

This primitive is sent by the CBC to the BSC. The CBC will use this primitive to kill the message indicated by the combination of message identifier, serial number, Channel Indicator and the cells indicated in the Cell-List of this KILL request, i.e. the primitive will halt broadcast of the message in the indicated cells and remove any knowledge of the message from the BSC for these cells. The broadcast of the referenced message in the cells which are not mentioned in the Cell-List remains unaffected. This primitive is responded with a REPORT or REJECT primitive.

**9.1.4 REPORT Response/Confirm**

PARAMETER	REFERENCE	PRESENCE
Message-Identifier	9.2.1	M
Serial-Number	9.2.2	M
Channel Indicator	9.2.6	O
No-of-Broadcasts-Completed-List	9.2.9	O
Failure-List	9.2.13	O

This primitive will be sent by the BSC to the CBC in response to WRITE-REPLACE and KILL primitives. The No-of-Broadcasts-Completed-List, if present, may contain each cell which successfully performed the requested operation and for each of these cells the number of broadcast messages - of the replaced or killed CB message - sent to this particular cell for broadcast. The number of broadcast messages parameter is set to zero if the requested operation did not fail but broadcast messages were still not sent to this cell (This is valid in case of a response to a write request). The No-of-Broadcasts-Completed-List will not be present if all cells indicated in the related WRITE-REPLACE or KILL Request failed the requested operation. The Failure-List, if present, may contain those cells which were present in the related WRITE-REPLACE or KILL primitive and failed the requested operation. Possible fault conditions can be a resulting CBCH overload condition, the CBCH of the cell is not available, or the broadcast of a message to be replaced was never requested before.

Note that the Failure-List reports, as an answer to a message replacement, only failures due to the insertion of the new message.

**9.1.5 STATUS-CBCH-QUERY Request/Indication**

PARAMETER	REFERENCE	PRESENCE
Cell-List	9.2.5	M
Channel Indicator	9.2.6	O

This primitive is sent by the CBC to the BSC in order to obtain the current loading of the CBCH of particular cells referenced in the Cell-List parameter. This primitive is responded by a STATUS-CBCH-QUERY Response/Confirm or a REJECT primitive.

**9.1.6 STATUS-CBCH-QUERY Response/Confirm**

PARAMETER	REFERENCE	PRESENCE
CBCH-Loading-List	9.2.14	O
Failure-List	9.2.13	O
Channel Indicator	9.2.6	O

This primitive will be sent by the BSC in response to the STATUS-CBCH-QUERY Request/Indication primitive.

The CBCH-Loading-List, if present, may contain each cell which successfully performed the requested operation and for each of these cells the CBCH loading of this particular cell. (The loading parameter is

set to zero if the cell is not loaded). The CBCH-Loading-List will not be present if all cells indicated in the related STATUS-CBCH-QUERY Request/Indication failed the requested operation.

The Failure-List, if present, may contain all cells for which the requested operation failed (e.g. because the cells CBCH is not available). The STATUS-CBCH-QUERY Response/Confirm will not contain the Failure-List parameter if none of the cells in the Cell-List of the related STATUS-CBCH-QUERY Request failed the requested operation.

#### 9.1.7 STATUS-MESSAGE-QUERY Request/Indication

PARAMETER	REFERENCE	PRESENCE
Message-Identifier	9.2.1	M
Old-Serial-Number	9.2.2	M
Cell-List	9.2.5	M
Channel Indicator	9.2.6	O

This primitive is sent by the CBC to the BSC in order to obtain the current status of a CB-message for the cells referenced in the Cell-List parameter. This primitive is responded by the STATUS-MESSAGE-QUERY Response/Confirm or by a REJECT Response/Confirm.

#### 9.1.8 STATUS-MESSAGE-QUERY Response/Confirm

PARAMETER	REFERENCE	PRESENCE
Message-Identifier	9.2.1	M
Old-Serial-Number	9.2.2	M
No-of-Broadcasts-Completed-List	9.2.9	O
Failure-List	9.2.13	O
Channel Indicator	9.2.6	O

This primitive will be sent by the BSC to the CBC in response to a STATUS-MESSAGE-QUERY Request/Indication primitive.

The No-of-Broadcasts-Completed-List, if present, may contain each cell which successfully performed the requested operation and for each of these cells the number of times this CB message has been sent to this particular cell for broadcast (parameter Number-of-Broadcasts-Completed; this parameter is set to zero if there has been no broadcast message sent). The No-of-Broadcasts-Completed-List will not be present if all cells indicated in the related STATUS-MESSAGE-QUERY Request failed the requested operation.

The Failure-List may contain all cells for which the requested operation failed (e.g. because the broadcast of the requested message was never requested before or because the cells CBCH is not available). The STATUS-MESSAGE-QUERY Response/Confirm will not contain the Failure-List parameter if none of the cells in the Cell-List of the related STATUS-MESSAGE-QUERY Request failed the requested operation.

#### 9.1.9 REJECT Response/Confirm

PARAMETER	REFERENCE	PRESENCE
Cause	9.2.15	M
Diagnostic	9.2.16	O
Message-Identifier	9.2.1	O
Serial Number	9.2.2	O

This primitive is sent by the BSC to the CBC in response to any primitive which is not understood (e.g. invalid parameter or parameter value).

#### 9.1.10 RESTART-INDICATION Request/Indication

PARAMETER	REFERENCE	PRESENCE
Cell-List	9.2.5	M
Recovery Indication	9.2.20	O



The RESTART-INDICATION Request is used by the BSC to indicate to the CBC a CB related restart situation in one or more of its cells (e.g. when an existing or a new cell becomes operational during normal BSC operation or when the BSC initialises).

Any referenced cell are again in CB-operational state (have resumed CB operation). The parameter Recovery Indication, if present, indicates whether CB related data are lost for the cells referenced in the Cell-List and have to be re-loaded.

The CBC upon receiving a RESTART INDICATION indication, marks the cell as operational again. It will usually generate WRITE-REPLACE requests for this cell, according to the actual CB message loading at the moment of the restart.

Note that a RESTART INDICATION indication may be triggered from the CBC by a RESET Request. This allows to recover from situations, where a PDU occasionally may be lost.

#### 9.1.11 RESET Request/Indication

PARAMETER	REFERENCE	PRESENCE
Cell-List	9.2.5	M

The RESET Request is used by the CBC to force one or more cells (BTSs) of one BSC into CB-idle state.

The RESET Request may also be used by the CBC to ask for the CB operational state of cells earlier indicated to have failed (polling CB operational state).

If a base station controller (BSC) receives a RESET Indication, the indicated cells enter idle state (same state as after "power on"). All CB related information concerning earlier CB messages in a referenced cell is lost.

The BSC acknowledges the RESET Indication for each cell by an RESTART- or, if not adequate, by a FAILURE-INDICATION request.

Of course, several responses may be combined using a cell list in the RESTART or FAILURE INDICATION.

#### 9.1.12 FAILURE-INDICATION Request/Indication

PARAMETER	REFERENCE	PRESENCE
Cell-List	9.2.5	M

The FAILURE-INDICATION Request is used by the BSC to indicate to the CBC a CB related problem situation in one or more of its cells.

Any referenced cell enters CB-not-operational state. It has lost all CB messages related information. It remains in not-operational state until a RESTART-INDICATION request (see 9.1.10) indicates normal CB operation (again).

The CBC upon receiving a FAILURE indication, marks this cell as failed. It will generally not generate further WRITE-REPLACE requests for this cell, up to the point, when the CBC is informed by a RESTART indication, that the cell has resumed CB operation.

Note, that a RESTART Indication may be triggered by a RESET Request. This allows to recover from situations, where a PDU occasionally may be lost.

#### 9.1.13 SET-DRX Request/Indication

PARAMETER	REFERENCE	PRESENCE
Cell-List	9.2.5	M
Schedule-Period	9.2.11	O
Reserved-Slots	9.2.12	O
Channel Indicator	9.2.6	O

The SET-DRX Request is used by the CBC to set DRX specific parameters i.e. the schedule period and the number of slots reserved for high priority messages, see GSM 04.12. At least one of the Schedule-Period or Reserved-Slots parameters must be present in the primitive. If this primitive is not supported, the BSC may use default values.

If a BSC receives a SET-DRX Indication, the new DRX parameters will be applied for all cells that do not handle any broadcast message (null loading).

#### 9.1.14 SET-DRX- REPORT Response/Confirm

PARAMETER	REFERENCE	PRESENCE
Cell-List	9.2.5	O
Failure-List	9.2.13	O
Channel Indicator	9.2.6	O

This primitive will be sent by the BSC to the CBC in response to a SET-DRX Request/Indication primitive.

The Failure-List will contain those cells which were present in the Request message and which failed the requested operation.

### 9.2 Parameters

#### 9.2.1 Message-Identifier

identifies source/type of message.

#### 9.2.2 Old-Serial-Number

This enables a particular existing message, from the source/type indicated by the message identifier, to be identified.

#### 9.2.3 New-Serial-Number

This enables message change to be indicated since it is altered every time the message is changed. The serial number identifies a particular message, which may be several pages in length, from the source indicated by the message identifier.

#### 9.2.4 Number-of-Pages

enables the number of pages in the message to be indicated.

#### 9.2.5 Cell-List

This identifies the cells to which the primitives apply.

The cells in the list are described as per section 3.2.2.17 of GSM 08.08 and can be identified by LAC and CI or CI only. In those cases the Cell-List must contain at least one cell.

In addition and as described in GSM 08.08, it is possible to refer to all cells in a LAC or in a complete BSC.

#### 9.2.6 Channel Indicator

This parameter indicates the CB channel, which shall be used for broadcasting the data.

basic channel;

extended channel (supporting such a channel by the network or MSs is optional);

If no channel indicator is present, it shall be interpreted as an indication to the basic channel.

### 9.2.7 Category

This indicates the category of the message:

High Priority: to be broadcast at the earliest opportunity in the slots left free by messages of category "Normal", then according to the associated repetition rate.

Background: to be broadcast in the slots left free by messages of category "High Priority" and "Normal", possibly shared with unscheduled schedule messages, see GSM 04.12. The repetition rate defines the minimum broadcast requirement.

Normal: to be broadcast according to the associated repetition rate.

If the category is omitted, the default category implied is "Normal" message.

### 9.2.8 Repetition-Rate

This indicates the frequency at which broadcast of the message should be repeated. The maximum frequency with which a message may be broadcast over the air interface is one 8 x 51 multiframe sequence which corresponds to a period of approximately 1.883 seconds.

The value of "Repetition-Rate" shall be in the range 1 to 1024 where each unit will represent one 8 x 51 multiframe sequence.

In the event of a conflict where the BSS has more than one message to send at the same time, the BSC shall decide the order of such messages as an implementation matter.

### 9.2.9 No-of-Broadcasts-Requested

This specifies the number of times the message is to be broadcast. The parameter may take any value up to 65535 (this maximum allows the message to be broadcast approximately every 1.883 seconds for more than 24 hours). If the parameter is set to 0 then the message will be broadcast indefinitely (i.e. until the BSC receives an appropriate Kill-Message Request/Indication primitive).

### 9.2.10 No-of-Broadcasts-Completed-List

This parameter is a list indicating the number of times that the message (i.e. all pages of the message) has been sent to each Cell in the Cell-List for broadcast over the air interface.

The cells in the list are described as per section 3.2.2.17 of GSM 08.08 and can be identified by LAC and CI or CI only.

Description of list elements:

PARAMETER	PRESENCE
Cell Identifier	M
No-of-Broadcasts-completed	M

The information above is repeated for the number of cells in the list.

To each cell in the list the information element Number-of-Broadcasts-completed is associated. This information element is related to the particular referenced cell in the list and contains the number of times a CB message (i.e. all pages of a CB message) has been sent to this cell for broadcast. The Number-of-Broadcasts-completed is set to zero if there was no broadcast message sent.

The No-of-Broadcasts-Completed-List must contain at least one cell.

### 9.2.11 Cell-Identifier

This field may take the form of the LAC and CI or CI only format of the cell identifier as described in GSM 08.08 section 3.2.2.17.

### 9.2.12 Schedule-Period

Indicates the DRX schedule period length, see GSM 04.12.

The following values should be coded:

- no DRX;
- length of the schedule period.

### 9.2.13 Reserved-Slots

Indicates the number of slots reserved in a DRX schedule period for high priority messages, see GSM 04.12.

The spacing of the reserved slots is implementation dependent.

### 9.2.14 Failure-List

This identifies the list of cells for which the BSC could not complete the request. The failure cause for each cell is indicated. The cells in the list are described as per section 3.2.2.17 of GSM 08.08 and can be identified by LAC and CI or CI only.

Description of list elements:

PARAMETER	PRESENCE
Cell Identifier	M
Cause	M
Diagnostic	O

The information above is repeated for the number of cells that failed.

To each cell in the list the information elements Cause and, as an implementation option, Diagnostic are associated. These are related to the particular referenced cell in the list.

The Failure-List must contain at least one cell.

### 9.2.15 CBCH-Loading-List

A list of the predicted short term load of each cell in the list expressed as a percentage. The calculation of this percentage is an implementation matter. The cells in the list are described as per section 3.2.2.17 of GSM 08.08 and can be identified by LAC and CI or CI only.

Description of list elements:

PARAMETER	PRESENCE
Cell Identifier	M
CBCH-Loading	M

The information above is repeated for the number of cells in the list.

To each cell in the list the information element CBCH-Loading is associated. This information element is related to the particular referenced cell in the list and contains the cells load.

The CBCH-Loading-List must contain at least one cell.

**9.2.16 Cause**

Indicates reason why the BSC was not able to interpret or execute the received primitive. The causes are given in table 1.

**Table 1**

<b>Cause</b>	<b>Reason</b>
Parameter-not-recognized	Sent when the recipient (CBC or BSC) was unable to act upon the primitive received due to an unrecognized parameter. A primitive should not be rejected only because a parameter is not recognized as this would prevent extensions to the service
parameter-value-invalid	Sent when a failure occurred due to the value of a parameter being invalid, e.g. out of range, or in Write-Replace, the parameter "no of pages" does not equal the number of pages received
valid-CBS-message-not- identified	Sent when the BSC does not recognize the CBS message serial number
cell-identity-not-valid	Sent when the BSC does not recognize a cell Identity
unrecognized-message	Sent when the recipient entity did not recognize the protocol message identifier
missing-mandatory-element	Sent when a mandatory element is missing from the primitive
bss-capacity-exceeded	Sent when a write-replace fails because the BSC cannot meet the requested repetition rate
cell-memory-exceeded	Sent when the local cell memory has been exceeded
bss-memory-exceeded	Sent when the BSS is unable to store a message as the BSS memory has been exceeded
cell-broadcast-not-supported	Sent when the CBCH is not configured for a cell
cell-broadcast-not-operational	Sent when the CBCH is not available because of error conditions or due to maintenance activities
cell-not-empty	Sent when the CBC attempts to set the DRX parameters in a cell which is not in a null loading state
incompatible-DRX-parameter	Sent when the DRX parameter(s) cannot be applied.
message-reference already-used	Sent when the recipient (BSC) was unable to act upon the write_replace received due to a previous write_replace received with the same message_reference.
unknown-error	Sent when none of the above cause values apply

**9.2.17 Diagnostic**

Provides additional information associated with Cause parameter and may contain parameter which could not be interpreted/executed.

**9.2.18 Data Coding Scheme**

Identifies alphabet or coding employed for the message characters. This field is defined in GSM 03.38 [3].

**9.2.19 CBS-Message-Information-Page n**

This carries 82 octets of CBS information.

**9.2.20 CBS-Message-Information-Length n**

Gives the number of octets of the CBS-Message-Information-Page n containing cell broadcast information. The remaining octets of the CBS-Message-Information-Page n only contain padding information.

### 9.2.21 Recovery-Indication

Indicates whether the CBS related data was lost or is still available.

The following values should be coded:

- Data-available;
- Data-lost.

### 9.3 Message Format on BTS-MS Interface

The messages which are transmitted by the BTS for the MS include the SMSCB message (information for the user) and Schedule Message (schedule of SMSCB messages).

The Schedule Message is broadcast to support SMSCB DRX mode for Mobile Stations. The Schedule Message is helpful in minimizing battery usage for Cell Broadcast in the Mobile Station, because it allows the MS to ignore transmissions of messages the customer is not interested in. Use and formatting of the Schedule Message is described in GSM 04.12.

The use and the formatting of the SMSCB messages, which contain information for the MS user, is described in this section.

#### 9.3.1 General Description

Each CBS page sent to the MS by the BTS is a fixed block of 88 octets as coded in GSM 04.12. This is sent on the channel allocated as CBCH by GSM 05.02. The 88 octets of CBS information consist of a 6 octet header and 82 user octets.

#### 9.3.2 Message Content

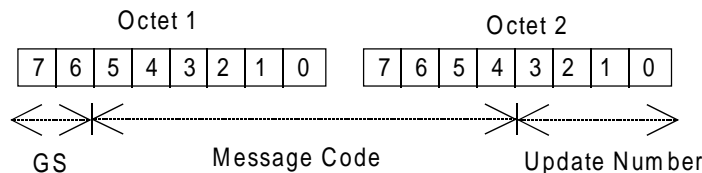
Octet No	1-2	Serial Number
	3-4	Message Identifier
	5	Data Coding Scheme
	6	Page Parameter
	7-88	Content of Message

These octets are transmitted in order, starting with octet 1. The bits within these octets are numbered 0 to 7; bit 0 is the low order bit and is transmitted first.

The fields are used as follows:

- (i) Serial Number is a 16 bit integer which identifies a particular message (which may be one to 15 pages in length) from the source and type indicated by the Message Identifier and is altered every time the message with a given Message Identifier is changed.

The two octets of the serial number field are divided into a 2-bit Geographical Scope indicator, a 10-bit Message Code and a 4-bit Update Number in the following structure :



The most significant bit of the Message Code is octet 1 bit 5 and the least significant bit of the Message Code is octet 2 bit 4. The most significant bit of the update number is octet 2 bit 3.

The Message Code will differentiate between messages from the same source and type (with the same Message Identifier). Message Codes are for allocation by PLMN operators. The Message Code identifies different message themes. So, for example, let the value for the message identifier be "Automotive Association" = source), "Traffic Reports" = type). Then "Crash on

A1 J5" could be one value for the message code "Cow on A32 J4" could be another "Slow vehicle on M3 J3" yet another.

The Geographical Scope (GS) indicates the geographical area over which the Message Code is unique, and the display mode. The message is not necessarily broadcast by all cells within the geographical area. When two messages are received with identical Serial Numbers/Message Identifiers in two different cells, the Geographical Scope may be used to determine if the messages are indeed identical.

In particular, the Geographical Scope tells the mobile if the message is only cell wide (which means that any message if received in the next cell is regarded as "new"), or PLMN wide (which means that the Message Code and/or Update Number must change in the next cell for the message to be "new"), or location area wide (which means that a message with the same Message Code and Update Number may or may not be "new" in the next cell according to whether the next cell is in the same location area as the current cell).

The display mode indicates whether the message is supposed to be on the display all the time ("immediate") or only when the user wants to see it ("normal").

The coding of this field that indicates the scope of the message is:

CODE	DISPLAY MODE	GEOGRAPHICAL SCOPE
00	Immediate	Cell wide
01	Normal	PLMN wide
10	Normal	Location Area wide
11	Normal	Cell wide

Immediate = default direct display;

Normal = default display under user interaction.

NOTE 1: These display modes are indicative of intended use, without indicating a mandatory requirement or constraining the detailed implementation by mobile manufacturers. The user may be able to select activation of these different modes.

NOTE 2: Code 00 is intended for use by the network operators for base station IDs.

The Update Number indicates a change of the message content of the same message, i.e. the message with the same Message Identifier, Geographical Scope, and Message Code.

In other words, the Update Number will differentiate between older and newer versions of the same message, within the indicated geographical area. A new message will have Update Number 0000; this will increment by 1 for each update. Any Update Number eight or less higher (modulo 16) than the last received Update Number will be considered more recent, and shall be treated as a new message, provided the mobile has not been switched off.

- (ii) Message Identifier identifies the source and type of message. For example "Automotive Association" (= source), "Traffic Reports" (= type) could be one value. A number of messages may originate from the same source and/or be of the same type. These will be distinguished by Serial Number. The Message Identifier is coded in binary.

The ME shall attempt to receive the CBS messages whose Message Identifiers are in the "search list". This "search list" shall contain the Message Identifiers stored in the EF<sub>CBMI</sub> and EF<sub>CBMID</sub> files on the SIM (see GSM 11.11) and any Message Identifiers stored in the ME in a "list of CBS messages to be received". If an ME has restricted capabilities with respect to the number of Message Identifiers it can search for, then the Message Identifiers stored in the SIM shall take priority over any stored in the ME.

The use/application of the Message Identifiers is as follows:

0000 - 03E7 (hex) to be allocated by PLMN operator associations. If a Message Identifier from this range is in the "search list", then the ME shall attempt to receive this message.

03E8 - 0FFF (hex) intended for standardization in future versions of GSM 03.41. These values shall not be transmitted by networks that are compliant to this version of

GSM 03.41. If a Message Identifier from this range is in the "search list", then the ME shall attempt to receive this message.

1000 - 10FF (hex) Networks shall only use Message Identifiers from this range for Cell Broadcast Data Download to the SIM (see GSM 11.14). If a message Identifier from this range is in the "search list", then the ME shall attempt to receive this message.

NOTE: This version of GSM 03.41 does not prohibit networks from using Message identifiers in the range 0000 - 03E7 (hex) for Cell Broadcast Data Download to the SIM.

1100 - FFFE (hex) intended for standardization in future versions of GSM 03.41. These values shall not be transmitted by networks that are compliant to this version of GSM 03.41. If a Message Identifier from this range is in the "search list", then the ME shall attempt to receive this message.

FFFF (hex) Reserved, and should not be used for new services, as this value is used on the SIM to indicate that no Message Identifier is stored in those two octets of the SIM. If this Message Identifier is in the "search list", then the ME shall attempt to receive this message.

In the above list, octet 3 of the Message Identifier is shown first, followed by octet 4. Thus "1234" (hex) represents octet 3 = 0001 0010 and octet 4 = 0011 0100.

NOTE 3: Optionally, the user can select the language(s) required by using an MMI, to determine whether a particular message should be read and displayed.

Generally, the MMI for entering these codes in the ME is left to the manufacturers' discretion, however the 1000 lowest codes shall be enterable by their decimal representation i.e:

Octet 3	Octet 4	
0000 0000	0000 0000	(decimal '000')
0000 0000	0000 0001	(decimal '001')
0000 0000	0000 0010	(decimal '002')
0000 0000	0000 0011	(decimal '003')
:	:	:
:	:	:
0000 0011	1110 0111	(decimal '999')

- (iii) Data Coding Scheme indicates the intended handling of the message at the MS, the alphabet/coding, and the language (when applicable). This is defined in GSM 03.38 [3].

When the SIM indicates one or more language preferences, the ME shall, by default, use the language(s) stored in the SIM (in the EF<sub>LP</sub> file) to set any language filter mechanisms provided by the ME.

- (iv) The page parameter is coded as two 4-bit fields. The first field (bits 0-3) indicates the binary value of the total number of pages in the message and the second field (bits 4-7) indicates binary the page number within that sequence. The coding starts at 0001, with 0000 reserved. If a mobile receives the code 0000 in either the first field or the second field then it shall treat the message exactly the same as a message with page parameter 0001 0001 (i.e. a single page message).

## 9.4 CBS Compression

Not yet specified



## 10 SMSCB Index

An index structure is defined in this section. Index can be used by the operator to inform the end user about the type of SMSCB services available. Index has the structure of a tree. It can thus have sub parts which are called subindexes. A subindex can be embedded in the same index message as its parent ("embedded subindex") or it can physically be in a separate index message ("child subindex"). Every index message has a unique message identifier. They are always of the same type. Message Code 1010101010b shall be used to indicate this type. The root of the index structure shall be the index message with message identifier 0. Other index messages are linked to the root index with links. Definition of their message identifiers is left to the operator.

A format ("enhanced format") for the index messages is described in this section. If this enhanced format is used in the index message the ms can present the index messages in its preferred format.

Available SMSCB services are introduced in the index. This means that their message identifier and name are stated. Enhanced format includes a mechanism for separating a normal service introduction from embedded subindex introduction and child subindex introduction. The introduction of an embedded subindex specifies the "subindex-id" used for identifying services that belong to this subindex. Embedded subindexes can have subindexes embedded in them etc. If these "second level embedded subindexes" are introduced their subindex-id shall begin with the subindex-id of their parent. Same principle applies for subindexes in third, fourth etc. level. An example of an index structure is given in figure 4.

Enhanced format includes a mechanism which allows the terminals to identify that the format of the index message is enhanced. The index-id -field and the above mentioned Message Code (1010101010b) constitute this mechanism:

message-format	=	index-id index-element-intro+
index-id	=	"EI" version crlf
version	=	number+
number	=	"1"   "2"   "3"   "4"   "5"   "6"   "7"   "8"   "9"   "0"
index-element-intro	=	subindex-intro   service-intro
subindex-intro	=	subindex-id " " subindex-name crlf
subindex-id	=	subindex-character+
subindex-character	=	"a"   "b"   ...   "z"   "A"   "B"   ...   "Z"
subindex-name	=	name-character+
name-character	=	<gsm03.38character excluding <CR> and <LF> >
crlf	=	<CR> <LF>
service-intro	=	subindex-id message-id delimiter service-name crlf.
message-id	=	number+
delimiter	=	"."   " "
service-name	=	name-character+

Current version used is 1.

The use of "." as delimiter means that this service is a child subindex of the index structure. Delimiter " " is used in all other cases.

Subindex-id shall not be used if the service introduced is in the first level of the index. Subindex-id:s are used in alphabetical order within an index message. They can be re-used in a child subindex.

0 Index:  
(MsgId=0, Message Code = 1010101010b)

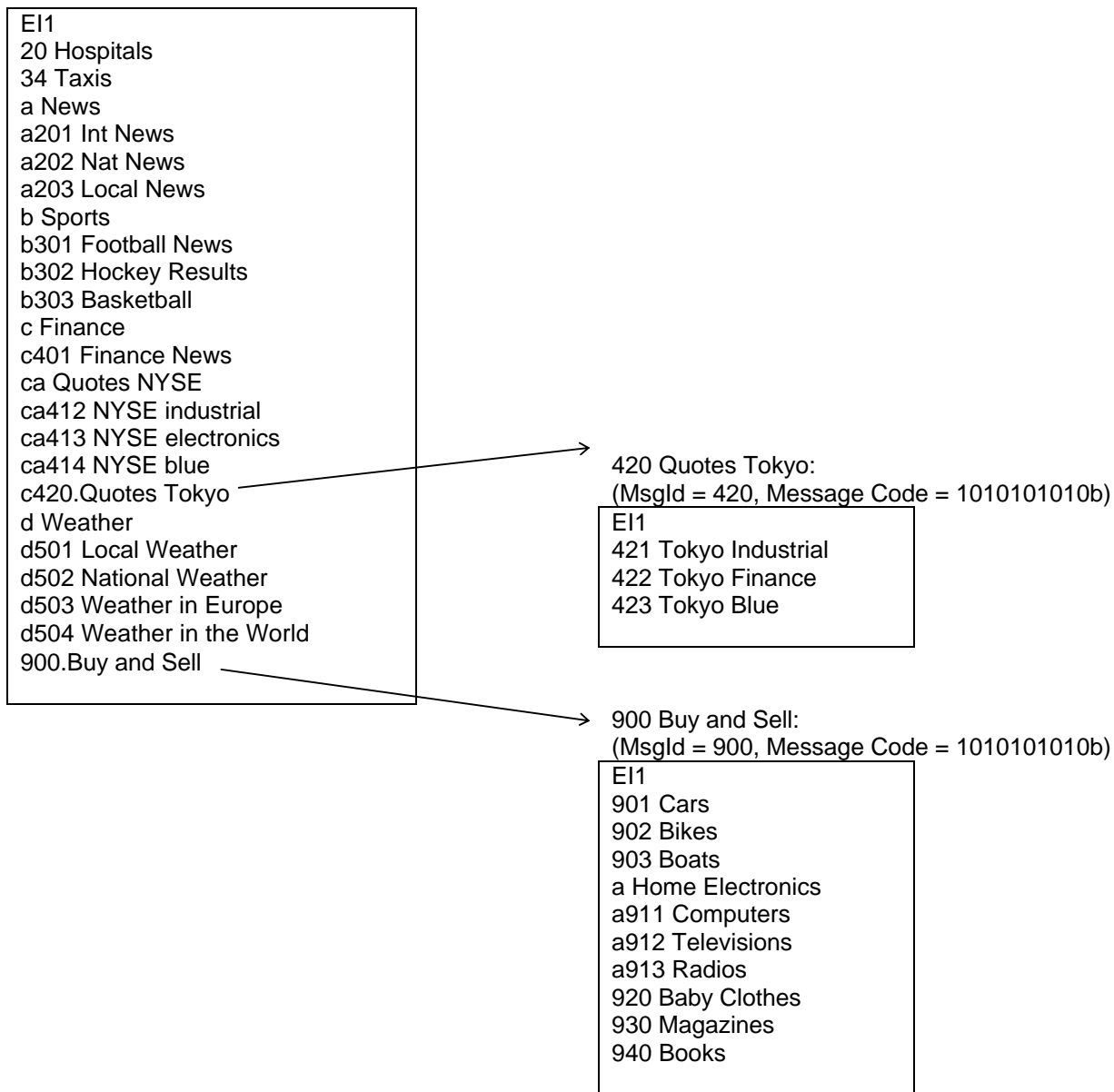


Figure 4

**Annex A (informative): Protocols for interconnecting CBC and BSC**

No mandatory protocol between the Cell Broadcast Centre (CBC) and the Base Station Controller (BSC) is specified by GSM; this is a matter of agreement between CBC and PLMN operators.

Some example protocols are provided in GSM 03.49 to assist CBC and PLMN operators. These are based on the following principles, which CBC and PLMN operators are recommended to follow even if they choose not to use one of the examples given in GSM 03.49.

The protocol(s) between CBC and BSC should:

- a) provide the service defined for the CBC-BSC interface (see section 9);
- b) be based on protocols normally used for communication between switching and/or computer equipment;
- c) permit open interconnection - preferably using the OSI stack or equivalent (e.g. CCITT Number 7 Stack).

**History**

<b>Document history</b>	
January 1996	Publication of GTS 03.41 version 5.0.0
March 1996	Publication of GTS 03.41 version 5.1.0
May 1996	Publication of GTS 03.41 version 5.2.0
July 1996	Publication of GTS 03.41 version 5.3.0
November 1996	Unified Approval Procedure UAP 58: 1996-11-18 to 1997-03-14
April 1997	First Edition
May 1997	One-step Approval Procedure OAP 9735: 1997-05-02 to 1997-08-29 (Second Edition)
August 1997	One-step Approval Procedure OAP 9752: 1997-08-29 to 1997-12-26 (Third Edition)