



EUROPEAN
TELECOMMUNICATION
STANDARD

DRAFT
pr **ETS 300 806-2**

July 1996

Source: ETSI TC-ECMA

Reference: DE/ECMA-00110-2

ICS: 35.020

Key words: ATS, Layer 3, PINX, PISN, QSIG, supplementary services, testing

**Private Integrated Services Networks (PISN);
Inter-exchange signalling protocol;
Generic Functional Protocol for the
support of supplementary services;
Part 2: Abstract Test Suite Specification (ATS)**

ETSI

European Telecommunications Standards Institute

ETSI Secretariat

Postal address: F-06921 Sophia Antipolis CEDEX - FRANCE

Office address: 650 Route des Lucioles - Sophia Antipolis - Valbonne - FRANCE

X.400: c=fr, a=atlas, p=etsi, s=secretariat - **Internet:** secretariat@etsi.fr

Tel.: +33 92 94 42 00 - Fax: +33 93 65 47 16

Copyright Notification: No part may be reproduced except as authorized by written permission. The copyright and the foregoing restriction extend to reproduction in all media.

© European Telecommunications Standards Institute 1996. All rights reserved.

Contents

Foreword	5
1 Scope	7
2 Normative references	7
3 Definitions and abbreviations	8
3.1 Definitions	8
3.2 Abbreviations	9
4 Abstract Test Method (ATM)	9
4.1 Choice of the ATM	9
4.1.1 Functional subsets	9
4.1.2 PINX Role and Test Component Configuration considerations	10
4.2 Single PCO testing.....	10
4.2.1 Testing of End PINX and Transit PINX (single Transit interface active)	10
4.3 Multiple PCO testing	11
4.3.1 Testing of Transit PINX (dual Transit interfaces active).....	11
4.4 Test Configurations and use of Concurrent TTCN	12
5 Untestable Test Purposes.....	14
6 Conformance clause	14
7 ATS Conventions	15
7.1 Short names and abbreviations	15
7.2 Test suite type, ASP type, PDU type and Alias identifiers	16
7.2.1 ASP type identifiers	16
7.2.2 PDU type identifiers.....	16
7.2.3 Test Suite Type identifiers (Information Elements)	16
7.2.4 ASN.1 Types	17
7.2.5 Aliases	17
7.3 Identifiers concerning test configuration	17
7.3.1 Test components.....	17
7.3.2 Test component configurations	18
7.3.3 Points of Control and Observations (PCOs)	18
7.3.4 Coordination Points (CPs).....	18
7.3.5 CM types	18
7.4 Test Suite Parameter and Selection Expression identifiers.....	18
7.4.1 Test suite parameters	18
7.4.2 PICS Parameters	18
7.4.3 PIXIT parameters	19
7.4.4 Test Case Selection Expressions	19
7.4.5 Abbreviations used in PIXIT parameters and Test Case Selection Expressions.....	19
7.5 Miscellaneous identifiers.....	20
7.5.1 Test suite operations	20
7.5.2 Test suite constants	20
7.5.3 Test suite variables	20
7.5.4 Test case variables	21
7.5.5 Timers	21
7.6 Constraints.....	21
7.6.1 TTCN Test suite type constraints	21
7.6.2 ASN.1 Type constraints.....	21
7.6.3 ASP constraints.....	21
7.6.4 PDU constraints	22
7.6.5 CM constraints	22

7.7	Dynamic part	22
7.7.1	Test Case identifiers	22
7.7.2	Test Step identifier	22
7.7.3	Default identifier	23
7.8	Notation	23
8	Test case and test purpose mapping	23
Annex A (normative):	Partial PIXIT proforma	24
A.1	Identification summary	24
A.2	ATS summary	24
A.3	Test laboratory	24
A.4	Client identification	24
A.5	SUT	24
A.6	Protocol layer information	25
A.6.1	Protocol identification	25
A.6.2	IUT information	25
A.6.2.1	Call Independent Signalling Connection (CISC)	25
A.6.2.2	Call Related Signalling	27
Annex B (normative):	Protocol Conformance Test Report (PCTR) Proforma for GFP	28
B.1	Identification summary	28
B.1.1	Protocol conformance test report	28
B.1.2	IUT identification	28
B.1.3	Testing environment	28
B.1.4	Limits and reservation	28
B.1.5	Comments	29
B.2	IUT Conformance status	29
B.3	Static conformance summary	29
B.4	Dynamic conformance summary	29
B.5	Static conformance review report	29
B.6	Test campaign report	30
B.7	Observations	35
Annex C (normative):	Abstract Test Suite (ATS) for GFP	36
C.1	The TTCN Graphical form (TTCN.GR)	36
C.2	The TTCN Machine Processable form (TTCN.MP)	36
History	37

Foreword

This draft European Telecommunication Standard (ETS) has been produced by the standardizing Information and Communication Systems Association (ECMA) on behalf of its members and those of the European Telecommunications Standards Institute (ETSI), and is now submitted for the Public Enquiry phase of the ETSI standards approval procedure.

This ETS comprises two parts with the generic title "Private Integrated Services Network (PISN); Inter-exchange signalling protocol; Generic functional protocol for the support of supplementary services". The title of each part is listed below:

Part 1: "Test Suite Structure and Test Purposes (TSS & TP)"

Part 2: "Abstract Test Suite Specification (ATS)"

Proposed transposition dates	
Date of latest announcement of this ETS (doa):	3 months after ETSI publication
Date of latest publication of new National Standard or endorsement of this ETS (dop/e):	6 months after doa
Date of withdrawal of any conflicting National Standard (dow):	6 months after doa

Blank page

1 Scope

This European Telecommunication Standard (ETS) contains the Abstract Test Suite (ATS) specification for the core part of the Generic Functional Protocol for the support of supplementary services of the Inter-exchange signalling protocol, for Private Integrated Services Networks (PISN).

The Core Part of the GFP excludes the Connectionless APDU transport mechanism, the DSE protocol, the ACSE protocol, procedures for carrying Manufacturer specific information and requirements only relevant to Originating PINXs for calls and Call Independent Signalling Connections (CISCs) or Source PINXs for APDUs and Notifications.

The objective of this ATS specification is to provide conformance tests which give a high probability of inter-operability. The ATS specification covers the core part of the procedures described in ETS 300 239 [1].

The ISO standard for the methodology of conformance testing (ISO/IEC 9646-1 [5], ISO/IEC 9646-2 [6] and ISO/IEC 9646-3 [7] including Amendment 1 [8]) is used as basis for the test methodology.

This ATS specification is applicable to implementations which support either a Basic Rate or a Primary Rate access interface, or both, operating over a leased line. It is applicable to PINXs acting as both Transit or End PINXs for Calls and Call Related Signalling Connections, however it does not include test cases applicable to End PINXs acting as Source or Originating PINXs.

Annex A provides the Partial Protocol Implementation eXtra Information for Testing (PIXIT) Proforma of this specification.

Annex B provides the Protocol Conformance Test Report (PCTR) Proforma of this specification.

Annex C provides the Tree and Tabular Combined Notation (TTCN) part of this specification.

2 Normative references

This ETS incorporates by dated and undated reference, provisions from other publications. These normative references are cited in the appropriate places in the text and the publications are listed hereafter. For dated references, subsequent amendments or revisions to any of these publications apply to this ETS only when incorporated in it by amendment or revision. For undated references the latest edition of the publication referred to applies.

- [1] ETS 300 239 (1995): "Private Integrated Services Network (PISN); Inter-exchange signalling protocol; Generic functional protocol for the support of supplementary services"
- [2] ETS 300 172 (1995): "Private Integrated Services Network (PISN); Inter-exchange Signalling protocol; Circuit Mode Basic Services".
- [3] Draft prETS 300 806-1 (1996): "Private Integrated Services Networks (PISN); Inter-exchange signalling protocol; Generic Functional Protocol for the support of supplementary services; Test Suite Structure and Test Purposes (TSS&TP)".
- [4] Draft prETS 300 805-2 (1996): "Private Integrated Services Networks (PISN); Inter-exchange signalling protocol; Circuit Mode Basic Services; Network Layer (NL); Abstract Test Suite Specification (ATS)".
- [5] ISO/IEC 9646-1 (1994): "Information Technology - Open Systems Interconnection - Conformance Testing Methodology and Framework - Part 1: General Concepts".
- [6] ISO/IEC 9646-2 (1994): "Information Technology - Open Systems Interconnection - Conformance Testing Methodology and Framework - Part 2: Abstract Test Suite Specification".

- [7] ISO/IEC 9646-3 (1992): "Information Technology - Open Systems Interconnection - Conformance Testing Methodology and Framework - Part 3: The Tree and Tabular Combined Notation (TTCN)".
- [8] ISO/IEC 9646-3 AM 1 (To be published): "Information Technology - Open Systems Interconnection - Conformance Testing Methodology and Framework - Part 3: The Tree and Tabular Combined Notation. Amendment 1: TTCN Extensions (concurrent TTCN)".
- [9] ISO/IEC 9646-4 (1994): "Information Technology - Open Systems Interconnection - Conformance Testing Methodology and Framework - Part 4: Test Realisation".
- [10] ISO/IEC 9646-5 (1994): "Information Technology - Open Systems Interconnection - Conformance Testing Methodology and Framework -Part 5: Requirements on test laboratories and clients for the conformance assessment process".

3 Definitions and abbreviations

3.1 Definitions

For the purposes of this ETS, the following definitions apply:

Abstract Test Suite (ATS): See ISO/IEC 9646-1 [5].

application layer: For the purposes of this ETS this refers to the procedures described as such in ETS 300 239 [1] subclause 6.2

Implementation Under Test (IUT): See ISO/IEC 9646-1 [5].

Lower Tester (LT): See ISO/IEC 9646-1 [5].

network layer: For the purposes of this ETS this refers to the procedures described as such in ETS 300 239 [1] subclause 6.2

originating PINX: See ETS 300 239 [1]

Point Of Control And Observation (PCO): See ISO/IEC 9646-1 [5].

Protocol Implementation Conformance Statement (PICS): See ISO/IEC 9646-1 [5].

PICS proforma: See ISO/IEC 9646-1 [5].

Protocol Implementation Extra Information For Testing (PIXIT): See ISO/IEC 9646-1 [5].

PIXIT proforma: See ISO/IEC 9646-1 [5].

Signalling Carriage Mechanism (SCM): See ETS 300 172 [2]

super test purpose: See prETS 300 806-1 [3]

System Under Test (SUT): See ISO/IEC 9646-1 [5].

terminating PINX: See ETS 300 239 [1].

transit PINX: See ETS 300 239 [1].

Upper Tester (UT): See ISO/IEC 9646-1 [5].

3.2 Abbreviations

For the purposes of this ETS, the following abbreviations apply:

ASP	Abstract Service Primitive
ATM	Abstract Test Method
ATS	Abstract Test Suite
CISC	Call Independent Signalling Connection
CM	Co-ordination Message
CP	Coordination Point
CTP	Combined Test Purpose
ETS	European Telecommunication Standard
GFP	Generic Functional Protocol
GFTC	Generic Functional Transport Control
ISO	International Organisation for Standardisation
IUT	Implementation Under Test
LT	Lower Tester
MTC	Master Test Component
PC	Protocol Control
PCO	Point of Control and Observation
PDU	Protocol Data Unit
PICS	Protocol Implementation Conformance Statement
PISN	Private Integrated Services Network
PINX	Private Integrated Services Network Exchange
PIXIT	Protocol Implementation eXtra Information for Testing
PSS1	Private Integrated Signalling System No.1
PTC	Parallel Test Component
SUT	System Under Test
TC	Test Case
TP	Test Purpose
TTCN	Tree and Tabular Combined Notation

4 Abstract Test Method (ATM)

This Clause describes the different Abstract Test Methods (ATM) used for testing the Generic Functional Protocol. Two methods are applied; the Remote test method, and the Multi-Party test method.

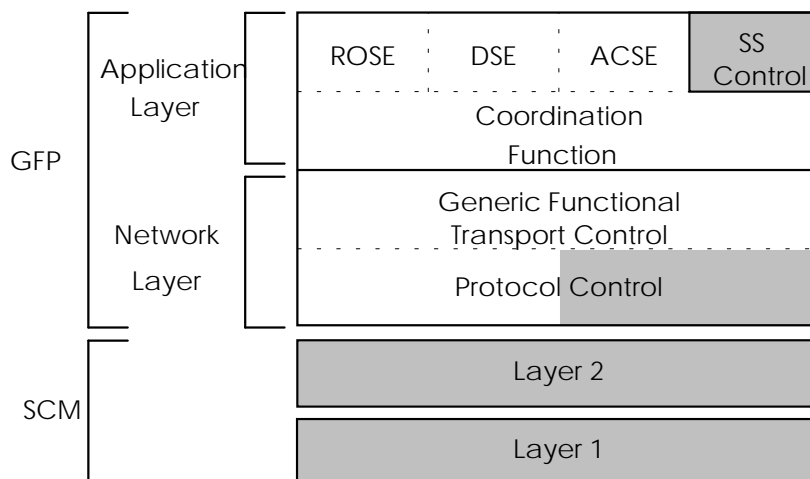
4.1 Choice of the ATM

4.1.1 Functional subsets

The Generic Function Protocol is divided into a number of entities as shown in figure 1. This ATS is principally concerned with the testing of the Protocol Control and Generic Functional Transport Control entities, however it also contains Test Cases concerning some error handling functions of the Coordination and ROSE entities.

NOTE: Valid behaviour of the application layer is supplementary service specific and its testing is specified in test specifications for individual supplementary services (if any). DSE requirements are excluded from the scope of this ETS.

The testing of all these layers is performed using a PCO at the SCM/Network layer boundary.



NOTE: Grey shading indicates entities not part of the Generic Functional Protocol.

Figure 1: GFP functional subsets

4.1.2 PINX Role and Test Component Configuration considerations

A PINX may act either in the role of an End PINX or in the role of a Transit PINX in the context of each Basic Call or CISC. A particular PINX may be capable of acting in one or both roles. Whereas the Generic Functional Transport Control (GFTC) requirements generally depend on which role is involved, the Protocol Control (PC) requirements do not.

Depending on the role of the PINX, it may be necessary to use different procedures in the preambles to achieve the pre-condition in some TPs concerned with PC requirements. For these cases, which will require different test component configurations, there may be two separate Test Cases (TCs), one for each role, generated from each relevant TP.

4.2 Single PCO testing

Single PCO testing applies to all aspects of the testing of the IUT as an End PINX. It is also used for those tests as a Transit PINX when events at the outgoing side are not required to be tested and when no activity is expected at the outgoing side, i.e. only one interface is reacting.

4.2.1 Testing of End PINX and Transit PINX (single Transit interface active)

As shown in Figure 2, the ROSE, Coordination Function, Generic Functional Transport Control and Protocol Control part, is considered to be the IUT, and an end-system. It is not possible to observe and control the upper service boundary of the IUT. Consequently, the test method chosen is the Remote Test Method, where the co-ordination procedures are expressed in an informal way. The test system will only contain one LT and no UT. The PCO, called LX, is located between the ROSE, Coordination Function, Generic Functional Transport Control and Protocol Control part, and the Segmentation part. Only unsegmented Protocol Data Units (PDUs) are exchanged.

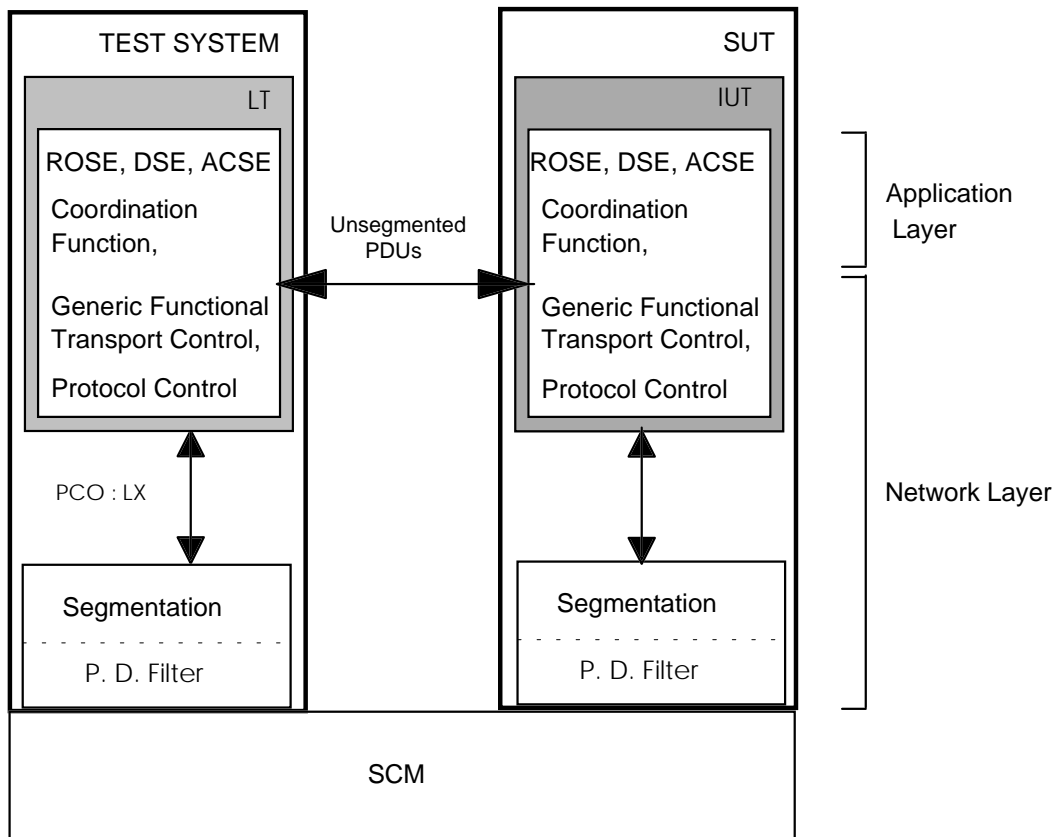


Figure 2: Remote single layer test method for testing of End PINX and Transit PINX (single Transit interface active)

4.3 Multiple PCO testing

Multiple PCO testing applies to the testing of the IUT as a Transit PINX, except for tests where no events on the outgoing side are expected. The two interfaces are active.

4.3.1 Testing of Transit PINX (dual Transit interfaces active)

As shown in figure 3, the ROSE, Coordination Function and Protocol Control part is considered to be the IUT, and is an open-relay system. Consequently, the test method chosen is a Multi-Party Test Method with no UT. The test system will contain two LTs attached to the IUT via two PCOs, called LX and LY, located between the ROSE, Coordination Function and Protocol Control part, and the Segmentation part. The PDUs exchanged are only unsegmented PDUs.

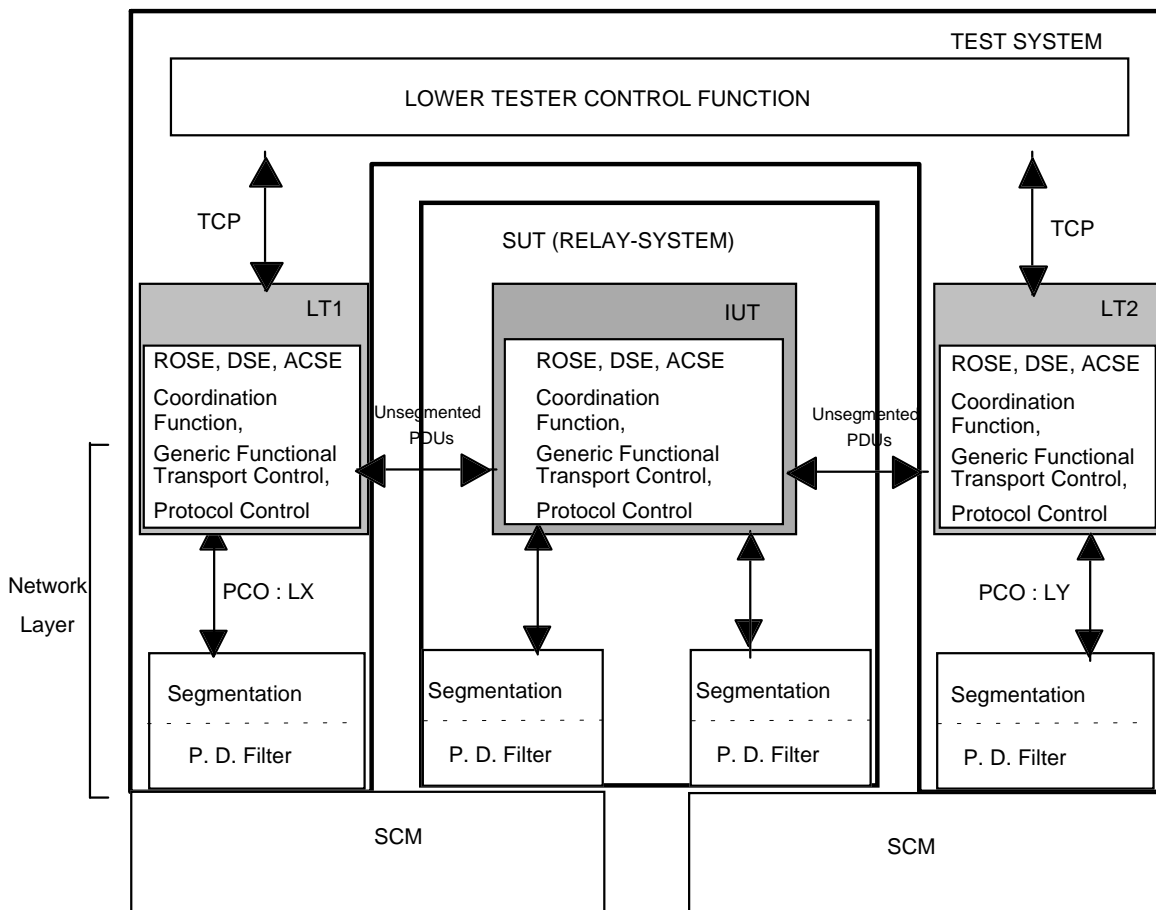


Figure 3: Multi-party test method for testing of Transit PINX (dual Transit interfaces active)

4.4 Test Configurations and use of Concurrent TTCN

As this ATS covers both single-party testing using non-concurrent TTCN, and multi-party testing using concurrent TTCN, the notation chosen for the complete ATS is the concurrent TTCN syntax. Therefore, test components are defined to describe the two configurations: the "mono" configuration, and the "transit" configuration, as shown in figure 4 and 5.

The mono configuration is used in case of single-party testing, i.e. for the following;

- ROSE testing;
- Coordination Function testing;
- Protocol Control testing

for End PINX and Transit PINX (single Transit interface active).

Only one test component, which is the Master Test Component MTC_MONO, connected to the IUT via the PCO LX, is needed in this case.

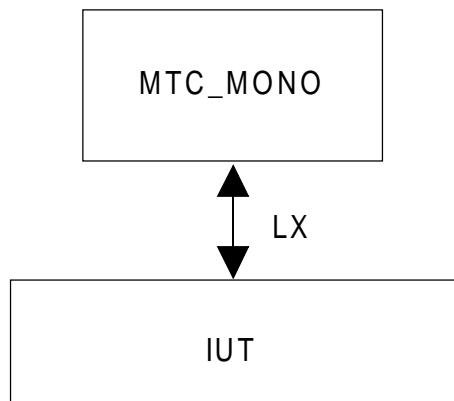


Figure 4: Mono configuration

The transit configuration is used in case of multi-party testing, i.e. for the following;

- ROSE testing;
- Coordination Function testing;
- Protocol Control testing

for Transit PINX (dual Transit interfaces active).

In this case, three test components are needed, these are the Master Test Component MTC_TRANSIT, and the two Parallel Test Components PTC_X and PTC_Y, which are connected to the Master Test Component via the two Coordination Points CPX and CPY. PTC_X and PTC_Y are further connected to the IUT via the two PCOs LX and LY.

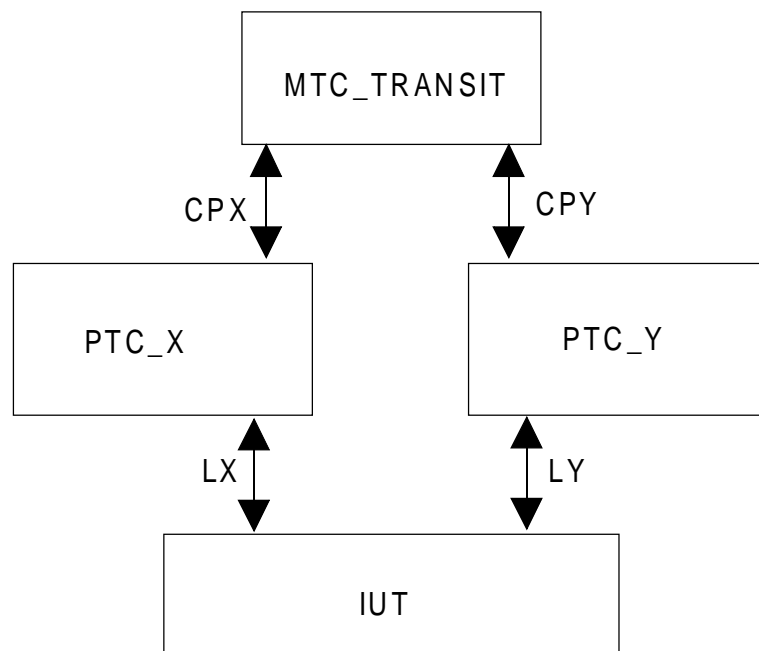


Figure 5: Transit configuration

5 Untestable Test Purposes

Due to the ATMs chosen in this ATS or other restrictions, the following test purposes have been identified as being untestable, and therefore have not been derived into test cases.

The following TPs are applicable to both Transit and End PINX roles and are untestable for both:

TP2073
TP2210
TP2213
TP2217
TP2218
TP2251

The following TPs are applicable to both Transit and End PINX roles and are untestable for End PINX only:

TP2014
TP2016
TP2017
TP2049
TP2057
TP2058
TP2076
TP2077
TP2085
TP2167
TP2168
TP2170
TP2171
TP2172
TP2174
TP2177
TP2178
TP2181
TP2182
TP2183
TP2184
TP2185
TP2191
TP2253

The following TPs are applicable to End PINX only and are untestable:

TP2164
TP2195

6 Conformance clause

This specification is applicable to implementations which support either a Basic Rate or a Primary Rate access interface, or both, operating over a leased line. A means of test may offer one or both access types.

The test realiser shall comply with the requirements of ISO/IEC 9646-4 [9]; in particular, these concern the realisation of an Executable Test Suite based on each Abstract Test Suite.

Test laboratories running conformance test services using this ATS shall comply with ISO/IEC 9646-5 [10].

A Means of Test conforming to this ATS shall implement at least a subset of test cases which is the complete subset of test cases selected according to the selection expressions for a particular consistent

set of test suite parameters. Such a subset may include only test cases applicable to Transit PINX or End PINX testing.

7 ATS Conventions

This Clause describes the conventions adopted in this ATS and gives the naming conventions chosen for the different ATS elements. In general if a name is used, both in this ETS and also in prETS 300 805-2 [4], the name will refer to the same thing, even though the definitions may not be identical. For example, additional information elements, corresponding to differences between ETS 300 239 [1] and ETS 300 172 [2], may be permitted in the definition in this ETS .

7.1 Short names and abbreviations

Throughout the ATS short names and abbreviations for PDUs and ASPs are used, also abbreviations for Information Elements are used. These are defined in tables 1 to 3.

Table 1: Short names and abbreviations for PDUs

PDU name	Short Name	Abbreviation
ALERTING	ALERTING	ALE
CALL PROCEEDING	CALL_PROC	CPR
CONNECT	CONNECT	CON
CONNECT ACKNOWLEDGE	CONN_ACK	COA
DISCONNECT	DISCON	DIS
FACILITY	FACILITY	FAC
INFORMATION	INFO	INF
NOTIFY	NOTIFY	NOT
PROGRESS	PROGRESS	PRO
RELEASE	RELEASE	REL
RELEASE COMPLETE	REL_COM	RLC
RESTART	RESTART	RES
RESTART ACKNOWLEDGE	REST_ACK	RSA
SETUP	SETUP	SET
SETUP ACKNOWLEDGE	SETUP_ACK	SUA
STATUS	STATUS	STA
STATUS ENQUIRY	STAT_ENQ	STQ
Error PDU (NOTE 1)	ERROR_PDU	ERR
Q931 message (NOTE 2)	Q931MSG	Q931
Generic message (NOTE 3)	GENERIC	GEN
NOTE 1	ERROR_PDU is used for incorrectly coded messages sent by the tester which do not have the correct structure for any valid message type.	
NOTE 2:	Q931MSG is used to receive any message without examining its contents.	
NOTE 3:	GENERIC is used for messages received by the tester where the message type may vary but it is necessary to examine the contents of the message.	

Table 2: Short names and abbreviations for ASPs

ASP name	Short name	Abbreviation
DL-DATA-REQUEST	DL_DAT_REQ	DLRQ
DL-DATA-INDICATION	DL_DAT_IND	DLIN
DL-ESTABLISH-REQUEST	DL_EST_REQ	DERQ
DL-ESTABLISH-INDICATION	DL_EST_IND	DEIN
DL-ESTABLISH-CONFIRM	DL_EST_CON	DECO
DL-RELEASE-REQUEST	DL_REL_REQ	DRRQ
DL-RELEASE-CONFIRM	DL_REL_CON	DRCO

Table 3: Abbreviations for Information Elements

Information Element name	Abbreviation
Protocol discriminator	PD
Call Reference	CR
Message type	MT
Sending complete	SC
Locking shift (NOTE 1)	LS
Bearer capability	BCAP
Cause	CAU
Called party number	CDPN
Called party subaddress	CDPS
Calling party number	CGPN
Calling party subaddress	CGPS
Channel identification	CHI
Connected number	CNDN
Connected subaddress	CNDS
Call state	CST
Facility	FIE
High layer compatibility	HLC
Low layer compatibility	LLC
Notification indicator	NOT
Party category	PC
Progress indicator	PI
Restart indicator	RI
Transit counter	TC
Unspecified IE (NOTE 2)	UNSP
NOTE 1: LS4 and LS5 are used as the abbreviations for locking shift to codesets 4 and 5.	
NOTE 2: UNSP is used where an IE sent to the IUT does not have the structure of any valid IE.	

7.2 Test suite type, ASP type, PDU type and Alias identifiers.

7.2.1 ASP type identifiers

The identifier of an ASP is the short name of the ASP.

EXAMPLE: **DL_DAT_REQ** is the DL-DATA-REQUEST ASP.

7.2.2 PDU type identifiers

The identifier of a PDU type is the short name of the PDU.

EXAMPLE: **DISCON** is the DISCONNECT PDU.

7.2.3 Test Suite Type identifiers (Information Elements)

The identifier of a test suite type describing a single information element is the abbreviation for the IE with the suffix "_TYP".

EXAMPLE 1: **FIE_TYP** is the Facility IE type.

The identifier for a set or sequence of IEs of the same type is the abbreviation for the IE with the suffix "s_TYP".

EXAMPLE 2: **FIEs_TYP** is a type for a set of one or more Facility IEs

The identifier for a type describing an invalid variant of an IE is the abbreviation for the IE with the suffix "_TYP_BAD".

EXAMPLE 3: **FIE_TYP_BAD** is a type for an invalid Facility IE.

The element (Field) names used within structured types which describing Information Elements (IEs) consist of the abbreviation for the IE followed by an underscore, followed by, in abbreviated form, and in lower case, the name of the relevant field.

EXAMPLE 4: **FIE_protprof** is the Protocol Profile field of the Facility IE.

7.2.4 ASN.1 Types

ASN.1 types corresponding to Information Elements, have identifiers according to subclause 7.2.3. Other ASN.1 types taken from ETS 300 239 [1] have, whenever possible, the same identifier names as the ASN.1 type names used in those standards. In some cases it is necessary to replace a hyphen character ('-') with an underscore character ('_') to satisfy the TTCN syntax. Where an ASN.1 type is used to replace an ASN.1 macro, the identifier is the name of the macro with the first letter in upper case and the remainder of the name in lower case (the macro name is specified with all upper case characters).

In other cases the identifier consists of one or more words, with the first letter of each word in upper case, and the remaining letters in the word, in lower case.

EXAMPLE 1: **PrivateTypeOfNumber** is the ASN.1 PrivateTypeOfNumber type from ETS 300 239 [1].

EXAMPLE 2: **Operation** is the ASN.1 type replacing the OPERATION macro.

The identifier of an ASN.1 named type (i.e. the name of a field within a type defined in ASN.1), the identifier of an ASN.1 named number or the identifier of a value of an ASN.1 enumerated type is composed of a string of concatenated words, all but the first word (which begins with a lower case letter), beginning with an uppercase letter, with the remainder of the word in lower case. Where these named types, named numbers or values of enumerated types are taken from ETS 300 239 [1] the same identifiers have been used as in those standards, subject to the same restrictions as for type identifiers.

EXAMPLE 3: **sourceEntity** is the identifier of the ASN.1 named type sourceEntity in the ASN.1 NetworkFacilityExtension type from ETS 300 239 [1].

EXAMPLE 4: **discardAnyUnrecognisedInvokePdu** is the identifier of one named number of the ASN.1 InterpretationAPDU enumerated type from ETS 300 239 [1].

NOTE: Due to the TTCN static semantics, it has been necessary to define new intermediate ASN.1 types (e.g. RoseErrors), consisting of some named numbers from INTEGER types or values of ENUMERATED types, in order to avoid multiple definitions of items with the same name.

7.2.5 Aliases

Aliases are used in the ATS to show which PDU is being sent or received within an ASP. The identifiers for aliases consist of the short name of the PDU, with the suffix "rq" used in aliases for DL_DAT_REQ (PDUs sent by the tester) and the suffix "in" used in the case of aliases for DL_DAT_IND (PDUs received by the tester).

EXAMPLE: **CONN_ACKrq** is an alias for DL_DAT_REQ used for sending a CONNECT ACKNOWLEDGE message.

7.3 Identifiers concerning test configuration

7.3.1 Test components

The name of an Master Test Component (MTC) is composed of the prefix "MTC_", followed by a string in upper case identifying the function of the MTC.

EXAMPLE 1: **MTC_MONO** is the Master Test Component used in the mono configuration.

The name of a Parallel Test Component (PTC) is composed of the prefix "PTC_", followed by an upper case letter indicating which interface the PTC controls.

EXAMPLE 2: **PTC_X** is the Parallel Test Component representing the X interface of the IUT.

7.3.2 Test component configurations

The name of a configuration is composed of the prefix "Config_", followed by a name indicating the function of the configuration. The first letter of this name is in upper case and the remainder in lower case.

EXAMPLE: **Config_Transit** is used for transit configuration.

The two figures in subclause 4.4 show a logical view of the configurations used.

7.3.3 Points of Control and Observations (PCOs)

The Point of Control and Observation identifiers are composed of "L" (for Lower tester) followed by an upper case letter indicating the interface that the PCO is connected to.

EXAMPLE: **LX** is the PCO on interface X in the LT.

7.3.4 Coordination Points (CPs)

The Coordination Point identifiers are composed "CP" followed by an upper case letter indicating the PTC the CP communicates with. (All CPs used are between the MTC and one PTC)

EXAMPLE: **CPX** is a Coordination Point between the MTC_TRANSIT component and the PTCX component.

7.3.5 CM types

The identifier of a Coordination Message type is a string in upper case.

EXAMPLE: **READY** is a CM used to request if, or to indicate that, a PTC is ready

7.4 Test Suite Parameter and Selection Expression identifiers

7.4.1 Test suite parameters

Two categories of test suite parameters can be distinguished as follows;

- **PICS category:** those derived from the PICS proforma questions
- **PIXIT category:** those derived from the PIXIT proforma questions

and the latter can be further subdivided into the following parts;

- PIXIT values: parameters concerning the protocol itself.
- Configuration parameters: parameters concerning the IUT configuration
 - Values: Values used within test cases
 - Boolean: Parameters indicating if the corresponding value is available.

All the PICS parameters and PIXIT parameters of the PIXIT values are boolean. The types of the Configuration Values depend on the type of information represented by the parameter.

The identifier of the test suite parameter depends on whether it is a PICS or PIXIT parameter. In each case it starts with a prefix identifying the category.

7.4.2 PICS Parameters

The identifiers of PICS parameters start with the prefix "PC_" followed by "BC_" or "GFP_" to indicate whether the parameters is from the Basic Call PICS (ETS 300 172 [2] annex A) or the Generic Functional Protocol PICS (ETS 300 239 [1] annex A). This is followed by the reference of the item in the relevant PICS.

EXAMPLE 1: PC_GFP_C1 relates to item C1 in the GFP PICS "Does the PINX support connection-oriented APDU transport?"

EXAMPLE 2: PC_BC_B3 relates to item B3 in the Basic Call PICS "Is the implementation capable of functioning as a Transit PINX?",

NOTE: The corresponding PICS parameters for Basic Call in the Basic Call ATS (prETS 300 805-2 [4]) does not include the "BC_" in the identifier.

7.4.3 PIXIT parameters

The identifiers of PIXIT parameters in the PIXIT values and Configuration values categories start with the prefix "PX_" or "tsp_" respectively. This is followed by a string of abbreviations, separated by underscores, describing the meaning of the parameter as described in subclause 7.4.5.

EXAMPLE 1: PX_CISC_T303 is a parameter meaning "Does the IUT support timer T303 for a CISC".

EXAMPLE 2: tsp_OpValue is a parameter meaning "Operation value which the IUT can understand".

The identifiers of PIXIT parameters in the boolean configuration category are as the corresponding value with the prefix "CO_" replacing "tsp_".

EXAMPLE 3: CO_OpValue is a parameter meaning "Is an operation value which the IUT can understand available"

The identifiers for PIXIT parameters do not depend on whether the parameter is derived from the GFP PIXIT (Annex A of this ETS) or the Basic Call PIXIT (prETS 300 805-2 [4] annex A).

7.4.4 Test Case Selection Expressions

The identifiers of Test Case Selection Expressions consist of a string of abbreviations, separated by underscores, describing the meaning of the parameter as described in subclause 7.4.5.

EXAMPLE: CISC_TR_S8_T313 is a selection expression meaning when true "The IUT can enter state 8 for CISCs as a transit PINX and supports T313 in that situation.

7.4.5 Abbreviations used in PIXIT parameters and Test Case Selection Expressions

The abbreviations used in the PIXIT parameters and Test Case Selection Expressions are defined in table 4. While it is possible to see from these abbreviations the approximate meaning of the parameter or expression it is necessary to refer to the appropriate table in the TTCN ATS or the referenced PIXIT question to determine the exact meaning.

Table 4

Abbreviation	Meaning
CISC	Call Independent Signalling Connection
TR	Transit PINX
TE	Terminating PINX
EN	End PINX
TE_ONLY	IUT can only act as a terminating PINX (not transit)
EN_ONLY	IUT can only act as an End PINX (not transit)
S8 etc.	State 8. etc. (If this is the last component it means that the IUT can enter and is stable in the specified state. If it is followed by a message it means that the IUT can send the message in the specified state).
T303 etc.	Timer T303 etc. implemented
REL etc.	IUT can send RELEASE message etc. (Message abbreviations are as defined in table ?).
iREL etc.	Implicit send of RELEASE possible.
iCLEAR	Implicit clearing possible
STx	IUT sends STATUS or STATUS ENQUIRY message.
imp	Feature is implemented
OpValue	Operation Value which the IUT understands
OpArgument	Argument for use with OpValue
onDLestCON	IUT sends message on DL_ESTABLISH_CONFORM
TC	IUT supports transit counter functions
TCinclude	IUT includes transit counter IE
TClimit	Limit for Transit Counter value
Bcap	Bearer Capability IE
Echnum	Valid channel number
CISCnum	Number for CISCs
NFEnum	PINX address (for use in NFE)
INVnum	Invalid number
NRnum	Insufficient number for routing
Fnum	Complete number (whether or not IUT can determine it to be complete)
Cnum	Number the IUT can determine to be complete

7.5 Miscellaneous identifiers

7.5.1 Test suite operations

The Test Suite Operation identifiers are composed of string in lower case separated by underscore characters ('_').

EXAMPLE: **choose_bcap** is used for returning the appropriate Information Transfer Capability field of the Bearer Capability IE.

7.5.2 Test suite constants

The Test Suite Constant identifiers begin with the prefix 'C_', followed by a string identifying the function of the constant. Where the constant represents the value of the message type for a specific message the string consists of "MT" (the abbreviation for the Message Type IE) followed by the abbreviation for the specific message. In other cases the string starts with the abbreviation for the appropriate IE and there is no restriction in the characters in the remainder of the string.

EXAMPLE: **C_MTCOA** is the **Message Type** IE value of a **CONNECT ACK** message.

7.5.3 Test suite variables

No Test Suite Variables have been used in the ATS.

7.5.4 Test case variables

The Test Case Variable identifiers begin with the prefix "CV_", followed by a string with no restriction on the type of characters.

EXAMPLE: **CV_CRVALUE** is a Call Reference Value used by one call between the IUT and the tester.

7.5.5 Timers

The identifier for a test suite timer derived from a protocol timer defined in ETS 300 239 [1] or ETS 300 172 [2] is the name of the timer from the base standard with the suffix "_max" or "_min" to indicate the minimum or maximum duration of the timer.

EXAMPLE 1: **T313_max** is a test suite timer corresponding to the maximum duration of the protocol timer T313.

The identifiers for other timers (e.g. those used while waiting for a response from the IUT) consist of "T_" followed by a name in upper case.

EXAMPLE 2: **T_REST** is a timer for the response of the IUT to a RESTART message.

7.6 Constraints

7.6.1 TTCN Test suite type constraints

Test suite type constraint identifiers consist of the abbreviation for the IE followed by two digits for a valid constraint or one upper case letter (X or Y) and one digit for an erroneous constraint.

EXAMPLE: **CAUX1** is a constraint of the Cause test suite type containing an error (reserved value of location).

7.6.2 ASN.1 Type constraints

ASN.1 type constraints for complete IEs use the same conventions for identifiers as TTCN Test suite type constraints.

Other ASN.1 type constraints consist of the name of the type or an abbreviation for the type followed by two digits.

EXAMPLE 1: **ComponentPart02** is a constraint for the type ComponentPart (Reject APDU with unrecognisedOperation).

EXAMPLE 2: **Nfe01** is a constraint for the type NetworkFacilityExtension (Valid NFE for a CISC).

7.6.3 ASP constraints

The identifier for an ASP constraint is the abbreviation for the ASP. (There is never more than one constraint for each ASP).

EXAMPLE 1: **DLRQ**, is a generic constraint for the DL_DAT_REQ primitive, for sending any PDU to the IUT.

EXAMPLE 2: **DLIN**, is a generic constraint for the DL_DAT_IND primitive for receiving any PDU from the IUT.

7.6.4 PDU constraints

PDU constraint identifiers consist of the abbreviation for the PDU followed by two digits for a valid constraint or one upper case letter (X or Y) and one digit for an erroneous constraint. The last digit is odd for constraints for messages sent by the tester and even for constraints for messages received by the tester.

EXAMPLE 1: **FACX3** is a constraint for a FACILITY message containing an error (Invalid protocol profile) which is to be sent to the IUT.

EXAMPLE 2: **FAC02** is a constraint for a valid FACILITY message which has been received from the IUT.

7.6.5 CM constraints

The identifier of a Coordination Message constraint is an abbreviation of the CM type in upper case.

EXAMPLE: **RDY** is a constraint of the READY Coordination Message.

7.7 Dynamic part

7.7.1 Test Case identifiers

The Test Case identifier is a 7 digit alphanumeric code, as described below:

- character 1-2: 'TC';
- character 3-6: digits identifying the Test Purpose;
- character 7: letter identifying the role of the PINX (Transit or End PINX, or both). This is interpreted as follows:
 - 'T': Transit role. Where another TC for the End role has also been generated from the same TP.
 - 'E': End role. Where another TC for the Transit role has also been generated from the same TP.
 - 'b': both roles. Where the same TC is applicable to both Transit and End roles.
 - 't': Transit role. Where no other TC for the End role has been generated from the same TP.
 - 'e': End role. Where no other TC for the Transit role has been generated from the same TP.

NOTE: Uncombined TPs have numbers in the range 2001 to 2999, and CTPs have numbers in the range 3001 to 3999. Therefore it is possible to identify whether or not a TC corresponds to a CTP from character 3.

7.7.2 Test Step identifier

The Test Step identifier is a string in lower case consisting of one or more components separated by underscore characters ('_').

The following components may appear in test step identifiers in this order:

"pre"	Preamble
"check_state"	Check state
"post"	Postamble
"passive"	Test step run on interface which is not the focus of a transit test case
"mtc", "ptcx" or "ptcy"	Test component (for synchronisation test steps)
"tr"	Transit test step (in some cases this is implied from the presence of x or y)
"cisc"	CISC test step (otherwise basic call or common)
"status_enq"	Test step to cause IUT to send a STATUS ENQUIRY
"clear"	Test step to clear the call from one side of a transit PINX
"x" or "y"	Interface the test step is run on (implies transit)
"s0", "s1" etc.	End state of test step
"a"	No synchronisation at end of test step (transit only)

NOTE: There is no underscore separating "x" or "y", the state and "a".

"ic" Incoming call
"oc" Outgoing call
"sync" Synchronise (only)

EXAMPLE 1: **pre_cisc_xs10** indicates that this test step is a preamble used in the CISC transit test cases, to bring interface X to state 10.

EXAMPLE 2: **check_state_y** indicates that this test step is used to check that the interface Y of the IUT is in a particular state.

EXAMPLE 3: **ptcx_sync** indicates that this test step is used to synchronise the parallel test component for the interface X, with the master test component.

7.7.3 Default identifier

The Default identifiers begin with the prefix "def_", followed by a string in lower case, representing the place where the default tree is used.

EXAMPLE 1: **def_steps** is the general default tree for the test steps.

EXAMPLE 2: **def_post** is the default tree for the postambles.

EXAMPLE 3: **def_pre** is the default tree for the preambles.

EXAMPLE 4: **def_pre_x** is the default tree for the transit preambles occurring on interface X

EXAMPLE 5: **def_mtc** is the default tree for the transit test cases, describing the behaviour of the Master Test Component.

7.8 Notation

The ATS is written in TTCN according to ISO/IEC 9646-3 [7] including Amendment 1[8] with the following differences:

- 1) The metatype "PDU" is used as the type of arguments to Test Suite Operations.
- 2) OTHERWISE in a default can lead to Inconclusive as well as Fail verdicts.
- 3) The procedural definition notation defined in PDAM 2 to ISO/IEC 9646-3 [7] is used in some Test Suite Operations. Where this is used comments are identified by "--" instead of "/* ... */" so that the notation conforms to the syntax of ISO/IEC 9646-3 [7] without the amendment.

8 Test case and test purpose mapping

One Test Case has been derived from each Test Purpose in the final TP list from the TSS&TP document (prETS 300 806-1 [3]), except for untestable Tps. The TC identifier is the same as the TP identifier except where the PINX can play a dual role (Transit or End). In these cases, the letter 'T' or 'E' has been added at the end of the corresponding TP identifier to signify the PINX role. In all other cases, the letter 't', or 'e', or 'b' has been added to the corresponding identifier. This rule allows recognition, from the TC identifier, firstly whether the TC is applicable to one role or to both, and secondly whether there exists another TC applicable to the alternative role.

Annex A (normative): Partial PIXIT proforma

Notwithstanding the provisions of the copyright clause related to the text of this ETS, ETSI grants that users of this ETS may freely reproduce the PIXIT proforma in this annex so that it can be used for its intended purposes and may further publish the completed PIXIT.
--

The PIXIT Proforma is based on ISO/IEC 9646-5 [10]. Any additional information needed can be found in that international standard document.

A.1 Identification summary

PIXIT Number:	
Test Laboratory Name:	
Date of Issue:	
Issued to:	

A.2 ATS summary

Protocol Specification:	ETS 300 239 [1]
Protocol to be tested:	PSS1, Generic Functional Protocol for the Support of Supplementary Services.
ATS Specification:	prETS 300 806-2
Abstract Test Method for Transit PINX (except part of Protocol Control).	Multi-Party Test Method with no UT
Abstract Test Method End PINX and Transit PINX (Part of Protocol Control only)	Remote Test Method

A.3 Test laboratory

Test Laboratory Identification:	
Test Laboratory Manager:	
Means of Testing:	

A.4 Client identification

Client Identification:	
Client Test manager:	
Test Facilities required:	

A.5 SUT

Name:	
Version:	
SCS Number:	
Machine configuration:	
Operating System Identification:	
IUT Identification:	
PICS Reference for IUT:	ETS 300 239 [1] annex A
Limitations of the SUT:	
Environmental Conditions:	

A.6 Protocol layer information

A.6.1 Protocol identification

Name:	PSS1 Generic Functional Protocol for the Support of Supplementary Services
Version:	
PICS References:	ETS 300 239 [1] annex A

A.6.2 IUT information

A.6.2.1 Call Independent Signalling Connection (CISC)

Table A.1: CISC numbering

Item	Specify for a CISC	Action Possible? /Item Supported? Y/N	Action taken/Value
1	a number, including Numbering Plan Identifier and Type of Number, which can be routed from Interface X to Interface Y	NOTE 1	
2	if possible, a number, including Numbering Plan Identifier and Type of Number, which is insufficient to allow routing to a further Inter-PTNX link.	NOTE 2	
3	if possible, a number, including Numbering Plan Identifier and Type of Number, which the IUT cannot use to route the connection.		
4	a number which the IUT, if capable of acting as a Terminating PTNX, causes the CISC to be terminated at the IUT, but if the IUT is not so capable, relays the number onwards.	NOTE 3	
NOTE 1: A Value for item 1 in this table is required if the answer to item 1 in table A.1 is Yes.			
NOTE 2: This item is not applicable unless the answer to item 1 in table A.1 is Yes.			
NOTE 3: A value is always required for this item			

Table A.2: IUT State support

Item	Does the IUT, for a CISC	Action Possible? /Item Supported? Y/N	Action taken/Value
1	support state 8 ?		N/A
2	as an END PTNX, remain stable in state 9 for at least 4 seconds?		N/A

Table A.3: Implicit Sending

Item	How, if possible, for a CISC	Action Possible? /Item Supported? Y/N	Action taken/Value
1	can the IUT, in state 10 be caused to transmit a RELEASE message?		
2	can the IUT, in state 3 be caused to transmit a STATUS ENQUIRY message ?		
3	can the IUT, in state 9 be caused to transmit a STATUS ENQUIRY message ?		
4	can the IUT, in state 10 be caused to transmit a STATUS ENQUIRY message ?		

Table A.4: Timer Support

Item	Does the IUT, for a CISC	Action Possible? /Item Supported? Y/N	Action taken/Value
1	support Timer T303 ?		N/A
2	support Timer T309 ?		N/A
3	as a Transit PTNX, support Timer T310 ?		N/A
4	support Timer T313 ?		N/A

Table A.5: Layer Management

Item	How, if possible, for a CISC	Action Possible? /Item Supported? Y/N	Action taken/Value
1	can the IUT be caused to transmit a RESTART message ?		N/A

Table A.6: SETUP Retransmission

Item	Does the IUT, for a CISC	Action Possible? /Item Supported? Y/N	Action taken/Value
1	retransmit the SETUP message ?		N/A

A.6.2.2 Call Related Signalling

Table A.7: Specification of values

Item	Specify	Action Possible? /Item Supported? Y/N	Action taken/Value
1	the address of the IUT as it would be if included in the NFE		
2	if possible, an operation value which the IUT can understand and which will cause a Return Result APDU to be sent.		
2.1	the argument, if any, of an operation specified in the preceding question		

Annex B (normative): Protocol Conformance Test Report (PCTR) Proforma for GFP

Notwithstanding the provisions of the copyright clause related to the text of this ETS, ETSI grants that users of this ETS may freely reproduce the PCTR proforma in this annex so that it can be used for its intended purposes and may further publish the completed PCTR.

The PCTR Proforma is based on ISO/IEC 9646-5 [10]. Any additional information needed can be found in that document.

Text in italics is for guidance purposes only, and is not to be included in the actual PCTR.

B.1 Identification summary

B.1.1 Protocol conformance test report

PCTR Number:	
PCTR Date:	
Test Laboratory:	
Accreditation status:	
Accreditation reference:	
Technical Authority:	
Job Title:	
Signature:	
Test Laboratory Manager:	
Signature:	

B.1.2 IUT identification

Name:	
Version:	
Protocol specification:	ETS 300 239 [1]
PICSS:	ETS 300 239 [1] annex A Ref. <i>Ref. to attached document.</i> ETS 300 172 [2] annex A Ref. <i>Ref. to attached document.</i>

B.1.3 Testing environment

PIXIT:	prETS 300 806-2 annex A ref. <i>Ref. to attached doc.</i> prETS 300 805-2 [4] annex A ref. <i>Ref. to attached doc.</i>
ATS Specification:	prETS 300 806-2
Abstract Test Method for Transit PINX (except part of Protocol Control).	Multi-Party Test Method with no UT
Abstract Test Method for End PINX and Transit PINX (part of Protocol Control).	Remote Test Method
Means of Testing identification:	
Period of testing:	
Conformance Log reference(s):	
Retention Date for Log reference(s):	

B.1.4 Limits and reservation

Additional information relevant to the technical contents or further use of the test report, or the rights and obligations of the test laboratory and the client, may be given here. Such information may include restriction on the publication of the report.

.....

The order of test cases listed in section 6 of this PCTR corresponds to the ordering of test cases defined in the ATS referenced in section 1.3. This does not indicate that the test cases were executed in this order.

The test results presented in this test report apply only to the particular IUT declared in section 1.2 of this PCTR, for functionality described in the relevant PICSs attached to this PCTR, as presented for test in the period declared in section 1.3 and configured as declared in the relevant PIXITs attached to this PCTR. This PCTR shall not be reproduced except in full together with its attached PICSs and PIXITs.

B.1.5 Comments

Additional comments may be given by either the client or the test laboratory on any of the contents of the PCTR, for example, to note disagreement between the two parties.

.....
.....
.....
.....

B.2 IUT Conformance status

This IUT has or has not been shown by conformance assessment to be non conforming to the referenced base specification.

Strike the appropriate words in this sentence. If the PICS for this IUT is consistent with the static conformance requirements (as specified in section 3 in this report) and there are no "FAIL" verdicts to be recorded (in section 6) strike the words "has or". otherwise strike the words "or has not".

B.3 Static conformance summary

The PICS for this IUT is or is not consistent with the static conformance requirements in the specified protocol.

Strike the appropriate words in this sentence.

B.4 Dynamic conformance summary

The test campaign did/did not reveal errors in the IUT.

Strike the appropriate words in this sentence. If there are no "FAIL" verdicts to be recorded (in section 6 of this report) strike the words "did /". otherwise strike the words "/ did not".

B.5 Static conformance review report

If section 3 indicates non-conformance, this subclause itemises the mismatches between the PICS and the static conformance requirements of the specified protocol specification.

.....
.....
.....
.....
.....
.....
.....
.....

B.6 Test campaign report

ATS Reference	Selected ?	Run ?	Verdict	Observations (Reference to any observations made in Clause 7)
TC3013t	Yes/No	Yes/No		
TC3008e	Yes/No	Yes/No		
TC1068t	Yes/No	Yes/No		
TC1069t	Yes/No	Yes/No		
TC1070t	Yes/No	Yes/No		
TC1071t	Yes/No	Yes/No		
TC2013e	Yes/No	Yes/No		
TC3001t	Yes/No	Yes/No		
TC3002t	Yes/No	Yes/No		
TC3003t	Yes/No	Yes/No		
TC3004t	Yes/No	Yes/No		
TC3005t	Yes/No	Yes/No		
TC3006t	Yes/No	Yes/No		
TC3009e	Yes/No	Yes/No		
TC3010e	Yes/No	Yes/No		
TC3011e	Yes/No	Yes/No		
TC3012e	Yes/No	Yes/No		
TC3017t	Yes/No	Yes/No		
TC3069t	Yes/No	Yes/No		
TC3070t	Yes/No	Yes/No		
TC3071t	Yes/No	Yes/No		
TC2019T	Yes/No	Yes/No		
TC2019E	Yes/No	Yes/No		
TC2020T	Yes/No	Yes/No		
TC2020E	Yes/No	Yes/No		
TC2021t	Yes/No	Yes/No		
TC2022T	Yes/No	Yes/No		
TC2022E	Yes/No	Yes/No		
TC2023T	Yes/No	Yes/No		
TC2023E	Yes/No	Yes/No		
TC2030e	Yes/No	Yes/No		
TC2031e	Yes/No	Yes/No		
TC2041t	Yes/No	Yes/No		
TC2042T	Yes/No	Yes/No		
TC2042E	Yes/No	Yes/No		
TC2200T	Yes/No	Yes/No		
TC2200E	Yes/No	Yes/No		
TC2202e	Yes/No	Yes/No		
TC2203T	Yes/No	Yes/No		
TC2203E	Yes/No	Yes/No		
TC2204T	Yes/No	Yes/No		
TC2204E	Yes/No	Yes/No		
TC2205T	Yes/No	Yes/No		
TC2205E	Yes/No	Yes/No		
TC2207T	Yes/No	Yes/No		
TC2207E	Yes/No	Yes/No		
TC2208T	Yes/No	Yes/No		
TC2208E	Yes/No	Yes/No		
TC3019T	Yes/No	Yes/No		
TC3019E	Yes/No	Yes/No		
TC2212T	Yes/No	Yes/No		
TC2212E	Yes/No	Yes/No		
TC2008t	Yes/No	Yes/No		
TC2009T	Yes/No	Yes/No		

ATS Reference	Selected ?	Run ?	Verdict	Observations (Reference to any observations made in Clause 7)
TC2009E	Yes/No	Yes/No		
TC2010T	Yes/No	Yes/No		
TC2010E	Yes/No	Yes/No		
TC2211T	Yes/No	Yes/No		
TC2211E	Yes/No	Yes/No		
TC3007e	Yes/No	Yes/No		
TC3014t	Yes/No	Yes/No		
TC3016t	Yes/No	Yes/No		
TC3020T	Yes/No	Yes/No		
TC3020E	Yes/No	Yes/No		
TC3035t	Yes/No	Yes/No		
TC3036t	Yes/No	Yes/No		
TC3037t	Yes/No	Yes/No		
TC3038t	Yes/No	Yes/No		
TC3039t	Yes/No	Yes/No		
TC3040t	Yes/No	Yes/No		
TC3041t	Yes/No	Yes/No		
TC3042t	Yes/No	Yes/No		
TC3043t	Yes/No	Yes/No		
TC2176t	Yes/No	Yes/No		
TC2177t	Yes/No	Yes/No		
TC2178t	Yes/No	Yes/No		
TC2186T	Yes/No	Yes/No		
TC2186E	Yes/No	Yes/No		
TC2187T	Yes/No	Yes/No		
TC2187E	Yes/No	Yes/No		
TC2188T	Yes/No	Yes/No		
TC2188E	Yes/No	Yes/No		
TC2189t	Yes/No	Yes/No		
TC2190t	Yes/No	Yes/No		
TC2191t	Yes/No	Yes/No		
TC2192T	Yes/No	Yes/No		
TC2192E	Yes/No	Yes/No		
TC2252T	Yes/No	Yes/No		
TC2252E	Yes/No	Yes/No		
TC2253t	Yes/No	Yes/No		
TC2237e	Yes/No	Yes/No		
TC2238e	Yes/No	Yes/No		
TC1075t	Yes/No	Yes/No		
TC1076t	Yes/No	Yes/No		
TC2043t	Yes/No	Yes/No		
TC2045b	Yes/No	Yes/No		
TC2046t	Yes/No	Yes/No		
TC2047t	Yes/No	Yes/No		
TC2048t	Yes/No	Yes/No		
TC2050t	Yes/No	Yes/No		
TC2051t	Yes/No	Yes/No		
TC2052T	Yes/No	Yes/No		
TC2052E	Yes/No	Yes/No		
TC2053T	Yes/No	Yes/No		
TC2053E	Yes/No	Yes/No		
TC2055T	Yes/No	Yes/No		
TC2055E	Yes/No	Yes/No		
TC2059t	Yes/No	Yes/No		
TC2060T	Yes/No	Yes/No		
TC2060E	Yes/No	Yes/No		
TC2061T	Yes/No	Yes/No		

ATS Reference	Selected ?	Run ?	Verdict	Observations (Reference to any observations made in Clause 7)
TC2061E	Yes/No	Yes/No		
TC2062t	Yes/No	Yes/No		
TC2063T	Yes/No	Yes/No		
TC2063E	Yes/No	Yes/No		
TC2064T	Yes/No	Yes/No		
TC2064E	Yes/No	Yes/No		
TC2065T	Yes/No	Yes/No		
TC2065E	Yes/No	Yes/No		
TC2066T	Yes/No	Yes/No		
TC2066E	Yes/No	Yes/No		
TC2075e	Yes/No	Yes/No		
TC2115T	Yes/No	Yes/No		
TC2115E	Yes/No	Yes/No		
TC2116t	Yes/No	Yes/No		
TC2117T	Yes/No	Yes/No		
TC2117E	Yes/No	Yes/No		
TC2118T	Yes/No	Yes/No		
TC2118E	Yes/No	Yes/No		
TC2119T	Yes/No	Yes/No		
TC2119E	Yes/No	Yes/No		
TC2120t	Yes/No	Yes/No		
TC2121T	Yes/No	Yes/No		
TC2121E	Yes/No	Yes/No		
TC2122t	Yes/No	Yes/No		
TC2123T	Yes/No	Yes/No		
TC2123E	Yes/No	Yes/No		
TC2124T	Yes/No	Yes/No		
TC2124E	Yes/No	Yes/No		
TC2125t	Yes/No	Yes/No		
TC2126T	Yes/No	Yes/No		
TC2126E	Yes/No	Yes/No		
TC2127t	Yes/No	Yes/No		
TC2128t	Yes/No	Yes/No		
TC2129T	Yes/No	Yes/No		
TC2129E	Yes/No	Yes/No		
TC2130t	Yes/No	Yes/No		
TC2131T	Yes/No	Yes/No		
TC2131E	Yes/No	Yes/No		
TC2132T	Yes/No	Yes/No		
TC2132E	Yes/No	Yes/No		
TC2133T	Yes/No	Yes/No		
TC2133E	Yes/No	Yes/No		
TC2147t	Yes/No	Yes/No		
TC2149t	Yes/No	Yes/No		
TC2151t	Yes/No	Yes/No		
TC2154t	Yes/No	Yes/No		
TC2155t	Yes/No	Yes/No		
TC2161e	Yes/No	Yes/No		
TC2163e	Yes/No	Yes/No		
TC2214t	Yes/No	Yes/No		
TC2215E	Yes/No	Yes/No		
TC2215T	Yes/No	Yes/No		
TC3022t	Yes/No	Yes/No		
TC3023t	Yes/No	Yes/No		
TC3024t	Yes/No	Yes/No		
TC3025t	Yes/No	Yes/No		
TC3026t	Yes/No	Yes/No		

ATS Reference	Selected ?	Run ?	Verdict	Observations (Reference to any observations made in Clause 7)
TC3027t	Yes/No	Yes/No		
TC3028t	Yes/No	Yes/No		
TC3029t	Yes/No	Yes/No		
TC3032t	Yes/No	Yes/No		
TC3033e	Yes/No	Yes/No		
TC3046t	Yes/No	Yes/No		
TC3047t	Yes/No	Yes/No		
TC3048t	Yes/No	Yes/No		
TC3049t	Yes/No	Yes/No		
TC3050t	Yes/No	Yes/No		
TC3051t	Yes/No	Yes/No		
TC3052t	Yes/No	Yes/No		
TC3053t	Yes/No	Yes/No		
TC3054e	Yes/No	Yes/No		
TC3056e	Yes/No	Yes/No		
TC3057e	Yes/No	Yes/No		
TC3058e	Yes/No	Yes/No		
TC3059e	Yes/No	Yes/No		
TC3060e	Yes/No	Yes/No		
TC3072t	Yes/No	Yes/No		
TC3073t	Yes/No	Yes/No		
TC2079b	Yes/No	Yes/No		
TC2082t	Yes/No	Yes/No		
TC2085t	Yes/No	Yes/No		
TC2086b	Yes/No	Yes/No		
TC2087t	Yes/No	Yes/No		
TC2088t	Yes/No	Yes/No		
TC2089T	Yes/No	Yes/No		
TC2089E	Yes/No	Yes/No		
TC2090b	Yes/No	Yes/No		
TC2091T	Yes/No	Yes/No		
TC2091E	Yes/No	Yes/No		
TC2092t	Yes/No	Yes/No		
TC2093T	Yes/No	Yes/No		
TC2093E	Yes/No	Yes/No		
TC2094T	Yes/No	Yes/No		
TC2094E	Yes/No	Yes/No		
TC2095b	Yes/No	Yes/No		
TC2096t	Yes/No	Yes/No		
TC2097t	Yes/No	Yes/No		
TC2098t	Yes/No	Yes/No		
TC2099T	Yes/No	Yes/No		
TC2099E	Yes/No	Yes/No		
TC2100b	Yes/No	Yes/No		
TC2101t	Yes/No	Yes/No		
TC2102T	Yes/No	Yes/No		
TC2102E	Yes/No	Yes/No		
TC2103T	Yes/No	Yes/No		
TC2103E	Yes/No	Yes/No		
TC2104t	Yes/No	Yes/No		
TC2105T	Yes/No	Yes/No		
TC2105E	Yes/No	Yes/No		
TC2106t	Yes/No	Yes/No		
TC2107t	Yes/No	Yes/No		
TC2148t	Yes/No	Yes/No		
TC2150t	Yes/No	Yes/No		
TC2201T	Yes/No	Yes/No		

ATS Reference	Selected ?	Run ?	Verdict	Observations (Reference to any observations made in Clause 7)
TC2201E	Yes/No	Yes/No		
TC2250T	Yes/No	Yes/No		
TC2250E	Yes/No	Yes/No		
TC3061T	Yes/No	Yes/No		
TC3061E	Yes/No	Yes/No		
TC2072t	Yes/No	Yes/No		
TC2080t	Yes/No	Yes/No		
TC2081T	Yes/No	Yes/No		
TC2081E	Yes/No	Yes/No		
TC2083T	Yes/No	Yes/No		
TC2083E	Yes/No	Yes/No		
TC2084T	Yes/No	Yes/No		
TC2084E	Yes/No	Yes/No		
TC2108t	Yes/No	Yes/No		
TC2109T	Yes/No	Yes/No		
TC2109E	Yes/No	Yes/No		
TC2110T	Yes/No	Yes/No		
TC2110E	Yes/No	Yes/No		
TC2111t	Yes/No	Yes/No		
TC2112t	Yes/No	Yes/No		
TC2113T	Yes/No	Yes/No		
TC2113E	Yes/No	Yes/No		
TC2114T	Yes/No	Yes/No		
TC2114E	Yes/No	Yes/No		
TC2134t	Yes/No	Yes/No		
TC2135t	Yes/No	Yes/No		
TC2136T	Yes/No	Yes/No		
TC2136E	Yes/No	Yes/No		
TC2137T	Yes/No	Yes/No		
TC2137E	Yes/No	Yes/No		
TC2158T	Yes/No	Yes/No		
TC2158E	Yes/No	Yes/No		
TC2139T	Yes/No	Yes/No		
TC2139E	Yes/No	Yes/No		
TC2140T	Yes/No	Yes/No		
TC2140E	Yes/No	Yes/No		
TC2142T	Yes/No	Yes/No		
TC2142E	Yes/No	Yes/No		
TC2143T	Yes/No	Yes/No		
TC2143E	Yes/No	Yes/No		
TC2219E	Yes/No	Yes/No		
TC2219T	Yes/No	Yes/No		
TC2220E	Yes/No	Yes/No		
TC2220T	Yes/No	Yes/No		
TC2221E	Yes/No	Yes/No		
TC2221T	Yes/No	Yes/No		
TC3044E	Yes/No	Yes/No		
TC3044T	Yes/No	Yes/No		
TC3045t	Yes/No	Yes/No		

Annex C (normative): Abstract Test Suite (ATS) for GFP

This ATS has been produced using the Tree and Tabular Combined Notation (TTCN) according to ISO/IEC 9646-3 [7].

The ATS was developed on a separate TTCN software tool and therefore the TTCN tables are not completely referenced in the contents table. The ATS itself contains a test suite overview part which provides additional information and references.

C.1 The TTCN Graphical form (TTCN.GR)

The TTCN.GR representation of this ATS is contained in a Postscript file (8062__EP.PS (note 1)) which accompanies this ETS.

C.2 The TTCN Machine Processable form (TTCN.MP)

The TTCN.MP representation corresponding to this ATS is contained in an ASCII file (8062_EP.MP (see note1)) which accompanies this ETS.

NOTE 1: This file is located in an archive file name 8062_EP.LZH. Other file formats are available on request

NOTE 2: According to ISO/IEC 9646-3 [7], in case of a conflict in interpretation of the operational semantics of TTCN.GR and TTCN.MP, the operational semantics of the TTCN.GR representation takes precedence.

History

Document history	
July 1996	Public Enquiry PE 110: 1996-07-22 to 1996-11-15