



**E**UROPEAN  
**T**ELECOMMUNICATION  
**S**TANDARD

**DRAFT**  
pr **ETS 300 749**

December 1996

---

Source: EBU/CENELEC/ETSI JTC

Reference: DE/JTC-00DVB-21

ICS: 33.020

**Key words:** DVB, digital, video, broadcasting, MPEG, TV, multipoint, radio

European Broadcasting Union



Union Européenne de Radio-Télévision



**Digital Video Broadcasting (DVB);  
Framing structure, channel coding and modulation  
for MMDS systems below 10 GHz**

**ETSI**

European Telecommunications Standards Institute

**ETSI Secretariat**

**Postal address:** F-06921 Sophia Antipolis CEDEX - FRANCE

**Office address:** 650 Route des Lucioles - Sophia Antipolis - Valbonne - FRANCE

**X.400:** c=fr, a=atlas, p=etsi, s=secretariat - **Internet:** secretariat@etsi.fr

Tel.: +33 4 92 94 42 00 - Fax: +33 4 93 65 47 16

---

**Copyright Notification:** No part may be reproduced except as authorized by written permission. The copyright and the foregoing restriction extend to reproduction in all media.

© European Telecommunications Standards Institute 1996.

© European Broadcasting Union 1996.

All rights reserved.



## Contents

|  |    |
|--|----|
| Foreword .....   | 5  |
| 1 Scope .....  | 7  |
| 2 Normative references .....                               | 7  |
| 3 Symbols and abbreviations .....                          | 7  |
| 3.1 Symbols .....  | 7  |
| 3.2 Abbreviations .....                                    | 8  |
| 4 MMDS System concept.....                                 | 8  |
| 4.1 Baseband interfacing and sync.....                     | 10 |
| 4.2 Sync 1 inversion and randomization .....               | 10 |
| 4.3 Reed-Solomon encoder.....                              | 10 |
| 4.4 Convolutional interleaver .....                        | 10 |
| 4.5 Byte to m-tuple conversion .....                       | 10 |
| 4.6 Differential encoding .....                            | 10 |
| 4.7 Baseband shaping .....                                 | 10 |
| 4.8 QAM modulation and physical interface .....            | 10 |
| 4.9 MMDS receiver .....                                    | 10 |
| 5 MPEG-2 transport layer.....                              | 10 |
| 6 Framing structure .....                                  | 10 |
| 7 Channel coding .....                                     | 11 |
| 7.1 Randomization for spectrum shaping .....               | 11 |
| 7.2 Reed-Solomon encoding .....                            | 12 |
| 7.3 Convolutional interleaving.....                        | 13 |
| 8 Byte - to - symbol mapping.....                          | 14 |
| 9 Modulation.....  | 15 |
| Annex A (normative): Baseband filter characteristics ..... | 18 |
| Annex B (informative): Transparency of MMDS networks ..... | 19 |
| Annex C (informative): Bibliography.....                   | 20 |
| History.....   | 21 |

Blank page

## Foreword

This European Telecommunication Standard (ETS) has been produced by the Joint Technical Committee (JTC) of the European Broadcasting Union (EBU), Comité Européen de Normalisation ELECtrotechnique (CENELEC) and the European Telecommunications Standards Institute (ETSI) and is now submitted for the Unified Accelerated Procedure phase of the ETSI standards approval procedure.

NOTE: The EBU/ETSI JTC was established in 1990 to co-ordinate the drafting of ETSs in the specific field of broadcasting and related fields. Since 1995 the JTC became a tripartite body by including in the Memorandum of Understanding also CENELEC, which is responsible for the standardization of radio and television receivers. The EBU is a professional association of broadcasting organizations whose work includes the co-ordination of its Members' activities in the technical, legal, programme-making and programme-exchange domains. The EBU has Active Members in about 60 countries in the European Broadcasting Area; its headquarters is in Geneva \*.

\* European Broadcasting Union  
Case Postale 67  
CH-1218 GRAND SACONNEX (Geneva)  
Switzerland

Tel: +41 22 717 21 11  
Fax: +41 22 717 24 81

## Digital Video Broadcasting (DVB) Project

Founded in September 1993, the DVB Project is a market-led consortium of public and private sector organizations in the television industry. Its aim is to establish the framework for the introduction of MPEG-2 based digital television services. Now comprising over 200 organizations from more than 25 countries around the world, DVB fosters market-led systems, which meet the real needs, and economic circumstances, of the consumer electronics and the broadcast industry.

| <b>Proposed transposition dates</b>   |                                 |
|---|---------------------------------|
| Date of latest announcement of this ETS (doa):  | 3 months after ETSI publication |
| Date of latest publication of new National Standard or endorsement of this ETS (dop/e): | 6 months after doa              |
| Date of withdrawal of any conflicting National Standard (dow):                          | 6 months after doa              |

Blank page

## 1 Scope

This European Telecommunication Standard (ETS) describes the framing structure, channel coding and modulation (denoted "the System" for the purposes of this ETS) for a digital multi-program television distribution by Microwave Multipoint Distribution Systems (MMDS) systems operating below 10 GHz. The aim of this ETS is to present a harmonized transmission standard for cable, satellite and MMDS, based on the MPEG-2 System Layer ISO/IEC 13818-1 [1], with the addition of appropriate Forward Error Correction (FEC) technique. This System follows the modulation/channel coding system for digital multi-program television by cable (see ETS 300 429 in the bibliography) and is based on Quadrature Amplitude Modulation (QAM) with 16, 32, and 64 constellation points.

The System FEC is designed to improve Bit Error Ratio (BER) from  $10^{-4}$  to a range,  $10^{-10}$  to  $10^{-11}$ , ensuring "Quasi Error Free" (QEF) operation with approximately one uncorrected error event per transmission hour.

## 2 Normative references

This ETS incorporates by dated and undated reference, provisions from other publications. These normative references are cited at the appropriate places in the text and the publications are listed hereafter. For dated references, subsequent amendments to or revisions of any of these publications apply to this ETS only when incorporated in it by amendment or revision. For undated references the latest edition of the publication referred to applies.

- [1] ISO/IEC 13818-1: "Coding of moving pictures and associated audio".
- [2] IEEE Trans. Comm. Tech., COM-19, pp. 772-781, (October 1971) Forney, G.D.: "Burst-correcting codes for the classic bursty channel".

## 3 Symbols and abbreviations

### 3.1 Symbols

For the purposes of this ETS, the following symbols apply:

|            |   |
|------------|---|
| $\alpha$   | Roll-off factor   |
| $A_k, B_k$ | Most Significant Bits at the output of the Byte to m-tuple converter                  |
| $f_0$      | Channel centre frequency  |
| $f_N$      | Nyquist frequency   |
| $g(x)$     | RS code generator polynomial  |
| HEX        | Hexadecimal   |
| $l$        | Interleaving depth (bytes)  |
| $I, Q$     | In-phase, Quadrature phase components of the modulated signal                         |
| $j$        | Branch index  |
| $k$        | Number of bytes mapped into $n$ symbols   |
| $m$        | Power of $2^m$ -level QAM: 4,5,6 for 16-QAM, 32-QAM, 64-QAM, respectively             |
| $M$        | Convolutional interleaver branch depth for $j = 1, M = N/l$                           |
| $n$        | Number of symbols mapped from $k$ bytes   |
| $N$        | Error protected frame length [bytes]  |
| $p(x)$     | RS field generator polynomial   |
| $r_m$      | In-band ripple (dB)   |
| $R$        | Randomized sequence   |
| $R_s$      | Symbol rate corresponding to the bilateral Nyquist bandwidth of the modulated signal  |
| $R_u$      | Useful bit rate after MPEG-2 transport multiplexer                                    |
| $R_u'$     | Bit rate after RS outer encoder   |
| $q$        | Number of differentially uncoded bits: 2,3,4 for 16-QAM, 32-QAM, 64-QAM, respectively |
| $T$        | Number of bytes which can be corrected in RS error protected packet                   |
| $T_s$      | Symbol period   |

### 3.2 Abbreviations

For the purposes of this ETS, the following abbreviations apply:

|       |   |
|-------|---|
| BB    | BaseBand                                  |
| BER   | Bit Error Ratio                           |
| D/A   | Digital-to-Analogue conversion            |
| FEC   | Forward Error Correction                  |
| FIFO  | First In First Out                        |
| IF    | Intermediate Frequency                    |
| IRD   | Integrated Receiver Decoder               |
| LSB   | Least Significant Bit                     |
| MMDS  | Microwave Multipoint Distribution Systems |
| MPEG  | Moving Pictures Experts Group             |
| MSB   | Most Significant Bit                      |
| MUX   | Multiplex                                 |
| PDH   | Plesiochronous Digital Hierarchy          |
| PRBS  | Pseudo-Random Binary Sequence             |
| QAM   | Quadrature Amplitude Modulation           |
| QEF   | Quasi Error Free                          |
| RF    | Radio Frequency                           |
| RS    | Reed-Solomon                              |
| SMATV | Satellite Master Antenna Television       |
| TDM   | Time Division Multiplex                   |
| TV    | TeleVision                                |

## 4 MMDS System concept

The MMDS System shall be defined as the functional block of equipment performing the adaptation of the baseband TV signals to the MMDS channel characteristics (see figure 1). At the transmitter site, the following TV baseband signal sources can be considered:

- satellite signal(s);
- cable signal(s);
- contribution link(s);
- local program source(s).

The processes in the following subclauses shall be applied as shown in figure 1.



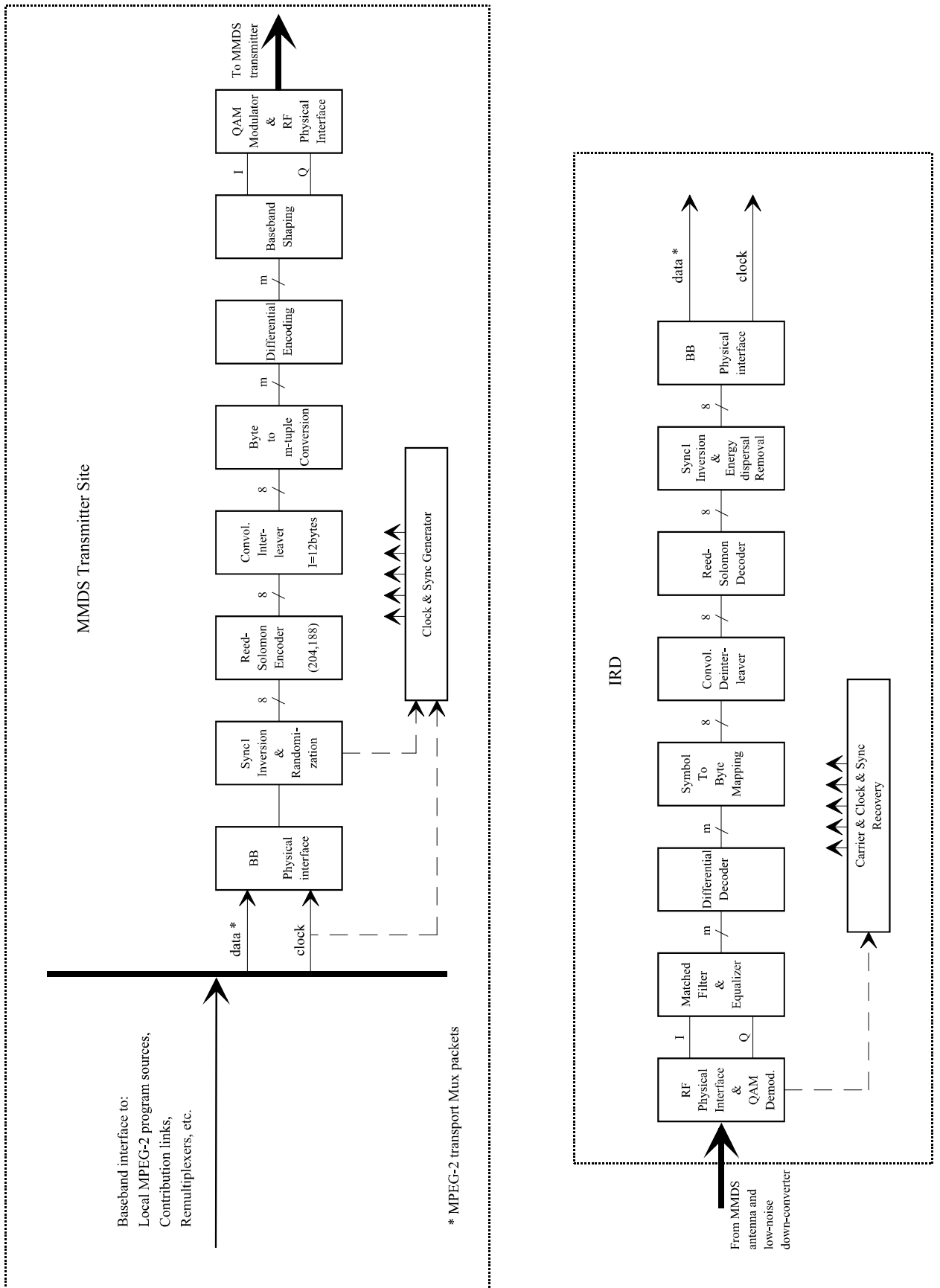


Figure 1: Conceptual block diagram of elements at the transmitting and receiving sites of MMDS systems below 10 GHz

#### **4.1 Baseband interfacing and sync**

This unit shall adapt the data structure to the format of the signal source. The framing structure shall be in accordance with MPEG-2 transport layer including sync bytes.

NOTE: Interfaces are not part of this ETS.

#### **4.2 Sync 1 inversion and randomization**

This unit shall invert the Sync 1 byte according to the MPEG-2 framing structure, and randomizes the data stream for spectrum shaping purposes.

#### **4.3 Reed-Solomon encoder**

This unit shall apply a shortened Reed-Solomon (RS) code to each randomized transport packet to generate an error-protected packet. This code shall also be applied to the Sync byte itself.

#### **4.4 Convolutional interleaver**

This unit shall perform a depth  $l = 12$  convolutional interleaving of the error-protected packets. The periodicity of the sync bytes shall remain unchanged.

#### **4.5 Byte to m-tuple conversion**

This unit shall perform a conversion of the bytes generated by the interleaver into QAM symbols.

#### **4.6 Differential encoding**

In order to get a rotationally-invariant constellation, this unit shall apply a differential encoding to the two Most Significant Bits (MSBs) of each symbol.

#### **4.7 Baseband shaping**

This unit performs mapping from differentially encoded m-tuples to I and Q signals and a square-root raised cosine filtering of the I and Q signals prior to QAM modulation.

#### **4.8 QAM modulation and physical interface**

This unit performs QAM modulation. It is followed by interfacing the QAM modulated signal to the Radio Frequency (RF) MMDS channel.

#### **4.9 MMDS receiver**

A System receiver shall perform the inverse signal processing, as described for the modulation process above, in order to recover the baseband signal.

### **5 MPEG-2 transport layer**

The MPEG-2 Transport Layer is defined in ISO/IEC 13818-1 [1]. The Transport Layer for MPEG-2 data is comprised of packets having 188 bytes, with one byte for synchronization purposes, three bytes of header containing service identification, scrambling and control information, followed by 184 bytes of MPEG-2 or auxiliary data.

### **6 Framing structure**

The framing organization shall be based on the MPEG-2 transport packet structure. The System framing structure is shown in figure 2.

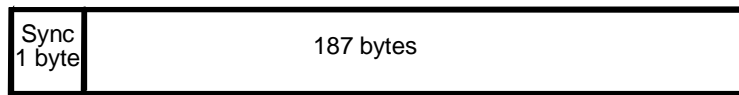


Figure 2a) MPEG-2 transport MUX packet

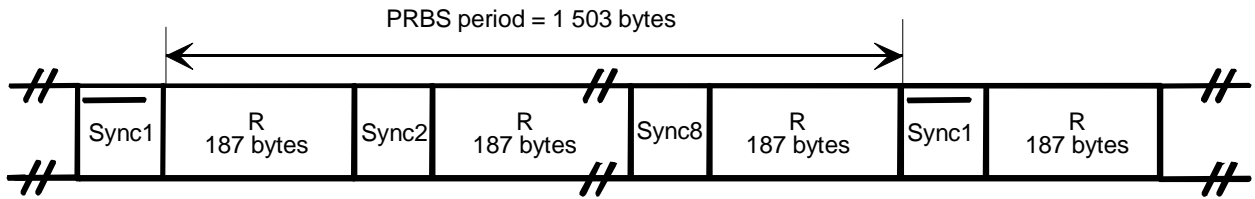


Figure 2b) Randomized transport packets: Sync bytes and Randomized Sequence R

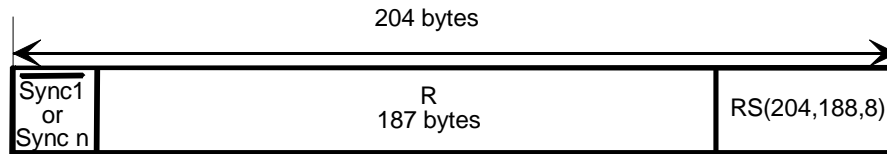


Figure 2c) Reed-Solomon RS(204,188, T = 8) error protected packet

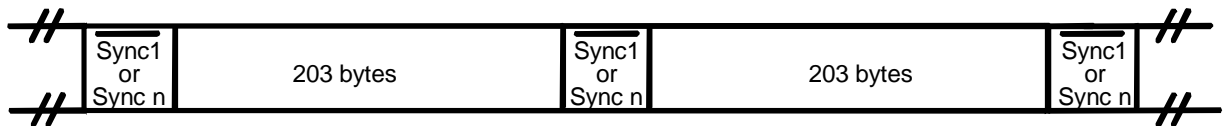


Figure 2d) Interleaved Frames; Interleaving depth I = 12 bytes

Sync1 = nonrandomized complemented sync byte  
 Syncn = nonrandomized sync byte, n = 2, 3, ..., 8

Figure 2: Framing structure

## 7 Channel coding

To achieve the appropriate level of error protection required for MMDS transmission of digital data, a FEC based on Reed-Solomon encoding shall be used. In contrast to the Baseline System for satellite described in ETS 300 421 (see bibliography), no convolutional coding shall be applied for MMDS transmission. Protection against burst errors shall be achieved by the use of byte interleaving.

### 7.1 Randomization for spectrum shaping

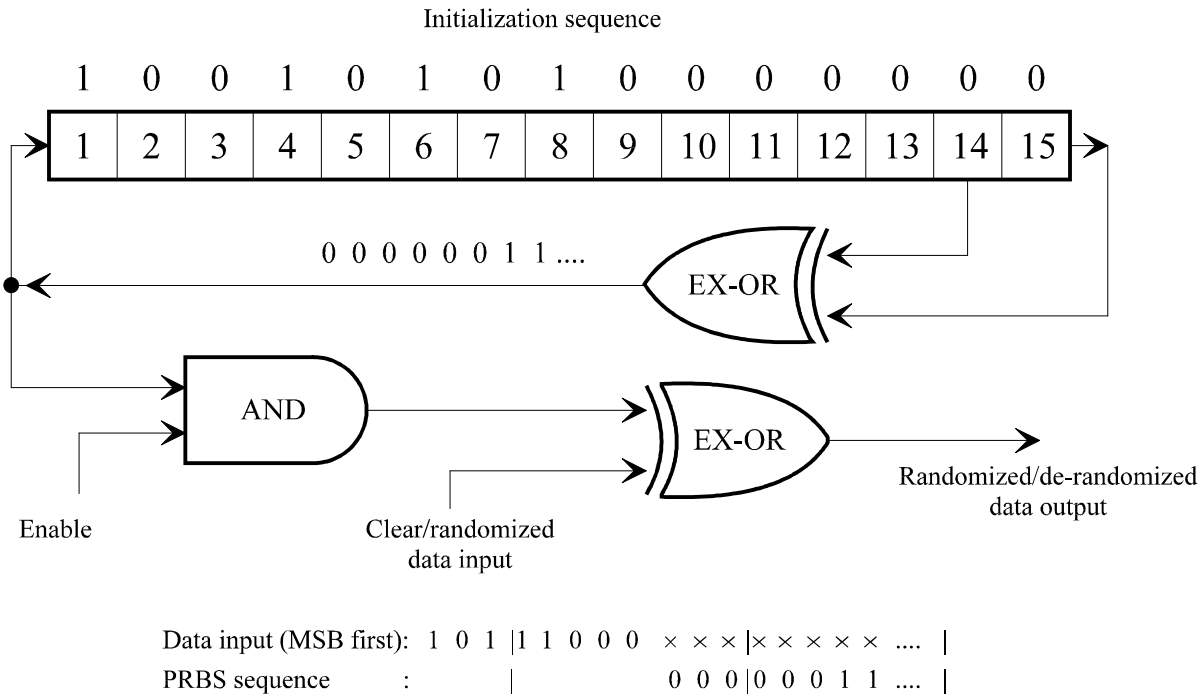
The System input stream shall be organized in fixed length packets (see figure 2), following the MPEG-2 transport multiplexer. The total packet length of the MPEG-2 transport MUX packet is 188 bytes. This includes 1 sync-word byte (i.e. 47<sub>HEX</sub>). The processing order at the transmitting side shall always start from the MSB (i.e. 0) of the sync word-byte (i.e. 01000111).

In order to comply with the Systems for satellite and cable, see ETS 300 421 and ETS 300 429 (bibliography) and to ensure adequate binary transitions for clock recovery, the data at the output of the MPEG-2 transport multiplex shall be randomized in accordance with the configuration depicted in figure 3.

The polynomial for the Pseudo Random Binary Sequence (PRBS) generator shall be:

$$1 + X^{14} + X^{15}.$$

Loading of the sequence "10010101000000" into the PRBS registers, as indicated in figure 3, shall be initiated at the start of every eight transport packets. To provide an initialization signal for the descrambler, the MPEG-2 sync byte of the first transport packet in a group of eight packets shall be bitwise inverted from 47<sub>HEX</sub> to B8<sub>HEX</sub>.



**Figure 3: Scrambler/descrambler schematic diagram**

The first bit at the output of the PRBS generator shall be applied to the first bit of the first byte following the inverted MPEG-2 sync byte (i.e. B8<sub>HEX</sub>). To aid other synchronization functions, during the MPEG-2 sync bytes of the subsequent 7 transport packets, the PRBS generation continues, but its output shall be disabled, leaving these bytes unrandomized. The period of the PRBS sequence shall therefore be 1 503 bytes.

The randomization process shall be active also when the modulator input bit-stream is non-existent, or when it is non-compliant with the MPEG-2 transport stream format (i.e. 1 sync byte + 187 packet bytes). This is to avoid the emission of an unmodulated carrier from the modulator.

### 7.2 Reed-Solomon encoding

Following the energy dispersal randomization process, systematic shortened Reed-Solomon encoding shall be performed on each randomized MPEG-2 transport packet, with T = 8. This means that 8 erroneous bytes per transport packet can be corrected. This process adds 16 parity bytes to the MPEG-2 transport packet to give a codeword (204,188).

RS encoding shall also be applied to the packet sync byte, either non-inverted (i.e. 47<sub>HEX</sub>) or inverted (i.e. B8<sub>HEX</sub>).

**Code Generator Polynomial:**  $g(x) = (x+\lambda^0)(x+\lambda^1)(x+\lambda^2) \dots (x+\lambda^{15})$ , where  $\lambda = 02_{HEX}$

**Field Generator Polynomial:**  $p(x) = x^8 + x^4 + x^3 + x^2 + 1$

The shortened Reed-Solomon code shall be implemented by appending 51 bytes, all set to zero, before the information bytes at the input of a (255,239) encoder. After the coding procedure these bytes are discarded.

7.3 Convolutional interleaving

Following the block diagram of figure 4, convolutional interleaving with depth  $I = 12$  shall be applied to the error protected packets (see figure 2c). This results in an interleaved frame (see figure 2d).

The convolutional interleaving process shall be based on the Forney approach (see Burst-correcting codes for the classic bursty channel [2]) which is compatible with the Ramsey type III approach, with  $I = 12$ . The Interleaved Frame shall be composed of overlapping error protected packets and shall be delimited by MPEG-2 sync bytes (preserving the periodicity of 204 bytes).

The interleaver may be composed of  $I = 12$  branches, cyclically connected to the input byte-stream by the input switch. Each branch shall be a First In First Out (FIFO) shift register, with depth  $(M_j)$  cells (where  $M = 17 = N/I$ ,  $N = 204 =$  error protected frame length,  $I = 12 =$  interleaving depth,  $j =$  branch index). The cells of the FIFO shall contain 1 byte, and the input and output switches shall be synchronized.

For synchronization purposes, the sync bytes and the inverted sync bytes shall be always routed into the branch "0" of the interleaver (corresponding to a zero delay).

NOTE: The deinterleaver is similar, in principle, to the interleaver, but the branch indexes are reversed (i.e.  $j = 0$  corresponds to the largest delay). The deinterleaver synchronization can be carried out by routing the first recognized sync byte into the "0" branch.

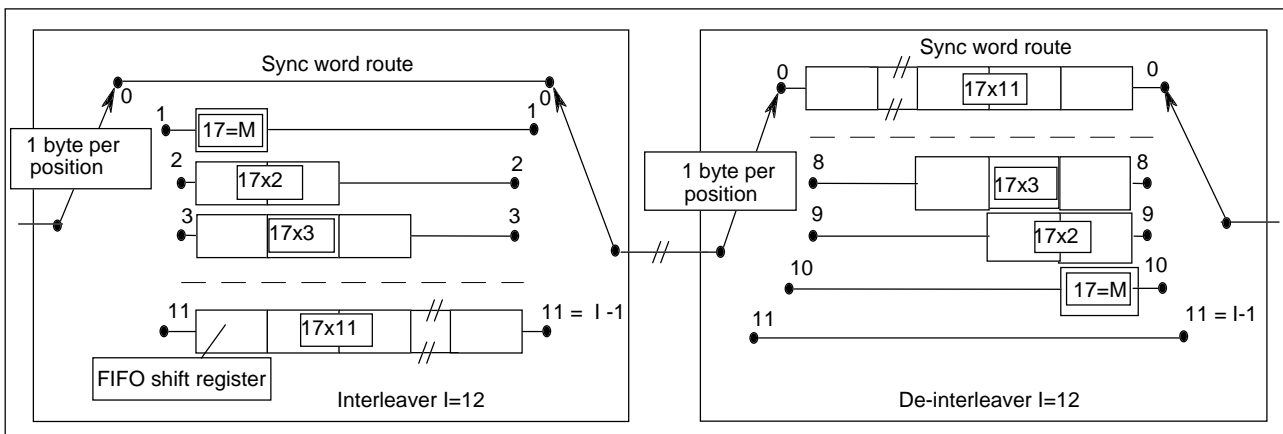


Figure 4: Conceptual diagram of the convolutional interleaver and de-interleaver

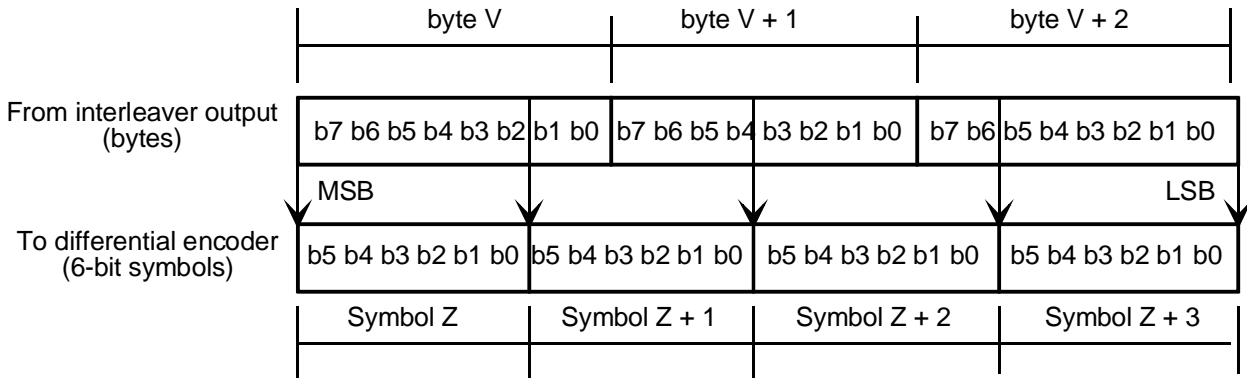
## 8 Byte - to - symbol mapping

After convolutional interleaving, an exact mapping of bytes into symbols shall be performed. The mapping shall rely on the use of byte boundaries in the modulation system.

In each case, the MSB of symbol Z shall be taken from the MSB of byte V. Correspondingly, the next significant bit of the symbol shall be taken from the next significant bit of the byte. For the case of  $2^m$ -QAM modulation, the process shall map k bytes into n symbols, such that:

$$8k = n \times m$$

The process is illustrated for the case of 64-QAM (where  $m = 6$ ,  $k = 3$  and  $n = 4$ ) in figure 5:



NOTE 1: b0 shall be understood as being the Least Significant Bit (LSB) of each byte or m-tuple.

NOTE 2: In this conversion, each byte results in more than one m-tuple, labelled Z, Z+1, etc. with Z being transmitted before Z+1.

**Figure 5: Byte to m-tuple conversion for 64-QAM**

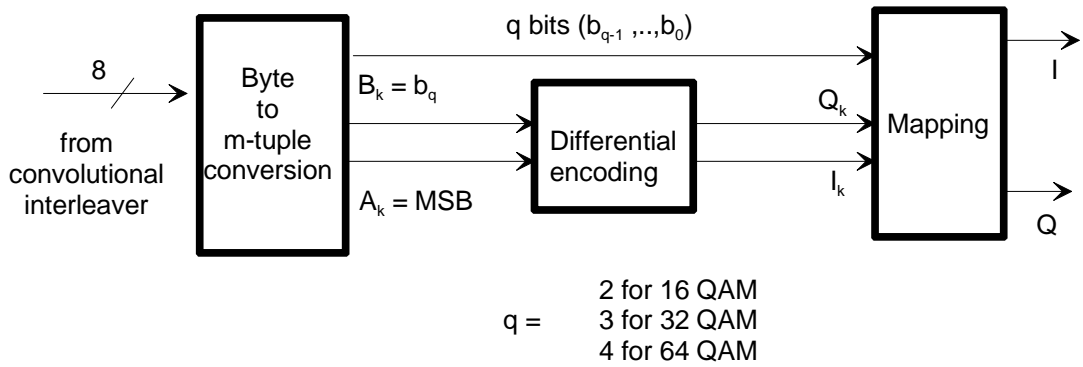
The two Most Significant Bits of each symbol shall then be differentially encoded in order to obtain a  $\pi/2$ -rotation-invariant QAM constellation. The differential encoding of the two MSBs shall be given by the following Boolean expression:

$$I_k = \overline{(A_k \oplus B_k)} \cdot (A_k \oplus I_{k-1}) + (A_k \oplus B_k) \cdot (A_k \oplus Q_{k-1})$$

$$Q_k = \overline{(A_k \oplus B_k)} \cdot (B_k \oplus Q_{k-1}) + (A_k \oplus B_k) \cdot (B_k \oplus I_{k-1})$$

NOTE: For the above Boolean expression " $\oplus$ " denotes the EXOR function, "+" denotes the logical OR function, "." denotes the logical AND function and the overbar denotes inversion.

Figure 6 gives an example of implementation of byte-to-symbol conversion.



**Figure 6: Example implementation of the byte to m-tuple conversion and the differential encoding of the two MSBs**

## 9 Modulation

The modulation of the System shall be Quadrature Amplitude Modulation (QAM) with 16, 32, or 64 points in the constellation diagram.

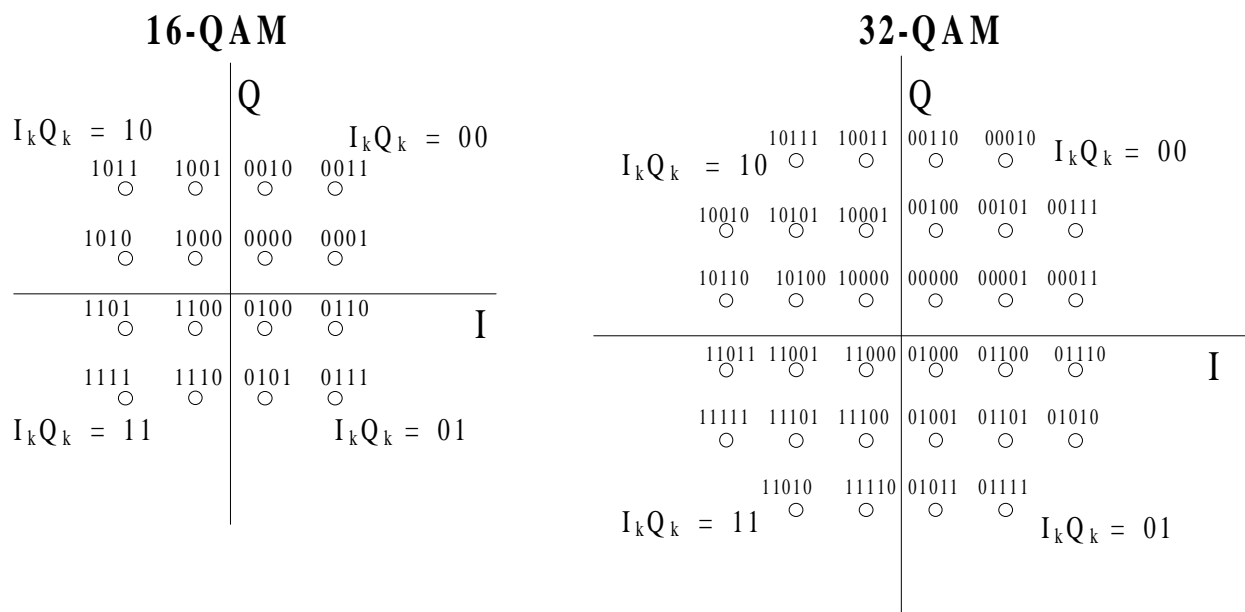
The System constellation diagrams for 16-QAM, 32-QAM and 64-QAM are given for the RF MMDS channel in figure 7.

As shown in figure 7, the constellation points in Quadrant 1 shall be converted to Quadrants 2, 3 and 4 by changing the two MSB (i.e.  $I_k$  and  $Q_k$ ) and by rotating the  $q$  LSBs according to the following rule given in table 1.

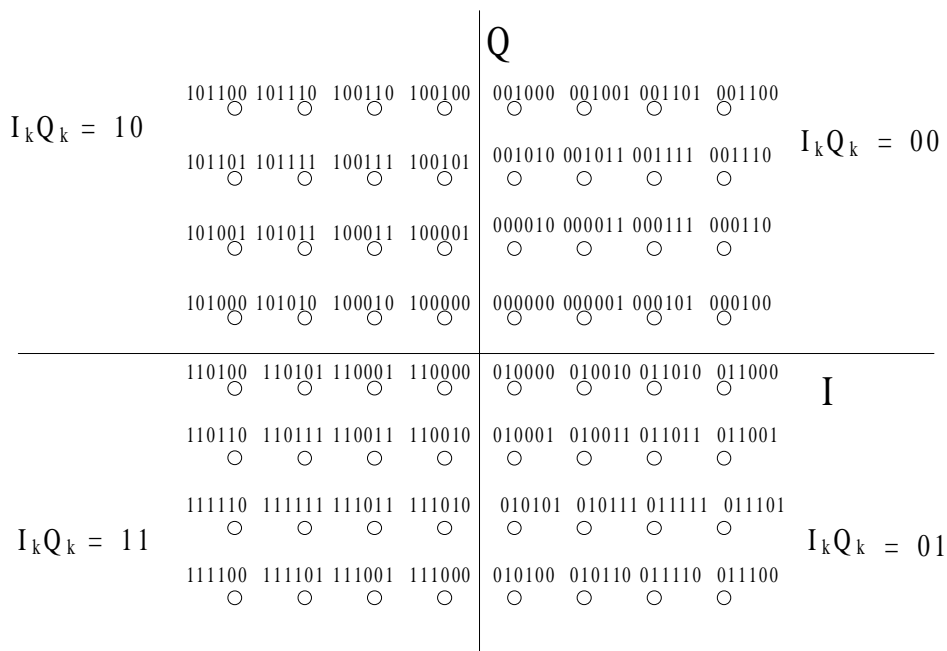
**Table1: Conversion of constellation points of quadrant 1 to other quadrants of the constellation diagram given in figure 7**

| Quadrant | MSBs | LSBs rotation |
|----------|------|---------------|
| 1        | 00   |               |
| 2        | 10   | $+\pi/2$      |
| 3        | 11   | $+\pi$        |
| 4        | 01   | $+3\pi/2$     |

Receivers shall support at least 64-QAM modulation.



### 64-QAM



$I_k Q_k$  are the two MSBs in each quadrant

**Figure 7: Constellation diagrams for 16-QAM, 32-QAM and 64-QAM**



Prior to modulation, the I and Q signals shall be square-root raised cosine filtered. The roll-off factor shall be 0,15.

Examples of transparent MMDS transmissions are given in annex B, table B.1.

The square-root raised cosine filter shall have a theoretical function defined by the following expression:

$$H(f) = 1 \text{ for } |f| < f_N(1 - \alpha)$$

$$H(f) = \left\{ \frac{1}{2} + \frac{1}{2} \sin \frac{\pi}{2f_N} \left[ \frac{f_N - |f|}{\alpha} \right] \right\}^{1/2} \text{ for } f_N(1 - \alpha) \leq |f| \leq f_N(1 + \alpha)$$

$$H(f) = 0 \text{ for } |f| > f_N(1 + \alpha),$$

where

$$f_N = \frac{1}{2T_s} = \frac{R_s}{2} \text{ is the Nyquist frequency and roll-off factor } \alpha = 0,15.$$

The transmitter filter characteristic is given in annex A.

### Annex A (normative): Baseband filter characteristics

The template given in figure A.1 shall be used as a minimum requirement for hardware implementation of the Nyquist filter. This template takes into account not only the design limitations of the digital filter, but also the artefacts coming from the analogue processing components of the System (e.g. D/A conversion, analogue filtering, etc.).

The value of in-band ripple  $r_m$  in the pass-band up to  $0,85 f_N$  as well as at the Nyquist frequency  $f_N$  shall be lower than  $0,4$  dB. The out-of-band rejection shall be greater than  $43$  dB.

The filter shall be phase linear with the group delay ripple  $\leq 0,1 T_s$  (ns) up to  $f_N$

where,  $T_s = 1/R_s$  is the symbol period.

NOTE: The values for in-band ripple and out-of-band rejection given in this annex are subject to further study.

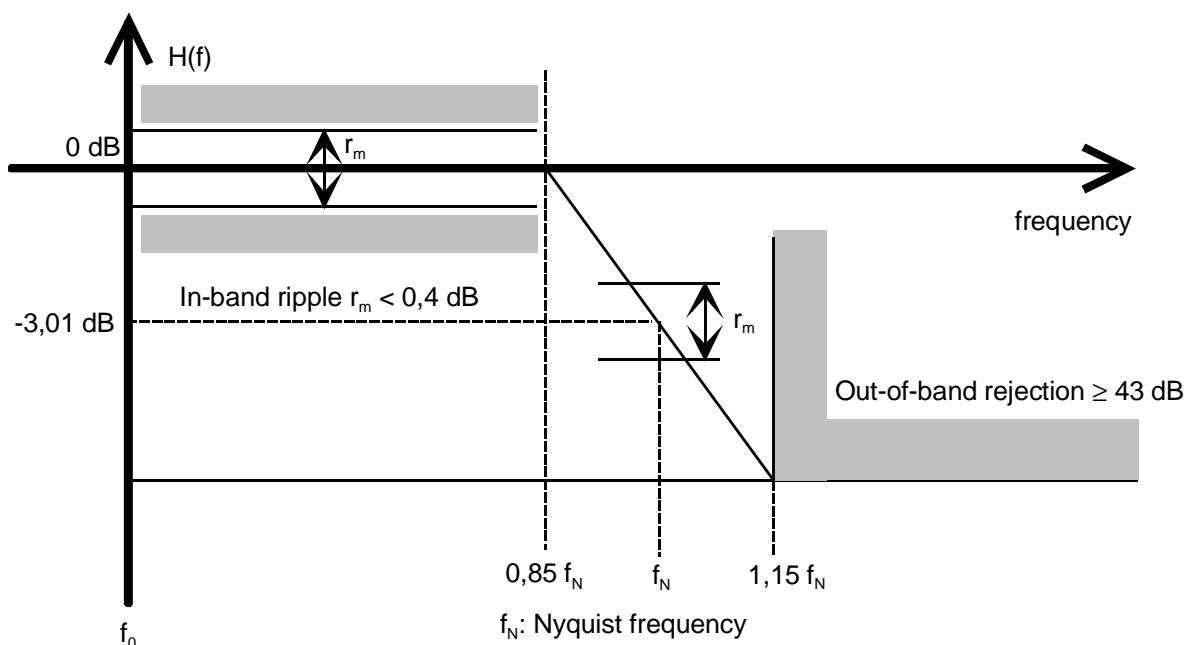


Figure A.1: Half-Nyquist baseband filter amplitude characteristics

## Annex B (informative): Transparency of MMDS networks

In order to achieve a transparent retransmission of different services on MMDS systems, the limitations imposed by the System for MMDS transmission in 8 MHz channel bandwidth should be taken into account. With a roll-off factor of 0,15. The theoretical maximum symbol rate in an 8 MHz channel is 6,96 MBaud.

Table B.1 of this annex gives examples of the wide range of possible MMDS symbol rates and occupied bandwidths for different useful bit rates considering 16-QAM, 32-QAM and 64-QAM constellations.

For full transparency, the same useful bit rate (**excluding** RS coding) should be used on the contributing system and the MMDS network for secondary distribution.

In the upper part of table B.1, an example of a transparent transmission of the satellite rate of 38,1 Mbit/s, which may be potentially used by many existing satellites (see ETS 300 421 in bibliography) is given. This bit rate can be retransmitted very efficiently in an 8 MHz MMDS channel by using 64-QAM. A bit rate compatible with terrestrial Plesiochronous Digital Hierarchy (PDH) networks can be retransmitted in an 8 MHz channel by using 32-QAM.

As shown in the lower part of table B.1, network performance limitations, service requirements (e.g. additional data/audio services), characteristics of the primary distribution system (e.g. satellite, fibre) or other constraints may lead to different usage of the System to appropriately suit various applications.

NOTE: Examples of satellite useful bit rates  $R_U$  are taken from ETS 300 421 (bibliography).

**Table B.1: Examples of useful bit rates  $R_U$  and total bit rates  $R_{U'}$  for transparent retransmission and spectrum efficient use on MMDS networks**

| Useful bit rate $R_U$ (MPEG-2 transport layer)<br>(Mbit/s) | Total bit rate $R_{U'}$<br>incl. RS(204,188)<br>(Mbit/s) | MMDS symbol rate<br>(MBaud) | Occupied bandwidth<br>(MHz) | Modulation scheme |
|--|--|-----------------------------|-----------------------------|-------------------|
| 38,1   | 41,34  | 6,89                        | 7,92                        | 64-QAM            |
| 31,9   | 34,61  | 6,92                        | 7,96                        | 32-QAM            |
| 25,2   | 27,34  | 6,84                        | 7,86                        | 16-QAM            |
| 31,672 PDH   | 34,367   | 6,87                        | 7,90                        | 32-QAM            |
| 18,9   | 20,52  | 3,42                        | 3,93                        | 64-QAM            |
| 16,0   | 17,40  | 3,48                        | 4,00                        | 32-QAM            |
| 12,8   | 13,92  | 3,48                        | 4,00                        | 16-QAM            |
| 9,6  | 10,44  | 1,74                        | 2,00                        | 64-QAM            |
| 8,0  | 8,70   | 1,74                        | 2,00                        | 32-QAM            |
| 6,4  | 6,96   | 1,74                        | 2,00                        | 16-QAM            |

**Annex C (informative): Bibliography**

- ETS 300 421: "Digital broadcasting systems for television, sound and data services; Framing structure, channel coding and modulation for 11/12 GHz satellite services".
- ETS 300 429: "Digital broadcasting systems for television, sound and data services; Framing structure, channel coding and modulation for cable systems".

## History

| Document history |   |
|------------------|---|
| December 1996    | Unified Approval Procedure UAP 60: 1996-12-02 to 1997-03-28 |
|                  |   |
|                  |   |
|                  |   |
|                  |   |