



**E**UROPEAN  
**T**ELECOMMUNICATION  
**S**TANDARD

**FINAL DRAFT**  
pr **ETS 300 687**

January 1996

---

Source: ETSI TC-BTC

Reference: DE/BTC-02054

ICS: 33.020

**Key words:** leased line, network, connection, D34U, D34S

**Business TeleCommunications (BTC);  
34 Mbit/s digital leased lines (D34U and D34S);  
Connection characteristics**

**ETSI**

European Telecommunications Standards Institute

**ETSI Secretariat**

**Postal address:** F-06921 Sophia Antipolis CEDEX - FRANCE

**Office address:** 650 Route des Lucioles - Sophia Antipolis - Valbonne - FRANCE

**X.400:** c=fr, a=atlas, p=etsi, s=secretariat - **Internet:** secretariat@etsi.fr

Tel.: +33 92 94 42 00 - Fax: +33 93 65 47 16

\*

---

**Copyright Notification:** No part may be reproduced except as authorized by written permission. The copyright and the foregoing restriction extend to reproduction in all media.

© European Telecommunications Standards Institute 1996. All rights reserved.





C.2.1	Terrestrial connection.....	23
C.2.2	Satellite connection .....	24
C.3	Error performance objectives .....	24
C.4	Long term error performance .....	25
Annex D (informative):	Availability .....	26
D.1	General.....	26
D.1.1	Unavailability .....	26
D.1.2	Outage intensity .....	26
D.1.3	Mean time between failures .....	26
D.1.4	Mean time to restore service.....	26
D.2	Recommendations.....	26
Annex E (informative):	Bringing into service (BIS) limits .....	27
E.1	General.....	27
E.2	BIS limits.....	27
Annex F (informative):	Bibliography .....	28
History .....		29

## Foreword

This final draft European Telecommunication Standard (ETS) has been produced by the Business Telecommunications (BTC) Technical Committee of the European Telecommunications Standards Institute (ETSI), and is now submitted for the Voting phase of the ETSI standards approval procedure.

This ETS resulted from a mandate from the Commission of the European Community (CEC) to provide harmonised standards for support of the Directive on Open Network Provision (ONP) of leased lines (92/44/EEC).

There is one other standard that is directly related to this ETS:

prETS 300 686: "Business Telecommunications (BTC); 34 Mbit/s and 140 Mbit/s digital leased lines (D34U, D34S, D140U and D140S); Network interface presentation".

<b>Proposed transposition dates</b>	
Date of latest announcement of this ETS (doa):	3 months after ETSI publication
Date of latest publication of new National Standard or endorsement of this ETS (dop/e):	6 months after doa
Date of withdrawal of any conflicting National Standard (dow):	6 months after doa

This ETS is based on information from ITU-T Recommendations and ETSI publications; the relevant documents are quoted where appropriate.

## Introduction

The Council Directive on the application of ONP to leased lines (92/44/EEC) concerns the harmonisation of conditions for open and efficient access to, and use of, the leased lines provided over public telecommunications networks, and the availability throughout the European Union of a minimum set of leased lines with harmonised technical characteristics.

The 34 Mbit/s structured and unstructured leased lines are not part of the minimum set of leased lines under the Directive, however, this ETS is being written with the intention that where 34 Mbit/s leased lines are offered, they will be in accordance with these harmonised standards.

Under the Second Phase Directive (91/263/EEC), terminal equipment for connection to these leased lines will be required to fulfil certain essential requirements.

Blank page

## 1 Scope

This final draft ETS specifies the technical requirements and conformance tests for connection characteristics of point-to-point 34 Mbit/s digital leased lines. These leased lines operate at:

- 34 368 kbit/s providing an information transmission capability, without restriction on binary content, (D34U); and
- 34 368 kbit/s providing an information transmission capability, without restriction on binary content, of 33 920 kbit/s, (D34S); the remaining 448 kbit/s provides an 8 kHz framing structure in accordance with ETS 300 337 (ITU-T Recommendation G.832).

A connection is presented via interfaces at Network Termination Points (NTPs) and includes any equipment that may provide the NTP. Signals between NTPs are subject to impairments during their transfer over the connection. The limits to these impairments are stated in this ETS. This ETS, together with the companion standard prETS 300 686, defining the network interface presentation, describes the technical characteristics of the leased line.

The tests specified in this ETS cannot be carried out by the leased line provider while the leased line is in service, i.e. carrying users' traffic. Thus the tests are designed for bringing into and returning into service, although there is no obligation to perform these tests each time a leased line is brought into or returned into service. However, if the connection is structured, the error performance may be monitored by the leased line provider while the line is in service.

This ETS is applicable for leased lines, including part time leased lines, for which the establishment or release does not require any protocol exchange or other intervention at the NTP.

This ETS specifies the conformance tests for the connection requirements. This ETS does not include details concerning the implementation of the tests, nor does it include information on any relevant regulations.

## 2 Normative references

This ETS incorporates by dated or undated reference, provisions from other publications. These normative references are cited at the appropriate places in the text and the publications are listed hereafter. For dated references, subsequent amendments to, or revisions of any of these publications apply to this ETS only when incorporated into it by amendment or revision. For undated references the latest edition of the publication referred to applies.

- [1] prETS 300 686: "Business TeleCommunications (BTC); 34 Mbit/s and 140 Mbit/s digital leased lines (D34S, D34U, D140S and D140U); Network interface presentation".
- [2] ITU-T Recommendation O.151 (1992): "Error performance measuring equipment for digital systems at the primary bit rate and above".
- [3] ITU-T Recommendation O.171 (1992): "Timing jitter measuring equipment for digital systems".

NOTE: This ETS also contains a number of informative references which have been included to indicate the sources from which various material has been derived, hence they do not have an associated normative reference number. Details of these publications are given in annex F. In some cases the same publication may have been referenced in both a normative and an informative manner.

### 3 Definitions abbreviations

For the purposes of this ETS, the following definitions apply:

#### 3.1 Definitions

**Background Block Error Ratio (BBER):** The ratio of errored blocks to total blocks during a fixed measurement interval excluding all blocks during severely errored seconds and while the leased line connection is in the unavailable state.

**Background Block Error (BBE):** An errored block not occurring as part of a severely errored second.

**block:** A block is a set of consecutive bits equivalent to one frame; each bit belongs to one and only one block. The length of each block corresponds to a period of 125 microseconds.

**errored block:** A block in which one or more bits are in error.

**Errored Second (ES):** A one-second period with one or more errored blocks.

**Errored Seconds Ratio (ESR):** The ratio of errored seconds to total seconds during a fixed measurement interval. The ESR is not evaluated while the leased line connection is in the unavailable state.

**frame:** A repetitive set of consecutive bits in which the position of each bit can be identified by reference to a frame alignment signal.

**frame alignment signal:** The distinctive signal inserted in every frame always occupying the same relative position within the frame and used to establish and maintain frame alignment.

**leased lines:** The telecommunications facilities provided by a public telecommunications network that provide defined transmission characteristics between network termination points and that do not include switching functions that the user can control, (e.g. on-demand switching).

**Network Termination Point (NTP):** All physical connections and their technical access specifications which form part of the public telecommunications network and are necessary for access to and efficient communication through that public network.

**PRBS(2<sup>23</sup>-1):** A Pseudo Random Bit Sequence (PRBS) (as defined in subclause 2.2 of ITU-T Recommendation O.151 [2])

**satellite transmission:** Transmission via an earth orbiting satellite.

**severely disturbed period:** For out-of-service measurements, a severely disturbed period occurs when, over a period of time equivalent to four contiguous blocks, either all the contiguous blocks are affected by a high bit error density of  $\geq 10^{-2}$ , or a loss of signal is observed. For in-service monitoring purposes, a severely disturbed period is estimated by the occurrence of loss of signal or loss of frame alignment.

**Severely Errored Second (SES):** A one-second period which contains  $\geq 30\%$  errored blocks or at least one severely disturbed period.

**Severely Errored Seconds Ratio (SESR):** The ratio of severely errored seconds to total seconds during a fixed measurement interval. The SESR is not evaluated while the leased line connection is in the unavailable state.

**unavailability period:** An unavailability period begins at the onset of 10 consecutive SES. These 10 seconds are considered to be part of the unavailability period. The unavailability period ends at the onset of 10 consecutive non-severely errored seconds. These 10 seconds are not considered part of the unavailability period.

**unavailable state:** The leased line connection is in the unavailable state if an unavailability period is occurring in one or both directions of transmission.



### 3.2 Abbreviations

For the purposes of this ETS, the following abbreviations apply:

AIS	Alarm Indication Signal
BBE	Background Block Error
BBER	Background Block Error Ratio
BIP-8	Bit Interleaved Parity (8 bit)
BIS	Bringing Into Service
CRC-7	Cyclic Redundancy Check (7 bit)
D34U	34 Mbit/s digital unstructured leased line
D34S	34 Mbit/s digital structured leased line
EM	Error Monitoring
EMC	ElectroMagnetic Compatibility
ES	Errored Second
ESR	Errored Seconds Ratio
FA1	Frame Alignment byte 1
FA2	Frame Alignment byte 2
GC	General purpose Communications channel
HDB3	High Density Bipolar code 3
LSB	Least Significant Bit
MA	Maintenance and Adaptation
MSB	Most Significant Bit
NR	Network operator byte
NTP	Network Termination Point
ONP	Open Network Provision
ppm	parts per million
PRBS	Pseudo Random Bit Sequence
RDI	Remote Defect Indication
REI	Remote Error Indication
RPO	Reference Performance Objective
RX	RX is a signal input (at either the leased line interface or the test equipment)
SES	Severely Errored Second
SESR	Severely Errored Seconds Ratio
TM	Timing Marker
TR	TRail trace
TX	TX is a signal output (at either the leased line interface or the test equipment)
UI	Unit Interval

## 4 Requirements

The performance of the leased line shall comply with these requirements only if the conditions of supply of the network equipment providing the NTP are met, (e.g. if the equipment is connected to an appropriate power supply on the customer's premises).

The CCITT attribute technique is used to express the connection requirements. The following attributes from CCITT Recommendation I.140 are specified in this ETS:

- Transfer rate;
- Information transfer susceptance;
- Structure;
- Establishment of connection;
- Symmetry;
- Connection configuration;
- Network performance.

The following network performance sub-attributes are considered relevant for this ETS:

- Transmission delay;
- Jitter;
- Error;
- Availability.

#### 4.1 Attributes

The connection attributes are displayed in table 1. In effect, these attributes define the service being offered.

The values and the associated compliance tests can be found in the subsequent subclauses.

**Table 1: Connection attributes**

Connection type attributes	D34U	D34S
	Value / nature	
Transfer rate - leased line timing - information transfer rate	34 368 kbit/s ± 20 ppm 34 368 kbit/s ± 20 ppm	34 368 kbit/s ± 20 ppm 33 920 kbit/s ± 20 ppm
Information transfer susceptance	Unrestricted digital	
Structure	Unstructured	Frame integrity
Establishment of connection	Without user intervention	
Symmetry	Symmetrical in both directions	
Connection configuration	Point-to-point	
Transmission delay - terrestrial (for distance G in km) - satellite	≤ (10 + 0,01 G ) ms ≤ 350 ms	
Jitter at input port	0,4 UI from 100 Hz to 1 kHz 0,15 UI from 10 kHz to 800 kHz	
Jitter at output port	1,4 UI from 100 Hz to 800 kHz 0,14 UI from 10 kHz to 800 kHz	
Availability	No requirement	
Error parameters	D34U and D34S	
	Terrestrial	Satellite
End-to-end performance objectives. - Errored Seconds Ratio (ESR) - Severely Errored Seconds Ratio (SESR) - Background Block Error Ratio (BBER)	≤ 3,75 % ≤ 0,10 % ≤ 0,01 %	≤ 5,850 % ≤ 0,156 % ≤ 0,016 %
Performance levels over a 24 hour period - Errored Seconds (ES) - Severely Errored Seconds (SES) - Background Block Errors (BBE)	≤ 3 126 ≤ 68 ≤ 68 594	≤ 4 912 ≤ 112 ≤ 107 170

##### 4.1.1 Transfer rate

###### 4.1.1.1 Leased line timing

**Requirement:** The leased line shall be capable of carrying user timing within the range of 34 368 kbit/s ± 20 ppm.

The leased line provider may also offer to the user in certain installations the capability for the leased line to be synchronised to network timing.

**NOTE:** Network timing is timing that is derived from the source or sources of timing that are used for the network (i.e. a national primary reference clock). Thus the timing provided by the leased line will be similar to that provided by other digital services.

**Test:** The test shall be conducted according to subclause A.2.1.

###### 4.1.1.2 Information transfer rate

**Requirement:** The connection shall be capable of transferring a nominal information rate, defined in table 2.

**Table 2: Information transfer rate**

	<b>D34U</b>	<b>D34S</b>
Information transfer rate	34 368 kbit/s $\pm$ 20 ppm	33 920 kbit/s $\pm$ 20 ppm

**Test:** The test shall be conducted according to subclause A.2.1.

#### 4.1.2 Information transfer susceptance

**Requirement:** The connection shall be capable of transferring unrestricted digital information with bit sequence integrity at the nominal rate, defined in table 3.

**Table 3: Information transfer susceptance**

	<b>D34U</b>	<b>D34S</b>
Information transfer susceptance	34 368 kbit/s $\pm$ 20 ppm	33 920 kbit/s $\pm$ 20 ppm

**Test:** The test shall be conducted according to subclause A.2.1.

#### 4.1.3 Structure

##### 4.1.3.1 Frame integrity

The requirement of this subclause applies only to the D34S leased line.

**Requirement:** When a signal with the structure defined in annex B is applied to the input of the D34S leased line, the output signal at the far end shall also conform to the structure defined in annex B and the frame alignment byte (FA1 and FA2) shall be in the same position in relation to the contents of the payload.

**Test:** The test shall be conducted according to subclause A.2.5.

##### 4.1.3.2 Loss of input signal

**Requirement:** When there is no input signal to the leased line, the output signal at the far end of the leased line shall be Alarm Indication Signal (AIS) (all ones).

**Test:** The test shall be conducted according to subclause A.2.6.

#### 4.1.4 Symmetry

**Requirement:** The connection shall be symmetrical, i.e. each direction of transmission shall have the same information transfer capability (D34U and D34S) and the same frame structure (D34S).

**Test:** The test shall be conducted according to subclause A.2.1.

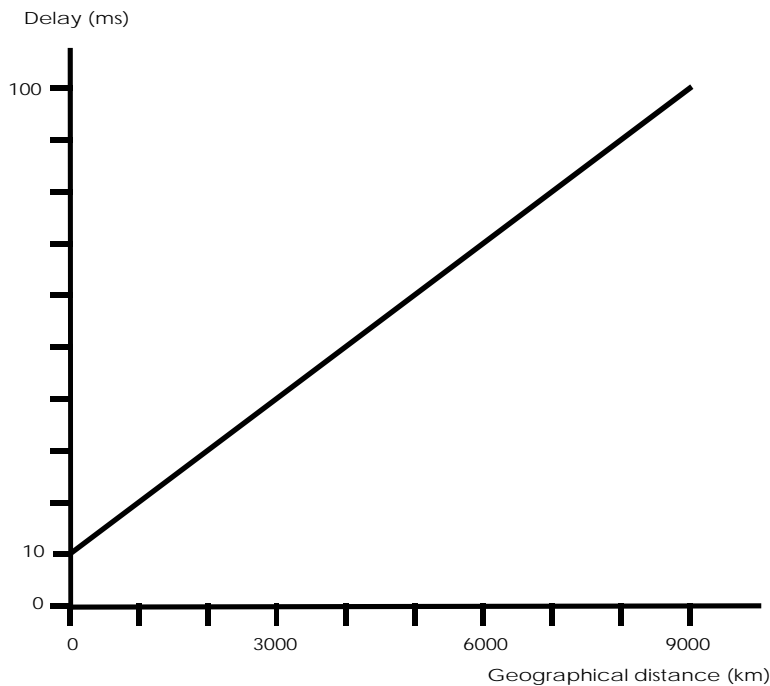
#### 4.1.5 Network performance

The network performance sub-attributes are displayed in table 1. The values and the associated compliance tests can be found in the subsequent subclauses.

##### 4.1.5.1 Transmission delay

**Requirement:** The requirement depends upon whether satellite transmission is involved in the connection or not:

- a) for connections where satellite transmission is not involved, the one way end-to-end delay shall be less than or equal to  $(10 + 0,01 G)$  ms, where G is the geographical distance in kilometres, as shown in figure 1; or



**Figure 1: Upper limit of delay**

- b) for connections where satellite transmission is involved, the one way end-to-end delay shall be less than or equal to 350 ms.

NOTE: Requirements a) and b) are based on ITU-T Recommendation G.114, subclauses 2.2 and 2.3.

There are no requirements for low frequency (below 20 Hz) variation of one way end-to-end delay under this ETS.

**Test:** The test shall be conducted according to subclause A.2.2.

#### **4.1.5.2 Jitter**

##### **4.1.5.2.1 Jitter tolerance at the network input port**

**Requirement:** The leased line shall function as specified with input jitter being the sum of the band limited components defined in table 4.

NOTE 1: The jitter tolerance for the connection is defined in this way instead of specifying single jitter frequencies, for the following reasons:

- a) this method is more representative of the jitter encountered in practice; and
- b) long regenerator chains may be especially sensitive to single jitter frequencies.

Table 4: Components of input jitter

Filters for generation of jitter spectrum (first order)		Bandpass filter for measurement of input jitter	Input jitter measured by bandpass filter
Lower cut-off (high pass)	Upper cut-off (low pass)	(lower cut-off first order)	Unit Interval (UI) peak- to-peak (maximum)
100 Hz	1 kHz	100 Hz to 800 kHz	0,4
10 kHz	800 kHz	10 kHz to 800 kHz	0,15

NOTE 2: These values are chosen to allow for jitter build-up in user networks and may be different from ITU-T Recommendations.

**Test:** The test shall be conducted according to subclause A.2.3.

#### 4.1.5.2.2 Maximum jitter at the network output port

**Requirement:** The maximum jitter at the output port of the network shall not exceed the limits specified in table 5, taken from ITU-T Recommendation G.823, when measured with linear filters with the defined cut-off frequencies.

At frequencies below the lower 3 dB point, the attenuation of the high pass filter shall rise with a value greater than, or equal to, 20 dB per decade. At frequencies above the upper 3 dB point, the attenuation of the low pass filtration shall rise with a value greater than, or equal to, 60 dB per decade.

For the measurement, the maximum input jitter as specified in subclause 4.1.5.2.1 shall be applied.

Table 5: Maximum network output jitter

Measurement filter bandwidth		Output jitter
Lower cut-off (high pass)	Upper cut-off (low pass)	UI peak-to-peak (maximum)
100 Hz	800 kHz	1,4
10 kHz	800 kHz	0,14

**Test:** The test shall be conducted according to subclause A.2.3.

#### 4.1.5.3 Error performance

Errored seconds, severely errored seconds and background block errors shall be excluded from the measurement of the error performance if the leased line is in the unavailable state.

NOTE: When microwave links are used in the connection it may not be possible to meet the requirement in rare periods with very adverse propagation conditions.

The end-to-end error performance rates for a 34 Mbit/s digital leased line using terrestrial or satellite connections are shown in table 6. These are based on the reference connections shown in annex C derived from ITU-T Recommendation G.826 and are valid for block sizes of 4 000 to 20 000 bits.

Table 6: End-to-end error performance objectives for a 34 Mbit/s digital leased line

Performance parameter	Terrestrial	Satellite
ESR	3,75 %	5,850 %
SESR	0,10 %	0,156 %
BBER	0,01 %	0,016 %

These figures for the error performance are used in the derivation of the performance levels given in subclause 4.1.5.3.2. The derivation of these figures is given in annex C.

#### 4.1.5.3.1 Bringing Into Service (BIS) limits

There is no requirement on BIS limits under this ETS.

NOTE: Annex E provides guidelines on 24 hour and 2 hour BIS limits.

#### 4.1.5.3.2 Performance level

The performance level of an unstructured leased line in service (i.e. carrying user data) cannot be estimated by the leased line provider since no bit pattern sequence is known. To determine the performance level the leased line needs to be taken out of service (the user will not have any access to the leased line or any service provided during the measurement period). The user may also measure the error performance of the leased line by connecting test equipment to the leased line or by using a proprietary performance calculation facility of the terminal equipment.

The performance level of a structured leased line in service (i.e. carrying user data) can be estimated from the Bit Interleaved Parity - 8 (BIP-8). In order for the leased line provider to perform an accurate error measurement, the leased line may need to be taken out of service (the user will not have any access to the leased line or any service provided during the measuring period). If a leased line provider uses tandem connection monitoring, the binary content of the Error Monitoring (EM) and Network operator (NR) bytes may change but the parity information of the BIP-8 is retained. If the EM byte which contains the BIP-8 information is not generated correctly by the terminal equipment, the performance monitoring of the leased line may give incorrect results.

**Requirement:** The performance of a leased line either in service or taken out of service in order to perform an error performance measurement, shall meet the requirements given in table 7.

**Table 7: Performance levels over 24 hour period for a block length of 4 296 bits**

Performance parameter	Terrestrial	Satellite
ES	≤ 3 126	≤ 4 912
SES	≤ 68	≤ 112
BBE	≤ 68 594	≤ 107 170

**Test:** The test shall be conducted according to subclause A.2.4.

#### 4.1.5.4 Availability

There is no requirement on availability under this ETS.

NOTE 1: Annex D provides guidelines on an approach to the specification of availability values.

NOTE 2: At present some leased line providers include availability performance, defined on an individual basis as a quality of service parameter, as part of the contracted supply conditions for their leased line offerings.

## **Annex A (normative): Test methods**

### **A.1 General**

This annex describes the test principles to determine the compliance of a connection against the requirements of this ETS.

It is outside the scope of this annex to identify the specific details of the implementation of the tests.

Details of test equipment accuracy and the specification tolerance of the test devices are not included in all cases. Where such details are provided they shall be complied with, but the way they are expressed shall not constrain the method of implementing the test.

**NOTE:** Attention is drawn to the issue of measurement uncertainty which may be addressed in future documents. Not all the required test results make allowance for spurious events during testing (e.g. errors due to EMC effects), which may make it necessary to repeat a test.

The test configurations given do not imply a specific realisation of the test equipment or test arrangement, or the use of specific test devices. However any test configuration used shall provide those test conditions specified under "connection state", "stimulus" and "monitor" for each individual test.

The test equipment shall be a device, or group of devices that is capable of generating a stimulus signal conforming to prETS 300 686 [1] and capable of monitoring the signal received from the network interface.

#### **A.1.1 Equipment connection**

Testing shall be performed at the defined NTP as this is the point at which compliance with this ETS is required.

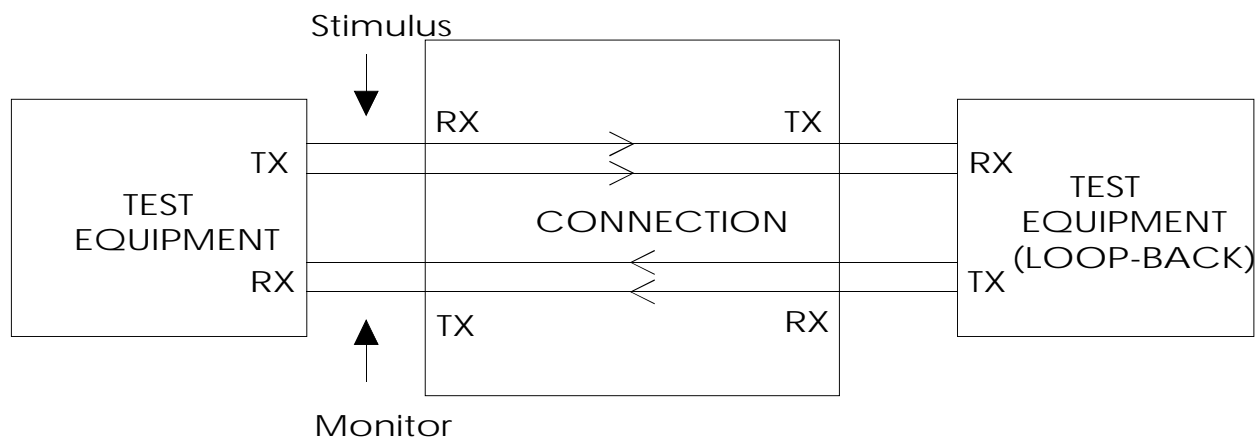
### **A.2 Test methods**

One test may cover more than one requirement. The scope of each test is defined under the heading "purpose".

#### **A.2.1 Leased line timing, information transfer rate, susceptance and symmetry**

**Purpose:** To verify compliance with the requirements for leased line timing (subclause 4.1.1.1), information transfer rate (subclause 4.1.1.2), susceptance (subclause 4.1.2) and symmetry (subclause 4.1.4).

**Test configuration:** Test equipment shall be connected to the leased line as shown in figure A.1. The leased line shall be looped back at the far end by a test equipment capable of reducing jitter to the levels specified in this ETS.



**Figure A.1: Leased line timing, information transfer rate, susceptance and symmetry**

**Connection State:** Available.

**Stimulus:** The test equipment shall generate an encoded bit stream as defined in table A.1. For D34U leased lines the three bit sequences specified in table A.1 shall be transmitted in the whole bit stream. For D34S leased lines the three bit sequences specified in table A.1 shall be transmitted in the payload section of the frame. The tests shall be performed at the bit rate limits given in table A.1.

**Table A.1: Test equipment output signal**

	D34U	D34S
Encoding	HDB3	
Waveform shape	See prETS 300 686 [1]	
Frame structure	Unstructured	See annex B
Bit pattern	a) PRBS( $2^{23}-1$ ) b) A sequence of continuous successive binary ZEROs c) A sequence of continuous successive binary ONES	
Bit rate limits	34 368 kbit/s $\pm$ 20 ppm	

**Monitor:** The bit stream at the output of the leased line.

**Results:** For each signal a, b and c, for a continuous period of at least one second no alterations to the binary content shall occur.

For signal a, on the D34S leased line, the integrity of the frame structure shall be maintained, (i.e. where the payload contains a given sequence at the input of the leased line, the identical sequence shall be contained in the payload at the output of the leased line).

**A.2.2 Delay**

**Purpose:** To verify compliance with the requirements for one way transmission delay as specified in subclause 4.1.5.1.

**Test configuration:** Test equipment shall be connected to the leased line as shown in figure A.2. The leased line shall be looped back at the far end by a test equipment capable of reducing jitter to the levels specified in this ETS.



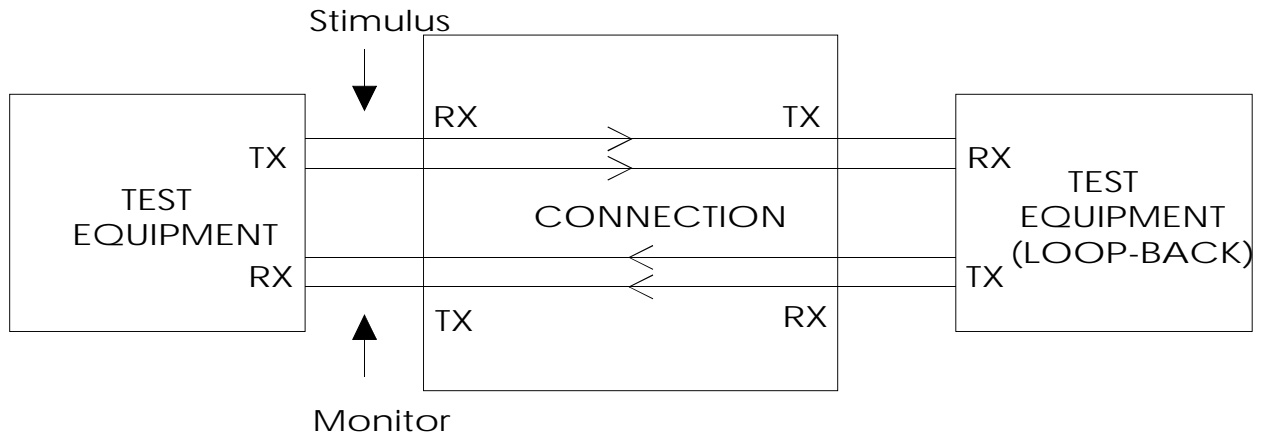


Figure A.2: Delay

**Connection State:** Available.

**Stimulus:** The test equipment shall generate an encoded bit stream as defined in table A.2. For D34U leased lines the bit pattern specified in table A.2 shall be transmitted in the whole bit stream. For D34S leased lines the bit pattern specified in table A.2 shall be transmitted in the payload section of the frame. The tests shall be performed at a bit rate within the bit rate limits given in table A.2.

Table A.2: Test equipment output signal

	D34U	D34S
Encoding	HDB3	
Waveform shape	See prETS 300 686 [1]	
Frame structure	Unstructured	See annex B
Bit pattern	A distinctive bit pattern whose repetition period is greater than the round trip delay	
Bit rate limits	34 368 kbit/s $\pm$ 20 ppm	

**Monitor:** The round trip delay between transmission and reception of the distinctive bit pattern.

**Results:** The round trip delay after deduction of the delay introduced by the loop-back test equipment, shall be less than or equal to twice the delay specified in the requirement of subclause 4.1.5.1.

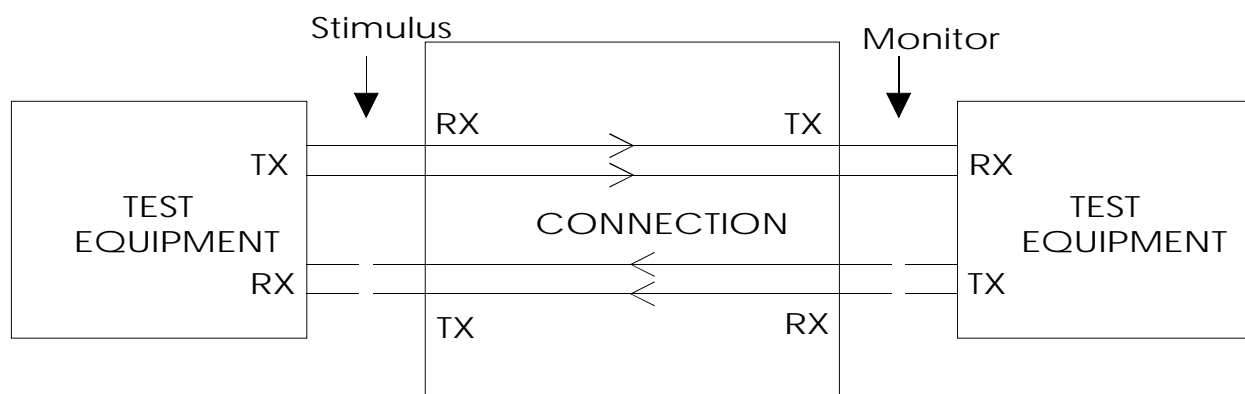
**NOTE:** This test assumes that the same transmission path is used in both directions. It is not practicable to provide a test of the transmission delay in each individual direction.

### A.2.3 Jitter

**Purpose:** To verify compliance with the requirements for jitter tolerance at the network input port as specified in subclause 4.1.5.2.1 and for the maximum jitter allowed at the network output port as specified in subclause 4.1.5.2.2.

**NOTE:** Further information on the measurement of jitter can be found in CCITT Supplement number 3.8, Fascicle IV.4 (1988).

**Test configuration:** Test equipment shall be connected to both ends of the leased line, (see figure A.3). Each direction shall be tested separately.



**Figure A.3: Jitter**

**Connection State:** Available.

**Stimulus:** The test equipment shall generate an encoded bit stream as defined in table A.3; this bit stream shall be applied to the input of the connection. For D34U leased lines bit pattern specified in table A.3 should be transmitted in the whole bit stream. For D34S leased lines the bit pattern specified in table A.3 shall be transmitted in the payload section of the frame. The tests shall be performed at the bit rate limits defined in table A.3.

**Table A.3: Test equipment output signal**

	D34U	D34S
Encoding	HDB3	
Waveform shape	See prETS 300 686 [1]	
Frame structure	Unstructured	See annex B
Bit pattern	PRBS(2 <sup>23</sup> -1)	
Bit rate limits	34 368 kbit/s ± 20 ppm	

Jitter is applied to the input bit stream, where jitter is produced by a voltage controlled jitter modulator, (see figure A.4), modulated by a signal which consists of the following two signals added together:

- a) a square wave signal produced by a PRBS(2<sup>23</sup>-1) bit stream generated at a frequency of 200 kHz. The square wave signal shall be filtered by a first order linear band pass filter with the cut off frequencies of 100 Hz and 1 kHz. The voltage amplitude of the square wave pulses shall be constant and of a value that results in measured jitter of 0,4 UI in the bandwidth of 100 Hz to 800 kHz;
- b) a square wave signal produced by a PRBS(2<sup>23</sup>-1) bit stream generated at a frequency of 200 kHz. The square wave signal shall be filtered by a first order linear band pass filter with the cut off frequencies of 10 kHz and 800 kHz. The voltage amplitude of the square wave pulses shall be constant and of a value that results in measured jitter of 0,15 UI in the bandwidth of 10 kHz to 800 kHz.

**NOTE:** The filter gains to determine the jitter levels are set individually. Filter FA is used when setting the value of A, with signal B disconnected. Filter FB is used when setting the value of B, with signal A disconnected.

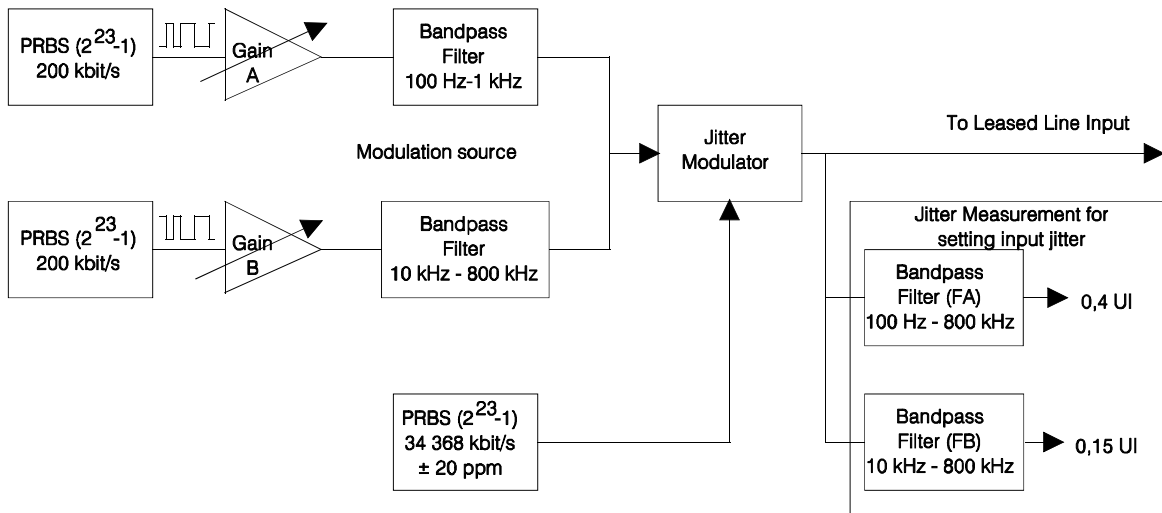


Figure A.4: Jitter testing

- Monitor:**
- The jitter extracted from the signal at the network output port using equipment complying with ITU-T Recommendation O.171 [3]; and
  - the bit stream extracted from the signal at the network output port.
- Result:**
- the peak to peak jitter at the connection output port shall comply with subclause 4.1.5.2.2, table 5; and
  - for at least one period out of 10 periods of 10 seconds each, no alterations to the binary content shall occur.

#### A.2.4 Error performance

**Purpose:** To verify compliance with the requirements for error as specified in subclause 4.1.5.3.

**Test configuration:** Test equipment shall be connected to both ends of the leased line (see figure A.5). Each direction shall be tested separately.

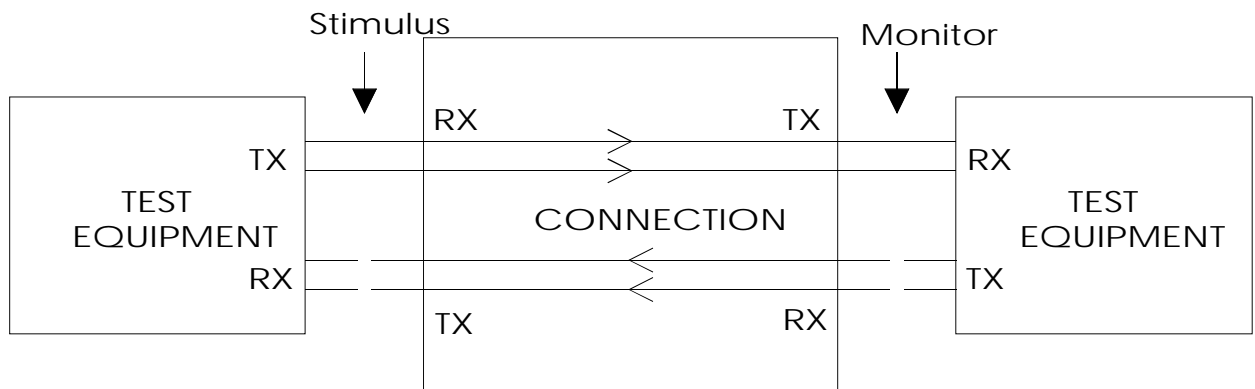


Figure A.5: Error

**Connection State:** Available.

**Stimulus:** The test equipment shall generate an encoded bit stream as defined in table A.4; this bit stream shall be applied to the input of the connection and shall be transmitted for two consecutive periods of 24 hours, with jitter modulated and filtered as described by subclause 4.1.5.2.1. For D34U leased lines the bit pattern specified in table A.4 shall be transmitted in the whole bit stream. For D34S leased lines the bit pattern specified in table A.4 shall be transmitted in the payload section of the frame.

The tests shall be performed at each of the bit rate limits defined in table A.4 for alternate 12 hour periods.

**Table A.4: Test equipment output signal**

	D34U	D34S
Encoding	HDB3	
Waveform shape	See prETS 300 686 [1]	
Frame structure	Unstructured	See annex B
Block length	537 x 8 bits	537 bytes
Bit pattern	PRBS(2 <sup>23</sup> -1)	
Bit rate limits	34 368 kbit/s ± 20 ppm	

- Monitor:**
- a) the number of errored seconds;
  - b) the number of severely errored seconds;
  - c) the number of background block errors.

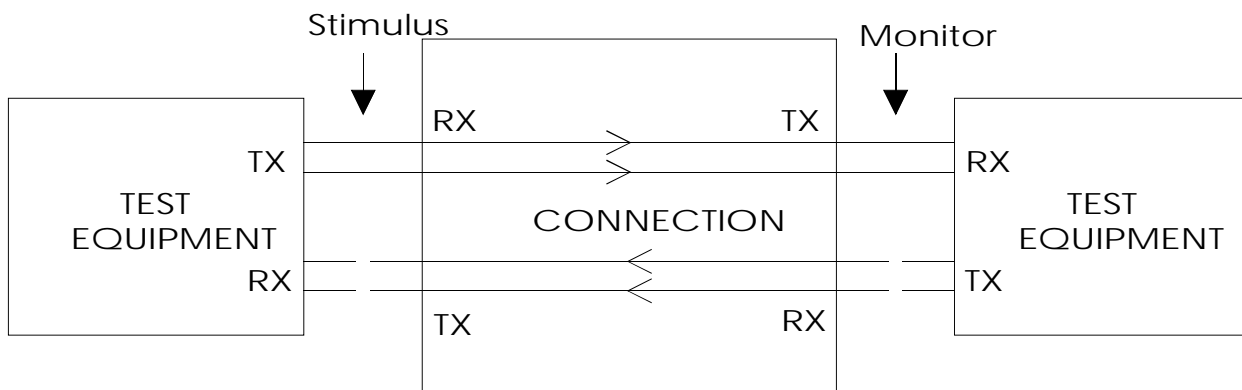
**Results:** When monitoring a line that is in service, or when monitoring a line that has been taken out of service to perform a measurement, the number of errors, severely errored seconds and background block errors shall be less than the performance levels given in subclause 4.1.5.3.2.

**NOTE:** If the requirements are met during the first continuous period of 24 hours, the test need not be continued for the second period of 24 hours.

**A.2.5 Structure - frame integrity**

**Purpose:** To verify compliance with the requirements for leased line structure as defined in subclause 4.1.3. The test verifies the occurrence of the frame alignment signals (FA1 and FA2) at the output of the leased line and that the BIP-8, trail trace, MA byte (RDI, REI, payload type, payload dependent and TM) and general purpose communications channel are carried transparently end-to-end.

**Test configuration:** Test equipment shall be connected to both ends of the leased line (see figure A.6). Each direction of transmission shall be tested separately.



**Figure A.6: Structure**

**Connection State:** Available.

**Stimulus:** The test equipment shall generate an encoded bit stream as defined in table A.5. The tests shall be performed at the bit rate limits given in table A.5.

**Table A.5: Test equipment output signal**

	<b>D34S</b>
Encoding	HDB3
Waveform shape	See prETS 300 686 [1]
Frame structure	See annex B (see notes 1 and 2)
Payload	PRBS( $2^{23}-1$ )
Bit rate limits	34 368 kbit/s $\pm$ 20 ppm
NOTE 1:	The trail trace shall be set to the values specified by the leased line provider.
NOTE 2:	Bits 3 to 7 of MA shall be set to 0. Bit 8 of MA shall be tested at 0 and 1.

**Monitor:** The bit stream at the far end output of the leased line.

**Results:** The BIP-8 contained in the EM byte shall correspond to the previous frame.

The trail trace bytes at the output from the leased line shall be equal to the trail trace bytes at the input to the leased line.

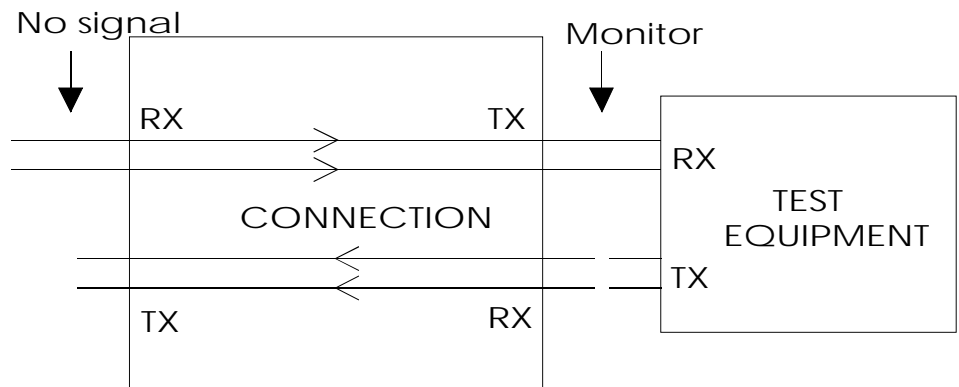
The MA byte (RDI, REI, payload type, payload dependent and TM) shall be equal to the MA byte at the input to the leased line.

The data contained within the general purpose communications channel shall be equal to the equivalent bytes at the input to the leased line.

#### A.2.6 Structure - lack of input signal

**Purpose:** This test verifies that when there is no input signal to the leased line, an AIS (all ones) signal is transmitted at the far end output, as defined in subclause 4.1.3.2.

**Test configuration:** Test equipment shall be connected to the far end of the leased line (see figure A.7). Each direction of transmission shall be tested separately.



**Figure A.7: Structure**

**Connection State:** Available.

**Stimulus:** There shall be no input signal applied to the leased line input (i.e. the input to the leased line shall be left unconnected).

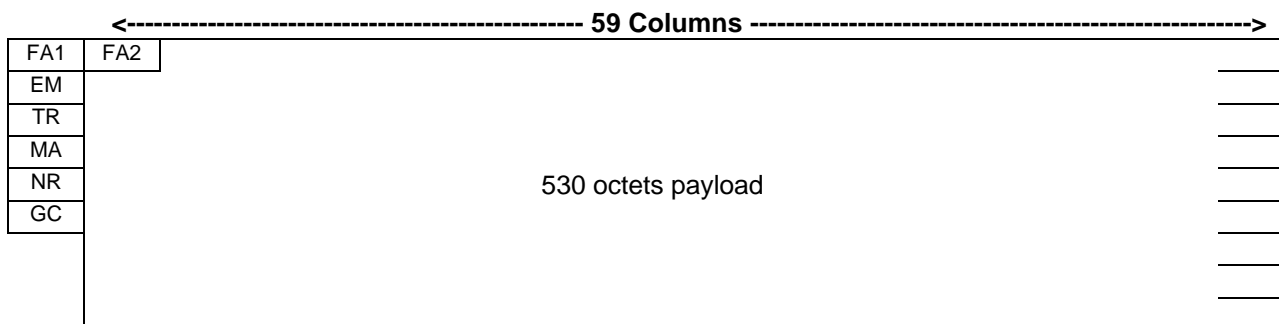
**Monitor:** The bit stream at the output of the leased line.

**Results:** The output bit stream shall be an AIS (all ones) signal.

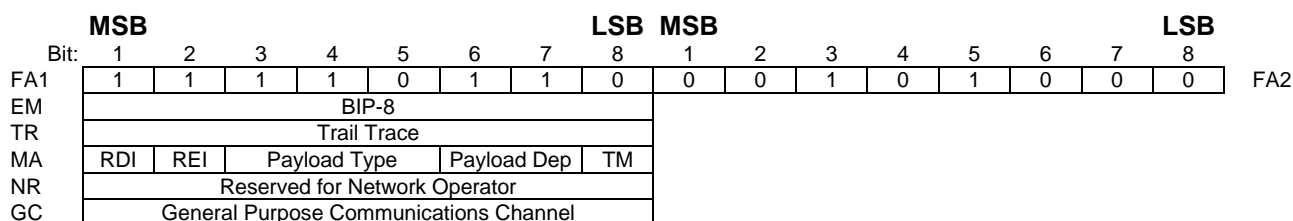
**Annex B (normative): Definition of frame structure**

**B.1 Frame structure at 34 368 kbit/s**

The basic frame structure at 34 368 kbit/s for the D34S leased line comprises 7 octets of generic path overhead and 530 octets of payload capacity; this is defined in figures B.1 and B.2. The order of transmission of information in figure B.1 is first from left to right and then top to bottom. Within each byte the most significant bit is transmitted first. The most significant bit (bit 1) is illustrated at the left of figure B.2.



**Figure B.1: Frame structure at 34 368 kbit/s**



**Figure B.2: Path overhead at 34 368 kbit/s**

- MSB Most Significant Bit.
  - LSB Least Significant Bit.
  - FA1 Frame Alignment byte (1).
  - FA2 Frame Alignment byte (2).
  - EM Error Monitoring, Bit Interleaved Parity - 8 (8-bit). One byte is allocated for path error monitoring. This byte carries the end-to-end parity information even if the NR byte is changed by the network operator. In this case, the BIP-8 is updated (not recalculated) to reflect the change in NR.
  - TR TRail trace. This byte is transmitted transparently from end-to-end.
  - MA Maintenance and Adaptation. This byte is transmitted transparently from end-to-end.
  - NR Network operator byte. This byte is allocated for maintenance purposes specific to network operators. Its end-to-end transparency is not guaranteed.
  - GC General purpose Communications channel (e.g. to provide data/voice channel connection for maintenance purposes). This byte is transmitted transparently from end-to-end.
- NOTE: Further details of the frame structure can be found in prETS 300 690 and ETS 300 337 (ITU-T Recommendation G.832).

## Annex C (informative): Derivation of error performance limits

### C.1 Introduction

Errors are caused by various influences such as:

- human intervention;
- thermal noise;
- induced voltages in equipment and cables due to lightning, radio transmissions and other electromagnetic effects;
- loss of synchronisation following uncontrolled slips;
- joints and connections.

The main cause of errors is induced voltages and such errors frequently occur in dense bursts due to particular phenomena. Due to improvements in technology resulting in part from a greater understanding of electromagnetic effects, there is a long term trend for error rates to reduce.

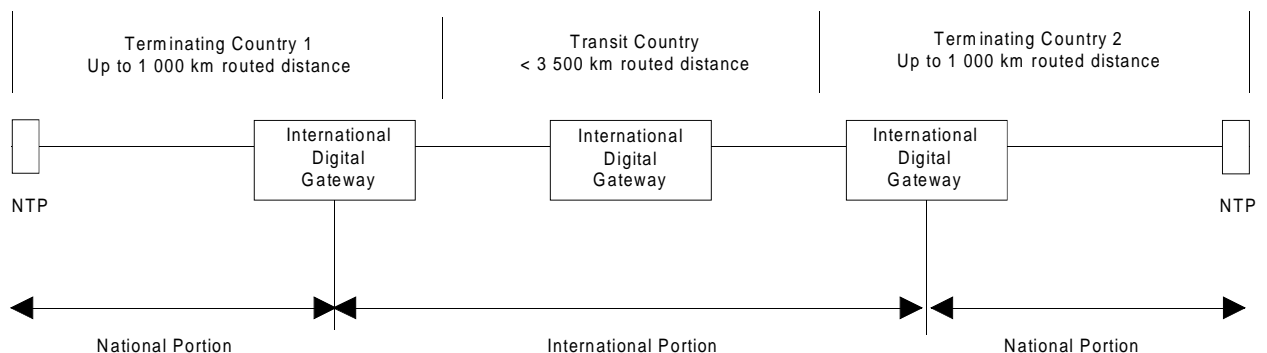
Studies in ITU-T have concluded that error rates for lines have a low dependence on distance.

### C.2 Reference connections

ITU-T Recommendation G.826 contains error performance limits for a hypothetical reference connection of 27 500 km. In order to apply these figures to a leased line, it is necessary to define reference connections to represent the leased lines covered by this ETS. A terrestrial reference connection and a satellite reference connection are defined in subclauses C.2.1 and C.2.2 based on ITU-T Recommendation G.826.

#### C.2.1 Terrestrial connection

Figure C.1 shows the reference connection for a terrestrial connection used in the derivation of error performance limits specified in this ETS.



**Figure C.1: Reference connection for terrestrial 34 Mbit/s digital leased line**

The reference connection given in figure C.1 comprises two terminating countries and a single transit country. For each terminating country, there is a routed distance of up to 1 000 km between the NTP and the international digital gateway. For the transit country there is a single international gateway and a routed distance up to 3 500 km. The routed distance is given by 1,5 x straight line distance, except that for undersea cable the actual routed length should be used.

**NOTE:** This model allows for a total routed distance of up to 5 500 km. Although this reference connection shows separate national portions, this ETS does not apportion errors between different countries and the errors may be apportioned differently.

### C.2.2 Satellite connection

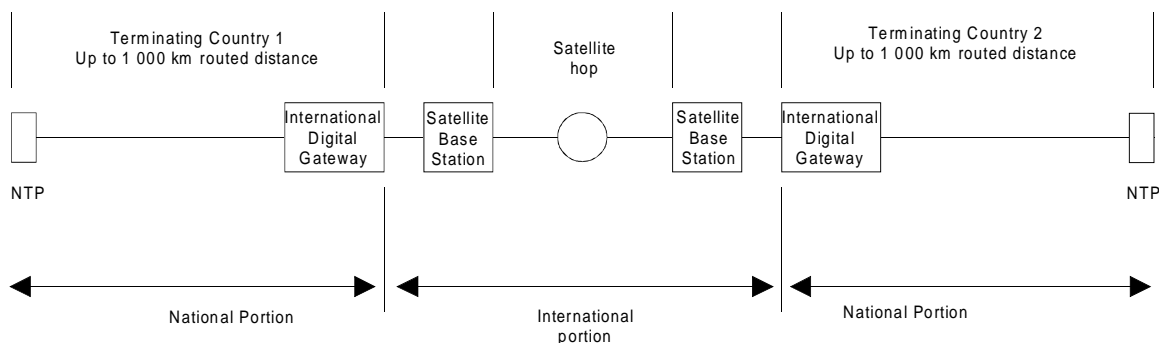


Figure C.2: Reference connection for satellite 34 Mbit/s digital leased line

The reference connection in figure C.2 contains a satellite link connecting the two terminating countries. For each terminating country a routed distances of 1 000 km is assumed.

### C.3 Error performance objectives

Tables C.1 and C.2 show the percentage allocation of the overall error performance objectives specified in ITU-T Recommendation G.826 to the various portions of the leased lines specified in the reference connections (terrestrial and satellite) defined in subclause C.2. The tables include both fixed allocations and distance dependent allocations of 1 % per 500 km routed distance.

Table C.1: Allocation of error performance objectives derived from G.826 - terrestrial connection

Path portion (terrestrial link)	Allocation
Terminating country 1 (fixed allocation)	17,5 %
Terminating country 1 (routed 1 000 km)	2,0 %
International transit termination	1,0 %
International transit (fixed allocation)	2,0 %
International transit (routed 3 500 km)	7,0 %
International transit termination	1,0 %
Terminating country 2 (routed 1 000 km)	2,0 %
Terminating country 2 (fixed allocation)	17,5 %
TOTAL	50,0 %

Table C.2: Allocation of error performance objectives derived from G.826 -satellite connection

Path portion (satellite link)	Allocation
Terminating country 1 (fixed allocation)	17,5 %
Terminating country 1 (routed 1 000 km)	2,0 %
International termination	2,0 %
Satellite connection	35,0 %
International termination	2,0 %
Terminating country 2 (routed 1 000 km)	2,0 %
Terminating country 2 (fixed allocation)	17,5 %
TOTAL	78,0 %

NOTE: The inclusion of additional transit countries to the terrestrial connection would require an additional fixed allocation (2 %), transit termination (1 %) and a routed portion (1 % per 500 km). Further information is given in ITU-T Recommendation G.826.

ITU-T Recommendation G.826 defines error performance objectives in terms of errored seconds, severely errored seconds and background block errors for a hypothetical reference path of 27 500 km; these rates are given in table C.3, column 2.



The application of the percentage figures given in tables C.1 and C.2 to the error performance objectives given in ITU-T Recommendation G.826 gives error rates for the D34U and D34S leased lines shown in table C.3 columns 3 and 4 for terrestrial and satellite connections.

**Table C.3: Error performance objectives for D34U and D34S leased lines**

Performance parameter	G.826	D34U / D34S terrestrial	D34U / D34S satellite
ESR	7,50 %	3,75 %	5,850 %
SESR	0,20 %	0,10 %	0,156 %
BBER	0,02 %	0,01 %	0,016 %
NOTE:	The figures in this table have been rounded; exact figures have been used in the calculation of the limits in the following subclauses.		

#### C.4 Long term error performance

The error performance ratio derived in subclause C.3 for the specific reference connections can be used to calculate the long term error performance requirements, expressed as an absolute figure over a 24 hour period; these are given in row 1 of table C.4 and C.5 for the terrestrial and satellite connections.

The error performance requirements specified are, however, statistical figures based on long term measurements (greater than one month) which are not statistically valid over a 24 hour measurement period. Therefore ITU-T Recommendation M.2100 presents a method of reducing these limits to 24 hour test limits S1 and S2. S1 is the limit below which there is confidence that the leased line meets the requirement, S2 is the limit above which there is confidence that the leased line fails to meet the requirement. Between S1 and S2 the results are inconclusive. Therefore, in order to have confidence that the leased line meets the long term requirement, the 24 hour test result should be better than the limit S1. In the event that the limit S1 is not met, the test should be repeated a second time.

S1 and S2 are derived from:  $S1 = (\text{requirement}) - 2 \times \sqrt{(\text{requirement})}$   
 $S2 = (\text{requirement}) + 2 \times \sqrt{(\text{requirement})}$

**Table C.4: Derivation of 24 hour test limits for a block length of 4 296 bits - terrestrial connection**

Parameter	ES	SES	BBE
Long term error performance	3 240 / 24 h	86 / 24 h	69 120 / 24 h
24 hour test limits			
accept (S1)	3 126 / 24 h	68 / 24 h	68 594 / 24 h
reject (S2)	3 354 / 24 h	105 / 24 h	69 646 / 24 h

**Table C.5: Derivation of 24 hour test limits for a block length of 4 296 bits - satellite connection**

Parameter	ES	SES	BBE
Long term error performance	5 054 / 24 h	135 / 24 h	107 827 / 24 h
24 hour test limits			
accept (S1)	4 912 / 24 h	112 / 24 h	107 170 / 24 h
reject (S2)	5 197 / 24 h	158 / 24 h	108 484 / 24 h

## Annex D (informative): Availability

### D.1 General

The availability of a leased line should be assessed over a long period of time and cannot be measured using a single test. CCITT Recommendation M.1016 proposes that any observation period should be three calendar months. For the purpose of observing availability, the following terms should be considered:

#### D.1.1 Unavailability

$$\text{Unavailability} = \frac{\sum \text{Unavailability periods}}{\text{Observation period}} \quad (\text{with unavailability generally expressed as a percentage})$$

#### D.1.2 Outage intensity

$$\text{Outage intensity} = \frac{\text{Number of unavailability periods}}{\text{Observation period}}$$

#### D.1.3 Mean time between failures

$$\text{Mean time between failures} = \frac{(\text{observation period}) - (\sum \text{Unavailability periods})}{\text{Number of unavailability periods}}$$

This equation is only valid for a high number of unavailability periods within the observation period.

#### D.1.4 Mean time to restore service

$$\text{Mean time to restore service} = \frac{\sum \text{Unavailability periods}}{\text{Number of unavailability periods}}$$

### D.2 Recommendations

Table D.1 gives recommended target values for availability and outage intensity for leased lines based on the terrestrial and satellite reference connections of annex C. These figures are taken from I-ETS 300 416 which provides values for 2 048 kbit/s path elements between customer premises. For the situations where the leased line connections are outside the scope of these reference connections, figures can be derived from I-ETS 300 416.

Figures are given for "standard performance" and "high performance" leased lines. Customers who require a very high availability may require diverse routing of two or more lines. The mean value is the figure to be met for the average of the leased lines; the worst case value is the value that no leased line should exceed (i.e. be worse than this figure).

**Table D.1: Target availability and outage intensity**

	Terrestrial				Satellite	
	Availability		Outage intensity (per year)		Availability	
Performance	mean	worst case	mean	worst case	mean	worst case
Standard performance	97,3 %	94,7 %	590	1 590	98,7 %	97,0 %
High performance	99,5 %	98,2 %	230	625	99,7 %	99,2 %

With an unstructured leased line, the leased line provider cannot monitor the leased lines by standard means. If there is a defined structure within the bit stream, the leased line provider may be able to monitor the leased line using proprietary methods.

## Annex E (informative): Bringing into service (BIS) limits

### E.1 General

This annex specifies BIS limits for 34 Mbit/s leased lines which may be used by the leased line provider as part of the commissioning process to ensure that the in service performance limits are met.

BIS limits are given for errored seconds and severely errored seconds. There are no BIS limits for background block errors.

### E.2 BIS limits

ITU-T Recommendation M.2100 defines BIS limits derived from the a Reference Performance Objective (RPO). In this application, the RPO is taken as 50 % of the ratio specified in ITU-T Recommendation G.826 (see annex C, table C.3).

For the leased line, the BIS limits are 0,5 x RPO limits, with BIS testing generally performed over a 24 hour, two hour or 15 minute period. The long term performance objectives are statistical figures based on long term measurements (greater than one month ) which are not statistically valid over a short measurement period. Therefore ITU-T Recommendation M.2100 presents a method of reducing these long term performance limits to short term BIS test limits S1 and S2. S1 is the limit below which bringing into service is accepted, S2 is the limit above which bringing into service is rejected. Between S1 and S2 the results are inconclusive.

BIS objective, S1 and S2 are derived from:

$$\begin{aligned} \text{BIS Objective} &= \text{RPO}/2 \\ \text{S1} &= \text{RPO}/2 - 2 \times \sqrt{(\text{RPO}/2)} \\ \text{S2} &= \text{RPO}/2 + 2 \times \sqrt{(\text{RPO}/2)} \end{aligned}$$

Tables E.1 and E.2 give the 24 hour and 2 hour BIS accept and reject limits for terrestrial and satellite connections of the 34 Mbit/s leased lines. When testing over a 15 minute period, there should be no error or unavailability event.

**Table E.1: BIS 24 hour test limits**

Performance parameter	Terrestrial	Satellite
ES		
accept limit (S1)	753 / 24 hours	1 193 / 24 hours
reject limit (S2)	867 / 24 hours	1 335 / 24 hours
SES		
accept limit (S1)	12 / 24 hours	22 / 24 hours
reject limit (S2)	31 / 24 hours	45 / 24 hours

**Table E.2: BIS 2 hour test limits**

Performance parameter	Terrestrial	Satellite
ES		
accept limit (S1)	51 / 2 hours	85 / 2 hours
reject limit (S2)	84 / 2 hours	126 / 2 hours
SES		
accept limit (S1)	0 / 2 hours	0 / 2 hours
reject limit (S2)	4 / 2 hours	6 / 2 hours

## Annex F (informative): Bibliography

- 91/263/EEC: "Council Directive of 29 April 1991 on the approximation of the laws of Member States concerning telecommunications terminal equipment, including the mutual recognition of their conformity".
- 92/44/EEC: "Council Directive of 5 June 1992 on the application of Open Network Provision to leased lines".
- CCITT Recommendation I.140 (1988): "Attribute techniques for the characterisation of telecommunication services supported by an ISDN and network capabilities of an ISDN".
- CCITT Recommendation M.1016 (1988): "Assessment of the service availability performance of international leased circuits".
- CCITT Supplement number 3.8, Fascicle IV.4 (1988): "Guidelines concerning the measurement of jitter".
- prETS 300 686: "Business TeleCommunications (BTC); 34 Mbit/s and 140 Mbit/s digital leased lines (D34S, D34U, D140S and D140U), Network interface presentation".
- prETS 300 689: "Business TeleCommunications (BTC); 34 Mbit/s leased digital lines (D34U and D34S), Terminal equipment interface".
- ETS 300 337: "Transmission and Multiplexing (TM); Generic frame structures for the transport of various signals (including Asynchronous Transfer Mode (ATM) cells and Synchronous Digital Hierarchy (SDH) elements) at the CCITT Recommendation G.702 hierarchical rates of 2 048 kbit/s, 34 368 kbit/s and 139 264 kbit/s".
- I-ETS 300 416: "Transmission and Multiplexing (TM); Availability performance of path elements of international digital paths".
- ITU-T Recommendation G.114 (1993): "Mean one-way propagation time".
- ITU-T Recommendation G.823 (1993): "The control of jitter and wander within digital networks which are based on the 2048 kbit/s hierarchy".
- ITU-T Recommendation G.826 (1994): "Error performance parameters and objectives for international constant bit rate digital paths at or above the primary rate".
- ITU-T Recommendation G.832 (1993): "Transport of SDH elements on PDH networks: frames and multiplexing structure".
- ITU-T Recommendation M.2100 (1992): "Performance limits for bringing into service and maintenance of digital paths, sections, and line sections".

## History

Document history			
April 1995	Public Enquiry	PE 83:	1995-04-24 to 1995-09-15
January 1996	Vote	V 96:	1996-01-08 to 1996-03-01