



EUROPEAN
TELECOMMUNICATION
STANDARD

DRAFT
pr **ETS 300 673**

October 1996

Source: ETSI TC-RES

Reference: DE/RES-09020A

ICS: 33.060.20, 33.100

Key words: EMC, radio, satellite, testing, VSAT

**Radio Equipment and Systems (RES);
ElectroMagnetic Compatibility (EMC) standard for
4/6 GHz and 11/12/14 GHz Very Small Aperture Terminal (VSAT)
equipment and
11/12/13/14 GHz Satellite News Gathering (SNG)
Transportable Earth Station (TES) equipment**

ETSI

European Telecommunications Standards Institute

ETSI Secretariat

Postal address: F-06921 Sophia Antipolis CEDEX - FRANCE

Office address: 650 Route des Lucioles - Sophia Antipolis - Valbonne - FRANCE

X.400: c=fr, a=atlas, p=etsi, s=secretariat - **Internet:** secretariat@etsi.fr

Tel.: +33 4 92 94 42 00 - Fax: +33 4 93 65 47 16

Copyright Notification: No part may be reproduced except as authorized by written permission. The copyright and the foregoing restriction extend to reproduction in all media.

© European Telecommunications Standards Institute 1996. All rights reserved.

Contents

Foreword	5
1 Scope	7
2 Normative references	7
3 Definitions and abbreviations	8
3.1 Definitions	8
3.2 Abbreviations	9
4 General test conditions.....	9
4.1 Test conditions.....	9
4.2 Arrangements for tests	9
5 Performance assessment	10
5.1 General	10
5.2 Equipment configuration(s).....	10
5.3 Equipment classification	11
6 Performance criteria.....	11
6.1 General	11
6.2 Performance criteria (C) for Continuous phenomena applied to the EUT	11
6.3 Performance criteria (TA) for Transient phenomena applied to a grade A EUT	12
6.4 Performance criteria (TB) for Transient phenomena applied to a grade B EUT	12
7 Overview tables.....	13
7.1 Emission	13
7.2 Immunity	13
8 Test methods and limits for emission tests of EUT.....	13
8.1 Test configuration	13
8.2 Enclosure 30 to 1 000 MHz.....	14
8.2.1 Purpose	14
8.2.2 Test method	14
8.2.3 Limits	14
8.3 DC power input/output port	14
8.3.1 Purpose	14
8.3.2 Test method	14
8.3.3 Limits	15
8.4 AC mains power input/output port.....	15
8.4.1 Purpose	15
8.4.2 Test method	15
8.4.3 Limits	15
9 Test methods and levels for immunity tests for EUT	16
9.1 Test configuration	16
9.2 Radio frequency electromagnetic field (80 to 1 000 MHz).....	16
9.2.1 Purpose	16
9.2.2 Test method and level.....	16
9.2.3 Performance criteria.....	16
9.3 Electrostatic discharge.....	17
9.3.1 Purpose	17
9.3.2 Test method and levels	17
9.3.3 Performance criteria.....	17
9.4 Fast transients common mode	17
9.4.1 Purpose	17

	9.4.2	Test method and levels.....	17
	9.4.3	Performance criteria	18
9.5		RF common mode, 0,15 MHz to 80 MHz (current clamp injection)	18
	9.5.1	Purpose	18
	9.5.2	Test method and level	18
	9.5.3	Performance criteria	18
9.6		Voltage dips and interruptions.....	18
	9.6.1	Purpose	18
	9.6.2	Test method and levels.....	18
	9.6.3	Performance criteria	19
9.7		Surges, common and differential mode	19
	9.7.1	Purpose	19
	9.7.2	Test method and levels.....	19
	9.7.3	Performance criteria	20
Annex A (normative):		Clauses and/or subclauses for compliance with the essential requirements of the EC Council Directives	21
Annex B (normative):		Definitions of the ES within the scope of this ETS.....	22
History			25

Foreword

This draft European Telecommunication Standard (ETS) has been produced by the Radio Equipment and Systems (RES) Technical Committee of the European Telecommunications Standards Institute (ETSI), and is now submitted for the Unified Approval Procedure phase of the ETSI standards approval procedure.

This ETS is intended to become a Harmonized EMC Standard, the reference of which is intended to be published in the Official Journal of the European Communities referencing the Council Directive 89/336/EEC [3] (EMC Directive). Conformity to the Harmonized EMC Standard will confer presumption of compliance with the essential requirements of the EMC Directive.

The technical specifications which are relevant to the EMC Directive are listed in normative annex A of this ETS.

This ETS is based upon the Generic Standards EN 50081-1 [1] and EN 50082-1 [2] and other standards, where appropriate.

Proposed transposition dates	
Date of latest announcement of this ETS (doa):	3 months after ETSI publication
Date of latest publication of new National Standard or endorsement of this ETS (dop/e):	6 months after doa
Date of withdrawal of any conflicting National Standard (dow):	6 months after doa

Blank page

1 Scope

This European Telecommunication Standard (ETS) covers the assessment of Very Small Aperture Terminals (VSAT) and Satellite News Gathering (SNG) Transportable Earth Stations (TESs) communication equipment in respect of Electromagnetic Compatibility (EMC). Technical specifications related to the antenna port and emissions from the enclosure port of the equipment, for frequencies above 1 000 MHz, are not included in this ETS. Such specific technical specifications are found in the relevant product standards for the effective use of the radio spectrum.

This ETS specifies the applicable EMC tests, the limits, and the minimum performance criteria for the following Earth Stations (ES) as defined in annex B.

The environment classification used in this ETS refers to the environment classification used in the Generic Standards EN 50081-1 [1] and EN 50082-1 [2].

The EMC requirements have been selected to ensure an adequate level of compatibility for apparatus in residential, commercial and light industrial environments. The levels, however, do not cover extreme cases which may occur in any location but with a low probability of occurrence.

This ETS may not cover those cases where a potential source of interference which is producing individually repeated transient phenomena or a continuous phenomenon is present, e.g. a radar or broadcast site in the near vicinity. In such a case it may be necessary to use special protection applied to either the source of interference, or the interfered part or both.

Compliance of VSAT equipment to the requirements of this ETS does not imply compliance to any requirement related to the use of the equipment (e.g. licensing requirements).

2 Normative references

This ETS incorporates by dated and undated reference, provisions from other publications. These normative references are cited at the appropriate places in the text and the publications are listed hereafter. For dated references, subsequent amendments to or revisions of any of these publications apply to this ETS only when incorporated in it by amendment or revision. For undated references the latest edition of the publication referred to applies.

- [1] EN 50081-1 (1992): "Electromagnetic compatibility - generic emission standard. Part 1: Residential, commercial and light industry".
- [2] EN 50082-1 (1992): "Electromagnetic compatibility - generic immunity standard. Part 1: Residential, commercial and light industry".
- [3] 89/336/EEC: "Council Directive on the approximation of the laws of the Member States relating to electromagnetic compatibility" as amended by 92/31/EEC: "Council Directive amending 89/336/EEC".
- [4] EN 55022 (1994): "Limits and methods of measurement of radio disturbance characteristics of information technology equipment".
- [5] CISPR 16-1 (1993): "Specification for radio disturbance and immunity measuring apparatus and methods; Part 1: Radio disturbance and immunity measuring apparatus".
- [6] ENV 50140 (1993): "Electromagnetic Compatibility - Basic immunity standard - Radiated, radio-frequency electromagnetic field. Immunity test".
- [7] EN 61000-4-2 (1995): "Electromagnetic compatibility (EMC); Part 4: Testing and measurement techniques; Section 2: Electrostatic discharge immunity test; Basic EMC publication".
- [8] EN 61000-4-4 (1995): "Electromagnetic Compatibility (EMC); Part 4: Testing and measurements techniques - Section 4: Electrical fast transient/burst immunity test. Basic EMC publication".

- [9] EN 61000-4-6: "Electromagnetic Compatibility - Basic immunity standard - Conducted disturbances induced by radio-frequency fields. Immunity test".
- [10] EN 61000-4-11 (1994): "Electromagnetic Compatibility (EMC); Part 4: Testing and measurements techniques - Section 11: Voltage dips, short interruptions and voltage variations immunity tests - Basic EMC publication".
- [11] ENV 50142 (1994): "Electromagnetic Compatibility - Basic immunity standard. Surge immunity test".

3 Definitions and abbreviations

3.1 Definitions

For the purposes of this ETS, the following definitions apply:

ancillary equipment: An equipment used in connection with an ES is considered as ancillary if the following three conditions are met:

- the equipment is intended for use in conjunction with an ES to provide additional operational and/or control features (e.g. to extend control to another position or location); and
- the equipment cannot be used on a stand alone basis to provide user functions independently of an ES; and
- the absence of the equipment does not inhibit the operation of the ES.

carrier-on state: A transmit ES is in this state when it is authorized to transmit, and when it transmits a signal, either authorized by a Centralized Control and Monitoring Function (CCMF) when designed for unattended operation or by local control when designed for attended operation.

carrier-off state: A transmit ES is in this state when it is authorized to transmit, and when it does not transmit any signal, either authorized by a CCMF when designed for unattended operation or by local control when designed for attended operation.

NOTE: The existence of a carrier-off state depends on the system of transmission used. For VSATs designed for continuous transmission mode there may be no carrier-off state.

enclosure port: The physical boundary of the apparatus through which an electromagnetic field may radiate or impinge (figure 1).

manufacturer (supplier): The legal entity responsible under the terms of the Council Directive, 89/336/EEC [3], for placing the product on the market.

port: A particular interface of the specified apparatus with the external electromagnetic environment (figure 1).

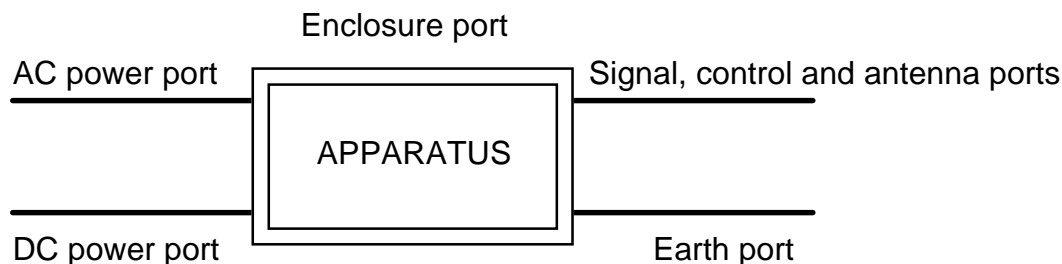


Figure 1: Examples of ports

transmission disabled state: A transmit ES is in this state when it is not authorized to transmit either by a CCMF when designed for unattended operation or by local control when designed for attended operation.

3.2 Abbreviations

For the purposes of this ETS, the following abbreviations apply:

CCMF	Centralized Control and Monitoring Functions
CMF	Control and Monitoring Functions
EIRP	Equivalent Isotropically Radiated Power
EMC	ElectroMagnetic Compatibility
ES	Earth Station
EUT	Equipment Under Test
LISN	Line Impedance Stabilizing Network
LNB	Low Noise Block converter
QTMA	Quality of Transmission Measurement Apparatus
RF	Radio Frequency
rms	root mean square
SNG	Satellite News Gathering
TES	Transportable Earth Station
VSAT	Very Small Aperture Terminal

4 General test conditions

4.1 Test conditions

For Earth Stations with or without ancillary equipment, and/or various terrestrial ports, the number of test configurations shall be determined. The assessment shall include sufficient representative configurations of the ES to adequately exercise the equipment. These configurations shall be recorded in the test report.

In the following clauses, the Equipment Under Test (EUT) is the ES with the selected configuration of ancillary equipment.

The equipment shall be tested under conditions which are within the manufacturers declared range of humidity, temperature, and supply voltage.

The test conditions shall be recorded in the test report.

4.2 Arrangements for tests

In order to measure the unwanted emissions and electromagnetic immunity under operational conditions, the following arrangements shall be provided by the manufacturer:

- a) a special test equipment to put the ES terminal in its normal operating mode, and providing the ES with a receive signal to emulate the operational conditions of reception. This equipment shall control the EUT, when it is capable of transmission, so that it switches between the transmission disabled, carrier-on and carrier-off states;
- b) the specific Quality of Transmission Measurement Apparatus (QTMA).

For the measurement of the quality of transmission a communications link shall be established and the wanted input signal shall be applied to the Radio Frequency (RF) input of the receiver via the antenna. For tests on the receiver, the level of the signal received from the test transmitter shall be as close as possible to the normal operation level of the EUT receiver. Care should be taken to avoid the broad band noise from the power amplifier of the test transmitter from influencing the measurement.

Adequate measures shall be taken to avoid the effects of the unwanted signal on the measuring equipment.

The special test equipment, the QTMA and the source of the wanted input signal shall be located outside the test environment. Adequate measures shall be taken to protect them from the effects of all the radiated fields within the test environment.

5 Performance assessment

5.1 General

The manufacturer shall, at the time of submission of the equipment for test, declare the intended use of the equipment, and provide full and complete documentation necessary for user operation, testing and evaluation purposes. This documentation shall include, but not be limited to:

- the ranges of the operational parameters, e.g. the power delivered to the antenna, the frequency ranges;
- an exhaustive list of ports, classified as either power or signal/control. Power ports shall further be classified as ac or dc power;
- the ancillary equipment to be combined with the ES for testing, if applicable;
- the user-control functions that are required for normal operation;
- the minimum quality of transmission, and the method to be used to assess it.

This information shall be in accordance with the documentation accompanying the equipment.

All this information shall be recorded in the test report.

5.2 Equipment configuration(s)

For radiation measurements in carrier-on state, the ES shall be put in a continuous transmit mode or to the maximum burst rate where applicable. The ES shall be operated at the highest normal operating Equivalent Isotropically Radiated Power (EIRP) or, if that is the maximum attainable, then 3 dB below such maximum.

A suggested test configuration is shown in figure 2.

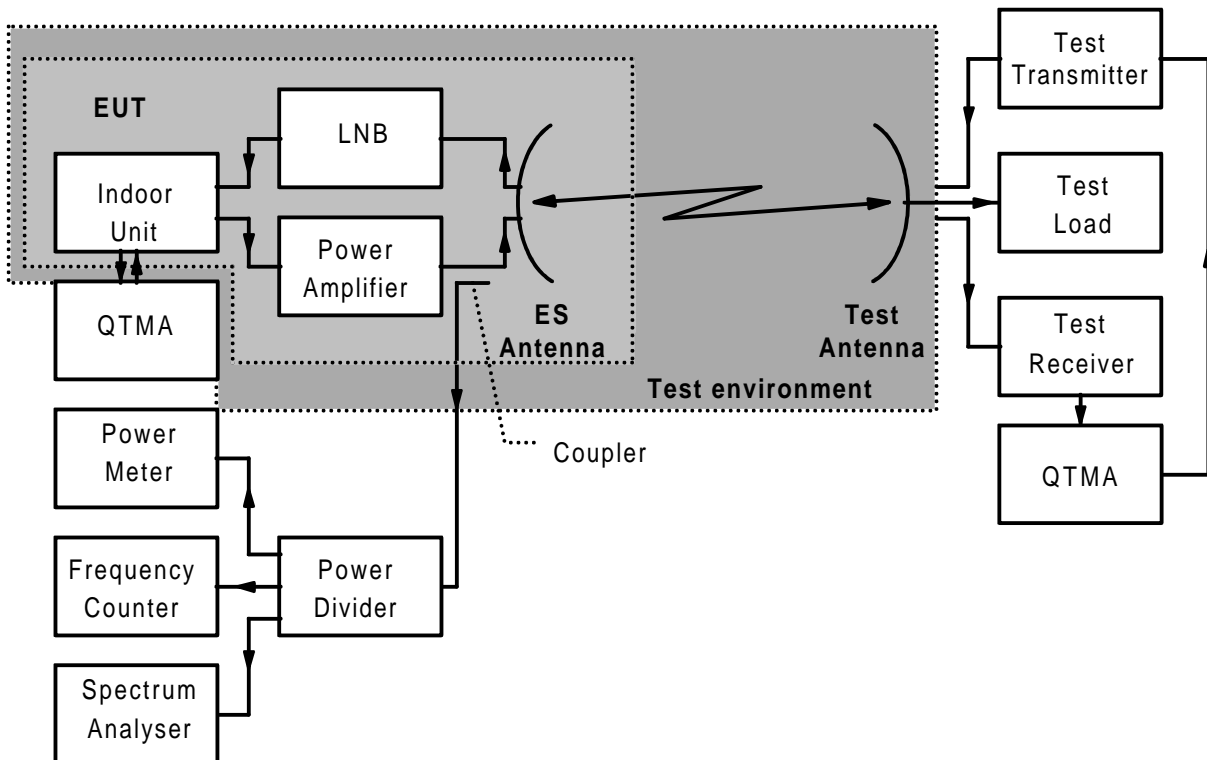


Figure 2: Suggested test configuration

For the tests, the ES antenna reflector and the test antenna may be removed at their flanges and be replaced by one direct wave guide connection.

The following test equipment shall be the means whereby the correct operation of the EUT is verified:

- a) the power meter measures the output power and is used to confirm the transmission disabled, carrier-on and carrier-off states and output level consistency;
- b) the frequency counter measures the centre frequency of the radiated carrier in the absence of modulation;
- c) the spectrum analyzer measures the bandwidth of the transmission;
- d) the test receiver is used to demodulate the transmitted signal;
- e) the two QTMA are used in conjunction with each other to assess the quality of transmission;
- f) the test transmitter is used to control the switching between transmission disabled, carrier-on and carrier-off states by transmitting the control and monitoring signals.

5.3 Equipment classification

The equipment are classified into the two grades of service and for both grades the requirements provided represent "the minimum entry to the market requirement":

- grade A of ES for which short interruptions of transmission are accepted during immunity testing with EMC transient phenomena;
- grade B of ES for which no short interruption of transmission is accepted during immunity testing with EMC transient phenomena.

The applicable grade A or B shall be declared by the manufacturer, it shall be in accordance with the information contained in the instructions accompanying the ES, and shall be recorded in the test report.

6 Performance criteria

6.1 General

The definition of the functions of the EUT, including its ancillary equipment, to be checked during and after the EMC testing shall be declared by the manufacturer and recorded in the test report.

The equipment shall meet the minimum performance criteria as specified in subclauses 6.2, 6.3 and 6.4 and additionally the functions as declared by the manufacturer.

6.2 Performance criteria (C) for Continuous phenomena applied to the EUT

The EUT shall be considered to satisfy the immunity specifications if the following conditions are met during and after the exposure:

- a) the quality of transmission observed is no worse than that declared by the manufacturer (subclause 5.1);
- b) the EUT is able to be placed in the transmission disabled state, and does not leave that state without being commanded;
- c) when the EUT is in the transmission disabled state there is no change in the signal level;
- d) when the EUT is in the carrier-on state there is no change in the signal level or frequency;
- e) when the EUT is in the carrier-off state there is no increase of the signal level;
- f) for transmitting ESs, under no circumstances does the transmitter operate unintentionally during the test;
- g) the EUT operates as intended with no loss of user control functions, stored data and the communications link.

6.3 Performance criteria (TA) for Transient phenomena applied to a grade A EUT

The EUT shall be considered to satisfy the immunity specifications if the following conditions are met:

- during and after the series of individual exposures:
 - a) the EUT is able to be placed in the transmission disabled state, and does not leave that state without being commanded;
 - b) when the EUT is in the transmission disabled state there is no change in the signal level;
 - c) when the EUT is in the carrier-on state there is no change in the signal frequency or increase of the signal level;
 - d) when the EUT is in the carrier-off state there is no increase of the signal level;
 - e) for transmitting ESs, under no circumstances does the transmitter operate unintentionally during the test;
- at the conclusion of each exposure the quality of transmission observed shall be no worse than that declared by the manufacturer (subclause 5.1);
- at the conclusion of the total test comprising the series of individual exposures the EUT shall operate as intended with no loss of user control functions or stored data and the communications link shall remain maintained.

6.4 Performance criteria (TB) for Transient phenomena applied to a grade B EUT

The EUT shall be considered to satisfy the immunity specifications if the following conditions are met during and after the series of individual exposures:

- a) the quality of transmission observed is no worse than that declared by the manufacturer (subclause 5.1);
- b) under the test conditions the EUT is able to be placed in the transmission disabled state, and does not leave that state without being commanded;
- c) when the EUT is in the transmission disabled state there is no change in the signal level;
- d) when the EUT is in the carrier-on state there is no change in the signal level or frequency;
- e) when the EUT is in the carrier-off state there is no increase of the signal level;
- f) for transmitting ESs, under no circumstances does the transmitter operate unintentionally during the test;
- g) the EUT shall operate as intended with no loss of user control functions, stored data and the communications link.

7 Overview tables

7.1 Emission

Table 1: Emission test requirement

Port	Reference subclause in this ETS	Reference document
Enclosure (30 to 1 000 MHz)	8.2	EN 55022 [4]
DC power input/output	8.3	EN 55022 [4], CISPR 16-1 [5]
AC mains power input/output	8.4	EN 55022 [4]

7.2 Immunity

Table 2: Immunity test requirement

Phenomena	Application	Reference subclause in this ETS	Reference document
RF electromagnetic field (80 to 1 000 MHz)	Enclosure	9.2	ENV 50140 [6]
Electrostatic discharge	Enclosure	9.3	EN 61000-4-2 [7]
Fast transients common mode	Signal and control ports, dc and ac power input ports	9.4	EN 61000-4-4 [8]
RF common mode 0,15 to 80 MHz (current clamp injection)	Signal and control ports, dc and ac power ports	9.5	EN 61000-4-6 [9]
Voltage dips and interruptions	AC mains power input ports	9.6	IEC 1000-4-11 [10]
Surges, common and differential mode	AC mains power input ports	9.7	ENV 50142 [11]

8 Test methods and limits for emission tests of EUT

8.1 Test configuration

This subclause defines the requirements for test configurations described in the following subclauses. The requirements are as follows:

- the measurement shall be made in the operational mode producing the largest emission in the frequency band being investigated consistent with normal applications;
- the transmit carrier frequency and the receive carrier frequency shall be selected so that they give the maximum spurious radiation below 1 000 MHz;
- the equipment shall be configured in a manner which is representative of normal/typical operation, where practical;
- an attempt shall be made to maximize the detected radiated emission, for example by moving the cables of the equipment;
- if the equipment is part of a system, or can be connected to ancillary equipment, then it shall be acceptable to test the equipment while connected to the minimum configuration of ancillary equipment necessary to exercise the ports;

- the configuration and mode of operation during measurements shall be precisely noted in the test report;
- if the equipment has a large number of ports, then a sufficient number of them shall be selected to simulate actual operation conditions and to ensure that all the different types of termination are covered;
- ports which in normal operation are connected shall be connected to an ancillary equipment or to a representative piece of cable terminated to simulate the impedance of the ancillary equipment. RF input/output ports shall be correctly terminated;
- the tests shall be carried out at a point within the specified operating environmental range and at the rated supply voltage for the equipment.

8.2 Enclosure 30 to 1 000 MHz

This test is applicable to the complete EUT.

8.2.1 Purpose

This test assesses the ability of the complete EUT to limit any radiated emission in the frequency band 30 to 1 000 MHz from the enclosure.

8.2.2 Test method

The test method shall be in accordance with EN 55022 [4].

8.2.3 Limits

The radiated field strength shall not exceed the limits for EN 55022 [4] class B equipment given in table 3.

Table 3: Limits of radiated field strength at a test distance of 10 m

Frequency range	Limit (quasi-peak)
30 to 230 MHz	30 dB μ V/m
230 to 1 000 MHz	37 dB μ V/m
NOTE: The lower limit shall apply at the transition frequency.	

8.3 DC power input/output port

This test is applicable to EUT dc power input/output ports which may have dc cables longer than 3 m.

8.3.1 Purpose

This test assesses the ability of EUT to limit their internal noise from being present on the dc power input/output ports.

8.3.2 Test method

For equipment with a current consumption not exceeding 16 A the test method shall be in accordance with EN 55022 [4] and the Line Impedance Stabilizing Networks (LISN) shall be connected to a dc power source.

For equipment with a current consumption above 16 A the dc power ports shall be connected to 5 μ H LISNs with 50 Ω measurement ports. The LISNs shall be in accordance with the requirements of CISPR 16-1 [5].

A measuring receiver shall be connected to each LISN measurement port in turn and the conducted emission recorded. The LISN measurement ports not being used for measurement shall be terminated with a 50 Ω load.

The equipment shall be installed with a ground plane as defined in EN 55022 [4] subclause 9.3. The reference earth point of the LISNs shall be connected to the reference ground plane with a conductor as short as possible.

The measurement receiver shall be in accordance with the requirements of CISPR 16-1 [5].

8.3.3 Limits

The conducted emissions from the EUT at the dc port shall not exceed the average limits and the quasi-peak limits for EN 55022 [4] class B equipment given in table 4 when using, respectively, an average detector receiver and a quasi-peak detector receiver and measured in accordance with the method described in subclause 8.3.2.

If, in a frequency range, the average limit is not exceeded when using a quasi-peak detector, the equipment shall be deemed to be not exceeding both limits and measurement with the average detector receiver is unnecessary, within this frequency range.

Table 4: Limits of conducted emissions at the dc power port

Frequency range	Quasi-peak	Average
0,15 to 0,5 MHz	66 to 56 dB μ V	56 to 46 dB μ V
0,5 to 5 MHz	56 dB μ V	46 dB μ V
5 to 30 MHz	60 dB μ V	50 dB μ V
NOTE:	The lower limits shall apply at the transition frequencies. The limit decreases linearly with the logarithm of the frequency in the range 0,15 MHz to 0,50 MHz.	

8.4 AC mains power input/output port

This test is applicable to the complete EUT.

8.4.1 Purpose

This test assesses the ability of the complete EUT to limit internal noise from being present on the ac mains power input/output ports.

8.4.2 Test method

The test method shall be in accordance with EN 55022 [4].

8.4.3 Limits

The conducted emissions from the EUT at the ac port shall not exceed the average limits and the quasi-peak limits given in table 5 when using, respectively, an average detector receiver and a quasi-peak detector receiver and measured in accordance with the method described in subclause 8.3.2. If, in a frequency range, the average limit is not exceeded when using a quasi-peak detector, the equipment shall be deemed to be not exceeding both limits and measurement with the average detector receiver is unnecessary, within this frequency range.

Table 5: Limits of conducted emissions at the ac mains port

Frequency range	Quasi-peak	Average
0,15 to 0,5 MHz	66 to 56 dB μ V	56 to 46 dB μ V
0,5 to 5 MHz	56 dB μ V	46 dB μ V
5 to 30 MHz	60 dB μ V	50 dB μ V
NOTE:	The lower limits shall apply at the transition frequencies. The limit decreases linearly with the logarithm of the frequency in the range 0,15 MHz to 0,50 MHz.	

9 Test methods and levels for immunity tests for EUT

9.1 Test configuration

This subclause defines the requirements for test configurations described in the following subclauses. The requirements are as follows:

- for the immunity tests of receivers a communications link shall be established;
- if the equipment is part of a system, or can be connected to ancillary equipment, then it shall be acceptable to test the equipment while connected to the minimum configuration of ancillary equipment necessary to exercise the ports;
- for the immunity tests of transmit/receive EUT, a communications link shall be established between the EUT and the testing system. The EUT shall be placed in the operating mode;
- for the immunity tests of ancillary equipment, without a separate pass/fail criteria, the EUT with the ancillary equipment shall be used to judge whether the ancillary equipment meets the requirements;
- the configuration and mode of operation during measurements shall be precisely noted in the test report;
- if the equipment has a large number of ports, then a sufficient number of them shall be selected to simulate actual operation conditions and to ensure that all the different types of termination are covered;
- ports which in normal operation are connected to ancillary or other equipment (e.g. to terrestrial access ports), through interconnecting cables, shall be connected either to such equipment via a representative interconnecting cable, or to a representative termination to simulate the input/output characteristics of the ancillary or other equipment via a representative piece of interconnecting cable to connect such termination;
- the tests shall be carried out at a point within the specified normal operating environmental range and at the rated supply voltage for the equipment.

9.2 Radio frequency electromagnetic field (80 to 1 000 MHz)

This test is applicable to the complete EUT.

9.2.1 Purpose

This test assesses the ability of the complete EUT to operate as intended in the presence of a disturbing radio frequency electromagnetic field.

9.2.2 Test method and level

The test method shall be in accordance ENV 50140 [6], with the following requirements applying:

- the applied electromagnetic field shall be amplitude modulated to a depth of 80 % by a sinusoidal audio signal of 1 kHz; without modulation, its effective amplitude shall be 3 V/m;
- the centre frequency of the electromagnetic field shall be incremented by 1 % steps over the frequency range 80 to 1 000 MHz;
- the frequencies selected during the test shall be recorded in the test report.

9.2.3 Performance criteria

The performance criteria C (subclause 6.2) shall apply.

9.3 Electrostatic discharge

This test is applicable to the complete EUT.

9.3.1 Purpose

This test assesses the ability of the complete EUT to operate as intended in the event of an electrostatic discharge.

9.3.2 Test method and levels

The test method shall be in accordance with EN 61000-4-2 [7].

The following requirements shall apply:

- for contact discharge, the test levels shall be ± 2 kV and ± 4 kV; for air discharge, the test levels shall be ± 2 kV, ± 4 kV and ± 8 kV (EN 61000-4-2 [7], clause 5);
- electrostatic discharges shall be applied to all exposed surfaces of the EUT except where the user documentation specifically indicates a requirement for appropriate protective measures (EN 61000-4-2 [7], subclause 8.3.1).

9.3.3 Performance criteria

The performance criteria TA (subclause 6.3) shall apply to grade A ES. The performance criteria TB (subclause 6.4) shall apply to grade B ES.

9.4 Fast transients common mode

This test is applicable to the complete EUT.

This test shall be performed on ac mains power input ports.

This test shall be performed on each signal port, control port and dc power input/output port which may be connected to a cable longer than 3 m.

This test shall not be carried out on those of the ports declared by the manufacturer as not intended to be used with cables longer than 3 m. The list of those ports not tested for this reason shall be recorded in the test report.

9.4.1 Purpose

This test assesses the ability of the complete EUT to operate as intended in the event of fast transients present on the input/output ports.

9.4.2 Test method and levels

The test method shall be in accordance with EN 61000-4-4 [8], with the following requirements applying:

- the test level for signal and control ports shall be 0,5 kV open circuit voltage as given in clause 5 of EN 61000-4-4 [8];
- the test level for dc power input/output ports shall be 0,5 kV open circuit voltage given in clause 5 of EN 61000-4-4 [8];
- the test level for ac mains power input ports shall be 1 kV open circuit voltage as given in clause 5 of EN 61000-4-4 [8].

For ac power input and dc power input /output ports the transients shall be applied (in parallel) to all the wires in the cable with reference to the cabinet reference ground, i.e. line-to-ground, (true common mode), with a source impedance of 50 Ω .

9.4.3 Performance criteria

The performance criteria TA (subclause 6.3) shall apply to grade A ES. The performance criteria TB (subclause 6.4) shall apply to grade B ES.

9.5 RF common mode, 0,15 MHz to 80 MHz (current clamp injection)

This test is applicable to the complete EUT.

This test shall be performed on each signal, control and dc power and ac mains power input/output port of the EUT which may have a cable longer than 1 m.

This test shall not be carried out on those of the ports declared by the manufacturer as not intended to be used with cables longer than 1 m. The list of those ports not tested for this reason shall be recorded in the test report.

9.5.1 Purpose

This test assesses the ability of the complete EUT to operate as intended in the presence of a radio frequency electromagnetic disturbance on the input/output ports.

9.5.2 Test method and level

The test method shall be the current clamp injection method in accordance with EN 61000-4-6 [9], with the following requirements applying:

- the test signal shall be amplitude modulated to a depth of 80 % by a sinusoidal audio signal of 1 kHz;
- the centre frequency of the test signal shall be incremented by 50 kHz steps over the frequency range 150 kHz to 5 MHz and by 1 % steps of the centre frequency over the frequency range 5 MHz to 80 MHz;
- without modulation, the rms value of the amplitude of the test signal shall be 3 V, at a transfer impedance of 150 Ω . This test level corresponds to the severity level 2 of EN 61000-4-6 [9];
- no intrusive or direct connection shall be made to any of the lines of any input/output port, therefore the current clamp injection method shall be used;
- the test shall be performed over the centre frequency range 150 kHz to 80 MHz;
- the centre frequencies selected during the test shall be recorded in the test report.

9.5.3 Performance criteria

The performance criteria C (subclause 6.2) shall apply.

9.6 Voltage dips and interruptions

These tests are applicable for the complete EUT powered by ac mains.

These tests shall be performed on ac mains power input ports.

9.6.1 Purpose

These tests assess the ability of the complete EUT to operate as intended in the event of voltage dips and interruptions present on the ac mains power input ports.

9.6.2 Test method and levels

The test method shall be in accordance with IEC 1000-4-11 [10].

The test levels shall be:

- a) a voltage dip corresponding to a reduction of the supply voltage of 30 % for 10 ms;
- b) a voltage dip corresponding to a reduction of the supply voltage of 60 % for 100 ms;
- c) a voltage interruption corresponding to a reduction of the supply voltage of more than 95 % for 5 000 ms.

9.6.3 Performance criteria

- a) for a voltage dip corresponding to a reduction of the supply voltage of 30 % for 10 ms, the performance criteria C (subclause 6.2) shall apply;
- b) for a voltage dip corresponding to a reduction of the supply voltage of 60 % for 100 ms, the performance criteria TA (subclause 6.3) shall apply to grade A ES, and the performance criteria TB (subclause 6.4) shall apply to grade B ES.

In addition, when the equipment is powered solely from the ac mains supply (without the use of a parallel battery back up) communications need not have been maintained and may have to be re-established, and volatile user data may have been lost.

In the event of loss of communications and/or user data, this fact shall be recorded in the test report;

- c) For a voltage interruption corresponding to a reduction of the supply voltage of more than 95 % for 5 000 ms, the following performance criteria shall apply:
 - for equipment fitted with or connected to a battery back-up the performance criteria TA (subclause 6.3) shall apply to both grade A and grade B ES;
 - for equipment powered solely from the ac mains supply (without the use of a parallel battery back-up) communications need not have been maintained and may have to be re-established, and volatile user data may have been lost.

No unintentional response shall occur at the end of the test.

In the event of loss of communications and/or user data, this fact shall be recorded in the test report.

9.7 Surges, common and differential mode

These tests are applicable to the complete EUT.

These tests shall be performed on ac mains power input ports.

9.7.1 Purpose

These tests assess the ability of the complete EUT to operate as intended in the event of surges present on the ac mains power input ports.

9.7.2 Test method and levels

The test method shall be in accordance with ENV 50142 [11].

- the test level shall be 1 kV open circuit voltage for common mode and 0,5 kV open circuit voltage for differential mode;
- the common mode surges shall be applied (in parallel) to all the wires in the cable, with reference to the cabinet reference ground with a series resistance of 10 Ω .

9.7.3 Performance criteria

The performance criteria TA (subclause 6.3) shall apply to grade A ES. The performance criteria TB (subclause 6.4) shall apply to grade B ES.

Annex A (normative): Clauses and/or subclauses for compliance with the essential requirements of the EC Council Directives

Table A.1

Clause/ subclauses of this ETS	Corresponding article of Council Directive 89/336/EEC		Qualifying remark
	Title		
8	Test methods and limits for emission tests		
8.2	Enclosure (30 to 1 000 MHz)	4 (a)	
8.3	DC power input/output	4 (a)	
8.4	AC mains	4 (a)	
9	Test methods and limits for immunity tests		
9.2	Radio frequency electromagnetic field (80 to 1 000 MHz)	4 (b)	
9.3	Electrostatic discharge	4 (b)	
9.4	Fast transients common mode	4 (b)	
9.5	RF common mode 0, 15 to 80 MHz (current clamp injection)	4 (b)	
9.6	Voltage dips and interruptions	4 (b)	
9.7	Surges, common and differential mode	4 (b)	

Annex B (normative): Definitions of the ES within the scope of this ETS

The following ES are defined in this ETS:

- Transmit only and Transmit and receive Ku band VSATs

This ETS applies to transmit only and also to transmit and receive Very Small Aperture Terminals (VSATs) operating as part of a satellite network (e.g. star, meshed or point to point) used for the distribution and/or exchange of information between users.

In such a network a Centralized Control and Monitoring Functions (CCMF) is responsible for the monitoring and control of VSATs.

These VSATs have the following characteristics:

- operating in the exclusive part of the Ku-band allocated to the Fixed Satellite Services (FSS), 14,00 to 14,25 GHz (Earth-Space), 12,50 to 12,75 GHz (Space-Earth), and/or in the shared parts of the Ku-band, allocated to the FSS and Fixed Services (FS), 14,25 to 14,50 GHz (Earth-Space) and/or 10,70 to 11,70 GHz (Space-Earth);
- in these frequency bands linear polarization is normally used and the system operates through satellites at 3° spacing;
- designed usually for unattended operation;
- antenna diameter not exceeding 3,8 m, or equivalent corresponding aperture.

These VSATs comprise both the "outdoor unit", usually composed of the antenna subsystem and associated power amplifier and Low Noise Block (LNB), and the "indoor unit" composed of the remaining part of the communication chain, including the cable between these two units.

This ETS applies to the VSAT with its ancillary equipment and its various terrestrial ports, and operated under the conditions which are within the ranges of humidity, temperature and supply voltage declared by the manufacturer.

- Receive-only Ku band VSATs

This ETS applies to receive-only Very Small Aperture Terminals (VSATs) operating as part of a satellite network (e.g. star, meshed or point to point) used for the distribution of information.

These VSATs have the following characteristics:

- operating in the exclusive space-to-earth part of the Ku-band allocated to the Fixed Satellite Service (FSS), 12,50 to 12,75 GHz (Space-Earth), and/or in the shared parts of the Ku-band, allocated to the FSS and Fixed Service (FS), 10,70 to 11,70 GHz (Space-Earth);
- in these frequency bands linear polarization is normally used and the system operates through satellites at 3° spacing;
- designed usually for unattended operation;
- antenna diameter not exceeding 3,8 m, or equivalent corresponding aperture.

These VSATs comprise both the "outdoor unit", usually composed of the antenna subsystem and associated Low Noise Block (LNB), and the "indoor unit" composed of the remaining part of the communication chain, including the cable between these two units.

This ETS applies to the VSAT with its ancillary equipment and its various terrestrial ports, and operated under the conditions which are within the ranges of humidity, temperature and supply voltage declared by the manufacturer.

- Transmit only and Transmit and receive C band VSATs

This ETS applies to transmit only and also to transmit and receive Very Small Aperture Terminals (VSATs) operating as part of a satellite network (e.g. star, meshed or point to point) used for the distribution and/or exchange of information between users.

In such a network a Centralized Control and Monitoring Function (CCMF) is responsible for the monitoring and control of VSATs.

These VSATs have the following characteristics:

- operating in the exclusive part of the C-band allocated to the Fixed Services (FS) and to the Fixed Satellite Services (FSS), 5,850 to 6,425 (Earth-Space), 3,625 to 4,200 GHz (Space-Earth);
- in these frequency bands circular and linear polarizations are used and the system operates through satellites at 3° spacing;
- designed usually for unattended operation;
- antenna diameter not exceeding 7,3 m, or equivalent corresponding aperture.

These VSATs comprise both the "outdoor unit", usually composed of the antenna subsystem and associated power amplifier and Low Noise Block (LNB), and the "indoor unit" composed of the remaining part of the communication chain, including the cable between these two units.

This ETS applies to the VSAT with its ancillary equipment and its various terrestrial ports, and operated under the conditions which are within the ranges of humidity, temperature and supply voltage declared by the manufacturer.

- Receive-only C band VSATs

This ETS applies to receive-only Very Small Aperture Terminals (VSATs) operating as part of a satellite network (e.g. star, meshed or point to point) used for the distribution of information.

These VSATs have the following characteristics:

- operating in the exclusive part of the C-band allocated to the Fixed Services (FS) and to the Fixed Satellite Services (FSS) 3,625 to 4,200 GHz (Space-Earth);
- in these frequency bands circular and linear polarizations are used and the system operates through satellites at 3° spacing;
- designed usually for unattended operation;
- antenna diameter not exceeding 7,3 m, or equivalent corresponding aperture.

These VSATs comprise both the "outdoor unit", usually composed of the antenna subsystem and associated Low Noise Block (LNB), and the "indoor unit" composed of the remaining part of the communication chain, including the cable between these two units.

This ETS applies to the VSAT with its ancillary equipment and its various terrestrial ports, and operated under the conditions which are within the ranges of humidity, temperature and supply voltage declared by the manufacturer.

- Satellite News Gathering (SNG) Ku band Transportable Earth Stations (TESs)

This ETS applies to Transportable Earth Stations (TESs) used for Satellite News Gathering (SNG) which can be either an unforeseen or pre-planned activity. The SNG TES is capable of transmitting television signals and associated audio or programme audio only towards a satellite positioned on the geostationary orbit. The modulation method may be either analogue or digital. Such transmissions are point-to-point or point-to-multipoint but not for general broadcast reception.

A Transportable Earth Station (TES) is an earth station that can be relocated at any time to a different fixed operating location but is not intended to operate during the relocation period. The

TES can be either vehicle mounted or packet for transportation. The TESs considered in this ETS are those designed to operate whilst stationary.

This earth station should include a capability to receive from the satellite for antenna pointing purposes and to monitor its own transmission where the satellite transmission beam permits. The receive equipment could also be used in the process of the two-way communication to control and co-ordinate operation.

These TESs have the following characteristics:

- operating in the exclusive part of the Ku-band allocated to the Fixed Satellite Services (FSS), 12,75 to 13,25 GHz (Earth - Space), 13,75 to 14,50 GHz (Earth-Space), 10,70 to 11,70 GHz (Space-Earth), and/or 12,50 to 12,75 GHz (Space-Earth). Frequencies could be selected from through the entire frequency range or be restricted to a range completely enclosed within those bands. These bands are partly shared between FSS and Fixed Service (FS).

A TES does not operate in any of the Mobile Satellite Service (MSS), e.g. LMSS (Land), AMSS (Aeronautical) and MMSS (Maritime). These are referred to as mobile earth stations;

- in these frequency bands linear polarization is normally used and the system operates through satellites with 3° spacing;
- designed for attended operation;
- antenna diameter not exceeding 5 m, or equivalent corresponding aperture.

NOTE: At present the Radio Regulations restrict the use of the 13,75 to 14,00 GHz band to earth stations having an antenna diameter of 4,5 m or greater and having a transmitting EIRP between 68 dBW and 85 dBW.

These SNG TESs comprise both the antenna sub-system and the associated transmit and receive sub-systems.

This ETS does not contain any requirement, recommendation or information about the method of modulation. Such modulation could result in the transmission being either analogue or digital or both simultaneously. This ETS does not contain any requirement, recommendation or information about the baseband signals used in the modulation process. Such baseband signals could be pure analogue, digital or a mixture of analogue and digital.

History

Document history	
October 1996	Unified Approval Procedure UAP 56: 1996-10-21 to 1997-02-14