



INTERIM
EUROPEAN
TELECOMMUNICATION
STANDARD

I-ETS 300 609-1

March 1999

Sixth Edition

Source: SMG

Reference: RI/SMG-081121PR4

ICS: 33.020

Key words: Digital cellular telecommunications system, Global System for Mobile Communications (GSM)



**Digital cellular telecommunications system (Phase 2);
Base Station System (BSS) equipment specification;
Part 1: Radio aspects
(GSM 11.21 version 4.11.1)**

ETSI

European Telecommunications Standards Institute

ETSI Secretariat

Postal address: F-06921 Sophia Antipolis CEDEX - FRANCE

Office address: 650 Route des Lucioles - Sophia Antipolis - Valbonne - FRANCE

Internet: secretariat@etsi.fr - <http://www.etsi.org>

Tel.: +33 4 92 94 42 00 - Fax: +33 4 93 65 47 16

Copyright Notification: No part may be reproduced except as authorized by written permission. The copyright and the foregoing restriction extend to reproduction in all media.

© European Telecommunications Standards Institute 1999. All rights reserved.

Contents

Foreword	9
1 Scope	11
2 Normative references	12
3 Definitions, abbreviations, frequency bands and channels	13
3.1 Definitions	13
3.2 Abbreviations	13
3.3 Frequency bands and channels	13
3.3.1 Frequency bands	13
3.3.2 Channels and channel numbering	14
4 General test conditions and declarations	14
4.1 Output power and determination of power class	14
4.2 Specified frequency range	16
4.3 Frequency hopping	16
4.4 RF power control	16
4.5 Downlink discontinuous transmission (DTX)	16
4.6 Test environments	17
4.6.1 Normal test environment	17
4.6.2 Extreme test environment	17
4.6.2.1 Extreme temperature	17
4.6.3 Vibration	18
4.6.4 Power supply	18
4.7 Acceptable uncertainty of measurement equipment	18
4.8 Interpretation of measurement results	21
4.9 Selection of configurations for testing	22
4.10 BTS Configurations	22
4.10.1 Receiver diversity	22
4.10.2 Duplexers	22
4.10.3 Power supply options	23
4.10.4 Ancillary RF amplifiers	23
4.10.5 BSS using antenna arrays	24
5 Format and interpretation of tests	25
6 Transmitter	27
6.1 Static Layer 1 functions	27
6.1.1 Test purpose	27
6.1.2 Test case	27
6.1.3 Essential conformance	27
6.1.4 Complete conformance	27
6.1.5 Requirement reference	27
6.2 Phase error and mean frequency error	28
6.2.1 Test purpose	28
6.2.2 Test case	28
6.2.3 Essential conformance	28
6.2.4 Complete conformance	29
6.2.5 Requirement reference	29
6.3 Mean transmitted RF carrier power	29
6.3.1 Test purpose	29
6.3.2 Test case	29
6.3.3 Essential conformance	30
6.3.4 Complete conformance	31
6.3.5 Requirement reference	31
6.4 Transmitted RF carrier power versus time	31

6.4.1	Test purpose.....	31
6.4.2	Test case	31
6.4.3	Essential conformance	32
6.4.4	Complete conformance	32
6.4.5	Requirement reference	32
6.5	Adjacent channel power	32
6.5.1	Spectrum due to modulation and wideband noise.....	33
6.5.1.1	Test purpose	33
6.5.1.2	Test case	33
6.5.1.3	Essential Conformance.....	33
6.5.1.4	Complete conformance.....	35
6.5.1.5	Requirement reference	35
6.5.2	Switching transients spectrum.....	35
6.5.2.1	Test purpose	35
6.5.2.2	Test case	35
6.5.2.3	Essential conformance.....	37
6.5.2.4	Complete conformance.....	37
6.5.2.5	Requirement reference	37
6.6	Spurious emissions from the transmitter antenna connector.....	37
6.6.1	Conducted spurious emissions from the transmitter antenna connector, inside the BTS transmit band.....	38
6.6.1.1	Test Purpose.....	38
6.6.1.2	Test Case.....	38
6.6.1.3	Essential conformance.....	38
6.6.1.4	Complete conformance.....	38
6.6.1.5	Requirement Reference.....	38
6.6.2	Conducted spurious emissions from the transmitter antenna connector, outside the BTS transmit band	38
6.6.2.1	Test Purpose.....	38
6.6.2.2	Test Case.....	39
6.6.2.3	Essential conformance.....	39
6.6.2.4	Complete conformance.....	40
6.6.2.5	Requirement Reference.....	40
6.7	Intermodulation attenuation.....	40
6.7.1	Test purpose.....	40
6.7.2	Test case	40
6.7.3	Essential Conformance	41
6.7.4	Complete conformance	42
6.7.5	Requirement reference	43
6.8	Intra Base Station System intermodulation attenuation	43
6.8.1	Test purpose.....	43
6.8.2	Test case	43
6.8.3	Essential conformance	44
6.8.4	Complete conformance	44
6.8.5	Requirement reference	44
7	Receivers.....	45
7.1	Static Layer 1 receiver functions (nominal error ratios).....	45
7.1.1	Test Purpose	45
7.1.2	Test Case	45
7.1.3	Essential conformance	46
7.1.4	Complete conformance	46
7.1.5	Requirement Reference	46
7.2	Erroneous Frame Indication Performance	46
7.2.1	Test Purpose	46
7.2.2	Test Case	47
7.2.3	Essential conformance	47
7.2.4	Complete conformance	47
7.2.5	Requirement reference	47
7.3	Static Reference Sensitivity Level	47
7.3.1	Test Purpose	47
7.3.2	Test Case	48
7.3.3	Essential conformance	48

	7.3.4	Complete conformance	48
	7.3.5	Requirements Reference	49
7.4		Multipath Reference Sensitivity Level	49
	7.4.1	Test Purpose	49
	7.4.2	Test Case	50
	7.4.3	Essential conformance	50
	7.4.4	Complete conformance	52
	7.4.5	Requirement Reference	53
7.5		Reference interference level	53
	7.5.1	Test Purpose	53
	7.5.2	Test Case	53
	7.5.3	Essential conformance	54
	7.5.4	Complete conformance	55
	7.5.5	Requirements Reference	58
7.6		Blocking Characteristics	58
	7.6.1	Test Purpose	58
	7.6.2	Test Case	58
	7.6.3	Essential conformance	60
	7.6.4	Complete conformance	60
	7.6.5	Requirements reference	60
7.7		Intermodulation characteristics	61
	7.7.1	Test Purpose	61
	7.7.2	Test Case	61
	7.7.3	Essential conformance	62
	7.7.4	Complete conformance	62
	7.7.5	Requirement Reference	62
7.8		AM suppression	63
	7.8.1	Test Purpose	63
	7.8.2	Test Case	63
	7.8.3	Essential conformance	64
	7.8.4	Complete conformance	64
	7.8.5	Requirement Reference	64
7.9		Spurious emissions from the receiver antenna connector	64
	7.9.1	Test Purpose	64
	7.9.2	Test Case	64
	7.9.3	Essential conformance	64
	7.9.4	Complete conformance	65
	7.9.5	Requirement Reference	65
8		Radiated spurious emissions	65
	8.1	Test Purpose	65
	8.2	Test Case	65
	8.3	Essential conformance	66
	8.4	Complete conformance	67
	8.5	Requirement reference	67
9		Radio link management	67
9.1		General	67
	9.2	Synchronisation	67
	9.2.1	Timing Tolerance	68
	9.2.1.1	Test purpose	68
	9.2.1.2	Test case	68
	9.2.1.3	Essential conformance	68
	9.2.1.4	Complete conformance	68
	9.2.1.5	Requirement reference	68
	9.3	Frame structure	68
	9.3.1	BCCH Multiframe	69
	9.3.1.1	Test purpose	69
	9.3.1.2	Test case	69
	9.3.1.3	Essential conformance	69
	9.3.1.4	Complete conformance	69
	9.3.1.5	Requirement reference	69

9.3.2	TDMA-frame structure	69
9.3.2.1	Test purpose	69
9.3.2.2	Test case	69
9.3.2.3	Essential conformance.....	70
9.3.2.4	Complete conformance.....	70
9.3.2.5	Requirement reference	70
9.4	Radio link measurements.....	70
9.4.1	Signal Strength	70
9.4.1.1	Measurement Accuracy	70
9.4.1.1.1	Test purpose	70
9.4.1.1.2	Test case.....	70
9.4.1.1.3	Essential conformance.....	71
9.4.1.1.4	Complete conformance	71
9.4.1.2	Selectivity of signal strength measurements.....	72
9.4.1.2.1	Test purpose	72
9.4.1.2.2	Test case.....	72
9.4.1.2.3	Essential conformance.....	73
9.4.1.2.4	Complete conformance	73
9.4.1.2.5	Requirement reference	73
9.4.2	Signal quality.....	73
9.4.2.1	Test purpose	73
9.4.2.2	Test case	74
9.4.2.3	Essential conformance.....	74
9.4.2.4	Complete conformance.....	74
9.4.2.5	Requirement reference	75
9.4.3	Idle channel signal level.....	75
9.4.3.1	Test purpose	75
9.4.3.2	Test case	75
9.4.3.3	Essential conformance.....	76
9.4.3.4	Complete conformance.....	76
9.4.3.5	Requirement reference	76
9.5	Adaptive frame alignment	76
9.5.1	Test purpose.....	76
9.5.2	Test case	77
9.5.3	Essential conformance	77
9.5.4	Complete conformance	77
9.5.5	Requirement reference	78
Annex A (informative): Testing of statistical parameters		79
A.1	General theoretical methodology.....	79
A.2	Detailed theoretical methodology	81
A.3	Limitations and corrections to the theoretical methodology.....	82
A.3.1	Independent errors	82
A.3.2	Gaussian distribution.....	82
A.3.3	Stationary random processes	82
A.3.4	Low error ratios	83
A.3.5	Total corrections.....	83
A.4	Alternative experimental methodology.....	84
A.5	Detailed definition of error events	85
Annex B (informative): Description of special test equipment		86
B.1	Base Station System Test Equipment (BSSTE).....	86
B.1.1	Fading and multipath propagation simulator	86
B.2	Measurement set ups for TX intermodulation	86
B.2.1	Test set-up for Intermodulation Attenuation (6.7.).....	86
B.2.1.1	RX-Band	87

B.2.1.2	Outside RX Band.....	87
B.2.2	Test set-up for Intra BSS Intermodulation Attenuation (6.8.).....	88
B.2.2.1	RX-Band.....	88
B.2.2.2	TX-Band.....	88
Annex C (informative):	Number of samples needed for statistical testing	89
C.1	GSM 900; Number of samples for testing.....	89
C.2	DCS 1800; Number of Samples for Testing.....	93
Annex D (informative):	Change history	98
History.....		99

Blank page

Foreword

This Interim European Telecommunication Standard (I-ETS) has been produced by the Special Mobile Group (SMG) of the European Telecommunications Standards Institute (ETSI).

This Interim European Telecommunication Standard (I-ETS) specifies the Radio Frequency (RF) test methods and conformance requirements for GSM 900 and DCS 1800 Base Station Systems (BSS) within the Digital cellular telecommunications system (Phase 2).

An ETSI standard may be given I-ETS status either because it is regarded as a provisional solution ahead of a more advanced standard, or because it is immature and requires a "trial period". The life of an I-ETS is limited to three years after which it can be converted into an ETS, have its life extended for a further two years, be replaced by a new version, or be withdrawn.

NOTE: This I-ETS contains both essential conformance requirements and complete conformance requirements. Essential conformance requirements are those requirements which may be deemed sufficient for radio type approval purposes, complete conformance requirements cover all conformance aspects. This Interim standard has an I-ETS status at present as Radio link management has not been included at this stage. Radio link management tests will not need to be performed for essential conformance purposes.

Announcement date	
Date of adoption of this I-ETS:	4 December 1998
Date of latest announcement of this I-ETS (doa):	31 March 1999

Blank page

1 Scope

This Interim European Telecommunication Standard (I-ETS) specifies the Radio Frequency (RF) test methods and conformance requirements for GSM 900 and DCS 1800 Base Station Systems (BSS)s. These have been derived from, and are consistent with, the core GSM specifications specified in the requirements reference subclause of each test.

For each test, two conformance requirements are specified:

- essential conformance requirements;
- complete conformance requirements.

Essential conformance requirements are those which are required:

- a) to ensure compatibility between the radio channels in the same cell;
- b) to ensure compatibility between cells, both co-ordinated and uncoordinated;
- c) to ensure compatibility with existing systems in the same or adjacent frequency bands;
- d) to verify the important aspects of the transmission quality of the system.

Essential conformance requirements are sufficient to verify the performance of the equipment for radio type approval purposes, in countries where this is applicable.

Complete conformance requirements may be tested to verify all aspects of the performance of a BSS. These requirements are intended to be used by manufacturers and operators to allow conformance and acceptance testing to be performed in a consistent manner; the tests to be performed should be agreed between the parties.

In some tests there are separate requirements for micro-BTS and BTS. If there is no separate requirement for a micro-BTS, the requirements for the BTS apply to a micro-BTS.

In this I-ETS, the reference point for RF connections (except for the measurement of mean transmitted RF carrier power) is the antenna connector, as defined by the manufacturer. This I-ETS does not apply to repeaters or RF devices which may be connected to an antenna connector of a BSS.

2 Normative references

This I-ETS incorporates by dated and undated reference, provisions from other publications. These normative references are cited at the appropriate places in the text and the publications are listed hereafter. For dated references, subsequent amendments to or revisions of any of these publications apply to this I-ETS only when incorporated in it by amendment or revision. For undated references, the latest edition of the publication referred to applies.

- [1] GSM 01.04 (ETR 100): "Digital cellular telecommunication system (Phase 2); Abbreviations and acronyms".
- [2] GSM 04.22 (ETS 300 563): "Digital cellular telecommunication system (Phase 2); Radio Link Protocol (RLP) for data and telematic services on the Mobile Station - Base Station System (MS - BSS) interface and the Base Station System - Mobile-services Switching Centre (BSS - MSC) interface".
- [3] GSM 05.01 (ETS 300 573): "Digital cellular telecommunication system (Phase 2); Physical layer on the radio path General description".
- [4] GSM 05.02 (ETS 300 574): "Digital cellular telecommunication system (Phase 2); Multiplexing and multiple access on the radio path".
- [5] GSM 05.03 (ETS 300 575): "Digital cellular telecommunication system (Phase 2); Channel coding".
- [6] GSM 05.04 (ETS 300 576): "Digital cellular telecommunication system (Phase 2); Modulation".
- [7] GSM 05.05 (ETS 300 577): "Digital cellular telecommunication system (Phase 2); Radio transmission and reception".
- [8] GSM 05.08 (ETS 300 578): "Digital cellular telecommunication system (Phase 2); Radio subsystem link control".
- [9] GSM 05.10 (ETS 300 579): "Digital cellular telecommunication system (Phase 2); Radio subsystem synchronization".
- [10] GSM 08.20 (ETS 300 591): "Digital cellular telecommunication system (Phase 2); Rate adaption on the Base Station System - Mobile-services Switching Centre (BSS - MSC) interface".
- [11] ETS 300 019-1: "Equipment Engineering (EE); Environmental conditions and environmental tests for telecommunications equipment Part 1-0: Classification of environmental conditions Introduction".
- [12] IEC 68-2: "Basic environmental testing procedures; Part 2: Tests".
- [13] IEC 721: "Classification of environmental conditions".
- [14] ETR 027: "Radio and Equipment Systems; methods of measurement for mobile radio equipment".
- [15] ETR 028: "Radio and Equipment Systems; Uncertainties in the measurement of mobile radio equipment characteristics".
- [16] ETS 300 113: "Radio Equipment and Systems; Land mobile service; Technical characteristics and test conditions for radio equipment intended for transmission of data (and speech) and having an antenna connector".

3 Definitions, abbreviations, frequency bands and channels

3.1 Definitions

For the purposes of this I-ETS the following definitions apply:

Carrier Frequency: The centre of the ARFCN under test.

GSM: Unless otherwise specified, references to GSM include both GSM 900 and DCS1800.

BSS: In this I-ETS, the term BSS (or base station subsystem) applies to both a BTS and integrated BSS. If a separate BSC is required to perform tests on a BTS, the BSC may be regarded as test equipment and the environmental conditions of the BSC need not be controlled.

micro-BTS: As defined in GSM 05.05 (ETS 300 577) [7]. In this I-ETS, this also includes a BSS which incorporates a micro-BTS.

normal BTS: Any BTS or BSS as defined by GSM 05.05 (ETS 300 577) [7] which is not a micro-BTS.

BSSTE: Base Station System Test Equipment; see annex B.

manufacturer: In this I-ETS, a reference to a manufacturer shall also apply to an agent of the manufacturer.

P-GSM: The primary GSM 900 band.

E-GSM: The extended GSM 900 band (includes P-GSM band).

Relevant TX band (or relevant transmit band): The transmit band defined in Subclause 3.3.1 for the frequency band of BTS declared by the manufacturer

Relevant RX band (or relevant receive band): The receive band defined in Subclause 3.3.1 for the frequency band of BTS declared by the manufacturer

Operating band: The transmit and receive operating bands together comprise the frequency band supported by the BSS; (see subclause 4.2)

3.2 Abbreviations

Unless otherwise stated, abbreviations used in this I-ETS shall have the meaning given in GSM 01.04 (ETR 100) [1].

B	"Bottom"; the lowest frequency on which a test is performed.
M	"Middle"; a frequency in the middle portion of the operating band of the BSS on which a test is performed.
T	"Top"; the highest frequency on which a test is performed.

3.3 Frequency bands and channels

3.3.1 Frequency bands

The frequency bands for the Base Station System are given in table 1.

Table 1: Frequency bands for GSM900 and DCS1800 Base Station Systems

	TX:	RX:
P-GSM900	935-960 MHz	890-915 MHz
DCS1800	1805-1880 MHz	1710-1785 MHz
E-GSM900	925-960 MHz	880-915 MHz

NOTE: It is up to the operator to choose any subset of these bands (or the complete band) on a location basis within a frequency band assigned to the operator by the authority responsible for frequency management issues.

3.3.2 Channels and channel numbering

The channel numbers (ARFCN) for the carrier frequencies (RF channels) within the frequency bands defined above (as defined in GSM 05.05 (ETS 300 577) [7]), are given in table 2. $F_l(n)$ is the frequency of the centre of the RF channel n in the lower band (=RX) and $F_u(n)$ the corresponding frequency in the upper band (=TX).

Table 2: Channel Numbering: Frequencies are in MHz.

P-GSM900	$F_l(n)=890+0.2*n$	$1 \leq n \leq 124$	$F_u(n)=F_l(n)+45$
E-GSM900	$F_l(n)=890+0.2*n$ $F_l(n)=890+0.2*(n-1024)$	$0 \leq n \leq 124$ $975 \leq n \leq 1023$	$F_u(n)=F_l(n)+45$
DCS1800	$F_l(n)=1710.2+0.2*(n-512)$	$512 \leq n \leq 885$	$F_u(n)=F_l(n)+95$

4 General test conditions and declarations

The requirements of this clause apply to all tests in this I-ETS, when applicable.

The general conditions during the tests should be according to the relevant parts of ETR 027 [14] (methods of measurement for mobile radio equipment) with the exceptions and additions defined in the individual tests.

Many of the tests in this I-ETS measure a parameter relative to a value which is not fully specified in the GSM specifications. For these tests, the conformance requirement is determined relative to a nominal value specified by the manufacturer.

Certain functions of a BTS are optional in the GSM specifications.

When specified in a test, the manufacturer shall declare the nominal value of a parameter, or whether an option is supported.

4.1 Output power and determination of power class

The manufacturer shall declare the rated maximum power per TRX. For a micro-BTS, this shall be specified at the antenna connector. For a normal BTS, it shall be stated whether this is specified at the input to the combiner or at the antenna connector of the BSS.

For a micro-BTS, the class of the micro-BTS shall be determined from the declared maximum power, according to table 3.

Table 3: Definition of micro-BTS Power Classes

TRX power class	GSM 900 micro-BTS Maximum output power	DCS1800 micro-BTS Maximum output power
M1	(>19)-24 dBm ((>0.08)-0.25W)	(>27)-32 dBm ((>0.5)-1.6W)
M2	(>14)-19 dBm ((>0.03)-0.08W)	(>22)-27 dBm ((>0.16)-0.5W)
M3	(>9)-14 dBm ((>0.01)-0.03W)	(>17)-22 dBm ((>0.05)-0.16W)

NOTE: For a normal BTS, the TRX power class can be determined from the manufacturers declared output power per TRX measured at the input to the combiner, according to the tables of TRX power classes in ETS 300 577 [7]. The test requirements for a normal BTS do not vary in this [ETS] with TRX power classes. The definition of TRX power class only relates to the declared power per TRX and does not impose any requirement on the measured output power of the BTS.

4.2 Specified frequency range

The manufacturer shall declare:

- which of the frequency bands defined in subclause 3.3.1 is supported by the BSS; a BSS may support the DCS 1800 band and one of the GSM 900 bands, but shall not be defined as supporting more than one of the GSM 900 bands;
- the frequency range within the above frequency band(s) supported by the BSS; This frequency range comprises the transmit and receive operating bands.

Many tests in this I-ETS are performed with appropriate frequencies in the bottom, middle and top of the operating frequency band of the BTS. These are denoted as RF channels B (bottom), M (middle) and T (top).

When a test is performed by a test laboratory, the ARFCNs to be used for RF channels B, M and T shall be specified by the laboratory. The laboratory may consult with operators, the manufacturer or other bodies.

When a test is performed by a manufacturer, the ARFCNs to be used for RF channels B, M and T may be specified by an operator.

4.3 Frequency hopping

The Manufacturer shall declare whether the BSS supports Slow Frequency Hopping (SFH) and if yes, which basic implementation or implementations is supported. If SFH is supported the BSS shall be able to switch to any frequency in its operating band on a time slot per time slot basis.

Two basic implementations of SFH are possible:

- a) Baseband frequency hopping: frequency hopping is done by multiplexing the data of the logical channels to different TRXs according to the hopping scheme. The TRXs are fixed tuned to a dedicated ARFCN.
- b) Synthesizer frequency hopping: frequency hopping is done by tuning the TRX on a timeslot per timeslot basis. The logical channels are dedicated to a hopping TRX.

The detailed description of the frequency hopping scheme is described in GSM 05.02 (ETS 300 574) [4].

4.4 RF power control

RF power control functions ("dynamic power control") may optionally be implemented in GSM Base Station Systems according to GSM 05.08 (ETS 300 578) [8] as an operator choice. If implemented, the BSS shall be able to hop between any defined power level on a time slot per time slot basis.

4.5 Downlink discontinuous transmission (DTX)

Downlink discontinuous transmission (DTX), as defined in the GSM 06-series of specifications for full-rate speech channels and in GSM 04.22 (ETS 300 563) [2] and GSM 08.20 (ETS 300 591) [10] for non-transparent data, may optionally be implemented in the downlink BSS (transmitter) as an operator choice. All requirements in this I-ETS, unless otherwise stated, apply whether downlink DTX is used or not.

4.6 Test environments

For each test in this I-ETS, the environmental conditions under which the BSS is to be tested are defined:

4.6.1 Normal test environment

When a normal test environment is specified for a test, the test should be performed under any combination of conditions between the minimum and maximum limits stated in table 4.

Table 4: Limits of conditions for Normal Test Environment

Condition	Minimum	Maximum
Barometric pressure	86 kPa	106 kPa
Temperature	15°C	30°C
Relative Humidity	20 %	85 %
Power supply	Nominal, as declared by the manufacturer	
Vibration	Negligible	

The ranges of barometric pressure, temperature and humidity represent the maximum variation expected in the uncontrolled environment of a test laboratory. If it is not possible to maintain these parameters within the specified limits, the actual values shall be recorded in the test report.

NOTE: This may, for instance, be the case for measurements of radiated emissions performed on an open field test site.

4.6.2 Extreme test environment

The manufacturer shall declare one of the following :

- a) The equipment class for the equipment under test, as defined in ETS 300 019-1-3 , (Equipment Engineering (EE); Environmental conditions and environmental test for telecommunications equipment, Part 1-3: Classification of environmental conditions, Stationary use at weather protected locations).
- b) The equipment class for the equipment under test, as defined in ETS 300 019-1-4 , (Equipment Engineering (EE); Environmental conditions and environmental test for telecommunications equipment, Part 1-4: Classification of environmental conditions, Stationary use at non-weather protected locations).
- c) For equipment that does not comply to an ETS 300 019-1 [11] class, the relevant classes from IEC 721 [13] documentation for Temperature, Humidity and Vibration shall be declared.

NOTE: Reduced functionality for conditions that fall out side of the standard operational conditions are not tested in this I-ETS. These may be stated and tested separately.

4.6.2.1 Extreme temperature

When an extreme temperature test environment is specified for a test, the test shall be performed at the standard minimum and maximum operating temperatures defined by the manufacturer's declaration for the equipment under test.

Minimum temperature:

The test shall be performed with the environmental test equipment and methods of inducing the required environmental phenomena into the equipment, conforming to the test procedure of IEC 68-2-1 [12] , Environmental Testing, Part 2: Tests - Tests A: Cold. The equipment shall be maintained at the stabilized condition for the duration of the test sequence.

Maximum temperature:

The test shall be performed with the environmental test equipment and methods of inducing the required environmental phenomena in to the equipment, conforming to the test procedure of IEC 68-2-2 [12] (Environmental Testing, Part 2: Tests - Tests Bd Dry heat). The equipment shall be maintained at the stabilized condition for the duration of the test sequence.

NOTE: It is recommended that the equipment is made fully operational prior to the equipment being taken to its lower operating temperature.

4.6.3 Vibration

When vibration conditions are specified for a test, the test shall be performed while the equipment is subjected to a vibration sequence as defined by the manufacturers declaration for the equipment under test. This shall use the environmental test equipment and methods of inducing the required environmental phenomena in to the equipment, conforming to the test procedure of IEC 68-2-6 [12], Environmental Testing, Part 2: Tests - Test Fc and guidance: Vibration (Sinusoidal). Other environmental conditions shall be within the ranges specified in subclause 4.6.1, Normal test environment.

NOTE: The higher levels of vibration may induce undue physical stress in to equipment after a prolonged series of tests. The testing body should only vibrate the equipment during the RF measurement process.

4.6.4 Power supply

When extreme power supply conditions are specified for a test, the test shall be performed at the standard upper and lower limits of operating voltage defined by the manufacturer's declaration for the equipment under test.

Upper voltage limit

The equipment shall be supplied with a voltage equal to the upper limit declared by the manufacturer (as measured at the input terminals to the equipment). The tests shall be carried out at a steady state minimum and maximum limit declared by the manufacturer for the equipment, to the methods described in IEC 68-2-1 [12] Test Ab/Ad: Cold and IEC 68-2-2 Test Bb/Bd: Dry Heat.

Lower voltage limit

The equipment shall be supplied with a voltage equal to the lower limit declared by the manufacturer (as measured at the input terminals to the equipment). The tests shall be carried out at a steady state minimum and maximum limit declared by the manufacturer for the equipment, to the methods described in IEC 68-2-1 [12] Test Ab/Ad: Cold and IEC 68-2-2 [12] Test Bb/Bd: Dry Heat.

4.7 Acceptable uncertainty of measurement equipment

The maximum acceptable uncertainty of measurement equipment is specified separately for each test, where appropriate. The measurement equipment shall enable the stimulus signals in the test case to be adjusted to within the specified tolerance, and the conformance requirement to be measured with an uncertainty not exceeding the specified values. All tolerances and uncertainties are absolute values, unless otherwise stated.

Subclause 4.6, Test environments:

Pressure	± 5 kPa
Temperature	± 2 degrees
Relative Humidity	± 5 %
DC Voltage	± 1.0 %
AC Voltage	± 1.5 %
Vibration	10 %
Vibration frequency	0.1 Hz

The above values shall apply unless the test environment is controlled and the specification for the control of the test environment specifies the uncertainty for the parameter.

Transmitter

Subclause 6.2, Phase error and mean frequency error:

Conformance requirement:	
Frequency	± 10 Hz
Phase	1.5 degree rms 5 degrees peak

Subclause 6.3, Mean transmitted RF carrier power:

Conformance requirement:	
RF power, for static power step 0	± 1.0 dB
Relative RF Power, for other power steps	± 0.7 dB

Subclause 6.4, Transmitted RF carrier power versus time:

Conformance requirement	
RF power (0 dB reference)	± 1.0 dB
RF power relative to 0 dB reference	± 1.0 dB

Subclause 6.5.1, Spectrum due to modulation and wideband noise:

Conformance requirement	
RF power (absolute limit values)	± 1.0 dB

NOTE 1: This may require calibration of the power levels corresponding to the limit values.

Relative RF power:

Offset from carrier, MHz	Power difference, dB	Uncertainty of relative power, dB
$\delta f \leq 0.1$ MHz	All	± 0.5 dB
0.1 MHz $< \delta f \leq 1.8$ MHz	< 50 dB	± 0.7 dB
0.1 MHz $< \delta f \leq 1.8$ MHz	≥ 50 dB	± 1.5 dB
> 1.8 MHz	All	± 2.0 dB

Subclause 6.5.2, Switching transients spectrum:

Conformance requirement:	
RF power:	± 1.5 dB
Relative RF power:	
Power difference < 50 dB	± 0.7 dB
Power difference ≥ 50 dB	± 1.5 dB

Subclause 6.6.1, Conducted spurious emissions from the transmitter antenna connector, inside the BTS transmit band:

Conformance requirement:	
RF power:	± 1.5 dB

Subclause 6.6.2, Conducted spurious emissions from the transmitter antenna connector, outside the BTS transmit band:

Conformance requirement:	
Conformance requirement i) (in the receive band of the BSS):	
RF power	± 3 dB

Conformance requirements ii), iii) and iv) (elsewhere):

RF power:	
$f \leq 2$ GHz	± 1.5 dB
2 GHz $< f \leq 4$ GHz	± 2.0 dB
$f > 4$ GHz	± 4.0 dB

Subclause 6.7, Intermodulation attenuation and

Subclause 6.8, Intra base station system intermodulation attenuation:

Test case:

Relative RF power (of injected signal);	± 1.5 dB
---	--------------

Conformance requirement (outside RX band):

RF power; absolute limit values	± 1.5 dB
RF power, relative measurements	± 2.0 dB

Conformance requirement (inside RX band):

RF power; absolute limit values	+4 dB -3 dB
---------------------------------	-------------

NOTE 2: The positive limit for uncertainty is greater than the negative limit because the measurement result can be increased (but not decreased) due to intermodulation products within the measurement apparatus.

Receiver

Where a measurement uncertainty of +5 dB -0 dB is specified for an input signal, the measured value of the input signal should be increased by an amount equal to the uncertainty with which it can be measured. This will ensure that the true value of the input signal is not below the specified nominal.

Subclause 7.1, Static layer 1 receiver functions:

Test case

RF power, lower limit	+5 - 0 dB
RF power, -40 dBm nominal	± 2.5 dB
RF power, -23 and -15 dBm nominal	± 1.5 dB

Subclause 7.2, Erroneous frame indication performance:

Test case:

RF Power	+5 -0 dB
----------	----------

Subclause 7.3, Static reference sensitivity level:

Test case:

RF power	± 1.0 dB
Relative RF power (adjacent timeslots)	± 3.0 dB

Subclause 7.4, Multipath reference sensitivity level:

Test case:

RF power	± 1.5 dB
Relative RF power	± 3.0 dB

Subclause 7.5, Reference interference level:

Test case:

RF power	+5 - 0 dB
Relative RF power	± 1.0 dB

NOTE 3: The measurement uncertainty for a faded (multipath) input signal may depend on the time taken to average the power of the b signal from the fader. It may be possible to reduce the measurement time by measuring the power with the fader set to the same class of fade profile, but with an increased fade rate.

Subclause 7.6, Blocking characteristics:

Test case:

RF power, wanted signal	± 1.0 dB
RF power, interfering signal;	
$f \leq 2$ GHz	± 0.7 dB
2 GHz $< f \leq 4$ GHz	± 1.5 dB
$f > 4$ GHz	± 3.0 dB

Subclause 7.7, Intermodulation characteristics and subclause 7.8 AM suppression:

Test case:

RF power, wanted signal	± 1.0 dB
RF power, interfering signals	± 0.7 dB

Subclause 7.9, Spurious emissions from the receiver antenna connector:

Conformance requirement:

RF power;	
$f \leq 2$ GHz	± 1.5 dB
2 GHz $< f \leq 4$ GHz	± 2.0 dB
$f > 4$ GHz	± 4.0 dB

Clause 8, Radiated spurious emissions:

Conformance requirement:

RF power;	± 6.0 dB
-----------	--------------

Clause 9, Radio link management:

Test case:

RF power	± 1.0 dB
Relative RF power	± 0.7 dB

Conformance requirement:

Timing difference	single measurement	$\pm 1/4$ bit
	average of 100 measurements	± 0.1 bit

4.8 Interpretation of measurement results

The measurement value related to the corresponding limit shall be used to decide whether an equipment meets a requirement in this I-ETS.

The measurement uncertainty for the measurement of each parameter shall be included in the test report.

The recorded value for the measurement uncertainty shall be, for each measurement, equal to or lower than the appropriate figure in subclause 4.7 of this I-ETS.

NOTE: This procedure is recommended in ETR 028 [15].

If the measurement apparatus for a test is known to have a measurement uncertainty greater than that specified in subclause 4.7, it is still permitted to use this apparatus provided that an adjustment is made to the measured value as follows:

The adjustment is made by subtracting the modulus of the specified measurement uncertainty in subclause 4.7 from the measurement uncertainty of the apparatus. The measured value is then increased or decreased by the result of the subtraction, whichever is most unfavourable in relation to the limit.

4.9 Selection of configurations for testing

Most tests in this I-ETS are only performed for a subset of the possible combinations of test conditions. For instance:

- Not all TRXs in the configuration may be specified to be tested.
- Only one RF channel may be specified to be tested.
- Only one timeslot may be specified to be tested.

When a test is performed by a test laboratory, the choice of which combinations are to be tested shall be specified by the laboratory. The laboratory may consult with operators, the manufacturer or other bodies.

When a test is performed by a manufacturer, the choice of which combinations are to be tested may be specified by an operator.

4.10 BTS Configurations

This I-ETS has been written to specify tests for the standard configurations of BTS which have been assumed in GSM requirements specifications, In particular GSM 05.01, 05.02 and 05.05. However, there are other configurations of BTS which comply with these specifications, but for which the application of these specifications is not fully defined. For some such configurations there may be alternate ways to apply the requirements of this specification to testing of the configuration, or some variation in the test method may be necessary. It may therefore be necessary for the parties to the testing to reach agreement over the method of testing in advance.

If the BSS is supplied in a number of different environmental enclosures or configurations, it may not be necessary to test RF parameters for each environmental configuration, provided that it can be demonstrated that the equipment has been tested at the worst internal environmental conditions.

Where alternative interpretations of this specification are possible for a BSS configuration under test, the interpretation which has been adopted in performing the test shall be recorded with the test results.

Where variation in the test method within this I-ETS has been necessary to enable a BSS configuration to be tested, the variation in the test method which has been made in performing the test shall be recorded with the test results. Where possible, agreement should be reached in advance about the nature of such a variation with any party who will later receive the test results.

Possible interpretations of this I-ETS for some common configurations are given in the following subclauses.

4.10.1 Receiver diversity

- i) For the tests in clause 7 of this I-ETS, the specified test signals may be applied to one receiver antenna connector, with the remaining receiver antenna connectors being terminated with 50 ohms.
- or
- ii) For the tests in clause 7 of this I-ETS, the specified test signals may be simultaneously applied to each of the receiver antenna connectors.

4.10.2 Duplexers

The requirements of this I-ETS shall be met with a duplexer fitted, if a duplexer is supplied as part of the BSS. If the duplexer is supplied as an option by the manufacturer, sufficient tests should be repeated with and without the duplexer fitted to verify that the BSS meets the requirements of this I-ETS in both cases.

The following tests should be performed with the duplexer fitted, and without it fitted if this is an option:

- 1) Subclause 6.3, Mean transmitted RF power, for the highest static power step only, if this is measured at the antenna connector.
- 2) Subclause 6.6.2, Conducted spurious emissions from the transmitter antenna connector; outside the BTS transmit band.

- 3) Subclause 6.8, Intra base station system intermodulation attenuation.
- 4) Subclause 7.4, Multipath reference sensitivity; for the testing of essential conformance, the ARFCNs should be selected to minimize intermodulation products from the transmitters falling in receive channels.

The remaining tests may be performed with or without the duplexer fitted.

NOTE 1: When performing receiver tests with a duplexer fitted, it is important to ensure that the output from the transmitters does not affect the test apparatus. This can be achieved using a combination of attenuators, isolators and filters.

NOTE 2: When duplexers are used, intermodulation products will be generated, not only in the duplexer but also in the antenna system. The intermodulation products generated in the antenna system are not controlled by ETSI specifications, and may degrade during operation (e.g. due to moisture ingress). Therefore, to ensure continued satisfactory operation of a BSS, an operator will normally select ARFCNs to minimize intermodulation products falling on receive channels. For testing of complete conformance, an operator may specify the ARFCNs to be used.

4.10.3 Power supply options

If the BSS is supplied with a number of different power supply configurations, it may not be necessary to test RF parameters for each of the power supply options, provided that it can be demonstrated that the range of conditions over which the equipment is tested is at least as great as the range of conditions due to any of the power supply configurations.

This applies particularly if a BSS contains a DC rail which can be supplied either externally or from an internal mains power supply. In this case, the conditions of extreme power supply for the mains power supply options can be tested by testing only the external DC supply option. The range of DC input voltages for the test should be sufficient to verify the performance with any of the power supplies, over its range of operating conditions within the BTS, including variation of mains input voltage, temperature and output current.

4.10.4 Ancillary RF amplifiers

Ancillary RF amplifier: a piece of equipment, which when connected by RF coaxial cables to the BTS, has the primary function to provide amplification between the transmit and/or receive antenna connector of a BTS and an antenna without requiring any control signal to fulfil its amplifying function.

The requirements of this ETS shall be met with the ancillary RF amplifier fitted. At tests according to clause 6 and 7 for TX and RX respectively, the ancillary amplifier is connected to the BTS by a connecting network (including any cable(s), attenuator(s), etc.) with applicable loss to make sure the appropriate operating conditions of the ancillary amplifier and the BTS. The applicable connecting network loss range is declared by the manufacturer. Other characteristics and the temperature dependence of the attenuation of the connecting network are neglected. The actual attenuation value of the connecting network is chosen for each test as one of the applicable extreme values. The lowest value is used unless otherwise stated.

Sufficient tests should be repeated with the ancillary amplifier fitted and, if it is optional, without the ancillary RF amplifier to verify that the BSS meets the requirements of this ETS in both cases.

When testing for essential conformance, the following tests should be repeated with the optional ancillary amplifier fitted according to the table below, where x denotes that the test is applicable:

	Subclause	TX amplifier only	RX amplifier only	TX/RX amplifiers combined (Note 1)
Receiver tests	7.3		X	X
	7.6		X	X
	7.7		X	X
	7.9		X	
Transmitter tests	6.3	X		X
	6.5 (6.5.1 only)	X		X
	6.6	X		X
	6.7	X		X
	6.8	X		X

NOTE 1: Combining can be by duplex filters or any other network. The amplifiers can either be in RX or TX branch or in both. Either one of these amplifiers could be a passive network. For receiver tests, only testing on TCH/FS is required

In test according to subclause 7.3 and 6.3, the highest applicable attenuation value is applied.

4.10.5 BSS using antenna arrays

A BSS may be configured with a multiple antenna port connection for some or all of its TRXs. This subclause applies to a BSS which meets at least one of the following conditions:

- The transmitter output signal from a TRX appears at more than one antenna port, or
- there is more than one receiver antenna port for a TRX and an input signal is required at more than one port for the correct operation of the receiver (NOTE: diversity reception does not meet this requirement)

If a BSS is used, in normal operation, in conjunction with an antenna system which contains filters or active elements which are necessary to meet the GSM requirements, the tests of essential conformance may be performed on a system comprising the BSS together with these elements, supplied separately for the purposes of testing. In this case, it must be demonstrated that the performance of the configuration under test is representative of the system in normal operation, and the conformance assessment is only applicable when the BSS is used with the antenna system.

For testing of essential conformance of such a BSS, the following procedure may be used:

Receiver tests

For each test, the test signals applied to the receiver antenna connectors shall be such that the sum of the powers of the signals applied equals the power of the test signal(s) specified in the test.

An example of a suitable test configuration is shown in figure 1a.

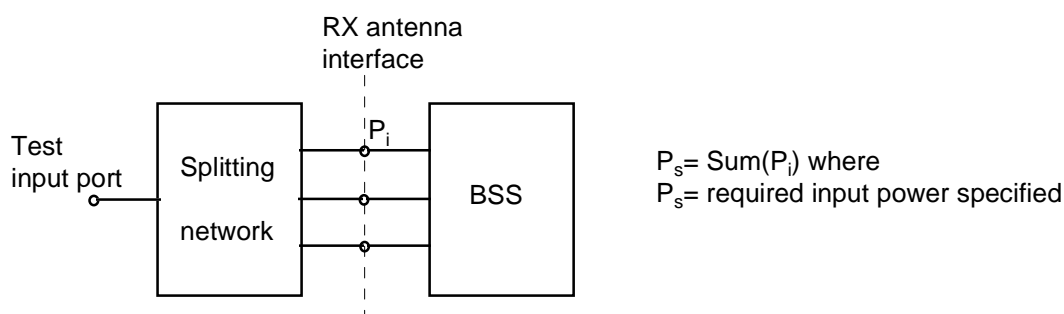


Figure 1a. Receiver test setup

For spurious emissions from the receiver antenna connector, the test may be performed separately for each receiver antenna connector.

Transmitter tests

For each test, the conformance requirement shall be met by the sum of the signals emitted by each transmitter antenna connector. This may be assessed by separately measuring the signals emitted by each antenna connector and summing the results, or by combining the signals and performing a single measurement. The characteristics (eg amplitude and phase) of the combining network should be such that the power of the combined signal is maximised.

An example of a suitable test configuration is shown in figure 1b.

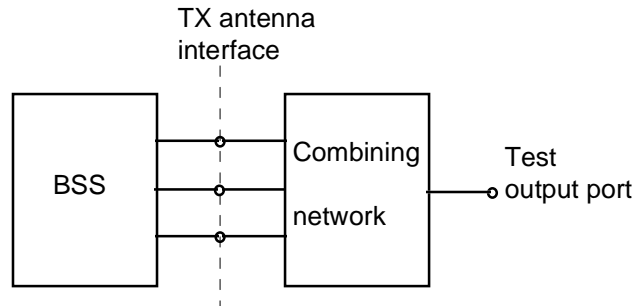


Figure 1b. Transmitter test setup

For Intermodulation attenuation, the test may be performed separately for each transmitter antenna connector.

5 Format and interpretation of tests

Each test in the following clauses has a standard format:

- | | |
|------------|---------------------|
| X | Title |
| X.1 | Test purpose |

This subclause defines the purpose of the test.

- | | |
|------------|------------------|
| X.2 | Test case |
|------------|------------------|

This subclause describes the steps necessary to perform the test. The general test conditions described in clause 4 also apply.

- | | |
|------------|------------------------------|
| X.3 | Essential conformance |
|------------|------------------------------|

The essential conformance describes the conformance requirements necessary to ensure compatibility and to verify the important aspects of the transmission quality of the system. This subclause is divided into two parts:

Test environment

This subclause describes the test environment or environments under which the test shall be performed. Where more than one test environment is specified, the extent of testing is specified for each environment.

Conformance requirement

This subclause describes the requirement which shall be met for the specified tests.

The test case describes the testing for full conformance; for most tests a subset of these tests is specified for essential conformance. Therefore, any definition of testing in the essential conformance shall take precedence over the test case.

X.4 Complete conformance

The complete conformance describes the complete set of tests which may be performed to fully characterize all aspects of one performance parameter of the BSS.

Test environment

This subclause describes the test environment or environments under which the test shall be performed. Where more than one test environment is specified, the extent of testing is specified for each environment.

Conformance requirement

This subclause describes the requirement which shall be met for the specified tests.

X.5 Requirement reference

This subclause gives the reference to the subclauses in the GSM specifications from which the test requirements have been derived.

6 Transmitter

All tests in this Clause shall be conducted on Base Station Systems fitted with a full complement of Transceivers for the configuration unless otherwise stated. Measurements shall be made at the BTS Tx antenna connector, unless otherwise stated.

Power levels are expressed in dBm.

6.1 Static Layer 1 functions

6.1.1 Test purpose

To verify the following static Layer 1 transmitter functions:

- 1) The RF equipment
- 2) The multiplexing and multiple access functions
- 3) The interleaving and the channel encoding on the transmit side

6.1.2 Test case

The BSS shall be configured with the maximum number of TRXs, with ARFCNs which shall be distributed over the entire declared bandwidth of operation for the BSS under test. One TRX shall be configured to support the BCCH. If the manufacturer declares that slow frequency hopping is supported, this shall be enabled.

Each TRX shall transmit a normal GSM modulated signal and the BSSTE shall be connected to the transmitter antenna connector. A known bit sequence exceeding a length of a superframe (1326 TDMA-frames) shall be input before channel encoding in the BSS and a bit sequence shall be output after channel decoding in the BSSTE.

All logical channel types supported by the BSS shall be tested. The test shall be repeated for each TRX in the BSS configuration, for each logical channel supported by it.

NOTE: Some logical channels are only supported by the TRX configured to support the BCCH.

6.1.3 Essential conformance

This test need not be performed.

6.1.4 Complete conformance

Test Environment

Normal

Conformance requirement

The output bit sequence shall be bit exact for all logical channel types.

6.1.5 Requirement reference

GSM 05.01 (ETS 300 573) [3], GSM 05.02 (ETS 300 574) [4], GSM 05.03 (ETS 300 575) [5] and GSM 05.05 (ETS 300 577) [7].

6.2 Phase error and mean frequency error

6.2.1 Test purpose

- 1) To verify the correct implementation of the GMSK pulse shaping filtering.
- 2) To verify that the phase error during the active part of the time slot does not exceed the specified limits under normal and extreme test conditions and when subjected to vibration.
- 3) To verify that the frequency error during the active part of the time slot does not exceed the specified limits under normal and extreme test conditions and when subjected to vibration.

6.2.2 Test case

All TRXs in the configuration shall be switched on transmitting full power in all time slots for at least 1 hour before starting the test.

If the Manufacturer declares that Synthesizer Slow Frequency Hopping is supported by the BSS, the BSS shall be configured with the maximum number of TRXs with ARFCNs which shall be distributed over the entire declared bandwidth of operation for the BSS under test, and including B, M and T, and three tests shall be performed. These tests may either use a test apparatus which employs the same hopping sequence as the BSS, or a fixed frequency apparatus on the radio frequency channels B, M and T. If only Baseband SFH is supported or SFH is not supported, one test shall be performed for each of the radio frequency channels B, M and T, using different TRXs to the extent possible for the configuration. As a minimum, one time slot shall be tested on each TRX specified to be tested.

The transmitted signal from the TRX under test shall be extracted in the BSSTE for a pseudo-random known bit stream of encrypted bits into the TRX modulator (the BSSTE is defined in annex B.1). The pseudo-random bit stream shall be any 148 bit sub-sequence of the 511 bit pseudo-random bit stream defined in recommendation CCITT Q.153 fascicle IV.4. This pseudo-random bit stream may be generated by another pseudo-random bit stream inserted before channel encoding in the TRX and shall generate at least 200 different bursts. The phase trajectory (phase versus time) for the useful part of the time slots (147 bits in the centre of the burst - see GSM 05.04 (ETS 300 576) [6] and GSM 05.10 (ETS 300 579) [9] for further information) shall be extracted with a resolution of at least 2 samples per modulating bit. The RF receiver parts of the BSSTE shall not limit the measurement.

The theoretical phase trajectory from the known pseudo-random bit stream shall be calculated in the BSSTE.

The phase difference trajectory shall be calculated as the difference between the measured and the theoretical phase trajectory. The mean frequency error across the burst shall then be calculated as the derivative of the regression line of the phase difference trajectory. The regression line shall be calculated using the Mean Square Error (MSE) method.

The phase error is then finally the difference between the phase difference trajectory and its linear regression line.

6.2.3 Essential conformance

Test Environment

Normal: One test shall be performed on each of B, M and T.

Extreme Power supply: One test shall be performed on each of B, M and T.

NOTE: tests under extreme power supply also test extreme temperature.

Conformance requirement

The phase error shall not exceed:

5 degrees rms
20 degrees peak

The mean frequency error across the burst shall not exceed:

0,05 ppm

6.2.4 Complete conformance

Test Environment

Normal: The test shall be repeated until 3 TRXs or all TRXs (whichever is the less) have each been tested on B, M and T.

Extreme Power supply: One test shall be performed on each of B, M and T.

NOTE: tests under extreme power supply also test extreme temperature.

Vibration : One test shall be performed on each of B, M and T.

Conformance requirement

The phase error shall not exceed:

5 degrees rms
20 degrees peak

The mean frequency error across the burst shall not exceed:

0,05 ppm

6.2.5 Requirement reference

GSM 05.04 (ETS 300 576) [6], clause 2; GSM 05.05 (ETS 300 577) [7], subclause 4.6; GSM 05.10 (ETS 300 579) [9], subclause 5.1

6.3 Mean transmitted RF carrier power**6.3.1 Test purpose**

To verify the accuracy of the mean transmitted RF carrier power across the frequency range and at each power step.

This test is also used to determine the parameter "power level", used in subclause 6.5.1.2.

6.3.2 Test case

For a normal BTS, this measurement the power shall be measured at the input of the TX combiner or at the BSS antenna connector. For a micro-BTS, the power shall be measured at the BSS antenna connector. The Manufacturer shall declare the maximum output power of the BSS at the same reference point as the measurement is made. The TX combiner shall have the maximum number of TRXs connected to it so that the measurement can be used as a reference for the measurement of transmitted carrier power versus time in subclause 6.4.

NOTE: The value of the output power measured at the antenna connector is generally more useful for cell planning, and may be required for regulatory purposes

All TRXs in the configuration shall be switched on transmitting full power in all time slots for at least 1 hour before starting the test.

The Manufacturer shall declare how many TRXs the BSS supports:

- 1 TRX: The TRX shall be tested at B, M and T.
- 2 TRX: The TRXs shall be each be tested at B, M and T.
- 3 TRX or more: Three TRXs shall each be tested at B, M and T.

If the Manufacturer declares that Synthesizer Slow Frequency Hopping is supported by the BSS, the BSS shall be configured with the number of TRXs and frequency allocation defined above and SFH enabled.

The BSS under test shall be set to transmit at least 3 adjacent time slots in a TDMA-frame at the same power level. The power level shall then be measured on a time slot basis over the useful part of one of the active time slots and the average of the logarithmic value taken over at least 200 time slots. Only active bursts shall be included in the averaging process. Whether SFH is supported or not, the measurement shall be carried out on all of the 3 frequencies in turn.

For the definition of the useful part of the time slot see figure 2, and for further details GSM 05.04 (ETS 300 576) [6] and GSM 05.10 (ETS 300 579) [9]. For timing on a per time slot basis each time slot may contain 156.25 modulating bits, or 2 time slots may contain 157 and 6 time slots 156 modulating bits according to GSM 05.10 (ETS 300 579) [9].

The power shall be measured at each nominal power level as specified. As a minimum, one time slot shall be tested on each TRX. Any TRX which is a dedicated BCCH shall only be tested at static power step zero.

6.3.3 Essential conformance

Test Environment

Normal: Each TRX specified in the test case shall be tested.

Extreme power supply: One TRX shall be tested, on one ARFCN, for static power step zero only.

Conformance requirement

The BSS shall support at least N_{max} steps of Static Power Control with respect to the declared output power. N_{max} shall be at least 6.

The static power step N has the range 0 to N_{max} inclusive, where.

Static Power Level 0 corresponds to the maximum power declared by the manufacturer.

The power measured when the TRX is set to Static Power Level 0 shall have a tolerance of ± 2 dB under normal conditions and ± 2.5 dB under extreme conditions, relative to the maximum power declared by the manufacturer. In this test, this measured power is termed the maximum BTS output power. Static power control shall allow the RF output power to be reduced from the maximum BTS output power in at least 6 steps of nominally 2 dB with a tolerance of ± 1 dB referenced to the previous level. In addition, the actual absolute output power of each static RF power step (N) shall be 2^N dB below the maximum BTS output power with a tolerance of ± 3 dB under normal conditions and ± 4 dB under extreme conditions.

In addition to the Static Power Control levels the BSS may utilize up to M steps of dynamic Downlink Power Control. M can have an upper limit of 0 to 15 .

Dynamic Downlink power control shall allow the RF output power to be reduced in M steps with a step size of 2 dB with a tolerance of ± 1.5 dB referenced to the previous level.

Each dynamic Downlink Power Control level shall have a tolerance of ± 3 dB under normal conditions and ± 4 dB under extreme conditions relative to 2^Y dB below the maximum BTS output power, where Y is the sum of the number of static and dynamic steps below Static Power Level 0.

6.3.4 Complete conformance

The requirement of essential conformance shall apply.

6.3.5 Requirement reference

GSM 05.05 (ETS 300 577) [7] subclause 4.1.2

6.4 Transmitted RF carrier power versus time

6.4.1 Test purpose

To verify:

- 1) The time during which the transmitted power envelope should be stable (the useful part of the time slot).
- 2) The stability limits.
- 3) The maximum output power when nominally off between time slots.

It is not the purpose of this test to measure the detail of the power ramps; this is measured as adjacent channel power in subclause 6.5.

6.4.2 Test case

The Manufacturer shall declare how many TRXs the BSS supports, and declare any TRXs which are a dedicated BCCH carrier:

- | | |
|----------------|---|
| 1 TRX: | The BSS shall not be tested. |
| 2 TRX: | One TRX shall be configured to support the BCCH and the other shall be tested. Tests shall be performed on B, M and T, and both TRXs shall be tested on at least one frequency. |
| 3 TRX: | One TRX shall be configured to support the BCCH and the other two shall be tested at B, T and B, M. Tests shall be performed on B, M and T and both TRXs shall be tested on at least one frequency. |
| 4 TRX or more: | One TRX shall be configured to support the BCCH and three TRXs tested, one on B, one on M and one on T. |

If the Manufacturer declares that Synthesizer Slow Frequency Hopping is supported by the BSS, the BSS shall be configured with the number of TRXs activated and frequency allocation defined above and SFH enabled. The TRX configured to support the BCCH shall not be tested.

A single time slot in a TDMA-frame shall be activated in all TRXs to be tested, all other time slots in the TDMA-frame shall be at Pidle.

Power measurements are made with a detector bandwidth of at least 300 kHz at the BTS antenna connector, at each frequency tested. Timing is related to T₀ which is the transition time from bit 13 to bit 14 of the midamble training sequence for each time slot. For timing on a per time slot basis each time slot may contain 156.25 modulating bits, or 2 time slots may contain 157 and 6 time slots 156 modulating bits according to GSM 05.10 (ETS 300 579) [9]. Measurements shall be made at P_{max} and P_{min}. The time slots measured shall be displayed or stored for at least 100 complete cycles of the time slot power sequence for each measurement.

P_{max} = Power measured in subclause 6.3 (Static Power Level 0).

P_{min} = the lowest static level measured in subclause 6.3.

P_{idle} ≤ P_{max} -30 dB, or P_{min} - 30 dB

As a minimum, one time slot shall be tested on each TRX under test which is not a dedicated BCCH.

6.4.3 Essential conformance

Test Environment

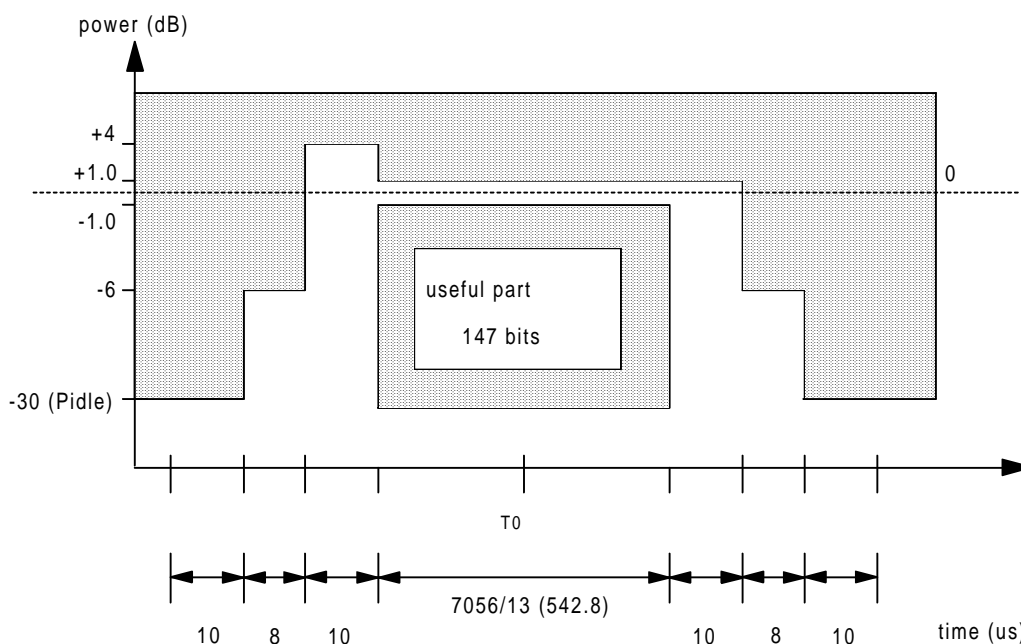
Normal

Conformance requirement

The output power of each time slot tested relative to time shall conform with that illustrated in figure 2. The residual output power, if a time slot is not activated, shall be maintained at, or below, the level of -30 dBc (300 kHz measurement bandwidth).

6.4.4 Complete conformance

The requirement of essential conformance shall apply.



$$147 \text{ bits} = 542.8 \text{ us} = 7056/13 \text{ us}$$

$$1 \text{ timeslot} = 576.9 \text{ us} = 156.25 \text{ bits}$$

NOTE: The 0 dB reference is equal to the power Pmax or Pmin.

Figure 2: Power/time mask for power ramping of normal bursts

6.4.5 Requirement reference

GSM 05.05 (ETS 300 577) [7] subclause 4.5.1

6.5 Adjacent channel power

The modulation, wideband noise and power level switching spectra can produce significant interference in the GSM900 or DCS1800 and adjacent bands. The requirements for adjacent channel emissions are tested in two separate tests which intend to measure different sources of emission:

- 1) continuous modulation spectrum and wideband noise;
- 2) switching transients spectrum.

NOTE: Both requirements must be met, irrespective of the source of the emission at any particular frequency.

6.5.1 Spectrum due to modulation and wideband noise

6.5.1.1 Test purpose

To verify that the output RF spectrum due to modulation and wideband noise does not exceed the specified levels for an individual transceiver.

6.5.1.2 Test case

The system under test shall be tested with one TRX active or with the BTS equipped with only one TRX., at three frequencies (B, M and T).

- a) All time slots shall be set up to transmit full power modulated with a pseudo-random bit sequence of encrypted bits apart from time slot 0 which shall be set up to transmit at full power but may be modulated with normal BCCH data. The pseudo-random bit sequence may be generated by another pseudo-random bit sequence inserted before channel encoding in the BSS.
- b) The power level (as used in table 5) shall be measured using the method of subclause 6.3 for each power step to be tested.
- c) Using a filter and video bandwidth of 30 kHz the power shall be measured at the antenna connector on the carrier frequency. The measurement shall be gated over 50 - 90 % of the useful part of the time slot excluding midamble, and the measured value over this part of the burst shall be averaged. The averaging shall be over at least 200 time slots and only the active burst shall be included in the averaging process. The test is performed on one timeslot and not on timeslot 0.
- d) Step c) shall be repeated with the following offsets above and below the carrier frequency:
 - 100, 200, 250, 400 kHz and
 - 600 to 1800 kHz in steps of 200 kHz.
- e) With all time slots at the same power level, step c) and d) shall be repeated for all static power levels specified for the equipment (subclause 6.3).
- f) With a filter and video bandwidth of 100 kHz and all time slots active, the power shall be measured at the antenna connector for frequency offsets beyond 1800 kHz up to 2 MHz outside either side of the relevant TX band. This test shall be made in a frequency scan mode, with a minimum sweep time of 75 ms and averaged over 200 sweeps.
- g) With all time slots at the same power level, step f) shall be repeated for all static power levels specified for the equipment (subclause 6.3).

6.5.1.3 Essential Conformance

Test Environment

Normal

Normal BTS Conformance requirement

The test shall be performed for one TRX

For each static power step, the power measured in steps d) to g) of the test cases shall not exceed the limits shown in table 5 for the power level measured in step b), except where one or more of the following exceptions and minimum measurement levels applies:

- 1) For a GSM900 BTS, if the limit according to table 5 is below -65 dBm, a value of -65 dBm shall be used instead.

- 2) For a DCS 1800 BTS, if the limit according to table 5 is below -57 dBm, a value of -57 dBm shall be used instead.
- 3) In the combined range 600 kHz to 6 MHz above and below the carrier frequency, in up to three bands of 200 kHz width centred on a frequency which is an integer multiple of 200 kHz, exceptions at up to -36 dBm are allowed.
- 4) Above 6 MHz offset from the carrier frequency, in up to 12 bands of 200 kHz width centred on a frequency which is an integer multiple of 200 kHz, exceptions at up to -36 dBm are allowed.

Table 5: Continuous modulation spectrum - maximum limits for BTS

Power level (dBm) as measured in step b)	Maximum relative level (dB) at specified carrier offsets (kHz), using specified measurement (filter) bandwidths (kHz):							
	100	200	250	400	600 to <1200	1200 to <1800	1800 to <6000	>6000
	Measurement (filter) bandwidth; 30 kHz						Measurement (filter) bandwidth; 100 kHz	
≥43	+0.5	-30	-33	-60	-70	-73	-75	-80
41	+0.5	-30	-33	-60	-68	-71	-73	-80
39	+0.5	-30	-33	-60	-66	-69	-71	-80
37	+0.5	-30	-33	-60	-64	-67	-69	-80
35	+0.5	-30	-33	-60	-62	-65	-67	-80
≤33	+0.5	-30	-33	-60	-60	-63	-65	-80

The limit values in table 5, at the listed offsets from carrier frequency (kHz), are the ratio of the measured power to the measured power in step c) for the same static power step.

Table 5 provides requirements at discrete power levels. For powers between those specified, linear interpolation should be applied.

Micro-BTS Conformance requirement

The test shall be performed for one TRX.

For each static power step, the power measures in steps d) and e) of the test case shall not exceed the limits shown in table 5 for the power level measured in step b), except where one or more of the micro BTS exceptions and minimum measurement levels applies.

For each static power step, the ratio of the power measured in steps f) and g) of the test case to the power measured in step c) for the same static power step shall not exceed -70 dB for all GSM 900 micro-BTS classes and -76 dB for all DCS 1800 micro-BTS classes, except where one or more of the micro BTS exceptions and minimum measurement levels applies.

The following exceptions and minimum measurement levels shall apply for the micro-BTS:

- 1) In the combined range 600 kHz to 6 MHz above and below the carrier frequency, in up to three bands of 200 kHz width centred on a frequency which is an integer multiple of 200 kHz, exceptions at up to -36 dBm are allowed.
- 2) Above 6 MHz offset from the carrier frequency, in up to 12 bands of 200 kHz width centred on a frequency which is an integer multiple of 200 kHz, exceptions at up to -36 dBm are allowed.
- 3) If the limit as specified above is below the values in table 6, then the values in the table shall be used instead.

Table 6: Continuous modulation spectrum - minimum levels for micro-BTS

Microcell BTS Power Class	Maximum spectrum due to modulation and noise in 100 kHz	
	GSM900 (dBm)	DCS1800 (dBm)
M1	-59	-57
M2	-64	-62
M3	-69	-67

6.5.1.4 Complete conformance

Test Environment:

Normal.

Conformance requirement

The test shall be repeated until each TRX in the configuration has been tested. The essential conformance requirement shall be met for each TRX.

6.5.1.5 Requirement reference

GSM 05.05 (ETS 300 577) [7] subclause 4.2.1

6.5.2 Switching transients spectrum

6.5.2.1 Test purpose

To verify that the output RF spectrum due to switching transients does not exceed the specified limits.

6.5.2.2 Test case

The Manufacturer shall declare how many TRXs the BSS supports:

- 1 TRX: The TRX shall be tested at B, M and T.
- 2 TRX: One shall be configured to support the BCCH and the second TRX shall be activated and tested at B, M and T.
- 3 TRX: One shall be configured to support the BCCH and the other two shall be activated and tested. Tests shall be performed on B, M and T and both TRXs shall be tested on at least one frequency.
- 4 TRX or more: One shall be configured to support the BCCH and three TRXs shall be tested, one on B, one on M and one on T.

If the TRX supporting the BCCH is physically different from the remaining TRX(s), it shall also be tested on B, M and T.

- a) All active time slots shall be modulated with a pseudo-random bit sequence apart from time slot 0 of the TRX supporting the BCCH which may be modulated with normal data. The power shall be measured at the offsets listed below from one of the carrier frequencies in the configuration with the test equipment parameters below. The reference power for relative measurements is the power measured in a bandwidth of at least 300 kHz for the TRX under test for the time slot in this test with the highest power.

Resolution bandwidth: 30 kHz

Video bandwidth: 100 kHz

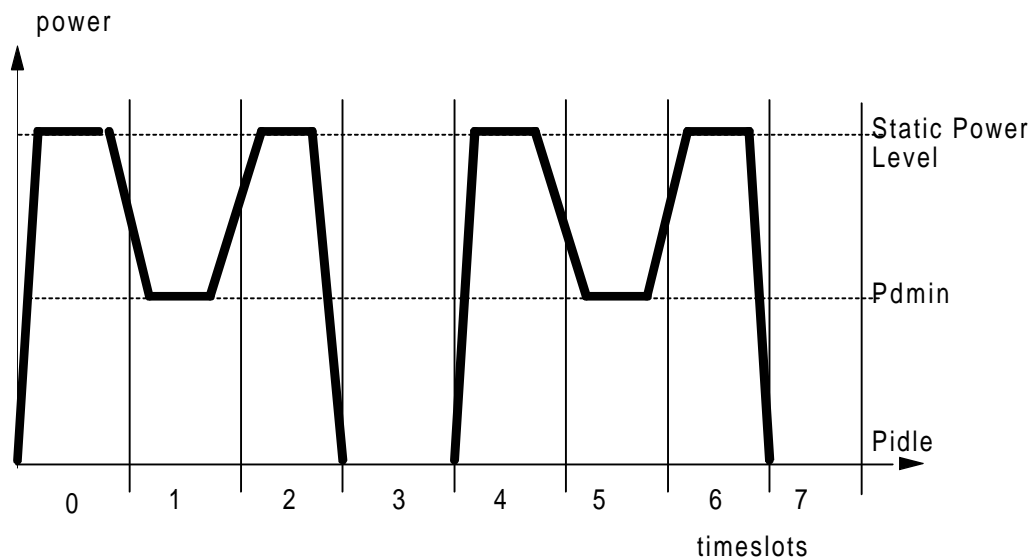
Zero frequency scan

Peak hold enabled

The following offsets from the carrier frequency shall be used:

400, 600, 1200, and 1800 kHz.

- b) All timeslots of the TRX or TRXs under test shall be activated at the highest level of static power control and the power measured as described in step a). If synthesizer SFH is supported, the test shall be repeated for the TRX or TRXs which are activated and which do not support the BCCH, with them hopping between B, M and T.
- c) All timeslots of the TRX or TRXs under test shall be activated at the lowest level of static power control and the power measured as described in step a). If synthesizer SFH is supported, the test shall be repeated for the TRX or TRXs which are activated and which do not support the BCCH, with them hopping between B, M and T.
- d) Any active TRX which does not support the BCCH shall be configured with alternate timeslots active at the highest level of static power control and the remaining timeslots idle as illustrated in figure 3b and the power measured as described in step a).
- e) Any active TRX which does not support the BCCH shall be configured with alternate timeslots active at the lowest level of static power control and the remaining timeslots idle as illustrated in figure 3b and the power measured as described in step a).
- f) If the BSS supports dynamic downlink power control, any active TRX which does not support the BCCH shall be configured with transitions between timeslots active at the highest level of static power control and timeslots active at the lowest available level of dynamic power control and idle timeslots, as illustrated in figure 3a and the power measured as described in step a).



NOTE: P_{dmin} = The lowest dynamic power step measured in subclause 6.3.

Figure 3a: Power/time slot configuration (RF power control)

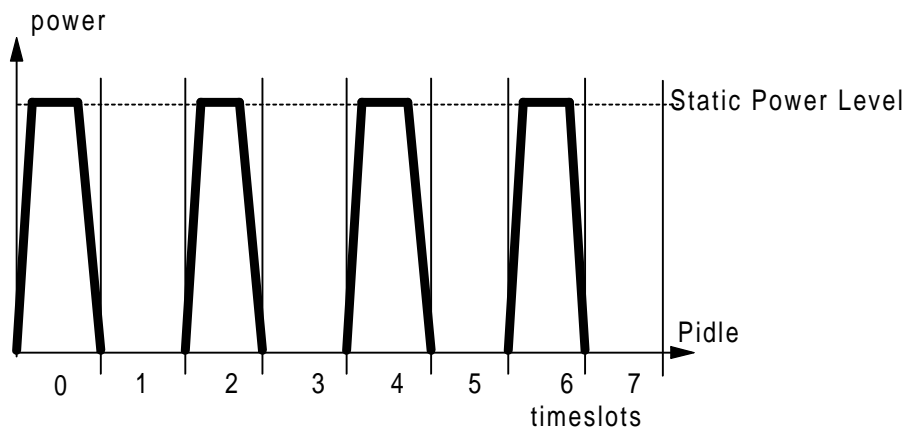


Figure 3b: Power/time slot configuration (no RF power control)

6.5.2.3 Essential conformance

Test environment:

Normal.

Conformance requirement

The power measured shall not exceed the limits shown in table 7, or -36 dBm, whichever value is highest.

6.5.2.4 Complete conformance

Test environment:

Normal.

Conformance requirement

The test shall be repeated until all the TRXs specified to be tested have each been tested on the B, M and T.

The power measured shall not exceed the limits shown in table 7, or -36 dBm, whichever value is highest.

Table 7: Switching transients spectrum - maximum limits

Offset (kHz):	Power (dBc): GSM900	Power (dBc) DCS1800
400	- 57	- 50
600	-67	- 58
1200	-74	- 66
1800	-74	- 66

6.5.2.5 Requirement reference

GSM 05.05 (ETS 300 577) [7] subclause 4.2.2

6.6 Spurious emissions from the transmitter antenna connector

The test conditions for conducted emissions are defined separately for the BSS relevant transmit band, and elsewhere.

6.6.1 Conducted spurious emissions from the transmitter antenna connector, inside the BTS transmit band

6.6.1.1 Test Purpose

This test measures spurious emissions from the BSS transmitter antenna connector inside the BSS relevant transmit band, while one transmitter is in operation.

6.6.1.2 Test Case

The BTS shall be configured with one TRX active at its maximum output power on all time slots. The test shall be performed at RF channels B, M and T. Slow frequency hopping shall be disabled.

NOTE: It may be necessary to take steps to ensure that emissions from other transmitters which are not active do not influence the results. This may be achieved by, for example, equipping the BTS with only one TRX or by muting the outputs of the transmitters to a greater degree than otherwise required in GSM 05.05 (ETS 300 577) [7].

The transmitter antenna connector shall be connected to a spectrum analyser or selective voltmeter with the same characteristic impedance. Peak hold shall be enabled. The power shall be measured.

For frequencies with an offset of $1.8 \text{ MHz} \leq f < 6 \text{ MHz}$ from the carrier frequency, and which fall within the relevant TX band:

The detecting device shall be configured with a resolution bandwidth of 30 kHz and a video bandwidth of approximately three times this value.

For frequencies with an offset of $\geq 6 \text{ MHz}$ from the carrier frequency, and which fall within the relevant TX band:

The detecting device shall be configured with a resolution bandwidth of 100 kHz and a video bandwidth of approximately three times this value.

6.6.1.3 Essential conformance

Test Environment

Normal

Conformance requirement

The maximum power measured shall not exceed -36 dBm.

6.6.1.4 Complete conformance

The requirement of essential conformance shall apply.

6.6.1.5 Requirement Reference

GSM 05.05 (ETS 300 577) [7] subclause 4.3

6.6.2 Conducted spurious emissions from the transmitter antenna connector, outside the BTS transmit band

6.6.2.1 Test Purpose

This test measures spurious emissions from the BSS transmitter antenna connector outside the BSS relevant transmit band, while the transmitters are in operation. It also tests the intra-BTS intermodulation requirements outside the BTS transmit and receive bands.

6.6.2.2 Test Case

- a) The BSS shall be configured with all transmitters active at their maximum output power on all time slots. If a TRX is designated as being a dedicated BCCH, it shall be allocated to RF channel M. All remaining TRXs shall be allocated in the following order; first to RF channel B, then to T, then distributed as evenly as possible throughout the BSS transmit operating band. Slow frequency hopping shall be disabled.
- b) The transmitter antenna connector shall be connected to a spectrum analyser or selective voltmeter with the same characteristic impedance.

The detecting device shall be configured with a resolution and video bandwidth of 100 kHz. The minimum sweep time shall be at least 75 ms and the response shall be averaged over 200 sweeps.

The power shall be measured over the BSS receive operating band.

- c) Step b) shall be repeated for the following frequency band:
- for a GSM 900 BSS, the band 1805 - 1880 MHz.
 - for a DCS1800 BSS, the band 925 - 960 MHz.
- d) If the manufacturer declares that the BSS is suitable for the co-siting of GSM900 and DCS1800 BSSs the following test shall be performed:
Step b) shall be repeated for the following frequency band:
- for a GSM900 BSS, the band 1710 - 1785 MHz.
 - for a DCS1800 BSS, the band 880 - 915 MHz.
- e) The BSS shall be configured as in step a) except that each TRX which is not a dedicated BCCH shall transmit on full power on alternate time slots. The active timeslots should be the same for all TRXs. If slow frequency hopping is supported, each TRX which is not a dedicated BCCH shall hop over the full range of frequencies defined in step a).

The detecting device shall be configured as defined in table 8. Peak hold shall be enabled, and the video bandwidth shall be approximately three times the resolution bandwidth. If this video bandwidth is not available on the detecting device, it shall be the maximum available, and at least 1 MHz.

The power shall be measured over those parts of the frequency range 100 kHz to 12.75 GHz which are outside the BTS relevant transmit band.

Table 8: Spurious Emissions Measurements outside the transmit band

Frequency Band	Frequency offset	Resolution Bandwidth
100 kHz - 50 MHz		10 kHz
50 MHz - 500 MHz		100 kHz
500 MHz - 12.75 GHz and outside the relevant transmit band	(offset from the edge of the relevant transmit band)	
	≥2 MHz	30 kHz
	≥5 MHz	100 kHz
	≥10 MHz	300 kHz
	≥20 MHz	1 MHz
	≥30 MHz	3 MHz

6.6.2.3 Essential conformance

Test Environment

Normal

Conformance requirement

- i) The maximum power measured at step c) shall not exceed -47 dBm for a GSM 900 BTS or -57 dBm for a DCS 1800 BTS
- ii) The maximum power measured at step e) shall not exceed:
 - 36 dBm for frequencies up to 1 GHz
 - 30 dBm for frequencies above 1 GHz

6.6.2.4 Complete conformance

Test Environment

Normal

Conformance requirement

- 1) The maximum power measured at step b) shall not exceed the requirements in table 9:

Table 9: Requirements for transmitter spurious emissions in receiver bands

	GSM BSS receive band (dBm)	DCS 1800 BSS receive band (dBm)
Normal BTS	-98	-98
Micro BTS M1	-91	-96
Micro BTS M2	-86	-91
Micro BTS M3	-81	-86

- 2) The maximum power measured at step c) shall not exceed -47 dBm for a GSM 900 BSS or -57 dBm for a DCS 1800 BSS
- 3) The maximum power measured at step e) shall not exceed:
 - 36 dBm for frequencies up to 1 GHz
 - 30 dBm for frequencies above 1 GHz
- 4) If the manufacturer declares that the BSS is suitable for co-siting of GSM 900 and DCS 1800 BSSs, the power measured in step d) shall not exceed the requirements in table 9.

6.6.2.5 Requirement Reference

GSM 05.05 (ETS 300 577) [7] subclauses 4.3, 4.7.2

6.7 Intermodulation attenuation

6.7.1 Test purpose

To verify that the RF transmit equipment is able to restrict the generation of signals in its non-linear elements caused by the presence of the RF output from the transmitter and an interfering signal reaching the transmitter via its antenna to below specified levels.

6.7.2 Test case

If SFH is supported by the BSS, it shall be disabled during this measurement.

The Manufacturer shall declare how many TRXs the BSS supports. The BSS shall be configured with the maximum number of TRXs supported. The test shall be performed for the number of TRXs and the frequencies defined in the conformance requirement.

Only the TRX under test shall be active. All remaining TRXs shall be idle on an ARFCN within the transmit operating band for the BSS.

NOTE 1: It is particularly important, for a BSS which uses a tuned transmitter combiner, that all sections of the combiner are set to frequencies within the transmit operating band of the BSS during this test.

The antenna output of the RF transmit equipment under test, including the combiner, shall be connected to a coupling device, presenting to the RF equipment a load with an impedance of 50 ohms. The frequency of the test signal shall be within the transmit operating band (see subclause 4.2). The test signal shall be unmodulated and the frequency shall be X MHz offset from the frequency of the RF transmit equipment under test. The TRX under test shall be set to static power level zero and the test signal power level shall be adjusted 30 dB below this value. The test signals are illustrated in figure 4. The power level of the test signal shall be measured at the antenna output end of the coaxial cable, when disconnected from the RF transmit equipment and then correctly matched into 50 ohms. The antenna output power of the RF transmit equipment shall be measured directly at the antenna output terminal connected to an artificial antenna. Intermodulation product frequencies in the relevant TX band and relevant RX band shall be identified and measured according to the following process.

For the measurements in the relevant RX band:

Use a measurement and filter bandwidth of 100 kHz, frequency scan mode, averaged over 200 sweeps, with a sweep time of at least 75 ms. The frequency offset X shall be chosen to cause the lowest order intermodulation product to fall in the operating RX band.

For measurements in the relevant TX band:

The measurement shall be made for frequency offsets X of: 0.8 MHz, 2.0 MHz, 3.2 MHz, 6.2 MHz. The power of all third and fifth order intermodulation products shall be measured. The method of measurement specified below depends on the frequency offset of the intermodulation product from the carrier frequency:

For measurements at frequency offsets from the active TRX of more than 6 MHz the peak power of any intermodulation components shall be measured with a bandwidth of 300 kHz, zero frequency span, over a time slot period. This shall be measured over sufficient time slots to ensure conformance according to methodology of annex A.

For measurements at frequency offsets from the active TRX 1.8 MHz or less the intermodulation product power shall be measured selectively using video averaging over 50 to 90 % of the useful part of the time slot excluding the mid-amble. The averaging shall be over at least 200 time slots and only active bursts shall be included in the averaging process. The RF and video filter bandwidth of the measuring instrument shall be 30 kHz.

For measurements at frequency offsets in the range 1.8 to 6 MHz the intermodulation product power shall be measured in a frequency scan mode, with a minimum sweep time of 75 ms and averaged over 200 sweeps. The RF and video filter bandwidth of the measuring instrument shall be 100 kHz.

NOTE 2: When the above measurements are performed precautions should be taken, so that non-linearity in the selective measuring device does not influence the results appreciably. Furthermore it should be ensured that intermodulation components which may be generated by non-linear elements in the test equipment (e.g. signal generator, coupling device, selective measuring device) are sufficiently reduced. The RF transmit equipment under test and the test signal source should be physically separated in such a way that the measurement is not influenced by direct radiation. A possible measurement set-up is shown in annex B.2.

6.7.3 Essential Conformance

Test Environment

Normal

The following tests shall be performed, depending on the number of TRXs supported by the BSS:

1TRX:	The TRX shall be tested at B, M, and T.
2TRX:	One test shall be performed on B, M, and T. Each TRX shall be tested at least once.
3 or more TRX:	One TRX shall be tested at B, one at M and one at T.

Conformance requirement

At frequencies offset from the wanted signal carrier frequency by more than 6 MHz and up to the edge of the relevant transmit band, the intermodulation components measured shall not exceed -70 dBc or -36 dBm, whichever is the higher. 1 in 100 time slot periods may fail the requirement by up to 10 dB.

At frequencies offset from the wanted signal carrier frequency of less than 6 MHz, the requirements are that specified in 6.5.1.3, Continuous Modulation Spectrum. The exceptions given in subclause 6.5.1.3 also apply.

6.7.4 Complete conformance

Test Environment

Normal

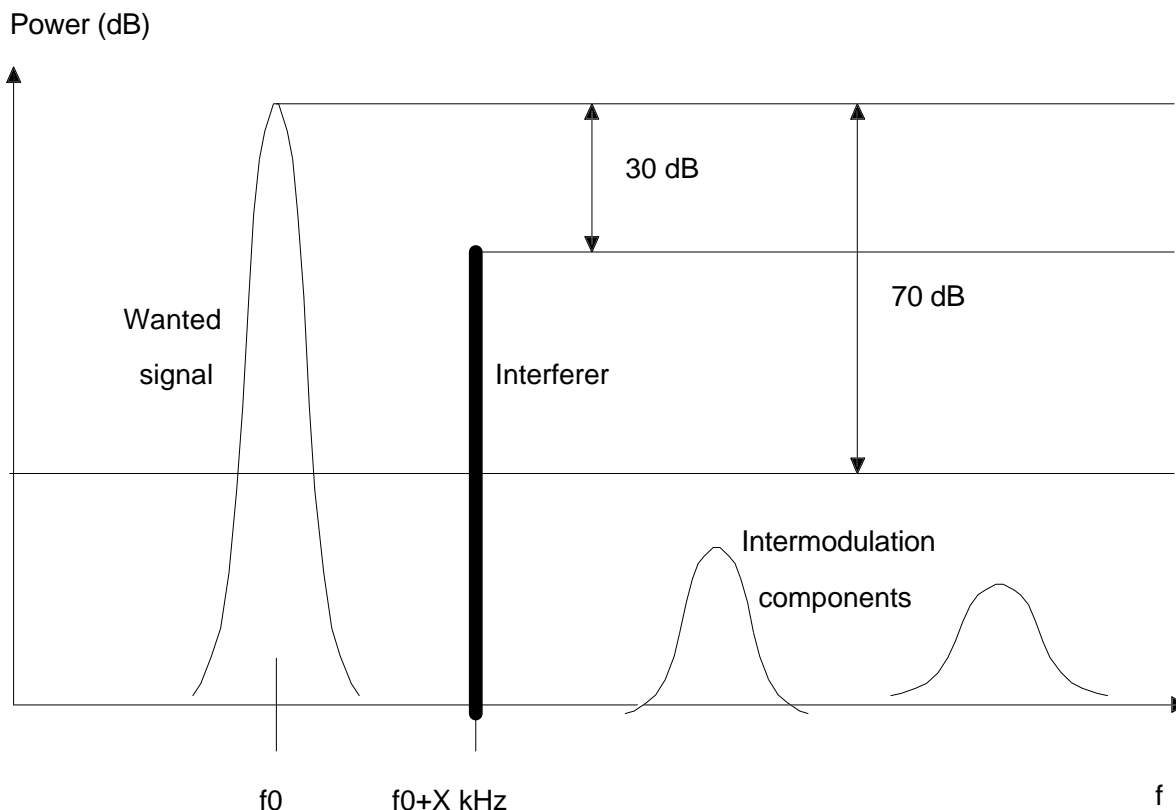


Figure 4: Example of TX intermodulation attenuation

Conformance requirement

The test shall be performed until three TRXs, or the maximum number supported by the BSS (whichever is the less) have each been tested at B, M, and T.

In the operating receive band the measured intermodulation components shall never exceed the values given in table 10 under normal test conditions.

Table 10: Maximum Receive Band transmitter intermodulation limits

	GSM(dBm)	DCS(dBm)
Normal BTS	-98	-98
Micro-BTS M1	-91	-96
Micro-BTS M2	-86	-91
Micro-BTS M3	-81	-86

At frequencies offset from the wanted signal carrier frequency by more than 6 MHz and up to the edge of the relevant transmit band, the intermodulation components measured shall not exceed -70 dBc or -36 dBm, whichever is the higher. 1 in 100 time slot periods may fail the requirement by up to 10 dB.

At frequencies offset from the wanted signal carrier frequency by less than 6 MHz, the requirements are that specified in subclause 6.5.1.3, Continuous Modulation Spectrum. The exceptions given in subclause 6.5.1.3 also apply.

6.7.5 Requirement reference

GSM 05.05 (ETS 300 577) [7] subclause 4.7.1

6.8 Intra Base Station System intermodulation attenuation

6.8.1 Test purpose

To verify that the level of intermodulation products produced inside the RX and TX band (due to the leakage of RF power between transmitters when transmitters are combined to feed a single antenna, or are operating in close vicinity of each other) do not exceed the specified limit.

6.8.2 Test case

If SFH is supported by the BSS, it shall be disabled during this measurement.

The BSS shall be configured with a full compliment of transceivers. Each RF transmit equipment shall be operated at the maximum power specified (Static Level 0 subclause 6.3) and with modulation applied.

In the relevant transmit band, the intermodulation components shall be measured at frequency offsets above the uppermost and below the lowermost carrier frequencies.

All intermodulation product frequencies in the relevant TX band and operating RX band shall be identified and measured according to the process below.

For the measurement in the operating RX band

The equipment shall be operated with ARFCNs such that the lowest order intermodulation product falls into the operating receive band. The measurement shall be carried out at the antenna connector of the BSS, using a frequency selective instrument.

A possible measurement set-up for this test is shown in annex B.2.

For measurements in the RX band the following is the test set up:

A filter and video bandwidth of 100 kHz.

Frequency scan mode.

Minimum sweep time of 75 ms and averaged over 200 sweeps.

For measurements in the relevant TX band

The equipment shall be operated at equal and minimum frequency spacing specified for the BSS configuration under test.

For frequency offsets from the active TRX of more than 6 MHz the peak power of any intermodulation components shall be measured with a bandwidth of 300 kHz, zero frequency span, over a time slot period. This shall be measured over sufficient time slots to ensure conformance according to methodology of annex A.1.

For frequency offsets from the active TRX 1.8 MHz or less the intermodulation product power shall be measured selectively using video averaging over 50 to 90 % of the useful part of the time slot excluding the mid-amble. The averaging shall be over at least 200 time slots and only active bursts shall be included in the averaging process. The RF and video filter bandwidth of the measuring instrument shall be 30 kHz.

For frequency offsets in the range 1.8 to 6 MHz the intermodulation product power shall be measured in a frequency scan mode, with a minimum sweep time of 75 ms and averaged over 200 sweeps. The RF and video filter bandwidth of the measuring instrument shall be 100 kHz.

6.8.3 Essential conformance

Test Environment

Normal

Conformance requirement

In the operating transmit band, at offsets greater than 0.6 MHz and up to 6 MHz, the requirements are that specified in subclause 6.5.1, Continuous Modulation Spectrum. The exceptions given there shall also apply.

At frequencies offset from the wanted signal carrier frequency by more than 6 MHz and up to the edge of the relevant transmit band, the intermodulation components measured shall not exceed -70 dBc or -36 dBm, whichever is the higher. 1 in 100 time slot periods may fail the requirement by up to 10 dB.

6.8.4 Complete conformance

Test Environment

Normal

Conformance requirement

In the relevant receive band the measured intermodulation components shall never exceed the values given in table 11 under normal test conditions.

Table 11: Maximum intra-BSS Receive Band transmitter intermodulation limits

	GSM(dBm)	DCS(dBm)
Normal BTS	-98	-98
Micro-BTS M1	-91	-96
Micro-BTS M2	-86	-91
Micro-BTS M3	-81	-86

In the relevant transmit band, at offsets greater than 0.6 MHz and up to 6 MHz, the requirements are that specified in subclause 6.5.1, Continuous Modulation Spectrum. The exceptions given there shall also apply.

At frequencies offset from the wanted signal carrier frequency by more than 6 MHz and up to the edge of the relevant transmit band, the intermodulation components measured shall not exceed -70 dBc or -36 dBm, whichever is the higher. 1 in 100 time slot periods may fail the requirement by up to 10 dB.

6.8.5 Requirement reference

GSM 05.05 (ETS 300 577) [7] subclause 4.7.2

7 Receivers

All tests unless otherwise stated in this subclause shall be conducted on Base Station Systems fitted with a full complement of Transceivers for the configuration. The manufacturer shall provide appropriate logical or physical test access to perform all test in this subclause. Measurements shall include any RX multicoupler.

The tests in this subclause assume that the receiver is not equipped with diversity. For receivers with diversity, the tests may be performed by applying the specified signals to one of the receiver inputs, and terminating or disabling the other(s). The tests and requirements are otherwise unchanged.

For receivers with diversity, testing of essential conformance shall be performed by applying the specified signals to one of the receiver inputs, and terminating or disabling the other(s).

In all the relevant subclauses in this clause all Bit Error Ratio (BER), Residual BER (RBER) and Frame Erasure Ratio (FER) measurements shall be carried out according to the general rules for statistical testing in annex A.

7.1 Static Layer 1 receiver functions (nominal error ratios)

7.1.1 Test Purpose

The static Layer 1 receiver functions verified in these tests are the RF parts, the multiplexing and multiple access functions, any existing equalizer, the deciphering functions, the de-interleaving and the channel decoding on the receive side. The performance of the receiver at the maximum specified input level is also verified.

Nominal error ratios (Bit Error Ratio - BER) are measured at a logical reference point that represents the performance before channel decoding. This measurement shall be performed for TCH/FS only using unprotected class II bits extracted after channel decoding, but before any extrapolation. Therefore, the results obtained are representative of the logical reference point before channel decoding.

The Random access performance at high input levels is verified by measuring the Frame Erasure Ratio for RACH.

7.1.2 Test Case

- 1) For TCH/FS BER measurements, if Slow Frequency Hopping (SFH) is supported by the BSS, the BSS shall be hopping over the maximum range and number of ARFCNs possible for the test environment and which are available in the BSS configuration. If SFH is not supported, the test shall be performed for the radio frequency channels B, M and T. In both cases the tests shall be repeated until all the RF equipment in the BSS configuration is tested on all specified carrier frequencies and all available TCH/FS time slots. A test signal with normal modulation originating from the BSSTE shall be applied to the BSS receiver input. The unprotected class II bits obtained from the BSS receiver after channel decoding and before any extrapolation shall be compared with the unprotected class II bits originating from the BSSTE.

The test shall be performed at the following power levels of test signal:

- a) A lower limit (20 dB above the reference sensitivity level of the BSS under test), as specified in table 12, for static and EQ50 propagation conditions.
 - b) 40 dBm, for static and EQ50 propagation conditions.
 - c) 15 dBm for GSM900 and -23 dBm for DCS1800, for static propagation conditions only.
- 2) For RACH, the test shall be performed for the radio frequency channels B, M and T. A test signal consisting of RACH bursts originating from the BSSTE shall be applied to the BSS receiver input. The proportion of RACH bursts at the input to the receiver which are not correctly identified by the BSS shall be measured.

The test shall be performed at the following power levels of test signal:

- a) A lower limit (20 dB above the reference sensitivity level of the BSS under test), as specified in table 12, for static propagation conditions.
- b) -40 dBm, for static propagation conditions.
- c) -15 dBm for GSM900 and -23 dBm for DCS1800, for static propagation conditions.

Table 12: Lower limit of RF input for testing of Static Layer 1 receiver functions

BTS Type	Lower Limit
GSM900/DCS1800 BTS	-84 dBm
GSM900 micro-BTS M1	-77 dBm
GSM900 micro-BTS M2	-72 dBm
GSM900 micro-BTS M3	-67 dBm
DCS1800 micro-BTS M1	-82 dBm
DCS1800 micro-BTS M2	-77 dBm
DCS1800 micro-BTS M3	-72 dBm

7.1.3 Essential conformance

This test need not be performed.

7.1.4 Complete conformance

Test Environment:

Normal: For TCH/FS, each TRX shall be tested.

For RACH, the TRX supporting the BCCH shall be tested.

Extreme Temperature: For TCH/FS, one TRX shall be tested on one timeslot, for static propagation conditions only.

For RACH, the TRX supporting the BCCH shall be tested.

Vibration: For TCH/FS, one TRX shall be tested on one timeslot, for static propagation conditions only.

For RACH, the test need not be performed.

Conformance Requirement

The bit error ratio of the unprotected bits (TCH/FS, Class II) shall not exceed:

Static propagation conditions $BER \leq 10^{-4}$ For input levels up to -40 dBm
 Static propagation conditions $BER \leq 10^{-3}$ For input levels > -40 dBm
 EQ50 propagation conditions $BER \leq 3\%$

The frame erasure ratio of the RACH shall not exceed 0.5%.

7.1.5 Requirement Reference

GSM 05.05 (ETS 300 577) [7] subclause 6.1 and subclause 6.5.

7.2 Erroneous Frame Indication Performance**7.2.1 Test Purpose**

In GSM 05.03 (ETS 300 575) [5] a Cyclic Redundancy Check (CRC) is defined for detection of erroneous Layer 2 frames or speech frames. For full-rate speech channels also additional error detecting capabilities using some soft information are needed due to DTX operation when no useful signal is transmitted to the

receiver. This test verifies the reliability of the overall Bad Frame Indication (BFI) presented to the full-rate speech decoder and the Frame Erasure Indication (FEI) used on control channels.

7.2.2 Test Case

- 1) A test signal consisting of continuous GSM modulation of a pseudo random bit stream without mid-amble, and at a level specified in table 13, shall be applied to the receiver antenna connector, on the same frequency as the TRX under test.

One TRX shall be configured to support a BCCH. The detection by the BSS of error-free RACH bursts (FEI=0) shall be monitored by the BSSTE.

Table 13: Test Signal input level for testing of Erroneous Frame Indication performance

BTS Type	Test signal Input Level
GSM900/DCS1800 BTS	-84 dBm
GSM900 micro-BTS M1	-77 dBm
GSM900 micro-BTS M2	-72 dBm
GSM900 micro-BTS M3	-67 dBm
DCS1800 micro-BTS M1	-82 dBm
DCS1800 micro-BTS M2	-77 dBm
DCS1800 micro-BTS M3	-72 dBm

- 2) Step 1 shall be repeated without any RF input on the TRX under test, with the receiver antenna connector terminated with 50Ω.
- 3) Step 1 shall be repeated with one timeslot on one TRX configured for TCH/FS and FACCH. The Bad Frame Indication (BFI) shall be monitored by the BSSTE.
- 4) Step 3 shall be repeated without any RF input on the TRX under test, with the receiver antenna connector terminated with 50Ω.

7.2.3 Essential conformance

This test need not be performed.

7.2.4 Complete conformance

Test Environment:

Normal.

Conformance requirement

In steps 1 and 2, less than 0.02 % of the frames shall be detected as error free (FEI=0).

In steps 3 and 4, less than 1 undetected bad speech frame (i.e. detected as BFI=0) shall occur on average in a period of 10 s.

7.2.5 Requirement reference

GSM 05.05 (ETS 300 577) [7] subclause 6.4.

7.3 Static Reference Sensitivity Level

7.3.1 Test Purpose

The static reference sensitivity level of the receiver is the level of signal at the receiver input with a standard test signal at which the receiver will produce after demodulation and channel decoding data with a Frame Erasure Ratio (FER), Residual Bit Error Ratio (RBER) or Bit Error Ratio (BER) better than or equal to that specified for a specific logical channel type under static propagation conditions.

7.3.2 Test Case

The test shall be performed for the specified ARFCNs. As a minimum, one time slot shall be tested on one TRX.

All TRXs in the BSS configuration shall be on and transmitting full power in all time slots.

With slow frequency hopping disabled, a test signal with normal GSM modulation shall be applied to the BSS RX antenna connector, with a power specified in table 14, on a chosen time slot. The two adjacent time slots shall have a level 50 dB above the time slot under test. The content of this signal shall allow the receiver of the TRX under test to either be activated or to detect valid GSM signals (as specified in the conformance requirement) on the adjacent timeslots for the duration of the test. No signal should be applied during the remaining timeslots.

If Synthesizer Slow Frequency Hopping is supported by the BSS, the test shall be repeated with the following changes:

- a) The BSS shall be hopping over the maximum range and number of ARFCNs possible for the test environment and which are available in the BSS configuration.
- b) The test signal should only be applied for the timeslot under test; no signal should be applied during the remaining timeslots.

Table 14: Test Signal input level for Static reference sensitivity measurement

BTS Type	Test signal Input Level
GSM900/DCS1800 BTS	-104 dBm
GSM900 micro-BTS M1	-97 dBm
GSM900 micro-BTS M2	-92 dBm
GSM900 micro-BTS M3	-87 dBm
DCS1800 micro-BTS M1	-102 dBm
DCS1800 micro-BTS M2	-97 dBm
DCS1800 micro-BTS M3	-92 dBm

The input signal before channel encoding in the BSSTE shall be compared with the signal which is obtained from the BSS receiver after channel decoding.

7.3.3 Essential conformance

Test Environment:

Normal.

Conformance Requirement

For tests with SFH disabled, the tests shall be performed at one ARFCN. For tests with SFH enabled, the tests shall be performed with the range of hopping frequencies centred around RF channel M.

The error performance given in table 15 shall be met for TCH/FS channel (FER and RBER for class Ib and class II bits) and TCH/HS channel (FER and RBER for class Ib and class II bits with BFI=0).

For all tests where a signal is present on adjacent timeslots, the receiver of the TRX under test shall be activated for the duration of the test on the adjacent time slots. As a minimum, this shall include the automatic gain control (AGC) of the receiver being operational on the adjacent timeslots.

7.3.4 Complete conformance

Test Environment:

Normal.

Extreme Temperature: TCH/FS only, for one time slot of one transceiver.

Extreme power supply: TCH/FS only, for one time slot of one transceiver.

Conformance Requirement

For tests with SFH disabled, the tests shall be performed at RF channels B, M, and T. For tests with SFH enabled, the tests shall be performed with the range of hopping frequencies centred around M.

The error performance given in table 15 shall be met for all logical channel types.

For all tests where a signal is present on adjacent timeslots, the BTS shall detect valid GSM signals with an RXQUAL of 6 or less for the duration of the test on the adjacent time slots.

Table 15: Static error performance limits at RX sensitivity level

Channel type:	Error Parameter	Limit Value
FACCH/H	FER	0.10 %
FACCH/F	FER	0.10 %
SDCCH and SACCH	FER	0.10 %
RACH	FER	0.50 %
TCH/F9.6	BER	10^{-5}
TCH/H4.8	BER	10^{-5}
TCH/FS	FER	0.10 α %
- class Ib	RBER	0.40/ α %
- class II	RBER	2.0 %
TCH/HS	FER	0.025 %
- class Ib, BFI=0	RBER	0.001 %
- class II, BFI=0	RBER	0.72 %
-	UFR	0.048 %
- class Ib, UFI=0	RBER	0.001 %
-	EVSIDR	0.06 %
SID=0 and BFI=0	RBER	0.001 %
-	ESIDR	0.01 %
SID=1 or 2	RBER	0.003 %
TCH/EFS	FER	0.1 %
- class Ib	RBER	0.1 %
- class II	RBER	2.0 %

NOTE: The value of α in table 15 may be between 1 and 1.6, but should be the same for both occurrences.

7.3.5 Requirements Reference

GSM 05.05 (ETS 300 577) [7] subclause 6.2.

7.4 Multipath Reference Sensitivity Level

7.4.1 Test Purpose

The multipath reference sensitivity level of the receiver is the level of signal at the receiver input with a standard test signal at which the receiver will produce after demodulation and channel decoding data with a Frame Erasure Ratio (FER), Residual Bit Error Ratio (RBER) or Bit Error Ratio (BER) better than or equal to that specified for a specific logical channel type, under multipath propagation conditions.

7.4.2 Test Case

As a minimum, one time slot shall be tested on one TRX.

A test signal with normal GSM modulation shall be applied to the BSS RX antenna connector through a Multipath Fading Simulator as described in annex B.1, on the chosen time slot. The average signal level at the receiver antenna connector shall be as specified in table 16. This shall be measured by taking the mean powers of the sum of the individual paths.

All TRXs in the BSS configuration shall be on and transmitting full power in all time slots.

For tests with TU50 (ideal SFH):

The BSS shall be hopping over the maximum range and number of ARFCNs possible for the test environment and which are available in the BSS configuration.

For TU50 (no SFH), RA250 (no SFH) and HT100 (no SFH):

If slow frequency hopping is supported by the BSS, it shall be disabled. The test shall be performed for the specified ARFCNs. A test signal with normal GSM modulation shall also be applied to the RX antenna connector on the two adjacent time slots at a static power level 50 dB above the average power level of the chosen time slot over the useful part of the burst as defined in GSM 05.05 (ETS 300 577) [7] for the MS. The content of this signal shall allow the receiver of the TRX under test to either be activated or to detect valid GSM signals (as specified in the conformance requirement) on the adjacent timeslots for the duration of the test.

Table 16: Test signal input level for Multipath Reference Sensitivity measurements

BTS Type	Test signal Average Input Level to receiver
GSM900/DCS1800 BTS	-104 dBm
GSM900 micro-BTS M1	-97 dBm
GSM900 micro-BTS M2	-92 dBm
GSM900 micro-BTS M3	-87 dBm
DCS1800 micro-BTS M1	-102 dBm
DCS1800 micro-BTS M2	-97 dBm
DCS1800 micro-BTS M3	-92 dBm

The input signal before channel encoding in the BSSTE shall be compared with the signal which is obtained from the BSS receiver after channel decoding.

7.4.3 Essential conformance

Test Environment:

Normal.

Conformance Requirement

The error performance of TCH/FS shall be measured on RF channels B, M, and T for propagation profile TU50 (no SFH). The receiver of the TRX under test shall also be activated on the adjacent timeslots. As a minimum, this shall include the automatic gain control (AGC) of the receiver being operational on the adjacent timeslots.

The error performance of each of the following logical channel types shall be measured, each on one ARFCN, for the specified propagation profiles:

TCH/FS:	TU50, HT100, RA130 or RA250
TCH/HS (FER and RBER with BFI=0):	TU50, HT100, RA130 or RA250
SDCCH:	TU50, HT100, RA130 or RA250
TCH/F9.6:	HT100, RA130 or RA250
TCH/F4.8:	HT100, RA130 or RA250

The error performance given in table 17 shall be met for all combinations of logical channel type, frequency and multipath propagation profile tested.

7.4.4 Complete conformance

Test Environment:

Normal.

Conformance Requirement

The error performance given in table 17 shall be met for all logical channel types and for all the multipath propagation profiles given in table 17.

For tests without SFH, the BTS shall detect valid GSM signals with an RXQUAL of 6 or less for the duration of the test on the adjacent time slots.

Table 17a: GSM900 Multipath error performance limits at RX sensitivity level

Channel Type	Error Measure	Error Ratios for the specified propagation conditions			
		TU50 (no SFH)	TU50 (ideal SFH)	RA250 (no SFH)	HT100 (no SFH)
FACCH/H	(FER)	6.9 %	6.9 %	5.7 %	10.0 %
FACCH/F	(FER)	8.0 %	3.8 %	3.4 %	6.3 %
SDCCH and SACCH	(FER)	13 %	8.0 %	8.0 %	12.0 %
RACH	(FER)	13 %	13 %	12 %	13 %
TCH/F9.6	(BER)	0.50 %	0.40 %	0.10 %	0.70 %
TCH/F4.8	(BER)	10^{-4}	10^{-4}	10^{-4}	10^{-4}
TCH/F2.4	(BER)	$2 \cdot 10^{-4}$	10^{-5}	10^{-5}	10^{-5}
TCH/H4.8	(BER)	0.50 %	0.40 %	0.10 %	0.70 %
TCH/H2.4	(BER)	10^{-4}	10^{-4}	10^{-4}	10^{-4}
TCH/FS	(FER)	6.0α %	3.0α %	2.0α %	7.0α %
- class Ib	(RBER)	$0.40/\alpha$ %	$0.30/\alpha$ %	$0.20/\alpha$ %	$0.50/\alpha$ %
- class II	(RBER)	8.0 %	8.0 %	7.0 %	9.0 %
TCH/HS	(FER)	4.1 %	4.1 %	4.1 %	4.5 %
- class Ib	(RBER, BFI=0)	0.36 %	0.36 %	0.28 %	0.56 %
- class II	(RBER, BFI=0)	6.9 %	6.9 %	6.8 %	7.6 %
-	(UFR)	5.6 %	5.6 %	5.0 %	7.5 %
- class Ib	(RBER, UFI=0)	0.24 %	0.24 %	0.21 %	0.32 %
-	(EVSIDR)	6.8 %	6.8 %	6.0 %	9.2 %
-	(RBER, SID=2 and BFI=0)	0.01 %	0.01 %	0.01 %	0.02 %
-	(ESIDR)	3.0 %	3.0 %	3.2 %	3.4 %
-	(RBER, SID=1 or 2)	0.3 %	0.3 %	0.21 %	0.42 %
TCH/EFS	(FER)	8 %	3 %	3 %	7 %
- class Ib	(RBER)	0.21 %	0.11 %	0.10 %	0.20 %
- class II	(RBER)	7 %	8 %	7 %	9 %

Table 17b: DCS1800 Multipath error performance limits at RX sensitivity level

Channel Type	Error Measure	Error Ratios for the specified propagation conditions			
		TU50 (no SFH)	TU50 (ideal SFH)	RA130 (no SFH)	HT100 (no SFH)
FACCH/H	(FER)	7.2 %	7.2 %	5.7 %	10.4 %
FACCH/F	(FER)	3.9 %	3.9 %	3.4 %	7.4 %
SDCCH and SACCH	(FER)	9.0 %	9.0 %	8.0 %	13.0 %
RACH	(FER)	13 %	13 %	12 %	13 %
TCH/F9.6	(BER)	0.40 %	0.40 %	0.10 %	0.70 %
TCH/F4.8	(BER)	10^{-4}	10^{-4}	10^{-4}	10^{-4}
TCH/F2.4	(BER)	10^{-5}	10^{-5}	10^{-5}	10^{-5}
TCH/H4.8	(BER)	0.40 %	0.40 %	0.10 %	0.70 %
TCH/H2.4	(BER)	10^{-4}	10^{-4}	10^{-4}	10^{-4}
TCH/FS	(FER)	3.0α %	3.0α %	2.0α %	7.0α %
- class Ib	(RBER)	$0.30/\alpha$ %	$0.30/\alpha$ %	$0.20/\alpha$ %	$0.50/\alpha$ %
- class II	(RBER)	8.0 %	8.0 %	7.0 %	9.0 %
TCH/HS	(FER)	4.2 %	4.2 %	4.1 %	5.0 %
- class Ib	(RBER, BFI=0)	0.38 %	0.38 %	0.28 %	0.63 %
- class II	(RBER, BFI=0)	6.9 %	6.9 %	6.8 %	7.8 %
-	(UFR)	5.7 %	5.7 %	5.0 %	8.1 %
- class Ib	(RBER, UFI=0)	0.26 %	0.26 %	0.21 %	0.35 %
-	(EVSIDR)	7.0 %	7.0 %	6.0 %	9.9 %
-	(RBER, SID=2 and BFI=0)	0.01 %	0.01 %	0.01 %	0.02 %
-	(ESIDR)	3.0 %	3.0 %	3.2 %	3.9 %
-	(RBER, SID=1 or 2)	0.33 %	0.33 %	0.21 %	0.45 %
TCH/EFS	(FER)	4 %	4 %	3 %	7%
- class Ib	(RBER)	0.12 %	0.12 %	0.10 %	0.24 %
- class II	(RBER)	8 %	8 %	7 %	9 %

The value of α in table 17a,b shall be between 1 and 1.6, and shall be the same for both occurrences in each propagation condition; it may be different for different propagation conditions.

NOTE: For each TU50 (ideal FH), sufficient decorrelation may be achieved with 4 frequencies spaced over 5 MHz.

7.4.5 Requirement Reference

GSM 05.05 (ETS 300 577) [7] subclause 6.2.

7.5 Reference interference level

7.5.1 Test Purpose

The reference interference level is a measure of the capability of the receiver to receive a wanted modulated signal without exceeding a given degradation due to the presence of an unwanted modulated signal at the same carrier frequency (co-channel interference) or at any adjacent carrier frequencies (adjacent channel interference).

7.5.2 Test Case

If Slow Frequency Hopping (SFH) is supported by the BSS, it shall be disabled during this measurement, except when performing tests using propagation conditions with ideal SFH.

When SFH is used in the test, the BSS shall hop over the maximum range and number of ARFCNs possible for the test environment and which are available in the BSS configuration. If SFH is not supported, the test shall be performed on the specified number of ARFCNs. As a minimum, one time slot shall be tested on one TRX.

Two input signals shall be connected to the receiver via a combining network. When testing each signal shall be connected through a Multipath Fading Simulator (MFS) as described in annex B.1, except in the cases of relative levels of +41 dB, where the interferer shall be static. The two multipath fading propagation conditions shall be uncorrelated.

The referred power level for both signals shall be the average power into the BSS RX antenna connector. This shall be measured by taking the mean powers of the sum of the individual paths.

The wanted signal shall have the power level as defined in table 18. It shall have normal GSM modulation.

Table 18: Test signal average input level for Reference Interference Level measurements

BTS Type	Test signal average input level to receiver
GSM900/DCS1800 BTS	-84 dBm
GSM900 micro-BTS M1	-77 dBm
GSM900 micro-BTS M2	-72 dBm
GSM900 micro-BTS M3	-67 dBm
DCS1800 micro-BTS M1	-82 dBm
DCS1800 micro-BTS M2	-77 dBm
DCS1800 micro-BTS M3	-72 dBm

The interfering signal shall be continuous and have GSM modulation of a pseudo-random bitstream without midamble. For SFH this interferer shall consist of either one signal which hops in synchronization with the time slot under test or a number of fixed frequency signal sources. In the latter case the number of interfering sources determines the number of frequencies over which the time slot under test can hop in the test environment irrespective of the upper limit of the BTS.

The test shall be performed with frequency offsets of the interfering signal from the wanted signal, for a relative level of interfering signal above the wanted signal as specified in table 19. In the case of Slow Frequency Hopping (SFH) the interfering signal shall be on the same ARFCN as the wanted signal over the useful part of the time slot burst. For offsets greater than 0 kHz only the multipath propagation condition TU50 (no SFH) need be tested.

Table 19: Co-channel and adjacent channel interference rejections

Interferers offset:	Relative level:	Fading of interferer
0 kHz	-9 dB	yes
200 kHz	9 dB	yes
400 kHz	41 dB	no

All TRXs in the BSS configuration shall be on and transmitting full power in all time slots

The input signal before channel encoding in the BSSTE shall be compared with the signal which is obtained from the BSS receiver after channel decoding.

7.5.3 Essential conformance

Test Environment:

Normal.

Conformance Requirement

1) Co-channel:

The error performance shall be measured for TCH/FS channel (FER, class Ib and class II), for TU50 propagation condition. If synthesizer SFH is supported by the BSS, this shall be enabled, with the range of hopping frequencies centred around RF channel M. If synthesizer SFH is not supported, this shall be tested on one ARFCN channel.

With SFH disabled, the error performance for each of the following logical channel types supported by the BSS shall be measured, each on one ARFCN, for the specified propagation conditions:

TCH/FS:	TU1.5 or TU3
FACCH/F:	TU1.5 or TU3
FACCH/H:	TU1.5 or TU3
SDCCH:	TU1.5 or TU3
TCH/F9.6:	TU1.5 or TU3, TU50
TCH/F4.8:	TU1.5 or TU3, TU50

2) 200 kHz offset:

With SFH disabled, the error performance for each of the following logical channel types supported by the BSS shall be measured, each on one ARFCN, for the specified propagation conditions:

TCH/FS:	TU50
FACCH/F:	TU50

3) 400 kHz offset:

With SFH disabled, the error performance for each of the following logical channel types supported by the BSS shall be measured, each on RF channels B, M and T, for the specified propagation conditions:

TCH/FS:	TU50
---------	------

With SFH disabled, the error performance for each of the following logical channel types supported by the BSS shall be measured, each on one ARFCN, for the specified propagation profiles:

FACCH/F:	TU50
----------	------

In all the above cases, the error performance given in table 20a-d shall be met for all combinations of logical channel type, frequency of wanted signal, frequency offset of interfering signal and multipath propagation condition tested.

The value of α in table 20a-d shall be in the range 1 to 1.6, and shall be the same for both occurrences in each propagation condition; it may be different for different propagation conditions.

7.5.4 Complete conformance

Test Environment:

Normal.

Conformance Requirement

The error performance of any logical channel type for any multipath propagation condition given in table 20a-d shall not be worse than the error ratios given in table 20a-d. For control channels not listed in table 20 the requirements for the SDCCH shall apply. The requirements for propagation conditions with ideal SFH shall only apply if SFH is supported by the BSS.

For the propagation conditions with ideal SFH, the tests shall be performed with the range of hopping frequencies centred around RF channel M. For propagation conditions with no SFH, the tests shall be performed at the RF channels B, M, and T.

The value of α in table 20a-d shall be in the range 1 to 1.6, and shall be the same for both occurrences in each propagation condition; it may be different for different propagation conditions.

NOTE 1: For TU50 (ideal FH), sufficient decorrelation may be achieved with 4 frequencies spaced over 5 MHz.

Table 20a: GSM900 Multipath error performance limits at RX interference level

Channel Type	Error Measure	Error Ratios for the specified propagation conditions			
		TU3 (no SFH)	TU50 (no SFH)	TU50 (ideal SFH)	RA250 (no SFH)
FACCH/H	(FER)	22 %	6.7 %	6.7 %	5.7 %
FACCH/F	(FER)	22 %	9.5 %	3.4 %	3.5 %
SDCCH & SACCH	(FER)	22 %	13 %	9 %	8.0 %
RACH	(FER)	15 %	16 %	16 %	13 %
TCH/F9.6	(BER)	8.0 %	0.80 %	0.30 %	0.2 %
TCH/F4.8	(BER)	3.0 %	10^{-4}	10^{-4}	10^{-4}
TCH/F2.4	(BER)	3.0 %	10^{-4}	10^{-5}	10^{-5}
TCH/H4.8	(BER)	8.0 %	0.80 %	0.30 %	0.20 %
TCH/H2.4	(BER)	4.0 %	$2 \cdot 10^{-4}$	10^{-4}	10^{-4}
TCH/FS	(FER)	21α %	6.0α %	3.0α %	3.0α %
- class Ib	(RBER)	$2.0/\alpha$ %	$0.40/\alpha$ %	$0.20/\alpha$ %	$0.20/\alpha$ %
- class II	(RBER)	4.0 %	8.0 %	8.0 %	8.0 %
TCH/HS	(FER)	19.1 %	5.0 %	5.0 %	4.7 %
- class Ib	(RBER, BFI=0)	0.52 %	0.29 %	0.29 %	0.21 %
- class II	(RBER, BFI=0)	2.8 %	7.1 %	7.1 %	7.0 %
-	(UFR)	20.7 %	6.1 %	6.1 %	5.6 %
- class Ib	(RBER, UFI=0)	0.29 %	0.21 %	0.21 %	0.17 %
-	(EVSIDR)	21.9 %	7.0 %	7.0 %	6.3 %
-	(RBER, SID=2 and BFI=0)	0.02 %	0.01 %	0.01 %	0.01 %
-	(ESIDR)	17.1 %	3.6 %	3.6 %	3.4 %
-	(RBER, SID=1 or 2)	0.50 %	0.26 %	0.26 %	0.20 %
TCH/EFS	(FER)	23 %	9 %	3 %	4 %
- class Ib	(RBER)	0.20 %	0.20 %	0.10 %	0.13 %
- class II	(RBER)	3 %	7 %	8 %	8 %

Table 20b: DCS1800 Multipath error performance limits at RX interference level

Channel Type	Error Measure	Error Ratios for the specified propagation conditions			
		TU1.5 (no SFH)	TU50 (no SFH)	TU50 (ideal SFH)	RA130 (no SFH)
FACCH/H	(FER)	22 %	6.9 %	6.9 %	5.7 %
FACCH/F	(FER)	22 %	3.4 %	3.4 %	3.5 %
SDCCH & SACCH	(FER)	22 %	9.0 %	9.0 %	8.0 %
RACH	(FER)	15 %	16 %	16 %	13 %
TCH/F9.6	(BER)	8.0 %	0.80 %	0.30 %	0.2 %
TCH/F4.8	(BER)	3.0 %	10 ⁻⁴	10 ⁻⁴	10 ⁻⁴
TCH/F2.4	(BER)	3.0 %	10 ⁻⁵	10 ⁻⁵	10 ⁻⁵
TCH/H4.8	(BER)	8.0 %	0.80 %	0.30 %	0.20 %
TCH/H2.4	(BER)	4.0 %	10 ⁻⁴	10 ⁻⁴	10 ⁻⁴
TCH/FS	(FER)	21 α %	3.0 α %	3.0 α %	3.0 α %
- class Ib	(RBER)	2.0/ α %	0.25/ α %	0.25/ α %	0.20/ α %
- class II	(RBER)	4.0 %	8.1 %	8.1 %	8.0 %
TCH/HS	(FER)	19.1 %	5.0 %	5.0 %	4.7 %
- class Ib	(RBER, BFI=0)	0.52 %	0.29 %	0.29 %	0.21 %
- class II	(RBER, BFI=0)	2.8 %	7.2 %	7.2 %	7.0 %
-	(UFR)	20.7 %	6.1 %	6.1 %	5.6 %
- class Ib	(RBER, UFI=0)	0.29 %	0.21 %	0.21 %	0.17 %
-	(EVSIDR)	21.9 %	7.0 %	7.0 %	6.3 %
-	(RBER, SID=2 and BFI=0)	0.02 %	0.01 %	0.01 %	0.01 %
-	(ESIDR)	17.1 %	3.6 %	3.6 %	3.4 %
-	(RBER, SID=1 or 2)	0.50 %	0.26 %	0.26 %	0.20 %
TCH/EFS	(FER)	23 %	3 %	3 %	4 %
- class Ib	(RBER)	0.20 %	0.10 %	0.10 %	0.13 %
- class II	(RBER)	3 %	8 %	8 %	8 %

Table 20 c: GSM900 Multipath error performance limits at RX interference level offset 400 kHz

Channel Type	Error Measure	Error Ratios for the specified propagation conditions
		TU50 (no SFH)
FACCH/F	(FER)	17.1 %
TCH/FS	(FER)	10.2 α %
- class Ib	(RBER)	0.72 α %
- class II	(RBER)	8.8 %

Table 20 d: DCS 1800 Multipath error performance limits at RX interference level offset 400 kHz

Channel Type	Error Measure	Error Ratios for the specified propagation conditions
		TU50 (no SFH)
FACCH/F	(FER)	6.1 %
TCH/FS	(FER)	5.1 α %
- class Ib	(RBER)	0.45 α %
- class II	(RBER)	8.9 %

NOTE 2: For TU3 (ideal FH) for GSM , and TU1.5 (ideal FH) for DCS1800, sufficient decorrelation cannot readily be achieved between the channel propagation conditions for each frequency hopped on. The requirements in GSM 05.05 (ETS 300 577) [7] for performance with TU1.5 or TU3 (ideal FH) propagation condition cannot hence be tested and are thus absent in this test specification. They are inherently tested by TU50 (ideal FH) together with TU3 (no FH) or TU1.5 (no FH).

7.5.5 Requirements Reference

GSM 05.05 (ETS 300 577) [7] subclause 6.3.

7.6 Blocking Characteristics

7.6.1 Test Purpose

Blocking and spurious response rejection is a measure of the ability of a BSS receiver to receive a wanted GSM modulated signal in the presence of an interfering signal; the level of the interfering signal is higher for the test of blocking than for spurious response.

7.6.2 Test Case

The manufacturer shall declare any intermediate frequencies (IF1 to IFn) used within the receiver, and the frequency of the local oscillator applied to the first receiver mixer.

- 1) This measurement is carried out in three stages:
 - a) an optional preliminary test to identify frequencies of interfering signal which require more detailed investigation.
 - b) measurement of blocking performance.
 - c) measurement of spurious response performance; this test need only be performed at those frequencies of interfering signal at which the specification for blocking is not met.
- 2) The BSS shall be configured to operate as close to the centre of the operating receive band as is possible. If Slow frequency hopping is supported by the BSS, it shall be disabled during these measurements.
- 3) The two RF signals shall be fed into the receiver antenna connector of the BSS using a combining network. The wanted signal shall be at the operating frequency of the receiver, shall be modulated with normal GSM modulation, and shall be at a level as specified in table 21. The measurement is only performed under static propagation conditions.

Table 21: Power level of wanted signal for test of Blocking Characteristics

BTS Type	Power level of Wanted Signal
GSM900/DCS1800 BTS	-101 dBm
GSM900 micro-BTS M1	-94 dBm
GSM900 micro-BTS M2	-89 dBm
GSM900 micro-BTS M3	-84 dBm
DCS1800 micro-BTS M1	-99 dBm
DCS1800 micro-BTS M2	-94 dBm
DCS1800 micro-BTS M3	-89 dBm

PRELIMINARY TEST

- 4) This optional test may be performed to reduce the number of measurements required in step 8. If it is performed, this shall be at the frequencies specified below.
- 5) The test shall be performed for an interfering signal at all frequencies which are integer multiples of 200 kHz , and which fall within one or more of the frequency ranges listed below, but excluding frequencies which exceed 12.75 GHz or are less than 600 kHz from the wanted signal:

- a) from
 PGSM 900: 790 MHz to 1015 MHz inclusive.
 EGSM 900: 780 MHz to 1015 MHz inclusive.
 DCS 1800: 1610 MHz to 1885 MHz inclusive.
- b) PGSM 900 and EGSM900:
 from $Flo - (IF1 + IF2 + \dots + IFn + 12.5 \text{ MHz})$ to
 $Flo + (IF1 + IF2 + \dots + IFn + 12.5 \text{ MHz})$.
- DCS 1800:
 from $Flo - (IF1 + IF2 + \dots + IFn + 37.5 \text{ MHz})$ to
 $Flo + (IF1 + IF2 + \dots + IFn + 37.5 \text{ MHz})$.
- c) from $IF1 - 400 \text{ kHz}$ to $IF1 + 400 \text{ kHz}$.
- d) All of the ranges:
 $mFlo - IF1 - 200 \text{ kHz}$ to $mFlo - IF1 + 200 \text{ kHz}$
 and
 $mFlo + IF1 - 200 \text{ kHz}$ to $mFlo + IF1 + 200 \text{ kHz}$
- e) All integer multiples of 10 MHz

Where: Flo is the frequency of the local oscillator applied to the first receiver mixer.
 $IF1 \dots IFn$ are the n intermediate frequencies.
 m is all positive integers.

To reduce test time, a shortened test procedure according to annex A of this I-ETS may be used, with an upper limit of measurement of 4 GHz.

- 6) The interfering signal shall be frequency modulated with a modulation frequency of 2 kHz and a peak deviation of $\pm 100 \text{ kHz}$.
- 7) For separations between the wanted and interfering signals of:
 PGSM 900 and EGSM 900: 45 MHz or less.
 DCS 1800: 95 MHz or less,

the level of the interfering signal at the receiver input shall be:

GSM 900: -3 dBm.
 DCS 1800: -15 dBm.

For greater separations, the level of the interfering signal shall be +10 dBm.

The Residual Bit Error Ratio (RBER) for the TCH/FS channel using class II bits shall be measured. All frequencies at which the RBER exceeds 10 % shall be recorded for further study. A relaxed statistical significance may be used for this measurement, compared to that of step 9).

BLOCKING TEST

- 8) If the preliminary test has been performed, this test shall be performed at all frequencies which have been recorded at step 7. If the preliminary test has not been performed, this test shall be performed at all frequencies specified in step 5.

The interfering signal shall be unmodulated, and shall have a level at the receiver input as specified in table 22.

- 9) The RBER for the TCH/FS channel using class II bits shall be measured. All frequencies at which the RBER exceeds 2.0 % shall be recorded.

For this test, in band frequencies are defined as follows:

PGSM900: 870 MHz to 925 MHz;
 EGSM900: 860 MHz to 925 MHz;
 DCS1800: 1690 MHz to 1805 MHz.

NOTE: The methodology for the measurement of BER is described in annex A.

f_0 is the frequency of the wanted signal

Table 22: Level of interfering signal for blocking

Frequency band	GSM900 (dBm)				DCS1800 (dBm)			
	BTS	M1	micro-BTS		BTS	M1	micro-BTS	
			M2	M3			M2	M3
in - band:								
$f_0 \pm 600$ kHz	-26	-31	-26	-21	-35	-40	-35	-30
$800 \text{ kHz} \leq f-f_0 < 3 \text{ MHz}$	-16	-21	-16	-11	-25	-30	-25	-20
$3 \text{ MHz} \leq f-f_0 $	-13	-21	-16	-11	-25	-30	-25	-20
out - of - band	8	8	8	8	0	0	0	0

For PGSM900 and EGSM900 the blocking level in the band 925 MHz to 935 MHz is relaxed to 0 dBm.

Spurious response

- 10) This test shall be performed at all frequencies which have been recorded at step 9. The interfering signal shall be unmodulated, and shall have a level of -43 dBm.
- 11) The RBER for TCH/FS channel using class II bits shall be measured.

7.6.3 Essential conformance

Test environment

Normal: One TRX shall be tested.

Conformance Requirement

For step 9) (blocking), the recorded frequencies shall meet all of the following requirements:

- a) For measurement frequencies which are:
 - GSM 900: 45 MHz or less from the wanted signal, the total number does not exceed six.
 - DCS 1800: 95 MHz or less from the wanted signal, the total number does not exceed twelve.
- b) For measurement frequencies which are:
 - GSM 900: 45 MHz or less from the wanted signal, no more than three are consecutive.
 - DCS 1800: 95 MHz or less from the wanted signal, no more than three are consecutive.
- c) For measurement frequencies which are:
 - GSM 900: more than 45 MHz from the wanted signal, the total number does not exceed twenty four.
 - DCS 1800: more than 95 MHz from the wanted signal, the total number does not exceed twenty four.
- d) For measurement frequencies which are:
 - GSM 900: more than 45 MHz below the wanted signal, no more than three are consecutive.
 - DCS 1800: more than 95 MHz below the wanted signal, no more than three are consecutive.

For step 11) (spurious response), the RBER shall never exceed 2.0 %.

7.6.4 Complete conformance

The requirements of essential conformance shall apply.

7.6.5 Requirements reference

GSM 05.05 (ETS 300 577) [7] subclause 5.1.

7.7 Intermodulation characteristics

7.7.1 Test Purpose

This test measures the linearity of the receiver RF parts. It expresses the capability of the receiver to receive a wanted modulated signal without exceeding a given degradation due to the presence of two or more unwanted signals with a specific frequency relationship to the wanted signal frequency.

7.7.2 Test Case

If SFH is supported by the BSS, it shall be disabled during this measurement. The measurement is performed only under static conditions for the TCH/FS using class II bits. The measurement shall be performed for the radio frequency channels B, M and T. As a minimum, one time slot shall be tested on one TRX to be tested.

Three signals shall be applied to the receiver via a combining network. The powers of the signals are measured at the receiver antenna connector.

The wanted signal shall have normal GSM modulation originating from the BSSTE and have a power level as defined in table 23.

The second signal is an interfering signal, modulated by a pseudo-random bit sequence, and shall be 1.6 MHz above the wanted signal frequency. During the useful part of the burst of the wanted signal, the modulation of this interfering signal shall be any 148-bits subsequent of the 511-bits sequence, defined in CCITT Recommendation O.153 fascicle IV.4., and the power shall be -43 dBm for GSM and -49 dBm for DCS1800.

NOTE: This signal can be a continuous signal modulated by the 511-bits sequence.

The third signal is an interfering signal and shall be unmodulated. It shall be 800 kHz above the wanted signal frequency, and the power shall be -43 dBm for GSM and -49 dBm for DCS1800.

The various signals are illustrated in figure 5.

Table 23: Wanted signal level for testing of Intermodulation Characteristics

BTS Type	Power level of Wanted Signal
GSM900/DCS1800 BTS	-101 dBm
GSM900 micro-BTS M1	-94 dBm
GSM900 micro-BTS M2	-89 dBm
GSM900 micro-BTS M3	-84 dBm
DCS1800 micro-BTS M1	-99 dBm
DCS1800 micro-BTS M2	-94 dBm
DCS1800 micro-BTS M3	-89 dBm

The unprotected class II bits obtained from the BSS receiver after channel decoding and before any extrapolation shall be compared with the unprotected class II bits originating from the BSSTE.

The RBER of the TCH/FS class II bits shall be measured.

The measurement shall be repeated with the unwanted signal frequencies below the carrier frequency of the wanted signal.

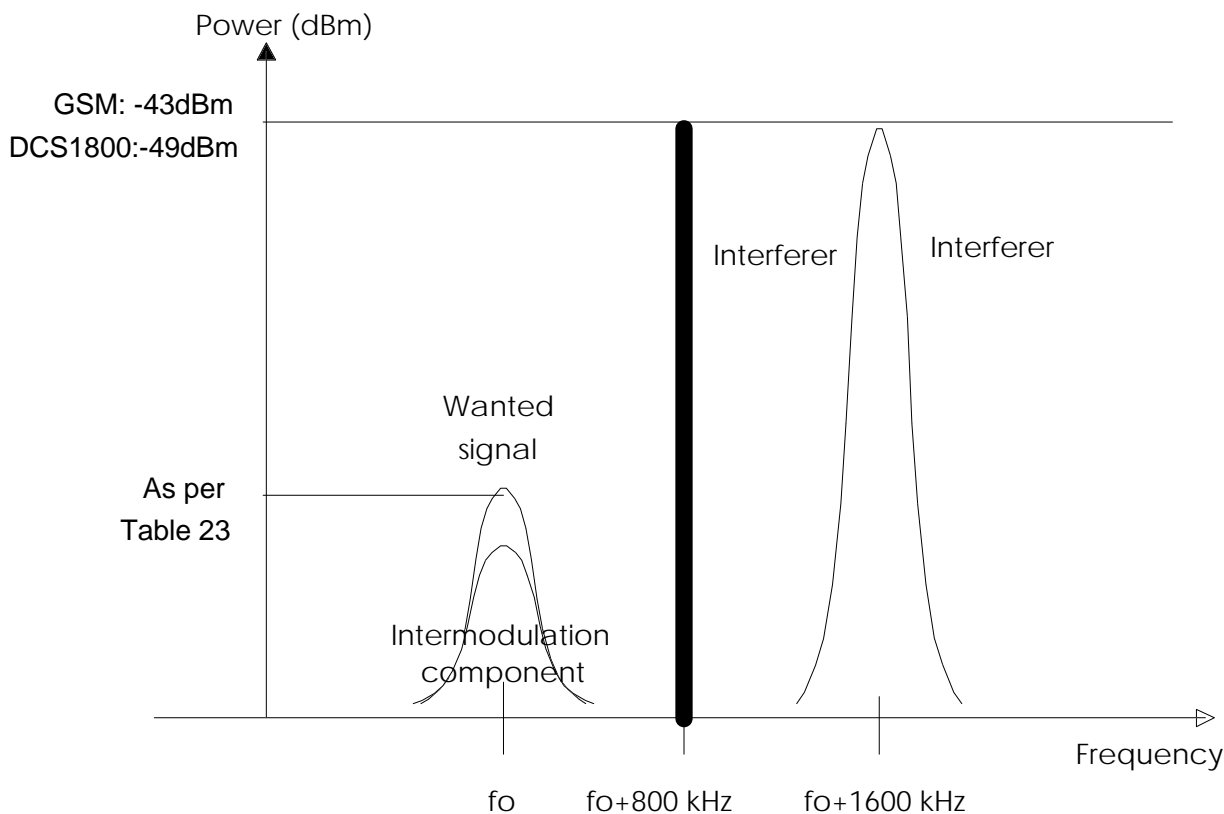


Figure 5: Example of RX intermodulation rejection

7.7.3 Essential conformance

Test Environment:

Normal: One TRX shall be tested.

Conformance Requirement

The RBER of TCH/FS Class II shall not exceed 2.0 %.

NOTE: This conformance requirement together with conformance to subclause 7.5 (Reference Interference Level) is sufficient to demonstrate compliance to GSM 05.05 (ETS 300 577) [7] subclause 5.3 for all logical channel types.

7.7.4 Complete conformance

Test Environment:

Normal: Each TRX shall be tested

Conformance Requirement

The RBER of TCH/FS Class II shall not exceed 2.0 %.

NOTE: This conformance requirement together with conformance to subclause 7.5 (Reference Interference Level) is sufficient to demonstrate compliance to GSM 05.05 (ETS 300 577) [7] subclause 5.3 for all logical channel types.

7.7.5 Requirement Reference

GSM 05.05 (ETS 300 577) [7] subclause 5.3

7.8 AM suppression

7.8.1 Test Purpose

AM suppression is a measure of the ability of a BSS receiver to receive a wanted GSM modulated signal without exceeding a given degradation due to the presence of an unwanted modulated signal.

7.8.2 Test Case

This test shall be performed at any one ARFCN on one TRX. If Slow Frequency Hopping (SFH) is supported by the BSS, it shall be disabled during this measurement. The measurement is performed only under static conditions.

The wanted signal shall have normal GSM modulation with a power level as defined in table 24.

Table 24: Test signal input level

BTS Type	Test signal Input Level to receiver
GSM900/DCS1800 BTS	-101 dBm
GSM900 micro-BTS M1	-94 dBm
GSM900 micro-BTS M2	-89 dBm
GSM900 micro-BTS M3	-84 dBm
DCS1800 micro-BTS M1	-99 dBm
DCS1800 micro-BTS M2	-94 dBm
DCS1800 micro-BTS M3	-89 dBm

The interfering signal is modulated according to GSM characteristics (with or without a midamble) with a pseudo random bit sequence of at least 511 bits length.

NOTE 1: A 148-bit sequence of the 511-bit of a pseudo-random bit sequence as defined in CCITT Recommendation 0.153 fascile IV.4 is recommended.

Its frequency (f) shall be in the relevant receive band, at least 6 MHz separated from the ARFCN under test. Frequency f is an integer multiple of 200 kHz and at least 2 ARFCNs separated from any identified spurious response in step 9 of the test case in subclause 7.6.2.

The interferer shall have one timeslot active, meeting the power/time mask of figure 1. The transmitted bursts shall be synchronized to but delayed in time between 61 and 86 bit periods relative to the bursts of the wanted signal. The mean level of the interferer over the useful part of the burst is defined in table 25.

Table 25: Interfering signal level

	Micro-BTS			
	BTS (dBm)	M1 (dBm)	M2 (dBm)	M3 (dBm)
GSM 900	-31	-34	-29	-24
DCS 1800	-35	-33	-28	-23

The two input signals shall be connected to the receiver via a combining network. The referred power level for both signals shall be the power into the BSS RX antenna connector.

NOTE 2: When testing this requirement, a notch filter may be necessary to ensure that the co channel performance of the receiver is not compromised.

7.8.3 Essential conformance

Test Environment:

Normal.

Conformance Requirement

For a TCH/FS the RBER of class II, class Ib and the FER the error performance shall not exceed the values given in table 15.

7.8.4 Complete conformance

Test Environment:

Normal.

Conformance Requirement

The error performance given in table 15 shall be met for all logical channel types.

7.8.5 Requirement Reference

GSM 05.05 [7] subclause 5.2.

7.9 Spurious emissions from the receiver antenna connector

7.9.1 Test Purpose

Spurious emissions are emissions at frequencies other than those of the BTS transmitter ARFCNs and adjacent frequencies. This test measures spurious emissions from the BTS receiver antenna connector.

7.9.2 Test Case

The transmitter shall be configured with one TRX active. It shall be allocated to RF Channel M and shall transmit at full power on all time slots.

For a BTS equipped with diversity, the requirements of this subclause apply to each receiver antenna connector.

For a BTS equipped with a duplexer, and with only a single antenna connector for both transmitter and receiver the requirements of subclause 6.6 shall apply to this port, and this test need not be performed.

The receiver antenna connector shall be connected to a spectrum analyser or selective voltmeter with the same characteristic impedance.

The detecting device shall be configured as defined in table 26. Peak hold shall be enabled, and the video bandwidth shall be approximately three times the resolution bandwidth. If this bandwidth is not available on the detecting device, it shall be the maximum available, and at least 1 MHz.

The power shall be measured over the frequency ranges specified in table 26.

7.9.3 Essential conformance

Test Environment:

Normal.

Table 26: measurement conditions for Conducted Emissions from the Receiver Antenna Connector.

Frequency Band	Frequency offset	Resolution Bandwidth
100 kHz - 50 MHz		10 kHz
50 MHz - 500 MHz		100 kHz
500 MHz - 12.75 GHz and outside the relevant transmit band	(offset from the edge of the relevant transmit band)	
	≥2 MHz	30 kHz
	≥5 MHz	100 kHz
	≥10 MHz	300 kHz
	≥20 MHz	1 MHz
	≥30 MHz	3 MHz
Inside the relevant transmit band	(offset from the transmit carrier frequency)	
	≥1.8 MHz	30 kHz
	≥6 MHz	100 kHz

Conformance Requirement

The measured power shall not exceed:

- 57 dBm for all frequencies up to 1 GHz.
- 47 dBm for all frequencies above 1 GHz.

7.9.4 Complete conformance

The requirements of essential conformance shall apply.

7.9.5 Requirement Reference

GSM 05.05 (ETS 300 577) [7] subclause 5.4.

8 Radiated spurious emissions

8.1 Test Purpose

This test measures radiated spurious emissions from the BSS cabinet, including emissions due to the transmitters.

8.2 Test Case

- a) A test site fulfilling the requirements of ETS 300 113 shall be used. The BTS shall be placed on a non-conducting support and shall be operated from a power source via an RF filter to avoid radiation from the power leads. The method of ETS 300 113 shall be used, except in any case where it conflicts with this I-ETS.

Radiation of any spurious components shall be detected by the test antenna and measuring receiver (e.g. a spectrum analyser). At each frequency at which a component is detected, the BSS shall be rotated and the height of the test antenna adjusted to obtain maximum response, and the effective radiated power of that component determined by a substitution measurement. The measurement shall be repeated with the test antenna in the orthogonal polarization plane.

- b) The BTS shall be configured with one transmitter active, at its maximum output power on all time slots, on the specified ARFCNs. Slow frequency hopping shall be disabled.

NOTE: It may be necessary to take steps to ensure that emissions from other transmitters which are not active do not influence the results. This may be achieved by, for example, equipping the BTS with only one TRX or by muting the outputs of the transmitters to a greater degree than otherwise required in GSM 05.05 (ETS 300 577) [7].

- c) The measuring receiver shall be configured with a resolution bandwidth of 30 kHz and a video bandwidth of approximately three times this value. Peak hold shall be enabled. The received power shall be measured for frequencies with an offset of $1.8 \text{ MHz} \leq f < 6 \text{ MHz}$ from the carrier frequency, and which fall within the BTS relevant transmitter band.

At each frequency at which a component is detected, the maximum effective radiated power of that component shall be determined, as described in step a).

- d) The measuring receiver shall be configured with a resolution bandwidth of 100 kHz and a video bandwidth of approximately three times this value. Peak hold shall be enabled. The received power shall be measured for frequencies with an offset of $\geq 6 \text{ MHz}$ from the carrier frequency, and which fall within the BTS relevant transmitter band.

At each frequency at which a component is detected, the maximum effective radiated power of that component shall be determined, as described in step a).

- e) The BSS shall be configured with all transmitters active at their maximum output power on all time slots. If a TRX is designated as being a dedicated BCCH, it shall be allocated to RF channel M. All remaining TRXs shall be allocated in the following order; first to RF channel B, then to T, then distributed as evenly as possible throughout the BSS operating transmit band. Slow frequency hopping shall be disabled.

The measuring receiver shall be configured as defined in table 27. Peak hold shall be enabled, and the video bandwidth shall be approximately three times the resolution bandwidth. If this video bandwidth is not available on the measuring receiver, it shall be the maximum available, and at least 1 MHz. The received power shall be measured over the frequency range 30 MHz to 4 GHz, excluding the BTS relevant transmitter band.

Table 27: Spurious Emissions Measurements outside the transmit band

Frequency Band	Frequency offset	Resolution Bandwidth
30 MHz - 50 MHz		10 kHz
50 MHz - 500 MHz		100 kHz
500 MHz - 4 GHz and outside the relevant transmit band	(offset from the edge of the relevant transmit band)	
	$\geq 2 \text{ MHz}$	30 kHz
	$\geq 5 \text{ MHz}$	100 kHz
	$\geq 10 \text{ MHz}$	300 kHz
	$\geq 20 \text{ MHz}$	1 MHz
	$\geq 30 \text{ MHz}$	3 MHz

At each frequency at which a component is detected, the maximum effective radiated power of that component shall be determined, as described in step a).

8.3 Essential conformance

Test Environment:

- Normal: Inside the relevant TX band: The test shall be performed with the TRX active on one ARFCN.
Outside the relevant TX band: The test shall be performed once.

Conformance Requirement

- a) The power measured at steps c) and d) shall not exceed -36 dBm.
- b) The power measured at step e) shall not exceed:
 - 36 dBm for frequencies up to 1 GHz.
 - 30 dBm for frequencies above 1 GHz.

8.4 Complete conformance

Test Environment:

- Normal:
- | | |
|-------------------------------|--|
| Inside the relevant TX band: | The test shall be performed three times with the TRX on one of the RF channels B, M, and T. |
| Outside the relevant TX band: | The test shall be repeated until a measurement has been made with a TRX active on B, M and T |

NOTE: For a BSS with 3 or more TRX, this requires only one measurement.

Conformance Requirement

- a) The power measured at steps c) and d) shall not exceed -36 dBm.
- b) The power measured at step e) shall not exceed:
 - 36 dBm for frequencies up to 1 GHz.
 - 30 dBm for frequencies above 1 GHz.

8.5 Requirement reference

GSM 05.05 (ETS 300 577) [7], subclause 4.3.

9 Radio link management**9.1 General**

This clause describes the functions of the BSS which gain, maintain and release access to the radio link, the main objective being to provide a stable link for the higher protocol layers whilst hiding, as far as possible, the properties of the radiopath.

The detailed operation of these functions can be found in GSM 05.08 (ETS 300 578) [8] and GSM 05.10 (ETS 300 579) [9]. Some requirements are also found in GSM 05.02 (ETS 300 574) [4].

9.2 Synchronisation

The BSS provides control information to the MS so that its transmissions arrive at the BSS within the allocated timeslot window and within the correct frequency tolerance.

The following requirements related to synchronisation are not tested in this subclause:

- 1) Absolute Frequency Tolerance.
This is tested in subclause 6.2
- 2) Relative Frequency Tolerance
It is not possible to verify by testing that the RF-frequencies of all the TRXs in a BSS are all derived from the same frequency source. This may be confirmed by a manufacturers declaration
- 3) Synchronisation of Data Clocks
It is not possible to verify by testing that the BSS clocking and timebase are derived from the same frequency source used for RF generation. This may be confirmed by a manufacturers declaration.

9.2.1 Timing Tolerance

9.2.1.1 Test purpose

Description

The timing tolerance is the relative time between bits of the same bit number (BN) in timeslots of the same timeslot number (TN) and frame number (FN) transmitted simultaneously from two TRXs in one cell of the BSS.

9.2.1.2 Test case

For a BTS supporting only one TRX, this test is not performed.

If SFH is supported by the BSS, it shall be disabled during this test.

The TRX supporting the BCCH shall be used as the reference to measure the relative timing of the transmissions from different TRXs. The results shall be analysed to ensure that the relative timing between any two TRXs which are transmitted simultaneously meets the requirement.

- a) The BSSTE shall establish a TCH using timeslot 0 in the TDMA frame structure (TN=0) on a specific frequency.
- b) The relative timing between this frequency and the BCCH frequency shall be measured on the training sequence (BN=74). TDMA-frames carrying Frequency Correction bursts or Synchronisation bursts (T3=0,1,10,11,20,21,30,31,40,41) shall be excluded. This measurement shall be repeated for at least 100 bursts and the average shall be calculated and recorded.
- c) Step a) and b) shall be carried out with the TCH at the RF channels B, M and T, but avoiding the use of the same frequency as the BCCH.
- d) Step c) shall be carried out with the BCCH at the RF channels B, M and T, but avoiding the use of the same frequency as the TCH. The BCCH frequency shall be offset to the closest used RF channel in case they coincide.
- e) Step d) shall be repeated for all other TRXs in the BSS.
- f) The timing measurement shall be used to establish the maximum time difference between any two TRXs operating in one cell.

9.2.1.3 Essential conformance

This test need not to be performed.

9.2.1.4 Complete conformance

Test environment

Normal

Conformance requirement

The timing difference (as established in step f)) between any two TRXs shall be no greater than 1/4 bit, measured at the BSS antenna connector.

9.2.1.5 Requirement reference

GSM 05.10 (ETS 300 579) [9].

9.3 Frame structure

This section verifies that the BSS correctly generates TDMA frames and is capable of receiving transmitted bursts from Mobile Stations generated according to GSM recommendations.

The following requirements relating to frame structure are not tested in this subclause:

- 1) The delay of three timeslots between uplink and downlink is tested implicitly in subclause 9.6
- 2) The SACCH multiframe structure is implicitly tested in transmitter bit exactness test of subclause 6.1.

9.3.1 BCCH Multiframe

9.3.1.1 Test purpose

Description

The BCCH multiframe consists of 51 TDMA frames. There is one BCCH logical channel per BSS, which broadcasts general information. The frequency information is carried on the Frequency Correction Channel (FCCH) and the synchronisation is transmitted on the Synchronisation Channel (SCH).

9.3.1.2 Test case

- a) The BSS is configured with one TRX configured to support a BCCH. This is monitored in the BSSTE.
- b) The BSSTE shall search for the Frequency Correction burst.
- c) The BSSTE shall then search for the Synchronisation burst.

9.3.1.3 Essential conformance

This test need not to be performed.

9.3.1.4 Complete conformance

Test environment

Normal

Conformance requirements

- 1) The BSSTE shall detect Frequency Correction bursts at $T3 = 0, 10, 20, 30$ and 40 and for no other $T3$ ($T3 = FN \bmod 51$, $FN = \text{TDMA frame number}$).
- 2) The BSSTE shall also detect synchronisation bursts at $T3 = 1, 11, 21, 31,$ and 41 and for no other $T3$.
- 3) At the SCH the BSSTE shall detect the BSIC set up for the BTS/BSS. This applies to any BSIC. The BSSTE shall also detect the correct RFN for the various $T3$ s.

9.3.1.5 Requirement reference

GSM 05.02 (ETS 300 574) [4] and GSM 05.10 (ETS 300 579) [9].

9.3.2 TDMA-frame structure

9.3.2.1 Test purpose

Description

One TDMA frame consists of eight timeslots, with an average length of 156.25 bit periods. This may be achieved by setting all timeslots to be 156.25 bit periods or setting timeslots 0 and 4 to 157 bit periods and the remaining (1, 2, 3, 5, 6, 7) to 156 bit periods. This section will test that the BSS conforms to the declared frame structure.

9.3.2.2 Test case

The BSS shall be configured to generate multiframes with a combination of logical channels which gives a contiguous stream of normal or dummy bursts as defined in GSM 05.02 for more than one frame. If SFH is supported by the BSS, it shall be disabled during this measurement.

The slot lengths will be measured between the leading edge of the 14th bit of the training sequence for that timeslot and the leading edge of the 14th bit of the training sequence for the next timeslot.

9.3.2.3 Essential conformance

This test need not to be performed.

9.3.2.4 Complete conformance

Test environment

Normal

Conformance requirements

The measurements shall conform to the frame structure 1) or 2) as declared by the manufacturer.

- 1) The length of each timeslot shall be 156.25 bit periods.
- 2) The length of timeslots 0 and 4 shall be 157 bit periods and the length of the remaining (1, 2, 3, 5, 6, 7) shall be 156 bit periods.

9.3.2.5 Requirement reference

GSM 05.02 (ETS 300 574) [4] and GSM 05.10 (ETS 300 579) [9].

9.4 Radio link measurements

Whilst calls are being established and for their duration, the reception quality shall be continuously assessed in the BSS as criteria for handover and RF power control algorithms. The following criteria may be employed in order to perform this assessment:

- Signal strength (RXLEV)
- Signal quality (RXQUAL)
- MS-BSS distance
- Idle channel level.

The handover and power control strategies based on above parameters are up to the operator.

Some test cases in this subclause assume that the manufacturer provides appropriate logical or physical test access to perform all tests in this subclause. The manufacturer may also show compliance to the requirements by other means agreed between the parties.

9.4.1 Signal Strength

9.4.1.1 Measurement Accuracy

9.4.1.1.1 Test purpose

Description

RXLEV is the received signal level measured at the BSS receiver input averaged over a reporting period of length of 1 SACCH multiframe for a TCH and a SDCCH. This test verifies the range and the accuracy of this parameter.

9.4.1.1.2 Test case

If the manufacturer does provide appropriate logical or physical access to perform all the tests in this subclause, the tests shall be performed according to the test cases below.

The manufacturer shall declare how many TRXs the BSS supports:

- 1 TRX: The test shall be performed on B, M, T
- 2 TRX: Tests shall be performed on B,M,T and both TRXs shall be tested on at least one frequency.
- 3 TRX or more: Three TRXs shall be tested, one on B, one on M and one on T.

If Slow Frequency Hopping (SFH) is supported by BSS, it shall be disabled during this test.

- a) A test signal with normal GSM modulation originated from the BSSTE shall be applied to the BSS RX antenna connector on one timeslot.
- b) The test signal level shall be adjusted over the level range -110.5 dBm to -47.5 dBm in 1 dB steps and shall be kept stable for one reporting period.
- c) The RXLEV measurements shall be performed under static propagation conditions only.

9.4.1.1.3 Essential conformance

This test need not to be performed.

9.4.1.1.4 Complete conformance

Test environment

Normal and extreme temperature

Conformance requirements

- 1) The RXLEV value shall nominally be mapped to the received signal level as in Table 28

Table 28: Signal level estimation requirements

RXLEV	Power level:
0	less than -110 dBm
1	-110 dBm to -109 dBm
2	-109 dBm to -108 dBm
.	.
.	.
62	-49 dBm to -48 dBm
63	greater than -48 dBm

- 2) For any input signals of level x_1 and x_2 dBm within the range -110 dBm to -48 dBm, where x_1 is above reference sensitivity in table 30, $x_1 \leq x_2$ and $(x_2 - x_1) \leq 20$ dB, the corresponding measured values y_1 and y_2 shall be such that :
- $$(x_2 - x_1) - a \leq (y_2 - y_1) \leq (x_2 - x_1) + b$$

where a and b are the tolerances given in table 29 (see GSM 05.08, 8.1.2).

Table 29: Tolerance for relative accuracy of received signal strength measurement.

Absolute level of lower level signal x_1 in dBm					Tolerance in dB	
GSM900 DCS1800 normal-BTS	DCS1800 micro-BTS M1	GSM900 micro-BTS M1 and DCS1800 micro BTS M2	GSM900 micro-BTS M2 and DCS1800 micro BTS M3	GSM900 micro-BTS M3	a	b
≥ -90	≥ -88	≥ -83	≥ -78	≥ -73	2	2
≥ -103	≥ -101	≥ -96	≥ -91	≥ -86	3	2
< -103	< -101	< -96	< -91	< -86	4	2

NOTE: It is optional for the BSS to be able to report values below the reference sensitivity in table 30. These specifications apply to measurements which are on the same or on different RF channel.

- 3) The RMS received signal level at the receiver input shall be measured with an absolute accuracy of +/- 4 dB from -110 dBm to -70 dBm under normal conditions and +/- 6 dB over the full range of -110 dBm to -48 dBm under both normal and extreme temperature conditions.
- 4) If the received signal level falls below the reference sensitivity level for the type of BSS then the BSS shall report a level within a range allowing for the absolute accuracy given in conformance requirement c) above. In case the upper limit of this range is below the reference sensitivity level for the type of BSS, then the upper limit shall be considered as equal to the reference sensitivity level in table 30.

Table 30: Reference sensitivity level

BTS Type	Reference sensitivity level
GSM900/DCS1800 BTS	-104 dBm
GSM900 micro-BTS M1	- 97 dBm
GSM900 micro-BTS M2	- 92 dBm
GSM900 micro-BTS M3	- 87 dBm
DCS1800 micro-BTS M1	-102 dBm
DCS1800 micro-BTS M2	- 97 dBm
DCS1800 micro-BTS M3	- 92 dBm

9.4.1.2 Selectivity of signal strength measurements

9.4.1.2.1 Test purpose

Description

The received signal level (RXLEV) defined in 9.4.1.1 shall be able to discriminate between wanted signal in actual RF channel and interfering signal in adjacent ARFCN's. This selectivity characteristic is tested in this subclause.

9.4.1.2.2 Test case

If the manufacturer does provide appropriate logical or physical access to perform all the tests in this subclause, the tests shall be performed according to the test cases below.

If Slow Frequency Hopping (SFH) is supported by BSS, it shall be disabled during this test.

- a) As a minimum the test shall be performed on one TRX on one timeslot on one ARFCN.
- b) One of the following test set-ups is used:

Test set-up A

Two input signals shall be connected to the receiver via a combining network. The test signal with normal GSM modulation shall have a power level 20 dB above the reference sensitivity level. The

interfering signal shall be continuous, and have GSM modulation of pseudo-random bitstream without midamble

Test set-up B

The BSSTE shall establish a call set-up with the BSS and the RXLEV of the assigned channel shall be output from the BSS. The test signal with normal GSM modulation shall have a power level 20 dB above the reference sensitivity level.

- c) Register the signal strength (RXLEV value) with only the wanted signal present at the RX input port.
- d)
- i) In test set-up A repeat the measurements with interferer input signal frequency offset and input level increased for each offset according to table 31a

Table 31a: Interferer offset and input level for RXLEV selectivity measurements

Interferer frequency offset	Relative input level
±200 kHz	9 dB
±400 kHz	41 dB

- ii) In test set-up B repeat the measurements with the input signal at frequency offsets and signal levels according to table 31b.

Table 31b. Test signal offset and input level for RXLEV selectivity measurements.

Frequency offset	Relative input level
200 kHz	16 dB
400 kHz	48 dB

- d) The measurements shall be performed under static propagation conditions only.

9.4.1.2.3 Essential conformance

This test need not to be performed.

9.4.1.2.4 Complete conformance

Test environment

Normal

Conformance requirements

The reported RXLEV value shall in test case d) not exceed

- the value in test case c) with more than 1 for test set-up A.
- the value in test case c) for test set-up B.

9.4.1.2.5 Requirement reference

GSM 05.08 (ETS 300 578) [8], subclause 8.1

9.4.2 Signal quality

9.4.2.1 Test purpose

Description

The received signal quality (RXQUAL) is specified in terms of bit error ratio (BER) before channel decoding averaged over a reporting period of length of 1 SACCH multiframe on a TCH or a SDCCH.

This test verifies the range and the accuracy of this parameter

9.4.2.2 Test case

If the manufacturer does provide appropriate logical or physical access to perform all the tests in this subclause, the tests shall be performed according to the test cases below.

As a minimum the test shall be performed on one TRX on one timeslot on one ARFCN

- a) One of the following test set-ups is used:

Test set-up A

If Slow Frequency Hopping (SFH) is supported by BSS, it shall be enabled during this test for hopping on different ARFCN for all timeslots over the specified hopping bandwidth specified by the manufacturer. A call shall be set up between the BSSTE and the BSS.

Test set-up B

If Slow Frequency Hopping (SFH) is supported by BSS, it shall be disabled during this test. Two input signals originated from the BSSTE shall be connected to the receiver via a combining network. The test signal with normal GSM modulation shall have a power level 20 dB above the reference sensitivity level. The interfering signal shall be a random, continuous, GSM modulated signal on the same ARFCN. For test in TU50, each signal shall be connected through a multipath fading simulator (MFS) as described in Annex B1.

- b) The signal level (set-up A) and the interferer signal level (set-up B) respectively shall be varied such that the BER on the wanted TCH measured at the logical interface point before channel decoding in the BSS are within all the BER ranges for the RXQUAL values in table 32a in turn.
- c) The logical reference point before channel decoding may be obtained by using the unprotected class II bits after channel decoding before any extrapolation is applied. Half-rate channels are measured by first establishing a full-rate channel, measuring the error ratio and then establishing a half-rate channel and checking the indicated error ratio.
- d) For each BER range, 1000 RXQUAL values shall be recorded, and with and without uplink DTX.
- e) The measurement shall be performed under the propagation conditions static and TU50.

9.4.2.3 Essential conformance

This test need not to be performed.

9.4.2.4 Complete conformance

Test environment

Normal

Conformance requirements

- 1) Table 32a shows the minimum probability that, when on a TCH, a specified value of RXQUAL shall be reported for a BER within the range as indicated in the table under static propagation conditions.
- 2) Table 32b shows the minimum probability that, when on a TCH, a specified value of RXQUAL or an adjacent value shall be reported for a BER within the range as indicated in the table under TU50 multipath propagation conditions.

Table 32a: Signal quality estimation requirements (static)

RXQUAL:	Range of actual BER:	Probability that correct RXQUAL band is reported shall exceed		
		Full rate:	Half rate	DTX:
0	< 0.10%	90 %	90 %	65 %
1	0.26% - 0.30 %	75 %	60 %	35 %
2	0.51% - 0.64 %	85 %	70 %	45 %
3	1.0% - 1.3 %	90 %	85 %	45 %
4	1.9% - 2.7 %	90 %	85 %	60 %
5	3.8% - 5.4 %	95 %	95 %	70 %
6	7.6% - 11.0%	95 %	95 %	80 %
7	> 15.0	95 %	95 %	85 %

NOTE 1: For the full-rate channel RXQUAL_FULL is based on 104 TDMA frames

NOTE 2: For the half-rate channel RXQUAL_FULL is based on 52 TDMA frames

NOTE 3: For the DTX-mode RXQUAL_SUB is based on 12 TDMA frames

Table 32b: Signal quality estimation requirements (TU50)

Expected RXQUAL_FULL:	Range of actual BER:	Probability that expected RXQUAL_FULL is reported shall exceed
0/1	< 0.10%	85 %
1/0/2	0.26% - 0.30 %	85 %
2/1/3	0.51% - 0.64 %	85 %
3/2/4	1.0% - 1.3 %	90 %
4/3/5	1.9% - 2.7 %	90 %
5/4/6	3.8% - 5.4 %	90 %
6/5/7	7.6% - 11.0%	90 %
7/6	> 15.0	90 %

9.4.2.5 Requirement reference

GSM 05.08 (ETS 300 578) [8], subclause 8.2

9.4.3 Idle channel signal level

9.4.3.1 Test purpose

Description

A procedure shall be implemented by which the BSS monitors the levels of interference on its idle traffic channels. These measurements are used for handover and channel allocation. This test verifies that BSS can measure signal strength including interference with appropriate accuracy on an idle channel. The measured signal strength of each idle channel is, after averaging, classified in one of five interference bands and reported to MSC on request in a RESOURCE INDICATION message. The report method, report period, averaging period and definition of interference band values are defined in a O&M message by the operator and the manufacturer. See GSM 08.08, subclauses 3.1.3, 3.2.18 and 3.2.2.48, and GSM 08.58 subclauses 8.6.1 and 9.3.21.

9.4.3.2 Test case

If the manufacturer does provide appropriate logical or physical access to perform all the tests in this subclause, the tests shall be performed according to the test cases below.

If the BSS is supporting SFH, this shall be disabled during this test.

The manufacturer shall declare how many TRXs the BSS supports:

- 1 TRX: The test shall be performed on B, M, T
 - 2 TRX: Tests shall be performed on B,M,T and both TRXs shall be tested on at least one frequency.
 - 3 TRX or more: Three TRXs shall be tested, one on B, one on M and one on T.
- a) A GMSK signal modulated with pseudo-random bit sequences connected to BTS RX input.
 - b) The limits of the 5 possible interference bands, the reporting period and the averaging period are defined by the operator and the manufacturer.
 - c) The signal from the BSSTE shall be adjusted over the level range -110.5 dBm to -47.5 dBm in 1 dB steps.
 - d) The measured signal strength is recorded for each signal level.
 - e) The interference level expressed as one of the 5 possible interference level bands, included in the RF_RES_IND message, shall be stored for each idle channel.

9.4.3.3 Essential conformance

This test need not be performed.

9.4.3.4 Complete conformance

Test environment

Normal

Conformance requirement

- 1) The accuracy requirements 1)-4) for the measured signal strength in subclause 9.4.1.1.4 apply.
- 2) The measured signal levels shall be mapped into the interference level band defined in b) and the corresponding band value included in the RF_RES_IND message for each idle channel.

9.4.3.5 Requirement reference

GSM 05.08 (ETS 300 578) [8] Annex A 3.1 e).

9.5 Adaptive frame alignment

9.5.1 Test purpose

Description

Adaptive frame alignment is the mechanism by which the timeslots transmitted by the MS are initially and dynamically adjusted in time so that the received timeslots in the BSS always fall within the correct time window. This mechanism is controlled by the BSS.

The adaptive frame alignment mechanism is needed since the guard time between timeslots in the timeslot structure is not long enough to cope with MS-BSS propagation delays due to absolute distance. The MS timing is initially adjusted (initial alignment) when accessing the BSS, and is then continuously adjusted for relative distance variations during the call (dynamic alignment).

The BSS continuously monitors the delay in the transmission from the MS relative to the expected signal from an MS at zero range. This is required to give Timing Advance information to the MS. This information of the delay (up to 63 bits) may also be used as a criteria for initiating handover at the cell boundary (MAX_MS_RANGE).

This subclause also tests the MS-BSS distance assessment.

9.5.2 Test case

If Slow Frequency Hopping (SFH) is supported by the BSS, it shall be disabled during this measurement. The tests shall be performed at least on one TRX for the radio frequency channels B, M and T and for timeslots 0 (initial alignment) and 1 or other timeslot except 0 (dynamic alignment) respectively on the same TRX.

The tested timeslots shall be exposed to static propagation conditions.

For each MS emulated the signal strength shall be according to table 33.

Table 33. Input signal strength at test of adaptive time alignment

BTS Type	Input signal strength
GSM900/DCS1800 BTS	-107 dBm
GSM900 micro-BTS M1	-100 dBm
GSM900 micro-BTS M2	- 95 dBm
GSM900 micro-BTS M3	- 90 dBm
DCS1800 micro-BTS M1	-105 dBm
DCS1800 micro-BTS M2	-100 dBm
DCS1800 micro-BTS M3	- 95 dBm

To avoid a radio link time-out during the tests, the BSSTE may generate an uplink SACCH with a non-limiting signal strength including MEASUREMENT REPORT messages signalling high RXLEV and low RXQUAL values. This applies to the emulated MS when configured with an SACCH, i.e. configured with a dedicated channel.

- a) Initial alignment: Random access bursts shall be input on the RACH (timeslot 0) as often as possible using different random references
- b) The emulated round-trip propagation delay shall be 3 different values corresponding to TA-values from 0 to 63 in turn (low, medium and high).
- c) The Timing Advance (TA) value reported to the MS shall be monitored and compared.
- d) Dynamic alignment:: A TCH/FS shall be established between the BSSTE and the BSS.
- e) The emulated round-trip propagation delay of the MS shall vary corresponding to the vehicle speed of 500 km/h, starting from maximum MS-BSS distance moving close to the BSS and back. The Timing Advance (TA) value signalled to the Mobile Station shall be monitored and compared.

9.5.3 Essential conformance

This test need not be performed

9.5.4 Complete conformance

Test environment

Normal

Conformance requirements

The difference DELTA between the emulated round-trip propagation delay and the signalled TA-value for the applicable timeslot shall be evaluated in bits rounded to the nearest integer for at least 1000 pairs of timeslots, and shall have the following properties:

- 1) For initial alignment, the mean of DELTA shall be not greater 0 +/- 1 bit.
- 2) For dynamic alignment, the mean of DELTA shall be not greater than 0 +/- 5/4 bit.

3) Under all conditions the standard deviation of DELTA shall be less than 1 bit.

NOTE: +/- 1 bit tolerance is +/- 1/2 bit for assessment error and +/- 1/2 bit for quantization error.

NOTE: Requirement 1 above may need 1 additional bit of tolerance if the BSS has an RX-TX delay tolerance of +/- 1 bit.

The maximum allowed TA-value signalled to the MS is always 63 bits.

9.5.5 Requirement reference

GSM 05.10 (ETS 300 579) [9]

Annex A (informative): Testing of statistical parameters

When measuring statistical parameters like Bit Error Rates (BERs) or Frame Erasure Rates (FERs), the statistical nature of the error events may result in a natural variance in the observed test results. This variance will depend on the number of events observed. Consequently, due to such statistical limitations with the aim to reduce the test time to a minimum, some overall requirements should be met, indicating a certain confidence in the observed results.

Defining a "good" BSS as a BSS which on a long term basis (tested over an infinite time) meets the system requirement for an individual test, and a "bad" BSS as a BSS which on a long term basis fails the system requirement for an individual test, the overall requirements are the following:

- 1) The probability of passing a "good" BSS should be as high as possible.
- 2) The probability of passing a "bad" BSS should be as low as possible.

A.1 General theoretical methodology

Statistical parameters are measured as a number of error events M within a set of observed events (or samples) N , and the ratio M/N is used as the estimated value. This estimate has a given uncertainty due to the limited statistical material, i.e. the number of samples N . The general methodology to ensure correct PASS / FAIL decisions is outlined in the following.

Given a random variable X_i output from a random process indicating error/no error, the probability of an error is p and consequently, the probability of no error is $1-p$. The expected value $E(X_i)$ and variance $Var(X_i)$ as given in (Eq 1), according to the binomial probability distribution.

$$E(X_i) = p \quad \text{(Eq 1a)}$$

$$Var(X_i) = p - p^2 \quad \text{(Eq 1b)}$$

If the number of samples of the event is N , the average X of the random variables X_i is of interest, which has the expected value $E(X)$ and variance $Var(X)$ given in (Eq 2), assuming that the random variables X_i are independent.

$$E(X) = p \quad \text{(Eq 2a)}$$

$$Var(X) = (p - p^2) / N \quad \text{(Eq 2b)}$$

Assuming that the error probability p is small, the formula can be simplified as in (Eq 3).

$$E(X) = p \quad \text{(Eq 3a)}$$

$$Var(X) = p / N \quad \text{(Eq 3b)}$$

Furthermore, if the number of samples N is great, the probability density of X may be assumed to be Gaussian and the confidence intervals needed can easily be found.

Assuming that a "good" BSS has the real performance P_g when measured over an infinite time and that a "bad" BSS has the corresponding performance P_b , the relationships to the system requirement P_s are the following:

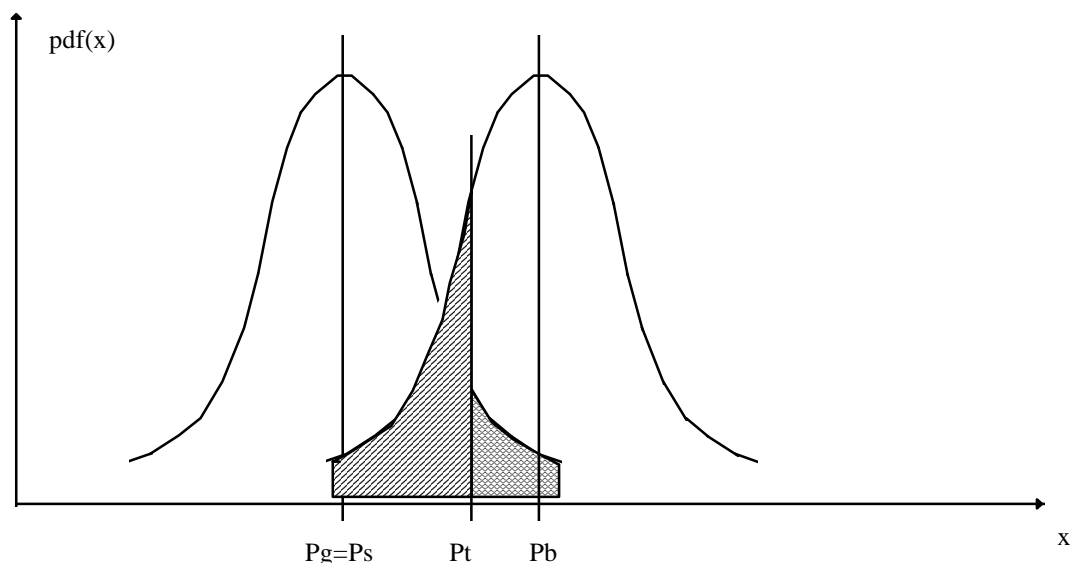
$$P_g \leq P_s \quad \text{(Eq 4a)}$$

$$P_b > P_s \quad \text{(Eq 4b)}$$

Irrespective of the values of P_g and P_b , the aim would ideally be to guarantee that the probabilities of passing a "good" BSS, $P(\text{PASS}|P_g)$ and the probability of failing a "bad" BSS, $P(\text{FAIL}|P_b)$ are as high as possible. Given a certain P_g and a certain P_b , this can be done by increasing the number of samples N until the distributions around P_g and P_b are "narrow" enough, i.e. the variances are sufficiently reduced, so that there is sufficient space in between for a test requirement P_t with the required confidence. The principle is illustrated in figure A.1 with $P_g=P_s$.

In practice, the above ideal approach can not be used since when P_g or P_b get very close to P_s , the needed number of samples to reduce the variances would be infinite. However, what can be done is to represent P_g by the worst-case P_s and to have a certain confidence of failing a BSS which is a given

amount worse than P_s , i.e. with a fixed P_b . This will, however, give less confidence in failing a "bad" BSS which has a performance closer to P_s . This is the exact principle illustrated in figure A.1.



P_s = system requirement
 P_t = test requirement
 P_g = real performance of a "good" BTS
 P_b = real performance of a "bad" BTS

Figure A.1: Statistical testing

The test requirement P_t will then be as in equation (Eq 5) for the overall requirements depending on P_s and P_b , and on the needed number of samples N :

$$P_t = P_s + G (P_s/N)^{1/2} \quad (\text{Eq 5a})$$

$$P_t = P_b - B (P_b/N)^{1/2} \quad (\text{Eq 5b})$$

G and B are the ordinates (in fact the inverse Gaussian Q-function) giving the normalized Gaussian distribution confidence intervals required for passing a "good" BSS and failing a "bad" BSS, respectively.

Finally, if the ratio P_b/P_s is fixed, the number of samples is given by the following equations (Eq 6).

$$N = \frac{(G + K^{1/2} B)^2}{(K - 1)^2 P_s} \quad (\text{Eq6a})$$

$$P_b = K P_s \quad (\text{Eq 6b})$$

A.2 Detailed theoretical methodology

The total number of statistical tests indicated in annex C (excluding blocking, intermodulation etc.) are:

GSM 900: 95
DCS 1800: 96

and the rules of the tests are as follows:

- in order to pass a BSS it should pass all tests.
- a single test which fails should be repeated once. If the BSS fails a 2nd time, the BSS has failed.

This means that the overall probability of passing a good BSS through all the tests is lower than for the individual tests.

Taking into account the total of

GSM 900: 95 tests,
DCS 1800: 96 tests,

assuming that the outcomes of the tests are independent, and requiring that the total probability of passing a "good" BSS should be equal to the total probability of failing a "bad" BSS, the overall confidence requirements in this annex should be as follows on a test by test basis:

$$\begin{aligned} P(\text{PASS}|\text{Ps}) &\geq 99.9 \% \quad (\text{i.e. } G = 3.09) \\ P(\text{FAIL}|\text{Pb}) &\geq 95.0 \% \quad (\text{i.e. } B = 1.65) \end{aligned}$$

With the above assumptions, the total probabilities of passing a "good" BSS and failing a "bad" BSS will be around 91.0 %.

NOTE 1: If for some reason not all tests are carried out, then the probability of failing a "bad" BSS, $P(\text{FAIL}|\text{Pb})$, should be increased accordingly.

Since the test requirement P_t will lie somewhere in between the system requirement P_s and P_b , and that an uncertainty in test equipment resulting from imperfections in the randomness of pseudo-random generators etc. can be expected to give errors of the order of $\pm 5\%$, the ratio P_b/P_s should be 2.

Under idealized assumptions, the resulting minimum number of samples needed to meet the overall confidence requirements is indicated as a function of the system requirement P_s using (Eq 6) in table A.1.

The ratio of the test requirement P_t to the system requirement P_s will in this case be:

$$P_t = 1.57 P_s$$

NOTE 2: It is possible to reduce the needed number of samples. In that case the ratio P_b/P_s should be increased, or the confidence levels should be reduced, see equation (Eq.5). It is preferable to keep the confidence and to increase P_b/P_s . However, the accepted error rate P_t , and P_b , should not deviate too much from the system requirement P_s , especially for high P_s . In order to have meaningful requirements it may even be desirable to reduce P_b/P_s for high P_s .

Table A.1: Minimum number of samples for statistical testing

Error rate P_s	Minimum number of samples
1.0 E-1	300
1.0 E-2	3 000
1.0 E-3	30 000
1.0 E-4	300 000
1.0 E-5	3 000 000

A.3 Limitations and corrections to the theoretical methodology

The idealized assumptions resulting in table A.1 are:

- 1) All random variables X_i (error events) are assumed to be independent.
- 2) The observed random variable X is assumed to have a Gaussian distribution.
- 3) All random variables X_i (error events) are assumed to be outputs of stationary random processes with identical distributions.
- 4) The system requirement P_s is assumed to be sufficiently small.

A.3.1 Independent errors

The assumption that all error events are independent does not strictly hold. The fact that error events are mutually dependent, would increase the variance of the observed random variable X , and consequently, the number of samples needed for the confidence required should be multiplied by some factor indicating the number of error events which on average are completely correlated.

- For FERs the events occur so seldom that the events may be regarded as independent (factor of 1), the exception being TCH/FS and FACCH which should have a factor of 2.
- Since a convolutional decoder on average will produce burst errors of the order of the constraint length, BERs and RBERs should have a factor of 5.

Generally, the situation will be such that a "good" BSS will have a performance P_g which is better than P_s . Consequently, the number of samples found in all cases by (Eq 6) should be multiplied by an additional factor of 2.

A.3.2 Gaussian distribution

The assumption of a Gaussian distribution for the observed random variable X should hold in most cases due to the high number of samples used.

A.3.3 Stationary random processes

The assumption that the error events are outputs of stationary random processes with identical distributions holds generally for static propagation conditions. However, for multipath propagation conditions this is not true. On the other hand, the multipath propagation condition may be assumed to be stationary for short periods of time. Taking into account the worst-case situation of flat fading where the distance between fades is a wavelength, the characteristics of the propagation condition may be assumed to change e.g. 10 times per wavelength and to be short term stationary in between. This means that all the different random variables X_i (error events) have a different p_i and consequently different $E(X_i)$ and $\text{Var}(X_i)$. Since all p_i are unknown and only the random variable X , which is the average of all X_i , is observed against a system requirement P_s , the statistical parameters of (Eq 7) result in the case of multipath propagation conditions assuming that all p_i are independent.

$$E(X) = \frac{1}{N} \sum_{i=1}^N p_i = p \quad (\text{Eq 7a})$$

$$\text{Var}(X) = p/N - \frac{1}{N^2} \sum_{i=1}^N p_i^2 \quad (\text{Eq 7b})$$

Also in this case the variance can (and should) be simplified to p/N if all p_i are small. However, in this case the second term of (Eq 7b) is dominated by the greatest p_i and the simplification is less valid than for static propagation conditions. Nevertheless, the needed number of samples given by (Eq 6) is conservative because the variance would ideally be lower. On the other hand, if the fact that the different p_i are likely to be correlated with positive correlation is taken into account, $\text{Var}(X)$ will increase and the simplification to p/N might be adequate.

Since under multipath conditions the observed random variable X results from an average of a set of random processes, we should ensure that the average takes into account a sufficient number of

processes to get an overall stationary process. Requiring an average over 1000 wavelengths (or 10 000 processes if the multipath propagation condition is updated every 10^{th} of a wavelength), the resulting observation period needed is indicated in table A.2 if the logical channel in question occupies the basic physical channel all the time. The percentage of the time "on the air" for the logical channel should also be taken into account and consequently, the observation period indicated in table A.2 will be increased by an inverse frame filling factor.

Table A.2: Required observation periods under multipath

Multipath condition	Time per Wavelength	Required observation period
TU1.5	800 ms	800s
TU3	400 ms	400 s
TU50	24 ms	24 s
HT100	12 ms	12 s
RA250	5 ms	5 s

A.3.4 Low error ratios

The assumption that the system requirement P_s is sufficiently small holds generally. However, when reaching a high P_s , e.g. around 10^{-1} , the approximation in (Eq 3) is not strictly accurate. However, using the correct variance would decrease the needed number of samples, so the assumptions give conservative results.

A.3.5 Total corrections

As a conclusion, the various limitations of the assumptions discussed in the above subclauses all lead to different increases of the needed number of samples to obtain the required confidence. The different increases should all be taken into account by taking the highest increase, and calculated number of samples are indicated in annex C. The overall confidence resulting is possibly slightly lower than 99.9 % and 95.0 %, but it should be quite close. Considering as well that the different tests are likely to be correlated, will make the overall probabilities of passing a "good" BSS and failing a "bad" BSS higher than indicated.

NOTE: The worst case in terms of test time it is the static sensitivity performance for the SACCH/T, giving 7,9 hours. On average, the test times are around 35,6 min and range from 5,0s.

A.4 Alternative experimental methodology

The alternative experimental methodology indicated in this subclause could be used to verify, or possibly modify, the needed number of samples indicated in the previous subclauses. This would be most useful in the case of multipath propagation conditions where the statistics are very complicated and can not easily fit into simple formulae.

The approach is indicated in the following, and should be carried out once and for all for each multipath propagation condition, for each logical channel and for each type of error event according to subclause A.5 to assess the needed number of samples. Then, it can be used ever after for any BSS.

- 1) Record the number of error events for N_p periods of N_s samples (events) under static propagation conditions for an average system requirement P_s and for a given type of error event on a given logical channel.
- 2) Estimate the error ratio $ER_i = M_i/N_s$ for each of the N_p periods.
- 3) Consider the average ER of all ER_i and estimate the expected value $E(ER)$ and the variance $Var(ER)$:

$$m = E(ER) = \frac{1}{N_p} \sum_{i=1}^{N_p} ER_i \quad (\text{Eq 8a})$$

$$s^2 = Var(ER) = \frac{1}{N_p} \sum_{i=1}^{N_p} ER_i^2 - m^2 \quad (\text{Eq 8b})$$

The test requirement P_t is found as follows:

$$P_t = P_s + G s \quad (\text{Eq 9a})$$

and

$$P_t = K P_s - B s \quad (\text{Eq 9b})$$

- 4) The test shall be repeated with a different number of samples N_s until the test requirement P_t differs with less than +/- 5 % in (EQ 9a) and (Eq 9b).

The initial number of samples N_s should be as indicated in annex 3 and the number of tests N_p should be 100.

The average system requirement P_s should be around $1.0 \text{ E-}2$. It can then be assumed that the needed number of samples N_s is inversely proportional to P_s .

A.5 Detailed definition of error events

1) Frame Erasure Ratio (FER):

The frame is defined as erased if the error detection functions in accordance with GSM 05.03 (ETS 300 575) [5] indicate an error. For full-rate speech this is the result of a 3 bit Cyclic Redundancy Check (CRC), for signalling the result of the FIRE code or other block code used. For data traffic the FER is not defined.

NOTE: For full-rate speech it would ideally be better if the Bad Frame Indication (BFI) is used as frame erasure indication since this is what is directly related to the subjective quality of the perceived speech. For the moment no requirements relate to the BFI, however, it is very difficult to assess what is subjectively the optimum combination of Frame Erasure Ratio (FER) and Residual Bit Error Ratio (RBER). This should therefore be avoided and it is essential that the BFI is optimized towards the ideal frame erasures independent of the processing to obtain it, and that the BFI is not biased towards $BFI=0$ or $BFI=1$.

2) Residual Bit Error Ratio (RBER):

The RBER is defined as the residual Bit Error Ratio (BER) in frames which have not been declared as erased.

3) Bit Error Ratio (BER):

The BER is the overall Bit Error Ratio (BER) independent of frame erasures or when erased frames are not defined.

Annex B (informative): Description of special test equipment

B.1 Base Station System Test Equipment (BSSTE)

The BSSTE is a functional tool for the purpose of acceptance testing of GSM Base Station Systems. The BSSTE functionally carries out all tests described in this equipment specification.

B.1.1 Fading and multipath propagation simulator

A Multipath Fading Simulator (MFS) is needed to perform some of the tests on the receiver, to simulate realistic wideband multipath propagation over the mobile radio channel (i.e. the path between the base station and mobile station antennas). The following set of standard multipath propagation conditions, as specified by COST 207 and described in GSM 05.05 (ETS 300 577) [7], are required:

- 1) Typical Urban terrain (TU)
- 2) Rural terrain (RA)
- 3) Hilly terrain (HT)

In addition the MFS needs to a special multipath profile, designed to verify the equalization capabilities of the receiver:

- 4) Equalizer (EQU)

The multipath profiles are used for a range of vehicle speeds

GSM 900: From 3 km/h to 250 km/h. The speeds 3, 50, 100 and 250 km/h are used in particular.

DCS 1800: From 1.5 km/h to 130 km/h. The speeds 1.5, 50, 100 and 130 km/h are used in particular.

The details of the multipath conditions and the corresponding requirements on the MFS itself are to be found in GSM 11.10 (Mobile Station Conformity Specification).

The MFS is functionally a part of the BSSTE as described in this annex, but may physically be a separate piece of equipment.

B.2 Measurement set ups for TX intermodulation

The following test set-ups are examples for possible solutions for the measurements according to subclauses 6.7 and 6.8. These measurements are very difficult to perform due to the extreme requirements of the dynamic range. To get reproducible measurements precautions should be taken, so that non-linearity's in the test set-up do not influence the measurement results.

NOTE 1: Care should be exercised in creating the test set-up and good quality cables and connectors should be used. Cables should be physically secured and not disturbed unless necessary.

NOTE 2: Connectors should be free of ferro-magnetic substances. Different surface materials on both connectors as well as the applied torque of the connection have an influence on the intermod-performance .

NOTE 3: Power attenuators normally have an insufficient intermod-performance at high power input levels. Therefore it is recommended to use long cables for attenuation where high power is applied.

B.2.1 Test set-up for Intermodulation Attenuation (6.7.)

It is necessary to use different set-ups for the measurement of IM-products in the RX band and outside the RX band.

B.2.1.1 RX-Band

A recommended test set-up for the intermodulation attenuation in the receive band is illustrated in figure B.1. A directional coupler is used with the measurement performed on the primary line connector. Sufficient filtering is provided by the duplexer so that the spectrum analyser operates in its linear range. The injected signal is amplified and filtered to provide sufficient isolation to inhibit self generated intermodulation products in the test set-up.

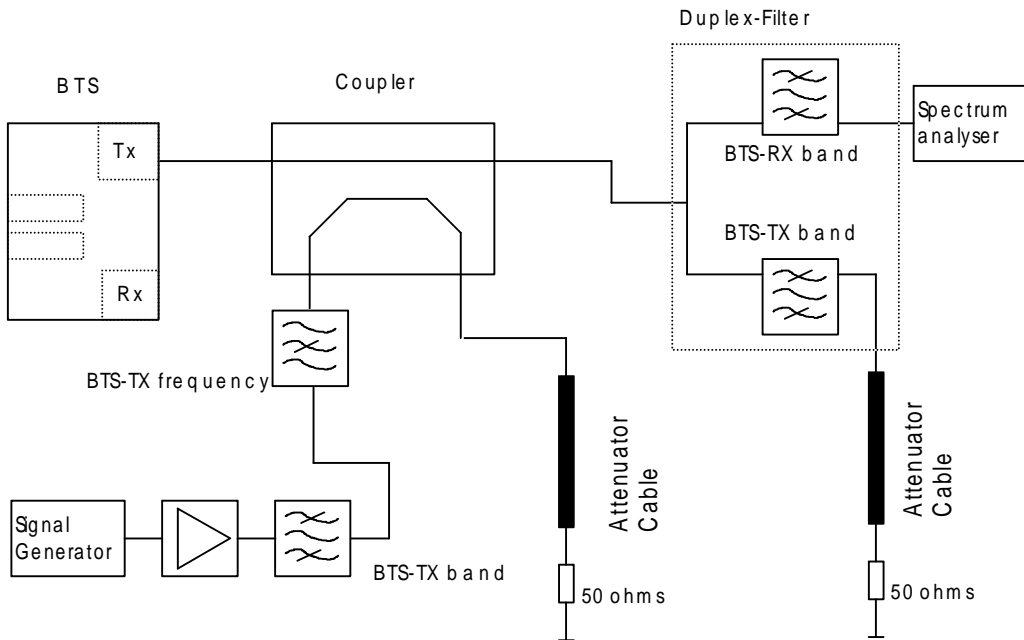


Figure B.1: Test set-up for Intermodulation Attenuation (6.7.) RX-Band

B.2.1.2 Outside RX Band

A recommended test set-up for the intermodulation attenuation outside the receive band is illustrated in figure B.2. The coupling device shall be specified to operate over sufficient bandwidth to comply with the measurement requirements.

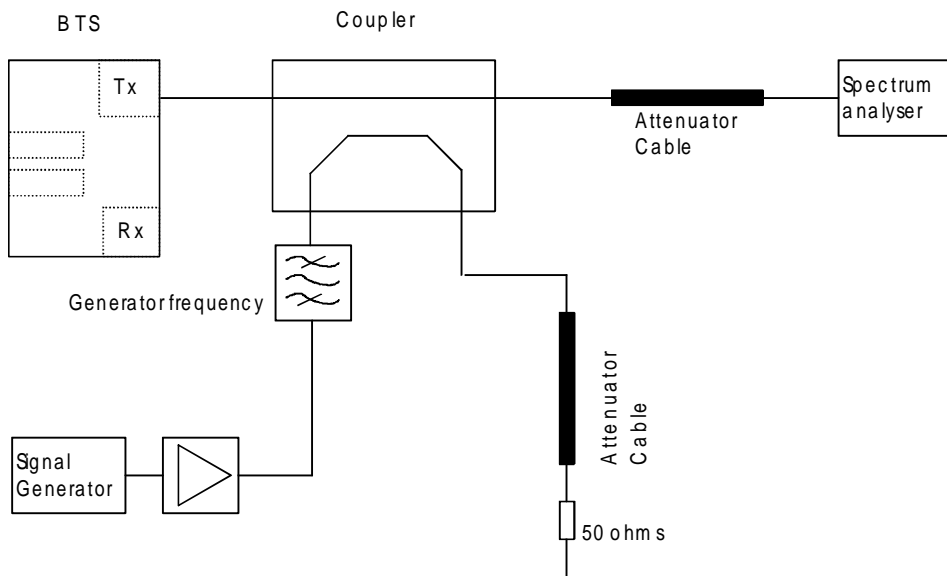


Figure B.2: Test set-up for Intermodulation Attenuation (6.7.) outside RX-Band

B.2.2 Test set-up for Intra BSS Intermodulation Attenuation (6.8.)

It is necessary to use different set-ups for the measurement of IM-products in the RX band and in the TX band.

B.2.2.1 RX-Band

A recommended test set-up for the intra base station intermodulation attenuation in the receive band is illustrated in figure B.3.

The stop band attenuation of the duplex filter has to be high enough to guarantee that the spectrum analyser is working in its linear range.

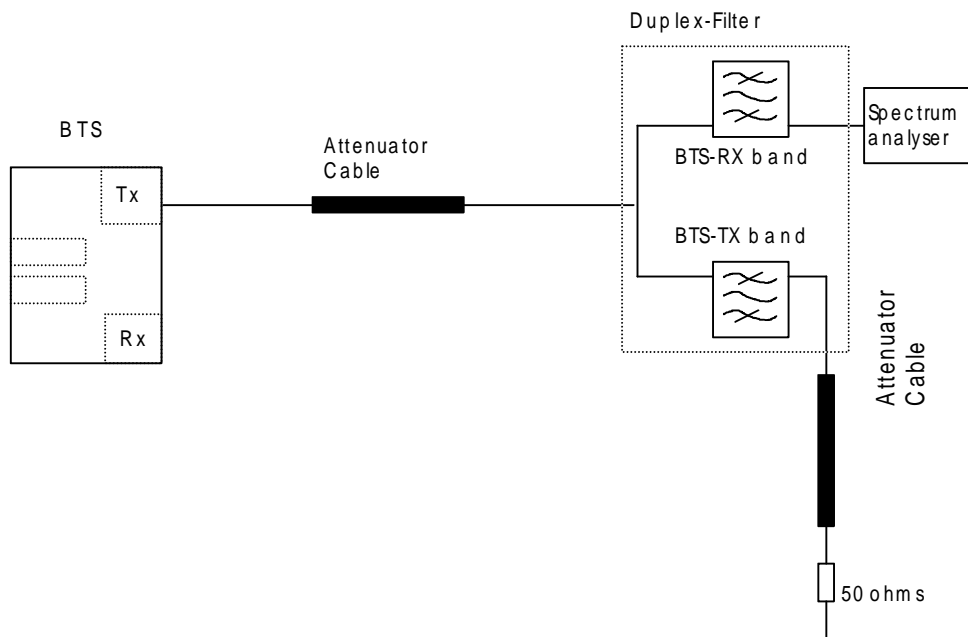


Figure B.3: Test set-up for Intra Base station Intermodulation Attenuation (6.8.) RX-Band

B.2.2.2 TX-Band

A recommended test set-up for the intra base station intermodulation attenuation inside the transmit band is illustrated in figure B.4. To decrease the dynamic range requirement of the spectrum analyser external filters should be used.

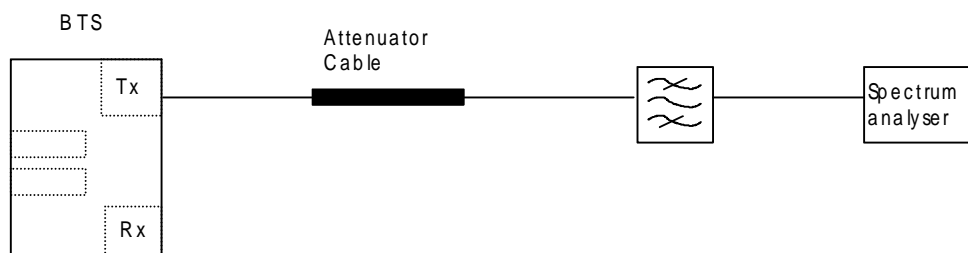


Figure B.4: Test set-up for Intra Base station Intermodulation Attenuation (6.8.) TX-Band

Annex C (informative): Number of samples needed for statistical testing**C.1 GSM 900; Number of samples for testing****GSM 900 SDCCH**

(FER: 4.25 events/s, frame filling = 4/51)

Prop. cond.	Error rate	Stat. sign.	Indep. samples	Station. proc.	Samples:	Time: (s)
static	FER=0.10%	30 000	2	-	60 000	14 117.6
TU50	FER=13%	231	2	1 301	1 301	306.1
TU50 (SFH)	FER=8%	375	2	1 301	1 301	306.1
RA250	FER=8.0%	375	2	271	750	176.5
HT100	FER=12%	250	2	651	651	153.2
TU3	FER=22%	136	2	21 675	21 675	5 100.0
TU3(SFH)	FER=9%	333	2	21 675	21 675	5 100.0
TU50	FER=13%	231	2	1 301	1 301	306.1
TU50 (SFH)	FER=9%	333	2	1 301	1 301	306.1
RA250	FER=8.0%	375	2	271	750	176.5

GSM 900 RACH

(FER: 217 events/s, frame filling = 1)

Prop. cond.	Error rate	Stat. sign.	Indep. samples	Station. proc.	Samples:	Time: (s)
static	FER=0.50%	6 000	2	-	12 000	55.3
TU50	FER=13%	231	2	5 208	5 208	24.0
RA250	FER=12%	250	2	1 085	1 085	5.0
HT100	FER=13%	231	2	2 604	2 604	12.0
TU3	FER=15%	200	2	86 800	86 800	400.0
TU3(SFH)	FER=15%	200	2	86 800	86 800	400.0
TU50	FER=16%	188	2	5 208	5 208	24.0
RA250	FER=13%	231	2	1 085	1 085	5.0

GSM 900 SACCH/T

(FER: 2.1 events/s, frame filling = 1/26)

Prop. cond.	Error rate	Stat. sign.	Indep. samples	Station. proc.	Samples:	Time: (s)
static	FER=0.10%	30 000	2	-	60 000	28 571.4
TU50	FER=13%	231	2	1 311	1 311	624.3
TU50(SFH)	FER=8%	375	2	1 311	1311	624.3
RA250	FER=8.0%	375	2	273	750	357.1
HT100	FER=12%	250	2	656	656	312.4
TU3	FER=22%	136	2	21 840	21 840	10 400.0
TU3(SFH)	FER=9%	333	2	21 840	21 840	10 400.0
TU50	FER=13%	231	2	1 311	1 311	624.3
TU50(SFH)	FER=9%	333	2	1 311	1 311	624.3
RA250	FER=8.0%	375	2	273	750	357.1

GSM 900 SACCH/C

(FER: 2.13 events/s, frame filling = 4/102)

Prop. cond.	Error rate	Stat. sign.	Indep. samples	Station. proc.	Samples:	Time: (s)
static	FER=0.10%	30 000	2	-	60 000	28 169.0
TU50	FER=13%	231	2	1 304	1 304	612.2
TU50(SFH)	FER=8%	375	2	1 304	1 304	612.2
RA250	FER=8.0%	375	2	272	750	352.1
HT100	FER=12%	250	2	652	652	306.1
TU3	FER=22%	136	2	21 726	21 726	10 200.0
TU3(SFH)	FER=9%	333	2	21 726	21 726	10 200.0
TU50	FER=13%	231	2	1 304	1 304	612.2
TU50(SFH)	FER=9%	333	2	1 304	1 304	612.2
RA250	FER=8.0%	375	2	272	750	352.1

GSM 900 FACCH/F

(FER: 50 events/s, frame filling = 24/26)

Prop. cond.	Error rate	Stat. sign.	Indep. samples	Station. proc.	Samples:	Time: (s)
static	FER=0.10%	30 000	4	-	120 000	2 400.0
TU50	FER=8%	375	4	1 300	1 500	30.0
TU50(SFH)	FER=3.8%	789	4	1 300	3 156	63.1
RA250	FER=3.4%	882	4	271	3 528	70.6
HT100	FER=6.3%	476	4	650	1 904	38.1
TU3	FER=22%	136	4	21 667	21 667	433.3
TU3(SFH)	FER=3.4%	882	4	21 667	21 667	433.3
TU50	FER=9.5%	316	4	1 300	1 300	26.0
TU50(SFH)	FER=3.4%	882	4	1 300	1 300	70.6
RA250	FER=3.5%	857	4	271	3 428	68.6

GSM 900 FACCH/H

(FER: 25 events/s, frame filling = 12/26)

Prop. cond.	Error rate	Stat. sign.	Indep. samples	Station. proc.	Samples:	Time: (s)
static	FER=0.10%	30 000	4	-	120 000	4 800.0
TU50	FER=6.9%	435	4	1 300	1 740	69.6
RA250	FER=5.7%	526	4	271	2 104	84.2
HT100	FER=10%	300	4	650	1 200	48.0
TU3	FER=22%	136	4	21 667	21 667	866.7
TU3(SFH)	FER=6.7%	448	4	21 667	21 667	866.7
TU50	FER=6.7%	448	4	1 300	1 792	71.7
RA250	FER=5.7%	526	4	271	2 104	84.2

GSM 900 TCH/F9.6

(BER: 12000 events/s, frame filling = 24/26)

Prop. cond.	Error rate	Stat. sign.	Indep. samples	Station. proc.	Samples:	Time: (s)
static	BER=1.0E-5	3000 000	10	-	30000 000	2 500.0
TU50	BER=0.50%	6 000	10	312 000	312 000	26.0
TU50(SFH)	BER=0.4%	7 500	10	312 000	312 000	26.0
RA250	BER=0.10%	30 000	10	65 000	300 000	25.0
HT100	BER=0.70%	4 286	10	156 000	156 000	13.0
TU3	BER=8.0%	375	10	5200 000	5200 000	433.3
TU3(SFH)	BER=0.30%	10 000	10	5200 000	5200 000	433.3
TU50	BER=0.80%	3750	10	312 000	312 000	26.0
TU50(SFH)	BER=0.3%	10 000	10	312 000	312 000	26.0
RA250	BER=0.20%	15 000	10	65 000	150 000	12.5

GSM 900 TCH/H4.8

(BER: 6000 events/s, frame filling = 12/26)

Prop. cond.	Error rate	Stat. sign.	Indep. samples	Station. proc.	Samples:	Time: (s)
static	BER=1.0E-5	3000 000	10	-	30000 000	5 000.0
TU50	BER=0.50%	6 000	10	312 000	312 000	52.0
TU50(SFH)	BER=0.4%	7500	10	312 000	312 000	52.0
RA250	BER=0.10%	30 000	10	65 000	300 000	50.0
HT100	BER=0.70%	4 286	10	156 000	156 000	26.0
TU3	BER=8.0%	375	10	5200 000	5200 000	866.7
TU3(SFH)	BER=0.30%	10 000	10	5200 000	5200 000	866.7
TU50	BER=0.8%	3 750	10	312 000	312 000	52.0
TU50(SFH)	BER=0.3%	10 000	10	312 000	312 000	52.0
RA250	BER=0.20%	15 000	10	65 000	150 000	25.0

GSM 900 TCH/F4.8

(BER: 6000 events/s, frame filling = 24/26)

Prop. cond.	Error rate	Stat. sign.	Indep. samples	Station. proc.	Samples:	Time: (s)
TU50	BER=1.0E-4	300 000	10	156 000	3000 000	500.0
RA250	BER=1.0E-4	300 000	10	32 500	3000 000	500.0
HT100	BER=1.0E-4	300 000	10	78 000	3000 000	500.0
TU3	BER=3.0%	1 000	10	2600 000	2600 000	433.3
TU3(SFH)	BER=1.0E-4	300 000	10	2600 000	3000 000	500.0
TU50	BER=1.0E-4	300 000	10	156 000	3000 000	500.0
RA250	BER=1.0E-4	300 000	10	32 500	3000 000	500.0

GSM 900 TCH/F2.4

(BER: 3600 events/s, frame filling = 24/26)

Prop. cond.	Error rate	Stat. sign.	Indep. samples	Station. proc.	Samples:	Time: (s)
TU50	BER=2.0E-04	1500 00	10	93 600	15000 00	416.7
RA250	BER=1.0E-5	3000 000	10	3 900	30000 000	8 333.3
HT100	BER=1.0E-5	3000 000	10	46 800	30000 000	8 333.3
TU3	BER=3.0%	1 000	10	1560 000	1560 000	433.3
TU3(SFH)	BER=1.0E-5	3000 000	10	1560 000	30000 000	8 333.3
TU50	BER=3.0E-5	1000 000	10	93 600	10000 000	2 777.8
TU50(SFH)	BER=1E-05	3 000 000	10	93 600	30 000 000	8 333.3
RA250	BER=1.0E-5	3000 000	10	3 900	30000 000	8 333.3

GSM 900 TCH/H2.4

(BER: 3600 events/s, frame filling = 12/26)

Prop. cond.	Error rate	Stat. sign.	Indep. samples	Station. proc.	Samples:	Time: (s)
TU50	BER=1.0E-4	300 000	10	187 200	3 000 000	833.3
RA250	BER=1.0E-4	300 000	10	39 000	3000 000	833.3
HT100	BER=1.0E-4	300 000	10	93 600	3000 000	833.3
TU3	BER=4.0%	750	10	3120 000	3120 000	866.7
TU3(SFH)	BER=1.0E-4	300 000	10	3120 000	3120 000	866.7
TU50	BER=2.0E-4	150 000	10	187 200	1500 000	416.7
TU50(SFH)	BER=1.0E-04	300 000	10	187 200	3 000 000	833.3
RA250	BER=1.0E-4	300 000	10	39 000	3000 000	833.3

GSM 900 TCH/FS

(FER: 50 events/s, RBER class Ib: 6600 events/s, RBER class II: 3900 events/s, frame filling = 24/26)

Prop. cond.	Error rate	Stat. sign.	Indep. samples	Station. proc.	Samples:	Time: (s)
static	FER=0.10%	30 000	4	-	120 000	2 400.0
Ib	RBER=0.40%	7 500	10	-	75 000	11.4
II	RBER=2.0%	1 500	10	-	15 000	3.8
TU50	FER=6.0%	500	4	1 300	2 000	40.0
Ib	RBER=0.40%	7 500	10	171 600	171 600	26.0
II	RBER=8.0%	375	10	101 400	101 400	26.0
TU50(SFH)	FER=3%	1 000	4	1 300	4 000	80.0
Ib	RBER=0.3%	10 000	10	171 600	171 600	26.0
II	RBER=8%	375	10	101 400	101 400	26.0
RA250	FER=2.0%	1 500	4	271	6 000	120.0
Ib	RBER=0.20%	15 000	10	35 750	150 000	22.7
II	RBER=7.0%	429	10	21 125	21 125	5.4
HT100	FER=7.0%	429	4	650	1 716	34.3
Ib	RBER=0.50%	6 000	10	85 800	85 800	13.0
II	RBER=9.0%	333	10	50 700	50 700	13.0
TU3	FER=21%	143	4	21 667	21 667	433.3
Ib	RBER=2.0%	1 500	10	2860 000	2 860 000	433.3
II	RBER=4.0%	750	10	1690 000	1 690 000	433.3
TU3(SFH)	FER=3.0%	1 000	4	21 667	21 667	433.3
Ib	RBER=0.20%	15 000	10	2860 000	2 860 000	433.3
II	RBER=8.0%	375	10	1690 000	1 690 000	433.3
TU50	FER=6.0%	500	4	1 300	2 000	40.0
Ib	RBER=0.40%	7 500	10	171 600	171 600	26.0
II	RBER=8.0%	375	10	101 400	101 400	26.0
TU50(SFH)	FER=3%	1 000	4	1 300	4 000	80.0
Ib	RBER=0.2%	15 000	10	171 600	171 600	26.0
II	RBER=8%	375	10	101 400	101 400	26.0
RA250	FER=3.0%	1 000	4	271	4 000	80.0
Ib	RBER=0.20%	15 000	10	35 750	150 000	22.7
II	RBER=8.0%	375	10	21 125	21 125	5.4
static II	RBER=1.0E-4	300 000	10	-	3 000 000	769.2
EQU50 II	RBER=3.0%	1 000	10	101 400	101 400	26.0

C.2 DCS 1800; Number of Samples for Testing**DCS 1800 SDCCH**

(FER: 4.25 events/s, frame filling = 4/51)

Prop. cond.	Error rate	Stat. sign.	Indep. samples	Station. proc.	Samples:	Time: (s)
static	FER=0.10%	30 000	2	-	60 000	14 117.6
TU50	FER=9.0%	333	2	1 301	1 301	306.1
RA130	FER=8.0%	375	2	521	750	176.5
HT100	FER=13.0%	231	2	651	651	153.2
TU1.5	FER=22%	136	2	43 350	43 350	10 200.0
TU1.5(SFH)	FER=9.0%	333	2	43 350	43 350	10 200.0
TU50	FER=9.0%	333	2	1 301	1 301	306.1
RA130	FER=8.0%	375	2	521	750	176.5

DCS 1800 RACH

(FER: 217 events/s, frame filling = 1)

Prop. cond.	Error rate	Stat. sign.	Indep. samples	Station. proc.	Samples:	Time: (s)
static	FER=0.50%	6 000	2	-	12 000	55.3
TU50	FER=13%	231	2	5 208	5 208	24.0
RA130	FER=12%	250	2	2 087	2 087	10.0
HT100	FER=13%	231	2	2 604	2 604	12.0
TU1.5	FER=15%	200	2	173 600	173 600	800.0
TU1.5(SFH)	FER=15%	200	2	173 600	173 600	800.0
TU50	FER=16%	188	2	5 208	5 208	24.0
RA130	FER=13%	231	2	2 087	2 087	10.0

DCS 1800 SACCH/T

(FER: 2.1 events/s, frame filling = 1/26)

Prop. cond.	Error rate	Stat. sign.	Indep. samples	Station. proc.	Samples:	Time: (s)
static	FER=0.10%	30 000	2	-	60 000	28 571.4
TU50	FER=9.0%	333	2	1 311	1 311	624.3
RA130	FER=8.0%	375	2	525	750	357.1
HT100	FER=13%	231	2	656	656	312.4
TU1.5	FER=22%	136	2	43 680	43 680	20 800.0
TU1.5(SFH)	FER=9.0%	333	2	43 680	43 680	20 800.0
TU50	FER=9%	333	2	1 311	1 311	624.3
RA130	FER=8.0%	375	2	525	750	357.1

DCS 1800 SACCH/C

(FER: 2.13 events/s, frame filling = 4/102)

Prop. cond.	Error rate	Stat. sign.	Indep. samples	Station. proc.	Samples:	Time: (s)
static	FER=0.10%	30 000	2	-	60 000	28 169.0
TU50	FER=9%	333	2	1 304	1 304	612.2
RA130	FER=8.0%	375	2	523	750	352.1
HT100	FER=13%	251	2	652	652	306.1
TU1.5	FER=22%	136	2	43 452	43 452	20 400.0
TU1.5(SFH)	FER=9.0%	333	2	43 452	43 452	20 400.0
TU50	FER=9%	333	2	1 304	1 304	612.2
RA130	FER=8.0%	375	2	523	750	352.1

DCS 1800 FACCH/F

(FER: 50 events/s, frame filling = 24/26)

Prop. cond.	Error rate	Stat. sign.	Indep. samples	Station. proc.	Samples:	Time: (s)
static	FER=0.10%	30 000	4	-	120 000	2 400.0
TU50	FER=3.9%	769	4	1 300	3 076	61.5
RA130	FER=3.4%	882	4	521	3 528	70.6
HT100	FER=7.4%	405	4	650	1 620	32.4
TU1.5	FER=22%	136	4	43 334	43 334	866.7
TU1.5(SFH)	FER=3.4%	882	4	43 334	43 334	866.7
TU50	FER=3.4%	882	4	1 300	3 528	70.6
RA130	FER=3.5%	857	4	521	3 428	68.6

DCS 1800 FACCH/H

(FER: 25 events/s, frame filling = 12/26)

Prop. cond.	Error rate	Stat. sign.	Indep. samples	Station. proc.	Samples:	Time: (s)
static	FER=0.10%	30 000	4	-	120 000	4 800.0
TU50	FER=7.2%	417	4	1 300	1 668	66.7
RA130	FER=5.7%	526	4	521	2 104	84.2
HT100	FER=10.4%	288	4	650	1 152	46.1
TU1.5	FER=22%	136	4	43 334	43 334	1733.4
TU1.5(SFH)	FER=6.7%	448	4	43 334	43 334	1733.4
TU50	FER=6.9%	435	4	1 300	1 740	69.6
RA130	FER=5.7%	526	4	521	2 104	84.2

DCS 1800 TCH/F9.6

(BER: 12000 events/s, frame filling = 24/26)

Prop. cond.	Error rate	Stat. sign.	Indep. samples	Station. proc.	Samples:	Time: (s)
static	BER=1.0E-5	3 000 000	10	-	30 000 000	2 500.0
TU50	BER=0.40%	7 500	10	312 000	312 000	26.0
RA130	BER=0.10%	30 000	10	125 000	300 000	25.0
HT100	BER=0.70%	4 286	10	156 000	156 000	13.0
TU1.5	BER=8.0%	375	10	10 400 000	10 400 000	866.7
TU1.5(SFH)	BER=0.30%	10 000	10	10 400 000	10 400 000	866.7
TU50	BER=0.80%	3 750	10	312 000	312 000	26.0
TU50 (SFH)	BER=0.3%	10 000	10	312 000	312 000	26.0
RA130	BER=0.20%	15 000	10	125 000	150 000	12.5

DCS 1800 TCH/H4.8

(BER: 6000 events/s, frame filling = 12/26)

Prop. cond.	Error rate	Stat. sign.	Indep. samples	Station. proc.	Samples:	Time: (s)
static	BER=1.0E-5	3000 000	10	-	30000 000	5 000.0
TU50	BER=0.40%	7 500	10	312 000	312 000	52.0
RA130	BER=0.10%	30 000	10	125 000	300 000	50.0
HT100	BER=0.70%	4 286	10	156 000	156 000	26.0
TU1.5	BER=8.0%	375	10	10400 000	10400 000	1733.4
TU1.5(SFH)	BER=0.30%	10 000	10	10400 000	10400 000	1733.4
TU50	BER=0.80%	3 750	10	312 000	312 000	52.0
TU50(SFH)	BER=0.3%	10 000	10	312 000	312 000	52.0
RA130	BER=0.20%	15 000	10	125 000	150 000	25.0

DCS 1800 TCH/F4.8

(BER: 6000 events/s, frame filling = 24/26)

Prop. cond.	Error rate	Stat. sign.	Indep. samples	Station. proc.	Samples:	Time: (s)
TU50	BER=1.0E-4	300 000	10	156 000	3000 000	500.0
RA130	BER=1.0E-4	300 000	10	62 500	3000 000	500.0
HT100	BER=1.0E-4	300 000	10	78 000	3000 000	500.0
TU1.5	BER=3.0%	1 000	10	5200 000	5200 000	866.7
TU1.5(SFH)	BER=1.0E-4	300 000	10	5200 000	5200 000	866.7
TU50	BER=1.0E-4	300 000	10	156 000	3000 000	500.0
RA130	BER=1.0E-4	300 000	10	62 500	3000 000	500.0

DCS 1800 TCH/F2.4

(BER: 3600 events/s, frame filling = 24/26)

Prop. cond.	Error rate	Stat. sign.	Indep. samples	Station. proc.	Samples:	Time: (s)
TU50	BER=1.0E-5	3000 000	10	93 600	30000 000	8 333.3
RA130	BER=1.0E-5	3000 000	10	7 500	30000 000	8 333.3
HT100	BER=1.0E-5	3000 000	10	46 800	30000 000	8 333.3
TU1.5	BER=3.0%	1 000	10	3120 000	3120 000	866.7
TU1.5(SFH)	BER=1.0E-5	3000 000	10	3120 000	30000 000	8 333.3
TU50	BER=1.0E-5	3000 000	10	93 600	30000 000	8 333.3
RA130	BER=1.0E-5	3000 000	10	7 500	30000 000	8 333.3

DCS 1800 TCH/H2.4

(BER: 3600 events/s, frame filling = 12/26)

Prop. cond.	Error rate	Stat. sign.	Indep. samples	Station. proc.	Samples:	Time: (s)
TU50	BER=1.0E-4	300 000	10	187 200	3000 000	833.3
RA130	BER=1.0E-4	300 000	10	75 000	3000 000	833.3
HT100	BER=1.0E-4	300 000	10	93 600	3000 000	833.3
TU1.5	BER=4.0%	750	10	6240 000	6240 000	1733.4
TU1.5(SFH)	BER=1.0E-4	300 000	10	6240 000	6240 000	1733.4
TU50	BER=1.0E-4	300 000	10	187 200	3000 000	833.3
RA130	BER=1.0E-4	300 000	10	75 000	3000 000	833.3

DCS 1800 TCH/FS

(FER: 50 events/s, RBER class Ib: 6600 events/s, RBER class II: 3900 events/s, frame filling = 24/26)

Prop. cond.	Error rate	Stat. sign.	Indep. samples	Station. proc.	Samples:	Time: (s)
static	FER=0.10%	30 000	4	-	120 000	2 400.0
Ib	RBER=0.40%	7 500	10	-	75 000	11.4
II	RBER=2.0%	1 500	10	-	15 000	3.8
TU50	FER=3.0%	1000	4	1 300	4 000	80.0
Ib	RBER=0.30%	10 000	10	171 600	171 600	26.0
II	RBER=8.0%	375	10	101 400	101 400	26.0
RA130	FER=2.0%	1 500	4	521	6 000	120.0
Ib	RBER=0.20%	15 000	10	68 750	150 000	22.7
II	RBER=7.0%	429	10	40 625	40 625	10.4
HT100	FER=7.0%	429	4	650	1 716	34.3
Ib	RBER=0.50%	6 000	10	85 800	85 800	13.0
II	RBER=9.0%	333	10	50 700	50 700	13.0
TU1.5	FER=21%	143	4	43 334	43 334	866.7
Ib	RBER=2.0%	1 500	10	5720 000	5720 000	866.7
II	RBER=4.0%	750	10	3380 000	3380 000	866.7
TU1.5(SFH)	FER=3.0%	1 000	4	43 334	43 334	866.7
Ib	RBER=0.20%	15 000	10	5720 000	5730 000	866.7
II	RBER=8.0%	375	10	3380 000	3380 000	866.7
TU50	FER=3.0%	1 000	4	1 300	4 000	80.0
Ib	RBER=0.25%	12 500	10	171 600	171 600	26.0
II	RBER=8.1%	370	10	101 400	101 400	26.0
RA130	FER=3.0%	1 000	4	521	4 000	80.0
Ib	RBER=0.20%	15 000	10	71 500	150 000	22.7
II	RBER=8.0%	375	10	42 250	42 250	10.8
static II	RBER=1.0E-4	300 000	10	-	3000 000	769.2
EQU50	II RBER=3.0%	1 000	10	101 400	101 400	26.0

Annex D (informative): Change history

This annex lists all change requests approved for the present document since the first phase 2 version was approved by ETSI SMG.

SMG#	SMG tdoc	SMG8 tdoc	VERS	CR	RV	PH	CAT	SUBJECT	Resulting Version
S12	584/94		4.0.0	001		2	F	Amendments to GSM 11.21; revision of static and multipath reference sensitivity tests, and editorial changes	4.1.0
S13	99/95		4.1.0	002		2	F	Frequency range for E-GSM 900	4.2.0
	99/95		4.1.0	003		2	F	Types of implementation of frequency hopping	4.2.0
	99/95		4.1.0	004		2	F	Section 4.1.6.3, number of static power steps	4.2.0
	99/95		4.1.0	005		2	F	Spectrum due to modulation	4.2.0
	99/95		4.1.0	006		2	F	Intermodulation attenuation	4.2.0
	99/95		4.1.0	007		2	F	Definition of test environment for section 4.1.7.8	4.2.0
	99/95		4.1.0	009		2	D	Annex 2: Number of samples needed for statistical testing	4.2.0
S15	401/95		4.2.0	010		2	3	Reformatting	4.3.0
	401/95		4.2.0	011		2	1	new sections	4.3.0
	401/95		4.2.0	012		2	1	Splitting of conformance requirements	4.3.0
	401/95		4.2.0	013		2	1	Definition of extreme power supply conditions	4.3.0
	401/95		4.2.0	014		2	F	Corrections of inconsistencies	4.3.0
	401/95		4.2.0	015		2	3	Testing of reference interference	4.3.0
	401/95		4.2.0	016		2	1	Testing of reference sensitivity and interference	4.3.0
	401/95		4.2.0	017		2	1	Measurement BW for intermodulation attenuation tests	4.3.0
S16	566/95		4.3.0	018		2	1	Measurement uncertainties	4.4.0
	566/95		4.3.0	019		2	2	Mean transmitted RF carrier power	4.4.0
	566/95		4.3.0	020		2	1	Intermodulation attenuation	4.4.0
	566/95		4.3.0	021		2	2	Erroneous frame indication performance	4.4.0
	566/95		4.3.0	022		2	1	Reference sensitivity; testing of essential conformance	4.4.0
	566/95		4.3.0	023		2	1	AM suppression	4.4.0
	566/95		4.3.0	024		2	F	Measurement BW for transmitted RF carrier power vs time	4.4.0
	566/95		4.3.0	025		2	3	Editorial corrections and clarifications	4.4.0
S17	092/96		4.4.0	026		2	F	CR to GSM 11.21 section 7.5, Reference interference	4.5.0
	092/96		4.4.0	027		2	F	Testing of switching transients spectrum	4.5.0
	092/96		4.4.0	028		2	F	Measurement uncertainties	4.5.0
	092/96		4.4.0	029		2	F	BTS configurations	4.5.0
	092/96		4.4.0	030		2	F	Mean transmitted RF carrier power	4.5.0
	092/96		4.4.0	031		2	D	Configuration of BTS for section 6.2	4.5.0
	092/96		4.4.0	032		2	F	Testing of Multipath reference sensitivity with TU 50	4.5.0
	092/96		4.4.0	033		2	D	Section 6.4	4.5.0
S18	253/96		4.5.0	A034		2	F	Incorporation of technical PE comments	4.6.0
	265/96		4.5.0	A035		2	F	Correction of tables for intermod limits in receive band	4.6.0
	253/96		4.5.0	A036		2	F	Incorporation of editorial and technical PE comments	4.6.0
	253/96		4.5.0	A037		2	F	Spectrum due to modulation and wideband noise: definition and correction	4.6.0
S20	606/96	52/96	4.6.0	A038		2	F	Correction of inconsistency with 05.05	4.7.0
	606/96	53/96	4.6.0	A039		2	F	Correction of statistical tables in informative annex	4.7.0
	627/96	29/96	4.6.0	A040		2	F	Maintenance of consistence with GSM 05.05	4.7.0
s22	348/97	006/97	4.7.1	A041		2	F	Deletion of TU3 and TU1.5 tests	4.8.0
s23	783/97	050/97	4.8.0	A050		2	B	Addition of Radio Link Management chapter	4.9.0
	783/97	052/97	4.8.0	A052		2	B	Testing BSS with ancillary FR amplifiers	4.9.0
	783/97	057/97	4.8.0	A054		2	B	BSS using Antenna arrays	4.9.0
	783/97	064/97	4.8.0	A056		2	B	Definition of EFR test cases	4.9.0
s25	98-0165	98p010	4.9.0	A064		2	F	Measurement of average signal level through a multipath fading simulator	4.10.0
s26	98-394	98p034	4.10.0	A065		2	F	Definition of timeslot to use for testing of Spectrum due to modulation, subclause 6.5.1	4.11.0
	98-394	98p052	4.10.0	A066		2	D	Environmental conditions during essential conformance testing	4.11.0
	98-394	98p053	4.10.0	A067		2	F	Ancillary RF amplifier	4.11.0
	98-441	98p057	4.10.0	A068		2	F	Clarification of "relevant" and "operational" bands	4.11.0
	98-394	98p059	4.10.0	A074		2	B	New ph2 requirements for static layer 1 receiver functions	4.11.0
			4.11.0					Version update for publication	4.11.1

History

Document history			
November 1995	Public Enquiry	PE 95:	1995-11-06 to 1996-03-01
June 1996	Vote	V 105:	1996-06-10 to 1996-08-16
September 1996	First Edition		
November 1996	Unified Approval Procedure (Second Edition)	UAP 58:	1996-11-18 to 1997-03-14
April 1997	Second Edition		
September 1997	One-step Approval Procedure (Third Edition)	OAP 9803:	1997-09-19 to 1998-01-16
February 1998	Third Edition		
February 1998	One-step Approval Procedure (Fourth Edition)	OAP 9824:	1998-02-13 to 1998-06-12
May 1998	One-step Approval Procedure (Fifth Edition)	OAP 9841:	1998-05-20 to 1998-10-16
June 1998	Fourth Edition		
July 1998	One-step Approval Procedure (Sixth Edition)	OAP 9848:	1998-07-31 to 1998-11-27
March 1999	Sixth Edition		