



EUROPEAN
TELECOMMUNICATION
STANDARD

ETS 300 607-3

May 1997

Third Edition

Source: ETSI TC-SMG

Reference: RE/SMG-071110PR1-3

ICS: 33.020

Key words: Digital cellular telecommunications system, Global System for Mobile communications (GSM)



**Digital cellular telecommunications system (Phase 2);
Mobile Station (MS) conformance specification;
Part 3: Layer 3 (L3) Abstract Test Suite (ATS)
(GSM 11.10-3)**

ETSI

European Telecommunications Standards Institute

ETSI Secretariat

Postal address: F-06921 Sophia Antipolis CEDEX - FRANCE

Office address: 650 Route des Lucioles - Sophia Antipolis - Valbonne - FRANCE

X.400: c=fr, a=atlas, p=etsi, s=secretariat - **Internet:** secretariat@etsi.fr

Tel.: +33 4 92 94 42 00 - Fax: +33 4 93 65 47 16

Copyright Notification: No part may be reproduced except as authorized by written permission. The copyright and the foregoing restriction extend to reproduction in all media.

© European Telecommunications Standards Institute 1997. All rights reserved.

Contents

Foreword	9
1 Scope	10
2 Normative references	10
3 Definitions, symbols and abbreviations	13
3.1 Definitions	13
3.2 Abbreviations	13
4 Test Suite Structure (TSS)	14
4.1 Test suite naming convention	14
4.2 Suite Overview	15
4.3 Test groups	15
4.3.1 Valid Behaviour tests (BV)	15
4.3.2 Invalid Behaviour/Inopportune Behaviour tests (BI-BO)	16
4.4 Test Step Structure	16
4.4.1 Preambles	16
4.4.2 Postambles	16
5 Test Purposes (TP)	16
5.1 TP and test case naming convention	16
6 Abstract test method and test configurations	16
6.1 Test system model	17
6.2 Test Method	17
Annex A: Abstract Test Suite	18
Suite overview	19
Suite structure	19
Test case index	20
Test step index	32
Default index	43
Declarations Part	44
Test suite type definitions	44
Simple type definitions	44
Structured Type definitions	46
ASN1 type definitions	68
Test suite operation definitions	91
Test suite parameter declarations	147
Test case selection expression definitions	166
Test suite constant declarations	169
Test case variable declarations	187
PCO declarations	191
Timer declarations	191
ASP type definitions	191
TTCN ASP Type definitions	191
PDU type definitions	218
TTCN PDU Type definitions	218
Constraints Part	244
Test suite type constraint declarations	244
Structured type constraint declarations	244
ASN1 type constraints	764

ASP	constraint declarations	778
	TTCN ASP constraint declarations.....	778
PDU	constraint declarations	892
	TTCN PDU constraint declarations	892
Dynamic Part		1126
Test	Cases	1126
Test	Group General	1126
Test	Group InitialTest	1155
Test	Group IdleMode	1177
Test	Group BiBo	1180
Test	Group RR.....	1214
Test	Group MM.....	1367
Test	Group CC.....	1424
Test	Group StructureProc.....	1491
Test	Group EGSMsignalling.....	1514
Test	Group SS	1536
Test	Group SM	1629
Test	Step Library	1657
Test	Step Group management	1657
Test	Step Group ChConfig.....	1660
Test	Step Group Miscellaneous.....	1690
Test	Step Group SysInfo.....	1724
Test	Step Group OperatorOP	1786
Test	Step Group Postambles.....	1789
Test	Step Group Preambles	1792
Defaults	Library	1898
Annex B: Partial IXIT proforma		1905
Introduction		1905
B.1	Identification Summary	1906
B.2	Abstract Test Suite Summary	1906
B.3	Test Laboratory.....	1906
B.3.1	Test Laboratory Identification	1906
B.3.2	Accreditation status of the test service.....	1907
B.3.3	Manager of Test Laboratory	1907
B.3.4	Contact person of Test Laboratory.....	1907
B.3.5	Means of Testing.....	1907
B.3.6	Instructions for Completion	1908
B.4	Client.....	1909
B.4.1	Client Identification	1909
B.4.2	Client Test Manager	1910
B.4.3	Client Contact person.....	1910
B.4.4	Test Facilities Required.....	1910
B.5	System Under Test	1911
B.5.1	SUT Information	1911
B.5.2	Limitations of the SUT	1912
B.5.3	Environmental Conditions	1913
B.6	Ancillary Protocols	1915
B.6.1	Ancillary Protocols 1	1915
B.6.2	Ancillary Protocols 2.....	1915
B.7	Protocol Layer Information for L3 of Mobile Station.....	1915
B.7.1	Protocol Identification	1915
B.7.2	Parameter Values	1915
B.7.2.1	Parameters related to Physical Resources.....	1915

	B.7.2.1.1	Parameter TSPX_AltNb.....	1915
	B.7.2.1.2	Parameter TSPX_BCCHcarrierA.....	1916
	B.7.2.1.3	Parameter TSPX_BCCHcarrierB.....	1916
	B.7.2.1.4	Parameter TSPX_BCCHcarrierA_HO.....	1916
	B.7.2.1.5	Parameter TSPX_BCCHcarrierB_HO.....	1917
	B.7.2.1.6	Parameter TSPX_TCHcarrierA.....	1917
	B.7.2.1.7	Parameter TSPX_TCHcarrierA_ho.....	1917
	B.7.2.1.8	Parameter TSPX_TCHcarrierB.....	1918
	B.7.2.1.9	Parameter TSPX_TCHcarrierB_ho.....	1918
	B.7.2.1.10	Parameter TSPX_TCHcarrierB2_ho.....	1918
	B.7.2.1.11	Parameters for Time Slot.....	1919
B.7.2.2		Parameters related logical channel.....	1919
	B.7.2.2.1	Parameters for SDDCH4 Subchannels.....	1919
	B.7.2.2.2	Parameters for SDDCH8 Subchannels.....	1920
	B.7.2.2.3	Parameters for Half Rate Traffic Subchannels.....	1921
B.7.2.3		Parameters related to Mobile Station.....	1922
	B.7.2.3.1	Parameter TSPX_ChModeA.....	1922
	B.7.2.3.2	Parameter TSPX_ChModeB.....	1922
	B.7.2.3.3	Parameter TSPX_ChModeC.....	1922
	B.7.2.3.4	Parameter TSPX_ChModeD.....	1922
	B.7.2.3.5	Parameter TSPX_ChModeE.....	1923
	B.7.2.3.6	Parameter TSPX_ChModeF.....	1923
	B.7.2.3.7	Parameter TSPX_ChModeG.....	1923
	B.7.2.3.8	Parameter TSPX_ChModeH.....	1924
	B.7.2.3.9	Parameter TSPX_ChModel.....	1924
	B.7.2.3.10	Parameter TSPX_ChModeJ.....	1924
	B.7.2.3.11	Parameter TSPX_UuInfo.....	1924
	B.7.2.3.12	Parameters for selection of a circuit switched basic services.....	1925
	B.7.2.3.13	Parameters of Bearer Capability.....	1927
	B.7.2.3.13.1	Parameter TSPX_BCa.....	1927
	B.7.2.3.13.2	Parameter TSPX_BCb.....	1928
	B.7.2.3.14	Parameter TSPX_BC2.....	1929
	B.7.2.3.15	Parameters for Low Layer Compatibility.....	1930
	B.7.2.3.15.1	Parameter TSPX_LLCmpA.....	1930
	B.7.2.3.15.2	Parameter TSPX_LLCmpB.....	1931
	B.7.2.3.16	Parameters for High Layer Compatibility.....	1931
	B.7.2.3.16.1	Parameter TSPX_HLCmpA.....	1931
	B.7.2.3.16.2	Parameter TSPX_HLCmpB.....	1932
	B.7.2.3.17	Parameter TSPX_IMSI.....	1932
	B.7.2.3.18	Parameter TSPX_IMEI.....	1932
	B.7.2.3.19	Parameter TSPX_IMEISV.....	1933
	B.7.2.3.20	Parameter TSPX_MSTxpwrMax.....	1933
	B.7.2.3.21	Parameters for Power Level.....	1933
	B.7.2.3.22	Parameter TSPX_TMSI.....	1933
	B.7.2.3.23	Parameter TSPX_TMSI1.....	1934
	B.7.2.3.24	Parameters for Basic service selection.....	1935
B.7.2.4		Test Case related Parameters.....	1936
	B.7.2.4.1	Parameters for extended assignment test.....	1936
	B.7.2.4.2	Parameters for assignment rejection test.....	1937
	B.7.2.4.3	Parameters for paging re-organization test 1.....	1937
	B.7.2.4.4	Parameters for paging re-organization test 2.....	1937
	B.7.2.4.5	Parameters for paging as before test.....	1938
	B.7.2.4.6	Parameters for paging multi CCCH test.....	1938
	B.7.2.4.7	Parameters for pre-synch handover no TA test.....	1939
	B.7.2.4.8	Parameters for pre-synch handover with TA test.....	1939
	B.7.2.4.9	Parameters for pseudo-synch handover test.....	1939
	B.7.2.4.10	Parameters for non-synch handover test.....	1939
	B.7.2.4.11	Parameters for TC_26_6_4_1.....	1940
	B.7.2.4.12	Parameters for TC_26_6_13_1.....	1940
	B.7.2.4.13	Parameters for TC_26_6_13_2.....	1942
	B.7.2.4.14	Parameters for TC_26_6_13_3.....	1943
	B.7.2.4.15	Parameters for TC_26_6_13_4.....	1944

	B.7.2.4.16	Parameters for TC_26_6_13_5	1946
	B.7.2.4.17	Parameters for TC_26_6_13_6	1947
	B.7.2.4.18	Parameters for TC_26_6_13_7	1949
	B.7.2.4.19	Parameters for TC_26_6_13_8	1950
	B.7.2.4.20	Parameters for TC_26_6_13_9	1952
	B.7.2.4.21	Parameters for TC_26_6_13_10	1953
B.7.2.5		Parameters for Setup message	1954
	B.7.2.5.1	Telephony	1955
	B.7.2.5.2	Alternate Speech and G3 Fax.....	1964
	B.7.2.5.3	Automatic G3 fax	1973
	B.7.2.5.4	Data circuit duplex async. 300 bit/s.....	1982
	B.7.2.5.5	Data circuit duplex async. 1 200 bit/s.....	1991
	B.7.2.5.6	Data circuit duplex async. 1 200/75 bit/s.....	2000
	B.7.2.5.7	Data circuit duplex async. 2 400 bit/s.....	2009
	B.7.2.5.8	Data circuit duplex async. 4 800 bit/s.....	2018
	B.7.2.5.9	Data circuit duplex async. 9 600 bit/s.....	2027
	B.7.2.5.10	Data circuit duplex sync. 1 200 bit/s.....	2036
	B.7.2.5.11	Data circuit duplex sync. 2 400 bit/s.....	2045
	B.7.2.5.12	Data circuit duplex sync. 4 800 bit/s.....	2054
	B.7.2.5.13	Data circuit duplex sync. 9 600 bit/s.....	2063
	B.7.2.5.14	PAD Access 300 bit/s	2072
	B.7.2.5.15	PAD Access 1 200 bit/s	2081
	B.7.2.5.16	PAD Access 1 200/75 bit/s	2090
	B.7.2.5.17	PAD Access 2 400 bit/s	2099
	B.7.2.5.18	PAD Access 4 800 bit/s	2108
	B.7.2.5.19	PAD Access 9 600 bit/s	2117
	B.7.2.5.20	Packet Access 2 400 bit/s.....	2126
	B.7.2.5.21	Packet Access 4 800 bit/s.....	2135
	B.7.2.5.22	Packet Access 9 600 bit/s.....	2144
	B.7.2.5.23	Alternate Speech/Data	2153
	B.7.2.5.24	Speech Followed by Data	2162
B.7.2.6		Other Parameters	2170
	B.7.2.6.1	Parameter TSPX_MAIO.....	2170
	B.7.2.6.2	Parameter TSPX_Cause	2170
	B.7.2.6.3	Parameters for Cipheryng Key Sequence Number.....	2171
	B.7.2.6.4	Parameter TSPX_Txint.....	2171
	B.7.2.6.5	Parameter TSPX_MaxRetrans	2172
	B.7.2.6.6	Parameters for Handover reference	2172
	B.7.2.6.7	Parameters for the number of Handover accesses	2173
	B.7.2.6.8	Parameter TSPX_HSN	2174
	B.7.2.6.9	Parameters for RAND.....	2174
	B.7.2.6.10	Parameter TSPX_k.....	2175
	B.7.2.6.11	Parameter TSPX_y.....	2175
	B.7.2.6.12	Parameter TSPX_Ki.....	2176
	B.7.2.6.13	Parameters for Channel Type (full or half rate) of CC test.....	2176
	B.7.2.6.14	Parameters for Cipheryng Algorithm.....	2177
	B.7.2.6.15	Parameters for Training Sequence Code	2178
	B.7.2.6.16	Parameters for Timing Advance	2179
	B.7.2.6.17	Parameter TSPX_WaitForFac.....	2180
	B.7.2.6.18	Parameter TSPX_WaitForConnACK.....	2180
	B.7.2.6.19	Parameter TSPX_PathH1	2181
	B.7.2.6.20	Parameter TSPX_PathH2.....	2181
B.7.2.7		Questions on antenna and power supply.....	2181
	B.7.2.7.1	Type of antenna	2181
	B.7.2.7.2	Power supply.....	2181
	B.7.2.7.3	External RF amplifier	2182
	B.7.2.7.4	SIM removal support.....	2182
	B.7.2.7.5	Parameter TSPX_MaxCPDataRetx.....	2182
	B.7.2.7.6	Parameter TSPX_DTMFInd.....	2182
	B.7.2.7.7	Parameter TSPX_CallCntrlCap	2183
	B.7.2.7.8	Parameter TSPX_ClassMark1.....	2183
	B.7.2.7.9	Parameter TSPX_ClassMark2.....	2183
	B.7.2.7.10	Parameter TSPX_ClassMark2Amp	2184

B.7.2.7.11 Parameter TSPX_ClassMark3 2184

B.7.2.8 Test Suite Timer Values 2185

B.7.2.9 Man machine Interface 2185

Annex C: PCTR Proforma 2191

History 2192

Blank page

Foreword

This European Telecommunication Standard (ETS) has been produced by the Special Mobile Group (SMG) Technical Committee of the European Telecommunications Standards Institute (ETSI).

This ETS describes the technical characteristics and methods of test for Mobile Stations (MSs), operating in the 900 MHz and 1 800 MHz frequency band (GSM 900 and DCS 1 800) within the digital cellular telecommunications system.

This ETS corresponds to GSM technical specification GSM 11.10-3 version 4.17.1.

This part of the ETS (Part 3), contains Tree and Tabular Combined Notation (TTCN) for Layer 3 conformity specifications for which mobile stations, within the digital cellular telecommunications system (Phase 2), are tested for compliance.

The graphical form ATS

The TTCN.GR representation of this ATS is contained in annex A of this ETS.

The machine processable ATS

The electronic forms of the machine processable files (TTCN MP format) corresponding to the ATS for Layer 3 are contained in the file L3-4171.mp¹⁾ (Layer 3) on the diskette included as a part of this ETS (Part 3).

ETS 300 607 consists of three parts, which have the following ETS numbers and titles:

ETS 300 607-1	Digital cellular telecommunications system (Phase 2); Mobile Station (MS) conformance specification; Part 1: Conformance specification; Reference: GSM 11.10-1.
ETS 300 607-2	Digital cellular telecommunications system (Phase 2); Mobile Station (MS) conformance specification; Part 2: Protocol Implementation Conformance Statement (ICS); proforma specification Reference: GSM 11.10-2.
ETS 300 607-3	Digital cellular telecommunications system (Phase 1); Mobile Station (MS) conformance specification; Part 3: Layer 3 (L3) Abstract Test Suite (ATS); Reference: GSM 11.10-3.

Transposition dates	
Date of adoption:	2 August 1996
Date of latest announcement of this ETS (doa):	31 August 1997
Date of latest publication of new National Standard or endorsement of this ETS (dop/e):	28 February 1998
Date of withdrawal of any conflicting National Standard (dow):	28 February 1998

¹⁾ This file is located in an archive file named 6073_E3.LZH. Other file formats are available on request.

1 Scope

This European Telecommunication Standard (ETS) specifies the Abstract Test Suite (ATS) and partial IXIT proforma for the Network Layer (Layer 3) at the mobile radio interface of the GSM or DCS (Phase 2) mobile stations (MS) conforming to the ETSS for the Radio Resource management, the Mobility Management, the circuit-switched Call Control, the Supplementary Services and Short Message Services for the digital cellular telecommunications systems (Phase 2).

The ISO standards for the methodology of conformance testing are used as the basis for the test specifications.

2 Normative references

This ETS incorporates by dated and undated reference, provisions from other publications. These normative references are cited at the appropriate places in the text and the publications are listed hereafter. For dated references, subsequent amendments to or revisions of any of these publications apply to this ETS only when incorporated in it by amendment or revision. For undated references, the latest edition of the publication referred to applies.

- [1] ISO/IEC 9 646-1: "Information Technology-OSI- Conformance Testing Methodology and Framework, Part 1: General Concepts".
- [2] ISO/IEC 9 646-2: "Information Technology-OSI- Conformance Testing Methodology and Framework, Part 2: Abstract Test Suite Specification".
- [3] ISO/IEC 9 646-3: "Information Technology-OSI- Conformance Testing Methodology and Framework, Part 3: The Tree and Tabular Combined Notation".
- [4] ISO/IEC 9 646-5: "Information Technology-OSI- Conformance Testing Methodology and Framework, Part 5: Requirements on test laboratories and clients for the conformance assessment process".
- [5] ISO/IEC 8 824: "Information Technology-OSI- Specification of Abstract Syntax Notation One (ASN.1)".
- [6] ISO/IEC 8 825: "Information Technology-OSI- Specification of Basic Encoding Rules for Abstract Syntax Notation One (ASN.1)".
- [7] ITU-T Recommendation Q.773: "Specifications of Signalling System No.7; Transaction capabilities formats and encoding".
- [8] ETS 300 287: "Integrated Services Digital Network (ISDN); CCITT Signalling System No.7, Transaction Capabilities Application Part (TCAP) version 2".
- [9] ETS 300 406 (January 1995): "Methods for Testing and Specification (MTS); Protocol and profile conformance testing specifications: Standardization methodology".
- [10] ETS 300 501 (GSM 02.02): "Digital cellular telecommunications system (Phase 2); Bearer Services (BS) supported by a GSM Public Land Mobile Network (PLMN)".
- [11] ETS 300 502 (GSM 02.03): "Digital cellular telecommunications system (Phase 2); Teleservices supported by a GSM Public Land Mobile Network (PLMN)".
- [12] ETS 300 504 (GSM 02.06): "Digital cellular telecommunications system (Phase 2); Types of Mobile Stations (MS)".
- [13] ETS 300 505 (GSM 02.07): "Digital cellular telecommunications system (Phase 2); Mobile Station (MS) features".

- [14] ETS 300 511 (GSM 02.30): "Digital cellular telecommunications system (Phase 2); Man-Machine Interface (MMI) of the Mobile Station (MS)".
- [15] ETS 300 523 (GSM 03.03): "Digital cellular telecommunications system (Phase 2); Numbering, addressing and identification".
- [16] ETS 300 527 (GSM 03.09): "Digital cellular telecommunications system (Phase 2); Handover procedures".
- [17] ETS 300 528 (GSM 03.10): "Digital cellular telecommunications system (Phase 2); GSM Public Land Mobile Network (PLMN) connection types".
- [18] ETS 300 529 (GSM 03.11): "Digital cellular telecommunications system (Phase 2); Technical realization of supplementary services".
- [19] ETS 300 530 (GSM 03.12): "Digital cellular telecommunications system (Phase 2); Location registration procedures".
- [20] ETS 300 532 (GSM 03.14): "Digital cellular telecommunications system (Phase 2); Support of Dual Tone Multi-Frequency signalling (DTMF) via the GSM system".
- [21] ETS 300 535 (GSM 03.22): "Digital cellular telecommunications system (Phase 2); Functions related to Mobile Station (MS) in idle mode".
- [22] ETS 300 536 (GSM 03.40): "Digital cellular telecommunications system (Phase 2); Technical realization of the Short Message Service (SMS) Point-to-Point (PP)".
- [23] ETS 300 537 (GSM 03.41): "Digital cellular telecommunications system (Phase 2); Technical realization of Short Message Service Cell Broadcast (SMSCB)".
- [24] ETS 300 550 (GSM 04.01): "Digital cellular telecommunications system (Phase 2); Mobile Station - Base Station System (MS - BSS) interface General aspects and principles".
- [25] ETS 300 552 (GSM 04.03): "Digital cellular telecommunications system (Phase 2); Mobile Station - Base Station System (MS - BSS) interface Channel structures and access capabilities".
- [26] ETS 300 553 (GSM 04.04): "Digital cellular telecommunications system (Phase 2); layer 1 General requirements".
- [27] ETS 300 554 (GSM 04.05): "Digital cellular telecommunications system (Phase 2); Data Link (DL) layer General aspects".
- [28] ETS 300 555 (GSM 04.06): "Digital cellular telecommunications system (Phase 2); Mobile Station - Base Station System (MS - BSS) interface Data Link (DL) layer specification".
- [29] ETS 300 556 (GSM 04.07): "Digital cellular telecommunications system (Phase 2); Mobile radio interface signalling layer 3 General aspects".
- [30] ETS 300 557 (GSM 04.08): "Digital cellular telecommunications system (Phase 2); Mobile radio interface layer 3 specification".
- [31] ETS 300 558 (GSM 04.10): "Digital cellular telecommunications system (Phase 2); Mobile radio interface layer 3 Supplementary services specification General aspects".

- [32] ETS 300 559 (GSM 04.11): "Digital cellular telecommunications system (Phase 2); Point-to-Point (PP) Short Message Service (SMS) support on mobile radio interface".
- [33] ETS 300 560 (GSM 04.12): "Digital cellular telecommunications system (Phase 2); Short Message Service Cell Broadcast (SMSCB) support on the mobile radio interface".
- [34] ETS 300 564 (GSM 04.80): "Digital cellular telecommunications system (Phase 2); Mobile radio interface layer 3 supplementary services specification Formats and coding".
- [35] ETS 300 565 (GSM 04.81): "Digital cellular telecommunications system (Phase 2); Line identification supplementary services - Stage 3".
- [36] ETS 300 566 (GSM 04.82): "Digital cellular telecommunications system (Phase 2); Call Forwarding (CF) supplementary services - Stage 3".
- [37] ETS 300 567 (GSM 04.83): "Digital cellular telecommunications system (Phase 2); Call Waiting (CW) and Call Hold (HOLD) supplementary services - Stage 3".
- [38] ETS 300 568 (GSM 04.84): "Digital cellular telecommunications system (Phase 2); MultiParty (MPTY) supplementary services - Stage 3".
- [39] ETS 300 569 (GSM 04.85): "Digital cellular telecommunications system (Phase 2); Closed User Group (CUG) supplementary services - Stage 3".
- [40] ETS 300 570 (GSM 04.86): "Digital cellular telecommunications system (Phase 2); Advice of Charge (AoC) supplementary services - Stage 3".
- [41] ETS 300 571 (GSM 04.88): "Digital cellular telecommunications system (Phase 2); Call Barring (CB) supplementary services - Stage 3".
- [42] ETS 300 572 (GSM 04.90): "Digital cellular telecommunications system (Phase 2); Unstructured Supplementary Services Data (USSD) - Stage 3".
- [43] ETS 300 573 (GSM 05.01): "Digital cellular telecommunications system (Phase 2); Physical layer on the radio path General description".
- [44] ETS 300 574 (GSM 05.02): "Digital cellular telecommunications system (Phase 2); Multiplexing and multiple access on the radio path".
- [45] ETS 300 575 (GSM 05.03): "Digital cellular telecommunications system (Phase 2); Channel coding".
- [46] ETS 300 576 (GSM 05.04): "Digital cellular telecommunications system (Phase 2); Modulation".
- [47] ETS 300 577 (GSM 05.05): "Digital cellular telecommunications system (Phase 2); Radio transmission and reception".
- [48] ETS 300 578 (GSM 05.08): "Digital cellular telecommunications system (Phase 2); Radio subsystem link control".
- [49] ETS 300 579 (GSM 05.10): "Digital cellular telecommunications system (Phase 2); Radio subsystem synchronization".
- [50] ETS 300 582 (GSM 07.01): "Digital cellular telecommunications system (Phase 2); General on Terminal Adaption Functions (TAF) for Mobile Stations (MS)".

- [51] ETS 300 590 (GSM 08.08): "Digital cellular telecommunications system (Phase 2); Mobile Switching Centre - Base Station System (MSC - BSS) interface Layer 3 specification".
- [52] ETS 300 596 (GSM 08.58): "Digital cellular telecommunications system (Phase 2); Base Station Controller - Base Transceiver Station (BSC - BTS) interface Layer 3 specification".
- [53] ETS 300 599 (GSM 09.02): "Digital cellular telecommunications system (Phase 2); Mobile Application Part (MAP) specification".
- [54] ETS 300 607-1 (GSM 11.10-1): "Digital cellular telecommunications system (Phase 2); Mobile Station (MS) conformity specification".
- [55] ETS 300 607-2 (GSM 11.10-2): "Digital cellular telecommunications system (Phase 2); Mobile Station (MS) Conformance specification, Protocol Implementation Conformance Statement (ICS) Proforma".

3 Definitions, symbols and abbreviations

3.1 Definitions

For the purposes of this ETS, the following definitions apply:

Abstract Test Suite (ATS): Refer to ISO/IEC 9 646-1 [1].

Implementation Under Test (IUT): Refer to ISO/IEC 9 646-1 [1].

Partial Protocol Implementation eXtra Information for Testing (IXIT): Refer to ISO/IEC 9 646-1 [1].

Point of Controls and Observations (PCO): Refer to ISO/IEC 9 646-1 [1].

Protocol Implementation Conformance Statement (ICS): Refer to ISO/IEC 9 646-1 [1].

System Under Test (SUT): Refer to ISO/IEC 9 646-1 [1].

3.2 Abbreviations

For the purposes of this ETS, the following abbreviations apply:

ATS	Abstract Test Suite
BI	Invalid Behaviour tests
BO	Inopportune Behaviour tests
BV	Valid Behaviour tests
CA	CApability tests
EDP-N	Event Detection Point - Notification
EDP-R	Event Detection Point - Request
ETS	European Telecommunication Standard
FE	Functional Entity
FSM	Finite State Machine
ICS	Implementation Conformance Statement
IUT	Implementation Under Test
IXIT	Implementation eXtra Information for Testing
PDU	Protocol Data Unit
SUT	System Under Test
TP	Test Purpose
TSS	Test Suite Structure

Further abbreviations used within GSM related ETS may be found in ETR 100.

Abbreviations for test case group names may be found in figure 1 and 2.

4 Test Suite Structure (TSS)

4.1 Test suite naming convention

The test group identifier for each group and subgroup is built according to the scheme in figure 1.

Identifier:	L3<c><s><g0><g1><g2><nn>
<c> = category:	BIT BIT, Basic Interconnection tests (not used) CA CA, Capability tests (not used) BV BV, Valid Behaviour tests BI-BOBI and BO, Invalid and Inopportune Behaviour tests
<g0> = group:	IN Initial tests ID Idle mode tests RR Radio Resource management MM Mobility Management CC Call Control SP Structured Procedures SS Supplementary services LLF Lower Layer Failures UUE Unknown, Unforeseen or erroneous Elements
<g1> = group:	CR Channel Request AT IMSI detach and IMSI attach SMT Sequenced MM / CC message transfer EC Establishment Cause IA Immediate assignment PG Test of paging MR Test of measurement report ASS Test of the channel HO Test of handover FR Test of frequency redefinition CMM Test of the channel mode modify procedure CY Test of ciphering mode setting CM Test of classmark CHR Test of channel release START Test of starting time IDAU Identification and authentication LU Location updating CON MM connection CCSMO State Machine Verification, Mobile Originating Call CCSMT State Machine Verification, Mobile Terminating Call SMICF State machine verification, In Call Functions CRE Call Re-establishment UUS User to user signalling UPD Unknown protocol discriminator TIS TI and skip indicator UMT Undefined or unexpected message type UIE Unforeseen information elements in the non-imperative NMIE Non-semantic mandatory IE errors CNR Unknown IE, comprehension not required SB Spare bits

<g2> = group:	AC	Handover / successful / active call
	CUE	Handover / successful / call under establishment
	FSY	Handover / successful / active call / finely synchronized
	PRS	Pre-synchronized handovers
	PRF	Protocol failures
	ACC	Location updating / accepted
	REJ	Location updating / rejected
	ABN	Location updating / abnormal cases
	REL	Location updating / release
	PER	Location updating / periodic
	HPER	Location updating / periodic HPLMN search
	IWAT	Location updating / interworking of attach and periodic
	EST	MM connection / establishment
	EXP	MM connection / expiry
	NWAB	MM connection / abortion by the network
	FRQP	MM connection / follow-on request pending
	U0	Mobile Originating Call U0 State
	U0.1	Mobile Originating Call U0.1 MM Connection pending
	U1	Mobile Originating Call U1 State
	U3	Mobile Originating Call U3 State
	U4	Mobile Originating Call U4 State
	U10	Mobile Originating Call U10 State
	U11	Mobile Originating Call U11 State
	U12	Mobile Originating Call U12 State
	U19	Mobile Originating Call U19 State
	U0	Mobile Terminating Call U0 State
	U6	Mobile Terminating Call U6 State
	U9	Mobile Terminating Call U9 State
	U7	Mobile Terminating Call U7 State
	U8	Mobile Terminating Call U8 State
	DTMF	State machine verification, In Call Functions / transfer
	CHC	State machine verification, In Call Functions /
	TICM	State machine verification, In Call Functions / in-
	OICM	State machine verification, In Call Functions / in-

Figure 1: Test group identifier naming convention scheme

4.2 Suite Overview

Figure 2 shows the structure of the test suites for L3.

L3 ATS									
BV								BI/O	
IN	ID	RR	MM	CC	SP	SS	SMS	LLF	UUE

Figure 2: Test suite structure of the L3 tests

4.3 Test groups

4.3.1 Valid Behaviour tests (BV)

Predefined state transitions are considered as valid. The test purposes in the valid behaviour test subgroup cover the verification of the normal and exceptional procedures of the various Finite State Machines (FSMs), i.e. a valid behaviour test is a test where the message sequence and the message contents are considered as valid.

4.3.2 Invalid Behaviour/Inopportune Behaviour tests (BI-BO)

This test sub group verifies that the Implementation Under Test (IUT) is able to react properly having received an invalid Protocol Data Unit (PDU) or in the case an inopportune protocol event occurs. An invalid PDU is defined as a syntactically incorrect message. An inopportune event is syntactically correct but occurs when it is not expected, e.g. a correctly coded operation is received in a wrong state (the IUT may respond Error UnexpectedComponentSequence).

4.4 Test Step Structure

4.4.1 Preambles

The preamble is defined for each test purpose.

4.4.2 Postambles

After each test case the IUT shall be brought to the state as defined in the postamble for each test purpose.

5 Test Purposes (TP)

For each conformance requirement a Test Purpose (TP) is defined. The test purposes are specified in the ATS Dynamic part (annex A).

5.1 TP and test case naming convention

In order clearly to map the conformance requirements specified in the prETS 300 607-1 and TTCN test cases in the ATS, the subclause (clause) numbers in the prETS 300 607-1 are used as test case names.

The identifier of each TP is identical to the name of the implemented TTCN test case.

"Test Purpose Identifier" = "Test Case Name" = TPI = TC_NN_A_B_C_D_E, where NN, A, B, C, D and E are digits used in the corresponding subclause numbers of prETS 300 607-1. For example, the test case name TC_26_5_6_2 is the TTCN specification corresponding to the conformance requirements in the subclause 26.5.6.1.2 in the prETS 300 607-1. In case where the subclause has been implemented in more than one test case sub numbering has been introduced. For example, the subclause 26.7.4.2.4 of prETS 300 607-1, Location updating/rejected/national roaming testing is split into 5 test cases. The corresponding TCs are identified as TC_26_7_4_2_4_1, TC_26_7_4_2_4_2, TC_26_7_4_2_4_3, TC_26_7_4_2_4_4 and TC_26_7_4_2_4_5, respectively.

6 Abstract test method and test configurations

The distributed test method applies to the L3 MS testing. The test method uses a lower tester and a Man-Machine Interface (MMI) as an upper tester at the SUT.

6.1 Test system model

The model of the L3 test system is based on the original protocol architecture at the air interface. The test system consists conceptually of a lower tester LT, the L3 test programme (executable test suite), a L2 radio link emulator, a management functional unit, the L1 service provider and a TRx set (see figure 1).

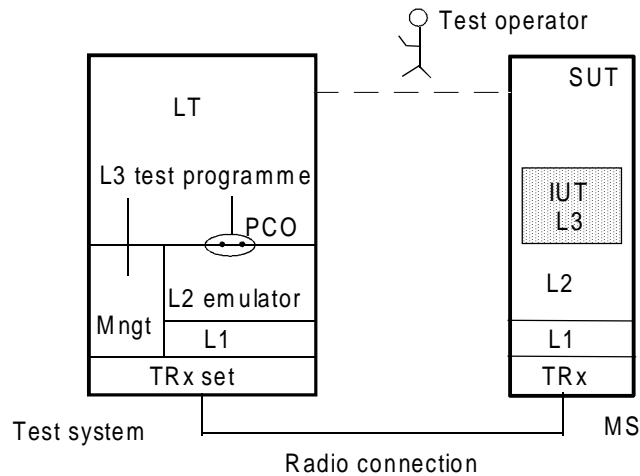


Figure 3: Test system and distributed test method

The LT provides the test environment and for test execution and the means of control and observation at the L3 lower service boundary within the test system.

The L3 TTCN test specification uses the three LT interfaces to communicate with the MS, the system under test, and with the other parts of the test system:

- Interface to the L2 emulator via the PCO.
- Interface to the management functional unit via TTCN test suite operations.
- Interface to the MS Man-Machine Interface (MMI) via a test operator.

6.2 Test Method

The PCO in the LT is defined as L2 SAP (SAP 0 + 3). The PCO has two FIFO queues (data buffers) to store all sending and receiving test events. The L2 primitives in the ATS which constitute mainly the interface to the L2 emulator are specified via the L2 primitives. In order to simulate multicell testing as required in some test cases, the defined primitives are able to address individual cells of the test system and the logic channels of each cell for the L3 message exchanges. The L2 emulator together with the underlying L1 and the TRx set support all message exchanges via correct radio links.

The management function unit has three management functions:

- L2 and L1 management.
- Channel management.
- TRx management.

The interface to the management function unit is presented in the ATS via a set of test suite operations. The major functions of the test suite management operations are:

- To load configuration parameters necessary for the test system.
- To control and get the necessary values of radio resources/ channels for tests.

The SUT (MS) has a more or less standardized MMI, such as keys, digital display, tones, etc. The ATS uses such kind of functions to provoke some procedures or to observe simple results at the SUT side. A human operator is needed during the test. The test system shall have an interface to the human operator to enable the test co-ordination.

Annex A: Abstract Test Suite

Suite overview

Suite structure

Test Suite Structure	
Suite Name:	GSM_L3_MS_v4170
Standards Ref:	ETS 300 557
PICS Ref:	
PIXIT Ref:	
Test Method(s):	Distributed Single Layer Test Method
Comments:	Version 4.17.0

Structure and Objectives			
Test Group Reference	Selection Ref	Test Group Objective	Page Nr
GSM_L3_MS_v4170/General/	SelExpr_0000	To verify the supported and non-supported services.	1147
GSM_L3_MS_v4170/InitialTest/	SelExpr_0100	To verify random access procedure, IMSI attach and detach procedure, sequenced MM/CC message transfer and establishment causes.	1176
GSM_L3_MS_v4170/IdleMode/	SelExpr_0200	To verify MS functions in idle mode	1198
GSM_L3_MS_v4170/BiBo/	SelExpr_0300	To verify the MS handling unknown, unforeseen and erroneous protocol data, and parallel transactions	1201
GSM_L3_MS_v4170/RR/	SelExpr_0400	To verify the elementary procedures for radio resource management	1235
GSM_L3_MS_v4170/MM/	SelExpr_0500	To verify the elementary procedures of mobility management.	1390
GSM_L3_MS_v4170/CC/	SelExpr_0600	To verify the circuit switched call control functions.	1447
GSM_L3_MS_v4170/StructureProc/	SelExpr_0700	To verify the structured procedures.	1514
GSM_L3_MS_v4170/EGSMsignalling/	SelExpr_1000	To verify the different procedures which may be impacted when some channel uses E- GSM frequencies.	1537
GSM_L3_MS_v4170/SS/	SelExpr_0800	To verify the functions of supplementary services.	1559
GSM_L3_MS_v4170/SM/	SelExpr_0900	To verify the functions of short message service.	1652
Detailed Comments:			

Test case index

Test Case Index				
Test Group Reference	Test Case Id	Selection ref	Description	Page Nr
GSM_L3_MS_v4170/General/	TC_11_1_1	SelExpr_0002	Verification of support and non-support of services (MT).	1147
GSM_L3_MS_v4170/General/	TC_11_1_2	SelExpr_0007	Verification of support and non-support of services (MO).	1162
GSM_L3_MS_v4170/General/	TC_11_2	SelExpr_0002	Verification of support of the single numbering scheme.	1169
GSM_L3_MS_v4170/General/	TC_11_3	SelExpr_0003	Verification of non-support of services. (Advice of Charge Charging, AOCC)	1170
GSM_L3_MS_v4170/General/	TC_11_4	SelExpr_0004	Verification of non-support of services. (Call Hold)	1173
GSM_L3_MS_v4170/General/	TC_11_5	SelExpr_0005	Verification of non-support of services. (MultiParty)	1174
GSM_L3_MS_v4170/General/	TC_11_6	SelExpr_0006	Verification of non-support of feature. (Fixed dialling number)	1175
GSM_L3_MS_v4170/initialTest/	TC_26_2_1_1	SelExpr_0101	Initial Layer 3 tests - Channel request / initial time.	1176
GSM_L3_MS_v4170/initialTest/	TC_26_2_1_2	SelExpr_0101	11.10 Ref. ver.4.10; CR Initial Layer 3 tests - Channel request / repetition time.	1178
GSM_L3_MS_v4170/initialTest/	TC_26_2_1_3	SelExpr_0101	11.10 Ref. ver.4.10; CR: C46 Initial Layer 3 tests - Channel request / random reference.	1180
GSM_L3_MS_v4170/initialTest/	TC_26_2_2	SelExpr_0101	11.10 Ref. ver.4.10; CR IMSI detach and IMSI attach.	1181
GSM_L3_MS_v4170/initialTest/	TC_26_2_3	SelExpr_0101	11.10 Ref. ver 4.10.0; CR. 0295-6r1. CR.C62r1. Sequenced MM / CM message transfer.	1183
GSM_L3_MS_v4170/initialTest/	TC_26_2_4_1	SelExpr_0102	Establishment Cause /pr1 (TCH)	1185
GSM_L3_MS_v4170/initialTest/	TC_26_2_4_2	SelExpr_0103	Establishment Cause /pr2 (/H)	1186
GSM_L3_MS_v4170/initialTest/	TC_26_2_4_3	SelExpr_0107	Establishment Cause /pr3 (TCH/FS)	1187
GSM_L3_MS_v4170/initialTest/	TC_26_2_4_4	SelExpr_0104	Establishment Cause /pr4 (data)	1189
GSM_L3_MS_v4170/initialTest/	TC_26_2_4_5	SelExpr_0101	Establishment Cause /pr5	1191
GSM_L3_MS_v4170/initialTest/	TC_26_2_4_6	SelExpr_0101	Establishment Cause /pr6	1193
GSM_L3_MS_v4170/initialTest/	TC_26_2_4_7	SelExpr_0105	Establishment Cause /pr7 (non-call-SS)	1196
GSM_L3_MS_v4170/initialTest/	TC_26_2_4_8	SelExpr_0106	Establishment Cause /pr8 (SMS/PP MO)	1197
GSM_L3_MS_v4170/dleMode/	TC_26_3_2	SelExpr_0201	MS indication of available PLMNs	1198
GSM_L3_MS_v4170/dleMode/	TC_26_3_3	SelExpr_0201	MS will send only if BSS is "on air".	1199
GSM_L3_MS_v4170/dleMode/	TC_26_3_4	SelExpr_0201	Manual mode of PLMN selection	1200
GSM_L3_MS_v4170/BiBo/	TC_26_5_1	SelExpr_0302	11.10 Ref. ver. 4.10.0; CR. 11.10-661. C64 Handling of unknown protocol discriminator	1201
GSM_L3_MS_v4170/BiBo/	TC_26_5_2_1_1	SelExpr_0302	Handling of unknown TI and skip indicator / RR	1202
GSM_L3_MS_v4170/BiBo/	TC_26_5_2_1_2	SelExpr_0302	TI Skip indicator / RR / RR Connection established	1203
GSM_L3_MS_v4170/BiBo/	TC_26_5_2_2	SelExpr_0302	11.10 Ref.ver.4.10.0;CR C52r1 TI and skip indicator / MM	1205
GSM_L3_MS_v4170/BiBo/	TC_26_5_2_3	SelExpr_0301	TI and skip indicator / CC	1207
GSM_L3_MS_v4170/BiBo/	TC_26_5_3_1	SelExpr_0301	Undefined or unexpected Message type / undefined message type / CC	1209
GSM_L3_MS_v4170/	TC_26_5_3_2	SelExpr_0301	Undefined or unexpected message type /	1210

BiBo/ GSM_L3_MS_v4170/ BiBo/	TC_26_5_3_3	SelExpr_0302	undefined message type / MM	1211
GSM_L3_MS_v4170/ BiBo/	TC_26_5_3_4	SelExpr_0301	Undefined or unexpected message type / undefined message type / RR	1212
GSM_L3_MS_v4170/ BiBo/	TC_26_5_4_1	SelExpr_0302	Undefined or unexpected message type / unexpected message type / CC	1213
GSM_L3_MS_v4170/ BiBo/	TC_26_5_5_1_1_1	SelExpr_0302	Unforeseen info elements in non-imperative message part / duplicated info elements	1214
GSM_L3_MS_v4170/ BiBo/	TC_26_5_5_1_1_2	SelExpr_0302	Non-semantic mandatory IE errors / RR / missing mandatory IE error / special case	1214
GSM_L3_MS_v4170/ BiBo/	TC_26_5_5_1_2	SelExpr_0302	Non-semantic mandatory IE errors / RR / missing mandatory IE error / general case	1215
GSM_L3_MS_v4170/ BiBo/	TC_26_5_5_2_1	SelExpr_0301	Non-semantic mandatory ie errors / RR / comprehension required 11.10 Ref. ver. 4.10.0; CR.	1216
GSM_L3_MS_v4170/ BiBo/	TC_26_5_5_2_2	SelExpr_0302	Non-semantic mandatory IE errors / MM / syntactically incorrect mandatory IE 11.10 Ref. ver. 4.10.0; CR. 11.10-688	1217
GSM_L3_MS_v4170/ BiBo/	TC_26_5_5_2_3	SelExpr_0302	Non-semantic mandatory IE errors / MM / syntactically incorrect mandatory IE 11.10 Ref. ver. 4.10.0; CR. 11.10-688	1218
GSM_L3_MS_v4170/ BiBo/	TC_26_5_5_3_1_1	SelExpr_0301	Non-semantic mandatory IE errors / CC / missing mandatory IE / disconnect message	1219
GSM_L3_MS_v4170/ BiBo/	TC_26_5_5_3_1_2	SelExpr_0301	Non-semantic mandatory IE errors / CC / missing mandatory IE / general case	1220
GSM_L3_MS_v4170/ BiBo/	TC_26_5_5_3_2	SelExpr_0301	Non-semantic mandatory IE errors / CC / comprehension required	1221
GSM_L3_MS_v4170/ BiBo/	TC_26_5_6_1_1	SelExpr_0302	Unknown IE, comprehension not required / MM / IE unknown in the protocol	1222
GSM_L3_MS_v4170/ BiBo/	TC_26_5_6_1_2	SelExpr_0302	Unknown IE, comprehension not required / MM / IE unknown in the message	1223
GSM_L3_MS_v4170/ BiBo/	TC_26_5_6_2_1	SelExpr_0301	Unknown info elements in the non-imperative message part / CC / Call establishment	1224
GSM_L3_MS_v4170/ BiBo/	TC_26_5_6_2_2	SelExpr_0301	Unknown information elements in the non- imperative message part / CC / disconnect	1225
GSM_L3_MS_v4170/ BiBo/	TC_26_5_6_2_3	SelExpr_0301	Unknown information elements in the non- imperative message part / CC / release	1226
GSM_L3_MS_v4170/ BiBo/	TC_26_5_6_2_4	SelExpr_0301	Unknown info elements in the non-imperative message part / CC / release complete	1227
GSM_L3_MS_v4170/ BiBo/	TC_26_5_6_3	SelExpr_0302	Unknown IE in the non-imperative message part, comprehension not required / RR / unknown in the protocol 11.10 Ref. ver. 4.10.0; CR.11.10-663. C61	1228
GSM_L3_MS_v4170/ BiBo/	TC_26_5_7_1_1	SelExpr_0302	Spare bits / RR / paging channel	1229
GSM_L3_MS_v4170/ BiBo/	TC_26_5_7_1_2	SelExpr_0302	Spare bits / RR / BCCH	1230
GSM_L3_MS_v4170/ BiBo/	TC_26_5_7_1_3	SelExpr_0302	Spare bits / RR / AGCH	1231
GSM_L3_MS_v4170/ BiBo/	TC_26_5_7_1_4	SelExpr_0302	Spare bits / RR / connected mode 11.10 Ref. ver.4.10.0; CR C49r1	1232
GSM_L3_MS_v4170/ BiBo/	TC_26_5_7_2	SelExpr_0302	Spare bits / MM	1233
GSM_L3_MS_v4170/ BiBo/	TC_26_5_7_3	SelExpr_0301	Spare bits / CC	1234
GSM_L3_MS_v4170/ RR/	TC_26_6_1_1	SelExpr_0401	Immediate Assignment / SDCCH or TCH assignment	1235
GSM_L3_MS_v4170/ RR/	TC_26_6_1_2	SelExpr_0401	Immediate Assignment / extended assignment 11.10 Ref. ver. 4.10.0; CR. 11.10-690.	1237
GSM_L3_MS_v4170/ RR/	TC_26_6_1_3	SelExpr_0401	Immediate Assignment / assignment rejection	1240
GSM_L3_MS_v4170/ RR/	TC_26_6_1_4	SelExpr_0401	Immediate Assignment / ignore assignment	1242
GSM_L3_MS_v4170/ RR/	TC_26_6_1_5	SelExpr_0401	Immediate Assignment after immediate assignment reject	1244
GSM_L3_MS_v4170/ RR/	TC_26_6_2_1_1	SelExpr_0401	Paging / normal / type 1	1245

GSM_L3_MS_v4170/ RR/	TC_26_6_2_1_2	SelExpr_0401	Paging / normal / type 2	1248
GSM_L3_MS_v4170/ RR/	TC_26_6_2_1_3	SelExpr_0401	Paging / normal / type 3	1251
GSM_L3_MS_v4170/ RR/	TC_26_6_2_2	SelExpr_0401	Paging / extended	1254
GSM_L3_MS_v4170/ RR/	TC_26_6_2_3_1	SelExpr_0401	Paging / re-organization / procedure 1 11.10 Ref. ver. 4.10.0; CR. 11.10-691	1258
GSM_L3_MS_v4170/ RR/	TC_26_6_2_3_2	SelExpr_0401	Paging / re-organization / procedure 2	1262
GSM_L3_MS_v4170/ RR/	TC_26_6_2_4	SelExpr_0401	Paging / same as before	1264
GSM_L3_MS_v4170/ RR/	TC_26_6_2_5	SelExpr_0401	Multislot CCCH handling	1266
GSM_L3_MS_v4170/ RR/	TC_26_6_3_1	SelExpr_0402	Measurement / no neighbour	1268
GSM_L3_MS_v4170/ RR/	TC_26_6_3_2	SelExpr_0402	Measurement / all neighbours present	1270
GSM_L3_MS_v4170/ RR/	TC_26_6_3_3	SelExpr_0402	Measurement / barred cells and non- permitted NCCs	1272
GSM_L3_MS_v4170/ RR/	TC_26_6_3_4	SelExpr_0402	Measurement / DTX	1274
GSM_L3_MS_v4170/ RR/	TC_26_6_3_5	SelExpr_0402	Measurement / frequency formats	1277
GSM_L3_MS_v4170/ RR/	TC_26_6_4_1	SelExpr_0401	Dedicated assignment / Successful case	1280
GSM_L3_MS_v4170/ RR/	TC_26_6_4_2_1	SelExpr_0402	Dedicated assignment / failure / failure during active state	1285
GSM_L3_MS_v4170/ RR/	TC_26_6_4_2_2	SelExpr_0401	Dedicated assignment / failure / general case	1287
GSM_L3_MS_v4170/ RR/	TC_26_6_5_1_1	SelExpr_0402	non synchronized HO from TCH/F_nonFH in cellA to TCH/F_nonFH in cellB.	1289
GSM_L3_MS_v4170/ RR/	TC_26_6_5_1_2	SelExpr_0402	non synchronized HO from TCH/F_nonFH in cellB to TCH/F_FH in cell A.	1290
GSM_L3_MS_v4170/ RR/	TC_26_6_5_1_3	SelExpr_0402	non synchronized HO from TCH/F_FH in cellA to TCH/F_nonFH in cellB.	1292
GSM_L3_MS_v4170/ RR/	TC_26_6_5_1_4	SelExpr_0408	non synchronized HO from TCH/F_NonFH in cellB to TCH/H_FH in cellA.	1293
GSM_L3_MS_v4170/ RR/	TC_26_6_5_1_5	SelExpr_0408	non synchronized HO from TCH/H_FH in cellA to TCH/H_FH in cellB.	1295
GSM_L3_MS_v4170/ RR/	TC_26_6_5_1_6	SelExpr_0408	non synchronized HO from TCH/H_FH in cellB to TCH/H_nonFH in cellA.	1296
GSM_L3_MS_v4170/ RR/	TC_26_6_5_1_7	SelExpr_0408	non synchronized HO from TCH/F_NonFH in cellA to TCH/H_FH in cellB.	1297
GSM_L3_MS_v4170/ RR/	TC_26_6_5_1_8	SelExpr_0408	non synchronized HO from TCH/H_FH in cell B to TCH/F_NonFH in cellA.	1298
GSM_L3_MS_v4170/ RR/	TC_26_6_5_2_1	SelExpr_0402	Retransmit L3-msg during non synchr. HO from SDCCH/4_nonFH to TCH/F_FH.	1299
GSM_L3_MS_v4170/ RR/	TC_26_6_5_2_2	SelExpr_0408	Retransmit L3-msg during non synchr. HO from SDCCH/4_nonFH to TCH/H_FH.	1301
GSM_L3_MS_v4170/ RR/	TC_26_6_5_2_3	SelExpr_0402	Retransmit L3-msg during non synchr. HO from SDCCH/4_nonFH to SDCCH/8_FH.	1303
GSM_L3_MS_v4170/ RR/	TC_26_6_5_2_4	SelExpr_0402	Retransmit L3-msg during non synchr. HO from SDCCH/8_nonFH in cell A to SDCCH/8_FH in cellB.	1305
GSM_L3_MS_v4170/ RR/	TC_26_6_5_2_5	SelExpr_0408	Retransmit L3-msg during non synchr. HO from TCH/F_NonFH in cell A to TCH/H_NonFH in cellB.	1307
GSM_L3_MS_v4170/ RR/	TC_26_6_5_2_6	SelExpr_0408	Retransmit L3-msg during non synchr. HO from TCH/H_FH in cell A to TCH/F_FH in cellB.	1309
GSM_L3_MS_v4170/ RR/	TC_26_6_5_2_7	SelExpr_0402	Retransmit L3-msg during non synchr. HO from TCH/F_FH in cell A to TCH/F_FH in cellB.	1311
GSM_L3_MS_v4170/ RR/	TC_26_6_5_2_8	SelExpr_0402	Retransmit L3-msg during non synchr. HO from TCH/SDCCH8_FH in cell A to TCH/F_NonFH in cellB.	1313
GSM_L3_MS_v4170/ RR/	TC_26_6_5_2_9	SelExpr_0402	Retransmit L3-msg during non synchr. HO from SDCCH8_NoFH in cell A to TCH/F_FH in cellB.	1315
GSM_L3_MS_v4170/ RR/	TC_26_6_5_2_10	SelExpr_0408	Retransmit L3-msg during non synchr. HO	1317

RR/			from TCH/SDCCH8_NoFH in cell A to TCH/H_FH in cellB.	
GSM_L3_MS_v4170/ RR/	TC_26_6_5_3_1	SelExpr_0402	synchronized HO from TCH/F_FH in cellA to TCH/F_nonFH in cellB.	1319
GSM_L3_MS_v4170/ RR/	TC_26_6_5_3_2	SelExpr_0408	synchronized HO from TCH/H_FH in cellA to TCH/H_nonFH in cellB.	1320
GSM_L3_MS_v4170/ RR/	TC_26_6_5_4_1	SelExpr_0402	Handover/ successful/ call under establishment/ finely synchronized (HO: SDCCH8/FH -> SDCCH/8_FH)	1321
GSM_L3_MS_v4170/ RR/	TC_26_6_5_4_2	SelExpr_0402	Handover/ successful/ call under establishment/ finely synchronized (HO: SDCCH8/FH -> SDCCH/4_noFH)	1323
GSM_L3_MS_v4170/ RR/	TC_26_6_5_4_3	SelExpr_0402	Handover/ successful/ call under establishment/ finely synchronized (HO: TCH/F_NoFH -> TCH/F_FH)	1325
GSM_L3_MS_v4170/ RR/	TC_26_6_5_4_4	SelExpr_0402	Handover/ successful/ call under establishment/ finely synchronized (HO: SDCCH8_NoFH -> TCH/F_NoFH)	1327
GSM_L3_MS_v4170/ RR/	TC_26_6_5_5_1	SelExpr_0402	Handover / successful / active call / pre-synchronized / Timing Advance IE not included	1329
GSM_L3_MS_v4170/ RR/	TC_26_6_5_5_2	SelExpr_0402	Handover / successful / call being estab. / pre-synch. /Tim. Advance IE is included / reporting of obsrvd. time diff requested	1331
GSM_L3_MS_v4170/ RR/	TC_26_6_5_6	SelExpr_0409	Handover / successful / active call / pseudo - synchronized	1333
GSM_L3_MS_v4170/ RR/	TC_26_6_5_7	SelExpr_0402	Handover / successful / active call / non-synchronized / reporting of obsrvd. Time diff requested	1335
GSM_L3_MS_v4170/ RR/	TC_26_6_5_8	SelExpr_0402	Handover / L3-failure 11.10 Ref. ver.4.10.0; CR 11.10-720	1337
GSM_L3_MS_v4170/ RR/	TC_26_6_5_9	SelExpr_0402	Handover / L1-failure 11.10 Ref. ver.4.10.0; CR 11.10-720	1339
GSM_L3_MS_v4170/ RR/	TC_26_6_6_1	SelExpr_0401	Frequency redefinition	1341
GSM_L3_MS_v4170/ RR/	TC_26_6_7_1	SelExpr_0403	Channel mode modify / full rate 11.10 Ref. ver. 4.10.0; CR.0295-17r1; 11.10-780	1344
GSM_L3_MS_v4170/ RR/	TC_26_6_7_2	SelExpr_0404	Channel mode modify / half rate 11.10 Ref ver. 4.10.0;CR.0295-17r1; 11.10-780	1347
GSM_L3_MS_v4170/ RR/	TC_26_6_8_1	SelExpr_0405	Ciphering mode / start ciphering	1350
GSM_L3_MS_v4170/ RR/	TC_26_6_8_2	SelExpr_0402	Ciphering mode / no ciphering	1351
GSM_L3_MS_v4170/ RR/	TC_26_6_8_3	SelExpr_0405	Ciphering mode / old cipher key	1352
GSM_L3_MS_v4170/ RR/	TC_26_6_8_4	SelExpr_0401	Ciphering mode / Change of mode, algorithm and key	1353
GSM_L3_MS_v4170/ RR/	TC_26_6_8_5	SelExpr_0401	Ciphering mode / IMEI request 11.10 REF. VER.4.10.0; CR. C92	1358
GSM_L3_MS_v4170/ RR/	TC_26_6_11_1	SelExpr_0406	Test of Classmark change	1359
GSM_L3_MS_v4170/ RR/	TC_26_6_11_2	SelExpr_0401	Test of Classmark Interrogation	1361
GSM_L3_MS_v4170/ RR/	TC_26_6_12_1	SelExpr_0401	Channel release / SDCCH	1362
GSM_L3_MS_v4170/ RR/	TC_26_6_12_2	SelExpr_0401	Channel release / SDCCH - no L2 ACK	1364
GSM_L3_MS_v4170/ RR/	TC_26_6_12_3	SelExpr_0403	Channel release / TCH-F	1366
GSM_L3_MS_v4170/ RR/	TC_26_6_12_4	SelExpr_0403	Channel release / TCH-F - no L2 ACK	1368
GSM_L3_MS_v4170/ RR/	TC_26_6_13_1	SelExpr_0401	Dedicated assignment with starting time / successful case / time not elapsed	1370
GSM_L3_MS_v4170/ RR/	TC_26_6_13_2	SelExpr_0401	Dedicated assignment with starting time / successful case / time elapsed	1372
GSM_L3_MS_v4170/ RR/	TC_26_6_13_3	SelExpr_0401	Dedicated assignment with starting time and frequency redefinition/ failure case / time not elapsed	1374

GSM_L3_MS_v4170/ RR/	TC_26_6_13_4	SelExpr_0401	Dedicated assignment with starting time and frequency redefinition/ failure case / time elapsed	1376
GSM_L3_MS_v4170/ RR/	TC_26_6_13_5	SelExpr_0401	Handover with starting time / successful case / time not elapsed	1378
GSM_L3_MS_v4170/ RR/	TC_26_6_13_6	SelExpr_0401	Handover with starting time / successful case / time elapsed	1380
GSM_L3_MS_v4170/ RR/	TC_26_6_13_7	SelExpr_0401	Handover with starting time and frequency redefinition / failure case / time not elapsed	1382
GSM_L3_MS_v4170/ RR/	TC_26_6_13_8	SelExpr_0401	Handover with starting time and frequency redefinition / failure case / time elapsed	1384
GSM_L3_MS_v4170/ RR/	TC_26_6_13_9	SelExpr_0401	Immediate assignment with starting time / successful case / time not elapsed	1386
GSM_L3_MS_v4170/ RR/	TC_26_6_13_10	SelExpr_0401	Immediate assignment with starting time / successful case / time elapsed	1388
GSM_L3_MS_v4170/ MM/	TC_26_7_1	SelExpr_0501	TMSI reallocation.	1390
GSM_L3_MS_v4170/ MM/	TC_26_7_2_1	SelExpr_0501	Authentication accepted.	1391
GSM_L3_MS_v4170/ MM/	TC_26_7_2_2	SelExpr_0501	Authentication Reject	1392
GSM_L3_MS_v4170/ MM/	TC_26_7_3_1	SelExpr_0501	General identification with IMSI and TMSI in non ciphered mode and IMEI in ciphered mode.	1393
GSM_L3_MS_v4170/ MM/	TC_26_7_3_2	SelExpr_0501	Handling of IMSI shorter than the maximum length.	1394
GSM_L3_MS_v4170/ MM/	TC_26_7_4_1	SelExpr_0501	Location Updating Accepted	1397
GSM_L3_MS_v4170/ MM/	TC_26_7_4_2_1	SelExpr_0501	Location Update Reject with the cause "IMSI unknown in HLR", "illegal MS" or "Illegal ME".	1399
GSM_L3_MS_v4170/ MM/	TC_26_7_4_2_2_1	SelExpr_0501	Location Update Rejected with the cause "PLM not allowed" - test 1.	1401
GSM_L3_MS_v4170/ MM/	TC_26_7_4_2_2_2	SelExpr_0501	Location Update Rejected with the cause "PLM not allowed" - test 2.	1403
GSM_L3_MS_v4170/ MM/	TC_26_7_4_2_3	SelExpr_0501	Location Update Rejected with the cause "Location area not allowed".	1404
GSM_L3_MS_v4170/ MM/	TC_26_7_4_2_4_1	SelExpr_0501	Location Updating / rejected / roaming / procedure1	1405
GSM_L3_MS_v4170/ MM/	TC_26_7_4_2_4_2	SelExpr_0501	Location Updating / rejected / roaming / procedure2	1406
GSM_L3_MS_v4170/ MM/	TC_26_7_4_2_4_3	SelExpr_0501	Location Updating / rejected / roaming / procedure3	1407
GSM_L3_MS_v4170/ MM/	TC_26_7_4_2_4_4	SelExpr_0501	Location Updating / rejected / roaming / procedure4	1408
GSM_L3_MS_v4170/ MM/	TC_26_7_4_2_4_5	SelExpr_0502	Location Updating / rejected / roaming / procedure5	1409
GSM_L3_MS_v4170/ MM/	TC_26_7_4_3_1	SelExpr_0501	Location Updating / abnormal cases / random access fails	1410
GSM_L3_MS_v4170/ MM/	TC_26_7_4_3_2	SelExpr_0501	Location updating / abnormal cases / attempt counter less or equal to 4, LAI different	1412
GSM_L3_MS_v4170/ MM/	TC_26_7_4_3_3	SelExpr_0501	Location Updating/Abnormal cases/Attempt Counter Equal to 4	1416
GSM_L3_MS_v4170/ MM/	TC_26_7_4_3_4	SelExpr_0501	Location updating/Abnormal cases/Attempt Counter Equal to 4, stored LAI equal to broadcast LAI	1420
GSM_L3_MS_v4170/ MM/	TC_26_7_4_4	SelExpr_0502	To verify that the MS aborts the RR-connection at the expiry of timer T3240.	1425
GSM_L3_MS_v4170/ MM/	TC_26_7_4_5_1	SelExpr_0501	Periodic Updating Procedure/ Change of T3212 value.	1426
GSM_L3_MS_v4170/ MM/	TC_26_7_4_5_2	SelExpr_0501	Periodic Updating Procedure/ Reset of T3212 after receiving of the first L3 message.	1427
GSM_L3_MS_v4170/ MM/	TC_26_7_4_5_3	SelExpr_0501	Periodic Updating Procedure/ Reset of T3212 after generic LUP or IMSI attach procedure	1429
GSM_L3_MS_v4170/ MM/	TC_26_7_4_5_4_1	SelExpr_0501	Location updating/ periodic HPLMN search/ MS waits time T.	1430
GSM_L3_MS_v4170/ MM/	TC_26_7_4_5_4_2	SelExpr_0501	Location updating/ periodic HPLMN search/ MS in manual mode.	1431
GSM_L3_MS_v4170/ MM/	TC_26_7_4_5_4_3	SelExpr_0501	Location updating/ periodic HPLMN search/ MS waits at least two minutes	1432
GSM_L3_MS_v4170/ MM/	TC_26_7_4_6	SelExpr_0501	Location updating/ interworking of attach and periodic.	1434

GSM_L3_MS_v4170/ MM/	TC_26_7_5_2	SelExpr_0501	MM connection/ establishment with cipher.	1436
GSM_L3_MS_v4170/ MM/	TC_26_7_5_3	SelExpr_0501	MM connection/ establishment without cipher.	1437
GSM_L3_MS_v4170/ MM/	TC_26_7_5_4	SelExpr_0501	MM connection/ establishment rejected.	1438
GSM_L3_MS_v4170/ MM/	TC_26_7_5_5	SelExpr_0501	MM connection/ establishment rejected cause 4.	1439
GSM_L3_MS_v4170/ MM/	TC_26_7_5_6	SelExpr_0501	MM connection/ expiry T3230	1440
GSM_L3_MS_v4170/ MM/	TC_26_7_5_7_1	SelExpr_0501	MM connection/ abortion by the network/ cause #6	1441
GSM_L3_MS_v4170/ MM/	TC_26_7_5_7_2	SelExpr_0504	MM connection/ abortion by the network/ cause not equal #6	1443
GSM_L3_MS_v4170/ MM/	TC_26_7_5_8_1	SelExpr_0501	MM connection / follow-on request pending / test1	1444
GSM_L3_MS_v4170/ MM/	TC_26_7_5_8_2	SelExpr_0501	MM connection / follow-on request pending / test2	1445
GSM_L3_MS_v4170/ MM/	TC_26_7_5_8_3	SelExpr_0501	MM connection / follow-on request pending / test3	1446
GSM_L3_MS_v4170/ CC/	TC_26_8_1_2_1_1	SelExpr_0601	Outgoing call / U10 null state. 11.10 Ref. ver. 4.10.0; CR.	1447
GSM_L3_MS_v4170/ CC/	TC_26_8_1_2_2_1	SelExpr_0601	Outgoing call / U0.1 MM connection pending / CM service rejected 11.10 Ref. ver. 4.10.0; CR.	1448
GSM_L3_MS_v4170/ CC/	TC_26_8_1_2_2_2	SelExpr_0601	Outgoing call / U0.1 MM connection pending / CM service accepted 11.10 Ref. ver. 4.10.0; CR.	1448
GSM_L3_MS_v4170/ CC/	TC_26_8_1_2_2_3	SelExpr_0601	Outgoing call / U0.1 MM connection pending / lower layer failure 11.10 Ref. ver. 4.10.0; CR.	1449
GSM_L3_MS_v4170/ CC/	TC_26_8_1_2_3_1	SelExpr_0601	Outgoing call / U1 call initiated / receiving CALL PROCEEDING 11.10 Ref. ver. 4.10.0; CR.	1449
GSM_L3_MS_v4170/ CC/	TC_26_8_1_2_3_2	SelExpr_0601	Outgoing call / U1 call initiated / rejecting with RELEASE COMPLETE 11.10 Ref. ver. 4.10.0; CR.	1450
GSM_L3_MS_v4170/ CC/	TC_26_8_1_2_3_3	SelExpr_0601	Outgoing call / U1 call initiated / T303 expiry 11.10 Ref. ver. 4.10.0; CR.	1450
GSM_L3_MS_v4170/ CC/	TC_26_8_1_2_3_4	SelExpr_0601	Outgoing call / U1 call initiated / lower layer failure 11.10 Ref. ver. 4.10.0; CR.	1451
GSM_L3_MS_v4170/ CC/	TC_26_8_1_2_3_5	SelExpr_0601	Outgoing call / U1 call initiated / receiving ALERTING 11.10 Ref. ver. 4.10.0; CR.	1451
GSM_L3_MS_v4170/ CC/	TC_26_8_1_2_3_6	SelExpr_0601	Outgoing call / U1 call initiated / entering state U10 11.10 Ref. ver. 4.10.0; CR.	1452
GSM_L3_MS_v4170/ CC/	TC_26_8_1_2_3_7	SelExpr_0601	Outgoing call / U1 call initiated / unknown message received 11.10 Ref. ver. 4.10.0; CR.	1452
GSM_L3_MS_v4170/ CC/	TC_26_8_1_2_4_1	SelExpr_0601	Outgoing call / U3 MS originating call proceeding / ALERTING received 11.10 Ref. ver. 4.10.0; CR.	1453
GSM_L3_MS_v4170/ CC/	TC_26_8_1_2_4_2	SelExpr_0601	Outgoing call / U3 MS originating call proceeding / CONNECT received 11.10 Ref. ver. 4.10.0; CR.	1453
GSM_L3_MS_v4170/ CC/	TC_26_8_1_2_4_3	SelExpr_0601	Outgoing call / U3 MS origintg. call proceeding / PROGRESS received without in band information. 11.10 Ref. ver. 4.10.0; CR.	1454
GSM_L3_MS_v4170/ CC/	TC_26_8_1_2_4_4	SelExpr_0601	Outgoing call / U3 MS originating call proceeding / PROGRESS with in band information 11.10 Ref. ver. 4.10.0; CR.	1455
GSM_L3_MS_v4170/ CC/	TC_26_8_1_2_4_5	SelExpr_0601	Outgoing call / U3 MS originating call proceeding / DISCONNECT with in band tones 11.10 Ref. ver. 4.10.0; CR.	1456

GSM_L3_MS_v4170/ CC/	TC_26_8_1_2_4_6	SelExpr_0601	Outgoing call / U3 MS originating call proceeding / DISCONNECT without in band tones 11.10 Ref. ver. 4.10.0; CR.	1457
GSM_L3_MS_v4170/ CC/	TC_26_8_1_2_4_7	SelExpr_0601	Outgoing call / U3 MS originating call proceeding / RELEASE received 11.10 Ref. ver. 4.10.0; CR.	1457
GSM_L3_MS_v4170/ CC/	TC_26_8_1_2_4_8	SelExpr_0601	Outgoing call / U3 MS originating call proceeding / termination requested by the user 11.10 Ref. ver. 4.10.0; CR.	1458
GSM_L3_MS_v4170/ CC/	TC_26_8_1_2_4_9	SelExpr_0601	Outgoing call / U3 MS originating call proceeding / traffic channel allocation 11.10 Ref. ver. 4.10.0; CR.	1458
GSM_L3_MS_v4170/ CC/	TC_26_8_1_2_4_10	SelExpr_0601	Outgoing call / U3 MS originating call proceeding / timer T310 timeout 11.10 Ref. ver. 4.10.0; CR.	1459
GSM_L3_MS_v4170/ CC/	TC_26_8_1_2_4_11	SelExpr_0601	Outgoing call / U3 MS originating call proceeding / lower layer failure 11.10 Ref. ver. 4.10.0; CR.	1460
GSM_L3_MS_v4170/ CC/	TC_26_8_1_2_4_12	SelExpr_0601	Outgoing call / U3 MS originating call proceeding / unknown message received 11.10 Ref. ver. 4.10.0; CR.	1460
GSM_L3_MS_v4170/ CC/	TC_26_8_1_2_4_13	SelExpr_0604	Outgoing call / U3 MS originating call proceeding / Internal alerting indication 11.10 Ref. ver. 4.10.0; CR.	1461
GSM_L3_MS_v4170/ CC/	TC_26_8_1_2_5_1	SelExpr_0601	Outgoing call / U4 call delivered / CONNECT received 11.10 Ref. ver. 4.10.0; CR.	1462
GSM_L3_MS_v4170/ CC/	TC_26_8_1_2_5_2	SelExpr_0601	Outgoing call / U4 call delivered / termination requested by the user 11.10 Ref. ver. 4.10.0; CR.	1463
GSM_L3_MS_v4170/ CC/	TC_26_8_1_2_5_3	SelExpr_0601	Outgoing call / U4 call delivered / DISCONNECT with in band tones 11.10 Ref. ver. 4.10.0; CR.	1463
GSM_L3_MS_v4170/ CC/	TC_26_8_1_2_5_4	SelExpr_0601	.4; Outgoing call / U4 call delivered / DISCONNECT without in band tones 11.10 Ref. ver. 4.10.0; CR.	1464
GSM_L3_MS_v4170/ CC/	TC_26_8_1_2_5_5	SelExpr_0601	Outgoing call / U4 call delivered / RELEASE received 11.10 Ref. ver. 4.10.0; CR.	1464
GSM_L3_MS_v4170/ CC/	TC_26_8_1_2_5_6	SelExpr_0601	Outgoing call / U4 call delivered / lower layer failure 11.10 Ref. ver. 4.10.0; CR.	1465
GSM_L3_MS_v4170/ CC/	TC_26_8_1_2_5_7	SelExpr_0601	Outgoing call / U4 call delivered / traffic channel allocation 11.10 Ref. ver. 4.10.0; CR.	1465
GSM_L3_MS_v4170/ CC/	TC_26_8_1_2_5_8	SelExpr_0601	Outgoing call / U4 call delivered / unknown message received 11.10 Ref. ver. 4.10.0; CR.	1466
GSM_L3_MS_v4170/ CC/	TC_26_8_1_2_6_1	SelExpr_0601	U10 call active / termination requested by the user 11.10 Ref. ver. 4.10.0; CR.	1466
GSM_L3_MS_v4170/ CC/	TC_26_8_1_2_6_2	SelExpr_0601	10 call active / RELEASE received 11.10 Ref. ver. 4.10.0; CR.	1467
GSM_L3_MS_v4170/ CC/	TC_26_8_1_2_6_3	SelExpr_0601	U10 call active / DISCONNECT with in band tones 11.10 Ref. ver. 4.10.0; CR.	1468
GSM_L3_MS_v4170/ CC/	TC_26_8_1_2_6_4	SelExpr_0601	U10 call active / DISCONNECT without in band tones 11.10 Ref. ver. 4.10.0; CR.	1469
GSM_L3_MS_v4170/ CC/	TC_26_8_1_2_6_5	SelExpr_0601	U10 call active / RELEASE COMPLETE received 11.10 Ref. ver. 4.10.0; CR. C73	1469
GSM_L3_MS_v4170/ CC/	TC_26_8_1_2_6_6	SelExpr_0601	U10 call active / SETUP received 11.10 Ref. ver. 4.10.0; CR.11.10-669	1470
GSM_L3_MS_v4170/ CC/	TC_26_8_1_2_7_1	SelExpr_0601	U11 disconnect request / clear collision 11.10 Ref. ver. 4.10.0; CR.	1471
GSM_L3_MS_v4170/ CC/	TC_26_8_1_2_7_2	SelExpr_0601	U11 disconnect request / RELEASE received	1472

CC/			11.10 Ref. ver. 4.10.0; CR.	
GSM_L3_MS_v4170/ CC/	TC_26_8_1_2_7_3	SelExpr_0601	U11 disconnect request / timer T305 timeout	1473
GSM_L3_MS_v4170/ CC/	TC_26_8_1_2_7_4	SelExpr_0601	11.10 Ref. ver. 4.10.0; CR. U11 disconnect request / lower layer failure	1474
GSM_L3_MS_v4170/ CC/	TC_26_8_1_2_7_5	SelExpr_0601	11.10 Ref. ver. 4.10.0; CR. U11 disconnect request / unknown message received	1474
GSM_L3_MS_v4170/ CC/	TC_26_8_1_2_8_1	SelExpr_0604	11.10 Ref. ver. 4.10.0; CR.PT65v-015r1. U12 disconnect indication / call releasing requested by the user	1475
GSM_L3_MS_v4170/ CC/	TC_26_8_1_2_8_2	SelExpr_0604	11.10 Ref. ver. 4.10.0; CR. U12 disconnect indication / RELEASE received	1476
GSM_L3_MS_v4170/ CC/	TC_26_8_1_2_8_3	SelExpr_0604	11.10 Ref. ver. 4.10.0; CR. U12 disconnect indication / lower layer failure	1477
GSM_L3_MS_v4170/ CC/	TC_26_8_1_2_8_4	SelExpr_0604	11.10 Ref. ver. 4.10.0; CR. U12 disconnect indication / unknown message received	1477
GSM_L3_MS_v4170/ CC/	TC_26_8_1_2_9_1	SelExpr_0601	11.10 Ref. ver. 4.10.0; CR. Outgoing call / U19 release request / timer T308 timeout	1478
GSM_L3_MS_v4170/ CC/	TC_26_8_1_2_9_2	SelExpr_0601	11.10 Ref. ver. 4.10.0; CR. Outgoing call / U19 release request / 2nd timer T308 timeout	1479
GSM_L3_MS_v4170/ CC/	TC_26_8_1_2_9_3	SelExpr_0601	11.10 Ref. ver. 4.10.0; CR. Outgoing call / U19 release request / RELEASE received	1479
GSM_L3_MS_v4170/ CC/	TC_26_8_1_2_9_4	SelExpr_0601	11.10 Ref. ver. 4.10.0; CR. Outgoing call / U19 release request / RELEASE COMPLETE received	1480
GSM_L3_MS_v4170/ CC/	TC_26_8_1_2_9_5	SelExpr_0601	11.10 Ref. ver. 4.10.0; CR. Outgoing call / U19 release request / lower layer failure	1481
GSM_L3_MS_v4170/ CC/	TC_26_8_1_3_1_1	SelExpr_0600	11.10 Ref. ver. 4.10.0; CR. Incoming call / U0 null state / SETUP received with a non supported bearer capability	1481
GSM_L3_MS_v4170/ CC/	TC_26_8_1_3_2_1	SelExpr_0603	11.10 Ref. ver. 4.10.0; CR.11.10-733 Incoming call / U6 call present / automatic call rejection	1482
GSM_L3_MS_v4170/ CC/	TC_26_8_1_3_3_1	SelExpr_0606	11.10 Ref. ver. 4.10.0; CR. Incoming call / U9 mobile terminating call confirmed / alerting or immediate connecting	1482
GSM_L3_MS_v4170/ CC/	TC_26_8_1_3_3_2	SelExpr_0602	11.10 Ref. ver. 4.10.0; CR. Incoming call / U9 mobile terminating call confirmed / TCH assignment	1483
GSM_L3_MS_v4170/ CC/	TC_26_8_1_3_3_3	SelExpr_0602	11.10 Ref. ver. 4.10.0; CR. Incoming call / U9 mobile terminating call confirmed / termination requested by the user	1483
GSM_L3_MS_v4170/ CC/	TC_26_8_1_3_3_4	SelExpr_0602	11.10 Ref. ver. 4.10.0; CR. Incoming call / U9 mobile terminating call confirmed / DISCONNECT received	1484
GSM_L3_MS_v4170/ CC/	TC_26_8_1_3_3_5	SelExpr_0602	11.10 Ref. ver. 4.10.0; CR. Incoming call / U9 mobile terminating call confirmed / RELEASE received	1484
GSM_L3_MS_v4170/ CC/	TC_26_8_1_3_3_6	SelExpr_0602	11.10 Ref. ver. 4.10.0; CR. Incoming call / U9 mobile terminating call confirmed / lower layer failure	1485
GSM_L3_MS_v4170/ CC/	TC_26_8_1_3_3_7	SelExpr_0602	11.10 Ref. ver. 4.10.0; CR. Incoming call / U9 mobile terminating call confirmed / unknown message received	1485
GSM_L3_MS_v4170/ CC/	TC_26_8_1_3_4_1	SelExpr_0602	11.10 Ref. ver. 4.10.0; CR. Incoming call / U7 call received / call accepted	1486
GSM_L3_MS_v4170/ CC/	TC_26_8_1_3_4_2	SelExpr_0602	11.10 Ref. ver. 4.10.0; CR. Incoming call / U7 call received / termination requested by the user	1486
			11.10 Ref. ver. 4.10.0; CR.	

GSM_L3_MS_v4170/ CC/	TC_26_8_1_3_4_3	SelExpr_0602	Incoming call / U7 call received / DISCONNECT received 11.10 Ref. ver. 4.10.0; CR.	1487
GSM_L3_MS_v4170/ CC/	TC_26_8_1_3_4_4	SelExpr_0602	Incoming call / U7 call received / RELEASE received 11.10 Ref. ver. 4.10.0; CR.	1487
GSM_L3_MS_v4170/ CC/	TC_26_8_1_3_4_5	SelExpr_0602	Incoming call / U7 call received / lower layer failure 11.10 Ref. ver. 4.10.0; CR.	1488
GSM_L3_MS_v4170/ CC/	TC_26_8_1_3_4_6	SelExpr_0602	Incoming call / U7 call received / unknown message received 11.10 Ref. ver. 4.10.0; CR.	1488
GSM_L3_MS_v4170/ CC/	TC_26_8_1_3_4_7	SelExpr_0602	Incoming call / U7 call received / TCH assignment 11.10 Ref. ver. 4.10.0; CR.	1489
GSM_L3_MS_v4170/ CC/	TC_26_8_1_3_4_8	SelExpr_0602	Incoming call / U7 call received / RELEASE COMPLETE received	1489
GSM_L3_MS_v4170/ CC/	TC_26_8_1_3_5_1	SelExpr_0602	Incoming call / U8 connect request / CONNECT acknowledged 11.10 Ref. ver. 4.10.0; CR.	1490
GSM_L3_MS_v4170/ CC/	TC_26_8_1_3_5_2	SelExpr_0602	Incoming call / U8 connect request / timer T313 timeout 11.10 Ref. ver. 4.10.0; CR.	1491
GSM_L3_MS_v4170/ CC/	TC_26_8_1_3_5_3	SelExpr_0602	Incoming call / U8 connect request / termination requested by the user 11.10 Ref. ver. 4.10.0; CR.	1492
GSM_L3_MS_v4170/ CC/	TC_26_8_1_3_5_4	SelExpr_0602	Incoming call / U8 connect request / DISCONNECT received with in-band information 11.10 Ref. ver. 4.10.0; CR.	1492
GSM_L3_MS_v4170/ CC/	TC_26_8_1_3_5_5	SelExpr_0602	Incoming call / U8 connect request / DISCONNECT received without in-band information 11.10 Ref. ver. 4.10.0; CR.	1493
GSM_L3_MS_v4170/ CC/	TC_26_8_1_3_5_6	SelExpr_0602	Incoming call / U8 connect request / RELEASE received 11.10 Ref. ver. 4.10.0; CR.	1493
GSM_L3_MS_v4170/ CC/	TC_26_8_1_3_5_7	SelExpr_0602	Incoming call / U8 connect request / lower layer failure 11.10 Ref. ver. 4.10.0; CR.	1494
GSM_L3_MS_v4170/ CC/	TC_26_8_1_3_5_8	SelExpr_0602	Incoming call / U8 connect request / TCH assignment 11.10 Ref. ver. 4.10.0; CR.	1494
GSM_L3_MS_v4170/ CC/	TC_26_8_1_3_5_9	SelExpr_0602	Incoming call / U8 connect request / unknown message received 11.10 Ref. ver. 4.10.0; CR.	1495
GSM_L3_MS_v4170/ CC/	TC_26_8_1_4_1_1	SelExpr_0604	In-call functions / DTMF information transfer / basic procedure 11.10 Ref. ver. 4.10.0; CR. PT65v-015r1	1496
GSM_L3_MS_v4170/ CC/	TC_26_8_1_4_2_1	SelExpr_0606	In-call functions / User notification / MS terminated 11.10 Ref. ver. 4.10.0; CR.	1498
GSM_L3_MS_v4170/ CC/	TC_26_8_1_4_3_1	SelExpr_0606	In-call functions / Channel changes / A successful channel change in active state/ Handover and assignment command 11.10 Ref. ver. 4.10.0; CR.0295-18r1.	1499
GSM_L3_MS_v4170/ CC/	TC_26_8_1_4_3_2	SelExpr_0606	In-call functions / Channel changes / An unsuccessful channel change in active mode/ Handover and assignment command 11.10 Ref. ver. 4.10.0; CR.0295-18r1, 11.10- 714	1501
GSM_L3_MS_v4170/ CC/	TC_26_8_1_4_4_1	SelExpr_0606	In-call functions / MS terminated in-call modification / modify when new mode is not supported 11.10 Ref. ver. 4.10.0; CR.	1502
GSM_L3_MS_v4170/ CC/	TC_26_8_1_4_5_1	SelExpr_0607	In-call functions / MS originated in-call modification / A successful case of modifying 11.10 Ref. ver. 4.10.0; CR.	1503
GSM_L3_MS_v4170/ CC/	TC_26_8_1_4_5_2	SelExpr_0607	In-call functions / MS originated in-call modification / modify rejected	1504

GSM_L3_MS_v4170/ CC/	TC_26_8_1_4_5_3	SelExpr_0607	11.10 Ref. ver. 4.10.0; CR. In-call functions / MS originated in-call modification / an abnormal case of acceptance	1504
GSM_L3_MS_v4170/ CC/	TC_26_8_1_4_5_4	SelExpr_0607	11.10 Ref. ver. 4.10.0; CR. In-call functions / MS originated in-call modification / an abnormal case of rejection	1505
GSM_L3_MS_v4170/ CC/	TC_26_8_1_4_5_5	SelExpr_0607	11.10 Ref. ver. 4.10.0; CR. In-call functions / MS originated in-call modification / timeout of timer T323	1505
GSM_L3_MS_v4170/ CC/	TC_26_8_1_4_5_6	SelExpr_0607	11.10 Ref. ver. 4.10.0; CR. In-call functions / MS originated in-call modification / A successful channel change in state mobile originating modify	1506
GSM_L3_MS_v4170/ CC/	TC_26_8_1_4_5_7	SelExpr_0607	11.10 Ref. ver. 4.10.0; CR.11.10-740 In-call functions / MS originated in-call modification / An unsuccessful channel change in state mobile originating modify	1507
GSM_L3_MS_v4170/ CC/	TC_26_8_1_4_5_8	SelExpr_0607	11.10 Ref. ver. 4.10.0; CR. In-call functions / MS originated in-call modification / unknown message received	1508
GSM_L3_MS_v4170/ CC/	TC_26_8_1_4_5_9	SelExpr_0607	11.10 Ref. ver. 4.10.0; CR. In-call functions / MS originated in-call modification / a release complete received	1508
GSM_L3_MS_v4170/ CC/	TC_26_8_2_1	SelExpr_0601	11.10 Ref. ver. 4.10.0; CR.11.10- 657 Call Re-establishment / Call Present, re- establishment allowed	1509
GSM_L3_MS_v4170/ CC/	TC_26_8_2_2	SelExpr_0601	11.10 Ref. ver. 4.10.0; CR. Call Re-establishment / Call Present, re- establishment not allowed	1511
GSM_L3_MS_v4170/ CC/	TC_26_8_2_3	SelExpr_0601	11.10 Ref. ver. 4.10.0; CR. Call Re-establishment / Call under establishment, transmission stopped	1512
GSM_L3_MS_v4170/ CC/	TC_26_8_3	SelExpr_0606	11.10 Ref. ver. 4.10.0; CR. User to user signalling	1513
GSM_L3_MS_v4170/ StructureProc/	TC_26_9_2	SelExpr_0701	11.10 Ref ver. 4.10.0; CR.11.10-715. Structured procedures / MS originated call / early assignment	1514
GSM_L3_MS_v4170/ StructureProc/	TC_26_9_3	SelExpr_0701	Structured procedures / MS originated call / late assignment	1517
GSM_L3_MS_v4170/ StructureProc/	TC_26_9_4	SelExpr_0701	Structured procedures / MS terminated call / early assignment	1520
GSM_L3_MS_v4170/ StructureProc/	TC_26_9_5	SelExpr_0701	Structured procedures / MS terminated call / late assignment	1524
GSM_L3_MS_v4170/ StructureProc/	TC_26_9_6_1_1	SelExpr_0702	Structured procedures / emergency call / idle updated / preferred channel rate	1528
GSM_L3_MS_v4170/ StructureProc/	TC_26_9_6_1_2	SelExpr_0703	Structured procedures / emergency call / idle updated, non-preferred channel rate	1531
GSM_L3_MS_v4170/ StructureProc/	TC_26_9_6_2_1	SelExpr_0702	Structured procedures / emergency call / idle, no IMSI / accept case	1534
GSM_L3_MS_v4170/ StructureProc/	TC_26_9_6_2_2	SelExpr_0702	Structured procedures / emergency call / idle, no IMSI / reject case	1536
GSM_L3_MS_v4170/ EGSMsignalling/	TC_26_10_2_1	SelExpr_1001	E-GSM signalling/ RR / measurement	1537
GSM_L3_MS_v4170/ EGSMsignalling/	TC_26_10_2_2	SelExpr_1000	E-GSM signalling/ RR / immediate assignment	1540
GSM_L3_MS_v4170/ EGSMsignalling/	TC_26_10_2_3	SelExpr_1000	E-GSM signalling/ RR / channel assignment procedure	1542
GSM_L3_MS_v4170/ EGSMsignalling/	TC_26_10_2_4_1	SelExpr_1001	E-GSM signalling/ RR / Handover / successful case	1545
GSM_L3_MS_v4170/ EGSMsignalling/	TC_26_10_2_4_2	SelExpr_1001	E-GSM signalling/ RR / Handover / layer 1 failure	1549
GSM_L3_MS_v4170/ EGSMsignalling/	TC_26_10_2_5	SelExpr_1000	E-GSM signalling/ RR / frequency redefinition	1551
GSM_L3_MS_v4170/ EGSMsignalling/	TC_26_10_3_1	SelExpr_1002	E-GSM signalling/ structured procedure / mobile originating call	1554
GSM_L3_MS_v4170/ EGSMsignalling/	TC_26_10_3_2	SelExpr_1003	E-GSM signalling/ structured procedure / emergency call	1556
GSM_L3_MS_v4170/ SS/	TC_31_2_1_1_1	SelExpr_0809	Call forwarding supplementary services / Registration - Reg. accepted	1559

GSM_L3_MS_v4170/ SS/	TC_31_2_1_1_2	SelExpr_0810	Call forwarding supplementary services / Registration - Reg. rejected	1561
GSM_L3_MS_v4170/ SS/	TC_31_2_1_2_1	SelExpr_0811	Call forwarding supplementary services / Erasure by the subscriber - Erasure Accepted	1563
GSM_L3_MS_v4170/ SS/	TC_31_2_1_2_2	SelExpr_0809	Call forwarding supplementary services / Erasure by the subscriber - Erasure rejected	1565
GSM_L3_MS_v4170/ SS/	TC_31_2_1_3	SelExpr_0810	Call forwarding supplementary services / Activation	1567
GSM_L3_MS_v4170/ SS/	TC_31_2_1_4	SelExpr_0811	Call forwarding supplementary services / Deactivation	1569
GSM_L3_MS_v4170/ SS/	TC_31_2_1_6_1	SelExpr_0811	Call forwarding supplementary services / Interrogation - Interrogation Accepted	1571
GSM_L3_MS_v4170/ SS/	TC_31_2_1_6_2	SelExpr_0812	Call forwarding supplementary services / Interrogation - Interrogation Rejected	1573
GSM_L3_MS_v4170/ SS/	TC_31_2_1_7_1_1	SelExpr_0813	Normal operation - Served mobile subscriber side / Notification during an incoming call	1575
GSM_L3_MS_v4170/ SS/	TC_31_2_1_7_1_2	SelExpr_0810	Normal operation / served mobile subscriber side / Notification during outgoing call	1577
GSM_L3_MS_v4170/ SS/	TC_31_2_1_7_2	SelExpr_0810	Normal operation / Forwarded-to mobile subscriber side	1579
GSM_L3_MS_v4170/ SS/	TC_31_6_1_1	SelExpr_0802	AOC time related charging / MS originated call	1580
GSM_L3_MS_v4170/ SS/	TC_31_6_1_2	SelExpr_0802	AOC time related charging / MS terminated call	1582
GSM_L3_MS_v4170/ SS/	TC_31_6_1_5	SelExpr_0802	Change in charging information during a call	1585
GSM_L3_MS_v4170/ SS/	TC_31_6_1_6	SelExpr_0802	Different formats of charging information	1587
GSM_L3_MS_v4170/ SS/	TC_31_6_1_7	SelExpr_0819	OC on a Call Hold call	1589
GSM_L3_MS_v4170/ SS/	TC_31_6_1_8	SelExpr_0820	AOC on a MultiParty call	1591
GSM_L3_MS_v4170/ SS/	TC_31_6_2_1	SelExpr_0818	Charge Storage - Removal of SIM during an active call	1594
GSM_L3_MS_v4170/ SS/	TC_31_6_2_2	SelExpr_0821	Charge Storage - Interruption of power supply during an active call	1596
GSM_L3_MS_v4170/ SS/	TC_31_6_2_3	SelExpr_0802	Charge Storage - MS going out of coverage during an active AOCC Call	1598
GSM_L3_MS_v4170/ SS/	TC_31_6_2_4	SelExpr_0802	Charge Storage - ACMM operation / Mobile Originating	1600
GSM_L3_MS_v4170/ SS/	TC_31_6_2_5	SelExpr_0802	Charge Storage - ACMM operation / Mobile Terminating	1603
GSM_L3_MS_v4170/ SS/	TC_31_8_1_1	SelExpr_0801	Call restriction supplementary services / Registration of a password/ Registration accepted	1606
GSM_L3_MS_v4170/ SS/	TC_31_8_1_2_1	SelExpr_0801	Rejection after invoke of the RegisterPassword operation	1608
GSM_L3_MS_v4170/ SS/	TC_31_8_1_2_2	SelExpr_0801	Rejection after password check with negative result	1610
GSM_L3_MS_v4170/ SS/	TC_31_8_1_2_3	SelExpr_0801	Rejection after new password mismatch	1612
GSM_L3_MS_v4170/ SS/	TC_31_8_3_1	SelExpr_0814	Activation accepted	1614
GSM_L3_MS_v4170/ SS/	TC_31_8_3_2_1	SelExpr_0803	Rejection after invoke of ActivateSS operation	1617
GSM_L3_MS_v4170/ SS/	TC_31_8_3_2_2	SelExpr_0804	Rejection after use of password procedure	1619
GSM_L3_MS_v4170/ SS/	TC_31_8_4_1	SelExpr_0801	Deactivation accepted	1621
GSM_L3_MS_v4170/ SS/	TC_31_8_4_2_1	SelExpr_0808	Deactivation rejected / Rejection after invoke of DeactivateSS operation	1624
GSM_L3_MS_v4170/ SS/	TC_31_8_4_2_2	SelExpr_0805	Deactivation rejected / Rejection after use of password procedure	1626
GSM_L3_MS_v4170/ SS/	TC_31_8_6_1	SelExpr_0806	Interrogation / Interrogation accepted	1628
GSM_L3_MS_v4170/ SS/	TC_31_8_6_2	SelExpr_0807	Interrogation / Interrogation rejected	1631
GSM_L3_MS_v4170/ SS/	TC_31_8_7	SelExpr_0808	Normal operation	1633
GSM_L3_MS_v4170/ SS/	TC_31_9_1_1	SelExpr_0816	mobile station initiated / unstructured supplementary service request accepted	1634

GSM_L3_MS_v4170/ SS/	TC_31_9_1_2	SelExpr_0817	mobile station initiated / unstructured supplementary service data request rejected	1638
GSM_L3_MS_v4170/ SS/	TC_31_9_2_1	SelExpr_0817	network initiated / unstructured supplementary service request accepted	1643
GSM_L3_MS_v4170/ SS/	TC_31_9_2_2	SelExpr_0817	network initiated / unstructured supplementary service request rejected	1645
GSM_L3_MS_v4170/ SS/	TC_31_9_2_3	SelExpr_0817	network initiated / unstructured supplementary service data notification accepted	1646
GSM_L3_MS_v4170/ SS/	TC_31_9_2_4	SelExpr_0817	network initiated / unstructured supplementary service data notification rejected	1648
GSM_L3_MS_v4170/ SS/	TC_31_10	SelExpr_0815	MMI input for USSD	1650
GSM_L3_MS_v4170/ SM/	TC_34_2_1	SelExpr_0901	Short message service / SMS point to point - SMS mobile terminated	1652
GSM_L3_MS_v4170/ SM/	TC_34_2_2	SelExpr_0902	Short message service / SMS point to point - SMS mobile originated	1656
GSM_L3_MS_v4170/ SM/	TC_34_2_3	SelExpr_0903	Short message service / SMS point to point - Test of the memory available notification	1660
GSM_L3_MS_v4170/ SM/	TC_34_2_4	SelExpr_0904	Short message service / Test of the status report capabilities and of SMS-COMMAND	1665
GSM_L3_MS_v4170/ SM/	TC_34_2_5_1	SelExpr_0905	Short message service / Test of message class 0 to 3 - Test of Class 0 Short Messages	1668
GSM_L3_MS_v4170/ SM/	TC_34_2_5_2	SelExpr_0906	Short message service / Test of message class 0 to 3 - Test of Class 1 Short Messages	1670
GSM_L3_MS_v4170/ SM/	TC_34_2_5_3	SelExpr_0907	Short message service / Test of message class 0 to 3 - Test of Class 2 Short Messages	1672
GSM_L3_MS_v4170/ SM/	TC_34_2_7	SelExpr_0908	Short message service / Test of the replace mechanism for SM type 1-7	1674
GSM_L3_MS_v4170/ SM/	TC_34_2_8	SelExpr_0909	Short message service / Test of the reply path scheme	1676
GSM_L3_MS_v4170/ SM/	TC_34_3	SelExpr_0900	Short message service cell broadcast	1679

Detailed Comments:

Test step index

Test Step Index			
Test Step Group Reference	Test Step Id	Description	Page Nr
GSM_L3_MS_v4170/management/	ChangeRfLev_2Cells	To change the RF level of the two cells to the corresponding levels.	1680
GSM_L3_MS_v4170/management/	ChConfig	To configure a basic physical channel with various parameters and map logic channels onto the physical channel.	1681
GSM_L3_MS_v4170/management/	IncrRfLev_Cellavail	To increase the RF level of given cell so that the cell is suitable as defined in GSM 05.08 section 6.6.2	1681
GSM_L3_MS_v4170/management/	LowRfLev_Cellavailable	To lower the RF level of cell cellid so that the MS, which is listening to cell cellid, will select another cell.	1681
GSM_L3_MS_v4170/management/	LowRfLev_Cellnotavail	To lower the RF level of cell cellid so that the MS, which is listening to cell cellid, will select another cell.	1681
GSM_L3_MS_v4170/management/	StopAllBCCH	To stop the RF transmission of all BCCH channels in all active cells.	1682
GSM_L3_MS_v4170/management/	Stopmaindcch	To stop the transmission of main dcch channel.	1682
GSM_L3_MS_v4170/management/Ch Config/	CCConfigTCH		1683
GSM_L3_MS_v4170/management/Ch Config/	Config_CBMS_A_1	To set a physical channel and map FCCH, SCH, BCCH, CCCH, SDCCH4 and CBCH onto the physical channel which represents cell A.	1683
GSM_L3_MS_v4170/management/Ch Config/	Config_FACCHF_A_1	To set one physical channel used as TCHF_ACCH's of cell A.	1683
GSM_L3_MS_v4170/management/Ch Config/	Config_FACCHF_A_2	To set one physical channel used as TCHF_ACCH's for instance 2 of cell A.	1684
GSM_L3_MS_v4170/management/Ch Config/	Config_FACCHF_B_1	To set one physical channel used as TCHF_ACCH's of cell B.	1684
GSM_L3_MS_v4170/management/Ch Config/	Config_FACCHF_B_2	To set one physical channel used as second instance of TCHF_ACCH's of cell B.	1684
GSM_L3_MS_v4170/management/Ch Config/	Config_FACCHF_H_1	To set one physical channel used as TCHF_ACCH's of cell H.	1684
GSM_L3_MS_v4170/management/Ch Config/	Config_FACCHH_A_1	To set one physical channel used as TCHH_ACCH's of cell A.	1685
GSM_L3_MS_v4170/management/Ch Config/	Config_FACCHH_A_2	To set one physical channel used as TCHH_ACCH's of cell A.	1685
GSM_L3_MS_v4170/management/Ch Config/	Config_FACCHH_B_1	To set one physical channel used as TCHH_ACCH's of cell B.	1685
GSM_L3_MS_v4170/management/Ch Config/	Config_FACCHH_B_2	To set one physical channel used as TCHH_ACCH's of cell B.	1686
GSM_L3_MS_v4170/management/Ch Config/	Config_BCCH_CCCH_A_1	To set a physical channel and map FCCH, SCH, BCCH and CCCH onto the physical channel which represents cell A.	1686
GSM_L3_MS_v4170/management/Ch Config/	Config_BCCH_CCCH_A_2	To set a physical channel and map the second BCCH, CCCH onto the physical channel which represents cell A.	1686
GSM_L3_MS_v4170/management/Ch Config/	Config_BCCH_CCCH_A_3	To set a physical channel and map the third BCCH, CCCH onto the physical channel which represents cell A.	1687
GSM_L3_MS_v4170/management/Ch Config/	Config_BCCH_CCCH_A_4	To set a physical channel and map the fourth BCCH, CCCH onto the physical channel which represents cell A.	1687
GSM_L3_MS_v4170/management/Ch Config/	Config_BCCH_CCCH_B_1	To set a physical channel and map FCCH, SCH, BCCH and CCCH onto the physical channel which represents cell B.	1687
GSM_L3_MS_v4170/management/Ch Config/	Config_SDCCH4_A_1	To set a physical channel and map FCCH, SCH, BCCH, CCCH and SDCCH4 onto the physical channel which represents cell A.	1688
GSM_L3_MS_v4170/management/Ch Config/	Config_SDCCH4_B_1	To set a physical channel and map FCCH, SCH, BCCH, CCCH and SDCCH4 onto the physical channel which represents cell B.	1688
GSM_L3_MS_v4170/management/Ch Config/	Config_SDCCH4_C_1	To set a physical channel and map FCCH, SCH, BCCH, CCCH and SDCCH4 onto the physical channel which represents cell C	1689
GSM_L3_MS_v4170/management/Ch Config/	Config_SDCCH4_D_1	To set a physical channel and map FCCH, SCH, BCCH, CCCH and SDCCH4 onto the physical channel which represents cell D	1689
GSM_L3_MS_v4170/management/Ch Config/	Config_SDCCH4_E_1	To set a physical channel and map FCCH, SCH, BCCH, CCCH and SDCCH4 onto the physical channel which represents cell E	1690

GSM_L3_MS_v4170/management/Ch Config/	Config_SDCCH4_F_1	To set a physical channel and map FCCH, SCH, BCCH, CCCH and SDCCH4 onto the physical channel which represents cell F	1690
GSM_L3_MS_v4170/management/Ch Config/	Config_SDCCH4_G_1	To set a physical channel and map FCCH, SCH, BCCH, CCCH and SDCCH4 onto the physical channel which represents cell G	1691
GSM_L3_MS_v4170/management/Ch Config/	Config_SDCCH4_H_1	To set a physical channel and map FCCH, SCH, BCCH, CCCH and SDCCH4 onto the physical channel which represents cell H	1691
GSM_L3_MS_v4170/management/Ch Config/	Config_SDCCH8_A_1	To set one physical channel used as SDCCH8 channel for instance 1 of cell A.	1692
GSM_L3_MS_v4170/management/Ch Config/	Config_SDCCH8_A_2	To set one physical channel used as SDCCH8 channel for instance 2 of cell A.	1692
GSM_L3_MS_v4170/management/Ch Config/	Config_SDCCH8_A_3	To set one physical channel used as SDCCH8 channel for instance 3 of cell A.	1693
GSM_L3_MS_v4170/management/Ch Config/	Config_SDCCH8_B_1	To set one physical channel used as SDCCH8 channel for instance 1 of cell B.	1693
GSM_L3_MS_v4170/management/Ch Config/	Config_SDCCH8_B_2	To set one physical channel used as SDCCH8 channel for instance 2 of cell B.	1694
GSM_L3_MS_v4170/management/Ch Config/	CombinedBCCH_A_C BMS	To set a physical channel and map FCCH, SCH, BCCH, CCCH and SDCCH4 onto the physical channel which represents cell A.	1694
GSM_L3_MS_v4170/management/Ch Config/	CombinedBCCH_A	To set a physical channel and map FCCH, SCH, BCCH, CCCH and SDCCH4 onto the physical channel which represents cell A.	1695
GSM_L3_MS_v4170/management/Ch Config/	CombinedBCCH_B	To set a physical channel and map FCCH, SCH, BCCH, CCCH and SDCCH4 onto the physical channel which represents cell B.	1695
GSM_L3_MS_v4170/management/Ch Config/	CombinedBCCH_C	To set a physical channel and map FCCH, SCH, BCCH, CCCH and SDCCH4 onto the physical channel which represents cell C.	1695
GSM_L3_MS_v4170/management/Ch Config/	CombinedBCCH_D	To set a physical channel and map FCCH, SCH, BCCH, CCCH and SDCCH4 onto the physical channel which represents cell D.	1696
GSM_L3_MS_v4170/management/Ch Config/	CombinedBCCH_E	To set a physical channel and map FCCH, SCH, BCCH, CCCH and SDCCH4 onto the physical channel which represents cell E.	1696
GSM_L3_MS_v4170/management/Ch Config/	CombinedBCCH_F	To set a physical channel and map FCCH, SCH, BCCH, CCCH and SDCCH4 onto the physical channel which represents cell F.	1696
GSM_L3_MS_v4170/management/Ch Config/	CombinedBCCH_G	To set a physical channel and map FCCH, SCH, BCCH, CCCH and SDCCH4 onto the physical channel which represents cell G.	1697
GSM_L3_MS_v4170/management/Ch Config/	CombinedBCCH_G_s p	To set a physical channel and map FCCH, SCH, BCCH, CCCH and SDCCH4 onto the physical channel which represents cell G.	1697
GSM_L3_MS_v4170/management/Ch Config/	CombinedBCCH_H	To set a physical channel and map FCCH, SCH, BCCH, CCCH and SDCCH4 onto the physical channel which represents cell H.	1698
GSM_L3_MS_v4170/management/Ch Config/	NonCombinedBCCH_A	To set one physical channel used as FCHH_SCH_BCCH_CCCH for cell A.	1698
GSM_L3_MS_v4170/management/Ch Config/	NonCombinedBCCH_A_2	To set a physical channel and map the second BCCH, CCCH onto the physical channel which represents cell A.	1698
GSM_L3_MS_v4170/management/Ch Config/	NonCombinedBCCH_A_3	To set a physical channel and map the third BCCH, CCCH onto the physical channel which represents cell A.	1699
GSM_L3_MS_v4170/management/Ch Config/	NonCombinedBCCH_A_4	To set a physical channel and map the fourth BCCH, CCCH onto the physical channel which represents cell A.	1699
GSM_L3_MS_v4170/management/Ch Config/	NonCombinedBCCH_B	To set a physical channel and map FCCH, SCH, BCCH, CCCH onto the physical channel which represents cell B for RR testing.	1699
GSM_L3_MS_v4170/management/Ch Config/	FullRateCh_A_1	To set one physical channel used as TCHF_ACCH's for instance 1 of cell A.	1700
GSM_L3_MS_v4170/management/Ch Config/	FullRateCh_A_1_nociph	To set one physical channel used as TCHF_ACCH's for instance 1 of cell A.	1700
GSM_L3_MS_v4170/management/Ch Config/	FullRateCh_A_1_2_nociph	To set one physical channel used as TCHF_ACCH's for instance 1 of cell A for TC_26_6_6_1.	1701
GSM_L3_MS_v4170/management/Ch Config/	FullRateCh_A_2	To set one physical channel used as TCHF_ACCH's for instance 2 of cell A for TC_26_6_13_1.	1701
GSM_L3_MS_v4170/management/Ch Config/	FullRateCh_A_2_nociph	To set one physical channel used as TCHF_ACCH's for instance 2 of cell A for TC_26_6_13_1.	1702

Config/ GSM_L3_MS_v4170/management/Ch Config/	ph FullRateCh_B_1	for instance 2 of cell A for TC_26_6_13_1. To set one physical channel used as TCHF_ACCH's for instance 1 of cell B.	1702
GSM_L3_MS_v4170/management/Ch Config/	FullRateCh_B_1_noci ph	To set one physical channel used as TCHF_ACCH's for instance 1 of cell B.	1703
GSM_L3_MS_v4170/management/Ch Config/	FullRateCh_B_2_noci ph	To set one physical channel used as TCHF_ACCH's for instance 2 of cell B.	1703
GSM_L3_MS_v4170/management/Ch Config/	FullRateCh_H_1	To set one physical channel used as TCHF_ACCH's for instance 1 of cell H.	1704
GSM_L3_MS_v4170/management/Ch Config/	HalfRateCh_A_1	To set one physical channel used as TCHH_ACCH's for instance 1 of cell A.	1704
GSM_L3_MS_v4170/management/Ch Config/	HalfRateCh_A_1_noci ph	To set one physical channel used as TCHH_ACCH's for instance 1 of cell A.	1705
GSM_L3_MS_v4170/management/Ch Config/	HalfRateCh_A_1_2	To set one physical channel used as TCHH_ACCH's for instance 1 of cell A.	1705
GSM_L3_MS_v4170/management/Ch Config/	HalfRateCh_A_1_3	To set one physical channel used as TCHH_ACCH's for instance 1 of cell A.	1706
GSM_L3_MS_v4170/management/Ch Config/	HalfRateCh_A_1_3_n ociph	To set one physical channel used as TCHH_ACCH's for instance 1 of cell A.	1706
GSM_L3_MS_v4170/management/Ch Config/	HalfRateCh_A_2	To set one physical channel used as TCHH_ACCH's for instance 2 of cell A for TC_26_6_13_1.	1707
GSM_L3_MS_v4170/management/Ch Config/	HalfRateCh_A_2_noci ph	To set one physical channel used as TCHH_ACCH's for instance 2 of cell A for TC_26_6_13_1.	1707
GSM_L3_MS_v4170/management/Ch Config/	HalfRateCh_B_1	To set one physical channel used as TCHH_ACCH's for instance 1 of cell B for TC_26_6_13_5.	1708
GSM_L3_MS_v4170/management/Ch Config/	HalfRateCh_B_1_noci ph	To set one physical channel used as TCHH_ACCH's for instance 1 of cell B for TC_26_6_13_5.	1708
GSM_L3_MS_v4170/management/Ch Config/	HalfRateCh_B_2_noci ph	To set one physical channel used as TCHH_ACCH's for instance 2 of cell B for TC_26_6_13_5.	1709
GSM_L3_MS_v4170/management/Ch Config/	SDCCH8_A_1	To set one physical channel used as SDCCH8 channel for instance 1 of cell A.	1709
GSM_L3_MS_v4170/management/Ch Config/	SDCCH8_A_1_nocip h	To set one physical channel used as SDCCH8 channel for instance 1 of cell A.	1710
GSM_L3_MS_v4170/management/Ch Config/	SDCCH8_A_1_2_noc iph	To set one physical channel used as hopping SDCCH8 channel for instance 1 of cell A.	1710
GSM_L3_MS_v4170/management/Ch Config/	SDCCH8_A_2_nocip h	To set one physical channel used as hopping SDCCH8 channel for instance 2 of cell A, for TC_26_6_13_1.	1711
GSM_L3_MS_v4170/management/Ch Config/	SDCCH8_A_3_nocip h	To set one physical channel used as hopping SDCCH8 channel for instance 3 of cell A.	1711
GSM_L3_MS_v4170/management/Ch Config/	SDCCH8_B_1	To set one physical channel used as hopping SDCCH8 channel for instance 1 of cell B For TC_26_6_13_5.	1712
GSM_L3_MS_v4170/management/Ch Config/	SDCCH8_B_1_nocip h	To set one physical channel used as hopping SDCCH8 channel for instance 1 of cell B For TC_26_6_13_5.	1712
GSM_L3_MS_v4170/management/Ch Config/	SDCCH8_B_2_nocip h	To set one physical channel used as hopping SDCCH8 channel for instance 2 of cell B For TC_26_6_13_5.	1713
GSM_L3_MS_v4170/Miscellaneous/	Adjust_gsmanddcs_p owerlvl		1713
GSM_L3_MS_v4170/Miscellaneous/	AOC_CHK_FAC	Check the receive of FACILITY within one second at AOCC	1714
GSM_L3_MS_v4170/Miscellaneous/	AssCh_complete		1714
GSM_L3_MS_v4170/Miscellaneous/	AssCh_failure		1715
GSM_L3_MS_v4170/Miscellaneous/	AssCmdGenMO		1715
GSM_L3_MS_v4170/Miscellaneous/	AssCmdGenMT		1716
GSM_L3_MS_v4170/Miscellaneous/	Assoc	To associate the sub logic channel identifiers to the generic "parent" channel identifiers therefore the subchannel identifiers can refer to the corresponding channels configured by OM_ChConf.	1716
GSM_L3_MS_v4170/Miscellaneous/	Authentication	To execute the authentication procedure.	1717
GSM_L3_MS_v4170/Miscellaneous/	CCAuthenticate		1717
GSM_L3_MS_v4170/Miscellaneous/	CCAssignTCH		1717
GSM_L3_MS_v4170/Miscellaneous/	CCCH_group_Paging _group		1718
GSM_L3_MS_v4170/Miscellaneous/	CCEstablishMO_SDC CH4		1719
GSM_L3_MS_v4170/Miscellaneous/	CCEstablishMO_TCH		1719
GSM_L3_MS_v4170/Miscellaneous/	CCEstablishMT_SDC CH4		1719

GSM_L3_MS_v4170/Miscellaneous/	CCEstablishMT_TCH		1720
GSM_L3_MS_v4170/Miscellaneous/	CC_EstMsTermCall		1720
GSM_L3_MS_v4170/Miscellaneous/	CCImmAssignTCH		1721
GSM_L3_MS_v4170/Miscellaneous/	CCModifyTCH		1721
GSM_L3_MS_v4170/Miscellaneous/	CCPage		1722
GSM_L3_MS_v4170/Miscellaneous/	CCstatuschk_01	To check whether the MS under test is in the CC state `st`.	1722
GSM_L3_MS_v4170/Miscellaneous/	CCstatuschk_02	To check whether the MS under test is in the CC state `st`.	1722
GSM_L3_MS_v4170/Miscellaneous/	CCstatuschk_03	To check whether the MS under test is in the CC state `st`.	1723
GSM_L3_MS_v4170/Miscellaneous/	CCstatuschk_05	To check whether the MS under test is in the CC state `st`.	1723
GSM_L3_MS_v4170/Miscellaneous/	CheckTIsInStateU0		1724
GSM_L3_MS_v4170/Miscellaneous/	Ciphering_off	To switch off the ciphering. In presteps the ciphering shall be switched on.	1724
GSM_L3_MS_v4170/Miscellaneous/	Ciphering_off2	To execute the ciphering procedure with ciphering mode OFF. In Presteps the ciphering may not have been switched on.	1724
GSM_L3_MS_v4170/Miscellaneous/	Ciphering_on	To switch on the ciphering.	1725
GSM_L3_MS_v4170/Miscellaneous/	CMsvcRq	To request a CM service	1725
GSM_L3_MS_v4170/Miscellaneous/	Compute_ti	To define the ti-parameter for originating and destination parts of the actual cc-connection.	1725
GSM_L3_MS_v4170/Miscellaneous/	DTMFSignalling	To handle DTMF signalling initiated by the MS, which sends 'n' tones to the network.	1726
GSM_L3_MS_v4170/Miscellaneous/	IdentityRequest	To execute the identity procedure depending on the given identity type. Used var's: TCV_ch, TCV_tmsi	1726
GSM_L3_MS_v4170/Miscellaneous/	ImsiAttach	If possible, SIM_Insert or PowerUp or SwitchOn, and then to execute the IMSI Attach procedure when ATT=1. This test step does not allowed to execute the switch-on even if the MS supports both the SIM insert attach and the soft switch-on attach.	1727
GSM_L3_MS_v4170/Miscellaneous/	ImsiAttachIni	If possible, SIM_Insert or PowerUp or SwitchOn, and then to execute the IMSI Attach procedure when ATT=1. This test step does not allowed to execute the switch-on even if the MS supports both the SIM insert attach and the soft switch-on attach.	1728
GSM_L3_MS_v4170/Miscellaneous/	ImsiAttachNoReaction	If possible, SIM_Insert or PowerUp or SwitchOn, and then to execute the IMSI Attach procedure when ATT=1. This test step does not allowed to execute the switch-on even if the MS supports both the SIM insert attach and the soft switch-on attach.	1728
GSM_L3_MS_v4170/Miscellaneous/	ImsiDetach	If possible, SIM_Remove or PowerDown or SwitchOff, and then to execute the IMSI Detach procedure. This test step does not allowed to execute the switch-off even if the MS supports both the SIM remove detach and the soft switch-off detach.	1729
GSM_L3_MS_v4170/Miscellaneous/	ImsiDetachNoReaction	If possible, SIM_Remove or PowerDown or SwitchOff, and then wait for no reaction from the MS.	1729
GSM_L3_MS_v4170/Miscellaneous/	InCallModi1		1730
GSM_L3_MS_v4170/Miscellaneous/	LowerLayerFailure	To force the lower layer failure.	1730
GSM_L3_MS_v4170/Miscellaneous/	MM_LUP	To execute the Location Update Procedure. Parameter of the location updating request will not be checked.	1730
GSM_L3_MS_v4170/Miscellaneous/	MM_LUP2	To execute the Location Update Procedure. The parameter lup_mi is the actual mi of MS before MM_LUP.	1731
GSM_L3_MS_v4170/Miscellaneous/	MM_LUP3	To execute the normal Location Update Procedure. No check of parameter.	1731
GSM_L3_MS_v4170/Miscellaneous/	MM_LUPauth1	To execute the Location Update Procedure with authentication. Check of the parameter LAI, MScClassMark and Mobile Identity is not required and are not checked.	1731
GSM_L3_MS_v4170/Miscellaneous/	MM_LUPauth2	To execute the Location Update Procedure with authentication. Checking of the parameter LAI, MScClassMark and Mobile Identity is required.	1731
GSM_L3_MS_v4170/Miscellaneous/	MM_LUP_imsi	To execute the Location Update Procedure only for IMSI. The parameter lup_mi is the actual mi of MS	1732

GSM_L3_MS_v4170/Miscellaneous/	MM_LUP_imsi1	before MM_LUP. To execute the Location Update Procedure only for IMSI. The parameter lup_mi is the actual mi of MS before MM_LUP. It is called by TC_26_7_4_3_1.	1732
GSM_L3_MS_v4170/Miscellaneous/	MM_LupInit	To execute the initialization of the Location Update Procedure.	1732
GSM_L3_MS_v4170/Miscellaneous/	MM_LupInit2	To execute the initialization of the Location Update Procedure.	1733
GSM_L3_MS_v4170/Miscellaneous/	MM_LupInit3	To execute the initialization of the Location Update Procedure.	1733
GSM_L3_MS_v4170/Miscellaneous/	MM_LupInit4	To execute the initialization of the Location Update Procedure.	1733
GSM_L3_MS_v4170/Miscellaneous/	MM_LUP_tmsirealloc	To execute the Location Update Procedure. The parameter expectedlup_mi is the actual mi of MS before MM_LUP. The expectedlup_mi is not used in this teststep, it is not required to check it. The test step is called in TC_26_7_1.	1734
GSM_L3_MS_v4170/Miscellaneous/	MM_LUPper	To execute the periodic Location Update Procedure.	1734
GSM_L3_MS_v4170/Miscellaneous/	MM_LUPper2	To execute the periodic Location Update Procedure.	1734
GSM_L3_MS_v4170/Miscellaneous/	MM_LUPperauth	To execute the periodic Location Update Procedure.	1735
GSM_L3_MS_v4170/Miscellaneous/	MM_LUPperrej	To execute the periodic Location Update Procedure.	1735
GSM_L3_MS_v4170/Miscellaneous/	MM_LUPperrej2	To execute the Location Update Procedure, which shall be rejected.	1735
GSM_L3_MS_v4170/Miscellaneous/	MM_LUPperrej3	To execute the Location Updating Procedure, which shall be stopped with channel release.	1736
GSM_L3_MS_v4170/Miscellaneous/	MM_LupRej	To execute the Location Update Procedure, which shall be rejected.	1736
GSM_L3_MS_v4170/Miscellaneous/	MM_LupRej2	To execute the Location Update Procedure, which shall be rejected.	1736
GSM_L3_MS_v4170/Miscellaneous/	MM_PwrOrSimOff	If possible, remove SIM card or to switch off the MS or to remove power source.	1736
GSM_L3_MS_v4170/Miscellaneous/	MM_PwrOrSimOn	If possible to insert the SIM card or to switch on the MS or to restore the power source.	1737
GSM_L3_MS_v4170/Miscellaneous/	MM_check_ecall1	To check, if MS execute the emergency call.	1737
GSM_L3_MS_v4170/Miscellaneous/	MM_check_ecall2	To check, if MS execute the emergency call with IMSI	1738
GSM_L3_MS_v4170/Miscellaneous/	MM_no_cmservices	To check, if MS does not execute a MO CM connection procedure.	1738
GSM_L3_MS_v4170/Miscellaneous/	MM_no_paging	To check, if MS does not initiate a RR connection. The duration of the checking is set in given par.	1739
GSM_L3_MS_v4170/Miscellaneous/	RR_hocomp1	To finish the HO-procedure.	1739
GSM_L3_MS_v4170/Miscellaneous/	RR_hocomp2	To finish the HO-procedure.	1740
GSM_L3_MS_v4170/Miscellaneous/	RR_hocomp3	To finish the HO-procedure in synchronized HO cases.	1740
GSM_L3_MS_v4170/Miscellaneous/	RRmtcallprepare	To establish a full rate call with non hopping in cell A for GSM900 and DCS1800. IUT should be in idle updated state.	1741
GSM_L3_MS_v4170/Miscellaneous/	RRmtcallprepareNoAuthNoCiph	To establish a full rate call with non hopping in cell A for GSM900 and DCS1800. IUT should be in idle updated state. No authentication, no ciphering.	1741
GSM_L3_MS_v4170/Miscellaneous/	NoReaction	To check, if MS does not initiate any RR connections.	1741
GSM_L3_MS_v4170/Miscellaneous/	SelectPagingCh		1742
GSM_L3_MS_v4170/Miscellaneous/	SetupRcvMo		1742
GSM_L3_MS_v4170/Miscellaneous/	SetupRcvMo1		1743
GSM_L3_MS_v4170/Miscellaneous/	SetupRcvMo2		1743
GSM_L3_MS_v4170/Miscellaneous/	SetupRcvE		1743
GSM_L3_MS_v4170/Miscellaneous/	TmsiReallocation	To execute the TMSI reallocation procedure. Used var's: TCV_ch	1743
GSM_L3_MS_v4170/Miscellaneous/	Varinit_fixcommon		1744
GSM_L3_MS_v4170/Miscellaneous/	Varinit_fixA		1744
GSM_L3_MS_v4170/Miscellaneous/	Varinit_fixB		1744
GSM_L3_MS_v4170/Miscellaneous/	Varinit_fixC		1745
GSM_L3_MS_v4170/Miscellaneous/	Varinit_fixH		1745
GSM_L3_MS_v4170/Miscellaneous/	WaitForInService	To wait until the MS enters the Idle and updated state.	1745
GSM_L3_MS_v4170/Miscellaneous/	WaitMainLinkDown	To wait until the main link going down This teststep shall be used only at the end of the testcases. It sets the final verdict.	1746
GSM_L3_MS_v4170/Miscellaneous/S	SysInfoSending_01LA	To send system information messages with default	1747

yslInfo/	C	parameters defined for the L3 tests for which no special parameters indicated.	
GSM_L3_MS_v4170/Miscellaneous/SyslInfo/	ChgLAC_A	To change the LAC of cell A.	1749
GSM_L3_MS_v4170/Miscellaneous/SyslInfo/	ChgLAC_B	To change the LAC of cell B.	1750
GSM_L3_MS_v4170/Miscellaneous/SyslInfo/	ChgLAI_C	To change the LAI of cell C to HPLMN.	1751
GSM_L3_MS_v4170/Miscellaneous/SyslInfo/	SysInfoSending_MM_A	To send system information messages for the L3 tests. The following parameters specified by input parameters.	1752
GSM_L3_MS_v4170/Miscellaneous/SyslInfo/	SysInfoSending_MM_B	To send system information messages for the L3 tests. The following parameters specified by input parameters.	1754
GSM_L3_MS_v4170/Miscellaneous/SyslInfo/	SysInfoSending_MM_C	To send system information messages for the L3 tests. The following parameters specified by input parameters.	1756
GSM_L3_MS_v4170/Miscellaneous/SyslInfo/	SysInfoSending_01	To send system information messages with default parameters defined for L3 tests for which no other special parameters indicated.	1758
GSM_L3_MS_v4170/Miscellaneous/SyslInfo/	SysInfoSending_r1	To send SYNCHRONIZATION CHANNEL INFORMATION and SYSTEM INFORMATION messages with default parameters defined for RR test except CCCH_CONF, Tx-integer, Max-Retrans which are specified by input parameters.	1760
GSM_L3_MS_v4170/Miscellaneous/SyslInfo/	SysInfoSending_r2	To send system information messages in cell A with default parameters except the 5 parameters, the combined CCCH, Max-retrns, Tx-INTEGGER, control channel description and logic channel which are specified by formal parameters.	1762
GSM_L3_MS_v4170/Miscellaneous/SyslInfo/	SysInfoSending_r4	To send SYNCHRONIZATION CHANNEL INFORMATION and SYSTEM INFORMATION messages with default parameters defined for cell B in RR tests.	1764
GSM_L3_MS_v4170/Miscellaneous/SyslInfo/	SysInfoSending_m1	To send SYNCHRONIZATION CHANNEL INFORMATION and SYSTEM INFORMATION messages with default parameters defined for MM test based on RR test.	1766
GSM_L3_MS_v4170/Miscellaneous/SyslInfo/	SysInfoSending_1	To send SYNCHRONIZATION CHANNEL INFORMATION and SYSTEM INFORMATION messages in cell A for idle mode test	1767
GSM_L3_MS_v4170/Miscellaneous/SyslInfo/	SysInfoSending_2	To send SYNCHRONIZATION CHANNEL INFORMATION and SYSTEM INFORMATION messages in cell B for idle mode test	1768
GSM_L3_MS_v4170/Miscellaneous/SyslInfo/	SysInfoSending_3	To send SYNCHRONIZATION CHANNEL INFORMATION and SYSTEM INFORMATION messages in cell B for idle mode test	1769
GSM_L3_MS_v4170/Miscellaneous/SyslInfo/	SysInfoSending_4	To send SYNCHRONIZATION CHANNEL INFORMATION and SYSTEM INFORMATION messages in cell D for idle mode test	1770
GSM_L3_MS_v4170/Miscellaneous/SyslInfo/	SysInfoSending_5	To send SYNCHRONIZATION CHANNEL INFORMATION and SYSTEM INFORMATION messages in cell E for idle mode test	1771
GSM_L3_MS_v4170/Miscellaneous/SyslInfo/	SysInfoSending_6	To send SYNCHRONIZATION CHANNEL INFORMATION and SYSTEM INFORMATION messages in cell F for idle mode test	1772
GSM_L3_MS_v4170/Miscellaneous/SyslInfo/	SysInfoSending_7	To send SYNCHRONIZATION CHANNEL INFORMATION and SYSTEM INFORMATION messages in cell G for idle mode test	1773
GSM_L3_MS_v4170/Miscellaneous/SyslInfo/	SysInfoSending_8	To send SYNCHRONIZATION CHANNEL INFORMATION and SYSTEM INFORMATION messages in cell H for idle mode test	1774
GSM_L3_MS_v4170/Miscellaneous/SyslInfo/	SysInfoSending_9	To send SYNCHRONIZATION CHANNEL INFORMATION and SYSTEM INFORMATION messages with default parameters except Tx-integer, Max-Retrans which are specified by input parameters and radio-link-timeout = 64.	1775
GSM_L3_MS_v4170/Miscellaneous/SyslInfo/	SysInfoSending_10	To send SYNCHRONIZATION CHANNEL INFORMATION and SYSTEM INFORMATION messages in cell A (cell S1) for measurement testing.	1777
GSM_L3_MS_v4170/Miscellaneous/SyslInfo/	SysInfoSending_11	To send SYNCHRONIZATION CHANNEL INFORMATION and SYSTEM INFORMATION messages in cell B (cell N1) for measurement testing.	1779

GSM_L3_MS_v4170/Miscellaneous/SysInfo/	SysInfoSending_12	To send SYNCHRONIZATION CHANNEL INFORMATION and SYSTEM INFORMATION messages in cell C (cell N2) for measurement testing.	1780
GSM_L3_MS_v4170/Miscellaneous/SysInfo/	SysInfoSending_13	To send SYNCHRONIZATION CHANNEL INFORMATION and SYSTEM INFORMATION messages in cell D (cell N3) for measurement testing.	1781
GSM_L3_MS_v4170/Miscellaneous/SysInfo/	SysInfoSending_14	To send SYNCHRONIZATION CHANNEL INFORMATION and SYSTEM INFORMATION messages in cell E (cell N4) for measurement testing.	1782
GSM_L3_MS_v4170/Miscellaneous/SysInfo/	SysInfoSending_15	To send SYNCHRONIZATION CHANNEL INFORMATION and SYSTEM INFORMATION messages in cell F (cell N5) for measurement testing.	1783
GSM_L3_MS_v4170/Miscellaneous/SysInfo/	SysInfoSending_16	To send SYNCHRONIZATION CHANNEL INFORMATION and SYSTEM INFORMATION messages in cell G (cell N6) for measurement testing.	1784
GSM_L3_MS_v4170/Miscellaneous/SysInfo/	SysInfoSending_17	To send SYNCHRONIZATION CHANNEL INFORMATION and SYSTEM INFORMATION messages in cell H (cell N7) for measurement testing.	1785
GSM_L3_MS_v4170/Miscellaneous/SysInfo/	SysInfoSending_18	To send system information in cell A (cell S1) for measurement testing. The DTX is set to "MS shall use discontinuous transmission.	1786
GSM_L3_MS_v4170/Miscellaneous/SysInfo/	SysInfoSending_19	To send system information messages with default parameters defined for the L3 tests except Cell-Reselect-Hysteresis = 0	1788
GSM_L3_MS_v4170/Miscellaneous/SysInfo/	SysInfoSending_20	Sending of Systeminformation in EGSM cases for cell A.	1790
GSM_L3_MS_v4170/Miscellaneous/SysInfo/	SysInfoSending_201	Sending of Systeminformation in HO_cases for cell A.	1791
GSM_L3_MS_v4170/Miscellaneous/SysInfo/	SysInfoSending_202	Sending of Systeminformation in HO_cases for cell A.	1793
GSM_L3_MS_v4170/Miscellaneous/SysInfo/	SysInfoSending_211	Sending of Systeminformation in HO_cases for cell B using 256 format for cell allocation.	1795
GSM_L3_MS_v4170/Miscellaneous/SysInfo/	SysInfoSending_212	Sending of Systeminformation in HO_cases for cell B with CA in 512 format.	1797
GSM_L3_MS_v4170/Miscellaneous/SysInfo/	SysInfoSending_22	Sending of Systeminformation for cell A in EGSM test case TC_26_10_2_2.	1799
GSM_L3_MS_v4170/Miscellaneous/SysInfo/	SysInfoSending_23	Sending of Systeminformation for cell A in EGSM test case.	1800
GSM_L3_MS_v4170/Miscellaneous/SysInfo/	SysInfoSending_24	To send SYNCHRONIZATION CHANNEL INFORMATION and SYSTEM INFORMATION messages in cell B.	1801
GSM_L3_MS_v4170/Miscellaneous/SysInfo/	SysInfoSending_24re	To send SYNCHRONIZATION CHANNEL INFORMATION and SYSTEM INFORMATION messages in cell B.	1803
GSM_L3_MS_v4170/Miscellaneous/SysInfo/	SysInfoSending_25	To send SYNCHRONIZATION CHANNEL INFORMATION and SYSTEM INFORMATION messages in cell A.	1805
GSM_L3_MS_v4170/Miscellaneous/SysInfo/	SysInfo_SacchSending	To send SYSTEM INFORMATION 5 and 6 messages defined by parameters 'sysinfo5_pdu' and 'sysinfo6_pdu' in the parameterized 'ch' channel.	1806
GSM_L3_MS_v4170/Miscellaneous/SysInfo/	SysInfo_5bisSending	To send SYSTEM INFORMATION 5bis message defined by parameters 'sysinfo5bis_pdu' in the parameterized 'ch' channel.	1806
GSM_L3_MS_v4170/Miscellaneous/SysInfo/	SetNECI	To set the NECI =1.	1807
GSM_L3_MS_v4170/Miscellaneous/SysInfo/	SetATT	To set the ATT flag to "MS's in the cell should apply IMSI attach and detach procedure"	1808
GSM_L3_MS_v4170/OperatorOP/	AddPwrAmp	To add power amplification of the MS.	1809
GSM_L3_MS_v4170/OperatorOP/	AtttmpCall	To attempt a call which is supported by the MS and described in TSPX_MO_BscSvc_AnyCall. The rate is defined in TSPX_MO_rate_AnyCall.	1809
GSM_L3_MS_v4170/OperatorOP/	InitCall	To initiate a call for the basic service `srv` with channel rate `rate`.	1809
GSM_L3_MS_v4170/OperatorOP/	AtttmpDataCall	To attempt an MO data call described in TSPX_MO_BscSvc_FRDataCall.	1809
GSM_L3_MS_v4170/OperatorOP/	AtttmpDualModeCall	To attempt an MO data call described in TSPX_MO_BscSvc_DualModeCall. The rate is described in TSPX_MO_rate_DualModeCall.	1809
GSM_L3_MS_v4170/OperatorOP/	AtttmpEmgCall	To attempt an emergency call at the MS under test. The rate is indicated by TSPX_MO_rate_EmergencyCall.	1810
GSM_L3_MS_v4170/OperatorOP/	AtttmpFullRateCall	To attempt an MO full rate call at the MS. The service	1810

GSM_L3_MS_v4170/OperatorOP/	AttmpHalfRateCall	is described in TSPX_MO_BscSvc_FRCall. To attempt an MO half rate call described in TSPX_MO_BscSvc_HRCall.	1810
GSM_L3_MS_v4170/OperatorOP/	AttmpHalfRateDataCall	To attempt an MO half rate data call at the MS. The service is described in TSPX_MO_BscSvc_HRCall.	1810
GSM_L3_MS_v4170/OperatorOP/	AtmpNonCallSupp	To attempt a non call related supplementary service at the MS under test.	1810
GSM_L3_MS_v4170/OperatorOP/	AtmpShortMsg	To attempt an MO short message service transaction at the MS under test.	1811
GSM_L3_MS_v4170/OperatorOP/	AttmpSpchCall	To attempt an MO speech call at the MS under test. The service is indicated by TSPX_MO_rate_SpeechCall.	1811
GSM_L3_MS_v4170/OperatorOP/	CheckUssdStringDisplayed	To check whether the correct USSD String is displayed on the MS	1811
GSM_L3_MS_v4170/OperatorOP/	PLMNsCHK	To check whether the MS presents a list of available PLMNs.	1811
GSM_L3_MS_v4170/OperatorOP/	RemvPwrAmp	To remove the added power amplification of the MS.	1811
GSM_L3_MS_v4170/OperatorOP/	RFtransCHK	To check whether the MS transmits any radio signal.	1812
GSM_L3_MS_v4170/OperatorOP/	TermCall	To terminate (clear) the call at the MS under test.	1812
GSM_L3_MS_v4170/OperatorOP/	ServiceIndCHK	To check whether the MS gives any service indication.	1812
GSM_L3_MS_v4170/Postambles/	PostLinkRelEnd	To release the RR connection and bring the MS back to Idle state. This teststep decides the final verdict and therefor it shall be used only at the end of testcases.	1812
GSM_L3_MS_v4170/Postambles/	PostMainLinkRel	To release the main signalling link `ch`, and bring the MS back to Idle state.	1813
GSM_L3_MS_v4170/Postambles/	ChanRel	To release the RR connection on the channel TCV_chmaindcch and bring the MS back to Idle state.	1813
GSM_L3_MS_v4170/Postambles/	ChanRel_P	To release the RR connection on the channel TCV_chmaindcch and bring the MS back to Idle state. This teststep decides the verdict (P).	1813
GSM_L3_MS_v4170/Postambles/	ChanRel_end	To release the RR connection and bring the MS back to Idle state. This teststep decides the final verdict and therefor it shall be used only at the end of testcases.	1813
GSM_L3_MS_v4170/Postambles/	RestoreCphKey	To restore the ciphering key and ciphering key sequency number of SIM to the default value.	1814
GSM_L3_MS_v4170/Preambles/	BasicServiceMO		1815
GSM_L3_MS_v4170/Preambles/	BasicServiceMOorTelephony	To get a MO SETUP message with right BC IE.	1817
GSM_L3_MS_v4170/Preambles/	BasicServiceMT	To get a MT SETUP message with right BC IE.	1818
GSM_L3_MS_v4170/Preambles/	BasicServiceMTbis	To get a MT SETUP message with right BC IE.	1824
GSM_L3_MS_v4170/Preambles/	BS2xMT	To get a MT SETUP message with right BC IE for BS2x service.	1827
GSM_L3_MS_v4170/Preambles/	BS3xMT	To get a MT SETUP message with right BC IEs for BS3x service.	1829
GSM_L3_MS_v4170/Preambles/	BS61or81MT	To get a MT SETUP message with right BC IE for BS61 or BS81 service.	1832
GSM_L3_MS_v4170/Preambles/	TS61MT	To get a MT SETUP message with right BC IE for TS61 service.	1835
GSM_L3_MS_v4170/Preambles/	TS62MT	To get a MT SETUP message with right BC IE for TS62 service.	1836
GSM_L3_MS_v4170/Preambles/	BasicServiceMTorTelephony	To get a MT SETUP message with right BC IE.	1837
GSM_L3_MS_v4170/Preambles/	BasicServiceMTNICorTelephony	To get a MT SETUP message with right BC IE.	1837
GSM_L3_MS_v4170/Preambles/	EstMsOrigFullRateCall	To establish a full rate call in any cell.	1838
GSM_L3_MS_v4170/Preambles/	EstMsOrigTCHF_init	To initiate a mobile originating full rate call for the supported bearer capability. Only in HO cases.	1839
GSM_L3_MS_v4170/Preambles/	EstMsOrigHalfRateCall	To establish a half rate mobile station originating call.	1840
GSM_L3_MS_v4170/Preambles/	EstMsTermFullRateCallFH	To establish a full rate call with FH(in CELL A or B).	1841
GSM_L3_MS_v4170/Preambles/	EstMsTermFullRateCallNonFH	To establish a full rate call with non hopping(in CELL A or B) for GSM900 and DCS1800.	1842
GSM_L3_MS_v4170/Preambles/	EstMsTermHalfRateCallFH	To establish a half rate call with FH.	1843

GSM_L3_MS_v4170/Preambles/	EstMsTermHalfRateCallNonFH	To establish a half rate call with non hopping.	1844
GSM_L3_MS_v4170/Preambles/	IdleUpdated	To ensure that the SIM is updated to the initial conditions and the MS with CKSN valid, TMSI valid and idle updated in cell A, B or C.	1845
GSM_L3_MS_v4170/Preambles/	IdleUpdatedCellB	To ensure that the SIM is updated to the initial conditions and the MS with CKSN valid, TMSI valid and idle updated in cell B.	1848
GSM_L3_MS_v4170/Preambles/	PreCCSetup		1849
GSM_L3_MS_v4170/Preambles/	PreCCSetupMO		1849
GSM_L3_MS_v4170/Preambles/	PreEnterIdleState_02	To set one physical channel used as FCHH_SCH_BCCH_CCCH for cell A and broadcast SYSTEM INFORMATION messages 2, 3, 4, 5 and 6 with default parameters, except CCCH not combined with SDCCH, then wait for the SUT (MS) entering the Idle updated state.	1850
GSM_L3_MS_v4170/Preambles/	PreEnterIdleState_03	To set a physical channel and map FCCH, SCH, BCCH, CCCH and SDCCH4 onto the physical channel which represents cell A, then broadcast SYSTEM INFORMATION messages 2, 3, 4, 5 and 6 with default parameters for cell A, and wait for the SUT (MS) entering the Idle updated state.	1850
GSM_L3_MS_v4170/Preambles/	PreEnterIdleState_07	To broadcast SYSTEM INFORMATION messages 2, 3, 4, 5 and 6 with default parameters in cell B, and wait for the SUT (MS) entering the Idle updated state.	1850
GSM_L3_MS_v4170/Preambles/	PreEnterIdleState_11	To set a physical channel used as full rate traffic channel for cell A and a physical channel used as combined BCCH then broadcast SYSTEM INFORMATION messages 2, 3, 4, 5 and 6 containing default parameters except Cell-Reselect-Hysteresis = 0, and wait for the SUT (MS) entering the Idle updated state.	1851
GSM_L3_MS_v4170/Preambles/	PreEnterIdleState_12	To set a physical channel used as full rate traffic channel for cell A and a physical channel used as combined BCCH then broadcast SYSTEM INFORMATION messages 2, 3, 4, 5 and 6 containing default parameters except Max-Retrans = 7, Cell-Reselect-Hysteresis = 0, and wait for the SUT (MS) entering the Idle updated state.	1851
GSM_L3_MS_v4170/Preambles/	PreEnterIdleState_r01	To broadcast SYSTEM INFORMATION messages 1, 2, 3, 4, 5 and 6 with some options in cell A, and wait for the SUT (MS) entering the Idle updated state (3 parameters: combined channel, max retransmission, and tx integer can be set/assigned).	1851
GSM_L3_MS_v4170/Preambles/	PreEnterIdleState_Comb01	To broadcast SYSTEM INFORMATION messages 1, 2, 3, 4, 5 and 6 with some options in cell A, and wait for the SUT (MS) entering the Idle updated state (3 parameters: combined channel, max retransmission, and tx integer can be set/assigned).	1852
GSM_L3_MS_v4170/Preambles/	PreEnterIdleState_r02	To broadcast SYSTEM INFORMATION messages 2, 3, 4, 5 and 6 with some options in cell A, and wait for the SUT (MS) entering the Idle updated state. 2 parameters: max retransmission, and tx integer can be set/assigned and legal combination of CCCH-CONF, BS-AG-BLKS-RES, BS-PA-MFRMS are specified by parameter `ccd`.	1853
GSM_L3_MS_v4170/Preambles/	PreEnterIdleState_r03	To broadcast SYSTEM INFORMATION messages 2, 3, 4, 5 and 6 except radio-link-timeout = 64 in cell A, and wait for the SUT (MS) entering the Idle updated state.	1854
GSM_L3_MS_v4170/Preambles/	PreEnterIdleState_r03_1	To broadcast SYSTEM INFORMATION messages 2, 3, 4, 5 and 6 except radio-link-timeout = 64 in cell A, and wait for the SUT (MS) entering the Idle updated state.	1854
GSM_L3_MS_v4170/Preambles/	PreEnterIdleState_r06	To broadcast SYSTEM INFORMATION messages 2, 3, 4, 5 and 6 with an option in cell A, and wait for the SUT (MS) entering the Idle updated state (1 parameter: cell allocation can be assigned).	1854
GSM_L3_MS_v4170/Preambles/	PreEnterIdleState_20	To broadcast SYSTEM INFORMATION messages 2, 3, 4, 5 and 6 with default parameters in cell A in HO-cases, and wait for the SUT (MS) entering the Idle updated state.	1855
GSM_L3_MS_v4170/Preambles/	PreEnterIdleState_20_1	To broadcast SYSTEM INFORMATION messages 2, 3, 4, 5 and 6 with default parameters in	1855

GSM_L3_MS_v4170/Preambles/	PreEnterIdleState_20 2c	cell A and B in HO-cases, and wait for the SUT (MS) entering the Idle updated state. To broadcast SYSTEM INFORMATION messages 2, 3, 4, 5 and 6 with default parameters in cell A in HO-cases, and wait for the SUT (MS) entering the Idle updated state.	1856
GSM_L3_MS_v4170/Preambles/	PreEnterIdleState_20 2nc	To broadcast SYSTEM INFORMATION messages 2, 3, 4, 5 and 6 with default parameters in cell A in HO-cases, and wait for the SUT (MS) entering the Idle updated state.	1857
GSM_L3_MS_v4170/Preambles/	PreEnterIdleState_20 2e	To broadcast SYSTEM INFORMATION messages 2, 3, 4, 5 and 6 with default parameters in cell A in HO-cases, and wait for the SUT (MS) entering the Idle updated state.	1858
GSM_L3_MS_v4170/Preambles/	PreEnterIdleState_22	To broadcast SYSTEM INFORMATION messages 1, 2, 3, 4, 5 and 6 with default parameters in cell A for EGSM test case TC_26_10_2_2, and wait for the SUT (MS) entering the Idle updated state.	1859
GSM_L3_MS_v4170/Preambles/	PreEnterIdleState_23	Sending of Systeminformation for cell A in EGSM test case.	1859
GSM_L3_MS_v4170/Preambles/	PreEnterCCstateU01 _21	To bring the MS into CC state U0.1 by procedure in table 26.8.1.2/1. This is used in CC testing.	1859
GSM_L3_MS_v4170/Preambles/	PreEnterCCstateU1 _21	To bring the MS into CC state U1 by procedure in table 26.8.1.2/1. This is used in CC testing.	1860
GSM_L3_MS_v4170/Preambles/	PreEnterCCstateU1 _22	To bring the MS into CC state U1 by procedure in table 26.8.1.2/2. This is used in CC testing.	1860
GSM_L3_MS_v4170/Preambles/	PreEnterCCstateU1 _22Timer	To bring the MS into CC state U1 by procedure in table 26.8.1.2/2. This is used in CC testing.	1861
GSM_L3_MS_v4170/Preambles/	PreEnterCCstateU1 _24	To bring the MS into CC state U1 by procedure in table 26.8.1.2/4. This is used in CC testing.	1861
GSM_L3_MS_v4170/Preambles/	PreEnterCCstateU1	To establish a mobile originating call and put the MS under test in the CC state U1.	1862
GSM_L3_MS_v4170/Preambles/	PreEnterCCstateU3	To establish a mobile originating call and put the MS under test in the CC state U3.	1863
GSM_L3_MS_v4170/Preambles/	PreEnterCCstateU3 _21	To bring the MS into CC state U3 by procedure in table 26.8.1.2/1. This is used in CC testing.	1863
GSM_L3_MS_v4170/Preambles/	PreEnterCCstateU3 _22	To bring the MS into CC state U3 by procedure in table 26.8.1.2/2. This is used in CC testing.	1864
GSM_L3_MS_v4170/Preambles/	PreEnterCCstateU3 _23	To bring the MS into CC state U3 by procedure in table 26.8.1.2/3. This is used in CC testing.	1864
GSM_L3_MS_v4170/Preambles/	PreEnterCCstateU3 _24	To bring the MS into CC state U3 by procedure in table 26.8.1.2/4. This is used in CC testing.	1864
GSM_L3_MS_v4170/Preambles/	PreEnterCCstateU4 _21	To bring the MS into CC state U4 by procedure in table 26.8.1.2/1. This is used in CC testing.	1865
GSM_L3_MS_v4170/Preambles/	PreEnterCCstateU4 _22	To bring the MS into CC state U4 by procedure in table 26.8.1.2/2. This is used in CC testing.	1865
GSM_L3_MS_v4170/Preambles/	PreEnterCCstateU4 _23	To bring the MS into CC state U4 by procedure in table 26.8.1.2/3. This is used in CC testing.	1865
GSM_L3_MS_v4170/Preambles/	PreEnterCCstateU4 _24	To bring the MS into CC state U4 by procedure in table 26.8.1.2/4. This is used in CC testing.	1866
GSM_L3_MS_v4170/Preambles/	PreEnterCCstateU6 _32	To bring the MS into CC state U6 by procedure in table 26.8.1.3/2. This is used in CC testing.	1866
GSM_L3_MS_v4170/Preambles/	PreEnterCCstateU7 _31	To bring the MS into CC state U7 by procedure in table 26.8.1.3/1. This is used in CC testing.	1866
GSM_L3_MS_v4170/Preambles/	PreEnterCCstateU7 _32	To bring the MS into CC state U7 by procedure in table 26.8.1.3/2. This is used in CC testing.	1867
GSM_L3_MS_v4170/Preambles/	PreEnterCCstateU7 _33	To bring the MS into CC state U7 by procedure in table 26.8.1.3/3. This is used in CC testing.	1867
GSM_L3_MS_v4170/Preambles/	PreEnterCCstateU8 _31	To bring the MS into CC state U8 by procedure in table 26.8.1.3/1. This is used in CC testing.	1867
GSM_L3_MS_v4170/Preambles/	PreEnterCCstateU8 _32	To bring the MS into CC state U8 by procedure in table 26.8.1.3/2. This is used in CC testing.	1868
GSM_L3_MS_v4170/Preambles/	PreEnterCCstateU8 _33	To bring the MS into CC state U8 by procedure in table 26.8.1.3/3. This is used in CC testing.	1868
GSM_L3_MS_v4170/Preambles/	PreEnterCCstateU9 _31		1869
GSM_L3_MS_v4170/Preambles/	PreEnterCCstateU9 _32	To bring the MS into CC state U9 by procedure in table 26.8.1.3/2. This is used in CC testing.	1869
GSM_L3_MS_v4170/Preambles/	PreEnterCCstateU9 _33	To bring the MS into CC state U9 by procedure in table 26.8.1.3/3. This is used in CC testing.	1869
GSM_L3_MS_v4170/Preambles/	PreEnterCCstateU9 _34	To bring the MS into CC state U9 by procedure in table 26.8.1.3/4. This is used in CC testing.	1870

GSM_L3_MS_v4170/Preambles/	PreEnterCCstateU10	To establish a mobile terminating call for the supported bearer capability and put the MS under test in the CC state U10. The supported bearer capability is specified in the input parameter setup. Early assignment only. The SETUP message does not contain a SIGNAL information element.	1871
GSM_L3_MS_v4170/Preambles/	PreEnterCCstateU10_late	To establish a mobile terminating call for the supported bearer capability and put the MS under test in the CC state U10. The supported bearer capability is specified in the input parameter setup. Late assignment only. The SETUP message shall contain a SIGNAL information element.	1872
GSM_L3_MS_v4170/Preambles/	PreEnterCCstateU10_r01	To establish a mobile terminating call for the supported bearer capability and put the MS in the CC state U10.	1873
GSM_L3_MS_v4170/Preambles/	PreEnterCCstateU10_21	To bring the MS into CC state U10 by procedure in table 26.8.1.2/1. This is used in CC testing.	1874
GSM_L3_MS_v4170/Preambles/	PreEnterCCstateU10_22	To bring the MS into CC state U10 by procedure in table 26.8.1.2/2. This is used in CC testing.	1874
GSM_L3_MS_v4170/Preambles/	PreEnterCCstateU11_23	To bring the MS into CC state U11 by procedure in table 26.8.1.2/3. This is used in CC testing.	1875
GSM_L3_MS_v4170/Preambles/	PreEnterCCstateU11_23Timer	To bring the MS into CC state U11 by procedure in table 26.8.1.2/3. This is used in CC testing.	1875
GSM_L3_MS_v4170/Preambles/	PreEnterCCstateU11_24	To bring the MS into CC state U11 by procedure in table 26.8.1.2/4. This is used in CC testing.	1876
GSM_L3_MS_v4170/Preambles/	PreEnterCCstateU12_21	To bring the MS into CC state U12 by procedure in table 26.8.1.2/1. This is used in CC testing.	1876
GSM_L3_MS_v4170/Preambles/	PreEnterCCstateU12_22	To bring the MS into CC state U12 by procedure in table 26.8.1.2/2. This is used in CC testing.	1876
GSM_L3_MS_v4170/Preambles/	PreEnterCCstateU12_23	To bring the MS into CC state U12 by procedure in table 26.8.1.2/3. This is used in CC testing.	1877
GSM_L3_MS_v4170/Preambles/	PreEnterCCstateU19_21	To bring the MS into CC state U19 by procedure in table 26.8.1.2/1. This is used in CC testing.	1877
GSM_L3_MS_v4170/Preambles/	PreEnterCCstateU19_24	To bring the MS into CC state U19 by procedure in table 26.8.1.2/4. This is used in CC testing.	1878
GSM_L3_MS_v4170/Preambles/	PreEnterCCstateU19_24Timer	To bring the MS into CC state U19 by procedure in table 26.8.1.2/4. This is used in CC testing.	1878
GSM_L3_MS_v4170/Preambles/	PreEstRRConn	To establish a RR connection on TSPX_SDCCH4SubDef	1879
GSM_L3_MS_v4170/Preambles/	PreEstRRC_MM	To establish a RR connection for MM testcases.	1879
GSM_L3_MS_v4170/Preambles/	PreModifySetup	To setup dual mode call and initiate MO incall modification.	1880
GSM_L3_MS_v4170/Preambles/	PreModifySetupTimer	To setup dual mode call and initiate MO incall modification.	1881
GSM_L3_MS_v4170/Preambles/	StartCellA_CBMS	start cell A and enter the Idle updated state.	1882
GSM_L3_MS_v4170/Preambles/	StartCellA	To broadcast SYSTEM INFORMATION messages 2, 3, 4, 5 and 6 with default parameters in cell A.	1883
GSM_L3_MS_v4170/Preambles/	StartCellA_1	To start cell A with some parameters different from defaults.	1884
GSM_L3_MS_v4170/Preambles/	StartCellA_2	To broadcast SYSTEM INFORMATION messages 2, 3, 4, 5 and 6 with default parameters in cell A.	1885
GSM_L3_MS_v4170/Preambles/	StartCellA_MM1	To broadcast SYSTEM INFORMATION messages 2, 3, 4, 5 and 6 with default parameters in cell A.	1886
GSM_L3_MS_v4170/Preambles/	StartCellA_MM2	To broadcast SYSTEM INFORMATION messages 2, 3, 4, 5 and 6 with default parameters in cell A.	1887
GSM_L3_MS_v4170/Preambles/	StartCellAandB		1889
GSM_L3_MS_v4170/Preambles/	StartCellAandB2PLMN		1889
GSM_L3_MS_v4170/Preambles/	StartCellB	To broadcast SYSTEM INFORMATION messages 2, 3, 4, 5 and 6 with default parameters in cell B.	1890
GSM_L3_MS_v4170/Preambles/	StartCellB_1	To start cell B with default parameters.	1890
GSM_L3_MS_v4170/Preambles/	StartCellB_1re	To start cell B with default parameters.	1891
GSM_L3_MS_v4170/Preambles/	StartCellB_2	To start transmission of system information messages in cell B for RR testing.	1891
GSM_L3_MS_v4170/Preambles/	StartCellB_21	To start transmission of system information messages in cell B for RR testing with controllable timing.	1891
GSM_L3_MS_v4170/Preambles/	StartCellB_3	To start cell B with default parameters. Cell B belongs to PLMN2(VPLMN)	1892
GSM_L3_MS_v4170/Preambles/	StartCellB_5	To start transmission of default system information messages in cell B for RR testing.	1894

GSM_L3_MS_v4170/Preambles/	StartCellC	To broadcast SYSTEM INFORMATION messages 2, 3, 4, 5 and 6 with default parameters in cell C.	1896
GSM_L3_MS_v4170/Preambles/	Start_2cellsPLMN2		1898
GSM_L3_MS_v4170/Preambles/	StartMultiCells_01	To broadcast SYSTEM INFORMATION messages 2, 3, 4, 5 and 6 in multiple cells for idle mode testing.	1899
GSM_L3_MS_v4170/Preambles/	StartMultiCells_02	To broadcast SYSTEM INFORMATION messages 1, 2, 3, 4, 5 and 6 in multiple cells for measurement testing. Neighbour cells description for cell S1 is a formal parameter.	1901
GSM_L3_MS_v4170/Preambles/	StartMultiCells_02e	To broadcast SYSTEM INFORMATION messages 1, 2, 3, 4, 5 and 6 in multiple cells for measurement testing. Neighbour cells description for cell S1 is a formal parameter.	1903
GSM_L3_MS_v4170/Preambles/	StartMultiCells_03	To broadcast SYSTEM INFORMATION messages 1, 2, 3, 4, 5 and 6 in multiple cells for measurement testing. NCCs of cells N3, N4 and N5 are not to be monitored.	1905
GSM_L3_MS_v4170/Preambles/	StartMultiCells_04	To broadcast SYSTEM INFORMATION messages 1, 2, 3, 4, 5 and 6 in multiple cells for measurement testing. The DTX is set to "MS shall use discontinuous transmission.	1907
GSM_L3_MS_v4170/Preambles/	StartTwoCells	To start cell A and cell B with default parameters except power level of cell A = 28 dBuV and power level of cell B = 33 dBuV MNC of cell B = '02'O.	1909
GSM_L3_MS_v4170/Preambles/	StartTwoCells_01	To broadcast SYSTEM INFORMATION messages 1, 2, 3, 4, 5 and 6 in two cells for measurement testing. Neighbour cells description for cell S1 is a formal parameter.	1912
GSM_L3_MS_v4170/Preambles/	IdleState_cellA	start cell A and enter the Idle updated state.	1912
GSM_L3_MS_v4170/Preambles/	IdleState_cellB3	To delete LAI after changing of SIM card in cell B.	1913
GSM_L3_MS_v4170/Preambles/	IdleState_2cellMM	start 2 cells and enter the Idle updated state. MS camped on 'activ_cell'.	1914
GSM_L3_MS_v4170/Preambles/	IdleState_2cellMM2	start 2 cells and enter the Idle updated state. MS camps on 'activ_cell'.	1915
GSM_L3_MS_v4170/Preambles/	IdleState_3cellMMA	start 3 cells and enter the Idle updated state. MS camped on cell A.	1916
Detailed Comments:			

Default index

Default Index			
Default Group Reference	Default Id	Description	Page Nr
GSM_L3_MS_v4170/	OtherEvents	To match unexpected events and sign final verdict for preambles.	1921
GSM_L3_MS_v4170/	OtherEventsFail	To match unexpected events and fail the test case.	1922
GSM_L3_MS_v4170/	OtherEventsFail_01	To match irrelevant CHANNEL REQUEST msg and return or match other unexpected events and fail the test case.	1923
GSM_L3_MS_v4170/	OtherEventsFail_02	To match unexpected events and fail the test case but ignore channel request messages that are sent before the lower tester has sent (and the MS received) the Immediate Assignment message.	1924
GSM_L3_MS_v4170/	OtherEvents_01	To match irrelevant messages and return	1925
GSM_L3_MS_v4170/	OtherEvents_02	To match unexpected events and sign final verdict for preambles but ignore channel request messages that are sent before the lower tester has sent (and the MS received) the Immediate Assignment message.	1926
GSM_L3_MS_v4170/	RcvHdOvAcc	To match any HANDOVER ACCESS then return to calling tree.	1927
Detailed Comments:			

Declarations Part

Test suite type definitions

Simple type definitions

Simple Type Definitions		
Type Name	Type Definition	Comments
B_1	BITSTRING [1]	Generic type for 1 bit value
B_2	BITSTRING [2]	Generic type for 2 bits value
B_3	BITSTRING [3]	Generic type for 3 bits value
B_4	BITSTRING [4]	Generic type for 4 bits value
B_5	BITSTRING [5]	Generic type for 5 bits value
B_8	BITSTRING [8]	Generic type for 8 bits value
BCCHFRQ	BITSTRING [5]	position of a bcch carrier in the bcch channel list
BCC	BITSTRING [3]	BS colour code
BCDN	OCTETSTRING [1..10]	BCD numbers, GSM 04.08, 10.5.4.7, octet 4-13
BSIC	BITSTRING [6]	base station identity code
CCCH_CON	BITSTRING[3]	number of physical channels for ccch GSM 04.08, 10.5.2.11
CCSTATE	INTEGER(0..20)	
CellID	IA5String	Cell identifier
CHANNEL	BITSTRING [2]	needed channel type
CHMOD_VAL	BITSTRING[8]	value for channel mode GSM 04.08, 10.5.2.6, 10.5.2.7
CH_TDMA	BITSTRING[5]	channel type and TDMA offset GSM 04.08, 10.5.2.5
CI	OCTETSTRING [2]	cell identity, GSM 04.08, 10.5.1.1
CKSN	BITSTRING[3]	ciphering key sequence number(only key sequence) GSM 04.08, 10.5.1.2
CLRSUP	BITSTRING('10100001'B)	CLIR suppression GSM 04.08, 10.5.4.11a
CLRINV	BITSTRING('10100010'B)	CLIR invocation GSM 04.08, 10.5.4.11b
CMSVTYPE	BITSTRING [4]	CM service type
CP_CAU	OCTETSTRING [1]	cp cause GSM 04.11, 8.1.4.2
CPHALG	BITSTRING[3]	Ciphering algorithm identifier GSM 04.08, 10.5.2.9
CS	BITSTRING [2]	coding standard
DeactMode	INTEGER(0..2)	Channel deactivate mode
EstMode	OCTETSTRING [1]	establish mode
EXTB	BITSTRING [1]	extension bit
FCS	HEXSTRING [2]	TP failure cause
HORF	BITSTRING [8]	handover reference
HSN	BITSTRING[6]	Hopping sequence number e.g.GSM 04.08 10.5.2.5
IDTYPE	BITSTRING('0001'B, '0010'B, '0100'B, '0011'B)	identity type
IEI_4	BITSTRING [4]	information element identifier, type 1
IEI_8	BITSTRING [8]	information element identifier, type 2-4
L2FMTYPE	INTEGER(1..3)	L2 frame type
LENGTH	OCTETSTRING [1]	IE length or L2 pseudo length. The L2 pseudo length is composed of a L2 pseudo length value, which is 6 bits long, and of 2 additional bits. See GSM 04.08 section 10.5.2.19
LEVEL	BITSTRING[5]	Power level GSM 04.08, 10.5.2.28, 10.5.2.28a
LOGICCH	IA5String	
LOGCH	IA5String	

MAC	BITSTRING[8]	mac, e.g. GSM 04.08 10.5.2.21
MAIO	BITSTRING[6]	MAIO,GSM 04.08 10.5.2.5
MAXTXPOW	INTEGER(0..31)	Max Tx Power Level GSM 04.08, 10.5.2.4
MOSERVICES	IA5String("C_Telephony", "C_EmgCallSRV", "C_AltSpchG3_2400", "C_AltSpchG3_4800", "C_AltSpchG3_9600", "C_AutoG3_T_2400", "C_AutoG3_T_4800", "C_AutoG3_T_9600", "C_300cda_T", "C_1200cda_T", "C_120075cda_T", "C_2400cda_T", "C_4800cda_T", "C_2400cda_T", "C_4800cda_T", "C_2400cda_T", "C_4800cda_T", "C_PAD300_T", "C_PAD1200_T", "C_PAD120075_T", "C_PAD2400_T", "C_PAD4800_T", "C_AltSpchData_300", "C_AltSpchData_1200", "C_AltSpchData_120075", "C_AltSpchData_2400", "C_AltSpchData_4800", "C_AltSpchData_9600", "C_SpchData_300", "C_SpchData_1200", "C_SpchData_120075", "C_SpchData_2400", "C_SpchData_4800", "C_SpchData_9600")	
MR	OCTETSTRING [1]	SMS RP or TP message reference
MT	BITSTRING[8]	message type, structure of it see MT0
MTI	BITSTRING [3]	SMS RP message type indicator
MTSERVICES	IA5String("C_Telephony", "C_AltSpchG3_2400", "C_AltSpchG3_4800", "C_AltSpchG3_9600", "C_AutoG3_T_2400", "C_AutoG3_T_4800", "C_AutoG3_T_9600", "C_300cda", "C_1200cda", "C_2400cda", "C_4800cda", "C_9600cda", "C_1200cda", "C_2400cda", "C_4800cda", "C_9600cda", "C_1200cda", "C_2400cda", "C_4800cda", "C_9600cda", "C_AltSpchData_300", "C_AltSpchData_1200", "C_AltSpchData_2400", "C_AltSpchData_4800", "C_AltSpchData_9600", "C_SpchData_300", "C_SpchData_1200", "C_SpchData_2400", "C_SpchData_4800", "C_SpchData_9600")	
NCC	BITSTRING [3]	PLMN colour code
NCCP	OCTETSTRING [1]	ncc permitted
NTI	BITSTRING('10000000'B, '10000001'B, '10000010'B)	notification indicator GSM 04.08, 10.5.4.20
PD	BITSTRING('0011'B, '0101'B, '0110'B, '1001'B, '1011'B)	Protocol discriminator
PGG	BITSTRING [8]	the paging group of an MS to be paged in binary presentation
RATE	IA5String("C_Full", "C_Half")	
RAND	BITSTRING [128]	random number
RCSD	BITSTRING [8]	reverse call setup direction GSM 04.08, 10.5.4.22a
RelMode	OCTETSTRING [1]	release mode
REJCAU	OCTETSTRING [1]	reject cause GSM 04.08, 10.5.3.6
RPI	BITSTRING [8]	repeat indicator
RRCAU	BITSTRING [8]	RR cause GSM 04.08, 10.5.2.31
RXLEV	BITSTRING [6]	received signal strength
SAPID	OCTETSTRING [1]	sap identifier
SENDINGMODE	INTEGER(1..4)	the mode of sending two consecutive messages containing paging mode IE
SHOCT	BITSTRING('0000'B)	spare half octet for type 1 information element

SKI	BITSTRING('0000'B)	GSM 04.08, 10.5.1.8
SN	BITSTRING [3]	Skip indicator all possible slot number, GSM 04.08 10.5.2.5
SPB	BITSTRING('0'B)	spare bit
SP2B	BITSTRING('00'B)	2 spare bits
SP3B	BITSTRING('000'B)	3 spare bits
SP5B	BITSTRING('00000'B)	5 spare bits
SP6B	BITSTRING('000000'B)	6 spare bits
SRES	OCTETSTRING [4]	authentication response signature
TA_VAL	BITSTRING[6]	Value for timing advance GSM 04.08, 10.5.2.40
TPCD	OCTETSTRING [1..157]	TP command data
TPSCTS	HEXSTRING [14]	TP service centre time stamp
TPUD	OCTETSTRING [1..140]	TP user data
TSC	BITSTRING[3]	Training sequence code,GSM 04.08 10.5.2.5
T1	BITSTRING [11]	
T1_	BITSTRING [5]	T1'
T2	BITSTRING [5]	
T3	BITSTRING [6]	
T3_	BITSTRING [3]	T3'
TI_V	BITSTRING('000'B, '001'B, '010'B, '011'B, '100'B, '101'B, '110'B)	TI value
TMSI_V	OCTETSTRING[4]	TMSI value is octetstring of length 4
TZONES	INTEGER(-79..79)	time zones in 15 minute steps
WI	HEXSTRING [2]	wait indication, unit in second
Detailed Comments:		

Structured Type definitions

Structured Type Definition		
Type Name:	ACST	
Comments:	Auxiliary states (CC information element) GSM 04.08, 10.5.4.4	
Element Name	Type Definition	Comments
iei	IEI_8	
iel	LENGTH	
extb	EXTB	
sp3b	SP3B	
has	BITSTRING [2]	
mpas	BITSTRING [2]	
Detailed Comments:		

Structured Type Definition		
Type Name:	BCAP	
Comments:	Bearer capability (CC information element) GSM 04.08, 10.5.4.5	
Element Name	Type Definition	Comments
iei	IEI_8	
iel	LENGTH	
extb3	EXTB	
rchr	BITSTRING [2]	
cs	BITSTRING [1]	
tm	BITSTRING [1]	
itc	BITSTRING [3]	
extb4	EXTB	
spb	SPB	
strc	BITSTRING [2]	
dplxm	BITSTRING [1]	
config	BITSTRING [1]	
nirr	BITSTRING [1]	
est	BITSTRING [1]	
extb5	EXTB	
accid	BITSTRING [2]	
ra	BITSTRING [2]	
sacp	BITSTRING [3]	
extb6	EXTB	
l1id	BITSTRING [2]	
uil1	BITSTRING [4]	
sb	BITSTRING [1]	
extb6a	EXTB	
nsb	BITSTRING [1]	
nb	BITSTRING [1]	
ndb	BITSTRING [1]	
ur	BITSTRING [4]	
extb6b	EXTB	
ir	BITSTRING [2]	
nictx	BITSTRING [1]	
nicrx	BITSTRING [1]	
pi	BITSTRING [3]	
extb6c	EXTB	
ce	BITSTRING [2]	
modemt	BITSTRING [5]	
extb7	EXTB	
l2id	BITSTRING [2]	
uil2	BITSTRING [5]	
Detailed Comments:		

Structured Type Definition		
Type Name:	BLOCKTYPE	
Comments:	Block type, GSM 04.12, 3.3.1	
Element Name	Type Definition	Comments
spare1	SPB	
lpd	BITSTRING[2]	
lb	BITSTRING[1]	
sequence_number	BITSTRING[4]	
Detailed Comments:		

Structured Type Definition		
Type Name: CAU		
Comments: Cause (CC information element) GSM 04.08, 10.5.4.11		
Element Name	Type Definition	Comments
iei	IEI_8	
iel	LENGTH	
extb3	EXTB	
cs	CS	
spb	SPB	
location	BITSTRING [4]	
extb3a	EXTB	
rec	BITSTRING [7]	
extb4	EXTB	
cau_class	BITSTRING [3]	
cau_va	BITSTRING [4]	
cau_di	OCTETSTRING [1..28]	
Detailed Comments: &COMMON_U06		

Structured Type Definition		
Type Name: CCCAP		
Comments: Call Control Capabilities GSM 04.08, 10.5.4.5a		
Element Name	Type Definition	Comments
iei	IEI_8	
iel	LENGTH	
spr	BITSTRING [7]	
dtmf	BITSTRING [1]	
Detailed Comments:		

Structured Type Definition		
Type Name: CCD		
Comments: Control channel description GSM 04.08, 10.5.2.11		
Element Name	Type Definition	Comments
spr1	BITSTRING [1]	
att	BITSTRING [1]	
babr	BITSTRING [3]	
ccch_con	BITSTRING [3]	
spr2	BITSTRING [5]	
bpm	BITSTRING [3]	
t3212	OCTETSTRING [1]	
Detailed Comments:		

Structured Type Definition		
Type Name: CCHD		
Comments: Cell channel description GSM 04.08, 10.5.2.1		
Element Name	Type Definition	Comments
iei	IEI_8	
rfl	OCTETSTRING [16]	
Detailed Comments:		

Structured Type Definition		
Type Name:	CD	
Comments:	Cell description GSM 04.08, 10.5.2.2	
Element Name	Type Definition	Comments
bcch_arfcn_h	BITSTRING [2]	
ncc	NCC	
bcc	BCC	
bcch_arfcn_l	BITSTRING [8]	
Detailed Comments:	The info element is two octets long.	

Structured Type Definition		
Type Name:	CDPN	
Comments:	Called party BCD number (CC information element) GSM 04.08, 10.5.4.7	
Element Name	Type Definition	Comments
iei	IEI_8	
iel	LENGTH	
tonnpi	TON_NPI	
digits	BCDN	
Detailed Comments:		

Structured Type Definition		
Type Name:	CDPS	
Comments:	Called party subaddress (CC information element) GSM 04.08, 10.5.4.8	
Element Name	Type Definition	Comments
iei	IEI_8	
iel	LENGTH	
subad	SUBAD	
Detailed Comments:		

Structured Type Definition		
Type Name:	CGPN	
Comments:	Calling party BCD number (CC information element) GSM 04.08, 10.5.4.9	
Element Name	Type Definition	Comments
iei	IEI_8	
iel	LENGTH	
tonnpi	TON_NPI	
pisi	PI_SI	
digits	BCDN	
Detailed Comments:		

Structured Type Definition		
Type Name:	CGPS	
Comments:	Calling party subaddress (CC information element) GSM 04.08, 10.5.4.10	
Element Name	Type Definition	Comments
iei	IEI_8	
iel	LENGTH	
subad	SUBAD	
Detailed Comments:		

Structured Type Definition		
Type Name:	CHD	
Comments:	Channel description GSM 04.08, 10.5.2.5	
Element Name	Type Definition	Comments
iei	IEI_8	
cht_schn	BITSTRING [5]	
tn	BITSTRING [3]	
tsc	BITSTRING [3]	
hch	BITSTRING [1]	
maio	BITSTRING [6]	
hsn	BITSTRING [6]	
spr	BITSTRING [2]	
arfcn	BITSTRING [10]	
Detailed Comments:		

Structured Type Definition		
Type Name:	CHMOD	
Comments:	Channel mode, channel mode2 GSM 04.08, 10.5.2.6, 10.5.2.7	
Element Name	Type Definition	Comments
iei	IEI_8	
mode	BITSTRING [8]	
Detailed Comments:		

Structured Type Definition		
Type Name:	CHNEED	
Comments:	Channels needed GSM 04.08, 10.5.2.8	
Element Name	Type Definition	Comments
ch2	CHANNEL	
ch1	CHANNEL	
Detailed Comments:		

Structured Type Definition		
Type Name:	CNN	
Comments:	Connected number (CC information element) GSM 04.08, 10.5.4.13	
Element Name	Type Definition	Comments
iei	IEI_8	
iel	LENGTH	
tonnpi	TON_NPI	
pis	PI_SI	
digits	BCDN	
Detailed Comments:		

Structured Type Definition		
Type Name:	CNS	
Comments:	Connected subaddress (CC information element) GSM 04.08, 10.5.4.14	
Element Name	Type Definition	Comments
iei	IEI_8	
iel	LENGTH	
subad	SUBAD	
Detailed Comments:		

Structured Type Definition		
Type Name:	CO	
Comments:	Cell options (BCCH / SACCH) GSM 04.08, 10.5.2.3	
Element Name	Type Definition	Comments
sprb	BITSTRING [1]	
pwr	BITSTRING [1]	
dtx	BITSTRING [2]	
rlt	BITSTRING [4]	
Detailed Comments:		

Structured Type Definition		
Type Name:	Component_T	
Comments:	Component for sending (downlink) GSM 04.80, 3.6	
Element Name	Type Definition	Comments
comp_part1	OCTETSTRING	
invokeld	OCTETSTRING [1]	
comp_part2	OCTETSTRING	
comp_part3	OCTETSTRING	
comp_part4	OCTETSTRING	
comp_part5	OCTETSTRING	
comp_part6	OCTETSTRING	
comp_part7	OCTETSTRING	
comp_part8	OCTETSTRING	
comp_part9	OCTETSTRING	
comp_part10	OCTETSTRING	
comp_part11	OCTETSTRING	
comp_part12	OCTETSTRING	
Detailed Comments: This component is defined for the use in the downlink (from the test system to the IUT) direction.		

Structured Type Definition		
Type Name:	CPDATA	
Comments:	CP-User data element GSM 04.11, 8.1.4.1	
Element Name	Type Definition	Comments
iei	IEI_8	
iel	LENGTH	
rpack	RPACK	
rpdata	RPDATA	
rperr	RPERR	
rpsmma	RPSMMA	
Detailed Comments: One of the 4 types of rpdu is contained in the CPDATA.		

Structured Type Definition		
Type Name:	CPHMS	
Comments:	Cipher mode setting GSM 04.08, 10.5.2.9	
Element Name	Type Definition	Comments
iei	IEI_4	
algid	BITSTRING [3]	
sc	BITSTRING [1]	
Detailed Comments:		

Structured Type Definition		
Type Name: CPHKSN		
Comments: Ciphering key sequence number GSM 04.08, 10.5.1.2		
Element Name	Type Definition	Comments
sprb	BITSTRING [1]	
ks	BITSTRING [3]	
Detailed Comments:		

Structured Type Definition		
Type Name: CPH_RES		
Comments: Cipher response GSM 04.08, 10.5.2.10		
Element Name	Type Definition	Comments
iei	IEI_4	
sprb	BITSTRING [3]	
cr	BITSTRING [1]	
Detailed Comments:		

Structured Type Definition		
Type Name: CSP		
Comments: Cell selection parameters GSM 04.08, 10.5.2.4		
Element Name	Type Definition	Comments
crh	BITSTRING [3]	
mtmc	BITSTRING [5]	
acs	BITSTRING [1]	
neci	BITSTRING [1]	
ram	BITSTRING [6]	
Detailed Comments:		

Structured Type Definition		
Type Name: CST		
Comments: Call status (CC information element) GSM 04.08, 10.5.4.6		
Element Name	Type Definition	Comments
cs	CS	
csv	BITSTRING [6]	
Detailed Comments:		

Structured Type Definition		
Type Name: FIE		
Comments: Facility information element GSM 04.80, 3.6		
Element Name	Type Definition	Comments
iei	IEI_8	
iel	LENGTH	
components_1	Components	
components_t	Component_T	
Detailed Comments: When sending normally only one component is sent, but when receiving any number of components can be received even though normally we are only interested in one component during the testing.		

Structured Type Definition		
Type Name:	FN	
Comments:	The time in reference to the frame numbering corresponding to the absolute frame number modulo 42432.	
Element Name	Type Definition	Comments
t1_	T1_	
t3	T3	
t2	T2	
Detailed Comments:	In STRT and RQR	

Structured Type Definition		
Type Name:	FRQCHS	
Comments:	Frequency channel sequence GSM 04.08, 10.5.2.12	
Element Name	Type Definition	Comments
iei	IEI_8	
larfcn	OCTETSTRING [1]	
incls	OCTETSTRING [8]	
Detailed Comments:		

Structured Type Definition		
Type Name:	FRQL	
Comments:	Frequency list, frequency short list GSM 04.08, 10.5.2.5, 10.5.2.6	
Element Name	Type Definition	Comments
iei	IEI_8	
iel	LENGTH	
fl	OCTETSTRING [2..130]	
Detailed Comments:	frequency short list has a fixed length of 10 octets and does not contain the length indicator.	

Structured Type Definition		
Type Name:	FRQPARA	
Comments:	Parameters for Description of basic physical channel in frequency domain.	
Element Name	Type Definition	Comments
hch	BITSTRING[1]	
maio	BITSTRING [6]	
hsn	BITSTRING [6]	
spr	BITSTRING [2]	
arfcn	BITSTRING [10]	
maclength	LENGTH	
mac_8n	BITSTRING [8]	
mac_7n	BITSTRING [8]	
mac_6n	BITSTRING [8]	
mac_5n	BITSTRING [8]	
mac_4n	BITSTRING [8]	
mac_3n	BITSTRING [8]	
mac_2n	BITSTRING [8]	
mac_1n	BITSTRING [8]	
flst	FRQL	
Detailed Comments:		

Structured Type Definition		
Type Name:	HLCMP	
Comments:	High layer compatibility (CC information element) GSM 04.08, 10.5.4.16, ITU Q.931	
Element Name	Type Definition	Comments
iei	IEI_8	
iel	LENGTH	
extb3	EXTB	
cs	BITSTRING [2]	
in	BITSTRING [3]	
pmp	BITSTRING [2]	
extb4	EXTB	
hlci	BITSTRING [7]	
extb4a	EXTB	
ehlci	BITSTRING [7]	
Detailed Comments:		

Structured Type Definition		
Type Name:	IARESTOCT	
Comments:		
Element Name	Type Definition	Comments
iei	IEI_8	
iaroct1	OCTETSTRING[1..11]	
iaroct2	IARESTOCT2	
Detailed Comments:		

Structured Type Definition		
Type Name:	IARESTOCT2	
Comments:		
Element Name	Type Definition	Comments
p	BITSTRING[2]	
frqparalen	BITSTRING[6]	
spbt1	BITSTRING[2]	
maio	BITSTRING[6]	
ma	BITSTRING[8]	
spbt2	OCTETSTRING[0..8]	
Detailed Comments:		

Structured Type Definition		
Type Name:	KPF (keypad facility)	
Comments:	keypad facility GSM 04.08 clause 10.5.4.17	
Element Name	Type Definition	Comments
iei	IEI_8	
extb	EXTB	
kpf_info	IA5String [1]	
Detailed Comments: Is extb needed?		

Structured Type Definition		
Type Name:	L1HD	
Comments:	Layer 1 Header	
Element Name	Type Definition	Comments
spr1	BITSTRING[3]	
mshwrlvl	BITSTRING[5]	
spr2	BITSTRING[1]	
ta	BITSTRING[7]	
Detailed Comments:		

Structured Type Definition		
Type Name:	LAI	
Comments:	Location area identification GSM 04.08, 10.5.1.3	
Element Name	Type Definition	Comments
iei	IEI_8	
mcc	OCTETSTRING [2]	
mnc	OCTETSTRING [1]	
lac	OCTETSTRING [2]	
Detailed Comments:		

Structured Type Definition		
Type Name:		LLCMP
Comments:		Low layer compatibility (CC information element) GSM 04.08, 10.5.4.18
Element Name	Type Definition	Comments
iei	IEI_8	
iel	LENGTH	
extb3	EXTB	
cs	BITSTRING [2]	
itc	BITSTRING [5]	
extb3a	EXTB	
negind	BITSTRING[1]	
spb3a	SP6B	
extb4	EXTB	
tm	BITSTRING [2]	
itr	BITSTRING [5]	
extb4a	EXTB	
strc	BITSTRING [3]	
config	BITSTRING [2]	
est	BITSTRING [2]	
extb4b	EXTB	
sym	BITSTRING [2]	
itrdo	BITSTRING [5]	
extb5	EXTB	
l1id	BITSTRING [2]	
uil1	BITSTRING [5]	
extb5a	EXTB	
sb	BITSTRING [1]	
neg	BITSTRING [1]	
ur	BITSTRING [5]	
extb5b1	EXTB	
ir	BITSTRING [2]	
nictx	BITSTRING [1]	
nicrx	BITSTRING [1]	
fctx	BITSTRING [1]	
fcrx	BITSTRING [1]	
spb5b1	SPB	
extb5b2	EXTB	
hdrb	BITSTRING[1]	
mfs	BITSTRING[1]	
mode	BITSTRING[1]	
llineg	BITSTRING[1]	
ass	BITSTRING[1]	
ibob	BITSTRING[1]	
spb5b2	SPB	
extb5c	EXTB	
nsb	BITSTRING [2]	
ndb	BITSTRING [2]	
pi	BITSTRING [3]	
extb5d	EXTB	
dplxm	BITSTRING [1]	
modemt	BITSTRING [6]	
extb6	EXTB	
l2id	BITSTRING [2]	
uil2	BITSTRING [5]	
extb6a	EXTB	
ol2pi	BITSTRING[7]	
extb7	EXTB	
l3id	BITSTRING [2]	
uil3	BITSTRING [5]	
extb7a	EXTB	
ol3pi	BITSTRING[7]	

Detailed Comments:

Structured Type Definition		
Type Name:	LUT	
Comments:	Location updating type GSM 04.08, 10.5.3.5	
Element Name	Type Definition	Comments
foreq	BITSTRING [1]	
sprb	BITSTRING [1]	
lut	BITSTRING [2]	
Detailed Comments:		

Structured Type Definition		
Type Name:	MA	
Comments:	Mobile allocation GSM 04.08, 10.5.2.21	
Element Name	Type Definition	Comments
iei	IEI_8	
iel	LENGTH	
mac_8n	BITSTRING [8]	
mac_7n	BITSTRING [8]	
mac_6n	BITSTRING [8]	
mac_5n	BITSTRING [8]	
mac_4n	BITSTRING [8]	
mac_3n	BITSTRING [8]	
mac_2n	BITSTRING [8]	
mac_1n	BITSTRING [8]	
Detailed Comments:		

Structured Type Definition		
Type Name:	MI	
Comments:	Mobile identity GSM 04.08, 10.5.1.4	
Element Name	Type Definition	Comments
iei	IEI_8	
iel	LENGTH	
idigit_1	BITSTRING [4]	
oei	BITSTRING [1]	
toi	BITSTRING [3]	
idigits_other	OCTETSTRING [0..7]	
Detailed Comments:		

Structured Type Definition		
Type Name:	MSCLM1	
Comments:	mobile station classmark 1 GSM 04.08, 10.5.1.5	
Element Name	Type Definition	Comments
spr1	BITSTRING [1]	
rl	BITSTRING [2]	
spr2	BITSTRING [1]	
a5_1	BITSTRING [1]	
rfpc	BITSTRING [3]	
Detailed Comments:	2 octets long	

Structured Type Definition		
Type Name: MSCLM2		
Comments: mobile station classmark 2 GSM 04.08, 10.5.1.6		
Element Name	Type Definition	Comments
iel	LENGTH	
spr1	BITSTRING [1]	
rl	BITSTRING [2]	
spr2	BITSTRING [1]	
a5_1	BITSTRING [1]	
rfpc	BITSTRING [3]	
spr3	BITSTRING [1]	
psc	BITSTRING [1]	
sssi	BITSTRING [2]	
smc	BITSTRING [1]	
spr4	BITSTRING [2]	
fc	BITSTRING [1]	
cm3	BITSTRING [1]	
spr5	BITSTRING [5]	
a5_3	BITSTRING [1]	
a5_2	BITSTRING [1]	
Detailed Comments: 4 octets long		

Structured Type Definition		
Type Name: MSCLM3		
Comments: Mobile station classmark 3 GSM 04.08, 10.5.1.7		
Element Name	Type Definition	Comments
iei	IEI_8	
iel	LENGTH	
spr1	BITSTRING [4]	
a5_7	BITSTRING [1]	
a5_6	BITSTRING [1]	
a5_5	BITSTRING [1]	
a5_4	BITSTRING [1]	
spr2	OCTETSTRING [11]	
Detailed Comments: The info element has 14 octets		

Structured Type Definition		
Type Name:	MSRR	
Comments:	measurement results GSM 04.08, 10.5.2.20	
Element Name	Type Definition	Comments
ba_used	BITSTRING [1]	
dtx_used	BITSTRING [1]	
rxlev_fsc	RXLEV	
spr1	BITSTRING [1]	
meas_valid	BITSTRING [1]	
rxlev_ssc	RXLEV	
spr2	BITSTRING [1]	
rxqual_fsc	BITSTRING [3]	
rxqual_ssc	BITSTRING [3]	
no_nc	BITSTRING [3]	
rxlev_nc1	RXLEV	
bcchfrq_nc1	BCCHFRQ	
bsic_nc1	BSIC	
rxlev_nc2	RXLEV	
bcchfrq_nc2	BCCHFRQ	
bsic_nc2	BSIC	
rxlev_nc3	RXLEV	
bcchfrq_nc3	BCCHFRQ	
bsic_nc3	BSIC	
rxlev_nc4	RXLEV	
bcchfrq_nc4	BCCHFRQ	
bsic_nc4	BSIC	
rxlev_nc5	RXLEV	
bcchfrq_nc5	BCCHFRQ	
bsic_nc5	BSIC	
rxlev_nc6	RXLEV	
bcchfrq_nc6	BCCHFRQ	
bsic_nc6	BSIC	
Detailed Comments:	The info element has a fixed length of 16 octets.	

Structured Type Definition		
Type Name:	MTDIF	
Comments:	Mobile time difference GSM 04.08, 10.5.1.21a	
Element Name	Type Definition	Comments
iei	IEI_8	
iel	LENGTH	
value	OCTETSTRING [3]	
Detailed Comments:		

Structured Type Definition		
Type Name:	NCD	
Comments:	Neighbour cells description GSM 04.08, 10.5.2.22	
Element Name	Type Definition	Comments
rfl2	BITSTRING [2]	
extind	BITSTRING [1]	
baind	BITSTRING [1]	
rfl4	BITSTRING [4]	
rfl	OCTETSTRING [15]	
Detailed Comments:		

Structured Type Definition		
Type Name: PCMD		
Comments: Power command and access type GSM 04.08, 10.5.2.28, 10.5.2.28a		
Element Name	Type Definition	Comments
sprb	BITSTRING [3]	
pl	BITSTRING [5]	
Detailed Comments:		

Structured Type Definition		
Type Name: PI		
Comments: Progress indicator GSM 04.08, 10.5.4.21		
Element Name	Type Definition	Comments
iei	IEI_8	
iel	LENGTH	
extb3	EXTB	
cs	BITSTRING [2]	
spb	SPB	
loc	BITSTRING [4]	
extb4	EXTB	
prd	BITSTRING [7]	
Detailed Comments: total 4 octets		

Structured Type Definition		
Type Name: PI_SI		
Comments: Presentation indicator & screening indicator GSM 04.08, 10.5.4.9, 10.5.4.13		
Element Name	Type Definition	Comments
extb	EXTB	
pi	BITSTRING [2]	
sp3b	SP3B	
si	BITSTRING [2]	
Detailed Comments:		

Structured Type Definition		
Type Name: PM		
Comments: Page mode GSM 04.08, 10.5.2.26		
Element Name	Type Definition	Comments
sprb	BITSTRING [2]	
pgm	BITSTRING [2]	
Detailed Comments:		

Structured Type Definition		
Type Name:	RACHCP	
Comments:	Rach control parameters GSM 04.08, 10.5.2.29	
Element Name	Type Definition	Comments
maxrtx	BITSTRING [2]	
txint	BITSTRING [4]	
cba	BITSTRING [1]	
re	BITSTRING [1]	
acc_2	BITSTRING [5]	
ec	BITSTRING [1]	
acc_1	BITSTRING [10]	
Detailed Comments:	The info element has a fixed length of 3 octets.	

Structured Type Definition		
Type Name:	RPACK	
Comments:	SMS RP ACKNOWLEDGEMENT ms <-> n GSM 04.11, 7.3.3	
Element Name	Type Definition	Comments
sprb	SP5B	
rpmti	MTI	
rpmr	MR	
Detailed Comments:		

Structured Type Definition		
Type Name:	RPCAU	
Comments:	RP user data element GSM 04.11, 8.2.5.4	
Element Name	Type Definition	Comments
iei	IEI_8	
iel	LENGTH	
extb2	EXTB	
rpcau_class	BITSTRING [3]	
rpcau_va	BITSTRING [4]	
rpcau_di	OCTETSTRING [1]	
Detailed Comments:		

Structured Type Definition		
Type Name:	RPDATA	
Comments:	SMS RP DATA ms <-> n GSM 04.11, 7.3.1	
Element Name	Type Definition	Comments
sprb	SP5B	
rpmti	MTI	
rpmr	MR	
rpOaddr	CDPN	
rpDaddr	CDPN	
rpusrdat	RPUSRDAT	
Detailed Comments:		

Structured Type Definition		
Type Name:	RPERR	
Comments:	SMS RP ERROR ms <-> n GSM 04.11, 7.3.4	
Element Name	Type Definition	Comments
sprb	SP5B	
rpmti	MTI	
rpmr	MR	
rpcau	RPCAU	
rpusrdat	RPUSRDAT	
Detailed Comments:		

Structured Type Definition		
Type Name:	RPSMMA	
Comments:	SMS RP SMMA ms -> n GSM 04.11, 7.3.2	
Element Name	Type Definition	Comments
sprb	SP5B	
rpmti	MTI	
rpmr	MR	
Detailed Comments: SM memory available		

Structured Type Definition		
Type Name:	RPUSRDAT	
Comments:	RP user data element GSM 04.11, 8.2.5.3, GSM 03.40, 9.2.2	
Element Name	Type Definition	Comments
iei	IEI_8	
iel	LENGTH	
tpdeliver	SMDLVR	
tpsubmit	SMSBMT	
tpstatus_rpt	SMST_RPT	
tpcommand	SMCMD	
tpdlvr_sbmt_rpt	SMDLVR_RPT	
Detailed Comments: One of the six tpdu is contained in the RPUSRDATA. Since the structures of the messages SMS-Deliver-Report and SMS-Submit-Report are identical, they have been combined to tpdlvr_sbmt_rpt and therefore only five tp message types exist in this type definition.		

Structured Type Definition		
Type Name:	RQR	
Comments:	Request reference GSM 04.08, 10.5.2.30	
Element Name	Type Definition	Comments
ra	BITSTRING [8]	
fn	FN	
Detailed Comments:		

Structured Type Definition		
Type Name:	SIGNAL	
Comments:	Signal (CC information element) GSM 04.08, 10.5.4.23	
Element Name	Type Definition	Comments
iei	IEI_8	
sigv	BITSTRING [8]	
Detailed Comments:		

Structured Type Definition		
Type Name:	SERIAL_NUMBER	
Comments:	Serial number for SMSCB, GSM 3.41, 9.3.2	
Element Name	Type Definition	Comments
gs	BITSTRING[2]	
message_code	BITSTRING[10]	
update_number	BITSTRING[4]	
Detailed Comments:		

Structured Type Definition		
Type Name:	SMCMD	
Comments:	SMS COMMAND, ms - > n. GSM 03.40, 9.2.2.4	
Element Name	Type Definition	Comments
sprb1	SP2B	
srr	BITSTRING[1]	
sprb2	SP3B	
mti	BITSTRING [2]	
mr	MR	
pid	TPPID	
ct	OCTETSTRING [1]	
mn	OCTETSTRING [1]	
da	TPA	
cdl	LENGTH	
cd	TPCD	
Detailed Comments:		

Structured Type Definition		
Type Name:	SMDLVR	
Comments:	SMS DELIVER, n - > ms. GSM 03.40, 9.2.2.1	
Element Name	Type Definition	Comments
rp	BITSTRING [1]	
udhi	BITSTRING [1]	
sri	BITSTRING [1]	
sprb2	SP2B	
mms	BITSTRING [1]	
mti	BITSTRING [2]	
oa	TPA	
pid	TPPID	
dcs	TPDCS	
scts	TPSCTS	
udl	LENGTH	
ud	TPUD	
Detailed Comments:		

Structured Type Definition		
Type Name:	SMDLVR_RPT	
Comments:	SMS DELIVER or SUBMIT REPORT contained in the RP ERROR PDU, n <-> ms. GSM 03.40, 9.2.2.1a, 9.2.2.2a.	
Element Name	Type Definition	Comments
sprb1	SP6B	
mti	BITSTRING [2]	
fcs	FCS	
Detailed Comments:		

Structured Type Definition		
Type Name: SMSBMT		
Comments: SMS SUBMIT, ms -> n. GSM 03.40, 9.2.2.2		
Element Name	Type Definition	Comments
rp	BITSTRING [1]	
udhi	BITSTRING [1]	
srr	BITSTRING [1]	
vpf	BITSTRING [2]	
rd	BITSTRING [1]	
mti	BITSTRING [2]	
mr	MR	
da	TPA	
pid	TPPID	
dcs	TPDCS	
vp1	OCTETSTRING [1]	
vp7	TPSCTS	
udl	LENGTH	
ud	TPUD	
Detailed Comments:		

Structured Type Definition		
Type Name: SMSCBpack		
Comments: SMS cell broadcasting packing data n -> ms. GSM 03.38, 6.1.2.2.1		
Element Name	Type Definition	Comments
block1	OCTETSTRING [16]	
block2	OCTETSTRING [22]	
block3	OCTETSTRING [22]	
block4	OCTETSTRING [22]	
Detailed Comments:		

Structured Type Definition		
Type Name: SMST_RPT		
Comments: SMS STATUS REPORT, n -> ms. GSM 03.40, 9.2.2.3		
Element Name	Type Definition	Comments
sprb1	SP5B	
mms	BITSTRING [1]	
mti	BITSTRING [2]	
mr	MR	
ra	TPA	
scts	TPSCTS	
dt	TPSCTS	
st	TPST	
Detailed Comments:		

Structured Type Definition		
Type Name: SSVI		
Comments: SS version indicator GSM 04.08, 10.5.4.24		
Element Name	Type Definition	Comments
iei	IEI_8	
iel	LENGTH	
ssv	OCTETSTRING [1]	
Detailed Comments:		

Structured Type Definition		
Type Name:	STRT	
Comments:	Starting time GSM 04.08, 10.5.2.38	
Element Name	Type Definition	Comments
iei	IEI_8	
fn	FN	
Detailed Comments:		

Structured Type Definition		
Type Name:	SUBAD	
Comments:	Subaddress GSM 04.08, 10.5.4.8, 10.5.4.10, 10.5.4.14	
Element Name	Type Definition	Comments
extb	EXTB	
tos	BITSTRING [3]	
oei	BITSTRING [1]	
sp3b	SP3B	
si	OCTETSTRING [2..23]	
Detailed Comments:		

Structured Type Definition		
Type Name:	SYNCHI	
Comments:	Synchronization indication GSM 04.08, 10.5.2.39	
Element Name	Type Definition	Comments
iei	IEI_4	
nci	BITSTRING [1]	
rot	BITSTRING [1]	
si	BITSTRING [2]	
Detailed Comments:		

Structured Type Definition		
Type Name:	TA	
Comments:	Timing advance GSM 04.08, 10.5.2.40	
Element Name	Type Definition	Comments
iei	IEI_8	
sprb	BITSTRING [2]	
value	BITSTRING [6]	
Detailed Comments:		

Structured Type Definition		
Type Name:	TDIF	
Comments:	Time difference GSM 04.08, 10.5.1.41	
Element Name	Type Definition	Comments
iei	IEI_8	
iel	LENGTH	
value	OCTETSTRING [1]	
Detailed Comments:		

Structured Type Definition		
Type Name:	TI	
Comments:	Transaction identifier GSM 04.08, 10.1	
Element Name	Type Definition	Comments
ti_f	BITSTRING [1]	
ti_v	TI_V	
Detailed Comments:		

Structured Type Definition		
Type Name:	TMSI	
Comments:	Temporary GSM 04.08, 10.5.2.42	
Element Name	Type Definition	Comments
iei	IEI_8	
tmsi_val	OCTETSTRING [4]	
Detailed Comments:		

Structured Type Definition		
Type Name:	TON_NPI	
Comments:	Type of number and numbering plan GSM 04.08, 10.5.4.7, 10.5.4.9, 10.5.4.13, GSM 03.40, 9.1.2.5	
Element Name	Type Definition	Comments
extb	EXTB	
ton	BITSTRING [3]	
npi	BITSTRING [4]	
Detailed Comments:		

Structured Type Definition		
Type Name:	TPA	
Comments:	TP address GSM 03.40, 9.1.2.5	
Element Name	Type Definition	Comments
iel	LENGTH	
tonnpi	TON_NPI	
digits	BCDN	
Detailed Comments:		

Structured Type Definition		
Type Name:	TPDCS	
Comments:	SMS data coding scheme GSM 03.38, 4, 5	
Element Name	Type Definition	Comments
cg	BITSTRING [4]	
code	BITSTRING [4]	
Detailed Comments: Identifying the coding scheme within the TP user data.		

Structured Type Definition		
Type Name:	TPPID	
Comments:	TP protocol identifier GSM 03.40, 9.2.3.9	
Element Name	Type Definition	Comments
type	BITSTRING [2]	
value	BITSTRING [6]	
Detailed Comments:		

Structured Type Definition		
Type Name:	TPST	
Comments:	TP status GSM 03.40, 9.2.3.15	
Element Name	Type Definition	Comments
sprb1	SPB	
value	BITSTRING [7]	
Detailed Comments:		

Structured Type Definition		
Type Name:	UNKWN	
Comments:	unknown IE	
Element Name	Type Definition	Comments
iei	IEI_8	
iel	LENGTH	
contents	OCTETSTRING	
Detailed Comments:		

Structured Type Definition		
Type Name:	UU	
Comments:	User-user GSM 04.08, 10.5.4.25	
Element Name	Type Definition	Comments
iei	IEI_8	
iel	LENGTH	
uupd	BITSTRING [8]	
uui	OCTETSTRING [1..128]	
Detailed Comments:	In SETUP, ALERTING, CONNECT, DISCONNECT, RELEASE and RELEASE COMPLETE messages the uui length is of 0 - 32 bytes. In USER INFORMATION messages the uui length is of 1 - 128.	

ASN1 type definitions

ASN.1 Type Definition	
Type Name:	Component
Comments:	ASN1_Encoding: BER
Type Definition	
<pre>CHOICE { registerSSComponents RegisterSS_Components, eraseSSComponents EraseSS_Components, activateSSComponents ActivateSS_Components, deactivateSSComponents DeactivateSS_Components, interrogateSSComponents InterrogateSS_Components, notifySSComponents NotifySS_Components, registerPasswordComponents RegisterPassword_Components, getPasswordComponents GetPassword_Components, processUnstructuredSSDataComponents ProcessUnstructuredSSData_Components, forwardCheckSSIndicationComponents ForwardCheckSSIndication_Components, processUnstructuredSSRequestComponents ProcessUnstructuredSSRequest_Components, unstructuredSSRequestComponents UnstructuredSSRequest_Components, unstructuredSSNotifyComponents UnstructuredSSNotify_Components, forwardCUGInfoComponents ForwardCUGInfo_Components, splitMPTYComponents SplitMPTY_Components, retrieveMPTYComponents RetrieveMPTY_Components, holdMPTYComponents HoldMPTY_Components, buildMPTYComponents BuildMPTY_Components, forwardChargeAdviceComponents ForwardChargeAdvice_Components, generalComponents General_Components }</pre>	
Detailed Comments:	Plural components as each type represents invoke, return result, return error etc.

ASN.1 Type Definition	
Type Name:	Components
Comments:	GSM 04.80, 3.6
Type Definition	
SET OF Component	
Detailed Comments:	ASN.1 transfer encoding rules: BER is not wholly used for the type Components. The contents of Components, without the octets encoding the tag and the length of SET OF, is carried as the Components value.

ASN.1 Type Definition	
Type Name:	ActivateSS_Components
Comments:	GSM 09.02, 14.5, 14.6.4, 14.6.6, 14.7.4, 14.7.7
Type Definition	
CHOICE {	
activateSS_InvokeComp	[1] IMPLICIT SEQUENCE {
invokeID	InvokeIDType,
localValue	INTEGER (12),
ss_ForBS	SS_ForBS_Code },
activateSS_ReturnResultComp	[2] IMPLICIT SEQUENCE {
invokeID	InvokeIDType,
result	SEQUENCE {
localValue	INTEGER (12),
ss_Info	SS_Info } },
activateSS_ReturnErrorComp	CHOICE {
errorCodes	[3] IMPLICIT SEQUENCE { invokeID InvokeIDType,
	errorCode ErrorLocalValues (bearerServiceNotProvisioned
	teleserviceNotProvisioned
	illegalSS_Operation
	dataMissing
	unexpectedDataValue
	negativePW_Check
	numberOfPW_AttemptsViolation) },
callBarredErr	[3] IMPLICIT SEQUENCE { invokeID InvokeIDType,
	errorCode ErrorLocalValues (callBarred),
	parameter CallBarringCause },
ss_ErrorStatusErr	[3] IMPLICIT SEQUENCE { invokeID InvokeIDType,
	errorCode ErrorLocalValues (ss_ErrorStatus),
	parameter SS_Status },
ss_SubscriptionViolationErr	[3] IMPLICIT SEQUENCE { invokeID InvokeIDType,
	errorCode ErrorLocalValues (ss_SubscriptionViolation),
	parameter SS_SubscriptionOption },
ss_IncompatibilityErr	[3] IMPLICIT SEQUENCE { invokeID InvokeIDType,
	errorCode ErrorLocalValues (ss_Incompatibility),
	parameter SS_IncompatibilityCause },
systemFailureErr	[3] IMPLICIT SEQUENCE { invokeID InvokeIDType,
	errorCode ErrorLocalValues (systemFailure),
	parameter NetworkResource } },
activateSS_RejectComp	[4] IMPLICIT RejectComponent }
Detailed Comments:	Timer m (15 - 30 s)

ASN.1 Type Definition	
Type Name:	BuildMPTY_Components
Comments:	GSM 04.80, 4.2
Type Definition	
CHOICE {	
buildMPTY_InvokeComp	[1] IMPLICIT SEQUENCE {
invokeID	InvokeIDType,
localValue	INTEGER (124) },
buildMPTY_ReturnResultComp	[2] IMPLICIT SEQUENCE {
invokeID	InvokeIDType,
result	SEQUENCE {
localValue	INTEGER (124) } },
buildMPTY_ReturnErrorComp	CHOICE {
errorCodes	[3] IMPLICIT SEQUENCE { invokeID InvokeIDType,
	errorCode ErrorLocalValues (illegalSS_Operation
	ss_NotAvailable
	maxNumberOfMPTY_ParticipantsExceeded
	resourcesNotAvailable) },
ss_ErrorStatusErr	[3] IMPLICIT SEQUENCE { invokeID InvokeIDType,
	errorCode ErrorLocalValues (ss_ErrorStatus),
	parameter SS_Status },
ss_IncompatibilityErr	[3] IMPLICIT SEQUENCE { invokeID InvokeIDType,
	errorCode ErrorLocalValues (ss_Incompatibility),
	parameter SS_IncompatibilityCause },
systemFailureErr	[3] IMPLICIT SEQUENCE { invokeID InvokeIDType,
	errorCode ErrorLocalValues (systemFailure),
	parameter NetworkResource } },
buildMPTY_RejectComp	[4] IMPLICIT RejectComponent }
Detailed Comments:	Timer T_buildMPTY (5 - 30 s)

ASN.1 Type Definition	
Type Name:	DeactivateSS_Components
Comments:	GSM 09.02, 14.5, 14.6.4, 14.6.6, 14.7.4, 14.7.7
Type Definition	
CHOICE {	
deactivateSS_InvokeComp	[1] IMPLICIT SEQUENCE {
invokeID	InvokeIDType,
localValue	INTEGER (13),
ss_ForBS	SS_ForBS_Code },
deactivateSS_ReturnResultComp	[2] IMPLICIT SEQUENCE {
invokeID	InvokeIDType,
result	SEQUENCE {
localValue	INTEGER (13),
ss_Info	SS_Info } },
deactivateSS_ReturnErrorComp	CHOICE {
errorCodes	[3] IMPLICIT SEQUENCE { invokeID InvokeIDType,
	errorCode ErrorLocalValues (bearerServiceNotProvisioned
	teleserviceNotProvisioned
	illegalSS_Operation
	dataMissing
	unexpectedDataValue
	negativePW_Check
	numberOfPW_AttemptsViolation) },
callBarredErr	[3] IMPLICIT SEQUENCE { invokeID InvokeIDType,
	errorCode ErrorLocalValues (callBarred),
	parameter CallBarringCause },
ss_ErrorStatusErr	[3] IMPLICIT SEQUENCE { invokeID InvokeIDType,
	errorCode ErrorLocalValues (ss_ErrorStatus),
	parameter SS_Status },
ss_SubscriptionViolationsErr	[3] IMPLICIT SEQUENCE { invokeID InvokeIDType,
	errorCode ErrorLocalValues (ss_SubscriptionViolation),
	parameter SS_SubscriptionOption },
systemFailureErr	[3] IMPLICIT SEQUENCE { invokeID InvokeIDType,
	errorCode ErrorLocalValues (systemFailure),
	parameter NetworkResource } },
deactivateSS_RejectComp	[4] IMPLICIT RejectComponent }
Detailed Comments:	Timer m

ASN.1 Type Definition	
Type Name:	EraseSS_Components
Comments:	GSM 09.02, 14.5, 14.6.4, 14.6.6, 14.7.4, 14.7.7
Type Definition	
CHOICE {	
eraseSS_InvokeComp	[1] IMPLICIT SEQUENCE {
invokeID	InvokeIDType,
localValue	INTEGER (11),
ss_ForBS	SS_ForBS_Code },
eraseSS_ReturnResultComp	[2] IMPLICIT SEQUENCE {
invokeID	InvokeIDType,
result	SEQUENCE {
localValue	INTEGER (11),
ss_Info	SS_Info } },
eraseSS_ReturnErrorComp	CHOICE {
errorCodes	[3] IMPLICIT SEQUENCE { invokeID InvokeIDType,
errorCode	ErrorLocalValues (bearerServiceNotProvisioned
	teleserviceNotProvisioned
	illegalSS_Operation
	dataMissing
	unexpectedDataValue) },
callBarredErr	[3] IMPLICIT SEQUENCE { invokeID InvokeIDType,
errorCode	ErrorLocalValues (callBarred),
parameter	CallBarringCause },
ss_ErrorStatusErr	[3] IMPLICIT SEQUENCE { invokeID InvokeIDType,
errorCode	ErrorLocalValues (ss_ErrorStatus),
parameter	SS_Status },
systemFailureErr	[3] IMPLICIT SEQUENCE { invokeID InvokeIDType,
errorCode	ErrorLocalValues (systemFailure),
parameter	NetworkResource } },
eraseSS_RejectComp	[4] IMPLICIT RejectComponent }
Detailed Comments:	Timer m

ASN.1 Type Definition	
Type Name:	ForwardChargeAdvice_Components
Comments:	GSM 04.80, 4.2
Type Definition	
CHOICE {	
forwardChargeAdvice_InvokeComp	[1] IMPLICIT SEQUENCE {
invokeID	InvokeIDType,
localValue	INTEGER (125),
forwardChargeAdviceArg	SEQUENCE {
ss_Code	[0] SS_Code,
chargingInformation	[1] SEQUENCE{
e1	[1] INTEGER (0..max10TimesUnitsPerTime) OPTIONAL,
e2	[2] INTEGER (0..max10TimesTimeInterval) OPTIONAL,
e3	[3] INTEGER (0..max100TimesScalingFactor) OPTIONAL,
e4	[4] INTEGER (0..max10TimesIncrement) OPTIONAL,
e5	[5] INTEGER (0..max10TimesIncrementPerDataInterval) OPTIONAL,
e6	[6] INTEGER (0..maxNumberOfSegmentsPerDataInterval) OPTIONAL,
e7	[7] INTEGER (0..max10TimesInitialTime) OPTIONAL } } },
forwardChargeAdvice_ReturnResultComp	[2] IMPLICIT SEQUENCE {
invokeID	InvokeIDType,
result	SEQUENCE {
localValue	INTEGER (125) } },
forwardChargeAdvice_RejectComp	[4] IMPLICIT RejectComponent }
Detailed Comments:	Timer T_aoc = 1 - 40 s

ASN.1 Type Definition	
Type Name:	ForwardCheckSSIndication_Components
Comments:	GSM 09.02, 14.5, 14.6.4, 14.6.6, 14.7.4, 14.7.7
Type Definition	
CHOICE {	
forwardCheckSSIndication_InvokeComp	[1] IMPLICIT SEQUENCE {
invokeID	InvokeIDType,
localValue	INTEGER (38) },
forwardCheckSSIndication_RejectComp	[4] IMPLICIT RejectComponent }
Detailed Comments:	

ASN.1 Type Definition	
Type Name:	ForwardCUGInfo_Components
Comments:	GSM 04.80, 4.2
Type Definition	
CHOICE {	
forwardCUGInfo_InvokeComp	[1] IMPLICIT SEQUENCE {
invokeID	InvokeIDType,
localValue	INTEGER (120),
forwardCUGInfo_Arg	SEQUENCE{
cug_Index	[0] IMPLICIT CUG_Index OPTIONAL,
suppressPrefCUG	[1] IMPLICIT NULL OPTIONAL,
suppressOA	[2] IMPLICIT NULL OPTIONAL } },
forwardCUGInfo_RejectComp	[4] IMPLICIT RejectComponent }
Detailed Comments:	

ASN.1 Type Definition	
Type Name:	General_Components
Comments:	Non specified components must match this type definition.
Type Definition	
CHOICE {	
general_InvokeComp	[1] IMPLICIT General_InvokeComponent,
general_ReturnResultComp	[2] IMPLICIT General_ReturnResultComponent,
general_ReturnErrorComp	[3] IMPLICIT General_ReturnErrorComponent,
general_RejectComp	[4] IMPLICIT RejectComponent }
-- This is the General InvokeComponent --	
General_InvokeComponent ::= SEQUENCE {	
invokeID	InvokeIDType,
linked_ID	[0] IMPLICIT InvokeIDType OPTIONAL,
operation_value	Operation,
argument	ANY OPTIONAL }
-- This is the General ReturnResultComponent --	
General_ReturnResultComponent ::= SEQUENCE {	
invokeID	InvokeIDType,
valueAndResult	SEQUENCE {
operation_value	Operation,
result	ANY } OPTIONAL }
-- This is the General ReturnErrorComponent --	
General_ReturnErrorComponent ::= SEQUENCE {	
invokeID	InvokeIDType,
error	ANY }
Detailed Comments:	

ASN.1 Type Definition	
Type Name:	GetPassword_Components
Comments:	GSM 09.02, 14.5, 14.6.4, 14.6.6, 14.7.4, 14.7.7
Type Definition	
CHOICE {	
getPassword_InvokeComp	[1] IMPLICIT SEQUENCE {
invokeID	InvokeIDType,
linkedID	[0] IMPLICIT InvokeIDType,
localValue	INTEGER (18),
guidanceInfo	ENUMERATED {
	enterPW (0),
	enterNewPW (1),
	enterNewPW_Again (2) } },
getPassword_ReturnResultComp	[2] IMPLICIT SEQUENCE {
invokeID	InvokeIDType,
result	SEQUENCE {
localValue	INTEGER (18),
currentPassword	Password } },
getPassword_RejectComp	[4] IMPLICIT RejectComponent }
Detailed Comments:	Timer m

ASN.1 Type Definition	
Type Name:	HoldMPTY_Components
Comments:	GSM 04.80, 4.2
Type Definition	
CHOICE {	
holdMPTY_InvokeComp	[1] IMPLICIT SEQUENCE {
invokeID	InvokeIDType,
localValue	INTEGER (123) },
holdMPTY_ReturnResultComp	[2] IMPLICIT SEQUENCE {
invokeID	InvokeIDType,
result	SEQUENCE {
localValue	INTEGER (123) } },
holdMPTY_ReturnErrorComp	CHOICE {
errorCodes	[3] IMPLICIT SEQUENCE { invokeID InvokeIDType,
	errorCode ErrorLocalValues (illegalSS_Operation
	facilityNotSupported) },
ss_ErrorStatusErr	[3] IMPLICIT SEQUENCE { invokeID InvokeIDType,
	errorCode ErrorLocalValues (ss_ErrorStatus),
	parameter SS_Status },
ss_IncompatibilityErr	[3] IMPLICIT SEQUENCE { invokeID InvokeIDType,
	errorCode ErrorLocalValues (ss_Incompatibility),
	parameter SS_IncompatibilityCause },
systemFailureErr	[3] IMPLICIT SEQUENCE { invokeID InvokeIDType,
	errorCode ErrorLocalValues (systemFailure),
	parameter NetworkResource } },
holdMPTY_RejectComp	[4] IMPLICIT RejectComponent }
Detailed Comments:	Timer T_holdMPTY (5 - 30 s)

ASN.1 Type Definition	
Type Name:	InterrogateSS_Components
Comments:	GSM 09.02, 14.5, 14.6.4, 14.6.6, 14.7.4, 14.7.7
Type Definition	
CHOICE {	
interrogateSS_InvokeComp	[1] IMPLICIT SEQUENCE {
invokeID	InvokeIDType,
localValue	INTEGER (14),
ss_ForBS	SS_ForBS_Code },
interrogateSS_ReturnResultComp	[2] IMPLICIT SEQUENCE {
invokeID	InvokeIDType,
result	SEQUENCE {
localValue	INTEGER (14),
interrogateSS_Res	CHOICE {
ss_Status	[0] IMPLICIT SS_Status,
basicServiceGroupList	[2] IMPLICIT BasicServiceGroupList,
forwardingFeatureList	[3] IMPLICIT ForwardingFeatureList,
cli_RestrictionInfo	[4] IMPLICIT SEQUENCE {
ss_Status	SS_Status,
cliRestrictionOption	CliRestrictionOption OPTIONAL } } } },
interrogateSS_ReturnErrorComp	CHOICE {
errorCodes	[3] IMPLICIT SEQUENCE { invokeID InvokeIDType,
errorCode	ErrorLocalValues (bearerServiceNotProvisioned
teleserviceNotProvisioned	illegalSS_Operation
ss_NotAvailable	dataMissing
unexpectedDataValue) },	
callBarredErr	[3] IMPLICIT SEQUENCE { invokeID InvokeIDType,
errorCode	ErrorLocalValues (callBarred),
parameter	CallBarringCause },
systemFailureErr	[3] IMPLICIT SEQUENCE { invokeID InvokeIDType,
errorCode	ErrorLocalValues (systemFailure),
parameter	NetworkResource } },
interrogateSS_RejectComp	[4] IMPLICIT RejectComponent }
Detailed Comments:	Timer m

ASN.1 Type Definition	
Type Name:	NotifySS_Components
Comments:	GSM 04.80, 4.2
Type Definition	
CHOICE {	
notifySS_InvokeComp	[1] IMPLICIT SEQUENCE {
invokeID	InvokeIDType,
localValue	INTEGER (16),
notifySS_Arg	SEQUENCE{
ss_Code	[1] IMPLICIT SS_Code OPTIONAL,
ss_Status	[4] IMPLICIT SS_Status OPTIONAL,
ss_Notification	[5] IMPLICIT OCTET STRING (SIZE (1)) OPTIONAL,
callsWaiting_Indicator	[14] IMPLICIT NULL OPTIONAL,
callOnHold_Indicator	[15] IMPLICIT ENUMERATED {
callRetrieved (0),	
callOnHold (1) } OPTIONAL,	
mpty_Indicator	[16] IMPLICIT NULL OPTIONAL,
cug_Index	[17] IMPLICIT CUG_Index OPTIONAL,
clirSuppressionRejected	[18] IMPLICIT NULL OPTIONAL } },
notifySS_RejectComp	[4] IMPLICIT RejectComponent }
Detailed Comments:	

ASN.1 Type Definition	
Type Name:	ProcessUnstructuredSSData_Components
Comments:	GSM 09.02, 14.5, 14.6.4, 14.6.6, 14.7.4, 14.7.7
Type Definition	
CHOICE {	
processUnstructuredSSData_InvokeComp	[1] IMPLICIT SEQUENCE {
invokeID	InvokeIDType,
localValue	INTEGER (19),
ss_UserData	SS_UserData },
processUnstructuredSSData_ReturnResultComp	[2] IMPLICIT SEQUENCE {
invokeID	InvokeIDType,
result	SEQUENCE {
localValue	INTEGER (19),
ss_UserData	SS_UserData } },
processUnstructuredSSData_ReturnErrorComp	CHOICE {
errorCodes	[3] IMPLICIT SEQUENCE { invokeID InvokeIDType,
	errorCode ErrorLocalValues (unexpectedDataValue) },
systemFailureErr	[3] IMPLICIT SEQUENCE { invokeID InvokeIDType,
	errorCode ErrorLocalValues (systemFailure),
	parameter NetworkResource } },
processUnstructuredSSData_RejectComp	[4] IMPLICIT RejectComponent }
Detailed Comments:	Timer m

ASN.1 Type Definition	
Type Name:	ProcessUnstructuredSSRequest_Components
Comments:	GSM 09.02, 14.5, 14.6.4, 14.6.6, 14.7.4, 14.7.7
Type Definition	
CHOICE {	
processUnstructuredSSRequest_InvokeComp	[1] IMPLICIT SEQUENCE {
invokeID	InvokeIDType,
localValue	INTEGER (59),
ussd_Arg	USSD_Arg },
processUnstructuredSSRequest_ReturnResultComp	[2] IMPLICIT SEQUENCE {
invokeID	InvokeIDType,
result	SEQUENCE {
localValue	INTEGER (59),
ussd_Res	USSD_Res} },
processUnstructuredSSRequest_ReturnErrorComp	CHOICE {
errorCodes	[3] IMPLICIT SEQUENCE { invokeID InvokeIDType,
	errorCode ErrorLocalValues (dataMissing
	unexpectedDataValue
	unknownAlphabet) },
callBarredErr	[3] IMPLICIT SEQUENCE { invokeID InvokeIDType,
	errorCode ErrorLocalValues (callBarred),
	parameter CallBarringCause },
systemFailureErr	[3] IMPLICIT SEQUENCE { invokeID InvokeIDType,
	errorCode ErrorLocalValues (systemFailure),
	parameter NetworkResource } },
processUnstructuredSSRequest_RejectComp	[4] IMPLICIT RejectComponent }
Detailed Comments:	Timer m

ASN.1 Type Definition	
Type Name:	RegisterPassword_Components
Comments:	GSM 09.02, 14.5, 14.6.4, 14.6.6, 14.7.4, 14.7.7
Type Definition	
CHOICE {	
registerPassword_InvokeComp	[1] IMPLICIT SEQUENCE {
invokeID	InvokeIDType,
localValue	INTEGER (17),
ss_Code	SS_Code };
registerPassword_ReturnResultComp	[2] IMPLICIT SEQUENCE {
invokeID	InvokeIDType,
result	SEQUENCE {
localValue	INTEGER (17),
newPassword	Password } } ,
registerPassword_ReturnErrorComp	CHOICE {
errorCodes	[3] IMPLICIT SEQUENCE { invokeID InvokeIDType,
	errorCode ErrorLocalValues (dataMissing
	unexpectedDataValue
	negativePW_Check
	numberOfPW_AttemptsViolation) },
callBarredErr	[3] IMPLICIT SEQUENCE { invokeID InvokeIDType,
	errorCode ErrorLocalValues (callBarred),
	parameter CallBarringCause },
ss_SubscriptionViolationErr	[3] IMPLICIT SEQUENCE { invokeID InvokeIDType,
	errorCode ErrorLocalValues (ss_SubscriptionViolation),
	parameter SS_SubscriptionOption },
systemFailureErr	[3] IMPLICIT SEQUENCE { invokeID InvokeIDType,
	errorCode ErrorLocalValues (systemFailure),
	parameter NetworkResource},
pw_RegistrationFailureErr	[3] IMPLICIT SEQUENCE { invokeID InvokeIDType,
	errorCode ErrorLocalValues (pw_RegistrationFailure),
	parameter PW_RegistrationFailureCause } },
registerPassword_RejectComp	[4] IMPLICIT RejectComponent }
Detailed Comments:	Timer m

ASN.1 Type Definition	
Type Name:	RegisterSS_Components
Comments:	GSM 09.02, 14.5, 14.6.4, 14.6.6, 14.7.4, 14.7.7
Type Definition	
CHOICE { registerSS_InvokeComp [1] IMPLICIT SEQUENCE { invokeID InvokeIDType, localValue INTEGER (10), registerSS_Arg SEQUENCE { ss_Code SS_Code, basicService BasicServiceCode OPTIONAL, forwardedToNumber [4] IMPLICIT AddressString OPTIONAL, forwardedToSubaddress [6] IMPLICIT ISDN_SubaddressString OPTIONAL, noReplyConditionTime [5] IMPLICIT NoReplyConditionTime OPTIONAL } }, registerSS_ReturnResultComp [2] IMPLICIT SEQUENCE { invokeID InvokeIDType, result SEQUENCE { localValue INTEGER (10), ss_Info SS_Info } }, registerSS_ReturnErrorComp CHOICE { errorCodes [3] IMPLICIT SEQUENCE { invokeID InvokeIDType, errorCode ErrorLocalValues (bearerServiceNotProvisioned teleserviceNotProvisioned illegalSS_Operation dataMissing unexpectedDataValue) }, callBarredErr [3] IMPLICIT SEQUENCE { invokeID InvokeIDType, errorCode ErrorLocalValues (callBarred), parameter CallBarringCause }, ss_IncompatibilityErr [3] IMPLICIT SEQUENCE { invokeID InvokeIDType, errorCode ErrorLocalValues (ss_Incompatibility), parameter SS_IncompatibilityCause }, systemFailureErr [3] IMPLICIT SEQUENCE { invokeID InvokeIDType, errorCode ErrorLocalValues (systemFailure), parameter NetworkResource } }, registerSS_RejectComp [4] IMPLICIT RejectComponent }	
Detailed Comments:	Timer m

ASN.1 Type Definition	
Type Name:	RejectComponent
Comments:	ITU-T Q.767
Type Definition	
SEQUENCE { invokedID CHOICE { derivable InvokeIDType, notDerivable NULL }, problem CHOICE { generalProblem [0] IMPLICIT GeneralProblem, invokeProblem [1] IMPLICIT InvokeProblem, returnResultProblem [2] IMPLICIT ReturnResultProblem, returnErrorProblem [3] IMPLICIT ReturnErrorProblem } }	
Detailed Comments:	Reject Component is not specific to any particular operation. The invokeID may be used to identify a specific operation.

ASN.1 Type Definition	
Type Name:	RetrieveMPTY_Components
Comments:	GSM 04.80, 4.2
Type Definition	
CHOICE {	
retrieveMPTY_InvokeComp	[1] IMPLICIT SEQUENCE { invokeID InvokeIDType, localValue INTEGER (122) },
retrieveMPTY_ReturnResultComp	[2] IMPLICIT SEQUENCE { invokeID InvokeIDType, result SEQUENCE { localValue INTEGER (122) } },
retrieveMPTY_ReturnErrorComp	CHOICE {
errorCodes	[3] IMPLICIT SEQUENCE { invokeID InvokeIDType, errorCode ErrorLocalValues (illegalSS_Operation facilityNotSupported) },
ss_ErrorStatusErr	[3] IMPLICIT SEQUENCE { invokeID InvokeIDType, errorCode ErrorLocalValues (ss_ErrorStatus), parameter SS_Status },
ss_IncompatibilityErr	[3] IMPLICIT SEQUENCE { invokeID InvokeIDType, errorCode ErrorLocalValues (ss_Incompatibility), parameter SS_IncompatibilityCause },
systemFailureErr	[3] IMPLICIT SEQUENCE { invokeID InvokeIDType, errorCode ErrorLocalValues (systemFailure), parameter NetworkResource } },
retrieveMPTY_RejectComp	[4] IMPLICIT RejectComponent }
Detailed Comments:	Timer T_retrieveMPTY (5 - 30 s)

ASN.1 Type Definition	
Type Name:	SplitMPTY_Components
Comments:	GSM 04.80, 4.2
Type Definition	
CHOICE {	
splitMPTY_InvokeComp	[1] IMPLICIT SEQUENCE { invokeID InvokeIDType, localValue INTEGER (121) },
splitMPTY_ReturnResultComp	[2] IMPLICIT SEQUENCE { invokeID InvokeIDType, result SEQUENCE { localValue INTEGER (121) } },
splitMPTY_ReturnErrorComp	CHOICE {
errorCodes	[3] IMPLICIT SEQUENCE { invokeID InvokeIDType, errorCode ErrorLocalValues (illegalSS_Operation facilityNotSupported) },
ss_ErrorStatusErr	[3] IMPLICIT SEQUENCE { invokeID InvokeIDType, errorCode ErrorLocalValues (ss_ErrorStatus), parameter SS_Status },
ss_IncompatibilityErr	[3] IMPLICIT SEQUENCE { invokeID InvokeIDType, errorCode ErrorLocalValues (ss_Incompatibility), parameter SS_IncompatibilityCause },
systemFailureErr	[3] IMPLICIT SEQUENCE { invokeID InvokeIDType, errorCode ErrorLocalValues (systemFailure), parameter NetworkResource } },
splitMPTY_RejectComp	[4] IMPLICIT RejectComponent }
Detailed Comments:	Timer T_splitMPTY (5 - 30 s)

ASN.1 Type Definition	
Type Name:	UnstructuredSSNotify_Components
Comments:	GSM 09.02, 14.5, 14.6.4, 14.6.6, 14.7.4, 14.7.7
Type Definition	
CHOICE {	
unstructuredSSNotify_InvokeComp	[1] IMPLICIT SEQUENCE {
invokeID	InvokeIDType,
localValue	INTEGER (61),
ussd_Arg	USSD_Arg },
unstructuredSSNotify_ReturnResultComp	[2] IMPLICIT SEQUENCE {
invokeID	InvokeIDType,
result	SEQUENCE {
localValue	INTEGER (61) } },
unstructuredSSNotify_ReturnErrorComp	CHOICE {
errorCodes	[3] IMPLICIT SEQUENCE { invokeID InvokeIDType,
	errorCode ErrorLocalValues (illegalSubscriber
	illegalEquipment
	absentSubscriber
	dataMissing
	unexpectedDataValue
	unknownAlphabet
	ussd_Busy) },
systemFailureErr	[3] IMPLICIT SEQUENCE { invokeID InvokeIDType,
	errorCode ErrorLocalValues (systemFailure),
	parameter NetworkResource } },
unstructuredSSNotify_RejectComp	[4] IMPLICIT RejectComponent }
Detailed Comments:	Timer m

ASN.1 Type Definition	
Type Name:	UnstructuredSSRequest_Components
Comments:	GSM 09.02, 14.5, 14.6.4, 14.6.6, 14.7.4, 14.7.7
Type Definition	
CHOICE {	
unstructuredSSRequest_InvokeComp	[1] IMPLICIT SEQUENCE {
invokeID	InvokeIDType,
localValue	INTEGER (60),
ussd_Arg	USSD_Arg },
unstructuredSSRequest_ReturnResultComp	[2] IMPLICIT SEQUENCE {
invokeID	InvokeIDType,
result	SEQUENCE {
localValue	INTEGER (60),
ussd_Res	USSD_Res } },
unstructuredSSRequest_ReturnErrorComp	CHOICE {
errorCodes	[3] IMPLICIT SEQUENCE { invokeID InvokeIDType,
	errorCode ErrorLocalValues (illegalSubscriber
	illegalEquipment
	absentSubscriber
	dataMissing
	unexpectedDataValue
	unknownAlphabet
	ussd_Busy) },
systemFailureErr	[3] IMPLICIT SEQUENCE { invokeID InvokeIDType,
	errorCode ErrorLocalValues (systemFailure),
	parameter NetworkResource } },
unstructuredSSRequest_RejectComp	[4] IMPLICIT RejectComponent }
Detailed Comments:	Timer m

ASN.1 Type Definition	
Type Name:	AddressString
Comments:	GSM 09.02, 14.7.8
Type Definition	
OCTET STRING (SIZE (1 .. maxAddressLength))	
Detailed Comments:	

ASN.1 Type Definition	
Type Name:	Asn1Integer
Comments:	INTEGER of ASN.1 type
Type Definition	
INTEGER	
Detailed Comments:	

ASN.1 Type Definition	
Type Name:	BasicServiceCode
Comments:	GSM 09.02, 14.7.8
Type Definition	
CHOICE { bearerService [2] IMPLICIT BearerServiceCode, teleservice [3] IMPLICIT TeleserviceCode } 	
Detailed Comments:	

ASN.1 Type Definition	
Type Name:	BasicServiceGroupList
Comments:	GSM 09.02, 14.7.8
Type Definition	
SEQUENCE SIZE (1 .. maxNumOfBasicServiceGroups) OF BasicServiceCode	
Detailed Comments:	

ASN.1 Type Definition	
Type Name:	BearerServiceCode
Comments:	GSM 09.02, 14.7.10
Type Definition	
OCTET STRING (SIZE (1))	
Detailed Comments:	

ASN.1 Type Definition	
Type Name:	CallBarringCause
Comments:	GSM 09.02, 14.7.7
Type Definition	
ENUMERATED { barringServiceActive (0), operatorBarring (1) } 	
Detailed Comments:	

ASN.1 Type Definition	
Type Name:	CallBarringFeature
Comments:	GSM 09.02, 14.7.4
Type Definition	
SEQUENCE { basicService BasicServiceCode OPTIONAL, ss_Status [4] IMPLICIT SS_Status OPTIONAL }	
Detailed Comments:	

ASN.1 Type Definition	
Type Name:	CallBarringFeatureList
Comments:	GSM 09.02, 14.7.4
Type Definition	
SEQUENCE SIZE (1..maxNumOfBasicServiceGroups) OF CallBarringFeature	
Detailed Comments:	

ASN.1 Type Definition	
Type Name:	CallBarringInfo
Comments:	GSM 09.02, 14.7.4
Type Definition	
SEQUENCE { ss_Code SS_Code OPTIONAL, callBarringFeatureList CallBarringFeatureList }	
Detailed Comments:	

ASN.1 Type Definition	
Type Name:	CliRestrictionOption
Comments:	GSM 09.02, 14.7.4
Type Definition	
ENUMERATED { permanent (0), temporaryDefaultRestricted (1), temporaryDefaultAllowed (2) }	
Detailed Comments:	

ASN.1 Type Definition	
Type Name:	CUG_Feature
Comments:	GSM 09.02, 14.7.4
Type Definition	
SEQUENCE { basicService BasicServiceCode OPTIONAL, preferentialCUG_Indicator CUG_Index OPTIONAL, interCUG_Restrictions InterCUG_Restrictions }	
Detailed Comments:	

ASN.1 Type Definition	
Type Name:	CUG_FeatureList
Comments:	GSM 09.02, 14.7.4
Type Definition	
SEQUENCE SIZE (1.. maxNumOfBasicServiceGroups) OF CUG_Feature	
Detailed Comments:	

ASN.1 Type Definition	
Type Name:	CUG_Index
Comments:	GSM 09.02, 14.7.4
Type Definition	
INTEGER (0..32767)	
Detailed Comments:	The internal structure is defined in ETS 300 138.

ASN.1 Type Definition	
Type Name:	CUG_Interlock
Comments:	GSM 09.02, 14.7.4
Type Definition	
OCTET STRING (SIZE (4))	
Detailed Comments:	

ASN.1 Type Definition	
Type Name:	CUG_Info
Comments:	GSM 09.02, 14.7.4
Type Definition	
SEQUENCE { cug_SubscriptionList CUG_SubscriptionList, cug_FeatureList CUG_FeatureList OPTIONAL }	
Detailed Comments:	

ASN.1 Type Definition	
Type Name:	CUG_Subscription
Comments:	GSM 09.02, 14.7.4
Type Definition	
SEQUENCE { cug_Index CUG_Index, cug_Interlock CUG_Interlock, intraCUG_Options IntraCUG_Options, basicServiceGroupList BasicServiceGroupList OPTIONAL }	
Detailed Comments:	

ASN.1 Type Definition	
Type Name:	CUG_SubscriptionList
Comments:	GSM 09.02, 14.7.4
Type Definition	
SEQUENCE SIZE (1.. maxNumOfCUG) OF CUG_Subscription	
Detailed Comments:	

ASN.1 Type Definition	
Type Name:	ErrorLocalValues
Comments:	GSM 04.80, 4.5
Type Definition	
<pre> INTEGER { unknownSubscriber (1), illegalSubscriber (9), bearerServiceNotProvisioned (10), teleserviceNotProvisioned (11), illegalEquipment (12), callBarred (13), illegalSS_Operation (16), ss_ErrorStatus (17), ss_NotAvailable (18), ss_SubscriptionViolation (19), ss_Incompatibility (20), facilityNotSupported (21), absentSubscriber (27), systemFailure (34), dataMissing (35), unexpectedDataValue (36), pw_RegistrationFailure (37), negativePW_Check (38), numberOfPW_AttemptsViolation (43), unknownAlphabet (71), ussd_Busy (72), maxNumberOfMPPTY_ParticipantsExceeded (126), resourcesNotAvailable (127) } </pre>	
Detailed Comments:	Elements of INTEGER are global for the ATS.

ASN.1 Type Definition	
Type Name:	ForwardingFeature
Comments:	GSM 09.02, 14.7.4
Type Definition	
<pre> SEQUENCE { basicService BasicServiceCode OPTIONAL, ss_Status [4] IMPLICIT SS_Status OPTIONAL, forwardedToNumber [5] IMPLICIT ISDN_AddressString OPTIONAL, forwardedToSubaddress [8] IMPLICIT ISDN_SubaddressString OPTIONAL, forwardingOptions [6] IMPLICIT ForwardingOptions OPTIONAL, noReplyConditionTime [7] IMPLICIT NoReplyConditionTime OPTIONAL } </pre>	
Detailed Comments:	

ASN.1 Type Definition	
Type Name:	ForwardingFeatureList
Comments:	GSM 09.02, 14.7.4
Type Definition	
SEQUENCE SIZE (1..maxNumOfBasicServiceGroups) OF ForwardingFeature	
Detailed Comments:	

ASN.1 Type Definition	
Type Name:	ForwardingInfo
Comments:	GSM 09.02, 14.7.4
Type Definition	
<pre> SEQUENCE { ss_Code SS_Code OPTIONAL, forwardingFeatureList ForwardingFeatureList } </pre>	
Detailed Comments:	

ASN.1 Type Definition	
Type Name:	ForwardingOptions
Comments:	GSM 09.02, 14.7.4
Type Definition	
OCTET STRING (SIZE (1))	
Detailed Comments:	

ASN.1 Type Definition	
Type Name:	GeneralProblem
Comments:	ITU-T Q.767
Type Definition	
TCAP_Problems (unrecognizedComponent mistypedComponent badlyStructuredComponent)	
Detailed Comments:	Type restricted to these three.

ASN.1 Type Definition	
Type Name:	InterCUG_Restrictions
Comments:	GSM 09.02, 14.7.4
Type Definition	
OCTET STRING (SIZE (1))	
Detailed Comments:	bits: 876543: 000000 (unused) bits 21: 00 CUG only facilities 01 CUG with outgoing access 10 CUG with incoming access 11 CUG with both outgoing and incoming access

ASN.1 Type Definition	
Type Name:	IntraCUG_Options
Comments:	GSM 09.02, 14.7.4
Type Definition	
ENUMERATED { noCUG_Restrictions (0), cugIC_CallBarred (1), cugOG_CallBarred (2) }	
Detailed Comments:	

ASN.1 Type Definition	
Type Name:	InvokeIDType
Comments:	ITU-T, Q.773
Type Definition	
INTEGER (-128 .. 127)	
Detailed Comments:	Values: Sending Components: If it is an invoke component then use Test Case Variable (with default) to set value. If another invoke component is sent the TCV should be incremented beforehand. If it is a return result, error or reject component in response to a received invoke component then use TCV also, making sure the value is set to the value of the received component beforehand. Receiving Components: If it is an invoke comp then use '?'. If it is a return result, error or reject component in response to a sent invoke component then use TCV value (as used in sent invoke component).

ASN.1 Type Definition	
Type Name:	InvokeProblem
Comments:	ITU-T Q.767
Type Definition	
TCAP_Problems (duplicateInvokeID unrecognizedOperation mistypedArgument resourceLimitation initiatingRelease unrecognizedLinkedID linkedResponseUnexpected unexpectedLinkedOperation)	
Detailed Comments:	Type restricted to these 8.

ASN.1 Type Definition	
Type Name:	ISDN_AddressString
Comments:	GSM 09.02, 14.7.8
Type Definition	
AddressString (SIZE (1 .. maxISDN_AddressLength))	
Detailed Comments:	

ASN.1 Type Definition	
Type Name:	ISDN_SubaddressString
Comments:	GSM 09.02, 14.7.8
Type Definition	
OCTET STRING (SIZE (1 .. maxISDN_SubaddressLength))	
Detailed Comments:	

ASN.1 Type Definition	
Type Name:	NetworkResource
Comments:	GSM 09.02, 14.7.8,
Type Definition	
ENUMERATED { plmn (0), hlr (1), vlr (2), pvlr (3), controllingMSC (4), vmsc (5), eir (6), rss (7) }	
Detailed Comments:	Elements of INTEGER are global for the ATS.

ASN.1 Type Definition	
Type Name:	NoReplyConditionTime
Comments:	GSM 09.02, 14.7.4
Type Definition	
INTEGER (5 .. 30)	
Detailed Comments:	

ASN.1 Type Definition	
Type Name:	Operation
Comments:	ITU-T Q.767
Type Definition	
CHOICE { localValue INTEGER, globalValue OBJECT IDENTIFIER}	
Detailed Comments:	

ASN.1 Type Definition	
Type Name:	OverrideCategory
Comments:	GSM 09.02, 14.7.4
Type Definition	
ENUMERATED { overrideEnabled (0), overrideDisabled (1) }	
Detailed Comments:	

ASN.1 Type Definition	
Type Name:	Password
Comments:	GSM 09.02, 14.7.4
Type Definition	
NumericString (FROM ("0" "1" "2" "3" "4" "5" "6" "7" "8" "9")) (SIZE (4))	
Detailed Comments:	

ASN.1 Type Definition	
Type Name:	PW_RegistrationFailureCause
Comments:	GSM 09.02, 14.7.7
Type Definition	
ENUMERATED { undetermined (0), invalidFormat (1), newPasswordsMismatch (2) }	
Detailed Comments:	

ASN.1 Type Definition	
Type Name:	ReturnErrorProblem
Comments:	ITU-T Q.767
Type Definition	
TCAP_Problems (unrecognizedInvokeID returnErrorUnexpected unrecognizedError unexpectedError mistypedParameter)	
Detailed Comments:	Type restricted to these 5.

ASN.1 Type Definition	
Type Name:	ReturnResultProblem
Comments:	ITU-T Q.767
Type Definition	
TCAP_Problems (unrecognizedInvokeID returnResultUnexpected mistypedResult)	
Detailed Comments:	Type restricted to these three.

ASN.1 Type Definition	
Type Name:	SS_Code
Comments:	GSM 09.02, 14.7.5
Type Definition	
OCTET STRING (SIZE (1))	
Detailed Comments:	group (bits 8765), and specific service (bits 4321)

ASN.1 Type Definition	
Type Name:	SS_Data
Comments:	GSM 09.02, 14.7.4
Type Definition	
SEQUENCE { ss_Code SS_Code OPTIONAL, ss_Status [4] IMPLICIT SS_Status OPTIONAL, ss_SubscriptionOption SS_SubscriptionOption OPTIONAL, basicServiceGroupList BasicServiceGroupList OPTIONAL }	
Detailed Comments:	

ASN.1 Type Definition	
Type Name:	SS_ForBS_Code
Comments:	GSM 09.02, 14.7.4
Type Definition	
SEQUENCE { ss_Code SS_Code, basicService BasicServiceCode OPTIONAL }	
Detailed Comments:	

ASN.1 Type Definition	
Type Name:	SS_IncompatibilityCause
Comments:	GSM 09.02, 14.7.8
Type Definition	
SEQUENCE { ss_Code [1] IMPLICIT SS_Code OPTIONAL, basicService BasicServiceCode OPTIONAL, ss_Status [4] SS_Status OPTIONAL }	
Detailed Comments:	

ASN.1 Type Definition	
Type Name:	SS_Info
Comments:	GSM 09.02, 14.7.4
Type Definition	
CHOICE { forwardingInfo [0] IMPLICIT ForwardingInfo, callBarringInfo [1] IMPLICIT CallBarringInfo, cug_Info [2] IMPLICIT CUG_Info, ss_Data [3] IMPLICIT SS_Data }	
Detailed Comments:	

ASN.1 Type Definition	
Type Name:	SS_Status
Comments:	GSM 09.02, 14.7.4
Type Definition	
OCTET STRING (SIZE (1))	
Detailed Comments:	bits 8765: 0000 unused, bits 4: SS state information Q bit, bits 3: SS state information P bit, bits 2: SS state information R bit, bits 1: SS state information A bit.

ASN.1 Type Definition	
Type Name:	SS_SubscriptionOption
Comments:	GSM 09.02, 14.7.4
Type Definition	
CHOICE { overrideCategory [1] IMPLICIT OverrideCategory, cliRestrictionOption [2] IMPLICIT CliRestrictionOption }	
Detailed Comments:	

ASN.1 Type Definition	
Type Name:	SS_UserData
Comments:	GSM 09.02, 14.7.4
Type Definition	
IA5String (SIZE (1 .. maxSignalInfoLength))	
Detailed Comments:	

ASN.1 Type Definition	
Type Name:	TCAP_Problems
Comments:	ITU-T Q.767
Type Definition	
INTEGER { unrecognizedComponent (0), -- GeneralProblem unrecognizedInvokeID (0), -- ReturnResultProblem, ReturnErrorProblem duplicateInvokeID (0), -- InvokeProblem mistypedComponent (1), -- GeneralProblem returnErrorUnexpected (1), -- ReturnErrorProblem returnResultUnexpected (1), -- ReturnResultProblem unrecognizedOperation (1), -- InvokeProblem badlyStructuredComponent (2), -- GeneralProblem unrecognizedError (2), -- ReturnErrorProblem mistypedArgument (2), -- InvokeProblem, originally called mistypedParameter in TCAP mistypedResult (2), -- ReturnResultProblem resourceLimitation (3), -- InvokeProblem unexpectedError (3), -- ReturnErrorProblem mistypedParameter (4), -- ReturnErrorProblem initiatingRelease (4), -- InvokeProblem unrecognizedLinkedID (5), -- InvokeProblem linkedResponseUnexpected (6), -- InvokeProblem unexpectedLinkedOperation (7) -- InvokeProblem }	
Detailed Comments:	Errors of the same integer value are distinguished by their different parent types (General, Invoke, ReturnResult, ReturnError).

ASN.1 Type Definition	
Type Name:	TeleserviceCode
Comments:	GSM 09.02, 14.7.9
Type Definition	
OCTET STRING (SIZE (1))	
Detailed Comments:	

ASN.1 Type Definition	
Type Name:	USSD_Arg
Comments:	GSM 09.02, 14.7.4
Type Definition	
SEQUENCE { ussd_DataCodingScheme USSD_DataCodingScheme, ussd_String USSD_String }	
Detailed Comments:	

ASN.1 Type Definition	
Type Name:	USSD_Res
Comments:	GSM 09.02, 14.7.4
Type Definition	
SEQUENCE { ussd_DataCodingScheme USSD_DataCodingScheme, ussd_String USSD_String }	
Detailed Comments:	

ASN.1 Type Definition	
Type Name:	USSD_DataCodingScheme
Comments:	GSM 09.02, 14.7.4
Type Definition	
OCTET STRING (SIZE (1))	
Detailed Comments:	

ASN.1 Type Definition	
Type Name:	USSD_String
Comments:	GSM 09.02, 14.7.4
Type Definition	
OCTET STRING (SIZE (1..maxUSSD_StringLength))	
Detailed Comments:	The structure of the contents of the USSD-String is dependent on the USSD-DataCodingScheme as described in TS GSM03.38.

Test suite operation definitions

Test Suite Operation Definition	
Operation Name:	OC_Asn1intToOct(n:Asn1Integer; l: INTEGER)
Result Type:	OCTETSTRING
Comments:	
Description	
<p>OC_Asn1intToOct converts the ASN.1 INTEGER `n` into OCTETSTRING with length = `l`.</p> <p>for example:</p> <p>OC_Asn1intToOct(14,1) = '0E'O; OC_Asn1intToOct(18,1) = '12'O; OC_Asn1intToOct(18,2) = '0012'O; OC_Asn1intToOct(-128,1) = '80'O (MSB (position p out of 1...p) represents $-2^{\exp(p-1)}$); OC_Asn1intToOct(-32768,2) = '8000'O (MSB (position p out of 1...p) represents $-2^{\exp(p-1)}$).</p>	
Detailed Comments:	

Test Suite Operation Definition	
Operation Name:	OC_Bcap(setup:SETUP_MO_PDU; callproc:CALL_PROC_PDU; mem:INTEGER)
Result Type:	BCAP
Comments:	
Description	
<p>OC_Bcap operation returns a bearer capability IE according the following rule:</p> <ul style="list-style-type: none"> - for `mem` = 1: <ul style="list-style-type: none"> - if bearer capability IE were presented in `callproc` the returned BC is the bearer capability 1 of the `callproc`; - otherwise, the returned bearer capability is the bearer capability 1 of the `setup`. - for `mem` = 2: <ul style="list-style-type: none"> - if bearer capability IE were presented in `callproc` the returned BC is the bearer capability 2 of the `callproc`; - otherwise, the returned bearer capability is the bearer capability 2 of the `setup`. 	
Detailed Comments:	

Test Suite Operation Definition	
Operation Name:	OC_BinAdd(bitstr1:BITSTRING; bitstr2:BITSTRING)
Result Type:	BITSTRING
Comments:	
Description	
<p>OC_BinAdd operation performs binary addition of two input parameters `bitstr1` and `bitstr2`, then returns the result of the addition. These two input parameters shall have the same length, the result of the operation has the same length as the input parameters.</p> <p>for example:</p> <p>OC_BinAdd('01000'B, '00110'B) = '01110'B; OC_BinAdd('01000'B, '00011'B) = '01011'B; OC_BinAdd('00100'B, '00010'B) = '00110'B.</p>	
Detailed Comments:	

Test Suite Operation Definition	
Operation Name:	OC_Bit7(bstring: B_8)
Result Type:	BITSTRING
Comments:	The input parameter bstring is of type BITSTRING[8].
Description	
OC_Bit7(bstring) returns the value of bit 7 in the `bstring`.	
for example:	
OC_Bit7('01010101'B) = '1'B,	
OC_Bit7('10101010'B) = '0'B	
Detailed Comments:	

Test Suite Operation Definition	
Operation Name:	OC_BCDtoInt(bcdstring:HEXSTRING; relevant_digits: INTEGER)
Result Type:	INTEGER
Comments:	
Description	
The operation OC_BCDtoInt converts last 'relevant_digits' of an HEXSTRING containing BCD coded digits to an integer representation of these relevant digits.	
Example: OC_BCDtoInt('12345'H, 3) := 345	
Detailed Comments:	

Test Suite Operation Definition	
Operation Name:	OC_CallComfVerify(callcmf: CALL_CO_PDU; srv: IA5String)
Result Type:	BOOLEAN
Comments:	
Description	
The OC_CallComfVerify operation checks whether the CALL_CO_PDU `callcmf` contains one or two bearer capabilities according to the actual configuration of the MS and whether `callcmf` contains a correctly encoded "Repeat Indicator", the actual configuration is indicated by `srv`. It returns TRUE if the `callcmf` is according to the actual configuration and "Repeat Indicaor" is correct, otherwise it returns FALSE. The rules for verification is described in GSM 07.01.	
Detailed Comments:	

Test Suite Operation Definition	
Operation Name:	OC_CalledNumCHK(callednum:OCTETSTRING; dialnum:IA5String)
Result Type:	BOOLEAN
Comments:	
Description	
the operation OC_CalledNumCHK to check whether the called party number `callednum`, which is represented by OCTETSTRING, is the same as the dialed number `dialnum`, which is represented by IA5String. It returns TRUE if they are the same, otherwise FALSE.	
Detailed Comments:	

Test Suite Operation Definition	
Operation Name:	OC_CallProcGen(setup:SETUP_MO_PDU; callproc:CALL_PROC_PDU)
Result Type:	CALL_PROC_PDU
Comments:	This gives a general purpose call proceeding message
Description	
<p>OC_CallProcGen operation fills the bearer capability fields of the CALL_PROC_PDU (input parameter 'callproc') according to the input parameter 'setup' (SETUP message):</p>	
<pre> 1. CALL_PROC_PDU.ti := setup.ti, CALL_PROC_PDU.ti.ti_f := '1'B, 2. Decide if negotiation is needed (* currently the only parameter that forces the MSC to respond is the connection element. The NIRR bit is ignored by old MSCs so the mobile cannot rely on a response. A recent change to 07.01 clarifies that the RCR is not negotiable in the Call Proceeding message *). Negotiation is only needed if either bearer capability 1 or bearer capcbility 2 (if present) has the connection element set to '1x'B. 3. IF negotiation is not needed THEN CALL_PROC_PDU.bcric := OMIT, CALL_PROC_PDU.bcap1 := 'OMIT', CALL_PROC_PDU.bcap2 := 'OMIT' ELSE (* negotiation needed *) IF the bcric was received in the Setup message THEN CALL_PROC_PDU.bcric := setup.bcric ELSE CALL_PROC_PDU.bcric shall be Omitted. IF setup.bcap1.itc = '000'B (speech call) THEN CALL_PROC_PDU.bcap1.rcr := '00'B, (* this provides some testing of the ability of a mobile to correctly ignore spare bits *) and set all other bcap1 fields to the value contained in the corresponding setup bcap1 fields ELSE (* in this case bcap1 indicates data and the ce needs to be checked *) CALL_PROC_PDU.bcap1.ce := '0x'B, where x equals to the second bit of SETUP_PDU.bcap.ce, CALL_PROC_PDU.bcap1.NIRR = 0, and set all other bcap1 fields to the value contained in the corresponding setup bcap1 fields IF setup.bcap2 was received in the Setup message THEN IF setup.bcap2.itc = '000'B (speech call) THEN CALL_PROC_PDU.bcap2.rcr := '11'B, (* this provides some testing of the ability of a mobile to correctly ignore spare bits *) and set all other bcap2 fields to the value contained in corresponding setup bcap2 fields ELSE (* in this case bcap2 indicates data and the ce needs to be checked *) CALL_PROC_PDU.bcap2.ce := '0x'B, where x equals to the second bit of SETUP_PDU.bcap.ce, CALL_PROC_PDU.bcap2.NIRR = 0, and set all other bcap2 fields to the value contained in corresponding setup bcap2 fields ELSE CALL_PROC_PDU.bcap2 shall be Omitted. END </pre>	
Detailed Comments:	

Test Suite Operation Definition	
Operation Name:	OC_CallProcGenE(setup:ESETUP_PDU)
Result Type:	CALL_PROC_PDU
Comments:	this is used for emergency call.
Description	
OC_CallProcGen operation generates a CALL_PROC_PDU according to the input parameter `setup` (ESETUP message):	
<pre> CALL_PROC_PDU.ccpd := '0011'B, CALL_PROC_PDU.ti := setup.ti, CALL_PROC_PDU.ti.ti_f := '1'B, CALL_PROC_PDU.mt := '00000010'B. </pre>	
1. If ESETUP message does not contain bcap, or if the setup.bcap1.itc = '00'B (speech call) then the CALL_PROC_PDU generated by this operation contains mandatory IE's only. If ESETUP message does not contain bcap, then the tester shall assume Full Rate Speech.	
2. If the setup.bcap1.itc <> '000'B (non speech call) the CALL_PROC_PDU generated by this operation contains the following IE's :	
<pre> CALL_PROC_PDU.bcri. CALL_PROC_PDU.bcap1 is omitted if setup.bcap1.rchr<> '1x'B or setup.bcap1.ce <> '1x'B, otherwise: CALL_PROC_PDU.bcap1.rchr = '01'B (FR), CALL_PROC_PDU.bcap1.ce = '00'B (T), CALL_PROC_PDU.bcap1.nirr = '0'B (no meaning), all other parameters in the CALL_PROC_PDU.bcap1 are set to the values received from setup.bcap1, where applicable. CALL_PROC_PDU.bcap2 is omitted. all other IE's are omitted. </pre>	
Detailed Comments:	

Test Suite Operation Definition	
Operation Name:	OC_ChkSRES(sres:OCTETSTRING; ki: BITSTRING; rand:BITSTRING)
Result Type:	BOOLEAN
Comments:	sres is 32 bits value.
Description	
OC_ChkSRES checks the input parameter `sres` according to the authentication algorithm defined in the following procedure. It returns TRUE if the `sres` is correct, otherwise it returns FALSE.	
<ul style="list-style-type: none"> - firstly the `ki` XOR to the `rand` results in RES1; - then compare the most significant 32 bits of the RES1 with the `sres`; - if they are equal, the `sres` is correct and the operation returns TRUE; - if they are not equal, the `sres` is wrong and the operation returns FALSE. 	
NOTE: this procedure is the test algorithm for authentication defined by GSM.	
Detailed Comments:	

Test Suite Operation Definition	
Operation Name:	OC_CnvtMax(max:INTEGER)
Result Type:	B_2
Comments:	
Description	
<p>The allowed integer values for max are 1, 2, 4, 7 (maximum number of retransmissions). The result BITSTRING is 2 bits long. OC_CnvtMax converts the input integer `max` into a BITSTRING according to the following rule:</p> <ol style="list-style-type: none"> 1. the result is '00'B if the `max` = 1, 2. the result is '01'B if the `max` = 2, 3. the result is '10'B if the `max` = 4, 4. the result is '11'B if the `max` = 7. <p>for example:</p> <p>OC_CnvtMax(1) = '00'B, OC_CnvtMax(7) = '11'B.</p>	
Detailed Comments:	

Test Suite Operation Definition	
Operation Name:	OC_CnvtTx(tx:INTEGER)
Result Type:	B_4
Comments:	The result BITSTRING is 4 bits long.
Description	
<p>OC_CnvtTx converts the input integer `tx` into a BITSTRING according to the following rule:</p> <ol style="list-style-type: none"> 1. the result is '0000'B if the `tx` = 3, 2. the result is '0001'B if the `tx` = 4, 3. the result is '0010'B if the `tx` = 5, 4. the result is '0011'B if the `tx` = 6, 5. the result is '0100'B if the `tx` = 7, 6. the result is '0101'B if the `tx` = 8, 7. the result is '0110'B if the `tx` = 9, 8. the result is '0111'B if the `tx` = 10, 9. the result is '1000'B if the `tx` = 11, 10. the result is '1001'B if the `tx` = 12, 11. the result is '1010'B if the `tx` = 14, 12. the result is '1011'B if the `tx` = 16, 13. the result is '1100'B if the `tx` = 20, 14. the result is '1101'B if the `tx` = 25, 15. the result is '1110'B if the `tx` = 32, 16. the result is '1111'B if the `tx` = 50. <p>for example:</p> <p>OC_CnvtTx(3) = '0000'B, OC_CnvtTx(5) = '0010'B.</p>	
Detailed Comments:	

Test Suite Operation Definition	
Operation Name:	OC_CodeSMSCBMessage(firstoct: INTEGER; lastoct: INTEGER)
Result Type:	OCTETSTRING
Comments:	
Description	
The operation codes a part of the contents for a cell broadcast short message. The cell broadcast short message, is 82 octets long, i.e. 93 characters, each represented by 7 bits. As many as possible different characters are sent, the characters are those corresponding to the 7-bit representation of the integers 0, 1, 2, ..., 92. The bits are arranged acc. to GSM 03.38, clause 6.1.2.1.1. The result of this operation is the octetstring of the octets 'firstoct' to 'lastoct' (16 octets for the first message block, 22 octets for the 2nd, 3rd and 4th blocks), with the octets of the cell broadcast short message being numbered from 1 to 82.	
Detailed Comments:	

Test Suite Operation Definition	
Operation Name:	OC_CodingOfUssdString(text: IA5String)
Result Type:	OCTETSTRING
Comments:	
Description	
This operation provides the coding for a USSD String 'text' in the default alphabet, each character represented by 7 bits. The bits are arranged acc. to GSM 03.38, clause 6.1.2.2.1.	
Detailed Comments:	

Test Suite Operation Definition	
Operation Name:	OC_ComputeSMContents(NumberOfCharacters: INTEGER)
Result Type:	OCTETSTRING
Comments:	max. 160 characters, i.e. 140 octets.
Description	
This operation provides a short message's contents with a specified number of characters 'NumberOfCharacters', each represented by 7 bits. As possible different characters are sent, the characters are those corresponding to the 7-bit representation of 0, 1, 2, ... up to ('NumberOfCharacters' - 1). If more than 128 characters are sent, the rest of the characters is the corresponding to 0, 1, ... up to (NumberOfCharacters - 128 - 1), e.g. for 160 characters: 0, 1, ..., 127, 0, 1, ..., 31. The bits are arranged acc. to GSM 03.38, clause 6.1.2.1.1.	
Detailed Comments:	

Test Suite Operation Definition	
Operation Name:	OC_ComputeSMContentsSpecText(NumbOfIA5chara: INTEGER; text: IA5String)
Result Type:	OCTETSTRING
Comments:	max. 160 characters, i.e. 140 octets.
Description	
This operation provides a short message's contents with a specified number of characters 'NumbOfIA5chara', each represented by 7 bits. 'text' is used as contents of the short message. If 'text' contains less than 'NumberOfCharacters' characters, 'text' is repeated until the short message reaches the 'NumberOfCharacters' characters long. The bits packing is arranged according. to GSM 03.38, clause 6.1.2.1.1.	
Detailed Comments:	

Test Suite Operation Definition	
Operation Name:	OC_CphKeyGen(ki:BITSTRING; rand:BITSTRING)
Result Type:	BITSTRING
Comments:	both ki and rand are 128 bits values, the result of the operation is 64 bits value
Description	
OC_CphKeyGen generates the ciphering key from the input parameters according to the following procedure:	
<ul style="list-style-type: none"> - firstly the `ki` XOR to the `rand` results in RES1; - then discard the most significant 32 bits of the RES; - the next 64 bits of RES1 are the ciphering key, the operation returns this value. - the 32 least significant bits are not used. 	
Detailed Comments:	

Test Suite Operation Definition	
Operation Name:	OC_FirstDigi(bcddigits:HEXSTRING)
Result Type:	B_4
Comments:	
Description	
<p>The input parameter bcddigits shall be a BCD string (subset of HEXSTRING), the result is a BITSTRING[4] of a binary representation of one BCD digit.</p> <p>The function of the OC_FirstDigi is to return the first (most significant) digit of the input parameter `bcddigits`.</p> <p>for example:</p> <p>OC_FirstDigi('12345') = '0001'B, OC_FirstDigi('012345678') = '0000'B.</p>	
Detailed Comments:	

Test Suite Operation Definition	
Operation Name:	OC_FnArith(fn, fn1:FN)
Result Type:	INTEGER
Comments:	
Description	
<p>The function of OC_FnArith operation to calculate the difference of two frame numbers `fn` and `fn1`.</p> <pre> OC_FnArith(fn, inc) FN fn, fn1; { int fmin frmin1; INTEGER diff; frmin = 51 * ((fn.t3 - fn.t2) MOD 26) + fn.t3 + 1326 * fn.t1_ ; frmin1 = 51 * ((fn1.t3 - fn1.t2) MOD 26) + fn1.t3 + 1326 * fn1.t1_ ; diff = (frmin - frmin1) MOD 42432 return (diff); } </pre>	
Detailed Comments:	

Test Suite Operation Definition	
Operation Name:	OC_FnInc(fn:FN; inc:INTEGER)
Result Type:	FN
Comments:	
Description	
<p>The function of OC_FnInc operation to increase frame number with `inc`. The frame number to be incremented is the input parameter `fn` in FN type and the increment `inc` is in INTEGER type, the incremented frame number is returned in FN type.</p> <pre> OC_FnInc(fn, inc) FN fn; INTEGER inc; { int fmin; FN frmout; fmin = 51 * ((fn.t3 - fn.t2) MOD 26) + fn.t3 + 1326 * fn.t1_ ; frmout.t1_ = ((fmin + inc) DIV 1326) MOD 32; frmout.t2 = (fmin + inc) MOD 26; frmout.t3 = (fmin + inc) MOD 51; return (frmout); } </pre>	
Detailed Comments:	

Test Suite Operation Definition	
Operation Name:	OC_GetSCTimeStamp(timezone:TZONES)
Result Type:	TPSCTS
Comments:	TPSCTS is HEXSTRING[14]
Description	
<p>This Operation provides the hexstring containing the service center time stamp (SCTS) according to GSM 03.40, clauses 9.2.2.1 and 9.2.3.11. The TSO reads the current time of the test systems clock and transforms the time in combination with the input parameter 'timezone' into a service center time stamp.</p> <p>Example: 1996 April 18, 15:32:46, timezone=4 OC_GetSCTimeStamp returns 69408151236440</p>	
Detailed Comments:	

Test Suite Operation Definition	
Operation Name:	OC_IncTmsi(tmsi:TMSI_V; inc:OCTETSTRING)
Result Type:	TMSI_V
Comments:	the `tmsi` is 4 OCTETs long
Description	
<p>OC_IncTmsi operation adds the two input parameters and returns the result. An overflow of addition is allowed.</p> <p>For example :</p> <pre> OC_IncTmsi('33542140'O + '01'O) = '33542141'O; OC_IncTmsi('21322140'O + '08'O) = '21322148'O. </pre>	
Detailed Comments:	

Test Suite Operation Definition	
Operation Name:	OC_InRang(tx: INTEGER; maxret:INTEGER; m: INTEGER)
Result Type:	BOOLEAN
Comments:	
Description	
The operation returns TRUE if $(m \text{ DIV } (\text{maxret} * ((230 + \text{maxret} - 1) / \text{maxret})))$ is inside the following interval: $[0.8 - ((tx+1)/2) \text{ DIV } tx; 1.2 - ((tx+1)/2) \text{ DIV } tx]$	
where / is integer division, DIV is float division, m, tx and maxret are input parameters of the operation.	
Detailed Comments:	

Test Suite Operation Definition	
Operation Name:	OC_IntToOct(n:INTEGER; l: INTEGER)
Result Type:	OCTETSTRING
Comments:	
Description	
OC_IntToOct converts the INTEGER `n` into OCTETSTRING with length = `l`.	
for example:	
OC_IntToOct(14,1) = '0E'O;	
OC_IntToOct(18,1) = '12'O;	
OC_IntToOct(18,2) = '0012'O.	
Detailed Comments:	

Test Suite Operation Definition	
Operation Name:	OC_LeastBits(bstring:BITSTRING; lg:INTEGER)
Result Type:	BITSTRING
Comments:	
Description	
OC_LeastBits operation returns the `lg` least significant bits of the original `bstring`.	
for example:	
OC_LeastBits('110011000101010'B, 3) = '010'B,	
OC_LeastBits('110011000101010'B, 6) = '101010'B.	
Detailed Comments:	

Test Suite Operation Definition	
Operation Name:	OC_LengthOf(identity_field :MI)
Result Type:	INTEGER
Comments:	
Description	
OC_LengthOf operation returns the actual length of the `identity_field`, the unit of length is in OCTET.	
Detailed Comments:	

Test Suite Operation Definition	
Operation Name:	OC_LengthOfBCDN(bcdn :BCDN)
Result Type:	INTEGER
Comments:	
Description	
OC_LengthOfBCDN operation returns the actual length of an IE of type BCDN `bcdn`, the unit of length is in OCTET.	
Detailed Comments:	

Test Suite Operation Definition	
Operation Name:	OC_LengthOfComp(comp: Component_T)
Result Type:	LENGTH
Comments:	
Description	
OC_LengthOfComp operation returns the actual length of the Component_T `comp`, the unit of length is in OCTET.	
Detailed Comments:	

Test Suite Operation Definition	
Operation Name:	OC_LengthOfComp1(comp: Components)
Result Type:	LENGTH
Comments:	
Description	
OC_LengthOfComp1 operation returns the actual length of the Components `comp`, the unit of length is in OCTET.	
Detailed Comments:	

Test Suite Operation Definition	
Operation Name:	OC_LengthOfString(strg: IA5String)
Result Type:	INTEGER
Comments:	
Description	
OC_LengthOfString operation returns the actual length (number of characters) of the string `strg`.	
Detailed Comments:	

Test Suite Operation Definition	
Operation Name:	OC_LookupS(t: INTEGER; combined :BOOLEAN)
Result Type:	INTEGER
Comments:	the algorithm is derived from Table 3.1/GSM 04.08 for values of parameter S.
Description	
<p>This operation returns an INTEGER according the following algorithm:</p> <pre> OC_LookupS(t, comb) INTEGER t; BOOLEAN combined; { switch (t) { case 3: case 8: case 14: case 50: if (combined) then return(41) else return(55); break; case 4: case 9: case 16: if (combined) then return(52) else return(76); break; case 5: case 10: case 20: if (combined) then return(58) else return(109); break; case 6: case 11: case 25: if (combined) then return(86) else return(163); break; case 7: case 12: case 32: if (combined) then return(115) else return(217); break; } } </pre>	
Detailed Comments:	

Test Suite Operation Definition	
Operation Name:	OC_MostBits(bstring:BITSTRING; lg :INTEGER)
Result Type:	BITSTRING
Comments:	
Description	
OC_MostBits operation returns the `lg` most significant bits of the original `bstring`.	
for example:	
OC_LeastBits('110011000101010'B, 3) = '110'B, OC_LeastBits('110011000101010'B, 6) = '110011'B.	
Detailed Comments:	

Test Suite Operation Definition	
Operation Name:	OC_MsrReptChk(msrres: MSRR; index: INTEGER)
Result Type:	BOOLEAN
Comments:	
Description	
<p>OC_MsrReptChk operation checks whether the received measurement report contains correct values:</p> <ol style="list-style-type: none"> 1. when the `index` = 1: <pre> if set { { msrres.bcchfrq_nc1, msrres.bsic_nc1}, { msrres.bcchfrq_nc2, msrres.bsic_nc2}, { msrres.bcchfrq_nc3, msrres.bsic_nc3}, { msrres.bcchfrq_nc4, msrres.bsic_nc4}, { msrres.bcchfrq_nc5, msrres.bsic_nc5}, { msrres.bcchfrq_nc6, msrres.bsic_nc6} } equals to set { {'00000'B, '001011'B}, {'01111'B, '001001'B}, {'10101'B, '001011'B}, {'10110'B, '001101'B}, {'11100'B, '001111'B}, {'11111'B, '001001'B} } then the operation returns TRUE otherwise FALSE. </pre> 2. when the `index` = 2: <pre> if set { { msrres.bcchfrq_nc1, msrres.bsic_nc1}, { msrres.bcchfrq_nc2, msrres.bsic_nc2}, { msrres.bcchfrq_nc3, msrres.bsic_nc3}, { msrres.bcchfrq_nc4, msrres.bsic_nc4}, { msrres.bcchfrq_nc5, msrres.bsic_nc5}, { msrres.bcchfrq_nc6, msrres.bsic_nc6} } equals to set { {'00000'B, '001011'B}, {'00100'B, '001001'B}, {'00110'B, '001011'B}, {'00101'B, '001101'B}, {'00010'B, '001111'B}, {'00111'B, '001001'B} } then the operation returns TRUE otherwise FALSE. </pre> 3. when the `index` = 3: <pre> if set { { msrres.bcchfrq_nc1, msrres.bsic_nc1}, { msrres.bcchfrq_nc2, msrres.bsic_nc2}, { msrres.bcchfrq_nc3, msrres.bsic_nc3}, { msrres.bcchfrq_nc4, msrres.bsic_nc4}, { msrres.bcchfrq_nc5, msrres.bsic_nc5}, { msrres.bcchfrq_nc6, msrres.bsic_nc6} } equals to set { {'00001'B, '001011'B}, {'00101'B, '001001'B}, {'00111'B, '001011'B}, {'00110'B, '001101'B}, {'00011'B, '001111'B}, {'01000'B, '001001'B} } then the operation returns TRUE otherwise FALSE. </pre> 4. when the `index` = 4 : <pre> if set { { msrres.bcchfrq_nc1, msrres.bsic_nc1}, { msrres.bcchfrq_nc2, msrres.bsic_nc2}, { msrres.bcchfrq_nc3, msrres.bsic_nc3}, { msrres.bcchfrq_nc4, msrres.bsic_nc4}, } equals to set { {'00000'B, '001011'B}, {'00010'B, '001111'B}, {'00001'B, '001111'B}, {'00011'B, '001001'B} } then the operation returns TRUE otherwise FALSE. </pre> 5. when the `index` = 5 : <pre> if set { { msrres.bcchfrq_nc1, msrres.bsic_nc1}, { msrres.bcchfrq_nc2, msrres.bsic_nc2}, { msrres.bcchfrq_nc3, msrres.bsic_nc3}, { msrres.bcchfrq_nc4, msrres.bsic_nc4}, } equals to set { {'00000'B, '001011'B}, {'00010'B, '001111'B}, {'00001'B, '001111'B}, {'00100'B, '001001'B} } then the operation returns TRUE otherwise FALSE. </pre> 	

6. when the `index` = 6:

```
if set { { msrres.bcchfrq_nc1, msrres.bsic_nc1}, { msrres.bcchfrq_nc2, msrres.bsic_nc2},
        { msrres.bcchfrq_nc3, msrres.bsic_nc3}, { msrres.bcchfrq_nc4, msrres.bsic_nc4},
        { msrres.bcchfrq_nc5, msrres.bsic_nc5}, { msrres.bcchfrq_nc6, msrres.bsic_nc6}
      }
```

equals to

```
set { {'00000'B, '001011'B}, {'00011'B, '001001'B},
      {'00100'B, '001011'B}, {'00101'B, '001101'B},
      {'00110'B, '001111'B}, {'00111'B, '001001'B}
    }
```

then the operation returns TRUE otherwise FALSE.

7. when the `index` = 7:

```
if set { { msrres.bcchfrq_nc1, msrres.bsic_nc1}, { msrres.bcchfrq_nc2, msrres.bsic_nc2},
        { msrres.bcchfrq_nc3, msrres.bsic_nc3}, { msrres.bcchfrq_nc4, msrres.bsic_nc4},
        { msrres.bcchfrq_nc5, msrres.bsic_nc5}, { msrres.bcchfrq_nc6, msrres.bsic_nc6}
      }
```

equals to

```
set { {'00000'B, '001011'B}, {'00100'B, '001001'B},
      {'00110'B, '001011'B}, {'00101'B, '001101'B},
      {'00010'B, '001111'B}, {'00111'B, '001001'B}
    }
```

then the operation returns TRUE otherwise FALSE.

8. when the `index` = 8 :

```
if set { { msrres.bcchfrq_nc1, msrres.bsic_nc1}, { msrres.bcchfrq_nc2, msrres.bsic_nc2}
      }
```

equals to

```
set { {'00000'B, '001011'B}, {'00010'B, '001101'B}
    }
```

then the operation returns TRUE otherwise FALSE.

9. when the `index` = 9 :

```
if set { { msrres.bcchfrq_nc1, msrres.bsic_nc1}, { msrres.bcchfrq_nc2, msrres.bsic_nc2}
      }
```

equals to

```
set { {'00110'B, '001011'B}, {'00111'B, '001101'B}
    }
```

then the operation returns TRUE otherwise FALSE.

10. when the `index` = 10 :

```
if set { { msrres.bcchfrq_nc1, msrres.bsic_nc1}, { msrres.bcchfrq_nc2, msrres.bsic_nc2}
      }
```

equals to

```
set { {'00011'B, '001011'B}, {'00101'B, '001101'B}
    }
```

then the operation returns TRUE otherwise FALSE.

Detailed Comments:

Test Suite Operation Definition	
Operation Name:	OC_OeBit(bcddigits:HEXSTRING)
Result Type:	BITSTRING
Comments:	The input parameter `bcddigits` is really BCD string (subset of HEXSTRING), the result is BITSTRING[1].
Description	
<p>The function of the OC_OeBit is as the following:</p> <ol style="list-style-type: none"> 1. it returns '1'B, if the length of the `bcddigits` is odd, 2. it returns '0'B, if the length of the `bcddigits` is even. <p>for example:</p> <p>OC_OeBit('12583') = '1'B, OC_OeBit('87259957') = '0'B.</p>	
Detailed Comments:	

Test Suite Operation Definition	
Operation Name:	OC_OctToInt(ostr: OCTETSTRING)
Result Type:	INTEGER
Comments:	
Description	
OC_OctToInt converts the OCTETSTRING `ostr` into INTEGER.	
Detailed Comments:	

Test Suite Operation Definition	
Operation Name:	OC_OctToInvokelDType(o:OCTETSTRING)
Result Type:	InvokelDType
Comments:	
Description	
<p>OC_OctToInvokelDType converts the OCTETSTRING `o` into InvokelDType, with the MSB of `o` representing the negative value $-2^{\exp(n-1)}$, for example '80'O->'10000000'B-> -128. The rest of the bits can code positive values up to $+2^{\exp(n-2)-1}$, for example '4F'O->'01111111'B-> +127.</p> <p>for example:</p> <p>OC_OctToInvokelDType('80'O) = -128; OC_OctToInvokelDType('81'O) = -128+1 = -127; OC_OctToInvokelDType('40'O) = +64. OC_OctToInvokelDType('7F'O) = +127. OC_OctToInvokelDType('C0'O) = -128+64 = -64.</p>	
Detailed Comments:	

Test Suite Operation Definition	
Operation Name:	OC_OtherDigi(bcddigits:HEXSTRING)
Result Type:	OCTETSTRING
Comments:	The input parameter `bcddigits` is really BCD string (subset of HEXSTRING), the result is an even BCD digits except that the next to last may either be 'F'H or a BCD digit.
Description	
<p>The function of the OC_OtherDigi is as the following:</p> <ol style="list-style-type: none"> 1. If the number of the `bcddigits` is odd, the operation removes the most significant digit, and then reverses the order of each pair of digits; 2. If the number of the `bcddigits` is even, first the operation suffixes the `bcddigits` with 'F'H, then removes the most significant digit, and then reverses the order of each pair of digits. <p>for example:</p> <p>OC_OtherDigi('12345') = '3254', OC_OtherDigi('12345678') = '325476F8'.</p>	
Detailed Comments:	

Test Suite Operation Definition	
Operation Name:	OC_PosinSet(set: Components; comp: Component)
Result Type:	INTEGER
Comments:	
Description	
<p>The operation OC_PosinSet returns the position of component `comp` within the SET `set`.</p> <p>for example:</p> <p>if the set = { registerSSComponents, eraseSSComponents, activateSSComponents, deactivateSSComponents }</p> <p>OC_PosinSet(set, registerSSComponents) = 0, OC_PosinSet(set, activateSSComponents) = 2.</p>	
Detailed Comments:	

Test Suite Operation Definition	
Operation Name:	OC_RachSlots(fn1:FN; fn2:FN; cmbn: BOOLEAN; mode:INTEGER)
Result Type:	INTEGER
Comments:	
Description	
<p>OC_RachSlots calculates the number of RACH slots between frame number `fn1` and `fn2` excluding the slots in `fn1` and `fn2`, then return the result of the calculation.</p> <p>If mode=0, 'fn1' denotes the (first) frame number for sending Paging Request, while 'fn2' denotes the (first) frame number for the received Channel Request. If mode=1 'fn1' and 'fn2' denote the (first) frame number for the received two subsequent Channel Requests. Any other values for mode is not allowed.</p> <p>Since the number of RACH slots depends on the RACH being combined or not with dedicated channels, the parameter 'cmbn' is needed: TRUE --> combined, FALSE--> not combined.</p> <p>It is assumed that the distance between fn1 and fn2 is not more than one group of 42432 TDMA frames (modulo 42432 is used to calculate t1' of fn1 and fn2). This is equivalent to approximately 196 seconds. The 51 TDMA frames in a multiframe are numbered 0 to 50.</p> <p>fn1' := fn1 mod 51 fn2' := fn2 mod 51</p> <p>CASE 1: cmbn is FALSE ('not combined')</p> <p>When 'not combined', all slots are RACH slots.</p> <p>1.1 mode=0 (sending paging message at fn1)</p> <p>The paging uses the numbered frames 6 - 9, 12 -19, 22-29, 32-39 and 42-49.</p> <p>1.1.1 If fn1 is not in the paging TDMA frame mapping, it leads testing to a test system error. IF (fn1' < 6) OR (9 < fn1' < 12) OR (19 < fn1' < 22) OR (29 < fn1' < 32) OR (39 < fn1' < 42) OR (fn1' >49), A test system error! The calling test case shall re-run again. OTHERWISE</p> <p>1.1.2 The number of RACH slots is equal to the number of frames between fn1 + 3 and fn2. The fn1 is added by 3 because a page message occupies 4 slots. The fn1 indicates the first slot of the paging message. IF (fn1 + 3) < fn2, OC_RachSlots := fn2 - (fn1 + 3) - 1 = fn2 - fn1 - 4,</p> <p>1.1.3 If fn1+3 is equal to or greater than fn2, then this is due to fn2 being in the next group of 42432 frames. In this case 42432 frames have to be added. IF fn2 <= (fn1 + 3), OC_RachSlots := fn2 -fn1 - 3 + 42432 -1 = fn2 -fn1 + 42428</p> <p>1.2 mode=1 (receiving channel request at fn1)</p> <p>The number of RACH slots is equal to the number of frames between fn1 and fn2</p> <p>1.2.1 IF fn1 < fn2, OC_RachSlots := fn2 - fn1 - 1, 1.2.2 IF fn2 <= fn1, OC_RachSlots := fn2 -fn1 + 42432 -1 = fn2 -fn1 + 42431</p> <p>CASE 2: cmbn is TRUE ('combined')</p> <p>When combined only the slots of the numbered frames 4, 5, 14 to 36, 45 and 46 in each multiframe are RACH slots, i.e. total 27 frames per multiframe.</p> <p>2.1 mode=0 (sending paging message at fn1)</p> <p>The paging uses the numbered frames 6 - 9 and 12 -19.</p> <p>2.1.1 If fn1 is not in the paging TDMA frame mapping, it leads testing to a test system error. If fn2 is not in the RACH TDMA frame mapping, it leads testing to fail.</p> <p>IF (fn2' < 4) OR (5 < fn2' < 14) OR (36 < fn2' < 45) OR (fn2' > 46), OC_RachSlots := -9999 IF (fn1' < 6) OR (9 < fn1' < 12) OR (fn1' >19), A test system error! The calling test case shall re-run again. OTHERWISE</p> <p>2.1.2 Calculation of the number 'c' multiframe between fn1 + 3 and fn2. If fn1 + 3 is equal to or greater than fn2, then this is due to fn2 being in the next group of 42432 frames. In this case 42432 frames have to be added. '/' shall be the integer division, i.e. the result is also integer. Fractions are discarded.</p> <p>2.1.2.1 IF (fn1 + 3) < fn2, c := fn2 / 51 - (fn1 + 3) / 51 2.1.2.2 IF fn2 <= (fn1 + 3), c := fn2 / 51 - (fn1 + 3) / 51 + 42432 / 51 = fn2 / 51 - (fn1 + 3) / 51 + 832</p> <p>2.1.3 Calculation of the number of frames 'a' to be subtracted according to the position of fn1' within the multiframe IF (5 < fn1' < 9), a := 2</p>	

<p>IF (fn1' =9), a := 3 IF (11 < fn1' < 20), a := fn1' - 8</p> <p>2.2 mode=1 (receiving channel request at fn1)</p> <p>2.2.1 If fn1 or fn2 are not in the RACH TDMA frame mapping, it leads testing to fail. IF (fn2' < 4) OR (5 < fn2' < 14) OR (36 < fn2' < 45) OR (fn2' > 46) OR (fn1' < 6) OR (9 < fn1' < 12) OR (fn1' > 19), OC_RachSlots := -9999</p> <p>2.2.2 Calculation of the number 'c' multiframe between fn1 and fn2 2.2.2.1 IF fn1 < fn2, c := fn2 / 51 - fn1 / 51 2.2.2.2 IF fn2 <= fn1 c := fn2 / 51 - fn1 / 51 + 42432 / 51 = fn2 / 51 - fn1 / 51 + 832</p> <p>2.2.3 Calculation of the number of frames 'a' to be subtracted according to the position of fn1' within the multiframe IF (3 < fn1' < 6:), a:= fn1' - 3 IF (13 < fn1' < 37), a:= fn1' - 11 IF (44 < fn1' < 47), a:= fn1' - 19</p> <p>2.3 Calculation of the number of slots 'b' to be added according to the position of fn2' within the multiframe IF (3 < fn2' < 6:), b:= fn2' - 4 IF (13 < fn2' < 37), b:= fn2' - 12 IF (44 < fn2' < 47), b:= fn2' - 20</p> <p>2.4 Calculation of the number of RACH slots. There are 27 RACH slots in each multiframe. OC_RachSlots := 27 * c + b - a</p>
<p>Detailed Comments: TC_26_2_1_1 uses mode=0. TC_26_2_1_2 uses mode=1.</p>

Test Suite Operation Definition	
Operation Name:	OC_Random(n1:INTEGER; n2:INTEGER)
Result Type:	INTEGER
Comments:	
Description	
This operation randomly returns one number from the following candidates: 'n1', 'n1'+1, ..., 'n2'	
Detailed Comments:	

Test Suite Operation Definition	
Operation Name:	OC_RcsdPresent(msg:MODIFY_PDU)
Result Type:	BOOLEAN
Comments:	To check if RCSD IE is present or not in Modify PDU
Description	
IF RCSD IE is present in the PDU passed on input parameter return TRUE ELSE return FALSE.	
Detailed Comments:	

Test Suite Operation Definition	
Operation Name:	OC_ReverseTfOfTi(ti:TI)
Result Type:	TI
Comments:	
Description	
This operation randomly returns a transaction identifier with the same transaction value as transaction identifier 'ti' but with the transaction flag reversed, i.e. new transaction flag is 0 if transaction flag of ti is 1 and viceversa.	
Detailed Comments:	

Test Suite Operation Definition	
Operation Name:	OC_SaveAndProc1(val:INTEGER; mode :INTEGER; cnt:INTEGER; cmbnd:BOOLEAN)
Result Type:	BOOLEAN
Comments:	This operation is used for storing and analysing the CHANNEL REQUEST message distribution.
Description	
<p>The function of this operation is defined as an pseudo C code:</p> <pre> #define SAVE 0; #define PROC 1; OC_SaveAndProc(val, mode,cnt) INTEGER val, mode,cnt; BOOLEAN combined; { static INTEGER buf[200]; int i, j, n; if (mode == SAVE) { cnt = cnt mod 200; if (cmbnd == C_NotCombined) AND (val<(151 + 8)) then { buf[cnt] = val; return (TRUE); } if (cmbnd == C_Combined) AND (val<(81 + 8)) then { buf[cnt] = val; return (TRUE); } else return (FALSE); } if (mode == PROC) { for (i=0, i<200, i++) { n=0; for (j=0, j<200, j++) if (buf[j] == buf[i]) n = n+1; if (n > 41) return (FALSE); } return(TRUE); } } </pre>	
Detailed Comments:	<p>This test suite operation has two operation modes :</p> <ul style="list-style-type: none"> - when the mode is SAVE and the val is less than 89 for combined or 159 for non-combined, it saves the value val into internal buffer and returns TRUE, otherwise returns FALSE. 200 values will be stored in the internal buffer when the operation is invoked 200 times. - When the mode is PROC, it analyses the values stored in the internal buffer, if no more than 41 of them are equal the operation returns TRUE, otherwise returns FALSE. (i.e. for all n, $CARD\{ k f(k) = n \} \leq 41$)

Test Suite Operation Definition	
Operation Name:	OC_SaveAndProc3(val:BITSTRING; mode :INTEGER; cnt:INTEGER)
Result Type:	BOOLEAN
Comments:	This operation is used for storing and analysing the random reference.
Description	
<p>The function of this operation is defined as an pseudo C code:</p> <pre> #define SAVE 0; #define PROC 1; OC_SaveAndProc(val, mode,cnt) BITSTRING[8] val; INTEGER mode,cnt; { static BITSTRING[8] buf[7]; int i, j, n=7; if (mode == SAVE) { cnt = cnt mod 7; buf[cnt] = val; return(TRUE); } if (mode == PROC) { for (i=0, i<6, i++) { for (j=i+1, j<7, j++) if (buf[j] == buf[i]) { n = n-1; break; } } if (n>=4) then return(TRUE) else return (FALSE); } } } </pre>	
Detailed Comments:	<p>The function of this test suite operation is :</p> <ul style="list-style-type: none"> - it saves the value val into internal buffer when the mode = SAVE. 7 values will be stored in the internal buffer when the operation is invoked 7 times. - it compares the values stored in the internal buffer when the mode = PROC, if 4 or more than 4 of them are different the operation returns TRUE, otherwise returns FALSE.

Test Suite Operation Definition	
Operation Name:	OC_SaveAndRetrv(val:RQR; mode, idx, ex: INTEGER)
Result Type:	RQR
Comments:	This operation is used for storing and retrieving the random reference.
Description	
<p>The function of this test suite operation is (in prose):</p> <ul style="list-style-type: none"> - it saves the value val into internal buffer buf[idx] when the mode = SAVE and ex = 0. Maximum 9 values can be stored. The idx is ranged between 1-9. - it returns the value stored in the internal buffer buf[idx] when the mode = RETRV and ex = 0. - it returns a value which is different from any value stored in the buf and also different from any values which have been returned by the consecutive invocation of this operation with ex <> 0, if ex <> 0. The idx is ranged between 10-13. <p>The function of this operation is defined as an pseudo C code:</p> <pre> #define SAVE 0; #define RETRV 1; OC_SaveAndRetrv(val, mode, idx, ex) RQR val; INTEGER mode, idx, ex; { int i, j; static RQR buf[14]; if ((mode == SAVE) AND (ex == 0)) { buf[idx] = val; buf[10].ra = '00000000'B; buf[10].fn = '00'O; buf[11].ra = '00000000'B; buf[11].fn = '00'O; buf[12].ra = '00000000'B; buf[12].fn = '00'O; buf[13].ra = '00000000'B; buf[13].fn = '00'O; return (buf[10]); } if ((mode == RETRV) AND (ex == 0)) return (buf[idx]); if (ex != 0) { buf[0].ra = buf[1].ra + '00000001'B; buf[0].fn = buf[1].fn; for (j=1, j <13, j++) { for (i=1, i<14, i++) if(buf[0] == buf[i]) { buf[0].ra = buf[i].ra + '00000001'B; break; } } if (i == 14) { buf[idx].ra = buf[0].ra; return (buf[0]); } } buf[idx].ra = buf[j].ra+'00000001'B; return (buf[idx]); } </pre>	
Detailed Comments:	<p>0. The pseudo C code gives one of the possible implementations for the OC description in prose.</p> <p>1. '00'O should be understood as equivalence of Fn_01, a TTCN structured type constraint.</p> <p>2. The OC can save maximum 13 RQR values. In SAVE mode, idx is ranged between 1-9.</p>

3. For $ex < 0$, there are maximum 13 scans. In each scan a new value is assigned to `buf[0].ra`. If there is a 'non-match' in one of the 13 scans the `buf[0]` is returned. In case of 'all-match' for the 13 scans, the pair of (`buf[i].ra + '00000001'` at the last scan, `buf[idx].fn` is returned (`idx` is ranged between 10 - 13).

Test Suite Operation Definition	
Operation Name:	OC_StartTime(<code>frmn:FN; t, i:INTEGER</code>)
Result Type:	STRT
Comments:	
Description	
<p>OC_StartTime operation generates the STARTING TIME IE according to the input parameters.</p> <p>(* <code>frmn</code> is the current frame number, <code>t</code> is the "delay" in applying the new frequencies, <code>i</code> is the contents of the starting time IE. *)</p> <pre> OC_StartTime(<code>frmn, t, i</code>) INTEGER <code>t, i</code>; FN <code>frmn</code>; { int <code>tmp</code>; STRT <code>strt</code>; <code>tmp = 51 * ((<code>frmn.t3 - frmn.t2</code>) MOD 26) + <code>frmn.t3</code> + 1326 * <code>frmn.t1_</code> ;</code> <code>tmp = (<code>tmp + t</code>) MOD 42432;</code> <code>strt.fn.t1_ = (<code>tmp</code> DIV 1326) MOD 32;</code> <code>strt.fn.t2 = <code>tmp</code> MOD 26;</code> <code>strt.fn.t3 = <code>tmp</code> MOD 51;</code> <code>strt.iei = OMIT;</code> if (<code>i == 1</code>) <code>strt.iei := '01111100'B</code> /* if <code>i=1</code> the information element identifier shall be included \ </pre>	
Detailed Comments:	

Test Suite Operation Definition	
Operation Name:	OC_SubOctet(<code>src:OCTETSTRING; len :INTEGER</code>)
Result Type:	OCTETSTRING
Comments:	
Description	
<p>OC_SubOctet(<code>src, len</code>) is the octetstring of length `<code>len</code>` starting from the leftmost position of the source octetstring `<code>src</code>`.</p> <p>For example : OC_SubOctet('123456789ABCDEF'O, 4) = '12345678'O</p>	
Detailed Comments:	

Test Suite Operation Definition	
Operation Name:	OC_SubchOfFacch(subch: EXTB; cell:CellID; inst:INTEGER)
Result Type:	LOGICCH
Comments:	subch is of type BITSTRING[1]
Description	
<p>OC_SubchOfFacch operation returns a logic channel identifier for FACCHH subchannel indicated by the input parameters `subch`, `cell` and `inst`, where `subch` is the subchannel number, `cell` is the cell identifier which the channel belongs to, `inst` is the instance of the channel.</p> <p>for example:</p> <pre> OC_SubchOfFacch('0'B, C_CellA, 1) = C_FACCHH0_A_1; OC_SubchOfFacch('1'B, C_CellA, 1) = C_FACCHH1_A_1; OC_SubchOfFacch('0'B, C_CellB, 1) = C_FACCHH0_B_1; OC_SubchOfFacch('1'B, C_CellB, 1) = C_FACCHH1_B_1. </pre> <p>pseudo C code definition for the operation as following :</p> <pre> OC_SubchOfFacch(subch, cell, inst) BITSTRING subch; CellID cell; INTEGER inst; { LOGICCH logch; if (subch=='0'B && cell == C_CellA) switch (inst) { case 1 : logch = C_FACCHH0_A_1; break; case 2 : logch = C_FACCHH0_A_2; break; case 3 : logch = C_FACCHH0_A_3; break; } if (subch=='0'B && cell == C_CellB) switch (inst) { case 1 : logch = C_FACCHH0_B_1; break; case 2 : logch = C_FACCHH0_B_2; break; case 3 : logch = C_FACCHH0_B_3; break; } if (subch=='0'B && cell == C_CellC) switch (inst) { case 1 : logch = C_FACCHH0_C_1; break; case 2 : logch = C_FACCHH0_C_2; break; case 3 : logch = C_FACCHH0_C_3; break; } if (subch=='1'B && cell == C_CellA) switch (inst) { case 1 : logch = C_FACCHH1_A_1; break; case 2 : logch = C_FACCHH1_A_2; break; case 3 : logch = C_FACCHH1_A_3; break; } if (subch=='1'B && cell == C_CellB) switch (inst) { case 1 : logch = C_FACCHH1_B_1; break; case 2 : logch = C_FACCHH1_B_2; break; case 3 : logch = C_FACCHH1_B_3; break; } if (subch=='1'B && cell == C_CellC) switch (inst) { case 1 : logch = C_FACCHH1_C_1; break; case 2 : logch = C_FACCHH1_C_2; break; } } </pre>	

```
        case 3 : logch = C_FACCHH1_C_3; break;
    }
    return(logch);
}
```

Detailed Comments:

Test Suite Operation Definition	
Operation Name:	OC_SubchOfSacchh(subch: EXTB; cell:CellID; inst:INTEGER)
Result Type:	LOGICCH
Comments:	subch is of type BITSTRING[1]
Description	
<p>OC_SubchOfSacchh operation returns a logic channel identifier for SACCHH subchannel indicated by the input parameters `subch`, `cell` and `inst`, where `subch` is the subchannel number, `cell` is the cell identifier which the channel belongs to, `inst` is the instance of the channel.</p> <p>for example:</p> <pre> OC_SubchOfSacchh('0'B, C_CellA, 1) = C_SACCHH0_A_1; OC_SubchOfSacchh('1'B, C_CellA, 1) = C_SACCHH1_A_1; OC_SubchOfSacchh('0'B, C_CellB, 1) = C_SACCHH0_B_1; OC_SubchOfSacchh('1'B, C_CellB, 1) = C_SACCHH1_B_1. </pre> <p>pseudo C code definition for the operation as following :</p> <pre> OC_SubchOfSacchh(subch, cell, inst) BITSTRING subch; CellID cell; INTEGER inst; { LOGICCH logch; if (subch=='0'B && cell == C_CellA) switch (inst) { case 1 : logch = C_SACCHH0_A_1; break; case 2 : logch = C_SACCHH0_A_2; break; case 3 : logch = C_SACCHH0_A_3; break; } if (subch=='0'B && cell == C_CellB) switch (inst) { case 1 : logch = C_SACCHH0_B_1; break; case 2 : logch = C_SACCHH0_B_2; break; case 3 : logch = C_SACCHH0_B_3; break; } if (subch=='0'B && cell == C_CellC) switch (inst) { case 1 : logch = C_SACCHH0_C_1; break; case 2 : logch = C_SACCHH0_C_2; break; case 3 : logch = C_SACCHH0_C_3; break; } if (subch=='1'B && cell == C_CellA) switch (inst) { case 1 : logch = C_SACCHH1_A_1; break; case 2 : logch = C_SACCHH1_A_2; break; case 3 : logch = C_SACCHH1_A_3; break; } if (subch=='1'B && cell == C_CellB) switch (inst) { case 1 : logch = C_SACCHH1_B_1; break; case 2 : logch = C_SACCHH1_B_2; break; case 3 : logch = C_SACCHH1_B_3; break; } if (subch=='1'B && cell == C_CellC) switch (inst) { case 1 : logch = C_SACCHH1_C_1; break; case 2 : logch = C_SACCHH1_C_2; break; </pre>	

```

        case 3 : logch = C_SACCHH1_C_3; break;
    }
    return(logch);
}
    
```

Detailed Comments:

Test Suite Operation Definition

Operation Name: OC_SubchOfSacch4(subch: BITSTRING; cell:CellID)
Result Type: LOGICCH
Comments:

Description

OC_SubchOfSacch4 operation returns a logic channel identifier for SACCH4 subchannel indicated by the input parameters `subch` and `cell`, where `subch` is the TDMA offset, `cell` is the cell identifier which the channel belongs to.

for example:

```

OC_SubchOfSacch4('00'B, C_CellA) = C_SACCHC40_A;
OC_SubchOfSacch4('01'B, C_CellA) = C_SACCHC41_A;
OC_SubchOfSacch4('10'B, C_CellA) = C_SACCHC42_A;
OC_SubchOfSacch4('11'B, C_CellA) = C_SACCHC43_A;
OC_SubchOfSacch4('00'B, C_CellB) = C_SACCHC40_B;
OC_SubchOfSacch4('01'B, C_CellB) = C_SACCHC41_B.
    
```

pseudo C code definition for the operation as following :

```

OC_SubchOfSacch4(subch, cell)
BITSTRING subch;
CellID cell;
{
    LOGICCH logch;
    if (cell == C_CellA)
        switch (subch)
        {
            case '00'B : logch = C_SACCHC40_A; break;
            case '01'B : logch = C_SACCHC41_A; break;
            case '10'B : logch = C_SACCHC42_A; break;
            case '11'B : logch = C_SACCHC43_A; break;
        }
    if (cell == C_CellB)
        switch (subch)
        {
            case '00'B : logch = C_SACCHC40_B; break;
            case '01'B : logch = C_SACCHC41_B; break;
            case '10'B : logch = C_SACCHC42_B; break;
            case '11'B : logch = C_SACCHC43_B; break;
        }
    if (cell == C_CellC)
        switch (subch)
        {
            case '00'B : logch = C_SACCHC40_C; break;
            case '01'B : logch = C_SACCHC41_C; break;
            case '10'B : logch = C_SACCHC42_C; break;
            case '11'B : logch = C_SACCHC43_C; break;
        }
    return(logch);
}
    
```

Detailed Comments:

Test Suite Operation Definition	
Operation Name:	OC_SubchOfSacch8(subch: B_3; cell:CellID; inst:INTEGER)
Result Type:	LOGICCH
Comments:	offset is of type BITSTRING[3]
Description	
<p>OC_SubchOfSacch8 operation returns a logic channel identifier for SACCHC8 subchannel indicated by the input parameters `subch`, `cell` and `inst`, where `subch` is the TDMA offset, `cell` is the cell identifier which the channel belongs to, `inst` is the instance of the channel.</p> <p>for example:</p> <pre> OC_SubchOfSacch8('000'B, C_CellA, 1) = C_SACCHC80_A_1; OC_SubchOfSacch8('001'B, C_CellA, 1) = C_SACCHC81_A_1; OC_SubchOfSacch8('010'B, C_CellA, 1) = C_SACCHC82_A_1; OC_SubchOfSacch8('011'B, C_CellA, 1) = C_SACCHC83_A_1; OC_SubchOfSacch8('100'B, C_CellA, 1) = C_SACCHC84_A_1; OC_SubchOfSacch8('101'B, C_CellA, 1) = C_SACCHC85_A_1; OC_SubchOfSacch8('110'B, C_CellA, 1) = C_SACCHC86_A_1; OC_SubchOfSacch8('111'B, C_CellA, 1) = C_SACCHC87_A_1; OC_SubchOfSacch8('000'B, C_CellB, 1) = C_SACCHC80_B_1; OC_SubchOfSacch8('001'B, C_CellB, 1) = C_SACCHC81_B_1; OC_SubchOfSacch8('000'B, C_CellC, 2) = C_SACCHC80_C_2; OC_SubchOfSacch8('001'B, C_CellC, 2) = C_SACCHC81_C_2. </pre> <p>pseudo C code definition for the operation as following :</p> <pre> OC_SubchOfSacch8(subch, cell, inst) BITSTRING subch; CellID cell; INTEGER inst; { LOGICCH logch; if (inst==1 && cell == C_CellA) switch (subch) { case '000'B : logch = C_SACCHC80_A_1; break; case '001'B : logch = C_SACCHC81_A_1; break; case '010'B : logch = C_SACCHC82_A_1; break; case '011'B : logch = C_SACCHC83_A_1; break; case '100'B : logch = C_SACCHC84_A_1; break; case '101'B : logch = C_SACCHC85_A_1; break; case '110'B : logch = C_SACCHC86_A_1; break; case '111'B : logch = C_SACCHC87_A_1; break; } if (inst==2 && cell == C_CellA) switch (subch) { case '000'B : logch = C_SACCHC80_A_2; break; case '001'B : logch = C_SACCHC81_A_2; break; case '010'B : logch = C_SACCHC82_A_2; break; case '011'B : logch = C_SACCHC83_A_2; break; case '100'B : logch = C_SACCHC84_A_2; break; case '101'B : logch = C_SACCHC85_A_2; break; case '110'B : logch = C_SACCHC86_A_2; break; case '111'B : logch = C_SACCHC87_A_2; break; } if (inst==3 && cell == C_CellA) switch (subch) { case '000'B : logch = C_SACCHC80_A_3; break; case '001'B : logch = C_SACCHC81_A_3; break; case '010'B : logch = C_SACCHC82_A_3; break; case '011'B : logch = C_SACCHC83_A_3; break; case '100'B : logch = C_SACCHC84_A_3; break; </pre>	

```
    case '101'B : logch = C_SACCHC85_A_3; break;
    case '110'B : logch = C_SACCHC86_A_3; break;
    case '111'B : logch = C_SACCHC87_A_3; break;
  }
if (inst==1 && cell == C_CellB)
  switch (subch)
  {
    case '000'B : logch = C_SACCHC80_B_1; break;
    case '001'B : logch = C_SACCHC81_B_1; break;
    case '010'B : logch = C_SACCHC82_B_1; break;
    case '011'B : logch = C_SACCHC83_B_1; break;
    case '100'B : logch = C_SACCHC84_B_1; break;
    case '101'B : logch = C_SACCHC85_B_1; break;
    case '110'B : logch = C_SACCHC86_B_1; break;
    case '111'B : logch = C_SACCHC87_B_1; break;
  }
if (inst==2 && cell == C_CellB)
  switch (subch)
  {
    case '000'B : logch = C_SACCHC80_B_2; break;
    case '001'B : logch = C_SACCHC81_B_2; break;
    case '010'B : logch = C_SACCHC82_B_2; break;
    case '011'B : logch = C_SACCHC83_B_2; break;
    case '100'B : logch = C_SACCHC84_B_2; break;
    case '101'B : logch = C_SACCHC85_B_2; break;
    case '110'B : logch = C_SACCHC86_B_2; break;
    case '111'B : logch = C_SACCHC87_B_2; break;
  }
if (inst==3 && cell == C_CellB)
  switch (subch)
  {
    case '000'B : logch = C_SACCHC80_B_3; break;
    case '001'B : logch = C_SACCHC81_B_3; break;
    case '010'B : logch = C_SACCHC82_B_3; break;
    case '011'B : logch = C_SACCHC83_B_3; break;
    case '100'B : logch = C_SACCHC84_B_3; break;
    case '101'B : logch = C_SACCHC85_B_3; break;
    case '110'B : logch = C_SACCHC86_B_3; break;
    case '111'B : logch = C_SACCHC87_B_3; break;
  }
if (inst==1 && cell == C_CellC)
  switch (subch)
  {
    case '000'B : logch = C_SACCHC80_C_1; break;
    case '001'B : logch = C_SACCHC81_C_1; break;
    case '010'B : logch = C_SACCHC82_C_1; break;
    case '011'B : logch = C_SACCHC83_C_1; break;
    case '100'B : logch = C_SACCHC84_C_1; break;
    case '101'B : logch = C_SACCHC85_C_1; break;
    case '110'B : logch = C_SACCHC86_C_1; break;
    case '111'B : logch = C_SACCHC87_C_1; break;
  }
if (inst==2 && cell == C_CellC)
  switch (subch)
  {
    case '000'B : logch = C_SACCHC80_C_2; break;
    case '001'B : logch = C_SACCHC81_C_2; break;
    case '010'B : logch = C_SACCHC82_C_2; break;
    case '011'B : logch = C_SACCHC83_C_2; break;
    case '100'B : logch = C_SACCHC84_C_2; break;
    case '101'B : logch = C_SACCHC85_C_2; break;
    case '110'B : logch = C_SACCHC86_C_2; break;
    case '111'B : logch = C_SACCHC87_C_2; break;
  }
if (inst==3 && cell == C_CellC)
```

```
switch (subch)
{
  case '000'B : logch = C_SACCHC80_C_3; break;
  case '001'B : logch = C_SACCHC81_C_3; break;
  case '010'B : logch = C_SACCHC82_C_3; break;
  case '011'B : logch = C_SACCHC83_C_3; break;
  case '100'B : logch = C_SACCHC84_C_3; break;
  case '101'B : logch = C_SACCHC85_C_3; break;
  case '110'B : logch = C_SACCHC86_C_3; break;
  case '111'B : logch = C_SACCHC87_C_3; break;
}
return(logch);
}
```

Detailed Comments:

Test Suite Operation Definition	
Operation Name:	OC_SubchOfSdcch4(subch: BITSTRING; cell:CellID)
Result Type:	LOGICCH
Comments:	
Description	
<p>OC_SubchOfSdcch4 operation returns a logic channel identifier for SDCCH4 subchannel indicated by the input parameters `subch` and `cell`, where `subch` is the TDMA offset, `cell` is the cell identifier which the channel belongs to.</p> <p>for example:</p> <pre> OC_SubchOfSdcch4('00'B, C_CellA) = C_SDCCH40_A; OC_SubchOfSdcch4('01'B, C_CellA) = C_SDCCH41_A; OC_SubchOfSdcch4('10'B, C_CellA) = C_SDCCH42_A; OC_SubchOfSdcch4('11'B, C_CellA) = C_SDCCH43_A; OC_SubchOfSdcch4('00'B, C_CellB) = C_SDCCH40_B; OC_SubchOfSdcch4('01'B, C_CellB) = C_SDCCH41_B.</pre> <p>pseudo C code definition for the operation as following :</p> <pre> OC_SubchOfSdcch4(subch, cell) BITSTRING subch; CellID cell; { LOGICCH logch; if (cell == C_CellA) switch (subch) { case '00'B : logch = C_SDCCH40_A; break; case '01'B : logch = C_SDCCH41_A; break; case '10'B : logch = C_SDCCH42_A; break; case '11'B : logch = C_SDCCH43_A; break; } if (cell == C_CellB) switch (subch) { case '00'B : logch = C_SDCCH40_B; break; case '01'B : logch = C_SDCCH41_B; break; case '10'B : logch = C_SDCCH42_B; break; case '11'B : logch = C_SDCCH43_B; break; } if (cell == C_CellC) switch (subch) { case '00'B : logch = C_SDCCH40_C; break; case '01'B : logch = C_SDCCH41_C; break; case '10'B : logch = C_SDCCH42_C; break; case '11'B : logch = C_SDCCH43_C; break; } return(logch); }</pre>	
Detailed Comments:	

Test Suite Operation Definition	
Operation Name:	OC_SubchOfSdcch8(subch: B_3; cell:CellID; inst:INTEGER)
Result Type:	LOGICCH
Comments:	offset is of type BITSTRING[3]
Description	
<p>OC_SubchOfSdcch8 operation returns a logic channel identifier for SDCCH8 subchannel indicated by the input parameters `subch`, `cell` and `inst`, where `subch` is the TDMA offset, `cell` is the cell identifier which the channel belongs to, `inst` is the instance of the channel.</p> <p>for example:</p> <pre> OC_SubchOfSdcch8('000'B, C_CellA, 1) = C_SDCCH80_A_1; OC_SubchOfSdcch8('001'B, C_CellA, 1) = C_SDCCH81_A_1; OC_SubchOfSdcch8('010'B, C_CellA, 1) = C_SDCCH82_A_1; OC_SubchOfSdcch8('011'B, C_CellA, 1) = C_SDCCH83_A_1; OC_SubchOfSdcch8('100'B, C_CellA, 1) = C_SDCCH84_A_1; OC_SubchOfSdcch8('101'B, C_CellA, 1) = C_SDCCH85_A_1; OC_SubchOfSdcch8('110'B, C_CellA, 1) = C_SDCCH86_A_1; OC_SubchOfSdcch8('111'B, C_CellA, 1) = C_SDCCH87_A_1; OC_SubchOfSdcch8('000'B, C_CellB, 1) = C_SDCCH80_B_1; OC_SubchOfSdcch8('001'B, C_CellB, 1) = C_SDCCH81_B_1; OC_SubchOfSdcch8('000'B, C_CellC, 2) = C_SDCCH80_C_2; OC_SubchOfSdcch8('001'B, C_CellC, 2) = C_SDCCH81_C_2.</pre> <p>pseudo C code definition for the operation as following :</p> <pre> OC_SubchOfSdcch8(subch, cell, inst) BITSTRING subch; CellID cell; INTEGER inst; { LOGICCH logch; if (inst==1 && cell == C_CellA) switch (subch) { case '000'B : logch = C_SDCCH80_A_1; break; case '001'B : logch = C_SDCCH81_A_1; break; case '010'B : logch = C_SDCCH82_A_1; break; case '011'B : logch = C_SDCCH83_A_1; break; case '100'B : logch = C_SDCCH84_A_1; break; case '101'B : logch = C_SDCCH85_A_1; break; case '110'B : logch = C_SDCCH86_A_1; break; case '111'B : logch = C_SDCCH87_A_1; break; } if (inst==2 && cell == C_CellA) switch (subch) { case '000'B : logch = C_SDCCH80_A_2; break; case '001'B : logch = C_SDCCH81_A_2; break; case '010'B : logch = C_SDCCH82_A_2; break; case '011'B : logch = C_SDCCH83_A_2; break; case '100'B : logch = C_SDCCH84_A_2; break; case '101'B : logch = C_SDCCH85_A_2; break; case '110'B : logch = C_SDCCH86_A_2; break; case '111'B : logch = C_SDCCH87_A_2; break; } if (inst==3 && cell == C_CellA) switch (subch) { case '000'B : logch = C_SDCCH80_A_3; break; case '001'B : logch = C_SDCCH81_A_3; break; case '010'B : logch = C_SDCCH82_A_3; break; case '011'B : logch = C_SDCCH83_A_3; break; case '100'B : logch = C_SDCCH84_A_3; break;</pre>	

```
    case '101'B : logch = C_SDCCH85_A_3; break;
    case '110'B : logch = C_SDCCH86_A_3; break;
    case '111'B : logch = C_SDCCH87_A_3; break;
  }
if (inst==1 && cell == C_CellB)
  switch (subch)
  {
    case '000'B : logch = C_SDCCH80_B_1; break;
    case '001'B : logch = C_SDCCH81_B_1; break;
    case '010'B : logch = C_SDCCH82_B_1; break;
    case '011'B : logch = C_SDCCH83_B_1; break;
    case '100'B : logch = C_SDCCH84_B_1; break;
    case '101'B : logch = C_SDCCH85_B_1; break;
    case '110'B : logch = C_SDCCH86_B_1; break;
    case '111'B : logch = C_SDCCH87_B_1; break;
  }
if (inst==2 && cell == C_CellB)
  switch (subch)
  {
    case '000'B : logch = C_SDCCH80_B_2; break;
    case '001'B : logch = C_SDCCH81_B_2; break;
    case '010'B : logch = C_SDCCH82_B_2; break;
    case '011'B : logch = C_SDCCH83_B_2; break;
    case '100'B : logch = C_SDCCH84_B_2; break;
    case '101'B : logch = C_SDCCH85_B_2; break;
    case '110'B : logch = C_SDCCH86_B_2; break;
    case '111'B : logch = C_SDCCH87_B_2; break;
  }
if (inst==3 && cell == C_CellB)
  switch (subch)
  {
    case '000'B : logch = C_SDCCH80_B_3; break;
    case '001'B : logch = C_SDCCH81_B_3; break;
    case '010'B : logch = C_SDCCH82_B_3; break;
    case '011'B : logch = C_SDCCH83_B_3; break;
    case '100'B : logch = C_SDCCH84_B_3; break;
    case '101'B : logch = C_SDCCH85_B_3; break;
    case '110'B : logch = C_SDCCH86_B_3; break;
    case '111'B : logch = C_SDCCH87_B_3; break;
  }
if (inst==1 && cell == C_CellC)
  switch (subch)
  {
    case '000'B : logch = C_SDCCH80_C_1; break;
    case '001'B : logch = C_SDCCH81_C_1; break;
    case '010'B : logch = C_SDCCH82_C_1; break;
    case '011'B : logch = C_SDCCH83_C_1; break;
    case '100'B : logch = C_SDCCH84_C_1; break;
    case '101'B : logch = C_SDCCH85_C_1; break;
    case '110'B : logch = C_SDCCH86_C_1; break;
    case '111'B : logch = C_SDCCH87_C_1; break;
  }
if (inst==2 && cell == C_CellC)
  switch (subch)
  {
    case '000'B : logch = C_SDCCH80_C_2; break;
    case '001'B : logch = C_SDCCH81_C_2; break;
    case '010'B : logch = C_SDCCH82_C_2; break;
    case '011'B : logch = C_SDCCH83_C_2; break;
    case '100'B : logch = C_SDCCH84_C_2; break;
    case '101'B : logch = C_SDCCH85_C_2; break;
    case '110'B : logch = C_SDCCH86_C_2; break;
    case '111'B : logch = C_SDCCH87_C_2; break;
  }
if (inst==3 && cell == C_CellC)
```

<pre> switch (subch) { case '000'B : logch = C_SDCCH80_C_3; break; case '001'B : logch = C_SDCCH81_C_3; break; case '010'B : logch = C_SDCCH82_C_3; break; case '011'B : logch = C_SDCCH83_C_3; break; case '100'B : logch = C_SDCCH84_C_3; break; case '101'B : logch = C_SDCCH85_C_3; break; case '110'B : logch = C_SDCCH86_C_3; break; case '111'B : logch = C_SDCCH87_C_3; break; } return(logch); } </pre>
Detailed Comments:

Test Suite Operation Definition	
Operation Name:	OC_TimingCHK(fn1, fn2:FN; time, tol, mode:INTEGER)
Result Type:	BOOLEAN
Comments:	Time unit is in ms.
Description	
<p>OC_TimingCHK operation checks if a certain event took place fulfilling the timing requirements described by the time, the tolerance, and the mode between the frame numbers fn1 and fn2 .</p> <p>The frame numbers fn1 and fn2 are used to calculate the time elapsed: First the number of frames between fn1 and fn2 is calculated. The frame numbers fn1 and fn2 can be calculated from T1' as frame numbers mod 42432 only (T1' is specified in GSM 04.08, e.g. in subclauses 10.5.2.30 or 10.5.2.38). Therefore the frames fn1 and fn2 must be either in the same group of 42432 frames or in adjacent groups of 42432 frames with a maximum distance of 42432 frames between them. This means that the calculation is correct if the time between fn1 and fn2 is less then 196 seconds (approximately). The number of frames between fn1 and fn2 is calculated by: fn1 < fn2: fn_delta := fn2 - fn1 fn1 > fn2: fn_delta := fn2 - fn1 + 42432 (In that case fn2 is in the next group of 42432 frames), One frame is equivalent to 4.615 ms, the time in ms between fn1 and fn2 is: time_delta := fn_delta * 4.615</p> <p>The time_delta is then compared with the requirements given by 'time', the tolerance 'tol' and the 'mode'. The mode specifies how the tolerance parameters 'time' and 'tol' have to be interpreted: mode = 0: If the elapsed time is within `time` the operation returns TRUE, otherwise it returns FALSE. The tolerance value is ignored. The result of OC_TimingCHK is calculated by: IF time_delta <= time, OC_TimingCHK := TRUE IF time_delta > time, OC_TimingCHK := FALSE mode = 1: The tolerance value is the time tolerance expressed in ms. If the elapsed time interval is within `time`-`tol` to `time`+`tol` the operation returns TRUE, otherwise it returns FALSE. The result of OC_TimingCHK is calculated by: IF time - tol <= time_delta <= time + tol, OC_TimingCHK := TRUE IF (time_delta < time - tol) OR (time_delta > time + tol), OC_TimingCHK := FALSE mode = 2: The tolerance value is the the tolerance percentage relative to 'time'. If the time interval is within `time`-`tol`% to `time`+`tol`% the operation returns TRUE, otherwise it returns FALSE. The result of OC_TimingCHK is calculated by: IF time * (1 - (tol/100)) <= time_delta <= time * (1 + (tol/100)), OC_TimingCHK := TRUE IF (time_delta < time * (1 - (tol/100))) OR (time_delta > time * (1 + (tol/100))), OC_TimingCHK := FALSE Any other value for the mode shall leads OC_TimingCHK := FALSE.</p>	
Detailed Comments:	<p>In OC_TimingCHK, fn1 denotes</p> <p>(1) the first frame number for sending PhyInfo message or handover command message, or</p> <p>(2) the first frame number of the received handover access message.</p> <p>while fn2 denotes the firstreceived frame number of the recieved handover complete message.</p> <p>The TSO is not implemented in the TTCN stand alone tester in the short term.</p>

Test Suite Operation Definition	
Operation Name:	OM_2Msgs(ch:LOGICCH; pgg:PGG; mode:SENDINGMODE)
Result Type:	BOOLEAN
Comments:	
Description	
<p>OM_2Msgs puts the layer 2 emulator into a special operation mode then returns. In this special mode the layer 2 emulator sends the next two consecutive messages in the following way:</p> <ul style="list-style-type: none">- send the first message on the paging subchannel indicated by the `pgg` and `ch`;- if the `mode` = C_NxtButOne, send the second message in the next but one paging sub block;- if the `mode` = C_FmrAGB, send the second message in a former access grant block;- if the `mode` = C_BfReOcc, send the second message before the MS's original paging subchannel re-occurs but later than the next paging block of that CCCH (paging block not belong to the MS);- if the `mode` = C_NxtButOneNxt, nothing is sent in the next but one paging sub block, then send the second message in the next paging subblock of the MS's paging subchannel.	
Detailed Comments:	

Test Suite Operation Definition																																													
Operation Name:	OM_Assoc(lgch1:LOGICCH; sublgch1:LOGICCH; sublgch2:LOGICCH; sublgch3:LOGICCH; sublgch4:LOGICCH; sublgch5:LOGICCH; sublgch6:LOGICCH; sublgch7: LOGICCH; sublgch8:LOGICCH; lgch2:LOGICCH; sublgch9:LOGICCH; sublgch10:LOGICCH; sublgch11:LOGICCH; sublgch12:LOGICCH; sublgch13:LOGICCH; sublgch14:LOGICCH; sublgch15: LOGICCH; sublgch16:LOGICCH)																																												
Result Type:	BOOLEAN																																												
Comments:																																													
Description																																													
<p>OM_Assoc operation associates the sub logic channel identifiers `sublgch1` to `sublgch8` and `sublgch9` to `sublgch16` with the generic "parent" channel identifier `lgch1` and `lgch2` respectively, therefore the subchannel identifiers can refer to the corresponding channels configured by OM_ChConf operation.</p> <p>The `lgch1` can be an identifier for SDCCH4, SDCCH8, FACCHH and the `lgch2` can be SACCHC4, SACCHC8, and SACCHH.</p> <p>"dummy" in the actual parameter list means the corresponding parameter is not used.</p> <p>Naming convention for logical channel constants:</p> $C_{\text{channel type}}[<\text{rate}>][<\text{subchannel}>][_{\text{cell}}][_{\text{instance}}]$ <p>e.g.: C_FACCH H 0 _C _3 => C_FACCHH0_C_3</p> <p>channel type: FCCH, SCH, BCCH, CBCH, PCH, RACH, FACCH, SACCH, SDCCH, DCCH</p> <p>rate: F(ull), H(alf), 4 (fourths, C4 for SACCHC4), 8 (eighths, C8 for SACCHC8).</p> <p>subchannel: H: 0, 1 (C)4: 0, ..., 3 (C)8: 0, ..., 7</p> <p>cell: A, ..., H</p> <p>instance: 1, ..., 3 When several channels of the same type can exist in one cell simultaneously (in different time slots and / or on different frequencies) they are identified by their instance. The parameters of ChConf are used to specify the frequency and slot of this instance of the channel type.</p> <p>Not all possible combinations of this naming syntax have been used. According to the elements that are used / omitted the name can have a special meaning.</p> <table border="0"> <tr> <td>Examples:</td> <td>Comments:</td> </tr> <tr> <td>C_FCCH_A</td> <td>FCCH of cell A.</td> </tr> <tr> <td>C_SCH_A</td> <td>SCH of cell A.</td> </tr> <tr> <td>C_BCCH_A_1</td> <td>First instance of a BCCH in cell A.</td> </tr> <tr> <td>C_CBCH_A</td> <td>CBCH of cell A.</td> </tr> <tr> <td>C_PCH_A_1</td> <td>First instance of a PCH in cell A (there is one instance of the PCH per BCCH in the cell).</td> </tr> <tr> <td>C_AGCH_A_1</td> <td>First instance of a AGCH in cell A (there is one instance of the AGCH per BCCH in the cell).</td> </tr> <tr> <td>C_RACH_A_1</td> <td>First instance of a RACH in cell A.</td> </tr> <tr> <td>C_FACCHF_A_1</td> <td>First instance of a full rate FACCH in cell A.</td> </tr> <tr> <td>C_FACCHH_A_1</td> <td>First instance of a half rate FACCH in cell A (all subchannels).</td> </tr> <tr> <td>C_FACCHH0_A_1</td> <td>Subchannel 0 of the first instance of a half rate FACCH in cell A.</td> </tr> <tr> <td>C_SACCHF_A_1</td> <td>First instance of a full rate SACCH in cell A.</td> </tr> <tr> <td>C_SACCHH_A_1</td> <td>First instance of a half rate SACCH in cell A (all subchannels).</td> </tr> <tr> <td>C_SACCHH1_A_1</td> <td>Subchannel 1 of the first instance of a half rate SACCH in cell A.</td> </tr> <tr> <td>C_SACCHC4_A</td> <td>SACCH/4 of cell A (all subchannels).</td> </tr> <tr> <td>C_SACCHC43_A</td> <td>Subchannel 3 of the SACCH/4 of cell A.</td> </tr> <tr> <td>C_SACCHC8_A_1</td> <td>First instance of a SACCH/8 in cell A (all subchannels).</td> </tr> <tr> <td>C_SACCHC87_A_1</td> <td>Subchannel 7 of the first instance of a SACCH/8 in cell A.</td> </tr> <tr> <td>C_SDCCH4_A</td> <td>SDCCH/4 of cell A (all subchannels).</td> </tr> <tr> <td>C_SDCCH42_A</td> <td>Subchannel 2 of the SDCCH/4 of cell A.</td> </tr> <tr> <td>C_SDCCH87_A_1</td> <td>First instance of a SDCCH/8 in cell A (all subchannels).</td> </tr> <tr> <td>C_SDCCH87_A_1</td> <td>Subchannel 7 of the first instance of a SDCCH/8 in cell A.</td> </tr> </table>		Examples:	Comments:	C_FCCH_A	FCCH of cell A.	C_SCH_A	SCH of cell A.	C_BCCH_A_1	First instance of a BCCH in cell A.	C_CBCH_A	CBCH of cell A.	C_PCH_A_1	First instance of a PCH in cell A (there is one instance of the PCH per BCCH in the cell).	C_AGCH_A_1	First instance of a AGCH in cell A (there is one instance of the AGCH per BCCH in the cell).	C_RACH_A_1	First instance of a RACH in cell A.	C_FACCHF_A_1	First instance of a full rate FACCH in cell A.	C_FACCHH_A_1	First instance of a half rate FACCH in cell A (all subchannels).	C_FACCHH0_A_1	Subchannel 0 of the first instance of a half rate FACCH in cell A.	C_SACCHF_A_1	First instance of a full rate SACCH in cell A.	C_SACCHH_A_1	First instance of a half rate SACCH in cell A (all subchannels).	C_SACCHH1_A_1	Subchannel 1 of the first instance of a half rate SACCH in cell A.	C_SACCHC4_A	SACCH/4 of cell A (all subchannels).	C_SACCHC43_A	Subchannel 3 of the SACCH/4 of cell A.	C_SACCHC8_A_1	First instance of a SACCH/8 in cell A (all subchannels).	C_SACCHC87_A_1	Subchannel 7 of the first instance of a SACCH/8 in cell A.	C_SDCCH4_A	SDCCH/4 of cell A (all subchannels).	C_SDCCH42_A	Subchannel 2 of the SDCCH/4 of cell A.	C_SDCCH87_A_1	First instance of a SDCCH/8 in cell A (all subchannels).	C_SDCCH87_A_1	Subchannel 7 of the first instance of a SDCCH/8 in cell A.
Examples:	Comments:																																												
C_FCCH_A	FCCH of cell A.																																												
C_SCH_A	SCH of cell A.																																												
C_BCCH_A_1	First instance of a BCCH in cell A.																																												
C_CBCH_A	CBCH of cell A.																																												
C_PCH_A_1	First instance of a PCH in cell A (there is one instance of the PCH per BCCH in the cell).																																												
C_AGCH_A_1	First instance of a AGCH in cell A (there is one instance of the AGCH per BCCH in the cell).																																												
C_RACH_A_1	First instance of a RACH in cell A.																																												
C_FACCHF_A_1	First instance of a full rate FACCH in cell A.																																												
C_FACCHH_A_1	First instance of a half rate FACCH in cell A (all subchannels).																																												
C_FACCHH0_A_1	Subchannel 0 of the first instance of a half rate FACCH in cell A.																																												
C_SACCHF_A_1	First instance of a full rate SACCH in cell A.																																												
C_SACCHH_A_1	First instance of a half rate SACCH in cell A (all subchannels).																																												
C_SACCHH1_A_1	Subchannel 1 of the first instance of a half rate SACCH in cell A.																																												
C_SACCHC4_A	SACCH/4 of cell A (all subchannels).																																												
C_SACCHC43_A	Subchannel 3 of the SACCH/4 of cell A.																																												
C_SACCHC8_A_1	First instance of a SACCH/8 in cell A (all subchannels).																																												
C_SACCHC87_A_1	Subchannel 7 of the first instance of a SACCH/8 in cell A.																																												
C_SDCCH4_A	SDCCH/4 of cell A (all subchannels).																																												
C_SDCCH42_A	Subchannel 2 of the SDCCH/4 of cell A.																																												
C_SDCCH87_A_1	First instance of a SDCCH/8 in cell A (all subchannels).																																												
C_SDCCH87_A_1	Subchannel 7 of the first instance of a SDCCH/8 in cell A.																																												

This list covers all types of combinations used in the TTCN for the time being.

When the meaning refers to 'all' subchannels of a channel (eg. C_FACCHH_A_1), it means that all active subchannels of this channel activated previously by OM_ChConf, are associated with a logical channel identifier in the OM_Assoc.

Detailed Comments:

Test Suite Operation Definition

Operation Name: OM_BmInfo(ch:LOGICCH; mode:B_8)
Result Type: BOOLEAN
Comments: mode is of type BITSTRING[8], imode is a part of the channel mode IE

Description

OM_BmInfo operation checks whether the MS starts transmitting Bm channel information according to the new channel mode 'mode'. The operation returns TRUE if the result of the check is correct otherwise the TSO returns FALSE.

Detailed Comments:

Test Suite Operation Definition

Operation Name: OM_ChangeRFOf2Cells(cellid1 :CellID; bspwr1:INTEGER; cellid2 :CellID; bspwr2:INTEGER)
Result Type: BOOLEAN
Comments:

Description

This operation is to change the RF level of cell 'cellid1' to RF level 'bspwr1' and the RF level of cell 'cellid2' to RF level 'bspwr2' [dBuVemf], then returns.

Detailed Comments:

Test Suite Operation Definition	
Operation Name:	OM_ChConf(bspwr: INTEGER; mspwr: INTEGER; acttype: BITSTRING; chmod: CHMOD; ta: TA; slot: SN; tsc: TSC; rf: FRQPARA; chcmbn: LOGCH; td: INTEGER; fn: INTEGER; babr, cch_con, bpm: B_3; pgfil: PG1_RQ_PDU; dtxu: BITSTRING; dtxd: BITSTRING; cell: CellID; lgch1: LOGICCH; lgch2: LOGICCH; lgch3: LOGICCH; lgch4: LOGICCH; lgch5: LOGICCH; lgch6: LOGICCH; lgch7: LOGICCH; lgch8: LOGICCH; lgch9: LOGICCH)
Result Type:	BOOLEAN
Comments:	
Description	
<p>The operation sets the configuration of a basic physical channel according to the input parameters and map logic channel combination onto it:</p> <ul style="list-style-type: none"> - bspwr: base station power level in dBu; - mspwr: mobile station power level in "power control level"; - acttype: type of activation: <ul style="list-style-type: none"> - '000'B activation for intra-cell channel change ---- immediate assignment; - '001'B activation for intra-cell channel change ---- assignment; - '010'B activation for inter-cell channel change ---- asynchronous handover; - '011'B activation for inter-cell channel change ---- synchronous handover; - '100'B activation for additional assignment; <p style="margin-left: 40px;">NOTE: the types defined above are all the same, no real difference</p> <ul style="list-style-type: none"> - '101'B activation for receiving only; - chmod: channel mode; - ta: timing advance; - slot: time slot; - tsc: Training sequence code for normal bursts; - rf: ARFCN or hopping parameters; - chcmbn: logic channel combination mapping to the physical channel; - td: timing difference between the cell and conceptual timing reference; - fn: initial frame number offset to the timing base counter; - babr number of blocks reserved for access grant - cch-con CCCH/SDCCHs configuration - bpm multiframe period for transmission of PAGING REQUEST - pgfil: paging filling contents; - dtxu: mobile station discontinuous transmission: <ul style="list-style-type: none"> - '0'B mobile station discontinuous transmission is not applied; - '1'B mobile station discontinuous transmission is applied; - dtxd: base station discontinuous transmission: <ul style="list-style-type: none"> - '0'B base station discontinuous transmission is not applied; - '1'B base station discontinuous transmission is applied; - cell: cell identifier; - lgch1: logic channel identifier for the channel FCCH; - lgch2: logic channel identifier for the channel SCH; - lgch3: logic channel identifier for the channel BCCH; - lgch4: logic channel identifier for the channel PCH; - lgch5: logic channel identifier for the channel AGCH; - lgch6: logic channel identifier for the channel RACH; - lgch7: logic channel identifier for the channel FACCH or SDCCH; - lgch8: logic channel identifier for the channel SACCH; - lgch9: logic channel identifier for the channel CBCH; <p>For parameters lgch1 to lgch9 "dummy" in the actual parameter list means that the corresponding parameters are not used.</p> <p>In the test cases the logic channel identifiers lgch1 to lgch9 are used to refer the logic channels configured by the operation. There are only generic identifiers for SDCCH4 or SDCCH8 or FACCH channel and SACCH4 or SACCH8 or SACCH, identifiers for subchannels of SDCCH4 or SDCCH8 or FACCH and SACCH4 or SACCH8 or SACCH are linked to the generic identifiers by OM_Assoc operation and in turn refer to the sub logic channels configured by the operation.</p> <p>Channel re-use within OM_ChConf:</p> <p>When an OM_ChConf call is made then the following rules can be applied for deciding whether or not to re-use existing physical channel.</p> <p>Decode the 'chcmbn' (channel combination) parameter to determine the new channel type.</p> <p>If new channel = "C_FCCH_SCH_BCCH_CCCH_SDCCH4_SACCH4" (combined) or</p> <p>if new channel = "C_CBCH_FCCH_SCH_BCCH_CCCH_SDCCH4_SACCH4" (combined + SMS) then re-use any existing control channel configuration with same CellID.</p> <p>If new channel = "C_FCCH_SCH_BCCH_CCCH" (non-combined) then use any combined, combined + SMS or non-combined</p>	

control channel configuration with the same CellID.

If new channel = "C_BCCH_CCCH_2", "C_BCCH_CCCH_3" or "C_BCCH_CCCH_4" (ccch-group) then re-use any existing ccch-group control channel configuration with the same CellID and the slot, or re-use any existing combined, combined + SMS with the same CellID.

If new channel = "C_TCHF_ACCHF_1", "C_TCHF_ACCHF_2", "C_TCHH_ACCHH_1", "C_TCHH_ACCHH_2" (traffic) or "C_SDCCH8_SACCHC8_1", "C_SDCCH8_SACCHC8_2", "C_SDCCH8_SACCHC8_3" (dedicated) then re-use any existing traffic or dedicated channel with the same channel description.

Detailed Comments:

Test Suite Operation Definition

Operation Name: OM_ChMdModi(ch:LOGICCH; chmod: CHMOD)

Result Type: BOOLEAN

Comments:

Description

OM_ChMdModi operation passes channel mode IE for channel `ch` to lower layer emulator and requests the emulator to set the `ch` to the mode `chmod`. After the mode changed, it returns.

Detailed Comments:

Test Suite Operation Definition

Operation Name: OM_CphMdChg(ch:LOGICCH; cphmod: CPHMS; key:BITSTRING)

Result Type: BOOLEAN

Comments:

Description

OM_CphMdChg operation passes ciphering parameters for channel `ch` to lower layer and sets the lower layer emulator into a special operation mode in which lower layer starts the 3-step ciphering mode setting sequence when the next L3 message on the channel `ch` arrives.

Detailed Comments:

Test Suite Operation Definition

Operation Name: OM_CphMd(ch:LOGICCH; cphmod: CPHMS; key:BITSTRING)

Result Type: BOOLEAN

Comments:

Description

OM_CphMd operation passes ciphering parameters for channel `ch` to lower layer and sets the channel `ch` in the ciphering mode `cphmod`. This operation puts the channel `ch` into specified ciphering mode `cphmod` immediately without the 3-step ciphering mode setting sequence.

Detailed Comments:

Test Suite Operation Definition

Operation Name: OM_ComingFn(ch:LOGICCH)

Result Type: FN

Comments:

Description

OM_ComingFn operation returns the frame number (FN modulo 42432) which is about 5 seconds later than current frame number and is able to carry L3 message on the channel `ch`.

Detailed Comments: The delay of about 5 seconds ensures that there is still enough time left for higher layer controller to prepare next TTCN send event after the OM_ComingFn returns. the exact delay value is up to the implementor.

Test Suite Operation Definition	
Operation Name:	OM_Deactivate(ch1, ch2:LOGICCH)
Result Type:	BOOLEAN
Comments:	
Description	
<p>OM_Deactivate operation deactivates the logical channels `ch1` and `ch2`, then returns TRUE.</p> <p>The ch1 can be a DCCH or a TCH, the ch2 is the associated SACCH.</p> <p>Deactivation of an active SDCCH channel can be done by stopping transmission; this means that for the bursts on the BCCH carriers, dummy bursts shall be transmitted, for other bursts nothing shall be transmitted. Alternatively the deactivation of a SDCCH can be done by transmitting bad blocks on the SACCH with the parity bits set incorrectly. This will lead to a radio link failure in the MS.</p> <p>Deactivation of a TCH channel can be done by stopping transmission if it is non-BCCH.</p> <p>Deactivation of a SACCH_T can be done by transmitting bad blocks on the SACCH_T with the parity bits set incorrectly. The wrong channel coding on the SACCH will lead to a radio link failure in the MS after several seconds depending on the system information messages..</p>	
Detailed Comments:	<p>The TSO is called in TC_26_7_3_2, TC_26_7_4_3_2, TC_26_7_4_3_3, TC_26_7_4_3_4 on a SDCCH/4/SACCH/C4 channel in downlink, TC_26_2_4_1, TC_26_2_4_2, TC_26_8_2_1, TC_26_8_2_2, TC_26_8_2_3 on TCH/SACCH_T channel in both directions.</p>

Test Suite Operation Definition	
Operation Name:	OM_FHCHK(ch:LOGICCH)
Result Type:	BOOLEAN
Comments:	
Description	
<p>Having been configured correctly for the frequency hopping the SS checks whether correct L2 frames are continuously received from the mobile for a period of at least 3 seconds. The TSO returns TRUE when the result of the check is correct, otherwise it returns FALSE.</p>	
Detailed Comments:	

Test Suite Operation Definition	
Operation Name:	OM_FreqDef(st:STRT; ma:MA; ch :LOGICCH; chd: CHD; ca:CCHD)
Result Type:	BOOLEAN
Comments:	
Description	
<p>OM_FreqDef operation passes the frequency hopping parameters for channel `ch` to lower layer emulator. The emulator shall start using these parameters at the frame number indicated by starting time `st`.</p>	
Detailed Comments:	

Test Suite Operation Definition	
Operation Name:	OM_GetHoaccPara(ch:LOGICCH)
Result Type:	L1HD
Comments:	
Description	
<p>OM_GetHoaccPara instructs the L 2 emulator to get the timing advance and power level of the handover access burst on channel `ch` and return this value in the format of L 1 head.</p>	
Detailed Comments:	

Test Suite Operation Definition	
Operation Name:	OM_GetL1Hd(ch:LOGICCH)
Result Type:	L1HD
Comments:	
Description	
OM_GetL1Hd instructs the L 2 emulator to read the L 1 header of the next SACCH frame received on channel `ch` and return this value.	
Detailed Comments:	

Test Suite Operation Definition	
Operation Name:	OM_IncrRFOfCell(cellid:CellID)
Result Type:	BOOLEAN
Comments:	
Description	
This operation is to increase the RF level of cell `cellid` so that the MS selects it, then returns.	
Detailed Comments:	

Test Suite Operation Definition	
Operation Name:	OM_LowerLayerFail(ch:LOGICCH)
Result Type:	BOOLEAN
Comments:	
Description	
This operation is to force the lower layer failure, then it returns.	
The lower layer failure can be any one of layer 1 failures or layer 2 failures.	
<ul style="list-style-type: none"> - layer 1 failure, see GSM 05.08; - layer 2 failure, see GSM 04.06. 	
Detailed Comments:	

Test Suite Operation Definition	
Operation Name:	OM_LowerRFOfCell(cellid:CellID)
Result Type:	BOOLEAN
Comments:	
Description	
This operation is to lower the RF level of cell `cellid` so that the MS, which is listening to the cell `cellid` , will select another Cell (another transceiver), then it returns.	
Detailed Comments:	You have to calculate the right value for the new RF level of this cell compared to the other cell by using cell (re)selection algorithm 05.08.

Test Suite Operation Definition	
Operation Name:	OM_NoL2Ack(fmtype:L2FMATYPE; i:INTEGER; ch: LOGICCH)
Result Type:	BOOLEAN
Comments:	
Description	
This operation sets the layer 2 emulator into a special operation mode then returns. In this special mode the layer 2 emulator shall not acknowledge the `i`th occurrence of the L 2 frame which has the type `fmtype` and the more data bit "M" = 0 on channel `ch` . The layer 2 emulator automatically resumes normal operation after this L 2 frame.	
Detailed Comments:	

Test Suite Operation Definition	
Operation Name:	OM_NotAckSetup(ch:LOGICCH)
Result Type:	BOOLEAN
Comments:	
Description	
This operation puts the layer 2 emulator into a special operation mode then returns. In this special mode the layer 2 emulator will not acknowledge the last L 2 frame which carries the SETUP message, and the layer 2 emulator resumes normal operation after this L 2 frame.	
Detailed Comments:	

Test Suite Operation Definition	
Operation Name:	OM_NoUAforDISC(ch:LOGICCH)
Result Type:	BOOLEAN
Comments:	
Description	
OM_NoUAforDISC and OM_ResumUAforDISC are a pair of TSOs. OM_NoUAforDISC forces the L2 emulator of the tester to enter a specific mode. OM_ResumUAforDISC resumes the L2 emulator to a normal L2 operational mode. In the specific mode on receiving a DISC on the channel 'ch', the L2 emulator	
<ul style="list-style-type: none"> - does not respond with a UA, - remains in the multiple-frame established state, - indicates that the DISC has been received (by means of subsequent DL_RELEASE_INDICATION ASPs). Then the TSO returns TRUE.	
Detailed Comments:	The TSO is called in TC_26_6_12_2 and TC_26_6_12_4.

Test Suite Operation Definition	
Operation Name:	OM_PgFill(cellid:CellID; msg:PG1_RQ_PDU)
Result Type:	BOOLEAN
Comments:	The result returned by the operation is not used.
Description	
OM_PgFill operation sets up the contents of paging filling frame to be sent on all paging subchannels continuously. If the contents of paging filling frame in cell 'cellid' have not been set up, the operation sets the contents to 'msg'. If paging filling frame in cell 'cellid' has been set up, the operation changes the paging filling message to 'msg'. After the required action has been taken it returns.	
Detailed Comments:	

Test Suite Operation Definition	
Operation Name:	OM_Reactivate(ch1, ch2:LOGICCH)
Result Type:	BOOLEAN
Comments:	
Description	
The TSO OM_Reactivate reactivates the logical channels 'ch1' and 'ch2' which were previously deactivated by the OM_Deactivate. Then the TSO returns TRUE. The ch1 is an SDCCH, the ch2 is the associated SACCH.	
Reactivation of deactivated SDCCH/SACCH channels means to restart normal transmissions both on the SDCCH and the associated SACCH as specified in the ETS 300 574 (GSM 05.02).	
Detailed Comments:	The TSO is called in TC_26_7_3_2, TC_26_7_4_3_2, TC_26_7_4_3_3, TC_26_7_4_3_4 on the SDCCH/4 / SACCH/C4 channels.

Test Suite Operation Definition	
Operation Name:	OM_ReturnFn(ch:LOGICCH)
Result Type:	FN
Comments:	
Description	
OM_ReturnFn operation returns the frame number (FN modulo 42432) on which the last L3 message was sent on logic channel 'ch'.	
Detailed Comments:	

Test Suite Operation Definition	
Operation Name:	OM_ResumUAforDISC(ch:LOGICCH)
Result Type:	BOOLEAN
Comments:	
Description	
<p>OM_NoUAforDISC and OM_ResumUAforDISC are a pair of TSOs. OM_NoUAforDISC forces the L2 emulator to enter a specific mode. OM_ResumUAforDISC resumes the L2 emulator to a normal L2 operational mode.</p> <p>OM_ResumeUAforDISC cancels the effect of OM_NoUAforDISC, returning L2 on the channel 'ch' to normal operation in the multiple-frame established state.</p> <p>Then the TSO returns TRUE.</p>	
Detailed Comments:	The TSO is called in TC_26_6_12_2 and TC_26_6_12_4.

Test Suite Operation Definition	
Operation Name:	OM_SendSMSBWhilePaging(ch:LOGICCH)
Result Type:	BOOLEAN
Comments:	The result returned by the operation is not used.
Description	
<p>The TSO makes the lower layers send the second SMSB message at the same time as the MS is paged.</p> <p>This shall be achieved by paging the MS immediately after the first block of the CB message has been sent. The SS shall ensure that the page is transmitted on the radio interface prior to the transmission of the 4th block of the CB message.</p>	
Detailed Comments:	

Test Suite Operation Definition	
Operation Name:	OM_SendNextOn(ch:LOGICCH; fn:FN)
Result Type:	BOOLEAN
Comments:	
Description	
<p>OM_SendNextOn operation sets the lower layer emulator into a special operation mode then returns. In the special mode lower layer emulator sends the next L3 message on the indicated frame number `fn`. After the next L3 message is sent, the lower layer resumes normal operation automatically.</p>	
Detailed Comments:	

Test Suite Operation Definition	
Operation Name:	OM_StartMsrReport(ch:LOGICCH)
Result Type:	BOOLEAN
Comments:	The result returned by the operation is not used.
Description	
<p>The operation starts the reporting of received MEASUREMENT REPORT message to layer 3 emulator, then it returns with value TRUE.</p> <p>Measurement Reports shall be disable by default. By default means that the tester filters them out from the TTCN in-buffer. This operation enables the reports entering the TTCN in-buffer. The OM_StopMsrReport operation disables the reports entering the TTCN in-buffer. When starting each test case, the measurement reports are filtered out by default.</p>	
Detailed Comments:	

Test Suite Operation Definition	
Operation Name:	OM_StopAllBCCH(cell1, cell2, cell3, cell4, cell5, cell6, cell7, cell8:CellID)
Result Type:	BOOLEAN
Comments:	The result returned by the operation is not used.
Description	
<p>The TSO stops the RF transmission on all BCCH channels including dummy bursts in the indicated cells, but keeps the uplink CCCH reception active. After all transmission have been stopped the TSO returns TRUE.</p> <p>If a cell in the parameter list is not in use a "dummy" value needs to be assigned to it by the calling test case.</p> <p>The TSO is called in TC_26_3_3.</p>	
Detailed Comments:	

Test Suite Operation Definition	
Operation Name:	OM_StopCell(cell:CellID)
Result Type:	BOOLEAN
Comments:	The result returned by the operation is not used.
Description	
<p>The TSO stops completely all RF transmission of the specific cell `cell`, including the dummy bursts on other slots. After all RF transmission have been stopped the TSO returns TRUE.</p> <p>The cell shall be deleted from the lower layer tester and therefore if the cell `cell` is required again by the calling test case it needs to be re-configured.</p> <p>The TSO is called in TC_26_3_4, TC_26_6_6_1, TC_26_7_4_2_2_1, TC_26_7_4_2_2_2, TC_26_7_4_6, TC_31_6_2_3.</p>	
Detailed Comments:	

Test Suite Operation Definition	
Operation Name:	OM_StopMsrReport(ch:LOGICCH)
Result Type:	BOOLEAN
Comments:	The result returned by the operation is not used.
Description	
<p>The operation stops the reporting of received MEASUREMENT REPORT message to layer 3 emulator, after measurement report stops it returns with value TRUE.</p> <p>Measurement Reports shall be disable by default. By default means that the tester filters them out from the TTCN in-buffer. This operation disables the reports entering the TTCN in-buffer. The OM_StartMsrReport operation enables the reports entering the TTCN in-buffer. When starting each test case, the measurement reports are filtered out by default.</p>	
Detailed Comments:	

Test Suite Operation Definition	
Operation Name:	OO_ACMIncCHK(para:IA5String)
Result Type:	BOOLEAN
Comments:	
Description	
<p>the OO_ACMIncCHK operation requests (e.g. from the control console of the test system) the test operator to read the value of ACM on SIM and check the increment of the value. Then the operator informs the test system whether the increment is as description `para`, if it is as the description the operation returns TRUE, otherwise returns FALSE.</p> <p>The value of ACM can be read either via MMI or by removing the SIM and using SIM reader.</p>	
Detailed Comments:	

Test Suite Operation Definition	
Operation Name:	OO_ACMReading
Result Type:	BOOLEAN
Comments:	
Description	
<p>the OO_ACMReading operation requests (e.g. from the control console of the test system) the test operator to read and note the value of ACM on SIM. After the operator finishes the action, he informs the test system and the operation returns with the value TRUE.</p> <p>The value of ACM can be read either via MMI or by removing the SIM and using SIM reader.</p>	
Detailed Comments:	

Test Suite Operation Definition	
Operation Name:	OO_ACMSetting
Result Type:	BOOLEAN
Comments:	
Description	
<p>the OO_ACMSetting operation requests (e.g. from the control console of the test system) the test operator to reset the ACM to zero and set the ACMmax to 2 units. After the operator finishes the action and informs the test system it returns TRUE.</p>	
Detailed Comments:	

Test Suite Operation Definition	
Operation Name:	OO_AddPwrAmp
Result Type:	BOOLEAN
Comments:	
Description	
This operation requests (e.g. from the control console of the test system) the test operator to add power amplification at the Mobile Station under test.	
After the operator finishes the action, he informs the test system and the operation returns with the value TRUE.	
Detailed Comments:	

Test Suite Operation Definition	
Operation Name:	OO_AltIndCHK
Result Type:	BOOLEAN
Comments:	
Description	
This operation first requests (e.g. from the control console of the test system) the test operator to check whether the alerting indication is generated. If the operator informs (e.g. from the control console of the test system) the test system that the alerting indication is generated, the operation returns TRUE. If the operator informs the test system that the alerting indication is not generated, the operation returns FALSE.	
Detailed Comments:	

Test Suite Operation Definition	
Operation Name:	OO_CalledNumCHK
Result Type:	BOOLEAN
Comments:	
Description	
This operation first requests (e.g. from the control console of the test system) the test operator to check whether the called party number is correctly displayed on the mobile station. If the operator informs (e.g. from the control console of the test system) the test system that the display is correct, the operation returns TRUE. If the operator informs the test system that the display is wrong, the operation returns FALSE.	
Detailed Comments:	

Test Suite Operation Definition	
Operation Name:	OO_CalledPtyNumCHK(num:CDPN)
Result Type:	BOOLEAN
Comments:	
Description	
This operation first requests (e.g. from the control console of the test system) the test operator to check whether the called party number `num` is the one that was entered into the MS. If the operator informs (e.g. from the control console of the test system) the test system that the number is correct, the operation returns TRUE. If the operator informs the test system that the number is wrong, the operation returns FALSE.	
Detailed Comments:	

Test Suite Operation Definition	
Operation Name:	OO_CallHold
Result Type:	BOOLEAN
Comments:	
Description	
This operation requests (e.g. from the control console of the test system) the test operator to enter call hold MMI command at the Mobile Station under test.	
After the operator finishes the action, he informs the test system and the operation returns with the value TRUE.	
Detailed Comments:	

Test Suite Operation Definition	
Operation Name:	OO_CheckAllSMPresentBut4th
Result Type:	BOOLEAN
Comments:	
Description	
<p>This operation requests (e.g. from the control console of the test system) the test operator to check if the mobile station under test has stored all short messages during the test case but not the 4th one which should have been replaced by the 5th(cf. GSM 11.10, clause 34.2.7.4). The messages are displayed. Then the operation returns.</p> <p>TRUE: All SM present but not the 4th FALSE: 4th SM present or 1st, 2nd, 3rd or 5th missing.</p>	
Detailed Comments:	

Test Suite Operation Definition	
Operation Name:	OO_CheckCBSMReceived(NumbOfIA5chara: INTEGER; msg:SMSCBpack)
Result Type:	BOOLEAN
Comments:	
Description	
<p>This operation requests (e.g. from the control console of the test system) the test operator to check whether the MS under test has correctly received the cell broadcast short message represented by 'msg' . Then the TSO returns</p> <p>TRUE: if the CBSM has been correctly received, FALSE: if non or an incorrect CBSM has been received.</p> <p>The TSO needs to convert the 'msg' into IA5 string according to the packing character rules specified in the section 6.1.2 of ETS 300 628 (GSM 03.38). The 'NumbOfIA5chara' indicates the number of IA5 characters in the 'msg'.</p>	
Detailed Comments:	

Test Suite Operation Definition	
Operation Name:	OO_CheckMCEFOOnSIM
Result Type:	BOOLEAN
Comments:	
Description	
<p>This operation requests (e.g. from the control console of the test system) the test operator to check if the Memory Capacity Exceeded Flag has been set on the SIM simulator and to inform the test system of the result of the checking. If the checking succeeds the operation returns TRUE, FALSE otherwise.</p>	
Detailed Comments:	

Test Suite Operation Definition	
Operation Name:	OO_CheckMCEFOOnSIMUnset
Result Type:	BOOLEAN
Comments:	
Description	
<p>This operation requests (e.g. from the control console of the test system) the test operator to check if the Memory Capacity Exceeded Flag has been unset on the SIM simulator and to inform the test system of the result of the checking. If the checking succeeds the operation returns TRUE, FALSE otherwise.</p>	
Detailed Comments:	

Test Suite Operation Definition	
Operation Name:	OO_CheckMessageDisplayed(NumbOfIA5chara:INTEGER; msg:OCTETSTRING)
Result Type:	BOOLEAN
Comments:	
Description	
<p>This operation requests (e.g. from the control console of the test system) the test operator to check if the mobile station under test indicates that an SM has arrived. If the MS provides the functionality to display MT messages, it is checked that the message contents represented by 'msg' is correctly displayed. Then the operation returns</p> <p>TRUE: if the MS indicates SM reception (and displays correct message), FALSE: if the MS does not indicate SM reception (or displays incorrect message).</p> <p>The TSO needs to convert the 'msg' into IA5 string according to the packing character rules specified in the section 6.1.2 of ETS 300 628 (GSM 03.38). The 'NumbOfIA5chara' indicates the number of IA5 characters in the 'msg'.</p>	
Detailed Comments:	

Test Suite Operation Definition	
Operation Name:	OO_CheckUssdStringDisplayed(strg: IA5String)
Result Type:	BOOLEAN
Comments:	
Description	
<p>This operation requests (e.g. from the control console of the test system) the test operator to check if the mobile station under test displays the Ussd String 'strg'. Then the operation returns.</p> <p>TRUE: MS displays the correct Ussd String. FALSE: MS does not display the correct Ussd String.</p>	
Detailed Comments:	

Test Suite Operation Definition	
Operation Name:	OO_ConnectSIMSimulator
Result Type:	BOOLEAN
Comments:	
Description	
<p>This operation requests (e.g. from the control console of the test system) the test operator to connect the SIM simulator to the mobile station under test.</p> <p>For the contents of the SIM simulator the operator refers to the initial conditions of the test case acc. GSM 11.10, clause 34.2.3.3.</p> <p>After the operator finishes the action, he informs the test system and the operation returns with the value TRUE.</p>	
Detailed Comments:	

Test Suite Operation Definition	
Operation Name:	OO_DepressEndKey
Result Type:	BOOLEAN
Comments:	
Description	
<p>This operation requests (e.g. from the control console of the test system) the test operator to depress the 'END' key of the Mobile Stations keypad, then returns.</p>	
Detailed Comments:	

Test Suite Operation Definition	
Operation Name:	OO_DialCalledNum
Result Type:	BOOLEAN
Comments:	
Description	
<p>This operation requests (e.g. from the control console of the test system) the test operator to dial the called party number at the Mobile Station under test but not press the "SEND" key (i.e. not initiate the call setup).</p> <p>After the operator finishes the action, he informs the test system and the operation returns with the value TRUE.</p>	
Detailed Comments:	

Test Suite Operation Definition	
Operation Name:	OO_DisplaySMAndSendReplySM(n, NumOfIA5chara: INTEGER; msg:OCTETSTRING)
Result Type:	OCTETSTRING
Comments:	
Description	
<p>This operation requests (e.g. from the control console of the test system) the test operator to display the 'n'-th short message received in the arriving order and to check whether the short message contents represented by 'msg' is correctly displayed. Then the TSO asks the operator to send a reply short message from the mobile.</p> <p>After the operator finishes the action, the operation returns with the message contents sent in OCTETSTRING.</p> <p>The TSO needs to convert the 'msg' into IA5 string and the IA5 text entered by the operator into OCTETSTRING according to the packing character rules specified in the section 6.1.2 of ETS 300 628 (GSM 03.38). The 'NumOfIA5chara' indicates the number of IA5 characters in the 'msg'.</p>	
Detailed Comments:	

Test Suite Operation Definition	
Operation Name:	OO_DTMFIndCHK(character:IA5String)
Result Type:	BOOLEAN
Comments:	
Description	
<p>This operation first requests (e.g. from the control console of the test system) the test operator to check whether the `character` is indicated by the DTMF indicator of the MS. If the operator informs (e.g. from the control console of the test system) the test system that the MS does not give the indication of `character`, the operation returns FALSE. If the operator informs the test system that the MS gives the indication, the operation returns TRUE.</p>	
Detailed Comments:	

Test Suite Operation Definition	
Operation Name:	OO_EmptyMessageStorage
Result Type:	BOOLEAN
Comments:	
Description	
<p>This operation requests (e.g. from the control console of the test system) the test operator to empty the message storage of the mobile station under test.</p> <p>After the operator finishes the action, he informs the test system and the operation returns with the value TRUE.</p>	
Detailed Comments:	

Test Suite Operation Definition	
Operation Name:	OO_EnterPswd(pswd:IA5String)
Result Type:	BOOLEAN
Comments:	
Description	
<p>This TSO displays a message on the control console to inform the operator that he is to enter a given password (the actual password is given by 'pswd') on the mobile. The operation waits for the operator to acknowledge the request, which may be done before or after entering the password into the mobile, and then returns the value TRUE.</p>	
Detailed Comments:	

Test Suite Operation Definition	
Operation Name:	OO_HookOff
Result Type:	BOOLEAN
Comments:	
Description	
<p>This operation requests (e.g. from the control console of the test system) the test operator to answer the mobile terminating call at the Mobile Station under test.</p> <p>This operation waits for the operator to acknowledge the request which may be done before or after the call has been answered and then returns the value TRUE.</p>	
Detailed Comments:	

Test Suite Operation Definition	
Operation Name:	OO_IFsetup(srv:MTSERVICES)
Result Type:	BOOLEAN
Comments:	
Description	
<p>This operation requests (e.g. from the control console of the test system) the test operator to setup the external interface, or configuration of the MS such a way that the MS is able to successfully receive the call for the service `srv`. After the operator finishes the required action and informs the test system, it returns with value TRUE.</p> <p>The possible service values include (see also test suite constant declarations):</p> <p>1) Teleservices</p> <ul style="list-style-type: none"> - C_Telephony - C_EmgCallSRV - C_AltSpchG3_2400, C_AltSpchG3_4800, C_AltSpchG3_9600 - C_AutoG3, C_AutoG3_T_2400, C_AutoG3_T_4800, C_AutoG3_T_9600 <p>2) Bearer services</p> <ul style="list-style-type: none"> - C_300cda, C_300cda_T, C_1200cda, C_1200cda_T, C_120075cda, C_120075cda_T, C_2400cda, C_2400cda_T, C_4800cda, C_4800cda_T, C_9600cda - C_1200cda, C_2400cda, C_2400cda_T, C_4800cda, C_4800cda_T, C_9600cda - C_PAD300, C_PAD300_T, C_PAD1200, C_PAD1200_T, C_PAD120075, C_PAD120075_T, C_PAD2400, C_PAD2400_T, C_PAD4800, C_PAD4800_T, C_PAD9600 - C_Pkt2400, C_Pkt4800, C_Pkt9600 - C_AltSpchData_300, C_AltSpchData_1200, C_AltSpchData_120075, C_AltSpchData_2400, C_AltSpchData_4800, C_AltSpchData_9600 - C_SpchData_300, C_SpchData_1200, C_SpchData_120075, C_SpchData_2400, C_SpchData_4800, C_SpchData_9600. 	
Detailed Comments:	

Test Suite Operation Definition	
Operation Name:	OO_IFsetupbis(srv:MTSERVICES; ur:B_4; itc, sacp:B_3; ce:B_2; sa:B_1)
Result Type:	BOOLEAN
Comments:	
Description	
<p>This operation requests (e.g. from the control console of the test system) the test operator to setup the external interface, or configuration of the MS such a way that the MS is able to successfully receive the call for the service `srv`. After the operator finishes the required action and informs the test system, it returns with value TRUE.</p> <p>If necessary, the test operator will refer to the manufacturer's manual to set the complete configuration of the MS.</p> <p>When, for a particular service, in case of a parameter is not used, the calling tree shall pass the value NA (Not applicable) in the parameter list.</p> <p>C_ur_NA for the user rate. C_itc_NA for the information transfer capability. C_sacp_NA for the signalling access protocol. C_ce_NA for the connection element. C_sa_NA for the synchronous/asynchronous mode.</p> <p>The pseudo code description is:</p> <p>1) Teleservices</p> <ul style="list-style-type: none"> - IF srv = C_Telephony THEN <li style="padding-left: 20px;">/* TS11 no other parameters than srv used for the configuration. \ 	
Detailed Comments:	

Test Suite Operation Definition	
Operation Name:	OO_InCallModi(srv:MOSERVICES)
Result Type:	BOOLEAN
Comments:	
Description	
<p>This operation requests (e.g. from the control console of the test system) the test operator to initiate a in-call modification at the Mobile Station under test, which is triggered by the calling tone identification (CNG) received by the MS, for the basic service 'srv', then returns TRUE. The calling test step can pass the 'srv' value either as TSPX or constant to the TSO.</p> <p>The possible service values include (see also test suite constant declarations):</p> <p>1) Teleservices</p> <ul style="list-style-type: none"> - C_Telephony - C_EmgCallSRV - C_AltSpchG3_2400, C_AltSpchG3_4800, C_AltSpchG3_9600 - C_AutoG3, C_AutoG3_T_2400, C_AutoG3_T_4800, C_AutoG3_T_9600 <p>2) Bearer services</p> <ul style="list-style-type: none"> - C_300cda, C_300cda_T, C_1200cda, C_1200cda_T, C_120075cda, C_120075cda_T, C_2400cda, C_2400cda_T, C_4800cda, C_4800cda_T, C_9600cda - C_1200cda, C_2400cda, C_2400cda_T, C_4800cda, C_4800cda_T, C_9600cda - C_PAD300, C_PAD300_T, C_PAD1200, C_PAD1200_T, C_PAD120075, C_PAD120075_T, C_PAD2400, C_PAD2400_T, C_PAD4800, C_PAD4800_T, C_PAD9600 - C_Pkt2400, C_Pkt4800, C_Pkt9600 - C_AltSpchData_300, C_AltSpchData_1200, C_AltSpchData_120075, C_AltSpchData_2400, C_AltSpchData_4800, C_AltSpchData_9600 - C_SpchData_300, C_SpchData_1200, C_SpchData_120075, C_SpchData_2400, C_SpchData_4800, C_SpchData_9600. 	
Detailed Comments:	

Test Suite Operation Definition	
Operation Name:	OO_InitCall(srv:IA5String)
Result Type:	BOOLEAN
Comments:	
Description	
<p>This operation requests (e.g. from the control console of the test system) the test operator to initiate an MS originating call for the basic service 'srv', then returns TRUE. The calling test step can pass the 'srv' value either as TSPX or constant to the TSO. If necessary the MS is configured for that basic service before the call initiation.</p> <p>The possible service values include (see also test suite constant declarations):</p> <p>1) Teleservices</p> <ul style="list-style-type: none"> - C_Telephony - C_EmgCallSRV - C_AltSpchG3_2400, C_AltSpchG3_4800, C_AltSpchG3_9600 - C_AutoG3, C_AutoG3_T_2400, C_AutoG3_T_4800, C_AutoG3_T_9600 <p>2) Bearer services</p> <ul style="list-style-type: none"> - C_300cda, C_300cda_T, C_1200cda, C_1200cda_T, C_120075cda, C_120075cda_T, C_2400cda, C_2400cda_T, C_4800cda, C_4800cda_T, C_9600cda - C_1200cda, C_2400cda, C_2400cda_T, C_4800cda, C_4800cda_T, C_9600cda - C_PAD300, C_PAD300_T, C_PAD1200, C_PAD1200_T, C_PAD120075, C_PAD120075_T, C_PAD2400, C_PAD2400_T, C_PAD4800, C_PAD4800_T, C_PAD9600 - C_Pkt2400, C_Pkt4800, C_Pkt9600 - C_AltSpchData_300, C_AltSpchData_1200, C_AltSpchData_120075, C_AltSpchData_2400, C_AltSpchData_4800, C_AltSpchData_9600 - C_SpchData_300, C_SpchData_1200, C_SpchData_120075, C_SpchData_2400, C_SpchData_4800, C_SpchData_9600. 	
Detailed Comments:	

Test Suite Operation Definition	
Operation Name:	OO_InitSS(action: IA5String)
Result Type:	BOOLEAN
Comments:	
Description	
This operation requests (e.g. from the control console of the test system) the test operator to initiate the required supplementary service by the MMI sequence `action`.	
After the operator finishes the action, he informs the test system and the operation returns with the value TRUE.	
Detailed Comments:	

Test Suite Operation Definition	
Operation Name:	OO_InServiceCHK
Result Type:	BOOLEAN
Comments:	
Description	
This operation first requests (e.g. from the control console of the test system) the test operator to check whether the Mobile Station under test is in normal service state ("Idle, updated")-- listening to CCCH and BCCH and with U1 UPDATED status. If the operator informs (e.g. from the control console of the test system) the test system that the MS does not give any service indication, the operation returns FALSE. If the operator informs the test system that the MS gives service indication, the operation returns TRUE.	
Detailed Comments:	

Test Suite Operation Definition	
Operation Name:	OO_Key
Result Type:	BOOLEAN
Comments:	
Description	
This operation returns TRUE if a key of the SS' keyboard has been pressed. Otherwise it returns FALSE.	
After OO_PressKeyWhenInService was called, the TSO is then continuously called until the test operator hits a key or a timer expires.	
Detailed Comments:	

Test Suite Operation Definition	
Operation Name:	OO_MptyCall
Result Type:	BOOLEAN
Comments:	
Description	
This operation requests (e.g. from the control console of the test system) the test operator to enter MultiParty MMI command at the Mobile Station under test, then it returns with the value TRUE after the operator finishes the action and informs the test system.	
Detailed Comments:	

Test Suite Operation Definition	
Operation Name:	OO_MSSetupStoreClass1SMInMEMemory
Result Type:	BOOLEAN
Comments:	
Description	
This operation requests (e.g. from the control console of the test system) the test operator to setup the MS under test to store class 1 SM in the ME memory (by way of MMI, as described in PICS/PIXIT statement).	
After the operator finishes the action, he informs the test system and the operation returns with the value TRUE.	
Detailed Comments:	

Test Suite Operation Definition	
Operation Name:	OO_PLMNsCHK
Result Type:	BOOLEAN
Comments:	
Description	
This operation first requests (e.g. from the control console of the test system) the test operator to check whether the Mobile Station presents a list of available PLMNs. The list shall include the MNC and MCC of cells 1 to 7, but not cell 8 (for GSM900) or cells 1 to 6, but not cell 7 (for DCS1800). If the operator informs (e.g. from the control console of the test system) the test system that the MS correctly presents the list, the operation returns TRUE. If the operator informs the test system that the list is incorrect, the operation returns FALSE.	
Detailed Comments:	

Test Suite Operation Definition	
Operation Name:	OO_PLMNselModeAuto
Result Type:	BOOLEAN
Comments:	
Description	
This operation switches the PLMN selection mode of the MS to automatic selection. After correctly switching of the mode the operation returns TRUE otherwise FALSE.	
Detailed Comments:	

Test Suite Operation Definition	
Operation Name:	OO_PLMNselModeMan
Result Type:	BOOLEAN
Comments:	
Description	
This operation switches the PLMN selection mode of the MS to manual selection. After correctly switching of the mode the operation returns TRUE otherwise FALSE.	
Detailed Comments:	

Test Suite Operation Definition	
Operation Name:	OO_PowerUp
Result Type:	BOOLEAN
Comments:	
Description	
This operation requests (e.g. from the control console of the test system) the test operator to power up the Mobile Station under test and to inform after the test system, then it returns with value TRUE.	
Detailed Comments:	

Test Suite Operation Definition	
Operation Name:	OO_PowerDown
Result Type:	BOOLEAN
Comments:	
Description	
This operation requests (e.g. from the control console of the test system) the test operator to power down the Mobile Station under test and to inform after the test system, then it returns with value TRUE.	
Detailed Comments:	

Test Suite Operation Definition	
Operation Name:	OO_PressKeyWhenInService
Result Type:	BOOLEAN
Comments:	
Description	
This operation requests (e.g. from the control console of the test system) the test operator to press any key when the MS shows the service indicator, then returns. The return value is always TRUE. Working with OO_Key together, the TSO displays a prompt to the test operator and then immediately returns.	
Detailed Comments:	

Test Suite Operation Definition	
Operation Name:	OO_RecallAndDisplaySM(NumbOfIA5chara: INTEGER; msg: OCTETSTRING)
Result Type:	BOOLEAN
Comments:	
Description	
This operation requests (e.g. from the control console of the test system) the test operator to recall and display an SM stored in the ME of the MS under test e.g. by means of the MMI. Then the operator checks whether the short message contents represented by 'msg' is correctly displayed. The TSO returns TRUE: if SM can be recalled and displayed correctly in comparison with the 'msg', FALSE: if SM can not be recalled or displayed, or displayed incorrectly in comparison with the 'msg'. The TSO needs to convert the 'msg' into IA5 string according to the packing character rules specified in the section 6.1.2 of ETS 300 628 (GSM 03.38). The 'NumbOfIA5chara' indicates the number of IA5 characters in the 'msg'.	
Detailed Comments:	

Test Suite Operation Definition	
Operation Name:	OO_RemoveOneSM
Result Type:	BOOLEAN
Comments:	
Description	
This operation requests (e.g. from the control console of the test system) the test operator to remove one of the SM from the message store and then to inform the test system. It does not matter which short message has been removed. After that the operation returns with value TRUE. The returned value is not used in the ATS.	
Detailed Comments:	

Test Suite Operation Definition	
Operation Name:	OO_RemvPwrAmp
Result Type:	BOOLEAN
Comments:	
Description	
This operation requests (e.g. from the control console of the test system) the test operator to remove the added power amplification at the Mobile Station under test and to inform after the test system, then the operation returns with value TRUE.	
Detailed Comments:	

Test Suite Operation Definition	
Operation Name:	OO_RFoutputCHK
Result Type:	BOOLEAN
Comments:	
Description	
This operation first requests (e.g. from the control console of the test system) the test operator to check whether the Mobile Station produces any RF output. If the operator informs (e.g. from the control console of the test system) the test system that the MS does not produce any RF output, the operation returns FALSE. If the operator informs the test system that the MS produces RF output, the operation returns TRUE.	
Detailed Comments:	

Test Suite Operation Definition	
Operation Name:	OO_SelPLMN(par_plmn:OCTETSTRING)
Result Type:	BOOLEAN
Comments:	
Description	
This operation requests (e.g. from the control console of the test system) the test operator to select the given PLMN in par_plmn manually, and to inform after the test system then the operation returns with value TRUE.	
Detailed Comments:	

Test Suite Operation Definition	
Operation Name:	OO_SendMOShortMessage
Result Type:	BOOLEAN
Comments:	
Description	
This operation requests (e.g. from the control console of the test system) the test operator to send a short message from the mobile station under test. The operation waits for the operator to acknowledge the request which may be done before or after sending the MO Short Message, and then returns the value TRUE.	
Detailed Comments:	

Test Suite Operation Definition	
Operation Name:	OO_SendSMSCOMMANDDel
Result Type:	BOOLEAN
Comments:	
Description	
This operation requests (e.g. from the control console of the test system) the test operator to send a SMS COMMAND message from the mobile station under test containing requiring to delete the previously submitted SM and then to inform the test system. Then, the operation returns with value TRUE.	
Detailed Comments:	

Test Suite Operation Definition	
Operation Name:	OO_SendSMSCOMMANDEnq
Result Type:	BOOLEAN
Comments:	
Description	
This operation requests (e.g. from the control console of the test system) the test operator to send a SMS COMMAND message from the mobile station under test containing an enquiry about the previously submitted SM and then to inform the test system. Then, the operation returns with value TRUE.	
Detailed Comments:	

Test Suite Operation Definition	
Operation Name:	OO_SetRefuseCall
Result Type:	BOOLEAN
Comments:	
Description	
This operation first requests (e.g. from the control console of the test system) the test operator to enable call refusal on the MS. After the operator completes the action and informs (e.g. from the control console of the test system) the test system, the operation returns with value TRUE.	
Detailed Comments:	

Test Suite Operation Definition	
Operation Name:	OO_ShortKeyDepr(ch:IA5String)
Result Type:	BOOLEAN
Comments:	
Description	
This operation requests (e.g. from the control console of the test system) the test operator to cause a DTMF tone to be generated, e.g. by short depression of the key `ch` on the Mobile Station under test. The operation waits for the operator to acknowledge the request which may be done before or after generating the DTMF tone, and then returns the value TRUE.	
Detailed Comments:	

Test Suite Operation Definition	
Operation Name:	OO_SIMIns
Result Type:	BOOLEAN
Comments:	
Description	
This operation requests (e.g. from the control console of the test system) the test operator to insert the SIM card into the Mobile Station under test. After the operator completes the action and informs (e.g. from the control console of the test system) the test system, the operation returns with value TRUE.	
Detailed Comments:	

Test Suite Operation Definition	
Operation Name:	OO_SIM2Ins
Result Type:	BOOLEAN
Comments:	
Description	
This operation requests (e.g. from the control console of the test system) the test operator to insert the SIM card 2 into the Mobile Station under test. After the operator completes the action and informs (e.g. from the control console of the test system) the test system, the operation returns with value TRUE.	
The SIM Card 2 shall contain the following parameter values, which are different from default values(SIM Card 1):	
IMSI= '001011234'	
HPLMN_search_period=6min.	
Detailed Comments:	

Test Suite Operation Definition	
Operation Name:	OO_SIM3Ins
Result Type:	BOOLEAN
Comments:	
Description	
This operation requests (e.g. from the control console of the test system) the test operator to insert the SIM card 3 into the Mobile Station under test and turn the MS power on, after the test operator finishes the action and informs the test system it returns with value TRUE.	
The SIM Card 3 shall contain fixed dialling number allocated and activated.	
Detailed Comments:	

Test Suite Operation Definition	
Operation Name:	OO_SIMRmv
Result Type:	BOOLEAN
Comments:	
Description	
This operation requests (e.g. from the control console of the test system) the test operator to remove the SIM card from the Mobile Station under test. After the operator completes the action and informs (e.g. from the control console of the test system) the test system, the operation returns with value TRUE.	
Detailed Comments:	

Test Suite Operation Definition	
Operation Name:	OO_SIMSimulAttIndOK
Result Type:	BOOLEAN
Comments:	
Description	
<p>This operation requests (e.g. from the control console of the test system) the test operator to check whether the SIM simulator indicates an attempt made by the ME to store the short message in the SIM. The SIM simulator returns the status response "OK" ("90 00"). Then returns.</p> <p>Attempt indicated: TRUE Attempt NOT indicated: FALSE</p>	
Detailed Comments:	

Test Suite Operation Definition	
Operation Name:	OO_SIMSimulAttIndMemProblem
Result Type:	BOOLEAN
Comments:	
Description	
<p>This operation requests (e.g. from the control console of the test system) the test operator to check whether the SIM simulator indicates an attempt made by the ME to store the short message in the SIM. The SIM simulator returns the status response "Memory Problem" ("92 40"). Then returns.</p> <p>Attempt indicated: TRUE Attempt NOT indicated: FALSE</p>	
Detailed Comments:	

Test Suite Operation Definition	
Operation Name:	OO_SSresultCHK(svc:INTEGER)
Result Type:	BOOLEAN
Comments:	
Description	
<p>This operation first requests (e.g. from the control console of the test system) the test operator to check the user indication of the result of the supplementary service `svc`. If the operator informs (e.g. from the control console of the test system) the test system that the indication is correct, the operation returns TRUE. If the operator informs the test system that the indication is wrong, the operation returns FALSE.</p>	
Detailed Comments:	

Test Suite Operation Definition	
Operation Name:	OO_SwitchOn
Result Type:	BOOLEAN
Comments:	
Description	
<p>This operation requests (e.g. from the control console of the test system) the test operator to switch on (or if there is no switch then to restore the power to) the Mobile Station under test. After the operator completes the action and informs (e.g. from the control console of the test system) the test system, the operation returns with value TRUE.</p>	
Detailed Comments:	

Test Suite Operation Definition	
Operation Name:	OO_SwitchOff
Result Type:	BOOLEAN
Comments:	
Description	
<p>This operation requests (e.g. from the control console of the test system) the test operator to switch off (or if there is no switch then to remove the power from) the Mobile Station under test. After the operator completes the action and informs (e.g. from the control console of the test system) the test system, the operation returns with value TRUE.</p>	
Detailed Comments:	

Test Suite Operation Definition	
Operation Name:	OO_TCHthroConnCHK
Result Type:	BOOLEAN
Comments:	
Description	
This operation first requests (e.g. from the control console of the test system) the test operator to check whether the TCH is through connected. The SS has to generate a noise pattern so that the operator can check this. If the operator informs (e.g. from the control console of the test system) the test system that the TCH is through connected, the operation returns TRUE. If the operator informs the test system that the TCH is not through connected, the operation returns FALSE.	
Detailed Comments:	

Test Suite Operation Definition	
Operation Name:	OO_TermCall
Result Type:	BOOLEAN
Comments:	
Description	
This operation first requests (e.g. from the control console of the test system) the test operator to terminate the ongoing call. After the operator completes the action and informs (e.g. from the control console of the test system) the test system, it returns TRUE.	
Detailed Comments:	

Test Suite Operation Definition	
Operation Name:	OO_TguardTimeOut
Result Type:	BOOLEAN
Comments:	
Description	
This operation informs (e.g. from the control console of the test system) the test operator that the T_guard timer has expired during the test case leading to an inconclusive or fail verdict and returns immediately with value TRUE.	
Detailed Comments:	

Test Suite Operation Definition	
Operation Name:	OO_ToneStopCHK
Result Type:	BOOLEAN
Comments:	
Description	
This operation first requests (e.g. from the control console of the test system) the test operator to check whether the MS stops the tone generation. If the operator informs (e.g. from the control console of the test system) the test system that the MS does not stop tone generation, the operation returns FALSE. If the operator informs the test system that the MS stops tone generation, the operation returns TRUE.	
Definition of "tone generation":	
-During MO call: MS generates alerting tone/presents inband information sent by the network.	
-During MT call: MS generates ringing tone.	
Detailed Comments:	

Test suite parameter declarations

Test Suite Parameter Declarations			
Parameter Name	Type	PICS/PIXIT Ref	Comments
TSPC_24DataF	BOOLEAN	PICS Table A.25 Item 12	2.4 k full rate data mode supported
TSPC_24DataH	BOOLEAN	PICS Table A.25 Item 13	2.4 k half rate data mode supported
TSPC_48DataF	BOOLEAN	PICS Table A.25 Item 14	4.8 k full rate data mode supported
TSPC_48DataH	BOOLEAN	PICS Table A.25 Item 15	4.8 k half rate data mode supported
TSPC_96Data	BOOLEAN	PICS Table A.25 Item 16	9.6 k full rate data mode supported
TSPC_Feat_A51	BOOLEAN	PICS Table A.2 Item 17	ciphering algorithm A5/1 supported
TSPC_Feat_A52	BOOLEAN	PICS Table A.2 Item 18	ciphering algorithm A5/2 supported
TSPC_AddCharSet	BOOLEAN	PICS Table A.25 Item 47	A, B, C, D chars supported
TSPC_AddInfo_PseudoSynch	BOOLEAN	PICS	Pseudo synchronised supported
TSPC_AlertInd	BOOLEAN	PICS Table A.25 Item 49	alerting indication to the user supported
TSPC_BC	BOOLEAN	PICS Table A.25 Item 18	at least one bearer capability supported
TSPC_CC	BOOLEAN	PICS Table A.25 Item 26	CC protocol for at least one BC supported
TSPC_DataSvc	BOOLEAN	PICS Table A.25 Item 4	at least one data service supported
TSPC_SvcOnTCH	BOOLEAN	PICS Table A.25 Item 22	at least one service on traffic channel supported
TSPC_SMS	BOOLEAN	PICS Table A.25 Item 31	at least one short message service supported
TSPC_SS	BOOLEAN	PICS Table A.25 Item 29	at least one supplementary service supported
TSPC_AutoAutoMode	BOOLEAN	PICS Table A.25 Item 48	automatically enter automatic selection of PLMN mode supported
TSPC_BasCharSet	BOOLEAN	PICS Table A.25 Item 46	Chars 0-9, *, # supported
TSPC_CalledNumDisp	BOOLEAN	PICS Table A.2 Item 1	called number display supported
TSPC_DCS	BOOLEAN	PICS Table A.1 Item 3	testing DCS1800
TSPC_DetachOnPwrDn	BOOLEAN	PICS Table A.25 Item 38	detach on power down supported
TSPC_DetachOnSIMRmv	BOOLEAN	PICS Table A.25 Item 39	detach on SIM remove supported
TSPC_DisprcvSMS	BOOLEAN	PICS Table A.25 Item 34	display of received SMS supported
TSPC_DualRate	BOOLEAN	PICS Table A.25 Item 23	dual rate channel types supported
TSPC_EGSM	BOOLEAN	PICS Table A.1 Item 2	both standard and extended GSM band supported
TSPC_EmgOnly	BOOLEAN	PICS Table A.25 Item 27	the only circuit switched basic service is emergency call
TSPC_followOnReq	BOOLEAN	PICS Table A.25 Item 53	follow-on request procedure supported
TSPC_HalfRateData	BOOLEAN	PICS Table A.25 Item 6	half rate data supported
TSPC_HalfRateSpeech	BOOLEAN	PICS Table A.25 Item 3	half rate speech mode supported
TSPC_InCallMod	BOOLEAN	PICS Table A.25 Item 52	In-Call modification supported
TSPC_ImmConn	BOOLEAN	PICS Table A.25 Item 51	Immediate connect supported
TSPC_Feat_FND	BOOLEAN	PICS Table A.2 Item 21	FND feature supported
TSPC_FullRateSpeech	BOOLEAN	PICS Table A.25 Item 2	full rate speech mode supported
TSPC_FullRateOnly	BOOLEAN	PICS Table A.25 Item 24	only full rate channel type supported
TSPC_NonCallSS	BOOLEAN	PICS Table A.25 Item 30	non call related supplementary service supported
TSPC_MTsvc	BOOLEAN	PICS Table A.25 Item 19	at least one MT circuit switched basic service supported
TSPC_MOsvc	BOOLEAN	PICS Table A.25 Item 20	at least one MO circuit switched basic service supported
TSPC_PGSM	BOOLEAN	PICS Table A.1 Item 1	only standard GSM band supported
TSPC_RefusalCall	BOOLEAN	PICS Table A.25 Item 54	refusal of call supported

TSPC_ReplaceSMS	BOOLEAN	PICS Table A.25 Item 33	replace SMS supported
TSPC_ReplyProc	BOOLEAN	PICS Table A.25 Item 32	(SMS) reply procedures supported
TSPC_RFAmp	BOOLEAN	PICS Table A.25 Item 55	RF amplification supported
TSPC_SDCCHOnly	BOOLEAN	PICS Table A.25 Item 21	only SDCCH supported
TSPC_Serv_SS_AoCC	BOOLEAN	PICS Table A.5 Item 14	AOCC SS supported
TSPC_Serv_SS_BAIC	BOOLEAN	PICS Table A.5 Item 18	BAIC SS supported
TSPC_Serv_SS_BI	BOOLEAN	PICS	BI SS supported
TSPC_Serv_SS_BICRoam	BOOLEAN	PICS Table A.5 Item 19	BICRoam SS supported
TSPC_Serv_SS_BAOC	BOOLEAN	PICS Table A.5 Item 15	BAOC SS supported
TSPC_Serv_SS_BOIC	BOOLEAN	PICS Table A.5 Item 16	BOIC SS supported
TSPC_Serv_SS_BOICexHC	BOOLEAN	PICS Table A.5 Item 17	BOICExHC SS supported
TSPC_Serv_SS_CFB	BOOLEAN	PICS Table A.5 Item 6	CFB supported
TSPC_Serv_SS_CFNry	BOOLEAN	PICS Table A.5 Item 7	CFNry supported
TSPC_Serv_SS_CFNrc	BOOLEAN	PICS Table A.5 Item 8	CFNRc supported
TSPC_Serv_SS_CFU	BOOLEAN	PICS Table A.5 Item 5	CFU supported
TSPC_Serv_SS_HOLD	BOOLEAN	PICS Table A.5 Item 10	Call Hold SS supported
TSPC_Serv_SS_MPTY	BOOLEAN	PICS Table A.5 Item 11	multiparty SS supported
TSPC_Serv_SS_unstruct	BOOLEAN	PICS	USSD supported
TSPC_Serv_TS11	BOOLEAN	PICS Table A.3 Item 1	telephony supported
TSPC_Serv_TS12	BOOLEAN	PICS Table A.3 Item 2	emergency call supported
TSPC_Serv_TS21	BOOLEAN	PICS Table A.3 Item 3	SMS MT/PP supported
TSPC_Serv_TS22	BOOLEAN	PICS Table A.3 Item 4	SMS MO/PP supported
TSPC_Serv_TS23	BOOLEAN	PICS Table A.3 Item 5	SMS cell broadcast supported
TSPC_Serv_TS61_2400	BOOLEAN	PICS	alternate speech and G3 fax (rate: 2400) supported
TSPC_Serv_TS61_4800	BOOLEAN	PICS	alternate speech and G3 fax (rate: 4800) supported
TSPC_Serv_TS61_9600	BOOLEAN	PICS	alternate speech and G3 fax (rate: 9600) supported
TSPC_Serv_TS62_2400	BOOLEAN	PICS	automatic G3 fax (rate: 2400) supported
TSPC_Serv_TS62_4800	BOOLEAN	PICS	automatic G3 fax (rate: 4800) supported
TSPC_Serv_TS62_9600	BOOLEAN	PICS	automatic G3 fax (rate: 9600) supported
TSPC_Serv_BS21	BOOLEAN	PICS Table A.4 Item 1	data circuit duplex async 300 bit/s supported
TSPC_Serv_BS22	BOOLEAN	PICS Table A.4 Item 2	data circuit duplex async 1200 bit/s supported
TSPC_Serv_BS23	BOOLEAN	PICS Table A.4 Item 3	data circuit duplex async 1200/75 bit/s supported
TSPC_Serv_BS24	BOOLEAN	PICS Table A.4 Item 4	data circuit duplex async 2400 bit/s supported
TSPC_Serv_BS25	BOOLEAN	PICS Table A.4 Item 5	data circuit duplex async 4800 bit/s supported
TSPC_Serv_BS26	BOOLEAN	PICS Table A.4 Item 6	data circuit duplex async 9600 bit/s supported
TSPC_Serv_BS31	BOOLEAN	PICS Table A.4 Item 7	data circuit duplex sync 1200 bit/s supported
TSPC_Serv_BS32	BOOLEAN	PICS Table A.4 Item 8	data circuit duplex sync 2400 bit/s supported
TSPC_Serv_BS33	BOOLEAN	PICS Table A.4 Item 9	data circuit duplex sync 4800 bit/s supported
TSPC_Serv_BS34	BOOLEAN	PICS Table A.4 Item 10	data circuit duplex sync 9600 bit/s supported
TSPC_Serv_BS41	BOOLEAN	PICS Table A.4 Item 11	PAD access 300 bit/s supported
TSPC_Serv_BS42	BOOLEAN	PICS Table A.4 Item 12	PAD access 1200 bit/s supported
TSPC_Serv_BS43	BOOLEAN	PICS Table A.4 Item 13	PAD access 1200/75 bit/s supported
TSPC_Serv_BS44	BOOLEAN	PICS Table A.4 Item 14	PAD access 2400 bit/s supported
TSPC_Serv_BS45	BOOLEAN	PICS Table A.4 Item 15	PAD access 4800 bit/s supported
TSPC_Serv_BS46	BOOLEAN	PICS Table A.4 Item 16	PAD access 9600 bit/s supported
TSPC_Serv_BS51	BOOLEAN	PICS Table A.4 Item 17	packet access 2400 bit/s supported
TSPC_Serv_BS52	BOOLEAN	PICS Table A.4 Item 18	packet access 4800 bit/s supported
TSPC_Serv_BS53	BOOLEAN	PICS Table A.4 Item 19	packet access 9600 bit/s supported

TSPC_Serv_BS61_300	BOOLEAN	PICS	supported
TSPC_Serv_BS61_1200	BOOLEAN	PICS	Bearer Service alternate speech/data (rate: 300) supported
TSPC_Serv_BS61_120075	BOOLEAN	PICS	Bearer Service alternate speech/data (rate: 1200) supported
TSPC_Serv_BS61_2400	BOOLEAN	PICS	Bearer Service alternate speech/data (rate: 1200/75) supported
TSPC_Serv_BS61_4800	BOOLEAN	PICS	Bearer Service alternate speech/data (rate: 2400) supported
TSPC_Serv_BS61_9600	BOOLEAN	PICS	Bearer Service alternate speech/data (rate: 4800) supported
TSPC_Serv_BS81_300	BOOLEAN	PICS	Bearer Service alternate speech/data (rate: 9600) supported
TSPC_Serv_BS81_1200	BOOLEAN	PICS	speech followed data (rate: 300) supported
TSPC_Serv_BS81_120075	BOOLEAN	PICS	speech followed data (rate: 1200) supported
TSPC_Serv_BS81_2400	BOOLEAN	PICS	speech followed data (rate: 1200/75) supported
TSPC_Serv_BS81_4800	BOOLEAN	PICS	speech followed data (rate: 2400) supported
TSPC_Serv_BS81_9600	BOOLEAN	PICS	speech followed data (rate: 4800) supported
TSPC_SMSStatusRepCap	BOOLEAN	PICS Table A.25 Item 35	speech followed data (rate: 9600) supported
TSPC_StoreRcvSMSME	BOOLEAN	PICS Table A.25 Item 37	SMS status report capabilities supported
TSPC_StoreRcvSMSSIM	BOOLEAN	PICS Table A.25 Item 36	Storage of received SMS in ME supported
TSPC_SIMRmv	BOOLEAN	PICS Table A.25 Item 40	Storage of received SMS in SIM supported
TSPC_SwitchOnOff	BOOLEAN	PICS Table A.2 Item 15	SIM removable without power down supported
TSPC_TeleSvc	BOOLEAN	PICS Table A.25 Item 25	switch on/off supported
TSPC_TranspDataOnly	BOOLEAN	PICS Table A.25 Item 9	at least one teleservice supported
TSPX_AltNb	BOOLEAN	PIXIT	only transparent data service supported
TSPX_BCa	BCAP	PIXIT	alternative neighbour cells description
TSPX_BCb	BCAP	PIXIT	bearer capability supported
TSPX_BC2	BCAP	PIXIT	bearer capability supported
TSPX_BCCHcarrierA	INTEGER	PIXIT	bearer capability not supported
TSPX_BCCHcarrierB	INTEGER	PIXIT	BCCH frequency number of cell A
TSPX_BCCHcarrierA_HO	INTEGER	PIXIT	BCCH frequency number of cell B
TSPX_BCCHcarrierB_HO	INTEGER	PIXIT	BCCH frequency number of cell A for handover cases
TSPX_TE_stopbit	B_1	PIXIT	BCCH frequency number of cell B for handover cases
TSPX_TE_databit	B_1	PIXIT	TE conf. number stop bits
TSPX_TE_FLCT	IA5String	PIXIT	TE conf. number data bits
TSPX_nirr	B_1	PIXIT	TE flow control
TSPX_TE_parity	B_3	PIXIT	For basic services
TSPX_BS_21_1_itc	B_3	PIXIT	'1'B = 6 kbs radio interface rate requested -
TSPX_BS_21_1_strc	B_2	PIXIT	'0'B = no meaning
TSPX_BS_21_1_ra	B_2	PIXIT	TE conf. parity
TSPX_BS_21_1_ir	B_2	PIXIT	BS 21 1 itc
TSPX_BS_21_1_ce	B_2	PIXIT	BS 21 1 strc
TSPX_BS_21_1_modemt	B_5	PIXIT	BS 21 1 ra
TSPX_BS_21_T_NT	BOOLEAN	PIXIT	BS 21 1 ir
			BS 21 1 ce
			BS 21 1 modemt
			BS 21 both T and NT are provided

TSPX_BS_21_2_itc	B_3	PIXIT	BS 21 2 itc
TSPX_BS_21_2_strc	B_2	PIXIT	BS 21 2 strc
TSPX_BS_21_2_ra	B_2	PIXIT	BS 21 2 ra
TSPX_BS_21_2_ir	B_2	PIXIT	BS 21 2 ir
TSPX_BS_21_2_ce	B_2	PIXIT	BS 21 2 ce
TSPX_BS_21_2_modemt	B_5	PIXIT	BS 21 2 modemt
TSPX_BS_22_1_itc	B_3	PIXIT	BS 22 1 itc
TSPX_BS_22_1_strc	B_2	PIXIT	BS 22 1 strc
TSPX_BS_22_1_ra	B_2	PIXIT	BS 22 1 ra
TSPX_BS_22_1_ir	B_2	PIXIT	BS 22 1 ir
TSPX_BS_22_1_ce	B_2	PIXIT	BS 22 1 ce
TSPX_BS_22_1_modemt	B_5	PIXIT	BS 22 1 modemt
TSPX_BS_22_T_NT	BOOLEAN	PIXIT	BS 22 both T and NT are provided
TSPX_BS_22_2_itc	B_3	PIXIT	BS 22 2 itc
TSPX_BS_22_2_strc	B_2	PIXIT	BS 22 2 strc
TSPX_BS_22_2_ra	B_2	PIXIT	BS 22 2 ra
TSPX_BS_22_2_ir	B_2	PIXIT	BS 22 2 ir
TSPX_BS_22_2_ce	B_2	PIXIT	BS 22 2 ce
TSPX_BS_22_2_modemt	B_5	PIXIT	BS 22 2 modemt
TSPX_BS_24_1_itc	B_3	PIXIT	BS 24 1 itc
TSPX_BS_24_1_strc	B_2	PIXIT	BS 24 1 strc
TSPX_BS_24_1_ra	B_2	PIXIT	BS 24 1 ra
TSPX_BS_24_1_ir	B_2	PIXIT	BS 24 1 ir
TSPX_BS_24_1_ce	B_2	PIXIT	BS 24 1 ce
TSPX_BS_24_1_modemt	B_5	PIXIT	BS 24 1 modemt
TSPX_BS_24_T_NT	BOOLEAN	PIXIT	BS 24 both T and NT are provided
TSPX_BS_24_2_itc	B_3	PIXIT	BS 24 2 itc
TSPX_BS_24_2_strc	B_2	PIXIT	BS 24 2 strc
TSPX_BS_24_2_ra	B_2	PIXIT	BS 24 2 ra
TSPX_BS_24_2_ir	B_2	PIXIT	BS 24 2 ir
TSPX_BS_24_2_ce	B_2	PIXIT	BS 24 2 ce
TSPX_BS_24_2_modemt	B_5	PIXIT	BS 24 2 modemt
TSPX_BS_25_1_itc	B_3	PIXIT	BS 25 1 itc
TSPX_BS_25_1_strc	B_2	PIXIT	BS 25 1 strc
TSPX_BS_25_1_ra	B_2	PIXIT	BS 25 1 ra
TSPX_BS_25_1_ir	B_2	PIXIT	BS 25 1 ir
TSPX_BS_25_1_ce	B_2	PIXIT	BS 25 1 ce
TSPX_BS_25_1_modemt	B_5	PIXIT	BS 25 1 modemt
TSPX_BS_25_T_NT	BOOLEAN	PIXIT	BS 25 both T and NT are provided
TSPX_BS_25_2_itc	B_3	PIXIT	BS 25 2 itc
TSPX_BS_25_2_strc	B_2	PIXIT	BS 25 2 strc
TSPX_BS_25_2_ra	B_2	PIXIT	BS 25 2 ra
TSPX_BS_25_2_ir	B_2	PIXIT	BS 25 2 ir
TSPX_BS_25_2_ce	B_2	PIXIT	BS 25 2 ce
TSPX_BS_25_2_modemt	B_5	PIXIT	BS 25 2 modemt
TSPX_BS_26_1_itc	B_3	PIXIT	BS 26 1 itc
TSPX_BS_26_1_strc	B_2	PIXIT	BS 26 1 strc
TSPX_BS_26_1_ra	B_2	PIXIT	BS 26 1 ra
TSPX_BS_26_1_ir	B_2	PIXIT	BS 26 1 ir
TSPX_BS_26_1_ce	B_2	PIXIT	BS 26 1 ce
TSPX_BS_26_1_modemt	B_5	PIXIT	BS 26 1 modemt
TSPX_BS_26_T_NT	BOOLEAN	PIXIT	BS 26 both T and NT are provided
TSPX_BS_26_2_itc	B_3	PIXIT	BS 26 2 itc
TSPX_BS_26_2_strc	B_2	PIXIT	BS 26 2 strc
TSPX_BS_26_2_ra	B_2	PIXIT	BS 26 2 ra
TSPX_BS_26_2_ir	B_2	PIXIT	BS 26 2 ir
TSPX_BS_26_2_ce	B_2	PIXIT	BS 26 2 ce
TSPX_BS_26_2_modemt	B_5	PIXIT	BS 26 2 modemt
TSPX_BS_31_1_itc	B_3	PIXIT	BS 31 1 itc
TSPX_BS_31_1_strc	B_2	PIXIT	BS 31 1 strc
TSPX_BS_31_1_ra	B_2	PIXIT	BS 31 1 ra

TSPX_BS_31_1_sacp	B_3	PIXIT	BS 31 1 sacp
TSPX_BS_31_1_ir	B_2	PIXIT	BS 31 1 ir
TSPX_BS_31_1_ce	B_2	PIXIT	BS 31 1 ce
TSPX_BS_31_1_modemt	B_5	PIXIT	BS 31 1 modemt
TSPX_BS_31_2_itc	B_3	PIXIT	BS 31 2 itc
TSPX_BS_31_2_strc	B_2	PIXIT	BS 31 2 strc
TSPX_BS_31_2_ra	B_2	PIXIT	BS 31 2 ra
TSPX_BS_31_2_sacp	B_3	PIXIT	BS 31 2 sacp
TSPX_BS_31_2_ir	B_2	PIXIT	BS 31 2 ir
TSPX_BS_31_2_ce	B_2	PIXIT	BS 31 2 ce
TSPX_BS_31_2_modemt	B_5	PIXIT	BS 31 2 modemt
TSPX_BS_32_1_itc	B_3	PIXIT	BS 32 1 itc
TSPX_BS_32_1_strc	B_2	PIXIT	BS 32 1 strc
TSPX_BS_32_1_ra	B_2	PIXIT	BS 32 1 ra
TSPX_BS_32_1_sacp	B_3	PIXIT	BS 32 1 sacp
TSPX_BS_32_1_ir	B_2	PIXIT	BS 32 1 ir
TSPX_BS_32_1_ce	B_2	PIXIT	BS 32 1 ce
TSPX_BS_32_1_modemt	B_5	PIXIT	BS 32 1 modemt
TSPX_BS_32_X32_T_NT	BOOLEAN	PIXIT	BS 32 1 both T and NT are provided for X32 3.1kHz
TSPX_BS_32_2_itc	B_3	PIXIT	BS 32 2 itc
TSPX_BS_32_2_strc	B_2	PIXIT	BS 32 2 strc
TSPX_BS_32_2_ra	B_2	PIXIT	BS 32 2 ra
TSPX_BS_32_2_sacp	B_3	PIXIT	BS 32 2 sacp
TSPX_BS_32_2_ir	B_2	PIXIT	BS 32 2 ir
TSPX_BS_32_2_ce	B_2	PIXIT	BS 32 2 ce
TSPX_BS_32_2_modemt	B_5	PIXIT	BS 32 2 modemt
TSPX_BS_33_1_itc	B_3	PIXIT	BS 33 1 itc
TSPX_BS_33_1_strc	B_2	PIXIT	BS 33 1 strc
TSPX_BS_33_1_ra	B_2	PIXIT	BS 33 1 ra
TSPX_BS_33_1_sacp	B_3	PIXIT	BS 33 1 sacp
TSPX_BS_33_1_ir	B_2	PIXIT	BS 33 1 ir
TSPX_BS_33_1_ce	B_2	PIXIT	BS 33 1 ce
TSPX_BS_33_1_modemt	B_5	PIXIT	BS 33 1 modemt
TSPX_BS_33_X32_T_NT	BOOLEAN	PIXIT	BS 33 1 both T and NT are provided for X32 3.1kHz
TSPX_BS_33_2_itc	B_3	PIXIT	BS 33 2 itc
TSPX_BS_33_2_strc	B_2	PIXIT	BS 33 2 strc
TSPX_BS_33_2_ra	B_2	PIXIT	BS 33 2 ra
TSPX_BS_33_2_sacp	B_3	PIXIT	BS 33 2 sacp
TSPX_BS_33_2_ir	B_2	PIXIT	BS 33 2 ir
TSPX_BS_33_2_ce	B_2	PIXIT	BS 33 2 ce
TSPX_BS_33_2_modemt	B_5	PIXIT	BS 33 2 modemt
TSPX_BS_34_1_itc	B_3	PIXIT	BS 34 1 itc
TSPX_BS_34_1_strc	B_2	PIXIT	BS 34 1 strc
TSPX_BS_34_1_ra	B_2	PIXIT	BS 34 1 ra
TSPX_BS_34_1_sacp	B_3	PIXIT	BS 34 1 sacp
TSPX_BS_34_1_ir	B_2	PIXIT	BS 34 1 ir
TSPX_BS_34_1_ce	B_2	PIXIT	BS 34 1 ce
TSPX_BS_34_1_modemt	B_5	PIXIT	BS 34 1 modemt
TSPX_BS_34_X32_T_NT	BOOLEAN	PIXIT	BS 34 1 both T and NT are provided for X32 3.1kHz
TSPX_BS_34_2_itc	B_3	PIXIT	BS 34 2 itc
TSPX_BS_34_2_strc	B_2	PIXIT	BS 34 2 strc
TSPX_BS_34_2_ra	B_2	PIXIT	BS 34 2 ra
TSPX_BS_34_2_sacp	B_3	PIXIT	BS 34 2 sacp
TSPX_BS_34_2_ir	B_2	PIXIT	BS 34 2 ir
TSPX_BS_34_2_ce	B_2	PIXIT	BS 34 2 ce
TSPX_BS_34_2_modemt	B_5	PIXIT	BS 34 2 modemt
TSPX_FAX_2400_1_strc	B_2	PIXIT	FAX 1 strc
TSPX_FAX_2400_1_ur	B_4	PIXIT	FAX 1 ur
TSPX_FAX_2400_1_ir	B_2	PIXIT	FAX 1 ir
TSPX_FAX_2400_1_ce	B_2	PIXIT	FAX3 2400 ce
TSPX_FAX_2400_T_NT	BOOLEAN	PIXIT	FAX3 2400 both T and NT are provided

TSPX_FAX_2400_2_strc	B_2	PIXIT	FAX 2 strc
TSPX_FAX_2400_2_ur	B_4	PIXIT	FAX 2 ur
TSPX_FAX_2400_2_ir	B_2	PIXIT	FAX 2 ir
TSPX_FAX_2400_2_ce	B_2	PIXIT	FAX 2 ce
TSPX_FAX_4800_1_strc	B_2	PIXIT	FAX 1 strc
TSPX_FAX_4800_1_ur	B_4	PIXIT	FAX 1 ur
TSPX_FAX_4800_1_ir	B_2	PIXIT	FAX 1 ir
TSPX_FAX_4800_1_ce	B_2	PIXIT	FAX3 4800 ce
TSPX_FAX_4800_T_NT	BOOLEAN	PIXIT	FAX3 4800 both T and NT are provided
TSPX_FAX_4800_2_strc	B_2	PIXIT	FAX 2 strc
TSPX_FAX_4800_2_ur	B_4	PIXIT	FAX 2 ur
TSPX_FAX_4800_2_ir	B_2	PIXIT	FAX 2 ir
TSPX_FAX_4800_2_ce	B_2	PIXIT	FAX 2 ce
TSPX_FAX_9600_1_strc	B_2	PIXIT	FAX 1 strc
TSPX_FAX_9600_1_ur	B_4	PIXIT	FAX 1 ur
TSPX_FAX_9600_1_ir	B_2	PIXIT	FAX 1 ir
TSPX_FAX_9600_1_ce	B_2	PIXIT	FAX3 9600 ce
TSPX_FAX_9600_T_NT	BOOLEAN	PIXIT	FAX3 9600 both T and NT are provided
TSPX_FAX_9600_2_strc	B_2	PIXIT	FAX 2 strc
TSPX_FAX_9600_2_ur	B_4	PIXIT	FAX 2 ur
TSPX_FAX_9600_2_ir	B_2	PIXIT	FAX 2 ir
TSPX_FAX_9600_2_ce	B_2	PIXIT	FAX 2 ce
TSPX_BS_61_300_1_S	BOOLEAN	PIXIT	BS 61 1 supported ?
TSPX_BS_61_300_2_S	BOOLEAN	PIXIT	BS 61 2 supported ?
TSPX_BS_61_300_S_1_ur	B_4	PIXIT	BS 61 1 S ur
TSPX_BS_61_300_S_1_ir	B_2	PIXIT	BS 61 1 S ir
TSPX_BS_61_300_S_1_mod emt	B_5	PIXIT	BS 61 1 S modemt
TSPX_BS_61_300_A_1_strc	B_2	PIXIT	BS 61 1 A strc
TSPX_BS_61_300_A_1_ur	B_4	PIXIT	BS 61 1 A ur
TSPX_BS_61_300_A_1_ir	B_2	PIXIT	BS 61 1 A ir
TSPX_BS_61_300_A_1_ce	B_2	PIXIT	BS 61 1 A ce
TSPX_BS_61_300_A_1_mod emt	B_5	PIXIT	BS 61 1 A modemt
TSPX_BS_61_300_ce	B_2	PIXIT	BS 61 300 ce
TSPX_BS_61_300_A_T_NT	BOOLEAN	PIXIT	BS 61 300 A both T and NT are provided
TSPX_BS_61_300_S_2_ur	B_4	PIXIT	BS 61 2 S ur
TSPX_BS_61_300_S_2_ir	B_2	PIXIT	BS 61 2 S ir
TSPX_BS_61_300_S_2_mod emt	B_5	PIXIT	BS 61 2 S modemt
TSPX_BS_61_300_A_2_strc	B_2	PIXIT	BS 61 2 A strc
TSPX_BS_61_300_A_2_ur	B_4	PIXIT	BS 61 2 A ur
TSPX_BS_61_300_A_2_ir	B_2	PIXIT	BS 61 2 A ir
TSPX_BS_61_300_A_2_ce	B_2	PIXIT	BS 61 2 A ce
TSPX_BS_61_300_A_2_mod emt	B_5	PIXIT	BS 61 2 A modemt
TSPX_BS_61_1200_1_S	BOOLEAN	PIXIT	BS 61 1 supported ?
TSPX_BS_61_1200_2_S	BOOLEAN	PIXIT	BS 61 2 supported ?
TSPX_BS_61_1200_S_1_ur	B_4	PIXIT	BS 61 1 S ur
TSPX_BS_61_1200_S_1_ir	B_2	PIXIT	BS 61 1 S ir
TSPX_BS_61_1200_S_1_mo demt	B_5	PIXIT	BS 61 1 S modemt
TSPX_BS_61_1200_A_1_str c	B_2	PIXIT	BS 61 1 A strc
TSPX_BS_61_1200_A_1_ur	B_4	PIXIT	BS 61 1 A ur
TSPX_BS_61_1200_A_1_ir	B_2	PIXIT	BS 61 1 A ir
TSPX_BS_61_1200_A_1_ce	B_2	PIXIT	BS 61 1 A ce
TSPX_BS_61_1200_A_1_mo demt	B_5	PIXIT	BS 61 1 A modemt
TSPX_BS_61_1200_ce	B_2	PIXIT	BS 61 1200 ce
TSPX_BS_61_1200_sa	B_1	PIXIT	BS 61 1200 sa
TSPX_BS_61_1200_A_T_NT	BOOLEAN	PIXIT	BS 61 1200 A both T and NT are provided
TSPX_BS_61_1200_S_2_ur	B_4	PIXIT	BS 61 2 S ur

TSPX_BS_61_1200_S_2_ir	B_2	PIXIT	BS 61 2 S ir
TSPX_BS_61_1200_S_2_modemt	B_5	PIXIT	BS 61 2 S modemt
TSPX_BS_61_1200_A_2_strc	B_2	PIXIT	BS 61 2 A strc
TSPX_BS_61_1200_A_2_ur	B_4	PIXIT	BS 61 2 A ur
TSPX_BS_61_1200_A_2_ir	B_2	PIXIT	BS 61 2 A ir
TSPX_BS_61_1200_A_2_ce	B_2	PIXIT	BS 61 2 A ce
TSPX_BS_61_1200_A_2_modemt	B_5	PIXIT	BS 61 2 A modemt
TSPX_BS_61_2400_1_S	BOOLEAN	PIXIT	BS 61 1 supported ?
TSPX_BS_61_2400_2_S	BOOLEAN	PIXIT	BS 61 2 supported ?
TSPX_BS_61_2400_S_1_ur	B_4	PIXIT	BS 61 1 S ur
TSPX_BS_61_2400_S_1_ir	B_2	PIXIT	BS 61 1 S ir
TSPX_BS_61_2400_S_1_modemt	B_5	PIXIT	BS 61 1 S modemt
TSPX_BS_61_2400_A_1_strc	B_2	PIXIT	BS 61 1 A strc
TSPX_BS_61_2400_A_1_ur	B_4	PIXIT	BS 61 1 A ur
TSPX_BS_61_2400_A_1_ir	B_2	PIXIT	BS 61 1 A ir
TSPX_BS_61_2400_A_1_ce	B_2	PIXIT	BS 61 1 A ce
TSPX_BS_61_2400_A_1_modemt	B_5	PIXIT	BS 61 1 A modemt
TSPX_BS_61_2400_ce	B_2	PIXIT	BS 61 2400 ce
TSPX_BS_61_2400_sa	B_1	PIXIT	BS 61 2400 sa
TSPX_BS_61_2400_A_T_NT	BOOLEAN	PIXIT	BS 61 2400 A both T and NT are provided
TSPX_BS_61_2400_S_2_ur	B_4	PIXIT	BS 61 2 S ur
TSPX_BS_61_2400_S_2_ir	B_2	PIXIT	BS 61 2 S ir
TSPX_BS_61_2400_S_2_modemt	B_5	PIXIT	BS 61 2 S modemt
TSPX_BS_61_2400_A_2_strc	B_2	PIXIT	BS 61 2 A strc
TSPX_BS_61_2400_A_2_ur	B_4	PIXIT	BS 61 2 A ur
TSPX_BS_61_2400_A_2_ir	B_2	PIXIT	BS 61 2 A ir
TSPX_BS_61_2400_A_2_ce	B_2	PIXIT	BS 61 2 A ce
TSPX_BS_61_2400_A_2_modemt	B_5	PIXIT	BS 61 2 A modemt
TSPX_BS_61_4800_1_S	BOOLEAN	PIXIT	BS 61 1 supported ?
TSPX_BS_61_4800_2_S	BOOLEAN	PIXIT	BS 61 2 supported ?
TSPX_BS_61_4800_S_1_ur	B_4	PIXIT	BS 61 1 S ur
TSPX_BS_61_4800_S_1_ir	B_2	PIXIT	BS 61 1 S ir
TSPX_BS_61_4800_S_1_modemt	B_5	PIXIT	BS 61 1 S modemt
TSPX_BS_61_4800_A_1_strc	B_2	PIXIT	BS 61 1 A strc
TSPX_BS_61_4800_A_1_ur	B_4	PIXIT	BS 61 1 A ur
TSPX_BS_61_4800_A_1_ir	B_2	PIXIT	BS 61 1 A ir
TSPX_BS_61_4800_A_1_ce	B_2	PIXIT	BS 61 1 A ce
TSPX_BS_61_4800_A_1_modemt	B_5	PIXIT	BS 61 1 A modemt
TSPX_BS_61_4800_ce	B_2	PIXIT	BS 61 4800 ce
TSPX_BS_61_4800_sa	B_1	PIXIT	BS 61 4800 sa
TSPX_BS_61_4800_A_T_NT	BOOLEAN	PIXIT	BS 61 4800 A both T and NT are provided
TSPX_BS_61_4800_S_2_ur	B_4	PIXIT	BS 61 2 S ur
TSPX_BS_61_4800_S_2_ir	B_2	PIXIT	BS 61 2 S ir
TSPX_BS_61_4800_S_2_modemt	B_5	PIXIT	BS 61 2 S modemt
TSPX_BS_61_4800_A_2_strc	B_2	PIXIT	BS 61 2 A strc
TSPX_BS_61_4800_A_2_ur	B_4	PIXIT	BS 61 2 A ur
TSPX_BS_61_4800_A_2_ir	B_2	PIXIT	BS 61 2 A ir
TSPX_BS_61_4800_A_2_ce	B_2	PIXIT	BS 61 2 A ce
TSPX_BS_61_4800_A_2_modemt	B_5	PIXIT	BS 61 2 A modemt
TSPX_BS_61_9600_1_S	BOOLEAN	PIXIT	BS 61 1 supported ?
TSPX_BS_61_9600_2_S	BOOLEAN	PIXIT	BS 61 2 supported ?

TSPX_BS_61_9600_S_1_ur	B_4	PIXIT	BS 61 1 S ur
TSPX_BS_61_9600_S_1_ir	B_2	PIXIT	BS 61 1 S ir
TSPX_BS_61_9600_S_1_modem	B_5	PIXIT	BS 61 1 S modem
TSPX_BS_61_9600_A_1_strc	B_2	PIXIT	BS 61 1 A strc
TSPX_BS_61_9600_A_1_ur	B_4	PIXIT	BS 61 1 A ur
TSPX_BS_61_9600_A_1_ir	B_2	PIXIT	BS 61 1 A ir
TSPX_BS_61_9600_A_1_ce	B_2	PIXIT	BS 61 1 A ce
TSPX_BS_61_9600_A_1_modem	B_5	PIXIT	BS 61 1 A modem
TSPX_BS_61_9600_ce	B_2	PIXIT	BS 61 9600 ce
TSPX_BS_61_9600_sa	B_1	PIXIT	BS 61 9600 sa
TSPX_BS_61_9600_A_T_NT	BOOLEAN	PIXIT	BS 61 9600 A both T and NT are provided
TSPX_BS_61_9600_S_2_ur	B_4	PIXIT	BS 61 2 S ur
TSPX_BS_61_9600_S_2_ir	B_2	PIXIT	BS 61 2 S ir
TSPX_BS_61_9600_S_2_modem	B_5	PIXIT	BS 61 2 S modem
TSPX_BS_61_9600_A_2_strc	B_2	PIXIT	BS 61 2 A strc
TSPX_BS_61_9600_A_2_ur	B_4	PIXIT	BS 61 2 A ur
TSPX_BS_61_9600_A_2_ir	B_2	PIXIT	BS 61 2 A ir
TSPX_BS_61_9600_A_2_ce	B_2	PIXIT	BS 61 2 A ce
TSPX_BS_61_9600_A_2_modem	B_5	PIXIT	BS 61 2 A modem
TSPX_BS_81_300_1_S	BOOLEAN	PIXIT	BS 81 1 supported ?
TSPX_BS_81_300_2_S	BOOLEAN	PIXIT	BS 81 2 supported ?
TSPX_BS_81_300_S_1_ur	B_4	PIXIT	BS 81 1 S ur
TSPX_BS_81_300_S_1_ir	B_2	PIXIT	BS 81 1 S ir
TSPX_BS_81_300_S_1_modem	B_5	PIXIT	BS 81 1 S modem
TSPX_BS_81_300_A_1_strc	B_2	PIXIT	BS 81 1 A strc
TSPX_BS_81_300_A_1_ur	B_4	PIXIT	BS 81 1 A ur
TSPX_BS_81_300_A_1_ir	B_2	PIXIT	BS 81 1 A ir
TSPX_BS_81_300_A_1_ce	B_2	PIXIT	BS 81 1 A ce
TSPX_BS_81_300_A_1_modem	B_5	PIXIT	BS 81 1 A modem
TSPX_BS_81_300_ce	B_2	PIXIT	BS 81 300 ce
TSPX_BS_81_300_A_T_NT	BOOLEAN	PIXIT	BS 81 300 A both T and NT are provided
TSPX_BS_81_300_S_2_ur	B_4	PIXIT	BS 81 2 S ur
TSPX_BS_81_300_S_2_ir	B_2	PIXIT	BS 81 2 S ir
TSPX_BS_81_300_S_2_modem	B_5	PIXIT	BS 81 2 S modem
TSPX_BS_81_300_A_2_strc	B_2	PIXIT	BS 81 2 A strc
TSPX_BS_81_300_A_2_ur	B_4	PIXIT	BS 81 2 A ur
TSPX_BS_81_300_A_2_ir	B_2	PIXIT	BS 81 2 A ir
TSPX_BS_81_300_A_2_ce	B_2	PIXIT	BS 81 2 A ce
TSPX_BS_81_300_A_2_modem	B_5	PIXIT	BS 81 2 A modem
TSPX_BS_81_1200_1_S	BOOLEAN	PIXIT	BS 81 1 supported ?
TSPX_BS_81_1200_2_S	BOOLEAN	PIXIT	BS 81 2 supported ?
TSPX_BS_81_1200_S_1_ur	B_4	PIXIT	BS 81 1 S ur
TSPX_BS_81_1200_S_1_ir	B_2	PIXIT	BS 81 1 S ir
TSPX_BS_81_1200_S_1_modem	B_5	PIXIT	BS 81 1 S modem
TSPX_BS_81_1200_A_1_strc	B_2	PIXIT	BS 81 1 A strc
TSPX_BS_81_1200_A_1_ur	B_4	PIXIT	BS 81 1 A ur
TSPX_BS_81_1200_A_1_ir	B_2	PIXIT	BS 81 1 A ir
TSPX_BS_81_1200_A_1_ce	B_2	PIXIT	BS 81 1 A ce
TSPX_BS_81_1200_A_1_modem	B_5	PIXIT	BS 81 1 A modem
TSPX_BS_81_1200_ce	B_2	PIXIT	BS 81 1200 ce
TSPX_BS_81_1200_sa	B_1	PIXIT	BS 81 1200 sa
TSPX_BS_81_1200_A_T_NT	BOOLEAN	PIXIT	BS 81 1200 A both T and NT are

TSPX_BS_81_1200_S_2_ur	B_4	PIXIT	provided
TSPX_BS_81_1200_S_2_ir	B_2	PIXIT	BS 81 2 S ur
TSPX_BS_81_1200_S_2_modemt	B_5	PIXIT	BS 81 2 S ir
TSPX_BS_81_1200_A_2_strc	B_2	PIXIT	BS 81 2 S modemt
TSPX_BS_81_1200_A_2_ur	B_4	PIXIT	BS 81 2 A strc
TSPX_BS_81_1200_A_2_ir	B_2	PIXIT	BS 81 2 A ur
TSPX_BS_81_1200_A_2_ce	B_2	PIXIT	BS 81 2 A ir
TSPX_BS_81_1200_A_2_modemt	B_5	PIXIT	BS 81 2 A ce
TSPX_BS_81_2400_1_S	BOOLEAN	PIXIT	BS 81 2 A modemt
TSPX_BS_81_2400_2_S	BOOLEAN	PIXIT	BS 81 1 supported ?
TSPX_BS_81_2400_S_1_ur	B_4	PIXIT	BS 81 2 supported ?
TSPX_BS_81_2400_S_1_ir	B_2	PIXIT	BS 81 1 S ur
TSPX_BS_81_2400_S_1_modemt	B_5	PIXIT	BS 81 1 S ir
TSPX_BS_81_2400_A_1_strc	B_2	PIXIT	BS 81 1 S modemt
TSPX_BS_81_2400_A_1_ur	B_4	PIXIT	BS 81 1 A strc
TSPX_BS_81_2400_A_1_ir	B_2	PIXIT	BS 81 1 A ur
TSPX_BS_81_2400_A_1_ce	B_2	PIXIT	BS 81 1 A ir
TSPX_BS_81_2400_A_1_modemt	B_5	PIXIT	BS 81 1 A ce
TSPX_BS_81_2400_ce	B_2	PIXIT	BS 81 1 A modemt
TSPX_BS_81_2400_sa	B_1	PIXIT	BS 81 2400 ce
TSPX_BS_81_2400_A_T_NT	BOOLEAN	PIXIT	BS 81 2400 sa
TSPX_BS_81_2400_S_2_ur	B_4	PIXIT	BS 81 2400 A both T and NT are provided
TSPX_BS_81_2400_S_2_ir	B_2	PIXIT	BS 81 2 S ur
TSPX_BS_81_2400_S_2_modemt	B_5	PIXIT	BS 81 2 S ir
TSPX_BS_81_2400_A_2_strc	B_2	PIXIT	BS 81 2 S modemt
TSPX_BS_81_2400_A_2_ur	B_4	PIXIT	BS 81 2 A strc
TSPX_BS_81_2400_A_2_ir	B_2	PIXIT	BS 81 2 A ur
TSPX_BS_81_2400_A_2_ce	B_2	PIXIT	BS 81 2 A ir
TSPX_BS_81_2400_A_2_modemt	B_5	PIXIT	BS 81 2 A ce
TSPX_BS_81_4800_1_S	BOOLEAN	PIXIT	BS 81 2 A modemt
TSPX_BS_81_4800_2_S	BOOLEAN	PIXIT	BS 81 1 supported ?
TSPX_BS_81_4800_S_1_ur	B_4	PIXIT	BS 81 2 supported ?
TSPX_BS_81_4800_S_1_ir	B_2	PIXIT	BS 81 1 S ur
TSPX_BS_81_4800_S_1_modemt	B_5	PIXIT	BS 81 1 S ir
TSPX_BS_81_4800_A_1_strc	B_2	PIXIT	BS 81 1 S modemt
TSPX_BS_81_4800_A_1_ur	B_4	PIXIT	BS 81 1 A strc
TSPX_BS_81_4800_A_1_ir	B_2	PIXIT	BS 81 1 A ur
TSPX_BS_81_4800_A_1_ce	B_2	PIXIT	BS 81 1 A ir
TSPX_BS_81_4800_A_1_modemt	B_5	PIXIT	BS 81 1 A ce
TSPX_BS_81_4800_ce	B_2	PIXIT	BS 81 1 A modemt
TSPX_BS_81_4800_sa	B_1	PIXIT	BS 81 4800 ce
TSPX_BS_81_4800_A_T_NT	BOOLEAN	PIXIT	BS 81 4800 sa
TSPX_BS_81_4800_S_2_ur	B_4	PIXIT	BS 81 4800 A both T and NT are provided
TSPX_BS_81_4800_S_2_ir	B_2	PIXIT	BS 81 2 S ur
TSPX_BS_81_4800_S_2_modemt	B_5	PIXIT	BS 81 2 S ir
TSPX_BS_81_4800_A_2_strc	B_2	PIXIT	BS 81 2 S modemt
TSPX_BS_81_4800_A_2_ur	B_4	PIXIT	BS 81 2 A strc
TSPX_BS_81_4800_A_2_ir	B_2	PIXIT	BS 81 2 A ur
TSPX_BS_81_4800_A_2_ce	B_2	PIXIT	BS 81 2 A ir
TSPX_BS_81_4800_A_2_modemt	B_5	PIXIT	BS 81 2 A ce

TSPX_BS_81_9600_1_S	BOOLEAN	PIXIT	BS 81 1 supported ?
TSPX_BS_81_9600_2_S	BOOLEAN	PIXIT	BS 81 2 supported ?
TSPX_BS_81_9600_S_1_ur	B_4	PIXIT	BS 81 1 S ur
TSPX_BS_81_9600_S_1_ir	B_2	PIXIT	BS 81 1 S ir
TSPX_BS_81_9600_S_1_modem	B_5	PIXIT	BS 81 1 S modem
TSPX_BS_81_9600_A_1_strc	B_2	PIXIT	BS 81 1 A strc
TSPX_BS_81_9600_A_1_ur	B_4	PIXIT	BS 81 1 A ur
TSPX_BS_81_9600_A_1_ir	B_2	PIXIT	BS 81 1 A ir
TSPX_BS_81_9600_A_1_ce	B_2	PIXIT	BS 81 1 A ce
TSPX_BS_81_9600_A_1_modem	B_5	PIXIT	BS 81 1 A modem
TSPX_BS_81_9600_ce	B_2	PIXIT	BS 81 9600 ce
TSPX_BS_81_9600_sa	B_1	PIXIT	BS 81 9600 sa
TSPX_BS_81_9600_A_T_NT	BOOLEAN	PIXIT	BS 81 9600 A both T and NT are provided
TSPX_BS_81_9600_S_2_ur	B_4	PIXIT	BS 81 2 S ur
TSPX_BS_81_9600_S_2_ir	B_2	PIXIT	BS 81 2 S ir
TSPX_BS_81_9600_S_2_modem	B_5	PIXIT	BS 81 2 S modem
TSPX_BS_81_9600_A_2_strc	B_2	PIXIT	BS 81 2 A strc
TSPX_BS_81_9600_A_2_ur	B_4	PIXIT	BS 81 2 A ur
TSPX_BS_81_9600_A_2_ir	B_2	PIXIT	BS 81 2 A ir
TSPX_BS_81_9600_A_2_ce	B_2	PIXIT	BS 81 2 A ce
TSPX_BS_81_9600_A_2_modem	B_5	PIXIT	BS 81 2 A modem
TSPX_CallCtrlCap	CCCAP	PIXIT	call control capabilities
TSPX_ChModF	CHMOD	PIXIT	channel mode for RR testing
TSPX_ChModH	CHMOD	PIXIT	channel mode for RR testing
TSPX_ChModsup	CHMOD	PIXIT	channel mode for EGSM testing. Arbitrary supported value except signalling and Full rate speech
TSPX_CKSNA	CKSN	PIXIT	cipher key sequence number
TSPX_CKSNB	CKSN	PIXIT	cipher key sequence number
TSPX_CKSNC	CKSN	PIXIT	cipher key sequence number
TSPX_CKSNDef	CKSN	PIXIT	default cipher key sequence number
TSPX_ClassMark1	MSCLM1	PIXIT	class mark 1
TSPX_ClassMark2	MSCLM2	PIXIT	class mark 2
TSPX_ClassMark2Amp	MSCLM2	PIXIT	class mark 2 with external RF amplifier
TSPX_ClassMark3	MSCLM3	PIXIT	class mark 3
TSPX_CphAlgA	CPHALG	PIXIT	ciphering algorithm supported
TSPX_CphAlgB	CPHALG	PIXIT	ciphering algorithm supported
TSPX_CphAlgC	CPHALG	PIXIT	ciphering algorithm supported
TSPX_CphAlgD	CPHALG	PIXIT	ciphering algorithm supported
TSPX_CphAlgE	CPHALG	PIXIT	ciphering algorithm supported
TSPX_CphAlgDef	CPHALG	PIXIT	default ciphering algorithm
TSPX_DTMFInd	BOOLEAN	PIXIT	DTMF indication to user supported
TSPX_HLCmpA	HLCMP	PIXIT	high layer compatibility for TSPX_BCa
TSPX_HLCmpB	HLCMP	PIXIT	high layer compatibility for TSPX_BCb
TSPX_hoaccessA	INTEGER	PIXIT	Hand over access counter in non synchronised HO cases
TSPX_hoaccessB	INTEGER	PIXIT	Hand over access counter in non synchronised HO cases
TSPX_hoaccessC	INTEGER	PIXIT	Hand over access counter in non synchronised HO cases
TSPX_hoaccessD	INTEGER	PIXIT	Hand over access counter in non synchronised HO cases
TSPX_hoaccessE	INTEGER	PIXIT	Hand over access counter in non synchronised HO cases
TSPX_hoaccessF	INTEGER	PIXIT	Hand over access counter in non synchronised HO cases

TSPX_hoaccessG	INTEGER	PIXIT	Hand over access counter in non synchronised HO cases
TSPX_hoaccessH	INTEGER	PIXIT	Hand over access counter in non synchronised HO cases
TSPX_hoaccessI	INTEGER	PIXIT	Hand over access counter in non synchronised HO cases
TSPX_hoaccessJ	INTEGER	PIXIT	Hand over access counter in non synchronised HO cases
TSPX_horfA	HORF	PIXIT	Hand over reference, GSM 04.08, 10.5.2.15
TSPX_horfB	HORF	PIXIT	Hand over reference, GSM 04.08, 10.5.2.15
TSPX_horfC	HORF	PIXIT	Hand over reference, GSM 04.08, 10.5.2.15
TSPX_horfD	HORF	PIXIT	Hand over reference, GSM 04.08, 10.5.2.15
TSPX_horfE	HORF	PIXIT	Hand over reference, GSM 04.08, 10.5.2.15
TSPX_horfF	HORF	PIXIT	Hand over reference, GSM 04.08, 10.5.2.15
TSPX_horfG	HORF	PIXIT	Hand over reference, GSM 04.08, 10.5.2.15
TSPX_horfH	HORF	PIXIT	Hand over reference, GSM 04.08, 10.5.2.15
TSPX_horfI	HORF	PIXIT	Hand over reference, GSM 04.08, 10.5.2.15
TSPX_horfJ	HORF	PIXIT	Hand over reference, GSM 04.08, 10.5.2.15
TSPX_HSN	HORF	PIXIT	Hopping sequence number GSM 04.08, 10.5.2.5
TSPX_IMSI	HEXSTRING	PIXIT	IMSI of the MS
TSPX_IMEI	HEXSTRING	PIXIT	IMEI of the MS.
TSPX_IMEISV	HEXSTRING	PIXIT	IMEISV of the MS. Used in: TC_26_6_8_5, TC_26_7_3_1
TSPX_k1	INTEGER	PIXIT	timing difference between cell A and cell B for TC_26_6_5_5_1
TSPX_Ki	BITSTRING	PIXIT	default authentication key used in testing
TSPX_LLCmpA	LLCMP	PIXIT	low layer compatibility for TSPX_BCa
TSPX_LLCmpB	LLCMP	PIXIT	low layer compatibility for TSPX_BCb
TSPX_MAIO	MAIO	PIXIT	mobile allocation index offset, GSM 04.08, 10.5.2.5
TSPX_MaxRetrans	INTEGER	PIXIT	Max-Retrans
TSPX_MSTxpwrMax	MAXTXPOW	PIXIT	maximum output power from MS
TSPX_PwrlvIA	LEVEL	PIXIT	power level in power control command
TSPX_PwrlvIB	LEVEL	PIXIT	power level in power control command
TSPX_PwrlvIC	LEVEL	PIXIT	power level in power control command
TSPX_PwrlvID	LEVEL	PIXIT	power level in power control command
TSPX_RANDA	RAND	PIXIT	challenge RAND
TSPX_RANDB	RAND	PIXIT	challenge RAND
TSPX_RANDC	RAND	PIXIT	challenge RAND
TSPX_RANDDef	RAND	PIXIT	default challenge RAND
TSPX_SDCCH4SubA	CH_TDMA	PIXIT	TDMA offset of SDCCH/4 subchannel
TSPX_SDCCH4SubB	CH_TDMA	PIXIT	TDMA offset of SDCCH/4 subchannel
TSPX_SDCCH4SubC	CH_TDMA	PIXIT	TDMA offset of SDCCH/4 subchannel
TSPX_SDCCH4SubDef	CH_TDMA	PIXIT	TDMA offset of default SDCCH/4 subchannel
TSPX_SDCCH8SubA	CH_TDMA	PIXIT	TDMA offset of SDCCH/8

TSPX_SDCCH8SubB	CH_TDMA	PIXIT	subchannel TDMA offset of SDCCH/8 subchannel
TSPX_SDCCH8SubC	CH_TDMA	PIXIT	TDMA offset of SDCCH/8 subchannel
TSPX_SDCCH8SubD	CH_TDMA	PIXIT	TDMA offset of SDCCH/8 subchannel
TSPX_SDCCH8SubE	CH_TDMA	PIXIT	TDMA offset of SDCCH/8 subchannel
TSPX_SDCCH8SubF	CH_TDMA	PIXIT	TDMA offset of SDCCH/8 subchannel
TSPX_SDCCH8SubG	CH_TDMA	PIXIT	TDMA offset of SDCCH/8 subchannel
TSPX_SDCCH8SubDef	CH_TDMA	PIXIT	default SDCCH/8 subchannel
TSPX_TC1M	INTEGER	PIXIT	timer value for GSM timer TC1M (for SMS)
TSPX_MaxCPDataRetx	INTEGER	PIXIT	max. number of CP data retransmissions for SMS
TSPX_Telephony_Immconn	BOOLEAN	PIXIT	Immediate connect for telephony supported ?
TSPX_TimadvA	TA_VAL	PIXIT	timing advance
TSPX_TimadvB	TA_VAL	PIXIT	timing advance
TSPX_TimadvC	TA_VAL	PIXIT	timing advance
TSPX_TmSltA	SN	PIXIT	time slot
TSPX_TmSltB	SN	PIXIT	time slot
TSPX_TmSltC	SN	PIXIT	time slot
TSPX_TmSltD	SN	PIXIT	time slot
TSPX_TmSltE	SN	PIXIT	time slot
TSPX_TmSltF	SN	PIXIT	time slot
TSPX_TmSltG	SN	PIXIT	time slot
TSPX_TmSltDef	SN	PIXIT	default time slot
TSPX_TmSltNotZero	SN	PIXIT	time slot, arbitrarily value, but not zero.
TSPX_TmSltNotZero1	SN	PIXIT	time slot, arbitrarily value, but not zero and not TSPX_TmSltNotZero
TSPX_Txint	INTEGER	PIXIT	Tx-Integer
TSPX_TscA	TSC	PIXIT	training sequence code
TSPX_TscB	TSC	PIXIT	training sequence code
TSPX_TscC	TSC	PIXIT	training sequence code
TSPX_TscD	TSC	PIXIT	training sequence code
TSPX_TscE	TSC	PIXIT	training sequence code
TSPX_TscF	TSC	PIXIT	training sequence code
TSPX_TscG	TSC	PIXIT	training sequence code
TSPX_TscDef	TSC	PIXIT	default TSC
TSPX_MOChRateA	RATE	PIXIT	channel rate (full or half)
TSPX_MOChRateB	RATE	PIXIT	channel rate (full or half)
TSPX_MOChRateC	RATE	PIXIT	channel rate (full or half)
TSPX_MOChRateD	RATE	PIXIT	channel rate (full or half)
TSPX_MOChRateE	RATE	PIXIT	channel rate (full or half)
TSPX_MOChRateF	RATE	PIXIT	channel rate (full or half)
TSPX_MOChRateG	RATE	PIXIT	channel rate (full or half)
TSPX_MOChRateH	RATE	PIXIT	channel rate (full or half)
TSPX_MOChRateI	RATE	PIXIT	channel rate (full or half)
TSPX_MOChRateJ	RATE	PIXIT	channel rate (full or half)
TSPX_MTChRateA	RATE	PIXIT	channel rate (full or half)
TSPX_MTChRateB	RATE	PIXIT	channel rate (full or half)
TSPX_MTChRateC	RATE	PIXIT	channel rate (full or half)
TSPX_MTChRateD	RATE	PIXIT	channel rate (full or half)
TSPX_MTChRateE	RATE	PIXIT	channel rate (full or half)
TSPX_MTChRateF	RATE	PIXIT	channel rate (full or half)
TSPX_MTChRateG	RATE	PIXIT	channel rate (full or half)
TSPX_MTChRateH	RATE	PIXIT	channel rate (full or half)
TSPX_MTChRateI	RATE	PIXIT	channel rate (full or half)
TSPX_MTChRateJ	RATE	PIXIT	channel rate (full or half)
TSPX_MTNIC_ChRateA	RATE	PIXIT	channel rate (full or half)
TSPX_MTNIC_ChRateB	RATE	PIXIT	channel rate (full or half)

TSPX_MTNIC_ChRateC	RATE	PIXIT	channel rate (full or half)
TSPX_MTNIC_ChRateD	RATE	PIXIT	channel rate (full or half)
TSPX_MTNIC_ChRateE	RATE	PIXIT	channel rate (full or half)
TSPX_MTNIC_ChRateF	RATE	PIXIT	channel rate (full or half)
TSPX_MTNIC_ChRateG	RATE	PIXIT	channel rate (full or half)
TSPX_MTNIC_ChRateH	RATE	PIXIT	channel rate (full or half)
TSPX_MTNIC_ChRateI	RATE	PIXIT	channel rate (full or half)
TSPX_MTNIC_ChRateJ	RATE	PIXIT	channel rate (full or half)
TSPX_T3122	WI	PIXIT	value of timer T3122, HEXSTRING[2]
TSPX_TCHcarrierA	INTEGER	PIXIT	TCH and SDCCH channel frequency number of cell A
TSPX_TCHcarrierA_ho	INTEGER	PIXIT	not BCCH carrier of cell A. the value can be chosen arbitrarily from cell allocation of cell A, which is in FrqI_20_A0
TSPX_TCHcarrierA_hod	INTEGER	PIXIT	not BCCH carrier of cell A. the value can be chosen arbitrarily from cell allocation of cell A, which is in FrqI_20_A0d
TSPX_TCHcarrierB	INTEGER	PIXIT	TCH and SDCCH channel frequency number of cell B
TSPX_TCHcarrierB_ho	INTEGER	PIXIT	not BCCH carrier of cell B. the value can be chosen arbitrarily from cell allocation of cell B, which is in FrqI_20_B0
TSPX_TCHcarrierB_hod	INTEGER	PIXIT	not BCCH carrier of cell B. the value can be chosen arbitrarily from cell allocation of cell B, which is in FrqI_20_B0d
TSPX_TCHcarrierB2_ho	INTEGER	PIXIT	Chosen arbitrarily from cell allocation B for GSM HO cases, but not BCCH carrier!
TSPX_TCHcarrierB2_hod	INTEGER	PIXIT	Chosen arbitrarily from cell allocation B for DCS HO cases, but not BCCH carrier!
TSPX_TCHHSubA	CH_TDMA	PIXIT	TDMA offset of half rate subchannel
TSPX_TCHHSubDef	CH_TDMA	PIXIT	TDMA offset of default half rate subchannel
TSPX_TMSI	TMSI_V	PIXIT	TMSI of the MS used in test
TSPX_TMSI1	TMSI_V	PIXIT	another TMSI used in test which shall differ from TSPX_TMSI, TSPX_TMSI + '01'O TSPX_TMSI + '02'O TSPX_TMSI + '03'O
TSPX_UuInfo	UU	PIXIT	user-user information
TSPX_k	INTEGER	PIXIT	timing difference between cell A and cell B for TC_26_6_5_5_2
TSPX_y	INTEGER	PIXIT	timing advance for TC_26_6_5_5_2
TSPX_k2	INTEGER	PIXIT	timing difference between cell A and cell B for TC_26_6_5_6
TSPX_y2	INTEGER	PIXIT	timing advance for TC_26_6_5_6
TSPX_k3	INTEGER	PIXIT	timing difference between cell A and cell B for TC_26_6_5_7
TSPX_y3	INTEGER	PIXIT	timing advance for TC_26_6_5_7
TSPX_nPara	INTEGER	PIXIT	the n'th ChReq for TC_26_6_1_2, shall be choose to [1..8], MAXRETRANS for TC_26_6_1_2 is 7 (See 11.10 for more explanation).
TSPX_kPara	INTEGER	PIXIT	the k'th ChReq for TC_26_6_1_2
TSPX_rPara	INTEGER	PIXIT	the r'th ChReq for TC_26_6_1_2
TSPX_i1Para	INTEGER	PIXIT	for TC_26_1_2
TSPX_i2Para	INTEGER	PIXIT	for TC_26_1_2
TSPX_i3Para	INTEGER	PIXIT	the r'th ChReq for TC_26_6_1_2
TSPX_n1Para	INTEGER	PIXIT	the n'th ChReq for TC_26_6_1_3
TSPX_i4Para	INTEGER	PIXIT	for TC_26_6_1_3
TSPX_xPara	INTEGER	PIXIT	t3122 for TC_26_6_1_3

TSPX_AGBLKS1	INTEGER	PIXIT	BS-AG-BLKS-RES for TC_26_6_2_3_1, TC_26_6_2_1_1
TSPX_PAMFRMS1	INTEGER	PIXIT	BS-PA-MFRMS for TC_26_6_2_3_1 (shall not be set to 9), TC_26_6_2_1_1
TSPX_CcchConf1	CCCH_CON	PIXIT	paging subchannel for TC_26_6_2_3_1, TC_26_6_2_1_1
TSPX_PgSubch	INTEGER	PIXIT	paging subchannel for TC_26_6_2_3_1
TSPX_AGBLKS2	INTEGER	PIXIT	BS-AG-BLKS-RES for TC_26_6_2_3_2, TC_26_6_2_1_2
TSPX_PAMFRMS2	INTEGER	PIXIT	BS-PA-MFRMS for TC_26_6_2_3_2, TC_26_6_2_1_2
TSPX_CcchConf2	CCCH_CON	PIXIT	paging subchannel for TC_26_6_2_3_2, TC_26_6_2_1_2
TSPX_AGBLKS3	INTEGER	PIXIT	BS-AG-BLKS-RES for TC_26_6_2_4, TC_26_6_2_2, TC_26_6_2_1_3
TSPX_PAMFRMS3	INTEGER	PIXIT	BS-PA-MFRMS for TC_26_6_2_4, TC_26_6_2_2, TC_26_6_2_1_3
TSPX_CcchConf3	CCCH_CON	PIXIT	paging subchannel for TC_26_6_2_4, TC_26_6_2_2, TC_26_6_2_1_3
TSPX_AGBLKS4	INTEGER	PIXIT	BS-AG-BLKS-RES for TC_26_6_2_5
TSPX_PAMFRMS4	INTEGER	PIXIT	BS-PA-MFRMS for TC_26_6_2_5
TSPX_CcchConf4	CCCH_CON	PIXIT	paging subchannel for TC_26_6_2_5 (shall be in the set ('010', '100', '110'))
TSPX_Chtp1	CH_TDMA	PIXIT	channel type for TC_26_6_13_1
TSPX_ChMod1	CHMOD_VAL	PIXIT	channel mode for TC_26_6_13_1
TSPX_Tm1	INTEGER	PIXIT	a value to calculate the starting time for TC_26_6_13_1
TSPX_Maio1	MAIO	PIXIT	hopping parameter for TC_26_6_13_1
TSPX_Ma1	MAC	PIXIT	mobile allocation for TC_26_6_13_1
TSPX_Hsn1	HSN	PIXIT	hopping parameter for TC_26_6_13_1
TSPX_Maio2	MAIO	PIXIT	hopping parameter for TC_26_6_13_1
TSPX_Ma2	MAC	PIXIT	mobile allocation for TC_26_6_13_1
TSPX_Hsn2	HSN	PIXIT	hopping parameter for TC_26_6_13_1
TSPX_Maio3	MAIO	PIXIT	hopping parameter for TC_26_6_13_1
TSPX_Ma3	MAC	PIXIT	mobile allocation for TC_26_6_13_1
TSPX_Hsn3	HSN	PIXIT	hopping parameter for TC_26_6_13_1
TSPX_Chtp2	CH_TDMA	PIXIT	channel type for TC_26_6_13_2
TSPX_ChMod2	CHMOD_VAL	PIXIT	channel mode for TC_26_6_13_2
TSPX_Maio4	MAIO	PIXIT	hopping parameter for TC_26_6_13_2
TSPX_Ma4	MAC	PIXIT	mobile allocation for TC_26_6_13_2
TSPX_Hsn4	HSN	PIXIT	hopping parameter for TC_26_6_13_2
TSPX_Maio5	MAIO	PIXIT	hopping parameter for TC_26_6_13_2
TSPX_Ma5	MAC	PIXIT	mobile allocation for TC_26_6_13_2
TSPX_Hsn5	HSN	PIXIT	hopping parameter for TC_26_6_13_2

TSPX_Chtp3	CH_TDMA	PIXIT	channel type for TC_26_6_13_3
TSPX_Maio6	MAIO	PIXIT	hopping parameter for TC_26_6_13_3
TSPX_Ma6	MAC	PIXIT	mobile allocation for TC_26_6_13_3
TSPX_Hsn6	HSN	PIXIT	hopping parameter for TC_26_6_13_3
TSPX_Maio7	MAIO	PIXIT	hopping parameter for TC_26_6_13_3
TSPX_Ma7	MAC	PIXIT	mobile allocation for TC_26_6_13_3
TSPX_Hsn7	HSN	PIXIT	hopping parameter for TC_26_6_13_3
TSPX_Chtp4	CH_TDMA	PIXIT	channel type for TC_26_6_13_3
TSPX_Maio8	MAIO	PIXIT	hopping parameter for TC_26_6_13_3
TSPX_Ma8	MAC	PIXIT	mobile allocation for TC_26_6_13_3
TSPX_Hsn8	HSN	PIXIT	hopping parameter for TC_26_6_13_3
TSPX_Maio9	MAIO	PIXIT	hopping parameter for TC_26_6_13_3
TSPX_Ma9	MAC	PIXIT	mobile allocation for TC_26_6_13_3
TSPX_Hsn9	HSN	PIXIT	hopping parameter for TC_26_6_13_3
TSPX_Chtp5	CH_TDMA	PIXIT	channel type for TC_26_6_13_4
TSPX_Maio10	MAIO	PIXIT	hopping parameter for TC_26_6_13_4
TSPX_Ma10	MAC	PIXIT	mobile allocation for TC_26_6_13_4
TSPX_Hsn10	HSN	PIXIT	hopping parameter for TC_26_6_13_4
TSPX_Maio11	MAIO	PIXIT	hopping parameter for TC_26_6_13_4
TSPX_Ma11	MAC	PIXIT	mobile allocation for TC_26_6_13_4
TSPX_Hsn11	HSN	PIXIT	hopping parameter for TC_26_6_13_4
TSPX_Chtp6	CH_TDMA	PIXIT	channel type for TC_26_6_13_4
TSPX_Maio12	MAIO	PIXIT	hopping parameter for TC_26_6_13_4
TSPX_Ma12	MAC	PIXIT	mobile allocation for TC_26_6_13_4
TSPX_Hsn12	HSN	PIXIT	hopping parameter for TC_26_6_13_4
TSPX_Maio13	MAIO	PIXIT	hopping parameter for TC_26_6_13_4
TSPX_Ma13	MAC	PIXIT	mobile allocation for TC_26_6_13_4
TSPX_Hsn13	HSN	PIXIT	hopping parameter for TC_26_6_13_4
TSPX_Chtp7	CH_TDMA	PIXIT	channel type for TC_26_6_13_5
TSPX_ChMod4	CHMOD_VAL	PIXIT	channel mode for TC_26_6_13_5
TSPX_Tm2	INTEGER	PIXIT	a value to calculate the starting time for TC_26_6_13_5
TSPX_Maio14	MAIO	PIXIT	hopping parameter for TC_26_6_13_5
TSPX_Ma14	MAC	PIXIT	mobile allocation for TC_26_6_13_5
TSPX_Hsn14	HSN	PIXIT	hopping parameter for TC_26_6_13_5
TSPX_Maio15	MAIO	PIXIT	hopping parameter for TC_26_6_13_5
TSPX_Ma15	MAC	PIXIT	mobile allocation for TC_26_6_13_5
TSPX_Hsn15	HSN	PIXIT	hopping parameter for TC_26_6_13_5
TSPX_Maio16	MAIO	PIXIT	hopping parameter for TC_26_6_13_5

TSPX_Ma16	MAC	PIXIT	mobile allocation for TC_26_6_13_5
TSPX_Hsn16	HSN	PIXIT	hopping parameter for TC_26_6_13_5
TSPX_Chtp8	CH_TDMA	PIXIT	channel type for TC_26_6_13_6
TSPX_ChMod5	CHMOD_VAL	PIXIT	channel mode for TC_26_6_13_6
TSPX_Maio17	MAIO	PIXIT	hopping parameter for TC_26_6_13_6
TSPX_Ma17	MAC	PIXIT	mobile allocation for TC_26_6_13_6
TSPX_Hsn17	HSN	PIXIT	hopping parameter for TC_26_6_13_6
TSPX_Maio18	MAIO	PIXIT	hopping parameter for TC_26_6_13_6
TSPX_Ma18	MAC	PIXIT	mobile allocation for TC_26_6_13_6
TSPX_Hsn18	HSN	PIXIT	hopping parameter for TC_26_6_13_6
TSPX_Maio19	MAIO	PIXIT	hopping parameter for TC_26_6_13_6
TSPX_Ma19	MAC	PIXIT	mobile allocation for TC_26_6_13_6
TSPX_Hsn19	HSN	PIXIT	hopping parameter for TC_26_6_13_6
TSPX_Chtp9	CH_TDMA	PIXIT	channel type for TC_26_6_13_7
TSPX_ChMod6	CHMOD_VAL	PIXIT	channel mode for TC_26_6_13_7
TSPX_Maio20	MAIO	PIXIT	hopping parameter for TC_26_6_13_7
TSPX_Ma20	MAC	PIXIT	mobile allocation for TC_26_6_13_7
TSPX_Hsn20	HSN	PIXIT	hopping parameter for TC_26_6_13_7
TSPX_Maio21	MAIO	PIXIT	hopping parameter for TC_26_6_13_7
TSPX_Ma21	MAC	PIXIT	mobile allocation for TC_26_6_13_7
TSPX_Hsn21	HSN	PIXIT	hopping parameter for TC_26_6_13_7
TSPX_Chtp10	CH_TDMA	PIXIT	channel type for TC_26_6_13_7
TSPX_Maio22	MAIO	PIXIT	hopping parameter for TC_26_6_13_7
TSPX_Ma22	MAC	PIXIT	mobile allocation for TC_26_6_13_7
TSPX_Hsn22	HSN	PIXIT	hopping parameter for TC_26_6_13_7
TSPX_Maio23	MAIO	PIXIT	hopping parameter for TC_26_6_13_7
TSPX_Ma23	MAC	PIXIT	mobile allocation for TC_26_6_13_7
TSPX_Hsn23	HSN	PIXIT	hopping parameter for TC_26_6_13_7
TSPX_Chtp11	CH_TDMA	PIXIT	channel type for TC_26_6_13_8
TSPX_ChMod7	CHMOD_VAL	PIXIT	channel mode for TC_26_6_13_8
TSPX_Maio24	MAIO	PIXIT	hopping parameter for TC_26_6_13_8
TSPX_Ma24	MAC	PIXIT	mobile allocation for TC_26_6_13_8
TSPX_Hsn24	HSN	PIXIT	hopping parameter for TC_26_6_13_8
TSPX_Maio25	MAIO	PIXIT	hopping parameter for TC_26_6_13_8
TSPX_Ma25	MAC	PIXIT	mobile allocation for TC_26_6_13_8
TSPX_Hsn25	HSN	PIXIT	hopping parameter for TC_26_6_13_8
TSPX_Chtp12	CH_TDMA	PIXIT	channel type for TC_26_6_13_8
TSPX_Maio26	MAIO	PIXIT	hopping parameter for TC_26_6_13_8
TSPX_Ma26	MAC	PIXIT	mobile allocation for TC_26_6_13_8

TSPX_Hsn26	HSN	PIXIT	hopping parameter for TC_26_6_13_8
TSPX_Maio27	MAIO	PIXIT	hopping parameter for TC_26_6_13_8
TSPX_Ma27	MAC	PIXIT	mobile allocation for TC_26_6_13_8
TSPX_Hsn27	HSN	PIXIT	hopping parameter for TC_26_6_13_8
TSPX_Chtp13	CH_TDMA	PIXIT	channel type for TC_26_6_13_9
TSPX_Tm3	INTEGER	PIXIT	channel mode for TC_26_6_13_9
TSPX_Maio28	MAIO	PIXIT	hopping parameter for TC_26_6_13_9
TSPX_Ma28	MAC	PIXIT	mobile allocation for TC_26_6_13_9
TSPX_Hsn28	HSN	PIXIT	hopping parameter for TC_26_6_13_9
TSPX_Maio29	MAIO	PIXIT	hopping parameter for TC_26_6_13_9
TSPX_Ma29	MAC	PIXIT	mobile allocation for TC_26_6_13_9
TSPX_Chtp14	CH_TDMA	PIXIT	channel type for TC_26_6_13_10
TSPX_Maio30	MAIO	PIXIT	hopping parameter for TC_26_6_13_10
TSPX_Ma30	MAC	PIXIT	mobile allocation for TC_26_6_13_10
TSPX_Hsn30	HSN	PIXIT	hopping parameter for TC_26_6_13_10
TSPX_Maio31	MAIO	PIXIT	hopping parameter for TC_26_6_13_10
TSPX_Ma31	MAC	PIXIT	mobile allocation for TC_26_6_13_10
TSPX_BscSvc	IA5String	PIXIT	basic service used for TC_11_2
TSPX_MOBscSvcA	MOSERVICES	PIXIT	used for CC test
TSPX_MOBscSvcB	MOSERVICES	PIXIT	used for CC test
TSPX_MOBscSvcC	MOSERVICES	PIXIT	used for CC test
TSPX_MOBscSvcD	MOSERVICES	PIXIT	used for CC test
TSPX_MOBscSvcE	MOSERVICES	PIXIT	used for CC test
TSPX_MOBscSvcF	MOSERVICES	PIXIT	used for CC test
TSPX_MOBscSvcG	MOSERVICES	PIXIT	used for CC test
TSPX_MOBscSvcH	MOSERVICES	PIXIT	used for CC test
TSPX_MOBscSvcI	MOSERVICES	PIXIT	used for CC test
TSPX_MOBscSvcJ	MOSERVICES	PIXIT	used for CC test
TSPX_MTBscSvcA	MTSERVICES	PIXIT	used for CC test
TSPX_MTBscSvcB	MTSERVICES	PIXIT	used for CC test
TSPX_MTBscSvcC	MTSERVICES	PIXIT	used for CC test
TSPX_MTBscSvcD	MTSERVICES	PIXIT	used for CC test
TSPX_MTBscSvcE	MTSERVICES	PIXIT	used for CC test
TSPX_MTBscSvcF	MTSERVICES	PIXIT	used for CC test
TSPX_MTBscSvcG	MTSERVICES	PIXIT	used for CC test
TSPX_MTBscSvcH	MTSERVICES	PIXIT	used for CC test
TSPX_MTBscSvcI	MTSERVICES	PIXIT	used for CC test
TSPX_MTBscSvcJ	MTSERVICES	PIXIT	used for CC test
TSPX_MT_ImmConnA	BOOLEAN	PIXIT	used for CC test
TSPX_MT_ImmConnB	BOOLEAN	PIXIT	used for CC test
TSPX_MT_ImmConnC	BOOLEAN	PIXIT	used for CC test
TSPX_MT_ImmConnD	BOOLEAN	PIXIT	used for CC test
TSPX_MT_ImmConnE	BOOLEAN	PIXIT	used for CC test
TSPX_MT_ImmConnF	BOOLEAN	PIXIT	used for CC test
TSPX_MT_ImmConnG	BOOLEAN	PIXIT	used for CC test
TSPX_MT_ImmConnH	BOOLEAN	PIXIT	used for CC test
TSPX_MT_ImmConnI	BOOLEAN	PIXIT	used for CC test
TSPX_MT_ImmConnJ	BOOLEAN	PIXIT	used for CC test
TSPX_MTNIC_BscSvcA	MTSERVICES	PIXIT	used for CC test
TSPX_MTNIC_BscSvcB	MTSERVICES	PIXIT	used for CC test
TSPX_MTNIC_BscSvcC	MTSERVICES	PIXIT	used for CC test
TSPX_MTNIC_BscSvcD	MTSERVICES	PIXIT	used for CC test
TSPX_MTNIC_BscSvcE	MTSERVICES	PIXIT	used for CC test

TSPX_MTNIC_BscSvcF	MTSERVICES	PIXIT	used for CC test
TSPX_MTNIC_BscSvcG	MTSERVICES	PIXIT	used for CC test
TSPX_MTNIC_BscSvcH	MTSERVICES	PIXIT	used for CC test
TSPX_MTNIC_BscSvcI	MTSERVICES	PIXIT	used for CC test
TSPX_MTNIC_BscSvcJ	MTSERVICES	PIXIT	used for CC test
TSPX_MT_BscSvc_Speech_FullRate	MTSERVICES	PIXIT	Basic service for a supported speech teleservice supporting full rate (MT call)
TSPX_MT_BscSvc_Speech_HalfRate	MTSERVICES	PIXIT	Basic service for a supported speech teleservice supporting half rate (MT call)
TSPX_MT_BscSvc_NonSpeech_FullRate	MTSERVICES	PIXIT	Basic service for a supported non-speech teleservice supporting full rate (MT call)
TSPX_MT_BscSvc_NonSpeech_HalfRate	MTSERVICES	PIXIT	Basic service for a supported non-speech teleservice supporting half rate (MT call)
TSPX_MT_BscSvc_FullRate	MTSERVICES	PIXIT	Basic service for a supported basic service supporting full rate (MT call)
TSPX_MO_BscSvc_AnyCall	MOSERVICES	PIXIT	Basic service supported for any MO call
TSPX_MO_rate_AnyCall	RATE	PIXIT	Rate for the basic service supported for any MO call
TSPX_MO_rate_EmergencyCall	RATE	PIXIT	Rate for the basic service supported for MO emergency calls
TSPX_MO_BscSvc_FRDataCall	MOSERVICES	PIXIT	Basic service supported for MO full rate data calls
TSPX_MO_BscSvc_HRDataCall	MOSERVICES	PIXIT	Basic service supported for MO half rate data calls
TSPX_MO_BscSvc_SpeechCall	MOSERVICES	PIXIT	Basic service supported for any MO speech calls
TSPX_MO_rate_SpeechCall	RATE	PIXIT	Rate for the basic service supported for any MO speech calls
TSPX_MO_BscSvc_FRCall	MOSERVICES	PIXIT	Basic service supported for any MO full rate calls
TSPX_MO_BscSvc_HRCall	MOSERVICES	PIXIT	Basic service supported for any MO half rate calls
TSPX_MO_BscSvc_NonCallSupplementarySvc	MOSERVICES	PIXIT	Basic service supported for MO non-call related supplementary service
TSPX_MO_BscSvc_SMS	MOSERVICES	PIXIT	Basic service supported for MO SMS calls
TSPX_MO_BscSvc_DualModeCall	MOSERVICES	PIXIT	Basic service supported for any MO dual mode calls
TSPX_MO_rate_DualModeCall	RATE	PIXIT	Rate for the basic service supported for any MO dual mode calls
TSPX_TS61_2400more	BOOLEAN	PIXIT	TS61 more than one BC's
TSPX_TS61_4800more	BOOLEAN	PIXIT	TS61 more than one BC's
TSPX_TS61_9600more	BOOLEAN	PIXIT	TS61 more than one BC's
TSPX_TS62_2400more	BOOLEAN	PIXIT	TS62 more than one BC's
TSPX_TS62_4800more	BOOLEAN	PIXIT	TS62 more than one BC's
TSPX_TS62_9600more	BOOLEAN	PIXIT	TS62 more than one BC's
TSPX_BS21more	BOOLEAN	PIXIT	BS21 more than one BC's
TSPX_BS22more	BOOLEAN	PIXIT	BS22 more than one BC's
TSPX_BS24more	BOOLEAN	PIXIT	BS24 more than one BC's
TSPX_BS25more	BOOLEAN	PIXIT	BS25 more than one BC's
TSPX_BS26more	BOOLEAN	PIXIT	BS26 more than one BC's
TSPX_BS31more	BOOLEAN	PIXIT	BS31 more than one BC's
TSPX_BS31more_sacp	BOOLEAN	PIXIT	BS31 more than one sacp's
TSPX_BS32more	BOOLEAN	PIXIT	BS32 more than one BC's
TSPX_BS32more_sacp	BOOLEAN	PIXIT	BS32 more than one sacp's
TSPX_BS33more	BOOLEAN	PIXIT	BS33 more than one BC's
TSPX_BS33more_sacp	BOOLEAN	PIXIT	BS33 more than one sacp's
TSPX_BS34more	BOOLEAN	PIXIT	BS34 more than one BC's
TSPX_BS34more_sacp	BOOLEAN	PIXIT	BS32 more than one sacp's

TSPX_BS61_300more	BOOLEAN	PIXIT	BS61 more than one BC's
TSPX_BS61_1200more	BOOLEAN	PIXIT	BS61 more than one BC's
TSPX_BS61_2400more	BOOLEAN	PIXIT	BS61 more than one BC's
TSPX_BS61_4800more	BOOLEAN	PIXIT	BS61 more than one BC's
TSPX_BS61_9600more	BOOLEAN	PIXIT	BS61 more than one BC's
TSPX_BS81_300more	BOOLEAN	PIXIT	BS81 more than one BC's
TSPX_BS81_1200more	BOOLEAN	PIXIT	BS81 more than one BC's
TSPX_BS81_2400more	BOOLEAN	PIXIT	BS81 more than one BC's
TSPX_BS81_4800more	BOOLEAN	PIXIT	BS81 more than one BC's
TSPX_BS81_9600more	BOOLEAN	PIXIT	BS81 more than one BC's
Detailed Comments:			

Test case selection expression definitions

Test Case Selection Expression Definitions		
Expression Name	Selection Expression	Comments
SelExpr_0000	TRUE	General test group always selected
SelExpr_0001	TRUE	always selected
SelExpr_0002	TSPC_MTsvc	MT circuit switched basic service supported
SelExpr_0003	NOT TSPC_Serv_SS_AoCC	AoCC not supported
SelExpr_0004	TSPC_Serv_SS_AoCC AND(NOT TSPC_Serv_SS_HOLD)	AoCC supported but Call Hold not supported
SelExpr_0005	TSPC_Serv_SS_AoCC AND TSPC_Serv_SS_HOLD AND(NOT TSPC_Serv_SS_MPTY)	AoCC and Call Hold supported but multiparty not supported
SelExpr_0006	NOT TSPC_Feat_FND	FND feature not supported
SelExpr_0007	TSPC_MOsvc	MO circuit switched basic service supported
SelExpr_0100	TRUE	initial test group always selected
SelExpr_0101	TRUE	always selected
SelExpr_0102	TSPC_SvcOnTCH	at least one service on traffic channel supported
SelExpr_0103	TSPC_DualRate	half rate channel supported
SelExpr_0104	TSPC_DataSvc	at least one data service supported
SelExpr_0105	TSPC_NonCallSS	non call related supplementary service supported
SelExpr_0106	TSPC_Serv_TS22	MO short message service supported
SelExpr_0107	TSPC_Serv_TS11 OR TSPC_Serv_TS12	speech supported
SelExpr_0200	TRUE	idleMode test group always selected
SelExpr_0201	TRUE	always selected
SelExpr_0300	TRUE	BiBo test group always selected
SelExpr_0301	TSPC_CC	CC protocol for at least one BC supported
SelExpr_0302	TRUE	always selected
SelExpr_0400	TRUE	RR test group always selected
SelExpr_0401	TRUE	always selected
SelExpr_0402	TSPC_CC	CC protocol for at least one BC supported
SelExpr_0403	TSPC_FullRateOnly OR TSPC_DualRate	Full rate traffic channel supported
SelExpr_0404	TSPC_DualRate	Dual rate traffic channel supported
SelExpr_0405	TSPC_CC AND(TSPC_Feat_A51 OR TSPC_Feat_A52)	call control protocol and (A5/1 or A5/2) algorithm supported
SelExpr_0406	TSPC_CC AND TSPC_RFAmp	call control protocol and RF amplification supported
SelExpr_0407	TSPC_CC AND TSPC_FullRateOnly	call control protocol and full rate traffic channel supported
SelExpr_0408	TSPC_CC AND TSPC_DualRate	call control protocol and dual rate traffic channel supported
SelExpr_0409	TSPC_CC AND TSPC_AddInfo_PseudoSynch	CC protocol for at least one BC supported and Pseudo synchronised supported
SelExpr_0500	TRUE	MM test group always selected
SelExpr_0501	TRUE	always selected
SelExpr_0502	TSPC_SIMrmv	SIM removable without power down supported
SelExpr_0503	TSPC_Serv_TS11 OR TSPC_Serv_TS12	speech supported
SelExpr_0504	TSPC_NonCallSS	The MS supports a non call related supplementary service operation during an active call
SelExpr_0600	TSPC_MOsvc OR TSPC_MTsvc	CC test group
SelExpr_0601	TSPC_MOsvc AND(NOT TSPC_EmgOnly)	at least one mobile originating circuit switched basic service supported and not only emergency call supported
SelExpr_0602	(NOT TSPC_ImmConn) AND TSPC_MTsvc	immediate connect not supported and at least one mobile terminated circuit switched basic service supported
SelExpr_0603	TSPC_RefusalCall AND TSPC_MTsvc	refusal of call supported and at least one mobile terminated circuit switched basic service supported
SelExpr_0604	TSPC_Serv_TS11 OR TSPC_Serv_TS12 OR TSPC_Serv_TS61_2400 OR TSPC_Serv_TS61_4800 OR	speech supported

SelExpr_0606	TSPC_Serv_TS61_9600 OR TSPC_Serv_BS61_300 OR TSPC_Serv_BS61_1200 OR TSPC_Serv_BS61_2400 OR TSPC_Serv_BS61_4800 OR TSPC_Serv_BS61_9600 TSPC_MTsvc	at least one mobile terminated circuit switched basic service supported
SelExpr_0607	TSPC_Serv_TS61_2400 OR TSPC_Serv_TS61_4800 OR TSPC_Serv_TS61_9600 OR TSPC_Serv_BS61_300 OR TSPC_Serv_BS61_1200 OR TSPC_Serv_BS61_2400 OR TSPC_Serv_BS61_4800 OR TSPC_Serv_BS61_9600 OR TSPC_Serv_BS81_300 OR TSPC_Serv_BS81_1200 OR TSPC_Serv_BS81_2400 OR TSPC_Serv_BS81_4800 OR TSPC_Serv_BS81_9600	dual mode services supported
SelExpr_0700	TSPC_CC	StructureProc test group
SelExpr_0701	TSPC_TeleSvc	at least one teleservice supported
SelExpr_0702	TSPC_FullRateSpeech OR TSPC_HalfRateSpeech	speech supported
SelExpr_0703	(TSPC_Serv_TS11 OR TSPC_Serv_TS12) AND TSPC_DualRate	dual rate speech supported
SelExpr_0800	TSPC_SS	SS test group
SelExpr_0801	TSPC_Serv_SS_BOIC OR TSPC_Serv_SS_BAIC OR TSPC_Serv_SS_BOICexHC OR TSPC_Serv_SS_BICRoam OR TSPC_Serv_SS_BAOC	at least one of call restrictions supported
SelExpr_0802	TSPC_Serv_SS_AoCC	AoCC supported
SelExpr_0803	TSPC_Serv_SS_BOIC	BOIC supported
SelExpr_0804	TSPC_Serv_SS_BAIC	BAIC supported
SelExpr_0805	TSPC_Serv_SS_BOICexHC	BOICexHC supported
SelExpr_0806	TSPC_Serv_SS_BOICexHC OR TSPC_Serv_SS_BAIC	BOICexHC OR BAIC supported
SelExpr_0807	TSPC_Serv_SS_BOIC OR TSPC_Serv_SS_BICRoam	BOIC OR BICRoam supported
SelExpr_0808	TSPC_Serv_SS_BI	BI supported
SelExpr_0809	TSPC_Serv_SS_CFNry OR TSPC_Serv_SS_CFU	CFNry or CFU supported
SelExpr_0810	TSPC_Serv_SS_CFB OR TSPC_Serv_SS_CFU OR TSPC_Serv_SS_CFNrc OR TSPC_Serv_SS_CFNry	CFB or CFU or CFNry or CFNrc supported
SelExpr_0811	TSPC_Serv_SS_CFB OR TSPC_Serv_SS_CFNrc OR TSPC_Serv_SS_CFNry	CFNry or CFNrc or CFB supported
SelExpr_0812	TSPC_Serv_SS_CFNrc OR TSPC_Serv_SS_CFB	CFNrc or CFB supported
SelExpr_0813	TSPC_Serv_SS_CFB	CFB supported
SelExpr_0814	TSPC_Serv_SS_BICRoam OR TSPC_Serv_SS_BAOC	BAOC or BICRoam supported
SelExpr_0815	TRUE	always selected
SelExpr_0816	TSPC_Serv_SS_unstruct	USSD supported
SelExpr_0817	TSPC_Serv_SS_unstruct AND TSPC_CC	USSD and CC protocol for at least one BC supported
SelExpr_0818	TSPC_Serv_SS_AoCC AND TSPC_SIMRmv	AoCC and SIM removable without power down supported
SelExpr_0819	TSPC_Serv_SS_AoCC AND TSPC_Serv_SS_HOLD	AoCC and Call Hold supported
SelExpr_0820	TSPC_Serv_SS_AoCC AND TSPC_Serv_SS_MPTY	AoCC and Multi Party service supported
SelExpr_0821	TSPC_Serv_SS_AoCC AND TSPC_SwitchOnOff	AoCC and switch on/off supported
SelExpr_0900	TSPC_SMS	SMS test group
SelExpr_0901	TSPC_Serv_TS21 AND TSPC_CC	MT/PP supported and CC protocol for at least one BC supported
SelExpr_0902	TSPC_Serv_TS22 AND	MO/PP supported and MT/PP supported

	TSPC_Serv_TS21 AND TSPC_CC	and CC protocol for at least one BC supported
SelExpr_0903	TSPC_Serv_TS22 AND TSPC_StoreRcvSMSME AND TSPC_StoreRcvSMSSIM	MO/PP supported AND storage of SMS in the ME supported AND storage of SMS in the SIM supported
SelExpr_0904	TSPC_Serv_TS22 AND TSPC_Serv_TS21 AND TSPC_SMSStatusRepCap	MO/PP supported AND MT/PP supported AND SMS Status report capabilities supported
SelExpr_0905	TSPC_Serv_TS21 AND TSPC_DispRcvSMS	MT/PP supported AND display of received short message supported
SelExpr_0906	TSPC_Serv_TS21 AND TSPC_DispRcvSMS	MT/PP supported AND display of received short message supported AND
SelExpr_0907	AND(TSPC_StoreRcvSMSME OR TSPC_StoreRcvSMSSIM)	(storage of SMS in the ME supported OR storage of SMS in the SIM supported)
SelExpr_0908	TSPC_Serv_TS21 AND TSPC_ReplaceSMS AND TSPC_DispRcvSMS	MT/PP supported AND display of received short message supported AND "replace short message" and "display of received short message" supported
SelExpr_0909	TSPC_Serv_TS22 AND TSPC_Serv_TS21 AND TSPC_ReplyProc AND TSPC_DispRcvSMS	MO/PP supported AND MT/PP supported AND "reply procedure" and "display of received short message" supported
SelExpr_1000	TSPC_EGSM	E- band supported
SelExpr_1001	TSPC_CC	CC protocol for at least one BC supported
SelExpr_1002	TSPC_Serv_TS11 OR TSPC_Serv_TS61_2400 OR TSPC_Serv_TS61_4800 OR TSPC_Serv_TS61_9600 OR TSPC_Serv_TS62_2400 OR TSPC_Serv_TS62_4800 OR TSPC_Serv_TS62_9600	telephony supported or alternate speech/data supported or Teleservice automatic G3 fax supported
SelExpr_1003	TSPC_Serv_TS12	emergency call supported
Detailed Comments:		

Test suite constant declarations

Test Suite Constant Declarations			
Constant Name	Type	Value	Comments
C_arfcnA	INTEGER	20	ARFCN of cell A
C_arfcnB	INTEGER	10	ARFCN of cell B
C_arfcnC	INTEGER	30	ARFCN of cell C
C_arfcnH	INTEGER	44	ARFCN of cell H
C_arfcnAd	INTEGER	590	ARFCN of cell A DCS 1800
C_arfcnBd	INTEGER	520	ARFCN of cell B DCS 1800
C_arfcnCd	INTEGER	700	ARFCN of cell C DCS 1800
C_arfcnHd	INTEGER	810	ARFCN of cell H DCS 1800
C_arfcnA_HO	INTEGER	20	ARFCN of cell A , used in HO cases.
C_arfcnA_HOd	INTEGER	747	ARFCN of cell A , used in HO cases.
C_arfcnB_HO	INTEGER	40	ARFCN of cell B , used in HO cases.
C_arfcnEgsm_iacmd	INTEGER	20	ARFCN in immediate assignment, used in EGSM cases.
C_arfcnEgsm_asscmd	INTEGER	20	ARFCN in assignment cmd, used in EGSM
C_BCC	BCC	'101'B	Base Station color code
C_BCCHcarrierB_ho	INTEGER	40	BCCH frequency number of cell B for Ho cases (GSM: 40)
C_BCCHcarrierB_hod	INTEGER	764	BCCH frequency number of cell B for Ho cases (DCS:764)
C_BCCHcarrierB_hoe	INTEGER	40	BCCH frequency number of cell B for Ho cases (EGSM:40)
C_cchd_e_407	OCTETSTRING	'8DEA0DF4CC6C4AFAFB100000000000'O	f-list for cellchdescr using of 128 format. The coded set is {980, 981, 982, 983, 990, 991, 992, 993, 994, 1000, 1005, 1010, 1015}. Length = 16 TC_26_10_4, k=2, c=1 TC_26.10.6, c=1
C_cchd_e_408	OCTETSTRING	'8A0A1CFD3EF4610E2FFFFA0000000000'O	f-list for cellchdescr using of 256 format. The coded set is {20, 40, 66, 73, 74, 75, 76, 77, 78, 79, 108, 114,115} Length = 16 TC_26_10_4, k=2, c=2 TC_26.10.6, c=2
C_cchd_e_409	OCTETSTRING	'89EA037F433C7B042BFEBFEC10000000'O	f-list for cellchdescr using of 512 format. The coded set is {980, 981, 982, 983, 990, 991, 992, 993, 994, 1000, 1005, 1010, 1015}. Length = 16 TC_26_10_4, k=2, c=3 TC: 26.10.6 c=3
C_cchd_e_410	OCTETSTRING	'841EEA893EF98143B1610000000000'O	f-list for cellchdescr using of 1024 format. Length = 16
C_cchd_e_411	OCTETSTRING	'8FEA703E084210000000000000000'O	f-list for cellchdescr using of variable bit format. The coded set is {980, 981, 982, 983, 990, 991, 992, 993, 994, 1000, 1005, 1010, 1015}. Length = 16 TC_26_10_4, k=2, c=5 TC: 26.10.6 c=5
C_cchd_e_412	OCTETSTRING	'00020800000007F02000000800008000'O	f-list for cellchdescr using of bit map 0 format. The coded set is {20, 40, 66, 73, 74, 75, 76, 77, 78,

C_cchd_e_414	OCTETSTRING	'0000000000000000200002000020000000'O	79, 108, 114,115} Length = 16 TC_26_10_4, k=2, c=6 f-list for cellchdescr using of bit map 0 format. Length = 16 f_list: 30, 50 ,70 TC: 26.10.6 c=6
C_cchd_e_415	OCTETSTRING	'841EEA893EF9814380000000000000'O	f-list for cellchdescr using range 1024 format. The coded set is {0, 30, 40, 66, 80, 1005, 1010, 1015}. Length = 16 TC_26_10_4, k=2, c=4 TC: 26.10.6 c=4
C_ChMod_s	CHMOD_VAL	'00000000'B	Mode : signalling only.
C_ChMod_r	CHMOD_VAL	'00000001'B	Mode : speech full or half rate.
C_ChMod_12k	CHMOD_VAL	'00000011'B	Mode : 12k radio rate.
C_ChMod_6k	CHMOD_VAL	'00001011'B	Mode : 6k radio rate.
C_ChMod_3k	CHMOD_VAL	'00010011'B	Mode : 3.6k radio rate.
C_ChMod2_r	CHMOD_VAL	'00000101'B	Mode2 : speech half rate.
C_Sap0	SAPID	'00'O	service access point 0
C_Sap3	SAPID	'03'O	service access point 3
C_CellA	CellID	"C_CellA"	cell A -- cell 1
C_CellB	CellID	"C_CellB"	cell B -- cell 2
C_CellC	CellID	"C_CellC"	cell C -- cell 3
C_CellD	CellID	"C_CellD"	cell D -- cell 4
C_CellE	CellID	"C_CellE"	cell E -- cell 5
C_CellF	CellID	"C_CellF"	cell F -- cell 6
C_CellG	CellID	"C_CellG"	cell G -- cell 7
C_CellH	CellID	"C_CellH"	cell H -- cell 8
C_ci_cellA	CI	'0001'O	Cell Id for cell A
C_ci_cellB	CI	'0002'O	Cell Id for cell B
C_ci_cellC	CI	'0003'O	Cell Id for cell C
C_ci_cellD	CI	'0004'O	Cell Id for cell D
C_ci_cellE	CI	'0005'O	Cell Id for cell E
C_ci_cellF	CI	'0006'O	Cell Id for cell F
C_ci_cellG	CI	'0007'O	Cell Id for cell G
C_ci_cellH	CI	'0008'O	Cell Id for cell H
C_cksn_nokey	BITSTRING	'111'B	No key available
C_flist_e_401	OCTETSTRING	'8DF68AEC00'O	It includes the list of f's in EGSM test cases. The coded set is {1005, 1010, 1015}. Length = 5 TC_26_10_4, k=1, c=1 TC: 26.10.5.1 k=1/2,c=1
C_flist_e_402	OCTETSTRING	'8A2481FF03F8'O	It includes the list of f's in EGSM test cases. The coded set is {73, 74, 75, 76, 77}, range 256 format. Length = 6 TC_26_10_4, k=1, c=2 TC: 26.10.5.1 k=1/2,c=2
C_flist_e_403	OCTETSTRING	'89EA00BFC040'O	It includes the list of f's in EGSM test cases. The coded set is {980, 981, 982, 983}, range 512 format. Length = 6 TC_26_10_4, k=1, c=3 TC: 26.10.5.1 k=1/2,c=3
C_flist_e_404	OCTETSTRING	'801EED02BEC0'O	It includes the list of f's in EGSM test cases. The coded set is {30, 40, 1010, 1015}, range 1024 format. Length = 6 TC_26_10_4, k=1, c=4 TC: 26.10.5.1 k=1/2,c=4
C_flist_e_405	OCTETSTRING	'8FEC001F000010'O	It includes the list of f's in EGSM test cases. The coded set is {980, 991, 992, 993, 994, 1015}.

C_flist_e_406	OCTETSTRING	'000000000000000020000008000080000'O	Length = 7 TC_26_10_4, k=1, c=5 TC: 26.10.5.1 k=1/2,c=5 It includes the list of f's in EGSM test cases. The coded set is {20, 40, 66}, bitmap 0 format. Length = 16 TC_26_10_4, k=1, c=6 TC: 26.10.5.1 k=2,c=6
C_flist_e_407	OCTETSTRING	'8DEA0DF4CC6C4AFAFB1000000000000'O	It includes the list of f's in EGSM test cases. The coded set is {980, 981, 982, 983, 990, 991, 992, 993, 994, 1000, 1005, 1010, 1015}, range 128 format. Length = 16 TC_26_10_4, k=2, c=1 TC: 26.10.5.1 k=3,c=1 TC: 26.10.6 c=1
C_flist_e_408	OCTETSTRING	'8A0A1CFD3EF4610E2FFFFA0000'O	It includes the list of f's in EGSM test cases. The coded set is {20, 40, 66, 73, 74, 75, 76, 77, 78, 79, 108, 114, 115}, range 256 format. Length = 13 TC_26_10_4, k=2, c=2 TC: 26.10.5.1 k=3,c=2 TC: 26.10.6 c=2
C_flist_e_409	OCTETSTRING	'89EA037F433C7B042BFEBFEC10000000'O	It includes the list of f's in EGSM test cases. The coded set is {980, 981, 982, 983, 990, 991, 992, 993, 994, 1000, 1005, 1010, 1015}, range 512 format. Length = 16 TC_26_10_4, k=2, c=3 TC: 26.10.5.2 k=3,c=3 TC: 26.10.6 c=3
C_flist_e_410	OCTETSTRING	'841EEA893EF98143B161'O	Length = 10 TC: 26.10.5.2 k=3,c=4
C_flist_e_411	OCTETSTRING	'8FEA703E084210'O	It includes the list of f's in EGSM test cases. The coded set is {980, 981, 982, 983, 990, 991, 992, 993, 994, 1000, 1005, 1010, 1015}, variable bitmap format. Length = 7 TC_26_10_4, k=2, c=5 TC: 26.10.5.1 k=3,c=5 TC: 26.10.6 c=5
C_flist_e_412	OCTETSTRING	'0002080000007F020000008000080000'O	It includes the list of f's in EGSM test cases. The coded set is {20, 40, 66, 73, 74, 75, 76, 77, 78, 79, 108, 114, 115}, bitmap 0 format. Length = 16 TC_26_10_4, k=2, c=6 TC: 26.10.5.1 k=3,c=6
C_flist_e_413	OCTETSTRING	'8DF68AEC00'O	Length = 5 TC: 26.10.5.2
C_flist_e_414	OCTETSTRING	'0000000000000000200002000020080000'O	Length = 16 f_list: 20, 30, 50 ,70 TC: 26.10.6 c=6
C_flist_e_415	OCTETSTRING	'841EEA893EF9814380'O	It includes the list of f's in EGSM test cases. The coded set is {0, 30, 40, 66, 80, 1005, 1010, 1015}, range 1024 format. Length = 9 Format: 1024 TC_26_10_4, k=2, c=4 TC: 26.10.6 c=4
C_IMSI	INTEGER	0	MI type: IMSI
C_TMSI	INTEGER	1	MI type: TMSI
C_IMEI	INTEGER	2	MI type: IMEI
C_IMEISV	INTEGER	3	MI type: IMEISV

C_shortIMSI	HEXSTRING	'001011234'H	A short IMSI
C_lacellA	OCTETSTRING	'0001'O	lac A.
C_lacellB	OCTETSTRING	'0002'O	lac B.
C_lacellC	OCTETSTRING	'0003'O	lac C.
C_lacellD	OCTETSTRING	'0004'O	lac D.
C_lacellE	OCTETSTRING	'0005'O	lac E.
C_lacellF	OCTETSTRING	'0006'O	lac F.
C_lacellG	OCTETSTRING	'0007'O	lac G.
C_lacellH	OCTETSTRING	'0008'O	lac H.
C_lacdeleted	OCTETSTRING	'FFFE'O	lac value deleted.
C_LAC_3	OCTETSTRING	'0003'O	lac value 0003.
C_LAC_4	OCTETSTRING	'0004'O	lac value 0004.
C_LAC_5	OCTETSTRING	'0005'O	lac value 0005.
C_LAC_6	OCTETSTRING	'0006'O	lac value 0006.
C_PLMN_1	OCTETSTRING	'10'O	PLMN 1 (mnc=01)
C_PLMN_2	OCTETSTRING	'20'O	PLMN 2 (mnc=02)
C_PLMN_3	OCTETSTRING	'30'O	PLMN 3 (mnc=03)
C_PLMN_Home	OCTETSTRING	'10'O	PLMN 1 (mnc=01)
C_NotCombined	BOOLEAN	FALSE	CCCH not combined with SDCCH
C_Combined	BOOLEAN	TRUE	CCCH combined with SDCCH
C_FCCH_A	LOGICCH	"C_FCCH_A"	frequency correction channel of cell A(1)
C_FCCH_B	LOGICCH	"C_FCCH_B"	frequency correction channel of cell B(2)
C_FCCH_C	LOGICCH	"C_FCCH_C"	frequency correction channel of cell C(3)
C_FCCH_D	LOGICCH	"C_FCCH_D"	frequency correction channel of cell D(4)
C_FCCH_E	LOGICCH	"C_FCCH_E"	frequency correction channel of cell E(5)
C_FCCH_F	LOGICCH	"C_FCCH_F"	frequency correction channel of cell F(6)
C_FCCH_G	LOGICCH	"C_FCCH_G"	frequency correction channel of cell G(7)
C_FCCH_H	LOGICCH	"C_FCCH_H"	frequency correction channel of cell H(8)
C_SCH_A	LOGICCH	"C_SCH_A"	sync channel of cell A(1)
C_SCH_B	LOGICCH	"C_SCH_B"	sync channel of cell B(2)
C_SCH_C	LOGICCH	"C_SCH_C"	sync channel of cell C(3)
C_SCH_D	LOGICCH	"C_SCH_D"	sync channel of cell D(4)
C_SCH_E	LOGICCH	"C_SCH_E"	sync channel of cell E(5)
C_SCH_F	LOGICCH	"C_SCH_F"	sync channel of cell F(6)
C_SCH_G	LOGICCH	"C_SCH_G"	sync channel of cell G(7)
C_SCH_H	LOGICCH	"C_SCH_H"	sync channel of cell H(8)
C_BCCH_A_1	LOGICCH	"C_BCCH_A_1"	1st broadcast channel of cell A
C_BCCH_A_2	LOGICCH	"C_BCCH_A_2"	2nd broadcast channel of cell A
C_BCCH_A_3	LOGICCH	"C_BCCH_A_3"	3rd broadcast channel of cell A
C_BCCH_A_4	LOGICCH	"C_BCCH_A_4"	4th broadcast channel of cell A
C_BCCH_B_1	LOGICCH	"C_BCCH_B_1"	1st broadcast channel of cell B
C_BCCH_C_1	LOGICCH	"C_BCCH_C_1"	1st broadcast channel of cell C
C_BCCH_D_1	LOGICCH	"C_BCCH_D_1"	1st broadcast channel of cell D
C_BCCH_E_1	LOGICCH	"C_BCCH_E_1"	1st broadcast channel of cell E
C_BCCH_F_1	LOGICCH	"C_BCCH_F_1"	1st broadcast channel of cell F
C_BCCH_G_1	LOGICCH	"C_BCCH_G_1"	1st broadcast channel of cell G
C_BCCH_H_1	LOGICCH	"C_BCCH_H_1"	1st broadcast channel of cell H
C_CBCH_A	LOGICCH	"C_CBCH_A"	Cell broadcast channel in cell A
C_AGCH_A_1	LOGICCH	"C_AGCH_A_1"	1st down link CCCH (AGCH) of cell A
C_AGCH_A_2	LOGICCH	"C_AGCH_A_2"	2nd down link CCCH (AGCH) of cell A
C_AGCH_A_3	LOGICCH	"C_AGCH_A_3"	3rd down link CCCH (AGCH) of cell A
C_AGCH_A_4	LOGICCH	"C_AGCH_A_4"	4th down link CCCH (AGCH) of cell A
C_AGCH_B_1	LOGICCH	"C_AGCH_B_1"	1st down link CCCH (AGCH) of cell B
C_AGCH_B_2	LOGICCH	"C_AGCH_B_2"	2nd down link CCCH (AGCH) of

C_AGCH_B_3	LOGICCH	"C_AGCH_B_3"	cell B 3rd down link CCCH (AGCH) of cell B
C_AGCH_B_4	LOGICCH	"C_AGCH_B_4"	4th down link CCCH (AGCH) of cell B
C_AGCH_C_1	LOGICCH	"C_AGCH_C_1"	1st down link CCCH (AGCH) of cell C
C_AGCH_C_2	LOGICCH	"C_AGCH_C_2"	2nd down link CCCH (AGCH) of cell C
C_AGCH_C_3	LOGICCH	"C_AGCH_C_3"	3rd down link CCCH (AGCH) of cell C
C_AGCH_C_4	LOGICCH	"C_AGCH_C_4"	4th down link CCCH (AGCH) of cell C
C_AGCH_D_1	LOGICCH	"C_AGCH_D_1"	1st down link CCCH (AGCH) of cell D
C_AGCH_E_1	LOGICCH	"C_AGCH_E_1"	1st down link CCCH (AGCH) of cell E
C_AGCH_F_1	LOGICCH	"C_AGCH_F_1"	1st down link CCCH (AGCH) of cell F
C_AGCH_G_1	LOGICCH	"C_AGCH_G_1"	1st down link CCCH (AGCH) of cell G
C_AGCH_H_1	LOGICCH	"C_AGCH_H_1"	1st down link CCCH (AGCH) of cell H
C_PCH_A_1	LOGICCH	"C_PCH_A_1"	1st down link CCCH (PCH) of cell A
C_PCH_A_2	LOGICCH	"C_PCH_A_2"	2nd down link CCCH (PCH) of cell A
C_PCH_A_3	LOGICCH	"C_PCH_A_3"	3rd down link CCCH (PCH) of cell A
C_PCH_A_4	LOGICCH	"C_PCH_A_4"	4th down link CCCH (PCH) of cell A
C_PCH_B_1	LOGICCH	"C_PCH_B_1"	1st down link CCCH (PCH) of cell B
C_PCH_B_2	LOGICCH	"C_PCH_B_2"	2nd down link CCCH (PCH) of cell B
C_PCH_B_3	LOGICCH	"C_PCH_B_3"	3rd down link CCCH (PCH) of cell B
C_PCH_B_4	LOGICCH	"C_PCH_B_4"	4th down link CCCH (PCH) of cell B
C_PCH_C_1	LOGICCH	"C_PCH_C_1"	1st down link CCCH (PCH) of cell C
C_PCH_C_2	LOGICCH	"C_PCH_C_2"	2nd down link CCCH (PCH) of cell C
C_PCH_C_3	LOGICCH	"C_PCH_C_3"	3rd down link CCCH (PCH) of cell C
C_PCH_C_4	LOGICCH	"C_PCH_C_4"	4th down link CCCH (PCH) of cell C
C_PCH_D_1	LOGICCH	"C_PCH_D_1"	1st down link CCCH (PCH and AGCH) of cell D
C_PCH_E_1	LOGICCH	"C_PCH_E_1"	1st down link CCCH (PCH) of cell E
C_PCH_F_1	LOGICCH	"C_PCH_F_1"	1st down link CCCH (PCH) of cell F
C_PCH_G_1	LOGICCH	"C_PCH_G_1"	1st down link CCCH (PCH) of cell G
C_PCH_H_1	LOGICCH	"C_PCH_H_1"	1st down link CCCH (PCH) of cell H
C_RACH_A_1	LOGICCH	"C_RACH_A_1"	1st uplink CCCH (RACH) of cell A
C_RACH_A_2	LOGICCH	"C_RACH_A_2"	2nd uplink CCCH (RACH) of cell A
C_RACH_A_3	LOGICCH	"C_RACH_A_3"	3rd uplink CCCH (RACH) of cell A
C_RACH_A_4	LOGICCH	"C_RACH_A_4"	4th uplink CCCH (RACH) of cell A
C_RACH_B_1	LOGICCH	"C_RACH_B_1"	1st uplink CCCH (RACH) of cell B
C_RACH_C_1	LOGICCH	"C_RACH_C_1"	1st uplink CCCH (RACH) of cell C
C_RACH_D_1	LOGICCH	"C_RACH_D_1"	1st uplink CCCH (RACH) of cell D
C_RACH_E_1	LOGICCH	"C_RACH_E_1"	1st uplink CCCH (RACH) of cell E
C_RACH_F_1	LOGICCH	"C_RACH_F_1"	1st uplink CCCH (RACH) of cell F
C_RACH_G_1	LOGICCH	"C_RACH_G_1"	1st uplink CCCH (RACH) of cell G
C_RACH_H_1	LOGICCH	"C_RACH_H_1"	1st uplink CCCH (RACH) of cell H
C_FACCHF_A_1	LOGICCH	"C_FACCHF_A_1"	FACCH associated with 1st

C_FACCHF_A_2	LOGICCH	"C_FACCHF_A_2"	TCH/F of cell A FACCH associated with 2nd TCH/F of cell A
C_FACCHF_A_3	LOGICCH	"C_FACCHF_A_3"	FACCH associated with 3rd TCH/F of cell A
C_FACCHF_B_1	LOGICCH	"C_FACCHF_B_1"	FACCH associated with 1st TCH/F of cell B
C_FACCHF_B_2	LOGICCH	"C_FACCHF_B_2"	FACCH associated with 2nd TCH/F of cell B
C_FACCHF_B_3	LOGICCH	"C_FACCHF_B_3"	FACCH associated with 3rd TCH/F of cell B
C_FACCHF_C_1	LOGICCH	"C_FACCHF_C_1"	FACCH associated with 1st TCH/F of cell C
C_FACCHF_C_2	LOGICCH	"C_FACCHF_C_2"	FACCH associated with 2nd TCH/F of cell C
C_FACCHF_C_3	LOGICCH	"C_FACCHF_C_3"	FACCH associated with 3rd TCH/F of cell C
C_FACCHF_H_1	LOGICCH	"C_FACCHF_H_1"	FACCH associated with 1st TCH/F of cell H
C_FACCHH_A_1	LOGICCH	"C_FACCHH_A_1"	FACCH associated with 1st TCH/H of cell A
C_FACCHH_A_2	LOGICCH	"C_FACCHH_A_2"	FACCH associated with 2nd TCH/H of cell A
C_FACCHH_A_3	LOGICCH	"C_FACCHH_A_3"	FACCH associated with 3rd TCH/H of cell A
C_FACCHH_B_1	LOGICCH	"C_FACCHH_B_1"	FACCH associated with 1st TCH/H of cell B
C_FACCHH_B_2	LOGICCH	"C_FACCHH_B_2"	FACCH associated with 2nd TCH/H of cell B
C_FACCHH_B_3	LOGICCH	"C_FACCHH_B_3"	FACCH associated with 3rd TCH/H of cell B
C_FACCHH_C_1	LOGICCH	"C_FACCHH_C_1"	FACCH associated with 1st TCH/H of cell C
C_FACCHH_C_2	LOGICCH	"C_FACCHH_C_2"	FACCH associated with 2nd TCH/H of cell C
C_FACCHH_C_3	LOGICCH	"C_FACCHH_C_3"	FACCH associated with 3rd TCH/H of cell C
C_FACCHH0_A_1	LOGICCH	"C_FACCHH0_A_1"	FACCH associated with 1st TCH/H0 of cell A
C_FACCHH1_A_1	LOGICCH	"C_FACCHH1_A_1"	FACCH associated with 1st TCH/H1 of cell A
C_FACCHH0_A_2	LOGICCH	"C_FACCHH0_A_2"	FACCH associated with 2nd TCH/H0 of cell A
C_FACCHH1_A_2	LOGICCH	"C_FACCHH1_A_2"	FACCH associated with 2nd TCH/H1 of cell A
C_FACCHH0_A_3	LOGICCH	"C_FACCHH0_A_3"	FACCH associated with 3rd TCH/H0 of cell A
C_FACCHH1_A_3	LOGICCH	"C_FACCHH1_A_3"	FACCH associated with 3rd TCH/H1 of cell A
C_FACCHH0_B_1	LOGICCH	"C_FACCHH0_B_1"	FACCH associated with 1st TCH/H0 of cell B
C_FACCHH1_B_1	LOGICCH	"C_FACCHH1_B_1"	FACCH associated with 1st TCH/H1 of cell B
C_FACCHH0_B_2	LOGICCH	"C_FACCHH0_B_2"	FACCH associated with 2nd TCH/H0 of cell B
C_FACCHH1_B_2	LOGICCH	"C_FACCHH1_B_2"	FACCH associated with 2nd TCH/H1 of cell B
C_FACCHH0_B_3	LOGICCH	"C_FACCHH0_B_3"	FACCH associated with 3rd TCH/H0 of cell B
C_FACCHH1_B_3	LOGICCH	"C_FACCHH1_B_3"	FACCH associated with 3rd TCH/H1 of cell B
C_FACCHH0_C_1	LOGICCH	"C_FACCHH0_C_1"	FACCH associated with 1st TCH/H0 of cell C
C_FACCHH1_C_1	LOGICCH	"C_FACCHH1_C_1"	FACCH associated with 1st TCH/H1 of cell C
C_FACCHH0_C_2	LOGICCH	"C_FACCHH0_C_2"	FACCH associated with 2nd TCH/H0 of cell C
C_FACCHH1_C_2	LOGICCH	"C_FACCHH1_C_2"	FACCH associated with 2nd TCH/H1 of cell C
C_FACCHH0_C_3	LOGICCH	"C_FACCHH0_C_3"	FACCH associated with 3rd TCH/H0 of cell C

C_FACCHH1_C_3	LOGICCH	"C_FACCHH1_C_3"	FACCH associated with 3rd TCH/H1 of cell C
C_SACCH_A	LOGICCH	"C_SACCH_A"	all SACCHs of cell A
C_SACCH_B	LOGICCH	"C_SACCH_B"	all SACCHs of cell B
C_SACCH_C	LOGICCH	"C_SACCH_C"	all SACCHs of cell C
C_SACCH_D	LOGICCH	"C_SACCH_D"	all SACCHs of cell D
C_SACCH_E	LOGICCH	"C_SACCH_E"	all SACCHs of cell E
C_SACCH_F	LOGICCH	"C_SACCH_F"	all SACCHs of cell F
C_SACCH_G	LOGICCH	"C_SACCH_G"	all SACCHs of cell G
C_SACCH_H	LOGICCH	"C_SACCH_H"	all SACCHs of cell H
C_SACCHF_A_1	LOGICCH	"C_SACCHF_A_1"	SACCH associated with 1st TCH/F of cell A
C_SACCHF_A_2	LOGICCH	"C_SACCHF_A_2"	SACCH associated with 2nd TCH/F of cell A
C_SACCHF_B_1	LOGICCH	"C_SACCHF_B_1"	SACCH associated with 1st TCH/F of cell B
C_SACCHF_B_2	LOGICCH	"C_SACCHF_B_2"	SACCH associated with 2nd TCH/F of cell B
C_SACCHF_H_1	LOGICCH	"C_SACCHF_H_1"	SACCH associated with 1st TCH/F of cell H
C_SACCHH_A_1	LOGICCH	"C_SACCHH_A_1"	SACCH associated with 1st TCH/H of cell A
C_SACCHH_A_2	LOGICCH	"C_SACCHH_A_2"	SACCH associated with 2nd TCH/H of cell A
C_SACCHH_A_3	LOGICCH	"C_SACCHH_A_3"	SACCH associated with 3rd TCH/H of cell A
C_SACCHH_B_1	LOGICCH	"C_SACCHH_B_1"	SACCH associated with 1st TCH/H of cell B
C_SACCHH_B_2	LOGICCH	"C_SACCHH_B_2"	SACCH associated with 2nd TCH/H of cell B
C_SACCHH_B_3	LOGICCH	"C_SACCHH_B_3"	SACCH associated with 3rd TCH/H of cell B
C_SACCHH_C_1	LOGICCH	"C_SACCHH_C_1"	SACCH associated with 1st TCH/H of cell C
C_SACCHH_C_2	LOGICCH	"C_SACCHH_C_2"	SACCH associated with 2nd TCH/H of cell C
C_SACCHH_C_3	LOGICCH	"C_SACCHH_C_3"	SACCH associated with 3rd TCH/H of cell C
C_SACCHH0_A_1	LOGICCH	"C_SACCHH0_A_1"	SACCH associated with 1st TCH/H_0 of cell A
C_SACCHH1_A_1	LOGICCH	"C_SACCHH1_A_1"	SACCH associated with 1st TCH/H_1 of cell A
C_SACCHH0_A_2	LOGICCH	"C_SACCHH0_A_2"	SACCH associated with 2nd TCH/H_0 of cell A
C_SACCHH1_A_2	LOGICCH	"C_SACCHH1_A_2"	SACCH associated with 2nd TCH/H_1 of cell A
C_SACCHH0_A_3	LOGICCH	"C_SACCHH0_A_3"	SACCH associated with 3rd TCH/H_0 of cell A
C_SACCHH1_A_3	LOGICCH	"C_SACCHH1_A_3"	SACCH associated with 3rd TCH/H_1 of cell A
C_SACCHH0_B_1	LOGICCH	"C_SACCHH0_B_1"	SACCH associated with 1st TCH/H_0 of cell B
C_SACCHH1_B_1	LOGICCH	"C_SACCHH1_B_1"	SACCH associated with 1st TCH/H_1 of cell B
C_SACCHH0_B_2	LOGICCH	"C_SACCHH0_B_2"	SACCH associated with 2nd TCH/H_0 of cell B
C_SACCHH1_B_2	LOGICCH	"C_SACCHH1_B_2"	SACCH associated with 2nd TCH/H_1 of cell B
C_SACCHH0_B_3	LOGICCH	"C_SACCHH0_B_3"	SACCH associated with 3rd TCH/H_0 of cell B
C_SACCHH1_B_3	LOGICCH	"C_SACCHH1_B_3"	SACCH associated with 3rd TCH/H_1 of cell B
C_SACCHH0_C_1	LOGICCH	"C_SACCHH0_C_1"	SACCH associated with 1st TCH/H_0 of cell C
C_SACCHH1_C_1	LOGICCH	"C_SACCHH1_C_1"	SACCH associated with 1st TCH/H_1 of cell C
C_SACCHH0_C_2	LOGICCH	"C_SACCHH0_C_2"	SACCH associated with 2nd TCH/H_0 of cell C
C_SACCHH1_C_2	LOGICCH	"C_SACCHH1_C_2"	SACCH associated with 2nd TCH/H_1 of cell C

C_SACCHH0_C_3	LOGICCH	"C_SACCHH0_C_3"	SACCH associated with 3rd TCH/H_0 of cell C
C_SACCHH1_C_3	LOGICCH	"C_SACCHH1_C_3"	SACCH associated with 3rd TCH/H_1 of cell C
C_SACCHC4_A	LOGICCH	"C_SACCHC4_A"	SACCHC4 channel of cell A
C_SACCHC4_B	LOGICCH	"C_SACCHC4_B"	SACCHC4 channel of cell B
C_SACCHC4_C	LOGICCH	"C_SACCHC4_C"	SACCHC4 channel of cell C
C_SACCHC4_D	LOGICCH	"C_SACCHC4_D"	SACCHC4 channel of cell D
C_SACCHC4_E	LOGICCH	"C_SACCHC4_E"	SACCHC4 channel of cell E
C_SACCHC4_F	LOGICCH	"C_SACCHC4_F"	SACCHC4 channel of cell F
C_SACCHC4_G	LOGICCH	"C_SACCHC4_G"	SACCHC4 channel of cell G
C_SACCHC4_H	LOGICCH	"C_SACCHC4_H"	SACCHC4 channel of cell H
C_SACCHC40_A	LOGICCH	"C_SACCHC40_A"	SACCH/C4(0) associated with SDCCH/4(0) of cell A
C_SACCHC41_A	LOGICCH	"C_SACCHC41_A"	SACCH/C4(1) associated with SDCCH/4(1) of cell A
C_SACCHC42_A	LOGICCH	"C_SACCHC42_A"	SACCH/C4(2) associated with SDCCH/4(2) of cell A
C_SACCHC43_A	LOGICCH	"C_SACCHC43_A"	SACCH/C4(3) associated with SDCCH/4(3) of cell A
C_SACCHC40_B	LOGICCH	"C_SACCHC40_B"	SACCH/C4(0) associated with SDCCH/4(0) of cell B
C_SACCHC41_B	LOGICCH	"C_SACCHC41_B"	SACCH/C4(1) associated with SDCCH/4(1) of cell B
C_SACCHC42_B	LOGICCH	"C_SACCHC42_B"	SACCH/C4(2) associated with SDCCH/4(2) of cell B
C_SACCHC43_B	LOGICCH	"C_SACCHC43_B"	SACCH/C4(3) associated with SDCCH/4(3) of cell B
C_SACCHC40_C	LOGICCH	"C_SACCHC40_C"	SACCH/C4(0) associated with SDCCH/4(0) of cell C
C_SACCHC41_C	LOGICCH	"C_SACCHC41_C"	SACCH/C4(1) associated with SDCCH/4(1) of cell C
C_SACCHC42_C	LOGICCH	"C_SACCHC42_C"	SACCH/C4(2) associated with SDCCH/4(2) of cell C
C_SACCHC43_C	LOGICCH	"C_SACCHC43_C"	SACCH/C4(3) associated with SDCCH/4(3) of cell C
C_SACCHC40_D	LOGICCH	"C_SACCHC40_D"	SACCH/C4(0) associated with SDCCH/4(0) of cell D
C_SACCHC41_D	LOGICCH	"C_SACCHC41_D"	SACCH/C4(1) associated with SDCCH/4(1) of cell D
C_SACCHC42_D	LOGICCH	"C_SACCHC42_D"	SACCH/C4(2) associated with SDCCH/4(2) of cell D
C_SACCHC43_D	LOGICCH	"C_SACCHC43_D"	SACCH/C4(3) associated with SDCCH/4(3) of cell D
C_SACCHC40_E	LOGICCH	"C_SACCHC40_E"	SACCH/C4(0) associated with SDCCH/4(0) of cell E
C_SACCHC41_E	LOGICCH	"C_SACCHC41_E"	SACCH/C4(1) associated with SDCCH/4(1) of cell E
C_SACCHC42_E	LOGICCH	"C_SACCHC42_E"	SACCH/C4(2) associated with SDCCH/4(2) of cell E
C_SACCHC43_E	LOGICCH	"C_SACCHC43_E"	SACCH/C4(3) associated with SDCCH/4(3) of cell E
C_SACCHC40_F	LOGICCH	"C_SACCHC40_F"	SACCH/C4(0) associated with SDCCH/4(0) of cell F
C_SACCHC41_F	LOGICCH	"C_SACCHC41_F"	SACCH/C4(1) associated with SDCCH/4(1) of cell F
C_SACCHC42_F	LOGICCH	"C_SACCHC42_F"	SACCH/C4(2) associated with SDCCH/4(2) of cell F
C_SACCHC43_F	LOGICCH	"C_SACCHC43_F"	SACCH/C4(3) associated with SDCCH/4(3) of cell F
C_SACCHC40_G	LOGICCH	"C_SACCHC40_G"	SACCH/C4(0) associated with SDCCH/4(0) of cell G
C_SACCHC41_G	LOGICCH	"C_SACCHC41_G"	SACCH/C4(1) associated with SDCCH/4(1) of cell G
C_SACCHC42_G	LOGICCH	"C_SACCHC42_G"	SACCH/C4(2) associated with SDCCH/4(2) of cell G
C_SACCHC43_G	LOGICCH	"C_SACCHC43_G"	SACCH/C4(3) associated with SDCCH/4(3) of cell G
C_SACCHC40_H	LOGICCH	"C_SACCHC40_C"	SACCH/C4(0) associated with SDCCH/4(0) of cell H

C_SACCHC41_H	LOGICCH	"C_SACCHC41_C"	SACCH/C4(1) associated with SDCCH/4(1) of cell H
C_SACCHC42_H	LOGICCH	"C_SACCHC42_C"	SACCH/C4(2) associated with SDCCH/4(2) of cell H
C_SACCHC43_H	LOGICCH	"C_SACCHC43_C"	SACCH/C4(3) associated with SDCCH/4(3) of cell H
C_SACCHC8_A_1	LOGICCH	"C_SACCHC8_A_1"	1st SACCH/8 channel of cell A
C_SACCHC8_A_2	LOGICCH	"C_SACCHC8_A_2"	2nd SACCH/8 channel of cell A
C_SACCHC8_A_3	LOGICCH	"C_SACCHC8_A_3"	3rd SACCH/8 channel of cell A
C_SACCHC8_B_1	LOGICCH	"C_SACCHC8_B_1"	1st SACCH/8 channel of cell B
C_SACCHC8_B_2	LOGICCH	"C_SACCHC8_B_2"	2nd SACCH/8 channel of cell B
C_SACCHC8_B_3	LOGICCH	"C_SACCHC8_B_3"	3rd SACCH/8 channel of cell B
C_SACCHC8_C_1	LOGICCH	"C_SACCHC8_C_1"	1st SACCH/8 channel of cell C
C_SACCHC8_C_2	LOGICCH	"C_SACCHC8_C_2"	2nd SACCH/8 channel of cell C
C_SACCHC8_C_3	LOGICCH	"C_SACCHC8_C_3"	3rd SACCH/8 channel of cell C
C_SACCHC80_A_1	LOGICCH	"C_SACCHC80_A_1"	SACCH/C8(0) associated with 1st SDCCH/8(0) of cell A
C_SACCHC81_A_1	LOGICCH	"C_SACCHC81_A_1"	SACCH/C8(1) associated with 1st SDCCH/8(1) of cell A
C_SACCHC82_A_1	LOGICCH	"C_SACCHC82_A_1"	SACCH/C8(2) associated with 1st SDCCH/8(2) of cell A
C_SACCHC83_A_1	LOGICCH	"C_SACCHC83_A_1"	SACCH/C8(3) associated with 1st SDCCH/8(3) of cell A
C_SACCHC84_A_1	LOGICCH	"C_SACCHC84_A_1"	SACCH/C8(4) associated with 1st SDCCH/8(4) of cell A
C_SACCHC85_A_1	LOGICCH	"C_SACCHC85_A_1"	SACCH/C8(5) associated with 1st SDCCH/8(5) of cell A
C_SACCHC86_A_1	LOGICCH	"C_SACCHC86_A_1"	SACCH/C8(6) associated with 1st SDCCH/8(6) of cell A
C_SACCHC87_A_1	LOGICCH	"C_SACCHC87_A_1"	SACCH/C8(7) associated with 1st SDCCH/8(7) of cell A
C_SACCHC80_A_2	LOGICCH	"C_SACCHC80_A_2"	SACCH/C8(0) associated with 2nd SDCCH/8(0) of cell A
C_SACCHC81_A_2	LOGICCH	"C_SACCHC81_A_2"	SACCH/C8(1) associated with 2nd SDCCH/8(1) of cell A
C_SACCHC82_A_2	LOGICCH	"C_SACCHC82_A_2"	SACCH/C8(2) associated with 2nd SDCCH/8(2) of cell A
C_SACCHC83_A_2	LOGICCH	"C_SACCHC83_A_2"	SACCH/C8(3) associated with 2nd SDCCH/8(3) of cell A
C_SACCHC84_A_2	LOGICCH	"C_SACCHC84_A_2"	SACCH/C8(4) associated with 2nd SDCCH/8(4) of cell A
C_SACCHC85_A_2	LOGICCH	"C_SACCHC85_A_2"	SACCH/C8(5) associated with 2nd SDCCH/8(5) of cell A
C_SACCHC86_A_2	LOGICCH	"C_SACCHC86_A_2"	SACCH/C8(6) associated with 2nd SDCCH/8(6) of cell A
C_SACCHC87_A_2	LOGICCH	"C_SACCHC87_A_2"	SACCH/C8(7) associated with 2nd SDCCH/8(7) of cell A
C_SACCHC80_A_3	LOGICCH	"C_SACCHC80_A_3"	SACCH/C8(0) associated with 3rd SDCCH/8(0) of cell A
C_SACCHC81_A_3	LOGICCH	"C_SACCHC81_A_3"	SACCH/C8(1) associated with 3rd SDCCH/8(1) of cell A
C_SACCHC82_A_3	LOGICCH	"C_SACCHC82_A_3"	SACCH/C8(2) associated with 3rd SDCCH/8(2) of cell A
C_SACCHC83_A_3	LOGICCH	"C_SACCHC83_A_3"	SACCH/C8(3) associated with 3rd SDCCH/8(3) of cell A
C_SACCHC84_A_3	LOGICCH	"C_SACCHC84_A_3"	SACCH/C8(4) associated with 3rd SDCCH/8(4) of cell A
C_SACCHC85_A_3	LOGICCH	"C_SACCHC85_A_3"	SACCH/C8(5) associated with 3rd SDCCH/8(5) of cell A
C_SACCHC86_A_3	LOGICCH	"C_SACCHC86_A_3"	SACCH/C8(6) associated with 3rd SDCCH/8(6) of cell A
C_SACCHC87_A_3	LOGICCH	"C_SACCHC87_A_3"	SACCH/C8(7) associated with 3rd SDCCH/8(7) of cell A
C_SACCHC80_B_1	LOGICCH	"C_SACCHC80_B_1"	SACCH/C8(0) associated with 1st SDCCH/8(0) of cell B
C_SACCHC81_B_1	LOGICCH	"C_SACCHC81_B_1"	SACCH/C8(1) associated with 1st SDCCH/8(1) of cell B
C_SACCHC82_B_1	LOGICCH	"C_SACCHC82_B_1"	SACCH/C8(2) associated with 1st SDCCH/8(2) of cell B
C_SACCHC83_B_1	LOGICCH	"C_SACCHC83_B_1"	SACCH/C8(3) associated with 1st

C_SACCHC84_B_1	LOGICCH	"C_SACCHC84_B_1"	SDCCH/8(3) of cell B SACCH/C8(4) associated with 1st SDCCH/8(4) of cell B
C_SACCHC85_B_1	LOGICCH	"C_SACCHC85_B_1"	SACCH/C8(5) associated with 1st SDCCH/8(5) of cell B
C_SACCHC86_B_1	LOGICCH	"C_SACCHC86_B_1"	SACCH/C8(6) associated with 1st SDCCH/8(6) of cell B
C_SACCHC87_B_1	LOGICCH	"C_SACCHC87_B_1"	SACCH/C8(7) associated with 1st SDCCH/8(7) of cell B
C_SACCHC80_B_2	LOGICCH	"C_SACCHC80_B_2"	SACCH/C8(0) associated with 2nd SDCCH/8(0) of cell B
C_SACCHC81_B_2	LOGICCH	"C_SACCHC81_B_2"	SACCH/C8(1) associated with 2nd SDCCH/8(1) of cell B
C_SACCHC82_B_2	LOGICCH	"C_SACCHC82_B_2"	SACCH/C8(2) associated with 2nd SDCCH/8(2) of cell B
C_SACCHC83_B_2	LOGICCH	"C_SACCHC83_B_2"	SACCH/C8(3) associated with 2nd SDCCH/8(3) of cell B
C_SACCHC84_B_2	LOGICCH	"C_SACCHC84_B_2"	SACCH/C8(4) associated with 2nd SDCCH/8(4) of cell B
C_SACCHC85_B_2	LOGICCH	"C_SACCHC85_B_2"	SACCH/C8(5) associated with 2nd SDCCH/8(5) of cell B
C_SACCHC86_B_2	LOGICCH	"C_SACCHC86_B_2"	SACCH/C8(6) associated with 2nd SDCCH/8(6) of cell B
C_SACCHC87_B_2	LOGICCH	"C_SACCHC87_B_2"	SACCH/C8(7) associated with 2nd SDCCH/8(7) of cell B
C_SACCHC80_B_3	LOGICCH	"C_SACCHC80_B_3"	SACCH/C8(0) associated with 3rd SDCCH/8(0) of cell B
C_SACCHC81_B_3	LOGICCH	"C_SACCHC81_B_3"	SACCH/C8(1) associated with 3rd SDCCH/8(1) of cell B
C_SACCHC82_B_3	LOGICCH	"C_SACCHC82_B_3"	SACCH/C8(2) associated with 3rd SDCCH/8(2) of cell B
C_SACCHC83_B_3	LOGICCH	"C_SACCHC83_B_3"	SACCH/C8(3) associated with 3rd SDCCH/8(3) of cell B
C_SACCHC84_B_3	LOGICCH	"C_SACCHC84_B_3"	SACCH/C8(4) associated with 3rd SDCCH/8(4) of cell B
C_SACCHC85_B_3	LOGICCH	"C_SACCHC85_B_3"	SACCH/C8(5) associated with 3rd SDCCH/8(5) of cell B
C_SACCHC86_B_3	LOGICCH	"C_SACCHC86_B_3"	SACCH/C8(6) associated with 3rd SDCCH/8(6) of cell B
C_SACCHC87_B_3	LOGICCH	"C_SACCHC87_B_3"	SACCH/C8(7) associated with 3rd SDCCH/8(7) of cell B
C_SACCHC80_C_1	LOGICCH	"C_SACCHC80_C_1"	SACCH/C8(0) associated with 1st SDCCH/8(0) of cell C
C_SACCHC81_C_1	LOGICCH	"C_SACCHC81_C_1"	SACCH/C8(1) associated with 1st SDCCH/8(1) of cell C
C_SACCHC82_C_1	LOGICCH	"C_SACCHC82_C_1"	SACCH/C8(2) associated with 1st SDCCH/8(2) of cell C
C_SACCHC83_C_1	LOGICCH	"C_SACCHC83_C_1"	SACCH/C8(3) associated with 1st SDCCH/8(3) of cell C
C_SACCHC84_C_1	LOGICCH	"C_SACCHC84_C_1"	SACCH/C8(4) associated with 1st SDCCH/8(4) of cell C
C_SACCHC85_C_1	LOGICCH	"C_SACCHC85_C_1"	SACCH/C8(5) associated with 1st SDCCH/8(5) of cell C
C_SACCHC86_C_1	LOGICCH	"C_SACCHC86_C_1"	SACCH/C8(6) associated with 1st SDCCH/8(6) of cell C
C_SACCHC87_C_1	LOGICCH	"C_SACCHC87_C_1"	SACCH/C8(7) associated with 1st SDCCH/8(7) of cell C
C_SACCHC80_C_2	LOGICCH	"C_SACCHC80_C_2"	SACCH/C8(0) associated with 2nd SDCCH/8(0) of cell C
C_SACCHC81_C_2	LOGICCH	"C_SACCHC81_C_2"	SACCH/C8(1) associated with 2nd SDCCH/8(1) of cell C
C_SACCHC82_C_2	LOGICCH	"C_SACCHC82_C_2"	SACCH/C8(2) associated with 2nd SDCCH/8(2) of cell C
C_SACCHC83_C_2	LOGICCH	"C_SACCHC83_C_2"	SACCH/C8(3) associated with 2nd SDCCH/8(3) of cell C
C_SACCHC84_C_2	LOGICCH	"C_SACCHC84_C_2"	SACCH/C8(4) associated with 2nd SDCCH/8(4) of cell C
C_SACCHC85_C_2	LOGICCH	"C_SACCHC85_C_2"	SACCH/C8(5) associated with 2nd SDCCH/8(5) of cell C
C_SACCHC86_C_2	LOGICCH	"C_SACCHC86_C_2"	SACCH/C8(6) associated with 2nd SDCCH/8(6) of cell C

C_SACCHC87_C_2	LOGICCH	"C_SACCHC87_C_2"	SACCH/C8(7) associated with 2nd SDCCH/8(7) of cell C
C_SACCHC80_C_3	LOGICCH	"C_SACCHC80_C_3"	SACCH/C8(0) associated with 3rd SDCCH/8(0) of cell C
C_SACCHC81_C_3	LOGICCH	"C_SACCHC81_C_3"	SACCH/C8(1) associated with 3rd SDCCH/8(1) of cell C
C_SACCHC82_C_3	LOGICCH	"C_SACCHC82_C_3"	SACCH/C8(2) associated with 3rd SDCCH/8(2) of cell C
C_SACCHC83_C_3	LOGICCH	"C_SACCHC83_C_3"	SACCH/C8(3) associated with 3rd SDCCH/8(3) of cell C
C_SACCHC84_C_3	LOGICCH	"C_SACCHC84_C_3"	SACCH/C8(4) associated with 3rd SDCCH/8(4) of cell C
C_SACCHC85_C_3	LOGICCH	"C_SACCHC85_C_3"	SACCH/C8(5) associated with 3rd SDCCH/8(5) of cell C
C_SACCHC86_C_3	LOGICCH	"C_SACCHC86_C_3"	SACCH/C8(6) associated with 3rd SDCCH/8(6) of cell C
C_SACCHC87_C_3	LOGICCH	"C_SACCHC87_C_3"	SACCH/C8(7) associated with 3rd SDCCH/8(7) of cell C
C_SDCCH4_A	LOGICCH	"C_SDCCH4_A"	SDCCH/4 channel of cell A
C_SDCCH4_B	LOGICCH	"C_SDCCH4_B"	SDCCH/4 channel of cell B
C_SDCCH4_C	LOGICCH	"C_SDCCH4_C"	SDCCH/4 channel of cell C
C_SDCCH4_D	LOGICCH	"C_SDCCH4_D"	SDCCH/4 channel of cell D
C_SDCCH4_E	LOGICCH	"C_SDCCH4_E"	SDCCH/4 channel of cell E
C_SDCCH4_F	LOGICCH	"C_SDCCH4_F"	SDCCH/4 channel of cell F
C_SDCCH4_G	LOGICCH	"C_SDCCH4_G"	SDCCH/4 channel of cell G
C_SDCCH4_H	LOGICCH	"C_SDCCH4_H"	SDCCH/4 channel of cell H
C_SDCCH40_A	LOGICCH	"C_SDCCH40_A"	SDCCH/4(0) of cell A
C_SDCCH41_A	LOGICCH	"C_SDCCH41_A"	SDCCH/4(1) of cell A
C_SDCCH42_A	LOGICCH	"C_SDCCH42_A"	SDCCH/4(2) of cell A
C_SDCCH43_A	LOGICCH	"C_SDCCH43_A"	SDCCH/4(3) of cell A
C_SDCCH40_B	LOGICCH	"C_SDCCH40_B"	SDCCH/4(0) of cell B
C_SDCCH41_B	LOGICCH	"C_SDCCH41_B"	SDCCH/4(1) of cell B
C_SDCCH42_B	LOGICCH	"C_SDCCH42_B"	SDCCH/4(2) of cell B
C_SDCCH43_B	LOGICCH	"C_SDCCH43_B"	SDCCH/4(3) of cell B
C_SDCCH40_C	LOGICCH	"C_SDCCH40_C"	SDCCH/4(0) of cell C
C_SDCCH41_C	LOGICCH	"C_SDCCH41_C"	SDCCH/4(1) of cell C
C_SDCCH42_C	LOGICCH	"C_SDCCH42_C"	SDCCH/4(2) of cell C
C_SDCCH43_C	LOGICCH	"C_SDCCH43_C"	SDCCH/4(3) of cell C
C_SDCCH40_D	LOGICCH	"C_SDCCH40_D"	SDCCH/4(0) of cell D
C_SDCCH41_D	LOGICCH	"C_SDCCH41_D"	SDCCH/4(1) of cell D
C_SDCCH42_D	LOGICCH	"C_SDCCH42_D"	SDCCH/4(2) of cell D
C_SDCCH43_D	LOGICCH	"C_SDCCH43_D"	SDCCH/4(3) of cell D
C_SDCCH40_E	LOGICCH	"C_SDCCH40_E"	SDCCH/4(0) of cell E
C_SDCCH41_E	LOGICCH	"C_SDCCH41_E"	SDCCH/4(1) of cell E
C_SDCCH42_E	LOGICCH	"C_SDCCH42_E"	SDCCH/4(2) of cell E
C_SDCCH43_E	LOGICCH	"C_SDCCH43_E"	SDCCH/4(3) of cell E
C_SDCCH40_F	LOGICCH	"C_SDCCH40_F"	SDCCH/4(0) of cell F
C_SDCCH41_F	LOGICCH	"C_SDCCH41_F"	SDCCH/4(1) of cell F
C_SDCCH42_F	LOGICCH	"C_SDCCH42_F"	SDCCH/4(2) of cell F
C_SDCCH43_F	LOGICCH	"C_SDCCH43_F"	SDCCH/4(3) of cell F
C_SDCCH40_G	LOGICCH	"C_SDCCH40_G"	SDCCH/4(0) of cell G
C_SDCCH41_G	LOGICCH	"C_SDCCH41_G"	SDCCH/4(1) of cell G
C_SDCCH42_G	LOGICCH	"C_SDCCH42_G"	SDCCH/4(2) of cell G
C_SDCCH43_G	LOGICCH	"C_SDCCH43_G"	SDCCH/4(3) of cell G
C_SDCCH40_H	LOGICCH	"C_SDCCH40_H"	SDCCH/4(0) of cell H
C_SDCCH41_H	LOGICCH	"C_SDCCH41_H"	SDCCH/4(1) of cell H
C_SDCCH42_H	LOGICCH	"C_SDCCH42_H"	SDCCH/4(2) of cell H
C_SDCCH43_H	LOGICCH	"C_SDCCH43_H"	SDCCH/4(3) of cell H
C_SDCCH8_A_1	LOGICCH	"C_SDCCH8_A_1"	1st SDCCH/8 channel of cell A
C_SDCCH8_A_2	LOGICCH	"C_SDCCH8_A_2"	2nd SDCCH/8 channel of cell A
C_SDCCH8_A_3	LOGICCH	"C_SDCCH8_A_3"	3rd SDCCH/8 channel of cell A
C_SDCCH8_B_1	LOGICCH	"C_SDCCH8_B_1"	1st SDCCH/8 channel of cell B
C_SDCCH8_B_2	LOGICCH	"C_SDCCH8_B_2"	2nd SDCCH/8 channel of cell B
C_SDCCH80_A_1	LOGICCH	"C_SDCCH80_A_1"	1st SDCCH/8(0) of cell A
C_SDCCH81_A_1	LOGICCH	"C_SDCCH81_A_1"	1st SDCCH/8(1) of cell A
C_SDCCH82_A_1	LOGICCH	"C_SDCCH82_A_1"	1st SDCCH/8(2) of cell A

C_SDCCH84_C_3	LOGICCH	"C_SDCCH84_C_3"	3rd SDCCH/8(4) of cell C
C_SDCCH85_C_3	LOGICCH	"C_SDCCH85_C_3"	3rd SDCCH/8(5) of cell C
C_SDCCH86_C_3	LOGICCH	"C_SDCCH86_C_3"	3rd SDCCH/8(6) of cell C
C_SDCCH87_C_3	LOGICCH	"C_SDCCH87_C_3"	3rd SDCCH/8(7) of cell C
C_CHSDCCH8_FH	OCTETSTRING	'00'O	ch.type SDCCH8 with FH
C_CHSDCCH8_NonFH	OCTETSTRING	'01'O	ch.type SDCCH8 No FH
C_CHSDCCH4_NonFH	OCTETSTRING	'03'O	ch.type SDCCH4 NoFH
C_CHTCHF_FH	OCTETSTRING	'04'O	ch.type TCHF FH
C_CHTCHF_NonFH	OCTETSTRING	'05'O	ch.type TCHF NonFH
C_CHTCHH_FH	OCTETSTRING	'06'O	ch.type TCHH FH
C_TCHF_ACCHF_1	LOGCH	"C_TCHF_ACCHF_1"	first TCH/F + ACCHs type channel
C_TCHF_ACCHF_2	LOGCH	"C_TCHF_ACCHF_2"	second TCH/F + ACCHs type channel
C_TCHH_ACCHH_1	LOGCH	"C_TCHH_ACCHH_1"	first TCH/H + ACCHs type channel
C_TCHH_ACCHH_2	LOGCH	"C_TCHH_ACCHH_2"	second TCH/H + ACCHs type channel
C_FCCH_SCH_BCCH_CCH H	LOGCH	"C_FCCH_SCH_BCCH_CCH H"	FCCH_SCH_BCCH_CCH type channel
C_BCCH_CCCH_2	LOGCH	"C_BCCH_CCCH_2"	second BCCH_CCCH type channel
C_BCCH_CCCH_3	LOGCH	"C_BCCH_CCCH_3"	third BCCH_CCCH type channel
C_BCCH_CCCH_4	LOGCH	"C_BCCH_CCCH_4"	fourth BCCH_CCCH type channel
C_FCCH_SCH_BCCH_CCH H_SDCCH4_SACCHC4	LOGCH	"C_FCCH_SCH_BCCH_CCH H_SDCCH4_SACCHC4"	combined CCCH type channel
C_CBCH_FCCH_SCH_BCC H_CCCH_SDCCH4_SACCH C4	LOGCH	"C_CBCH_FCCH_SCH_BCC H_CCCH_SDCCH4_SACCH C4"	combined CCCH type channel for cell broadcast SM
C_SDCCH8_SACCHC8_1	LOGCH	"C_SDCCH8_SACCHC8_1"	first SDCCH/8 type channel
C_SDCCH8_SACCHC8_2	LOGCH	"C_SDCCH8_SACCHC8_2"	second SDCCH/8 type channel
C_SDCCH8_SACCHC8_3	LOGCH	"C_SDCCH8_SACCHC8_3"	3rd SDCCH/8 type channel
C_S0	SN	'000'B	time slot 0
C_S2	SN	'010'B	time slot 2
C_S3	SN	'011'B	time slot 3
C_S4	SN	'100'B	time slot 4
C_S6	SN	'110'B	time slot 6
C_Rcv	BITSTRING	'101'B	receiving only
C_SAVE	INTEGER	0	the OC_SaveAndProc saves input values
C_PROC	INTEGER	1	the OC_SvaAndProc processes saved values
C_RETRV	INTEGER	1	
C_U1	CCSTATE	1	CC state U1
C_U3	CCSTATE	3	CC state U3
C_U4	CCSTATE	4	CC state U4
C_U6	CCSTATE	6	CC state U6
C_U7	CCSTATE	7	CC state U7
C_U8	CCSTATE	8	CC state U8
C_U9	CCSTATE	9	CC state U9
C_U10	CCSTATE	10	CC state U10
C_U11	CCSTATE	11	CC state U11
C_U12	CCSTATE	12	CC state U12
C_U19	CCSTATE	19	CC state U19
C_U26	CCSTATE	26	CC state U26
C_NxtButOne	SENDINGMODE	1	send the second message on the next but one paging subblock
C_FmrAGB	SENDINGMODE	2	send the second message on the former access grant block
C_BfReOcc	SENDINGMODE	3	send the second message before the MS's original paging subchannel re-occurs, but later than the next paging block of that CCCH
C_NxtButOneNxt	SENDINGMODE	4	nothing is sent in the next but one paging sub block, then send the second message in the next paging subblock of

C_CMServiceTypeE	CMSVTYPE	'0010'B	the MS's paging subchannel CM Service Type for emergency call.
C_Telephony	IA5String	"C_Telephony"	telephony service (TS11)
C_EmgCallSRV	IA5String	"C_EmgCallSRV"	emergency call service (TS12)
C_AltSpchG3_2400	IA5String	"C_AltSpchG3_2400"	alternate speech and G3 fax (rate: 2400 Bit/s) service (TS61)
C_AltSpchG3_4800	IA5String	"C_AltSpchG3_4800"	alternate speech and G3 fax (rate: 4800 Bit/s) service (TS61)
C_AltSpchG3_9600	IA5String	"C_AltSpchG3_9600"	alternate speech and G3 fax (rate: 9600 Bit/s) service (TS61)
C_AutoG3_T_2400	IA5String	"C_AutoG3_T_2400"	automatic G3 fax service (TS62) transparent, user rate 2,4 kbits/s
C_AutoG3_T_4800	IA5String	"C_AutoG3_T_4800"	automatic G3 fax service (TS62) transparent, user rate 4,8 kbits/s
C_AutoG3_T_9600	IA5String	"C_AutoG3_T_9600"	automatic G3 fax service (TS62) transparent, user rate 9,6 kbits/s
C_300cda	IA5String	"C_300cda"	data circuit duplex async. 300 bit/s service (BS21)
C_300cda_T	IA5String	"C_300cda_T"	data circuit duplex async. 300 bit/s service (BS21), transparent
C_1200cda	IA5String	"C_1200cda"	data circuit duplex async. 1200 bit/s service (BS22)
C_1200cda_T	IA5String	"C_1200cda_T"	data circuit duplex async. 1200 bit/s service (BS22), transparent
C_120075cda	IA5String	"C_120075cda"	data circuit duplex async. 1200/75 bit/s service (BS23)
C_120075cda_T	IA5String	"C_120075cda_T"	data circuit duplex async. 1200/75 bit/s service (BS23), transparent
C_2400cda	IA5String	"C_2400cda"	data circuit duplex async. 2400 bit/s service (BS24)
C_2400cda_T	IA5String	"C_2400cda_T"	data circuit duplex async. 2400 bit/s service (BS24), transparent
C_4800cda	IA5String	"C_4800cda"	data circuit duplex async. 4800 bit/s service (BS25)
C_4800cda_T	IA5String	"C_4800cda_T"	data circuit duplex async. 4800 bit/s service (BS25), transparent
C_9600cda	IA5String	"C_9600cda"	data circuit duplex async 9600 bit/s service (BS26)
C_1200cda	IA5String	"C_1200cda"	data circuit duplex sync. 1200 bit/s service (BS31)
C_2400cda	IA5String	"C_2400cda"	data circuit duplex sync. 2400 bit/s service (BS32)
C_2400cda_T	IA5String	"C_2400cda_T"	data circuit duplex sync. 2400 bit/s service (BS32), transparent
C_4800cda	IA5String	"C_4800cda"	data circuit duplex sync. 4800 bit/s service (BS33)
C_4800cda_T	IA5String	"C_4800cda_T"	data circuit duplex sync. 4800 bit/s service (BS33), transparent
C_9600cda	IA5String	"C_9600cda"	data circuit duplex sync 9600 bit/s service (BS34)
C_PAD300	IA5String	"C_PAD300"	PAD access 300 bit/s service (BS41)
C_PAD300_T	IA5String	"C_PAD300_T"	PAD access 300 bit/s service (BS41), transparent
C_PAD1200	IA5String	"C_PAD1200"	PAD access 1200 bit/s service (BS42)
C_PAD1200_T	IA5String	"C_PAD1200_T"	PAD access 1200 bit/s service (BS42), transparent
C_PAD120075	IA5String	"C_PAD120075"	PAD access 1200/75 bit/s service (BS43)
C_PAD120075_T	IA5String	"C_PAD120075_T"	PAD access 1200/75 bit/s service (BS43), transparent
C_PAD2400	IA5String	"C_PAD2400"	PAD access 2400 bit/s service (BS44)
C_PAD2400_T	IA5String	"C_PAD2400_T"	PAD access 2400 bit/s service (BS44), transparent
C_PAD4800	IA5String	"C_PAD4800"	PAD access 4800 bit/s service (BS45)
C_PAD4800_T	IA5String	"C_PAD4800_T"	PAD access 4800 bit/s service (BS45), transparent

C_PAD9600	IA5String	"C_PAD9600"	PAD access 9600 bit/s service (BS46)
C_Pkt2400	IA5String	"C_Pkt2400"	packt access 2400 bit/s service (BS51)
C_Pkt4800	IA5String	"C_Pkt4800"	packt access 4800 bit/s service (BS52)
C_Pkt9600	IA5String	"C_Pkt9600"	packt access 9600 bit/s service (BS53)
C_AltSpchData_300	IA5String	"C_AltSpchData_300"	alternate speech/data (rate: 300 Bit/s) service (BS61)
C_AltSpchData_1200	IA5String	"C_AltSpchData_1200"	alternate speech/data (rate: 1200 Bit/s) service (BS61)
C_AltSpchData_120075	IA5String	"C_AltSpchData_120075"	alternate speech/data (rate: 1200/75 Bit/s) service (BS61)
C_AltSpchData_2400	IA5String	"C_AltSpchData_2400"	alternate speech/data (rate: 2400 Bit/s) service (BS61)
C_AltSpchData_4800	IA5String	"C_AltSpchData_4800"	alternate speech/data (rate: 4800 Bit/s) service (BS61)
C_AltSpchData_9600	IA5String	"C_AltSpchData_9600"	alternate speech/data (rate: 9600 Bit/s) service (BS61)
C_SpchData_300	IA5String	"C_SpchData_300"	speech followed data (rate: 300 Bit/s) service (BS81)
C_SpchData_1200	IA5String	"C_SpchData_1200"	speech followed data (rate: 1200 Bit/s) service (BS81)
C_SpchData_120075	IA5String	"C_SpchData_120075"	speech followed data (rate: 1200/75 Bit/s) service (BS81)
C_SpchData_2400	IA5String	"C_SpchData_2400"	speech followed data (rate: 2400 Bit/s) service (BS81)
C_SpchData_4800	IA5String	"C_SpchData_4800"	speech followed data (rate: 4800 Bit/s) service (BS81)
C_SpchData_9600	IA5String	"C_SpchData_9600"	speech followed data (rate: 9600 Bit/s) service (BS81)
C_L	INTEGER	1	L command of L 2
C_Immass	BITSTRING	'000'B	activation for immediate assignment
C_Ass	BITSTRING	'001'B	activation for assignment
C_Asynho	BITSTRING	'010'B	activation for asynchronous handover
C_LocEndRel	RelMode	'01'O	local end release
C_MaxPwrLvlD	INTEGER	15	Max power level for MS DCS
C_MaxPwrLvlG	INTEGER	19	Max power level for MS GSM
C_rc_conditIEerror	REJCAU	'64'O	reject cause: Conditional IE error
C_rc_congestion	REJCAU	'16'O	reject cause: congestion
C_rc_illegal_ms	REJCAU	'03'O	reject cause: illegal MS
C_rc_illegal_me	REJCAU	'06'O	reject cause: illegal ME
C_rc_imsiunknownhlr	REJCAU	'02'O	reject cause: IMSI unknown in HLR
C_rc_imsiunknownvlr	REJCAU	'04'O	reject cause: IMSI unknown in VLR
C_rc_invalidmaninfo	REJCAU	'60'O	reject cause: invalid mandatory information
C_rc_Lnotallowed	REJCAU	'06'O	reject cause: LocationArea is not allowed
C_rc_networkfailure	REJCAU	'11'O	reject cause: network failure
C_rc_notidentified	REJCAU	'26'O	reject cause: can not be identified
C_rc_plmn_not	REJCAU	'0B'O	reject cause: PLMN not allowed
C_rc_protocolerror	REJCAU	'6F'O	reject cause: Protocol error unspecified
C_rc_reqservoptnotsub	REJCAU	'21'O	reject cause: requested service option not subscribed

C_rc_roamingnot	REJCAU	'0D'O	reject cause: Roaming not allowed
C_RadioLinkTimeOut	INTEGER	3766	default value for radio link timeout in ms - Time for the period of 8 SACCH blocks in sec. (8X470,8ms= 3,766 sec) for SDCCH
C_Restablishment	B_1	'0'B	Restablishment allowed
C_noRestablishment	B_1	'1'B	No restablishment allowed
C_CellReselectHys0	INTEGER	0	Cell Reselection Hysteresis value 0
C_RI_alternate	B_8	'11010001'B	Bcap repeat indicator for alternate (circular selection)
C_RI_follow	B_8	'11010011'B	Bcap repeat indicator for successive (sequential selection)
C_SIMIn	BOOLEAN	FALSE	SIM is always inserted in a test case
C_SIMneedRmv	BOOLEAN	TRUE	Removal of SIM is needed in a test case (SIM is not always inserted.)
C_START	BOOLEAN	TRUE	start checking
C_STOP	BOOLEAN	FALSE	stop checking
C_normal Updating	B_2	'00'B	normal location updating
C_periodic Updating	B_2	'01'B	periodic location updating
C_normalOrperiodic	B_2	'0?'B	periodic or normal location updating
C_imsi_attach	B_2	'10'B	location updating IMSI attach
C_norm_period_attach	B_2	'??'B	imsi attach or periodic location updating or normal location updating
C_Tzone0	TZONES	0	Time zone 0 (used in TC_34_2_1, TC_34_2_5_3)
C_Tzone1	TZONES	4	Time zone 4 (used in TC_34_2_2, TC_34_2_7)
C_Tzone2	TZONES	10	Time zone 10 (used in TC_34_2_3)
C_Tzone3	TZONES	15	Time zone 15 (used in TC_34_2_4)
C_Tzone4	TZONES	25	Time zone 25 (used in TC_34_2_5_1)
C_Tzone5	TZONES	35	Time zone 35 (used in TC_34_2_5_2)
C_Tzone6	TZONES	45	Time zone 45 (used in TC_34_2_8)
C_T_mrsrp	INTEGER	1500	3 times time btw 2 msr rpt.
C_T_TwiceTC1M	INTEGER	TSPX_TC1M * 2000	Twice TC1M in ms
C_T_T3211_80	INTEGER	12000	80 % of T3211 (15s)
C_T_T3212	INTEGER	360000	T3212(6min)
C_T_T3212min	INTEGER	345000	T3212(6min) - 15sec
C_T_T3212dif	INTEGER	15000	Difference between T3212 and T3212min
C_T_T3210	INTEGER	20000	timer T3210 in ms
C_T_T3211min	INTEGER	13500	90% T3211 in ms
C_T_T3230min	INTEGER	13500	90% T3230 in ms
C_T_T3240min	INTEGER	9000	90% T3240 in ms
C_T_T3240tol	INTEGER	2000	20% T3240 in ms
C_T_Wait	INTEGER	5000	5s. T3126max
C_release_time	INTEGER	11	release timer value
C_RegCFNRy	INTEGER	1	registration of call forwarding service for CFNRy (speech)
C_RegCFU	INTEGER	2	registration of call forwarding service for CFU (all facsimile)
C_RegCF	INTEGER	3	registration of call forwarding service for CF (all facsimile)
C_ErsCFC	INTEGER	4	erasure of call forwarding service for CFC (all facsimile)
C_ErsCFNRc	INTEGER	5	erasure of call forwarding service for CFNRc (all basic services)
C_ErsCFNRy	INTEGER	6	erasure of call forwarding service

C_ActCF	INTEGER	7	for CFNRy (all facsimile) activation of call forwarding service for CF (all synchronous services)
C_ActCFU	INTEGER	8	activation of call forwarding service for CFU (all basic services)
C_DeactCFC	INTEGER	9	deactivation of call forwarding service for CFC (speech)
C_DeactCFNRc	INTEGER	10	deactivation of call forwarding service for CFNRc (all facsimile)
C_InterrogCFC	INTEGER	11	interrogation of call forwarding service for CFC (Speech)
C_InterrogCFB	INTEGER	12	interrogation of call forwarding service for CFB (all basic services)
C_NotifyCFB	INTEGER	13	notification of call forwarding service for CFB (incoming call is forwarded)
C_NotifyCFU	INTEGER	14	notification of call forwarding service for CFU (provisioned, registered, active)
C_NotifyCFC	INTEGER	15	notification of call forwarding service for CFC (provisioned, registered, active)
C_NotifyCFNRc	INTEGER	16	notification of call forwarding service for CFNRc (Ms not reachable)
C_RegPswd	INTEGER	17	Registration of password for all call barring services
C_ActBOAC	INTEGER	18	Activation of BOAC
C_ActBICRoam	INTEGER	19	Activation of BICRoam
C_ActBOIC	INTEGER	20	Activation of BOIC
C_ActBAIC	INTEGER	21	Activation of BAIC
C_DeactBO	INTEGER	22	Deactivation of BO
C_DeactBI	INTEGER	23	Deactivation of BI
C_DeactBOICExHC	INTEGER	24	Deactivation of BOICExHC
C_NotifyBI	INTEGER	25	Notify of BI
C_InterrogBOIC	INTEGER	26	Interrogation of BOIC
C_InterrogBOICExHC	INTEGER	27	Interrogation of BOICExHC
C_Full	IA5String	"F"	full rate channel
C_Half	IA5String	"H"	half rate channel
C_StartingTimeHO	INTEGER	238	Value for Starting time (1.1sec=238 frames) for HO testcase TC_26_6_5_1_3, TC_26_6_5_1_6, TC_26_6_5_4_2
C_Norm	OCTETSTRING	'00'O	Establish mode: normal
C_31kHz	B_3	'010'B	Info. Transfer Cap. 3.1 kHz
C_UDI	B_3	'001'B	Info. Transfer Cap. UDI
C_FAX3	B_3	'011'B	Info. Transfer Cap. FAX3
C_itc_NA	B_3	'100'B	Info. Transfer Cap. NA value arbitrarily choosen
C_SDUintegrity	B_2	'00'B	Structure SDU integrity
C_Unstructured	B_2	'11'B	Structure Unstructured
C_nirr_nomeaning	B_1	'0'B	NIRR no meaning
C_no_rate_adaption	B_2	'00'B	Rate adaption no
C_rate_adaption_V110	B_2	'01'B	Rate adaption V110
C_rate_adaption_X31	B_2	'10'B	Rate adaption X31 flag
C_sacp_NA	B_3	'001'B	Signaling access NA
C_I440_450	B_3	'001'B	Signaling access I440/450
C_X21	B_3	'010'B	Signaling access X21
C_X28_inui	B_3	'011'B	Signaling access X28 I NUI
C_X28_unui	B_3	'100'B	Signaling access X28 U NUI
C_X28_nond	B_3	'101'B	Signaling access X28 non dedicated
C_X32	B_3	'110'B	Signaling access X32
C_Synchronous	B_1	'0'B	Synchronous
C_Asynchronous	B_1	'1'B	Asynchronous

C_sa_NA	B_1	'1'B	Asynchronous/Synchronous. NA value arbitrarily chosen
C_stopbit_NA	B_1	'0'B	Number of Stop bits NA
C_databit_NA	B_1	'1'B	Number of Data bits NA
C_300Kbs	B_4	'0001'B	User rate 300 Kbs
C_1200Kbs	B_4	'0010'B	User rate 1200 Kbs
C_120075Kbs	B_4	'0111'B	User rate 1200/75 Kbs
C_2400Kbs	B_4	'0011'B	User rate 2400 Kbs
C_4800Kbs	B_4	'0100'B	User rate 4800 Kbs
C_9600Kbs	B_4	'0101'B	User rate 9600 Kbs
C_ur_NA	B_4	'1111'B	User rate NA value arbitrarily chosen
C_parity_NA	B_3	'011'B	Parity NA
C_ir_8kbs	B_2	'10'B	Intermediate rate 8 Kbs
C_ir_16kbs	B_2	'11'B	Intermediate rate 16 Kbs
C_transparent	B_2	'00'B	Connection element T
C_nottransparent	B_2	'01'B	Connection element NT
C_BothT	B_2	'10'B	Connection element both T
C_BothNT	B_2	'11'B	Connection element both NT
C_ce_NA	B_2	'11'B	Connection element NA value arbitrarily chosen
C_modemt_none	B_5	'00000'B	no modem
C_modemt_V21	B_5	'00001'B	modem V21
C_modemt_V22	B_5	'00010'B	modem V22
C_modemt_V22bis	B_5	'00011'B	modem V22bis
C_modemt_V23	B_5	'00100'B	modem V23
C_modemt_V26ter	B_5	'00101'B	modem V26ter
C_modemt_V32	B_5	'00110'B	modem V32
C_ISO6429	B_5	'01000'B	Inband flow control
C_COPnoFLCT	B_5	'01100'B	No flow control
C_X25_flct	B_5	'00110'B	X25 flow control
maxAddressLength	Asn1Integer	20	
maxISDN_AddressLength	Asn1Integer	9	
maxISDN_SubaddressLength	Asn1Integer	21	
maxNumOfBasicServiceGroups	Asn1Integer	13	
maxNumOfCUG	Asn1Integer	10	
maxNumberOfSegmentsPerDataInterval	Asn1Integer	8191	
maxSignalInfoLength	Asn1Integer	200	
maxUSSD_StringLength	Asn1Integer	160	
max10TimesIncrement	Asn1Integer	8191	
max10TimesIncrementPerDataInterval	Asn1Integer	8191	
max10TimesInitialTime	Asn1Integer	8191	
max100TimesScalingFactor	Asn1Integer	8191	
max10TimesTimeInterval	Asn1Integer	8191	
max10TimesUnitsPerTime	Asn1Integer	8191	

Detailed Comments:

Test case variable declarations

Test Case Variable Declarations			
Variable Name	Type	Value	Comments
TCV_AssCmd	ASS_CMD_PDU		to hold ASSIGNMENT COMMAND PDU
TCV_Att	BITSTRING		to hold ATT bitstring
TCV_Bcap1	BCAP		to hold bearer capability
TCV_Bcap2	BCAP		to hold bearer capability
TCV_bs_ag_blks_res	INTEGER		
TCV_bs_cc_chans	INTEGER		
TCV_bs_pa_mfrms	INTEGER		
TCV_CalledNum	CDPN		to hold called party number
TCV_CallProc	CALL_PROC_PDU		to hold CALL PROCEEDING PDU
TCV_CallCfm	CALL_CO_PDU		to hold CALL COMFIRM PDU
TCV_Cau	CAU		to hold cause
TCV_Cau0	CAU		to hold cause
TCV_CA	CCHD		
TCV_CB1	OCTETSTRING		store SMSCB block data
TCV_CB2	OCTETSTRING		store SMSCB block data
TCV_CB3	OCTETSTRING		store SMSCB block data
TCV_CB4	OCTETSTRING		store SMSCB block data
TCV_Ccchg	INTEGER		CCCH_GROUP
TCV_Ccd0A	CCD		a copy of control channel description in use for cell A
TCV_Ccd0B	CCD		a copy of control channel description in use for cell B
TCV_Ccd0C	CCD		a copy of control channel description in use for cell C
TCV_Ccd0D	CCD		a copy of control channel description in use for cell D
TCV_Ccd0E	CCD		a copy of control channel description in use for cell E
TCV_Ccd0F	CCD		a copy of control channel description in use for cell F
TCV_Ccd0G	CCD		a copy of control channel description in use for cell G
TCV_Ccd0H	CCD		a copy of control channel description in use for cell H
TCV_cchdescr	OCTETSTRING		Frequency list of Cell Channel Descr, used in EGSM
TCV_CCst	CST		to hold call status
TCV_ch	LOGICCH	"dummy"	to hold logic channel
TCV_ch1	LOGICCH	"dummy"	to hold logic channel
TCV_sacch	LOGICCH	"dummy"	to hold logic channel
TCV_sacch_B	LOGICCH	"dummy"	to hold logic channel
TCV_sacch_C	LOGICCH	"dummy"	to hold logic channel
TCV_sacch_D	LOGICCH	"dummy"	to hold logic channel
TCV_sacch_E	LOGICCH	"dummy"	to hold logic channel
TCV_sacch_F	LOGICCH	"dummy"	to hold logic channel
TCV_sacch_G	LOGICCH	"dummy"	to hold logic channel
TCV_sacch_H	LOGICCH	"dummy"	to hold logic channel
TCV_sacch8	LOGICCH	"dummy"	to hold logic channel
TCV_sacchTch	LOGICCH	"dummy"	to hold logic channel
TCV_sacchTch1	LOGICCH	"dummy"	to hold logic channel
TCV_sacchTch_B	LOGICCH	"dummy"	to hold logic channel
TCV_sacchTch_H	LOGICCH	"dummy"	to hold logic channel
TCV_chTch	LOGICCH	"dummy"	to hold logic channel
TCV_chTch1	LOGICCH	"dummy"	to hold logic channel
TCV_chSms	LOGICCH	"dummy"	to hold logic channel
TCV_cellid	CellID		to hold the cell identifier
TCV_agch	LOGICCH	"dummy"	downlink access grant channel
TCV_Char	IA5String		to hold the IA5 char. corresponding to a DTMF tone
TCV_chd1	CHD		to hold channel description IE
TCV_ChMod	CHMOD		to hold channel mode IE

TCV_ChModb	CHMOD	to hold channel mode IE for second mode in dual mode services
TCV_cht1	BITSTRING	to channel type and TDMA offset in channel description IE
TCV_ctype	BITSTRING	to channel type and TDMA offset in channel description IE
TCV_cksn	BITSTRING	to hold the CKSN.
TCV_cksn1	BITSTRING	to hold the CKSN.
TCV_Cnt	INTEGER	general loop counter
TCV_Cnt1	INTEGER	general loop counter
TCV_Cnt2	INTEGER	general loop counter
TCV_Cntstart	BOOLEAN	general loop counter start decision
TCV_Cntstart1	BOOLEAN	general loop counter start decision
TCV_Cntref	INTEGER	Reference for general loop counter
TCV_CphAlg	BITSTRING	ciphering algorithm
TCV_CphKey	BITSTRING	ciphering key
TCV_CphMd	CPHMS	ciphering mode setting
TCV_CPDataRetx	INTEGER	Number of CP Data retransmissions for SMS
TCV_ChRate	IA5String	channel rate
TCV_counter_c	INTEGER	loop counter c
TCV_counter_k	INTEGER	loop counter k
TCV_Fk	INTEGER	to hold an interval between events
TCV_flist	OCTETSTRING	Frequency List, used in EGSM for IE "frequency list" or "frequency short list"
TCV_flistl	OCTETSTRING	Length of Frequency List, used in EGSM for IE "frequency list" or "frequency short list"
TCV_Fn	FN	to hold the frame number (T1', T2, T3)
TCV_Fn1	FN	to hold the frame number (T1', T2, T3)
TCV_FnAss	FN	to hold the frame number in AssCmd statement
TCV_FollowingOctets	OCTETSTRING	Contains the octets following the invoke id
TCV_Horf	HORF	Variable for HO reference in HO-Messages of HO cases.
TCV_Hrf	HORF	to hold handover reference
TCV_ImmConn	BOOLEAN	The selected MT service supports immediate connect
TCV_kcnt	INTEGER	loop counter
TCV_K	INTEGER	
TCV_L1Head0	L1HD	to hold L 1 header
TCV_L1Head	L1HD	to hold L 1 header
TCV_lac	OCTETSTRING	to hold the lac. 2 octets
TCV_n	INTEGER	
TCV_Neci	BITSTRING	
TCV_M	INTEGER	counter
TCV_mae1	BITSTRING	Mobile Allocation in EGSM. It includes the 1.octet of MA
TCV_mae2	BITSTRING	Mobile Allocation in EGSM. It includes the 2.octet of MA
TCV_Max	BITSTRING	to hold Max-retrans bitstring
TCV_MaxRetrans	INTEGER	to hold Max_Retrans chosen randomly
TCV_MemCapExcd	BOOLEAN	RP error Memory Capacity Exceeded was sent
TCV_MsrRes	MSRR	to hold measurement results
TCV_Mt	BITSTRING	to hold message type
TCV_Mt1	BITSTRING	to hold message type
TCV_Modify	MODIFY_PDU	To hold Modify message
TCV_Null	BOOLEAN	to collect useless result from some test suite operations

TCV_PgCh	LOGICCH	"dummy"	logical channel for paging
TCV_Pgg	PGG		paging group
TCV_PreviousOctets	OCTETSTRING		Contains the octets previous to the invoke id
TCV_ProtErrorUnspec	BOOLEAN		RP error Protocol Error Unspecified was sent
TCV_Pwrlvl	BITSTRING		to hold the power level
TCV_Pwrlvl_ho	BITSTRING		power level for HO_CMD, used in HO cases.
TCV_Rchr	BITSTRING		to hold Radio channel requirement
TCV_Res	BOOLEAN		to hold the result of a test suite operation
TCV_Rpmr	MR		RP message reference for SMS
TCV_Rqr	RQR		to hold the request reference
TCV_Rqr9	RQR		to hold the request reference differing from TCV_Rqr
TCV_Rqr10	RQR		to hold the request reference differing from TCV_Rqr, TCV_Rqr9
TCV_Rqr11	RQR		to hold the request reference differing from TCV_Rqr, TCV_Rqr9, TCV_Rqr10
TCV_Rr	BITSTRING		to hold the random request reference
TCV_Rr1	BITSTRING		to hold the random reference
TCV_rc	REJCAU		Reject cause
TCV_Service	IA5String		to hold basicservice selected
TCV_Setup_mo	SETUP_MO_PDU		to hold the SETUP PDU (MO)
TCV_Setup_mt	SETUP_MT_PDU		to hold the SETUP PDU (MT)
TCV_Esetup	ESETUP_PDU		to hold the emergency SETUP PDU
TCV_slot	SN		To hold the default slot used during the entire TC.
TCV_sl2	SN		To hold a second working slot number.
TCV_Sres	OCTETSTRING		to hold the SRES returned
TCV_sysinfo5	SYSINFO5_PDU		to hold the SysInfo5 PDU for cell A
TCV_sysinfo5bis	SYSINFO5bis_PDU		to hold the SysInfo5bis PDU for cell A
TCV_sysinfo5_B	SYSINFO5_PDU		to hold the SysInfo5 PDU for cell B
TCV_sysinfo5_C	SYSINFO5_PDU		to hold the SysInfo5 PDU for cell c
TCV_sysinfo5_D	SYSINFO5_PDU		to hold the SysInfo5 PDU for cell D
TCV_sysinfo5_E	SYSINFO5_PDU		to hold the SysInfo5 PDU for cell E
TCV_sysinfo5_F	SYSINFO5_PDU		to hold the SysInfo5 PDU for cell F
TCV_sysinfo5_G	SYSINFO5_PDU		to hold the SysInfo5 PDU for cell G
TCV_sysinfo5_H	SYSINFO5_PDU		to hold the SysInfo5 PDU for cell H
TCV_sysinfo6	SYSINFO6_PDU		to hold the SysInfo6 PDU for cell A
TCV_sysinfo6_B	SYSINFO6_PDU		to hold the SysInfo6 PDU for cell B
TCV_sysinfo6_C	SYSINFO6_PDU		to hold the SysInfo6 PDU for cell C
TCV_sysinfo6_D	SYSINFO6_PDU		to hold the SysInfo6 PDU for cell D
TCV_sysinfo6_E	SYSINFO6_PDU		to hold the SysInfo6 PDU for cell E
TCV_sysinfo6_F	SYSINFO6_PDU		to hold the SysInfo6 PDU for cell F
TCV_sysinfo6_G	SYSINFO6_PDU		to hold the SysInfo6 PDU for cell G
TCV_sysinfo6_H	SYSINFO6_PDU		to hold the SysInfo6 PDU for cell

TCV_ti_orig	TI		H
TCV_ti_dest	TI		to hold the transaction id. for originating part
TCV_ti_v	TI_V		to hold the transaction id. for the destination part
TCV_ti_v_2	TI_V		to hold the transaction id. value for another transaction
TCV_ti_f	BITSTRING		to hold the transaction id. flag. Only one bit.
TCV_timeout	BOOLEAN		
TCV_T	INTEGER		to hold Tx-integer chosen randomly
TCV_chdescr_arfcn	INTEGER		ARFCN carrier of actual cell.
TCV_asscmd_ts	BITSTRING		Time slot for channel description in assignment cmd.
TCV_ts	BITSTRING		Time slot for channel description in handover cmd.
TCV_ia_ts	BITSTRING		Time slot for channel description in immediate assignment
TCV_tchcarrier	INTEGER		TCH carrier of actual cell.
TCV_tsc	TSC		To hold the default training sequence used during the entire TC.
TCV_Td	OCTETSTRING		to hold timing difference
TCV_Time	INTEGER		to hold the measured value of T310 or T305 or T308
TCV_TimingAdv	TA		To hold multiple TimingAdv used in one TC
TCV_TimingAdviei	TA		To hold multiple TimingAdv wit iei value used in one TC
TCV_TI	TI		to hold the transaction ID for MO calls in sending evets
TCV_TI0	TI		to hold the transaction ID for MO calls in receiving evets
TCV_TI1	TI		to hold the transaction ID
TCV_TI2	TI		to hold the transaction ID
TCV_TI3	TI		to hold the transaction ID
TCV_tmp	INTEGER		temporary integer variable
TCV_Tx	BITSTRING		to hold Tx bitstring
TCV_S	INTEGER		to hold the S parameter
TCV_Upd	BOOLEAN		to hold the information whether the MS is updated or not,.
TCV_UssdString	IA5String		String for USS Data
TCV_UssdString1	IA5String		String for USS Data
TCV_UssdString2	IA5String		String for USS Data
TCV_InvkId	OCTETSTRING		to hold SS transaction ID
TCV_InvkId0	OCTETSTRING		to hold SS transaction ID
TCV_InvkId1	OCTETSTRING		to hold SS transaction ID
TCV_Comp	Components		to hold SS Components
TCV_Strt	STRT		to hold starting time
TCV_CBch	LOGICCH	"dummy"	Cell Broadcast channel
TCV_Tpmr	MR		TP message reference
TCV_TPOA1	BCDN		TP originating address digits
TCV_TPOA2	BCDN		TP originating address digits
TCV_TPDA	BCDN		TP destination address digits
TCV_RPOA_MT	BCDN		RP originating address digits for MT short messages
TCV_RPOA_MO	BCDN		RP originating address digits for MO short messages
TCV_RPOA1	BCDN		RP originating address digits for MT short messages
TCV_RPOA2	BCDN		RP originating address digits for MT short messages
TCV_RPDA_MT	BCDN		RP destination address digits for MT short messages
TCV_RPDA_MO	BCDN		RP destination address digits for MO short messages
TCV_SMTpeM	INTEGER		Replace short message type

TCV_SMTtypeN	INTEGER		Replace short message type
TCV_SMcntns	OCTETSTRING		short message contents
TCV_SMSCBpack	SMSCBpack		CB message contents
TCV_freq	FRQPARA		to hold Freq type constraints
Detailed Comments:			

PCO declarations

PCO Declarations			
PCO Name	Type	Role	Comments
L	SAP0_3	LT	
Detailed Comments:			
1. The PCO consists of multiple SAPs: the SAP0 and SAP3. 2. The lower tester (LT) is the user of the data link layer service. 3. The SAP0 at the lower tester controlling and observing the exchange of CC, MM, RR and SS PDUs (messages) on the DCCH, SACCH and/or RACH, BCCH, CCCH channels. 4. The SAP3 at the lower tester controlling and observing the exchange of SMS PDUs (messages) on the DCCH or SACCH channels.			

Timer declarations

Timer Declarations			
Timer Name	Duration	Unit	Comments
T_dly		ms	general purpose delay timer
T_dly1		ms	general purpose delay timer
T_dly2		ms	general purpose delay timer
T_dlyAss	5000	ms	AssCmd timer, 1)
T_guard	300	s	guard timer
T_release	C_release_time	s	release timer
Detailed Comments:			
1) In order to give to the lower tester enough time to dequeue and to send out the call SETUP and the other call establishment related messages in the sending buffer before starting sending of ASSIGNMENT COMMAND message, the default value 5s is used in the test step AssCh_complete. In the test step AssCh_failure the timer value is set to 4s. For the TC_26_6_4_1, 600ms is used.			

ASP type definitions

TTCN ASP Type definitions

ASP Type Definition		
ASP Name:	DL_EstRq (DL_ESTABLISH_REQUEST)	
PCO Type:	SAP0_3	
Comments:	The ASP is used to request the establishment of multiple frame operation (L3 -> L2). The normal establishment procedure is initiated.	
Parameter Name	Parameter Type	Comments
sapi	SAPID	
logic_ch	LOGICCH	
establish_mode	EstMode	
Detailed Comments:		

ASP Type Definition		
ASP Name:	DL_EstIn (DL_ESTABLISH_INDICATION)	
PCO Type:	SAP0_3	
Comments:	The ASP is used to indicate the establishment of multiple frame operation (L2 -> L3). The normal establishment procedure has been initiated.	
Parameter Name	Parameter Type	Comments
sapi	SAPID	
logic_ch	LOGICCH	
establish_mode	EstMode	
fn	FN	
Detailed Comments:		

ASP Type Definition		
ASP Name:	DL_EstInCmsRq (DL_ESTABLISH_INDICATION_CM_SERVICE_REQUEST)	
PCO Type:	SAP0_3	
Comments:	The ASP is used to indicate the establishment of multiple frame operation due to the receipt of the MM CM SERVICE REQUEST message (L2 -> L3). The contention resolution establishment procedure has been initiated.	
Parameter Name	Parameter Type	Comments
sapi	SAPID	
logic_ch	LOGICCH	
establish_mode	EstMode	
msg	CMS_RQ_PDU	
fn	FN	
Detailed Comments:		

ASP Type Definition		
ASP Name:	DL_EstInLupRq (DL_ESTABLISH_INDICATION_LOCATION_UPDATING_REQUEST)	
PCO Type:	SAP0_3	
Comments:	The ASP is used to indicate the establishment of multiple frame operation due to the receipt of the MM LOCATION UPDATING REQUEST message (L2 -> L3). The contention resolution establishment procedure has been initiated.	
Parameter Name	Parameter Type	Comments
sapi	SAPID	
logic_ch	LOGICCH	
establish_mode	EstMode	
msg	LUP_RQ_PDU	
fn	FN	
Detailed Comments:		

ASP Type Definition		
ASP Name:	DL_EstInImSidIn (DL_ESTABLISH_INDICATION_IMSI_DETACH_INDICATION)	
PCO Type:	SAP0_3	
Comments:	The ASP is used to indicate the establishment of multiple frame operation due to the receipt of the MM IMSI DETACH INDICATION message (L2 -> L3). The contention resolution establishment procedure has been initiated.	
Parameter Name	Parameter Type	Comments
sapi	SAPID	
logic_ch	LOGICCH	
establish_mode	EstMode	
msg	IMSID_IN_PDU	
fn	FN	
Detailed Comments:		

ASP Type Definition		
ASP Name:	DL_EstnPgRes (DL_ESTABLISH_INDICATION_PAGING_RESPONSE)	
PCO Type:	SAP0_3	
Comments:	The ASP is used to indicate the establishment of multiple frame operation due to the receipt of the RR PAGING RESPONSE message (L2 -> L3). The contention resolution establishment procedure has been initiated.	
Parameter Name	Parameter Type	Comments
sapi	SAPID	
logic_ch	LOGICCH	
establish_mode	EstMode	
msg	PG_RES_PDU	
fn	FN	
Detailed Comments:		

ASP Type Definition		
ASP Name:	DL_EstnCmreRq (DL_ESTABLISH_INDICATION_CM_REESTABLISHMENT_REQUEST)	
PCO Type:	SAP0_3	
Comments:	The ASP is used to indicate the establishment of multiple frame operation due to the receipt of the MM CM REESTABLISHMENT REQUEST message (L2 -> L3). The contention resolution establishment procedure has been initiated.	
Parameter Name	Parameter Type	Comments
sapi	SAPID	
logic_ch	LOGICCH	
establish_mode	EstMode	
msg	CMRE_RQ_PDU	
fn	FN	
Detailed Comments:		

ASP Type Definition		
ASP Name:	DL_EstCo (DL_ESTABLISH_CONFIRM)	
PCO Type:	SAP0_3	
Comments:	The ASP is used by the L2 to inform the L3 about the establishment of multiple frame link (L2 -> L3).	
Parameter Name	Parameter Type	Comments
sapi	SAPID	
logic_ch	LOGICCH	
establish_mode	EstMode	
Detailed Comments:		

ASP Type Definition		
ASP Name:	DL_RelIn (DL_RELEASE_INDICATION)	
PCO Type:	SAP0_3	
Comments:	The ASP is used to indicate the termination of an established multiple frame operation or to report an unsuccessful establishment attempt (L2 -> L3).	
Parameter Name	Parameter Type	Comments
sapi	SAPID	
logic_ch	LOGICCH	
release_mode	RelMode	
outstanding_indicator	BOOLEAN	
fn	FN	
Detailed Comments:	The outstanding indicator indicates whether or not there are outstanding acknowledgements or unsolved DL_DATA_REQUEST primitives.	

ASP Type Definition		
ASP Name:	DL_RacInChRq (DL_RANDOM_ACCESS_INDICATION_CHANNEL_REQUEST)	
PCO Type:	SAP0_3	
Comments:	The ASP is used to indicate the arrival of an RR CHANNEL REQUEST message (L2 -> L3).	
Parameter Name	Parameter Type	Comments
sapi	SAPID	
logic_ch	LOGICCH	
fn	FN	
msg	CH_RQ_PDU	
Detailed Comments:		

ASP Type Definition		
ASP Name:	DL_RacInHoacc (DL_RADOM_ACCESS_INDICATION_HANDOVER_ACCESS)	
PCO Type:	SAP0_3	
Comments:	The ASP is used to indicate the arrival of an RR HANDOVER ACCESS message (L2 -> L3).	
Parameter Name	Parameter Type	Comments
sapi	SAPID	
logic_ch	LOGICCH	
msg	HOACC_PDU	
fn	FN	
Detailed Comments:		

ASP Type Definition		
ASP Name:	DL_UdatRqImmass (DL_UNIT_DATA_REQUEST_IMMEDIATE_ASSIGNMENT)	
PCO Type:	SAP0_3	
Comments:	The ASP is used to request the transmission of the RR IMMEDIATE ASSIGNMENT message using unacknowledged operation (L3 -> L2).	
Parameter Name	Parameter Type	Comments
sapi	SAPID	
logic_ch	LOGICCH	
msg	IMMASS_PDU	
Detailed Comments:		

ASP Type Definition		
ASP Name:	DL_UdatRqImmass_sp (DL_UNIT_DATA_REQUEST_IMMEDIATE_ASSIGNMENT)	
PCO Type:	SAP0_3	
Comments:	The ASP is used to request the transmission of the RR IMMEDIATE ASSIGNMENT message using unacknowledged operation (L3 -> L2) on the MS paging channel.	
Parameter Name	Parameter Type	Comments
sapi	SAPID	
logic_ch	LOGICCH	
pgg	PGG	
msg	IMMASS_PDU	
Detailed Comments:		

ASP Type Definition		
ASP Name:	DL_UdatRqImmassx (DL_UNIT_DATA_REQUEST_IMMEDIATE_ASSIGNMENT_EXTENDED)	
PCO Type:	SAP0_3	
Comments:	The ASP is used to request the transmission of the RR IMMEDIATE ASSIGNMENT EXTENDED message using unacknowledged operation (L3 -> L2).	
Parameter Name	Parameter Type	Comments
sapi	SAPID	
logic_ch	LOGICCH	
msg	IMMASSX_PDU	
Detailed Comments:		

ASP Type Definition		
ASP Name:	DL_UdatRqImmassx_sp (DL_UNIT_DATA_REQUEST_IMMEDIATE_ASSIGNMENT_EXTENDED)	
PCO Type:	SAP0_3	
Comments:	The ASP is used to request the transmission of the RR IMMEDIATE ASSIGNMENT EXTENDED message using unacknowledged operation (L3 -> L2) on the MS paging channel.	
Parameter Name	Parameter Type	Comments
sapi	SAPID	
logic_ch	LOGICCH	
pgg	PGG	
msg	IMMASSX_PDU	
Detailed Comments:		

ASP Type Definition		
ASP Name:	DL_UdatRqImmassRej (DL_UNIT_DATA_REQUEST_IMMEDIATE_ASSIGNMENT_REJECT)	
PCO Type:	SAP0_3	
Comments:	The ASP is used to request the transmission of the RR IMMEDIATE ASSIGNMENT REJECT message using unacknowledged operation (L3 -> L2).	
Parameter Name	Parameter Type	Comments
sapi	SAPID	
logic_ch	LOGICCH	
msg	IMMASS_REJ_PDU	
Detailed Comments:		

ASP Type Definition		
ASP Name:	DL_UdatRqImmassRej_sp (DL_UNIT_DATA_REQUEST_IMMEDIATE_ASSIGNMENT_REJECT)	
PCO Type:	SAP0_3	
Comments:	The ASP is used to request the transmission of the RR IMMEDIATE ASSIGNMENT REJECT message using unacknowledged operation (L3 -> L2) on the MS paging channel.	
Parameter Name	Parameter Type	Comments
sapi	SAPID	
logic_ch	LOGICCH	
pgg	PGG	
msg	IMMASS_REJ_PDU	
Detailed Comments:		

ASP Type Definition		
ASP Name:	DL_UdatInMsrRpt (DL_DATA_INDICATION_MEASUREMENT_REPORT)	
PCO Type:	SAP0_3	
Comments:	The ASP is used to indicate the receipt of the RR MEASUREMENT REPORT message using unacknowledged operation (L2 -> L3).	
Parameter Name	Parameter Type	Comments
sapi	SAPID	
logic_ch	LOGICCH	
msg	MSR_RPT_PDU	
fn	FN	
Detailed Comments: The ASPs are continuously received during the testing.		

ASP Type Definition		
ASP Name:	DL_UdatRqSMSCBData (DL_UNIT_DATA_REQUEST_SMSCB_DATA)	
PCO Type:	SAP0_3	
Comments:	The ASP is used to request the transmission of the SMSCB data using unacknowledged operation (L3 -> L2).	
Parameter Name	Parameter Type	Comments
sapi	SAPID	
logic_ch	LOGICCH	
msg	SMSCB_PDU	
Detailed Comments:		

ASP Type Definition		
ASP Name:	DL_UdatRqPg1Rq (DL_UNIT_DATA_REQUEST_PAGING_REQUEST_TYPE1)	
PCO Type:	SAP0_3	
Comments:	The ASP is used to request the transmission of the RR PAGING REQUEST TYPE 1 message using unacknowledged operation (L3 -> L2).	
Parameter Name	Parameter Type	Comments
sapi	SAPID	
logic_ch	LOGICCH	
pgg	PGG	
msg	PG1_RQ_PDU	
Detailed Comments:		

ASP Type Definition		
ASP Name:	DL_UdatRqPg2Rq (DL_UNIT_DATA_REQUEST_PAGING_REQUEST_TYPE2)	
PCO Type:	SAP0_3	
Comments:	The ASP is used to request the transmission of the RR PAGING REQUEST TYPE 2 message using unacknowledged operation (L3 -> L2).	
Parameter Name	Parameter Type	Comments
sapi	SAPID	
logic_ch	LOGICCH	
pgg	PGG	
msg	PG2_RQ_PDU	
Detailed Comments:		

ASP Type Definition		
ASP Name:	DL_UdatRqPg3Rq (DL_UNIT_DATA_REQUEST_PAGING_REQUEST_TYPE3)	
PCO Type:	SAP0_3	
Comments:	The ASP is used to request the transmission of the RR PAGING REQUEST TYPE 3 message using unacknowledged operation (L3 -> L2).	
Parameter Name	Parameter Type	Comments
sapi	SAPID	
logic_ch	LOGICCH	
pgg	PGG	
msg	PG3_RQ_PDU	
Detailed Comments:		

ASP Type Definition		
ASP Name:	DL_UdatRqSchinfo (DL_UNIT_DATA_REQUEST_SYNCHRONIZATION_CHANNEL_INFORMATION)	
PCO Type:	SAP0_3	
Comments:	The ASP is used to request the transmission of the RR SYNCHRONIZATION CHANNEL INFORMATION message using unacknowledged operation (L3 -> L2).	
Parameter Name	Parameter Type	Comments
sapi	SAPID	
logic_ch	LOGICCH	
msg	SCHINFO_PDU	
Detailed Comments:		

ASP Type Definition		
ASP Name:	DL_UdatRqSysinfo1 (DL_UNIT_DATA_REQUEST_SYSTEM_INFORMATION_TYPE1)	
PCO Type:	SAP0_3	
Comments:	The ASP is used to request the transmission of the RR SYSTEM INFORMATION TYPE 1 message using unacknowledged operation (L3 -> L2).	
Parameter Name	Parameter Type	Comments
sapi	SAPID	
logic_ch	LOGICCH	
msg	SYSINFO1_PDU	
Detailed Comments:		

ASP Type Definition		
ASP Name:	DL_UdatRqSysinfo1_nh (DL_UNIT_DATA_REQUEST_SYSTEM_INFORMATION_TYPE1)	
PCO Type:	SAP0_3	
Comments:	The ASP is used to request the transmission of the RR SYSTEM INFORMATION TYPE 3 message in case of non hopping	
Parameter Name	Parameter Type	Comments
sapi	SAPID	
logic_ch	LOGICCH	
msg	SYSINFO3_PDU	
Detailed Comments:		

ASP Type Definition		
ASP Name:	DL_UdatRqSysinfo2 (DL_UNIT_DATA_REQUEST_SYSTEM_INFORMATION_TYPE2)	
PCO Type:	SAP0_3	
Comments:	The ASP is used to request the transmission of the RR SYSTEM INFORMATION TYPE 2 message using unacknowledged operation (L3 -> L2).	
Parameter Name	Parameter Type	Comments
sapi	SAPID	
logic_ch	LOGICCH	
msg	SYSINFO2_PDU	
Detailed Comments:		

ASP Type Definition		
ASP Name:	DL_UdatRqSysinfo2bis (DL_UNIT_DATA_REQUEST_SYSTEM_INFORMATION_TYPE2bis)	
PCO Type:	SAP0_3	
Comments:	The ASP is used to request the transmission of the RR SYSTEM INFORMATION TYPE 2bis message using unacknowledged operation (L3 -> L2).	
Parameter Name	Parameter Type	Comments
sapi	SAPID	
logic_ch	LOGICCH	
msg	SYSINFO2bis_PDU	
Detailed Comments:		

ASP Type Definition		
ASP Name:	DL_UdatRqSysinfo3 (DL_UNIT_DATA_REQUEST_SYSTEM_INFORMATION_TYPE3)	
PCO Type:	SAP0_3	
Comments:	The ASP is used to request the transmission of the RR SYSTEM INFORMATION TYPE 3 message using unacknowledged operation (L3 -> L2).	
Parameter Name	Parameter Type	Comments
sapi	SAPID	
logic_ch	LOGICCH	
msg	SYSINFO3_PDU	
Detailed Comments:		

ASP Type Definition		
ASP Name:	DL_UdatRqSysinfo4 (DL_UNIT_DATA_REQUEST_SYSTEM_INFORMATION_TYPE4)	
PCO Type:	SAP0_3	
Comments:	The ASP is used to request the transmission of the RR SYSTEM INFORMATION TYPE 4 message using unacknowledged operation (L3 -> L2).	
Parameter Name	Parameter Type	Comments
sapi	SAPID	
logic_ch	LOGICCH	
msg	SYSINFO4_PDU	
Detailed Comments:		

ASP Type Definition		
ASP Name:	DL_UdatRqSysinfo5 (DL_UNIT_DATA_REQUEST_SYSTEM_INFORMATION_TYPE5)	
PCO Type:	SAP0_3	
Comments:	The ASP is used to request the transmission of the RR SYSTEM INFORMATION TYPE 5 message using unacknowledged operation (L3 -> L2).	
Parameter Name	Parameter Type	Comments
sapi	SAPID	
logic_ch	LOGICCH	
msg	SYSINFO5_PDU	
Detailed Comments:		

ASP Type Definition		
ASP Name:	DL_UdatRqSysinfo5bis (DL_UNIT_DATA_REQUEST_SYSTEM_INFORMATION_TYPE5bis)	
PCO Type:	SAP0_3	
Comments:	The ASP is used to request the transmission of the RR SYSTEM INFORMATION TYPE 5bis message using unacknowledged operation (L3 -> L2).	
Parameter Name	Parameter Type	Comments
sapi	SAPID	
logic_ch	LOGICCH	
msg	SYSINFO5bis_PDU	
Detailed Comments:		

ASP Type Definition		
ASP Name:	DL_UdatRqSysinfo6 (DL_UNIT_DATA_REQUEST_SYSTEM_INFORMATION_TYPE6)	
PCO Type:	SAP0_3	
Comments:	The ASP is used to request the transmission of the RR SYSTEM INFORMATION TYPE 6 message using unacknowledged operation (L3 -> L2).	
Parameter Name	Parameter Type	Comments
sapi	SAPID	
logic_ch	LOGICCH	
msg	SYSINFO6_PDU	
Detailed Comments:		

ASP Type Definition		
ASP Name:	DL_UdatInCImChn (DL_UdatINDICATION_CLASSMARK_CHANGE)	
PCO Type:	SAP0_3	
Comments:	The ASP is used to indicate the receipt of the RR CLASSMARK CHANGE message using unacknowledged operation (L2 -> L3).	
Parameter Name	Parameter Type	Comments
sapi	SAPID	
logic_ch	LOGICCH	
msg	CLM_CHN_PDU	
fn	FN	
Detailed Comments:		

ASP Type Definition		
ASP Name:	DL_DatRqAssCmd (DL_DATA_REQUEST_ASSIGNMENT_COMMAND)	
PCO Type:	SAP0_3	
Comments:	The ASP is used to request the transmission of the RR ASSIGNMENT COMMAND message using acknowledged operation (L3 -> L2).	
Parameter Name	Parameter Type	Comments
sapi	SAPID	
logic_ch	LOGICCH	
msg	ASS_CMD_PDU	
Detailed Comments:		

ASP Type Definition		
ASP Name:	DL_DatInAssCom (DL_DATA_INDICATION_ASSIGNMENT_COMPLETE)	
PCO Type:	SAP0_3	
Comments:	The ASP is used to indicate the receipt of the RR ASSIGNMENT COMPLETE message using acknowledged operation (L2 -> L3).	
Parameter Name	Parameter Type	Comments
sapi	SAPID	
logic_ch	LOGICCH	
msg	ASS_COM_PDU	
fn	FN	
Detailed Comments:	The ASP is a result of the ASP DL_RESUME_REQUEST of the SUT sending the ASSIGNMENT COMPLETE message.	

ASP Type Definition		
ASP Name:	DL_DatInAssfl (DL_DATA_INDICATION_ASSIGNMENT_FAILURE)	
PCO Type:	SAP0_3	
Comments:	The ASP is used to indicate the receipt of the RR ASSIGNMENT FAILURE message using acknowledged operation (L2 -> L3).	
Parameter Name	Parameter Type	Comments
sapi	SAPID	
logic_ch	LOGICCH	
msg	ASSFL_PDU	
fn	FN	
Detailed Comments:	The ASP is a result of the ASP DL_RECONNECT_REQUEST of the SUT sending the ASSIGNMEN FAILURE message.	

ASP Type Definition		
ASP Name:	DL_DatInCmsRq (DL_DATA_INDICATION_CM_SERVICE_REQUEST)	
PCO Type:	SAP0_3	
Comments:	The ASP is used to indicate the receipt of the MM CM SERVICE REQUEST message (L2 -> L3).	
Parameter Name	Parameter Type	Comments
sapi	SAPID	
logic_ch	LOGICCH	
msg	CMS_RQ_PDU	
fn	FN	
Detailed Comments:		

ASP Type Definition		
ASP Name:	DL_DatRqChmmo (DL_DATA_REQUEST_CHANNEL_MODE_MODIFY)	
PCO Type:	SAP0_3	
Comments:	The ASP is used to request the transmission of the RR CHANNEL MODE MODIFY message using acknowledged operation (L3 -> L2).	
Parameter Name	Parameter Type	Comments
sapi	SAPID	
logic_ch	LOGICCH	
msg	CHMMO_PDU	
Detailed Comments:		

ASP Type Definition		
ASP Name:	DL_DatInChmmoAck (DL_DATA_INDICATION_CHANNEL_MODE_MODIFY_ACKNOWLEDGE)	
PCO Type:	SAP0_3	
Comments:	The ASP is used to indicate the receipt of the RR CHANNEL MODE MODIFY ACKNOWLEDGE message using acknowledged operation (L2 -> L3).	
Parameter Name	Parameter Type	Comments
sapi	SAPID	
logic_ch	LOGICCH	
msg	CHMMO_ACK_PDU	
fn	FN	
Detailed Comments:		

ASP Type Definition		
ASP Name:	DL_DatRqChRel (DL_DATA_REQUEST_CHANNEL_RELEASE)	
PCO Type:	SAP0_3	
Comments:	The ASP is used to request the transmission of the RR CHANNEL_RELEASE message using acknowledged operation (L3 -> L2).	
Parameter Name	Parameter Type	Comments
sapi	SAPID	
logic_ch	LOGICCH	
msg	CH_REL_PDU	
Detailed Comments:		

ASP Type Definition		
ASP Name:	DL_DatRqChRelErr (DL_DATA_REQUEST_CHANNEL_RELEASE_ERROR)	
PCO Type:	SAP0_3	
Comments:	The ASP is used to request the transmission of the RR CHANNEL_RELEASE message using acknowledged operation (L3 -> L2).	
Parameter Name	Parameter Type	Comments
sapi	SAPID	
logic_ch	LOGICCH	
msg	CH_REL_PDU_ERR	
Detailed Comments:		

ASP Type Definition		
ASP Name:	DL_DatRqCphmCmd (DL_DATA_REQUEST_CIPHERING_MODE_COMMAND)	
PCO Type:	SAP0_3	
Comments:	The ASP is used to request the transmission of the RR CIPHERING_MODE_COMMAND message using acknowledged operation (L3 -> L2).	
Parameter Name	Parameter Type	Comments
sapi	SAPID	
logic_ch	LOGICCH	
msg	CPHM_CMD_PDU	
Detailed Comments:		

ASP Type Definition		
ASP Name:	DL_DatRqCphmCmdErr (DL_DATA_REQUEST_CIPHERING_MODE_COMMAND_ERROR)	
PCO Type:	SAP0_3	
Comments:	The ASP is used to request the transmission of the invalid RR CIPHERING_MODE_COMMAND message using acknowledged operation (L3 -> L2).	
Parameter Name	Parameter Type	Comments
sapi	SAPID	
logic_ch	LOGICCH	
msg	CPHM_CMD_PDU_ERR	
Detailed Comments:		

ASP Type Definition		
ASP Name:	DL_DatInCphmCom (DL_DATA_INDICATION_CIPHERING_MODE_COMPLETE)	
PCO Type:	SAP0_3	
Comments:	The ASP is used to indicate the receipt of the RR CIPHERING MODE COMPLETE message using acknowledged operation (L2 -> L3).	
Parameter Name	Parameter Type	Comments
sapi	SAPID	
logic_ch	LOGICCH	
msg	CPHM_COM_PDU	
fn	FN	
Detailed Comments:		

ASP Type Definition		
ASP Name:	DL_DatInClmChn (DL_DAT_INDICATION_CLASSMARK_CHANGE)	
PCO Type:	SAP0_3	
Comments:	The ASP is used to indicate the receipt of the RR CLASSMARK CHANGE message using acknowledged operation (L2 -> L3).	
Parameter Name	Parameter Type	Comments
sapi	SAPID	
logic_ch	LOGICCH	
msg	CLM_CHN_PDU	
fn	FN	
Detailed Comments:		

ASP Type Definition		
ASP Name:	DL_DatRqCImEnq (DL_DATA_REQUEST_CLASSMARK_ENQUIRY)	
PCO Type:	SAP0_3	
Comments:	The ASP is used to request the transmission of the RR CLASSMARK ENQUIRY message using acknowledged operation (L3 -> L2).	
Parameter Name	Parameter Type	Comments
sapi	SAPID	
logic_ch	LOGICCH	
msg	CLM_ENQ_PDU	
Detailed Comments:		

ASP Type Definition		
ASP Name:	DL_DatRqFrqre (DL_DATA_REQUEST_FREQUENCY_REDEFINITION)	
PCO Type:	SAP0_3	
Comments:	The ASP is used to request the transmission of the RR FREQUENCY REDEFINITION message using acknowledged operation (L3 -> L2).	
Parameter Name	Parameter Type	Comments
sapi	SAPID	
logic_ch	LOGICCH	
msg	FRQRE_PDU	
Detailed Comments:		

ASP Type Definition		
ASP Name:	DL_DatRqHoCmd (DL_DATA_REQUEST_HANDOVER_COMMAND)	
PCO Type:	SAP0_3	
Comments:	The ASP is used to request the transmission of the RR HANDOVER COMMAND message using acknowledged operation (L3 -> L2).	
Parameter Name	Parameter Type	Comments
sapi	SAPID	
logic_ch	LOGICCH	
msg	HO_CMD_PDU	
Detailed Comments:		

ASP Type Definition		
ASP Name:	DL_DatInHoCom (DL_DATA_INDICATION_HANDOVER_COMPLETE)	
PCO Type:	SAP0_3	
Comments:	The ASP is used to indicate the receipt of the RR HANDOVER COMPLETE message using acknowledged operation (L2 -> L3).	
Parameter Name	Parameter Type	Comments
sapi	SAPID	
logic_ch	LOGICCH	
msg	HO_COM_PDU	
fn	FN	
Detailed Comments:	The ASP is a result of the ASP DL_RESUME_REQUEST of the SUT sending the HANDOVER COMPLETE message.	

ASP Type Definition		
ASP Name:	DL_DatInHofl (DL_DATA_INDICATION_HANDOVER_FAILURE)	
PCO Type:	SAP0_3	
Comments:	The ASP is used to indicate the receipt of the RR HANDOVER FAILURE message using acknowledged operation (L2 -> L3).	
Parameter Name	Parameter Type	Comments
sapi	SAPID	
logic_ch	LOGICCH	
msg	HOFL_PDU	
fn	FN	
Detailed Comments:	The ASP is a result of the ASP DL_RECONNECT_REQUEST of the SUT sending the HANDOVER FAILURE message.	

ASP Type Definition		
ASP Name:	DL_DatRqPhyinfo (DL_DATA_REQUEST_PHYSICAL_INFORMATION)	
PCO Type:	SAP0_3	
Comments:	The ASP is used to request the transmission of the RR PHYSICAL INFORMATION message using acknowledged operation (L3 -> L2).	
Parameter Name	Parameter Type	Comments
sapi	SAPID	
logic_ch	LOGICCH	
msg	PHYINFO_PDU	
Detailed Comments:		

ASP Type Definition		
ASP Name:	DL_DatInRrst (DL_DATA_INDICATION_RR_STATUS)	
PCO Type:	SAP0_3	
Comments:	The ASP is used to indicate the receipt of the RR STATUS message using acknowledged operation (L2 -> L3).	
Parameter Name	Parameter Type	Comments
sapi	SAPID	
logic_ch	LOGICCH	
msg	RRST_PDU	
fn	FN	
Detailed Comments:		

ASP Type Definition		
ASP Name:	DL_DatRqAuthRej (DL_DATA_REQUEST_AUTHENTICATION_REJECT)	
PCO Type:	SAP0_3	
Comments:	The ASP is used to request the transmission of the MM AUTHENTICATION REJECT message using acknowledged operation (L3 -> L2).	
Parameter Name	Parameter Type	Comments
sapi	SAPID	
logic_ch	LOGICCH	
msg	AUTH_REJ_PDU	
Detailed Comments:		

ASP Type Definition		
ASP Name:	DL_DatRqAuthRq (DL_DATA_REQUEST_AUTHENTICATION_REQUEST)	
PCO Type:	SAP0_3	
Comments:	The ASP is used to request the transmission of the MM AUTHENTICATION REQUEST message using acknowledged operation (L3 -> L2).	
Parameter Name	Parameter Type	Comments
sapi	SAPID	
logic_ch	LOGICCH	
msg	AUTH_RQ_PDU	
Detailed Comments:		

ASP Type Definition		
ASP Name:	DL_DatInAuthRes (DL_DATA_INDICATION_AUTHENTICATION_RESPONSE)	
PCO Type:	SAP0_3	
Comments:	The ASP is used to indicate the receipt of the MM AUTHENTICATION RESPONSE message using acknowledged operation (L2 -> L3).	
Parameter Name	Parameter Type	Comments
sapi	SAPID	
logic_ch	LOGICCH	
msg	AUTH_RES_PDU	
fn	FN	
Detailed Comments:		

ASP Type Definition		
ASP Name:	DL_DatRqCmsAcp (DL_DATA_REQUEST_CM_SERVICE_ACCEPT)	
PCO Type:	SAP0_3	
Comments:	The ASP is used to request the transmission of the MM CM SERVICE ACCEPT message using acknowledged operation (L3 -> L2).	
Parameter Name	Parameter Type	Comments
sapi	SAPID	
logic_ch	LOGICCH	
msg	CMS_ACP_PDU	
Detailed Comments:		

ASP Type Definition		
ASP Name:	DL_DatRqCmsRej (DL_DATA_REQUEST_CM_SERVICE_REJECT)	
PCO Type:	SAP0_3	
Comments:	The ASP is used to request the transmission of the MM CM SERVICE REJECT message using acknowledged operation (L3 -> L2).	
Parameter Name	Parameter Type	Comments
sapi	SAPID	
logic_ch	LOGICCH	
msg	CMS_REJ_PDU	
Detailed Comments:		

ASP Type Definition		
ASP Name:	DL_DatRqAbrt (DL_DATA_REQUEST_ABORT)	
PCO Type:	SAP0_3	
Comments:	The ASP is used to request the transmission of the MM ABORT message using acknowledged operation (L3 -> L2).	
Parameter Name	Parameter Type	Comments
sapi	SAPID	
logic_ch	LOGICCH	
msg	ABRT_PDU	
Detailed Comments:		

ASP Type Definition		
ASP Name:	DL_DatRqIdRq (DL_DATA_REQUEST_IDENTITY_REQUEST)	
PCO Type:	SAP0_3	
Comments:	The ASP is used to request the transmission of the MM IDENTITY REQUEST message using acknowledged operation (L3 -> L2).	
Parameter Name	Parameter Type	Comments
sapi	SAPID	
logic_ch	LOGICCH	
msg	ID_RQ_PDU	
Detailed Comments:		

ASP Type Definition		
ASP Name:	DL_DatInIdRes (DL_DATA_INDICATION_IDENTIFY_RESPONSE)	
PCO Type:	SAP0_3	
Comments:	The ASP is used to indicate the receipt of the MM IDENTITY RESPONSE message using acknowledged operation (L2 -> L3).	
Parameter Name	Parameter Type	Comments
sapi	SAPID	
logic_ch	LOGICCH	
msg	ID_RES_PDU	
fn	FN	
Detailed Comments:		

ASP Type Definition		
ASP Name:	DL_DatRqLupAcp (DL_DATA_REQUEST_LOCATION_UPDATING_ACCEPT)	
PCO Type:	SAP0_3	
Comments:	The ASP is used to request the transmission of the MM LOCATION UPDATING ACCEPT message using acknowledged operation (L3 -> L2).	
Parameter Name	Parameter Type	Comments
sapi	SAPID	
logic_ch	LOGICCH	
msg	LUP_ACP_PDU	
Detailed Comments:		

ASP Type Definition		
ASP Name:	DL_DatRqLupAcpErr (DL_DATA_REQUEST_LOCATION_UPDATING_ACCEPT_ERR)	
PCO Type:	SAP0_3	
Comments:	The ASP is used to request the transmission of the MM LOCATION UPDATING ACCEPT message using acknowledged operation (L3 -> L2).	
Parameter Name	Parameter Type	Comments
sapi	SAPID	
logic_ch	LOGICCH	
msg	LUP_ACP_PDU_ERR	
Detailed Comments:		

ASP Type Definition		
ASP Name:	DL_DatRqLupRej (DL_DATA_REQUEST_LOCATION_UPDATING_REJECT)	
PCO Type:	SAP0_3	
Comments:	The ASP is used to request the transmission of the MM LOCATION UPDATING REJECT message using acknowledged operation (L3 -> L2).	
Parameter Name	Parameter Type	Comments
sapi	SAPID	
logic_ch	LOGICCH	
msg	LUP_REJ_PDU	
Detailed Comments:		

ASP Type Definition		
ASP Name:	DL_DatInMmst (DL_DATA_INDICATION_MM_STATUS)	
PCO Type:	SAP0_3	
Comments:	The ASP is used to indicate the receipt of the MM STATUS message using acknowledged operation (L2 -> L3).	
Parameter Name	Parameter Type	Comments
sapi	SAPID	
logic_ch	LOGICCH	
msg	MMST_PDU	
fn	FN	
Detailed Comments:		

ASP Type Definition		
ASP Name:	DL_DatRqTmsireCmd (DL_DATA_REQUEST_TMSI_REALLOCATION_COMMAND)	
PCO Type:	SAP0_3	
Comments:	The ASP is used to request the transmission of the MM TMSI REALLOCATION COMMAND message using acknowledged operation (L3 -> L2).	
Parameter Name	Parameter Type	Comments
sapi	SAPID	
logic_ch	LOGICCH	
msg	TMSIRE_CMD_PDU	
Detailed Comments:		

ASP Type Definition		
ASP Name:	DL_DatInTmsireCom (DL_DATA_INDICATION_TMSI_REALLOCATION_COMPLETE)	
PCO Type:	SAP0_3	
Comments:	The ASP is used to indicate the receipt of the MM TMSI REALLOCATION COMPLETE message using acknowledged operation (L2 -> L3).	
Parameter Name	Parameter Type	Comments
sapi	SAPID	
logic_ch	LOGICCH	
msg	TMSIRE_COM_PDU	
fn	FN	
Detailed Comments:		

ASP Type Definition		
ASP Name:	DL_DatRqAlert (DL_DATA_REQUEST_ALERTING)	
PCO Type:	SAP0_3	
Comments:	The ASP is used to request the transmission of the CC ALERTING message using acknowledged operation (L3 -> L2).	
Parameter Name	Parameter Type	Comments
sapi	SAPID	
logic_ch	LOGICCH	
msg	ALERT_PDU	
Detailed Comments:		

ASP Type Definition		
ASP Name:	DL_DatInAlert (DL_DATA_INDICATION_ALERTING)	
PCO Type:	SAP0_3	
Comments:	The ASP is used to indicate the receipt of the CC ALERTING message using acknowledged operation (L2 -> L3).	
Parameter Name	Parameter Type	Comments
sapi	SAPID	
logic_ch	LOGICCH	
msg	ALERT_PDU	
fn	FN	
Detailed Comments:		

ASP Type Definition		
ASP Name:	DL_DatInCallCo (DL_DATA_INDICATION_CALL_CONFIRMED)	
PCO Type:	SAP0_3	
Comments:	The ASP is used to indicate the receipt of the CC CALL CONFIRMED message using acknowledged operation (L2 -> L3).	
Parameter Name	Parameter Type	Comments
sapi	SAPID	
logic_ch	LOGICCH	
msg	CALL_CO_PDU	
fn	FN	
Detailed Comments:		

ASP Type Definition		
ASP Name:	DL_DatRqCallProc (DL_DATA_REQUEST_CALL_PROCEEDING)	
PCO Type:	SAP0_3	
Comments:	The ASP is used to request the transmission of the CC CALL PROCEEDING message using acknowledged operation (L3 -> L2).	
Parameter Name	Parameter Type	Comments
sapi	SAPID	
logic_ch	LOGICCH	
msg	CALL_PROC_PDU	
Detailed Comments:		

ASP Type Definition		
ASP Name:	DL_DatRqConn (DL_DATA_REQUEST_CONNECT)	
PCO Type:	SAP0_3	
Comments:	The ASP is used to request the transmission of the CC CONNECT message using acknowledged operation (L3 -> L2).	
Parameter Name	Parameter Type	Comments
sapi	SAPID	
logic_ch	LOGICCH	
msg	CONN_PDU	
Detailed Comments:		

ASP Type Definition		
ASP Name:	DL_DatRqConnErr (DL_DATA_REQUEST_CONNECT_ERR)	
PCO Type:	SAP0_3	
Comments:	The ASP is used to request the transmission of the CC CONNECT message using acknowledged operation (L3 -> L2).	
Parameter Name	Parameter Type	Comments
sapi	SAPID	
logic_ch	LOGICCH	
msg	CONN_PDU_ERR	
Detailed Comments:		

ASP Type Definition		
ASP Name:	DL_DatInConn (DL_DATA_INDICATION_CONNECT)	
PCO Type:	SAP0_3	
Comments:	The ASP is used to indicate the receipt of the CC CONNECT message using acknowledged operation (L2 -> L3).	
Parameter Name	Parameter Type	Comments
sapi	SAPID	
logic_ch	LOGICCH	
msg	CONN_PDU	
fn	FN	
Detailed Comments:		

ASP Type Definition		
ASP Name:	DL_DatRqConnAck (DL_DATA_REQUEST_CONNECT_ACKNOWLEDGE)	
PCO Type:	SAP0_3	
Comments:	The ASP is used to request the transmission of the CC CONNECT ACKNOWLEDGE message using acknowledged operation (L3 -> L2).	
Parameter Name	Parameter Type	Comments
sapi	SAPID	
logic_ch	LOGICCH	
msg	CONN_ACK_PDU	
Detailed Comments:		

ASP Type Definition		
ASP Name:	DL_DatInConnAck (DL_DATA_INDICATION_CONNECT_ACKNOWLEDGE)	
PCO Type:	SAP0_3	
Comments:	The ASP is used to indicate the reception of the CC CONNECT ACKNOWLEDGE message using acknowledged operation (L2 -> L3).	
Parameter Name	Parameter Type	Comments
sapi	SAPID	
logic_ch	LOGICCH	
msg	CONN_ACK_PDU	
fn	FN	
Detailed Comments:		

ASP Type Definition		
ASP Name:	DL_DatRqDisc (DL_DATA_REQUEST_DISCONNECT)	
PCO Type:	SAP0_3	
Comments:	The ASP is used to request the transmission of the CC DISCONNECT message using acknowledged operation (L3 -> L2).	
Parameter Name	Parameter Type	Comments
sapi	SAPID	
logic_ch	LOGICCH	
msg	DISC_PDU	
Detailed Comments:		

ASP Type Definition		
ASP Name:	DL_DatRqDiscErr (DL_DATA_REQUEST_DISCONNECT_ERR)	
PCO Type:	SAP0_3	
Comments:	The ASP is used to request the transmission of the CC DISCONNECT message using acknowledged operation (L3 -> L2).	
Parameter Name	Parameter Type	Comments
sapi	SAPID	
logic_ch	LOGICCH	
msg	DISC_PDU_ERR	
Detailed Comments:		

ASP Type Definition		
ASP Name:	DL_DatInDisc (DL_DATA_INDICATION_DISCONNECT)	
PCO Type:	SAP0_3	
Comments:	The ASP is used to indicate the receipt of the CC DISCONNECT message using acknowledged operation (L2 -> L3).	
Parameter Name	Parameter Type	Comments
sapi	SAPID	
logic_ch	LOGICCH	
msg	DISC_PDU	
fn	FN	
Detailed Comments:		

ASP Type Definition		
ASP Name:	DL_DatInESetup (DL_DATA_INDICATION_EMERGENCY_SETUP)	
PCO Type:	SAP0_3	
Comments:	The ASP is used to indicate the receipt of the CC EMERGENCY_SETUP message using acknowledged operation (L2 -> L3).	
Parameter Name	Parameter Type	Comments
sapi	SAPID	
logic_ch	LOGICCH	
msg	ESETUP_PDU	
fn	FN	
Detailed Comments:		

ASP Type Definition		
ASP Name:	DL_DatRqFac (DL_DATA_REQUEST_FACILITY)	
PCO Type:	SAP0_3	
Comments:	The ASP is used to request the transmission of the CC FACILITY message using acknowledged operation (L3 -> L2).	
Parameter Name	Parameter Type	Comments
sapi	SAPID	
logic_ch	LOGICCH	
msg	FAC_PDU	
Detailed Comments:		

ASP Type Definition		
ASP Name:	DL_DatInFac (DL_DATA_INDICATION_FACILITY)	
PCO Type:	SAP0_3	
Comments:	The ASP is used to indicate the receipt of the CC FACILITY message using acknowledged operation (L2 -> L3).	
Parameter Name	Parameter Type	Comments
sapi	SAPID	
logic_ch	LOGICCH	
msg	FAC_PDU	
fn	FN	
Detailed Comments:		

ASP Type Definition		
ASP Name:	DL_DatInHold (DL_DATA_INDICATION_HOLD)	
PCO Type:	SAP0_3	
Comments:	The ASP is used to indicate the receipt of the CC HOLD message using acknowledged operation (L2 -> L3).	
Parameter Name	Parameter Type	Comments
sapi	SAPID	
logic_ch	LOGICCH	
msg	HOLD_PDU	
fn	FN	
Detailed Comments:		

ASP Type Definition		
ASP Name:	DL_DatRqHoldAck (DL_DATA_REQUEST_HOLD_ACKNOWLEDGE)	
PCO Type:	SAP0_3	
Comments:	The ASP is used to request the transmission of the CC HOLD ACKNOWLEDGE message using acknowledged operation (L3 -> L2).	
Parameter Name	Parameter Type	Comments
sapi	SAPID	
logic_ch	LOGICCH	
msg	HOLD_ACK_PDU	
Detailed Comments:		

ASP Type Definition		
ASP Name:	DL_DatRqModify (DL_DATA_REQUEST_MODIFY)	
PCO Type:	SAP0_3	
Comments:	The ASP is used to request the transmission of the CC MODIFY message using acknowledged operation (L3 -> L2).	
Parameter Name	Parameter Type	Comments
sapi	SAPID	
logic_ch	LOGICCH	
msg	MODIFY_PDU	
Detailed Comments:		

ASP Type Definition		
ASP Name:	DL_DatInModify (DL_DATA_INDICATION_MODIFY)	
PCO Type:	SAP0_3	
Comments:	The ASP is used to indicate the receipt of the CC MODIFY message using acknowledged operation (L2 -> L3).	
Parameter Name	Parameter Type	Comments
sapi	SAPID	
logic_ch	LOGICCH	
msg	MODIFY_PDU	
fn	FN	
Detailed Comments:		

ASP Type Definition		
ASP Name:	DL_DatRqModifyCom (DL_DATA_REQUEST_MODIFY_COMPLETE)	
PCO Type:	SAP0_3	
Comments:	The ASP is used to request the transmission of the CC MODIFY COMPLETE message using acknowledged operation (L3 -> L2).	
Parameter Name	Parameter Type	Comments
sapi	SAPID	
logic_ch	LOGICCH	
msg	MODIFY_COM_PDU	
Detailed Comments:		

ASP Type Definition		
ASP Name:	DL_DatRqModifyRej (DL_DATA_REQUEST_MODIFY_REJECT)	
PCO Type:	SAP0_3	
Comments:	The ASP is used to request the transmission of the CC MODIFY REJECT message using acknowledged operation (L3 -> L2).	
Parameter Name	Parameter Type	Comments
sapi	SAPID	
logic_ch	LOGICCH	
msg	MODIFY_REJ_PDU	
Detailed Comments:		

ASP Type Definition		
ASP Name:	DL_DatInModifyRej (DL_DATA_INDICATION_MODIFY_REJECT)	
PCO Type:	SAP0_3	
Comments:	The ASP is used to indicate the receipt of the CC MODIFY REJECT message using acknowledged operation (L2 -> L3).	
Parameter Name	Parameter Type	Comments
sapi	SAPID	
logic_ch	LOGICCH	
msg	MODIFY_REJ_PDU	
fn	FN	
Detailed Comments:		

ASP Type Definition		
ASP Name:	DL_DatRqNotify (DL_DATA_REQUEST_NOTIFY)	
PCO Type:	SAP0_3	
Comments:	The ASP is used to request the transmission of the CC NOTIFY message using acknowledged operation (L3 -> L2).	
Parameter Name	Parameter Type	Comments
sapi	SAPID	
logic_ch	LOGICCH	
msg	NOTIFY_PDU	
Detailed Comments:		

ASP Type Definition		
ASP Name:	DL_DatRqProg (DL_DATA_REQUEST_PROGRESS)	
PCO Type:	SAP0_3	
Comments:	The ASP is used to request the transmission of the CC PROGRESS message using acknowledged operation (L3 -> L2).	
Parameter Name	Parameter Type	Comments
sapi	SAPID	
logic_ch	LOGICCH	
msg	PROG_PDU	
Detailed Comments:		

ASP Type Definition		
ASP Name:	DL_DatRqRegister (DL_DATA_REQUEST_REGISTER)	
PCO Type:	SAP0_3	
Comments:	The ASP is used to request the transmission of the SS REGISTER message using acknowledged operation (L3 -> L2).	
Parameter Name	Parameter Type	Comments
sapi	SAPID	
logic_ch	LOGICCH	
msg	REGISTER_PDU	
Detailed Comments:		

ASP Type Definition		
ASP Name:	DL_DatInRegister (DL_DATA_INDICATION_REGISTER)	
PCO Type:	SAP0_3	
Comments:	The ASP is used to receive the transmission of the SS REGISTER message using acknowledged operation.	
Parameter Name	Parameter Type	Comments
sapi	SAPID	
logic_ch	LOGICCH	
msg	REGISTER_PDU	
fn	FN	
Detailed Comments:		

ASP Type Definition		
ASP Name:	DL_DatRqRel (DL_DATA_REQUEST_RELEASE)	
PCO Type:	SAP0_3	
Comments:	The ASP is used to request the transmission of the CC RELEASE message using acknowledged operation (L3 -> L2).	
Parameter Name	Parameter Type	Comments
sapi	SAPID	
logic_ch	LOGICCH	
msg	REL_PDU	
Detailed Comments:		

ASP Type Definition		
ASP Name:	DL_DatInRel (DL_DATA_INDICATION_RELEASE)	
PCO Type:	SAP0_3	
Comments:	The ASP is used to indicate the receipt of the CC RELEASE message using acknowledged operation (L2 -> L3).	
Parameter Name	Parameter Type	Comments
sapi	SAPID	
logic_ch	LOGICCH	
msg	REL_PDU	
fn	FN	
Detailed Comments:		

ASP Type Definition		
ASP Name:	DL_DatRqRelCmp (DL_DATA_REQUEST_RELEASE_COMPLETE)	
PCO Type:	SAP0_3	
Comments:	The ASP is used to request the transmission of the CC RELEASE COMPLETE message using acknowledged operation (L3 -> L2).	
Parameter Name	Parameter Type	Comments
sapi	SAPID	
logic_ch	LOGICCH	
msg	REL_COM_PDU	
Detailed Comments:		

ASP Type Definition		
ASP Name:	DL_DatInRelCmp (DL_DATA_INDICATION_RELEASE_COMPLETE)	
PCO Type:	SAP0_3	
Comments:	The ASP is used to indicate the receipt of the CC RELEASE COMPLETE message using acknowledged operation (L2 -> L3).	
Parameter Name	Parameter Type	Comments
sapi	SAPID	
logic_ch	LOGICCH	
msg	REL_COM_PDU	
fn	FN	
Detailed Comments:		

ASP Type Definition		
ASP Name:	DL_DatRqSetup (DL_DATA_REQUEST_SETUP)	
PCO Type:	SAP0_3	
Comments:	The ASP is used to request the transmission of the CC SETUP message using acknowledged operation (L3 -> L2).	
Parameter Name	Parameter Type	Comments
sapi	SAPID	
logic_ch	LOGICCH	
msg	SETUP_MT_PDU	
Detailed Comments:		

ASP Type Definition		
ASP Name:	DL_DatInSetup (DL_DATA_INDICATION_SETUP)	
PCO Type:	SAP0_3	
Comments:	The ASP is used to indicate the receipt of the CC SETUP message using acknowledged operation (L2 -> L3).	
Parameter Name	Parameter Type	Comments
sapi	SAPID	
logic_ch	LOGICCH	
msg	SETUP_MO_PDU	
fn	FN	
Detailed Comments:		

ASP Type Definition		
ASP Name:	DL_DatInStartDtmf (DL_DATA_INDICATION_START_DTMF)	
PCO Type:	SAP0_3	
Comments:	The ASP is used to indicate the receipt of the CC START_DTMF message using acknowledged operation (L2 -> L3).	
Parameter Name	Parameter Type	Comments
sapi	SAPID	
logic_ch	LOGICCH	
msg	START_DTMF_PDU	
fn	FN	
Detailed Comments:		

ASP Type Definition		
ASP Name:	DL_DatRqStartDtmfAck (DL_DATA_REQUEST_START_DTMF_ACKNOWLEDGE)	
PCO Type:	SAP0_3	
Comments:	The ASP is used to request the transmission of the CC START DTMF ACKNOWLEDGE message using acknowledged operation (L3 -> L2).	
Parameter Name	Parameter Type	Comments
sapi	SAPID	
logic_ch	LOGICCH	
msg	START_DTMF_ACK_PDU	
Detailed Comments:		

ASP Type Definition		
ASP Name:	DL_DatRqStartDtmfRej (DL_DATA_REQUEST_START_DTMF_REJCT)	
PCO Type:	SAP0_3	
Comments:	The ASP is used to request the transmission of the CC START DTMF REJCT message using acknowledged operation (L3 -> L2).	
Parameter Name	Parameter Type	Comments
sapi	SAPID	
logic_ch	LOGICCH	
msg	START_DTMF_REJ_PDU	
Detailed Comments:		

ASP Type Definition		
ASP Name:	DL_DatInStopDtmf (DL_DATA_INDICATION_STOP_DTMF)	
PCO Type:	SAP0_3	
Comments:	The ASP is used to indicate the receipt of the CC STOP_DTMF message using acknowledged operation (L2 -> L3).	
Parameter Name	Parameter Type	Comments
sapi	SAPID	
logic_ch	LOGICCH	
msg	STOP_DTMF_PDU	
fn	FN	
Detailed Comments:		

ASP Type Definition		
ASP Name:	DL_DatRqStopDtmfAck (DL_DATA_REQUEST_STOP_DTMF_ACKNOWLEDGE)	
PCO Type:	SAP0_3	
Comments:	The ASP is used to request the transmission of the CC STOP DTMF ACKNOWLEDGE message using acknowledged operation (L3 -> L2).	
Parameter Name	Parameter Type	Comments
sapi	SAPID	
logic_ch	LOGICCH	
msg	STOP_DTMF_ACK_PDU	
Detailed Comments:		

ASP Type Definition		
ASP Name:	DL_DatRqCcst (DL_DATA_REQUEST_CC_STATUS)	
PCO Type:	SAP0_3	
Comments:	The ASP is used to request the transmission of the CC STATUS message using acknowledged operation (L3 -> L2).	
Parameter Name	Parameter Type	Comments
sapi	SAPID	
logic_ch	LOGICCH	
msg	CCST_PDU	
Detailed Comments:		

ASP Type Definition		
ASP Name:	DL_DatInCcst (DL_DATA_INDICATION_CC_STATUS)	
PCO Type:	SAP0_3	
Comments:	The ASP is used to indicate the receipt of the CC STATUS message using acknowledged operation (L2 -> L3).	
Parameter Name	Parameter Type	Comments
sapi	SAPID	
logic_ch	LOGICCH	
msg	CCST_PDU	
fn	FN	
Detailed Comments:		

ASP Type Definition		
ASP Name:	DL_DatRqCcstEnq (DL_DATA_REQUEST_CC_STATUS_ENQ)	
PCO Type:	SAP0_3	
Comments:	The ASP is used to request the transmission of the CC STATUS_ENQ message using acknowledged operation (L3 -> L2).	
Parameter Name	Parameter Type	Comments
sapi	SAPID	
logic_ch	LOGICCH	
msg	CCST_ENQ_PDU	
Detailed Comments:		

ASP Type Definition		
ASP Name:	DL_DatRqUndefCC (DL_DATA_REQUEST)	
PCO Type:	SAP0_3	
Comments:	The ASP is used to transmit any message using acknowledged operation (L3 -> L2).	
Parameter Name	Parameter Type	Comments
sapi	SAPID	
logic_ch	LOGICCH	
msg	CONN_PDU	
Detailed Comments:		

ASP Type Definition		
ASP Name:	DL_DatRqUndefMM (DL_DATA_REQUEST)	
PCO Type:	SAP0_3	
Comments:	The ASP is used to transmit any message using acknowledged operation (L3 -> L2).	
Parameter Name	Parameter Type	Comments
sapi	SAPID	
logic_ch	LOGICCH	
msg	ID_RES_PDU	
Detailed Comments:		

ASP Type Definition		
ASP Name:	DL_DatRqUndefRR (DL_DATA_REQUEST)	
PCO Type:	SAP0_3	
Comments:	The ASP is used to transmit any message using acknowledged operation (L3 -> L2).	
Parameter Name	Parameter Type	Comments
sapi	SAPID	
logic_ch	LOGICCH	
msg	PART_REL_PDU	
Detailed Comments:		

ASP Type Definition		
ASP Name:	DL_DatRqUnknown (DL_DATA_REQUEST)	
PCO Type:	SAP0_3	
Comments:	The ASP is used to transmit any message using acknowledged operation (L3 -> L2).	
Parameter Name	Parameter Type	Comments
sapi	SAPID	
logic_ch	LOGICCH	
msg	CCST_ENQ_PDU	
Detailed Comments:		

ASP Type Definition		
ASP Name:	DL_DatInCpData (DL_DATA_INDICATION_CP_DATA)	
PCO Type:	SAP0_3	
Comments:	The ASP is used to indicate the receipt of the SMS CP DATA message using acknowledged operation (L2 -> L3) for MT.	
Parameter Name	Parameter Type	Comments
sapi	SAPID	
logic_ch	LOGICCH	
msg	CP_DATA_PDU	
fn	FN	
Detailed Comments:		

ASP Type Definition		
ASP Name:	DL_DatRqCpData (DL_DATA_REQUEST_CP_DATA)	
PCO Type:	SAP0_3	
Comments:	The ASP is used to request the transmission of the SMS CP DATA message using acknowledged operation (L3 -> L2) for MO.	
Parameter Name	Parameter Type	Comments
sapi	SAPID	
logic_ch	LOGICCH	
msg	CP_DATA_PDU	
Detailed Comments:		

ASP Type Definition		
ASP Name:	DL_DatInCpDataAck (DL_DATA_INDICATION_CPDATA_ACKNOWLEDGE)	
PCO Type:	SAP0_3	
Comments:	The ASP is used to indicate the receipt of the SMS CP DATA message using acknowledged operation (L2 -> L3) .	
Parameter Name	Parameter Type	Comments
sapi	SAPID	
logic_ch	LOGICCH	
msg	CPDATA_ACK_PDU	
fn	FN	
Detailed Comments:		

ASP Type Definition		
ASP Name:	DL_DatRqCpDataAck (DL_DATA_REQUEST_CPDATA_ACKNOWLEDGE)	
PCO Type:	SAP0_3	
Comments:	The ASP is used to request the transmission of the CP DATA ACKNOWLEDGE message using acknowledged operation (L3 -> L2).	
Parameter Name	Parameter Type	Comments
sapi	SAPID	
logic_ch	LOGICCH	
msg	CPDATA_ACK_PDU	
Detailed Comments:		

ASP Type Definition		
ASP Name:	DL_DatRqCpError (DL_DATA_REQUEST_CP_ERROR)	
PCO Type:	SAP0_3	
Comments:	The ASP is used to request the transmission of the SMS CP ERROR message using acknowledged operation (L3 -> L2) for MO.	
Parameter Name	Parameter Type	Comments
sapi	SAPID	
logic_ch	LOGICCH	
msg	CPERR_PDU	
Detailed Comments:		

ASP Type Definition		
ASP Name:	MDL_ReIRq (MDL_RELEASE_REQUEST)	
PCO Type:	SAP0_3	
Comments:	The ASP is used to request the local end termination of a previous established acknowledged mode operation (L3 -> L2). The local end termination procedure is initiated.	
Parameter Name	Parameter Type	Comments
sapi	SAPID	
logic_ch	LOGICCH	
release_mode	RelMode	
Detailed Comments:		

PDU type definitions

TTCN PDU Type definitions

PDU Type Definition		
PDU Name:	ASS_CMD_PDU	
PCO Type:	SAP0_3	
Comments:	RR ASSSIGNMENT COMMAND n -> ms GSM 04.08, 9.1.2	
Field Name	Field Type	Comments
ski	SKI	
rrpd	PD	
mt	MT	
ch1d_at	CHD	
pcmd	PCMD	
frql_at	FRQL	
cchd	CCHD	
ch1mod	CHMOD	
ch2d_at	CHD	
ch2mod	CHMOD	
ma_at	MA	
strt	STRT	
frql_bt	FRQL	
ch1d_bt	CHD	
ch2d_bt	CHD	
frqchs_bt	FRQCHS	
ma_bt	MA	
cphms	CPHMS	
Detailed Comments:		

PDU Type Definition		
PDU Name:	ASS_COM_PDU	
PCO Type:	SAP0_3	
Comments:	RR ASSIGNMENT COMPLETE ms -> n GSM 04.08, 9.1.3	
Field Name	Field Type	Comments
ski	SKI	
rrpd	PD	
mt	MT	
rrcau	RRCAU	
Detailed Comments:		

PDU Type Definition		
PDU Name:	ASSFL_PDU	
PCO Type:	SAP0_3	
Comments:	RR ASSIGNMENT FAILURE ms -> n GSM 04.08, 9.1.4	
Field Name	Field Type	Comments
ski	SKI	
rrpd	PD	
mt	MT	
rrcau	RRCAU	
Detailed Comments:		

PDU Type Definition		
PDU Name:	CHMMO_PDU	
PCO Type:	SAP0_3	
Comments:	RR CHANNEL MODE MODIFY n -> ms GSM 04.08, 9.1.5	
Field Name	Field Type	Comments
ski	SKI	
rrpd	PD	
mt	MT	
chd	CHD	
chmod	CHMOD	
Detailed Comments:		

PDU Type Definition		
PDU Name:	CHMMO_ACK_PDU	
PCO Type:	SAP0_3	
Comments:	RR CHANNEL MODE MODIFY ACKNOWLEDGE ms -> n GSM 04.08, 9.1.6	
Field Name	Field Type	Comments
ski	SKI	
rrpd	PD	
mt	MT	
chd	CHD	
chmod	CHMOD	
Detailed Comments:		

PDU Type Definition		
PDU Name:	CH_REL_PDU	
PCO Type:	SAP0_3	
Comments:	RR CHANNEL RELEASE n -> ms GSM 04.08, 9.1.7	
Field Name	Field Type	Comments
ski	SKI	
rrpd	PD	
mt	MT	
rrcau	RRCAU	
Detailed Comments:		

PDU Type Definition		
PDU Name:	CH_REL_PDU_ERR	
PCO Type:	SAP0_3	
Comments:	RR CHANNEL RELEASE containing additional unknown IE n -> ms GSM 04.08, 9.1.7	
Field Name	Field Type	Comments
ski	SKI	
rrpd	PD	
mt	MT	
rrcau	RRCAU	
add	OCTETSTRING	
Detailed Comments:		

PDU Type Definition		
PDU Name:	CH_RQ_PDU	
PCO Type:	SAP0_3	
Comments:	RR CHANNEL REQUEST ms -> n GSM 04.08, 9.1.8	
Field Name	Field Type	Comments
ecau_rrf	BITSTRING [8]	
Detailed Comments:		

PDU Type Definition		
PDU Name:	CPHM_CMD_PDU	
PCO Type:	SAP0_3	
Comments:	RR CIPHERING MODE COMMAND n -> ms GSM 04.08, 9.1.9	
Field Name	Field Type	Comments
ski	SKI	
rrpd	PD	
mt	MT	
cph_res	CPH_RES	
cphms	CPHMS	
Detailed Comments:		

PDU Type Definition		
PDU Name:	CPHM_CMD_PDU_ERR	
PCO Type:	SAP0_3	
Comments:	RR CIPHERING MODE COMMAND with additional unknown IE GSM 04.08, 9.1.9	
Field Name	Field Type	Comments
ski	SKI	
rrpd	PD	
mt	MT	
cph_res	CPH_RES	
cphms	CPHMS	
add	OCTETSTRING	
Detailed Comments:		

PDU Type Definition		
PDU Name:	CPHM_COM_PDU	
PCO Type:	SAP0_3	
Comments:	RR CIPHERING MODE COMPLETE ms -> n GSM 04.08, 9.1.10	
Field Name	Field Type	Comments
ski	SKI	
rrpd	PD	
mt	MT	
mei	MI	
Detailed Comments:		

PDU Type Definition		
PDU Name:	CLM_CHN_PDU	
PCO Type:	SAP0_3	
Comments:	RR CLASSMARK CHANGE ms -> n GSM 04.08, 9.1.11	
Field Name	Field Type	Comments
ski	SKI	
rrpd	PD	
mt	MT	
msclm	MSCLM2	
msclm_adi	MSCLM3	
Detailed Comments:		

PDU Type Definition		
PDU Name:	CLM_ENQ_PDU	
PCO Type:	SAP0_3	
Comments:	RR CLASSMARK ENQUIRY n -> ms GSM 04.08, 9.1.12	
Field Name	Field Type	Comments
ski	SKI	
rrpd	PD	
mt	MT	
Detailed Comments:		

PDU Type Definition		
PDU Name:	FRQRE_PDU	
PCO Type:	SAP0_3	
Comments:	RR FREQUENCY REDEFINITIONY n -> ms GSM 04.08, 9.1.13	
Field Name	Field Type	Comments
ski	SKI	
rrpd	PD	
mt	MT	
chd	CHD	
ma	MA	
strt	STRT	
cchd	CCHD	
Detailed Comments:		

PDU Type Definition		
PDU Name:	HOACC_PDU	
PCO Type:	SAP0_3	
Comments:	RR HANDOVER ACCESS ms -> n GSM 04.08, 9.1.14	
Field Name	Field Type	Comments
horf	HORF	
Detailed Comments:		

PDU Type Definition		
PDU Name:	HO_CMD_PDU	
PCO Type:	SAP0_3	
Comments:	RR HANDOVER COMMAND n -> ms GSM 04.08, 9.1.15	
Field Name	Field Type	Comments
ski	SKI	
rrpd	PD	
mt	MT	
cd	CD	
ch1d_at	CHD	
horf	HORF	
pcmd	PCMD	
synchi	SYNCHI	
frqsl_at	FRQL	
frql_at	FRQL	
cchd	CCHD	
ch1mod	CHMOD	
ch2d_at	CHD	
ch2mod	CHMOD	
frqchs_at	FRQCHS	
ma_at	MA	
strt	STRT	
rtdif	TDIF	
ta	TA	
frqsl_bt	FRQL	
frql_bt	FRQL	
ch1d_bt	CHD	
ch2d_bt	CHD	
frqchs_bt	FRQCHS	
ma_bt	MA	
cphms	CPHMS	
Detailed Comments:		

PDU Type Definition		
PDU Name:	HO_COM_PDU	
PCO Type:	SAP0_3	
Comments:	RR HANDOVER COMPLETE ms -> n GSM 04.08, 9.1.16	
Field Name	Field Type	Comments
ski	SKI	
rrpd	PD	
mt	MT	
rrcau	RRCAU	
motdif	MTDIF	
Detailed Comments:		

PDU Type Definition		
PDU Name:	HOFL_PDU	
PCO Type:	SAP0_3	
Comments:	RR HANDOVER FAILURE ms -> n GSM 04.08, 9.1.17	
Field Name	Field Type	Comments
ski	SKI	
rrpd	PD	
mt	MT	
rrcau	RRCAU	
Detailed Comments:		

PDU Type Definition		
PDU Name:	IMMASS_PDU	
PCO Type:	SAP0_3	
Comments:	RR IMMEDIATE ASSIGNMENT n -> ms GSM 04.08, 9.1.18	
Field Name	Field Type	Comments
l2_pl	LENGTH	
ski	SKI	
rrpd	PD	
mt	MT	
shoct	SHOCT	
pm	PM	
chd	CHD	
rqr	RQR	
ta	TA	
ma	MA	
strt	STRT	
iaroct	IARESTOCT	
Detailed Comments: The message has a fixed length of 23 octets.		

PDU Type Definition		
PDU Name:	IMMASSX_PDU	
PCO Type:	SAP0_3	
Comments:	RR IMMEDIATE ASSIGNMENT n -> ms GSM 04.08, 9.1.19	
Field Name	Field Type	Comments
l2_pl	LENGTH	
ski	SKI	
rrpd	PD	
mt	MT	
shoct	SHOCT	
pm	PM	
chd1	CHD	
rqr1	RQR	
ta1	TA	
chd2	CHD	
rqr2	RQR	
ta2	TA	
ma	MA	
strt	STRT	
iaxroct	OCTETSTRING [1..4]	
Detailed Comments:	The message has a fixed length of 23 octets.	

PDU Type Definition		
PDU Name:	IMMASS_REJ_PDU	
PCO Type:	SAP0_3	
Comments:	RR IMMEDIATE REJECT n -> ms GSM 04.08, 9.1.20	
Field Name	Field Type	Comments
l2_pl	LENGTH	
ski	SKI	
rrpd	PD	
mt	MT	
shoct	SHOCT	
pm	PM	
rqr1	RQR	
wi1	WI	
rqr2	RQR	
wi2	WI	
rqr3	RQR	
wi3	WI	
rqr4	RQR	
wi4	WI	
iarroct	OCTETSTRING [3]	
Detailed Comments:	The message has a fixed length of 23 octets.	

PDU Type Definition		
PDU Name:	MSR_RPT_PDU	
PCO Type:	SAP0_3	
Comments:	RR MEASUREMENT REPORT ms -> n GSM 04.08, 9.1.21	
Field Name	Field Type	Comments
ski	SKI	
rrpd	PD	
mt	MT	
msrr	MSRR	
Detailed Comments:		

PDU Type Definition		
PDU Name:	PG1_RQ_PDU	
PCO Type:	SAP0_3	
Comments:	RR PAGING REQUEST_TYPE1 n -> ms GSM 04.08, 9.1.22	
Field Name	Field Type	Comments
l2_pl	LENGTH	
ski	SKI	
rrpd	PD	
mt	MT	
chn_m1_2	CHNEED	
pm	PM	
mi1	MI	
mi2	MI	
p1roct	OCTETSTRING [0..17]	
Detailed Comments:	The message has a fixed length of 23 octets.	

PDU Type Definition		
PDU Name:	PG2_RQ_PDU	
PCO Type:	SAP0_3	
Comments:	RR PAGING REQUEST TYPE2 n -> ms GSM 04.08, 9.1.23	
Field Name	Field Type	Comments
l2_pl	LENGTH	
ski	SKI	
rrpd	PD	
mt	MT	
chn_m1_2	CHNEED	
pm	PM	
mi1	TMSI	
mi2	TMSI	
mi3	MI	
p2roct	OCTETSTRING [1..11]	
Detailed Comments:	The message has a fixed length of 23 octets.	

PDU Type Definition		
PDU Name:	PG3_RQ_PDU	
PCO Type:	SAP0_3	
Comments:	RR PAGING REQUEST TYPE3 n -> ms GSM 04.08, 9.1.24	
Field Name	Field Type	Comments
l2_pl	LENGTH	
ski	SKI	
rrpd	PD	
mt	MT	
chn_m1_2	CHNEED	
pm	PM	
mi1	TMSI	
mi2	TMSI	
mi3	TMSI	
mi4	TMSI	
p3roct	OCTETSTRING [3]	
Detailed Comments:	The message has an L2 pseudo length of 19 octets and a total length of 23 octets.	

PDU Type Definition		
PDU Name:	PG_RES_PDU	
PCO Type:	SAP0_3	
Comments:	RR PAGING RESPONSE ms -> n GSM 04.08, 9.1.25	
Field Name	Field Type	Comments
ski	SKI	
rrpd	PD	
mt	MT	
shoct	SHOCT	
cphksn	CPHKS	
msclm	MSCLM2	
mi	MI	
Detailed Comments:		

PDU Type Definition		
PDU Name:	PART_REL_PDU	
PCO Type:	SAP0_3	
Comments:	RR PARTIAL RELEASE n -> ms GSM 04.08, 9.1.26	
Field Name	Field Type	Comments
ski	SKI	
rrpd	PD	
mt	MT	
chd	CHD	
Detailed Comments:		

PDU Type Definition		
PDU Name:	PHYINFO_PDU	
PCO Type:	SAP0_3	
Comments:	RR PHYSICAL INFORMATION n -> ms GSM 04.08 clause 9.1.28	
Field Name	Field Type	Comments
ski	SKI	
rrpd	PD	
mt	MT	
ta	TA	
Detailed Comments:		

PDU Type Definition		
PDU Name:	RRST_PDU	
PCO Type:	SAP0_3	
Comments:	RR STATUS n <-> ms GSM 04.08, 9.1.29	
Field Name	Field Type	Comments
ski	SKI	
rrpd	PD	
mt	MT	
rrcau	RRCAU	
Detailed Comments:		

PDU Type Definition		
PDU Name:	SCHINFO_PDU	
PCO Type:	SAP0_3	
Comments:	RR SYNCHRONIZATION CHANNEL INFORMATION n -> ms GSM 04.08, 9.1.30	
Field Name	Field Type	Comments
ncc	NCC	
bcc	BCC	
t1	T1	
t2	T2	
t3_	T3_	
Detailed Comments:	SCHINFO_PDU has a total length of 25 bits (GSM 04.04).	

PDU Type Definition		
PDU Name:	SYSINFO1_PDU	
PCO Type:	SAP0_3	
Comments:	RR SYSTEM INFORMATION TYPE1 n -> ms GSM 04.08, 9.1.31	
Field Name	Field Type	Comments
l2_pl	LENGTH	
ski	SKI	
rrpd	PD	
mt	MT	
cchd	CCHD	
rachcp	RACHCP	
si1roct	OCTETSTRING [1]	
Detailed Comments:	The message has an L2 pseudo length of 21 octets and a total length of 23 octets.	

PDU Type Definition		
PDU Name:	SYSINFO2_PDU	
PCO Type:	SAP0_3	
Comments:	RR SYSTEM INFORMATION TYPE2 n -> ms GSM 04.08, 9.1.32	
Field Name	Field Type	Comments
l2_pl	LENGTH	
ski	SKI	
rrpd	PD	
mt	MT	
bcchfl	NCD	
nccp	NCCP	
rachcp	RACHCP	
Detailed Comments:	The message has an L2 pseudo length of 22 octets and a total length of 23 octets.	

PDU Type Definition		
PDU Name:	SYSINFO2bis_PDU	
PCO Type:	SAP0_3	
Comments:	RR SYSTEM INFORMATION TYPE2bis or 2ter n -> ms GSM 04.08, 9.1.33, 9.1.33a	
Field Name	Field Type	Comments
l2_pl	LENGTH	
ski	SKI	
rrpd	PD	
mt	MT	
xbcchfl	NCD	
rachcp	RACHCP	
si2bisroct	OCTETSTRING [1..4]	
Detailed Comments:	This PDU type is used both for SYSINFO2bis, as well as for 2ter. The 2bis message has an L2 pseudo length of 21 octets and a total length of 23 octets. The 2ter message has an L2 pseudo length of 18 octets and a total length of 23 octets.	

PDU Type Definition		
PDU Name:	SYSINFO3_PDU	
PCO Type:	SAP0_3	
Comments:	RR SYSTEM INFORMATION TYPE3 n -> ms GSM 04.08, 9.1.34	
Field Name	Field Type	Comments
l2_pl	LENGTH	
ski	SKI	
rrpd	PD	
mt	MT	
ci	CI	
lai	LAI	
ccd	CCD	
co	CO	
csp	CSP	
rachcp	RACHCP	
si3roct	OCTETSTRING [4]	
Detailed Comments:	The message has an L2 pseudo length of 18 octets and a total length of 23 octets.	

PDU Type Definition		
PDU Name:	SYSINFO4_PDU	
PCO Type:	SAP0_3	
Comments:	RR SYSTEM INFORMATION TYPE4 n -> ms GSM 04.08, 9.1.35	
Field Name	Field Type	Comments
l2_pl	LENGTH	
ski	SKI	
rrpd	PD	
mt	MT	
lai	LAI	
csp	CSP	
rachcp	RACHCP	
cbchd	CHD	
cbchma	MA	
si4roct	OCTETSTRING [1..10]	
Detailed Comments:	The message has a total length of 23 octets.	

PDU Type Definition		
PDU Name:	SYSINFO5_PDU	
PCO Type:	SAP0_3	
Comments:	RR SYSTEM INFORMATION TYPE5 n -> ms GSM 04.08, 9.1.36	
Field Name	Field Type	Comments
ski	SKI	
rrpd	PD	
mt	MT	
bcchfl	NCD	
Detailed Comments:		

PDU Type Definition		
PDU Name:	SYSINFO5bis_PDU	
PCO Type:	SAP0_3	
Comments:	RR SYSTEM INFORMATION TYPE5bis n -> ms GSM 04.08, 9.1.37	
Field Name	Field Type	Comments
ski	SKI	
rrpd	PD	
mt	MT	
xbcchfl	NCD	
Detailed Comments: This message type is also used as SYSINFO5ter PDU.		

PDU Type Definition		
PDU Name:	SYSINFO6_PDU	
PCO Type:	SAP0_3	
Comments:	RR SYSTEM INFORMATION TYPE6 n -> ms GSM 04.08, 9.1.38	
Field Name	Field Type	Comments
ski	SKI	
rrpd	PD	
mt	MT	
ci	CI	
lai	LAI	
co	CO	
nccp	NCCP	
Detailed Comments:		

PDU Type Definition		
PDU Name:	ABRT_PDU	
PCO Type:	SAP0_3	
Comments:	MM ABORT n -> ms GSM 04.08, 9.2.8	
Field Name	Field Type	Comments
ski	SKI	
mmpd	PD	
mt	MT	
rejcau	REJCAU	
Detailed Comments:		

PDU Type Definition		
PDU Name:	AUTH_REJ_PDU	
PCO Type:	SAP0_3	
Comments:	MM AUTHENTICATION REJECT n -> ms GSM 04.08, 9.2.1	
Field Name	Field Type	Comments
ski	SKI	
mmpd	PD	
mt	MT	
Detailed Comments:		

PDU Type Definition		
PDU Name:	AUTH_RQ_PDU	
PCO Type:	SAP0_3	
Comments:	MM AUTHENTICATION REQUEST n -> ms GSM 04.08, 9.2.2	
Field Name	Field Type	Comments
ski	SKI	
mmpd	PD	
mt	MT	
shoct	SHOCT	
cphksn	CPHKSN	
rand	RAND	
Detailed Comments:		

PDU Type Definition		
PDU Name:	AUTH_RES_PDU	
PCO Type:	SAP0_3	
Comments:	MM AUTHENTICATION RESPONSE ms -> n GSM 04.08, 9.2.3	
Field Name	Field Type	Comments
ski	SKI	
mmpd	PD	
mt	MT	
sres	SRES	
Detailed Comments:		

PDU Type Definition		
PDU Name:	CMRE_RQ_PDU	
PCO Type:	SAP0_3	
Comments:	MM CM REESTABLISHMENT REQUEST ms -> n GSM 04.08, 9.2.4	
Field Name	Field Type	Comments
ski	SKI	
mmpd	PD	
mt	MT	
shoct	SHOCT	
cphksn	CPHKSN	
msclm	MSCLM2	
mi	MI	
lai	LAI	
Detailed Comments:		

PDU Type Definition		
PDU Name:	CMS_ACP_PDU	
PCO Type:	SAP0_3	
Comments:	MM CM SERVICE ACCEPT n -> ms GSM 04.08, 9.2.5	
Field Name	Field Type	Comments
ski	SKI	
mmpd	PD	
mt	MT	
Detailed Comments:		

PDU Type Definition		
PDU Name:	CMS_REJ_PDU	
PCO Type:	SAP0_3	
Comments:	MM CM SERVICE REJECT n -> ms GSM 04.08, 9.2.6	
Field Name	Field Type	Comments
ski	SKI	
mmpd	PD	
mt	MT	
mmcau	REJCAU	
Detailed Comments:		

PDU Type Definition		
PDU Name:	CMS_RQ_PDU	
PCO Type:	SAP0_3	
Comments:	MM CM SERVICE REQUEST ms -> n GSM 04.08, 9.2.9	
Field Name	Field Type	Comments
ski	SKI	
mmpd	PD	
mt	MT	
cphksn	CPHKSN	
svtype	CMSVTYPE	
msclm	MSCLM2	
mi	MI	
Detailed Comments:		

PDU Type Definition		
PDU Name:	ID_RQ_PDU	
PCO Type:	SAP0_3	
Comments:	MM IDENTITY REQUEST n -> ms GSM 04.08, 9.2.10	
Field Name	Field Type	Comments
ski	SKI	
mmpd	PD	
mt	MT	
shoct	SHOCT	
idtype	IDTYPE	
Detailed Comments:		

PDU Type Definition		
PDU Name:	ID_RES_PDU	
PCO Type:	SAP0_3	
Comments:	MM IDENTITY RESPONSE ms -> n GSM 04.08, 9.2.11	
Field Name	Field Type	Comments
ski	SKI	
mmpd	PD	
mt	MT	
mi	MI	
Detailed Comments:		

PDU Type Definition		
PDU Name:	IMSID_IN_PDU	
PCO Type:	SAP0_3	
Comments:	MM IMSI DETACH INDICATION ms -> n GSM 04.08, 9.2.12	
Field Name	Field Type	Comments
ski	SKI	
mmpd	PD	
mt	MT	
msclm	MSCLM1	
mi	MI	
Detailed Comments:		

PDU Type Definition		
PDU Name:	LUP_ACP_PDU	
PCO Type:	SAP0_3	
Comments:	MM LOCATION UPDATING ACCEPT n -> ms GSM 04.08, 9.2.13	
Field Name	Field Type	Comments
ski	SKI	
mmpd	PD	
mt	MT	
lai	LAI	
mi	MI	
fop	IEI_8	
Detailed Comments:		

PDU Type Definition		
PDU Name:	LUP_ACP_PDU_ERR	
PCO Type:	SAP0_3	
Comments:	MM LOCATION UPDATING ACCEPT n -> ms GSM 04.08, 9.2.13	
Field Name	Field Type	Comments
ski	SKI	
mmpd	PD	
mt	MT	
lai	LAI	
mi	MI	
dupmi	MI	
Detailed Comments:		

PDU Type Definition		
PDU Name:	LUP_REJ_PDU	
PCO Type:	SAP0_3	
Comments:	MM LOCATION UPDATING REJECT n -> ms GSM 04.08, 9.2.14	
Field Name	Field Type	Comments
ski	SKI	
mmpd	PD	
mt	MT	
rejcau	REJCAU	
Detailed Comments:		

PDU Type Definition		
PDU Name:	LUP_RQ_PDU	
PCO Type:	SAP0_3	
Comments:	MM LOCATION UPDATING REQUEST ms -> n GSM 04.08, 9.2.15	
Field Name	Field Type	Comments
ski	SKI	
mmpd	PD	
mt	MT	
cphksn	CPHKS	
lutype	LUT	
lai	LAI	
msclm	MSCLM1	
mi	MI	
Detailed Comments:		

PDU Type Definition		
PDU Name:	MMST_PDU	
PCO Type:	SAP0_3	
Comments:	MM STATUS n <-> ms GSM 04.08, 9.2.16	
Field Name	Field Type	Comments
ski	SKI	
mmpd	PD	
mt	MT	
rejcau	REJCAU	
Detailed Comments:		

PDU Type Definition		
PDU Name:	TMSIRE_CMD_PDU	
PCO Type:	SAP0_3	
Comments:	MM TMSI REALLOCATION COMMAND n -> ms GSM 04.08, 9.2.17	
Field Name	Field Type	Comments
ski	SKI	
mmpd	PD	
mt	MT	
lai	LAI	
mi	MI	
Detailed Comments:		

PDU Type Definition		
PDU Name:	TMSIRE_COM_PDU	
PCO Type:	SAP0_3	
Comments:	MM TMSI REALLOCATION COMPLETE ms -> n GSM 04.08, 9.2.18	
Field Name	Field Type	Comments
ski	SKI	
mmpd	PD	
mt	MT	
Detailed Comments:		

PDU Type Definition		
PDU Name:	ALERT_PDU	
PCO Type:	SAP0_3	
Comments:	CC ALERTING ms <-> n GSM 04.08, 9.3.1	
Field Name	Field Type	Comments
ti	TI	
ccpd	PD	
mt	MT	
fie	FIE	
pi	PI	
uu	UU	
ssvi	SSVI	
Detailed Comments:		

PDU Type Definition		
PDU Name:	CALL_CO_PDU	
PCO Type:	SAP0_3	
Comments:	CC CALL CONFIRMED ms -> n GSM 04.08, 9.3.2	
Field Name	Field Type	Comments
ti	TI	
ccpd	PD	
mt	MT	
bcri	RPI	
bcap1	BCAP	
bcap2	BCAP	
cau	CAU	
cccap	CCCAP	
Detailed Comments:		

PDU Type Definition		
PDU Name:	CALL_PROC_PDU	
PCO Type:	SAP0_3	
Comments:	CC CALL PROCEEDING n -> ms GSM 04.08, 9.3.3	
Field Name	Field Type	Comments
ti	TI	
ccpd	PD	
mt	MT	
bcri	RPI	
bcap1	BCAP	
bcap2	BCAP	
fie	FIE	
pi	PI	
Detailed Comments:		

PDU Type Definition		
PDU Name:	CONN_PDU	
PCO Type:	SAP0_3	
Comments:	CC CONNECT n <-> ms GSM 04.08, 9.3.5	
Field Name	Field Type	Comments
ti	TI	
ccpd	PD	
mt	MT	
fie	FIE	
pi	PI	
cnr	CNN	
cns	CNS	
uu	UU	
ssvi	SSVI	
Detailed Comments:		

PDU Type Definition		
PDU Name:	CONN_PDU_ERR	
PCO Type:	SAP0_3	
Comments:	CC CONNECT n <-> ms Used as invalid message	
Field Name	Field Type	Comments
ti	TI	
ccpd	PD	
mt	MT	
unknown	UNKWN	
Detailed Comments:		

PDU Type Definition		
PDU Name:	CONN_ACK_PDU	
PCO Type:	SAP0_3	
Comments:	CC CONNECT ACKNOWLEDGE ms <-> n GSM 04.08, 9.3.6	
Field Name	Field Type	Comments
ti	TI	
ccpd	PD	
mt	MT	
Detailed Comments:		

PDU Type Definition		
PDU Name:	DISC_PDU	
PCO Type:	SAP0_3	
Comments:	CC DISCONNECT ms <-> n (both directions) GSM 04.08, 9.3.7	
Field Name	Field Type	Comments
ti	TI	
ccpd	PD	
mt	MT	
cau	CAU	
fie	FIE	
pi	PI	
uu	UU	
ssvi	SSVI	
Detailed Comments:		

PDU Type Definition		
PDU Name: DISC_PDU_ERR		
PCO Type: SAP0_3		
Comments:		
Field Name	Field Type	Comments
ti	TI	
ccpd	PD	
mt	MT	
cau	CAU	
unknown	UNKWN	
Detailed Comments:		

PDU Type Definition		
PDU Name: ESETUP_PDU		
PCO Type: SAP0_3		
Comments: CC EMERGENCY SETUP ms -> n GSM 04.08, 9.3.8		
Field Name	Field Type	Comments
ti	TI	
ccpd	PD	
mt	MT	
bcap	BCAP	
Detailed Comments:		

PDU Type Definition		
PDU Name: FAC_PDU		
PCO Type: SAP0_3		
Comments: CC FACILITY n <-> ms GSM 04.08, 9.3.9		
Field Name	Field Type	Comments
ti	TI	
cc_sspd	PD	
mt	MT	
fie	FIE	
ssvi	SSVI	
Detailed Comments:		

PDU Type Definition		
PDU Name: HOLD_PDU		
PCO Type: SAP0_3		
Comments: CC HOLD ms -> n GSM 04.08, 9.3.10		
Field Name	Field Type	Comments
ti	TI	
ccpd	PD	
mt	MT	
Detailed Comments:		

PDU Type Definition		
PDU Name:	HOLD_ACK_PDU	
PCO Type:	SAP0_3	
Comments:	CC HOLD ACKNOWLEDGE n -> ms GSM 04.08, 9.3.11	
Field Name	Field Type	Comments
ti	TI	
ccpd	PD	
mt	MT	
Detailed Comments:		

PDU Type Definition		
PDU Name:	MODIFY_PDU	
PCO Type:	SAP0_3	
Comments:	CC MODIFY ms <-> n GSM 04.08, 9.3.13	
Field Name	Field Type	Comments
ti	TI	
ccpd	PD	
mt	MT	
bcap	BCAP	
llcmp	LLCMP	
hlcmp	HLCMP	
rcsd	RCSD	
Detailed Comments:		

PDU Type Definition		
PDU Name:	MODIFY_COM_PDU	
PCO Type:	SAP0_3	
Comments:	CC MODIFY COMPLETE ms <-> n GSM 04.08, 9.3.14	
Field Name	Field Type	Comments
ti	TI	
ccpd	PD	
mt	MT	
bcap	BCAP	
llcmp	LLCMP	
hlcmp	HLCMP	
rcsd	RCSD	
Detailed Comments:		

PDU Type Definition		
PDU Name:	MODIFY_REJ_PDU	
PCO Type:	SAP0_3	
Comments:	CC MODIFY REJECT ms <-> n GSM 04.08, 9.3.15	
Field Name	Field Type	Comments
ti	TI	
ccpd	PD	
mt	MT	
bcap	BCAP	
cau	CAU	
llcmp	LLCMP	
hlcmp	HLCMP	
Detailed Comments:		

PDU Type Definition		
PDU Name:	NOTIFY_PDU	
PCO Type:	SAP0_3	
Comments:	CC NOTIFY ms <-> n GSM 04.08, 9.3.16	
Field Name	Field Type	Comments
ti	TI	
ccpd	PD	
mt	MT	
nti	NTI	
Detailed Comments:		

PDU Type Definition		
PDU Name:	REGISTER_PDU	
PCO Type:	SAP0_3	
Comments:	SS REGISTER ms <-> n GSM 04.80, 2.4	
Field Name	Field Type	Comments
ti	TI	
sspd	PD	
mt	MT	
fie	FIE	
ssvi	SSVI	
Detailed Comments:		

PDU Type Definition		
PDU Name:	PROG_PDU	
PCO Type:	SAP0_3	
Comments:	CC PROGRESS n -> ms GSM 04.08, 9.3.17	
Field Name	Field Type	Comments
ti	TI	
ccpd	PD	
mt	MT	
pi	PI	
uu	UU	
Detailed Comments:		

PDU Type Definition		
PDU Name:	REL_PDU	
PCO Type:	SAP0_3	
Comments:	CC RELEASE n <-> ms GSM 04.08, 9.3.18	
Field Name	Field Type	Comments
ti	TI	
ccpd	PD	
mt	MT	
cau	CAU	
cau2	CAU	
fie	FIE	
uu	UU	
ssvi	SSVI	
Detailed Comments:		

PDU Type Definition		
PDU Name:	REL_COM_PDU	
PCO Type:	SAP0_3	
Comments:	CC or SS RELEASE COMPLETE n <-> ms GSM 04.08, 9.3.19; GSM 04.80, 2.5	
Field Name	Field Type	Comments
ti	TI	
cc_sspd	PD	
mt	MT	
cau	CAU	
fie	FIE	
uu	UU	
ssvi	SSVI	
Detailed Comments:		

PDU Type Definition		
PDU Name:	SETUP_MO_PDU	
PCO Type:	SAP0_3	
Comments:	CC SETUP n <- ms GSM 04.08, 9.3.23.2	
Field Name	Field Type	Comments
ti	TI	
ccpd	PD	
mt	MT	
bcri	RPI	
bcap1	BCAP	
bcap2	BCAP	
fie	FIE	
cgps	CGPS	
cdpn	CDPN	
cdps	CDPS	
llcri	RPI	
llcmp1	LLCMP	
llcmp2	LLCMP	
hlcri	RPI	
hlcmp1	HLCMP	
hlcmp2	HLCMP	
uu	UU	
ssvi	SSVI	
clirsup	CLRSUP	
clirinv	CLRINV	
cccacp	CCCAP	
Detailed Comments:		

PDU Type Definition		
PDU Name:	SETUP_MT_PDU	
PCO Type:	SAP0_3	
Comments:	CC SETUP n -> ms GSM 04.08, 9.3.23.1	
Field Name	Field Type	Comments
ti	TI	
ccpd	PD	
mt	MT	
bcri	RPI	
bcap1	BCAP	
bcap2	BCAP	
fie	FIE	
pi	PI	
sig	SIGNAL	
cgpn	CGPN	
cgps	CGPS	
cdpn	CDPN	
cdps	CDPS	
llcri	RPI	
llcmp1	LLCMP	
llcmp2	LLCMP	
hlcri	RPI	
hlcmp1	HLCMP	
hlcmp2	HLCMP	
uu	UU	
Detailed Comments:		

PDU Type Definition		
PDU Name:	SMSCB_PDU	
PCO Type:	SAP0_3	
Comments:	SMSCB message GSM 03.41, 9.3	
Field Name	Field Type	Comments
blocktype	BLOCKTYPE	
serial_number	SERIAL_NUMBER	
message_id	OCTETSTRING[2]	
dcs	TPDCS	
page_param	BITSTRING[8]	
message_contents	OCTETSTRING	
Detailed Comments:		

PDU Type Definition		
PDU Name:	START_DTMF_PDU	
PCO Type:	SAP0_3	
Comments:	CC START DTMF ms -> n GSM 04.08, 9.3.24	
Field Name	Field Type	Comments
ti	TI	
ccpd	PD	
mt	MT	
kpf	KPF	
Detailed Comments:		

PDU Type Definition		
PDU Name:	START_DTMF_ACK_PDU	
PCO Type:	SAP0_3	
Comments:	CC START DTMF ACKNOWLEDGE n -> ms GSM 04.08, 9.3.25	
Field Name	Field Type	Comments
ti	TI	
ccpd	PD	
mt	MT	
kpf	KPF	
Detailed Comments:		

PDU Type Definition		
PDU Name:	START_DTMF_REJ_PDU	
PCO Type:	SAP0_3	
Comments:	CC START DTMF REJECT n -> ms GSM 04.08, 9.3.26	
Field Name	Field Type	Comments
ti	TI	
ccpd	PD	
mt	MT	
cau	CAU	
Detailed Comments:		

PDU Type Definition		
PDU Name:	CCST_PDU	
PCO Type:	SAP0_3	
Comments:	CC STATUS n <-> ms GSM 04.08, 9.3.27	
Field Name	Field Type	Comments
ti	TI	
ccpd	PD	
mt	MT	
cau	CAU	
cst	CST	
acst	ACST	
Detailed Comments:		

PDU Type Definition		
PDU Name:	CCST_ENQ_PDU	
PCO Type:	SAP0_3	
Comments:	CC STATUS ENQUIRY ms <-> n GSM 04.08, 9.3.28	
Field Name	Field Type	Comments
ti	TI	
ccpd	PD	
mt	MT	
Detailed Comments:		

PDU Type Definition		
PDU Name:	STOP_DTMF_PDU	
PCO Type:	SAP0_3	
Comments:	CC STOP DTMF ms -> n GSM 04.08, 9.3.29	
Field Name	Field Type	Comments
ti	TI	
ccpd	PD	
mt	MT	
Detailed Comments:		

PDU Type Definition		
PDU Name:	STOP_DTMF_ACK_PDU	
PCO Type:	SAP0_3	
Comments:	CC STOP DTMF acknowledge n -> ms GSM 04.08, 9.3.30	
Field Name	Field Type	Comments
ti	TI	
ccpd	PD	
mt	MT	
Detailed Comments:		

PDU Type Definition		
PDU Name:	CP_DATA_PDU	
PCO Type:	SAP0_3	
Comments:	SMS CP DATA ms <-> n GSM 04.11, 7.2.1	
Field Name	Field Type	Comments
ti	TI	
smspd	PD	
mt	MT	
CPdata	CPDATA	
Detailed Comments: CPDATA contains RPDU - RP_ACK or RP_ERROR, either returning to the MS in case of MO, or reporting the outcome of a MT messaging attempt in case of MT .		

PDU Type Definition		
PDU Name:	CPDATA_ACK_PDU	
PCO Type:	SAP0_3	
Comments:	CP DATA ACKNOWLEDGE ms <-> n GSM 04.11, 7.2.2	
Field Name	Field Type	Comments
ti	TI	
smspd	PD	
mt	MT	
Detailed Comments:		

PDU Type Definition		
PDU Name:	CPERR_PDU	
PCO Type:	SAP0_3	
Comments:	CP_ERROR n <-> ms GSM 04.11, 7.2.3	
Field Name	Field Type	Comments
ti	TI	
smspd	PD	
mt	MT	
cp_cause	CP_CAU	
Detailed Comments:	CP_UDAT contains RPDU, RP_ACK or RP_ERROR, either returning to the MS in case of MO, or reporting the outcome of a MT messaging attempt in case of MT .	

Constraints Part

Test suite type constraint declarations

Structured type constraint declarations

Structured Type Constraint		
Constraint Name:	Bcap(itc1:B_3; strc1:B_2; nirr:B_1; ra1 :B_2; sacp:B_3; sb:B_1; nbsb, nbdb:B_1; ur1:B_4; ir1:B_2; parity:B_3; ce1:B_2; modemt1:B_5)	
Structured Type:	BCAP	
Derivation Path:		
Comments:	BS bearer capability for direction n->ms BS 21, .. 26, except BS23	
Element Name	Element Value	Comments
iei	'00000100'B	
iel	'07'O	
extb3	'1'B	
rchr	'01'B	
cs	'0'B	
tm	'0'B	
itc	itc1	
extb4	'1'B	
spb	'0'B	
strc	strc1	
dplxm	'1'B	
config	'0'B	
nirr	nirr	
est	'0'B	
extb5	'1'B	
accid	'00'B	
ra	ra1	
sacp	sacp	
extb6	'0'B	
l1id	'01'B	
uil1	'0000'B	
sb	sb	
extb6a	'0'B	
nsb	nbsb	
nb	'0'B	
ndb	nbdb	
ur	ur1	
extb6b	'0'B	
ir	ir1	
nictx	'0'B	
nicrx	'0'B	
pi	parity	
extb6c	'1'B	
ce	ce1	
modemt	modemt1	
extb7	OMIT	
l2id	OMIT	
uil2	OMIT	
Detailed Comments:		

Structured Type Constraint		
Constraint Name:	BcapX(itc1:B_3; strc1:B_2; nirr:B_1; ra1 :B_2; sacp:B_3; sb:B_1; nbsb, nbdb:B_1; ur1:B_4; ir1:B_2; parity:B_3; ce1:B_2; modemt1:B_5; flct:B_5)	
Structured Type:	BCAP	
Derivation Path:		
Comments:	BS bearer capability for direction n->ms BS 21, .. 26, except BS23	
Element Name	Element Value	Comments
iei	'0000100'B	
iel	'08'O	
extb3	'1'B	
rchr	'01'B	
cs	'0'B	
tm	'0'B	
itc	itc1	
extb4	'1'B	
spb	'0'B	
strc	strc1	
dplxm	'1'B	
config	'0'B	
nirr	nirr	
est	'0'B	
extb5	'1'B	
accid	'00'B	
ra	ra1	
sacp	sacp	
extb6	'0'B	
l1id	'01'B	
uil1	'0000'B	
sb	sb	
extb6a	'0'B	
nbsb	nbsb	
nb	'0'B	
ndb	nbdb	
ur	ur1	
extb6b	'0'B	
ir	ir1	
nictx	'0'B	
nicrx	'0'B	
pi	parity	
extb6c	'1'B	
ce	ce1	
modemt	modemt1	
extb7	'1'B	
l2id	'10'B	
uil2	flct	
Detailed Comments:		

Structured Type Constraint		
Constraint Name:	Bcap_01	
Structured Type:	BCAP	
Derivation Path:		
Comments:	speech bearer capability for direction n->ms	
Element Name	Element Value	Comments
iei	'00000100'B	
iel	'01'O	
extb3	'1'B	
rchr	'01'B	
cs	'0'B	
tm	'0'B	
itc	'000'B	
extb4	OMIT	
spb	OMIT	
strc	OMIT	
dplxm	OMIT	
config	OMIT	
nirr	OMIT	
est	OMIT	
extb5	OMIT	
accid	OMIT	
ra	OMIT	
sacp	OMIT	
extb6	OMIT	
l1id	OMIT	
uil1	OMIT	
sb	OMIT	
extb6a	OMIT	
nsb	OMIT	
nb	OMIT	
ndb	OMIT	
ur	OMIT	
extb6b	OMIT	
ir	OMIT	
nictx	OMIT	
nicrx	OMIT	
pi	OMIT	
extb6c	OMIT	
ce	OMIT	
modemt	OMIT	
extb7	OMIT	
l2id	OMIT	
uil2	OMIT	
Detailed Comments:		

Structured Type Constraint		
Constraint Name:	Bcap_02	
Structured Type:	BCAP	
Derivation Path:	Bcap_01.	
Comments:	invalid information element, length = 1, arbitrary contents.	
Element Name	Element Value	Comments
iei	OMIT	
iel	'01'O	
extb3	'1'B	
rchr	'11'B	
cs	'0'B	
tm	'1'B	
itc	'110'B	
Detailed Comments:		

Structured Type Constraint		
Constraint Name:	Bcap_Bs2(itc1:B_3; strc1, ra1 :B_2; ur1:B_4; ir1,ce1:B_2; modemt1:B_5)	
Structured Type:	BCAP	
Derivation Path:		
Comments:	BS bearer capability for direction n->ms BS 21, .. 26, except BS23	
Element Name	Element Value	Comments
iei	'00000100'B	
iel	'07'O	
extb3	'1'B	
rchr	'01'B	
cs	'0'B	
tm	'0'B	
itc	itc1	
extb4	'1'B	
spb	'0'B	
strc	strc1	
dplxm	'1'B	
config	'0'B	
nirr	'0'B	
est	'0'B	
extb5	'1'B	
accid	'00'B	
ra	ra1	
sacp	'001'B	
extb6	'0'B	
l1id	'01'B	
uil1	'0000'B	
sb	'1'B	
extb6a	'0'B	
nsb	'0'B	
nb	'0'B	
ndb	'1'B	
ur	ur1	
extb6b	'0'B	
ir	ir1	
nictx	'0'B	
nicrx	'0'B	
pi	'011'B	
extb6c	'1'B	
ce	ce1	
modemt	modemt1	
extb7	OMIT	
l2id	OMIT	
uil2	OMIT	
Detailed Comments:		

Structured Type Constraint		
Constraint Name:	Bcap_Bs3(itc1:B_3; strc1, ra1 :B_2; sacp1:B_3; ur1:B_4; ir1,ce1:B_2; modemt1:B_5)	
Structured Type:	BCAP	
Derivation Path:		
Comments:	BS bearer capability for direction n->ms BS 11, .. 34	
Element Name	Element Value	Comments
iei	'00000100'B	
iel	'07'O	
extb3	'1'B	
rchr	'01'B	
cs	'0'B	
tm	'0'B	
itc	itc1	
extb4	'1'B	
spb	'0'B	
strc	strc1	
dplxm	'1'B	
config	'0'B	
nirr	'0'B	
est	'0'B	
extb5	'1'B	
accid	'00'B	
ra	ra1	
sacp	sacp1	
extb6	'0'B	
l1id	'10'B	
uil1	'0000'B	
sb	'0'B	
extb6a	'0'B	
nsb	'0'B	
nb	'0'B	
ndb	'1'B	
ur	ur1	
extb6b	'0'B	
ir	ir1	
nictx	'0'B	
nicrx	'0'B	
pi	'011'B	
extb6c	'1'B	
ce	ce1	
modemt	modemt1	
extb7	OMIT	
l2id	OMIT	
uil2	OMIT	
Detailed Comments:		

Structured Type Constraint		
Constraint Name:	Bcap_Fax(strc1 :B_2; ur1:B_4; ir1,ce1:B_2)	
Structured Type:	BCAP	
Derivation Path:		
Comments:	BS bearer capability for direction n->ms Group3 facsimile	
Element Name	Element Value	Comments
iei	'00000100'B	
iel	'07'O	
extb3	'1'B	
rchr	'01'B	
cs	'0'B	
tm	'0'B	
itc	'011'B	
extb4	'1'B	
spb	'0'B	
strc	strc1	
dplxm	'1'B	
config	'0'B	
nirr	'0'B	
est	'0'B	
extb5	'1'B	
accid	'00'B	
ra	'00'B	
sacp	'001'B	
extb6	'0'B	
l1id	'10'B	
uil1	'0000'B	
sb	'0'B	
extb6a	'0'B	
nsb	'0'B	
nb	'0'B	
ndb	'1'B	
ur	ur1	
extb6b	'0'B	
ir	ir1	
nictx	'0'B	
nicrx	'0'B	
pi	'011'B	
extb6c	'1'B	
ce	ce1	
modemt	'00000'B	
extb7	OMIT	
l2id	OMIT	
uil2	OMIT	
Detailed Comments:		

Structured Type Constraint		
Constraint Name:	Bcap_Speech	
Structured Type:	BCAP	
Derivation Path:		
Comments:	speech bearer capability for direction n->ms	
Element Name	Element Value	Comments
iei	'00000100'B	
iel	'01'O	
extb3	'1'B	
rchr	'01'B	
cs	'0'B	
tm	'0'B	
itc	'000'B	
extb4	OMIT	
spb	OMIT	
strc	OMIT	
dplxm	OMIT	
config	OMIT	
nirr	OMIT	
est	OMIT	
extb5	OMIT	
accid	OMIT	
ra	OMIT	
sacp	OMIT	
extb6	OMIT	
l1id	OMIT	
uil1	OMIT	
sb	OMIT	
extb6a	OMIT	
nsb	OMIT	
nb	OMIT	
ndb	OMIT	
ur	OMIT	
extb6b	OMIT	
ir	OMIT	
nictx	OMIT	
nicrx	OMIT	
pi	OMIT	
extb6c	OMIT	
ce	OMIT	
modemt	OMIT	
extb7	OMIT	
l2id	OMIT	
uil2	OMIT	
Detailed Comments:		

Structured Type Constraint		
Constraint Name:	Bcap_Setup_B121_300_1	
Structured Type:	BCAP	
Derivation Path:		
Comments:	<p>To check a Bearer Capability IE of a Setup PDU acc. to table in clause B.1.2.1 of GSM 07.01 for the UR 300 Bits/s. This constraint corresponds to the combination:</p> <p>NDB: 7 bits NPB: any valid value.</p> <p>Since the path acc. to comment 2) in GSM 07.01, clause B.1.2.1, is not for Setup messages, the rate 300 Bit/s can only be achieved with IR 16 kbits/s and the path acc. to comment 1), which is for CE: NT or "both" only. So the path CE: T is discarded.</p> <p>ANY CHANGE IN THIS CONSTRAINT MUST BE MADE IN THE CORRESPONDING LOWER LAYER COMPATIBILITY CONSTRAINT ALSO!</p>	
Element Name	Element Value	Comments
iei	'0000100'B	
iel	('01'O, '02'O, '03'O, '04'O, '05'O, '06'O, '07'O, '08'O)	
extb3	'1'B	
rchr	('01'B, '10'B, '11'B)	
cs	'0'B	
tm	'0'B	
itc	'001'B	
extb4	'1'B	
spb	'0'B	
strc	'00'B	
dplxm	('0'B, '1'B)	
config	'0'B	
nirr	('0'B, '1'B)	
est	'0'B	
extb5	'1'B	
accid	'00'B	
ra	'01'B	
sacp	('001'B, '101'B)	
extb6	('0'B, '1'B)	
l1id	'01'B	
uil1	'0000'B	
sb	'1'B	
extb6a	('0'B, '1'B)	
nsb	('0'B, '1'B)	
nb	'0'B	
ndb	'0'B	
ur	'0001'B	
extb6b	('0'B, '1'B)	
ir	'11'B	
nictx	('0'B, '1'B)	
nicrx	('0'B, '1'B)	
pi	('000'B, '010'B, '011'B, '100'B, '101'B)	
extb6c	'1'B	
ce	('01'B, '10'B, '11'B)	
modemt	'00000'B	
extb7	'1'B	
l2id	'10'B	
uil2	'01000'B	
Detailed Comments:		

Structured Type Constraint		
Constraint Name:	Bcap_Setup_B121_300_2	
Structured Type:	BCAP	
Derivation Path:		
Comments:	<p>To check a Bearer Capability IE of a Setup PDU acc. to table in clause B.1.2.1 of GSM 07.01 for the UR 300 Bits/s. This constraint corresponds to the combination:</p> <p>NDB: 8 bits NPB: none</p> <p>Since the path acc. to comment 2) in GSM 07.01, clause B.1.2.1, is not for Setup messages, the rate 300 Bit/s can only be achieved with IR 16 kbits/s and the path acc. to comment 1), which is for CE: NT or "both" only. So the path CE: T is discarded.</p> <p>ANY CHANGE IN THIS CONSTRAINT MUST BE MADE IN THE CORRESPONDING LOWER LAYER COMPATIBILITY CONSTRAINT ALSO!</p>	
Element Name	Element Value	Comments
iei	'0000100'B	
iel	('01'O, '02'O, '03'O, '04'O, '05'O, '06'O, '07'O, '08'O)	
extb3	'1'B	
rchr	('01'B, '10'B, '11'B)	
cs	'0'B	
tm	'0'B	
itc	'001'B	
extb4	'1'B	
spb	'0'B	
strc	'00'B	
dplxm	('0'B, '1'B)	
config	'0'B	
nirr	('0'B, '1'B)	
est	'0'B	
extb5	'1'B	
accid	'00'B	
ra	'01'B	
sacp	('001'B, '101'B)	
extb6	('0'B, '1'B)	
l1id	'01'B	
uil1	'0000'B	
sb	'1'B	
extb6a	('0'B, '1'B)	
nsb	('0'B, '1'B)	
nb	'0'B	
ndb	'1'B	
ur	'0001'B	
extb6b	('0'B, '1'B)	
ir	'11'B	
nictx	('0'B, '1'B)	
nicrx	('0'B, '1'B)	
pi	'011'B	
extb6c	'1'B	
ce	('01'B, '10'B, '11'B)	
modemt	'00000'B	
extb7	'1'B	
l2id	'10'B	
uil2	'01000'B	
Detailed Comments:		

Structured Type Constraint		
Constraint Name:	Bcap_Setup_B121_1200_1	
Structured Type:	BCAP	
Derivation Path:		
Comments:	<p>To check a Bearer Capability IE of a Setup PDU acc. to table in clause B.1.2.1 of GSM 07.01 for the UR 1200 Bits/s. This constraint corresponds to the combination:</p> <p>NDB: 7 bits NPB: any valid value.</p> <p>Since the path acc. to comment 2) in GSM 07.01, clause B.1.2.1, is not for Setup messages, the rate 1200 Bit/s can only be achieved with IR 16 kbits/s and the path acc. to comment 1), which is for CE: NT or "both" only. So the path CE: T is discarded.</p> <p>ANY CHANGE IN THIS CONSTRAINT MUST BE MADE IN THE CORRESPONDING LOWER LAYER COMPATIBILITY CONSTRAINT ALSO!</p>	
Element Name	Element Value	Comments
iei	'00000100'B	
iel	('01'O, '02'O, '03'O, '04'O, '05'O, '06'O, '07'O, '08'O)	
extb3	'1'B	
rchr	('01'B, '10'B, '11'B)	
cs	'0'B	
tm	'0'B	
itc	'001'B	
extb4	'1'B	
spb	'0'B	
strc	'00'B	
dplxm	('0'B, '1'B)	
config	'0'B	
nirr	('0'B, '1'B)	
est	'0'B	
extb5	'1'B	
accid	'00'B	
ra	'01'B	
sacp	('001'B, '101'B)	
extb6	('0'B, '1'B)	
l1id	'01'B	
uil1	'0000'B	
sb	'1'B	
extb6a	('0'B, '1'B)	
nsb	('0'B, '1'B)	
nb	'0'B	
ndb	'0'B	
ur	'0010'B	
extb6b	('0'B, '1'B)	
ir	'11'B	
nictx	('0'B, '1'B)	
nicrx	('0'B, '1'B)	
pi	('000'B, '010'B, '011'B, '100'B, '101'B)	
extb6c	'1'B	
ce	('01'B, '10'B, '11'B)	
modemt	'00000'B	
extb7	'1'B	
l2id	'10'B	
uil2	'01000'B	
Detailed Comments:		

Structured Type Constraint		
Constraint Name:	Bcap_Setup_B121_1200_2	
Structured Type:	BCAP	
Derivation Path:		
Comments:	<p>To check a Bearer Capability IE of a Setup PDU acc. to table in clause B.1.2.1 of GSM 07.01 for the UR 1200 Bits/s. This constraint corresponds to the combination:</p> <p>NDB: 8 bits NPB: none</p> <p>Since the path acc. to comment 2) in GSM 07.01, clause B.1.2.1, is not for Setup messages, the rate 1200 Bit/s can only be achieved with IR 16 kbits/s and the path acc. to comment 1), which is for CE: NT or "both" only. So the path CE: T is discarded.</p> <p>ANY CHANGE IN THIS CONSTRAINT MUST BE MADE IN THE CORRESPONDING LOWER LAYER COMPATIBILITY CONSTRAINT ALSO!</p>	
Element Name	Element Value	Comments
iei	'0000100'B	
iel	('01'O, '02'O, '03'O, '04'O, '05'O, '06'O, '07'O, '08'O)	
extb3	'1'B	
rchr	('01'B, '10'B, '11'B)	
cs	'0'B	
tm	'0'B	
itc	'001'B	
extb4	'1'B	
spb	'0'B	
strc	'00'B	
dplxm	('0'B, '1'B)	
config	'0'B	
nirr	('0'B, '1'B)	
est	'0'B	
extb5	'1'B	
accid	'00'B	
ra	'01'B	
sacp	('001'B, '101'B)	
extb6	('0'B, '1'B)	
l1id	'01'B	
uil1	'0000'B	
sb	'1'B	
extb6a	('0'B, '1'B)	
nsb	('0'B, '1'B)	
nb	'0'B	
ndb	'1'B	
ur	'0010'B	
extb6b	('0'B, '1'B)	
ir	'11'B	
nictx	('0'B, '1'B)	
nicrx	('0'B, '1'B)	
pi	'011'B	
extb6c	'1'B	
ce	('01'B, '10'B, '11'B)	
modemt	'00000'B	
extb7	'1'B	
l2id	'10'B	
uil2	'01000'B	
Detailed Comments:		

Structured Type Constraint		
Constraint Name:	Bcap_Setup_B121_2400_1	
Structured Type:	BCAP	
Derivation Path:		
Comments:	<p>To check a Bearer Capability IE of a Setup PDU acc. to table in clause B.1.2.1 of GSM 07.01 for the UR 2400 Bits/s. This constraint corresponds to the combination:</p> <p>NDB: 7 bits NPB: any valid value.</p> <p>Since the path acc. to comment 2) in GSM 07.01, clause B.1.2.1, is not for Setup messages, the rate 2400 Bit/s can only be achieved with IR 16 kbits/s and the path acc. to comment 1), which is for CE: NT or "both" only. So the path CE: T is discarded.</p> <p>ANY CHANGE IN THIS CONSTRAINT MUST BE MADE IN THE CORRESPONDING LOWER LAYER COMPATIBILITY CONSTRAINT ALSO!</p>	
Element Name	Element Value	Comments
iei	'0000100'B	
iel	('01'O, '02'O, '03'O, '04'O, '05'O, '06'O, '07'O, '08'O)	
extb3	'1'B	
rchr	('01'B, '10'B, '11'B)	
cs	'0'B	
tm	'0'B	
itc	'001'B	
extb4	'1'B	
spb	'0'B	
strc	'00'B	
dplxm	('0'B, '1'B)	
config	'0'B	
nirr	('0'B, '1'B)	
est	'0'B	
extb5	'1'B	
accid	'00'B	
ra	'01'B	
sacp	('001'B, '101'B)	
extb6	('0'B, '1'B)	
l1id	'01'B	
uil1	'0000'B	
sb	'1'B	
extb6a	('0'B, '1'B)	
nsb	('0'B, '1'B)	
nb	'0'B	
ndb	'0'B	
ur	'0011'B	
extb6b	('0'B, '1'B)	
ir	'11'B	
nictx	('0'B, '1'B)	
nicrx	('0'B, '1'B)	
pi	('000'B, '010'B, '011'B, '100'B, '101'B)	
extb6c	'1'B	
ce	('01'B, '10'B, '11'B)	
modemt	'00000'B	
extb7	'1'B	
l2id	'10'B	
uil2	'01000'B	
Detailed Comments:		

Structured Type Constraint

Constraint Name:	Bcap_Setup_B121_2400_2
Structured Type:	BCAP
Derivation Path:	
Comments:	<p>To check a Bearer Capability IE of a Setup PDU acc. to table in clause B.1.2.1 of GSM 07.01 for the UR 2400 Bits/s. This constraint corresponds to the combination:</p> <p>NDB: 8 bits NPB: none</p> <p>Since the path acc. to comment 2) in GSM 07.01, clause B.1.2.1, is not for Setup messages, the rate 2400 Bit/s can only be achieved with IR 16 kbits/s and the path acc. to comment 1), which is for CE: NT or "both" only. So the path CE: T is discarded.</p> <p>ANY CHANGE IN THIS CONSTRAINT MUST BE MADE IN THE CORRESPONDING LOWER LAYER COMPATIBILITY CONSTRAINT ALSO!</p>

Element Name	Element Value	Comments
iei	'0000100'B	
iel	('01'O, '02'O, '03'O, '04'O, '05'O, '06'O, '07'O, '08'O)	
extb3	'1'B	
rchr	('01'B, '10'B, '11'B)	
cs	'0'B	
tm	'0'B	
itc	'001'B	
extb4	'1'B	
spb	'0'B	
strc	'00'B	
dplxm	('0'B, '1'B)	
config	'0'B	
nirr	('0'B, '1'B)	
est	'0'B	
extb5	'1'B	
accid	'00'B	
ra	'01'B	
sacp	('001'B, '101'B)	
extb6	('0'B, '1'B)	
l1id	'01'B	
uil1	'0000'B	
sb	'1'B	
extb6a	('0'B, '1'B)	
nsb	('0'B, '1'B)	
nb	'0'B	
ndb	'1'B	
ur	'0011'B	
extb6b	('0'B, '1'B)	
ir	'11'B	
nictx	('0'B, '1'B)	
nicrx	('0'B, '1'B)	
pi	'011'B	
extb6c	'1'B	
ce	('01'B, '10'B, '11'B)	
modemt	'00000'B	
extb7	'1'B	
l2id	'10'B	
uil2	'01000'B	

Detailed Comments:

Structured Type Constraint		
Constraint Name:	Bcap_Setup_B121_4800_1	
Structured Type:	BCAP	
Derivation Path:		
Comments:	<p>To check a Bearer Capability IE of a Setup PDU acc. to table in clause B.1.2.1 of GSM 07.01 for the UR 4800 Bits/s. This constraint corresponds to the combination:</p> <p>NDB: 7 bits NPB: any valid value.</p> <p>Since the path acc. to comment 2) in GSM 07.01, clause B.1.2.1, is not for Setup messages, the rate 4800 Bit/s can only be achieved with IR 16 kbits/s and the path acc. to comment 1), which is for CE: NT or "both" only. So the path CE: T is discarded.</p> <p>ANY CHANGE IN THIS CONSTRAINT MUST BE MADE IN THE CORRESPONDING LOWER LAYER COMPATIBILITY CONSTRAINT ALSO!</p>	
Element Name	Element Value	Comments
iei	'0000100'B	
iel	('01'O, '02'O, '03'O, '04'O, '05'O, '06'O, '07'O, '08'O)	
extb3	'1'B	
rchr	('01'B, '10'B, '11'B)	
cs	'0'B	
tm	'0'B	
itc	'001'B	
extb4	'1'B	
spb	'0'B	
strc	'00'B	
dplxm	('0'B, '1'B)	
config	'0'B	
nirr	('0'B, '1'B)	
est	'0'B	
extb5	'1'B	
accid	'00'B	
ra	'01'B	
sacp	('001'B, '101'B)	
extb6	('0'B, '1'B)	
l1id	'01'B	
uil1	'0000'B	
sb	'1'B	
extb6a	('0'B, '1'B)	
nsb	('0'B, '1'B)	
nb	'0'B	
ndb	'0'B	
ur	'0100'B	
extb6b	('0'B, '1'B)	
ir	'11'B	
nictx	('0'B, '1'B)	
nicrx	('0'B, '1'B)	
pi	('000'B, '010'B, '011'B, '100'B, '101'B)	
extb6c	'1'B	
ce	('01'B, '10'B, '11'B)	
modemt	'00000'B	
extb7	'1'B	
l2id	'10'B	
uil2	'01000'B	
Detailed Comments:		

Structured Type Constraint		
Constraint Name:	Bcap_Setup_B121_4800_2	
Structured Type:	BCAP	
Derivation Path:		
Comments:	<p>To check a Bearer Capability IE of a Setup PDU acc. to table in clause B.1.2.1 of GSM 07.01 for the UR 4800 Bits/s. This constraint corresponds to the combination:</p> <p>NDB: 8 bits NPB: none</p> <p>Since the path acc. to comment 2) in GSM 07.01, clause B.1.2.1, is not for Setup messages, the rate 4800 Bit/s can only be achieved with IR 16 kbits/s and the path acc. to comment 1), which is for CE: NT or "both" only. So the path CE: T is discarded.</p> <p>ANY CHANGE IN THIS CONSTRAINT MUST BE MADE IN THE CORRESPONDING LOWER LAYER COMPATIBILITY CONSTRAINT ALSO!</p>	
Element Name	Element Value	Comments
iei	'0000100'B	
iel	('01'O, '02'O, '03'O, '04'O, '05'O, '06'O, '07'O, '08'O)	
extb3	'1'B	
rchr	('01'B, '10'B, '11'B)	
cs	'0'B	
tm	'0'B	
itc	'001'B	
extb4	'1'B	
spb	'0'B	
strc	'00'B	
dplxm	('0'B, '1'B)	
config	'0'B	
nirr	('0'B, '1'B)	
est	'0'B	
extb5	'1'B	
accid	'00'B	
ra	'01'B	
sacp	('001'B, '101'B)	
extb6	('0'B, '1'B)	
l1id	'01'B	
uil1	'0000'B	
sb	'1'B	
extb6a	('0'B, '1'B)	
nsb	('0'B, '1'B)	
nb	'0'B	
ndb	'1'B	
ur	'0100'B	
extb6b	('0'B, '1'B)	
ir	'11'B	
nictx	('0'B, '1'B)	
nicrx	('0'B, '1'B)	
pi	'011'B	
extb6c	'1'B	
ce	('01'B, '10'B, '11'B)	
modemt	'00000'B	
extb7	'1'B	
l2id	'10'B	
uil2	'01000'B	
Detailed Comments:		

Structured Type Constraint		
Constraint Name:	Bcap_Setup_B121_9600_1	
Structured Type:	BCAP	
Derivation Path:		
Comments:	<p>To check a Bearer Capability IE of a Setup PDU acc. to table in clause B.1.2.1 of GSM 07.01 for the UR 9600 Bits/s. This constraint corresponds to the combination:</p> <p>CE: NT, bothNT, bothT</p> <p>S: SDU</p> <p>UIL2P: ISO 6429</p> <p>NDB: 7 bits</p> <p>NPB: any valid value.</p> <p>The rate 9600 Bit/s can only be achieved with IR 16 kbits/s either using the path with CE: NT or "both" or using the path with CE:T. (See other steps for this table and rate)</p> <p>ANY CHANGE IN THIS CONSTRAINT MUST BE MADE IN THE CORRESPONDING LOWER LAYER COMPATIBILITY CONSTRAINT ALSO!</p>	
Element Name	Element Value	Comments
iei	'00000100'B	
iel	('01'O, '02'O, '03'O, '04'O, '05'O, '06'O, '07'O, '08'O)	
extb3	'1'B	
rchr	('01'B, '10'B, '11'B)	
cs	'0'B	
tm	'0'B	
itc	'001'B	
extb4	'1'B	
spb	'0'B	
strc	'00'B	
dplxm	('0'B, '1'B)	
config	'0'B	
nirr	('0'B, '1'B)	
est	'0'B	
extb5	'1'B	
accid	'00'B	
ra	'01'B	
sacp	('001'B, '101'B)	
extb6	('0'B, '1'B)	
l1id	'01'B	
uil1	'0000'B	
sb	'1'B	
extb6a	('0'B, '1'B)	
nsb	('0'B, '1'B)	
nb	'0'B	
ndb	'0'B	
ur	'0101'B	
extb6b	('0'B, '1'B)	
ir	'11'B	
nictx	('0'B, '1'B)	
nicrx	('0'B, '1'B)	
pi	('000'B, '010'B, '011'B, '100'B, '101'B)	
extb6c	'1'B	
ce	('01'B, '10'B, '11'B)	
modemt	'00000'B	
extb7	'1'B	
l2id	'10'B	
uil2	'01000'B	
Detailed Comments:		

Structured Type Constraint

Constraint Name: Bcap_Setup_B121_9600_2
Structured Type: BCAP
Derivation Path:
Comments: To check a Bearer Capability IE of a Setup PDU acc. to table in clause B.1.2.1 of GSM 07.01 for the UR 9600 Bits/s. This constraint corresponds to the combination:
 CE: NT, bothNT, bothT
 S: SDU
 UIL2P: ISO 6429
 NDB: 8 bits
 NPB: none
 The rate 9600 Bit/s can only be achieved with IR 16 kbits/s either using the path with CE: NT or "both" or using the path with CE:T. (See other steps for this table and rate)
 ANY CHANGE IN THIS CONSTRAINT MUST BE MADE IN THE CORRESPONDING LOWER LAYER COMPATIBILITY CONSTRAINT ALSO!

Element Name	Element Value	Comments
iei	'0000100'B	
iel	('01'O, '02'O, '03'O, '04'O, '05'O, '06'O, '07'O, '08'O)	
extb3	'1'B	
rchr	('01'B, '10'B, '11'B)	
cs	'0'B	
tm	'0'B	
itc	'001'B	
extb4	'1'B	
spb	'0'B	
strc	'00'B	
dplxm	('0'B, '1'B)	
config	'0'B	
nirr	('0'B, '1'B)	
est	'0'B	
extb5	'1'B	
accid	'00'B	
ra	'01'B	
sacp	('001'B, '101'B)	
extb6	('0'B, '1'B)	
l1id	'01'B	
uil1	'0000'B	
sb	'1'B	
extb6a	('0'B, '1'B)	
nsb	('0'B, '1'B)	
nb	'0'B	
ndb	'1'B	
ur	'0101'B	
extb6b	('0'B, '1'B)	
ir	'11'B	
nictx	('0'B, '1'B)	
nicrx	('0'B, '1'B)	
pi	'011'B	
extb6c	'1'B	
ce	('01'B, '10'B, '11'B)	
modemt	'00000'B	
extb7	'1'B	
l2id	'10'B	
uil2	'01000'B	

Detailed Comments:

Structured Type Constraint		
Constraint Name:	Bcap_Setup_B121_9600_3	
Structured Type:	BCAP	
Derivation Path:		
Comments:	<p>To check a Bearer Capability IE of a Setup PDU acc. to table in clause B.1.2.1 of GSM 07.01 for the UR 9600 Bits/s. This constraint corresponds to the combination:</p> <p>CE: T S: unstructured UIL2P: NAV NDB: 7 bits NPB: any valid value.</p> <p>The rate 9600 Bit/s can only be achieved with IR 16 kbits/s either using the path with CE: NT or "both" or using the path with CE:T. (See other steps for this table and rate)</p> <p>ANY CHANGE IN THIS CONSTRAINT MUST BE MADE IN THE CORRESPONDING LOWER LAYER COMPATIBILITY CONSTRAINT ALSO!</p>	
Element Name	Element Value	Comments
iei	'00000100'B	
iel	('01'O, '02'O, '03'O, '04'O, '05'O, '06'O, '07'O, '08'O)	
extb3	'1'B	
rchr	('01'B, '10'B, '11'B)	
cs	'0'B	
tm	'0'B	
itc	'0001'B	
extb4	'1'B	
spb	'0'B	
strc	'11'B	
dplxm	('0'B, '1'B)	
config	'0'B	
nirr	('0'B, '1'B)	
est	'0'B	
extb5	'1'B	
accid	'00'B	
ra	'01'B	
sacp	('001'B, '101'B)	
extb6	('0'B, '1'B)	
l1id	'01'B	
uil1	'0000'B	
sb	'1'B	
extb6a	('0'B, '1'B)	
nsb	('0'B, '1'B)	
nb	'0'B	
ndb	'0'B	
ur	'0101'B	
extb6b	('0'B, '1'B)	
ir	'11'B	
nictx	('0'B, '1'B)	
nicrx	('0'B, '1'B)	
pi	('000'B, '010'B, '011'B, '100'B, '101'B)	
extb6c	'1'B	
ce	'00'B	
modemt	'00000'B	
extb7	OMIT	
l2id	OMIT	
uil2	OMIT	
Detailed Comments:		

Structured Type Constraint		
Constraint Name:	Bcap_Setup_B121_9600_4	
Structured Type:	BCAP	
Derivation Path:		
Comments:	<p>To check a Bearer Capability IE of a Setup PDU acc. to table in clause B.1.2.1 of GSM 07.01 for the UR 9600 Bits/s. This constraint corresponds to the combination:</p> <p>CE: T S: unstructured UIL2P: NAV NDB: 8 bits NPB: none</p> <p>The rate 9600 Bit/s can only be achieved with IR 16 kbits/s either using the path with CE: NT or "both" or using the path with CE:T. (See other steps for this table and rate)</p> <p>ANY CHANGE IN THIS CONSTRAINT MUST BE MADE IN THE CORRESPONDING LOWER LAYER COMPATIBILITY CONSTRAINT ALSO!</p>	
Element Name	Element Value	Comments
iei	'0000100'B	
iel	('01'O, '02'O, '03'O, '04'O, '05'O, '06'O, '07'O, '08'O)	
extb3	'1'B	
rchr	('01'B, '10'B, '11'B)	
cs	'0'B	
tm	'0'B	
itc	'001'B	
extb4	'1'B	
spb	'0'B	
strc	'11'B	
dplxm	('0'B, '1'B)	
config	'0'B	
nirr	('0'B, '1'B)	
est	'0'B	
extb5	'1'B	
accid	'00'B	
ra	'01'B	
sacp	('001'B, '101'B)	
extb6	('0'B, '1'B)	
l1id	'01'B	
uil1	'0000'B	
sb	'1'B	
extb6a	('0'B, '1'B)	
nsb	('0'B, '1'B)	
nb	'0'B	
ndb	'1'B	
ur	'0101'B	
extb6b	('0'B, '1'B)	
ir	'11'B	
nictx	('0'B, '1'B)	
nicrx	('0'B, '1'B)	
pi	'011'B	
extb6c	'1'B	
ce	'00'B	
modemt	'00000'B	
extb7	OMIT	
l2id	OMIT	
uil2	OMIT	
Detailed Comments:		

Structured Type Constraint		
Constraint Name:	Bcap_Setup_B121_120075_1	
Structured Type:	BCAP	
Derivation Path:		
Comments:	<p>To check a Bearer Capability IE of a Setup PDU acc. to table in clause B.1.2.1 of GSM 07.01 for the UR 1200/75 Bits/s. This constraint corresponds to the combination:</p> <p>NDB: 7 bits NPB: any valid value.</p> <p>Since the path acc. to comment 2) in GSM 07.01, clause B.1.2.1, is not for Setup messages, the rate 1200/75 Bit/s can only be achieved with IR 16 kbits/s and the path acc. to comment 1), which is for CE: NT or "both" only. So the path CE: T is discarded.</p> <p>ANY CHANGE IN THIS CONSTRAINT MUST BE MADE IN THE CORRESPONDING LOWER LAYER COMPATIBILITY CONSTRAINT ALSO!</p>	
Element Name	Element Value	Comments
iei	'00000100'B	
iel	('01'O, '02'O, '03'O, '04'O, '05'O, '06'O, '07'O, '08'O)	
extb3	'1'B	
rchr	('01'B, '10'B, '11'B)	
cs	'0'B	
tm	'0'B	
itc	'001'B	
extb4	'1'B	
spb	'0'B	
strc	'00'B	
dplxm	('0'B, '1'B)	
config	'0'B	
nirr	('0'B, '1'B)	
est	'0'B	
extb5	'1'B	
accid	'00'B	
ra	'01'B	
sacp	('001'B, '101'B)	
extb6	('0'B, '1'B)	
l1id	'01'B	
uil1	'0000'B	
sb	'1'B	
extb6a	('0'B, '1'B)	
nsb	('0'B, '1'B)	
nb	'0'B	
ndb	'0'B	
ur	'0111'B	
extb6b	('0'B, '1'B)	
ir	'11'B	
nictx	('0'B, '1'B)	
nicrx	('0'B, '1'B)	
pi	('000'B, '010'B, '011'B, '100'B, '101'B)	
extb6c	'1'B	
ce	('01'B, '10'B, '11'B)	
modemt	'00000'B	
extb7	'1'B	
l2id	'10'B	
uil2	'01000'B	
Detailed Comments:		

Structured Type Constraint		
Constraint Name:	Bcap_Setup_B121_120075_2	
Structured Type:	BCAP	
Derivation Path:		
Comments:	<p>To check a Bearer Capability IE of a Setup PDU acc. to table in clause B.1.2.1 of GSM 07.01 for the UR 300 Bits/s. This constraint corresponds to the combination:</p> <p>NDB: 8 bits NPB: none</p> <p>Since the path acc. to comment 2) in GSM 07.01, clause B.1.2.1, is not for Setup messages, the rate 1200/75 Bit/s can only be achieved with IR 16 kbits/s and the path acc. to comment 1), which is for CE: NT or "both" only. So the path CE: T is discarded.</p> <p>ANY CHANGE IN THIS CONSTRAINT MUST BE MADE IN THE CORRESPONDING LOWER LAYER COMPATIBILITY CONSTRAINT ALSO!</p>	
Element Name	Element Value	Comments
iei	'0000100'B	
iel	('01'O, '02'O, '03'O, '04'O, '05'O, '06'O, '07'O, '08'O)	
extb3	'1'B	
rchr	('01'B, '10'B, '11'B)	
cs	'0'B	
tm	'0'B	
itc	'001'B	
extb4	'1'B	
spb	'0'B	
strc	'00'B	
dplxm	('0'B, '1'B)	
config	'0'B	
nirr	('0'B, '1'B)	
est	'0'B	
extb5	'1'B	
accid	'00'B	
ra	'01'B	
sacp	('001'B, '101'B)	
extb6	('0'B, '1'B)	
l1id	'01'B	
uil1	'0000'B	
sb	'1'B	
extb6a	('0'B, '1'B)	
nsb	('0'B, '1'B)	
nb	'0'B	
ndb	'1'B	
ur	'0111'B	
extb6b	('0'B, '1'B)	
ir	'11'B	
nictx	('0'B, '1'B)	
nicrx	('0'B, '1'B)	
pi	'011'B	
extb6c	'1'B	
ce	('01'B, '10'B, '11'B)	
modemt	'00000'B	
extb7	'1'B	
l2id	'10'B	
uil2	'01000'B	
Detailed Comments:		

Structured Type Constraint		
Constraint Name:	Bcap_Setup_B122_300_1	
Structured Type:	BCAP	
Derivation Path:		
Comments:	<p>To check a Bearer Capability IE of a Setup PDU acc. to table in clause B.1.2.2 of GSM 07.01 for the UR 300 Bits/s. This constraint corresponds to the combination:</p> <p>NDB: 7 bits NPB: any valid value.</p> <p>Since the path acc. to comment 2) in GSM 07.01, clause B.1.2.2, is not for Setup messages, the rate 300 Bit/s can only be achieved with IR 16 kbits/s and the path acc. to comment 1), which is for CE: NT or "both" only. So the path CE: T is discarded.</p> <p>ANY CHANGE IN THIS CONSTRAINT MUST BE MADE IN THE CORRESPONDING LOWER LAYER COMPATIBILITY CONSTRAINT ALSO!</p>	
Element Name	Element Value	Comments
iei	'00000100'B	
iel	('01'O, '02'O, '03'O, '04'O, '05'O, '06'O, '07'O, '08'O)	
extb3	'1'B	
rchr	('01'B, '10'B, '11'B)	
cs	'0'B	
tm	'0'B	
itc	'001'B	
extb4	'1'B	
spb	'0'B	
strc	'00'B	
dplxm	('0'B, '1'B)	
config	'0'B	
nirr	('0'B, '1'B)	
est	'0'B	
extb5	'1'B	
accid	'00'B	
ra	'00'B	
sacp	('001'B, '101'B)	
extb6	('0'B, '1'B)	
l1id	'01'B	
uil1	'0000'B	
sb	'1'B	
extb6a	('0'B, '1'B)	
nsb	('0'B, '1'B)	
nb	'0'B	
ndb	'0'B	
ur	'0001'B	
extb6b	('0'B, '1'B)	
ir	'11'B	
nictx	('0'B, '1'B)	
nicrx	('0'B, '1'B)	
pi	('000'B, '010'B, '011'B, '100'B, '101'B)	
extb6c	'1'B	
ce	('01'B, '10'B, '11'B)	
modemt	('00001'B, '01000'B)	
extb7	'1'B	
l2id	'10'B	
uil2	'01000'B	
Detailed Comments:		

Structured Type Constraint

Constraint Name:	Bcap_Setup_B122_300_2
Structured Type:	BCAP
Derivation Path:	
Comments:	<p>To check a Bearer Capability IE of a Setup PDU acc. to table in clause B.1.2.2 of GSM 07.01 for the UR 300 Bits/s. This constraint corresponds to the combination:</p> <p>NDB: 8 bits NPB: none</p> <p>Since the path acc. to comment 2) in GSM 07.01, clause B.1.2.2, is not for Setup messages, the rate 300 Bit/s can only be achieved with IR 16 kbits/s and the path acc. to comment 1), which is for CE: NT or "both" only. So the path CE: T is discarded.</p> <p>ANY CHANGE IN THIS CONSTRAINT MUST BE MADE IN THE CORRESPONDING LOWER LAYER COMPATIBILITY CONSTRAINT ALSO!</p>

Element Name	Element Value	Comments
iei	'0000100'B	
iel	('01'O, '02'O, '03'O, '04'O, '05'O, '06'O, '07'O, '08'O)	
extb3	'1'B	
rchr	('01'B, '10'B, '11'B)	
cs	'0'B	
tm	'0'B	
itc	'001'B	
extb4	'1'B	
spb	'0'B	
strc	'00'B	
dplxm	('0'B, '1'B)	
config	'0'B	
nirr	('0'B, '1'B)	
est	'0'B	
extb5	'1'B	
accid	'00'B	
ra	'00'B	
sacp	('001'B, '101'B)	
extb6	('0'B, '1'B)	
l1id	'01'B	
uil1	'0000'B	
sb	'1'B	
extb6a	('0'B, '1'B)	
nsb	('0'B, '1'B)	
nb	'0'B	
ndb	'1'B	
ur	'0001'B	
extb6b	('0'B, '1'B)	
ir	'11'B	
nictx	('0'B, '1'B)	
nicrx	('0'B, '1'B)	
pi	'011'B	
extb6c	'1'B	
ce	('01'B, '10'B, '11'B)	
modemt	('00001'B, '01000'B)	
extb7	'1'B	
l2id	'10'B	
uil2	'01000'B	

Detailed Comments:

Structured Type Constraint		
Constraint Name:	Bcap_Setup_B122_1200_1	
Structured Type:	BCAP	
Derivation Path:		
Comments:	<p>To check a Bearer Capability IE of a Setup PDU acc. to table in clause B.1.2.2 of GSM 07.01 for the UR 1200 Bits/s. This constraint corresponds to the combination:</p> <p>NDB: 7 bits NPB: any valid value.</p> <p>Since the path acc. to comment 2) in GSM 07.01, clause B.1.2.2, is not for Setup messages, the rate 1200 Bit/s can only be achieved with IR 16 kbits/s and the path acc. to comment 1), which is for CE: NT or "both" only. So the path CE: T is discarded.</p> <p>ANY CHANGE IN THIS CONSTRAINT MUST BE MADE IN THE CORRESPONDING LOWER LAYER COMPATIBILITY CONSTRAINT ALSO!</p>	
Element Name	Element Value	Comments
iei	'0000100'B	
iel	('01'O, '02'O, '03'O, '04'O, '05'O, '06'O, '07'O, '08'O)	
extb3	'1'B	
rchr	('01'B, '10'B, '11'B)	
cs	'0'B	
tm	'0'B	
itc	'001'B	
extb4	'1'B	
spb	'0'B	
strc	'00'B	
dplxm	('0'B, '1'B)	
config	'0'B	
nirr	('0'B, '1'B)	
est	'0'B	
extb5	'1'B	
accid	'00'B	
ra	'00'B	
sacp	('001'B, '101'B)	
extb6	('0'B, '1'B)	
l1id	'01'B	
uil1	'0000'B	
sb	'1'B	
extb6a	('0'B, '1'B)	
nsb	('0'B, '1'B)	
nb	'0'B	
ndb	'0'B	
ur	'0010'B	
extb6b	('0'B, '1'B)	
ir	'11'B	
nictx	('0'B, '1'B)	
nicrx	('0'B, '1'B)	
pi	('000'B, '010'B, '011'B, '100'B, '101'B)	
extb6c	'1'B	
ce	('01'B, '10'B, '11'B)	
modemt	('00010'B, '01000'B)	
extb7	'1'B	
l2id	'10'B	
uil2	'01000'B	
Detailed Comments:		

Structured Type Constraint		
Constraint Name:	Bcap_Setup_B122_1200_2	
Structured Type:	BCAP	
Derivation Path:		
Comments:	<p>To check a Bearer Capability IE of a Setup PDU acc. to table in clause B.1.2.2 of GSM 07.01 for the UR 1200 Bits/s. This constraint corresponds to the combination:</p> <p>NDB: 8 bits NPB: none</p> <p>Since the path acc. to comment 2) in GSM 07.01, clause B.1.2.2, is not for Setup messages, the rate 1200 Bit/s can only be achieved with IR 16 kbits/s and the path acc. to comment 1), which is for CE: NT or "both" only. So the path CE: T is discarded.</p> <p>ANY CHANGE IN THIS CONSTRAINT MUST BE MADE IN THE CORRESPONDING LOWER LAYER COMPATIBILITY CONSTRAINT ALSO!</p>	
Element Name	Element Value	Comments
iei	'0000100'B	
iel	('01'O, '02'O, '03'O, '04'O, '05'O, '06'O, '07'O, '08'O)	
extb3	'1'B	
rchr	('01'B, '10'B, '11'B)	
cs	'0'B	
tm	'0'B	
itc	'001'B	
extb4	'1'B	
spb	'0'B	
strc	'00'B	
dplxm	('0'B, '1'B)	
config	'0'B	
nirr	('0'B, '1'B)	
est	'0'B	
extb5	'1'B	
accid	'00'B	
ra	'00'B	
sacp	('001'B, '101'B)	
extb6	('0'B, '1'B)	
l1id	'01'B	
uil1	'0000'B	
sb	'1'B	
extb6a	('0'B, '1'B)	
nsb	('0'B, '1'B)	
nb	'0'B	
ndb	'1'B	
ur	'0010'B	
extb6b	('0'B, '1'B)	
ir	'11'B	
nictx	('0'B, '1'B)	
nicrx	('0'B, '1'B)	
pi	'011'B	
extb6c	'1'B	
ce	('01'B, '10'B, '11'B)	
modemt	('00010'B, '01000'B)	
extb7	'1'B	
l2id	'10'B	
uil2	'01000'B	
Detailed Comments:		

Structured Type Constraint		
Constraint Name:	Bcap_Setup_B122_2400_1	
Structured Type:	BCAP	
Derivation Path:		
Comments:	<p>To check a Bearer Capability IE of a Setup PDU acc. to table in clause B.1.2.2 of GSM 07.01 for the UR 2400 Bits/s. This constraint corresponds to the combination:</p> <p>NDB: 7 bits NPB: any valid value.</p> <p>Since the path acc. to comment 2) in GSM 07.01, clause B.1.2.2, is not for Setup messages, the rate 2400 Bit/s can only be achieved with IR 16 kbits/s and the path acc. to comment 1), which is for CE: NT or "both" only. So the path CE: T is discarded.</p> <p>ANY CHANGE IN THIS CONSTRAINT MUST BE MADE IN THE CORRESPONDING LOWER LAYER COMPATIBILITY CONSTRAINT ALSO!</p>	
Element Name	Element Value	Comments
iei	'0000100'B	
iel	('01'O, '02'O, '03'O, '04'O, '05'O, '06'O, '07'O, '08'O)	
extb3	'1'B	
rchr	('01'B, '10'B, '11'B)	
cs	'0'B	
tm	'0'B	
itc	'001'B	
extb4	'1'B	
spb	'0'B	
strc	'00'B	
dplxm	('0'B, '1'B)	
config	'0'B	
nirr	('0'B, '1'B)	
est	'0'B	
extb5	'1'B	
accid	'00'B	
ra	'00'B	
sacp	('001'B, '101'B)	
extb6	('0'B, '1'B)	
l1id	'01'B	
uil1	'0000'B	
sb	'1'B	
extb6a	('0'B, '1'B)	
nsb	('0'B, '1'B)	
nb	'0'B	
ndb	'0'B	
ur	'0011'B	
extb6b	('0'B, '1'B)	
ir	'11'B	
nictx	('0'B, '1'B)	
nicrx	('0'B, '1'B)	
pi	('000'B, '010'B, '011'B, '100'B, '101'B)	
extb6c	'1'B	
ce	('01'B, '10'B, '11'B)	
modemt	('00011'B, '00101'B, '01000'B)	
extb7	'1'B	
l2id	'10'B	
uil2	'01000'B	
Detailed Comments:		

Structured Type Constraint		
Constraint Name:	Bcap_Setup_B122_2400_2	
Structured Type:	BCAP	
Derivation Path:		
Comments:	<p>To check a Bearer Capability IE of a Setup PDU acc. to table in clause B.1.2.2 of GSM 07.01 for the UR 2400 Bits/s. This constraint corresponds to the combination:</p> <p>NDB: 8 bits NPB: none</p> <p>Since the path acc. to comment 2) in GSM 07.01, clause B.1.2.2, is not for Setup messages, the rate 2400 Bit/s can only be achieved with IR 16 kbits/s and the path acc. to comment 1), which is for CE: NT or "both" only. So the path CE: T is discarded.</p> <p>ANY CHANGE IN THIS CONSTRAINT MUST BE MADE IN THE CORRESPONDING LOWER LAYER COMPATIBILITY CONSTRAINT ALSO!</p>	
Element Name	Element Value	Comments
iei	'0000100'B	
iel	('01'O, '02'O, '03'O, '04'O, '05'O, '06'O, '07'O, '08'O)	
extb3	'1'B	
rchr	('01'B, '10'B, '11'B)	
cs	'0'B	
tm	'0'B	
itc	'001'B	
extb4	'1'B	
spb	'0'B	
strc	'00'B	
dplxm	('0'B, '1'B)	
config	'0'B	
nirr	('0'B, '1'B)	
est	'0'B	
extb5	'1'B	
accid	'00'B	
ra	'00'B	
sacp	('001'B, '101'B)	
extb6	('0'B, '1'B)	
l1id	'01'B	
uil1	'0000'B	
sb	'1'B	
extb6a	('0'B, '1'B)	
nsb	('0'B, '1'B)	
nb	'0'B	
ndb	'1'B	
ur	'0011'B	
extb6b	('0'B, '1'B)	
ir	'11'B	
nictx	('0'B, '1'B)	
nicrx	('0'B, '1'B)	
pi	'011'B	
extb6c	'1'B	
ce	('01'B, '10'B, '11'B)	
modemt	('00011'B, '00101'B, '01000'B)	
extb7	'1'B	
l2id	'10'B	
uil2	'01000'B	
Detailed Comments:		

Structured Type Constraint		
Constraint Name:	Bcap_Setup_B122_4800_1	
Structured Type:	BCAP	
Derivation Path:		
Comments:	<p>To check a Bearer Capability IE of a Setup PDU acc. to table in clause B.1.2.2 of GSM 07.01 for the UR 4800 Bits/s. This constraint corresponds to the combination:</p> <p>NDB: 7 bits NPB: any valid value.</p> <p>Since the path acc. to comment 2) in GSM 07.01, clause B.1.2.2, is not for Setup messages, the rate 4800 Bit/s can only be achieved with IR 16 kbits/s and the path acc. to comment 1), which is for CE: NT or "both" only. So the path CE: T is discarded.</p> <p>ANY CHANGE IN THIS CONSTRAINT MUST BE MADE IN THE CORRESPONDING LOWER LAYER COMPATIBILITY CONSTRAINT ALSO!</p>	
Element Name	Element Value	Comments
iei	'00000100'B	
iel	('01'O, '02'O, '03'O, '04'O, '05'O, '06'O, '07'O, '08'O)	
extb3	'1'B	
rchr	('01'B, '10'B, '11'B)	
cs	'0'B	
tm	'0'B	
itc	'001'B	
extb4	'1'B	
spb	'0'B	
strc	'00'B	
dplxm	('0'B, '1'B)	
config	'0'B	
nirr	('0'B, '1'B)	
est	'0'B	
extb5	'1'B	
accid	'00'B	
ra	'00'B	
sacp	('001'B, '101'B)	
extb6	('0'B, '1'B)	
l1id	'01'B	
uil1	'0000'B	
sb	'1'B	
extb6a	('0'B, '1'B)	
nsb	('0'B, '1'B)	
nb	'0'B	
ndb	'0'B	
ur	'0100'B	
extb6b	('0'B, '1'B)	
ir	'11'B	
nictx	('0'B, '1'B)	
nicrx	('0'B, '1'B)	
pi	('000'B, '010'B, '011'B, '100'B, '101'B)	
extb6c	'1'B	
ce	('01'B, '10'B, '11'B)	
modemt	('00110'B, '01000'B)	
extb7	'1'B	
l2id	'10'B	
uil2	'01000'B	
Detailed Comments:		

Structured Type Constraint		
Constraint Name:	Bcap_Setup_B122_4800_2	
Structured Type:	BCAP	
Derivation Path:		
Comments:	<p>To check a Bearer Capability IE of a Setup PDU acc. to table in clause B.1.2.2 of GSM 07.01 for the UR 4800 Bits/s. This constraint corresponds to the combination:</p> <p>NDB: 8 bits NPB: none</p> <p>Since the path acc. to comment 2) in GSM 07.01, clause B.1.2.2, is not for Setup messages, the rate 4800 Bit/s can only be achieved with IR 16 kbits/s and the path acc. to comment 1), which is for CE: NT or "both" only. So the path CE: T is discarded.</p> <p>ANY CHANGE IN THIS CONSTRAINT MUST BE MADE IN THE CORRESPONDING LOWER LAYER COMPATIBILITY CONSTRAINT ALSO!</p>	
Element Name	Element Value	Comments
iei	'0000100'B	
iel	('01'O, '02'O, '03'O, '04'O, '05'O, '06'O, '07'O, '08'O)	
extb3	'1'B	
rchr	('01'B, '10'B, '11'B)	
cs	'0'B	
tm	'0'B	
itc	'001'B	
extb4	'1'B	
spb	'0'B	
strc	'00'B	
dplxm	('0'B, '1'B)	
config	'0'B	
nirr	('0'B, '1'B)	
est	'0'B	
extb5	'1'B	
accid	'00'B	
ra	'00'B	
sacp	('001'B, '101'B)	
extb6	('0'B, '1'B)	
l1id	'01'B	
uil1	'0000'B	
sb	'1'B	
extb6a	('0'B, '1'B)	
nsb	('0'B, '1'B)	
nb	'0'B	
ndb	'1'B	
ur	'0100'B	
extb6b	('0'B, '1'B)	
ir	'11'B	
nictx	('0'B, '1'B)	
nicrx	('0'B, '1'B)	
pi	'011'B	
extb6c	'1'B	
ce	('01'B, '10'B, '11'B)	
modemt	('00110'B, '01000'B)	
extb7	'1'B	
l2id	'10'B	
uil2	'01000'B	
Detailed Comments:		

Structured Type Constraint		
Constraint Name:	Bcap_Setup_B122_9600_1	
Structured Type:	BCAP	
Derivation Path:		
Comments:	<p>To check a Bearer Capability IE of a Setup PDU acc. to table in clause B.1.2.2 of GSM 07.01 for the UR 9600 Bits/s. This constraint corresponds to the combination:</p> <p>CE: NT, bothNT, bothT</p> <p>S: SDU</p> <p>UIL2P: ISO 6429</p> <p>NDB: 7 bits</p> <p>NPB: any valid value.</p> <p>The rate 9600 Bit/s can only be achieved with IR 16 kbits/s either using the path with CE: NT or "both" or using the path with CE:T. (See other steps for this table and rate)</p> <p>ANY CHANGE IN THIS CONSTRAINT MUST BE MADE IN THE CORRESPONDING LOWER LAYER COMPATIBILITY CONSTRAINT ALSO!</p>	
Element Name	Element Value	Comments
iei	'00000100'B	
iel	('01'O, '02'O, '03'O, '04'O, '05'O, '06'O, '07'O, '08'O)	
extb3	'1'B	
rchr	('01'B, '10'B, '11'B)	
cs	'0'B	
tm	'0'B	
itc	'001'B	
extb4	'1'B	
spb	'0'B	
strc	'00'B	
dplxm	('0'B, '1'B)	
config	'0'B	
nirr	('0'B, '1'B)	
est	'0'B	
extb5	'1'B	
accid	'00'B	
ra	'00'B	
sacp	('001'B, '101'B)	
extb6	('0'B, '1'B)	
l1id	'01'B	
uil1	'0000'B	
sb	'1'B	
extb6a	('0'B, '1'B)	
nsb	('0'B, '1'B)	
nb	'0'B	
ndb	'0'B	
ur	'0101'B	
extb6b	('0'B, '1'B)	
ir	'11'B	
nictx	('0'B, '1'B)	
nicrx	('0'B, '1'B)	
pi	('000'B, '010'B, '011'B, '100'B, '101'B)	
extb6c	'1'B	
ce	('01'B, '10'B, '11'B)	
modemt	('00110'B, '01000'B)	
extb7	'1'B	
l2id	'10'B	
uil2	'01000'B	
Detailed Comments:		

Structured Type Constraint		
Constraint Name:	Bcap_Setup_B122_9600_2	
Structured Type:	BCAP	
Derivation Path:		
Comments:	<p>To check a Bearer Capability IE of a Setup PDU acc. to table in clause B.1.2.2 of GSM 07.01 for the UR 9600 Bits/s. This constraint corresponds to the combination:</p> <p>CE: NT, bothNT, bothT S: SDU UIL2P: ISO 6429 NDB: 8 bits NPB: none</p> <p>The rate 9600 Bit/s can only be achieved with IR 16 kbits/s either using the path with CE: NT or "both" or using the path with CE:T. (See other steps for this table and rate)</p> <p>ANY CHANGE IN THIS CONSTRAINT MUST BE MADE IN THE CORRESPONDING LOWER LAYER COMPATIBILITY CONSTRAINT ALSO!</p>	
Element Name	Element Value	Comments
iei	'0000100'B	
iel	('01'O, '02'O, '03'O, '04'O, '05'O, '06'O, '07'O, '08'O)	
extb3	'1'B	
rchr	('01'B, '10'B, '11'B)	
cs	'0'B	
tm	'0'B	
itc	'001'B	
extb4	'1'B	
spb	'0'B	
strc	'00'B	
dplxm	('0'B, '1'B)	
config	'0'B	
nirr	('0'B, '1'B)	
est	'0'B	
extb5	'1'B	
accid	'00'B	
ra	'00'B	
sacp	('001'B, '101'B)	
extb6	('0'B, '1'B)	
l1id	'01'B	
uil1	'0000'B	
sb	'1'B	
extb6a	('0'B, '1'B)	
nsb	('0'B, '1'B)	
nb	'0'B	
ndb	'1'B	
ur	'0101'B	
extb6b	('0'B, '1'B)	
ir	'11'B	
nictx	('0'B, '1'B)	
nicrx	('0'B, '1'B)	
pi	'011'B	
extb6c	'1'B	
ce	('01'B, '10'B, '11'B)	
modemt	('00110'B, '01000'B)	
extb7	'1'B	
l2id	'10'B	
uil2	'01000'B	
Detailed Comments:		

Structured Type Constraint		
Constraint Name:	Bcap_Setup_B122_9600_3	
Structured Type:	BCAP	
Derivation Path:		
Comments:	<p>To check a Bearer Capability IE of a Setup PDU acc. to table in clause B.1.2.2 of GSM 07.01 for the UR 9600 Bits/s. This constraint corresponds to the combination:</p> <p>CE: T S: unstructured UIL2P: NAV NDB: 7 bits NPB: any valid value.</p> <p>The rate 9600 Bit/s can only be achieved with IR 16 kbits/s either using the path with CE: NT or "both" or using the path with CE:T. (See other steps for this table and rate)</p> <p>ANY CHANGE IN THIS CONSTRAINT MUST BE MADE IN THE CORRESPONDING LOWER LAYER COMPATIBILITY CONSTRAINT ALSO!</p>	
Element Name	Element Value	Comments
iei	'00000100'B	
iel	('01'O, '02'O, '03'O, '04'O, '05'O, '06'O, '07'O, '08'O)	
extb3	'1'B	
rchr	('01'B, '10'B, '11'B)	
cs	'0'B	
tm	'0'B	
itc	'0001'B	
extb4	'1'B	
spb	'0'B	
strc	'11'B	
dplxm	('0'B, '1'B)	
config	'0'B	
nirr	('0'B, '1'B)	
est	'0'B	
extb5	'1'B	
accid	'00'B	
ra	'00'B	
sacp	('001'B, '101'B)	
extb6	('0'B, '1'B)	
l1id	'01'B	
uil1	'0000'B	
sb	'1'B	
extb6a	('0'B, '1'B)	
nsb	('0'B, '1'B)	
nb	'0'B	
ndb	'0'B	
ur	'0101'B	
extb6b	('0'B, '1'B)	
ir	'11'B	
nictx	('0'B, '1'B)	
nicrx	('0'B, '1'B)	
pi	('000'B, '010'B, '011'B, '100'B, '101'B)	
extb6c	'1'B	
ce	'00'B	
modemt	'00110'B	
extb7	OMIT	
l2id	OMIT	
uil2	OMIT	
Detailed Comments:		

Structured Type Constraint

Constraint Name: Bcap_Setup_B122_9600_4
Structured Type: BCAP
Derivation Path:
Comments: To check a Bearer Capability IE of a Setup PDU acc. to table in clause B.1.2.2 of GSM 07.01 for the UR 9600 Bits/s. This constraint corresponds to the combination:
 CE: T
 S: unstructured
 UIL2P: NAV
 NDB: 8 bits
 NPB: none
 The rate 9600 Bit/s can only be achieved with IR 16 kbits/s either using the path with CE: NT or "both" or using the path with CE:T. (See other steps for this table and rate)
ANY CHANGE IN THIS CONSTRAINT MUST BE MADE IN THE CORRESPONDING LOWER LAYER COMPATIBILITY CONSTRAINT ALSO!

Element Name	Element Value	Comments
iei	'0000100'B	
iel	('01'O, '02'O, '03'O, '04'O, '05'O, '06'O, '07'O, '08'O)	
extb3	'1'B	
rchr	('01'B, '10'B, '11'B)	
cs	'0'B	
tm	'0'B	
itc	'001'B	
extb4	'1'B	
spb	'0'B	
strc	'11'B	
dplxm	('0'B, '1'B)	
config	'0'B	
nirr	('0'B, '1'B)	
est	'0'B	
extb5	'1'B	
accid	'00'B	
ra	'00'B	
sacp	('001'B, '101'B)	
extb6	('0'B, '1'B)	
l1id	'01'B	
uil1	'0000'B	
sb	'1'B	
extb6a	('0'B, '1'B)	
nsb	('0'B, '1'B)	
nb	'0'B	
ndb	'1'B	
ur	'0101'B	
extb6b	('0'B, '1'B)	
ir	'11'B	
nictx	('0'B, '1'B)	
nicrx	('0'B, '1'B)	
pi	'011'B	
extb6c	'1'B	
ce	'00'B	
modemt	'00110'B	
extb7	OMIT	
l2id	OMIT	
uil2	OMIT	

Detailed Comments:

Structured Type Constraint		
Constraint Name:	Bcap_Setup_B122_120075_1	
Structured Type:	BCAP	
Derivation Path:		
Comments:	<p>To check a Bearer Capability IE of a Setup PDU acc. to table in clause B.1.2.2 of GSM 07.01 for the UR 1200/75 Bits/s. This constraint corresponds to the combination:</p> <p>NDB: 7 bits NPB: any valid value.</p> <p>Since the path acc. to comment 2) in GSM 07.01, clause B.1.2.2, is not for Setup messages, the rate 1200/75 Bit/s can only be achieved with IR 16 kbits/s and the path acc. to comment 1), which is for CE: NT or "both" only. So the path CE: T is discarded.</p> <p>ANY CHANGE IN THIS CONSTRAINT MUST BE MADE IN THE CORRESPONDING LOWER LAYER COMPATIBILITY CONSTRAINT ALSO!</p>	
Element Name	Element Value	Comments
iei	'00000100'B	
iel	('01'O, '02'O, '03'O, '04'O, '05'O, '06'O, '07'O, '08'O)	
extb3	'1'B	
rchr	('01'B, '10'B, '11'B)	
cs	'0'B	
tm	'0'B	
itc	'001'B	
extb4	'1'B	
spb	'0'B	
strc	'00'B	
dplxm	('0'B, '1'B)	
config	'0'B	
nirr	('0'B, '1'B)	
est	'0'B	
extb5	'1'B	
accid	'00'B	
ra	'00'B	
sacp	('001'B, '101'B)	
extb6	('0'B, '1'B)	
l1id	'01'B	
uil1	'0000'B	
sb	'1'B	
extb6a	('0'B, '1'B)	
nsb	('0'B, '1'B)	
nb	'0'B	
ndb	'0'B	
ur	'0111'B	
extb6b	('0'B, '1'B)	
ir	'11'B	
nictx	('0'B, '1'B)	
nicrx	('0'B, '1'B)	
pi	('000'B, '010'B, '011'B, '100'B, '101'B)	
extb6c	'1'B	
ce	('01'B, '10'B, '11'B)	
modemt	('00100'B, '01000'B)	
extb7	'1'B	
l2id	'10'B	
uil2	'01000'B	
Detailed Comments:		

Structured Type Constraint

Constraint Name:	Bcap_Setup_B122_120075_2
Structured Type:	BCAP
Derivation Path:	
Comments:	<p>To check a Bearer Capability IE of a Setup PDU acc. to table in clause B.1.2.2 of GSM 07.01 for the UR 300 Bits/s. This constraint corresponds to the combination:</p> <p>NDB: 8 bits NPB: none</p> <p>Since the path acc. to comment 2) in GSM 07.01, clause B.1.2.2, is not for Setup messages, the rate 1200/75 Bit/s can only be achieved with IR 16 kbits/s and the path acc. to comment 1), which is for CE: NT or "both" only. So the path CE: T is discarded.</p> <p>ANY CHANGE IN THIS CONSTRAINT MUST BE MADE IN THE CORRESPONDING LOWER LAYER COMPATIBILITY CONSTRAINT ALSO!</p>

Element Name	Element Value	Comments
iei	'0000100'B	
iel	('01'O, '02'O, '03'O, '04'O, '05'O, '06'O, '07'O, '08'O)	
extb3	'1'B	
rchr	('01'B, '10'B, '11'B)	
cs	'0'B	
tm	'0'B	
itc	'001'B	
extb4	'1'B	
spb	'0'B	
strc	'00'B	
dplxm	('0'B, '1'B)	
config	'0'B	
nirr	('0'B, '1'B)	
est	'0'B	
extb5	'1'B	
accid	'00'B	
ra	'00'B	
sacp	('001'B, '101'B)	
extb6	('0'B, '1'B)	
l1id	'01'B	
uil1	'0000'B	
sb	'1'B	
extb6a	('0'B, '1'B)	
nsb	('0'B, '1'B)	
nb	'0'B	
ndb	'1'B	
ur	'0111'B	
extb6b	('0'B, '1'B)	
ir	'11'B	
nictx	('0'B, '1'B)	
nicrx	('0'B, '1'B)	
pi	'011'B	
extb6c	'1'B	
ce	('01'B, '10'B, '11'B)	
modemt	('00100'B, '01000'B)	
extb7	'1'B	
l2id	'10'B	
uil2	'01000'B	

Detailed Comments:

Structured Type Constraint		
Constraint Name:	Bcap_Setup_B1311_1200	
Structured Type:	BCAP	
Derivation Path:		
Comments:	<p>To check a Bearer Capability IE of a Setup PDU acc. to table in clause B.1.3.1.1 of GSM 07.01. This constraint corresponds to the combination: IR: 8 kbits/s UR: 1.2 kbits/s ANY CHANGE IN THIS CONSTRAINT MUST BE MADE IN THE CORRESPONDING LOWER LAYER COMPATIBILITY CONSTRAINT ALSO!</p>	
Element Name	Element Value	Comments
iei	'00000100'B	
iel	('01'O, '02'O, '03'O, '04'O, '05'O, '06'O, '07'O, '08'O)	
extb3	'1'B	
rchr	('01'B, '10'B, '11'B)	
cs	'0'B	
tm	'0'B	
itc	'001'B	
extb4	'1'B	
spb	'0'B	
strc	'11'B	
dplxm	('0'B, '1'B)	
config	'0'B	
nirr	('0'B, '1'B)	
est	'0'B	
extb5	'1'B	
accid	'00'B	
ra	('00'B, '01'B, '10'B)	
sacp	('001'B, '010'B)	
extb6	('0'B, '1'B)	
l1id	'01'B	
uil1	'0000'B	
sb	'0'B	
extb6a	('0'B, '1'B)	
nsb	'0'B	
nb	'0'B	
ndb	'1'B	
ur	'0010'B	
extb6b	('0'B, '1'B)	
ir	'10'B	
nictx	('0'B, '1'B)	
nicrx	('0'B, '1'B)	
pi	'011'B	
extb6c	'1'B	
ce	'00'B	
modemt	'00000'B	
extb7	OMIT	
l2id	OMIT	
uil2	OMIT	
Detailed Comments:		

Structured Type Constraint		
Constraint Name:	Bcap_Setup_B1311_2400	
Structured Type:	BCAP	
Derivation Path:		
Comments:	<p>To check a Bearer Capability IE of a Setup PDU acc. to table in clause B.1.3.1.1 of GSM 07.01. This constraint corresponds to the combination: IR: 8 kbits/s UR: 2.4 kbits/s ANY CHANGE IN THIS CONSTRAINT MUST BE MADE IN THE CORRESPONDING LOWER LAYER COMPATIBILITY CONSTRAINT ALSO!</p>	
Element Name	Element Value	Comments
iei	'00000100'B	
iel	('01'O, '02'O, '03'O, '04'O, '05'O, '06'O, '07'O, '08'O)	
extb3	'1'B	
rchr	('01'B, '10'B, '11'B)	
cs	'0'B	
tm	'0'B	
itc	'001'B	
extb4	'1'B	
spb	'0'B	
strc	'11'B	
dplxm	('0'B, '1'B)	
config	'0'B	
nirr	('0'B, '1'B)	
est	'0'B	
extb5	'1'B	
accid	'00'B	
ra	('00'B, '01'B, '10'B)	
sacp	('001'B, '010'B)	
extb6	('0'B, '1'B)	
l1id	'01'B	
uil1	'0000'B	
sb	'0'B	
extb6a	('0'B, '1'B)	
nsb	'0'B	
nb	'0'B	
ndb	'1'B	
ur	'0011'B	
extb6b	('0'B, '1'B)	
ir	'10'B	
nictx	('0'B, '1'B)	
nicrx	('0'B, '1'B)	
pi	'011'B	
extb6c	'1'B	
ce	'00'B	
modemt	'00000'B	
extb7	OMIT	
l2id	OMIT	
uil2	OMIT	
Detailed Comments:		

Structured Type Constraint		
Constraint Name:	Bcap_Setup_B1311_4800	
Structured Type:	BCAP	
Derivation Path:		
Comments:	<p>To check a Bearer Capability IE of a Setup PDU acc. to table in clause B.1.3.1.1 of GSM 07.01. This constraint corresponds to the combination: IR: 8 kbits/s UR: 4.8 kbits/s ANY CHANGE IN THIS CONSTRAINT MUST BE MADE IN THE CORRESPONDING LOWER LAYER COMPATIBILITY CONSTRAINT ALSO!</p>	
Element Name	Element Value	Comments
iei	'00000100'B	
iel	('01'O, '02'O, '03'O, '04'O, '05'O, '06'O, '07'O, '08'O)	
extb3	'1'B	
rchr	('01'B, '10'B, '11'B)	
cs	'0'B	
tm	'0'B	
itc	'001'B	
extb4	'1'B	
spb	'0'B	
strc	'11'B	
dplxm	('0'B, '1'B)	
config	'0'B	
nirr	('0'B, '1'B)	
est	'0'B	
extb5	'1'B	
accid	'00'B	
ra	('00'B, '01'B, '10'B)	
sacp	('001'B, '010'B)	
extb6	('0'B, '1'B)	
l1id	'01'B	
uil1	'0000'B	
sb	'0'B	
extb6a	('0'B, '1'B)	
nsb	'0'B	
nb	'0'B	
ndb	'1'B	
ur	'0100'B	
extb6b	('0'B, '1'B)	
ir	'10'B	
nictx	('0'B, '1'B)	
nicrx	('0'B, '1'B)	
pi	'011'B	
extb6c	'1'B	
ce	'00'B	
modemt	'00000'B	
extb7	OMIT	
l2id	OMIT	
uil2	OMIT	
Detailed Comments:		

Structured Type Constraint		
Constraint Name:	Bcap_Setup_B1311_9600	
Structured Type:	BCAP	
Derivation Path:		
Comments:	<p>To check a Bearer Capability IE of a Setup PDU acc. to table in clause B.1.3.1.1 of GSM 07.01. This constraint corresponds to the combination: IR: 16 kbits/s UR: 9.6 kbits/s ANY CHANGE IN THIS CONSTRAINT MUST BE MADE IN THE CORRESPONDING LOWER LAYER COMPATIBILITY CONSTRAINT ALSO!</p>	
Element Name	Element Value	Comments
iei	'00000100'B	
iel	('01'O, '02'O, '03'O, '04'O, '05'O, '06'O, '07'O, '08'O)	
extb3	'1'B	
rchr	('01'B, '10'B, '11'B)	
cs	'0'B	
tm	'0'B	
itc	'001'B	
extb4	'1'B	
spb	'0'B	
strc	'11'B	
dplxm	('0'B, '1'B)	
config	'0'B	
nirr	('0'B, '1'B)	
est	'0'B	
extb5	'1'B	
accid	'00'B	
ra	('00'B, '01'B, '10'B)	
sacp	('001'B, '010'B)	
extb6	('0'B, '1'B)	
l1id	'01'B	
uil1	'0000'B	
sb	'0'B	
extb6a	('0'B, '1'B)	
nsb	'0'B	
nb	'0'B	
ndb	'1'B	
ur	'0101'B	
extb6b	('0'B, '1'B)	
ir	'11'B	
nictx	('0'B, '1'B)	
nicrx	('0'B, '1'B)	
pi	'011'B	
extb6c	'1'B	
ce	'00'B	
modemt	'00000'B	
extb7	OMIT	
l2id	OMIT	
uil2	OMIT	
Detailed Comments:		

Structured Type Constraint		
Constraint Name:	Bcap_Setup_B1312_2400	
Structured Type:	BCAP	
Derivation Path:		
Comments:	<p>To check a Bearer Capability IE of a Setup PDU acc. to table in clause B.1.3.1.2 of GSM 07.01. This constraint corresponds to the combination: UR: 2.4 kbits/s ANY CHANGE IN THIS CONSTRAINT MUST BE MADE IN THE CORRESPONDING LOWER LAYER COMPATIBILITY CONSTRAINT ALSO!</p>	
Element Name	Element Value	Comments
iei	'00000100'B	
iel	('01'O, '02'O, '03'O, '04'O, '05'O, '06'O, '07'O, '08'O)	
extb3	'1'B	
rchr	('01'B, '10'B, '11'B)	
cs	'0'B	
tm	'0'B	
itc	'001'B	
extb4	'1'B	
spb	'0'B	
strc	'00'B	
dplxm	('0'B, '1'B)	
config	'0'B	
nirr	('0'B, '1'B)	
est	'0'B	
extb5	'1'B	
accid	'00'B	
ra	'10'B	
sacp	'110'B	
extb6	('0'B, '1'B)	
l1id	'01'B	
uil1	'0000'B	
sb	'0'B	
extb6a	('0'B, '1'B)	
nsb	'0'B	
nb	'0'B	
ndb	'1'B	
ur	'0011'B	
extb6b	('0'B, '1'B)	
ir	'11'B	
nictx	('0'B, '1'B)	
nicrx	('0'B, '1'B)	
pi	'011'B	
extb6c	'1'B	
ce	'01'B	
modemt	'00000'B	
extb7	'1'B	
l2id	'10'B	
uil2	'00110'B	
Detailed Comments:		

Structured Type Constraint		
Constraint Name:	Bcap_Setup_B1312_4800	
Structured Type:	BCAP	
Derivation Path:		
Comments:	<p>To check a Bearer Capability IE of a Setup PDU acc. to table in clause B.1.3.1.2 of GSM 07.01. This constraint corresponds to the combination: UR: 4.8 kbits/s ANY CHANGE IN THIS CONSTRAINT MUST BE MADE IN THE CORRESPONDING LOWER LAYER COMPATIBILITY CONSTRAINT ALSO!</p>	
Element Name	Element Value	Comments
iei	'00000100'B	
iel	('01'O, '02'O, '03'O, '04'O, '05'O, '06'O, '07'O, '08'O)	
extb3	'1'B	
rchr	('01'B, '10'B, '11'B)	
cs	'0'B	
tm	'0'B	
itc	'001'B	
extb4	'1'B	
spb	'0'B	
strc	'00'B	
dplxm	('0'B, '1'B)	
config	'0'B	
nirr	('0'B, '1'B)	
est	'0'B	
extb5	'1'B	
accid	'00'B	
ra	'10'B	
sacp	'110'B	
extb6	('0'B, '1'B)	
l1id	'01'B	
uil1	'0000'B	
sb	'0'B	
extb6a	('0'B, '1'B)	
nsb	'0'B	
nb	'0'B	
ndb	'1'B	
ur	'0100'B	
extb6b	('0'B, '1'B)	
ir	'11'B	
nictx	('0'B, '1'B)	
nicrx	('0'B, '1'B)	
pi	'011'B	
extb6c	'1'B	
ce	'01'B	
modemt	'00000'B	
extb7	'1'B	
l2id	'10'B	
uil2	'00110'B	
Detailed Comments:		

Structured Type Constraint		
Constraint Name:	Bcap_Setup_B1312_9600	
Structured Type:	BCAP	
Derivation Path:		
Comments:	<p>To check a Bearer Capability IE of a Setup PDU acc. to table in clause B.1.3.1.2 of GSM 07.01. This constraint corresponds to the combination: UR: 9.6 kbits/s ANY CHANGE IN THIS CONSTRAINT MUST BE MADE IN THE CORRESPONDING LOWER LAYER COMPATIBILITY CONSTRAINT ALSO!</p>	
Element Name	Element Value	Comments
iei	'00000100'B	
iel	('01'O, '02'O, '03'O, '04'O, '05'O, '06'O, '07'O, '08'O)	
extb3	'1'B	
rchr	('01'B, '10'B, '11'B)	
cs	'0'B	
tm	'0'B	
itc	'001'B	
extb4	'1'B	
spb	'0'B	
strc	'00'B	
dplxm	('0'B, '1'B)	
config	'0'B	
nirr	('0'B, '1'B)	
est	'0'B	
extb5	'1'B	
accid	'00'B	
ra	'10'B	
sacp	'110'B	
extb6	('0'B, '1'B)	
l1id	'01'B	
uil1	'0000'B	
sb	'0'B	
extb6a	('0'B, '1'B)	
nsb	'0'B	
nb	'0'B	
ndb	'1'B	
ur	'0101'B	
extb6b	('0'B, '1'B)	
ir	'11'B	
nictx	('0'B, '1'B)	
nicrx	('0'B, '1'B)	
pi	'011'B	
extb6c	'1'B	
ce	'01'B	
modemt	'00000'B	
extb7	'1'B	
l2id	'10'B	
uil2	'00110'B	
Detailed Comments:		

Structured Type Constraint		
Constraint Name:	Bcap_Setup_B1321_1200	
Structured Type:	BCAP	
Derivation Path:		
Comments:	<p>To check a Bearer Capability IE of a Setup PDU acc. to table in clause B.1.3.2.1 of GSM 07.01. This constraint corresponds to the combination: IR: 8 kbit/s UR: 1.2 kbit/s ANY CHANGE IN THIS CONSTRAINT MUST BE MADE IN THE CORRESPONDING LOWER LAYER COMPATIBILITY CONSTRAINT ALSO!</p>	
Element Name	Element Value	Comments
iei	'00000100'B	
iel	('01'O, '02'O, '03'O, '04'O, '05'O, '06'O, '07'O, '08'O)	
extb3	'1'B	
rchr	('01'B, '10'B, '11'B)	
cs	'0'B	
tm	'0'B	
itc	'010'B	
extb4	'1'B	
spb	'0'B	
strc	'11'B	
dplxm	('0'B, '1'B)	
config	'0'B	
nirr	('0'B, '1'B)	
est	'0'B	
extb5	'1'B	
accid	'00'B	
ra	'00'B	
sacp	'001'B	
extb6	('0'B, '1'B)	
l1id	'01'B	
uil1	'0000'B	
sb	'0'B	
extb6a	('0'B, '1'B)	
nsb	'0'B	
nb	'0'B	
ndb	'1'B	
ur	'0010'B	
extb6b	('0'B, '1'B)	
ir	'10'B	
nictx	('0'B, '1'B)	
nicrx	('0'B, '1'B)	
pi	'011'B	
extb6c	'1'B	
ce	'00'B	
modemt	'00010'B	
extb7	OMIT	
l2id	OMIT	
uil2	OMIT	
Detailed Comments:		

Structured Type Constraint		
Constraint Name:	Bcap_Setup_B1321_2400	
Structured Type:	BCAP	
Derivation Path:		
Comments:	<p>To check a Bearer Capability IE of a Setup PDU acc. to table in clause B.1.3.2.1 of GSM 07.01. This constraint corresponds to the combination: IR: 8 kbit/s UR: 2.4 kbits/s ANY CHANGE IN THIS CONSTRAINT MUST BE MADE IN THE CORRESPONDING LOWER LAYER COMPATIBILITY CONSTRAINT ALSO!</p>	
Element Name	Element Value	Comments
iei	'00000100'B	
iel	('01'O, '02'O, '03'O, '04'O, '05'O, '06'O, '07'O, '08'O)	
extb3	'1'B	
rchr	('01'B, '10'B, '11'B)	
cs	'0'B	
tm	'0'B	
itc	'010'B	
extb4	'1'B	
spb	'0'B	
strc	'11'B	
dplxm	('0'B, '1'B)	
config	'0'B	
nirr	('0'B, '1'B)	
est	'0'B	
extb5	'1'B	
accid	'00'B	
ra	'00'B	
sacp	'001'B	
extb6	('0'B, '1'B)	
l1id	'01'B	
uil1	'0000'B	
sb	'0'B	
extb6a	('0'B, '1'B)	
nsb	'0'B	
nb	'0'B	
ndb	'1'B	
ur	'0011'B	
extb6b	('0'B, '1'B)	
ir	'10'B	
nictx	('0'B, '1'B)	
nicrx	('0'B, '1'B)	
pi	'011'B	
extb6c	'1'B	
ce	'00'B	
modemt	('00011'B, '00101'B)	
extb7	OMIT	
l2id	OMIT	
uil2	OMIT	
Detailed Comments:		

Structured Type Constraint		
Constraint Name:	Bcap_Setup_B1321_4800	
Structured Type:	BCAP	
Derivation Path:		
Comments:	<p>To check a Bearer Capability IE of a Setup PDU acc. to table in clause B.1.3.2.1 of GSM 07.01. This constraint corresponds to the combination: IR: 8 kbit/s UR: 4.8 kbits/s ANY CHANGE IN THIS CONSTRAINT MUST BE MADE IN THE CORRESPONDING LOWER LAYER COMPATIBILITY CONSTRAINT ALSO!</p>	
Element Name	Element Value	Comments
iei	'00000100'B	
iel	('01'O, '02'O, '03'O, '04'O, '05'O, '06'O, '07'O, '08'O)	
extb3	'1'B	
rchr	('01'B, '10'B, '11'B)	
cs	'0'B	
tm	'0'B	
itc	'010'B	
extb4	'1'B	
spb	'0'B	
strc	'11'B	
dplxm	('0'B, '1'B)	
config	'0'B	
nirr	('0'B, '1'B)	
est	'0'B	
extb5	'1'B	
accid	'00'B	
ra	'00'B	
sacp	'001'B	
extb6	('0'B, '1'B)	
l1id	'01'B	
uil1	'0000'B	
sb	'0'B	
extb6a	('0'B, '1'B)	
nsb	'0'B	
nb	'0'B	
ndb	'1'B	
ur	'0100'B	
extb6b	('0'B, '1'B)	
ir	'10'B	
nictx	('0'B, '1'B)	
nicrx	('0'B, '1'B)	
pi	'011'B	
extb6c	'1'B	
ce	'00'B	
modemt	'00110'B	
extb7	OMIT	
l2id	OMIT	
uil2	OMIT	
Detailed Comments:		

Structured Type Constraint		
Constraint Name:	Bcap_Setup_B1321_9600	
Structured Type:	BCAP	
Derivation Path:		
Comments:	<p>To check a Bearer Capability IE of a Setup PDU acc. to table in clause B.1.3.2.1 of GSM 07.01. This constraint corresponds to the combination: IR: 16 kbits/s UR: 9.6 kbits/s ANY CHANGE IN THIS CONSTRAINT MUST BE MADE IN THE CORRESPONDING LOWER LAYER COMPATIBILITY CONSTRAINT ALSO!</p>	
Element Name	Element Value	Comments
iei	'00000100'B	
iel	('01'O, '02'O, '03'O, '04'O, '05'O, '06'O, '07'O, '08'O)	
extb3	'1'B	
rchr	('01'B, '10'B, '11'B)	
cs	'0'B	
tm	'0'B	
itc	'010'B	
extb4	'1'B	
spb	'0'B	
strc	'11'B	
dplxm	('0'B, '1'B)	
config	'0'B	
nirr	('0'B, '1'B)	
est	'0'B	
extb5	'1'B	
accid	'00'B	
ra	'00'B	
sacp	'001'B	
extb6	('0'B, '1'B)	
l1id	'01'B	
uil1	'0000'B	
sb	'0'B	
extb6a	('0'B, '1'B)	
nsb	'0'B	
nb	'0'B	
ndb	'1'B	
ur	'0101'B	
extb6b	('0'B, '1'B)	
ir	'11'B	
nictx	('0'B, '1'B)	
nicrx	('0'B, '1'B)	
pi	'011'B	
extb6c	'1'B	
ce	'00'B	
modemt	'00110'B	
extb7	OMIT	
l2id	OMIT	
uil2	OMIT	
Detailed Comments:		

Structured Type Constraint		
Constraint Name:	Bcap_Setup_B1322_2400	
Structured Type:	BCAP	
Derivation Path:		
Comments:	<p>To check a Bearer Capability IE of a Setup PDU acc. to table in clause B.1.3.2.2 of GSM 07.01. This constraint corresponds to the combination: CE: NT or "both" S: SDU UIL2P: X.25 IR: 16 kbits/s UR: 2.4 kbits/s</p> <p>ANY CHANGE IN THIS CONSTRAINT MUST BE MADE IN THE CORRESPONDING LOWER LAYER COMPATIBILITY CONSTRAINT ALSO!</p>	
Element Name	Element Value	Comments
iei	'00000100'B	
iel	('01'O, '02'O, '03'O, '04'O, '05'O, '06'O, '07'O, '08'O)	
extb3	'1'B	
rchr	('01'B, '10'B, '11'B)	
cs	'0'B	
tm	'0'B	
itc	'010'B	
extb4	'1'B	
spb	'0'B	
strc	'00'B	
dplxm	('0'B, '1'B)	
config	'0'B	
nirr	('0'B, '1'B)	
est	'0'B	
extb5	'1'B	
accid	'00'B	
ra	'00'B	
sacp	'110'B	
extb6	('0'B, '1'B)	
l1id	'01'B	
uil1	'0000'B	
sb	'0'B	
extb6a	('0'B, '1'B)	
nsb	'0'B	
nb	'0'B	
ndb	'1'B	
ur	'0011'B	
extb6b	('0'B, '1'B)	
ir	'11'B	
nictx	('0'B, '1'B)	
nicrx	('0'B, '1'B)	
pi	'011'B	
extb6c	'1'B	
ce	('01'B, '10'B, '11'B)	
modemt	('00011'B, '00101'B)	
extb7	'1'B	
l2id	'10'B	
uil2	'00110'B	
Detailed Comments:		

Structured Type Constraint		
Constraint Name:	Bcap_Setup_B1322_4800	
Structured Type:	BCAP	
Derivation Path:		
Comments:	<p>To check a Bearer Capability IE of a Setup PDU acc. to table in clause B.1.3.2.2 of GSM 07.01. This constraint corresponds to the combination: CE: NT or "both" S: SDU UIL2P: X.25 IR: 16 kbits/s UR: 4.8 kbits/s ANY CHANGE IN THIS CONSTRAINT MUST BE MADE IN THE CORRESPONDING LOWER LAYER COMPATIBILITY CONSTRAINT ALSO!</p>	
Element Name	Element Value	Comments
iei	'00000100'B	
iel	('01'O, '02'O, '03'O, '04'O, '05'O, '06'O, '07'O, '08'O)	
extb3	'1'B	
rchr	('01'B, '10'B, '11'B)	
cs	'0'B	
tm	'0'B	
itc	'010'B	
extb4	'1'B	
spb	'0'B	
strc	'00'B	
dplxm	('0'B, '1'B)	
config	'0'B	
nirr	('0'B, '1'B)	
est	'0'B	
extb5	'1'B	
accid	'00'B	
ra	'00'B	
sacp	'110'B	
extb6	('0'B, '1'B)	
l1id	'01'B	
uil1	'0000'B	
sb	'0'B	
extb6a	('0'B, '1'B)	
nsb	'0'B	
nb	'0'B	
ndb	'1'B	
ur	'0100'B	
extb6b	('0'B, '1'B)	
ir	'11'B	
nictx	('0'B, '1'B)	
nicrx	('0'B, '1'B)	
pi	'011'B	
extb6c	'1'B	
ce	('01'B, '10'B, '11'B)	
modemt	'00110'B	
extb7	'1'B	
l2id	'10'B	
uil2	'00110'B	
Detailed Comments:		

Structured Type Constraint		
Constraint Name:	Bcap_Setup_B1322_9600_1	
Structured Type:	BCAP	
Derivation Path:		
Comments:	<p>To check a Bearer Capability IE of a Setup PDU acc. to table in clause B.1.3.2.2 of GSM 07.01. This constraint corresponds to the combination: CE: NT or "both" S: SDU UIL2P: X.25 IR: 16 kbits/s UR: 9.6 kbits/s</p> <p>ANY CHANGE IN THIS CONSTRAINT MUST BE MADE IN THE CORRESPONDING LOWER LAYER COMPATIBILITY CONSTRAINT ALSO!</p>	
Element Name	Element Value	Comments
iei	'00000100'B	
iel	('01'O, '02'O, '03'O, '04'O, '05'O, '06'O, '07'O, '08'O)	
extb3	'1'B	
rchr	('01'B, '10'B, '11'B)	
cs	'0'B	
tm	'0'B	
itc	'010'B	
extb4	'1'B	
spb	'0'B	
strc	'00'B	
dplxm	('0'B, '1'B)	
config	'0'B	
nirr	('0'B, '1'B)	
est	'0'B	
extb5	'1'B	
accid	'00'B	
ra	'00'B	
sacp	'110'B	
extb6	('0'B, '1'B)	
l1id	'01'B	
uil1	'0000'B	
sb	'0'B	
extb6a	('0'B, '1'B)	
nsb	'0'B	
nb	'0'B	
ndb	'1'B	
ur	'0101'B	
extb6b	('0'B, '1'B)	
ir	'11'B	
nictx	('0'B, '1'B)	
nicrx	('0'B, '1'B)	
pi	'011'B	
extb6c	'1'B	
ce	('01'B, '10'B, '11'B)	
modemt	'00110'B	
extb7	'1'B	
l2id	'10'B	
uil2	'00110'B	
Detailed Comments:		

Structured Type Constraint		
Constraint Name:	Bcap_Setup_B1322_9600_2	
Structured Type:	BCAP	
Derivation Path:		
Comments:	<p>To check a Bearer Capability IE of a Setup PDU acc. to table in clause B.1.3.2.2 of GSM 07.01. This constraint corresponds to the combination:</p> <p>CE: T S: unstructured UIL2P: NAV IR: 16 kbits/s UR: 9.6 kbits/s</p> <p>ANY CHANGE IN THIS CONSTRAINT MUST BE MADE IN THE CORRESPONDING LOWER LAYER COMPATIBILITY CONSTRAINT ALSO!</p>	
Element Name	Element Value	Comments
iei	'00000100'B	
iel	('01'O, '02'O, '03'O, '04'O, '05'O, '06'O, '07'O, '08'O)	
extb3	'1'B	
rchr	('01'B, '10'B, '11'B)	
cs	'0'B	
tm	'0'B	
itc	'010'B	
extb4	'1'B	
spb	'0'B	
strc	'11'B	
dplxm	('0'B, '1'B)	
config	'0'B	
nirr	('0'B, '1'B)	
est	'0'B	
extb5	'1'B	
accid	'00'B	
ra	'00'B	
sacp	'110'B	
extb6	('0'B, '1'B)	
l1id	'01'B	
uil1	'0000'B	
sb	'0'B	
extb6a	('0'B, '1'B)	
nsb	'0'B	
nb	'0'B	
ndb	'1'B	
ur	'0101'B	
extb6b	('0'B, '1'B)	
ir	'11'B	
nictx	('0'B, '1'B)	
nicrx	('0'B, '1'B)	
pi	'011'B	
extb6c	'1'B	
ce	'00'B	
modemt	'00110'B	
extb7	OMIT	
l2id	OMIT	
uil2	OMIT	
Detailed Comments:		

Structured Type Constraint		
Constraint Name:	Bcap_Setup_B14_300_1	
Structured Type:	BCAP	
Derivation Path:		
Comments:	<p>To check a Bearer Capability IE of a Setup PDU acc. to table in clause B.1.4 of GSM 07.01 for the UR 300 Bits/s. This constraint corresponds to the combination:</p> <p>NDB: 7 bits NPB: any valid value but "none".</p> <p>Since the path acc. to comment 2) in GSM 07.01, clause B.1.4, is not for Setup messages, the rate 300 Bit/s can only be achieved with IR 16 kbits/s and the path acc. to comment 1), which is for CE: NT or "both" only. So the path CE: T is discarded.</p> <p>ANY CHANGE IN THIS CONSTRAINT MUST BE MADE IN THE CORRESPONDING LOWER LAYER COMPATIBILITY CONSTRAINT ALSO!</p>	
Element Name	Element Value	Comments
iei	'0000100'B	
iel	('01'O, '02'O, '03'O, '04'O, '05'O, '06'O, '07'O, '08'O)	
extb3	'1'B	
rchr	('01'B, '10'B, '11'B)	
cs	'0'B	
tm	'0'B	
itc	'001'B	
extb4	'1'B	
spb	'0'B	
strc	'00'B	
dplxm	('0'B, '1'B)	
config	'0'B	
nirr	('0'B, '1'B)	
est	'0'B	
extb5	'1'B	
accid	'00'B	
ra	'01'B	
sacp	'100'B	
extb6	('0'B, '1'B)	
l1id	'01'B	
uil1	'0000'B	
sb	'1'B	
extb6a	('0'B, '1'B)	
nsb	('0'B, '1'B)	
nb	'0'B	
ndb	'0'B	
ur	'0001'B	
extb6b	('0'B, '1'B)	
ir	'11'B	
nictx	('0'B, '1'B)	
nicrx	('0'B, '1'B)	
pi	('000'B, '010'B, '100'B, '101'B)	
extb6c	'1'B	
ce	('01'B, '10'B, '11'B)	
modemt	'00000'B	
extb7	'1'B	
l2id	'10'B	
uil2	'01000'B	
Detailed Comments:		

Structured Type Constraint		
Constraint Name:	Bcap_Setup_B14_300_2	
Structured Type:	BCAP	
Derivation Path:		
Comments:	<p>To check a Bearer Capability IE of a Setup PDU acc. to table in clause B.1.4 of GSM 07.01 for the UR 300 Bits/s. This constraint corresponds to the combination:</p> <p>NDB: 8 bits NPB: none</p> <p>Since the path acc. to comment 2) in GSM 07.01, clause B.1.4, is not for Setup messages, the rate 300 Bit/s can only be achieved with IR 16 kbits/s and the path acc. to comment 1), which is for CE: NT or "both" only. So the path CE: T is discarded.</p> <p>ANY CHANGE IN THIS CONSTRAINT MUST BE MADE IN THE CORRESPONDING LOWER LAYER COMPATIBILITY CONSTRAINT ALSO!</p>	
Element Name	Element Value	Comments
iei	'0000100'B	
iel	('01'O, '02'O, '03'O, '04'O, '05'O, '06'O, '07'O, '08'O)	
extb3	'1'B	
rchr	('01'B, '10'B, '11'B)	
cs	'0'B	
tm	'0'B	
itc	'001'B	
extb4	'1'B	
spb	'0'B	
strc	'00'B	
dplxm	('0'B, '1'B)	
config	'0'B	
nirr	('0'B, '1'B)	
est	'0'B	
extb5	'1'B	
accid	'00'B	
ra	'01'B	
sacp	'100'B	
extb6	('0'B, '1'B)	
l1id	'01'B	
uil1	'0000'B	
sb	'1'B	
extb6a	('0'B, '1'B)	
nsb	('0'B, '1'B)	
nb	'0'B	
ndb	'1'B	
ur	'0001'B	
extb6b	('0'B, '1'B)	
ir	'11'B	
nictx	('0'B, '1'B)	
nicrx	('0'B, '1'B)	
pi	'011'B	
extb6c	'1'B	
ce	('01'B, '10'B, '11'B)	
modemt	'00000'B	
extb7	'1'B	
l2id	'10'B	
uil2	'01000'B	
Detailed Comments:		

Structured Type Constraint

Constraint Name:	Bcap_Setup_B14_1200_1
Structured Type:	BCAP
Derivation Path:	
Comments:	<p>To check a Bearer Capability IE of a Setup PDU acc. to table in clause B.1.4 of GSM 07.01 for the UR 1200 Bits/s. This constraint corresponds to the combination:</p> <p>NDB: 7 bits NPB: any valid value but "none".</p> <p>Since the path acc. to comment 2) in GSM 07.01, clause B.1.4, is not for Setup messages, the rate 1200 Bit/s can only be achieved with IR 16 kbits/s and the path acc. to comment 1), which is for CE: NT or "both" only. So the path CE: T is discarded.</p> <p>ANY CHANGE IN THIS CONSTRAINT MUST BE MADE IN THE CORRESPONDING LOWER LAYER COMPATIBILITY CONSTRAINT ALSO!</p>

Element Name	Element Value	Comments
iei	'0000100'B	
iel	('01'O, '02'O, '03'O, '04'O, '05'O, '06'O, '07'O, '08'O)	
extb3	'1'B	
rchr	('01'B, '10'B, '11'B)	
cs	'0'B	
tm	'0'B	
itc	'001'B	
extb4	'1'B	
spb	'0'B	
strc	'00'B	
dplxm	('0'B, '1'B)	
config	'0'B	
nirr	('0'B, '1'B)	
est	'0'B	
extb5	'1'B	
accid	'00'B	
ra	'01'B	
sacp	'100'B	
extb6	('0'B, '1'B)	
l1id	'01'B	
uil1	'0000'B	
sb	'1'B	
extb6a	('0'B, '1'B)	
nsb	('0'B, '1'B)	
nb	'0'B	
ndb	'0'B	
ur	'0010'B	
extb6b	('0'B, '1'B)	
ir	'11'B	
nictx	('0'B, '1'B)	
nicrx	('0'B, '1'B)	
pi	('000'B, '010'B, '100'B, '101'B)	
extb6c	'1'B	
ce	('01'B, '10'B, '11'B)	
modemt	'00000'B	
extb7	'1'B	
l2id	'10'B	
uil2	'01000'B	

Detailed Comments:

Structured Type Constraint		
Constraint Name:	Bcap_Setup_B14_1200_2	
Structured Type:	BCAP	
Derivation Path:		
Comments:	<p>To check a Bearer Capability IE of a Setup PDU acc. to table in clause B.1.4 of GSM 07.01 for the UR 1200 Bits/s. This constraint corresponds to the combination:</p> <p>NDB: 8 bits NPB: none</p> <p>Since the path acc. to comment 2) in GSM 07.01, clause B.1.4, is not for Setup messages, the rate 1200 Bit/s can only be achieved with IR 16 kbits/s and the path acc. to comment 1), which is for CE: NT or "both" only. So the path CE: T is discarded.</p> <p>ANY CHANGE IN THIS CONSTRAINT MUST BE MADE IN THE CORRESPONDING LOWER LAYER COMPATIBILITY CONSTRAINT ALSO!</p>	
Element Name	Element Value	Comments
iei	'0000100'B	
iel	('01'O, '02'O, '03'O, '04'O, '05'O, '06'O, '07'O, '08'O)	
extb3	'1'B	
rchr	('01'B, '10'B, '11'B)	
cs	'0'B	
tm	'0'B	
itc	'001'B	
extb4	'1'B	
spb	'0'B	
strc	'00'B	
dplxm	('0'B, '1'B)	
config	'0'B	
nirr	('0'B, '1'B)	
est	'0'B	
extb5	'1'B	
accid	'00'B	
ra	'01'B	
sacp	'100'B	
extb6	('0'B, '1'B)	
l1id	'01'B	
uil1	'0000'B	
sb	'1'B	
extb6a	('0'B, '1'B)	
nsb	('0'B, '1'B)	
nb	'0'B	
ndb	'1'B	
ur	'0010'B	
extb6b	('0'B, '1'B)	
ir	'11'B	
nictx	('0'B, '1'B)	
nicrx	('0'B, '1'B)	
pi	'011'B	
extb6c	'1'B	
ce	('01'B, '10'B, '11'B)	
modemt	'00000'B	
extb7	'1'B	
l2id	'10'B	
uil2	'01000'B	
Detailed Comments:		

Structured Type Constraint

Constraint Name:	Bcap_Setup_B14_2400_1
Structured Type:	BCAP
Derivation Path:	
Comments:	<p>To check a Bearer Capability IE of a Setup PDU acc. to table in clause B.1.4 of GSM 07.01 for the UR 2400 Bits/s. This constraint corresponds to the combination:</p> <p>NDB: 7 bits NPB: any valid value but "none".</p> <p>Since the path acc. to comment 2) in GSM 07.01, clause B.1.4, is not for Setup messages, the rate 2400 Bit/s can only be achieved with IR 16 kbits/s and the path acc. to comment 1), which is for CE: NT or "both" only. So the path CE: T is discarded.</p> <p>ANY CHANGE IN THIS CONSTRAINT MUST BE MADE IN THE CORRESPONDING LOWER LAYER COMPATIBILITY CONSTRAINT ALSO!</p>

Element Name	Element Value	Comments
iei	'0000100'B	
iel	('01'O, '02'O, '03'O, '04'O, '05'O, '06'O, '07'O, '08'O)	
extb3	'1'B	
rchr	('01'B, '10'B, '11'B)	
cs	'0'B	
tm	'0'B	
itc	'001'B	
extb4	'1'B	
spb	'0'B	
strc	'00'B	
dplxm	('0'B, '1'B)	
config	'0'B	
nirr	('0'B, '1'B)	
est	'0'B	
extb5	'1'B	
accid	'00'B	
ra	'01'B	
sacp	'100'B	
extb6	('0'B, '1'B)	
l1id	'01'B	
uil1	'0000'B	
sb	'1'B	
extb6a	('0'B, '1'B)	
nsb	('0'B, '1'B)	
nb	'0'B	
ndb	'0'B	
ur	'0011'B	
extb6b	('0'B, '1'B)	
ir	'11'B	
nictx	('0'B, '1'B)	
nicrx	('0'B, '1'B)	
pi	('000'B, '010'B, '100'B, '101'B)	
extb6c	'1'B	
ce	('01'B, '10'B, '11'B)	
modemt	'00000'B	
extb7	'1'B	
l2id	'10'B	
uil2	'01000'B	

Detailed Comments:

Structured Type Constraint		
Constraint Name:	Bcap_Setup_B14_2400_2	
Structured Type:	BCAP	
Derivation Path:		
Comments:	<p>To check a Bearer Capability IE of a Setup PDU acc. to table in clause B.1.4 of GSM 07.01 for the UR 2400 Bits/s. This constraint corresponds to the combination:</p> <p>NDB: 8 bits NPB: none</p> <p>Since the path acc. to comment 2) in GSM 07.01, clause B.1.4, is not for Setup messages, the rate 2400 Bit/s can only be achieved with IR 16 kbits/s and the path acc. to comment 1), which is for CE: NT or "both" only. So the path CE: T is discarded.</p> <p>ANY CHANGE IN THIS CONSTRAINT MUST BE MADE IN THE CORRESPONDING LOWER LAYER COMPATIBILITY CONSTRAINT ALSO!</p>	
Element Name	Element Value	Comments
iei	'0000100'B	
iel	('01'O, '02'O, '03'O, '04'O, '05'O, '06'O, '07'O, '08'O)	
extb3	'1'B	
rchr	('01'B, '10'B, '11'B)	
cs	'0'B	
tm	'0'B	
itc	'001'B	
extb4	'1'B	
spb	'0'B	
strc	'00'B	
dplxm	('0'B, '1'B)	
config	'0'B	
nirr	('0'B, '1'B)	
est	'0'B	
extb5	'1'B	
accid	'00'B	
ra	'01'B	
sacp	'100'B	
extb6	('0'B, '1'B)	
l1id	'01'B	
uil1	'0000'B	
sb	'1'B	
extb6a	('0'B, '1'B)	
nsb	('0'B, '1'B)	
nb	'0'B	
ndb	'1'B	
ur	'0011'B	
extb6b	('0'B, '1'B)	
ir	'11'B	
nictx	('0'B, '1'B)	
nicrx	('0'B, '1'B)	
pi	'011'B	
extb6c	'1'B	
ce	('01'B, '10'B, '11'B)	
modemt	'00000'B	
extb7	'1'B	
l2id	'10'B	
uil2	'01000'B	
Detailed Comments:		

Structured Type Constraint

Constraint Name: Bcap_Setup_B14_4800_1
Structured Type: BCAP
Derivation Path:
Comments: To check a Bearer Capability IE of a Setup PDU acc. to table in clause B.1.4 of GSM 07.01 for the UR 4800 Bits/s. This constraint corresponds to the combination:
 NDB: 7 bits
 NPB: any valid value.
 Since the path acc. to comment 2) in GSM 07.01, clause B.1.4, is not for Setup messages, the rate 4800 Bit/s can only be achieved with IR 16 kbits/s and the path acc. to comment 1), which is for CE: NT or "both" only. So the path CE: T is discarded.
 ANY CHANGE IN THIS CONSTRAINT MUST BE MADE IN THE CORRESPONDING LOWER LAYER COMPATIBILITY CONSTRAINT ALSO!

Element Name	Element Value	Comments
iei	'0000100'B	
iel	('01'O, '02'O, '03'O, '04'O, '05'O, '06'O, '07'O, '08'O)	
extb3	'1'B	
rchr	('01'B, '10'B, '11'B)	
cs	'0'B	
tm	'0'B	
itc	'001'B	
extb4	'1'B	
spb	'0'B	
strc	'00'B	
dplxm	('0'B, '1'B)	
config	'0'B	
nirr	('0'B, '1'B)	
est	'0'B	
extb5	'1'B	
accid	'00'B	
ra	'01'B	
sacp	'100'B	
extb6	('0'B, '1'B)	
l1id	'01'B	
uil1	'0000'B	
sb	'1'B	
extb6a	('0'B, '1'B)	
nsb	('0'B, '1'B)	
nb	'0'B	
ndb	'0'B	
ur	'0100'B	
extb6b	('0'B, '1'B)	
ir	'11'B	
nictx	('0'B, '1'B)	
nicrx	('0'B, '1'B)	
pi	('000'B, '010'B, '100'B, '101'B)	
extb6c	'1'B	
ce	('01'B, '10'B, '11'B)	
modemt	'00000'B	
extb7	'1'B	
l2id	'10'B	
uil2	'01000'B	

Detailed Comments:

Structured Type Constraint		
Constraint Name:	Bcap_Setup_B14_4800_2	
Structured Type:	BCAP	
Derivation Path:		
Comments:	<p>To check a Bearer Capability IE of a Setup PDU acc. to table in clause B.1.4 of GSM 07.01 for the UR 4800 Bits/s. This constraint corresponds to the combination:</p> <p>NDB: 8 bits NPB: none</p> <p>Since the path acc. to comment 2) in GSM 07.01, clause B.1.4, is not for Setup messages, the rate 4800 Bit/s can only be achieved with IR 16 kbits/s and the path acc. to comment 1), which is for CE: NT or "both" only. So the path CE: T is discarded.</p> <p>ANY CHANGE IN THIS CONSTRAINT MUST BE MADE IN THE CORRESPONDING LOWER LAYER COMPATIBILITY CONSTRAINT ALSO!</p>	
Element Name	Element Value	Comments
iei	'0000100'B	
iel	('01'O, '02'O, '03'O, '04'O, '05'O, '06'O, '07'O, '08'O)	
extb3	'1'B	
rchr	('01'B, '10'B, '11'B)	
cs	'0'B	
tm	'0'B	
itc	'001'B	
extb4	'1'B	
spb	'0'B	
strc	'00'B	
dplxm	('0'B, '1'B)	
config	'0'B	
nirr	('0'B, '1'B)	
est	'0'B	
extb5	'1'B	
accid	'00'B	
ra	'01'B	
sacp	'100'B	
extb6	('0'B, '1'B)	
l1id	'01'B	
uil1	'0000'B	
sb	'1'B	
extb6a	('0'B, '1'B)	
nsb	('0'B, '1'B)	
nb	'0'B	
ndb	'1'B	
ur	'0100'B	
extb6b	('0'B, '1'B)	
ir	'11'B	
nictx	('0'B, '1'B)	
nicrx	('0'B, '1'B)	
pi	'011'B	
extb6c	'1'B	
ce	('01'B, '10'B, '11'B)	
modemt	'00000'B	
extb7	'1'B	
l2id	'10'B	
uil2	'01000'B	
Detailed Comments:		

Structured Type Constraint

Constraint Name:	Bcap_Setup_B14_9600_1
Structured Type:	BCAP
Derivation Path:	
Comments:	<p>To check a Bearer Capability IE of a Setup PDU acc. to table in clause B.1.4 of GSM 07.01 for the UR 9600 Bits/s. This constraint corresponds to the combination:</p> <p>CE: NT, bothNT, bothT</p> <p>S: SDU</p> <p>UIL2P: ISO 6429</p> <p>NDB: 7 bits</p> <p>NPB: any valid value but "none".</p> <p>The rate 9600 Bit/s can only be achieved with IR 16 kbits/s either using the path with CE: NT or "both" or using the path with CE:T. (See other steps for this table and rate)</p> <p>ANY CHANGE IN THIS CONSTRAINT MUST BE MADE IN THE CORRESPONDING LOWER LAYER COMPATIBILITY CONSTRAINT ALSO!</p>

Element Name	Element Value	Comments
iei	'0000100'B	
iel	('01'O, '02'O, '03'O, '04'O, '05'O, '06'O, '07'O, '08'O)	
extb3	'1'B	
rchr	('01'B, '10'B, '11'B)	
cs	'0'B	
tm	'0'B	
itc	'001'B	
extb4	'1'B	
spb	'0'B	
strc	'00'B	
dplxm	('0'B, '1'B)	
config	'0'B	
nirr	('0'B, '1'B)	
est	'0'B	
extb5	'1'B	
accid	'00'B	
ra	'01'B	
sacp	'100'B	
extb6	('0'B, '1'B)	
l1id	'01'B	
uil1	'0000'B	
sb	'1'B	
extb6a	('0'B, '1'B)	
nsb	('0'B, '1'B)	
nb	'0'B	
ndb	'0'B	
ur	'0101'B	
extb6b	('0'B, '1'B)	
ir	'11'B	
nictx	('0'B, '1'B)	
nicrx	('0'B, '1'B)	
pi	('000'B, '010'B, '100'B, '101'B)	
extb6c	'1'B	
ce	('01'B, '10'B, '11'B)	
modemt	'00000'B	
extb7	'1'B	
l2id	'10'B	
uil2	'01000'B	

Detailed Comments:

Structured Type Constraint		
Constraint Name:	Bcap_Setup_B14_9600_2	
Structured Type:	BCAP	
Derivation Path:		
Comments:	<p>To check a Bearer Capability IE of a Setup PDU acc. to table in clause B.1.4 of GSM 07.01 for the UR 9600 Bits/s. This constraint corresponds to the combination:</p> <p>CE: NT, bothNT, bothT</p> <p>S: SDU</p> <p>UIL2P: ISO 6429</p> <p>NDB: 8 bits</p> <p>NPB: none</p> <p>The rate 9600 Bit/s can only be achieved with IR 16 kbits/s either using the path with CE: NT or "both" or using the path with CE:T. (See other steps for this table and rate)</p> <p>ANY CHANGE IN THIS CONSTRAINT MUST BE MADE IN THE CORRESPONDING LOWER LAYER COMPATIBILITY CONSTRAINT ALSO!</p>	
Element Name	Element Value	Comments
iei	'00000100'B	
iel	('01'O, '02'O, '03'O, '04'O, '05'O, '06'O, '07'O, '08'O)	
extb3	'1'B	
rchr	('01'B, '10'B, '11'B)	
cs	'0'B	
tm	'0'B	
itc	'001'B	
extb4	'1'B	
spb	'0'B	
strc	'00'B	
dplxm	('0'B, '1'B)	
config	'0'B	
nirr	('0'B, '1'B)	
est	'0'B	
extb5	'1'B	
accid	'00'B	
ra	'01'B	
sacp	'100'B	
extb6	('0'B, '1'B)	
l1id	'01'B	
uil1	'0000'B	
sb	'1'B	
extb6a	('0'B, '1'B)	
nsb	('0'B, '1'B)	
nb	'0'B	
ndb	'1'B	
ur	'0101'B	
extb6b	('0'B, '1'B)	
ir	'11'B	
nictx	('0'B, '1'B)	
nicrx	('0'B, '1'B)	
pi	'011'B	
extb6c	'1'B	
ce	('01'B, '10'B, '11'B)	
modemt	'00000'B	
extb7	'1'B	
l2id	'10'B	
uil2	'01000'B	
Detailed Comments:		

Structured Type Constraint		
Constraint Name:	Bcap_Setup_B14_9600_3	
Structured Type:	BCAP	
Derivation Path:		
Comments:	<p>To check a Bearer Capability IE of a Setup PDU acc. to table in clause B.1.4 of GSM 07.01 for the UR 9600 Bits/s. This constraint corresponds to the combination:</p> <p>CE: T S: unstructured UIL2P: NAV NDB: 7 bits NPB: any valid value but "none".</p> <p>The rate 9600 Bit/s can only be achieved with IR 16 kbits/s either using the path with CE: NT or "both" or using the path with CE:T. (See other steps for this table and rate)</p> <p>ANY CHANGE IN THIS CONSTRAINT MUST BE MADE IN THE CORRESPONDING LOWER LAYER COMPATIBILITY CONSTRAINT ALSO!</p>	
Element Name	Element Value	Comments
iei	'0000100'B	
iel	('01'O, '02'O, '03'O, '04'O, '05'O, '06'O, '07'O, '08'O)	
extb3	'1'B	
rchr	('01'B, '10'B, '11'B)	
cs	'0'B	
tm	'0'B	
itc	'001'B	
extb4	'1'B	
spb	'0'B	
strc	'11'B	
dplxm	('0'B, '1'B)	
config	'0'B	
nirr	('0'B, '1'B)	
est	'0'B	
extb5	'1'B	
accid	'00'B	
ra	'01'B	
sacp	'100'B	
extb6	('0'B, '1'B)	
l1id	'01'B	
uil1	'0000'B	
sb	'1'B	
extb6a	('0'B, '1'B)	
nsb	('0'B, '1'B)	
nb	'0'B	
ndb	'0'B	
ur	'0101'B	
extb6b	('0'B, '1'B)	
ir	'11'B	
nictx	('0'B, '1'B)	
nicrx	('0'B, '1'B)	
pi	('000'B, '010'B, '100'B, '101'B)	
extb6c	'1'B	
ce	'00'B	
modemt	'00000'B	
extb7	OMIT	
l2id	OMIT	
uil2	OMIT	
Detailed Comments:		

Structured Type Constraint		
Constraint Name:	Bcap_Setup_B14_9600_4	
Structured Type:	BCAP	
Derivation Path:		
Comments:	<p>To check a Bearer Capability IE of a Setup PDU acc. to table in clause B.1.4 of GSM 07.01 for the UR 9600 Bits/s. This constraint corresponds to the combination:</p> <p>CE: T S: unstructured UIL2P: NAV NDB: 8 bits NPB: none</p> <p>The rate 9600 Bit/s can only be achieved with IR 16 kbits/s either using the path with CE: NT or "both" or using the path with CE:T. (See other steps for this table and rate)</p> <p>ANY CHANGE IN THIS CONSTRAINT MUST BE MADE IN THE CORRESPONDING LOWER LAYER COMPATIBILITY CONSTRAINT ALSO!</p>	
Element Name	Element Value	Comments
iei	'00000100'B	
iel	('01'O, '02'O, '03'O, '04'O, '05'O, '06'O, '07'O, '08'O)	
extb3	'1'B	
rchr	('01'B, '10'B, '11'B)	
cs	'0'B	
tm	'0'B	
itc	'001'B	
extb4	'1'B	
spb	'0'B	
strc	'11'B	
dplxm	('0'B, '1'B)	
config	'0'B	
nirr	('0'B, '1'B)	
est	'0'B	
extb5	'1'B	
accid	'00'B	
ra	'01'B	
sacp	'100'B	
extb6	('0'B, '1'B)	
l1id	'01'B	
uil1	'0000'B	
sb	'1'B	
extb6a	('0'B, '1'B)	
nsb	('0'B, '1'B)	
nb	'0'B	
ndb	'1'B	
ur	'0101'B	
extb6b	('0'B, '1'B)	
ir	'11'B	
nictx	('0'B, '1'B)	
nicrx	('0'B, '1'B)	
pi	'011'B	
extb6c	'1'B	
ce	'00'B	
modemt	'00000'B	
extb7	OMIT	
l2id	OMIT	
uil2	OMIT	
Detailed Comments:		

Structured Type Constraint		
Constraint Name:	Bcap_Setup_B14_120075_1	
Structured Type:	BCAP	
Derivation Path:		
Comments:	<p>To check a Bearer Capability IE of a Setup PDU acc. to table in clause B.1.4 of GSM 07.01 for the UR 1200/75 Bits/s. This constraint corresponds to the combination:</p> <p>NDB: 7 bits NPB: any valid value but "none".</p> <p>Since the path acc. to comment 2) in GSM 07.01, clause B.1.4, is not for Setup messages, the rate 1200/75 Bit/s can only be achieved with IR 16 kbits/s and the path acc. to comment 1), which is for CE: NT or "both" only. So the path CE: T is discarded.</p> <p>ANY CHANGE IN THIS CONSTRAINT MUST BE MADE IN THE CORRESPONDING LOWER LAYER COMPATIBILITY CONSTRAINT ALSO!</p>	
Element Name	Element Value	Comments
iei	'0000100'B	
iel	('01'O, '02'O, '03'O, '04'O, '05'O, '06'O, '07'O, '08'O)	
extb3	'1'B	
rchr	('01'B, '10'B, '11'B)	
cs	'0'B	
tm	'0'B	
itc	'001'B	
extb4	'1'B	
spb	'0'B	
strc	'00'B	
dplxm	('0'B, '1'B)	
config	'0'B	
nirr	('0'B, '1'B)	
est	'0'B	
extb5	'1'B	
accid	'00'B	
ra	'01'B	
sacp	'100'B	
extb6	('0'B, '1'B)	
l1id	'01'B	
uil1	'0000'B	
sb	'1'B	
extb6a	('0'B, '1'B)	
nsb	('0'B, '1'B)	
nb	'0'B	
ndb	'0'B	
ur	'0111'B	
extb6b	('0'B, '1'B)	
ir	'11'B	
nictx	('0'B, '1'B)	
nicrx	('0'B, '1'B)	
pi	('000'B, '010'B, '100'B, '101'B)	
extb6c	'1'B	
ce	('01'B, '10'B, '11'B)	
modemt	'00000'B	
extb7	'1'B	
l2id	'10'B	
uil2	'01000'B	
Detailed Comments:		

Structured Type Constraint		
Constraint Name:	Bcap_Setup_B14_120075_2	
Structured Type:	BCAP	
Derivation Path:		
Comments:	<p>To check a Bearer Capability IE of a Setup PDU acc. to table in clause B.1.4 of GSM 07.01 for the UR 300 Bits/s. This constraint corresponds to the combination:</p> <p>NDB: 8 bits NPB: none</p> <p>Since the path acc. to comment 2) in GSM 07.01, clause B.1.4, is not for Setup messages, the rate 1200/75 Bit/s can only be achieved with IR 16 kbits/s and the path acc. to comment 1), which is for CE: NT or "both" only. So the path CE: T is discarded.</p> <p>ANY CHANGE IN THIS CONSTRAINT MUST BE MADE IN THE CORRESPONDING LOWER LAYER COMPATIBILITY CONSTRAINT ALSO!</p>	
Element Name	Element Value	Comments
iei	'00000100'B	
iel	('01'O, '02'O, '03'O, '04'O, '05'O, '06'O, '07'O, '08'O)	
extb3	'1'B	
rchr	('01'B, '10'B, '11'B)	
cs	'0'B	
tm	'0'B	
itc	'0001'B	
extb4	'1'B	
spb	'0'B	
strc	'00'B	
dplxm	('0'B, '1'B)	
config	'0'B	
nirr	('0'B, '1'B)	
est	'0'B	
extb5	'1'B	
accid	'00'B	
ra	'01'B	
sacp	'100'B	
extb6	('0'B, '1'B)	
l1id	'01'B	
uil1	'0000'B	
sb	'1'B	
extb6a	('0'B, '1'B)	
nsb	('0'B, '1'B)	
nb	'0'B	
ndb	'1'B	
ur	'0111'B	
extb6b	('0'B, '1'B)	
ir	'11'B	
nictx	('0'B, '1'B)	
nicrx	('0'B, '1'B)	
pi	'011'B	
extb6c	'1'B	
ce	('01'B, '10'B, '11'B)	
modemt	'00000'B	
extb7	'1'B	
l2id	'10'B	
uil2	'01000'B	
Detailed Comments:		

Structured Type Constraint		
Constraint Name:	Bcap_Setup_B15_2400	
Structured Type:	BCAP	
Derivation Path:		
Comments:	<p>To check a Bearer Capability IE of a Setup PDU acc. to table in clause B.1.5 of GSM 07.01. This constraint corresponds to the combination:</p> <p>UR: 2.4 kbits/s</p> <p>ANY CHANGE IN THIS CONSTRAINT MUST BE MADE IN THE CORRESPONDING LOWER LAYER COMPATIBILITY CONSTRAINT ALSO!</p>	
Element Name	Element Value	Comments
iei	'00000100'B	
iel	('01'O, '02'O, '03'O, '04'O, '05'O, '06'O, '07'O, '08'O)	
extb3	'1'B	
rchr	('01'B, '10'B, '11'B)	
cs	'0'B	
tm	'0'B	
itc	'001'B	
extb4	'1'B	
spb	'0'B	
strc	'00'B	
dplxm	('0'B, '1'B)	
config	'0'B	
nirr	('0'B, '1'B)	
est	'0'B	
extb5	'1'B	
accid	'00'B	
ra	'10'B	
sacp	'110'B	
extb6	('0'B, '1'B)	
l1id	'01'B	
uil1	'0000'B	
sb	'1'B	
extb6a	('0'B, '1'B)	
nsb	'0'B	
nb	'0'B	
ndb	'1'B	
ur	'0011'B	
extb6b	('0'B, '1'B)	
ir	'11'B	
nictx	('0'B, '1'B)	
nicrx	('0'B, '1'B)	
pi	'011'B	
extb6c	'1'B	
ce	'01'B	
modemt	'00000'B	
extb7	'1'B	
l2id	'10'B	
uil2	'00110'B	
Detailed Comments:		

Structured Type Constraint		
Constraint Name:	Bcap_Setup_B15_4800	
Structured Type:	BCAP	
Derivation Path:		
Comments:	<p>To check a Bearer Capability IE of a Setup PDU acc. to table in clause B.1.5 of GSM 07.01. This constraint corresponds to the combination:</p> <p>UR: 4.8 kbits/s</p> <p>ANY CHANGE IN THIS CONSTRAINT MUST BE MADE IN THE CORRESPONDING LOWER LAYER COMPATIBILITY CONSTRAINT ALSO!</p>	
Element Name	Element Value	Comments
iei	'00000100'B	
iel	('01'O, '02'O, '03'O, '04'O, '05'O, '06'O, '07'O, '08'O)	
extb3	'1'B	
rchr	('01'B, '10'B, '11'B)	
cs	'0'B	
tm	'0'B	
itc	'001'B	
extb4	'1'B	
spb	'0'B	
strc	'00'B	
dplxm	('0'B, '1'B)	
config	'0'B	
nirr	('0'B, '1'B)	
est	'0'B	
extb5	'1'B	
accid	'00'B	
ra	'10'B	
sacp	'110'B	
extb6	('0'B, '1'B)	
l1id	'01'B	
uil1	'0000'B	
sb	'1'B	
extb6a	('0'B, '1'B)	
nsb	'0'B	
nb	'0'B	
ndb	'1'B	
ur	'0100'B	
extb6b	('0'B, '1'B)	
ir	'11'B	
nictx	('0'B, '1'B)	
nicrx	('0'B, '1'B)	
pi	'011'B	
extb6c	'1'B	
ce	'01'B	
modemt	'00000'B	
extb7	'1'B	
l2id	'10'B	
uil2	'00110'B	
Detailed Comments:		

Structured Type Constraint		
Constraint Name:	Bcap_Setup_B15_9600	
Structured Type:	BCAP	
Derivation Path:		
Comments:	<p>To check a Bearer Capability IE of a Setup PDU acc. to table in clause B.1.5 of GSM 07.01. This constraint corresponds to the combination:</p> <p>UR: 9.6 kbits/s</p> <p>ANY CHANGE IN THIS CONSTRAINT MUST BE MADE IN THE CORRESPONDING LOWER LAYER COMPATIBILITY CONSTRAINT ALSO!</p>	
Element Name	Element Value	Comments
iei	'00000100'B	
iel	('01'O, '02'O, '03'O, '04'O, '05'O, '06'O, '07'O, '08'O)	
extb3	'1'B	
rchr	('01'B, '10'B, '11'B)	
cs	'0'B	
tm	'0'B	
itc	'001'B	
extb4	'1'B	
spb	'0'B	
strc	'00'B	
dplxm	('0'B, '1'B)	
config	'0'B	
nirr	('0'B, '1'B)	
est	'0'B	
extb5	'1'B	
accid	'00'B	
ra	'10'B	
sacp	'110'B	
extb6	('0'B, '1'B)	
l1id	'01'B	
uil1	'0000'B	
sb	'1'B	
extb6a	('0'B, '1'B)	
nsb	'0'B	
nb	'0'B	
ndb	'1'B	
ur	'0101'B	
extb6b	('0'B, '1'B)	
ir	'11'B	
nictx	('0'B, '1'B)	
nicrx	('0'B, '1'B)	
pi	'011'B	
extb6c	'1'B	
ce	'01'B	
modemt	'00000'B	
extb7	'1'B	
l2id	'10'B	
uil2	'00110'B	
Detailed Comments:		

Structured Type Constraint		
Constraint Name:	Bcap_Setup_B161	
Structured Type:	BCAP	
Derivation Path:		
Comments:	To check a Bearer Capability IE of a Setup PDU acc. to table in clause B.1.6.1 of GSM 07.01. ANY CHANGE IN THIS CONSTRAINT MUST BE MADE IN THE CORRESPONDING LOWER LAYER COMPATIBILITY CONSTRAINT ALSO!	
Element Name	Element Value	Comments
iei	'00000100'B	
iel	'01'O	
extb3	'1'B	
rchr	('01'B, '10'B, '11'B)	
cs	'0'B	
tm	'0'B	
itc	'000'B	
extb4	OMIT	
spb	OMIT	
strc	OMIT	
dplxm	OMIT	
config	OMIT	
nirr	OMIT	
est	OMIT	
extb5	OMIT	
accid	OMIT	
ra	OMIT	
sacp	OMIT	
extb6	OMIT	
l1id	OMIT	
uil1	OMIT	
sb	OMIT	
extb6a	OMIT	
nsb	OMIT	
nb	OMIT	
ndb	OMIT	
ur	OMIT	
extb6b	OMIT	
ir	OMIT	
nictx	OMIT	
nicrx	OMIT	
pi	OMIT	
extb6c	OMIT	
ce	OMIT	
modemt	OMIT	
extb7	OMIT	
l2id	OMIT	
uil2	OMIT	
Detailed Comments:		

Structured Type Constraint		
Constraint Name:	Bcap_Setup_B1621_300_1	
Structured Type:	BCAP	
Derivation Path:		
Comments:	<p>To check a Bearer Capability IE of a Setup PDU acc. to table in clause B.1.6.2.1 of GSM 07.01 for the UR 300 Bits/s. This constraint corresponds to the combination:</p> <p>NDB: 7 bits NPB: any valid value.</p> <p>Since the path acc. to comment 2) in GSM 07.01, clause B.1.6.2.1, is not for Setup messages, the rate 300 Bit/s can only be achieved with IR 16 kbits/s and the path acc. to comment 1), which is for CE: NT or "both" only. So the path CE: T is discarded.</p> <p>ANY CHANGE IN THIS CONSTRAINT MUST BE MADE IN THE CORRESPONDING LOWER LAYER COMPATIBILITY CONSTRAINT ALSO!</p>	
Element Name	Element Value	Comments
iei	'0000100'B	
iel	('01'O, '02'O, '03'O, '04'O, '05'O, '06'O, '07'O, '08'O)	
extb3	'1'B	
rchr	('01'B, '10'B, '11'B)	
cs	'0'B	
tm	'0'B	
itc	'010'B	
extb4	'1'B	
spb	'0'B	
strc	'00'B	
dplxm	('0'B, '1'B)	
config	'0'B	
nirr	('0'B, '1'B)	
est	'0'B	
extb5	'1'B	
accid	'00'B	
ra	'00'B	
sacp	'001'B	
extb6	('0'B, '1'B)	
l1id	'01'B	
uil1	'0000'B	
sb	'1'B	
extb6a	('0'B, '1'B)	
nsb	('0'B, '1'B)	
nb	'0'B	
ndb	'0'B	
ur	'0001'B	
extb6b	('0'B, '1'B)	
ir	'11'B	
nictx	('0'B, '1'B)	
nicrx	('0'B, '1'B)	
pi	('000'B, '010'B, '011'B, '100'B, '101'B)	
extb6c	'1'B	
ce	('01'B, '10'B, '11'B)	
modemt	('00001'B, '01000'B)	
extb7	'1'B	
l2id	'10'B	
uil2	'01000'B	
Detailed Comments:		

Structured Type Constraint		
Constraint Name:	Bcap_Setup_B1621_300_2	
Structured Type:	BCAP	
Derivation Path:		
Comments:	<p>To check a Bearer Capability IE of a Setup PDU acc. to table in clause B.1.6.2.1 of GSM 07.01 for the UR 300 Bits/s. This constraint corresponds to the combination:</p> <p>NDB: 8 bits NPB: none</p> <p>Since the path acc. to comment 2) in GSM 07.01, clause B.1.6.2.1, is not for Setup messages, the rate 300 Bit/s can only be achieved with IR 16 kbits/s and the path acc. to comment 1), which is for CE: NT or "both" only. So the path CE: T is discarded.</p> <p>ANY CHANGE IN THIS CONSTRAINT MUST BE MADE IN THE CORRESPONDING LOWER LAYER COMPATIBILITY CONSTRAINT ALSO!</p>	
Element Name	Element Value	Comments
iei	'0000100'B	
iel	('01'O, '02'O, '03'O, '04'O, '05'O, '06'O, '07'O, '08'O)	
extb3	'1'B	
rchr	('01'B, '10'B, '11'B)	
cs	'0'B	
tm	'0'B	
itc	'010'B	
extb4	'1'B	
spb	'0'B	
strc	'00'B	
dplxm	('0'B, '1'B)	
config	'0'B	
nirr	('0'B, '1'B)	
est	'0'B	
extb5	'1'B	
accid	'00'B	
ra	'00'B	
sacp	'001'B	
extb6	('0'B, '1'B)	
l1id	'01'B	
uil1	'0000'B	
sb	'1'B	
extb6a	('0'B, '1'B)	
nsb	('0'B, '1'B)	
nb	'0'B	
ndb	'1'B	
ur	'0001'B	
extb6b	('0'B, '1'B)	
ir	'11'B	
nictx	('0'B, '1'B)	
nicrx	('0'B, '1'B)	
pi	'011'B	
extb6c	'1'B	
ce	('01'B, '10'B, '11'B)	
modemt	('00001'B, '01000'B)	
extb7	'1'B	
l2id	'10'B	
uil2	'01000'B	
Detailed Comments:		

Structured Type Constraint		
Constraint Name:	Bcap_Setup_B1621_1200_1	
Structured Type:	BCAP	
Derivation Path:		
Comments:	<p>To check a Bearer Capability IE of a Setup PDU acc. to table in clause B.1.6.2.1 of GSM 07.01 for the UR 1200 Bits/s. This constraint corresponds to the combination:</p> <p>NDB: 7 bits NPB: any valid value.</p> <p>Since the path acc. to comment 2) in GSM 07.01, clause B.1.6.2.1, is not for Setup messages, the rate 1200 Bit/s can only be achieved with IR 16 kbits/s and the path acc. to comment 1), which is for CE: NT or "both" only. So the path CE: T is discarded.</p> <p>ANY CHANGE IN THIS CONSTRAINT MUST BE MADE IN THE CORRESPONDING LOWER LAYER COMPATIBILITY CONSTRAINT ALSO!</p>	
Element Name	Element Value	Comments
iei	'0000100'B	
iel	('01'O, '02'O, '03'O, '04'O, '05'O, '06'O, '07'O, '08'O)	
extb3	'1'B	
rchr	('01'B, '10'B, '11'B)	
cs	'0'B	
tm	'0'B	
itc	'010'B	
extb4	'1'B	
spb	'0'B	
strc	'00'B	
dplxm	('0'B, '1'B)	
config	'0'B	
nirr	('0'B, '1'B)	
est	'0'B	
extb5	'1'B	
accid	'00'B	
ra	'00'B	
sacp	'001'B	
extb6	('0'B, '1'B)	
l1id	'01'B	
uil1	'0000'B	
sb	'1'B	
extb6a	('0'B, '1'B)	
nsb	('0'B, '1'B)	
nb	'0'B	
ndb	'0'B	
ur	'0010'B	
extb6b	('0'B, '1'B)	
ir	'11'B	
nictx	('0'B, '1'B)	
nicrx	('0'B, '1'B)	
pi	('000'B, '010'B, '011'B, '100'B, '101'B)	
extb6c	'1'B	
ce	('01'B, '10'B, '11'B)	
modemt	('00010'B, '01000'B)	
extb7	'1'B	
l2id	'10'B	
uil2	'01000'B	
Detailed Comments:		

Structured Type Constraint		
Constraint Name:	Bcap_Setup_B1621_1200_2	
Structured Type:	BCAP	
Derivation Path:		
Comments:	<p>To check a Bearer Capability IE of a Setup PDU acc. to table in clause B.1.6.2.1 of GSM 07.01 for the UR 1200 Bits/s. This constraint corresponds to the combination:</p> <p>NDB: 8 bits NPB: none</p> <p>Since the path acc. to comment 2) in GSM 07.01, clause B.1.6.2.1, is not for Setup messages, the rate 1200 Bit/s can only be achieved with IR 16 kbits/s and the path acc. to comment 1), which is for CE: NT or "both" only. So the path CE: T is discarded.</p> <p>ANY CHANGE IN THIS CONSTRAINT MUST BE MADE IN THE CORRESPONDING LOWER LAYER COMPATIBILITY CONSTRAINT ALSO!</p>	
Element Name	Element Value	Comments
iei	'0000100'B	
iel	('01'O, '02'O, '03'O, '04'O, '05'O, '06'O, '07'O, '08'O)	
extb3	'1'B	
rchr	('01'B, '10'B, '11'B)	
cs	'0'B	
tm	'0'B	
itc	'010'B	
extb4	'1'B	
spb	'0'B	
strc	'00'B	
dplxm	('0'B, '1'B)	
config	'0'B	
nirr	('0'B, '1'B)	
est	'0'B	
extb5	'1'B	
accid	'00'B	
ra	'00'B	
sacp	'001'B	
extb6	('0'B, '1'B)	
l1id	'01'B	
uil1	'0000'B	
sb	'1'B	
extb6a	('0'B, '1'B)	
nsb	('0'B, '1'B)	
nb	'0'B	
ndb	'1'B	
ur	'0010'B	
extb6b	('0'B, '1'B)	
ir	'11'B	
nictx	('0'B, '1'B)	
nicrx	('0'B, '1'B)	
pi	'011'B	
extb6c	'1'B	
ce	('01'B, '10'B, '11'B)	
modemt	('00010'B, '01000'B)	
extb7	'1'B	
l2id	'10'B	
uil2	'01000'B	
Detailed Comments:		

Structured Type Constraint		
Constraint Name:	Bcap_Setup_B1621_2400_1	
Structured Type:	BCAP	
Derivation Path:		
Comments:	<p>To check a Bearer Capability IE of a Setup PDU acc. to table in clause B.1.6.2.1 of GSM 07.01 for the UR 2400 Bits/s. This constraint corresponds to the combination:</p> <p>NDB: 7 bits NPB: any valid value.</p> <p>Since the path acc. to comment 2) in GSM 07.01, clause B.1.6.2.1, is not for Setup messages, the rate 2400 Bit/s can only be achieved with IR 16 kbits/s and the path acc. to comment 1), which is for CE: NT or "both" only. So the path CE: T is discarded.</p> <p>ANY CHANGE IN THIS CONSTRAINT MUST BE MADE IN THE CORRESPONDING LOWER LAYER COMPATIBILITY CONSTRAINT ALSO!</p>	
Element Name	Element Value	Comments
iei	'0000100'B	
iel	('01'O, '02'O, '03'O, '04'O, '05'O, '06'O, '07'O, '08'O)	
extb3	'1'B	
rchr	('01'B, '10'B, '11'B)	
cs	'0'B	
tm	'0'B	
itc	'010'B	
extb4	'1'B	
spb	'0'B	
strc	'00'B	
dplxm	('0'B, '1'B)	
config	'0'B	
nirr	('0'B, '1'B)	
est	'0'B	
extb5	'1'B	
accid	'00'B	
ra	'00'B	
sacp	'001'B	
extb6	('0'B, '1'B)	
l1id	'01'B	
uil1	'0000'B	
sb	'1'B	
extb6a	('0'B, '1'B)	
nsb	('0'B, '1'B)	
nb	'0'B	
ndb	'0'B	
ur	'0011'B	
extb6b	('0'B, '1'B)	
ir	'11'B	
nictx	('0'B, '1'B)	
nicrx	('0'B, '1'B)	
pi	('000'B, '010'B, '011'B, '100'B, '101'B)	
extb6c	'1'B	
ce	('01'B, '10'B, '11'B)	
modemt	('00011'B, '00101'B, '01000'B)	
extb7	'1'B	
l2id	'10'B	
uil2	'01000'B	
Detailed Comments:		

Structured Type Constraint		
Constraint Name:	Bcap_Setup_B1621_2400_2	
Structured Type:	BCAP	
Derivation Path:		
Comments:	<p>To check a Bearer Capability IE of a Setup PDU acc. to table in clause B.1.6.2.1 of GSM 07.01 for the UR 2400 Bits/s. This constraint corresponds to the combination:</p> <p>NDB: 8 bits NPB: none</p> <p>Since the path acc. to comment 2) in GSM 07.01, clause B.1.6.2.1, is not for Setup messages, the rate 2400 Bit/s can only be achieved with IR 16 kbits/s and the path acc. to comment 1), which is for CE: NT or "both" only. So the path CE: T is discarded.</p> <p>ANY CHANGE IN THIS CONSTRAINT MUST BE MADE IN THE CORRESPONDING LOWER LAYER COMPATIBILITY CONSTRAINT ALSO!</p>	
Element Name	Element Value	Comments
iei	'0000100'B	
iel	('01'O, '02'O, '03'O, '04'O, '05'O, '06'O, '07'O, '08'O)	
extb3	'1'B	
rchr	('01'B, '10'B, '11'B)	
cs	'0'B	
tm	'0'B	
itc	'010'B	
extb4	'1'B	
spb	'0'B	
strc	'00'B	
dplxm	('0'B, '1'B)	
config	'0'B	
nirr	('0'B, '1'B)	
est	'0'B	
extb5	'1'B	
accid	'00'B	
ra	'00'B	
sacp	'001'B	
extb6	('0'B, '1'B)	
l1id	'01'B	
uil1	'0000'B	
sb	'1'B	
extb6a	('0'B, '1'B)	
nsb	('0'B, '1'B)	
nb	'0'B	
ndb	'1'B	
ur	'0011'B	
extb6b	('0'B, '1'B)	
ir	'11'B	
nictx	('0'B, '1'B)	
nicrx	('0'B, '1'B)	
pi	'011'B	
extb6c	'1'B	
ce	('01'B, '10'B, '11'B)	
modemt	('00011'B, '00101'B, '01000'B)	
extb7	'1'B	
l2id	'10'B	
uil2	'01000'B	
Detailed Comments:		

Structured Type Constraint

Constraint Name:	Bcap_Setup_B1621_4800_1
Structured Type:	BCAP
Derivation Path:	
Comments:	<p>To check a Bearer Capability IE of a Setup PDU acc. to table in clause B.1.6.2.1 of GSM 07.01 for the UR 4800 Bits/s. This constraint corresponds to the combination:</p> <p>NDB: 7 bits NPB: any valid value.</p> <p>Since the path acc. to comment 2) in GSM 07.01, clause B.1.6.2.1, is not for Setup messages, the rate 4800 Bit/s can only be achieved with IR 16 kbits/s and the path acc. to comment 1), which is for CE: NT or "both" only. So the path CE: T is discarded.</p> <p>ANY CHANGE IN THIS CONSTRAINT MUST BE MADE IN THE CORRESPONDING LOWER LAYER COMPATIBILITY CONSTRAINT ALSO!</p>

Element Name	Element Value	Comments
iei	'0000100'B	
iel	('01'O, '02'O, '03'O, '04'O, '05'O, '06'O, '07'O, '08'O)	
extb3	'1'B	
rchr	('01'B, '10'B, '11'B)	
cs	'0'B	
tm	'0'B	
itc	'010'B	
extb4	'1'B	
spb	'0'B	
strc	'00'B	
dplxm	('0'B, '1'B)	
config	'0'B	
nirr	('0'B, '1'B)	
est	'0'B	
extb5	'1'B	
accid	'00'B	
ra	'00'B	
sacp	'001'B	
extb6	('0'B, '1'B)	
l1id	'01'B	
uil1	'0000'B	
sb	'1'B	
extb6a	('0'B, '1'B)	
nsb	('0'B, '1'B)	
nb	'0'B	
ndb	'0'B	
ur	'0100'B	
extb6b	('0'B, '1'B)	
ir	'11'B	
nictx	('0'B, '1'B)	
nicrx	('0'B, '1'B)	
pi	('000'B, '010'B, '011'B, '100'B, '101'B)	
extb6c	'1'B	
ce	('01'B, '10'B, '11'B)	
modemt	('00110'B, '01000'B)	
extb7	'1'B	
l2id	'10'B	
uil2	'01000'B	

Detailed Comments:

Structured Type Constraint		
Constraint Name:	Bcap_Setup_B1621_4800_2	
Structured Type:	BCAP	
Derivation Path:		
Comments:	<p>To check a Bearer Capability IE of a Setup PDU acc. to table in clause B.1.6.2.1 of GSM 07.01 for the UR 4800 Bits/s. This constraint corresponds to the combination:</p> <p>NDB: 8 bits NPB: none</p> <p>Since the path acc. to comment 2) in GSM 07.01, clause B.1.6.2.1, is not for Setup messages, the rate 4800 Bit/s can only be achieved with IR 16 kbits/s and the path acc. to comment 1), which is for CE: NT or "both" only. So the path CE: T is discarded.</p> <p>ANY CHANGE IN THIS CONSTRAINT MUST BE MADE IN THE CORRESPONDING LOWER LAYER COMPATIBILITY CONSTRAINT ALSO!</p>	
Element Name	Element Value	Comments
iei	'0000100'B	
iel	('01'O, '02'O, '03'O, '04'O, '05'O, '06'O, '07'O, '08'O)	
extb3	'1'B	
rchr	('01'B, '10'B, '11'B)	
cs	'0'B	
tm	'0'B	
itc	'010'B	
extb4	'1'B	
spb	'0'B	
strc	'00'B	
dplxm	('0'B, '1'B)	
config	'0'B	
nirr	('0'B, '1'B)	
est	'0'B	
extb5	'1'B	
accid	'00'B	
ra	'00'B	
sacp	'001'B	
extb6	('0'B, '1'B)	
l1id	'01'B	
uil1	'0000'B	
sb	'1'B	
extb6a	('0'B, '1'B)	
nsb	('0'B, '1'B)	
nb	'0'B	
ndb	'1'B	
ur	'0100'B	
extb6b	('0'B, '1'B)	
ir	'11'B	
nictx	('0'B, '1'B)	
nicrx	('0'B, '1'B)	
pi	'011'B	
extb6c	'1'B	
ce	('01'B, '10'B, '11'B)	
modemt	('00110'B, '01000'B)	
extb7	'1'B	
l2id	'10'B	
uil2	'01000'B	
Detailed Comments:		

Structured Type Constraint

Constraint Name:	Bcap_Setup_B1621_9600_1
Structured Type:	BCAP
Derivation Path:	
Comments:	<p>To check a Bearer Capability IE of a Setup PDU acc. to table in clause B.1.6.2.1 of GSM 07.01 for the UR 9600 Bits/s. This constraint corresponds to the combination:</p> <p>CE: NT, bothNT, bothT S: SDU UIL2P: ISO 6429 NDB: 7 bits NPB: any valid value.</p> <p>The rate 9600 Bit/s can only be achieved with IR 16 kbits/s either using the path with CE: NT or "both" or using the path with CE:T. (See other steps for this table and rate)</p> <p>ANY CHANGE IN THIS CONSTRAINT MUST BE MADE IN THE CORRESPONDING LOWER LAYER COMPATIBILITY CONSTRAINT ALSO!</p>

Element Name	Element Value	Comments
iei	'0000100'B	
iel	('01'O, '02'O, '03'O, '04'O, '05'O, '06'O, '07'O, '08'O)	
extb3	'1'B	
rchr	('01'B, '10'B, '11'B)	
cs	'0'B	
tm	'0'B	
itc	'010'B	
extb4	'1'B	
spb	'0'B	
strc	'00'B	
dplxm	('0'B, '1'B)	
config	'0'B	
nirr	('0'B, '1'B)	
est	'0'B	
extb5	'1'B	
accid	'00'B	
ra	'00'B	
sacp	'001'B	
extb6	('0'B, '1'B)	
l1id	'01'B	
uil1	'0000'B	
sb	'1'B	
extb6a	('0'B, '1'B)	
nsb	('0'B, '1'B)	
nb	'0'B	
ndb	'0'B	
ur	'0101'B	
extb6b	('0'B, '1'B)	
ir	'11'B	
nictx	('0'B, '1'B)	
nicrx	('0'B, '1'B)	
pi	('000'B, '010'B, '011'B, '100'B, '101'B)	
extb6c	'1'B	
ce	('01'B, '10'B, '11'B)	
modemt	('00110'B, '01000'B)	
extb7	'1'B	
l2id	'10'B	
uil2	'01000'B	

Detailed Comments:

Structured Type Constraint		
Constraint Name:	Bcap_Setup_B1621_9600_2	
Structured Type:	BCAP	
Derivation Path:		
Comments:	<p>To check a Bearer Capability IE of a Setup PDU acc. to table in clause B.1.6.2.1 of GSM 07.01 for the UR 9600 Bits/s. This constraint corresponds to the combination:</p> <p>CE: NT, bothNT, bothT</p> <p>S: SDU</p> <p>UIL2P: ISO 6429</p> <p>NDB: 8 bits</p> <p>NPB: none</p> <p>The rate 9600 Bit/s can only be achieved with IR 16 kbits/s either using the path with CE: NT or "both" or using the path with CE:T. (See other steps for this table and rate)</p> <p>ANY CHANGE IN THIS CONSTRAINT MUST BE MADE IN THE CORRESPONDING LOWER LAYER COMPATIBILITY CONSTRAINT ALSO!</p>	
Element Name	Element Value	Comments
iei	'00000100'B	
iel	('01'O, '02'O, '03'O, '04'O, '05'O, '06'O, '07'O, '08'O)	
extb3	'1'B	
rchr	('01'B, '10'B, '11'B)	
cs	'0'B	
tm	'0'B	
itc	'010'B	
extb4	'1'B	
spb	'0'B	
strc	'00'B	
dplxm	('0'B, '1'B)	
config	'0'B	
nirr	('0'B, '1'B)	
est	'0'B	
extb5	'1'B	
accid	'00'B	
ra	'00'B	
sacp	'001'B	
extb6	('0'B, '1'B)	
l1id	'01'B	
uil1	'0000'B	
sb	'1'B	
extb6a	('0'B, '1'B)	
nsb	('0'B, '1'B)	
nb	'0'B	
ndb	'1'B	
ur	'0101'B	
extb6b	('0'B, '1'B)	
ir	'11'B	
nictx	('0'B, '1'B)	
nicrx	('0'B, '1'B)	
pi	'011'B	
extb6c	'1'B	
ce	('01'B, '10'B, '11'B)	
modemt	('00110'B, '01000'B)	
extb7	'1'B	
l2id	'10'B	
uil2	'01000'B	
Detailed Comments:		

Structured Type Constraint		
Constraint Name:	Bcap_Setup_B1621_9600_3	
Structured Type:	BCAP	
Derivation Path:		
Comments:	<p>To check a Bearer Capability IE of a Setup PDU acc. to table in clause B.1.6.2.1 of GSM 07.01 for the UR 9600 Bits/s. This constraint corresponds to the combination:</p> <p>CE: T S: unstructured UIL2P: NAV NDB: 7 bits NPB: any valid value.</p> <p>The rate 9600 Bit/s can only be achieved with IR 16 kbits/s either using the path with CE: NT or "both" or using the path with CE:T. (See other steps for this table and rate)</p> <p>ANY CHANGE IN THIS CONSTRAINT MUST BE MADE IN THE CORRESPONDING LOWER LAYER COMPATIBILITY CONSTRAINT ALSO!</p>	
Element Name	Element Value	Comments
iei	'0000100'B	
iel	('01'O, '02'O, '03'O, '04'O, '05'O, '06'O, '07'O, '08'O)	
extb3	'1'B	
rchr	('01'B, '10'B, '11'B)	
cs	'0'B	
tm	'0'B	
itc	'010'B	
extb4	'1'B	
spb	'0'B	
strc	'11'B	
dplxm	('0'B, '1'B)	
config	'0'B	
nirr	('0'B, '1'B)	
est	'0'B	
extb5	'1'B	
accid	'00'B	
ra	'00'B	
sacp	'001'B	
extb6	('0'B, '1'B)	
l1id	'01'B	
uil1	'0000'B	
sb	'1'B	
extb6a	('0'B, '1'B)	
nsb	('0'B, '1'B)	
nb	'0'B	
ndb	'0'B	
ur	'0101'B	
extb6b	('0'B, '1'B)	
ir	'11'B	
nictx	('0'B, '1'B)	
nicrx	('0'B, '1'B)	
pi	('000'B, '010'B, '011'B, '100'B, '101'B)	
extb6c	'1'B	
ce	'00'B	
modemt	'00110'B	
extb7	OMIT	
l2id	OMIT	
uil2	OMIT	
Detailed Comments:		

Structured Type Constraint		
Constraint Name:	Bcap_Setup_B1621_9600_4	
Structured Type:	BCAP	
Derivation Path:		
Comments:	<p>To check a Bearer Capability IE of a Setup PDU acc. to table in clause B.1.6.2.1 of GSM 07.01 for the UR 9600 Bits/s. This constraint corresponds to the combination:</p> <p>CE: T S: unstructured UIL2P: NAV NDB: 8 bits NPB: none</p> <p>The rate 9600 Bit/s can only be achieved with IR 16 kbits/s either using the path with CE: NT or "both" or using the path with CE:T. (See other steps for this table and rate)</p> <p>ANY CHANGE IN THIS CONSTRAINT MUST BE MADE IN THE CORRESPONDING LOWER LAYER COMPATIBILITY CONSTRAINT ALSO!</p>	
Element Name	Element Value	Comments
iei	'00000100'B	
iel	('01'O, '02'O, '03'O, '04'O, '05'O, '06'O, '07'O, '08'O)	
extb3	'1'B	
rchr	('01'B, '10'B, '11'B)	
cs	'0'B	
tm	'0'B	
itc	'010'B	
extb4	'1'B	
spb	'0'B	
strc	'11'B	
dplxm	('0'B, '1'B)	
config	'0'B	
nirr	('0'B, '1'B)	
est	'0'B	
extb5	'1'B	
accid	'00'B	
ra	'00'B	
sacp	'001'B	
extb6	('0'B, '1'B)	
l1id	'01'B	
uil1	'0000'B	
sb	'1'B	
extb6a	('0'B, '1'B)	
nsb	('0'B, '1'B)	
nb	'0'B	
ndb	'1'B	
ur	'0101'B	
extb6b	('0'B, '1'B)	
ir	'11'B	
nictx	('0'B, '1'B)	
nicrx	('0'B, '1'B)	
pi	'011'B	
extb6c	'1'B	
ce	'00'B	
modemt	'00110'B	
extb7	OMIT	
l2id	OMIT	
uil2	OMIT	
Detailed Comments:		

Structured Type Constraint		
Constraint Name:	Bcap_Setup_B1621_120075_1	
Structured Type:	BCAP	
Derivation Path:		
Comments:	<p>To check a Bearer Capability IE of a Setup PDU acc. to table in clause B.1.6.2.1 of GSM 07.01 for the UR 1200/75 Bits/s. This constraint corresponds to the combination:</p> <p>NDB: 7 bits NPB: any valid value.</p> <p>Since the path acc. to comment 2) in GSM 07.01, clause B.1.6.2.1, is not for Setup messages, the rate 1200/75 Bit/s can only be achieved with IR 16 kbits/s and the path acc. to comment 1), which is for CE: NT or "both" only. So the path CE: T is discarded.</p> <p>ANY CHANGE IN THIS CONSTRAINT MUST BE MADE IN THE CORRESPONDING LOWER LAYER COMPATIBILITY CONSTRAINT ALSO!</p>	
Element Name	Element Value	Comments
iei	'0000100'B	
iel	('01'O, '02'O, '03'O, '04'O, '05'O, '06'O, '07'O, '08'O)	
extb3	'1'B	
rchr	('01'B, '10'B, '11'B)	
cs	'0'B	
tm	'0'B	
itc	'010'B	
extb4	'1'B	
spb	'0'B	
strc	'00'B	
dplxm	('0'B, '1'B)	
config	'0'B	
nirr	('0'B, '1'B)	
est	'0'B	
extb5	'1'B	
accid	'00'B	
ra	'00'B	
sacp	'001'B	
extb6	('0'B, '1'B)	
l1id	'01'B	
uil1	'0000'B	
sb	'1'B	
extb6a	('0'B, '1'B)	
nsb	('0'B, '1'B)	
nb	'0'B	
ndb	'0'B	
ur	'0111'B	
extb6b	('0'B, '1'B)	
ir	'11'B	
nictx	('0'B, '1'B)	
nicrx	('0'B, '1'B)	
pi	('000'B, '010'B, '011'B, '100'B, '101'B)	
extb6c	'1'B	
ce	('01'B, '10'B, '11'B)	
modemt	('00100'B, '01000'B)	
extb7	'1'B	
l2id	'10'B	
uil2	'01000'B	
Detailed Comments:		

Structured Type Constraint		
Constraint Name:	Bcap_Setup_B1621_120075_2	
Structured Type:	BCAP	
Derivation Path:		
Comments:	<p>To check a Bearer Capability IE of a Setup PDU acc. to table in clause B.1.6.2.1 of GSM 07.01 for the UR 300 Bits/s. This constraint corresponds to the combination:</p> <p>NDB: 8 bits NPB: none</p> <p>Since the path acc. to comment 2) in GSM 07.01, clause B.1.6.2.1, is not for Setup messages, the rate 1200/75 Bit/s can only be achieved with IR 16 kbits/s and the path acc. to comment 1), which is for CE: NT or "both" only. So the path CE: T is discarded.</p> <p>ANY CHANGE IN THIS CONSTRAINT MUST BE MADE IN THE CORRESPONDING LOWER LAYER COMPATIBILITY CONSTRAINT ALSO!</p>	
Element Name	Element Value	Comments
iei	'0000100'B	
iel	('01'O, '02'O, '03'O, '04'O, '05'O, '06'O, '07'O, '08'O)	
extb3	'1'B	
rchr	('01'B, '10'B, '11'B)	
cs	'0'B	
tm	'0'B	
itc	'010'B	
extb4	'1'B	
spb	'0'B	
strc	'00'B	
dplxm	('0'B, '1'B)	
config	'0'B	
nirr	('0'B, '1'B)	
est	'0'B	
extb5	'1'B	
accid	'00'B	
ra	'00'B	
sacp	'001'B	
extb6	('0'B, '1'B)	
l1id	'01'B	
uil1	'0000'B	
sb	'1'B	
extb6a	('0'B, '1'B)	
nsb	('0'B, '1'B)	
nb	'0'B	
ndb	'1'B	
ur	'0111'B	
extb6b	('0'B, '1'B)	
ir	'11'B	
nictx	('0'B, '1'B)	
nicrx	('0'B, '1'B)	
pi	'011'B	
extb6c	'1'B	
ce	('01'B, '10'B, '11'B)	
modemt	('00100'B, '01000'B)	
extb7	'1'B	
l2id	'10'B	
uil2	'01000'B	
Detailed Comments:		

Structured Type Constraint		
Constraint Name:	Bcap_Setup_B1622_1200	
Structured Type:	BCAP	
Derivation Path:		
Comments:	<p>To check a Bearer Capability IE of a Setup PDU acc. to table in clause B.1.6.2.2 of GSM 07.01. This constraint corresponds to the combination: IR: 8 kbits/s UR: 1.2 kbits/s ANY CHANGE IN THIS CONSTRAINT MUST BE MADE IN THE CORRESPONDING LOWER LAYER COMPATIBILITY CONSTRAINT ALSO!</p>	
Element Name	Element Value	Comments
iei	'00000100'B	
iel	('01'O, '02'O, '03'O, '04'O, '05'O, '06'O, '07'O, '08'O)	
extb3	'1'B	
rchr	('01'B, '10'B, '11'B)	
cs	'0'B	
tm	'0'B	
itc	'010'B	
extb4	'1'B	
spb	'0'B	
strc	'11'B	
dplxm	('0'B, '1'B)	
config	'0'B	
nirr	('0'B, '1'B)	
est	'0'B	
extb5	'1'B	
accid	'00'B	
ra	'00'B	
sacp	'001'B	
extb6	('0'B, '1'B)	
l1id	'01'B	
uil1	'0000'B	
sb	'0'B	
extb6a	('0'B, '1'B)	
nsb	'0'B	
nb	'0'B	
ndb	'1'B	
ur	'0010'B	
extb6b	('0'B, '1'B)	
ir	'10'B	
nictx	('0'B, '1'B)	
nicrx	('0'B, '1'B)	
pi	'011'B	
extb6c	'1'B	
ce	'00'B	
modemt	'00010'B	
extb7	OMIT	
l2id	OMIT	
uil2	OMIT	
Detailed Comments:		

Structured Type Constraint		
Constraint Name:	Bcap_Setup_B1622_2400	
Structured Type:	BCAP	
Derivation Path:		
Comments:	<p>To check a Bearer Capability IE of a Setup PDU acc. to table in clause B.1.6.2.2 of GSM 07.01. This constraint corresponds to the combination: IR: 8 kbits/s UR: 2.4 kbits/s ANY CHANGE IN THIS CONSTRAINT MUST BE MADE IN THE CORRESPONDING LOWER LAYER COMPATIBILITY CONSTRAINT ALSO!</p>	
Element Name	Element Value	Comments
iei	'00000100'B	
iel	('01'O, '02'O, '03'O, '04'O, '05'O, '06'O, '07'O, '08'O)	
extb3	'1'B	
rchr	('01'B, '10'B, '11'B)	
cs	'0'B	
tm	'0'B	
itc	'010'B	
extb4	'1'B	
spb	'0'B	
strc	'11'B	
dplxm	('0'B, '1'B)	
config	'0'B	
nirr	('0'B, '1'B)	
est	'0'B	
extb5	'1'B	
accid	'00'B	
ra	'00'B	
sacp	'001'B	
extb6	('0'B, '1'B)	
l1id	'01'B	
uil1	'0000'B	
sb	'0'B	
extb6a	('0'B, '1'B)	
nsb	'0'B	
nb	'0'B	
ndb	'1'B	
ur	'0011'B	
extb6b	('0'B, '1'B)	
ir	'10'B	
nictx	('0'B, '1'B)	
nicrx	('0'B, '1'B)	
pi	'011'B	
extb6c	'1'B	
ce	'00'B	
modemt	('00011'B, '00101'B)	
extb7	OMIT	
l2id	OMIT	
uil2	OMIT	
Detailed Comments:		

Structured Type Constraint		
Constraint Name:	Bcap_Setup_B1622_4800	
Structured Type:	BCAP	
Derivation Path:		
Comments:	<p>To check a Bearer Capability IE of a Setup PDU acc. to table in clause B.1.6.2.2 of GSM 07.01. This constraint corresponds to the combination: IR: 8 kbits/s UR: 4.8 kbits/s ANY CHANGE IN THIS CONSTRAINT MUST BE MADE IN THE CORRESPONDING LOWER LAYER COMPATIBILITY CONSTRAINT ALSO!</p>	
Element Name	Element Value	Comments
iei	'00000100'B	
iel	('01'O, '02'O, '03'O, '04'O, '05'O, '06'O, '07'O, '08'O)	
extb3	'1'B	
rchr	('01'B, '10'B, '11'B)	
cs	'0'B	
tm	'0'B	
itc	'010'B	
extb4	'1'B	
spb	'0'B	
strc	'11'B	
dplxm	('0'B, '1'B)	
config	'0'B	
nirr	('0'B, '1'B)	
est	'0'B	
extb5	'1'B	
accid	'00'B	
ra	'00'B	
sacp	'001'B	
extb6	('0'B, '1'B)	
l1id	'01'B	
uil1	'0000'B	
sb	'0'B	
extb6a	('0'B, '1'B)	
nsb	'0'B	
nb	'0'B	
ndb	'1'B	
ur	'0100'B	
extb6b	('0'B, '1'B)	
ir	'10'B	
nictx	('0'B, '1'B)	
nicrx	('0'B, '1'B)	
pi	'011'B	
extb6c	'1'B	
ce	'00'B	
modemt	'00110'B	
extb7	OMIT	
l2id	OMIT	
uil2	OMIT	
Detailed Comments:		

Structured Type Constraint		
Constraint Name:	Bcap_Setup_B1622_9600	
Structured Type:	BCAP	
Derivation Path:		
Comments:	<p>To check a Bearer Capability IE of a Setup PDU acc. to table in clause B.1.6.2.2 of GSM 07.01. This constraint corresponds to the combination: IR: 16 kbits/s UR: 9.6 kbits/s ANY CHANGE IN THIS CONSTRAINT MUST BE MADE IN THE CORRESPONDING LOWER LAYER COMPATIBILITY CONSTRAINT ALSO!</p>	
Element Name	Element Value	Comments
iei	'00000100'B	
iel	('01'O, '02'O, '03'O, '04'O, '05'O, '06'O, '07'O, '08'O)	
extb3	'1'B	
rchr	('01'B, '10'B, '11'B)	
cs	'0'B	
tm	'0'B	
itc	'010'B	
extb4	'1'B	
spb	'0'B	
strc	'11'B	
dplxm	('0'B, '1'B)	
config	'0'B	
nirr	('0'B, '1'B)	
est	'0'B	
extb5	'1'B	
accid	'00'B	
ra	'00'B	
sacp	'001'B	
extb6	('0'B, '1'B)	
l1id	'01'B	
uil1	'0000'B	
sb	'0'B	
extb6a	('0'B, '1'B)	
nsb	'0'B	
nb	'0'B	
ndb	'1'B	
ur	'0101'B	
extb6b	('0'B, '1'B)	
ir	'11'B	
nictx	('0'B, '1'B)	
nicrx	('0'B, '1'B)	
pi	'011'B	
extb6c	'1'B	
ce	'00'B	
modemt	'00110'B	
extb7	OMIT	
l2id	OMIT	
uil2	OMIT	
Detailed Comments:		

Structured Type Constraint		
Constraint Name:	Bcap_Setup_B1102_1	
Structured Type:	BCAP	
Derivation Path:		
Comments:	<p>To check a Bearer Capability IE of a Setup PDU acc. to table in clause B.1.10.2 of GSM 07.01. This constraint corresponds to the combination: CE: NT or "both" S: SDU UIL2P: X.25 IR: 16 kbits/s UR: 2.4, 4.8 and 9.6 kbits/s ANY CHANGE IN THIS CONSTRAINT MUST BE MADE IN THE CORRESPONDING LOWER LAYER COMPATIBILITY CONSTRAINT ALSO!</p>	
Element Name	Element Value	Comments
iei	'00000100'B	
iel	('01'O, '02'O, '03'O, '04'O, '05'O, '06'O, '07'O, '08'O)	
extb3	'1'B	
rchr	'01'B	
cs	'0'B	
tm	'0'B	
itc	'011'B	
extb4	'1'B	
spb	'0'B	
strc	'00'B	
dplxm	('0'B, '1'B)	
config	'0'B	
nirr	('0'B, '1'B)	
est	'0'B	
extb5	'1'B	
accid	'00'B	
ra	'00'B	
sacp	'001'B	
extb6	('0'B, '1'B)	
l1id	'01'B	
uil1	'0000'B	
sb	'0'B	
extb6a	('0'B, '1'B)	
nsb	'0'B	
nb	'0'B	
ndb	'1'B	
ur	('0011'B, '0100'B, '0101'B)	
extb6b	('0'B, '1'B)	
ir	'11'B	
nictx	('0'B, '1'B)	
nicrx	('0'B, '1'B)	
pi	'011'B	
extb6c	'1'B	
ce	('01'B, '10'B, '11'B)	
modemt	'00000'B	
extb7	'1'B	
l2id	'10'B	
uil2	'00110'B	
Detailed Comments:		

Structured Type Constraint		
Constraint Name:	Bcap_Setup_B1102_2	
Structured Type:	BCAP	
Derivation Path:		
Comments:	<p>To check a Bearer Capability IE of a Setup PDU acc. to table in clause B.1.10.2 of GSM 07.01. This constraint corresponds to the combination: CE: T S: unstructured UIL2P: NAV IR: 8kBits/s UR: 2.4 and 4.8 kbits/s ANY CHANGE IN THIS CONSTRAINT MUST BE MADE IN THE CORRESPONDING LOWER LAYER COMPATIBILITY CONSTRAINT ALSO!</p>	
Element Name	Element Value	Comments
iei	'00000100'B	
iel	('01'O, '02'O, '03'O, '04'O, '05'O, '06'O, '07'O, '08'O)	
extb3	'1'B	
rchr	'01'B	
cs	'0'B	
tm	'0'B	
itc	'011'B	
extb4	'1'B	
spb	'0'B	
strc	'11'B	
dplxm	('0'B, '1'B)	
config	'0'B	
nirr	('0'B, '1'B)	
est	'0'B	
extb5	'1'B	
accid	'00'B	
ra	'00'B	
sacp	'001'B	
extb6	('0'B, '1'B)	
l1id	'01'B	
uil1	'0000'B	
sb	'0'B	
extb6a	('0'B, '1'B)	
nsb	'0'B	
nb	'0'B	
ndb	'1'B	
ur	('0011'B, '0100'B)	
extb6b	('0'B, '1'B)	
ir	'10'B	
nictx	('0'B, '1'B)	
nicrx	('0'B, '1'B)	
pi	'011'B	
extb6c	'1'B	
ce	'00'B	
modemt	'00000'B	
extb7	OMIT	
l2id	OMIT	
uil2	OMIT	
Detailed Comments:		

Structured Type Constraint		
Constraint Name:	Bcap_Setup_B1102_3	
Structured Type:	BCAP	
Derivation Path:		
Comments:	<p>To check a Bearer Capability IE of a Setup PDU acc. to table in clause B.1.10.2 of GSM 07.01. This constraint corresponds to the combination:</p> <p>CE: T S: unstructured UIL2P: NAV IR: 16 kbits/s UR: 9.6 kbits/s</p> <p>ANY CHANGE IN THIS CONSTRAINT MUST BE MADE IN THE CORRESPONDING LOWER LAYER COMPATIBILITY CONSTRAINT ALSO!</p>	
Element Name	Element Value	Comments
iei	'00000100'B	
iel	('01'O, '02'O, '03'O, '04'O, '05'O, '06'O, '07'O, '08'O)	
extb3	'1'B	
rchr	'01'B	
cs	'0'B	
tm	'0'B	
itc	'011'B	
extb4	'1'B	
spb	'0'B	
strc	'11'B	
dplxm	('0'B, '1'B)	
config	'0'B	
nirr	('0'B, '1'B)	
est	'0'B	
extb5	'1'B	
accid	'00'B	
ra	'00'B	
sacp	'001'B	
extb6	('0'B, '1'B)	
l1id	'01'B	
uil1	'0000'B	
sb	'0'B	
extb6a	('0'B, '1'B)	
nsb	'0'B	
nb	'0'B	
ndb	'1'B	
ur	'0101'B	
extb6b	('0'B, '1'B)	
ir	'11'B	
nictx	('0'B, '1'B)	
nicrx	('0'B, '1'B)	
pi	'011'B	
extb6c	'1'B	
ce	'00'B	
modemt	'00000'B	
extb7	OMIT	
l2id	OMIT	
uil2	OMIT	
Detailed Comments:		

Structured Type Constraint		
Constraint Name:	Blocktype_01(seqnum: BITSTRING; lb: BITSTRING)	
Structured Type:	BLOCKTYPE	
Derivation Path:		
Comments:	Block type, GSM 04.12, 3.3.1	
Element Name	Element Value	Comments
spare1	'0'B	
lpd	'01'B	
lb	lb	
sequence_number	seqnum	
Detailed Comments:		

Structured Type Constraint		
Constraint Name:	BcchFreqLst_01	
Structured Type:	NCD	
Derivation Path:		
Comments:	Default neighbour cells description for SYSTEM INFORMATION 2 and 5 under GSM900 with the ARFCN list = {10, 20, 40, 80, 90, 100, 110, 120}.	
Element Name	Element Value	Comments
rfl2	'00'B	
extind	'0'B	
baind	'0'B	
rfl4	'0000'B	
rfl	'8020080200800000000008000080200'O	
Detailed Comments:		

Structured Type Constraint		
Constraint Name:	BcchFreqLst_02	
Structured Type:	NCD	
Derivation Path:	BcchFreqLst_01.	
Comments:	Alternative neighbour cells description for SYSTEM INFORMATION 2 and 5 under GSM900. These are ARFCNs 15, 85, 95, 105, 115, and 122	
Element Name	Element Value	Comments
rfl4	'0010'B	
rfl	'04010040100000000000000004000'O	
Detailed Comments:		

Structured Type Constraint		
Constraint Name:	BcchFreqLst_03	
Structured Type:	NCD	
Derivation Path:		
Comments:	Default neighbour cells description for SYSTEM INFORMATION 2 and 5 for DCS1800 for cell B with the ARFCN list = {520, 600, 700, 780, 810, 870}.	
Element Name	Element Value	Comments
rfl2	'10'B	
extind	'0'B	
baind	'0'B	
rfl4	'1001'B	
rfl	'04412C168E440000000000000000'O	
Detailed Comments:		

Structured Type Constraint		
Constraint Name:	BcchFreqLst_04	
Structured Type:	NCD	
Derivation Path:	BcchFreqLst_01.	
Comments:	Alternative neighbour cells description for SYSTEM INFORMATION 2 and 5 for DCS1800.	
Element Name	Element Value	Comments
rfl2	'10'B	
extind	'0'B	
baind	'0'B	
rfl4	'1001'B	
rfl	'09412C168E44000000000000000000'O	
Detailed Comments:		

Structured Type Constraint		
Constraint Name:	BcchFreqLst_05	
Structured Type:	NCD	
Derivation Path:		
Comments:	cells description for SYSTEM INFORMATION 2 and 5 of cell 1 for idle mode testing of GSM900.	
Element Name	Element Value	Comments
rfl2	'00'B	
extind	'0'B	
baind	'0'B	
rfl4	'1000'B	
rfl	'000001001000030000004000000040'O	
Detailed Comments:		

Structured Type Constraint		
Constraint Name:	BcchFreqLst_06	
Structured Type:	NCD	
Derivation Path:	BcchFreqLst_05.	
Comments:	cells description for SYSTEM INFORMATION 2 and 5 of cell 2 for idle mode testing of GSM900.	
Element Name	Element Value	Comments
rfl4	'0100'B	
rfl	'0000020020000C0000008000000080'O	
Detailed Comments:		

Structured Type Constraint		
Constraint Name:	BcchFreqLst_07	
Structured Type:	NCD	
Derivation Path:	BcchFreqLst_05.	
Comments:	cells description for SYSTEM INFORMATION 2 and 5 of cell 3 for idle mode testing of GSM900.	
Element Name	Element Value	Comments
rfl4	'0010'B	
rfl	'000004004000300000010000000100'O	
Detailed Comments:		

Structured Type Constraint		
Constraint Name:	BcchFreqLst_08	
Structured Type:	NCD	
Derivation Path:	BcchFreqLst_05.	
Comments:	cells description for SYSTEM INFORMATION 2 and 5 of cell 4 for idle mode testing of GSM900.	
Element Name	Element Value	Comments
rfl4	'0001'B	
rfl	'000008008000C00000020000000200'O	
Detailed Comments:		

Structured Type Constraint		
Constraint Name:	BcchFreqLst_09	
Structured Type:	NCD	
Derivation Path:	BcchFreqLst_05.	
Comments:	cells description for SYSTEM INFORMATION 2 and 5 of cell 5 for idle mode testing of GSM900.	
Element Name	Element Value	Comments
rfl4	'0000'B	
rfl	'800010010003000000040000000400'O	
Detailed Comments:		

Structured Type Constraint		
Constraint Name:	BcchFreqLst_10	
Structured Type:	NCD	
Derivation Path:	BcchFreqLst_05.	
Comments:	cells description for SYSTEM INFORMATION 2 and 5 of cell 6 for idle mode testing of GSM900.	
Element Name	Element Value	Comments
rfl4	'0000'B	
rfl	'40002002000C000000080000000800'O	
Detailed Comments:		

Structured Type Constraint		
Constraint Name:	BcchFreqLst_11	
Structured Type:	NCD	
Derivation Path:	BcchFreqLst_05.	
Comments:	cells description for SYSTEM INFORMATION 2 and 5 of cell 7 for idle mode testing of GSM900.	
Element Name	Element Value	Comments
rfl4	'0000'B	
rfl	'200040040030000000100000001000'O	
Detailed Comments:		

Structured Type Constraint		
Constraint Name:	BcchFreqLst_12	
Structured Type:	NCD	
Derivation Path:	BcchFreqLst_05.	
Comments:	cells description for SYSTEM INFORMATION 2 and 5 of cell 8 for idle mode testing of GSM900.	
Element Name	Element Value	Comments
rfl4	'1000'B	
rfl	'0000000000000000000000000000'O	
Detailed Comments:		

Structured Type Constraint		
Constraint Name:	BcchFreqLst_13	
Structured Type:	NCD	
Derivation Path:	BcchFreqLst_01.	
Comments:	cells description for SYSTEM INFORMATION 2 and 5 of cell 1 for idle mode testing of DCS1800.	
Element Name	Element Value	Comments
rfl2	'10'B	
rfl4	'1001'B	
rfl	'042DE8EDB149B80000000000000000'O	
Detailed Comments:		

Structured Type Constraint		
Constraint Name:	BcchFreqLst_14	
Structured Type:	NCD	
Derivation Path:	BcchFreqLst_01.	
Comments:	cells description for SYSTEM INFORMATION 2 and 5 of cell 2 for idle mode testing of DCS1800.	
Element Name	Element Value	Comments
rfl2	'10'B	
rfl4	'1001'B	
rfl	'04AE28ECF0CBB80000000000000000'O	
Detailed Comments:		

Structured Type Constraint		
Constraint Name:	BcchFreqLst_15	
Structured Type:	NCD	
Derivation Path:	BcchFreqLst_01.	
Comments:	cells description for SYSTEM INFORMATION 2 and 5 of cell 3 for idle mode testing of DCS1800.	
Element Name	Element Value	Comments
rfl2	'10'B	
rfl4	'1001'B	
rfl	'052E68EC304DB80000000000000000'O	
Detailed Comments:		

Structured Type Constraint		
Constraint Name:	BcchFreqLst_16	
Structured Type:	NCD	
Derivation Path:	BcchFreqLst_01.	
Comments:	cells description for SYSTEM INFORMATION 2 and 5 of cell 4 for idle mode testing of DCS1800.	
Element Name	Element Value	Comments
rfl2	'10'B	
rfl4	'1001'B	
rfl	'05AEA8EB6FCFB80000000000000000'O	
Detailed Comments:		

Structured Type Constraint		
Constraint Name:	BcchFreqLst_17	
Structured Type:	NCD	
Derivation Path:	BcchFreqLst_01.	
Comments:	cells description for SYSTEM INFORMATION 2 and 5 of cell 5 for idle mode testing of DCS1800.	
Element Name	Element Value	Comments
rfl2	'10'B	
rfl4	'1001'B	
rfl	'062F6869EF53B80000000000000000'O	
Detailed Comments:		

Structured Type Constraint		
Constraint Name:	BcchFreqLst_18	
Structured Type:	NCD	
Derivation Path:	BcchFreqLst_01.	
Comments:	cells description for SYSTEM INFORMATION 2 and 5 of cell 6 for idle mode testing of DCS1800.	
Element Name	Element Value	Comments
rfl2	'10'B	
rfl4	'1001'B	
rfl	'06AF28E9EED3B80000000000000000'O	
Detailed Comments:		

Structured Type Constraint		
Constraint Name:	BcchFreqLst_19	
Structured Type:	NCD	
Derivation Path:	BcchFreqLst_01.	
Comments:	cells description for SYSTEM INFORMATION 2 and 5 of cell 7 for idle mode testing of DCS1800.	
Element Name	Element Value	Comments
rfl2	'10'B	
rfl4	'1001'B	
rfl	'072F5FE900D5480000000000000000'O	
Detailed Comments:		

Structured Type Constraint		
Constraint Name:	BcchFreqLst_20	
Structured Type:	NCD	
Derivation Path:	BcchFreqLst_01.	
Comments:	Neighbour cells description for SYSTEM INFORMATION 5 for measurement testing. Empty BA list, format is bitmap 0, IE carries complete BA.	
Element Name	Element Value	Comments
baind	'1'B	
rfl	'00000000000000000000000000000000'O	
Detailed Comments:		

Structured Type Constraint		
Constraint Name:	BcchFreqLst_30	
Structured Type:	NCD	
Derivation Path:		
Comments:	Neighbour cells description for SYSTEM INFORMATION 5bis for measurement testing. BA list {0, 800}, format is range 1024, IE carries only a part of the BA.	
Element Name	Element Value	Comments
rfl2	'10'B	
extind	'1'B	
baind	'1'B	
rfl4	'0111'B	
rfl	'20000000000000000000000000000000'O	
Detailed Comments:		

Structured Type Constraint		
Constraint Name:	BcchFreqLst_31	
Structured Type:	NCD	
Derivation Path:		
Comments:	Neighbour cells description for SYSTEM INFORMATION 5 for DCS1800 measurement testing. BA list {20, 514, 530, 549, 762}, format is range 1024, IE carries only a part of the BA.	
Element Name	Element Value	Comments
rfl2	'10'B	
extind	'1'B	
baind	'1'B	
rfl4	'0000'B	
rfl	'1473FF8AFC00000000000000000000'O	
Detailed Comments:		

Structured Type Constraint		
Constraint Name:	BcchFreqLst_32	
Structured Type:	NCD	
Derivation Path:		
Comments:	Neighbour cells description for SYSTEM INFORMATION 5 for DCS1800 measurement testing. BA list {514, 549, 602, 665, 810 }, format is range 1024, IE carries complete BA.	
Element Name	Element Value	Comments
rfl2	'10'B	
extind	'0'B	
baind	'1'B	
rfl4	'0000'B	
rfl	'5AE5B4375BC00000000000000000000'O	
Detailed Comments:		

Structured Type Constraint		
Constraint Name:	BcchFreqLst_33	
Structured Type:	NCD	
Derivation Path:		
Comments:	Neighbour cells description for SYSTEM INFORMATION 5 for GSM900. BA list = {2, 14, 20, 38, 44}, format is bitmap 0, IE carries only a part of the BA.	
Element Name	Element Value	Comments
rfl2	'00'B	
extind	'1'B	
baind	'1'B	
rfl4	'0000'B	
rfl	'000000000000000000000000082000082002'O	
Detailed Comments:		

Structured Type Constraint		
Constraint Name:	BcchFreqLst_34	
Structured Type:	NCD	
Derivation Path:		
Comments:	Neighbour cells description for SYSTEM INFORMATION 5 for DCS1800 measurement testing. BA list = {549, 602, 810 }, format is range 1024, IE carries only a part of the BA.	
Element Name	Element Value	Comments
rfl2	'10'B	
extind	'1'B	
baind	'1'B	
rfl4	'0010'B	
rfl	'5AE5B4000000000000000000000000'O	
Detailed Comments:		

Structured Type Constraint		
Constraint Name:	BcchFreqLst_34d	
Structured Type:	NCD	
Derivation Path:		
Comments:	Neighbour cells description for SYSTEM INFORMATION 5 for DCS1800 measurement testing. BA list = {514, 665 }, format is range 1024, IE carries only a part of the BA.	
Element Name	Element Value	Comments
rfl2	'10'B	
extind	'1'B	
baind	'1'B	
rfl4	'0010'B	
rfl	'99B480000000000000000000000000'O	
Detailed Comments:		

Structured Type Constraint		
Constraint Name:	BcchFreqLst_35	
Structured Type:	NCD	
Derivation Path:	BcchFreqLst_01.	
Comments:	Neighbour cells description for SYSTEM INFORMATION 5 for measurement testing.	
Element Name	Element Value	Comments
baind	'1'B	
rfl	'000000000000000000000000082082082082'O	
Detailed Comments:		

Structured Type Constraint		
Constraint Name:	BcchFreqLst_36	
Structured Type:	NCD	
Derivation Path:	BcchFreqLst_01.	
Comments:	Neighbour cells description for SYSTEM INFORMATION 5 for measurement testing.	
Element Name	Element Value	Comments
extind	'1'B	
baind	'1'B	
rfl	'000000000000000000000000082082082002'O	
Detailed Comments:		

Structured Type Constraint		
Constraint Name:	BcchFreqLst_37	
Structured Type:	NCD	
Derivation Path:		
Comments:	Neighbour cells description for SYSTEM INFORMATION 5 for measurement testing.	
Element Name	Element Value	Comments
rfl2	'00'B	
extind	'1'B	
baind	'1'B	
rfl4	'0000'B	
rfl	'00000000000000000000000000000000A2'O	
Detailed Comments:	only used in TC_26_6_3_5	

Structured Type Constraint		
Constraint Name:	BcchFreqLst_38	
Structured Type:	NCD	
Derivation Path:		
Comments:	Neighbour cells description for SYSTEM INFORMATION 5 for DCS1800.	
Element Name	Element Value	Comments
rfl2	'10'B	
extind	'1'B	
baind	'1'B	
rfl4	'0110'B	
rfl	'CBA3BEB89A9048C000000000000000'O	
Detailed Comments:		

Structured Type Constraint		
Constraint Name:	BcchFreqLst_39	
Structured Type:	NCD	
Derivation Path:		
Comments:	Neighbour cells description for SYSTEM INFORMATION 5 for DCS1800.	
Element Name	Element Value	Comments
rfl2	'10'B	
extind	'1'B	
baind	'1'B	
rfl4	'1111'B	
rfl	'E28000000010000014500000000000'O	
Detailed Comments:		

Structured Type Constraint		
Constraint Name:	BcchFreqLst_40	
Structured Type:	NCD	
Derivation Path:		
Comments:	Neighbour cells description for SYSTEM INFORMATION 5 for DCS1800.	
Element Name	Element Value	Comments
rfl2	'10'B	
extind	'1'B	
baind	'1'B	
rfl4	'1101'B	
rfl	'5B9458000000000000000000000000'O	
Detailed Comments:		

Structured Type Constraint		
Constraint Name:	BcchFreqLst_41	
Structured Type:	NCD	
Derivation Path:		
Comments:	Neighbour cells description for SYSTEM INFORMATION 5 BIS for GSM900.	
Element Name	Element Value	Comments
rfl2	'10'B	
extind	'1'B	
baind	'1'B	
rfl4	'1001'B	
rfl	'097BBA32AE888C0000000000000000'O	
Detailed Comments:		

Structured Type Constraint		
Constraint Name:	BcchFreqLst_42	
Structured Type:	NCD	
Derivation Path:		
Comments:	Neighbour cells description for SYSTEM INFORMATION 5 for GSM900.	
Element Name	Element Value	Comments
rfl2	'10'B	
extind	'1'B	
baind	'1'B	
rfl4	'1000'B	
rfl	'FA0787AE4B880000000000000000'O	
Detailed Comments:		

Structured Type Constraint		
Constraint Name:	BcchFreqLst_43	
Structured Type:	NCD	
Derivation Path:		
Comments:	Neighbour cells description for SYSTEM INFORMATION 5 for GSM900.	
Element Name	Element Value	Comments
rfl2	'10'B	
extind	'1'B	
baind	'1'B	
rfl4	'1111'B	
rfl	'E2800000001000001440000000000'O	
Detailed Comments:		

Structured Type Constraint		
Constraint Name:	BcchFreqLst_44	
Structured Type:	NCD	
Derivation Path:		
Comments:	Neighbour cells description for SYSTEM INFORMATION 5 for DCS1800.	
Element Name	Element Value	Comments
rfl2	'10'B	
extind	'1'B	
baind	'1'B	
rfl4	'1011'B	
rfl	'97E8E80CEF800000000000000000'O	
Detailed Comments:		

Structured Type Constraint		
Constraint Name:	BcchFreqLst_45	
Structured Type:	NCD	
Derivation Path:	BcchFreqLst_01.	
Comments:	Default neighbour cells description of cell B for SYSTEM INFORMATION 2 and 5 under GSM900.	
Element Name	Element Value	Comments
rfl	'8020080200800000000000000000200'O	
Detailed Comments:		

Structured Type Constraint		
Constraint Name:	BcchFreqLst_46	
Structured Type:	NCD	
Derivation Path:		
Comments:	Default neighbour cells description for SYSTEM INFORMATION 2bis and 5bis in cell A under EGSMwith the ARFCN list = {988, 990, 1003}.	
Element Name	Element Value	Comments
rfl2	'10'B	
extind	'1'B	
baind	'0'B	
rfl4	'1011'B	
rfl	'EE07F3000000000000000000000000'O	
Detailed Comments:		

Structured Type Constraint		
Constraint Name:	BcchFreqLst_47	
Structured Type:	NCD	
Derivation Path:		
Comments:	Default neighbour cells description for SYSTEM INFORMATION 2bis and 5bis in cell B under EGSMwith the ARFCN list = {1005, 1010, 1015}.	
Element Name	Element Value	Comments
rfl2	'10'B	
extind	'1'B	
baind	'0'B	
rfl4	'1101'B	
rfl	'F68AEC000000000000000000000000'O	
Detailed Comments:		

Structured Type Constraint		
Constraint Name:	BcchFreqLst_48	
Structured Type:	NCD	
Derivation Path:		
Comments:	Default neighbour cells description for SYSTEM INFORMATION 2 and 5 for DCS1800 for cell B in RR, MM and SMS test cases with the ARFCN list = {520, 590, 600, 700, 780, 810, 870}.	
Element Name	Element Value	Comments
rfl2	'10'B	
extind	'0'B	
baind	'0'B	
rfl4	'1001'B	
rfl	'04411307BB00C80000000000000000'O	
Detailed Comments:		

Structured Type Constraint		
Constraint Name:	BcchFreqLst_49	
Structured Type:	NCD	
Derivation Path:		
Comments:		
Element Name	Element Value	Comments
rfl2	'00'B	
extind	'0'B	
baind	'0'B	
rfl4	'0000'B	
rfl	'22000000000000000000000008800000200'O	
Detailed Comments:		

Structured Type Constraint		
Constraint Name:	BcchFreqLst_e201	
Structured Type:	NCD	
Derivation Path:	BcchFreqLst_01.	
Comments:	Default neighbour cells description any cell for SYSTEM INFORMATION 2 and 5 under EGSM.	
Element Name	Element Value	Comments
rfl	'038C0D0C0000000000000000000000'O	
Detailed Comments:		

Structured Type Constraint		
Constraint Name:	BcchFreqLst_e202	
Structured Type:	NCD	
Derivation Path:	BcchFreqLst_01.	
Comments:	Default neighbour cells description any cell for SYSTEM INFORMATION 2 and 5 under EGSM.	
Element Name	Element Value	Comments
rfl	'058DEF07FE00000000000000000000'O	
Detailed Comments:		

Structured Type Constraint		
Constraint Name:	BcchFreqLst_e203	
Structured Type:	NCD	
Derivation Path:	BcchFreqLst_01.	
Comments:	Default neighbour cells description any cell for SYSTEM INFORMATION 2 and 5 under EGSM.	
Element Name	Element Value	Comments
rfl	'078904797F83F98000000000000000'O	
Detailed Comments:		

Structured Type Constraint		
Constraint Name:	BcchFreqLst_e204	
Structured Type:	NCD	
Derivation Path:	BcchFreqLst_01.	
Comments:	Default neighbour cells description any cell for SYSTEM INFORMATION 2 and 5 under EGSM.	
Element Name	Element Value	Comments
rfl	'0987EDFF0E3CFD0000000000000000'O	
Detailed Comments:		

Structured Type Constraint		
Constraint Name:	BcchFreqLst_e205	
Structured Type:	NCD	
Derivation Path:	BcchFreqLst_01.	
Comments:	Default neighbour cells description any cell for SYSTEM INFORMATION 2 and 5 under EGSM.	
Element Name	Element Value	Comments
rfl	'078E00000020020000000000000000'O	
Detailed Comments:		

Structured Type Constraint		
Constraint Name:	BcchFreqLst_e206	
Structured Type:	NCD	
Derivation Path:	BcchFreqLst_01.	
Comments:	Default neighbour cells description any cell for SYSTEM INFORMATION 2 and 5 under EGSM.	
Element Name	Element Value	Comments
rfl	'100000000000000000000000000000200'O	
Detailed Comments:		

Structured Type Constraint		
Constraint Name:	BcchFreqLst_e207	
Structured Type:	NCD	
Derivation Path:	BcchFreqLst_01.	
Comments:	Default neighbour cells description any cell for SYSTEM INFORMATION 2 and 5 under EGSM.	
Element Name	Element Value	Comments
rfl	'078904797F83F98000000000000000'O	
Detailed Comments:		

Structured Type Constraint		
Constraint Name:	BcchFreqLst_e208	
Structured Type:	NCD	
Derivation Path:	BcchFreqLst_01.	
Comments:	Default neighbour cells description any cell for SYSTEM INFORMATION 2 and 5 under EGSM.	
Element Name	Element Value	Comments
rfl	'058C0026D000000000000000000000'O	
Detailed Comments:		

Structured Type Constraint		
Constraint Name:	BcchFreqLst_e209	
Structured Type:	NCD	
Derivation Path:	BcchFreqLst_01.	
Comments:	Default neighbour cells description any cell for SYSTEM INFORMATION 2 and 5 under EGSM.	
Element Name	Element Value	Comments
rfl	'058A00137400000000000000000000'O	
Detailed Comments:		

Structured Type Constraint		
Constraint Name:	BcchFreqLst_e210	
Structured Type:	NCD	
Derivation Path:	BcchFreqLst_01.	
Comments:	Default neighbour cells description any cell for SYSTEM INFORMATION 2 and 5 under EGSM.	
Element Name	Element Value	Comments
rfl	'0583E8100500000000000000000000'0	
Detailed Comments:		

Structured Type Constraint		
Constraint Name:	BcchFreqLst_e211	
Structured Type:	NCD	
Derivation Path:	BcchFreqLst_01.	
Comments:	Default neighbour cells description any cell for SYSTEM INFORMATION 2 and 5 under EGSM.	
Element Name	Element Value	Comments
rfl	'058FBA020014000000000000000000'0	
Detailed Comments:		

Structured Type Constraint		
Constraint Name:	BcchFreqLst_e212	
Structured Type:	NCD	
Derivation Path:	BcchFreqLst_01.	
Comments:	Default neighbour cells description any cell for SYSTEM INFORMATION 2 and 5 under EGSM.	
Element Name	Element Value	Comments
rfl	'06890478FCC0000000000000000000'0	
Detailed Comments:		

Structured Type Constraint		
Constraint Name:	CallState_01(st:INTEGER)	
Structured Type:	CST	
Derivation Path:		
Comments:	CC state 'st'	
Element Name	Element Value	Comments
cs	'11'B	
csv	INT_TO_BIT(st, 6)	
Detailed Comments:		

Structured Type Constraint		
Constraint Name:	Cause_Def	
Structured Type:	CAU	
Derivation Path:		
Comments:	cause information element with any valid cause value, any valid location.	
Element Name	Element Value	Comments
iei	OMIT	
iel	?	
extb3	'1'B	
cs	'11'B	
spb	'0'B	
location	('0000'B, '0001'B, '0010'B, '0011'B, '0100'B, '0101'B, '0111'B, '1010'B)	
extb3a	OMIT	
rec	OMIT	
extb4	?	
cau_class	?	
cau_va	?	
cau_di	*	
Detailed Comments:		

Structured Type Constraint		
Constraint Name:	Cause_01	
Structured Type:	CAU	
Derivation Path:		
Comments:	cause information element with cause value = #16, location = user.	
Element Name	Element Value	Comments
iei	OMIT	
iel	'02'O	
extb3	'1'B	
cs	'11'B	
spb	'0'B	
location	'0000'B	
extb3a	OMIT	
rec	OMIT	
extb4	'1'B	
cau_class	'001'B	
cau_va	'0000'B	
cau_di	OMIT	
Detailed Comments:		

Structured Type Constraint		
Constraint Name:	Cause_01iei	
Structured Type:	CAU	
Derivation Path:	Cause_01.	
Comments:	optional (IEI present) cause information element with cause value = #16, location = user.	
Element Name	Element Value	Comments
iei	'00001000'B	
Detailed Comments:		

Structured Type Constraint		
Constraint Name:	Cause_02	
Structured Type:	CAU	
Derivation Path:	Cause_01.	
Comments:	cause value #97	
Element Name	Element Value	Comments
iel	?	
location	?	
extb4	?	
cau_class	'110'B	
cau_va	'0001'B	
cau_di	*	
Detailed Comments:		

Structured Type Constraint		
Constraint Name:	Cause_03	
Structured Type:	CAU	
Derivation Path:	Cause_01.Cause_02.	
Comments:	cause #98 -- message type not compatible with protocol state	
Element Name	Element Value	Comments
cau_va	'0010'B	
Detailed Comments:		

Structured Type Constraint		
Constraint Name:	Cause_04	
Structured Type:	CAU	
Derivation Path:	Cause_01.Cause_02.	
Comments:	The cause value is #96 -- invalid mandatory information	
Element Name	Element Value	Comments
cau_va	'0000'B	
Detailed Comments:		

Structured Type Constraint		
Constraint Name:	Cause_04iei	
Structured Type:	CAU	
Derivation Path:		
Comments:	The cause value is #96 -- invalid mandatory information	
Element Name	Element Value	Comments
iei	'00001000'B	
iel	?	
extb3	'1'B	
cs	'11'B	
spb	'0'B	
location	?	
extb3a	OMIT	
rec	OMIT	
extb4	?	
cau_class	'110'B	
cau_va	'0000'B	
cau_di	*	
Detailed Comments:		

Structured Type Constraint		
Constraint Name:	Cause_06	
Structured Type:	CAU	
Derivation Path:	Cause_01.	
Comments:	Cause information element containing arbitrary spare bits	
Element Name	Element Value	Comments
spb	'1'B	
cau_class	'000'B	
cau_va	'0001'B	
Detailed Comments:		

Structured Type Constraint		
Constraint Name:	Cause_07	
Structured Type:	CAU	
Derivation Path:	Cause_01.	
Comments:	cause information element with cause value = #81.	
Element Name	Element Value	Comments
iei	'00001000'B	
iel	?	
location	?	
extb4	?	
cau_class	'101'B	
cau_va	'0001'B	
cau_di	*	
Detailed Comments:		

Structured Type Constraint		
Constraint Name:	Cause_08	
Structured Type:	CAU	
Derivation Path:		
Comments:	used as an unknown IE	
Element Name	Element Value	Comments
iei	'00100100'B	
iel	'01'O	
extb3	'1'B	
cs	'11'B	
spb	'1'B	
location	'1111'B	
extb3a	OMIT	
rec	OMIT	
extb4	OMIT	
cau_class	OMIT	
cau_va	OMIT	
cau_di	OMIT	
Detailed Comments:		

Structured Type Constraint		
Constraint Name:	Cause_09	
Structured Type:	CAU	
Derivation Path:	Cause_08.	
Comments:	used as an unknown IE	
Element Name	Element Value	Comments
iei	'01111101'B	
iel	'01'O	
extb3	'1'B	
cs	'11'B	
spb	'0'B	
location	'1110'B	
Detailed Comments:		

Structured Type Constraint		
Constraint Name:	Cause_10	
Structured Type:	CAU	
Derivation Path:		
Comments:	cause information element with cause value = #1, location = user.	
Element Name	Element Value	Comments
iei	'00001000'B	
iel	'02'O	
extb3	'1'B	
cs	'11'B	
spb	'0'B	
location	'0000'B	
extb3a	OMIT	
rec	OMIT	
extb4	'1'B	
cau_class	'000'B	
cau_va	'0001'B	
cau_di	OMIT	
Detailed Comments:		

Structured Type Constraint		
Constraint Name:	Cause_11	
Structured Type:	CAU	
Derivation Path:		
Comments:	cause information element with cause value = #31.	
Element Name	Element Value	Comments
iei	'00001000'B	
iel	'02'O	
extb3	'1'B	
cs	'11'B	
spb	'0'B	
location	'0000'B	
extb3a	OMIT	
rec	OMIT	
extb4	'1'B	
cau_class	'001'B	
cau_va	'1111'B	
cau_di	OMIT	
Detailed Comments:		

Structured Type Constraint		
Constraint Name:	Cause_12	
Structured Type:	CAU	
Derivation Path:		
Comments:	cause information element with cause value = #88.	
Element Name	Element Value	Comments
iei	'00001000'B	
iel	'02'O	
extb3	'1'B	
cs	'11'B	
spb	'0'B	
location	'????'B	
extb3a	OMIT	
rec	OMIT	
extb4	'1'B	
cau_class	'101'B	
cau_va	'1000'B	
cau_di	OMIT	
Detailed Comments:		

Structured Type Constraint		
Constraint Name:	Cause_13	
Structured Type:	CAU	
Derivation Path:		
Comments:	cause information element with cause value = #21.	
Element Name	Element Value	Comments
iei	'00001000'B	
iel	'02'O	
extb3	'1'B	
cs	'11'B	
spb	'0'B	
location	'????'B	
extb3a	OMIT	
rec	OMIT	
extb4	'1'B	
cau_class	'001'B	
cau_va	'0101'B	
cau_di	OMIT	
Detailed Comments:		

Structured Type Constraint		
Constraint Name:	Cause_14	
Structured Type:	CAU	
Derivation Path:		
Comments:	cause information element with cause value = #102.	
Element Name	Element Value	Comments
iei	'00001000'B	
iel	?	
extb3	'1'B	
cs	'11'B	
spb	'0'B	
location	'????'B	
extb3a	OMIT	
rec	OMIT	
extb4	?	
cau_class	'110'B	
cau_va	'0110'B	
cau_di	*	
Detailed Comments:		

Structured Type Constraint		
Constraint Name:	Cause_15	
Structured Type:	CAU	
Derivation Path:		
Comments:	cause information element with cause value = #47, n -> ms.	
Element Name	Element Value	Comments
iei	OMIT	
iel	'02'O	
extb3	'1'B	
cs	'11'B	
spb	'0'B	
location	'0010'B	
extb3a	OMIT	
rec	OMIT	
extb4	'1'B	
cau_class	'010'B	
cau_va	'1111'B	
cau_di	OMIT	
Detailed Comments:		

Structured Type Constraint		
Constraint Name:	Cause_16	
Structured Type:	CAU	
Derivation Path:		
Comments:	cause information element with cause value = #58 bearer capability not presently available, n -> ms.	
Element Name	Element Value	Comments
iei	OMIT	
iel	'02'O	
extb3	'1'B	
cs	'11'B	
spb	'0'B	
location	'0010'B	
extb3a	OMIT	
rec	OMIT	
extb4	'1'B	
cau_class	'011'B	
cau_va	'1010'B	
cau_di	OMIT	
Detailed Comments:		

Structured Type Constraint		
Constraint Name:	Cause_17	
Structured Type:	CAU	
Derivation Path:		
Comments:	optional (IEI present) cause information element with cause value = #17 user busy. ms -> n.	
Element Name	Element Value	Comments
iei	'00001000'B	
iel	?	
extb3	'1'B	
cs	'11'B	
spb	'0'B	
location	'????'B	
extb3a	OMIT	
rec	OMIT	
extb4	?	
cau_class	'001'B	
cau_va	'0001'B	
cau_di	*	
Detailed Comments:		

Structured Type Constraint		
Constraint Name:	Cause_18	
Structured Type:	CAU	
Derivation Path:		
Comments:	cause information element with cause value = #30 response to status enquiry. ms -> n.	
Element Name	Element Value	Comments
iei	OMIT	
iel	?	
extb3	'1'B	
cs	'11'B	
spb	'0'B	
location	'????'B	
extb3a	OMIT	
rec	OMIT	
extb4	?	
cau_class	'001'B	
cau_va	'1110'B	
cau_di	*	
Detailed Comments:		

Structured Type Constraint		
Constraint Name:	Cause_22	
Structured Type:	CAU	
Derivation Path:		
Comments:	cause information element with cause value = #81.	
Element Name	Element Value	Comments
iei	'00001000'B	
iel	'02'O	
extb3	'1'B	
cs	'11'B	
spb	'0'B	
location	'????'B	
extb3a	OMIT	
rec	OMIT	
extb4	'1'B	
cau_class	'101'B	
cau_va	'0001'B	
cau_di	OMIT	
Detailed Comments:		

Structured Type Constraint		
Constraint Name:	Cause_23	
Structured Type:	CAU	
Derivation Path:		
Comments:	cause information element with cause value = #102.	
Element Name	Element Value	Comments
iei	'00001000'B	
iel	'02'O	
extb3	'1'B	
cs	'11'B	
spb	'0'B	
location	'0000'B	
extb3a	OMIT	
rec	OMIT	
extb4	'1'B	
cau_class	'110'B	
cau_va	'0110'B	
cau_di	OMIT	
Detailed Comments:		

Structured Type Constraint		
Constraint Name:	Cause_24	
Structured Type:	CAU	
Derivation Path:		
Comments:	cause information element with cause value = #68, location = user.	
Element Name	Element Value	Comments
iei	'00001000'B	
iel	'02'O	
extb3	'1'B	
cs	'11'B	
spb	'0'B	
location	'0000'B	
extb3a	OMIT	
rec	OMIT	
extb4	'1'B	
cau_class	'100'B	
cau_va	'0100'B	
cau_di	OMIT	
Detailed Comments:		

Structured Type Constraint		
Constraint Name:	Cause_26	
Structured Type:	CAU	
Derivation Path:		
Comments:	cause information element with cause value = #16, location = user. n->ms	
Element Name	Element Value	Comments
iei	'00001000'B	
iel	'02'O	
extb3	'1'B	
cs	'11'B	
spb	'0'B	
location	'0000'B	
extb3a	OMIT	
rec	OMIT	
extb4	'1'B	
cau_class	'001'B	
cau_va	'0000'B	
cau_di	OMIT	
Detailed Comments:		

Structured Type Constraint		
Constraint Name:	Cause_27	
Structured Type:	CAU	
Derivation Path:	Cause_26.	
Comments:	cause value #88, ms->n.	
Element Name	Element Value	Comments
iel	?	
location	?	
extb4	?	
cau_class	'101'B	
cau_va	'1000'B	
cau_di	*	
Detailed Comments:		

Structured Type Constraint		
Constraint Name:	Cause_28	
Structured Type:	CAU	
Derivation Path:		
Comments:	cause information element with cause value = #29 'facility rejected', n -> ms.	
Element Name	Element Value	Comments
iei	'00001000'B	
iel	'02'O	
extb3	'1'B	
cs	'11'B	
spb	'0'B	
location	'0010'B	
extb3a	OMIT	
rec	OMIT	
extb4	'1'B	
cau_class	'001'B	
cau_va	'1101'B	
cau_di	OMIT	
Detailed Comments:		

Structured Type Constraint		
Constraint Name:	Ca1_g04	
Structured Type:	CCHD	
Derivation Path:		
Comments:	ARFCNs = 2, 4, 6, ..., 124, 1, 3, for GSM of TC_26_6_6_1	
Element Name	Element Value	Comments
iei	OMIT	
rfl	'0AAAAAAAAAAAAAAAAAAAAAAAAAAAAA AAAAF'O	
Detailed Comments:		

Structured Type Constraint		
Constraint Name:	Ca1_g05	
Structured Type:	CCHD	
Derivation Path:		
Comments:	ARFCNs = 21, ..., 84, for GSM of TC_26_6_6_1	
Element Name	Element Value	Comments
iei	OMIT	
rfl	'000000000000FFFFFFFFFFFFFFFF0000 0'O	
Detailed Comments:		

Structured Type Constraint		
Constraint Name:	Ca1_g06	
Structured Type:	CCHD	
Derivation Path:		
Comments:	ARFCNs = 81, ..., 124, 1, ..., 20, for GSM of TC_26_6_6_1	
Element Name	Element Value	Comments
iei	OMIT	
rfl	'0FFFFFFFFF00000000000000FFFF F'O	
Detailed Comments:		

Structured Type Constraint		
Constraint Name:	Ca1_g07	
Structured Type:	CCHD	
Derivation Path:		
Comments:	ARFCNs = 11, ..., 74, for GSM of TC_26_6_6_1	
Element Name	Element Value	Comments
iei	OMIT	
rfl	'00000000000003FFFFFFFFFFFFFFC0 0'O	
Detailed Comments:		

Structured Type Constraint		
Constraint Name:	Ca1_g08	
Structured Type:	CCHD	
Derivation Path:		
Comments:	ARFCNs = 31, ..., 94, for GSM of TC_26_6_6_1	
Element Name	Element Value	Comments
iei	OMIT	
rfl	'000000003FFFFFFFFFFFFFFC000000 0'O	
Detailed Comments:		

Structured Type Constraint		
Constraint Name:	Ca3_g01	
Structured Type:	CCHD	
Derivation Path:		
Comments:	12 ARFCNs for GSM of TC_26_6_6_1	
Element Name	Element Value	Comments
iei	'01100010'B	
rfl	'0000000000000000000000000000E0F0F1' O	
Detailed Comments:	12 ARFCHs	

Structured Type Constraint		
Constraint Name:	Ca3_g02	
Structured Type:	CCHD	
Derivation Path:		
Comments:	12 ARFCNs for GSM of TC_26_6_6_1	
Element Name	Element Value	Comments
iei	'01100010'B	
rfl	'00010001010001012001010001018080' O	
Detailed Comments:	12 ARFCHs	

Structured Type Constraint		
Constraint Name:	Ca3_g03	
Structured Type:	CCHD	
Derivation Path:		
Comments:	12 ARFCNs for GSM of TC_26_6_6_1	
Element Name	Element Value	Comments
iei	'01100010'B	
rfl	'00C0008000C000C000C000C000000010' O	
Detailed Comments:	12 ARFCHs	

Structured Type Constraint		
Constraint Name:	Ca3_g04	
Structured Type:	CCHD	
Derivation Path:		
Comments:	12 ARFCNs for GSM of TC_26_6_6_1	
Element Name	Element Value	Comments
iei	'01100010'B	
rfl	'00000000080018180000180018001880' O	
Detailed Comments:	12 ARFCHs	

Structured Type Constraint		
Constraint Name:	Ca3_g05	
Structured Type:	CCHD	
Derivation Path:		
Comments:	12 ARFCNs for GSM of TC_26_6_6_1	
Element Name	Element Value	Comments
iei	'01100010'B	
rfl	'00000000002000240024002401240024' O	
Detailed Comments:	12 ARFCHs	

Structured Type Constraint		
Constraint Name:	Ca3_g06	
Structured Type:	CCHD	
Derivation Path:		
Comments:	12 ARFCNs for GSM of TC_26_6_6_1	
Element Name	Element Value	Comments
iei	'01100010'B	
rfl	'00300300003000000300300003000000' O	
Detailed Comments:	12 ARFCNs	

Structured Type Constraint		
Constraint Name:	Ca3_g07	
Structured Type:	CCHD	
Derivation Path:		
Comments:	12 ARFCNs for GSM of TC_26_6_6_1	
Element Name	Element Value	Comments
iei	'01100010'B	
rfl	'00101000100000080800080810128080' O	
Detailed Comments:	12 ARFCNs	

Structured Type Constraint		
Constraint Name:	Ca3_g08	
Structured Type:	CCHD	
Derivation Path:		
Comments:	12 ARFCNs for GSM of TC_26_6_6_1	
Element Name	Element Value	Comments
iei	'01100010'B	
rfl	'0F0000000000038000002000000F0' O	
Detailed Comments:	12 ARFCNs	

Structured Type Constraint		
Constraint Name:	Ca3_g09	
Structured Type:	CCHD	
Derivation Path:		
Comments:	12 ARFCNs for GSM of TC_26_6_6_1	
Element Name	Element Value	Comments
iei	'01100010'B	
rfl	'008181000000040460000000008181' O	
Detailed Comments:	12 ARFCNs	

Structured Type Constraint		
Constraint Name:	Ca1_d01	
Structured Type:	CCHD	
Derivation Path:		
Comments:	64 ARFCNs for DCS of TC_26_6_6_1	
Element Name	Element Value	Comments
iei	OMIT	
rfl	'8F5E800000000000FFFFFFFFFFFFFFF' F'O	
Detailed Comments:	64 ARFCNs: 749, ..., 812	

Structured Type Constraint		
Constraint Name:	Ca1_d02	
Structured Type:	CCHD	
Derivation Path:		
Comments:	64 ARFCNs for DCS of TC_26_6_6_1	
Element Name	Element Value	Comments
iei	OMIT	
rfl	'8F5EFFFFFFFFFFFFFFFF8000000000 0'O	
Detailed Comments:	64 ARFCNs: 702, ..., 765	

Structured Type Constraint		
Constraint Name:	Ca1_d03	
Structured Type:	CCHD	
Derivation Path:		
Comments:	64 ARFCNs for DCS of TC_26_6_6_1	
Element Name	Element Value	Comments
iei	OMIT	
rfl	'8F5ED5555555D5D5D5D5D5D555 55'O	
Detailed Comments:	64 ARFCNs: 702, 704, ..., 812, 733, 741, 749, 757, 765, 773, 781, 789	

Structured Type Constraint		
Constraint Name:	Ca1_d04	
Structured Type:	CCHD	
Derivation Path:		
Comments:	64 ARFCNs for DCS of TC_26_6_6_1	
Element Name	Element Value	Comments
iei	OMIT	
rfl	'8F5E8000FF00FF00F000FFFFFFFF F'O	
Detailed Comments:	64 ARFCNs: 717, ..., 724, 733, ..., 744, 757, ..., 760, 773, ..., 812	

Structured Type Constraint		
Constraint Name:	Ca1_d05	
Structured Type:	CCHD	
Derivation Path:		
Comments:	64 ARFCNs for DCS of TC_26_6_6_1	
Element Name	Element Value	Comments
iei	OMIT	
rfl	'8F5EFFFFFFFF0004474747474747 'O	
Detailed Comments:	64 ARFCNs: 702, ..., 732, 749, 750, 754, ..., 756, 758, 762, ..., 764, 766, 770, ..., 772, 774, 778, ..., 780, 782, 786, ..., 788, 790, 794, ..., 796, 798, 802, ..., 804, 806, 810, ..., 812	

Structured Type Constraint		
Constraint Name:	CellChDes_01	
Structured Type:	CCHD	
Derivation Path:		
Comments:	ARFCN = 124	
Element Name	Element Value	Comments
iei	'01100010'B	
rfl	'38000000000000000000000000000000' O	
Detailed Comments:		

Structured Type Constraint		
Constraint Name:	CellChDes_01d	
Structured Type:	CCHD	
Derivation Path:		
Comments:	ARFCN = 801	
Element Name	Element Value	Comments
iei	'01100010'B	
rfl	'BF908000000000000000000000000000' O	
Detailed Comments:		

Structured Type Constraint		
Constraint Name:	CellChDes_02	
Structured Type:	CCHD	
Derivation Path:		
Comments:	for cell A in RR testing of GSM 900 with the ARFCN_list={20,30,50,70}.	
Element Name	Element Value	Comments
iei	OMIT	
rfl	'00000000000000200002000020080000' O	
Detailed Comments:		

Structured Type Constraint		
Constraint Name:	CellChDes_03	
Structured Type:	CCHD	
Derivation Path:		
Comments:	for cell A in RR testing of DCS1800 with the ARFCN list = {590, 650, 750, 850}..	
Element Name	Element Value	Comments
iei	OMIT	
rfl	'89272827190000000000000000000000' O	
Detailed Comments:		

Structured Type Constraint		
Constraint Name:	CellChDes_04	
Structured Type:	CCHD	
Derivation Path:		
Comments:	for cell B in RR testing of GSM 900.	
Element Name	Element Value	Comments
iei	OMIT	
rfl	'0000000000000000000000000000200' O	
Detailed Comments:		

Structured Type Constraint		
Constraint Name:	CellChDes_17	
Structured Type:	CCHD	
Derivation Path:	CellChDes_01.	
Comments:	for cell B in RR testing of GSM 900 with the ARFCN_list={10, 80, 100 ,120}.	
Element Name	Element Value	Comments
rfl	'008000080000800000000000000000200' O	
Detailed Comments: Used in TC_26_6_13_5, TC_26_6_13_6, TC_26_6_13_7, TC_26_6_13_8.		

Structured Type Constraint		
Constraint Name:	CellChDes_17man	
Structured Type:	CCHD	
Derivation Path:	CellChDes_01.	
Comments:	for cell B in RR testing of GSM 900 with the ARFCN_list={10, 80, 100 ,120}.	
Element Name	Element Value	Comments
iei	OMIT	
rfl	'008000080000800000000000000000200' O	
Detailed Comments: Used in TC_26_6_13_5, TC_26_6_13_6, TC_26_6_13_7, TC_26_6_13_8.		

Structured Type Constraint		
Constraint Name:	CellChDes_18	
Structured Type:	CCHD	
Derivation Path:	CellChDes_01.	
Comments:	for cell B in RR testing of DCS with the ARFCN_list={520, 600, 700, 870}.	
Element Name	Element Value	Comments
rfl	'89041403D90000000000000000000000' O	
Detailed Comments: Used in TC_26_6_13_5, TC_26_6_13_6, TC_26_6_13_7, TC_26_6_13_8.		

Structured Type Constraint		
Constraint Name:	CellChDes_18man	
Structured Type:	CCHD	
Derivation Path:	CellChDes_01.	
Comments:	for cell B in RR testing of DCS with the ARFCN_list={520, 600, 700, 870}.	
Element Name	Element Value	Comments
iei	OMIT	
rfl	'89041403D90000000000000000000000' O	
Detailed Comments: Used in TC_26_6_13_5, TC_26_6_13_6, TC_26_6_13_7, TC_26_6_13_8.		

Structured Type Constraint		
Constraint Name:	CellChDes_19	
Structured Type:	CCHD	
Derivation Path:	CellChDes_01.	
Comments:	Frequency list for EGSM test case TC_26_10_2_2: 0, 30, 40, 66, 80, 1005, 1010, 1015.	
Element Name	Element Value	Comments
iei	'01100010'B	
rfl	'841EEA893EF9814380000000000000000' O	
Detailed Comments:		

Structured Type Constraint		
Constraint Name:	CellChDes_20_A	
Structured Type:	CCHD	
Derivation Path:	CellChDes_01.	
Comments:	Cell Channel Description for any cell in RR testing of GSM 900 HO cases with the ARFCN_list={10,17,20,26,34,42,45,46,52,59,66,73,74,75,76,108,114}.	
Element Name	Element Value	Comments
rfl	'000208000000F220408320222090200' O	
Detailed Comments:		

Structured Type Constraint		
Constraint Name:	CellChDes_20_Aman	
Structured Type:	CCHD	
Derivation Path:		
Comments:	Cell Channel Description for any cell in RR testing of GSM 900 HO cases with the ARFCN_list={10,17,20,26,34,42,45,46,52,59,66,73,74,75,76,108,114}.	
Element Name	Element Value	Comments
iei	OMIT	
rfl	'000208000000F220408320222090200' O	
Detailed Comments:		

Structured Type Constraint		
Constraint Name:	CellChDes_201_Ad	
Structured Type:	CCHD	
Derivation Path:		
Comments:	Cell Channel Description for cell A in RR testing of DCS1800 HO cases with the ARFCN_list={734,741,747,754,759,762,766,767,773,775,779,782,791,798,829,832,844} using 256 format.	
Element Name	Element Value	Comments
iei	OMIT	
rfl	'8B6F14F32FC602C59EFA5499940000' O	
Detailed Comments:		

Structured Type Constraint		
Constraint Name:	CellChDes_202_Ad	
Structured Type:	CCHD	
Derivation Path:	CellChDes_01.	
Comments:	Cell Channel Description for cell A in RR testing of DCS1800 HO cases with the Complete Cell Allocation of Cell A in HO cases using 512 format. ARFCN_list={734,741,747,754,759,762,766,767,773,775,779,782,791,798,829,832,844} using 512 format.	
Element Name	Element Value	Comments
rfl	'896F0A7CC5FC700A8B9F7FF45246334' O	
Detailed Comments:		

Structured Type Constraint		
Constraint Name:	CellChDes_202_Adman	
Structured Type:	CCHD	
Derivation Path:	CellChDes_01.	
Comments:	Cell Channel Description for cell A in RR testing of DCS1800 HO cases with the Complete Cell Allocation of Cell A in HO cases using 512 format. ARFCN_list={734,741,747,754,759,762,766,767,773,775,779,782,791,798,829,832,844} using 512 format.	
Element Name	Element Value	Comments
iei	OMIT	
rfl	'896F0A7CC5FC700A8B9F7FF45246334 0'O	
Detailed Comments:		

Structured Type Constraint		
Constraint Name:	CellChDes_20_B	
Structured Type:	CCHD	
Derivation Path:	CellChDes_01.	
Comments:	for cell B in RR testing of GSM 900 HO cases with the complete Cell Allocation ARFCN_list={14,18,22,24,30,31,38,40,60,66,73,74,75,76,108,114}.	
Element Name	Element Value	Comments
rfl	'000208000000F02080000A060A22000' O	
Detailed Comments:		

Structured Type Constraint		
Constraint Name:	CellChDes_20_Bman	
Structured Type:	CCHD	
Derivation Path:	CellChDes_01.	
Comments:	for cell B in RR testing of GSM 900 HO cases with the complete Cell Allocation ARFCN_list={14,18,22,24,30,31,38,40,60,66,73,74,75,76,108,114}.	
Element Name	Element Value	Comments
iei	OMIT	
rfl	'000208000000F02080000A060A22000' O	
Detailed Comments:		

Structured Type Constraint		
Constraint Name:	CellChDes_20_Be(par_rfl:OCTETSTRING)	
Structured Type:	CCHD	
Derivation Path:	CellChDes_01.	
Comments:	for cell B in RR testing of EGSM HO cases with the complete Cell Allocation ARFCN_list={par_rfl}.	
Element Name	Element Value	Comments
iei	'01100010'B	
rfl	par_rfl	
Detailed Comments:		

Structured Type Constraint		
Constraint Name:	CellChDes_201_Bd	
Structured Type:	CCHD	
Derivation Path:		
Comments:	Cell Channel Description for cell B in RR testing of DCS1800 HO cases with the ARFCN_list={739,743,746,749,756,758,761,764,771,779,782,791,798,829,832,844} using 256 format.	
Element Name	Element Value	Comments
iei	OMIT	
rfl	'8A71907137B602C5DEF7A348D800000' 0'O	
Detailed Comments:		

Structured Type Constraint		
Constraint Name:	CellChDes_202_Bd	
Structured Type:	CCHD	
Derivation Path:		
Comments:	Cell Channel Description for cell B in RR testing of DCS1800 HO cases with the ARFCN_list={739,743,746,749,756,758,761,764,771,779,782,791,798,829,832,844} using 512 format.	
Element Name	Element Value	Comments
iei	OMIT	
rfl	'8A71907137B602C5DEF7A348D800000' 0'O	
Detailed Comments:		

Structured Type Constraint		
Constraint Name:	CellChDes_20_B0d	
Structured Type:	CCHD	
Derivation Path:	CellChDes_01.	
Comments:	for cell B in RR testing of DCS1800 HO cases with the complete Cell Allocation List_ARFCN= complete cell allocation of cell B in HO cases.	
Element Name	Element Value	Comments
rfl	'8B751A2245DFA19800000000000000000' O	
Detailed Comments:		

Structured Type Constraint		
Constraint Name:	CellChDes_21_B	
Structured Type:	CCHD	
Derivation Path:	CellChDes_01.	
Comments:	for any cell in RR testing of GSM 900 HO cases with the ARFCN_list={40,66,73,74,75,76,108,114}.	
Element Name	Element Value	Comments
rfl	'0002080000000F0004000080000000000' O	
Detailed Comments:		

Structured Type Constraint		
Constraint Name:	CellChDes_21_Bd	
Structured Type:	CCHD	
Derivation Path:	CellChDes_01.	
Comments:	for cell B in RR testing of GSM 900 HO cases with the List_ARFCN={761,764,771,779,782,791,798,829,832}	
Element Name	Element Value	Comments
rfl	'897C87BD09BC61060F900000000000000' O	
Detailed Comments:		

Structured Type Constraint		
Constraint Name:	CellChDes_22	
Structured Type:	CCHD	
Derivation Path:		
Comments:	for cell A in EGSM testing: 20, 30, 50, 70	
Element Name	Element Value	Comments
iei	OMIT	
rfl	'000000000000000200002000020080000' O	
Detailed Comments:		

Structured Type Constraint		
Constraint Name:	CellChDes_omit	
Structured Type:	CCHD	
Derivation Path:		
Comments:		
Element Name	Element Value	Comments
iei	OMIT	
rfl	OMIT	
Detailed Comments:		

Structured Type Constraint		
Constraint Name:	CellChDes_r01	
Structured Type:	CCHD	
Derivation Path:		
Comments:	for cell A in RR testing of DCS1800 with the ARFCN_list={773, 775, 779, 782, 791, 798, 829, 832, 844}.	
Element Name	Element Value	Comments
iei	'01100010'B	
rfl	'8D8299C22EF52CC000000000000000000' O	
Detailed Comments:		

Structured Type Constraint		
Constraint Name:	CellChDes_r02	
Structured Type:	CCHD	
Derivation Path:		
Comments:	for cell A in RR testing of GSM 900 with the ARFCN_list={741, 747}.	
Element Name	Element Value	Comments
iei	'01100010'B	
rfl	'8F7282000000000000000000000000000' O	
Detailed Comments:		

Structured Type Constraint		
Constraint Name:	CellDescrp_03	
Structured Type:	CD	
Derivation Path:		
Comments:	cell description for Cell S1of GSM in TC_26_6_3_4	
Element Name	Element Value	Comments
bcch_arfcn_h	'00'B	
ncc	'001'B	
bcc	'011'B	
bcch_arfcn_l	'00000010'B	
Detailed Comments:	ARFCN = 2	

Structured Type Constraint		
Constraint Name:	CellDescrp_03d	
Structured Type:	CD	
Derivation Path:		
Comments:	cell description for Cell S1of DCS in TC_26_6_3_4	
Element Name	Element Value	Comments
bcch_arfcn_h	'10'B	
ncc	'001'B	
bcc	'011'B	
bcch_arfcn_l	'00000010'B	
Detailed Comments:	ARFCN = 514	

Structured Type Constraint		
Constraint Name:	CellDescrp_20	
Structured Type:	CD	
Derivation Path:		
Comments:	BCCH channel for Cell B in HO cases	
Element Name	Element Value	Comments
bcch_arfcn_h	'00'B	
ncc	'001'B	
bcc	'101'B	
bcch_arfcn_l	OMIT	
Detailed Comments:		

Structured Type Constraint		
Constraint Name:	CellDescrp_21_A	
Structured Type:	CD	
Derivation Path:	CellDescrp_20.	
Comments:	ARFCN in Cell A in HO cases	
Element Name	Element Value	Comments
bcch_arfcn_h	OC_MostBits(INT_TO_BIT(TSPX_BCCHcarrierA_HO,10),2)	
bcch_arfcn_l	OC_LeastBits(INT_TO_BIT(TSPX_BCCHcarrierA_HO,10),8)	
Detailed Comments:		

Structured Type Constraint		
Constraint Name:	CellDescrp_21_B	
Structured Type:	CD	
Derivation Path:	CellDescrp_20.	
Comments:	For Cell B in HO cases	
Element Name	Element Value	Comments
bcch_arfcn_l	INT_TO_BIT(TSPX_BCCHcarrierB_HO, 10)	
Detailed Comments:		

Structured Type Constraint		
Constraint Name:	CellDescrp_21_Be	
Structured Type:	CD	
Derivation Path:	CellDescrp_20.	
Comments:	For Cell B in HO cases	
Element Name	Element Value	Comments
bcch_arfcn_l	INT_TO_BIT(C_BCCHcarrierB_hoe, 10)	
Detailed Comments:		

Structured Type Constraint		
Constraint Name:	CellDescrp_r01	
Structured Type:	CD	
Derivation Path:		
Comments:	For Cell A	
Element Name	Element Value	Comments
bcch_arfcn_h	'00'B	
ncc	'001'B	
bcc	'101'B	
bcch_arfcn_l	'00010100'B	
Detailed Comments:		

Structured Type Constraint		
Constraint Name:	CellDescrp_r01d	
Structured Type:	CD	
Derivation Path:		
Comments:	For Cell A of DCS1800	
Element Name	Element Value	Comments
bcch_arfcn_h	'10'B	
ncc	'001'B	
bcc	'101'B	
bcch_arfcn_l	'01001110'B	
Detailed Comments:		

Structured Type Constraint		
Constraint Name:	CellDescrp_r02	
Structured Type:	CD	
Derivation Path:		
Comments:	For Cell B of RR testing	
Element Name	Element Value	Comments
bcch_arfcn_h	'00'B	
ncc	'001'B	
bcc	'101'B	
bcch_arfcn_l	'00001010'B	
Detailed Comments:		

Structured Type Constraint		
Constraint Name:	CellDescrp_r02d	
Structured Type:	CD	
Derivation Path:		
Comments:	For Cell B in DCS ARFCN = 520	
Element Name	Element Value	Comments
bcch_arfcn_h	'10'B	
ncc	'001'B	
bcc	'101'B	
bcch_arfcn_l	'00001000'B	
Detailed Comments:		

Structured Type Constraint		
Constraint Name:	CellOpt_01	
Structured Type:	CO	
Derivation Path:		
Comments:		
Element Name	Element Value	Comments
sprb	'0'B	
pwr	'0'B	
dtx	'10'B	
rlt	'0001'B	
Detailed Comments:		

Structured Type Constraint		
Constraint Name:	CellOpt_02	
Structured Type:	CO	
Derivation Path:		
Comments:	parameters from 26.3.1 of GSM 11.10	
Element Name	Element Value	Comments
sprb	'0'B	
pwr	'0'B	
dtx	'10'B	
rlt	'0101'B	
Detailed Comments:		

Structured Type Constraint		
Constraint Name:	CellOpt_03	
Structured Type:	CO	
Derivation Path:		
Comments:	used in measurement testing	
Element Name	Element Value	Comments
sprb	'0'B	
pwr	'1'B	
dtx	'01'B	
rlt	'0001'B	
Detailed Comments:		

Structured Type Constraint		
Constraint Name:	CellOpt_04	
Structured Type:	CO	
Derivation Path:	CellOpt_01.	
Comments:	spare bit is set to '1'B	
Element Name	Element Value	Comments
sprb	'1'B	
Detailed Comments:		

Structured Type Constraint		
Constraint Name:	CellSelPara(crh, mtmc:INTEGER; neci:B_1)	
Structured Type:	CSP	
Derivation Path:		
Comments:	Default value for GSM900.	
Element Name	Element Value	Comments
crh	INT_TO_BIT(crh, 3)	
mtmc	INT_TO_BIT(mtmc, 5)	
acs	'0'B	
neci	neci	
ram	'000000'B	
Detailed Comments:		

Structured Type Constraint		
Constraint Name:	CellSelPara_01	
Structured Type:	CSP	
Derivation Path:		
Comments:	Default value for GSM900.	
Element Name	Element Value	Comments
crh	'000'B	
mtmc	'10011'B	
acs	'0'B	
neci	'0'B	
ram	'000000'B	
Detailed Comments:		

Structured Type Constraint		
Constraint Name:	CellSelPara_03	
Structured Type:	CSP	
Derivation Path:		
Comments:	value defined in 26.3.1 of GSM 11.10	
Element Name	Element Value	Comments
crh	'010'B	
mtmc	INT_TO_BIT(TSPX_MSTxpwrMax,5)	
acs	'0'B	
neci	'0'B	
ram	'011110'B	
Detailed Comments:		

Structured Type Constraint		
Constraint Name:	CellSelPara_04	
Structured Type:	CSP	
Derivation Path:	CellSelPara_01.	
Comments:	Default value for DCS1800.	
Element Name	Element Value	Comments
mtmc	'01111'B	
Detailed Comments:		

Structured Type Constraint		
Constraint Name:	Cgpn_01	
Structured Type:	CGPN	
Derivation Path:		
Comments:	calling party BCD number with arbitrary spare bits	
Element Name	Element Value	Comments
iei	'01011100'B	
iel	'03'O	
tonnpi	TonNpi_01	
pis	PiSi_01	
digits	'01'O	
Detailed Comments:		

Structured Type Constraint		
Constraint Name:	Cgps_01	
Structured Type:	CGPS	
Derivation Path:		
Comments:		
Element Name	Element Value	Comments
iei	'01011101'B	
iel	'03'O	
subad	SubAdd_01	
Detailed Comments:		

Structured Type Constraint		
Constraint Name:	Chd_01	
Structured Type:	CHD	
Derivation Path:		
Comments:	used as invalid IE	
Element Name	Element Value	Comments
iei	'00000010'B	
cht_schn	'11100'B	
tn	'000'B	
tsc	'100'B	
hch	'1'B	
maio	'0000'B	
hsn	OMIT	
spr	OMIT	
arfcn	OMIT	
Detailed Comments:		

Structured Type Constraint		
Constraint Name:	ChDescrp_01(slot:SN; tsc:TSC; par_arfcn: INTEGER)	
Structured Type:	CHD	
Derivation Path:		
Comments:	Channel description for SDCCH4 subchannel defined by TSPX_SDCCH4SubDef in cell A.	
Element Name	Element Value	Comments
iei	OMIT	
cht_schn	INT_TO_BIT((4+ BIT_TO_INT(TSPX_SDCCH4SubDef)), 5)	
tn	slot	
tsc	tsc	
hch	'0'B	
maio	OMIT	
hsn	OMIT	
spr	'00'B	
arfcn	INT_TO_BIT(par_arfcn, 10)	
Detailed Comments:		

Structured Type Constraint		
Constraint Name:	ChDescrp_01Def(slot:SN; tsc:TSC; par_arfcn:INTEGER)	
Structured Type:	CHD	
Derivation Path:		
Comments:	Channel description for SDCCH4 subchannel defined by TSPX_SDCCH4SubDef in cell A.	
Element Name	Element Value	Comments
iei	OMIT	
cht_schn	INT_TO_BIT((4+ BIT_TO_INT(TSPX_SDCCH4SubDef)), 5)	
tn	slot	
tsc	tsc	
hch	'0'B	
maio	OMIT	
hsn	OMIT	
spr	'00'B	
arfcn	INT_TO_BIT(par_arfcn,10)	
Detailed Comments:		

Structured Type Constraint		
Constraint Name:	ChDescrp_03(slot:SN; tsc:TSC)	
Structured Type:	CHD	
Derivation Path:		
Comments:	An invalid channel description with arbitrary spare bits	
Element Name	Element Value	Comments
iei	OMIT	
cht_schn	INT_TO_BIT((4+ BIT_TO_INT(TSPX_SDCCH4SubDef)), 5)	
tn	slot	
tsc	tsc	
hch	'0'B	
maio	OMIT	
hsn	OMIT	
spr	'11'B	
arfcn	INT_TO_BIT(TSPX_BCCHcarrierA,10)	
Detailed Comments:		

Structured Type Constraint		
Constraint Name:	ChDescrp_04(slot:SN; tsc:TSC)	
Structured Type:	CHD	
Derivation Path:		
Comments:	Channel description for SDCCH4 in cell B. The TDMA offset is TSPX_SDCCH4SubDef.	
Element Name	Element Value	Comments
iei	OMIT	
cht_schn	INT_TO_BIT((4+ BIT_TO_INT(TSPX_SDCCH4SubDef)), 5)	
tn	slot	
tsc	tsc	
hch	'0'B	
maio	OMIT	
hsn	OMIT	
spr	'00'B	
arfcn	INT_TO_BIT(TSPX_BCCHcarrierB,10)	
Detailed Comments:		

Structured Type Constraint		
Constraint Name:	ChDescrp_10(slot:SN; tsc:TSC)	
Structured Type:	CHD	
Derivation Path:		
Comments:	Channel description for a traffic channel in cell A. Time slot = TSPX_TmSlcC.	
Element Name	Element Value	Comments
iei	OMIT	
cht_schn	'00001'B	
tn	slot	
tsc	tsc	
hch	'0'B	
maio	OMIT	
hsn	OMIT	
spr	'00'B	
arfcn	INT_TO_BIT(C_arfcnA,10)	
Detailed Comments:		

Structured Type Constraint		
Constraint Name:	ChDescrp_11(slot:SN; tsc:TSC)	
Structured Type:	CHD	
Derivation Path:		
Comments:	Channel description for a hopping channel used in TC_26_5_6_3	
Element Name	Element Value	Comments
iei	OMIT	
cht_schn	'00001'B	
tn	slot	
tsc	tsc	
hch	'1'B	
maio	'000000'B	
hsn	'000000'B	
spr	OMIT	
arfcn	OMIT	
Detailed Comments:		

Structured Type Constraint		
Constraint Name:	ChDescrp_12(slot:SN; tsc:TSC)	
Structured Type:	CHD	
Derivation Path:		
Comments:	Channel description for a full rate hopping channel used in TC_26_6_4_2_2	
Element Name	Element Value	Comments
iei	OMIT	
cht_schn	'00001'B	
tn	slot	
tsc	tsc	
hch	'1'B	
maio	'000000'B	
hsn	'000100'B	
spr	OMIT	
arfcn	OMIT	
Detailed Comments:		

Structured Type Constraint		
Constraint Name:	ChDescrp_13(slot:SN; tsc:TSC)	
Structured Type:	CHD	
Derivation Path:		
Comments:	Channel description for a half rate hopping channel used in TC_26_6_4_2_2, not activated at all.	
Element Name	Element Value	Comments
iei	OMIT	
cht_schn	'00010'B	
tn	slot	
tsc	tsc	
hch	'1'B	
maio	'000001'B	
hsn	'000110'B	
spr	OMIT	
arfcn	OMIT	
Detailed Comments:		

Structured Type Constraint		
Constraint Name:	ChDescrp_14(type:BITSTRING; slot:SN; tsc:TSC)	
Structured Type:	CHD	
Derivation Path:		
Comments:	Channel description for CC testing.	
Element Name	Element Value	Comments
iei	OMIT	
cht_schn	type	
tn	slot	
tsc	tsc	
hch	'0'B	
maio	OMIT	
hsn	OMIT	
spr	'00'B	
arfcn	INT_TO_BIT(TSPX_TCHcarrierA, 10)	
Detailed Comments:		

Structured Type Constraint		
Constraint Name:	ChDescrp_14Def(type:BITSTRING; slot:SN; tsc:TSC)	
Structured Type:	CHD	
Derivation Path:		
Comments:	Channel description for CC testing.	
Element Name	Element Value	Comments
iei	OMIT	
cht_schn	type	
tn	slot	
tsc	tsc	
hch	'0'B	
maio	OMIT	
hsn	OMIT	
spr	'00'B	
arfcn	INT_TO_BIT(20, 10)	
Detailed Comments:		

Structured Type Constraint		
Constraint Name:	ChDescrp_14TCH(type:BITSTRING; slot:SN; tsc:TSC)	
Structured Type:	CHD	
Derivation Path:		
Comments:	Channel description for CC testing.	
Element Name	Element Value	Comments
iei	OMIT	
cht_schn	type	
tn	slot	
tsc	tsc	
hch	'0'B	
maio	OMIT	
hsn	OMIT	
spr	'00'B	
arfcn	INT_TO_BIT(30, 10)	
Detailed Comments:		

Structured Type Constraint		
Constraint Name:	ChDescrp_19(ts_ccch: SN; tsc:TSC; maio, hsn:BITSTRING)	
Structured Type:	CHD	
Derivation Path:		
Comments:	A derived constraint for <<Channel description >>ie with TCH/F freq. hopping in any CELL.	
Element Name	Element Value	Comments
iei	OMIT	
cht_schn	INT_TO_BIT((2+ BIT_TO_INT(TSPX_TCHHSubDef)), 5)	
tn	ts_ccch	
tsc	tsc	
hch	'1'B	
maio	maio	
hsn	hsn	
spr	OMIT	
arfcn	OMIT	
Detailed Comments:		

Structured Type Constraint		
Constraint Name:	ChDescrp_20(ts_ccch: SN; tsc:TSC; maio, hsn:BITSTRING)	
Structured Type:	CHD	
Derivation Path:		
Comments:	A derived constraint for <<Channel description >>ie with TCH/F freq. hopping in any CELL.	
Element Name	Element Value	Comments
iei	OMIT	
cht_schn	'00001'B	
tn	ts_ccch	
tsc	tsc	
hch	'1'B	
maio	maio	
hsn	hsn	
spr	OMIT	
arfcn	OMIT	
Detailed Comments:		

Structured Type Constraint		
Constraint Name:	ChDescrp_21(ts_ccch:BITSTRING; par_arfcn: INTEGER)	
Structured Type:	CHD	
Derivation Path:		
Comments:	A derived constraint for <<Channel description >>ie with TCH/F non hopping in any CELL.	
Element Name	Element Value	Comments
iei	OMIT	
cht_schn	'00001'B	
tn	ts_ccch	
tsc	TSPX_TscDef	
hch	'0'B	
maio	OMIT	
hsn	OMIT	
spr	'00'B	
arfcn	INT_TO_BIT(par_arfcn, 10)	
Detailed Comments:		

Structured Type Constraint		
Constraint Name:	ChDescrp_22(ts_ccch:BITSTRING)	
Structured Type:	CHD	
Derivation Path:		
Comments:	A derived constraint for <<Channel description >>ie with TCH/F freq. hopping in any CELL.	
Element Name	Element Value	Comments
iei	OMIT	
cht_schn	'00001'B	
tn	ts_ccch	
tsc	TSPX_TscDef	
hch	'1'B	
maio	TSPX_MAIO	
hsn	TSPX_HSN	
spr	OMIT	
arfcn	OMIT	
Detailed Comments:		

Structured Type Constraint		
Constraint Name:	ChDescrp_22e(ts_ccch: BITSTRING; par_chtype: BITSTRING)	
Structured Type:	CHD	
Derivation Path:		
Comments:	A derived constraint for <<Channel description >>ie with TCH/F freq. hopping in any CELL.	
Element Name	Element Value	Comments
iei	OMIT	
cht_schn	par_chtype	
tn	ts_ccch	
tsc	TSPX_TscDef	
hch	'1'B	
maio	TSPX_MAIO	
hsn	TSPX_HSN	
spr	OMIT	
arfcn	OMIT	
Detailed Comments:		

Structured Type Constraint		
Constraint Name:	ChDescrp_222(ts_ccch: BITSTRING)	
Structured Type:	CHD	
Derivation Path:	ChDescrp_22.	
Comments:	A derived constraint for <<Channel description >>ie with TCH/F freq. hopping	
Element Name	Element Value	Comments
tn	ts_ccch	
Detailed Comments:		

Structured Type Constraint		
Constraint Name:	ChDescrp_23(ts_ccch: BITSTRING; par_arfcn: INTEGER)	
Structured Type:	CHD	
Derivation Path:		
Comments:	A constraint for <<Channel description >>ie with TCH/H non hopping in any CELL.	
Element Name	Element Value	Comments
iei	OMIT	
cht_schn	INT_TO_BIT((2 + BIT_TO_INT(TSPX_TCHHSubDef)), 5)	
tn	ts_ccch	
tsc	TSPX_TscDef	
hch	'0'B	
maio	OMIT	
hsn	OMIT	
spr	'00'B	
arfcn	INT_TO_BIT(par_arfcn, 10)	
Detailed Comments:		

Structured Type Constraint		
Constraint Name:	ChDescrp_23f(ts_ccch: BITSTRING; par_arfcn: INTEGER)	
Structured Type:	CHD	
Derivation Path:		
Comments:	A derived constraint for <<Channel description >>ie with TCH/H hopping in any CELL.	
Element Name	Element Value	Comments
iei	OMIT	
cht_schn	INT_TO_BIT((2 + BIT_TO_INT(TSPX_TCHHSubDef)), 5)	
tn	ts_ccch	
tsc	TSPX_TscDef	
hch	'1'B	
maio	TSPX_MAIO	
hsn	TSPX_HSN	
spr	OMIT	
arfcn	INT_TO_BIT(par_arfcn, 10)	
Detailed Comments:		

Structured Type Constraint		
Constraint Name:	ChDescrp_241(ts_ccch: BITSTRING)	
Structured Type:	CHD	
Derivation Path:		
Comments:	A derived constraint for <<Channel description >>ie with TCH/H freq. hopping used in any CELL.	
Element Name	Element Value	Comments
iei	OMIT	
cht_schn	INT_TO_BIT((2+ BIT_TO_INT(TSPX_TCHHSubDef)), 5)	
tn	ts_ccch	
tsc	TSPX_TscDef	
hch	'1'B	
maio	TSPX_MAIO	
hsn	TSPX_HSN	
spr	OMIT	
arfcn	OMIT	
Detailed Comments:		

Structured Type Constraint		
Constraint Name:	ChDescrp_242(ts_ccch: BITSTRING)	
Structured Type:	CHD	
Derivation Path:	ChDescrp_22.	
Comments:	A derived constraint for <<Channel description >>ie with TCH/H freq. hopping used in any CELL.	
Element Name	Element Value	Comments
cht_schn	INT_TO_BIT((2 + BIT_TO_INT(TSPX_TCHHSubDef)), 5)	
tn	ts_ccch	
Detailed Comments:		

Structured Type Constraint		
Constraint Name:	ChDescrp_25(slot:SN; tsc:TSC; par_arfcn: INTEGER)	
Structured Type:	CHD	
Derivation Path:		
Comments:	A constraint for <<Channel description >>ie with SDCCH/4 non hopping in any cell.	
Element Name	Element Value	Comments
iei	OMIT	
cht_schn	INT_TO_BIT((4+ BIT_TO_INT(TSPX_SDCCH4SubDef)), 5)	
tn	slot	
tsc	tsc	
hch	'0'B	
maio	OMIT	
hsn	OMIT	
spr	'00'B	
arfcn	INT_TO_BIT(par_arfcn, 10)	
Detailed Comments:		

Structured Type Constraint		
Constraint Name:	ChDescrp_27(ts_ccch: BITSTRING; par_arfcn: INTEGER)	
Structured Type:	CHD	
Derivation Path:	ChDescrp_21.	
Comments:	A derived constraint for <<Channel description >>ie with SDCCH/8 non hopping in any cell.	
Element Name	Element Value	Comments
cht_schn	INT_TO_BIT((8+ BIT_TO_INT(TSPX_SDCCH8SubDef)), 5)	
tn	ts_ccch	
arfcn	INT_TO_BIT(par_arfcn, 10)	
Detailed Comments:		

Structured Type Constraint		
Constraint Name:	ChDescrp_28(ts_ccch: BITSTRING)	
Structured Type:	CHD	
Derivation Path:	ChDescrp_22.	
Comments:	A derived constraint for <<Channel description >>ie with SDCCH/8 with FH in any cell.	
Element Name	Element Value	Comments
cht_schn	INT_TO_BIT((8 + BIT_TO_INT(TSPX_SDCCH8SubDef)), 5)	
tn	ts_ccch	
Detailed Comments:		

Structured Type Constraint		
Constraint Name:	ChDescrp_282(ts_ccch: BITSTRING)	
Structured Type:	CHD	
Derivation Path:	ChDescrp_22.	
Comments:	A derived constraint for <<Channel description >>ie with SDCCH/8 with FH in any cell with HSN=0	
Element Name	Element Value	Comments
cht_schn	INT_TO_BIT((8 + BIT_TO_INT(TSPX_SDCCH8SubDef)), 5)	
tn	ts_ccch	
hsn	'000000'B	
Detailed Comments:		

Structured Type Constraint		
Constraint Name:	ChDescrp_29	
Structured Type:	CHD	
Derivation Path:		
Comments:	To send a SYSTEM INFORMATION TYPE 4 message for SMSCB with the values of GSM 11.10, 34.3 for GSM	
Element Name	Element Value	Comments
iei	'01100100'B	
cht_schn	'001110'B	
tn	'000'B	
tsc	C_BCC	
hch	'0'B	
maio	OMIT	
hsn	OMIT	
spr	'00'B	
arfcn	INT_TO_BIT(20,10)	
Detailed Comments:		

Structured Type Constraint		
Constraint Name:	ChDescrp_30	
Structured Type:	CHD	
Derivation Path:		
Comments:	To send a SYSTEM INFORMATION TYPE 4 message for SMSCB with the values or GSM 11.10, 34.3 for DCS1800	
Element Name	Element Value	Comments
iei	'01100100'B	
cht_schn	'001110'B	
tn	'000'B	
tsc	C_BCC	
hch	'0'B	
maio	OMIT	
hsn	OMIT	
spr	'00'B	
arfcn	INT_TO_BIT(590,10)	
Detailed Comments:		

Structured Type Constraint		
Constraint Name:	ChDescrp_E_01(ts_ccch: BITSTRING; tsc:TSC; par_arfcn: INTEGER)	
Structured Type:	CHD	
Derivation Path:		
Comments:	A constraint for <<Channel description >>ie with SDCCH/8 non hopping in any cell.	
Element Name	Element Value	Comments
iei	OMIT	
cht_schn	INT_TO_BIT((8+ BIT_TO_INT(TSPX_SDCCH8SubA)), 5)	
tn	ts_ccch	
tsc	tsc	
hch	'0'B	
maio	OMIT	
hsn	OMIT	
spr	'00'B	
arfcn	INT_TO_BIT(par_arfcn, 10)	
Detailed Comments:		

Structured Type Constraint		
Constraint Name:	ChDescrp_E_02(ts_ccch: BITSTRING; tsc:TSC)	
Structured Type:	CHD	
Derivation Path:		
Comments:	A constraint for <<Channel description >>ie with SDCCH/8 with FH in any cell.	
Element Name	Element Value	Comments
iei	OMIT	
cht_schn	INT_TO_BIT((8 + BIT_TO_INT(TSPX_SDCCH8SubB)), 5)	
tn	ts_ccch	
tsc	tsc	
hch	'1'B	
maio	TSPX_MAIO	
hsn	TSPX_HSN	
spr	OMIT	
arfcn	OMIT	
Detailed Comments:		

Structured Type Constraint		
Constraint Name:	ChDescrp_r01C_def(sub:BITSTRING; slot:SN; tsc:TSC)	
Structured Type:	CHD	
Derivation Path:		
Comments:	Channel description for SDCCH8 in cell A for RR test. the subchannel is specified bt input parameter `sub`.	
Element Name	Element Value	Comments
iei	OMIT	
cht_schn	INT_TO_BIT((8 + BIT_TO_INT(sub)), 5)	
tn	slot	
tsc	tsc	
hch	'0'B	
maio	OMIT	
hsn	OMIT	
spr	'00'B	
arfcn	INT_TO_BIT(C_arfcnA, 10)	
Detailed Comments: Used in TC_26_1_1,		

Structured Type Constraint		
Constraint Name:	ChDescrp_r01dC_def(sub:BITSTRING; slot:SN; tsc:TSC)	
Structured Type:	CHD	
Derivation Path:		
Comments:	Channel description for SDCCH8 in cell A for RR test. the subchannel is specified bt input parameter `sub`.	
Element Name	Element Value	Comments
iei	OMIT	
cht_schn	INT_TO_BIT((8 + BIT_TO_INT(sub)), 5)	
tn	slot	
tsc	tsc	
hch	'0'B	
maio	OMIT	
hsn	OMIT	
spr	'00'B	
arfcn	INT_TO_BIT(590, 10)	
Detailed Comments: Used in TC_26_1_1,		

Structured Type Constraint		
Constraint Name:	ChDescrp_r01NotC_def(sub:BITSTRING; slot:SN; tsc:TSC)	
Structured Type:	CHD	
Derivation Path:		
Comments:	Channel description for SDCCH8 in cell A for RR test. the subchannel is specified bt input parameter `sub`.	
Element Name	Element Value	Comments
iei	OMIT	
cht_schn	INT_TO_BIT((8 + BIT_TO_INT(sub)), 5)	
tn	slot	
tsc	tsc	
hch	'0'B	
maio	OMIT	
hsn	OMIT	
spr	'00'B	
arfcn	INT_TO_BIT(30, 10)	
Detailed Comments:	Used in TC_26_1_1,	

Structured Type Constraint		
Constraint Name:	ChDescrp_r01dNotC_def(sub:BITSTRING; slot:SN; tsc:TSC)	
Structured Type:	CHD	
Derivation Path:		
Comments:	Channel description for SDCCH8 in cell A for RR test. the subchannel is specified bt input parameter `sub`.	
Element Name	Element Value	Comments
iei	OMIT	
cht_schn	INT_TO_BIT((8 + BIT_TO_INT(sub)), 5)	
tn	slot	
tsc	tsc	
hch	'0'B	
maio	OMIT	
hsn	OMIT	
spr	'00'B	
arfcn	INT_TO_BIT(650, 10)	
Detailed Comments:	Used in TC_26_1_1,	

Structured Type Constraint		
Constraint Name:	ChDescrp_r01def(slot:SN; tsc:TSC)	
Structured Type:	CHD	
Derivation Path:		
Comments:	Channel description for SDCCH8 in cell A for RR test. the subchannel is the PIXIT parameter TSPX_SDCCH8SubA.	
Element Name	Element Value	Comments
iei	OMIT	
cht_schn	INT_TO_BIT((8 + BIT_TO_INT(TSPX_SDCCH8SubA)), 5)	
tn	slot	
tsc	tsc	
hch	'0'B	
maio	OMIT	
hsn	OMIT	
spr	'00'B	
arfcn	INT_TO_BIT(30, 10)	
Detailed Comments:	Used in TC_26_1_1,	

Structured Type Constraint		
Constraint Name:	ChDescrp_r02Def(slot:SN; tsc:TSC)	
Structured Type:	CHD	
Derivation Path:		
Comments:	Channel description for TCH/F in cell A.	
Element Name	Element Value	Comments
iei	OMIT	
cht_schn	'00001'B	
tn	slot	
tsc	tsc	
hch	'0'B	
maio	OMIT	
hsn	OMIT	
spr	'00'B	
arfcn	INT_TO_BIT(C_arfcnA, 10)	
Detailed Comments:		

Structured Type Constraint		
Constraint Name:	ChDescrp_r02(slot:SN; tsc:TSC)	
Structured Type:	CHD	
Derivation Path:		
Comments:	Channel description for TCH/F in cell A.	
Element Name	Element Value	Comments
iei	OMIT	
cht_schn	'00001'B	
tn	slot	
tsc	tsc	
hch	'0'B	
maio	OMIT	
hsn	OMIT	
spr	'00'B	
arfcn	INT_TO_BIT(30, 10)	
Detailed Comments:		

Structured Type Constraint		
Constraint Name:	ChDescrp_r02d(slot:SN; tsc:TSC)	
Structured Type:	CHD	
Derivation Path:		
Comments:	Channel description for TCH/F in cell A.	
Element Name	Element Value	Comments
iei	OMIT	
cht_schn	'00001'B	
tn	slot	
tsc	tsc	
hch	'0'B	
maio	OMIT	
hsn	OMIT	
spr	'00'B	
arfcn	INT_TO_BIT(650, 10)	
Detailed Comments:		

Structured Type Constraint		
Constraint Name:	ChDescrp_r03(subch:BITSTRING; slot:SN; tsc:TSC)	
Structured Type:	CHD	
Derivation Path:		
Comments:	Channel description for TCH/H in cell A.	
Element Name	Element Value	Comments
iei	OMIT	
cht_schn	INT_TO_BIT((2 + BIT_TO_INT(subch)), 5)	
tn	slot	
tsc	tsc	
hch	'0'B	
maio	OMIT	
hsn	OMIT	
spr	'00'B	
arfcn	INT_TO_BIT(30, 10)	
Detailed Comments:		

Structured Type Constraint		
Constraint Name:	ChDescrp_r03d(subch:BITSTRING; slot:SN; tsc:TSC)	
Structured Type:	CHD	
Derivation Path:		
Comments:	Channel description for TCH/H in cell A.	
Element Name	Element Value	Comments
iei	OMIT	
cht_schn	INT_TO_BIT((2 + BIT_TO_INT(subch)), 5)	
tn	slot	
tsc	tsc	
hch	'0'B	
maio	OMIT	
hsn	OMIT	
spr	'00'B	
arfcn	INT_TO_BIT(650, 10)	
Detailed Comments:		

Structured Type Constraint		
Constraint Name:	ChDescrp_r04(ch:BITSTRING; slot:SN; tsc:TSC; arfcn:INTEGER)	
Structured Type:	CHD	
Derivation Path:		
Comments:	Channel description for SDCCH4 in cell for RR tests.	
Element Name	Element Value	Comments
iei	OMIT	
cht_schn	INT_TO_BIT((4 + BIT_TO_INT(ch)), 5)	
tn	slot	
tsc	tsc	
hch	'0'B	
maio	OMIT	
hsn	OMIT	
spr	'00'B	
arfcn	INT_TO_BIT(arfcn, 10)	
Detailed Comments:		

Structured Type Constraint		
Constraint Name:	ChDescrp_r04d(ch:BITSTRING; slot:SN; tsc:TSC; arfcn:INTEGER)	
Structured Type:	CHD	
Derivation Path:		
Comments:	Channel description for a SDCCH4 subchannel in cell A with ARFCN 590 for RR tests, the subchannel is specified by input parameter `ch`.	
Element Name	Element Value	Comments
iei	OMIT	
cht_schn	INT_TO_BIT((4 + BIT_TO_INT(ch)), 5)	
tn	slot	
tsc	tsc	
hch	'0'B	
maio	OMIT	
hsn	OMIT	
spr	'00'B	
arfcn	INT_TO_BIT(arfcn, 10)	
Detailed Comments:		

Structured Type Constraint		
Constraint Name:	ChDescrp_r05(type:BITSTRING; slot:SN; tsc:TSC)	
Structured Type:	CHD	
Derivation Path:		
Comments:	Channel description for TCH/F in cell A.	
Element Name	Element Value	Comments
iei	OMIT	
cht_schn	type	
tn	slot	
tsc	tsc	
hch	'0'B	
maio	OMIT	
hsn	OMIT	
spr	'00'B	
arfcn	INT_TO_BIT(30, 10)	
Detailed Comments:		

Structured Type Constraint		
Constraint Name:	ChDescrp_r05d(type:BITSTRING; slot:SN; tsc:TSC)	
Structured Type:	CHD	
Derivation Path:		
Comments:	Channel description for TCH/F in cell A.	
Element Name	Element Value	Comments
iei	OMIT	
cht_schn	type	
tn	slot	
tsc	tsc	
hch	'0'B	
maio	OMIT	
hsn	OMIT	
spr	'00'B	
arfcn	INT_TO_BIT(650, 10)	
Detailed Comments:		

Structured Type Constraint		
Constraint Name:	ChDescrp_r10(slot:SN; tsc:TSC)	
Structured Type:	CHD	
Derivation Path:		
Comments:	Channel description for TCH/F in cell B.	
Element Name	Element Value	Comments
iei	OMIT	
cht_schn	'00001'B	
tn	slot	
tsc	tsc	
hch	'0'B	
maio	OMIT	
hsn	OMIT	
spr	'00'B	
arfcn	INT_TO_BIT(TSPX_TCHcarrierB, 10)	
Detailed Comments:		

Structured Type Constraint		
Constraint Name:	ChDescrp_r28(slot:SN; tsc:TSC)	
Structured Type:	CHD	
Derivation Path:		
Comments:	Channel description for SDCCH8 in cell A for TC_26_6_13_1.	
Element Name	Element Value	Comments
iei	OMIT	
cht_schn	INT_TO_BIT((8 + BIT_TO_INT(TSPX_SDCCH8SubA)), 5)	
tn	slot	
tsc	tsc	
hch	'1'B	
maio	TSPX_Maio1	
hsn	TSPX_Hsn1	
spr	OMIT	
arfcn	OMIT	
Detailed Comments:		

Structured Type Constraint		
Constraint Name:	ChDescrp_r29(slot:SN; tsc:TSC)	
Structured Type:	CHD	
Derivation Path:		
Comments:	Channel description for a hopping channel in cell A for ASSIGNMENT after time of TC_26_6_13_1.	
Element Name	Element Value	Comments
iei	OMIT	
cht_schn	TSPX_Chtp1	
tn	slot	
tsc	tsc	
hch	'1'B	
maio	TSPX_Maio2	
hsn	TSPX_Hsn2	
spr	OMIT	
arfcn	OMIT	
Detailed Comments:		

Structured Type Constraint		
Constraint Name:	ChDescrp_r30(slot:SN; tsc:TSC)	
Structured Type:	CHD	
Derivation Path:		
Comments:	Channel description for a hopping channel in cell A for ASSIGNMENT before time of TC_26_6_13_1.	
Element Name	Element Value	Comments
iei	'01100100'B	
cht_schn	TSPX_Chtp1	
tn	slot	
tsc	tsc	
hch	'1'B	
maio	TSPX_Maio3	
hsn	TSPX_Hsn3	
spr	OMIT	
arfcn	OMIT	
Detailed Comments:		

Structured Type Constraint		
Constraint Name:	ChDescrp_r31(slot:SN; tsc:TSC)	
Structured Type:	CHD	
Derivation Path:		
Comments:	Channel description for SDCCH8 in cell A for TC_26_6_13_2.	
Element Name	Element Value	Comments
iei	OMIT	
cht_schn	INT_TO_BIT((8 + BIT_TO_INT(TSPX_SDCCH8SubB)), 5)	
tn	slot	
tsc	tsc	
hch	'1'B	
maio	TSPX_Maio4	
hsn	TSPX_Hsn4	
spr	OMIT	
arfcn	OMIT	
Detailed Comments:		

Structured Type Constraint		
Constraint Name:	ChDescrp_r32(slot:SN; tsc:TSC)	
Structured Type:	CHD	
Derivation Path:		
Comments:	Channel description for a hopping channel in cell A for ASSIGNMENT after time of TC_26_6_13_2.	
Element Name	Element Value	Comments
iei	OMIT	
cht_schn	TSPX_Chtp2	
tn	slot	
tsc	tsc	
hch	'1'B	
maio	TSPX_Maio5	
hsn	TSPX_Hsn5	
spr	OMIT	
arfcn	OMIT	
Detailed Comments:		

Structured Type Constraint		
Constraint Name:	ChDescrp_r33(slot:SN; tsc:TSC)	
Structured Type:	CHD	
Derivation Path:		
Comments:	Channel description for a hopping channel in cell A for IMMEDIATE ASSIGNMENT of TC_26_6_13_3.	
Element Name	Element Value	Comments
iei	OMIT	
cht_schn	TSPX_Chtp3	
tn	slot	
tsc	tsc	
hch	'1'B	
maio	TSPX_Maio6	
hsn	TSPX_Hsn6	
spr	OMIT	
arfcn	OMIT	
Detailed Comments:		

Structured Type Constraint		
Constraint Name:	ChDescrp_r34(slot:SN; tsc:TSC)	
Structured Type:	CHD	
Derivation Path:		
Comments:	Channel description for a hopping channel in cell A for FREQUENCY REDEFINITION of TC_26_6_13_3.	
Element Name	Element Value	Comments
iei	OMIT	
cht_schn	TSPX_Chtp3	
tn	slot	
tsc	tsc	
hch	'1'B	
maio	TSPX_Maio7	
hsn	TSPX_Hsn7	
spr	OMIT	
arfcn	OMIT	
Detailed Comments:		

Structured Type Constraint		
Constraint Name:	ChDescrp_r35(slot:SN; tsc:TSC)	
Structured Type:	CHD	
Derivation Path:		
Comments:	Channel description for a hopping channel in cell A for ASSIGNMENT COMMAND in TC_26_6_13_3 for after time.	
Element Name	Element Value	Comments
iei	OMIT	
cht_schn	TSPX_Chtp4	
tn	slot	
tsc	tsc	
hch	'1'B	
maio	TSPX_Maio8	
hsn	TSPX_Hsn8	
spr	OMIT	
arfcn	OMIT	
Detailed Comments: this channel is not activated in the tester.		

Structured Type Constraint		
Constraint Name:	ChDescrp_r36(slot:SN; tsc:TSC)	
Structured Type:	CHD	
Derivation Path:		
Comments:	Channel description for a hopping channel in cell A for ASSIGNMENT COMMAND in TC_26_6_13_3 for before time.	
Element Name	Element Value	Comments
iei	'01100100'B	
cht_schn	TSPX_Chtp4	
tn	slot	
tsc	tsc	
hch	'1'B	
maio	TSPX_Maio9	
hsn	TSPX_Hsn9	
spr	OMIT	
arfcn	OMIT	
Detailed Comments:	this channel is not activated in the tester.	

Structured Type Constraint		
Constraint Name:	ChDescrp_r37(slot:SN; tsc:TSC)	
Structured Type:	CHD	
Derivation Path:		
Comments:	Channel description for a hopping channel in cell A for IMMEDIATE ASSIGNMENT of TC_26_6_13_4.	
Element Name	Element Value	Comments
iei	OMIT	
cht_schn	TSPX_Chtp5	
tn	slot	
tsc	tsc	
hch	'1'B	
maio	TSPX_Maio10	
hsn	TSPX_Hsn10	
spr	OMIT	
arfcn	OMIT	
Detailed Comments:		

Structured Type Constraint		
Constraint Name:	ChDescrp_r38(slot:SN; tsc:TSC)	
Structured Type:	CHD	
Derivation Path:		
Comments:	Channel description for a hopping channel in cell A for FREQUENCY REDIFINITION of TC_26_6_13_4.	
Element Name	Element Value	Comments
iei	OMIT	
cht_schn	TSPX_Chtp5	
tn	slot	
tsc	tsc	
hch	'1'B	
maio	TSPX_Maio11	
hsn	TSPX_Hsn11	
spr	OMIT	
arfcn	OMIT	
Detailed Comments:		

Structured Type Constraint		
Constraint Name:	ChDescrp_r39(slot:SN; tsc:TSC)	
Structured Type:	CHD	
Derivation Path:		
Comments:	Channel description for a hopping channel in cell A for ASSIGNMENT COMMAND in TC_26_6_13_4 for after time.	
Element Name	Element Value	Comments
iei	OMIT	
cht_schn	TSPX_Chtp6	
tn	slot	
tsc	tsc	
hch	'1'B	
maio	TSPX_Maio12	
hsn	TSPX_Hsn12	
spr	OMIT	
arfcn	OMIT	
Detailed Comments:	this channel is not activated in the tester.	

Structured Type Constraint		
Constraint Name:	ChDescrp_r40(slot:SN; tsc:TSC)	
Structured Type:	CHD	
Derivation Path:		
Comments:	Channel description for a hopping channel in cell A for ASSIGNMENT COMMAND in TC_26_6_13_4 for before time.	
Element Name	Element Value	Comments
iei	'01100100'B	
cht_schn	TSPX_Chtp6	
tn	slot	
tsc	tsc	
hch	'1'B	
maio	TSPX_Maio13	
hsn	TSPX_Hsn13	
spr	OMIT	
arfcn	OMIT	
Detailed Comments:	this channel is not activated in the tester.	

Structured Type Constraint		
Constraint Name:	ChDescrp_r41(slot:SN; tsc:TSC)	
Structured Type:	CHD	
Derivation Path:		
Comments:	Channel description for a hopping SDCCH8 channel in cell A for IMMEDIATE ASSIGNMENT in TC_26_6_13_5.	
Element Name	Element Value	Comments
iei	OMIT	
cht_schn	INT_TO_BIT((BIT_TO_INT(TSPX_SDCC H8SubB) + 8), 5)	
tn	slot	
tsc	tsc	
hch	'1'B	
maio	TSPX_Maio14	
hsn	TSPX_Hsn14	
spr	OMIT	
arfcn	OMIT	
Detailed Comments:		

Structured Type Constraint		
Constraint Name:	ChDescrp_r42(slot:SN; tsc:TSC)	
Structured Type:	CHD	
Derivation Path:		
Comments:	Channel description for after time hopping channel in cell B for HANDOVER COMMAND of TC_26_6_13_5.	
Element Name	Element Value	Comments
iei	OMIT	
cht_schn	TSPX_Chtp7	
tn	slot	
tsc	tsc	
hch	'1'B	
maio	TSPX_Maio15	
hsn	TSPX_Hsn15	
spr	OMIT	
arfcn	OMIT	
Detailed Comments:		

Structured Type Constraint		
Constraint Name:	ChDescrp_r43(slot:SN; tsc:TSC)	
Structured Type:	CHD	
Derivation Path:		
Comments:	Channel description for before time hopping channel in cell B for HANDOVER COMMAND of TC_26_6_13_5.	
Element Name	Element Value	Comments
iei	'01100100'B	
cht_schn	TSPX_Chtp7	
tn	slot	
tsc	tsc	
hch	'1'B	
maio	TSPX_Maio16	
hsn	TSPX_Hsn16	
spr	OMIT	
arfcn	OMIT	
Detailed Comments:		

Structured Type Constraint		
Constraint Name:	ChDescrp_r44(slot:SN; tsc:TSC)	
Structured Type:	CHD	
Derivation Path:		
Comments:	Channel description for a hopping SDCCH8 channel in cell A for IMMEDIATE ASSIGNMENT in TC_26_6_13_6.	
Element Name	Element Value	Comments
iei	OMIT	
cht_schn	INT_TO_BIT((BIT_TO_INT(TSPX_SDCC H8SubC) + 8), 5)	
tn	slot	
tsc	tsc	
hch	'1'B	
maio	TSPX_Maio17	
hsn	TSPX_Hsn17	
spr	OMIT	
arfcn	OMIT	
Detailed Comments:		

Structured Type Constraint		
Constraint Name:	ChDescrp_r45(slot:SN; tsc:TSC)	
Structured Type:	CHD	
Derivation Path:		
Comments:	Channel description for after time hopping channel in cell B for HANDOVER COMMAND of TC_26_6_13_6.	
Element Name	Element Value	Comments
iei	OMIT	
cht_schn	TSPX_Chtp8	
tn	slot	
tsc	tsc	
hch	'1'B	
maio	TSPX_Maio18	
hsn	TSPX_Hsn18	
spr	OMIT	
arfcn	OMIT	
Detailed Comments:		

Structured Type Constraint		
Constraint Name:	ChDescrp_r46(slot:SN; tsc:TSC)	
Structured Type:	CHD	
Derivation Path:		
Comments:	Channel description for before time hopping channel in cell B for HANDOVER COMMAND of TC_26_6_13_6.	
Element Name	Element Value	Comments
iei	'01100100'B	
cht_schn	TSPX_Chtp8	
tn	slot	
tsc	tsc	
hch	'1'B	
maio	TSPX_Maio19	
hsn	TSPX_Hsn19	
spr	OMIT	
arfcn	OMIT	
Detailed Comments:		

Structured Type Constraint		
Constraint Name:	ChDescrp_r47(slot:SN; tsc:TSC)	
Structured Type:	CHD	
Derivation Path:		
Comments:	Channel description for a hopping channel in cell A for IMMEDIATE ASSIGNMENT of TC_26_6_13_7.	
Element Name	Element Value	Comments
iei	OMIT	
cht_schn	TSPX_Chtp9	
tn	slot	
tsc	tsc	
hch	'1'B	
maio	TSPX_Maio20	
hsn	TSPX_Hsn20	
spr	OMIT	
arfcn	OMIT	
Detailed Comments:		

Structured Type Constraint		
Constraint Name:	ChDescrp_r48(slot:SN; tsc:TSC)	
Structured Type:	CHD	
Derivation Path:		
Comments:	Channel description for a hopping channel in cell A for FREQUENCY REDIFINITION of TC_26_6_13_7.	
Element Name	Element Value	Comments
iei	OMIT	
cht_schn	TSPX_Chtp9	
tn	slot	
tsc	tsc	
hch	'1'B	
maio	TSPX_Maio21	
hsn	TSPX_Hsn21	
spr	OMIT	
arfcn	OMIT	
Detailed Comments:		

Structured Type Constraint		
Constraint Name:	ChDescrp_r49(slot:SN; tsc:TSC)	
Structured Type:	CHD	
Derivation Path:		
Comments:	Channel description for after time hopping channel in cell B for HANDOVER COMMAND of TC_26_6_13_7.	
Element Name	Element Value	Comments
iei	OMIT	
cht_schn	TSPX_Chtp10	
tn	slot	
tsc	tsc	
hch	'1'B	
maio	TSPX_Maio22	
hsn	TSPX_Hsn22	
spr	OMIT	
arfcn	OMIT	
Detailed Comments:		

Structured Type Constraint		
Constraint Name:	ChDescrp_r50(slot:SN; tsc:TSC)	
Structured Type:	CHD	
Derivation Path:		
Comments:	Channel description for before time hopping channel in cell B for HANDOVER COMMAND of TC_26_6_13_7.	
Element Name	Element Value	Comments
iei	'01100100'B	
cht_schn	TSPX_Chtp10	
tn	slot	
tsc	tsc	
hch	'1'B	
maio	TSPX_Maio23	
hsn	TSPX_Hsn23	
spr	OMIT	
arfcn	OMIT	
Detailed Comments:		

Structured Type Constraint		
Constraint Name:	ChDescrp_r51(slot:SN; tsc:TSC)	
Structured Type:	CHD	
Derivation Path:		
Comments:	Channel description for after time hopping channel in cell B for HANDOVER COMMAND of TC_26_6_13_8.	
Element Name	Element Value	Comments
iei	OMIT	
cht_schn	TSPX_Chtp12	
tn	slot	
tsc	tsc	
hch	'1'B	
maio	TSPX_Maio26	
hsn	TSPX_Hsn26	
spr	OMIT	
arfcn	OMIT	
Detailed Comments:		

Structured Type Constraint		
Constraint Name:	ChDescrp_r52(slot:SN; tsc:TSC)	
Structured Type:	CHD	
Derivation Path:		
Comments:	Channel description for before time hopping channel in cell B for HANDOVER COMMAND of TC_26_6_13_8.	
Element Name	Element Value	Comments
iei	'01100100'B	
cht_schn	TSPX_Chtp12	
tn	slot	
tsc	tsc	
hch	'1'B	
maio	TSPX_Maio27	
hsn	TSPX_Hsn27	
spr	OMIT	
arfcn	OMIT	
Detailed Comments:		

Structured Type Constraint		
Constraint Name:	ChDescrp_r53(slot:SN; tsc:TSC)	
Structured Type:	CHD	
Derivation Path:		
Comments:	Channel description for a hopping channel in cell A for IMMEDIATE ASSIGNMENT of TC_26_6_13_8.	
Element Name	Element Value	Comments
iei	OMIT	
cht_schn	TSPX_Chtp11	
tn	slot	
tsc	tsc	
hch	'1'B	
maio	TSPX_Maio24	
hsn	TSPX_Hsn24	
spr	OMIT	
arfcn	OMIT	
Detailed Comments:		

Structured Type Constraint		
Constraint Name:	ChDescrp_r54(slot:SN; tsc:TSC)	
Structured Type:	CHD	
Derivation Path:		
Comments:	Channel description for a hopping channel in cell A for FREQUENCY REDIFINITION of TC_26_6_13_8.	
Element Name	Element Value	Comments
iei	OMIT	
cht_schn	TSPX_Chtp11	
tn	slot	
tsc	tsc	
hch	'1'B	
maio	TSPX_Maio25	
hsn	TSPX_Hsn25	
spr	OMIT	
arfcn	OMIT	
Detailed Comments:		

Structured Type Constraint		
Constraint Name:	ChDescrp_r55(slot:SN; tsc:TSC)	
Structured Type:	CHD	
Derivation Path:		
Comments:	Channel description for a hopping channel in cell A for IMMEDIATE ASSIGNMENT of TC_26_6_13_9.	
Element Name	Element Value	Comments
iei	OMIT	
cht_schn	TSPX_Chtp13	
tn	slot	
tsc	tsc	
hch	'1'B	
maio	TSPX_Maio28	
hsn	TSPX_Hsn28	
spr	OMIT	
arfcn	OMIT	
Detailed Comments:		

Structured Type Constraint		
Constraint Name:	ChDescrp_r56(slot:SN; tsc:TSC)	
Structured Type:	CHD	
Derivation Path:		
Comments:	Channel description for a hopping channel in cell A for IMMEDIATE ASSIGNMENT of TC_26_6_13_10.	
Element Name	Element Value	Comments
iei	OMIT	
cht_schn	TSPX_Chtp14	
tn	slot	
tsc	tsc	
hch	'1'B	
maio	TSPX_Maio30	
hsn	TSPX_Hsn30	
spr	OMIT	
arfcn	OMIT	
Detailed Comments:		

Structured Type Constraint		
Constraint Name:	ChDescrp_r57	
Structured Type:	CHD	
Derivation Path:		
Comments:	Channel description for a SDCCH8 hopping channel used in TC_26_6_6_1.	
Element Name	Element Value	Comments
iei	OMIT	
cht_schn	INT_TO_BIT((8 + BIT_TO_INT(TSPX_SDCCH8SubA)), 5)	
tn	TSPX_TmSltA	
tsc	TSPX_TscA	
hch	'1'B	
maio	'001001'B	
hsn	'000000'B	
spr	OMIT	
arfcn	OMIT	
Detailed Comments:		

Structured Type Constraint		
Constraint Name:	ChDescrp_r58	
Structured Type:	CHD	
Derivation Path:		
Comments:	Channel description for a SDCCH8 hopping channel used in TC_26_6_6_1.	
Element Name	Element Value	Comments
iei	OMIT	
cht_schn	INT_TO_BIT((8 + BIT_TO_INT(TSPX_SDCCH8SubB)), 5)	
tn	TSPX_TmSltB	
tsc	TSPX_TscB	
hch	'1'B	
maio	'000100'B	
hsn	'000000'B	
spr	OMIT	
arfcn	OMIT	
Detailed Comments:		

Structured Type Constraint		
Constraint Name:	ChDescrp_r59	
Structured Type:	CHD	
Derivation Path:		
Comments:	Channel description for a SDCCH8 hopping channel used in TC_26_6_6_1.	
Element Name	Element Value	Comments
iei	OMIT	
cht_schn	INT_TO_BIT((8 + BIT_TO_INT(TSPX_SDCCH8SubC)), 5)	
tn	TSPX_TmSltC	
tsc	TSPX_TscC	
hch	'1'B	
maio	'000010'B	
hsn	'000000'B	
spr	OMIT	
arfcn	OMIT	
Detailed Comments:		

Structured Type Constraint		
Constraint Name:	ChDescrp_r60	
Structured Type:	CHD	
Derivation Path:		
Comments:	Channel description for a full rate hopping channel used in TC_26_6_6_1.	
Element Name	Element Value	Comments
iei	OMIT	
cht_schn	'00001'B	
tn	TSPX_TmSlitD	
tsc	TSPX_TscD	
hch	'1'B	
maio	'000110'B	
hsn	'000000'B	
spr	OMIT	
arfcn	OMIT	
Detailed Comments:		

Structured Type Constraint		
Constraint Name:	ChDescrp_r61	
Structured Type:	CHD	
Derivation Path:		
Comments:	Channel description for a full rate hopping channel used in TC_26_6_6_1.	
Element Name	Element Value	Comments
iei	OMIT	
cht_schn	'00001'B	
tn	TSPX_TmSlitE	
tsc	TSPX_TscE	
hch	'1'B	
maio	'000101'B	
hsn	'000000'B	
spr	OMIT	
arfcn	OMIT	
Detailed Comments:		

Structured Type Constraint		
Constraint Name:	ChDescrp_r62	
Structured Type:	CHD	
Derivation Path:		
Comments:	Channel description for a full rate hopping channel used in TC_26_6_6_1.	
Element Name	Element Value	Comments
iei	OMIT	
cht_schn	'00001'B	
tn	TSPX_TmSlitF	
tsc	TSPX_TscF	
hch	'1'B	
maio	'001000'B	
hsn	'000000'B	
spr	OMIT	
arfcn	OMIT	
Detailed Comments:		

Structured Type Constraint		
Constraint Name:	ChDescrp_r63	
Structured Type:	CHD	
Derivation Path:		
Comments:	Channel description for a half rate hopping channel used in TC_26_6_6_1.	
Element Name	Element Value	Comments
iei	OMIT	
cht_schn	INT_TO_BIT((2 + BIT_TO_INT(TSPX_TCHHSubA)), 5)	
tn	TSPX_TmSltG	
tsc	TSPX_TscG	
hch	'1'B	
maio	'000011'B	
hsn	'000000'B	
spr	OMIT	
arfcn	OMIT	
Detailed Comments:		

Structured Type Constraint		
Constraint Name:	ChDescrp_r64	
Structured Type:	CHD	
Derivation Path:		
Comments:	Channel description for a half rate hopping channel used in TC_26_6_6_1.	
Element Name	Element Value	Comments
iei	OMIT	
cht_schn	INT_TO_BIT((2 + BIT_TO_INT(TSPX_TCHHSubA)), 5)	
tn	TSPX_TmSltA	
tsc	TSPX_TscA	
hch	'1'B	
maio	'000111'B	
hsn	'000000'B	
spr	OMIT	
arfcn	OMIT	
Detailed Comments:		

Structured Type Constraint		
Constraint Name:	ChDescrp_r65	
Structured Type:	CHD	
Derivation Path:		
Comments:	Channel description for a half rate hopping channel used in TC_26_6_6_1.	
Element Name	Element Value	Comments
iei	OMIT	
cht_schn	INT_TO_BIT((2 + BIT_TO_INT(TSPX_TCHHSubDef)), 5)	
tn	TSPX_TmSltDef	
tsc	TSPX_TscDef	
hch	'1'B	
maio	'000001'B	
hsn	'000000'B	
spr	OMIT	
arfcn	OMIT	
Detailed Comments:		

Structured Type Constraint		
Constraint Name:	ChDescrp_sdcch8(slot:SN; tsc:TSC; subch:BITSTRING; arfcn:INTEGER)	
Structured Type:	CHD	
Derivation Path:		
Comments:	Channel description for SDCCH8 in cell A for RR test.	
Element Name	Element Value	Comments
iei	OMIT	
cht_schn	INT_TO_BIT((8 + BIT_TO_INT(subch)), 5)	
tn	slot	
tsc	tsc	
hch	'0'B	
maio	OMIT	
hsn	OMIT	
spr	'00'B	
arfcn	INT_TO_BIT(arfcn, 10)	
Detailed Comments:	Used in TC_26_6_4_1 only	

Structured Type Constraint		
Constraint Name:	ChDescrp_fh(slot:SN; tsc:TSC; maio,hsn:INTEGER)	
Structured Type:	CHD	
Derivation Path:		
Comments:	Channel description for TCH/F in cell A for RR test.	
Element Name	Element Value	Comments
iei	OMIT	
cht_schn	'00001'B	
tn	slot	
tsc	tsc	
hch	'1'B	
maio	INT_TO_BIT(maio, 6)	
hsn	INT_TO_BIT(hsn, 6)	
spr	OMIT	
arfcn	OMIT	
Detailed Comments:	Used in TC_26_6_4_1 only	

Structured Type Constraint		
Constraint Name:	ChDescrp_nfh(slot:SN; tsc:TSC; arfcn:INTEGER)	
Structured Type:	CHD	
Derivation Path:		
Comments:	Channel description for TCH/F in cell A for RR test.	
Element Name	Element Value	Comments
iei	OMIT	
cht_schn	'00001'B	
tn	slot	
tsc	tsc	
hch	'0'B	
maio	OMIT	
hsn	OMIT	
spr	OMIT	
arfcn	INT_TO_BIT(arfcn, 10)	
Detailed Comments:	Used in TC_26_6_4_1 only	

Structured Type Constraint		
Constraint Name:	ChDescrp_tchh_fh(subch:BITSTRING; slot:SN; tsc:TSC; maio,hsn:INTEGER)	
Structured Type:	CHD	
Derivation Path:		
Comments:	Channel description for TCH/H in cell A for RR test.	
Element Name	Element Value	Comments
iei	OMIT	
cht_schn	INT_TO_BIT((2 + BIT_TO_INT(subch)), 5)	
tn	slot	
tsc	tsc	
hch	'1'B	
maio	INT_TO_BIT(maio, 6)	
hsn	INT_TO_BIT(hsn, 6)	
spr	OMIT	
arfcn	OMIT	
Detailed Comments:	Used in TC_26_6_4_1 only	

Structured Type Constraint		
Constraint Name:	ChDescrp_tchh_nfh(subch:BITSTRING; slot:SN; tsc:TSC; arfcn:INTEGER)	
Structured Type:	CHD	
Derivation Path:		
Comments:	Channel description for TCH/F in cell A for RR test.	
Element Name	Element Value	Comments
iei	OMIT	
cht_schn	INT_TO_BIT((2 + BIT_TO_INT(subch)), 5)	
tn	slot	
tsc	tsc	
hch	'0'B	
maio	OMIT	
hsn	OMIT	
spr	OMIT	
arfcn	INT_TO_BIT(arfcn, 10)	
Detailed Comments:	Used in TC_26_6_4_1 only	

Structured Type Constraint		
Constraint Name:	ChMod_r01	
Structured Type:	CHMOD	
Derivation Path:		
Comments:	for TC_26_6_13_1 after time	
Element Name	Element Value	Comments
iei	'01100011'B	
mode	TSPX_ChMod1	
Detailed Comments:		

Structured Type Constraint		
Constraint Name:	ChMod_r02	
Structured Type:	CHMOD	
Derivation Path:		
Comments:	for TC_26_6_13_2 after time	
Element Name	Element Value	Comments
iei	'01100011'B	
mode	TSPX_ChMod2	
Detailed Comments:		

Structured Type Constraint		
Constraint Name:	ChMod_r03	
Structured Type:	CHMOD	
Derivation Path:	ChMod_r01.	
Comments:	for TC_26_6_13_5	
Element Name	Element Value	Comments
mode	TSPX_ChMod4	
Detailed Comments:		

Structured Type Constraint		
Constraint Name:	ChMod_r04	
Structured Type:	CHMOD	
Derivation Path:	ChMod_r01.	
Comments:	for TC_26_6_13_6	
Element Name	Element Value	Comments
mode	TSPX_ChMod5	
Detailed Comments:		

Structured Type Constraint		
Constraint Name:	ChMod_r05	
Structured Type:	CHMOD	
Derivation Path:	ChMod_r01.	
Comments:	for TC_26_6_13_7	
Element Name	Element Value	Comments
mode	TSPX_ChMod6	
Detailed Comments:		

Structured Type Constraint		
Constraint Name:	ChMod_r06	
Structured Type:	CHMOD	
Derivation Path:	ChMod_r01.	
Comments:	for TC_26_6_13_8	
Element Name	Element Value	Comments
mode	TSPX_ChMod7	
Detailed Comments:		

Structured Type Constraint		
Constraint Name:	ChMod_sign	
Structured Type:	CHMOD	
Derivation Path:		
Comments:	signalling only	
Element Name	Element Value	Comments
iei	OMIT	
mode	C_ChMod_s	
Detailed Comments:		

Structured Type Constraint		
Constraint Name:	ChMod_sign_iei	
Structured Type:	CHMOD	
Derivation Path:	ChMod_sign.	
Comments:	signalling only	
Element Name	Element Value	Comments
iei	'01100011'B	
mode	C_ChMod_s	
Detailed Comments:		

Structured Type Constraint		
Constraint Name:	ChMod_speech	
Structured Type:	CHMOD	
Derivation Path:	ChMod_sign.	
Comments:	speech full or half rate.	
Element Name	Element Value	Comments
mode	C_ChMod_r	
Detailed Comments:		

Structured Type Constraint		
Constraint Name:	ChMod_speech_iei	
Structured Type:	CHMOD	
Derivation Path:	ChMod_sign.	
Comments:	speech full or half rate.	
Element Name	Element Value	Comments
iei	'01100011'B	
mode	C_ChMod_r	
Detailed Comments:		

Structured Type Constraint		
Constraint Name:	ChMod_12k	
Structured Type:	CHMOD	
Derivation Path:	ChMod_sign.	
Comments:	data 9.6 kb/s full rate, (12.0 kb/s air interface)	
Element Name	Element Value	Comments
mode	C_ChMod_12k	
Detailed Comments:		

Structured Type Constraint		
Constraint Name:	ChMod_6k	
Structured Type:	CHMOD	
Derivation Path:	ChMod_sign.	
Comments:	data 4.8 kb/s full rate, (6.0 kb/s air interface)	
Element Name	Element Value	Comments
mode	C_ChMod_6k	
Detailed Comments:		

Structured Type Constraint		
Constraint Name:	ChMod_3k	
Structured Type:	CHMOD	
Derivation Path:	ChMod_sign.	
Comments:	data 2.4 kb/s full rate, (3.6 kb/s air interface)	
Element Name	Element Value	Comments
mode	C_ChMod_3k	
Detailed Comments:		

Structured Type Constraint		
Constraint Name:	ChMod_rcv	
Structured Type:	CHMOD	
Derivation Path:	ChMod_sign.	
Comments:	used only in the OM_ChConf operation,	
Element Name	Element Value	Comments
mode	'11111111'B	
Detailed Comments:		

Structured Type Constraint		
Constraint Name:	ChMod_mand(chmd:B_8)	
Structured Type:	CHMOD	
Derivation Path:		
Comments:	parameterized mode.	
Element Name	Element Value	Comments
iei	OMIT	
mode	chmd	
Detailed Comments:		

Structured Type Constraint		
Constraint Name:	ChMod_omit	
Structured Type:	CHMOD	
Derivation Path:		
Comments:	parameterized mode.	
Element Name	Element Value	Comments
iei	OMIT	
mode	OMIT	
Detailed Comments:		

Structured Type Constraint		
Constraint Name:	Chneed_01	
Structured Type:	CHNEED	
Derivation Path:		
Comments:	any channel	
Element Name	Element Value	Comments
ch2	'00'B	
ch1	'00'B	
Detailed Comments:		

Structured Type Constraint		
Constraint Name:	Chneed_02	
Structured Type:	CHNEED	
Derivation Path:		
Comments:	SDCCH channel needed.	
Element Name	Element Value	Comments
ch2	'00'B	
ch1	'01'B	
Detailed Comments:		

Structured Type Constraint		
Constraint Name:	Chneed_03	
Structured Type:	CHNEED	
Derivation Path:		
Comments:	TCH/F channel needed.	
Element Name	Element Value	Comments
ch2	'00'B	
ch1	'10'B	
Detailed Comments:		

Structured Type Constraint		
Constraint Name:	Chneed_04	
Structured Type:	CHNEED	
Derivation Path:		
Comments:	Dual rate channel needed.	
Element Name	Element Value	Comments
ch2	'00'B	
ch1	'11'B	
Detailed Comments:		

Structured Type Constraint		
Constraint Name:	CiphRes_01	
Structured Type:	CPH_RES	
Derivation Path:		
Comments:		
Element Name	Element Value	Comments
iei	OMIT	
sprb	'000'B	
cr	'0'B	
Detailed Comments:		

Structured Type Constraint		
Constraint Name:	CiphRes_02	
Structured Type:	CPH_RES	
Derivation Path:		
Comments:		
Element Name	Element Value	Comments
iei	OMIT	
sprb	'000'B	
cr	'1'B	
Detailed Comments:		

Structured Type Constraint		
Constraint Name:	CntrlChDscrp_inv	
Structured Type:	CCD	
Derivation Path:		
Comments:	One CCCH combined with SDCCH and attach/detach not allowed. Some spare bits are set to '1'B	
Element Name	Element Value	Comments
spr1	'1'B	
att	'0'B	
babr	'000'B	
ccch_con	'001'B	
spr2	'01100'B	
bpm	'011'B	
t3212	'00'O	
Detailed Comments:		

Structured Type Constraint		
Constraint Name:	CntrlChDscrp(att: INTEGER; babr, cch_con, bpm:B_3; timer:OCTETSTRING)	
Structured Type:	CCD	
Derivation Path:		
Comments:	Generic Control channel descriptor.	
Element Name	Element Value	Comments
spr1	'0'B	
att	INT_TO_BIT(att,1)	
babr	babr	
ccch_con	cch_con	
spr2	'00000'B	
bpm	bpm	
t3212	timer	
Detailed Comments:		

Structured Type Constraint		
Constraint Name:	CphKeySN_01	
Structured Type:	CPHKS	
Derivation Path:		
Comments:		
Element Name	Element Value	Comments
sprb	'0'B	
ks	TSPX_CKSNDf	
Detailed Comments:		

Structured Type Constraint		
Constraint Name:	CphKeySN_02	
Structured Type:	CPHKS	
Derivation Path:		
Comments:	An invalid ciphering key sequence number containing spare bit set to '1'B.	
Element Name	Element Value	Comments
sprb	'1'B	
ks	'000'B	
Detailed Comments:		

Structured Type Constraint		
Constraint Name:	CphKeySN_03	
Structured Type:	CPHKSN	
Derivation Path:	CphKeySN_01.	
Comments:		
Element Name	Element Value	Comments
ks	TSPX_CKSNB	
Detailed Comments:		

Structured Type Constraint		
Constraint Name:	CphKeySN_04	
Structured Type:	CPHKSN	
Derivation Path:	CphKeySN_01.	
Comments:	CKSN is different from default value and the value in the CphKeySN_03	
Element Name	Element Value	Comments
ks	TSPX_CKSNC	
Detailed Comments:		

Structured Type Constraint		
Constraint Name:	CphKeySN_05	
Structured Type:	CPHKSN	
Derivation Path:		
Comments:	ciphering key sequence number from TSPX_CKSNA.	
Element Name	Element Value	Comments
sprb	'0'B	
ks	TSPX_CKSNA	
Detailed Comments:		

Structured Type Constraint		
Constraint Name:	CphKeySN_06	
Structured Type:	CPHKSN	
Derivation Path:		
Comments:	ciphering key sequence number no key.	
Element Name	Element Value	Comments
sprb	'0'B	
ks	'111'B	
Detailed Comments:		

Structured Type Constraint		
Constraint Name:	CphKeySN_07(par: BITSTRING)	
Structured Type:	CPHKSN	
Derivation Path:		
Comments:		
Element Name	Element Value	Comments
sprb	'0'B	
ks	par	
Detailed Comments:		

Structured Type Constraint		
Constraint Name:	CphMod_01	
Structured Type:	CPHMS	
Derivation Path:		
Comments:		
Element Name	Element Value	Comments
iei	OMIT	
algid	TSPX_CphAlgDef	
sc	'1'B	
Detailed Comments:		

Structured Type Constraint		
Constraint Name:	CphMod_02	
Structured Type:	CPHMS	
Derivation Path:	CphMod_01.	
Comments:	No ciphering	
Element Name	Element Value	Comments
sc	'0'B	
Detailed Comments:		

Structured Type Constraint		
Constraint Name:	CphMod_02iei	
Structured Type:	CPHMS	
Derivation Path:		
Comments:	No ciphering	
Element Name	Element Value	Comments
iei	'1001'B	
algid	TSPX_CphAlgDef	
sc	'0'B	
Detailed Comments:		

Structured Type Constraint		
Constraint Name:	CphMod_03	
Structured Type:	CPHMS	
Derivation Path:		
Comments:		
Element Name	Element Value	Comments
iei	OMIT	
algid	'000'B	
sc	'1'B	
Detailed Comments:		

Structured Type Constraint		
Constraint Name:	CphMod_04(alg:BITSTRING)	
Structured Type:	CPHMS	
Derivation Path:		
Comments:	starting ciphering with the ciphering algorithm `alg`.	
Element Name	Element Value	Comments
iei	OMIT	
algid	alg	
sc	'1'B	
Detailed Comments:		

Structured Type Constraint		
Constraint Name:	CphMod_04iei(alg:BITSTRING)	
Structured Type:	CPHMS	
Derivation Path:		
Comments:	starting ciphering with the ciphering algorithm `alg`.	
Element Name	Element Value	Comments
iei	'1001'B	
algid	alg	
sc	'1'B	
Detailed Comments:		

Structured Type Constraint		
Constraint Name:	facilityIErcv(comp:Component)	
Structured Type:	FIE	
Derivation Path:		
Comments:		
Element Name	Element Value	Comments
iei	OMIT	
iel	?	
components_1	SUPERSET({ comp})	
components_t	OMIT	
Detailed Comments:		

Structured Type Constraint		
Constraint Name:	facilityIErcviei(comp:Component)	
Structured Type:	FIE	
Derivation Path:		
Comments:		
Element Name	Element Value	Comments
iei	'00011100'B	
iel	?	
components_1	SUPERSET({ comp})	
components_t	OMIT	
Detailed Comments:		

Structured Type Constraint		
Constraint Name:	facilityIEsnd(comp:Components)	
Structured Type:	FIE	
Derivation Path:		
Comments:		
Element Name	Element Value	Comments
iei	OMIT	
iel	OC_LengthOfComp1(comp)	
components_1	comp	
components_t	OMIT	
Detailed Comments:		

Structured Type Constraint		
Constraint Name:	facilityIEsndiei(comp:Components)	
Structured Type:	FIE	
Derivation Path:		
Comments:		
Element Name	Element Value	Comments
iei	'00011100'B	
iel	OC_LengthOfComp1(comp)	
components_1	comp	
components_t	OMIT	
Detailed Comments:		

Structured Type Constraint		
Constraint Name:	facilityIEtsnd(comp:Component_T)	
Structured Type:	FIE	
Derivation Path:		
Comments:		
Element Name	Element Value	Comments
iei	OMIT	
iel	OC_LengthOfComp(comp)	
components_1	OMIT	
components_t	comp	
Detailed Comments:		

Structured Type Constraint		
Constraint Name:	facilityIEtsndiei(comp:Component_T)	
Structured Type:	FIE	
Derivation Path:		
Comments:		
Element Name	Element Value	Comments
iei	'00011100'B	
iel	OC_LengthOfComp(comp)	
components_1	OMIT	
components_t	comp	
Detailed Comments:		

Structured Type Constraint		
Constraint Name:	Fn_01	
Structured Type:	FN	
Derivation Path:		
Comments:	not pertaining to the MS under test	
Element Name	Element Value	Comments
t1_	'00000'B	
t3	'000000'B	
t2	'00000'B	
Detailed Comments:		

Structured Type Constraint		
Constraint Name:	FreqBCCH1(arfcn:INTEGER)	
Structured Type:	FRQPARA	
Derivation Path:		
Comments:	Broadcast channel of cell A (cell 1) for test case 26.3.2 and 26.3.3 for GSM900.	
Element Name	Element Value	Comments
hch	'0'B	
maio	OMIT	
hsn	OMIT	
spr	'00'B	
arfcn	INT_TO_BIT(arfcn, 10)	
maclength	'00'O	
mac_8n	OMIT	
mac_7n	OMIT	
mac_6n	OMIT	
mac_5n	OMIT	
mac_4n	OMIT	
mac_3n	OMIT	
mac_2n	OMIT	
mac_1n	OMIT	
flst	OMIT	
Detailed Comments:		

Structured Type Constraint		
Constraint Name:	Freqchseq_01	
Structured Type:	FRQCHS	
Derivation Path:		
Comments:	Frequency channel sequence with the f_list={40,66,73,74,75,76,108,114} Cross reference: Frql_20_B4	
Element Name	Element Value	Comments
iei	'01101001'B	
larfcn	'28'O	
incs	'0B71110026000000'O	
Detailed Comments:		

Structured Type Constraint		
Constraint Name:	Freqchseq_02	
Structured Type:	FRQCHS	
Derivation Path:		
Comments:	Frequency channel sequence with the List_ARFCN={14,18,22,24,30,31,38,40,60,66,73,74,75,108} cross reference: Frql_20_B72	
Element Name	Element Value	Comments
iei	'01101001'B	
larfcn	'0E'O	
incs	'4426172056711003'O	
Detailed Comments:		

Structured Type Constraint		
Constraint Name:	Freqchseq_03	
Structured Type:	FRQCHS	
Derivation Path:		
Comments:	Frequency channel sequence with the List_ARFCN={14,114}	
Element Name	Element Value	Comments
iei	'01101001'B	
larfcn	'0E'O	
incs	'000000A000000000'O	
Detailed Comments:		

Structured Type Constraint		
Constraint Name:	Freqchseq_04	
Structured Type:	FRQCHS	
Derivation Path:		
Comments:	Frequency channel sequence with the List_ARFCN={40,114}	
Element Name	Element Value	Comments
iei	'01101001'B	
larfcn	'28'O	
incs	'0000E00000000000'O	
Detailed Comments:		

Structured Type Constraint		
Constraint Name:	Freqchseq_05	
Structured Type:	FRQCHS	
Derivation Path:		
Comments:	Frequency channel sequence with the List_ARFCN={66, 75, 76, 108}	
Element Name	Element Value	Comments
iei	'01101001'B	
larfcn	'42'O	
incs	'9100200000000000'O	
Detailed Comments:		

Structured Type Constraint		
Constraint Name:	Freqchseq_06	
Structured Type:	FRQCHS	
Derivation Path:		
Comments:	Frequency channel sequence with the List_ARFCN={14,18,22,24,30,31,38,60,66,73,74,75,76,108,114} see FrqI_20_B5	
Element Name	Element Value	Comments
iei	'01101001'B	
larfcn	'0E'O	
incs	'4426170767111002'O	
Detailed Comments:		

Structured Type Constraint		
Constraint Name:	Freqchseq_22	
Structured Type:	FRQCHS	
Derivation Path:		
Comments:	Frequency channel sequence with the List_ARFCN={10,17,20,26,59,66,73,74,75,108,114} cross reference: Frql_20_A	
Element Name	Element Value	Comments
iei	'01101001'B	
larfcn	'0A'O	
incs	'7360037711003600'O	
Detailed Comments:		

Structured Type Constraint		
Constraint Name:	FreqBCCHa_rg	
Structured Type:	FRQPARA	
Derivation Path:		
Comments:	Broadcast channel of cell A for RR testing of GSM900.	
Element Name	Element Value	Comments
hch	'0'B	
maio	OMIT	
hsn	OMIT	
spr	'00'B	
arfcn	INT_TO_BIT(C_arfcnA, 10)	
maclength	'00'O	
mac_8n	OMIT	
mac_7n	OMIT	
mac_6n	OMIT	
mac_5n	OMIT	
mac_4n	OMIT	
mac_3n	OMIT	
mac_2n	OMIT	
mac_1n	OMIT	
flst	OMIT	
Detailed Comments:		

Structured Type Constraint		
Constraint Name:	FreqBCCHa_rd	
Structured Type:	FRQPARA	
Derivation Path:		
Comments:	Broadcast channel of cell A for RR testing of DCS1800.	
Element Name	Element Value	Comments
hch	'0'B	
maio	OMIT	
hsn	OMIT	
spr	'00'B	
arfcn	INT_TO_BIT(C_arfcnAd, 10)	
maclength	'00'O	
mac_8n	OMIT	
mac_7n	OMIT	
mac_6n	OMIT	
mac_5n	OMIT	
mac_4n	OMIT	
mac_3n	OMIT	
mac_2n	OMIT	
mac_1n	OMIT	
flst	OMIT	
Detailed Comments:		

Structured Type Constraint		
Constraint Name:	FreqBCCHa_rd1	
Structured Type:	FRQPARA	
Derivation Path:		
Comments:	Broadcast channel of cell A for TC_26_6_4_1 of DCS1800.	
Element Name	Element Value	Comments
hch	'0'B	
maio	OMIT	
hsn	OMIT	
spr	'00'B	
arfcn	INT_TO_BIT(747, 10)	
maclength	'00'O	
mac_8n	OMIT	
mac_7n	OMIT	
mac_6n	OMIT	
mac_5n	OMIT	
mac_4n	OMIT	
mac_3n	OMIT	
mac_2n	OMIT	
mac_1n	OMIT	
flst	OMIT	
Detailed Comments:		

Structured Type Constraint		
Constraint Name:	FreqBCCHa_E	
Structured Type:	FRQPARA	
Derivation Path:		
Comments:	Broadcast channel of cell A for EGSM TC_26_6_10_2_2.	
Element Name	Element Value	Comments
hch	'0'B	
maio	OMIT	
hsn	OMIT	
spr	'00'B	
arfcn	INT_TO_BIT(1015, 10)	
maclength	'00'O	
mac_8n	OMIT	
mac_7n	OMIT	
mac_6n	OMIT	
mac_5n	OMIT	
mac_4n	OMIT	
mac_3n	OMIT	
mac_2n	OMIT	
mac_1n	OMIT	
flst	OMIT	
Detailed Comments:		

Structured Type Constraint		
Constraint Name:	FreqBCCHb_ho	
Structured Type:	FRQPARA	
Derivation Path:		
Comments:	Broadcast channel of cell B.	
Element Name	Element Value	Comments
hch	'0'B	
maio	OMIT	
hsn	OMIT	
spr	'00'B	
arfcn	INT_TO_BIT(C_BCCHcarrierB_ho, 10)	
maclength	'00'O	
mac_8n	OMIT	
mac_7n	OMIT	
mac_6n	OMIT	
mac_5n	OMIT	
mac_4n	OMIT	
mac_3n	OMIT	
mac_2n	OMIT	
mac_1n	OMIT	
flst	OMIT	
Detailed Comments:		

Structured Type Constraint		
Constraint Name:	FreqBCCHb_hod	
Structured Type:	FRQPARA	
Derivation Path:		
Comments:	Broadcast channel of cell B.	
Element Name	Element Value	Comments
hch	'0'B	
maio	OMIT	
hsn	OMIT	
spr	'00'B	
arfcn	INT_TO_BIT(C_BCCHcarrierB_hod, 10)	
maclength	'00'O	
mac_8n	OMIT	
mac_7n	OMIT	
mac_6n	OMIT	
mac_5n	OMIT	
mac_4n	OMIT	
mac_3n	OMIT	
mac_2n	OMIT	
mac_1n	OMIT	
flst	OMIT	
Detailed Comments:		

Structured Type Constraint		
Constraint Name:	FreqBCCHb_rg	
Structured Type:	FRQPARA	
Derivation Path:		
Comments:	Default broadcast channel of cell B for GSM900.	
Element Name	Element Value	Comments
hch	'0'B	
maio	OMIT	
hsn	OMIT	
spr	'00'B	
arfcn	INT_TO_BIT(C_arfcnB, 10)	
maclength	'00'O	
mac_8n	OMIT	
mac_7n	OMIT	
mac_6n	OMIT	
mac_5n	OMIT	
mac_4n	OMIT	
mac_3n	OMIT	
mac_2n	OMIT	
mac_1n	OMIT	
flst	OMIT	
Detailed Comments:		

Structured Type Constraint		
Constraint Name:	FreqBCCHb_rd	
Structured Type:	FRQPARA	
Derivation Path:		
Comments:	Default broadcast channel of cell B for DCS1800.	
Element Name	Element Value	Comments
hch	'0'B	
maio	OMIT	
hsn	OMIT	
spr	'00'B	
arfcn	INT_TO_BIT(C_arfcnBd, 10)	
maclength	'00'O	
mac_8n	OMIT	
mac_7n	OMIT	
mac_6n	OMIT	
mac_5n	OMIT	
mac_4n	OMIT	
mac_3n	OMIT	
mac_2n	OMIT	
mac_1n	OMIT	
flst	OMIT	
Detailed Comments:		

Structured Type Constraint		
Constraint Name:	FreqBCCHc	
Structured Type:	FRQPARA	
Derivation Path:		
Comments:	Broadcast channel of cell C.	
Element Name	Element Value	Comments
hch	'0'B	
maio	OMIT	
hsn	OMIT	
spr	'00'B	
arfcn	INT_TO_BIT(C_arfcnC, 10)	
maclength	'00'O	
mac_8n	OMIT	
mac_7n	OMIT	
mac_6n	OMIT	
mac_5n	OMIT	
mac_4n	OMIT	
mac_3n	OMIT	
mac_2n	OMIT	
mac_1n	OMIT	
flst	OMIT	
Detailed Comments:		

Structured Type Constraint		
Constraint Name:	FreqBCCHc_d	
Structured Type:	FRQPARA	
Derivation Path:		
Comments:	Broadcast channel of cell C.	
Element Name	Element Value	Comments
hch	'0'B	
maio	OMIT	
hsn	OMIT	
spr	'00'B	
arfcn	INT_TO_BIT(C_arfcnCd, 10)	
maclength	'00'O	
mac_8n	OMIT	
mac_7n	OMIT	
mac_6n	OMIT	
mac_5n	OMIT	
mac_4n	OMIT	
mac_3n	OMIT	
mac_2n	OMIT	
mac_1n	OMIT	
flst	OMIT	
Detailed Comments:		

Structured Type Constraint		
Constraint Name:	FreqTCHa_rg	
Structured Type:	FRQPARA	
Derivation Path:		
Comments:	Default not combined Traffic channel of cell A for testing of GSM900.	
Element Name	Element Value	Comments
hch	'0'B	
maio	OMIT	
hsn	OMIT	
spr	'00'B	
arfcn	INT_TO_BIT(30, 10)	
maclength	'00'O	
mac_8n	OMIT	
mac_7n	OMIT	
mac_6n	OMIT	
mac_5n	OMIT	
mac_4n	OMIT	
mac_3n	OMIT	
mac_2n	OMIT	
mac_1n	OMIT	
flst	OMIT	
Detailed Comments:		

Structured Type Constraint		
Constraint Name:	FreqTCHa_rd	
Structured Type:	FRQPARA	
Derivation Path:		
Comments:	Default not combined Traffic channel of cell A for testing of DCS1800.	
Element Name	Element Value	Comments
hch	'0'B	
maio	OMIT	
hsn	OMIT	
spr	'00'B	
arfcn	INT_TO_BIT(650, 10)	
maclength	'00'O	
mac_8n	OMIT	
mac_7n	OMIT	
mac_6n	OMIT	
mac_5n	OMIT	
mac_4n	OMIT	
mac_3n	OMIT	
mac_2n	OMIT	
mac_1n	OMIT	
flst	OMIT	
Detailed Comments:		

Structured Type Constraint		
Constraint Name:	FreqTCHa	
Structured Type:	FRQPARA	
Derivation Path:		
Comments:	Traffic channel for cell A	
Element Name	Element Value	Comments
hch	'0'B	
maio	OMIT	
hsn	OMIT	
spr	'00'B	
arfcn	INT_TO_BIT(TSPX_TCHcarrierA, 10)	
maclength	'00'O	
mac_8n	OMIT	
mac_7n	OMIT	
mac_6n	OMIT	
mac_5n	OMIT	
mac_4n	OMIT	
mac_3n	OMIT	
mac_2n	OMIT	
mac_1n	OMIT	
flst	OMIT	
Detailed Comments:		

Structured Type Constraint		
Constraint Name:	FreqTCHa1	
Structured Type:	FRQPARA	
Derivation Path:		
Comments:	Traffic channel for cell A, ARFCN = 124 hopping, for GSM900.	
Element Name	Element Value	Comments
hch	'1'B	
maio	'000000'B	
hsn	'111111'B	
spr	OMIT	
arfcn	OMIT	
maclength	'01'O	
mac_8n	'00000001'B	
mac_7n	OMIT	
mac_6n	OMIT	
mac_5n	OMIT	
mac_4n	OMIT	
mac_3n	OMIT	
mac_2n	OMIT	
mac_1n	OMIT	
flst	Frql_04	
Detailed Comments:		

Structured Type Constraint		
Constraint Name:	FreqTCHa2	
Structured Type:	FRQPARA	
Derivation Path:	FreqTCHa1.	
Comments:	Traffic channel for cell A, ARFCN = 801 hopping, for DCS1800	
Element Name	Element Value	Comments
flst	Frql_05	
Detailed Comments:		

Structured Type Constraint		
Constraint Name:	FreqTCHa5	
Structured Type:	FRQPARA	
Derivation Path:		
Comments:	Traffic channel for cell A, hopping, GSM900 for TC_26_6_4_1	
Element Name	Element Value	Comments
hch	'1'B	
maio	'000001'B	
hsn	'000001'B	
spr	OMIT	
arfcn	OMIT	
maclength	'02'O	
mac_8n	'00000011'B	
mac_7n	'11111111'B	
mac_6n	OMIT	
mac_5n	OMIT	
mac_4n	OMIT	
mac_3n	OMIT	
mac_2n	OMIT	
mac_1n	OMIT	
flst	Frql_10	
Detailed Comments:		

Structured Type Constraint		
Constraint Name:	FreqTCHa6	
Structured Type:	FRQPARA	
Derivation Path:		
Comments:	Traffic channel for cell A, hopping, GSM900 for TC_26_6_4_1	
Element Name	Element Value	Comments
hch	'0'B	
maio	OMIT	
hsn	OMIT	
spr	'00'B	
arfcn	'0000010100'B	
maclength	'00'O	
mac_8n	OMIT	
mac_7n	OMIT	
mac_6n	OMIT	
mac_5n	OMIT	
mac_4n	OMIT	
mac_3n	OMIT	
mac_2n	OMIT	
mac_1n	OMIT	
flst	OMIT	
Detailed Comments:		

Structured Type Constraint		
Constraint Name:	FreqTCHa7	
Structured Type:	FRQPARA	
Derivation Path:		
Comments:	Traffic channel for cell A, hopping, GSM900 for TC_26_6_4_1	
Element Name	Element Value	Comments
hch	'1'B	
maio	'000011'B	
hsn	'001000'B	
spr	OMIT	
arfcn	OMIT	
maclength	'02'O	
mac_8n	'00000111'B	
mac_7n	'11100011'B	
mac_6n	OMIT	
mac_5n	OMIT	
mac_4n	OMIT	
mac_3n	OMIT	
mac_2n	OMIT	
mac_1n	OMIT	
flst	Frql_11	
Detailed Comments:		

Structured Type Constraint		
Constraint Name:	FreqTCHa8	
Structured Type:	FRQPARA	
Derivation Path:		
Comments:	Traffic channel for cell A, hopping, GSM900 for TC_26_6_4_1	
Element Name	Element Value	Comments
hch	'0'B	
maio	OMIT	
hsn	OMIT	
spr	'00'B	
arfcn	'0000001010'B	
maclength	'00'O	
mac_8n	OMIT	
mac_7n	OMIT	
mac_6n	OMIT	
mac_5n	OMIT	
mac_4n	OMIT	
mac_3n	OMIT	
mac_2n	OMIT	
mac_1n	OMIT	
flst	OMIT	
Detailed Comments:		

Structured Type Constraint		
Constraint Name:	FreqTCHa9	
Structured Type:	FRQPARA	
Derivation Path:		
Comments:	Traffic channel for cell A, hopping, GSM900 for TC_26_6_4_1	
Element Name	Element Value	Comments
hch	'1'B	
maio	'000101'B	
hsn	'000000'B	
spr	OMIT	
arfcn	OMIT	
maclength	'01'O	
mac_8n	'00111111'B	
mac_7n	OMIT	
mac_6n	OMIT	
mac_5n	OMIT	
mac_4n	OMIT	
mac_3n	OMIT	
mac_2n	OMIT	
mac_1n	OMIT	
flst	Frql_08	
Detailed Comments:		

Structured Type Constraint		
Constraint Name:	FreqTCHa10	
Structured Type:	FRQPARA	
Derivation Path:		
Comments:	Traffic channel for cell A, hopping, GSM900 for TC_26_6_4_1	
Element Name	Element Value	Comments
hch	'0'B	
maio	OMIT	
hsn	OMIT	
spr	'00'B	
arfcn	'0000100010'B	
maclength	'00'O	
mac_8n	OMIT	
mac_7n	OMIT	
mac_6n	OMIT	
mac_5n	OMIT	
mac_4n	OMIT	
mac_3n	OMIT	
mac_2n	OMIT	
mac_1n	OMIT	
flst	OMIT	
Detailed Comments:		

Structured Type Constraint		
Constraint Name:	FreqTCHa11	
Structured Type:	FRQPARA	
Derivation Path:		
Comments:	Traffic channel for cell A, hopping, GSM900 for TC_26_6_4_1	
Element Name	Element Value	Comments
hch	'1'B	
maio	'000000'B	
hsn	'101000'B	
spr	OMIT	
arfcn	OMIT	
maclength	'01'O	
mac_8n	'00000001'B	
mac_7n	OMIT	
mac_6n	OMIT	
mac_5n	OMIT	
mac_4n	OMIT	
mac_3n	OMIT	
mac_2n	OMIT	
mac_1n	OMIT	
flst	FrqL_12	
Detailed Comments:		

Structured Type Constraint		
Constraint Name:	FreqTCHa12	
Structured Type:	FRQPARA	
Derivation Path:		
Comments:	Traffic channel for cell A, hopping, DCS1800 for TC_26_6_4_1	
Element Name	Element Value	Comments
hch	'1'B	
maio	'000001'B	
hsn	'000001'B	
spr	OMIT	
arfcn	OMIT	
maclength	'02'O	
mac_8n	'00000011'B	
mac_7n	'11111111'B	
mac_6n	OMIT	
mac_5n	OMIT	
mac_4n	OMIT	
mac_3n	OMIT	
mac_2n	OMIT	
mac_1n	OMIT	
flst	FrqL_13	
Detailed Comments:		

Structured Type Constraint		
Constraint Name:	FreqTCHa13	
Structured Type:	FRQPARA	
Derivation Path:		
Comments:	Traffic channel for cell A, hopping, GSM900 for TC_26_6_4_1	
Element Name	Element Value	Comments
hch	'0'B	
maio	OMIT	
hsn	OMIT	
spr	'00'B	
arfcn	'1011101011'B	
maclength	'00'O	
mac_8n	OMIT	
mac_7n	OMIT	
mac_6n	OMIT	
mac_5n	OMIT	
mac_4n	OMIT	
mac_3n	OMIT	
mac_2n	OMIT	
mac_1n	OMIT	
flst	OMIT	
Detailed Comments:		

Structured Type Constraint		
Constraint Name:	FreqTCHa14	
Structured Type:	FRQPARA	
Derivation Path:		
Comments:	Traffic channel for cell A, hopping, GSM900 for TC_26_6_4_1	
Element Name	Element Value	Comments
hch	'1'B	
maio	'000011'B	
hsn	'001000'B	
spr	OMIT	
arfcn	OMIT	
maclength	'02'O	
mac_8n	'00000001'B	
mac_7n	'11000111'B	
mac_6n	OMIT	
mac_5n	OMIT	
mac_4n	OMIT	
mac_3n	OMIT	
mac_2n	OMIT	
mac_1n	OMIT	
flst	Frql_14	
Detailed Comments:		

Structured Type Constraint		
Constraint Name:	FreqTCHa15	
Structured Type:	FRQPARA	
Derivation Path:		
Comments:	Traffic channel for cell A, hopping, DCS1800 for TC_26_6_4_1	
Element Name	Element Value	Comments
hch	'0'B	
maio	OMIT	
hsn	OMIT	
spr	'00'B	
arfcn	'1011011110'B	
maclength	'00'O	
mac_8n	OMIT	
mac_7n	OMIT	
mac_6n	OMIT	
mac_5n	OMIT	
mac_4n	OMIT	
mac_3n	OMIT	
mac_2n	OMIT	
mac_1n	OMIT	
flst	OMIT	
Detailed Comments:		

Structured Type Constraint		
Constraint Name:	FreqTCHa16	
Structured Type:	FRQPARA	
Derivation Path:		
Comments:	Traffic channel for cell A, hopping, GSM900 for TC_26_6_4_1	
Element Name	Element Value	Comments
hch	'1'B	
maio	'000101'B	
hsn	'000000'B	
spr	OMIT	
arfcn	OMIT	
maclength	'01'O	
mac_8n	'00111111'B	
mac_7n	OMIT	
mac_6n	OMIT	
mac_5n	OMIT	
mac_4n	OMIT	
mac_3n	OMIT	
mac_2n	OMIT	
mac_1n	OMIT	
flst	FrqI_09	
Detailed Comments:		

Structured Type Constraint		
Constraint Name:	FreqTCHa17	
Structured Type:	FRQPARA	
Derivation Path:		
Comments:	Traffic channel for cell A, hopping, DCS1800 for TC_26_6_4_1	
Element Name	Element Value	Comments
hch	'0'B	
maio	OMIT	
hsn	OMIT	
spr	'00'B	
arfcn	'1011110111'B	
maclength	'00'O	
mac_8n	OMIT	
mac_7n	OMIT	
mac_6n	OMIT	
mac_5n	OMIT	
mac_4n	OMIT	
mac_3n	OMIT	
mac_2n	OMIT	
mac_1n	OMIT	
flst	OMIT	
Detailed Comments:		

Structured Type Constraint		
Constraint Name:	FreqTCHa18	
Structured Type:	FRQPARA	
Derivation Path:		
Comments:	Traffic channel for cell A, hopping, DCS1800 for TC_26_6_4_1	
Element Name	Element Value	Comments
hch	'1'B	
maio	'000000'B	
hsn	'101000'B	
spr	OMIT	
arfcn	OMIT	
maclength	'01'O	
mac_8n	'00000001'B	
mac_7n	OMIT	
mac_6n	OMIT	
mac_5n	OMIT	
mac_4n	OMIT	
mac_3n	OMIT	
mac_2n	OMIT	
mac_1n	OMIT	
flst	Frql_15	
Detailed Comments:		

Structured Type Constraint		
Constraint Name:	FreqTCH_ef1(par_ma: BITSTRING; par_freqlist: OCTETSTRING; par_flist: OCTETSTRING)	
Structured Type:	FRQPARA	
Derivation Path:		
Comments:	Broadcast channel of cell A for EGSM.	
Element Name	Element Value	Comments
hch	'1'B	
maio	TSPX_MAIO	
hsn	TSPX_HSN	
spr	OMIT	
arfcn	OMIT	
maclength	'01'O	
mac_8n	par_ma	
mac_7n	OMIT	
mac_6n	OMIT	
mac_5n	OMIT	
mac_4n	OMIT	
mac_3n	OMIT	
mac_2n	OMIT	
mac_1n	OMIT	
flst	Frql_20_egsm(par_freqlist, par_flistl)	
Detailed Comments:		

Structured Type Constraint		
Constraint Name:	FreqTCH_ef2(par_ma1: BITSTRING; par_ma2: BITSTRING; par_freqlist: OCTETSTRING; par_flist: OCTETSTRING)	
Structured Type:	FRQPARA	
Derivation Path:		
Comments:	Broadcast channel of cell A for EGSM.	
Element Name	Element Value	Comments
hch	'1'B	
maio	TSPX_MAIO	
hsn	TSPX_HSN	
spr	OMIT	
arfcn	OMIT	
maclength	'02'O	
mac_8n	par_ma1	
mac_7n	par_ma2	
mac_6n	OMIT	
mac_5n	OMIT	
mac_4n	OMIT	
mac_3n	OMIT	
mac_2n	OMIT	
mac_1n	OMIT	
flst	Frql_20_egsm(par_freqlist, par_flistl)	
Detailed Comments:		

Structured Type Constraint		
Constraint Name:	FreqTCHa_ho	
Structured Type:	FRQPARA	
Derivation Path:		
Comments:	Traffic channel of cell A on TSPX_TCHcarrierA_ho for GSM900.	
Element Name	Element Value	Comments
hch	'0'B	
maio	OMIT	
hsn	OMIT	
spr	'00'B	
arfcn	INT_TO_BIT(TSPX_TCHcarrierA_ho, 10)	
maclength	'00'O	
mac_8n	OMIT	
mac_7n	OMIT	
mac_6n	OMIT	
mac_5n	OMIT	
mac_4n	OMIT	
mac_3n	OMIT	
mac_2n	OMIT	
mac_1n	OMIT	
flst	OMIT	
Detailed Comments:		

Structured Type Constraint		
Constraint Name:	FreqTCHa_hod	
Structured Type:	FRQPARA	
Derivation Path:		
Comments:	Traffic channel of cell A on TSPX_TCHcarrierA_hod for DCS1800.	
Element Name	Element Value	Comments
hch	'0'B	
maio	OMIT	
hsn	OMIT	
spr	'00'B	
arfcn	INT_TO_BIT(TSPX_TCHcarrierA_hod, 10)	
maclength	'00'O	
mac_8n	OMIT	
mac_7n	OMIT	
mac_6n	OMIT	
mac_5n	OMIT	
mac_4n	OMIT	
mac_3n	OMIT	
mac_2n	OMIT	
mac_1n	OMIT	
flst	OMIT	
Detailed Comments:		

Structured Type Constraint		
Constraint Name:	FreqTCHa_hof1	
Structured Type:	FRQPARA	
Derivation Path:		
Comments:	Broadcast channel of cell on A Frql_20_A.	
Element Name	Element Value	Comments
hch	'1'B	
maio	TSPX_MAIO	
hsn	TSPX_HSN	
spr	OMIT	
arfcn	OMIT	
maclength	'02'O	
mac_8n	'00001111'B	
mac_7n	'11111111'B	
mac_6n	OMIT	
mac_5n	OMIT	
mac_4n	OMIT	
mac_3n	OMIT	
mac_2n	OMIT	
mac_1n	OMIT	
flst	Frql_20_A	
Detailed Comments:		

Structured Type Constraint		
Constraint Name:	FreqTCHa_hof1d	
Structured Type:	FRQPARA	
Derivation Path:		
Comments:	Broadcast channel of cell A for hopping DCS1800	
Element Name	Element Value	Comments
hch	'1'B	
maio	TSPX_MAIO	
hsn	TSPX_HSN	
spr	OMIT	
arfcn	OMIT	
maclength	'02'O	
mac_8n	'00000001'B	
mac_7n	'11111111'B	
mac_6n	OMIT	
mac_5n	OMIT	
mac_4n	OMIT	
mac_3n	OMIT	
mac_2n	OMIT	
mac_1n	OMIT	
flst	Frql_20_Ad	
Detailed Comments:		

Structured Type Constraint		
Constraint Name:	FreqTCHa_hof2	
Structured Type:	FRQPARA	
Derivation Path:		
Comments:	Broadcast channel of cell A on Frql_20_A2.	
Element Name	Element Value	Comments
hch	'1'B	
maio	'000000'B	
hsn	'111111'B	
spr	OMIT	
arfcn	OMIT	
maclength	'01'O	
mac_8n	'00000001'B	
mac_7n	OMIT	
mac_6n	OMIT	
mac_5n	OMIT	
mac_4n	OMIT	
mac_3n	OMIT	
mac_2n	OMIT	
mac_1n	OMIT	
flst	Frql_20_A2	
Detailed Comments:		

Structured Type Constraint		
Constraint Name:	FreqTCHa_hof2d	
Structured Type:	FRQPARA	
Derivation Path:		
Comments:	Broadcast channel of cell A.	
Element Name	Element Value	Comments
hch	'1'B	
maio	'000000'B	
hsn	'111111'B	
spr	OMIT	
arfcn	OMIT	
maclength	'01'O	
mac_8n	OMIT	
mac_7n	OMIT	
mac_6n	OMIT	
mac_5n	OMIT	
mac_4n	OMIT	
mac_3n	OMIT	
mac_2n	OMIT	
mac_1n	OMIT	
flst	Frql_20_A2d	
Detailed Comments:		

Structured Type Constraint		
Constraint Name:	FreqTCHa_hof3	
Structured Type:	FRQPARA	
Derivation Path:		
Comments:	Broadcast channel of cell A. Indicates complete Cell Allocation of Cell A in HO cases. ARFCN_list={10,17,20,26,34,42,45,46,52,59,66,73,74,75,76,108,114}.	
Element Name	Element Value	Comments
hch	'1'B	
maio	TSPX_MAIO	
hsn	TSPX_HSN	
spr	OMIT	
arfcn	OMIT	
maclength	'03'O	
mac_8n	'00000001'B	
mac_7n	'11111111'B	
mac_6n	'11111111'B	
mac_5n	OMIT	
mac_4n	OMIT	
mac_3n	OMIT	
mac_2n	OMIT	
mac_1n	OMIT	
flst	Frql_20_A0	
Detailed Comments:		

Structured Type Constraint		
Constraint Name:	FreqTCHa_hof3d	
Structured Type:	FRQPARA	
Derivation Path:		
Comments:	Broadcast channel of cell A. Indicates complete Cell Allocation of Cell A in HO cases.	
Element Name	Element Value	Comments
hch	'1'B	
maio	TSPX_MAIO	
hsn	TSPX_HSN	
spr	OMIT	
arfcn	OMIT	
maclength	'03'O	
mac_8n	'00000001'B	
mac_7n	'11111111'B	
mac_6n	'11111111'B	
mac_5n	OMIT	
mac_4n	OMIT	
mac_3n	OMIT	
mac_2n	OMIT	
mac_1n	OMIT	
flst	Frql_20_A0d	
Detailed Comments:		

Structured Type Constraint		
Constraint Name:	FreqTCHa_hof5	
Structured Type:	FRQPARA	
Derivation Path:		
Comments:	Broadcast channel of cell A. Indicates 1f of Cell A in HO cases. ARFCN_list={114}.	
Element Name	Element Value	Comments
hch	'1'B	
maio	TSPX_MAIO	
hsn	TSPX_HSN	
spr	OMIT	
arfcn	OMIT	
maclength	'03'O	
mac_8n	'00000001'B	
mac_7n	'00000000'B	
mac_6n	'00000000'B	
mac_5n	OMIT	
mac_4n	OMIT	
mac_3n	OMIT	
mac_2n	OMIT	
mac_1n	OMIT	
flst	Frql_20_A0	
Detailed Comments:		

Structured Type Constraint		
Constraint Name:	FreqTCHa_hof5d	
Structured Type:	FRQPARA	
Derivation Path:		
Comments:	Broadcast channel of cell A. Indicates 1f of Cell A in HO cases. ARFCN_list={844}.	
Element Name	Element Value	Comments
hch	'1'B	
maio	TSPX_MAIO	
hsn	TSPX_HSN	
spr	OMIT	
arfcn	OMIT	
maclength	'03'O	
mac_8n	'00000001'B	
mac_7n	'00000000'B	
mac_6n	'00000000'B	
mac_5n	OMIT	
mac_4n	OMIT	
mac_3n	OMIT	
mac_2n	OMIT	
mac_1n	OMIT	
flst	Frql_20_A0d	
Detailed Comments:		

Structured Type Constraint		
Constraint Name:	FreqTCHb	
Structured Type:	FRQPARA	
Derivation Path:	FreqTCHa.	
Comments:	Traffic channel for cell B	
Element Name	Element Value	Comments
arfcn	INT_TO_BIT(TSPX_TCHcarrierB, 10)	
Detailed Comments:		

Structured Type Constraint		
Constraint Name:	FreqTCHb_ho	
Structured Type:	FRQPARA	
Derivation Path:		
Comments:	Broadcast channel of cell B for GSM900 and DCS1800.	
Element Name	Element Value	Comments
hch	'0'B	
maio	OMIT	
hsn	OMIT	
spr	'00'B	
arfcn	INT_TO_BIT(TSPX_TCHcarrierB_ho, 10)	
maclength	'00'O	
mac_8n	OMIT	
mac_7n	OMIT	
mac_6n	OMIT	
mac_5n	OMIT	
mac_4n	OMIT	
mac_3n	OMIT	
mac_2n	OMIT	
mac_1n	OMIT	
flst	OMIT	
Detailed Comments:		

Structured Type Constraint		
Constraint Name:	FreqTCHb_hod	
Structured Type:	FRQPARA	
Derivation Path:		
Comments:	Broadcast channel of cell B.	
Element Name	Element Value	Comments
hch	'0'B	
maio	OMIT	
hsn	OMIT	
spr	'00'B	
arfcn	INT_TO_BIT(TSPX_TCHcarrierB_ho, 10)	
maclength	'00'O	
mac_8n	OMIT	
mac_7n	OMIT	
mac_6n	OMIT	
mac_5n	OMIT	
mac_4n	OMIT	
mac_3n	OMIT	
mac_2n	OMIT	
mac_1n	OMIT	
flst	OMIT	
Detailed Comments:		

Structured Type Constraint		
Constraint Name:	FreqTCHb_hof1	
Structured Type:	FRQPARA	
Derivation Path:		
Comments:	Broadcast channel of cell B.	
Element Name	Element Value	Comments
hch	'1'B	
maio	TSPX_MAIO	
hsn	TSPX_HSN	
spr	OMIT	
arfcn	OMIT	
maclength	'02'O	
mac_8n	'00001111'B	
mac_7n	'11111111'B	
mac_6n	OMIT	
mac_5n	OMIT	
mac_4n	OMIT	
mac_3n	OMIT	
mac_2n	OMIT	
mac_1n	OMIT	
flst	Frql_20_B3	
Detailed Comments:		

Structured Type Constraint		
Constraint Name:	FreqTCHb_hof1d	
Structured Type:	FRQPARA	
Derivation Path:		
Comments:	Broadcast channel of cell B for hopping DCS1800	
Element Name	Element Value	Comments
hch	'1'B	
maio	TSPX_MAIO	
hsn	TSPX_HSN	
spr	OMIT	
arfcn	OMIT	
maclength	'02'O	
mac_8n	'00000111'B	
mac_7n	'11111111'B	
mac_6n	OMIT	
mac_5n	OMIT	
mac_4n	OMIT	
mac_3n	OMIT	
mac_2n	OMIT	
mac_1n	OMIT	
flst	Frql_20_B3d	
Detailed Comments:		

Structured Type Constraint		
Constraint Name:	FreqTCHb_hof2	
Structured Type:	FRQPARA	
Derivation Path:		
Comments:	Broadcast channel of cell B.	
Element Name	Element Value	Comments
hch	'1'B	
maio	TSPX_MAIO	
hsn	TSPX_HSN	
spr	OMIT	
arfcn	OMIT	
maclength	'01'O	
mac_8n	'11111111'B	
mac_7n	OMIT	
mac_6n	OMIT	
mac_5n	OMIT	
mac_4n	OMIT	
mac_3n	OMIT	
mac_2n	OMIT	
mac_1n	OMIT	
flst	Frql_20_B4	
Detailed Comments:		

Structured Type Constraint		
Constraint Name:	FreqTCHb_hof2d	
Structured Type:	FRQPARA	
Derivation Path:		
Comments:	Broadcast channel of cell B for hopping DCS1800	
Element Name	Element Value	Comments
hch	'1'B	
maio	TSPX_MAIO	
hsn	TSPX_HSN	
spr	OMIT	
arfcn	OMIT	
maclength	'01'O	
mac_8n	'11111111'B	
mac_7n	OMIT	
mac_6n	OMIT	
mac_5n	OMIT	
mac_4n	OMIT	
mac_3n	OMIT	
mac_2n	OMIT	
mac_1n	OMIT	
flst	Frql_20_B4d	
Detailed Comments:		

Structured Type Constraint		
Constraint Name:	FreqTCHb_hof3	
Structured Type:	FRQPARA	
Derivation Path:		
Comments:	Broadcast channel of cell B.	
Element Name	Element Value	Comments
hch	'1'B	
maio	TSPX_MAIO	
hsn	TSPX_HSN	
spr	OMIT	
arfcn	OMIT	
maclength	'02'O	
mac_8n	'01111111'B	
mac_7n	'11111111'B	
mac_6n	OMIT	
mac_5n	OMIT	
mac_4n	OMIT	
mac_3n	OMIT	
mac_2n	OMIT	
mac_1n	OMIT	
flst	Frql_20_B5	
Detailed Comments:		

Structured Type Constraint		
Constraint Name:	FreqTCHb_hof3d	
Structured Type:	FRQPARA	
Derivation Path:		
Comments:	Broadcast channel of cell B for hopping DCS1800	
Element Name	Element Value	Comments
hch	'1'B	
maio	TSPX_MAIO	
hsn	TSPX_HSN	
spr	OMIT	
arfcn	OMIT	
maclength	'01'O	
mac_8n	'11111111'B	
mac_7n	OMIT	
mac_6n	OMIT	
mac_5n	OMIT	
mac_4n	OMIT	
mac_3n	OMIT	
mac_2n	OMIT	
mac_1n	OMIT	
flst	Frql_20_B5d	
Detailed Comments:		

Structured Type Constraint		
Constraint Name:	FreqTCHb_hof4	
Structured Type:	FRQPARA	
Derivation Path:		
Comments:	Broadcast channel of cell B.	
Element Name	Element Value	Comments
hch	'1'B	
maio	TSPX_MAIO	
hsn	TSPX_HSN	
spr	OMIT	
arfcn	OMIT	
maclength	'01'O	
mac_8n	'00011100'B	
mac_7n	OMIT	
mac_6n	OMIT	
mac_5n	OMIT	
mac_4n	OMIT	
mac_3n	OMIT	
mac_2n	OMIT	
mac_1n	OMIT	
flst	Frql_20_B6	
Detailed Comments:		

Structured Type Constraint		
Constraint Name:	FreqTCHb_hof4d	
Structured Type:	FRQPARA	
Derivation Path:		
Comments:	Broadcast channel of cell B for hopping DCS1800 In MA used: 791, 798, 829	
Element Name	Element Value	Comments
hch	'1'B	
maio	TSPX_MAIO	
hsn	TSPX_HSN	
spr	OMIT	
arfcn	OMIT	
maclength	'02'O	
mac_8n	'00000000'B	
mac_7n	'11100000'B	
mac_6n	OMIT	
mac_5n	OMIT	
mac_4n	OMIT	
mac_3n	OMIT	
mac_2n	OMIT	
mac_1n	OMIT	
flst	Frql_20_B6d	
Detailed Comments:		

Structured Type Constraint		
Constraint Name:	FreqTCHb_hof5	
Structured Type:	FRQPARA	
Derivation Path:		
Comments:	Broadcast channel of cell B.	
Element Name	Element Value	Comments
hch	'1'B	
maio	TSPX_MAIO	
hsn	TSPX_HSN	
spr	OMIT	
arfcn	OMIT	
maclength	'02'O	
mac_8n	'11111111'B	
mac_7n	'11111111'B	
mac_6n	OMIT	
mac_5n	OMIT	
mac_4n	OMIT	
mac_3n	OMIT	
mac_2n	OMIT	
mac_1n	OMIT	
flst	Frql_20_B0	
Detailed Comments:		

Structured Type Constraint		
Constraint Name:	FreqTCHb_hof5d	
Structured Type:	FRQPARA	
Derivation Path:		
Comments:	Broadcast channel of cell B.	
Element Name	Element Value	Comments
hch	'1'B	
maio	TSPX_MAIO	
hsn	TSPX_HSN	
spr	OMIT	
arfcn	OMIT	
maclength	'02'O	
mac_8n	'00000001'B	
mac_7n	'11111111'B	
mac_6n	OMIT	
mac_5n	OMIT	
mac_4n	OMIT	
mac_3n	OMIT	
mac_2n	OMIT	
mac_1n	OMIT	
flst	Frql_20_B9d	
Detailed Comments:		

Structured Type Constraint		
Constraint Name:	FreqTCHb_hof6	
Structured Type:	FRQPARA	
Derivation Path:		
Comments:	Broadcast channel of cell B.	
Element Name	Element Value	Comments
hch	'1'B	
maio	TSPX_MAIO	
hsn	TSPX_HSN	
spr	OMIT	
arfcn	OMIT	
maclength	'02'O	
mac_8n	'10000000'B	
mac_7n	'00000001'B	
mac_6n	OMIT	
mac_5n	OMIT	
mac_4n	OMIT	
mac_3n	OMIT	
mac_2n	OMIT	
mac_1n	OMIT	
flst	Frql_20_B0	
Detailed Comments:		

Structured Type Constraint		
Constraint Name:	FreqTCHb_hof6d	
Structured Type:	FRQPARA	
Derivation Path:		
Comments:	Broadcast channel of cell B.	
Element Name	Element Value	Comments
hch	'1'B	
maio	TSPX_MAIO	
hsn	TSPX_HSN	
spr	OMIT	
arfcn	OMIT	
maclength	'02'O	
mac_8n	'10000000'B	
mac_7n	'10000000'B	
mac_6n	OMIT	
mac_5n	OMIT	
mac_4n	OMIT	
mac_3n	OMIT	
mac_2n	OMIT	
mac_1n	OMIT	
flst	Frql_20_B8d	
Detailed Comments:		

Structured Type Constraint		
Constraint Name:	FreqTCHb_hof7	
Structured Type:	FRQPARA	
Derivation Path:		
Comments:	Broadcast channel of cell B.	
Element Name	Element Value	Comments
hch	'1'B	
maio	TSPX_MAIO	
hsn	TSPX_HSN	
spr	OMIT	
arfcn	OMIT	
maclength	'02'O	
mac_8n	'10000000'B	
mac_7n	'10000000'B	
mac_6n	OMIT	
mac_5n	OMIT	
mac_4n	OMIT	
mac_3n	OMIT	
mac_2n	OMIT	
mac_1n	OMIT	
flst	Frql_20_B0	
Detailed Comments:		

Structured Type Constraint		
Constraint Name:	FreqTCHb_hof7d	
Structured Type:	FRQPARA	
Derivation Path:		
Comments:	Broadcast channel of cell B. List_ARFCN= complete cell allocation of cell B in HO cases with except of 761.	
Element Name	Element Value	Comments
hch	'1'B	
maio	TSPX_MAIO	
hsn	TSPX_HSN	
spr	OMIT	
arfcn	OMIT	
maclength	'02'O	
mac_8n	'11111111'B	
mac_7n	'10111111'B	
mac_6n	OMIT	
mac_5n	OMIT	
mac_4n	OMIT	
mac_3n	OMIT	
mac_2n	OMIT	
mac_1n	OMIT	
flst	Frql_20_B8d	
Detailed Comments:		

Structured Type Constraint		
Constraint Name:	FreqTCHb_hof8	
Structured Type:	FRQPARA	
Derivation Path:		
Comments:	Broadcast channel of cell B. Hopping on List_ARFCN={66, 75, 76, 108}	
Element Name	Element Value	Comments
hch	'1'B	
maio	TSPX_MAIO	
hsn	TSPX_HSN	
spr	OMIT	
arfcn	OMIT	
maclength	'02'O	
mac_8n	'10110010'B	
mac_7n	'00000000'B	
mac_6n	OMIT	
mac_5n	OMIT	
mac_4n	OMIT	
mac_3n	OMIT	
mac_2n	OMIT	
mac_1n	OMIT	
flst	Frql_20_B0	
Detailed Comments:		

Structured Type Constraint		
Constraint Name:	FreqTCHb_hof8d	
Structured Type:	FRQPARA	
Derivation Path:		
Comments:	Broadcast channel of cell B. List_ARFCN={758,761,771}	
Element Name	Element Value	Comments
hch	'1'B	
maio	TSPX_MAIO	
hsn	TSPX_HSN	
spr	OMIT	
arfcn	OMIT	
maclength	'01'O	
mac_8n	'00000111'B	
mac_7n	OMIT	
mac_6n	OMIT	
mac_5n	OMIT	
mac_4n	OMIT	
mac_3n	OMIT	
mac_2n	OMIT	
mac_1n	OMIT	
flst	Frql_20_B12d	
Detailed Comments:		

Structured Type Constraint		
Constraint Name:	FreqSDCCHa_hof1	
Structured Type:	FRQPARA	
Derivation Path:		
Comments:	hopping with indicates to the ARFCN_list={73,74,75} of cell allocation A.	
Element Name	Element Value	Comments
hch	'1'B	
maio	TSPX_MAIO	
hsn	TSPX_HSN	
spr	OMIT	
arfcn	OMIT	
maclength	'03'O	
mac_8n	'00000000'B	
mac_7n	'00111000'B	
mac_6n	'00000000'B	
mac_5n	OMIT	
mac_4n	OMIT	
mac_3n	OMIT	
mac_2n	OMIT	
mac_1n	OMIT	
flst	Frql_20_A0	
Detailed Comments:		

Structured Type Constraint		
Constraint Name:	FreqSDCCHa_hof1d	
Structured Type:	FRQPARA	
Derivation Path:		
Comments:	Broadcast channel of cell A. indicates to the ARFCN_list={773,775,779} of cell allocation A.	
Element Name	Element Value	Comments
hch	'1'B	
maio	TSPX_MAIO	
hsn	TSPX_HSN	
spr	OMIT	
arfcn	OMIT	
maclength	'03'O	
mac_8n	'00000000'B	
mac_7n	'00000111'B	
mac_6n	'00000000'B	
mac_5n	OMIT	
mac_4n	OMIT	
mac_3n	OMIT	
mac_2n	OMIT	
mac_1n	OMIT	
flst	Frql_20_A0d	
Detailed Comments:		

Structured Type Constraint		
Constraint Name:	FreqSDCCHa_hof2	
Structured Type:	FRQPARA	
Derivation Path:		
Comments:	hopping with indicates to the Complete Cell Allocation of cell A with except for BCCH-f	
Element Name	Element Value	Comments
hch	'1'B	
maio	TSPX_MAIO	
hsn	TSPX_HSN	
spr	OMIT	
arfcn	OMIT	
maclength	'03'O	
mac_8n	'00000001'B	
mac_7n	'11111111'B	
mac_6n	'11111011'B	
mac_5n	OMIT	
mac_4n	OMIT	
mac_3n	OMIT	
mac_2n	OMIT	
mac_1n	OMIT	
flst	Frql_20_A0	
Detailed Comments:		

Structured Type Constraint		
Constraint Name:	FreqSDCCHa_hof2d	
Structured Type:	FRQPARA	
Derivation Path:		
Comments:	Broadcast channel of cell A. indicates to the Complete Cell Allocation of cell A with except for BCCH-f	
Element Name	Element Value	Comments
hch	'1'B	
maio	TSPX_MAIO	
hsn	TSPX_HSN	
spr	OMIT	
arfcn	OMIT	
maclength	'03'O	
mac_8n	'00000001'B	
mac_7n	'11111111'B	
mac_6n	'11111011'B	
mac_5n	OMIT	
mac_4n	OMIT	
mac_3n	OMIT	
mac_2n	OMIT	
mac_1n	OMIT	
flst	Frql_20_A0d	
Detailed Comments:		

Structured Type Constraint		
Constraint Name:	FreqSDCCHa_hof3	
Structured Type:	FRQPARA	
Derivation Path:		
Comments:	hopping with indicates to the Complete Cell Allocation of cell A with except for BCCH-f	
Element Name	Element Value	Comments
hch	'1'B	
maio	TSPX_MAIO	
hsn	'000000'B	
spr	OMIT	
arfcn	OMIT	
maclength	'03'O	
mac_8n	'00000001'B	
mac_7n	'11111110'B	
mac_6n	'11111011'B	
mac_5n	OMIT	
mac_4n	OMIT	
mac_3n	OMIT	
mac_2n	OMIT	
mac_1n	OMIT	
flst	Frql_20_A0	
Detailed Comments:		

Structured Type Constraint		
Constraint Name:	FreqSDCCHa_hof3d	
Structured Type:	FRQPARA	
Derivation Path:		
Comments:	Broadcast channel of cell A. indicates to the Complete Cell Allocation of cell A with except for BCCH-f	
Element Name	Element Value	Comments
hch	'1'B	
maio	TSPX_MAIO	
hsn	'000000'B	
spr	OMIT	
arfcn	OMIT	
maclength	'03'O	
mac_8n	'00000001'B	
mac_7n	'11111111'B	
mac_6n	'01111011'B	
mac_5n	OMIT	
mac_4n	OMIT	
mac_3n	OMIT	
mac_2n	OMIT	
mac_1n	OMIT	
flst	Frql_20_A0d	
Detailed Comments:		

Structured Type Constraint		
Constraint Name:	FreqSDCCH8b_hof1	
Structured Type:	FRQPARA	
Derivation Path:		
Comments:	hopping SDCCH8 channel	
Element Name	Element Value	Comments
hch	'1'B	
maio	TSPX_MAIO	
hsn	TSPX_HSN	
spr	OMIT	
arfcn	OMIT	
maclength	'01'O	
mac_8n	'0000011'B	
mac_7n	OMIT	
mac_6n	OMIT	
mac_5n	OMIT	
mac_4n	OMIT	
mac_3n	OMIT	
mac_2n	OMIT	
mac_1n	OMIT	
flst	Frql_20_B7	
Detailed Comments:		

Structured Type Constraint		
Constraint Name:	FreqSDCCH8b_hof1d	
Structured Type:	FRQPARA	
Derivation Path:		
Comments:	hopping SDCCH8 channel	
Element Name	Element Value	Comments
hch	'1'B	
maio	TSPX_MAIO	
hsn	'000000'B	
spr	OMIT	
arfcn	OMIT	
maclength	'01'O	
mac_8n	'0000011'B	
mac_7n	OMIT	
mac_6n	OMIT	
mac_5n	OMIT	
mac_4n	OMIT	
mac_3n	OMIT	
mac_2n	OMIT	
mac_1n	OMIT	
flst	Frql_20_B7d	
Detailed Comments:		

Structured Type Constraint		
Constraint Name:	FreqSDCCH8b_hof2	
Structured Type:	FRQPARA	
Derivation Path:		
Comments:	hopping SDCCH8 channel	
Element Name	Element Value	Comments
hch	'1'B	
maio	TSPX_MAIO	
hsn	TSPX_HSN	
spr	OMIT	
arfcn	OMIT	
maclength	'02'O	
mac_8n	'01111111'B	
mac_7n	'11111111'B	
mac_6n	OMIT	
mac_5n	OMIT	
mac_4n	OMIT	
mac_3n	OMIT	
mac_2n	OMIT	
mac_1n	OMIT	
flst	Frql_20_B72	
Detailed Comments:		

Structured Type Constraint		
Constraint Name:	FreqSDCCH8b_hof2d	
Structured Type:	FRQPARA	
Derivation Path:		
Comments:	hopping SDCCH8 channel indicates complete cell allocation of cell B in 512 format.	
Element Name	Element Value	Comments
hch	'1'B	
maio	TSPX_MAIO	
hsn	'000000'B	
spr	OMIT	
arfcn	OMIT	
maclength	'02'O	
mac_8n	'11111111'B	
mac_7n	'11111111'B	
mac_6n	OMIT	
mac_5n	OMIT	
mac_4n	OMIT	
mac_3n	OMIT	
mac_2n	OMIT	
mac_1n	OMIT	
flst	Frql_20_B0d	
Detailed Comments:		

Structured Type Constraint		
Constraint Name:	FreqSDCCH8b_hof3	
Structured Type:	FRQPARA	
Derivation Path:		
Comments:	hopping SDCCH8 channel including complete cell allocation of cell B.	
Element Name	Element Value	Comments
hch	'1'B	
maio	TSPX_MAIO	
hsn	'000000'B	
spr	OMIT	
arfcn	OMIT	
maclength	'02'O	
mac_8n	'11111111'B	
mac_7n	'11111111'B	
mac_6n	OMIT	
mac_5n	OMIT	
mac_4n	OMIT	
mac_3n	OMIT	
mac_2n	OMIT	
mac_1n	OMIT	
flst	Frql_20_B0	
Detailed Comments:		

Structured Type Constraint		
Constraint Name:	FreqSDCCH8_rg1	
Structured Type:	FRQPARA	
Derivation Path:		
Comments:	hopping SDCCH8 channel of TC_26_6_13_1 for GSM .	
Element Name	Element Value	Comments
hch	'1'B	
maio	TSPX_Maio1	
hsn	TSPX_Hsn1	
spr	OMIT	
arfcn	OMIT	
maclength	'01'O	
mac_8n	TSPX_Ma1	
mac_7n	OMIT	
mac_6n	OMIT	
mac_5n	OMIT	
mac_4n	OMIT	
mac_3n	OMIT	
mac_2n	OMIT	
mac_1n	OMIT	
flst	Frql_16	
Detailed Comments:		

Structured Type Constraint		
Constraint Name:	FreqSDCCH8_rg2	
Structured Type:	FRQPARA	
Derivation Path:		
Comments:	hopping SDCCH8 channel of TC_26_6_13_2 for GSM .	
Element Name	Element Value	Comments
hch	'1'B	
maio	TSPX_Maio4	
hsn	TSPX_Hsn4	
spr	OMIT	
arfcn	OMIT	
maclength	'01'O	
mac_8n	TSPX_Ma4	
mac_7n	OMIT	
mac_6n	OMIT	
mac_5n	OMIT	
mac_4n	OMIT	
mac_3n	OMIT	
mac_2n	OMIT	
mac_1n	OMIT	
flst	Frql_16	
Detailed Comments:		

Structured Type Constraint		
Constraint Name:	FreqSDCCH8_rd1	
Structured Type:	FRQPARA	
Derivation Path:	FreqSDCCH8_rg1.	
Comments:	hopping SDCCH8 channel of TC_26_6_13_1 for DCS .	
Element Name	Element Value	Comments
flst	Frql_17	
Detailed Comments:		

Structured Type Constraint		
Constraint Name:	FreqSDCCH8_rd2	
Structured Type:	FRQPARA	
Derivation Path:	FreqSDCCH8_rg2.	
Comments:	hopping SDCCH8 channel of TC_26_6_13_2 for DCS .	
Element Name	Element Value	Comments
flst	Frql_17	
Detailed Comments:		

Structured Type Constraint		
Constraint Name:	FreqSDCCH8_e	
Structured Type:	FRQPARA	
Derivation Path:		
Comments:	hopping SDCCH8 channel of TC_26_6_10_3 for EGSM .	
Element Name	Element Value	Comments
hch	'1'B	
maio	OMIT	
hsn	OMIT	
spr	'00'B	
arfcn	INT_TO_BIT(40, 10)	
maclength	'00'O	
mac_8n	OMIT	
mac_7n	OMIT	
mac_6n	OMIT	
mac_5n	OMIT	
mac_4n	OMIT	
mac_3n	OMIT	
mac_2n	OMIT	
mac_1n	OMIT	
flst	OMIT	
Detailed Comments:		

Structured Type Constraint		
Constraint Name:	FreqSDCCH8_e1	
Structured Type:	FRQPARA	
Derivation Path:		
Comments:	SDCCH8 channel of TC_26_6_10_2_2 for EGSM .	
Element Name	Element Value	Comments
hch	'0'B	
maio	OMIT	
hsn	OMIT	
spr	'00'B	
arfcn	INT_TO_BIT(1015, 10)	
maclength	'00'O	
mac_8n	OMIT	
mac_7n	OMIT	
mac_6n	OMIT	
mac_5n	OMIT	
mac_4n	OMIT	
mac_3n	OMIT	
mac_2n	OMIT	
mac_1n	OMIT	
flst	OMIT	
Detailed Comments:		

Structured Type Constraint		
Constraint Name:	FreqSDCCH8_e2	
Structured Type:	FRQPARA	
Derivation Path:		
Comments:	hopping with indicates to the ARFCN_list={0, 80, 1005, 1010} of cell allocation A.	
Element Name	Element Value	Comments
hch	'1'B	
maio	TSPX_MAIO	
hsn	TSPX_HSN	
spr	OMIT	
arfcn	OMIT	
maclength	'01'O	
mac_8n	'01110001'B	
mac_7n	OMIT	
mac_6n	OMIT	
mac_5n	OMIT	
mac_4n	OMIT	
mac_3n	OMIT	
mac_2n	OMIT	
mac_1n	OMIT	
flst	Frql_20_A0E	
Detailed Comments:		

Structured Type Constraint		
Constraint Name:	Freq_rg2	
Structured Type:	FRQPARA	
Derivation Path:	FreqSDCCH8_rg1.	
Comments:	hopping channel of TC_26_6_13_1 for GSM , before time.	
Element Name	Element Value	Comments
maio	TSPX_Maio3	
hsn	TSPX_Hsn3	
mac_8n	TSPX_Ma3	
Detailed Comments:		

Structured Type Constraint		
Constraint Name:	Freq_rd2	
Structured Type:	FRQPARA	
Derivation Path:	FreqSDCCH8_rg1.Freq_rg2.	
Comments:	hopping channel of TC_26_6_13_1 for DCS, before time.	
Element Name	Element Value	Comments
flst	Frql_17	
Detailed Comments:		

Structured Type Constraint		
Constraint Name:	Freq_rg3	
Structured Type:	FRQPARA	
Derivation Path:	FreqSDCCH8_rg1.	
Comments:	hopping channel of TC_26_6_13_1 for GSM, after time.	
Element Name	Element Value	Comments
maio	TSPX_Maio2	
hsn	TSPX_Hsn2	
mac_8n	TSPX_Ma2	
Detailed Comments:		

Structured Type Constraint		
Constraint Name:	Freq_rd3	
Structured Type:	FRQPARA	
Derivation Path:	FreqSDCCH8_rg1.Freq_rg3.	
Comments:	hopping channel of TC_26_6_13_1 for DCS, after time.	
Element Name	Element Value	Comments
flst	Frql_17	
Detailed Comments:		

Structured Type Constraint		
Constraint Name:	Freq_rg4	
Structured Type:	FRQPARA	
Derivation Path:	FreqSDCCH8_rg1.	
Comments:	hopping channel of TC_26_6_13_2 for GSM, after time.	
Element Name	Element Value	Comments
maio	TSPX_Maio5	
hsn	TSPX_Hsn5	
mac_8n	TSPX_Ma5	
Detailed Comments:		

Structured Type Constraint		
Constraint Name:	Freq_rd4	
Structured Type:	FRQPARA	
Derivation Path:	FreqSDCCH8_rg1.Freq_rg4.	
Comments:	hopping channel of TC_26_6_13_2 for DCS, after time.	
Element Name	Element Value	Comments
flst	Frql_17	
Detailed Comments:		

Structured Type Constraint		
Constraint Name:	Freq_rg5	
Structured Type:	FRQPARA	
Derivation Path:		
Comments:	hopping channel of TC_26_6_13_3 for GSM, immediate assignment.	
Element Name	Element Value	Comments
hch	'1'B	
maio	TSPX_Maio6	
hsn	TSPX_Hsn6	
spr	OMIT	
arfcn	OMIT	
maclength	'01'O	
mac_8n	TSPX_Ma6	
mac_7n	OMIT	
mac_6n	OMIT	
mac_5n	OMIT	
mac_4n	OMIT	
mac_3n	OMIT	
mac_2n	OMIT	
mac_1n	OMIT	
flst	Frql_16	
Detailed Comments:		

Structured Type Constraint		
Constraint Name:	Freq_rd5	
Structured Type:	FRQPARA	
Derivation Path:	Freq_rg5.	
Comments:	hopping channel of TC_26_6_13_3 for DCS, immediate assignment.	
Element Name	Element Value	Comments
flst	Frql_17	
Detailed Comments:		

Structured Type Constraint		
Constraint Name:	Freq_rg7	
Structured Type:	FRQPARA	
Derivation Path:	FreqSDCCH8_rg1.	
Comments:	hopping channel of TC_26_6_13_4 for GSM, immediate assignment.	
Element Name	Element Value	Comments
maio	TSPX_Maio10	
hsn	TSPX_Hsn10	
mac_8n	TSPX_Ma10	
Detailed Comments:		

Structured Type Constraint		
Constraint Name:	Freq_rd7	
Structured Type:	FRQPARA	
Derivation Path:	FreqSDCCH8_rg1.Freq_rg7.	
Comments:	hopping channel of TC_26_6_13_4 for DCS, immediate assignment.	
Element Name	Element Value	Comments
flst	Frql_17	
Detailed Comments:		

Structured Type Constraint		
Constraint Name:	Freq_rg8	
Structured Type:	FRQPARA	
Derivation Path:	FreqSDCCH8_rg1.	
Comments:	hopping channel of TC_26_4_2_2 for GSM, assignment.	
Element Name	Element Value	Comments
maio	'000000'B	
hsn	'0001000'B	
mac_8n	'00001110'B	
Detailed Comments:		

Structured Type Constraint		
Constraint Name:	Freq_rd8	
Structured Type:	FRQPARA	
Derivation Path:	FreqSDCCH8_rg1.Freq_rg8.	
Comments:	hopping channel of TC_26_6_4_2_2 for DCS, immediate assignment.	
Element Name	Element Value	Comments
flst	Frql_17	
Detailed Comments:		

Structured Type Constraint		
Constraint Name:	Freq_rg9	
Structured Type:	FRQPARA	
Derivation Path:	FreqSDCCH8_rg1.	
Comments:	hopping channel of TC_26_6_13_5 for GSM, immediate assignment.	
Element Name	Element Value	Comments
maio	TSPX_Maio14	
hsn	TSPX_Hsn14	
mac_8n	TSPX_Ma14	
Detailed Comments:		

Structured Type Constraint		
Constraint Name:	Freq_rd9	
Structured Type:	FRQPARA	
Derivation Path:	FreqSDCCH8_rg1.Freq_rg9.	
Comments:	hopping channel of TC_26_6_13_5 for DCS, immediate assignment.	
Element Name	Element Value	Comments
flst	Frql_17	
Detailed Comments:		

Structured Type Constraint		
Constraint Name:	Freq_rg10	
Structured Type:	FRQPARA	
Derivation Path:		
Comments:	hopping channel of TC_26_6_13_5 for GSM, handover command after time in Cell B	
Element Name	Element Value	Comments
hch	'1'B	
maio	TSPX_Maio15	
hsn	TSPX_Hsn15	
spr	OMIT	
arfcn	OMIT	
maclength	'01'O	
mac_8n	TSPX_Ma15	
mac_7n	OMIT	
mac_6n	OMIT	
mac_5n	OMIT	
mac_4n	OMIT	
mac_3n	OMIT	
mac_2n	OMIT	
mac_1n	OMIT	
flst	Frql_18	
Detailed Comments:		

Structured Type Constraint		
Constraint Name:	Freq_rd10	
Structured Type:	FRQPARA	
Derivation Path:	Freq_rg10.	
Comments:	hopping channel of TC_26_6_13_5 for DCS, handover command after time in Cell B	
Element Name	Element Value	Comments
flst	Frql_19	
Detailed Comments:		

Structured Type Constraint		
Constraint Name:	Freq_rg11	
Structured Type:	FRQPARA	
Derivation Path:	Freq_rg10.	
Comments:	hopping channel of TC_26_6_13_5 for GSM, handover command before time in Cell B	
Element Name	Element Value	Comments
maio	TSPX_Maio16	
hsn	TSPX_Hsn16	
mac_8n	TSPX_Ma16	
Detailed Comments:		

Structured Type Constraint		
Constraint Name:	Freq_rd11	
Structured Type:	FRQPARA	
Derivation Path:	Freq_rg10.Freq_rg11.	
Comments:	hopping channel of TC_26_6_13_5 for DCS, handover command before time in Cell B	
Element Name	Element Value	Comments
flst	Frql_19	
Detailed Comments:		

Structured Type Constraint		
Constraint Name:	Freq_rg12	
Structured Type:	FRQPARA	
Derivation Path:	FreqSDCCH8_rg1.	
Comments:	hopping channel of TC_26_6_13_6 for GSM, immediate assignment.	
Element Name	Element Value	Comments
maio	TSPX_Maio17	
hsn	TSPX_Hsn17	
mac_8n	TSPX_Ma17	
Detailed Comments:		

Structured Type Constraint		
Constraint Name:	Freq_rd12	
Structured Type:	FRQPARA	
Derivation Path:	FreqSDCCH8_rg1.Freq_rg12.	
Comments:	hopping channel of TC_26_6_13_6 for DCS, immediate assignment.	
Element Name	Element Value	Comments
flst	Frql_17	
Detailed Comments:		

Structured Type Constraint		
Constraint Name:	Freq_rg13	
Structured Type:	FRQPARA	
Derivation Path:		
Comments:	hopping channel of TC_26_6_13_6 for GSM, handover command after time in Cell B	
Element Name	Element Value	Comments
hch	'1'B	
maio	TSPX_Maio18	
hsn	TSPX_Hsn18	
spr	OMIT	
arfcn	OMIT	
maclength	'01'O	
mac_8n	TSPX_Ma18	
mac_7n	OMIT	
mac_6n	OMIT	
mac_5n	OMIT	
mac_4n	OMIT	
mac_3n	OMIT	
mac_2n	OMIT	
mac_1n	OMIT	
flst	Frql_18	
Detailed Comments:		

Structured Type Constraint		
Constraint Name:	Freq_rd13	
Structured Type:	FRQPARA	
Derivation Path:	Freq_rg10.	
Comments:	hopping channel of TC_26_6_13_6 for DCS, handover command after time in Cell B	
Element Name	Element Value	Comments
flst	Frql_19	
Detailed Comments:		

Structured Type Constraint		
Constraint Name:	Freq_rg14	
Structured Type:	FRQPARA	
Derivation Path:	FreqSDCCH8_rg1.	
Comments:	hopping channel of TC_26_6_13_7 for GSM, immediate assignment.	
Element Name	Element Value	Comments
maio	TSPX_Maio20	
hsn	TSPX_Hsn20	
mac_8n	TSPX_Ma20	
Detailed Comments:		

Structured Type Constraint		
Constraint Name:	Freq_rd14	
Structured Type:	FRQPARA	
Derivation Path:	FreqSDCCH8_rg1.Freq_rg14.	
Comments:	hopping channel of TC_26_6_13_7 for DCS, immediate assignment.	
Element Name	Element Value	Comments
flst	Frql_17	
Detailed Comments:		

Structured Type Constraint		
Constraint Name:	Freq_rg15	
Structured Type:	FRQPARA	
Derivation Path:	FreqSDCCH8_rg1.	
Comments:	hopping channel of TC_26_6_13_8 for GSM, immediate assignment.	
Element Name	Element Value	Comments
maio	TSPX_Maio24	
hsn	TSPX_Hsn24	
mac_8n	TSPX_Ma24	
Detailed Comments:		

Structured Type Constraint		
Constraint Name:	Freq_rd15	
Structured Type:	FRQPARA	
Derivation Path:	FreqSDCCH8_rg1.Freq_rg15.	
Comments:	hopping channel of TC_26_6_13_8 for DCS, immediate assignment.	
Element Name	Element Value	Comments
flst	Frql_17	
Detailed Comments:		

Structured Type Constraint		
Constraint Name:	Freq_rg16	
Structured Type:	FRQPARA	
Derivation Path:	FreqSDCCH8_rg1.	
Comments:	hopping channel of TC_26_6_13_9 for GSM, immediate assignment before time.	
Element Name	Element Value	Comments
maio	TSPX_Maio29	
hsn	'000000'B	
mac_8n	TSPX_Ma29	
Detailed Comments:		

Structured Type Constraint		
Constraint Name:	Freq_rd16	
Structured Type:	FRQPARA	
Derivation Path:	FreqSDCCH8_rg1.Freq_rg16.	
Comments:	hopping channel of TC_26_6_13_8 for DCS, immediate assignment before time.	
Element Name	Element Value	Comments
flst	Frql_17	
Detailed Comments:		

Structured Type Constraint		
Constraint Name:	Freq_rg17	
Structured Type:	FRQPARA	
Derivation Path:	FreqSDCCH8_rg1.	
Comments:	hopping channel of TC_26_6_13_10 for GSM, immediate assignment after time.	
Element Name	Element Value	Comments
maio	TSPX_Maio30	
hsn	TSPX_Hsn30	
mac_8n	TSPX_Ma30	
Detailed Comments:		

Structured Type Constraint		
Constraint Name:	Freq_rd17	
Structured Type:	FRQPARA	
Derivation Path:	FreqSDCCH8_rg1.Freq_rg17.	
Comments:	hopping channel of TC_26_6_13_8 for DCS, immediate assignment after time.	
Element Name	Element Value	Comments
flst	Frql_17	
Detailed Comments:		

Structured Type Constraint		
Constraint Name:	Freq_rg18	
Structured Type:	FRQPARA	
Derivation Path:		
Comments:	hopping channel of TC_26_6_6_1 for GSM, immediate assignment.	
Element Name	Element Value	Comments
hch	'1'B	
maio	'001001'B	
hsn	'000000'B	
spr	OMIT	
arfcn	OMIT	
maclength	'08'O	
mac_8n	'00000000'B	
mac_7n	'00000000'B	
mac_6n	'00000000'B	
mac_5n	'00000000'B	
mac_4n	'00000000'B	
mac_3n	'00000000'B	
mac_2n	'00111111'B	
mac_1n	'11111110'B	
flst	Frql_20	
Detailed Comments:		

Structured Type Constraint		
Constraint Name:	Freq_rd18	
Structured Type:	FRQPARA	
Derivation Path:	Freq_rg18.	
Comments:	hopping channel of TC_26_6_6_1 for DCS, immediate assignment.	
Element Name	Element Value	Comments
flst	Frql_29	
Detailed Comments:		

Structured Type Constraint		
Constraint Name:	Freq_rg19	
Structured Type:	FRQPARA	
Derivation Path:	Freq_rg18.	
Comments:	hopping channel of TC_26_6_6_1 for GSM, immediate assignment.	
Element Name	Element Value	Comments
mac_8n	'10000000'B	
mac_7n	'00000000'B	
mac_6n	'00000000'B	
mac_5n	'10000000'B	
mac_4n	'00100000'B	
mac_3n	'00000000'B	
mac_2n	'00000000'B	
mac_1n	'00000101'B	
flst	Frql_21	
Detailed Comments:		

Structured Type Constraint		
Constraint Name:	Freq_rd19	
Structured Type:	FRQPARA	
Derivation Path:	Freq_rg18.Freq_rg19.	
Comments:	hopping channel of TC_26_6_6_1 for DCS, immediate assignment.	
Element Name	Element Value	Comments
flst	Frql_30	
Detailed Comments:		

Structured Type Constraint		
Constraint Name:	Freq_rg20	
Structured Type:	FRQPARA	
Derivation Path:	Freq_rg18.	
Comments:	hopping channel of TC_26_6_6_1 for GSM, immediate assignment.	
Element Name	Element Value	Comments
mac_8n	'01000000'B	
mac_7n	'00000000'B	
mac_6n	'00000000'B	
mac_5n	'00000010'B	
mac_4n	'00000000'B	
mac_3n	'00000000'B	
mac_2n	'00000000'B	
mac_1n	'01100101'B	
flst	Frql_22	
Detailed Comments:		

Structured Type Constraint		
Constraint Name:	Freq_rd20	
Structured Type:	FRQPARA	
Derivation Path:	Freq_rg18.Freq_rg20.	
Comments:	hopping channel of TC_26_6_6_1 for DCS, immediate assignment.	
Element Name	Element Value	Comments
flst	Frql_31	
Detailed Comments:		

Structured Type Constraint		
Constraint Name:	Freq_rg21	
Structured Type:	FRQPARA	
Derivation Path:	Freq_rg18.	
Comments:	hopping channel of TC_26_6_6_1 for GSM, immediate assignment.	
Element Name	Element Value	Comments
mac_8n	'00000001'B	
mac_7n	'00000000'B	
mac_6n	'01000010'B	
mac_5n	'00000000'B	
mac_4n	'00000000'B	
mac_3n	'00000001'B	
mac_2n	'01110000'B	
mac_1n	'00000000'B	
flst	Frql_23	
Detailed Comments:		

Structured Type Constraint		
Constraint Name:	Freq_rd21	
Structured Type:	FRQPARA	
Derivation Path:	Freq_rg18.Freq_rg21.	
Comments:	hopping channel of TC_26_6_6_1 for DCS, immediate assignment.	
Element Name	Element Value	Comments
flst	Frql_32	
Detailed Comments: ARFCN's: 717, ..., 724, 733, ..., 744, 757, ..., 760, 773, ..., 812		

Structured Type Constraint		
Constraint Name:	Freq_rg22	
Structured Type:	FRQPARA	
Derivation Path:	Freq_rg18.	
Comments:	hopping channel of TC_26_6_6_1 for GSM, immediate assignment.	
Element Name	Element Value	Comments
mac_8n	'01001000'B	
mac_7n	'00000000'B	
mac_6n	'00000000'B	
mac_5n	'00000000'B	
mac_4n	'00000000'B	
mac_3n	'00001101'B	
mac_2n	'01000100'B	
mac_1n	'00000001'B	
flst	Frql_24	
Detailed Comments:		

Structured Type Constraint		
Constraint Name:	Freq_rd22	
Structured Type:	FRQPARA	
Derivation Path:	Freq_rg18.Freq_rg22.	
Comments:	hopping channel of TC_26_6_6_1 for DCS, immediate assignment.	
Element Name	Element Value	Comments
flst	Frql_33	
Detailed Comments: 64 ARFCN's: 702, ..., 732, 749, 750, 754, ..., 756, 758, 762, ..., 764, 766, 770, ..., 772, 774, 778, ..., 780, 782, 786, ..., 788, 790, 794, ..., 796, 798, 802, ..., 804, 806, 810, ..., 812		

Structured Type Constraint		
Constraint Name:	Freq_rg23	
Structured Type:	FRQPARA	
Derivation Path:	Freq_rg18.	
Comments:	hopping channel of TC_26_6_6_1 for GSM, immediate assignment.	
Element Name	Element Value	Comments
mac_8n	'11111111'B	
mac_7n	'10000000'B	
mac_6n	'00000000'B	
mac_5n	'00000000'B	
mac_4n	'00000000'B	
mac_3n	'00000000'B	
mac_2n	'00011111'B	
mac_1n	'00000000'B	
flst	Frql_25	
Detailed Comments:		

Structured Type Constraint		
Constraint Name:	Freq_rd23	
Structured Type:	FRQPARA	
Derivation Path:	Freq_rg18.Freq_rg23.	
Comments:	hopping channel of TC_26_6_6_1 for DCS, immediate assignment.	
Element Name	Element Value	Comments
flst	Frql_34	
Detailed Comments:		
ARFCN's: 707, 709, ..., 713, 715, 717, ..., 721, 723, 725, ..., 729, 731, 733, ..., 737, 739, 741, ..., 745, 747, 749, ..., 753, 755, 757, ..., 761, 763, 765, ..., 769, 771, 779, 787, 795, 798, ..., 803, 806, ..., 811		

Structured Type Constraint		
Constraint Name:	Freq_rg24	
Structured Type:	FRQPARA	
Derivation Path:	Freq_rg18.	
Comments:	hopping channel of TC_26_6_6_1 for GSM, immediate assignment.	
Element Name	Element Value	Comments
mac_8n	'11111000'B	
mac_7n	'00000000'B	
mac_6n	'00000000'B	
mac_5n	'00000000'B	
mac_4n	'00000000'B	
mac_3n	'00000000'B	
mac_2n	'00011111'B	
mac_1n	'00000000'B	
flst	Frql_26	
Detailed Comments:		

Structured Type Constraint		
Constraint Name:	Freq_rd24	
Structured Type:	FRQPARA	
Derivation Path:	Freq_rg18.Freq_rg24.	
Comments:	hopping channel of TC_26_6_6_1 for DCS, immediate assignment.	
Element Name	Element Value	Comments
flst	Frql_35	
Detailed Comments:		
ARFCN's: 705, ..., 736, 749, 751, 753, 755, 757, 759, 761, 763, 765, 767, 769, 771, 773, 775, 777, 779, 781, 783, 785, 787, 789, 791, 793, 795, 797, 799, 801, 803, 805, 807, 809, 811		

Structured Type Constraint		
Constraint Name:	Freq_rg25	
Structured Type:	FRQPARA	
Derivation Path:	Freq_rg18.	
Comments:	hopping channel of TC_26_6_6_1 for GSM, immediate assignment.	
Element Name	Element Value	Comments
mac_8n	'00000000'B	
mac_7n	'00000000'B	
mac_6n	'00000000'B	
mac_5n	'00000000'B	
mac_4n	'00000000'B	
mac_3n	'00001111'B	
mac_2n	'11111110'B	
mac_1n	'00000000'B	
flst	Frql_27	
Detailed Comments:		

Structured Type Constraint		
Constraint Name:	Freq_rd25	
Structured Type:	FRQPARA	
Derivation Path:	Freq_rg18.Freq_rg25.	
Comments:	hopping channel of TC_26_6_6_1 for DCS, immediate assignment.	
Element Name	Element Value	Comments
flst	Frql_36	
Detailed Comments:		
ARFCN's: 702, 704, 706, 708, 710, 712, 714, 716, 718, 720, 722, 724, 726, 728, 730, 732, 734, 76, 738, 740, 742, 744, 746, 748, 750, 852, 754, 756, 758, 760, 762, 764, ..., 780, 789, ..., 796, 805, 812		

Structured Type Constraint		
Constraint Name:	Freq_rg26	
Structured Type:	FRQPARA	
Derivation Path:		
Comments:	hopping channel of TC_26_6_6_1 for GSM, immediate assignment.	
Element Name	Element Value	Comments
hch	'1'B	
maio	'001001'B	
hsn	'000000'B	
spr	OMIT	
arfcn	OMIT	
maclength	'08'O	
mac_8n	'11111111'B	
mac_7n	'11110000'B	
mac_6n	'00000000'B	
mac_5n	'00000000'B	
mac_4n	'00000000'B	
mac_3n	'00000000'B	
mac_2n	'00000000'B	
mac_1n	'00000000'B	
flst	Frql_28	
Detailed Comments:		

Structured Type Constraint		
Constraint Name:	Frql_05	
Structured Type:	FRQL	
Derivation Path:		
Comments:	frequency list for DCS1800 hopping channel with only one frequency ARFCN 801.	
Element Name	Element Value	Comments
iei	'00000101'B	
iel	'03'O	
fl	'8F9080'O	
Detailed Comments:	used in TC_26_5_7_1_4	

Structured Type Constraint		
Constraint Name:	Frql_08	
Structured Type:	FRQL	
Derivation Path:		
Comments:	ARFCNs 30, 50, 70.	
Element Name	Element Value	Comments
iei	'00000101'B	
iel	'10'O	
fl	'00020800000001000008000200000200' O	
Detailed Comments:		

Structured Type Constraint		
Constraint Name:	Frql_09	
Structured Type:	FRQL	
Derivation Path:		
Comments:	ARFCNs 734, 741, 759, 766, 773, 832, 844	
Element Name	Element Value	Comments
iei	'00000101'B	
iel	'10'O	
fl	'82FEF390BE714483000000000000000' O	
Detailed Comments:		

Structured Type Constraint		
Constraint Name:	Frql_10	
Structured Type:	FRQL	
Derivation Path:		
Comments:	ARFCNs 10, 17, 20, 26, 34, 42, 45, 46, 52, 59	
Element Name	Element Value	Comments
iei	'00000101'B	
iel	'10'O	
fl	'0000000000000000000408320202090200' O	
Detailed Comments:		

Structured Type Constraint		
Constraint Name:	FrqL_11	
Structured Type:	FRQL	
Derivation Path:		
Comments:	ARFCNs 45, 46, 52, 59, 66, 73, 74, 75, 76, 108, 114	
Element Name	Element Value	Comments
iei	'00000101'B	
iel	'10'O	
fl	'0002080000000F020408300000000000' O	
Detailed Comments:		

Structured Type Constraint		
Constraint Name:	FrqL_12	
Structured Type:	FRQL	
Derivation Path:		
Comments:	ARFCNs 17, 20	
Element Name	Element Value	Comments
iei	'00000101'B	
iel	'10'O	
fl	'0000000000000000000000000000090000' O	
Detailed Comments:		

Structured Type Constraint		
Constraint Name:	FrqL_13	
Structured Type:	FRQL	
Derivation Path:		
Comments:	ARFCNs 734, 741, 747, 754, 759, 766, 773, 775, 779, 782	
Element Name	Element Value	Comments
iei	'00000101'B	
iel	'10'O	
fl	'82FEF6837EBF0300FCFEF6000000000' O	
Detailed Comments:		

Structured Type Constraint		
Constraint Name:	FrqL_14	
Structured Type:	FRQL	
Derivation Path:		
Comments:	ARFCNs: 773, 775, 779, 782, 791, 789, 829, 832, 844	
Element Name	Element Value	Comments
iei	'00000101'B	
iel	'10'O	
fl	'8315FB0AFF3F40C33F5A000000000000' O	
Detailed Comments:		

Structured Type Constraint		
Constraint Name:	Frql_20_egsm(par_flist: OCTETSTRING; par_flistl: OCTETSTRING)	
Structured Type:	FRQL	
Derivation Path:		
Comments:	Complete Cell Allocation in EGSM cases.	
Element Name	Element Value	Comments
iei	'00000101'B	
iel	par_flistl	
fl	par_flist	
Detailed Comments:		

Structured Type Constraint		
Constraint Name:	Frql_20_A	
Structured Type:	FRQL	
Derivation Path:		
Comments:	frequency list, after time used in HO_case in cell A. List_ARFCN={10,17,20,26,59,66,73,74,75,76,108,114}	
Element Name	Element Value	Comments
iei	'00000101'B	
iel	'10'O	
fl	'0002080000000F020300000002090200' O	
Detailed Comments:		

Structured Type Constraint		
Constraint Name:	Frql_20_Ad	
Structured Type:	FRQL	
Derivation Path:		
Comments:	frequency list, after time for cell B used in HO_case in cell A for DCS1800 using 256 format for the flist. List_ARFCN={747, 775, 779, 782, 791, 798, 829, 832, 844}	
Element Name	Element Value	Comments
iei	'00000101'B	
iel	'09'O	
fl	'8B7599F045EFA499C0'O	
Detailed Comments:		

Structured Type Constraint		
Constraint Name:	Frql_20_A2	
Structured Type:	FRQL	
Derivation Path:		
Comments:	frequency list for GSM900 hopping channel with only one frequency. Chosen ARFCN=10	
Element Name	Element Value	Comments
iei	'00000101'B	
iel	'10'O	
fl	'00000000000000000000000000000200' O	
Detailed Comments:	used in	

Structured Type Constraint		
Constraint Name:	Frql_20_A2d	
Structured Type:	FRQL	
Derivation Path:		
Comments:	frequency list for DCS1800 hopping channel with only one frequency ARFCN. Chosen ARFCN from CA of Cell A = 734	
Element Name	Element Value	Comments
iei	'00000101'B	
iel	'02'O	
fl	'82DE'O	
Detailed Comments:		

Structured Type Constraint		
Constraint Name:	Frql_20_B0	
Structured Type:	FRQL	
Derivation Path:		
Comments:	Complete Cell Allocation of cell B in HO cases. all of the CA: ARFCN_list={14,18,22,24,30,31,38,40,60,66,73,74,75,76,108,114}.	
Element Name	Element Value	Comments
iei	'00000101'B	
iel	'10'O	
fl	'0002080000000F02080000A060A22000' O	
Detailed Comments:		

Structured Type Constraint		
Constraint Name:	Frql_20_B0d	
Structured Type:	FRQL	
Derivation Path:		
Comments:	frequency list, after time for cell B using 512 format. List_ARFCN= complete cell allocation of cell B in HO cases. 739,743,746,749,756,758,761,764,771,779,782,791,798,829,832,844	
Element Name	Element Value	Comments
iei	'00000101'B	
iel	'0F'O	
fl	'8971883C46FB700A8BDF7DF4324330' O	
Detailed Comments:		

Structured Type Constraint		
Constraint Name:	Frql_20_B1	
Structured Type:	FRQL	
Derivation Path:		
Comments:	frequency list, after time for cell B. List_ARFCN={14,18,22,24,30,31,38,60,66,73,74,75,76,108,114}	
Element Name	Element Value	Comments
iei	'00000101'B	
iel	'10'O	
fl	'0002080000000F020800002060A22000' O	
Detailed Comments:		

Structured Type Constraint		
Constraint Name:	Frql_20_B2	
Structured Type:	FRQL	
Derivation Path:		
Comments:	frequency list, after time for cell B. Complete Cell Allocation of cell B in HO cases. List_ARFCN={14,18,22,24,30,31,38,40,60,66,73,74,75,76,108,114}	
Element Name	Element Value	Comments
iei	'00000101'B	
iel	'10'O	
fl	'0002080000000F02080000A060A22000' O	
Detailed Comments:		

Structured Type Constraint		
Constraint Name:	Frql_20_B3	
Structured Type:	FRQL	
Derivation Path:		
Comments:	frequency list, after time for cell B. List_ARFCN={14,18,22,24,60,66,73,74,75,76,108,114}	
Element Name	Element Value	Comments
iei	'00000101'B	
iel	'10'O	
fl	'0002080000000F02080000000A22000' O	
Detailed Comments:		

Structured Type Constraint		
Constraint Name:	Frql_20_B4	
Structured Type:	FRQL	
Derivation Path:		
Comments:	frequency list, after time for cell B. List_ARFCN={40, 66, 73, 74, 75, 76, 108, 114}	
Element Name	Element Value	Comments
iei	'00000101'B	
iel	'10'O	
fl	'00020800000001E020000100000000' O	
Detailed Comments:		

Structured Type Constraint		
Constraint Name:	Frql_20_B3d	
Structured Type:	FRQL	
Derivation Path:		
Comments:	frequency list, after time for cell B using 1024 format. List_ARFCN={749, 758, 764, 771, 779, 782, 791, 798, 829, 832, 844}	
Element Name	Element Value	Comments
iei	'00000101'B	
iel	'0C'O	
fl	'830EF70BFEB843C3FBF9F1D0'O	
Detailed Comments:		

Structured Type Constraint		
Constraint Name:	Frql_20_B4d	
Structured Type:	FRQL	
Derivation Path:		
Comments:	frequency list, after time for cell B. List_ARFCN={764, 779, 782, 791, 798, 829, 832, 844}	
Element Name	Element Value	Comments
iei	'00000101'B	
iel	'0A'O	
fl	'831EF808BF7F42433880'O	
Detailed Comments:		

Structured Type Constraint		
Constraint Name:	Frql_20_B5	
Structured Type:	FRQL	
Derivation Path:		
Comments:	frequency list, after time for cell B. List_ARFCN={14,18,22,24,30,31,38,60,66,73,74,75,76,108,114}	
Element Name	Element Value	Comments
iei	'00000101'B	
iel	'10'O	
fl	'0002080000000F020800002060A22000' O	
Detailed Comments:		

Structured Type Constraint		
Constraint Name:	Frql_20_B5d	
Structured Type:	FRQL	
Derivation Path:		
Comments:	frequency list, after time for cell B. List_ARFCN={764, 779, 782, 791, 798, 829, 832, 844}	
Element Name	Element Value	Comments
iei	'00000101'B	
iel	'0C'O	
fl	'830EF58BFF784483FF79F1D0'O	
Detailed Comments:		

Structured Type Constraint		
Constraint Name:	Frql_20_B6	
Structured Type:	FRQL	
Derivation Path:		
Comments:	frequency list, after time for cell B. List_ARFCN={40,66,73,74,75,76,108,114}	
Element Name	Element Value	Comments
iei	'00000101'B	
iel	'10'O	
fl	'0002080000000F020000008000000000' O	
Detailed Comments:		

Structured Type Constraint		
Constraint Name:	Frql_20_B6d	
Structured Type:	FRQL	
Derivation Path:		
Comments:	frequency list, after time for cell B. List_ARFCN={761,764,771,779,782,791,798,829,832}	
Element Name	Element Value	Comments
iei	'00000101'B	
iel	'0B'O	
fl	'830EFC8BFE784200FEF9'O	
Detailed Comments:		

Structured Type Constraint		
Constraint Name:	Frql_20_B7	
Structured Type:	FRQL	
Derivation Path:		
Comments:	frequency list, after time for cell B. List_ARFCN={14,18,22,24,30,31,38,60,66,73,74,75,76,108,114}	
Element Name	Element Value	Comments
iei	'00000101'B	
iel	'10'O	
fl	'000208000000F020800002040A22000' O	
Detailed Comments:		

Structured Type Constraint		
Constraint Name:	Frql_20_B72	
Structured Type:	FRQL	
Derivation Path:		
Comments:	frequency list, after time for cell B. List_ARFCN={14,18,22,24,30,31,38,40,60,66,73,74,75,108} without 76 !	
Element Name	Element Value	Comments
iei	'00000101'B	
iel	'10'O	
fl	'0000080000000702080000A040A22000' O	
Detailed Comments:		

Structured Type Constraint		
Constraint Name:	Frql_20_B7d	
Structured Type:	FRQL	
Derivation Path:		
Comments:	frequency list, after time for cell B using 128 format. List_ARFCN={746, 779}	
Element Name	Element Value	Comments
iei	'00000101'B	
iel	'03'O	
fl	'8D7521'O	
Detailed Comments:		

Structured Type Constraint		
Constraint Name:	Frql_20_B8d	
Structured Type:	FRQL	
Derivation Path:		
Comments:	frequency list, after time for cell B using 1024 format. List_ARFCN= complete cell allocation of cell B in HO cases. 739,743,746,749,756,758,761,764,771,779,782,791,798,829,832,844	
Element Name	Element Value	Comments
iei	'00000101'B	
iel	'10'O	
fl	'8303F886FDBC0148DEFDFBF41890633 C'O	
Detailed Comments:		

Structured Type Constraint		
Constraint Name:	Frql_20_B9d	
Structured Type:	FRQL	
Derivation Path:		
Comments:	frequency list, after time for cell B using 256 format List_ARFCN={746,749,756,761,764,798,829,832,844}	
Element Name	Element Value	Comments
iei	'00000101'B	
iel	'08'O	
fl	'8B751A2245DFA198'O	
Detailed Comments:		

Structured Type Constraint		
Constraint Name:	Frql_20_B10d	
Structured Type:	FRQL	
Derivation Path:		
Comments:	frequency list, after time for cell B using 256 format List_ARFCN={764,779,782}	
Element Name	Element Value	Comments
iei	'00000101'B	
iel	'05'O	
fl	'8B7E097D00'O	
Detailed Comments:		

Structured Type Constraint		
Constraint Name:	Frql_20_11d	
Structured Type:	FRQL	
Derivation Path:		
Comments:	frequency list, after time for cell B using variable bir mapping format for 256 List_ARFCN={739,743,746,749,756,758,764,771,779,782,791,798,829,832,844}	
Element Name	Element Value	Comments
iei	'00000101'B	
iel	'0D'O	
fl	'8B7194E965B3441FDBEA8339C'O	
Detailed Comments:		

Structured Type Constraint		
Constraint Name:	Frql_23	
Structured Type:	FRQL	
Derivation Path:		
Comments:	ARFCNs= 2, 4, 6, ..., 124, 1, 3 for GSM of TC_26_6_6_1	
Element Name	Element Value	Comments
iei	'00000101'B	
iel	'10'O	
fl	'0AAAAAAAAAAAAAAAAAAAAAAAAAAAAA AAAAF'O	
Detailed Comments:		

Structured Type Constraint		
Constraint Name:	Frql_24	
Structured Type:	FRQL	
Derivation Path:		
Comments:	ARFCNs = 21, ..., 84, for GSM of TC_26_6_6_1	
Element Name	Element Value	Comments
iei	'00000101'B	
iel	'10'O	
fl	'000000000000FFFFFFFFFFFFFFFF0000 0'O	
Detailed Comments:		

Structured Type Constraint		
Constraint Name:	Frql_25	
Structured Type:	FRQL	
Derivation Path:		
Comments:	ARFCNs = 81, ..., 124, 1, ..., 20, for GSM of TC_26_6_6_1	
Element Name	Element Value	Comments
iei	'00000101'B	
iel	'10'O	
fl	'0FFFFFFFFF0000000000000000FFFF F'O	
Detailed Comments:		

Structured Type Constraint		
Constraint Name:	Frql_26	
Structured Type:	FRQL	
Derivation Path:		
Comments:	ARFCNs = 11, ..., 74, for GSM of TC_26_6_6_1	
Element Name	Element Value	Comments
iei	'00000101'B	
iel	'10'O	
fl	'000000000000003FFFFFFFFFFFFFFC0 0'O	
Detailed Comments:		

Structured Type Constraint		
Constraint Name:	Frql_27	
Structured Type:	FRQL	
Derivation Path:		
Comments:	ARFCNs = 31, ..., 94, for GSM of TC_26_6_6_1	
Element Name	Element Value	Comments
iei	'00000101'B	
iel	'10'O	
fl	'000000003FFFFFFFFFFFFFFFC000000 0'O	
Detailed Comments:		

Structured Type Constraint		
Constraint Name:	Frql_28	
Structured Type:	FRQL	
Derivation Path:		
Comments:	ARFCNs = 51, ...,114, for GSM of TC_26_6_6_1	
Element Name	Element Value	Comments
iei	'00000101'B	
iel	'10'O	
fl	'0003FFFFFFFFFFFFFFFC00000000000 0'O	
Detailed Comments:		

Structured Type Constraint		
Constraint Name:	Frql_29	
Structured Type:	FRQL	
Derivation Path:		
Comments:	ARFCNs = 749, ..., 812, for DCS of TC_26_6_6_1	
Element Name	Element Value	Comments
iei	'00000101'B	
iel	'10'O	
fl	'8F5E800000000000FFFFFFFFFFFFFFF F'O	
Detailed Comments:		

Structured Type Constraint		
Constraint Name:	Frql_30	
Structured Type:	FRQL	
Derivation Path:		
Comments:	ARFCNs = 749, ..., 812, for DCS of TC_26_6_6_1	
Element Name	Element Value	Comments
iei	'00000101'B	
iel	'10'O	
fl	'8F5EFFFFFFFFFFFFFFF8000000000 0'O	
Detailed Comments:		

Structured Type Constraint		
Constraint Name:	Frql_31	
Structured Type:	FRQL	
Derivation Path:		
Comments:	ARFCNs = 702, 704, ..., 812, 733, 741, 749, 757, 765, 773, 781, 789, for DCS of TC_26_6_6_1	
Element Name	Element Value	Comments
iei	'00000101'B	
iel	'10'O	
fl	'8F5ED5555555D5D5D5D5D5D55555'O	
Detailed Comments:		

Structured Type Constraint		
Constraint Name:	Frql_32	
Structured Type:	FRQL	
Derivation Path:		
Comments:	ARFCNs = 717, ..., 724, 733, ..., 744, 757, ..., 760, 773, ..., 812, for DCS of TC_26_6_6_1	
Element Name	Element Value	Comments
iei	'00000101'B	
iel	'10'O	
fl	'8F5E8000FF00FFF000F000FFFFFFFFF'O	
Detailed Comments:		

Structured Type Constraint		
Constraint Name:	Frql_33	
Structured Type:	FRQL	
Derivation Path:		
Comments:	ARFCNs: 702, ..., 732, 749, 750, 754, ..., 756, 758, 762, ..., 764, 766, 770, ..., 772, 774, 778, ..., 780, 782, 786, ..., 788, 790, 794, ..., 796, 798, 802, ..., 804, 806, 810, ..., 812 for DCS of TC_26_6_6_1	
Element Name	Element Value	Comments
iei	'00000101'B	
iel	'10'O	
fl	'8F5EFFFFFFFFF0004474747474747'O	
Detailed Comments:		

Structured Type Constraint		
Constraint Name:	Frql_34	
Structured Type:	FRQL	
Derivation Path:		
Comments:	ARFCNs = 707, 709, ..., 713, 715, 717, ..., 721, 723, 725, ..., 729, 731, 733, ..., 737, 739, 741, ..., 745, 747, 749, ..., 753, 755, 757, ..., 761, 763, 765, ..., 769, 771, 779, 787, 795, 798, ..., 803, 806, ..., 811, for DCS of TC_26_6_6_1	
Element Name	Element Value	Comments
iei	'00000101'B	
iel	'10'O	
fl	'8F5E82FAFAFAFAFAFAFAFA0202027E7E'O	
Detailed Comments:		

Structured Type Constraint		
Constraint Name:	Hlcmp_Setup_TS11_12	
Structured Type:	HLCMP	
Derivation Path:		
Comments:	High Layer Compatibility IE for teleservices 11 and 12.	
Element Name	Element Value	Comments
iei	'01111101'B	
iel	'02'O	
extb3	'1'B	
cs	'00'B	
in	'100'B	
pmpp	'01'B	
extb4	'?'B	
hlci	'0000001'B	
extb4a	*	
ehlci	*	
Detailed Comments:		

Structured Type Constraint		
Constraint Name:	Hlcmp_Setup_TS61	
Structured Type:	HLCMP	
Derivation Path:		
Comments:	High Layer Compatibility IE for teleservice 61.	
Element Name	Element Value	Comments
iei	'01111101'B	
iel	'02'O	
extb3	'1'B	
cs	'00'B	
in	'100'B	
pmpp	'01'B	
extb4	'?'B	
hlci	'0000100'B	
extb4a	*	
ehlci	*	
Detailed Comments:		

Structured Type Constraint		
Constraint Name:	Hlcmp_Setup_TS62	
Structured Type:	HLCMP	
Derivation Path:		
Comments:	High Layer Compatibility IE for teleservice 62.	
Element Name	Element Value	Comments
iei	'01111101'B	
iel	'02'O	
extb3	'1'B	
cs	'00'B	
in	'100'B	
pmpp	'01'B	
extb4	'?'B	
hlci	'0000001'B	
extb4a	*	
ehlci	*	
Detailed Comments:		

Structured Type Constraint		
Constraint Name:	laRestOct_01	
Structured Type:	IARESTOCT	
Derivation Path:		
Comments:		
Element Name	Element Value	Comments
iei	OMIT	
iaroct1	'2B2B2B2B2B2B2B2B2B2B'O	
iaroct2	OMIT	
Detailed Comments:		

Structured Type Constraint		
Constraint Name:	laRestOct_02	
Structured Type:	IARESTOCT	
Derivation Path:		
Comments:		
Element Name	Element Value	Comments
iei	OMIT	
iaroct1	'2B2B2B2B2B2B2B2B2B2B'O	
iaroct2	OMIT	
Detailed Comments:		

Structured Type Constraint		
Constraint Name:	laRestOct_03	
Structured Type:	IARESTOCT	
Derivation Path:		
Comments:	used in TC_26_6_13_9.	
Element Name	Element Value	Comments
iei	OMIT	
iaroct1	OMIT	
iaroct2	laRestOct2_01	
Detailed Comments:		

Structured Type Constraint		
Constraint Name:	laRestOct_04	
Structured Type:	IARESTOCT	
Derivation Path:		
Comments:	used in TC_26_6_13_10.	
Element Name	Element Value	Comments
iei	OMIT	
iaroct1	OMIT	
iaroct2	laRestOct2_02	
Detailed Comments:		

Structured Type Constraint		
Constraint Name:	laRestOct_05	
Structured Type:	IARESTOCT	
Derivation Path:		
Comments:		
Element Name	Element Value	Comments
iei	OMIT	
iaroct1	'1A4C6B8EAF37B21A2D5B65'O	
iaroct2	OMIT	
Detailed Comments:		

Structured Type Constraint		
Constraint Name:	IaRestOct_06	
Structured Type:	IARESTOCT	
Derivation Path:		
Comments:		
Element Name	Element Value	Comments
iei	OMIT	
iaroct1	'2B2B2B'O	
iaroct2	OMIT	
Detailed Comments:		

Structured Type Constraint		
Constraint Name:	IaRestOct_08	
Structured Type:	IARESTOCT	
Derivation Path:		
Comments:		
Element Name	Element Value	Comments
iei	OMIT	
iaroct1	'2B2B2B2B2B2B2B2B'O	
iaroct2	OMIT	
Detailed Comments:		

Structured Type Constraint		
Constraint Name:	IaRestOct_09	
Structured Type:	IARESTOCT	
Derivation Path:		
Comments:		
Element Name	Element Value	Comments
iei	OMIT	
iaroct1	'2B2B2B2B2B2B2B2B2B'O	
iaroct2	OMIT	
Detailed Comments:		

Structured Type Constraint		
Constraint Name:	IaRestOct2_01	
Structured Type:	IARESTOCT2	
Derivation Path:		
Comments:		
Element Name	Element Value	Comments
p	'10'B	
frqparalen	'000010'B	
spbt1	'00'B	
maio	TSPX_Maio29	
ma	TSPX_Ma29	
spbt2	'2B2B2B2B'O	
Detailed Comments:		

Structured Type Constraint		
Constraint Name:	laRestOct2_02	
Structured Type:	IARESTOCT2	
Derivation Path:		
Comments:		
Element Name	Element Value	Comments
p	'10'B	
frqparalen	'000010'B	
spbt1	'00'B	
maio	TSPX_Maio31	
ma	TSPX_Ma31	
spbt2	'2B2B2B2B'O	
Detailed Comments:		

Structured Type Constraint		
Constraint Name:	KeyPad_01(character:IA5String)	
Structured Type:	KPF	
Derivation Path:		
Comments:		
Element Name	Element Value	Comments
iei	'00101100'B	
extb	'0'B	
kpf_info	character	
Detailed Comments:		

Structured Type Constraint		
Constraint Name:	KeyPad_02	
Structured Type:	KPF	
Derivation Path:		
Comments:		
Element Name	Element Value	Comments
iei	'00101100'B	
extb	'0'B	
kpf_info	?	
Detailed Comments:		

Structured Type Constraint		
Constraint Name:	Llcmp_Setup_B121_300_1	
Structured Type:	LLCMP	
Derivation Path:		
Comments:	Lower Layer Compatibility IE for a setup PDU acc to the table in clause B.2.2.1. of GSM 07.01. The combination of the values is equivalent to the combination in the bearer capability constraint Bcap_Setup_B121_300_1. ANY CHANGE IN THIS CONSTRAINT MUST BE MADE IN THE CORRESPONDING BEARER CAPABILITY CONSTRAINT ALSO!	
Element Name	Element Value	Comments
iei	'01111100'B	
iel	('02'O, '03'O, '04'O, '05'O, '06'O, '07'O, '08'O, '09'O, '0A'O, '0B'O, '0C'O, '0D'O, '0E'O)	
extb3	?	
cs	'00'B	
itc	'01000'B	
extb3a	'1'B IF_PRESENT	
negind	*	
spb3a	'000000'B IF_PRESENT	
extb4	?	
tm	'00'B	
itr	'10000'B	
extb4a	*	
strc	'100'B IF_PRESENT	
config	'00'B IF_PRESENT	
est	'00'B IF_PRESENT	
extb4b	'1'B IF_PRESENT	
sym	'00'B IF_PRESENT	
itrdo	('00000'B, '10000'B, '10001'B, '10011'B, '10101'B, '10111'B) IF_PRESENT	
extb5	?	
l1id	'01'B	
uil1	'00001'B	
extb5a	?	
sb	'1'B	
neg	'0'B	
ur	'11110'B	
extb5b1	?	
ir	'10'B	
nictx	'0'B	
nicrx	'0'B	
fctx	'0'B	
fcrx	'0'B	
spb5b1	'0'B	
extb5b2	OMIT	
hdrb	OMIT	
mfs	OMIT	
mode	OMIT	
llineg	OMIT	
ass	OMIT	
ibob	OMIT	
spb5b2	OMIT	
extb5c	?	
nsb	('01'B, '11'B)	
ndb	'10'B	
pi	('000'B, '010'B, '011'B, '100'B, '101'B)	
extb5d	'1'B IF_PRESENT	
dplxm	('0'B, '1'B) IF_PRESENT	
modemt	('010001'B, '010010'B, '010011'B, '010100'B, '010111'B, '011100'B) IF_PRESENT	
extb6	*	
l2id	'10'B IF_PRESENT	
uil2	('00110'B, '00111'B) IF_PRESENT	

extb6a	'1'B IF_PRESENT	
ol2pi	*	
extb7	*	
l3id	'11'B IF_PRESENT	
uil3	'00110'B IF_PRESENT	
extb7a	'1'B IF_PRESENT	
ol3pi	*	
Detailed Comments:		

Structured Type Constraint		
Constraint Name:	Llcmp_Setup_B121_300_2	
Structured Type:	LLCMP	
Derivation Path:		
Comments:	Lower Layer Compatibility IE for a setup PDU acc to the table in clause B.2.2.1. of GSM 07.01. The combination of the values is equivalent to the combination in the bearer capability constraint Bcap_Setup_B121_300_2. ANY CHANGE IN THIS CONSTRAINT MUST BE MADE IN THE CORRESPONDING BEARER CAPABILITY CONSTRAINT ALSO!	
Element Name	Element Value	Comments
iei	'01111100'B	
iel	('02'O, '03'O, '04'O, '05'O, '06'O, '07'O, '08'O, '09'O, '0A'O, '0B'O, '0C'O, '0D'O, '0E'O)	
extb3	?	
cs	'00'B	
itc	'01000'B	
extb3a	'1'B IF_PRESENT	
negind	*	
spb3a	'000000'B IF_PRESENT	
extb4	?	
tm	'00'B	
itr	'10000'B	
extb4a	*	
strc	'100'B IF_PRESENT	
config	'00'B IF_PRESENT	
est	'00'B IF_PRESENT	
extb4b	'1'B IF_PRESENT	
sym	'00'B IF_PRESENT	
itrdo	('00000'B, '10000'B, '10001'B, '10011'B, '10101'B, '10111'B) IF_PRESENT	
extb5	?	
l1id	'01'B	
uil1	'00001'B	
extb5a	?	
sb	'1'B	
neg	'0'B	
ur	'11110'B	
extb5b1	?	
ir	'10'B	
nictx	'0'B	
nicrx	'0'B	
fctx	'0'B	
fcrx	'0'B	
spb5b1	'0'B	
extb5b2	OMIT	
hdrb	OMIT	
mfs	OMIT	
mode	OMIT	
llineg	OMIT	
ass	OMIT	
ibob	OMIT	
spb5b2	OMIT	
extb5c	?	
nsb	('01'B, '11'B)	
ndb	'11'B	
pi	'011'B	
extb5d	'1'B IF_PRESENT	
dplxm	('0'B, '1'B) IF_PRESENT	
modemt	('010001'B, '010010'B, '010011'B, '010100'B, '010111'B, '011100'B) IF_PRESENT	
extb6	*	
l2id	'10'B IF_PRESENT	
uil2	('00110'B, '00111'B) IF_PRESENT	

extb6a	'1'B IF_PRESENT	
ol2pi	*	
extb7	*	
l3id	'11'B IF_PRESENT	
uil3	'00110'B IF_PRESENT	
extb7a	'1'B IF_PRESENT	
ol3pi	*	
Detailed Comments:		

Structured Type Constraint		
Constraint Name:	Llcmp_Setup_B121_1200_1	
Structured Type:	LLCMP	
Derivation Path:		
Comments:	Lower Layer Compatibility IE for a setup PDU acc to the table in clause B.2.2.1. of GSM 07.01. The combination of the values is equivalent to the combination in the bearer capability constraint Bcap_Setup_B121_1200_1. ANY CHANGE IN THIS CONSTRAINT MUST BE MADE IN THE CORRESPONDING BEARER CAPABILITY CONSTRAINT ALSO!	
Element Name	Element Value	Comments
iei	'01111100'B	
iel	('02'O, '03'O, '04'O, '05'O, '06'O, '07'O, '08'O, '09'O, '0A'O, '0B'O, '0C'O, '0D'O, '0E'O)	
extb3	?	
cs	'00'B	
itc	'01000'B	
extb3a	'1'B IF_PRESENT	
negind	*	
spb3a	'000000'B IF_PRESENT	
extb4	?	
tm	'00'B	
itr	'10000'B	
extb4a	*	
strc	'100'B IF_PRESENT	
config	'00'B IF_PRESENT	
est	'00'B IF_PRESENT	
extb4b	'1'B IF_PRESENT	
sym	'00'B IF_PRESENT	
itrdo	('00000'B, '10000'B, '10001'B, '10011'B, '10101'B, '10111'B) IF_PRESENT	
extb5	?	
l1id	'01'B	
uil1	'00001'B	
extb5a	?	
sb	'1'B	
neg	'0'B	
ur	'00001'B	
extb5b1	?	
ir	'10'B	
nictx	'0'B	
nicrx	'0'B	
fctx	'0'B	
fcrx	'0'B	
spb5b1	'0'B	
extb5b2	OMIT	
hdrb	OMIT	
mfs	OMIT	
mode	OMIT	
llineg	OMIT	
ass	OMIT	
ibob	OMIT	
spb5b2	OMIT	
extb5c	?	
nsb	('01'B, '11'B)	
ndb	'10'B	
pi	('000'B, '010'B, '011'B, '100'B, '101'B)	
extb5d	'1'B IF_PRESENT	
dplxm	('0'B, '1'B) IF_PRESENT	
modemt	('010001'B, '010010'B, '010011'B, '010100'B, '010111'B, '011100'B) IF_PRESENT	
extb6	*	
l2id	'10'B IF_PRESENT	
uil2	('00110'B, '00111'B) IF_PRESENT	

extb6a	'1'B IF_PRESENT	
ol2pi	*	
extb7	*	
l3id	'11'B IF_PRESENT	
uil3	'00110'B IF_PRESENT	
extb7a	'1'B IF_PRESENT	
ol3pi	*	
Detailed Comments:		

Structured Type Constraint		
Constraint Name:	Llcmp_Setup_B121_1200_2	
Structured Type:	LLCMP	
Derivation Path:		
Comments:	Lower Layer Compatibility IE for a setup PDU acc to the table in clause B.2.2.1. of GSM 07.01. The combination of the values is equivalent to the combination in the bearer capability constraint Bcap_Setup_B121_1200_2. ANY CHANGE IN THIS CONSTRAINT MUST BE MADE IN THE CORRESPONDING BEARER CAPABILITY CONSTRAINT ALSO!	
Element Name	Element Value	Comments
iei	'01111100'B	
iel	('02'O, '03'O, '04'O, '05'O, '06'O, '07'O, '08'O, '09'O, '0A'O, '0B'O, '0C'O, '0D'O, '0E'O)	
extb3	?	
cs	'00'B	
itc	'01000'B	
extb3a	'1'B IF_PRESENT	
negind	*	
spb3a	'000000'B IF_PRESENT	
extb4	?	
tm	'00'B	
itr	'10000'B	
extb4a	*	
strc	'100'B IF_PRESENT	
config	'00'B IF_PRESENT	
est	'00'B IF_PRESENT	
extb4b	'1'B IF_PRESENT	
sym	'00'B IF_PRESENT	
itrdo	('00000'B, '10000'B, '10001'B, '10011'B, '10101'B, '10111'B) IF_PRESENT	
extb5	?	
l1id	'01'B	
uil1	'00001'B	
extb5a	?	
sb	'1'B	
neg	'0'B	
ur	'00001'B	
extb5b1	?	
ir	'10'B	
nictx	'0'B	
nicrx	'0'B	
fctx	'0'B	
fcrx	'0'B	
spb5b1	'0'B	
extb5b2	OMIT	
hdrb	OMIT	
mfs	OMIT	
mode	OMIT	
llineg	OMIT	
ass	OMIT	
ibob	OMIT	
spb5b2	OMIT	
extb5c	?	
nsb	('01'B, '11'B)	
ndb	'11'B	
pi	'011'B	
extb5d	'1'B IF_PRESENT	
dplxm	('0'B, '1'B) IF_PRESENT	
modemt	('010001'B, '010010'B, '010011'B, '010100'B, '010111'B, '011100'B) IF_PRESENT	
extb6	*	
l2id	'10'B IF_PRESENT	
uil2	('00110'B, '00111'B) IF_PRESENT	

extb6a	'1'B IF_PRESENT	
ol2pi	*	
extb7	*	
l3id	'11'B IF_PRESENT	
uil3	'00110'B IF_PRESENT	
extb7a	'1'B IF_PRESENT	
ol3pi	*	
Detailed Comments:		

Structured Type Constraint		
Constraint Name:	Llcmp_Setup_B121_120075_1	
Structured Type:	LLCMP	
Derivation Path:		
Comments:	Lower Layer Compatibility IE for a setup PDU acc to the table in clause B.2.2.1. of GSM 07.01. The combination of the values is equivalent to the combination in the bearer capability constraint Bcap_Setup_B121_120075_1. ANY CHANGE IN THIS CONSTRAINT MUST BE MADE IN THE CORRESPONDING BEARER CAPABILITY CONSTRAINT ALSO!	
Element Name	Element Value	Comments
iei	'01111100'B	
iel	('02'O, '03'O, '04'O, '05'O, '06'O, '07'O, '08'O, '09'O, '0A'O, '0B'O, '0C'O, '0D'O, '0E'O)	
extb3	?	
cs	'00'B	
itc	'01000'B	
extb3a	'1'B IF_PRESENT	
negind	*	
spb3a	'000000'B IF_PRESENT	
extb4	?	
tm	'00'B	
itr	'10000'B	
extb4a	*	
strc	'100'B IF_PRESENT	
config	'00'B IF_PRESENT	
est	'00'B IF_PRESENT	
extb4b	'1'B IF_PRESENT	
sym	'00'B IF_PRESENT	
itrdo	('00000'B, '10000'B, '10001'B, '10011'B, '10101'B, '10111'B) IF_PRESENT	
extb5	?	
l1id	'01'B	
uil1	'00001'B	
extb5a	?	
sb	'1'B	
neg	'0'B	
ur	'10111'B	
extb5b1	?	
ir	'10'B	
nictx	'0'B	
nicrx	'0'B	
fctx	'0'B	
fcrx	'0'B	
spb5b1	'0'B	
extb5b2	OMIT	
hdrb	OMIT	
mfs	OMIT	
mode	OMIT	
llineg	OMIT	
ass	OMIT	
ibob	OMIT	
spb5b2	OMIT	
extb5c	?	
nsb	('01'B, '11'B)	
ndb	'10'B	
pi	('000'B, '010'B, '011'B, '100'B, '101'B)	
extb5d	'1'B IF_PRESENT	
dplxm	('0'B, '1'B) IF_PRESENT	
modemt	('010001'B, '010010'B, '010011'B, '010100'B, '010111'B, '011100'B) IF_PRESENT	
extb6	*	
l2id	'10'B IF_PRESENT	
uil2	('00110'B, '00111'B) IF_PRESENT	

extb6a	'1'B IF_PRESENT	
ol2pi	*	
extb7	*	
l3id	'11'B IF_PRESENT	
uil3	'00110'B IF_PRESENT	
extb7a	'1'B IF_PRESENT	
ol3pi	*	
Detailed Comments:		

Structured Type Constraint		
Constraint Name:	Llcmp_Setup_B121_120075_2	
Structured Type:	LLCMP	
Derivation Path:		
Comments:	Lower Layer Compatibility IE for a setup PDU acc to the table in clause B.2.2.1. of GSM 07.01. The combination of the values is equivalent to the combination in the bearer capability constraint Bcap_Setup_B121_120075_2. ANY CHANGE IN THIS CONSTRAINT MUST BE MADE IN THE CORRESPONDING BEARER CAPABILITY CONSTRAINT ALSO!	
Element Name	Element Value	Comments
iei	'01111100'B	
iel	('02'O, '03'O, '04'O, '05'O, '06'O, '07'O, '08'O, '09'O, '0A'O, '0B'O, '0C'O, '0D'O, '0E'O)	
extb3	?	
cs	'00'B	
itc	'01000'B	
extb3a	'1'B IF_PRESENT	
negind	*	
spb3a	'000000'B IF_PRESENT	
extb4	?	
tm	'00'B	
itr	'10000'B	
extb4a	*	
strc	'100'B IF_PRESENT	
config	'00'B IF_PRESENT	
est	'00'B IF_PRESENT	
extb4b	'1'B IF_PRESENT	
sym	'00'B IF_PRESENT	
itrdo	('00000'B, '10000'B, '10001'B, '10011'B, '10101'B, '10111'B) IF_PRESENT	
extb5	?	
l1id	'01'B	
uil1	'00001'B	
extb5a	?	
sb	'1'B	
neg	'0'B	
ur	'10111'B	
extb5b1	?	
ir	'10'B	
nictx	'0'B	
nicrx	'0'B	
fctx	'0'B	
fcrx	'0'B	
spb5b1	'0'B	
extb5b2	OMIT	
hdrb	OMIT	
mfs	OMIT	
mode	OMIT	
llineg	OMIT	
ass	OMIT	
ibob	OMIT	
spb5b2	OMIT	
extb5c	?	
nsb	('01'B, '11'B)	
ndb	'11'B	
pi	'011'B	
extb5d	'1'B IF_PRESENT	
dplxm	('0'B, '1'B) IF_PRESENT	
modemt	('010001'B, '010010'B, '010011'B, '010100'B, '010111'B, '011100'B) IF_PRESENT	
extb6	*	
l2id	'10'B IF_PRESENT	
uil2	('00110'B, '00111'B) IF_PRESENT	

extb6a	'1'B IF_PRESENT	
ol2pi	*	
extb7	*	
l3id	'11'B IF_PRESENT	
uil3	'00110'B IF_PRESENT	
extb7a	'1'B IF_PRESENT	
ol3pi	*	
Detailed Comments:		

Structured Type Constraint		
Constraint Name:	Llcmp_Setup_B121_2400_1	
Structured Type:	LLCMP	
Derivation Path:		
Comments:	Lower Layer Compatibility IE for a setup PDU acc to the table in clause B.2.2.1. of GSM 07.01. The combination of the values is equivalent to the combination in the bearer capability constraint Bcap_Setup_B121_2400_1. ANY CHANGE IN THIS CONSTRAINT MUST BE MADE IN THE CORRESPONDING BEARER CAPABILITY CONSTRAINT ALSO!	
Element Name	Element Value	Comments
iei	'01111100'B	
iel	('02'O, '03'O, '04'O, '05'O, '06'O, '07'O, '08'O, '09'O, '0A'O, '0B'O, '0C'O, '0D'O, '0E'O)	
extb3	?	
cs	'00'B	
itc	'01000'B	
extb3a	'1'B IF_PRESENT	
negind	*	
spb3a	'000000'B IF_PRESENT	
extb4	?	
tm	'00'B	
itr	'10000'B	
extb4a	*	
strc	'100'B IF_PRESENT	
config	'00'B IF_PRESENT	
est	'00'B IF_PRESENT	
extb4b	'1'B IF_PRESENT	
sym	'00'B IF_PRESENT	
itrdo	('00000'B, '10000'B, '10001'B, '10011'B, '10101'B, '10111'B) IF_PRESENT	
extb5	?	
l1id	'01'B	
uil1	'00001'B	
extb5a	?	
sb	'1'B	
neg	'0'B	
ur	'00011'B	
extb5b1	?	
ir	'10'B	
nictx	'0'B	
nicrx	'0'B	
fctx	'0'B	
fcrx	'0'B	
spb5b1	'0'B	
extb5b2	OMIT	
hdrb	OMIT	
mfs	OMIT	
mode	OMIT	
llineg	OMIT	
ass	OMIT	
ibob	OMIT	
spb5b2	OMIT	
extb5c	?	
nsb	('01'B, '11'B)	
ndb	'10'B	
pi	('000'B, '010'B, '011'B, '100'B, '101'B)	
extb5d	'1'B IF_PRESENT	
dplxm	('0'B, '1'B) IF_PRESENT	
modemt	('010001'B, '010010'B, '010011'B, '010100'B, '010111'B, '011100'B) IF_PRESENT	
extb6	*	
l2id	'10'B IF_PRESENT	
uil2	('00110'B, '00111'B) IF_PRESENT	

extb6a	'1'B IF_PRESENT	
ol2pi	*	
extb7	*	
l3id	'11'B IF_PRESENT	
uil3	'00110'B IF_PRESENT	
extb7a	'1'B IF_PRESENT	
ol3pi	*	
Detailed Comments:		

Structured Type Constraint		
Constraint Name:	Llcmp_Setup_B121_2400_2	
Structured Type:	LLCMP	
Derivation Path:		
Comments:	Lower Layer Compatibility IE for a setup PDU acc to the table in clause B.2.2.1. of GSM 07.01. The combination of the values is equivalent to the combination in the bearer capability constraint Bcap_Setup_B121_2400_2. ANY CHANGE IN THIS CONSTRAINT MUST BE MADE IN THE CORRESPONDING BEARER CAPABILITY CONSTRAINT ALSO!	
Element Name	Element Value	Comments
iei	'01111100'B	
iel	('02'O, '03'O, '04'O, '05'O, '06'O, '07'O, '08'O, '09'O, '0A'O, '0B'O, '0C'O, '0D'O, '0E'O)	
extb3	?	
cs	'00'B	
itc	'01000'B	
extb3a	'1'B IF_PRESENT	
negind	*	
spb3a	'000000'B IF_PRESENT	
extb4	?	
tm	'00'B	
itr	'10000'B	
extb4a	*	
strc	'100'B IF_PRESENT	
config	'00'B IF_PRESENT	
est	'00'B IF_PRESENT	
extb4b	'1'B IF_PRESENT	
sym	'00'B IF_PRESENT	
itrdo	('00000'B, '10000'B, '10001'B, '10011'B, '10101'B, '10111'B) IF_PRESENT	
extb5	?	
l1id	'01'B	
uil1	'00001'B	
extb5a	?	
sb	'1'B	
neg	'0'B	
ur	'00011'B	
extb5b1	?	
ir	'10'B	
nictx	'0'B	
nicrx	'0'B	
fctx	'0'B	
fcrx	'0'B	
spb5b1	'0'B	
extb5b2	OMIT	
hdrb	OMIT	
mfs	OMIT	
mode	OMIT	
llineg	OMIT	
ass	OMIT	
ibob	OMIT	
spb5b2	OMIT	
extb5c	?	
nsb	('01'B, '11'B)	
ndb	'11'B	
pi	'011'B	
extb5d	'1'B IF_PRESENT	
dplxm	('0'B, '1'B) IF_PRESENT	
modemt	('010001'B, '010010'B, '010011'B, '010100'B, '010111'B, '011100'B) IF_PRESENT	
extb6	*	
l2id	'10'B IF_PRESENT	
uil2	('00110'B, '00111'B) IF_PRESENT	

extb6a	'1'B IF_PRESENT	
ol2pi	*	
extb7	*	
l3id	'11'B IF_PRESENT	
uil3	'00110'B IF_PRESENT	
extb7a	'1'B IF_PRESENT	
ol3pi	*	
Detailed Comments:		

Structured Type Constraint		
Constraint Name:	Llcmp_Setup_B121_4800_1	
Structured Type:	LLCMP	
Derivation Path:		
Comments:	Lower Layer Compatibility IE for a setup PDU acc to the table in clause B.2.2.1. of GSM 07.01. The combination of the values is equivalent to the combination in the bearer capability constraint Bcap_Setup_B121_4800_1. ANY CHANGE IN THIS CONSTRAINT MUST BE MADE IN THE CORRESPONDING BEARER CAPABILITY CONSTRAINT ALSO!	
Element Name	Element Value	Comments
iei	'01111100'B	
iel	('02'O, '03'O, '04'O, '05'O, '06'O, '07'O, '08'O, '09'O, '0A'O, '0B'O, '0C'O, '0D'O, '0E'O)	
extb3	?	
cs	'00'B	
itc	'01000'B	
extb3a	'1'B IF_PRESENT	
negind	*	
spb3a	'000000'B IF_PRESENT	
extb4	?	
tm	'00'B	
itr	'10000'B	
extb4a	*	
strc	'100'B IF_PRESENT	
config	'00'B IF_PRESENT	
est	'00'B IF_PRESENT	
extb4b	'1'B IF_PRESENT	
sym	'00'B IF_PRESENT	
itrdo	('00000'B, '10000'B, '10001'B, '10011'B, '10101'B, '10111'B) IF_PRESENT	
extb5	?	
l1id	'01'B	
uil1	'00001'B	
extb5a	?	
sb	'1'B	
neg	'0'B	
ur	'00101'B	
extb5b1	?	
ir	'10'B	
nictx	'0'B	
nicrx	'0'B	
fctx	'0'B	
fcrx	'0'B	
spb5b1	'0'B	
extb5b2	OMIT	
hdrb	OMIT	
mfs	OMIT	
mode	OMIT	
llineg	OMIT	
ass	OMIT	
ibob	OMIT	
spb5b2	OMIT	
extb5c	?	
nsb	('01'B, '11'B)	
ndb	'10'B	
pi	('000'B, '010'B, '011'B, '100'B, '101'B)	
extb5d	'1'B IF_PRESENT	
dplxm	('0'B, '1'B) IF_PRESENT	
modemt	('010001'B, '010010'B, '010011'B, '010100'B, '010111'B, '011100'B) IF_PRESENT	
extb6	*	
l2id	'10'B IF_PRESENT	
uil2	('00110'B, '00111'B) IF_PRESENT	

extb6a	'1'B IF_PRESENT	
ol2pi	*	
extb7	*	
l3id	'11'B IF_PRESENT	
uil3	'00110'B IF_PRESENT	
extb7a	'1'B IF_PRESENT	
ol3pi	*	
Detailed Comments:		

Structured Type Constraint		
Constraint Name:	Llcmp_Setup_B121_4800_2	
Structured Type:	LLCMP	
Derivation Path:		
Comments:	Lower Layer Compatibility IE for a setup PDU acc to the table in clause B.2.2.1. of GSM 07.01. The combination of the values is equivalent to the combination in the bearer capability constraint Bcap_Setup_B121_4800_2. ANY CHANGE IN THIS CONSTRAINT MUST BE MADE IN THE CORRESPONDING BEARER CAPABILITY CONSTRAINT ALSO!	
Element Name	Element Value	Comments
iei	'01111100'B	
iel	('02'O, '03'O, '04'O, '05'O, '06'O, '07'O, '08'O, '09'O, '0A'O, '0B'O, '0C'O, '0D'O, '0E'O)	
extb3	?	
cs	'00'B	
itc	'01000'B	
extb3a	'1'B IF_PRESENT	
negind	*	
spb3a	'000000'B IF_PRESENT	
extb4	?	
tm	'00'B	
itr	'10000'B	
extb4a	*	
strc	'100'B IF_PRESENT	
config	'00'B IF_PRESENT	
est	'00'B IF_PRESENT	
extb4b	'1'B IF_PRESENT	
sym	'00'B IF_PRESENT	
itrdo	('00000'B, '10000'B, '10001'B, '10011'B, '10101'B, '10111'B) IF_PRESENT	
extb5	?	
l1id	'01'B	
uil1	'00001'B	
extb5a	?	
sb	'1'B	
neg	'0'B	
ur	'00101'B	
extb5b1	?	
ir	'10'B	
nictx	'0'B	
nicrx	'0'B	
fctx	'0'B	
fcrx	'0'B	
spb5b1	'0'B	
extb5b2	OMIT	
hdrb	OMIT	
mfs	OMIT	
mode	OMIT	
llineg	OMIT	
ass	OMIT	
ibob	OMIT	
spb5b2	OMIT	
extb5c	?	
nsb	('01'B, '11'B)	
ndb	'11'B	
pi	'011'B	
extb5d	'1'B IF_PRESENT	
dplxm	('0'B, '1'B) IF_PRESENT	
modemt	('010001'B, '010010'B, '010011'B, '010100'B, '010111'B, '011100'B) IF_PRESENT	
extb6	*	
l2id	'10'B IF_PRESENT	
uil2	('00110'B, '00111'B) IF_PRESENT	

extb6a	'1'B IF_PRESENT	
ol2pi	*	
extb7	*	
l3id	'11'B IF_PRESENT	
uil3	'00110'B IF_PRESENT	
extb7a	'1'B IF_PRESENT	
ol3pi	*	
Detailed Comments:		

Structured Type Constraint		
Constraint Name:	Llcmp_Setup_B121_9600_1	
Structured Type:	LLCMP	
Derivation Path:		
Comments:	Lower Layer Compatibility IE for a setup PDU acc to the table in clause B.2.2.1. of GSM 07.01. The combination of the values is equivalent to the combination in the bearer capability constraint Bcap_Setup_B121_9600_1. ANY CHANGE IN THIS CONSTRAINT MUST BE MADE IN THE CORRESPONDING BEARER CAPABILITY CONSTRAINT ALSO!	
Element Name	Element Value	Comments
iei	'01111100'B	
iel	('02'O, '03'O, '04'O, '05'O, '06'O, '07'O, '08'O, '09'O, '0A'O, '0B'O, '0C'O, '0D'O, '0E'O)	
extb3	?	
cs	'00'B	
itc	'01000'B	
extb3a	'1'B IF_PRESENT	
negind	*	
spb3a	'000000'B IF_PRESENT	
extb4	?	
tm	'00'B	
itr	'10000'B	
extb4a	*	
strc	'100'B IF_PRESENT	
config	'00'B IF_PRESENT	
est	'00'B IF_PRESENT	
extb4b	'1'B IF_PRESENT	
sym	'00'B IF_PRESENT	
itrdo	('00000'B, '10000'B, '10001'B, '10011'B, '10101'B, '10111'B) IF_PRESENT	
extb5	?	
l1id	'01'B	
uil1	'00001'B	
extb5a	?	
sb	'1'B	
neg	'0'B	
ur	'01000'B	
extb5b1	?	
ir	'10'B	
nictx	'0'B	
nicrx	'0'B	
fctx	'0'B	
fcrx	'0'B	
spb5b1	'0'B	
extb5b2	OMIT	
hdrb	OMIT	
mfs	OMIT	
mode	OMIT	
llineg	OMIT	
ass	OMIT	
ibob	OMIT	
spb5b2	OMIT	
extb5c	?	
nsb	('01'B, '11'B)	
ndb	'10'B	
pi	('000'B, '010'B, '011'B, '100'B, '101'B)	
extb5d	'1'B IF_PRESENT	
dplxm	('0'B, '1'B) IF_PRESENT	
modemt	('010001'B, '010010'B, '010011'B, '010100'B, '010111'B, '011100'B) IF_PRESENT	
extb6	*	
l2id	'10'B IF_PRESENT	
uil2	('00110'B, '00111'B) IF_PRESENT	

extb6a	'1'B IF_PRESENT	
ol2pi	*	
extb7	*	
l3id	'11'B IF_PRESENT	
uil3	'00110'B IF_PRESENT	
extb7a	'1'B IF_PRESENT	
ol3pi	*	
Detailed Comments:		

Structured Type Constraint		
Constraint Name:	Llcmp_Setup_B121_9600_2	
Structured Type:	LLCMP	
Derivation Path:		
Comments:	Lower Layer Compatibility IE for a setup PDU acc to the table in clause B.2.2.1. of GSM 07.01. The combination of the values is equivalent to the combination in the bearer capability constraint Bcap_Setup_B121_9600_2. ANY CHANGE IN THIS CONSTRAINT MUST BE MADE IN THE CORRESPONDING BEARER CAPABILITY CONSTRAINT ALSO!	
Element Name	Element Value	Comments
iei	'01111100'B	
iel	('02'O, '03'O, '04'O, '05'O, '06'O, '07'O, '08'O, '09'O, '0A'O, '0B'O, '0C'O, '0D'O, '0E'O)	
extb3	?	
cs	'00'B	
itc	'01000'B	
extb3a	'1'B IF_PRESENT	
negind	*	
spb3a	'000000'B IF_PRESENT	
extb4	?	
tm	'00'B	
itr	'10000'B	
extb4a	*	
strc	'100'B IF_PRESENT	
config	'00'B IF_PRESENT	
est	'00'B IF_PRESENT	
extb4b	'1'B IF_PRESENT	
sym	'00'B IF_PRESENT	
itrdo	('00000'B, '10000'B, '10001'B, '10011'B, '10101'B, '10111'B) IF_PRESENT	
extb5	?	
l1id	'01'B	
uil1	'00001'B	
extb5a	?	
sb	'1'B	
neg	'0'B	
ur	'01000'B	
extb5b1	?	
ir	'10'B	
nictx	'0'B	
nicrx	'0'B	
fctx	'0'B	
fcrx	'0'B	
spb5b1	'0'B	
extb5b2	OMIT	
hdrb	OMIT	
mfs	OMIT	
mode	OMIT	
llineg	OMIT	
ass	OMIT	
ibob	OMIT	
spb5b2	OMIT	
extb5c	?	
nsb	('01'B, '11'B)	
ndb	'11'B	
pi	'011'B	
extb5d	'1'B IF_PRESENT	
dplxm	('0'B, '1'B) IF_PRESENT	
modemt	('010001'B, '010010'B, '010011'B, '010100'B, '010111'B, '011100'B) IF_PRESENT	
extb6	*	
l2id	'10'B IF_PRESENT	
uil2	('00110'B, '00111'B) IF_PRESENT	

extb6a	'1'B IF_PRESENT	
ol2pi	*	
extb7	*	
l3id	'11'B IF_PRESENT	
uil3	'00110'B IF_PRESENT	
extb7a	'1'B IF_PRESENT	
ol3pi	*	
Detailed Comments:		

Structured Type Constraint		
Constraint Name:	Llcmp_Setup_B121_9600_3	
Structured Type:	LLCMP	
Derivation Path:		
Comments:	<p>Lower Layer Compatibility IE for a setup PDU acc to the table in clause B.2.2.1. of GSM 07.01. The combination of the values is equivalent to the combination in the bearer capability constraint Bcap_Setup_B121_9600_3.</p> <p>This constraint is identical to Llcmp_Setup_B121_9600_1 because the differences between the two corresponding bearer capabilities IEs are not reflected in the low layer compatibilities IEs.</p> <p>ANY CHANGE IN THIS CONSTRAINT MUST BE MADE IN THE CORRESPONDING BEARER CAPABILITY CONSTRAINT ALSO!</p>	
Element Name	Element Value	Comments
iei	'01111100'B	
iel	('02'O, '03'O, '04'O, '05'O, '06'O, '07'O, '08'O, '09'O, '0A'O, '0B'O, '0C'O, '0D'O, '0E'O)	
extb3	?	
cs	'00'B	
itc	'01000'B	
extb3a	'1'B IF_PRESENT	
negind	*	
spb3a	'000000'B IF_PRESENT	
extb4	?	
tm	'00'B	
itr	'10000'B	
extb4a	*	
strc	'100'B IF_PRESENT	
config	'00'B IF_PRESENT	
est	'00'B IF_PRESENT	
extb4b	'1'B IF_PRESENT	
sym	'00'B IF_PRESENT	
itrdo	('00000'B, '10000'B, '10001'B, '10011'B, '10101'B, '10111'B) IF_PRESENT	
extb5	?	
l1id	'01'B	
uil1	'00001'B	
extb5a	?	
sb	'1'B	
neg	'0'B	
ur	'01000'B	
extb5b1	?	
ir	'10'B	
nictx	'0'B	
nicrx	'0'B	
fctx	'0'B	
fcrx	'0'B	
spb5b1	'0'B	
extb5b2	OMIT	
hdrb	OMIT	
mfs	OMIT	
mode	OMIT	
llineg	OMIT	
ass	OMIT	
ibob	OMIT	
spb5b2	OMIT	
extb5c	?	
nsb	('01'B, '11'B)	
ndb	'10'B	
pi	('000'B, '010'B, '011'B, '100'B, '101'B)	
extb5d	'1'B IF_PRESENT	
dplxm	('0'B, '1'B) IF_PRESENT	
modemt	('010001'B, '010010'B, '010011'B, '010100'B, '010111'B, '011100'B) IF_PRESENT	
extb6	*	

l2id	'10'B IF_PRESENT	
uil2	('00110'B, '00111'B) IF_PRESENT	
extb6a	'1'B IF_PRESENT	
ol2pi	*	
extb7	*	
l3id	'11'B IF_PRESENT	
uil3	'00110'B IF_PRESENT	
extb7a	'1'B IF_PRESENT	
ol3pi	*	

Detailed Comments:

Structured Type Constraint		
Constraint Name:	Llcmp_Setup_B121_9600_4	
Structured Type:	LLCMP	
Derivation Path:		
Comments:	<p>Lower Layer Compatibility IE for a setup PDU acc to the table in clause B.2.2.1. of GSM 07.01. The combination of the values is equivalent to the combination in the bearer capability constraint Bcap_Setup_B121_9600_4.</p> <p>This constraint is identical to Llcmp_Setup_B121_9600_2 because the differences between the two corresponding bearer capabilities IEs are not reflected in the low layer compatibilities IEs.</p> <p>ANY CHANGE IN THIS CONSTRAINT MUST BE MADE IN THE CORRESPONDING BEARER CAPABILITY CONSTRAINT ALSO!</p>	
Element Name	Element Value	Comments
iei	'01111100'B	
iel	('02'O, '03'O, '04'O, '05'O, '06'O, '07'O, '08'O, '09'O, '0A'O, '0B'O, '0C'O, '0D'O, '0E'O)	
extb3	?	
cs	'00'B	
itc	'01000'B	
extb3a	'1'B IF_PRESENT	
negind	*	
spb3a	'000000'B IF_PRESENT	
extb4	?	
tm	'00'B	
itr	'10000'B	
extb4a	*	
strc	'100'B IF_PRESENT	
config	'00'B IF_PRESENT	
est	'00'B IF_PRESENT	
extb4b	'1'B IF_PRESENT	
sym	'00'B IF_PRESENT	
itrdo	('00000'B, '10000'B, '10001'B, '10011'B, '10101'B, '10111'B) IF_PRESENT	
extb5	?	
l1id	'01'B	
uil1	'00001'B	
extb5a	?	
sb	'1'B	
neg	'0'B	
ur	'01000'B	
extb5b1	?	
ir	'10'B	
nictx	'0'B	
nicrx	'0'B	
fctx	'0'B	
fcrx	'0'B	
spb5b1	'0'B	
extb5b2	OMIT	
hdrb	OMIT	
mfs	OMIT	
mode	OMIT	
llineg	OMIT	
ass	OMIT	
ibob	OMIT	
spb5b2	OMIT	
extb5c	?	
nsb	('01'B, '11'B)	
ndb	'11'B	
pi	'011'B	
extb5d	'1'B IF_PRESENT	
dplxm	('0'B, '1'B) IF_PRESENT	
modemt	('010001'B, '010010'B, '010011'B, '010100'B, '010111'B, '011100'B) IF_PRESENT	
extb6	*	

l2id	'10'B IF_PRESENT	
uil2	('00110'B, '00111'B) IF_PRESENT	
extb6a	'1'B IF_PRESENT	
ol2pi	*	
extb7	*	
l3id	'11'B IF_PRESENT	
uil3	'00110'B IF_PRESENT	
extb7a	'1'B IF_PRESENT	
ol3pi	*	
Detailed Comments:		

Structured Type Constraint		
Constraint Name:	Llcmp_Setup_B122_300_1	
Structured Type:	LLCMP	
Derivation Path:		
Comments:	Lower Layer Compatibility IE for a setup PDU acc to the table in clause B.2.2.2 of GSM 07.01. The combination of the values is equivalent to the combination in the bearer capability constraint Bcap_Setup_B122_300_1. ANY CHANGE IN THIS CONSTRAINT MUST BE MADE IN THE CORRESPONDING BEARER CAPABILITY CONSTRAINT ALSO!	
Element Name	Element Value	Comments
iei	'01111100'B	
iel	('02'O, '03'O, '04'O, '05'O, '06'O, '07'O, '08'O, '09'O, '0A'O, '0B'O, '0C'O, '0D'O, '0E'O)	
extb3	?	
cs	'00'B	
itc	'10000'B	
extb3a	'1'B IF_PRESENT	
negind	*	
spb3a	'000000'B IF_PRESENT	
extb4	?	
tm	'00'B	
itr	'10000'B	
extb4a	*	
strc	('000'B, '001'B, '100'B, '111'B) IF_PRESENT	
config	'00'B IF_PRESENT	
est	'00'B IF_PRESENT	
extb4b	'1'B IF_PRESENT	
sym	'00'B IF_PRESENT	
itrdo	('00000'B, '10000'B, '10001'B, '10011'B, '10101'B, '10111'B) IF_PRESENT	
extb5	?	
l1id	'01'B	
uil1	'00011'B	
extb5a	? IF_PRESENT	
sb	'1'B IF_PRESENT	
neg	('0'B, '1'B) IF_PRESENT	
ur	'11110'B IF_PRESENT	
extb5b1	?	
ir	'10'B	
nictx	('0'B, '1'B)	
nicrx	('0'B, '1'B)	
fctx	('0'B, '1'B)	
fcrx	('0'B, '1'B)	
spb5b1	'0'B	
extb5b2	OMIT	
hdrb	OMIT	
mfs	OMIT	
mode	OMIT	
llineg	OMIT	
ass	OMIT	
ibob	OMIT	
spb5b2	OMIT	
extb5c	? IF_PRESENT	
nsb	('01'B, '11'B) IF_PRESENT	
ndb	'10'B IF_PRESENT	
pi	('000'B, '010'B, '011'B, '100'B, '101'B) IF_PRESENT	
extb5d	'1'B IF_PRESENT	
dplxm	('0'B, '1'B) IF_PRESENT	
modemt	'010001'B IF_PRESENT	
extb6	*	
l2id	'10'B IF_PRESENT	
uil2	('00110'B, '00111'B) IF_PRESENT	

extb6a	'1'B IF_PRESENT	
ol2pi	*	
extb7	*	
l3id	'11'B IF_PRESENT	
uil3	'00110'B IF_PRESENT	
extb7a	'1'B IF_PRESENT	
ol3pi	*	
Detailed Comments:		

Structured Type Constraint		
Constraint Name:	Llcmp_Setup_B122_300_2	
Structured Type:	LLCMP	
Derivation Path:		
Comments:	Lower Layer Compatibility IE for a setup PDU acc to the table in clause B.2.2.2 of GSM 07.01. The combination of the values is equivalent to the combination in the bearer capability constraint Bcap_Setup_B122_300_2. ANY CHANGE IN THIS CONSTRAINT MUST BE MADE IN THE CORRESPONDING BEARER CAPABILITY CONSTRAINT ALSO!	
Element Name	Element Value	Comments
iei	'01111100'B	
iel	('02'O, '03'O, '04'O, '05'O, '06'O, '07'O, '08'O, '09'O, '0A'O, '0B'O, '0C'O, '0D'O, '0E'O)	
extb3	?	
cs	'00'B	
itc	'10000'B	
extb3a	'1'B IF_PRESENT	
negind	*	
spb3a	'000000'B IF_PRESENT	
extb4	?	
tm	'00'B	
itr	'10000'B	
extb4a	*	
strc	('000'B, '001'B, '100'B, '111'B) IF_PRESENT	
config	'00'B IF_PRESENT	
est	'00'B IF_PRESENT	
extb4b	'1'B IF_PRESENT	
sym	'00'B IF_PRESENT	
itrdo	('00000'B, '10000'B, '10001'B, '10011'B, '10101'B, '10111'B) IF_PRESENT	
extb5	?	
l1id	'01'B	
uil1	'00011'B	
extb5a	? IF_PRESENT	
sb	'1'B IF_PRESENT	
neg	('0'B, '1'B) IF_PRESENT	
ur	'11110'B IF_PRESENT	
extb5b1	?	
ir	'10'B	
nictx	('0'B, '1'B)	
nicrx	('0'B, '1'B)	
fctx	('0'B, '1'B)	
fcrx	('0'B, '1'B)	
spb5b1	'0'B	
extb5b2	OMIT	
hdrb	OMIT	
mfs	OMIT	
mode	OMIT	
llineg	OMIT	
ass	OMIT	
ibob	OMIT	
spb5b2	OMIT	
extb5c	? IF_PRESENT	
nsb	('01'B, '11'B) IF_PRESENT	
ndb	'11'B IF_PRESENT	
pi	'011'B IF_PRESENT	
extb5d	'1'B IF_PRESENT	
dplxrn	('0'B, '1'B) IF_PRESENT	
modemt	'010001'B IF_PRESENT	
extb6	*	
l2id	'10'B IF_PRESENT	
uil2	('00110'B, '00111'B) IF_PRESENT	
extb6a	'1'B IF_PRESENT	

ol2pi	*	
extb7	*	
l3id	'11'B IF_PRESENT	
uil3	'00110'B IF_PRESENT	
extb7a	'1'B IF_PRESENT	
ol3pi	*	
Detailed Comments:		

Structured Type Constraint		
Constraint Name:	Llcmp_Setup_B122_1200_1	
Structured Type:	LLCMP	
Derivation Path:		
Comments:	Lower Layer Compatibility IE for a setup PDU acc to the table in clause B.2.2.2 of GSM 07.01. The combination of the values is equivalent to the combination in the bearer capability constraint Bcap_Setup_B122_1200_1. ANY CHANGE IN THIS CONSTRAINT MUST BE MADE IN THE CORRESPONDING BEARER CAPABILITY CONSTRAINT ALSO!	
Element Name	Element Value	Comments
iei	'01111100'B	
iel	('02'O, '03'O, '04'O, '05'O, '06'O, '07'O, '08'O, '09'O, '0A'O, '0B'O, '0C'O, '0D'O, '0E'O)	
extb3	?	
cs	'00'B	
itc	'10000'B	
extb3a	'1'B IF_PRESENT	
negind	*	
spb3a	'000000'B IF_PRESENT	
extb4	?	
tm	'00'B	
itr	'10000'B	
extb4a	*	
strc	('000'B, '001'B, '100'B, '111'B) IF_PRESENT	
config	'00'B IF_PRESENT	
est	'00'B IF_PRESENT	
extb4b	'1'B IF_PRESENT	
sym	'00'B IF_PRESENT	
itrdo	('00000'B, '10000'B, '10001'B, '10011'B, '10101'B, '10111'B) IF_PRESENT	
extb5	?	
l1id	'01'B	
uil1	'00011'B	
extb5a	? IF_PRESENT	
sb	'1'B IF_PRESENT	
neg	('0'B, '1'B) IF_PRESENT	
ur	'00001'B IF_PRESENT	
extb5b1	?	
ir	'10'B	
nictx	('0'B, '1'B)	
nicrx	('0'B, '1'B)	
fctx	('0'B, '1'B)	
fcrx	('0'B, '1'B)	
spb5b1	'0'B	
extb5b2	OMIT	
hdrb	OMIT	
mfs	OMIT	
mode	OMIT	
llineg	OMIT	
ass	OMIT	
ibob	OMIT	
spb5b2	OMIT	
extb5c	? IF_PRESENT	
nsb	('01'B, '11'B) IF_PRESENT	
ndb	'10'B IF_PRESENT	
pi	('000'B, '010'B, '011'B, '100'B, '101'B) IF_PRESENT	
extb5d	'1'B IF_PRESENT	
dplxm	('0'B, '1'B) IF_PRESENT	
modemt	'010010'B IF_PRESENT	
extb6	*	
l2id	'10'B IF_PRESENT	
uil2	('00110'B, '00111'B) IF_PRESENT	

extb6a	'1'B IF_PRESENT	
ol2pi	*	
extb7	*	
l3id	'11'B IF_PRESENT	
uil3	'00110'B IF_PRESENT	
extb7a	'1'B IF_PRESENT	
ol3pi	*	
Detailed Comments:		

Structured Type Constraint		
Constraint Name:	Llcmp_Setup_B122_1200_2	
Structured Type:	LLCMP	
Derivation Path:		
Comments:	Lower Layer Compatibility IE for a setup PDU acc to the table in clause B.2.2.2 of GSM 07.01. The combination of the values is equivalent to the combination in the bearer capability constraint Bcap_Setup_B122_1200_2. ANY CHANGE IN THIS CONSTRAINT MUST BE MADE IN THE CORRESPONDING BEARER CAPABILITY CONSTRAINT ALSO!	
Element Name	Element Value	Comments
iei	'01111100'B	
iel	('02'O, '03'O, '04'O, '05'O, '06'O, '07'O, '08'O, '09'O, '0A'O, '0B'O, '0C'O, '0D'O, '0E'O)	
extb3	?	
cs	'00'B	
itc	'10000'B	
extb3a	'1'B IF_PRESENT	
negind	*	
spb3a	'000000'B IF_PRESENT	
extb4	?	
tm	'00'B	
itr	'10000'B	
extb4a	*	
strc	('000'B, '001'B, '100'B, '111'B) IF_PRESENT	
config	'00'B IF_PRESENT	
est	'00'B IF_PRESENT	
extb4b	'1'B IF_PRESENT	
sym	'00'B IF_PRESENT	
itrdo	('00000'B, '10000'B, '10001'B, '10011'B, '10101'B, '10111'B) IF_PRESENT	
extb5	?	
l1id	'01'B	
uil1	'00011'B	
extb5a	? IF_PRESENT	
sb	'1'B IF_PRESENT	
neg	('0'B, '1'B) IF_PRESENT	
ur	'00001'B IF_PRESENT	
extb5b1	?	
ir	'10'B	
nictx	('0'B, '1'B)	
nicrx	('0'B, '1'B)	
fctx	('0'B, '1'B)	
fcrx	('0'B, '1'B)	
spb5b1	'0'B	
extb5b2	OMIT	
hdrb	OMIT	
mfs	OMIT	
mode	OMIT	
llineg	OMIT	
ass	OMIT	
ibob	OMIT	
spb5b2	OMIT	
extb5c	? IF_PRESENT	
nsb	('01'B, '11'B) IF_PRESENT	
ndb	'11'B IF_PRESENT	
pi	'011'B IF_PRESENT	
extb5d	'1'B IF_PRESENT	
dplxrn	('0'B, '1'B) IF_PRESENT	
modemt	'010010'B IF_PRESENT	
extb6	*	
l2id	'10'B IF_PRESENT	
uil2	('00110'B, '00111'B) IF_PRESENT	
extb6a	'1'B IF_PRESENT	

ol2pi	*	
extb7	*	
l3id	'11'B IF_PRESENT	
uil3	'00110'B IF_PRESENT	
extb7a	'1'B IF_PRESENT	
ol3pi	*	
Detailed Comments:		

Structured Type Constraint		
Constraint Name:	Llcmp_Setup_B122_120075_1	
Structured Type:	LLCMP	
Derivation Path:		
Comments:	Lower Layer Compatibility IE for a setup PDU acc to the table in clause B.2.2.2 of GSM 07.01. The combination of the values is equivalent to the combination in the bearer capability constraint Bcap_Setup_B122_120075_1. ANY CHANGE IN THIS CONSTRAINT MUST BE MADE IN THE CORRESPONDING BEARER CAPABILITY CONSTRAINT ALSO!	
Element Name	Element Value	Comments
iei	'01111100'B	
iel	('02'O, '03'O, '04'O, '05'O, '06'O, '07'O, '08'O, '09'O, '0A'O, '0B'O, '0C'O, '0D'O, '0E'O)	
extb3	?	
cs	'00'B	
itc	'10000'B	
extb3a	'1'B IF_PRESENT	
negind	*	
spb3a	'000000'B IF_PRESENT	
extb4	?	
tm	'00'B	
itr	'10000'B	
extb4a	*	
strc	('000'B, '001'B, '100'B, '111'B) IF_PRESENT	
config	'00'B IF_PRESENT	
est	'00'B IF_PRESENT	
extb4b	'1'B IF_PRESENT	
sym	'00'B IF_PRESENT	
itrdo	('00000'B, '10000'B, '10001'B, '10011'B, '10101'B, '10111'B) IF_PRESENT	
extb5	?	
l1id	'01'B	
uil1	'00011'B	
extb5a	? IF_PRESENT	
sb	'1'B IF_PRESENT	
neg	('0'B, '1'B) IF_PRESENT	
ur	'10111'B IF_PRESENT	
extb5b1	?	
ir	'10'B	
nictx	('0'B, '1'B)	
nicrx	('0'B, '1'B)	
fctx	('0'B, '1'B)	
fcrx	('0'B, '1'B)	
spb5b1	'0'B	
extb5b2	OMIT	
hdrb	OMIT	
mfs	OMIT	
mode	OMIT	
llineg	OMIT	
ass	OMIT	
ibob	OMIT	
spb5b2	OMIT	
extb5c	? IF_PRESENT	
nsb	('01'B, '11'B) IF_PRESENT	
ndb	'10'B IF_PRESENT	
pi	('000'B, '010'B, '011'B, '100'B, '101'B) IF_PRESENT	
extb5d	'1'B IF_PRESENT	
dplxm	('0'B, '1'B) IF_PRESENT	
modemt	'010100'B IF_PRESENT	
extb6	*	
l2id	'10'B IF_PRESENT	
uil2	('00110'B, '00111'B) IF_PRESENT	

extb6a	'1'B IF_PRESENT	
ol2pi	*	
extb7	*	
l3id	'11'B IF_PRESENT	
uil3	'00110'B IF_PRESENT	
extb7a	'1'B IF_PRESENT	
ol3pi	*	
Detailed Comments:		

Structured Type Constraint		
Constraint Name:	Llcmp_Setup_B122_120075_2	
Structured Type:	LLCMP	
Derivation Path:		
Comments:	Lower Layer Compatibility IE for a setup PDU acc to the table in clause B.2.2.2 of GSM 07.01. The combination of the values is equivalent to the combination in the bearer capability constraint Bcap_Setup_B122_120075_2. ANY CHANGE IN THIS CONSTRAINT MUST BE MADE IN THE CORRESPONDING BEARER CAPABILITY CONSTRAINT ALSO!	
Element Name	Element Value	Comments
iei	'01111100'B	
iel	('02'O, '03'O, '04'O, '05'O, '06'O, '07'O, '08'O, '09'O, '0A'O, '0B'O, '0C'O, '0D'O, '0E'O)	
extb3	?	
cs	'00'B	
itc	'10000'B	
extb3a	'1'B IF_PRESENT	
negind	*	
spb3a	'000000'B IF_PRESENT	
extb4	?	
tm	'00'B	
itr	'10000'B	
extb4a	*	
strc	('000'B, '001'B, '100'B, '111'B) IF_PRESENT	
config	'00'B IF_PRESENT	
est	'00'B IF_PRESENT	
extb4b	'1'B IF_PRESENT	
sym	'00'B IF_PRESENT	
itrdo	('00000'B, '10000'B, '10001'B, '10011'B, '10101'B, '10111'B) IF_PRESENT	
extb5	?	
l1id	'01'B	
uil1	'00011'B	
extb5a	? IF_PRESENT	
sb	'1'B IF_PRESENT	
neg	('0'B, '1'B) IF_PRESENT	
ur	'10111'B IF_PRESENT	
extb5b1	?	
ir	'10'B	
nictx	('0'B, '1'B)	
nicrx	('0'B, '1'B)	
fctx	('0'B, '1'B)	
fcrx	('0'B, '1'B)	
spb5b1	'0'B	
extb5b2	OMIT	
hdrb	OMIT	
mfs	OMIT	
mode	OMIT	
llineg	OMIT	
ass	OMIT	
ibob	OMIT	
spb5b2	OMIT	
extb5c	? IF_PRESENT	
nsb	('01'B, '11'B) IF_PRESENT	
ndb	'11'B IF_PRESENT	
pi	'011'B IF_PRESENT	
extb5d	'1'B IF_PRESENT	
dplxrn	('0'B, '1'B) IF_PRESENT	
modemt	'010100'B IF_PRESENT	
extb6	*	
l2id	'10'B IF_PRESENT	
uil2	('00110'B, '00111'B) IF_PRESENT	
extb6a	'1'B IF_PRESENT	

ol2pi	*	
extb7	*	
l3id	'11'B IF_PRESENT	
uil3	'00110'B IF_PRESENT	
extb7a	'1'B IF_PRESENT	
ol3pi	*	
Detailed Comments:		

Structured Type Constraint		
Constraint Name:	Llcmp_Setup_B122_2400_1	
Structured Type:	LLCMP	
Derivation Path:		
Comments:	Lower Layer Compatibility IE for a setup PDU acc to the table in clause B.2.2.2 of GSM 07.01. The combination of the values is equivalent to the combination in the bearer capability constraint Bcap_Setup_B122_2400_1. ANY CHANGE IN THIS CONSTRAINT MUST BE MADE IN THE CORRESPONDING BEARER CAPABILITY CONSTRAINT ALSO!	
Element Name	Element Value	Comments
iei	'01111100'B	
iel	('02'O, '03'O, '04'O, '05'O, '06'O, '07'O, '08'O, '09'O, '0A'O, '0B'O, '0C'O, '0D'O, '0E'O)	
extb3	?	
cs	'00'B	
itc	'10000'B	
extb3a	'1'B IF_PRESENT	
negind	*	
spb3a	'000000'B IF_PRESENT	
extb4	?	
tm	'00'B	
itr	'10000'B	
extb4a	*	
strc	('000'B, '001'B, '100'B, '111'B) IF_PRESENT	
config	'00'B IF_PRESENT	
est	'00'B IF_PRESENT	
extb4b	'1'B IF_PRESENT	
sym	'00'B IF_PRESENT	
itrdo	('00000'B, '10000'B, '10001'B, '10011'B, '10101'B, '10111'B) IF_PRESENT	
extb5	?	
l1id	'01'B	
uil1	'00011'B	
extb5a	? IF_PRESENT	
sb	'1'B IF_PRESENT	
neg	('0'B, '1'B) IF_PRESENT	
ur	'00011'B IF_PRESENT	
extb5b1	?	
ir	'10'B	
nictx	('0'B, '1'B)	
nicrx	('0'B, '1'B)	
fctx	('0'B, '1'B)	
fcrx	('0'B, '1'B)	
spb5b1	'0'B	
extb5b2	OMIT	
hdrb	OMIT	
mfs	OMIT	
mode	OMIT	
llineg	OMIT	
ass	OMIT	
ibob	OMIT	
spb5b2	OMIT	
extb5c	? IF_PRESENT	
nsb	('01'B, '11'B) IF_PRESENT	
ndb	'10'B IF_PRESENT	
pi	('000'B, '010'B, '011'B, '100'B, '101'B) IF_PRESENT	
extb5d	'1'B IF_PRESENT	
dplxm	('0'B, '1'B) IF_PRESENT	
modemt	('010011'B, '010111'B) IF_PRESENT	
extb6	*	
l2id	'10'B IF_PRESENT	
uil2	('00110'B, '00111'B) IF_PRESENT	

extb6a	'1'B IF_PRESENT	
ol2pi	*	
extb7	*	
l3id	'11'B IF_PRESENT	
uil3	'00110'B IF_PRESENT	
extb7a	'1'B IF_PRESENT	
ol3pi	*	
Detailed Comments:		

Structured Type Constraint		
Constraint Name:	Llcmp_Setup_B122_2400_2	
Structured Type:	LLCMP	
Derivation Path:		
Comments:	Lower Layer Compatibility IE for a setup PDU acc to the table in clause B.2.2.2 of GSM 07.01. The combination of the values is equivalent to the combination in the bearer capability constraint Bcap_Setup_B122_2400_2. ANY CHANGE IN THIS CONSTRAINT MUST BE MADE IN THE CORRESPONDING BEARER CAPABILITY CONSTRAINT ALSO!	
Element Name	Element Value	Comments
iei	'01111100'B	
iel	('02'O, '03'O, '04'O, '05'O, '06'O, '07'O, '08'O, '09'O, '0A'O, '0B'O, '0C'O, '0D'O, '0E'O)	
extb3	?	
cs	'00'B	
itc	'10000'B	
extb3a	'1'B IF_PRESENT	
negind	*	
spb3a	'000000'B IF_PRESENT	
extb4	?	
tm	'00'B	
itr	'10000'B	
extb4a	*	
strc	('000'B, '001'B, '100'B, '111'B) IF_PRESENT	
config	'00'B IF_PRESENT	
est	'00'B IF_PRESENT	
extb4b	'1'B IF_PRESENT	
sym	'00'B IF_PRESENT	
itrdo	('00000'B, '10000'B, '10001'B, '10011'B, '10101'B, '10111'B) IF_PRESENT	
extb5	?	
l1id	'01'B	
uil1	'00011'B	
extb5a	? IF_PRESENT	
sb	'1'B IF_PRESENT	
neg	('0'B, '1'B) IF_PRESENT	
ur	'00011'B IF_PRESENT	
extb5b1	?	
ir	'10'B	
nictx	('0'B, '1'B)	
nicrx	('0'B, '1'B)	
fctx	('0'B, '1'B)	
fcrx	('0'B, '1'B)	
spb5b1	'0'B	
extb5b2	OMIT	
hdrb	OMIT	
mfs	OMIT	
mode	OMIT	
llineg	OMIT	
ass	OMIT	
ibob	OMIT	
spb5b2	OMIT	
extb5c	? IF_PRESENT	
nsb	('01'B, '11'B) IF_PRESENT	
ndb	'11'B IF_PRESENT	
pi	'011'B IF_PRESENT	
extb5d	'1'B IF_PRESENT	
dplxrn	('0'B, '1'B) IF_PRESENT	
modemt	('010011'B, '010111'B) IF_PRESENT	
extb6	*	
l2id	'10'B IF_PRESENT	
uil2	('00110'B, '00111'B) IF_PRESENT	
extb6a	'1'B IF_PRESENT	

ol2pi	*	
extb7	*	
l3id	'11'B IF_PRESENT	
uil3	'00110'B IF_PRESENT	
extb7a	'1'B IF_PRESENT	
ol3pi	*	
Detailed Comments:		

Structured Type Constraint		
Constraint Name:	Llcmp_Setup_B122_4800_1	
Structured Type:	LLCMP	
Derivation Path:		
Comments:	Lower Layer Compatibility IE for a setup PDU acc to the table in clause B.2.2.2 of GSM 07.01. The combination of the values is equivalent to the combination in the bearer capability constraint Bcap_Setup_B122_4800_1. ANY CHANGE IN THIS CONSTRAINT MUST BE MADE IN THE CORRESPONDING BEARER CAPABILITY CONSTRAINT ALSO!	
Element Name	Element Value	Comments
iei	'01111100'B	
iel	('02'O, '03'O, '04'O, '05'O, '06'O, '07'O, '08'O, '09'O, '0A'O, '0B'O, '0C'O, '0D'O, '0E'O)	
extb3	?	
cs	'00'B	
itc	'10000'B	
extb3a	'1'B IF_PRESENT	
negind	*	
spb3a	'000000'B IF_PRESENT	
extb4	?	
tm	'00'B	
itr	'10000'B	
extb4a	*	
strc	('000'B, '001'B, '100'B, '111'B) IF_PRESENT	
config	'00'B IF_PRESENT	
est	'00'B IF_PRESENT	
extb4b	'1'B IF_PRESENT	
sym	'00'B IF_PRESENT	
itrdo	('00000'B, '10000'B, '10001'B, '10011'B, '10101'B, '10111'B) IF_PRESENT	
extb5	?	
l1id	'01'B	
uil1	'00011'B	
extb5a	? IF_PRESENT	
sb	'1'B IF_PRESENT	
neg	('0'B, '1'B) IF_PRESENT	
ur	'00101'B IF_PRESENT	
extb5b1	?	
ir	'10'B	
nictx	('0'B, '1'B)	
nicrx	('0'B, '1'B)	
fctx	('0'B, '1'B)	
fcrx	('0'B, '1'B)	
spb5b1	'0'B	
extb5b2	OMIT	
hdrb	OMIT	
mfs	OMIT	
mode	OMIT	
llineg	OMIT	
ass	OMIT	
ibob	OMIT	
spb5b2	OMIT	
extb5c	? IF_PRESENT	
nsb	('01'B, '11'B) IF_PRESENT	
ndb	'10'B IF_PRESENT	
pi	('000'B, '010'B, '011'B, '100'B, '101'B) IF_PRESENT	
extb5d	'1'B IF_PRESENT	
dplxm	('0'B, '1'B) IF_PRESENT	
modemt	'011100'B IF_PRESENT	
extb6	*	
l2id	'10'B IF_PRESENT	
uil2	('00110'B, '00111'B) IF_PRESENT	

extb6a	'1'B IF_PRESENT	
ol2pi	*	
extb7	*	
l3id	'11'B IF_PRESENT	
uil3	'00110'B IF_PRESENT	
extb7a	'1'B IF_PRESENT	
ol3pi	*	
Detailed Comments:		

Structured Type Constraint		
Constraint Name:	Llcmp_Setup_B122_4800_2	
Structured Type:	LLCMP	
Derivation Path:		
Comments:	Lower Layer Compatibility IE for a setup PDU acc to the table in clause B.2.2.2 of GSM 07.01. The combination of the values is equivalent to the combination in the bearer capability constraint Bcap_Setup_B122_4800_2. ANY CHANGE IN THIS CONSTRAINT MUST BE MADE IN THE CORRESPONDING BEARER CAPABILITY CONSTRAINT ALSO!	
Element Name	Element Value	Comments
iei	'01111100'B	
iel	('02'O, '03'O, '04'O, '05'O, '06'O, '07'O, '08'O, '09'O, '0A'O, '0B'O, '0C'O, '0D'O, '0E'O)	
extb3	?	
cs	'00'B	
itc	'10000'B	
extb3a	'1'B IF_PRESENT	
negind	*	
spb3a	'000000'B IF_PRESENT	
extb4	?	
tm	'00'B	
itr	'10000'B	
extb4a	*	
strc	('000'B, '001'B, '100'B, '111'B) IF_PRESENT	
config	'00'B IF_PRESENT	
est	'00'B IF_PRESENT	
extb4b	'1'B IF_PRESENT	
sym	'00'B IF_PRESENT	
itrdo	('00000'B, '10000'B, '10001'B, '10011'B, '10101'B, '10111'B) IF_PRESENT	
extb5	?	
l1id	'01'B	
uil1	'00011'B	
extb5a	? IF_PRESENT	
sb	'1'B IF_PRESENT	
neg	('0'B, '1'B) IF_PRESENT	
ur	'00101'B IF_PRESENT	
extb5b1	?	
ir	'10'B	
nictx	('0'B, '1'B)	
nicrx	('0'B, '1'B)	
fctx	('0'B, '1'B)	
fcrx	('0'B, '1'B)	
spb5b1	'0'B	
extb5b2	OMIT	
hdrb	OMIT	
mfs	OMIT	
mode	OMIT	
llineg	OMIT	
ass	OMIT	
ibob	OMIT	
spb5b2	OMIT	
extb5c	? IF_PRESENT	
nsb	('01'B, '11'B) IF_PRESENT	
ndb	'11'B IF_PRESENT	
pi	'011'B IF_PRESENT	
extb5d	'1'B IF_PRESENT	
dplxrn	('0'B, '1'B) IF_PRESENT	
modemt	'011100'B IF_PRESENT	
extb6	*	
l2id	'10'B IF_PRESENT	
uil2	('00110'B, '00111'B) IF_PRESENT	
extb6a	'1'B IF_PRESENT	

ol2pi	*	
extb7	*	
l3id	'11'B IF_PRESENT	
uil3	'00110'B IF_PRESENT	
extb7a	'1'B IF_PRESENT	
ol3pi	*	
Detailed Comments:		

Structured Type Constraint		
Constraint Name:	Llcmp_Setup_B122_9600_1	
Structured Type:	LLCMP	
Derivation Path:		
Comments:	Lower Layer Compatibility IE for a setup PDU acc to the table in clause B.2.2.2 of GSM 07.01. The combination of the values is equivalent to the combination in the bearer capability constraint Bcap_Setup_B122_9600_1. ANY CHANGE IN THIS CONSTRAINT MUST BE MADE IN THE CORRESPONDING BEARER CAPABILITY CONSTRAINT ALSO!	
Element Name	Element Value	Comments
iei	'01111100'B	
iel	('02'O, '03'O, '04'O, '05'O, '06'O, '07'O, '08'O, '09'O, '0A'O, '0B'O, '0C'O, '0D'O, '0E'O)	
extb3	?	
cs	'00'B	
itc	'10000'B	
extb3a	'1'B IF_PRESENT	
negind	*	
spb3a	'000000'B IF_PRESENT	
extb4	?	
tm	'00'B	
itr	'10000'B	
extb4a	*	
strc	('000'B, '001'B, '100'B, '111'B) IF_PRESENT	
config	'00'B IF_PRESENT	
est	'00'B IF_PRESENT	
extb4b	'1'B IF_PRESENT	
sym	'00'B IF_PRESENT	
itrdo	('00000'B, '10000'B, '10001'B, '10011'B, '10101'B, '10111'B) IF_PRESENT	
extb5	?	
l1id	'01'B	
uil1	'00011'B	
extb5a	? IF_PRESENT	
sb	'1'B IF_PRESENT	
neg	('0'B, '1'B) IF_PRESENT	
ur	'01000'B IF_PRESENT	
extb5b1	?	
ir	'10'B	
nictx	('0'B, '1'B)	
nicrx	('0'B, '1'B)	
fctx	('0'B, '1'B)	
fcrx	('0'B, '1'B)	
spb5b1	'0'B	
extb5b2	OMIT	
hdrb	OMIT	
mfs	OMIT	
mode	OMIT	
llineg	OMIT	
ass	OMIT	
ibob	OMIT	
spb5b2	OMIT	
extb5c	? IF_PRESENT	
nsb	('01'B, '11'B) IF_PRESENT	
ndb	'10'B IF_PRESENT	
pi	('000'B, '010'B, '011'B, '100'B, '101'B) IF_PRESENT	
extb5d	'1'B IF_PRESENT	
dplxm	('0'B, '1'B) IF_PRESENT	
modemt	'011100'B IF_PRESENT	
extb6	*	
l2id	'10'B IF_PRESENT	
uil2	('00110'B, '00111'B) IF_PRESENT	

extb6a	'1'B IF_PRESENT	
ol2pi	*	
extb7	*	
l3id	'11'B IF_PRESENT	
uil3	'00110'B IF_PRESENT	
extb7a	'1'B IF_PRESENT	
ol3pi	*	
Detailed Comments:		

Structured Type Constraint		
Constraint Name:	Llcmp_Setup_B122_9600_2	
Structured Type:	LLCMP	
Derivation Path:		
Comments:	Lower Layer Compatibility IE for a setup PDU acc to the table in clause B.2.2.2 of GSM 07.01. The combination of the values is equivalent to the combination in the bearer capability constraint Bcap_Setup_B122_9600_2. ANY CHANGE IN THIS CONSTRAINT MUST BE MADE IN THE CORRESPONDING BEARER CAPABILITY CONSTRAINT ALSO!	
Element Name	Element Value	Comments
iei	'01111100'B	
iel	('02'O, '03'O, '04'O, '05'O, '06'O, '07'O, '08'O, '09'O, '0A'O, '0B'O, '0C'O, '0D'O, '0E'O)	
extb3	?	
cs	'00'B	
itc	'10000'B	
extb3a	'1'B IF_PRESENT	
negind	*	
spb3a	'000000'B IF_PRESENT	
extb4	?	
tm	'00'B	
itr	'10000'B	
extb4a	*	
strc	('000'B, '001'B, '100'B, '111'B) IF_PRESENT	
config	'00'B IF_PRESENT	
est	'00'B IF_PRESENT	
extb4b	'1'B IF_PRESENT	
sym	'00'B IF_PRESENT	
itrdo	('00000'B, '10000'B, '10001'B, '10011'B, '10101'B, '10111'B) IF_PRESENT	
extb5	?	
l1id	'01'B	
uil1	'00011'B	
extb5a	? IF_PRESENT	
sb	'1'B IF_PRESENT	
neg	('0'B, '1'B) IF_PRESENT	
ur	'01000'B IF_PRESENT	
extb5b1	?	
ir	'10'B	
nictx	('0'B, '1'B)	
nicrx	('0'B, '1'B)	
fctx	('0'B, '1'B)	
fcrx	('0'B, '1'B)	
spb5b1	'0'B	
extb5b2	OMIT	
hdrb	OMIT	
mfs	OMIT	
mode	OMIT	
llineg	OMIT	
ass	OMIT	
ibob	OMIT	
spb5b2	OMIT	
extb5c	? IF_PRESENT	
nsb	('01'B, '11'B) IF_PRESENT	
ndb	'11'B IF_PRESENT	
pi	'011'B IF_PRESENT	
extb5d	'1'B IF_PRESENT	
dplxrm	('0'B, '1'B) IF_PRESENT	
modemt	'011100'B IF_PRESENT	
extb6	*	
l2id	'10'B IF_PRESENT	
uil2	('00110'B, '00111'B) IF_PRESENT	
extb6a	'1'B IF_PRESENT	

ol2pi	*	
extb7	*	
l3id	'11'B IF_PRESENT	
uil3	'00110'B IF_PRESENT	
extb7a	'1'B IF_PRESENT	
ol3pi	*	
Detailed Comments:		

Structured Type Constraint		
Constraint Name:	Llcmp_Setup_B122_9600_3	
Structured Type:	LLCMP	
Derivation Path:		
Comments:	<p>Lower Layer Compatibility IE for a setup PDU acc to the table in clause B.2.2.2 of GSM 07.01. The combination of the values is equivalent to the combination in the bearer capability constraint Bcap_Setup_B122_9600_3.</p> <p>This constraint is identical to Llcmp_Setup_B122_9600_1 because the differences between the two corresponding bearer capabilities IEs are not reflected in the low layer compatibilities IEs.</p> <p>ANY CHANGE IN THIS CONSTRAINT MUST BE MADE IN THE CORRESPONDING BEARER CAPABILITY CONSTRAINT ALSO!</p>	
Element Name	Element Value	Comments
iei	'01111100'B	
iel	('02'O, '03'O, '04'O, '05'O, '06'O, '07'O, '08'O, '09'O, '0A'O, '0B'O, '0C'O, '0D'O, '0E'O)	
extb3	?	
cs	'00'B	
itc	'10000'B	
extb3a	'1'B IF_PRESENT	
negind	*	
spb3a	'000000'B IF_PRESENT	
extb4	?	
tm	'00'B	
itr	'10000'B	
extb4a	*	
strc	('000'B, '001'B, '100'B, '111'B) IF_PRESENT	
config	'00'B IF_PRESENT	
est	'00'B IF_PRESENT	
extb4b	'1'B IF_PRESENT	
sym	'00'B IF_PRESENT	
itrdo	('00000'B, '10000'B, '10001'B, '10011'B, '10101'B, '10111'B) IF_PRESENT	
extb5	?	
l1id	'01'B	
uil1	'00011'B	
extb5a	? IF_PRESENT	
sb	'1'B IF_PRESENT	
neg	('0'B, '1'B) IF_PRESENT	
ur	'01000'B IF_PRESENT	
extb5b1	?	
ir	'10'B	
nictx	('0'B, '1'B)	
nicrx	('0'B, '1'B)	
fctx	('0'B, '1'B)	
fcrx	('0'B, '1'B)	
spb5b1	'0'B	
extb5b2	OMIT	
hdrb	OMIT	
mfs	OMIT	
mode	OMIT	
llineg	OMIT	
ass	OMIT	
ibob	OMIT	
spb5b2	OMIT	
extb5c	? IF_PRESENT	
nsb	('01'B, '11'B) IF_PRESENT	
ndb	'10'B IF_PRESENT	
pi	('000'B, '010'B, '011'B, '100'B, '101'B) IF_PRESENT	
extb5d	'1'B IF_PRESENT	
dplxm	('0'B, '1'B) IF_PRESENT	
modemt	'011100'B IF_PRESENT	
extb6	*	

l2id	'10'B IF_PRESENT	
uil2	('00110'B, '00111'B) IF_PRESENT	
extb6a	'1'B IF_PRESENT	
ol2pi	*	
extb7	*	
l3id	'11'B IF_PRESENT	
uil3	'00110'B IF_PRESENT	
extb7a	'1'B IF_PRESENT	
ol3pi	*	
Detailed Comments:		

Structured Type Constraint		
Constraint Name:	Llcmp_Setup_B122_9600_4	
Structured Type:	LLCMP	
Derivation Path:		
Comments:	<p>Lower Layer Compatibility IE for a setup PDU acc to the table in clause B.2.2.2 of GSM 07.01. The combination of the values is equivalent to the combination in the bearer capability constraint Bcap_Setup_B122_9600_4.</p> <p>This constraint is identical to Llcmp_Setup_B122_9600_2 because the differences between the two corresponding bearer capabilities IEs are not reflected in the low layer compatibilities IEs.</p> <p>ANY CHANGE IN THIS CONSTRAINT MUST BE MADE IN THE CORRESPONDING BEARER CAPABILITY CONSTRAINT ALSO!</p>	
Element Name	Element Value	Comments
iei	'01111100'B	
iel	('02'O, '03'O, '04'O, '05'O, '06'O, '07'O, '08'O, '09'O, '0A'O, '0B'O, '0C'O, '0D'O, '0E'O)	
extb3	?	
cs	'00'B	
itc	'10000'B	
extb3a	'1'B IF_PRESENT	
negind	*	
spb3a	'000000'B IF_PRESENT	
extb4	?	
tm	'00'B	
itr	'10000'B	
extb4a	*	
strc	('000'B, '001'B, '100'B, '111'B) IF_PRESENT	
config	'00'B IF_PRESENT	
est	'00'B IF_PRESENT	
extb4b	'1'B IF_PRESENT	
sym	'00'B IF_PRESENT	
itrdo	('00000'B, '10000'B, '10001'B, '10011'B, '10101'B, '10111'B) IF_PRESENT	
extb5	?	
l1id	'01'B	
uil1	'00011'B	
extb5a	? IF_PRESENT	
sb	'1'B IF_PRESENT	
neg	('0'B, '1'B) IF_PRESENT	
ur	'01000'B IF_PRESENT	
extb5b1	?	
ir	'10'B	
nictx	('0'B, '1'B)	
nicrx	('0'B, '1'B)	
fctx	('0'B, '1'B)	
fcrx	('0'B, '1'B)	
spb5b1	'0'B	
extb5b2	OMIT	
hdrb	OMIT	
mfs	OMIT	
mode	OMIT	
llineg	OMIT	
ass	OMIT	
ibob	OMIT	
spb5b2	OMIT	
extb5c	? IF_PRESENT	
nsb	('01'B, '11'B) IF_PRESENT	
ndb	'11'B IF_PRESENT	
pi	'011'B IF_PRESENT	
extb5d	'1'B IF_PRESENT	
dplxm	('0'B, '1'B) IF_PRESENT	
modemt	'011100'B IF_PRESENT	
extb6	*	
l2id	'10'B IF_PRESENT	

uil2	('00110'B, '00111'B) IF_PRESENT	
extb6a	'1'B IF_PRESENT	
ol2pi	*	
extb7	*	
l3id	'11'B IF_PRESENT	
uil3	'00110'B IF_PRESENT	
extb7a	'1'B IF_PRESENT	
ol3pi	*	
Detailed Comments:		

Structured Type Constraint		
Constraint Name:	Llcmp_Setup_B1311_1200	
Structured Type:	LLCMP	
Derivation Path:		
Comments:	Lower Layer Compatibility IE for a setup PDU acc to the table in clause B.2.3.1 of GSM 07.01. The combination of the values is equivalent to the combination in the bearer capability constraint Bcap_Setup_B1311_1200. ANY CHANGE IN THIS CONSTRAINT MUST BE MADE IN THE CORRESPONDING BEARER CAPABILITY CONSTRAINT ALSO!	
Element Name	Element Value	Comments
iei	'01111100'B	
iel	('02'O, '03'O, '04'O, '05'O, '06'O, '07'O, '08'O, '09'O, '0A'O, '0B'O, '0C'O, '0D'O, '0E'O)	
extb3	?	
cs	'00'B	
itc	'01000'B	
extb3a	'1'B IF_PRESENT	
negind	*	
spb3a	'000000'B IF_PRESENT	
extb4	?	
tm	'00'B	
itr	'10000'B	
extb4a	*	
strc	('000'B, '001'B, '100'B, '111'B) IF_PRESENT	
config	'00'B IF_PRESENT	
est	'00'B IF_PRESENT	
extb4b	'1'B IF_PRESENT	
sym	'00'B IF_PRESENT	
itrdo	('00000'B, '10000'B, '10001'B, '10011'B, '10101'B, '10111'B) IF_PRESENT	
extb5	?	
l1id	'01'B	
uil1	'00001'B	
extb5a	?	
sb	'0'B	
neg	'0'B	
ur	'00001'B	
extb5b1	?	
ir	'01'B	
nictx	('0'B, '1'B)	
nicrx	('0'B, '1'B)	
fctx	('0'B, '1'B)	
fcrx	('0'B, '1'B)	
spb5b1	'0'B	
extb5b2	OMIT	
hdrb	OMIT	
mfs	OMIT	
mode	OMIT	
llineg	OMIT	
ass	OMIT	
ibob	OMIT	
spb5b2	OMIT	
extb5c	?	
nsb	'01'B	
ndb	'11'B	
pi	'011'B	
extb5d	'1'B IF_PRESENT	
dplxrn	('0'B, '1'B) IF_PRESENT	
modemt	('010001'B, '010010'B, '010011'B, '010100'B, '010111'B, '011100'B) IF_PRESENT	
extb6	*	
l2id	'10'B IF_PRESENT	

uil2	('00110'B, '00111'B) IF_PRESENT	
extb6a	'1'B IF_PRESENT	
ol2pi	*	
extb7	*	
l3id	'11'B IF_PRESENT	
uil3	'00110'B IF_PRESENT	
extb7a	'1'B IF_PRESENT	
ol3pi	*	
Detailed Comments:		

Structured Type Constraint		
Constraint Name:	Llcmp_Setup_B1311_2400	
Structured Type:	LLCMP	
Derivation Path:		
Comments:	Lower Layer Compatibility IE for a setup PDU acc to the table in clause B.2.3.1 of GSM 07.01. The combination of the values is equivalent to the combination in the bearer capability constraint Bcap_Setup_B1311_2400. ANY CHANGE IN THIS CONSTRAINT MUST BE MADE IN THE CORRESPONDING BEARER CAPABILITY CONSTRAINT ALSO!	
Element Name	Element Value	Comments
iei	'01111100'B	
iel	('02'O, '03'O, '04'O, '05'O, '06'O, '07'O, '08'O, '09'O, '0A'O, '0B'O, '0C'O, '0D'O, '0E'O)	
extb3	?	
cs	'00'B	
itc	'01000'B	
extb3a	'1'B IF_PRESENT	
negind	*	
spb3a	'000000'B IF_PRESENT	
extb4	?	
tm	'00'B	
itr	'10000'B	
extb4a	*	
strc	('000'B, '001'B, '100'B, '111'B) IF_PRESENT	
config	'00'B IF_PRESENT	
est	'00'B IF_PRESENT	
extb4b	'1'B IF_PRESENT	
sym	'00'B IF_PRESENT	
itrdo	('00000'B, '10000'B, '10001'B, '10011'B, '10101'B, '10111'B) IF_PRESENT	
extb5	?	
l1id	'01'B	
uil1	'00001'B	
extb5a	?	
sb	'0'B	
neg	'0'B	
ur	'00011'B	
extb5b1	?	
ir	'01'B	
nictx	('0'B, '1'B)	
nicrx	('0'B, '1'B)	
fctx	('0'B, '1'B)	
fcrx	('0'B, '1'B)	
spb5b1	'0'B	
extb5b2	OMIT	
hdrb	OMIT	
mfs	OMIT	
mode	OMIT	
llineg	OMIT	
ass	OMIT	
ibob	OMIT	
spb5b2	OMIT	
extb5c	?	
nsb	'01'B	
ndb	'11'B	
pi	'011'B	
extb5d	'1'B IF_PRESENT	
dplxrn	('0'B, '1'B) IF_PRESENT	
modemt	('010001'B, '010010'B, '010011'B, '010100'B, '010111'B, '011100'B) IF_PRESENT	
extb6	*	
l2id	'10'B IF_PRESENT	

uil2	('00110'B, '00111'B) IF_PRESENT	
extb6a	'1'B IF_PRESENT	
ol2pi	*	
extb7	*	
l3id	'11'B IF_PRESENT	
uil3	'00110'B IF_PRESENT	
extb7a	'1'B IF_PRESENT	
ol3pi	*	
Detailed Comments:		

Structured Type Constraint		
Constraint Name:	Llcmp_Setup_B1311_4800	
Structured Type:	LLCMP	
Derivation Path:		
Comments:	Lower Layer Compatibility IE for a setup PDU acc to the table in clause B.2.3.1 of GSM 07.01. The combination of the values is equivalent to the combination in the bearer capability constraint Bcap_Setup_B1311_4800. ANY CHANGE IN THIS CONSTRAINT MUST BE MADE IN THE CORRESPONDING BEARER CAPABILITY CONSTRAINT ALSO!	
Element Name	Element Value	Comments
iei	'01111100'B	
iel	('02'O, '03'O, '04'O, '05'O, '06'O, '07'O, '08'O, '09'O, '0A'O, '0B'O, '0C'O, '0D'O, '0E'O)	
extb3	?	
cs	'00'B	
itc	'01000'B	
extb3a	'1'B IF_PRESENT	
negind	*	
spb3a	'000000'B IF_PRESENT	
extb4	?	
tm	'00'B	
itr	'10000'B	
extb4a	*	
strc	('000'B, '001'B, '100'B, '111'B) IF_PRESENT	
config	'00'B IF_PRESENT	
est	'00'B IF_PRESENT	
extb4b	'1'B IF_PRESENT	
sym	'00'B IF_PRESENT	
itrdo	('00000'B, '10000'B, '10001'B, '10011'B, '10101'B, '10111'B) IF_PRESENT	
extb5	?	
l1id	'01'B	
uil1	'00001'B	
extb5a	?	
sb	'0'B	
neg	'0'B	
ur	'00101'B	
extb5b1	?	
ir	'01'B	
nictx	('0'B, '1'B)	
nicrx	('0'B, '1'B)	
fctx	('0'B, '1'B)	
fcrx	('0'B, '1'B)	
spb5b1	'0'B	
extb5b2	OMIT	
hdrb	OMIT	
mfs	OMIT	
mode	OMIT	
llineg	OMIT	
ass	OMIT	
ibob	OMIT	
spb5b2	OMIT	
extb5c	?	
nsb	'01'B	
ndb	'11'B	
pi	'011'B	
extb5d	'1'B IF_PRESENT	
dplxrn	('0'B, '1'B) IF_PRESENT	
modemt	('010001'B, '010010'B, '010011'B, '010100'B, '010111'B, '011100'B) IF_PRESENT	
extb6	*	
l2id	'10'B IF_PRESENT	

uil2	('00110'B, '00111'B) IF_PRESENT	
extb6a	'1'B IF_PRESENT	
ol2pi	*	
extb7	*	
l3id	'11'B IF_PRESENT	
uil3	'00110'B IF_PRESENT	
extb7a	'1'B IF_PRESENT	
ol3pi	*	
Detailed Comments:		

Structured Type Constraint		
Constraint Name:	Llcmp_Setup_B1311_9600	
Structured Type:	LLCMP	
Derivation Path:		
Comments:	Lower Layer Compatibility IE for a setup PDU acc to the table in clause B.2.3.1 of GSM 07.01. The combination of the values is equivalent to the combination in the bearer capability constraint Bcap_Setup_B1311_9600. ANY CHANGE IN THIS CONSTRAINT MUST BE MADE IN THE CORRESPONDING BEARER CAPABILITY CONSTRAINT ALSO!	
Element Name	Element Value	Comments
iei	'01111100'B	
iel	('02'O, '03'O, '04'O, '05'O, '06'O, '07'O, '08'O, '09'O, '0A'O, '0B'O, '0C'O, '0D'O, '0E'O)	
extb3	?	
cs	'00'B	
itc	'01000'B	
extb3a	'1'B IF_PRESENT	
negind	*	
spb3a	'000000'B IF_PRESENT	
extb4	?	
tm	'00'B	
itr	'10000'B	
extb4a	*	
strc	('000'B, '001'B, '100'B, '111'B) IF_PRESENT	
config	'00'B IF_PRESENT	
est	'00'B IF_PRESENT	
extb4b	'1'B IF_PRESENT	
sym	'00'B IF_PRESENT	
itrdo	('00000'B, '10000'B, '10001'B, '10011'B, '10101'B, '10111'B) IF_PRESENT	
extb5	?	
l1id	'01'B	
uil1	'00001'B	
extb5a	?	
sb	'0'B	
neg	'0'B	
ur	'01000'B	
extb5b1	?	
ir	'10'B	
nictx	('0'B, '1'B)	
nicrx	('0'B, '1'B)	
fctx	('0'B, '1'B)	
fcrx	('0'B, '1'B)	
spb5b1	'0'B	
extb5b2	OMIT	
hdrb	OMIT	
mfs	OMIT	
mode	OMIT	
llineg	OMIT	
ass	OMIT	
ibob	OMIT	
spb5b2	OMIT	
extb5c	?	
nsb	'01'B	
ndb	'11'B	
pi	'011'B	
extb5d	'1'B IF_PRESENT	
dplxrn	('0'B, '1'B) IF_PRESENT	
modemt	('010001'B, '010010'B, '010011'B, '010100'B, '010111'B, '011100'B) IF_PRESENT	
extb6	*	
l2id	'10'B IF_PRESENT	

uil2	('00110'B, '00111'B) IF_PRESENT	
extb6a	'1'B IF_PRESENT	
ol2pi	*	
extb7	*	
l3id	'11'B IF_PRESENT	
uil3	'00110'B IF_PRESENT	
extb7a	'1'B IF_PRESENT	
ol3pi	*	
Detailed Comments:		

Structured Type Constraint		
Constraint Name:	Llcmp_Setup_B1312_2400	
Structured Type:	LLCMP	
Derivation Path:		
Comments:	Lower Layer Compatibility IE for a setup PDU acc to the table in clause B.2.3.1 of GSM 07.01. The combination of the values is equivalent to the combination in the bearer capability constraint Bcap_Setup_B1312_2400. ANY CHANGE IN THIS CONSTRAINT MUST BE MADE IN THE CORRESPONDING BEARER CAPABILITY CONSTRAINT ALSO!	
Element Name	Element Value	Comments
iei	'01111100'B	
iel	('02'O, '03'O, '04'O, '05'O, '06'O, '07'O, '08'O, '09'O, '0A'O, '0B'O, '0C'O, '0D'O, '0E'O)	
extb3	?	
cs	'00'B	
itc	'01000'B	
extb3a	'1'B IF_PRESENT	
negind	*	
spb3a	'000000'B IF_PRESENT	
extb4	?	
tm	'00'B	
itr	'10000'B	
extb4a	*	
strc	('000'B, '001'B, '100'B, '111'B) IF_PRESENT	
config	'00'B IF_PRESENT	
est	'00'B IF_PRESENT	
extb4b	'1'B IF_PRESENT	
sym	'00'B IF_PRESENT	
itrdo	('00000'B, '10000'B, '10001'B, '10011'B, '10101'B, '10111'B) IF_PRESENT	
extb5	?	
l1id	'01'B	
uil1	'01001'B	
extb5a	?	
sb	'0'B	
neg	'0'B	
ur	'00011'B	
extb5b1	?	
ir	'10'B	
nictx	('0'B, '1'B)	
nicrx	('0'B, '1'B)	
fctx	('0'B, '1'B)	
fcrx	('0'B, '1'B)	
spb5b1	'0'B	
extb5b2	OMIT	
hdrb	OMIT	
mfs	OMIT	
mode	OMIT	
llineg	OMIT	
ass	OMIT	
ibob	OMIT	
spb5b2	OMIT	
extb5c	?	
nsb	'01'B	
ndb	'11'B	
pi	'011'B	
extb5d	'1'B IF_PRESENT	
dplxrn	('0'B, '1'B) IF_PRESENT	
modemt	('010001'B, '010010'B, '010011'B, '010100'B, '010111'B, '011100'B) IF_PRESENT	
extb6	*	
l2id	'10'B IF_PRESENT	

uil2	('00110'B, '00111'B) IF_PRESENT	
extb6a	'1'B IF_PRESENT	
ol2pi	*	
extb7	*	
l3id	'11'B IF_PRESENT	
uil3	'00110'B IF_PRESENT	
extb7a	'1'B IF_PRESENT	
ol3pi	*	
Detailed Comments:		

Structured Type Constraint		
Constraint Name:	Llcmp_Setup_B1312_4800	
Structured Type:	LLCMP	
Derivation Path:		
Comments:	Lower Layer Compatibility IE for a setup PDU acc to the table in clause B.2.3.1 of GSM 07.01. The combination of the values is equivalent to the combination in the bearer capability constraint Bcap_Setup_B1312_4800. ANY CHANGE IN THIS CONSTRAINT MUST BE MADE IN THE CORRESPONDING BEARER CAPABILITY CONSTRAINT ALSO!	
Element Name	Element Value	Comments
iei	'01111100'B	
iel	('02'O, '03'O, '04'O, '05'O, '06'O, '07'O, '08'O, '09'O, '0A'O, '0B'O, '0C'O, '0D'O, '0E'O)	
extb3	?	
cs	'00'B	
itc	'01000'B	
extb3a	'1'B IF_PRESENT	
negind	*	
spb3a	'000000'B IF_PRESENT	
extb4	?	
tm	'00'B	
itr	'10000'B	
extb4a	*	
strc	('000'B, '001'B, '100'B, '111'B) IF_PRESENT	
config	'00'B IF_PRESENT	
est	'00'B IF_PRESENT	
extb4b	'1'B IF_PRESENT	
sym	'00'B IF_PRESENT	
itrdo	('00000'B, '10000'B, '10001'B, '10011'B, '10101'B, '10111'B) IF_PRESENT	
extb5	?	
l1id	'01'B	
uil1	'01001'B	
extb5a	?	
sb	'0'B	
neg	'0'B	
ur	'00101'B	
extb5b1	?	
ir	'10'B	
nictx	('0'B, '1'B)	
nicrx	('0'B, '1'B)	
fctx	('0'B, '1'B)	
fcrx	('0'B, '1'B)	
spb5b1	'0'B	
extb5b2	OMIT	
hdrb	OMIT	
mfs	OMIT	
mode	OMIT	
llineg	OMIT	
ass	OMIT	
ibob	OMIT	
spb5b2	OMIT	
extb5c	?	
nsb	'01'B	
ndb	'11'B	
pi	'011'B	
extb5d	'1'B IF_PRESENT	
dplxrn	('0'B, '1'B) IF_PRESENT	
modemt	('010001'B, '010010'B, '010011'B, '010100'B, '010111'B, '011100'B) IF_PRESENT	
extb6	*	
l2id	'10'B IF_PRESENT	

uil2	('00110'B, '00111'B) IF_PRESENT	
extb6a	'1'B IF_PRESENT	
ol2pi	*	
extb7	*	
l3id	'11'B IF_PRESENT	
uil3	'00110'B IF_PRESENT	
extb7a	'1'B IF_PRESENT	
ol3pi	*	
Detailed Comments:		

Structured Type Constraint		
Constraint Name:	Llcmp_Setup_B1312_9600	
Structured Type:	LLCMP	
Derivation Path:		
Comments:	Lower Layer Compatibility IE for a setup PDU acc to the table in clause B.2.3.1 of GSM 07.01. The combination of the values is equivalent to the combination in the bearer capability constraint Bcap_Setup_B1312_9600. ANY CHANGE IN THIS CONSTRAINT MUST BE MADE IN THE CORRESPONDING BEARER CAPABILITY CONSTRAINT ALSO!	
Element Name	Element Value	Comments
iei	'01111100'B	
iel	('02'O, '03'O, '04'O, '05'O, '06'O, '07'O, '08'O, '09'O, '0A'O, '0B'O, '0C'O, '0D'O, '0E'O)	
extb3	?	
cs	'00'B	
itc	'01000'B	
extb3a	'1'B IF_PRESENT	
negind	*	
spb3a	'000000'B IF_PRESENT	
extb4	?	
tm	'00'B	
itr	'10000'B	
extb4a	*	
strc	('000'B, '001'B, '100'B, '111'B) IF_PRESENT	
config	'00'B IF_PRESENT	
est	'00'B IF_PRESENT	
extb4b	'1'B IF_PRESENT	
sym	'00'B IF_PRESENT	
itrdo	('00000'B, '10000'B, '10001'B, '10011'B, '10101'B, '10111'B) IF_PRESENT	
extb5	?	
l1id	'01'B	
uil1	'01001'B	
extb5a	?	
sb	'0'B	
neg	'0'B	
ur	'01000'B	
extb5b1	?	
ir	'10'B	
nictx	('0'B, '1'B)	
nicrx	('0'B, '1'B)	
fctx	('0'B, '1'B)	
fcrx	('0'B, '1'B)	
spb5b1	'0'B	
extb5b2	OMIT	
hdrb	OMIT	
mfs	OMIT	
mode	OMIT	
llineg	OMIT	
ass	OMIT	
ibob	OMIT	
spb5b2	OMIT	
extb5c	?	
nsb	'01'B	
ndb	'11'B	
pi	'011'B	
extb5d	'1'B IF_PRESENT	
dplxrn	('0'B, '1'B) IF_PRESENT	
modemt	('010001'B, '010010'B, '010011'B, '010100'B, '010111'B, '011100'B) IF_PRESENT	
extb6	*	
l2id	'10'B IF_PRESENT	

uil2	('00110'B, '00111'B) IF_PRESENT	
extb6a	'1'B IF_PRESENT	
ol2pi	*	
extb7	*	
l3id	'11'B IF_PRESENT	
uil3	'00110'B IF_PRESENT	
extb7a	'1'B IF_PRESENT	
ol3pi	*	
Detailed Comments:		

Structured Type Constraint		
Constraint Name:	Llcmp_Setup_B1321_1200	
Structured Type:	LLCMP	
Derivation Path:		
Comments:	Lower Layer Compatibility IE for a setup PDU acc to the table in clause B.2.3.2 of GSM 07.01. The combination of the values is equivalent to the combination in the bearer capability constraint Bcap_Setup_B1321_1200. ANY CHANGE IN THIS CONSTRAINT MUST BE MADE IN THE CORRESPONDING BEARER CAPABILITY CONSTRAINT ALSO!	
Element Name	Element Value	Comments
iei	'01111100'B	
iel	('02'O, '03'O, '04'O, '05'O, '06'O, '07'O, '08'O, '09'O, '0A'O, '0B'O, '0C'O, '0D'O, '0E'O)	
extb3	?	
cs	'00'B	
itc	'10000'B	
extb3a	'1'B IF_PRESENT	
negind	*	
spb3a	'000000'B IF_PRESENT	
extb4	?	
tm	'00'B	
itr	'10000'B	
extb4a	*	
strc	('000'B, '001'B, '100'B, '111'B) IF_PRESENT	
config	'00'B IF_PRESENT	
est	'00'B IF_PRESENT	
extb4b	'1'B IF_PRESENT	
sym	'00'B IF_PRESENT	
itrdo	('00000'B, '10000'B, '10001'B, '10011'B, '10101'B, '10111'B) IF_PRESENT	
extb5	?	
l1id	'01'B	
uil1	'00011'B	
extb5a	? IF_PRESENT	
sb	'0'B IF_PRESENT	
neg	('0'B, '1'B) IF_PRESENT	
ur	'00001'B IF_PRESENT	
extb5b1	?	
ir	'01'B	
nictx	('0'B, '1'B)	
nicrx	('0'B, '1'B)	
fctx	('0'B, '1'B)	
fcrx	('0'B, '1'B)	
spb5b1	'0'B	
extb5b2	OMIT	
hdrb	OMIT	
mfs	OMIT	
mode	OMIT	
llineg	OMIT	
ass	OMIT	
ibob	OMIT	
spb5b2	OMIT	
extb5c	? IF_PRESENT	
nsb	'01'B IF_PRESENT	
ndb	'11'B IF_PRESENT	
pi	'011'B IF_PRESENT	
extb5d	'1'B IF_PRESENT	
dplxrn	('0'B, '1'B) IF_PRESENT	
modemt	'010010'B IF_PRESENT	
extb6	*	
l2id	'10'B IF_PRESENT	
uil2	('00110'B, '00111'B) IF_PRESENT	
extb6a	'1'B IF_PRESENT	

ol2pi	*	
extb7	*	
l3id	'11'B IF_PRESENT	
uil3	'00110'B IF_PRESENT	
extb7a	'1'B IF_PRESENT	
ol3pi	*	
Detailed Comments:		

Structured Type Constraint		
Constraint Name:	Llcmp_Setup_B1321_2400	
Structured Type:	LLCMP	
Derivation Path:		
Comments:	Lower Layer Compatibility IE for a setup PDU acc to the table in clause B.2.3.2 of GSM 07.01. The combination of the values is equivalent to the combination in the bearer capability constraint Bcap_Setup_B1321_2400. ANY CHANGE IN THIS CONSTRAINT MUST BE MADE IN THE CORRESPONDING BEARER CAPABILITY CONSTRAINT ALSO!	
Element Name	Element Value	Comments
iei	'01111100'B	
iel	('02'O, '03'O, '04'O, '05'O, '06'O, '07'O, '08'O, '09'O, '0A'O, '0B'O, '0C'O, '0D'O, '0E'O)	
extb3	?	
cs	'00'B	
itc	'10000'B	
extb3a	'1'B IF_PRESENT	
negind	*	
spb3a	'000000'B IF_PRESENT	
extb4	?	
tm	'00'B	
itr	'10000'B	
extb4a	*	
strc	('000'B, '001'B, '100'B, '111'B) IF_PRESENT	
config	'00'B IF_PRESENT	
est	'00'B IF_PRESENT	
extb4b	'1'B IF_PRESENT	
sym	'00'B IF_PRESENT	
itrdo	('00000'B, '10000'B, '10001'B, '10011'B, '10101'B, '10111'B) IF_PRESENT	
extb5	?	
l1id	'01'B	
uil1	'00011'B	
extb5a	? IF_PRESENT	
sb	'0'B IF_PRESENT	
neg	('0'B, '1'B) IF_PRESENT	
ur	'00011'B IF_PRESENT	
extb5b1	?	
ir	'01'B	
nictx	('0'B, '1'B)	
nicrx	('0'B, '1'B)	
fctx	('0'B, '1'B)	
fcrx	('0'B, '1'B)	
spb5b1	'0'B	
extb5b2	OMIT	
hdrb	OMIT	
mfs	OMIT	
mode	OMIT	
llineg	OMIT	
ass	OMIT	
ibob	OMIT	
spb5b2	OMIT	
extb5c	? IF_PRESENT	
nsb	'01'B IF_PRESENT	
ndb	'11'B IF_PRESENT	
pi	'011'B IF_PRESENT	
extb5d	'1'B IF_PRESENT	
dplxrm	('0'B, '1'B) IF_PRESENT	
modemt	('010011'B, '010111'B) IF_PRESENT	
extb6	*	
l2id	'10'B IF_PRESENT	
uil2	('00110'B, '00111'B) IF_PRESENT	
extb6a	'1'B IF_PRESENT	

ol2pi	*	
extb7	*	
l3id	'11'B IF_PRESENT	
uil3	'00110'B IF_PRESENT	
extb7a	'1'B IF_PRESENT	
ol3pi	*	
Detailed Comments:		

Structured Type Constraint		
Constraint Name:	Llcmp_Setup_B1321_4800	
Structured Type:	LLCMP	
Derivation Path:		
Comments:	Lower Layer Compatibility IE for a setup PDU acc to the table in clause B.2.3.2 of GSM 07.01. The combination of the values is equivalent to the combination in the bearer capability constraint Bcap_Setup_B1321_4800. ANY CHANGE IN THIS CONSTRAINT MUST BE MADE IN THE CORRESPONDING BEARER CAPABILITY CONSTRAINT ALSO!	
Element Name	Element Value	Comments
iei	'01111100'B	
iel	('02'O, '03'O, '04'O, '05'O, '06'O, '07'O, '08'O, '09'O, '0A'O, '0B'O, '0C'O, '0D'O, '0E'O)	
extb3	?	
cs	'00'B	
itc	'10000'B	
extb3a	'1'B IF_PRESENT	
negind	*	
spb3a	'000000'B IF_PRESENT	
extb4	?	
tm	'00'B	
itr	'10000'B	
extb4a	*	
strc	('000'B, '001'B, '100'B, '111'B) IF_PRESENT	
config	'00'B IF_PRESENT	
est	'00'B IF_PRESENT	
extb4b	'1'B IF_PRESENT	
sym	'00'B IF_PRESENT	
itrdo	('00000'B, '10000'B, '10001'B, '10011'B, '10101'B, '10111'B) IF_PRESENT	
extb5	?	
l1id	'01'B	
uil1	'00011'B	
extb5a	? IF_PRESENT	
sb	'0'B IF_PRESENT	
neg	('0'B, '1'B) IF_PRESENT	
ur	'00101'B IF_PRESENT	
extb5b1	?	
ir	'01'B	
nictx	('0'B, '1'B)	
nicrx	('0'B, '1'B)	
fctx	('0'B, '1'B)	
fcrx	('0'B, '1'B)	
spb5b1	'0'B	
extb5b2	OMIT	
hdrb	OMIT	
mfs	OMIT	
mode	OMIT	
llineg	OMIT	
ass	OMIT	
ibob	OMIT	
spb5b2	OMIT	
extb5c	? IF_PRESENT	
nsb	'01'B IF_PRESENT	
ndb	'11'B IF_PRESENT	
pi	'011'B IF_PRESENT	
extb5d	'1'B IF_PRESENT	
dplxrn	('0'B, '1'B) IF_PRESENT	
modemt	'011100'B IF_PRESENT	
extb6	*	
l2id	'10'B IF_PRESENT	
uil2	('00110'B, '00111'B) IF_PRESENT	
extb6a	'1'B IF_PRESENT	

ol2pi	*	
extb7	*	
l3id	'11'B IF_PRESENT	
uil3	'00110'B IF_PRESENT	
extb7a	'1'B IF_PRESENT	
ol3pi	*	
Detailed Comments:		

Structured Type Constraint		
Constraint Name:	Llcmp_Setup_B1321_9600	
Structured Type:	LLCMP	
Derivation Path:		
Comments:	Lower Layer Compatibility IE for a setup PDU acc to the table in clause B.2.3.2 of GSM 07.01. The combination of the values is equivalent to the combination in the bearer capability constraint Bcap_Setup_B1321_9600. ANY CHANGE IN THIS CONSTRAINT MUST BE MADE IN THE CORRESPONDING BEARER CAPABILITY CONSTRAINT ALSO!	
Element Name	Element Value	Comments
iei	'01111100'B	
iel	('02'O, '03'O, '04'O, '05'O, '06'O, '07'O, '08'O, '09'O, '0A'O, '0B'O, '0C'O, '0D'O, '0E'O)	
extb3	?	
cs	'00'B	
itc	'10000'B	
extb3a	'1'B IF_PRESENT	
negind	*	
spb3a	'000000'B IF_PRESENT	
extb4	?	
tm	'00'B	
itr	'10000'B	
extb4a	*	
strc	('000'B, '001'B, '100'B, '111'B) IF_PRESENT	
config	'00'B IF_PRESENT	
est	'00'B IF_PRESENT	
extb4b	'1'B IF_PRESENT	
sym	'00'B IF_PRESENT	
itrdo	('00000'B, '10000'B, '10001'B, '10011'B, '10101'B, '10111'B) IF_PRESENT	
extb5	?	
l1id	'01'B	
uil1	'00011'B	
extb5a	? IF_PRESENT	
sb	'0'B IF_PRESENT	
neg	('0'B, '1'B) IF_PRESENT	
ur	'01000'B IF_PRESENT	
extb5b1	?	
ir	'10'B	
nictx	('0'B, '1'B)	
nicrx	('0'B, '1'B)	
fctx	('0'B, '1'B)	
fcrx	('0'B, '1'B)	
spb5b1	'0'B	
extb5b2	OMIT	
hdrb	OMIT	
mfs	OMIT	
mode	OMIT	
llineg	OMIT	
ass	OMIT	
ibob	OMIT	
spb5b2	OMIT	
extb5c	? IF_PRESENT	
nsb	'01'B IF_PRESENT	
ndb	'11'B IF_PRESENT	
pi	'011'B IF_PRESENT	
extb5d	'1'B IF_PRESENT	
dplxrn	('0'B, '1'B) IF_PRESENT	
modemt	'011100'B IF_PRESENT	
extb6	*	
l2id	'10'B IF_PRESENT	
uil2	('00110'B, '00111'B) IF_PRESENT	
extb6a	'1'B IF_PRESENT	

ol2pi	*	
extb7	*	
l3id	'11'B IF_PRESENT	
uil3	'00110'B IF_PRESENT	
extb7a	'1'B IF_PRESENT	
ol3pi	*	
Detailed Comments:		

Structured Type Constraint		
Constraint Name:	Llcmp_Setup_B1322_2400	
Structured Type:	LLCMP	
Derivation Path:		
Comments:	Lower Layer Compatibility IE for a setup PDU acc to the table in clause B.2.3.2 of GSM 07.01. The combination of the values is equivalent to the combination in the bearer capability constraint Bcap_Setup_B1322_2400. ANY CHANGE IN THIS CONSTRAINT MUST BE MADE IN THE CORRESPONDING BEARER CAPABILITY CONSTRAINT ALSO!	
Element Name	Element Value	Comments
iei	'01111100'B	
iel	('02'O, '03'O, '04'O, '05'O, '06'O, '07'O, '08'O, '09'O, '0A'O, '0B'O, '0C'O, '0D'O, '0E'O)	
extb3	?	
cs	'00'B	
itc	'10000'B	
extb3a	'1'B IF_PRESENT	
negind	*	
spb3a	'000000'B IF_PRESENT	
extb4	?	
tm	'00'B	
itr	'10000'B	
extb4a	*	
strc	('000'B, '001'B, '100'B, '111'B) IF_PRESENT	
config	'00'B IF_PRESENT	
est	'00'B IF_PRESENT	
extb4b	'1'B IF_PRESENT	
sym	'00'B IF_PRESENT	
itrdo	('00000'B, '10000'B, '10001'B, '10011'B, '10101'B, '10111'B) IF_PRESENT	
extb5	?	
l1id	'01'B	
uil1	'00011'B	
extb5a	? IF_PRESENT	
sb	'0'B IF_PRESENT	
neg	('0'B, '1'B) IF_PRESENT	
ur	'00011'B IF_PRESENT	
extb5b1	?	
ir	'10'B	
nictx	('0'B, '1'B)	
nicrx	('0'B, '1'B)	
fctx	('0'B, '1'B)	
fcrx	('0'B, '1'B)	
spb5b1	'0'B	
extb5b2	OMIT	
hdrb	OMIT	
mfs	OMIT	
mode	OMIT	
llineg	OMIT	
ass	OMIT	
ibob	OMIT	
spb5b2	OMIT	
extb5c	? IF_PRESENT	
nsb	'01'B IF_PRESENT	
ndb	'11'B IF_PRESENT	
pi	'011'B IF_PRESENT	
extb5d	'1'B IF_PRESENT	
dplxrn	('0'B, '1'B) IF_PRESENT	
modemt	('010011'B, '010111'B) IF_PRESENT	
extb6	*	
l2id	'10'B IF_PRESENT	
uil2	('00110'B, '00111'B) IF_PRESENT	
extb6a	'1'B IF_PRESENT	

ol2pi	*	
extb7	*	
l3id	'11'B IF_PRESENT	
uil3	'00110'B IF_PRESENT	
extb7a	'1'B IF_PRESENT	
ol3pi	*	
Detailed Comments:		

Structured Type Constraint		
Constraint Name:	Llcmp_Setup_B1322_4800	
Structured Type:	LLCMP	
Derivation Path:		
Comments:	Lower Layer Compatibility IE for a setup PDU acc to the table in clause B.2.3.2 of GSM 07.01. The combination of the values is equivalent to the combination in the bearer capability constraint Bcap_Setup_B1322_4800. ANY CHANGE IN THIS CONSTRAINT MUST BE MADE IN THE CORRESPONDING BEARER CAPABILITY CONSTRAINT ALSO!	
Element Name	Element Value	Comments
iei	'01111100'B	
iel	('02'O, '03'O, '04'O, '05'O, '06'O, '07'O, '08'O, '09'O, '0A'O, '0B'O, '0C'O, '0D'O, '0E'O)	
extb3	?	
cs	'00'B	
itc	'10000'B	
extb3a	'1'B IF_PRESENT	
negind	*	
spb3a	'000000'B IF_PRESENT	
extb4	?	
tm	'00'B	
itr	'10000'B	
extb4a	*	
strc	('000'B, '001'B, '100'B, '111'B) IF_PRESENT	
config	'00'B IF_PRESENT	
est	'00'B IF_PRESENT	
extb4b	'1'B IF_PRESENT	
sym	'00'B IF_PRESENT	
itrdo	('00000'B, '10000'B, '10001'B, '10011'B, '10101'B, '10111'B) IF_PRESENT	
extb5	?	
l1id	'01'B	
uil1	'00011'B	
extb5a	? IF_PRESENT	
sb	'0'B IF_PRESENT	
neg	('0'B, '1'B) IF_PRESENT	
ur	'00101'B IF_PRESENT	
extb5b1	?	
ir	'10'B	
nictx	('0'B, '1'B)	
nicrx	('0'B, '1'B)	
fctx	('0'B, '1'B)	
fcrx	('0'B, '1'B)	
spb5b1	'0'B	
extb5b2	OMIT	
hdrb	OMIT	
mfs	OMIT	
mode	OMIT	
llineg	OMIT	
ass	OMIT	
ibob	OMIT	
spb5b2	OMIT	
extb5c	? IF_PRESENT	
nsb	'01'B IF_PRESENT	
ndb	'11'B IF_PRESENT	
pi	'011'B IF_PRESENT	
extb5d	'1'B IF_PRESENT	
dplxrn	('0'B, '1'B) IF_PRESENT	
modemt	'011100'B IF_PRESENT	
extb6	*	
l2id	'10'B IF_PRESENT	
uil2	('00110'B, '00111'B) IF_PRESENT	
extb6a	'1'B IF_PRESENT	

ol2pi	*	
extb7	*	
l3id	'11'B IF_PRESENT	
uil3	'00110'B IF_PRESENT	
extb7a	'1'B IF_PRESENT	
ol3pi	*	
Detailed Comments:		

Structured Type Constraint		
Constraint Name:	Llcmp_Setup_B1322_9600_1	
Structured Type:	LLCMP	
Derivation Path:		
Comments:	Lower Layer Compatibility IE for a setup PDU acc to the table in clause B.2.3.2 of GSM 07.01. The combination of the values is equivalent to the combination in the bearer capability constraint Bcap_Setup_B1322_9600_1. ANY CHANGE IN THIS CONSTRAINT MUST BE MADE IN THE CORRESPONDING BEARER CAPABILITY CONSTRAINT ALSO!	
Element Name	Element Value	Comments
iei	'01111100'B	
iel	('02'O, '03'O, '04'O, '05'O, '06'O, '07'O, '08'O, '09'O, '0A'O, '0B'O, '0C'O, '0D'O, '0E'O)	
extb3	?	
cs	'00'B	
itc	'10000'B	
extb3a	'1'B IF_PRESENT	
negind	*	
spb3a	'000000'B IF_PRESENT	
extb4	?	
tm	'00'B	
itr	'10000'B	
extb4a	*	
strc	('000'B, '001'B, '100'B, '111'B) IF_PRESENT	
config	'00'B IF_PRESENT	
est	'00'B IF_PRESENT	
extb4b	'1'B IF_PRESENT	
sym	'00'B IF_PRESENT	
itrdo	('00000'B, '10000'B, '10001'B, '10011'B, '10101'B, '10111'B) IF_PRESENT	
extb5	?	
l1id	'01'B	
uil1	'00011'B	
extb5a	? IF_PRESENT	
sb	'0'B IF_PRESENT	
neg	('0'B, '1'B) IF_PRESENT	
ur	'01000'B IF_PRESENT	
extb5b1	?	
ir	'10'B	
nictx	('0'B, '1'B)	
nicrx	('0'B, '1'B)	
fctx	('0'B, '1'B)	
fcrx	('0'B, '1'B)	
spb5b1	'0'B	
extb5b2	OMIT	
hdrb	OMIT	
mfs	OMIT	
mode	OMIT	
llineg	OMIT	
ass	OMIT	
ibob	OMIT	
spb5b2	OMIT	
extb5c	? IF_PRESENT	
nsb	'01'B IF_PRESENT	
ndb	'11'B IF_PRESENT	
pi	'011'B IF_PRESENT	
extb5d	'1'B IF_PRESENT	
dplxrn	('0'B, '1'B) IF_PRESENT	
modemt	'011100'B	
extb6	*	
l2id	'10'B IF_PRESENT	
uil2	('00110'B, '00111'B) IF_PRESENT	
extb6a	'1'B IF_PRESENT	

ol2pi	*	
extb7	*	
l3id	'11'B IF_PRESENT	
uil3	'00110'B IF_PRESENT	
extb7a	'1'B IF_PRESENT	
ol3pi	*	
Detailed Comments:		

Structured Type Constraint		
Constraint Name:	Llcmp_Setup_B1322_9600_2	
Structured Type:	LLCMP	
Derivation Path:		
Comments:	<p>Lower Layer Compatibility IE for a setup PDU acc to the table in clause B.2.3.2 of GSM 07.01. The combination of the values is equivalent to the combination in the bearer capability constraint Bcap_Setup_B1322_9600_2.</p> <p>This constraint is identical to Bcap_Setup_B1322_9600_1 because the differences between the two corresponding bearer capabilities IEs are not reflected in the low layer compatibilities IEs.</p> <p>ANY CHANGE IN THIS CONSTRAINT MUST BE MADE IN THE CORRESPONDING BEARER CAPABILITY CONSTRAINT ALSO!</p>	
Element Name	Element Value	Comments
iei	'01111100'B	
iel	('02'O, '03'O, '04'O, '05'O, '06'O, '07'O, '08'O, '09'O, '0A'O, '0B'O, '0C'O, '0D'O, '0E'O)	
extb3	?	
cs	'00'B	
itc	'10000'B	
extb3a	'1'B IF_PRESENT	
negind	*	
spb3a	'000000'B IF_PRESENT	
extb4	?	
tm	'00'B	
itr	'10000'B	
extb4a	*	
strc	('000'B, '001'B, '100'B, '111'B) IF_PRESENT	
config	'00'B IF_PRESENT	
est	'00'B IF_PRESENT	
extb4b	'1'B IF_PRESENT	
sym	'00'B IF_PRESENT	
itrdo	('00000'B, '10000'B, '10001'B, '10011'B, '10101'B, '10111'B) IF_PRESENT	
extb5	?	
l1id	'01'B	
uil1	'00011'B	
extb5a	? IF_PRESENT	
sb	'0'B IF_PRESENT	
neg	('0'B, '1'B) IF_PRESENT	
ur	'01000'B IF_PRESENT	
extb5b1	?	
ir	'10'B	
nictx	('0'B, '1'B)	
nicrx	('0'B, '1'B)	
fctx	('0'B, '1'B)	
fcrx	('0'B, '1'B)	
spb5b1	'0'B	
extb5b2	OMIT	
hdrb	OMIT	
mfs	OMIT	
mode	OMIT	
llineg	OMIT	
ass	OMIT	
ibob	OMIT	
spb5b2	OMIT	
extb5c	? IF_PRESENT	
nsb	'01'B IF_PRESENT	
ndb	'11'B IF_PRESENT	
pi	'011'B IF_PRESENT	
extb5d	'1'B IF_PRESENT	
dplxm	('0'B, '1'B) IF_PRESENT	
modemt	'011100'B	
extb6	*	
l2id	'10'B IF_PRESENT	

uil2	('00110'B, '00111'B) IF_PRESENT	
extb6a	'1'B IF_PRESENT	
ol2pi	*	
extb7	*	
l3id	'11'B IF_PRESENT	
uil3	'00110'B IF_PRESENT	
extb7a	'1'B IF_PRESENT	
ol3pi	*	
Detailed Comments:		

Structured Type Constraint		
Constraint Name:	Llcmp_Setup_B14_300_1	
Structured Type:	LLCMP	
Derivation Path:		
Comments:	Lower Layer Compatibility IE for a setup PDU acc to clause B.2.4 of GSM 07.01. The combination of the values is equivalent to the combination in the bearer capability constraint Bcap_Setup_B14_300_1. ANY CHANGE IN THIS CONSTRAINT MUST BE MADE IN THE CORRESPONDING BEARER CAPABILITY CONSTRAINT ALSO!	
Element Name	Element Value	Comments
iei	'01111100'B	
iel	('02'O, '03'O, '04'O, '05'O, '06'O, '07'O, '08'O, '09'O, '0A'O, '0B'O, '0C'O, '0D'O, '0E'O)	
extb3	?	
cs	'00'B	
itc	'01000'B	
extb3a	'1'B IF_PRESENT	
negind	*	
spb3a	'000000'B IF_PRESENT	
extb4	?	
tm	'00'B	
itr	'10000'B	
extb4a	*	
strc	'100'B IF_PRESENT	
config	'00'B IF_PRESENT	
est	'00'B IF_PRESENT	
extb4b	'1'B IF_PRESENT	
sym	'00'B IF_PRESENT	
itrdo	('00000'B, '10000'B, '10001'B, '10011'B, '10101'B, '10111'B) IF_PRESENT	
extb5	?	
l1id	'01'B	
uil1	'00001'B	
extb5a	?	
sb	'1'B	
neg	'0'B	
ur	'11110'B	
extb5b1	?	
ir	'10'B	
nictx	'0'B	
nicrx	'0'B	
fctx	'0'B	
fcrx	'0'B	
spb5b1	'0'B	
extb5b2	OMIT	
hdrb	OMIT	
mfs	OMIT	
mode	OMIT	
llineg	OMIT	
ass	OMIT	
ibob	OMIT	
spb5b2	OMIT	
extb5c	?	
nsb	('01'B, '11'B)	
ndb	'10'B	
pi	('000'B, '010'B, '100'B, '101'B)	
extb5d	'1'B IF_PRESENT	
dplxm	('0'B, '1'B) IF_PRESENT	
modemt	('010001'B, '010010'B, '010011'B, '010100'B, '010111'B, '011100'B) IF_PRESENT	
extb6	*	
l2id	'10'B IF_PRESENT	
uil2	('00110'B, '00111'B) IF_PRESENT	

extb6a	'1'B IF_PRESENT	
ol2pi	*	
extb7	*	
l3id	'11'B IF_PRESENT	
uil3	'00110'B IF_PRESENT	
extb7a	'1'B IF_PRESENT	
ol3pi	*	
Detailed Comments:		

Structured Type Constraint		
Constraint Name:	Llcmp_Setup_B14_300_2	
Structured Type:	LLCMP	
Derivation Path:		
Comments:	Lower Layer Compatibility IE for a setup PDU acc to clause B.2.4 of GSM 07.01. The combination of the values is equivalent to the combination in the bearer capability constraint Bcap_Setup_B14_300_2. ANY CHANGE IN THIS CONSTRAINT MUST BE MADE IN THE CORRESPONDING BEARER CAPABILITY CONSTRAINT ALSO!	
Element Name	Element Value	Comments
iei	'01111100'B	
iel	('02'O, '03'O, '04'O, '05'O, '06'O, '07'O, '08'O, '09'O, '0A'O, '0B'O, '0C'O, '0D'O, '0E'O)	
extb3	?	
cs	'00'B	
itc	'01000'B	
extb3a	'1'B IF_PRESENT	
negind	*	
spb3a	'000000'B IF_PRESENT	
extb4	?	
tm	'00'B	
itr	'10000'B	
extb4a	*	
strc	'100'B IF_PRESENT	
config	'00'B IF_PRESENT	
est	'00'B IF_PRESENT	
extb4b	'1'B IF_PRESENT	
sym	'00'B IF_PRESENT	
itrdo	('00000'B, '10000'B, '10001'B, '10011'B, '10101'B, '10111'B) IF_PRESENT	
extb5	?	
l1id	'01'B	
uil1	'00001'B	
extb5a	?	
sb	'1'B	
neg	'0'B	
ur	'11110'B	
extb5b1	?	
ir	'10'B	
nictx	'0'B	
nicrx	'0'B	
fctx	'0'B	
fcrx	'0'B	
spb5b1	'0'B	
extb5b2	OMIT	
hdrb	OMIT	
mfs	OMIT	
mode	OMIT	
llineg	OMIT	
ass	OMIT	
ibob	OMIT	
spb5b2	OMIT	
extb5c	?	
nsb	('01'B, '11'B)	
ndb	'11'B	
pi	'011'B	
extb5d	'1'B IF_PRESENT	
dplxm	('0'B, '1'B) IF_PRESENT	
modemt	('010001'B, '010010'B, '010011'B, '010100'B, '010111'B, '011100'B) IF_PRESENT	
extb6	*	
l2id	'10'B IF_PRESENT	
uil2	('00110'B, '00111'B) IF_PRESENT	

extb6a	'1'B IF_PRESENT	
ol2pi	*	
extb7	*	
l3id	'11'B IF_PRESENT	
uil3	'00110'B IF_PRESENT	
extb7a	'1'B IF_PRESENT	
ol3pi	*	
Detailed Comments:		

Structured Type Constraint		
Constraint Name:	Llcmp_Setup_B14_1200_1	
Structured Type:	LLCMP	
Derivation Path:		
Comments:	Lower Layer Compatibility IE for a setup PDU acc to clause B.2.4 of GSM 07.01. The combination of the values is equivalent to the combination in the bearer capability constraint Bcap_Setup_B14_1200_1. ANY CHANGE IN THIS CONSTRAINT MUST BE MADE IN THE CORRESPONDING BEARER CAPABILITY CONSTRAINT ALSO!	
Element Name	Element Value	Comments
iei	'01111100'B	
iel	('02'O, '03'O, '04'O, '05'O, '06'O, '07'O, '08'O, '09'O, '0A'O, '0B'O, '0C'O, '0D'O, '0E'O)	
extb3	?	
cs	'00'B	
itc	'01000'B	
extb3a	'1'B IF_PRESENT	
negind	*	
spb3a	'000000'B IF_PRESENT	
extb4	?	
tm	'00'B	
itr	'10000'B	
extb4a	*	
strc	'100'B IF_PRESENT	
config	'00'B IF_PRESENT	
est	'00'B IF_PRESENT	
extb4b	'1'B IF_PRESENT	
sym	'00'B IF_PRESENT	
itrdo	('00000'B, '10000'B, '10001'B, '10011'B, '10101'B, '10111'B) IF_PRESENT	
extb5	?	
l1id	'01'B	
uil1	'00001'B	
extb5a	?	
sb	'1'B	
neg	'0'B	
ur	'00001'B	
extb5b1	?	
ir	'10'B	
nictx	'0'B	
nicrx	'0'B	
fctx	'0'B	
fcrx	'0'B	
spb5b1	'0'B	
extb5b2	OMIT	
hdrb	OMIT	
mfs	OMIT	
mode	OMIT	
llineg	OMIT	
ass	OMIT	
ibob	OMIT	
spb5b2	OMIT	
extb5c	?	
nsb	('01'B, '11'B)	
ndb	'10'B	
pi	('000'B, '010'B, '100'B, '101'B)	
extb5d	'1'B IF_PRESENT	
dplxm	('0'B, '1'B) IF_PRESENT	
modemt	('010001'B, '010010'B, '010011'B, '010100'B, '010111'B, '011100'B) IF_PRESENT	
extb6	*	
l2id	'10'B IF_PRESENT	
uil2	('00110'B, '00111'B) IF_PRESENT	

extb6a	'1'B IF_PRESENT	
ol2pi	*	
extb7	*	
l3id	'11'B IF_PRESENT	
uil3	'00110'B IF_PRESENT	
extb7a	'1'B IF_PRESENT	
ol3pi	*	
Detailed Comments:		

Structured Type Constraint		
Constraint Name:	Llcmp_Setup_B14_1200_2	
Structured Type:	LLCMP	
Derivation Path:		
Comments:	Lower Layer Compatibility IE for a setup PDU acc to clause B.2.4 of GSM 07.01. The combination of the values is equivalent to the combination in the bearer capability constraint Bcap_Setup_B14_1200_2. ANY CHANGE IN THIS CONSTRAINT MUST BE MADE IN THE CORRESPONDING BEARER CAPABILITY CONSTRAINT ALSO!	
Element Name	Element Value	Comments
iei	'01111100'B	
iel	('02'O, '03'O, '04'O, '05'O, '06'O, '07'O, '08'O, '09'O, '0A'O, '0B'O, '0C'O, '0D'O, '0E'O)	
extb3	?	
cs	'00'B	
itc	'01000'B	
extb3a	'1'B IF_PRESENT	
negind	*	
spb3a	'000000'B IF_PRESENT	
extb4	?	
tm	'00'B	
itr	'10000'B	
extb4a	*	
strc	'100'B IF_PRESENT	
config	'00'B IF_PRESENT	
est	'00'B IF_PRESENT	
extb4b	'1'B IF_PRESENT	
sym	'00'B IF_PRESENT	
itrdo	('00000'B, '10000'B, '10001'B, '10011'B, '10101'B, '10111'B) IF_PRESENT	
extb5	?	
l1id	'01'B	
uil1	'00001'B	
extb5a	?	
sb	'1'B	
neg	'0'B	
ur	'00001'B	
extb5b1	?	
ir	'10'B	
nictx	'0'B	
nicrx	'0'B	
fctx	'0'B	
fcrx	'0'B	
spb5b1	'0'B	
extb5b2	OMIT	
hdrb	OMIT	
mfs	OMIT	
mode	OMIT	
llineg	OMIT	
ass	OMIT	
ibob	OMIT	
spb5b2	OMIT	
extb5c	?	
nsb	('01'B, '11'B)	
ndb	'11'B	
pi	'011'B	
extb5d	'1'B IF_PRESENT	
dplxm	('0'B, '1'B) IF_PRESENT	
modemt	('010001'B, '010010'B, '010011'B, '010100'B, '010111'B, '011100'B) IF_PRESENT	
extb6	*	
l2id	'10'B IF_PRESENT	
uil2	('00110'B, '00111'B) IF_PRESENT	

extb6a	'1'B IF_PRESENT	
ol2pi	*	
extb7	*	
l3id	'11'B IF_PRESENT	
uil3	'00110'B IF_PRESENT	
extb7a	'1'B IF_PRESENT	
ol3pi	*	
Detailed Comments:		

Structured Type Constraint		
Constraint Name:	Llcmp_Setup_B14_120075_1	
Structured Type:	LLCMP	
Derivation Path:		
Comments:	Lower Layer Compatibility IE for a setup PDU acc to clause B.2.4 of GSM 07.01. The combination of the values is equivalent to the combination in the bearer capability constraint Bcap_Setup_B121_120075_1. ANY CHANGE IN THIS CONSTRAINT MUST BE MADE IN THE CORRESPONDING BEARER CAPABILITY CONSTRAINT ALSO!	
Element Name	Element Value	Comments
iei	'01111100'B	
iel	('02'O, '03'O, '04'O, '05'O, '06'O, '07'O, '08'O, '09'O, '0A'O, '0B'O, '0C'O, '0D'O, '0E'O)	
extb3	?	
cs	'00'B	
itc	'01000'B	
extb3a	'1'B IF_PRESENT	
negind	*	
spb3a	'000000'B IF_PRESENT	
extb4	?	
tm	'00'B	
itr	'10000'B	
extb4a	*	
strc	'100'B IF_PRESENT	
config	'00'B IF_PRESENT	
est	'00'B IF_PRESENT	
extb4b	'1'B IF_PRESENT	
sym	'00'B IF_PRESENT	
itrdo	('00000'B, '10000'B, '10001'B, '10011'B, '10101'B, '10111'B) IF_PRESENT	
extb5	?	
l1id	'01'B	
uil1	'00001'B	
extb5a	?	
sb	'1'B	
neg	'0'B	
ur	'10111'B	
extb5b1	?	
ir	'10'B	
nictx	'0'B	
nicrx	'0'B	
fctx	'0'B	
fcrx	'0'B	
spb5b1	'0'B	
extb5b2	OMIT	
hdrb	OMIT	
mfs	OMIT	
mode	OMIT	
llineg	OMIT	
ass	OMIT	
ibob	OMIT	
spb5b2	OMIT	
extb5c	?	
nsb	('01'B, '11'B)	
ndb	'10'B	
pi	('000'B, '010'B, '100'B, '101'B)	
extb5d	'1'B IF_PRESENT	
dplxm	('0'B, '1'B) IF_PRESENT	
modemt	('010001'B, '010010'B, '010011'B, '010100'B, '010111'B, '011100'B) IF_PRESENT	
extb6	*	
l2id	'10'B IF_PRESENT	
uil2	('00110'B, '00111'B) IF_PRESENT	

extb6a	'1'B IF_PRESENT	
ol2pi	*	
extb7	*	
l3id	'11'B IF_PRESENT	
uil3	'00110'B IF_PRESENT	
extb7a	'1'B IF_PRESENT	
ol3pi	*	
Detailed Comments:		

Structured Type Constraint		
Constraint Name:	Llcmp_Setup_B14_120075_2	
Structured Type:	LLCMP	
Derivation Path:		
Comments:	Lower Layer Compatibility IE for a setup PDU acc to clause B.2.4 of GSM 07.01. The combination of the values is equivalent to the combination in the bearer capability constraint Bcap_Setup_B121_120075_2. ANY CHANGE IN THIS CONSTRAINT MUST BE MADE IN THE CORRESPONDING BEARER CAPABILITY CONSTRAINT ALSO!	
Element Name	Element Value	Comments
iei	'01111100'B	
iel	('02'O, '03'O, '04'O, '05'O, '06'O, '07'O, '08'O, '09'O, '0A'O, '0B'O, '0C'O, '0D'O, '0E'O)	
extb3	?	
cs	'00'B	
itc	'01000'B	
extb3a	'1'B IF_PRESENT	
negind	*	
spb3a	'000000'B IF_PRESENT	
extb4	?	
tm	'00'B	
itr	'10000'B	
extb4a	*	
strc	'100'B IF_PRESENT	
config	'00'B IF_PRESENT	
est	'00'B IF_PRESENT	
extb4b	'1'B IF_PRESENT	
sym	'00'B IF_PRESENT	
itrdo	('00000'B, '10000'B, '10001'B, '10011'B, '10101'B, '10111'B) IF_PRESENT	
extb5	?	
l1id	'01'B	
uil1	'00001'B	
extb5a	?	
sb	'1'B	
neg	'0'B	
ur	'10111'B	
extb5b1	?	
ir	'10'B	
nictx	'0'B	
nicrx	'0'B	
fctx	'0'B	
fcrx	'0'B	
spb5b1	'0'B	
extb5b2	OMIT	
hdrb	OMIT	
mfs	OMIT	
mode	OMIT	
llineg	OMIT	
ass	OMIT	
ibob	OMIT	
spb5b2	OMIT	
extb5c	?	
nsb	('01'B, '11'B)	
ndb	'11'B	
pi	'011'B	
extb5d	'1'B IF_PRESENT	
dplxm	('0'B, '1'B) IF_PRESENT	
modemt	('010001'B, '010010'B, '010011'B, '010100'B, '010111'B, '011100'B) IF_PRESENT	
extb6	*	
l2id	'10'B IF_PRESENT	
uil2	('00110'B, '00111'B) IF_PRESENT	

extb6a	'1'B IF_PRESENT	
ol2pi	*	
extb7	*	
l3id	'11'B IF_PRESENT	
uil3	'00110'B IF_PRESENT	
extb7a	'1'B IF_PRESENT	
ol3pi	*	
Detailed Comments:		

Structured Type Constraint		
Constraint Name:	Llcmp_Setup_B14_2400_1	
Structured Type:	LLCMP	
Derivation Path:		
Comments:	Lower Layer Compatibility IE for a setup PDU acc to clause B.2.4 of GSM 07.01. The combination of the values is equivalent to the combination in the bearer capability constraint Bcap_Setup_B121_2400_1. ANY CHANGE IN THIS CONSTRAINT MUST BE MADE IN THE CORRESPONDING BEARER CAPABILITY CONSTRAINT ALSO!	
Element Name	Element Value	Comments
iei	'01111100'B	
iel	('02'O, '03'O, '04'O, '05'O, '06'O, '07'O, '08'O, '09'O, '0A'O, '0B'O, '0C'O, '0D'O, '0E'O)	
extb3	?	
cs	'00'B	
itc	'01000'B	
extb3a	'1'B IF_PRESENT	
negind	*	
spb3a	'000000'B IF_PRESENT	
extb4	?	
tm	'00'B	
itr	'10000'B	
extb4a	*	
strc	'100'B IF_PRESENT	
config	'00'B IF_PRESENT	
est	'00'B IF_PRESENT	
extb4b	'1'B IF_PRESENT	
sym	'00'B IF_PRESENT	
itrdo	('00000'B, '10000'B, '10001'B, '10011'B, '10101'B, '10111'B) IF_PRESENT	
extb5	?	
l1id	'01'B	
uil1	'00001'B	
extb5a	?	
sb	'1'B	
neg	'0'B	
ur	'00011'B	
extb5b1	?	
ir	'10'B	
nictx	'0'B	
nicrx	'0'B	
fctx	'0'B	
fcrx	'0'B	
spb5b1	'0'B	
extb5b2	OMIT	
hdrb	OMIT	
mfs	OMIT	
mode	OMIT	
llineg	OMIT	
ass	OMIT	
ibob	OMIT	
spb5b2	OMIT	
extb5c	?	
nsb	('01'B, '11'B)	
ndb	'10'B	
pi	('000'B, '010'B, '100'B, '101'B)	
extb5d	'1'B IF_PRESENT	
dplxm	('0'B, '1'B) IF_PRESENT	
modemt	('010001'B, '010010'B, '010011'B, '010100'B, '010111'B, '011100'B) IF_PRESENT	
extb6	*	
l2id	'10'B IF_PRESENT	
uil2	('00110'B, '00111'B) IF_PRESENT	

extb6a	'1'B IF_PRESENT	
ol2pi	*	
extb7	*	
l3id	'11'B IF_PRESENT	
uil3	'00110'B IF_PRESENT	
extb7a	'1'B IF_PRESENT	
ol3pi	*	
Detailed Comments:		

Structured Type Constraint		
Constraint Name:	Llcmp_Setup_B14_2400_2	
Structured Type:	LLCMP	
Derivation Path:		
Comments:	Lower Layer Compatibility IE for a setup PDU acc to clause B.2.4 of GSM 07.01. The combination of the values is equivalent to the combination in the bearer capability constraint Bcap_Setup_B121_2400_2. ANY CHANGE IN THIS CONSTRAINT MUST BE MADE IN THE CORRESPONDING BEARER CAPABILITY CONSTRAINT ALSO!	
Element Name	Element Value	Comments
iei	'01111100'B	
iel	('02'O, '03'O, '04'O, '05'O, '06'O, '07'O, '08'O, '09'O, '0A'O, '0B'O, '0C'O, '0D'O, '0E'O)	
extb3	?	
cs	'00'B	
itc	'01000'B	
extb3a	'1'B IF_PRESENT	
negind	*	
spb3a	'000000'B IF_PRESENT	
extb4	?	
tm	'00'B	
itr	'10000'B	
extb4a	*	
strc	'100'B IF_PRESENT	
config	'00'B IF_PRESENT	
est	'00'B IF_PRESENT	
extb4b	'1'B IF_PRESENT	
sym	'00'B IF_PRESENT	
itrdo	('00000'B, '10000'B, '10001'B, '10011'B, '10101'B, '10111'B) IF_PRESENT	
extb5	?	
l1id	'01'B	
uil1	'00001'B	
extb5a	?	
sb	'1'B	
neg	'0'B	
ur	'00011'B	
extb5b1	?	
ir	'10'B	
nictx	'0'B	
nicrx	'0'B	
fctx	'0'B	
fcrx	'0'B	
spb5b1	'0'B	
extb5b2	OMIT	
hdrb	OMIT	
mfs	OMIT	
mode	OMIT	
llineg	OMIT	
ass	OMIT	
ibob	OMIT	
spb5b2	OMIT	
extb5c	?	
nsb	('01'B, '11'B)	
ndb	'11'B	
pi	'011'B	
extb5d	'1'B IF_PRESENT	
dplxm	('0'B, '1'B) IF_PRESENT	
modemt	('010001'B, '010010'B, '010011'B, '010100'B, '010111'B, '011100'B) IF_PRESENT	
extb6	*	
l2id	'10'B IF_PRESENT	
uil2	('00110'B, '00111'B) IF_PRESENT	

extb6a	'1'B IF_PRESENT	
ol2pi	*	
extb7	*	
l3id	'11'B IF_PRESENT	
uil3	'00110'B IF_PRESENT	
extb7a	'1'B IF_PRESENT	
ol3pi	*	
Detailed Comments:		

Structured Type Constraint		
Constraint Name:	Llcmp_Setup_B14_4800_1	
Structured Type:	LLCMP	
Derivation Path:		
Comments:	Lower Layer Compatibility IE for a setup PDU acc to clause B.2.4 of GSM 07.01. The combination of the values is equivalent to the combination in the bearer capability constraint Bcap_Setup_B14_4800_1. ANY CHANGE IN THIS CONSTRAINT MUST BE MADE IN THE CORRESPONDING BEARER CAPABILITY CONSTRAINT ALSO!	
Element Name	Element Value	Comments
iei	'01111100'B	
iel	('02'O, '03'O, '04'O, '05'O, '06'O, '07'O, '08'O, '09'O, '0A'O, '0B'O, '0C'O, '0D'O, '0E'O)	
extb3	?	
cs	'00'B	
itc	'01000'B	
extb3a	'1'B IF_PRESENT	
negind	*	
spb3a	'000000'B IF_PRESENT	
extb4	?	
tm	'00'B	
itr	'10000'B	
extb4a	*	
strc	'100'B IF_PRESENT	
config	'00'B IF_PRESENT	
est	'00'B IF_PRESENT	
extb4b	'1'B IF_PRESENT	
sym	'00'B IF_PRESENT	
itrdo	('00000'B, '10000'B, '10001'B, '10011'B, '10101'B, '10111'B) IF_PRESENT	
extb5	?	
l1id	'01'B	
uil1	'00001'B	
extb5a	?	
sb	'1'B	
neg	'0'B	
ur	'00101'B	
extb5b1	?	
ir	'10'B	
nictx	'0'B	
nicrx	'0'B	
fctx	'0'B	
fcrx	'0'B	
spb5b1	'0'B	
extb5b2	OMIT	
hdrb	OMIT	
mfs	OMIT	
mode	OMIT	
llineg	OMIT	
ass	OMIT	
ibob	OMIT	
spb5b2	OMIT	
extb5c	?	
nsb	('01'B, '11'B)	
ndb	'10'B	
pi	('000'B, '010'B, '100'B, '101'B)	
extb5d	'1'B IF_PRESENT	
dplxm	('0'B, '1'B) IF_PRESENT	
modemt	('010001'B, '010010'B, '010011'B, '010100'B, '010111'B, '011100'B) IF_PRESENT	
extb6	*	
l2id	'10'B IF_PRESENT	
uil2	('00110'B, '00111'B) IF_PRESENT	

extb6a	'1'B IF_PRESENT	
ol2pi	*	
extb7	*	
l3id	'11'B IF_PRESENT	
uil3	'00110'B IF_PRESENT	
extb7a	'1'B IF_PRESENT	
ol3pi	*	
Detailed Comments:		

Structured Type Constraint		
Constraint Name:	Llcmp_Setup_B14_4800_2	
Structured Type:	LLCMP	
Derivation Path:		
Comments:	Lower Layer Compatibility IE for a setup PDU acc to clause B.2.4 of GSM 07.01. The combination of the values is equivalent to the combination in the bearer capability constraint Bcap_Setup_B14_4800_2. ANY CHANGE IN THIS CONSTRAINT MUST BE MADE IN THE CORRESPONDING BEARER CAPABILITY CONSTRAINT ALSO!	
Element Name	Element Value	Comments
iei	'01111100'B	
iel	('02'O, '03'O, '04'O, '05'O, '06'O, '07'O, '08'O, '09'O, '0A'O, '0B'O, '0C'O, '0D'O, '0E'O)	
extb3	?	
cs	'00'B	
itc	'01000'B	
extb3a	'1'B IF_PRESENT	
negind	*	
spb3a	'000000'B IF_PRESENT	
extb4	?	
tm	'00'B	
itr	'10000'B	
extb4a	*	
strc	'100'B IF_PRESENT	
config	'00'B IF_PRESENT	
est	'00'B IF_PRESENT	
extb4b	'1'B IF_PRESENT	
sym	'00'B IF_PRESENT	
itrdo	('00000'B, '10000'B, '10001'B, '10011'B, '10101'B, '10111'B) IF_PRESENT	
extb5	?	
l1id	'01'B	
uil1	'00001'B	
extb5a	?	
sb	'1'B	
neg	'0'B	
ur	'00101'B	
extb5b1	?	
ir	'10'B	
nictx	'0'B	
nicrx	'0'B	
fctx	'0'B	
fcrx	'0'B	
spb5b1	'0'B	
extb5b2	OMIT	
hdrb	OMIT	
mfs	OMIT	
mode	OMIT	
llineg	OMIT	
ass	OMIT	
ibob	OMIT	
spb5b2	OMIT	
extb5c	?	
nsb	('01'B, '11'B)	
ndb	'11'B	
pi	'011'B	
extb5d	'1'B IF_PRESENT	
dplxm	('0'B, '1'B) IF_PRESENT	
modemt	('010001'B, '010010'B, '010011'B, '010100'B, '010111'B, '011100'B) IF_PRESENT	
extb6	*	
l2id	'10'B IF_PRESENT	
uil2	('00110'B, '00111'B) IF_PRESENT	

extb6a	'1'B IF_PRESENT	
ol2pi	*	
extb7	*	
l3id	'11'B IF_PRESENT	
uil3	'00110'B IF_PRESENT	
extb7a	'1'B IF_PRESENT	
ol3pi	*	
Detailed Comments:		

Structured Type Constraint		
Constraint Name:	Llcmp_Setup_B14_9600_1	
Structured Type:	LLCMP	
Derivation Path:		
Comments:	Lower Layer Compatibility IE for a setup PDU acc to clause B.2.4 of GSM 07.01. The combination of the values is equivalent to the combination in the bearer capability constraint Bcap_Setup_B14_9600_1. ANY CHANGE IN THIS CONSTRAINT MUST BE MADE IN THE CORRESPONDING BEARER CAPABILITY CONSTRAINT ALSO!	
Element Name	Element Value	Comments
iei	'01111100'B	
iel	('02'O, '03'O, '04'O, '05'O, '06'O, '07'O, '08'O, '09'O, '0A'O, '0B'O, '0C'O, '0D'O, '0E'O)	
extb3	?	
cs	'00'B	
itc	'01000'B	
extb3a	'1'B IF_PRESENT	
negind	*	
spb3a	'000000'B IF_PRESENT	
extb4	?	
tm	'00'B	
itr	'10000'B	
extb4a	*	
strc	'100'B IF_PRESENT	
config	'00'B IF_PRESENT	
est	'00'B IF_PRESENT	
extb4b	'1'B IF_PRESENT	
sym	'00'B IF_PRESENT	
itrdo	('00000'B, '10000'B, '10001'B, '10011'B, '10101'B, '10111'B) IF_PRESENT	
extb5	?	
l1id	'01'B	
uil1	'00001'B	
extb5a	?	
sb	'1'B	
neg	'0'B	
ur	'01000'B	
extb5b1	?	
ir	'10'B	
nictx	'0'B	
nicrx	'0'B	
fctx	'0'B	
fcrx	'0'B	
spb5b1	'0'B	
extb5b2	OMIT	
hdrb	OMIT	
mfs	OMIT	
mode	OMIT	
llineg	OMIT	
ass	OMIT	
ibob	OMIT	
spb5b2	OMIT	
extb5c	?	
nsb	('01'B, '11'B)	
ndb	'10'B	
pi	('000'B, '010'B, '100'B, '101'B)	
extb5d	'1'B IF_PRESENT	
dplxm	('0'B, '1'B) IF_PRESENT	
modemt	('010001'B, '010010'B, '010011'B, '010100'B, '010111'B, '011100'B) IF_PRESENT	
extb6	*	
l2id	'10'B IF_PRESENT	
uil2	('00110'B, '00111'B) IF_PRESENT	

extb6a	'1'B IF_PRESENT	
ol2pi	*	
extb7	*	
l3id	'11'B IF_PRESENT	
uil3	'00110'B IF_PRESENT	
extb7a	'1'B IF_PRESENT	
ol3pi	*	
Detailed Comments:		

Structured Type Constraint		
Constraint Name:	Llcmp_Setup_B14_9600_2	
Structured Type:	LLCMP	
Derivation Path:		
Comments:	Lower Layer Compatibility IE for a setup PDU acc to clause B.2.4. of GSM 07.01. The combination of the values is equivalent to the combination in the bearer capability constraint Bcap_Setup_B14_9600_2. ANY CHANGE IN THIS CONSTRAINT MUST BE MADE IN THE CORRESPONDING BEARER CAPABILITY CONSTRAINT ALSO!	
Element Name	Element Value	Comments
iei	'01111100'B	
iel	('02'O, '03'O, '04'O, '05'O, '06'O, '07'O, '08'O, '09'O, '0A'O, '0B'O, '0C'O, '0D'O, '0E'O)	
extb3	?	
cs	'00'B	
itc	'01000'B	
extb3a	'1'B IF_PRESENT	
negind	*	
spb3a	'000000'B IF_PRESENT	
extb4	?	
tm	'00'B	
itr	'10000'B	
extb4a	*	
strc	'100'B IF_PRESENT	
config	'00'B IF_PRESENT	
est	'00'B IF_PRESENT	
extb4b	'1'B IF_PRESENT	
sym	'00'B IF_PRESENT	
itrdo	('00000'B, '10000'B, '10001'B, '10011'B, '10101'B, '10111'B) IF_PRESENT	
extb5	?	
l1id	'01'B	
uil1	'00001'B	
extb5a	?	
sb	'1'B	
neg	'0'B	
ur	'01000'B	
extb5b1	?	
ir	'10'B	
nictx	'0'B	
nicrx	'0'B	
fctx	'0'B	
fcrx	'0'B	
spb5b1	'0'B	
extb5b2	OMIT	
hdrb	OMIT	
mfs	OMIT	
mode	OMIT	
llineg	OMIT	
ass	OMIT	
ibob	OMIT	
spb5b2	OMIT	
extb5c	?	
nsb	('01'B, '11'B)	
ndb	'11'B	
pi	'011'B	
extb5d	'1'B IF_PRESENT	
dplxm	('0'B, '1'B) IF_PRESENT	
modemt	('010001'B, '010010'B, '010011'B, '010100'B, '010111'B, '011100'B) IF_PRESENT	
extb6	*	
l2id	'10'B IF_PRESENT	
uil2	('00110'B, '00111'B) IF_PRESENT	

extb6a	'1'B IF_PRESENT	
ol2pi	*	
extb7	*	
l3id	'11'B IF_PRESENT	
uil3	'00110'B IF_PRESENT	
extb7a	'1'B IF_PRESENT	
ol3pi	*	
Detailed Comments:		

Structured Type Constraint		
Constraint Name:	Llcmp_Setup_B14_9600_3	
Structured Type:	LLCMP	
Derivation Path:		
Comments:	<p>Lower Layer Compatibility IE for a setup PDU acc to clause B.2.4. of GSM 07.01. The combination of the values is equivalent to the combination in the bearer capability constraint Bcap_Setup_B14_9600_3.</p> <p>This constraint is identical to Llcmp_Setup_B14_9600_1 because the differences between the two corresponding bearer capabilities IEs are not reflected in the low layer compatibilities IEs.</p> <p>ANY CHANGE IN THIS CONSTRAINT MUST BE MADE IN THE CORRESPONDING BEARER CAPABILITY CONSTRAINT ALSO!</p>	
Element Name	Element Value	Comments
iei	'01111100'B	
iel	('02'O, '03'O, '04'O, '05'O, '06'O, '07'O, '08'O, '09'O, '0A'O, '0B'O, '0C'O, '0D'O, '0E'O)	
extb3	?	
cs	'00'B	
itc	'01000'B	
extb3a	'1'B IF_PRESENT	
negind	*	
spb3a	'000000'B IF_PRESENT	
extb4	?	
tm	'00'B	
itr	'10000'B	
extb4a	*	
strc	'100'B IF_PRESENT	
config	'00'B IF_PRESENT	
est	'00'B IF_PRESENT	
extb4b	'1'B IF_PRESENT	
sym	'00'B IF_PRESENT	
itrdo	('00000'B, '10000'B, '10001'B, '10011'B, '10101'B, '10111'B) IF_PRESENT	
extb5	?	
l1id	'01'B	
uil1	'00001'B	
extb5a	?	
sb	'1'B	
neg	'0'B	
ur	'01000'B	
extb5b1	?	
ir	'10'B	
nictx	'0'B	
nicrx	'0'B	
fctx	'0'B	
fcrx	'0'B	
spb5b1	'0'B	
extb5b2	OMIT	
hdrb	OMIT	
mfs	OMIT	
mode	OMIT	
llineg	OMIT	
ass	OMIT	
ibob	OMIT	
spb5b2	OMIT	
extb5c	?	
nsb	('01'B, '11'B)	
ndb	'10'B	
pi	('000'B, '010'B, '100'B, '101'B)	
extb5d	'1'B IF_PRESENT	
dplxm	('0'B, '1'B) IF_PRESENT	
modemt	('010001'B, '010010'B, '010011'B, '010100'B, '010111'B, '011100'B) IF_PRESENT	
extb6	*	

l2id	'10'B IF_PRESENT	
uil2	('00110'B, '00111'B) IF_PRESENT	
extb6a	'1'B IF_PRESENT	
ol2pi	*	
extb7	*	
l3id	'11'B IF_PRESENT	
uil3	'00110'B IF_PRESENT	
extb7a	'1'B IF_PRESENT	
ol3pi	*	
Detailed Comments:		

Structured Type Constraint		
Constraint Name:	Llcmp_Setup_B14_9600_4	
Structured Type:	LLCMP	
Derivation Path:		
Comments:	<p>Lower Layer Compatibility IE for a setup PDU acc to clause B.2.4 of GSM 07.01. The combination of the values is equivalent to the combination in the bearer capability constraint Bcap_Setup_B14_9600_4.</p> <p>This constraint is identical to Llcmp_Setup_B14_9600_2 because the differences between the two corresponding bearer capabilities IEs are not reflected in the low layer compatibilities IEs.</p> <p>ANY CHANGE IN THIS CONSTRAINT MUST BE MADE IN THE CORRESPONDING BEARER CAPABILITY CONSTRAINT ALSO!</p>	
Element Name	Element Value	Comments
iei	'01111100'B	
iel	('02'O, '03'O, '04'O, '05'O, '06'O, '07'O, '08'O, '09'O, '0A'O, '0B'O, '0C'O, '0D'O, '0E'O)	
extb3	?	
cs	'00'B	
itc	'01000'B	
extb3a	'1'B IF_PRESENT	
negind	*	
spb3a	'000000'B IF_PRESENT	
extb4	?	
tm	'00'B	
itr	'10000'B	
extb4a	*	
strc	'100'B IF_PRESENT	
config	'00'B IF_PRESENT	
est	'00'B IF_PRESENT	
extb4b	'1'B IF_PRESENT	
sym	'00'B IF_PRESENT	
itrdo	('00000'B, '10000'B, '10001'B, '10011'B, '10101'B, '10111'B) IF_PRESENT	
extb5	?	
l1id	'01'B	
uil1	'00001'B	
extb5a	?	
sb	'1'B	
neg	'0'B	
ur	'01000'B	
extb5b1	?	
ir	'10'B	
nictx	'0'B	
nicrx	'0'B	
fctx	'0'B	
fcrx	'0'B	
spb5b1	'0'B	
extb5b2	OMIT	
hdrb	OMIT	
mfs	OMIT	
mode	OMIT	
llineg	OMIT	
ass	OMIT	
ibob	OMIT	
spb5b2	OMIT	
extb5c	?	
nsb	('01'B, '11'B)	
ndb	'11'B	
pi	'011'B	
extb5d	'1'B IF_PRESENT	
dplxm	('0'B, '1'B) IF_PRESENT	
modemt	('010001'B, '010010'B, '010011'B, '010100'B, '010111'B, '011100'B) IF_PRESENT	
extb6	*	

l2id	'10'B IF_PRESENT	
uil2	('00110'B, '00111'B) IF_PRESENT	
extb6a	'1'B IF_PRESENT	
ol2pi	*	
extb7	*	
l3id	'11'B IF_PRESENT	
uil3	'00110'B IF_PRESENT	
extb7a	'1'B IF_PRESENT	
ol3pi	*	

Detailed Comments:

Structured Type Constraint		
Constraint Name:	Llcmp_Setup_B15_2400	
Structured Type:	LLCMP	
Derivation Path:		
Comments:	Lower Layer Compatibility IE for a setup PDU acc to the table in clause B.2.5.1 of GSM 07.01. The combination of the values is equivalent to the combination in the bearer capability constraint Bcap_Setup_B15_2400. ANY CHANGE IN THIS CONSTRAINT MUST BE MADE IN THE CORRESPONDING BEARER CAPABILITY CONSTRAINT ALSO!	
Element Name	Element Value	Comments
iei	'01111100'B	
iel	('02'O, '03'O, '04'O, '05'O, '06'O, '07'O, '08'O, '09'O, '0A'O, '0B'O, '0C'O, '0D'O, '0E'O)	
extb3	?	
cs	'00'B	
itc	'01000'B	
extb3a	'1'B IF_PRESENT	
negind	*	
spb3a	'000000'B IF_PRESENT	
extb4	?	
tm	'00'B	
itr	'10000'B	
extb4a	*	
strc	('000'B, '001'B, '100'B, '111'B) IF_PRESENT	
config	'00'B IF_PRESENT	
est	'00'B IF_PRESENT	
extb4b	'1'B IF_PRESENT	
sym	'00'B IF_PRESENT	
itrdo	('00000'B, '10000'B, '10001'B, '10011'B, '10101'B, '10111'B) IF_PRESENT	
extb5	?	
l1id	'01'B	
uil1	'01001'B	
extb5a	?	
sb	'0'B	
neg	'0'B	
ur	'00011'B	
extb5b1	OMIT	
ir	OMIT	
nictx	OMIT	
nicrx	OMIT	
fctx	OMIT	
fcrx	OMIT	
spb5b1	OMIT	
extb5b2	OMIT	
hdrb	OMIT	
mfs	OMIT	
mode	OMIT	
llineg	OMIT	
ass	OMIT	
ibob	OMIT	
spb5b2	OMIT	
extb5c	OMIT	
nsb	OMIT	
ndb	OMIT	
pi	OMIT	
extb5d	OMIT	
dplxm	OMIT	
modemt	OMIT	
extb6	?	
l2id	'10'B	
uil2	('00110'B, '00111'B)	
extb6a	'1'B IF_PRESENT	

ol2pi	*	
extb7	?	
l3id	'11'B	
uil3	'00110'B	
extb7a	'1'B IF_PRESENT	
ol3pi	*	
Detailed Comments:		

Structured Type Constraint		
Constraint Name:	Llcmp_Setup_B15_4800	
Structured Type:	LLCMP	
Derivation Path:		
Comments:	<p>Lower Layer Compatibility IE for a setup PDU acc to the table in clause B.2.5.1 of GSM 07.01. The combination of the values is equivalent to the combination in the bearer capability constraint Bcap_Setup_B15_00. ANY CHANGE IN THIS CONSTRAINT MUST BE MADE IN THE CORRESPONDING BEARER CAPABILITY CONSTRAINT ALSO!</p>	
Element Name	Element Value	Comments
iei	'01111100'B	
iel	('02'O, '03'O, '04'O, '05'O, '06'O, '07'O, '08'O, '09'O, '0A'O, '0B'O, '0C'O, '0D'O, '0E'O)	
extb3	?	
cs	'00'B	
itc	'01000'B	
extb3a	'1'B IF_PRESENT	
negind	*	
spb3a	'000000'B IF_PRESENT	
extb4	?	
tm	'00'B	
itr	'10000'B	
extb4a	*	
strc	('000'B, '001'B, '100'B, '111'B) IF_PRESENT	
config	'00'B IF_PRESENT	
est	'00'B IF_PRESENT	
extb4b	'1'B IF_PRESENT	
sym	'00'B IF_PRESENT	
itrdo	('00000'B, '10000'B, '10001'B, '10011'B, '10101'B, '10111'B) IF_PRESENT	
extb5	?	
l1id	'01'B	
uil1	'01001'B	
extb5a	?	
sb	'0'B	
neg	'0'B	
ur	'00101'B	
extb5b1	OMIT	
ir	OMIT	
nictx	OMIT	
nicrx	OMIT	
fctx	OMIT	
fcrx	OMIT	
spb5b1	OMIT	
extb5b2	OMIT	
hdrb	OMIT	
mfs	OMIT	
mode	OMIT	
llineg	OMIT	
ass	OMIT	
ibob	OMIT	
spb5b2	OMIT	
extb5c	OMIT	
nsb	OMIT	
ndb	OMIT	
pi	OMIT	
extb5d	OMIT	
dplxm	OMIT	
modemt	OMIT	
extb6	?	
l2id	'10'B	
uil2	('00110'B, '00111'B)	
extb6a	'1'B IF_PRESENT	

ol2pi	*	
extb7	?	
l3id	'11'B	
uil3	'00110'B	
extb7a	'1'B IF_PRESENT	
ol3pi	*	
Detailed Comments:		

Structured Type Constraint		
Constraint Name:	Llcmp_Setup_B15_9600	
Structured Type:	LLCMP	
Derivation Path:		
Comments:	Lower Layer Compatibility IE for a setup PDU acc to the table in clause B.2.5.1 of GSM 07.01. The combination of the values is equivalent to the combination in the bearer capability constraint Bcap_Setup_B15_9600. ANY CHANGE IN THIS CONSTRAINT MUST BE MADE IN THE CORRESPONDING BEARER CAPABILITY CONSTRAINT ALSO!	
Element Name	Element Value	Comments
iei	'01111100'B	
iel	('02'O, '03'O, '04'O, '05'O, '06'O, '07'O, '08'O, '09'O, '0A'O, '0B'O, '0C'O, '0D'O, '0E'O)	
extb3	?	
cs	'00'B	
itc	'01000'B	
extb3a	'1'B IF_PRESENT	
negind	*	
spb3a	'000000'B IF_PRESENT	
extb4	?	
tm	'00'B	
itr	'10000'B	
extb4a	*	
strc	('000'B, '001'B, '100'B, '111'B) IF_PRESENT	
config	'00'B IF_PRESENT	
est	'00'B IF_PRESENT	
extb4b	'1'B IF_PRESENT	
sym	'00'B IF_PRESENT	
itrdo	('00000'B, '10000'B, '10001'B, '10011'B, '10101'B, '10111'B) IF_PRESENT	
extb5	?	
l1id	'01'B	
uil1	'01001'B	
extb5a	?	
sb	'0'B	
neg	'0'B	
ur	'01000'B	
extb5b1	OMIT	
ir	OMIT	
nictx	OMIT	
nicrx	OMIT	
fctx	OMIT	
fcrx	OMIT	
spb5b1	OMIT	
extb5b2	OMIT	
hdrb	OMIT	
mfs	OMIT	
mode	OMIT	
llineg	OMIT	
ass	OMIT	
ibob	OMIT	
spb5b2	OMIT	
extb5c	OMIT	
nsb	OMIT	
ndb	OMIT	
pi	OMIT	
extb5d	OMIT	
dplxrn	OMIT	
modemt	OMIT	
extb6	?	
l2id	'10'B	
uil2	('00110'B, '00111'B)	
extb6a	'1'B IF_PRESENT	

ol2pi	*	
extb7	?	
l3id	'11'B	
uil3	'00110'B	
extb7a	'1'B IF_PRESENT	
ol3pi	*	
Detailed Comments:		

Structured Type Constraint		
Constraint Name:	Llcmp_Setup_B1621_300_1	
Structured Type:	LLCMP	
Derivation Path:		
Comments:	Lower Layer Compatibility IE for a setup PDU acc to clauses B.2.6.1 and B.2.6.2 of GSM 07.01. The combination of the values is equivalent to the combination in the bearer capability constraint Bcap_Setup_B16212_300_1. ANY CHANGE IN THIS CONSTRAINT MUST BE MADE IN THE CORRESPONDING BEARER CAPABILITY CONSTRAINT ALSO!	
Element Name	Element Value	Comments
iei	'01111100'B	
iel	('02'O, '03'O, '04'O, '05'O, '06'O, '07'O, '08'O, '09'O, '0A'O, '0B'O, '0C'O, '0D'O, '0E'O)	
extb3	?	
cs	'00'B	
itc	'10000'B	
extb3a	'1'B IF_PRESENT	
negind	*	
spb3a	'000000'B IF_PRESENT	
extb4	?	
tm	'00'B	
itr	'10000'B	
extb4a	*	
strc	('000'B, '001'B, '100'B, '111'B) IF_PRESENT	
config	'00'B IF_PRESENT	
est	'00'B IF_PRESENT	
extb4b	'1'B IF_PRESENT	
sym	'00'B IF_PRESENT	
itrdo	('00000'B, '10000'B, '10001'B, '10011'B, '10101'B, '10111'B) IF_PRESENT	
extb5	?	
l1id	'01'B	
uil1	'00011'B	
extb5a	? IF_PRESENT	
sb	'1'B IF_PRESENT	
neg	('0'B, '1'B) IF_PRESENT	
ur	'11110'B IF_PRESENT	
extb5b1	?	
ir	'10'B	
nictx	('0'B, '1'B)	
nicrx	('0'B, '1'B)	
fctx	('0'B, '1'B)	
fcrx	('0'B, '1'B)	
spb5b1	'0'B	
extb5b2	OMIT	
hdrb	OMIT	
mfs	OMIT	
mode	OMIT	
llineg	OMIT	
ass	OMIT	
ibob	OMIT	
spb5b2	OMIT	
extb5c	? IF_PRESENT	
nsb	('01'B, '11'B) IF_PRESENT	
ndb	'10'B IF_PRESENT	
pi	('000'B, '010'B, '011'B, '100'B, '101'B) IF_PRESENT	
extb5d	'1'B IF_PRESENT	
dplxm	('0'B, '1'B) IF_PRESENT	
modemt	'010001'B IF_PRESENT	
extb6	*	
l2id	'10'B IF_PRESENT	
uil2	('00110'B, '00111'B) IF_PRESENT	

extb6a	'1'B IF_PRESENT	
ol2pi	*	
extb7	*	
l3id	'11'B IF_PRESENT	
uil3	'00110'B IF_PRESENT	
extb7a	'1'B IF_PRESENT	
ol3pi	*	
Detailed Comments:		

Structured Type Constraint		
Constraint Name:	Llcmp_Setup_B1621_300_2	
Structured Type:	LLCMP	
Derivation Path:		
Comments:	Lower Layer Compatibility IE for a setup PDU acc to clauses B.2.6.1 and B.2.6.2 of GSM 07.01. The combination of the values is equivalent to the combination in the bearer capability constraint Bcap_Setup_B1621_300_2. ANY CHANGE IN THIS CONSTRAINT MUST BE MADE IN THE CORRESPONDING BEARER CAPABILITY CONSTRAINT ALSO!	
Element Name	Element Value	Comments
iei	'01111100'B	
iel	('02'O, '03'O, '04'O, '05'O, '06'O, '07'O, '08'O, '09'O, '0A'O, '0B'O, '0C'O, '0D'O, '0E'O)	
extb3	?	
cs	'00'B	
itc	'10000'B	
extb3a	'1'B IF_PRESENT	
negind	*	
spb3a	'000000'B IF_PRESENT	
extb4	?	
tm	'00'B	
itr	'10000'B	
extb4a	*	
strc	('000'B, '001'B, '100'B, '111'B) IF_PRESENT	
config	'00'B IF_PRESENT	
est	'00'B IF_PRESENT	
extb4b	'1'B IF_PRESENT	
sym	'00'B IF_PRESENT	
itrdo	('00000'B, '10000'B, '10001'B, '10011'B, '10101'B, '10111'B) IF_PRESENT	
extb5	?	
l1id	'01'B	
uil1	'00011'B	
extb5a	? IF_PRESENT	
sb	'1'B IF_PRESENT	
neg	('0'B, '1'B) IF_PRESENT	
ur	'11110'B IF_PRESENT	
extb5b1	?	
ir	'10'B	
nictx	('0'B, '1'B)	
nicrx	('0'B, '1'B)	
fctx	('0'B, '1'B)	
fcrx	('0'B, '1'B)	
spb5b1	'0'B	
extb5b2	OMIT	
hdrb	OMIT	
mfs	OMIT	
mode	OMIT	
llineg	OMIT	
ass	OMIT	
ibob	OMIT	
spb5b2	OMIT	
extb5c	? IF_PRESENT	
nsb	('01'B, '11'B) IF_PRESENT	
ndb	'11'B IF_PRESENT	
pi	'011'B IF_PRESENT	
extb5d	'1'B IF_PRESENT	
dplxrn	('0'B, '1'B) IF_PRESENT	
modemt	'010001'B IF_PRESENT	
extb6	*	
l2id	'10'B IF_PRESENT	
uil2	('00110'B, '00111'B) IF_PRESENT	
extb6a	'1'B IF_PRESENT	

ol2pi	*	
extb7	*	
l3id	'11'B IF_PRESENT	
uil3	'00110'B IF_PRESENT	
extb7a	'1'B IF_PRESENT	
ol3pi	*	
Detailed Comments:		

Structured Type Constraint		
Constraint Name:	Llcmp_Setup_B1621_1200_1	
Structured Type:	LLCMP	
Derivation Path:		
Comments:	Lower Layer Compatibility IE for a setup PDU acc to clauses B.2.6.1 and B.2.6.2 of GSM 07.01. The combination of the values is equivalent to the combination in the bearer capability constraint Bcap_Setup_B1621_1200_1. ANY CHANGE IN THIS CONSTRAINT MUST BE MADE IN THE CORRESPONDING BEARER CAPABILITY CONSTRAINT ALSO!	
Element Name	Element Value	Comments
iei	'01111100'B	
iel	('02'O, '03'O, '04'O, '05'O, '06'O, '07'O, '08'O, '09'O, '0A'O, '0B'O, '0C'O, '0D'O, '0E'O)	
extb3	?	
cs	'00'B	
itc	'10000'B	
extb3a	'1'B IF_PRESENT	
negind	*	
spb3a	'000000'B IF_PRESENT	
extb4	?	
tm	'00'B	
itr	'10000'B	
extb4a	*	
strc	('000'B, '001'B, '100'B, '111'B) IF_PRESENT	
config	'00'B IF_PRESENT	
est	'00'B IF_PRESENT	
extb4b	'1'B IF_PRESENT	
sym	'00'B IF_PRESENT	
itrdo	('00000'B, '10000'B, '10001'B, '10011'B, '10101'B, '10111'B) IF_PRESENT	
extb5	?	
l1id	'01'B	
uil1	'00011'B	
extb5a	? IF_PRESENT	
sb	'1'B IF_PRESENT	
neg	('0'B, '1'B) IF_PRESENT	
ur	'00001'B IF_PRESENT	
extb5b1	?	
ir	'10'B	
nictx	('0'B, '1'B)	
nicrx	('0'B, '1'B)	
fctx	('0'B, '1'B)	
fcrx	('0'B, '1'B)	
spb5b1	'0'B	
extb5b2	OMIT	
hdrb	OMIT	
mfs	OMIT	
mode	OMIT	
llineg	OMIT	
ass	OMIT	
ibob	OMIT	
spb5b2	OMIT	
extb5c	? IF_PRESENT	
nsb	('01'B, '11'B) IF_PRESENT	
ndb	'10'B IF_PRESENT	
pi	('000'B, '010'B, '011'B, '100'B, '101'B) IF_PRESENT	
extb5d	'1'B IF_PRESENT	
dplxm	('0'B, '1'B) IF_PRESENT	
modemt	'010010'B IF_PRESENT	
extb6	*	
l2id	'10'B IF_PRESENT	
uil2	('00110'B, '00111'B) IF_PRESENT	

extb6a	'1'B IF_PRESENT	
ol2pi	*	
extb7	*	
l3id	'11'B IF_PRESENT	
uil3	'00110'B IF_PRESENT	
extb7a	'1'B IF_PRESENT	
ol3pi	*	
Detailed Comments:		

Structured Type Constraint		
Constraint Name:	Llcmp_Setup_B1621_1200_2	
Structured Type:	LLCMP	
Derivation Path:		
Comments:	Lower Layer Compatibility IE for a setup PDU acc to clauses B.2.6.1 and B.2.6.2 of GSM 07.01. The combination of the values is equivalent to the combination in the bearer capability constraint Bcap_Setup_B1621_1200_2. ANY CHANGE IN THIS CONSTRAINT MUST BE MADE IN THE CORRESPONDING BEARER CAPABILITY CONSTRAINT ALSO!	
Element Name	Element Value	Comments
iei	'01111100'B	
iel	('02'O, '03'O, '04'O, '05'O, '06'O, '07'O, '08'O, '09'O, '0A'O, '0B'O, '0C'O, '0D'O, '0E'O)	
extb3	?	
cs	'00'B	
itc	'10000'B	
extb3a	'1'B IF_PRESENT	
negind	*	
spb3a	'000000'B IF_PRESENT	
extb4	?	
tm	'00'B	
itr	'10000'B	
extb4a	*	
strc	('000'B, '001'B, '100'B, '111'B) IF_PRESENT	
config	'00'B IF_PRESENT	
est	'00'B IF_PRESENT	
extb4b	'1'B IF_PRESENT	
sym	'00'B IF_PRESENT	
itrdo	('00000'B, '10000'B, '10001'B, '10011'B, '10101'B, '10111'B) IF_PRESENT	
extb5	?	
l1id	'01'B	
uil1	'00011'B	
extb5a	? IF_PRESENT	
sb	'1'B IF_PRESENT	
neg	('0'B, '1'B) IF_PRESENT	
ur	'00001'B IF_PRESENT	
extb5b1	?	
ir	'10'B	
nictx	('0'B, '1'B)	
nicrx	('0'B, '1'B)	
fctx	('0'B, '1'B)	
fcrx	('0'B, '1'B)	
spb5b1	'0'B	
extb5b2	OMIT	
hdrb	OMIT	
mfs	OMIT	
mode	OMIT	
llineg	OMIT	
ass	OMIT	
ibob	OMIT	
spb5b2	OMIT	
extb5c	? IF_PRESENT	
nsb	('01'B, '11'B) IF_PRESENT	
ndb	'11'B IF_PRESENT	
pi	'011'B IF_PRESENT	
extb5d	'1'B IF_PRESENT	
dplxrm	('0'B, '1'B) IF_PRESENT	
modemt	'010010'B IF_PRESENT	
extb6	*	
l2id	'10'B IF_PRESENT	
uil2	('00110'B, '00111'B) IF_PRESENT	
extb6a	'1'B IF_PRESENT	

ol2pi	*	
extb7	*	
l3id	'11'B IF_PRESENT	
uil3	'00110'B IF_PRESENT	
extb7a	'1'B IF_PRESENT	
ol3pi	*	
Detailed Comments:		

Structured Type Constraint		
Constraint Name:	Llcmp_Setup_B1621_120075_1	
Structured Type:	LLCMP	
Derivation Path:		
Comments:	Lower Layer Compatibility IE for a setup PDU acc to clauses B.2.6.1 and B.2.6.2 of GSM 07.01. The combination of the values is equivalent to the combination in the bearer capability constraint Bcap_Setup_B1621_120075_1. ANY CHANGE IN THIS CONSTRAINT MUST BE MADE IN THE CORRESPONDING BEARER CAPABILITY CONSTRAINT ALSO!	
Element Name	Element Value	Comments
iei	'01111100'B	
iel	('02'O, '03'O, '04'O, '05'O, '06'O, '07'O, '08'O, '09'O, '0A'O, '0B'O, '0C'O, '0D'O, '0E'O)	
extb3	?	
cs	'00'B	
itc	'10000'B	
extb3a	'1'B IF_PRESENT	
negind	*	
spb3a	'000000'B IF_PRESENT	
extb4	?	
tm	'00'B	
itr	'10000'B	
extb4a	*	
strc	('000'B, '001'B, '100'B, '111'B) IF_PRESENT	
config	'00'B IF_PRESENT	
est	'00'B IF_PRESENT	
extb4b	'1'B IF_PRESENT	
sym	'00'B IF_PRESENT	
itrdo	('00000'B, '10000'B, '10001'B, '10011'B, '10101'B, '10111'B) IF_PRESENT	
extb5	?	
l1id	'01'B	
uil1	'00011'B	
extb5a	? IF_PRESENT	
sb	'1'B IF_PRESENT	
neg	('0'B, '1'B) IF_PRESENT	
ur	'10111'B IF_PRESENT	
extb5b1	?	
ir	'10'B	
nictx	('0'B, '1'B)	
nicrx	('0'B, '1'B)	
fctx	('0'B, '1'B)	
fcrx	('0'B, '1'B)	
spb5b1	'0'B	
extb5b2	OMIT	
hdrb	OMIT	
mfs	OMIT	
mode	OMIT	
llineg	OMIT	
ass	OMIT	
ibob	OMIT	
spb5b2	OMIT	
extb5c	? IF_PRESENT	
nsb	('01'B, '11'B) IF_PRESENT	
ndb	'10'B IF_PRESENT	
pi	('000'B, '010'B, '011'B, '100'B, '101'B) IF_PRESENT	
extb5d	'1'B IF_PRESENT	
dplxm	('0'B, '1'B) IF_PRESENT	
modemt	'010100'B IF_PRESENT	
extb6	*	
l2id	'10'B IF_PRESENT	
uil2	('00110'B, '00111'B) IF_PRESENT	

extb6a	'1'B IF_PRESENT	
ol2pi	*	
extb7	*	
l3id	'11'B IF_PRESENT	
uil3	'00110'B IF_PRESENT	
extb7a	'1'B IF_PRESENT	
ol3pi	*	
Detailed Comments:		

Structured Type Constraint		
Constraint Name:	Llcmp_Setup_B1621_120075_2	
Structured Type:	LLCMP	
Derivation Path:		
Comments:	Lower Layer Compatibility IE for a setup PDU acc to clauses B.2.6.1 and B.2.6.2 of GSM 07.01. The combination of the values is equivalent to the combination in the bearer capability constraint Bcap_Setup_B1621_120075_2. ANY CHANGE IN THIS CONSTRAINT MUST BE MADE IN THE CORRESPONDING BEARER CAPABILITY CONSTRAINT ALSO!	
Element Name	Element Value	Comments
iei	'01111100'B	
iel	('02'O, '03'O, '04'O, '05'O, '06'O, '07'O, '08'O, '09'O, '0A'O, '0B'O, '0C'O, '0D'O, '0E'O)	
extb3	?	
cs	'00'B	
itc	'10000'B	
extb3a	'1'B IF_PRESENT	
negind	*	
spb3a	'000000'B IF_PRESENT	
extb4	?	
tm	'00'B	
itr	'10000'B	
extb4a	*	
strc	('000'B, '001'B, '100'B, '111'B) IF_PRESENT	
config	'00'B IF_PRESENT	
est	'00'B IF_PRESENT	
extb4b	'1'B IF_PRESENT	
sym	'00'B IF_PRESENT	
itrdo	('00000'B, '10000'B, '10001'B, '10011'B, '10101'B, '10111'B) IF_PRESENT	
extb5	?	
l1id	'01'B	
uil1	'00011'B	
extb5a	? IF_PRESENT	
sb	'1'B IF_PRESENT	
neg	('0'B, '1'B) IF_PRESENT	
ur	'10111'B IF_PRESENT	
extb5b1	?	
ir	'10'B	
nictx	('0'B, '1'B)	
nicrx	('0'B, '1'B)	
fctx	('0'B, '1'B)	
fcrx	('0'B, '1'B)	
spb5b1	'0'B	
extb5b2	OMIT	
hdrb	OMIT	
mfs	OMIT	
mode	OMIT	
llineg	OMIT	
ass	OMIT	
ibob	OMIT	
spb5b2	OMIT	
extb5c	? IF_PRESENT	
nsb	('01'B, '11'B) IF_PRESENT	
ndb	'11'B IF_PRESENT	
pi	'011'B IF_PRESENT	
extb5d	'1'B IF_PRESENT	
dplxm	('0'B, '1'B) IF_PRESENT	
modemt	'010100'B IF_PRESENT	
extb6	*	
l2id	'10'B IF_PRESENT	
uil2	('00110'B, '00111'B) IF_PRESENT	
extb6a	'1'B IF_PRESENT	

ol2pi	*	
extb7	*	
l3id	'11'B IF_PRESENT	
uil3	'00110'B IF_PRESENT	
extb7a	'1'B IF_PRESENT	
ol3pi	*	
Detailed Comments:		

Structured Type Constraint		
Constraint Name:	Llcmp_Setup_B1621_2400_1	
Structured Type:	LLCMP	
Derivation Path:		
Comments:	Lower Layer Compatibility IE for a setup PDU acc to clauses B.2.6.1 and B.2.6.2 of GSM 07.01. The combination of the values is equivalent to the combination in the bearer capability constraint Bcap_Setup_B1621_2400_1. ANY CHANGE IN THIS CONSTRAINT MUST BE MADE IN THE CORRESPONDING BEARER CAPABILITY CONSTRAINT ALSO!	
Element Name	Element Value	Comments
iei	'01111100'B	
iel	('02'O, '03'O, '04'O, '05'O, '06'O, '07'O, '08'O, '09'O, '0A'O, '0B'O, '0C'O, '0D'O, '0E'O)	
extb3	?	
cs	'00'B	
itc	'10000'B	
extb3a	'1'B IF_PRESENT	
negind	*	
spb3a	'000000'B IF_PRESENT	
extb4	?	
tm	'00'B	
itr	'10000'B	
extb4a	*	
strc	('000'B, '001'B, '100'B, '111'B) IF_PRESENT	
config	'00'B IF_PRESENT	
est	'00'B IF_PRESENT	
extb4b	'1'B IF_PRESENT	
sym	'00'B IF_PRESENT	
itrdo	('00000'B, '10000'B, '10001'B, '10011'B, '10101'B, '10111'B) IF_PRESENT	
extb5	?	
l1id	'01'B	
uil1	'00011'B	
extb5a	? IF_PRESENT	
sb	'1'B IF_PRESENT	
neg	('0'B, '1'B) IF_PRESENT	
ur	'00011'B IF_PRESENT	
extb5b1	?	
ir	'10'B	
nictx	('0'B, '1'B)	
nicrx	('0'B, '1'B)	
fctx	('0'B, '1'B)	
fcrx	('0'B, '1'B)	
spb5b1	'0'B	
extb5b2	OMIT	
hdrb	OMIT	
mfs	OMIT	
mode	OMIT	
llineg	OMIT	
ass	OMIT	
ibob	OMIT	
spb5b2	OMIT	
extb5c	? IF_PRESENT	
nsb	('01'B, '11'B) IF_PRESENT	
ndb	'10'B IF_PRESENT	
pi	('000'B, '010'B, '011'B, '100'B, '101'B) IF_PRESENT	
extb5d	'1'B IF_PRESENT	
dplxm	('0'B, '1'B) IF_PRESENT	
modemt	('010011'B, '010111'B) IF_PRESENT	
extb6	*	
l2id	'10'B IF_PRESENT	
uil2	('00110'B, '00111'B) IF_PRESENT	

extb6a	'1'B IF_PRESENT	
ol2pi	*	
extb7	*	
l3id	'11'B IF_PRESENT	
uil3	'00110'B IF_PRESENT	
extb7a	'1'B IF_PRESENT	
ol3pi	*	
Detailed Comments:		

Structured Type Constraint		
Constraint Name:	Llcmp_Setup_B1621_2400_2	
Structured Type:	LLCMP	
Derivation Path:		
Comments:	Lower Layer Compatibility IE for a setup PDU acc to clauses B.2.6.1 and B.2.6.2 of GSM 07.01. The combination of the values is equivalent to the combination in the bearer capability constraint Bcap_Setup_B1621_2400_2. ANY CHANGE IN THIS CONSTRAINT MUST BE MADE IN THE CORRESPONDING BEARER CAPABILITY CONSTRAINT ALSO!	
Element Name	Element Value	Comments
iei	'01111100'B	
iel	('02'O, '03'O, '04'O, '05'O, '06'O, '07'O, '08'O, '09'O, '0A'O, '0B'O, '0C'O, '0D'O, '0E'O)	
extb3	?	
cs	'00'B	
itc	'10000'B	
extb3a	'1'B IF_PRESENT	
negind	*	
spb3a	'000000'B IF_PRESENT	
extb4	?	
tm	'00'B	
itr	'10000'B	
extb4a	*	
strc	('000'B, '001'B, '100'B, '111'B) IF_PRESENT	
config	'00'B IF_PRESENT	
est	'00'B IF_PRESENT	
extb4b	'1'B IF_PRESENT	
sym	'00'B IF_PRESENT	
itrdo	('00000'B, '10000'B, '10001'B, '10011'B, '10101'B, '10111'B) IF_PRESENT	
extb5	?	
l1id	'01'B	
uil1	'00011'B	
extb5a	? IF_PRESENT	
sb	'1'B IF_PRESENT	
neg	('0'B, '1'B) IF_PRESENT	
ur	'00011'B IF_PRESENT	
extb5b1	?	
ir	'10'B	
nictx	('0'B, '1'B)	
nicrx	('0'B, '1'B)	
fctx	('0'B, '1'B)	
fcx	('0'B, '1'B)	
spb5b1	'0'B	
extb5b2	OMIT	
hdrb	OMIT	
mfs	OMIT	
mode	OMIT	
llineg	OMIT	
ass	OMIT	
ibob	OMIT	
spb5b2	OMIT	
extb5c	? IF_PRESENT	
nsb	('01'B, '11'B) IF_PRESENT	
ndb	'11'B IF_PRESENT	
pi	'011'B IF_PRESENT	
extb5d	'1'B IF_PRESENT	
dplxm	('0'B, '1'B) IF_PRESENT	
modemt	('010011'B, '010111'B) IF_PRESENT	
extb6	*	
l2id	'10'B IF_PRESENT	
uil2	('00110'B, '00111'B) IF_PRESENT	
extb6a	'1'B IF_PRESENT	

ol2pi	*	
extb7	*	
l3id	'11'B IF_PRESENT	
uil3	'00110'B IF_PRESENT	
extb7a	'1'B IF_PRESENT	
ol3pi	*	
Detailed Comments:		

Structured Type Constraint		
Constraint Name:	Llcmp_Setup_B1621_4800_1	
Structured Type:	LLCMP	
Derivation Path:		
Comments:	Lower Layer Compatibility IE for a setup PDU acc to clauses B.2.6.1 and B.2.6.2 of GSM 07.01. The combination of the values is equivalent to the combination in the bearer capability constraint Bcap_Setup_B1621_4800_1. ANY CHANGE IN THIS CONSTRAINT MUST BE MADE IN THE CORRESPONDING BEARER CAPABILITY CONSTRAINT ALSO!	
Element Name	Element Value	Comments
iei	'01111100'B	
iel	('02'O, '03'O, '04'O, '05'O, '06'O, '07'O, '08'O, '09'O, '0A'O, '0B'O, '0C'O, '0D'O, '0E'O)	
extb3	?	
cs	'00'B	
itc	'10000'B	
extb3a	'1'B IF_PRESENT	
negind	*	
spb3a	'000000'B IF_PRESENT	
extb4	?	
tm	'00'B	
itr	'10000'B	
extb4a	*	
strc	('000'B, '001'B, '100'B, '111'B) IF_PRESENT	
config	'00'B IF_PRESENT	
est	'00'B IF_PRESENT	
extb4b	'1'B IF_PRESENT	
sym	'00'B IF_PRESENT	
itrdo	('00000'B, '10000'B, '10001'B, '10011'B, '10101'B, '10111'B) IF_PRESENT	
extb5	?	
l1id	'01'B	
uil1	'00011'B	
extb5a	? IF_PRESENT	
sb	'1'B IF_PRESENT	
neg	('0'B, '1'B) IF_PRESENT	
ur	'00101'B IF_PRESENT	
extb5b1	?	
ir	'10'B	
nictx	('0'B, '1'B)	
nicrx	('0'B, '1'B)	
fctx	('0'B, '1'B)	
fcrx	('0'B, '1'B)	
spb5b1	'0'B	
extb5b2	OMIT	
hdrb	OMIT	
mfs	OMIT	
mode	OMIT	
llineg	OMIT	
ass	OMIT	
ibob	OMIT	
spb5b2	OMIT	
extb5c	? IF_PRESENT	
nsb	('01'B, '11'B) IF_PRESENT	
ndb	'10'B IF_PRESENT	
pi	('000'B, '010'B, '011'B, '100'B, '101'B) IF_PRESENT	
extb5d	'1'B IF_PRESENT	
dplxm	('0'B, '1'B) IF_PRESENT	
modemt	'011100'B IF_PRESENT	
extb6	*	
l2id	'10'B IF_PRESENT	
uil2	('00110'B, '00111'B) IF_PRESENT	

extb6a	'1'B IF_PRESENT	
ol2pi	*	
extb7	*	
l3id	'11'B IF_PRESENT	
uil3	'00110'B IF_PRESENT	
extb7a	'1'B IF_PRESENT	
ol3pi	*	
Detailed Comments:		

Structured Type Constraint		
Constraint Name:	Llcmp_Setup_B1621_4800_2	
Structured Type:	LLCMP	
Derivation Path:		
Comments:	Lower Layer Compatibility IE for a setup PDU acc to clauses B.2.6.1 and B.2.6.2 of GSM 07.01. The combination of the values is equivalent to the combination in the bearer capability constraint Bcap_Setup_B1621_4800_2. ANY CHANGE IN THIS CONSTRAINT MUST BE MADE IN THE CORRESPONDING BEARER CAPABILITY CONSTRAINT ALSO!	
Element Name	Element Value	Comments
iei	'01111100'B	
iel	('02'O, '03'O, '04'O, '05'O, '06'O, '07'O, '08'O, '09'O, '0A'O, '0B'O, '0C'O, '0D'O, '0E'O)	
extb3	?	
cs	'00'B	
itc	'10000'B	
extb3a	'1'B IF_PRESENT	
negind	*	
spb3a	'000000'B IF_PRESENT	
extb4	?	
tm	'00'B	
itr	'10000'B	
extb4a	*	
strc	('000'B, '001'B, '100'B, '111'B) IF_PRESENT	
config	'00'B IF_PRESENT	
est	'00'B IF_PRESENT	
extb4b	'1'B IF_PRESENT	
sym	'00'B IF_PRESENT	
itrdo	('00000'B, '10000'B, '10001'B, '10011'B, '10101'B, '10111'B) IF_PRESENT	
extb5	?	
l1id	'01'B	
uil1	'00011'B	
extb5a	? IF_PRESENT	
sb	'1'B IF_PRESENT	
neg	('0'B, '1'B) IF_PRESENT	
ur	'00101'B IF_PRESENT	
extb5b1	?	
ir	'10'B	
nictx	('0'B, '1'B)	
nicrx	('0'B, '1'B)	
fctx	('0'B, '1'B)	
fcrx	('0'B, '1'B)	
spb5b1	'0'B	
extb5b2	OMIT	
hdrb	OMIT	
mfs	OMIT	
mode	OMIT	
llineg	OMIT	
ass	OMIT	
ibob	OMIT	
spb5b2	OMIT	
extb5c	? IF_PRESENT	
nsb	('01'B, '11'B) IF_PRESENT	
ndb	'11'B IF_PRESENT	
pi	'011'B IF_PRESENT	
extb5d	'1'B IF_PRESENT	
dplxrn	('0'B, '1'B) IF_PRESENT	
modemt	'011100'B IF_PRESENT	
extb6	*	
l2id	'10'B IF_PRESENT	
uil2	('00110'B, '00111'B) IF_PRESENT	
extb6a	'1'B IF_PRESENT	

ol2pi	*	
extb7	*	
l3id	'11'B IF_PRESENT	
uil3	'00110'B IF_PRESENT	
extb7a	'1'B IF_PRESENT	
ol3pi	*	
Detailed Comments:		

Structured Type Constraint		
Constraint Name:	Llcmp_Setup_B1621_9600_1	
Structured Type:	LLCMP	
Derivation Path:		
Comments:	Lower Layer Compatibility IE for a setup PDU acc to clauses B.2.6.1 and B.2.6.2 of GSM 07.01. The combination of the values is equivalent to the combination in the bearer capability constraint Bcap_Setup_B1621_9600_1. ANY CHANGE IN THIS CONSTRAINT MUST BE MADE IN THE CORRESPONDING BEARER CAPABILITY CONSTRAINT ALSO!	
Element Name	Element Value	Comments
iei	'01111100'B	
iel	('02'O, '03'O, '04'O, '05'O, '06'O, '07'O, '08'O, '09'O, '0A'O, '0B'O, '0C'O, '0D'O, '0E'O)	
extb3	?	
cs	'00'B	
itc	'10000'B	
extb3a	'1'B IF_PRESENT	
negind	*	
spb3a	'000000'B IF_PRESENT	
extb4	?	
tm	'00'B	
itr	'10000'B	
extb4a	*	
strc	('000'B, '001'B, '100'B, '111'B) IF_PRESENT	
config	'00'B IF_PRESENT	
est	'00'B IF_PRESENT	
extb4b	'1'B IF_PRESENT	
sym	'00'B IF_PRESENT	
itrdo	('00000'B, '10000'B, '10001'B, '10011'B, '10101'B, '10111'B) IF_PRESENT	
extb5	?	
l1id	'01'B	
uil1	'00011'B	
extb5a	? IF_PRESENT	
sb	'1'B IF_PRESENT	
neg	('0'B, '1'B) IF_PRESENT	
ur	'01000'B IF_PRESENT	
extb5b1	?	
ir	'10'B	
nictx	('0'B, '1'B)	
nicrx	('0'B, '1'B)	
fctx	('0'B, '1'B)	
fcrx	('0'B, '1'B)	
spb5b1	'0'B	
extb5b2	OMIT	
hdrb	OMIT	
mfs	OMIT	
mode	OMIT	
llineg	OMIT	
ass	OMIT	
ibob	OMIT	
spb5b2	OMIT	
extb5c	? IF_PRESENT	
nsb	('01'B, '11'B) IF_PRESENT	
ndb	'10'B IF_PRESENT	
pi	('000'B, '010'B, '011'B, '100'B, '101'B) IF_PRESENT	
extb5d	'1'B IF_PRESENT	
dplxm	('0'B, '1'B) IF_PRESENT	
modemt	'011100'B IF_PRESENT	
extb6	*	
l2id	'10'B IF_PRESENT	
uil2	('00110'B, '00111'B) IF_PRESENT	

extb6a	'1'B IF_PRESENT	
ol2pi	*	
extb7	*	
l3id	'11'B IF_PRESENT	
uil3	'00110'B IF_PRESENT	
extb7a	'1'B IF_PRESENT	
ol3pi	*	
Detailed Comments:		

Structured Type Constraint		
Constraint Name:	Llcmp_Setup_B1621_9600_2	
Structured Type:	LLCMP	
Derivation Path:		
Comments:	Lower Layer Compatibility IE for a setup PDU acc to clauses B.2.6.1 and B.2.6.2 of GSM 07.01. The combination of the values is equivalent to the combination in the bearer capability constraint Bcap_Setup_B122_9600_2. ANY CHANGE IN THIS CONSTRAINT MUST BE MADE IN THE CORRESPONDING BEARER CAPABILITY CONSTRAINT ALSO!	
Element Name	Element Value	Comments
iei	'01111100'B	
iel	('02'O, '03'O, '04'O, '05'O, '06'O, '07'O, '08'O, '09'O, '0A'O, '0B'O, '0C'O, '0D'O, '0E'O)	
extb3	?	
cs	'00'B	
itc	'10000'B	
extb3a	'1'B IF_PRESENT	
negind	*	
spb3a	'000000'B IF_PRESENT	
extb4	?	
tm	'00'B	
itr	'10000'B	
extb4a	*	
strc	('000'B, '001'B, '100'B, '111'B) IF_PRESENT	
config	'00'B IF_PRESENT	
est	'00'B IF_PRESENT	
extb4b	'1'B IF_PRESENT	
sym	'00'B IF_PRESENT	
itrdo	('00000'B, '10000'B, '10001'B, '10011'B, '10101'B, '10111'B) IF_PRESENT	
extb5	?	
l1id	'01'B	
uil1	'00011'B	
extb5a	? IF_PRESENT	
sb	'1'B IF_PRESENT	
neg	('0'B, '1'B) IF_PRESENT	
ur	'01000'B IF_PRESENT	
extb5b1	?	
ir	'10'B	
nictx	('0'B, '1'B)	
nicrx	('0'B, '1'B)	
fctx	('0'B, '1'B)	
fcrx	('0'B, '1'B)	
spb5b1	'0'B	
extb5b2	OMIT	
hdrb	OMIT	
mfs	OMIT	
mode	OMIT	
llineg	OMIT	
ass	OMIT	
ibob	OMIT	
spb5b2	OMIT	
extb5c	? IF_PRESENT	
nsb	('01'B, '11'B) IF_PRESENT	
ndb	'11'B IF_PRESENT	
pi	'011'B IF_PRESENT	
extb5d	'1'B IF_PRESENT	
dplxrn	('0'B, '1'B) IF_PRESENT	
modemt	'011100'B IF_PRESENT	
extb6	*	
l2id	'10'B IF_PRESENT	
uil2	('00110'B, '00111'B) IF_PRESENT	
extb6a	'1'B IF_PRESENT	

ol2pi	*	
extb7	*	
l3id	'11'B IF_PRESENT	
uil3	'00110'B IF_PRESENT	
extb7a	'1'B IF_PRESENT	
ol3pi	*	
Detailed Comments:		

Structured Type Constraint		
Constraint Name:	Llcmp_Setup_B1621_9600_3	
Structured Type:	LLCMP	
Derivation Path:		
Comments:	<p>Lower Layer Compatibility IE for a setup PDU acc to clauses B.2.6.1 and B.2.6.2 of GSM 07.01. The combination of the values is equivalent to the combination in the bearer capability constraint Bcap_Setup_B122_9600_3.</p> <p>This constraint is identical to Llcmp_Setup_B122_9600_1 because the differences between the two corresponding bearer capabilities IEs are not reflected in the low layer compatibilities IEs.</p> <p>ANY CHANGE IN THIS CONSTRAINT MUST BE MADE IN THE CORRESPONDING BEARER CAPABILITY CONSTRAINT ALSO!</p>	
Element Name	Element Value	Comments
iei	'01111100'B	
iel	('02'O, '03'O, '04'O, '05'O, '06'O, '07'O, '08'O, '09'O, '0A'O, '0B'O, '0C'O, '0D'O, '0E'O)	
extb3	?	
cs	'00'B	
itc	'10000'B	
extb3a	'1'B IF_PRESENT	
negind	*	
spb3a	'000000'B IF_PRESENT	
extb4	?	
tm	'00'B	
itr	'10000'B	
extb4a	*	
strc	('000'B, '001'B, '100'B, '111'B) IF_PRESENT	
config	'00'B IF_PRESENT	
est	'00'B IF_PRESENT	
extb4b	'1'B IF_PRESENT	
sym	'00'B IF_PRESENT	
itrdo	('00000'B, '10000'B, '10001'B, '10011'B, '10101'B, '10111'B) IF_PRESENT	
extb5	?	
l1id	'01'B	
uil1	'00011'B	
extb5a	? IF_PRESENT	
sb	'1'B IF_PRESENT	
neg	('0'B, '1'B) IF_PRESENT	
ur	'01000'B IF_PRESENT	
extb5b1	?	
ir	'10'B	
nictx	('0'B, '1'B)	
nicrx	('0'B, '1'B)	
fctx	('0'B, '1'B)	
fcrx	('0'B, '1'B)	
spb5b1	'0'B	
extb5b2	OMIT	
hdrb	OMIT	
mfs	OMIT	
mode	OMIT	
llineg	OMIT	
ass	OMIT	
ibob	OMIT	
spb5b2	OMIT	
extb5c	? IF_PRESENT	
nsb	('01'B, '11'B) IF_PRESENT	
ndb	'10'B IF_PRESENT	
pi	('000'B, '010'B, '011'B, '100'B, '101'B) IF_PRESENT	
extb5d	'1'B IF_PRESENT	
dplxm	('0'B, '1'B) IF_PRESENT	
modemt	'011100'B IF_PRESENT	
extb6	*	

l2id	'10'B IF_PRESENT	
uil2	('00110'B, '00111'B) IF_PRESENT	
extb6a	'1'B IF_PRESENT	
ol2pi	*	
extb7	*	
l3id	'11'B IF_PRESENT	
uil3	'00110'B IF_PRESENT	
extb7a	'1'B IF_PRESENT	
ol3pi	*	

Detailed Comments:

Structured Type Constraint		
Constraint Name:	Llcmp_Setup_B1621_9600_4	
Structured Type:	LLCMP	
Derivation Path:		
Comments:	<p>Lower Layer Compatibility IE for a setup PDU acc to clauses B.2.6.1 and B.2.6.2 of GSM 07.01. The combination of the values is equivalent to the combination in the bearer capability constraint Bcap_Setup_B1621_9600_4.</p> <p>This constraint is identical to Llcmp_Setup_B1621_9600_2 because the differences between the two corresponding bearer capabilities IEs are not reflected in the low layer compatibilities IEs.</p> <p>ANY CHANGE IN THIS CONSTRAINT MUST BE MADE IN THE CORRESPONDING BEARER CAPABILITY CONSTRAINT ALSO!</p>	
Element Name	Element Value	Comments
iei	'01111100'B	
iel	('02'O, '03'O, '04'O, '05'O, '06'O, '07'O, '08'O, '09'O, '0A'O, '0B'O, '0C'O, '0D'O, '0E'O)	
extb3	?	
cs	'00'B	
itc	'10000'B	
extb3a	'1'B IF_PRESENT	
negind	*	
spb3a	'000000'B IF_PRESENT	
extb4	?	
tm	'00'B	
itr	'10000'B	
extb4a	*	
strc	('000'B, '001'B, '100'B, '111'B) IF_PRESENT	
config	'00'B IF_PRESENT	
est	'00'B IF_PRESENT	
extb4b	'1'B IF_PRESENT	
sym	'00'B IF_PRESENT	
itrdo	('00000'B, '10000'B, '10001'B, '10011'B, '10101'B, '10111'B) IF_PRESENT	
extb5	?	
l1id	'01'B	
uil1	'00011'B	
extb5a	? IF_PRESENT	
sb	'1'B IF_PRESENT	
neg	('0'B, '1'B) IF_PRESENT	
ur	'01000'B IF_PRESENT	
extb5b1	?	
ir	'10'B	
nictx	('0'B, '1'B)	
nicrx	('0'B, '1'B)	
fctx	('0'B, '1'B)	
fcrx	('0'B, '1'B)	
spb5b1	'0'B	
extb5b2	OMIT	
hdrb	OMIT	
mfs	OMIT	
mode	OMIT	
llineg	OMIT	
ass	OMIT	
ibob	OMIT	
spb5b2	OMIT	
extb5c	? IF_PRESENT	
nsb	('01'B, '11'B) IF_PRESENT	
ndb	'11'B IF_PRESENT	
pi	'011'B IF_PRESENT	
extb5d	'1'B IF_PRESENT	
dplxm	('0'B, '1'B) IF_PRESENT	
modemt	'011100'B IF_PRESENT	
extb6	*	
l2id	'10'B IF_PRESENT	

uil2	('00110'B, '00111'B) IF_PRESENT	
extb6a	'1'B IF_PRESENT	
ol2pi	*	
extb7	*	
l3id	'11'B IF_PRESENT	
uil3	'00110'B IF_PRESENT	
extb7a	'1'B IF_PRESENT	
ol3pi	*	
Detailed Comments:		

Structured Type Constraint		
Constraint Name:	Llcmp_Setup_B1622_1200	
Structured Type:	LLCMP	
Derivation Path:		
Comments:	Lower Layer Compatibility IE for a setup PDU acc to clauses B.2.6.2 and B.2.7.2 of GSM 07.01. The combination of the values is equivalent to the combination in the bearer capability constraint Bcap_Setup_B1622_1200. ANY CHANGE IN THIS CONSTRAINT MUST BE MADE IN THE CORRESPONDING BEARER CAPABILITY CONSTRAINT ALSO!	
Element Name	Element Value	Comments
iei	'01111100'B	
iel	('02'O, '03'O, '04'O, '05'O, '06'O, '07'O, '08'O, '09'O, '0A'O, '0B'O, '0C'O, '0D'O, '0E'O)	
extb3	?	
cs	'00'B	
itc	'10000'B	
extb3a	'1'B IF_PRESENT	
negind	*	
spb3a	'000000'B IF_PRESENT	
extb4	?	
tm	'00'B	
itr	'10000'B	
extb4a	*	
strc	('000'B, '001'B, '100'B, '111'B) IF_PRESENT	
config	'00'B IF_PRESENT	
est	'00'B IF_PRESENT	
extb4b	'1'B IF_PRESENT	
sym	'00'B IF_PRESENT	
itrdo	('00000'B, '10000'B, '10001'B, '10011'B, '10101'B, '10111'B) IF_PRESENT	
extb5	?	
l1id	'01'B	
uil1	'00011'B	
extb5a	? IF_PRESENT	
sb	'0'B IF_PRESENT	
neg	('0'B, '1'B) IF_PRESENT	
ur	'00001'B IF_PRESENT	
extb5b1	?	
ir	'01'B	
nictx	('0'B, '1'B)	
nicrx	('0'B, '1'B)	
fctx	('0'B, '1'B)	
fcrx	('0'B, '1'B)	
spb5b1	'0'B	
extb5b2	OMIT	
hdrb	OMIT	
mfs	OMIT	
mode	OMIT	
llineg	OMIT	
ass	OMIT	
ibob	OMIT	
spb5b2	OMIT	
extb5c	? IF_PRESENT	
nsb	'01'B IF_PRESENT	
ndb	'11'B IF_PRESENT	
pi	'011'B IF_PRESENT	
extb5d	'1'B IF_PRESENT	
dplxm	('0'B, '1'B) IF_PRESENT	
modemt	'010010'B IF_PRESENT	
extb6	*	
l2id	'10'B IF_PRESENT	
uil2	('00110'B, '00111'B) IF_PRESENT	
extb6a	'1'B IF_PRESENT	

ol2pi	*	
extb7	*	
l3id	'11'B IF_PRESENT	
uil3	'00110'B IF_PRESENT	
extb7a	'1'B IF_PRESENT	
ol3pi	*	
Detailed Comments:		

Structured Type Constraint		
Constraint Name:	Llcmp_Setup_B1622_2400	
Structured Type:	LLCMP	
Derivation Path:		
Comments:	Lower Layer Compatibility IE for a setup PDU acc to clauses B.2.6.2 and B.2.7.2 of GSM 07.01. The combination of the values is equivalent to the combination in the bearer capability constraint Bcap_Setup_B1622_2400. ANY CHANGE IN THIS CONSTRAINT MUST BE MADE IN THE CORRESPONDING BEARER CAPABILITY CONSTRAINT ALSO!	
Element Name	Element Value	Comments
iei	'01111100'B	
iel	('02'O, '03'O, '04'O, '05'O, '06'O, '07'O, '08'O, '09'O, '0A'O, '0B'O, '0C'O, '0D'O, '0E'O)	
extb3	?	
cs	'00'B	
itc	'10000'B	
extb3a	'1'B IF_PRESENT	
negind	*	
spb3a	'000000'B IF_PRESENT	
extb4	?	
tm	'00'B	
itr	'10000'B	
extb4a	*	
strc	('000'B, '001'B, '100'B, '111'B) IF_PRESENT	
config	'00'B IF_PRESENT	
est	'00'B IF_PRESENT	
extb4b	'1'B IF_PRESENT	
sym	'00'B IF_PRESENT	
itrdo	('00000'B, '10000'B, '10001'B, '10011'B, '10101'B, '10111'B) IF_PRESENT	
extb5	?	
l1id	'01'B	
uil1	'00011'B	
extb5a	? IF_PRESENT	
sb	'0'B IF_PRESENT	
neg	('0'B, '1'B) IF_PRESENT	
ur	'00011'B IF_PRESENT	
extb5b1	?	
ir	'01'B	
nictx	('0'B, '1'B)	
nicrx	('0'B, '1'B)	
fctx	('0'B, '1'B)	
fcrx	('0'B, '1'B)	
spb5b1	'0'B	
extb5b2	OMIT	
hdrb	OMIT	
mfs	OMIT	
mode	OMIT	
llineg	OMIT	
ass	OMIT	
ibob	OMIT	
spb5b2	OMIT	
extb5c	? IF_PRESENT	
nsb	'01'B IF_PRESENT	
ndb	'11'B IF_PRESENT	
pi	'011'B IF_PRESENT	
extb5d	'1'B IF_PRESENT	
dplxrn	('0'B, '1'B) IF_PRESENT	
modemt	('010011'B, '010111'B) IF_PRESENT	
extb6	*	
l2id	'10'B IF_PRESENT	
uil2	('00110'B, '00111'B) IF_PRESENT	
extb6a	'1'B IF_PRESENT	

ol2pi	*	
extb7	*	
l3id	'11'B IF_PRESENT	
uil3	'00110'B IF_PRESENT	
extb7a	'1'B IF_PRESENT	
ol3pi	*	
Detailed Comments:		

Structured Type Constraint		
Constraint Name:	Llcmp_Setup_B1622_4800	
Structured Type:	LLCMP	
Derivation Path:		
Comments:	Lower Layer Compatibility IE for a setup PDU acc to clauses B.2.6.2 and B.2.7.2 of GSM 07.01. The combination of the values is equivalent to the combination in the bearer capability constraint Bcap_Setup_B1622_4800. ANY CHANGE IN THIS CONSTRAINT MUST BE MADE IN THE CORRESPONDING BEARER CAPABILITY CONSTRAINT ALSO!	
Element Name	Element Value	Comments
iei	'01111100'B	
iel	('02'O, '03'O, '04'O, '05'O, '06'O, '07'O, '08'O, '09'O, '0A'O, '0B'O, '0C'O, '0D'O, '0E'O)	
extb3	?	
cs	'00'B	
itc	'10000'B	
extb3a	'1'B IF_PRESENT	
negind	*	
spb3a	'000000'B IF_PRESENT	
extb4	?	
tm	'00'B	
itr	'10000'B	
extb4a	*	
strc	('000'B, '001'B, '100'B, '111'B) IF_PRESENT	
config	'00'B IF_PRESENT	
est	'00'B IF_PRESENT	
extb4b	'1'B IF_PRESENT	
sym	'00'B IF_PRESENT	
itrdo	('00000'B, '10000'B, '10001'B, '10011'B, '10101'B, '10111'B) IF_PRESENT	
extb5	?	
l1id	'01'B	
uil1	'00011'B	
extb5a	? IF_PRESENT	
sb	'0'B IF_PRESENT	
neg	('0'B, '1'B) IF_PRESENT	
ur	'00101'B IF_PRESENT	
extb5b1	?	
ir	'01'B	
nictx	('0'B, '1'B)	
nicrx	('0'B, '1'B)	
fctx	('0'B, '1'B)	
fcrx	('0'B, '1'B)	
spb5b1	'0'B	
extb5b2	OMIT	
hdrb	OMIT	
mfs	OMIT	
mode	OMIT	
llineg	OMIT	
ass	OMIT	
ibob	OMIT	
spb5b2	OMIT	
extb5c	? IF_PRESENT	
nsb	'01'B IF_PRESENT	
ndb	'11'B IF_PRESENT	
pi	'011'B IF_PRESENT	
extb5d	'1'B IF_PRESENT	
dplxrn	('0'B, '1'B) IF_PRESENT	
modemt	'011100'B IF_PRESENT	
extb6	*	
l2id	'10'B IF_PRESENT	
uil2	('00110'B, '00111'B) IF_PRESENT	
extb6a	'1'B IF_PRESENT	

ol2pi	*	
extb7	*	
l3id	'11'B IF_PRESENT	
uil3	'00110'B IF_PRESENT	
extb7a	'1'B IF_PRESENT	
ol3pi	*	
Detailed Comments:		

Structured Type Constraint		
Constraint Name:	Llcmp_Setup_B1622_9600	
Structured Type:	LLCMP	
Derivation Path:		
Comments:	Lower Layer Compatibility IE for a setup PDU acc to clauses B.2.6.2 and B.2.7.2 of GSM 07.01. The combination of the values is equivalent to the combination in the bearer capability constraint Bcap_Setup_B1622_9600. ANY CHANGE IN THIS CONSTRAINT MUST BE MADE IN THE CORRESPONDING BEARER CAPABILITY CONSTRAINT ALSO!	
Element Name	Element Value	Comments
iei	'01111100'B	
iel	('02'O, '03'O, '04'O, '05'O, '06'O, '07'O, '08'O, '09'O, '0A'O, '0B'O, '0C'O, '0D'O, '0E'O)	
extb3	?	
cs	'00'B	
itc	'10000'B	
extb3a	'1'B IF_PRESENT	
negind	*	
spb3a	'000000'B IF_PRESENT	
extb4	?	
tm	'00'B	
itr	'10000'B	
extb4a	*	
strc	('000'B, '001'B, '100'B, '111'B) IF_PRESENT	
config	'00'B IF_PRESENT	
est	'00'B IF_PRESENT	
extb4b	'1'B IF_PRESENT	
sym	'00'B IF_PRESENT	
itrdo	('00000'B, '10000'B, '10001'B, '10011'B, '10101'B, '10111'B) IF_PRESENT	
extb5	?	
l1id	'01'B	
uil1	'00011'B	
extb5a	? IF_PRESENT	
sb	'0'B IF_PRESENT	
neg	('0'B, '1'B) IF_PRESENT	
ur	'01000'B IF_PRESENT	
extb5b1	?	
ir	'10'B	
nictx	('0'B, '1'B)	
nicrx	('0'B, '1'B)	
fctx	('0'B, '1'B)	
fcrx	('0'B, '1'B)	
spb5b1	'0'B	
extb5b2	OMIT	
hdrb	OMIT	
mfs	OMIT	
mode	OMIT	
llineg	OMIT	
ass	OMIT	
ibob	OMIT	
spb5b2	OMIT	
extb5c	? IF_PRESENT	
nsb	'01'B IF_PRESENT	
ndb	'11'B IF_PRESENT	
pi	'011'B IF_PRESENT	
extb5d	'1'B IF_PRESENT	
dplxrm	('0'B, '1'B) IF_PRESENT	
modemt	'011100'B IF_PRESENT	
extb6	*	
l2id	'10'B IF_PRESENT	
uil2	('00110'B, '00111'B) IF_PRESENT	
extb6a	'1'B IF_PRESENT	

ol2pi	*	
extb7	*	
l3id	'11'B IF_PRESENT	
uil3	'00110'B IF_PRESENT	
extb7a	'1'B IF_PRESENT	
ol3pi	*	
Detailed Comments:		

Structured Type Constraint		
Constraint Name:	Llcmp_NotApplicable	
Structured Type:	LLCMP	
Derivation Path:		
Comments:	High Layer Compatibility IE which is not applicable for a specific service (empty IE).	
Element Name	Element Value	Comments
iei	'01111100'B	
iel	'00'O	
extb3	OMIT	
cs	OMIT	
itc	OMIT	
extb3a	OMIT	
negind	OMIT	
spb3a	OMIT	
extb4	OMIT	
tm	OMIT	
itr	OMIT	
extb4a	OMIT	
strc	OMIT	
config	OMIT	
est	OMIT	
extb4b	OMIT	
sym	OMIT	
itrdo	OMIT	
extb5	OMIT	
l1id	OMIT	
uil1	OMIT	
extb5a	OMIT	
sb	OMIT	
neg	OMIT	
ur	OMIT	
extb5b1	OMIT	
ir	OMIT	
nictx	OMIT	
nicrx	OMIT	
fctx	OMIT	
fcrx	OMIT	
spb5b1	OMIT	
extb5b2	OMIT	
hdrb	OMIT	
mfs	OMIT	
mode	OMIT	
llineg	OMIT	
ass	OMIT	
ibob	OMIT	
spb5b2	OMIT	
extb5c	OMIT	
nsb	OMIT	
ndb	OMIT	
pi	OMIT	
extb5d	OMIT	
dplxm	OMIT	
modemt	OMIT	
extb6	OMIT	
l2id	OMIT	
uil2	OMIT	
extb6a	OMIT	
ol2pi	OMIT	
extb7	OMIT	
l3id	OMIT	
uil3	OMIT	
extb7a	OMIT	
ol3pi	OMIT	
Detailed Comments:		

Structured Type Constraint		
Constraint Name:	LocAreald(mnc, lac:OCTETSTRING)	
Structured Type:	LAI	
Derivation Path:		
Comments:	Cell A default value for L3 test	
Element Name	Element Value	Comments
iei	OMIT	
mcc	'00F1'O	
mnc	mnc	
lac	lac	
Detailed Comments:		

Structured Type Constraint		
Constraint Name:	LocAreald_01	
Structured Type:	LAI	
Derivation Path:		
Comments:	Cell A default value for L3 test	
Element Name	Element Value	Comments
iei	OMIT	
mcc	'00F1'O	
mnc	'10'O	
lac	C_lacellA	
Detailed Comments:		

Structured Type Constraint		
Constraint Name:	LocAreald_01iei	
Structured Type:	LAI	
Derivation Path:		
Comments:	Cell A default value for L3 test	
Element Name	Element Value	Comments
iei	'00010011'B	
mcc	'00F1'O	
mnc	'10'O	
lac	'0001'O	
Detailed Comments:		

Structured Type Constraint		
Constraint Name:	LocAreald_02	
Structured Type:	LAI	
Derivation Path:		
Comments:	Cell B	
Element Name	Element Value	Comments
iei	OMIT	
mcc	'00F1'O	
mnc	'10'O	
lac	C_lacellB	
Detailed Comments:		

Structured Type Constraint		
Constraint Name:	LocAreald_03	
Structured Type:	LAI	
Derivation Path:		
Comments:	Cell A (cell 1)	
Element Name	Element Value	Comments
iei	OMIT	
mcc	'00F2'O	
mnc	'F0'O	
lac	'0001'O	
Detailed Comments:		

Structured Type Constraint		
Constraint Name:	LocAreald_04	
Structured Type:	LAI	
Derivation Path:	LocAreald_01.	
Comments:	Cell B (cell 2)	
Element Name	Element Value	Comments
mcc	'00F3'O	
mnc	'F2'O	
Detailed Comments:		

Structured Type Constraint		
Constraint Name:	LocAreald_05	
Structured Type:	LAI	
Derivation Path:	LocAreald_01.	
Comments:	Cell C (cell 3)	
Element Name	Element Value	Comments
mcc	'00F4'O	
mnc	'F3'O	
Detailed Comments:		

Structured Type Constraint		
Constraint Name:	LocAreald_06	
Structured Type:	LAI	
Derivation Path:	LocAreald_01.	
Comments:	Cell D (cell 4)	
Element Name	Element Value	Comments
mcc	'00F5'O	
mnc	'F4'O	
Detailed Comments:		

Structured Type Constraint		
Constraint Name:	LocAreald_07	
Structured Type:	LAI	
Derivation Path:	LocAreald_01.	
Comments:	Cell E (cell 5)	
Element Name	Element Value	Comments
mcc	'00F6'O	
mnc	'F5'O	
Detailed Comments:		

Structured Type Constraint		
Constraint Name:	LocAreald_08	
Structured Type:	LAI	
Derivation Path:	LocAreald_01.	
Comments:	Cell F (cell 6)	
Element Name	Element Value	Comments
mcc	'00F7'O	
mnc	'F6'O	
Detailed Comments:		

Structured Type Constraint		
Constraint Name:	LocAreald_09	
Structured Type:	LAI	
Derivation Path:	LocAreald_01.	
Comments:	Cell G (cell 7)	
Element Name	Element Value	Comments
mcc	'00F8'O	
mnc	'F7'O	
Detailed Comments:		

Structured Type Constraint		
Constraint Name:	LocAreald_10	
Structured Type:	LAI	
Derivation Path:	LocAreald_01.	
Comments:	Cell H (cell 8) for GSM900 or Cell G (cell 7) for DCS1800	
Element Name	Element Value	Comments
mcc	'00F1'O	
mnc	'10'O	
Detailed Comments:		

Structured Type Constraint		
Constraint Name:	LocAreald_30(Lac: OCTETSTRING)	
Structured Type:	LAI	
Derivation Path:		
Comments:	LAC set in TCV_lac.	
Element Name	Element Value	Comments
iei	OMIT	
mcc	'00F1'O	
mnc	C_PLMN_1	
lac	Lac	
Detailed Comments:		

Structured Type Constraint		
Constraint Name:	LocAreald_31(Lac: OCTETSTRING)	
Structured Type:	LAI	
Derivation Path:		
Comments:	LAC set in TCV_lac.	
Element Name	Element Value	Comments
iei	OMIT	
mcc	'00F1'O	
mnc	C_PLMN_2	
lac	Lac	
Detailed Comments:		

Structured Type Constraint		
Constraint Name:	LocUpType(locup:B_2)	
Structured Type:	LUT	
Derivation Path:		
Comments:	location updating type	
Element Name	Element Value	Comments
foreq	'0'B	
sprb	'0'B	
lut	locup	
Detailed Comments:		

Structured Type Constraint		
Constraint Name:	Mi_01	
Structured Type:	MI	
Derivation Path:		
Comments:	used as a comprehension required IE	
Element Name	Element Value	Comments
iei	'00000000'B	
iel	'01'O	
idigit_1	'1110'B	
oei	'1'B	
toi	'111'B	
idigits_other	OMIT	
Detailed Comments:		

Structured Type Constraint		
Constraint Name:	Mi_02	
Structured Type:	MI	
Derivation Path:		
Comments:	used as an unknown IEI.	
Element Name	Element Value	Comments
iei	'10101110'B	
iel	OMIT	
idigit_1	OMIT	
oei	OMIT	
toi	OMIT	
idigits_other	OMIT	
Detailed Comments: used in TC_26_5_6_1_1.		

Structured Type Constraint		
Constraint Name:	Mi_05	
Structured Type:	MI	
Derivation Path:		
Comments:	used as an unknown IE	
Element Name	Element Value	Comments
iei	'00000010'B	
iel	'E0'O	
idigit_1	'1001'B	
oei	'0'B	
toi	'000'B	
idigits_other	OMIT	
Detailed Comments:		

Structured Type Constraint		
Constraint Name:	Mi_06	
Structured Type:	MI	
Derivation Path:		
Comments:	used as an unknown IEI.	
Element Name	Element Value	Comments
iei	'00010011'B	
iel	'02'O	
idigit_1	'1010'B	
oei	'0'B	
toi	'111'B	
idigits_other	'78'O	
Detailed Comments:	used in TC_26_5_6_1_2.	

Structured Type Constraint		
Constraint Name:	Milmei_01	
Structured Type:	MI	
Derivation Path:		
Comments:	IMEI	
Element Name	Element Value	Comments
iei	OMIT	
iel	'08'O	
idigit_1	OC_FirstDigi(TSPX_IMEI)	
oei	'1'B	
toi	'010'B	
idigits_other	OC_OtherDigi(TSPX_IMEI)	
Detailed Comments:		

Structured Type Constraint		
Constraint Name:	Milmeisv_01	
Structured Type:	MI	
Derivation Path:		
Comments:	TSPX_IMEISV	
Element Name	Element Value	Comments
iei	OMIT	
iel	'09'O	
idigit_1	OC_FirstDigi(TSPX_IMEISV)	
oei	'0'B	
toi	'011'B	
idigits_other	OC_OtherDigi(TSPX_IMEISV)	
Detailed Comments:		

Structured Type Constraint		
Constraint Name:	Milmeisv_01iei	
Structured Type:	MI	
Derivation Path:		
Comments:	TSPX_IMEISV	
Element Name	Element Value	Comments
iei	'00010111'B	
iel	'09'O	
idigit_1	OC_FirstDigi(TSPX_IMEISV)	
oei	'0'B	
toi	'011'B	
idigits_other	OC_OtherDigi(TSPX_IMEISV)	
Detailed Comments:		

Structured Type Constraint		
Constraint Name:	Milmsi_01	
Structured Type:	MI	
Derivation Path:		
Comments:	the TSPX_IMSI is the IMSI of the MS under test	
Element Name	Element Value	Comments
iei	OMIT	
iel	OC_IntToOct(((LENGTH_OF(TSPX_IMSI))/2 + 1),1)	
idigit_1	OC_FirstDigi(TSPX_IMSI)	
oei	OC_OeBit(TSPX_IMSI)	
toi	'001'B	
idigits_other	OC_OtherDigi(TSPX_IMSI)	
Detailed Comments:		

Structured Type Constraint		
Constraint Name:	Milmsi_01iei	
Structured Type:	MI	
Derivation Path:		
Comments:	the TSPX_IMSI is the IMSI of the MS under test	
Element Name	Element Value	Comments
iei	'00010111'B	
iel	OC_IntToOct(((LENGTH_OF(TSPX_IMSI))/2 + 1),1)	
idigit_1	OC_FirstDigi(TSPX_IMSI)	
oei	OC_OeBit(TSPX_IMSI)	
toi	'001'B	
idigits_other	OC_OtherDigi(TSPX_IMSI)	
Detailed Comments:		

Structured Type Constraint		
Constraint Name:	Milmsi_02	
Structured Type:	MI	
Derivation Path:		
Comments:	This constraint is used in paging filling message. No mobile is paged (Type of identity is set to '000'B, i.e. no identity).	
Element Name	Element Value	Comments
iei	OMIT	
iel	'01'O	
idigit_1	'1111'B	
oei	'0'B	
toi	'000'B	
idigits_other	OMIT	
Detailed Comments:		

Structured Type Constraint		
Constraint Name:	Milmsi_31	
Structured Type:	MI	
Derivation Path:		
Comments:	An another IMSI differing from Milmsi_01for RR testing, which is shorter than the maximum length.	
Element Name	Element Value	Comments
iei	OMIT	
iel	'05'O	
idigit_1	'0000'B	
oei	'1'B	
toi	'001'B	
idigits_other	'10102143'O	
Detailed Comments:	IMSI has 9 digits: '00 10 11 23 4'	

Structured Type Constraint		
Constraint Name:	Milmsi_31iei	
Structured Type:	MI	
Derivation Path:		
Comments:	An another IMSI differing from Milmsi_01for RR testing, which is shorter than the maximum length.	
Element Name	Element Value	Comments
iei	'00010111'B	
iel	'05'O	
idigit_1	'0000'B	
oei	'1'B	
toi	'001'B	
idigits_other	'10102143'O	
Detailed Comments:	IMSI has 9 digits: '00 10 11 23 4'. The iei appears in the messages, e.g. location updating accept.	

Structured Type Constraint		
Constraint Name:	Milmsi_r01	
Structured Type:	MI	
Derivation Path:		
Comments:	An another IMSI differing from Milmsi_01 for RR testing.	
Element Name	Element Value	Comments
iei	OMIT	
iel	'07'O	
idigit_1	'0000'B	
oei	'1'B	
toi	'001'B	
idigits_other	'981032547698'O	
Detailed Comments:	IMSI has 13 digits: '08 90 12 34 56 78 9'	

Structured Type Constraint		
Constraint Name:	Milmsi_r01iei	
Structured Type:	MI	
Derivation Path:		
Comments:	An another IMSI differing from Milmsi_01 for RR testing.	
Element Name	Element Value	Comments
iei	'00010111'B	
iel	'07'O	
idigit_1	'0000'B	
oei	'1'B	
toi	'001'B	
idigits_other	'981032547698'O	
Detailed Comments:	IMSI has 13 digits: '08 90 12 34 56 78 9'	

Structured Type Constraint		
Constraint Name:	MiTmsi_01	
Structured Type:	MI	
Derivation Path:		
Comments:	default TMSI for testing.	
Element Name	Element Value	Comments
iei	OMIT	
iel	'05'O	
idigit_1	'1111'B	
oei	'0'B	
toi	'100'B	
idigits_other	TSPX_TMSI	
Detailed Comments:		

Structured Type Constraint		
Constraint Name:	MiTmsi_01iei	
Structured Type:	MI	
Derivation Path:		
Comments:	default TMSI for testing.	
Element Name	Element Value	Comments
iei	'00010111'B	
iel	'05'O	
idigit_1	'1111'B	
oei	'0'B	
toi	'100'B	
idigits_other	TSPX_TMSI	
Detailed Comments:		

Structured Type Constraint		
Constraint Name:	MiTmsi_02	
Structured Type:	MI	
Derivation Path:		
Comments:	A new TMSI	
Element Name	Element Value	Comments
iei	OMIT	
iel	'05'O	
idigit_1	'1111'B	
oei	'0'B	
toi	'100'B	
idigits_other	TSPX_TMSI1	
Detailed Comments:		

Structured Type Constraint		
Constraint Name:	MiTmsi_02iei	
Structured Type:	MI	
Derivation Path:		
Comments:	A new TMSI	
Element Name	Element Value	Comments
iei	'00010111'B	
iel	'05'O	
idigit_1	'1111'B	
oei	'0'B	
toi	'100'B	
idigits_other	TSPX_TMSI1	
Detailed Comments:		

Structured Type Constraint		
Constraint Name:	MiTmsi_r01	
Structured Type:	MI	
Derivation Path:		
Comments:	A TMSI differs from MiTmsi_01	
Element Name	Element Value	Comments
iei	OMIT	
iel	'05'O	
idigit_1	'1111'B	
oei	'0'B	
toi	'100'B	
idigits_other	OC_IncTmsi(TSPX_TMSI, '01'O)	
Detailed Comments:	Note: the TSPX_TMSI + '01'O shall not be identical to TSPX_TMSI1	

Structured Type Constraint		
Constraint Name:	MiTmsi_r02	
Structured Type:	MI	
Derivation Path:		
Comments:	default TMSI for testing with toi setting to no id.	
Element Name	Element Value	Comments
iei	OMIT	
iel	'05'O	
idigit_1	'1111'B	
oei	'0'B	
toi	'000'B	
idigits_other	TSPX_TMSI	
Detailed Comments:		

Structured Type Constraint		
Constraint Name:	MiTmsi_r02iei	
Structured Type:	MI	
Derivation Path:		
Comments:	default TMSI for testing with toi setting to no id.	
Element Name	Element Value	Comments
iei	'00010111'B	
iel	'05'O	
idigit_1	'1111'B	
oei	'0'B	
toi	'000'B	
idigits_other	TSPX_TMSI	
Detailed Comments:		

Structured Type Constraint		
Constraint Name:	Ma1_g01	
Structured Type:	MA	
Derivation Path:		
Comments:	used in TC_26_6_6_1 for GSM, cell allocation contains 64 ARFCHs	
Element Name	Element Value	Comments
iei	OMIT	
iel	'08'O	
mac_8n	'00000000'B	
mac_7n	'00000000'B	
mac_6n	'00000000'B	
mac_5n	'00000000'B	
mac_4n	'00000000'B	
mac_3n	'00000000'B	
mac_2n	'00111111'B	
mac_1n	'11111110'B	
Detailed Comments:		

Structured Type Constraint		
Constraint Name:	Ma1_g02	
Structured Type:	MA	
Derivation Path:		
Comments:	used in TC_26_6_6_1 for GSM, cell allocation contains 64 ARFCHs	
Element Name	Element Value	Comments
iei	OMIT	
iel	'08'O	
mac_8n	'10000000'B	
mac_7n	'00000000'B	
mac_6n	'00000000'B	
mac_5n	'10000000'B	
mac_4n	'00100000'B	
mac_3n	'00000000'B	
mac_2n	'00000000'B	
mac_1n	'00000101'B	
Detailed Comments:		

Structured Type Constraint		
Constraint Name:	Ma1_g03	
Structured Type:	MA	
Derivation Path:		
Comments:	used in TC_26_6_6_1 for GSM, cell allocation contains 64 ARFCHs	
Element Name	Element Value	Comments
iei	OMIT	
iel	'08'O	
mac_8n	'01000000'B	
mac_7n	'00000000'B	
mac_6n	'00000000'B	
mac_5n	'00000010'B	
mac_4n	'00000000'B	
mac_3n	'00000000'B	
mac_2n	'00000000'B	
mac_1n	'01100101'B	
Detailed Comments:		

Structured Type Constraint		
Constraint Name:	Ma1_g04	
Structured Type:	MA	
Derivation Path:		
Comments:	used in TC_26_6_6_1 for GSM, cell allocation contains 64 ARFCHs	
Element Name	Element Value	Comments
iei	OMIT	
iel	'08'O	
mac_8n	'00000001'B	
mac_7n	'00000000'B	
mac_6n	'01000010'B	
mac_5n	'00000000'B	
mac_4n	'00000000'B	
mac_3n	'00000001'B	
mac_2n	'01110000'B	
mac_1n	'00000000'B	
Detailed Comments:		

Structured Type Constraint		
Constraint Name:	Ma1_g05	
Structured Type:	MA	
Derivation Path:		
Comments:	used in TC_26_6_6_1 for GSM, cell allocation contains 64 ARFCHs	
Element Name	Element Value	Comments
iei	OMIT	
iel	'08'O	
mac_8n	'01001000'B	
mac_7n	'00000000'B	
mac_6n	'00000000'B	
mac_5n	'00000000'B	
mac_4n	'00000000'B	
mac_3n	'00001101'B	
mac_2n	'01000100'B	
mac_1n	'00000001'B	
Detailed Comments:		

Structured Type Constraint		
Constraint Name:	Ma1_g06	
Structured Type:	MA	
Derivation Path:		
Comments:	used in TC_26_6_6_1 for GSM, cell allocation contains 64 ARFCHs	
Element Name	Element Value	Comments
iei	OMIT	
iel	'08'O	
mac_8n	'11111111'B	
mac_7n	'10000000'B	
mac_6n	'00000000'B	
mac_5n	'00000000'B	
mac_4n	'00000000'B	
mac_3n	'00000000'B	
mac_2n	'00011111'B	
mac_1n	'00000000'B	
Detailed Comments:		

Structured Type Constraint		
Constraint Name:	Ma1_g07	
Structured Type:	MA	
Derivation Path:		
Comments:	used in TC_26_6_6_1 for GSM, cell allocation contains 64 ARFCHs	
Element Name	Element Value	Comments
iei	OMIT	
iel	'08'O	
mac_8n	'11111000'B	
mac_7n	'00000000'B	
mac_6n	'00000000'B	
mac_5n	'00000000'B	
mac_4n	'00000000'B	
mac_3n	'00000000'B	
mac_2n	'00011111'B	
mac_1n	'00000000'B	
Detailed Comments:		

Structured Type Constraint		
Constraint Name:	Ma1_g08	
Structured Type:	MA	
Derivation Path:		
Comments:	used in TC_26_6_6_1 for GSM, cell allocation contains 64 ARFCHs	
Element Name	Element Value	Comments
iei	OMIT	
iel	'08'O	
mac_8n	'00000000'B	
mac_7n	'00000000'B	
mac_6n	'00000000'B	
mac_5n	'00000000'B	
mac_4n	'00000000'B	
mac_3n	'00001111'B	
mac_2n	'11111110'B	
mac_1n	'00000000'B	
Detailed Comments:		

Structured Type Constraint		
Constraint Name:	Ma1_g09	
Structured Type:	MA	
Derivation Path:		
Comments:	used in TC_26_6_6_1 for GSM, cell allocation contains 64 ARFCHs	
Element Name	Element Value	Comments
iei	OMIT	
iel	'08'O	
mac_8n	'11111111'B	
mac_7n	'11110000'B	
mac_6n	'00000000'B	
mac_5n	'00000000'B	
mac_4n	'00000000'B	
mac_3n	'00000000'B	
mac_2n	'00000000'B	
mac_1n	'00000000'B	
Detailed Comments:		

Structured Type Constraint		
Constraint Name:	Ma2_g01	
Structured Type:	MA	
Derivation Path:		
Comments:	used in TC_26_6_6_1 for GSM, cell allocation contains 30 ARFCHs	
Element Name	Element Value	Comments
iei	OMIT	
iel	'04'O	
mac_8n	'00111111'B	
mac_7n	'11111100'B	
mac_6n	'00000000'B	
mac_5n	'00000000'B	
mac_4n	OMIT	
mac_3n	OMIT	
mac_2n	OMIT	
mac_1n	OMIT	
Detailed Comments:		

Structured Type Constraint		
Constraint Name:	Ma2_g02	
Structured Type:	MA	
Derivation Path:		
Comments:	used in TC_26_6_6_1 for GSM, cell allocation contains 30 ARFCHs	
Element Name	Element Value	Comments
iei	OMIT	
iel	'04'O	
mac_8n	'00000000'B	
mac_7n	'00000000'B	
mac_6n	'00000000'B	
mac_5n	'00001111'B	
mac_4n	OMIT	
mac_3n	OMIT	
mac_2n	OMIT	
mac_1n	OMIT	
Detailed Comments:		

Structured Type Constraint		
Constraint Name:	Ma2_g03	
Structured Type:	MA	
Derivation Path:		
Comments:	used in TC_26_6_6_1 for GSM, cell allocation contains 30 ARFCHs	
Element Name	Element Value	Comments
iei	OMIT	
iel	'04'O	
mac_8n	'00000000'B	
mac_7n	'00011111'B	
mac_6n	'00000000'B	
mac_5n	'00000000'B	
mac_4n	OMIT	
mac_3n	OMIT	
mac_2n	OMIT	
mac_1n	OMIT	
Detailed Comments:		

Structured Type Constraint		
Constraint Name:	Ma2_g04	
Structured Type:	MA	
Derivation Path:		
Comments:	used in TC_26_6_6_1 for GSM, cell allocation contains 30 ARFCHs	
Element Name	Element Value	Comments
iei	OMIT	
iel	'04'O	
mac_8n	'00000000'B	
mac_7n	'00001010'B	
mac_6n	'10101010'B	
mac_5n	'00000000'B	
mac_4n	OMIT	
mac_3n	OMIT	
mac_2n	OMIT	
mac_1n	OMIT	
Detailed Comments:		

Structured Type Constraint		
Constraint Name:	Ma2_g05	
Structured Type:	MA	
Derivation Path:		
Comments:	used in TC_26_6_6_1 for GSM, cell allocation contains 30 ARFCHs	
Element Name	Element Value	Comments
iei	OMIT	
iel	'04'O	
mac_8n	'00010101'B	
mac_7n	'01000000'B	
mac_6n	'00000000'B	
mac_5n	'10101000'B	
mac_4n	OMIT	
mac_3n	OMIT	
mac_2n	OMIT	
mac_1n	OMIT	
Detailed Comments:		

Structured Type Constraint		
Constraint Name:	Ma2_g06	
Structured Type:	MA	
Derivation Path:		
Comments:	used in TC_26_6_6_1 for GSM, cell allocation contains 30 ARFCHs	
Element Name	Element Value	Comments
iei	OMIT	
iel	'04'O	
mac_8n	'00011010'B	
mac_7n	'10100000'B	
mac_6n	'00000000'B	
mac_5n	'00011100'B	
mac_4n	OMIT	
mac_3n	OMIT	
mac_2n	OMIT	
mac_1n	OMIT	
Detailed Comments:		

Structured Type Constraint		
Constraint Name:	Ma2_g07	
Structured Type:	MA	
Derivation Path:		
Comments:	used in TC_26_6_6_1 for GSM, cell allocation contains 30 ARFCHs	
Element Name	Element Value	Comments
iei	OMIT	
iel	'04'O	
mac_8n	'00011100'B	
mac_7n	'00000011'B	
mac_6n	'10011100'B	
mac_5n	'00000000'B	
mac_4n	OMIT	
mac_3n	OMIT	
mac_2n	OMIT	
mac_1n	OMIT	
Detailed Comments:		

Structured Type Constraint		
Constraint Name:	Ma2_g08	
Structured Type:	MA	
Derivation Path:		
Comments:	used in TC_26_6_6_1 for GSM, cell allocation contains 30 ARFCHs	
Element Name	Element Value	Comments
iei	OMIT	
iel	'04'O	
mac_8n	'00000001'B	
mac_7n	'00100100'B	
mac_6n	'10010000'B	
mac_5n	'00011111'B	
mac_4n	OMIT	
mac_3n	OMIT	
mac_2n	OMIT	
mac_1n	OMIT	
Detailed Comments:		

Structured Type Constraint		
Constraint Name:	Ma2_g09	
Structured Type:	MA	
Derivation Path:		
Comments:	used in TC_26_6_6_1 for GSM, cell allocation contains 30 ARFCHs	
Element Name	Element Value	Comments
iei	OMIT	
iel	'04'O	
mac_8n	'00110000'B	
mac_7n	'00000011'B	
mac_6n	'11010000'B	
mac_5n	'00001111'B	
mac_4n	OMIT	
mac_3n	OMIT	
mac_2n	OMIT	
mac_1n	OMIT	
Detailed Comments:		

Structured Type Constraint		
Constraint Name:	Ma3_g01	
Structured Type:	MA	
Derivation Path:		
Comments:	used in TC_26_6_6_1 for GSM, cell allocation contains 12 ARFCHs	
Element Name	Element Value	Comments
iei	OMIT	
iel	'02'O	
mac_8n	'00001110'B	
mac_7n	'11111111'B	
mac_6n	OMIT	
mac_5n	OMIT	
mac_4n	OMIT	
mac_3n	OMIT	
mac_2n	OMIT	
mac_1n	OMIT	
Detailed Comments:		

Structured Type Constraint		
Constraint Name:	Ma3_g02	
Structured Type:	MA	
Derivation Path:		
Comments:	used in TC_26_6_6_1 for GSM, cell allocation contains 12 ARFCHs	
Element Name	Element Value	Comments
iei	OMIT	
iel	'02'O	
mac_8n	'00000100'B	
mac_7n	'00000011'B	
mac_6n	OMIT	
mac_5n	OMIT	
mac_4n	OMIT	
mac_3n	OMIT	
mac_2n	OMIT	
mac_1n	OMIT	
Detailed Comments:		

Structured Type Constraint		
Constraint Name:	Ma3_g03	
Structured Type:	MA	
Derivation Path:		
Comments:	used in TC_26_6_6_1 for GSM, cell allocation contains 12 ARFCHs	
Element Name	Element Value	Comments
iei	OMIT	
iel	'02'O	
mac_8n	'00001010'B	
mac_7n	'10100000'B	
mac_6n	OMIT	
mac_5n	OMIT	
mac_4n	OMIT	
mac_3n	OMIT	
mac_2n	OMIT	
mac_1n	OMIT	
Detailed Comments:		

Structured Type Constraint		
Constraint Name:	Ma3_g04	
Structured Type:	MA	
Derivation Path:		
Comments:	used in TC_26_6_6_1 for GSM, cell allocation contains 12 ARFCHs	
Element Name	Element Value	Comments
iei	OMIT	
iel	'02'O	
mac_8n	'00000111'B	
mac_7n	'11000000'B	
mac_6n	OMIT	
mac_5n	OMIT	
mac_4n	OMIT	
mac_3n	OMIT	
mac_2n	OMIT	
mac_1n	OMIT	
Detailed Comments:		

Structured Type Constraint		
Constraint Name:	Ma3_g05	
Structured Type:	MA	
Derivation Path:		
Comments:	used in TC_26_6_6_1 for GSM, cell allocation contains 12 ARFCHs	
Element Name	Element Value	Comments
iei	OMIT	
iel	'02'O	
mac_8n	'00001010'B	
mac_7n	'10010101'B	
mac_6n	OMIT	
mac_5n	OMIT	
mac_4n	OMIT	
mac_3n	OMIT	
mac_2n	OMIT	
mac_1n	OMIT	
Detailed Comments:		

Structured Type Constraint		
Constraint Name:	Ma3_g06	
Structured Type:	MA	
Derivation Path:		
Comments:	used in TC_26_6_6_1 for GSM, cell allocation contains 12 ARFCHs	
Element Name	Element Value	Comments
iei	OMIT	
iel	'02'O	
mac_8n	'00001111'B	
mac_7n	'00001011'B	
mac_6n	OMIT	
mac_5n	OMIT	
mac_4n	OMIT	
mac_3n	OMIT	
mac_2n	OMIT	
mac_1n	OMIT	
Detailed Comments:		

Structured Type Constraint		
Constraint Name:	Ma3_g07	
Structured Type:	MA	
Derivation Path:		
Comments:	used in TC_26_6_6_1 for GSM, cell allocation contains 12 ARFCHs	
Element Name	Element Value	Comments
iei	OMIT	
iel	'02'O	
mac_8n	'00001010'B	
mac_7n	'11110011'B	
mac_6n	OMIT	
mac_5n	OMIT	
mac_4n	OMIT	
mac_3n	OMIT	
mac_2n	OMIT	
mac_1n	OMIT	
Detailed Comments:		

Structured Type Constraint		
Constraint Name:	Ma3_g08	
Structured Type:	MA	
Derivation Path:		
Comments:	used in TC_26_6_6_1 for GSM, cell allocation contains 12 ARFCHs	
Element Name	Element Value	Comments
iei	OMIT	
iel	'02'O	
mac_8n	'00001111'B	
mac_7n	'00101111'B	
mac_6n	OMIT	
mac_5n	OMIT	
mac_4n	OMIT	
mac_3n	OMIT	
mac_2n	OMIT	
mac_1n	OMIT	
Detailed Comments:		

Structured Type Constraint		
Constraint Name:	Ma3_g09	
Structured Type:	MA	
Derivation Path:		
Comments:	used in TC_26_6_6_1 for GSM, cell allocation contains 12 ARFCHs	
Element Name	Element Value	Comments
iei	OMIT	
iel	'02'O	
mac_8n	'00001111'B	
mac_7n	'10111110'B	
mac_6n	OMIT	
mac_5n	OMIT	
mac_4n	OMIT	
mac_3n	OMIT	
mac_2n	OMIT	
mac_1n	OMIT	
Detailed Comments:		

Structured Type Constraint		
Constraint Name:	MoblAllc_01	
Structured Type:	MA	
Derivation Path:		
Comments:	non hopping	
Element Name	Element Value	Comments
iei	OMIT	
iel	'00'O	
mac_8n	OMIT	
mac_7n	OMIT	
mac_6n	OMIT	
mac_5n	OMIT	
mac_4n	OMIT	
mac_3n	OMIT	
mac_2n	OMIT	
mac_1n	OMIT	
Detailed Comments:		

Structured Type Constraint		
Constraint Name:	MoblAllc_01iei	
Structured Type:	MA	
Derivation Path:		
Comments:	non hopping	
Element Name	Element Value	Comments
iei	'01110010'B	
iel	'00'O	
mac_8n	OMIT	
mac_7n	OMIT	
mac_6n	OMIT	
mac_5n	OMIT	
mac_4n	OMIT	
mac_3n	OMIT	
mac_2n	OMIT	
mac_1n	OMIT	
Detailed Comments:		

Structured Type Constraint		
Constraint Name:	MoblAllc_02	
Structured Type:	MA	
Derivation Path:	MoblAllc_01.	
Comments:	hopping	
Element Name	Element Value	Comments
iei	'01110010'B	
iel	'01'O	
mac_8n	'00000010'B	
Detailed Comments:		

Structured Type Constraint		
Constraint Name:	MoblAllc_04	
Structured Type:	MA	
Derivation Path:		
Comments:	hopping used in TC_26_6_4_2_2.	
Element Name	Element Value	Comments
iei	'01110010'B	
iel	'01'O	
mac_8n	'00001110'B	
mac_7n	OMIT	
mac_6n	OMIT	
mac_5n	OMIT	
mac_4n	OMIT	
mac_3n	OMIT	
mac_2n	OMIT	
mac_1n	OMIT	
Detailed Comments:		

Structured Type Constraint		
Constraint Name:	MoblAllc_20_A0	
Structured Type:	MA	
Derivation Path:		
Comments:	hopping with 0001 1111 1111 1111 1111 indicates all of the frequencies in CA of cell A with ARFCN_list={10,17,20,26,34,42,45,46,52,59,66,73,74,75,76,108,114}	
Element Name	Element Value	Comments
iei	OMIT	
iel	'03'O	
mac_8n	'00000001'B	
mac_7n	'11111111'B	
mac_6n	'11111111'B	
mac_5n	OMIT	
mac_4n	OMIT	
mac_3n	OMIT	
mac_2n	OMIT	
mac_1n	OMIT	
Detailed Comments:		

Structured Type Constraint		
Constraint Name:	MoblAllc_20_A1	
Structured Type:	MA	
Derivation Path:		
Comments:	hopping with 0001 1111 1111 1111 1011 indicates all of the frequencies in CA of cell A with ARFCN_list={10,17,20,26,34,42,45,46,52,59,66,73,74,75,76,108,114} with except for the BCCH frequency 20.	
Element Name	Element Value	Comments
iei	'01110010'B	
iel	'03'O	
mac_8n	'00000001'B	
mac_7n	'11111111'B	
mac_6n	'11111011'B	
mac_5n	OMIT	
mac_4n	OMIT	
mac_3n	OMIT	
mac_2n	OMIT	
mac_1n	OMIT	
Detailed Comments:		

Structured Type Constraint		
Constraint Name:	MoblAllc_20_A3d	
Structured Type:	MA	
Derivation Path:		
Comments:	hopping with 0000 0001 1111 1111 0111 1011 indicates all of the frequencies in CA of cell A ARFCN_list={10,17,20,26,34,42,45,46,52,59,66,73,74,75,76,108,114} with except for the BCCH frequency 20 and 52.	
Element Name	Element Value	Comments
iei	OMIT	
iel	'03'O	
mac_8n	'00000001'B	
mac_7n	'11111110'B	
mac_6n	'01111011'B	
mac_5n	OMIT	
mac_4n	OMIT	
mac_3n	OMIT	
mac_2n	OMIT	
mac_1n	OMIT	
Detailed Comments:		

Structured Type Constraint		
Constraint Name:	MoblAllc_252	
Structured Type:	MA	
Derivation Path:		
Comments:	hopping with 0001 1100 indicates ARFCN_list={40,66,73,74,75,76,108,114} to the ARFCN_list={73,74,75}.	
Element Name	Element Value	Comments
iei	'01110010'B	
iel	'01'O	
mac_8n	'00011100'B	
mac_7n	OMIT	
mac_6n	OMIT	
mac_5n	OMIT	
mac_4n	OMIT	
mac_3n	OMIT	
mac_2n	OMIT	
mac_1n	OMIT	
Detailed Comments:		

Structured Type Constraint		
Constraint Name:	MoblAllc_252d	
Structured Type:	MA	
Derivation Path:		
Comments:	hopping with 0111 0000 0 List_ARFCN={761,764,771,779,782,791,798,829,832} to the ARFCN_list={791,798,829}.	
Element Name	Element Value	Comments
iei	'01110010'B	
iel	'02'O	
mac_8n	'00000000'B	
mac_7n	'11100000'B	
mac_6n	OMIT	
mac_5n	OMIT	
mac_4n	OMIT	
mac_3n	OMIT	
mac_2n	OMIT	
mac_1n	OMIT	
Detailed Comments:		

Structured Type Constraint		
Constraint Name:	MoblAllc_22	
Structured Type:	MA	
Derivation Path:		
Comments:	hopping with all of f's from cell allocation of cell B with except of {764,832,844}	
Element Name	Element Value	Comments
iei	'01110010'B	
iel	'02'O	
mac_8n	'11111110'B	
mac_7n	'11111100'B	
mac_6n	OMIT	
mac_5n	OMIT	
mac_4n	OMIT	
mac_3n	OMIT	
mac_2n	OMIT	
mac_1n	OMIT	
Detailed Comments:		

Structured Type Constraint		
Constraint Name:	MoblAllc_281	
Structured Type:	MA	
Derivation Path:		
Comments:	hopping with indicates to the ARFCN_list={73,74,75} of cell allocation A.	
Element Name	Element Value	Comments
iei	OMIT	
iel	'03'O	
mac_8n	'00000000'B	
mac_7n	'00111000'B	
mac_6n	'00000000'B	
mac_5n	OMIT	
mac_4n	OMIT	
mac_3n	OMIT	
mac_2n	OMIT	
mac_1n	OMIT	
Detailed Comments:		

Structured Type Constraint		
Constraint Name:	MoblAllc_281d	
Structured Type:	MA	
Derivation Path:		
Comments:	hopping with indicates to the ARFCN_list={773,775,779} of cell allocation A.	
Element Name	Element Value	Comments
iei	OMIT	
iel	'03'O	
mac_8n	'00000000'B	
mac_7n	'00000111'B	
mac_6n	'00000000'B	
mac_5n	OMIT	
mac_4n	OMIT	
mac_3n	OMIT	
mac_2n	OMIT	
mac_1n	OMIT	
Detailed Comments:		

Structured Type Constraint		
Constraint Name:	MoblAllc_281e	
Structured Type:	MA	
Derivation Path:		
Comments:	hopping sequence with EGSM frequencies. The frequencies which are used in the mobile hopping sequence are {0, 80, 1005, 1010} .	
Element Name	Element Value	Comments
iei	OMIT	
iel	'01'O	
mac_8n	'10111000'B	
mac_7n	OMIT	
mac_6n	OMIT	
mac_5n	OMIT	
mac_4n	OMIT	
mac_3n	OMIT	
mac_2n	OMIT	
mac_1n	OMIT	
Detailed Comments:		

Structured Type Constraint		
Constraint Name:	MoblAllc_281e2	
Structured Type:	MA	
Derivation Path:		
Comments:	hopping with indicates to the ARFCN_list={20,66,78} of E-GSM cell allocation with ARFCN_List={20,40,66,73,74,75,76,77,78,79,108,114}	
Element Name	Element Value	Comments
iei	OMIT	
iel	'02'O	
mac_8n	'00000001'B	
mac_7n	'00000101'B	
mac_6n	OMIT	
mac_5n	OMIT	
mac_4n	OMIT	
mac_3n	OMIT	
mac_2n	OMIT	
mac_1n	OMIT	
Detailed Comments:		

Structured Type Constraint		
Constraint Name:	MoblAllc_282	
Structured Type:	MA	
Derivation Path:		
Comments:	hopping with indicates to the Complete Cell Allocation of cell A with except for BCCH-f	
Element Name	Element Value	Comments
iei	OMIT	
iel	'03'O	
mac_8n	'00000001'B	
mac_7n	'11111111'B	
mac_6n	'11111011'B	
mac_5n	OMIT	
mac_4n	OMIT	
mac_3n	OMIT	
mac_2n	OMIT	
mac_1n	OMIT	
Detailed Comments:		

Structured Type Constraint		
Constraint Name:	MoblAllc_20_B1	
Structured Type:	MA	
Derivation Path:		
Comments:	hopping with 1111 1111 1111 1111 ARFCN_list={14,18,22,24,30,31,38,40,60,66,73,74,75,76,108,114}.	
Element Name	Element Value	Comments
iei	OMIT	
iel	'02'O	
mac_8n	'11111111'B	
mac_7n	'11111111'B	
mac_6n	OMIT	
mac_5n	OMIT	
mac_4n	OMIT	
mac_3n	OMIT	
mac_2n	OMIT	
mac_1n	OMIT	
Detailed Comments:		

Structured Type Constraint		
Constraint Name:	MoblAllc_20_B1iei	
Structured Type:	MA	
Derivation Path:		
Comments:	hopping with 1111 1111 1111 1111 ARFCN_list={14,18,22,24,30,31,38,40,60,66,73,74,75,76,108,114}.	
Element Name	Element Value	Comments
iei	'01110010'B	
iel	'02'O	
mac_8n	'11111111'B	
mac_7n	'11111111'B	
mac_6n	OMIT	
mac_5n	OMIT	
mac_4n	OMIT	
mac_3n	OMIT	
mac_2n	OMIT	
mac_1n	OMIT	
Detailed Comments:		

Structured Type Constraint		
Constraint Name:	MoblAllc_20_Be1(par_ma: BITSTRING)	
Structured Type:	MA	
Derivation Path:		
Comments:	hopping with par_ma	
Element Name	Element Value	Comments
iei	OMIT	
iel	'01'O	
mac_8n	par_ma	
mac_7n	OMIT	
mac_6n	OMIT	
mac_5n	OMIT	
mac_4n	OMIT	
mac_3n	OMIT	
mac_2n	OMIT	
mac_1n	OMIT	
Detailed Comments:		

Structured Type Constraint		
Constraint Name:	MoblAllc_20_Be2(par_ma1: BITSTRING; par_ma2: BITSTRING)	
Structured Type:	MA	
Derivation Path:		
Comments:	hopping with par_ma1 and par_ma2	
Element Name	Element Value	Comments
iei	OMIT	
iel	'02'O	
mac_8n	par_ma1	
mac_7n	par_ma2	
mac_6n	OMIT	
mac_5n	OMIT	
mac_4n	OMIT	
mac_3n	OMIT	
mac_2n	OMIT	
mac_1n	OMIT	
Detailed Comments:		

Structured Type Constraint		
Constraint Name:	MoblAllc_20_Be2iei(par_ma1: BITSTRING; par_ma2: BITSTRING)	
Structured Type:	MA	
Derivation Path:		
Comments:	hopping with par_ma1 and par_ma2	
Element Name	Element Value	Comments
iei	'01110010'B	
iel	'02'O	
mac_8n	par_ma1	
mac_7n	par_ma2	
mac_6n	OMIT	
mac_5n	OMIT	
mac_4n	OMIT	
mac_3n	OMIT	
mac_2n	OMIT	
mac_1n	OMIT	
Detailed Comments:		

Structured Type Constraint		
Constraint Name:	MoblAllc_20_A2	
Structured Type:	MA	
Derivation Path:		
Comments:	hopping with 1000 0000 0000 0000 indicates from default Cell Allocation of HO cases with the ARFCN_List={10,17,20,26,34,42,45,46,52,59,66,73,74,75,76,108,114} the ARFCN_list={114}	
Element Name	Element Value	Comments
iei	'01110010'B	
iel	'03'O	
mac_8n	'00000001'B	
mac_7n	'00000000'B	
mac_6n	'00000000'B	
mac_5n	OMIT	
mac_4n	OMIT	
mac_3n	OMIT	
mac_2n	OMIT	
mac_1n	OMIT	
Detailed Comments:		

Structured Type Constraint		
Constraint Name:	MoblAllc_20_A3	
Structured Type:	MA	
Derivation Path:		
Comments:	hopping with 0000 0001 1111 1110 1111 1011 indicates all of the frequencies in CA of cell A ARFCN_list={10,17,20,26,34,42,45,46,52,59,66,73,74,75,76,108,114} with except for the BCCH frequency 20 and 52.	
Element Name	Element Value	Comments
iei	OMIT	
iel	'03'O	
mac_8n	'00000001'B	
mac_7n	'11111110'B	
mac_6n	'11111011'B	
mac_5n	OMIT	
mac_4n	OMIT	
mac_3n	OMIT	
mac_2n	OMIT	
mac_1n	OMIT	
Detailed Comments:		

Structured Type Constraint		
Constraint Name:	MoblAllc_omit	
Structured Type:	MA	
Derivation Path:		
Comments:		
Element Name	Element Value	Comments
iei	OMIT	
iel	OMIT	
mac_8n	OMIT	
mac_7n	OMIT	
mac_6n	OMIT	
mac_5n	OMIT	
mac_4n	OMIT	
mac_3n	OMIT	
mac_2n	OMIT	
mac_1n	OMIT	
Detailed Comments:		

Structured Type Constraint		
Constraint Name:	MoblAllc_r01	
Structured Type:	MA	
Derivation Path:		
Comments:		
Element Name	Element Value	Comments
iei	'01110010'B	
iel	'02'O	
mac_8n	'00000011'B	
mac_7n	'11111101'B	
mac_6n	OMIT	
mac_5n	OMIT	
mac_4n	OMIT	
mac_3n	OMIT	
mac_2n	OMIT	
mac_1n	OMIT	
Detailed Comments:		

Structured Type Constraint		
Constraint Name:	MoblAllc_r02	
Structured Type:	MA	
Derivation Path:		
Comments:		
Element Name	Element Value	Comments
iei	'01110010'B	
iel	'02'O	
mac_8n	'00000011'B	
mac_7n	'11100011'B	
mac_6n	OMIT	
mac_5n	OMIT	
mac_4n	OMIT	
mac_3n	OMIT	
mac_2n	OMIT	
mac_1n	OMIT	
Detailed Comments:		

Structured Type Constraint		
Constraint Name:	MoblAllc_r03	
Structured Type:	MA	
Derivation Path:	MoblAllc_r01.	
Comments:		
Element Name	Element Value	Comments
iel	'01'O	
mac_8n	'00000001'B	
mac_7n	OMIT	
Detailed Comments:		

Structured Type Constraint		
Constraint Name:	MoblAllc_r04	
Structured Type:	MA	
Derivation Path:		
Comments:		
Element Name	Element Value	Comments
iei	'01110010'B	
iel	'02'O	
mac_8n	'00000001'B	
mac_7n	'11000111'B	
mac_6n	OMIT	
mac_5n	OMIT	
mac_4n	OMIT	
mac_3n	OMIT	
mac_2n	OMIT	
mac_1n	OMIT	
Detailed Comments:		

Structured Type Constraint		
Constraint Name:	MoblAllc_r05	
Structured Type:	MA	
Derivation Path:	MoblAllc_r01.	
Comments:	used in TC_26_6_13_1 for immediate assignment command	
Element Name	Element Value	Comments
iei	OMIT	
iel	'01'O	
mac_8n	TSPX_Ma1	
mac_7n	OMIT	
mac_6n	OMIT	
mac_5n	OMIT	
mac_4n	OMIT	
mac_3n	OMIT	
mac_2n	OMIT	
mac_1n	OMIT	
Detailed Comments:		

Structured Type Constraint		
Constraint Name:	MoblAllc_r06	
Structured Type:	MA	
Derivation Path:		
Comments:	used in TC_26_6_13_1 after time	
Element Name	Element Value	Comments
iei	'01110010'B	
iel	'01'O	
mac_8n	TSPX_Ma2	
mac_7n	OMIT	
mac_6n	OMIT	
mac_5n	OMIT	
mac_4n	OMIT	
mac_3n	OMIT	
mac_2n	OMIT	
mac_1n	OMIT	
Detailed Comments:		

Structured Type Constraint		
Constraint Name:	MoblAllc_r07	
Structured Type:	MA	
Derivation Path:		
Comments:	used in TC_26_6_13_1 before time	
Element Name	Element Value	Comments
iei	'01110010'B	
iel	'01'O	
mac_8n	TSPX_Ma3	
mac_7n	OMIT	
mac_6n	OMIT	
mac_5n	OMIT	
mac_4n	OMIT	
mac_3n	OMIT	
mac_2n	OMIT	
mac_1n	OMIT	
Detailed Comments:		

Structured Type Constraint		
Constraint Name:	MoblAllc_r08	
Structured Type:	MA	
Derivation Path:	MoblAllc_r01.MoblAllc_r05.	
Comments:	used in TC_26_6_13_2 for immediate assignment command	
Element Name	Element Value	Comments
mac_8n	TSPX_Ma4	
Detailed Comments:		

Structured Type Constraint		
Constraint Name:	MoblAllc_r09	
Structured Type:	MA	
Derivation Path:		
Comments:	used in TC_26_6_13_2 after time	
Element Name	Element Value	Comments
iei	'01110010'B	
iel	'01'O	
mac_8n	TSPX_Ma5	
mac_7n	OMIT	
mac_6n	OMIT	
mac_5n	OMIT	
mac_4n	OMIT	
mac_3n	OMIT	
mac_2n	OMIT	
mac_1n	OMIT	
Detailed Comments:		

Structured Type Constraint		
Constraint Name:	MoblAllc_r10	
Structured Type:	MA	
Derivation Path:	MoblAllc_r01.MoblAllc_r05.	
Comments:	used in TC_26_6_13_3 for immediate assignment	
Element Name	Element Value	Comments
mac_8n	TSPX_Ma6	
Detailed Comments:		

Structured Type Constraint		
Constraint Name:	MoblAllc_r11	
Structured Type:	MA	
Derivation Path:		
Comments:	used in TC_26_6_13_3 for frequency redefinition	
Element Name	Element Value	Comments
iei	OMIT	
iel	'01'O	
mac_8n	TSPX_Ma7	
mac_7n	OMIT	
mac_6n	OMIT	
mac_5n	OMIT	
mac_4n	OMIT	
mac_3n	OMIT	
mac_2n	OMIT	
mac_1n	OMIT	
Detailed Comments:		

Structured Type Constraint		
Constraint Name:	MoblAllc_r12	
Structured Type:	MA	
Derivation Path:		
Comments:	used in TC_26_6_13_3 for assignment command after time	
Element Name	Element Value	Comments
iei	'01110010'B	
iel	'01'O	
mac_8n	TSPX_Ma8	
mac_7n	OMIT	
mac_6n	OMIT	
mac_5n	OMIT	
mac_4n	OMIT	
mac_3n	OMIT	
mac_2n	OMIT	
mac_1n	OMIT	
Detailed Comments:		

Structured Type Constraint		
Constraint Name:	MoblAllc_r13	
Structured Type:	MA	
Derivation Path:		
Comments:	used in TC_26_6_13_3 for assignment command before time	
Element Name	Element Value	Comments
iei	'01110010'B	
iel	'01'O	
mac_8n	TSPX_Ma9	
mac_7n	OMIT	
mac_6n	OMIT	
mac_5n	OMIT	
mac_4n	OMIT	
mac_3n	OMIT	
mac_2n	OMIT	
mac_1n	OMIT	
Detailed Comments:		

Structured Type Constraint		
Constraint Name:	MoblAllc_r14	
Structured Type:	MA	
Derivation Path:	MoblAllc_r01.MoblAllc_r05.	
Comments:	used in TC_26_6_13_4 for immediate assignment	
Element Name	Element Value	Comments
mac_8n	TSPX_Ma10	
Detailed Comments:		

Structured Type Constraint		
Constraint Name:	MoblAllc_r15	
Structured Type:	MA	
Derivation Path:	MoblAllc_r01.MoblAllc_r05.	
Comments:	used in TC_26_6_13_4 for frequency redefinition	
Element Name	Element Value	Comments
mac_8n	TSPX_Ma11	
Detailed Comments:		

Structured Type Constraint		
Constraint Name:	MoblAllc_r16	
Structured Type:	MA	
Derivation Path:		
Comments:	used in TC_26_6_13_4 for assignment command after time	
Element Name	Element Value	Comments
iei	'01110010'B	
iel	'01'O	
mac_8n	TSPX_Ma12	
mac_7n	OMIT	
mac_6n	OMIT	
mac_5n	OMIT	
mac_4n	OMIT	
mac_3n	OMIT	
mac_2n	OMIT	
mac_1n	OMIT	
Detailed Comments:		

Structured Type Constraint		
Constraint Name:	MoblAllc_r17	
Structured Type:	MA	
Derivation Path:		
Comments:	used in TC_26_6_13_4 for assignment command before time	
Element Name	Element Value	Comments
iei	'01110010'B	
iel	'01'O	
mac_8n	TSPX_Ma13	
mac_7n	OMIT	
mac_6n	OMIT	
mac_5n	OMIT	
mac_4n	OMIT	
mac_3n	OMIT	
mac_2n	OMIT	
mac_1n	OMIT	
Detailed Comments:		

Structured Type Constraint		
Constraint Name:	MoblAllc_r18	
Structured Type:	MA	
Derivation Path:	MoblAllc_r01.MoblAllc_r05.	
Comments:	used in TC_26_6_13_5 for immediate assignment	
Element Name	Element Value	Comments
mac_8n	TSPX_Ma14	
Detailed Comments:		

Structured Type Constraint		
Constraint Name:	MoblAllc_r20	
Structured Type:	MA	
Derivation Path:	MoblAllc_r01.MoblAllc_r05.	
Comments:	used in TC_26_6_13_5 for handover before time	
Element Name	Element Value	Comments
mac_8n	TSPX_Ma16	
Detailed Comments:		

Structured Type Constraint		
Constraint Name:	MoblAllc_r21	
Structured Type:	MA	
Derivation Path:	MoblAllc_r01.MoblAllc_r05.	
Comments:	used in TC_26_6_13_6 for immediate assignment	
Element Name	Element Value	Comments
mac_8n	TSPX_Ma17	
Detailed Comments:		

Structured Type Constraint		
Constraint Name:	MoblAllc_r22	
Structured Type:	MA	
Derivation Path:	MoblAllc_r01.MoblAllc_r05.	
Comments:	used in TC_26_6_13_6 for handover after time	
Element Name	Element Value	Comments
mac_8n	TSPX_Ma18	
Detailed Comments:		

Structured Type Constraint		
Constraint Name:	MoblAllc_r23	
Structured Type:	MA	
Derivation Path:	MoblAllc_r01.MoblAllc_r05.	
Comments:	used in TC_26_6_13_6 for handover before time	
Element Name	Element Value	Comments
mac_8n	TSPX_Ma19	
Detailed Comments:		

Structured Type Constraint		
Constraint Name:	MoblAllc_r24	
Structured Type:	MA	
Derivation Path:	MoblAllc_r01.MoblAllc_r05.	
Comments:	used in TC_26_6_13_7 for immediate assignment	
Element Name	Element Value	Comments
mac_8n	TSPX_Ma20	
Detailed Comments:		

Structured Type Constraint		
Constraint Name:	MoblAllc_r25	
Structured Type:	MA	
Derivation Path:	MoblAllc_r01.MoblAllc_r05.	
Comments:	used in TC_26_6_13_7 for frequency redefinition	
Element Name	Element Value	Comments
mac_8n	TSPX_Ma21	
Detailed Comments:		

Structured Type Constraint		
Constraint Name:	MoblAllc_r26	
Structured Type:	MA	
Derivation Path:	MoblAllc_r01.MoblAllc_r05.	
Comments:	used in TC_26_6_13_7 for HANDOVER COMMAND after time	
Element Name	Element Value	Comments
mac_8n	TSPX_Ma22	
Detailed Comments:		

Structured Type Constraint		
Constraint Name:	MoblAllc_r27	
Structured Type:	MA	
Derivation Path:	MoblAllc_r01.MoblAllc_r05.	
Comments:	used in TC_26_6_13_7 for HANDOVER COMMAND before time	
Element Name	Element Value	Comments
mac_8n	TSPX_Ma23	
Detailed Comments:		

Structured Type Constraint		
Constraint Name:	MoblAllc_r28	
Structured Type:	MA	
Derivation Path:	MoblAllc_r01.MoblAllc_r05.	
Comments:	used in TC_26_6_13_8 for immediate assignment	
Element Name	Element Value	Comments
mac_8n	TSPX_Ma24	
Detailed Comments:		

Structured Type Constraint		
Constraint Name:	MoblAllc_r29	
Structured Type:	MA	
Derivation Path:	MoblAllc_r01.MoblAllc_r05.	
Comments:	used in TC_26_6_13_8 for frequency redefinition	
Element Name	Element Value	Comments
mac_8n	TSPX_Ma25	
Detailed Comments:		

Structured Type Constraint		
Constraint Name:	MoblAllc_r30	
Structured Type:	MA	
Derivation Path:	MoblAllc_r01.MoblAllc_r05.	
Comments:	used in TC_26_6_13_8 for HANDOVER COMMAND after time	
Element Name	Element Value	Comments
mac_8n	TSPX_Ma26	
Detailed Comments:		

Structured Type Constraint		
Constraint Name:	MoblAllc_r31	
Structured Type:	MA	
Derivation Path:	MoblAllc_r01.MoblAllc_r05.	
Comments:	used in TC_26_6_13_8 for HANDOVER COMMAND before time	
Element Name	Element Value	Comments
mac_8n	TSPX_Ma27	
Detailed Comments:		

Structured Type Constraint		
Constraint Name:	MoblAllc_r32	
Structured Type:	MA	
Derivation Path:	MoblAllc_r01.MoblAllc_r05.	
Comments:	used in TC_26_6_13_9 for immediate assignment	
Element Name	Element Value	Comments
mac_8n	TSPX_Ma28	
Detailed Comments:		

Structured Type Constraint		
Constraint Name:	MoblAllc_r33	
Structured Type:	MA	
Derivation Path:	MoblAllc_r01.MoblAllc_r05.	
Comments:	used in TC_26_6_13_10 for immediate assignment	
Element Name	Element Value	Comments
mac_8n	TSPX_Ma30	
Detailed Comments:		

Structured Type Constraint		
Constraint Name:	MsrResult_01	
Structured Type:	MSRR	
Derivation Path:		
Comments:	A measurement results IE containing no measurement results.	
Element Name	Element Value	Comments
ba_used	'1'B	
dtx_used	'0'B	
rxlev_fsc	?	
spr1	'0'B	
meas_valid	'0'B	
rxlev_ssc	?	
spr2	'0'B	
rxqual_fsc	?	
rxqual_ssc	?	
no_nc	'000'B	
rxlev_nc1	'000000'B	
bcchfrq_nc1	'00000'B	
bsic_nc1	'000000'B	
rxlev_nc2	'000000'B	
bcchfrq_nc2	'00000'B	
bsic_nc2	'000000'B	
rxlev_nc3	'000000'B	
bcchfrq_nc3	'00000'B	
bsic_nc3	'000000'B	
rxlev_nc4	'000000'B	
bcchfrq_nc4	'00000'B	
bsic_nc4	'000000'B	
rxlev_nc5	'000000'B	
bcchfrq_nc5	'00000'B	
bsic_nc5	'000000'B	
rxlev_nc6	'000000'B	
bcchfrq_nc6	'00000'B	
bsic_nc6	'000000'B	
Detailed Comments:		

Structured Type Constraint		
Constraint Name:	MsrResult_02	
Structured Type:	MSRR	
Derivation Path:		
Comments:	A measurement results IE matching any value.	
Element Name	Element Value	Comments
ba_used	?	
dtx_used	'0'B	
rxlev_fsc	?	
spr1	'0'B	
meas_valid	?	
rxlev_ssc	?	
spr2	'0'B	
rxqual_fsc	?	
rxqual_ssc	?	
no_nc	?	
rxlev_nc1	*	
bcchfrq_nc1	*	
bsic_nc1	*	
rxlev_nc2	*	
bcchfrq_nc2	*	
bsic_nc2	*	
rxlev_nc3	*	
bcchfrq_nc3	*	
bsic_nc3	*	
rxlev_nc4	*	
bcchfrq_nc4	*	
bsic_nc4	*	
rxlev_nc5	*	
bcchfrq_nc5	*	
bsic_nc5	*	
rxlev_nc6	*	
bcchfrq_nc6	*	
bsic_nc6	*	
Detailed Comments:		

Structured Type Constraint		
Constraint Name:	MsrResult_03	
Structured Type:	MSRR	
Derivation Path:		
Comments:	A measurement results IE containing 6 measurement results.	
Element Name	Element Value	Comments
ba_used	'1'B	
dtx_used	'0'B	
rxlev_fsc	?	
spr1	'0'B	
meas_valid	'0'B	
rxlev_ssc	?	
spr2	'0'B	
rxqual_fsc	?	
rxqual_ssc	?	
no_nc	'110'B	
rxlev_nc1	?	
bcchfrq_nc1	?	
bsic_nc1	?	
rxlev_nc2	?	
bcchfrq_nc2	?	
bsic_nc2	?	
rxlev_nc3	?	
bcchfrq_nc3	?	
bsic_nc3	?	
rxlev_nc4	?	
bcchfrq_nc4	?	
bsic_nc4	?	
rxlev_nc5	?	
bcchfrq_nc5	?	
bsic_nc5	?	
rxlev_nc6	?	
bcchfrq_nc6	?	
bsic_nc6	?	
Detailed Comments:		

Structured Type Constraint		
Constraint Name:	MsrResult_03e1	
Structured Type:	MSRR	
Derivation Path:		
Comments:	A measurement results IE containing 6 measurement results for EGSM.	
Element Name	Element Value	Comments
ba_used	'1'B	
dtx_used	'0'B	
rxlev_fsc	?	
spr1	'0'B	
meas_valid	'0'B	
rxlev_ssc	?	
spr2	'0'B	
rxqual_fsc	?	
rxqual_ssc	?	
no_nc	'110'B	
rxlev_nc1	?	
bcchfrq_nc1	'00001'B	
bsic_nc1	'001011'B	
rxlev_nc2	?	
bcchfrq_nc2	'00010'B	
bsic_nc2	'001111'B	
rxlev_nc3	?	
bcchfrq_nc3	'00100'B	
bsic_nc3	'001101'B	
rxlev_nc4	?	
bcchfrq_nc4	'00101'B	
bsic_nc4	'001001'B	
rxlev_nc5	?	
bcchfrq_nc5	'00110'B	
bsic_nc5	'001111'B	
rxlev_nc6	?	
bcchfrq_nc6	'00111'B	
bsic_nc6	'001101'B	
Detailed Comments:		

Structured Type Constraint		
Constraint Name:	MsrResult_03e2	
Structured Type:	MSRR	
Derivation Path:		
Comments:	A measurement results IE containing 6 measurement results for EGSM.	
Element Name	Element Value	Comments
ba_used	'1'B	
dtx_used	'0'B	
rxlev_fsc	?	
spr1	'0'B	
meas_valid	'0'B	
rxlev_ssc	?	
spr2	'0'B	
rxqual_fsc	?	
rxqual_ssc	?	
no_nc	'110'B	
rxlev_nc1	?	
bcchfrq_nc1	'00010'B	
bsic_nc1	'001011'B	
rxlev_nc2	?	
bcchfrq_nc2	'00011'B	
bsic_nc2	'001111'B	
rxlev_nc3	?	
bcchfrq_nc3	'00100'B	
bsic_nc3	'001101'B	
rxlev_nc4	?	
bcchfrq_nc4	'00101'B	
bsic_nc4	'001001'B	
rxlev_nc5	?	
bcchfrq_nc5	'00110'B	
bsic_nc5	'001111'B	
rxlev_nc6	?	
bcchfrq_nc6	'00001'B	
bsic_nc6	'001100'B	
Detailed Comments:		

Structured Type Constraint		
Constraint Name:	MsrResult_03e3	
Structured Type:	MSRR	
Derivation Path:		
Comments:	A measurement results IE containing 6 measurement results for EGSM.	
Element Name	Element Value	Comments
ba_used	'1'B	
dtx_used	'0'B	
rxlev_fsc	?	
spr1	'0'B	
meas_valid	'0'B	
rxlev_ssc	?	
spr2	'0'B	
rxqual_fsc	?	
rxqual_ssc	?	
no_nc	'110'B	
rxlev_nc1	?	
bcchfrq_nc1	'00010'B	
bsic_nc1	'001011'B	
rxlev_nc2	?	
bcchfrq_nc2	'00011'B	
bsic_nc2	'001111'B	
rxlev_nc3	?	
bcchfrq_nc3	'00110'B	
bsic_nc3	'001001'B	
rxlev_nc4	?	
bcchfrq_nc4	'01000'B	
bsic_nc4	'001111'B	
rxlev_nc5	?	
bcchfrq_nc5	'01000'B	
bsic_nc5	'001101'B	
rxlev_nc6	?	
bcchfrq_nc6	'00001'B	
bsic_nc6	'001100'B	
Detailed Comments:		

Structured Type Constraint		
Constraint Name:	MsrResult_03e4	
Structured Type:	MSRR	
Derivation Path:		
Comments:	A measurement results IE containing 6 measurement results for EGSM.	
Element Name	Element Value	Comments
ba_used	'1'B	
dtx_used	'0'B	
rxlev_fsc	?	
spr1	'0'B	
meas_valid	'0'B	
rxlev_ssc	?	
spr2	'0'B	
rxqual_fsc	?	
rxqual_ssc	?	
no_nc	'110'B	
rxlev_nc1	?	
bcchfrq_nc1	'00010'B	
bsic_nc1	'001011'B	
rxlev_nc2	?	
bcchfrq_nc2	'00011'B	
bsic_nc2	'001111'B	
rxlev_nc3	?	
bcchfrq_nc3	'00110'B	
bsic_nc3	'001101'B	
rxlev_nc4	?	
bcchfrq_nc4	'00111'B	
bsic_nc4	'001001'B	
rxlev_nc5	?	
bcchfrq_nc5	'01000'B	
bsic_nc5	'001111'B	
rxlev_nc6	?	
bcchfrq_nc6	'00001'B	
bsic_nc6	'001100'B	
Detailed Comments:		

Structured Type Constraint		
Constraint Name:	MsrResult_03e5	
Structured Type:	MSRR	
Derivation Path:		
Comments:	A measurement results IE containing 6 measurement results for EGSM.	
Element Name	Element Value	Comments
ba_used	'1'B	
dtx_used	'0'B	
rxlev_fsc	?	
spr1	'0'B	
meas_valid	'0'B	
rxlev_ssc	?	
spr2	'0'B	
rxqual_fsc	?	
rxqual_ssc	?	
no_nc	'110'B	
rxlev_nc1	?	
bcchfrq_nc1	'00010'B	
bsic_nc1	'001011'B	
rxlev_nc2	?	
bcchfrq_nc2	'00011'B	
bsic_nc2	'001111'B	
rxlev_nc3	?	
bcchfrq_nc3	'00101'B	
bsic_nc3	'001101'B	
rxlev_nc4	?	
bcchfrq_nc4	'00110'B	
bsic_nc4	'001001'B	
rxlev_nc5	?	
bcchfrq_nc5	'00111'B	
bsic_nc5	'001111'B	
rxlev_nc6	?	
bcchfrq_nc6	'00001'B	
bsic_nc6	'001100'B	
Detailed Comments:		

Structured Type Constraint		
Constraint Name:	MsrResult_04	
Structured Type:	MSRR	
Derivation Path:	MsrResult_03.	
Comments:	A measurement results IE containing 4 measurement results.	
Element Name	Element Value	Comments
no_nc	'100'B	
rxlev_nc5	'000000'B	
bcchfrq_nc5	'00000'B	
bsic_nc5	'000000'B	
rxlev_nc6	'000000'B	
bcchfrq_nc6	'00000'B	
bsic_nc6	'000000'B	
Detailed Comments:		

Structured Type Constraint		
Constraint Name:	MsrResult_04e	
Structured Type:	MSRR	
Derivation Path:	MsrResult_03.	
Comments:	A measurement results IE containing 3 measurement results for EGSM	
Element Name	Element Value	Comments
no_nc	'100'B	
rxlev_nc1	?	
bcchfrq_nc1	'00001'B	
bsic_nc1	'001011'B	
rxlev_nc2	?	
bcchfrq_nc2	'00011'B	
bsic_nc2	'001101'B	
rxlev_nc3	?	
bcchfrq_nc3	'00110'B	
bsic_nc3	'001001'B	
Detailed Comments:		

Structured Type Constraint		
Constraint Name:	MsrResult_05	
Structured Type:	MSRR	
Derivation Path:	MsrResult_03.	
Comments:	A measurement results IE containing 6 measurement results and DTX was used.	
Element Name	Element Value	Comments
dtx_used	'1'B	
Detailed Comments:		

Structured Type Constraint		
Constraint Name:	MsrResult_06	
Structured Type:	MSRR	
Derivation Path:	MsrResult_03.	
Comments:	A measurement results IE containing 6 measurement results and DTX is not checked.	
Element Name	Element Value	Comments
dtx_used	?	
Detailed Comments:		

Structured Type Constraint		
Constraint Name:	MsrResult_07	
Structured Type:	MSRR	
Derivation Path:	MsrResult_03.	
Comments:	A measurement results IE containing 2 measurement results.	
Element Name	Element Value	Comments
ba_used	'1'B	
dtx_used	'0'B	
rxlev_fsc	?	
spr1	'0'B	
meas_valid	'0'B	
rxlev_ssc	?	
spr2	'0'B	
rxqual_fsc	?	
rxqual_ssc	?	
no_nc	'010'B	
rxlev_nc1	?	
bcchfrq_nc1	?	
bsic_nc1	?	
rxlev_nc2	?	
bcchfrq_nc2	?	
bsic_nc2	?	
rxlev_nc3	'000000'B	
bcchfrq_nc3	'00000'B	
bsic_nc3	'000000'B	
rxlev_nc4	'000000'B	
bcchfrq_nc4	'00000'B	
bsic_nc4	'000000'B	
rxlev_nc5	'000000'B	
bcchfrq_nc5	'00000'B	
bsic_nc5	'000000'B	
rxlev_nc6	'000000'B	
bcchfrq_nc6	'00000'B	
bsic_nc6	'000000'B	
Detailed Comments:		

Structured Type Constraint		
Constraint Name:	Mtdif_01	
Structured Type:	MTDIF	
Derivation Path:		
Comments:		
Element Name	Element Value	Comments
iei	'01110111'B	
iel	'03'O	
value	(OC_IntToOct(((2*TSPX_k + TSPX_y) MOD 2097152)-2), 3), OC_IntToOct(((2*TSPX_k + TSPX_y) MOD 2097152)-1), 3), OC_IntToOct(((2*TSPX_k + TSPX_y) MOD 2097152), 3), OC_IntToOct(((2*TSPX_k + TSPX_y) MOD 2097152)+1), 3), OC_IntToOct(((2*TSPX_k + TSPX_y) MOD 2097152)+2), 3))	
Detailed Comments:		

Structured Type Constraint		
Constraint Name:	Mtdif_02	
Structured Type:	MTDIF	
Derivation Path:		
Comments:		
Element Name	Element Value	Comments
iei	'01110111'B	
iel	'03'O	
value	(OC_IntToOct(((2*TSPX_k2 + TSPX_y2) MOD 2097152)-2), 3), OC_IntToOct(((2*TSPX_k2 + TSPX_y2) MOD 2097152)-1), 3), OC_IntToOct(((2*TSPX_k2 + TSPX_y2) MOD 2097152), 3), OC_IntToOct(((2*TSPX_k2 + TSPX_y2) MOD 2097152)+1), 3), OC_IntToOct(((2*TSPX_k2 + TSPX_y2) MOD 2097152)+2), 3))	
Detailed Comments:		

Structured Type Constraint		
Constraint Name:	Mtdif_03	
Structured Type:	MTDIF	
Derivation Path:		
Comments:		
Element Name	Element Value	Comments
iei	'01110111'B	
iel	'03'O	
value	(OC_IntToOct(((2*TSPX_k3 + TSPX_y3) MOD 2097152)-2), 3), OC_IntToOct(((2*TSPX_k3 + TSPX_y3) MOD 2097152)-1), 3), OC_IntToOct(((2*TSPX_k3 + TSPX_y3) MOD 2097152), 3), OC_IntToOct(((2*TSPX_k3 + TSPX_y3) MOD 2097152)+1), 3), OC_IntToOct(((2*TSPX_k3 + TSPX_y3) MOD 2097152)+2), 3))	
Detailed Comments:		

Structured Type Constraint		
Constraint Name:	Pcmd_19(powerlevel:BITSTRING)	
Structured Type:	PCMD	
Derivation Path:		
Comments:		
Element Name	Element Value	Comments
sprb	'000'B	
pl	powerlevel	
Detailed Comments:		

Structured Type Constraint		
Constraint Name:	Pcmd_20(powerlevel:BITSTRING)	
Structured Type:	PCMD	
Derivation Path:		
Comments:	PowerCmd used in synchronized and non synchronized HO cases.	
Element Name	Element Value	Comments
sprb	'011'B	
pl	powerlevel	
Detailed Comments:		

Structured Type Constraint		
Constraint Name:	PiSi_01	
Structured Type:	PI_SI	
Derivation Path:		
Comments:	calling party BCD number with arbitrary spare bits	
Element Name	Element Value	Comments
extb	'1'B	
pi	'00'B	
sp3b	'110'B	
si	'00'B	
Detailed Comments:		

Structured Type Constraint		
Constraint Name:	Pm_01	
Structured Type:	PM	
Derivation Path:		
Comments:	normal paging mode	
Element Name	Element Value	Comments
sprb	'00'B	
pgm	'00'B	
Detailed Comments:		

Structured Type Constraint		
Constraint Name:	Pm_02	
Structured Type:	PM	
Derivation Path:	Pm_01.	
Comments:	normal paging mode with arbitrary spare bits.	
Element Name	Element Value	Comments
sprb	'11'B	
Detailed Comments:		

Structured Type Constraint		
Constraint Name:	Pm_03	
Structured Type:	PM	
Derivation Path:		
Comments:	extended paging mode	
Element Name	Element Value	Comments
sprb	'00'B	
pgm	'01'B	
Detailed Comments:		

Structured Type Constraint		
Constraint Name:	Pm_04	
Structured Type:	PM	
Derivation Path:		
Comments:	paging re-organization mode	
Element Name	Element Value	Comments
sprb	'00'B	
pgm	'10'B	
Detailed Comments:		

Structured Type Constraint		
Constraint Name:	Pm_05	
Structured Type:	PM	
Derivation Path:		
Comments:	same as before mode	
Element Name	Element Value	Comments
sprb	'00'B	
pgm	'11'B	
Detailed Comments:		

Structured Type Constraint		
Constraint Name:	ProcessUSSData_02(Invkid :OCTETSTRING; prevbits: OCTETSTRING; follbits: OCTETSTRING)	
Structured Type:	Component_T	
Derivation Path:		
Comments:	Return Result for Process Unstructured SS Data	
Element Name	Element Value	Comments
comp_part1	prevbits	
invokeld	Invkid	
comp_part2	follbits	
comp_part3	OMIT	
comp_part4	OMIT	
comp_part5	OMIT	
comp_part6	OMIT	
comp_part7	OMIT	
comp_part8	OMIT	
comp_part9	OMIT	
comp_part10	OMIT	
comp_part11	OMIT	
comp_part12	OMIT	
Detailed Comments:		

Structured Type Constraint		
Constraint Name:	ProcessUSSRequest_02(Invkid :OCTETSTRING; prevbits: OCTETSTRING; follbits: OCTETSTRING)	
Structured Type:	Component_T	
Derivation Path:		
Comments:	Reject or Return Error for Process Unstructured SS request	
Element Name	Element Value	Comments
comp_part1	prevbits	
invokeld	Invkid	
comp_part2	follbits	
comp_part3	OMIT	
comp_part4	OMIT	
comp_part5	OMIT	
comp_part6	OMIT	
comp_part7	OMIT	
comp_part8	OMIT	
comp_part9	OMIT	
comp_part10	OMIT	
comp_part11	OMIT	
comp_part12	OMIT	
Detailed Comments:		

Structured Type Constraint		
Constraint Name:	ProgInd_01	
Structured Type:	PI	
Derivation Path:		
Comments:	Progress Indicator with progress description #8 (inband info now available)	
Element Name	Element Value	Comments
iei	'00011110'B	
iel	'02'O	
extb3	'1'B	
cs	'11'B	
spb	'1'B	
loc	'1000'B	
extb4	'1'B	
prd	'0001000'B	
Detailed Comments:		

Structured Type Constraint		
Constraint Name:	ProgInd_02	
Structured Type:	PI	
Derivation Path:		
Comments:	Progress Indicator containing progress indicator #4.	
Element Name	Element Value	Comments
iei	OMIT	
iel	'02'O	
extb3	'1'B	
cs	'11'B	
spb	'0'B	
loc	'0001'B	
extb4	'1'B	
prd	'0000100'B	
Detailed Comments:		

Structured Type Constraint		
Constraint Name:	ProgInd_03	
Structured Type:	PI	
Derivation Path:		
Comments:	Progress Indicator containing progress indicator #8.	
Element Name	Element Value	Comments
iei	OMIT	
iel	'02'O	
extb3	'1'B	
cs	'11'B	
spb	'0'B	
loc	'0001'B	
extb4	'1'B	
prd	'0001000'B	
Detailed Comments:		

Structured Type Constraint		
Constraint Name:	ProgInd_03iei	
Structured Type:	PI	
Derivation Path:		
Comments:	Progress Indicator containing progress indicator #8.	
Element Name	Element Value	Comments
iei	'00011110'B	
iel	'02'O	
extb3	'1'B	
cs	'11'B	
spb	'0'B	
loc	'0001'B	
extb4	'1'B	
prd	'0001000'B	
Detailed Comments:		

Structured Type Constraint		
Constraint Name:	RachCntrlPara(maxtx:B_2; txint:B_4; re:B_1)	
Structured Type:	RACHCP	
Derivation Path:		
Comments:	Default value for L 3 testing.	
Element Name	Element Value	Comments
maxrx	maxtx	
txint	txint	
cba	'0'B	
re	re	
acc_2	'00000'B	
ec	'0'B	
acc_1	'0000000000'B	
Detailed Comments:		

Structured Type Constraint		
Constraint Name:	RachCntrlPara_01	
Structured Type:	RACHCP	
Derivation Path:		
Comments:	Default value for L 3 testing.	
Element Name	Element Value	Comments
maxrx	'00'B	
txint	'0010'B	
cba	'0'B	
re	'0'B	
acc_2	'00000'B	
ec	'0'B	
acc_1	'0000000000'B	
Detailed Comments:		

Structured Type Constraint		
Constraint Name:	RachCntrlPara_04	
Structured Type:	RACHCP	
Derivation Path:		
Comments:	value for GSM cell 8 and DCS cell 7 in idle mode test group. (defined in 26.3.1 of GSM 11.10)	
Element Name	Element Value	Comments
maxrtx	'01'B	
txint	'0111'B	
cba	'0'B	
re	'1'B	
acc_2	'00000'B	
ec	'0'B	
acc_1	'0000000000'B	
Detailed Comments:		

Structured Type Constraint		
Constraint Name:	RachCntrlPara_05	
Structured Type:	RACHCP	
Derivation Path:	RachCntrlPara_04.	
Comments:	value for GSM cell 1-7 and DCS cell 1-6 in idle mode test group. (defined in 26.3.1 of GSM 11.10)	
Element Name	Element Value	Comments
cba	'1'B	
Detailed Comments:		

Structured Type Constraint		
Constraint Name:	RachCntrlPara_r01	
Structured Type:	RACHCP	
Derivation Path:		
Comments:	Call reestablishment is not allowed in the cell.	
Element Name	Element Value	Comments
maxrtx	'00'B	
txint	'0010'B	
cba	'0'B	
re	'1'B	
acc_2	'00000'B	
ec	'0'B	
acc_1	'0000000000'B	
Detailed Comments:		

Structured Type Constraint		
Constraint Name:	RegisterSSRslt_01(id:OCTETSTRING)	
Structured Type:	Component_T	
Derivation Path:		
Comments:		
Element Name	Element Value	Comments
comp_part1	'A21F0201'O	
invokeld	id	
comp_part2	'301B02010AA01604012A3011300F8301 10840107850491342143870105'O	
comp_part3	OMIT	
comp_part4	OMIT	
comp_part5	OMIT	
comp_part6	OMIT	
comp_part7	OMIT	
comp_part8	OMIT	
comp_part9	OMIT	
comp_part10	OMIT	
comp_part11	OMIT	
comp_part12	OMIT	
Detailed Comments:		

Structured Type Constraint		
Constraint Name:	RegisterSSRslt_02(id:OCTETSTRING)	
Structured Type:	Component_T	
Derivation Path:		
Comments:		
Element Name	Element Value	Comments
comp_part1	'A2800201'O	
invokeld	id	
comp_part2	'308002010AA0800401213080308083016 0840107850491342143000000000000000 000000'O	
comp_part3	OMIT	
comp_part4	OMIT	
comp_part5	OMIT	
comp_part6	OMIT	
comp_part7	OMIT	
comp_part8	OMIT	
comp_part9	OMIT	
comp_part10	OMIT	
comp_part11	OMIT	
comp_part12	OMIT	
Detailed Comments:		

Structured Type Constraint		
Constraint Name:	RegisterSSErr_01(id:OCTETSTRING)	
Structured Type:	Component_T	
Derivation Path:		
Comments:		
Element Name	Element Value	Comments
comp_part1	'A3060201'O	
invokeld	id	
comp_part2	'02010A'O	
comp_part3	OMIT	
comp_part4	OMIT	
comp_part5	OMIT	
comp_part6	OMIT	
comp_part7	OMIT	
comp_part8	OMIT	
comp_part9	OMIT	
comp_part10	OMIT	
comp_part11	OMIT	
comp_part12	OMIT	
Detailed Comments:		

Structured Type Constraint		
Constraint Name:	RegisterSSRej_01(id:OCTETSTRING)	
Structured Type:	Component_T	
Derivation Path:		
Comments:		
Element Name	Element Value	Comments
comp_part1	'A4800201'O	
invokeld	id	
comp_part2	'8101030000'O	
comp_part3	OMIT	
comp_part4	OMIT	
comp_part5	OMIT	
comp_part6	OMIT	
comp_part7	OMIT	
comp_part8	OMIT	
comp_part9	OMIT	
comp_part10	OMIT	
comp_part11	OMIT	
comp_part12	OMIT	
Detailed Comments:		

Structured Type Constraint		
Constraint Name: RegPasswdSSRslt_01(id:OCTETSTRING)		
Structured Type: Component_T		
Derivation Path:		
Comments:		
Element Name	Element Value	Comments
comp_part1	'A2800201'O	
invokeld	id	
comp_part2	'308002011112043938373600000000'O	
comp_part3	OMIT	
comp_part4	OMIT	
comp_part5	OMIT	
comp_part6	OMIT	
comp_part7	OMIT	
comp_part8	OMIT	
comp_part9	OMIT	
comp_part10	OMIT	
comp_part11	OMIT	
comp_part12	OMIT	
Detailed Comments:		

Structured Type Constraint		
Constraint Name: RegPasswdSSErr_01(id:OCTETSTRING)		
Structured Type: Component_T		
Derivation Path:		
Comments:		
Element Name	Element Value	Comments
comp_part1	'A3060201'O	
invokeld	id	
comp_part2	'020113'O	
comp_part3	OMIT	
comp_part4	OMIT	
comp_part5	OMIT	
comp_part6	OMIT	
comp_part7	OMIT	
comp_part8	OMIT	
comp_part9	OMIT	
comp_part10	OMIT	
comp_part11	OMIT	
comp_part12	OMIT	
Detailed Comments:		

Structured Type Constraint		
Constraint Name:	RegPasswdSSErr_02(id:OCTETSTRING)	
Structured Type:	Component_T	
Derivation Path:		
Comments:		
Element Name	Element Value	Comments
comp_part1	'A3800201'O	
invokeld	id	
comp_part2	'0201260000'O	
comp_part3	OMIT	
comp_part4	OMIT	
comp_part5	OMIT	
comp_part6	OMIT	
comp_part7	OMIT	
comp_part8	OMIT	
comp_part9	OMIT	
comp_part10	OMIT	
comp_part11	OMIT	
comp_part12	OMIT	
Detailed Comments:		

Structured Type Constraint		
Constraint Name:	RegPasswdSSErr_03(id:OCTETSTRING)	
Structured Type:	Component_T	
Derivation Path:		
Comments:		
Element Name	Element Value	Comments
comp_part1	'A3090201'O	
invokeld	id	
comp_part2	'0201250A0102'O	
comp_part3	OMIT	
comp_part4	OMIT	
comp_part5	OMIT	
comp_part6	OMIT	
comp_part7	OMIT	
comp_part8	OMIT	
comp_part9	OMIT	
comp_part10	OMIT	
comp_part11	OMIT	
comp_part12	OMIT	
Detailed Comments:		

Structured Type Constraint		
Constraint Name:	SerialNumber_01	
Structured Type:	SERIAL_NUMBER	
Derivation Path:		
Comments:	Serial number for first SMSCB, GSM 3.41, 9.3.2	
Element Name	Element Value	Comments
gs	'00'B	
message_code	'0000000000'B	
update_number	'0000'B	
Detailed Comments:		

Structured Type Constraint		
Constraint Name:	SerialNumber_02	
Structured Type:	SERIAL_NUMBER	
Derivation Path:		
Comments:	Serial number for second SMSCB, GSM 3.41, 9.3.2	
Element Name	Element Value	Comments
gs	'00'B	
message_code	'0000000001'B	
update_number	'0000'B	
Detailed Comments:		

Structured Type Constraint		
Constraint Name:	SerialNumber_03	
Structured Type:	SERIAL_NUMBER	
Derivation Path:		
Comments:	Serial number for third SMSCB, same message code as second SMSCB but updated GSM 3.41, 9.3.2	
Element Name	Element Value	Comments
gs	'00'B	
message_code	'0000000001'B	
update_number	'0001'B	
Detailed Comments:		

Structured Type Constraint		
Constraint Name:	USSDReq_01(Invkid :OCTETSTRING; prevbits: OCTETSTRING; follbits: OCTETSTRING; ussdString: IA5String)	
Structured Type:	Component_T	
Derivation Path:		
Comments:	ReturnResult for Process Unstructured SS request	
Element Name	Element Value	Comments
comp_part1	prevbits	
invokeId	Invkid	
comp_part2	follbits	
comp_part3	OC_CodingOfUssdString(ussdString)	
comp_part4	OMIT	
comp_part5	OMIT	
comp_part6	OMIT	
comp_part7	OMIT	
comp_part8	OMIT	
comp_part9	OMIT	
comp_part10	OMIT	
comp_part11	OMIT	
comp_part12	OMIT	
Detailed Comments:		

Structured Type Constraint		
Constraint Name:	USSDReq_03(Invkid :OCTETSTRING; ussdstring: IA5String)	
Structured Type:	Component_T	
Derivation Path:		
Comments:	Invoke for UnstructuredSS-Request	
Element Name	Element Value	Comments
comp_part1	'A11E0201'O	
invokeld	Invkid	
comp_part2	'02013C0F'O	
comp_part3	OC_CodingOfUssdString(ussdstring)	
comp_part4	OMIT	
comp_part5	OMIT	
comp_part6	OMIT	
comp_part7	OMIT	
comp_part8	OMIT	
comp_part9	OMIT	
comp_part10	OMIT	
comp_part11	OMIT	
comp_part12	OMIT	
Detailed Comments:		

Structured Type Constraint		
Constraint Name:	USSDReq_06(Invkid :OCTETSTRING)	
Structured Type:	Component_T	
Derivation Path:		
Comments:	Unstructured SS - Request	
Element Name	Element Value	Comments
comp_part1	'A2030201'O	
invokeld	Invkid	
comp_part2	OMIT	
comp_part3	OMIT	
comp_part4	OMIT	
comp_part5	OMIT	
comp_part6	OMIT	
comp_part7	OMIT	
comp_part8	OMIT	
comp_part9	OMIT	
comp_part10	OMIT	
comp_part11	OMIT	
comp_part12	OMIT	
Detailed Comments:		

Structured Type Constraint		
Constraint Name:	EraseSSRslt_01(id:OCTETSTRING)	
Structured Type:	Component_T	
Derivation Path:		
Comments:		
Element Name	Element Value	Comments
comp_part1	'A21D0201'O	
invokeld	id	
comp_part2	'301802010BA08004012830803080830160840104000000000000'O	
comp_part3	OMIT	
comp_part4	OMIT	
comp_part5	OMIT	
comp_part6	OMIT	
comp_part7	OMIT	
comp_part8	OMIT	
comp_part9	OMIT	
comp_part10	OMIT	
comp_part11	OMIT	
comp_part12	OMIT	
Detailed Comments:		

Structured Type Constraint		
Constraint Name:	EraseSSRslt_02(id:OCTETSTRING)	
Structured Type:	Component_T	
Derivation Path:		
Comments:		
Element Name	Element Value	Comments
comp_part1	'A2140201'O	
invokeld	id	
comp_part2	'300F02010BA00A04012B30053003840104'O	
comp_part3	OMIT	
comp_part4	OMIT	
comp_part5	OMIT	
comp_part6	OMIT	
comp_part7	OMIT	
comp_part8	OMIT	
comp_part9	OMIT	
comp_part10	OMIT	
comp_part11	OMIT	
comp_part12	OMIT	
Detailed Comments:		

Structured Type Constraint		
Constraint Name:	EraseSSErr_01(id:OCTETSTRING)	
Structured Type:	Component_T	
Derivation Path:		
Comments:		
Element Name	Element Value	Comments
comp_part1	'A3060201'O	
invokeld	id	
comp_part2	'02010B'O	
comp_part3	OMIT	
comp_part4	OMIT	
comp_part5	OMIT	
comp_part6	OMIT	
comp_part7	OMIT	
comp_part8	OMIT	
comp_part9	OMIT	
comp_part10	OMIT	
comp_part11	OMIT	
comp_part12	OMIT	
Detailed Comments:		

Structured Type Constraint		
Constraint Name:	EraseSSRej_01(id:OCTETSTRING)	
Structured Type:	Component_T	
Derivation Path:		
Comments:		
Element Name	Element Value	Comments
comp_part1	'A4800201'O	
invokeld	id	
comp_part2	'8101030000'O	
comp_part3	OMIT	
comp_part4	OMIT	
comp_part5	OMIT	
comp_part6	OMIT	
comp_part7	OMIT	
comp_part8	OMIT	
comp_part9	OMIT	
comp_part10	OMIT	
comp_part11	OMIT	
comp_part12	OMIT	
Detailed Comments:		

Structured Type Constraint		
Constraint Name:	ActivateSSRslt_01(id:OCTETSTRING)	
Structured Type:	Component_T	
Derivation Path:		
Comments:	CF all synchronous services	
Element Name	Element Value	Comments
comp_part1	'A2800201'O	
invokeld	id	
comp_part2	'301402010CA0800401203008300682016884010700000000'O	
comp_part3	OMIT	
comp_part4	OMIT	
comp_part5	OMIT	
comp_part6	OMIT	
comp_part7	OMIT	
comp_part8	OMIT	
comp_part9	OMIT	
comp_part10	OMIT	
comp_part11	OMIT	
comp_part12	OMIT	
Detailed Comments:		

Structured Type Constraint		
Constraint Name:	ActivateSSRslt_02(id:OCTETSTRING)	
Structured Type:	Component_T	
Derivation Path:		
Comments:	CFU all basic services	
Element Name	Element Value	Comments
comp_part1	'A2180201'O	
invokeld	id	
comp_part2	'308002010CA0800401213005300384010700000000'O	
comp_part3	OMIT	
comp_part4	OMIT	
comp_part5	OMIT	
comp_part6	OMIT	
comp_part7	OMIT	
comp_part8	OMIT	
comp_part9	OMIT	
comp_part10	OMIT	
comp_part11	OMIT	
comp_part12	OMIT	
Detailed Comments:		

Structured Type Constraint		
Constraint Name:	ActivateSSRslt_03(id:OCTETSTRING)	
Structured Type:	Component_T	
Derivation Path:		
Comments:	BAOC all synchronous services	
Element Name	Element Value	Comments
comp_part1	'A21B0201'O	
invokeld	id	
comp_part2	'308002010CA1800401923008300682016884010700000000'O	
comp_part3	OMIT	
comp_part4	OMIT	
comp_part5	OMIT	
comp_part6	OMIT	
comp_part7	OMIT	
comp_part8	OMIT	
comp_part9	OMIT	
comp_part10	OMIT	
comp_part11	OMIT	
comp_part12	OMIT	
Detailed Comments:		

Structured Type Constraint		
Constraint Name:	ActivateSSRslt_04(id:OCTETSTRING)	
Structured Type:	Component_T	
Derivation Path:		
Comments:	BICRoam for all basic service groups.	
Element Name	Element Value	Comments
comp_part1	'A2180201'O	
invokeld	id	
comp_part2	'301302010CA10E04019B3080308084010700000000'O	
comp_part3	OMIT	
comp_part4	OMIT	
comp_part5	OMIT	
comp_part6	OMIT	
comp_part7	OMIT	
comp_part8	OMIT	
comp_part9	OMIT	
comp_part10	OMIT	
comp_part11	OMIT	
comp_part12	OMIT	
Detailed Comments:		

Structured Type Constraint		
Constraint Name:	ActivateSSErr_01(id:OCTETSTRING)	
Structured Type:	Component_T	
Derivation Path:		
Comments:	BOIC	
Element Name	Element Value	Comments
comp_part1	'A3060201'O	
invokeld	id	
comp_part2	'020113'O	
comp_part3	OMIT	
comp_part4	OMIT	
comp_part5	OMIT	
comp_part6	OMIT	
comp_part7	OMIT	
comp_part8	OMIT	
comp_part9	OMIT	
comp_part10	OMIT	
comp_part11	OMIT	
comp_part12	OMIT	
Detailed Comments:		

Structured Type Constraint		
Constraint Name:	ActivateSSErr_02(id:OCTETSTRING)	
Structured Type:	Component_T	
Derivation Path:		
Comments:	BOIC	
Element Name	Element Value	Comments
comp_part1	'A3800201'O	
invokeld	id	
comp_part2	'0201260000'O	
comp_part3	OMIT	
comp_part4	OMIT	
comp_part5	OMIT	
comp_part6	OMIT	
comp_part7	OMIT	
comp_part8	OMIT	
comp_part9	OMIT	
comp_part10	OMIT	
comp_part11	OMIT	
comp_part12	OMIT	
Detailed Comments:		

Structured Type Constraint		
Constraint Name:	DeactivateSSRslt_01(id:OCTETSTRING)	
Structured Type:	Component_T	
Derivation Path:		
Comments:	CFC speech	
Element Name	Element Value	Comments
comp_part1	'A21B0201'O	
invokeld	id	
comp_part2	'301602010DA080040128308030068301108401060000000'O	
comp_part3	OMIT	
comp_part4	OMIT	
comp_part5	OMIT	
comp_part6	OMIT	
comp_part7	OMIT	
comp_part8	OMIT	
comp_part9	OMIT	
comp_part10	OMIT	
comp_part11	OMIT	
comp_part12	OMIT	
Detailed Comments:		

Structured Type Constraint		
Constraint Name:	DeactivateSSRslt_02(id:OCTETSTRING)	
Structured Type:	Component_T	
Derivation Path:		
Comments:	CFNRc all facsimile	
Element Name	Element Value	Comments
comp_part1	'A2190201'O	
invokeld	id	
comp_part2	'301402010DA00F04012B300A30808301608401060000'O	
comp_part3	OMIT	
comp_part4	OMIT	
comp_part5	OMIT	
comp_part6	OMIT	
comp_part7	OMIT	
comp_part8	OMIT	
comp_part9	OMIT	
comp_part10	OMIT	
comp_part11	OMIT	
comp_part12	OMIT	
Detailed Comments:		

Structured Type Constraint		
Constraint Name:	DeactivateSSRslt_03(id:OCTETSTRING)	
Structured Type:	Component_T	
Derivation Path:		
Comments:	DeactivateSSRslt for Speech	
Element Name	Element Value	Comments
comp_part1	'A2800201'O	
invokeld	id	
comp_part2	'300C02010DA107300530038301100000'	
	O	
comp_part3	OMIT	
comp_part4	OMIT	
comp_part5	OMIT	
comp_part6	OMIT	
comp_part7	OMIT	
comp_part8	OMIT	
comp_part9	OMIT	
comp_part10	OMIT	
comp_part11	OMIT	
comp_part12	OMIT	
Detailed Comments:		

Structured Type Constraint		
Constraint Name:	DeactivateSSRslt_04(id:OCTETSTRING)	
Structured Type:	Component_T	
Derivation Path:		
Comments:	DeactivateSSRslt for all facsimile	
Element Name	Element Value	Comments
comp_part1	'A2800201'O	
invokeld	id	
comp_part2	'300C02010DA107300530038301600000'	
	O	
comp_part3	OMIT	
comp_part4	OMIT	
comp_part5	OMIT	
comp_part6	OMIT	
comp_part7	OMIT	
comp_part8	OMIT	
comp_part9	OMIT	
comp_part10	OMIT	
comp_part11	OMIT	
comp_part12	OMIT	
Detailed Comments:		

Structured Type Constraint		
Constraint Name:	DeactivateSSErr_01(id:OCTETSTRING)	
Structured Type:	Component_T	
Derivation Path:		
Comments:		
Element Name	Element Value	Comments
comp_part1	'A3800201'O	
invokeld	id	
comp_part2	'0201130000'O	
comp_part3	OMIT	
comp_part4	OMIT	
comp_part5	OMIT	
comp_part6	OMIT	
comp_part7	OMIT	
comp_part8	OMIT	
comp_part9	OMIT	
comp_part10	OMIT	
comp_part11	OMIT	
comp_part12	OMIT	
Detailed Comments:		

Structured Type Constraint		
Constraint Name:	DeactivateSSErr_02(id:OCTETSTRING)	
Structured Type:	Component_T	
Derivation Path:		
Comments:		
Element Name	Element Value	Comments
comp_part1	'A3060201'O	
invokeld	id	
comp_part2	'020126'O	
comp_part3	OMIT	
comp_part4	OMIT	
comp_part5	OMIT	
comp_part6	OMIT	
comp_part7	OMIT	
comp_part8	OMIT	
comp_part9	OMIT	
comp_part10	OMIT	
comp_part11	OMIT	
comp_part12	OMIT	
Detailed Comments:		

Structured Type Constraint		
Constraint Name:	FwdChAdvSS_01	
Structured Type:	Component_T	
Derivation Path:		
Comments:	AoC- Charging	
Element Name	Element Value	Comments
comp_part1	'A12B0201'O	
invokeld	'00'O	
comp_part2	'02017D3080800172A11C8102003C8202008C83020064840200FA8502000086020000870202580000'O	
comp_part3	OMIT	
comp_part4	OMIT	
comp_part5	OMIT	
comp_part6	OMIT	
comp_part7	OMIT	
comp_part8	OMIT	
comp_part9	OMIT	
comp_part10	OMIT	
comp_part11	OMIT	
comp_part12	OMIT	
Detailed Comments:		

Structured Type Constraint		
Constraint Name:	FwdChAdvSS_02	
Structured Type:	Component_T	
Derivation Path:		
Comments:	AoC- Charging	
Element Name	Element Value	Comments
comp_part1	'A12B0201'O	
invokeld	'00'O	
comp_part2	'02017D3080800172A11C810200008202000083020064840203E88502000086020000870200000000'O	
comp_part3	OMIT	
comp_part4	OMIT	
comp_part5	OMIT	
comp_part6	OMIT	
comp_part7	OMIT	
comp_part8	OMIT	
comp_part9	OMIT	
comp_part10	OMIT	
comp_part11	OMIT	
comp_part12	OMIT	
Detailed Comments:		

Structured Type Constraint		
Constraint Name:	FwdChAdvSS_03	
Structured Type:	Component_T	
Derivation Path:		
Comments:	AoC- Charging	
Element Name	Element Value	Comments
comp_part1	'A12B0201'O	
invokeld	'00'O	
comp_part2	'02017D3080800172A11C810209C4820200A0830200C8840213888502000086020000870202580000'O	
comp_part3	OMIT	
comp_part4	OMIT	
comp_part5	OMIT	
comp_part6	OMIT	
comp_part7	OMIT	
comp_part8	OMIT	
comp_part9	OMIT	
comp_part10	OMIT	
comp_part11	OMIT	
comp_part12	OMIT	
Detailed Comments:		

Structured Type Constraint		
Constraint Name:	FwdChAdvSS_04	
Structured Type:	Component_T	
Derivation Path:		
Comments:	AoC- Charging	
Element Name	Element Value	Comments
comp_part1	'A12B0201'O	
invokeld	'00'O	
comp_part2	'02017D3080800172A11C8102000A8202000A8302006484020000850200648602000A8702000A0000'O	
comp_part3	OMIT	
comp_part4	OMIT	
comp_part5	OMIT	
comp_part6	OMIT	
comp_part7	OMIT	
comp_part8	OMIT	
comp_part9	OMIT	
comp_part10	OMIT	
comp_part11	OMIT	
comp_part12	OMIT	
Detailed Comments:		

Structured Type Constraint		
Constraint Name:	FwdChAdvSS_05	
Structured Type:	Component_T	
Derivation Path:		
Comments:	AoC- Charging	
Element Name	Element Value	Comments
comp_part1	'A12B0201'O	
invokeld	'00'O	
comp_part2	'02017D3080800172A11C8102007D8202 012C83020064840200FA8502006486020 00A8702012C0000'O	
comp_part3	OMIT	
comp_part4	OMIT	
comp_part5	OMIT	
comp_part6	OMIT	
comp_part7	OMIT	
comp_part8	OMIT	
comp_part9	OMIT	
comp_part10	OMIT	
comp_part11	OMIT	
comp_part12	OMIT	
Detailed Comments:		

Structured Type Constraint		
Constraint Name:	FwdChAdvSS_06	
Structured Type:	Component_T	
Derivation Path:		
Comments:	AoC- Charging	
Element Name	Element Value	Comments
comp_part1	'A12B0201'O	
invokeld	'00'O	
comp_part2	'02017D3080800172A11C810200008202 000083020000840200008502000086020 000870200000000'O	
comp_part3	OMIT	
comp_part4	OMIT	
comp_part5	OMIT	
comp_part6	OMIT	
comp_part7	OMIT	
comp_part8	OMIT	
comp_part9	OMIT	
comp_part10	OMIT	
comp_part11	OMIT	
comp_part12	OMIT	
Detailed Comments:		

Structured Type Constraint		
Constraint Name:	FwdChAdvSS_07	
Structured Type:	Component_T	
Derivation Path:		
Comments:	AoC- Charging	
Element Name	Element Value	Comments
comp_part1	'A12B0201'O	
invokeld	'00'O	
comp_part2	'02017D3080800172A11C810200008202 000083020064840203E88502000086020 000870200000000'O	
comp_part3	OMIT	
comp_part4	OMIT	
comp_part5	OMIT	
comp_part6	OMIT	
comp_part7	OMIT	
comp_part8	OMIT	
comp_part9	OMIT	
comp_part10	OMIT	
comp_part11	OMIT	
comp_part12	OMIT	
Detailed Comments:		

Structured Type Constraint		
Constraint Name:	FwdChAdvSS_08	
Structured Type:	Component_T	
Derivation Path:		
Comments:	AoC- Charging	
Element Name	Element Value	Comments
comp_part1	'A12B0201'O	
invokeld	'00'O	
comp_part2	'02017D3080800172A11C8102003C8202 008C83020064840200FA8502000086020 000870202580000'O	
comp_part3	OMIT	
comp_part4	OMIT	
comp_part5	OMIT	
comp_part6	OMIT	
comp_part7	OMIT	
comp_part8	OMIT	
comp_part9	OMIT	
comp_part10	OMIT	
comp_part11	OMIT	
comp_part12	OMIT	
Detailed Comments:		

Structured Type Constraint		
Constraint Name:	FwdChAdvSS_09	
Structured Type:	Component_T	
Derivation Path:		
Comments:	AoC- Charging	
Element Name	Element Value	Comments
comp_part1	'A12B0201'O	
invokeld	'00'O	
comp_part2	'02017D3080800172A11C8102000A8202000A83020064840200008502000086020008702000A0000'O	
comp_part3	OMIT	
comp_part4	OMIT	
comp_part5	OMIT	
comp_part6	OMIT	
comp_part7	OMIT	
comp_part8	OMIT	
comp_part9	OMIT	
comp_part10	OMIT	
comp_part11	OMIT	
comp_part12	OMIT	
Detailed Comments:		

Structured Type Constraint		
Constraint Name:	FwdChAdvSS_10	
Structured Type:	Component_T	
Derivation Path:		
Comments:	AoC- Charging	
Element Name	Element Value	Comments
comp_part1	'A12B0201'O	
invokeld	'00'O	
comp_part2	'02017D3080800172A11C8102007D8202012C83020064840200FA8502000086020008702012C0000'O	
comp_part3	OMIT	
comp_part4	OMIT	
comp_part5	OMIT	
comp_part6	OMIT	
comp_part7	OMIT	
comp_part8	OMIT	
comp_part9	OMIT	
comp_part10	OMIT	
comp_part11	OMIT	
comp_part12	OMIT	
Detailed Comments:		

Structured Type Constraint		
Constraint Name:	FwdChAdvSS_11	
Structured Type:	Component_T	
Derivation Path:		
Comments:	AoC- Charging	
Element Name	Element Value	Comments
comp_part1	'A12B0201'O	
invokeld	'00'O	
comp_part2	'02017D3080800172A11C810200648202 011883020064840200648502000086020 000870202580000'O	
comp_part3	OMIT	
comp_part4	OMIT	
comp_part5	OMIT	
comp_part6	OMIT	
comp_part7	OMIT	
comp_part8	OMIT	
comp_part9	OMIT	
comp_part10	OMIT	
comp_part11	OMIT	
comp_part12	OMIT	
Detailed Comments:		

Structured Type Constraint		
Constraint Name:	FwdChAdvSS_12	
Structured Type:	Component_T	
Derivation Path:		
Comments:	AoC- Charging	
Element Name	Element Value	Comments
comp_part1	'A12B0201'O	
invokeld	'00'O	
comp_part2	'02017D3080800172A11C810200648202 008C83020064840200328502000086020 000870202580000'O	
comp_part3	OMIT	
comp_part4	OMIT	
comp_part5	OMIT	
comp_part6	OMIT	
comp_part7	OMIT	
comp_part8	OMIT	
comp_part9	OMIT	
comp_part10	OMIT	
comp_part11	OMIT	
comp_part12	OMIT	
Detailed Comments:		

Structured Type Constraint		
Constraint Name:	FwdChAdvSS_13	
Structured Type:	Component_T	
Derivation Path:		
Comments:	AoC- Charging	
Element Name	Element Value	Comments
comp_part1	'A12B0201'O	
invokeld	'00'O	
comp_part2	'02017D3080800172A11C810200648202 019083020064840200008502000086020 000870200000000'O	
comp_part3	OMIT	
comp_part4	OMIT	
comp_part5	OMIT	
comp_part6	OMIT	
comp_part7	OMIT	
comp_part8	OMIT	
comp_part9	OMIT	
comp_part10	OMIT	
comp_part11	OMIT	
comp_part12	OMIT	
Detailed Comments:		

Structured Type Constraint		
Constraint Name:	FwdChAdvSS_14	
Structured Type:	Component_T	
Derivation Path:		
Comments:	AoC- Charging	
Element Name	Element Value	Comments
comp_part1	'A11B0201'O	
invokeld	'00'O	
comp_part2	'02017D3013800172A1808102006482020 190830200640000'O	
comp_part3	OMIT	
comp_part4	OMIT	
comp_part5	OMIT	
comp_part6	OMIT	
comp_part7	OMIT	
comp_part8	OMIT	
comp_part9	OMIT	
comp_part10	OMIT	
comp_part11	OMIT	
comp_part12	OMIT	
Detailed Comments:		

Structured Type Constraint		
Constraint Name:	FwdChAdvSS_15	
Structured Type:	Component_T	
Derivation Path:		
Comments:	AoC- Charging	
Element Name	Element Value	Comments
comp_part1	'A12B0201'O	
invokeld	'00'O	
comp_part2	'02017D3080800172A11C810200468202 019083020064840200008502000086020 000870200000000'O	
comp_part3	OMIT	
comp_part4	OMIT	
comp_part5	OMIT	
comp_part6	OMIT	
comp_part7	OMIT	
comp_part8	OMIT	
comp_part9	OMIT	
comp_part10	OMIT	
comp_part11	OMIT	
comp_part12	OMIT	
Detailed Comments:		

Structured Type Constraint		
Constraint Name:	FwdChAdvSS_16	
Structured Type:	Component_T	
Derivation Path:		
Comments:	AoC- Charging	
Element Name	Element Value	Comments
comp_part1	'A12B0201'O	
invokeld	'00'O	
comp_part2	'02017D3080800172A11C810200828202 019083020064840200008502000086020 000870200000000'O	
comp_part3	OMIT	
comp_part4	OMIT	
comp_part5	OMIT	
comp_part6	OMIT	
comp_part7	OMIT	
comp_part8	OMIT	
comp_part9	OMIT	
comp_part10	OMIT	
comp_part11	OMIT	
comp_part12	OMIT	
Detailed Comments:		

Structured Type Constraint		
Constraint Name:	FwdChAdvSS_17	
Structured Type:	Component_T	
Derivation Path:		
Comments:	AoC- Charging	
Element Name	Element Value	Comments
comp_part1	'A12B0201'O	
invokeld	'00'O	
comp_part2	'02017D3080800172A11C810200BE8202 019083020064840200008502000086020 000870200000000'O	
comp_part3	OMIT	
comp_part4	OMIT	
comp_part5	OMIT	
comp_part6	OMIT	
comp_part7	OMIT	
comp_part8	OMIT	
comp_part9	OMIT	
comp_part10	OMIT	
comp_part11	OMIT	
comp_part12	OMIT	
Detailed Comments:		

Structured Type Constraint		
Constraint Name:	FwdChAdvSS_18	
Structured Type:	Component_T	
Derivation Path:		
Comments:	AoC- Charging	
Element Name	Element Value	Comments
comp_part1	'A12B0201'O	
invokeld	'00'O	
comp_part2	'02017D3080800172A11C810201228202 019083020064840200008502000086020 000870200000000'O	
comp_part3	OMIT	
comp_part4	OMIT	
comp_part5	OMIT	
comp_part6	OMIT	
comp_part7	OMIT	
comp_part8	OMIT	
comp_part9	OMIT	
comp_part10	OMIT	
comp_part11	OMIT	
comp_part12	OMIT	
Detailed Comments:		

Structured Type Constraint		
Constraint Name:	FwdChAdvSS_19	
Structured Type:	Component_T	
Derivation Path:		
Comments:	AoC- Charging	
Element Name	Element Value	Comments
comp_part1	'A1800201'O	
invokeld	'00'O	
comp_part2	'02017D3021800172A11C810200648202 022683020064840200648502000086020 000870200640000'O	
comp_part3	OMIT	
comp_part4	OMIT	
comp_part5	OMIT	
comp_part6	OMIT	
comp_part7	OMIT	
comp_part8	OMIT	
comp_part9	OMIT	
comp_part10	OMIT	
comp_part11	OMIT	
comp_part12	OMIT	
Detailed Comments:		

Structured Type Constraint		
Constraint Name:	FwdChAdvSS_20	
Structured Type:	Component_T	
Derivation Path:		
Comments:	AoC- Charging	
Element Name	Element Value	Comments
comp_part1	'A1800201'O	
invokeld	'00'O	
comp_part2	'02017D3021800172A11C8102000A8202 012C83020064840200008502000086020 000870200000000'O	
comp_part3	OMIT	
comp_part4	OMIT	
comp_part5	OMIT	
comp_part6	OMIT	
comp_part7	OMIT	
comp_part8	OMIT	
comp_part9	OMIT	
comp_part10	OMIT	
comp_part11	OMIT	
comp_part12	OMIT	
Detailed Comments:		

Structured Type Constraint		
Constraint Name:	GetPasswdSS_01(linkid:OCTETSTRING)	
Structured Type:	Component_T	
Derivation Path:		
Comments:	getpassword	
Element Name	Element Value	Comments
comp_part1	'A10C0201'O	
invokeld	'00'O	
comp_part2	'8001'O	
comp_part3	linkid	
comp_part4	'0201120A0100'O	
comp_part5	OMIT	
comp_part6	OMIT	
comp_part7	OMIT	
comp_part8	OMIT	
comp_part9	OMIT	
comp_part10	OMIT	
comp_part11	OMIT	
comp_part12	OMIT	
Detailed Comments:		

Structured Type Constraint		
Constraint Name:	GetPasswdSS_02(linkid:OCTETSTRING)	
Structured Type:	Component_T	
Derivation Path:		
Comments:	getpassword (enter new password)	
Element Name	Element Value	Comments
comp_part1	'A10C0201'O	
invokeld	'00'O	
comp_part2	'8001'O	
comp_part3	linkid	
comp_part4	'0201120A0101'O	
comp_part5	OMIT	
comp_part6	OMIT	
comp_part7	OMIT	
comp_part8	OMIT	
comp_part9	OMIT	
comp_part10	OMIT	
comp_part11	OMIT	
comp_part12	OMIT	
Detailed Comments:		

Structured Type Constraint		
Constraint Name:	GetPasswdSS_03(linkid:OCTETSTRING)	
Structured Type:	Component_T	
Derivation Path:		
Comments:	getpassword (enter new password again)	
Element Name	Element Value	Comments
comp_part1	'A10C0201'O	
invokeld	'00'O	
comp_part2	'8001'O	
comp_part3	linkid	
comp_part4	'0201120A0102'O	
comp_part5	OMIT	
comp_part6	OMIT	
comp_part7	OMIT	
comp_part8	OMIT	
comp_part9	OMIT	
comp_part10	OMIT	
comp_part11	OMIT	
comp_part12	OMIT	
Detailed Comments:		

Structured Type Constraint		
Constraint Name:	InterrogateSSRslt_01(id:OCTETSTRING)	
Structured Type:	Component_T	
Derivation Path:		
Comments:	CFB all basic services	
Element Name	Element Value	Comments
comp_part1	'A20D0201'O	
invokeld	id	
comp_part2	'308002010E8001040000'O	
comp_part3	OMIT	
comp_part4	OMIT	
comp_part5	OMIT	
comp_part6	OMIT	
comp_part7	OMIT	
comp_part8	OMIT	
comp_part9	OMIT	
comp_part10	OMIT	
comp_part11	OMIT	
comp_part12	OMIT	
Detailed Comments:		

Structured Type Constraint		
Constraint Name:	InterrogateSSRslt_02(id:OCTETSTRING)	
Structured Type:	Component_T	
Derivation Path:		
Comments:	CFNRy Speech	
Element Name	Element Value	Comments
comp_part1	'A2180201'O	
invokeld	id	
comp_part2	'301302010EA30E300C83011184010785 0491342143'O	
comp_part3	OMIT	
comp_part4	OMIT	
comp_part5	OMIT	
comp_part6	OMIT	
comp_part7	OMIT	
comp_part8	OMIT	
comp_part9	OMIT	
comp_part10	OMIT	
comp_part11	OMIT	
comp_part12	OMIT	
Detailed Comments:		

Structured Type Constraint		
Constraint Name:	InterrogateSSRslt_03(id:OCTETSTRING)	
Structured Type:	Component_T	
Derivation Path:		
Comments:	BAIC	
Element Name	Element Value	Comments
comp_part1	'A20D0201'O	
invokeld	id	
comp_part2	'300802010EA203830111'O	
comp_part3	OMIT	
comp_part4	OMIT	
comp_part5	OMIT	
comp_part6	OMIT	
comp_part7	OMIT	
comp_part8	OMIT	
comp_part9	OMIT	
comp_part10	OMIT	
comp_part11	OMIT	
comp_part12	OMIT	
Detailed Comments:		

Structured Type Constraint		
Constraint Name:	InterrogateSSRslt_04(id:OCTETSTRING)	
Structured Type:	Component_T	
Derivation Path:		
Comments:	BAIC	
Element Name	Element Value	Comments
comp_part1	'A20B0201'O	
invokeld	id	
comp_part2	'300602010E800107'O	
comp_part3	OMIT	
comp_part4	OMIT	
comp_part5	OMIT	
comp_part6	OMIT	
comp_part7	OMIT	
comp_part8	OMIT	
comp_part9	OMIT	
comp_part10	OMIT	
comp_part11	OMIT	
comp_part12	OMIT	
Detailed Comments:		

Structured Type Constraint		
Constraint Name:	InterrogateSSErr_01(id:OCTETSTRING)	
Structured Type:	Component_T	
Derivation Path:		
Comments:	CFNRc	
Element Name	Element Value	Comments
comp_part1	'A3060201'O	
invokeld	id	
comp_part2	'020112'O	
comp_part3	OMIT	
comp_part4	OMIT	
comp_part5	OMIT	
comp_part6	OMIT	
comp_part7	OMIT	
comp_part8	OMIT	
comp_part9	OMIT	
comp_part10	OMIT	
comp_part11	OMIT	
comp_part12	OMIT	
Detailed Comments:		

Structured Type Constraint		
Constraint Name: InterrogateSSErr_02(id:OCTETSTRING)		
Structured Type: Component_T		
Derivation Path:		
Comments:		
Element Name	Element Value	Comments
comp_part1	'A3800201'O	
invokeld	id	
comp_part2	'0201120000'O	
comp_part3	OMIT	
comp_part4	OMIT	
comp_part5	OMIT	
comp_part6	OMIT	
comp_part7	OMIT	
comp_part8	OMIT	
comp_part9	OMIT	
comp_part10	OMIT	
comp_part11	OMIT	
comp_part12	OMIT	
Detailed Comments:		

Structured Type Constraint		
Constraint Name: InterrogateSSRej_01(id:OCTETSTRING)		
Structured Type: Component_T		
Derivation Path:		
Comments:		
Element Name	Element Value	Comments
comp_part1	'A4800201'O	
invokeld	id	
comp_part2	'8101030000'O	
comp_part3	OMIT	
comp_part4	OMIT	
comp_part5	OMIT	
comp_part6	OMIT	
comp_part7	OMIT	
comp_part8	OMIT	
comp_part9	OMIT	
comp_part10	OMIT	
comp_part11	OMIT	
comp_part12	OMIT	
Detailed Comments:		

Structured Type Constraint		
Constraint Name:	InterrogateSSRej_02(id:OCTETSTRING)	
Structured Type:	Component_T	
Derivation Path:		
Comments:		
Element Name	Element Value	Comments
comp_part1	'A4060201'O	
invokeld	id	
comp_part2	'810103'O	
comp_part3	OMIT	
comp_part4	OMIT	
comp_part5	OMIT	
comp_part6	OMIT	
comp_part7	OMIT	
comp_part8	OMIT	
comp_part9	OMIT	
comp_part10	OMIT	
comp_part11	OMIT	
comp_part12	OMIT	
Detailed Comments:		

Structured Type Constraint		
Constraint Name:	NotificationSS_01	
Structured Type:	Component_T	
Derivation Path:		
Comments:	incoming call forwarded.	
Element Name	Element Value	Comments
comp_part1	'A1100201'O	
invokeld	'01'O	
comp_part2	'02011030808101298501020000'O	
comp_part3	OMIT	
comp_part4	OMIT	
comp_part5	OMIT	
comp_part6	OMIT	
comp_part7	OMIT	
comp_part8	OMIT	
comp_part9	OMIT	
comp_part10	OMIT	
comp_part11	OMIT	
comp_part12	OMIT	
Detailed Comments:		

Structured Type Constraint		
Constraint Name: NotificationSS_02		
Structured Type: Component_T		
Derivation Path:		
Comments: CFU provisioned, registered and active		
Element Name	Element Value	Comments
comp_part1	'A1800201'O	
invokeld	'00'O	
comp_part2	'02011030068101218401070000'O	
comp_part3	OMIT	
comp_part4	OMIT	
comp_part5	OMIT	
comp_part6	OMIT	
comp_part7	OMIT	
comp_part8	OMIT	
comp_part9	OMIT	
comp_part10	OMIT	
comp_part11	OMIT	
comp_part12	OMIT	
Detailed Comments:		

Structured Type Constraint		
Constraint Name: NotificationSS_03		
Structured Type: Component_T		
Derivation Path:		
Comments: CFC provisioned, registered and active		
Element Name	Element Value	Comments
comp_part1	'A1100201'O	
invokeld	'01'O	
comp_part2	'02011030808101288401070000'O	
comp_part3	OMIT	
comp_part4	OMIT	
comp_part5	OMIT	
comp_part6	OMIT	
comp_part7	OMIT	
comp_part8	OMIT	
comp_part9	OMIT	
comp_part10	OMIT	
comp_part11	OMIT	
comp_part12	OMIT	
Detailed Comments:		

Structured Type Constraint		
Constraint Name:	NotificationSS_04	
Structured Type:	Component_T	
Derivation Path:		
Comments:	CFNRc forwarded call	
Element Name	Element Value	Comments
comp_part1	'A1800201'O	
invokeld	'00'O	
comp_part2	'020110300681012B8501010000'O	
comp_part3	OMIT	
comp_part4	OMIT	
comp_part5	OMIT	
comp_part6	OMIT	
comp_part7	OMIT	
comp_part8	OMIT	
comp_part9	OMIT	
comp_part10	OMIT	
comp_part11	OMIT	
comp_part12	OMIT	
Detailed Comments:		

Structured Type Constraint		
Constraint Name:	NotificationSS_05	
Structured Type:	Component_T	
Derivation Path:		
Comments:	BI	
Element Name	Element Value	Comments
comp_part1	'A10E0201'O	
invokeld	'00'O	
comp_part2	'0201103006810199840107'O	
comp_part3	OMIT	
comp_part4	OMIT	
comp_part5	OMIT	
comp_part6	OMIT	
comp_part7	OMIT	
comp_part8	OMIT	
comp_part9	OMIT	
comp_part10	OMIT	
comp_part11	OMIT	
comp_part12	OMIT	
Detailed Comments:		

Structured Type Constraint		
Constraint Name:	NotificationSS_06(Invkid :OCTETSTRING; ussdstring: IA5String)	
Structured Type:	Component_T	
Derivation Path:		
Comments:	UnstructuredSS-Notify	
Element Name	Element Value	Comments
comp_part1	'A1140201'O	
invokeld	Invkid	
comp_part2	'02013D0F'O	
comp_part3	OC_CodingOfUssdString(ussdstring)	
comp_part4	OMIT	
comp_part5	OMIT	
comp_part6	OMIT	
comp_part7	OMIT	
comp_part8	OMIT	
comp_part9	OMIT	
comp_part10	OMIT	
comp_part11	OMIT	
comp_part12	OMIT	
Detailed Comments:		

Structured Type Constraint		
Constraint Name:	NotificationSS_08(Invkid :OCTETSTRING)	
Structured Type:	Component_T	
Derivation Path:		
Comments:	UnstructuredSS-Notify	
Element Name	Element Value	Comments
comp_part1	'A2030201'O	
invokeld	Invkid	
comp_part2	OMIT	
comp_part3	OMIT	
comp_part4	OMIT	
comp_part5	OMIT	
comp_part6	OMIT	
comp_part7	OMIT	
comp_part8	OMIT	
comp_part9	OMIT	
comp_part10	OMIT	
comp_part11	OMIT	
comp_part12	OMIT	
Detailed Comments:		

Structured Type Constraint		
Constraint Name:	BuildMptySSRslt_01(id:OCTETSTRING)	
Structured Type:	Component_T	
Derivation Path:		
Comments:	ReturnResult for buildMPTY	
Element Name	Element Value	Comments
comp_part1	'A2800201'O	
invokeld	id	
comp_part2	'0000'O	
comp_part3	OMIT	
comp_part4	OMIT	
comp_part5	OMIT	
comp_part6	OMIT	
comp_part7	OMIT	
comp_part8	OMIT	
comp_part9	OMIT	
comp_part10	OMIT	
comp_part11	OMIT	
comp_part12	OMIT	
Detailed Comments:		

Structured Type Constraint		
Constraint Name:	RelTmdDif_01	
Structured Type:	TDIF	
Derivation Path:		
Comments:		
Element Name	Element Value	Comments
iei	'01111011'B	
iel	'01'O	
value	OC_IntToOct(((2*TSPX_k2 + 10) MOD 256), 1)	
Detailed Comments:		

Structured Type Constraint		
Constraint Name:	Rqr1(Rr: BITSTRING; Fn: FN)	
Structured Type:	RQR	
Derivation Path:		
Comments:	not address the MS under test	
Element Name	Element Value	Comments
ra	INT_TO_BIT((BIT_TO_INT(Rr) + 1), 8)	
fn	OC_FnInc(Fn, 2)	
Detailed Comments:		

Structured Type Constraint		
Constraint Name:	Rqr2(Rr: BITSTRING; Fn: FN)	
Structured Type:	RQR	
Derivation Path:		
Comments:	To address the MS under test	
Element Name	Element Value	Comments
ra	Rr	
fn	Fn	
Detailed Comments:		

Structured Type Constraint		
Constraint Name:	Rqr3	
Structured Type:	RQR	
Derivation Path:		
Comments:	not pertaining to the MS under test	
Element Name	Element Value	Comments
ra	'00000000'B	
fn	Fn_01	
Detailed Comments:		

Structured Type Constraint		
Constraint Name:	Signal_01	
Structured Type:	SIGNAL	
Derivation Path:		
Comments:	signal value is arbitrarily selected.	
Element Name	Element Value	Comments
iei	'00110100'B	
sigv	'00000000'B	
Detailed Comments:		

Structured Type Constraint		
Constraint Name:	Signal_02	
Structured Type:	SIGNAL	
Derivation Path:		
Comments:	Signal IE with value #7 "call waiting tone on"	
Element Name	Element Value	Comments
iei	'00110100'B	
sigv	'00000111'B	
Detailed Comments:		

Structured Type Constraint		
Constraint Name:	StartingTm_01(fn:FN)	
Structured Type:	STRT	
Derivation Path:		
Comments:		
Element Name	Element Value	Comments
iei	'01111101'B	
fn	fn	
Detailed Comments:		

Structured Type Constraint		
Constraint Name:	StartingTm_omit	
Structured Type:	STRT	
Derivation Path:		
Comments:		
Element Name	Element Value	Comments
iei	OMIT	
fn	OMIT	
Detailed Comments:		

Structured Type Constraint		
Constraint Name:	SubAdd_01	
Structured Type:	SUBAD	
Derivation Path:		
Comments:	containing arbitrary spare bits	
Element Name	Element Value	Comments
extb	'1'B	
tos	'000'B	
oei	'0'B	
sp3b	'111'B	
si	'5001'O	
Detailed Comments:		

Structured Type Constraint		
Constraint Name:	Synchi_01	
Structured Type:	SYNCHI	
Derivation Path:		
Comments:	coded as a comprehension required IEI.	
Element Name	Element Value	Comments
iei	'0000'B	
nci	'0'B	
rot	'0'B	
si	'00'B	
Detailed Comments:		

Structured Type Constraint		
Constraint Name:	Synchi_02	
Structured Type:	SYNCHI	
Derivation Path:		
Comments:		
Element Name	Element Value	Comments
iei	'1100'B	
nci	'0'B	
rot	'0'B	
si	'10'B	
Detailed Comments:		

Structured Type Constraint		
Constraint Name:	Synchi_03	
Structured Type:	SYNCHI	
Derivation Path:	Synchi_02.	
Comments:		
Element Name	Element Value	Comments
rot	'1'B	
si	'11'B	
Detailed Comments:		

Structured Type Constraint		
Constraint Name:	Synchi_04	
Structured Type:	SYNCHI	
Derivation Path:	Synchi_02.	
Comments:		
Element Name	Element Value	Comments
rot	'1'B	
si	'00'B	
Detailed Comments:		

Structured Type Constraint		
Constraint Name:	Synchi_05	
Structured Type:	SYNCHI	
Derivation Path:	Synchi_02.	
Comments:	finely synchronized.	
Element Name	Element Value	Comments
si	'01'B	
Detailed Comments:		

Structured Type Constraint		
Constraint Name:	Synchi_06	
Structured Type:	SYNCHI	
Derivation Path:		
Comments:		
Element Name	Element Value	Comments
iei	'1100'B	
nci	'0'B	
rot	'0'B	
si	'00'B	
Detailed Comments:		

Structured Type Constraint		
Constraint Name:	TimingAdv_01	
Structured Type:	TA	
Derivation Path:		
Comments:	0 time advance.	
Element Name	Element Value	Comments
iei	OMIT	
sprb	'00'B	
value	'000000'B	
Detailed Comments:		

Structured Type Constraint		
Constraint Name:	TimingAdv_01iei	
Structured Type:	TA	
Derivation Path:		
Comments:	0 time advance.	
Element Name	Element Value	Comments
iei	'01111101'B	
sprb	'00'B	
value	'000000'B	
Detailed Comments:		

Structured Type Constraint		
Constraint Name:	TimingAdv_02	
Structured Type:	TA	
Derivation Path:		
Comments:	containing arbitrary spare bits	
Element Name	Element Value	Comments
iei	OMIT	
sprb	'11'B	
value	'000000'B	
Detailed Comments:		

Structured Type Constraint		
Constraint Name:	TimingAdv_03	
Structured Type:	TA	
Derivation Path:		
Comments:	20 bits period time advance.	
Element Name	Element Value	Comments
iei	OMIT	
sprb	'00'B	
value	'010100'B	
Detailed Comments:		

Structured Type Constraint		
Constraint Name:	TimingAdv_03iei	
Structured Type:	TA	
Derivation Path:		
Comments:	20 bits period time advance.	
Element Name	Element Value	Comments
iei	'01111101'B	
sprb	'00'B	
value	'010100'B	
Detailed Comments:		

Structured Type Constraint		
Constraint Name:	TimingAdv_04	
Structured Type:	TA	
Derivation Path:		
Comments:	time advance = TSPX_TimadvA.	
Element Name	Element Value	Comments
iei	OMIT	
sprb	'00'B	
value	TSPX_TimadvA	
Detailed Comments:		

Structured Type Constraint		
Constraint Name:	TimingAdv_05	
Structured Type:	TA	
Derivation Path:		
Comments:	time advance = TSPX_y2	
Element Name	Element Value	Comments
iei	OMIT	
sprb	'00'B	
value	INT_TO_BIT(TSPX_y2, 6)	
Detailed Comments:		

Structured Type Constraint		
Constraint Name:	TimingAdv_06	
Structured Type:	TA	
Derivation Path:		
Comments:	time advance = TSPX_y3	
Element Name	Element Value	Comments
iei	OMIT	
sprb	'00'B	
value	INT_TO_BIT(TSPX_y3, 6)	
Detailed Comments:		

Structured Type Constraint		
Constraint Name:	TimingAdv_07	
Structured Type:	TA	
Derivation Path:		
Comments:	time advance = TSPX_k	
Element Name	Element Value	Comments
iei	OMIT	
sprb	'00'B	
value	INT_TO_BIT((30 + TSPX_k), 6)	
Detailed Comments:		

Structured Type Constraint		
Constraint Name:	TimingAdv_07iei	
Structured Type:	TA	
Derivation Path:		
Comments:	time advance = TSPX_k	
Element Name	Element Value	Comments
iei	'01111101'B	
sprb	'00'B	
value	INT_TO_BIT((30 + TSPX_k), 6)	
Detailed Comments:		

Structured Type Constraint		
Constraint Name:	TimingAdv_08	
Structured Type:	TA	
Derivation Path:		
Comments:	time advance = TSPX_k1	
Element Name	Element Value	Comments
iei	OMIT	
sprb	'00'B	
value	INT_TO_BIT(TSPX_k1, 6)	
Detailed Comments:		

Structured Type Constraint		
Constraint Name:	TimingAdv_09	
Structured Type:	TA	
Derivation Path:		
Comments:	time advance = TSPX_k2	
Element Name	Element Value	Comments
iei	OMIT	
sprb	'00'B	
value	INT_TO_BIT(TSPX_k2, 6)	
Detailed Comments:		

Structured Type Constraint		
Constraint Name:	TimingAdv_10	
Structured Type:	TA	
Derivation Path:		
Comments:	time advance = TSPX_k3	
Element Name	Element Value	Comments
iei	OMIT	
sprb	'00'B	
value	INT_TO_BIT(TSPX_k3, 6)	
Detailed Comments:		

Structured Type Constraint		
Constraint Name:	TimingAdv_r01	
Structured Type:	TA	
Derivation Path:		
Comments:	30 bit periods	
Element Name	Element Value	Comments
iei	OMIT	
sprb	'00'B	
value	'011110'B	
Detailed Comments:		

Structured Type Constraint		
Constraint Name:	TimingAdv_r01iei	
Structured Type:	TA	
Derivation Path:		
Comments:	30 bit periods	
Element Name	Element Value	Comments
iei	'01111101'B	
sprb	'00'B	
value	'011110'B	
Detailed Comments:		

Structured Type Constraint		
Constraint Name:	TimingAdv_r02	
Structured Type:	TA	
Derivation Path:		
Comments:	Arbitrarily chosen but controllable	
Element Name	Element Value	Comments
iei	OMIT	
sprb	'00'B	
value	TSPX_TimadvB	
Detailed Comments:		

Structured Type Constraint		
Constraint Name:	TimingAdv_r02iei	
Structured Type:	TA	
Derivation Path:		
Comments:	Arbitrarily chosen but controllable	
Element Name	Element Value	Comments
iei	'01111101'B	
sprb	'00'B	
value	TSPX_TimadvB	
Detailed Comments:		

Structured Type Constraint		
Constraint Name:	TimingAdv_r05	
Structured Type:	TA	
Derivation Path:		
Comments:	Arbitrarily chosen but controllable	
Element Name	Element Value	Comments
iei	OMIT	
sprb	'00'B	
value	TSPX_TimadvC	
Detailed Comments:		

Structured Type Constraint		
Constraint Name:	TimAdv_y	
Structured Type:	TA	
Derivation Path:		
Comments:	time advance = TSPX_y	
Element Name	Element Value	Comments
iei	OMIT	
sprb	'00'B	
value	INT_TO_BIT(TSPX_y, 6)	
Detailed Comments:		

Structured Type Constraint		
Constraint Name:	TimAdv_yplusk	
Structured Type:	TA	
Derivation Path:		
Comments:	time advance = TSPX_k + TSPX_y	
Element Name	Element Value	Comments
iei	OMIT	
sprb	'00'B	
value	INT_TO_BIT((TSPX_k + TSPX_y), 6)	
Detailed Comments:		

Structured Type Constraint		
Constraint Name:	TimAdv_ykmod256iei	
Structured Type:	TA	
Derivation Path:		
Comments:	time advance = ((2 * TSPX_k) + TSPX_y) modulo 256	
Element Name	Element Value	Comments
iei	'01111101'B	
sprb	'00'B	
value	INT_TO_BIT((((2 * TSPX_k) + TSPX_y) MOD 256), 6)	
Detailed Comments:		

Structured Type Constraint		
Constraint Name:	TI_01	
Structured Type:	TI	
Derivation Path:		
Comments:	used by the MS in the transaction initiated by the test system.	
Element Name	Element Value	Comments
ti_f	'1'B	
ti_v	'000'B	
Detailed Comments:		

Structured Type Constraint		
Constraint Name:	TI_02	
Structured Type:	TI	
Derivation Path:		
Comments:	used in the messages sent to the MS in the transaction initiated by test system.	
Element Name	Element Value	Comments
ti_f	'0'B	
ti_v	'000'B	
Detailed Comments:		

Structured Type Constraint		
Constraint Name:	TI_03	
Structured Type:	TI	
Derivation Path:		
Comments:	used in the messages sent to the MS in the transaction initiated by test system.	
Element Name	Element Value	Comments
ti_f	'0'B	
ti_v	'110'B	
Detailed Comments:		

Structured Type Constraint		
Constraint Name:	TI_04	
Structured Type:	TI	
Derivation Path:		
Comments:	arbitrary value	
Element Name	Element Value	Comments
ti_f	'0'B	
ti_v	'011'B	
Detailed Comments:		

Structured Type Constraint		
Constraint Name:	TI_05	
Structured Type:	TI	
Derivation Path:		
Comments:	used by the MS in the transaction initiated by the test system.	
Element Name	Element Value	Comments
ti_f	'1'B	
ti_v	'110'B	
Detailed Comments:		

Structured Type Constraint		
Constraint Name:	TI_06	
Structured Type:	TI	
Derivation Path:		
Comments:		
Element Name	Element Value	Comments
ti_f	'0'B	
ti_v	'111'B	
Detailed Comments:		

Structured Type Constraint		
Constraint Name:	TI_07(ti :TI_V)	
Structured Type:	TI	
Derivation Path:		
Comments:	used in the messages sent to the MS in the transaction initiated by the MS.	
Element Name	Element Value	Comments
ti_f	'0'B	
ti_v	ti	
Detailed Comments:		

Structured Type Constraint		
Constraint Name:	TI_08(ti:TI_V)	
Structured Type:	TI	
Derivation Path:		
Comments:	used in the messages sent to the MS in the transaction initiated by the system simulator.	
Element Name	Element Value	Comments
ti_f	'1'B	
ti_v	ti	
Detailed Comments:		

Structured Type Constraint		
Constraint Name:	TI_09	
Structured Type:	TI	
Derivation Path:		
Comments:	used by the MS in the transaction initiated by the MS.	
Element Name	Element Value	Comments
ti_f	'0'B	
ti_v	?	
Detailed Comments:		

Structured Type Constraint		
Constraint Name:	Tmsi_01	
Structured Type:	TMSI	
Derivation Path:		
Comments:		
Element Name	Element Value	Comments
iei	OMIT	
tmsi_val	TSPX_TMSI	
Detailed Comments:		

Structured Type Constraint		
Constraint Name:	Tmsi_r01	
Structured Type:	TMSI	
Derivation Path:		
Comments:		
Element Name	Element Value	Comments
iei	OMIT	
tmsi_val	OC_IncTmsi(TSPX_TMSI, '01'O)	
Detailed Comments: Note: the TSPX_TMSI + '01'O shall not be identical to TSPX_TMSI1		

Structured Type Constraint		
Constraint Name:	Tmsi_r03	
Structured Type:	TMSI	
Derivation Path:		
Comments:		
Element Name	Element Value	Comments
iei	OMIT	
tmsi_val	OC_IncTmsi(TSPX_TMSI, '02'O)	
Detailed Comments:	Note: the TSPX_TMSI + '02'O shall not be identical to TSPX_TMSI1	

Structured Type Constraint		
Constraint Name:	Tmsi_r04	
Structured Type:	TMSI	
Derivation Path:		
Comments:		
Element Name	Element Value	Comments
iei	OMIT	
tmsi_val	OC_IncTmsi(TSPX_TMSI, '03'O)	
Detailed Comments:	Note: the TSPX_TMSI + '03'O shall not be identical to TSPX_TMSI1	

Structured Type Constraint		
Constraint Name:	Tmsi_r05	
Structured Type:	TMSI	
Derivation Path:		
Comments:		
Element Name	Element Value	Comments
iei	OMIT	
tmsi_val	OC_IncTmsi(TSPX_TMSI, '04'O)	
Detailed Comments:	Note: the TSPX_TMSI + '04'O shall not be identical to TSPX_TMSI1	

Structured Type Constraint		
Constraint Name:	TonNpi_01	
Structured Type:	TON_NPI	
Derivation Path:		
Comments:		
Element Name	Element Value	Comments
extb	'0'B	
ton	'000'B	
npi	'0000'B	
Detailed Comments:		

Structured Type Constraint		
Constraint Name:	TonNpi_02	
Structured Type:	TON_NPI	
Derivation Path:		
Comments:		
Element Name	Element Value	Comments
extb	'1'B	
ton	'000'B	
npi	'0000'B	
Detailed Comments:		

Structured Type Constraint		
Constraint Name:	TonNpi_03	
Structured Type:	TON_NPI	
Derivation Path:		
Comments:		
Element Name	Element Value	Comments
extb	'1'B	
ton	'001'B	
npi	'0001'B	
Detailed Comments:		

Structured Type Constraint		
Constraint Name:	UnknownIE_01	
Structured Type:	UNKWN	
Derivation Path:		
Comments:	An invalid IE coded as comprehension required .	
Element Name	Element Value	Comments
iei	'00000000'B	
iel	'01'O	
contents	'54'O	
Detailed Comments:		

Structured Type Constraint		
Constraint Name:	UnknownIE_02	
Structured Type:	UNKWN	
Derivation Path:		
Comments:	An invalid FIE coded as unknown IE.	
Element Name	Element Value	Comments
iei	'01001100'B	
iel	'01'O	
contents	'FF'O	
Detailed Comments:		

Structured Type Constraint		
Constraint Name:	UnknownIE	
Structured Type:	CHD	
Derivation Path:		
Comments:	used as unkown IE	
Element Name	Element Value	Comments
iei	'01101001'B	
cht_schn	'00000'B	
tn	'010'B	
tsc	'101'B	
hch	'1'B	
maio	'001100'B	
hsn	'101010'B	
spr	OMIT	
arfcn	OMIT	
Detailed Comments:		

Structured Type Constraint		
Constraint Name:	CpData_01(tpoa1, rpoa_mt:BCDN; rpmr: MR; timezone:TZONES)	
Structured Type:	CPDATA	
Derivation Path:		
Comments:		
Element Name	Element Value	Comments
iei	OMIT	
iel	OC_IntToOct(((162+OC_LengthOfBCDN(tpoa1)+OC_LengthOfBCDN(rpoa_mt)), 1)	
rpack	OMIT	
rpdata	RpData_01(rpoa_mt, tpoa1, rpmr, timezone)	
rperr	OMIT	
rpsmma	OMIT	
Detailed Comments:		

Structured Type Constraint		
Constraint Name:	CpData_02(rpmr: MR)	
Structured Type:	CPDATA	
Derivation Path:		
Comments:		
Element Name	Element Value	Comments
iei	OMIT	
iel	?	
rpack	RpAck_01(rpmr)	
rpdata	OMIT	
rperr	OMIT	
rpsmma	OMIT	
Detailed Comments:		

Structured Type Constraint		
Constraint Name:	CpData_03(rpdatt:RPDATA)	
Structured Type:	CPDATA	
Derivation Path:		
Comments:		
Element Name	Element Value	Comments
iei	OMIT	
iel	?	
rpack	OMIT	
rpdata	rpdatt	
rperr	OMIT	
rpsmma	OMIT	
Detailed Comments:		

Structured Type Constraint		
Constraint Name:	CpData_04(rpmr: MR)	
Structured Type:	CPDATA	
Derivation Path:		
Comments:		
Element Name	Element Value	Comments
iei	OMIT	
iel	?	
rpack	RpAck_02(rpmr)	
rpdata	OMIT	
rperr	OMIT	
rpsmma	OMIT	
Detailed Comments:		

Structured Type Constraint		
Constraint Name:	CpData_05(tpoa1, rpoa_mt:BCDN; rpmr: MR; timezone:TZONES)	
Structured Type:	CPDATA	
Derivation Path:		
Comments:		
Element Name	Element Value	Comments
iei	OMIT	
iel	OC_IntToOct((162+OC_LengthOfBCDN(tpoa1)+OC_LengthOfBCDN(rpoa_mt)), 1)	
rpack	OMIT	
rpdata	RpData_05(rpoa_mt, tpoa1, rpmr, timezone)	
rperr	OMIT	
rpsmma	OMIT	
Detailed Comments:		

Structured Type Constraint		
Constraint Name:	CpData_06(tpoa1, rpoa_mt:BCDN; rpmr: MR; timezone:TZONES)	
Structured Type:	CPDATA	
Derivation Path:		
Comments:		
Element Name	Element Value	Comments
iei	OMIT	
iel	OC_IntToOct((162+OC_LengthOfBCDN(tpoa1)+OC_LengthOfBCDN(rpoa_mt)), 1)	
rpack	OMIT	
rpdata	RpData_06(rpoa_mt, tpoa1, rpmr, timezone)	
rperr	OMIT	
rpsmma	OMIT	
Detailed Comments:		

Structured Type Constraint		
Constraint Name:	CpData_07(rpmr: MR)	
Structured Type:	CPDATA	
Derivation Path:		
Comments:	RP Error: Protocol Error, unspecified	
Element Name	Element Value	Comments
iei	OMIT	
iel	?	
rpack	OMIT	
rpdata	OMIT	
rperr	RpError_01(rpmr)	
rpsmma	OMIT	
Detailed Comments:		

Structured Type Constraint		
Constraint Name:	CpData_08(rpmr: MR)	
Structured Type:	CPDATA	
Derivation Path:		
Comments:	RP Error: Memory Capability Exceeded	
Element Name	Element Value	Comments
iei	OMIT	
iel	?	
rpack	OMIT	
rpdata	OMIT	
rperr	RpError_02(rpmr)	
rpsmma	OMIT	
Detailed Comments:		

Structured Type Constraint		
Constraint Name:	CpData_09	
Structured Type:	CPDATA	
Derivation Path:		
Comments:	RP_SMAA	
Element Name	Element Value	Comments
iei	OMIT	
iel	?	
rpack	OMIT	
rpdata	OMIT	
rperr	OMIT	
rpsmma	RpSMMA_01	
Detailed Comments:		

Structured Type Constraint		
Constraint Name:	CpData_10(tpoa1, rpoa_mt:BCDN; rpmr: MR; timezone:TZONES)	
Structured Type:	CPDATA	
Derivation Path:		
Comments:		
Element Name	Element Value	Comments
iei	OMIT	
iel	OC_IntToOct((162+OC_LengthOfBCDN(tpoa1)+OC_LengthOfBCDN(rpoa_mt)), 1)	
rpack	OMIT	
rpdata	RpData_07(rpoa_mt, toa1, rpmr, timezone)	
rperr	OMIT	
rpsmma	OMIT	
Detailed Comments:		

Structured Type Constraint		
Constraint Name:	CpData_12(tpda, rpoa_mt:BCDN; tpmr: MR; rpmr: MR; timezone:TZONES)	
Structured Type:	CPDATA	
Derivation Path:		
Comments:	n -> ms, RP DATA(SMS-STATUS-REPORT)	
Element Name	Element Value	Comments
iei	OMIT	
iel	OC_IntToOct((28 + OC_LengthOfBCDN(tpda) + OC_LengthOfBCDN(rpoa_mt)), 1)	
rpack	OMIT	
rpdata	RpData_09(rpoa_mt, tpda, tpmr, rpmr, timezone)	
rperr	OMIT	
rpsmma	OMIT	
Detailed Comments:		

Structured Type Constraint		
Constraint Name:	CpData_15(tpoa1: BCDN; rpoa_mt: BCDN; smtype: INTEGER; text: IA5String; rpmr: MR; timezone:TZONES)	
Structured Type:	CPDATA	
Derivation Path:		
Comments:		
Element Name	Element Value	Comments
iei	OMIT	
iel	OC_IntToOct((162+OC_LengthOfBCDN(tpoa1)+OC_LengthOfBCDN(rpoa_mt)), 1)	
rpack	OMIT	
rpdata	RpData_12(tpoa1, rpoa_mt, smtype, text, rpmr, timezone)	
rperr	OMIT	
rpsmma	OMIT	
Detailed Comments:		

Structured Type Constraint		
Constraint Name:	CpData_16(tpoa1: BCDN; rpoa_mt: BCDN; text: IA5String; rpmr: MR; timezone:TZONES)	
Structured Type:	CPDATA	
Derivation Path:		
Comments:		
Element Name	Element Value	Comments
iei	OMIT	
iel	OC_IntToOct((162 + OC_LengthOfBCDN(tpoa1) + OC_LengthOfBCDN(rpoa_mt)), 1)	
rpack	OMIT	
rpdata	RpData_13(tpoa1, rpoa_mt, text, rpmr, timezone)	
rperr	OMIT	
rpsmma	OMIT	
Detailed Comments:		

Structured Type Constraint		
Constraint Name:	CpData_17(tpda,rpda:BCDN; tpud: TPUD)	
Structured Type:	CPDATA	
Derivation Path:		
Comments:		
Element Name	Element Value	Comments
iei	OMIT	
iel	?	
rpack	OMIT	
rpdata	RpData_14(tpda, rpda,tpud)	
rperr	OMIT	
rpsmma	OMIT	
Detailed Comments:		

Structured Type Constraint		
Constraint Name:	RpData_01(rpoa_mt, tpoa1:BCDN; rpmr: MR; timezone:TZONES)	
Structured Type:	RPDATA	
Derivation Path:		
Comments:	n->ms	
Element Name	Element Value	Comments
sprb	'00000'B	
rpmti	'001'B	
rpmr	rpmr	
rpOaddr	RpOrigAddr_01(rpoa_mt)	
rpDaddr	RpDestAddr_01	
rpusrdat	RpUsrData_01(tpoa1, timezone)	
Detailed Comments:		

Structured Type Constraint		
Constraint Name:	RpData_03	
Structured Type:	RPDATA	
Derivation Path:		
Comments:	ms->n	
Element Name	Element Value	Comments
sprb	'00000'B	
rpmti	'000'B	
rpmr	?	
rpOaddr	RpOrigAddr_02	
rpDaddr	RpDestAddr_02	
rpusrdat	RpUsrData_02	
Detailed Comments:		

Structured Type Constraint		
Constraint Name:	RpData_05(rpoa_mt, tpoa1:BCDN; rpmr: MR; timezone:TZONES)	
Structured Type:	RPDATA	
Derivation Path:		
Comments:	n->ms	
Element Name	Element Value	Comments
sprb	'00000'B	
rpmti	'001'B	
rpmr	rpmr	
rpOaddr	RpOrigAddr_01(rpoa_mt)	
rpDaddr	RpDestAddr_01	
rpusrdat	RpUsrData_03(tpoa1, timezone)	
Detailed Comments:		

Structured Type Constraint		
Constraint Name:	RpData_06(rpoa_mt, tpoa1:BCDN; rpmr: MR; timezone:TZONES)	
Structured Type:	RPDATA	
Derivation Path:		
Comments:	n->ms	
Element Name	Element Value	Comments
sprb	'00000'B	
rpmti	'001'B	
rpmr	rpmr	
rpOaddr	RpOrigAddr_01(rpoa_mt)	
rpDaddr	RpDestAddr_01	
rpusrdat	RpUsrData_04(tpoa1, timezone)	
Detailed Comments:		

Structured Type Constraint		
Constraint Name:	RpData_07(rpoa_mt, tpoa1:BCDN; rpmr: MR; timezone:TZONES)	
Structured Type:	RPDATA	
Derivation Path:		
Comments:	n->ms	
Element Name	Element Value	Comments
sprb	'00000'B	
rpmti	'001'B	
rpmr	rpmr	
rpOaddr	RpOrigAddr_01(rpoa_mt)	
rpDaddr	RpDestAddr_01	
rpusrdat	RpUsrData_05(tpoa1, timezone)	
Detailed Comments:		

Structured Type Constraint		
Constraint Name:	RpData_08	
Structured Type:	RPDATA	
Derivation Path:		
Comments:	ms->n, status report requested	
Element Name	Element Value	Comments
sprb	'00000'B	
rpmti	'000'B	
rpmr	?	
rpOaddr	RpOrigAddr_02	
rpDaddr	RpDestAddr_02	
rpusrdat	RpUsrData_06	
Detailed Comments:		

Structured Type Constraint		
Constraint Name:	RpData_09(rpoa_mt, tpda:BCDN; tpmr: MR; rpmr: MR; timezone:TZONES)	
Structured Type:	RPDATA	
Derivation Path:		
Comments:	n->ms, RP DATA(SMS-STATUS-REPORT)	
Element Name	Element Value	Comments
sprb	'00000'B	
rpmti	'001'B	
rpmr	rpmr	
rpOaddr	RpOrigAddr_01(rpoa_mt)	
rpDaddr	RpDestAddr_01	
rpusrdat	RpUsrData_07(tpda, tpmr, timezone)	
Detailed Comments:		

Structured Type Constraint		
Constraint Name:	RpData_11(rpmr: MR; tpcom:SMCMD)	
Structured Type:	RPDATA	
Derivation Path:		
Comments:	ms->n, RP data(SMS-COMMAND(Delete))	
Element Name	Element Value	Comments
sprb	'00000'B	
rpmti	'000'B	
rpmr	OC_IntToOct((OC_OctToInt(rpmr) + 1), 1)	
rpOaddr	RpOrigAddr_02	
rpDaddr	RpDestAddr_02	
rpusrdat	RpUsrData_09(tpcom)	
Detailed Comments:		

Structured Type Constraint		
Constraint Name:	RpData_12(tpoa1: BCDN; rpoa_mt: BCDN; smtype: INTEGER; text: IA5String; rpmr: MR; timezone:TZONES)	
Structured Type:	RPDATA	
Derivation Path:		
Comments:	n->ms	
Element Name	Element Value	Comments
sprb	'00000'B	
rpmti	'001'B	
rpmr	rpmr	
rpOaddr	RpOrigAddr_03(rpoa_mt)	
rpDaddr	RpDestAddr_01	
rpusrdat	RpUsrData_10(tpoa1, smtype, text, timezone)	
Detailed Comments:		

Structured Type Constraint		
Constraint Name:	RpData_13(tpoa: BCDN; rpoa_mt: BCDN; text: IA5String; rpmr: MR; timezone:TZONES)	
Structured Type:	RPDATA	
Derivation Path:		
Comments:	n->ms	
Element Name	Element Value	Comments
sprb	'00000'B	
rpmti	'001'B	
rpmr	rpmr	
rpOaddr	RpOrigAddr_03(rpoa_mt)	
rpDaddr	RpDestAddr_01	
rpusrdat	RpUsrData_11(tpoa, text, timezone)	
Detailed Comments:		

Structured Type Constraint		
Constraint Name:	RpData_14(tpda: BCDN; rpda: BCDN; tpud: TPUD)	
Structured Type:	RPDATA	
Derivation Path:		
Comments:	ms->n	
Element Name	Element Value	Comments
sprb	'00000'B	
rpmti	'000'B	
rpmr	?	
rpOaddr	RpOrigAddr_02	
rpDaddr	RpDestAddr_03(rpda)	
rpusrdat	RpUsrData_12(tpda,tpud)	
Detailed Comments:		

Structured Type Constraint		
Constraint Name:	RpAck_01(rpmr: MR)	
Structured Type:	RPACK	
Derivation Path:		
Comments:	ms->n	
Element Name	Element Value	Comments
sprb	'00000'B	
rpmti	'010'B	
rpmr	rpmr	
Detailed Comments:		

Structured Type Constraint		
Constraint Name:	RpAck_02(rpmr: MR)	
Structured Type:	RPACK	
Derivation Path:		
Comments:	RP_ACK n->ms	
Element Name	Element Value	Comments
sprb	'00000'B	
rpmti	'011'B	
rpmr	rpmr	
Detailed Comments:		

Structured Type Constraint		
Constraint Name:	RpError_01(rpmr: MR)	
Structured Type:	RPERR	
Derivation Path:		
Comments:	Protocol error, unspecified	
Element Name	Element Value	Comments
sprb	'00000'B	
rpmti	'100'B	
rpmr	rpmr	
rpcau	RpCause_01	
rpusrdat	OMIT	
Detailed Comments:		

Structured Type Constraint		
Constraint Name:	RpError_02(rpmr: MR)	
Structured Type:	RPERR	
Derivation Path:		
Comments:	Memory Capacity Exceeded	
Element Name	Element Value	Comments
sprb	'00000'B	
rpmti	'100'B	
rpmr	rpmr	
rpcau	RpCause_02	
rpusrdat	OMIT	
Detailed Comments:		

Structured Type Constraint		
Constraint Name:	RpCause_01	
Structured Type:	RPCAU	
Derivation Path:		
Comments:	ms->n, Protocol error, unspecified, cause number 111.	
Element Name	Element Value	Comments
iei	'01000010'B	
iel	?	
extb2	'0'B	
rpcau_class	'110'B	
rpcau_va	'1111'B	
rpcau_di	*	
Detailed Comments:		

Structured Type Constraint		
Constraint Name:	RpCause_02	
Structured Type:	RPCAU	
Derivation Path:		
Comments:	ms->n, Memory Capacity Exceeded, cause number 22.	
Element Name	Element Value	Comments
iei	'01000010'B	
iel	?	
extb2	'0'B	
rpcau_class	'001'B	
rpcau_va	'0110'B	
rpcau_di	*	
Detailed Comments:		

Structured Type Constraint		
Constraint Name:	RpSMMA_01	
Structured Type:	RPSMMA	
Derivation Path:		
Comments:	ms->n	
Element Name	Element Value	Comments
sprb	'00000'B	
rpmti	'110'B	
rpmr	?	
Detailed Comments:		

Structured Type Constraint		
Constraint Name:	RpUsrData_01(tpoa1:BCDN; timezone:TZONES)	
Structured Type:	RPUSRDAT	
Derivation Path:		
Comments:		
Element Name	Element Value	Comments
iei	OMIT	
iel	OC_IntToOct((153 + OC_LengthOfBCDN(tpoa1)), 1)	
tpdeliver	TpDeliver_01(tpoa1, timezone)	
tpsubmit	OMIT	
tpstatus_rpt	OMIT	
tpcommand	OMIT	
tpdlvr_sbmt_rpt	OMIT	
Detailed Comments:		

Structured Type Constraint		
Constraint Name:	RpUsrData_02	
Structured Type:	RPUSRDAT	
Derivation Path:		
Comments:		
Element Name	Element Value	Comments
iei	OMIT	
iel	?	
tpdeliver	OMIT	
tpsubmit	TpSubmit_01	
tpstatus_rpt	OMIT	
tpcommand	OMIT	
tpdlvr_sbmt_rpt	OMIT	
Detailed Comments:		

Structured Type Constraint		
Constraint Name:	RpUsrData_03(tpoa1:BCDN; timezone:TZONES)	
Structured Type:	RPUSRDAT	
Derivation Path:		
Comments:		
Element Name	Element Value	Comments
iei	OMIT	
iel	OC_IntToOct((153+OC_LengthOfBCDN(t poa1)), 1)	
tpdeliver	TpDeliver_02(tpoa1, timezone)	
tpsubmit	OMIT	
tpstatus_rpt	OMIT	
tpcommand	OMIT	
tpdlvr_sbmt_rpt	OMIT	
Detailed Comments:		

Structured Type Constraint		
Constraint Name:	RpUsrData_04(tpoa1:BCDN; timezone:TZONES)	
Structured Type:	RPUSRDAT	
Derivation Path:		
Comments:		
Element Name	Element Value	Comments
iei	OMIT	
iel	OC_IntToOct((153+OC_LengthOfBCDN(tpoa1)), 1)	
tpdeliver	TpDeliver_03(tpoa1, timezone)	
tpsubmit	OMIT	
tpstatus_rpt	OMIT	
tpcommand	OMIT	
tpdlvr_sbmt_rpt	OMIT	
Detailed Comments:		

Structured Type Constraint		
Constraint Name:	RpUsrData_05(tpoa1:BCDN; timezone:TZONES)	
Structured Type:	RPUSRDAT	
Derivation Path:		
Comments:		
Element Name	Element Value	Comments
iei	OMIT	
iel	OC_IntToOct((153+OC_LengthOfBCDN(tpoa1)), 1)	
tpdeliver	TpDeliver_04(tpoa1, timezone)	
tpsubmit	OMIT	
tpstatus_rpt	OMIT	
tpcommand	OMIT	
tpdlvr_sbmt_rpt	OMIT	
Detailed Comments:		

Structured Type Constraint		
Constraint Name:	RpUsrData_06	
Structured Type:	RPUSRDAT	
Derivation Path:		
Comments:		
Element Name	Element Value	Comments
iei	OMIT	
iel	?	
tpdeliver	OMIT	
tpsubmit	TpSubmit_02	
tpstatus_rpt	OMIT	
tpcommand	OMIT	
tpdlvr_sbmt_rpt	OMIT	
Detailed Comments:		

Structured Type Constraint		
Constraint Name:	RpUsrData_07(tpda:BCDN; mr: MR; timezone:TZONES)	
Structured Type:	RPUSRDAT	
Derivation Path:		
Comments:		
Element Name	Element Value	Comments
iei	OMIT	
iel	OC_IntToOct((19 + OC_LengthOfBCDN(tpda)), 1)	
tpdeliver	OMIT	
tpsubmit	OMIT	
tpstatus_rpt	TpStatusReport_01(mr, timezone)	
tpcommand	OMIT	
tpdlvr_sbmt_rpt	OMIT	
Detailed Comments:		

Structured Type Constraint		
Constraint Name:	RpUsrData_09(tpcom:SMCMD)	
Structured Type:	RPUSRDAT	
Derivation Path:		
Comments:	SMS-COMMAND(Delete)	
Element Name	Element Value	Comments
iei	OMIT	
iel	?	
tpdeliver	OMIT	
tpsubmit	OMIT	
tpstatus_rpt	OMIT	
tpcommand	tpcom	
tpdlvr_sbmt_rpt	OMIT	
Detailed Comments:		

Structured Type Constraint		
Constraint Name:	RpUsrData_10(tpoa1: BCDN; smtype: INTEGER; text: IA5String; timezone:TZONES)	
Structured Type:	RPUSRDAT	
Derivation Path:		
Comments:		
Element Name	Element Value	Comments
iei	OMIT	
iel	OC_IntToOct((153+OC_LengthOfBCDN(tpoa1)), 1)	
tpdeliver	TpDeliver_05(tpoa1, smtype, text, timezone)	
tpsubmit	OMIT	
tpstatus_rpt	OMIT	
tpcommand	OMIT	
tpdlvr_sbmt_rpt	OMIT	
Detailed Comments:		

Structured Type Constraint		
Constraint Name:	RpUsrData_11(tpoa1: BCDN; text: IA5String; timezone:TZONES)	
Structured Type:	RPUSRDAT	
Derivation Path:		
Comments:		
Element Name	Element Value	Comments
iei	OMIT	
iel	OC_IntToOct((153+OC_LengthOfBCDN(tpoa1)), 1)	
tpdeliver	TpDeliver_06(tpoa1, text, timezone)	
tpsubmit	OMIT	
tpstatus_rpt	OMIT	
tpcommand	OMIT	
tpdlvr_sbmt_rpt	OMIT	
Detailed Comments:		

Structured Type Constraint		
Constraint Name:	RpUsrData_12(tpda: BCDN; tpud: TPUD)	
Structured Type:	RPUSRDAT	
Derivation Path:		
Comments:		
Element Name	Element Value	Comments
iei	OMIT	
iel	?	
tpdeliver	OMIT	
tpsubmit	TpSubmit_03(tpda,tpud)	
tpstatus_rpt	OMIT	
tpcommand	OMIT	
tpdlvr_sbmt_rpt	OMIT	
Detailed Comments:		

Structured Type Constraint		
Constraint Name:	TpDeliver_01(tpoa1:BCDN; timezone:TZONES)	
Structured Type:	SMDLVR	
Derivation Path:		
Comments:		
Element Name	Element Value	Comments
rp	'0'B	
udhi	'0'B	
sri	'0'B	
sprb2	'00'B	
mms	'0'B	
mti	'00'B	
oa	SmOrigAddr_01(tpoa1)	
pid	Tppid_01	
dcs	Tpdcs_01	
scts	OC_GetSCTimeStamp(timezone)	
udl	'A0'O	
ud	OC_ComputeSMContents(160)	
Detailed Comments:		

Structured Type Constraint		
Constraint Name:	TpDeliver_02(tpoa1:BCDN; timezone:TZONES)	
Structured Type:	SMDLVR	
Derivation Path:		
Comments:		
Element Name	Element Value	Comments
rp	'0'B	
udhi	'0'B	
sri	'0'B	
sprb2	'00'B	
mms	'0'B	
mti	'00'B	
oa	SmOrigAddr_01(tpoa1)	
pid	Tppid_01	
dcs	Tpdcs_02	
scts	OC_GetSCTimeStamp(timezone)	
udl	'A0'O	
ud	OC_ComputeSMContents(160)	
Detailed Comments:		

Structured Type Constraint		
Constraint Name:	TpDeliver_03(tpoa1:BCDN; timezone:TZONES)	
Structured Type:	SMDLVR	
Derivation Path:		
Comments:		
Element Name	Element Value	Comments
rp	'0'B	
udhi	'0'B	
sri	'0'B	
sprb2	'00'B	
mms	'0'B	
mti	'00'B	
oa	SmOrigAddr_01(tpoa1)	
pid	Tppid_01	
dcs	Tpdcs_03	
scts	OC_GetSCTimeStamp(timezone)	
udl	'A0'O	
ud	OC_ComputeSMContents(160)	
Detailed Comments:		

Structured Type Constraint		
Constraint Name:	TpDeliver_04(tpoa1:BCDN; timezone:TZONES)	
Structured Type:	SMDLVR	
Derivation Path:		
Comments:		
Element Name	Element Value	Comments
rp	'0'B	
udhi	'0'B	
sri	'0'B	
sprb2	'00'B	
mms	'0'B	
mti	'00'B	
oa	SmOrigAddr_01(tpoa1)	
pid	Tppid_01	
dcs	Tpdc_04	
scts	OC_GetSCTimeStamp(timezone)	
udl	'A'O	
ud	OC_ComputeSMContents(160)	
Detailed Comments:		

Structured Type Constraint		
Constraint Name:	TpDeliver_05(tpoa: BCDN; smtype: INTEGER; text: IA5String; timezone:TZONES)	
Structured Type:	SMDLVR	
Derivation Path:		
Comments:		
Element Name	Element Value	Comments
rp	'0'B	
udhi	'0'B	
sri	'0'B	
sprb2	'00'B	
mms	'1'B	
mti	'00'B	
oa	SmOrigAddr_02(tpoa)	
pid	Tppid_02(smtype)	
dcs	Tpdc_01	
scts	OC_GetSCTimeStamp(timezone)	
udl	'A'O	
ud	OC_ComputeSMContentsSpecText(160, text)	
Detailed Comments:		

Structured Type Constraint		
Constraint Name:	TpDeliver_06(tpoa: BCDN; text: IA5String; timezone:TZONES)	
Structured Type:	SMDLVR	
Derivation Path:		
Comments:		
Element Name	Element Value	Comments
rp	'1'B	
udhi	'0'B	
sri	'0'B	
sprb2	'00'B	
mms	'1'B	
mti	'00'B	
oa	SmOrigAddr_02(tpoa)	
pid	Tppid_01	
dcs	Tpdcs_01	
scts	OC_GetSCTimeStamp(timezone)	
udl	'A0'O	
ud	OC_ComputeSMContentsSpecText(160, text)	
Detailed Comments:		

Structured Type Constraint		
Constraint Name:	TpSubmit_01	
Structured Type:	SMSBMT	
Derivation Path:		
Comments:		
Element Name	Element Value	Comments
rp	?	
udhi	?	
srr	?	
vpf	?	
rd	?	
mti	'01'B	
mr	?	
da	SmDestAddr_01	
pid	Tppid_01	
dcs	Tpdcs_01	
vp1	?	
vp7	OMIT	
udl	?	
ud	?	
Detailed Comments:		

Structured Type Constraint		
Constraint Name:	TpSubmit_02	
Structured Type:	SMSBMT	
Derivation Path:		
Comments:	status report requested	
Element Name	Element Value	Comments
rp	'0'B	
udhi	?	
srr	'1'B	
vpf	?	
rd	?	
mti	'01'B	
mr	?	
da	SmDestAddr_01	
pid	Tppid_01	
dcs	Tpdcsc_01	
vp1	?	
vp7	OMIT	
udl	?	
ud	?	
Detailed Comments:		

Structured Type Constraint		
Constraint Name:	TpSubmit_03(tpda: BCDN; tpud: TPUD)	
Structured Type:	SMSBMT	
Derivation Path:		
Comments:		
Element Name	Element Value	Comments
rp	?	
udhi	?	
srr	?	
vpf	'10'B	
rd	?	
mti	'01'B	
mr	?	
da	SmDestAddr_02(tpda)	
pid	Tppid_01	
dcs	Tpdcsc_01	
vp1	'A7'O	
vp7	OMIT	
udl	?	
ud	tpud	
Detailed Comments:		

Structured Type Constraint		
Constraint Name:	TpStatusReport_01(mr: MR; timezone:TZONES)	
Structured Type:	SMST_RPT	
Derivation Path:		
Comments:		
Element Name	Element Value	Comments
sprb1	'00000'B	
mms	'1'B	
mti	'10'B	
mr	mr	
ra	SmDestAddr_01	
scts	OC_GetSCTimeStamp(timezone)	
dt	OC_GetSCTimeStamp(timezone)	
st	TpStatus_01	
Detailed Comments:		

Structured Type Constraint		
Constraint Name:	SmOrigAddr_01(tpoa1:BCDN)	
Structured Type:	TPA	
Derivation Path:		
Comments:	international number coded E.164 (GSM 11.10, 34.2.1.3, specific message contents). Used in SMS-DELIVER (n->ms)	
Element Name	Element Value	Comments
iel	OC_IntToOct(OC_LengthOfBCDN(tpoa1), 1)	
tonnpi	TonNpi_03	
digits	tpoa1	
Detailed Comments:		

Structured Type Constraint		
Constraint Name:	SmOrigAddr_02(tpoa: BCDN)	
Structured Type:	TPA	
Derivation Path:		
Comments:	international number coded E.164 (GSM 11.10, 34.2.1.3, specific message contents). Used in SMS-DELIVER (n->ms)	
Element Name	Element Value	Comments
iel	OC_IntToOct(OC_LengthOfBCDN(tpoa), 1)	
tonnpi	TonNpi_03	
digits	tpoa	
Detailed Comments:		

Structured Type Constraint		
Constraint Name:	SmDestAddr_01	
Structured Type:	TPA	
Derivation Path:		
Comments:	international number coded E.164 (GSM 11.10, 34.2.1.3, specific message contents). Used in SMS-SUBMIT (ms->n)	
Element Name	Element Value	Comments
iel	?	
tonnpi	TonNpi_03	
digits	?	
Detailed Comments:		

Structured Type Constraint		
Constraint Name:	SmDestAddr_02(tpda: BCDN)	
Structured Type:	TPA	
Derivation Path:		
Comments:	international number coded E.164 (GSM 11.10, 34.2.1.3, specific message contents). Used in SMS-SUBMIT (ms->n)	
Element Name	Element Value	Comments
iel	OC_IntToOct(OC_LengthOfBCDN(tpda), 1)	
tonnpi	TonNpi_03	
digits	tpda	
Detailed Comments:		

Structured Type Constraint		
Constraint Name:	RpOrigAddr_01(rpoa_mt: BCDN)	
Structured Type:	CDPN	
Derivation Path:		
Comments:	Called party BCD number (CC information element) GSM 04.08, 10.5.4.7. Used in SMS-DELIVER (n->ms)	
Element Name	Element Value	Comments
iei	OMIT	
iel	OC_IntToOct((OC_LengthOfBCDN(rpoa_mt) + 1), 1)	
tonnpi	TonNpi_03	
digits	rpoa_mt	
Detailed Comments:		

Structured Type Constraint		
Constraint Name:	RpOrigAddr_02	
Structured Type:	CDPN	
Derivation Path:		
Comments:	Called party BCD number (CC information element) GSM 04.08, 10.5.4.7. Used in SMS-SUBMIT (ms->n)	
Element Name	Element Value	Comments
iei	OMIT	
iel	'00'O	
tonnpi	OMIT	
digits	OMIT	
Detailed Comments:		

Structured Type Constraint		
Constraint Name:	RpOrigAddr_03(rpoa: BCDN)	
Structured Type:	CDPN	
Derivation Path:		
Comments:	Called party BCD number (CC information element) GSM 04.08, 10.5.4.7. Used in SMS-DELIVER (n->ms)	
Element Name	Element Value	Comments
iei	OMIT	
iel	OC_IntToOct((OC_LengthOfBCDN(rpoa) + 1), 1)	
tonnpi	TonNpi_03	
digits	rpoa	
Detailed Comments:		

Structured Type Constraint		
Constraint Name:	RpDestAddr_01	
Structured Type:	CDPN	
Derivation Path:		
Comments:	Called party BCD number (CC information element) GSM 04.08, 10.5.4.7. Used in SMS-DELIVER (n->ms)	
Element Name	Element Value	Comments
iei	OMIT	
iel	'00'O	
tonnpi	OMIT	
digits	OMIT	
Detailed Comments:		

Structured Type Constraint		
Constraint Name:	RpDestAddr_02	
Structured Type:	CDPN	
Derivation Path:		
Comments:	Called party BCD number (CC information element) GSM 04.08, 10.5.4.7. Used in SMS-SUBMIT (ms->n)	
Element Name	Element Value	Comments
iei	OMIT	
iel	('02'O, '03'O, '04'O, '05'O, '06'O, '07'O, '08'O, '09'O, '0A'O, '0B'O)	
tonnpi	*	
digits	*	
Detailed Comments:		

Structured Type Constraint		
Constraint Name:	RpDestAddr_03(rpda: BCDN)	
Structured Type:	CDPN	
Derivation Path:		
Comments:	Called party BCD number (CC information element) GSM 04.08, 10.5.4.7	
Element Name	Element Value	Comments
iei	OMIT	
iel	?	
tonnpi	?	
digits	rpda	
Detailed Comments:		

Structured Type Constraint		
Constraint Name:	SMSCBdata(b1, b2, b3, b4: OCTETSTRING)	
Structured Type:	SMSCBpack	
Derivation Path:		
Comments:	SMS cell broadcasting packing data	
Element Name	Element Value	Comments
block1	b1	
block2	b2	
block3	b3	
block4	b4	
Detailed Comments:		

Structured Type Constraint		
Constraint Name:	Tppid_01	
Structured Type:	TPPID	
Derivation Path:		
Comments:	TP protocol identifier,GSM 03.40, 9.2.3.9 default value 0	
Element Name	Element Value	Comments
type	'00'B	
value	'000000'B	
Detailed Comments:		

Structured Type Constraint		
Constraint Name:	Tppid_02(smtype: INTEGER)	
Structured Type:	TPPID	
Derivation Path:		
Comments:	TP protocol identifier,GSM 03.40, 9.2.3.9 default value 0	
Element Name	Element Value	Comments
type	'01'B	
value	INT_TO_BIT(smtype, 6)	
Detailed Comments:		

Structured Type Constraint		
Constraint Name:	Tpdcs_01	
Structured Type:	TPDCS	
Derivation Path:		
Comments:	SMS data coding scheme, GSM 03.38, 4, 5 default value is 0	
Element Name	Element Value	Comments
cg	'0000'B	
code	'0000'B	
Detailed Comments:		

Structured Type Constraint		
Constraint Name:	Tpdcs_02	
Structured Type:	TPDCS	
Derivation Path:		
Comments:	SMS data coding scheme, GSM 03.38, 4, 5 class 2	
Element Name	Element Value	Comments
cg	'1111'B	
code	'0010'B	
Detailed Comments:		

Structured Type Constraint		
Constraint Name:	Tpdcs_03	
Structured Type:	TPDCS	
Derivation Path:		
Comments:	SMS data coding scheme, GSM 03.38, 4, 5 class 1	
Element Name	Element Value	Comments
cg	'1111'B	
code	'0001'B	
Detailed Comments:		

Structured Type Constraint		
Constraint Name:	Tpdcs_04	
Structured Type:	TPDCS	
Derivation Path:		
Comments:	SMS data coding scheme, GSM 03.38, 4, 5 class 0	
Element Name	Element Value	Comments
cg	'1111'B	
code	'0000'B	
Detailed Comments:		

Structured Type Constraint		
Constraint Name:	Tpdcs_05	
Structured Type:	TPDCS	
Derivation Path:		
Comments:	SMS data coding scheme, GSM 03.38, 4, 5 default alphabet, English	
Element Name	Element Value	Comments
cg	'0000'B	
code	'0001'B	
Detailed Comments:		

Structured Type Constraint		
Constraint Name:	TpStatus_01	
Structured Type:	TPST	
Derivation Path:		
Comments:	Short message received by the SME	
Element Name	Element Value	Comments
sprb1	'0'B	
value	'0000000'B	
Detailed Comments:		

Structured Type Constraint		
Constraint Name:	TpCommand_01(tpmr: MR)	
Structured Type:	SMCMD	
Derivation Path:		
Comments:	Enquiry related to previously submitted short message	
Element Name	Element Value	Comments
sprb1	'00'B	
srr	'0'B	
sprb2	'000'B	
mti	'10'B	
mr	OC_IntToOct(OC_OctToInt(tpmr) + 1, 1)	
pid	Tppid_01	
ct	'00'O	
mn	?	
da	?	
cdl	?	
cd	?	
Detailed Comments:		

Structured Type Constraint		
Constraint Name:	TpCommand_02(tpmr: MR)	
Structured Type:	SMCMD	
Derivation Path:		
Comments:	Delete previously submitted short message	
Element Name	Element Value	Comments
sprb1	'00'B	
srr	'0'B	
sprb2	'000'B	
mti	'10'B	
mr	OC_IntToOct(OC_OctToInt(tpmr) + 1, 1)	
pid	Tppid_01	
ct	'02'O	
mn	?	
da	?	
cdl	?	
cd	?	
Detailed Comments:		

ASN1 type constraints

ASN.1 Type Constraint Declaration	
Constraint Name:	ActivateSS_01
ASN.1 Type:	Component
Derivation Path:	
Comments:	CF all synchronous services
Constraint Value	
activateSSComponents	<pre> activateSS_InvokeComp { invokeID ?, localValue 12, ss_ForBS { ss_Code '20'H, basicService bearerService '68'H } } </pre>
Detailed Comments:	

ASN.1 Type Constraint Declaration	
Constraint Name:	ActivateSS_02
ASN.1 Type:	Component
Derivation Path:	
Comments:	CFU all basic services
Constraint Value	
activateSSComponents	<pre> activateSS_InvokeComp { invokeID ?, localValue 12, ss_ForBS { ss_Code '21'H } } </pre>
Detailed Comments:	

ASN.1 Type Constraint Declaration	
Constraint Name:	ActivateSS_03
ASN.1 Type:	Component
Derivation Path:	
Comments:	BAOC all synchronous services
Constraint Value	
activateSSComponents	<pre> activateSS_InvokeComp { invokeID ?, localValue 12, ss_ForBS { ss_Code '92'H, basicService bearerService, } } </pre>
Detailed Comments:	

ASN.1 Type Constraint Declaration	
Constraint Name:	ActivateSS_04
ASN.1 Type:	Component
Derivation Path:	
Comments:	BIC-Roam
Constraint Value	
activateSSComponents	<pre> activateSS_InvokeComp { invokeID ?, localValue 12, ss_ForBS { ss_Code '9B'H -- BIC-Roam } } </pre>
Detailed Comments:	

ASN.1 Type Constraint Declaration	
Constraint Name:	ActivateSS_05
ASN.1 Type:	Component
Derivation Path:	
Comments:	BOIC
Constraint Value	
activateSSComponents	<pre> activateSS_InvokeComp { invokeID ?, localValue 12, ss_ForBS { ss_Code '93'H } } </pre>
Detailed Comments:	

ASN.1 Type Constraint Declaration	
Constraint Name:	ActivateSS_06
ASN.1 Type:	Component
Derivation Path:	
Comments:	BAIC
Constraint Value	
activateSSComponents	<pre> activateSS_InvokeComp { invokeID ?, localValue 12, ss_ForBS { { ss_Code '9A'H } } } </pre>
Detailed Comments:	

ASN.1 Type Constraint Declaration	
Constraint Name:	BldMptySS_01
ASN.1 Type:	Component
Derivation Path:	
Comments:	build multiparty request
Constraint Value	
buildMPTYComponents	<pre> buildMPTY_InvokeComp { invokeID ?, localValue 124 } </pre>
Detailed Comments:	

ASN.1 Type Constraint Declaration	
Constraint Name:	DeactivateSS_01
ASN.1 Type:	Component
Derivation Path:	
Comments:	CFC for speech
Constraint Value	
deactivateSSComponents	<pre> deactivateSS_InvokeComp { invokeID ?, localValue 13, ss_ForBS { { ss_Code '28'H, basicService teleservice '10'H } } } </pre>
Detailed Comments:	

ASN.1 Type Constraint Declaration	
Constraint Name:	DeactivateSS_02
ASN.1 Type:	Component
Derivation Path:	
Comments:	CFNRc for all facsimile
Constraint Value	
deactivateSSComponents	<pre> deactivateSS_InvokeComp { invokeID ?, localValue 13, ss_ForBS { ss_Code '2B'H, basicService teleservice '60'H } } </pre>
Detailed Comments:	

ASN.1 Type Constraint Declaration	
Constraint Name:	DeactivateSS_03
ASN.1 Type:	Component
Derivation Path:	
Comments:	deactivation for barring
Constraint Value	
deactivateSSComponents	<pre> deactivateSS_InvokeComp { invokeID ?, localValue 13, ss_ForBS { ss_Code '90'H, basicService teleservice '10'H } } </pre>
Detailed Comments:	

ASN.1 Type Constraint Declaration	
Constraint Name:	DeactivateSS_04
ASN.1 Type:	Component
Derivation Path:	
Comments:	deactivation for barring of outgoing calls
Constraint Value	
deactivateSSComponents	<pre> deactivateSS_InvokeComp { invokeID ?, localValue 13, ss_ForBS { ss_Code '91'H, basicService teleservice '60'H } } </pre>
Detailed Comments:	

ASN.1 Type Constraint Declaration	
Constraint Name:	DeactivateSS_05
ASN.1 Type:	Component
Derivation Path:	
Comments:	deactivation for barring of incoming calls
Constraint Value	
deactivateSSComponents	<pre> deactivateSS_InvokeComp { invokeID ?, localValue 13, ss_ForBS { ss_Code '99'H } } </pre>
Detailed Comments:	

ASN.1 Type Constraint Declaration	
Constraint Name:	DeactivateSS_06
ASN.1 Type:	Component
Derivation Path:	
Comments:	deactivation for BOICExHC
Constraint Value	
deactivateSSComponents	<pre> deactivateSS_InvokeComp { invokeID ?, localValue 13, ss_ForBS { ss_Code '94'H } } </pre>
Detailed Comments:	

ASN.1 Type Constraint Declaration	
Constraint Name:	EraseSS_01
ASN.1 Type:	Component
Derivation Path:	
Comments:	CFC for all facsimile
Constraint Value	
eraseSSComponents	<pre> eraseSS_InvokeComp { invokeID ?, localValue 11, ss_ForBS { ss_Code '28'H, basicService teleservice '60'H } } </pre>
Detailed Comments:	

ASN.1 Type Constraint Declaration	
Constraint Name:	EraseSS_02
ASN.1 Type:	Component
Derivation Path:	
Comments:	CFNRc for all basic services
Constraint Value	
eraseSSComponents	eraseSS_InvokeComp
	<pre> { invokeID ?, localValue 11, ss_ForBS { ss_Code '2B'H } } </pre>
Detailed Comments:	

ASN.1 Type Constraint Declaration	
Constraint Name:	EraseSS_03
ASN.1 Type:	Component
Derivation Path:	
Comments:	CFU for speech
Constraint Value	
eraseSSComponents	eraseSS_InvokeComp
	<pre> { invokeID ?, localValue 11, ss_ForBS { ss_Code '21'H, basicService teleservice '10'H } } </pre>
Detailed Comments:	

ASN.1 Type Constraint Declaration	
Constraint Name:	EraseSS_04
ASN.1 Type:	Component
Derivation Path:	
Comments:	CFNRy for all facsimile
Constraint Value	
eraseSSComponents	eraseSS_InvokeComp
	<pre> { invokeID ?, localValue 11, ss_ForBS { ss_Code '2A'H, basicService teleservice '60'H } } </pre>
Detailed Comments:	

ASN.1 Type Constraint Declaration	
Constraint Name:	FwdCharg_01
ASN.1 Type:	Components
Derivation Path:	
Comments:	
Constraint Value	
<pre> forwardChargeAdviceComponents forwardChargeAdvice_InvokeComp { invokeID 1, localValue 125, forwardChargeAdviceArg { ss_Code '72'H , chargingInformation { e1 6, e2 14, e3 1, e4 25, e5 0, e6 0, e7 60 } } } </pre>	
Detailed Comments:	

ASN.1 Type Constraint Declaration	
Constraint Name:	FwdChAdvRslt_01
ASN.1 Type:	Component
Derivation Path:	
Comments:	
Constraint Value	
<pre> forwardChargeAdviceComponents forwardChargeAdvice_ReturnResultComp { invokeID 0, result * } </pre>	
Detailed Comments:	

ASN.1 Type Constraint Declaration	
Constraint Name:	GetPasswdRslt_01
ASN.1 Type:	Component
Derivation Path:	
Comments:	
Constraint Value	
<pre> getPasswordComponents getPassword_ReturnResultComp { invokeID 0, result { localValue 18, currentPassword "1234" } } </pre>	
Detailed Comments:	

ASN.1 Type Constraint Declaration	
Constraint Name:	GetPasswdRslt_02
ASN.1 Type:	Component
Derivation Path:	
Comments:	
Constraint Value	
getPasswordComponents	<pre> getPassword_ReturnResultComp { invokeID 0, result { localValue 18, currentPassword "9876" } } </pre>
Detailed Comments:	

ASN.1 Type Constraint Declaration	
Constraint Name:	GetPasswdRslt_03
ASN.1 Type:	Component
Derivation Path:	
Comments:	
Constraint Value	
getPasswordComponents	<pre> getPassword_ReturnResultComp { invokeID 0, result { localValue 18, currentPassword "9877" } } </pre>
Detailed Comments:	

ASN.1 Type Constraint Declaration	
Constraint Name:	InterrogateSS_01
ASN.1 Type:	Component
Derivation Path:	
Comments:	CFB for all basic services
Constraint Value	
interrogateSSComponents	<pre> interrogateSS_InvokeComp { invokeID ?, localValue 14, ss_ForBS { ss_Code '29'H } } </pre>
Detailed Comments:	

ASN.1 Type Constraint Declaration	
Constraint Name:	InterrogateSS_02
ASN.1 Type:	Component
Derivation Path:	
Comments:	CFNRy for Speech
Constraint Value	
interrogateSSComponents	<pre> interrogateSS_InvokeComp { invokeID ?, localValue 14, ss_ForBS { ss_Code '2A'H, --CNFRy basicService teleservice '10'H } } </pre>
Detailed Comments:	

ASN.1 Type Constraint Declaration	
Constraint Name:	InterrogateSS_03
ASN.1 Type:	Component
Derivation Path:	
Comments:	CFNRc for all basic services
Constraint Value	
interrogateSSComponents	<pre> interrogateSS_InvokeComp { invokeID ?, localValue 14, ss_ForBS { ss_Code '2B'H } } </pre>
Detailed Comments:	

ASN.1 Type Constraint Declaration	
Constraint Name:	InterrogateSS_04
ASN.1 Type:	Component
Derivation Path:	
Comments:	CFB for all facsimile
Constraint Value	
interrogateSSComponents	<pre> interrogateSS_InvokeComp { invokeID ?, localValue 14, ss_ForBS { ss_Code '29'H, basicService teleservice '60'H } } </pre>
Detailed Comments:	

ASN.1 Type Constraint Declaration	
Constraint Name:	InterrogateSS_05
ASN.1 Type:	Component
Derivation Path:	
Comments:	BICRoam
Constraint Value	
interrogateSSComponents	<pre> interrogateSS_InvokeComp { invokeID ?, localValue 14, ss_ForBS { ss_Code '9B'H } } </pre>
Detailed Comments:	

ASN.1 Type Constraint Declaration	
Constraint Name:	InterrogateSS_06
ASN.1 Type:	Component
Derivation Path:	
Comments:	BOIC
Constraint Value	
interrogateSSComponents	<pre> interrogateSS_InvokeComp { invokeID ?, localValue 14, ss_ForBS { ss_Code '93'H } } </pre>
Detailed Comments:	

ASN.1 Type Constraint Declaration	
Constraint Name:	InterrogateSS_07
ASN.1 Type:	Component
Derivation Path:	
Comments:	BAIC
Constraint Value	
interrogateSSComponents	<pre> interrogateSS_InvokeComp { invokeID ?, localValue 14, ss_ForBS { ss_Code '9A'H } } </pre>
Detailed Comments:	

ASN.1 Type Constraint Declaration	
Constraint Name:	InterrogateSS_08
ASN.1 Type:	Component
Derivation Path:	
Comments:	BOICExHC
Constraint Value	
interrogateSSComponents	<pre> interrogateSS_InvokeComp { invokeID ?, localValue 14, ss_ForBS { { ss_Code '94'H } } } </pre>
Detailed Comments:	

ASN.1 Type Constraint Declaration	
Constraint Name:	NotificationSS_07(Invkid: OCTETSTRING)
ASN.1 Type:	Component
Derivation Path:	
Comments:	
Constraint Value	
unstructuredSSNotifyComponents	<pre> unstructuredSSNotify_ReturnResultComp { invokeID OC_OctToInvokeIDType(Invkid), result { { localValue 61 } } } </pre>
Detailed Comments:	

ASN.1 Type Constraint Declaration	
Constraint Name:	NotificationSS_09(Invkid: OCTETSTRING)
ASN.1 Type:	Component
Derivation Path:	
Comments:	
Constraint Value	
unstructuredSSNotifyComponents	<pre> unstructuredSSNotify_ReturnErrorComp { errorCodes { { invokeID OC_OctToInvokeIDType(Invkid), errorCode ussd_Busy } } } </pre>
Detailed Comments:	

ASN.1 Type Constraint Declaration	
Constraint Name:	RegisterSS_01
ASN.1 Type:	Component
Derivation Path:	
Comments:	CFNRy Speech
Constraint Value	
registerSSComponents registerSS_InvokeComp { invokeID ?, localValue 10, registerSS_Arg { ss_Code '2A'H, basicService teleservice '10'H, forwardedToNumber '91342143'H, -- International noReplyConditionTime 5 } } Number + Country code	
Detailed Comments:	

ASN.1 Type Constraint Declaration	
Constraint Name:	RegisterSS_02
ASN.1 Type:	Component
Derivation Path:	
Comments:	CFU
Constraint Value	
registerSSComponents registerSS_InvokeComp { invokeID ?, localValue 10, registerSS_Arg { ss_Code '21'H, basicService teleservice '60'H, forwardedToNumber '91342143'H -- International } } Number + Country code	
Detailed Comments:	

ASN.1 Type Constraint Declaration	
Constraint Name:	RegisterSS_03
ASN.1 Type:	Component
Derivation Path:	
Comments:	CFB
Constraint Value	
registerSSComponents registerSS_InvokeComp { invokeID ?, localValue 10, registerSS_Arg { ss_Code '29'H, basicService bearerService '60'H, forwardedToNumber '91342143'H -- International } } Number + Country code	
Detailed Comments:	

ASN.1 Type Constraint Declaration	
Constraint Name:	RegisterSS_04
ASN.1 Type:	Component
Derivation Path:	
Comments:	CF for all facsimile
Constraint Value	
registerSSComponents	<pre> registerSS_InvokeComp { invokeID ?, localValue 10, registerSS_Arg { ss_Code '20'H, basicService teleservice '60'H, forwardedToNumber '91342143'H -- International } } </pre>
Number + Country code	
Detailed Comments:	

ASN.1 Type Constraint Declaration	
Constraint Name:	RegPasswdSS_01
ASN.1 Type:	Component
Derivation Path:	
Comments:	All call restriction services.
Constraint Value	
registerPasswordComponents	<pre> registerPassword_InvokeComp { invokeID ?, localValue 17, ss_Code '90'H } </pre>
Detailed Comments:	

ASN.1 Type Constraint Declaration	
Constraint Name:	ProcessUSSData_01(ussdString: IA5String)
ASN.1 Type:	Component
Derivation Path:	
Comments:	
Constraint Value	
processUnstructuredSSDataComponents	<pre> processUnstructuredSSData_InvokeComp { invokeID ?, localValue 19, ss_UserData ussdString } </pre>
Detailed Comments:	

ASN.1 Type Constraint Declaration	
Constraint Name:	ProcessUSSDReq_01(ussdString: IA5String)
ASN.1 Type:	Component
Derivation Path:	
Comments:	
Constraint Value	
processUnstructuredSSRequestComponents	<pre> processUnstructuredSSRequest_InvokeComp { invokeID ?, localValue 59, ussd_Arg { ussd_DataCodingScheme 'F0'O, ussd_String OC_CodingOfUssdString(ussdString) } } </pre>
Detailed Comments:	

ASN.1 Type Constraint Declaration	
Constraint Name:	ProcessUSSDReq_04(Invkid :OCTETSTRING; ussdString: IA5String)
ASN.1 Type:	Component
Derivation Path:	
Comments:	ReturnResult for Process Unstructured SS request without information to the user
Constraint Value	
processUnstructuredSSRequestComponents	<pre> processUnstructuredSSRequest_ReturnResultComp { invokeID OC_OctToInvokeIDType(Invkid), result { localValue 59, ussd_Res { ussd_DataCodingScheme 'F0'O, ussd_String OC_CodingOfUssdString(ussdString) } } } </pre>
Detailed Comments:	

ASN.1 Type Constraint Declaration	
Constraint Name:	USSDReq_04(Invkid :OCTETSTRING; ussdString: IA5String)
ASN.1 Type:	Component
Derivation Path:	
Comments:	ReturnResult for Unstructured SS request
Constraint Value	
unstructuredSSRequestComponents	<pre> unstructuredSSRequest_ReturnResultComp { invokeID OC_OctToInvokeIDType(Invkid), result { localValue 60, ussd_Res { ussd_DataCodingScheme 'F0'O, ussd_String OC_CodingOfUssdString(ussdString) } } } </pre>
Detailed Comments:	

ASN.1 Type Constraint Declaration	
Constraint Name:	USSDReq_05(Invkid :OCTETSTRING)
ASN.1 Type:	Component
Derivation Path:	
Comments:	Return Error for UnstructuredSS-Request with the error code USSD Busy
Constraint Value	
unstructuredSSRequestComponents	unstructuredSSRequest_ReturnErrorComp errorCodes
	{ invokeID OC_OctToInvokeIDType(Invkid), errorCode ussd_Busy }
Detailed Comments:	

ASP constraint declarations

TTCN ASP constraint declarations

ASP Constraint Declaration		
Constraint Name:	Abort_01(ch: LOGICCH; par: REJCAU)	
ASP Type:	DL_DatRqAbrt	
Derivation Path:		
Comments:	To send an Abort message.	
Parameter Name	Parameter Value	Comments
sapi	C_Sap0	
logic_ch	ch	
msg	Abortmsg_01(par)	
Detailed Comments:		

ASP Constraint Declaration		
Constraint Name:	Alert_01(Ti:TI; ch:LOGICCH)	
ASP Type:	DL_DatRqAlert	
Derivation Path:		
Comments:	To send a ALERTING message	
Parameter Name	Parameter Value	Comments
sapi	C_Sap0	
logic_ch	ch	
msg	Alerting_01(Ti)	
Detailed Comments:		

ASP Constraint Declaration		
Constraint Name:	Alert_02(ch:LOGICCH; alert:ALERT_PDU)	
ASP Type:	DL_DatRqAlert	
Derivation Path:		
Comments:	To send a ALERTING message containing facility IE	
Parameter Name	Parameter Value	Comments
sapi	C_Sap0	
logic_ch	ch	
msg	alert	
Detailed Comments:		

ASP Constraint Declaration		
Constraint Name:	AlertRcv_01	
ASP Type:	DL_DatInAlert	
Derivation Path:		
Comments:	To match any received ALERTING message	
Parameter Name	Parameter Value	Comments
sapi	C_Sap0	
logic_ch	?	
msg	AlertingInd_01	
fn	?	
Detailed Comments:		

ASP Constraint Declaration		
Constraint Name:	AlertRcv(pdu: ALERT_PDU)	
ASP Type:	DL_DatInAlert	
Derivation Path:		
Comments:	To receive an ALERTING message	
Parameter Name	Parameter Value	Comments
sapi	C_Sap0	
logic_ch	?	
msg	pdu	
fn	?	
Detailed Comments:		

ASP Constraint Declaration		
Constraint Name:	AlertSnd(ch:LOGICCH; pdu: ALERT_PDU)	
ASP Type:	DL_DatRqAlert	
Derivation Path:		
Comments:	To send an ALERTING message	
Parameter Name	Parameter Value	Comments
sapi	C_Sap0	
logic_ch	ch	
msg	pdu	
Detailed Comments:		

ASP Constraint Declaration		
Constraint Name:	AssCmd(ch:LOGICCH; pdu: ASS_CMD_PDU)	
ASP Type:	DL_DatRqAssCmd	
Derivation Path:		
Comments:	To send an ASSIGNMENT COMMAND message which is assigned in send statement.	
Parameter Name	Parameter Value	Comments
sapi	C_Sap0	
logic_ch	ch	
msg	pdu	
Detailed Comments:		

ASP Constraint Declaration		
Constraint Name:	AssCmp_02(ch:LOGICCH)	
ASP Type:	DL_DatInAssCom	
Derivation Path:		
Comments:	To match any received ASSIGNMENT COMPLETE message	
Parameter Name	Parameter Value	Comments
sapi	C_Sap0	
logic_ch	ch	
msg	AsgnCmp_02	
fn	?	
Detailed Comments:		

ASP Constraint Declaration		
Constraint Name:	AssFI_02(ch:LOGICCH)	
ASP Type:	DL_DatInAssfl	
Derivation Path:		
Comments:	protocol error undefined	
Parameter Name	Parameter Value	Comments
sapi	C_Sap0	
logic_ch	ch	
msg	AssgnFI_02	
fn	?	
Detailed Comments:		

ASP Constraint Declaration		
Constraint Name:	AssFI_any_cau(ch: LOGICCH)	
ASP Type:	DL_DatInAssfl	
Derivation Path:		
Comments:		
Parameter Name	Parameter Value	Comments
sapi	C_Sap0	
logic_ch	ch	
msg	AssgnFI_01	
fn	?	
Detailed Comments:		

ASP Constraint Declaration		
Constraint Name:	AuthReq(ch: LOGICCH; pdu: AUTH_RQ_PDU)	
ASP Type:	DL_DatRqAuthRq	
Derivation Path:		
Comments:	To send an AUTHENTICATION REQUEST message with default values.	
Parameter Name	Parameter Value	Comments
sapi	C_Sap0	
logic_ch	ch	
msg	pdu	
Detailed Comments:		

ASP Constraint Declaration		
Constraint Name:	AuthReq_01(ch: LOGICCH)	
ASP Type:	DL_DatRqAuthRq	
Derivation Path:		
Comments:	To send an AUTHENTICATION REQUEST message with default values.	
Parameter Name	Parameter Value	Comments
sapi	C_Sap0	
logic_ch	ch	
msg	AuthRequest_01	
Detailed Comments:		

ASP Constraint Declaration		
Constraint Name:	AuthReq_02(ch: LOGICCH)	
ASP Type:	DL_DatRqAuthRq	
Derivation Path:	AuthReq_01.	
Comments:	To send an AUTHENTICATION REQUEST message to generate a new ciphering key (TSPX_RANDB) and new ciphering key sequence number (TSPX_CKSNB).	
Parameter Name	Parameter Value	Comments
logic_ch	ch	
msg	AuthRequest_02	
Detailed Comments:		

ASP Constraint Declaration		
Constraint Name:	AuthReq_03(ch:LOGICCH)	
ASP Type:	DL_DatRqAuthRq	
Derivation Path:		
Comments:	To send an AUTHENTICATION REQUEST message to generate a new ciphering key and new ciphering key sequence number which are different from default values and values generated by the AuthReq_02.	
Parameter Name	Parameter Value	Comments
sapi	C_Sap0	
logic_ch	ch	
msg	AuthRequest_03	
Detailed Comments:		

ASP Constraint Declaration		
Constraint Name:	AuthReq_05(ch: LOGICCH)	
ASP Type:	DL_DatRqAuthRq	
Derivation Path:		
Comments:	To send an AUTHENTICATION REQUEST message with CKSN = TSPX_CKSNA and RAND = TSPX_RANDA.	
Parameter Name	Parameter Value	Comments
sapi	C_Sap0	
logic_ch	ch	
msg	AuthRequest_05	
Detailed Comments:		

ASP Constraint Declaration		
Constraint Name:	AuthReq_30(ch: LOGICCH; cksn: BITSTRING)	
ASP Type:	DL_DatRqAuthRq	
Derivation Path:		
Comments:	To send an AUTHENTICATION REQUEST message. Used in MM cases. The CKSN shall be set in the variable TCv_cksn.	
Parameter Name	Parameter Value	Comments
sapi	C_Sap0	
logic_ch	ch	
msg	AuthRequest_30(cksn)	
Detailed Comments:		

ASP Constraint Declaration		
Constraint Name:	AuthReq_inv_01(ch: LOGICCH)	
ASP Type:	DL_DatRqAuthRq	
Derivation Path:		
Comments:	To send an AUTHENTICATION REQUEST message containing arbitrary spare bits	
Parameter Name	Parameter Value	Comments
sapi	C_Sap0	
logic_ch	ch	
msg	AuthRequest_inv_01	
Detailed Comments:		

ASP Constraint Declaration		
Constraint Name:	AuthRej_01(ch: LOGICCH)	
ASP Type:	DL_DatRqAuthRej	
Derivation Path:		
Comments:	To send an AUTHENTICATION REJECT message with default values.	
Parameter Name	Parameter Value	Comments
sapi	C_Sap0	
logic_ch	ch	
msg	AuthReject_01	
Detailed Comments:		

ASP Constraint Declaration		
Constraint Name:	AuthRes(pdu: AUTH_RES_PDU)	
ASP Type:	DL_DatInAuthRes	
Derivation Path:		
Comments:	To match any received AUTHENTICATION RESPONSE message which contains any SRES.	
Parameter Name	Parameter Value	Comments
sapi	C_Sap0	
logic_ch	?	
msg	pdu	
fn	?	
Detailed Comments:		

ASP Constraint Declaration		
Constraint Name:	AuthRes_01	
ASP Type:	DL_DatInAuthRes	
Derivation Path:		
Comments:	To match any received AUTHENTICATION RESPONSE message which contains any SRES.	
Parameter Name	Parameter Value	Comments
sapi	C_Sap0	
logic_ch	?	
msg	AuthResponse_01	
fn	?	
Detailed Comments:		

ASP Constraint Declaration		
Constraint Name:	CallCfm(pdu: CALL_CO_PDU)	
ASP Type:	DL_DatInCallCo	
Derivation Path:		
Comments:	To receive a CC CALL CONFIRMED message.	
Parameter Name	Parameter Value	Comments
sapi	C_Sap0	
logic_ch	?	
msg	pdu	
fn	?	
Detailed Comments:		

ASP Constraint Declaration		
Constraint Name:	CallCfm_01	
ASP Type:	DL_DatInCallCo	
Derivation Path:		
Comments:	To receive any CC CALL CONFIRMED message.	
Parameter Name	Parameter Value	Comments
sapi	C_Sap0	
logic_ch	?	
msg	CallConfirm_01	
fn	?	
Detailed Comments:		

ASP Constraint Declaration		
Constraint Name:	CallCfm_20	
ASP Type:	DL_DatInCallCo	
Derivation Path:		
Comments:	To receive any CC CALL CONFIRMED message.	
Parameter Name	Parameter Value	Comments
sapi	C_Sap0	
logic_ch	?	
msg	CallConfirm_20	
fn	?	
Detailed Comments:		

ASP Constraint Declaration		
Constraint Name:	CallProc(ch: LOGICCH; pdu: CALL_PROC_PDU)	
ASP Type:	DL_DatRqCallProc	
Derivation Path:		
Comments:	To send a CALL PROCEEDING message.	
Parameter Name	Parameter Value	Comments
sapi	C_Sap0	
logic_ch	ch	
msg	pdu	
Detailed Comments:		

ASP Constraint Declaration		
Constraint Name:	CallProc_01(ti :TI; ch: LOGICCH)	
ASP Type:	DL_DatRqCallProc	
Derivation Path:		
Comments:	To send a CALL PROCEEDING message containing mandatory IE's only.	
Parameter Name	Parameter Value	Comments
sapi	C_Sap0	
logic_ch	ch	
msg	CallProced_01(ti)	
Detailed Comments:		

ASP Constraint Declaration		
Constraint Name:	CallProc_04(ti :TI; ch:LOGICCH)	
ASP Type:	DL_DatRqCallProc	
Derivation Path:		
Comments:	To send a CALL PROCEEDING message with bearer capability 1 assigned in the send statement.	
Parameter Name	Parameter Value	Comments
sapi	C_Sap0	
logic_ch	ch	
msg	CallProced_02(ti)	
Detailed Comments:		

ASP Constraint Declaration		
Constraint Name:	CallProc_inv_02(Ti:TI; ch: LOGICCH)	
ASP Type:	DL_DatRqCallProc	
Derivation Path:		
Comments:	To send an invalid CC CALL PROCEEDING message containing unknown IEI	
Parameter Name	Parameter Value	Comments
sapi	C_Sap0	
logic_ch	ch	
msg	CallProced_inv_02(Ti)	
Detailed Comments:		

ASP Constraint Declaration		
Constraint Name:	CCSt_01(Ti:Ti)	
ASP Type:	DL_DatInCcst	
Derivation Path:		
Comments:	To match any received STATUS message with TI = Ti.	
Parameter Name	Parameter Value	Comments
sapi	C_Sap0	
logic_ch	?	
msg	CCStatus_01(Ti)	
fn	?	
Detailed Comments:		

ASP Constraint Declaration		
Constraint Name:	CCSt_02	
ASP Type:	DL_DatInCcst	
Derivation Path:		
Comments:	To receive a CC STATUS message containing cause value #97.	
Parameter Name	Parameter Value	Comments
sapi	C_Sap0	
logic_ch	?	
msg	CCStatus_02	
fn	?	
Detailed Comments:		

ASP Constraint Declaration		
Constraint Name:	CCSt_03(Ti:Ti)	
ASP Type:	DL_DatInCcst	
Derivation Path:	CCSt_01.	
Comments:	To receive a CC STATUS message containing cause value #98	
Parameter Name	Parameter Value	Comments
msg	CCStatus_03(Ti)	
Detailed Comments:		

ASP Constraint Declaration		
Constraint Name:	CCSt_04(Ti:Ti)	
ASP Type:	DL_DatInCcst	
Derivation Path:	CCSt_01.	
Comments:	To match a received CC STATUS message of which transaction ID is '1000'B and cause is #96	
Parameter Name	Parameter Value	Comments
msg	CCStatus_04(Ti)	
Detailed Comments:		

ASP Constraint Declaration		
Constraint Name:	CCSt_14(Ti:Ti; st:INTEGER)	
ASP Type:	DL_DatInCcst	
Derivation Path:		
Comments:	CC state = `st`, cause = #30	
Parameter Name	Parameter Value	Comments
sapi	C_Sap0	
logic_ch	?	
msg	CCStatus_14(Ti, st)	
fn	?	
Detailed Comments:		

ASP Constraint Declaration		
Constraint Name:	CCSt_inv_01(ch: LOGICCH)	
ASP Type:	DL_DatRqCcst	
Derivation Path:		
Comments:	To send a CC STATUS message without mandatory cause IE and call state IE.	
Parameter Name	Parameter Value	Comments
sapi	C_Sap0	
logic_ch	ch	
msg	CCStatus_inv_01	
Detailed Comments:		

ASP Constraint Declaration		
Constraint Name:	CCStatusEnqSnd(ch: LOGICCH; pdu: CCST_ENQ_PDU)	
ASP Type:	DL_DatRqCcstEnq	
Derivation Path:		
Comments:	To send a STATUS ENQUIRY message.	
Parameter Name	Parameter Value	Comments
sapi	C_Sap0	
logic_ch	ch	
msg	pdu	
Detailed Comments:		

ASP Constraint Declaration		
Constraint Name:	CCStEq_01(Ti:Ti; ch: LOGICCH)	
ASP Type:	DL_DatRqCcstEnq	
Derivation Path:		
Comments:	To send a STATUS ENQUIRY message on the channel TCV_ch1.	
Parameter Name	Parameter Value	Comments
sapi	C_Sap0	
logic_ch	ch	
msg	CCStatusEq_01(Ti)	
Detailed Comments:		

ASP Constraint Declaration		
Constraint Name:	CCStatusRcv(pdu: CCST_PDU)	
ASP Type:	DL_DatInCcst	
Derivation Path:		
Comments:	To receive a CC STATUS message.	
Parameter Name	Parameter Value	Comments
sapi	C_Sap0	
logic_ch	?	
msg	pdu	
fn	?	
Detailed Comments:		

ASP Constraint Declaration		
Constraint Name:	ChmomoAck_01(chmd:CHMOD; ch:LOGICCH; chd:CHD)	
ASP Type:	DL_DatInChmomoAck	
Derivation Path:		
Comments:		
Parameter Name	Parameter Value	Comments
sapi	C_Sap0	
logic_ch	ch	
msg	ChmomoAck_01(chmd, chd)	
fn	?	
Detailed Comments:		

ASP Constraint Declaration		
Constraint Name:	ChmomoAck_02(chmd:CHMOD; ch:LOGICCH; chd:CHD)	
ASP Type:	DL_DatInChmomoAck	
Derivation Path:		
Comments:		
Parameter Name	Parameter Value	Comments
sapi	C_Sap0	
logic_ch	ch	
msg	ChmomoAck_02(chmd, chd)	
fn	?	
Detailed Comments:		

ASP Constraint Declaration		
Constraint Name:	ChmomoAckRcv(ch:LOGICCH; msg:CHMMO_ACK_PDU)	
ASP Type:	DL_DatInChmomoAck	
Derivation Path:		
Comments:		
Parameter Name	Parameter Value	Comments
sapi	C_Sap0	
logic_ch	ch	
msg	msg	
fn	?	
Detailed Comments:		

ASP Constraint Declaration		
Constraint Name:	ChmomoReq_01(chmd:CHMOD; ch:LOGICCH; chd:CHD)	
ASP Type:	DL_DatRqChmomo	
Derivation Path:		
Comments:		
Parameter Name	Parameter Value	Comments
sapi	C_Sap0	
logic_ch	ch	
msg	ChmomoReq_01(chmd, chd)	
Detailed Comments:		

ASP Constraint Declaration		
Constraint Name:	ChmomoReq_02(chmd:CHMOD; ch: LOGICCH; chd:CHD)	
ASP Type:	DL_DatRqChmomo	
Derivation Path:		
Comments:		
Parameter Name	Parameter Value	Comments
sapi	C_Sap0	
logic_ch	ch	
msg	ChmomoReq_02(chmd, chd)	
Detailed Comments:		

ASP Constraint Declaration		
Constraint Name:	ChmomoReqSnd(ch:LOGICCH; msg:CHMMO_PDU)	
ASP Type:	DL_DatRqChmomo	
Derivation Path:		
Comments:		
Parameter Name	Parameter Value	Comments
sapi	C_Sap0	
logic_ch	ch	
msg	msg	
Detailed Comments:		

ASP Constraint Declaration		
Constraint Name:	ChRel(ch: LOGICCH; pdu: CH_REL_PDU)	
ASP Type:	DL_DatRqChRel	
Derivation Path:		
Comments:	To send a CHANNEL RELEASE message.	
Parameter Name	Parameter Value	Comments
sapi	C_Sap0	
logic_ch	ch	
msg	pdu	
Detailed Comments:		

ASP Constraint Declaration		
Constraint Name:	ChRel_01(ch: LOGICCH)	
ASP Type:	DL_DatRqChRel	
Derivation Path:		
Comments:	To send a CHANNEL RELEASE message with RR release cause = normal event, the channel to be released is `ch`	
Parameter Name	Parameter Value	Comments
sapi	C_Sap0	
logic_ch	ch	
msg	ChRelease_01	
Detailed Comments:		

ASP Constraint Declaration		
Constraint Name:	ChRel_20(ch: LOGICCH)	
ASP Type:	DL_DatRqChRel	
Derivation Path:		
Comments:	To send a CHANNEL RELEASE message with RR release cause = normal event. Used variables: TCV_chmaindcch	
Parameter Name	Parameter Value	Comments
sapi	C_Sap0	
logic_ch	ch	
msg	ChRelease_01	
Detailed Comments:		

ASP Constraint Declaration		
Constraint Name:	ChRel_inv_01(ch: LOGICCH)	
ASP Type:	DL_DatRqChRel	
Derivation Path:		
Comments:	To send a CHANNEL RELEASE message without mandatory RR release cause IE.	
Parameter Name	Parameter Value	Comments
sapi	C_Sap0	
logic_ch	ch	
msg	ChRelease_inv_01	
Detailed Comments:		

ASP Constraint Declaration		
Constraint Name:	ChRel_inv_02(ch:LOGICCH)	
ASP Type:	DL_DatRqChRel	
Derivation Path:		
Comments:	To send an invalid CHANNEL RELEASE message with skip indicator = H'6'.	
Parameter Name	Parameter Value	Comments
sapi	C_Sap0	
logic_ch	ch	
msg	ChRelease_inv_02	
Detailed Comments:		

ASP Constraint Declaration		
Constraint Name:	ChRel_inv_03(ch:LOGICCH)	
ASP Type:	DL_DatRqChRelErr	
Derivation Path:		
Comments:	To send a CHANNEL RELEASE message containing additional IE unknown in the RR protocol	
Parameter Name	Parameter Value	Comments
sapi	C_Sap0	
logic_ch	ch	
msg	ChRelease_inv_03	
Detailed Comments:	used in TC_26_5_6_3	

ASP Constraint Declaration		
Constraint Name:	ChReq(pdu: CH_RQ_PDU)	
ASP Type:	DL_RaInChRq	
Derivation Path:		
Comments:	To receive a primitive containing a CHANNEL REQUEST message.	
Parameter Name	Parameter Value	Comments
sapi	C_Sap0	
logic_ch	?	
fn	?	
msg	pdu	
Detailed Comments:		

ASP Constraint Declaration		
Constraint Name:	ChReq_01	
ASP Type:	DL_RaInChRq	
Derivation Path:		
Comments:	To match a received primitive containing CHANNEL REQUEST message which establishment cause is answer to paging ('100', '0010', '0011', '0001').	
Parameter Name	Parameter Value	Comments
sapi	C_Sap0	
logic_ch	?	
fn	?	
msg	ChRequest_17	
Detailed Comments:		

ASP Constraint Declaration		
Constraint Name:	ChReq_02	
ASP Type:	DL_RaInChRq	
Derivation Path:	ChReq_01.	
Comments:	To match a received primitive containing any CHANNEL REQUEST message.	
Parameter Name	Parameter Value	Comments
msg	ChRequest_02	
Detailed Comments:		

ASP Constraint Declaration		
Constraint Name:	ChReq_03	
ASP Type:	DL_RaInChRq	
Derivation Path:	ChReq_01.	
Comments:	To match a received primitive containing the CHANNEL REQUEST message in which the establishment cause is '0001'B (other procedures which can be completed with an SDCCH).	
Parameter Name	Parameter Value	Comments
msg	ChRequest_03	
Detailed Comments:		

ASP Constraint Declaration		
Constraint Name:	ChReq_04	
ASP Type:	DL_RaInChRq	
Derivation Path:	ChReq_01.	
Comments:	To match a received primitive containing CHANNEL REQUEST message which originates a call and TCH/F is needed, or originating call and the network does not set NECl bit to 1 (establishment cause = '111'B).	
Parameter Name	Parameter Value	Comments
msg	ChRequest_04	
Detailed Comments:		

ASP Constraint Declaration		
Constraint Name:	ChReq_05	
ASP Type:	DL_RaInChRq	
Derivation Path:	ChReq_01.	
Comments:	To match a received primitive containing CHANNEL REQUEST message containing establish cause = '0100'B "originating speech call from dual-rate mobile station when TCH/H is sufficient and the network sets NECI bit to 1".	
Parameter Name	Parameter Value	Comments
msg	ChRequest_05	
Detailed Comments:		

ASP Constraint Declaration		
Constraint Name:	ChReq_06	
ASP Type:	DL_RaInChRq	
Derivation Path:	ChReq_01.	
Comments:	To match a received primitive containing CHANNEL REQUEST message which originates a data call (establishment cause = '0101'B "originating data call from dual-rate mobile station when TCH/H is sufficient and the network sets NECI bit to 1").	
Parameter Name	Parameter Value	Comments
msg	ChRequest_06	
Detailed Comments:		

ASP Constraint Declaration		
Constraint Name:	ChReq_07	
ASP Type:	DL_RaInChRq	
Derivation Path:	ChReq_01.	
Comments:	To match a received primitive containing CHANNEL REQUEST message with establishment cause = '0010'B	
Parameter Name	Parameter Value	Comments
msg	ChRequest_07	
Detailed Comments:		

ASP Constraint Declaration		
Constraint Name:	ChReq_08	
ASP Type:	DL_RaInChRq	
Derivation Path:	ChReq_01.	
Comments:	To match a received primitive containing CHANNEL REQUEST message with establishment cause = '0011'B	
Parameter Name	Parameter Value	Comments
msg	ChRequest_08	
Detailed Comments:		

ASP Constraint Declaration		
Constraint Name:	ChReq_09	
ASP Type:	DL_RaInChRq	
Derivation Path:	ChReq_01.	
Comments:	To match a received primitive containing CHANNEL REQUEST message with establishment cause = location updating ('000'B).	
Parameter Name	Parameter Value	Comments
msg	ChRequest_09	
Detailed Comments:		

ASP Constraint Declaration		
Constraint Name:	ChReq_10	
ASP Type:	DL_RaInChRq	
Derivation Path:	ChReq_01.	
Comments:	To match a received primitive containing CHANNEL REQUEST message with establishment cause = '110'B " call re-establishment"	
Parameter Name	Parameter Value	Comments
msg	ChRequest_10	
Detailed Comments:		

ASP Constraint Declaration		
Constraint Name:	ChReq_11	
ASP Type:	DL_RaInChRq	
Derivation Path:	ChReq_01.	
Comments:	To match a received primitive containing CHANNEL REQUEST message with establishment cause = '011010'B	
Parameter Name	Parameter Value	Comments
msg	ChRequest_11	
Detailed Comments:		

ASP Constraint Declaration		
Constraint Name:	ChReq_12	
ASP Type:	DL_RaInChRq	
Derivation Path:	ChReq_01.	
Comments:	To match a received primitive containing CHANNEL REQUEST message with establishment cause = '100'B	
Parameter Name	Parameter Value	Comments
msg	ChRequest_12	
Detailed Comments:		

ASP Constraint Declaration		
Constraint Name:	ChReq_13	
ASP Type:	DL_RaInChRq	
Derivation Path:	ChReq_01.	
Comments:	To match a received primitive containing CHANNEL REQUEST message with establishment cause = '100'B, or '0010'B or '0001'B	
Parameter Name	Parameter Value	Comments
msg	ChRequest_13	
Detailed Comments:		

ASP Constraint Declaration		
Constraint Name:	ChReq_14	
ASP Type:	DL_RaInChRq	
Derivation Path:	ChReq_01.	
Comments:	To match a received primitive containing CHANNEL REQUEST message with establishment cause = '100'B, or '0011'B or '0001'B	
Parameter Name	Parameter Value	Comments
msg	ChRequest_14	
Detailed Comments:		

ASP Constraint Declaration		
Constraint Name:	ChReq_15(ch:LOGICCH)	
ASP Type:	DL_RaInChRq	
Derivation Path:		
Comments:	To receive a CHANNEL REQUEST message in cell B	
Parameter Name	Parameter Value	Comments
sapi	C_Sap0	
logic_ch	ch	
fn	?	
msg	ChRequest_01	
Detailed Comments:		

ASP Constraint Declaration		
Constraint Name:	ChReq_16(ch:LOGICCH)	
ASP Type:	DL_RaInChRq	
Derivation Path:		
Comments:	To match a received primitive containing CHANNEL REQUEST message with establishment cause = '100'B	
Parameter Name	Parameter Value	Comments
sapi	C_Sap0	
logic_ch	ch	
fn	?	
msg	ChRequest_12	
Detailed Comments:		

ASP Constraint Declaration		
Constraint Name:	ChReq_17	
ASP Type:	DL_RaInChRq	
Derivation Path:	ChReq_01.	
Comments:	To match a received primitive containing CHANNEL REQUEST message which originates a call (establishment cause = '111'B, or '0100'B, or '0101'B or '101'B--- initiate outgoing call).	
Parameter Name	Parameter Value	Comments
msg	ChRequest_15	
Detailed Comments:		

ASP Constraint Declaration		
Constraint Name:	ChReq_18	
ASP Type:	DL_RaInChRq	
Derivation Path:	ChReq_01.	
Comments:	To match a received primitive containing CHANNEL REQUEST message which establishment cause is emergency call.	
Parameter Name	Parameter Value	Comments
msg	ChRequest_16	
Detailed Comments:		

ASP Constraint Declaration		
Constraint Name:	ChReq_20(ch:LOGICCH)	
ASP Type:	DL_RacInChRq	
Derivation Path:		
Comments:	To receive a CHANNEL REQUEST message in cell B	
Parameter Name	Parameter Value	Comments
sapi	C_Sap0	
logic_ch	ch	
fn	?	
msg	ChRequest_09	
Detailed Comments:		

ASP Constraint Declaration		
Constraint Name:	ClassChg_01	
ASP Type:	DL_UdatInCImChn	
Derivation Path:		
Comments:	to match a received CLASSMARK CHANGE message containing classmark2 indicating original rf power class	
Parameter Name	Parameter Value	Comments
sapi	C_Sap0	
logic_ch	?	
msg	ClassChange_01	
fn	?	
Detailed Comments:		

ASP Constraint Declaration		
Constraint Name:	ClassChg_02	
ASP Type:	DL_UdatInCImChn	
Derivation Path:	ClassChg_01.	
Comments:	to match a received CLASSMARK CHANGE message containing classmark2 indicating new rf power class with power amplification	
Parameter Name	Parameter Value	Comments
msg	ClassChange_02	
Detailed Comments:		

ASP Constraint Declaration		
Constraint Name:	ClassChg_03	
ASP Type:	DL_DatInCImChn	
Derivation Path:		
Comments:	to match a received CLASSMARK CHANGE message containing classmark2 indicating original rf power class and possible classmark3.	
Parameter Name	Parameter Value	Comments
sapi	C_Sap0	
logic_ch	?	
msg	ClassChange_03	
fn	?	
Detailed Comments:		

ASP Constraint Declaration		
Constraint Name:	ClassMkEnq_01(ch: LOGICCH)	
ASP Type:	DL_DatRqCImEnq	
Derivation Path:		
Comments:		
Parameter Name	Parameter Value	Comments
sapi	C_Sap0	
logic_ch	ch	
msg	ClassMarkEnq_01	
Detailed Comments:		

ASP Constraint Declaration		
Constraint Name:	CmreReq_02	
ASP Type:	DL_EstInCmreRq	
Derivation Path:		
Comments:		
Parameter Name	Parameter Value	Comments
sapi	C_Sap0	
logic_ch	?	
establish_mode	?	
msg	CMReEstReq_02	
fn	?	
Detailed Comments:		

ASP Constraint Declaration		
Constraint Name:	CmreReq_03	
ASP Type:	DL_EstInCmreRq	
Derivation Path:		
Comments:		
Parameter Name	Parameter Value	Comments
sapi	C_Sap0	
logic_ch	?	
establish_mode	?	
msg	CMReEstReq_03	
fn	?	
Detailed Comments:		

ASP Constraint Declaration		
Constraint Name:	CMSerAcp(ch:LOGICCH; pdu: CMS_ACP_PDU)	
ASP Type:	DL_DatRqCmsAcp	
Derivation Path:		
Comments:	To send a CM service accept message.	
Parameter Name	Parameter Value	Comments
sapi	C_Sap0	
logic_ch	ch	
msg	pdu	
Detailed Comments:		

ASP Constraint Declaration		
Constraint Name:	CmserAcp_01(ch:LOGICCH)	
ASP Type:	DL_DatRqCmsAcp	
Derivation Path:		
Comments:	To send a cm service accept message.	
Parameter Name	Parameter Value	Comments
sapi	C_Sap0	
logic_ch	ch	
msg	CMServiceAcp_01	
Detailed Comments:		

ASP Constraint Declaration		
Constraint Name:	CMSerRej(ch:LOGICCH; pdu: CMS_REJ_PDU)	
ASP Type:	DL_DatRqCmsRej	
Derivation Path:		
Comments:	reject cause = "service or option not available, unspecified"	
Parameter Name	Parameter Value	Comments
sapi	C_Sap0	
logic_ch	ch	
msg	pdu	
Detailed Comments:		

ASP Constraint Declaration		
Constraint Name:	CmserRej_02(ch: LOGICCH)	
ASP Type:	DL_DatRqCmsRej	
Derivation Path:		
Comments:	reject cause = "IMEI not accepted"	
Parameter Name	Parameter Value	Comments
sapi	C_Sap0	
logic_ch	ch	
msg	CMServiceRej_02	
Detailed Comments:		

ASP Constraint Declaration		
Constraint Name:	CmserRej_03(ch: LOGICCH)	
ASP Type:	DL_DatRqCmsRej	
Derivation Path:		
Comments:	reject cause = "Service Option not supported"	
Parameter Name	Parameter Value	Comments
sapi	C_Sap0	
logic_ch	ch	
msg	CMServiceRej_03	
Detailed Comments:		

ASP Constraint Declaration		
Constraint Name:	CmserRej_04(ch:LOGICCH)	
ASP Type:	DL_DatRqCmsRej	
Derivation Path:		
Comments:	reject cause = "network failure"	
Parameter Name	Parameter Value	Comments
sapi	C_Sap0	
logic_ch	ch	
msg	CMServiceRej_04	
Detailed Comments:		

ASP Constraint Declaration		
Constraint Name:	CmsrRej_30(par: REJCAU; ch: LOGICCH)	
ASP Type:	DL_DatRqCmsRej	
Derivation Path:		
Comments:	reject cause = 'service or option not available, unsepcified"	
Parameter Name	Parameter Value	Comments
sapi	C_Sap0	
logic_ch	ch	
msg	CMSerRej_30(par)	
Detailed Comments:		

ASP Constraint Declaration		
Constraint Name:	CMSerReq(pdu: CMS_RQ_PDU)	
ASP Type:	DL_EstInCmsRq	
Derivation Path:		
Comments:	To receive a CM SERVICE REQUEST message.	
Parameter Name	Parameter Value	Comments
sapi	C_Sap0	
logic_ch	?	
establish_mode	?	
msg	pdu	
fn	?	
Detailed Comments:		

ASP Constraint Declaration		
Constraint Name:	CmsrReq_01	
ASP Type:	DL_EstInCmsRq	
Derivation Path:		
Comments:	To match any received CM SERVICE REQUEST message	
Parameter Name	Parameter Value	Comments
sapi	C_Sap0	
logic_ch	?	
establish_mode	?	
msg	CMSerReq_01	
fn	?	
Detailed Comments:		

ASP Constraint Declaration		
Constraint Name:	CmsrDatReq_01	
ASP Type:	DL_DatInCmsRq	
Derivation Path:		
Comments:	To match any received CM SERVICE REQUEST message	
Parameter Name	Parameter Value	Comments
sapi	C_Sap0	
logic_ch	?	
msg	CMSerReq_01	
fn	?	
Detailed Comments:		

ASP Constraint Declaration		
Constraint Name:	CmserReq_02	
ASP Type:	DL_EstInCmsRq	
Derivation Path:	CmserReq_01.	
Comments:	To match a received CM SERVICE REQUEST message containing mobile station classmark 2 indicating new RF power capability.	
Parameter Name	Parameter Value	Comments
msg	CMServiceReq_02	
Detailed Comments:		

ASP Constraint Declaration		
Constraint Name:	CmserReq_04	
ASP Type:	DL_EstInCmsRq	
Derivation Path:	CmserReq_01.	
Comments:	To match a received CM SERVICE REQUEST message containing CM service type = "Mobile originating call establishment or packet mode connection establishment" or "emergency call establishment".	
Parameter Name	Parameter Value	Comments
msg	CMServiceReq_04	
Detailed Comments:		

ASP Constraint Declaration		
Constraint Name:	CmserReq_05(mi:MI)	
ASP Type:	DL_EstInCmsRq	
Derivation Path:		
Comments:	To match any received CM SERVICE REQUEST message for emergency call.	
Parameter Name	Parameter Value	Comments
sapi	C_Sap0	
logic_ch	?	
establish_mode	?	
msg	CMServiceReq_05(mi)	
fn	?	
Detailed Comments:		

ASP Constraint Declaration		
Constraint Name:	CmserReq_06	
ASP Type:	DL_EstInCmsRq	
Derivation Path:	CmserReq_01.	
Comments:	To match any received CM SERVICE REQUEST message for emergency call with TMSI.	
Parameter Name	Parameter Value	Comments
msg	CMServiceReq_06	
Detailed Comments:		

ASP Constraint Declaration		
Constraint Name:	CmserReq_07	
ASP Type:	DL_EstInCmsRq	
Derivation Path:	CmserReq_01.	
Comments:	To match a received CM SERVICE REQUEST message for emergency call with IMEI and non-available CKSN.	
Parameter Name	Parameter Value	Comments
msg	CMServiceReq_07	
Detailed Comments:		

ASP Constraint Declaration		
Constraint Name:	CmserReq_08	
ASP Type:	DL_EstInCmsRq	
Derivation Path:	CmserReq_01.	
Comments:	To match the received CM SERVICE REQUEST message indicating "supplementary service activation"	
Parameter Name	Parameter Value	Comments
msg	CMSERVICEReq_08	
Detailed Comments:		

ASP Constraint Declaration		
Constraint Name:	CmserDatReq_08	
ASP Type:	DL_DatInCmsRq	
Derivation Path:		
Comments:	To match the received CM SERVICE REQUEST message indicating "supplementary service activation"	
Parameter Name	Parameter Value	Comments
sapi	C_Sap0	
logic_ch	?	
msg	CMSERVICEReq_08	
fn	?	
Detailed Comments:		

ASP Constraint Declaration		
Constraint Name:	CmserReq_09	
ASP Type:	DL_EstInCmsRq	
Derivation Path:	CmserReq_01.	
Comments:	To match the received CM SERVICE REQUEST message indicating "short message transfer"	
Parameter Name	Parameter Value	Comments
msg	CMSERVICEReq_09	
Detailed Comments:		

ASP Constraint Declaration		
Constraint Name:	CmserDatReq_09	
ASP Type:	DL_DatInCmsRq	
Derivation Path:		
Comments:	To match the received CM SERVICE REQUEST message indicating "short message transfer"	
Parameter Name	Parameter Value	Comments
sapi	C_Sap0	
logic_ch	?	
msg	CMSERVICEReq_09	
fn	?	
Detailed Comments:		

ASP Constraint Declaration		
Constraint Name:	CmserReq_30(parexpected_mi: MI)	
ASP Type:	DL_EstInCmsRq	
Derivation Path:		
Comments:	To match any received CM SERVICE REQUEST message	
Parameter Name	Parameter Value	Comments
sapi	C_Sap0	
logic_ch	?	
establish_mode	?	
msg	CMSerReq_30(parexpected_mi)	
fn	?	
Detailed Comments:		

ASP Constraint Declaration		
Constraint Name:	CmserReq_31(parexpected_mi: MI; cksn: BITSTRING)	
ASP Type:	DL_EstInCmsRq	
Derivation Path:		
Comments:	To match any received CM SERVICE REQUEST message	
Parameter Name	Parameter Value	Comments
sapi	C_Sap0	
logic_ch	?	
establish_mode	?	
msg	CMSerReq_31(parexpected_mi, cksn)	
fn	?	
Detailed Comments:		

ASP Constraint Declaration		
Constraint Name:	CmserReq_32(parexpected_mi: MI; cksn: BITSTRING)	
ASP Type:	DL_EstInCmsRq	
Derivation Path:		
Comments:	To match any received CM SERVICE REQUEST message	
Parameter Name	Parameter Value	Comments
sapi	C_Sap0	
logic_ch	?	
establish_mode	?	
msg	CMSerReq_32(parexpected_mi, cksn)	
fn	?	
Detailed Comments:		

ASP Constraint Declaration		
Constraint Name:	ConnAck_01(ch:LOGICCH)	
ASP Type:	DL_DatRqConnAck	
Derivation Path:		
Comments:	To send a CONNECT ACKNOWLEDGE message	
Parameter Name	Parameter Value	Comments
sapi	C_Sap0	
logic_ch	ch	
msg	ConnectAck_01	
Detailed Comments:		

ASP Constraint Declaration		
Constraint Name:	ConnAck_20(ch: LOGICCH)	
ASP Type:	DL_DatRqConnAck	
Derivation Path:		
Comments:	To send a CONNECT ACKNOWLEDGE message	
Parameter Name	Parameter Value	Comments
sapi	C_Sap0	
logic_ch	ch	
msg	ConnectAck_01	
Detailed Comments:		

ASP Constraint Declaration		
Constraint Name:	ConnAckRcv(pdu: CONN_ACK_PDU)	
ASP Type:	DL_DatInConnAck	
Derivation Path:		
Comments:	To receive a CONNECT ACKNOWLEDGE message	
Parameter Name	Parameter Value	Comments
sapi	C_Sap0	
logic_ch	?	
msg	pdu	
fn	?	
Detailed Comments:		

ASP Constraint Declaration		
Constraint Name:	ConnAckRcv_01(Ti:Ti)	
ASP Type:	DL_DatInConnAck	
Derivation Path:		
Comments:	To match any received CONNECT ACKNOWLEDGE message	
Parameter Name	Parameter Value	Comments
sapi	C_Sap0	
logic_ch	?	
msg	ConnectAck_02(Ti)	
fn	?	
Detailed Comments:		

ASP Constraint Declaration		
Constraint Name:	ConnAckSnd(ch:LOGICCH; pdu: CONN_ACK_PDU)	
ASP Type:	DL_DatRqConnAck	
Derivation Path:		
Comments:	To send a CONNECT ACKNOWLEDGE message.	
Parameter Name	Parameter Value	Comments
sapi	C_Sap0	
logic_ch	ch	
msg	pdu	
Detailed Comments:		

ASP Constraint Declaration		
Constraint Name:	Conn_01(Ti:Ti; ch: LOGICCH)	
ASP Type:	DL_DatRqConn	
Derivation Path:		
Comments:	To send a CC CONNECT message containing mandatory IE's only.	
Parameter Name	Parameter Value	Comments
sapi	C_Sap0	
logic_ch	ch	
msg	Connect_02(Ti)	
Detailed Comments:		

ASP Constraint Declaration		
Constraint Name:	Conn_03(ch: LOGICCH; conn:CONN_PDU)	
ASP Type:	DL_DatRqConn	
Derivation Path:		
Comments:	To send a CC CONNECT message.	
Parameter Name	Parameter Value	Comments
sapi	C_Sap0	
logic_ch	ch	
msg	conn	
Detailed Comments:		

ASP Constraint Declaration		
Constraint Name:	Conn_inv_01(Ti:Ti; ch:LOGICCH)	
ASP Type:	DL_DatRqConnErr	
Derivation Path:		
Comments:	To send a CC CONNECT message containing a mandatory IE coded as comprehension required.	
Parameter Name	Parameter Value	Comments
sapi	C_Sap0	
logic_ch	ch	
msg	Connect_inv_01(Ti)	
Detailed Comments:		

ASP Constraint Declaration		
Constraint Name:	ConnRcv(pdu: CONN_PDU)	
ASP Type:	DL_DatInConn	
Derivation Path:		
Comments:	To receive a CC CONNECT message.	
Parameter Name	Parameter Value	Comments
sapi	C_Sap0	
logic_ch	?	
msg	pdu	
fn	?	
Detailed Comments:		

ASP Constraint Declaration		
Constraint Name:	ConnRcv_01	
ASP Type:	DL_DatInConn	
Derivation Path:		
Comments:	To match a received CONNECT message containing any value.	
Parameter Name	Parameter Value	Comments
sapi	C_Sap0	
logic_ch	?	
msg	Connect_01	
fn	?	
Detailed Comments:		

ASP Constraint Declaration		
Constraint Name:	ConnRcv_03(ch:LOGICCH)	
ASP Type:	DL_DatInConn	
Derivation Path:		
Comments:	To match a received CONNECT message containing any value on channel `ch`.	
Parameter Name	Parameter Value	Comments
sapi	C_Sap0	
logic_ch	ch	
msg	Connect_01	
fn	?	
Detailed Comments:		

ASP Constraint Declaration		
Constraint Name:	ConnSnd(ch: LOGICCH; pdu: CONN_PDU)	
ASP Type:	DL_DatRqConn	
Derivation Path:		
Comments:	To send a CC CONNECT message.	
Parameter Name	Parameter Value	Comments
sapi	C_Sap0	
logic_ch	ch	
msg	pdu	
Detailed Comments:		

ASP Constraint Declaration		
Constraint Name:	CphCmd(ch: LOGICCH; pdu: CPHM_CMD_PDU)	
ASP Type:	DL_DatRqCphmCmd	
Derivation Path:		
Comments:	To send a CIPHERING MODE COMMAND message.	
Parameter Name	Parameter Value	Comments
sapi	C_Sap0	
logic_ch	ch	
msg	pdu	
Detailed Comments:		

ASP Constraint Declaration		
Constraint Name:	CphCmd_01(ch: LOGICCH)	
ASP Type:	DL_DatRqCphmCmd	
Derivation Path:		
Comments:	To send a CIPHERING MODE COMMAND message with ciphering mode = "ciphering on" and IMEISV not included..	
Parameter Name	Parameter Value	Comments
sapi	C_Sap0	
logic_ch	ch	
msg	CphModeCmd_01	
Detailed Comments:		

ASP Constraint Declaration		
Constraint Name:	CphCmd_02(ch:LOGICCH)	
ASP Type:	DL_DatRqCphmCmd	
Derivation Path:	CphCmd_01.	
Comments:	To send a CIPHERING MODE COMMAND message with ciphering mode = no ciphering and IMEISV not be included.	
Parameter Name	Parameter Value	Comments
logic_ch	ch	
msg	CphModeCmd_02	
Detailed Comments:		

ASP Constraint Declaration		
Constraint Name:	CphCmd_03(ch:LOGICCH)	
ASP Type:	DL_DatRqCphmCmd	
Derivation Path:	CphCmd_01.	
Comments:	To send a CIPHERING MODE COMMAND message with ciphering mode = no ciphering and IMEISV included.	
Parameter Name	Parameter Value	Comments
logic_ch	ch	
msg	CphModeCmd_03	
Detailed Comments:		

ASP Constraint Declaration		
Constraint Name:	CphCmd_04(ch:LOGICCH)	
ASP Type:	DL_DatRqCphmCmd	
Derivation Path:		
Comments:	To send a CIPHERING MODE COMMAND message.	
Parameter Name	Parameter Value	Comments
sapi	C_Sap0	
logic_ch	ch	
msg	CphModeCmd_02	
Detailed Comments:		

ASP Constraint Declaration		
Constraint Name:	CphCmd_05(ch: LOGICCH)	
ASP Type:	DL_DatRqCphmCmd	
Derivation Path:		
Comments:	To send a CIPHERING MODE COMMAND message with no ciphering.	
Parameter Name	Parameter Value	Comments
sapi	C_Sap0	
logic_ch	ch	
msg	CphModeCmd_02	
Detailed Comments:		

ASP Constraint Declaration		
Constraint Name:	CphCmd_inv_01(ch:LOGICCH)	
ASP Type:	DL_DatRqCphmCmd	
Derivation Path:		
Comments:	To send an invalid CIPHERING MODE COMMAND message in which mandatory IE's are missing	
Parameter Name	Parameter Value	Comments
sapi	C_Sap0	
logic_ch	ch	
msg	CphModeCmd_inv_01	
Detailed Comments:		

ASP Constraint Declaration		
Constraint Name:	CphCmd_inv_02(ch:LOGICCH)	
ASP Type:	DL_DatRqCphmCmd	
Derivation Path:		
Comments:	To send a CIPHERING MODE COMMAND message with incorrect skip indicator.	
Parameter Name	Parameter Value	Comments
sapi	C_Sap0	
logic_ch	ch	
msg	CphModeCmd_inv_02	
Detailed Comments:		

ASP Constraint Declaration		
Constraint Name:	CphCmd_inv_03(ch:LOGICCH)	
ASP Type:	DL_DatRqCphmCmdErr	
Derivation Path:		
Comments:	To send a CIPHERING MODE COMMAND message containing additional unknown IE	
Parameter Name	Parameter Value	Comments
sapi	C_Sap0	
logic_ch	ch	
msg	CphModeCmd_inv_03	
Detailed Comments:		

ASP Constraint Declaration		
Constraint Name:	CphCmp_01	
ASP Type:	DL_DatInCphmCom	
Derivation Path:		
Comments:	To match any received CIPHERING MODE COMPLETE message	
Parameter Name	Parameter Value	Comments
sapi	C_Sap0	
logic_ch	?	
msg	CphModeCmp_01	
fn	?	
Detailed Comments:		

ASP Constraint Declaration		
Constraint Name:	CphCmp_02	
ASP Type:	DL_DatInCphmCom	
Derivation Path:	CphCmp_01.	
Comments:	To match a received CIPHERING MODE COMPLETE message without IMEISV.	
Parameter Name	Parameter Value	Comments
msg	CphModeCmp_02	
Detailed Comments:		

ASP Constraint Declaration		
Constraint Name:	CphCmp_03	
ASP Type:	DL_DatInCphmCom	
Derivation Path:	CphCmp_01.	
Comments:	To match a received CIPHERING MODE COMPLETE message containing IMEISV	
Parameter Name	Parameter Value	Comments
msg	CphModeCmp_03	
Detailed Comments:		

ASP Constraint Declaration		
Constraint Name:	CphCom(pdu: CPHM_COM_PDU)	
ASP Type:	DL_DatInCphmCom	
Derivation Path:		
Comments:	To receive a CIPHERING MODE COMPLETE message.	
Parameter Name	Parameter Value	Comments
sapi	C_Sap0	
logic_ch	?	
msg	pdu	
fn	?	
Detailed Comments:		

ASP Constraint Declaration		
Constraint Name:	Disc_inv_01(ch: LOGICCH)	
ASP Type:	DL_DatRqDisc	
Derivation Path:		
Comments:	To send a DISCONNECT message containing the transaction ID not refer to the active call.	
Parameter Name	Parameter Value	Comments
sapi	C_Sap0	
logic_ch	ch	
msg	Disconn_inv_01	
Detailed Comments:		

ASP Constraint Declaration		
Constraint Name:	Disc_inv_02(ch: LOGICCH)	
ASP Type:	DL_DatRqDisc	
Derivation Path:		
Comments:	To send an invalid DISCONNECT message with mandatory IE cause missing.	
Parameter Name	Parameter Value	Comments
sapi	C_Sap0	
logic_ch	ch	
msg	Disconn_inv_02	
Detailed Comments:		

ASP Constraint Declaration		
Constraint Name:	Disc_inv_03(ch:LOGICCH)	
ASP Type:	DL_DatRqDiscErr	
Derivation Path:		
Comments:	To send a DISCONNECT message containing unknown IEI	
Parameter Name	Parameter Value	Comments
sapi	C_Sap0	
logic_ch	ch	
msg	Disconn_inv_03	
Detailed Comments:		

ASP Constraint Declaration		
Constraint Name:	Disc_inv_04(ch:LOGICCH)	
ASP Type:	DL_DatRqDisc	
Derivation Path:		
Comments:	To send a DISCONNECT message containing arbitrary spare bits	
Parameter Name	Parameter Value	Comments
sapi	C_Sap0	
logic_ch	ch	
msg	Disconn_inv_04	
Detailed Comments:		

ASP Constraint Declaration		
Constraint Name:	Disc_inv_05(ch: LOGICCH)	
ASP Type:	DL_DatRqDisc	
Derivation Path:		
Comments:	To send a DISCONNECT message containing the transaction ID '0111'B.	
Parameter Name	Parameter Value	Comments
sapi	C_Sap0	
logic_ch	ch	
msg	Disconn_inv_05	
Detailed Comments:		

ASP Constraint Declaration		
Constraint Name:	DiscRcv(ch:LOGICCH; pdu: DISC_PDU)	
ASP Type:	DL_DatInDisc	
Derivation Path:		
Comments:	To match a received DISCONNECT message.	
Parameter Name	Parameter Value	Comments
sapi	C_Sap0	
logic_ch	ch	
msg	pdu	
fn	?	
Detailed Comments:		

ASP Constraint Declaration		
Constraint Name:	DiscSnd(ch:LOGICCH; pdu: DISC_PDU)	
ASP Type:	DL_DatRqDisc	
Derivation Path:		
Comments:	To send a DISCONNECT message.	
Parameter Name	Parameter Value	Comments
sapi	C_Sap0	
logic_ch	ch	
msg	pdu	
Detailed Comments:		

ASP Constraint Declaration		
Constraint Name:	DLEstCo_01(ch:LOGICCH)	
ASP Type:	DL_EstCo	
Derivation Path:		
Comments:	The ASP is used by the L2 to inform the L3 about the establishment of multiple frame link (L2 -> L3).	
Parameter Name	Parameter Value	Comments
sapi	C_Sap3	
logic_ch	ch	
establish_mode	C_Norm	
Detailed Comments:		

ASP Constraint Declaration		
Constraint Name:	DLEstCo_02(ch: LOGICCH)	
ASP Type:	DL_EstCo	
Derivation Path:		
Comments:	The ASP is used by the L2 to inform the L3 about the establishment of multiple frame link (L2 -> L3).	
Parameter Name	Parameter Value	Comments
sapi	C_Sap3	
logic_ch	ch	
establish_mode	C_Norm	
Detailed Comments:		

ASP Constraint Declaration		
Constraint Name:	DLEstRq_01(ch:LOGICCH)	
ASP Type:	DL_EstRq	
Derivation Path:		
Comments:	Request of a layer 2 connection establishment	
Parameter Name	Parameter Value	Comments
sapi	C_Sap3	
logic_ch	ch	
establish_mode	C_Norm	
Detailed Comments:		

ASP Constraint Declaration		
Constraint Name:	DLEstRq_02(ch: LOGICCH)	
ASP Type:	DL_EstRq	
Derivation Path:		
Comments:	Request of a layer 2 connection establishment	
Parameter Name	Parameter Value	Comments
sapi	C_Sap3	
logic_ch	ch	
establish_mode	C_Norm	
Detailed Comments:		

ASP Constraint Declaration		
Constraint Name:	DLEstInd(ch :LOGICCH)	
ASP Type:	DL_EstIn	
Derivation Path:		
Comments:	Indication of a layer 2 connection establishment	
Parameter Name	Parameter Value	Comments
sapi	C_Sap0	
logic_ch	ch	
establish_mode	?	
fn	?	
Detailed Comments:		

ASP Constraint Declaration		
Constraint Name:	DLEstInd_01	
ASP Type:	DL_EstIn	
Derivation Path:		
Comments:	Indication of a layer 2 connection establishment	
Parameter Name	Parameter Value	Comments
sapi	C_Sap0	
logic_ch	?	
establish_mode	?	
fn	?	
Detailed Comments:		

ASP Constraint Declaration		
Constraint Name:	DLEstInd_02	
ASP Type:	DL_EstIn	
Derivation Path:		
Comments:	Indication of a layer 2 connection establishment	
Parameter Name	Parameter Value	Comments
sapi	C_Sap3	
logic_ch	?	
establish_mode	?	
fn	?	
Detailed Comments:		

ASP Constraint Declaration		
Constraint Name:	DLRelInd_01	
ASP Type:	DL_RelIn	
Derivation Path:		
Comments:	Layer 2 indication of the layer 2 connection has been released.	
Parameter Name	Parameter Value	Comments
sapi	C_Sap0	
logic_ch	?	
release_mode	?	
outstanding_indicator	?	
fn	?	
Detailed Comments:		

ASP Constraint Declaration		
Constraint Name:	DLRelInd_02	
ASP Type:	DL_RelIn	
Derivation Path:		
Comments:	Layer 2 indication of the layer 2 connection has been released.	
Parameter Name	Parameter Value	Comments
sapi	C_Sap0	
logic_ch	?	
release_mode	C_LocEndRel	
outstanding_indicator	?	
fn	?	
Detailed Comments:		

ASP Constraint Declaration		
Constraint Name:	ESetupInd_01	
ASP Type:	DL_DatInESetup	
Derivation Path:		
Comments:	To receive a SETUP message containing full rate speech bearer capability. It is also used in the test cases where the value of bearer capability is not care . It is used in MM test cases.	
Parameter Name	Parameter Value	Comments
sapi	C_Sap0	
logic_ch	?	
msg	ESetup_01	
fn	?	
Detailed Comments:		

ASP Constraint Declaration		
Constraint Name:	ESetupInd_02	
ASP Type:	DL_DatInESetup	
Derivation Path:		
Comments:	To receive a emergency call SETUP message containing bearer capability IE indicating "full rate channel" or containing no bearer capability at all.	
Parameter Name	Parameter Value	Comments
sapi	C_Sap0	
logic_ch	?	
msg	ESetup_02	
fn	?	
Detailed Comments:		

ASP Constraint Declaration		
Constraint Name:	ESetupInd_03	
ASP Type:	DL_DatInESetup	
Derivation Path:		
Comments:	To receive a emergency call SETUP message containing bearer capability IE.	
Parameter Name	Parameter Value	Comments
sapi	C_Sap0	
logic_ch	?	
msg	ESetup_03	
fn	?	
Detailed Comments:		

ASP Constraint Declaration		
Constraint Name:	ESetupRcv(pdu: ESETUP_PDU)	
ASP Type:	DL_DatInESetup	
Derivation Path:		
Comments:	To receive an emergency call SETUP message.	
Parameter Name	Parameter Value	Comments
sapi	C_Sap0	
logic_ch	?	
msg	pdu	
fn	?	
Detailed Comments:		

ASP Constraint Declaration		
Constraint Name:	Facility_03(fac:FAC_PDU)	
ASP Type:	DL_DatInFac	
Derivation Path:		
Comments:	To receive a FACILITY message containing build multiparty request	
Parameter Name	Parameter Value	Comments
sapi	C_Sap0	
logic_ch	?	
msg	fac	
fn	?	
Detailed Comments:		

ASP Constraint Declaration		
Constraint Name:	Facility_04(Ti :Ti)	
ASP Type:	DL_DatInFac	
Derivation Path:		
Comments:	To receive any FACILITY message	
Parameter Name	Parameter Value	Comments
sapi	C_Sap0	
logic_ch	?	
msg	FacilityPdu_05(Ti)	
fn	?	
Detailed Comments:		

ASP Constraint Declaration		
Constraint Name:	FacilityRq_07(ch:LOGICCH; fac:FAC_PDU)	
ASP Type:	DL_DatRqFac	
Derivation Path:		
Comments:	To send the FACILITY message passed by 'fac'	
Parameter Name	Parameter Value	Comments
sapi	C_Sap0	
logic_ch	ch	
msg	fac	
Detailed Comments:		

ASP Constraint Declaration		
Constraint Name:	FrqRedf_01(ch:LOGICCH; chd:CHD; ma:MA; strt:STRT; cchd:CCHD)	
ASP Type:	DL_DatRqFrqre	
Derivation Path:		
Comments:		
Parameter Name	Parameter Value	Comments
sapi	C_Sap0	
logic_ch	ch	
msg	FreqRedef_01(chd, ma, strt, cchd)	
Detailed Comments:		

ASP Constraint Declaration		
Constraint Name:	FrqRedf_02(ch:LOGICCH; slot:SN; tsc:TSC)	
ASP Type:	DL_DatRqFrqre	
Derivation Path:		
Comments:	used in TC_26_6_13_3.	
Parameter Name	Parameter Value	Comments
sapi	C_Sap0	
logic_ch	ch	
msg	FreqRedef_02(slot, tsc)	
Detailed Comments:		

ASP Constraint Declaration		
Constraint Name:	FrqRedf_03(ch:LOGICCH; slot:SN; tsc:TSC)	
ASP Type:	DL_DatRqFrqre	
Derivation Path:	FrqRedf_02.	
Comments:	used in TC_26_6_13_4.	
Parameter Name	Parameter Value	Comments
logic_ch	ch	
msg	FreqRedef_03(slot, tsc)	
Detailed Comments:		

ASP Constraint Declaration		
Constraint Name:	FrqRedf_04(ch:LOGICCH; slot:SN; tsc:TSC)	
ASP Type:	DL_DatRqFrqre	
Derivation Path:	FrqRedf_02.	
Comments:	used in TC_26_6_13_7.	
Parameter Name	Parameter Value	Comments
logic_ch	ch	
msg	FreqRedef_04(slot, tsc)	
Detailed Comments:		

ASP Constraint Declaration		
Constraint Name:	FrqRedf_05(ch:LOGICCH; slot:SN; tsc:TSC)	
ASP Type:	DL_DatRqFrqre	
Derivation Path:	FrqRedf_02.	
Comments:	used in TC_26_6_13_8.	
Parameter Name	Parameter Value	Comments
logic_ch	ch	
msg	FreqRedef_05(slot, tsc)	
Detailed Comments:		

ASP Constraint Declaration		
Constraint Name:	FrqRedf_20(ch:LOGICCH; ts_ccch: BITSTRING; par_chtype:BITSTRING; par_cchd: OCTETSTRING; par_ma:BITSTRING; par_stime:STRT)	
ASP Type:	DL_DatRqFrqre	
Derivation Path:		
Comments:		
Parameter Name	Parameter Value	Comments
sapi	C_Sap0	
logic_ch	ch	
msg	FrqRedef_20(ts_ccch, par_chtype, par_cchd, par_ma, par_stime)	
Detailed Comments:		

ASP Constraint Declaration		
Constraint Name:	FrqRedf_21(ch:LOGICCH; ts_ccch: BITSTRING; par_chtype:BITSTRING; par_ma:BITSTRING; par_stime:STRT)	
ASP Type:	DL_DatRqFrqre	
Derivation Path:		
Comments:		
Parameter Name	Parameter Value	Comments
sapi	C_Sap0	
logic_ch	ch	
msg	FrqRedef_21(ts_ccch, par_chtype, par_ma, par_stime)	
Detailed Comments:		

ASP Constraint Declaration		
Constraint Name:	FrqRedf_22(ch:LOGICCH; ts_ccch: BITSTRING; par_chtype:BITSTRING; par_cchd: OCTETSTRING; par_ma1:BITSTRING; par_ma2:BITSTRING; par_stime:STRT)	
ASP Type:	DL_DatRqFrqre	
Derivation Path:		
Comments:		
Parameter Name	Parameter Value	Comments
sapi	C_Sap0	
logic_ch	ch	
msg	FrqRedef_22(ts_ccch, par_chtype, par_cchd, par_ma1, par_ma2, par_stime)	
Detailed Comments:		

ASP Constraint Declaration		
Constraint Name:	HndOv_sdcch4(ch:LOGICCH; subch:BITSTRING; slot:SN; tsc:TSC; cphms:CPHMS; arfcn:INTEGER)	
ASP Type:	DL_DatRqHoCmd	
Derivation Path:		
Comments:	To send a HANDOVER COMMAND indicating a SDCCH4 subchannel TSPX_SDCCH4SubB.	
Parameter Name	Parameter Value	Comments
sapi	C_Sap0	
logic_ch	ch	
msg	HandOverCmd_sdcch4(subch, slot, tsc, cphms, arfcn)	
Detailed Comments:		

ASP Constraint Declaration		
Constraint Name:	HndOv_dsdccch4(ch:LOGICCH; subch:BITSTRING; slot:SN; tsc:TSC; cphms:CPHMS; arfcn:INTEGER)	
ASP Type:	DL_DatRqHoCmd	
Derivation Path:		
Comments:	To send a HANOVER COMMAND indicating a SDCCH4 subchannel TSPX_SDCCH4SubB.	
Parameter Name	Parameter Value	Comments
sapi	C_Sap0	
logic_ch	ch	
msg	HandOverCmd_dsdccch4(subch, slot, tsc, cphms, arfcn)	
Detailed Comments:		

ASP Constraint Declaration		
Constraint Name:	HndOv_05(ch:LOGICCH; slot:SN; tsc:TSC)	
ASP Type:	DL_DatRqHoCmd	
Derivation Path:		
Comments:	To send a HANOVER COMMAND assigning the TCH/F channel of cell B in GSM test.	
Parameter Name	Parameter Value	Comments
sapi	C_Sap0	
logic_ch	ch	
msg	HandOverCmd_05(slot, tsc)	
Detailed Comments:		

ASP Constraint Declaration		
Constraint Name:	HndOv_06(ch:LOGICCH; slot:SN; tsc:TSC; ta:TA)	
ASP Type:	DL_DatRqHoCmd	
Derivation Path:		
Comments:	To send a HANOVER COMMAND assigning the TCH/F channel of cell B in DCS test.	
Parameter Name	Parameter Value	Comments
sapi	C_Sap0	
logic_ch	ch	
msg	HandOverCmd_06(slot, tsc, ta)	
Detailed Comments:		

ASP Constraint Declaration		
Constraint Name:	HndOv_07(ch:LOGICCH; slot:SN; tsc:TSC)	
ASP Type:	DL_DatRqHoCmd	
Derivation Path:	HndOv_05.	
Comments:	To send a HANOVER COMMAND assigning the TCH/F channel of cell B.	
Parameter Name	Parameter Value	Comments
logic_ch	ch	
msg	HandOverCmd_07(slot, tsc)	
Detailed Comments:		

ASP Constraint Declaration		
Constraint Name:	HndOv_08(ch: LOGICCH; slot:SN; tsc:TSC)	
ASP Type:	DL_DatRqHoCmd	
Derivation Path:	HndOv_05.	
Comments:	To send a HANOVER COMMAND assigning the TCH/F channel of cell B.	
Parameter Name	Parameter Value	Comments
logic_ch	ch	
msg	HandOverCmd_08(slot, tsc)	
Detailed Comments:		

ASP Constraint Declaration		
Constraint Name:	HndOv_09(ch: LOGICCH; slot:SN; tsc:TSC)	
ASP Type:	DL_DatRqHoCmd	
Derivation Path:	HndOv_05.	
Comments:	To send a HANOVER COMMAND assigning the TCH/F channel of cell B, non-synchronized, pwrlvl = 8.	
Parameter Name	Parameter Value	Comments
logic_ch	ch	
msg	HandOverCmd_09(slot, tsc)	
Detailed Comments:		

ASP Constraint Declaration		
Constraint Name:	HndOv_12(ch:LOGICCH; slot:SN; tsc:TSC)	
ASP Type:	DL_DatRqHoCmd	
Derivation Path:		
Comments:	To send a HANOVER COMMAND assigning the TCH/F channel of cell B in DCS test.	
Parameter Name	Parameter Value	Comments
sapi	C_Sap0	
logic_ch	ch	
msg	HandOverCmd_12(slot, tsc)	
Detailed Comments:		

ASP Constraint Declaration		
Constraint Name:	HndOv_13(ch:LOGICCH; slot:SN; tsc:TSC; ta:TA)	
ASP Type:	DL_DatRqHoCmd	
Derivation Path:		
Comments:	To send a HANOVER COMMAND assigning the TCH/F channel of cell B in DCS test.	
Parameter Name	Parameter Value	Comments
sapi	C_Sap0	
logic_ch	ch	
msg	HandOverCmd_13(slot, tsc, ta)	
Detailed Comments:		

ASP Constraint Declaration		
Constraint Name:	HndOv_14(ch:LOGICCH; slot:SN; tsc:TSC)	
ASP Type:	DL_DatRqHoCmd	
Derivation Path:		
Comments:	To send a HANOVER COMMAND assigning the TCH/F channel of cell B in DCS test.	
Parameter Name	Parameter Value	Comments
sapi	C_Sap0	
logic_ch	ch	
msg	HandOverCmd_14(slot, tsc)	
Detailed Comments:		

ASP Constraint Declaration		
Constraint Name:	HndOv_15(ch:LOGICCH; slot:SN; tsc:TSC)	
ASP Type:	DL_DatRqHoCmd	
Derivation Path:		
Comments:	To send a HANOVER COMMAND assigning the TCH/F channel of cell B in DCS test.	
Parameter Name	Parameter Value	Comments
sapi	C_Sap0	
logic_ch	ch	
msg	HandOverCmd_15(slot, tsc)	
Detailed Comments:		

ASP Constraint Declaration		
Constraint Name:	HndOv_16(ch:LOGICCH; slot:SN; tsc:TSC)	
ASP Type:	DL_DatRqHoCmd	
Derivation Path:		
Comments:	To send a HANDOVER COMMAND assigning the TCH/F channel of cell B in DCS test.	
Parameter Name	Parameter Value	Comments
sapi	C_Sap0	
logic_ch	ch	
msg	HandOverCmd_16(slot, tsc)	
Detailed Comments:		

ASP Constraint Declaration		
Constraint Name:	HndOv_20(ho_ref: HORF; ch: LOGICCH;ts_ccch: BITSTRING; arfcn: INTEGER; pow:BITSTRING; ta:TA)	
ASP Type:	DL_DatRqHoCmd	
Derivation Path:		
Comments:	Basic constraint to send HANDOVER COMMAND indicating a SDCCH4 subchannel which TDMA offset is one high than the TSPX_SDCCH4.	
Parameter Name	Parameter Value	Comments
sapi	C_Sap0	
logic_ch	ch	
msg	HandOverCmd_20(ho_ref, ts_ccch, arfcn, pow, ta)	
Detailed Comments:		

ASP Constraint Declaration		
Constraint Name:	HndOv_21_A(ho_ref: HORF; ch: LOGICCH;ts_ccch: BITSTRING; arfcn: INTEGER; pow:BITSTRING; ta:TA)	
ASP Type:	DL_DatRqHoCmd	
Derivation Path:	HndOv_20.	
Comments:	To send a HANDOVER COMMAND indicating a TCH/F_NonFH in cell A.	
Parameter Name	Parameter Value	Comments
logic_ch	ch	
msg	HandOverCmd_21_A(ho_ref, ts_ccch, arfcn, pow, ta)	
Detailed Comments:		

ASP Constraint Declaration		
Constraint Name:	HndOv_21_B(ho_ref: HORF; ch: LOGICCH;ts_ccch: BITSTRING; arfcn: INTEGER; pow:BITSTRING; ta:TA)	
ASP Type:	DL_DatRqHoCmd	
Derivation Path:	HndOv_20.	
Comments:	To send a HANDOVER COMMAND indicating a TCH/F non FH in CELL B. For GSM900 and CS1800.	
Parameter Name	Parameter Value	Comments
logic_ch	ch	
msg	HandOverCmd_21_B(ho_ref, ts_ccch, arfcn, pow, ta)	
Detailed Comments:		

ASP Constraint Declaration		
Constraint Name:	HndOv_21_B2(ho_ref: HORF; ch: LOGICCH;ts_ccch: BITSTRING; arfcn: INTEGER; pow:BITSTRING; ta:TA; strt:STRT)	
ASP Type:	DL_DatRqHoCmd	
Derivation Path:		
Comments:	To send a HANOVER COMMAND indicating a TCH/F_NonFH in cell B.	
Parameter Name	Parameter Value	Comments
sapi	C_Sap0	
logic_ch	ch	
msg	HandOverCmd_21_B2(ho_ref, ts_ccch, arfcn, pow, ta, strt)	
Detailed Comments:		

ASP Constraint Declaration		
Constraint Name:	HndOv_22(ho_ref: HORF; ch: LOGICCH;ts_ccch: BITSTRING; pow:BITSTRING; ta:TA)	
ASP Type:	DL_DatRqHoCmd	
Derivation Path:		
Comments:	To send a HANOVER COMMAND indicating a TCH/F FH in cell A.	
Parameter Name	Parameter Value	Comments
sapi	C_Sap0	
logic_ch	ch	
msg	HandOverCmd_22(ho_ref, ts_ccch, pow, ta)	
Detailed Comments:		

ASP Constraint Declaration		
Constraint Name:	HndOv_22d(ho_ref: HORF; ch: LOGICCH;ts_ccch: BITSTRING; pow:BITSTRING; ta:TA)	
ASP Type:	DL_DatRqHoCmd	
Derivation Path:		
Comments:	To send a HANOVER COMMAND indicating a TCH/F FH in cell A.	
Parameter Name	Parameter Value	Comments
sapi	C_Sap0	
logic_ch	ch	
msg	HandOverCmd_22d(ho_ref, ts_ccch, pow, ta)	
Detailed Comments:		

ASP Constraint Declaration		
Constraint Name:	HndOv_22_B1(ho_ref: HORF; ch: LOGICCH;ts_ccch: BITSTRING;pow:BITSTRING; ta:TA)	
ASP Type:	DL_DatRqHoCmd	
Derivation Path:		
Comments:	To send a HANOVER COMMAND indicating a TCH/F FH in cell B.	
Parameter Name	Parameter Value	Comments
sapi	C_Sap0	
logic_ch	ch	
msg	HandOverCmd_22_B1(ho_ref, ts_ccch, pow, ta)	
Detailed Comments:		

ASP Constraint Declaration		
Constraint Name:	HndOv_22_B1d(ho_ref: HORF; ch: LOGICCH;ts_ccch: BITSTRING;pow:BITSTRING; ta:TA)	
ASP Type:	DL_DatRqHoCmd	
Derivation Path:		
Comments:	To send a HANDOVER COMMAND indicating a TCH/F FH in cell B.	
Parameter Name	Parameter Value	Comments
sapi	C_Sap0	
logic_ch	ch	
msg	HandOverCmd_22_B1d(ho_ref, ts_ccch, pow, ta)	
Detailed Comments:		

ASP Constraint Declaration		
Constraint Name:	HndOv_22_B1e(ho_ref: HORF; ch: LOGICCH;ts_ccch: BITSTRING;pow:BITSTRING; par_chtype:BITSTRING; par_flist:OCTETSTRING; par_flistl: OCTETSTRING; ta:TA)	
ASP Type:	DL_DatRqHoCmd	
Derivation Path:		
Comments:	To send a HANDOVER COMMAND indicating a TCH/F FH in cell B, specified for EGSM.	
Parameter Name	Parameter Value	Comments
sapi	C_Sap0	
logic_ch	ch	
msg	HandOverCmd_22_B1e(ho_ref, ts_ccch, pow, par_chtype, par_flist, par_flistl, ta)	
Detailed Comments:		

ASP Constraint Declaration		
Constraint Name:	HndOv_22_B2e(ho_ref: HORF; ch: LOGICCH;ts_ccch: BITSTRING;pow:BITSTRING; par_chtype:BITSTRING; par_flist:OCTETSTRING; par_flistl: OCTETSTRING; ta:TA)	
ASP Type:	DL_DatRqHoCmd	
Derivation Path:		
Comments:	To send a HANDOVER COMMAND indicating a TCH/F FH in cell B, specified for EGSM.	
Parameter Name	Parameter Value	Comments
sapi	C_Sap0	
logic_ch	ch	
msg	HandOverCmd_22_B2e(ho_ref, ts_ccch, pow, par_chtype, par_flist, par_flistl, ta)	
Detailed Comments:		

ASP Constraint Declaration		
Constraint Name:	HndOv_22_B3e(ho_ref: HORF; ch: LOGICCH;ts_ccch: BITSTRING;pow:BITSTRING; par_chtype:BITSTRING; par_cchd: OCTETSTRING; par_ma1:BITSTRING; par_ma2:BITSTRING; ta:TA)	
ASP Type:	DL_DatRqHoCmd	
Derivation Path:		
Comments:	To send a HANDOVER COMMAND indicating a TCH/F FH in cell B, specified for EGSM.	
Parameter Name	Parameter Value	Comments
sapi	C_Sap0	
logic_ch	ch	
msg	HandOverCmd_22_B3e(ho_ref, ts_ccch, pow, par_chtype, par_cchd, par_ma1, par_ma2, ta)	
Detailed Comments:		

ASP Constraint Declaration		
Constraint Name:	HndOv_22_B2(ho_ref: HORF; ch: LOGICCH;ts_ccch: BITSTRING; pow:BITSTRING; ta:TA)	
ASP Type:	DL_DatRqHoCmd	
Derivation Path:		
Comments:	To send a HANOVER COMMAND indicating a TCH/F FH in cell B.	
Parameter Name	Parameter Value	Comments
sapi logic_ch msg	C_Sap0 ch HandOverCmd_22_B2(ho_ref, ts_ccch, pow, ta)	
Detailed Comments:		

ASP Constraint Declaration		
Constraint Name:	HndOv_22_B2d(ho_ref: HORF; ch: LOGICCH;ts_ccch: BITSTRING; pow:BITSTRING; ta:TA)	
ASP Type:	DL_DatRqHoCmd	
Derivation Path:		
Comments:	To send a HANOVER COMMAND indicating a TCH/F FH in cell B.	
Parameter Name	Parameter Value	Comments
sapi logic_ch msg	C_Sap0 ch HandOverCmd_22_B2d(ho_ref, ts_ccch, pow, ta)	
Detailed Comments:		

ASP Constraint Declaration		
Constraint Name:	HndOv_22_B3(ho_ref: HORF; ch: LOGICCH;ts_ccch: BITSTRING; pow:BITSTRING; ta:TA)	
ASP Type:	DL_DatRqHoCmd	
Derivation Path:		
Comments:	To send a HANOVER COMMAND indicating a TCH/F FH in cell B.	
Parameter Name	Parameter Value	Comments
sapi logic_ch msg	C_Sap0 ch HandOverCmd_22_B3(ho_ref, ts_ccch, pow, ta)	
Detailed Comments:		

ASP Constraint Declaration		
Constraint Name:	HndOv_22_B3d(ho_ref: HORF; ch: LOGICCH;ts_ccch: BITSTRING; pow:BITSTRING; ta:TA)	
ASP Type:	DL_DatRqHoCmd	
Derivation Path:		
Comments:	To send a HANOVER COMMAND indicating a TCH/F FH in cell B.	
Parameter Name	Parameter Value	Comments
sapi logic_ch msg	C_Sap0 ch HandOverCmd_22_B3d(ho_ref, ts_ccch, pow, ta)	
Detailed Comments:		

ASP Constraint Declaration		
Constraint Name:	HndOv_22_B4(ho_ref: HORF; ch: LOGICCH;ts_ccch: BITSTRING; pow:BITSTRING; ta:TA)	
ASP Type:	DL_DatRqHoCmd	
Derivation Path:		
Comments:	To send a HANDOVER COMMAND indicating a TCH/F FH in cell B.	
Parameter Name	Parameter Value	Comments
sapi	C_Sap0	
logic_ch	ch	
msg	HandOverCmd_22_B4(ho_ref, ts_ccch, pow, ta)	
Detailed Comments:		

ASP Constraint Declaration		
Constraint Name:	HndOv_22_B4d(ho_ref: HORF; ch: LOGICCH;ts_ccch: BITSTRING; pow:BITSTRING; ta:TA)	
ASP Type:	DL_DatRqHoCmd	
Derivation Path:		
Comments:	To send a HANDOVER COMMAND indicating a TCH/F FH in cell B.	
Parameter Name	Parameter Value	Comments
sapi	C_Sap0	
logic_ch	ch	
msg	HandOverCmd_22_B4d(ho_ref, ts_ccch, pow, ta)	
Detailed Comments:		

ASP Constraint Declaration		
Constraint Name:	HndOv_22_B5(ho_ref: HORF; ch: LOGICCH;ts_ccch: BITSTRING; pow:BITSTRING; ta:TA)	
ASP Type:	DL_DatRqHoCmd	
Derivation Path:		
Comments:	To send a HANDOVER COMMAND indicating a TCH/F FH in cell B in synchronized case.	
Parameter Name	Parameter Value	Comments
sapi	C_Sap0	
logic_ch	ch	
msg	HandOverCmd_22_B5(ho_ref, ts_ccch, pow, ta)	
Detailed Comments:		

ASP Constraint Declaration		
Constraint Name:	HndOv_22_B5d(ho_ref: HORF; ch: LOGICCH;ts_ccch: BITSTRING; pow:BITSTRING; ta:TA)	
ASP Type:	DL_DatRqHoCmd	
Derivation Path:		
Comments:	To send a HANDOVER COMMAND indicating a TCH/F FH in cell B in synchronized case.	
Parameter Name	Parameter Value	Comments
sapi	C_Sap0	
logic_ch	ch	
msg	HandOverCmd_22_B5d(ho_ref, ts_ccch, pow, ta)	
Detailed Comments:		

ASP Constraint Declaration		
Constraint Name:	HndOv_23_A1(ho_ref: HORF; ch: LOGICCH;ts_ccch: BITSTRING; arfcn: INTEGER; pow:BITSTRING; ta:TA)	
ASP Type:	DL_DatRqHoCmd	
Derivation Path:		
Comments:	To send a HANDOVER COMMAND indicating a TCH/H_NonFH of cellA.	
Parameter Name	Parameter Value	Comments
sapi	C_Sap0	
logic_ch	ch	
msg	HandOverCmd_23_A1(ho_ref, ts_ccch, arfcn, pow, ta)	
Detailed Comments:		

ASP Constraint Declaration		
Constraint Name:	HndOv_23_B1(ho_ref: HORF; ch: LOGICCH;ts_ccch: BITSTRING; arfcn: INTEGER;pow:BITSTRING; ta:TA)	
ASP Type:	DL_DatRqHoCmd	
Derivation Path:		
Comments:	To send a HANDOVER COMMAND indicating a TCH/H_NonFH of cellB.	
Parameter Name	Parameter Value	Comments
sapi	C_Sap0	
logic_ch	ch	
msg	HandOverCmd_23_B1(ho_ref, ts_ccch, arfcn, pow, ta)	
Detailed Comments:		

ASP Constraint Declaration		
Constraint Name:	HndOv_24_A1(ho_ref: HORF; ch: LOGICCH;ts_ccch: BITSTRING; pow:BITSTRING; ta:TA)	
ASP Type:	DL_DatRqHoCmd	
Derivation Path:		
Comments:	To send a HANDOVER COMMAND indicating a TCH/H_FH of cellA.	
Parameter Name	Parameter Value	Comments
sapi	C_Sap0	
logic_ch	ch	
msg	HandOverCmd_24_A1(ho_ref, ts_ccch, pow, ta)	
Detailed Comments:		

ASP Constraint Declaration		
Constraint Name:	HndOv_24_A1d(ho_ref: HORF; ch: LOGICCH;ts_ccch: BITSTRING; pow:BITSTRING; ta:TA)	
ASP Type:	DL_DatRqHoCmd	
Derivation Path:		
Comments:	To send a HANDOVER COMMAND indicating a TCH/H_FH of cellA for DCS1800.	
Parameter Name	Parameter Value	Comments
sapi	C_Sap0	
logic_ch	ch	
msg	HandOverCmd_24_A1d(ho_ref, ts_ccch, pow, ta)	
Detailed Comments:		

ASP Constraint Declaration		
Constraint Name:	HndOv_24_B1(ho_ref: HORF; ch: LOGICCH;ts_ccch: BITSTRING; pow:BITSTRING; ta:TA)	
ASP Type:	DL_DatRqHoCmd	
Derivation Path:		
Comments:	To send a HANDOVER COMMAND indicating a TCH/H_FH of cellB.	
Parameter Name	Parameter Value	Comments
sapi	C_Sap0	
logic_ch	ch	
msg	HandOverCmd_24_B1(ho_ref, ts_ccch, pow, ta)	
Detailed Comments:		

ASP Constraint Declaration		
Constraint Name:	HndOv_24_B1d(ho_ref: HORF; ch: LOGICCH;ts_ccch: BITSTRING; pow:BITSTRING; ta:TA)	
ASP Type:	DL_DatRqHoCmd	
Derivation Path:		
Comments:	To send a HANDOVER COMMAND indicating a TCH/H_FH of cellB for DCS1800.	
Parameter Name	Parameter Value	Comments
sapi	C_Sap0	
logic_ch	ch	
msg	HandOverCmd_24_B1d(ho_ref, ts_ccch, pow, ta)	
Detailed Comments:		

ASP Constraint Declaration		
Constraint Name:	HndOv_24_B2(ho_ref: HORF; ch: LOGICCH;ts_ccch: BITSTRING; pow:BITSTRING; ta:TA)	
ASP Type:	DL_DatRqHoCmd	
Derivation Path:		
Comments:	To send a HANDOVER COMMAND indicating a TCH/H_FH of cellB.	
Parameter Name	Parameter Value	Comments
sapi	C_Sap0	
logic_ch	ch	
msg	HandOverCmd_24_B2(ho_ref, ts_ccch, pow, ta)	
Detailed Comments:		

ASP Constraint Declaration		
Constraint Name:	HndOv_24_B2d(ho_ref: HORF; ch: LOGICCH;ts_ccch: BITSTRING; pow:BITSTRING; ta:TA)	
ASP Type:	DL_DatRqHoCmd	
Derivation Path:		
Comments:	To send a HANDOVER COMMAND indicating a TCH/H_FH of cellB.	
Parameter Name	Parameter Value	Comments
sapi	C_Sap0	
logic_ch	ch	
msg	HandOverCmd_24_B2d(ho_ref, ts_ccch, pow, ta)	
Detailed Comments:		

ASP Constraint Declaration		
Constraint Name:	HndOv_24_B3(ho_ref: HORF; ch: LOGICCH;ts_ccch: BITSTRING; pow:BITSTRING; ta:TA)	
ASP Type:	DL_DatRqHoCmd	
Derivation Path:		
Comments:	To send a HANOVER COMMAND indicating a TCH/H_FH in cellB.	
Parameter Name	Parameter Value	Comments
sapi logic_ch msg	C_Sap0 ch HandOverCmd_24_B3(ho_ref, ts_ccch, pow, ta)	
Detailed Comments:		

ASP Constraint Declaration		
Constraint Name:	HndOv_24_B3d(ho_ref: HORF; ch: LOGICCH;ts_ccch: BITSTRING; pow:BITSTRING; ta:TA)	
ASP Type:	DL_DatRqHoCmd	
Derivation Path:		
Comments:	To send a HANOVER COMMAND indicating a TCH/H_FH in cellB.	
Parameter Name	Parameter Value	Comments
sapi logic_ch msg	C_Sap0 ch HandOverCmd_24_B3d(ho_ref, ts_ccch, pow, ta)	
Detailed Comments:		

ASP Constraint Declaration		
Constraint Name:	HndOv_24_B4(ho_ref: HORF; ch: LOGICCH;ts_ccch: BITSTRING; pow:BITSTRING; ta:TA)	
ASP Type:	DL_DatRqHoCmd	
Derivation Path:		
Comments:	To send a HANOVER COMMAND indicating a TCH/H_FH in cellB.	
Parameter Name	Parameter Value	Comments
sapi logic_ch msg	C_Sap0 ch HandOverCmd_24_B4(ho_ref, ts_ccch, pow, ta)	
Detailed Comments:		

ASP Constraint Declaration		
Constraint Name:	HndOv_24_B4d(ho_ref: HORF; ch: LOGICCH;ts_ccch: BITSTRING; pow:BITSTRING; ta:TA)	
ASP Type:	DL_DatRqHoCmd	
Derivation Path:		
Comments:	To send a HANOVER COMMAND indicating a TCH/H_FH in cellB.	
Parameter Name	Parameter Value	Comments
sapi logic_ch msg	C_Sap0 ch HandOverCmd_24_B4d(ho_ref, ts_ccch, pow, ta)	
Detailed Comments:		

ASP Constraint Declaration		
Constraint Name:	HndOv_25_B1(ho_ref: HORF; ch: LOGICCH;slot:SN; tsc :TSC; arfcn: INTEGER;pow:BITSTRING; ta:TA)	
ASP Type:	DL_DatRqHoCmd	
Derivation Path:		
Comments:	To send a HANDOVER COMMAND indicating a SDCCH4_NoFH in cellB.	
Parameter Name	Parameter Value	Comments
sapi	C_Sap0	
logic_ch	ch	
msg	HandOverCmd_25_B1(ho_ref, slot, tsc, arfcn, pow, ta)	
Detailed Comments:		

ASP Constraint Declaration		
Constraint Name:	HndOv_28_B1(ho_ref: HORF; ch: LOGICCH;ts_ccch: BITSTRING; pow:BITSTRING; ta:TA)	
ASP Type:	DL_DatRqHoCmd	
Derivation Path:		
Comments:	To send a HANDOVER COMMAND indicating a SDCCH8_FH in cellB.	
Parameter Name	Parameter Value	Comments
sapi	C_Sap0	
logic_ch	ch	
msg	HandOverCmd_28_B1(ho_ref, ts_ccch, pow, ta)	
Detailed Comments:		

ASP Constraint Declaration		
Constraint Name:	HndOv_28_B1d(ho_ref: HORF; ch: LOGICCH;ts_ccch: BITSTRING; pow:BITSTRING; ta:TA)	
ASP Type:	DL_DatRqHoCmd	
Derivation Path:		
Comments:	To send a HANDOVER COMMAND indicating a SDCCH8_FH in cellB.	
Parameter Name	Parameter Value	Comments
sapi	C_Sap0	
logic_ch	ch	
msg	HandOverCmd_28_B1d(ho_ref, ts_ccch, pow, ta)	
Detailed Comments:		

ASP Constraint Declaration		
Constraint Name:	HndOv_28_B2(ho_ref: HORF; ch: LOGICCH;ts_ccch: BITSTRING; pow:BITSTRING; ta:TA)	
ASP Type:	DL_DatRqHoCmd	
Derivation Path:		
Comments:	To send a HANDOVER COMMAND indicating a SDCCH8_FH in cellB.	
Parameter Name	Parameter Value	Comments
sapi	C_Sap0	
logic_ch	ch	
msg	HandOverCmd_28_B2(ho_ref, ts_ccch, pow, ta)	
Detailed Comments:		

ASP Constraint Declaration		
Constraint Name:	HndOv_28_B2d(ho_ref: HORF; ch: LOGICCH;ts_ccch: BITSTRING; pow:BITSTRING; ta:TA)	
ASP Type:	DL_DatRqHoCmd	
Derivation Path:		
Comments:	To send a HANOVER COMMAND indicating a SDCCH8_FH in cellB.	
Parameter Name	Parameter Value	Comments
sapi	C_Sap0	
logic_ch	ch	
msg	HandOverCmd_28_B2d(ho_ref, ts_ccch, pow, ta)	
Detailed Comments:		

ASP Constraint Declaration		
Constraint Name:	HndOv_28_B3(ho_ref: HORF; ch: LOGICCH;ts_ccch: BITSTRING; pow:BITSTRING; ta:TA)	
ASP Type:	DL_DatRqHoCmd	
Derivation Path:		
Comments:	To send a HANOVER COMMAND indicating a SDCCH8_FH in cellB in synchronized case.	
Parameter Name	Parameter Value	Comments
sapi	C_Sap0	
logic_ch	ch	
msg	HandOverCmd_28_B3(ho_ref, ts_ccch, pow, ta)	
Detailed Comments:		

ASP Constraint Declaration		
Constraint Name:	HndOv_28_B3d(ho_ref: HORF; ch: LOGICCH;ts_ccch: BITSTRING; pow:BITSTRING; ta:TA)	
ASP Type:	DL_DatRqHoCmd	
Derivation Path:		
Comments:	To send a HANOVER COMMAND indicating a SDCCH8_FH in cellB in synchronized case.	
Parameter Name	Parameter Value	Comments
sapi	C_Sap0	
logic_ch	ch	
msg	HandOverCmd_28_B3d(ho_ref, ts_ccch, pow, ta)	
Detailed Comments:		

ASP Constraint Declaration		
Constraint Name:	HndOv_32(ch:LOGICCH; slot:SN; tsc:TSC)	
ASP Type:	DL_DatRqHoCmd	
Derivation Path:		
Comments:	To send a HANOVER COMMAND indicating a hopping channel in cell B, for GSM	
Parameter Name	Parameter Value	Comments
sapi	C_Sap0	
logic_ch	ch	
msg	HandOverCmd_32(slot, tsc)	
Detailed Comments: used in TC_26_6_13_5 only.		

ASP Constraint Declaration		
Constraint Name:	HndOv_33(ch:LOGICCH; slot:SN; tsc:TSC)	
ASP Type:	DL_DatRqHoCmd	
Derivation Path:		
Comments:	To send a HANDOVER COMMAND indicating a hopping channel in cell B, for DCS	
Parameter Name	Parameter Value	Comments
sapi	C_Sap0	
logic_ch	ch	
msg	HandOverCmd_33(slot, tsc)	
Detailed Comments:	used in TC_26_6_13_5 only.	

ASP Constraint Declaration		
Constraint Name:	HndOv_34(ch:LOGICCH; slot:SN; tsc:TSC)	
ASP Type:	DL_DatRqHoCmd	
Derivation Path:		
Comments:	To send a HANDOVER COMMAND indicating a hopping channel in cell B, for GSM	
Parameter Name	Parameter Value	Comments
sapi	C_Sap0	
logic_ch	ch	
msg	HandOverCmd_34(slot, tsc)	
Detailed Comments:	used in TC_26_6_13_6 only.	

ASP Constraint Declaration		
Constraint Name:	HndOv_35(ch:LOGICCH; slot:SN; tsc:TSC)	
ASP Type:	DL_DatRqHoCmd	
Derivation Path:		
Comments:	To send a HANDOVER COMMAND indicating a hopping channel in cell B, for DCS	
Parameter Name	Parameter Value	Comments
sapi	C_Sap0	
logic_ch	ch	
msg	HandOverCmd_35(slot, tsc)	
Detailed Comments:	used in TC_26_6_13_6 only.	

ASP Constraint Declaration		
Constraint Name:	HndOv_36(ch:LOGICCH; slot:SN; tsc:TSC)	
ASP Type:	DL_DatRqHoCmd	
Derivation Path:		
Comments:	To send a HANDOVER COMMAND indicating a hopping channel in cell B, for GSM	
Parameter Name	Parameter Value	Comments
sapi	C_Sap0	
logic_ch	ch	
msg	HandOverCmd_36(slot, tsc)	
Detailed Comments:	used in TC_26_6_13_7 only.	

ASP Constraint Declaration		
Constraint Name:	HndOv_37(ch:LOGICCH; slot:SN; tsc:TSC)	
ASP Type:	DL_DatRqHoCmd	
Derivation Path:		
Comments:	To send a HANDOVER COMMAND indicating a hopping channel in cell B, for DCS	
Parameter Name	Parameter Value	Comments
sapi	C_Sap0	
logic_ch	ch	
msg	HandOverCmd_37(slot, tsc)	
Detailed Comments:	used in TC_26_6_13_7 only.	

ASP Constraint Declaration		
Constraint Name:	HndOv_38(ch:LOGICCH; slot:SN; tsc:TSC)	
ASP Type:	DL_DatRqHoCmd	
Derivation Path:		
Comments:	To send a HANOVER COMMAND indicating a hopping channel in cell B, for GSM	
Parameter Name	Parameter Value	Comments
sapi	C_Sap0	
logic_ch	ch	
msg	HandOverCmd_38(slot, tsc)	
Detailed Comments:	used in TC_26_6_13_8 only.	

ASP Constraint Declaration		
Constraint Name:	HndOv_39(ch:LOGICCH; slot:SN; tsc:TSC)	
ASP Type:	DL_DatRqHoCmd	
Derivation Path:		
Comments:	To send a HANOVER COMMAND indicating a hopping channel in cell B, for DCS	
Parameter Name	Parameter Value	Comments
sapi	C_Sap0	
logic_ch	ch	
msg	HandOverCmd_39(slot, tsc)	
Detailed Comments:	used in TC_26_6_13_8 only.	

ASP Constraint Declaration		
Constraint Name:	HndOv_40(ch:LOGICCH; slot:SN; tsc:TSC)	
ASP Type:	DL_DatRqHoCmd	
Derivation Path:		
Comments:	To send a HANOVER COMMAND indicating a channel in cell A, for GSM	
Parameter Name	Parameter Value	Comments
sapi	C_Sap0	
logic_ch	ch	
msg	HandOverCmd_40(slot, tsc)	
Detailed Comments:	used in TC_26_6_3_4 only.	

ASP Constraint Declaration		
Constraint Name:	HndOv_41(ch:LOGICCH; slot:SN; tsc:TSC)	
ASP Type:	DL_DatRqHoCmd	
Derivation Path:		
Comments:	To send a HANOVER COMMAND indicating a channel in cell A, for DCS	
Parameter Name	Parameter Value	Comments
sapi	C_Sap0	
logic_ch	ch	
msg	HandOverCmd_41(slot, tsc)	
Detailed Comments:	used in TC_26_6_3_4 only.	

ASP Constraint Declaration		
Constraint Name:	HndOvSnd(ch:LOGICCH; msg:HO_CMD_PDU)	
ASP Type:	DL_DatRqHoCmd	
Derivation Path:		
Comments:	To send a HANOVER COMMAND indicating a finely synchronized intra cell handover.	
Parameter Name	Parameter Value	Comments
sapi	C_Sap0	
logic_ch	ch	
msg	msg	
Detailed Comments:		

ASP Constraint Declaration		
Constraint Name:	HndOv_inv_01(ch:LOGICCH; slot:SN; tsc:TSC)	
ASP Type:	DL_DatRqHoCmd	
Derivation Path:		
Comments:	To send a HANDOVER COMMAND which contains in the non-imperative part an IE encoded as comprehension required.	
Parameter Name	Parameter Value	Comments
sapi	C_Sap0	
logic_ch	ch	
msg	HandOverCmd_inv_02(slot, tsc)	
Detailed Comments:		

ASP Constraint Declaration		
Constraint Name:	HndOv_inv_02(ch:LOGICCH; slot:SN; tsc:TSC)	
ASP Type:	DL_DatRqHoCmd	
Derivation Path:		
Comments:	To send a HANDOVER COMMAND message containing invalid skip indicator.	
Parameter Name	Parameter Value	Comments
sapi	C_Sap0	
logic_ch	ch	
msg	HandOverCmd_inv_01(slot, tsc)	
Detailed Comments:		

ASP Constraint Declaration		
Constraint Name:	HndOvAcc_01	
ASP Type:	DL_RacInHoacc	
Derivation Path:		
Comments:	To received any HANDOVER ACCESS message.	
Parameter Name	Parameter Value	Comments
sapi	C_Sap0	
logic_ch	?	
msg	HandOverAcc_01	
fn	?	
Detailed Comments:		

ASP Constraint Declaration		
Constraint Name:	HndOvAcc_02(ch: LOGICCH)	
ASP Type:	DL_RacInHoacc	
Derivation Path:		
Comments:	To received any HANDOVER ACCESS message on channel `ch`.	
Parameter Name	Parameter Value	Comments
sapi	C_Sap0	
logic_ch	ch	
msg	HandOverAcc_01	
fn	?	
Detailed Comments:		

ASP Constraint Declaration		
Constraint Name:	HndOvAcc_03(ch: LOGICCH; href :HORF)	
ASP Type:	DL_RaInHoacc	
Derivation Path:		
Comments:	To received a HANOVER ACCESS message with handover reference `href` on channel `ch`.	
Parameter Name	Parameter Value	Comments
sapi	C_Sap0	
logic_ch	ch	
msg	HandOverAcc_02(href)	
fn	?	
Detailed Comments:		

ASP Constraint Declaration		
Constraint Name:	HndOvAcc_20(ch: LOGICCH; ho_ref: HORF)	
ASP Type:	DL_RaInHoacc	
Derivation Path:		
Comments:	To match any received HANOVER ACCESS message in HO-cases.	
Parameter Name	Parameter Value	Comments
sapi	C_Sap0	
logic_ch	ch	
msg	HandOverAcc_02(ho_ref)	
fn	?	
Detailed Comments:		

ASP Constraint Declaration		
Constraint Name:	HndOvAccRcv(ch: LOGICCH; msg:HOACC_PDU)	
ASP Type:	DL_RaInHoacc	
Derivation Path:		
Comments:	To received any HANOVER ACCESS message on channel `ch`.	
Parameter Name	Parameter Value	Comments
sapi	C_Sap0	
logic_ch	ch	
msg	msg	
fn	?	
Detailed Comments:		

ASP Constraint Declaration		
Constraint Name:	HndOvFI_01(ch:LOGICCH)	
ASP Type:	DL_DatInHofl	
Derivation Path:		
Comments:	To match a received HANOVER FAILURE message containing any RR cause.	
Parameter Name	Parameter Value	Comments
sapi	C_Sap0	
logic_ch	ch	
msg	HandOvFail_01	
fn	?	
Detailed Comments:		

ASP Constraint Declaration		
Constraint Name:	HndOvFI_02(ch:LOGICCH)	
ASP Type:	DL_DatInHofl	
Derivation Path:	HndOvFI_01.	
Comments:	To match a received HANDOVER FAILURE message containing RR cause = "abnormal release, unspecified" or "abnormal release, channel unacceptable" or "abnormal release, no activity on the radio path" or "abnormal release, timer expired".	
Parameter Name	Parameter Value	Comments
logic_ch	ch	
msg	HandOvFail_02	
Detailed Comments:		

ASP Constraint Declaration		
Constraint Name:	HndOvFIRcv(ch:LOGICCH; msg :HOFL_PDU)	
ASP Type:	DL_DatInHofl	
Derivation Path:		
Comments:	To match a received HANDOVER FAILURE message containing any RR cause.	
Parameter Name	Parameter Value	Comments
sapi	C_Sap0	
logic_ch	ch	
msg	msg	
fn	?	
Detailed Comments:		

ASP Constraint Declaration		
Constraint Name:	HndOvCmp_01(ch:LOGICCH)	
ASP Type:	DL_DatInHoCom	
Derivation Path:		
Comments:	To receive any HANDOVER COMPLETE message on channel ch.	
Parameter Name	Parameter Value	Comments
sapi	C_Sap0	
logic_ch	ch	
msg	HandOverCmp_01	
fn	?	
Detailed Comments:		

ASP Constraint Declaration		
Constraint Name:	HndOvCmp_02(ch:LOGICCH)	
ASP Type:	DL_DatInHoCom	
Derivation Path:	HndOvCmp_01.	
Comments:	To receive a HANDOVER COMPLETE message on channel ch containing real time difference IE.	
Parameter Name	Parameter Value	Comments
logic_ch	ch	
msg	HandOverCmp_02	
Detailed Comments:		

ASP Constraint Declaration		
Constraint Name:	HndOvCmp_03(ch:LOGICCH)	
ASP Type:	DL_DatInHoCom	
Derivation Path:		
Comments:	To receive a HANDOVER COMPLETE message with mobile time difference = $(2 * TSPX_k + TPSX_y) \bmod 2\ 097\ 152$ on channel `ch`.	
Parameter Name	Parameter Value	Comments
sapi	C_Sap0	
logic_ch	ch	
msg	HandOverCmp_03	
fn	?	
Detailed Comments:		

ASP Constraint Declaration		
Constraint Name:	HndOvCmp_04(ch:LOGICCH)	
ASP Type:	DL_DatInHoCom	
Derivation Path:	HndOvCmp_01.	
Comments:	To receive a HANDOVER COMPLETE message on channel ch containing real time difference IE.	
Parameter Name	Parameter Value	Comments
logic_ch	ch	
msg	HandOverCmp_04	
Detailed Comments:		

ASP Constraint Declaration		
Constraint Name:	HndOvCmp_20(ch: LOGICCH)	
ASP Type:	DL_DatInHoCom	
Derivation Path:		
Comments:	To receive any HANDOVER COMPLETE message on channel ch.	
Parameter Name	Parameter Value	Comments
sapi	C_Sap0	
logic_ch	ch	
msg	HandOverCmp_20	
fn	?	
Detailed Comments:		

ASP Constraint Declaration		
Constraint Name:	HndOvCmpRcv(ch:LOGICCH; msg:HO_COM_PDU)	
ASP Type:	DL_DatInHoCom	
Derivation Path:		
Comments:	To receive any HANDOVER COMPLETE message on channel ch.	
Parameter Name	Parameter Value	Comments
sapi	C_Sap0	
logic_ch	ch	
msg	msg	
fn	?	
Detailed Comments:		

ASP Constraint Declaration		
Constraint Name:	Hold_01(Ti:Ti)	
ASP Type:	DL_DatInHold	
Derivation Path:		
Comments:	To receive any HOLD message.	
Parameter Name	Parameter Value	Comments
sapi	C_Sap0	
logic_ch	?	
msg	Holdpdu_01(Ti)	
fn	?	
Detailed Comments:		

ASP Constraint Declaration		
Constraint Name:	HoldAck_01(Ti:Ti; ch:LOGICCH)	
ASP Type:	DL_DatRqHoldAck	
Derivation Path:		
Comments:		
Parameter Name	Parameter Value	Comments
sapi	C_Sap0	
logic_ch	ch	
msg	HoldAckpdu_01(Ti)	
Detailed Comments:		

ASP Constraint Declaration		
Constraint Name:	IDReq(ch:LOGICCH; pdu: ID_RQ_PDU)	
ASP Type:	DL_DatRqIdRq	
Derivation Path:		
Comments:	To send IDENTITY REQUEST message	
Parameter Name	Parameter Value	Comments
sapi	C_Sap0	
logic_ch	ch	
msg	pdu	
Detailed Comments:		

ASP Constraint Declaration		
Constraint Name:	IDReq_inv_01(ch: LOGICCH; skip :INTEGER)	
ASP Type:	DL_DatRqIdRq	
Derivation Path:		
Comments:	To send an IDENTITY REQUEST message containing incorrect skip indicator.	
Parameter Name	Parameter Value	Comments
sapi	C_Sap0	
logic_ch	ch	
msg	IDRequest_inv_01(skip)	
Detailed Comments:		

ASP Constraint Declaration		
Constraint Name:	IDReq_inv_02(ch: LOGICCH)	
ASP Type:	DL_DatRqldRq	
Derivation Path:		
Comments:	To send an IDENTITY REQUEST message with reserved identity type value	
Parameter Name	Parameter Value	Comments
sapi	C_Sap0	
logic_ch	ch	
msg	IDRequest_inv_02	
Detailed Comments:		

ASP Constraint Declaration		
Constraint Name:	IDReq_inv_03(ch:LOGICCH)	
ASP Type:	DL_DatRqldRq	
Derivation Path:		
Comments:	To send an IDENTITY REQUEST message containing arbitrary spare bits	
Parameter Name	Parameter Value	Comments
sapi	C_Sap0	
logic_ch	ch	
msg	IDRequest_inv_03	
Detailed Comments:		

ASP Constraint Declaration		
Constraint Name:	IDRes(pdu: ID_RES_PDU)	
ASP Type:	DL_DatInIdRes	
Derivation Path:		
Comments:	To receive a IDENTITY RESPONSE message.	
Parameter Name	Parameter Value	Comments
sapi	C_Sap0	
logic_ch	?	
msg	pdu	
fn	?	
Detailed Comments:		

ASP Constraint Declaration		
Constraint Name:	IDRes_01	
ASP Type:	DL_DatInIdRes	
Derivation Path:		
Comments:	To match a received IDENTITY RESPONSE message containing any mobile identity.	
Parameter Name	Parameter Value	Comments
sapi	C_Sap0	
logic_ch	?	
msg	IDResponse_01	
fn	?	
Detailed Comments:		

ASP Constraint Declaration		
Constraint Name:	IDRes_02	
ASP Type:	DL_DatInIdRes	
Derivation Path:		
Comments:	To match an IDENTITY RESPONSE message which contains TMSI of the MS under test	
Parameter Name	Parameter Value	Comments
sapi	C_Sap0	
logic_ch	?	
msg	IDResponse_02	
fn	?	
Detailed Comments:		

ASP Constraint Declaration		
Constraint Name:	IDRes_30(par:MI)	
ASP Type:	DL_DatInIdRes	
Derivation Path:		
Comments:	To match a received IDENTITY RESPONSE message containing given mobile identity.	
Parameter Name	Parameter Value	Comments
sapi	C_Sap0	
logic_ch	?	
msg	IDResponse_30(par)	
fn	?	
Detailed Comments:		

ASP Constraint Declaration		
Constraint Name:	ImmAss(ch: LOGICCH; pdu: IMMEDIATE_ASSIGNMENT_PDU)	
ASP Type:	DL_UdatRqImm	
Derivation Path:		
Comments:	To send an IMMEDIATE ASSIGNMENT message.	
Parameter Name	Parameter Value	Comments
sapi	C_Sap0	
logic_ch	ch	
msg	pdu	
Detailed Comments:		

ASP Constraint Declaration		
Constraint Name:	ImmAss_01(ch:LOGICCH; Rr: BITSTRING; Fn: FN; slot:SN; tsc:TSC; ta:TA; par_arfcn: INTEGER)	
ASP Type:	DL_UdatRqImm	
Derivation Path:		
Comments:	To send an IMMEDIATE ASSIGNMENT message which assigns the SDCCH/4 subchannel defined by TSPX_SDCCH4SubDef for the MS	
Parameter Name	Parameter Value	Comments
sapi	C_Sap0	
logic_ch	ch	
msg	ImmAsgn_01(Rr, Fn, slot, tsc, ta, par_arfcn)	
Detailed Comments:		

ASP Constraint Declaration		
Constraint Name:	ImmAss_01Def(ch:LOGICCH;Rr: BITSTRING; Fn: FN; slot:SN; tsc:TSC; par_arfcn: INTEGER; ta:TA)	
ASP Type:	DL_UdatRqImmss	
Derivation Path:		
Comments:	To send an IMMEDIATE ASSIGNMENT message which assigns the SDCCH/4 subchannel defined by TSPX_SDCCH4SubDef for the MS	
Parameter Name	Parameter Value	Comments
sapi	C_Sap0	
logic_ch	ch	
msg	ImmAsgn_01Def(Rr, Fn, slot, tsc, par_arfcn, ta)	
Detailed Comments:		

ASP Constraint Declaration		
Constraint Name:	ImmAss_02(ch:LOGICCH;Rr: BITSTRING; Fn: FN; ta:TA; chd:CHD; ma:MA)	
ASP Type:	DL_UdatRqImmss	
Derivation Path:		
Comments:	To send an IMMEDIATE ASSIGNMENT message which assigns a frequency hopping channel the MS, the channel type is specified in the send statement.	
Parameter Name	Parameter Value	Comments
sapi	C_Sap0	
logic_ch	ch	
msg	ImmAsgn_02(Rr, Fn, ta, chd, ma)	
Detailed Comments:		

ASP Constraint Declaration		
Constraint Name:	ImmAss_06(ch:LOGICCH; Rr: BITSTRING; Fn: FN; slot:SN; tsc:TSC; ta:TA)	
ASP Type:	DL_UdatRqImmss	
Derivation Path:		
Comments:	To send an IMMEDIATE ASSIGNMENT message which assigns the SDCCH/4 channel of cell B for the MS	
Parameter Name	Parameter Value	Comments
sapi	C_Sap0	
logic_ch	ch	
msg	ImmAsgn_06(Rr, Fn, slot, tsc, ta)	
Detailed Comments:		

ASP Constraint Declaration		
Constraint Name:	ImmAss_21(Rr: BITSTRING; Fn: FN; ch:LOGICCH; ts_ccch: BITSTRING; par_arfcn: INTEGER; ta:TA)	
ASP Type:	DL_UdatRqImmss	
Derivation Path:		
Comments:	To send an IMMEDIATE ASSIGNMENT message which assigns the TCH/F_NonFH channel for the MS.	
Parameter Name	Parameter Value	Comments
sapi	C_Sap0	
logic_ch	ch	
msg	ImmAsgn_21(Rr, Fn, ts_ccch, par_arfcn, ta)	
Detailed Comments:		

ASP Constraint Declaration		
Constraint Name:	ImmAss_221(Rr: BITSTRING; Fn: FN; ch:LOGICCH; ts_ccch: BITSTRING; ta:TA)	
ASP Type:	DL_UdatRqImm	
Derivation Path:		
Comments:	To send an IMMEDIATE ASSIGNMENT message which assigns the TCH/F_FH channel for the MS	
Parameter Name	Parameter Value	Comments
sapi	C_Sap0	
logic_ch	ch	
msg	ImmAsgn_221(Rr, Fn, ts_ccch, ta)	
Detailed Comments:		

ASP Constraint Declaration		
Constraint Name:	ImmAss_242(Rr: BITSTRING; Fn: FN; ch:LOGICCH; ts_ccch: BITSTRING; ta:TA)	
ASP Type:	DL_UdatRqImm	
Derivation Path:		
Comments:	To send an IMMEDIATE ASSIGNMENT message which assigns the TCH/H_FH channel for the MS	
Parameter Name	Parameter Value	Comments
sapi	C_Sap0	
logic_ch	ch	
msg	ImmAsgn_242(Rr, Fn, ts_ccch, ta)	
Detailed Comments:		

ASP Constraint Declaration		
Constraint Name:	ImmAss_243(Rr: BITSTRING; Fn: FN; ch:LOGICCH; ts_ccch: BITSTRING; ta:TA)	
ASP Type:	DL_UdatRqImm	
Derivation Path:		
Comments:	To send an IMMEDIATE ASSIGNMENT message which assigns the TCH/H_FH channel for the MS	
Parameter Name	Parameter Value	Comments
sapi	C_Sap0	
logic_ch	ch	
msg	ImmAsgn_243(Rr, Fn, ts_ccch, ta)	
Detailed Comments:		

ASP Constraint Declaration		
Constraint Name:	ImmAss_27(Rr: BITSTRING; Fn: FN; ch:LOGICCH; ts_ccch: BITSTRING; par_arfcn: INTEGER; ta:TA)	
ASP Type:	DL_UdatRqImm	
Derivation Path:		
Comments:	To send an IMMEDIATE ASSIGNMENT message which assigns the SDCCH/8 NoFH channel for the MS.	
Parameter Name	Parameter Value	Comments
sapi	C_Sap0	
logic_ch	ch	
msg	ImmAsgn_27(Rr, Fn, ts_ccch, par_arfcn, ta)	
Detailed Comments:		

ASP Constraint Declaration		
Constraint Name:	ImmAss_E_01(Rr: BITSTRING; Fn: FN; ch:LOGICCH; ts_ccch: BITSTRING; tsc:TSC; par_arfcn: INTEGER; ta:TA)	
ASP Type:	DL_UdatRqImmss	
Derivation Path:		
Comments:	To send an IMMEDIATE ASSIGNMENT message which assigns the SDCCH/8 NoFH channel for the MS.	
Parameter Name	Parameter Value	Comments
sapi	C_Sap0	
logic_ch	ch	
msg	ImmAsgn_E_01(Rr, Fn, ts_ccch, tsc, par_arfcn, ta)	
Detailed Comments:		

ASP Constraint Declaration		
Constraint Name:	ImmAss_E_02(Rr: BITSTRING; Fn: FN; ch:LOGICCH; ts_ccch: BITSTRING; tsc:TSC; ta:TA)	
ASP Type:	DL_UdatRqImmss	
Derivation Path:		
Comments:	To send an IMMEDIATE ASSIGNMENT message which assigns the SDCCH/8 FH channel for the MS in E-GSM cases.	
Parameter Name	Parameter Value	Comments
sapi	C_Sap0	
logic_ch	ch	
msg	ImmAsgn_E_02(Rr, Fn, ts_ccch, tsc, ta)	
Detailed Comments:		

ASP Constraint Declaration		
Constraint Name:	ImmAss_281(Rr: BITSTRING; Fn: FN; ch:LOGICCH; ts_ccch: BITSTRING; ta:TA)	
ASP Type:	DL_UdatRqImmss	
Derivation Path:		
Comments:	To send an IMMEDIATE ASSIGNMENT message which assigns the SDCCH/8 FH channel for the MS.	
Parameter Name	Parameter Value	Comments
sapi	C_Sap0	
logic_ch	ch	
msg	ImmAsgn_281(Rr, Fn, ts_ccch, ta)	
Detailed Comments:		

ASP Constraint Declaration		
Constraint Name:	ImmAss_281d(Rr: BITSTRING; Fn: FN; ch:LOGICCH; ts_ccch: BITSTRING; ta:TA)	
ASP Type:	DL_UdatRqImmss	
Derivation Path:		
Comments:	To send an IMMEDIATE ASSIGNMENT message which assigns the SDCCH/8 FH channel for the MS.	
Parameter Name	Parameter Value	Comments
sapi	C_Sap0	
logic_ch	ch	
msg	ImmAsgn_281d(Rr, Fn, ts_ccch, ta)	
Detailed Comments:		

ASP Constraint Declaration		
Constraint Name:	ImmAss_281e2(Rr: BITSTRING; Fn: FN; ch:LOGICCH; ts_ccch: BITSTRING; ta:TA)	
ASP Type:	DL_UdatRqImm	
Derivation Path:		
Comments:	To send an IMMEDIATE ASSIGNMENT message which assigns the SDCCH/8 FH channel for the MS in E-GSM cases, specified for 26.10.5.1.	
Parameter Name	Parameter Value	Comments
sapi	C_Sap0	
logic_ch	ch	
msg	ImmAsgn_281e2(Rr, Fn, ts_ccch, ta)	
Detailed Comments:		

ASP Constraint Declaration		
Constraint Name:	ImmAss_282(Rr: BITSTRING; Fn: FN; ch:LOGICCH; ts_ccch: BITSTRING; ta:TA)	
ASP Type:	DL_UdatRqImm	
Derivation Path:		
Comments:	To send an IMMEDIATE ASSIGNMENT message which assigns the SDCCH/8 FH channel for the MS.	
Parameter Name	Parameter Value	Comments
sapi	C_Sap0	
logic_ch	ch	
msg	ImmAsgn_282(Rr, Fn, ts_ccch, ta)	
Detailed Comments:		

ASP Constraint Declaration		
Constraint Name:	ImmAss_282d(Rr: BITSTRING; Fn: FN; ch:LOGICCH; ts_ccch: BITSTRING; ta:TA)	
ASP Type:	DL_UdatRqImm	
Derivation Path:		
Comments:	To send an IMMEDIATE ASSIGNMENT message which assigns the SDCCH/8 FH channel for the MS.	
Parameter Name	Parameter Value	Comments
sapi	C_Sap0	
logic_ch	ch	
msg	ImmAsgn_282d(Rr, Fn, ts_ccch, ta)	
Detailed Comments:		

ASP Constraint Declaration		
Constraint Name:	ImmAss_283(Rr: BITSTRING; Fn: FN; ch:LOGICCH; ts_ccch: BITSTRING; ta:TA)	
ASP Type:	DL_UdatRqImm	
Derivation Path:		
Comments:	To send an IMMEDIATE ASSIGNMENT message which assigns the SDCCH/8 FH channel for the MS.	
Parameter Name	Parameter Value	Comments
sapi	C_Sap0	
logic_ch	ch	
msg	ImmAsgn_283(Rr, Fn, ts_ccch, ta)	
Detailed Comments:		

ASP Constraint Declaration		
Constraint Name:	ImmAss_283d(Rr: BITSTRING; Fn: FN; ch:LOGICCH; ts_ccch: BITSTRING; ta:TA)	
ASP Type:	DL_UdatRqImmss	
Derivation Path:		
Comments:	To send an IMMEDIATE ASSIGNMENT message which assigns the SDCCH/8 FH channel for the MS.	
Parameter Name	Parameter Value	Comments
sapi	C_Sap0	
logic_ch	ch	
msg	ImmAsgn_283d(Rr, Fn, ts_ccch, ta)	
Detailed Comments:		

ASP Constraint Declaration		
Constraint Name:	ImmAss_inv_01(ch:LOGICCH;Rr: BITSTRING; Fn: FN; slot:SN; tsc:TSC; arfcn:INTEGER; ta:TA)	
ASP Type:	DL_UdatRqImmss	
Derivation Path:		
Comments:	To send an IMMEDIATE ASSIGNMENT message contains an unknown skip indicator ('0001'B)	
Parameter Name	Parameter Value	Comments
sapi	C_Sap0	
logic_ch	ch	
msg	ImmAsgn_inv_01(Rr, Fn, slot, tsc, arfcn, ta)	
Detailed Comments:		

ASP Constraint Declaration		
Constraint Name:	ImmAss_inv_04(ch:LOGICCH;Rr: BITSTRING; Fn: FN; slot:SN; tsc:TSC; ta:TA)	
ASP Type:	DL_UdatRqImmss	
Derivation Path:		
Comments:	To send an IMMEDIATE ASSIGNMENT message containing arbitrary spare bits.	
Parameter Name	Parameter Value	Comments
sapi	C_Sap0	
logic_ch	ch	
msg	ImmAsgn_inv_04(Rr, Fn, slot, tsc, ta)	
Detailed Comments:		

ASP Constraint Declaration		
Constraint Name:	ImmAss_r(ch:LOGICCH;chd:CHD; Rr: BITSTRING; Fn: FN; ta:TA)	
ASP Type:	DL_UdatRqImmss	
Derivation Path:		
Comments:	To send an IMMEDIATE ASSIGNMENT message	
Parameter Name	Parameter Value	Comments
sapi	C_Sap0	
logic_ch	ch	
msg	ImmAsgn_r(chd,Rr,Fn, ta)	
Detailed Comments:		

ASP Constraint Declaration		
Constraint Name:	ImmAss_r02(ch:LOGICCH;Rr: BITSTRING; Fn: FN; sub:BITSTRING; slot:SN; tsc:TSC; ta:TA)	
ASP Type:	DL_UdatRqImm	
Derivation Path:		
Comments:	To send an IMMEDIATE ASSIGNMENT message which assigns the SDCCH/8 channel for the MS	
Parameter Name	Parameter Value	Comments
sapi	C_Sap0	
logic_ch	ch	
msg	ImmAsgn_r02(Rr, Fn, sub, slot, tsc, ta)	
Detailed Comments:		

ASP Constraint Declaration		
Constraint Name:	ImmAss_r02d(ch:LOGICCH;Rr: BITSTRING; Fn: FN; sub:BITSTRING; slot:SN; tsc:TSC; ta:TA)	
ASP Type:	DL_UdatRqImm	
Derivation Path:		
Comments:	To send an IMMEDIATE ASSIGNMENT message which assigns the SDCCH/8 channel for the MS	
Parameter Name	Parameter Value	Comments
sapi	C_Sap0	
logic_ch	ch	
msg	ImmAsgn_r02d(Rr, Fn, sub, slot, tsc, ta)	
Detailed Comments:		

ASP Constraint Declaration		
Constraint Name:	ImmAss_r10(ch:LOGICCH;Rr: BITSTRING; Fn: FN; sub:BITSTRING; slot:SN; tsc:TSC; ta:TA; arfcn:INTEGER)	
ASP Type:	DL_UdatRqImm	
Derivation Path:		
Comments:	To send an IMMEDIATE ASSIGNMENT message which assigns the SDCCH/4 channel for the MS for RR tests.	
Parameter Name	Parameter Value	Comments
sapi	C_Sap0	
logic_ch	ch	
msg	ImmAsgn_r10(Rr, Fn, sub, slot, tsc, ta, arfcn)	
Detailed Comments:		

ASP Constraint Declaration		
Constraint Name:	ImmAss_r13(ch:LOGICCH;Rr: BITSTRING; Fn: FN; chd:CHD; ta:TA)	
ASP Type:	DL_UdatRqImm	
Derivation Path:		
Comments:	To send an IMMEDIATE ASSIGNMENT message which assigns the TCH/F channel for the MS with a time advance of 30 bit periods.	
Parameter Name	Parameter Value	Comments
sapi	C_Sap0	
logic_ch	ch	
msg	ImmAsgn_r13(Rr, Fn, chd, ta)	
Detailed Comments:		

ASP Constraint Declaration		
Constraint Name:	ImmAss_r14(ch:LOGICCH;Rr: BITSTRING; Fn: FN; chd:CHD; ta:TA)	
ASP Type:	DL_UdatRqImm	
Derivation Path:		
Comments:	To send an IMMEDIATE ASSIGNMENT message which assigns the TCH/H channel for the MS	
Parameter Name	Parameter Value	Comments
sapi	C_Sap0	
logic_ch	ch	
msg	ImmAsgn_r14(Rr, Fn, chd, ta)	
Detailed Comments:		

ASP Constraint Declaration		
Constraint Name:	ImmAss_r27(ch:LOGICCH;Rr: BITSTRING; Fn: FN; slot:SN; tsc:TSC; ta:TA)	
ASP Type:	DL_UdatRqImm	
Derivation Path:		
Comments:	To send an IMMEDIATE ASSIGNMENT message which assigns the SDCCH/8 channel for the MS for TC_26_6_13_1.	
Parameter Name	Parameter Value	Comments
sapi	C_Sap0	
logic_ch	ch	
msg	ImmAsgn_r27(Rr, Fn, slot, tsc, ta)	
Detailed Comments:		

ASP Constraint Declaration		
Constraint Name:	ImmAss_r28(Rr: BITSTRING; Fn: FN; ch:LOGICCH; slot:SN; tsc:TSC; ta:TA)	
ASP Type:	DL_UdatRqImm	
Derivation Path:		
Comments:	To send an IMMEDIATE ASSIGNMENT message which assigns the SDCCH/8 channel for the MS for TC_26_6_13_2.	
Parameter Name	Parameter Value	Comments
sapi	C_Sap0	
logic_ch	ch	
msg	ImmAsgn_r28(Rr, Fn, slot, tsc, ta)	
Detailed Comments:		

ASP Constraint Declaration		
Constraint Name:	ImmAss_r29(Rr: BITSTRING; Fn: FN; ch:LOGICCH; slot:SN; tsc:TSC; ta:TA)	
ASP Type:	DL_UdatRqImm	
Derivation Path:		
Comments:	To send an IMMEDIATE ASSIGNMENT message which assigns the channel defined by PIXIT, used in TC_26_6_13_3.	
Parameter Name	Parameter Value	Comments
sapi	C_Sap0	
logic_ch	ch	
msg	ImmAsgn_r29(Rr, Fn, slot, tsc, ta)	
Detailed Comments:		

ASP Constraint Declaration		
Constraint Name:	ImmAss_r30(Rr: BITSTRING; Fn: FN; ch:LOGICCH; slot:SN; tsc:TSC; ta:TA)	
ASP Type:	DL_UdatRqImm	
Derivation Path:		
Comments:	To send an IMMEDIATE ASSIGNMENT message which assigns the channel defined by PIXIT, used in TC_26_6_13_4.	
Parameter Name	Parameter Value	Comments
sapi	C_Sap0	
logic_ch	ch	
msg	ImmAsgn_r30(Rr, Fn, slot, tsc, ta)	
Detailed Comments:		

ASP Constraint Declaration		
Constraint Name:	ImmAss_r31(Rr: BITSTRING; Fn: FN; ch:LOGICCH; slot:SN; tsc:TSC; ta:TA)	
ASP Type:	DL_UdatRqImm	
Derivation Path:		
Comments:	To send an IMMEDIATE ASSIGNMENT message which assigns hopping SDCCH8 channel, used in TC_26_6_13_5.	
Parameter Name	Parameter Value	Comments
sapi	C_Sap0	
logic_ch	ch	
msg	ImmAsgn_r31(Rr, Fn, slot, tsc, ta)	
Detailed Comments:		

ASP Constraint Declaration		
Constraint Name:	ImmAss_r32(Rr: BITSTRING; Fn: FN; ch:LOGICCH; slot:SN; tsc:TSC; ta:TA)	
ASP Type:	DL_UdatRqImm	
Derivation Path:		
Comments:	To send an IMMEDIATE ASSIGNMENT message which assigns hopping SDCCH8 channel, used in TC_26_6_13_6.	
Parameter Name	Parameter Value	Comments
sapi	C_Sap0	
logic_ch	ch	
msg	ImmAsgn_r32(Rr, Fn, slot, tsc, ta)	
Detailed Comments:		

ASP Constraint Declaration		
Constraint Name:	ImmAss_r33(Rr: BITSTRING; Fn: FN; ch:LOGICCH; slot:SN; tsc:TSC; ta:TA)	
ASP Type:	DL_UdatRqImm	
Derivation Path:		
Comments:	To send an IMMEDIATE ASSIGNMENT message which assigns the channel defined by PIXIT, used in TC_26_6_13_7.	
Parameter Name	Parameter Value	Comments
sapi	C_Sap0	
logic_ch	ch	
msg	ImmAsgn_r33(Rr, Fn, slot, tsc, ta)	
Detailed Comments:		

ASP Constraint Declaration		
Constraint Name:	ImmAss_r34(Rr: BITSTRING; Fn: FN; ch:LOGICCH; slot:SN; tsc:TSC; ta:TA)	
ASP Type:	DL_UdatRqImm	
Derivation Path:		
Comments:	To send an IMMEDIATE ASSIGNMENT message which assigns the channel defined by PIXIT, used in TC_26_6_13_8.	
Parameter Name	Parameter Value	Comments
sapi	C_Sap0	
logic_ch	ch	
msg	ImmAsgn_r34(Rr, Fn, slot, tsc, ta)	
Detailed Comments:		

ASP Constraint Declaration		
Constraint Name:	ImmAss_r35(Rr: BITSTRING; Fn: FN; ch:LOGICCH; slot:SN; tsc:TSC; ta:TA)	
ASP Type:	DL_UdatRqImm	
Derivation Path:		
Comments:	To send an IMMEDIATE ASSIGNMENT message which assigns the channel defined by PIXIT, used in TC_26_6_13_9.	
Parameter Name	Parameter Value	Comments
sapi	C_Sap0	
logic_ch	ch	
msg	ImmAsgn_r35(Rr, Fn, slot, tsc, ta)	
Detailed Comments:		

ASP Constraint Declaration		
Constraint Name:	ImmAss_r36(Rr: BITSTRING; Fn: FN; ch:LOGICCH; slot:SN; tsc:TSC; ta:TA)	
ASP Type:	DL_UdatRqImm	
Derivation Path:		
Comments:	To send an IMMEDIATE ASSIGNMENT message which assigns the channel defined by PIXIT, used in TC_26_6_13_10.	
Parameter Name	Parameter Value	Comments
sapi	C_Sap0	
logic_ch	ch	
msg	ImmAsgn_r36(Rr, Fn, slot, tsc, ta)	
Detailed Comments:		

ASP Constraint Declaration		
Constraint Name:	ImmAss_sdcch8(ch:LOGICCH;Rr: BITSTRING; Fn: FN; slot:SN; tsc:TSC; subch:BITSTRING; arfcn:INTEGER; ta:TA)	
ASP Type:	DL_UdatRqImm	
Derivation Path:		
Comments:	To send an IMMEDIATE ASSIGNMENT message which assigns the SDCCH8 channel for the MS.	
Parameter Name	Parameter Value	Comments
sapi	C_Sap0	
logic_ch	ch	
msg	ImmAsgn_sdcch8(Rr, Fn, slot, tsc, subch, arfcn, ta)	
Detailed Comments:		

ASP Constraint Declaration		
Constraint Name:	ImmAssSp_1(ch:LOGICCH; pgg:PGG; msg:IMMASS_PDU)	
ASP Type:	DL_UdatRqImmssp	
Derivation Path:		
Comments:	To send an IMMEDIATE ASSIGNMENT message on the MS paging channel.	
Parameter Name	Parameter Value	Comments
sapi	C_Sap0	
logic_ch	ch	
pgg	pgg	
msg	msg	
Detailed Comments:		

ASP Constraint Declaration		
Constraint Name:	ImmAssX_r01(ch:LOGICCH;Rr: BITSTRING; Fn: FN; Rr_9: BITSTRING; Fn_9: FN; slot:SN; tsc:TSC; ta:TA; arfcn:INTEGER)	
ASP Type:	DL_UdatRqImmssx	
Derivation Path:		
Comments:	To send an IMMEDIATE ASSIGNMENT EXTENDED message which assigns the SDCCH/4 channel for the MS	
Parameter Name	Parameter Value	Comments
sapi	C_Sap0	
logic_ch	ch	
msg	ImmAsgnX_r01(Rr, Fn, Rr_9, Fn_9, slot, tsc, ta, arfcn)	
Detailed Comments: The request reference (Rr, Fn) is used for the MS1, whilst (Rr_9, Fn_9) for MS2.		

ASP Constraint Declaration		
Constraint Name:	ImmAssX_r01d(ch:LOGICCH;Rr: BITSTRING; Fn: FN; Rr_9: BITSTRING; Fn_9: FN; slot:SN; tsc:TSC; ta:TA; arfcn:INTEGER)	
ASP Type:	DL_UdatRqImmssx	
Derivation Path:		
Comments:	To send an IMMEDIATE ASSIGNMENT EXTENDED message which assigns the SDCCH/4 channel for the MS in RR test of DCS.	
Parameter Name	Parameter Value	Comments
sapi	C_Sap0	
logic_ch	ch	
msg	ImmAsgnX_r01d(Rr, Fn, Rr_9, Fn_9, slot, tsc, ta, arfcn)	
Detailed Comments: The request reference (Rr, Fn) is used for the MS1, whilst (Rr_9, Fn_9) for MS2.		

ASP Constraint Declaration		
Constraint Name:	ImmAssX_r02(ch:LOGICCH;Rr: BITSTRING; Fn: FN; Rr_9: BITSTRING; Fn_9: FN; slot:SN; tsc:TSC; ta:TA)	
ASP Type:	DL_UdatRqImmssx	
Derivation Path:		
Comments:	To send an IMMEDIATE ASSIGNMENT EXTENDED message which assigns the SDCCH/8 channel for the MS	
Parameter Name	Parameter Value	Comments
sapi	C_Sap0	
logic_ch	ch	
msg	ImmAsgnX_r02(Rr, Fn, Rr_9, Fn_9, slot, tsc, ta)	
Detailed Comments: The request reference (Rr, Fn) is used for the MS1, whilst (Rr_9, Fn_9) for MS2.		

ASP Constraint Declaration		
Constraint Name:	ImmAssXSp_1(ch:LOGICCH; pgg:PGG; msg:IMMASSX_PDU)	
ASP Type:	DL_UdatRqImmssx_sp	
Derivation Path:		
Comments:	To send an IMMEDIATE ASSIGNMENT EXTENDED message on the MS paging channel.	
Parameter Name	Parameter Value	Comments
sapi	C_Sap0	
logic_ch	ch	
pgg	pgg	
msg	msg	
Detailed Comments:		

ASP Constraint Declaration		
Constraint Name:	ImmAssRej_01(ch:LOGICCH;Rr: BITSTRING; Fn: FN)	
ASP Type:	DL_UdatRqImmssRej	
Derivation Path:		
Comments:	To send an IMMEDIATE ASSIGNMENT REJECT message containing normal paging mode and wait indication = 0 seconds.	
Parameter Name	Parameter Value	Comments
sapi	C_Sap0	
logic_ch	ch	
msg	ImmAsgnRej_01(Rr, Fn)	
Detailed Comments:		

ASP Constraint Declaration		
Constraint Name:	ImmAssRej_02(ch:LOGICCH;Rr: BITSTRING; Fn: FN)	
ASP Type:	DL_UdatRqImmssRej	
Derivation Path:		
Comments:	To send an IMMEDIATE ASSIGNMENT REJECT message in which only the third request reference addresses the MS under test.	
Parameter Name	Parameter Value	Comments
sapi	C_Sap0	
logic_ch	ch	
msg	ImmAsgnRej_02(Rr, Fn)	
Detailed Comments:		

ASP Constraint Declaration		
Constraint Name:	ImmAssRej_03(ch:LOGICCH; Rr: BITSTRING; Fn: FN)	
ASP Type:	DL_UdatRqImmssRej	
Derivation Path:		
Comments:	To send an IMMEDIATE ASSIGNMENT REJECT message containing normal paging mode and wait indication = 5 seconds.	
Parameter Name	Parameter Value	Comments
sapi	C_Sap0	
logic_ch	ch	
msg	ImmAsgnRej_03(Rr, Fn)	
Detailed Comments:		

ASP Constraint Declaration		
Constraint Name:	ImmAssRej_04(ch:LOGICCH; Rr: BITSTRING; Fn: FN)	
ASP Type:	DL_UdatRqImmAssRej	
Derivation Path:		
Comments:	To send an IMMEDIATE ASSIGNMENT REJECT message containing normal paging mode.	
Parameter Name	Parameter Value	Comments
sapi	C_Sap0	
logic_ch	ch	
msg	ImmAsgnRej_01(Rr, Fn)	
Detailed Comments:		

ASP Constraint Declaration		
Constraint Name:	ImmAssRej_05(ch:LOGICCH;Rr: BITSTRING; Fn: FN)	
ASP Type:	DL_UdatRqImmAssRej	
Derivation Path:		
Comments:	To send an IMMEDIATE ASSIGNMENT REJECT message containing normal paging mode and wait time = 6 seconds.	
Parameter Name	Parameter Value	Comments
sapi	C_Sap0	
logic_ch	ch	
msg	ImmAsgnRej_04(Rr, Fn)	
Detailed Comments:		

ASP Constraint Declaration		
Constraint Name:	ImmAssRej_r01(ch:LOGICCH;rqr1, rqr2, rqr3, rqr4: RQR; t1, t2:INTEGER)	
ASP Type:	DL_UdatRqImmAssRej	
Derivation Path:		
Comments:	To send an IMMEDIATE ASSIGNMENT REJECT message containing normal paging mode.	
Parameter Name	Parameter Value	Comments
sapi	C_Sap0	
logic_ch	ch	
msg	ImmAsgnRej_r01(rqr1, rqr2, rqr3, rqr4, t1, t2)	
Detailed Comments: Only the third request reference addresses the MS under test. The formal parameter t3122 indicates the waiting time for T3122.		

ASP Constraint Declaration		
Constraint Name:	ImmAssRej_r02(ch:LOGICCH; Rr: BITSTRING; Fn: FN)	
ASP Type:	DL_UdatRqImmAssRej	
Derivation Path:		
Comments:	To send an IMMEDIATE ASSIGNMENT REJECT message for the RR tests. The 1st request reference in the msg addresses the MS under test.	
Parameter Name	Parameter Value	Comments
sapi	C_Sap0	
logic_ch	ch	
msg	ImmAsgnRej_r02(Rr, Fn)	
Detailed Comments:		

ASP Constraint Declaration		
Constraint Name:	ImmAssRej_r03(ch:LOGICCH; Rr: BITSTRING; Fn: FN)	
ASP Type:	DL_UdatRqImmRej	
Derivation Path:		
Comments:	To send an IMMEDIATE ASSIGNMENT REJECT message of the cell B for the RR tests. The 1st request reference in the msg addresses the MS under test.	
Parameter Name	Parameter Value	Comments
sapi	C_Sap0	
logic_ch	ch	
msg	ImmAsgnRej_r02(Rr, Fn)	
Detailed Comments:		

ASP Constraint Declaration		
Constraint Name:	ImmAssRej_inv_01(ch:LOGICCH;Rr: BITSTRING; Fn: FN)	
ASP Type:	DL_UdatRqImmRej	
Derivation Path:		
Comments:	To send an IMMEDIATE ASSIGNMENT REJECT message with unknown skip indictor.	
Parameter Name	Parameter Value	Comments
sapi	C_Sap0	
logic_ch	ch	
msg	ImmAsgnRej_inv_01(Rr, Fn)	
Detailed Comments:		

ASP Constraint Declaration		
Constraint Name:	ImmAssRej_inv_02(ch:LOGICCH;Rr: BITSTRING; Fn: FN)	
ASP Type:	DL_UdatRqImmRej	
Derivation Path:		
Comments:	To send an IMMEDIATE ASSIGNMENT REJECT message containing arbitrary spare bits	
Parameter Name	Parameter Value	Comments
sapi	C_Sap0	
logic_ch	ch	
msg	ImmAsgnRej_inv_02(Rr, Fn)	
Detailed Comments:		

ASP Constraint Declaration		
Constraint Name:	ImmAssRejSp_1(ch:LOGICCH; pgg:PGG; msg:IMMASS_REJ_PDU)	
ASP Type:	DL_UdatRqImmRej_sp	
Derivation Path:		
Comments:	To send an IMMEDIATE ASSIGNMENT REJECT message on the MS paging channel.	
Parameter Name	Parameter Value	Comments
sapi	C_Sap0	
logic_ch	ch	
pgg	pgg	
msg	msg	
Detailed Comments: Only used in TC_26_6_2_4		

ASP Constraint Declaration		
Constraint Name:	ImsiDet_01	
ASP Type:	DL_EstInImsidIn	
Derivation Path:		
Comments:	To match a received IMSI DETACH INDICATION message matching any MS classmark1 value and any mobile identity value	
Parameter Name	Parameter Value	Comments
sapi	C_Sap0	
logic_ch	?	
establish_mode	?	
msg	ImsiDetach_01	
fn	?	
Detailed Comments:		

ASP Constraint Declaration		
Constraint Name:	ImsiDet_30(par:MI)	
ASP Type:	DL_EstInImsidIn	
Derivation Path:		
Comments:	To match a received IMSI DETACH INDICATION message matching any MS classmark1 value and any mobile identity value	
Parameter Name	Parameter Value	Comments
sapi	C_Sap0	
logic_ch	?	
establish_mode	?	
msg	ImsiDetach_30(par)	
fn	?	
Detailed Comments:		

ASP Constraint Declaration		
Constraint Name:	LocAcp(ch:LOGICCH; mnc, lac:OCTETSTRING)	
ASP Type:	DL_DatRqLupAcp	
Derivation Path:		
Comments:	To send a LOCATION UPDATING ACCEPT message with a new mobile identity TMSI and location area.	
Parameter Name	Parameter Value	Comments
sapi	C_Sap0	
logic_ch	ch	
msg	LocUpdtAcp(mnc, lac)	
Detailed Comments:		

ASP Constraint Declaration		
Constraint Name:	LocAcp_01(newmi: MI; ch: LOGICCH; lac:OCTETSTRING)	
ASP Type:	DL_DatRqLupAcp	
Derivation Path:		
Comments:	To send a LOCATION UPDATING ACCEPT message with a new mobile identity TMSI and location area Cell A.	
Parameter Name	Parameter Value	Comments
sapi	C_Sap0	
logic_ch	ch	
msg	LocUpdtAcp_01(newmi, lac)	
Detailed Comments:		

ASP Constraint Declaration		
Constraint Name:	LocAcp_02(ch: LOGICCH)	
ASP Type:	DL_DatRqLupAcp	
Derivation Path:		
Comments:	To send a LOCATION UPDATING ACCEPT message without mobile identity.	
Parameter Name	Parameter Value	Comments
sapi	C_Sap0	
logic_ch	ch	
msg	LocUpdtAcp_02	
Detailed Comments:		

ASP Constraint Declaration		
Constraint Name:	LocAcp_03(ch: LOGICCH)	
ASP Type:	DL_DatRqLupAcp	
Derivation Path:		
Comments:	To send a LOCATION UPDATING ACCEPT message with mobile identity TMSI and location area Cell B.	
Parameter Name	Parameter Value	Comments
sapi	C_Sap0	
logic_ch	ch	
msg	LocUpdtAcp_03	
Detailed Comments:		

ASP Constraint Declaration		
Constraint Name:	LocAcp_30(newmi: MI; ch: LOGICCH; lac:OCTETSTRING)	
ASP Type:	DL_DatRqLupAcp	
Derivation Path:		
Comments:	To send a LOCATION UPDATING ACCEPT message with a new mobile identity TMSI and location area.	
Parameter Name	Parameter Value	Comments
sapi	C_Sap0	
logic_ch	ch	
msg	LocUpdtAcp_30(newmi, lac)	
Detailed Comments:		

ASP Constraint Declaration		
Constraint Name:	LocAcp_31(ch: LOGICCH; lac:OCTETSTRING)	
ASP Type:	DL_DatRqLupAcp	
Derivation Path:		
Comments:	To send a LOCATION UPDATING ACCEPT message with a new mobile identity TMSI and location area.	
Parameter Name	Parameter Value	Comments
sapi	C_Sap0	
logic_ch	ch	
msg	LocUpdtAcp_31(lac)	
Detailed Comments:		

ASP Constraint Declaration		
Constraint Name:	LocAcp_32(ch: LOGICCH; lac:OCTETSTRING)	
ASP Type:	DL_DatRqLupAcp	
Derivation Path:		
Comments:	To send a LOCATION UPDATING ACCEPT message without mobile identity.	
Parameter Name	Parameter Value	Comments
sapi	C_Sap0	
logic_ch	ch	
msg	LocUpdtAcp_32(lac)	
Detailed Comments:		

ASP Constraint Declaration		
Constraint Name:	LocAcp_33(ch: LOGICCH; lac:OCTETSTRING)	
ASP Type:	DL_DatRqLupAcp	
Derivation Path:	LocAcp_31.	
Comments:	To send a LOCATION UPDATING ACCEPT message without any mobile identity. FOR bit is set to one.	
Parameter Name	Parameter Value	Comments
logic_ch	ch	
msg	LocUpdtAcp_33(lac)	
Detailed Comments:		

ASP Constraint Declaration		
Constraint Name:	LocAcp_inv_01(ch: LOGICCH)	
ASP Type:	DL_DatRqLupAcpErr	
Derivation Path:		
Comments:	To send a LOCATION UPDATING ACCEPT message with duplicated mobile identities.	
Parameter Name	Parameter Value	Comments
sapi	C_Sap0	
logic_ch	ch	
msg	LocUpdtAcp_inv_01	
Detailed Comments:		

ASP Constraint Declaration		
Constraint Name:	LocAcp_inv_02(ch: LOGICCH)	
ASP Type:	DL_DatRqLupAcp	
Derivation Path:		
Comments:	To send a LOCATION UPDATING ACCEPT message containing comprehension required IE.	
Parameter Name	Parameter Value	Comments
sapi	C_Sap0	
logic_ch	ch	
msg	LocUpdtAcp_inv_03	
Detailed Comments:		

ASP Constraint Declaration		
Constraint Name:	LocAcp_inv_03(ch: LOGICCH)	
ASP Type:	DL_DatRqLupAcpErr	
Derivation Path:	LocAcp_inv_01.	
Comments:	To send a LOCATION UPDATING ACCEPT message containing unknown IEI.	
Parameter Name	Parameter Value	Comments
logic_ch	ch	
msg	LocUpdtAcp_inv_05	
Detailed Comments:		

ASP Constraint Declaration		
Constraint Name:	LocAcp_inv_04(ch:LOGICCH)	
ASP Type:	DL_DatRqLupAcpErr	
Derivation Path:	LocAcp_inv_01.	
Comments:	To send a LOCATION UPDATING ACCEPT message containing unknown IEI	
Parameter Name	Parameter Value	Comments
logic_ch	ch	
msg	LocUpdtAcp_inv_04	
Detailed Comments:		

ASP Constraint Declaration		
Constraint Name:	LocUp_01(ch: LOGICCH; locup:B_2)	
ASP Type:	DL_EstInLupRq	
Derivation Path:		
Comments:	To match a received LOCATION UPDATING REQUEST message containing location updating type = IMSI attach.	
Parameter Name	Parameter Value	Comments
sapi	C_Sap0	
logic_ch	ch	
establish_mode	?	
msg	LocUpdtReq_01(locup)	
fn	?	
Detailed Comments:		

ASP Constraint Declaration		
Constraint Name:	LocUp_04(ch:LOGICCH; locup:B_2; par:MI)	
ASP Type:	DL_EstInLupRq	
Derivation Path:		
Comments:	To receive a LOCATION UPDATING REQUEST message containing TMSI.	
Parameter Name	Parameter Value	Comments
sapi	C_Sap0	
logic_ch	ch	
establish_mode	?	
msg	LocUpdtReq_04(locup, par)	
fn	?	
Detailed Comments:		

ASP Constraint Declaration		
Constraint Name:	LocUp_06(ch:LOGICCH)	
ASP Type:	DL_EstInLupRq	
Derivation Path:		
Comments:	To match any received LOCATION UPDATING REQUEST message.	
Parameter Name	Parameter Value	Comments
sapi	C_Sap0	
logic_ch	ch	
establish_mode	?	
msg	LocUpdtReq_05	
fn	?	
Detailed Comments:		

ASP Constraint Declaration		
Constraint Name:	LocUp_30(mi:MI; ch: LOGICCH; lac:OCTETSTRING; locup:B_2; cksn: BITSTRING)	
ASP Type:	DL_EstInLupRq	
Derivation Path:		
Comments:	To match a received LOCATION UPDATING REQUEST message containing location updating type = normal type.	
Parameter Name	Parameter Value	Comments
sapi	C_Sap0	
logic_ch	ch	
establish_mode	?	
msg	LocUpdtReq_30(mi, lac, locup, cksn)	
fn	?	
Detailed Comments:		

ASP Constraint Declaration		
Constraint Name:	LocUp_31(mi:MI; ch:LOGICCH; mnc, lac:OCTETSTRING; locup:B_2; cksn:BITSTRING)	
ASP Type:	DL_EstInLupRq	
Derivation Path:		
Comments:	To match a parameterised received LOCATION UPDATING REQUEST message.	
Parameter Name	Parameter Value	Comments
sapi	C_Sap0	
logic_ch	ch	
establish_mode	?	
msg	LocUpdtReq_31(mi, mnc, lac, locup, cksn)	
fn	?	
Detailed Comments:		

ASP Constraint Declaration		
Constraint Name:	LocRej_01(par:REJCAU; ch: LOGICCH)	
ASP Type:	DL_DatRqLupRej	
Derivation Path:		
Comments:	To send a LOCATION UPDATING REJECT message containing the reject cause IMSI unknown in HLR. Used var's: ch	
Parameter Name	Parameter Value	Comments
sapi	C_Sap0	
logic_ch	ch	
msg	LocUpdtRej_01(par)	
Detailed Comments:		

ASP Constraint Declaration		
Constraint Name:	MDLRelReq_01(ch :LOGICCH)	
ASP Type:	MDL_RelRq	
Derivation Path:		
Comments:		
Parameter Name	Parameter Value	Comments
sapi	C_Sap0	
logic_ch	ch	
release_mode	C_LocEndRel	
Detailed Comments:		

ASP Constraint Declaration		
Constraint Name:	ModifySnd(ch:LOGICCH; msg:MODIFY_PDU)	
ASP Type:	DL_DatRqModify	
Derivation Path:		
Comments:		
Parameter Name	Parameter Value	Comments
sapi	C_Sap0	
logic_ch	ch	
msg	msg	
Detailed Comments:		

ASP Constraint Declaration		
Constraint Name:	ModifyRcv(msg:MODIFY_PDU)	
ASP Type:	DL_DatInModify	
Derivation Path:		
Comments:		
Parameter Name	Parameter Value	Comments
sapi	C_Sap0	
logic_ch	?	
msg	msg	
fn	?	
Detailed Comments:		

ASP Constraint Declaration		
Constraint Name:	ModifyCmpSnd(ch:LOGICCH; msg:MODIFY_COM_PDU)	
ASP Type:	DL_DatRqModifyCom	
Derivation Path:		
Comments:	n -> ms	
Parameter Name	Parameter Value	Comments
sapi	C_Sap0	
logic_ch	ch	
msg	msg	
Detailed Comments:		

ASP Constraint Declaration		
Constraint Name:	ModifyRejRqSnd(ch:LOGICCH; msg:MODIFY_REJ_PDU)	
ASP Type:	DL_DatRqModifyRej	
Derivation Path:		
Comments:		
Parameter Name	Parameter Value	Comments
sapi	C_Sap0	
logic_ch	ch	
msg	msg	
Detailed Comments:		

ASP Constraint Declaration		
Constraint Name:	ModifyRejRcv(ch:LOGICCH; msg:MODIFY_REJ_PDU)	
ASP Type:	DL_DatInModifyRej	
Derivation Path:		
Comments:		
Parameter Name	Parameter Value	Comments
sapi	C_Sap0	
logic_ch	ch	
msg	msg	
fn	?	
Detailed Comments:		

ASP Constraint Declaration		
Constraint Name:	MMSt_01	
ASP Type:	DL_DatInMmst	
Derivation Path:		
Comments:	To receive a MM STATUS message containing reject cause value #97.	
Parameter Name	Parameter Value	Comments
sapi	C_Sap0	
logic_ch	?	
msg	MMstatus_01	
fn	?	
Detailed Comments:		

ASP Constraint Declaration		
Constraint Name:	MMSt_02	
ASP Type:	DL_DatInMmst	
Derivation Path:		
Comments:	To receive a MM STATUS message with cause value = #96	
Parameter Name	Parameter Value	Comments
sapi	C_Sap0	
logic_ch	?	
msg	MMstatus_02	
fn	?	
Detailed Comments:		

ASP Constraint Declaration		
Constraint Name:	MMSt_03(ch:LOGICCH)	
ASP Type:	DL_DatInMmst	
Derivation Path:		
Comments:	To match a received MM STATUS message with cause value = #98	
Parameter Name	Parameter Value	Comments
sapi	C_Sap0	
logic_ch	ch	
msg	MMstatus_03	
fn	?	
Detailed Comments:		

ASP Constraint Declaration		
Constraint Name:	MsrRept_01	
ASP Type:	DL_UdatInMsrRpt	
Derivation Path:		
Comments:	To receive a measurement report without measurement results.	
Parameter Name	Parameter Value	Comments
sapi	C_Sap0	
logic_ch	?	
msg	MsrReport_01	
fn	?	
Detailed Comments:		

ASP Constraint Declaration		
Constraint Name:	MsrRept_02	
ASP Type:	DL_UdatInMsrRpt	
Derivation Path:		
Comments:	To receive any measurement report.	
Parameter Name	Parameter Value	Comments
sapi	C_Sap0	
logic_ch	?	
msg	MsrReport_02	
fn	?	
Detailed Comments:		

ASP Constraint Declaration		
Constraint Name:	MsrRept_03	
ASP Type:	DL_UdatInMsrRpt	
Derivation Path:	MsrRept_01.	
Comments:	To receive a measurement report containing 6 strongest carriers.	
Parameter Name	Parameter Value	Comments
msg	MsrReport_03	
Detailed Comments:		

ASP Constraint Declaration		
Constraint Name:	MsrRept_03e(par_measres: MSRR)	
ASP Type:	DL_UdatInMsrRpt	
Derivation Path:		
Comments:	To receive a measurement report containing 6 strongest carriers for EGSM.	
Parameter Name	Parameter Value	Comments
sapi	C_Sap0	
logic_ch	?	
msg	MsrReport_03e(par_measres)	
fn	?	
Detailed Comments:		

ASP Constraint Declaration		
Constraint Name:	MsrRept_04	
ASP Type:	DL_UdatInMsrRpt	
Derivation Path:	MsrRept_01.	
Comments:	To receive a measurement report containing 4 strongest carriers.	
Parameter Name	Parameter Value	Comments
msg	MsrReport_04	
Detailed Comments:		

ASP Constraint Declaration		
Constraint Name:	MsrRept_04e	
ASP Type:	DL_UdatInMsrRpt	
Derivation Path:	MsrRept_01.	
Comments:	To receive a measurement report containing 4 strongest carriers for EGSM.	
Parameter Name	Parameter Value	Comments
msg	MsrReport_04e	
Detailed Comments:		

ASP Constraint Declaration		
Constraint Name:	MsrRept_05	
ASP Type:	DL_UdatInMsrRpt	
Derivation Path:	MsrRept_01.	
Comments:	To receive a measurement report containing 6 strongest carriers and DTX was used.	
Parameter Name	Parameter Value	Comments
msg	MsrReport_05	
Detailed Comments:		

ASP Constraint Declaration		
Constraint Name:	MsrRept_06	
ASP Type:	DL_UdatInMsrRpt	
Derivation Path:	MsrRept_01.	
Comments:	To receive a measurement report containing 6 strongest carriers and DTX is not checked.	
Parameter Name	Parameter Value	Comments
msg	MsrReport_06	
Detailed Comments:		

ASP Constraint Declaration		
Constraint Name:	MsrRept_07	
ASP Type:	DL_UdatInMsrRpt	
Derivation Path:	MsrRept_01.	
Comments:	To receive a measurement report containing 2 strongest carriers and DTX is not used.	
Parameter Name	Parameter Value	Comments
msg	MsrReport_07	
Detailed Comments:		

ASP Constraint Declaration		
Constraint Name:	NotifySnd(ch:LOGICCH; msg:NOTIFY_PDU)	
ASP Type:	DL_DatRqNotify	
Derivation Path:		
Comments:	To send a NOTIFY message to the MS. The message contains any valid notification indicator.	
Parameter Name	Parameter Value	Comments
sapi	C_Sap0	
logic_ch	ch	
msg	msg	
Detailed Comments:		

ASP Constraint Declaration		
Constraint Name:	PgReq1(ch:LOGICCH; pgg:PGG; pg1_req_pdu: PG1_RQ_PDU)	
ASP Type:	DL_UdatRqPg1Rq	
Derivation Path:		
Comments:	To send a PAGING REQUEST TYPE 1 message to the paging group indicated by the parameter pgg which is derived from system parameters. The PAGING REQUEST TYPE1 message requests normal paging mode, any channel and for the MS identity TSPX_TMSI.	
Parameter Name	Parameter Value	Comments
sapi	C_Sap0	
logic_ch	ch	
pgg	pgg	
msg	pg1_req_pdu	
Detailed Comments:		

ASP Constraint Declaration		
Constraint Name:	PgReq2(ch:LOGICCH; pgg:PGG; pg2_req_pdu: PG2_RQ_PDU)	
ASP Type:	DL_UdatRqPg2Rq	
Derivation Path:		
Comments:	To send a PAGING REQUEST TYPE 1 message to the paging group indicated by the parameter pgg which is derived from system parameters. The PAGING REQUEST TYPE1 message requests normal paging mode, any channel and for the MS identity TSPX_TMSI.	
Parameter Name	Parameter Value	Comments
sapi	C_Sap0	
logic_ch	ch	
pgg	pgg	
msg	pg2_req_pdu	
Detailed Comments:		

ASP Constraint Declaration		
Constraint Name:	PgReq3(ch:LOGICCH; pgg:PGG; pg3_req_pdu: PG3_RQ_PDU)	
ASP Type:	DL_UdatRqPg3Rq	
Derivation Path:		
Comments:	To send a PAGING REQUEST TYPE 1 message to the paging group indicated by the parameter pgg which is derived from system parameters. The PAGING REQUEST TYPE1 message requests normal paging mode, any channel and for the MS identity TSPX_TMSI.	
Parameter Name	Parameter Value	Comments
sapi	C_Sap0	
logic_ch	ch	
pgg	pgg	
msg	pg3_req_pdu	
Detailed Comments:		

ASP Constraint Declaration		
Constraint Name:	PagingRes(pdu: PG_RES_PDU)	
ASP Type:	DL_EstInPgRes	
Derivation Path:		
Comments:	To receive a PAGING RESPONSE message.	
Parameter Name	Parameter Value	Comments
sapi	C_Sap0	
logic_ch	?	
establish_mode	?	
msg	pdu	
fn	?	
Detailed Comments:		

ASP Constraint Declaration		
Constraint Name:	PgRes_01	
ASP Type:	DL_EstInPgRes	
Derivation Path:		
Comments:	To match any received PAGING RESPONSE message	
Parameter Name	Parameter Value	Comments
sapi	C_Sap0	
logic_ch	?	
establish_mode	?	
msg	PagingRes_01	
fn	?	
Detailed Comments:		

ASP Constraint Declaration		
Constraint Name:	PgRes_02(ch:LOGICCH)	
ASP Type:	DL_EstInPgRes	
Derivation Path:		
Comments:	To match any received PAGING RESPONSE message on the channel `ch`.	
Parameter Name	Parameter Value	Comments
sapi	C_Sap0	
logic_ch	ch	
establish_mode	?	
msg	PagingRes_01	
fn	?	
Detailed Comments:		

ASP Constraint Declaration		
Constraint Name:	PgRes_03	
ASP Type:	DL_EstInPgRes	
Derivation Path:	PgRes_01.	
Comments:	To match a received PAGING RESPONSE message with default TMSI, CKSN and classmark2.	
Parameter Name	Parameter Value	Comments
msg	PagingRes_03	
Detailed Comments:		

ASP Constraint Declaration		
Constraint Name:	PgRes_30(par:MI; cksn: BITSTRING)	
ASP Type:	DL_EstInPgRes	
Derivation Path:		
Comments:	To match derived received PAGING RESPONSE message for MM testcases. Used var's: TCV_cksn, TCV_tmsi	
Parameter Name	Parameter Value	Comments
sapi	C_Sap0	
logic_ch	?	
establish_mode	?	
msg	PagingRes_30(par,cksn)	
fn	?	
Detailed Comments:		

ASP Constraint Declaration		
Constraint Name:	PgRes_r03	
ASP Type:	DL_EstInPgRes	
Derivation Path:		
Comments:	To match the received PAGING RESPONSE message containing IMSI of the IUT for RR tests.	
Parameter Name	Parameter Value	Comments
sapi	C_Sap0	
logic_ch	C_FACCHF_A_1	
establish_mode	?	
msg	PagingRes_r02	
fn	?	
Detailed Comments:		

ASP Constraint Declaration		
Constraint Name:	PgRes_r04	
ASP Type:	DL_EstInPgRes	
Derivation Path:	PgRes_01.	
Comments:	To match a received PAGING RESPONSE message with TMSI of the IUT	
Parameter Name	Parameter Value	Comments
msg	PagingRes_r01	
Detailed Comments:		

ASP Constraint Declaration		
Constraint Name:	PgRes_r05	
ASP Type:	DL_EstInPgRes	
Derivation Path:	PgRes_01.	
Comments:	To match a received PAGING RESPONSE message containing IMSI of the IUT	
Parameter Name	Parameter Value	Comments
msg	PagingRes_r02	
Detailed Comments:		

ASP Constraint Declaration		
Constraint Name:	PhyInfo_01(ch: LOGICCH; ta:TA)	
ASP Type:	DL_DatRqPhyinfo	
Derivation Path:		
Comments:		
Parameter Name	Parameter Value	Comments
sapi	C_Sap0	
logic_ch	ch	
msg	Phyinfo_01(ta)	
Detailed Comments:		

ASP Constraint Declaration		
Constraint Name:	PhyInfo_02(ch:LOGICCH; ta:TA)	
ASP Type:	DL_DatRqPhyinfo	
Derivation Path:		
Comments:		
Parameter Name	Parameter Value	Comments
sapi	C_Sap0	
logic_ch	ch	
msg	Phyinfo_04(ta)	
Detailed Comments:		

ASP Constraint Declaration		
Constraint Name:	PhyInfo_21(ch: LOGICCH; ta:TA)	
ASP Type:	DL_DatRqPhyinfo	
Derivation Path:		
Comments:	Used variables: ch	
Parameter Name	Parameter Value	Comments
sapi	C_Sap0	
logic_ch	ch	
msg	Phyinfo_01(ta)	
Detailed Comments:		

ASP Constraint Declaration		
Constraint Name:	PhyInfo_22(ch: LOGICCH; ta:TA)	
ASP Type:	DL_DatRqPhyinfo	
Derivation Path:		
Comments:		
Parameter Name	Parameter Value	Comments
sapi	C_Sap0	
logic_ch	ch	
msg	Phyinfo_02(ta)	
Detailed Comments:		

ASP Constraint Declaration		
Constraint Name:	Progress(ch:LOGICCH; pdu: PROG_PDU)	
ASP Type:	DL_DatRqProg	
Derivation Path:		
Comments:	To send a PROGRESS message.	
Parameter Name	Parameter Value	Comments
sapi	C_Sap0	
logic_ch	ch	
msg	pdu	
Detailed Comments:		

ASP Constraint Declaration		
Constraint Name:	Register_01(ch:LOGICCH; reg:REGISTER_PDU)	
ASP Type:	DL_DatInRegister	
Derivation Path:		
Comments:	To receive any Register message.	
Parameter Name	Parameter Value	Comments
sapi	C_Sap0	
logic_ch	ch	
msg	reg	
fn	?	
Detailed Comments:		

ASP Constraint Declaration		
Constraint Name:	Register_03(reg:REGISTER_PDU)	
ASP Type:	DL_DatInRegister	
Derivation Path:		
Comments:	CFNRy	
Parameter Name	Parameter Value	Comments
sapi	C_Sap0	
logic_ch	?	
msg	reg	
fn	?	
Detailed Comments:		

ASP Constraint Declaration		
Constraint Name:	RegisterReq_01(ch: LOGICCH; reg:REGISTER_PDU)	
ASP Type:	DL_DatRqRegister	
Derivation Path:		
Comments:	To send a REGISTER message containing Invoke for UnstructuredSS-Notify	
Parameter Name	Parameter Value	Comments
sapi	C_Sap0	
logic_ch	ch	
msg	reg	
Detailed Comments:		

ASP Constraint Declaration		
Constraint Name:	ReleaseInd_01	
ASP Type:	DL_DatInRel	
Derivation Path:		
Comments:	To match a received CC RELEASE message with cause #96	
Parameter Name	Parameter Value	Comments
sapi	C_Sap0	
logic_ch	?	
msg	Release_01	
fn	?	
Detailed Comments:		

ASP Constraint Declaration		
Constraint Name:	ReleaseInd_02	
ASP Type:	DL_DatInRel	
Derivation Path:	ReleaseInd_01.	
Comments:	To match any received CC RELEASE message.	
Parameter Name	Parameter Value	Comments
msg	Release_02	
Detailed Comments:		

ASP Constraint Declaration		
Constraint Name:	ReleaseInd_03(Ti:TI)	
ASP Type:	DL_DatInRel	
Derivation Path:		
Comments:	To match any received CC RELEASE message	
Parameter Name	Parameter Value	Comments
sapi	C_Sap0	
logic_ch	?	
msg	Release_10(Ti)	
fn	?	
Detailed Comments:		

ASP Constraint Declaration		
Constraint Name:	ReleaseInd_06(Ti:TI)	
ASP Type:	DL_DatInRel	
Derivation Path:		
Comments:	To match a received CC RELEASE message containing mandatory IEs only.	
Parameter Name	Parameter Value	Comments
sapi	C_Sap0	
logic_ch	?	
msg	Release_09(Ti)	
fn	?	
Detailed Comments:		

ASP Constraint Declaration		
Constraint Name:	ReleaseRcv(pdu: REL_PDU)	
ASP Type:	DL_DatInRel	
Derivation Path:		
Comments:	To receive a CC RELEASE message.	
Parameter Name	Parameter Value	Comments
sapi	C_Sap0	
logic_ch	?	
msg	pdu	
fn	?	
Detailed Comments:		

ASP Constraint Declaration		
Constraint Name:	ReleaseSnd(ch: LOGICCH; pdu: REL_PDU)	
ASP Type:	DL_DatRqRel	
Derivation Path:		
Comments:	To send a RELEASE message.	
Parameter Name	Parameter Value	Comments
sapi	C_Sap0	
logic_ch	ch	
msg	pdu	
Detailed Comments:		

ASP Constraint Declaration		
Constraint Name:	RelCmp_02(Ti:TI)	
ASP Type:	DL_DatInRelCmp	
Derivation Path:		
Comments:	To receive any RELEASE COMPLETE message	
Parameter Name	Parameter Value	Comments
sapi	C_Sap0	
logic_ch	?	
msg	ReleaseCmp_03(Ti)	
fn	?	
Detailed Comments:		

ASP Constraint Declaration		
Constraint Name:	RelCmp_05(Ti:TI)	
ASP Type:	DL_DatInRelCmp	
Derivation Path:		
Comments:	To match a received RELEASE COMPLETE message containing cause value #88.	
Parameter Name	Parameter Value	Comments
sapi	C_Sap0	
logic_ch	?	
msg	ReleaseCmp_07(Ti)	
fn	?	
Detailed Comments:		

ASP Constraint Declaration		
Constraint Name:	RelCmp_06	
ASP Type:	DL_DatInRelCmp	
Derivation Path:		
Comments:	To receive a RELEASE COMPLETE message containing #81 cause value and TI = '1110'B	
Parameter Name	Parameter Value	Comments
sapi	C_Sap0	
logic_ch	?	
msg	ReleaseCmp_52	
fn	?	
Detailed Comments:		

ASP Constraint Declaration		
Constraint Name:	RelCmp_08(Ti:TI)	
ASP Type:	DL_DatInRelCmp	
Derivation Path:		
Comments:	To match a received RELEASE COMPLETE message containing cause value #17 user busy.	
Parameter Name	Parameter Value	Comments
sapi	C_Sap0	
logic_ch	?	
msg	ReleaseCmp_03(Ti)	
fn	?	
Detailed Comments:		

ASP Constraint Declaration		
Constraint Name:	RelCmp_09(Ti:TI)	
ASP Type:	DL_DatInRelCmp	
Derivation Path:		
Comments:	To receive a RELEASE COMPLETE message which may or may not contain Facility IE	
Parameter Name	Parameter Value	Comments
sapi	C_Sap0	
logic_ch	?	
msg	ReleaseCmp_25(Ti)	
fn	?	
Detailed Comments:		

ASP Constraint Declaration		
Constraint Name:	RelCmp_11(Ti:TI; Invkid: OCTETSTRING)	
ASP Type:	DL_DatInRelCmp	
Derivation Path:		
Comments:	To receive a RELEASE COMPLETE message containing Return Error for UnstructuredSS-Notify with the error code USSD Busy	
Parameter Name	Parameter Value	Comments
sapi	C_Sap0	
logic_ch	?	
msg	ReleaseCmp_49(Ti, Invkid)	
fn	?	
Detailed Comments:		

ASP Constraint Declaration		
Constraint Name:	RelCmp_12(Ti:TI; Invkid: OCTETSTRING)	
ASP Type:	DL_DatInRelCmp	
Derivation Path:		
Comments:	To receive a RELEASE COMPLETE message containing Return Error for UnstructuredSS-Request with the error code USSD Busy	
Parameter Name	Parameter Value	Comments
sapi	C_Sap0	
logic_ch	?	
msg	ReleaseCmp_50(Ti, Invkid)	
fn	?	
Detailed Comments:		

ASP Constraint Declaration		
Constraint Name:	RelCmpRq_01(ch: LOGICCH)	
ASP Type:	DL_DatRqRelCmp	
Derivation Path:		
Comments:	To send a RELEASE COMPLETE message containing cause #16.	
Parameter Name	Parameter Value	Comments
sapi	C_Sap0	
logic_ch	ch	
msg	ReleaseCmp_02	
Detailed Comments:		

ASP Constraint Declaration		
Constraint Name:	RelCmpRq_03(Ti:TI; ch:LOGICCH)	
ASP Type:	DL_DatRqRelCmp	
Derivation Path:		
Comments:	To send a RELEASE COMPLETE message containing cause #1--- unallocated number.	
Parameter Name	Parameter Value	Comments
sapi	C_Sap0	
logic_ch	ch	
msg	ReleaseCmp_04(Ti)	
Detailed Comments:		

ASP Constraint Declaration		
Constraint Name:	RelCmpRq_05(Ti:TI; ch: LOGICCH)	
ASP Type:	DL_DatRqRelCmp	
Derivation Path:		
Comments:	To send a RELEASE COMPLETE message containing mandatory IEs only.	
Parameter Name	Parameter Value	Comments
sapi	C_Sap0	
logic_ch	ch	
msg	ReleaseCmp_08(Ti)	
Detailed Comments:		

ASP Constraint Declaration		
Constraint Name:	RelCmpRq_10(ch:LOGICCH; relcom:REL_COM_PDU)	
ASP Type:	DL_DatRqRelCmp	
Derivation Path:		
Comments:	To send a RELEASE COMPLETE message containing ReturnResult of registration (CFU).	
Parameter Name	Parameter Value	Comments
sapi	C_Sap0	
logic_ch	ch	
msg	relcom	
Detailed Comments:		

ASP Constraint Declaration		
Constraint Name:	RelCmpRq_37(ch:LOGICCH; Ti :TI)	
ASP Type:	DL_DatRqRelCmp	
Derivation Path:		
Comments:	To send a RELEASE COMPLETE message containing cause 'facility rejected' and without FIE	
Parameter Name	Parameter Value	Comments
sapi	C_Sap0	
logic_ch	ch	
msg	ReleaseCmp_42(Ti)	
Detailed Comments:		

ASP Constraint Declaration		
Constraint Name:	RelCmpRq_42(ch:LOGICCH; Ti :TI)	
ASP Type:	DL_DatRqRelCmp	
Derivation Path:		
Comments:	To send a RELEASE COMPLETE message without cause and without FIE	
Parameter Name	Parameter Value	Comments
sapi	C_Sap0	
logic_ch	ch	
msg	ReleaseCmp_47(Ti)	
Detailed Comments:		

ASP Constraint Declaration		
Constraint Name:	RelCmpRq_inv_02(ch: LOGICCH)	
ASP Type:	DL_DatRqRelCmp	
Derivation Path:		
Comments:	To send an invalid RELEASE COMPLETE message containing unknown optional IE.	
Parameter Name	Parameter Value	Comments
sapi	C_Sap0	
logic_ch	ch	
msg	ReleaseCmp_inv_02	
Detailed Comments:		

ASP Constraint Declaration		
Constraint Name:	RelComRcv(pdu: REL_COM_PDU)	
ASP Type:	DL_DatInRelCmp	
Derivation Path:		
Comments:	To receive a RELEASE COMPLETE message.	
Parameter Name	Parameter Value	Comments
sapi	C_Sap0	
logic_ch	?	
msg	pdu	
fn	?	
Detailed Comments:		

ASP Constraint Declaration		
Constraint Name:	RelComSnd(ch:LOGICCH; pdu: REL_COM_PDU)	
ASP Type:	DL_DatRqRelCmp	
Derivation Path:		
Comments:	To send a RELEASE COMPLETE message.	
Parameter Name	Parameter Value	Comments
sapi	C_Sap0	
logic_ch	ch	
msg	pdu	
Detailed Comments:		

ASP Constraint Declaration		
Constraint Name:	RelRq_02(Ti:Ti; ch: LOGICCH)	
ASP Type:	DL_DatRqRel	
Derivation Path:		
Comments:	normal, unspecified	
Parameter Name	Parameter Value	Comments
sapi	C_Sap0	
logic_ch	ch	
msg	Release_03(Ti)	
Detailed Comments:		

ASP Constraint Declaration		
Constraint Name:	RelRq_04(Ti:TI; ch: LOGICCH)	
ASP Type:	DL_DatRqRel	
Derivation Path:		
Comments:	to send a RELEASE message with mandatory IE's only.	
Parameter Name	Parameter Value	Comments
sapi	C_Sap0	
logic_ch	ch	
msg	Release_08(Ti)	
Detailed Comments:		

ASP Constraint Declaration		
Constraint Name:	RelRq_inv_01(Ti:TI; ch: LOGICCH)	
ASP Type:	DL_DatRqRel	
Derivation Path:		
Comments:	To send a RELEASE message containing optional unknown IE.	
Parameter Name	Parameter Value	Comments
sapi	C_Sap0	
logic_ch	ch	
msg	ReleaseReq_inv_01(Ti)	
Detailed Comments:		

ASP Constraint Declaration		
Constraint Name:	RrStatus_01(ch:LOGICCH)	
ASP Type:	DL_DatInRrst	
Derivation Path:		
Comments:	To match a received RR STATUS message containing any RR cause.	
Parameter Name	Parameter Value	Comments
sapi	C_Sap0	
logic_ch	ch	
msg	RRStatus_01	
fn	?	
Detailed Comments:		

ASP Constraint Declaration		
Constraint Name:	RrStatus_02	
ASP Type:	DL_DatInRrst	
Derivation Path:		
Comments:	To receive a RR STATUS message containing cause value #96	
Parameter Name	Parameter Value	Comments
sapi	C_Sap0	
logic_ch	?	
msg	RRStatus_02	
fn	?	
Detailed Comments:		

ASP Constraint Declaration		
Constraint Name:	RrStatus_03	
ASP Type:	DL_DatInRrst	
Derivation Path:		
Comments:	To receive a RR STATUS message containing RR cause value #97	
Parameter Name	Parameter Value	Comments
sapi	C_Sap0	
logic_ch	?	
msg	RRStatus_03	
fn	?	
Detailed Comments:		

ASP Constraint Declaration		
Constraint Name:	SMSCBReq_01(ch: LOGICCH; sernum: SERIAL_NUMBER)	
ASP Type:	DL_UdatRqSMSCBData	
Derivation Path:		
Comments:	To send a SMSCB message, first block	
Parameter Name	Parameter Value	Comments
sapi	C_Sap3	
logic_ch	ch	
msg	SMSCB_01(sernum)	
Detailed Comments:		

ASP Constraint Declaration		
Constraint Name:	SMSCBReq_02(ch: LOGICCH; sernum: SERIAL_NUMBER; seqnum, lb: BITSTRING; firstoct: INTEGER; lastoct: INTEGER)	
ASP Type:	DL_UdatRqSMSCBData	
Derivation Path:		
Comments:	To send a SMSCB message, second to fourth block (depending on the sequence number)	
Parameter Name	Parameter Value	Comments
sapi	C_Sap3	
logic_ch	ch	
msg	SMSCB_02(seqnum, lb, firstoct, lastoct)	
Detailed Comments:		

ASP Constraint Declaration		
Constraint Name:	SetupIn_01	
ASP Type:	DL_DatInSetup	
Derivation Path:		
Comments:	To match any received SETUP message	
Parameter Name	Parameter Value	Comments
sapi	C_Sap0	
logic_ch	?	
msg	SetupInd_01	
fn	?	
Detailed Comments:		

ASP Constraint Declaration		
Constraint Name:	SetupIn_TS_11_12	
ASP Type:	DL_DatInSetup	
Derivation Path:		
Comments:	To match a SETUP message with specific bcap, llcmp and hlcmp constraints for the selected bearer service / teleservice according to the tables of GSM 07.01.	
Parameter Name	Parameter Value	Comments
sapi	C_Sap0	
logic_ch	?	
msg	SetupInd_TS11_12	
fn	?	
Detailed Comments:		

ASP Constraint Declaration		
Constraint Name:	SetupIn_TS_61_2400	
ASP Type:	DL_DatInSetup	
Derivation Path:		
Comments:	To match a SETUP message with specific bcap, llcmp and hlcmp constraints for the selected bearer service / teleservice according to the tables of GSM 07.01.	
Parameter Name	Parameter Value	Comments
sapi	C_Sap0	
logic_ch	?	
msg	(SetupInd_TS61_1, SetupInd_TS61_2)	
fn	?	
Detailed Comments:		

ASP Constraint Declaration		
Constraint Name:	SetupIn_TS_61_4800	
ASP Type:	DL_DatInSetup	
Derivation Path:		
Comments:	To match a SETUP message with specific bcap, llcmp and hlcmp constraints for the selected bearer service / teleservice according to the tables of GSM 07.01.	
Parameter Name	Parameter Value	Comments
sapi	C_Sap0	
logic_ch	?	
msg	(SetupInd_TS61_1, SetupInd_TS61_2)	
fn	?	
Detailed Comments:		

ASP Constraint Declaration		
Constraint Name:	SetupIn_TS_61_9600	
ASP Type:	DL_DatInSetup	
Derivation Path:		
Comments:	To match a SETUP message with specific bcap, llcmp and hlcmp constraints for the selected bearer service / teleservice according to the tables of GSM 07.01.	
Parameter Name	Parameter Value	Comments
sapi	C_Sap0	
logic_ch	?	
msg	(SetupInd_TS61_1, SetupInd_TS61_2)	
fn	?	
Detailed Comments:		

ASP Constraint Declaration		
Constraint Name:	SetupIn_TS_62_2400	
ASP Type:	DL_DatInSetup	
Derivation Path:		
Comments:	To match a SETUP message with specific bcap, llcmp and hlcmp constraints for the selected bearer service / teleservice according to the tables of GSM 07.01.	
Parameter Name	Parameter Value	Comments
sapi	C_Sap0	
logic_ch	?	
msg	SetupInd_TS62	
fn	?	
Detailed Comments:		

ASP Constraint Declaration		
Constraint Name:	SetupIn_TS_62_4800	
ASP Type:	DL_DatInSetup	
Derivation Path:		
Comments:	To match a SETUP message with specific bcap, llcmp and hlcmp constraints for the selected bearer service / teleservice according to the tables of GSM 07.01.	
Parameter Name	Parameter Value	Comments
sapi	C_Sap0	
logic_ch	?	
msg	SetupInd_TS62	
fn	?	
Detailed Comments:		

ASP Constraint Declaration		
Constraint Name:	SetupIn_TS_62_9600	
ASP Type:	DL_DatInSetup	
Derivation Path:		
Comments:	To match a SETUP message with specific bcap, llcmp and hlcmp constraints for the selected bearer service / teleservice according to the tables of GSM 07.01.	
Parameter Name	Parameter Value	Comments
sapi	C_Sap0	
logic_ch	?	
msg	SetupInd_TS62	
fn	?	
Detailed Comments:		

ASP Constraint Declaration		
Constraint Name:	SetupIn_BS_21	
ASP Type:	DL_DatInSetup	
Derivation Path:		
Comments:	To match a SETUP message with specific bcap, llcmp and hlcmp constraints for the selected bearer service / teleservice according to the tables of GSM 07.01.	
Parameter Name	Parameter Value	Comments
sapi	C_Sap0	
logic_ch	?	
msg	(SetupInd_B121_300_1, SetupInd_B121_300_2, SetupInd_B122_300_1, SetupInd_B122_300_2)	
fn	?	
Detailed Comments:		

ASP Constraint Declaration		
Constraint Name:	SetupIn_BS_22	
ASP Type:	DL_DatInSetup	
Derivation Path:		
Comments:	To match a SETUP message with specific bcap, llcmp and hlcmp constraints for the selected bearer service / teleservice according to the tables of GSM 07.01.	
Parameter Name	Parameter Value	Comments
sapi	C_Sap0	
logic_ch	?	
msg	(SetupInd_B121_1200_1, SetupInd_B121_1200_2, SetupInd_B122_1200_1, SetupInd_B122_1200_2)	
fn	?	
Detailed Comments:		

ASP Constraint Declaration		
Constraint Name:	SetupIn_BS_23	
ASP Type:	DL_DatInSetup	
Derivation Path:		
Comments:	To match a SETUP message with specific bcap, llcmp and hlcmp constraints for the selected bearer service / teleservice according to the tables of GSM 07.01.	
Parameter Name	Parameter Value	Comments
sapi	C_Sap0	
logic_ch	?	
msg	(SetupInd_B121_120075_1, SetupInd_B121_120075_2, SetupInd_B122_120075_1, SetupInd_B122_120075_2)	
fn	?	
Detailed Comments:		

ASP Constraint Declaration		
Constraint Name:	SetupIn_BS_24	
ASP Type:	DL_DatInSetup	
Derivation Path:		
Comments:	To match a SETUP message with specific bcap, llcmp and hlcmp constraints for the selected bearer service / teleservice according to the tables of GSM 07.01.	
Parameter Name	Parameter Value	Comments
sapi	C_Sap0	
logic_ch	?	
msg	(SetupInd_B121_2400_1, SetupInd_B121_2400_2, SetupInd_B122_2400_1, SetupInd_B122_2400_2)	
fn	?	
Detailed Comments:		

ASP Constraint Declaration		
Constraint Name:	SetupIn_BS_25	
ASP Type:	DL_DatInSetup	
Derivation Path:		
Comments:	To match a SETUP message with specific bcap, llcmp and hlcmp constraints for the selected bearer service / teleservice according to the tables of GSM 07.01.	
Parameter Name	Parameter Value	Comments
sapi	C_Sap0	
logic_ch	?	
msg	(SetupInd_B121_4800_1, SetupInd_B121_4800_2, SetupInd_B122_4800_1, SetupInd_B122_4800_2)	
fn	?	
Detailed Comments:		

ASP Constraint Declaration		
Constraint Name:	SetupIn_BS_26	
ASP Type:	DL_DatInSetup	
Derivation Path:		
Comments:	To match a SETUP message with specific bcap, llcmp and hlcmp constraints for the selected bearer service / teleservice according to the tables of GSM 07.01.	
Parameter Name	Parameter Value	Comments
sapi	C_Sap0	
logic_ch	?	
msg	(SetupInd_B121_9600_1, SetupInd_B121_9600_2, SetupInd_B121_9600_3, SetupInd_B121_9600_4, SetupInd_B122_9600_1, SetupInd_B122_9600_2, SetupInd_B122_9600_3, SetupInd_B122_9600_4)	
fn	?	
Detailed Comments:		

ASP Constraint Declaration		
Constraint Name:	SetupIn_BS_31	
ASP Type:	DL_DatInSetup	
Derivation Path:		
Comments:	To match a SETUP message with specific bcap, llcmp and hlcmp constraints for the selected bearer service / teleservice according to the tables of GSM 07.01.	
Parameter Name	Parameter Value	Comments
sapi	C_Sap0	
logic_ch	?	
msg	(SetupInd_B1311_1200, SetupInd_B1321_1200)	
fn	?	
Detailed Comments:		

ASP Constraint Declaration		
Constraint Name:	SetupIn_BS_32	
ASP Type:	DL_DatInSetup	
Derivation Path:		
Comments:	To match a SETUP message with specific bcap, llcmp and hlcmp constraints for the selected bearer service / teleservice according to the tables of GSM 07.01.	
Parameter Name	Parameter Value	Comments
sapi	C_Sap0	
logic_ch	?	
msg	(SetupInd_B1311_2400, SetupInd_B1312_2400, SetupInd_B1321_2400, SetupInd_B1322_2400)	
fn	?	
Detailed Comments:		

ASP Constraint Declaration		
Constraint Name:	SetupIn_BS_33	
ASP Type:	DL_DatInSetup	
Derivation Path:		
Comments:	To match a SETUP message with specific bcap, llcmp and hlcmp constraints for the selected bearer service / teleservice according to the tables of GSM 07.01.	
Parameter Name	Parameter Value	Comments
sapi	C_Sap0	
logic_ch	?	
msg	(SetupInd_B1311_4800, SetupInd_B1312_4800, SetupInd_B1321_4800, SetupInd_B1322_4800)	
fn	?	
Detailed Comments:		

ASP Constraint Declaration		
Constraint Name:	SetupIn_BS_34	
ASP Type:	DL_DatInSetup	
Derivation Path:		
Comments:	To match a SETUP message with specific bcap, llcmp and hlcmp constraints for the selected bearer service / teleservice according to the tables of GSM 07.01.	
Parameter Name	Parameter Value	Comments
sapi	C_Sap0	
logic_ch	?	
msg	(SetupInd_B1311_9600, SetupInd_B1312_9600, SetupInd_B1321_9600, SetupInd_B1322_9600_1, SetupInd_B1322_9600_2)	
fn	?	
Detailed Comments:		

ASP Constraint Declaration		
Constraint Name:	SetupIn_BS_41	
ASP Type:	DL_DatInSetup	
Derivation Path:		
Comments:	To match a SETUP message with specific bcap, llcmp and hlcmp constraints for the selected bearer service / teleservice according to the tables of GSM 07.01.	
Parameter Name	Parameter Value	Comments
sapi	C_Sap0	
logic_ch	?	
msg	(SetupInd_B14_300_1, SetupInd_B14_300_2)	
fn	?	
Detailed Comments:		

ASP Constraint Declaration		
Constraint Name:	SetupIn_BS_42	
ASP Type:	DL_DatInSetup	
Derivation Path:		
Comments:	To match a SETUP message with specific bcap, llcmp and hlcmp constraints for the selected bearer service / teleservice according to the tables of GSM 07.01.	
Parameter Name	Parameter Value	Comments
sapi	C_Sap0	
logic_ch	?	
msg	(SetupInd_B14_1200_1, SetupInd_B14_1200_2)	
fn	?	
Detailed Comments:		

ASP Constraint Declaration		
Constraint Name:	SetupIn_BS_43	
ASP Type:	DL_DatInSetup	
Derivation Path:		
Comments:	To match a SETUP message with specific bcap, llcmp and hlcmp constraints for the selected bearer service / teleservice according to the tables of GSM 07.01.	
Parameter Name	Parameter Value	Comments
sapi	C_Sap0	
logic_ch	?	
msg	(SetupInd_B14_120075_1, SetupInd_B14_120075_2)	
fn	?	
Detailed Comments:		

ASP Constraint Declaration		
Constraint Name:	SetupIn_BS_44	
ASP Type:	DL_DatInSetup	
Derivation Path:		
Comments:	To match a SETUP message with specific bcap, llcmp and hlcmp constraints for the selected bearer service / teleservice according to the tables of GSM 07.01.	
Parameter Name	Parameter Value	Comments
sapi	C_Sap0	
logic_ch	?	
msg	(SetupInd_B14_2400_1, SetupInd_B14_2400_2)	
fn	?	
Detailed Comments:		

ASP Constraint Declaration		
Constraint Name:	SetupIn_BS_45	
ASP Type:	DL_DatInSetup	
Derivation Path:		
Comments:	To match a SETUP message with specific bcap, llcmp and hlcmp constraints for the selected bearer service / teleservice according to the tables of GSM 07.01.	
Parameter Name	Parameter Value	Comments
sapi	C_Sap0	
logic_ch	?	
msg	(SetupInd_B14_4800_1, SetupInd_B14_4800_2)	
fn	?	
Detailed Comments:		

ASP Constraint Declaration		
Constraint Name:	SetupIn_BS_46	
ASP Type:	DL_DatInSetup	
Derivation Path:		
Comments:	To match a SETUP message with specific bcap, llcmp and hlcmp constraints for the selected bearer service / teleservice according to the tables of GSM 07.01.	
Parameter Name	Parameter Value	Comments
sapi	C_Sap0	
logic_ch	?	
msg	(SetupInd_B14_9600_1, SetupInd_B14_9600_2, SetupInd_B14_9600_3, SetupInd_B14_9600_4)	
fn	?	
Detailed Comments:		

ASP Constraint Declaration		
Constraint Name:	SetupIn_BS_51	
ASP Type:	DL_DatInSetup	
Derivation Path:		
Comments:	To match a SETUP message with specific bcap, llcmp and hlcmp constraints for the selected bearer service / teleservice according to the tables of GSM 07.01.	
Parameter Name	Parameter Value	Comments
sapi	C_Sap0	
logic_ch	?	
msg	SetupInd_B15_2400	
fn	?	
Detailed Comments:		

ASP Constraint Declaration		
Constraint Name:	SetupIn_BS_52	
ASP Type:	DL_DatInSetup	
Derivation Path:		
Comments:	To match a SETUP message with specific bcap, llcmp and hlcmp constraints for the selected bearer service / teleservice according to the tables of GSM 07.01.	
Parameter Name	Parameter Value	Comments
sapi	C_Sap0	
logic_ch	?	
msg	SetupInd_B15_4800	
fn	?	
Detailed Comments:		

ASP Constraint Declaration		
Constraint Name:	SetupIn_BS_53	
ASP Type:	DL_DatInSetup	
Derivation Path:		
Comments:	To match a SETUP message with specific bcap, llcmp and hlcmp constraints for the selected bearer service / teleservice according to the tables of GSM 07.01.	
Parameter Name	Parameter Value	Comments
sapi	C_Sap0	
logic_ch	?	
msg	SetupInd_B15_9600	
fn	?	
Detailed Comments:		

ASP Constraint Declaration		
Constraint Name:	SetupIn_BS_61_300	
ASP Type:	DL_DatInSetup	
Derivation Path:		
Comments:	To match a SETUP message with specific bcap, llcmp and hlcmp constraints for the selected bearer service / teleservice according to the tables of GSM 07.01.	
Parameter Name	Parameter Value	Comments
sapi	C_Sap0	
logic_ch	?	
msg	(SetupInd_BS61_B161_B1621_300_1, SetupInd_BS61_B161_B1621_300_2)	
fn	?	
Detailed Comments:		

ASP Constraint Declaration		
Constraint Name:	SetupIn_BS_61_1200	
ASP Type:	DL_DatInSetup	
Derivation Path:		
Comments:	To match a SETUP message with specific bcap, llcmp and hlcmp constraints for the selected bearer service / teleservice according to the tables of GSM 07.01.	
Parameter Name	Parameter Value	Comments
sapi	C_Sap0	
logic_ch	?	
msg	(SetupInd_BS61_B161_B1621_1200_1, SetupInd_BS61_B161_B1621_1200_2, SetupInd_BS61_B161_B1622_1200)	
fn	?	
Detailed Comments:		

ASP Constraint Declaration		
Constraint Name:	SetupIn_BS_61_120075	
ASP Type:	DL_DatInSetup	
Derivation Path:		
Comments:	To match a SETUP message with specific bcap, llcmp and hlcmp constraints for the selected bearer service / teleservice according to the tables of GSM 07.01.	
Parameter Name	Parameter Value	Comments
sapi	C_Sap0	
logic_ch	?	
msg	(SetupInd_BS61_B161_B1621_120075_1 ; SetupInd_BS61_B161_B1621_120075_2)	
fn	?	
Detailed Comments:		

ASP Constraint Declaration		
Constraint Name:	SetupIn_BS_61_2400	
ASP Type:	DL_DatInSetup	
Derivation Path:		
Comments:	To match a SETUP message with specific bcap, llcmp and hlcmp constraints for the selected bearer service / teleservice according to the tables of GSM 07.01.	
Parameter Name	Parameter Value	Comments
sapi	C_Sap0	
logic_ch	?	
msg	(SetupInd_BS61_B161_B1621_2400_1, SetupInd_BS61_B161_B1621_2400_2, SetupInd_BS61_B161_B1622_2400)	
fn	?	
Detailed Comments:		

ASP Constraint Declaration		
Constraint Name:	SetupIn_BS_61_4800	
ASP Type:	DL_DatInSetup	
Derivation Path:		
Comments:	To match a SETUP message with specific bcap, llcmp and hlcmp constraints for the selected bearer service / teleservice according to the tables of GSM 07.01.	
Parameter Name	Parameter Value	Comments
sapi	C_Sap0	
logic_ch	?	
msg	(SetupInd_BS61_B161_B1621_4800_1, SetupInd_BS61_B161_B1621_4800_2, SetupInd_BS61_B161_B1622_4800)	
fn	?	
Detailed Comments:		

ASP Constraint Declaration		
Constraint Name:	SetupIn_BS_61_9600	
ASP Type:	DL_DatInSetup	
Derivation Path:		
Comments:	To match a SETUP message with specific bcap, llcmp and hlcmp constraints for the selected bearer service / teleservice according to the tables of GSM 07.01.	
Parameter Name	Parameter Value	Comments
sapi	C_Sap0	
logic_ch	?	
msg	(SetupInd_BS61_B161_B1621_9600_1, SetupInd_BS61_B161_B1621_9600_2, SetupInd_BS61_B161_B1622_9600)	
fn	?	
Detailed Comments:		

ASP Constraint Declaration		
Constraint Name:	SetupIn_BS_81_300	
ASP Type:	DL_DatInSetup	
Derivation Path:		
Comments:	To match a SETUP message with specific bcap, llcmp and hlcmp constraints for the selected bearer service / teleservice according to the tables of GSM 07.01.	
Parameter Name	Parameter Value	Comments
sapi	C_Sap0	
logic_ch	?	
msg	(SetupInd_BS81_B161_B1621_300_1, SetupInd_BS81_B161_B1621_300_2)	
fn	?	
Detailed Comments:		

ASP Constraint Declaration		
Constraint Name:	SetupIn_BS_81_1200	
ASP Type:	DL_DatInSetup	
Derivation Path:		
Comments:	To match a SETUP message with specific bcap, llcmp and hlcmp constraints for the selected bearer service / teleservice according to the tables of GSM 07.01.	
Parameter Name	Parameter Value	Comments
sapi	C_Sap0	
logic_ch	?	
msg	(SetupInd_BS81_B161_B1621_1200_1, SetupInd_BS81_B161_B1621_1200_2, SetupInd_BS81_B161_B1622_1200)	
fn	?	
Detailed Comments:		

ASP Constraint Declaration		
Constraint Name:	SetupIn_BS_81_120075	
ASP Type:	DL_DatInSetup	
Derivation Path:		
Comments:	To match a SETUP message with specific bcap, llcmp and hlcmp constraints for the selected bearer service / teleservice according to the tables of GSM 07.01.	
Parameter Name	Parameter Value	Comments
sapi	C_Sap0	
logic_ch	?	
msg	(SetupInd_BS81_B161_B1621_120075_1 , SetupInd_BS81_B161_B1621_120075_2)	
fn	?	
Detailed Comments:		

ASP Constraint Declaration		
Constraint Name:	SetupIn_BS_81_2400	
ASP Type:	DL_DatInSetup	
Derivation Path:		
Comments:	To match a SETUP message with specific bcap, llcmp and hlcmp constraints for the selected bearer service / teleservice according to the tables of GSM 07.01.	
Parameter Name	Parameter Value	Comments
sapi	C_Sap0	
logic_ch	?	
msg	(SetupInd_BS81_B161_B1621_2400_1, SetupInd_BS81_B161_B1621_2400_2, SetupInd_BS81_B161_B1622_2400)	
fn	?	
Detailed Comments:		

ASP Constraint Declaration		
Constraint Name:	SetupIn_BS_81_4800	
ASP Type:	DL_DatInSetup	
Derivation Path:		
Comments:	To match a SETUP message with specific bcap, llcmp and hlcmp constraints for the selected bearer service / teleservice according to the tables of GSM 07.01.	
Parameter Name	Parameter Value	Comments
sapi	C_Sap0	
logic_ch	?	
msg	(SetupInd_BS81_B161_B1621_4800_1, SetupInd_BS81_B161_B1621_4800_2, SetupInd_BS81_B161_B1622_4800)	
fn	?	
Detailed Comments:		

ASP Constraint Declaration		
Constraint Name:	SetupIn_BS_81_9600	
ASP Type:	DL_DatInSetup	
Derivation Path:		
Comments:	To match a SETUP message with specific bcap, llcmp and hlcmp constraints for the selected bearer service / teleservice according to the tables of GSM 07.01.	
Parameter Name	Parameter Value	Comments
sapi	C_Sap0	
logic_ch	?	
msg	(SetupInd_BS81_B161_B1621_9600_1, SetupInd_BS81_B161_B1621_9600_2, SetupInd_BS81_B161_B1622_9600)	
fn	?	
Detailed Comments:		

ASP Constraint Declaration		
Constraint Name:	SetupRcv(pdu: SETUP_MO_PDU)	
ASP Type:	DL_DatInSetup	
Derivation Path:		
Comments:	To receive a SETUP message.	
Parameter Name	Parameter Value	Comments
sapi	C_Sap0	
logic_ch	?	
msg	pdu	
fn	?	
Detailed Comments:		

ASP Constraint Declaration		
Constraint Name:	SetupRq_01(ch:LOGICCH)	
ASP Type:	DL_DatRqSetup	
Derivation Path:		
Comments:	To send a SETUP message containing speech bearer capability. It is also used in the test cases where the value of bearer capability is not care .	
Parameter Name	Parameter Value	Comments
sapi	C_Sap0	
logic_ch	ch	
msg	Setup_01	
Detailed Comments:		

ASP Constraint Declaration		
Constraint Name:	SetupRq_03(ch: LOGICCH)	
ASP Type:	DL_DatRqSetup	
Derivation Path:		
Comments:	To send a SETUP message with mandatory IE's only. The transaction identity is '0000'B	
Parameter Name	Parameter Value	Comments
sapi	C_Sap0	
logic_ch	ch	
msg	Setup_03	
Detailed Comments:		

ASP Constraint Declaration		
Constraint Name:	SetupRq_05(ch: LOGICCH; setup:SETUP_MT_PDU)	
ASP Type:	DL_DatRqSetup	
Derivation Path:		
Comments:	To send a SETUP message which is the input parameter of this ASP.	
Parameter Name	Parameter Value	Comments
sapi	C_Sap0	
logic_ch	ch	
msg	setup	
Detailed Comments:		

ASP Constraint Declaration		
Constraint Name:	SetupRq_20(ch: LOGICCH)	
ASP Type:	DL_DatRqSetup	
Derivation Path:		
Comments:	To send a SETUP message containing in TSPX_BCa given bearer capability.	
Parameter Name	Parameter Value	Comments
sapi	C_Sap0	
logic_ch	ch	
msg	Setup_20(TSPX_BCa)	
Detailed Comments:		

ASP Constraint Declaration		
Constraint Name:	SetupRq_inv_01(ch: LOGICCH)	
ASP Type:	DL_DatRqSetup	
Derivation Path:		
Comments:	To send a SETUP message containing incorrect transaction ID flag value.	
Parameter Name	Parameter Value	Comments
sapi	C_Sap0	
logic_ch	ch	
msg	Setup_inv_01	
Detailed Comments:		

ASP Constraint Declaration		
Constraint Name:	SetupRq_inv_02(ch: LOGICCH)	
ASP Type:	DL_DatRqSetup	
Derivation Path:		
Comments:	To send a SETUP message with arbitrary spare bits	
Parameter Name	Parameter Value	Comments
sapi	C_Sap0	
logic_ch	ch	
msg	Setup_inv_02	
Detailed Comments:		

ASP Constraint Declaration		
Constraint Name:	SetupSnd(ch: LOGICCH; setup:SETUP_MT_PDU)	
ASP Type:	DL_DatRqSetup	
Derivation Path:		
Comments:	To send a SETUP message which is the input parameter of this ASP.	
Parameter Name	Parameter Value	Comments
sapi	C_Sap0	
logic_ch	ch	
msg	setup	
Detailed Comments:		

ASP Constraint Declaration		
Constraint Name:	StartDTMF_02(Ti:TI)	
ASP Type:	DL_DatInStartDtmf	
Derivation Path:		
Comments:		
Parameter Name	Parameter Value	Comments
sapi	C_Sap0	
logic_ch	?	
msg	StartDtmf_02(Ti)	
fn	?	
Detailed Comments:		

ASP Constraint Declaration		
Constraint Name:	StartDTMFRcv(msg:START_DTMF_PDU)	
ASP Type:	DL_DatInStartDtmf	
Derivation Path:		
Comments:		
Parameter Name	Parameter Value	Comments
sapi	C_Sap0	
logic_ch	?	
msg	msg	
fn	?	
Detailed Comments:		

ASP Constraint Declaration		
Constraint Name:	StartDTMFAck_01(Ti:TI; character:IA5String; ch:LOGICCH)	
ASP Type:	DL_DatRqStartDtmfAck	
Derivation Path:		
Comments:		
Parameter Name	Parameter Value	Comments
sapi	C_Sap0	
logic_ch	ch	
msg	StartDtmfAck_01(Ti, character)	
Detailed Comments:		

ASP Constraint Declaration		
Constraint Name:	StartDTMFAckSnd(ch:LOGICCH; msg:START_DTMF_ACK_PDU)	
ASP Type:	DL_DatRqStartDtmfAck	
Derivation Path:		
Comments:		
Parameter Name	Parameter Value	Comments
sapi	C_Sap0	
logic_ch	ch	
msg	msg	
Detailed Comments:		

ASP Constraint Declaration		
Constraint Name:	StartDTMFRejSnd(ch: LOGICCH; msg:START_DTMF_REJ_PDU)	
ASP Type:	DL_DatRqStartDtmfRej	
Derivation Path:		
Comments:		
Parameter Name	Parameter Value	Comments
sapi	C_Sap0	
logic_ch	ch	
msg	msg	
Detailed Comments:		

ASP Constraint Declaration		
Constraint Name:	StopDTMF_01(Ti:Ti)	
ASP Type:	DL_DatInStopDtmf	
Derivation Path:		
Comments:		
Parameter Name	Parameter Value	Comments
sapi	C_Sap0	
logic_ch	?	
msg	StopDtmf_01(Ti)	
fn	?	
Detailed Comments:		

ASP Constraint Declaration		
Constraint Name:	StopDTMFRcv(msg:STOP_DTMF_PDU)	
ASP Type:	DL_DatInStopDtmf	
Derivation Path:		
Comments:		
Parameter Name	Parameter Value	Comments
sapi	C_Sap0	
logic_ch	?	
msg	msg	
fn	?	
Detailed Comments:		

ASP Constraint Declaration		
Constraint Name:	StopDTMFAck_01(Ti:Ti; ch: LOGICCH)	
ASP Type:	DL_DatRqStopDtmfAck	
Derivation Path:		
Comments:		
Parameter Name	Parameter Value	Comments
sapi	C_Sap0	
logic_ch	ch	
msg	StopDtmfAck_01(Ti)	
Detailed Comments:		

ASP Constraint Declaration		
Constraint Name:	StopDTMFAckSnd(ch: LOGICCH; msg:STOP_DTMF_ACK_PDU)	
ASP Type:	DL_DatRqStopDtmfAck	
Derivation Path:		
Comments:		
Parameter Name	Parameter Value	Comments
sapi	C_Sap0	
logic_ch	ch	
msg	msg	
Detailed Comments:		

ASP Constraint Declaration		
Constraint Name:	SyncInfo(ch:LOGICCH)	
ASP Type:	DL_UdatRqSchinfo	
Derivation Path:		
Comments:	To send SYNCHRONIZATION INFORMATION message with default parameters.	
Parameter Name	Parameter Value	Comments
sapi	C_Sap0	
logic_ch	ch	
msg	SyncInfor_01	
Detailed Comments:		

ASP Constraint Declaration		
Constraint Name:	SysInfo1(ch:LOGICCH; cchd:CCHD; maxtx:B_2; txint:B_4; re:B_1)	
ASP Type:	DL_UdatRqSysinfo1	
Derivation Path:		
Comments:	To send SYSTEM INFORMATION TYPE 1 in cell A for RR testing of GSM900.	
Parameter Name	Parameter Value	Comments
sapi	C_Sap0	
logic_ch	ch	
msg	SysInf1(cchd, maxtx, txint, re)	
Detailed Comments:		

ASP Constraint Declaration		
Constraint Name:	SysInfo1_nh(ch:LOGICCH; ci:CI; mnc, lac:OCTETSTRING; ccd:CCD; co:CO; crh, mtmc:INTEGER; neci:B_1; maxtx:B_2; txint:B_4; re:B_1)	
ASP Type:	DL_UdatRqSysinfo1_nh	
Derivation Path:		
Comments:		
Parameter Name	Parameter Value	Comments
sapi	C_Sap0	
logic_ch	ch	
msg	SysInf3(ci, mnc, lac, ccd, co, crh, mtmc, neci, maxtx, txint, re)	
Detailed Comments:		

ASP Constraint Declaration		
Constraint Name:	SysInfo1_nh_07(ch:LOGICCH; ci: CI; lai: LAI; ccd: CCD; co:CO; csp: CSP; rachcpar: RACHCP)	
ASP Type:	DL_UdatRqSysinfo1_nh	
Derivation Path:		
Comments:	To send SYSTEM INFORMATION TYPE 3.	
Parameter Name	Parameter Value	Comments
sapi	C_Sap0	
logic_ch	ch	
msg	SysInf3_07(ci, lai, ccd, co, csp, rachcpar)	
Detailed Comments:		

ASP Constraint Declaration		
Constraint Name:	SysInfo2(ch: LOGICCH; bcchfl: NCD; maxtx:B_2; txint:B_4; re:B_1)	
ASP Type:	DL_UdatRqSysinfo2	
Derivation Path:		
Comments:	To send the default SYSTEM INFORMATION TYPE 2 message containing default neighbour cells description in cell B for GSM900.	
Parameter Name	Parameter Value	Comments
sapi	C_Sap0	
logic_ch	ch	
msg	SysInf2(bcchfl, maxtx, txint, re)	
Detailed Comments:		

ASP Constraint Declaration		
Constraint Name:	SysInfo2_07(ch: LOGICCH; bcchfl: NCD; rachcpar: RACHCP)	
ASP Type:	DL_UdatRqSysinfo2	
Derivation Path:		
Comments:	To send SYSTEM INFORMATION TYPE 2 message in cell 1 for idle mode testing of GSM900.	
Parameter Name	Parameter Value	Comments
sapi	C_Sap0	
logic_ch	ch	
msg	SysInf2_07(bcchfl, rachcpar)	
Detailed Comments:		

ASP Constraint Declaration		
Constraint Name:	SysInfo2bis(ch: LOGICCH)	
ASP Type:	DL_UdatRqSysinfo2bis	
Derivation Path:		
Comments:	SYSTEM INFORMATION 2bis in cell A under EGSM with the ARFCN list = {988, 990, 1003}.	
Parameter Name	Parameter Value	Comments
sapi	C_Sap0	
logic_ch	ch	
msg	SysInf2bis	
Detailed Comments:		

ASP Constraint Declaration		
Constraint Name:	SysInfo3_MM(bcch: LOGICCH; ci: CI; lai: LAI; ccd: CCD; csp: CSP; rachcpar: RACHCP)	
ASP Type:	DL_UdatRqSysinfo3	
Derivation Path:		
Comments:		
Parameter Name	Parameter Value	Comments
sapi	C_Sap0	
logic_ch	bcch	
msg	SysInf3_MM(ci, lai, ccd, csp, rachcpar)	
Detailed Comments:		

ASP Constraint Declaration		
Constraint Name:	SysInfo3(ch:LOGICCH; ci:CI; mnc, lac:OCTETSTRING; ccd:CCD; co:CO; crh, mtmc:INTEGER; neci:B_1; maxtx:B_2; txint:B_4; re:B_1)	
ASP Type:	DL_UdatRqSysinfo3	
Derivation Path:		
Comments:		
Parameter Name	Parameter Value	Comments
sapi	C_Sap0	
logic_ch	ch	
msg	SysInf3(ci, mnc, lac, ccd, co, crh, mtmc, neci, maxtx, txint, re)	
Detailed Comments:		

ASP Constraint Declaration		
Constraint Name:	SysInfo3_07(ch:LOGICCH; ci: CI; lai: LAI; ccd: CCD; co:CO; csp: CSP; rachcpar: RACHCP)	
ASP Type:	DL_UdatRqSysinfo3	
Derivation Path:		
Comments:	To send SYSTEM INFORMATION TYPE3.	
Parameter Name	Parameter Value	Comments
sapi	C_Sap0	
logic_ch	ch	
msg	SysInf3_07(ci, lai, ccd, co, csp, rachcpar)	
Detailed Comments:		

ASP Constraint Declaration		
Constraint Name:	SysInfo3_inv_01	
ASP Type:	DL_UdatRqSysinfo3	
Derivation Path:		
Comments:	To send a SYSTEM INFORMATION message containing new location area and rest octets which are not all '2B'O	
Parameter Name	Parameter Value	Comments
sapi	C_Sap0	
logic_ch	C_BCCH_A_1	
msg	SysInf3_inv_01	
Detailed Comments:		

ASP Constraint Declaration		
Constraint Name:	SysInfo4_MM(bcch: LOGICCH; lai: LAI; csp: CSP; rachcpar: RACHCP)	
ASP Type:	DL_UdatRqSysinfo4	
Derivation Path:		
Comments:	To send a SYSTEM INFORMATION TYPE 4 message.	
Parameter Name	Parameter Value	Comments
sapi	C_Sap0	
logic_ch	bcch	
msg	SysInf4_MM(lai, csp, rachcpar)	
Detailed Comments:		

ASP Constraint Declaration		
Constraint Name:	SysInfo4(ch:LOGICCH; mnc, lac:OCTETSTRING; crh, mtmc:INTEGER; neci:B_1; maxtx:B_2; txint:B_4; re:B_1)	
ASP Type:	DL_UdatRqSysinfo4	
Derivation Path:		
Comments:	To send a default SYSTEM INFORMATION TYPE 4 message	
Parameter Name	Parameter Value	Comments
sapi	C_Sap0	
logic_ch	ch	
msg	SysInf4(mnc, lac, crh, mtmc, neci, maxtx, txint, re)	
Detailed Comments:		

ASP Constraint Declaration		
Constraint Name:	SysInfo4_CBMS(ch:LOGICCH; mnc, lac:OCTETSTRING; crh, mtmc:INTEGER; neci:B_1; maxtx:B_2; txint:B_4; re:B_1; cbchd:CHD)	
ASP Type:	DL_UdatRqSysinfo4	
Derivation Path:		
Comments:	To send a SYSTEM INFORMATION TYPE 4 message for SMSCB with the values or GSM 11.10, 34.3	
Parameter Name	Parameter Value	Comments
sapi	C_Sap0	
logic_ch	ch	
msg	SysInf4_CBMS(mnc, lac, crh, mtmc, neci, maxtx, txint, re, cbchd)	
Detailed Comments:		

ASP Constraint Declaration		
Constraint Name:	SysInfo4_inv_01	
ASP Type:	DL_UdatRqSysinfo4	
Derivation Path:		
Comments:	To send a SYSTEM INFORMATION message containing rest octets which are not all '2B'O	
Parameter Name	Parameter Value	Comments
sapi	C_Sap0	
logic_ch	C_BCCH_A_1	
msg	SysInf4_inv_01	
Detailed Comments:		

ASP Constraint Declaration		
Constraint Name:	SysInfo5(sacch: LOGICCH; sysinfo5_pdu:SYSINFO5_PDU)	
ASP Type:	DL_UdatRqSysinfo5	
Derivation Path:		
Comments:	To send a SYSTEM INFORMATION TYPE 5 message.	
Parameter Name	Parameter Value	Comments
sapi	C_Sap0	
logic_ch	sacch	
msg	sysinfo5_pdu	
Detailed Comments:		

ASP Constraint Declaration		
Constraint Name:	SysInfo5_01(ch:LOGICCH; bcchfl: NCD)	
ASP Type:	DL_UdatRqSysinfo5	
Derivation Path:		
Comments:	To send the default SYSTEM INFORMATION TYPE 5 message containing default neighbour cells description. This is used in GSM900 testing.	
Parameter Name	Parameter Value	Comments
sapi	C_Sap0	
logic_ch	ch	
msg	SysInf5(bcchfl)	
Detailed Comments:		

ASP Constraint Declaration		
Constraint Name:	SysInfo5bis(sacch: LOGICCH; sysinfo5bis_pdu:SYSINFO5bis_PDU)	
ASP Type:	DL_UdatRqSysinfo5bis	
Derivation Path:		
Comments:	To send a SYSTEM INFORMATION TYPE 5bis message.	
Parameter Name	Parameter Value	Comments
sapi	C_Sap0	
logic_ch	sacch	
msg	sysinfo5bis_pdu	
Detailed Comments:		

ASP Constraint Declaration		
Constraint Name:	SysInfo5bis_01(ch :LOGICCH; bcchfl: NCD)	
ASP Type:	DL_UdatRqSysinfo5bis	
Derivation Path:		
Comments:	To send the SYSTEM INFORMATION TYPE 5bis message containing partial neighbour cells description. This is used in GSM900 measurement testing.	
Parameter Name	Parameter Value	Comments
sapi	C_Sap0	
logic_ch	ch	
msg	SysInf5bis_01(bcchfl)	
Detailed Comments:	Used in TC_26_6_3_1 and TC_26_6_3_4	

ASP Constraint Declaration		
Constraint Name:	SysInfo6(sacch: LOGICCH; sysinfo6_pdu:SYSINFO6_PDU)	
ASP Type:	DL_UdatRqSysinfo6	
Derivation Path:		
Comments:	To send a SYSTEM INFORMATION TYPE 6 message.	
Parameter Name	Parameter Value	Comments
sapi	C_Sap0	
logic_ch	sacch	
msg	sysinfo6_pdu	
Detailed Comments:		

ASP Constraint Declaration		
Constraint Name:	SysInfo6_MM(sacch: LOGICCH; ci: CI; lai: LAI; co:CO)	
ASP Type:	DL_UdatRqSysinfo6	
Derivation Path:		
Comments:	To send a SYSTEM INFORMATION TYPE 6 message.	
Parameter Name	Parameter Value	Comments
sapi	C_Sap0	
logic_ch	sacch	
msg	SysInf6_MM(ci, lai, co)	
Detailed Comments:		

ASP Constraint Declaration		
Constraint Name:	SysInfo6_01(ch:LOGICCH; ci:CI; mnc, lac:OCTETSTRING; co:CO)	
ASP Type:	DL_UdatRqSysinfo6	
Derivation Path:		
Comments:	To send the default SYSTEM INFORMATION TYPE 6 message containing default parameters.	
Parameter Name	Parameter Value	Comments
sapi	C_Sap0	
logic_ch	ch	
msg	SysInf6(ci, mnc, lac, co)	
Detailed Comments:		

ASP Constraint Declaration		
Constraint Name:	TmsiReallocCmd_01(par:MI; ch: LOGICCH; lac: OCTETSTRING)	
ASP Type:	DL_DatRqTmsireCmd	
Derivation Path:		
Comments:	To send a TMSI REALLOCATION COMMAND message.	
Parameter Name	Parameter Value	Comments
sapi	C_Sap0	
logic_ch	ch	
msg	TmsiReallocCmd(par, lac)	
Detailed Comments:		

ASP Constraint Declaration		
Constraint Name:	TmsiReallocCmp_01	
ASP Type:	DL_DatInTmsireCom	
Derivation Path:		
Comments:	To receive a TMSI REALLOCATION COMPLETE message.	
Parameter Name	Parameter Value	Comments
sapi	C_Sap0	
logic_ch	?	
msg	TmsiReallocComp	
fn	?	
Detailed Comments:		

ASP Constraint Declaration		
Constraint Name:	TmsiReallocCmp_02(ch:LOGICCH)	
ASP Type:	DL_DatInTmsireCom	
Derivation Path:		
Comments:	To receive a TMSI REALLOCATION COMPLETE message.	
Parameter Name	Parameter Value	Comments
sapi	C_Sap0	
logic_ch	ch	
msg	TmsiReallocComp	
fn	?	
Detailed Comments:		

ASP Constraint Declaration		
Constraint Name:	Undef(ch: LOGICCH; pdu: CONN_PDU)	
ASP Type:	DL_DatRqUndefCC	
Derivation Path:		
Comments:	To send an undefined Layer 3 message	
Parameter Name	Parameter Value	Comments
sapi	C_Sap0	
logic_ch	ch	
msg	pdu	
Detailed Comments:		

ASP Constraint Declaration		
Constraint Name:	Undef_01(ch: LOGICCH)	
ASP Type:	DL_DatRqUndefCC	
Derivation Path:		
Comments:	To send an undefined CC message	
Parameter Name	Parameter Value	Comments
sapi	C_Sap0	
logic_ch	ch	
msg	UndefCC_02(TI_02)	
Detailed Comments:		

ASP Constraint Declaration		
Constraint Name:	Undef_02(ch:LOGICCH)	
ASP Type:	DL_DatRqUndefMM	
Derivation Path:		
Comments:	To send an undefined MM message	
Parameter Name	Parameter Value	Comments
sapi	C_Sap0	
logic_ch	ch	
msg	UndefMM_01	
Detailed Comments:		

ASP Constraint Declaration		
Constraint Name:	Undef_03(ch: LOGICCH)	
ASP Type:	DL_DatRqUndefRR	
Derivation Path:		
Comments:	To send an undefined RR message	
Parameter Name	Parameter Value	Comments
sapi	C_Sap0	
logic_ch	ch	
msg	UndefRR_01	
Detailed Comments:		

ASP Constraint Declaration		
Constraint Name:	Unknown_01(ch: LOGICCH)	
ASP Type:	DL_DatRqUnknown	
Derivation Path:		
Comments:	To send an unknown CC message which is coded like a CC STATUS ENQUIRY.	
Parameter Name	Parameter Value	Comments
sapi	C_Sap0	
logic_ch	ch	
msg	UnknownMsg_01	
Detailed Comments:		

ASP Constraint Declaration		
Constraint Name:	Unknown_02(ch: LOGICCH)	
ASP Type:	DL_DatRqUnknown	
Derivation Path:		
Comments:	To send an unknown CC message which is coded like a CC STATUS ENQUIRY.	
Parameter Name	Parameter Value	Comments
sapi	C_Sap0	
logic_ch	ch	
msg	UnknownMsg_02	
Detailed Comments:		

ASP Constraint Declaration		
Constraint Name:	DatInCpData(message:CP_DATA_PDU)	
ASP Type:	DL_DatInCpData	
Derivation Path:		
Comments:	The ASP is used to indicate the receipt of the SMS CP DATA message using acknowledged operation (L2 -> L3) for MT.	
Parameter Name	Parameter Value	Comments
sapi	C_Sap3	
logic_ch	?	
msg	message	
fn	?	
Detailed Comments:		

ASP Constraint Declaration		
Constraint Name:	DatInCpData_01(message:CP_DATA_PDU; ch:LOGICCH)	
ASP Type:	DL_DatInCpData	
Derivation Path:		
Comments:	The ASP is used to indicate the receipt of the SMS CP DATA message using acknowledged operation (L2 -> L3) for MT.	
Parameter Name	Parameter Value	Comments
sapi	C_Sap3	
logic_ch	ch	
msg	message	
fn	?	
Detailed Comments:		

ASP Constraint Declaration		
Constraint Name:	DatRqCpData(message:CP_DATA_PDU; ch: LOGICCH)	
ASP Type:	DL_DatRqCpData	
Derivation Path:		
Comments:	ASP to request the transmission of the SMS CP DATA message using acknowledged operation (L3 -> L2) for MO.	
Parameter Name	Parameter Value	Comments
sapi	C_Sap3	
logic_ch	ch	
msg	message	
Detailed Comments:		

ASP Constraint Declaration		
Constraint Name:	DatInCpDataAck(message:CPDATA_ACK_PDU)	
ASP Type:	DL_DatInCpDataAck	
Derivation Path:		
Comments:	The ASP is used to indicate the receipt of the SMS CP DATA message using acknowledged operation (L2 -> L3) .	
Parameter Name	Parameter Value	Comments
sapi	C_Sap3	
logic_ch	?	
msg	message	
fn	?	
Detailed Comments:		

ASP Constraint Declaration		
Constraint Name:	DatRqCpDataAck(message:CPDATA_ACK_PDU; ch: LOGICCH)	
ASP Type:	DL_DatRqCpDataAck	
Derivation Path:		
Comments:	The ASP is used to request the transmission of the SMS CP DATA message using acknowledged operation (L3 -> L2).	
Parameter Name	Parameter Value	Comments
sapi	C_Sap3	
logic_ch	ch	
msg	message	
Detailed Comments:		

ASP Constraint Declaration		
Constraint Name:	DatRqCpError_01(message:CPERR_PDU; ch: LOGICCH)	
ASP Type:	DL_DatRqCpError	
Derivation Path:		
Comments:	ASP to request the transmission of the SMS CP ERROR message using acknowledged operation (L3 -> L2) for MO.	
Parameter Name	Parameter Value	Comments
sapi	C_Sap3	
logic_ch	ch	
msg	message	
Detailed Comments:		

PDU constraint declarations

TTCN PDU constraint declarations

PDU Constraint Declaration		
Constraint Name:	Alerting_01(Ti :TI)	
PDU Type:	ALERT_PDU	
Derivation Path:		
Comments:	An ALERTING message containing mandatory IE's only to be sent to the MS.	
Field Name	Field Value	Comments
ti	Ti	
ccpd	'0011'B	
mt	'00000001'B	
fie	OMIT	
pi	OMIT	
uu	OMIT	
ssvi	OMIT	
Detailed Comments:		

PDU Constraint Declaration		
Constraint Name:	Alerting_04(Ti :TI; fie:FIE)	
PDU Type:	ALERT_PDU	
Derivation Path:		
Comments:	An ALERTING message containing facility IE to be sent to the MS.	
Field Name	Field Value	Comments
ti	Ti	
ccpd	'0011'B	
mt	'00000001'B	
fie	fie	
pi	OMIT	
uu	OMIT	
ssvi	OMIT	
Detailed Comments:		

PDU Constraint Declaration		
Constraint Name:	AlertingInd_01	
PDU Type:	ALERT_PDU	
Derivation Path:		
Comments:	To match an received ALERTING message	
Field Name	Field Value	Comments
ti	Tl_01	
ccpd	'0011'B	
mt	'0?000001'B	
fie	*	
pi	OMIT	
uu	*	
ssvi	*	
Detailed Comments:		

PDU Constraint Declaration		
Constraint Name:	AlertingInd_02(Ti:Ti)	
PDU Type:	ALERT_PDU	
Derivation Path:		
Comments:	To match an received ALERTING message	
Field Name	Field Value	Comments
ti	Ti	
ccpd	'0011'B	
mt	'0?000001'B	
fie	*	
pi	OMIT	
uu	*	
ssvi	*	
Detailed Comments:		

PDU Constraint Declaration		
Constraint Name:	AsgnCmd_sdccch4(ch:BITSTRING; slot:SN; tsc:TSC; cphms:CPHMS; arfcn:INTEGER)	
PDU Type:	ASS_CMD_PDU	
Derivation Path:		
Comments:	An ASSIGNMENT COMMAND message assigning a SDCCH4 subchannel TSPX_SDCCH4SubC.	
Field Name	Field Value	Comments
ski	'0000'B	
rrpd	'0110'B	
mt	'00101110'B	
ch1d_at	ChDescrp_r04(ch, slot, tsc, arfcn)	
pcmd	Pcmd_19('01001'B)	
frql_at	OMIT	
cchd	OMIT	
ch1mod	OMIT	
ch2d_at	OMIT	
ch2mod	OMIT	
ma_at	OMIT	
strt	OMIT	
frql_bt	OMIT	
ch1d_bt	OMIT	
ch2d_bt	OMIT	
frqchs_bt	OMIT	
ma_bt	OMIT	
cphms	cphms	
Detailed Comments:		

PDU Constraint Declaration		
Constraint Name:	AsgnCmd_tchf(slot:SN; tsc:TSC)	
PDU Type:	ASS_CMD_PDU	
Derivation Path:		
Comments:	An ASSIGNMENT COMMAND message.	
Field Name	Field Value	Comments
ski	'0000'B	
rrpd	'0110'B	
mt	'00101110'B	
ch1d_at	ChDescrp_r02(slot, tsc)	
pcmd	Pcmd_19('01001'B)	
frql_at	OMIT	
cchd	OMIT	
ch1mod	OMIT	
ch2d_at	OMIT	
ch2mod	OMIT	
ma_at	OMIT	
strt	OMIT	
frql_bt	OMIT	
ch1d_bt	OMIT	
ch2d_bt	OMIT	
frqchs_bt	OMIT	
ma_bt	OMIT	
cphms	OMIT	
Detailed Comments:		

PDU Constraint Declaration		
Constraint Name:	AsgnCmd_tchf_fh_01(slot:SN; tsc:TSC)	
PDU Type:	ASS_CMD_PDU	
Derivation Path:		
Comments:	An ASSIGNMENT COMMAND message	
Field Name	Field Value	Comments
ski	'0000'B	
rrpd	'0110'B	
mt	'00101110'B	
ch1d_at	ChDescrp_12(slot,tsc)	
pcmd	Pcmd_19('00111'B)	
frql_at	OMIT	
cchd	OMIT	
ch1mod	OMIT	
ch2d_at	OMIT	
ch2mod	OMIT	
ma_at	MobiAllc_04	
strt	OMIT	
frql_bt	OMIT	
ch1d_bt	OMIT	
ch2d_bt	OMIT	
frqchs_bt	OMIT	
ma_bt	OMIT	
cphms	OMIT	
Detailed Comments: used in TC_26_6_4_2_2		

PDU Constraint Declaration		
Constraint Name:	AsgnCmd_tchf_fh_02(slot:SN; tsc:TSC)	
PDU Type:	ASS_CMD_PDU	
Derivation Path:		
Comments:	An ASSIGNMENT COMMAND message	
Field Name	Field Value	Comments
ski	'0000'B	
rrpd	'0110'B	
mt	'00101110'B	
ch1d_at	ChDescrp_13(slot,tsc)	
pcmd	Pcmd_19('00111'B)	
frql_at	OMIT	
cchd	OMIT	
ch1mod	OMIT	
ch2d_at	OMIT	
ch2mod	OMIT	
ma_at	MoblAllc_04	
strt	OMIT	
frql_bt	OMIT	
ch1d_bt	OMIT	
ch2d_bt	OMIT	
frqchs_bt	OMIT	
ma_bt	OMIT	
cphms	OMIT	
Detailed Comments: used in TC_26_6_4_2_2		

PDU Constraint Declaration		
Constraint Name:	AsgnCmd_tchf_fh_03(slot:SN; tsc:TSC; cphms:CPHMS)	
PDU Type:	ASS_CMD_PDU	
Derivation Path:		
Comments:	An ASSIGNMENT COMMAND message	
Field Name	Field Value	Comments
ski	'0000'B	
rrpd	'0110'B	
mt	'00101110'B	
ch1d_at	ChDescrp_20(slot, tsc, '000000'B, '111111'B)	
pcmd	Pcmd_20('00111'B)	
frql_at	OMIT	
cchd	CellChDes_01	
ch1mod	OMIT	
ch2d_at	OMIT	
ch2mod	OMIT	
ma_at	MoblAllc_r03	
strt	OMIT	
frql_bt	OMIT	
ch1d_bt	OMIT	
ch2d_bt	OMIT	
frqchs_bt	OMIT	
ma_bt	OMIT	
cphms	cphms	
Detailed Comments:		

PDU Constraint Declaration		
Constraint Name:	AsgnCmd_dtchf(slot:SN; tsc:TSC)	
PDU Type:	ASS_CMD_PDU	
Derivation Path:		
Comments:	An ASSIGNMENT COMMAND message.	
Field Name	Field Value	Comments
ski	'0000'B	
rrpd	'0110'B	
mt	'00101110'B	
ch1d_at	ChDescrp_r02(slot, tsc)	
pcmd	Pcmd_19('00011'B)	
frql_at	OMIT	
cchd	OMIT	
ch1mod	OMIT	
ch2d_at	OMIT	
ch2mod	OMIT	
ma_at	OMIT	
strt	OMIT	
frql_bt	OMIT	
ch1d_bt	OMIT	
ch2d_bt	OMIT	
frqchs_bt	OMIT	
ma_bt	OMIT	
cphms	OMIT	
Detailed Comments:		

PDU Constraint Declaration		
Constraint Name:	AsgnCmd_dtchf_fh_03(slot:SN; tsc:TSC; cphms:CPHMS)	
PDU Type:	ASS_CMD_PDU	
Derivation Path:		
Comments:	An ASSIGNMENT COMMAND message	
Field Name	Field Value	Comments
ski	'0000'B	
rrpd	'0110'B	
mt	'00101110'B	
ch1d_at	ChDescrp_20(slot, tsc, '000000'B, '111111'B)	
pcmd	Pcmd_20('00011'B)	
frql_at	OMIT	
cchd	CellChDes_01d	
ch1mod	OMIT	
ch2d_at	OMIT	
ch2mod	OMIT	
ma_at	MoblAllc_r03	
strt	OMIT	
frql_bt	OMIT	
ch1d_bt	OMIT	
ch2d_bt	OMIT	
frqchs_bt	OMIT	
ma_bt	OMIT	
cphms	cphms	
Detailed Comments:		

PDU Constraint Declaration		
Constraint Name:	AsgnCmd_tchh(subch:BITSTRING; slot:SN; tsc:TSC)	
PDU Type:	ASS_CMD_PDU	
Derivation Path:		
Comments:	An ASSIGNMENT COMMAND message.	
Field Name	Field Value	Comments
ski	'0000'B	
rrpd	'0110'B	
mt	'00101110'B	
ch1d_at	ChDescrp_r03(subch, slot, tsc)	
pcmd	Pcmd_19('01001'B)	
frql_at	OMIT	
cchd	OMIT	
ch1mod	OMIT	
ch2d_at	OMIT	
ch2mod	OMIT	
ma_at	OMIT	
strt	OMIT	
frql_bt	OMIT	
ch1d_bt	OMIT	
ch2d_bt	OMIT	
frqchs_bt	OMIT	
ma_bt	OMIT	
cphms	OMIT	
Detailed Comments:		

PDU Constraint Declaration		
Constraint Name:	AsgnCmd_dtchh(subch:BITSTRING; slot:SN; tsc:TSC)	
PDU Type:	ASS_CMD_PDU	
Derivation Path:		
Comments:	An ASSIGNMENT COMMAND message.	
Field Name	Field Value	Comments
ski	'0000'B	
rrpd	'0110'B	
mt	'00101110'B	
ch1d_at	ChDescrp_r03d(subch, slot, tsc)	
pcmd	Pcmd_19('01111'B)	
frql_at	OMIT	
cchd	OMIT	
ch1mod	OMIT	
ch2d_at	OMIT	
ch2mod	OMIT	
ma_at	OMIT	
strt	OMIT	
frql_bt	OMIT	
ch1d_bt	OMIT	
ch2d_bt	OMIT	
frqchs_bt	OMIT	
ma_bt	OMIT	
cphms	OMIT	
Detailed Comments:		

PDU Constraint Declaration		
Constraint Name:	AsgnCmd_21(ts_ccch: BITSTRING; par_arfcn: INTEGER)	
PDU Type:	ASS_CMD_PDU	
Derivation Path:		
Comments:	An ASSIGNMENT COMMAND message assigning TCH/F non FH channel in any cell.	
Field Name	Field Value	Comments
ski	'0000'B	
rrpd	'0110'B	
mt	'00101110'B	
ch1d_at	ChDescrp_21(ts_ccch, par_arfcn)	
pcmd	Pcmd_19('01001'B)	
frql_at	OMIT	
cchd	OMIT	
ch1mod	OMIT	
ch2d_at	OMIT	
ch2mod	OMIT	
ma_at	OMIT	
strt	OMIT	
frql_bt	OMIT	
ch1d_bt	OMIT	
ch2d_bt	OMIT	
frqchs_bt	OMIT	
ma_bt	OMIT	
cphms	OMIT	
Detailed Comments:		

PDU Constraint Declaration		
Constraint Name:	AsgnCmd_22(ts_ccch: SN; tsc:TSC; maio, hsn:BITSTRING; frql:FRQL)	
PDU Type:	ASS_CMD_PDU	
Derivation Path:		
Comments:	An ASSIGNMENT COMMAND message assigning TCH/F FH channel in cell A.	
Field Name	Field Value	Comments
ski	'0000'B	
rrpd	'0110'B	
mt	'00101110'B	
ch1d_at	ChDescrp_20(ts_ccch, tsc, maio, hsn)	
pcmd	Pcmd_19('01001'B)	
frql_at	frql	
cchd	OMIT	
ch1mod	OMIT	
ch2d_at	OMIT	
ch2mod	OMIT	
ma_at	OMIT	
strt	OMIT	
frql_bt	OMIT	
ch1d_bt	OMIT	
ch2d_bt	OMIT	
frqchs_bt	OMIT	
ma_bt	OMIT	
cphms	OMIT	
Detailed Comments:		

PDU Constraint Declaration		
Constraint Name:	AsgnCmd_22d(ts_ccch: SN; tsc:TSC; maio, hsn:BITSTRING; frql:FRQL)	
PDU Type:	ASS_CMD_PDU	
Derivation Path:		
Comments:	An ASSIGNMENT COMMAND message assigning TCH/F FH channel in cell A for DCS1800.	
Field Name	Field Value	Comments
ski	'0000'B	
rrpd	'0110'B	
mt	'00101110'B	
ch1d_at	ChDescrp_20(ts_ccch, tsc, maio, hsn)	
pcmd	Pcmd_19('01111'B)	
frql_at	frql	
cchd	OMIT	
ch1mod	OMIT	
ch2d_at	OMIT	
ch2mod	OMIT	
ma_at	OMIT	
strt	OMIT	
frql_bt	OMIT	
ch1d_bt	OMIT	
ch2d_bt	OMIT	
frqchs_bt	OMIT	
ma_bt	OMIT	
cphms	OMIT	
Detailed Comments:		

PDU Constraint Declaration		
Constraint Name:	AsgnCmd_22_Ae1(ts_ccch: BITSTRING; par_chtype:BITSTRING; par_flist:OCTETSTRING; par_flistl: OCTETSTRING)	
PDU Type:	ASS_CMD_PDU	
Derivation Path:		
Comments:	An ASSIGNMENT COMMAND message assigning TCH/F non FH channel in cell A for EGSM.	
Field Name	Field Value	Comments
ski	'0000'B	
rrpd	'0110'B	
mt	'00101110'B	
ch1d_at	ChDescrp_22e(ts_ccch, par_chtype)	
pcmd	Pcmd_19('01001'B)	
frql_at	Frql_20_egsm(par_flist, par_flistl)	
cchd	OMIT	
ch1mod	OMIT	
ch2d_at	OMIT	
ch2mod	OMIT	
ma_at	OMIT	
strt	OMIT	
frql_bt	OMIT	
ch1d_bt	OMIT	
ch2d_bt	OMIT	
frqchs_bt	OMIT	
ma_bt	OMIT	
cphms	OMIT	
Detailed Comments:		

PDU Constraint Declaration		
Constraint Name:	AsgnCmd_22_Ae2(ts_ccch: BITSTRING; par_chtype:BITSTRING; par_cchd: OCTETSTRING; par_ma:BITSTRING)	
PDU Type:	ASS_CMD_PDU	
Derivation Path:		
Comments:	An ASSIGNMENT COMMAND message assigning TCH/F non FH channel in cell A for EGSM.	
Field Name	Field Value	Comments
ski	'0000'B	
rrpd	'0110'B	
mt	'00101110'B	
ch1d_at	ChDescrp_22e(ts_ccch, par_chtype)	
pcmd	Pcmd_19('01001'B)	
frql_at	OMIT	
cchd	CellChDes_20_Be(par_cchd)	
ch1mod	OMIT	
ch2d_at	OMIT	
ch2mod	OMIT	
ma_at	MoblAllc_20_Be1(par_ma)	
strt	OMIT	
frql_bt	OMIT	
ch1d_bt	OMIT	
ch2d_bt	OMIT	
frqchs_bt	OMIT	
ma_bt	OMIT	
cphms	OMIT	
Detailed Comments:		

PDU Constraint Declaration		
Constraint Name:	AsgnCmd_22_Ae3(ts_ccch: BITSTRING; par_chtype:BITSTRING; par_cchd: OCTETSTRING; par_ma1:BITSTRING; par_ma2:BITSTRING)	
PDU Type:	ASS_CMD_PDU	
Derivation Path:		
Comments:	An ASSIGNMENT COMMAND message assigning TCH/F non FH channel in cell A for EGSM.	
Field Name	Field Value	Comments
ski	'0000'B	
rrpd	'0110'B	
mt	'00101110'B	
ch1d_at	ChDescrp_22e(ts_ccch, par_chtype)	
pcmd	Pcmd_19('01001'B)	
frql_at	OMIT	
cchd	CellChDes_20_Be(par_cchd)	
ch1mod	OMIT	
ch2d_at	OMIT	
ch2mod	OMIT	
ma_at	MoblAllc_20_Be2iei(par_ma1, par_ma2)	
strt	OMIT	
frql_bt	OMIT	
ch1d_bt	OMIT	
ch2d_bt	OMIT	
frqchs_bt	OMIT	
ma_bt	OMIT	
cphms	OMIT	
Detailed Comments:		

PDU Constraint Declaration		
Constraint Name:	AsgnCmd_23(ts_ccch: BITSTRING; par_arfcn: INTEGER)	
PDU Type:	ASS_CMD_PDU	
Derivation Path:		
Comments:	An ASSIGNMENT COMMAND message assigning non hopping half rate channel in cell A.	
Field Name	Field Value	Comments
ski	'0000'B	
rrpd	'0110'B	
mt	'00101110'B	
ch1d_at	ChDescrp_23(ts_ccch, par_arfcn)	
pcmd	Pcmd_19('01001'B)	
frql_at	OMIT	
cchd	OMIT	
ch1mod	OMIT	
ch2d_at	OMIT	
ch2mod	OMIT	
ma_at	OMIT	
strt	OMIT	
frql_bt	OMIT	
ch1d_bt	OMIT	
ch2d_bt	OMIT	
frqchs_bt	OMIT	
ma_bt	OMIT	
cphms	OMIT	
Detailed Comments:		

PDU Constraint Declaration		
Constraint Name:	AsgnCmd_24(ts_ccch: SN; tsc:TSC; maio, hsn:BITSTRING; frql:FRQL)	
PDU Type:	ASS_CMD_PDU	
Derivation Path:		
Comments:	An ASSIGNMENT COMMAND message assigning hopping half rate channel in cell A.	
Field Name	Field Value	Comments
ski	'0000'B	
rrpd	'0110'B	
mt	'00101110'B	
ch1d_at	ChDescrp_19(ts_ccch, tsc, maio, hsn)	
pcmd	Pcmd_19('01001'B)	
frql_at	frql	
cchd	OMIT	
ch1mod	OMIT	
ch2d_at	OMIT	
ch2mod	OMIT	
ma_at	OMIT	
strt	OMIT	
frql_bt	OMIT	
ch1d_bt	OMIT	
ch2d_bt	OMIT	
frqchs_bt	OMIT	
ma_bt	OMIT	
cphms	OMIT	
Detailed Comments:		

PDU Constraint Declaration		
Constraint Name:	AsgnCmd_24d(ts_ccch: SN; tsc:TSC; maio, hsn:BITSTRING; frql:FRQL)	
PDU Type:	ASS_CMD_PDU	
Derivation Path:		
Comments:	An ASSIGNMENT COMMAND message assigning hopping half rate channel in cell A.	
Field Name	Field Value	Comments
ski	'0000'B	
rrpd	'0110'B	
mt	'00101110'B	
ch1d_at	ChDescrip_19(ts_ccch, tsc, maio, hsn)	
pcmd	Pcmd_19('01111'B)	
frql_at	frql	
cchd	OMIT	
ch1mod	OMIT	
ch2d_at	OMIT	
ch2mod	OMIT	
ma_at	OMIT	
strt	OMIT	
frql_bt	OMIT	
ch1d_bt	OMIT	
ch2d_bt	OMIT	
frqchs_bt	OMIT	
ma_bt	OMIT	
cphms	OMIT	
Detailed Comments:		

PDU Constraint Declaration		
Constraint Name:	AsgnCmd_31(type:BITSTRING; mod:CHMOD; slot:SN; tsc:TSC)	
PDU Type:	ASS_CMD_PDU	
Derivation Path:		
Comments:	An ASSIGNMENT COMMAND message. The channel mode and type are specified as parameters.	
Field Name	Field Value	Comments
ski	'0000'B	
rrpd	'0110'B	
mt	'00101110'B	
ch1d_at	ChDescrip_r05(type, slot, tsc)	
pcmd	Pcmd_19('00111'B)	
frql_at	OMIT	
cchd	OMIT	
ch1mod	mod	
ch2d_at	OMIT	
ch2mod	OMIT	
ma_at	OMIT	
strt	OMIT	
frql_bt	OMIT	
ch1d_bt	OMIT	
ch2d_bt	OMIT	
frqchs_bt	OMIT	
ma_bt	OMIT	
cphms	OMIT	
Detailed Comments: used iin CC testing		

PDU Constraint Declaration		
Constraint Name:	AsgnCmd_31d(type:BITSTRING; mod:CHMOD; slot:SN; tsc:TSC)	
PDU Type:	ASS_CMD_PDU	
Derivation Path:		
Comments:	An ASSIGNMENT COMMAND message. The channel mode and type are specified as parameters.	
Field Name	Field Value	Comments
ski	'0000'B	
rrpd	'0110'B	
mt	'00101110'B	
ch1d_at	ChDescrp_r05d(type, slot, tsc)	
pcmd	Pcmd_19('00011'B)	
frql_at	OMIT	
cchd	OMIT	
ch1mod	mod	
ch2d_at	OMIT	
ch2mod	OMIT	
ma_at	OMIT	
strt	OMIT	
frql_bt	OMIT	
ch1d_bt	OMIT	
ch2d_bt	OMIT	
frqchs_bt	OMIT	
ma_bt	OMIT	
cphms	OMIT	
Detailed Comments:	used iin CC testing	

PDU Constraint Declaration		
Constraint Name:	AsgnCmd_inv_01(slot:SN; tsc:TSC)	
PDU Type:	ASS_CMD_PDU	
Derivation Path:		
Comments:	An ASSIGNMENT COMMAND message containing invalid skip identifier	
Field Name	Field Value	Comments
ski	'0100'B	
rrpd	'0110'B	
mt	'00101110'B	
ch1d_at	ChDescrp_r02Def(slot, tsc)	
pcmd	Pcmd_19('01001'B)	
frql_at	OMIT	
cchd	OMIT	
ch1mod	OMIT	
ch2d_at	OMIT	
ch2mod	OMIT	
ma_at	OMIT	
strt	OMIT	
frql_bt	OMIT	
ch1d_bt	OMIT	
ch2d_bt	OMIT	
frqchs_bt	OMIT	
ma_bt	OMIT	
cphms	OMIT	
Detailed Comments:		

PDU Constraint Declaration		
Constraint Name:	AsgnCmd_inv_02(slot:SN; tsc:TSC)	
PDU Type:	ASS_CMD_PDU	
Derivation Path:		
Comments:	An ASSIGNMENT COMMAND message containing IE unknown in the RR protocol. For GSM900.	
Field Name	Field Value	Comments
ski	'0000'B	
rrpd	'0110'B	
mt	'00101110'B	
ch1d_at	ChDescrp_11(slot, tsc)	
pcmd	Pcmd_19('00111'B)	
frql_at	Frql_02	
cchd	CellChDes_12	
ch1mod	OMIT	
ch2d_at	UnknownIE	
ch2mod	OMIT	
ma_at	MobiAllc_02	
strt	OMIT	
frql_bt	OMIT	
ch1d_bt	OMIT	
ch2d_bt	OMIT	
frqchs_bt	OMIT	
ma_bt	OMIT	
cphms	OMIT	
Detailed Comments:		

PDU Constraint Declaration		
Constraint Name:	AsgnCmd_r14(slot:SN; tsc:TSC; strt:STRT)	
PDU Type:	ASS_CMD_PDU	
Derivation Path:		
Comments:	An ASSIGNMENT COMMAND message defined by PIXIT	
Field Name	Field Value	Comments
ski	'0000'B	
rrpd	'0110'B	
mt	'00101110'B	
ch1d_at	ChDescrp_r29(slot, tsc)	
pcmd	Pcmd_19(TSPX_PwrIvIA)	
frql_at	OMIT	
cchd	OMIT	
ch1mod	ChMod_r01	
ch2d_at	OMIT	
ch2mod	OMIT	
ma_at	MobiAllc_r06	
strt	strt	
frql_bt	OMIT	
ch1d_bt	ChDescrp_r30(slot, tsc)	
ch2d_bt	OMIT	
frqchs_bt	OMIT	
ma_bt	MobiAllc_r07	
cphms	OMIT	
Detailed Comments: used in TC_26_6_13_1 only.		

PDU Constraint Declaration		
Constraint Name:	AsgnCmd_r15(slot:SN; tsc:TSC; slot2:SN; tsc2:TSC; str:STRT)	
PDU Type:	ASS_CMD_PDU	
Derivation Path:		
Comments:	An ASSIGNMENT COMMAND message defined by PIXIT	
Field Name	Field Value	Comments
ski	'0000'B	
rrpd	'0110'B	
mt	'00101110'B	
ch1d_at	ChDescrp_r32(slot, tsc)	
pcmd	Pcmd_19(TSPX_PwrlvlB)	
frql_at	OMIT	
cchd	OMIT	
ch1mod	ChMod_r02	
ch2d_at	OMIT	
ch2mod	OMIT	
ma_at	MoblAllc_r09	
strt	strt	
frql_bt	OMIT	
ch1d_bt	ChDescrp_r30(slot2, tsc2)	
ch2d_bt	OMIT	
frqchs_bt	OMIT	
ma_bt	MoblAllc_r07	
cphms	OMIT	
Detailed Comments:	used in TC_26_6_13_2 only.	

PDU Constraint Declaration		
Constraint Name:	AsgnCmd_r16(slot:SN; tsc:TSC; str:STRT)	
PDU Type:	ASS_CMD_PDU	
Derivation Path:		
Comments:	An ASSIGNMENT COMMAND message defined by PIXIT	
Field Name	Field Value	Comments
ski	'0000'B	
rrpd	'0110'B	
mt	'00101110'B	
ch1d_at	ChDescrp_r35(slot, tsc)	
pcmd	Pcmd_19(TSPX_PwrlvlC)	
frql_at	OMIT	
cchd	OMIT	
ch1mod	ChMod_sign_iei	
ch2d_at	OMIT	
ch2mod	OMIT	
ma_at	MoblAllc_r12	
strt	strt	
frql_bt	OMIT	
ch1d_bt	ChDescrp_r36(slot, tsc)	
ch2d_bt	OMIT	
frqchs_bt	OMIT	
ma_bt	MoblAllc_r13	
cphms	OMIT	
Detailed Comments:	used in TC_26_6_13_3 only.	

PDU Constraint Declaration		
Constraint Name:	AsgnCmd_r17(slot:SN; tsc:TSC; str:STRT)	
PDU Type:	ASS_CMD_PDU	
Derivation Path:		
Comments:	An ASSIGNMENT COMMAND message defined by PIXIT	
Field Name	Field Value	Comments
ski	'0000'B	
rrpd	'0110'B	
mt	'00101110'B	
ch1d_at	ChDescrp_r39(slot, tsc)	
pcmd	Pcmd_19(TSPX_PwrlvID)	
frql_at	OMIT	
cchd	OMIT	
ch1mod	ChMod_sign_iei	
ch2d_at	OMIT	
ch2mod	OMIT	
ma_at	MobiAllc_r16	
strt	strt	
frql_bt	OMIT	
ch1d_bt	ChDescrp_r40(slot, tsc)	
ch2d_bt	OMIT	
frqchs_bt	OMIT	
ma_bt	MobiAllc_r17	
cphms	OMIT	
Detailed Comments:	used in TC_26_6_13_3 only.	

PDU Constraint Declaration		
Constraint Name:	AsgnCmd_fh(slot:SN; tsc:TSC; par_pwlvl, maio, hsn:INTEGER; cchd:CCHD; chmod:CHMOD; ma:MA)	
PDU Type:	ASS_CMD_PDU	
Derivation Path:		
Comments:	An ASSIGNMENT COMMAND message	
Field Name	Field Value	Comments
ski	'0000'B	
rrpd	'0110'B	
mt	'00101110'B	
ch1d_at	ChDescrp_fh(slot, tsc, maio, hsn)	
pcmd	Pcmd_19(INT_TO_BIT(par_pwlvl, 5))	
frql_at	OMIT	
cchd	cchd	
ch1mod	chmod	
ch2d_at	OMIT	
ch2mod	OMIT	
ma_at	ma	
strt	OMIT	
frql_bt	OMIT	
ch1d_bt	OMIT	
ch2d_bt	OMIT	
frqchs_bt	OMIT	
ma_bt	OMIT	
cphms	OMIT	
Detailed Comments:		

PDU Constraint Declaration		
Constraint Name:	AsgnCmd_nfh(slot:SN; tsc:TSC; par_pwlvl, arfcn:INTEGER; cchd:CCHD; chmod:CHMOD; strt:STRT)	
PDU Type:	ASS_CMD_PDU	
Derivation Path:		
Comments:	An ASSIGNMENT COMMAND message	
Field Name	Field Value	Comments
ski	'0000'B	
rrpd	'0110'B	
mt	'00101110'B	
ch1d_at	ChDescrp_nfh(slot, tsc, arfcn)	
pcmd	Pcmd_19(INT_TO_BIT(par_pwlvl, 5))	
frql_at	OMIT	
cchd	cchd	
ch1mod	chmod	
ch2d_at	OMIT	
ch2mod	OMIT	
ma_at	OMIT	
strt	strt	
frql_bt	OMIT	
ch1d_bt	OMIT	
ch2d_bt	OMIT	
frqchs_bt	OMIT	
ma_bt	OMIT	
cphms	OMIT	
Detailed Comments:		

PDU Constraint Declaration		
Constraint Name:	AsgnCmd_tchh_fh(subch:BITSTRING; slot:SN; tsc:TSC; par_pwlvl, maio, hsn:INTEGER; chmod:CHMOD; frql:FRQL; ma:MA)	
PDU Type:	ASS_CMD_PDU	
Derivation Path:		
Comments:	An ASSIGNMENT COMMAND message	
Field Name	Field Value	Comments
ski	'0000'B	
rrpd	'0110'B	
mt	'00101110'B	
ch1d_at	ChDescrp_tchh_fh(subch, slot, tsc, maio, hsn)	
pcmd	Pcmd_19(INT_TO_BIT(par_pwlvl, 5))	
frql_at	frql	
cchd	OMIT	
ch1mod	chmod	
ch2d_at	OMIT	
ch2mod	OMIT	
ma_at	ma	
strt	OMIT	
frql_bt	OMIT	
ch1d_bt	OMIT	
ch2d_bt	OMIT	
frqchs_bt	OMIT	
ma_bt	OMIT	
cphms	OMIT	
Detailed Comments:		

PDU Constraint Declaration		
Constraint Name:	AsgnCmd_tchh_nfh(subch:BITSTRING; slot:SN; tsc:TSC; par_pwlvl, arfcn:INTEGER)	
PDU Type:	ASS_CMD_PDU	
Derivation Path:		
Comments:	An ASSIGNMENT COMMAND message	
Field Name	Field Value	Comments
ski	'0000'B	
rrpd	'0110'B	
mt	'00101110'B	
ch1d_at	ChDescrp_tchh_nfh(subch, slot, tsc, arfcn)	
pcmd	Pcmd_19(INT_TO_BIT(par_pwlvl, 5))	
frql_at	OMIT	
cchd	OMIT	
ch1mod	OMIT	
ch2d_at	OMIT	
ch2mod	OMIT	
ma_at	OMIT	
strt	OMIT	
frql_bt	OMIT	
ch1d_bt	OMIT	
ch2d_bt	OMIT	
frqchs_bt	OMIT	
ma_bt	OMIT	
cphms	OMIT	
Detailed Comments:		

PDU Constraint Declaration		
Constraint Name:	AsgnCmp_02	
PDU Type:	ASS_COM_PDU	
Derivation Path:		
Comments:	An ASSIGNMENT COMPLETE message containing any cause.	
Field Name	Field Value	Comments
ski	'0000'B	
rrpd	'0110'B	
mt	'00101001'B	
rrcau	?	
Detailed Comments:		

PDU Constraint Declaration		
Constraint Name:	AssgnFI_01	
PDU Type:	ASSFL_PDU	
Derivation Path:		
Comments:		
Field Name	Field Value	Comments
ski	'0000'B	
rrpd	'0110'B	
mt	'00101111'B	
rrcau	?	
Detailed Comments:		

PDU Constraint Declaration		
Constraint Name:	AssgnFI_02	
PDU Type:	ASSFL_PDU	
Derivation Path:	AssgnFI_01.	
Comments:	#6F	
Field Name	Field Value	Comments
rrcau	'01101111'B	
Detailed Comments:		

PDU Constraint Declaration		
Constraint Name:	Abortmsg_01(par: REJCAU)	
PDU Type:	ABRT_PDU	
Derivation Path:		
Comments:	An ABORT message with reject cause which should be given as parameter.	
Field Name	Field Value	Comments
ski	'0000'B	
mmpd	'0101'B	
mt	'00101001'B	
rejcau	par	
Detailed Comments:		

PDU Constraint Declaration		
Constraint Name:	AuthRequest_01	
PDU Type:	AUTH_RQ_PDU	
Derivation Path:		
Comments:	An AUTHENTICATION REQUEST message containing default ciphering key sequence number and default challenge RAND from PIXIT.	
Field Name	Field Value	Comments
ski	'0000'B	
mmpd	'0101'B	
mt	'00010010'B	
shoct	'0000'B	
cphksn	CphKeySN_01	
rand	TSPX_RANDDef	
Detailed Comments:		

PDU Constraint Declaration		
Constraint Name:	AuthRequest_02	
PDU Type:	AUTH_RQ_PDU	
Derivation Path:	AuthRequest_01.	
Comments:	An AUTHENTICATION REQUEST message containing ciphering key sequence number and RAND which are different from default values.	
Field Name	Field Value	Comments
cphksn	CphKeySN_03	
rand	TSPX_RANDB	
Detailed Comments:		

PDU Constraint Declaration		
Constraint Name:	AuthRequest_03	
PDU Type:	AUTH_RQ_PDU	
Derivation Path:	AuthRequest_01.	
Comments:	An AUTHENTICATION REQUEST message containing ciphering key sequence number and RAND which are different from default values and the value used by the AuthRequest_02.	
Field Name	Field Value	Comments
cphksn	CphKeySN_04	
rand	TSPX_RANDC	
Detailed Comments:		

PDU Constraint Declaration		
Constraint Name:	AuthRequest_05	
PDU Type:	AUTH_RQ_PDU	
Derivation Path:	AuthRequest_01.	
Comments:	An AUTHENTICATION REQUEST message containing ciphering key sequence number and RAND from PIXIT different from default values.	
Field Name	Field Value	Comments
cphksn	CphKeySN_05	
rand	TSPX_RANDA	
Detailed Comments:		

PDU Constraint Declaration		
Constraint Name:	AuthRequest_30(cksn: BITSTRING)	
PDU Type:	AUTH_RQ_PDU	
Derivation Path:		
Comments:	An AUTHENTICATION REQUEST message containing default ciphering key sequence number and default challenge RAND from PIXIT.	
Field Name	Field Value	Comments
ski	'0000'B	
mmpd	'0101'B	
mt	'00010010'B	
shoct	'0000'B	
cphksn	CphKeySN_07(cksn)	
rand	TSPX_RANDDef	
Detailed Comments:		

PDU Constraint Declaration		
Constraint Name:	AuthRequest_inv_01	
PDU Type:	AUTH_RQ_PDU	
Derivation Path:	AuthRequest_01.	
Comments:	An invalid AUTHENTICATION REQUEST message containing arbitrary spare bits	
Field Name	Field Value	Comments
shoct	'0101'B	
cphksn	CphKeySN_02	
Detailed Comments:		

PDU Constraint Declaration		
Constraint Name:	AuthReject_01	
PDU Type:	AUTH_REJ_PDU	
Derivation Path:		
Comments:	An AUTHENTICATION REJECT message.	
Field Name	Field Value	Comments
ski	'0000'B	
mmpd	'0101'B	
mt	'00010001'B	
Detailed Comments:		

PDU Constraint Declaration		
Constraint Name:	AuthResponse_01	
PDU Type:	AUTH_RES_PDU	
Derivation Path:		
Comments:	An AUTHENTICATION RESPONSE message matching any SRES.	
Field Name	Field Value	Comments
ski	'0000'B	
mmpd	'0101'B	
mt	'0?010100'B	
sres	?	
Detailed Comments:		

PDU Constraint Declaration		
Constraint Name:	CallConfirm_01	
PDU Type:	CALL_CO_PDU	
Derivation Path:		
Comments:	a CALL CONFIRMED message with TI value = 000	
Field Name	Field Value	Comments
ti	TI_01	
ccpd	'0011'B	
mt	'0?001000'B	
bcri	*	
bcap1	*	
bcap2	*	
cau	OMIT	
cccap	*	
Detailed Comments:		

PDU Constraint Declaration		
Constraint Name:	CallConfirm_02(Ti:TI)	
PDU Type:	CALL_CO_PDU	
Derivation Path:		
Comments:	a CALL CONFIRMED message with cause #17.	
Field Name	Field Value	Comments
ti	Ti	
ccpd	'0011'B	
mt	'0?001000'B	
bcri	*	
bcap1	*	
bcap2	*	
cau	Cause_17	
cccap	*	
Detailed Comments:		

PDU Constraint Declaration		
Constraint Name:	CallConfirm_03	
PDU Type:	CALL_CO_PDU	
Derivation Path:		
Comments:	a CALL CONFIRMED message with TI value = 000	
Field Name	Field Value	Comments
ti	TI_01	
ccpd	'0011'B	
mt	'0?001000'B	
bcri	*	
bcap1	?	
bcap2	*	
cau	OMIT	
cccap	*	
Detailed Comments:		

PDU Constraint Declaration		
Constraint Name:	CallConfirm_20	
PDU Type:	CALL_CO_PDU	
Derivation Path:		
Comments:	a CALL CONFIRMED message with bearer	
Field Name	Field Value	Comments
ti	TI_01	
ccpd	'0011'B	
mt	'0?001000'B	
bcri	*	
bcap1	OMIT	
bcap2	OMIT	
cau	OMIT	
cccap	OMIT	
Detailed Comments:		

PDU Constraint Declaration		
Constraint Name:	CallProced_01(Ti:TI)	
PDU Type:	CALL_PROC_PDU	
Derivation Path:		
Comments:	An CALL PROCEEDING message with mandatory IE's only.	
Field Name	Field Value	Comments
ti	Ti	
ccpd	'0011'B	
mt	'00000010'B	
bcri	OMIT	
bcap1	OMIT	
bcap2	OMIT	
fie	OMIT	
pi	OMIT	
Detailed Comments:		

PDU Constraint Declaration		
Constraint Name:	CallProced_02(Ti:TI)	
PDU Type:	CALL_PROC_PDU	
Derivation Path:		
Comments:	An CALL PROCEEDING message with bearer capability 1 assigned in the send statement.	
Field Name	Field Value	Comments
ti	Ti	
ccpd	'0011'B	
mt	'00000010'B	
bcri	OMIT	
bcap1	?	
bcap2	OMIT	
fie	OMIT	
pi	OMIT	
Detailed Comments:		

PDU Constraint Declaration		
Constraint Name:	CallProced_03	
PDU Type:	CALL_PROC_PDU	
Derivation Path:		
Comments:	An CALL PROCEEDING message without optionnal IE's.	
Field Name	Field Value	Comments
ti	?	
ccpd	'0011'B	
mt	'00000010'B	
bcri	?	
bcap1	?	
bcap2	?	
fie	OMIT	
pi	OMIT	
Detailed Comments:		

PDU Constraint Declaration		
Constraint Name:	CallProced_inv_02(Ti:TI)	
PDU Type:	CALL_PROC_PDU	
Derivation Path:		
Comments:	used as an invalid CC message.	
Field Name	Field Value	Comments
ti	Ti	
ccpd	'0011'B	
mt	'00000010'B	
bcri	'01011110'B	
bcap1	Bcap_02	
bcap2	OMIT	
fie	OMIT	
pi	OMIT	
Detailed Comments:		

PDU Constraint Declaration		
Constraint Name:	CCStatus_01(Ti:TI)	
PDU Type:	CCST_PDU	
Derivation Path:		
Comments:	A CC STATUS message to match any received CC STATUS.	
Field Name	Field Value	Comments
ti	Ti	
ccpd	'0011'B	
mt	'0?111101'B	
cau	?	
cst	?	
acst	*	
Detailed Comments:		

PDU Constraint Declaration		
Constraint Name:	CCStatus_02	
PDU Type:	CCST_PDU	
Derivation Path:		
Comments:	A STATUS message containing cause value #97	
Field Name	Field Value	Comments
ti	TI_01	
ccpd	'0011'B	
mt	'0?111101'B	
cau	Cause_02	
cst	?	
acst	*	
Detailed Comments:		

PDU Constraint Declaration		
Constraint Name:	CCStatus_03(Ti:TI)	
PDU Type:	CCST_PDU	
Derivation Path:	CCStatus_01.	
Comments:	CC STATUS message containing cause value #98	
Field Name	Field Value	Comments
ti	Ti	
cau	Cause_03	
Detailed Comments:		

PDU Constraint Declaration		
Constraint Name:	CCStatus_04(Ti:TI)	
PDU Type:	CCST_PDU	
Derivation Path:	CCStatus_01.	
Comments:	A CC STATUS message containing cause value #96	
Field Name	Field Value	Comments
ti	Ti	
cau	Cause_04	
Detailed Comments:		

PDU Constraint Declaration		
Constraint Name:	CCStatus_08(Ti:TI; st:INTEGER)	
PDU Type:	CCST_PDU	
Derivation Path:		
Comments:	A CC STATUS message to match a received CC STATUS containing CC state 'st', cause = #97	
Field Name	Field Value	Comments
ti	Ti	
ccpd	'0011'B	
mt	'0?111101'B	
cau	Cause_02	
cst	CallState_01(st)	
acst	*	
Detailed Comments:		

PDU Constraint Declaration		
Constraint Name:	CCStatus_14(Ti:TI; st:INTEGER)	
PDU Type:	CCST_PDU	
Derivation Path:		
Comments:	A CC STATUS message to match a received CC STATUS containing CC state = `st`, cause = #30	
Field Name	Field Value	Comments
ti	Ti	
ccpd	'0011'B	
mt	'0?111101'B	
cau	Cause_18	
cst	CallState_01(st)	
acst	*	
Detailed Comments:		

PDU Constraint Declaration		
Constraint Name:	CCStatus_inv_01	
PDU Type:	CCST_PDU	
Derivation Path:		
Comments:	A CC STATUS message without mandatory cause IE and call state IE.	
Field Name	Field Value	Comments
ti	TI_02	
ccpd	'0011'B	
mt	'00111101'B	
cau	OMIT	
cst	OMIT	
acst	OMIT	
Detailed Comments:		

PDU Constraint Declaration		
Constraint Name:	CCStatusEq_01(Ti:TI)	
PDU Type:	CCST_ENQ_PDU	
Derivation Path:		
Comments:	A STATUS ENQUIRY message	
Field Name	Field Value	Comments
ti	Ti	
ccpd	'0011'B	
mt	'00110100'B	
Detailed Comments:		

PDU Constraint Declaration		
Constraint Name: ChmomoAck_01(chmd:CHMOD; chd: CHD)		
PDU Type: CHMMO_ACK_PDU		
Derivation Path:		
Comments:		
Field Name	Field Value	Comments
ski	'0000'B	
rrpd	'0110'B	
mt	'00010111'B	
chd	chd	
chmod	chmd	
Detailed Comments:		

PDU Constraint Declaration		
Constraint Name: ChmomoAck_02(chmd:CHMOD; chd:CHD)		
PDU Type: CHMMO_ACK_PDU		
Derivation Path:		
Comments:		
Field Name	Field Value	Comments
ski	'0000'B	
rrpd	'0110'B	
mt	'00010111'B	
chd	chd	
chmod	chmd	
Detailed Comments:		

PDU Constraint Declaration		
Constraint Name: ChmomoAck_08(type:BITSTRING; chmd:B_8; slot:SN; tsc :TSC)		
PDU Type: CHMMO_ACK_PDU		
Derivation Path:		
Comments:		
Field Name	Field Value	Comments
ski	'0000'B	
rrpd	'0110'B	
mt	'00010111'B	
chd	ChDescrp_14(type, slot, tsc)	
chmod	ChMod_mand(chmd)	
Detailed Comments:		

PDU Constraint Declaration		
Constraint Name: ChmomoReq_01(chmd:CHMOD; chd:CHD)		
PDU Type: CHMMO_PDU		
Derivation Path:		
Comments: the channel being modified is default full rate traffic channel.		
Field Name	Field Value	Comments
ski	'0000'B	
rrpd	'0110'B	
mt	'00010000'B	
chd	chd	
chmod	chmd	
Detailed Comments:		

PDU Constraint Declaration		
Constraint Name:	ChmomoReq_02(chmd:CHMOD; chd:CHD)	
PDU Type:	CHMMO_PDU	
Derivation Path:		
Comments:		
Field Name	Field Value	Comments
ski	'0000'B	
rrpd	'0110'B	
mt	'00010000'B	
chd	chd	
chmod	chmd	
Detailed Comments:		

PDU Constraint Declaration		
Constraint Name:	ChmomoReq_07(type:BITSTRING; chmd:B_8; slot:SN; tsc:TSC)	
PDU Type:	CHMMO_PDU	
Derivation Path:		
Comments:		
Field Name	Field Value	Comments
ski	'0000'B	
rrpd	'0110'B	
mt	'00010000'B	
chd	ChDescrp_14(type, slot, tsc)	
chmod	ChMod_mand(chmd)	
Detailed Comments:		

PDU Constraint Declaration		
Constraint Name:	ChRelease_01	
PDU Type:	CH_REL_PDU	
Derivation Path:		
Comments:	A CHANNEL RELEASE message with RR cause = normal event	
Field Name	Field Value	Comments
ski	'0000'B	
rrpd	'0110'B	
mt	'00001101'B	
rrcau	'00000000'B	
Detailed Comments:		

PDU Constraint Declaration		
Constraint Name:	ChRelease_inv_01	
PDU Type:	CH_REL_PDU	
Derivation Path:	ChRelease_01.	
Comments:	An invalid CHANNEL RELEASE message without mandatory IE RR cause	
Field Name	Field Value	Comments
rrcau	OMIT	
Detailed Comments:		

PDU Constraint Declaration		
Constraint Name:	ChRelease_inv_02	
PDU Type:	CH_REL_PDU	
Derivation Path:	ChRelease_01.	
Comments:	A CHANNEL RELEASE message containing incorrect skip indicator 6.	
Field Name	Field Value	Comments
ski	'0110'B	
Detailed Comments:		

PDU Constraint Declaration		
Constraint Name:	ChRelease_inv_03	
PDU Type:	CH_REL_PDU_ERR	
Derivation Path:		
Comments:	A CHANNEL RELEASE message containing additional IE unknown in the RR protocol	
Field Name	Field Value	Comments
ski	'0000'B	
rrpd	'0110'B	
mt	'00001101'B	
rrcau	'00000000'B	
add	'6205AA55EF6701'O	
Detailed Comments:		

PDU Constraint Declaration		
Constraint Name:	ChRequest_01	
PDU Type:	CH_RQ_PDU	
Derivation Path:		
Comments:	A CHANNEL REQUEST message containing establishment cause = answer to paging.	
Field Name	Field Value	Comments
ecau_rrf	'100?????'B	
Detailed Comments:		

PDU Constraint Declaration		
Constraint Name:	ChRequest_02	
PDU Type:	CH_RQ_PDU	
Derivation Path:		
Comments:	To match any received CHANNEL REQUEST message	
Field Name	Field Value	Comments
ecau_rrf	'????????'B	
Detailed Comments:		

PDU Constraint Declaration		
Constraint Name:	ChRequest_03	
PDU Type:	CH_RQ_PDU	
Derivation Path:		
Comments:	To match the received CHANNEL REQUEST message containing establishment cause = '0001'B, "other procedures which can be completed with an SDCCH".	
Field Name	Field Value	Comments
ecau_rrf	'0001????'B	
Detailed Comments:		

PDU Constraint Declaration		
Constraint Name:	ChRequest_04	
PDU Type:	CH_RQ_PDU	
Derivation Path:		
Comments:	To match the received CHANNEL REQUEST message which originates a call (establishment cause = '111'B), "Originating call and TCH/F is needed, or IMSI detach, SMS or SS procedures that can be completed with an SDCCH and NECI set to 0".	
Field Name	Field Value	Comments
ecau_rrf	'111?????'B	
Detailed Comments:		

PDU Constraint Declaration		
Constraint Name:	ChRequest_05	
PDU Type:	CH_RQ_PDU	
Derivation Path:		
Comments:	To match the received CHANNEL REQUEST message containing establishment cause = '0100'B, "Originating speech call from dual-rate mobile station when TCH/H is sufficient and the network sets NECI bit to 1"	
Field Name	Field Value	Comments
ecau_rrf	'0100????'B	
Detailed Comments:		

PDU Constraint Declaration		
Constraint Name:	ChRequest_06	
PDU Type:	CH_RQ_PDU	
Derivation Path:		
Comments:	To match the received CHANNEL REQUEST message which originates a half rate data call (establishment cause = '0101'B).	
Field Name	Field Value	Comments
ecau_rrf	'0101????'B	
Detailed Comments:		

PDU Constraint Declaration		
Constraint Name:	ChRequest_07	
PDU Type:	CH_RQ_PDU	
Derivation Path:		
Comments:	To match the received CHANNEL REQUEST message with establishment cause = '0010'B.	
Field Name	Field Value	Comments
ecau_rrf	'0010????'B	
Detailed Comments:		

PDU Constraint Declaration		
Constraint Name:	ChRequest_08	
PDU Type:	CH_RQ_PDU	
Derivation Path:		
Comments:	To match the received CHANNEL REQUEST message with establishment cause = '0011'B.	
Field Name	Field Value	Comments
ecau_rrf	'0011????'B	
Detailed Comments:		

PDU Constraint Declaration		
Constraint Name:	ChRequest_09	
PDU Type:	CH_RQ_PDU	
Derivation Path:		
Comments:	To match the received CHANNEL REQUEST message with establishment cause = '000'B.	
Field Name	Field Value	Comments
ecau_rrf	'000?????'B	
Detailed Comments:		

PDU Constraint Declaration		
Constraint Name:	ChRequest_10	
PDU Type:	CH_RQ_PDU	
Derivation Path:		
Comments:	A CHANNEL REQUEST message with establishment cause = '110'B.	
Field Name	Field Value	Comments
ecau_rrf	'110?????'B	
Detailed Comments:		

PDU Constraint Declaration		
Constraint Name:	ChRequest_11	
PDU Type:	CH_RQ_PDU	
Derivation Path:		
Comments:	To match the received CHANNEL REQUEST message with establishment cause = '011010'B.	
Field Name	Field Value	Comments
ecau_rrf	'011010???'B	
Detailed Comments:		

PDU Constraint Declaration		
Constraint Name:	ChRequest_12	
PDU Type:	CH_RQ_PDU	
Derivation Path:		
Comments:	To match the received CHANNEL REQUEST message with establishment cause = '100'B.	
Field Name	Field Value	Comments
ecau_rrf	'100?????'B	
Detailed Comments:		

PDU Constraint Declaration		
Constraint Name:	ChRequest_13	
PDU Type:	CH_RQ_PDU	
Derivation Path:		
Comments:	To match the received CHANNEL REQUEST message with establishment cause = '100'B or '0010'B or '0001'B.	
Field Name	Field Value	Comments
ecau_rrf	('100?????'B, '0010?????'B, '0001?????'B)	
Detailed Comments:		

PDU Constraint Declaration		
Constraint Name:	ChRequest_14	
PDU Type:	CH_RQ_PDU	
Derivation Path:		
Comments:	To match the received CHANNEL REQUEST message with establishment cause = '100'B or '0011'B or '0001'B.	
Field Name	Field Value	Comments
ecau_rrf	('100?????'B, '0011?????'B, '0001?????'B)	
Detailed Comments:		

PDU Constraint Declaration		
Constraint Name:	ChRequest_15	
PDU Type:	CH_RQ_PDU	
Derivation Path:		
Comments:	To match the received CHANNEL REQUEST message with establishment cause = '111'B or '0100'B or '0101'B --- initiate outgoing call	
Field Name	Field Value	Comments
ecau_rrf	('111?????'B, '0100?????'B, '0101?????'B, '101?????'B)	
Detailed Comments:		

PDU Constraint Declaration		
Constraint Name:	ChRequest_16	
PDU Type:	CH_RQ_PDU	
Derivation Path:		
Comments:	To match the received CHANNEL REQUEST message with establishment cause = '101'B for emergency call.	
Field Name	Field Value	Comments
ecau_rrf	'101?????'B	
Detailed Comments:		

PDU Constraint Declaration		
Constraint Name:	ChRequest_17	
PDU Type:	CH_RQ_PDU	
Derivation Path:		
Comments:	A CHANNEL REQUEST message containing establishment cause = 100, 0010, 0011, 0001	
Field Name	Field Value	Comments
ecau_rrf	('100?????'B, '0010?????'B, '0011?????'B, '0001?????'B)	
Detailed Comments:		

PDU Constraint Declaration		
Constraint Name:	ChRequest_18	
PDU Type:	CH_RQ_PDU	
Derivation Path:		
Comments:	To match the received CHANNEL REQUEST message with establishment cause = '0000'B.	
Field Name	Field Value	Comments
ecau_rrf	'0000?????'B	
Detailed Comments:		

PDU Constraint Declaration		
Constraint Name:	ChRequest_19	
PDU Type:	CH_RQ_PDU	
Derivation Path:		
Comments:	To match the received CHANNEL REQUEST message with establishment cause = '111'B or '101'B --- initiate outgoing call	
Field Name	Field Value	Comments
ecau_rrf	('111?????'B, '101?????'B)	
Detailed Comments:		

PDU Constraint Declaration		
Constraint Name:	ClassChange_01	
PDU Type:	CLM_CHN_PDU	
Derivation Path:		
Comments:	CLASSMARK CHANGE message containing classmark2 indicating original rf power class	
Field Name	Field Value	Comments
ski	'0000'B	
rrpd	'0110'B	
mt	'00010110'B	
msclm	TSPX_ClassMark2	
msclm_adi	OMIT	
Detailed Comments:		

PDU Constraint Declaration		
Constraint Name:	ClassChange_02	
PDU Type:	CLM_CHN_PDU	
Derivation Path:	ClassChange_01.	
Comments:	CLASSMARK CHANGE message containing classmark2 indicating new rf power class due to addition of power amplification	
Field Name	Field Value	Comments
msclm	TSPX_ClassMark2Amp	
Detailed Comments:		

PDU Constraint Declaration		
Constraint Name:	ClassChange_03	
PDU Type:	CLM_CHN_PDU	
Derivation Path:	ClassChange_01.	
Comments:	CLASSMARK CHANGE message containing classmark2 indicating original rf power class and possible classmark3.	
Field Name	Field Value	Comments
msclm	TSPX_ClassMark2	
msclm_adi	TSPX_ClassMark3 IF_PRESENT	
Detailed Comments:		

PDU Constraint Declaration		
Constraint Name:	ClassMarkEnq_01	
PDU Type:	CLM_ENQ_PDU	
Derivation Path:		
Comments:		
Field Name	Field Value	Comments
ski	'0000'B	
rrpd	'0110'B	
mt	'00010011'B	
Detailed Comments:		

PDU Constraint Declaration		
Constraint Name:	CMReEstReq_02	
PDU Type:	CMRE_RQ_PDU	
Derivation Path:		
Comments:		
Field Name	Field Value	Comments
ski	'0000'B	
mmpd	'0101'B	
mt	'0?101000'B	
shoct	'0000'B	
cphksn	CphKeySN_05	
msclm	TSPX_ClassMark2	
mi	MiTmsi_01	
lai	LocAreald_01iei	
Detailed Comments:		

PDU Constraint Declaration		
Constraint Name:	CMReEstReq_03	
PDU Type:	CMRE_RQ_PDU	
Derivation Path:		
Comments:		
Field Name	Field Value	Comments
ski	'0000'B	
mmpd	'0101'B	
mt	'0?101000'B	
shoct	'0000'B	
cphksn	CphKeySN_05	
msclm	TSPX_ClassMark2	
mi	Milmsi_31	
lai	LocAreald_01iei	
Detailed Comments:		

PDU Constraint Declaration		
Constraint Name:	CMServiceAcp_01	
PDU Type:	CMS_ACP_PDU	
Derivation Path:		
Comments:	a CM SERVICE ACCEPT message	
Field Name	Field Value	Comments
ski	'0000'B	
mmpd	'0101'B	
mt	'00100001'B	
Detailed Comments:		

PDU Constraint Declaration		
Constraint Name:	CMServiceRej_01	
PDU Type:	CMS_REJ_PDU	
Derivation Path:		
Comments:	reject cause = 'service or option not available, unspecified"	
Field Name	Field Value	Comments
ski	'0000'B	
mmpd	'0101'B	
mt	'00100010'B	
mmcau	'20'O	
Detailed Comments:		

PDU Constraint Declaration		
Constraint Name:	CMServiceRej_02	
PDU Type:	CMS_REJ_PDU	
Derivation Path:		
Comments:	reject cause = "IMEI not accepted"	
Field Name	Field Value	Comments
ski	'0000'B	
mmpd	'0101'B	
mt	'00100010'B	
mmcau	'05'O	
Detailed Comments:		

PDU Constraint Declaration		
Constraint Name:	CMServiceRej_03	
PDU Type:	CMS_REJ_PDU	
Derivation Path:		
Comments:	reject cause = "Service Option not supported"	
Field Name	Field Value	Comments
ski	'0000'B	
mmpd	'0101'B	
mt	'00100010'B	
mmcau	'20'O	
Detailed Comments:		

PDU Constraint Declaration		
Constraint Name:	CMServiceRej_04	
PDU Type:	CMS_REJ_PDU	
Derivation Path:		
Comments:	reject cause = "network failure"	
Field Name	Field Value	Comments
ski	'0000'B	
mmpd	'0101'B	
mt	'00100010'B	
mmcau	'11'O	
Detailed Comments:		

PDU Constraint Declaration		
Constraint Name:	CMServiceRej_30(par: REJCAU)	
PDU Type:	CMS_REJ_PDU	
Derivation Path:		
Comments:	reject cause = "service or option not available, unsepcified"	
Field Name	Field Value	Comments
ski	'0000'B	
mmpd	'0101'B	
mt	'00100010'B	
mmcau	par	
Detailed Comments:		

PDU Constraint Declaration		
Constraint Name:	CMServiceReq_01	
PDU Type:	CMS_RQ_PDU	
Derivation Path:		
Comments:	To match any received CM SERVICE REQUEST message	
Field Name	Field Value	Comments
ski	'0000'B	
mmpd	'0101'B	
mt	'0?100100'B	
cphksn	?	
svtype	?	
msclm	?	
mi	?	
Detailed Comments:		

PDU Constraint Declaration		
Constraint Name:	CMServiceReq_02	
PDU Type:	CMS_RQ_PDU	
Derivation Path:	CMServiceReq_01.	
Comments:	To match a received CM SERVICE REQUEST message containing mobile station classmark 2 indicating new RF power capability.	
Field Name	Field Value	Comments
msclm	TSPX_ClassMark2Amp	
Detailed Comments:		

PDU Constraint Declaration		
Constraint Name:	CMServiceReq_04	
PDU Type:	CMS_RQ_PDU	
Derivation Path:	CMServiceReq_01.	
Comments:	To match a received CM SERVICE REQUEST message containing CM service type = "Mobile originating call establishment or packet mode connection establishment" or " emergency call establishment".	
Field Name	Field Value	Comments
svtype	('0001'B, '0010'B)	
Detailed Comments:		

PDU Constraint Declaration		
Constraint Name:	CMServiceReq_05(mi:MI)	
PDU Type:	CMS_RQ_PDU	
Derivation Path:		
Comments:	To match any received CM SERVICE REQUEST message for emergency call with IMEI.	
Field Name	Field Value	Comments
ski	'0000'B	
mmpd	'0101'B	
mt	'0?100100'B	
cphksn	?	
svtype	C_CMServiceTypeE	
msclm	?	
mi	mi	
Detailed Comments:		

PDU Constraint Declaration		
Constraint Name:	CMServiceReq_06	
PDU Type:	CMS_RQ_PDU	
Derivation Path:	CMServiceReq_01.	
Comments:	To match any received CM SERVICE REQUEST message for emergency call with TMSI and correct CKSN.	
Field Name	Field Value	Comments
cphksn	CphKeySN_01	
svtype	C_CMServiceTypeE	
mi	MiTmsi_01	
Detailed Comments:		

PDU Constraint Declaration		
Constraint Name:	CMServiceReq_07	
PDU Type:	CMS_RQ_PDU	
Derivation Path:	CMServiceReq_01.	
Comments:	To match any received CM SERVICE REQUEST message for emergency call with IMEI and CKSN indicating "no key is available".	
Field Name	Field Value	Comments
cphksn	CphKeySN_06	
svtype	C_CMServiceTypeE	
msclm	TSPX_ClassMark2	
mi	MiImei_01	
Detailed Comments:		

PDU Constraint Declaration		
Constraint Name:	CMServiceReq_08	
PDU Type:	CMS_RQ_PDU	
Derivation Path:	CMServiceReq_01.	
Comments:	To match the received CM SERVICE REQUEST message indicating " supplementary service activation"	
Field Name	Field Value	Comments
svtype	'1000'B	
Detailed Comments:		

PDU Constraint Declaration		
Constraint Name:	CMServiceReq_09	
PDU Type:	CMS_RQ_PDU	
Derivation Path:	CMServiceReq_01.	
Comments:	To match the received CM SERVICE REQUEST message indicating " short message transfer"	
Field Name	Field Value	Comments
svtype	'0100'B	
Detailed Comments:		

PDU Constraint Declaration		
Constraint Name:	CMServiceReq_30(parexpected_mi: MI)	
PDU Type:	CMS_RQ_PDU	
Derivation Path:		
Comments:	To match any received CM SERVICE REQUEST message	
Field Name	Field Value	Comments
ski	'0000'B	
mmpd	'0101'B	
mt	'0?100100'B	
cphksn	?	
svtype	?	
msclm	?	
mi	parexpected_mi	
Detailed Comments:		

PDU Constraint Declaration		
Constraint Name:	CMServiceReq_31(parexpected_mi: MI; cksn: BITSTRING)	
PDU Type:	CMS_RQ_PDU	
Derivation Path:		
Comments:	To match any received CM SERVICE REQUEST message	
Field Name	Field Value	Comments
ski	'0000'B	
mmpd	'0101'B	
mt	'0?100100'B	
cphksn	CphKeySN_07(cksn)	
svtype	C_CMServiceTypeE	
msclm	?	
mi	parexpected_mi	
Detailed Comments:		

PDU Constraint Declaration		
Constraint Name:	CMServiceReq_32(parexpected_mi: MI; cksn: BITSTRING)	
PDU Type:	CMS_RQ_PDU	
Derivation Path:		
Comments:	To match any received CM SERVICE REQUEST message	
Field Name	Field Value	Comments
ski	'0000'B	
mmpd	'0101'B	
mt	'0?100100'B	
cphksn	CphKeySN_07(cksn)	
svtype	?	
msclm	?	
mi	parexpected_mi	
Detailed Comments:		

PDU Constraint Declaration		
Constraint Name:	Connect_01	
PDU Type:	CONN_PDU	
Derivation Path:		
Comments:	CC CONNECT message matching any received value	
Field Name	Field Value	Comments
ti	TI_01	
ccpd	'0011'B	
mt	'0?000111'B	
fie	*	
pi	OMIT	
cnn	OMIT	
cns	*	
uu	*	
ssvi	*	
Detailed Comments:		

PDU Constraint Declaration		
Constraint Name:	Connect_02(Ti:TI)	
PDU Type:	CONN_PDU	
Derivation Path:		
Comments:	CC CONNECT message containing mandatory IE's only.	
Field Name	Field Value	Comments
ti	Ti	
ccpd	'0011'B	
mt	'00000111'B	
fie	OMIT	
pi	OMIT	
cnn	OMIT	
cns	OMIT	
uu	OMIT	
ssvi	OMIT	
Detailed Comments:		

PDU Constraint Declaration		
Constraint Name:	Connect_05(Ti:TI; fie:FIE)	
PDU Type:	CONN_PDU	
Derivation Path:		
Comments:	CC CONNECT message containing facility IE.	
Field Name	Field Value	Comments
ti	Ti	
ccpd	'0011'B	
mt	'00000111'B	
fie	fie	
pi	OMIT	
cnn	OMIT	
cns	OMIT	
uu	OMIT	
ssvi	OMIT	
Detailed Comments:		

PDU Constraint Declaration		
Constraint Name:	Connect_inv_01(Ti:Ti)	
PDU Type:	CONN_PDU_ERR	
Derivation Path:		
Comments:	An invalid CONNECT message containing an optional IE coded as comprehension required.	
Field Name	Field Value	Comments
ti	Ti	
ccpd	'0011'B	
mt	'00000111'B	
unknown	UnknownIE_01	
Detailed Comments:		

PDU Constraint Declaration		
Constraint Name:	ConnectAck_01	
PDU Type:	CONN_ACK_PDU	
Derivation Path:		
Comments:	A CONNECT ACKNOWLEDGE message n -> ms	
Field Name	Field Value	Comments
ti	Ti_02	
ccpd	'0011'B	
mt	'00001111'B	
Detailed Comments:		

PDU Constraint Declaration		
Constraint Name:	ConnectAck_02(Ti:Ti)	
PDU Type:	CONN_ACK_PDU	
Derivation Path:		
Comments:	A CONNECT ACKNOWLEDGE message	
Field Name	Field Value	Comments
ti	Ti	
ccpd	'0011'B	
mt	'0?001111'B	
Detailed Comments:		

PDU Constraint Declaration		
Constraint Name:	CphModeCmd_01	
PDU Type:	CPHM_CMD_PDU	
Derivation Path:		
Comments:	CIPHERING MODE COMMAND message, the ciphering algorithm is specified by PIXIT.	
Field Name	Field Value	Comments
ski	'0000'B	
rrpd	'0110'B	
mt	'00110101'B	
cph_res	CiphRes_01	
cphms	CphMod_01	
Detailed Comments:		

PDU Constraint Declaration		
Constraint Name:	CphModeCmd_02	
PDU Type:	CPHM_CMD_PDU	
Derivation Path:	CphModeCmd_01.	
Comments:	CIPHERING MODE COMMAND message with no ciphering.	
Field Name	Field Value	Comments
cphms	CphMod_02	
Detailed Comments:		

PDU Constraint Declaration		
Constraint Name:	CphModeCmd_03	
PDU Type:	CPHM_CMD_PDU	
Derivation Path:	CphModeCmd_01.	
Comments:	CIPHERING MODE COMMAND message with no ciphering and IMEI included, the ciphering algorithm is specified by PIXIT.	
Field Name	Field Value	Comments
cph_res	CiphRes_02	
cphms	CphMod_02	
Detailed Comments:		

PDU Constraint Declaration		
Constraint Name:	CphModeCmd_inv_01	
PDU Type:	CPHM_CMD_PDU	
Derivation Path:	CphModeCmd_01.	
Comments:	Invalid CIPHERING MODE COMMAND message with mandatory IE's missing	
Field Name	Field Value	Comments
cph_res	OMIT	
cphms	OMIT	
Detailed Comments:		

PDU Constraint Declaration		
Constraint Name:	CphModeCmd_inv_02	
PDU Type:	CPHM_CMD_PDU	
Derivation Path:	CphModeCmd_01.	
Comments:	CIPHERING MODE COMMAND message containing incorrect skip identifier	
Field Name	Field Value	Comments
ski	'0011'B	
Detailed Comments:		

PDU Constraint Declaration		
Constraint Name:	CphModeCmd_inv_03	
PDU Type:	CPHM_CMD_PDU_ERR	
Derivation Path:		
Comments:	CIPHERING MODE COMMAND message containing unknown IE	
Field Name	Field Value	Comments
ski	'0000'B	
rrpd	'0110'B	
mt	'00110101'B	
cph_res	CiphRes_01	
cphms	CphMod_03	
add	'92'O	
Detailed Comments:		

PDU Constraint Declaration		
Constraint Name:	CphModeCmp_01	
PDU Type:	CPHM_COM_PDU	
Derivation Path:		
Comments:	To match any received CIPHERING MODE COMPLETE message	
Field Name	Field Value	Comments
ski	'0000'B	
rrpd	'0110'B	
mt	'00110010'B	
mei	*	
Detailed Comments:		

PDU Constraint Declaration		
Constraint Name:	CphModeCmp_02	
PDU Type:	CPHM_COM_PDU	
Derivation Path:	CphModeCmp_01.	
Comments:	To match a received CIPHERING MODE COMPLETE message without IMEI.	
Field Name	Field Value	Comments
mei	OMIT	
Detailed Comments:		

PDU Constraint Declaration		
Constraint Name:	CphModeCmp_03	
PDU Type:	CPHM_COM_PDU	
Derivation Path:		
Comments:	To match a received CIPHERING MODE COMPLETE message containing IMEI.	
Field Name	Field Value	Comments
ski	'0000'B	
rrpd	'0110'B	
mt	'00110010'B	
mei	Milmeisv_01iei	
Detailed Comments:		

PDU Constraint Declaration		
Constraint Name:	Disconn_04(Ti:Ti)	
PDU Type:	DISC_PDU	
Derivation Path:		
Comments:	A DISCONNECT message that contains cause = normal clearing and progress indicator = #8.	
Field Name	Field Value	Comments
ti	Ti	
ccpd	'0011'B	
mt	'00100101'B	
cau	Cause_01	
fie	OMIT	
pi	ProgInd_03iei	
uu	OMIT	
ssvi	OMIT	
Detailed Comments:		

PDU Constraint Declaration		
Constraint Name:	Disconn_05(Ti:TI)	
PDU Type:	DISC_PDU	
Derivation Path:		
Comments:	A default DISCONNECT message matching any valid received value ms -> n.	
Field Name	Field Value	Comments
ti	Ti	
ccpd	'0011'B	
mt	'0?100101'B	
cau	Cause_Def	
fie	*	
pi	*	
uu	*	
ssvi	*	
Detailed Comments:		

PDU Constraint Declaration		
Constraint Name:	Disconn_07(Ti:TI)	
PDU Type:	DISC_PDU	
Derivation Path:		
Comments:	A DISCONNECT message that contains cause = normal clearing (n->ms).	
Field Name	Field Value	Comments
ti	Ti	
ccpd	'0011'B	
mt	'00100101'B	
cau	Cause_01	
fie	OMIT	
pi	OMIT	
uu	OMIT	
ssvi	OMIT	
Detailed Comments:		

PDU Constraint Declaration		
Constraint Name:	Disconn_08(Ti:TI)	
PDU Type:	DISC_PDU	
Derivation Path:		
Comments:	A DISCONNECT message that contains cause = recovery on timer expiry #102 (ms->n).	
Field Name	Field Value	Comments
ti	Ti	
ccpd	'0011'B	
mt	'0?100101'B	
cau	Cause_14	
fie	*	
pi	*	
uu	*	
ssvi	*	
Detailed Comments:		

PDU Constraint Declaration		
Constraint Name:	Disconn_09	
PDU Type:	DISC_PDU	
Derivation Path:		
Comments:	A DISCONNECT message that contains cause = normal clearing and user-user information.	
Field Name	Field Value	Comments
ti	TI_02	
ccpd	'0011'B	
mt	'00100101'B	
cau	Cause_01	
fie	OMIT	
pi	OMIT	
uu	TSPX_UuInfo	
ssvi	OMIT	
Detailed Comments:		

PDU Constraint Declaration		
Constraint Name:	Disconn_10(Ti:TI)	
PDU Type:	DISC_PDU	
Derivation Path:		
Comments:	To match a received DISCONNECT message containing transaction identifier = Ti , cause #68 and facility_IE45 for ForarwdChargeAdvice ReturnResult ms -> n.	
Field Name	Field Value	Comments
ti	Ti	
ccpd	'0011'B	
mt	'0?100101'B	
cau	Cause_Def	
fie	facilityIErcviei(FwdChAdvRslt_01)	
pi	*	
uu	*	
ssvi	*	
Detailed Comments:		

PDU Constraint Declaration		
Constraint Name:	Disconn_inv_01	
PDU Type:	DISC_PDU	
Derivation Path:		
Comments:	A DISCONNECT message containing cause value #16 and location = user, the transaction ID does not refer to the active call.	
Field Name	Field Value	Comments
ti	TI_03	
ccpd	'0011'B	
mt	'00100101'B	
cau	Cause_01	
fie	OMIT	
pi	OMIT	
uu	OMIT	
ssvi	OMIT	
Detailed Comments:		

PDU Constraint Declaration		
Constraint Name:	Disconn_inv_02	
PDU Type:	DISC_PDU	
Derivation Path:		
Comments:	A DISCONNECT message in which the mandatory IE cause is missing. (N -> MS)	
Field Name	Field Value	Comments
ti	TI_02	
ccpd	'0011'B	
mt	'00100101'B	
cau	OMIT	
fie	OMIT	
pi	OMIT	
uu	OMIT	
ssvi	OMIT	
Detailed Comments:		

PDU Constraint Declaration		
Constraint Name:	Disconn_inv_03	
PDU Type:	DISC_PDU_ERR	
Derivation Path:		
Comments:	An invalid DISCONNECT message which contains optional unknown IEI	
Field Name	Field Value	Comments
ti	TI_02	
ccpd	'0011'B	
mt	'00100101'B	
cau	Cause_01	
unknown	UnknownIE_02	
Detailed Comments:		

PDU Constraint Declaration		
Constraint Name:	Disconn_inv_04	
PDU Type:	DISC_PDU	
Derivation Path:		
Comments:	An invalid DISCONNECT message containing arbitrary spare bits	
Field Name	Field Value	Comments
ti	TI_02	
ccpd	'0011'B	
mt	'00100101'B	
cau	Cause_06	
fie	OMIT	
pi	ProgInd_01	
uu	OMIT	
ssvi	OMIT	
Detailed Comments:		

PDU Constraint Declaration		
Constraint Name:	Disconn_inv_05	
PDU Type:	DISC_PDU	
Derivation Path:		
Comments:	A DISCONNECT message containing cause value #16 and location = user, the TI = '0111'B.	
Field Name	Field Value	Comments
ti	TI_06	
ccpd	'0011'B	
mt	'00100101'B	
cau	Cause_01	
fie	OMIT	
pi	OMIT	
uu	OMIT	
ssvi	OMIT	
Detailed Comments:		

PDU Constraint Declaration		
Constraint Name:	ESetup_01	
PDU Type:	ESETUP_PDU	
Derivation Path:		
Comments:	An emergency SETUP message. ms -> n.	
Field Name	Field Value	Comments
ti	?	
ccpd	'0011'B	
mt	'0?001110'B	
bcap	*	
Detailed Comments:		

PDU Constraint Declaration		
Constraint Name:	ESetup_02	
PDU Type:	ESETUP_PDU	
Derivation Path:		
Comments:	A SETUP message containing a bearer capability IE indicating "full rate channel" or no bearer capability at all. ms -> n.	
Field Name	Field Value	Comments
ti	?	
ccpd	'0011'B	
mt	'0?001110'B	
bcap	Bcap_01 IF_PRESENT	
Detailed Comments:		

PDU Constraint Declaration		
Constraint Name:	ESetup_03	
PDU Type:	ESETUP_PDU	
Derivation Path:		
Comments:	A SETUP message containing a bearer capability.	
Field Name	Field Value	Comments
ti	?	
ccpd	'0011'B	
mt	'0?001110'B	
bcap	?	
Detailed Comments:		

PDU Constraint Declaration		
Constraint Name:	FacilityPdu_04(Ti, Ti1:Ti; fie:FIE)	
PDU Type:	FAC_PDU	
Derivation Path:		
Comments:	FACILITY message, call dependent, ms->n	
Field Name	Field Value	Comments
ti	(Ti, Ti1)	
cc_sspd	'0011'B	
mt	'0?111010'B	
fie	fie	
ssvi	*	
Detailed Comments:		

PDU Constraint Declaration		
Constraint Name:	FacilityPdu_05(Ti:Ti)	
PDU Type:	FAC_PDU	
Derivation Path:		
Comments:	FACILITY message, call dependent, used in TC_11_3, containing any facility iformation element ms->n.	
Field Name	Field Value	Comments
ti	Ti	
cc_sspd	'0011'B	
mt	'0?111010'B	
fie	*	
ssvi	*	
Detailed Comments:		

PDU Constraint Declaration		
Constraint Name:	FacilityPdu_25(Ti:Ti; fie:FIE)	
PDU Type:	FAC_PDU	
Derivation Path:		
Comments:	FACILITY message, call dependent, n -> ms	
Field Name	Field Value	Comments
ti	Ti	
cc_sspd	'0011'B	
mt	'00111010'B	
fie	fie	
ssvi	OMIT	
Detailed Comments:		

PDU Constraint Declaration		
Constraint Name:	FacilityPdu_25_ci(Ti:Ti; fie:FIE)	
PDU Type:	FAC_PDU	
Derivation Path:		
Comments:	FACILITY message, call independent, n -> ms	
Field Name	Field Value	Comments
ti	Ti	
cc_sspd	'1011'B	
mt	'00111010'B	
fie	fie	
ssvi	OMIT	
Detailed Comments:		

PDU Constraint Declaration		
Constraint Name:	FacilityPdu_26(Ti:TI; fie:FIE)	
PDU Type:	FAC_PDU	
Derivation Path:		
Comments:	FACILITY message, call dependent ms -> n	
Field Name	Field Value	Comments
ti	Ti	
cc_sspd	'0011'B	
mt	'0?111010'B	
fie	fie	
ssvi	*	
Detailed Comments:		

PDU Constraint Declaration		
Constraint Name:	FacilityPdu_26_ci(Ti:TI; fie:FIE)	
PDU Type:	FAC_PDU	
Derivation Path:		
Comments:	FACILITY message, call independent ms -> n	
Field Name	Field Value	Comments
ti	Ti	
cc_sspd	'1011'B	
mt	'0?111010'B	
fie	fie	
ssvi	*	
Detailed Comments:		

PDU Constraint Declaration		
Constraint Name:	FreqRedef_01(chd:CHD; ma:MA; strt:STRT; cchd:CCHD)	
PDU Type:	FRQRE_PDU	
Derivation Path:		
Comments:		
Field Name	Field Value	Comments
ski	'0000'B	
rrpd	'0110'B	
mt	'00010100'B	
chd	chd	
ma	ma	
strt	strt	
cchd	cchd	
Detailed Comments:		

PDU Constraint Declaration		
Constraint Name:	FreqRedef_02(slot:SN; tsc:TSC)	
PDU Type:	FRQRE_PDU	
Derivation Path:		
Comments:	used in TC_26_6_13_3	
Field Name	Field Value	Comments
ski	'0000'B	
rrpd	'0110'B	
mt	'00010100'B	
chd	ChDescrp_r34(slot, tsc)	
ma	MoblAlc_r11	
strt	?	
cchd	OMIT	
Detailed Comments:		

PDU Constraint Declaration		
Constraint Name:	FreqRedef_03(slot:SN; tsc:TSC)	
PDU Type:	FRQRE_PDU	
Derivation Path:		
Comments:	used in TC_26_6_13_4	
Field Name	Field Value	Comments
ski	'0000'B	
rrpd	'0110'B	
mt	'00010100'B	
chd	ChDescrp_r38(slot, tsc)	
ma	MoblAllc_r15	
strt	?	
cchd	OMIT	
Detailed Comments:		

PDU Constraint Declaration		
Constraint Name:	FreqRedef_04(slot:SN; tsc:TSC)	
PDU Type:	FRQRE_PDU	
Derivation Path:		
Comments:	used in TC_26_6_13_7	
Field Name	Field Value	Comments
ski	'0000'B	
rrpd	'0110'B	
mt	'00010100'B	
chd	ChDescrp_r48(slot, tsc)	
ma	MoblAllc_r25	
strt	?	
cchd	OMIT	
Detailed Comments:		

PDU Constraint Declaration		
Constraint Name:	FreqRedef_05(slot:SN; tsc:TSC)	
PDU Type:	FRQRE_PDU	
Derivation Path:		
Comments:	used in TC_26_6_13_8	
Field Name	Field Value	Comments
ski	'0000'B	
rrpd	'0110'B	
mt	'00010100'B	
chd	ChDescrp_r54(slot, tsc)	
ma	MoblAllc_r29	
strt	?	
cchd	OMIT	
Detailed Comments:		

PDU Constraint Declaration		
Constraint Name:	FreqRedef_20(ts_ccch: BITSTRING; par_chtype:BITSTRING; par_cchd: OCTETSTRING; par_ma:BITSTRING; par_stime:STRT)	
PDU Type:	FRQRE_PDU	
Derivation Path:		
Comments:	Frequency Redefinition	
Field Name	Field Value	Comments
ski	'0000'B	
rrpd	'0110'B	
mt	'00010100'B	
chd	ChDescrp_22e(ts_ccch, par_chtype)	
ma	MoblAlc_20_Be1(par_ma)	
strt	par_stime	
cchd	CellChDes_20_Be(par_cchd)	
Detailed Comments:		

PDU Constraint Declaration		
Constraint Name:	FreqRedef_21(ts_ccch: BITSTRING; par_chtype:BITSTRING; par_ma:BITSTRING; par_stime:STRT)	
PDU Type:	FRQRE_PDU	
Derivation Path:		
Comments:	Frequency Redefinition	
Field Name	Field Value	Comments
ski	'0000'B	
rrpd	'0110'B	
mt	'00010100'B	
chd	ChDescrp_22e(ts_ccch, par_chtype)	
ma	MoblAlc_20_Be1(par_ma)	
strt	par_stime	
cchd	OMIT	
Detailed Comments:		

PDU Constraint Declaration		
Constraint Name:	FreqRedef_22(ts_ccch: BITSTRING; par_chtype:BITSTRING; par_cchd: OCTETSTRING; par_ma1:BITSTRING; par_ma2:BITSTRING; par_stime:STRT)	
PDU Type:	FRQRE_PDU	
Derivation Path:		
Comments:	Frequency Redefinition	
Field Name	Field Value	Comments
ski	'0000'B	
rrpd	'0110'B	
mt	'00010100'B	
chd	ChDescrp_22e(ts_ccch, par_chtype)	
ma	MoblAlc_20_Be2(par_ma1, par_ma2)	
strt	par_stime	
cchd	CellChDes_20_Be(par_cchd)	
Detailed Comments:		

PDU Constraint Declaration		
Constraint Name:	HandOverAcc_01	
PDU Type:	HOACC_PDU	
Derivation Path:		
Comments:	To match any received HANDOVER ACCESS message	
Field Name	Field Value	Comments
horf	?	
Detailed Comments:		

PDU Constraint Declaration		
Constraint Name:	HandOverAcc_02(horef:HORF)	
PDU Type:	HOACC_PDU	
Derivation Path:		
Comments:	To match a received HANOVER ACCESS message with handover reference ` horef` .	
Field Name	Field Value	Comments
horf	horef	
Detailed Comments:		

PDU Constraint Declaration		
Constraint Name:	HandOverCmd_sdcch4(ch:BITSTRING; slot:SN; tsc:TSC; cphms:CPHMS; arfcn:INTEGER)	
PDU Type:	HO_CMD_PDU	
Derivation Path:		
Comments:	An HANOVER COMMAND used in TC_26_8_4.	
Field Name	Field Value	Comments
ski	'0000'B	
rrpd	'0110'B	
mt	'00101011'B	
cd	CellDescrp_r01	
ch1d_at	ChDescrp_r04(ch, slot, tsc, arfcn)	
horf	TSPX_horfA	
pcmd	Pcmd_19('01000'B)	
synchi	Synchi_05	
frqsl_at	OMIT	
frql_at	OMIT	
cchd	OMIT	
ch1mod	OMIT	
ch2d_at	OMIT	
ch2mod	OMIT	
frqchs_at	OMIT	
ma_at	OMIT	
strt	OMIT	
rtdif	OMIT	
ta	OMIT	
frqsl_bt	OMIT	
frql_bt	OMIT	
ch1d_bt	OMIT	
ch2d_bt	OMIT	
frqchs_bt	OMIT	
ma_bt	OMIT	
cphms	cphms	
Detailed Comments:		

PDU Constraint Declaration		
Constraint Name:	HandOverCmd_dsdccch4(ch:BITSTRING; slot:SN; tsc:TSC; cphms:CPHMS; arfcn:INTEGER)	
PDU Type:	HO_CMD_PDU	
Derivation Path:		
Comments:	An HANDBOVER COMMAND used in TC_26_8_4.	
Field Name	Field Value	Comments
ski	'0000'B	
rrpd	'0110'B	
mt	'00101011'B	
cd	CellDescrp_r01d	
ch1d_at	ChDescrp_r04d(ch, slot, tsc, arfcn)	
horf	TSPX_horfA	
pcmd	Pcmd_19('01000'B)	
synchi	Synchi_05	
frqsl_at	OMIT	
frql_at	OMIT	
cchd	OMIT	
ch1mod	OMIT	
ch2d_at	OMIT	
ch2mod	OMIT	
frqchs_at	OMIT	
ma_at	OMIT	
strt	OMIT	
rtdif	OMIT	
ta	OMIT	
frqsl_bt	OMIT	
frql_bt	OMIT	
ch1d_bt	OMIT	
ch2d_bt	OMIT	
frqchs_bt	OMIT	
ma_bt	OMIT	
cphms	cphms	
Detailed Comments:		

PDU Constraint Declaration		
Constraint Name:	HandOverCmd_05(slot:SN; tsc:TSC)	
PDU Type:	HO_CMD_PDU	
Derivation Path:		
Comments:	The new channel is the TCH/F in cell B.	
Field Name	Field Value	Comments
ski	'0000'B	
rrpd	'0110'B	
mt	'00101011'B	
cd	CellDescrp_r02	
ch1d_at	ChDescrp_r10(slot, tsc)	
horf	TSPX_horfD	
pcmd	Pcmd_19('01000'B)	
synchi	Synchi_02	
frqsl_at	OMIT	
frql_at	OMIT	
cchd	OMIT	
ch1mod	OMIT	
ch2d_at	OMIT	
ch2mod	OMIT	
frqchs_at	OMIT	
ma_at	OMIT	
strt	OMIT	
rtdif	OMIT	
ta	OMIT	
frqsl_bt	OMIT	
frql_bt	OMIT	
ch1d_bt	OMIT	
ch2d_bt	OMIT	
frqchs_bt	OMIT	
ma_bt	OMIT	
cphms	CphMod_02iei	
Detailed Comments:	power level = 8	

PDU Constraint Declaration		
Constraint Name:	HandOverCmd_06(slot:SN; tsc:TSC; ta :TA)	
PDU Type:	HO_CMD_PDU	
Derivation Path:		
Comments:	The new channel is the TCH/F in cell B with timing advance = 9 bits periods.	
Field Name	Field Value	Comments
ski	'0000'B	
rrpd	'0110'B	
mt	'00101011'B	
cd	CellDescrp_r01	
ch1d_at	ChDescrp_r10(slot, tsc)	
horf	TSPX_horfF	
pcmd	Pcmd_19('00111'B)	
synchi	Synchi_05	
frqsl_at	OMIT	
frql_at	OMIT	
cchd	OMIT	
ch1mod	OMIT	
ch2d_at	OMIT	
ch2mod	OMIT	
frqchs_at	OMIT	
ma_at	OMIT	
strt	OMIT	
rtdif	OMIT	
ta	ta	
frqsl_bt	OMIT	
frql_bt	OMIT	
ch1d_bt	OMIT	
ch2d_bt	OMIT	
frqchs_bt	OMIT	
ma_bt	OMIT	
cphms	CphMod_02iei	
Detailed Comments:		

PDU Constraint Declaration		
Constraint Name:	HandOverCmd_07(slot:SN; tsc:TSC)	
PDU Type:	HO_CMD_PDU	
Derivation Path:	HandOverCmd_05.	
Comments:	The new channel is the TCH/F in cell B.	
Field Name	Field Value	Comments
ch1d_at	ChDescrp_r10(slot, tsc)	
horf	TSPX_horfH	
pcmd	Pcmd_19('01010'B)	
synchi	Synchi_03	
rtdif	RelTmdDif_01	
Detailed Comments:		

PDU Constraint Declaration		
Constraint Name:	HandOverCmd_08(slot:SN; tsc:TSC)	
PDU Type:	HO_CMD_PDU	
Derivation Path:		
Comments:	The new channel is the TCH/F in cell B.	
Field Name	Field Value	Comments
ski	'0000'B	
rrpd	'0110'B	
mt	'00101011'B	
cd	CellDescrp_r02	
ch1d_at	ChDescrp_r10(slot, tsc)	
horf	TSPX_horfB	
pcmd	Pcmd_19('01000'B)	
synchi	Synchi_04	
frqsl_at	OMIT	
frql_at	OMIT	
cchd	OMIT	
ch1mod	OMIT	
ch2d_at	OMIT	
ch2mod	OMIT	
frqchs_at	OMIT	
ma_at	OMIT	
strt	OMIT	
rtdif	OMIT	
ta	OMIT	
frqsl_bt	OMIT	
frql_bt	OMIT	
ch1d_bt	OMIT	
ch2d_bt	OMIT	
frqchs_bt	OMIT	
ma_bt	OMIT	
cphms	CphMod_02iei	
Detailed Comments:		

PDU Constraint Declaration		
Constraint Name:	HandOverCmd_09(slot:SN; tsc:TSC)	
PDU Type:	HO_CMD_PDU	
Derivation Path:		
Comments:	The new channel is the TCH/F in cell B.	
Field Name	Field Value	Comments
ski	'0000'B	
rrpd	'0110'B	
mt	'00101011'B	
cd	CellDescr_r02	
ch1d_at	ChDescrp_r10(slot, tsc)	
horf	TSPX_horfC	
pcmd	Pcmd_19('01000'B)	
synchi	Synchi_04	
frqsl_at	OMIT	
frql_at	OMIT	
cchd	OMIT	
ch1mod	OMIT	
ch2d_at	OMIT	
ch2mod	OMIT	
frqchs_at	OMIT	
ma_at	OMIT	
strt	OMIT	
rtdif	OMIT	
ta	OMIT	
frqsl_bt	OMIT	
frql_bt	OMIT	
ch1d_bt	OMIT	
ch2d_bt	OMIT	
frqchs_bt	OMIT	
ma_bt	OMIT	
cphms	CphMod_02iei	
Detailed Comments:	power level = 8	

PDU Constraint Declaration		
Constraint Name:	HandOverCmd_10(slot:SN; tsc:TSC)	
PDU Type:	HO_CMD_PDU	
Derivation Path:		
Comments:	An HANDOVER COMMAND indicating finely synchronised intra cell handover.	
Field Name	Field Value	Comments
ski	'0000'B	
rrpd	'0110'B	
mt	'00101011'B	
cd	CellDescrp_01	
ch1d_at	ChDescrp_14Def('00001'B, slot, tsc)	
horf	TSPX_horfA	
pcmd	Pcmd_19('00111'B)	
synchi	Synchi_05	
frqsl_at	OMIT	
frql_at	OMIT	
cchd	OMIT	
ch1mod	OMIT	
ch2d_at	OMIT	
ch2mod	OMIT	
frqchs_at	OMIT	
ma_at	OMIT	
strt	OMIT	
rtdif	OMIT	
ta	OMIT	
frqsl_bt	OMIT	
frql_bt	OMIT	
ch1d_bt	OMIT	
ch2d_bt	OMIT	
frqchs_bt	OMIT	
ma_bt	OMIT	
cphms	CphMod_02iei	
Detailed Comments:		

PDU Constraint Declaration		
Constraint Name:	HandOverCmd_11(slot:SN; tsc:TSC)	
PDU Type:	HO_CMD_PDU	
Derivation Path:		
Comments:	An HANOVER COMMAND indicating non-synchronised intra cell handover.	
Field Name	Field Value	Comments
ski	'0000'B	
rrpd	'0110'B	
mt	'00101011'B	
cd	CellDescr_02	
ch1d_at	ChDescrp_04(slot, tsc)	
horf	TSPX_horfB	
pcmd	Pcmd_19('00111'B)	
synchi	Synchi_04	
frqsl_at	OMIT	
frql_at	OMIT	
cchd	OMIT	
ch1mod	OMIT	
ch2d_at	OMIT	
ch2mod	OMIT	
frqchs_at	OMIT	
ma_at	OMIT	
strt	OMIT	
rtdif	OMIT	
ta	OMIT	
frqsl_bt	OMIT	
frql_bt	OMIT	
ch1d_bt	OMIT	
ch2d_bt	OMIT	
frqchs_bt	OMIT	
ma_bt	OMIT	
cphms	CphMod_02iei	
Detailed Comments:		

PDU Constraint Declaration		
Constraint Name:	HandOverCmd_12(slot:SN; tsc:TSC)	
PDU Type:	HO_CMD_PDU	
Derivation Path:		
Comments:	The new channel is the TCH/F in cell B.	
Field Name	Field Value	Comments
ski	'0000'B	
rrpd	'0110'B	
mt	'00101011'B	
cd	CellDescrp_r02d	
ch1d_at	ChDescrp_r10(slot, tsc)	
horf	TSPX_horfD	
pcmd	Pcmd_19('01000'B)	
synchi	Synchi_02	
frqsl_at	OMIT	
frql_at	OMIT	
cchd	OMIT	
ch1mod	OMIT	
ch2d_at	OMIT	
ch2mod	OMIT	
frqchs_at	OMIT	
ma_at	OMIT	
strt	OMIT	
rtdif	OMIT	
ta	OMIT	
frqsl_bt	OMIT	
frql_bt	OMIT	
ch1d_bt	OMIT	
ch2d_bt	OMIT	
frqchs_bt	OMIT	
ma_bt	OMIT	
cphms	CphMod_02iei	
Detailed Comments:	power level = 8	

PDU Constraint Declaration		
Constraint Name:	HandOverCmd_13(slot:SN; tsc:TSC; ta:TA)	
PDU Type:	HO_CMD_PDU	
Derivation Path:	HandOverCmd_06.	
Comments:	The new channel is the TCH/F in cell B with timing advance = 9 bits periods.	
Field Name	Field Value	Comments
cd	CellDescrp_r02d	
ch1d_at	ChDescrp_r10(slot, tsc)	
horf	TSPX_horfF	
pcmd	Pcmd_19('00111'B)	
ta	ta	
Detailed Comments:	power level = 7	

PDU Constraint Declaration		
Constraint Name:	HandOverCmd_14(slot:SN; tsc:TSC)	
PDU Type:	HO_CMD_PDU	
Derivation Path:		
Comments:	The new channel is the TCH/F in cell B with timing advance = 9 bits periods.	
Field Name	Field Value	Comments
ski	'0000'B	
rrpd	'0110'B	
mt	'00101011'B	
cd	CellDescr_r02d	
ch1d_at	ChDescrp_r10(slot, tsc)	
horf	TSPX_horfH	
pcmd	Pcmd_19('01010'B)	
synchi	Synchi_03	
frqsl_at	OMIT	
frql_at	OMIT	
cchd	OMIT	
ch1mod	OMIT	
ch2d_at	OMIT	
ch2mod	OMIT	
frqchs_at	OMIT	
ma_at	OMIT	
strt	OMIT	
rtdif	RelTmdDif_01	
ta	OMIT	
frqsl_bt	OMIT	
frql_bt	OMIT	
ch1d_bt	OMIT	
ch2d_bt	OMIT	
frqchs_bt	OMIT	
ma_bt	OMIT	
cphms	CphMod_02iei	
Detailed Comments:	power level = 10	

PDU Constraint Declaration		
Constraint Name:	HandOverCmd_15(slot:SN; tsc:TSC)	
PDU Type:	HO_CMD_PDU	
Derivation Path:		
Comments:	The new channel is the TCH/F in cell B.	
Field Name	Field Value	Comments
ski	'0000'B	
rrpd	'0110'B	
mt	'00101011'B	
cd	CellDescrp_r02d	
ch1d_at	ChDescrp_r10(slot, tsc)	
horf	TSPX_horfD	
pcmd	Pcmd_19('01000'B)	
synchi	Synchi_04	
frqsl_at	OMIT	
frql_at	OMIT	
cchd	OMIT	
ch1mod	OMIT	
ch2d_at	OMIT	
ch2mod	OMIT	
frqchs_at	OMIT	
ma_at	OMIT	
strt	OMIT	
rtdif	OMIT	
ta	OMIT	
frqsl_bt	OMIT	
frql_bt	OMIT	
ch1d_bt	OMIT	
ch2d_bt	OMIT	
frqchs_bt	OMIT	
ma_bt	OMIT	
cphms	CphMod_02iei	
Detailed Comments:	power level = 8	

PDU Constraint Declaration		
Constraint Name:	HandOverCmd_16(slot:SN; tsc:TSC)	
PDU Type:	HO_CMD_PDU	
Derivation Path:		
Comments:	The new channel is the TCH/F in cell B.	
Field Name	Field Value	Comments
ski	'0000'B	
rrpd	'0110'B	
mt	'00101011'B	
cd	CellDescrp_r02d	
ch1d_at	ChDescrp_r10(slot, tsc)	
horf	TSPX_horfC	
pcmd	Pcmd_19('01000'B)	
synchi	Synchi_04	
frqsl_at	OMIT	
frql_at	OMIT	
cchd	OMIT	
ch1mod	OMIT	
ch2d_at	OMIT	
ch2mod	OMIT	
frqchs_at	OMIT	
ma_at	OMIT	
strt	OMIT	
rtdif	OMIT	
ta	OMIT	
frqsl_bt	OMIT	
frql_bt	OMIT	
ch1d_bt	OMIT	
ch2d_bt	OMIT	
frqchs_bt	OMIT	
ma_bt	OMIT	
cphms	CphMod_02iei	
Detailed Comments:	power level = 8	

PDU Constraint Declaration		
Constraint Name:	HandOverCmd_20(ho_ref: HORF;ts_ccch: BITSTRING; par_arfcn: INTEGER; pow:BITSTRING; ta:TA)	
PDU Type:	HO_CMD_PDU	
Derivation Path:		
Comments:	A basic HANDOVER COMMAND containing .	
Field Name	Field Value	Comments
ski	'0000'B	
rrpd	'0110'B	
mt	'00101011'B	
cd	OMIT	
ch1d_at	OMIT	
horf	ho_ref	
pcmd	Pcmd_20(pow)	
synchi	Synchi_01	
frqsl_at	OMIT	
frql_at	OMIT	
cchd	OMIT	
ch1mod	OMIT	
ch2d_at	OMIT	
ch2mod	OMIT	
frqchs_at	OMIT	
ma_at	OMIT	
strt	OMIT	
rtdif	OMIT	
ta	ta	
frqsl_bt	OMIT	
frql_bt	OMIT	
ch1d_bt	OMIT	
ch2d_bt	OMIT	
frqchs_bt	OMIT	
ma_bt	OMIT	
cphms	OMIT	
Detailed Comments:		

PDU Constraint Declaration		
Constraint Name:	HandOverCmd_21_A(ho_ref: HORF;ts_ccch: BITSTRING; par_arfcn: INTEGER; pow:BITSTRING; ta:TA)	
PDU Type:	HO_CMD_PDU	
Derivation Path:	HandOverCmd_20.	
Comments:	A derived HANDOVER COMMAND containing TCH/F_NonFH in non synchronized new CELL A.	
Field Name	Field Value	Comments
cd	CellDescrp_21_A	
ch1d_at	ChDescrp_21(ts_ccch, par_arfcn)	
horf	ho_ref	
pcmd	Pcmd_20(pow)	
synchi	Synchi_01	
ch1mod	ChMod_speech_iei	
strt	OMIT	
ta	ta	
Detailed Comments:		

PDU Constraint Declaration		
Constraint Name:	HandOverCmd_21_B(ho_ref: HORF;ts_ccch: BITSTRING; par_arfcn: INTEGER; pow:BITSTRING; ta:TA)	
PDU Type:	HO_CMD_PDU	
Derivation Path:	HandOverCmd_20.	
Comments:	A derived HANDBOVER COMMAND containing TCH/F_NonFH in non synchronized new CELL B.	
Field Name	Field Value	Comments
cd	CellDescr_21_B	
ch1d_at	ChDescr_21(ts_ccch, par_arfcn)	
horf	ho_ref	
pcmd	Pcmd_20(pow)	
synchi	Synchi_01	
ta	ta	
Detailed Comments:		

PDU Constraint Declaration		
Constraint Name:	HandOverCmd_21_B2(ho_ref: HORF;ts_ccch: BITSTRING; par_arfcn: INTEGER; pow:BITSTRING; ta:TA; strt:STRT)	
PDU Type:	HO_CMD_PDU	
Derivation Path:		
Comments:	A derived HANDBOVER COMMAND containing TCH/F_NonFH in non synchronized new CELL B for GSM900 and DCS1800.	
Field Name	Field Value	Comments
ski	'0000'B	
rrpd	'0110'B	
mt	'00101011'B	
cd	CellDescr_21_B	
ch1d_at	ChDescr_21(ts_ccch, par_arfcn)	
horf	ho_ref	
pcmd	Pcmd_20(pow)	
synchi	Synchi_01	
frqsl_at	OMIT	
frql_at	OMIT	
cchd	OMIT	
ch1mod	OMIT	
ch2d_at	OMIT	
ch2mod	OMIT	
frqchs_at	OMIT	
ma_at	OMIT	
strt	strt	
rtdif	OMIT	
ta	ta	
frqsl_bt	OMIT	
frql_bt	OMIT	
ch1d_bt	OMIT	
ch2d_bt	OMIT	
frqchs_bt	OMIT	
ma_bt	OMIT	
cphms	OMIT	
Detailed Comments:		

PDU Constraint Declaration		
Constraint Name:	HandOverCmd_22(ho_ref: HORF;ts_ccch: BITSTRING; pow:BITSTRING; ta:TA)	
PDU Type:	HO_CMD_PDU	
Derivation Path:		
Comments:	A derived HANOVER COMMAND containing TCH/F_FH in non synchronized new CELL A.	
Field Name	Field Value	Comments
ski	'0000'B	
rrpd	'0110'B	
mt	'00101011'B	
cd	CellDescrp_21_A	
ch1d_at	ChDescrp_22(ts_ccch)	
horf	ho_ref	
pcmd	Pcmd_20(pow)	
synchi	OMIT	
frqsl_at	OMIT	
frql_at	OMIT	
cchd	OMIT	
ch1mod	OMIT	
ch2d_at	OMIT	
ch2mod	OMIT	
frqchs_at	Freqchseq_22	
ma_at	OMIT	
strt	OMIT	
rtdif	OMIT	
ta	ta	
frqsl_bt	OMIT	
frql_bt	OMIT	
ch1d_bt	OMIT	
ch2d_bt	OMIT	
frqchs_bt	OMIT	
ma_bt	OMIT	
cphms	OMIT	
Detailed Comments:		

PDU Constraint Declaration		
Constraint Name:	HandOverCmd_22d(ho_ref: HORF;ts_ccch: BITSTRING; pow:BITSTRING; ta:TA)	
PDU Type:	HO_CMD_PDU	
Derivation Path:		
Comments:	A derived HANOVER COMMAND containing TCH/F_FH in non synchronized new CELL A.	
Field Name	Field Value	Comments
ski	'0000'B	
rrpd	'0110'B	
mt	'00101011'B	
cd	CellDescrp_21_A	
ch1d_at	ChDescrp_22(ts_ccch)	
horf	ho_ref	
pcmd	Pcmd_20(pow)	
synchi	OMIT	
frqsl_at	Frql_20_Ad	
frql_at	OMIT	
cchd	OMIT	
ch1mod	OMIT	
ch2d_at	OMIT	
ch2mod	OMIT	
frqchs_at	OMIT	
ma_at	OMIT	
strt	OMIT	
rtdif	OMIT	
ta	ta	
frqsl_bt	OMIT	
frql_bt	OMIT	
ch1d_bt	OMIT	
ch2d_bt	OMIT	
frqchs_bt	OMIT	
ma_bt	OMIT	
cphms	OMIT	
Detailed Comments:		

PDU Constraint Declaration		
Constraint Name:	HandOverCmd_220(ho_ref: HORF;ts_ccch: BITSTRING; pow:BITSTRING; ta:TA)	
PDU Type:	HO_CMD_PDU	
Derivation Path:		
Comments:	A basic HANDOVER COMMAND	
Field Name	Field Value	Comments
ski	'0000'B	
rrpd	'0110'B	
mt	'00101011'B	
cd	CellDescrp_21_A	
ch1d_at	ChDescrp_22(ts_ccch)	
horf	ho_ref	
pcmd	Pcmd_20(pow)	
synchi	OMIT	
frqsl_at	OMIT	
frql_at	OMIT	
cchd	OMIT	
ch1mod	OMIT	
ch2d_at	OMIT	
ch2mod	OMIT	
frqchs_at	OMIT	
ma_at	OMIT	
strt	OMIT	
rtdif	OMIT	
ta	ta	
frqsl_bt	OMIT	
frql_bt	OMIT	
ch1d_bt	OMIT	
ch2d_bt	OMIT	
frqchs_bt	OMIT	
ma_bt	OMIT	
cphms	OMIT	
Detailed Comments:		

PDU Constraint Declaration		
Constraint Name:	HandOverCmd_22_B1(ho_ref: HORF;ts_ccch: BITSTRING; pow:BITSTRING; ta:TA)	
PDU Type:	HO_CMD_PDU	
Derivation Path:	HandOverCmd_22.	
Comments:	A derived HANDOVER COMMAND containing TCH/F_FH in non synchronized new CELL B.	
Field Name	Field Value	Comments
cd	CellDescrp_21_B	
ch1d_at	ChDescrp_22(ts_ccch)	
horf	ho_ref	
pcmd	Pcmd_20(pow)	
synchi	OMIT	
ch1mod	ChMod_speech_iei	
frqchs_at	Freqchseq_06	
strt	OMIT	
ta	ta	
Detailed Comments:		

PDU Constraint Declaration		
Constraint Name:	HandOverCmd_22_B1d(ho_ref: HORF;ts_ccch: BITSTRING; pow:BITSTRING; ta:TA)	
PDU Type:	HO_CMD_PDU	
Derivation Path:	HandOverCmd_22.	
Comments:	A derived HANOVER COMMAND containing TCH/F_FH in non synchronized new CELL B.	
Field Name	Field Value	Comments
cd	CellDescrp_21_B	
ch1d_at	ChDescrp_22(ts_ccch)	
horf	ho_ref	
pcmd	Pcmd_20(pow)	
synchi	OMIT	
frqsl_at	Frql_20_B5d	
ch1mod	ChMod_speech_iei	
strt	OMIT	
ta	ta	
Detailed Comments:		

PDU Constraint Declaration		
Constraint Name:	HandOverCmd_22_B1e(ho_ref: HORF;ts_ccch: BITSTRING; pow:BITSTRING; par_chtype:BITSTRING; par_flist:OCTETSTRING; par_flistl: OCTETSTRING; ta:TA)	
PDU Type:	HO_CMD_PDU	
Derivation Path:	HandOverCmd_22.	
Comments:	A derived HANOVER COMMAND containing TCH/F_FH in non synchronized new CELL B, specified for EGSM.	
Field Name	Field Value	Comments
ski	'0000'B	
rrpd	'0110'B	
mt	'00101011'B	
cd	CellDescrp_21_Be	
ch1d_at	ChDescrp_22e(ts_ccch, par_chtype)	
horf	ho_ref	
pcmd	Pcmd_20(pow)	
synchi	OMIT	
frqsl_at	Frql_20_egsm(par_flist, par_flistl)	
frql_at	OMIT	
cchd	OMIT	
ch1mod	ChMod_speech_iei	
ch2d_at	OMIT	
ch2mod	OMIT	
frqchs_at	Freqchseq_22	
ma_at	OMIT	
strt	OMIT	
rtdif	OMIT	
ta	ta	
frqsl_bt	OMIT	
frql_bt	OMIT	
ch1d_bt	OMIT	
ch2d_bt	OMIT	
frqchs_bt	OMIT	
ma_bt	OMIT	
cphms	OMIT	
Detailed Comments:		

PDU Constraint Declaration		
Constraint Name:	HandOverCmd_22_B2(ho_ref: HORF;ts_ccch: BITSTRING; pow:BITSTRING; ta:TA)	
PDU Type:	HO_CMD_PDU	
Derivation Path:	HandOverCmd_22.	
Comments:	A derived HANDOVER COMMAND containing TCH/F_FH in non synchronized new CELL B.	
Field Name	Field Value	Comments
cd	CellDescrp_21_B	
ch1d_at	ChDescrp_22(ts_ccch)	
horf	ho_ref	
pcmd	Pcmd_20(pow)	
synchi	OMIT	
cchd	CellChDes_20_B	
ch1mod	ChMod_sign_iei	
frqchs_at	OMIT	
ma_at	MobAllc_20_B1iei	
strt	OMIT	
ta	ta	
Detailed Comments:		

PDU Constraint Declaration		
Constraint Name:	HandOverCmd_22_B2d(ho_ref: HORF;ts_ccch: BITSTRING; pow:BITSTRING; ta:TA)	
PDU Type:	HO_CMD_PDU	
Derivation Path:	HandOverCmd_22.	
Comments:	A derived HANDOVER COMMAND containing TCH/F_FH in non synchronized new CELL B.	
Field Name	Field Value	Comments
cd	CellDescrp_21_B	
ch1d_at	ChDescrp_22(ts_ccch)	
horf	ho_ref	
pcmd	Pcmd_20(pow)	
synchi	OMIT	
frql_at	Frql_20_B9d	
ch1mod	ChMod_sign_iei	
frqchs_at	OMIT	
strt	OMIT	
ta	ta	
Detailed Comments:		

PDU Constraint Declaration		
Constraint Name:	HandOverCmd_22_B2e(ho_ref: HORF;ts_ccch: BITSTRING; pow:BITSTRING; par_chtype:BITSTRING; par_flist:OCTETSTRING; par_flistl: OCTETSTRING; ta:TA)	
PDU Type:	HO_CMD_PDU	
Derivation Path:		
Comments:	A derived HANOVER COMMAND containing TCH/F_FH in non synchronized new CELL B, specified for EGSM.	
Field Name	Field Value	Comments
ski	'0000'B	
rrpd	'0110'B	
mt	'00101011'B	
cd	CellDescrp_21_Be	
ch1d_at	ChDescrp_22e(ts_ccch, par_chtype)	
horf	ho_ref	
pcmd	Pcmd_20(pow)	
synchi	OMIT	
frqsl_at	OMIT	
frql_at	Frql_20_egsm(par_flist, par_flistl)	
cchd	OMIT	
ch1mod	ChMod_speech_iei	
ch2d_at	OMIT	
ch2mod	OMIT	
frqchs_at	Freqchseq_22	
ma_at	OMIT	
strt	OMIT	
rtdif	OMIT	
ta	ta	
frqsl_bt	OMIT	
frql_bt	OMIT	
ch1d_bt	OMIT	
ch2d_bt	OMIT	
frqchs_bt	OMIT	
ma_bt	OMIT	
cphms	OMIT	
Detailed Comments:		

PDU Constraint Declaration		
Constraint Name:	HandOverCmd_22_B3(ho_ref: HORF;ts_ccch: BITSTRING; pow:BITSTRING; ta:TA)	
PDU Type:	HO_CMD_PDU	
Derivation Path:	HandOverCmd_22.	
Comments:	A derived HANOVER COMMAND containing TCH/F_FH in non synchronized new CELL B.	
Field Name	Field Value	Comments
cd	CellDescrp_21_B	
ch1d_at	ChDescrp_22(ts_ccch)	
horf	ho_ref	
pcmd	Pcmd_20(pow)	
synchi	OMIT	
frql_at	Frql_20_B2	
ch1mod	ChMod_speech_iei	
frqchs_at	OMIT	
strt	OMIT	
ta	ta	
Detailed Comments:		

PDU Constraint Declaration		
Constraint Name:	HandOverCmd_22_B3d(ho_ref: HORF;ts_ccch: BITSTRING; pow:BITSTRING; ta:TA)	
PDU Type:	HO_CMD_PDU	
Derivation Path:	HandOverCmd_22.	
Comments:	A derived HANDBOVER COMMAND containing TCH/F_FH in non synchronized new CELL B.	
Field Name	Field Value	Comments
cd	CellDescrp_21_B	
ch1d_at	ChDescrp_22(ts_ccch)	
horf	ho_ref	
pcmd	Pcmd_20(pow)	
synchi	OMIT	
cchd	CellChDes_20_B0d	
ch1mod	ChMod_speech_iei	
ma_at	MobAllc_22	
strt	OMIT	
ta	ta	
Detailed Comments:		

PDU Constraint Declaration		
Constraint Name:	HandOverCmd_22_B3e(ho_ref: HORF;ts_ccch: BITSTRING; pow:BITSTRING; par_chtype:BITSTRING; par_cchd: OCTETSTRING; par_ma1:BITSTRING; par_ma2:BITSTRING; ta:TA)	
PDU Type:	HO_CMD_PDU	
Derivation Path:		
Comments:	A derived HANDBOVER COMMAND containing TCH/F_FH in non synchronized new CELL B, specified for EGSM.	
Field Name	Field Value	Comments
ski	'0000'B	
rrpd	'0110'B	
mt	'00101011'B	
cd	CellDescrp_21_Be	
ch1d_at	ChDescrp_22e(ts_ccch, par_chtype)	
horf	ho_ref	
pcmd	Pcmd_20(pow)	
synchi	OMIT	
frqsl_at	OMIT	
frql_at	OMIT	
cchd	CellChDes_20_Be(par_cchd)	
ch1mod	ChMod_speech_iei	
ch2d_at	OMIT	
ch2mod	OMIT	
frqchs_at	Freqchseq_22	
ma_at	MobAllc_20_Be2iei(par_ma1, par_ma2)	
strt	OMIT	
rtdif	OMIT	
ta	ta	
frqsl_bt	OMIT	
frql_bt	OMIT	
ch1d_bt	OMIT	
ch2d_bt	OMIT	
frqchs_bt	OMIT	
ma_bt	OMIT	
cphms	OMIT	
Detailed Comments:		

PDU Constraint Declaration		
Constraint Name:	HandOverCmd_22_B4(ho_ref: HORF;ts_ccch: BITSTRING; pow:BITSTRING; ta:TA)	
PDU Type:	HO_CMD_PDU	
Derivation Path:	HandOverCmd_22.	
Comments:	A derived HANOVER COMMAND containing TCH/F_FH in non synchronized new CELL B.	
Field Name	Field Value	Comments
cd	CellDescrp_21_B	
ch1d_at	ChDescrp_22(ts_ccch)	
horf	ho_ref	
pcmd	Pcmd_20(pow)	
synchi	OMIT	
ch1mod	ChMod_speech_iei	
frqchs_at	Freqchseq_03	
strt	OMIT	
ta	ta	
Detailed Comments:		

PDU Constraint Declaration		
Constraint Name:	HandOverCmd_22_B4d(ho_ref: HORF;ts_ccch: BITSTRING; pow:BITSTRING; ta:TA)	
PDU Type:	HO_CMD_PDU	
Derivation Path:	HandOverCmd_22.	
Comments:	A derived HANOVER COMMAND containing TCH/F_FH in non synchronized new CELL B.	
Field Name	Field Value	Comments
cd	CellDescrp_21_B	
ch1d_at	ChDescrp_22(ts_ccch)	
horf	ho_ref	
pcmd	Pcmd_20(pow)	
synchi	OMIT	
frqsl_at	Frql_20_B10d	
ch1mod	ChMod_speech_iei	
strt	OMIT	
ta	ta	
Detailed Comments:		

PDU Constraint Declaration		
Constraint Name:	HandOverCmd_22_B5(ho_ref: HORF;ts_ccch: BITSTRING; pow:BITSTRING; ta:TA)	
PDU Type:	HO_CMD_PDU	
Derivation Path:	HandOverCmd_22.	
Comments:	A derived HANOVER COMMAND containing TCH/F_FH in non synchronized new CELL B.	
Field Name	Field Value	Comments
cd	CellDescrp_21_B	
ch1d_at	ChDescrp_22(ts_ccch)	
horf	ho_ref	
pcmd	Pcmd_20(pow)	
synchi	Synchi_05	
ch1mod	ChMod_speech_iei	
frqchs_at	Freqchseq_05	
strt	OMIT	
ta	ta	
Detailed Comments:		

PDU Constraint Declaration		
Constraint Name:	HandOverCmd_22_B5d(ho_ref: HORF;ts_ccch: BITSTRING; pow:BITSTRING; ta:TA)	
PDU Type:	HO_CMD_PDU	
Derivation Path:	HandOverCmd_22.	
Comments:	A derived HANDOVER COMMAND containing TCH/F_FH in non synchronized new CELL B.	
Field Name	Field Value	Comments
cd	CellDescrp_21_B	
ch1d_at	ChDescrp_22(ts_ccch)	
horf	ho_ref	
pcmd	Pcmd_20(pow)	
synchi	Synchi_05	
frqsl_at	Frql_20_B12d	
ch1mod	ChMod_speech_iei	
strt	OMIT	
ta	ta	
Detailed Comments:		

PDU Constraint Declaration		
Constraint Name:	HandOverCmd_23_A1(ho_ref: HORF;ts_ccch: BITSTRING; par_arfcn: INTEGER; pow:BITSTRING; ta:TA)	
PDU Type:	HO_CMD_PDU	
Derivation Path:	HandOverCmd_20.	
Comments:	A derived HANDOVER COMMAND containing TCH/H_NonFH in non synchronized new CELL A.	
Field Name	Field Value	Comments
cd	CellDescrp_21_A	
ch1d_at	ChDescrp_23f(ts_ccch, par_arfcn)	
horf	ho_ref	
pcmd	Pcmd_20(pow)	
ma_at	MoblAllc_20_A2	
strt	OMIT	
ta	ta	
Detailed Comments:		

PDU Constraint Declaration		
Constraint Name:	HandOverCmd_23_B1(ho_ref: HORF;ts_ccch: BITSTRING; par_arfcn: INTEGER; pow:BITSTRING; ta:TA)	
PDU Type:	HO_CMD_PDU	
Derivation Path:	HandOverCmd_20.	
Comments:	A derived HANDOVER COMMAND containing TCH/H_NonFH in non synchronized new CELL A.	
Field Name	Field Value	Comments
cd	CellDescrp_21_B	
ch1d_at	ChDescrp_23(ts_ccch, par_arfcn)	
horf	ho_ref	
pcmd	Pcmd_20(pow)	
synchi	Synchi_01	
ch1mod	ChMod_sign_iei	
ta	ta	
Detailed Comments:		

PDU Constraint Declaration		
Constraint Name:	HandOverCmd_24_A1(ho_ref: HORF;ts_ccch: BITSTRING; pow:BITSTRING; ta:TA)	
PDU Type:	HO_CMD_PDU	
Derivation Path:	HandOverCmd_220.	
Comments:	A derived HANOVER COMMAND containing TCH/H_FH in non synchronized new CELL A.	
Field Name	Field Value	Comments
cd	CellDescrp_21_A	
ch1d_at	ChDescrp_241(ts_ccch)	
horf	ho_ref	
pcmd	Pcmd_20(pow)	
cchd	CellChDes_20_A	
ma_at	MoblAllic_20_A1	
strt	OMIT	
ta	ta	
Detailed Comments:		

PDU Constraint Declaration		
Constraint Name:	HandOverCmd_24_A1d(ho_ref: HORF;ts_ccch: BITSTRING; pow:BITSTRING; ta:TA)	
PDU Type:	HO_CMD_PDU	
Derivation Path:	HandOverCmd_220.	
Comments:	A derived HANOVER COMMAND containing TCH/H_FH in non synchronized new CELL A for DCS1800.	
Field Name	Field Value	Comments
cd	CellDescrp_21_A	
ch1d_at	ChDescrp_241(ts_ccch)	
horf	ho_ref	
pcmd	Pcmd_20(pow)	
cchd	CellChDes_202_Ad	
ma_at	MoblAllic_20_A1	
strt	OMIT	
ta	ta	
Detailed Comments:		

PDU Constraint Declaration		
Constraint Name:	HandOverCmd_24_B1(ho_ref: HORF;ts_ccch: BITSTRING; pow:BITSTRING; ta:TA)	
PDU Type:	HO_CMD_PDU	
Derivation Path:	HandOverCmd_220.	
Comments:	A derived HANOVER COMMAND containing TCH/H_FH in non synchronized new CELL B.	
Field Name	Field Value	Comments
cd	CellDescrp_21_B	
ch1d_at	ChDescrp_241(ts_ccch)	
horf	ho_ref	
pcmd	Pcmd_20(pow)	
synchi	Synchi_01	
frql_at	Frql_20_B3	
ta	ta	
Detailed Comments:		

PDU Constraint Declaration		
Constraint Name:	HandOverCmd_24_B1d(ho_ref: HORF;ts_ccch: BITSTRING; pow:BITSTRING; ta:TA)	
PDU Type:	HO_CMD_PDU	
Derivation Path:	HandOverCmd_220.	
Comments:	A derived HANOVER COMMAND containing TCH/H_FH in non synchronized new CELL B for DCS1800.	
Field Name	Field Value	Comments
cd	CellDescrp_21_B	
ch1d_at	ChDescrp_241(ts_ccch)	
horf	ho_ref	
pcmd	Pcmd_20(pow)	
synchi	Synchi_01	
frql_at	Frql_20_B3d	
ta	ta	
Detailed Comments:		

PDU Constraint Declaration		
Constraint Name:	HandOverCmd_24_B2(ho_ref: HORF;ts_ccch: BITSTRING; pow:BITSTRING; ta:TA)	
PDU Type:	HO_CMD_PDU	
Derivation Path:	HandOverCmd_220.	
Comments:	A derived HANOVER COMMAND containing TCH/H_FH in non synchronized new CELL B.	
Field Name	Field Value	Comments
cd	CellDescrp_21_B	
ch1d_at	ChDescrp_241(ts_ccch)	
horf	ho_ref	
pcmd	Pcmd_20(pow)	
synchi	Synchi_01	
cchd	CellChDes_21_B	
ch1mod	ChMod_speech_iei	
ma_at	MobAllc_252	
ta	ta	
Detailed Comments:		

PDU Constraint Declaration		
Constraint Name:	HandOverCmd_24_B2d(ho_ref: HORF;ts_ccch: BITSTRING; pow:BITSTRING; ta:TA)	
PDU Type:	HO_CMD_PDU	
Derivation Path:	HandOverCmd_220.	
Comments:	A derived HANOVER COMMAND containing TCH/H_FH in non synchronized new CELL B.	
Field Name	Field Value	Comments
cd	CellDescrp_21_B	
ch1d_at	ChDescrp_241(ts_ccch)	
horf	ho_ref	
pcmd	Pcmd_20(pow)	
synchi	Synchi_01	
cchd	CellChDes_21_Bd	
ch1mod	ChMod_speech_iei	
ma_at	MobAllc_252d	
ta	ta	
Detailed Comments:		

PDU Constraint Declaration		
Constraint Name:	HandOverCmd_24_B3(ho_ref: HORF;ts_ccch: BITSTRING; pow:BITSTRING; ta:TA)	
PDU Type:	HO_CMD_PDU	
Derivation Path:	HandOverCmd_220.	
Comments:	A derived HANOVER COMMAND containing TCH/H_FH in non synchronized new CELL B.	
Field Name	Field Value	Comments
cd	CellDescrp_21_B	
ch1d_at	ChDescrp_241(ts_ccch)	
horf	ho_ref	
pcmd	Pcmd_20(pow)	
ch1mod	ChMod_speech_iei	
frqchs_at	Freqchseq_01	
strt	OMIT	
ta	ta	
Detailed Comments:		

PDU Constraint Declaration		
Constraint Name:	HandOverCmd_24_B3d(ho_ref: HORF;ts_ccch: BITSTRING; pow:BITSTRING; ta:TA)	
PDU Type:	HO_CMD_PDU	
Derivation Path:	HandOverCmd_220.	
Comments:	A derived HANOVER COMMAND containing TCH/H_FH in non synchronized new CELL B.	
Field Name	Field Value	Comments
cd	CellDescrp_21_B	
ch1d_at	ChDescrp_241(ts_ccch)	
horf	ho_ref	
pcmd	Pcmd_20(pow)	
frql_at	Frql_20_B4d	
ch1mod	ChMod_speech_iei	
strt	OMIT	
ta	ta	
Detailed Comments:		

PDU Constraint Declaration		
Constraint Name:	HandOverCmd_24_B4(ho_ref: HORF;ts_ccch: BITSTRING; pow:BITSTRING; ta:TA)	
PDU Type:	HO_CMD_PDU	
Derivation Path:	HandOverCmd_220.	
Comments:	A derived HANOVER COMMAND containing TCH/H_FH in non synchronized new CELL B.	
Field Name	Field Value	Comments
cd	CellDescrp_21_B	
ch1d_at	ChDescrp_241(ts_ccch)	
horf	ho_ref	
pcmd	Pcmd_20(pow)	
ch1mod	ChMod_speech_iei	
frqchs_at	Freqchseq_04	
strt	OMIT	
ta	ta	
Detailed Comments:		

PDU Constraint Declaration		
Constraint Name:	HandOverCmd_24_B4d(ho_ref: HORF;ts_ccch: BITSTRING; pow:BITSTRING; ta:TA)	
PDU Type:	HO_CMD_PDU	
Derivation Path:	HandOverCmd_220.	
Comments:	A derived HANOVER COMMAND containing TCH/H_FH in non synchronized new CELL B.	
Field Name	Field Value	Comments
cd	CellDescrp_21_B	
ch1d_at	ChDescrp_241(ts_ccch)	
horf	ho_ref	
pcmd	Pcmd_20(pow)	
frql_at	Frql_20_11d	
ch1mod	ChMod_speech_iei	
strt	OMIT	
ta	ta	
Detailed Comments:		

PDU Constraint Declaration		
Constraint Name:	HandOverCmd_25_B1(ho_ref: HORF;slot:SN; tsc:TSC; par_arfcn: INTEGER; pow:BITSTRING; ta:TA)	
PDU Type:	HO_CMD_PDU	
Derivation Path:		
Comments:	A derived HANOVER COMMAND containing SDCCH/8_FH in non synchronized in CELL B.	
Field Name	Field Value	Comments
ski	'0000'B	
rrpd	'0110'B	
mt	'00101011'B	
cd	CellDescrp_21_B	
ch1d_at	ChDescrp_25(slot, tsc, par_arfcn)	
horf	ho_ref	
pcmd	Pcmd_20(pow)	
synchi	OMIT	
frqsl_at	OMIT	
frql_at	OMIT	
cchd	OMIT	
ch1mod	ChMod_sign_iei	
ch2d_at	OMIT	
ch2mod	OMIT	
frqchs_at	OMIT	
ma_at	OMIT	
strt	OMIT	
rtdif	OMIT	
ta	ta	
frqsl_bt	OMIT	
frql_bt	OMIT	
ch1d_bt	OMIT	
ch2d_bt	OMIT	
frqchs_bt	OMIT	
ma_bt	OMIT	
cphms	OMIT	
Detailed Comments:		

PDU Constraint Declaration		
Constraint Name:	HandOverCmd_28_B1(ho_ref: HORF;ts_ccch: BITSTRING; pow:BITSTRING; ta:TA)	
PDU Type:	HO_CMD_PDU	
Derivation Path:	HandOverCmd_220.	
Comments:	A derived HANOVER COMMAND containing SDCCH/8_FH in non synchronized in CELL B.	
Field Name	Field Value	Comments
cd	CellDescrp_21_B	
ch1d_at	ChDescrp_28(ts_ccch)	
horf	ho_ref	
pcmd	Pcmd_20(pow)	
frql_at	Frql_20_B7	
ch1mod	ChMod_sign_iei	
strt	OMIT	
ta	ta	
Detailed Comments:		

PDU Constraint Declaration		
Constraint Name:	HandOverCmd_28_B1d(ho_ref: HORF;ts_ccch: BITSTRING; pow:BITSTRING; ta:TA)	
PDU Type:	HO_CMD_PDU	
Derivation Path:	HandOverCmd_220.	
Comments:	A derived HANOVER COMMAND containing SDCCH/8_FH in non synchronized in CELL B.	
Field Name	Field Value	Comments
cd	CellDescrp_21_B	
ch1d_at	ChDescrp_28(ts_ccch)	
horf	ho_ref	
pcmd	Pcmd_20(pow)	
frql_at	Frql_20_B7d	
ch1mod	ChMod_sign_iei	
strt	OMIT	
ta	ta	
Detailed Comments:		

PDU Constraint Declaration		
Constraint Name:	HandOverCmd_28_B2(ho_ref: HORF;ts_ccch: BITSTRING; pow:BITSTRING; ta:TA)	
PDU Type:	HO_CMD_PDU	
Derivation Path:	HandOverCmd_220.	
Comments:	A derived HANOVER COMMAND containing SDCCH/8_FH in non synchronized in CELL B.	
Field Name	Field Value	Comments
cd	CellDescrp_21_B	
ch1d_at	ChDescrp_28(ts_ccch)	
horf	ho_ref	
pcmd	Pcmd_20(pow)	
ch1mod	OMIT	
frqchs_at	Freqchseq_02	
strt	OMIT	
ta	ta	
Detailed Comments:		

PDU Constraint Declaration		
Constraint Name:	HandOverCmd_28_B2d(ho_ref: HORF;ts_ccch: BITSTRING; pow:BITSTRING; ta:TA)	
PDU Type:	HO_CMD_PDU	
Derivation Path:	HandOverCmd_220.	
Comments:	A derived HANDOVER COMMAND containing SDCCH/8_FH in non synchronized in CELL B.	
Field Name	Field Value	Comments
cd	CellDescrp_21_B	
ch1d_at	ChDescrp_28(ts_ccch)	
horf	ho_ref	
pcmd	Pcmd_20(pow)	
frqsl_at	Frql_20_B8d	
ch1mod	OMIT	
strt	OMIT	
ta	ta	
Detailed Comments:		

PDU Constraint Declaration		
Constraint Name:	HandOverCmd_28_B3(ho_ref: HORF;ts_ccch: BITSTRING; pow:BITSTRING; ta:TA)	
PDU Type:	HO_CMD_PDU	
Derivation Path:	HandOverCmd_220.	
Comments:	A derived HANDOVER COMMAND containing SDCCH/8_FH in non synchronized in CELL B.	
Field Name	Field Value	Comments
cd	CellDescrp_21_B	
ch1d_at	ChDescrp_282(ts_ccch)	
horf	ho_ref	
pcmd	Pcmd_20(pow)	
synchi	Synchi_05	
frql_at	Frql_20_B0	
ta	ta	
Detailed Comments:		

PDU Constraint Declaration		
Constraint Name:	HandOverCmd_28_B3d(ho_ref: HORF;ts_ccch: BITSTRING; pow:BITSTRING; ta:TA)	
PDU Type:	HO_CMD_PDU	
Derivation Path:	HandOverCmd_220.	
Comments:	A derived HANDOVER COMMAND containing SDCCH/8_FH in non synchronized in CELL B.	
Field Name	Field Value	Comments
cd	CellDescrp_21_B	
ch1d_at	ChDescrp_282(ts_ccch)	
horf	ho_ref	
pcmd	Pcmd_20(pow)	
synchi	Synchi_05	
frql_at	Frql_20_B0d	
ch1mod	OMIT	
strt	OMIT	
ta	ta	
Detailed Comments:		

PDU Constraint Declaration		
Constraint Name:	HandOverCmd_31(slot:SN; tsc:TSC)	
PDU Type:	HO_CMD_PDU	
Derivation Path:		
Comments:	synchronised, no ciphering,the new channel is a full rate channel which is receiving only.	
Field Name	Field Value	Comments
ski	'0000'B	
rrpd	'0110'B	
mt	'00101011'B	
cd	CellDescrp_01	
ch1d_at	ChDescrp_10(slot, tsc)	
horf	TSPX_horfA	
pcmd	Pcmd_19('01000'B)	
synchi	Synchi_05	
frqsl_at	OMIT	
frql_at	OMIT	
cchd	OMIT	
ch1mod	OMIT	
ch2d_at	OMIT	
ch2mod	OMIT	
frqchs_at	OMIT	
ma_at	OMIT	
strt	OMIT	
rtdif	OMIT	
ta	OMIT	
frqsl_bt	OMIT	
frql_bt	OMIT	
ch1d_bt	OMIT	
ch2d_bt	OMIT	
frqchs_bt	OMIT	
ma_bt	OMIT	
cphms	CphMod_02iei	
Detailed Comments:	used in TC_26_8_1_4_5_7 only.	

PDU Constraint Declaration		
Constraint Name:	HandOverCmd_32(slot:SN; tsc:TSC)	
PDU Type:	HO_CMD_PDU	
Derivation Path:		
Comments:	non synchronised, no ciphering for GSM	
Field Name	Field Value	Comments
ski	'0000'B	
rrpd	'0110'B	
mt	'00101011'B	
cd	CellDescrp_r02	
ch1d_at	ChDescrp_r42(slot, tsc)	
horf	TSPX_horfA	
pcmd	Pcmd_19(TSPX_PwrlvIA)	
synchi	Synchi_06	
frqsl_at	OMIT	
frql_at	OMIT	
cchd	CellChDes_17	
ch1mod	ChMod_r03	
ch2d_at	OMIT	
ch2mod	OMIT	
frqchs_at	OMIT	
ma_at	MoblAllc_r18	
strt	?	
rtdif	OMIT	
ta	OMIT	
frqsl_bt	OMIT	
frql_bt	OMIT	
ch1d_bt	ChDescrp_r43(slot, tsc)	
ch2d_bt	OMIT	
frqchs_bt	OMIT	
ma_bt	MoblAllc_r20	
cphms	CphMod_02iei	
Detailed Comments:	used in TC_26_6_13_5 only.	

PDU Constraint Declaration		
Constraint Name:	HandOverCmd_33(slot:SN; tsc:TSC)	
PDU Type:	HO_CMD_PDU	
Derivation Path:		
Comments:	non synchronised, no ciphering for DCS	
Field Name	Field Value	Comments
ski	'0000'B	
rrpd	'0110'B	
mt	'00101011'B	
cd	CellDescrp_r02d	
ch1d_at	ChDescrp_r42(slot, tsc)	
horf	TSPX_horfA	
pcmd	Pcmd_19(TSPX_PwrlvIA)	
synchi	Synchi_06	
frqsl_at	OMIT	
frql_at	OMIT	
cchd	CellChDes_18	
ch1mod	ChMod_r03	
ch2d_at	OMIT	
ch2mod	OMIT	
frqchs_at	OMIT	
ma_at	MoblAllc_r18	
strt	?	
rtdif	OMIT	
ta	OMIT	
frqsl_bt	OMIT	
frql_bt	OMIT	
ch1d_bt	ChDescrp_r43(slot, tsc)	
ch2d_bt	OMIT	
frqchs_bt	OMIT	
ma_bt	MoblAllc_r20	
cphms	CphMod_02iei	
Detailed Comments:	used in TC_26_6_13_5 only.	

PDU Constraint Declaration		
Constraint Name:	HandOverCmd_34(slot:SN; tsc:TSC)	
PDU Type:	HO_CMD_PDU	
Derivation Path:		
Comments:	non synchronised, no ciphering for GSM	
Field Name	Field Value	Comments
ski	'0000'B	
rrpd	'0110'B	
mt	'00101011'B	
cd	CellDescrp_r02	
ch1d_at	ChDescrp_r45(slot, tsc)	
horf	TSPX_horfA	
pcmd	Pcmd_19(TSPX_PwrlvIB)	
synchi	Synchi_06	
frqsl_at	OMIT	
frql_at	OMIT	
cchd	CellChDes_17	
ch1mod	ChMod_r04	
ch2d_at	OMIT	
ch2mod	OMIT	
frqchs_at	OMIT	
ma_at	MoblAllc_r22	
strt	?	
rtdif	OMIT	
ta	OMIT	
frqsl_bt	OMIT	
frql_bt	OMIT	
ch1d_bt	ChDescrp_r46(slot, tsc)	
ch2d_bt	OMIT	
frqchs_bt	OMIT	
ma_bt	MoblAllc_r23	
cphms	CphMod_02iei	
Detailed Comments:	used in TC_26_6_13_6 only.	

PDU Constraint Declaration		
Constraint Name:	HandOverCmd_35(slot:SN; tsc:TSC)	
PDU Type:	HO_CMD_PDU	
Derivation Path:		
Comments:	non synchronised, no ciphering for DCS	
Field Name	Field Value	Comments
ski	'0000'B	
rrpd	'0110'B	
mt	'00101011'B	
cd	CellDescrp_r02d	
ch1d_at	ChDescrp_r45(slot, tsc)	
horf	TSPX_horfA	
pcmd	Pcmd_19(TSPX_PwrlvIB)	
synchi	Synchi_06	
frqsl_at	OMIT	
frql_at	OMIT	
cchd	CellChDes_18	
ch1mod	ChMod_r04	
ch2d_at	OMIT	
ch2mod	OMIT	
frqchs_at	OMIT	
ma_at	MoblAllc_r22	
strt	?	
rtdif	OMIT	
ta	OMIT	
frqsl_bt	OMIT	
frql_bt	OMIT	
ch1d_bt	ChDescrp_r46(slot, tsc)	
ch2d_bt	OMIT	
frqchs_bt	OMIT	
ma_bt	MoblAllc_r23	
cphms	CphMod_02iei	
Detailed Comments:	used in TC_26_6_13_6 only.	

PDU Constraint Declaration		
Constraint Name:	HandOverCmd_36(slot:SN; tsc:TSC)	
PDU Type:	HO_CMD_PDU	
Derivation Path:		
Comments:	non synchronised, no ciphering for GSM	
Field Name	Field Value	Comments
ski	'0000'B	
rrpd	'0110'B	
mt	'00101011'B	
cd	CellDescrp_r02	
ch1d_at	ChDescrp_r49(slot, tsc)	
horf	TSPX_horfA	
pcmd	Pcmd_19(TSPX_PwrlvIC)	
synchi	Synchi_06	
frqsl_at	OMIT	
frql_at	OMIT	
cchd	CellChDes_17	
ch1mod	ChMod_r05	
ch2d_at	OMIT	
ch2mod	OMIT	
frqchs_at	OMIT	
ma_at	MoblAllc_r26	
strt	?	
rtdif	OMIT	
ta	OMIT	
frqsl_bt	OMIT	
frql_bt	OMIT	
ch1d_bt	ChDescrp_r50(slot, tsc)	
ch2d_bt	OMIT	
frqchs_bt	OMIT	
ma_bt	MoblAllc_r27	
cphms	CphMod_02iei	
Detailed Comments:	used in TC_26_6_13_7 only.	

PDU Constraint Declaration		
Constraint Name:	HandOverCmd_37(slot:SN; tsc:TSC)	
PDU Type:	HO_CMD_PDU	
Derivation Path:		
Comments:	non synchronised, no ciphering for DCS	
Field Name	Field Value	Comments
ski	'0000'B	
rrpd	'0110'B	
mt	'00101011'B	
cd	CellDescrp_r02d	
ch1d_at	ChDescrp_r49(slot, tsc)	
horf	TSPX_horfA	
pcmd	Pcmd_19(TSPX_PwrlvIC)	
synchi	Synchi_06	
frqsl_at	OMIT	
frql_at	OMIT	
cchd	CellChDes_18	
ch1mod	ChMod_r05	
ch2d_at	OMIT	
ch2mod	OMIT	
frqchs_at	OMIT	
ma_at	MoblAllc_r26	
strt	?	
rtdif	OMIT	
ta	OMIT	
frqsl_bt	OMIT	
frql_bt	OMIT	
ch1d_bt	ChDescrp_r50(slot, tsc)	
ch2d_bt	OMIT	
frqchs_bt	OMIT	
ma_bt	MoblAllc_r27	
cphms	CphMod_02iei	
Detailed Comments:	used in TC_26_6_13_7 only.	

PDU Constraint Declaration		
Constraint Name:	HandOverCmd_38(slot:SN; tsc:TSC)	
PDU Type:	HO_CMD_PDU	
Derivation Path:		
Comments:	non synchronised, no ciphering for GSM	
Field Name	Field Value	Comments
ski	'0000'B	
rrpd	'0110'B	
mt	'00101011'B	
cd	CellDescrp_r02	
ch1d_at	ChDescrp_r51(slot, tsc)	
horf	TSPX_horfA	
pcmd	Pcmd_19(TSPX_PwrlvID)	
synchi	Synchi_06	
frqsl_at	OMIT	
frql_at	OMIT	
cchd	CellChDes_17	
ch1mod	ChMod_r06	
ch2d_at	OMIT	
ch2mod	OMIT	
frqchs_at	OMIT	
ma_at	MoblAllic_r30	
strt	?	
rtdif	OMIT	
ta	OMIT	
frqsl_bt	OMIT	
frql_bt	OMIT	
ch1d_bt	ChDescrp_r52(slot, tsc)	
ch2d_bt	OMIT	
frqchs_bt	OMIT	
ma_bt	MoblAllic_r31	
cphms	CphMod_02iei	
Detailed Comments:	used in TC_26_6_13_8 only.	

PDU Constraint Declaration		
Constraint Name:	HandOverCmd_39(slot:SN; tsc:TSC)	
PDU Type:	HO_CMD_PDU	
Derivation Path:		
Comments:	non synchronised, no ciphering for DCS	
Field Name	Field Value	Comments
ski	'0000'B	
rrpd	'0110'B	
mt	'00101011'B	
cd	CellDescrp_r02d	
ch1d_at	ChDescrp_r51(slot, tsc)	
horf	TSPX_horfA	
pcmd	Pcmd_19(TSPX_PwrlvID)	
synchi	Synchi_06	
frqsl_at	OMIT	
frql_at	OMIT	
cchd	CellChDes_18	
ch1mod	ChMod_r06	
ch2d_at	OMIT	
ch2mod	OMIT	
frqchs_at	OMIT	
ma_at	MoblAllc_r30	
strt	?	
rtdif	OMIT	
ta	OMIT	
frqsl_bt	OMIT	
frql_bt	OMIT	
ch1d_bt	ChDescrp_r52(slot, tsc)	
ch2d_bt	OMIT	
frqchs_bt	OMIT	
ma_bt	MoblAllc_r31	
cphms	CphMod_02iei	
Detailed Comments:	used in TC_26_6_13_7 only.	

PDU Constraint Declaration		
Constraint Name:	HandOverCmd_40(slot:SN; tsc:TSC)	
PDU Type:	HO_CMD_PDU	
Derivation Path:		
Comments:	synchronised, for GSM	
Field Name	Field Value	Comments
ski	'0000'B	
rrpd	'0110'B	
mt	'00101011'B	
cd	CellDescrp_03	
ch1d_at	ChDescrp_14('00001'B, slot, tsc)	
horf	TSPX_horfA	
pcmd	Pcmd_19('00111'B)	
synchi	Synchi_05	
frqsl_at	OMIT	
frql_at	OMIT	
cchd	OMIT	
ch1mod	OMIT	
ch2d_at	OMIT	
ch2mod	OMIT	
frqchs_at	OMIT	
ma_at	OMIT	
strt	OMIT	
rtdif	OMIT	
ta	OMIT	
frqsl_bt	OMIT	
frql_bt	OMIT	
ch1d_bt	OMIT	
ch2d_bt	OMIT	
frqchs_bt	OMIT	
ma_bt	OMIT	
cphms	CphMod_02iei	
Detailed Comments:	used in TC_26_6_3_4 only.	

PDU Constraint Declaration		
Constraint Name:	HandOverCmd_41(slot:SN; tsc:TSC)	
PDU Type:	HO_CMD_PDU	
Derivation Path:		
Comments:	synchronised, for DCS	
Field Name	Field Value	Comments
ski	'0000'B	
rrpd	'0110'B	
mt	'00101011'B	
cd	CellDescrp_03d	
ch1d_at	ChDescrp_14('00001'B, slot, tsc)	
horf	TSPX_horfA	
pcmd	Pcmd_19('00111'B)	
synchi	Synchi_05	
frqsl_at	OMIT	
frql_at	OMIT	
cchd	OMIT	
ch1mod	OMIT	
ch2d_at	OMIT	
ch2mod	OMIT	
frqchs_at	OMIT	
ma_at	OMIT	
strt	OMIT	
rtdif	OMIT	
ta	OMIT	
frqsl_bt	OMIT	
frql_bt	OMIT	
ch1d_bt	OMIT	
ch2d_bt	OMIT	
frqchs_bt	OMIT	
ma_bt	OMIT	
cphms	CphMod_02iei	
Detailed Comments:	used in TC_26_6_3_4 only.	

PDU Constraint Declaration		
Constraint Name:	HandOverCmd_inv_01(slot:SN; tsc:TSC)	
PDU Type:	HO_CMD_PDU	
Derivation Path:		
Comments:	An invalid HANDOVER COMMAND containing incorrect skip indicator.	
Field Name	Field Value	Comments
ski	'0101'B	
rrpd	'0110'B	
mt	'00101011'B	
cd	CellDescrp_01	
ch1d_at	ChDescrp_14Def('00001'B, slot, tsc)	
horf	'00000001'B	
pcmd	Pcmd_19('01000'B)	
synchi	OMIT	
frqsl_at	OMIT	
frql_at	OMIT	
cchd	OMIT	
ch1mod	OMIT	
ch2d_at	OMIT	
ch2mod	OMIT	
frqchs_at	OMIT	
ma_at	OMIT	
strt	OMIT	
rtdif	OMIT	
ta	OMIT	
frqsl_bt	OMIT	
frql_bt	OMIT	
ch1d_bt	OMIT	
ch2d_bt	OMIT	
frqchs_bt	OMIT	
ma_bt	OMIT	
cphms	OMIT	
Detailed Comments:		

PDU Constraint Declaration		
Constraint Name:	HandOverCmd_inv_02(slot:SN; tsc:TSC)	
PDU Type:	HO_CMD_PDU	
Derivation Path:	HandOverCmd_inv_01.	
Comments:	HANDOVER COMMAND which contains in the non-imperative part an IE encoded as comprehension required.	
Field Name	Field Value	Comments
ski	'0000'B	
ch1d_at	ChDescrp_14('00001'B, slot, tsc)	
synchi	Synchi_01	
frqsl_at	Frql_01	
Detailed Comments:		

PDU Constraint Declaration		
Constraint Name:	HandOverCmp_01	
PDU Type:	HO_COM_PDU	
Derivation Path:		
Comments:	To match any received HANDOVER COMPLETE message.	
Field Name	Field Value	Comments
ski	'0000'B	
rrpd	'0110'B	
mt	'00101100'B	
rrcau	?	
motdif	*	
Detailed Comments:		

PDU Constraint Declaration		
Constraint Name:	HandOverCmp_02	
PDU Type:	HO_COM_PDU	
Derivation Path:	HandOverCmp_01.	
Comments:	To match a received HANDOVER COMPLETE message containing real time difference.	
Field Name	Field Value	Comments
motdif	Mtdif_02	
Detailed Comments:		

PDU Constraint Declaration		
Constraint Name:	HandOverCmp_03	
PDU Type:	HO_COM_PDU	
Derivation Path:		
Comments:	To match a received HANDOVER COMPLETE message with mobile time difference = (2*TSPX_k + TPSX_y) mod 2 097 152) +- 2	
Field Name	Field Value	Comments
ski	'0000'B	
rrpd	'0110'B	
mt	'00101100'B	
rrcau	?	
motdif	Mtdif_01	
Detailed Comments:		

PDU Constraint Declaration		
Constraint Name:	HandOverCmp_04	
PDU Type:	HO_COM_PDU	
Derivation Path:	HandOverCmp_01.	
Comments:	To match a received HANDOVER COMPLETE message containing real time difference.	
Field Name	Field Value	Comments
motdif	Mtdif_03	
Detailed Comments:		

PDU Constraint Declaration		
Constraint Name:	HandOverCmp_20	
PDU Type:	HO_COM_PDU	
Derivation Path:		
Comments:	A basic received constraint for HANDOVER COMPLETE message.	
Field Name	Field Value	Comments
ski	'0000'B	
rrpd	'0110'B	
mt	'00101100'B	
rrcau	'00000000'B	
motdif	*	
Detailed Comments:		

PDU Constraint Declaration		
Constraint Name:	HandOvFail_01	
PDU Type:	HOFL_PDU	
Derivation Path:		
Comments:	A HANDOVER FAILURE message matching any RR cause.	
Field Name	Field Value	Comments
ski	'0000'B	
rrpd	'0110'B	
mt	'00101000'B	
rrcau	?	
Detailed Comments:		

PDU Constraint Declaration		
Constraint Name:	HandOvFail_02	
PDU Type:	HOFL_PDU	
Derivation Path:		
Comments:	A HANDOVER FAILURE message matching any abnormal release RR cause.	
Field Name	Field Value	Comments
ski	'0000'B	
rrpd	'0110'B	
mt	'00101000'B	
rrcau	('00000001'B, '00000010'B, '00000011'B, '00000100'B, '01101111'B)	
Detailed Comments:		

PDU Constraint Declaration		
Constraint Name:	Holdpdu_01(Ti:Ti)	
PDU Type:	HOLD_PDU	
Derivation Path:		
Comments:		
Field Name	Field Value	Comments
ti	Ti	
ccpd	'0011'B	
mt	'0?011000'B	
Detailed Comments:		

PDU Constraint Declaration		
Constraint Name:	HoldAckpdu_01(Ti:Ti)	
PDU Type:	HOLD_ACK_PDU	
Derivation Path:		
Comments:		
Field Name	Field Value	Comments
ti	Ti	
ccpd	'0011'B	
mt	'00011001'B	
Detailed Comments:		

PDU Constraint Declaration		
Constraint Name:	IDResponse_01	
PDU Type:	ID_RES_PDU	
Derivation Path:		
Comments:	An IDENTITY RESPONSE message which matches any mobile identity	
Field Name	Field Value	Comments
ski	'0000'B	
mmpd	'0101'B	
mt	'0?011001'B	
mi	?	
Detailed Comments:		

PDU Constraint Declaration		
Constraint Name:	IDResponse_02	
PDU Type:	ID_RES_PDU	
Derivation Path:	IDResponse_01.	
Comments:	An IDENTITY RESPONSE message which matches TMSI of the MS under test	
Field Name	Field Value	Comments
mi	MiTmsi_01	
Detailed Comments:		

PDU Constraint Declaration		
Constraint Name:	IDResponse_30(par:MI)	
PDU Type:	ID_RES_PDU	
Derivation Path:		
Comments:	An IDENTITY RESPONSE message which matches the given MI of the MS under test.	
Field Name	Field Value	Comments
ski	'0000'B	
mmpd	'0101'B	
mt	'0?011001'B	
mi	par	
Detailed Comments:		

PDU Constraint Declaration		
Constraint Name:	IDRequest_01(type:B_4)	
PDU Type:	ID_RQ_PDU	
Derivation Path:		
Comments:	An IDENTITY REQUEST message with specified identity type.	
Field Name	Field Value	Comments
ski	'0000'B	
mmpd	'0101'B	
mt	'00011000'B	
shoct	'0000'B	
idtype	type	
Detailed Comments:		

PDU Constraint Declaration		
Constraint Name:	IDRequest_inv_01(skip :INTEGER)	
PDU Type:	ID_RQ_PDU	
Derivation Path:		
Comments:	An invalid IDENTITY REQUEST message with incorrect skip indicator.	
Field Name	Field Value	Comments
ski	INT_TO_BIT(skip, 4)	
mmpd	'0101'B	
mt	'00011000'B	
shoct	'0000'B	
idtype	'0001'B	
Detailed Comments:		

PDU Constraint Declaration		
Constraint Name:	IDRequest_inv_02	
PDU Type:	ID_RQ_PDU	
Derivation Path:		
Comments:	An invalid IDENTITY REQUEST message of which the identity type is coded as reserved value	
Field Name	Field Value	Comments
ski	'0000'B	
mmpd	'0101'B	
mt	'00011000'B	
shoct	'0000'B	
idtype	'1111'B	
Detailed Comments:		

PDU Constraint Declaration		
Constraint Name:	IDRequest_inv_03	
PDU Type:	ID_RQ_PDU	
Derivation Path:		
Comments:	An invalid IDENTITY REQUEST message containing arbitrary spare bits	
Field Name	Field Value	Comments
ski	'0000'B	
mmpd	'0101'B	
mt	'00011000'B	
shoct	'1010'B	
idtype	'1100'B	
Detailed Comments:		

PDU Constraint Declaration		
Constraint Name:	ImmAsgn_01(Rr: BITSTRING; Fn: FN; slot:SN; tsc:TSC; ta:TA; par_arfcn: INTEGER)	
PDU Type:	IMMASS_PDU	
Derivation Path:		
Comments:	An IMMEDIATE ASSIGNMENT message to assign SDCCH/4 channel.	
Field Name	Field Value	Comments
l2_pl	'2D'O	
ski	'0000'B	
rrpd	'0110'B	
mt	'00111111'B	
shoct	'0000'B	
pm	Pm_01	
chd	ChDescrp_01(slot, tsc, par_arfcn)	
rqr	Rqr2(Rr, Fn)	
ta	ta	
ma	MobIAllc_01	
strt	OMIT	
iaroct	IaRestOct_01	
Detailed Comments:		

PDU Constraint Declaration		
Constraint Name:	ImmAsgn_01Def(Rr: BITSTRING; Fn: FN; slot:SN; tsc:TSC; par_arfcn:INTEGER; ta:TA)	
PDU Type:	IMMASS_PDU	
Derivation Path:		
Comments:	An IMMEDIATE ASSIGNMENT message to assign SDCCH/4 channel.	
Field Name	Field Value	Comments
l2_pl	'2D'O	
ski	'0000'B	
rrpd	'0110'B	
mt	'00111111'B	
shoct	'0000'B	
pm	Pm_01	
chd	ChDescrp_01Def(slot, tsc, par_arfcn)	
rqr	Rqr2(Rr, Fn)	
ta	ta	
ma	MobIAllc_01	
strt	OMIT	
iaroct	IaRestOct_01	
Detailed Comments:		

PDU Constraint Declaration		
Constraint Name:	ImmAsgn_02(Rr: BITSTRING; Fn: FN; ta:TA; chd:CHD; ma:MA)	
PDU Type:	IMMASS_PDU	
Derivation Path:		
Comments:	An IMMEDIATE ASSIGNMENT message to assign a frequency hopping channel.	
Field Name	Field Value	Comments
l2_pl	'4D'O	
ski	'0000'B	
rrpd	'0110'B	
mt	'00111111'B	
shoct	'0000'B	
pm	Pm_01	
chd	chd	
rqr	Rqr2(Rr, Fn)	
ta	ta	
ma	ma	
strt	OMIT	
iaroct	laRestOct_06	
Detailed Comments:	Used only in TC_26_6_6_1	

PDU Constraint Declaration		
Constraint Name:	ImmAsgn_03(Rr: BITSTRING; Fn: FN; sub:BITSTRING; slot:SN; tsc:TSC; ta:TA)	
PDU Type:	IMMASS_PDU	
Derivation Path:		
Comments:	An IMMEDIATE ASSIGNMENT message to assign SDCCH/8 channel containing page mode = extended paging.	
Field Name	Field Value	Comments
l2_pl	'2D'O	
ski	'0000'B	
rrpd	'0110'B	
mt	'00111111'B	
shoct	'0000'B	
pm	Pm_03	
chd	ChDescrp_r01NotC_def(sub, slot, tsc)	
rqr	Rqr2(Rr, Fn)	
ta	ta	
ma	MoblAllc_01	
strt	OMIT	
iaroct	laRestOct_01	
Detailed Comments:		

PDU Constraint Declaration		
Constraint Name:	ImmAsgn_03d(Rr: BITSTRING; Fn: FN; sub:BITSTRING; slot:SN; tsc:TSC; ta:TA)	
PDU Type:	IMMASS_PDU	
Derivation Path:		
Comments:	An IMMEDIATE ASSIGNMENT message to assign SDCCH/8 channel containing page mode = extended paging.	
Field Name	Field Value	Comments
l2_pl	'2D'O	
ski	'0000'B	
rrpd	'0110'B	
mt	'00111111'B	
shoct	'0000'B	
pm	Pm_03	
chd	ChDescrp_r01dNotC_def(sub, slot, tsc)	
rqr	Rqr2(Rr, Fn)	
ta	ta	
ma	MoblAlc_01	
strt	OMIT	
iaroct	IaRestOct_01	
Detailed Comments:		

PDU Constraint Declaration		
Constraint Name:	ImmAsgn_06(Rr: BITSTRING; Fn: FN; slot:SN; tsc:TSC; ta:TA)	
PDU Type:	IMMASS_PDU	
Derivation Path:		
Comments:	To assign SDCCH/4 of cell B to the mobile station.	
Field Name	Field Value	Comments
l2_pl	'2D'O	
ski	'0000'B	
rrpd	'0110'B	
mt	'00111111'B	
shoct	'0000'B	
pm	Pm_01	
chd	ChDescrp_04(slot,tsc)	
rqr	Rqr2(Rr, Fn)	
ta	ta	
ma	MoblAlc_01	
strt	OMIT	
iaroct	IaRestOct_01	
Detailed Comments:		

PDU Constraint Declaration		
Constraint Name:	ImmAsgn_10(Rr: BITSTRING; Fn: FN; type: BITSTRING; slot:SN; tsc:TSC; ta:TA)	
PDU Type:	IMMASS_PDU	
Derivation Path:		
Comments:	An IMMEDIATE ASSIGNMENT message to assign TCH/H channel.	
Field Name	Field Value	Comments
l2_pl	'2D'O	
ski	'0000'B	
rrpd	'0110'B	
mt	'00111111'B	
shoct	'0000'B	
pm	Pm_01	
chd	ChDescrp_14Def(type, slot, tsc)	
rqr	Rqr2(Rr, Fn)	
ta	ta	
ma	MobIAIlc_01	
strt	OMIT	
iaroct	laRestOct_01	
Detailed Comments:		

PDU Constraint Declaration		
Constraint Name:	ImmAsgn_TCH(Rr: BITSTRING; Fn: FN; type: BITSTRING; slot:SN; tsc:TSC; ta:TA)	
PDU Type:	IMMASS_PDU	
Derivation Path:		
Comments:	An IMMEDIATE ASSIGNMENT message to assign TCH/H channel.	
Field Name	Field Value	Comments
l2_pl	'2D'O	
ski	'0000'B	
rrpd	'0110'B	
mt	'00111111'B	
shoct	'0000'B	
pm	Pm_01	
chd	ChDescrp_14TCH(type, slot, tsc)	
rqr	Rqr2(Rr, Fn)	
ta	ta	
ma	MobIAIlc_01	
strt	OMIT	
iaroct	laRestOct_01	
Detailed Comments:		

PDU Constraint Declaration		
Constraint Name:	ImmAsgn_21(Rr: BITSTRING; Fn: FN;ts_ccch: BITSTRING; par_arfcn: INTEGER; ta:TA)	
PDU Type:	IMMASS_PDU	
Derivation Path:		
Comments:	An IMMEDIATE ASSIGNMENT message to assign TCH/F NonFH channel in any cell.	
Field Name	Field Value	Comments
l2_pl	'2D'O	
ski	'0000'B	
rrpd	'0110'B	
mt	'00111111'B	
shoct	'0000'B	
pm	Pm_01	
chd	ChDescrp_21(ts_ccch, par_arfcn)	
rqr	Rqr2(Rr, Fn)	
ta	ta	
ma	MoblAllc_01	
strt	OMIT	
iaroct	laRestOct_01	
Detailed Comments:		

PDU Constraint Declaration		
Constraint Name:	ImmAsgn_221(Rr: BITSTRING; Fn: FN;ts_ccch: BITSTRING; ta:TA)	
PDU Type:	IMMASS_PDU	
Derivation Path:		
Comments:	An IMMEDIATE ASSIGNMENT message to assign TCH/F FH channel in cell A.	
Field Name	Field Value	Comments
l2_pl	'39'O	
ski	'0000'B	
rrpd	'0110'B	
mt	'00111111'B	
shoct	'0000'B	
pm	Pm_01	
chd	ChDescrp_222(ts_ccch)	
rqr	Rqr2(Rr, Fn)	
ta	ta	
ma	MoblAllc_20_A2	
strt	OMIT	
iaroct	laRestOct_03	
Detailed Comments:		

PDU Constraint Declaration		
Constraint Name:	ImmAsgn_242(Rr: BITSTRING; Fn: FN;ts_ccch: BITSTRING; ta:TA)	
PDU Type:	IMMASS_PDU	
Derivation Path:	ImmAsgn_221.	
Comments:	An IMMEDIATE ASSIGNMENT message to assign TCH/H FH channel in cell B.	
Field Name	Field Value	Comments
l2_pl	'35'O	
chd	ChDescrp_242(ts_ccch)	
rqr	Rqr2(Rr, Fn)	
ta	ta	
ma	MoblAllc_20_B1	
iaroct	laRestOct_09	
Detailed Comments:		

PDU Constraint Declaration		
Constraint Name:	ImmAsgn_243(Rr: BITSTRING; Fn: FN;ts_ccch: BITSTRING; ta:TA)	
PDU Type:	IMMASS_PDU	
Derivation Path:	ImmAsgn_221.	
Comments:	An IMMEDIATE ASSIGNMENT message to assign TCH/H FH channel in cell a.	
Field Name	Field Value	Comments
l2_pl	'39'O	
chd	ChDescrp_242(ts_ccch)	
rqr	Rqr2(Rr, Fn)	
ta	ta	
ma	MobIAllc_20_A0	
iaroct	laRestOct_08	
Detailed Comments:		

PDU Constraint Declaration		
Constraint Name:	ImmAsgn_27(Rr: BITSTRING; Fn: FN;ts_ccch: BITSTRING; par_arfcn: INTEGER; ta:TA)	
PDU Type:	IMMASS_PDU	
Derivation Path:		
Comments:	An IMMEDIATE ASSIGNMENT message to assign SDCCH/8 NonFH channel in any cell.	
Field Name	Field Value	Comments
l2_pl	'2D'O	
ski	'0000'B	
rrpd	'0110'B	
mt	'00111111'B	
shoct	'0000'B	
pm	Pm_01	
chd	ChDescrp_27(ts_ccch, par_arfcn)	
rqr	Rqr2(Rr, Fn)	
ta	ta	
ma	MobIAllc_01	
strt	OMIT	
iaroct	laRestOct_01	
Detailed Comments:		

PDU Constraint Declaration		
Constraint Name:	ImmAsgn_E_01(Rr: BITSTRING; Fn: FN;ts_ccch: BITSTRING; tsc:TSC; par_arfcn: INTEGER; ta:TA)	
PDU Type:	IMMASS_PDU	
Derivation Path:		
Comments:	An IMMEDIATE ASSIGNMENT message to assign SDCCH/8 NonFH channel in any cell.	
Field Name	Field Value	Comments
l2_pl	'2D'O	
ski	'0000'B	
rrpd	'0110'B	
mt	'00111111'B	
shoct	'0000'B	
pm	Pm_01	
chd	ChDescrp_E_01(ts_ccch, tsc, par_arfcn)	
rqr	Rqr2(Rr, Fn)	
ta	ta	
ma	MobIAllc_01	
strt	OMIT	
iaroct	laRestOct_01	
Detailed Comments:		

PDU Constraint Declaration		
Constraint Name:	ImmAsgn_E_02(Rr: BITSTRING; Fn: FN;ts_ccch: BITSTRING; tsc:TSC; ta:TA)	
PDU Type:	IMMASS_PDU	
Derivation Path:		
Comments:	An IMMEDIATE ASSIGNMENT message to assign SDCCH/8 FH channel in EGSM cases.	
Field Name	Field Value	Comments
l2_pl	'39'O	
ski	'0000'B	
rrpd	'0110'B	
mt	'00111111'B	
shoct	'0000'B	
pm	Pm_01	
chd	ChDescrp_E_02(ts_ccch, tsc)	
rqr	Rqr2(Rr, Fn)	
ta	ta	
ma	MobIAlc_281e	
strt	OMIT	
iaroct	laRestOct_02	
Detailed Comments:		

PDU Constraint Declaration		
Constraint Name:	ImmAsgn_281(Rr: BITSTRING; Fn: FN;ts_ccch: BITSTRING; ta:TA)	
PDU Type:	IMMASS_PDU	
Derivation Path:		
Comments:	An IMMEDIATE ASSIGNMENT message to assign SDCCH/8 FH channel in any cell.	
Field Name	Field Value	Comments
l2_pl	'39'O	
ski	'0000'B	
rrpd	'0110'B	
mt	'00111111'B	
shoct	'0000'B	
pm	Pm_01	
chd	ChDescrp_28(ts_ccch)	
rqr	Rqr2(Rr, Fn)	
ta	ta	
ma	MobIAlc_281	
strt	OMIT	
iaroct	laRestOct_08	
Detailed Comments:		

PDU Constraint Declaration		
Constraint Name:	ImmAsgn_281d(Rr: BITSTRING; Fn: FN;ts_ccch: BITSTRING; ta:TA)	
PDU Type:	IMMASS_PDU	
Derivation Path:		
Comments:	An IMMEDIATE ASSIGNMENT message to assign SDCCH/8 FH channel in any cell.	
Field Name	Field Value	Comments
l2_pl	'39'O	
ski	'0000'B	
rrpd	'0110'B	
mt	'00111111'B	
shoct	'0000'B	
pm	Pm_01	
chd	ChDescrp_28(ts_ccch)	
rqr	Rqr2(Rr, Fn)	
ta	ta	
ma	MoblAllc_281d	
strt	OMIT	
iaroct	laRestOct_02	
Detailed Comments:		

PDU Constraint Declaration		
Constraint Name:	ImmAsgn_281e2(Rr: BITSTRING; Fn: FN;ts_ccch: BITSTRING; ta:TA)	
PDU Type:	IMMASS_PDU	
Derivation Path:		
Comments:	An IMMEDIATE ASSIGNMENT message to assign SDCCH/8 FH channel in EGSM cases, specified for 26_10_5_1.	
Field Name	Field Value	Comments
l2_pl	'39'O	
ski	'0000'B	
rrpd	'0110'B	
mt	'00111111'B	
shoct	'0000'B	
pm	Pm_01	
chd	ChDescrp_28(ts_ccch)	
rqr	Rqr2(Rr, Fn)	
ta	ta	
ma	MoblAllc_281e2	
strt	OMIT	
iaroct	laRestOct_09	
Detailed Comments:		

PDU Constraint Declaration		
Constraint Name:	ImmAsgn_282(Rr: BITSTRING; Fn: FN;ts_ccch: BITSTRING; ta:TA)	
PDU Type:	IMMASS_PDU	
Derivation Path:		
Comments:	An IMMEDIATE ASSIGNMENT message to assign SDCCH/8 FH channel in any cell.	
Field Name	Field Value	Comments
l2_pl	'39'O	
ski	'0000'B	
rrpd	'0110'B	
mt	'00111111'B	
shoct	'0000'B	
pm	Pm_01	
chd	ChDescrp_282(ts_ccch)	
rqr	Rqr2(Rr, Fn)	
ta	ta	
ma	MobiAllic_282	
strt	OMIT	
iaroct	laRestOct_09	
Detailed Comments:		

PDU Constraint Declaration		
Constraint Name:	ImmAsgn_282d(Rr: BITSTRING; Fn: FN;ts_ccch: BITSTRING; ta:TA)	
PDU Type:	IMMASS_PDU	
Derivation Path:		
Comments:	An IMMEDIATE ASSIGNMENT message to assign SDCCH/8 FH channel in any cell.	
Field Name	Field Value	Comments
l2_pl	'39'O	
ski	'0000'B	
rrpd	'0110'B	
mt	'00111111'B	
shoct	'0000'B	
pm	Pm_01	
chd	ChDescrp_282(ts_ccch)	
rqr	Rqr2(Rr, Fn)	
ta	ta	
ma	MobiAllic_282	
strt	OMIT	
iaroct	laRestOct_08	
Detailed Comments:		

PDU Constraint Declaration		
Constraint Name:	ImmAsgn_283(Rr: BITSTRING; Fn: FN;ts_ccch: BITSTRING; ta:TA)	
PDU Type:	IMMASS_PDU	
Derivation Path:		
Comments:	An IMMEDIATE ASSIGNMENT message to assign SDCCH/8 FH channel in any cell.	
Field Name	Field Value	Comments
l2_pl	'39'O	
ski	'0000'B	
rrpd	'0110'B	
mt	'00111111'B	
shoct	'0000'B	
pm	Pm_01	
chd	ChDescrp_282(ts_ccch)	
rqr	Rqr2(Rr, Fn)	
ta	ta	
ma	MobIAlIc_20_A3	
strt	OMIT	
iaroct	laRestOct_08	
Detailed Comments:		

PDU Constraint Declaration		
Constraint Name:	ImmAsgn_283d(Rr: BITSTRING; Fn: FN;ts_ccch: BITSTRING; ta:TA)	
PDU Type:	IMMASS_PDU	
Derivation Path:		
Comments:	An IMMEDIATE ASSIGNMENT message to assign SDCCH/8 FH channel in any cell.	
Field Name	Field Value	Comments
l2_pl	'39'O	
ski	'0000'B	
rrpd	'0110'B	
mt	'00111111'B	
shoct	'0000'B	
pm	Pm_01	
chd	ChDescrp_282(ts_ccch)	
rqr	Rqr2(Rr, Fn)	
ta	ta	
ma	MobIAlIc_20_A3d	
strt	OMIT	
iaroct	laRestOct_08	
Detailed Comments:		

PDU Constraint Declaration		
Constraint Name:	ImmAsgn_inv_01(Rr :BITSTRING; Fn:FN; slot:SN; tsc:TSC; arfcn:INTEGER; ta:TA)	
PDU Type:	IMMASS_PDU	
Derivation Path:		
Comments:	An invalid IMMEDIATE ASSIGNMENT message with unknown skip indicator ('0001'B)	
Field Name	Field Value	Comments
l2_pl	'2D'O	
ski	'0001'B	
rrpd	'0110'B	
mt	'00111111'B	
shoct	'0000'B	
pm	Pm_01	
chd	ChDescrp_01Def(slot, tsc, arfcn)	
rqr	Rqr2(Rr, Fn)	
ta	ta	
ma	MobIAllc_01	
strt	OMIT	
iaroct	IaRestOct_01	
Detailed Comments:		

PDU Constraint Declaration		
Constraint Name:	ImmAsgn_inv_04(Rr :BITSTRING; Fn:FN; slot:SN; tsc:TSC; ta:TA)	
PDU Type:	IMMASS_PDU	
Derivation Path:		
Comments:	An invalid IMMEDIATE ASSIGNMENT message containing arbitrary spare bits	
Field Name	Field Value	Comments
l2_pl	'2D'O	
ski	'0000'B	
rrpd	'0110'B	
mt	'00111111'B	
shoct	'1010'B	
pm	Pm_02	
chd	ChDescrp_03(slot, tsc)	
rqr	Rqr2(Rr, Fn)	
ta	ta	
ma	MobIAllc_01	
strt	OMIT	
iaroct	IaRestOct_05	
Detailed Comments:		

PDU Constraint Declaration		
Constraint Name:	ImmAsgn_r(chd:CHD; Rr:BITSTRING; Fn:FN; ta:TA)	
PDU Type:	IMMASS_PDU	
Derivation Path:		
Comments:	An IMMEDIATE ASSIGNMENT message.	
Field Name	Field Value	Comments
l2_pl	'2D'O	
ski	'0000'B	
rrpd	'0110'B	
mt	'00111111'B	
shoct	'0000'B	
pm	Pm_01	
chd	chd	
rqr	Rqr2(Rr, Fn)	
ta	ta	
ma	MobIAlIc_01	
strt	OMIT	
iaroct	laRestOct_01	
Detailed Comments:		

PDU Constraint Declaration		
Constraint Name:	ImmAsgn_r02(Rr: BITSTRING; Fn: FN; sub:BITSTRING; slot:SN; tsc:TSC; ta:TA)	
PDU Type:	IMMASS_PDU	
Derivation Path:		
Comments:	An IMMEDIATE ASSIGNMENT message to assign SDCCH/8 channel.	
Field Name	Field Value	Comments
l2_pl	'2D'O	
ski	'0000'B	
rrpd	'0110'B	
mt	'00111111'B	
shoct	'0000'B	
pm	Pm_01	
chd	ChDescrp_r01NotC_def(sub, slot, tsc)	
rqr	Rqr2(Rr, Fn)	
ta	ta	
ma	MobIAlIc_01	
strt	OMIT	
iaroct	laRestOct_01	
Detailed Comments:		

PDU Constraint Declaration		
Constraint Name:	ImmAsgn_r02d(Rr: BITSTRING; Fn: FN; sub:BITSTRING; slot:SN; tsc:TSC; ta:TA)	
PDU Type:	IMMASS_PDU	
Derivation Path:		
Comments:	An IMMEDIATE ASSIGNMENT message to assign SDCCH/8 channel.	
Field Name	Field Value	Comments
l2_pl	'2D'O	
ski	'0000'B	
rrpd	'0110'B	
mt	'00111111'B	
shoct	'0000'B	
pm	Pm_01	
chd	ChDescrp_r01dNotC_def(sub, slot, tsc)	
rqr	Rqr2(Rr, Fn)	
ta	ta	
ma	MoblAllc_01	
strt	OMIT	
iaroct	laRestOct_01	
Detailed Comments:		

PDU Constraint Declaration		
Constraint Name:	ImmAsgn_r10(Rr: BITSTRING; Fn: FN; sub:BITSTRING; slot:SN; tsc:TSC; ta:TA; arfcn:INTEGER)	
PDU Type:	IMMASS_PDU	
Derivation Path:		
Comments:	An IMMEDIATE ASSIGNMENT message to assign SDCCH/4 channel for RR tests.	
Field Name	Field Value	Comments
l2_pl	'2D'O	
ski	'0000'B	
rrpd	'0110'B	
mt	'00111111'B	
shoct	'0000'B	
pm	Pm_01	
chd	ChDescrp_r04(sub, slot, tsc, arfcn)	
rqr	Rqr2(Rr, Fn)	
ta	ta	
ma	MoblAllc_01	
strt	OMIT	
iaroct	laRestOct_01	
Detailed Comments:		

PDU Constraint Declaration		
Constraint Name:	ImmAsgn_r11(Rr: BITSTRING; Fn: FN; sub:BITSTRING; slot:SN; tsc:TSC; ta:TA; arfcn:INTEGER)	
PDU Type:	IMMASS_PDU	
Derivation Path:		
Comments:	An IMMEDIATE ASSIGNMENT message to assign SDCCH/4 channel for RR tests.	
Field Name	Field Value	Comments
l2_pl	'2D'O	
ski	'0000'B	
rrpd	'0110'B	
mt	'00111111'B	
shoct	'0000'B	
pm	Pm_03	
chd	ChDescrp_r04(sub, slot, tsc, arfcn)	
rqr	Rqr2(Rr, Fn)	
ta	ta	
ma	MoblAllc_01	
strt	OMIT	
iaroct	laRestOct_01	
Detailed Comments:		

PDU Constraint Declaration		
Constraint Name:	ImmAsgn_r13(Rr: BITSTRING; Fn: FN; chd:CHD; ta:TA)	
PDU Type:	IMMASS_PDU	
Derivation Path:		
Comments:	An IMMEDIATE ASSIGNMENT message to assign TCH/F channel with a time advance of 30 bit periods.	
Field Name	Field Value	Comments
l2_pl	'2D'O	
ski	'0000'B	
rrpd	'0110'B	
mt	'00111111'B	
shoct	'0000'B	
pm	Pm_01	
chd	chd	
rqr	Rqr2(Rr, Fn)	
ta	ta	
ma	MoblAllc_01	
strt	OMIT	
iaroct	laRestOct_01	
Detailed Comments:		

PDU Constraint Declaration		
Constraint Name:	ImmAsgn_r14(Rr: BITSTRING; Fn: FN; chd:CHD; ta:TA)	
PDU Type:	IMMASS_PDU	
Derivation Path:		
Comments:	An IMMEDIATE ASSIGNMENT message to assign TCH/H channel with a time advance of 30 bit periods.	
Field Name	Field Value	Comments
l2_pl	'2D'O	
ski	'0000'B	
rrpd	'0110'B	
mt	'00111111'B	
shoct	'0000'B	
pm	Pm_01	
chd	chd	
rqr	Rqr2(Rr, Fn)	
ta	ta	
ma	MoblAllc_01	
strt	OMIT	
iaroct	IaRestOct_01	
Detailed Comments:		

PDU Constraint Declaration		
Constraint Name:	ImmAsgn_r27(Rr: BITSTRING; Fn: FN; slot:SN; tsc:TSC; ta:TA)	
PDU Type:	IMMASS_PDU	
Derivation Path:		
Comments:	An IMMEDIATE ASSIGNMENT message to assign SDCCH/8 channel with a time advance of 30 bit periods (default value) for TC_26_6_13_1.	
Field Name	Field Value	Comments
l2_pl	'31'O	
ski	'0000'B	
rrpd	'0110'B	
mt	'00111111'B	
shoct	'0000'B	
pm	Pm_01	
chd	ChDescrp_r28(slot, tsc)	
rqr	Rqr2(Rr, Fn)	
ta	ta	
ma	MoblAllc_r05	
strt	OMIT	
iaroct	IaRestOct_02	
Detailed Comments:		

PDU Constraint Declaration		
Constraint Name:	ImmAsgn_r28(Rr: BITSTRING; Fn: FN; slot:SN; tsc:TSC; ta:TA)	
PDU Type:	IMMASS_PDU	
Derivation Path:	ImmAsgn_r27.	
Comments:	An IMMEDIATE ASSIGNMENT message to assign SDCCH/8 channel with a time advance of 30 bit periods (default value) for TC_26_6_13_2 .	
Field Name	Field Value	Comments
chd	ChDescrp_r31(slot, tsc)	
rqr	Rqr2(Rr, Fn)	
ta	ta	
ma	MoblAllc_r08	
Detailed Comments:		

PDU Constraint Declaration		
Constraint Name:	ImmAsgn_r29(Rr: BITSTRING; Fn: FN; slot:SN; tsc:TSC; ta:TA)	
PDU Type:	IMMASS_PDU	
Derivation Path:	ImmAsgn_r27.	
Comments:	An IMMEDIATE ASSIGNMENT message to assign the channel defined by PIXIT and with a time advance of 30 bit periods (default value) for TC_26_6_13_3.	
Field Name	Field Value	Comments
chd	ChDescrp_r33(slot, tsc)	
rqr	Rqr2(Rr, Fn)	
ta	ta	
ma	MoblAllc_r10	
Detailed Comments:		

PDU Constraint Declaration		
Constraint Name:	ImmAsgn_r30(Rr: BITSTRING; Fn: FN; slot:SN; tsc:TSC; ta:TA)	
PDU Type:	IMMASS_PDU	
Derivation Path:	ImmAsgn_r27.	
Comments:	An IMMEDIATE ASSIGNMENT message to assign the channel defined by PIXIT and with a time advance of 30 bit periods (default value) for TC_26_6_13_4.	
Field Name	Field Value	Comments
chd	ChDescrp_r37(slot, tsc)	
rqr	Rqr2(Rr, Fn)	
ta	ta	
ma	MoblAllc_r14	
Detailed Comments:		

PDU Constraint Declaration		
Constraint Name:	ImmAsgn_r31(Rr: BITSTRING; Fn: FN; slot:SN; tsc:TSC; ta:TA)	
PDU Type:	IMMASS_PDU	
Derivation Path:	ImmAsgn_r27.	
Comments:	An IMMEDIATE ASSIGNMENT message to assign SDCCH/8 channel with a time advance of 30 bit periods (default value) for TC_26_6_13_5.	
Field Name	Field Value	Comments
chd	ChDescrp_r41(slot, tsc)	
rqr	Rqr2(Rr, Fn)	
ta	ta	
ma	MoblAllc_r18	
Detailed Comments:		

PDU Constraint Declaration		
Constraint Name:	ImmAsgn_r32(Rr: BITSTRING; Fn: FN; slot:SN; tsc:TSC; ta:TA)	
PDU Type:	IMMASS_PDU	
Derivation Path:	ImmAsgn_r27.	
Comments:	An IMMEDIATE ASSIGNMENT message to assign SDCCH/8 channel with a time advance of 30 bit periods (default value) for TC_26_6_13_6.	
Field Name	Field Value	Comments
chd	ChDescrp_r44(slot, tsc)	
rqr	Rqr2(Rr, Fn)	
ta	ta	
ma	MoblAllc_r21	
Detailed Comments:		

PDU Constraint Declaration		
Constraint Name:	ImmAsgn_r33(Rr: BITSTRING; Fn: FN; slot:SN; tsc:TSC; ta:TA)	
PDU Type:	IMMASS_PDU	
Derivation Path:	ImmAsgn_r27.	
Comments:	An IMMEDIATE ASSIGNMENT message to assign the channel defined by PIXIT and with a time advance of 30 bit periods (default value) for TC_26_6_13_7.	
Field Name	Field Value	Comments
chd	ChDescrp_r47(slot, tsc)	
rqr	Rqr2(Rr, Fn)	
ta	ta	
ma	MoblAllc_r24	
Detailed Comments:		

PDU Constraint Declaration		
Constraint Name:	ImmAsgn_r34(Rr: BITSTRING; Fn: FN; slot:SN; tsc:TSC; ta:TA)	
PDU Type:	IMMASS_PDU	
Derivation Path:	ImmAsgn_r27.	
Comments:	An IMMEDIATE ASSIGNMENT message to assign the channel defined by PIXIT and with a time advance of 30 bit periods (default value) for TC_26_6_13_8.	
Field Name	Field Value	Comments
chd	ChDescrp_r53(slot, tsc)	
rqr	Rqr2(Rr, Fn)	
ta	ta	
ma	MoblAllc_r28	
Detailed Comments:		

PDU Constraint Declaration		
Constraint Name:	ImmAsgn_r35(Rr: BITSTRING; Fn: FN; slot:SN; tsc:TSC; ta:TA)	
PDU Type:	IMMASS_PDU	
Derivation Path:	ImmAsgn_r27.	
Comments:	An IMMEDIATE ASSIGNMENT message to assign the channel defined by PIXIT and with a time advance of 30 bit periods (default value) for TC_26_6_13_9.	
Field Name	Field Value	Comments
l2_pl	'3D'O	
chd	ChDescrp_r55(slot, tsc)	
rqr	Rqr2(Rr, Fn)	
ta	ta	
ma	MoblAllc_r32	
strt	?	
iaroct	laRestOct_03	
Detailed Comments:		

PDU Constraint Declaration		
Constraint Name:	ImmAsgn_r36(Rr: BITSTRING; Fn: FN; slot:SN; tsc:TSC; ta:TA)	
PDU Type:	IMMASS_PDU	
Derivation Path:	ImmAsgn_r27.	
Comments:	An IMMEDIATE ASSIGNMENT message to assign the channel defined by PIXIT and with a time advance of 30 bit periods (default value) for TC_26_6_13_10.	
Field Name	Field Value	Comments
l2_pl	'3D'O	
chd	ChDescrp_r56(slot, tsc)	
rqr	Rqr2(Rr, Fn)	
ta	ta	
ma	MoblAllc_r33	
strt	?	
iaroct	laRestOct_04	
Detailed Comments:		

PDU Constraint Declaration		
Constraint Name:	ImmAsgn_sdcch8(Rr: BITSTRING; Fn: FN; slot:SN; tsc:TSC; subch:BITSTRING; arfcn:INTEGER; ta:TA)	
PDU Type:	IMMASS_PDU	
Derivation Path:		
Comments:	An IMMEDIATE ASSIGNMENT message to assign SDCCH8 channel with a time advance of 30 bit periods. time slot = TSPX_TmSlitDef , ARFCN =20.	
Field Name	Field Value	Comments
l2_pl	'2D'O	
ski	'0000'B	
rrpd	'0110'B	
mt	'00111111'B	
shoct	'0000'B	
pm	Pm_01	
chd	ChDescrp_sdcch8(slot, tsc, subch, arfcn)	
rqr	Rqr2(Rr, Fn)	
ta	ta	
ma	MoblAllc_01	
strt	OMIT	
iaxroct	laRestOct_01	
Detailed Comments:		

PDU Constraint Declaration		
Constraint Name:	ImmAsgnX_01(Rr: BITSTRING; Fn: FN; sub1, sub2:BITSTRING; slot:SN; tsc:TSC; ta:TA)	
PDU Type:	IMMASSX_PDU	
Derivation Path:		
Comments:	An IMMEDIATE ASSIGNMENT EXTENDED message to assign SDCCH/8 channel.	
Field Name	Field Value	Comments
l2_pl	'49'O	
ski	'0000'B	
rrpd	'0110'B	
mt	'00111001'B	
shoct	'0000'B	
pm	Pm_03	
chd1	ChDescrp_r01NotC_def(sub1, slot, tsc)	
rqr1	Rqr2(Rr, Fn)	
ta1	ta	
chd2	ChDescrp_r01NotC_def(sub2, slot, tsc)	
rqr2	Rqr2(Rr, Fn)	
ta2	ta	
ma	MoblAllc_01	
strt	OMIT	
iaxroct	'2B2B2B2B'O	
Detailed Comments:		

PDU Constraint Declaration		
Constraint Name:	ImmAsgnX_01d(Rr: BITSTRING; Fn: FN; sub1, sub2:BITSTRING; slot:SN; tsc:TSC; ta:TA)	
PDU Type:	IMMASSX_PDU	
Derivation Path:		
Comments:	An IMMEDIATE ASSIGNMENT EXTENDED message to assign SDCCH/8 channel.	
Field Name	Field Value	Comments
l2_pl	'49'O	
ski	'0000'B	
rrpd	'0110'B	
mt	'00111001'B	
shoct	'0000'B	
pm	Pm_03	
chd1	ChDescrp_r01dNotC_def(sub1, slot, tsc)	
rqr1	Rqr2(Rr, Fn)	
ta1	ta	
chd2	ChDescrp_r01dNotC_def(sub2, slot, tsc)	
rqr2	Rqr2(Rr, Fn)	
ta2	ta	
ma	MoblAlc_01	
strt	OMIT	
iaxroct	'2B2B2B2B'O	
Detailed Comments:		

PDU Constraint Declaration		
Constraint Name:	ImmAsgnX_02(slot:SN; tsc:TSC; ta:TA)	
PDU Type:	IMMASSX_PDU	
Derivation Path:		
Comments:	An IMMEDIATE ASSIGNMENT EXTENDED message containing paging mode = paging reorganisation and Request References that do not pertain to MS under test.	
Field Name	Field Value	Comments
l2_pl	'49'O	
ski	'0000'B	
rrpd	'0110'B	
mt	'00111001'B	
shoct	'0000'B	
pm	Pm_04	
chd1	ChDescrp_r01C_def(TSPX_SDCCH8Sub A, slot, tsc)	
rqr1	Rqr3	
ta1	ta	
chd2	ChDescrp_r01C_def(TSPX_SDCCH8Sub B, slot, tsc)	
rqr2	Rqr3	
ta2	ta	
ma	MoblAlc_01	
strt	OMIT	
iaxroct	'2B2B2B2B'O	
Detailed Comments:		

PDU Constraint Declaration		
Constraint Name:	ImmAsgnX_02d(slot:SN; tsc:TSC; ta:TA)	
PDU Type:	IMMASSX_PDU	
Derivation Path:		
Comments:	An IMMEDIATE ASSIGNMENT EXTENDED message containing paging mode = paging reorganisation and Request References that do not pertain to MS under test.	
Field Name	Field Value	Comments
l2_pl	'49'O	
ski	'0000'B	
rrpd	'0110'B	
mt	'00111001'B	
shoct	'0000'B	
pm	Pm_04	
chd1	ChDescrp_r01dC_def(TSPX_SDCCH8SubA, slot, tsc)	
rqr1	Rqr3	
ta1	ta	
chd2	ChDescrp_r01dC_def(TSPX_SDCCH8SubB, slot, tsc)	
rqr2	Rqr3	
ta2	ta	
ma	MobIAlIc_01	
strt	OMIT	
iaxroct	'2B2B2B2B'O	
Detailed Comments:		

PDU Constraint Declaration		
Constraint Name:	ImmAsgnX_03(slot:SN; tsc:TSC; ta:TA)	
PDU Type:	IMMASSX_PDU	
Derivation Path:		
Comments:	An IMMEDIATE ASSIGNMENT EXTENDED message containing paging mode = paging reorganisation and Request References that do not pertain to MS under test.	
Field Name	Field Value	Comments
l2_pl	'49'O	
ski	'0000'B	
rrpd	'0110'B	
mt	'00111001'B	
shoct	'0000'B	
pm	Pm_04	
chd1	ChDescrp_r01NotC_def(TSPX_SDCCH8SubA, slot, tsc)	
rqr1	Rqr3	
ta1	ta	
chd2	ChDescrp_r01NotC_def(TSPX_SDCCH8SubB, slot, tsc)	
rqr2	Rqr3	
ta2	ta	
ma	MobIAlIc_01	
strt	OMIT	
iaxroct	'2B2B2B2B'O	
Detailed Comments:		

PDU Constraint Declaration		
Constraint Name:	ImmAsgnX_03d(slot:SN; tsc:TSC; ta:TA)	
PDU Type:	IMMASSX_PDU	
Derivation Path:		
Comments:	An IMMEDIATE ASSIGNMENT EXTENDED message containing paging mode = paging reorganisation and Request References that do not pertain to MS under test.	
Field Name	Field Value	Comments
l2_pl	'49'O	
ski	'0000'B	
rrpd	'0110'B	
mt	'00111001'B	
shoct	'0000'B	
pm	Pm_04	
chd1	ChDescrp_r01dNotC_def(TSPX_SDCCH8SubA, slot, tsc)	
rqr1	Rqr3	
ta1	ta	
chd2	ChDescrp_r01dNotC_def(TSPX_SDCCH8SubB, slot, tsc)	
rqr2	Rqr3	
ta2	ta	
ma	MobiAllc_01	
strt	OMIT	
iaxroct	'2B2B2B2B'O	
Detailed Comments:		

PDU Constraint Declaration		
Constraint Name:	ImmAsgnX_04(slot:SN; tsc:TSC; ta:TA)	
PDU Type:	IMMASSX_PDU	
Derivation Path:		
Comments:	An IMMEDIATE ASSIGNMENT EXTENDED message containing paging mode = paging reorganisation and Request References that do not pertain to MS under test.	
Field Name	Field Value	Comments
l2_pl	'49'O	
ski	'0000'B	
rrpd	'0110'B	
mt	'00111001'B	
shoct	'0000'B	
pm	Pm_04	
chd1	ChDescrp_r01NotC_def(TSPX_SDCCH8SubA, slot, tsc)	
rqr1	Rqr3	
ta1	ta	
chd2	ChDescrp_r01NotC_def(TSPX_SDCCH8SubB, slot, tsc)	
rqr2	Rqr3	
ta2	ta	
ma	MobiAllc_01	
strt	OMIT	
iaxroct	'2B2B2B2B'O	
Detailed Comments:		

PDU Constraint Declaration		
Constraint Name:	ImmAsgnX_04d(slot:SN; tsc:TSC; ta:TA)	
PDU Type:	IMMASSX_PDU	
Derivation Path:		
Comments:	An IMMEDIATE ASSIGNMENT EXTENDED message containing paging mode = paging reorganisation and Request References that do not pertain to MS under test.	
Field Name	Field Value	Comments
l2_pl	'49'O	
ski	'0000'B	
rrpd	'0110'B	
mt	'00111001'B	
shoct	'0000'B	
pm	Pm_04	
chd1	ChDescrp_r01dNotC_def(TSPX_SDCCH 8SubA, slot, tsc)	
rqr1	Rqr3	
ta1	ta	
chd2	ChDescrp_r01dNotC_def(TSPX_SDCCH 8SubB, slot, tsc)	
rqr2	Rqr3	
ta2	ta	
ma	MobIAlIc_01	
strt	OMIT	
iaxroct	'2B2B2B2B'O	
Detailed Comments:		

PDU Constraint Declaration		
Constraint Name:	ImmAsgnX_r01(Rr: BITSTRING; Fn: FN; Rr_9: BITSTRING; Fn_9: FN; slot:SN; tsc:TSC; ta:TA; arfcn:INTEGER)	
PDU Type:	IMMASSX_PDU	
Derivation Path:		
Comments:	An IMMEDIATE ASSIGNMENT message to assign SDCCH/4 channel.	
Field Name	Field Value	Comments
l2_pl	'49'O	
ski	'0000'B	
rrpd	'0110'B	
mt	'00111001'B	
shoct	'0000'B	
pm	Pm_01	
chd1	ChDescrp_r04(TSPX_SDCCH4SubA, slot, tsc, arfcn)	
rqr1	Rqr2(Rr, Fn)	
ta1	ta	
chd2	ChDescrp_r04(TSPX_SDCCH4SubB, slot, tsc, arfcn)	
rqr2	Rqr2(Rr_9, Fn_9)	
ta2	ta	
ma	MobIAlIc_01	
strt	OMIT	
iaxroct	'2B2B2B2B'O	
Detailed Comments:		

PDU Constraint Declaration		
Constraint Name:	ImmAsgnX_r01d(Rr: BITSTRING; Fn: FN; Rr_9: BITSTRING; Fn_9: FN; slot:SN; tsc:TSC; ta:TA; arfcn:INTEGER)	
PDU Type:	IMMASSX_PDU	
Derivation Path:		
Comments:	An IMMEDIATE ASSIGNMENT message to assign SDCCH/4 channel for RR test of DCS.	
Field Name	Field Value	Comments
l2_pl	'49'O	
ski	'0000'B	
rrpd	'0110'B	
mt	'00111001'B	
shoct	'0000'B	
pm	Pm_01	
chd1	ChDescrp_r04d(TSPX_SDCCH4SubA, slot, tsc, arfcn)	
rqr1	Rqr2(Rr, Fn)	
ta1	ta	
chd2	ChDescrp_r04d(TSPX_SDCCH4SubB, slot, tsc, arfcn)	
rqr2	Rqr2(Rr_9, Fn_9)	
ta2	ta	
ma	MobIAlIc_01	
strt	OMIT	
iaxroct	'2B2B2B2B'O	
Detailed Comments:		

PDU Constraint Declaration		
Constraint Name:	ImmAsgnX_r02(Rr: BITSTRING; Fn: FN; Rr_9: BITSTRING; Fn_9: FN; slot:SN; tsc:TSC; ta:TA)	
PDU Type:	IMMASSX_PDU	
Derivation Path:		
Comments:	An IMMEDIATE ASSIGNMENT message to assign SDCCH/8 channel.	
Field Name	Field Value	Comments
l2_pl	'49'O	
ski	'0000'B	
rrpd	'0110'B	
mt	'00111001'B	
shoct	'0000'B	
pm	Pm_01	
chd1	ChDescrp_r01NotC_def(TSPX_SDCCH8 SubB, slot, tsc)	
rqr1	Rqr2(Rr, Fn)	
ta1	ta	
chd2	ChDescrp_r01NotC_def(TSPX_SDCCH8 SubC, slot, tsc)	
rqr2	Rqr2(Rr_9, Fn_9)	
ta2	ta	
ma	MobIAlIc_01	
strt	OMIT	
iaxroct	'2B2B2B2B'O	
Detailed Comments:		

PDU Constraint Declaration		
Constraint Name:	ImmAsgnX_r03(Rr: BITSTRING; Fn: FN; sub1, sub2:BITSTRING; slot:SN; tsc:TSC; ta:TA; arfcn:INTEGER)	
PDU Type:	IMMASSX_PDU	
Derivation Path:		
Comments:	An IMMEDIATE ASSIGNMENT message to assign SDCCH/4 channel.	
Field Name	Field Value	Comments
l2_pl	'49'O	
ski	'0000'B	
rrpd	'0110'B	
mt	'00111001'B	
shoct	'0000'B	
pm	Pm_03	
chd1	ChDescrp_r04(sub1, slot, tsc, arfcn)	
rqr1	Rqr2(Rr, Fn)	
ta1	ta	
chd2	ChDescrp_r04(sub2, slot, tsc, arfcn)	
rqr2	Rqr2(Rr, Fn)	
ta2	ta	
ma	MoblAlc_01	
strt	OMIT	
iaxroct	'2B2B2B2B'O	
Detailed Comments:		

PDU Constraint Declaration		
Constraint Name:	ImmAsgnRej_01(Rr: BITSTRING; Fn: FN)	
PDU Type:	IMMASS_REJ_PDU	
Derivation Path:		
Comments:	An IMMEDIATE ASSIGNMENT REJECT message containing normal paging mode.	
Field Name	Field Value	Comments
l2_pl	'4D'O	
ski	'0000'B	
rrpd	'0110'B	
mt	'00111010'B	
shoct	'0000'B	
pm	Pm_01	
rqr1	Rqr2(Rr, Fn)	
wi1	'00'H	
rqr2	Rqr2(Rr, Fn)	
wi2	'00'H	
rqr3	Rqr2(Rr, Fn)	
wi3	'00'H	
rqr4	Rqr2(Rr, Fn)	
wi4	'00'H	
iarroct	'2B2B2B'O	
Detailed Comments:		

PDU Constraint Declaration		
Constraint Name:	ImmAsgnRej_02(Rr:BITSTRING; Fn: FN)	
PDU Type:	IMMASS_REJ_PDU	
Derivation Path:	ImmAsgnRej_01.	
Comments:	An IMMEDIATE ASSIGNMENT REJECT message in which only the third request reference addresses the MS under test.	
Field Name	Field Value	Comments
rqr1	Rqr1(Rr, Fn)	
wi1	'02'H	
rqr2	Rqr1(Rr, Fn)	
wi2	'02'H	
rqr3	Rqr2(Rr, Fn)	
wi3	'00'H	
rqr4	Rqr1(Rr, Fn)	
wi4	'02'H	
Detailed Comments:		

PDU Constraint Declaration		
Constraint Name:	ImmAsgnRej_03(Rr: BITSTRING; Fn: FN)	
PDU Type:	IMMASS_REJ_PDU	
Derivation Path:	ImmAsgnRej_01.	
Comments:	An IMMEDIATE ASSIGNMENT REJECT message containing normal paging mode and wait indication = 5 seconds.	
Field Name	Field Value	Comments
rqr1	Rqr2(Rr, Fn)	
wi1	'05'H	
rqr2	Rqr2(Rr, Fn)	
wi2	'05'H	
rqr3	Rqr2(Rr, Fn)	
wi3	'05'H	
rqr4	Rqr2(Rr, Fn)	
wi4	'05'H	
iarroct	'2B2B2B'O	
Detailed Comments:		

PDU Constraint Declaration		
Constraint Name:	ImmAsgnRej_04(Rr: BITSTRING; Fn: FN)	
PDU Type:	IMMASS_REJ_PDU	
Derivation Path:	ImmAsgnRej_01.	
Comments:	An IMMEDIATE ASSIGNMENT REJECT message containing normal paging mode and wait indication = 6 seconds.	
Field Name	Field Value	Comments
rqr1	Rqr2(Rr, Fn)	
wi1	'06'H	
rqr2	Rqr2(Rr, Fn)	
wi2	'06'H	
rqr3	Rqr2(Rr, Fn)	
wi3	'06'H	
rqr4	Rqr2(Rr, Fn)	
wi4	'06'H	
iarroct	'2B2B2B'O	
Detailed Comments:		

PDU Constraint Declaration		
Constraint Name:	ImmAsgnRej_inv_01(Rr: BITSTRING; Fn: FN)	
PDU Type:	IMMASS_REJ_PDU	
Derivation Path:	ImmAsgnRej_01.	
Comments:	An invalid IMMEDIATE ASSIGNMENT REJECT message with skip indicator = 2, reject time = 255 s.	
Field Name	Field Value	Comments
ski	'0010'B	
rqr1	Rqr2(Rr, Fn)	
wi1	'FF'H	
rqr2	Rqr2(Rr, Fn)	
wi2	'FF'H	
rqr3	Rqr2(Rr, Fn)	
wi3	'FF'H	
rqr4	Rqr2(Rr, Fn)	
wi4	'FF'H	
Detailed Comments:		

PDU Constraint Declaration		
Constraint Name:	ImmAsgnRej_inv_02(Rr: BITSTRING; Fn: FN)	
PDU Type:	IMMASS_REJ_PDU	
Derivation Path:	ImmAsgnRej_01.	
Comments:	An invalid IMMEDIATE ASSIGNMENT REJECT message containing arbitrary spare bits	
Field Name	Field Value	Comments
shoct	'1010'B	
pm	Pm_01	
rqr1	Rqr2(Rr, Fn)	
rqr2	Rqr2(Rr, Fn)	
wi2	TSPX_T3122	
rqr3	Rqr2(Rr, Fn)	
wi3	TSPX_T3122	
rqr4	Rqr2(Rr, Fn)	
wi4	TSPX_T3122	
iarroct	'010101'O	
Detailed Comments:		

PDU Constraint Declaration		
Constraint Name:	ImmAsgnRej_r01(rqr1, rqr2, rqr3, rqr4: RQR; t1, t2: INTEGER)	
PDU Type:	IMMASS_REJ_PDU	
Derivation Path:		
Comments:	An IMMEDIATE ASSIGNMENT REJECT message in which only the second and the third request reference addresses the MS under test.	
Field Name	Field Value	Comments
l2_pl	'4D'O	
ski	'0000'B	
rrpd	'0110'B	
mt	'00111010'B	
shoct	'0000'B	
pm	Pm_01	
rqr1	rqr1	
wi1	'00'H	
rqr2	rqr2	
wi2	INT_TO_HEX(t1, 2)	
rqr3	rqr3	
wi3	INT_TO_HEX(t2, 2)	
rqr4	rqr4	
wi4	'00'H	
iarroct	'2B2B2B'O	
Detailed Comments:		

PDU Constraint Declaration		
Constraint Name:	ImmAsgnRej_r02(Rr: BITSTRING; Fn: FN)	
PDU Type:	IMMASS_REJ_PDU	
Derivation Path:	ImmAsgnRej_01.	
Comments:	An IMMEDIATE ASSIGNMENT REJECT message containing normal paging mode.	
Field Name	Field Value	Comments
l2_pl	'4D'O	
ski	'0000'B	
rrpd	'0110'B	
mt	'00111010'B	
shoct	'0000'B	
pm	Pm_01	
rqr1	Rqr2(Rr, Fn)	
wi1	'00'H	
rqr2	Rqr1(Rr, Fn)	
wi2	'00'H	
rqr3	Rqr1(Rr, Fn)	
wi3	'00'H	
rqr4	Rqr1(Rr, Fn)	
wi4	'00'H	
iarroct	'2B2B2B'O	
Detailed Comments:		

PDU Constraint Declaration		
Constraint Name:	ImmAsgnRej_r04	
PDU Type:	IMMASS_REJ_PDU	
Derivation Path:		
Comments:	An IMMEDIATE ASSIGNMENT REJECT message containing paging mode = "extended paging" and wait indication = 0 seconds. The Request References do not pertain to MS under test.	
Field Name	Field Value	Comments
l2_pl	'4D'O	
ski	'0000'B	
rrpd	'0110'B	
mt	'00111010'B	
shoct	'0000'B	
pm	Pm_03	
rqr1	Rqr3	
wi1	'00'H	
rqr2	Rqr3	
wi2	'00'H	
rqr3	Rqr3	
wi3	'00'H	
rqr4	Rqr3	
wi4	'00'H	
iarroct	'2B2B2B'O	
Detailed Comments:		

PDU Constraint Declaration		
Constraint Name:	ImsiDetach_01	
PDU Type:	IMSID_IN_PDU	
Derivation Path:		
Comments:	IMSI DETACH INDICATION message matching any MS classmark1 value and any mobile identity value	
Field Name	Field Value	Comments
ski	'0000'B	
mmpd	'0101'B	
mt	'0?000001'B	
msclm	?	
mi	?	
Detailed Comments:		

PDU Constraint Declaration		
Constraint Name:	ImsiDetach_30(par:MI)	
PDU Type:	IMSID_IN_PDU	
Derivation Path:		
Comments:	IMSI DETACH INDICATION message matching any MS classmark1 value and given IMSI.	
Field Name	Field Value	Comments
ski	'0000'B	
mmpd	'0101'B	
mt	'0?000001'B	
msclm	?	
mi	par	
Detailed Comments:		

PDU Constraint Declaration		
Constraint Name:	LocUpdtAcp(mnc, lac:OCTETSTRING)	
PDU Type:	LUP_ACP_PDU	
Derivation Path:		
Comments:	A LOCATION UPDATING ACCEPT message without mobile identity and LAI of PLMN2. LAC set in TCV_lac.	
Field Name	Field Value	Comments
ski	'0000'B	
mmpd	'0101'B	
mt	'00000010'B	
lai	LocAreald(mnc, lac)	
mi	OMIT	
fop	OMIT	
Detailed Comments:		

PDU Constraint Declaration		
Constraint Name:	LocUpdtAcp_01(newmi: MI; lac:OCTETSTRING)	
PDU Type:	LUP_ACP_PDU	
Derivation Path:		
Comments:	To assign a new TMSI.	
Field Name	Field Value	Comments
ski	'0000'B	
mmpd	'0101'B	
mt	'00000010'B	
lai	LocAreald_31(lac)	
mi	newmi	
fop	OMIT	
Detailed Comments:		

PDU Constraint Declaration		
Constraint Name:	LocUpdtAcp_02	
PDU Type:	LUP_ACP_PDU	
Derivation Path:		
Comments:	A LOCATION UPDATING ACCEPT message without mobile identity.	
Field Name	Field Value	Comments
ski	'0000'B	
mmpd	'0101'B	
mt	'00000010'B	
lai	LocAreald_01	
mi	OMIT	
fop	OMIT	
Detailed Comments:	mcc = 001, mnc = 01, lac = 001	

PDU Constraint Declaration		
Constraint Name:	LocUpdtAcp_03	
PDU Type:	LUP_ACP_PDU	
Derivation Path:		
Comments:		
Field Name	Field Value	Comments
ski	'0000'B	
mmpd	'0101'B	
mt	'00000010'B	
lai	LocAreald_02	
mi	MiTmsi_01iei	
fop	OMIT	
Detailed Comments:		

PDU Constraint Declaration		
Constraint Name:	LocUpdtAcp_30(newmi: MI; lac:OCTETSTRING)	
PDU Type:	LUP_ACP_PDU	
Derivation Path:		
Comments:	To assign a new TMSI.	
Field Name	Field Value	Comments
ski	'0000'B	
mmpd	'0101'B	
mt	'00000010'B	
lai	LocAreald_30(lac)	
mi	newmi	
fop	OMIT	
Detailed Comments:		

PDU Constraint Declaration		
Constraint Name:	LocUpdtAcp_31(lac:OCTETSTRING)	
PDU Type:	LUP_ACP_PDU	
Derivation Path:		
Comments:	A LOCATION UPDATING ACCEPT message without mobile identity and LAI of PLMN2. LAC set in TCv_lac.	
Field Name	Field Value	Comments
ski	'0000'B	
mmpd	'0101'B	
mt	'00000010'B	
lai	LocAreald_31(lac)	
mi	OMIT	
fop	OMIT	
Detailed Comments:		

PDU Constraint Declaration		
Constraint Name:	LocUpdtAcp_32(lac:OCTETSTRING)	
PDU Type:	LUP_ACP_PDU	
Derivation Path:		
Comments:	To send a Location Update Accept without Mobile Identity. LAC set in TCV_lac.	
Field Name	Field Value	Comments
ski	'0000'B	
mmpd	'0101'B	
mt	'00000010'B	
lai	LocAreald_30(lac)	
mi	OMIT	
fop	OMIT	
Detailed Comments:		

PDU Constraint Declaration		
Constraint Name:	LocUpdtAcp_33(lac:OCTETSTRING)	
PDU Type:	LUP_ACP_PDU	
Derivation Path:	LocUpdtAcp_31.	
Comments:	To assign a new TMSI.	
Field Name	Field Value	Comments
lai	LocAreald_30(lac)	
mi	OMIT	
fop	'10100001'B	
Detailed Comments:		

PDU Constraint Declaration		
Constraint Name:	LocUpdtAcp_inv_01	
PDU Type:	LUP_ACP_PDU_ERR	
Derivation Path:		
Comments:	Invalid LOCATION UPDATING ACCEPT message containing duplicated mobile identifier.	
Field Name	Field Value	Comments
ski	'0000'B	
mmpd	'0101'B	
mt	'00000010'B	
lai	LocAreald_02	
mi	Milmsi_01iei	
dupmi	MiTmsi_01iei	
Detailed Comments:		

PDU Constraint Declaration		
Constraint Name:	LocUpdtAcp_inv_03	
PDU Type:	LUP_ACP_PDU	
Derivation Path:		
Comments:	An invalid LOCATION UPDATING ACCEPT message containing comprehension required IE	
Field Name	Field Value	Comments
ski	'0000'B	
mmpd	'0101'B	
mt	'00000010'B	
lai	LocAreald_02	
mi	Mi_01	
fop	OMIT	
Detailed Comments:		

PDU Constraint Declaration		
Constraint Name:	LocUpdtAcp_inv_04	
PDU Type:	LUP_ACP_PDU_ERR	
Derivation Path:	LocUpdtAcp_inv_01.	
Comments:	An invalid LOCATION UPDATING ACCEPT message unknown IEI	
Field Name	Field Value	Comments
lai	LocAreald_01	
mi	Mi_02	
dupmi	MiTmsi_02iei	
Detailed Comments:		

PDU Constraint Declaration		
Constraint Name:	LocUpdtAcp_inv_05	
PDU Type:	LUP_ACP_PDU_ERR	
Derivation Path:	LocUpdtAcp_inv_01.LocUpdtAcp_inv_04.	
Comments:	An invalid LOCATION UPDATING ACCEPT message containing unknown IEI.	
Field Name	Field Value	Comments
lai	LocAreald_01	
mi	Mi_06	
dupmi	MiTmsi_02iei	
Detailed Comments:		

PDU Constraint Declaration		
Constraint Name:	LocUpdtReq_01(locup:B_2)	
PDU Type:	LUP_RQ_PDU	
Derivation Path:		
Comments:	A LOCATION UPDATING REQUEST message containing location updating type.	
Field Name	Field Value	Comments
ski	'0000'B	
mmpd	'0101'B	
mt	'0?001000'B	
cphksn	?	
lutype	LocUpType(locup)	
lai	?	
msclm	?	
mi	?	
Detailed Comments:		

PDU Constraint Declaration		
Constraint Name:	LocUpdtReq_04(locup:B_2; par:MI)	
PDU Type:	LUP_RQ_PDU	
Derivation Path:		
Comments:	LOCATION UPDATING REQUEST message containing TMSI.	
Field Name	Field Value	Comments
ski	'0000'B	
mmpd	'0101'B	
mt	'0?001000'B	
cphksn	?	
lutype	LocUpType(locup)	
lai	?	
msclm	?	
mi	par	
Detailed Comments:		

PDU Constraint Declaration		
Constraint Name:	LocUpdtReq_05	
PDU Type:	LUP_RQ_PDU	
Derivation Path:		
Comments:	to match any LOCATION UPDATING REQUEST message.	
Field Name	Field Value	Comments
ski	'0000'B	
mmpd	'0101'B	
mt	'0?001000'B	
cphksn	?	
lutype	?	
lai	?	
msclm	?	
mi	?	
Detailed Comments:		

PDU Constraint Declaration		
Constraint Name:	LocUpdtReq_30(par:MI; lac:OCTETSTRING; locup:B_2; cksn: BITSTRING)	
PDU Type:	LUP_RQ_PDU	
Derivation Path:		
Comments:	A LOCATION UPDATING REQUEST message containing location updating type = normal.	
Field Name	Field Value	Comments
ski	'0000'B	
mmpd	'0101'B	
mt	'0?001000'B	
cphksn	CphKeySN_07(cksn)	
lutype	LocUpType(locup)	
lai	LocAreald_30(lac)	
msclm	TSPX_ClassMark1	
mi	par	
Detailed Comments:		

PDU Constraint Declaration		
Constraint Name:	LocUpdtReq_31(par:MI; mnc, lac:OCTETSTRING; locup:B_2; cksn: BITSTRING)	
PDU Type:	LUP_RQ_PDU	
Derivation Path:		
Comments:	A parameterised LOCATION UPDATING REQUEST message	
Field Name	Field Value	Comments
ski	'0000'B	
mmpd	'0101'B	
mt	'0?001000'B	
cphksn	CphKeySN_07(cksn)	
lutype	LocUpType(locup)	
lai	LocAreald(mnc, lac)	
msclm	TSPX_ClassMark1	
mi	par	
Detailed Comments:		

PDU Constraint Declaration		
Constraint Name:	LocUpdtRej_01(par:REJCAU)	
PDU Type:	LUP_REJ_PDU	
Derivation Path:		
Comments:	A LOCATION UPDATING REJECT message.	
Field Name	Field Value	Comments
ski	'0000'B	
mmpd	'0101'B	
mt	'00000100'B	
rejcau	par	
Detailed Comments:		

PDU Constraint Declaration		
Constraint Name:	MMstatus_01	
PDU Type:	MMST_PDU	
Derivation Path:		
Comments:	A MM STATUS message containing reject cause value #97-- message type non-existent or not implemented	
Field Name	Field Value	Comments
ski	'0000'B	
mmpd	'0101'B	
mt	'0?110001'B	
rejcau	'61'O	
Detailed Comments:		

PDU Constraint Declaration		
Constraint Name:	MMstatus_02	
PDU Type:	MMST_PDU	
Derivation Path:	MMstatus_01.	
Comments:	cause value = #96-- invalid mandatory information	
Field Name	Field Value	Comments
rejcau	'60'O	
Detailed Comments:		

PDU Constraint Declaration		
Constraint Name:	MMstatus_03	
PDU Type:	MMST_PDU	
Derivation Path:	MMstatus_01.	
Comments:	cause value = #98 -- message type not compatible with the protocol state	
Field Name	Field Value	Comments
rejcau	'62'O	
Detailed Comments:		

PDU Constraint Declaration		
Constraint Name:	ModifyComp_02(Ti:Ti; bc:BCAP)	
PDU Type:	MODIFY_COM_PDU	
Derivation Path:		
Comments:	n -> ms	
Field Name	Field Value	Comments
ti	Ti	
ccpd	'0011'B	
mt	'00011111'B	
bcap	bc	
llcmp	OMIT	
hlcmp	OMIT	
rscd	?	
Detailed Comments:		

PDU Constraint Declaration		
Constraint Name:	ModifyComp_03(Ti:Ti; bc:BCAP)	
PDU Type:	MODIFY_COM_PDU	
Derivation Path:		
Comments:	n -> ms	
Field Name	Field Value	Comments
ti	Ti	
ccpd	'0011'B	
mt	'00011111'B	
bcap	bc	
llcmp	OMIT	
hlcmp	OMIT	
rscd	OMIT	
Detailed Comments:		

PDU Constraint Declaration		
Constraint Name:	ModifyInd_01(Ti:Ti; bc:BCAP)	
PDU Type:	MODIFY_PDU	
Derivation Path:		
Comments:		
Field Name	Field Value	Comments
ti	Ti	
ccpd	'0011'B	
mt	'0?010111'B	
bcap	bc	
llcmp	*	
hlcmp	*	
rscd	*	
Detailed Comments:		

PDU Constraint Declaration		
Constraint Name:	ModifyReq_01(Ti:TI)	
PDU Type:	MODIFY_PDU	
Derivation Path:		
Comments:		
Field Name	Field Value	Comments
ti	Ti	
ccpd	'0011'B	
mt	'00010111'B	
bcap	TSPX_BC2	
llcmp	OMIT	
hlcmp	OMIT	
rscd	OMIT	
Detailed Comments:		

PDU Constraint Declaration		
Constraint Name:	ModifyRj_01(Ti:TI; bc:BCAP)	
PDU Type:	MODIFY_REJ_PDU	
Derivation Path:		
Comments:		
Field Name	Field Value	Comments
ti	Ti	
ccpd	'0011'B	
mt	'0?010011'B	
bcap	bc	
cau	?	
llcmp	*	
hlcmp	*	
Detailed Comments:		

PDU Constraint Declaration		
Constraint Name:	ModifyRjRq_01(Ti:TI; bc:BCAP)	
PDU Type:	MODIFY_REJ_PDU	
Derivation Path:		
Comments:	cause = bearer capability not presently available	
Field Name	Field Value	Comments
ti	Ti	
ccpd	'0011'B	
mt	'00010011'B	
bcap	bc	
cau	Cause_16	
llcmp	OMIT	
hlcmp	OMIT	
Detailed Comments:		

PDU Constraint Declaration		
Constraint Name:	MsrReport_01	
PDU Type:	MSR_RPT_PDU	
Derivation Path:		
Comments:	A measurement report without measurement results	
Field Name	Field Value	Comments
ski	'0000'B	
rrpd	'0110'B	
mt	'00010101'B	
msrr	MsrResult_01	
Detailed Comments:		

PDU Constraint Declaration		
Constraint Name:	MsrReport_02	
PDU Type:	MSR_RPT_PDU	
Derivation Path:		
Comments:	A measurement report match any received MSR_RPT_PDU.	
Field Name	Field Value	Comments
ski	'0000'B	
rrpd	'0110'B	
mt	'00010101'B	
msrr	MsrResult_02	
Detailed Comments:		

PDU Constraint Declaration		
Constraint Name:	MsrReport_03	
PDU Type:	MSR_RPT_PDU	
Derivation Path:		
Comments:	A measurement report containing results for 6 strongest carriers.	
Field Name	Field Value	Comments
ski	'0000'B	
rrpd	'0110'B	
mt	'00010101'B	
msrr	MsrResult_03	
Detailed Comments:		

PDU Constraint Declaration		
Constraint Name:	MsrReport_03e(par_measres: MSRR)	
PDU Type:	MSR_RPT_PDU	
Derivation Path:		
Comments:	A measurement report containing results for 6 strongest carriers.	
Field Name	Field Value	Comments
ski	'0000'B	
rrpd	'0110'B	
mt	'00010101'B	
msrr	par_measres	
Detailed Comments:		

PDU Constraint Declaration		
Constraint Name:	MsrReport_04	
PDU Type:	MSR_RPT_PDU	
Derivation Path:		
Comments:	A measurement report containing 4 strongest carriers.	
Field Name	Field Value	Comments
ski	'0000'B	
rrpd	'0110'B	
mt	'00010101'B	
msrr	MsrResult_04	
Detailed Comments:		

PDU Constraint Declaration		
Constraint Name:	MsrReport_04e	
PDU Type:	MSR_RPT_PDU	
Derivation Path:		
Comments:	A measurement report containing 4 strongest carriers.	
Field Name	Field Value	Comments
ski	'0000'B	
rrpd	'0110'B	
mt	'00010101'B	
msrr	MsrResult_04e	
Detailed Comments:		

PDU Constraint Declaration		
Constraint Name:	MsrReport_05	
PDU Type:	MSR_RPT_PDU	
Derivation Path:		
Comments:	A measurement report containing 6 strongest carriers and DTX was used.	
Field Name	Field Value	Comments
ski	'0000'B	
rrpd	'0110'B	
mt	'00010101'B	
msrr	MsrResult_05	
Detailed Comments:		

PDU Constraint Declaration		
Constraint Name:	MsrReport_06	
PDU Type:	MSR_RPT_PDU	
Derivation Path:		
Comments:	A measurement report containing 6 strongest carriers and DTX is not checked.	
Field Name	Field Value	Comments
ski	'0000'B	
rrpd	'0110'B	
mt	'00010101'B	
msrr	MsrResult_06	
Detailed Comments:		

PDU Constraint Declaration		
Constraint Name:	MsrReport_07	
PDU Type:	MSR_RPT_PDU	
Derivation Path:		
Comments:	A measurement report containing 2 strongest carriers and DTX is not used.	
Field Name	Field Value	Comments
ski	'0000'B	
rrpd	'0110'B	
mt	'00010101'B	
msrr	MsrResult_07	
Detailed Comments:		

PDU Constraint Declaration		
Constraint Name:	NotifiReq_01(Ti:TI)	
PDU Type:	NOTIFY_PDU	
Derivation Path:		
Comments:	Containing any valid notification indicator. n -> ms.	
Field Name	Field Value	Comments
ti	Ti	
ccpd	'0011'B	
mt	'00111110'B	
nti	'10000000'B	
Detailed Comments:		

PDU Constraint Declaration		
Constraint Name:	PagingRes_01	
PDU Type:	PG_RES_PDU	
Derivation Path:		
Comments:	To match any received PAGING RESPONSE message.	
Field Name	Field Value	Comments
ski	'0000'B	
rrpd	'0110'B	
mt	'00100111'B	
shoct	'0000'B	
cphksn	?	
msclm	?	
mi	?	
Detailed Comments:		

PDU Constraint Declaration		
Constraint Name:	PagingRes_03	
PDU Type:	PG_RES_PDU	
Derivation Path:		
Comments:	To match a received PAGING RESPONSE message with default TMSI, CKSN and classmark2.	
Field Name	Field Value	Comments
ski	'0000'B	
rrpd	'0110'B	
mt	'00100111'B	
shoct	'0000'B	
cphksn	CphKeySN_01	
msclm	TSPX_ClassMark2	
mi	MiTmsi_01	
Detailed Comments:		

PDU Constraint Declaration		
Constraint Name:	PagingRes_r01	
PDU Type:	PG_RES_PDU	
Derivation Path:	PagingRes_01.	
Comments:	To match any received PAGING RESPONSE message, RR tests.	
Field Name	Field Value	Comments
mi	MiTmsi_01	
Detailed Comments:		

PDU Constraint Declaration		
Constraint Name:	PagingRes_r02	
PDU Type:	PG_RES_PDU	
Derivation Path:	PagingRes_01.	
Comments:	To match the received PAGING RESPONSE message containing IMSI of the IUT for RR tests.	
Field Name	Field Value	Comments
mi	Milmsi_01	
Detailed Comments:		

PDU Constraint Declaration		
Constraint Name:	PagingRes_30(par:MI; cksn: BITSTRING)	
PDU Type:	PG_RES_PDU	
Derivation Path:		
Comments:	To match any received PAGING RESPONSE message. Used in MM test cases.	
Field Name	Field Value	Comments
ski	'0000'B	
rrpd	'0110'B	
mt	'00100111'B	
shoct	'0000'B	
cphksn	CphKeySN_07(cksn)	
msclm	?	
mi	par	
Detailed Comments:		

PDU Constraint Declaration		
Constraint Name:	PgReqTp1_01	
PDU Type:	PG1_RQ_PDU	
Derivation Path:		
Comments:	An PAGING REQUEST TYPE1 message requesting any channel with normal paging mode, the mobile identity is TMSI.	
Field Name	Field Value	Comments
l2_pl	'25'O	
ski	'0000'B	
rrpd	'0110'B	
mt	'00100001'B	
chn_m1_2	Chneed_01	
pm	Pm_01	
mi1	MiTmsi_01	
mi2	OMIT	
p1roct	'2B2B2B2B2B2B2B2B2B2B2B2B'O	
Detailed Comments:		

PDU Constraint Declaration		
Constraint Name:	PgReqTp1_02	
PDU Type:	PG1_RQ_PDU	
Derivation Path:	PgReqTp1_01.	
Comments:	A PAGING REQUEST TYPE1 message to request SDCCH channel with normal paging mode for mobile identity MiTmsi_01.	
Field Name	Field Value	Comments
chn_m1_2	Chneed_02	
Detailed Comments:		

PDU Constraint Declaration		
Constraint Name:	PgReqTp1_03	
PDU Type:	PG1_RQ_PDU	
Derivation Path:	PgReqTp1_01.	
Comments:	A PAGING REQUEST TYPE1 message to request TCH/F channel with normal paging mode for mobile identity MiTmsi_01.	
Field Name	Field Value	Comments
chn_m1_2	Chneed_03	
Detailed Comments:		

PDU Constraint Declaration		
Constraint Name:	PgReqTp1_04	
PDU Type:	PG1_RQ_PDU	
Derivation Path:	PgReqTp1_01.	
Comments:	A PAGING REQUEST TYPE1 message to request TCH/H or TCH/F channel with normal paging mode for mobile identity MiTmsi_01.	
Field Name	Field Value	Comments
chn_m1_2	Chneed_04	
Detailed Comments:		

PDU Constraint Declaration		
Constraint Name:	PgReqTp1_05	
PDU Type:	PG1_RQ_PDU	
Derivation Path:	PgReqTp1_01.	
Comments:	PAGING REQUEST TYPE1 message with mobile identity 1 being IMSI of the MS.	
Field Name	Field Value	Comments
l2_pl	OC_IntToOct(((3 + OC_LengthOf(Milmsi_01)) * 4) + 1, 1) Milmsi_01 OC_SubOctet('2B2B2B2B2B2B2B2B2B2 B2B2B2B2B2B2B'0, 19 - OC_LengthOf(Milmsi_01))	
mi1		
p1roct		
Detailed Comments:		

PDU Constraint Declaration		
Constraint Name:	PgReqTp1_06	
PDU Type:	PG1_RQ_PDU	
Derivation Path:	PgReqTp1_01.	
Comments:	PAGING REQUEST TYPE1 message with mobile identity 1 being IMSI of the MS.	
Field Name	Field Value	Comments
l2_pl	OC_IntToOct(((3 + OC_LengthOf(Milmsi_r01)) * 4) + 1, 1) Pm_03 Milmsi_r01 OC_SubOctet('2B2B2B2B2B2B2B2B2B2 B2B2B2B2B2B2B'0, 19 - OC_LengthOf(Milmsi_r01))	
pm		
mi1		
p1roct		
Detailed Comments:		

PDU Constraint Declaration		
Constraint Name:	PgReqTp1_r01	
PDU Type:	PG1_RQ_PDU	
Derivation Path:		
Comments:	An PAGING REQUEST TYPE1 message requesting any channel with normal paging mode, the first mobile identity is TMSI, the second is IMSI different from TSPX_IMSI.	
Field Name	Field Value	Comments
l2_pl	'49'O	
ski	'0000'B	
rrpd	'0110'B	
mt	'00100001'B	
chn_m1_2	Chneed_01	
pm	Pm_01	
mi1	MiTmsi_01	
mi2	Milmsi_r01iei	
p1roct	'2B2B2B2B'O	
Detailed Comments:		

PDU Constraint Declaration		
Constraint Name:	PgReqTp1_r02	
PDU Type:	PG1_RQ_PDU	
Derivation Path:		
Comments:	An PAGING REQUEST TYPE1 message requesting any channel with normal paging mode, the first mobile identity is another TMSI, the second is IMSI of the IUT (TSPX_IMSI).	
Field Name	Field Value	Comments
l2_pl	OC_IntToOct(((9 + OC_LengthOf(Milmsi_01iei)) * 4) + 1, 1)	
ski	'0000'B	
rrpd	'0110'B	
mt	'00100001'B	
chn_m1_2	Chneed_01	
pm	Pm_01	
mi1	MiTmsi_r01	
mi2	Milmsi_01iei	
p1roct	OC_SubOctet('2B2B2B2B2B2B2B2B2B2B2B'O, 13 - OC_LengthOf(Milmsi_01iei))	
Detailed Comments:		

PDU Constraint Declaration		
Constraint Name:	PgReqTp1_r03	
PDU Type:	PG1_RQ_PDU	
Derivation Path:		
Comments:	An PAGING REQUEST TYPE1 message requesting any channel with normal paging mode, the first mobile identity is an another TMSI differing from different from MiTmsi_01 and _02, the second one is TMSI of the IUT, MiTmsi_01.	
Field Name	Field Value	Comments
l2_pl	'41'O	
ski	'0000'B	
rrpd	'0110'B	
mt	'00100001'B	
chn_m1_2	Chneed_01	
pm	Pm_01	
mi1	MiTmsi_r01	
mi2	MiTmsi_01iei	
p1roct	'2B2B2B2B2B2B'O	
Detailed Comments:		

PDU Constraint Declaration		
Constraint Name:	PgReqTp1_r04	
PDU Type:	PG1_RQ_PDU	
Derivation Path:	PgReqTp1_01.	
Comments:	An PAGING REQUEST TYPE1 message requesting any channel with normal paging mode, the mobile identity is TMSI, but the identity type is set to 'no identity'.	
Field Name	Field Value	Comments
mi1	MiTmsi_r02	
Detailed Comments:		

PDU Constraint Declaration		
Constraint Name:	PgReqTp2_01	
PDU Type:	PG2_RQ_PDU	
Derivation Path:		
Comments:	An PAGING REQUEST TYPE2 message requesting any channel with normal paging mode, the mobile identity is TMSI of the IUT.	
Field Name	Field Value	Comments
l2_pl	'2D'O	
ski	'0000'B	
rrpd	'0110'B	
mt	'00100010'B	
chn_m1_2	Chneed_01	
pm	Pm_01	
mi1	Tmsi_01	
mi2	Tmsi_r01	
mi3	OMIT	
p2roct	'2B2B2B2B2B2B2B2B2B2B2B2B'O	
Detailed Comments:		

PDU Constraint Declaration		
Constraint Name:	PgReqTp2_02	
PDU Type:	PG2_RQ_PDU	
Derivation Path:		
Comments:	An PAGING REQUEST TYPE2 message requesting any channel with extended paging mode and not addressing the MS under test.	
Field Name	Field Value	Comments
l2_pl	'2D'O	
ski	'0000'B	
rrpd	'0110'B	
mt	'00100010'B	
chn_m1_2	Chneed_01	
pm	Pm_03	
mi1	Tmsi_r01	
mi2	Tmsi_r03	
mi3	OMIT	
p2roct	'2B2B2B2B2B2B2B2B2B2B2B2B'O	
Detailed Comments:		

PDU Constraint Declaration		
Constraint Name:	PgReqTp2_03	
PDU Type:	PG2_RQ_PDU	
Derivation Path:		
Comments:	An PAGING REQUEST TYPE2 message requesting any channel with paging reorganisation mode, the mobile identity is TMSI of the IUT.	
Field Name	Field Value	Comments
l2_pl	'2D'O	
ski	'0000'B	
rrpd	'0110'B	
mt	'00100010'B	
chn_m1_2	Chneed_01	
pm	Pm_04	
mi1	Tmsi_01	
mi2	Tmsi_r01	
mi3	OMIT	
p2roct	'2B2B2B2B2B2B2B2B2B2B'O	
Detailed Comments:		

PDU Constraint Declaration		
Constraint Name:	PgReqTp2_04	
PDU Type:	PG2_RQ_PDU	
Derivation Path:		
Comments:	An PAGING REQUEST TYPE2 message requesting any channel with same as before paging mode, the mobile identity is TMSI of the IUT.	
Field Name	Field Value	Comments
l2_pl	'2D'O	
ski	'0000'B	
rrpd	'0110'B	
mt	'00100010'B	
chn_m1_2	Chneed_01	
pm	Pm_05	
mi1	Tmsi_01	
mi2	Tmsi_r01	
mi3	OMIT	
p2roct	'2B2B2B2B2B2B2B2B2B2B'O	
Detailed Comments:		

PDU Constraint Declaration		
Constraint Name:	PgReqTp2_r01	
PDU Type:	PG2_RQ_PDU	
Derivation Path:		
Comments:	An PAGING REQUEST TYPE2 message requesting any channel with normal paging mode, the 1st mobile identity is TMSI of the IUT. The 2nd one addresses an another MS.	
Field Name	Field Value	Comments
l2_pl	'2D'O	
ski	'0000'B	
rrpd	'0110'B	
mt	'00100010'B	
chn_m1_2	Chneed_01	
pm	Pm_01	
mi1	Tmsi_01	
mi2	Tmsi_r01	
mi3	OMIT	
p2roct	'2B2B2B2B2B2B2B2B2B2B'O	
Detailed Comments:		

PDU Constraint Declaration		
Constraint Name:	PgReqTp2_r02	
PDU Type:	PG2_RQ_PDU	
Derivation Path:		
Comments:	An PAGING REQUEST TYPE2 message requesting any channel with normal paging mode, the 2nd mobile identity is TMSI of the IUT. The 1st one addresses an another MS.	
Field Name	Field Value	Comments
l2_pl	'2D'O	
ski	'0000'B	
rrpd	'0110'B	
mt	'00100010'B	
chn_m1_2	Chneed_01	
pm	Pm_01	
mi1	Tmsi_r01	
mi2	Tmsi_01	
mi3	OMIT	
p2roct	'2B2B2B2B2B2B2B2B2B2B'O	
Detailed Comments:		

PDU Constraint Declaration		
Constraint Name:	PgReqTp2_r03	
PDU Type:	PG2_RQ_PDU	
Derivation Path:		
Comments:	An PAGING REQUEST TYPE2 message requesting any channel with normal paging mode, the 3 mobile identity is TMSI of the IUT. The 1st and 2nd one address an another MS.	
Field Name	Field Value	Comments
l2_pl	'49'O	
ski	'0000'B	
rrpd	'0110'B	
mt	'00100010'B	
chn_m1_2	Chneed_01	
pm	Pm_01	
mi1	Tmsi_r03	
mi2	Tmsi_r01	
mi3	MiTmsi_01iei	
p2roct	'2B2B2B2B'O	
Detailed Comments:		

PDU Constraint Declaration		
Constraint Name:	PgReqTp2_r04	
PDU Type:	PG2_RQ_PDU	
Derivation Path:		
Comments:	An PAGING REQUEST TYPE2 message requesting any channel with normal paging mode, the 1st and 2nd mobile identity addresses an another MS. The 3rd one is IMSI of the IUT. .	
Field Name	Field Value	Comments
l2_pl	OC_IntToOct(((11 + OC_LengthOf(Milmsi_01iei)) * 4) + 1, 1)	
ski	'0000'B	
rrpd	'0110'B	
mt	'00100010'B	
chn_m1_2	Chneed_01	
pm	Pm_01	
mi1	Tmsi_r03	
mi2	Tmsi_r01	
mi3	Milmsi_01iei	
p2roct	OC_SubOctet('2B2B2B2B2B2B2B2B2B2B2B2B2B2B'O, 11 - OC_LengthOf(Milmsi_01iei))	
Detailed Comments:		

PDU Constraint Declaration		
Constraint Name:	PgReqTp2_r05	
PDU Type:	PG2_RQ_PDU	
Derivation Path:		
Comments:	An PAGING REQUEST TYPE2 message requesting any channel with normal paging mode, the 3 mobile identity is TMSI of the IUT with the type of no id. The 1st and 2nd one address an another MS.	
Field Name	Field Value	Comments
l2_pl	'49'O	
ski	'0000'B	
rrpd	'0110'B	
mt	'00100010'B	
chn_m1_2	Chneed_01	
pm	Pm_01	
mi1	Tmsi_r03	
mi2	Tmsi_r01	
mi3	MiTmsi_r02iei	
p2roct	'2B2B2B2B'O	
Detailed Comments:		

PDU Constraint Declaration		
Constraint Name:	PgReqTp2_r06	
PDU Type:	PG2_RQ_PDU	
Derivation Path:		
Comments:	An PAGING REQUEST TYPE2 message requesting any channel with normal paging mode, the 1st and 2nd mobile identity addresses an another MS. The 3rd one is IMSI of the IUT. .	
Field Name	Field Value	Comments
l2_pl	OC_IntToOct(((11 + OC_LengthOf(Milmsi_01iei)) * 4) + 1, 1)	
ski	'0000'B	
rrpd	'0110'B	
mt	'00100010'B	
chn_m1_2	Chneed_01	
pm	Pm_03	
mi1	Tmsi_r03	
mi2	Tmsi_r01	
mi3	Milmsi_01iei	
p2roct	OC_SubOctet('2B2B2B2B2B2B2B2B2B2B'O, 11 - OC_LengthOf(Milmsi_01iei))	
Detailed Comments:		

PDU Constraint Declaration		
Constraint Name:	PgReqTp3_01	
PDU Type:	PG3_RQ_PDU	
Derivation Path:		
Comments:	An PAGING REQUEST TYPE3 message requesting any channel with extended paging mode and not addressing the MS under test.	
Field Name	Field Value	Comments
l2_pl	'4D'O	
ski	'0000'B	
rrpd	'0110'B	
mt	'00100100'B	
chn_m1_2	Chneed_01	
pm	Pm_03	
mi1	Tmsi_r05	
mi2	Tmsi_r01	
mi3	Tmsi_r03	
mi4	Tmsi_r04	
p3roct	'2B2B2B'O	
Detailed Comments: Only used in 26_6_2_2 within Pg_Req3_01.		

PDU Constraint Declaration		
Constraint Name:	PgReqTp3_02	
PDU Type:	PG3_RQ_PDU	
Derivation Path:		
Comments:	An PAGING REQUEST TYPE3 message containing paging mode = "same as before".	
Field Name	Field Value	Comments
l2_pl	'4D'O	
ski	'0000'B	
rrpd	'0110'B	
mt	'00100100'B	
chn_m1_2	Chneed_01	
pm	Pm_05	
mi1	Tmsi_r05	
mi2	Tmsi_r01	
mi3	Tmsi_r03	
mi4	Tmsi_r04	
p3roct	'2B2B2B'O	
Detailed Comments:	Only used in TC_26_6_2_4 within Pg_Req3_02	

PDU Constraint Declaration		
Constraint Name:	PgReqTp3_03	
PDU Type:	PG3_RQ_PDU	
Derivation Path:		
Comments:	An PAGING REQUEST TYPE3 message containing paging mode = "normal paging".	
Field Name	Field Value	Comments
l2_pl	'4D'O	
ski	'0000'B	
rrpd	'0110'B	
mt	'00100100'B	
chn_m1_2	Chneed_01	
pm	Pm_01	
mi1	Tmsi_r05	
mi2	Tmsi_r01	
mi3	Tmsi_r03	
mi4	Tmsi_r04	
p3roct	'2B2B2B'O	
Detailed Comments:		

PDU Constraint Declaration		
Constraint Name:	PgReqTp3_r01	
PDU Type:	PG3_RQ_PDU	
Derivation Path:		
Comments:	An PAGING REQUEST TYPE3 message requesting any channel with normal paging mode, the 1st mobile identity is TMSI of the IUT. The 2nd, 3rd and 4th one address another MSs.	
Field Name	Field Value	Comments
l2_pl	'4D'O	
ski	'0000'B	
rrpd	'0110'B	
mt	'00100100'B	
chn_m1_2	Chneed_01	
pm	Pm_01	
mi1	Tmsi_01	
mi2	Tmsi_r01	
mi3	Tmsi_r03	
mi4	Tmsi_r04	
p3roct	'2B2B2B'O	
Detailed Comments:		

PDU Constraint Declaration		
Constraint Name:	PgReqTp3_r02	
PDU Type:	PG3_RQ_PDU	
Derivation Path:	PgReqTp3_r01.	
Comments:	An PAGING REQUEST TYPE3 message requesting any channel with normal paging mode, the 2nd mobile identity is TMSI of the IUT. The 1st, 3rd and 4th one address another MSs.	
Field Name	Field Value	Comments
mi1	Tmsi_r01	
mi2	Tmsi_01	
Detailed Comments:		

PDU Constraint Declaration		
Constraint Name:	PgReqTp3_r03	
PDU Type:	PG3_RQ_PDU	
Derivation Path:	PgReqTp3_r01.	
Comments:	An PAGING REQUEST TYPE3 message requesting any channel with normal paging mode, the 3rd mobile identity is TMSI of the IUT. The 1st, 2nd and 4th one address another MSs.	
Field Name	Field Value	Comments
mi1	Tmsi_r03	
mi3	Tmsi_01	
Detailed Comments:		

PDU Constraint Declaration		
Constraint Name:	PgReqTp3_r04	
PDU Type:	PG3_RQ_PDU	
Derivation Path:	PgReqTp3_r01.	
Comments:	An PAGING REQUEST TYPE3 message requesting any channel with normal paging mode, the 4th mobile identity is TMSI of the IUT. The 1st, 2nd and 3rd one address another MSs.	
Field Name	Field Value	Comments
mi1	Tmsi_r04	
mi4	Tmsi_01	
Detailed Comments:		

PDU Constraint Declaration		
Constraint Name:	PgReqTp3_r05	
PDU Type:	PG3_RQ_PDU	
Derivation Path:		
Comments:	An PAGING REQUEST TYPE3 message requesting any channel with normal paging mode, the 1st mobile identity is TMSI of the IUT. The 2nd, 3rd and 4th one address another MSs.	
Field Name	Field Value	Comments
l2_pl	'4D'O	
ski	'0000'B	
rrpd	'0110'B	
mt	'00100100'B	
chn_m1_2	Chneed_01	
pm	Pm_03	
mi1	Tmsi_01	
mi2	Tmsi_r01	
mi3	Tmsi_r03	
mi4	Tmsi_r04	
p3roct	'2B2B2B'O	
Detailed Comments:		

PDU Constraint Declaration		
Constraint Name: Phyinfor_01(ta:TA)		
PDU Type: PHYINFO_PDU		
Derivation Path:		
Comments:		
Field Name	Field Value	Comments
ski	'0000'B	
rrpd	'0110'B	
mt	'00101101'B	
ta	ta	
Detailed Comments:		

PDU Constraint Declaration		
Constraint Name: Phyinfor_02(ta:TA)		
PDU Type: PHYINFO_PDU		
Derivation Path:		
Comments:		
Field Name	Field Value	Comments
ski	'0000'B	
rrpd	'0110'B	
mt	'00101101'B	
ta	ta	
Detailed Comments:		

PDU Constraint Declaration		
Constraint Name: Phyinfor_04(ta:TA)		
PDU Type: PHYINFO_PDU		
Derivation Path:		
Comments:		
Field Name	Field Value	Comments
ski	'0000'B	
rrpd	'0110'B	
mt	'00101101'B	
ta	ta	
Detailed Comments:		

PDU Constraint Declaration		
Constraint Name: Progress_01(Ti:TI)		
PDU Type: PROG_PDU		
Derivation Path:		
Comments:		
Field Name	Field Value	Comments
ti	Ti	
ccpd	'0011'B	
mt	'00000011'B	
pi	ProgInd_02	
uu	OMIT	
Detailed Comments:		

PDU Constraint Declaration		
Constraint Name:	Progress_02(Ti:TI)	
PDU Type:	PROG_PDU	
Derivation Path:		
Comments:		
Field Name	Field Value	Comments
ti	Ti	
ccpd	'0011'B	
mt	'00000011'B	
pi	ProgInd_03	
uu	OMIT	
Detailed Comments:		

PDU Constraint Declaration		
Constraint Name:	RegisterPdu_01	
PDU Type:	REGISTER_PDU	
Derivation Path:		
Comments:	To match any received REGISTER message	
Field Name	Field Value	Comments
ti	?	
sspd	('1011'B, '0011'B)	
mt	'0?111011'B	
fie	?	
ssvi	*	
Detailed Comments:		

PDU Constraint Declaration		
Constraint Name:	RegisterPdu_03(fie:FIE)	
PDU Type:	REGISTER_PDU	
Derivation Path:		
Comments:	To match a received REGISTER message invoking registration of CFRNy for Speech	
Field Name	Field Value	Comments
ti	?	
sspd	'1011'B	
mt	'0?111011'B	
fie	fie	
ssvi	?	
Detailed Comments:		

PDU Constraint Declaration		
Constraint Name:	RegisterPdu_34(Ti:TI; fie:FIE)	
PDU Type:	REGISTER_PDU	
Derivation Path:		
Comments:	To send a REGISTER message containing Invoke for UnstructuredSS-Notify	
Field Name	Field Value	Comments
ti	Ti	
sspd	'1011'B	
mt	'00111011'B	
fie	fie	
ssvi	OMIT	
Detailed Comments:		

PDU Constraint Declaration		
Constraint Name:	Release_01	
PDU Type:	REL_PDU	
Derivation Path:		
Comments:	A CC RELEASE message containing cause #96, used to match received CC RELEASE message.	
Field Name	Field Value	Comments
ti	TI_01	
ccpd	'0011'B	
mt	'0?101101'B	
cau	Cause_04iei	
cau2	*	
fie	*	
uu	*	
ssvi	*	
Detailed Comments:		

PDU Constraint Declaration		
Constraint Name:	Release_02	
PDU Type:	REL_PDU	
Derivation Path:	Release_01.	
Comments:	A CC RELEASE message to match any received CC RELEASE message.	
Field Name	Field Value	Comments
ti	?	
cau	*	
Detailed Comments:		

PDU Constraint Declaration		
Constraint Name:	Release_03(Ti:TI)	
PDU Type:	REL_PDU	
Derivation Path:		
Comments:	A CC RELEASE message containing cause #31 to be sent to the MS.	
Field Name	Field Value	Comments
ti	Ti	
ccpd	'0011'B	
mt	'00101101'B	
cau	Cause_11	
cau2	OMIT	
fie	OMIT	
uu	OMIT	
ssvi	OMIT	
Detailed Comments:		

PDU Constraint Declaration		
Constraint Name:	Release_05(Ti:TI; Cau:CAU)	
PDU Type:	REL_PDU	
Derivation Path:		
Comments:	A CC RELEASE message.	
Field Name	Field Value	Comments
ti	Ti	
ccpd	'0011'B	
mt	'0?101101'B	
cau	Cau	
cau2	Cause_14 IF_PRESENT	
fie	*	
uu	*	
ssvi	*	
Detailed Comments:		

PDU Constraint Declaration		
Constraint Name:	Release_06(Ti:TI)	
PDU Type:	REL_PDU	
Derivation Path:		
Comments:	A CC RELEASE message containing cause #16 and second cause #102 to be sent to the MS.	
Field Name	Field Value	Comments
ti	Ti	
ccpd	'0011'B	
mt	'00101101'B	
cau	Cause_01iei	
cau2	Cause_23	
fie	OMIT	
uu	OMIT	
ssvi	OMIT	
Detailed Comments:		

PDU Constraint Declaration		
Constraint Name:	Release_08(Ti:TI)	
PDU Type:	REL_PDU	
Derivation Path:		
Comments:	A CC RELEASE message with mandatory IE's only used in structured procedures test .	
Field Name	Field Value	Comments
ti	Ti	
ccpd	'0011'B	
mt	'00101101'B	
cau	OMIT	
cau2	OMIT	
fie	OMIT	
uu	OMIT	
ssvi	OMIT	
Detailed Comments:		

PDU Constraint Declaration		
Constraint Name:	Release_09(Ti:TI)	
PDU Type:	REL_PDU	
Derivation Path:		
Comments:	A CC RELEASE message with mandatory IE's only to be received.	
Field Name	Field Value	Comments
ti	Ti	
ccpd	'0011'B	
mt	'0?101101'B	
cau	OMIT	
cau2	OMIT	
fie	OMIT	
uu	OMIT	
ssvi	OMIT	
Detailed Comments:		

PDU Constraint Declaration		
Constraint Name:	Release_10(Ti:TI)	
PDU Type:	REL_PDU	
Derivation Path:		
Comments:	A CC RELEASE message used to match any received CC RELEASE message with a controllable TI.	
Field Name	Field Value	Comments
ti	Ti	
ccpd	'0011'B	
mt	'0?101101'B	
cau	*	
cau2	*	
fie	*	
uu	*	
ssvi	*	
Detailed Comments:		

PDU Constraint Declaration		
Constraint Name:	ReleaseCmp_01(Ti:TI)	
PDU Type:	REL_COM_PDU	
Derivation Path:		
Comments:	A RELEASE COMPLETE message containing cause value = #81. ms -> n	
Field Name	Field Value	Comments
ti	Ti	
cc_sspd	'0011'B	
mt	'0?101010'B	
cau	Cause_07	
fie	*	
uu	*	
ssvi	*	
Detailed Comments:		

PDU Constraint Declaration		
Constraint Name:	ReleaseCmp_02	
PDU Type:	REL_COM_PDU	
Derivation Path:		
Comments:	A RELEASE COMPLETE message containing cause value #16. n -> ms	
Field Name	Field Value	Comments
ti	Tl_02	
cc_sspd	'0011'B	
mt	'00101010'B	
cau	Cause_26	
fie	OMIT	
uu	OMIT	
ssvi	OMIT	
Detailed Comments:		

PDU Constraint Declaration		
Constraint Name:	ReleaseCmp_03(Ti:TI)	
PDU Type:	REL_COM_PDU	
Derivation Path:		
Comments:	To match any received RELEASE message.	
Field Name	Field Value	Comments
ti	Ti	
cc_sspd	'0011'B	
mt	'0?101010'B	
cau	*	
fie	*	
uu	*	
ssvi	*	
Detailed Comments:		

PDU Constraint Declaration		
Constraint Name:	ReleaseCmp_04(Ti:TI)	
PDU Type:	REL_COM_PDU	
Derivation Path:		
Comments:	A RELEASE COMPLETE message containing cause value #1. n -> ms	
Field Name	Field Value	Comments
ti	Ti	
cc_sspd	'0011'B	
mt	'00101010'B	
cau	Cause_10	
fie	OMIT	
uu	OMIT	
ssvi	OMIT	
Detailed Comments:		

PDU Constraint Declaration		
Constraint Name:	ReleaseCmp_05	
PDU Type:	REL_COM_PDU	
Derivation Path:		
Comments:	A RELEASE COMPLETE message containing cause value #88. ms -> n.	
Field Name	Field Value	Comments
ti	TI_01	
cc_sspd	'0011'B	
mt	'0?101010'B	
cau	Cause_12	
fie	*	
uu	*	
ssvi	*	
Detailed Comments:		

PDU Constraint Declaration		
Constraint Name:	ReleaseCmp_06	
PDU Type:	REL_COM_PDU	
Derivation Path:		
Comments:	A RELEASE COMPLETE message containing cause value #21. ms -> n.	
Field Name	Field Value	Comments
ti	TI_01	
cc_sspd	'0011'B	
mt	'0?101010'B	
cau	Cause_13	
fie	*	
uu	*	
ssvi	*	
Detailed Comments:		

PDU Constraint Declaration		
Constraint Name:	ReleaseCmp_07(Ti:TI)	
PDU Type:	REL_COM_PDU	
Derivation Path:		
Comments:	A RELEASE COMPLETE message containing cause value = #88. ms -> n	
Field Name	Field Value	Comments
ti	Ti	
cc_sspd	'0011'B	
mt	'0?101010'B	
cau	Cause_27	
fie	*	
uu	*	
ssvi	*	
Detailed Comments:		

PDU Constraint Declaration		
Constraint Name:	ReleaseCmp_08(Ti :TI)	
PDU Type:	REL_COM_PDU	
Derivation Path:		
Comments:	A RELEASE COMPLETE message containing mandatory IEs only. n -> ms	
Field Name	Field Value	Comments
ti	Ti	
cc_sspd	'0011'B	
mt	'00101010'B	
cau	OMIT	
fie	OMIT	
uu	OMIT	
ssvi	OMIT	
Detailed Comments:		

PDU Constraint Declaration		
Constraint Name:	ReleaseCmp_09(Ti :TI; fie:FIE)	
PDU Type:	REL_COM_PDU	
Derivation Path:		
Comments:	A RELEASE COMPLETE message containing facility IE. n -> ms	
Field Name	Field Value	Comments
ti	Ti	
cc_sspd	'1011'B	
mt	'00101010'B	
cau	OMIT	
fie	fie	
uu	OMIT	
ssvi	OMIT	
Detailed Comments:		

PDU Constraint Declaration		
Constraint Name:	ReleaseCmp_10(Ti:TI)	
PDU Type:	REL_COM_PDU	
Derivation Path:		
Comments:	A RELEASE COMPLETE message containing cause value = #17. ms -> n	
Field Name	Field Value	Comments
ti	Ti	
cc_sspd	'0011'B	
mt	'0?101010'B	
cau	Cause_17	
fie	*	
uu	*	
ssvi	*	
Detailed Comments:		

PDU Constraint Declaration		
Constraint Name:	ReleaseCmp_25(Ti:TI)	
PDU Type:	REL_COM_PDU	
Derivation Path:		
Comments:	To match a received RELEASE message which may or may not contain facility IE	
Field Name	Field Value	Comments
ti	Ti	
cc_sspd	'0011'B	
mt	'0?101010'B	
cau	*	
fie	facilityIErcviei(FwdChAdvRslt_01) IF_PRESENT	
uu	*	
ssvi	*	
Detailed Comments:		

PDU Constraint Declaration		
Constraint Name:	ReleaseCmp_42(Ti:TI)	
PDU Type:	REL_COM_PDU	
Derivation Path:		
Comments:	To send a RELEASE COMPLETE message containing cause 'facility rejected' and without FIE	
Field Name	Field Value	Comments
ti	Ti	
cc_sspd	'1011'B	
mt	'00101010'B	
cau	Cause_28	
fie	OMIT	
uu	OMIT	
ssvi	OMIT	
Detailed Comments:		

PDU Constraint Declaration		
Constraint Name:	ReleaseCmp_47(Ti:TI)	
PDU Type:	REL_COM_PDU	
Derivation Path:		
Comments:	To send a RELEASE COMPLETE message without cause and without FIE	
Field Name	Field Value	Comments
ti	Ti	
cc_sspd	'1011'B	
mt	'00101010'B	
cau	OMIT	
fie	OMIT	
uu	OMIT	
ssvi	OMIT	
Detailed Comments:		

PDU Constraint Declaration		
Constraint Name:	ReleaseCmp_49(Ti:TI; Invkid:OCTETSTRING)	
PDU Type:	REL_COM_PDU	
Derivation Path:		
Comments:	To receive a RELEASE COMPLETE message containing Return Error for UnstructuredSS-Notify with the error code USSD Busy	
Field Name	Field Value	Comments
ti	Ti	
cc_sspd	'1011'B	
mt	'0?101010'B	
cau	*	
fie	facilityIErcviei(NotificationSS_09(Invkid))	
uu	OMIT	
ssvi	OMIT	
Detailed Comments:		

PDU Constraint Declaration		
Constraint Name:	ReleaseCmp_50(Ti:TI; Invkid:OCTETSTRING)	
PDU Type:	REL_COM_PDU	
Derivation Path:		
Comments:	To receive a RELEASE COMPLETE message containing Return Error for UnstructuredSS-Request with the error code USSD Busy	
Field Name	Field Value	Comments
ti	Ti	
cc_sspd	'1011'B	
mt	'0?101010'B	
cau	*	
fie	facilityIErcviei(USSDReq_05(Invkid))	
uu	OMIT	
ssvi	OMIT	
Detailed Comments:		

PDU Constraint Declaration		
Constraint Name:	ReleaseCmp_52	
PDU Type:	REL_COM_PDU	
Derivation Path:		
Comments:	A RELEASE COMPLETE message containing cause value #81 and TI = '1110'B. ms -> n.	
Field Name	Field Value	Comments
ti	TI_05	
cc_sspd	'0011'B	
mt	'0?101010'B	
cau	Cause_22	
fie	OMIT	
uu	OMIT	
ssvi	OMIT	
Detailed Comments:		

PDU Constraint Declaration		
Constraint Name:	ReleaseCmp_inv_02	
PDU Type:	REL_COM_PDU	
Derivation Path:	ReleaseCmp_02.	
Comments:	An invalid RELEASE COMPLETE message containing unknown optional IEI	
Field Name	Field Value	Comments
cau	Cause_08	
Detailed Comments:		

PDU Constraint Declaration		
Constraint Name:	ReleaseReq_inv_01(Ti:TI)	
PDU Type:	REL_PDU	
Derivation Path:		
Comments:	An invalid RELEASE message containing unknown optional IE.	
Field Name	Field Value	Comments
ti	Ti	
ccpd	'0011'B	
mt	'00101101'B	
cau	Cause_09	
cau2	OMIT	
fie	OMIT	
uu	OMIT	
ssvi	OMIT	
Detailed Comments:		

PDU Constraint Declaration		
Constraint Name:	RRStatus_01	
PDU Type:	RRST_PDU	
Derivation Path:		
Comments:	A RR STATUS message containing any RR cause.	
Field Name	Field Value	Comments
ski	'0000'B	
rrpd	'0110'B	
mt	'00010010'B	
rrcau	?	
Detailed Comments:		

PDU Constraint Declaration		
Constraint Name:	RRStatus_02	
PDU Type:	RRST_PDU	
Derivation Path:	RRStatus_01.	
Comments:	RR STATUS message containing cause value #96--invalid mandatory information	
Field Name	Field Value	Comments
rrcau	'01100000'B	
Detailed Comments:		

PDU Constraint Declaration		
Constraint Name:	RRStatus_03	
PDU Type:	RRST_PDU	
Derivation Path:	RRStatus_01.	
Comments:	A RR STATUS message containing cause value #97--message type non-existent or not implemented	
Field Name	Field Value	Comments
rrcau	'01100001'B	
Detailed Comments:		

PDU Constraint Declaration		
Constraint Name:	Setup_01	
PDU Type:	SETUP_MT_PDU	
Derivation Path:		
Comments:	A SETUP message containing speech bearer capability. n -> ms.	
Field Name	Field Value	Comments
ti	TI_02	
ccpd	'0011'B	
mt	'00000101'B	
bcri	OMIT	
bcap1	Bcap_01	
bcap2	OMIT	
fie	OMIT	
pi	OMIT	
sig	OMIT	
cgpn	OMIT	
cgps	OMIT	
cdpn	OMIT	
cdps	OMIT	
llcri	OMIT	
llcmp1	OMIT	
llcmp2	OMIT	
hlcri	OMIT	
hlcmp1	OMIT	
hlcmp2	OMIT	
uu	OMIT	
Detailed Comments:		

PDU Constraint Declaration		
Constraint Name:	Setup_03	
PDU Type:	SETUP_MT_PDU	
Derivation Path:		
Comments:	A SETUP message with mandatory IE's only. This is default for BIBO testing.	
Field Name	Field Value	Comments
ti	TI_02	
ccpd	'0011'B	
mt	'00000101'B	
bcri	OMIT	
bcap1	OMIT	
bcap2	OMIT	
fie	OMIT	
pi	OMIT	
sig	OMIT	
cgpn	OMIT	
cgps	OMIT	
cdpn	OMIT	
cdps	OMIT	
llcri	OMIT	
llcmp1	OMIT	
llcmp2	OMIT	
hlcri	OMIT	
hlcmp1	OMIT	
hlcmp2	OMIT	
uu	OMIT	
Detailed Comments:		

PDU Constraint Declaration		
Constraint Name:	Setup_04	
PDU Type:	SETUP_MT_PDU	
Derivation Path:		
Comments:	A SETUP message containing full rate bearer capability supported by the mobile station, signal IE and low layer, high layer compatibility's IE's. Used for CC testing.	
Field Name	Field Value	Comments
ti	TI_02	
ccpd	'0011'B	
mt	'00000101'B	
bcri	OMIT	
bcap1	TSPX_BCa	
bcap2	OMIT	
fie	OMIT	
pi	OMIT	
sig	Signal_01	
cgpn	OMIT	
cgps	OMIT	
cdpn	OMIT	
cdps	OMIT	
llcri	OMIT	
llcmp1	TSPX_LLCompA	
llcmp2	OMIT	
hlcri	OMIT	
hlcmp1	TSPX_HLCompA	
hlcmp2	OMIT	
uu	OMIT	
Detailed Comments:		

PDU Constraint Declaration		
Constraint Name:	Setup_06	
PDU Type:	SETUP_MT_PDU	
Derivation Path:		
Comments:	A SETUP message containing only one bearer capability and the BC is not supported by the mobile station.	
Field Name	Field Value	Comments
ti	TI_02	
ccpd	'0011'B	
mt	'00000101'B	
bcri	OMIT	
bcap1	TSPX_BC2	
bcap2	OMIT	
fie	OMIT	
pi	OMIT	
sig	OMIT	
cgpn	OMIT	
cgps	OMIT	
cdpn	OMIT	
cdps	OMIT	
llcri	OMIT	
llcmp1	OMIT	
llcmp2	OMIT	
hlcri	OMIT	
hlcmp1	OMIT	
hlcmp2	OMIT	
uu	OMIT	
Detailed Comments:		

PDU Constraint Declaration		
Constraint Name:	Setup_20(par: BCAP)	
PDU Type:	SETUP_MT_PDU	
Derivation Path:		
Comments:	A SETUP message containing bearer capability supported by the mobile station.	
Field Name	Field Value	Comments
ti	TI_02	
ccpd	'0011'B	
mt	'00000101'B	
bcri	OMIT	
bcap1	par	
bcap2	OMIT	
fie	OMIT	
pi	OMIT	
sig	OMIT	
cgpn	OMIT	
cgps	OMIT	
cdpn	OMIT	
cdps	OMIT	
llcri	OMIT	
llcmp1	OMIT	
llcmp2	OMIT	
hlcri	OMIT	
hlcmp1	OMIT	
hlcmp2	OMIT	
uu	OMIT	
Detailed Comments:		

PDU Constraint Declaration		
Constraint Name:	Setup_21(par1:RPI; par2, par3 :BCAP)	
PDU Type:	SETUP_MT_PDU	
Derivation Path:		
Comments:	A SETUP message containing two bearer capabilities supported by the mobile station.	
Field Name	Field Value	Comments
ti	TI_02	
ccpd	'0011'B	
mt	'00000101'B	
bcri	par1	
bcap1	par2	
bcap2	par3	
fie	OMIT	
pi	OMIT	
sig	OMIT	
cgpn	OMIT	
cgps	OMIT	
cdpn	OMIT	
cdps	OMIT	
llcri	OMIT	
llcmp1	OMIT	
llcmp2	OMIT	
hlcri	OMIT	
hlcmp1	OMIT	
hlcmp2	OMIT	
uu	OMIT	
Detailed Comments:		

PDU Constraint Declaration		
Constraint Name:	Setup_24(fie:FIE)	
PDU Type:	SETUP_MT_PDU	
Derivation Path:		
Comments:	A SETUP message containing full rate bearer capability TSPX_BCa supported by the mobile station, and low layer, high layer compatibility's IE's and facility IE but no signal IE.	
Field Name	Field Value	Comments
ti	TI_02	
ccpd	'0011'B	
mt	'00000101'B	
bcri	OMIT	
bcap1	TSPX_BCa	
bcap2	OMIT	
fie	fi	
pi	OMIT	
sig	OMIT	
cgpn	OMIT	
cgps	OMIT	
cdpn	OMIT	
cdps	OMIT	
llcri	OMIT	
llcmp1	TSPX_LLCompA	
llcmp2	OMIT	
hlcri	OMIT	
hlcmp1	TSPX_HLCompA	
hlcmp2	OMIT	
uu	OMIT	
Detailed Comments:		

PDU Constraint Declaration		
Constraint Name:	Setup_inv_01	
PDU Type:	SETUP_MT_PDU	
Derivation Path:		
Comments:	A SETUP message with ti_f value = 1 as an invalid message.	
Field Name	Field Value	Comments
ti	TI_01	
ccpd	'0011'B	
mt	'00000101'B	
bcri	OMIT	
bcap1	OMIT	
bcap2	OMIT	
fie	OMIT	
pi	OMIT	
sig	OMIT	
cgpn	OMIT	
cgps	OMIT	
cdpn	OMIT	
cdps	OMIT	
llcri	OMIT	
llcmp1	OMIT	
llcmp2	OMIT	
hlcri	OMIT	
hlcmp1	OMIT	
hlcmp2	OMIT	
uu	OMIT	
Detailed Comments:		

PDU Constraint Declaration		
Constraint Name:	Setup_inv_02	
PDU Type:	SETUP_MT_PDU	
Derivation Path:		
Comments:	An invalid SETUP message with arbitrary spare bits	
Field Name	Field Value	Comments
ti	TI_02	
ccpd	'0011'B	
mt	'00000101'B	
bcri	OMIT	
bcap1	OMIT	
bcap2	OMIT	
fie	OMIT	
pi	OMIT	
sig	Signal_01	
cgpn	Cgpn_01	
cgps	Cgps_01	
cdpn	Cdpn_01	
cdps	Cdps_01	
llcri	OMIT	
llcmp1	OMIT	
llcmp2	OMIT	
hlcri	OMIT	
hlcmp1	OMIT	
hlcmp2	OMIT	
uu	OMIT	
Detailed Comments:		

PDU Constraint Declaration		
Constraint Name:	SMSCB_01(sernum: SERIAL_NUMBER)	
PDU Type:	SMSCB_PDU	
Derivation Path:		
Comments:	To send a SMSCB message, first block	
Field Name	Field Value	Comments
blocktype	Blocktype_01('0000'B, '0'B)	
serial_number	sernum	
message_id	'0000'O	
dcs	Tpdcs_05	
page_param	'00010001'B	
message_contents	OC_CodeSMSCBMessage(1, 16)	
Detailed Comments:		

PDU Constraint Declaration		
Constraint Name:	SMSCB_02(seqnum, lb: BITSTRING; firstoct: INTEGER; lastoct: INTEGER)	
PDU Type:	SMSCB_PDU	
Derivation Path:		
Comments:	To send a SMSCB message, second to fourth block (depending on sequence number)	
Field Name	Field Value	Comments
blocktype	Blocktype_01(seqnum, lb)	
serial_number	OMIT	
message_id	OMIT	
dcs	OMIT	
page_param	OMIT	
message_contents	OC_CodeSMSCBMessage(firstoct, lastoct)	
Detailed Comments:		

PDU Constraint Declaration		
Constraint Name:	SetupInd_01	
PDU Type:	SETUP_MO_PDU	
Derivation Path:		
Comments:	To match any received SETUP message	
Field Name	Field Value	Comments
ti	TI_09	
ccpd	'0011'B	
mt	'0?000101'B	
bcri	*	
bcap1	?	
bcap2	*	
fie	*	
cgps	*	
cdpn	?	
cdps	*	
llcri	*	
llcmp1	*	
llcmp2	*	
hlcri	*	
hlcmp1	*	
hlcmp2	*	
uu	*	
ssvi	*	
clirsup	*	
clirinv	*	
cccacp	TSPX_CallCntrlCap IF_PRESENT	
Detailed Comments:		

PDU Constraint Declaration		
Constraint Name:	SetupInd_02	
PDU Type:	SETUP_MO_PDU	
Derivation Path:		
Comments:	To match the received SETUP message which initiates the dual mode services.	
Field Name	Field Value	Comments
ti	TI_09	
ccpd	'0011'B	
mt	'0?000101'B	
bcri	('11010001'B, '11010011'B)	
bcap1	?	
bcap2	?	
fie	*	
cgps	*	
cdpn	?	
cdps	*	
llcri	*	
llcmp1	*	
llcmp2	*	
hlcri	*	
hlcmp1	*	
hlcmp2	*	
uu	*	
ssvi	*	
clirsup	*	
clirinv	*	
cccacp	?	
Detailed Comments:		

PDU Constraint Declaration		
Constraint Name:	SetupInd_03	
PDU Type:	SETUP_MO_PDU	
Derivation Path:		
Comments:	To match received SETUP message in structured procedure tests	
Field Name	Field Value	Comments
ti	TI_09	
ccpd	'0011'B	
mt	'0?000101'B	
bcri	*	
bcap1	?	
bcap2	*	
fie	*	
cgps	*	
cdpn	?	
cdps	*	
llcri	*	
llcmp1	*	
llcmp2	*	
hlcri	*	
hlcmp1	*	
hlcmp2	*	
uu	*	
ssvi	*	
clirsup	*	
clirinv	*	
cccap	TSPX_CallCntrlCap IF_PRESENT	
Detailed Comments:		

PDU Constraint Declaration		
Constraint Name:	SetupInd_B121_300_1	
PDU Type:	SETUP_MO_PDU	
Derivation Path:		
Comments:	To match the setup PDU from the MS containing the Bearer Capabiility, Low Layer Compatibility and High Layer Compatibility IE's for BS 21. Combination: Bcap : ITC is UDI LLC: mandatory	
Field Name	Field Value	Comments
ti	TI_09	
ccpd	'0011'B	
mt	'0?000101'B	
bcri	OMIT	
bcap1	Bcap_Setup_B121_300_1	
bcap2	OMIT	
fie	*	
cgps	*	
cdpn	?	
cdps	*	
llcri	OMIT	
llcmp1	Llcmp_Setup_B121_300_1	
llcmp2	OMIT	
hlcri	OMIT	
hlcmp1	OMIT	
hlcmp2	OMIT	
uu	*	
ssvi	*	
clirsup	*	
clirinv	*	
cccap	TSPX_CallCntrlCap IF_PRESENT	
Detailed Comments:		

PDU Constraint Declaration		
Constraint Name:	SetupInd_B121_300_2	
PDU Type:	SETUP_MO_PDU	
Derivation Path:		
Comments:	To match the setup PDU from the MS containing the Bearer Capability, Low Layer Compatibility and High Layer Compatibility IE's for BS 21. Combination: Bcap : ITC is UDI LLC: mandatory	
Field Name	Field Value	Comments
ti	TI_09	
ccpd	'0011'B	
mt	'0?000101'B	
bcric	OMIT	
bcap1	Bcap_Setup_B121_300_2	
bcap2	OMIT	
fiel	*	
cgps	*	
cdpn	?	
cdps	*	
llcri	OMIT	
llcmp1	Llcmp_Setup_B121_300_2	
llcmp2	OMIT	
hlcri	OMIT	
hlcmp1	OMIT	
hlcmp2	OMIT	
uu	*	
ssvi	*	
clirsup	*	
clirinv	*	
cccap	TSPX_CallCntrlCap IF_PRESENT	
Detailed Comments:		

PDU Constraint Declaration		
Constraint Name:	SetupInd_B122_300_1	
PDU Type:	SETUP_MO_PDU	
Derivation Path:		
Comments:	<p>To match the setup PDU from the MS containing the Bearer Capability, Low Layer Compatibility and High Layer Compatibility IE's for BS 21.</p> <p>Combination:</p> <p>Bcap : ITC is 3.1 kHz audio</p> <p>LLC: mandatory</p>	
Field Name	Field Value	Comments
ti	TI_09	
ccpd	'0011'B	
mt	'0?000101'B	
bcrl	OMIT	
bcap1	Bcap_Setup_B122_300_1	
bcap2	OMIT	
fie	*	
cgps	*	
cdpn	?	
cdps	*	
llcri	OMIT	
llcmp1	Llcmp_Setup_B122_300_1	
llcmp2	OMIT	
hlcri	OMIT	
hlcmp1	OMIT	
hlcmp2	OMIT	
uu	*	
ssvi	*	
clirsup	*	
clirinv	*	
cccap	TSPX_CallCntrlCap IF_PRESENT	
Detailed Comments:		

PDU Constraint Declaration		
Constraint Name:	SetupInd_B122_300_2	
PDU Type:	SETUP_MO_PDU	
Derivation Path:		
Comments:	To match the setup PDU from the MS containing the Bearer Capabiility, Low Layer Compatibility and High Layer Compatibility IE's for BS 21. Combination: Bcap : ITC is 3.1 kHz audio LLC: mandatory	
Field Name	Field Value	Comments
ti	TI_09	
ccpd	'0011'B	
mt	'0?000101'B	
bcric	OMIT	
bcap1	Bcap_Setup_B122_300_2	
bcap2	OMIT	
fi	*	
cgps	*	
cdpn	?	
cdps	*	
llcri	OMIT	
llcmp1	Llcmp_Setup_B122_300_2	
llcmp2	OMIT	
hlcri	OMIT	
hlcmp1	OMIT	
hlcmp2	OMIT	
uu	*	
ssvi	*	
clirsup	*	
clirinv	*	
cccacp	TSPX_CallCntrlCap IF_PRESENT	
Detailed Comments:		

PDU Constraint Declaration		
Constraint Name:	SetupInd_B121_1200_1	
PDU Type:	SETUP_MO_PDU	
Derivation Path:		
Comments:	To match the setup PDU from the MS containing the Bearer Capability, Low Layer Compatibility and High Layer Compatibility IE's for BS 22. Combination: Bcap : ITC is UDI LLC: mandatory	
Field Name	Field Value	Comments
ti	TI_09	
ccpd	'0011'B	
mt	'0?000101'B	
bcrl	OMIT	
bcap1	Bcap_Setup_B121_1200_1	
bcap2	OMIT	
fie	*	
cgps	*	
cdpn	?	
cdps	*	
llcri	OMIT	
llcmp1	Llcmp_Setup_B121_1200_1	
llcmp2	OMIT	
hlcri	OMIT	
hlcmp1	OMIT	
hlcmp2	OMIT	
uu	*	
ssvi	*	
clirsup	*	
clirinv	*	
cccap	TSPX_CallCntrlCap IF_PRESENT	
Detailed Comments:		

PDU Constraint Declaration		
Constraint Name:	SetupInd_B121_1200_2	
PDU Type:	SETUP_MO_PDU	
Derivation Path:		
Comments:	To match the setup PDU from the MS containing the Bearer Capabiility, Low Layer Compatibility and High Layer Compatibility IE's for BS 22. Combination: Bcap : ITC is UDI LLC: mandatory	
Field Name	Field Value	Comments
ti	TI_09	
ccpd	'0011'B	
mt	'0?000101'B	
bcric	OMIT	
bcap1	Bcap_Setup_B121_1200_2	
bcap2	OMIT	
fi	*	
cgps	*	
cdpn	?	
cdps	*	
llcri	OMIT	
llcmp1	Llcmp_Setup_B121_1200_2	
llcmp2	OMIT	
hlcri	OMIT	
hlcmp1	OMIT	
hlcmp2	OMIT	
uu	*	
ssvi	*	
clirsup	*	
clirinv	*	
cccacp	TSPX_CallCntrlCap IF_PRESENT	
Detailed Comments:		

PDU Constraint Declaration		
Constraint Name:	SetupInd_B122_1200_1	
PDU Type:	SETUP_MO_PDU	
Derivation Path:		
Comments:	To match the setup PDU from the MS containing the Bearer Capability, Low Layer Compatibility and High Layer Compatibility IE's for BS 22. Combination: Bcap : ITC is 3.1 kHz audio LLC: mandatory	
Field Name	Field Value	Comments
ti	TI_09	
ccpd	'0011'B	
mt	'0?000101'B	
bcrl	OMIT	
bcap1	Bcap_Setup_B122_1200_1	
bcap2	OMIT	
fie	*	
cgps	*	
cdpn	?	
cdps	*	
llcri	OMIT	
llcmp1	Llcmp_Setup_B122_1200_1	
llcmp2	OMIT	
hlcri	OMIT	
hlcmp1	OMIT	
hlcmp2	OMIT	
uu	*	
ssvi	*	
clirsup	*	
clirinv	*	
cccap	TSPX_CallCntrlCap IF_PRESENT	
Detailed Comments:		

PDU Constraint Declaration		
Constraint Name:	SetupInd_B122_1200_2	
PDU Type:	SETUP_MO_PDU	
Derivation Path:		
Comments:	To match the setup PDU from the MS containing the Bearer Capabiility, Low Layer Compatibility and High Layer Compatibility IE's for BS 22. Combination: Bcap : ITC is 3.1 kHz audio LLC: mandatory	
Field Name	Field Value	Comments
ti	TI_09	
ccpd	'0011'B	
mt	'0?000101'B	
bcric	OMIT	
bcap1	Bcap_Setup_B122_1200_2	
bcap2	OMIT	
fi	*	
cgps	*	
cdpn	?	
cdps	*	
llcri	OMIT	
llcmp1	Llcmp_Setup_B122_1200_2	
llcmp2	OMIT	
hlcri	OMIT	
hlcmp1	OMIT	
hlcmp2	OMIT	
uu	*	
ssvi	*	
clirsup	*	
clirinv	*	
cccacp	TSPX_CallCntrlCap IF_PRESENT	
Detailed Comments:		

PDU Constraint Declaration		
Constraint Name:	SetupInd_B121_120075_1	
PDU Type:	SETUP_MO_PDU	
Derivation Path:		
Comments:	To match the setup PDU from the MS containing the Bearer Capability, Low Layer Compatibility and High Layer Compatibility IE's for BS 23. Combination: Bcap : ITC is UDI LLC: mandatory	
Field Name	Field Value	Comments
ti	TI_09	
ccpd	'0011'B	
mt	'0?000101'B	
bcrl	OMIT	
bcap1	Bcap_Setup_B121_120075_1	
bcap2	OMIT	
fie	*	
cgps	*	
cdpn	?	
cdps	*	
llcri	OMIT	
llcmp1	Llcmp_Setup_B121_120075_1	
llcmp2	OMIT	
hlcri	OMIT	
hlcmp1	OMIT	
hlcmp2	OMIT	
uu	*	
ssvi	*	
clirsup	*	
clirinv	*	
cccap	TSPX_CallCntrlCap IF_PRESENT	
Detailed Comments:		

PDU Constraint Declaration		
Constraint Name:	SetupInd_B121_120075_2	
PDU Type:	SETUP_MO_PDU	
Derivation Path:		
Comments:	To match the setup PDU from the MS containing the Bearer Capabiility, Low Layer Compatibility and High Layer Compatibility IE's for BS 23. Combination: Bcap : ITC is UDI LLC: mandatory	
Field Name	Field Value	Comments
ti	TI_09	
ccpd	'0011'B	
mt	'0?000101'B	
bcric	OMIT	
bcap1	Bcap_Setup_B121_120075_2	
bcap2	OMIT	
fi	*	
cgps	*	
cdpn	?	
cdps	*	
llcri	OMIT	
llcmp1	Llcmp_Setup_B121_120075_2	
llcmp2	OMIT	
hlcri	OMIT	
hlcmp1	OMIT	
hlcmp2	OMIT	
uu	*	
ssvi	*	
clirsup	*	
clirinv	*	
cccacp	TSPX_CallCntrlCap IF_PRESENT	
Detailed Comments:		

PDU Constraint Declaration		
Constraint Name:	SetupInd_B122_120075_1	
PDU Type:	SETUP_MO_PDU	
Derivation Path:		
Comments:	<p>To match the setup PDU from the MS containing the Bearer Capability, Low Layer Compatibility and High Layer Compatibility IE's for BS 23.</p> <p>Combination: Bcap : ITC is 3.1 kHz audio LLC: mandatory</p>	
Field Name	Field Value	Comments
ti	TI_09	
ccpd	'0011'B	
mt	'0?000101'B	
bcrl	OMIT	
bcap1	Bcap_Setup_B122_120075_1	
bcap2	OMIT	
fie	*	
cgps	*	
cdpn	?	
cdps	*	
llcri	OMIT	
llcmp1	Llcmp_Setup_B122_120075_1	
llcmp2	OMIT	
hlcri	OMIT	
hlcmp1	OMIT	
hlcmp2	OMIT	
uu	*	
ssvi	*	
clirsup	*	
clirinv	*	
cccap	TSPX_CallCntrlCap IF_PRESENT	
Detailed Comments:		

PDU Constraint Declaration		
Constraint Name:	SetupInd_B122_120075_2	
PDU Type:	SETUP_MO_PDU	
Derivation Path:		
Comments:	To match the setup PDU from the MS containing the Bearer Capabiility, Low Layer Compatibility and High Layer Compatibility IE's for BS 23. Combination: Bcap : ITC is 3.1 kHz audio LLC: mandatory	
Field Name	Field Value	Comments
ti	TI_09	
ccpd	'0011'B	
mt	'0?000101'B	
bcric	OMIT	
bcap1	Bcap_Setup_B122_120075_2	
bcap2	OMIT	
fi	*	
cgps	*	
cdpn	?	
cdps	*	
llcri	OMIT	
llcmp1	Llcmp_Setup_B122_120075_2	
llcmp2	OMIT	
hlcri	OMIT	
hlcmp1	OMIT	
hlcmp2	OMIT	
uu	*	
ssvi	*	
clirsup	*	
clirinv	*	
cccacp	TSPX_CallCntrlCap IF_PRESENT	
Detailed Comments:		

PDU Constraint Declaration		
Constraint Name:	SetupInd_B121_2400_1	
PDU Type:	SETUP_MO_PDU	
Derivation Path:		
Comments:	To match the setup PDU from the MS containing the Bearer Capability, Low Layer Compatibility and High Layer Compatibility IE's for BS 24. Combination: Bcap : ITC is UDI LLC: mandatory	
Field Name	Field Value	Comments
ti	TI_09	
ccpd	'0011'B	
mt	'0?000101'B	
bcric	OMIT	
bcap1	Bcap_Setup_B121_2400_1	
bcap2	OMIT	
fi	*	
cgps	*	
cdpn	?	
cdps	*	
llcri	OMIT	
llcmp1	Llcmp_Setup_B121_2400_1	
llcmp2	OMIT	
hlcri	OMIT	
hlcmp1	OMIT	
hlcmp2	OMIT	
uu	*	
ssvi	*	
clirsup	*	
clirinv	*	
cccap	TSPX_CallCntrlCap IF_PRESENT	
Detailed Comments:		

PDU Constraint Declaration		
Constraint Name:	SetupInd_B121_2400_2	
PDU Type:	SETUP_MO_PDU	
Derivation Path:		
Comments:	To match the setup PDU from the MS containing the Bearer Capability, Low Layer Compatibility and High Layer Compatibility IE's for BS 24. Combination: Bcap : ITC is UDI LLC: mandatory	
Field Name	Field Value	Comments
ti	TI_09	
ccpd	'0011'B	
mt	'0?000101'B	
bcric	OMIT	
bcap1	Bcap_Setup_B121_2400_2	
bcap2	OMIT	
fiel	*	
cgps	*	
cdpn	?	
cdps	*	
llcri	OMIT	
llcmp1	Llcmp_Setup_B121_2400_2	
llcmp2	OMIT	
hlcri	OMIT	
hlcmp1	OMIT	
hlcmp2	OMIT	
uu	*	
ssvi	*	
clirsup	*	
clirinv	*	
cccac	TSPX_CallCntrlCap IF_PRESENT	
Detailed Comments:		

PDU Constraint Declaration		
Constraint Name:	SetupInd_B122_2400_1	
PDU Type:	SETUP_MO_PDU	
Derivation Path:		
Comments:	<p>To match the setup PDU from the MS containing the Bearer Capability, Low Layer Compatibility and High Layer Compatibility IE's for BS 24.</p> <p>Combination:</p> <p>Bcap : ITC is 3.1 kHz audio</p> <p>LLC: mandatory</p>	
Field Name	Field Value	Comments
ti	TI_09	
ccpd	'0011'B	
mt	'0?000101'B	
bcrl	OMIT	
bcap1	Bcap_Setup_B122_2400_1	
bcap2	OMIT	
fie	*	
cgps	*	
cdpn	?	
cdps	*	
llcri	OMIT	
llcmp1	Llcmp_Setup_B122_2400_1	
llcmp2	OMIT	
hlcri	OMIT	
hlcmp1	OMIT	
hlcmp2	OMIT	
uu	*	
ssvi	*	
clirsup	*	
clirinv	*	
cccap	TSPX_CallCntrlCap IF_PRESENT	
Detailed Comments:		

PDU Constraint Declaration		
Constraint Name:	SetupInd_B122_2400_2	
PDU Type:	SETUP_MO_PDU	
Derivation Path:		
Comments:	To match the setup PDU from the MS containing the Bearer Capabiility, Low Layer Compatibility and High Layer Compatibility IE's for BS 24. Combination: Bcap : ITC is 3.1 kHz audio LLC: mandatory	
Field Name	Field Value	Comments
ti	TI_09	
ccpd	'0011'B	
mt	'0?000101'B	
bcric	OMIT	
bcap1	Bcap_Setup_B122_2400_2	
bcap2	OMIT	
fi	*	
cgps	*	
cdpn	?	
cdps	*	
llcri	OMIT	
llcmp1	Llcmp_Setup_B122_2400_2	
llcmp2	OMIT	
hlcri	OMIT	
hlcmp1	OMIT	
hlcmp2	OMIT	
uu	*	
ssvi	*	
clirsup	*	
clirinv	*	
cccacp	TSPX_CallCntrlCap IF_PRESENT	
Detailed Comments:		

PDU Constraint Declaration		
Constraint Name:	SetupInd_B121_4800_1	
PDU Type:	SETUP_MO_PDU	
Derivation Path:		
Comments:	To match the setup PDU from the MS containing the Bearer Capability, Low Layer Compatibility and High Layer Compatibility IE's for BS 25. Combination: Bcap : ITC is UDI LLC: mandatory	
Field Name	Field Value	Comments
ti	TI_09	
ccpd	'0011'B	
mt	'0?000101'B	
bcrl	OMIT	
bcap1	Bcap_Setup_B121_4800_1	
bcap2	OMIT	
fie	*	
cgps	*	
cdpn	?	
cdps	*	
llcri	OMIT	
llcmp1	Llcmp_Setup_B121_4800_1	
llcmp2	OMIT	
hlcri	OMIT	
hlcmp1	OMIT	
hlcmp2	OMIT	
uu	*	
ssvi	*	
clirsup	*	
clirinv	*	
cccap	TSPX_CallCntrlCap IF_PRESENT	
Detailed Comments:		

PDU Constraint Declaration		
Constraint Name:	SetupInd_B121_4800_2	
PDU Type:	SETUP_MO_PDU	
Derivation Path:		
Comments:	To match the setup PDU from the MS containing the Bearer Capabiility, Low Layer Compatibility and High Layer Compatibility IE's for BS 25. Combination: Bcap : ITC is UDI LLC: mandatory	
Field Name	Field Value	Comments
ti	TI_09	
ccpd	'0011'B	
mt	'0?000101'B	
bcric	OMIT	
bcap1	Bcap_Setup_B121_4800_2	
bcap2	OMIT	
fi	*	
cgps	*	
cdpn	?	
cdps	*	
llcri	OMIT	
llcmp1	Llcmp_Setup_B121_4800_2	
llcmp2	OMIT	
hlcri	OMIT	
hlcmp1	OMIT	
hlcmp2	OMIT	
uu	*	
ssvi	*	
clirsup	*	
clirinv	*	
cccacp	TSPX_CallCntrlCap IF_PRESENT	
Detailed Comments:		

PDU Constraint Declaration		
Constraint Name:	SetupInd_B122_4800_1	
PDU Type:	SETUP_MO_PDU	
Derivation Path:		
Comments:	To match the setup PDU from the MS containing the Bearer Capability, Low Layer Compatibility and High Layer Compatibility IE's for BS 25. Combination: Bcap : ITC is 3.1 kHz audio LLC: mandatory	
Field Name	Field Value	Comments
ti	TI_09	
ccpd	'0011'B	
mt	'0?000101'B	
bcrl	OMIT	
bcap1	Bcap_Setup_B122_4800_1	
bcap2	OMIT	
fie	*	
cgps	*	
cdpn	?	
cdps	*	
llcri	OMIT	
llcmp1	Llcmp_Setup_B122_4800_1	
llcmp2	OMIT	
hlcri	OMIT	
hlcmp1	OMIT	
hlcmp2	OMIT	
uu	*	
ssvi	*	
clirsup	*	
clirinv	*	
cccap	TSPX_CallCntrlCap IF_PRESENT	
Detailed Comments:		

PDU Constraint Declaration		
Constraint Name:	SetupInd_B122_4800_2	
PDU Type:	SETUP_MO_PDU	
Derivation Path:		
Comments:	<p>To match the setup PDU from the MS containing the Bearer Capabiility, Low Layer Compatibility and High Layer Compatibility IE's for BS 25.</p> <p>Combination: Bcap : ITC is 3.1 kHz audio LLC: mandatory</p>	
Field Name	Field Value	Comments
ti	TI_09	
ccpd	'0011'B	
mt	'0?000101'B	
bcric	OMIT	
bcap1	Bcap_Setup_B122_4800_2	
bcap2	OMIT	
fi	*	
cgps	*	
cdpn	?	
cdps	*	
llcri	OMIT	
llcmp1	Llcmp_Setup_B122_4800_2	
llcmp2	OMIT	
hlcri	OMIT	
hlcmp1	OMIT	
hlcmp2	OMIT	
uu	*	
ssvi	*	
clirsup	*	
clirinv	*	
cccacp	TSPX_CallCntrlCap IF_PRESENT	
Detailed Comments:		

PDU Constraint Declaration		
Constraint Name:	SetupInd_B121_9600_1	
PDU Type:	SETUP_MO_PDU	
Derivation Path:		
Comments:	<p>To match the setup PDU from the MS containing the Bearer Capability, Low Layer Compatibility and High Layer Compatibility IE's for BS 26.</p> <p>Combination: Bcap : ITC is UDI LLC: mandatory</p>	
Field Name	Field Value	Comments
ti	TI_09	
ccpd	'0011'B	
mt	'0?000101'B	
bcric	OMIT	
bcap1	Bcap_Setup_B121_9600_1	
bcap2	OMIT	
fi	*	
cgps	*	
cdpn	?	
cdps	*	
llcri	OMIT	
llcmp1	Llcmp_Setup_B121_9600_1	
llcmp2	OMIT	
hlcri	OMIT	
hlcmp1	OMIT	
hlcmp2	OMIT	
uu	*	
ssvi	*	
clirsup	*	
clirinv	*	
cccap	TSPX_CallCntrlCap IF_PRESENT	
Detailed Comments:		

PDU Constraint Declaration		
Constraint Name:	SetupInd_B121_9600_2	
PDU Type:	SETUP_MO_PDU	
Derivation Path:		
Comments:	To match the setup PDU from the MS containing the Bearer Capabiility, Low Layer Compatibility and High Layer Compatibility IE's for BS 26. Combination: Bcap : ITC is UDI LLC: mandatory	
Field Name	Field Value	Comments
ti	TI_09	
ccpd	'0011'B	
mt	'0?000101'B	
bcric	OMIT	
bcap1	Bcap_Setup_B121_9600_2	
bcap2	OMIT	
fi	*	
cgps	*	
cdpn	?	
cdps	*	
llcri	OMIT	
llcmp1	Llcmp_Setup_B121_9600_2	
llcmp2	OMIT	
hlcri	OMIT	
hlcmp1	OMIT	
hlcmp2	OMIT	
uu	*	
ssvi	*	
clirsup	*	
clirinv	*	
cccacp	TSPX_CallCntrlCap IF_PRESENT	
Detailed Comments:		

PDU Constraint Declaration		
Constraint Name:	SetupInd_B121_9600_3	
PDU Type:	SETUP_MO_PDU	
Derivation Path:		
Comments:	<p>To match the setup PDU from the MS containing the Bearer Capability, Low Layer Compatibility and High Layer Compatibility IE's for BS 26.</p> <p>Combination: Bcap : ITC is UDI LLC: mandatory</p>	
Field Name	Field Value	Comments
ti	TI_09	
ccpd	'0011'B	
mt	'0?000101'B	
bcrl	OMIT	
bcap1	Bcap_Setup_B121_9600_3	
bcap2	OMIT	
fie	*	
cgps	*	
cdpn	?	
cdps	*	
llcri	OMIT	
llcmp1	Llcmp_Setup_B121_9600_3	
llcmp2	OMIT	
hlcri	OMIT	
hlcmp1	OMIT	
hlcmp2	OMIT	
uu	*	
ssvi	*	
clirsup	*	
clirinv	*	
cccap	TSPX_CallCntrlCap IF_PRESENT	
Detailed Comments:		

PDU Constraint Declaration		
Constraint Name:	SetupInd_B121_9600_4	
PDU Type:	SETUP_MO_PDU	
Derivation Path:		
Comments:	To match the setup PDU from the MS containing the Bearer Capabiility, Low Layer Compatibility and High Layer Compatibility IE's for BS 26. Combination: Bcap : ITC is UDI LLC: mandatory	
Field Name	Field Value	Comments
ti	TI_09	
ccpd	'0011'B	
mt	'0?000101'B	
bcric	OMIT	
bcap1	Bcap_Setup_B121_9600_4	
bcap2	OMIT	
fi	*	
cgps	*	
cdpn	?	
cdps	*	
llcri	OMIT	
llcmp1	Llcmp_Setup_B121_9600_4	
llcmp2	OMIT	
hlcri	OMIT	
hlcmp1	OMIT	
hlcmp2	OMIT	
uu	*	
ssvi	*	
clirsup	*	
clirinv	*	
cccacp	TSPX_CallCntrlCap IF_PRESENT	
Detailed Comments:		

PDU Constraint Declaration		
Constraint Name:	SetupInd_B122_9600_1	
PDU Type:	SETUP_MO_PDU	
Derivation Path:		
Comments:	To match the setup PDU from the MS containing the Bearer Capability, Low Layer Compatibility and High Layer Compatibility IE's for BS 26. Combination: Bcap : ITC is 3.1 kHz audio LLC: mandatory	
Field Name	Field Value	Comments
ti	TI_09	
ccpd	'0011'B	
mt	'0?000101'B	
bcric	OMIT	
bcap1	Bcap_Setup_B122_9600_1	
bcap2	OMIT	
fi	*	
cgps	*	
cdpn	?	
cdps	*	
llcri	OMIT	
llcmp1	Llcmp_Setup_B122_9600_1	
llcmp2	OMIT	
hlcri	OMIT	
hlcmp1	OMIT	
hlcmp2	OMIT	
uu	*	
ssvi	*	
clirsup	*	
clirinv	*	
cccap	TSPX_CallCntrlCap IF_PRESENT	
Detailed Comments:		

PDU Constraint Declaration		
Constraint Name:	SetupInd_B122_9600_2	
PDU Type:	SETUP_MO_PDU	
Derivation Path:		
Comments:	To match the setup PDU from the MS containing the Bearer Capabiility, Low Layer Compatibility and High Layer Compatibility IE's for BS 26. Combination: Bcap : ITC is 3.1 kHz audio LLC: mandatory	
Field Name	Field Value	Comments
ti	TI_09	
ccpd	'0011'B	
mt	'0?000101'B	
bcric	OMIT	
bcap1	Bcap_Setup_B122_9600_2	
bcap2	OMIT	
fi	*	
cgps	*	
cdpn	?	
cdps	*	
llcri	OMIT	
llcmp1	Llcmp_Setup_B122_9600_2	
llcmp2	OMIT	
hlcri	OMIT	
hlcmp1	OMIT	
hlcmp2	OMIT	
uu	*	
ssvi	*	
clirsup	*	
clirinv	*	
cccacp	TSPX_CallCntrlCap IF_PRESENT	
Detailed Comments:		

PDU Constraint Declaration		
Constraint Name:	SetupInd_B122_9600_3	
PDU Type:	SETUP_MO_PDU	
Derivation Path:		
Comments:	<p>To match the setup PDU from the MS containing the Bearer Capability, Low Layer Compatibility and High Layer Compatibility IE's for BS 26.</p> <p>Combination:</p> <p>Bcap : ITC is 3.1 kHz audio</p> <p>LLC: mandatory</p>	
Field Name	Field Value	Comments
ti	TI_09	
ccpd	'0011'B	
mt	'0?000101'B	
bcric	OMIT	
bcap1	Bcap_Setup_B122_9600_3	
bcap2	OMIT	
fi	*	
cgps	*	
cdpn	?	
cdps	*	
llcri	OMIT	
llcmp1	Llcmp_Setup_B122_9600_3	
llcmp2	OMIT	
hlcri	OMIT	
hlcmp1	OMIT	
hlcmp2	OMIT	
uu	*	
ssvi	*	
clirsup	*	
clirinv	*	
cccap	TSPX_CallCntrlCap IF_PRESENT	
Detailed Comments:		

PDU Constraint Declaration		
Constraint Name:	SetupInd_B122_9600_4	
PDU Type:	SETUP_MO_PDU	
Derivation Path:		
Comments:	<p>To match the setup PDU from the MS containing the Bearer Capabiility, Low Layer Compatibility and High Layer Compatibility IE's for BS 26.</p> <p>Combination: Bcap : ITC is 3.1 kHz audio LLC: mandatory</p>	
Field Name	Field Value	Comments
ti	TI_09	
ccpd	'0011'B	
mt	'0?000101'B	
bcric	OMIT	
bcap1	Bcap_Setup_B122_9600_4	
bcap2	OMIT	
fi	*	
cgps	*	
cdpn	?	
cdps	*	
llcri	OMIT	
llcmp1	Llcmp_Setup_B122_9600_4	
llcmp2	OMIT	
hlcri	OMIT	
hlcmp1	OMIT	
hlcmp2	OMIT	
uu	*	
ssvi	*	
clirsup	*	
clirinv	*	
cccacp	TSPX_CallCntrlCap IF_PRESENT	
Detailed Comments:		

PDU Constraint Declaration		
Constraint Name:	SetupInd_B1311_1200	
PDU Type:	SETUP_MO_PDU	
Derivation Path:		
Comments:	To match the setup PDU from the MS containing the Bearer Capability, Low Layer Compatibility and High Layer Compatibility IE's for BS 31.	
Field Name	Field Value	Comments
ti	TI_09	
ccpd	'0011'B	
mt	'0?000101'B	
bcri	OMIT	
bcap1	Bcap_Setup_B1311_1200	
bcap2	OMIT	
fie	*	
cgps	*	
cdpn	?	
cdps	*	
llcri	OMIT	
llcmp1	Llcmp_Setup_B1311_1200	
llcmp2	OMIT	
hlcri	OMIT	
hlcmp1	OMIT	
hlcmp2	OMIT	
uu	*	
ssvi	*	
clirsup	*	
clirinv	*	
cccapp	TSPX_CallCntrlCap IF_PRESENT	
Detailed Comments:		

PDU Constraint Declaration		
Constraint Name:	SetupInd_B1321_1200	
PDU Type:	SETUP_MO_PDU	
Derivation Path:		
Comments:	To match the setup PDU from the MS containing the Bearer Capability, Low Layer Compatibility and High Layer Compatibility IE's for BS 31.	
Field Name	Field Value	Comments
ti	TI_09	
ccpd	'0011'B	
mt	'0?000101'B	
bcri	OMIT	
bcap1	Bcap_Setup_B1321_1200	
bcap2	OMIT	
fie	*	
cgps	*	
cdpn	?	
cdps	*	
llcri	OMIT	
llcmp1	Llcmp_Setup_B1321_1200	
llcmp2	OMIT	
hlcri	OMIT	
hlcmp1	OMIT	
hlcmp2	OMIT	
uu	*	
ssvi	*	
clirsup	*	
clirinv	*	
cccapp	TSPX_CallCntrlCap IF_PRESENT	
Detailed Comments:		

PDU Constraint Declaration		
Constraint Name:	SetupInd_B1311_2400	
PDU Type:	SETUP_MO_PDU	
Derivation Path:		
Comments:	To match the setup PDU from the MS containing the Bearer Capability, Low Layer Compatibility and High Layer Compatibility IE's for BS 32.	
Field Name	Field Value	Comments
ti	TI_09	
ccpd	'0011'B	
mt	'0?000101'B	
bcri	OMIT	
bcap1	Bcap_Setup_B1311_2400	
bcap2	OMIT	
fie	*	
cgps	*	
cdpn	?	
cdps	*	
llcri	OMIT	
llcmp1	Llcmp_Setup_B1311_2400	
llcmp2	OMIT	
hlcri	OMIT	
hlcmp1	OMIT	
hlcmp2	OMIT	
uu	*	
ssvi	*	
clirsup	*	
clirinv	*	
cccacp	TSPX_CallCntrlCap IF_PRESENT	
Detailed Comments:		

PDU Constraint Declaration		
Constraint Name:	SetupInd_B1312_2400	
PDU Type:	SETUP_MO_PDU	
Derivation Path:		
Comments:	To match the setup PDU from the MS containing the Bearer Capability, Low Layer Compatibility and High Layer Compatibility IE's for BS 32.	
Field Name	Field Value	Comments
ti	TI_09	
ccpd	'0011'B	
mt	'0?000101'B	
bcri	OMIT	
bcap1	Bcap_Setup_B1312_2400	
bcap2	OMIT	
fie	*	
cgps	*	
cdpn	?	
cdps	*	
llcri	OMIT	
llcmp1	Llcmp_Setup_B1312_2400	
llcmp2	OMIT	
hlcri	OMIT	
hlcmp1	OMIT	
hlcmp2	OMIT	
uu	*	
ssvi	*	
clirsup	*	
clirinv	*	
cccacp	TSPX_CallCntrlCap IF_PRESENT	
Detailed Comments:		

PDU Constraint Declaration		
Constraint Name:	SetupInd_B1321_2400	
PDU Type:	SETUP_MO_PDU	
Derivation Path:		
Comments:	To match the setup PDU from the MS containing the Bearer Capability, Low Layer Compatibility and High Layer Compatibility IE's for BS 32.	
Field Name	Field Value	Comments
ti	TI_09	
ccpd	'0011'B	
mt	'0?000101'B	
bcri	OMIT	
bcap1	Bcap_Setup_B1321_2400	
bcap2	OMIT	
fie	*	
cgps	*	
cdpn	?	
cdps	*	
llcri	OMIT	
llcmp1	Llcmp_Setup_B1321_2400	
llcmp2	OMIT	
hlcri	OMIT	
hlcmp1	OMIT	
hlcmp2	OMIT	
uu	*	
ssvi	*	
clirsup	*	
clirinv	*	
cccacp	TSPX_CallCntrlCap IF_PRESENT	
Detailed Comments:		

PDU Constraint Declaration		
Constraint Name:	SetupInd_B1322_2400	
PDU Type:	SETUP_MO_PDU	
Derivation Path:		
Comments:	To match the setup PDU from the MS containing the Bearer Capability, Low Layer Compatibility and High Layer Compatibility IE's for BS 32.	
Field Name	Field Value	Comments
ti	TI_09	
ccpd	'0011'B	
mt	'0?000101'B	
bcri	OMIT	
bcap1	Bcap_Setup_B1322_2400	
bcap2	OMIT	
fie	*	
cgps	*	
cdpn	?	
cdps	*	
llcri	OMIT	
llcmp1	Llcmp_Setup_B1322_2400	
llcmp2	OMIT	
hlcri	OMIT	
hlcmp1	OMIT	
hlcmp2	OMIT	
uu	*	
ssvi	*	
clirsup	*	
clirinv	*	
cccacp	TSPX_CallCntrlCap IF_PRESENT	
Detailed Comments:		

PDU Constraint Declaration		
Constraint Name:	SetupInd_B1311_4800	
PDU Type:	SETUP_MO_PDU	
Derivation Path:		
Comments:	To match the setup PDU from the MS containing the Bearer Capability, Low Layer Compatibility and High Layer Compatibility IE's for BS 33.	
Field Name	Field Value	Comments
ti	TI_09	
ccpd	'0011'B	
mt	'0?000101'B	
bcri	OMIT	
bcap1	Bcap_Setup_B1311_4800	
bcap2	OMIT	
fie	*	
cgps	*	
cdpn	?	
cdps	*	
llcri	OMIT	
llcmp1	Llcmp_Setup_B1311_4800	
llcmp2	OMIT	
hlcri	OMIT	
hlcmp1	OMIT	
hlcmp2	OMIT	
uu	*	
ssvi	*	
clirsup	*	
clirinv	*	
cccacp	TSPX_CallCntrlCap IF_PRESENT	
Detailed Comments:		

PDU Constraint Declaration		
Constraint Name:	SetupInd_B1312_4800	
PDU Type:	SETUP_MO_PDU	
Derivation Path:		
Comments:	To match the setup PDU from the MS containing the Bearer Capability, Low Layer Compatibility and High Layer Compatibility IE's for BS 33.	
Field Name	Field Value	Comments
ti	TI_09	
ccpd	'0011'B	
mt	'0?000101'B	
bcri	OMIT	
bcap1	Bcap_Setup_B1312_4800	
bcap2	OMIT	
fie	*	
cgps	*	
cdpn	?	
cdps	*	
llcri	OMIT	
llcmp1	Llcmp_Setup_B1312_4800	
llcmp2	OMIT	
hlcri	OMIT	
hlcmp1	OMIT	
hlcmp2	OMIT	
uu	*	
ssvi	*	
clirsup	*	
clirinv	*	
cccacp	TSPX_CallCntrlCap IF_PRESENT	
Detailed Comments:		

PDU Constraint Declaration		
Constraint Name:	SetupInd_B1321_4800	
PDU Type:	SETUP_MO_PDU	
Derivation Path:		
Comments:	To match the setup PDU from the MS containing the Bearer Capability, Low Layer Compatibility and High Layer Compatibility IE's for BS 33.	
Field Name	Field Value	Comments
ti	TI_09	
ccpd	'0011'B	
mt	'0?000101'B	
bcri	OMIT	
bcap1	Bcap_Setup_B1321_4800	
bcap2	OMIT	
fie	*	
cgps	*	
cdpn	?	
cdps	*	
llcri	OMIT	
llcmp1	Llcmp_Setup_B1321_4800	
llcmp2	OMIT	
hlcri	OMIT	
hlcmp1	OMIT	
hlcmp2	OMIT	
uu	*	
ssvi	*	
clirsup	*	
clirinv	*	
cccacp	TSPX_CallCntrlCap IF_PRESENT	
Detailed Comments:		

PDU Constraint Declaration		
Constraint Name:	SetupInd_B1322_4800	
PDU Type:	SETUP_MO_PDU	
Derivation Path:		
Comments:	To match the setup PDU from the MS containing the Bearer Capability, Low Layer Compatibility and High Layer Compatibility IE's for BS 33.	
Field Name	Field Value	Comments
ti	TI_09	
ccpd	'0011'B	
mt	'0?000101'B	
bcri	OMIT	
bcap1	Bcap_Setup_B1322_4800	
bcap2	OMIT	
fie	*	
cgps	*	
cdpn	?	
cdps	*	
llcri	OMIT	
llcmp1	Llcmp_Setup_B1322_4800	
llcmp2	OMIT	
hlcri	OMIT	
hlcmp1	OMIT	
hlcmp2	OMIT	
uu	*	
ssvi	*	
clirsup	*	
clirinv	*	
cccacp	TSPX_CallCntrlCap IF_PRESENT	
Detailed Comments:		

PDU Constraint Declaration		
Constraint Name:	SetupInd_B1311_9600	
PDU Type:	SETUP_MO_PDU	
Derivation Path:		
Comments:	To match the setup PDU from the MS containing the Bearer Capability, Low Layer Compatibility and High Layer Compatibility IE's for BS 34.	
Field Name	Field Value	Comments
ti	TI_09	
ccpd	'0011'B	
mt	'0?000101'B	
bcri	OMIT	
bcap1	Bcap_Setup_B1311_9600	
bcap2	OMIT	
fie	*	
cgps	*	
cdpn	?	
cdps	*	
llcri	OMIT	
llcmp1	Llcmp_Setup_B1311_9600	
llcmp2	OMIT	
hlcri	OMIT	
hlcmp1	OMIT	
hlcmp2	OMIT	
uu	*	
ssvi	*	
clirsup	*	
clirinv	*	
cccacp	TSPX_CallCntrlCap IF_PRESENT	
Detailed Comments:		

PDU Constraint Declaration		
Constraint Name:	SetupInd_B1312_9600	
PDU Type:	SETUP_MO_PDU	
Derivation Path:		
Comments:	To match the setup PDU from the MS containing the Bearer Capability, Low Layer Compatibility and High Layer Compatibility IE's for BS 34.	
Field Name	Field Value	Comments
ti	TI_09	
ccpd	'0011'B	
mt	'0?000101'B	
bcri	OMIT	
bcap1	Bcap_Setup_B1312_9600	
bcap2	OMIT	
fie	*	
cgps	*	
cdpn	?	
cdps	*	
llcri	OMIT	
llcmp1	Llcmp_Setup_B1312_9600	
llcmp2	OMIT	
hlcri	OMIT	
hlcmp1	OMIT	
hlcmp2	OMIT	
uu	*	
ssvi	*	
clirsup	*	
clirinv	*	
cccacp	TSPX_CallCntrlCap IF_PRESENT	
Detailed Comments:		

PDU Constraint Declaration		
Constraint Name:	SetupInd_B1321_9600	
PDU Type:	SETUP_MO_PDU	
Derivation Path:		
Comments:	To match the setup PDU from the MS containing the Bearer Capability, Low Layer Compatibility and High Layer Compatibility IE's for BS 34.	
Field Name	Field Value	Comments
ti	TI_09	
ccpd	'0011'B	
mt	'0?000101'B	
bcri	OMIT	
bcap1	Bcap_Setup_B1321_9600	
bcap2	OMIT	
fie	*	
cgps	*	
cdpn	?	
cdps	*	
llcri	OMIT	
llcmp1	Llcmp_Setup_B1321_9600	
llcmp2	OMIT	
hlcri	OMIT	
hlcmp1	OMIT	
hlcmp2	OMIT	
uu	*	
ssvi	*	
clirsup	*	
clirinv	*	
cccapp	TSPX_CallCntrlCap IF_PRESENT	
Detailed Comments:		

PDU Constraint Declaration		
Constraint Name:	SetupInd_B1322_9600_1	
PDU Type:	SETUP_MO_PDU	
Derivation Path:		
Comments:	To match the setup PDU from the MS containing the Bearer Capability, Low Layer Compatibility and High Layer Compatibility IE's for BS 34.	
Field Name	Field Value	Comments
ti	TI_09	
ccpd	'0011'B	
mt	'0?000101'B	
bcri	OMIT	
bcap1	Bcap_Setup_B1322_9600_1	
bcap2	OMIT	
fie	*	
cgps	*	
cdpn	?	
cdps	*	
llcri	OMIT	
llcmp1	Llcmp_Setup_B1322_9600_1	
llcmp2	OMIT	
hlcri	OMIT	
hlcmp1	OMIT	
hlcmp2	OMIT	
uu	*	
ssvi	*	
clirsup	*	
clirinv	*	
cccapp	TSPX_CallCntrlCap IF_PRESENT	
Detailed Comments:		

PDU Constraint Declaration		
Constraint Name:	SetupInd_B1322_9600_2	
PDU Type:	SETUP_MO_PDU	
Derivation Path:		
Comments:	To match the setup PDU from the MS containing the Bearer Capabiility, Low Layer Compatibility and High Layer Compatibility IE's for BS 34.	
Field Name	Field Value	Comments
ti	TI_09	
ccpd	'0011'B	
mt	'0?000101'B	
bcri	OMIT	
bcap1	Bcap_Setup_B1322_9600_2	
bcap2	OMIT	
fie	*	
cgps	*	
cdpn	?	
cdps	*	
llcri	OMIT	
llcmp1	Llcmp_Setup_B1322_9600_2	
llcmp2	OMIT	
hlcri	OMIT	
hlcmp1	OMIT	
hlcmp2	OMIT	
uu	*	
ssvi	*	
clirsup	*	
clirinv	*	
cccacp	TSPX_CallCntrlCap IF_PRESENT	
Detailed Comments:		

PDU Constraint Declaration		
Constraint Name:	SetupInd_B14_300_1	
PDU Type:	SETUP_MO_PDU	
Derivation Path:		
Comments:	To match the setup PDU from the MS containing the Bearer Capabiility, Low Layer Compatibility and High Layer Compatibility IE's for BS 41.	
Field Name	Field Value	Comments
ti	TI_09	
ccpd	'0011'B	
mt	'0?000101'B	
bcri	OMIT	
bcap1	Bcap_Setup_B14_300_1	
bcap2	OMIT	
fie	*	
cgps	*	
cdpn	?	
cdps	*	
llcri	OMIT	
llcmp1	Llcmp_Setup_B14_300_1	
llcmp2	OMIT	
hlcri	OMIT	
hlcmp1	OMIT	
hlcmp2	OMIT	
uu	*	
ssvi	*	
clirsup	*	
clirinv	*	
cccacp	TSPX_CallCntrlCap IF_PRESENT	
Detailed Comments:		

PDU Constraint Declaration		
Constraint Name:	SetupInd_B14_300_2	
PDU Type:	SETUP_MO_PDU	
Derivation Path:		
Comments:	To match the setup PDU from the MS containing the Bearer Capabiility, Low Layer Compatibility and High Layer Compatibility IE's for BS 41.	
Field Name	Field Value	Comments
ti	TI_09	
ccpd	'0011'B	
mt	'0?000101'B	
bcri	OMIT	
bcap1	Bcap_Setup_B14_300_2	
bcap2	OMIT	
fie	*	
cgps	*	
cdpn	?	
cdps	*	
llcri	OMIT	
llcmp1	Llcmp_Setup_B14_300_2	
llcmp2	OMIT	
hlcri	OMIT	
hlcmp1	OMIT	
hlcmp2	OMIT	
uu	*	
ssvi	*	
clirsup	*	
clirinv	*	
cccacp	TSPX_CallCntrlCap IF_PRESENT	
Detailed Comments:		

PDU Constraint Declaration		
Constraint Name:	SetupInd_B14_1200_1	
PDU Type:	SETUP_MO_PDU	
Derivation Path:		
Comments:	To match the setup PDU from the MS containing the Bearer Capabiility, Low Layer Compatibility and High Layer Compatibility IE's for BS 42.	
Field Name	Field Value	Comments
ti	TI_09	
ccpd	'0011'B	
mt	'0?000101'B	
bcri	OMIT	
bcap1	Bcap_Setup_B14_1200_1	
bcap2	OMIT	
fie	*	
cgps	*	
cdpn	?	
cdps	*	
llcri	OMIT	
llcmp1	Llcmp_Setup_B14_1200_1	
llcmp2	OMIT	
hlcri	OMIT	
hlcmp1	OMIT	
hlcmp2	OMIT	
uu	*	
ssvi	*	
clirsup	*	
clirinv	*	
cccacp	TSPX_CallCntrlCap IF_PRESENT	
Detailed Comments:		

PDU Constraint Declaration		
Constraint Name:	SetupInd_B14_1200_2	
PDU Type:	SETUP_MO_PDU	
Derivation Path:		
Comments:	To match the setup PDU from the MS containing the Bearer Capability, Low Layer Compatibility and High Layer Compatibility IE's for BS 42.	
Field Name	Field Value	Comments
ti	TI_09	
ccpd	'0011'B	
mt	'0?000101'B	
bcri	OMIT	
bcap1	Bcap_Setup_B14_1200_2	
bcap2	OMIT	
fie	*	
cgps	*	
cdpn	?	
cdps	*	
llcri	OMIT	
llcmp1	Llcmp_Setup_B14_1200_2	
llcmp2	OMIT	
hlcri	OMIT	
hlcmp1	OMIT	
hlcmp2	OMIT	
uu	*	
ssvi	*	
clirsup	*	
clirinv	*	
cccap	TSPX_CallCntrlCap IF_PRESENT	
Detailed Comments:		

PDU Constraint Declaration		
Constraint Name:	SetupInd_B14_120075_1	
PDU Type:	SETUP_MO_PDU	
Derivation Path:		
Comments:	To match the setup PDU from the MS containing the Bearer Capability, Low Layer Compatibility and High Layer Compatibility IE's for BS 43.	
Field Name	Field Value	Comments
ti	TI_09	
ccpd	'0011'B	
mt	'0?000101'B	
bcri	OMIT	
bcap1	Bcap_Setup_B14_120075_1	
bcap2	OMIT	
fie	*	
cgps	*	
cdpn	?	
cdps	*	
llcri	OMIT	
llcmp1	Llcmp_Setup_B14_120075_1	
llcmp2	OMIT	
hlcri	OMIT	
hlcmp1	OMIT	
hlcmp2	OMIT	
uu	*	
ssvi	*	
clirsup	*	
clirinv	*	
cccap	TSPX_CallCntrlCap IF_PRESENT	
Detailed Comments:		

PDU Constraint Declaration		
Constraint Name:	SetupInd_B14_120075_2	
PDU Type:	SETUP_MO_PDU	
Derivation Path:		
Comments:	To match the setup PDU from the MS containing the Bearer Capability, Low Layer Compatibility and High Layer Compatibility IE's for BS 43.	
Field Name	Field Value	Comments
ti	TI_09	
ccpd	'0011'B	
mt	'0?000101'B	
bcri	OMIT	
bcap1	Bcap_Setup_B14_120075_2	
bcap2	OMIT	
fie	*	
cgps	*	
cdpn	?	
cdps	*	
llcri	OMIT	
llcmp1	Llcmp_Setup_B14_120075_2	
llcmp2	OMIT	
hlcri	OMIT	
hlcmp1	OMIT	
hlcmp2	OMIT	
uu	*	
ssvi	*	
clirsup	*	
clirinv	*	
cccapp	TSPX_CallCntrlCap IF_PRESENT	
Detailed Comments:		

PDU Constraint Declaration		
Constraint Name:	SetupInd_B14_2400_1	
PDU Type:	SETUP_MO_PDU	
Derivation Path:		
Comments:	To match the setup PDU from the MS containing the Bearer Capability, Low Layer Compatibility and High Layer Compatibility IE's for BS 44.	
Field Name	Field Value	Comments
ti	TI_09	
ccpd	'0011'B	
mt	'0?000101'B	
bcri	OMIT	
bcap1	Bcap_Setup_B14_2400_1	
bcap2	OMIT	
fie	*	
cgps	*	
cdpn	?	
cdps	*	
llcri	OMIT	
llcmp1	Llcmp_Setup_B14_2400_1	
llcmp2	OMIT	
hlcri	OMIT	
hlcmp1	OMIT	
hlcmp2	OMIT	
uu	*	
ssvi	*	
clirsup	*	
clirinv	*	
cccapp	TSPX_CallCntrlCap IF_PRESENT	
Detailed Comments:		

PDU Constraint Declaration		
Constraint Name:	SetupInd_B14_2400_2	
PDU Type:	SETUP_MO_PDU	
Derivation Path:		
Comments:	To match the setup PDU from the MS containing the Bearer Capability, Low Layer Compatibility and High Layer Compatibility IE's for BS 44.	
Field Name	Field Value	Comments
ti	TI_09	
ccpd	'0011'B	
mt	'0?000101'B	
bcri	OMIT	
bcap1	Bcap_Setup_B14_2400_2	
bcap2	OMIT	
fie	*	
cgps	*	
cdpn	?	
cdps	*	
llcri	OMIT	
llcmp1	Llcmp_Setup_B14_2400_2	
llcmp2	OMIT	
hlcri	OMIT	
hlcmp1	OMIT	
hlcmp2	OMIT	
uu	*	
ssvi	*	
clirsup	*	
clirinv	*	
cccap	TSPX_CallCntrlCap IF_PRESENT	
Detailed Comments:		

PDU Constraint Declaration		
Constraint Name:	SetupInd_B14_4800_1	
PDU Type:	SETUP_MO_PDU	
Derivation Path:		
Comments:	To match the setup PDU from the MS containing the Bearer Capability, Low Layer Compatibility and High Layer Compatibility IE's for BS 45.	
Field Name	Field Value	Comments
ti	TI_09	
ccpd	'0011'B	
mt	'0?000101'B	
bcri	OMIT	
bcap1	Bcap_Setup_B14_4800_1	
bcap2	OMIT	
fie	*	
cgps	*	
cdpn	?	
cdps	*	
llcri	OMIT	
llcmp1	Llcmp_Setup_B14_4800_1	
llcmp2	OMIT	
hlcri	OMIT	
hlcmp1	OMIT	
hlcmp2	OMIT	
uu	*	
ssvi	*	
clirsup	*	
clirinv	*	
cccap	TSPX_CallCntrlCap IF_PRESENT	
Detailed Comments:		

PDU Constraint Declaration		
Constraint Name:	SetupInd_B14_4800_2	
PDU Type:	SETUP_MO_PDU	
Derivation Path:		
Comments:	To match the setup PDU from the MS containing the Bearer Capabiility, Low Layer Compatibility and High Layer Compatibility IE's for BS 45.	
Field Name	Field Value	Comments
ti	TI_09	
ccpd	'0011'B	
mt	'0?000101'B	
bcri	OMIT	
bcap1	Bcap_Setup_B14_4800_2	
bcap2	OMIT	
fie	*	
cgps	*	
cdpn	?	
cdps	*	
llcri	OMIT	
llcmp1	Llcmp_Setup_B14_4800_2	
llcmp2	OMIT	
hlcri	OMIT	
hlcmp1	OMIT	
hlcmp2	OMIT	
uu	*	
ssvi	*	
clirsup	*	
clirinv	*	
cccacp	TSPX_CallCntrlCap IF_PRESENT	
Detailed Comments:		

PDU Constraint Declaration		
Constraint Name:	SetupInd_B14_9600_1	
PDU Type:	SETUP_MO_PDU	
Derivation Path:		
Comments:	To match the setup PDU from the MS containing the Bearer Capabiility, Low Layer Compatibility and High Layer Compatibility IE's for BS 46.	
Field Name	Field Value	Comments
ti	TI_09	
ccpd	'0011'B	
mt	'0?000101'B	
bcri	OMIT	
bcap1	Bcap_Setup_B14_9600_1	
bcap2	OMIT	
fie	*	
cgps	*	
cdpn	?	
cdps	*	
llcri	OMIT	
llcmp1	Llcmp_Setup_B14_9600_1	
llcmp2	OMIT	
hlcri	OMIT	
hlcmp1	OMIT	
hlcmp2	OMIT	
uu	*	
ssvi	*	
clirsup	*	
clirinv	*	
cccacp	TSPX_CallCntrlCap IF_PRESENT	
Detailed Comments:		

PDU Constraint Declaration		
Constraint Name:	SetupInd_B14_9600_2	
PDU Type:	SETUP_MO_PDU	
Derivation Path:		
Comments:	To match the setup PDU from the MS containing the Bearer Capability, Low Layer Compatibility and High Layer Compatibility IE's for BS 46.	
Field Name	Field Value	Comments
ti	TI_09	
ccpd	'0011'B	
mt	'0?000101'B	
bcri	OMIT	
bcap1	Bcap_Setup_B14_9600_2	
bcap2	OMIT	
fie	*	
cgps	*	
cdpn	?	
cdps	*	
llcri	OMIT	
llcmp1	Llcmp_Setup_B14_9600_2	
llcmp2	OMIT	
hlcri	OMIT	
hlcmp1	OMIT	
hlcmp2	OMIT	
uu	*	
ssvi	*	
clirsup	*	
clirinv	*	
cccacp	TSPX_CallCntrlCap IF_PRESENT	
Detailed Comments:		

PDU Constraint Declaration		
Constraint Name:	SetupInd_B14_9600_3	
PDU Type:	SETUP_MO_PDU	
Derivation Path:		
Comments:	To match the setup PDU from the MS containing the Bearer Capability, Low Layer Compatibility and High Layer Compatibility IE's for BS 46.	
Field Name	Field Value	Comments
ti	TI_09	
ccpd	'0011'B	
mt	'0?000101'B	
bcri	OMIT	
bcap1	Bcap_Setup_B14_9600_3	
bcap2	OMIT	
fie	*	
cgps	*	
cdpn	?	
cdps	*	
llcri	OMIT	
llcmp1	Llcmp_Setup_B14_9600_3	
llcmp2	OMIT	
hlcri	OMIT	
hlcmp1	OMIT	
hlcmp2	OMIT	
uu	*	
ssvi	*	
clirsup	*	
clirinv	*	
cccacp	TSPX_CallCntrlCap IF_PRESENT	
Detailed Comments:		

PDU Constraint Declaration		
Constraint Name:	SetupInd_B14_9600_4	
PDU Type:	SETUP_MO_PDU	
Derivation Path:		
Comments:	To match the setup PDU from the MS containing the Bearer Capability, Low Layer Compatibility and High Layer Compatibility IE's for BS 46.	
Field Name	Field Value	Comments
ti	TI_09	
ccpd	'0011'B	
mt	'0?000101'B	
bcri	OMIT	
bcap1	Bcap_Setup_B14_9600_4	
bcap2	OMIT	
fie	*	
cgps	*	
cdpn	?	
cdps	*	
llcri	OMIT	
llcmp1	Llcmp_Setup_B14_9600_4	
llcmp2	OMIT	
hlcri	OMIT	
hlcmp1	OMIT	
hlcmp2	OMIT	
uu	*	
ssvi	*	
clirsup	*	
clirinv	*	
cccacp	TSPX_CallCntrlCap IF_PRESENT	
Detailed Comments:		

PDU Constraint Declaration		
Constraint Name:	SetupInd_B15_2400	
PDU Type:	SETUP_MO_PDU	
Derivation Path:		
Comments:	To match the setup PDU from the MS containing the Bearer Capability, Low Layer Compatibility and High Layer Compatibility IE's for BS 51.	
Field Name	Field Value	Comments
ti	TI_09	
ccpd	'0011'B	
mt	'0?000101'B	
bcri	OMIT	
bcap1	Bcap_Setup_B15_2400	
bcap2	OMIT	
fie	*	
cgps	*	
cdpn	?	
cdps	*	
llcri	OMIT	
llcmp1	Llcmp_Setup_B15_2400	
llcmp2	OMIT	
hlcri	OMIT	
hlcmp1	OMIT	
hlcmp2	OMIT	
uu	*	
ssvi	*	
clirsup	*	
clirinv	*	
cccacp	TSPX_CallCntrlCap IF_PRESENT	
Detailed Comments:		

PDU Constraint Declaration		
Constraint Name:	SetupInd_B15_4800	
PDU Type:	SETUP_MO_PDU	
Derivation Path:		
Comments:	To match the setup PDU from the MS containing the Bearer Capability, Low Layer Compatibility and High Layer Compatibility IE's for BS 52.	
Field Name	Field Value	Comments
ti	TI_09	
ccpd	'0011'B	
mt	'0?000101'B	
bcri	OMIT	
bcap1	Bcap_Setup_B15_4800	
bcap2	OMIT	
fie	*	
cgps	*	
cdpn	?	
cdps	*	
llcri	OMIT	
llcmp1	Llcmp_Setup_B15_4800	
llcmp2	OMIT	
hlcri	OMIT	
hlcmp1	OMIT	
hlcmp2	OMIT	
uu	*	
ssvi	*	
clirsup	*	
clirinv	*	
cccacp	TSPX_CallCntrlCap IF_PRESENT	
Detailed Comments:		

PDU Constraint Declaration		
Constraint Name:	SetupInd_B15_9600	
PDU Type:	SETUP_MO_PDU	
Derivation Path:		
Comments:	To match the setup PDU from the MS containing the Bearer Capability, Low Layer Compatibility and High Layer Compatibility IE's for BS 53.	
Field Name	Field Value	Comments
ti	TI_09	
ccpd	'0011'B	
mt	'0?000101'B	
bcri	OMIT	
bcap1	Bcap_Setup_B15_9600	
bcap2	OMIT	
fie	*	
cgps	*	
cdpn	?	
cdps	*	
llcri	OMIT	
llcmp1	Llcmp_Setup_B15_9600	
llcmp2	OMIT	
hlcri	OMIT	
hlcmp1	OMIT	
hlcmp2	OMIT	
uu	*	
ssvi	*	
clirsup	*	
clirinv	*	
cccacp	TSPX_CallCntrlCap IF_PRESENT	
Detailed Comments:		

PDU Constraint Declaration		
Constraint Name:	SetupInd_BS61_B161_B1621_300_1	
PDU Type:	SETUP_MO_PDU	
Derivation Path:		
Comments:	To match the setup PDU from the MS containing the Bearer Capabiility, Low Layer Compatibility and High Layer Compatibility IE's for BS 61.	
Field Name	Field Value	Comments
ti	TI_09	
ccpd	'0011'B	
mt	'0?000101'B	
bcri	'11010001'B	
bcap1	Bcap_Setup_B161	
bcap2	Bcap_Setup_B1621_300_1	
fie	*	
cgps	*	
cdpn	?	
cdps	*	
llcri	'11010001'B	
llcmp1	Llcmp_NotApplicable	
llcmp2	Llcmp_Setup_B1621_300_1	
hlcri	OMIT	
hlcmp1	OMIT	
hlcmp2	OMIT	
uu	*	
ssvi	*	
clirsup	*	
clirinv	*	
cccacp	TSPX_CallCntrlCap IF_PRESENT	
Detailed Comments:		

PDU Constraint Declaration		
Constraint Name:	SetupInd_BS61_B161_B1621_300_2	
PDU Type:	SETUP_MO_PDU	
Derivation Path:		
Comments:	To match the setup PDU from the MS containing the Bearer Capabiility, Low Layer Compatibility and High Layer Compatibility IE's for BS 61.	
Field Name	Field Value	Comments
ti	TI_09	
ccpd	'0011'B	
mt	'0?000101'B	
bcri	'11010001'B	
bcap1	Bcap_Setup_B161	
bcap2	Bcap_Setup_B1621_300_2	
fie	*	
cgps	*	
cdpn	?	
cdps	*	
llcri	'11010001'B	
llcmp1	Llcmp_NotApplicable	
llcmp2	Llcmp_Setup_B1621_300_2	
hlcri	OMIT	
hlcmp1	OMIT	
hlcmp2	OMIT	
uu	*	
ssvi	*	
clirsup	*	
clirinv	*	
cccacp	TSPX_CallCntrlCap IF_PRESENT	
Detailed Comments:		

PDU Constraint Declaration		
Constraint Name:	SetupInd_BS61_B161_B1621_1200_1	
PDU Type:	SETUP_MO_PDU	
Derivation Path:		
Comments:	To match the setup PDU from the MS containing the Bearer Capabiility, Low Layer Compatibility and High Layer Compatibility IE's for BS 61.	
Field Name	Field Value	Comments
ti	TI_09	
ccpd	'0011'B	
mt	'0?000101'B	
bcri	'11010001'B	
bcap1	Bcap_Setup_B161	
bcap2	Bcap_Setup_B1621_1200_1	
fie	*	
cgps	*	
cdpn	?	
cdps	*	
llcri	'11010001'B	
llcmp1	Llcmp_NotApplicable	
llcmp2	Llcmp_Setup_B1621_1200_1	
hlcri	OMIT	
hlcmp1	OMIT	
hlcmp2	OMIT	
uu	*	
ssvi	*	
clirsup	*	
clirinv	*	
cccacp	TSPX_CallCntrlCap IF_PRESENT	
Detailed Comments:		

PDU Constraint Declaration		
Constraint Name:	SetupInd_BS61_B161_B1621_1200_2	
PDU Type:	SETUP_MO_PDU	
Derivation Path:		
Comments:	To match the setup PDU from the MS containing the Bearer Capabiility, Low Layer Compatibility and High Layer Compatibility IE's for BS 61.	
Field Name	Field Value	Comments
ti	TI_09	
ccpd	'0011'B	
mt	'0?000101'B	
bcri	'11010001'B	
bcap1	Bcap_Setup_B161	
bcap2	Bcap_Setup_B1621_1200_2	
fie	*	
cgps	*	
cdpn	?	
cdps	*	
llcri	'11010001'B	
llcmp1	Llcmp_NotApplicable	
llcmp2	Llcmp_Setup_B1621_1200_2	
hlcri	OMIT	
hlcmp1	OMIT	
hlcmp2	OMIT	
uu	*	
ssvi	*	
clirsup	*	
clirinv	*	
cccacp	TSPX_CallCntrlCap IF_PRESENT	
Detailed Comments:		

PDU Constraint Declaration		
Constraint Name:	SetupInd_BS61_B161_B1621_120075_1	
PDU Type:	SETUP_MO_PDU	
Derivation Path:		
Comments:	To match the setup PDU from the MS containing the Bearer Capabiility, Low Layer Compatibility and High Layer Compatibility IE's for BS 61.	
Field Name	Field Value	Comments
ti	TI_09	
ccpd	'0011'B	
mt	'0?000101'B	
bcri	'11010001'B	
bcap1	Bcap_Setup_B161	
bcap2	Bcap_Setup_B1621_120075_1	
fie	*	
cgps	*	
cdpn	?	
cdps	*	
llcri	'11010001'B	
llcmp1	Llcmp_NotApplicable	
llcmp2	Llcmp_Setup_B1621_120075_1	
hlcri	OMIT	
hlcmp1	OMIT	
hlcmp2	OMIT	
uu	*	
ssvi	*	
clirsup	*	
clirinv	*	
cccacp	TSPX_CallCntrlCap IF_PRESENT	
Detailed Comments:		

PDU Constraint Declaration		
Constraint Name:	SetupInd_BS61_B161_B1621_120075_2	
PDU Type:	SETUP_MO_PDU	
Derivation Path:		
Comments:	To match the setup PDU from the MS containing the Bearer Capabiility, Low Layer Compatibility and High Layer Compatibility IE's for BS 61.	
Field Name	Field Value	Comments
ti	TI_09	
ccpd	'0011'B	
mt	'0?000101'B	
bcri	'11010001'B	
bcap1	Bcap_Setup_B161	
bcap2	Bcap_Setup_B1621_120075_2	
fie	*	
cgps	*	
cdpn	?	
cdps	*	
llcri	'11010001'B	
llcmp1	Llcmp_NotApplicable	
llcmp2	Llcmp_Setup_B1621_120075_2	
hlcri	OMIT	
hlcmp1	OMIT	
hlcmp2	OMIT	
uu	*	
ssvi	*	
clirsup	*	
clirinv	*	
cccacp	TSPX_CallCntrlCap IF_PRESENT	
Detailed Comments:		

PDU Constraint Declaration		
Constraint Name:	SetupInd_BS61_B161_B1621_2400_1	
PDU Type:	SETUP_MO_PDU	
Derivation Path:		
Comments:	To match the setup PDU from the MS containing the Bearer Capabiility, Low Layer Compatibility and High Layer Compatibility IE's for BS 61.	
Field Name	Field Value	Comments
ti	TI_09	
ccpd	'0011'B	
mt	'0?000101'B	
bcri	'11010001'B	
bcap1	Bcap_Setup_B161	
bcap2	Bcap_Setup_B1621_2400_1	
fie	*	
cgps	*	
cdpn	?	
cdps	*	
llcri	'11010001'B	
llcmp1	Llcmp_NotApplicable	
llcmp2	Llcmp_Setup_B1621_2400_1	
hlcri	OMIT	
hlcmp1	OMIT	
hlcmp2	OMIT	
uu	*	
ssvi	*	
clirsup	*	
clirinv	*	
cccap	TSPX_CallCntrlCap IF_PRESENT	
Detailed Comments:		

PDU Constraint Declaration		
Constraint Name:	SetupInd_BS61_B161_B1621_2400_2	
PDU Type:	SETUP_MO_PDU	
Derivation Path:		
Comments:	To match the setup PDU from the MS containing the Bearer Capabiility, Low Layer Compatibility and High Layer Compatibility IE's for BS 61.	
Field Name	Field Value	Comments
ti	TI_09	
ccpd	'0011'B	
mt	'0?000101'B	
bcri	'11010001'B	
bcap1	Bcap_Setup_B161	
bcap2	Bcap_Setup_B1621_2400_2	
fie	*	
cgps	*	
cdpn	?	
cdps	*	
llcri	'11010001'B	
llcmp1	Llcmp_NotApplicable	
llcmp2	Llcmp_Setup_B1621_2400_2	
hlcri	OMIT	
hlcmp1	OMIT	
hlcmp2	OMIT	
uu	*	
ssvi	*	
clirsup	*	
clirinv	*	
cccap	TSPX_CallCntrlCap IF_PRESENT	
Detailed Comments:		

PDU Constraint Declaration		
Constraint Name:	SetupInd_BS61_B161_B1621_4800_1	
PDU Type:	SETUP_MO_PDU	
Derivation Path:		
Comments:	To match the setup PDU from the MS containing the Bearer Capabiility, Low Layer Compatibility and High Layer Compatibility IE's for BS 61.	
Field Name	Field Value	Comments
ti	TI_09	
ccpd	'0011'B	
mt	'0?000101'B	
bcri	'11010001'B	
bcap1	Bcap_Setup_B161	
bcap2	Bcap_Setup_B1621_4800_1	
fie	*	
cgps	*	
cdpn	?	
cdps	*	
llcri	'11010001'B	
llcmp1	Llcmp_NotApplicable	
llcmp2	Llcmp_Setup_B1621_4800_1	
hlcri	OMIT	
hlcmp1	OMIT	
hlcmp2	OMIT	
uu	*	
ssvi	*	
clirsup	*	
clirinv	*	
cccacp	TSPX_CallCntrlCap IF_PRESENT	
Detailed Comments:		

PDU Constraint Declaration		
Constraint Name:	SetupInd_BS61_B161_B1621_4800_2	
PDU Type:	SETUP_MO_PDU	
Derivation Path:		
Comments:	To match the setup PDU from the MS containing the Bearer Capabiility, Low Layer Compatibility and High Layer Compatibility IE's for BS 61.	
Field Name	Field Value	Comments
ti	TI_09	
ccpd	'0011'B	
mt	'0?000101'B	
bcri	'11010001'B	
bcap1	Bcap_Setup_B161	
bcap2	Bcap_Setup_B1621_4800_2	
fie	*	
cgps	*	
cdpn	?	
cdps	*	
llcri	'11010001'B	
llcmp1	Llcmp_NotApplicable	
llcmp2	Llcmp_Setup_B1621_4800_2	
hlcri	OMIT	
hlcmp1	OMIT	
hlcmp2	OMIT	
uu	*	
ssvi	*	
clirsup	*	
clirinv	*	
cccacp	TSPX_CallCntrlCap IF_PRESENT	
Detailed Comments:		

PDU Constraint Declaration		
Constraint Name:	SetupInd_BS61_B161_B1621_9600_1	
PDU Type:	SETUP_MO_PDU	
Derivation Path:		
Comments:	To match the setup PDU from the MS containing the Bearer Capabiility, Low Layer Compatibility and High Layer Compatibility IE's for BS 61.	
Field Name	Field Value	Comments
ti	TI_09	
ccpd	'0011'B	
mt	'0?000101'B	
bcri	'11010001'B	
bcap1	Bcap_Setup_B161	
bcap2	Bcap_Setup_B1621_9600_1	
fie	*	
cgps	*	
cdpn	?	
cdps	*	
llcri	'11010001'B	
llcmp1	Llcmp_NotApplicable	
llcmp2	Llcmp_Setup_B1621_9600_1	
hlcri	OMIT	
hlcmp1	OMIT	
hlcmp2	OMIT	
uu	*	
ssvi	*	
clirsup	*	
clirinv	*	
cccacp	TSPX_CallCntrlCap IF_PRESENT	
Detailed Comments:		

PDU Constraint Declaration		
Constraint Name:	SetupInd_BS61_B161_B1621_9600_2	
PDU Type:	SETUP_MO_PDU	
Derivation Path:		
Comments:	To match the setup PDU from the MS containing the Bearer Capabiility, Low Layer Compatibility and High Layer Compatibility IE's for BS 61.	
Field Name	Field Value	Comments
ti	TI_09	
ccpd	'0011'B	
mt	'0?000101'B	
bcri	'11010001'B	
bcap1	Bcap_Setup_B161	
bcap2	Bcap_Setup_B1621_9600_2	
fie	*	
cgps	*	
cdpn	?	
cdps	*	
llcri	'11010001'B	
llcmp1	Llcmp_NotApplicable	
llcmp2	Llcmp_Setup_B1621_9600_2	
hlcri	OMIT	
hlcmp1	OMIT	
hlcmp2	OMIT	
uu	*	
ssvi	*	
clirsup	*	
clirinv	*	
cccacp	TSPX_CallCntrlCap IF_PRESENT	
Detailed Comments:		

PDU Constraint Declaration		
Constraint Name:	SetupInd_BS61_B161_B1622_1200	
PDU Type:	SETUP_MO_PDU	
Derivation Path:		
Comments:	To match the setup PDU from the MS containing the Bearer Capability, Low Layer Compatibility and High Layer Compatibility IE's for BS 61.	
Field Name	Field Value	Comments
ti	TI_09	
ccpd	'0011'B	
mt	'0?000101'B	
bcri	'11010001'B	
bcap1	Bcap_Setup_B161	
bcap2	Bcap_Setup_B1622_1200	
fie	*	
cgps	*	
cdpn	?	
cdps	*	
llcri	'11010001'B	
llcmp1	Llcmp_NotApplicable	
llcmp2	Llcmp_Setup_B1622_1200	
hlcri	OMIT	
hlcmp1	OMIT	
hlcmp2	OMIT	
uu	*	
ssvi	*	
clirsup	*	
clirinv	*	
cccacp	TSPX_CallCntrlCap IF_PRESENT	
Detailed Comments:		

PDU Constraint Declaration		
Constraint Name:	SetupInd_BS61_B161_B1622_2400	
PDU Type:	SETUP_MO_PDU	
Derivation Path:		
Comments:	To match the setup PDU from the MS containing the Bearer Capability, Low Layer Compatibility and High Layer Compatibility IE's for BS 61.	
Field Name	Field Value	Comments
ti	TI_09	
ccpd	'0011'B	
mt	'0?000101'B	
bcri	'11010001'B	
bcap1	Bcap_Setup_B161	
bcap2	Bcap_Setup_B1622_2400	
fie	*	
cgps	*	
cdpn	?	
cdps	*	
llcri	'11010001'B	
llcmp1	Llcmp_NotApplicable	
llcmp2	Llcmp_Setup_B1622_2400	
hlcri	OMIT	
hlcmp1	OMIT	
hlcmp2	OMIT	
uu	*	
ssvi	*	
clirsup	*	
clirinv	*	
cccacp	TSPX_CallCntrlCap IF_PRESENT	
Detailed Comments:		

PDU Constraint Declaration		
Constraint Name:	SetupInd_BS61_B161_B1622_4800	
PDU Type:	SETUP_MO_PDU	
Derivation Path:		
Comments:	To match the setup PDU from the MS containing the Bearer Capabiility, Low Layer Compatibility and High Layer Compatibility IE's for BS 61.	
Field Name	Field Value	Comments
ti	TI_09	
ccpd	'0011'B	
mt	'0?000101'B	
bcri	'11010001'B	
bcap1	Bcap_Setup_B161	
bcap2	Bcap_Setup_B1622_4800	
fie	*	
cgps	*	
cdpn	?	
cdps	*	
llcri	'11010001'B	
llcmp1	Llcmp_NotApplicable	
llcmp2	Llcmp_Setup_B1622_4800	
hlcri	OMIT	
hlcmp1	OMIT	
hlcmp2	OMIT	
uu	*	
ssvi	*	
clirsup	*	
clirinv	*	
cccacp	TSPX_CallCntrlCap IF_PRESENT	
Detailed Comments:		

PDU Constraint Declaration		
Constraint Name:	SetupInd_BS61_B161_B1622_9600	
PDU Type:	SETUP_MO_PDU	
Derivation Path:		
Comments:	To match the setup PDU from the MS containing the Bearer Capabiility, Low Layer Compatibility and High Layer Compatibility IE's for BS 61.	
Field Name	Field Value	Comments
ti	TI_09	
ccpd	'0011'B	
mt	'0?000101'B	
bcri	'11010001'B	
bcap1	Bcap_Setup_B161	
bcap2	Bcap_Setup_B1622_9600	
fie	*	
cgps	*	
cdpn	?	
cdps	*	
llcri	'11010001'B	
llcmp1	Llcmp_NotApplicable	
llcmp2	Llcmp_Setup_B1622_9600	
hlcri	OMIT	
hlcmp1	OMIT	
hlcmp2	OMIT	
uu	*	
ssvi	*	
clirsup	*	
clirinv	*	
cccacp	TSPX_CallCntrlCap IF_PRESENT	
Detailed Comments:		

PDU Constraint Declaration		
Constraint Name:	SetupInd_BS81_B161_B1621_300_1	
PDU Type:	SETUP_MO_PDU	
Derivation Path:		
Comments:	To match the setup PDU from the MS containing the Bearer Capabiility, Low Layer Compatibility and High Layer Compatibility IE's for BS 81.	
Field Name	Field Value	Comments
ti	TI_09	
ccpd	'0011'B	
mt	'0?000101'B	
bcri	'11010011'B	
bcap1	Bcap_Setup_B161	
bcap2	Bcap_Setup_B1621_300_1	
fie	*	
cgps	*	
cdpn	?	
cdps	*	
llcri	'11010011'B	
llcmp1	Llcmp_NotApplicable	
llcmp2	Llcmp_Setup_B1621_300_1	
hlcri	OMIT	
hlcmp1	OMIT	
hlcmp2	OMIT	
uu	*	
ssvi	*	
clirsup	*	
clirinv	*	
cccacp	TSPX_CallCntrlCap IF_PRESENT	
Detailed Comments:		

PDU Constraint Declaration		
Constraint Name:	SetupInd_BS81_B161_B1621_300_2	
PDU Type:	SETUP_MO_PDU	
Derivation Path:		
Comments:	To match the setup PDU from the MS containing the Bearer Capabiility, Low Layer Compatibility and High Layer Compatibility IE's for BS 81.	
Field Name	Field Value	Comments
ti	TI_09	
ccpd	'0011'B	
mt	'0?000101'B	
bcri	'11010011'B	
bcap1	Bcap_Setup_B161	
bcap2	Bcap_Setup_B1621_300_2	
fie	*	
cgps	*	
cdpn	?	
cdps	*	
llcri	'11010011'B	
llcmp1	Llcmp_NotApplicable	
llcmp2	Llcmp_Setup_B1621_300_2	
hlcri	OMIT	
hlcmp1	OMIT	
hlcmp2	OMIT	
uu	*	
ssvi	*	
clirsup	*	
clirinv	*	
cccacp	TSPX_CallCntrlCap IF_PRESENT	
Detailed Comments:		

PDU Constraint Declaration		
Constraint Name:	SetupInd_BS81_B161_B1621_1200_1	
PDU Type:	SETUP_MO_PDU	
Derivation Path:		
Comments:	To match the setup PDU from the MS containing the Bearer Capabiility, Low Layer Compatibility and High Layer Compatibility IE's for BS 81.	
Field Name	Field Value	Comments
ti	TI_09	
ccpd	'0011'B	
mt	'0?000101'B	
bcri	'11010011'B	
bcap1	Bcap_Setup_B161	
bcap2	Bcap_Setup_B1621_1200_1	
fie	*	
cgps	*	
cdpn	?	
cdps	*	
llcri	'11010011'B	
llcmp1	Llcmp_NotApplicable	
llcmp2	Llcmp_Setup_B1621_1200_1	
hlcri	OMIT	
hlcmp1	OMIT	
hlcmp2	OMIT	
uu	*	
ssvi	*	
clirsup	*	
clirinv	*	
cccacp	TSPX_CallCntrlCap IF_PRESENT	
Detailed Comments:		

PDU Constraint Declaration		
Constraint Name:	SetupInd_BS81_B161_B1621_1200_2	
PDU Type:	SETUP_MO_PDU	
Derivation Path:		
Comments:	To match the setup PDU from the MS containing the Bearer Capabiility, Low Layer Compatibility and High Layer Compatibility IE's for BS 81.	
Field Name	Field Value	Comments
ti	TI_09	
ccpd	'0011'B	
mt	'0?000101'B	
bcri	'11010011'B	
bcap1	Bcap_Setup_B161	
bcap2	Bcap_Setup_B1621_1200_2	
fie	*	
cgps	*	
cdpn	?	
cdps	*	
llcri	'11010011'B	
llcmp1	Llcmp_NotApplicable	
llcmp2	Llcmp_Setup_B1621_1200_2	
hlcri	OMIT	
hlcmp1	OMIT	
hlcmp2	OMIT	
uu	*	
ssvi	*	
clirsup	*	
clirinv	*	
cccacp	TSPX_CallCntrlCap IF_PRESENT	
Detailed Comments:		

PDU Constraint Declaration		
Constraint Name:	SetupInd_BS81_B161_B1621_120075_1	
PDU Type:	SETUP_MO_PDU	
Derivation Path:		
Comments:	To match the setup PDU from the MS containing the Bearer Capabiility, Low Layer Compatibility and High Layer Compatibility IE's for BS 81.	
Field Name	Field Value	Comments
ti	TI_09	
ccpd	'0011'B	
mt	'0?000101'B	
bcri	'11010011'B	
bcap1	Bcap_Setup_B161	
bcap2	Bcap_Setup_B1621_120075_1	
fie	*	
cgps	*	
cdpn	?	
cdps	*	
llcri	'11010011'B	
llcmp1	Llcmp_NotApplicable	
llcmp2	Llcmp_Setup_B1621_120075_1	
hlcri	OMIT	
hlcmp1	OMIT	
hlcmp2	OMIT	
uu	*	
ssvi	*	
clirsup	*	
clirinv	*	
cccacp	TSPX_CallCntrlCap IF_PRESENT	
Detailed Comments:		

PDU Constraint Declaration		
Constraint Name:	SetupInd_BS81_B161_B1621_120075_2	
PDU Type:	SETUP_MO_PDU	
Derivation Path:		
Comments:	To match the setup PDU from the MS containing the Bearer Capabiility, Low Layer Compatibility and High Layer Compatibility IE's for BS 81.	
Field Name	Field Value	Comments
ti	TI_09	
ccpd	'0011'B	
mt	'0?000101'B	
bcri	'11010011'B	
bcap1	Bcap_Setup_B161	
bcap2	Bcap_Setup_B1621_120075_2	
fie	*	
cgps	*	
cdpn	?	
cdps	*	
llcri	'11010011'B	
llcmp1	Llcmp_NotApplicable	
llcmp2	Llcmp_Setup_B1621_120075_2	
hlcri	OMIT	
hlcmp1	OMIT	
hlcmp2	OMIT	
uu	*	
ssvi	*	
clirsup	*	
clirinv	*	
cccacp	TSPX_CallCntrlCap IF_PRESENT	
Detailed Comments:		

PDU Constraint Declaration		
Constraint Name:	SetupInd_BS81_B161_B1621_2400_1	
PDU Type:	SETUP_MO_PDU	
Derivation Path:		
Comments:	To match the setup PDU from the MS containing the Bearer Capabiility, Low Layer Compatibility and High Layer Compatibility IE's for BS 81.	
Field Name	Field Value	Comments
ti	TI_09	
ccpd	'0011'B	
mt	'0?000101'B	
bcri	'11010011'B	
bcap1	Bcap_Setup_B161	
bcap2	Bcap_Setup_B1621_2400_1	
fie	*	
cgps	*	
cdpn	?	
cdps	*	
llcri	'11010011'B	
llcmp1	Llcmp_NotApplicable	
llcmp2	Llcmp_Setup_B1621_2400_1	
hlcri	OMIT	
hlcmp1	OMIT	
hlcmp2	OMIT	
uu	*	
ssvi	*	
clirsup	*	
clirinv	*	
cccacp	TSPX_CallCntrlCap IF_PRESENT	
Detailed Comments:		

PDU Constraint Declaration		
Constraint Name:	SetupInd_BS81_B161_B1621_2400_2	
PDU Type:	SETUP_MO_PDU	
Derivation Path:		
Comments:	To match the setup PDU from the MS containing the Bearer Capabiility, Low Layer Compatibility and High Layer Compatibility IE's for BS 81.	
Field Name	Field Value	Comments
ti	TI_09	
ccpd	'0011'B	
mt	'0?000101'B	
bcri	'11010011'B	
bcap1	Bcap_Setup_B161	
bcap2	Bcap_Setup_B1621_2400_2	
fie	*	
cgps	*	
cdpn	?	
cdps	*	
llcri	'11010011'B	
llcmp1	Llcmp_NotApplicable	
llcmp2	Llcmp_Setup_B1621_2400_2	
hlcri	OMIT	
hlcmp1	OMIT	
hlcmp2	OMIT	
uu	*	
ssvi	*	
clirsup	*	
clirinv	*	
cccacp	TSPX_CallCntrlCap IF_PRESENT	
Detailed Comments:		

PDU Constraint Declaration		
Constraint Name:	SetupInd_BS81_B161_B1621_4800_1	
PDU Type:	SETUP_MO_PDU	
Derivation Path:		
Comments:	To match the setup PDU from the MS containing the Bearer Capability, Low Layer Compatibility and High Layer Compatibility IE's for BS 81.	
Field Name	Field Value	Comments
ti	TI_09	
ccpd	'0011'B	
mt	'0?000101'B	
bcri	'11010011'B	
bcap1	Bcap_Setup_B161	
bcap2	Bcap_Setup_B1621_4800_1	
fie	*	
cgps	*	
cdpn	?	
cdps	*	
llcri	'11010011'B	
llcmp1	Llcmp_NotApplicable	
llcmp2	Llcmp_Setup_B1621_4800_1	
hlcri	OMIT	
hlcmp1	OMIT	
hlcmp2	OMIT	
uu	*	
ssvi	*	
clirsup	*	
clirinv	*	
cccacp	TSPX_CallCntrlCap IF_PRESENT	
Detailed Comments:		

PDU Constraint Declaration		
Constraint Name:	SetupInd_BS81_B161_B1621_4800_2	
PDU Type:	SETUP_MO_PDU	
Derivation Path:		
Comments:	To match the setup PDU from the MS containing the Bearer Capability, Low Layer Compatibility and High Layer Compatibility IE's for BS 81.	
Field Name	Field Value	Comments
ti	TI_09	
ccpd	'0011'B	
mt	'0?000101'B	
bcri	'11010011'B	
bcap1	Bcap_Setup_B161	
bcap2	Bcap_Setup_B1621_4800_2	
fie	*	
cgps	*	
cdpn	?	
cdps	*	
llcri	'11010011'B	
llcmp1	Llcmp_NotApplicable	
llcmp2	Llcmp_Setup_B1621_4800_2	
hlcri	OMIT	
hlcmp1	OMIT	
hlcmp2	OMIT	
uu	*	
ssvi	*	
clirsup	*	
clirinv	*	
cccacp	TSPX_CallCntrlCap IF_PRESENT	
Detailed Comments:		

PDU Constraint Declaration		
Constraint Name:	SetupInd_BS81_B161_B1621_9600_1	
PDU Type:	SETUP_MO_PDU	
Derivation Path:		
Comments:	To match the setup PDU from the MS containing the Bearer Capabiility, Low Layer Compatibility and High Layer Compatibility IE's for BS 81.	
Field Name	Field Value	Comments
ti	TI_09	
ccpd	'0011'B	
mt	'0?000101'B	
bcri	'11010011'B	
bcap1	Bcap_Setup_B161	
bcap2	Bcap_Setup_B1621_9600_1	
fie	*	
cgps	*	
cdpn	?	
cdps	*	
llcri	'11010011'B	
llcmp1	Llcmp_NotApplicable	
llcmp2	Llcmp_Setup_B1621_9600_1	
hlcri	OMIT	
hlcmp1	OMIT	
hlcmp2	OMIT	
uu	*	
ssvi	*	
clirsup	*	
clirinv	*	
cccacp	TSPX_CallCntrlCap IF_PRESENT	
Detailed Comments:		

PDU Constraint Declaration		
Constraint Name:	SetupInd_BS81_B161_B1621_9600_2	
PDU Type:	SETUP_MO_PDU	
Derivation Path:		
Comments:	To match the setup PDU from the MS containing the Bearer Capabiility, Low Layer Compatibility and High Layer Compatibility IE's for BS 81.	
Field Name	Field Value	Comments
ti	TI_09	
ccpd	'0011'B	
mt	'0?000101'B	
bcri	'11010011'B	
bcap1	Bcap_Setup_B161	
bcap2	Bcap_Setup_B1621_9600_2	
fie	*	
cgps	*	
cdpn	?	
cdps	*	
llcri	'11010011'B	
llcmp1	Llcmp_NotApplicable	
llcmp2	Llcmp_Setup_B1621_9600_2	
hlcri	OMIT	
hlcmp1	OMIT	
hlcmp2	OMIT	
uu	*	
ssvi	*	
clirsup	*	
clirinv	*	
cccacp	TSPX_CallCntrlCap IF_PRESENT	
Detailed Comments:		

PDU Constraint Declaration		
Constraint Name:	SetupInd_BS81_B161_B1622_1200	
PDU Type:	SETUP_MO_PDU	
Derivation Path:		
Comments:	To match the setup PDU from the MS containing the Bearer Capability, Low Layer Compatibility and High Layer Compatibility IE's for BS 81.	
Field Name	Field Value	Comments
ti	TI_09	
ccpd	'0011'B	
mt	'0?000101'B	
bcri	'11010011'B	
bcap1	Bcap_Setup_B161	
bcap2	Bcap_Setup_B1622_1200	
fie	*	
cgps	*	
cdpn	?	
cdps	*	
llcri	'11010011'B	
llcmp1	Llcmp_NotApplicable	
llcmp2	Llcmp_Setup_B1622_1200	
hlcri	OMIT	
hlcmp1	OMIT	
hlcmp2	OMIT	
uu	*	
ssvi	*	
clirsup	*	
clirinv	*	
cccacp	TSPX_CallCntrlCap IF_PRESENT	
Detailed Comments:		

PDU Constraint Declaration		
Constraint Name:	SetupInd_BS81_B161_B1622_2400	
PDU Type:	SETUP_MO_PDU	
Derivation Path:		
Comments:	To match the setup PDU from the MS containing the Bearer Capability, Low Layer Compatibility and High Layer Compatibility IE's for BS 81.	
Field Name	Field Value	Comments
ti	TI_09	
ccpd	'0011'B	
mt	'0?000101'B	
bcri	'11010011'B	
bcap1	Bcap_Setup_B161	
bcap2	Bcap_Setup_B1622_2400	
fie	*	
cgps	*	
cdpn	?	
cdps	*	
llcri	'11010011'B	
llcmp1	Llcmp_NotApplicable	
llcmp2	Llcmp_Setup_B1622_2400	
hlcri	OMIT	
hlcmp1	OMIT	
hlcmp2	OMIT	
uu	*	
ssvi	*	
clirsup	*	
clirinv	*	
cccacp	TSPX_CallCntrlCap IF_PRESENT	
Detailed Comments:		

PDU Constraint Declaration		
Constraint Name:	SetupInd_BS81_B161_B1622_4800	
PDU Type:	SETUP_MO_PDU	
Derivation Path:		
Comments:	To match the setup PDU from the MS containing the Bearer Capabiility, Low Layer Compatibility and High Layer Compatibility IE's for BS 81.	
Field Name	Field Value	Comments
ti	TI_09	
ccpd	'0011'B	
mt	'0?000101'B	
bcri	'11010011'B	
bcap1	Bcap_Setup_B161	
bcap2	Bcap_Setup_B1622_4800	
fie	*	
cgps	*	
cdpn	?	
cdps	*	
llcri	'11010011'B	
llcmp1	Llcmp_NotApplicable	
llcmp2	Llcmp_Setup_B1622_4800	
hlcri	OMIT	
hlcmp1	OMIT	
hlcmp2	OMIT	
uu	*	
ssvi	*	
clirsup	*	
clirinv	*	
cccap	TSPX_CallCntrlCap IF_PRESENT	
Detailed Comments:		

PDU Constraint Declaration		
Constraint Name:	SetupInd_BS81_B161_B1622_9600	
PDU Type:	SETUP_MO_PDU	
Derivation Path:		
Comments:	To match the setup PDU from the MS containing the Bearer Capabiility, Low Layer Compatibility and High Layer Compatibility IE's for BS 81.	
Field Name	Field Value	Comments
ti	TI_09	
ccpd	'0011'B	
mt	'0?000101'B	
bcri	'11010011'B	
bcap1	Bcap_Setup_B161	
bcap2	Bcap_Setup_B1622_9600	
fie	*	
cgps	*	
cdpn	?	
cdps	*	
llcri	'11010011'B	
llcmp1	Llcmp_NotApplicable	
llcmp2	Llcmp_Setup_B1622_9600	
hlcri	OMIT	
hlcmp1	OMIT	
hlcmp2	OMIT	
uu	*	
ssvi	*	
clirsup	*	
clirinv	*	
cccap	TSPX_CallCntrlCap IF_PRESENT	
Detailed Comments:		

PDU Constraint Declaration		
Constraint Name:	SetupInd_TS11_12	
PDU Type:	SETUP_MO_PDU	
Derivation Path:		
Comments:	To match the setup PDU from the MS containing the Bearer Capabiility, Low Layer Compatibility and High Layer Compatibility IE's for TSs 11 and 12.	
Field Name	Field Value	Comments
ti	TI_09	
ccpd	'0011'B	
mt	'0?000101'B	
bcri	OMIT	
bcap1	Bcap_Setup_B161	
bcap2	OMIT	
fie	*	
cgps	*	
cdpn	?	
cdps	*	
llcri	OMIT	
llcmp1	Llcmp_NotApplicable IF_PRESENT	
llcmp2	OMIT	
hlcri	OMIT	
hlcmp1	Hlcmp_Setup_TS11_12	
hlcmp2	OMIT	
uu	*	
ssvi	*	
clirsup	*	
clirinv	*	
cccacp	TSPX_CallCntrlCap IF_PRESENT	
Detailed Comments:		

PDU Constraint Declaration		
Constraint Name:	SetupInd_TS61_1	
PDU Type:	SETUP_MO_PDU	
Derivation Path:		
Comments:	<p>To match the setup PDU from the MS containing the Bearer Capabiility, Low Layer Compatibility and High Layer Compatibility IE's for TS 61.</p> <p>First possible combination:</p> <p>BC RI: circular</p> <p>Bcap1: Speech</p> <p>Bcap2: Fax G3</p>	
Field Name	Field Value	Comments
ti	TI_09	
ccpd	'0011'B	
mt	'0?000101'B	
bcri	'11010001'B	
bcap1	Bcap_Setup_B161	
bcap2	(Bcap_Setup_B1102_1, Bcap_Setup_B1102_2, Bcap_Setup_B1102_3)	
fie	*	
cgps	*	
cdpn	?	
cdps	*	
llcri	OMIT	
llcmp1	Llcmp_NotApplicable IF_PRESENT	
llcmp2	OMIT	
hlcri	'11010001'B	
hlcmp1	Hlcmp_NotApplicable	
hlcmp2	Hlcmp_Setup_TS61	
uu	*	
ssvi	*	
clirsup	*	
clirinv	*	
cccip	TSPX_CallCntrlCap IF_PRESENT	
Detailed Comments:		

PDU Constraint Declaration		
Constraint Name:	SetupInd_TS61_2	
PDU Type:	SETUP_MO_PDU	
Derivation Path:		
Comments:	<p>To match the setup PDU from the MS containing the Bearer Capability, Low Layer Compatibility and High Layer Compatibility IE's for TS 61.</p> <p>First possible combination:</p> <p>BC RI: circular</p> <p>Bcap1: Fax G3</p> <p>Bcap2: Speech</p>	
Field Name	Field Value	Comments
ti	TI_09	
ccpd	'0011'B	
mt	'0?000101'B	
bcri	'11010001'B	
bcap1	(Bcap_Setup_B1102_1, Bcap_Setup_B1102_2, Bcap_Setup_B1102_3)	
bcap2	Bcap_Setup_B161	
fie	*	
cgps	*	
cdpn	?	
cdps	*	
llcri	OMIT	
llcmp1	Llcmp_NotApplicable IF_PRESENT	
llcmp2	OMIT	
hlcri	'11010001'B IF_PRESENT	
hlcmp1	Hlcmp_Setup_TS61	
hlcmp2	Hlcmp_NotApplicable IF_PRESENT	
uu	*	
ssvi	*	
clirsup	*	
clirinv	*	
cccacp	TSPX_CallCntrlCap IF_PRESENT	
Detailed Comments:		

PDU Constraint Declaration		
Constraint Name:	SetupInd_TS62	
PDU Type:	SETUP_MO_PDU	
Derivation Path:		
Comments:	To match the setup PDU from the MS containing the Bearer Capability, Low Layer Compatibility and High Layer Compatibility IE's for TS 62.	
Field Name	Field Value	Comments
ti	TI_09	
ccpd	'0011'B	
mt	'0?000101'B	
bcri	OMIT	
bcap1	(Bcap_Setup_B1102_1, Bcap_Setup_B1102_2, Bcap_Setup_B1102_3)	
bcap2	OMIT	
fie	*	
cgps	*	
cdpn	?	
cdps	*	
llcri	OMIT	
llcmp1	Llcmp_NotApplicable IF_PRESENT	
llcmp2	OMIT	
hlcri	OMIT	
hlcmp1	Hlcmp_Setup_TS62	
hlcmp2	OMIT	
uu	*	
ssvi	*	
clirsup	*	
clirinv	*	
cccacp	TSPX_CallCntrlCap IF_PRESENT	
Detailed Comments:		

PDU Constraint Declaration		
Constraint Name:	StartDtmf_01(Ti:TI; character:IA5String)	
PDU Type:	START_DTMF_PDU	
Derivation Path:		
Comments:		
Field Name	Field Value	Comments
ti	Ti	
ccpd	'0011'B	
mt	'0?110101'B	
kpf	KeyPad_01(character)	
Detailed Comments:		

PDU Constraint Declaration		
Constraint Name:	StartDtmf_02(Ti:TI)	
PDU Type:	START_DTMF_PDU	
Derivation Path:		
Comments:		
Field Name	Field Value	Comments
ti	Ti	
ccpd	'0011'B	
mt	'0?110101'B	
kpf	KeyPad_02	
Detailed Comments:		

PDU Constraint Declaration		
Constraint Name:	StartDtmfAck_01(Ti:TI; character:IA5String)	
PDU Type:	START_DTMF_ACK_PDU	
Derivation Path:		
Comments:		
Field Name	Field Value	Comments
ti	Ti	
ccpd	'0011'B	
mt	'00110110'B	
kpf	KeyPad_01(character)	
Detailed Comments:		

PDU Constraint Declaration		
Constraint Name:	StartDtmfRej_01(Ti:TI)	
PDU Type:	START_DTMF_REJ_PDU	
Derivation Path:		
Comments:		
Field Name	Field Value	Comments
ti	Ti	
ccpd	'0011'B	
mt	'00110111'B	
cau	Cause_15	
Detailed Comments:		

PDU Constraint Declaration		
Constraint Name:	StopDtmf_01(Ti:TI)	
PDU Type:	STOP_DTMF_PDU	
Derivation Path:		
Comments:		
Field Name	Field Value	Comments
ti	Ti	
ccpd	'0011'B	
mt	'0?110001'B	
Detailed Comments:		

PDU Constraint Declaration		
Constraint Name:	StopDtmfAck_01(Ti:TI)	
PDU Type:	STOP_DTMF_ACK_PDU	
Derivation Path:		
Comments:		
Field Name	Field Value	Comments
ti	Ti	
ccpd	'0011'B	
mt	'00110010'B	
Detailed Comments:		

PDU Constraint Declaration		
Constraint Name:	Synclnfor_01	
PDU Type:	SCHINFO_PDU	
Derivation Path:		
Comments:		
Field Name	Field Value	Comments
ncc	'001'B	
bcc	C_BCC	
t1	?	
t2	?	
t3_	?	
Detailed Comments:	1. The values of t1, t2 and t3_ shall be correctly set by the L2 simulation module when this message is sent to air on the synchronization channel. It is assumed that there is a set of timebase counters in the L2 module, these counters run continuously and keep the correct timeslot number SN and TDMA frame number FN as long as the test system is poweron , the T1, T2, T3' (values for t1, t2 and t3_) can be derived from these counters.	

PDU Constraint Declaration		
Constraint Name:	Syslnf1(cchd:CCHD; maxtx:B_2; txint:B_4; re:B_1)	
PDU Type:	SYSINFO1_PDU	
Derivation Path:		
Comments:	Default parameters for cell A in RR testing of GSM 900	
Field Name	Field Value	Comments
l2_pl	'55'O	
ski	'0000'B	
rrpd	'0110'B	
mt	'00011001'B	
cchd	cchd	
rachcp	RachCntrlPara(maxtx, txint, re)	
si1roct	'2B'O	
Detailed Comments:		

PDU Constraint Declaration		
Constraint Name:	Syslnf2(bcchfl: NCD; maxtx:B_2; txint:B_4; re:B_1)	
PDU Type:	SYSINFO2_PDU	
Derivation Path:		
Comments:	SYSTEM INFORMATION TYPE2 containing default neighbour cells description	
Field Name	Field Value	Comments
l2_pl	'59'O	
ski	'0000'B	
rrpd	'0110'B	
mt	'00011010'B	
bcchfl	bcchfl	
nccp	'02'O	
rachcp	RachCntrlPara(maxtx, txint, re)	
Detailed Comments:		

PDU Constraint Declaration		
Constraint Name:	SysInf2_07(bcchfl: NCD; rachcpar: RACHCP)	
PDU Type:	SYSINFO2_PDU	
Derivation Path:		
Comments:	SYSTEM INFORMATION TYPE2 of cell 1 for idle mode testing of GSM900.	
Field Name	Field Value	Comments
l2_pl	'59'O	
ski	'0000'B	
rrpd	'0110'B	
mt	'00011010'B	
bcchfl	bcchfl	
nccp	'04'O	
rachcp	rachcpar	
Detailed Comments:		

PDU Constraint Declaration		
Constraint Name:	SysInf2bis	
PDU Type:	SYSINFO2bis_PDU	
Derivation Path:		
Comments:	SYSTEM INFORMATION 2bis in cell A under EGSM with the ARFCN list = {988, 990, 1003}.	
Field Name	Field Value	Comments
l2_pl	'55'O	
ski	'0000'B	
rrpd	'0110'B	
mt	'00000010'B	
xbcchfl	BcchFreqLst_47	
rachcp	RachCntrlPara_r01	
si2bisroct	'00'O	
Detailed Comments:		

PDU Constraint Declaration		
Constraint Name:	SysInf3(ci:CI; mnc, lac:OCTETSTRING; ccd:CCD; co:CO; crh, mtmc:INTEGER; neci:B_1; maxtx:B_2; txint:B_4; re:B_1)	
PDU Type:	SYSINFO3_PDU	
Derivation Path:		
Comments:	CCCH combined or not with SDCCH	
Field Name	Field Value	Comments
l2_pl	'49'O	
ski	'0000'B	
rrpd	'0110'B	
mt	'00011011'B	
ci	ci	
lai	LocAreald(mnc, lac)	
ccd	ccd	
co	co	
csp	CellSelPara(crh, mtmc, neci)	
rachcp	RachCntrlPara(maxtx, txint, re)	
si3roct	'2B2B2B2B'O	
Detailed Comments:		

PDU Constraint Declaration		
Constraint Name:	SysInf3_MM(ci: CI; lai: LAI; ccd: CCD; csp: CSP; rachcpar: RACHCP)	
PDU Type:	SYSINFO3_PDU	
Derivation Path:		
Comments:		
Field Name	Field Value	Comments
l2_pl	'49'O	
ski	'0000'B	
rrpd	'0110'B	
mt	'00011011'B	
ci	ci	
lai	lai	
ccd	ccd	
co	CellOpt_01	
csp	csp	
rachcp	rachcpar	
si3roct	'2B2B2B2B'O	
Detailed Comments:		

PDU Constraint Declaration		
Constraint Name:	SysInf3_07(ci: CI; lai: LAI; ccd: CCD; co:CO; csp: CSP; rachcpar: RACHCP)	
PDU Type:	SYSINFO3_PDU	
Derivation Path:		
Comments:	values are defined in 26.3.1 of GSM 11.10	
Field Name	Field Value	Comments
l2_pl	'49'O	
ski	'0000'B	
rrpd	'0110'B	
mt	'00011011'B	
ci	ci	
lai	lai	
ccd	ccd	
co	co	
csp	csp	
rachcp	rachcpar	
si3roct	'2B2B2B2B'O	
Detailed Comments:		

PDU Constraint Declaration		
Constraint Name:	SysInf3_inv_01	
PDU Type:	SYSINFO3_PDU	
Derivation Path:		
Comments:	An invalid SYSTEM INFORMATION TYPE 3 message containing rest octets which are not all '2B'O	
Field Name	Field Value	Comments
l2_pl	'49'O	
ski	'0000'B	
rrpd	'0110'B	
mt	'00011011'B	
ci	C_ci_cellA	
lai	LocAreaId_02	
ccd	CntrlChDscrp_inv	
co	CellOpt_04	
csp	CellSelPara_01	
rachcp	RachCntrlPara_01	
si3roct	'2B2B2BEE'O	
Detailed Comments:		

PDU Constraint Declaration		
Constraint Name:	SysInf4_MM(lai: LAI; csp: CSP; rachcpar: RACHCP)	
PDU Type:	SYSINFO4_PDU	
Derivation Path:		
Comments:	A SYSTEM INFORMATION TYPE 4 message containing default values	
Field Name	Field Value	Comments
l2_pl	'31'O	
ski	'0000'B	
rrpd	'0110'B	
mt	'00011100'B	
lai	lai	
csp	csp	
rachcpar	rachcpar	
cbchd	OMIT	
cbchma	OMIT	
si4roct	'2B2B2B2B2B2B2B2B2B'O	
Detailed Comments:		

PDU Constraint Declaration		
Constraint Name:	SysInf4(mnc, lac:OCTETSTRING; crh, mtmc:INTEGER; neci:B_1; maxtx:B_2; txint:B_4; re:B_1)	
PDU Type:	SYSINFO4_PDU	
Derivation Path:		
Comments:	A SYSTEM INFORMATION TYPE 4 message containing default values	
Field Name	Field Value	Comments
l2_pl	'31'O	
ski	'0000'B	
rrpd	'0110'B	
mt	'00011100'B	
lai	LocAreaId(mnc, lac)	
csp	CellSelPara(crh, mtmc, neci)	
rachcpar	RachCntrlPara(maxtx, txint, re)	
cbchd	OMIT	
cbchma	OMIT	
si4roct	'2B2B2B2B2B2B2B2B2B'O	
Detailed Comments:		

PDU Constraint Declaration		
Constraint Name:	SysInf4_CBMS(mnc, lac:OCTETSTRING; crh, mtmc:INTEGER; neci:B_1; maxtx:B_2; txint:B_4; re:B_1; cbchd:CHD)	
PDU Type:	SYSINFO4_PDU	
Derivation Path:		
Comments:	To send a SYSTEM INFORMATION TYPE 4 message for SMSCB with the values or GSM 11.10, 34.3	
Field Name	Field Value	Comments
l2_pl	'49'O	
ski	'0000'B	
rrpd	'0110'B	
mt	'00011100'B	
lai	LocAreaId(mnc, lac)	
csp	CellSelPara(crh, mtmc, neci)	
rachcpar	RachCntrlPara(maxtx, txint, re)	
cbchd	cbchd	
cbchma	Mob1Al1c_01iei	
si4roct	'2B2B2B2B'O	
Detailed Comments:		

PDU Constraint Declaration		
Constraint Name:	SysInf4_inv_01	
PDU Type:	SYSINFO4_PDU	
Derivation Path:		
Comments:	An invalid SYSTEM INFORMATION message containing rest octets which are not all '2B'O	
Field Name	Field Value	Comments
l2_pl	'31'O	
ski	'0000'B	
rrpd	'0110'B	
mt	'00011100'B	
lai	LocAreaId_02	
csp	CellSelPara_01	
rachcp	RachCntrlPara_01	
cbchd	OMIT	
cbchma	OMIT	
si4roct	'2B2B2B2B2B2B2B2B2BEE'O	
Detailed Comments:		

PDU Constraint Declaration		
Constraint Name:	SysInf5(bcchfl: NCD)	
PDU Type:	SYSINFO5_PDU	
Derivation Path:		
Comments:	SYSTEM INFORMATION TYPE 5 containing default neighbour cells description for GSM900	
Field Name	Field Value	Comments
ski	'0000'B	
rrpd	'0110'B	
mt	'00011101'B	
bcchfl	bcchfl	
Detailed Comments:		

PDU Constraint Declaration		
Constraint Name:	SysInf5bis_01(bcchfl: NCD)	
PDU Type:	SYSINFO5bis_PDU	
Derivation Path:		
Comments:	SYSTEM INFORMATION TYPE 5bis containing partial neighbour cells description with 1 frequency for DCS1800.	
Field Name	Field Value	Comments
ski	'0000'B	
rrpd	'0110'B	
mt	'00000101'B	
xbcchfl	bcchfl	
Detailed Comments:		

PDU Constraint Declaration		
Constraint Name:	SysInf6(ci:CI; mnc, lac:OCTETSTRING; co:CO)	
PDU Type:	SYSINFO6_PDU	
Derivation Path:		
Comments:	A SYSTEM INFORMATION TYPE 6 message containing default parameters for RR testing.	
Field Name	Field Value	Comments
ski	'0000'B	
rrpd	'0110'B	
mt	'00011110'B	
ci	ci	
lai	LocAreaId(mnc, lac)	
co	co	
nccp	'02'O	
Detailed Comments:		

PDU Constraint Declaration		
Constraint Name:	SysInf6_MM(ci: CI; lai: LAI; co:CO)	
PDU Type:	SYSINFO6_PDU	
Derivation Path:		
Comments:	A SYSTEM INFORMATION TYPE 6 message containing default parameters for RR testing.	
Field Name	Field Value	Comments
ski	'0000'B	
rrpd	'0110'B	
mt	'00011110'B	
ci	ci	
lai	lai	
co	co	
nccp	'02'O	
Detailed Comments:		

PDU Constraint Declaration		
Constraint Name:	TmsiReallocCmd(par:MI; lac: OCTETSTRING)	
PDU Type:	TMSIRE_CMD_PDU	
Derivation Path:		
Comments:	TMSI REALLOCATION COMMAND message.	
Field Name	Field Value	Comments
ski	'0000'B	
mmpd	'0101'B	
mt	'00011010'B	
lai	LocAreald_30(lac)	
mi	par	
Detailed Comments:		

PDU Constraint Declaration		
Constraint Name:	TmsiReallocComp	
PDU Type:	TMSIRE_COM_PDU	
Derivation Path:		
Comments:	TMSI REALLOCATION COMPLETE message.	
Field Name	Field Value	Comments
ski	'0000'B	
mmpd	'0101'B	
mt	'0?011011'B	
Detailed Comments:		

PDU Constraint Declaration		
Constraint Name:	UndefCC_02(Ti:TI)	
PDU Type:	CONN_PDU	
Derivation Path:		
Comments:	This is an undefined CC message	
Field Name	Field Value	Comments
ti	Ti	
ccpd	'0011'B	
mt	'00111111'B	
fie	OMIT	
pi	OMIT	
cnn	OMIT	
cns	OMIT	
uu	OMIT	
ssvi	OMIT	
Detailed Comments:		

PDU Constraint Declaration		
Constraint Name:	UndefMM_01	
PDU Type:	ID_RES_PDU	
Derivation Path:		
Comments:	This is an undefined MM message	
Field Name	Field Value	Comments
ski	'0000'B	
mmpd	'0101'B	
mt	'00100101'B	
mi	Mi_05	
Detailed Comments:		

PDU Constraint Declaration		
Constraint Name:	UndefRR_01	
PDU Type:	PART_REL_PDU	
Derivation Path:		
Comments:	An undefined RR message	
Field Name	Field Value	Comments
ski	'0000'B	
rrpd	'0110'B	
mt	'00100101'B	
chd	Chd_01	
Detailed Comments:		

PDU Constraint Declaration		
Constraint Name:	UnknownMsg_01	
PDU Type:	CCST_ENQ_PDU	
Derivation Path:		
Comments:	CC STATUS ENQUIRY alike unknown message	
Field Name	Field Value	Comments
ti	TI_02	
ccpd	'0000'B	
mt	'00110100'B	
Detailed Comments:		

PDU Constraint Declaration		
Constraint Name:	UnknownMsg_02	
PDU Type:	CCST_ENQ_PDU	
Derivation Path:	UnknownMsg_01.	
Comments:	CC STATUS ENQUIRY alike unknown message with arbitrary transaction ID.	
Field Name	Field Value	Comments
ti	TI_04	
Detailed Comments:		

PDU Constraint Declaration		
Constraint Name:	CpDataAckPdu_01(ti_v: TI_V)	
PDU Type:	CPDATA_ACK_PDU	
Derivation Path:		
Comments:	CP DATA ACKNOWLEDGE ms -> n	
Field Name	Field Value	Comments
ti	TI_08(ti_v)	
smspd	'1001'B	
mt	'00000100'B	
Detailed Comments:		

PDU Constraint Declaration		
Constraint Name:	CpDataAckPdu_02(ti_v: TI_V)	
PDU Type:	CPDATA_ACK_PDU	
Derivation Path:		
Comments:	CP DATA ACKNOWLEDGE n -> ms	
Field Name	Field Value	Comments
ti	TI_07(ti_v)	
smspd	'1001'B	
mt	'00000100'B	
Detailed Comments:		

PDU Constraint Declaration		
Constraint Name:	CpDataAckPdu_03(ti:TI)	
PDU Type:	CPDATA_ACK_PDU	
Derivation Path:		
Comments:	CP DATA ACKNOWLEDGE n -> ms, MO-SMS	
Field Name	Field Value	Comments
ti	ti	
smspd	'1001'B	
mt	'00000100'B	
Detailed Comments:		

PDU Constraint Declaration		
Constraint Name:	CpErrPdu_01(ti:TI_V)	
PDU Type:	CPERR_PDU	
Derivation Path:		
Comments:	CP ERROR n -> ms GSM 04.11	
Field Name	Field Value	Comments
ti	TI_08(ti)	
smspd	'1001'B	
mt	'00010000'B	
cp_cause	'11'O	
Detailed Comments:		

PDU Constraint Declaration		
Constraint Name:	CpDataPdu_01(ti_v: TI_V; cpdat:CPDATA)	
PDU Type:	CP_DATA_PDU	
Derivation Path:		
Comments:	CP DATA n -> ms, RP DATA, TP-DCS set to 0 GSM 04.11	
Field Name	Field Value	Comments
ti	TI_07(ti_v)	
smspd	'1001'B	
mt	'00000001'B	
CPdata	cpdat	
Detailed Comments:		

PDU Constraint Declaration		
Constraint Name:	CpDataPdu_02(ti_v: TI_V; cpdat:CPDATA)	
PDU Type:	CP_DATA_PDU	
Derivation Path:		
Comments:	CP DATA ms -> n, RP Acknowledge GSM 04.11	
Field Name	Field Value	Comments
ti	TI_08(ti_v)	
smspd	'1001'B	
mt	'00000001'B	
CPdata	cpdat	
Detailed Comments:		

PDU Constraint Declaration		
Constraint Name:	CpDataPdu_03(cpdat:CPDATA)	
PDU Type:	CP_DATA_PDU	
Derivation Path:		
Comments:	CP DATA ms -> n, RP data, TP-DCS set to 0, no status report requested GSM 04.11	
Field Name	Field Value	Comments
ti	TI_09	
smspd	'1001'B	
mt	'00000001'B	
CPdata	cpdat	
Detailed Comments:		

PDU Constraint Declaration		
Constraint Name:	CpDataPdu_04	
PDU Type:	CP_DATA_PDU	
Derivation Path:		
Comments:	CP DATA n -> ms, RP Acknowledge GSM 04.11	
Field Name	Field Value	Comments
ti	TI_09	
smspd	'1001'B	
mt	'00000001'B	
CPdata	?	
Detailed Comments:		

PDU Constraint Declaration		
Constraint Name:	CpDataPdu_any	
PDU Type:	CP_DATA_PDU	
Derivation Path:		
Comments:	CP DATA ms -> n GSM 04.11	
Field Name	Field Value	Comments
ti	?	
smspd	'1001'B	
mt	'00000001'B	
CPdata	?	
Detailed Comments:		

PDU Constraint Declaration		
Constraint Name:	CpDataPdu_16(tpoa1: BCDN; rpoa_mt: BCDN; smtype: INTEGER; text: IA5String; ti_v: TI_V; rpmr: MR; timezone:TZONES)	
PDU Type:	CP_DATA_PDU	
Derivation Path:		
Comments:	CP DATA n -> ms, RP DATA, TP-DCS set to 0 GSM 04.11	
Field Name	Field Value	Comments
ti	TI_07(ti_v)	
smspd	'1001'B	
mt	'00000001'B	
CPdata	CpData_15(tpoa1, rpoa_mt, smtype, text, rpmr, timezone)	
Detailed Comments:		

PDU Constraint Declaration		
Constraint Name:	CpDataPdu_17(tpoa1: BCDN; rpoa_mt: BCDN; text: IA5String; ti_v: TI_V; rpmr: MR; timezone:TZONES)	
PDU Type:	CP_DATA_PDU	
Derivation Path:		
Comments:	CP DATA n -> ms, RP DATA, TP-DCS set to 0 GSM 04.11	
Field Name	Field Value	Comments
ti	TI_07(ti_v)	
smspd	'1001'B	
mt	'00000001'B	
CPdata	CpData_16(tpoa1, rpoa_mt, text, rpmr, timezone)	
Detailed Comments:		

PDU Constraint Declaration		
Constraint Name:	CpDataPdu_18(tpda, rpd:BCDN; tpud:TPUD)	
PDU Type:	CP_DATA_PDU	
Derivation Path:		
Comments:	CP DATA ms -> n, RP data, TP-DCS set to 0, no status report requested GSM 04.11	
Field Name	Field Value	Comments
ti	TI_09	
smspd	'1001'B	
mt	'00000001'B	
CPdata	CpData_17(tpda, rpd, tpud)	
Detailed Comments:		

Dynamic Part

Test Cases

Test Group General

Test Case Dynamic Behaviour					
Test Case Name:		TC_11_1_1			
Group:		GSM_L3_MS_v4170/General/			
Purpose:		<p>1. To verify that the MS, for the case of the Multinumbering scheme or ISDN, accepts a SETUP message, where the Information Elements for Bearer Capability are compatible with the Bearer Services / Teleservices declared as supported by the MS, by sending a CALL CONFIRMED message.</p> <p>This is verified for all Mobile Terminated Bearer Services / Teleservices declared as supported by the MS.</p> <p>2. To verify that the MS in the "Null" state, U0, when receiving a SETUP message containing incompatible Information Elements for Bearer Capability will respond with a RELEASE COMPLETE message.</p> <p>This is verified for all Mobile Terminated Bearer Services / Teleservices not declared as supported by the MS.</p>			
Default:		OtherEventsFail			
Nr	Label	Behaviour Description	CRef	V	Comments
1		START T_guard(1800)			
2		(TCV_slot := C_S0, TCV_tsc := C_BCC)			
3		+IdleUpdated(C_CellA, C_Immass, TCV_slot, TCV_tsc, TimingAdv_01, '000'B, '001'B, '011'B, '00'O)			
4		(TCV_ch := OC_SubchOfSdcch4(TSPX_SDCCH4SubDef, C_CellA), TCV_sacch := OC_SubchOfSacch4(TSPX_SDCCH4SubDef, C_CellA), TCV_CphKey := OC_CphKeyGen(TSPX_Ki, TSPX_RANDDef))			
5		+PreEnterIdleState_03(C_Immass, TCV_slot, TCV_tsc, 5, 1, 0, TimingAdv_01, '000'B, '001'B, '011'B, '00'O)			1.
6		+testTS11			
7		+testTS62_2400			
8		+testTS62_4800			
9		+testTS62_9600			
10		+testTS61_2400			
11		+testTS61_4800			
12		+testTS61_9600			
13		+continue			
		continue			
14		+testBS21			
15		+testBS22			
16		+testBS24			
17		+testBS25			
18		+testBS26			
19		+testBS31			
20		+testBS32			
21		+testBS33			
22		+testBS34			
23		+continue1			
		continue1			
24		+testBS61_300			
25		+testBS61_1200			
26		+testBS61_2400			
27		+testBS61_4800			
28		+testBS61_9600			

29	+testBS81_300	
30	+testBS81_1200	
31	+testBS81_2400	
32	+testBS81_4800	
33	+testBS81_9600	
	testTS11	
34	[TSPC_Serv_TS11]	3.
35	(TCV_Setup_mt := Setup_01)	
36	+check1(C_Telephony)	
37	[NOT TSPC_Serv_TS11]	4.
38	(TCV_Setup_mt := Setup_01)	
39	+check2(C_Telephony)	
	testTS61_2400	
40	[TSPC_Serv_TS61_2400]	
41	(TCV_Bcap1 := Bcap_Speech, TCV_Bcap2 := Bcap_Fax(TSPX_FAX_2400_1_strc, TSPX_FAX_2400_1_ur, TSPX_FAX_2400_1_ir, TSPX_FAX_2400_1_ce), TCV_Setup_mt := Setup_21('11010001'B, TCV_Bcap1, TCV_Bcap2))	
42	+check1(C_AltSpchG3_2400)	
43	[TSPX_TS61_2400more]	
44	(TCV_Bcap1 := Bcap_Speech, TCV_Bcap2 := Bcap_Fax(TSPX_FAX_2400_2_strc, TSPX_FAX_2400_2_ur, TSPX_FAX_2400_2_ir, TSPX_FAX_2400_2_ce), TCV_Setup_mt := Setup_21('11010001'B, TCV_Bcap1, TCV_Bcap2))	
45	+check1(C_AltSpchG3_2400)	
46	[NOT TSPX_TS61_2400more]	
47	[NOT TSPC_Serv_TS61_2400]	
48	(TCV_Bcap1 := Bcap_Speech, TCV_Bcap2 := Bcap_Fax(TSPX_FAX_2400_1_strc, TSPX_FAX_2400_1_ur, TSPX_FAX_2400_1_ir, TSPX_FAX_2400_1_ce), TCV_Setup_mt := Setup_21('11010001'B, TCV_Bcap1, TCV_Bcap2))	
49	+check2(C_AltSpchG3_2400)	
	testTS61_4800	
50	[TSPC_Serv_TS61_4800]	
51	(TCV_Bcap1 := Bcap_Speech, TCV_Bcap2 := Bcap_Fax(TSPX_FAX_4800_1_strc, TSPX_FAX_4800_1_ur, TSPX_FAX_4800_1_ir, TSPX_FAX_4800_1_ce), TCV_Setup_mt := Setup_21('11010001'B, TCV_Bcap1, TCV_Bcap2))	
52	+check1(C_AltSpchG3_4800)	
53	[TSPX_TS61_4800more]	
54	(TCV_Bcap1 := Bcap_Speech, TCV_Bcap2 := Bcap_Fax(TSPX_FAX_4800_2_strc, TSPX_FAX_4800_2_ur, TSPX_FAX_4800_2_ir, TSPX_FAX_4800_2_ce), TCV_Setup_mt := Setup_21('11010001'B, TCV_Bcap1, TCV_Bcap2))	
55	+check1(C_AltSpchG3_4800)	
56	[NOT TSPX_TS61_4800more]	
57	[NOT TSPC_Serv_TS61_4800]	
58	(TCV_Bcap1 := Bcap_Speech, TCV_Bcap2 := Bcap_Fax(TSPX_FAX_4800_1_strc, TSPX_FAX_4800_1_ur, TSPX_FAX_4800_1_ir, TSPX_FAX_4800_1_ce), TCV_Setup_mt := Setup_21('11010001'B, TCV_Bcap1, TCV_Bcap2))	
59	+check2(C_AltSpchG3_4800)	
	testTS61_9600	
60	[TSPC_Serv_TS61_9600]	
61	(TCV_Bcap1 := Bcap_Speech, TCV_Bcap2 := Bcap_Fax(TSPX_FAX_4800_1_strc,	

```

TSPX_FAX_9600_1_ur, TSPX_FAX_9600_1_ir,
TSPX_FAX_9600_1_ce), TCV_Setup_mt :=
Setup_21('11010001'B, TCV_Bcap1, TCV_Bcap2))
62   +check1(C_AltSpchG3_9600)
63   [TSPX_TS61_9600more]
64   (TCV_Bcap1 := Bcap_Speech, TCV_Bcap2
:= Bcap_Fax(TSPX_FAX_9600_2_strc,
TSPX_FAX_9600_2_ur,
TSPX_FAX_9600_2_ir,
TSPX_FAX_9600_2_ce), TCV_Setup_mt :=
Setup_21('11010001'B, TCV_Bcap1,
TCV_Bcap2))
65   +check1(C_AltSpchG3_9600)
66   [NOT TSPX_TS61_9600more]
67 [NOT TSPC_Serv_TS61_9600]
68 (TCV_Bcap1 := Bcap_Speech, TCV_Bcap2 :=
Bcap_Fax(TSPX_FAX_9600_1_strc,
TSPX_FAX_9600_1_ur, TSPX_FAX_9600_1_ir,
TSPX_FAX_9600_1_ce), TCV_Setup_mt :=
Setup_21('11010001'B, TCV_Bcap1, TCV_Bcap2))
69   +check2(C_AltSpchG3_9600)

testTS62_2400
70 [TSPC_Serv_TS62_2400]
71 (TCV_Bcap1 :=
Bcap_Fax(TSPX_FAX_2400_1_strc,
TSPX_FAX_2400_1_ur, TSPX_FAX_2400_1_ir,
TSPX_FAX_2400_1_ce), TCV_Setup_mt :=
Setup_20(TCV_Bcap1))
72   +check1(C_AutoG3_T_2400)
73   [TSPX_TS62_2400more]
74   (TCV_Bcap1 :=
Bcap_Fax(TSPX_FAX_2400_2_strc,
TSPX_FAX_2400_2_ur,
TSPX_FAX_2400_2_ir,
TSPX_FAX_2400_2_ce), TCV_Setup_mt :=
Setup_20(TCV_Bcap1))
75   +check1(C_AutoG3_T_2400)
76   [NOT TSPX_TS62_2400more]
77 [NOT TSPC_Serv_TS62_2400]
78 (TCV_Bcap1 :=
Bcap_Fax(TSPX_FAX_2400_1_strc,
TSPX_FAX_2400_1_ur, TSPX_FAX_2400_1_ir,
TSPX_FAX_2400_1_ce), TCV_Setup_mt :=
Setup_20(TCV_Bcap1))
79   +check2(C_AutoG3_T_2400)

testTS62_4800
80 [TSPC_Serv_TS62_4800]
81 (TCV_Bcap1 :=
Bcap_Fax(TSPX_FAX_4800_1_strc,
TSPX_FAX_4800_1_ur, TSPX_FAX_4800_1_ir,
TSPX_FAX_4800_1_ce), TCV_Setup_mt :=
Setup_20(TCV_Bcap1))
82   +check1(C_AutoG3_T_4800)
83   [TSPX_TS62_4800more]
84   (TCV_Bcap1 :=
Bcap_Fax(TSPX_FAX_4800_2_strc,
TSPX_FAX_4800_2_ur,
TSPX_FAX_4800_2_ir,
TSPX_FAX_4800_2_ce), TCV_Setup_mt :=
Setup_20(TCV_Bcap1))
85   +check1(C_AutoG3_T_4800)
86   [NOT TSPX_TS62_4800more]
87 [NOT TSPC_Serv_TS62_4800]
88 (TCV_Bcap1 :=
Bcap_Fax(TSPX_FAX_4800_1_strc,
TSPX_FAX_4800_1_ur, TSPX_FAX_4800_1_ir,
TSPX_FAX_4800_1_ce), TCV_Setup_mt :=
Setup_20(TCV_Bcap1))
89   +check2(C_AutoG3_T_4800)

```



```

testTS62_9600
90 [TSPC_Serv_TS62_9600]
91 (TCV_Bcap1 :=
    Bcap_Fax(TSPX_FAX_9600_1_strc,
    TSPX_FAX_9600_1_ur, TSPX_FAX_9600_1_ir,
    TSPX_FAX_9600_1_ce), TCV_Setup_mt :=
    Setup_20(TCV_Bcap1))
92 +check1(C_AutoG3_T_9600)
93 [TSPX_TS62_9600more]
94 (TCV_Bcap1 :=
    Bcap_Fax(TSPX_FAX_9600_2_strc,
    TSPX_FAX_9600_2_ur,
    TSPX_FAX_9600_2_ir,
    TSPX_FAX_9600_2_ce), TCV_Setup_mt :=
    Setup_20(TCV_Bcap1))
95 +check1(C_AutoG3_T_9600)
96 [NOT TSPX_TS62_9600more]
97 [NOT TSPC_Serv_TS62_9600]
98 (TCV_Bcap1 :=
    Bcap_Fax(TSPX_FAX_9600_1_strc,
    TSPX_FAX_9600_1_ur, TSPX_FAX_9600_1_ir,
    TSPX_FAX_9600_1_ce), TCV_Setup_mt :=
    Setup_20(TCV_Bcap1))
99 +check2(C_AutoG3_T_9600)

testBS21
100 [TSPC_Serv_BS21]
101 (TCV_Bcap1 := Bcap_Bs2(TSPX_BS_21_1_itc,
    TSPX_BS_21_1_strc, TSPX_BS_21_1_ra, '0001'B,
    TSPX_BS_21_1_ir, TSPX_BS_21_1_ce,
    TSPX_BS_21_1_modemt), TCV_Setup_mt :=
    Setup_20(TCV_Bcap1))
102 +check1(C_300cda)
103 [TSPX_BS21more]
104 (TCV_Bcap1 :=
    Bcap_Bs2(TSPX_BS_21_2_itc,
    TSPX_BS_21_2_strc, TSPX_BS_21_2_ra,
    '0001'B, TSPX_BS_21_2_ir,
    TSPX_BS_21_2_ce,
    TSPX_BS_21_2_modemt), TCV_Setup_mt :=
    Setup_20(TCV_Bcap1))
105 +check1(C_300cda)
106 [NOT TSPX_BS21more]
107 [NOT TSPC_Serv_BS21]
108 (TCV_Bcap1 := Bcap_Bs2(TSPX_BS_21_1_itc,
    TSPX_BS_21_1_strc, TSPX_BS_21_1_ra, '0001'B,
    TSPX_BS_21_1_ir, TSPX_BS_21_1_ce,
    TSPX_BS_21_1_modemt), TCV_Setup_mt :=
    Setup_20(TCV_Bcap1))
109 +check2(C_300cda)

testBS22
110 [TSPC_Serv_BS22]
111 (TCV_Bcap1 := Bcap_Bs2(TSPX_BS_22_1_itc,
    TSPX_BS_22_1_strc, TSPX_BS_22_1_ra, '0010'B,
    TSPX_BS_22_1_ir, TSPX_BS_22_1_ce,
    TSPX_BS_22_1_modemt), TCV_Setup_mt :=
    Setup_20(TCV_Bcap1))
112 +check1(C_1200cda)
113 [TSPX_BS22more]
114 (TCV_Bcap1 :=
    Bcap_Bs2(TSPX_BS_22_2_itc,
    TSPX_BS_22_2_strc, TSPX_BS_22_2_ra,
    '0010'B, TSPX_BS_22_2_ir,
    TSPX_BS_22_2_ce,
    TSPX_BS_22_2_modemt), TCV_Setup_mt :=
    Setup_20(TCV_Bcap1))
115 +check1(C_1200cda)
116 [NOT TSPX_BS22more]
117 [NOT TSPC_Serv_BS22]

```

```

118 (TCV_Bcap1 := Bcap_Bs2(TSPX_BS_22_1_itc,
TSPX_BS_22_1_strc, TSPX_BS_22_1_ra, '0010'B,
TSPX_BS_22_1_ir, TSPX_BS_22_1_ce,
TSPX_BS_22_1_modemt), TCV_Setup_mt :=
Setup_20( TCV_Bcap1))
119 +check2(C_1200cda)

testBS24
120 [TSPC_Serv_BS24]
121 (TCV_Bcap1 := Bcap_Bs2(TSPX_BS_24_1_itc,
TSPX_BS_24_1_strc, TSPX_BS_24_1_ra, '0011'B,
TSPX_BS_24_1_ir, TSPX_BS_24_1_ce,
TSPX_BS_24_1_modemt), TCV_Setup_mt :=
Setup_20( TCV_Bcap1))
122 +check1(C_2400cda)
123 [TSPX_BS24more]
124 (TCV_Bcap1 :=
Bcap_Bs2(TSPX_BS_24_2_itc,
TSPX_BS_24_2_strc, TSPX_BS_24_2_ra,
'0011'B, TSPX_BS_24_2_ir,
TSPX_BS_24_2_ce,
TSPX_BS_24_2_modemt), TCV_Setup_mt :=
Setup_20( TCV_Bcap1))
125 +check1(C_2400cda)
126 [NOT TSPX_BS24more]
127 [NOT TSPC_Serv_BS24]
128 (TCV_Bcap1 := Bcap_Bs2(TSPX_BS_24_1_itc,
TSPX_BS_24_1_strc, TSPX_BS_24_1_ra, '0011'B,
TSPX_BS_24_1_ir, TSPX_BS_24_1_ce,
TSPX_BS_24_1_modemt), TCV_Setup_mt :=
Setup_20( TCV_Bcap1))
129 +check2(C_2400cda)

testBS25
130 [TSPC_Serv_BS25]
131 (TCV_Bcap1 := Bcap_Bs2(TSPX_BS_25_1_itc,
TSPX_BS_25_1_strc, TSPX_BS_25_1_ra, '0100'B,
TSPX_BS_25_1_ir, TSPX_BS_25_1_ce,
TSPX_BS_25_1_modemt), TCV_Setup_mt :=
Setup_20( TCV_Bcap1))
132 +check1(C_4800cda)
133 [TSPX_BS25more]
134 (TCV_Bcap1 :=
Bcap_Bs2(TSPX_BS_25_2_itc,
TSPX_BS_25_2_strc, TSPX_BS_25_2_ra,
'0100'B, TSPX_BS_25_2_ir,
TSPX_BS_25_2_ce,
TSPX_BS_25_2_modemt), TCV_Setup_mt :=
Setup_20( TCV_Bcap1))
135 +check1(C_4800cda)
136 [NOT TSPX_BS25more]
137 [NOT TSPC_Serv_BS25]
138 (TCV_Bcap1 := Bcap_Bs2(TSPX_BS_25_1_itc,
TSPX_BS_25_1_strc, TSPX_BS_25_1_ra, '0100'B,
TSPX_BS_25_1_ir, TSPX_BS_25_1_ce,
TSPX_BS_25_1_modemt), TCV_Setup_mt :=
Setup_20( TCV_Bcap1))
139 +check2(C_4800cda)

testBS26
140 [TSPC_Serv_BS26]
141 (TCV_Bcap1 := Bcap_Bs2(TSPX_BS_26_1_itc,
TSPX_BS_26_1_strc, TSPX_BS_26_1_ra, '0101'B,
TSPX_BS_26_1_ir, TSPX_BS_26_1_ce,
TSPX_BS_26_1_modemt), TCV_Setup_mt :=
Setup_20( TCV_Bcap1))
142 +check1(C_9600cda)
143 [TSPX_BS26more]
144 (TCV_Bcap1 :=
Bcap_Bs2(TSPX_BS_26_2_itc,
TSPX_BS_26_2_strc, TSPX_BS_26_2_ra,

```

```

'0101'B, TSPX_BS_26_2_ir,
TSPX_BS_26_2_ce,
TSPX_BS_26_2_modemt), TCV_Setup_mt :=
Setup_20( TCV_Bcap1))
145     +check1(C_9600cda)
146     [NOT TSPX_BS26more]
147 [NOT TSPC_Serv_BS26]
148     (TCV_Bcap1 := Bcap_Bs2(TSPX_BS_26_1_itc,
TSPX_BS_26_1_strc, TSPX_BS_26_1_ra, '0101'B,
TSPX_BS_26_1_ir, TSPX_BS_26_1_ce,
TSPX_BS_26_1_modemt), TCV_Setup_mt :=
Setup_20( TCV_Bcap1))
149     +check2(C_9600cda)

testBS31
150 [TSPC_Serv_BS31]
151     (TCV_Bcap1 := Bcap_Bs3(TSPX_BS_31_1_itc,
TSPX_BS_31_1_strc, TSPX_BS_31_1_ra,
TSPX_BS_31_1_sacp, '0010'B, TSPX_BS_31_1_ir,
'00'B, TSPX_BS_31_1_modemt), TCV_Setup_mt
:= Setup_20( TCV_Bcap1))
152     +check1(C_1200cda)
153     [TSPX_BS31more]
154     (TCV_Bcap1 :=
Bcap_Bs3(TSPX_BS_31_2_itc,
TSPX_BS_31_2_strc, TSPX_BS_31_2_ra,
TSPX_BS_31_2_sacp, '0010'B,
TSPX_BS_31_2_ir, '00'B,
TSPX_BS_31_2_modemt), TCV_Setup_mt :=
Setup_20( TCV_Bcap1))
155     +check1(C_1200cda)
156     [NOT TSPX_BS31more]
157 [NOT TSPC_Serv_BS31]
158     (TCV_Bcap1 := Bcap_Bs3(TSPX_BS_31_1_itc,
TSPX_BS_31_1_strc, TSPX_BS_31_1_ra,
TSPX_BS_31_1_sacp, '0010'B, TSPX_BS_31_1_ir,
'00'B, TSPX_BS_31_1_modemt), TCV_Setup_mt
:= Setup_20( TCV_Bcap1))
159     +check2(C_1200cda)

testBS32
160 [TSPC_Serv_BS32]
161     (TCV_Bcap1 := Bcap_Bs3(TSPX_BS_32_1_itc,
TSPX_BS_32_1_strc, TSPX_BS_32_1_ra,
TSPX_BS_32_1_sacp, '0011'B, TSPX_BS_32_1_ir,
TSPX_BS_32_1_ce, TSPX_BS_32_1_modemt),
TCV_Setup_mt := Setup_20( TCV_Bcap1))
162     +check1(C_2400cda)
163     [TSPX_BS32more]
164     (TCV_Bcap1 :=
Bcap_Bs3(TSPX_BS_32_2_itc,
TSPX_BS_32_2_strc, TSPX_BS_32_2_ra,
TSPX_BS_32_2_sacp, '0011'B,
TSPX_BS_32_2_ir, TSPX_BS_32_2_ce,
TSPX_BS_32_2_modemt), TCV_Setup_mt :=
Setup_20( TCV_Bcap1))
165     +check1(C_2400cda)
166     [NOT TSPX_BS32more]
167 [NOT TSPC_Serv_BS32]
168     (TCV_Bcap1 := Bcap_Bs3(TSPX_BS_32_1_itc,
TSPX_BS_32_1_strc, TSPX_BS_32_1_ra,
TSPX_BS_32_1_sacp, '0011'B, TSPX_BS_32_1_ir,
TSPX_BS_32_1_ce, TSPX_BS_32_1_modemt),
TCV_Setup_mt := Setup_20( TCV_Bcap1))
169     +check2(C_2400cda)

testBS33
170 [TSPC_Serv_BS33]
171     (TCV_Bcap1 := Bcap_Bs3(TSPX_BS_33_1_itc,
TSPX_BS_33_1_strc, TSPX_BS_33_1_ra,
TSPX_BS_33_1_sacp, '0100'B, TSPX_BS_33_1_ir,

```

172	TSPX_BS_33_1_ce, TSPX_BS_33_1_modemt), TCV_Setup_mt := Setup_20(TCV_Bcap1))	
173	+check1(C_4800cds)	
174	[TSPX_BS33more] (TCV_Bcap1 := Bcap_Bs3(TSPX_BS_33_2_itc, TSPX_BS_33_2_strc, TSPX_BS_33_2_ra, TSPX_BS_33_2_sacp, '0100'B, TSPX_BS_33_2_ir, TSPX_BS_33_2_ce, TSPX_BS_33_2_modemt), TCV_Setup_mt := Setup_20(TCV_Bcap1))	
175	+check1(C_4800cds)	
176	[NOT TSPX_BS33more]	
177	[NOT TSPC_Serv_BS33]	
178	(TCV_Bcap1 := Bcap_Bs3(TSPX_BS_33_1_itc, TSPX_BS_33_1_strc, TSPX_BS_33_1_ra, TSPX_BS_33_1_sacp, '0100'B, TSPX_BS_33_1_ir, TSPX_BS_33_1_ce, TSPX_BS_33_1_modemt), TCV_Setup_mt := Setup_20(TCV_Bcap1))	
179	+check2(C_4800cds)	
	testBS34	
180	[TSPC_Serv_BS34]	
181	(TCV_Bcap1 := Bcap_Bs3(TSPX_BS_34_1_itc, TSPX_BS_34_1_strc, TSPX_BS_34_1_ra, TSPX_BS_34_1_sacp, '0101'B, TSPX_BS_34_1_ir, TSPX_BS_34_1_ce, TSPX_BS_34_1_modemt), TCV_Setup_mt := Setup_20(TCV_Bcap1))	
182	+check1(C_9600cds)	
183	[TSPX_BS34more]	
184	(TCV_Bcap1 := Bcap_Bs3(TSPX_BS_34_2_itc, TSPX_BS_34_2_strc, TSPX_BS_34_2_ra, TSPX_BS_34_2_sacp, '0101'B, TSPX_BS_34_2_ir, TSPX_BS_34_2_ce, TSPX_BS_34_2_modemt), TCV_Setup_mt := Setup_20(TCV_Bcap1))	
185	+check1(C_9600cds)	
186	[NOT TSPX_BS34more]	
187	[NOT TSPC_Serv_BS34]	
188	(TCV_Bcap1 := Bcap_Bs3(TSPX_BS_34_1_itc, TSPX_BS_34_1_strc, TSPX_BS_34_1_ra, TSPX_BS_34_1_sacp, '0101'B, TSPX_BS_34_1_ir, TSPX_BS_34_1_ce, TSPX_BS_34_1_modemt), TCV_Setup_mt := Setup_20(TCV_Bcap1))	
189	+check2(C_9600cds)	
	testBS61_300	
190	[TSPC_Serv_BS61_300]	
191	(TCV_Bcap1 := Bcap_Speech)	
192	+tree_BS_61_300_1	
193	+check1(C_AltSpchData_300)	
194	[TSPX_BS61_300more]	
195	+tree_BS_61_300_2	
196	+check1(C_AltSpchData_300)	
197	[NOT TSPX_BS61_300more]	
198	[NOT TSPC_Serv_BS61_300]	
199	+tree_BS_61_300_1	
200	+check2(C_AltSpchData_300)	
	tree_BS_61_300_1	
201	[TSPX_BS_61_300_1_S]	synchronous Data service
202	(TCV_Bcap2 := Bcap_Bs3('010'B, '11'B, '00'B, '001'B, TSPX_BS_61_300_S_1_ur, TSPX_BS_61_300_S_1_ir, '00'B, TSPX_BS_61_300_S_1_modemt), TCV_Setup_mt := Setup_21('11010001'B, TCV_Bcap1, TCV_Bcap2))	
203	[NOT TSPX_BS_61_300_1_S]	asynchronous Data service

204	(TCV_Bcap2 := Bcap_Bs2('010'B, TSPX_BS_61_300_A_1_strc, '00'B, TSPX_BS_61_300_A_1_ur, TSPX_BS_61_300_A_1_ir, TSPX_BS_61_300_A_1_ce, TSPX_BS_61_300_A_1_modemt), TCV_Setup_mt := Setup_21('11010001'B, TCV_Bcap1, TCV_Bcap2))	
	tree_BS_61_300_2	
205	[TSPX_BS_61_300_2_S]	synchronous Data service
206	(TCV_Bcap2 := Bcap_Bs3('010'B, '11'B, '00'B, '001'B, TSPX_BS_61_300_S_2_ur, TSPX_BS_61_300_S_2_ir, '00'B, TSPX_BS_61_300_S_2_modemt), TCV_Setup_mt := Setup_21('11010001'B, TCV_Bcap1, TCV_Bcap2))	
207	[NOT TSPX_BS_61_300_2_S]	asynchronous Data service
208	(TCV_Bcap2 := Bcap_Bs2('010'B, TSPX_BS_61_300_A_2_strc, '00'B, TSPX_BS_61_300_A_2_ur, TSPX_BS_61_300_A_2_ir, TSPX_BS_61_300_A_2_ce, TSPX_BS_61_300_A_2_modemt), TCV_Setup_mt := Setup_21('11010001'B, TCV_Bcap1, TCV_Bcap2))	
	testBS61_1200	
209	[TSPC_Serv_BS61_1200]	
210	(TCV_Bcap1 := Bcap_Speech)	
211	+tree_BS_61_1200_1	
212	+check1(C_AltSpchData_1200)	
213	[TSPX_BS61_1200more]	
214	+tree_BS_61_1200_2	
215	+check1(C_AltSpchData_1200)	
216	[NOT TSPX_BS61_1200more]	
217	[NOT TSPC_Serv_BS61_1200]	
218	+tree_BS_61_1200_1	
219	+check2(C_AltSpchData_1200)	
	tree_BS_61_1200_1	
220	[TSPX_BS_61_1200_1_S]	synchronous Data service
221	(TCV_Bcap2 := Bcap_Bs3('010'B, '11'B, '00'B, '001'B, TSPX_BS_61_1200_S_1_ur, TSPX_BS_61_1200_S_1_ir, '00'B, TSPX_BS_61_1200_S_1_modemt), TCV_Setup_mt := Setup_21('11010001'B, TCV_Bcap1, TCV_Bcap2))	
222	[NOT TSPX_BS_61_1200_1_S]	asynchronous Data service
223	(TCV_Bcap2 := Bcap_Bs2('010'B, TSPX_BS_61_1200_A_1_strc, '00'B, TSPX_BS_61_1200_A_1_ur, TSPX_BS_61_1200_A_1_ir, TSPX_BS_61_1200_A_1_ce, TSPX_BS_61_1200_A_1_modemt), TCV_Setup_mt := Setup_21('11010001'B, TCV_Bcap1, TCV_Bcap2))	
	tree_BS_61_1200_2	
224	[TSPX_BS_61_1200_2_S]	synchronous Data service
225	(TCV_Bcap2 := Bcap_Bs3('010'B, '11'B, '00'B, '001'B, TSPX_BS_61_1200_S_2_ur, TSPX_BS_61_1200_S_2_ir, '00'B, TSPX_BS_61_1200_S_2_modemt), TCV_Setup_mt := Setup_21('11010001'B, TCV_Bcap1, TCV_Bcap2))	
226	[NOT TSPX_BS_61_1200_2_S]	asynchronous Data service
227	(TCV_Bcap2 := Bcap_Bs2('010'B, TSPX_BS_61_1200_A_2_strc, '00'B,	

	TSPX_BS_61_1200_A_2_ur, TSPX_BS_61_1200_A_2_ir, TSPX_BS_61_1200_A_2_ce, TSPX_BS_61_1200_A_2_modemt), TCV_Setup_mt := Setup_21('11010001'B, TCV_Bcap1, TCV_Bcap2))	
	testBS61_2400	
228	[TSPC_Serv_BS61_2400]	
229	(TCV_Bcap1 := Bcap_Speech)	
230	+tree_BS_61_2400_1	
231	+check1(C_AltSpchData_2400)	
232	[TSPX_BS61_2400more]	
233	+tree_BS_61_2400_2	
234	+check1(C_AltSpchData_2400)	
235	[NOT TSPX_BS61_2400more]	
236	[NOT TSPC_Serv_BS61_2400]	
237	+tree_BS_61_2400_1	
238	+check2(C_AltSpchData_2400)	
	tree_BS_61_2400_1	
239	[TSPX_BS_61_2400_1_S]	synchronous Data service
240	(TCV_Bcap2 := Bcap_Bs3('010'B, '11'B, '00'B, '001'B, TSPX_BS_61_2400_S_1_ur, TSPX_BS_61_2400_S_1_ir, '00'B, TSPX_BS_61_2400_S_1_modemt), TCV_Setup_mt := Setup_21('11010001'B, TCV_Bcap1, TCV_Bcap2))	
241	[NOT TSPX_BS_61_2400_1_S]	asynchronous Data service
242	(TCV_Bcap2 := Bcap_Bs2('010'B, TSPX_BS_61_2400_A_1_strc, '00'B, TSPX_BS_61_2400_A_1_ur, TSPX_BS_61_2400_A_1_ir, TSPX_BS_61_2400_A_1_ce, TSPX_BS_61_2400_A_1_modemt), TCV_Setup_mt := Setup_21('11010001'B, TCV_Bcap1, TCV_Bcap2))	
	tree_BS_61_2400_2	
243	[TSPX_BS_61_2400_2_S]	synchronous Data service
244	(TCV_Bcap2 := Bcap_Bs3('010'B, '11'B, '00'B, '001'B, TSPX_BS_61_2400_S_2_ur, TSPX_BS_61_2400_S_2_ir, '00'B, TSPX_BS_61_2400_S_2_modemt), TCV_Setup_mt := Setup_21('11010001'B, TCV_Bcap1, TCV_Bcap2))	
245	[NOT TSPX_BS_61_2400_2_S]	asynchronous Data service
246	(TCV_Bcap2 := Bcap_Bs2('010'B, TSPX_BS_61_2400_A_2_strc, '00'B, TSPX_BS_61_2400_A_2_ur, TSPX_BS_61_2400_A_2_ir, TSPX_BS_61_2400_A_2_ce, TSPX_BS_61_2400_A_2_modemt), TCV_Setup_mt := Setup_21('11010001'B, TCV_Bcap1, TCV_Bcap2))	
	testBS61_4800	
247	[TSPC_Serv_BS61_4800]	
248	(TCV_Bcap1 := Bcap_Speech)	
249	+tree_BS_61_4800_1	
250	+check1(C_AltSpchData_4800)	
251	[TSPX_BS61_4800more]	
252	+tree_BS_61_4800_2	
253	+check1(C_AltSpchData_4800)	
254	[NOT TSPX_BS61_4800more]	
255	[NOT TSPC_Serv_BS61_4800]	
256	+tree_BS_61_4800_1	
257	+check2(C_AltSpchData_4800)	

258	tree_BS_61_4800_1	
259	[TSPX_BS_61_4800_1_S] (TCV_Bcap2 := Bcap_Bs3('010'B, '11'B, '00'B, '001'B, TSPX_BS_61_4800_S_1_ur, TSPX_BS_61_4800_S_1_ir, '00'B, TSPX_BS_61_4800_S_1_modemt), TCV_Setup_mt := Setup_21('11010001'B, TCV_Bcap1, TCV_Bcap2))	synchronous Data service
260	[NOT TSPX_BS_61_4800_1_S]	asynchronous Data service
261	(TCV_Bcap2 := Bcap_Bs2('010'B, TSPX_BS_61_4800_A_1_strc, '00'B, TSPX_BS_61_4800_A_1_ur, TSPX_BS_61_4800_A_1_ir, TSPX_BS_61_4800_A_1_ce, TSPX_BS_61_4800_A_1_modemt), TCV_Setup_mt := Setup_21('11010001'B, TCV_Bcap1, TCV_Bcap2))	
262	tree_BS_61_4800_2	
263	[TSPX_BS_61_4800_2_S] (TCV_Bcap2 := Bcap_Bs3('010'B, '11'B, '00'B, '001'B, TSPX_BS_61_4800_S_2_ur, TSPX_BS_61_4800_S_2_ir, '00'B, TSPX_BS_61_4800_S_2_modemt), TCV_Setup_mt := Setup_21('11010001'B, TCV_Bcap1, TCV_Bcap2))	synchronous Data service
264	[NOT TSPX_BS_61_4800_2_S]	asynchronous Data service
265	(TCV_Bcap2 := Bcap_Bs2('010'B, TSPX_BS_61_4800_A_2_strc, '00'B, TSPX_BS_61_4800_A_2_ur, TSPX_BS_61_4800_A_2_ir, TSPX_BS_61_4800_A_2_ce, TSPX_BS_61_4800_A_2_modemt), TCV_Setup_mt := Setup_21('11010001'B, TCV_Bcap1, TCV_Bcap2))	
266	testBS61_9600	
267	[TSPC_Serv_BS61_9600]	
268	(TCV_Bcap1 := Bcap_Speech)	
269	+tree_BS_61_9600_1	
270	+check1(C_AltSpchData_9600)	
271	[TSPX_BS61_9600more]	
272	+tree_BS_61_9600_2	
273	+check1(C_AltSpchData_9600)	
274	[NOT TSPX_BS61_9600more]	
275	[NOT TSPC_Serv_BS61_9600]	
276	+tree_BS_61_9600_1	
277	+check2(C_AltSpchData_9600)	
278	tree_BS_61_9600_1	
279	[TSPX_BS_61_9600_1_S] (TCV_Bcap2 := Bcap_Bs3('010'B, '11'B, '00'B, '001'B, TSPX_BS_61_9600_S_1_ur, TSPX_BS_61_9600_S_1_ir, '00'B, TSPX_BS_61_9600_S_1_modemt), TCV_Setup_mt := Setup_21('11010001'B, TCV_Bcap1, TCV_Bcap2))	synchronous Data service
280	[NOT TSPX_BS_61_9600_1_S] (TCV_Bcap2 := Bcap_Bs2('010'B, TSPX_BS_61_9600_A_1_strc, '00'B, TSPX_BS_61_9600_A_1_ur, TSPX_BS_61_9600_A_1_ir, TSPX_BS_61_9600_A_1_ce, TSPX_BS_61_9600_A_1_modemt), TCV_Setup_mt := Setup_21('11010001'B, TCV_Bcap1, TCV_Bcap2))	asynchronous Data service

281	tree_BS_61_9600_2	
282	[TSPX_BS_61_9600_2_S] (TCV_Bcap2 := Bcap_Bs3('010'B, '11'B, '00'B, '001'B, TSPX_BS_61_9600_S_2_ur, TSPX_BS_61_9600_S_2_ir, '00'B, TSPX_BS_61_9600_S_2_modemt), TCV_Setup_mt := Setup_21('11010001'B, TCV_Bcap1, TCV_Bcap2))	synchronous Data service
283	[NOT TSPX_BS_61_9600_2_S]	asynchronous Data service
284	(TCV_Bcap2 := Bcap_Bs2('010'B, TSPX_BS_61_9600_A_2_strc, '00'B, TSPX_BS_61_9600_A_2_ur, TSPX_BS_61_9600_A_2_ir, TSPX_BS_61_9600_A_2_ce, TSPX_BS_61_9600_A_2_modemt), TCV_Setup_mt := Setup_21('11010001'B, TCV_Bcap1, TCV_Bcap2))	
	testBS81_300	
285	[TSPC_Serv_BS81_300]	
286	(TCV_Bcap1 := Bcap_Speech)	
287	+tree_BS_81_300_1	
288	+check1(C_SpchData_300)	
289	[TSPX_BS81_300more]	
290	+tree_BS_81_300_2	
291	+check1(C_SpchData_300)	
292	[NOT TSPX_BS81_300more]	
293	[NOT TSPC_Serv_BS81_300]	
294	+tree_BS_81_300_1	
295	+check2(C_SpchData_300)	
	tree_BS_81_300_1	
296	[TSPX_BS_81_300_1_S]	synchronous Data service
297	(TCV_Bcap2 := Bcap_Bs3('010'B, '11'B, '00'B, '001'B, TSPX_BS_81_300_S_1_ur, TSPX_BS_81_300_S_1_ir, '00'B, TSPX_BS_81_300_S_1_modemt), TCV_Setup_mt := Setup_21('11010011'B, TCV_Bcap1, TCV_Bcap2))	
298	[NOT TSPX_BS_81_300_1_S]	asynchronous Data service
299	(TCV_Bcap2 := Bcap_Bs2('010'B, TSPX_BS_81_300_A_1_strc, '00'B, TSPX_BS_81_300_A_1_ur, TSPX_BS_81_300_A_1_ir, TSPX_BS_81_300_A_1_ce, TSPX_BS_81_300_A_1_modemt), TCV_Setup_mt := Setup_21('11010011'B, TCV_Bcap1, TCV_Bcap2))	
	tree_BS_81_300_2	
300	[TSPX_BS_81_300_2_S]	synchronous Data service
301	(TCV_Bcap2 := Bcap_Bs3('010'B, '11'B, '00'B, '001'B, TSPX_BS_81_300_S_2_ur, TSPX_BS_81_300_S_2_ir, '00'B, TSPX_BS_81_300_S_2_modemt), TCV_Setup_mt := Setup_21('11010011'B, TCV_Bcap1, TCV_Bcap2))	
302	[NOT TSPX_BS_81_300_2_S]	asynchronous Data service
303	(TCV_Bcap2 := Bcap_Bs2('010'B, TSPX_BS_81_300_A_2_strc, '00'B, TSPX_BS_81_300_A_2_ur, TSPX_BS_81_300_A_2_ir, TSPX_BS_81_300_A_2_ce, TSPX_BS_81_300_A_2_modemt), TCV_Setup_mt := Setup_21('11010011'B, TCV_Bcap1, TCV_Bcap2))	
	testBS81_1200	

304	[TSPC_Serv_BS81_1200]	
305	(TCV_Bcap1 := Bcap_Speech)	
306	+tree_BS_81_1200_1	
307	+check1(C_SpchData_1200)	
308	[TSPX_BS81_1200more]	
309	+tree_BS_81_1200_2	
310	+check1(C_SpchData_1200)	
311	[NOT TSPX_BS81_1200more]	
312	[NOT TSPC_Serv_BS81_1200]	
313	+tree_BS_81_1200_1	
314	+check2(C_SpchData_1200)	
	tree_BS_81_1200_1	
315	[TSPX_BS_81_1200_1_S]	synchronous Data service
316	(TCV_Bcap2 := Bcap_Bs3('010'B, '11'B, '00'B, '001'B, TSPX_BS_81_1200_S_1_ur, TSPX_BS_81_1200_S_1_ir, '00'B, TSPX_BS_81_1200_S_1_modemt), TCV_Setup_mt := Setup_21('11010011'B, TCV_Bcap1, TCV_Bcap2))	
317	[NOT TSPX_BS_81_1200_1_S]	asynchronous Data service
318	(TCV_Bcap2 := Bcap_Bs2('010'B, TSPX_BS_81_1200_A_1_strc, '00'B, TSPX_BS_81_1200_A_1_ur, TSPX_BS_81_1200_A_1_ir, TSPX_BS_81_1200_A_1_ce, TSPX_BS_81_1200_A_1_modemt), TCV_Setup_mt := Setup_21('11010011'B, TCV_Bcap1, TCV_Bcap2))	
	tree_BS_81_1200_2	
319	[TSPX_BS_81_1200_2_S]	synchronous Data service
320	(TCV_Bcap2 := Bcap_Bs3('010'B, '11'B, '00'B, '001'B, TSPX_BS_81_1200_S_2_ur, TSPX_BS_81_1200_S_2_ir, '00'B, TSPX_BS_81_1200_S_2_modemt), TCV_Setup_mt := Setup_21('11010011'B, TCV_Bcap1, TCV_Bcap2))	
321	[NOT TSPX_BS_81_1200_2_S]	asynchronous Data service
322	(TCV_Bcap2 := Bcap_Bs2('010'B, TSPX_BS_81_1200_A_2_strc, '00'B, TSPX_BS_81_1200_A_2_ur, TSPX_BS_81_1200_A_2_ir, TSPX_BS_81_1200_A_2_ce, TSPX_BS_81_1200_A_2_modemt), TCV_Setup_mt := Setup_21('11010011'B, TCV_Bcap1, TCV_Bcap2))	
	testBS81_2400	
323	[TSPC_Serv_BS81_2400]	
324	(TCV_Bcap1 := Bcap_Speech)	
325	+tree_BS_81_2400_1	
326	+check1(C_SpchData_2400)	
327	[TSPX_BS81_2400more]	
328	+tree_BS_81_2400_2	
329	+check1(C_SpchData_2400)	
330	[NOT TSPX_BS81_2400more]	
331	[NOT TSPC_Serv_BS81_2400]	
332	+tree_BS_81_2400_1	
333	+check2(C_SpchData_2400)	
	tree_BS_81_2400_1	
334	[TSPX_BS_81_2400_1_S]	synchronous Data service
335	(TCV_Bcap2 := Bcap_Bs3('010'B, '11'B, '00'B, '001'B, TSPX_BS_81_2400_S_1_ur, TSPX_BS_81_2400_S_1_ir, '00'B, TSPX_BS_81_2400_S_1_modemt), TCV_Setup_mt := Setup_21('11010011'B,	

336	TCV_Bcap1, TCV_Bcap2)) [NOT TSPX_BS_81_2400_1_S]	asynchronous Data service
337	(TCV_Bcap2 := Bcap_Bs2('010'B, TSPX_BS_81_2400_A_1_strc, '00'B, TSPX_BS_81_2400_A_1_ur, TSPX_BS_81_2400_A_1_ir, TSPX_BS_81_2400_A_1_ce, TSPX_BS_81_2400_A_1_modemt), TCV_Setup_mt := Setup_21('11010011'B, TCV_Bcap1, TCV_Bcap2))	
338	tree_BS_81_2400_2 [TSPX_BS_81_2400_2_S]	synchronous Data service
339	(TCV_Bcap2 := Bcap_Bs3('010'B, '11'B, '00'B, '001'B, TSPX_BS_81_2400_S_2_ur, TSPX_BS_81_2400_S_2_ir, '00'B, TSPX_BS_81_2400_S_2_modemt), TCV_Setup_mt := Setup_21('11010011'B, TCV_Bcap1, TCV_Bcap2))	
340	[NOT TSPX_BS_81_2400_2_S]	asynchronous Data service
341	(TCV_Bcap2 := Bcap_Bs2('010'B, TSPX_BS_81_2400_A_2_strc, '00'B, TSPX_BS_81_2400_A_2_ur, TSPX_BS_81_2400_A_2_ir, TSPX_BS_81_2400_A_2_ce, TSPX_BS_81_2400_A_2_modemt), TCV_Setup_mt := Setup_21('11010011'B, TCV_Bcap1, TCV_Bcap2))	
342	testBS81_4800 [TSPC_Serv_BS81_4800]	
343	(TCV_Bcap1 := Bcap_Speech)	
344	+tree_BS_81_4800_1	
345	+check1(C_SpchData_4800)	
346	[TSPX_BS81_4800more]	
347	+tree_BS_81_4800_2	
348	+check1(C_SpchData_4800)	
349	[NOT TSPX_BS81_4800more]	
350	[NOT TSPC_Serv_BS81_4800]	
351	+tree_BS_81_4800_1	
352	+check2(C_SpchData_4800)	
353	tree_BS_81_4800_1 [TSPX_BS_81_4800_1_S]	synchronous Data service
354	(TCV_Bcap2 := Bcap_Bs3('010'B, '11'B, '00'B, '001'B, TSPX_BS_81_4800_S_1_ur, TSPX_BS_81_4800_S_1_ir, '00'B, TSPX_BS_81_4800_S_1_modemt), TCV_Setup_mt := Setup_21('11010011'B, TCV_Bcap1, TCV_Bcap2))	
355	[NOT TSPX_BS_81_4800_1_S]	asynchronous Data service
356	(TCV_Bcap2 := Bcap_Bs2('010'B, TSPX_BS_81_4800_A_1_strc, '00'B, TSPX_BS_81_4800_A_1_ur, TSPX_BS_81_4800_A_1_ir, TSPX_BS_81_4800_A_1_ce, TSPX_BS_81_4800_A_1_modemt), TCV_Setup_mt := Setup_21('11010011'B, TCV_Bcap1, TCV_Bcap2))	
357	tree_BS_81_4800_2 [TSPX_BS_81_4800_2_S]	synchronous Data service
358	(TCV_Bcap2 := Bcap_Bs3('010'B, '11'B, '00'B, '001'B, TSPX_BS_81_4800_S_2_ur, TSPX_BS_81_4800_S_2_ir, '00'B, TSPX_BS_81_4800_S_2_modemt), TCV_Setup_mt := Setup_21('11010011'B, TCV_Bcap1, TCV_Bcap2))	

359	[NOT TSPX_BS_81_4800_2_S]			asynchronous Data service
360	(TCV_Bcap2 := Bcap_Bs2('010'B, TSPX_BS_81_4800_A_2_strc, '00'B, TSPX_BS_81_4800_A_2_ur, TSPX_BS_81_4800_A_2_ir, TSPX_BS_81_4800_A_2_ce, TSPX_BS_81_4800_A_2_modemt), TCV_Setup_mt := Setup_21('11010011'B, TCV_Bcap1, TCV_Bcap2))			
	testBS81_9600			
361	[TSPC_Serv_BS81_9600]			
362	(TCV_Bcap1 := Bcap_Speech)			
363	+tree_BS_81_9600_1			
364	+check1(C_SpchData_9600)			
365	[TSPX_BS81_9600more]			
366	+tree_BS_81_9600_2			
367	+check1(C_SpchData_9600)			
368	[NOT TSPX_BS81_9600more]			
369	[NOT TSPC_Serv_BS81_9600]			
370	+tree_BS_81_9600_1			
371	+check2(C_SpchData_9600)			
	tree_BS_81_9600_1			
372	[TSPX_BS_81_9600_1_S]			synchronous Data service
373	(TCV_Bcap2 := Bcap_Bs3('010'B, '11'B, '00'B, '001'B, TSPX_BS_81_9600_S_1_ur, TSPX_BS_81_9600_S_1_ir, '00'B, TSPX_BS_81_9600_S_1_modemt), TCV_Setup_mt := Setup_21('11010011'B, TCV_Bcap1, TCV_Bcap2))			
374	[NOT TSPX_BS_81_9600_1_S]			asynchronous Data service
375	(TCV_Bcap2 := Bcap_Bs2('010'B, TSPX_BS_81_9600_A_1_strc, '00'B, TSPX_BS_81_9600_A_1_ur, TSPX_BS_81_9600_A_1_ir, TSPX_BS_81_9600_A_1_ce, TSPX_BS_81_9600_A_1_modemt), TCV_Setup_mt := Setup_21('11010011'B, TCV_Bcap1, TCV_Bcap2))			
	tree_BS_81_9600_2			
376	[TSPX_BS_81_9600_2_S]			synchronous Data service
377	(TCV_Bcap2 := Bcap_Bs3('010'B, '11'B, '00'B, '001'B, TSPX_BS_81_9600_S_2_ur, TSPX_BS_81_9600_S_2_ir, '00'B, TSPX_BS_81_9600_S_2_modemt), TCV_Setup_mt := Setup_21('11010011'B, TCV_Bcap1, TCV_Bcap2))			
378	[NOT TSPX_BS_81_9600_2_S]			asynchronous Data service
379	(TCV_Bcap2 := Bcap_Bs2('010'B, TSPX_BS_81_9600_A_2_strc, '00'B, TSPX_BS_81_9600_A_2_ur, TSPX_BS_81_9600_A_2_ir, TSPX_BS_81_9600_A_2_ce, TSPX_BS_81_9600_A_2_modemt), TCV_Setup_mt := Setup_21('11010011'B, TCV_Bcap1, TCV_Bcap2))			
	check1(srv:IA5String)			
380	+preamble			
381	LIDL_DatRqSetup	SetupRq_05(TCV_ch, TCV_Setup_mt)		
382	L?DL_DatInCallCo	CallCfm_01	(P)	
383	+PostMainLinkRel(TCV_ch)			
384	(TCV_Null := OM_CphMd(TCV_ch, CphMod_02, TCV_CphKey))			5.

385	check2(srv:IA5String)			
386	+preamble			
387	L!DL_DatRqSetup	SetupRq_05(TCV_ch, TCV_Setup_mt)		
388	L?DL_DatInRelCmp	RelCmp_05(TI_01)	(P)	
389	+PostMainLinkRel(TCV_ch) (TCV_Null := OM_CphMd(TCV_ch, CphMod_02, TCV_CphKey))			5.
	preamble			
390	+PreEstRRConn(TCV_slot, TCV_tsc, TimingAdv_01)			
391	L!DL_DatRqAuthRq	AuthReq_01(TCV_ch)		
392	L?DL_DatInAuthRes (TCV_Sres := DL_DatInAuthRes.msg.sres)	AuthRes_01		
393	(TCV_Res := OC_ChkSRES(TCV_Sres, TSPX_Ki, TSPX_RANDDef))			
394	[TCV_Res = FALSE]		(I)	
395	+Ciphering_on(TCV_ch)			
396	[TCV_Res = TRUE]			
397	+Ciphering_on(TCV_ch)			

Detailed Comments:

1. To setup a physical channel as BCCH, CCCH and SDCCH4 channels.
2. If the MS supports TS62 but not TS61, then TS61 is not tested.
3. To test the supported basic service.
4. To test the non-supported basic service.
5. To set the channel back to non-ciphering mode for next test execution.

Test Case Dynamic Behaviour					
Test Case Name:		TC_11_1_2			
Group:		GSM_L3_MS_v4170/General/			
Purpose:		<p>1. To verify that the MS generates a SETUP message which includes a single or multiple Bearer Capability and a single LLC, according to the actual configuration on the MS.</p> <p>This is verified for all Mobile Originated Bearer Services / Teleservices described in GSM 07.01 and declared as supported by the MS.</p> <p>2. To verify that the MS includes a correctly encoded Repeat Indicator if it includes multiple Bearer Capabilities in the SETUP message.</p>			
Default:		OtherEventsFail			
Nr	Label	Behaviour Description	CRef	V	Comments
1		START T_guard(6000)			
2		(TCV_slot := C_S0, TCV_tsc := C_BCC)			
3		+IdleUpdated(C_CellA, C_Immass, TCV_slot, TCV_tsc, TimingAdv_01, '000'B, '001'B, '011'B, '00'O)			
4		(TCV_ch := OC_SubchOfSdcch4(TSPX_SDCCH4SubDef, C_CellA), TCV_sacch := OC_SubchOfSacch4(TSPX_SDCCH4SubDef, C_CellA), TCV_CphKey := OC_CphKeyGen(TSPX_Ki, TSPX_RANDDef), TCV_cksn := TSPX_CKSNDf)			
5		+PreEnterIdleState_03(C_Immass, TCV_slot, TCV_tsc, 5, 1, 0, TimingAdv_01, '000'B, '001'B, '011'B, '00'O)			
6		+testTS11			
7		+testTS12			
8		+testTS61_2400			
9		+testTS61_4800			
10		+testTS61_9600			
11		+testTS62_2400			
12		+testTS62_4800			
13		+testTS62_9600			
14		+continue			
		continue			
15		+testBS21			
16		+testBS22			
17		+testBS23			
18		+testBS24			
19		+testBS25			
20		+testBS26			
21		+testBS31			
22		+testBS32			
23		+testBS33			
24		+testBS34			
25		+testBS41			
26		+testBS42			
27		+testBS43			
28		+testBS44			
29		+testBS45			
30		+testBS46			
31		+testBS51			
32		+testBS52			
33		+testBS53			
34		+continue1			
		continue1			
35		+testBS61_300			
36		+testBS61_1200			
37		+testBS61_120075			
38		+testBS61_2400			
39		+testBS61_4800			

40	+testBS61_9600			
41	+testBS81_300			
42	+testBS81_1200			
43	+testBS81_120075			
44	+testBS81_2400			
45	+testBS81_4800			
46	+testBS81_9600			
	testTS11			
47	[TSPC_Serv_TS11]			
48	+check(C_Telephony)			
49	[NOT TSPC_Serv_TS11]			
	testTS12			
50	[TSPC_Serv_TS12]			
51	+check(C_EmgCallSRV)			
52	[NOT TSPC_Serv_TS12]			
	testTS61_2400			
53	[TSPC_Serv_TS61_2400]			
54	+check(C_AltSpchG3_2400)			
55	[NOT TSPC_Serv_TS61_2400]			
	testTS61_4800			
56	[TSPC_Serv_TS61_4800]			
57	+check(C_AltSpchG3_4800)			
58	[NOT TSPC_Serv_TS61_4800]			
	testTS61_9600			
59	[TSPC_Serv_TS61_9600]			
60	+check(C_AltSpchG3_9600)			
61	[NOT TSPC_Serv_TS61_9600]			
	testTS62_2400			
62	[TSPC_Serv_TS62_2400]			
63	+check(C_AutoG3_T_2400)			
64	[NOT TSPC_Serv_TS62_2400]			
	testTS62_4800			
65	[TSPC_Serv_TS62_4800]			
66	+check(C_AutoG3_T_4800)			
67	[NOT TSPC_Serv_TS62_4800]			
	testTS62_9600			
68	[TSPC_Serv_TS62_9600]			
69	+check(C_AutoG3_T_9600)			
70	[NOT TSPC_Serv_TS62_9600]			
	testBS21			
71	[TSPC_Serv_BS21]			
72	+check(C_300cda)			
73	[NOT TSPC_Serv_BS21]			
	testBS22			
74	[TSPC_Serv_BS22]			
75	+check(C_1200cda)			
76	[NOT TSPC_Serv_BS22]			
	testBS23			
77	[TSPC_Serv_BS23]			
78	+check(C_120075cda)			
79	[NOT TSPC_Serv_BS23]			
	testBS24			

80	[TSPC_Serv_BS24]
81	+check(C_2400cda)
82	[NOT TSPC_Serv_BS24]
	testBS25
83	[TSPC_Serv_BS25]
84	+check(C_4800cda)
85	[NOT TSPC_Serv_BS25]
	testBS26
86	[TSPC_Serv_BS26]
87	+check(C_9600cda)
88	[NOT TSPC_Serv_BS26]
	testBS31
89	[TSPC_Serv_BS31]
90	+check(C_1200cda)
91	[NOT TSPC_Serv_BS31]
	testBS32
92	[TSPC_Serv_BS32]
93	+check(C_2400cda)
94	[NOT TSPC_Serv_BS32]
	testBS33
95	[TSPC_Serv_BS33]
96	+check(C_4800cda)
97	[NOT TSPC_Serv_BS33]
	testBS34
98	[TSPC_Serv_BS34]
99	+check(C_9600cda)
100	[NOT TSPC_Serv_BS34]
	testBS41
101	[TSPC_Serv_BS41]
102	+check(C_PAD300)
103	[NOT TSPC_Serv_BS41]
	testBS42
104	[TSPC_Serv_BS42]
105	+check(C_PAD1200)
106	[NOT TSPC_Serv_BS42]
	testBS43
107	[TSPC_Serv_BS43]
108	+check(C_PAD120075)
109	[NOT TSPC_Serv_BS43]
	testBS44
110	[TSPC_Serv_BS44]
111	+check(C_PAD2400)
112	[NOT TSPC_Serv_BS44]
	testBS45
113	[TSPC_Serv_BS45]
114	+check(C_PAD4800)
115	[NOT TSPC_Serv_BS45]
	testBS46
116	[TSPC_Serv_BS46]
117	+check(C_PAD9600)
118	[NOT TSPC_Serv_BS46]

119	testBS51			
120	[TSPC_Serv_BS51]			
121	+check(C_Pkt2400)			
122	[NOT TSPC_Serv_BS51]			
123	testBS52			
124	[TSPC_Serv_BS52]			
125	+check(C_Pkt4800)			
126	[NOT TSPC_Serv_BS52]			
127	testBS53			
128	[TSPC_Serv_BS53]			
129	+check(C_Pkt9600)			
130	[NOT TSPC_Serv_BS53]			
131	testBS61_300			
132	[TSPC_Serv_BS61_300]			
133	+check(C_AltSpchData_300)			
134	[NOT TSPC_Serv_BS61_300]			
135	testBS61_1200			
136	[TSPC_Serv_BS61_1200]			
137	+check(C_AltSpchData_1200)			
138	[NOT TSPC_Serv_BS61_1200]			
139	testBS61_120075			
140	[TSPC_Serv_BS61_120075]			
141	+check(C_AltSpchData_120075)			
142	[NOT TSPC_Serv_BS61_120075]			
143	testBS61_2400			
144	[TSPC_Serv_BS61_2400]			
145	+check(C_AltSpchData_2400)			
146	[NOT TSPC_Serv_BS61_2400]			
147	testBS61_4800			
148	[TSPC_Serv_BS61_4800]			
149	+check(C_AltSpchData_4800)			
150	[NOT TSPC_Serv_BS61_4800]			
151	testBS61_9600			
152	[TSPC_Serv_BS61_9600]			
153	+check(C_AltSpchData_9600)			
154	[NOT TSPC_Serv_BS61_9600]			
155	testBS81_300			
156	[TSPC_Serv_BS81_300]			
157	+check(C_SpchData_300)			
158	[NOT TSPC_Serv_BS81_300]			
159	testBS81_1200			
160	[TSPC_Serv_BS81_1200]			
161	+check(C_SpchData_1200)			
162	[NOT TSPC_Serv_BS81_1200]			
163	testBS81_120075			
164	[TSPC_Serv_BS81_120075]			
165	+check(C_SpchData_120075)			
166	[NOT TSPC_Serv_BS81_120075]			
167	testBS81_2400			
168	[TSPC_Serv_BS81_2400]			
169	+check(C_SpchData_2400)			
170	[NOT TSPC_Serv_BS81_2400]			

158	testBS81_4800		
159	[TSPC_Serv_BS81_4800]		
160	+check(C_SpchData_4800)		
161	[NOT TSPC_Serv_BS81_4800]		
162	testBS81_9600		
163	[TSPC_Serv_BS81_9600]		
164	+check(C_SpchData_9600)		
165	[NOT TSPC_Serv_BS81_9600]		
166	check(srv:IA5String)		
167	+InitCall(srv)		
168	+BasicServiceMO(srv, C_Full)	ChReq_17	
169	L?DL_RaInChRq (TCV_Rr := DL_RaInChRq. msg.ecau_rrf, TCV_Fn := DL_RaInChRq.fn)		To match ChReq retrans.
170	ACTIVATE(OtherEventsFail_02)	ImmAss_01Def(TCV_agch, TCV_Rr, TCV_Fn, TCV_slot, TCV_tsc, TCV_chdescr_arfcn, TimingAdv_01)	
171	LIDL_UdatRqImm	CmsrReq_01	
172	L?DL_EstInCmsRq		Restore Normal default
173	ACTIVATE(OtherEventsFail)		
174	+Authentication(TCV_ch, TCV_cksn)		
175	+Cipherring_on(TCV_ch)		
176	+ltree_receive_setup(srv)		
177	+PostMainLinkRel(TCV_ch)		
178	(TCV_Null := OM_CphMd(TCV_ch, CphMod_02, TCV_CphKey))		(P)
179	[TCV_Res]		(F)
180	[NOT TCV_Res]		
181	ltree_receive_setup(srv:IA5String)		
182	[srv = C_Telephony]	SetupIn_TS_11_12	
183	L?DL_DatInSetup (TCV_Setup_mo := DL_DatInSetup.msg)		
184	[srv = C_EmgCallSRV]	SetupIn_TS_11_12	
185	L?DL_DatInSetup (TCV_Setup_mo := DL_DatInSetup.msg)		
186	[srv = C_AltSpchG3_2400]	SetupIn_TS_61_2400	
187	L?DL_DatInSetup (TCV_Setup_mo := DL_DatInSetup.msg)		
188	[srv = C_AltSpchG3_4800]	SetupIn_TS_61_4800	
189	L?DL_DatInSetup (TCV_Setup_mo := DL_DatInSetup.msg)		
190	[srv = C_AltSpchG3_9600]	SetupIn_TS_61_9600	
191	L?DL_DatInSetup (TCV_Setup_mo := DL_DatInSetup.msg)		
192	[srv = C_AutoG3_T_2400]	SetupIn_TS_62_2400	
193	L?DL_DatInSetup (TCV_Setup_mo := DL_DatInSetup.msg)		
194	[srv = C_AutoG3_T_4800]	SetupIn_TS_62_4800	
195	L?DL_DatInSetup (TCV_Setup_mo := DL_DatInSetup.msg)		
196	[srv = C_AutoG3_T_9600]	SetupIn_TS_62_9600	
197	L?DL_DatInSetup (TCV_Setup_mo := DL_DatInSetup.msg)		
198	[srv = C_300cda]	SetupIn_BS_21	
199	L?DL_DatInSetup (TCV_Setup_mo := DL_DatInSetup.msg)		
200	[srv = C_1200cda]	SetupIn_BS_22	
201	L?DL_DatInSetup (TCV_Setup_mo := DL_DatInSetup.msg)		
202	[srv = C_120075cda]	SetupIn_BS_23	
203	L?DL_DatInSetup (TCV_Setup_mo := DL_DatInSetup.msg)		

200	DL_DatInSetup.msg)	
201	[srv = C_2400cda] L?DL_DatInSetup (TCV_Setup_mo := DL_DatInSetup.msg)	SetupIn_BS_24
202	[srv = C_4800cda]	
203	L?DL_DatInSetup (TCV_Setup_mo := DL_DatInSetup.msg)	SetupIn_BS_25
204	[srv = C_9600cda]	
205	L?DL_DatInSetup (TCV_Setup_mo := DL_DatInSetup.msg)	SetupIn_BS_26
206	[srv = C_1200cda]	
207	L?DL_DatInSetup (TCV_Setup_mo := DL_DatInSetup.msg)	SetupIn_BS_31
208	[srv = C_2400cda]	
209	L?DL_DatInSetup (TCV_Setup_mo := DL_DatInSetup.msg)	SetupIn_BS_32
210	[srv = C_4800cda]	
211	L?DL_DatInSetup (TCV_Setup_mo := DL_DatInSetup.msg)	SetupIn_BS_33
212	[srv = C_9600cda]	
213	L?DL_DatInSetup (TCV_Setup_mo := DL_DatInSetup.msg)	SetupIn_BS_34
214	[srv = C_PAD300]	
215	L?DL_DatInSetup (TCV_Setup_mo := DL_DatInSetup.msg)	SetupIn_BS_41
216	[srv = C_PAD1200]	
217	L?DL_DatInSetup (TCV_Setup_mo := DL_DatInSetup.msg)	SetupIn_BS_42
218	[srv = C_PAD120075]	
219	L?DL_DatInSetup (TCV_Setup_mo := DL_DatInSetup.msg)	SetupIn_BS_43
220	[srv = C_PAD2400]	
221	L?DL_DatInSetup (TCV_Setup_mo := DL_DatInSetup.msg)	SetupIn_BS_44
222	[srv = C_PAD4800]	
223	L?DL_DatInSetup (TCV_Setup_mo := DL_DatInSetup.msg)	SetupIn_BS_45
224	[srv = C_PAD9600]	
225	L?DL_DatInSetup (TCV_Setup_mo := DL_DatInSetup.msg)	SetupIn_BS_46
226	[srv = C_Pkt2400]	
227	L?DL_DatInSetup (TCV_Setup_mo := DL_DatInSetup.msg)	SetupIn_BS_51
228	[srv = C_Pkt4800]	
229	L?DL_DatInSetup (TCV_Setup_mo := DL_DatInSetup.msg)	SetupIn_BS_52
230	[srv = C_Pkt9600]	
231	L?DL_DatInSetup (TCV_Setup_mo := DL_DatInSetup.msg)	SetupIn_BS_53
232	[srv = C_AltSpchData_300]	
233	L?DL_DatInSetup (TCV_Setup_mo := DL_DatInSetup.msg)	SetupIn_BS_61_300
234	[srv = C_AltSpchData_1200]	
235	L?DL_DatInSetup (TCV_Setup_mo := DL_DatInSetup.msg)	SetupIn_BS_61_1200
236	[srv = C_AltSpchData_120075]	
237	L?DL_DatInSetup (TCV_Setup_mo := DL_DatInSetup.msg)	SetupIn_BS_61_1200 75
238	[srv = C_AltSpchData_2400]	
239	L?DL_DatInSetup (TCV_Setup_mo := DL_DatInSetup.msg)	SetupIn_BS_61_2400
240	[srv = C_AltSpchData_4800]	
241	L?DL_DatInSetup (TCV_Setup_mo := DL_DatInSetup.msg)	SetupIn_BS_61_4800
242	[srv = C_AltSpchData_9600]	
243	L?DL_DatInSetup (TCV_Setup_mo := DL_DatInSetup.msg)	SetupIn_BS_61_9600
244	[srv = C_SpchData_300]	
245	L?DL_DatInSetup (TCV_Setup_mo :=	SetupIn_BS_81_300

	DL_DatInSetup.msg)		
246	[srv = C_SpchData_1200]		
247	L?DL_DatInSetup (TCV_Setup_mo := DL_DatInSetup.msg)	SetupIn_BS_81_1200	
248	[srv = C_SpchData_120075]		
249	L?DL_DatInSetup (TCV_Setup_mo := DL_DatInSetup.msg)	SetupIn_BS_81_1200 75	
250	[srv = C_SpchData_2400]		
251	L?DL_DatInSetup (TCV_Setup_mo := DL_DatInSetup.msg)	SetupIn_BS_81_2400	
252	[srv = C_SpchData_4800]		
253	L?DL_DatInSetup (TCV_Setup_mo := DL_DatInSetup.msg)	SetupIn_BS_81_4800	
254	[srv = C_SpchData_9600]		
255	L?DL_DatInSetup (TCV_Setup_mo := DL_DatInSetup.msg)	SetupIn_BS_81_9600	

Detailed Comments:

Test Case Dynamic Behaviour

Test Case Name: TC_11_2
Group: GSM_L3_MS_v4170/General/
Purpose: 1. To verify that the MS, for the case of the Single Numbering Scheme, accepts a SETUP message, where the Information Elements for Bearer Capability and Lower and Higher Layer Compatibility are not present by sending a CALL CONFIRMED message which includes the single or multiple Bearer Capabilities, according to the actual configuration on the MS.

This is verified for one Mobile Terminated Bearer Services / Teleservices described in GSM 07.01 and declared as supported by the MS.

2. To verify that the MS includes a correctly encoded Repeat Indicator if it includes multiple Bearer Capabilities in the CALL CONFIRMED message.

Default: OtherEventsFail

Nr	Label	Behaviour Description	CRef	V	Comments
1		START T_guard(300)			
2		(TCV_slot := C_S0, TCV_tsc := C_BCC)			
3		+IdleUpdated(C_CellA, C_Immass, TCV_slot, TCV_tsc, TimingAdv_01, '000'B, '001'B, '011'B, '00'O)			
4		(TCV_ch := OC_SubchOfSdcch4(TSPX_SDCCH4SubDef, C_CellA), TCV_sacch := OC_SubchOfSacch4(TSPX_SDCCH4SubDef, C_CellA), TCV_CphKey := OC_CphKeyGen(TSPX_Ki, TSPX_RANDDef), TCV_cksn := TSPX_CKSNDf)			
5		+PreEnterIdleState_03(C_Immass, TCV_slot, TCV_tsc, 5, 1, 0, TimingAdv_01, '000'B, '001'B, '011'B, '00'O)		1.	
6		(TCV_Null := OO_IFsetup(TSPX_BscSvc))		2.	
7		+preamble			
8		L!DL_DatRqSetup	SetupRq_03(TCV_ch)		3.
9		L?DL_DatInCallCo (TCV_CallCfm := DL_DatInCallCo.msg)	CallCfm_01		
10		(TCV_Res := OC_CallComfVerify(TCV_CallCfm, TSPX_BscSvc))			4.
11		[TCV_Res]		(P)	
12		[NOT TCV_Res]		(F)	
		preamble			
13		+PreEstRRConn(TCV_slot, TCV_tsc, TimingAdv_01)			
14		L!DL_DatRqAuthRq	AuthReq_01(TCV_ch)		
15		L?DL_DatInAuthRes (TCV_Sres := DL_DatInAuthRes.msg.sres)	AuthRes_01		
16		(TCV_Res := OC_ChkSRES(TCV_Sres, TSPX_Ki, TSPX_RANDDef))			
17		[TCV_Res = FALSE]		(I)	
18		+Cipherring_on(TCV_ch)			
19		[TCV_Res = TRUE]			
20		+Cipherring_on(TCV_ch)			

Detailed Comments:

1. To setup physical channel for BCCH, CCCH and SDCCH4 channels.
2. To ask operator to configure the MS for required basic service.
3. To send a SETUP_PDU without bearer capabilities and lower and higher layer compatibilities.
4. To check whether the received CALL COMFIRM PDU is correct.

Test Case Dynamic Behaviour					
Test Case Name:		TC_11_3			
Group:		GSM_L3_MS_v4170/General/			
Purpose:		<p>1. To verify that an MS claiming to not support AOCC and in the outgoing call / U4 call delivered state, on receipt of a CONNECT message containing AOCC information acknowledges the CONNECT message but ignores and does not acknowledge the AOCC information sent within the CONNECT.</p> <p>2. To verify that an MS claiming to not support AOCC and in the outgoing call / U4 call delivered state, on receipt of a FACILITY message containing AOCC information ignores and does not acknowledge the AOCC information contained within the FACILITY.</p> <p>3. To verify that an MS claiming to not support AOCC and in the incoming call / U9 call confirmed state, on receipt of a FACILITY message containing AOCC information ignores and does not acknowledge the AOCC information contained within the FACILITY.</p> <p>4. To verify that an MS claiming to not support AOCC and in the U10 call active state, on receipt of a FACILITY message containing AOCC information ignores and does not acknowledge the AOCC information contained within the FACILITY.</p>			
Default:		OtherEventsFail			
Nr	Label	Behaviour Description	CRef	V	Comments
1		START T_guard(600)			
2		(TCV_slot := C_S0, TCV_tsc := C_BCC)			
3		+IdleUpdated(C_CellA, C_Imm, TCV_slot, TCV_tsc, TimingAdv_01, '000'B, '001'B, '011'B, '00'O)			
4		(TCV_ch := OC_SubchOfSdcch4(TSPX_SDCCH4SubDef, C_CellA), TCV_sacch := OC_SubchOfSacch4(TSPX_SDCCH4SubDef, C_CellA), TCV_CphKey := OC_CphKeyGen(TSPX_Ki, TSPX_RANDDef))			
5		+PreEnterIdleState_03(C_Imm, TCV_slot, TCV_tsc, 5, 1, 0, TimingAdv_01, '000'B, '001'B, '011'B, '00'O)			1.
6		+FullRateCh_A_1(C_Ass, TSPX_TmSlitDef, TSPX_TscDef, ChMod_speech, FreqTCHa_rg, FreqTCHa_rd, TimingAdv_01, '000'B, '001'B, '011'B)			
7		+test1			2.
8		+test2			3.
9		+test3			4.
10		+test4			5.
test1					
11		+AttmpFullRateCall			
12		+BasicServiceMO(TSPX_MO_BscSvc_FRCall, C_Full)			
13		L?DL_RaInChRq (TCV_Rr := DL_RaInChRq, msg.ecau_rrf, TCV_Fn := DL_RaInChRq.fn)	ChReq_17		
14		ACTIVATE(OtherEventsFail_02)			To match ChReq retrans.
15		L!DL_UdatRqImm	ImmAss_01Def(TCV_agch, TCV_Rr, TCV_Fn, TCV_slot, TCV_tsc, TCV_chdescr_arfcn, TimingAdv_01)		
16		L?DL_EstInCmsRq	CmsReq_01		
17		ACTIVATE(OtherEventsFail)			Restore Normal default
18		+Authentication(TCV_ch, TSPX_CKSNDDef)			
19		+Ciphering_on(TCV_ch)			
20		+SetupRcvMo(SetupInd_01)			
21		L!DL_DatRqCallProc	CallProc(TCV_ch, TCV_CallProc)		
22		L!DL_DatRqAlert	Alert_01(TCV_TI, TCV_ch)		
23		+asstrafch			
24		L!DL_DatRqConn START T_dly(15000)	Conn_03(TCV_chTch, Connect_05(

25		L?DL_DatInConnAck	TCV_TI, facilityIEsndie(FwdCharg_01))) ConnAckRcv_01(TCV _TIO)	
26		L?DL_DatInFac CANCEL T_dly	Facility_04(TCV_TIO)	(F)
27		+release		
28		?TIMEOUT T_dly		(P)
29		+release		
30		L?DL_DatInFac CANCEL T_dly	Facility_04(TCV_TIO)	(F)
31		+release		
32		?TIMEOUT T_dly		(P)
33		+release		
		test2		
34		+AttmpFullRateCall		
35		+BasicServiceMO(TSPX_MO_BscSvc_FRCall, C_Full)		
36		L?DL_RacInChRq (TCV_Rr := DL_RacInChRq. msg.ecau_rrf, TCV_Fn := DL_RacInChRq.fn)	ChReq_17	
37		ACTIVATE(OtherEventsFail_02)		To match ChReq retrans.
38		L!DL_UdatRqImmss	ImmAss_01Def(TCV_ agch, TCV_Rr, TCV_Fn, TCV_slot, TCV_tsc, TCV_chdescr_arfcn, TimingAdv_01)	
39		L?DL_EstInCmsRq	CmserReq_01	
40		ACTIVATE(OtherEventsFail)		Restore Normal default
41		+Authentication(TCV_ch, TSPX_CKSNDf)		
42		+Cipherring_on(TCV_ch)		
43		+SetupRcvMo(SetupInd_01)		
44		L!DL_DatRqCallProc	CallProc(TCV_ch, TCV_CallProc)	
45		L!DL_DatRqAlert	Alert_01(TCV_TI, TCV_ch)	
46		+asstrafch		
47		L!DL_DatRqFac START T_dly(15000)	FacilityRq_07(TCV_c hTch, FacilityPdu_25(TCV_TI, facilityIEsnd(FwdCharg_01)))	
48		L?DL_DatInFac CANCEL T_dly	Facility_04(TCV_TIO)	(F)
49		+release		
50		?TIMEOUT T_dly		(P)
51		+release		
		test3		
52		+BasicServiceMT(TSPX_MTBscSvcA,TSPX_MTChR ateA,TSPX_MT_ImmConnA)		
53		+PreEstRRConn(TCV_slot, TCV_tsc, TimingAdv_01)		
54		+Authentication(TCV_ch, TSPX_CKSNDf)		
55		+Cipherring_on(TCV_ch)		
56		L!DL_DatRqSetup (TCV_TI.ti_f := '0'B, TCV_TI.ti_v := '000'B)	SetupSnd(TCV_ch, TCV_Setup_mt)	
57		L?DL_DatInCallCo	CallCfm_01	
58		L!DL_DatRqFac START T_dly(15000)	FacilityRq_07(TCV_c hTch, FacilityPdu_25(TI_02, facilityIEsnd(FwdCharg_01)))	
59		L?DL_DatInFac CANCEL T_dly	Facility_04(TI_01)	(F)
60		+release		
61		?TIMEOUT T_dly		(P)
62		+release		

63	test4 (TCV_cksns := TSPX_CKSNDf)			
64	+EstMsOrigFullRateCall(TimingAdv_01)			
65	LIDL_DatRqFac START T_dly(15000)	FacilityRq_07(TCV_chTch, FacilityPdu_25(TCV_TI, facilityIEsnd(FwdCharg_01)))		
66	L?DL_DatInFac CANCEL T_dly	Facility_04(TCV_TI0)	(F)	
67	+PostMainLinkRel(TCV_chTch)			
68	?TIMEOUT T_dly		(P)	
69	+PostMainLinkRel(TCV_chTch)			
	release			
70	+PostMainLinkRel(TCV_chTch)			
71	(TCV_Null := OM_CphMd(TCV_ch, CphMod_02, TCV_CphKey))			
	asstrafch			
72	+AssCmdGenMO(C_Full)			
73	+AssCh_complete(TCV_ch,TCV_chTch,TCV_AssCmd)			
Detailed Comments:		<ol style="list-style-type: none"> 1. To setup physical channels for BCCH, CCCH, SDCCH4 and full rate traffic channels. 2. To verify non-supported AOCC information carried by CONNECT message in the case of MO call state U4. 3. To verify non-supported AOCC information carried by FACILITY message in the case of MO call state U4. 4. To verify non-supported AOCC information carried by FACILITY message in the case of MT call state U9. 5. To verify non-supported AOCC information carried by FACILITY message in the case of MO call state U10. 		

Test Case Dynamic Behaviour

Test Case Name: TC_11_4
Group: GSM_L3_MS_v4170/General/
Purpose: To verify that an MS claiming to not support the Call Hold supplementary service and in the U10 call active state, reacts in the following manner when the appropriate call hold MMI command is entered:
 - MS fails to put the first call on hold
 - MS fails to place the second call.
 - Optionally provides some indication to the user of an error.
Default: OtherEvents_01
Comments: other irrelevant messages will be discarded by the default tree.

Nr	Label	Behaviour Description	CRef	V	Comments
1		START T_guard(300)			
2		(TCV_slot := C_S0, TCV_tsc := C_BCC)			
3		+IdleUpdated(C_CellA, C_Immass, TCV_slot, TCV_tsc, TimingAdv_01, '000'B, '001'B, '011'B, '00'O)			
4		(TCV_ch := OC_SubchOfSdcch4(TSPX_SDCCH4SubDef, C_CellA), TCV_sacch := OC_SubchOfSacch4(TSPX_SDCCH4SubDef, C_CellA), TCV_CphKey := OC_CphKeyGen(TSPX_Ki, TSPX_RANDDef), TCV_cksn := TSPX_CKSNDf)			
5		+PreEnterIdleState_03(C_Immass, TCV_slot, TCV_tsc, 5, 1, 0, TimingAdv_01, '000'B, '001'B, '011'B, '00'O)			1.
6		+FullRateCh_A_1(C_Ass, TSPX_TmSlTDef, TSPX_TscDef, ChMod_speech, FreqTCHa_rg, FreqTCHa_rd, TimingAdv_01, '000'B, '001'B, '011'B)			
7		+EstMsOrigFullRateCall(TimingAdv_01)			2.
8		(TCV_Null := OO_CallHold())			3.
9		START T_dly(3000)			
10		L?DL_DatInHold CANCEL T_dly	Hold_01(TCV_T10)	(F)	4.
11		+PostMainLinkRel(TCV_chTch)			
12		?TIMEOUT T_dly		(P)	5.
13		+PostMainLinkRel(TCV_chTch)			

Detailed Comments:

1. To setup physical channels for BCCH, CCCH, SDCCH4 and full rate traffic channels.
2. To bring the MS into U10 state of mobile originating call.
3. To enter hold MMI command.
4. The MS sends out HOLD message, fail.
5. Within 3 seconds there is no HOLD message, pass.

Test Case Dynamic Behaviour					
Test Case Name:		TC_11_5			
Group:		GSM_L3_MS_v4170/General/			
Purpose:		To verify that an MS claiming to not support the MultiParty supplementary service and in the U10 call active state with one call and another call on hold, reacts in the following manner when the appropriate MultiParty MMI command is entered: - Fails to combine the three parties in a MultiParty call. - Optionally provides some indication to the user of an error.			
Default:		OtherEvents_01			
Comments:		other irrelevant messages will be discarded by the default tree.			
Nr	Label	Behaviour Description	CRef	V	Comments
1		START T_guard(300)			
2		(TCV_slot := C_S0, TCV_tsc := C_BCC)			
3		+IdleUpdated(C_CellA, C_Immass, TCV_slot, TCV_tsc, TimingAdv_01, '000'B, '001'B, '011'B, '00'O)			
4		(TCV_ch := OC_SubchOfSdcch4(TSPX_SDCCH4SubDef, C_CellA), TCV_sacch := OC_SubchOfSacch4(TSPX_SDCCH4SubDef, C_CellA), TCV_CphKey := OC_CphKeyGen(TSPX_Ki, TSPX_RANDDef), TCV_cksn := TSPX_CKSNDf)			
5		+PreEnterIdleState_03(C_Immass, TCV_slot, TCV_tsc, 5, 1, 0, TimingAdv_01, '000'B, '001'B, '011'B, '00'O)			1.
6		+FullRateCh_A_1(C_Ass, TSPX_TmSlitDef, TSPX_TscDef, ChMod_speech, FreqTCHa_rg, FreqTCHa_rd, TimingAdv_01, '000'B, '001'B, '011'B)			
7		+EstMsOrigFullRateCall(TimingAdv_01)			2.
8		(TCV_Null := OO_CallHold())			
9		L?DL_DatInHold	Hold_01(TCV_TI0)		
10		L!DL_DatRqHoldAck	HoldAck_01(TCV_TI, TCV_chTch)		
11		L?DL_DatInCmsRq	CmserDatReq_01		
12		L!DL_DatRqCmsAcp	CmserAcp_01(TCV_chTch)		
13		+SetupRcvMo2(SetupInd_01)			
14		+continue			
		continue			
15		L!DL_DatRqCallProc	CallProc(TCV_chTch, TCV_CallProc)		
16		L!DL_DatRqAlert	Alert_01(TCV_TI2, TCV_chTch)		
17		L!DL_DatRqConn	Conn_01(TCV_TI2, TCV_chTch)		
18		L?DL_DatInConnAck	ConnAckRcv_01(TCV_TI1)		3.
19		(TCV_Null := OO_MptyCall())			4.
20		START T_dly(3000)			
21		L?DL_DatInFac CANCEL T_dly	Facility_03(FacilityPdu_04(TCV_TI0, TCV_TI1, facilityIErcv(BldMptySS_01)))	(F)	5.
22		+PostMainLinkRel(TCV_chTch)			
23		?TIMEOUT T_dly		(P)	6.
24		+PostMainLinkRel(TCV_chTch)			
Detailed Comments:		<ol style="list-style-type: none"> 1. To setup physical channels for BCCH, CCCH, SDCCH4 and full rate traffic channels. 2. To bring the MS into U10 state of mobile originating call. 3. The first call is on hold and second call is in active state. 4. To enter MultiParty MMI command. 5. The MS sends out FACILITY message, fail. 6. Within 3 seconds there is no FACILITY message, pass. 			

Test Case Dynamic Behaviour					
Test Case Name: TC_11_6					
Group: GSM_L3_MS_v4170/General/					
Purpose: 1. To verify that an MS claiming to not support FDN and that has a SIM with FDN allocated and activated inserted in it refuses an attempt to make an outgoing call made by the user. 2. To verify that an MS claiming to not support FDN and that has a SIM with FDN allocated and activated inserted in it does not answer to paging.					
Default: OtherEventsFail					
Nr	Label	Behaviour Description	CRef	V	Comments
1		START T_guard(300)			
2		(TCV_slot := C_S0, TCV_tsc := C_BCC)			
3		+IdleUpdated(C_CellA, C_Immass, TCV_slot, TCV_tsc, TimingAdv_01, '000'B, '001'B, '011'B, '00'O)			
4		(TCV_ch := OC_SubchOfSdcch4(TSPX_SDCCH4SubDef, C_CellA), TCV_sacch := OC_SubchOfSacch4(TSPX_SDCCH4SubDef, C_CellA))			
5		+PreEnterIdleState_03(C_Immass, TCV_slot, TCV_tsc, 5, 1, 0, TimingAdv_01, '000'B, '001'B, '011'B, '00'O)		1.	
6		+CCCH_group_Paging_group(TCV_Ccd0A, TSPX_IMSI)			
7		(TCV_Null := OO_SIM3Ins())		2.	
8		+AttmpCall		3.	
9		+BasicServiceMO(TSPX_MO_BscSv c_AnyCall, TSPX_MO_rate_AnyCall)			
10		START T_dly(3000)			
11		L?DL_RacInChRq CANCEL T_dly	ChReq_02	(F)	
12		START T_dly(C_T_Wait)			4.
13		?TIMEOUT T_dly			
14		+continue			
15		?TIMEOUT T_dly		(P)	
16		+continue			
17		continue L!DL_UdatRqPg1Rq (DL_UdatRqPg1Rq.pgg := TCV_Pgg)	PgReq1(TCV_PgCh, TCV_Pgg, PgReqTp1_01)		5.
18		START T_dly(3000)			
19		L?DL_RacInChRq CANCEL T_dly	ChReq_02	(F)	
20		?TIMEOUT T_dly		(P)	6.
Detailed Comments:					
1. To setup a physical channel as BCCH, CCCH and SDCCH4.					
2. To insert the SIM with FDN allocated and activated, the power on the MS.					
3. To attempt an outgoing CM connection.					
4. To wait the MS back to idle.					
5. To page the MS.					
6. No CHANNEL REQUEST, pass					

Test Group InitialTest

Test Case Dynamic Behaviour					
Test Case Name:		TC_26_2_1_1			
Group:		GSM_L3_MS_v4170/InitialTest/			
Purpose:		<p>1) To verify that the MS answers to a PAGING message by sending a CHANNEL REQUEST message within 0.7 seconds after reception of the PAGING message.</p> <p>2) To verify that the MS does not always use the same delay between reception of paging message and sending of the CHANNEL REQUEST message. If an MS uses a fixed delay, there is a high probability that different MSs of the same product series use the same delay. There would then be a high risk of collision.</p>			
Default:		OtherEventsFail_01			
Comments:		The default tree OtherEventsFail_01 throws away any possible retransmitted channel request messages.			
Nr	Label	Behaviour Description	CRef	V	Comments
1		START T_guard(1800)			
2		(TCV_slot := C_S0, TCV_tsc := C_BCC)			
3		+IdleUpdated(C_CellA, C_Immass, TCV_slot, TCV_tsc, TimingAdv_01, '000'B, '001'B, '011'B, '00'O)			
4		[TSPX_CcchConf1 = '000'B]			
5		+PreEnterIdleState_02(C_Immass, TCV_slot, TCV_tsc, 5, 1, 0, TimingAdv_01, '000'B, TSPX_CcchConf1, '011'B, '00'O)			
6		(TCV_Upd := C_NotCombined)			
7		+localtree			
8		[TSPX_CcchConf1 = '001'B]			
9		+PreEnterIdleState_03(C_Immass, TCV_slot, TCV_tsc, 5, 1, 0, TimingAdv_01, '000'B, TSPX_CcchConf1, '011'B, '00'O)			
10		(TCV_Upd := C_Combined)			
11		+localtree			
		localtree			
12		(TCV_Cnt := 0)			
13		+CCCH_group_Paging_group(TCV_Ccd0A, TSPX_IMSI)			
14	body	REPEAT localtree1 UNTIL [TCV_Cnt = 200]			
15		(TCV_Res := OC_SaveAndProc1(TCV_Fk, C_PROC, TCV_Cnt, TCV_Upd))			1.
16		[TCV_Res = FALSE]		(F)	2.
17		[TCV_Res = TRUE]		(P)	
		localtree1			
18		L!DL_UdatRqPg1Rq	PgReq1(TCV_PgCh, TCV_Pgg, PgReqTp1_01)		
19		(TCV_Fn1 := OM_ReturnFn(TCV_PgCh))			3.
20		L?DL_RacInChRq (TCV_Rr := DL_RacInChRq, msg.ecau_rrf, TCV_Fn := DL_RacInChRq.fn) START T_dly(C_T_Wait)	ChReq_01		
21		(TCV_Fk := OC_RachSlots(TCV_Fn1, TCV_Fn, TCV_Upd, 0))			4.
22		[TCV_Fk < -9990]		(F)	7.
23		(TCV_Cnt := 200)			
24		CANCEL T_dly			
25		[TCV_Fk >= 0]			
26		(TCV_Res := OC_SaveAndProc1(TCV_Fk, C_SAVE, TCV_Cnt, TCV_Upd))			5.
27		[TCV_Res = FALSE]		(F)	6.
28		(TCV_Cnt := 200)			
29		CANCEL T_dly			
30		[TCV_Res = TRUE]		(P)	
31		LIDL_UdatRqImmassRej (TCV_Cnt := TCV_Cnt+1)	ImmAssRej_01(TCV_agch, TCV_Rr,		

32		TCV_Fn)	
Detailed Comments:		<ol style="list-style-type: none">1. To analyse the delay of channel request msg.2. The channel request messages are not spread equally.3. To get the frame number on which paging request was sent.4. To calculate the rach slots between paging request and channel request.5. To record the delay of channel request msg.6. MS is too slow to answer a paging msg.7. Rach TDMA frame mapping is not correct.	

Test Case Dynamic Behaviour					
Test Case Name:		TC_26_2_1_2			
Group:		GSM_L3_MS_v4170/InitialTest/			
Purpose:		<p>1) To verify that the MS spreads retransmission of a CHANNEL REQUEST message with equal probability on Tx-Integer time slots and correctly applies the fixed delay when the following conditions apply:</p> <ul style="list-style-type: none"> - the CCCH is combined or not combined with SDCCHs; - the maximum number of retransmissions is equal to one of the following values: 1, 2, 4, 7, according to the value of TSPX_MaxRetrans. - Tx-Integer is put to any of the allowed values among those which are greater or equal to 6, according to the value of TSPX_Txint. <p>2) To verify that the MS retransmits exactly Max_Retrans times a CHANNEL REQUEST message if the network never responds to the CHANNEL REQUEST message.</p>			
Default:		OtherEventsFail			
Nr	Label	Behaviour Description	CRef	V	Comments
1		(TCV_K := ((230 + TSPX_MaxRetrans-1) / TSPX_MaxRetrans), TCV_T := 10 + ((C_T_Wait/1000) + 1), TCV_T := (TCV_T * TCV_K) * 2)			1.
2		START T_guard(TCV_T)			
3		(TCV_slot := C_S0, TCV_tsc := C_BCC)			
4		+IdleUpdated(C_CellA, C_Immass, TCV_slot, TCV_tsc, TimingAdv_01, '000'B, '001'B, '011'B, '00'O)			
5	body	(TCV_S := OC_LookupS(TSPX_Txint, C_Combined), TCV_slot := C_S0, TCV_tsc := C_BCC, TCV_ch := OC_SubchOfSdcch4(TSPX_SDCCH4SubDef, C_CellA), TCV_sacch := OC_SubchOfSacch4(TSPX_SDCCH4SubDef, C_CellA))			2.
6		+PreEnterIdleState_03(C_Immass, TCV_slot, TCV_tsc, TSPX_Txint, TSPX_MaxRetrans, 0, TimingAdv_01, '000'B, '001'B, '011'B, '00'O)			
7		+localtree(C_Combined)			
8		(TCV_S := OC_LookupS(TSPX_Txint, C_NotCombined), TCV_slot := C_S0, TCV_tsc := C_BCC)			2.
9		+PreEnterIdleState_02(C_Immass, TCV_slot, TCV_tsc, TSPX_Txint, TSPX_MaxRetrans, 0, TimingAdv_01, '000'B, '000'B, '011'B, '00'O)			
10		+localtree(C_NotCombined)			
localtree(mode: BOOLEAN)					
11		(TCV_kcnt := 0, TCV_M := 0)			
12		+CCCH_group_Paging_group(TCV_Ccd0A, TSPX_IMSI)			
13		REPEAT localtree1(mode) UNTIL [TCV_kcnt = TCV_K]			
14		(TCV_Res := OC_InRang(TSPX_Txint, TSPX_MaxRetrans, TCV_M))			
15		[TCV_Res = TRUE]		(P)	
16		[TCV_Res = FALSE]		(F)	
localtree1(mode: BOOLEAN)					
17		L!DL_UdatRqPg1Rq	PgReq1(TCV_PgCh, TCV_Pgg, PgReqTp1_01)		3.
18		L?DL_RaInChRq (TCV_Rr := DL_RaInChRq.msg.ecau_rrf, TCV_Fn1 := DL_RaInChRq.fn)	ChReq_01		
19		(TCV_Cnt := 0)			
20		REPEAT localtree2(mode) UNTIL [TCV_Cnt = TSPX_MaxRetrans]			
21		+localtree3			
22		?TIMEOUT T_dly			
23		(TCV_kcnt := TCV_kcnt + 1)			

		<p>localtree2(mode: BOOLEAN) CANCEL T_dly L?DL_RaInChRq (TCV_Rr := DL_RaInChRq. msg.ecau_rrf, TCV_Fn := DL_RaInChRq.fn) START T_dly(C_T_Wait) (TCV_Fk := OC_RachSlots(TCV_Fn1, TCV_Fn, mode, 1), TCV_Fn1 := TCV_Fn, TCV_Cnt := TCV_Cnt+1) [(TCV_Fk >= TCV_S) AND (TCV_Fk <= (TCV_S+TSPX_Txint- 1))] [TCV_Fk >= (TCV_S +(TSPX_Txint + 1) / 2)] (TCV_M := TCV_M + 1) [TCV_Fk <(TCV_S +(TSPX_Txint + 1) / 2)] [(TCV_Fk < TCV_S) OR(TCV_Fk >(TCV_S+TSPX_Txint - 1))]</p> <p>localtree3 [TCV_kcnt = TCV_K] [TCV_kcnt < TCV_K] L!DL_UdatRqImmRej</p>	<p>ChReq_01</p> <p>ImmAssRej_02(TCV_ agch, TCV_Rr, TCV_Fn)</p>	<p>(P)</p> <p>(P)</p> <p>(F)</p> <p>(P)</p>	<p>4.</p> <p>5.</p> <p>6.</p>
--	--	--	--	---	-------------------------------

Detailed Comments:

1. To setup the timeout value for guard timer, each execution of one sequence= 10s.
2. To generate the required parameters.
3. To start the measuring.
4. To get the number of the CCCH RACH slots between the moment where the last CHANNEL REQUEST received and the reception of the new CHANNEL REQUEST.
5. The f(i, k) is in the set {S, S+1, ...S+T-1}.
6. The f(i, k) is not in the set {S, S+1, ...S+T-1}, fail.

Test Case Dynamic Behaviour					
Test Case Name:		TC_26_2_1_3			
Group:		GSM_L3_MS_v4170/InitialTest/			
Purpose:		To verify that an MS produces different random references for a CHANNEL REQUEST. If a MS always produces the same random reference, it makes possible that different MSs of the same product series produce the same random reference.			
Default:		OtherEventsFail			
Nr	Label	Behaviour Description	CRef	V	Comments
1		START T_guard(360)			
2		(TCV_slot := C_S0, TCV_tsc := C_BCC)			
3		+IdleUpdated(C_Cella, C_Immass, TCV_slot, TCV_tsc, TimingAdv_01, '000'B, '001'B, '011'B, '00'O)			
4		+PreEnterIdleState_02(C_Immass, TCV_slot, TCV_tsc, 5, 1, 0, TimingAdv_01, '000'B, '000'B, '011'B, '00'O)			
5	body	(TCV_Cnt := 0)			
6		+CCCH_group_Paging_group(TCV_Ccd0A, TSPX_IMSI)			
7		REPEAT localtree UNTIL [TCV_Cnt = 7]			
8		(TCV_Res := OC_SaveAndProc3(TCV_Rr, C_PROC, TCV_Cnt))			1.
9		[TCV_Res = TRUE]		P	
10		[TCV_Res = FALSE]		F	2.
		localtree			
11		L!DL_UdatRqPg1Rq	PgReq1(TCV_PgCh, TCV_Pgg, PgReqTp1_01)		
12		L?DL_RaInChRq (TCV_Rr := DL_RaInChRq.msg.ecau_rrf)	ChReq_01		
13		(TCV_Null := OC_SaveAndProc3(TCV_Rr, C_SAVE, TCV_Cnt))			3.
14		L?DL_RaInChRq	ChReq_01		4.
15		START T_dly(C_T_Wait)			5.
16		(TCV_Cnt := TCV_Cnt+1)			
17		?TIMEOUT T_dly			
Detailed Comments:		<ol style="list-style-type: none"> 1. To analyse the distribution of the random references. 2. The random references are not randomly distributed. 3. To record the random reference. 4. The MS retransmits the channel request once more. 5. To wait long enough to guarantee that the MS is in service. 			

Test Case Dynamic Behaviour					
Test Case Name: TC_26_2_2					
Group: GSM_L3_MS_v4170/InitialTest/					
Purpose:					
1) To verify that the MS correctly performs IMSI detach/attach procedures when it is required by the network and upon deactivation/activation or SIM removal/insertion and does not perform these procedures when not required.					
2) To verify that the mobile station acknowledges a re-allocated TMSI during IMSI attach.					
Default: OtherEventsFail					
Nr	Label	Behaviour Description	CRef	V	Comments
1		START T_guard(300)			
2		(TCV_slot := C_S0, TCV_tsc := C_BCC)			
3		+IdleUpdated(C_CellA, C_Immass, TCV_slot, TCV_tsc, TimingAdv_01, '000'B, '001'B, '011'B, '00'O)			
4		(TCV_ch := OC_SubchOfSdcch4(TSPX_SDCCH4SubDef, C_CellA), TCV_sacch := OC_SubchOfSacch4(TSPX_SDCCH4SubDef, C_CellA))			
5		+PreEnterIdleState_03(C_Immass, TCV_slot, TCV_tsc, 5, 1, 0, TimingAdv_01, '000'B, '001'B, '011'B, '00'O)			
6	body	+procedure1			
7		+procedure2			
8		+SetATT(5, 1, 1, 0, '000'B, '001'B, '011'B, '00'O)			1.
9		+procedures3			
10		+procedures4			
procedure1					
11		+ImsiDetachNoReaction(5000, C_SIMIn)			2.
12		+ImsiAttachNoReaction(30000, C_SIMIn)			4.
procedure2					
13		[TSPC_SIMRmv = TRUE]			
14		(TCV_Null :=OO_SIMRmv())			6.
15		+NoReaction(5000)			3.
16		(TCV_Null := OO_SIMIns())			7.
17		+NoReaction(30000)			5.
18		[TSPC_SIMRmv = FALSE]			
procedures3					
19		+MM_PwrOrSimOff(C_SIMIn)			
20		[(TSPC_DetachOnPwrDn = TRUE) OR (TSPC_SwitchOnOff = TRUE)]			
21		+imsidetach			
22		+MM_PwrOrSimOn(C_SIMIn)			
23		+locup(MiTmsi_02iei)			
24		[(TSPC_DetachOnPwrDn = FALSE) AND (TSPC_SwitchOnOff =FALSE)]			
25		+MM_PwrOrSimOn(C_SIMIn)			
26		+locup(MiTmsi_02iei)			
procedures4					
27		[(TSPC_SIMRmv = TRUE) AND (TSPC_DetachOnSIMRmv = TRUE)]			
28		(TCV_Null :=OO_SIMRmv())			
29		+imsidetach			
30		(TCV_Null := OO_SIMIns())			
31		+locup(MiTmsi_01iei)			
32		[(TSPC_SIMRmv = FALSE) AND (TSPC_DetachOnPwrDn = TRUE)]			
33		+MM_PwrOrSimOff(C_SIMIn)			
34		+imsidetach			
35		+MM_PwrOrSimOn(C_SIMIn)			

36	+locup(MiTmsi_01iei)			
37	(((TSPC_SIMRmv = FALSE) AND (TSPC_DetachOnPwrDn = FALSE)) OR (TSPC_DetachOnSIMRmv = FALSE) AND (TSPC_SIMRmv = TRUE)) OR (TSPC_DetachOnSIMRmv = FALSE) AND (TSPC_DetachOnPwrDn = FALSE)))			
38	+MM_PwrOrSimOff(C_SIMIn)			
39	+MM_PwrOrSimOn(C_SIMIn)			
40	+locup(MiTmsi_01iei)			
	activitychk(t: INTEGER)			
41	START T_dly(t)			
42	?TIMEOUT T_dly		(P)	
	locup(newmi:MI)			
43	+channelrequest			
44	L?DL_EstInLupRq	LocUp_01(TCV_ch, C_imsi_attach)		9.
45	ACTIVATE(OtherEventsFail)			Restore Normal default
46	LIDL_DatRqLupAcp	LocAcp_30(newmi, TCV_ch, TCV_lac)		10.
47	L?DL_DatInTmsireCom	TmsiReallocCmp_01	(P)	
48	+channelrelease			
	imsidetach			
49	+channelrequest			
50	L?DL_EstInImsidIn	ImsiDet_01	(P)	8.
51	ACTIVATE(OtherEventsFail)			Restore Normal default
52	+channelrelease			
	channelrequest			
53	L?DL_RacInChRq (TCV_Rr := DL_RacInChRq. msg.ecau_rrf, TCV_Fn := DL_RacInChRq.fn)	ChReq_02		
54	ACTIVATE(OtherEventsFail_02)			To match ChReq retrans.
55	LIDL_UdatRqImmss	ImmAss_01Def(TCV_ agch, TCV_Rr, TCV_Fn, TCV_slot, TCV_tsc, TCV_chdescr_arfcn, TimingAdv_01)		
	channelrelease			
56	L!DL_DatRqChRel	ChRel_01(TCV_ch)		
57	L?DL_RelIn	DLRelIn_01		

Detailed Comments:

1. To set ATT = 1 for procedures3 and procedures4.
2. To switch off or power down the MS.
3. The test system checks for 5 seconds that MS shall not initiate the IMSI detach procedure.
4. To switch on or power up the MS.
5. The test system checks for 30 seconds that MS shall not initiate the IMSI attach procedure.
6. If possible to remove the SIM.
7. To insert the SIM to the MS under test.
8. The MS initiate IMSI detach procedure.
9. The location updating type shall be IMSI attach
10. To allocate a new TMSI.

Test Case Dynamic Behaviour					
Test Case Name:		TC_26_2_3			
Group:		GSM_L3_MS_v4170/InitialTest/			
Purpose:		To verify that V(SD) is correctly set to 0 at the beginning of the establishment of the first RR connection and to verify that the MS handles correctly this variable in the special case of IDENTITY REQUEST messages, which are MM messages.			
Default:		OtherEventsFail			
Nr	Label	Behaviour Description	CRef	V	Comments
1		START T_guard(300)			
2		(TCV_slot := C_S0, TCV_tsc := C_BCC)			
3		+IdleUpdated(C_CellA, C_Immass, TCV_slot, TCV_tsc, TimingAdv_01, '000'B, '001'B, '011'B, '00'O)			
4		(TCV_ch := OC_SubchOfSdcch4(TSPX_SDCCH4SubDef, C_CellA), TCV_sacch := OC_SubchOfSacch4(TSPX_SDCCH4SubDef, C_CellA))			
5		+PreEnterIdleState_03(C_Immass, TCV_slot, TCV_tsc, 5, 1, 0, TimingAdv_01, '000'B, '001'B, '011'B, '00'O)			
6		+CCCH_group_Paging_group(TCV_Ccd0A, TSPX_IMSI)			
7	body	L!DL_UdatRqPg1Rq	PgReq1(TCV_PgCh, TCV_Pgg, PgReqTp1_01)		TMSI paging ...
8		L?DL_RacInChRq (TCV_Rr := DL_RacInChRq.msg.ecau_rrf, TCV_Fn := DL_RacInChRq.fn)	ChReq_01		
9		ACTIVATE(OtherEventsFail_02)			To match ChReq retrans.
10		LIDL_UdatRqImmass	ImmAss_01Def(TCV_agch, TCV_Rr, TCV_Fn, TCV_slot, TCV_tsc, TCV_chdescr_arfcn, TimingAdv_01)		
11		L?DL_EstInPgRes	PgRes_01		
12		ACTIVATE(OtherEventsFail)			Restore Normal default
13		LIDL_DatRqIdRq	IDReq(TCV_ch, IDRequest_01('0001'B))		
14		L?DL_DatInIdRes (TCV_Mt := DL_DatInIdRes.msg.mt)	IDRes_01		
15		+check1		1.	
16		(TCV_Cnt := 0)			
17		REPEAT localtree UNTIL [TCV_Cnt = 5]			
18		LIDL_DatRqChRel	ChRel_01(TCV_ch)		
19		+WaitMainLinkDown		3.	
20	localtree	LIDL_DatRqIdRq	IDReq(TCV_ch, IDRequest_01('0001'B))		
21		L?DL_DatInIdRes (TCV_Mt := DL_DatInIdRes.msg.mt)	IDRes_01		
22		+check2			
23		LIDL_DatRqIdRq	IDReq(TCV_ch, IDRequest_01('0001'B))		
24		L?DL_DatInIdRes (TCV_Mt := DL_DatInIdRes.msg.mt)	IDRes_01		
25		[OC_Bit7(TCV_Mt) = '0'B]		(P)	1.
26		(TCV_Cnt := TCV_Cnt+1)			
27		[OC_Bit7(TCV_Mt) = '1'B]		(F)	
28		(TCV_Cnt := TCV_Cnt+1)			
	check1				

29	[OC_Bit7(TCV_Mt) = '1'B]	(F)	
30	[OC_Bit7(TCV_Mt) = '0'B]	(P)	
	check2		
31	[OC_Bit7(TCV_Mt) = '0'B]	(F)	
32	[OC_Bit7(TCV_Mt) = '1'B]	(P)	2.
Detailed Comments:			
1. The N(SD) shall be 0.			
2. The N(SD) shall be 1.			
3. The test system waits the disconnection of the main signalling link.			

Test Case Dynamic Behaviour					
Test Case Name:		TC_26_2_4_1			
Group:		GSM_L3_MS_v4170/InitialTest/			
Purpose:		To verify that the establishment cause sent by the MS in the Max-Retrans+1 CHANNEL REQUEST messages is consistent with the requested service, with the capabilities of the MS and with the indications of the network in the following case: If the MS supports a service on a traffic channel: when the NECl bit is set to 0 and call re-establishment is attempted and the call was established on TCH/H if the MS supports a service on half rate channel or on TCH/F otherwise.			
Default:		OtherEventsFail			
Nr	Label	Behaviour Description	CRef	V	Comments
1		START T_guard(300)			
2		(TCV_slot := C_S0, TCV_tsc := C_BCC)			
3		+IdleUpdated(C_CellA, C_Immass, TCV_slot, TCV_tsc, TimingAdv_01, '000'B, '001'B, '011'B, '00'O)			
4		(TCV_ch := OC_SubchOfSdcch4(TSPX_SDCCH4SubDef, C_CellA), TCV_sacch := OC_SubchOfSacch4(TSPX_SDCCH4SubDef, C_CellA), TCV_CphKey := OC_CphKeyGen(TSPX_Ki, TSPX_RANDDef), TCV_cksn := TSPX_CKSNDf)			
5		+PreEnterIdleState_03(C_Immass, TCV_slot, TCV_tsc, 5, 7, 0, TimingAdv_01, '000'B, '001'B, '011'B, '00'O)		1.	
6	body	[TSPC_FullRateOnly = TRUE]			
7		+FullRateCh_A_1(C_Ass, TSPX_TmSlitDef, TSPX_TscDef, ChMod_speech, FreqTCHa_rg, FreqTCHa_rd, TimingAdv_01, '000'B, '001'B, '011'B)			
8		+EstMsOrigFullRateCall(TimingAdv_01)		1.	
9		(TCV_Null := OM_Deactivate(TCV_chTch, TCV_sacchTch))		3.	
10		+localtree			
11		[TSPC_DualRate = TRUE]			
12		+HalfRateCh_A_1(TSPX_TCHHSubDef, C_Ass, TSPX_TmSlitDef, TSPX_TscDef, ChMod_speech, FreqTCHa_rg, FreqTCHa_rd, TimingAdv_01, '000'B, '001'B, '011'B)			
13		+EstMsOrigHalfRateCall(TimingAdv_01)		2.	
14		(TCV_Null := OM_Deactivate(TCV_chTch, TCV_sacchTch))		3.	
15		+localtree			
16		localtree (TCV_Cnt := 0)			
17		REPEAT localtree1 UNTIL [TCV_Cnt=7]			
18		L?DL_RaInChRq(TCV_Rr := DL_RaInChRq.msg.ecau_rrf, TCV_Fn := DL_RaInChRq.fn)	ChReq_10	(P)	4.
19		LIDL_UdatRqImmassRej	ImmAssRej_01(TCV_agch, TCV_Rr, TCV_Fn)		
20		localtree1 L?DL_RaInChRq	ChReq_10		4.
21		(TCV_Cnt := TCV_Cnt + 1)			
Detailed Comments:		<ol style="list-style-type: none"> 1. To set up a call the TCH/F otherwise. The generic call setup procedure is used. 2. To set up a call on the TCH/H if the MS supports half rate channel. The generic call setup procedure is used 3. To stop transmission on the channel SACCH. 4. The establishment cause shall be '110'B, otherwise the test case fails in the default tree OtherEventsFail. 			

Test Case Dynamic Behaviour					
Test Case Name:		TC_26_2_4_2			
Group:		GSM_L3_MS_v4170/InitialTest/			
Purpose:		To verify that the establishment cause sent by the MS in the Max-Retrans+1 CHANNEL REQUEST messages is consistent with the requested service, with the capabilities of the MS and with the indications of the network in the following case: If the MS supports a service on half rate channel: when the NECI bit is set to 1 and call re-establishment is attempted and the call was established on TCH/H.			
Default:		OtherEventsFail			
Nr	Label	Behaviour Description	CRef	V	Comments
1		START T_guard(300)			
2		(TCV_slot := C_S0, TCV_tsc := C_BCC)			
3		+IdleUpdated(C_CellA, C_Immass, TCV_slot, TCV_tsc, TimingAdv_01, '000'B, '001'B, '011'B, '00'O)			
4		[TSPC_HalfRateData OR TSPC_HalfRateSpeech]			
5		(TCV_ch := OC_SubchOfSdcch4(TSPX_SDCCH4SubDef, C_CellA), TCV_sacch := OC_SubchOfSacch4(TSPX_SDCCH4SubDef, C_CellA), TCV_CphKey := OC_CphKeyGen(TSPX_Ki, TSPX_RANDDef))			
6		+PreEnterIdleState_03(C_Immass, TCV_slot, TCV_tsc, 5, 7, 0, TimingAdv_01, '000'B, '001'B, '011'B, '00'O)			1.
7		+HalfRateCh_A_1(TSPX_TCHHSubDef, C_Ass, TSPX_TmSlitDef, TSPX_TscDef, ChMod_speech, FreqTCHa_rg, FreqTCHa_rd, TimingAdv_01, '000'B, '001'B, '011'B)			
8	body	+EstMsOrigHalfRateCall(TimingAdv_01)			2.
9		(TCV_Null := OM_Deactivate(TCV_chTch, TCV_sacchTch))			3.
10		(TCV_Cnt :=0)			
11		REPEAT localtree UNTIL [TCV_Cnt=7]			
12		L?DL_RaInChRq (TCV_Rr := DL_RaInChRq.msg.ecau_rrf, TCV_Fn := DL_RaInChRq.fn)	ChReq_11	(P)	4.
13		LIDL_UdatRqImmassRej	ImmAssRej_01(TCV_agch, TCV_Rr, TCV_Fn)		
		localtree			
14		L?DL_RaInChRq	ChReq_11		4.
15		(TCV_Cnt := TCV_Cnt +1)			
Detailed Comments:		<ol style="list-style-type: none"> 1. The NECI = 1. 2. To set up a call on the TCH/H by generic call setup procedure. 3. To stop transmission on the SACCH. 4. The establishment cause shall be '011010'B, otherwise the test case fails in the default tree. 			

Test Case Dynamic Behaviour					
Test Case Name: TC_26_2_4_3					
Group: GSM_L3_MS_v4170/InitialTest/					
Purpose: To verify that the establishment cause sent by the MS in the Max-Retrans+1 CHANNEL REQUEST messages is consistent with the requested service, with the capabilities of the MS and with the indications of the network in the following case: If the MS supports speech: 1. when the NECI bit is set to 0 and a speech call is attempted. 2. when the NECI bit is set to 1 and a speech call is attempted.					
Default: OtherEventsFail					
Nr	Label	Behaviour Description	CRef	V	Comments
1		START T_guard(300)			
2		(TCV_slot := C_S0, TCV_tsc := C_BCC)			
3		+IdleUpdated(C_CellA, C_Immass, TCV_slot, TCV_tsc, TimingAdv_01, '000'B, '001'B, '011'B, '00'O)			
4		(TCV_ch := OC_SubchOfSdcch4(TSPX_SDCCH4SubDef, C_CellA), TCV_sacch := OC_SubchOfSacch4(TSPX_SDCCH4SubDef, C_CellA))			
5		+PreEnterIdleState_03(C_Immass, TCV_slot, TCV_tsc, 5, 7, 0, TimingAdv_01, '000'B, '001'B, '011'B, '00'O)		1.	
6	body	+neci0Behaviour			
7		+SetNECI(0, '000'B, '001'B, '011'B, '00'O)		2.	
8		+neci1Behaviour			
neci0Behaviour					
9		+AttmpSpchCall		3.	
10		+BasicServiceMO(TSPX_MO_BscSvc_SpeechCall, TSPX_MO_rate_SpeechCall)			
11		(TCV_Cnt := 0)			
12		REPEAT localtree1 UNTIL [TCV_Cnt=7]			
13		L?DL_RaInChRq (TCV_Rr := DL_RaInChRq.msg.ecau_rrf, TCV_Fn := DL_RaInChRq.fn)	ChReq_04	(P)	4.
14		L!DL_UdatRqImmassRej	ImmAssRej_01(TCV_agch, TCV_Rr, TCV_Fn)		
neci1Behaviour					
15		START T_dly(30000)		5.	
16		?TIMEOUT T_dly			
17		+AttmpSpchCall		3.	
18		+BasicServiceMO(TSPX_MO_BscSvc_SpeechCall, TSPX_MO_rate_SpeechCall)			
19		(TCV_Cnt := 0)			
20		REPEAT localtree2 UNTIL [TCV_Cnt=7]			
21		[TSPX_MO_rate_SpeechCall = C_Full]			
22		L?DL_RaInChRq (TCV_Rr := DL_RaInChRq.msg.ecau_rrf, TCV_Fn := DL_RaInChRq.fn)	ChReq_04	(P)	6.
23		L!DL_UdatRqImmassRej	ImmAssRej_01(TCV_agch, TCV_Rr, TCV_Fn)		
24		[TSPX_MO_rate_SpeechCall = C_Half]			
25		L?DL_RaInChRq (TCV_Rr := DL_RaInChRq.msg.ecau_rrf, TCV_Fn := DL_RaInChRq.fn)	ChReq_05	(P)	7.
26		L!DL_UdatRqImmassRej	ImmAssRej_01(TCV_agch, TCV_Rr, TCV_Fn)		
localtree1					
27		L?DL_RaInChRq	ChReq_04		4.
28		(TCV_Cnt := TCV_Cnt + 1)			

29 30 31 32 33 34	localtree2 [TSPX_MO_rate_SpeechCall = C_Half] L?DL_RaChRq (TCV_Cnt := TCV_Cnt +1) [TSPX_MO_rate_SpeechCall = C_Full] L?DL_RaChRq (TCV_Cnt := TCV_Cnt +1)	ChReq_05 ChReq_04	7. 6.
Detailed Comments: <ol style="list-style-type: none"> 1. The Max_retrans =2. 2. To set NECl = 1. 3. To attempt a speech call. 4. The establishment cause shall be '111'B, otherwise the test case fails in the default tree OtherEventsFail. 5. The test system waits for 30 seconds. 6. The establishment cause shall be '111'B if the MS does not support half rate speech. 7. The establishment cause shall be '0100'B if the MS supports half rate speech. 			

Test Case Dynamic Behaviour

Test Case Name: TC_26_2_4_4
Group: GSM_L3_MS_v4170/InitialTest/
Purpose: To verify that the establishment cause sent by the MS in the Max-Retrans+1 CHANNEL REQUEST messages is consistent with the requested service, with the capabilities of the MS and with the indications of the network in the following case:
 If the MS supports a data service:
 1. when the NECI bit is set to 0 and a data call is attempted.
 2. when the NECI bit is set to 1 and a data call is attempted for a service supported on half rate channel (if the MS does not support any data call on half rate channel any data service is used).
Default: OtherEventsFail

Nr	Label	Behaviour Description	CRef	V	Comments
1		START T_guard(300)			
2		(TCV_slot := C_S0, TCV_tsc := C_BCC)			
3		+IdleUpdated(C_CellA, C_Immass, TCV_slot, TCV_tsc, TimingAdv_01, '000'B, '001'B, '011'B, '00'O)			
4		[TSPC_DataSvc]			
5		(TCV_ch := OC_SubchOfSdcch4(TSPX_SDCCH4SubDef, C_CellA), TCV_sacch := OC_SubchOfSacch4(TSPX_SDCCH4SubDef, C_CellA))			
6		+PreEnterIdleState_03(C_Immass, TCV_slot, TCV_tsc, 5, 7, 0, TimingAdv_01, '000'B, '001'B, '011'B, '00'O)		1.	
7	body	+neci0Behaviour			
8		+SetNECI(0, '000'B, '001'B, '011'B, '00'O)		2.	
9		START T_dly(30000)		3.	
10		?TIMEOUT T_dly			
11		+neci1Behaviour			
12		neci0Behaviour			
13		+AttmpDataCall		4.	
14		+BasicServiceMO(TSPX_MO_BscSvc_FRDataCall, C_Full)			
15		(TCV_Cnt := 0)			
16		REPEAT localtree1 UNTIL [TCV_Cnt=7]			
17		L?DL_RaInChRq (TCV_Rr := DL_RaInChRq.msg.ecau_rrf, TCV_Fn := DL_RaInChRq.fn)	ChReq_04	(P)	5.
18		L!DL_UdatRqImmassRej	ImmAssRej_01(TCV_agch, TCV_Rr, TCV_Fn)		
19		neci1Behaviour			
20		[TSPC_HalfRateData = TRUE]			
21		+AttmpHalfRateDataCall		6.	
22		+BasicServiceMO(TSPX_MO_BscSvc_HRDataCall, C_Half)			
23		(TCV_Cnt := 0)			
24		REPEAT localtree2 UNTIL [TCV_Cnt=7]			
25		L?DL_RaInChRq (TCV_Rr := DL_RaInChRq.msg.ecau_rrf, TCV_Fn := DL_RaInChRq.fn)	ChReq_06	(P)	7.
26		L!DL_UdatRqImmassRej	ImmAssRej_01(TCV_agch, TCV_Rr, TCV_Fn)		
27		[TSPC_HalfRateData = FALSE]			
28		+AttmpDataCall		8.	
29		+BasicServiceMO(TSPX_MO_BscSvc_FRDataCall, C_Full)			
30		(TCV_Cnt := 0)			
31		REPEAT localtree1 UNTIL [TCV_Cnt=7]			
32		L?DL_RaInChRq (TCV_Rr := DL_RaInChRq.msg.ecau_rrf, TCV_Fn := DL_RaInChRq.fn)	ChReq_04	(P)	5.

31	DL_RaInChRq.fn) L!DL_UdatRqImmRej	ImmAssRej_01(TCV_ agch, TCV_Rr, TCV_Fn)	
32	localtree1 L?DL_RaInChRq	ChReq_04	5.
33	(TCV_Cnt := TCV_Cnt +1)		
34	localtree2 L?DL_RaInChRq	ChReq_06	7.
35	(TCV_Cnt := TCV_Cnt +1)		
Detailed Comments:			
<ol style="list-style-type: none"> 1. The Max_retrans =7. 2. To set NECl = 1. 3. The test system waits for 30 seconds. 4. To attempt a data call. 5. The establishment cause shall be '111'B, otherwise the test case fails in the default tree OtherEventsFail. 6. To attempt a data call if the MS supports half rate data service. 7. The establishment cause shall be '0101'B, otherwise the test case fails in the default tree OtherEventsFail. 8. To attempt any data call if the MS does not support half rate data service. 			

Test Case Dynamic Behaviour

Test Case Name:	TC_26_2_4_5
Group:	GSM_L3_MS_v4170/InitialTest/
Purpose:	To verify that the establishment cause sent by the MS in the Max-Retrans+1 CHANNEL REQUEST messages is consistent with the requested service, with the capabilities of the MS and with the indications of the network in the following case: <ol style="list-style-type: none"> 1. when the NECI bit is set to 0 and the MS is paged with the paging indication set to "any channel". 2. when the NECI bit is set to 0 and the MS is paged with the paging indication set to "SDCCH". 3. when the NECI bit is set to 0 and the MS is paged with the paging indication set to "TCH/F". 4. when the NECI bit is set to 0 and the MS is paged with the paging indication set to "TCH/H or TCH/F".
Default:	OtherEventsFail

Nr	Label	Behaviour Description	CRef	V	Comments
1		START T_guard(300)			
2		(TCV_slot := C_S0, TCV_tsc := C_BCC)			
3		+IdleUpdated(C_CellA, C_Immass, TCV_slot, TCV_tsc, TimingAdv_01, '000'B, '001'B, '011'B, '00'O)			
4		(TCV_ch := OC_SubchOfSdcch4(TSPX_SDCCH4SubDef, C_CellA), TCV_sacch := OC_SubchOfSacch4(TSPX_SDCCH4SubDef, C_CellA))			
5		+PreEnterIdleState_03(C_Immass, TCV_slot, TCV_tsc, 5, 7, 0, TimingAdv_01, '000'B, '001'B, '011'B, '00'O)			
6		+CCCH_group_Paging_group(TCV_Ccd0A, TSPX_IMSI)			
7	body	+pagingAnyChannel			
8		+pagingSDCCH			
9		+pagingTCHF			
10		+pagingTCHHorTCHF			
11		pagingAnyChannel L!DL_UdatRqPg1Rq (TCV_Cnt := 0)	PgReq1(TCV_PgCh, TCV_Pgg, PgReqTp1_01)		1.
12		REPEAT localtree1 UNTIL [TCV_Cnt = 7]			
13		L?DL_RacInChRq (TCV_Rr := DL_RacInChRq.msg.ecau_rrf, TCV_Fn := DL_RacInChRq.fn) START T_dly(C_T_Wait)	ChReq_12	(P)	2.
14		L!DL_UdatRqImmassRej	ImmAssRej_01(TCV_agch, TCV_Rr, TCV_Fn)		
15		pagingSDCCH ?TIMEOUT T_dly			
16		L!DL_UdatRqPg1Rq (TCV_Cnt := 0)	PgReq1(TCV_PgCh, TCV_Pgg, PgReqTp1_02)		4.
17		REPEAT localtree2 UNTIL [TCV_Cnt = 7]			
18		L?DL_RacInChRq (TCV_Rr := DL_RacInChRq.msg.ecau_rrf, TCV_Fn := DL_RacInChRq.fn) START T_dly(C_T_Wait)	ChReq_03	(P)	5.
19		L!DL_UdatRqImmassRej	ImmAssRej_01(TCV_agch, TCV_Rr, TCV_Fn)		
20		pagingTCHF ?TIMEOUT T_dly			
21		L!DL_UdatRqPg1Rq (TCV_Cnt := 0)	PgReq1(TCV_PgCh, TCV_Pgg, PgReqTp1_03)		6.
22		REPEAT localtree3 UNTIL [TCV_Cnt = 7]			
23		L?DL_RacInChRq (TCV_Rr := DL_RacInChRq.msg.ecau_rrf, TCV_Fn := DL_RacInChRq.fn)	ChReq_13	(P)	

24	START T_dly(C_T_Wait) L!DL_UdatRqImmRej	ImmAssRej_01(TCV_agch, TCV_Rr, TCV_Fn)		
25	pagingTCHHorTCHF ?TIMEOUT T_dly			
26	L!DL_UdatRqPg1Rq (TCV_Cnt := 0)	PgReq1(TCV_PgCh, TCV_Pgg, PgReqTp1_04)		10.
27	REPEAT localtree4 UNTIL [TCV_Cnt = 7]			
28	L?DL_RaInChRq (TCV_Rr := DL_RaInChRq. msg.ecau_rrf, TCV_Fn := DL_RaInChRq.fn)	ChReq_14	(P)	
29	L!DL_UdatRqImmRej	ImmAssRej_01(TCV_agch, TCV_Rr, TCV_Fn)		
30	localtree1 L?DL_RaInChRq	ChReq_12	(P)	2.
31	(TCV_Cnt := TCV_Cnt + 1)			
32	localtree2 L?DL_RaInChRq	ChReq_03	(P)	5.
33	(TCV_Cnt := TCV_Cnt + 1)			
34	localtree3 [TSPC_FullRateOnly =TRUE]			
35	L?DL_RaInChRq	ChReq_12	(P)	7.
36	(TCV_Cnt := TCV_Cnt + 1)			
37	[TSPC_DualRate =TRUE]			
38	L?DL_RaInChRq	ChReq_07	(P)	8.
39	(TCV_Cnt := TCV_Cnt + 1)			
40	[TSPC_SDCCHOnly =TRUE]			
41	L?DL_RaInChRq	ChReq_03	(P)	9.
42	(TCV_Cnt := TCV_Cnt + 1)			
43	localtree4 [TSPC_FullRateOnly =TRUE]			
44	L?DL_RaInChRq	ChReq_12	(P)	11.
45	(TCV_Cnt := TCV_Cnt + 1)			
46	[TSPC_DualRate =TRUE]			
47	L?DL_RaInChRq	ChReq_08	(P)	12.
48	(TCV_Cnt := TCV_Cnt + 1)			
49	[TSPC_SDCCHOnly =TRUE]			
50	L?DL_RaInChRq	ChReq_03	(P)	13.
51	(TCV_Cnt := TCV_Cnt + 1)			

Detailed Comments:

1. To send a PAGING REQUEST TYPE1 message with paging indication = any channel.
2. The establishment cause shall be '100'B.
3. The test system waits for 5 seconds.
4. To send a PAGING REQUEST TYPE1 message with paging indication = SDCCH.
5. The establishment cause shall be '0001'B.
6. To send a PAGING REQUEST TYPE1 message with paging indication = TCH/F.
7. The establishment cause shall be '100'B, if the MS capability is full rate only.
8. The establishment cause shall be '0010'B, if the MS capability is dual rate.
9. The establishment cause shall be '0001'B, if the MS capability is SDCCH only.
10. To send a PAGING REQUEST TYPE1 message with paging indication = TCH/H or TCH/F.
11. The establishment cause shall be '100'B, if the MS capability is full rate only.
12. The establishment cause shall be '0011'B, if the MS capability is dual rate.
13. The establishment cause shall be '0001'B, if the MS capability is SDCCH only.

Test Case Dynamic Behaviour

Test Case Name: TC_26_2_4_6
Group: GSM_L3_MS_v4170/InitialTest/
Purpose: To verify that the establishment cause sent by the MS in the Max-Retrans+1 CHANNEL REQUEST messages is consistent with the requested service, with the capabilities of the MS and with the indications of the network in the following case:

1. when the NECI bit is set to 0 and IMSI attach is attempted.
2. when the NECI bit is set to 0 and normal location updating is attempted.
3. when the NECI bit is set to 0 and periodic location updating is attempted.
4. when the NECI bit is set to 0 and IMSI detach is attempted.
5. when the NECI bit is set to 1 and IMSI attach is attempted.
6. when the NECI bit is set to 1 and normal location updating is attempted.
7. when the NECI bit is set to 1 and periodic location updating is attempted.
8. when the NECI bit is set to 1 and IMSI detach is attempted.

Default: OtherEventsFail

Nr	Label	Behaviour Description	CRef	V	Comments
1		START T_guard(1200)			
2		(TCV_slot := C_S0, TCV_tsc := C_BCC)			
3		+IdleUpdated(C_CellA, C_Imm, TCV_slot, TCV_tsc, TimingAdv_01, '000'B, '001'B, '011'B, '00'O)			
4		(TCV_ch := OC_SubchOfSdcch4(TSPX_SDCCH4SubDef, C_CellA), TCV_sacch := OC_SubchOfSacch4(TSPX_SDCCH4SubDef, C_CellA), TCV_Cnt1:=0, TCV_lac := C_lacCellA)			
5		REPEAT ltree_main UNTIL [TCV_Cnt1 = 2]			
		ltree_main			
6		+SysInfoSending_01LAC(5, 7, 0, TCV_Cnt1, TCV_lac, '000'B, '001'B, '011'B, '00'O)			1.
7		+SysInfo_SacchSending(TCV_sacch, TCV_sysinfo5, TCV_sysinfo6)			
8	body	+MM_PwrOrSimOff(C_SIMIn)			
9		+SysInfoSending_01LAC(5, 7, 1, TCV_Cnt1, TCV_lac, '000'B, '001'B, '011'B, '00'O)			ATT =1
10		+SysInfo_SacchSending(TCV_sacch, TCV_sysinfo5, TCV_sysinfo6)			
11		+MM_PwrOrSimOn(C_SIMIn)			2.
12		+imsiAttachCheck			
13		+ChgLac			
14		+SysInfoSending_01LAC(5, 7, 1, TCV_Cnt1, TCV_lac, '000'B, '001'B, '011'B, '01'O)			3.
15		+SysInfo_SacchSending(TCV_sacch, TCV_sysinfo5, TCV_sysinfo6)			
16		+UpdatingCheck(30000, C_normal Updating)			7. 9.
17		+UpdatingCheck(420000, C_periodic Updating)			10. 11.
18		[TSPC_SwitchOnOff = TRUE]			
19		+imsiDetachCheck			
20		(TCV_Cnt1 := TCV_Cnt1 + 1)			
21		[TSPC_SwitchOnOff = FALSE]			
22		(TCV_Cnt1 := TCV_Cnt1 + 1)			
		imsiAttachCheck			
23		(TCV_Cnt := 0)			
24		REPEAT localtree1 UNTIL [TCV_Cnt = 7]			
25		[TCV_Cnt1=0]			
26		L?DL_RacInChRq(TCV_Rr := DL_RacInChRq.msg.ecau_rrf, TCV_Fn := DL_RacInChRq.fn)	ChReq_09		4.

27	L!DL_UdatRqImm	ImmAss_01Def(TCV_agch, TCV_Rr, TCV_Fn, TCV_slot, TCV_tsc, TCV_chdescr_arfcn, TimingAdv_01)		
28	L?DL_EstInLupRq	LocUp_01(TCV_ch, C_imsi_attach)	(P)	5.
29	L!DL_DatRqLupAcp	LocAcp_32(TCV_ch, TCV_lac)		6.
30	+PostMainLinkRel(TCV_ch)			
31	[TCV_Cnt1=1]			
32	L?DL_RaInChRq (TCV_Rr := DL_RaInChRq.msg.ecau_rrf, TCV_Fn := DL_RaInChRq.fn)	ChReq(ChRequest_1 8)		4.
33	L!DL_UdatRqImm	ImmAss_01Def(TCV_agch, TCV_Rr, TCV_Fn, TCV_slot, TCV_tsc, TCV_chdescr_arfcn, TimingAdv_01)		
34	L?DL_EstInLupRq	LocUp_01(TCV_ch, C_imsi_attach)	(P)	5.
35	L!DL_DatRqLupAcp	LocAcp_32(TCV_ch, TCV_lac)		6.
36	+PostMainLinkRel(TCV_ch)			
	UpdatingCheck(t:INTEGER; locup:B_2)			
37	START T_dly(t)			
38	+rcvchreq			
39	L?DL_EstInLupRq	LocUp_01(TCV_ch, locup)	(P)	
40	L!DL_DatRqLupAcp	LocAcp_32(TCV_ch, TCV_lac)		6.
41	+PostMainLinkRel(TCV_ch)			
42	?TIMEOUT T_dly		(F)	
	imsiDetachCheck			
43	+MM_PwrOrSimOff(C_SIMIn)			12.
44	(TCV_Cnt := 0)			
45	REPEAT localtree2 UNTIL [TCV_Cnt = 7]			
46	[TCV_Cnt1=0]			
47	L?DL_RaInChRq (TCV_Rr := DL_RaInChRq.msg.ecau_rrf, TCV_Fn := DL_RaInChRq.fn)	ChReq_04	(P)	13.
48	L!DL_UdatRqImmRej	ImmAssRej_01(TCV_agch, TCV_Rr, TCV_Fn)		
49	+MM_PwrOrSimOn(C_SIMIn)			2.
50	[TCV_Cnt1=1]			
51	L?DL_RaInChRq (TCV_Rr := DL_RaInChRq.msg.ecau_rrf, TCV_Fn := DL_RaInChRq.fn)	ChReq_03	(P)	14.
52	L!DL_UdatRqImmRej	ImmAssRej_01(TCV_agch, TCV_Rr, TCV_Fn)		
53	+MM_PwrOrSimOn(C_SIMIn)			2.
	rcvchreq			
54	[TCV_Cnt1=0]			
55	L?DL_RaInChRq CANCEL T_dly	ChReq_09		8.
56	(TCV_Cnt := 0)			
57	REPEAT localtree1 UNTIL [TCV_Cnt = 7]			
58	L!DL_UdatRqImm	ImmAss_01Def(TCV_agch, TCV_Rr, TCV_Fn, TCV_slot, TCV_tsc, TCV_chdescr_arfcn, TimingAdv_01)		
59	[TCV_Cnt1=1]			
60	L?DL_RaInChRq CANCEL T_dly	ChReq(ChRequest_1		8.

61	(TCV_Cnt := 0)	8)	
62	REPEAT localtree1 UNTIL [TCV_Cnt = 7]		
63	LIDL_UdatRqlmmiss	ImmAss_01Def(TCV_agch, TCV_Rr, TCV_Fn, TCV_slot, TCV_tsc, TCV_chdescr_arfcn, TimingAdv_01)	
	localtree1		
64	[TCV_Cnt1=0]		
65	L?DL_RaInChRq (TCV_Rr := DL_RaInChRq.msg.ecau_rrf, TCV_Fn := DL_RaInChRq.fn)	ChReq_09	8.
66	(TCV_Cnt := TCV_Cnt+1)		
67	[TCV_Cnt1=1]		
68	L?DL_RaInChRq (TCV_Rr := DL_RaInChRq.msg.ecau_rrf, TCV_Fn := DL_RaInChRq.fn)	ChReq(ChRequest_18)	8.
69	(TCV_Cnt := TCV_Cnt+1)		
	localtree2		
70	[TCV_Cnt1=0]		
71	L?DL_RaInChRq (TCV_Fn := DL_RaInChRq.fn, TCV_Rr := DL_RaInChRq.msg.ecau_rrf)	ChReq_04	
72	(TCV_Cnt := TCV_Cnt+1)		
73	[TCV_Cnt1=1]		
74	L?DL_RaInChRq (TCV_Fn := DL_RaInChRq.fn, TCV_Rr := DL_RaInChRq.msg.ecau_rrf)	ChReq_03	
75	(TCV_Cnt := TCV_Cnt+1)		
	ChgLac		
76	[TCV_Cnt1=0]		
77	(TCV_lac := C_lacCellB)		
78	[TCV_Cnt1=1]		
79	(TCV_lac := C_lacCellA)		
Detailed Comments:		<ol style="list-style-type: none"> 1. To set ATT = 1, i.e. MS's in the cell shall apply IMSI attach and detach procedure. TCV_Cnt1 value stands for NECI bit value. 2. To switch on or power on the MS. 3. To change LAC and set T3212 = 6 minutes. 4. The establishment cause shall be '0000'B. 5. The location updating type shall be IMSI attach. 6. There is no mobile identity in this LOCATION UPDATING ACCEPT message. 7. The test system waits for 30 seconds to receive CHANNEL REQUEST messages. 8. The establishment cause shall be '0000'B. 9. The location updating type shall be normal location updating. 10. The test system waits for 7 minutes to receive CHANNEL REQUEST messages. 11. The location updating type shall be periodic updating. 12. To switch off the MS. 13. The establishment cause shall be '111'B. 14. The establishment cause shall be '0001'B. 	

Test Case Dynamic Behaviour					
Test Case Name:		TC_26_2_4_7			
Group:		GSM_L3_MS_v4170/InitialTest/			
Purpose:		To verify that the establishment cause sent by the MS in the Max-Retrans+1 CHANNEL REQUEST messages is consistent with the requested service, with the capabilities of the MS and with the indications of the network in the following case: If the MS supports a non call related supplementary service operation: when the NECI bit is set to 0 and a supplementary service operation is attempted at the MS. when the NECI bit is set to 1 and a supplementary service operation is attempted at the MS.			
Default:		OtherEventsFail			
Nr	Label	Behaviour Description	CRef	V	Comments
1		START T_guard(600)			
2		(TCV_slot := C_S0, TCV_tsc := C_BCC)			
3		+IdleUpdated(C_CellA, C_Immass, TCV_slot, TCV_tsc, TimingAdv_01, '000'B, '001'B, '011'B, '00'O)			
4		(TCV_Cnt1:=0)			
5		REPEAT ltree_main UNTIL [TCV_Cnt1 = 2]			
		ltree_main			
6		(TCV_ch := OC_SubchOfSdcch4(TSPX_SDCCH4SubDef, C_CellA), TCV_sacch := OC_SubchOfSacch4(TSPX_SDCCH4SubDef, C_CellA))			
7		+SysInfoSending_01(5, 7, 0, TCV_Cnt1, '000'B, '001'B, '011'B, '00'O)			1.
8	body	+AtmpNonCallSupp			2.
9		+BasicServiceMO(TSPX_MO_BscSvc_NonCallSupplementarySvc, C_Full)			
10		(TCV_Cnt :=0)			
11		REPEAT localtree UNTIL [TCV_Cnt=7]			
12		[TCV_Cnt1=0]			
13		L?DL_RaInChRq (TCV_Rr := DL_RaInChRq.msg.ecau_rrf, TCV_Fn := DL_RaInChRq.fn)	ChReq_04	(P)	3.
14		L!DL_UdatRqImmassRej	ImmAssRej_01(TCV_agch, TCV_Rr, TCV_Fn)		
15		(TCV_Cnt1 := TCV_Cnt1 +1)			
16		[TCV_Cnt1=1]			
17		L?DL_RaInChRq (TCV_Rr := DL_RaInChRq.msg.ecau_rrf, TCV_Fn := DL_RaInChRq.fn)	ChReq_03	(P)	4.
18		L!DL_UdatRqImmassRej	ImmAssRej_01(TCV_agch, TCV_Rr, TCV_Fn)		
19		(TCV_Cnt1 := TCV_Cnt1 +1)			
		localtree			
20		[TCV_Cnt1=0]			
21		L?DL_RaInChRq	ChReq_04		3.
22		(TCV_Cnt := TCV_Cnt +1)			
23		[TCV_Cnt1=1]			
24		L?DL_RaInChRq	ChReq_03		4.
25		(TCV_Cnt := TCV_Cnt +1)			
Detailed Comments:		<ol style="list-style-type: none"> 1. The Max_retrns =7. TCV_Cnt1 value stands for NECI bit value. 2. To attempt a non call related supplementary service at the MS under test. 3. The establishment cause shall be '111'B (NECI = 0). 4. The establishment cause shall be '0001'B (NECI = 1). 			

Test Case Dynamic Behaviour

Test Case Name: TC_26_2_4_8
Group: GSM_L3_MS_v4170/InitialTest/
Purpose: To verify that the establishment cause sent by the MS in the Max-Retrans+1 CHANNEL REQUEST messages is consistent with the requested service, with the capabilities of the MS and with the indications of the network in the following case:
 If the MS supports SMS/PP MO:
 when the NECI bit is set to 0 and a mobile originated short message service transaction is attempted.
 when the NECI bit is set to 1 and a mobile originated short message service transaction is attempted.
Default: OtherEventsFail

Nr	Label	Behaviour Description	CRef	V	Comments
1		START T_guard(600)			
2		(TCV_slot := C_S0, TCV_tsc := C_BCC)			
3		+IdleUpdated(C_CellA, C_Immss, TCV_slot, TCV_tsc, TimingAdv_01, '000'B, '001'B, '011'B, '00'O)			
4		(TCV_Cnt1:=0)			
5		REPEAT ltree_main UNTIL [TCV_Cnt1 = 2]			
		ltree_main			
6		(TCV_ch := OC_SubchOfSdcch4(TSPX_SDCCH4SubDef, C_CellA), TCV_sacch := OC_SubchOfSacch4(TSPX_SDCCH4SubDef, C_CellA))			
7		+SysInfoSending_01(5, 7, 0, TCV_Cnt1, '000'B, '001'B, '011'B, '00'O)		1.	
8	body	+AtmpShortMsg		2.	
9		+BasicServiceMO(TSPX_MO_BscSvc_SMS, C_Full)			
10		(TCV_Cnt :=0)			
11		REPEAT localtree UNTIL [TCV_Cnt=7]			
12		[TCV_Cnt1=0]			
13		L?DL_RaInChRq (TCV_Rr := DL_RaInChRq.msg.ecau_rrf, TCV_Fn := DL_RaInChRq.fn)	ChReq_04	(P)	3.
14		L!DL_UdatRqImmssRej	ImmAssRej_01(TCV_agch, TCV_Rr, TCV_Fn)		
15		(TCV_Cnt1 := TCV_Cnt1 +1)			
16		[TCV_Cnt1=1]			
17		L?DL_RaInChRq (TCV_Rr := DL_RaInChRq.msg.ecau_rrf, TCV_Fn := DL_RaInChRq.fn)	ChReq_03	(P)	4.
18		L!DL_UdatRqImmssRej	ImmAssRej_01(TCV_agch, TCV_Rr, TCV_Fn)		
19		(TCV_Cnt1 := TCV_Cnt1 +1)			
		localtree			
20		[TCV_Cnt1=0]			
21		L?DL_RaInChRq	ChReq_04		3.
22		(TCV_Cnt := TCV_Cnt +1)			
23		[TCV_Cnt1=1]			
24		L?DL_RaInChRq	ChReq_03		4.
25		(TCV_Cnt := TCV_Cnt +1)			

Detailed Comments:

1. The Max_retrns =7. TCV_Cnt1 value stands for NECI bit value.
2. To attempt a mobile originated short message service transaction at the MS under test.
3. The establishment cause shall be '111'B (NECI = 0).
4. The establishment cause shall be '0001'B (NECI = 1).

Test Group IdleMode

Test Case Dynamic Behaviour					
Test Case Name:		TC_26_3_2			
Group:		GSM_L3_MS_v4170/IdleMode/			
Purpose:		To verify that a MS can present the available PLMNs to the user when asked to do so in manual mode according to the requirements of GSM 05.08 and 02.11.			
Default:		OtherEventsFail			
Comments:		For the test the SIM shall contain a PLMN-Selector that contains only the HPLMN and a empty forbidden PLMN list. Final verdict is assigned in the test step PLMNsCHK			
Nr	Label	Behaviour Description	CRef	V	Comments
1		START T_guard(300)			
2		(TCV_slot := C_S0, TCV_tsc := C_BCC)			
3		+IdleUpdated(C_CellA, C_Immass, TCV_slot, TCV_tsc, TimingAdv_01, '000'B, '001'B, '011'B, '00'O)			
4		+MM_PwrOrSimOff(C_SIMIn)			
5		(TCV_sacch := OC_SubchOfSacch4(TSPX_SDCCH4SubDef, C_CellA), TCV_sacch_B := OC_SubchOfSacch4(TSPX_SDCCH4SubDef, C_CellB), TCV_sacch_C := OC_SubchOfSacch4(TSPX_SDCCH4SubDef, C_CellC), TCV_sacch_D := OC_SubchOfSacch4(TSPX_SDCCH4SubDef, C_CellD), TCV_sacch_E := OC_SubchOfSacch4(TSPX_SDCCH4SubDef, C_CellE), TCV_sacch_F := OC_SubchOfSacch4(TSPX_SDCCH4SubDef, C_CellF), TCV_sacch_G := OC_SubchOfSacch4(TSPX_SDCCH4SubDef, C_CellG), TCV_sacch_H := OC_SubchOfSacch4(TSPX_SDCCH4SubDef, C_CellH))			
6		+StartMultiCells_01(C_Immass, TCV_slot, TCV_tsc, TimingAdv_01, 0, '001'B, '001'B, '010'B, '00'O)			
7	body	+MM_PwrOrSimOn(C_SIMIn)			
8		(TCV_Null := OO_PLMNselModeMan())			
9		+PLMNsCHK			1.
Detailed Comments:		1. Final verdict is assigned in the test step.			

Test Case Dynamic Behaviour					
Test Case Name:		TC_26_3_3			
Group:		GSM_L3_MS_v4170/IdleMode/			
Purpose:		To verify that the MS will not produce any RF transmission if no BSS is received.			
Default:		OtherEventsFail			
Comments:		For the test the SIM shall contain a PLMN-Selector that contains only the HPLMN and a empty forbidden PLMN list. Final verdict is assigned in the test steps ServiceIndCHK and RFtransCHK			
Nr	Label	Behaviour Description	CRef	V	Comments
1		START T_guard(300)			
2		(TCV_slot := C_S0, TCV_tsc := C_BCC)			
3		+IdleUpdated(C_CellA, C_Immass, TCV_slot, TCV_tsc, TimingAdv_01, '000'B, '001'B, '011'B, '00'O)			
4		(TCV_sacch := OC_SubchOfSacch4(TSPX_SDCCH4SubDef, C_CellA), TCV_sacch_B := OC_SubchOfSacch4(TSPX_SDCCH4SubDef, C_CellB), TCV_sacch_C := OC_SubchOfSacch4(TSPX_SDCCH4SubDef, C_CellC), TCV_sacch_D := OC_SubchOfSacch4(TSPX_SDCCH4SubDef, C_CellD), TCV_sacch_E := OC_SubchOfSacch4(TSPX_SDCCH4SubDef, C_CellE), TCV_sacch_F := OC_SubchOfSacch4(TSPX_SDCCH4SubDef, C_CellF), TCV_sacch_G := OC_SubchOfSacch4(TSPX_SDCCH4SubDef, C_CellG), TCV_sacch_H := OC_SubchOfSacch4(TSPX_SDCCH4SubDef, C_CellH))			
5		+StartMultiCells_01(C_Immass, TCV_slot, TCV_tsc, TimingAdv_01, 0, '001'B, '001'B, '010'B, '00'O)			
6	body	+StopAllBCCH			
7		START T_dly(20000)			
8		?TIMEOUT T_dly			
9		+AttmpSpchCall			
10		+RFtransCHK			1.
11		+AttmpEmgCall			
12		+RFtransCHK			1.
Detailed Comments:		1. The verdict is assigned in these test steps.			

Test Case Dynamic Behaviour					
Test Case Name:		TC_26_3_4			
Group:		GSM_L3_MS_v4170/IdleMode/			
Purpose:		To verify that in manual mode the MS is able to obtain normal service on a PLMN which is neither the better nor a preferred PLMN and that it tries to obtain service on VPLMN if and only if the user selects it manually.			
Default:		OtherEventsFail			
Comments:		For the test the preferred PLMN list of the SIM does not contain PLMN2('02'O) but contains PLMN3('03'O). The MS shall be set to manual mode before the test starts.			
Nr	Label	Behaviour Description	CRef	V	Comments
1		START T_guard(420)			
2		(TCV_slot := C_S0, TCV_tsc := C_BCC)			
3		+IdleUpdated(C_CellB, C_Imm, TCV_slot, TCV_tsc, TimingAdv_01, '000'B, '001'B, '011'B, '00'O)			
4		(TCV_sacch := OC_SubchOfSacch4(TSPX_SDCCH4SubDef, C_CellA))			
5		+StartTwoCells(C_Imm, TCV_slot, TCV_tsc, TimingAdv_01, 0, '000'B, '001'B, '011'B, '00'O)			
6	body	(TCV_Null := OM_StopCell(C_CellA))			
7		START T_dly(120000)			
8		?TIMEOUT T_dly		(P)	1.
9		+StartCellA_1(C_Imm, TCV_slot, TCV_tsc, TimingAdv_01, 0, '000'B, '001'B, '011'B, '00'O)			
10		START T_dly(120000)			
11		?TIMEOUT T_dly		(P)	1.
12		(TCV_Null := OO_SelPLMN(C_PLMN_2))			
13		L?DL_RaInChRq (TCV_Rr := DL_RaInChRq.msg.ecau_rrf, TCV_Fn := DL_RaInChRq.fn)	ChReq_02		
14		ACTIVATE(OtherEventsFail_02)			To match ChReq retrans.
15		L!DL_UdatRqImm	ImmAss_01Def(TCV_agch, TCV_Rr, TCV_Fn, TCV_slot, TCV_tsc, TCV_chdescr_arfcn, TimingAdv_01)		
16		L?DL_EstInLupRq	LocUp_06(TCV_ch)	(P)	2.
17		ACTIVATE(OtherEventsFail)			Restore Normal default
18		L!DL_DatRqLupAcp	LocAcp_02(TCV_ch)		
19		+PostMainLinkRel(TCV_ch)			
20		(TCV_Null := OM_StopCell(C_CellB))			
21		START T_dly(120000)			
22		?TIMEOUT T_dly		(P)	1.
Detailed Comments:		<p>1. During 2 minutes the MS does not send any CHANNEL REQUEST, pass. If the MS does the test case fail in the default tree.</p> <p>2. The expected LOCATION UPDATING REQUEST message received on Cell B.</p>			

Test Group BiBo

Test Case Dynamic Behaviour					
Test Case Name:		TC_26_5_1			
Group:		GSM_L3_MS_v4170/BiBo/			
Purpose:		To verify that a MS supporting TCH and the call control protocol ignores a message containing an undefined protocol discriminator in the special case of a message coded otherwise like a CC STATUS ENQUIRY message received by the MS having a mobile terminating call in CC-state U10, "active".			
Default:		OtherEventsFail			
Comments:		Full rate traffic channel is used for the MT call in the test case if TSPC_CC is TRUE.			
Nr	Label	Behaviour Description	CRef	V	Comments
1		START T_guard(300)			
2		+BasicServiceMT(TSPX_MTBscSvcA,TSPX_MTChRateA,TSPX_MT_ImmConnA)			
3		(TCV_slot := C_S0, TCV_tsc := C_BCC)			
4		+IdleUpdated(C_CellA, C_Immass, TCV_slot, TCV_tsc, TimingAdv_01, '000'B, '001'B, '011'B, '00'O)			
5	body	[TSPC_CC = TRUE]			1.
6		(TCV_ch := OC_SubchOfSdcch4(TSPX_SDCCH4SubDef, C_CellA), TCV_sacch := OC_SubchOfSacch4(TSPX_SDCCH4SubDef, C_CellA), TCV_CphKey := OC_CphKeyGen(TSPX_Ki, TSPX_RANDDef))			
7		+PreEnterIdleState_03(C_Immass,TCV_slot, TCV_tsc, 5, 1, 0, TimingAdv_01, '000'B, '001'B, '011'B, '00'O)			
8		+CCConfigTCH(C_Ass, TSPX_TmSlitDef, TSPX_TscDef, TimingAdv_01, '000'B, '001'B, '011'B)			
9		+PreEnterCCstateU10(TCV_Setup_mt, TSPX_TmSlitDef, TSPX_TscDef, TimingAdv_01)			1.
10		LIDL_DatRqUnknown	Unknown_01(TCV_ch Tch)		2.
11		START T_dly(10000)			
12		?TIMEOUT T_dly		(P)	
13		+PostMainLinkRel(TCV_chTch)			
14		[TSPC_CC = FALSE]			3.
15		(TCV_ch := OC_SubchOfSdcch4(TSPX_SDCCH4SubDef, C_CellA), TCV_sacch := OC_SubchOfSacch4(TSPX_SDCCH4SubDef, C_CellA))			
16		+PreEnterIdleState_03(C_Immass,TCV_slot, TCV_tsc, 5, 1, 0, TimingAdv_01, '000'B, '001'B, '011'B, '00'O)			
17		+PreEstRRConn(TCV_slot, TCV_tsc, TimingAdv_01)			
18		LIDL_DatRqUnknown	Unknown_02(TCV_ch)		4.
19		START T_dly(10000)			
20		?TIMEOUT T_dly		(P)	
21		+PostMainLinkRel(TCV_ch)			
Detailed Comments:		<ol style="list-style-type: none"> 1. If the MS supports any bearer capability the test case goes through this branch. 2. To send a CC STATUS ENQUIRY alike unknown message on channel FACCH. 3. If the MS does not support any bearer capability the test case goes through this branch. 4. To send a CC STATUS ENQUIRY alike unknown message on channel SDCCH4. 			

Test Case Dynamic Behaviour					
Test Case Name:		TC_26_5_2_1_1			
Group:		GSM_L3_MS_v4170/BiBo/			
Purpose:		To verify that the MS ignores an RR message with skip indicator different from H'0 in the special case of a PAGING REQUEST TYPE 1 message received in the MM-state "idle, updated" and in RR-idle mode.			
Default:		OtherEventsFail			
Nr	Label	Behaviour Description	CRef	V	Comments
1		START T_guard(300)			
2		(TCV_slot := C_S0, TCV_tsc := C_BCC)			
3		+IdleUpdated(C_CellA, C_Immass, TCV_slot, TCV_tsc, TimingAdv_01, '000'B, '001'B, '011'B, '00'O)			
4		(TCV_ch := OC_SubchOfSdcch4(TSPX_SDCCH4SubDef, C_CellA), TCV_sacch := OC_SubchOfSacch4(TSPX_SDCCH4SubDef, C_CellA))			
5		+PreEnterIdleState_03(C_Immass, TCV_slot, TCV_tsc, 5, 1, 0, TimingAdv_01, '000'B, '001'B, '011'B, '00'O)			
6		(TCV_Cnt := 1)			
7		+CCCH_group_Paging_group(TCV_Ccd0 A, TSPX_IMSI)			
8	body	REPEAT localtree UNTIL [TCV_Cnt = 7]			
9		L!DL_UdatRqPg1Rq	PgReq1(TCV_PgCh, TCV_Pgg, PgReqTp1_inv_01(8))		1.
10		START T_dly(3000)			
11		?TIMEOUT T_dly		(P)	
12		localtree L!DL_UdatRqPg1Rq	PgReq1(TCV_PgCh, TCV_Pgg, PgReqTp1_inv_01(TCV_Cnt))		1.
13		START T_dly(3000)			
14		?TIMEOUT T_dly			
15		(TCV_Cnt := TCV_Cnt+1)		(P)	
Detailed Comments:		1. To send PAGING REQUEST TYPE 1 message with unknown skip indicator.			

Test Case Dynamic Behaviour					
Test Case Name:		TC_26_5_2_1_2			
Group:		GSM_L3_MS_v4170/BiBo/			
Purpose:		To verify that the MS ignores RR messages with skip indicator different from H'0 in the case of a message being received during the RR-connection establishment in the MM-state "idle, updated" / "wait for network command" and in RR-connected mode.			
Default:		RR-connected mode. OtherEventsFail_01			
Nr	Label	Behaviour Description	CRef	V	Comments
1		START T_guard(300)			
2		(TCV_slot := C_S0, TCV_tsc := C_BCC)			
3		+IdleUpdated(C_CellA, C_Immass, TCV_slot, TCV_tsc, TimingAdv_01, '000'B, '001'B, '011'B, '00'O)			
4		(TCV_ch := OC_SubchOfSdcch4(TSPX_SDCCH4SubDef, C_CellA), TCV_sacch := OC_SubchOfSacch4(TSPX_SDCCH4SubDef, C_CellA))			
5		+PreEnterIdleState_03(C_Immass, TCV_slot, TCV_tsc, 5, 2, 0, TimingAdv_01, '000'B, '001'B, '011'B, '00'O)		1.	
6		+CCCH_group_Paging_group(TCV_Ccd0A, TSPX_IMSI)			
7	body	L!DL_UdatRqPg1Rq	PgReq1(TCV_PgCh, TCV_Pgg, PgReqTp1_01)		
8		L?DL_RaclnChRq(TCV_Rr := DL_RaclnChRq.msg.ecau_rrf, TCV_Fn := DL_RaclnChRq.fn)	ChReq_01		
9		L!DL_UdatRqImmast START T_dly1(1000)	ImmAss_inv_01(TCV_agch, TCV_Rr, TCV_Fn, TCV_slot, TCV_tsc, TCV_chdescr_arfcn, TimingAdv_01)	2.	
10		+chRq_check			
11		L!DL_UdatRqImmastRej START T_dly1(1000)	ImmAssRej_inv_01(TCV_agch, TCV_Rr, TCV_Fn)	4.	
12		+chRq_check			
13		+continue			
14		continue L!DL_UdatRqImmast	ImmAss_01Def(TCV_agch, TCV_Rr, TCV_Fn, TCV_slot, TCV_tsc, TCV_chdescr_arfcn, TimingAdv_01)		valid message
15		L?DL_EstInPgRes	PgRes_01		
16		L!DL_DatRqAuthRq	AuthReq_01(TCV_ch)		
17		L?DL_DatInAuthRes	AuthRes_01		
18		L!DL_DatRqCphmCmd	CphCmd_inv_02(TCV_ch)	5.	
19		L!DL_DatRqIdRq	IDReq(TCV_ch, IDRequest_01('0001'B))		
20		L?DL_DatInIdRes	IDRes_01		
21		L!DL_DatRqAssCmd	AssCmd(TCV_ch, AssnCmd_inv_01(TCV_slot, TCV_tsc))	6.	
22		+check2			
23		L!DL_DatRqHoCmd	HndOv_inv_02(TCV_ch, TCV_slot, TCV_tsc)	7.	
24		+check3			
25		L!DL_DatRqChRel	ChRel_inv_02(TCV_ch)	9.	
26		L!DL_DatRqIdRq	IDReq(TCV_ch, IDRequest_01('0001'B))		

27		L?DL_DatInIdRes	B)) IDRes_01	(P)	
28		L!DL_DatRqChRel	ChRel_01(TCV_ch)		
29		+WaitMainLinkDown			
		check2			
30		START T_dly(3000)			
31		L?DL_EstIn	DLEstInd_01	(F)	
32		?TIMEOUT T_dly		(P)	
		check3			
33		START T_dly(3000)			8.
34		L?DL_EstIn	DLEstInd_01		
35		L?DL_DatInHofl	HndOvFI_01(TCV_ch)	(F)	
36		L?DL_DatInRrst	RrStatus_01(TCV_ch)	(F)	
37		?TIMEOUT T_dly		(P)	
		chRq_check			
38		L?DL_RacInChRq (TCV_Rr := DL_RacInChRq. msg.ecau_rrf, TCV_Fn := DL_RacInChRq.fn)	ChReq_01	(P)	3.
39		CANCEL T_dly1 ?TIMEOUT T_dly1		(F)	

Detailed Comments:

1. To set the Max_Retrans = 2.
2. To send an invalid IMMEDIATE ASSIGNMENT message with skip indicator = 1.
3. Retransmission of Channel request within 1s indicates that mobile ignored the message with invalid skip indicator.
4. To send an invalid IMMEDIATE ASSIGNMENT REJECT message with skip indicator = 2.
5. To send an invalid CIPHERING MODE COMMAND message with skip indicator = 3.
6. To send an invalid ASSIGNMENT COMMAND message with skip indicator = 4.
7. To send an invalid HANDOVER COMMAND message with skip indicator = 5.
8. To check that there is no HANDOVER FAILURE or RR-STATUS message on old channel.
9. To send an invalid CHANNEL RELEASE message with skip indicator = 6.

Test Case Dynamic Behaviour					
Test Case Name:		TC_26_5_2_2			
Group:		GSM_L3_MS_v4170/BiBo/			
Purpose:		To verify that the MS ignores an MM message with skip indicator different from H'0 in the special case of an MS supporting the call control protocol and an IDENTITY REQUEST message received in the active state of a mobile terminating call.			
Default:		OtherEventsFail_01			
Nr	Label	Behaviour Description	CRef	V	Comments
1		START T_guard(300)			
2		+BasicServiceMT(TSPX_MTBscSvcB,TSPX_MTChRateB,TSPX_MT_ImmConnB)			
3		(TCV_slot := C_S0, TCV_tsc := C_BCC)			
4		+IdleUpdated(C_CellA, C_ImmMass, TCV_slot, TCV_tsc, TimingAdv_01, '000'B, '001'B, '011'B, '00'O)			
5		(TCV_ch := OC_SubchOfSdcch4(TSPX_SDCCH4SubDef, C_CellA), TCV_sacch := OC_SubchOfSacch4(TSPX_SDCCH4SubDef, C_CellA), TCV_CphKey := OC_CphKeyGen(TSPX_Ki, TSPX_RANDDef))			
6		+PreEnterIdleState_03(C_ImmMass, TCV_slot, TCV_tsc, 5, 1, 0, TimingAdv_01, '000'B, '001'B, '011'B, '00'O)		1.	
7	body	[TSPC_CC = TRUE]			
8		+CCConfigTCH(C_Ass, TSPX_TmSltDef, TSPX_TscDef, TimingAdv_01, '000'B, '001'B, '011'B)			
9		+PreEnterCCstateU10(TCV_Setup_mt, TSPX_TmSltDef, TSPX_TscDef, TimingAdv_01)		1.	
10		+maintest1			
11		[TSPC_CC = FALSE]		2.	
12		+PreEstRRConn(TCV_slot, TCV_tsc, TimingAdv_01)			
13		+maintest2			
14		maintest1 (TCV_Cnt := 0)			
15		REPEAT subtree1 UNTIL [TCV_Cnt = 6]			
16		L!DL_DatRqldRq	IDReq_inv_01(TCV_chTch, 8)	3.	
17		START T_dly(5000)			
18		?TIMEOUT T_dly		(P)	
19		+PostMainLinkRel(TCV_chTch)			
20		maintest2 (TCV_Cnt := 0)			
21		REPEAT subtree2 UNTIL [TCV_Cnt = 6]			
22		L!DL_DatRqldRq	IDReq_inv_01(TCV_ch, 8)	4.	
23		START T_dly(5000)			
24		?TIMEOUT T_dly		(P)	
25		+PostMainLinkRel(TCV_ch)			
26		subtree1 L!DL_DatRqldRq	IDReq_inv_01(TCV_chTch, TCV_Cnt+1)	3.	
27		START T_dly(1000)			
28		?TIMEOUT T_dly		(P)	
29		(TCV_Cnt := TCV_Cnt + 1)			
30		subtree2 L!DL_DatRqldRq	IDReq_inv_01(TCV_ch, TCV_Cnt+1)	4.	
31		START T_dly(1000)			
32		?TIMEOUT T_dly		(P)	

33	(TCV_Cnt := TCV_Cnt + 1)	
Detailed Comments:		<ol style="list-style-type: none">1. This subtree is for the MS supporting at least one bearer capability.2. This subtree is for the MS not supporting any bearer capability.3. To send an invalid IDENTITY REQUEST message containing incorrect skip indicator on channel FACCH.4. To send an invalid IDENTITY REQUEST message containing incorrect skip indicator on channel SDCCH4.

Test Case Dynamic Behaviour

Test Case Name: TC_26_5_2_3
Group: GSM_L3_MS_v4170/BiBo/
Purpose:

- a) To verify that the MS having a mobile terminating call in CC-state U10, "active", on receipt of a DISCONNECT message which includes a transaction identifier which is not recognized as relating to an active call or a call in progress, sends a RELEASE COMPLETE message with cause value #81 and referring to the latter TI without changing the state of the active call (this is verified by use of the status enquiry procedure).
- b) To verify that the MS having a mobile terminating call in CC-state U10, "active", on receipt of
 - b1) RELEASE COMPLETE message which includes a transaction identifier with a value different from 111, which is not recognized as relating to an active call or a call in progress, or a
 - b2) SETUP message with TI flag referring to a transaction originated by the MS (in the special case where the TI value is equal to the TI value relating to the active call), or a
 - b3) SETUP message with TI referring to the active call, ignores that message without changing the state of the active call (this is verified by use of the status enquiry procedure).
- c) To verify that the MS ignores a CC message with a TI value 111.
The test is only applicable to an MS supporting the call control protocol for at least one BC.

Default: OtherEventsFail

Nr	Label	Behaviour Description	CRef	V	Comments
1		START T_guard(300)			
2		+BasicServiceMT(TSPX_MTBscSvcC,TSPX_MTChRateC,TSPX_MT_ImmConnC)			
3		(TCV_slot := C_S0, TCV_tsc := C_BCC)			
4		+IdleUpdated(C_CellA, C_ImmAss, TCV_slot, TCV_tsc, TimingAdv_01, '000'B, '001'B, '011'B, '00'O)			
5		(TCV_ch := OC_SubchOfSdcch4(TSPX_SDCCH4SubDef, C_CellA), TCV_sacch := OC_SubchOfSacch4(TSPX_SDCCH4SubDef, C_CellA), TCV_CphKey := OC_CphKeyGen(TSPX_Ki, TSPX_RANDDef))			
6		+PreEnterIdleState_03(C_ImmAss, TCV_slot, TCV_tsc, 5, 1, 0, TimingAdv_01, '000'B, '001'B, '011'B, '00'O)		1.	
7		+CCConfigTCH(C_Ass, TSPX_TmSltDef, TSPX_TscDef, TimingAdv_01, '000'B, '001'B, '011'B)			
8		+PreEnterCCstateU10(TCV_Setup_mt, TSPX_TmSltDef, TSPX_TscDef, TimingAdv_01)			
9	body	+test_a			
10		+test_b1			
11		+test_b2			
12		+test_b3			
13		+test_c			
		test_a			
14		L!DL_DatRqDisc	Disc_inv_01(TCV_ch Tch)	1.	
15		L?DL_DatInRelCmp	RelCmp_06		
16		+CCstatuschk_01(TCV_chTch, C_U10)			
		test_b1			
17		L!DL_DatRqRelCmp (DL_DatRqRelCmp.msg.ti := TI_04)	RelCmpRq_01(TCV_chTch)	2.	
18		START T_dly(5000)			
19		?TIMEOUT T_dly		(P)	
20		+CCstatuschk_01(TCV_chTch, C_U10)			

21	test_b2 L!DL_DatRqSetup	SetupRq_inv_01(TCV_chTch)	3.
22	START T_dly(5000)		
23	?TIMEOUT T_dly		(P)
24	+CCstatuschk_01(TCV_chTch, C_U10)		
	test_b3		
25	L!DL_DatRqSetup	SetupRq_03(TCV_chTch)	4.
26	START T_dly(5000)		
27	?TIMEOUT T_dly		(P)
28	+CCstatuschk_01(TCV_chTch, C_U10)		
	test_c		
29	L!DL_DatRqDisc	Disc_inv_05(TCV_chTch)	5.
30	START T_dly(5000)		
31	?TIMEOUT T_dly		(P)
32	+CCstatuschk_01(TCV_chTch, C_U10)		
33	+PostMainLinkRel(TCV_chTch)		

Detailed Comments:

1. The TI value of the DISCONNECT message does not refer to the active call.
2. The TI value of the RELEASE COMPLETE message does not refer to the active call ('0000'B).
3. The TI flag of the SETUP message is set to 1 and TI value refers to the active call.
4. This SETUP contains TI refers to the active call ('0000'B).
5. The TI value of the DISCONNECT message is '111'B.

Test Case Dynamic Behaviour					
Test Case Name:		TC_26_5_3_1			
Group:		GSM_L3_MS_v4170/BiBo/			
Purpose:		To verify that a MS supporting the call control protocol for at least one BC, having a mobile terminating call in CC-state U10, "active", on receipt of a message with CC protocol discriminator and an arbitrary undefined message, returns a STATUS message with cause value #97 to the peer CC entity without changing the state of the active call (this is verified by use of the status enquiry procedure.)			
Default:		OtherEventsFail			
Nr	Label	Behaviour Description	CRef	V	Comments
1		START T_guard(300)			
2		+BasicServiceMT(TSPX_MTBscSvcD,TSPX_MTChRateD,TSPX_MT_ImmConnD)			
3		(TCV_slot := C_S0, TCV_tsc := C_BCC)			
4		+IdleUpdated(C_CellA, C_Immss, TCV_slot, TCV_tsc, TimingAdv_01, '000'B, '001'B, '011'B, '00'O)			
5		(TCV_ch := OC_SubchOfSdcch4(TSPX_SDCCH4SubDef, C_CellA), TCV_sacch := OC_SubchOfSacch4(TSPX_SDCCH4SubDef, C_CellA), TCV_CphKey := OC_CphKeyGen(TSPX_Ki, TSPX_RANDDef))			
6		+PreEnterIdleState_03(C_Immss, TCV_slot, TCV_tsc, 5, 1, 0, TimingAdv_01, '000'B, '001'B, '011'B, '00'O)			1.
7		+CCConfigTCH(C_Ass, TSPX_TmSltDef, TSPX_TscDef, TimingAdv_01, '000'B, '001'B, '011'B)			
8		+PreEnterCCstateU10(TCV_Setup_mt, TSPX_TmSltDef, TSPX_TscDef, TimingAdv_01)			
9	body	L!DL_DatRqUndefCC	Undef_01(TCV_chTch)		1.
10		L?DL_DatInCcst	CCSt_02	(P)	
11		+CCstatuschk_01(TCV_chTch, C_U10)			
12		+PostMainLinkRel(TCV_chTch)			
Detailed Comments:		1. This is an undefined CC message.			

Test Case Dynamic Behaviour					
Test Case Name:		TC_26_5_3_2			
Group:		GSM_L3_MS_v4170/BiBo/			
Purpose:		To verify that a MS supporting the call control protocol for at least one BC, having a mobile terminating call in CC-state U10, "active", on receipt of a message with MM protocol discriminator and message type undefined for the mobility management protocol, returns an MM-STATUS message with reject cause value #97 without changing the state of the active call (this is verified by use of the status enquiry procedure.) This is tested in the special case where the CC TI has value 0 (so that it has the same encoding as the skip indicator when sent from the SS) and where the message type has the same encoding as DISCONNECT in CC.			
Default:		OtherEventsFail			
Nr	Label	Behaviour Description	Cref	V	Comments
1		START T_guard(300)			
2		+BasicServiceMT(TSPX_MTBscSvcE,TSPX_MTChRateE,TSPX_MT_ImmConnE)			
3		(TCV_slot := C_S0, TCV_tsc := C_BCC)			
4		+IdleUpdated(C_CellA, C_ImmMass, TCV_slot, TCV_tsc, TimingAdv_01, '000'B, '001'B, '011'B, '00'O)			
5		(TCV_ch := OC_SubchOfSdcch4(TSPX_SDCCH4SubDef, C_CellA), TCV_sacch := OC_SubchOfSacch4(TSPX_SDCCH4SubDef, C_CellA), TCV_CphKey := OC_CphKeyGen(TSPX_Ki, TSPX_RANDDef))			
6		+PreEnterIdleState_03(C_ImmMass, TCV_slot, TCV_tsc, 5, 1, 0, TimingAdv_01, '000'B, '001'B, '011'B, '00'O)			1.
7		+CCConfigTCH(C_Ass, TSPX_TmSlitDef, TSPX_TscDef, TimingAdv_01, '000'B, '001'B, '011'B)			
8		+PreEnterCCstateU10(TCV_Setup_mt, TSPX_TmSlitDef, TSPX_TscDef, TimingAdv_01)			
9	body	L!DL_DatRqUndefMM	Undef_02(TCV_chTch)		1.
10		L?DL_DatInMmst	MMSt_01	(P)	
11		+CCstatuschk_01(TCV_chTch, C_U10)			
12		+PostMainLinkRel(TCV_chTch)			
Detailed Comments:		1. This is an undefined MM message.			

Test Case Dynamic Behaviour					
Test Case Name:		TC_26_5_3_3			
Group:		GSM_L3_MS_v4170/BiBo/			
Purpose:		To verify that an MS in RR connected mode on receipt of a message with RR protocol discriminator and message type undefined for the RR protocol, returns an RR-STATUS message with reject cause value #97 without changing its state (this is checked by observing that the MS does not send L3 messages.)			
Default:		OtherEventsFail			
Nr	Label	Behaviour Description	CRef	V	Comments
1		START T_guard(300)			
2		(TCV_slot := C_S0, TCV_tsc := C_BCC)			
3		+IdleUpdated(C_CellA, C_Imm, TCV_slot, TCV_tsc, TimingAdv_01, '000'B, '001'B, '011'B, '00'O)			
4		(TCV_ch := OC_SubchOfSdcch4(TSPX_SDCCH4SubDef, C_CellA), TCV_sacch := OC_SubchOfSacch4(TSPX_SDCCH4SubDef, C_CellA), TCV_CphKey := OC_CphKeyGen(TSPX_Ki, TSPX_RANDDef))			
5		+PreEnterIdleState_03(C_Imm, TCV_slot, TCV_tsc, 5, 1, 0, TimingAdv_01, '000'B, '001'B, '011'B, '00'O)			
6		+PreEstRRConn(TCV_slot, TCV_tsc, TimingAdv_01)			
7	body	L!DL_DatRqUndefRR	Undef_03(TCV_ch)		1.
8		L?DL_DatInRrst	RrStatus_03		
9		START T_dly(5000)			Start L2 fill frame check
10		L?OTHERWISE		F	L3 msg received
11		?TIMEOUT T_dly		(P)	
12		[TSPC_BC = TRUE]			2.
13		+BasicServiceMT(TSPX_MTBs, cSvcA, TSPX_MTChRateA, TSPX_MT_ImmConnA)			
14		+Authentication(TCV_ch, TSPX_CKSNDDef)			
15		+Ciphering_on(TCV_ch)			
16		L!DL_DatRqSetup (TCV_TI.ti_f := '0'B, TCV_TI.ti_v := '000'B)	SetupSnd(TCV_ch, TCV_Setup_mt)		
17		L?DL_DatInCallCo	CallCfm_01	(P)	
18		+PostMainLinkRel(TCV_ch)			
19		[TSPC_BC = FALSE]			3.
20		L!DL_DatRqSetup	SetupRq_01(TCV_ch)		
21		L?DL_DatInRelCmp	RelCmp_02(TI_01)	(P)	
22		+PostMainLinkRel(TCV_ch)			
Detailed Comments:		1. To send an undefined RR message. 2. If the MS supports at least one bearer capability, the test case goes through this subtree. 3. If the MS does not support any bearer capability, the test case goes through this subtree.			

Test Case Dynamic Behaviour					
Test Case Name:		TC_26_5_3_4			
Group:		GSM_L3_MS_v4170/BiBo/			
Purpose:		To verify that a MS supporting the call control protocol for at least one BC, having a call in CC-state U10, "active", on receipt of an inopportune CC message, returns a STATUS message with reject cause value #98 without changing the state of the active call (this is verified by use of the status enquiry procedure.) This is tested in the special case where the inopportune CC message is a CALL PROCEEDING message relating to the active call.			
Default:		OtherEventsFail			
Nr	Label	Behaviour Description	CRef	V	Comments
1		START T_guard(300)			
2		+BasicServiceMT(TSPX_MTBscSvcF,TSPX_MTChRateF,TSPX_MT_ImmConnF)			
3		(TCV_slot := C_S0, TCV_tsc := C_BCC)			
4		+IdleUpdated(C_CellA, C_ImmMass, TCV_slot, TCV_tsc, TimingAdv_01, '000'B, '001'B, '011'B, '00'O)			
5		+PreEnterIdleState_03(C_ImmMass, TCV_slot, TCV_tsc, 5, 1, 0, TimingAdv_01, '000'B, '001'B, '011'B, '00'O)			1.
6		+CCConfigTCH(C_Ass, TSPX_TmSlTDef, TSPX_TscDef, TimingAdv_01, '000'B, '001'B, '011'B)			
7		+PreEnterCCstateU10(TCV_Setup_mt, TSPX_TmSlTDef, TSPX_TscDef, TimingAdv_01)			1.
8	body	L!DL_DatRqCallProc	CallProc_01(TI_02, TCV_chTch)		2.
9		L?DL_DatInCst	CCSt_03(TI_01)	(P)	
10		+CCstatuschk_01(TCV_chTch, C_U10)			
11		+PostMainLinkRel(TCV_chTch)			
Detailed Comments:		1. To enter CC state U10. 2. To send an inopportune CALL PROCEEDING message.			

Test Case Dynamic Behaviour					
Test Case Name:		TC_26_5_4_1			
Group:		GSM_L3_MS_v4170/BiBo/			
Purpose:		To verify that the MS ignores an unforeseen second occurrence of an information element with format T, TV, or TLV in the special case of the mobile identity IE which has format TLV in the LOCATION UPDATING ACCEPT message.			
Default:		OtherEventsFail			
Nr	Label	Behaviour Description	CRef	V	Comments
1		START T_guard(300)			
2		(TCV_slot := C_S0, TCV_tsc := C_BCC)			
3		+IdleUpdated(C_CellA, C_Immass, TCV_slot, TCV_tsc, TimingAdv_01, '000'B, '001'B, '011'B, '00'O)			
4		+PreEnterIdleState_03(C_Immass, TCV_slot, TCV_tsc, 5, 1, 0, TimingAdv_01, '000'B, '001'B, '011'B, '00'O)			
5		+Varinit_fixB			
6		+StartCellB_1(C_Immass, TCV_slot, TCV_tsc, TimingAdv_01, 0, '000'B, '001'B, '011'B, '00'O)			
7		+CCCH_group_Paging_group(TCV_Ccd0 B, TSPX_IMSI)			
8	body	+LowRfLev_Cellnotavail(C_CellA)			1.
9		L?DL_RaInChRq (TCV_Rr := DL_RaInChRq. msg.ecau_rrf, TCV_Fn := DL_RaInChRq.fn)	ChReq_20(C_RACH_B_1)		
10		ACTIVATE(OtherEventsFail_02)			To match ChReq retrans.
11		L!DL_UdatRqImmass	ImmAss_06(TCV_agch, TCV_Rr, TCV_Fn, TCV_slot, TCV_tsc, TimingAdv_01)		2.
12		L?DL_EstInLupRq	LocUp_04(TCV_ch, C_normal_updating, MiTmsi_01)		
13		ACTIVATE(OtherEventsFail)			Restore Normal default
14		L!DL_DatRqLupAcpErr	LocAcp_inv_01(TCV_ch)		3.
15		L!DL_DatRqChRel	ChRel_01(TCV_ch)		
16		L?DL_RelIn	DLRelInd_01		
17		START T_dly(5000)			
18		?TIMEOUT T_dly			
19		+localtree			
20	localtree	L!DL_UdatRqPg1Rq	PgReq1(TCV_PgCh, TCV_Pgg, PgReqTp1_01)		4.
21		START T_dly(C_T_Wait)			
22		?TIMEOUT T_dly			
23		L!DL_UdatRqPg1Rq	PgReq1(TCV_PgCh, TCV_Pgg, PgReqTp1_05)		5.
24		L?DL_RaInChRq (TCV_Rr := DL_RaInChRq. msg.ecau_rrf, TCV_Fn := DL_RaInChRq.fn)	ChReq_15(C_RACH_B_1)	(P)	
25		L!DL_UdatRqImmassRej	ImmAssRej_04(TCV_agch, TCV_Rr, TCV_Fn)		
Detailed Comments:		<ol style="list-style-type: none"> 1. To lower RF level until the MS selects cell B. 2. The cell B assigns C_SDCCH4_B_1 to the MS. 3. To send an invalid LOCATION UPDATING ACCEPT message containing duplicated IE's. 4. To send a PAGING REQUEST TYPE 1 message containing mobile identity = TMSI of the MS. 5. To send a PAGING REQUEST TYPE 1 message containing mobile identity = IMSI of the MS. 			

Test Case Dynamic Behaviour					
Test Case Name:		TC_26_5_5_1_1_1			
Group:		GSM_L3_MS_v4170/BiBo/			
Purpose:		To verify that the MS in RR connected mode releases the connection upon receipt of a CHANNEL RELEASE message with missing RR cause (which is "mandatory" in that message).			
Default:		OtherEventsFail			
Nr	Label	Behaviour Description	CRef	V	Comments
1		START T_guard(300)			
2		(TCV_slot := C_S0, TCV_tsc := C_BCC)			
3		+IdleUpdated(C_CellA, C_Immass, TCV_slot, TCV_tsc, TimingAdv_01, '000'B, '001'B, '011'B, '00'O)			
4		(TCV_ch := OC_SubchOfSdcch4(TSPX_SDCCH4SubDef, C_CellA), TCV_sacch := OC_SubchOfSacch4(TSPX_SDCCH4SubDef, C_CellA))			
5		+PreEnterIdleState_03(C_Immass, TCV_slot, TCV_tsc, 5, 1, 0, TimingAdv_01, '000'B, '001'B, '011'B, '00'O)			
6		+PreEstRRConn(TCV_slot, TCV_tsc, TimingAdv_01)			
7	body	LIDL_DatRqChRel	ChRel_inv_01(TCV_ch)		1.
8		L?DL_RelIn	DLRelInd_01	P	
Detailed Comments:		1. To send an invalid CHANNEL RELEASE message missing mandatory RR cause IE.			

Test Case Dynamic Behaviour					
Test Case Name:		TC_26_5_5_1_1_2			
Group:		GSM_L3_MS_v4170/BiBo/			
Purpose:		To verify that the MS in RR connected mode ignores a ciphering mode command message in which the ciphering mode setting IE and cipher response IE are missing except for the fact that it returns a RR-STATUS message.			
Default:		OtherEventsFail			
Nr	Label	Behaviour Description	CRef	V	Comments
1		START T_guard(300)			
2		(TCV_slot := C_S0, TCV_tsc := C_BCC)			
3		+IdleUpdated(C_CellA, C_Immass, TCV_slot, TCV_tsc, TimingAdv_01, '000'B, '001'B, '011'B, '00'O)			
4		(TCV_ch := OC_SubchOfSdcch4(TSPX_SDCCH4SubDef, C_CellA), TCV_sacch := OC_SubchOfSacch4(TSPX_SDCCH4SubDef, C_CellA), TCV_CphKey := OC_CphKeyGen(TSPX_Ki, TSPX_RANDDef))			
5		+PreEnterIdleState_03(C_Immass, TCV_slot, TCV_tsc, 5, 1, 0, TimingAdv_01, '000'B, '001'B, '011'B, '00'O)			
6		+PreEstRRConn(TCV_slot, TCV_tsc, TimingAdv_01)			
7	body	LIDL_DatRqCphmCmd	CphCmd_inv_01(TCV_ch)		1.
8		L?DL_DatInRrst	RrStatus_02	(P)	
9		+PostMainLinkRel(TCV_ch)			
Detailed Comments:		1. To send an invalid CIPHERING MODE COMMAND missing mandatory ciphering mode setting IE and cipher response IE.			

Test Case Dynamic Behaviour					
Test Case Name:		TC_26_5_5_1_2			
Group:		GSM_L3_MS_v4170/BiBo/			
Purpose:		To verify that the MS having an RR-connection established ignores a HANDOVER COMMAND message containing in the non-imperative part an IE encoded as comprehension required except for the fact that it returns a RR-STATUS message with cause # 96 "invalid mandatory information".			
Default:		OtherEventsFail			
Nr	Label	Behaviour Description	CRef	V	Comments
1		START T_guard(300)			
2		+BasicServiceMT(TSPX_MTBscSvcG,TSPX_MTChRateG,TSPX_MT_ImmConnG)			
3		(TCV_slot := C_S0, TCV_tsc := C_BCC)			
4		+IdleUpdated(C_CellA, C_ImmMass, TCV_slot, TCV_tsc, TimingAdv_01, '000'B, '001'B, '011'B, '00'O)			
5		(TCV_ch := OC_SubchOfSdcch4(TSPX_SDCCH4SubDef, C_CellA), TCV_sacch := OC_SubchOfSacch4(TSPX_SDCCH4SubDef, C_CellA), TCV_CphKey := OC_CphKeyGen(TSPX_Ki, TSPX_RANDDef))			
6	body	[TSPC_CC = TRUE]			1.
7		+PreEnterIdleState_03(C_ImmMass, TCV_slot, TCV_tsc, 5, 1, 0, TimingAdv_01, '000'B, '001'B, '011'B, '00'O)			1.
8		+CCConfigTCH(C_Ass, TSPX_TmSltDef, TSPX_TscDef, TimingAdv_01, '000'B, '001'B, '011'B)			
9		+PreEnterCCstateU10(TCV_Setup_mt, TSPX_TmSltDef, TSPX_TscDef, TimingAdv_01)			
10		LIDL_DatRqHoCmd	HndOv_inv_01(TCV_chTch, TSPX_TmSltDef, TSPX_TscDef)		2.
11		L?DL_DatInRrst	RrStatus_02	(P)	
12		+PostMainLinkRel(TCV_chTch)			
13		[TSPC_CC = FALSE]			3.
14		+PreEnterIdleState_03(C_ImmMass,TCV_slot, TCV_tsc, 5, 1, 0, TimingAdv_01, '000'B, '001'B, '011'B, '00'O)			
15		+PreEstRRConn(TCV_slot, TCV_tsc, TimingAdv_01)			
16		LIDL_DatRqHoCmd	HndOv_inv_01(TCV_ch, TSPX_TmSltDef, TSPX_TscDef)		4.
17		L?DL_DatInRrst	RrStatus_02	(P)	
18		+PostMainLinkRel(TCV_ch)			
Detailed Comments:		<ol style="list-style-type: none"> 1. If the MS supports at least one bearer capability, the test case goes through this subtree. 2. To send an invalid HANDOVER COMMAND message containing comprehension requires IE on the channel TCV_chTch. 3. The test case goes through this subtree if the MS does not support any bearer capability. 4. To send an invalid HANDOVER COMMAND message containing comprehension requires IE on the channel TCV_chTch. 			

Test Case Dynamic Behaviour					
Test Case Name:		TC_26_5_5_2_1			
Group:		GSM_L3_MS_v4170/BiBo/			
Purpose:		To verify that an MS supporting at least one BC, having a CC entity in state U10, "active", ignores an MM message with syntactically incorrect IE except for the fact that it sends an MM-STATUS message with reject cause #96. This is tested in the special case of an IDENTITY REQUEST message in which the (mandatory) identity type IE specifies a reserved value for the type of identity; that the MS otherwise ignores the message is checked by means of the status enquiry procedure.			
Default:		OtherEventsFail			
Nr	Label	Behaviour Description	CRef	V	Comments
1		START T_guard(300)			
2		+BasicServiceMT(TSPX_MTBscSvcH,TSPX_MTChRateH,TSPX_MT_ImmConnH)			
3		(TCV_slot := C_S0, TCV_tsc := C_BCC)			
4		+IdleUpdated(C_CellA, C_Immass, TCV_slot, TCV_tsc, TimingAdv_01, '000'B, '001'B, '011'B, '00'O)			
5		(TCV_ch := OC_SubchOfSdcch4(TSPX_SDCCH4SubDef, C_CellA), TCV_sacch := OC_SubchOfSacch4(TSPX_SDCCH4SubDef, C_CellA), TCV_CphKey := OC_CphKeyGen(TSPX_Ki, TSPX_RANDDef))			
6		+PreEnterIdleState_03(C_Immass, TCV_slot, TCV_tsc, 5, 1, 0, TimingAdv_01, '000'B, '001'B, '011'B, '00'O)			1.
7		+CCConfigTCH(C_Ass, TSPX_TmSlitDef, TSPX_TscDef, TimingAdv_01, '000'B, '001'B, '011'B)			
8		+PreEnterCCstateU10(TCV_Setup_mt, TSPX_TmSlitDef, TSPX_TscDef, TimingAdv_01)			
9	body	L!DL_DatRqldRq	IDReq_inv_02(TCV_chTch)		1.
10		L?DL_DatInMmst	MMSt_02	(P)	
11		+CCstatuschk_02(TCV_chTch, C_U10, TI_02, TI_01)			2.
12		+PostMainLinkRel(TCV_chTch)			
Detailed Comments:		1. To send an invalid IDENTITY REQUEST message containing the identity type IE = reserved value.			
		2. To check whether the MS is still in the state U10. If not the test case fails in the test step.			

Test Case Dynamic Behaviour					
Test Case Name:		TC_26_5_5_2_2			
Group:		GSM_L3_MS_v4170/BiBo/			
Purpose:		To verify that an MS having been paged and having an RR connection established ignores an MM message with syntactically incorrect IE except for the fact that it sends an MM-STATUS message with reject cause #96. This is tested in the special case of an IDENTITY REQUEST message in which the (mandatory) identity type IE specifies a reserved value for the type of identity; the fact that the MS otherwise ignores the message is checked by testing that it answers as usual to an incoming SETUP message.			
Default:		OtherEventsFail			
Nr	Label	Behaviour Description	CRef	V	Comments
1		START T_guard(300)			
2		(TCV_slot := C_S0, TCV_tsc := C_BCC)			
3		+IdleUpdated(C_CellA, C_Immass, TCV_slot, TCV_tsc, TimingAdv_01, '000'B, '001'B, '011'B, '00'O)			
4		(TCV_ch := OC_SubchOfSdcch4(TSPX_SDCCH4SubDef, C_CellA), TCV_sacch := OC_SubchOfSacch4(TSPX_SDCCH4SubDef, C_CellA))			
5		+PreEnterIdleState_03(C_Immass, TCV_slot, TCV_tsc, 5, 1, 0, TimingAdv_01, '000'B, '001'B, '011'B, '00'O)			
6		+PreEstRRConn(TCV_slot, TCV_tsc, TimingAdv_01)			
7	body	L!DL_DatRqIdRq	IDReq_inv_02(TCV_ch)		1.
8		L?DL_DatInMmst	MMSt_02	(P)	
9		[TSPC_BC = TRUE]			2.
10		+BasicServiceMT(TSPX_MTBscSvcA, TSPX_MTChRateA, TSPX_MTImmConnA)			
11		+Authentication(TCV_ch, TSPX_CKSNDf)			
12		+Cipherring_on(TCV_ch)			
13		L!DL_DatRqSetup (TCV_TI.ti_f := '0'B, TCV_TI.ti_v := '000'B)	SetupSnd(TCV_ch, TCV_Setup_mt)		
14		L?DL_DatInCallCo	CallCfm_01	(P)	
15		L!DL_DatRqChRel	ChRel_01(TCV_ch)		
16		+WaitMainLinkDown			
17		[TSPC_BC = FALSE]			3.
18		L!DL_DatRqSetup	SetupRq_01(TCV_ch)		
19		L?DL_DatInRelCmp	RelCmp_02(TI_01)	(P)	
20		L!DL_DatRqChRel	ChRel_01(TCV_ch)		
21		+WaitMainLinkDown			
Detailed Comments:		<ol style="list-style-type: none"> 1. To send an invalid IDENTITY REQUEST message in which the identity type IE contains reserved value on the channel C_SDCCH4_A_1. 2. This subtree is for the MS which supports at least one bearer capability. 3. This subtree is for the MS which does not support any bearer capability. 			

Test Case Dynamic Behaviour					
Test Case Name:		TC_26_5_5_2_3			
Group:		GSM_L3_MS_v4170/BiBo/			
Purpose:		To verify that the MS on receipt of an MM message containing an IE unknown in the message, but encoded as "comprehension required" ignores the message except for the fact that it returns an MM-STATUS message with cause value #96 "invalid mandatory information"; this in the special case of the MM message being a LOCATION UPDATING ACCEPT responding to a LOCATION UPDATING REQUEST from the MS.			
Default:		OtherEventsFail			
Nr	Label	Behaviour Description	CRef	V	Comments
1		START T_guard(300)			
2		(TCV_slot := C_S0, TCV_tsc := C_BCC)			
3		+IdleUpdated(C_CellA, C_Immass, TCV_slot, TCV_tsc, TimingAdv_01, '000'B, '001'B, '011'B, '00'O)			
4		+PreEnterIdleState_03(C_Immass,TCV_slot, TCV_tsc, 5, 1, 0, TimingAdv_01, '000'B, '001'B, '011'B, '00'O)			
5		+Varinit_fixB			
6		+StartCellB_1(C_Immass,TCV_slot, TCV_tsc, TimingAdv_01, 0, '000'B, '001'B, '011'B, '00'O)			
7		+CCCH_group_Paging_group(TCV_Ccd0 B, TSPX_IMSI)			
8	body	+localbody			
		localbody			
9		+LowRfLev_Cellnotavail(C_CellA)			1.
10		L?DL_RaInChRq (TCV_Rr := DL_RaInChRq. msg.ecau_rrf, TCV_Fn := DL_RaInChRq.fn)	ChReq_20(C_RACH_B_1)		
11		ACTIVATE(OtherEventsFail_02)			To match ChReq retrans.
12		L!DL_UdatRqImmass	ImmAss_06(TCV_agch, TCV_Rr, TCV_Fn, TCV_slot, TCV_tsc, TimingAdv_01)		
13		L?DL_EstInLupRq	LocUp_04(TCV_ch, C_normal_updating, MiTmsi_01)		
14		ACTIVATE(OtherEventsFail)			Restore Normal default
15		L!DL_DatRqLupAcp	LocAcp_inv_02(TCV_ch)		2.
16		L?DL_DatInMmst	MMSt_02		
17		L?DL_Relln	DLRelInd_01		
18		L?DL_RaInChRq (TCV_Rr := DL_RaInChRq. msg.ecau_rrf, TCV_Fn := DL_RaInChRq.fn)	ChReq_02		
19		ACTIVATE(OtherEventsFail_02)			To match ChReq retrans.
20		L!DL_UdatRqImmass	ImmAss_06(TCV_agch, TCV_Rr, TCV_Fn, TCV_slot, TCV_tsc, TimingAdv_01)		
21		L?DL_EstInLupRq	LocUp_04(TCV_ch, C_normal_updating, MiTmsi_01)		
22		ACTIVATE(OtherEventsFail)			Restore Normal default
23		L!DL_DatRqLupAcp	LocAcp_03(TCV_ch)		3.
24		L?DL_DatInTmsireCom	TmsiReallocCmp_02(TCV_ch)		
25		L!DL_DatRqChRel	ChRel_01(TCV_ch)	(P)	
26		L?DL_Relln	DLRelInd_01		
Detailed Comments:		<p>1. To lower the RF level of cell A until the MS selects cell B.</p> <p>2. To send a LOCATION UPDATING ACCEPT message containing comprehension required IE.</p> <p>3. To send a LOCATION UPDATING ACCEPT message containing location area identification = cell B and mobile identity = TMSI.</p>			

Test Case Dynamic Behaviour

Test Case Name: TC_26_5_5_3_1_1
Group: GSM_L3_MS_v4170/BiBo/
Purpose: To verify that the MS having an MT call in state U10, "active", on receipt of a DISCONNECT message in which the mandatory cause IE is missing shall return a RELEASE message with cause value #96 "invalid mandatory information".
Default: OtherEventsFail

Nr	Label	Behaviour Description	CRef	V	Comments
1		START T_guard(300)			
2		+BasicServiceMT(TSPX_MTBscSvcl,TSPX_MTChRatel,TSPX_MT_ImmConnl)			
3		(TCV_slot := C_S0, TCV_tsc := C_BCC)			
4		+IdleUpdated(C_CellA, C_Imm, TCV_slot, TCV_tsc, TimingAdv_01, '000'B, '001'B, '011'B, '00'O)			
5		(TCV_ch := OC_SubchOfSdcch4(TSPX_SDCCH4SubDef, C_CellA), TCV_sacch := OC_SubchOfSacch4(TSPX_SDCCH4SubDef, C_CellA), TCV_CphKey := OC_CphKeyGen(TSPX_Ki, TSPX_RANDDef))			
6		+PreEnterIdleState_03(C_Imm, TCV_slot, TCV_tsc, 5, 1, 0, TimingAdv_01, '000'B, '001'B, '011'B, '00'O)		1.	
7		+CCConfigTCH(C_Ass, TSPX_TmSltDef, TSPX_TscDef, TimingAdv_01, '000'B, '001'B, '011'B)			
8		+PreEnterCCstateU10(TCV_Setup_mt, TSPX_TmSltDef, TSPX_TscDef, TimingAdv_01)			
9	body	L!DL_DatRqDisc	Disc_inv_02(TCV_ch Tch)	1.	
10		L?DL_DatInRel	ReleaseInd_01	(P)	
11		L!DL_DatRqRelCmp	RelCmpRq_01(TCV_ch Tch)		
12		+PostMainLinkRel(TCV_ch Tch)			

Detailed Comments: 1. To send an invalid DISCONNECT message in which the mandatory cause IE is missing.

Test Case Dynamic Behaviour					
Test Case Name:		TC_26_5_5_3_1_2			
Group:		GSM_L3_MS_v4170/BiBo/			
Purpose:		To verify that the MS having an MT call in state U10, "active", on receipt of a STATUS message in which the mandatory cause IE and call state IE are missing shall ignore the message except for the fact that it return a STATUS message with cause value #96 "invalid mandatory information" (that the MS does not change state is checked by use of the status enquiry procedure).			
Default:		OtherEventsFail			
Nr	Label	Behaviour Description	CRef	V	Comments
1		START T_guard(300)			
2		+BasicServiceMT(TSPX_MTBscSvcJ,TSPX_MTChRateJ,TSPX_MT_ImmConnJ)			
3		(TCV_slot := C_S0, TCV_tsc := C_BCC)			
4		+IdleUpdated(C_CellA, C_ImmMass, TCV_slot, TCV_tsc, TimingAdv_01, '000'B, '001'B, '011'B, '00'O)			
5		(TCV_ch := OC_SubchOfSdcch4(TSPX_SDCCH4SubDef, C_CellA), TCV_sacch := OC_SubchOfSacch4(TSPX_SDCCH4SubDef, C_CellA), TCV_CphKey := OC_CphKeyGen(TSPX_Ki, TSPX_RANDDef))			
6		+PreEnterIdleState_03(C_ImmMass, TCV_slot, TCV_tsc, 5, 1, 0, TimingAdv_01, '000'B, '001'B, '011'B, '00'O)			1.
7		+CCConfigTCH(C_Ass, TSPX_TmSltDef, TSPX_TscDef, TimingAdv_01, '000'B, '001'B, '011'B)			
8		+PreEnterCCstateU10(TCV_Setup_mt, TSPX_TmSltDef, TSPX_TscDef, TimingAdv_01)			
9	body	LIDL_DatRqCcst	CCSt_inv_01(TCV_ch Tch)		1.
10		L?DL_DatInCcst	CCSt_04(TI_01)	(P)	
11		+CCstatuschk_01(TCV_chTch, C_U10)			
12		+PostMainLinkRel(TCV_chTch)			
Detailed Comments:		1. To send an invalid STATUS message in which the mandatory cause IE and call state IE are missing.			

Test Case Dynamic Behaviour

Test Case Name: TC_26_5_5_3_2
Group: GSM_L3_MS_v4170/BiBo/
Purpose: To verify that an MS supporting the call control protocol for at least one BC having a call control entity in state U3 ignores a CONNECT message containing in the non-imperative part an IE encoded as comprehension required except for the fact that it returns a STATUS message with cause value #96 "invalid mandatory information".
Default: OtherEventsFail

Nr	Label	Behaviour Description	CRef	V	Comments
1		START T_guard(300)			
2		(TCV_slot := C_S0, TCV_tsc := C_BCC)			
3		+IdleUpdated(C_CellA, C_Immass, TCV_slot, TCV_tsc, TimingAdv_01, '000'B, '001'B, '011'B, '00'O)			
4		(TCV_ch := OC_SubchOfSdcch4(TSPX_SDCCH4SubDef, C_CellA), TCV_sacch := OC_SubchOfSacch4(TSPX_SDCCH4SubDef, C_CellA), TCV_CphKey := OC_CphKeyGen(TSPX_Ki, TSPX_RANDDef))			
5		+PreEnterIdleState_03(C_Immass, TCV_slot, TCV_tsc, 5, 1, 0, TimingAdv_01, '000'B, '001'B, '011'B, '00'O)			
6		+PreEnterCCstateU3(TimingAdv_01)			
7	body	L!DL_DatRqConnErr	Conn_inv_01(TCV_TI, TCV_ch)		1.
8		L?DL_DatInCcst	CCSt_04(TCV_TI0)	(P)	2.
9		+CCstatuschk_03(C_U3, TCV_TI)			3.
10		L!DL_DatRqChRel	ChRel_01(TCV_ch)		
11		L?DL_RelIn	DLRelInd_01		

Detailed Comments:

1. To send an invalid CONNECT message containing comprehension required IE.
2. The expected STATUS message received.
3. To check whether the MS is still in the state U3.

Test Case Dynamic Behaviour					
Test Case Name:		TC_26_5_6_1_1			
Group:		GSM_L3_MS_v4170/BiBo/			
Purpose:		To verify that the MS on receipt of an MM message containing an IE unknown in the message and unknown in the MM protocol which is not encoded as "comprehension required" ignores that IE; this in the special case of the MM message being a LOCATION UPDATING ACCEPT responding to a LOCATION UPDATING REQUEST from the MS.			
Default:		OtherEventsFail			
Nr	Label	Behaviour Description	CRef	V	Comments
1		START T_guard(300)			
2		(TCV_slot := C_S0, TCV_tsc := C_BCC)			
3		+IdleUpdated(C_CellB, C_Immass, TCV_slot, TCV_tsc, TimingAdv_01, '000'B, '001'B, '011'B, '00'O)			
4		+PreEnterIdleState_07(C_Immass,TCV_slot, TCV_tsc, TimingAdv_01, 0, '000'B, '001'B, '011'B, '00'O)			1.
5		+Varinit_fixA			
6		+StartCellA_2(C_Immass,TCV_slot, TCV_tsc, TimingAdv_01, 0, '000'B, '001'B, '011'B, '00'O)			
7		+ltree_body			
		ltree_body			
8		+LowRfLev_Cellnotavail(C_CellB)			
9		L?DL_RacInChRq (TCV_Rr := DL_RacInChRq.msg.ecau_rrf, TCV_Fn := DL_RacInChRq.fn)	ChReq_02		
10		ACTIVATE(OtherEventsFail_02)			To match ChReq retrans.
11		LIDL_UdatRqImmass	ImmAss_01Def(TCV_agch, TCV_Rr, TCV_Fn, TCV_slot, TCV_tsc, TCV_chdescr_arfcn, TimingAdv_01)		
12		L?DL_EstInLupRq	LocUp_04(TCV_ch, C_normal_updating, MiTmsi_01)		2.
13		ACTIVATE(OtherEventsFail)			Restore Normal default
14		LIDL_DatRqLupAcpErr	LocAcp_inv_04(TCV_ch)		3.
15		L?DL_DatInTmsireCom	TmsiReallocCmp_02(TCV_ch)	(P)	
16		+local_postamble			
17		+PostMainLinkRel(TCV_ch)			
		local_postamble			
18		+TmsiReallocation(MiTmsi_01, C_laccella)			4.
Detailed Comments:		<ol style="list-style-type: none"> 1. The MS listen to cell B. 2. The mobile identity is TMSI of the MS. 3. To send an invalid LOCATION UPDATING ACCEPT message containing unknown IEI and new TMSI. 4. Local Postamble: to ensure that the test case terminates with the default TMSI. 			

Test Case Dynamic Behaviour

Test Case Name: TC_26_5_6_1_2
Group: GSM_L3_MS_v4170/BiBo/
Purpose: To verify that the MS on receipt of an MM message containing an IE unknown in the message, but known in the MM protocol, which is not encoded as "comprehension required" ignores that IE; this in the special case of the MM message being a LOCATION UPDATING ACCEPT responding to a LOCATION UPDATING REQUEST from the MS.
Default: OtherEventsFail

Nr	Label	Behaviour Description	CRef	V	Comments
1		START T_guard(300)			
2		(TCV_slot := C_S0, TCV_tsc := C_BCC)			
3		+IdleUpdated(C_CellB, C_Immass, TCV_slot, TCV_tsc, TimingAdv_01, '000'B, '001'B, '011'B, '00'O)			
4		+PreEnterIdleState_07(C_Immass,TCV_slot, TCV_tsc, TimingAdv_01, 0, '000'B, '001'B, '011'B, '00'O)		1.	
5		+Varinit_fixA			
6		+StartCellA_2(C_Immass,TCV_slot, TCV_tsc, TimingAdv_01, 0, '000'B, '001'B, '011'B, '00'O)			
7		+ltree_body			
		ltree_body			
8		+LowRfLev_Cellnotavail(C_CellB)			
9		L?DL_RaInChRq (TCV_Rr := DL_RaInChRq.msg.ecau_rrf, TCV_Fn := DL_RaInChRq.fn)	ChReq_02		
10		ACTIVATE(OtherEventsFail_02)			To match ChReq retrans.
11		LIDL_UdatRqImmass	ImmAss_01Def(TCV_agch, TCV_Rr, TCV_Fn, TCV_slot, TCV_tsc, TCV_chdescr_arfcn, TimingAdv_01)		
12		L?DL_EstInLupRq	LocUp_04(TCV_ch, C_normal_updating, MiTmsi_01)	2.	
13		ACTIVATE(OtherEventsFail)			Restore Normal default
14		L!DL_DatRqLupAcpErr	LocAcp_inv_03(TCV_ch)	3.	
15		L?DL_DatInTmsireCom	TmsiReallocCmp_02(TCV_ch)	(P)	
16		+local_postamble			
17		+PostMainLinkRel(TCV_ch)			
		local_postamble			
18		+TmsiReallocation(MiTmsi_01, C_lacellA)		4.	

Detailed Comments:

1. The MS listen to cell B.
2. The mobile identity is TMSI of the MS.
3. To send a LOCATION UPDATING ACCEPT message containing unknown IE and new TMSI.
4. Local Postamble: to ensure that the test case terminates with the default TMSI.

Test Case Dynamic Behaviour				
Test Case Name:		TC_26_5_6_2_1		
Group:		GSM_L3_MS_v4170/BiBo/		
Purpose:		To verify that an MS supporting the CC protocol for at least one BC receiving a CC message containing an IE unknown in the message which is not encoded as "comprehension required" ignores that IE; this in the special case of the CC message being a CALL PROCEEDING message received by the MS in state U1.		
Default:		OtherEventsFail		
Nr	Label	Behaviour Description	CRef	V
1		START T_guard(300)		
2		(TCV_slot := C_S0, TCV_tsc := C_BCC)		
3		+IdleUpdated(C_CellA, C_Immass, TCV_slot, TCV_tsc, TimingAdv_01, '000'B, '001'B, '011'B, '00'O)		
4		(TCV_ch := OC_SubchOfSdcch4(TSPX_SDCCH4SubDef, C_CellA), TCV_sacch := OC_SubchOfSacch4(TSPX_SDCCH4SubDef, C_CellA), TCV_CphKey := OC_CphKeyGen(TSPX_Ki, TSPX_RANDDef))		
5		+PreEnterIdleState_03(C_Immass, TCV_slot, TCV_tsc, 5, 1, 0, TimingAdv_01, '000'B, '001'B, '011'B, '00'O)		
6		+PreEnterCCstateU1(TimingAdv_01)		
7	body	L!DL_DatRqCallProc	CallProc_inv_02(TCV_TI, TCV_ch)	1.
8		+CCstatuschk_03(C_U3, TCV_TI)		2.
9		L!DL_DatRqChRel	ChRel_01(TCV_ch)	
10		L?DL_Relln	DLRelInd_01	
Detailed Comments:		1. To send an invalid CALL PROCEEDING message containing optional unknown IE. 2. To check whether the MS enters the state U3, the verdict is assigned in the test step.		

Test Case Dynamic Behaviour					
Test Case Name:		TC_26_5_6_2_2			
Group:		GSM_L3_MS_v4170/BiBo/			
Purpose:		To verify that an MS supporting the CC protocol for at least one BC receiving a CC message containing an IE unknown in the message which is not encoded as "comprehension required" ignores that IE; this in the special case of a DISCONNECT message received by the MS in state U10.			
Default:		OtherEventsFail			
Nr	Label	Behaviour Description	CRef	V	Comments
1		START T_guard(300)			
2		+BasicServiceMT(TSPX_MTBscSvcJ,TSPX_MTChRateJ,TSPX_MT_ImmConnJ)			
3		(TCV_slot := C_S0, TCV_tsc := C_BCC)			
4		+IdleUpdated(C_CellA, C_ImmMass, TCV_slot, TCV_tsc, TimingAdv_01, '000'B, '001'B, '011'B, '00'O)			
5		(TCV_ch := OC_SubchOfSdcch4(TSPX_SDCCH4SubDef, C_CellA), TCV_sacch := OC_SubchOfSacch4(TSPX_SDCCH4SubDef, C_CellA), TCV_CphKey := OC_CphKeyGen(TSPX_Ki, TSPX_RANDDef))			
6		+PreEnterIdleState_03(C_ImmMass, TCV_slot, TCV_tsc, 5, 1, 0, TimingAdv_01, '000'B, '001'B, '011'B, '00'O)			1.
7		+CCConfigTCH(C_Ass, TSPX_TmSltDef, TSPX_TscDef, TimingAdv_01, '000'B, '001'B, '011'B)			
8		+PreEnterCCstateU10(TCV_Setup_mt, TSPX_TmSltDef, TSPX_TscDef, TimingAdv_01)			1.
9	body	LIDL_DatRqDiscErr	Disc_inv_03(TCV_ch Tch)		2.
10		L?DL_DatInRel	ReleaseInd_03(TI_01)	(P)	
11		+CCstatuschk_01(TCV_chTch, C_U19)			
12		L!DL_DatRqChRel	ChRel_01(TCV_chTch)		
13		L?DL_RelIn	DLRelInd_01		
Detailed Comments:		1. To enter CC state U10. 2. To send an invalid DISCONNECT message containing optional unknown IE.			

Test Case Dynamic Behaviour					
Test Case Name:		TC_26_5_6_2_3			
Group:		GSM_L3_MS_v4170/BiBo/			
Purpose:		To verify that an MS supporting the CC protocol for at least one BC receiving a CC message containing an IE unknown in the message which is not encoded as "comprehension required" ignores that IE; this in the special case of a RELEASE message received by the MS having sent in state U10 a DISCONNECT message			
Default:		OtherEventsFail			
Nr	Label	Behaviour Description	CRef	V	Comments
1		START T_guard(300)			
2		+BasicServiceMT(TSPX_MTBscSvcA,TSPX_MTChRateA,TSPX_MT_ImmConnA)			
3		(TCV_slot := C_S0, TCV_tsc := C_BCC)			
4		+IdleUpdated(C_CellA, C_ImmAss, TCV_slot, TCV_tsc, TimingAdv_01, '000'B, '001'B, '011'B, '00'O)			
5		(TCV_ch := OC_SubchOfSdcch4(TSPX_SDCCH4SubDef, C_CellA), TCV_sacch := OC_SubchOfSacch4(TSPX_SDCCH4SubDef, C_CellA), TCV_CphKey := OC_CphKeyGen(TSPX_Ki, TSPX_RANDDef))			
6		+PreEnterIdleState_03(C_ImmAss, TCV_slot, TCV_tsc, 5, 1, 0, TimingAdv_01, '000'B, '001'B, '011'B, '00'O)			1.
7		+CCConfigTCH(C_Ass, TSPX_TmSltDef, TSPX_TscDef, TimingAdv_01, '000'B, '001'B, '011'B)			
8		+PreEnterCCstateU10(TCV_Setup_mt, TSPX_TmSltDef, TSPX_TscDef, TimingAdv_01)			1.
9	body	+TermCall			
10		L?DL_DatInDisc	DiscRcv(TCV_chTch, Disconn_05(TI_01))		
11		L!DL_DatRqRel	RelRq_inv_01(TI_02, TCV_chTch)		2.
12		L?DL_DatInRelCmp	RelCmp_02(TI_01)	(P)	
13		+PostMainLinkRel(TCV_chTch)			
Detailed Comments:		1. To enter CC state U10. 2. To send an invalid RELEASE REQUEST message containing unknown optional IE.			

Test Case Dynamic Behaviour					
Test Case Name:		TC_26_5_6_2_4			
Group:		GSM_L3_MS_v4170/BiBo/			
Purpose:		To verify that an MS supporting the CC protocol for at least one BC receiving a CC message containing an IE unknown in the message which is not encoded as "comprehension required" ignores that IE; this in the special case of a RELEASE COMPLETE message received by the MS in state U19.			
Default:		OtherEventsFail			
Nr	Label	Behaviour Description	CRef	V	Comments
1		START T_guard(300)			
2		+BasicServiceMT(TSPX_MTBscSvcB,TSPX_MTChRateB,TSPX_MT_ImmConnB)			
3		(TCV_slot := C_S0, TCV_tsc := C_BCC)			
4		+IdleUpdated(C_CellA, C_Immass, TCV_slot, TCV_tsc, TimingAdv_01, '000'B, '001'B, '011'B, '00'O)			
5		(TCV_ch := OC_SubchOfSdcch4(TSPX_SDCCH4SubDef, C_CellA), TCV_sacch := OC_SubchOfSacch4(TSPX_SDCCH4SubDef, C_CellA), TCV_CphKey := OC_CphKeyGen(TSPX_Ki, TSPX_RANDDef))			
6		+PreEnterIdleState_03(C_Immass, TCV_slot, TCV_tsc, 5, 1, 0, TimingAdv_01, '000'B, '001'B, '011'B, '00'O)		1.	
7		+CCConfigTCH(C_Ass, TSPX_TmSltDef, TSPX_TscDef, TimingAdv_01, '000'B, '001'B, '011'B)			
8		+PreEnterCCstateU10(TCV_Setup_mt, TSPX_TmSltDef, TSPX_TscDef, TimingAdv_01)			
9	body	L!DL_DatRqDisc	DiscSnd(TCV_chTch, Disconn_07(TCV_TI))		
10		L?DL_DatInRel	ReleaseInd_02		
11		L!DL_DatRqRelCmp	RelCmpRq_inv_02(TCV_chTch)	1.	
12		L?DL_RelIn	DLRelInd_01	(P)	
Detailed Comments:		1. To send an invalid RELEASE COMPLETE message containing unknown optional IE.			

Test Case Dynamic Behaviour					
Test Case Name:		TC_26_5_6_3			
Group:		GSM_L3_MS_v4170/BiBo/			
Purpose:		To verify that the MS ignores an IE which is unknown in a message for Radio Resource Management in the special cases of CIPHERING MODE COMMAND, ASSIGNMENT COMMAND and CHANNEL RELEASE.			
Default:		OtherEventsFail			
Nr	Label	Behaviour Description	CRef	V	Comments
1		START T_guard(300)			
2		(TCV_slot := C_S0, TCV_tsc := C_BCC)			
3		+IdleUpdated(C_CellA, C_Immss, TCV_slot, TCV_tsc, TimingAdv_01, '000'B, '001'B, '011'B, '00'O)			
4		(TCV_ch := OC_SubchOfSdcch4(TSPX_SDCCH4SubDef, C_CellA), TCV_sacch := OC_SubchOfSacch4(TSPX_SDCCH4SubDef, C_CellA), TCV_CphKey := OC_CphKeyGen(TSPX_Ki, TSPX_RANDDef))			
5		+PreEnterIdleState_03(C_Immss, TCV_slot, TCV_tsc, 5, 1, 0, TimingAdv_01, '000'B, '001'B, '011'B, '00'O)			
6		+FullRateCh_A_1_nociph(C_Ass, TSPX_TmSlTDef, TSPX_TscDef, ChMod_speech, FreqTCHa_rg, FreqTCHa_rd, TimingAdv_01, '000'B, '001'B, '011'B)			
7		+PreEstRRConn(TCV_slot, TCV_tsc, TimingAdv_01)			
8		(TCV_Null := OM_CphMdChg(TCV_ch, CphMod_01, TCV_CphKey))			
9	body	L!DL_DatRqCphmCmdErr	CphCmd_inv_03(TCV_ch)		1.
10		L?DL_DatInCphmCom	CphCmp_01	(P)	
11		(TCV_AssCmd := AsgnCmd_inv_02('011'B, TSPX_TscDef))			
12		+Adjust_gsmnddcs_powerlv(7, 7, TCV_AssCmd)			
13		+AssCh_complete(TCV_ch, TCV_chTch, TCV_AssCmd)			
14		L!DL_DatRqChRelErr	ChRel_inv_03(TCV_chTch)		3.
15		L?DL_RelIn	DLRelInd_01	P	
Detailed Comments:		1. To send a CIPHERING MODE COMMAND message containing unknown IE. 2. To send an ASSIGNMENT COMMAND message containing unknown IE. 3. To send a CHANNEL RELEASE message containing unknown IE.			

Test Case Dynamic Behaviour

Test Case Name:	TC_26_5_7_1_1
Group:	GSM_L3_MS_v4170/BiBo/
Purpose:	To verify that the MS ignores the value of spare bits in the special case of the spare bits occurring in the P1 Rest Octets IE of a PAGING REQUEST TYPE 1 message. That the spare bits are ignored is checked by addressing the MS in that PAGING REQUEST message and verifying that the MS responds to that paging.
Default:	OtherEventsFail

Nr	Label	Behaviour Description	CRef	V	Comments
1		START T_guard(300)			
2		(TCV_slot := C_S0, TCV_tsc := C_BCC)			
3		+IdleUpdated(C_CellA, C_Immass, TCV_slot, TCV_tsc, TimingAdv_01, '000'B, '001'B, '011'B, '00'O)			
4		(TCV_ch := OC_SubchOfSdcch4(TSPX_SDCCH4SubDef, C_CellA), TCV_sacch := OC_SubchOfSacch4(TSPX_SDCCH4SubDef, C_CellA))			
5		+PreEnterIdleState_03(C_Immass, TCV_slot, TCV_tsc, 5, 1, 0, TimingAdv_01, '000'B, '001'B, '011'B, '00'O)			
6		+CCCH_group_Paging_group(TCV_Ccd0A, TSPX_IMSI)			
7	body	L!DL_UdatRqPg1Rq	PgReq1(TCV_PgCh, TCV_Pgg, PgReqTp1_inv_04)		1.
8		L?DL_RaInChRq (TCV_Rr := DL_RaInChRq.msg.ecau_rrf, TCV_Fn := DL_RaInChRq.fn)	ChReq_01	(P)	
9		L!DL_UdatRqImmassRej	ImmAssRej_01(TCV_agch, TCV_Rr, TCV_Fn)		

Detailed Comments: 1. To send a PAGING REQUEST TYPE1 message containing rest octets which are not all '2B'O.

Test Case Dynamic Behaviour					
Test Case Name:		TC_26_5_7_1_2			
Group:		GSM_L3_MS_v4170/BiBo/			
Purpose:		To verify that the MS in the MM-state "idle, updated" and in RR-idle mode ignores the value of spare bits in the special case where these spare bits are contained in SI3 rest octets IE and SI4 rest octets IE. That the MS ignores the value of the spare bits is checked by changing the LAI in those message and observing the MS initiating a location update though the spare bits do not all have the default value.			
Default:		OtherEventsFail			
Nr	Label	Behaviour Description	CRef	V	Comments
1		START T_guard(300)			
2		(TCV_slot := C_S0, TCV_tsc := C_BCC)			
3		+IdleUpdated(C_CellA, C_Immass, TCV_slot, TCV_tsc, TimingAdv_01, '000'B, '001'B, '011'B, '00'O)			
4		(TCV_ch := OC_SubchOfSdcch4(TSPX_SDCCH4SubDef, C_CellA), TCV_sacch := OC_SubchOfSacch4(TSPX_SDCCH4SubDef, C_CellA))			
5		+PreEnterIdleState_03(C_Immass,TCV_slot, TCV_tsc, 5, 1, 0, TimingAdv_01, '000'B, '001'B, '011'B, '00'O)			
6		+modifysysinfo			
7	body	START T_dly(30000)			
8		L?DL_RaInChRq (TCV_Rr := DL_RaInChRq.msg.ecau_rrf, TCV_Fn := DL_RaInChRq.fn)	ChReq_09	(P)	
9		CANCEL T_dly			
		L!DL_UdatRqImmassRej	ImmAssRej_01(TCV_agch, TCV_Rr,TCV_Fn)		
10		?TIMEOUT T_dly		F	
		modifysysinfo			
11		[TSPC_PGSM OR TSPC_EGSM]			
12		L!DL_UdatRqSysinfo3	SysInfo3_inv_01		1.
13		L!DL_UdatRqSysinfo4	SysInfo4_inv_01		
14		[TSPC_DCS]			
15		L!DL_UdatRqSysinfo3 (DL_UdatRqSysinfo3.msg.csp := CellSelPara_04)	SysInfo3_inv_01		1.
16		L!DL_UdatRqSysinfo4 (DL_UdatRqSysinfo4.msg.csp := CellSelPara_04)	SysInfo4_inv_01		
Detailed Comments:		1. To send modified SYSTEM INFORMATION TYPE 3 and TYPE 4.			

Test Case Dynamic Behaviour					
Test Case Name:		TC_26_5_7_1_3			
Group:		GSM_L3_MS_v4170/BiBo/			
Purpose:		To verify that the MS in the MM-state "idle, updated" and in RR-idle mode ignores the value of spare bits in the special case of the spare bits occurring in the Page Mode IE, the Spare Half Octet IE, the Channel Description IE, the Timing Advance IE, the IA Rest Octet IE, and in the IAR Rest Octet IE.			
Default:		OtherEventsFail			
Nr	Label	Behaviour Description	CRef	V	Comments
1		START T_guard(300)			
2		(TCV_slot := C_S0, TCV_tsc := C_BCC)			
3		+IdleUpdated(C_CellA, C_Immass, TCV_slot, TCV_tsc, TimingAdv_01, '000'B, '001'B, '011'B, '00'O)			
4		(TCV_ch := OC_SubchOfSdcch4(TSPX_SDCCH4SubDef, C_CellA), TCV_sacch := OC_SubchOfSacch4(TSPX_SDCCH4SubDef, C_CellA))			
5		+PreEnterIdleState_03(C_Immass, TCV_slot, TCV_tsc, 5, 1, 0, TimingAdv_01, '000'B, '001'B, '011'B, '00'O)			
6		+CCCH_group_Paging_group(TCV_Ccd0A, TSPX_IMSI)			
7	body	+localtree1			
		localtree1			
8		L!DL_UdatRqPg1Rq	PgReq1(TCV_PgCh, TCV_Pgg, PgReqTp1_01)		
9		L?DL_RaInChRq (TCV_Rr := DL_RaInChRq, msg.ecau_rrf, TCV_Fn := DL_RaInChRq.fn)	ChReq_01		
10		ACTIVATE(OtherEventsFail_02)			To match ChReq retrans.
11		L! DL_UdatRqImmass	ImmAss_inv_04(TCV_agch, TCV_Rr, TCV_Fn, TCV_slot, TCV_tsc, TimingAdv_02)		1.
12		L?DL_EstInPgRes	PgRes_01	(P)	
13		ACTIVATE(OtherEventsFail)			Restore Normal default
14		L!DL_DatRqChRel	ChRel_01(TCV_ch)		
15		L?DL_RelIn	DLRelInd_01	(P)	
16		START T_dly(10000)			
17		?TIMEOUT T_dly			
18		+localtree2			
		localtree2			
19		L!DL_UdatRqPg1Rq	PgReq1(TCV_PgCh, TCV_Pgg, PgReqTp1_01)		
20		L?DL_RaInChRq (TCV_Rr := DL_RaInChRq, msg.ecau_rrf, TCV_Fn := DL_RaInChRq.fn)	ChReq_01		
21		L!DL_UdatRqImmassRej	ImmAssRej_inv_02(TCV_agch, TCV_Rr, TCV_Fn)		2.
22		START T_dly(6000)			
23		?TIMEOUT T_dly			
24		L!DL_UdatRqPg1Rq	PgReq1(TCV_PgCh, TCV_Pgg, PgReqTp1_01)		
25		L?DL_RaInChRq	ChReq_01	P	
Detailed Comments:		1. To send an invalid IMMEDIATE ASSIGNMENT message containing arbitrary spare bits. 2. To send an invalid IMMEDIATE ASSIGNMENT REJECT message containing arbitrary spare bits.			

Test Case Dynamic Behaviour					
Test Case Name:		TC_26_5_7_1_4			
Group:		GSM_L3_MS_v4170/BiBo/			
Purpose:		To verify that the MS in the MM-state "MM-Connection active" and in RR-Connected mode ignores the value of spare bits in the special case of the spare bits occurring in the Cell Channel Description IE and in the Power Command IE.			
Default:		OtherEventsFail			
Nr	Label	Behaviour Description	CRef	V	Comments
1		START T_guard(300)			
2		(TCV_slot := C_S0, TCV_tsc := C_BCC)			
3		+IdleUpdated(C_CellA, C_Immass, TCV_slot, TCV_tsc, TimingAdv_01, '000'B, '001'B, '011'B, '00'O)			
4		(TCV_ch := OC_SubchOfSdcch4(TSPX_SDCCH4SubDef, C_CellA), TCV_sacch := OC_SubchOfSacch4(TSPX_SDCCH4SubDef, C_CellA), TCV_CphKey := OC_CphKeyGen(TSPX_Ki, TSPX_RANDDef))			
5		+PreEnterIdleState_03(C_Immass, TCV_slot, TCV_tsc, 5, 1, 0, TimingAdv_01, '000'B, '001'B, '011'B, '00'O)			
6		+FullRateCh_A_1(C_Ass, TSPX_TmSltDef, TSPX_TscDef, ChMod_speech, FreqTCHa1, FreqTCHa2, TimingAdv_01, '000'B, '001'B, '011'B)			1.
7		+PreEstRRConn(TCV_slot, TCV_tsc, TimingAdv_01)			
8	body	+Ciphering_on(TCV_ch)			
9		L!DL_DatRqSetup	SetupRq_05(TCV_ch, Setup_04)		2.
10		L?DL_DatInCallCo	CallCfm_01		
11		L?DL_DatInAlert	AlertRcv_01		
12		(TCV_Null := OO_HookOff())			
13		+localtree1			
14		L?DL_DatInConn	ConnRcv_01		
15		+localtree1			
		localtree1			
16		+assign			3.
17		+AssCh_complete(TCV_ch, TCV_chTch, TCV_AssCmd)			
18		L!DL_DatRqChRel	ChRel_01(TCV_chTch)		4.
19		+WaitMainLinkDown			
		assign			
20		[TSPC_PGSM OR TSPC_EGSM]			
21		(TCV_AssCmd := AsgnCmd_tchf_fh_03(TSPX_TmSltDef, TSPX_TscDef, CphMod_04iei(TSPX_CphAlgE)))			
22		[TSPC_DCS]			
23		(TCV_AssCmd := AsgnCmd_dtchf_fh_03(TSPX_TmSltDef, TSPX_TscDef, CphMod_04iei(TSPX_CphAlgE)))			
Detailed Comments:		<ol style="list-style-type: none"> 1. To setup a physical channel as hopping traffic channel. 2. To send SETUP message indicating full rate channel and containing signal IE. 3. To send a modified ASSIGNMENT COMMAND containing randomly chosen spare bits. 4. The assignment procedure succeeds. 			

Test Case Dynamic Behaviour

Test Case Name: TC_26_5_7_2
Group: GSM_L3_MS_v4170/BiBo/
Purpose: To verify that the MS in the MM-state "wait net cmd" and in RR-Connected mode ignores the value of spare bits in the special case of the spare bits occurring in the Cipher Key Seq. Number IE or in the Identity Type IE.
Default: OtherEventsFail

Nr	Label	Behaviour Description	CRef	V	Comments
1		START T_guard(300)			
2		(TCV_slot := C_S0, TCV_tsc := C_BCC)			
3		+IdleUpdated(C_CellA, C_Immass, TCV_slot, TCV_tsc, TimingAdv_01, '000'B, '001'B, '011'B, '00'O)			
4		(TCV_ch := OC_SubchOfSdcch4(TSPX_SDCCH4SubDef, C_CellA), TCV_sacch := OC_SubchOfSacch4(TSPX_SDCCH4SubDef, C_CellA))			
5		+PreEnterIdleState_03(C_Immass, TCV_slot, TCV_tsc, 5, 1, 0, TimingAdv_01, '000'B, '001'B, '011'B, '00'O)			
6		+PreEstRRConn(TCV_slot, TCV_tsc, TimingAdv_01)			
7	body	L!DL_DatRqAuthRq	AuthReq_inv_01(TCV_ch)		1.
8		L?DL_DatInAuthRes	AuthRes_01	(P)	
9		LIDL_DatRqIdRq	IDReq_inv_03(TCV_ch)		2.
10		L?DL_DatInIdRes	IDRes_02	(P)	
11		L!DL_DatRqChRel	ChRel_01(TCV_ch)		
12		+WaitMainLinkDown			

Detailed Comments:
 1. To send a modified AUTHENTICATION REQUEST message containing arbitrary spare bits.
 2. To send a modified IDENTITY REQUEST message containing arbitrary spare bits.

Test Case Dynamic Behaviour					
Test Case Name:		TC_26_5_7_3			
Group:		GSM_L3_MS_v4170/BiBo/			
Purpose:		To verify that the MS in the MM-state "connection established" and in RR-Connected mode ignores the value of spare bits in the special case of the spare bits occurring in the Calling party BCD Number IE, Calling Party Subaddress IE, Called Party Subaddress IE, Cause IE and Progress Indicator IE.			
Default:		OtherEventsFail			
Nr	Label	Behaviour Description	CRef	V	Comments
1		START T_guard(300)			
2		(TCV_slot := C_S0, TCV_tsc := C_BCC)			
3		+IdleUpdated(C_CellA, C_Immass, TCV_slot, TCV_tsc, TimingAdv_01, '000'B, '001'B, '011'B, '00'O)			
4		(TCV_ch := OC_SubchOfSdcch4(TSPX_SDCCH4SubDef, C_CellA), TCV_sacch := OC_SubchOfSacch4(TSPX_SDCCH4SubDef, C_CellA), TCV_CphKey := OC_CphKeyGen(TSPX_Ki, TSPX_RANDDef))			
5		+PreEnterIdleState_03(C_Immass, TCV_slot, TCV_tsc, 5, 1, 0, TimingAdv_01, '000'B, '001'B, '011'B, '00'O)			1.
6		+FullRateCh_A_1(C_Ass, TSPX_TmSlitDef, TSPX_TscDef, ChMod_speech, FreqTCHa_rg, FreqTCHa_rd, TimingAdv_01, '000'B, '001'B, '011'B)			
7		+PreEstRRConn(TCV_slot, TCV_tsc, TimingAdv_01)			
8	body	L!DL_DatRqAuthRq	AuthReq_01(TCV_ch)		
9		L?DL_DatInAuthRes	AuthRes_01		
10		+Cipherring_on(TCV_ch)			
11		+localtree			
		localtree			
12		L!DL_DatRqSetup	SetupRq_inv_02(TCV_ch)		1.
13		L?DL_DatInCallCo(TCV_CallCfm := DL_DatInCallCo.msg)	CallCfm(CallConfirm_03)	(P)	
14		L?DL_DatInAlert	AlertRcv_01		
15		(TCV_Null := OO_HookOff())			
16		L?DL_DatInConn	ConnRcv_01		
17		+localtree1			
18		L?DL_DatInConn	ConnRcv_01		
19		+localtree1			
		localtree1			
20		+AssCmdGenMT(C_Full)			
21		+AssCh_complete(TCV_ch, TCV_chTch, TCV_AssCmd)			
22		L!DL_DatRqConnAck	ConnAck_01(TCV_ch Tch)		
23		L!DL_DatRqDisc	Disc_inv_04(TCV_ch Tch)		
24		+CCstatuschk_01(TCV_chTch, C_U12)			2.
25		L!DL_DatRqRel	RelRq_02(TI_02, TCV_chTch)		
26		L?DL_DatInRelCmp	RelCmp_02(TI_01)		
27		+PostMainLinkRel(TCV_chTch)			
Detailed Comments:		1. To send a SETUP message containing arbitrary spare bits. 2. To check whether the MS enters the state U12, if no the test case fails in the test step.			

Test Group RR

Test Case Dynamic Behaviour					
Test Case Name:		TC_26_6_1_1			
Group:		GSM_L3_MS_v4170/RR/			
Purpose:		To verify that the MS can correctly set up a dedicated SDCCH control channel and that the MS can correctly set up a dedicated TCH/FACCH control channel.			
Default:		OtherEventsFail_01			
Nr	Label	Behaviour Description	CRef	V	Comments
1		START T_guard(300)			
2		(TCV_slot := C_S0, TCV_tsc := C_BCC)			
3		+IdleUpdated(C_CellA, C_Immass, TCV_slot, TCV_tsc, TimingAdv_01, '000'B, '001'B, '011'B, '00'O)			
4		+PreEnterIdleState_r01(C_Immass, TCV_slot, TCV_tsc, 5,1,0, TimingAdv_r01, '000'B, '000'B, '011'B, '00'O)			1.
5		+CCCH_group_Paging_group(TCV_Ccd0A, TSPX_IMSI)			
6	body	+testSdcch8			
7		[TSPC_FullRateOnly = TRUE]			
8		+testTchf			
9		[TSPC_DualRate = TRUE]			
10		+testTchh			
11		+testTchf			
		testSdcch8			
12		+SDCCH8_A_1_nociph(TSPX_SDCCH8SubA, C_Immass, TSPX_TmSltDef, TSPX_TscDef, ChMod_sign, FreqTCHa_rg, FreqTCHa_rd, TimingAdv_r01, '000'B, '000'B, '011'B)			2.
13		+channelass(ChDescrp_r01def(TSPX_TmSltDef, TSPX_TscDef), TCV_ch)			3.
14		+PostMainLinkRel(TCV_ch)			
		testTchf			
15		+FullRateCh_A_1_nociph(C_Immass, TSPX_TmSltDef, TSPX_TscDef, ChMod_sign, FreqTCHa_rg, FreqTCHa_rd, TimingAdv_r01, '000'B, '000'B, '011'B)			4.
16		?TIMEOUT T_dly			
17		+channelass(ChDescrp_r02(TSPX_TmSltDef, TSPX_TscDef), TCV_chTch)			5.
18		CANCEL T_dly			
19		+PostMainLinkRel(TCV_chTch)			
		testTchh			
20		+HalfRateCh_A_1_nociph(TSPX_TCHHSubA, C_Immass, TSPX_TmSltDef, TSPX_TscDef, ChMod_sign, FreqTCHa_rg, FreqTCHa_rd, TimingAdv_r01, '000'B, '000'B, '011'B)			6.
21		?TIMEOUT T_dly			
22		+channelass(ChDescrp_r03(TSPX_TCHHSubA, TSPX_TmSltDef, TSPX_TscDef), TCV_chTch)			7.
23		+PostMainLinkRel(TCV_chTch)			
		channelass(chd:CHD; ch: LOGICCH)			
24		L!DL_UdatRqPg1Rq	PgReq1(TCV_PgCh, TCV_Pgg, PgReqTp1_01)		
25		L?DL_RaInChRq(TCV_Rr := DL_RaInChRq, msg.ecau_rrf, TCV_Fn := DL_RaInChRq.fn)	ChReq_01		
26		START T_dly(C_T_Wait)			
26		L!DL_UdatRqImm	ImmAss_r(TCV_agch, chd, TCV_Rr, TCV_Fn, TimingAdv_r01)		
27		L?DL_EstInPgRes	PgRes_02(ch)	(P)	

Detailed Comments:

1. To setup a physical channel as non-combined ccch/sdcch, 5 slots for Tx-int, 1 retransmission
2. To setup a physical channel as SDCCH8.
3. To assign a SDCCH8 channel.
4. To setup a physical channel as full rate traffic channel.
5. To assign a full rate channel.
6. To setup a physical channel as half rate traffic channel.
7. To assign a half rate channel.

Test Case Dynamic Behaviour					
Test Case Name:		TC_26_6_1_2			
Group:		GSM_L3_MS_v4170/RR/			
Purpose:		To verify that the MS goes to the allocated SDCCH/4 and sends a PAGING RESPONSE message containing its identity and its classmark. To verify that the MS goes to the allocated SDCCH/8 and sends a PAGING RESPONSE message containing its identity and its classmark. To verify that the MS can correctly identify its own assignment in either the Request Reference 1 or the Request Reference 2 information element in an extended assignment message. To verify that the MS only reacts to an Immediate Assignment which references one of the last 3 CHANNEL REQUEST messages from the MS.			
Default:		OtherEventsFail			
Nr	Label	Behaviour Description	CRef	V	Comments
1		START T_guard(300)			
2		(TCV_slot := C_S0, TCV_tsc := C_BCC)			
3		+IdleUpdated(C_CellA, C_Immass, TCV_slot, TCV_tsc, TimingAdv_01, '000'B, '001'B, '011'B, '00'O)			
4		(TCV_sacch := OC_SubchOfSacch4(TSPX_SDCCH4SubA, C_CellA), TCV_ch := OC_SubchOfSdcch4(TSPX_SDCCH4SubA, C_CellA))			
5		+PreEnterIdleState_Comb01(C_Immass, TCV_slot, TCV_tsc, 5, 7, 0, TimingAdv_r02, '000'B, '001'B, '011'B, '00'O)			1.
6		+CCCH_group_Paging_group(TCV_Ccd0A, TSPX_IMSI)			
7	body	+firstPart			
8		+secondPart			
9		+PreEnterIdleState_r01(C_Immass, TCV_slot, TCV_tsc, 5, 7, 0, TimingAdv_r02, '000'B, '000'B, '011'B, '00'O)			2.
10		+SDCCH8_A_1_nociph(TSPX_SDCCH8SubC, C_Immass, TSPX_TmSlitDef, TSPX_TscDef, ChMod_sign, FreqTCHa_rg, FreqTCHa_rd, TimingAdv_r02, '000'B, '000'B, '011'B)			
11		+CCCH_group_Paging_group(TCV_Ccd0A, TSPX_IMSI)			
12		START T_dly(40000)			
13		?TIMEOUT T_dly			
14		+thirdPart			
		firstPart			
15		[(TSPX_nPara < 9) AND(TSPX_nPara > 0) AND(TSPX_i1Para >0) AND (TSPX_i1Para <= TSPX_nPara)]			
16		L!DL_UdatRqPg1Rq	PgReq1(TCV_PgCh, TCV_Pgg, PgReqTp1_01)		
17		(TCV_Cnt := 0)			
18		REPEAT localTree UNTIL [TCV_Cnt = TSPX_nPara]			5.
19		(TCV_Rqr := OC_SaveAndRetrv(TCV_Rqr, C_RETRV, TSPX_i1Para, 0), TCV_Rqr9 := OC_SaveAndRetrv(TCV_Rqr, C_RETRV, 10, 1))			6.
20		+gsmOrDcs			7.
21		L?DL_EstInPgRes	PgRes_02(TCV_ch)	(P)	3.
22		+PostMainLinkRel(TCV_ch)			
23		START T_dly(12000)			
24		?TIMEOUT T_dly			
25		[(TSPX_nPara > 8) OR(TSPX_nPara < 1) OR(TSPX_i1Para <1) OR(TSPX_i1Para > TSPX_nPara)]		(I)	
		secondPart			
26		[(TSPX_kPara < 9) AND(TSPX_kPara > 3)]			

27	AND(TSPX_i2Para >0) AND (TSPX_i2Para <= TSPX_kPara) LIDL_UdatRqPg1Rq	PgReq1(TCV_PgCh, TCV_Pgg, PgReqTp1_01)	
28	(TCV_Cnt := 0)		
29	REPEAT localTree UNTIL [TCV_Cnt = TSPX_kPara]		8.
30	(TCV_Rqr := OC_SaveAndRetrv(TCV_Rqr, C_RETRV, TSPX_i2Para, 0), TCV_Rqr9 := OC_SaveAndRetrv(TCV_Rqr, C_RETRV, 11, 1))		9.
31	+gsmOrDcs		10.
32	(TCV_Cnt := 0)		3.
33	[TSPX_kPara = 8]		
34	REPEAT localTree UNTIL [TCV_Cnt = 8 - TSPX_kPara]		11.
35	+ltree_noL2		
36	[TSPX_kPara <> 8]		
37	+ltree_noL2		
38	[(TSPX_kPara > 8) OR(TSPX_kPara < 4) OR(TSPX_i2Para <1) OR(TSPX_i2Para > TSPX_kPara)]	(I)	
	ltree_noL2		
39	START T_dly(3000)		
40	L?OTHERWISE	F	
41	?TIMEOUT T_dly	(P)	
42	START T_dly(7000)		
43	?TIMEOUT T_dly		
	thirdPart		
44	[(TSPX_rPara < 9) AND(TSPX_rPara > 3) AND(TSPX_i3Para >0) AND (TSPX_i3Para <= TSPX_rPara)]		
45	LIDL_UdatRqPg1Rq	PgReq1(TCV_PgCh, TCV_Pgg, PgReqTp1_01)	
46	(TCV_Cnt := 0)		
47	REPEAT localTree UNTIL [TCV_Cnt = TSPX_rPara]		13.
48	(TCV_Rqr := OC_SaveAndRetrv(TCV_Rqr, C_RETRV, TSPX_i3Para, 0), TCV_Rqr9 := OC_SaveAndRetrv(TCV_Rqr, C_RETRV, 12, 1))		14.
49	LIDL_UdatRqImmssx	ImmAssX_r02(TCV_agch, TCV_Rqr9.ra, TCV_Rqr9.fn, TCV_Rqr.ra, TCV_Rqr.fn, TSPX_TmSlDef, TSPX_TscDef, TimingAdv_r02)	4.
50	L?DL_EstInPgRes	PgRes_02(TCV_ch)	(P)
51	+PostMainLinkRel(TCV_ch)		
52	[(TSPX_rPara > 8) OR(TSPX_rPara < 4) OR(TSPX_i3Para <1) OR(TSPX_i3Para > TSPX_rPara)]	(I)	
	localTree		
53	L?DL_RaclnChRq(TCV_Rqr.ra := DL_RaclnChRq.msg.ecau_rrf, TCV_Rqr.fn := DL_RaclnChRq.fn)	ChReq_01	15.
54	(TCV_Cnt := TCV_Cnt +1)		
55	(TCV_Rqr10 := OC_SaveAndRetrv(TCV_Rqr, C_SAVE, TCV_Cnt, 0))		
	gsmOrDcs		
56	[TSPC_PGSM OR TSPC_EGSM]		
57	LIDL_UdatRqImmssx	ImmAssX_r01(TCV_a	

58 59		[TSPC_DCS] L!DL_UdatRqImmassx	gch, TCV_Rqr.ra, TCV_Rqr.fn, TCV_Rqr9.ra, TCV_Rqr9.fn, TCV_slot, TCV_tsc, TimingAdv_r02, TCV_chdescr_arfcn)	
Detailed Comments:			<ol style="list-style-type: none"> 1. To broadcast sys_info messages with default contents for RR tests with exception for Max_Retrans that is set to 7 and also to set up a physical channel as combined CCCH/SDCCH. 2. Non combined CCCH/SDCCH, 5 slots for Tx-int, 7 retransmission. 3. To send immediate Assignment Extended message with Request reference (TCV_Rqr) for MS1, and with request reference (TCV_Rqr9) for MS2. 4. To send immediate Assignment Extended message with Request reference (TCV_Rqr) for MS2, request reference (TCV_Rqr9) for MS1. 5. Reception of the first TSPX_nPara Channel Request messages. 6. To have a request reference pertaining to the TSPX_i1Para_i-th Channel Request where TSPX_i1Para_i-th is within {max(1, TSPX_nPara - 2), TSPX_nPara} 7. To have a request reference different from any request reference the MS has generated. 8. Reception of TSPX_kPara Channel Request messages. TSPX_kPara within the set{4...8}. 9. To have a request reference pertaining to the TSPX_i2Para_i-th Channel Request where TSPX_i2Para_i-th is within {max(1...TSPX_kPara - 3)} 10. To have a request reference different from any request reference the MS has generated. 11. Channel Request 8 - TSPX_kPara Channel Requests are sent. 12. Check that the MS does not transmit any layer 2 frames for at least 3 seconds. 13. Reception of TSPX_rPara Channel Request messages. 14. To have a request reference pertaining to the TSPX_i3Para_i-th Channel Request where TSPX_i3Para_i-th is within {max(TSPX_rPara - 2...TSPX_rPara)}. 15. This local tree is used to collect and store the frame number and the request reference which are included in each ChReq_01 primitive received. 	

Test Case Dynamic Behaviour					
Test Case Name:		TC_26_6_1_3			
Group:		GSM_L3_MS_v4170/RR/			
Purpose:		To verify that the MS can accept an IMMEDIATE ASSIGNMENT REJECT. To verify that the MS can respond to paging after an IMMEDIATE ASSIGNMENT REJECT is received on a different cell.			
Default:		OtherEventsFail_01			
Nr	Label	Behaviour Description	CRef	V	Comments
1		START T_guard(300)			
2		(TCV_slot := C_S0, TCV_tsc := C_BCC)			
3		+IdleUpdated(C_CellA, C_Immass, TCV_slot, TCV_tsc, TimingAdv_01, '000'B, '001'B, '011'B, '00'O)			
4		(TCV_sacch_B := OC_SubchOfSacch4(TSPX_SDCCH4SubDef, C_CellB))			
5		+PreEnterIdleState_Comb01(C_Immass, TCV_slot, TCV_tsc, 5, 7, 0, TimingAdv_r01, '000'B, '001'B, '011'B, '00'O)			1.
6		+StartCellB_2(C_Immass, TCV_slot, TCV_tsc, TimingAdv_r01, 0, '000'B, '001'B, '011'B, '00'O)			2.
7	body	+test1			
8		+ltree_switchcelltoB			
9		+test2			
		test1			
10		[(TSPX_n1Para < 9) AND(TSPX_n1Para > 0) AND(TSPX_i4Para > 0) AND (TSPX_i4Para <= TSPX_n1Para) AND(TSPX_xPara < 256) AND(TSPX_xPara > 4)]			
11		+CCCH_group_Paging_group(TCV_Ccd0A, TSPX_IMSI)			
12		LIDL_UdatRqPg1Rq	PgReq1(TCV_PgCh, TCV_Pgg, PgReqTp1_01)		Cell A
13		(TCV_Cnt := 0)			
14		REPEAT localTree UNTIL [TCV_Cnt = TSPX_n1Para]			
15		(TCV_Rqr := OC_SaveAndRetrv(TCV_Rqr, C_RETRV, TSPX_i4Para, 0), TCV_Rqr9 := OC_SaveAndRetrv(TCV_Rqr, C_RETRV, 10, 1), TCV_Rqr10 := OC_SaveAndRetrv(TCV_Rqr, C_RETRV, 11, 1), TCV_Rqr11 := OC_SaveAndRetrv(TCV_Rqr, C_RETRV, 12, 1))			
16		LIDL_UdatRqImmRej	ImmAssRej_r01(TCV_agch, TCV_Rqr9, TCV_Rqr, TCV_Rqr10, TCV_Rqr11, TSPX_xPara, 0)		
17		+continuePaging((TSPX_xPara + 1) * 1000)			3.
18		(TCV_Rqr9 := OC_SaveAndRetrv(TCV_Rqr, C_RETRV, 10, 1), TCV_Rqr10 := OC_SaveAndRetrv(TCV_Rqr, C_RETRV, 11, 1), TCV_Rqr11 := OC_SaveAndRetrv(TCV_Rqr, C_RETRV, 12, 1))			
19		LIDL_UdatRqImmRej	ImmAssRej_r01(TCV_agch, TCV_Rqr9, TCV_Rqr10, TCV_Rqr, TCV_Rqr11, 0, 255)		
20		[(TSPX_n1Para > 8) OR(TSPX_n1Para < 1) OR(TSPX_i4Para < 1) OR(TSPX_i4Para > TSPX_n1Para) AND(TSPX_xPara > 255) AND(TSPX_xPara < 5)]		(I)	
		test2			
21		START T_dly(12000)			

22		+CCCH_group_Paging_group(TCV_Ccd0B, TSPX_IMSI)			
23		?TIMEOUT T_dly			
24		LIDL_UdatRqPg1Rq	PgReq1(TCV_PgCh, TCV_Pgg, PgReqTp1_01)		Cell B
25		L?DL_RaclnChRq (TCV_Rr := DL_RaclnChRq.msg.ecau_rrf, TCV_Fn := DL_RaclnChRq.fn)	ChReq_15(C_RACH_ B_1)	(P)	5.
26		LIDL_UdatRqImmRej	ImmAssRej_r03(TCV_ _agch, TCV_Rr, TCV_Fn)		
		continuePaging(t:INTEGER)			
27		START T_dly(t)			
28	loop	?TIMEOUT T_dly			No reaction
29		LIDL_UdatRqPg1Rq	PgReq1(TCV_PgCh, TCV_Pgg, PgReqTp1_01)		
30		L?DL_RaclnChRq (TCV_Rqr.ra := DL_RaclnChRq.msg.ecau_rrf, TCV_Rqr.fn := DL_RaclnChRq.fn)	ChReq_15(C_RACH_ A_1)	(P)	4.
31		(TCV_Rqr9 := OC_SaveAndRetrv(TCV_Rqr, C_SAVE,(TCV_Cnt + 1), 0))			
32		LIDL_UdatRqPg1Rq START T_dly1(1177)	PgReq1(TCV_PgCh, TCV_Pgg, PgReqTp1_01)		Every 5 multiframes
33		L?DL_RaclnChRq (TCV_Rqr.ra := DL_RaclnChRq.msg.ecau_rrf, TCV_Rqr.fn := DL_RaclnChRq.fn) READTIMER T_dly(TCV_Time), CANCEL T_dly1, CANCEL T_dly	ChReq_15(C_RACH_ A_1)		Received at least one channel request within x+1s.
34		(TCV_Rqr9 := OC_SaveAndRetrv(TCV_Rqr, C_SAVE,(TCV_Cnt + 1), 0))			
35		[(TCV_Time <= (TSPX_xPara * 1000)) AND(TCV_Time > 0)]		(F)	received within 1s.
36		[(TCV_Time > (TSPX_xPara * 1000)) OR (TCV_Time = 0)]		(P)	received btw x, x+1 s.
37		?TIMEOUT T_dly1			
38		GOTO loop			
		localTree			
39		L?DL_RaclnChRq (TCV_Rqr.ra := DL_RaclnChRq. msg.ecau_rrf, TCV_Rqr.fn := DL_RaclnChRq.fn)	ChReq_15(C_RACH_ A_1)	(P)	
40		(TCV_Cnt := TCV_Cnt + 1)			
41		(TCV_Rqr9 := OC_SaveAndRetrv(TCV_Rqr, C_SAVE, TCV_Cnt, 0))			
		ltree_switchcelltoB			
42		+Varinit_fixB			
43		+LowRfLev_Cellnotavail(C_CellA)			
Detailed Comments:		<ol style="list-style-type: none"> 1. To setup a physical channel as combined CCCH/SDCCH, 5 for Tx-int, 7 retransmission used as cell A. 2. To setup a physical channel as combined ccch/sdcch4 used as cell B. The location area code is the same as cell A. 3. To send PAGING REQUEST message every 5 multiframes of the mobile station's paging subgroup for x+1 seconds. 4. The MS responds the paging after x+1 s. expires, pass. 5. The MS responds the paging in cell B, pass. 			

Test Case Dynamic Behaviour					
Test Case Name:		TC_26_6_1_4			
Group:		GSM_L3_MS_v4170/RR/			
Purpose:		To verify that the MS ignores an assignment for another MS while it is waiting for an assignment of its own.			
Default:		OtherEventsFail			
Nr	Label	Behaviour Description	CRef	V	Comments
1		START T_guard(300)			
2		(TCV_slot := C_S0, TCV_tsc := C_BCC)			
3		+IdleUpdated(C_CellA, C_Immass, TCV_slot, TCV_tsc, TimingAdv_01, '000'B, '001'B, '011'B, '00'O)			
4		(TCV_ch := OC_SubchOfSdcch4(TSPX_SDCCH4SubDef, C_CellA), TCV_sacch := OC_SubchOfSacch4(TSPX_SDCCH4SubDef, C_CellA))			
5		+PreEnterIdleState_Comb01(C_Immass, TCV_slot, TCV_tsc, 5, 1,0, TimingAdv_r01, '000'B, '001'B, '011'B, '00'O)			1.
6		+CCCH_group_Paging_group(TCV_Ccd0A, TSPX_IMSI)			
7	body	LIDL_UdatRqPg1Rq	PgReq1(TCV_PgCh, TCV_Pgg, PgReqTp1_01)		
8		L?DL_RaInChRq (TCV_Rr := DL_RaInChRq.msg.ecau_rrf, TCV_Fn := OC_FnInc(DL_RaInChRq.fn, 2))	ChReq_01		2.
9		+gsmOrDcs			
10		START T_dly(2000)			
11		?TIMEOUT T_dly			
12		L?DL_RaInChRq (TCV_Rr := DL_RaInChRq.msg.ecau_rrf, TCV_Fn := DL_RaInChRq.fn)	ChReq_01	(P)	
13		LIDL_UdatRqImmassRej	ImmAssRej_r02(TCV_agch, TCV_Rr, TCV_Fn)		
14		+localtree1			
15		L?DL_RaInChRq (TCV_Rr := DL_RaInChRq.msg.ecau_rrf, TCV_Fn := DL_RaInChRq.fn)	ChReq_01	(P)	
16		LIDL_UdatRqImmassRej	ImmAssRej_r02(TCV_agch, TCV_Rr, TCV_Fn)		
17		?TIMEOUT T_dly			
18		+localtree1			
localtree1					
19		START T_dly(6000)			
20		?TIMEOUT T_dly			
21		LIDL_UdatRqPg1Rq	PgReq1(TCV_PgCh, TCV_Pgg, PgReqTp1_01)		
22		L?DL_RaInChRq (TCV_Rr := OC_BinAdd(DL_RaInChRq.msg.ecau_rrf, '00000010'B), TCV_Fn := DL_RaInChRq.fn)	ChReq_01		3.
23		+gsmOrDcs			
24		START T_dly(2000)			
25		?TIMEOUT T_dly			
26		L?DL_RaInChRq (TCV_Rr := DL_RaInChRq.msg.ecau_rrf, TCV_Fn := DL_RaInChRq.fn)	ChReq_01		
27		LIDL_UdatRqImmassRej	ImmAssRej_r02(TCV_agch, TCV_Rr, TCV_Fn)	P	
28		L?DL_RaInChRq (TCV_Rr := DL_RaInChRq.msg.ecau_rrf, TCV_Fn := DL_RaInChRq.fn)	ChReq_01		
29		LIDL_UdatRqImmassRej	ImmAssRej_r02(TCV_agch, TCV_Rr,	(P)	

30		?TIMEOUT T_dly	TCV_Fn)	
31	gsmOrDcs L!DL_UdatRqImmss		ImmAss_r10(TCV_ag ch, TCV_Rr, TCV_Fn, TSPX_SDCCH4SubB , TCV_slot, TCV_tsc, TimingAdv_r01, TCV_chdescr_arfcn)	
Detailed Comments:		1. To setup a physical channel as combined bcch/sdcch, default parameters for cell A. 2. making a frame number is of 2 higher. 3. Making a wrong request reference.		

Test Case Dynamic Behaviour					
Test Case Name:		TC_26_6_1_5			
Group:		GSM_L3_MS_v4170/RR/			
Purpose:		To verify that the MS correctly responds to an IMMEDIATE ASSIGNMENT message sent after an IMMEDIATE ASSIGNMENT REJECT message.			
Default:		OtherEventsFail_01			
Nr	Label	Behaviour Description	CRef	V	Comments
1		START T_guard(300)			
2		(TCV_slot := C_S0, TCV_tsc := C_BCC)			
3		+IdleUpdated(C_CellA, C_Immass, TCV_slot, TCV_tsc, TimingAdv_01, '000'B, '001'B, '011'B, '00'O)			
4		+PreEnterIdleState_r01(C_Immass, TCV_slot, TCV_tsc, 7,7,0, TimingAdv_r01, '000'B, '000'B, '011'B, '00'O)			1.
5		+SDCCH8_A_1_nociph(TSPX_SDCCH8SubDef, C_Immass, TSPX_TmSltDef, TSPX_TscDef, ChMod_sign, FreqTCHa_rg, FreqTCHa_rd, TimingAdv_r01, '000'B, '000'B, '011'B)			2.
6		+CCCH_group_Paging_group(TCV_Ccd0A, TSPX_IMSI)			
7	body	L!DL_UdatRqPg1Rq	PgReq1(TCV_PgCh, TCV_Pgg, PgReqTp1_01)		
8		L?DL_RaInChRq (TCV_Rr := DL_RaInChRq.msg.ecau_rrf, TCV_Fn := DL_RaInChRq.fn)	ChReq_01		
9		L?DL_RaInChRq (TCV_Rr1 := DL_RaInChRq.msg.ecau_rrf, TCV_Fn1 := DL_RaInChRq.fn)	ChReq_01		
10		L?DL_RaInChRq	ChReq_01		
11		L!DL_UdatRqImmassRej	ImmAssRej_05(TCV_agch, TCV_Rr, TCV_Fn)		
12		START T_dly1(OC_Random(750, 1250))			
13		?TIMEOUT T_dly1			
14		+gsmOrDcs			
15		L?DL_EstInPgRes	PgRes_02(TCV_ch)	(P)	3.
16		+PostMainLinkRel(TCV_ch)			
17		gsmOrDcs [TSPC_PGSM OR TSPC_EGSM]			
18		L!DL_UdatRqImmass	ImmAss_r02(TCV_agch, TCV_Rr, TCV_Fn, TSPX_SDCCH8SubD, TSPX_TmSltDef, TSPX_TscDef, TimingAdv_r01)		
19		[TSPC_DCS]			
20		L!DL_UdatRqImmass	ImmAss_r02d(TCV_agch, TCV_Rr, TCV_Fn, TSPX_SDCCH8SubD, TSPX_TmSltDef, TSPX_TscDef, TimingAdv_r01)		
Detailed Comments:		1. To setup a physical channel as non-combined CCCH/SDCCH, Tx-int= 7 , retransmission = 7. 2. To setup a physical channel as SDCCH8. 3. The expected PAGING RESPONSE received on the correct channel (TSPX_SDCCH8SubD)			

Test Case Dynamic Behaviour					
Test Case Name:		TC_26_6_2_1_1			
Group:		GSM_L3_MS_v4170/RR/			
Purpose:		To test that the MS is able to determine its CCCH group and paging group correctly and that the MS responds correctly to various PAGING REQUEST TYPE 1 messages when the page mode is set to normal paging. All valid ways of addressing the MS are tested. It is tested that the MS responds with the same type of identity that is used in the PAGING REQUEST TYPE 1 message. It is tested that the MS ignores fill paging.			
Default:		OtherEventsFail_01			
Nr	Label	Behaviour Description	CRef	V	Comments
1		START T_guard(300)			
2		(TCV_slot := C_S0, TCV_tsc := C_BCC)			
3		+IdleUpdated(C_CellA, C_Immass, TCV_slot, TCV_tsc, TimingAdv_01, '000'B, '001'B, '011'B, '00'O)			
4		(TCV_ch := OC_SubchOfSdcch4(TSPX_SDCCH4SubC, C_CellA), TCV_sacch := OC_SubchOfSacch4(TSPX_SDCCH4SubC, C_CellA))			
5		+PreEnterIdleState_r02(C_Immass, TCV_slot, TCV_tsc, 5, 2, C_S2, C_S4, C_S6, TimingAdv_r01, 0, INT_TO_BIT(TSPX_AGBLKS1, 3), TSPX_CcchConf1, INT_TO_BIT((TSPX_PAMFRMS1-2), 3), '00'O)			
6		+local_tree			
7		+CCCH_group_Paging_group(TCV_Ccd0A, TSPX_IMSI)			
8	body	+test1			
9		START T_dly(12000)			
10		?TIMEOUT T_dly			
11		+test2			
12		START T_dly(12000)			
13		?TIMEOUT T_dly			
14		+test3			
15		START T_dly(12000)			
16		?TIMEOUT T_dly			
17		+test4			
18		START T_dly(12000)			
19		?TIMEOUT T_dly			
20		+test5			
21		test1 L!DL_UdatRqPg1Rq	PgReq1(TCV_PgCh, TCV_Pgg, PgReqTp1_05)		1.
22		L?DL_RaInChRq	ChReq_01		
23		L?DL_RaInChRq (TCV_Rr := DL_RaInChRq.msg.ecau_rrf, TCV_Fn := DL_RaInChRq.fn)	ChReq_01		
24		+gsmOrDcs			
25		L?DL_EstInPgRes	PgRes_r05	(P)	
26		+PostMainLinkRel(TCV_ch)			
27		test2 L!DL_UdatRqPg1Rq	PgReq1(TCV_PgCh, TCV_Pgg, PgReqTp1_r01)		2.
28		L?DL_RaInChRq	ChReq_01		
29		L?DL_RaInChRq (TCV_Rr := DL_RaInChRq.msg.ecau_rrf, TCV_Fn := DL_RaInChRq.fn)	ChReq_01		
30		+gsmOrDcs			
31		L?DL_EstInPgRes	PgRes_r04	(P)	
32		+PostMainLinkRel(TCV_ch)			
33		test3 L!DL_UdatRqPg1Rq	PgReq1(TCV_PgCh,		3.

34	L?DL_RaInChRq	TCV_Pgg, PgReqTp1_r02)		
35	L?DL_RaInChRq (TCV_Rr := DL_RaInChRq. msg.ecau_rrf, TCV_Fn := DL_RaInChRq.fn)	ChReq_01 ChReq_01		
36	+gsmOrDcs			
37	L?DL_EstInPgRes	PgRes_r05	(P)	
38	+PostMainLinkRel(TCV_ch)			
test4				
39	L!DL_UdatRqPg1Rq	PgReq1(TCV_PgCh, TCV_Pgg, PgReqTp1_r03)		4.
40	L?DL_RaInChRq	ChReq_01		
41	L?DL_RaInChRq (TCV_Rr := DL_RaInChRq. msg.ecau_rrf, TCV_Fn := DL_RaInChRq.fn)	ChReq_01		
42	+gsmOrDcs			
43	L?DL_EstInPgRes	PgRes_r04	(P)	
44	+PostMainLinkRel(TCV_ch)			
test5				
45	L!DL_UdatRqPg1Rq	PgReq1(TCV_PgCh, TCV_Pgg, PgReqTp1_r04)		5.
46	START T_dly(1000)			
47	?TIMEOUT T_dly		P	
48	L?OTHERWISE		F	6.
gsmOrDcs				
49	[TSPX_CcchConf1='000'B]			
50	+gsmOrDcs2			
51	[TSPX_CcchConf1='001'B]			
52	+gsmOrDcs1			
53	[TSPX_CcchConf1='??1'B]			
54	+gsmOrDcs2			
gsmOrDcs1				
55	L!DL_UdatRqImm	ImmAss_r10(TCV_ag ch, TCV_Rr, TCV_Fn, TSPX_SDCCH4SubC , TCV_slot, TCV_tsc, TimingAdv_r01, TCV_chdescr_arfcn)		
gsmOrDcs2				
56	[TSPC_PGSM OR TSPC_EGSM]			
57	L!DL_UdatRqImm	ImmAss_r02(TCV_ag ch, TCV_Rr, TCV_Fn, TSPX_SDCCH8SubD ef, TSPX_TmSltDef, TSPX_TscDef, TimingAdv_r01)		
58	[TSPC_DCS]			
59	L!DL_UdatRqImm	ImmAss_r02d(TCV_a gch, TCV_Rr, TCV_Fn, TSPX_SDCCH8SubD ef, TSPX_TmSltDef, TSPX_TscDef, TimingAdv_r01)		
local_tree				
60	[TSPX_CcchConf1 = '001'B]			
61	[TSPX_CcchConf1 <> '001'B]			
62	+SDCCH8_A_1_nociph(TSPX_SDCCH8SubDef, C_Imm, TSPX_TmSltDef, TSPX_TscDef, ChMod_sign, FreqTCHa_rg, FreqTCHa_rd, TimingAdv_r01, INT_TO_BIT(TSPX_AGBLKS1, 3), TSPX_CcchConf1, INT_TO_BIT((

TSPX_PAMFRMS1-2), 3))

Detailed Comments:

1. Within the paging request message, the 1st MI contains IMSI of the MS, the 2nd is absent.
2. Within the paging request message, the 1st MI contains TMSI of the MS, the 2nd has the IMSI of an another MS.
3. Within the paging request message, the 1st MI contains TMSI of an another MS, the 2nd has the IMSI of the MS.
4. Within the paging request message, the 1st MI contains TMSI of an another MS, the 2nd has the TMSI of the MS.
5. Within the paging request message, the 1st MI contains TMSI of the MS together with type of no identity, the 2nd is absent .
6. If received any L3 frame FAIL.

Test Case Dynamic Behaviour					
Test Case Name:		TC_26_6_2_1_2			
Group:		GSM_L3_MS_v4170/RR/			
Purpose:		To test that the MS is able to determine its CCCH group and paging group correctly and that the MS responds correctly to various PAGING REQUEST TYPE 2 messages when the page mode is set to normal paging. All valid ways of addressing the MS are tested. It is tested that the MS responds with the same type of identity that is used in the PAGING REQUEST TYPE 2 message. It is tested that the MS ignores a PAGING REQUEST TYPE 2 message that does not address it.			
Default:		OtherEventsFail_01			
Comments:		The configuration is Max-Retrans = 2, combined CCCH/BCCH, BS-AG-BLKS-RES = 2, and BS-PAMFRMS = 3.			
Nr	Label	Behaviour Description	CRef	V	Comments
1		START T_guard(300)			
2		(TCV_slot := C_S0, TCV_tsc := C_BCC)			
3		+IdleUpdated(C_CellA, C_Immass, TCV_slot, TCV_tsc, TimingAdv_01, '000'B, '001'B, '011'B, '00'O)			
4		(TCV_ch := OC_SubchOfSdcch4(TSPX_SDCCH4SubB, C_CellA), TCV_sacch := OC_SubchOfSacch4(TSPX_SDCCH4SubB, C_CellA))			
5		+PreEnterIdleState_r02(C_Immass, TCV_slot, TCV_tsc, 5, 2, C_S2, C_S4, C_S6, TimingAdv_r01, 0, INT_TO_BIT(TSPX_AGBLKS2, 3), TSPX_CcchConf2, INT_TO_BIT((TSPX_PAMFRMS2-2), 3), '00'O)			
6		+local_tree			
7		+CCCH_group_Paging_group(TCV_Ccd0A, TSPX_IMSI)			
8	body	+test1			
9		+test2			
10		+test3			
11		+test4			
12		+test5			
		test1			
13		L!DL_UdatRqPg2Rq	PgReq2(TCV_PgCh, TCV_Pgg, PgReqTp2_r01)		1.
14		L?DL_RacInChRq	ChReq_01		
15		L?DL_RacInChRq (TCV_Rr := DL_RacInChRq.msg.ecau_rrf, TCV_Fn := DL_RacInChRq.fn)	ChReq_01		
16		+localtree			
17		L?DL_EstInPgRes	PgRes_r04	(P)	
18		+PostMainLinkRel(TCV_ch)			
		test2			
19		START T_dly(12000)			
20		?TIMEOUT T_dly			
21		L!DL_UdatRqPg2Rq	PgReq2(TCV_PgCh, TCV_Pgg, PgReqTp2_r02)		2.
22		L?DL_RacInChRq	ChReq_01		
23		L?DL_RacInChRq (TCV_Rr := DL_RacInChRq.msg.ecau_rrf, TCV_Fn := DL_RacInChRq.fn)	ChReq_01		
24		+localtree			
25		L?DL_EstInPgRes	PgRes_r04	(P)	
26		+PostMainLinkRel(TCV_ch)			
		test3			
27		START T_dly(12000)			
28		?TIMEOUT T_dly			
29		L!DL_UdatRqPg2Rq	PgReq2(TCV_PgCh, TCV_Pgg, PgReqTp2_r03)		3.

30	L?DL_RaInChRq	ChReq_01	
31	L?DL_RaInChRq (TCV_Rr := DL_RaInChRq.msg.ecau_rrf, TCV_Fn := DL_RaInChRq.fn)	ChReq_01	
32	+localtree		
33	L?DL_EstInPgRes	PgRes_r04	(P)
34	+PostMainLinkRel(TCV_ch)		
	test4		
35	START T_dly(12000)		
36	?TIMEOUT T_dly		
37	LIDL_UdatRqPg2Rq	PgReq2(TCV_PgCh, TCV_Pgg, PgReqTp2_r04)	4.
38	L?DL_RaInChRq	ChReq_01	
39	L?DL_RaInChRq (TCV_Rr := DL_RaInChRq.msg.ecau_rrf, TCV_Fn := DL_RaInChRq.fn)	ChReq_01	
40	+localtree		
41	L?DL_EstInPgRes	PgRes_r05	(P)
42	+PostMainLinkRel(TCV_ch)		
	test5		
43	START T_dly(12000)		
44	?TIMEOUT T_dly		
45	LIDL_UdatRqPg2Rq	PgReq2(TCV_PgCh, TCV_Pgg, PgReqTp2_r05)	5.
46	START T_dly(1000)		
47	?TIMEOUT T_dly		P
48	L?OTHERWISE		F 6.
	localtree		
49	[TSPX_CcchConf2='000'B]		
50	+gsmOrDcs2		
51	[TSPX_CcchConf2='001'B]		
52	+gsmOrDcs1		
53	[TSPX_CcchConf2='??1'B]		
54	+gsmOrDcs2		
	gsmOrDcs1		
55	L!DL_UdatRqImm	ImmAss_r10(TCV_ag ch, TCV_Rr, TCV_Fn, TSPX_SDCCH4SubB , TCV_slot, TCV_tsc, TimingAdv_r01, TCV_chdescr_arfcn)	
	gsmOrDcs2		
56	[TSPC_PGSM OR TSPC_EGSM]		
57	L!DL_UdatRqImm	ImmAss_r02(TCV_ag ch, TCV_Rr, TCV_Fn, TSPX_SDCCH8SubD ef, TSPX_TmSlitDef, TSPX_TscDef, TimingAdv_r01)	
58	[TSPC_DCS]		
59	L!DL_UdatRqImm	ImmAss_r02d(TCV_a gch, TCV_Rr, TCV_Fn, TSPX_SDCCH8SubD ef, TSPX_TmSlitDef, TSPX_TscDef, TimingAdv_r01)	
	local_tree		
60	[TSPX_CcchConf2 = '001'B]		
61	[TSPX_CcchConf2 <> '001'B]		
62	+SDCCH8_A_1_nociph(TSPX_SDCCH8SubDef,		

	C_Immass, TSPX_TmSlitDef, TSPX_TscDef, ChMod_sign, FreqTCHa_rg, FreqTCHa_rd, TimingAdv_r01, INT_TO_BIT(TSPX_AGBLKS2, 3), TSPX_CcchConf2, INT_TO_BIT((TSPX_PAMFRMS2-2), 3))			
<p>Detailed Comments:</p> <ol style="list-style-type: none"> 1. Within the paging request message, the 1st MI contains TMSI of the IUT, the 2nd has the TMSI of an another MS, the 3rd is absent. 2. Within the paging request message, the 1st MI contains TMSI of an another MS, the 2nd has the TMSI of the IUT, the 3rd is absent. 3. Within the paging request message, the 1st and 2nd MI contain TMSI of an another MS, the 3rd has the TMSI of the IUT. 4. Within the paging request message, the 1st and 2nd MI contain TMSI of an another MS, the 3rd has the IMSI of the IUT. 5. Within the paging request message, the 1st and 2nd MI contain TMSI of an another MS, the 3rd has the TMSI of the IUT but with the type of no identity. 6. If received any L3 frame FAIL. 				

Test Case Dynamic Behaviour					
Test Case Name:		TC_26_6_2_1_3			
Group:		GSM_L3_MS_v4170/RR/			
Purpose:		To test that the MS is able to determine its CCCH group and paging group correctly and that the MS responds correctly to various PAGING REQUEST TYPE 3 messages when the page mode is set to normal paging. All valid ways of addressing the MS are tested.			
Default:		OtherEventsFail_01			
Comments:		The configuration is Max-Retrans = 2, 2 non-combined CCCH/BCCH, BS-AG-BLKS-RES = 5, and BS-PA-MFRMS = 6.			
Nr	Label	Behaviour Description	CRef	V	Comments
1		START T_guard(300)			
2		(TCV_slot := C_S0, TCV_tsc := C_BCC)			
3		+IdleUpdated(C_CellA, C_Immass, TCV_slot, TCV_tsc, TimingAdv_01, '000'B, '001'B, '011'B, '00'O)			
4		(TCV_ch := OC_SubchOfSdcch4(TSPX_SDCCH4SubB, C_CellA), TCV_sacch := OC_SubchOfSacch4(TSPX_SDCCH4SubB, C_CellA))			
5		+PreEnterIdleState_r02(C_Immass, TCV_slot, TCV_tsc, 5, 2, C_S2, C_S4, C_S6, TimingAdv_r01, 0, INT_TO_BIT(TSPX_AGBLKS3, 3), TSPX_CcchConf3, INT_TO_BIT((TSPX_PAMFRMS3-2), 3), '00'O)		1.	
6		+local_tree			
7		+CCCH_group_Paging_group(TCV_Ccd0A, TSPX_IMSI)			
8		+SelectPagingCh(C_CellA)			
9	body	+test1			
10		+test2			
11		+test3			
12		+test4			
		test1			
13		L!DL_UdatRqPg3Rq	PgReq3(TCV_PgCh, TCV_Pgg, PgReqTp3_r01)		2.
14		L?DL_RaInChRq	ChReq_01		
15		L?DL_RaInChRq (TCV_Rr := DL_RaInChRq.msg.ecau_rrf, TCV_Fn := DL_RaInChRq.fn)	ChReq_01		
16		+gsmOrDcs			
17		L?DL_EstInPgRes	PgRes_r04	(P)	
18		+PostMainLinkRel(TCV_ch)			
		test2			
19		START T_dly(12000)			
20		?TIMEOUT T_dly			
21		L!DL_UdatRqPg3Rq	PgReq3(TCV_PgCh, TCV_Pgg, PgReqTp3_r02)		3.
22		L?DL_RaInChRq	ChReq_01		
23		L?DL_RaInChRq (TCV_Rr := DL_RaInChRq.msg.ecau_rrf, TCV_Fn := DL_RaInChRq.fn)	ChReq_01		
24		+gsmOrDcs			
25		L?DL_EstInPgRes	PgRes_r04	(P)	
26		+PostMainLinkRel(TCV_ch)			
		test3			
27		START T_dly(12000)			
28		?TIMEOUT T_dly			
29		L!DL_UdatRqPg3Rq	PgReq3(TCV_PgCh, TCV_Pgg, PgReqTp3_r03)		4.
30		L?DL_RaInChRq	ChReq_01		
31		L?DL_RaInChRq (TCV_Rr := DL_RaInChRq.msg.ecau_rrf, TCV_Fn :=	ChReq_01		

32	DL_RaInChRq.fn)		
33	+gsmOrDcs		
33	L?DL_EstInPgRes	PgRes_r04	(P)
34	+PostMainLinkRel(TCV_ch)		
	test4		
35	START T_dly(12000)		
36	?TIMEOUT T_dly		
37	LIDL_UdatRqPg3Rq	PgReq3(TCV_PgCh, TCV_Pgg, PgReqTp3_r04)	5.
38	L?DL_RaInChRq	ChReq_01	
39	L?DL_RaInChRq (TCV_Rr := DL_RaInChRq.msg.ecau_rrf, TCV_Fn := DL_RaInChRq.fn)	ChReq_01	
40	+gsmOrDcs		
41	L?DL_EstInPgRes	PgRes_r04	(P)
42	+PostMainLinkRel(TCV_ch)		
	gsmOrDcs		
43	[TSPX_CcchConf3='000'B]		
44	+gsmOrDcs2		
45	[TSPX_CcchConf3='001'B]		
46	+gsmOrDcs1		
47	[TSPX_CcchConf3='??1'B]		
48	+gsmOrDcs2		
	gsmOrDcs1		
49	LIDL_UdatRqImm	ImmAss_r10(TCV_ag ch, TCV_Rr, TCV_Fn, TSPX_SDCCH4SubB , TCV_slot, TCV_tsc, TimingAdv_r01, TCV_chdescr_arfcn)	
	gsmOrDcs2		
50	[TSPC_PGSM OR TSPC_EGSM]		
51	LIDL_UdatRqImm	ImmAss_r02(TCV_agch, TCV_Rr, TCV_Fn, TSPX_SDCCH8SubE , TSPX_TmSlDef, TSPX_TscDef, TimingAdv_r01)	
52	[TSPC_DCS]		
53	LIDL_UdatRqImm	ImmAss_r02d(TCV_agch, TCV_Rr, TCV_Fn, TSPX_SDCCH8SubE , TSPX_TmSlDef, TSPX_TscDef, TimingAdv_r01)	
	local_tree		
54	[TSPX_CcchConf3 = '001'B]		
55	[TSPX_CcchConf3 <> '001'B]		
56	+SDCCH8_A_1_nociph(TSPX_SDCCH8SubE, C_Imm, TSPX_TmSlDef, TSPX_TscDef, ChMod_sign, FreqTCHa_rg, FreqTCHa_rd, TimingAdv_r01, INT_TO_BIT(TSPX_AGBLKS3, 3), TSPX_CcchConf3, INT_TO_BIT((TSPX_PAMFRMS3-2), 3))		
Detailed Comments:		<ol style="list-style-type: none"> 1. To setup three physical channels two as BCCH/CCCH's and one as SDCCH8 channel. 2. Within the paging request message, the 1st MI contains TMSI of the IUT, the 2nd, 3rd and 4th have the TMSIs of another MSs. 3. Within the paging request message, the 2nd MI contains TMSI of the IUT, the 1st, 3rd and 4th have the TMSIs of another MSs. 4. Within the paging request message, the 3rd MI contains TMSI of the IUT, the 1st, 2nd and 4th have the TMSIs of another MSs. 	

5. Within the paging request message, the 4th MI contains TMSI of the IUT, the 1st, 2nd and 3rd have the TMSIs of another MSs.

Test Case Dynamic Behaviour					
Test Case Name:		TC_26_6_2_2			
Group:		GSM_L3_MS_v4170/RR/			
Purpose:		To test that the MS is operating in the extended page mode when this is ordered by the SS in either a PAGING REQUEST message or an IMMEDIATE ASSIGNMENT message.			
Default:		OtherEventsFail			
Comments:		The configuration is Max-Retrans = 2, 1 non-combined CCCH/BCCH, BS-AG-BLKS-RES = 7, and BS-PA-MFRMS = 9.			
Nr	Label	Behaviour Description	CRef	V	Comments
1		START T_guard(300)			
2		(TCV_slot := C_S0, TCV_tsc := C_BCC)			
3		+IdleUpdated(C_CellA, C_Immass, TCV_slot, TCV_tsc, TimingAdv_01, '000'B, '001'B, '011'B, '00'O)			
4		(TCV_ch := OC_SubchOfSdcch4(TSPX_SDCCH4SubB, C_CellA), TCV_sacch := OC_SubchOfSacch4(TSPX_SDCCH4SubB, C_CellA))			
5		+PreEnterIdleState_r02(C_Immass, TCV_slot, TCV_tsc, 5, 2, C_S2, C_S4, C_S6, TimingAdv_r01, 0, INT_TO_BIT(TSPX_AGBLKS3, 3), TSPX_CcchConf3, INT_TO_BIT(TSPX_PAMFRMS3-2, 3), '00'O)			1.
6		+local_tree			
7		+CCCH_group_Paging_group(TCV_Ccd0A, TSPX_IMSI)			
8		+SelectPagingCh(C_CellA)			
9	body	+test1			
10		+test2			
11		+test3			
12		+test4			
13		+test5			
		test1			
14		(TCV_Null := OM_2Msgs(TCV_PgCh, TCV_Pgg, C_NxtButOne))			
15		LIDL_UdatRqPg1Rq	PgReq1(TCV_PgCh, TCV_Pgg, PgReqTp1_06)		
16		LIDL_UdatRqPg1Rq	PgReq1(TCV_PgCh, TCV_Pgg, PgReqTp1_01)		2.
17		L?DL_RaInChRq (TCV_Rqr.ra := DL_RaInChRq.msg.ecau_rrf, TCV_Rqr.fn := DL_RaInChRq.fn, TCV_Rqr9 := OC_SaveAndRetrv(TCV_Rqr, C_SAVE, 1, 0))	ChReq_02		
18		L?DL_RaInChRq (TCV_Rqr.ra := DL_RaInChRq.msg.ecau_rrf, TCV_Rqr.fn := DL_RaInChRq.fn, TCV_Rqr9 := OC_SaveAndRetrv(TCV_Rqr, C_SAVE, 2, 0))	ChReq_02	(P)	
19		LIDL_UdatRqImmassRej	ImmAssRej_03(TCV_agch, TCV_Rqr.ra, TCV_Rqr.fn)		3.
		test2			
20		START T_dly(C_T_Wait)			
21		?TIMEOUT T_dly			
22		(TCV_Null := OM_2Msgs(TCV_PgCh, TCV_Pgg, C_NxtButOne), TCV_Rqr9 := OC_SaveAndRetrv(TCV_Rqr, C_RETRV, 10, 1))			
23		+gsmOrDcs			4.
24		LIDL_UdatRqPg2Rq	PgReq2(TCV_PgCh, TCV_Pgg, PgReqTp2_04)		5.
25		L?DL_RaInChRq (TCV_Rqr.ra := DL_RaInChRq.msg.ecau_rrf, TCV_Rqr.fn := DL_RaInChRq.fn, TCV_Rqr9 := OC_SaveAndRetrv(TCV_Rqr, C_SAVE, 3,	ChReq_02		

26	0) L?DL_RaInChRq (TCV_Rqr.ra := DL_RaInChRq.msg.ecau_rrf, TCV_Rqr.fn := DL_RaInChRq.fn, TCV_Rqr9 := OC_SaveAndRetrv(TCV_Rqr, C_SAVE, 4, 0))	ChReq_02	(P)	
27	LIDL_UdatRqImmRej	ImmAssRej_03(TCV_ agch, TCV_Rqr.ra, TCV_Rqr.fn)		3.
28	test3 START T_dly(C_T_Wait)			
29	?TIMEOUT T_dly			
30	(TCV_Null := OM_2Msgs(TCV_PgCh, TCV_Pgg, C_NxtButOne), TCV_Rqr9 := OC_SaveAndRetrv(TCV_Rqr, C_RETRV, 11, 1))			
31	+gsmOrDcs3			6.
32	LIDL_UdatRqPg3Rq	PgReq3(TCV_PgCh, TCV_Pgg, PgReqTp3_r05)		7.
33	L?DL_RaInChRq	ChReq_02		
34	L?DL_RaInChRq (TCV_Rqr.ra := DL_RaInChRq.msg.ecau_rrf, TCV_Rqr.fn := DL_RaInChRq.fn)	ChReq_02	(P)	
35	LIDL_UdatRqImmRej	ImmAssRej_03(TCV_ agch, TCV_Rqr.ra, TCV_Rqr.fn)		
36	test4 START T_dly(C_T_Wait)			
37	?TIMEOUT T_dly			
38	(TCV_Null := OM_2Msgs(TCV_PgCh, TCV_Pgg, C_NxtButOne))			
39	LIDL_UdatRqPg3Rq	PgReq3(TCV_PgCh, TCV_Pgg, PgReqTp3_01)		8.
40	LIDL_UdatRqPg2Rq	PgReq2(TCV_PgCh, TCV_Pgg, PgReqTp2_r06)		9.
41	L?DL_RaInChRq	ChReq_02		
42	L?DL_RaInChRq (TCV_Rqr.ra := DL_RaInChRq.msg.ecau_rrf, TCV_Rqr.fn := DL_RaInChRq.fn)	ChReq_02	(P)	
43	LIDL_UdatRqImmRej	ImmAssRej_03(TCV_ agch, TCV_Rqr.ra, TCV_Rqr.fn)		3.
44	test5 START T_dly(C_T_Wait)			
45	?TIMEOUT T_dly			
46	(TCV_Null := OM_2Msgs(TCV_PgCh, TCV_Pgg, C_NxtButOne))			
47	LIDL_UdatRqPg2Rq	PgReq2(TCV_PgCh, TCV_Pgg, PgReqTp2_02)		8.
48	LIDL_UdatRqPg1Rq	PgReq1(TCV_PgCh, TCV_Pgg, PgReqTp1_05)		10.
49	L?DL_RaInChRq	ChReq_02		
50	L?DL_RaInChRq (TCV_Rqr.ra := DL_RaInChRq.msg.ecau_rrf, TCV_Rqr.fn := DL_RaInChRq.fn)	ChReq_02	(P)	
51	LIDL_UdatRqImmRej	ImmAssRej_03(TCV_ agch, TCV_Rqr.ra, TCV_Rqr.fn)		
52	gsmOrDcs [TSPX_CcchConf3 = '000'B]			
53	+gsmOrDcs2			
54	[TSPX_CcchConf3 = '001'B]			

55	+gsmOrDcs1		
56	[TSPX_CcchConf3 = '??1'B]		
57	+gsmOrDcs2		
	gsmOrDcs1		
58	L!DL_UdatRqImmass_sp	ImmAssSp_1(TCV_PgCh, TCV_Pgg, ImmAsgn_r11(TCV_Rr, TCV_Fn, TSPX_SDCCH4SubB, TCV_slot, TCV_tsc, TimingAdv_r01, TCV_chdescr_arfcn))	
	gsmOrDcs2		
59	[TSPC_PGSM OR TSPC_EGSM]		
60	L!DL_UdatRqImmass_sp	ImmAssSp_1(TCV_PgCh, TCV_Pgg, ImmAsgn_03(TCV_Rqr9.ra, TCV_Rqr9.fn, TSPX_SDCCH8SubDef, TSPX_TmSltDef, TSPX_TscDef, TimingAdv_r01))	4.
61	[TSPC_DCS]		
62	L!DL_UdatRqImmass_sp	ImmAssSp_1(TCV_PgCh, TCV_Pgg, ImmAsgn_03d(TCV_Rqr9.ra, TCV_Rqr9.fn, TSPX_SDCCH8SubDef, TSPX_TmSltDef, TSPX_TscDef, TimingAdv_r01))	4.
	gsmOrDcs3		
63	[TSPX_CcchConf3 = '000'B]		
64	+gsmOrDcs5		
65	[TSPX_CcchConf3 = '001'B]		
66	+gsmOrDcs4		
67	[TSPX_CcchConf3 = '??1'B]		
68	+gsmOrDcs5		
	gsmOrDcs4		
69	L!DL_UdatRqImmassx_sp	ImmAssXSp_1(TCV_PgCh, TCV_Pgg, ImmAsgnX_r03(TCV_Rqr9.ra, TCV_Rqr9.fn, TSPX_SDCCH4SubB, TSPX_SDCCH8SubA, TCV_slot, TCV_tsc, TimingAdv_r01, TCV_chdescr_arfcn))	6.
	gsmOrDcs5		
70	[TSPC_PGSM OR TSPC_EGSM]		
71	L!DL_UdatRqImmassx_sp	ImmAssXSp_1(TCV_PgCh, TCV_Pgg, ImmAsgnX_01(TCV_Rqr9.ra, TCV_Rqr9.fn, TSPX_SDCCH8SubDef, TSPX_SDCCH8SubA, TSPX_TmSltDef, TSPX_TscDef, TimingAdv_r01))	6.
72	[TSPC_DCS]		
73	L!DL_UdatRqImmassx_sp	ImmAssXSp_1(TCV_PgCh, TCV_Pgg,	6.

74 75 76	<p>local_tree</p> <p>[TSPX_CcchConf3 = '001'B]</p> <p>[TSPX_CcchConf3 <> '001'B]</p> <p>+SDCCH8_A_1_nociph(TSPX_SDCCH8SubDef, C_Immass, TSPX_TmSlitDef, TSPX_TscDef, ChMod_sign, FreqTCHa_rg, FreqTCHa_rd, TimingAdv_r01, INT_TO_BIT(TSPX_AGBLKS3, 3), TSPX_CcchConf3, INT_TO_BIT((TSPX_PAMFRMS3-2), 3))</p>	<p>ImmAsgnX_01d(TCV_Rqr9.ra, TCV_Rqr9.fn, TSPX_SDCCH8SubDef, TSPX_SDCCH8SubA, TSPX_TmSlitDef, TSPX_TscDef, TimingAdv_r01))</p>	
<p>Detailed Comments:</p> <ol style="list-style-type: none"> 1. Tx-integer = 5, Max-Retrans = 2 and one BCCH/CCCH, BS-AG-BLKS-RES = 7 and BS-PA-MFRMS = 9. 2. To send PAGING REQUEST TYPE 1 message with normal page mode in the next but one paging subblock on the same CCCH as previous paging message. 3. The page mode = normal paging, wait time = 5 seconds. 4. The page mode = "extended paging", request reference is different from any one already sent by the MS. 5. The page mode = "same as before", address the MS by TMSI, in the next but one paging subblock on the same CCCH. 6. The page mode = "extended paging", request reference is different from any one already sent by the MS. The ImmAsgnX message is sent on the MS paging channel. 7. The page mode = "extended paging", address the MS by TMSI, in the next but one paging subblock on the same CCCH. 8. Extended paging, not address the MS. 9. The page mode = "same as before", address the MS with IMSI. 10. normal paging, address the MS by IMSI. 			

Test Case Dynamic Behaviour					
Test Case Name:		TC_26_6_2_3_1			
Group:		GSM_L3_MS_v4170/RR/			
Purpose:		To test that the MS correctly determines its new paging subchannel when the CCCH structure is changed from non-combined to combined and when the number of CCCHs is changed.			
Default:		OtherEventsFail			
Comments:		The configuration is Max-Retrans = 2, 1 non-combined CCCH/BCCH, BS-AG-BLKS-RES and, BS-PA-MFRMS are controlled by PIXIT parameters.			
Nr	Label	Behaviour Description	CRef	V	Comments
1		START T_guard(300)			
2		(TCV_slot := C_S0, TCV_tsc := C_BCC)			
3		+IdleUpdated(C_CellA, C_Immass, TCV_slot, TCV_tsc, TimingAdv_01, '000'B, '001'B, '011'B, '00'O)			
4		+PreEnterIdleState_r02(C_Immass, TCV_slot, TCV_tsc, 5, 2, C_S2, C_S4, C_S6, TimingAdv_r02, 0, INT_TO_BIT(TSPX_AGBLKS1, 3), '000'B, INT_TO_BIT((TSPX_PAMFRMS1-2), 3), '00'O)			1.
5		+SDCCH8_A_1_nociph(TSPX_SDCCH8SubDef, C_Immass, TSPX_TmSlitDef, TSPX_TscDef, ChMod_sign, FreqTCHa_rg, FreqTCHa_rd, TimingAdv_r01, INT_TO_BIT(TSPX_AGBLKS1, 3), '000'B, INT_TO_BIT((TSPX_PAMFRMS1-2), 3))			
6		+CCCH_group_Paging_group(TCV_Ccd0A, TSPX_IMSI)			
7		+SelectPagingCh(C_CellA)			
8	body	+test1			
9		+test2			
10		+continue			
		continue			
11		+CombinedBCCH_A(63, FreqBCCHa_rg, FreqBCCHa_rd, C_Immass, TCV_slot, TCV_tsc, TimingAdv_r02, INT_TO_BIT(TSPX_AGBLKS1, 3), '001'B, INT_TO_BIT((TSPX_PAMFRMS1-2),3))			
12		[TSPC_PGSM OR TSPC_EGSM]			
13		LIDL_UdatRqSysinfo3	SysInfo3(C_BCCH_A_1, C_ci_cellA, C_PLMN_1, C_lacellA, CntrlChDscrp(0, '010'B, '001'B, '111'B, '00'O), CellOpt_01, C_CellReselectHys0, C_MaxPwrLvIG, '0'B, '00'B, '0010'B, C_noRestablishment)		
14		+test3			
15		+secondexec			
16		[TSPC_DCS]			
17		LIDL_UdatRqSysinfo3	SysInfo3(C_BCCH_A_1, C_ci_cellA, C_PLMN_1, C_lacellA, CntrlChDscrp(0, '010'B, '001'B, '111'B, '00'O), CellOpt_01, C_CellReselectHys0, C_MaxPwrLvID, '0'B, '00'B, '0010'B, C_noRestablishment)		
18		+CCCH_group_Paging_group(CntrlChDscrp(0, '010'B, '001'B, '111'B, '00'O), TSPX_IMSI)			
19		+SelectPagingCh(C_CellA)			
20		+test3			
21		+secondexec			
		secondexec			

22	(TCV_slot := C_S0, TCV_tsc := C_BCC)		
23	+PreEnterIdleState_r02(C_Immass, TCV_slot, TCV_tsc, 5, 2, C_S2, C_S4, C_S6, TimingAdv_r02, 0, INT_TO_BIT(TSPX_AGBLKS1, 3), '000'B, INT_TO_BIT((TSPX_PAMFRMS1-2), 3), '00'O)		1.
24	+CCCH_group_Paging_group(CntrlChDscrp(0, INT_TO_BIT(TSPX_AGBLKS1, 3), '000'B, INT_TO_BIT((TSPX_PAMFRMS1-2), 3), '00'O), TSPX_IMSI)		
25	+SelectPagingCh(C_CellA)		
26	+test1		
27	+test2		
28	+continue2		
	continue2		
29	(TCV_slot := C_S2, TCV_tsc := C_BCC)		
30	+NonCombinedBCCH_A_2(C_Immass,TCV_slot, TCV_tsc, TimingAdv_r02, INT_TO_BIT(TSPX_AGBLKS1, 3), '010'B, INT_TO_BIT((TSPX_PAMFRMS1-2), 3))		
31	[TSPC_PGSM OR TSPC_EGSM]		
32	LIDL_UdatRqSysinfo3	SysInfo3(C_BCCH_A _1, C_ci_cellA, C_PLMN_1, C_laccellA, CntrlChDscrp(0, '010'B, '010'B, '111'B, '00'O), CellOpt_01, C_CellReselectHys0, C_MaxPwrLvlG, '0'B, '00'B, '0010'B, C_noRestablishment)	
33	LIDL_UdatRqSysinfo3	SysInfo3(C_BCCH_A _2, C_ci_cellA, C_PLMN_1, C_laccellA, CntrlChDscrp(0, '010'B, '010'B, '111'B, '00'O), CellOpt_01, C_CellReselectHys0, C_MaxPwrLvlG, '0'B, '00'B, '0010'B, C_noRestablishment)	
34	+test3		
35	[TSPC_DCS]		
36	LIDL_UdatRqSysinfo3	SysInfo3(C_BCCH_A _1, C_ci_cellA, C_PLMN_1, C_laccellA, CntrlChDscrp(0, '010'B, '010'B, '111'B, '00'O), CellOpt_01, C_CellReselectHys0, C_MaxPwrLvlD, '0'B, '00'B, '0010'B, C_noRestablishment)	
37	LIDL_UdatRqSysinfo3	SysInfo3(C_BCCH_A _2, C_ci_cellA, C_PLMN_1, C_laccellA, CntrlChDscrp(0, '010'B, '010'B, '111'B, '00'O), CellOpt_01, C_CellReselectHys0, C_MaxPwrLvlD, '0'B, '00'B, '0010'B, C_noRestablishment)	
38	+CCCH_group_Paging_group(CntrlChDscr p(0, '010'B, '010'B, '111'B, '00'O), TSPX_IMSI)		
39	+SelectPagingCh(C_CellA)		
40	+test3		

41	test1 (TCV_Null := OM_2Msgs(TCV_PgCh, TCV_Pgg, C_BfReOcc))		
42	+GsmOrDcs		
43	LIDL_UdatRqPg2Rq	PgReq2(TCV_PgCh, TCV_Pgg, PgReqTp2_01)	3.
44	L?DL_RaInChRq	ChReq_02	
45	L?DL_RaInChRq (TCV_Rqr.ra := DL_RaInChRq.msg.ecau_rrf, TCV_Rqr.fn := DL_RaInChRq.fn)	ChReq_02	(P)
46	LIDL_UdatRqImmRej	ImmAssRej_01(TCV_ agch, TCV_Rqr.ra, TCV_Rqr.fn)	
	test2		
47	(TCV_Null := OM_PgFill(C_Cella, PgReqTp1Reorg))		
48	START T_dly(C_T_Wait)		
49	?TIMEOUT T_dly		
50	LIDL_UdatRqPg2Rq	PgReq2(TCV_PgCh, INT_TO_BIT(TSPX_PgSubch, 8), PgReqTp2_03)	4.
51	L?DL_RaInChRq	ChReq_02	
52	L?DL_RaInChRq (TCV_Rqr.ra := DL_RaInChRq.msg.ecau_rrf, TCV_Rqr.fn := DL_RaInChRq.fn)	ChReq_02	(P)
53	LIDL_UdatRqImmRej	ImmAssRej_01(TCV_ agch, TCV_Rqr.ra, TCV_Rqr.fn)	
	test3		
54	(TCV_Null := OM_PgFill(C_Cella, PgReqTp1Norm))		
55	START T_dly(C_T_Wait)		
56	?TIMEOUT T_dly		
57	LIDL_UdatRqPg1Rq	PgReq1(TCV_PgCh, TCV_Pgg, PgReqTp1_01)	5.
58	L?DL_RaInChRq	ChReq_02	
59	L?DL_RaInChRq (TCV_Rqr.ra := DL_RaInChRq.msg.ecau_rrf, TCV_Rqr.fn := DL_RaInChRq.fn)	ChReq_02	(P)
60	LIDL_UdatRqImmRej	ImmAssRej_01(TCV_ agch, TCV_Rqr.ra, TCV_Rqr.fn)	
61	START T_dly(C_T_Wait)		
62	?TIMEOUT T_dly		
63	LIDL_UdatRqPg2Rq	PgReq2(TCV_PgCh, TCV_Pgg, PgReqTp2_01)	5.
64	L?DL_RaInChRq	ChReq_02	
65	L?DL_RaInChRq (TCV_Rqr.ra := DL_RaInChRq. msg.ecau_rrf, TCV_Rqr.fn := DL_RaInChRq.fn)	ChReq_02	(P)
66	LIDL_UdatRqImmRej	ImmAssRej_01(TCV_ agch, TCV_Rqr.ra, TCV_Rqr.fn)	
	GsmOrDcs		
67	[TSPC_PGSM OR TSPC_EGSM]		
68	LIDL_UdatRqImmRej	ImmAssXSp_1(TCV_ PgCh, TCV_Pgg, ImmAsgnX_03(TCV_ slot, TCV_tsc, TimingAdv_r02))	2.
69	[TSPC_DCS]		
70	LIDL_UdatRqImmRej	ImmAssXSp_1(TCV_ PgCh, TCV_Pgg, ImmAsgnX_03d(TCV_ slot, TCV_tsc,	2.

TimingAdv_r02))

Detailed Comments:

1. Tx-integer = 5, Max-Retrans = 2 and CCCH-CONF = "1 basic physical channel used for CCCH not combined with SDCCHs", BS-AG-BLKS-RES and BS-PA-MFRMS are from PIXIT.
2. Page mode = "paging re-organization", not address the MS.
3. Paging mode = "normal", address the MS by TMSI.
4. Page mode = "paging re-organization", address the MS.
5. Paging mode = "normal", address the MS by TMSI.

Test Case Dynamic Behaviour					
Test Case Name:		TC_26_6_2_3_2			
Group:		GSM_L3_MS_v4170/RR/			
Purpose:		To test that the MS is operating in the "paging re-organization" page mode when this is ordered by the SS and the MS is paged in its former access grant channel.			
Default:		OtherEventsFail			
Comments:		The configuration is Max-Retrans = 1, CCCH-CONF, BS-AG-BLKS-RES and BS-PA-MFRMS are controlled by PIXIT parameters with the constraint that BS-AG-BLKS-RES > 0.			
Nr	Label	Behaviour Description	CRef	V	Comments
1		START T_guard(300)			
2		(TCV_slot := C_S0, TCV_tsc := C_BCC)			
3		+IdleUpdated(C_CellA, C_Immass, TCV_slot, TCV_tsc, TimingAdv_01, '000'B, '001'B, '011'B, '00'O)			
4		(TCV_ch := OC_SubchOfSdcch4(TSPX_SDCCH4SubA, C_CellA), TCV_sacch := OC_SubchOfSacch4(TSPX_SDCCH4SubA, C_CellA))			
5		+PreEnterIdleState_r02(C_Immass, TCV_slot, TCV_tsc, 5, 1, C_S2, C_S4, C_S6, TimingAdv_r02, 0, INT_TO_BIT(TSPX_AGBLKS2, 3), TSPX_CcchConf2, INT_TO_BIT((TSPX_PAMFRMS2-2), 3), '00'O)			1.
6		+local_tree			
7		+CCCH_group_Paging_group(TCV_Ccd0A, TSPX_IMSI)			
8		+SelectPagingCh(C_CellA)			
9	body	(TCV_Null := OM_2Msgs(TCV_PgCh, TCV_Pgg, C_FmrAGB))			
10		[TSPX_CcchConf2='000'B]			
11		+gsmOrDcs1			
12		+localtree			
13		[TSPX_CcchConf2='001'B]			
14		+gsmOrDcs			
15		+localtree			
16		[TSPX_CcchConf2='??1'B]			
17		+gsmOrDcs1			
18		+localtree			
		localtree			
19		L!DL_UdatRqPg2Rq	PgReq2(TCV_PgCh, TCV_Pgg, PgReqTp2_01)		3.
20		L?DL_RacInChRq	ChReq_02		
21		L?DL_RacInChRq (TCV_Rqr.ra := DL_RacInChRq.msg.ecau_rrf, TCV_Rqr.fn := DL_RacInChRq.fn)	ChReq_02	(P)	
22		LIDL_UdatRqImmassRej	ImmAssRej_01(TCV_agch, TCV_Rqr.ra, TCV_Rqr.fn)		
		gsmOrDcs			
23		[TSPC_PGSM OR TSPC_EGSM]			
24		LIDL_UdatRqImmassx_sp	ImmAssXSp_1(TCV_PgCh, TCV_Pgg, ImmAsgnX_02(TCV_slot, TCV_tsc, TimingAdv_r02))		2.
25		[TSPC_DCS]			
26		LIDL_UdatRqImmassx_sp	ImmAssXSp_1(TCV_PgCh, TCV_Pgg, ImmAsgnX_02d(TCV_slot, TCV_tsc, TimingAdv_r02))		2.
		gsmOrDcs1			
27		[TSPC_PGSM OR TSPC_EGSM]			

28	L!DL_UdatRqImmssx_sp	ImmAssXSp_1(TCV_PgCh, TCV_Pgg, ImmAsgnX_04(TSPX_TmSltDef, TSPX_TscDef, TimingAdv_r02))	2.
29	[TSPC_DCS]		
30	L!DL_UdatRqImmssx_sp	ImmAssXSp_1(TCV_PgCh, TCV_Pgg, ImmAsgnX_04d(TSPX_TmSltDef, TSPX_TscDef, TimingAdv_r02))	2.
	local_tree		
31	[TSPX_CcchConf2 = '001'B]		
32	[TSPX_CcchConf2 <> '001'B]		
33	+SDCCH8_A_1_nociph(TSPX_SDCCH8SubA, C_Immss, TSPX_TmSltDef, TSPX_TscDef, ChMod_sign, FreqTCHa_rg, FreqTCHa_rd, TimingAdv_r01, INT_TO_BIT(TSPX_AGBLKS2, 3), TSPX_CcchConf2, INT_TO_BIT((TSPX_PAMFRMS2-2), 3))		

Detailed Comments:

1. Tx-integer = 5, Max-Retrans = 1 and CCCH-CONF, BS-AG-BLKS-RES and BS-PA-MFRMS are controlled by PIXIT parameters.
2. paging re-organization.
3. send in former access grant block.

Test Case Dynamic Behaviour					
Test Case Name:		TC_26_6_2_4			
Group:		GSM_L3_MS_v4170/RR/			
Purpose:		To test that the MS remembers the page mode from the previous paging request message.			
Default:		OtherEventsFail			
Comments:		The configuration is Tx-integer = 5, Max-Retrans = 2 and CCCH-CONF, BS-AG-BLKS-RES and BS-PA-MFRMS are from PIXIT parameters.			
Nr	Label	Behaviour Description	CRef	V	Comments
1		START T_guard(300)			
2		(TCV_slot := C_S0, TCV_tsc := C_BCC)			
3		+IdleUpdated(C_CellA, C_Immass, TCV_slot, TCV_tsc, TimingAdv_01, '000'B, '001'B, '011'B, '00'O)			
4		(TCV_sacch := OC_SubchOfSacch4(TSPX_SDCCH4SubDef, C_CellA))			
5		+PreEnterIdleState_r02(C_Immass, TCV_slot, TCV_tsc, 5, 2, C_S2, C_S4, C_S6, TimingAdv_r01, 0, INT_TO_BIT(TSPX_AGBLKS3, 3), TSPX_CcchConf3, INT_TO_BIT((TSPX_PAMFRMS3-2), 3), '00'O)			1.
6		+local_tree			
7		+CCCH_group_Paging_group(TCV_Ccd0A, TSPX_IMSI)			
8		+SelectPagingCh(C_CellA)			
9	body	(TCV_Null := OM_2Msgs(TCV_PgCh, TCV_Pgg, C_NxtButOne))			
10		LIDL_UdatRqImmassRej_sp	ImmAssRejSp_1(TCV_PgCh, TCV_Pgg, ImmAsgnRej_r04)		2.
11		LIDL_UdatRqPg3Rq	PgReq3(TCV_PgCh, TCV_Pgg, PgReqTp3_03)		3.
12		(TCV_Null := OM_2Msgs(TCV_PgCh, TCV_Pgg, C_NxtButOne))			
13		LIDL_UdatRqPg3Rq	PgReq3(TCV_PgCh, TCV_Pgg, PgReqTp3_02)		4.
14		LIDL_UdatRqPg1Rq	PgReq1(TCV_PgCh, TCV_Pgg, PgReqTp1_07)		5.
15		L?DL_RacInChRq	ChReq_01		
16		L?DL_RacInChRq (TCV_Rqr.ra := DL_RacInChRq.msg.ecau_rrf, TCV_Rqr.fn := DL_RacInChRq.fn)	ChReq_01	(P)	
17		LIDL_UdatRqImmassRej	ImmAssRej_01(TCV_agch, TCV_Rqr.ra, TCV_Rqr.fn)		
18		local_tree [TSPX_CcchConf3 = '001'B]			
19		[TSPX_CcchConf3 <> '001'B]			
20		+SDCCH8_A_1_nociph(TSPX_SDCCH8SubDef, C_Immass, TSPX_TmSlDef, TSPX_TscDef, ChMod_sign, FreqTCHa_rg, FreqTCHa_rd, TimingAdv_r01, INT_TO_BIT(TSPX_AGBLKS3, 3), TSPX_CcchConf3, INT_TO_BIT((TSPX_PAMFRMS3-2), 3))			
Detailed Comments:		<ol style="list-style-type: none"> 1. Tx-integer = 5, Max-Retrans = 2 and CCCH-CONF, BS-AG-BLKS-RES and BS-PA-MFRMS are from PIXIT parameters. 2. extended paging mode. 3. not address the MS. 4. paging mode = "same as before", not address the MS, sent in the next paging subblock on the MS's specific paging subchannel. 			

5. paging mode = "paging re-organization", address the MS, sent in the next but one paging subblock.

Test Case Dynamic Behaviour					
Test Case Name: TC_26_6_2_5					
Group: GSM_L3_MS_v4170/RR/					
Purpose:					
1) To test that the MS is able to determine its CCCH group and paging group correctly in the case of a CCCH configuration on more than one timeslot when it is paged on a timeslot other than 0. The MS is addressed with a PAGING REQUEST TYPE 1 message when the page mode is set to normal paging. The MS is paged with its IMSI in the 1st Mobile Identity field, the optional Mobile Identity field being not present, is the only way of addressing tested.					
2) To test that in such conditions the MS answers to the paging message on the timeslot on which the paging message was sent.					
Default: OtherEventsFail					
Comments:					
The configuration is Tx-integer = 5, Max-Retrans = 1 and CCCH-CONF, BS-AG-BLKS-RES and BS-PA-MFRMS are from PIXIT parameters.					
In the PIXITs CCCH-CONF is set to 3, BS-AG-BLKS-RES = 2 and BS-PA-MFRMS = 3.					
For this test to be useful, we need					
(((IMSI mod 10000) mod (cc * (9 - bsagres) * bspamfrms)) > (9 - bsagres) * bspamfrms)					
ie. ((IMSI mod 1000) mod 3*7*9) > 7*9					
thus if the last 3 digits of the IMSI are 065 then this test will work.					
When the CCCHs that are not on timeslot zero are set, the SYNC channel must not be started on them. The SYNC channel is used by mobiles to identify TS zero. (the FCCH is supposed to be excluded as well)					
Nr	Label	Behaviour Description	CRef	V	Comments
1		START T_guard(300)			
2		(TCV_slot := C_S0, TCV_tsc := C_BCC)			
3		+IdleUpdated(C_CellA, C_Immass, TCV_slot, TCV_tsc, TimingAdv_01, '000'B, '001'B, '011'B, '00'O)			
4		(TCV_sacch := OC_SubchOfSacch4(TSPX_SDCCH4SubDef, C_CellA))			Must use a carefully chosen IMSI here, so that the mobile's CCCH group is not on TS zero
5		+PreEnterIdleState_r02(C_Immass, TCV_slot, TCV_tsc, 5, 1, C_S2, C_S4, C_S6, TimingAdv_r01, 0, INT_TO_BIT(TSPX_AGBLKS4, 3), TSPX_CcchConf4, INT_TO_BIT((TSPX_PAMFRMS4-2), 3), '00'O)			1.
6		+local_tree			
7		+CCCH_group_Paging_group(TCV_Ccd0A, TSPX_IMSI)			
8		+SelectPagingCh(C_CellA)			
9	body	L!DL_UdatRqPg1Rq	PgReq1(TCV_PgCh, TCV_Pgg, PgReqTp1_05)		2.
10		L?DL_RaInChRq (TCV_Rqr.ra := DL_RaInChRq.msg.ecau_rrf, TCV_Rqr.fn := DL_RaInChRq.fn)	ChReq_16(TCV_PgCh)		3.
11		ACTIVATE(OtherEventsFail_02)			To match ChReq retrans.
12		+gsmOrDcs			
13		L?DL_EstInPgRes	PgRes_r03	(P)	
14		ACTIVATE(OtherEventsFail)			Restore Normal default
15		+PostMainLinkRel(TCV_ch)			
16		gsmOrDcs [TSPX_CcchConf4='000'B]			
17		+gsmOrDcs2			
18		[TSPX_CcchConf4='001'B]			
19		+gsmOrDcs1			
20		[TSPX_CcchConf4='??1'B]			
21		+gsmOrDcs2			
22		gsmOrDcs1 L!DL_UdatRqImmass	ImmAss_r10(TCV_agch, TCV_Rr, TCV_Fn, TSPX_SDCCH4SubD		

<p>23 24 25 26 27 28 29</p>	<p>gsmOrDcs2 [TSPC_PGSM OR TSPC_EGSM] L!DL_UdatRqImm</p> <p>[TSPC_DCS] L!DL_UdatRqImm</p> <p>local_tree [TSPX_CcchConf4 = '001'B] [TSPX_CcchConf4 <> '001'B] +SDCCH8_A_1_nociph(TSPX_SDCCH8SubF, C_Imm, TSPX_TmSlitDef, TSPX_TscDef, ChMod_sign, FreqTCHa_rg, FreqTCHa_rd, TimingAdv_r01, INT_TO_BIT(TSPX_AGBLKS4, 3), TSPX_CcchConf4, INT_TO_BIT((TSPX_PAMFRMS4-2), 3))</p>	<p>ef, TCV_slot, TCV_tsc, TimingAdv_r01, TCV_chdescr_arfcn)</p> <p>ImmAss_r02(TCV_ag ch, TCV_Rr, TCV_Fn, TSPX_SDCCH8SubF , TSPX_TmSlitDef, TSPX_TscDef, TimingAdv_r01)</p> <p>ImmAss_r02d(TCV_a gch, TCV_Rr, TCV_Fn, TSPX_SDCCH8SubF , TSPX_TmSlitDef, TSPX_TscDef, TimingAdv_r01)</p>	
<p>Detailed Comments:</p>		<p>1. Tx-integer = 5, Max-Retrans = 1 CCCH-CONF, BS-AG-BLKS-RES and BS-PA-MFRMS are from PIXIT parameters. 2. The first mobile identifier addresses the MS, the 2nd is omitted. 3. To assign TSPX_SDCCH8SubF subchannel.</p>	

Test Case Dynamic Behaviour					
Test Case Name:		TC_26_6_3_1			
Group:		GSM_L3_MS_v4170/RR/			
Purpose:		To test that, when the SS gives absolutely no information about neighbouring cells, the MS does not report on neighbouring cells..			
Default:		OtherEventsFail_01			
Nr	Label	Behaviour Description	CRef	V	Comments
1		START T_guard(300)			
2		+BasicServiceMT(TSPX_MTBscSvcA,TSPX_MTChRateA,TSPX_MT_ImmConnA)			
3		(TCV_slot := C_S0, TCV_tsc := C_BCC)			
4		+IdleUpdated(C_CellA, C_Immass, TCV_slot, TCV_tsc, TimingAdv_01, '000'B, '001'B, '011'B, '00'O)			
5		(TCV_ch := OC_SubchOfSdcch4(TSPX_SDCCH4SubA, C_CellA), TCV_sacch := OC_SubchOfSacch4(TSPX_SDCCH4SubA, C_CellA), TCV_sacch_B := OC_SubchOfSacch4(TSPX_SDCCH4SubDef, C_CellB), TCV_CphKey := OC_CphKeyGen(TSPX_Ki, TSPX_RANDDef))			
6		+StartMultiCells_02(BcchFreqLst_20, BcchFreqLst_20, C_Immass, TCV_slot, TCV_tsc, TimingAdv_r01, TimingAdv_r01, 0, '000'B, '001'B, '011'B, '00'O)			1.
7		+FullRateCh_A_1(C_Ass, TSPX_TmSltDef, TSPX_TscDef, ChMod_speech, FreqTCHa_rg, FreqTCHa_rd, TimingAdv_r01, '000'B, '001'B, '011'B)			
8		+PreEnterCCstateU10_r01(TimingAdv_r01, TSPX_SDCCH4SubA, 0, 3)			
9	body	(TCV_Null := OM_StartMsrReport(TCV_sacchTch))			
10		L?DL_UdatInMsrRpt	MsrRept_01	(P)	
11		START T_dly1(960)			960 ms
12		?TIMEOUT T_dly1		(F)	2.
13		+PostMainLinkRel(TCV_chTch)			
14		L?DL_UdatInMsrRpt	MsrRept_01	(P)	
15		(TCV_Null := OM_StopMsrReport(TCV_sacchTch))			
16		+PostMainLinkRel(TCV_chTch)			
17		+execution2			
18		execution2			
18		+gsmOrDcs			1.
19		+PreEnterCCstateU10_r01(TimingAdv_r01, TSPX_SDCCH4SubA, 0, 3)			
20		(TCV_Null := OM_StartMsrReport(TCV_sacchTch))			
21		L?DL_UdatInMsrRpt	MsrRept_01		
22		START T_dly1(960)			960 ms
23		?TIMEOUT T_dly1		(F)	2.
24		+PostMainLinkRel(TCV_chTch)			
25		L?DL_UdatInMsrRpt	MsrRept_01	(P)	
26		(TCV_Null := OM_StopMsrReport(TCV_sacchTch))			
27		+PostMainLinkRel(TCV_chTch)			
28		gsmOrDcs			
28		[TSPC_PGSM OR TSPC_EGSM]			
29		LIDL_UdatRqSysinfo5	SysInfo5_01(TCV_sacch, BcchFreqLst_24)		
30		LIDL_UdatRqSysinfo5bis	SysInfo5bis_01(TCV_		

31	[TSPC_DCS]	sacch, BcchFreqLst_26)
32	LIDL_UdatRqSysinfo5	SysInfo5_01(TCV_sacch, BcchFreqLst_25)
33	LIDL_UdatRqSysinfo5bis	SysInfo5bis_01(TCV_sacch, BcchFreqLst_25)
34	LIDL_UdatRqSysinfo6 (DL_UdatRqSysinfo6.msg.co.pwrc := '1'B)	SysInfo6_01(TCV_sacch, C_ci_cellA, C_PLMN_1, C_lacellA, CellOpt_01)
Detailed Comments:		
<ol style="list-style-type: none"> 1. No channels listed in the neighbour cells description. 2. The interval between 2 successive layer 2 frames containing MEASUREMENT REPORT exceeds one layer 2 frame, fail. 		

Test Case Dynamic Behaviour					
Test Case Name:		TC_26_6_3_2			
Group:		GSM_L3_MS_v4170/RR/			
Purpose:		To test that, when the SS gives information about neighbouring cells, the MS reports appropriate results.			
Default:		OtherEventsFail_01			
Nr	Label	Behaviour Description	CRef	V	Comments
1		START T_guard(300)			
2		+BasicServiceMT(TSPX_MTBscSvcA,TSPX_MTChRateA,TSPX_MT_ImmConnA)			
3		(TCV_slot := C_S0, TCV_tsc := C_BCC)			
4		+IdleUpdated(C_CellA, C_ImmAss, TCV_slot, TCV_tsc, TimingAdv_01, '000'B, '001'B, '011'B, '00'O)			
5		(TCV_ch := OC_SubchOfSdcch4(TSPX_SDCCH4SubA, C_CellA), TCV_sacch := OC_SubchOfSacch4(TSPX_SDCCH4SubA, C_CellA), TCV_sacch_B := OC_SubchOfSacch4(TSPX_SDCCH4SubDef, C_CellB), TCV_CphKey := OC_CphKeyGen(TSPX_Ki, TSPX_RANDDef))			
6		+StartMultiCells_02(BcchFreqLst_21, BcchFreqLst_27, C_ImmAss, TCV_slot, TCV_tsc, TimingAdv_r01, TimingAdv_r01, 0, '000'B, '000'B, '011'B, '00'O)			
7		+FullRateCh_A_1(C_Ass, TSPX_TmSltDef, TSPX_TscDef, ChMod_speech, FreqTCHa_rg, FreqTCHa_rd, TimingAdv_r01, '000'B, '001'B, '011'B)			
8	body	+execution(1, 2)			
9		+gsmOrDcs			
10		+execution(1, 3)			
		execution(in1, in2:INTEGER)			
11		+PreEnterCCstateU10_r01(TimingAdv_r01, TSPX_SDCCH4SubA, 0, 3)			
12		(TCV_Null := OM_StartMsrReport(TCV_sacchTch))			
13		L?DL_UdatInMsrRpt(TCV_MsrRes := DL_UdatInMsrRpt.msg.msrr)	MsrRept_03		
14		+gsmOrDcs1(in1, in2)			
15		START T_dly1(960)			960 ms
16		?TIMEOUT T_dly1		(F)	1.
17		+PostMainLinkRel(TCV_chTch)			
18		L?DL_UdatInMsrRpt(TCV_MsrRes := DL_UdatInMsrRpt.msg.msrr)	MsrRept_03		
19		+gsmOrDcs1(in1, in2)			
20		(TCV_Null := OM_StopMsrReport(TCV_sacchTch))			
21		+PostMainLinkRel(TCV_chTch)			
		gsmOrDcs			
22		[TSPC_PGSM OR TSPC_EGSM]			
23		L!DL_UdatRqSysinfo5	SysInfo5_01(TCV_sacch, BcchFreqLst_28)		
24		L!DL_UdatRqSysinfo5bis	SysInfo5bis_01(TCV_sacch, BcchFreqLst_30)		
25		L!DL_UdatRqSysinfo6 (DL_UdatRqSysinfo6.msg.co.pwrc := '0'B)	SysInfo6_01(TCV_sacch, C_ci_cellA, C_PLMN_1, C_lacellA, CellOpt_01)		
26		[TSPC_DCS]			
27		L!DL_UdatRqSysinfo5	SysInfo5_01(TCV_sacch, BcchFreqLst_29)		
28		L!DL_UdatRqSysinfo5bis	SysInfo5bis_01(TCV_sacch,		

29	LIDL_UdatRqSysinfo6 (DL_UdatRqSysinfo6.msg.co.pwrc := '1'B)	BcchFreqLst_31 SysInfo6_01(TCV_sacch, C_ci_cellA, C_PLMN_1, C_lacellA, CellOpt_01)	
30	gsmOrDcs1(in1, in2:INTEGER) [TSPC_PGSM OR TSPC_EGSM]		
31	(TCV_Res := OC_MsrReptChk(TCV_MsrRes, in1))		
32	[TCV_Res = FALSE]		(F)
33	[TCV_Res = TRUE]		(P)
34	[TSPC_DCS]		
35	(TCV_Res := OC_MsrReptChk(TCV_MsrRes, in2))		
36	[TCV_Res = FALSE]		(F)
37	[TCV_Res = TRUE]		(P)
Detailed Comments:			
1. The interval between 2 successive layer 2 frames containing MEASUREMENT REPORT exceeds one layer 2 frame, fail.			

Test Case Dynamic Behaviour					
Test Case Name:		TC_26_6_3_3			
Group:		GSM_L3_MS_v4170/RR/			
Purpose:		To test that, when a combination of normal neighbours, barred cells and non-permitted NCCs is "on air", the MS reports only on normal neighbours.			
Default:		OtherEventsFail_01			
Nr	Label	Behaviour Description	CRef	V	Comments
1		START T_guard(300)			
2		+BasicServiceMT(TSPX_MTBscSvcA,TSPX_MTChRateA,TSPX_MT_ImmConnA)			
3		(TCV_slot := C_S0, TCV_tsc := C_BCC)			
4		+IdleUpdated(C_CellA, C_ImmAss, TCV_slot, TCV_tsc, TimingAdv_01, '000'B, '001'B, '011'B, '00'O)			
5		(TCV_ch := OC_SubchOfSdcch4(TSPX_SDCCH4SubA, C_CellA), TCV_sacch := OC_SubchOfSacch4(TSPX_SDCCH4SubA, C_CellA), TCV_sacch_B := OC_SubchOfSacch4(TSPX_SDCCH4SubDef, C_CellB), TCV_CphKey := OC_CphKeyGen(TSPX_Ki, TSPX_RANDDef))			
6		+StartMultiCells_03(BcchFreqLst_01, BcchFreqLst_48, C_ImmAss, TCV_slot, TCV_tsc, TimingAdv_r01, TimingAdv_r01, 0, '000'B, '001'B, '011'B, '00'O)			
7		+FullRateCh_A_1(C_Ass, TSPX_TmSltDef, TSPX_TscDef, ChMod_speech, FreqTCHa_rg, FreqTCHa_rd, TimingAdv_r01, '000'B, '001'B, '011'B)			
8		+PreEnterCCstateU10_r01(TimingAdv_r01, TSPX_SDCCH4SubA, 0, 3)			
9		(TCV_Null := OM_StartMsrReport(TCV_sacchTch))			
10		L?DL_UdatInMsrRpt(TCV_MsrRes := DL_UdatInMsrRpt.msg.msrr)	MsrRept_04		
11		+gsmOrDcs1(4, 5)			
12		START T_dly1(960)			960 ms
13		?TIMEOUT T_dly1		(F)	1.
14		+PostMainLinkRel(TCV_chTch)			
15		L?DL_UdatInMsrRpt(TCV_MsrRes := DL_UdatInMsrRpt.msg.msrr)	MsrRept_04		
16		+gsmOrDcs1(4, 5)			
17		(TCV_Null := OM_StopMsrReport(TCV_sacchTch))			
18		+PostMainLinkRel(TCV_chTch)			
19		+execution2			
20		execution2			
21		+gsmOrDcs			1.
22		+PreEnterCCstateU10_r01(TimingAdv_r01, TSPX_SDCCH4SubA, 0, 3)			
23		(TCV_Null := OM_StartMsrReport(TCV_sacchTch))			
24		L?DL_UdatInMsrRpt(TCV_MsrRes := DL_UdatInMsrRpt.msg.msrr)	MsrRept_04		
25		+gsmOrDcs1(4, 5)			
26		START T_dly1(960)			960 ms
27		?TIMEOUT T_dly1		(F)	1.
28		+PostMainLinkRel(TCV_chTch)			
29		L?DL_UdatInMsrRpt(TCV_MsrRes := DL_UdatInMsrRpt.msg.msrr)	MsrRept_04		
30		+gsmOrDcs1(4, 5)			

30	(TCV_Null := OM_StopMsrReport(TCV_sacchTch))		
31	+PostMainLinkRel(TCV_chTch)		
	gsmOrDcs		
32	[TSPC_PGSM OR TSPC_EGSM]		
33	LIDL_UdatRqSysinfo5	SysInfo5_01(TCV_sacch, BcchFreqLst_33)	
34	LIDL_UdatRqSysinfo5bis	SysInfo5bis_01(TCV_sacch, BcchFreqLst_30)	
35	[TSPC_DCS]		
36	LIDL_UdatRqSysinfo5	SysInfo5_01(TCV_sacch, BcchFreqLst_34)	
37	LIDL_UdatRqSysinfo5bis	SysInfo5bis_01(TCV_sacch, BcchFreqLst_34d)	
38	LIDL_UdatRqSysinfo6 (DL_UdatRqSysinfo6.msg.co.pwrc := '1'B)	SysInfo6_01(TCV_sacch, C_ci_cellA, C_PLMN_1, C_lacellA, CellOpt_01)	
	gsmOrDcs1(in1, in2:INTEGER)		
39	[TSPC_PGSM OR TSPC_EGSM]		
40	(TCV_Res := OC_MsrReptChk(TCV_MsrRes, in1))		
41	[TCV_Res = FALSE]		(F)
42	[TCV_Res = TRUE]		(P)
43	[TSPC_DCS]		(F)
44	(TCV_Res := OC_MsrReptChk(TCV_MsrRes, in2))		
45	[TCV_Res = FALSE]		
46	[TCV_Res = TRUE]		(P)
Detailed Comments:			
1. The interval between 2 successive layer 2 frames containing MEASUREMENT REPORT exceeds one layer 2 frame, fail.			

Test Case Dynamic Behaviour					
Test Case Name:		TC_26_6_3_4			
Group:		GSM_L3_MS_v4170/RR/			
Purpose:		To test that, in the case of the MS using DTX and the SS indicating that power control is in use, the MS reports appropriate results			
Default:		OtherEventsFail_01			
Nr	Label	Behaviour Description	CRef	V	Comments
1		START T_guard(300)			
2		+BasicServiceMT(TSPX_MTBscSvcA,TSPX_MTChRateA,TSPX_MT_ImmConnA)			
3		(TCV_slot := C_S0, TCV_tsc := C_BCC)			
4		+IdleUpdated(C_CellA, C_ImmAss, TCV_slot, TCV_tsc, TimingAdv_01, '000'B, '001'B, '011'B, '00'O)			
5		+Varinit_fixH			
6		(TCV_sacch := OC_SubchOfSacch4(TSPX_SDCCH4SubDef, C_CellA), TCV_sacch_B := OC_SubchOfSacch4(TSPX_SDCCH4SubDef, C_CellB), TCV_CphKey := OC_CphKeyGen(TSPX_Ki, TSPX_RANDDef))			
7		+StartMultiCells_04(BcchFreqLst_01, BcchFreqLst_48, C_ImmAss, TCV_slot, TCV_tsc, TimingAdv_r01, 0, '000'B, '001'B, '011'B, '00'O)			
8		+FullRateCh_A_1(C_Ass, TSPX_TmSlitDef, TSPX_TscDef, ChMod_speech, FreqTCHa_rg, FreqTCHa_rd, TimingAdv_r01, '000'B, '001'B, '011'B)			
9		+FullRateCh_H_1(C_Ass, TSPX_TmSlitC, TSPX_TscC, TimingAdv_r01, '000'B, '001'B, '011'B)			
10		+PreEnterCCstateU10_r01(TimingAdv_r01, TSPX_SDCCH4SubA, 0, 3)			
11		+gsmOrDcs2			
12		+localtree			
13		L?DL_EstIn	DLEstInd_01		
14		L?DL_DatInHoCom	HndOvCmp_01(TCV_chTch1)		
15		+localtree1			
		localtree1			
16		(TCV_Null := OM_StartMsrReport(TCV_sacchTch_H))			
17		[TSPC_TranspDataOnly = FALSE]			
18	body	L?DL_UdatInMsrRpt (TCV_MsrRes := DL_UdatInMsrRpt.msg.msrr)	MsrRept_05		
19		+gsmOrDcs1(6, 7)			
20		START T_dly1(960)			960 ms
21		?TIMEOUT T_dly1		(F)	1.
22		+PostMainLinkRel(TCV_chTch)			
23		L?DL_UdatInMsrRpt (TCV_MsrRes := DL_UdatInMsrRpt.msg.msrr)	MsrRept_05		
24		+gsmOrDcs1(6, 7)			
25		(TCV_Null := OM_StopMsrReport(TCV_sacchTch_H))			
26		+PostMainLinkRel(TCV_chTch)			
27		+execution2			
28		[TSPC_TranspDataOnly = TRUE]			
29		L?DL_UdatInMsrRpt (TCV_MsrRes := DL_UdatInMsrRpt.msg.msrr)	MsrRept_06		
30		+gsmOrDcs1(6, 7)			
31		START T_dly1(960)			960 ms
32		?TIMEOUT T_dly1		(F)	1.
33		+PostMainLinkRel(TCV_chTch)			
34		L?DL_UdatInMsrRpt (TCV_MsrRes := DL_UdatInMsrRpt.msg.msrr)	MsrRept_06		

35	+gsmOrDcs1(6, 7)			
36	(TCV_Null := OM_StopMsrReport(TCV_sacchTch_H))			
37	+PostMainLinkRel(TCV_chTch)			
38	+execution2			
	execution2			
39	+gsmOrDcs			
40	START T_dly(20000)			2.
41	?TIMEOUT T_dly			
42	+PreEnterCCstateU10_r01(TimingAdv_r01, TSPX_SDCCH4SubA, 0, 3)			
43	+gsmOrDcs2			
44	+localtree			
45	L?DL_EstIn	DLEstIn_01		
46	L?DL_DatInHoCom	HndOvCmp_01(TCV_ chTch1)		
47	+localtree2			
	localtree2			
48	(TCV_Null := OM_StartMsrReport(TCV_sacchTch_H))			
49	[TSPC_TranspDataOnly = FALSE]			
50	L?DL_UdatInMsrRpt (TCV_MsrRes := DL_UdatInMsrRpt.msg.msrr)	MsrRept_05		
51	+gsmOrDcs1(6, 7)			
52	START T_dly1(960)			960 ms
53	?TIMEOUT T_dly1		(F)	1.
54	+PostMainLinkRel(TCV_chTch)			
55	L?DL_UdatInMsrRpt (TCV_MsrRes := DL_UdatInMsrRpt.msg.msrr)	MsrRept_05		
56	+gsmOrDcs1(6, 7)			
57	(TCV_Null := OM_StopMsrReport(TCV_sacchTch_H))			
58	+PostMainLinkRel(TCV_chTch)			
59	+execution2			
60	[TSPC_TranspDataOnly = TRUE]			
61	L?DL_UdatInMsrRpt (TCV_MsrRes := DL_UdatInMsrRpt.msg.msrr)	MsrRept_06		
62	+gsmOrDcs1(6, 7)			
63	START T_dly1(960)			960 ms
64	?TIMEOUT T_dly1		(F)	1.
65	+PostMainLinkRel(TCV_chTch)			
66	L?DL_UdatInMsrRpt (TCV_MsrRes := DL_UdatInMsrRpt.msg.msrr)	MsrRept_06		
67	+gsmOrDcs1(6, 7)			
68	(TCV_Null := OM_StopMsrReport(TCV_sacchTch_H))			
69	+PostMainLinkRel(TCV_chTch)			
	localtree			
70	L?DL_RaInHoacc	HndOvAcc_01		
71	L?DL_RaInHoacc	HndOvAcc_01		
72	L?DL_RaInHoacc	HndOvAcc_01		
73	L?DL_RaInHoacc	HndOvAcc_01		
	gsmOrDcs1(in1, in2:INTEGER)			
74	[TSPC_PGSM OR TSPC_EGSM]			
75	(TCV_Res := OC_MsrReptChk(TCV_MsrRes, in1))			
76	[TCV_Res = FALSE]		(F)	
77	[TCV_Res = TRUE]		(P)	
78	[TSPC_DCS]			
79	(TCV_Res := OC_MsrReptChk(TCV_MsrRes, in2))			
80	[TCV_Res = FALSE]		(F)	
81	[TCV_Res = TRUE]		(P)	

	gsmOrDcs2		
82	[TSPC_PGSM OR TSPC_EGSM]		
83	LIDL_DatRqHoCmd	HndOv_40(TCV_chTch, TCV_slot, TCV_tsc)	
84	[TSPC_DCS]		
85	LIDL_DatRqHoCmd	HndOv_41(TCV_chTch, TCV_slot, TCV_tsc)	
	gsmOrDcs		
86	[TSPC_PGSM OR TSPC_EGSM]		
87	LIDL_UdatRqSysinfo5	SysInfo5_01(TCV_sacch, BcchFreqLst_36)	
88	LIDL_UdatRqSysinfo5bis	SysInfo5bis_01(TCV_sacch, BcchFreqLst_26)	
89	LIDL_UdatRqSysinfo6 (DL_UdatRqSysinfo6.msg.co.pwrc := '1'B)	SysInfo6_01(TCV_sacch, C_ci_cellA, C_PLMN_1, C_lacellA, CellOpt_01)	
90	[TSPC_DCS]		
91	LIDL_UdatRqSysinfo5	SysInfo5_01(TCV_sacch, BcchFreqLst_29)	
92	LIDL_UdatRqSysinfo5bis	SysInfo5bis_01(TCV_sacch, BcchFreqLst_31)	
93	LIDL_UdatRqSysinfo6 (DL_UdatRqSysinfo6.msg.co.pwrc := '1'B, DL_UdatRqSysinfo6.msg.co.dtx := '01'B)	SysInfo6_01(TCV_sacch, C_ci_cellA, C_PLMN_1, C_lacellA, CellOpt_01)	
Detailed Comments:		<ol style="list-style-type: none"> 1. The interval between 2 successive layer 2 frames containing MEASUREMENT REPORT exceeds one layer 2 frame, fail. 2. To allow the MS camp in cell H again. 	

Test Case Dynamic Behaviour					
Test Case Name:		TC_26_6_3_5			
Group:		GSM_L3_MS_v4170/RR/			
Purpose:		To test that when the SS gives information about neighbouring cells the MS reports appropriate results.			
Default:		OtherEventsFail_01			
Nr	Label	Behaviour Description	CRef	V	Comments
1		START T_guard(300)			
2		+BasicServiceMT(TSPX_MTBscSvcA,TSPX_MTChRateA,TSPX_MT_ImmConnA)			
3		(TCV_slot := C_S0, TCV_tsc := C_BCC)			
4		+IdleUpdated(C_CellA, C_ImmAss, TCV_slot, TCV_tsc, TimingAdv_01, '000'B, '001'B, '011'B, '00'O)			
5		(TCV_ch := OC_SubchOfSdcch4(TSPX_SDCCH4SubA, C_CellA), TCV_sacch := OC_SubchOfSacch4(TSPX_SDCCH4SubA, C_CellA), TCV_sacch_B := OC_SubchOfSacch4(TSPX_SDCCH4SubDef, C_CellB), TCV_CphKey := OC_CphKeyGen(TSPX_Ki, TSPX_RANDDef))			
6		+StartTwoCells_01(BcchFreqLst_37, BcchFreqLst_38, C_ImmAss, TCV_slot, TCV_tsc, TimingAdv_r01, 0, '000'B, '001'B, '011'B, '00'O)			
7		+FullRateCh_A_1(C_Ass, TSPX_TmSlitDef, TSPX_TscDef, ChMod_speech, FreqTCHa_rg, FreqTCHa_rd, TimingAdv_r01, '000'B, '001'B, '011'B)			
8	body	+PreEnterCCstateU10_r01(TimingAdv_r01, TSPX_SDCCH4SubA, 0, 3)			
9		(TCV_Null := OM_StartMsrReport(TCV_sacchTch))			
10		L?DL_UdatInMsrRpt (TCV_MsrRes := DL_UdatInMsrRpt.msg.msrr)	MsrRept_07		
11		+gsmOrDcs1(8, 9)			
12		START T_dly1(960)			960 ms
13		?TIMEOUT T_dly1		(F)	1.
14		+PostMainLinkRel(TCV_chTch)			
15		L?DL_UdatInMsrRpt (TCV_MsrRes := DL_UdatInMsrRpt.msg.msrr)	MsrRept_07		
16		+gsmOrDcs1(8, 9)			
17		(TCV_Null := OM_StopMsrReport(TCV_sacchTch))			
18		+PostMainLinkRel(TCV_chTch)			
19		+execution2			
20		execution2			
21		+gsmOrDcs			1.
22		+PreEnterCCstateU10_r01(TimingAdv_r01, TSPX_SDCCH4SubA, 0, 3)			
23		(TCV_Null := OM_StartMsrReport(TCV_sacchTch))			
24		L?DL_UdatInMsrRpt (TCV_MsrRes := DL_UdatInMsrRpt.msg.msrr)	MsrRept_07		
25		+gsmOrDcs1(8, 9)			
26		START T_dly1(960)			960 ms
27		?TIMEOUT T_dly1		(F)	1.
28		+PostMainLinkRel(TCV_chTch)			
29		L?DL_UdatInMsrRpt (TCV_MsrRes := DL_UdatInMsrRpt.msg.msrr)	MsrRept_07		
30		+gsmOrDcs1(8, 9)			

30	(TCV_Null := OM_StopMsrReport(TCV_sacchTch))		
31	+PostMainLinkRel(TCV_chTch)		
32	+execution3		
	execution3		
33	+gsmOrDcs2		1.
34	+PreEnterCCstateU10_r01(TimingAdv_r01, TSPX_SDCCH4SubA, 0, 3)		
35	(TCV_Null := OM_StartMsrReport(TCV_sacchTch))		
36	L?DL_UdatInMsrRpt (TCV_MsrRes := DL_UdatInMsrRpt.msg.msrr)	MsrRept_07	
37	+gsmOrDcs1(8, 10)		
38	START T_dly1(960)		960 ms
39	?TIMEOUT T_dly1		(F) 1.
40	+PostMainLinkRel(TCV_chTch)		
41	L?DL_UdatInMsrRpt (TCV_MsrRes := DL_UdatInMsrRpt.msg.msrr)	MsrRept_07	
42	+gsmOrDcs1(8, 10)		
43	(TCV_Null := OM_StopMsrReport(TCV_sacchTch))		
44	+PostMainLinkRel(TCV_chTch)		
	gsmOrDcs		
45	[TSPC_PGSM OR TSPC_EGSM]		
46	LIDL_UdatRqSysinfo5bis	SysInfo5bis_01(TCV_ sacch, BcchFreqLst_41)	
47	[TSPC_DCS]		
48	LIDL_UdatRqSysinfo5	SysInfo5_01(TCV_sa cch, BcchFreqLst_39)	
49	LIDL_UdatRqSysinfo5bis	SysInfo5bis_01(TCV_ sacch, BcchFreqLst_42)	
50	LIDL_UdatRqSysinfo6 (DL_UdatRqSysinfo6.msg.co.pwrc := '1'B)	SysInfo6_01(TCV_sa cch, C_ci_cellA, C_PLMN_1, C_lacellA, CellOpt_01)	
	gsmOrDcs1(in1, in2:INTEGER)		
51	[TSPC_PGSM OR TSPC_EGSM]		
52	(TCV_Res := OC_MsrReptChk(TCV_MsrRes, in1))		
53	[TCV_Res = FALSE]		(F)
54	[TCV_Res = TRUE]		(P)
55	[TSPC_DCS]		
56	(TCV_Res := OC_MsrReptChk(TCV_MsrRes, in2))		
57	[TCV_Res = FALSE]		(F)
58	[TCV_Res = TRUE]		(P)
	gsmOrDcs2		
59	[TSPC_PGSM OR TSPC_EGSM]		
60	LIDL_UdatRqSysinfo5bis	SysInfo5bis_01(TCV_ sacch, BcchFreqLst_43)	
61	[TSPC_DCS]		
62	LIDL_UdatRqSysinfo5	SysInfo5_01(TCV_sa cch, BcchFreqLst_40)	
63	LIDL_UdatRqSysinfo5bis	SysInfo5bis_01(TCV_ sacch, BcchFreqLst_44)	
64	LIDL_UdatRqSysinfo6 (DL_UdatRqSysinfo6.msg.co.pwrc := '1'B)	SysInfo6_01(TCV_sa cch, C_ci_cellA, C_PLMN_1, C_lacellA, CellOpt_01)	
Detailed Comments:			

Test Case Dynamic Behaviour

Test Case Name:	TC_26_6_4_1
Group:	GSM_L3_MS_v4170/RR/
Purpose:	<p>1. To verify that upon receipt of an ASSIGNMENT COMMAND, the MS switches to the channel defined in the ASSIGNMENT COMMAND, establishes the link and sends an ASSIGNMENT COMPLETE message. This is tested for an MS supporting TCH in the special cases of a transition</p> <p>1.1 from non-hopping SDCCH to hopping TCH/F using a different timeslot</p> <p>1.2 from hopping TCH/F to non-hopping TCH/F using a different timeslot</p> <p>1.3 from non-hopping TCH/F to non-hopping TCH/F using a different timeslot</p> <p>1.4 from non-hopping TCH/F to hopping TCH/H using a different timeslot; this test purpose is only applicable if the MS supports TCH/H</p> <p>1.5 from hopping TCH/H to non-hopping TCH/H using a different timeslot; this test purpose is only applicable if the MS supports TCH/H</p> <p>1.6 from non-hopping TCH/H to hopping TCH/F using a different timeslot; this test purpose is only applicable if the MS supports TCH/H.</p> <p>2. To verify that an MS supporting TCH, having sent an MM- or CM message which was not acknowledged on L2 before the channel assignment procedure was initiated and before the MS has left the old channel, repeats that message after completion of the assignment procedure without incrementing N(SD). This is tested in the special case of MM message AUTHENTICATION RESPONSE.</p> <p>3. To verify that, if an MS supporting TCH has received an ASSIGNMENT COMMAND message which contains only the description of a channel to be used after the starting time, and if the starting time has not already elapsed, the mobile station shall wait up to the starting time before accessing the channel.</p> <p>4. To verify that an MS supporting TCH, having received an ASSIGNMENT COMMAND, having sent an SABM frame to establish the main signalling link on the assigned channel, reports the power level specified in the ASSIGNMENT COMMAND message, in the uplink SACCH L1 header of the SACCH message sent in the SACCH period following the transmission of the SABM frame.</p>
Default:	OtherEventsFail_01

Nr	Label	Behaviour Description	CRef	V	Comments
1		START T_guard(300)			
2		(TCV_slot := C_S0, TCV_tsc := C_BCC)			
3		+IdleUpdated(C_CellA, C_Immass, TCV_slot, TCV_tsc, TimingAdv_01, '000'B, '001'B, '011'B, '00'O)			
4		(TCV_ch := OC_SubchOfSdcch4(TSPX_SDCCH4SubDef, C_CellA), TCV_sacch := OC_SubchOfSacch4(TSPX_SDCCH4SubDef, C_CellA))			
5		+PreEnterIdleState_r03_1(C_Immass, TCV_slot, TCV_tsc, TimingAdv_r01, 0, '000'B, '001'B, '011'B, '00'O)		1.	
6		+SDCCH8_A_1_nociph(TSPX_SDCCH8SubDef, C_Ass, TSPX_TmStDef, TSPX_TscDef, ChMod_sign, FreqBCCHa_rg, FreqBCCHa_rd1, TimingAdv_r01, '000'B, '001'B, '011'B)		2.	
7		+CCCH_group_Paging_group(TCV_Ccd0A, TSPX_IMSI)			
8		L!DL_UdatRqPg1Rq	PgReq1(TCV_PgCh, TCV_Pgg, PgReqTp1_01)		
9		L?DL_RaInChRq (TCV_Rqr.ra := DL_RaInChRq.msg.ecau_rrf, TCV_Rqr.fn := DL_RaInChRq.fn)	ChReq_01		
10		+ltree_ImmAss			
11		L?DL_EstInPgRes	PgRes_01		
12		+localtree1			
13		+localtree2			
		localtree1			
14		+ltree_Asgn1			
15		+AssCh_complete(TCV_ch, TCV_chTch, TCV_AssCmd)			

16	(TCV_L1Head := OM_GetL1Hd(TCV_chTch), TCV_Pwrlvl := TCV_L1Head.mspwrlvl)		
17	[TCV_Pwrlvl <> '0000111'B]		(F)
18	+PostMainLinkRel(TCV_chTch)		
19	[TCV_Pwrlvl = '0000111'B]		
20	+ltree_Asgn2		
21	+AssCh_complete(TCV_chTch, TCV_chTch1, TCV_AssCmd)		
	localtree2		
22	(TCV_Null := OM_NoL2Ack(C_I, 1, TCV_chTch1))		
23	LIDL_DatRqAuthRq	AuthReq_01(TCV_ch Tch1)	
24	L?DL_DatInAuthRes (TCV_Mt := DL_DatInAuthRes.msg.mt)	AuthRes_01	
25	+ltree_Asgn3		
26	+AssCh_complete(TCV_chTch1, TCV_chTch, TCV_AssCmd)		
27	L?DL_DatInAuthRes (TCV_Mt1 := DL_DatInAuthRes.msg.mt)	AuthRes_01	
28	[TCV_Mt <> TCV_Mt1]		(F)
29	+PostMainLinkRel(TCV_chTch)		
30	[TCV_Mt = TCV_Mt1]		(P)
31	+continue1		
	continue1		
32	+ltree_Asgn4		
33	+AssCh_complete(TCV_chTch, TCV_chTch1, TCV_AssCmd)		
34	(TCV_Fn := TCV_FnAss)		
35	(TCV_n := OC_FnArith(TCV_Fn, TCV_Fn1))		
36	[(TCV_n < 0) OR(TCV_n > 17)]		(F)
37	+PostMainLinkRel(TCV_chTch1)		
38	[(TCV_n >= 0) AND (TCV_n <= 17)]		(P)
39	[TSPC_FullRateOnly = TRUE]		
40	+PostMainLinkRel(TCV_chTch1)		
41	[TSPC_DualRate = TRUE]		
42	+gofurther		
	gofurther		
43	+ltree_Asgn5		
44	+AssCh_complete(TCV_chTch1, TCV_chTch, TCV_AssCmd)		
45	+ltree_Asgn6		
46	+AssCh_complete(TCV_chTch, TCV_chTch1, TCV_AssCmd)		
47	+ltree_Asgn7		
48	+AssCh_complete(TCV_chTch1, TCV_chTch, TCV_AssCmd)		
49	+PostMainLinkRel(TCV_chTch)		
	ltree_ImmAss		
50	[TSPC_PGSM OR TSPC_EGSM]		
51	LIDL_UdatRqImmAss	ImmAss_sdcch8(TCV _agch, TCV_Rr, TCV_Fn, TSPX_TmSltDef, TSPX_TscDef, TSPX_SDCCH8SubD ef, C_arfcnA, TimingAdv_r01)	
52	[TSPC_DCS]		
53	LIDL_UdatRqImmAss	ImmAss_sdcch8(TCV _agch, TCV_Rr, TCV_Fn, TSPX_TmSltDef, TSPX_TscDef, TSPX_SDCCH8SubD ef, 747,	

		TimingAdv_r01)	
	Itree_Asgn1		
54	(TCV_chTch := C_FACCHF_A_1, TCV_sacchTch := C_SACCHF_A_1, TCV_sl2 := INT_TO_BIT(((BIT_TO_INT(TSPX_TmSl2Def) + 1) MOD 8), 3))		
55	[TSPC_PGSM OR TSPC_EGSM]		
56	+Config_FACCHF_A_1(63, 7, ChMod_sign, C_Ass, TCV_sl2, TSPX_TscDef, FreqTCHa5, C_TCHF_ACCHF_1, TimingAdv_r01, '000'B, '001'B, '011'B)		
57	+SysInfo_SacchSending(TCV_sacchTch, TCV_sysinfo5, TCV_sysinfo6)		
58	(TCV_AssCmd := AsgnCmd_fh(TCV_sl2, TSPX_TscDef, 7, 1, 1, CellChDes_omit, ChMod_sign_iei, MobilAllc_r01))		
59	[TSPC_DCS]		
60	+Config_FACCHF_A_1(63, 7, ChMod_sign, C_Ass, TCV_sl2, TSPX_TscDef, FreqTCHa12, C_TCHF_ACCHF_1, TimingAdv_r01, '000'B, '001'B, '011'B)		
61	+SysInfo_SacchSending(TCV_sacchTch, TCV_sysinfo5, TCV_sysinfo6)		
62	(TCV_AssCmd := AsgnCmd_fh(TCV_sl2, TSPX_TscDef, 7, 1, 1, CellChDes_omit, ChMod_sign_iei, MobilAllc_r01))		
	Itree_Asgn2		
63	(TCV_chTch1 := C_FACCHF_A_2, TCV_sacchTch1 := C_SACCHF_A_2, TCV_sl2 := INT_TO_BIT(((BIT_TO_INT(TSPX_TmSl2Def) + 3) MOD 8), 3))		
64	[TSPC_PGSM OR TSPC_EGSM]		
65	+Config_FACCHF_A_2(63, 16, TSPX_ChModF, C_Ass, TCV_sl2, TSPX_TscDef, FreqTCHa6, C_TCHF_ACCHF_2, TimingAdv_r01, '000'B, '001'B, '011'B)		
66	+SysInfo_SacchSending(TCV_sacchTch1, TCV_sysinfo5, TCV_sysinfo6)		
67	(TCV_AssCmd := AsgnCmd_nfh(TCV_sl2, TSPX_TscDef, 16, C_arfcnA, CellChDes_r03, TSPX_ChModF, StartingTm_omit))		
68	[TSPC_DCS]		
69	+Config_FACCHF_A_2(63, 12, TSPX_ChModF, C_Ass, TCV_sl2, TSPX_TscDef, FreqTCHa13, C_TCHF_ACCHF_2, TimingAdv_r01, '000'B, '001'B, '011'B)		
70	+SysInfo_SacchSending(TCV_sacchTch1, TCV_sysinfo5, TCV_sysinfo6)		
71	(TCV_AssCmd := AsgnCmd_nfh(TCV_sl2, TSPX_TscDef, 12, 747, CellChDes_r01, TSPX_ChModF, StartingTm_omit))		
	Itree_Asgn3		
72	(TCV_chTch := C_FACCHF_A_1, TCV_sacchTch := C_SACCHF_A_1, TCV_sl2 := INT_TO_BIT(((BIT_TO_INT(TSPX_TmSl2Def) + 4) MOD 8), 3))		
73	[TSPC_PGSM OR TSPC_EGSM]		
74	+Config_FACCHF_A_1(63, 9, TSPX_ChModF, C_Ass, TCV_sl2, TSPX_TscDef, FreqTCHa7, C_TCHF_ACCHF_1, TimingAdv_r01, '000'B, '001'B, '011'B)		
75	+SysInfo_SacchSending(TCV_sacchTch, TCV_sysinfo5, TCV_sysinfo6)		
76	(TCV_AssCmd := AsgnCmd_fh(TCV_sl2, TSPX_TscDef, 9, 3, 8, CellChDes_omit, ChMod_omit, MobilAllc_r02))		
77	[TSPC_DCS]		
78	+Config_FACCHF_A_1(63, 9, ChMod_speech, C_Ass, TCV_sl2, TSPX_TscDef, FreqTCHa14, C_TCHF_ACCHF_1, TimingAdv_r01, '000'B, '001'B, '011'B)		

```

79      +SysInfo_SacchSending( TCV_sacchTch,
      TCV_sysinfo5, TCV_sysinfo6)
80      (TCV_AssCmd := AsgnCmd_fh( TCV_sl2,
      TSPX_TscDef, 9, 3, 8, CellChDes_omit,
      ChMod_omit, MobilAllc_r04))

Itree_Asgn4
81      (TCV_chTch1 := C_FACCHF_A_2, TCV_sacchTch1
      := C_SACCHF_A_2, TCV_sl2 := INT_TO_BIT(((
      BIT_TO_INT( TSPX_TmSl2Def) + 5) MOD 8), 3),
      TCV_Fn := OM_ComingFn( TCV_chTch), TCV_Fn1
      := OC_FnInc( TCV_Fn, 100), TCV_Null :=
      OM_SendNextOn( TCV_chTch, TCV_Fn))
82      [TSPC_PGSM OR TSPC_EGSM]
83      +Config_FACCHF_A_2(63, 14, ChMod_sign,
      C_Ass, TCV_sl2, TSPX_TscDef, FreqTCHa8,
      C_TCHF_ACCHF_2, TimingAdv_r01, '000'B,
      '001'B, '011'B)
84      +SysInfo_SacchSending( TCV_sacchTch1,
      TCV_sysinfo5, TCV_sysinfo6)
85      (TCV_AssCmd := AsgnCmd_nfh( TCV_sl2,
      TSPX_TscDef, 14, 10, CellChDes_omit,
      ChMod_sign_iei, StartingTm_01(TCV_Fn1)))
86      [TSPC_DCS]
87      +Config_FACCHF_A_2(63, 14, ChMod_sign,
      C_Ass, TCV_sl2, TSPX_TscDef, FreqTCHa15,
      C_TCHF_ACCHF_2, TimingAdv_r01, '000'B,
      '001'B, '011'B)
88      +SysInfo_SacchSending( TCV_sacchTch1,
      TCV_sysinfo5, TCV_sysinfo6)
89      (TCV_AssCmd := AsgnCmd_nfh( TCV_sl2,
      TSPX_TscDef, 14, 734, CellChDes_omit,
      ChMod_sign_iei, StartingTm_01(TCV_Fn1)))

Itree_Asgn5
90      (TCV_chTch := OC_SubchOfFacchh(
      TSPX_TCHHSubDef, C_CellA, 1), TCV_sacchTch :=
      OC_SubchOfSacchh( TSPX_TCHHSubDef, C_CellA,
      1), TCV_sl2 := INT_TO_BIT((( BIT_TO_INT(
      TSPX_TmSl2Def) + 6) MOD 8), 3))
91      [TSPC_PGSM OR TSPC_EGSM]
92      +Config_FACCHH_A_1(63, 8, TSPX_ChModH,
      C_Ass, TCV_sl2, TSPX_TscDef, FreqTCHa9,
      C_TCHH_ACCHH_1, TimingAdv_r01, '000'B,
      '001'B, '011'B)
93      +SysInfo_SacchSending( TCV_sacchTch,
      TCV_sysinfo5, TCV_sysinfo6)
94      (TCV_AssCmd := AsgnCmd_tchh_fh(
      TSPX_TCHHSubDef, TCV_sl2,
      TSPX_TscDef, 8, 5, 0, TSPX_ChModH,
      Frql_08, MobilAllc_omit))
95      [TSPC_DCS]
96      +Config_FACCHH_A_1(63, 3, TSPX_ChModH,
      C_Ass, TCV_sl2, TSPX_TscDef, FreqTCHa16,
      C_TCHH_ACCHH_1, TimingAdv_r01, '000'B,
      '001'B, '011'B)
97      +SysInfo_SacchSending( TCV_sacchTch,
      TCV_sysinfo5, TCV_sysinfo6)
98      (TCV_AssCmd := AsgnCmd_tchh_fh(
      TSPX_TCHHSubDef, TCV_sl2,
      TSPX_TscDef, 3, 5, 0, TSPX_ChModH,
      Frql_09, MobilAllc_omit))

Itree_Asgn6
99      (TCV_chTch1 := OC_SubchOfFacchh(
      TSPX_TCHHSubA, C_CellA, 2), TCV_sacchTch1 :=
      OC_SubchOfSacchh( TSPX_TCHHSubDef, C_CellA,
      2), TCV_sl2 := INT_TO_BIT((( BIT_TO_INT(
      TSPX_TmSl2Def) + 7) MOD 8), 3))
100     [TSPC_PGSM OR TSPC_EGSM]
101     +Config_FACCHH_A_2(63, 12, TSPX_ChModH,
      C_Ass, TCV_sl2, TSPX_TscDef, FreqTCHa10,

```

102	C_TCHH_ACCHH_2, TimingAdv_r01, '000'B, '001'B, '011'B)		
103	+SysInfo_SacchSending(TCV_sacchTch1, TCV_sysinfo5, TCV_sysinfo6)		
104	(TCV_AssCmd := AsgnCmd_tchh_nfh(TSPX_TCHHSubA, TCV_sl2, TSPX_TscDef, 12, 34))		
105	[TSPC_DCS] +Config_FACCHH_A_2(63, 9, TSPX_ChModH, C_Ass, TCV_sl2, TSPX_TscDef, FreqTCHa17, C_TCHH_ACCHH_2, TimingAdv_r01, '000'B, '001'B, '011'B)		
106	+SysInfo_SacchSending(TCV_sacchTch1, TCV_sysinfo5, TCV_sysinfo6)		
107	(TCV_AssCmd := AsgnCmd_tchh_nfh(TSPX_TCHHSubA, TCV_sl2, TSPX_TscDef, 9, 759))		
108	ltree_Asgn7 (TCV_chTch := C_FACCHF_A_1, TCV_sacchTch := C_SACCHF_A_1, TCV_sl2 := INT_TO_BIT(((BIT_TO_INT(TSPX_TmSl2Def) + 1) MOD 8), 3))		
109	[TSPC_PGSM OR TSPC_EGSM]		
110	+Config_FACCHF_A_1(63, 19, TSPX_ChModH, C_Ass, TCV_sl2, TSPX_TscDef, FreqTCHa11, C_TCHF_ACCHF_1, TimingAdv_r01, '000'B, '001'B, '011'B)		
111	+SysInfo_SacchSending(TCV_sacchTch, TCV_sysinfo5, TCV_sysinfo6)		
112	(TCV_AssCmd := AsgnCmd_fh(TCV_sl2, TSPX_TscDef, 19, 0, 40, CellChDes_r04, ChMod_omit, MobilAllc_r03))		
113	[TSPC_DCS]		
114	+Config_FACCHF_A_1(63, 15, TSPX_ChModH, C_Ass, TCV_sl2, TSPX_TscDef, FreqTCHa18, C_TCHF_ACCHF_1, TimingAdv_r01, '000'B, '001'B, '011'B)		
115	+SysInfo_SacchSending(TCV_sacchTch, TCV_sysinfo5, TCV_sysinfo6)		
116	(TCV_AssCmd := AsgnCmd_fh(TCV_sl2, TSPX_TscDef, 15, 0, 40, CellChDes_r02, ChMod_omit, MobilAllc_r03))		
Detailed Comments:		1. Default parameters except CA. 2. The time slot is TSPX_TmSl2Def, the ARFCN is the BCCH carrier.	

Test Case Dynamic Behaviour					
Test Case Name:		TC_26_6_4_2_1			
Group:		GSM_L3_MS_v4170/RR/			
Purpose:		To test that, when the MS fails to seize the new channel, the MS reactivates the old channel, reporting use of the last power level used on the old channel. This is tested in the special cases of a transition: - from TCH/F to hopping TCH/F in state U10 if the MS supports TCH/F and call control - from TCH/H to hopping TCH/H in state U10 if the MS supports TCH/H and call control			
Default:		OtherEventsFail_01			
Nr	Label	Behaviour Description	CRef	V	Comments
1		START T_guard(300)			
2		+BasicServiceMT(TSPX_MTBscSvcA,TSPX_MTChRateA,TSPX_MT_ImmConnA)			
3		(TCV_slot := C_S0, TCV_tsc := C_BCC)			
4		+IdleUpdated(C_CellA, C_ImmAss, TCV_slot, TCV_tsc, TimingAdv_01, '000'B, '001'B, '011'B, '00'O)			
5		(TCV_ch := OC_SubchOfSdcch4(TSPX_SDCCH4SubA, C_CellA), TCV_sacch := OC_SubchOfSacch4(TSPX_SDCCH4SubA, C_CellA), TCV_CphKey := OC_CphKeyGen(TSPX_Ki, TSPX_RANDDef))			
6		+PreEnterIdleState_Comb01(C_ImmAss, TCV_slot, TCV_tsc, 5, 1,0, TimingAdv_r01, '000'B, '001'B, '011'B, '00'O)			
7		+FullRateCh_A_1(C_Ass, TSPX_TmSlitDef, TSPX_TscDef, ChMod_speech, FreqTCHa_rg, FreqTCHa_rd, TimingAdv_r01, '000'B, '001'B, '011'B)			
8		+PreEnterCCstateU10_r01(TimingAdv_r01, TSPX_SDCCH4SubA, TSPX_MSTxpwrMax, TSPX_MSTxpwrMax)			1.
9	body	+localtree			
		localtree			
10		+ltree_Asgn1			
11		+AssCh_failure(TCV_chTch,TCV_AssCmd,FALSE)			
12		+localtree3			
13		+localtree1			
		localtree1			
14		[TSPC_DualRate = TRUE]			
15		(TCV_CphKey := OC_CphKeyGen(TSPX_Ki, TSPX_RANDDef))			
16		+HalfRateCh_A_1(TSPX_TCHHSubA, C_Ass, TSPX_TmSlitDef, TSPX_TscDef, ChMod_speech, FreqTCHa_rg, FreqTCHa_rd, TimingAdv_r01, '000'B, '001'B, '011'B)			
17		+PreEnterCCstateU10_r01(TimingAdv_r01, TSPX_SDCCH4SubA, TSPX_MSTxpwrMax, TSPX_MSTxpwrMax)			3.
18		+localtree2			
19		[TSPC_FullRateOnly = TRUE]			
		localtree2			
20		+ltree_Asgn2			
21		+AssCh_failure(TCV_chTch,TCV_AssCmd,FALSE)			
22		+localtree3			
		localtree3			
23		(TCV_L1Head := OM_GetL1Hd(C_SACCHF_A_1))			
24		[TSPC_PGSM OR TSPC_EGSM]			
25		[TCV_L1Head.mspwrlvl <> '00111'B]		(F)	6.
26		+PostMainLinkRel(TCV_chTch)			
27		[TCV_L1Head.mspwrlvl = '00111'B]		(P)	
28		+PostMainLinkRel(TCV_chTch)			

29	[TSPC_DCS]		
30	[TCV_L1Head.mspwrlvl <> '00011'B]	(F)	6.
31	+PostMainLinkRel(TCV_chTch)		
32	[TCV_L1Head.mspwrlvl = '00011'B]	(P)	
33	+PostMainLinkRel(TCV_chTch)		
Itree_Asgn1			
34	[TSPC_PGSM OR TSPC_EGSM]		
35	(TCV_AssCmd := AsgnCmd_tchf(TSPX_TmSlitDef, TSPX_TscDef))		
36	[TSPC_DCS]		
37	(TCV_AssCmd := AsgnCmd_dtchf(TSPX_TmSlitDef, TSPX_TscDef))		
Itree_Asgn2			
38	[TSPC_PGSM OR TSPC_EGSM]		
39	(TCV_AssCmd := AsgnCmd_tchh(TSPX_TCHHSubA, TSPX_TmSlitDef, TSPX_TscDef))		
40	[TSPC_DCS]		
41	(TCV_AssCmd := AsgnCmd_dtchh(TSPX_TCHHSubA, TSPX_TmSlitDef, TSPX_TscDef))		
Detailed Comments:			
<ol style="list-style-type: none"> 1. To set up a full rate non hopping call and power level = 7. 2. To assign a full rate hopping channel with power level = 9, but the channel is not activated. 3. To set up a half rate non hopping call and power level = 7. 4. To assign a half rate channel with power level = 9, but the channel is not activated. 5. The expected ASSIGNMENT FAILURE with " protocol error unspecified" received on the old channel. 6. The power level is not the old power level, fail. 			

Test Case Dynamic Behaviour					
Test Case Name:		TC_26_6_4_2_2			
Group:		GSM_L3_MS_v4170/RR/			
Purpose:		To test that, when the MS fails to seize the new channel, the MS reactivates the old channel. This is tested in the special cases of a transition: <ul style="list-style-type: none"> - from SDCCH to hopping TCH/F; this test part is only applicable if the MS supports TCH/F. - from non-hopping SDCCH to hopping TCH/H; this test part is only applicable if the MS supports TCH/H. - from hopping TCH/F to hopping TCH/H; this test part is only applicable if the MS supports TCH/H. 			
Default:		OtherEventsFail_01			
Nr	Label	Behaviour Description	CRef	V	Comments
1		START T_guard(300)			
2		(TCV_slot := C_S0, TCV_tsc := C_BCC)			
3		+IdleUpdated(C_CellA, C_Immass, TCV_slot, TCV_tsc, TimingAdv_01, '000'B, '001'B, '011'B, '00'O)			
4		(TCV_sacch := OC_SubchOfSacch4(TSPX_SDCCH4SubB, C_CellA), TCV_ch := OC_SubchOfSdcch4(TSPX_SDCCH4SubB, C_CellA))			
5		+PreEnterIdleState_Comb01(C_Immass, TCV_slot, TCV_tsc, 5, 1, 0, TimingAdv_r01, '000'B, '001'B, '011'B, '00'O)			1.
6		+CCCH_group_Paging_group(TCV_Ccd0A, TSPX_IMSI)			
7	body	L!DL_UdatRqPg1Rq	PgReq1(TCV_PgCh, TCV_Pgg, PgReqTp1_01)		
8		L?DL_RacInChRq (TCV_Rqr.ra := DL_RacInChRq.msg.ecau_rrf, TCV_Rqr.fn := DL_RacInChRq.fn)	ChReq_01		
9		+gsmOrDcs			
10		L?DL_EstInPgRes	PgRes_01		
11		+localtree			
12		localtree (TCV_AssCmd := AsgnCmd_tchf_fh_01(C_S3,C_BCC))			
13		+Adjust_gsmanddcs_powerlvl(0,3,TCV_AssCmd)			
14		+AssCh_failure(TCV_ch,TCV_AssCmd,FALSE)			
15		[TSPC_FullRateOnly = TRUE]			
16		+PostMainLinkRel(TCV_ch)			
17		[TSPC_DualRate = TRUE]			
18		+localtree1			
19		localtree1 (TCV_AssCmd := AsgnCmd_tchf_fh_02('001'B, TSPX_TscDef))			
20		+Adjust_gsmanddcs_powerlvl(0,3,TCV_AssCmd)			
21		+AssCh_failure(TCV_ch,TCV_AssCmd,FALSE)			
22		+FullRateCh_A_1_nociph(C_Ass, C_S3, C_BCC, ChMod_sign, Freq_rg8, Freq_rd8, TimingAdv_r01, '000'B, '001'B, '011'B)			4.
23		(TCV_AssCmd := AsgnCmd_tchf_fh_01(C_S3, C_BCC))			
24		+Adjust_gsmanddcs_powerlvl(0,3,TCV_AssCmd)			
25		+AssCh_complete(TCV_ch,TCV_chTch,TCV_AssCmd)			
26		(TCV_AssCmd := AsgnCmd_tchf_fh_02('001'B, TSPX_TscDef))			
27		+Adjust_gsmanddcs_powerlvl(0,3,TCV_AssCmd)			
28		+AssCh_failure(TCV_chTch,TCV_AssCmd,FALSE)			
29		+PostMainLinkRel(TCV_chTch)			

30		gsmOrDcs L!DL_UdatRqImm	ImmAss_r10(TCV_ag ch, TCV_Rqr.ra, TCV_Rqr.fn, TSPX_SDCCH4SubB , TCV_slot, TCV_tsc, TimingAdv_r01, TCV_chdescr_arfcn)		
Detailed Comments: <ol style="list-style-type: none">1. Default parameters: CCCH combined with SDCCH4, Tx-integer = 5, Max-retrans = 1.2. To assign a TCH/F hopping channel which is not activated.3. To assign a TCH/H hopping channel which is not activated.4. To setup a physical channel as TCH/F hopping channel.5. To assign the TCH/F hopping channel which is now activated.					

Test Case Dynamic Behaviour					
Test Case Name:		TC_26_6_5_1_1			
Group:		GSM_L3_MS_v4170/RR/			
Purpose:		To test that when the MS is ordered to make a non-synchronized handover it continuously sends access bursts on the main DCCH until it receives a PHYSICAL INFORMATION message from the SS. To test that the MS correctly handles the values of any Starting Time IE in the HANDOVER COMMAND message and the Timing Advance IE in the PHYSICAL INFORMATION message. To test that the MS activates the new channel correctly.			
Default:		OtherEventsFail_01			
Nr	Label	Behaviour Description	CRef	V	Comments
1		START T_guard(300)			
2		(TCV_slot := C_S0, TCV_tsc := C_BCC)			
3		+IdleUpdated(C_CellA, C_Immass, TCV_slot, TCV_tsc, TimingAdv_01, '000'B, '001'B, '011'B, '00'O)			
4		+localtree_varinit			
5		+PreEnterIdleState_201(63, 53, C_Immass, TCV_slot, TCV_tsc, 5, 7, 0, TimingAdv_03, '000'B, '001'B, '011'B, '00'O)			
6		+FullRateCh_A_1(C_Ass, TCV_asscmd_ts, TCV_tsc, ChMod_speech, FreqTCHa_ho, FreqTCHa_hod, TimingAdv_03, '000'B, '001'B, '011'B)			
7		+EstMsTermFullRateCallNonFH(TimingAdv_03)			1)
8		+FullRateCh_B_1(C_Ass, TCV_ts, TCV_tsc, ChMod_speech, FreqTCHb_ho, FreqTCHb_hod, TimingAdv_03, '000'B, '001'B, '011'B)			
9	body	LIDL_DatRqHoCmd	HndOv_21_B(TCV_Horf, TCV_chTch, TCV_ts, TCV_chdescr_arfcn, TCV_Pwrlvl_ho, TimingAdv_03iei)		2)
10		+localtree_varinit2			
11		+RR_hocomp1(500, TimingAdv_03)			
12	post	+ChanRel_end(TCV_ch)			
		localtree_varinit			
13		+Varinit_fixA			
14		(TCV_asscmd_ts := TSPX_TmSltA, TCV_ts:= TSPX_TmSltB, TCV_Cntref:= TSPX_hoaccessA, TCV_Horf:= TSPX_horfA, TCV_Pwrlvl_ho:= TSPX_PwrlvlA, TCV_sacch_B := OC_SubchOfSacch4(TSPX_SDCCH4SubDef, C_CellB))			
15		[TSPC_PGSM OR TSPC_EGSM]			
16		(TCV_chdescr_arfcn:= TSPX_TCHcarrierA_ho)			
17		[TSPC_DCS]			
18		(TCV_chdescr_arfcn:= TSPX_TCHcarrierA_hod)			
		localtree_varinit2			
19		+Varinit_fixB			
20		[TSPC_PGSM OR TSPC_EGSM]			
21		(TCV_chdescr_arfcn:= TSPX_TCHcarrierB_ho)			
22		[TSPC_DCS]			
23		(TCV_chdescr_arfcn:= TSPX_TCHcarrierB_hod)			
Detailed Comments:		1) IUT enters state U10 with TCH/F_nonFH in cell A			
		2) HO from TCH/F_nonFH of cell A to TCH/F_nonFH in CELL B for GSM900 and DCS1800			

Test Case Dynamic Behaviour					
Test Case Name:		TC_26_6_5_1_2			
Group:		GSM_L3_MS_v4170/RR/			
Purpose:		To test that when the MS is ordered to make a non-synchronized handover it continuously sends access bursts on the main DCCH until it receives a PHYSICAL INFORMATION message from the SS. To test that the MS correctly handles the values of any Starting Time IE in the HANDOVER COMMAND message and the Timing Advance IE in the PHYSICAL INFORMATION message. To test that the MS activates the new channel correctly.			
Default:		OtherEventsFail_01			
Nr	Label	Behaviour Description	CRef	V	Comments
1		START T_guard(300)			
2		(TCV_slot := C_S0, TCV_tsc := C_BCC)			
3		+IdleUpdated(C_CellB, C_Immass, TCV_slot, TCV_tsc, TimingAdv_01, '000'B, '001'B, '011'B, '00'O)			
4		+localtree_varinit			
5		+PreEnterIdleState_201(53, 63, C_Immass, TCV_slot, TCV_tsc, 5, 7, 0, TimingAdv_r02, '000'B, '001'B, '011'B, '00'O)			
6		+FullRateCh_B_1(C_Ass, TCV_asscmd_ts, TCV_tsc, ChMod_speech, FreqTCHb_ho, FreqTCHb_hod, TimingAdv_r02, '000'B, '001'B, '011'B)			
7		+EstMsTermFullRateCallNonFH(TimingAdv_r02)			1)
8		+FullRateCh_A_1(C_Ass, TCV_ts, TCV_tsc, ChMod_speech, FreqTCHa_hof1, FreqTCHa_hof1d, TimingAdv_r02, '000'B, '001'B, '011'B)			
9	body	+ltree_hosend			
10		+localtree_varinit2			
11		+RR_hocomp2(500, TimingAdv_r05)			
12	post	+ChanRel_end(TCV_ch)			
13		ltree_hosend [TSPC_PGSM OR TSPC_EGSM]			
14		L!DL_DatRqHoCmd	HndOv_22(TCV_Horf, TCV_ch, TCV_ts, TCV_Pwrlvl_ho, TimingAdv_r02iei)		2)
15		[TSPC_DCS]			
16		L!DL_DatRqHoCmd	HndOv_22d(TCV_Horf, TCV_ch, TCV_ts, TCV_Pwrlvl_ho, TimingAdv_r02iei)		2)
17		localtree_varinit +Varinit_fixB			
18		(TCV_sacch_B := OC_SubchOfSacch4(TSPX_SDCCH4SubB, C_CellB), TCV_asscmd_ts:= TSPX_TmSltB, TCV_ts:= TSPX_TmSltNotZero, TCV_Cntref:= TSPX_hoaccessB, TCV_Horf:= TSPX_horfB, TCV_Pwrlvl_ho:= TSPX_PwrlvlA)			
19		[TSPC_PGSM OR TSPC_EGSM]			
20		(TCV_chdescr_arfcn:= TSPX_TCHcarrierB_ho)			
21		[TSPC_DCS]			
22		(TCV_chdescr_arfcn:= TSPX_TCHcarrierB_hod)			
23		localtree_varinit2 +Varinit_fixA			
24		[TSPC_PGSM OR TSPC_EGSM]			
25		(TCV_chdescr_arfcn:= TSPX_TCHcarrierA_ho)			
26		[TSPC_DCS]			
27		(TCV_chdescr_arfcn:= TSPX_TCHcarrierA_hod)			
Detailed Comments:		1) IUT enters state U10 with TCH/F_nonFH in CELL B.			

2) HO from TCH/F_nonFH of cell B to TCH/F_FH in CELL A.

Test Case Dynamic Behaviour

Test Case Name: TC_26_6_5_1_3
Group: GSM_L3_MS_v4170/RR/
Purpose: To test that when the MS is ordered to make a non-synchronized handover it continuously sends access bursts on the main DCCH until it receives a PHYSICAL INFORMATION message from the SS. To test that the MS correctly handles the values of any Starting Time IE in the HANDOVER COMMAND message and the Timing Advance IE in the PHYSICAL INFORMATION message. To test that the MS activates the new channel correctly.
Default: OtherEventsFail_01

Nr	Label	Behaviour Description	CRef	V	Comments
1		START T_guard(300)			
2		(TCV_slot := C_S0, TCV_tsc := C_BCC)			
3		+IdleUpdated(C_CellA, C_Immass, TCV_slot, TCV_tsc, TimingAdv_01, '000'B, '001'B, '011'B, '00'O)			
4		+localtree_varinit			
5		+PreEnterIdleState_201(63, 53, C_Immass, TCV_slot, TCV_tsc, 5,7, 0, TimingAdv_03, '000'B, '001'B, '011'B, '00'O)			
6		+FullRateCh_A_1(C_Ass, TCV_asscmd_ts, TCV_tsc, ChMod_speech, FreqTCHa_hof1, FreqTCHa_hof1d, TimingAdv_03, '000'B, '001'B, '011'B)			
7		+EstMsTermFullRateCallFH(TimingAdv_03)			1)
8		(TCV_Fn := OM_ComingFn(TCV_ch), TCV_Null:= OM_SendNextOn(TCV_ch, TCV_Fn))			
9		+FullRateCh_B_1(C_Ass, TCV_ts, TCV_tsc, ChMod_speech, FreqTCHb_ho, FreqTCHb_hod, TimingAdv_03, '000'B, '001'B, '011'B)			
10	body	LIDL_DatRqHoCmd	HndOv_21_B2(TCV_Horf, TCV_chTch, TCV_ts, TCV_chdescr_arfcn, TCV_Pwrlvl_ho, TimingAdv_03iei, OC_StartTime(TCV_Fn, C_StartingTimeHO, 1))		2)
11		+localtree_varinit2			
12		+RR_hocomp1(500, TimingAdv_03)			
13	post	+ChanRel_end(TCV_ch)			
14		localtree_varinit +Varinit_fixcommon			
15		(TCV_cellid:=C_CellA, TCV_chdescr_arfcn:= C_arfcnA_HO, TCV_ch:= OC_SubchOfSdcch4(TSPX_SDCCH4SubA, C_CellA), TCV_sacch:= OC_SubchOfSacch4(TSPX_SDCCH4SubA, C_CellA), TCV_sacch_B := OC_SubchOfSacch4(TSPX_SDCCH4SubDef, C_CellB), TCV_PgCh:= C_PCH_A_1, TCV_asscmd_ts:= TSPX_TmSlTc, TCV_ts:= TSPX_TmSlTc, TCV_Cntref:= TSPX_hoaccessC, TCV_Horf:= TSPX_horfC, TCV_Pwrlvl_ho:= TSPX_PwrlvlB)			
16		localtree_varinit2 (TCV_cellid:=C_CellB, TCV_chdescr_arfcn:= C_arfcnB_HO)			

Detailed Comments:
 1) IUT enters state U10 with TCH/F_FH in cell A
 2) HO from TCH/F_FH of cell A to TCH/F_nonFH in CELL B for GSM 900 and DCS1800

Test Case Dynamic Behaviour					
Test Case Name:		TC_26_6_5_1_4			
Group:		GSM_L3_MS_v4170/RR/			
Purpose:		To test that when the MS is ordered to make a non-synchronized handover it continuously sends access bursts on the main DCCH until it receives a PHYSICAL INFORMATION message from the SS. To test that the MS correctly handles the values of any Starting Time IE in the HANDOVER COMMAND message and the Timing Advance IE in the PHYSICAL INFORMATION message. To test that the MS activates the new channel correctly.			
Default:		OtherEventsFail_01			
Comments:		For GSM900 and DCS1800			
Nr	Label	Behaviour Description	CRef	V	Comments
1		START T_guard(300)			
2		(TCV_slot := C_S0, TCV_tsc := C_BCC)			
3		+IdleUpdated(C_CellB, C_Immass, TCV_slot, TCV_tsc, TimingAdv_01, '000'B, '001'B, '011'B, '00'O)			
4		+localtree_varinit			
5		+PreEnterIdleState_201(53, 63, C_Immass, TCV_slot, TCV_tsc, 5,7, 0, TimingAdv_r02, '000'B, '001'B, '011'B, '00'O)			
6		+HalfRateCh_B_1(TSPX_TCHHSubDef, C_Ass, TCV_asscmd_ts, TCV_tsc, ChMod_r03, FreqTCHb_hof1, FreqTCHb_hof1d, TimingAdv_03, '000'B, '001'B, '011'B)			
7		+EstMsTermHalfRateCallFH(TimingAdv_r02)			1)
8		+HalfRateCh_A_1_3(TSPX_TCHHSubDef, C_Ass, TCV_ts, TCV_tsc, ChMod_speech, FreqTCHa_ho, FreqTCHa_hod, TimingAdv_03, '000'B, '001'B, '011'B)			
9	body	+ltree_hosend			
10		+localtree_varinit2			
11		+RR_hocomp1(500, TimingAdv_03)			
12	post	+ChanRel_end(TCV_ch)			
13		ltree_hosend			
14		[TSPC_PGSM OR TSPC_EGSM] L!DL_DatRqHoCmd	HndOv_24_A1(TCV_Horf, TCV_chTch, TCV_ts, TCV_Pwrlvl_ho, TimingAdv_r02iei)		2)
15		[TSPC_DCS]			
16		L!DL_DatRqHoCmd	HndOv_24_A1d(TCV_Horf, TCV_chTch, TCV_ts, TCV_Pwrlvl_ho, TimingAdv_r02iei)		2)
17		localtree_varinit			
18		+Varinit_fixcommon (TCV_cellid:=C_CellB, TCV_chdescr_arfcn:= C_arfcnB_HO, TCV_ch:= OC_SubchOfSdcch4(TSPX_SDCCH4SubB, C_CellB), TCV_sacch:= OC_SubchOfSacch4(TSPX_SDCCH4SubDef, C_CellA), TCV_sacch_B := OC_SubchOfSacch4(TSPX_SDCCH4SubB, C_CellB), TCV_PgCh:= C_PCH_B_1, TCV_asscmd_ts:= TSPX_TmSltd, TCV_ts:= '000'B, TCV_Cntref:= TSPX_hoaccessD, TCV_Horf:= TSPX_horfD, TCV_Pwrlvl_ho:= TSPX_PwrlvlB)			
19		localtree_varinit2 (TCV_cellid:=C_CellA, TCV_chdescr_arfcn:= C_arfcnA_HO)			
Detailed Comments:		1) IUT enters state U10 with TCH/F_nonFH in cell B. 2) HO from TCH/F_nonFH of cell B to TCH/H_FH in CELL A.			

Test Case Dynamic Behaviour					
Test Case Name: TC_26_6_5_1_5					
Group: GSM_L3_MS_v4170/RR/					
Purpose: To test that when the MS is ordered to make a non-synchronized handover it continuously sends access bursts on the main DCCH until it receives a PHYSICAL INFORMATION message from the SS. To test that the MS correctly handles the values of any Starting Time IE in the HANDOVER COMMAND message and the Timing Advance IE in the PHYSICAL INFORMATION message. To test that the MS activates the new channel correctly.					
Default: OtherEventsFail_01					
Nr	Label	Behaviour Description	CRef	V	Comments
1		START T_guard(300)			
2		(TCV_slot := C_S0, TCV_tsc := C_BCC)			
3		+IdleUpdated(C_CellA, C_Immass, TCV_slot, TCV_tsc, TimingAdv_01, '000'B, '001'B, '011'B, '00'O)			
4		+localtree_varinit			
5		+PreEnterIdleState_201(63, 53, C_Immass, TCV_slot, TCV_tsc, 5,7, 0, TimingAdv_r02, '000'B, '001'B, '011'B, '00'O)			
6		+HalfRateCh_A_1_3(TSPX_TCHHSubDef, C_Ass, TCV_asscmd_ts, TCV_tsc, ChMod_speech, FreqTCHa_ho, FreqTCHa_hod, TimingAdv_r02, '000'B, '001'B, '011'B)			
7		+EstMsTermHalfRateCallNonFH(TimingAdv_r02)			1)
8		+HalfRateCh_B_1(TSPX_TCHHSubDef, C_Ass, TCV_ts, TCV_tsc, ChMod_r03, FreqTCHb_hof1, FreqTCHb_hof1d, TimingAdv_r02, '000'B, '001'B, '011'B)			
9	body	+ltree_hosend			
10		+localtree_varinit2			
11		+RR_hocomp2(500, TimingAdv_r05)			
12	post	+ChanRel_end(TCV_ch)			
13		ltree_hosend			
14		[TSPC_PGSM OR TSPC_EGSM] L!DL_DatRqHoCmd	HndOv_24_B1(TCV_Horf, TCV_chTch, TCV_ts, TCV_Pwrlvl_ho, TimingAdv_r02iei)		2)
15		[TSPC_DCS]			
16		L!DL_DatRqHoCmd	HndOv_24_B1d(TCV_Horf, TCV_chTch, TCV_ts, TCV_Pwrlvl_ho, TimingAdv_r02iei)		2)
17		localtree_varinit			
18		+Varinit_fixcommon (TCV_cellid:=C_CellA, TCV_chdescr_arfcn:= C_arfcnA_HO, TCV_ch:= OC_SubchOfSdcch4(TSPX_SDCCH4SubA, C_CellA), TCV_sacch:= OC_SubchOfSacch4(TSPX_SDCCH4SubA, C_CellA), TCV_sacch_B := OC_SubchOfSacch4(TSPX_SDCCH4SubDef, C_CellB), TCV_PgCh:= C_PCH_A_1, TCV_asscmd_ts:= TSPX_TmSlE, TCV_ts:= TSPX_TmSlE, TCV_Cntref:= TSPX_hoaccessE, TCV_Horf:= TSPX_horfE, TCV_Pwrlvl_ho:= TSPX_PwrlvlC)			
19		localtree_varinit2 (TCV_cellid:=C_CellB, TCV_chdescr_arfcn:= C_arfcnB_HO)			
Detailed Comments:					
1) IUT enters state U10 with TCH/H_FH in cell A.					
2) HO from TCH/F_nonFH of cell B to TCH/H_FH in CELL B.					

Test Case Dynamic Behaviour					
Test Case Name:		TC_26_6_5_1_6			
Group:		GSM_L3_MS_v4170/RR/			
Purpose:		To test that when the MS is ordered to make a non-synchronized handover it continuously sends access bursts on the main DCCH until it receives a PHYSICAL INFORMATION message from the SS. To test that the MS correctly handles the values of any Starting Time IE in the HANDOVER COMMAND message and the Timing Advance IE in the PHYSICAL INFORMATION message. To test that the MS activates the new channel correctly.			
Default:		OtherEventsFail_01			
Nr	Label	Behaviour Description	CRef	V	Comments
1		START T_guard(300)			
2		(TCV_slot := C_S0, TCV_tsc := C_BCC)			
3		+IdleUpdated(C_CellB, C_Immass, TCV_slot, TCV_tsc, TimingAdv_01, '000'B, '001'B, '011'B, '00'O)			
4		+localtree_varinit			
5		+PreEnterIdleState_201(53, 63, C_Immass, TCV_slot, TCV_tsc, 5,7, 0, TimingAdv_03, '000'B, '001'B, '011'B, '00'O)			
6		+HalfRateCh_B_1(TSPX_TCHHSubDef, C_Ass, TCV_asscmd_ts, TCV_tsc, ChMod_r03, FreqTCHb_hof1, FreqTCHb_hof1d, TimingAdv_r02, '000'B, '001'B, '011'B)			
7		+EstMsTermHalfRateCallFH(TimingAdv_03)			1)
8		+HalfRateCh_A_1_3(TSPX_TCHHSubDef, C_Ass, TCV_ts, TCV_tsc, ChMod_speech, FreqTCHa_hof2, FreqTCHa_hof2d, TimingAdv_r02, '000'B, '001'B, '011'B)			
9	body	(TCV_Fn := OM_ComingFn(TCV_ch), TCV_Null:= OM_SendNextOn(TCV_ch, TCV_Fn))			
10		!IDL_DatRqHoCmd(DL_DatRqHoCmd.msg.str:= OC_StartTime(TCV_Fn, C_StartingTimeHO, 1))	HndOv_23_A1(TCV_Horf, TCV_chTch, TCV_ts, TCV_chdescr_arfcn, TCV_Pwrlvl_ho, TimingAdv_03iei)		2)
11		+localtree_varinit2			
12		+RR_hocomp1(500, TimingAdv_03)			
13	post	+ChanRel_end(TCV_ch)			
14		localtree_varinit			
15		+Varinit_fixcommon (TCV_cellid:=C_CellB, TCV_chdescr_arfcn:= C_arfcnB_HO, TCV_ch:= OC_SubchOfSdcch4(TSPX_SDCCH4SubB, C_CellB), TCV_sacch:= OC_SubchOfSacch4(TSPX_SDCCH4SubDef, C_CellA), TCV_sacch_B := OC_SubchOfSacch4(TSPX_SDCCH4SubB, C_CellB), TCV_PgCh:= C_PCH_B_1, TCV_asscmd_ts:= TSPX_TmSlitF, TCV_ts:= TSPX_TmSlitNotZero, TCV_Cntref:= TSPX_hoaccessF, TCV_Horf:= TSPX_horfF, TCV_Pwrlvl_ho:= TSPX_PwrlvlC)			
16		localtree_varinit2 (TCV_cellid:=C_CellA, TCV_chdescr_arfcn:= C_arfcnA_HO)			
Detailed Comments:		1) IUT enters state U10 with TCH/H_FH in CELL B. 2) HO from TCH/F_nonFH of cell B to TCH/H_nonFH in CELL A.			

Test Case Dynamic Behaviour

Test Case Name:	TC_26_6_5_1_7
Group:	GSM_L3_MS_v4170/RR/
Purpose:	To test that when the MS is ordered to make a non-synchronized handover it continuously sends access bursts on the main DCCH until it receives a PHYSICAL INFORMATION message from the SS. To test that the MS correctly handles the values of any Starting Time IE in the HANDOVER COMMAND message and the Timing Advance IE in the PHYSICAL INFORMATION message. To test that the MS activates the new channel correctly.
Default:	OtherEventsFail_01

Nr	Label	Behaviour Description	CRef	V	Comments
1		START T_guard(300)			
2		(TCV_slot := C_S0, TCV_tsc := C_BCC)			
3		+IdleUpdated(C_CellA, C_Immss, TCV_slot, TCV_tsc, TimingAdv_01, '000'B, '001'B, '011'B, '00'O)			
4		+localtree_varinit			
5		+PreEnterIdleState_201(63, 53, C_Immss, TCV_slot, TCV_tsc, 5,7, 0, TimingAdv_r02, '000'B, '001'B, '011'B, '00'O)			
6		+FullRateCh_A_1(C_Ass, TCV_asscmd_ts, TCV_tsc, ChMod_speech, FreqTCHa_ho, FreqTCHa_hod, TimingAdv_r02, '000'B, '001'B, '011'B)			
7		+EstMsTermFullRateCallNonFH(TimingAdv_r02)			1)
8		+HalfRateCh_B_1(TSPX_TCHHSubDef, C_Ass, TCV_ts, TCV_tsc, ChMod_r03, FreqTCHb_hof2, FreqTCHb_hof2d, TimingAdv_r02, '000'B, '001'B, '011'B)			
9	body	+ltree_hosend			
10		+localtree_varinit2			
11		+RR_hocomp2(500, TimingAdv_r05)			
12	post	+ChanRel_end(TCV_ch)			
13		ltree_hosend			
14		[TSPC_PGSM OR TSPC_EGSM] L'DL_DatRqHoCmd	HndOv_24_B3(TCV_Horf, TCV_chTch, TCV_ts, TCV_Pwrlvl_ho, TimingAdv_r02iei)		2)
15		[TSPC_DCS]			
16		L'DL_DatRqHoCmd	HndOv_24_B3d(TCV_Horf, TCV_ch, TCV_ts, TCV_Pwrlvl_ho, TimingAdv_r02iei)		2)
17		localtree_varinit			
18		+Varinit_fixcommon (TCV_cellid:=C_CellA, TCV_chdescr_arfcn:= C_arfcnA_HO, TCV_ch:= OC_SubchOfSdcch4(TSPX_SDCCH4SubA, C_CellA), TCV_sacch:= OC_SubchOfSacch4(TSPX_SDCCH4SubA, C_CellA), TCV_sacch_B := OC_SubchOfSacch4(TSPX_SDCCH4SubDef, C_CellB), TCV_PgCh:= C_PCH_A_1, TCV_asscmd_ts:= TSPX_TmSlitG, TCV_ts:= TSPX_TmSlitNotZero, TCV_Cntref:= TSPX_hoaccessG, TCV_Horf:= TSPX_horfG, TCV_Pwrlvl_ho:= TSPX_PwrlvlD)			
19		localtree_varinit2 (TCV_cellid:=C_CellB, TCV_chdescr_arfcn:= C_arfcnB_HO)			

Detailed Comments:

- 1) IUT enters state U10 with TCH/F_nonFH in cell A
- 2) HO from TCH/F_nonFH of cell A to TCH/H_FH in CELL B.

Test Case Dynamic Behaviour					
Test Case Name:		TC_26_6_5_1_8			
Group:		GSM_L3_MS_v4170/RR/			
Purpose:		To test that when the MS is ordered to make a non-synchronized handover it continuously sends access bursts on the main DCCH until it receives a PHYSICAL INFORMATION message from the SS. To test that the MS correctly handles the values of any Starting Time IE in the HANDOVER COMMAND message and the Timing Advance IE in the PHYSICAL INFORMATION message. To test that the MS activates the new channel correctly.			
Default:		OtherEventsFail_01			
Nr	Label	Behaviour Description	CRef	V	Comments
1		START T_guard(300)			
2		(TCV_slot := C_S0, TCV_tsc := C_BCC)			
3		+IdleUpdated(C_CellB, C_Immass, TCV_slot, TCV_tsc, TimingAdv_01, '000'B, '001'B, '011'B, '00'O)			
4		+localtree_varinit			
5		+PreEnterIdleState_201(53, 63, C_Immass, TCV_slot, TCV_tsc, 5, 7, 0, TimingAdv_r02, '000'B, '001'B, '011'B, '00'O)			
6		+HalfRateCh_B_1(TSPX_TCHHSubDef, C_Ass, TCV_asscmd_ts, TCV_tsc, ChMod_r03, FreqTCHb_hof1, FreqTCHb_hof1d, TimingAdv_r02, '000'B, '001'B, '011'B)			
7		+FullRateCh_A_1(C_Ass, TCV_ts, TCV_tsc, ChMod_speech, FreqTCHa_ho, FreqTCHa_hod, TimingAdv_r02, '000'B, '001'B, '011'B)			
8		+EstMsTermHalfRateCallFH(TimingAdv_r02)			1)
9	body	L!DL_DatRqHoCmd	HndOv_21_A(TCV_Horf, TCV_chTch, TCV_ts, TCV_chdescr_arfcn, TCV_Pwrlvl_ho, TimingAdv_r02iei)		2)
10		+localtree_varinit2			
11		+RR_hocomp2(500, TimingAdv_r05)			
12	post	+ChanRel_end(TCV_ch)			
13		localtree_varinit			
14		+Varinit_fixcommon (TCV_cellid:=C_CellB, TCV_chdescr_arfcn:=C_arfcnB_HO, TCV_ch:=OC_SubchOfSdcch4(TSPX_SDCCH4SubB, C_CellB), TCV_sacch:=OC_SubchOfSacch4(TSPX_SDCCH4SubDef, C_CellA), TCV_sacch_B:=OC_SubchOfSacch4(TSPX_SDCCH4SubB, C_CellB), TCV_PgCh:=C_PCH_B_1, TCV_asscmd_ts:=TSPX_TmSlitA, TCV_ts:=TSPX_TmSlitNotZero, TCV_Cntref:=TSPX_hoaccessH, TCV_Horf:=TSPX_horfH, TCV_Pwrlvl_ho:=TSPX_PwrlvlD)			
15		localtree_varinit2 (TCV_cellid:=C_CellA, TCV_chdescr_arfcn:=C_arfcnA_HO)			
Detailed Comments:		1) IUT enters state U10 with TCH/F_FH in CELL B. 2) HO from TCH/F_nonFH of cell B to TCH/F_nonFH in CELL A.			

Test Case Dynamic Behaviour					
Test Case Name:		TC_26_6_5_2_1			
Group:		GSM_L3_MS_v4170/RR/			
Purpose:		To test that when the MS is ordered to make a Non-synchronized handover, it continuously sends access bursts on the main DCCH until it receives a PHYSICAL INFORMATION from the SS. To test that the MS correctly takes the values of the Timing Advance and Starting Time information elements into account. To test that the MS activates the new channel correctly. To test that the MS correctly retransmits Layer 3 MM or CC messages, that were not acknowledged by Layer 2 before the Handover, after completion of the Handover.			
Default:		OtherEventsFail_01			
Nr	Label	Behaviour Description	CRef	V	Comments
1		START T_guard(300)			
2		(TCV_slot := C_S0, TCV_tsc := C_BCC)			
3		+IdleUpdated(C_CellA, C_Immass, TCV_slot, TCV_tsc, TimingAdv_01, '000'B, '001'B, '011'B, '00'O)			
4		+localtree_varinit			
5		+PreEnterIdleState_202c(C_Immass, TCV_slot, TCV_tsc, 5, 7, 0, TimingAdv_r01, '000'B, '001'B, '011'B, '00'O)			
6		+FullRateCh_B_1(C_Ass, TCV_ts, TCV_tsc, ChMod_speech, FreqTCHb_hof3, FreqTCHb_hof3d, TimingAdv_r01, '000'B, '001'B, '011'B)			
7		(TCV_Null := OM_NotAckSetup(TCV_ch))			
8		+EstMsOrigTCHF_init(C_CHSDCCH4_NonFH, 1, TimingAdv_r01)			
9		L?DL_DatInSetup (TCV_Mt := DL_DatInSetup.msg.mt)	SetupIn_01		1)
10	body	+ltree_hosend			
11		+localtree_varinit2			
12		+RR_hocomp1(500, TimingAdv_03)			2)
13		L?DL_DatInSetup (TCV_Mt1 :=DL_DatInSetup.msg.mt)	SetupIn_01		3)
14		+localtree_mt			4)
15	post	+ChanRel_end(TCV_ch)			
		ltree_hosend			
16		[TSPC_PGSM OR TSPC_EGSM]			
17		L!DL_DatRqHoCmd	HndOv_22_B1(TCV_Horf, TCV_ch, TCV_ts, TCV_Pwrlvl_ho, TimingAdv_r01iei)		2)
18		[TSPC_DCS]			
19		L!DL_DatRqHoCmd	HndOv_22_B1d(TCV_Horf, TCV_ch, TCV_ts, TCV_Pwrlvl_ho, TimingAdv_r01iei)		2)
		localtree_varinit			
20		+Varinit_fixcommon			
21		(TCV_cellid:= C_CellA, TCV_chdescr_arfcn:= C_arfcnA_HO, TCV_ch:= OC_SubchOfSdcch4(TSPX_SDCCH4SubA, C_CellA), TCV_sacch:= OC_SubchOfSacch4(TSPX_SDCCH4SubA, C_CellA), TCV_sacch_B := OC_SubchOfSacch4(TSPX_SDCCH4SubDef, C_CellB), TCV_PgCh:= C_PCH_A_1, TCV_ia_ts:= '000'B, TCV_ts:= '000'B, TCV_Cntref:= TSPX_hoaccessA, TCV_Horf:= TSPX_horfA, TCV_Pwrlvl_ho:= TSPX_PwrlvlA)			
		localtree_varinit2			
22		(TCV_cellid:= C_CellB, TCV_chdescr_arfcn:= C_arfcnB_HO, TCV_ch:= C_FACCHF_B_1)			

23	localtree_mt		
	[TCV_Mt1 = TCV_Mt]	(P)	
24	[TCV_Mt1 <> TCV_Mt]	(F)	
Detailed Comments:			
1) L2_frame with the Setup will not be acknowledged by the SS_L2.			
2) HO from SDCCH/4_nonFH to TCH/F_FH.			
3) Last L3-msg shall be retransmitted by the MS with the same sequence number of last L3-msg.			
4) Check of the sequence number.			

Test Case Dynamic Behaviour					
Test Case Name:		TC_26_6_5_2_2			
Group:		GSM_L3_MS_v4170/RR/			
Purpose:		To test that when the MS is ordered to make a non-synchronized handover, it continuously sends access bursts on the main DCCH until it receives a PHYSICAL INFORMATION from the SS. To test that the MS correctly takes the values of the Timing Advance and Starting Time information elements into account. To test that the MS activates the new channel correctly. To test that the MS correctly retransmits Layer 3 MM or CC messages, that were not acknowledged by Layer 2 before the Handover, after completion of the Handover.			
Default:		OtherEventsFail_01			
Nr	Label	Behaviour Description	CRef	V	Comments
1		START T_guard(300)			
2		(TCV_slot := C_S0, TCV_tsc := C_BCC)			
3		+IdleUpdated(C_CellA, C_Immass, TCV_slot, TCV_tsc, TimingAdv_01, '000'B, '001'B, '011'B, '00'O)			
4		+localtree_varinit			
5		+PreEnterIdleState_202c(C_Immass, TCV_slot, TCV_tsc, 5,7, 0, TimingAdv_r01, '000'B, '001'B, '011'B, '00'O)			
6		+HalfRateCh_B_1(TSPX_TCHHSubDef, C_Ass, TCV_ts, TCV_tsc, ChMod_r03, FreqTCHb_hof4, FreqTCHb_hof4d, TimingAdv_r01, '000'B, '001'B, '011'B)			
7		(TCV_Null := OM_NotAckSetup(TCV_ch))			
8		+EstMsOrigTCHF_init(C_CHSDCCH4_NonFH, 1, TimingAdv_r01)			
9		L?DL_DatInSetup (TCV_Mt := DL_DatInSetup.msg.mt)	SetupIn_01		1)
10	body	+ltree_hosend			
11		+localtree_varinit2			
12		+RR_hocomp1(500, TimingAdv_03)			2)
13		L?DL_DatInSetup (TCV_Mt1 := DL_DatInSetup.msg.mt)	SetupIn_01		3)
14		+localtree_mt			4)
15	post	+ChanRel_end(TCV_ch)			
16		ltree_hosend			
17		[TSPC_PGSM OR TSPC_EGSM] L!DL_DatRqHoCmd	HndOv_24_B2(TCV_Horf, TCV_ch, TCV_ts, TCV_Pwrlvl_ho, TimingAdv_r01iei)		2)
18		[TSPC_DCS]			
19		L!DL_DatRqHoCmd	HndOv_24_B2d(TCV_Horf, TCV_ch, TCV_ts, TCV_Pwrlvl_ho, TimingAdv_r01iei)		2)
20		localtree_varinit			
21		+Varinit_fixcommon (TCV_cellid:=C_CellA, TCV_chdescr_arfcn:= C_arfcnA_HO, TCV_ch:= OC_SubchOfSdcch4(TSPX_SDCCH4SubA, C_CellA), TCV_sacch:= OC_SubchOfSacch4(TSPX_SDCCH4SubA, C_CellA), TCV_sacch_B := OC_SubchOfSacch4(TSPX_SDCCH4SubDef, C_CellB), TCV_PgCh:= C_PCH_A_1, TCV_ia_ts:= '000'B, TCV_ts:= TSPX_TmSlitNotZero, TCV_Cntref:= TSPX_hoaccessB, TCV_Horf:= TSPX_horfB, TCV_Pwrlvl_ho:= TSPX_PwrlvlA)			
22		localtree_varinit2 (TCV_cellid:=C_CellB, TCV_chdescr_arfcn:= C_arfcnB_HO, TCV_ch:= OC_SubchOfFacchh(TSPX_TCHHSubDef, C_CellB, 1))			

23		localtree_mt		
24		[TCV_Mt1 = TCV_Mt]	(P)	
		[TCV_Mt1 <> TCV_Mt]	(F)	
Detailed Comments:		1) L2_frame with the Setup will not be acknowledged by the SS_L2. 2) HO from SDCCH/4_nonFH to TCH/H_FH. 3) Last L3-msg shall be retransmitted by the MS with the same sequence number of last L3-msg. 4) Check of the sequence number.		

Test Case Dynamic Behaviour					
Test Case Name:		TC_26_6_5_2_3			
Group:		GSM_L3_MS_v4170/RR/			
Purpose:		To test that when the MS is ordered to make a non-synchronized handover, it continuously sends access bursts on the main DCCH until it receives a PHYSICAL INFORMATION from the SS. To test that the MS correctly takes the values of the Timing Advance and Starting Time information elements into account. To test that the MS activates the new channel correctly. To test that the MS correctly retransmits Layer 3 MM or CC messages, that were not acknowledged by Layer 2 before the Handover, after completion of the Handover.			
Default:		OtherEventsFail_01			
Nr	Label	Behaviour Description	CRef	V	Comments
1		START T_guard(300)			
2		(TCV_slot := C_S0, TCV_tsc := C_BCC)			
3		+IdleUpdated(C_CellA, C_Immass, TCV_slot, TCV_tsc, TimingAdv_01, '000'B, '001'B, '011'B, '00'O)			
4		+localtree_varinit			
5		+PreEnterIdleState_202c(C_Immass, TCV_slot, TCV_tsc, 5, 7, 0, TimingAdv_r01, '000'B, '001'B, '011'B, '00'O)			
6		+SDCCH8_B_1(TSPX_SDCCH8SubA, C_Ass, TCV_ts, TCV_tsc, ChMod_sign, FreqSDCCH8b_hof1, FreqSDCCH8b_hof1d, TimingAdv_r01, '000'B, '001'B, '011'B)			
7		(TCV_Null := OM_NotAckSetup(TCV_ch))			
8		+EstMsOrigTCHF_init(C_CHSDCCH4_NonFH, 1, TimingAdv_r01)			
9		L?DL_DatInSetup (TCV_Mt := DL_DatInSetup.msg.mt)	SetupIn_01		1)
10	body	+ltree_hosend			
11		+localtree_varinit2			
12		+RR_hocomp1(1500, TimingAdv_03)			2)
13		L?DL_DatInSetup (TCV_Mt1 := DL_DatInSetup.msg.mt)	SetupIn_01		3)
14		+localtree_mt			4)
15	post	+ChanRel_end(TCV_ch)			
		ltree_hosend			
16		[TSPC_PGSM OR TSPC_EGSM]			
17		L!DL_DatRqHoCmd	HndOv_28_B1(TCV_Horf, TCV_ch, TCV_ts, TCV_Pwrlvl_ho, TimingAdv_r01iei)		2)
18		[TSPC_DCS]			
19		L!DL_DatRqHoCmd	HndOv_28_B1d(TCV_Horf, TCV_ch, TCV_ts, TCV_Pwrlvl_ho, TimingAdv_r01iei)		2)
		localtree_varinit			
20		+Varinit_fixcommon			
21		(TCV_cellid:=C_CellA, TCV_chdescr_arfcn:= C_arfcnA_HO, TCV_ch:= OC_SubchOfSdcch4(TSPX_SDCCH4SubA, C_CellA), TCV_sacch:= OC_SubchOfSacch4(TSPX_SDCCH4SubA, C_CellA), TCV_sacch_B := OC_SubchOfSacch4(TSPX_SDCCH4SubDef, C_CellB), TCV_PgCh:= C_PCH_A_1, TCV_ia_ts:= '000'B, TCV_ts:= '000'B, TCV_Cntref:= TSPX_hoaccessC, TCV_Horf:= TSPX_horfC, TCV_Pwrlvl_ho:= TSPX_PwrlvlB)			
		localtree_varinit2			
22		(TCV_cellid:=C_CellB, TCV_chdescr_arfcn:= C_arfcnB_HO, TCV_ch := OC_SubchOfSdcch8(TSPX_SDCCH8SubA, C_CellB, 1))			

23		localtree_mt		
24		[TCV_Mt1 = TCV_Mt]	(P)	
		[TCV_Mt1 <> TCV_Mt]	(F)	
Detailed Comments:		1) L2_frame with the Setup will not be acknowledged by the SS_L2. 2) HO from SDCCH/4_nonFH to SDCCH8_FH. 3) Last L3-msg shall be retransmitted by the MS with the same sequence number of last L3-msg. 4) Check of the sequence number.		

Test Case Dynamic Behaviour					
Test Case Name:		TC_26_6_5_2_4			
Group:		GSM_L3_MS_v4170/RR/			
Purpose:		To test that when the MS is ordered to make a non-synchronized handover, it continuously sends access bursts on the main DCCH until it receives a PHYSICAL INFORMATION from the SS. To test that the MS correctly takes the values of the Timing Advance and Starting Time information elements into account. To test that the MS activates the new channel correctly. To test that the MS correctly retransmits Layer 3 MM or CC messages, that were not acknowledged by Layer 2 before the Handover, after completion of the Handover.			
Default:		OtherEventsFail_01			
Nr	Label	Behaviour Description	CRef	V	Comments
1		START T_guard(300)			
2		(TCV_slot := C_S0, TCV_tsc := C_BCC)			
3		+IdleUpdated(C_CellA, C_Immass, TCV_slot, TCV_tsc, TimingAdv_01, '000'B, '001'B, '011'B, '00'O)			
4		+localtree_varinit			
5		+PreEnterIdleState_202nc(C_Immass, TCV_slot, TCV_tsc, 5, 7, 0, TimingAdv_r01, '000'B, '001'B, '011'B, '00'O)			
6		+SDCCH8_A_1(TSPX_SDCCH8SubA, C_Ass, TCV_ia_ts, TCV_tsc, ChMod_sign, FreqTCHa_ho, FreqTCHa_hod, TimingAdv_r01, '000'B, '001'B, '011'B)			
7		+SDCCH8_B_1(TSPX_SDCCH8SubA, C_Ass, TCV_ts, TCV_tsc, ChMod_sign, FreqSDCCH8b_hof2, FreqSDCCH8b_hof2d, TimingAdv_r01, '000'B, '001'B, '011'B)			
8		(TCV_Null := OM_NotAckSetup(TCV_ch))			
9		+EstMsOrigTCHF_init(C_CHSDCCH8_NonFH, 1, TimingAdv_r01)			
10		L?DL_DatInSetup (TCV_Mt := DL_DatInSetup.msg.mt)	SetupIn_01		1)
11	body	+ltree_hosend			
12		+localtree_varinit2			
13		+RR_hocomp1(1500, TimingAdv_03)			2)
14		L?DL_DatInSetup (TCV_Mt1 := DL_DatInSetup.msg.mt)	SetupIn_01		3)
15		+localtree_mt			4)
16	post	+ChanRel_end(TCV_ch)			
17		ltree_hosend			
18		[TSPC_PGSM OR TSPC_EGSM] L!DL_DatRqHoCmd	HndOv_28_B2(TCV_Horf, TCV_ch, TCV_ts, TCV_Pwrlvl_ho, TimingAdv_r01iei)		2)
19		[TSPC_DCS]			
20		L!DL_DatRqHoCmd	HndOv_28_B2d(TCV_Horf, TCV_ch, TCV_ts, TCV_Pwrlvl_ho, TimingAdv_r01iei)		2)
21		localtree_varinit			
22		+Varinit_fixcommon (TCV_cellid:=C_CellA, TCV_chdescr_arfcn:= C_arfcnA_HO, TCV_PgCh:= C_PCH_A_1, TCV_ia_ts:= TSPX_TmSlitNotZero, TCV_ts:= TSPX_TmSlitNotZero, TCV_Cntref:= TSPX_hoaccessD, TCV_Horf:= TSPX_horfD, TCV_Pwrlvl_ho:= TSPX_PwrlvlB)			

23	localtree_varinit2 (TCV_cellid:=C_CellB, TCV_chdescr_arfcn:= C_arfcnB_HO, TCV_ch := OC_SubchOfSdcch8(TSPX_SDCCH8SubA, C_CellB, 1))			
24	localtree_mt [TCV_Mt1 = TCV_Mt]		(P)	
25	[TCV_Mt1 <> TCV_Mt]		(F)	
Detailed Comments: <ol style="list-style-type: none"> 1) L2_frame with the Setup will not be acknowledged by the SS_L2. 2) HO from SDCCH8_NonFH to SDCCH8_FH. 3) Last L3-msg shall be retransmitted by the MS with the same sequence number of last L3-msg. 4) Check of the sequence number. 				

Test Case Dynamic Behaviour					
Test Case Name:		TC_26_6_5_2_5			
Group:		GSM_L3_MS_v4170/RR/			
Purpose:		To test that when the MS is ordered to make a non-synchronized handover, it continuously sends access bursts on the main DCCH until it receives a PHYSICAL INFORMATION from the SS. To test that the MS correctly takes the values of the Timing Advance and Starting Time information elements into account. To test that the MS activates the new channel correctly. To test that the MS correctly retransmits Layer 3 MM or CC messages, that were not acknowledged by Layer 2 before the Handover, after completion of the Handover.			
Default:		OtherEventsFail_01			
Nr	Label	Behaviour Description	CRef	V	Comments
1		START T_guard(300)			
2		(TCV_slot := C_S0, TCV_tsc := C_BCC)			
3		+IdleUpdated(C_CellA, C_Immass, TCV_slot, TCV_tsc, TimingAdv_01, '000'B, '001'B, '011'B, '00'O)			
4		+localtree_varinit			
5		+PreEnterIdleState_202c(C_Immass, TCV_slot, TCV_tsc, 5, 7, 0, TimingAdv_r01, '000'B, '001'B, '011'B, '00'O)			
6		+FullRateCh_A_1(C_Ass, TCV_ia_ts, TCV_tsc, ChMod_speech, FreqTCHa_ho, FreqTCHa_hod, TimingAdv_r01, '000'B, '001'B, '011'B)			
7		+HalfRateCh_B_1(TSPX_TCHHSubDef, C_Ass, TCV_ts, TCV_tsc, ChMod_r03, FreqTCHb_ho, FreqTCHb_hod, TimingAdv_r01, '000'B, '001'B, '011'B)			
8		(TCV_Null := OM_NotAckSetup(TCV_ch))			
9		+EstMsOrigTCHF_init(C_CHTCHF_NonFH, 1, TimingAdv_r01)			
10		L?DL_DatInSetup (TCV_Mt := DL_DatInSetup.msg.mt)	SetupIn_01		1)
11	body	L!DL_DatRqHoCmd	HndOv_23_B1(TCV_Horf, TCV_ch, TCV_ts, TCV_chdescr_arfcn, TCV_Pwrlvl_ho, TimingAdv_r01iei)		
12		+localtree_varinit2			
13		+RR_hocomp1(750, TimingAdv_03)			2)
14		L?DL_DatInSetup (TCV_Mt1 := DL_DatInSetup.msg.mt)	SetupIn_01		3)
15		+localtree_mt			4)
16	post	+ChanRel_end(TCV_ch)			
17		localtree_varinit			
18		+Varinit_fixcommon (TCV_cellid:=C_CellA, TCV_chdescr_arfcn:= C_arfcnA_HO, TCV_sacch:= OC_SubchOfSacch4(TSPX_SDCCH4SubA, C_CellA), TCV_sacch_B := OC_SubchOfSacch4(TSPX_SDCCH4SubDef, C_CellB), TCV_PgCh:= C_PCH_A_1, TCV_ia_ts:= TSPX_TmSlitNotZero, TCV_ts:= TSPX_TmSlitNotZero, TCV_Cntref:= TSPX_hoaccessE, TCV_Horf:= TSPX_horfE, TCV_Pwrlvl_ho:= TSPX_PwrlvlB)			
19		localtree_varinit2 (TCV_cellid:=C_CellB, TCV_chdescr_arfcn:= C_arfcnB_HO, TCV_ch:= OC_SubchOfFacchh(TSPX_TCHHSubDef, C_CellB, 1))			
20		localtree_mt [TCV_Mt1 = TCV_Mt]		(P)	

21	[TCV_Mt1 <> TCV_Mt]	(F)
Detailed Comments: <ul style="list-style-type: none">1) L2_frame with the Setup will not be acknowledged by the SS_L2.2) HO from TCH/F_NonFH to TCH/H_NonFH3) Last L3-msg shall be retransmitted by the MS with the same sequence number of last L3-msg.4) Check of the sequence number.		

Test Case Dynamic Behaviour					
Test Case Name:		TC_26_6_5_2_6			
Group:		GSM_L3_MS_v4170/RR/			
Purpose:		To test that when the MS is ordered to make a non-synchronized handover, it continuously sends access bursts on the main DCCH until it receives a PHYSICAL INFORMATION from the SS. To test that the MS correctly takes the values of the Timing Advance and Starting Time information elements into account. To test that the MS activates the new channel correctly. To test that the MS correctly retransmits Layer 3 MM or CC messages, that were not acknowledged by Layer 2 before the Handover, after completion of the Handover.			
Default:		OtherEventsFail_01			
Nr	Label	Behaviour Description	CRef	V	Comments
1		START T_guard(300)			
2		(TCV_slot := C_S0, TCV_tsc := C_BCC)			
3		+IdleUpdated(C_CellA, C_Immass, TCV_slot, TCV_tsc, TimingAdv_01, '000'B, '001'B, '011'B, '00'O)			
4		+localtree_varinit			
5		+PreEnterIdleState_202c(C_Immass, TCV_slot, TCV_tsc, 5, 7, 0, TimingAdv_r01, '000'B, '001'B, '011'B, '00'O)			
6		+HalfRateCh_A_1_2(TSPX_TCHHSubDef, C_Ass, TCV_ia_ts, TCV_tsc, ChMod_speech, FreqTCHa_hof3, FreqTCHa_hof3d, TimingAdv_r01, '000'B, '001'B, '011'B)			
7		+FullRateCh_B_1(C_Ass, TCV_ts, TCV_tsc, ChMod_speech, FreqTCHb_hof5, FreqTCHb_hof5d, TimingAdv_r01, '000'B, '001'B, '011'B)			
8		(TCV_Null := OM_NotAckSetup(TCV_ch))			
9		+EstMsOrigTCHF_init(C_CHTCHH_FH, 2, TimingAdv_r01)			
10		L?DL_DatInSetup (TCV_Mt := DL_DatInSetup.msg.mt)	SetupIn_01		1)
11	body	+ltree_hosend			
12		+localtree_varinit2			
13		+RR_hocomp1(500, TimingAdv_03)			2)
14		L?DL_DatInSetup (TCV_Mt1 := DL_DatInSetup.msg.mt)	SetupIn_01		3)
15		+localtree_mt			4)
16	post	+ChanRel_end(TCV_ch)			
17		ltree_hosend			
18		[TSPC_PGSM OR TSPC_EGSM] L!DL_DatRqHoCmd	HndOv_22_B2(TCV_Horf, TCV_ch, TCV_ts, TCV_Pwrlvl_ho, TimingAdv_r01iei)		2)
19		[TSPC_DCS]			
20		L!DL_DatRqHoCmd	HndOv_22_B2d(TCV_Horf, TCV_ch, TCV_ts, TCV_Pwrlvl_ho, TimingAdv_r01iei)		2)
21		localtree_varinit			
22		+Varinit_fixcommon (TCV_cellid:=C_CellA, TCV_sacch:= OC_SubchOfSacch4(TSPX_SDCCH4SubA, C_CellA), TCV_sacch_B := OC_SubchOfSacch4(TSPX_SDCCH4SubDef, C_CellB), TCV_PgCh:= C_PCH_A_1, TCV_ia_ts:= TSPX_TmSlitC, TCV_ts:= TSPX_TmSlitF, TCV_Cntref:= TSPX_hoaccessF, TCV_Horf:= TSPX_horfF, TCV_Pwrlvl_ho:= TSPX_PwrlvlC)			

23	localtree_varinit2 (TCV_cellid:=C_CellB, TCV_chdescr_arfcn:= C_arfcnB_HO, TCV_ch:= C_FACCHF_B_1)			
24	localtree_mt [TCV_Mt1 = TCV_Mt]		(P)	
25	[TCV_Mt1 <> TCV_Mt]		(F)	
Detailed Comments: <ol style="list-style-type: none"> 1) L2_frame with the Setup will not be acknowledged by the SS_L2. 2) HO from TCHH_FH to TCH/F_FH 3) Last L3-msg shall be retransmitted by the MS with the same sequence number of last L3-msg. 4) Check of the sequence number. 				

Test Case Dynamic Behaviour

Test Case Name:	TC_26_6_5_2_7
Group:	GSM_L3_MS_v4170/RR/
Purpose:	To test that when the MS is ordered to make a non-synchronized handover, it continuously sends access bursts on the main DCCH until it receives a PHYSICAL INFORMATION from the SS. To test that the MS correctly takes the values of the Timing Advance and Starting Time information elements into account. To test that the MS activates the new channel correctly. To test that the MS correctly retransmits Layer 3 MM or CC messages, that were not acknowledged by Layer 2 before the Handover, after completion of the Handover.
Default:	OtherEventsFail_01

Nr	Label	Behaviour Description	CRef	V	Comments
1		START T_guard(300)			
2		(TCV_slot := C_S0, TCV_tsc := C_BCC)			
3		+IdleUpdated(C_CellA, C_Immass, TCV_slot, TCV_tsc, TimingAdv_01, '000'B, '001'B, '011'B, '00'O)			
4		+localtree_varinit			
5		+PreEnterIdleState_202c(C_Immass, TCV_slot, TCV_tsc, 5, 7, 0, TimingAdv_r01, '000'B, '001'B, '011'B, '00'O)			
6		+FullRateCh_A_1(C_Ass, TCV_ia_ts, TCV_tsc, ChMod_speech, FreqTCHa_hof5, FreqTCHa_hof5d, TimingAdv_r01, '000'B, '001'B, '011'B)			
7		+FullRateCh_B_1(C_Ass, TCV_ts, TCV_tsc, ChMod_speech, FreqTCHb_hof5, FreqTCHb_hof5d, TimingAdv_r01, '000'B, '001'B, '011'B)			
8		(TCV_Null := OM_NotAckSetup(TCV_ch))			
9		+EstMsOrigTCHF_init(C_CHTCHF_FH, 1, TimingAdv_r01)			
10		L?DL_DatInSetup (TCV_Mt := DL_DatInSetup.msg.mt)	SetupIn_01		1)
11	body	+ltree_hosend			
12		+localtree_varinit2			
13		+RR_hocomp1(500, TimingAdv_03)			2)
14		L?DL_DatInSetup (TCV_Mt1 := DL_DatInSetup.msg.mt)	SetupIn_01		3)
15		+localtree_mt			4)
16	post	+ChanRel_end(TCV_ch)			
17		ltree_hosend			
18		[TSPC_PGSM OR TSPC_EGSM] L!DL_DatRqHoCmd	HndOv_22_B3(TCV_Horf, TCV_ch, TCV_ts, TCV_Pwrlvl_ho, TimingAdv_r01iei)		2)
19		[TSPC_DCS]			
20		L!DL_DatRqHoCmd	HndOv_22_B3d(TCV_Horf, TCV_ch, TCV_ts, TCV_Pwrlvl_ho, TimingAdv_r01iei)		2)
21		localtree_varinit			
22		+Varinit_fixcommon (TCV_cellid:=C_CellA, TCV_sacch:= OC_SubchOfSacch4(TSPX_SDCCH4SubA, C_CellA), TCV_sacch_B := OC_SubchOfSacch4(TSPX_SDCCH4SubDef, C_CellB), TCV_PgCh:= C_PCH_A_1, TCV_ia_ts:= TSPX_TmSlitD, TCV_ts:= TSPX_TmSlitG, TCV_Cntref:= TSPX_hoaccessG, TCV_Horf:= TSPX_horfG, TCV_Pwrlvl_ho:= TSPX_PwrlvlC)			

23	localtree_varinit2 (TCV_cellid:=C_CellB, TCV_chdescr_arfcn:= C_arfcnB_HO, TCV_ch:= C_FACCHF_B_1)		
24	localtree_mt [TCV_Mt1 = TCV_Mt]		(P)
25	[TCV_Mt1 <> TCV_Mt]		(F)
Detailed Comments: <ol style="list-style-type: none"> 1) L2_frame with the Setup will not be acknowledged by the SS_L2. 2) HO from TCHH_FH to TCH/F_FH 3) Last L3-msg shall be retransmitted by the MS with the same sequence number of last L3-msg. 4) Check of the sequence number. 			

Test Case Dynamic Behaviour

Test Case Name: TC_26_6_5_2_8
Group: GSM_L3_MS_v4170/RR/
Purpose: To test that when the MS is ordered to make a non-synchronized handover, it continuously sends access bursts on the main DCCH until it receives a PHYSICAL INFORMATION from the SS. To test that the MS correctly takes the values of the Timing Advance and Starting Time information elements into account. To test that the MS activates the new channel correctly. To test that the MS correctly retransmits Layer 3 MM or CC messages, that were not acknowledged by Layer 2 before the Handover, after completion of the Handover.

Default: OtherEventsFail_01

Nr	Label	Behaviour Description	CRef	V	Comments
1		START T_guard(300)			
2		(TCV_slot := C_S0, TCV_tsc := C_BCC)			
3		+IdleUpdated(C_CellA, C_Immass, TCV_slot, TCV_tsc, TimingAdv_01, '000'B, '001'B, '011'B, '00'O)			
4		+localtree_varinit			
5		+PreEnterIdleState_202c(C_Immass, TCV_slot, TCV_tsc, 5, 7, 0, TimingAdv_r01, '000'B, '001'B, '011'B, '00'O)			
6		+SDCCH8_A_1(TSPX_SDCCH8SubA, C_Ass, TCV_ia_ts, TCV_tsc, ChMod_sign, FreqSDCCHa_hof1, FreqSDCCHa_hof1d, TimingAdv_r01, '000'B, '001'B, '011'B)			
7		+FullRateCh_B_1(C_Ass, TCV_ts, TCV_tsc, ChMod_speech, FreqTCHb_ho, FreqTCHb_hod, TimingAdv_r01, '000'B, '001'B, '011'B)			
8		(TCV_Null := OM_NotAckSetup(TCV_ch))			
9		+EstMsOrigTCHF_init(C_CHSDCCH8_FH, 1, TimingAdv_r01)			
10		L?DL_DatInSetup (TCV_Mt := DL_DatInSetup.msg.mt)	SetupIn_01		1)
11	body	L!DL_DatRqHoCmd	HndOv_21_B(TCV_Horf, TCV_ch, TCV_ts, TCV_chdescr_arfcn, TCV_Pwrlvl_ho, TimingAdv_r01iei)		
12		+localtree_varinit2			
13		+RR_hocomp1(500, TimingAdv_03)			2)
14		L?DL_DatInSetup (TCV_Mt1 := DL_DatInSetup.msg.mt)	SetupIn_01		3)
15		+localtree_mt			4)
16	post	+ChanRel_end(TCV_ch)			
17		localtree_varinit			
18		+Varinit_fixcommon (TCV_cellid:=C_CellA, TCV_sacch:=OC_SubchOfSacch4(TSPX_SDCCH4SubA, C_CellA), TCV_sacch_B := OC_SubchOfSacch4(TSPX_SDCCH4SubDef, C_CellB), TCV_PgCh:=C_PCH_A_1, TCV_ia_ts:= TSPX_TmSlE, TCV_ts:= TSPX_TmSlA, TCV_Cntref:= TSPX_hoaccessH, TCV_Horf:= TSPX_horfH, TCV_Pwrlvl_ho:= TSPX_PwrlvlD)			
19		localtree_varinit2 (TCV_cellid:=C_CellB, TCV_chdescr_arfcn:=C_arfcnB_HO, TCV_ch:= C_FACCHF_B_1)			
20		localtree_mt [TCV_Mt1 = TCV_Mt]		(P)	
21		[TCV_Mt1 <> TCV_Mt]		(F)	

Detailed Comments: 1) L2_frame with the Setup will not be acknowledged by the SS_L2.

- 2) HO from TCHH_FH to TCH/F_FH
- 3) Last L3-msg shall be retransmitted by the MS with the same sequence number of last L3-msg.
- 4) Check of the sequence number.

Test Case Dynamic Behaviour

Test Case Name: TC_26_6_5_2_9
Group: GSM_L3_MS_v4170/RR/
Purpose: To test that when the MS is ordered to make a non-synchronized handover, it continuously sends access bursts on the main DCCH until it receives a PHYSICAL INFORMATION from the SS. To test that the MS correctly takes the values of the Timing Advance and Starting Time information elements into account. To test that the MS activates the new channel correctly. To test that the MS correctly retransmits Layer 3 MM or CC messages, that were not acknowledged by Layer 2 before the Handover, after completion of the Handover.

Default: OtherEventsFail_01

Nr	Label	Behaviour Description	CRef	V	Comments
1		START T_guard(300)			
2		(TCV_slot := C_S0, TCV_tsc := C_BCC)			
3		+IdleUpdated(C_CellA, C_Immass, TCV_slot, TCV_tsc, TimingAdv_01, '000'B, '001'B, '011'B, '00'O)			
4		+localtree_varinit			
5		+PreEnterIdleState_202c(C_Immass, TCV_slot, TCV_tsc, 5, 7, 0, TimingAdv_r01, '000'B, '001'B, '011'B, '00'O)			
6		+SDCCH8_A_1(TSPX_SDCCH8SubA, C_Ass, TCV_ia_ts, TCV_tsc, ChMod_sign, FreqTCHa_ho, FreqTCHa_hod, TimingAdv_r01, '000'B, '001'B, '011'B)			
7		+FullRateCh_B_1(C_Ass, TCV_ts, TCV_tsc, ChMod_speech, FreqTCHb_hof6, FreqTCHb_hof6d, TimingAdv_r01, '000'B, '001'B, '011'B)			
8		(TCV_Null := OM_NotAckSetup(TCV_ch))			
9		+EstMsOrigTCHF_init(C_CHSDCCH8_NonFH, 1, TimingAdv_r01)			
10		L?DL_DatInSetup (TCV_Mt := DL_DatInSetup.msg.mt)	SetupIn_01		1)
11	body	+ltree_hosend			
12		+localtree_varinit2			
13		+RR_hocomp1(500, TimingAdv_03)			
14		L?DL_DatInSetup (TCV_Mt1 := DL_DatInSetup.msg.mt)	SetupIn_01		3)
15		+localtree_mt			4)
16	post	+ChanRel(TCV_ch)			
17		ltree_hosend			
18		[TSPC_PGSM OR TSPC_EGSM] L!DL_DatRqHoCmd	HndOv_22_B4(TCV_Horf, TCV_ch, TCV_ts, TCV_Pwrlvl_ho, TimingAdv_r01iei)		2)
19		[TSPC_DCS]			
20		L!DL_DatRqHoCmd	HndOv_22_B4d(TCV_Horf, TCV_ch, TCV_ts, TCV_Pwrlvl_ho, TimingAdv_r01iei)		2)
21		localtree_varinit			
22		+Varinit_fixcommon (TCV_cellid:=C_CellA, TCV_sacch:= OC_SubchOfSacch4(TSPX_SDCCH4SubA, C_CellA), TCV_sacch_B := OC_SubchOfSacch4(TSPX_SDCCH4SubDef, C_CellB), TCV_chdescr_arfcn:= C_arfcnA_HO, TCV_PgCh:= C_PCH_A_1, TCV_ia_ts:= TSPX_TmSlfF, TCV_ts:= TSPX_TmSlfB, TCV_Cntref:= TSPX_hoaccessl, TCV_Horf:= TSPX_horfI, TCV_Pwrlvl_ho:= TSPX_PwrlvlD)			

23	localtree_varinit2 (TCV_cellid:=C_CellB, TCV_chdescr_arfcn:= C_arfcnB_HO, TCV_ch:= C_FACCHF_B_1)		
24	localtree_mt [TCV_Mt1 = TCV_Mt]		(P)
25	[TCV_Mt1 <> TCV_Mt]		(F)
Detailed Comments: <ol style="list-style-type: none"> 1) L2_frame with the Setup will not be acknowledged by the SS_L2. 2) HO from TCHH_FH to TCH/F_FH 3) Last L3-msg shall be retransmitted by the MS with the same sequence number of last L3-msg. 4) Check of the sequence number. 			

Test Case Dynamic Behaviour

Test Case Name: TC_26_6_5_2_10
Group: GSM_L3_MS_v4170/RR/
Purpose: To test that when the MS is ordered to make a non-synchronized handover, it continuously sends access bursts on the main DCCH until it receives a PHYSICAL INFORMATION from the SS. To test that the MS correctly takes the values of the Timing Advance and Starting Time information elements into account. To test that the MS activates the new channel correctly. To test that the MS correctly retransmits Layer 3 MM or CC messages, that were not acknowledged by Layer 2 before the Handover, after completion of the Handover.
Default: OtherEventsFail_01

Nr	Label	Behaviour Description	CRef	V	Comments
1		START T_guard(300)			
2		(TCV_slot := C_S0, TCV_tsc := C_BCC)			
3		+IdleUpdated(C_CellA, C_Immass, TCV_slot, TCV_tsc, TimingAdv_01, '000'B, '001'B, '011'B, '00'O)			
4		+localtree_varinit			
5		+PreEnterIdleState_202c(C_Immass, TCV_slot, TCV_tsc, 5, 7, 0, TimingAdv_r01, '000'B, '001'B, '011'B, '00'O)			
6		+SDCCH8_A_1(TSPX_SDCCH8SubA, C_Ass, TCV_ia_ts, TCV_tsc, ChMod_sign, FreqTCHa_ho, FreqTCHa_hod, TimingAdv_r01, '000'B, '001'B, '011'B)			
7		+HalfRateCh_B_1(TSPX_TCHHSubDef, C_Ass, TCV_ts, TCV_tsc, ChMod_r03, FreqTCHb_hof7, FreqTCHb_hof7d, TimingAdv_r01, '000'B, '001'B, '011'B)			
8		(TCV_Null := OM_NotAckSetup(TCV_ch))			
9		+EstMsOrigTCHF_init(C_CHSDCCH8_NonFH, 1, TimingAdv_r01)			
10		L?DL_DatInSetup (TCV_Mt := DL_DatInSetup.msg.mt)	SetupIn_01		1)
11	body	+ltree_hosend			
12		+localtree_varinit2			
13		+RR_hocomp1(500, TimingAdv_03)			2)
14		L?DL_DatInSetup (TCV_Mt1 := DL_DatInSetup.msg.mt)	SetupIn_01		3)
15		+localtree_mt			4)
16	post	+ChanRel(TCV_chTch)			
17		ltree_hosend			
18		[TSPC_PGSM OR TSPC_EGSM] L!DL_DatRqHoCmd	HndOv_24_B4(TCV_Horf, TCV_ch, TCV_ts, TCV_Pwrlvl_ho, TimingAdv_r01iei)		2)
19		[TSPC_DCS]			
20		L!DL_DatRqHoCmd	HndOv_24_B4d(TCV_Horf, TCV_ch, TCV_ts, TCV_Pwrlvl_ho, TimingAdv_r01iei)		2)
21		localtree_varinit			
22		+Varinit_fixcommon (TCV_cellid:=C_CellA, TCV_sacch:= OC_SubchOfSacch4(TSPX_SDCCH4SubA, C_CellA), TCV_sacch_B := OC_SubchOfSacch4(TSPX_SDCCH4SubDef, C_CellB), TCV_chdescr_arfcn:= C_arfcnA_HO, TCV_PgCh:= C_PCH_A_1, TCV_ia_ts:= TSPX_TmSlTg, TCV_ts:= TSPX_TmSlTc, TCV_Cntref:= TSPX_hoaccessJ, TCV_Horf:= TSPX_horfJ, TCV_Pwrlvl_ho:= TSPX_PwrlvlD)			

23	localtree_varinit2 (TCV_cellid := C_CellB, TCV_chdescr_arfcn := C_arfcnB_HO, TCV_ch := C_FACCH0_B_1)		
24	localtree_mt [TCV_Mt1 = TCV_Mt]		(P)
25	[TCV_Mt1 <> TCV_Mt]		(F)
Detailed Comments: <ol style="list-style-type: none"> 1) L2_frame with the Setup will not be acknowledged by the SS_L2. 2) HO from TCHH_FH to TCH/F_FH 3) Last L3-msg shall be retransmitted by the MS with the same sequence number of last L3-msg. 4) Check of the sequence number. 			

Test Case Dynamic Behaviour

Test Case Name: TC_26_6_5_3_1
Group: GSM_L3_MS_v4170/RR/
Purpose: To test that when the MS is ordered to make a finely synchronized handover to a synchronized cell, it sends 4 access bursts on the main DCCH and then activates the channel correctly, taking into account the value of any Starting Time information element and correctly calculating the timing advance to use.
Default: OtherEventsFail_01

Nr	Label	Behaviour Description	CRef	V	Comments
1		START T_guard(300)			
2		(TCV_slot := C_S0, TCV_tsc := C_BCC)			
3		+IdleUpdated(C_CellA, C_Immass, TCV_slot, TCV_tsc, TimingAdv_01, '000'B, '001'B, '011'B, '00'O)			
4		+localtree_varinit			
5		+PreEnterIdleState_202c(C_Immass, TCV_slot, TCV_tsc, 5, 7, 0, TimingAdv_01, '000'B, '001'B, '011'B, '00'O)			
6		+FullRateCh_A_1(C_Ass, TCV_asscmd_ts, TCV_tsc, ChMod_speech, FreqTCHa_hof1, FreqTCHa_hof1d, TimAdv_y, '000'B, '001'B, '011'B)			
7		+EstMsTermFullRateCallFH(TimAdv_y)			1)
8		+FullRateCh_B_1(C_Ass, TCV_ts, TCV_tsc, ChMod_speech, FreqTCHb_ho, FreqTCHb_hod, TimAdv_yplusk, '000'B, '001'B, '011'B)			
9	body	LIDL_DatRqHoCmd(DL_DatRqHoCmd.msg.synchi := Synchi_05)	HndOv_21_B(TCV_Horf, TCV_chTch, TCV_ts, TCV_chdescr_arfcn, TCV_Pwrlvl_ho, TimAdv_ykmod256iei)		2)
10		+localtree_varinit2			
11		+RR_hocomp3(500)			
12	post	+ChanRel_end(TCV_ch)			
13		localtree_varinit +Varinit_fixcommon			
14		(TCV_cellid:=C_CellA, TCV_ch:= OC_SubchOfSdcch4(TSPX_SDCCH4SubB, C_CellA), TCV_sacch:= OC_SubchOfSacch4(TSPX_SDCCH4SubB, C_CellA), TCV_sacch_B := OC_SubchOfSacch4(TSPX_SDCCH4SubDef, C_CellB), TCV_PgCh:= C_PCH_A_1, TCV_asscmd_ts := TSPX_TmSltA, TCV_ts:= TSPX_TmSltNotZero, TCV_Horf:= TSPX_horfA, TCV_Pwrlvl_ho:= TSPX_PwrlvlD)			
15		localtree_varinit2 (TCV_cellid:=C_CellB, TCV_chdescr_arfcn:= C_arfcnB_HO, TCV_ch:= C_FACCHF_B_1)			

Detailed Comments:
 1) IUT enters state U10 with TCH/F_nonFH in cell A
 2) HO from TCH/F_FH of cell A to TCH/F_nonFH in CELL B.

Test Case Dynamic Behaviour					
Test Case Name:		TC_26_6_5_3_2			
Group:		GSM_L3_MS_v4170/RR/			
Purpose:		To test that when the MS is ordered to make a finely synchronized handover to a synchronized cell, it sends 4 access bursts on the main DCCH and then activates the channel correctly, taking into account the value of any Starting Time information element and correctly calculating the timing advance to use.			
Default:		OtherEventsFail_01			
Nr	Label	Behaviour Description	CRef	V	Comments
1		START T_guard(300)			
2		(TCV_slot := C_S0, TCV_tsc := C_BCC)			
3		+IdleUpdated(C_CellA, C_Immass, TCV_slot, TCV_tsc, TimingAdv_01, '000'B, '001'B, '011'B, '00'O)			
4		+localtree_varinit			
5		+PreEnterIdleState_202c(C_Immass, TCV_slot, TCV_tsc, 5, 7, 0, TimingAdv_01, '000'B, '001'B, '011'B, '00'O)			
6		+HalfRateCh_A_1_3(TSPX_TCHHSubDef, C_Ass, TCV_asscmd_ts, TCV_tsc, ChMod_speech, FreqTCHa_hof2, FreqTCHa_hof2d, TimAdv_y, '000'B, '001'B, '011'B)			
7		+EstMsTermHalfRateCallFH(TimingAdv_01)			1)
8		+HalfRateCh_B_1(TSPX_TCHHSubDef, C_Ass, TCV_ts, TCV_tsc, ChMod_r03, FreqTCHb_ho, FreqTCHb_hod, TimAdv_yplusk, '000'B, '001'B, '011'B)			
9	body	LIDL_DatRqHoCmd(DL_DatRqHoCmd.msg.synchi := Synchi_05)	HndOv_23_B1(TCV_Horf, TCV_chTch, TCV_ts, TCV_chdescr_arfcn, TCV_Pwrlvl_ho, TimAdv_ykmod256iei)		2)
10		+localtree_varinit2			
11		+RR_hocomp3(500)			
12	post	+ChanRel_end(TCV_ch)			
localtree_varinit					
13		+Varinit_fixcommon			
14		(TCV_cellid:=C_CellA, TCV_ch:= OC_SubchOfSdcch4(TSPX_SDCCH4SubB, C_CellA), TCV_sacch:= OC_SubchOfSacch4(TSPX_SDCCH4SubB, C_CellA), TCV_sacch_B := OC_SubchOfSacch4(TSPX_SDCCH4SubDef, C_CellB), TCV_PgCh:= C_PCH_A_1, TCV_asscmd_ts := TSPX_TmSlitB, TCV_ts:= TSPX_TmSlitNotZero, TCV_Horf:= TSPX_horfB, TCV_Pwrlvl_ho:= TSPX_PwrlvlC)			
localtree_varinit2					
15		(TCV_cellid:=C_CellB, TCV_chdescr_arfcn:= C_arfcnB_HO, TCV_ch:= OC_SubchOfFacchh(TSPX_TCHHSubDef, C_CellB, 1))			
Detailed Comments:		1) IUT enters state U10 with TCH/H_nonFH in cell A 2) HO from TCH/H_FH of cell A to TCH/H_nonFH in CELL B.			

Test Case Dynamic Behaviour					
Test Case Name:		TC_26_6_5_4_1			
Group:		GSM_L3_MS_v4170/RR/			
Purpose:		To test that when the MS is ordered to make a finely synchronized handover to a synchronized cell, it sends 4 access bursts on the main DCCH and then activates the channel correctly, taking into account the value of any Starting Time information element and correctly calculating the timing advance to use. To test that the MS correctly retransmits Layer 3 MM or CC messages that were not acknowledged by Layer 2 before the Handover, after completion of the Handover.			
Default:		OtherEventsFail_01			
Nr	Label	Behaviour Description	CRef	V	Comments
1		START T_guard(300)			
2		(TCV_slot := C_S0, TCV_tsc := C_BCC)			
3		+IdleUpdated(C_CellA, C_Immass, TCV_slot, TCV_tsc, TimingAdv_01, '000'B, '001'B, '011'B, '00'O)			
4		+localtree_varinit			
5		+PreEnterIdleState_202nc(C_Immass, TCV_slot, TCV_tsc, 5, 7, 0, TimingAdv_01, '000'B, '000'B, '011'B, '00'O)			
6		+SDCCH8_A_1(TSPX_SDCCH8SubA, C_Ass, TCV_ia_ts, TCV_tsc, ChMod_sign, FreqSDCCHa_hof2, FreqSDCCHa_hof2d, TimAdv_y, '000'B, '000'B, '011'B)			
7		+SDCCH8_B_1(TSPX_SDCCH8SubA, C_Ass, TCV_ts, TCV_tsc, ChMod_sign, FreqSDCCH8b_hof3, FreqSDCCH8b_hof2d, TimAdv_yplusk, '000'B, '000'B, '011'B)			
8		(TCV_Null := OM_NotAckSetup(TCV_ch))			
9		+EstMsOrigTCHF_init(C_CHSDCCH8_FH, 2, TimAdv_y)			
10		L?DL_DatInSetup (TCV_Mt := DL_DatInSetup.msg.mt)	SetupIn_01	(P)	1)
11	body	+ltree_hosend			
12		+localtree_varinit2			
13		+RR_hocomp1(1500, TimingAdv_03)			3)
14		L?DL_DatInSetup (TCV_Mt1 := DL_DatInSetup.msg.mt)	SetupIn_01		4)
15		+localtree_mt			5)
16	post	+ChanRel_end(TCV_ch)			
17		ltree_hosend			
18		[TSPC_PGSM OR TSPC_EGSM] L!DL_DatRqHoCmd	HndOv_28_B3(TCV_Horf, TCV_ch, TCV_ts, TCV_Pwrlvl_ho, TimAdv_ykmod256iei)		2)
19		[TSPC_DCS]			
20		L!DL_DatRqHoCmd	HndOv_28_B3d(TCV_Horf, TCV_ch, TCV_ts, TCV_Pwrlvl_ho, TimAdv_ykmod256iei)		2)
21		localtree_varinit			
22		+Varinit_fixcommon (TCV_cellid:=C_CellA, TCV_sacch:= OC_SubchOfSacch4(TSPX_SDCCH4SubDef, C_CellA), TCV_sacch_B := OC_SubchOfSacch4(TSPX_SDCCH4SubDef, C_CellB), TCV_PgCh:= C_PCH_A_1, TCV_ia_ts:= TSPX_TmSlitNotZero, TCV_ts:= TSPX_TmSlitNotZero, TCV_Cntref:= TSPX_hoaccessA, TCV_Horf:= TSPX_horfA,			

	TCV_Pwrlvl_ho:= TSPX_PwrlvlA)		
23	localtree_varinit2 (TCV_cellid:=C_CellB, TCV_ch := OC_SubchOfSdcch8(TSPX_SDCCH8SubA, C_CellB, 1), TCV_sacch8 := OC_SubchOfSacch8(TSPX_SDCCH8SubA, C_CellB, 1))		
24	localtree_mt [TCV_Mt1 = TCV_Mt]		(P)
25	[TCV_Mt1 <> TCV_Mt]		(F)
Detailed Comments: <ol style="list-style-type: none"> 1) L2_frame with the Setup will not be acknowledged by the SS_L2. 2) HO from SDCCH/8_FH to SDCCH/8_FH 3) HO Complete in synchronized case. 3) Last L3-msg shall be retransmitted by the MS with the same sequence number of last L3-msg. 4) Check of the sequence number. 			

Test Case Dynamic Behaviour					
Test Case Name: TC_26_6_5_4_2					
Group: GSM_L3_MS_v4170/RR/					
Purpose: To test that when the MS is ordered to make a finely synchronized handover to a synchronized cell, it sends 4 access bursts on the main DCCH and then activates the channel correctly, taking into account the value of any Starting Time information element and correctly calculating the timing advance to use. To test that the MS correctly retransmits Layer 3 MM or CC messages that were not acknowledged by Layer 2 before the Handover, after completion of the Handover.					
Default: OtherEventsFail_01					
Nr	Label	Behaviour Description	CRef	V	Comments
1		START T_guard(300)			
2		(TCV_slot := C_S0, TCV_tsc := C_BCC)			
3		+IdleUpdated(C_CellA, C_Immass, TCV_slot, TCV_tsc, TimingAdv_01, '000'B, '001'B, '011'B, '00'O)			
4		+localtree_varinit			
5		+PreEnterIdleState_202c(C_Immass, TCV_slot, TCV_tsc, 5, 7, 0, TimAdv_y, '000'B, '001'B, '011'B, '00'O)			
6		+SDCCH8_A_1(TSPX_SDCCH8SubA, C_Ass, TCV_ia_ts, TCV_tsc, ChMod_sign, FreqSDCCHa_hof3, FreqSDCCHa_hof3d, TimAdv_yplusk, '000'B, '001'B, '011'B)			
7		(TCV_Null := OM_NotAckSetup(TCV_ch))			
8		+EstMsOrigTCHF_init(C_CHSDCCH8_FH, 3, TimAdv_yplusk)			
9		L?DL_DatInSetup (TCV_Mt := DL_DatInSetup.msg.mt)	SetupIn_01	(P)	1)
10		(TCV_Fn := OM_ComingFn(TCV_ch), TCV_Null:= OM_SendNextOn(TCV_ch, TCV_Fn))			
11	body	L!DL_DatRqHoCmd(DL_DatRqHoCmd.msg.synchi := Synchi_05, DL_DatRqHoCmd.msg.strt:= OC_StartTime(TCV_Fn, C_StartingTimeHO, 1))	HndOv_25_B1(TCV_Horf, TCV_ch, TCV_ts, TCV_tsc, TCV_chdescr_arfcn, TCV_Pwrlvl_ho, TimAdv_ykmod256iei)		2)
12		+localtree_varinit2			
13		+RR_hocomp1(1500, TimingAdv_03)			3)
14		L?DL_DatInSetup (TCV_Mt1 := DL_DatInSetup.msg.mt)	SetupIn_01		4)
15		+localtree_mt			5)
16	post	+ChanRel_end(TCV_ch)			
17		localtree_varinit			
18		+Varinit_fixcommon (TCV_cellid:=C_CellA, TCV_sacch:= OC_SubchOfSacch4(TSPX_SDCCH4SubDef, C_CellA), TCV_PgCh:= C_PCH_A_1, TCV_ia_ts:= TSPX_TmSlitNotZero, TCV_ts:= '000'B, TCV_Horf:= TSPX_horfB, TCV_Pwrlvl_ho:= TSPX_PwrlvlB)			
19		localtree_varinit2 (TCV_cellid:=C_CellB, TCV_chdescr_arfcn:= C_arfcnB_HO, TCV_ch:= OC_SubchOfSdcch4(TSPX_SDCCH4SubA, C_CellB))			
20		localtree_mt [TCV_Mt1 = TCV_Mt]		(P)	
21		[TCV_Mt1 <> TCV_Mt]		(F)	
Detailed Comments:					
1) L2_frame with the Setup will not be acknowledged by the SS_L2.					
2) HO from SDCCH/8_FH to SDCCH/4_NoFH					
3) HO complete in synchronized case.					

- 4) Last L3-msg shall be retransmitted by the MS with the same sequence number of last L3-msg.
- 5) Check of the sequence number.

Test Case Dynamic Behaviour					
Test Case Name:		TC_26_6_5_4_3			
Group:		GSM_L3_MS_v4170/RR/			
Purpose:		To test that when the MS is ordered to make a finely synchronized handover to a synchronized cell, it sends 4 access bursts on the main DCCH and then activates the channel correctly, taking into account the value of any Starting Time information element and correctly calculating the timing advance to use. To test that the MS correctly retransmits Layer 3 MM or CC messages that were not acknowledged by Layer 2 before the Handover, after completion of the Handover.			
Default:		OtherEventsFail_01			
Nr	Label	Behaviour Description	CRef	V	Comments
1		START T_guard(300)			
2		(TCV_slot := C_S0, TCV_tsc := C_BCC)			
3		+IdleUpdated(C_CellA, C_Immass, TCV_slot, TCV_tsc, TimingAdv_01, '000'B, '001'B, '011'B, '00'O)			
4		+localtree_varinit			
5		+PreEnterIdleState_202c(C_Immass, TCV_slot, TCV_tsc, 5, 7, 0, TimingAdv_01, '000'B, '001'B, '011'B, '00'O)			
6		+FullRateCh_A_1(C_Ass, TCV_ia_ts, TCV_tsc, ChMod_speech, FreqTCHa_ho, FreqTCHa_hod, TimAdv_y, '000'B, '001'B, '011'B)			
7		+FullRateCh_B_1(C_Ass, TCV_ts, TCV_tsc, ChMod_speech, FreqTCHb_hof8, FreqTCHb_hof8d, TimAdv_yplusk, '000'B, '001'B, '011'B)			
8		(TCV_Null := OM_NotAckSetup(TCV_ch))			
9		+EstMsOrigTCHF_init(C_CHTCHF_NonFH, 1, TimAdv_y)			
10		L?DL_DatInSetup (TCV_Mt := DL_DatInSetup.msg.mt)	SetupIn_01	(P)	1)
11	body	+ltree_hosend			
12		+localtree_varinit2			
13		+RR_hocomp1(650, TimingAdv_03)			3)
14		L?DL_DatInSetup (TCV_Mt1 := DL_DatInSetup.msg.mt)	SetupIn_01		3)
15		+localtree_mt			4)
16	post	+ChanRel_end(TCV_ch)			
		ltree_hosend			
17		[TSPC_PGSM OR TSPC_EGSM]			
18		L!DL_DatRqHoCmd(DL_DatRqHoCmd.msg.synchi := Synchi_05)	HndOv_22_B5(TCV_Horf, TCV_ch, TCV_ts, TCV_Pwrlvl_ho, TimAdv_ykmod256iei)		2)
19		[TSPC_DCS]			
20		L!DL_DatRqHoCmd(DL_DatRqHoCmd.msg.synchi := Synchi_05)	HndOv_22_B5d(TCV_Horf, TCV_ch, TCV_ts, TCV_Pwrlvl_ho, TimAdv_ykmod256iei)		2)
		localtree_varinit			
21		+Varinit_fixcommon			
22		(TCV_cellid:=C_CellA, TCV_sacch:= OC_SubchOfSacch4(TSPX_SDCCH4SubA, C_CellA), TCV_sacch_B := OC_SubchOfSacch4(TSPX_SDCCH4SubDef, C_CellB), TCV_chdescr_arfcn:= C_arfcnA_HO, TCV_PgCh:= C_PCH_A_1, TCV_ia_ts:= TSPX_TmSlitB, TCV_ts:= '000'B, TCV_Horf:= TSPX_horfA, TCV_Pwrlvl_ho:= TSPX_PwrlvlA)			

23	localtree_varinit2 (TCV_cellid:=C_CellB, TCV_chdescr_arfcn:= C_arfcnB_HO, TCV_ch:= C_FACCHF_B_1)		
24	localtree_mt [TCV_Mt1 = TCV_Mt]		(P)
25	[TCV_Mt1 <> TCV_Mt]		(F)
Detailed Comments: <ol style="list-style-type: none"> 1) L2_frame with the Setup will not be acknowledged by the SS_L2. 2) HO from TCH/F_NoFH to TCH/F_FH 3) HO Complete in synchronized case. 4) Last L3-msg shall be retransmitted by the MS with the same sequence number of last L3-msg. 5) Check of the sequence number. 			

Test Case Dynamic Behaviour					
Test Case Name:		TC_26_6_5_4_4			
Group:		GSM_L3_MS_v4170/RR/			
Purpose:		To test that when the MS is ordered to make a finely synchronized handover to a synchronized cell, it sends 4 access bursts on the main DCCH and then activates the channel correctly, taking into account the value of any Starting Time information element and correctly calculating the timing advance to use. To test that the MS correctly retransmits Layer 3 MM or CC messages that were not acknowledged by Layer 2 before the Handover, after completion of the Handover.			
Default:		OtherEventsFail_01			
Nr	Label	Behaviour Description	CRef	V	Comments
1		START T_guard(300)			
2		(TCV_slot := C_S0, TCV_tsc := C_BCC)			
3		+IdleUpdated(C_CellA, C_Immass, TCV_slot, TCV_tsc, TimingAdv_01, '000'B, '001'B, '011'B, '00'O)			
4		+localtree_varinit			
5		+PreEnterIdleState_202nc(C_Immass, TCV_slot, TCV_tsc, 5, 7, 0, TimingAdv_01, '000'B, '000'B, '011'B, '00'O)			
6		+SDCCH8_A_1(TSPX_SDCCH8SubA, C_Ass, TCV_ia_ts, TCV_tsc, ChMod_sign, FreqTCHa_ho, FreqTCHa_hod, TimAdv_y, '000'B, '000'B, '011'B)			
7		+FullRateCh_B_1(C_Ass, TCV_ts, TCV_tsc, ChMod_speech, FreqTCHb_ho, FreqTCHb_hod, TimAdv_yplusk, '000'B, '000'B, '011'B)			
8		(TCV_Null := OM_NotAckSetup(TCV_ch))			
9		+EstMsOrigTCHF_init(C_CHSDCCH8_NonFH, 1, TimAdv_yplusk)			
10		L?DL_DatInSetup (TCV_Mt := DL_DatInSetup.msg.mt)	SetupIn_01	(P)	1)
11	body	L!DL_DatRqHoCmd(DL_DatRqHoCmd.msg.synchi := Synchi_05)	HndOv_21_B(TCV_Horf, TCV_ch, TCV_ts, TCV_chdescr_arfcn, TCV_Pwrlvl_ho, TimAdv_ykmod256iei)		
12		+localtree_varinit2			
13		+RR_hocomp1(650, TimingAdv_03)			2)
14		L?DL_DatInSetup (TCV_Mt1 :=DL_DatInSetup.msg.mt)	SetupIn_01		3)
15		+localtree_mt			4)
16	post	+ChanRel_end(TCV_ch)			
17		localtree_varinit			
18		+Varinit_fixcommon (TCV_cellid:=C_CellA, TCV_sacch:= OC_SubchOfSacch4(TSPX_SDCCH4SubA, C_CellA), TCV_sacch_B := OC_SubchOfSacch4(TSPX_SDCCH4SubDef, C_CellB), TCV_chdescr_arfcn:= C_arfcnA_HO, TCV_PgCh:= C_PCH_A_1, TCV_ia_ts:= TSPX_TmSlitNotZero, TCV_ts:= TSPX_TmSlitNotZero, TCV_Horf:= TSPX_horfD, TCV_Pwrlvl_ho:= TSPX_PwrlvlD)			
19		localtree_varinit2 (TCV_cellid:=C_CellB, TCV_chdescr_arfcn:= C_arfcnB_HO, TCV_ch := C_FACCHF_B_1)			
20		localtree_mt [TCV_Mt1 = TCV_Mt]		(P)	
21		[TCV_Mt1 <> TCV_Mt]		(F)	
Detailed Comments:		1) L2_frame with the Setup will not be acknowledged by the SS_L2.			

- 2) HO from SDCCH/8_FH to TCH/F_NoFH
- 3) Last L3-msg shall be retransmitted by the MS with the same sequence number of last L3-msg.
- 4) Check of the sequence number.

Test Case Dynamic Behaviour					
Test Case Name:		TC_26_6_5_5_1			
Group:		GSM_L3_MS_v4170/RR/			
Purpose:		To verify that when the MS is ordered to make a pre-synchronized handover to another cell, it sends 4 access bursts on the main DCCH and then activates the channel correctly and correctly calculates the time to transmit.			
Default:		OtherEventsFail_01			
Nr	Label	Behaviour Description	CRef	V	Comments
1		START T_guard(300)			
2		+BasicServiceMT(TSPX_MTBscSvcA,TSPX_MTChRateA,TSPX_MT_ImmConnA)			
3		(TCV_slot := C_S0, TCV_tsc := C_BCC)			
4		+IdleUpdated(C_CellA, C_Immacc, TCV_slot, TCV_tsc, TimingAdv_01, '000'B, '001'B, '011'B, '00'O)			
5		(TCV_ch := OC_SubchOfSdcch4(TSPX_SDCCH4SubC, C_CellA), TCV_sacch := OC_SubchOfSacch4(TSPX_SDCCH4SubC, C_CellA), TCV_sacch_B := OC_SubchOfSacch4(TSPX_SDCCH4SubDef, C_CellB), TCV_CphKey := OC_CphKeyGen(TSPX_Ki, TSPX_RANDDef))			
6		+PreEnterIdleState_Comb01(C_Immacc, TCV_slot, TCV_tsc, 5,7, 0, TimingAdv_01, '000'B, '001'B, '011'B, '00'O)			1.
7		+FullRateCh_A_1(C_Ass, TSPX_TmSlitDef, TSPX_TscDef, ChMod_speech, FreqTCHa_rg, FreqTCHa_rd, TimingAdv_01, '000'B, '001'B, '011'B)			
8		+StartCellB_21(C_Immacc, TCV_slot, TCV_tsc, 0, TimingAdv_08, '000'B, '001'B, '011'B, '00'O)			2.
9		+FullRateCh_B_1(C_Ass, TSPX_TmSlitC, TSPX_TscC, ChMod_speech, FreqTCHb, FreqTCHb, TimingAdv_08, '000'B, '001'B, '011'B)			
10		+PreEnterCCstateU10_r01(TimingAdv_r01, TSPX_SDCCH4SubC, TSPX_MSTxpwrMax, TSPX_MSTxpwrMax)			3.
11	body	+gsmOrDcs			4.
12		+localtree(TCV_chTch1)			
13		(TCV_L1Head := OM_GetL1Hd(TCV_chTch1))			
14		L?DL_EstIn CANCEL T_dly1	DLEstInd_01		
15		L?DL_DatInHoCom	HndOvCmp_01(TCV_chTch1)		
16		[TCV_L1Head.ta = '1'B]		(P)	5.
17		+PostMainLinkRel(TCV_chTch1)			
18		[TCV_L1Head.ta <> '1'B]		(F)	
19		+PostMainLinkRel(TCV_chTch1)			
20		?TIMEOUT T_dly1		F	
21		localtree(ch:LOGICCH) (TCV_Cnt := 0)			
22		REPEAT localtree1(ch) UNTIL [TCV_Cnt = 4]			
23		localtree1(ch:LOGICCH) (TCV_L1Head := OM_GetHoaccPara(ch))			
24		L?DL_RaInHoacc (TCV_Hrf := DL_RaInHoacc.msg.horf)	HndOvAcc_02(ch)		
25		[TCV_Hrf <> TSPX_horfD]		F	

26	[TCV_Hrf = TSPX_horfD]		(P)	6.
27	[TCV_L1Head.ta = '000000'B]		(P)	
28	[TCV_L1Head.mspwrlvl = '01000'B]		(P)	7.
29	(TCV_Cnt := TCV_Cnt + 1)			
30	[TCV_L1Head.mspwrlvl <> '01000'B]		F	
31	[TCV_L1Head.ta <> '000000'B]		F	
gsmOrDcs				
32	[TSPC_PGSM OR TSPC_EGSM]			
33	L!DL_DatRqHoCmd START T_dly1(650)	HndOv_05(TCV_chTch, TSPX_TmSlitC, TSPX_TscC)		
34	[TSPC_DCS]			
35	L!DL_DatRqHoCmd START T_dly1(650)	HndOv_12(TCV_chTch, TSPX_TmSlitC, TSPX_TscC)		

Detailed Comments:

1. To setup BCCH, CCCH, SDCCH4 and a full rate traffic channel for cell A.
2. To setup BCCH, CCCH, SDCCH4 and a full rate traffic channel for cell B.
3. To bring the MS into the U10 state.
4. Pre-synch handover without TA IE.
5. The received timing advance is 1 bit period, pass.
6. The received handover reference is correct.
7. The power level is correct.

Test Case Dynamic Behaviour					
Test Case Name:		TC_26_6_5_5_2			
Group:		GSM_L3_MS_v4170/RR/			
Purpose:		To test that when the MS is ordered to make a pre-synchronized handover to another cell, it sends 4 access bursts on the main DCCH and then activates the channel correctly and correctly calculates the time to transmit. To test that the MS correctly retransmits Layer 3 MM or CC messages that were not acknowledged by Layer 2 before the Handover, after completion of the Handover. To test that the MS correctly reports on the time difference between the cells.			
Default:		OtherEventsFail_01			
Nr	Label	Behaviour Description	CRef	V	Comments
1		START T_guard(300)			
2		(TCV_slot := C_S0, TCV_tsc := C_BCC)			
3		+IdleUpdated(C_CellA, C_Immass, TCV_slot, TCV_tsc, TimingAdv_01, '000'B, '001'B, '011'B, '00'O)			
4		(TCV_ch := OC_SubchOfSdcch4(TSPX_SDCCH4SubB, C_CellA), TCV_sacch := OC_SubchOfSacch4(TSPX_SDCCH4SubB, C_CellA), TCV_sacch_B := OC_SubchOfSacch4(TSPX_SDCCH4SubDef, C_CellB), TCV_CphKey := OC_CphKeyGen(TSPX_Ki, TSPX_RANDDef))			
5		+PreEnterIdleState_Comb01(C_Immass, TCV_slot, TCV_tsc, 5,7, 0, TimingAdv_r01, '000'B, '001'B, '011'B, '00'O)		1.	
6		+FullRateCh_A_1(C_Ass, TSPX_TmSltDef, TSPX_TscDef, ChMod_speech, FreqTCHa_rg, FreqTCHa_rd, TimingAdv_r01, '000'B, '001'B, '011'B)			
7		+StartCellB_21(C_Immass, TCV_slot, TCV_tsc, 0, TimingAdv_07, '000'B, '001'B, '011'B, '00'O)		2.	
8		+FullRateCh_B_1(C_Ass, TSPX_TmSltC, TSPX_TscC, ChMod_speech, FreqTCHb, FreqTCHb, TimingAdv_07, '000'B, '001'B, '011'B)			
9	body	+AttmpCall			
10		+BasicServiceMO(TSPX_MO_BscS vc_AnyCall, TSPX_MO_rate_AnyCall)			
11		L?DL_RaInChRq (TCV_Rr := DL_RaInChRq.msg.ecau_rrf, TCV_Fn := DL_RaInChRq.fn)	ChReq_02		
12		+gsmOrDcs1		3.	
13		L?DL_EstInCmsRq	CmsrReq_01		
14		(TCV_Null := OM_NoL2Ack(C_I, 2, TCV_ch))			
15		+Ciphering_on(TCV_ch)			
16		+localtree1			
17		localtree1 L?DL_DatInSetup (TCV_Mt := DL_DatInSetup.msg.mt)	SetupIn_01		
18		+gsmOrDcs			
19		+Varinit_fixB			
20		+localtree2(TCV_ch)			
21		L?DL_EstIn	DLEstIn_01		
22		(TCV_L1Head := OM_GetL1Hd(TCV_chTch1))			
23		L?DL_DatInHoCom CANCEL T_dly1	HndOvCmp_03(TCV_ch)	(P)	
24		[TCV_L1Head.ta <> '0001001'B]		(F)	
25		+PostMainLinkRel(TCV_ch)			
26		[TCV_L1Head.ta = '0001001'B]		(P)	
27		L?DL_DatInSetup (TCV_Mt1 := DL_DatInSetup.msg.mt)	SetupIn_01		
28		[TCV_Mt1 <> TCV_Mt]		(F)	

29	+PostMainLinkRel(TCV_chTch1)		
30	[TCV_Mt1 = TCV_Mt]		(P)
31	+PostMainLinkRel(TCV_ch)		
32	?TIMEOUT T_dly1		F
	localtree2(ch:LOGICCH)		
33	(TCV_Cnt := 0)		
34	REPEAT localtree3(ch) UNTIL [TCV_Cnt = 4]		
	localtree3(ch:LOGICCH)		
35	(TCV_L1Head := OM_GetHoaccPara(ch))		
36	L?DL_RaInHoacc (TCV_Hrf := DL_RaInHoacc.msg.horf)	HndOvAcc_02(ch)	
37	[TCV_Hrf <> TSPX_horfF]		F
38	[TCV_Hrf = TSPX_horfF]		(P)
39	(TCV_Cnt := TCV_Cnt + 1)		
	gsmOrDcs		
40	[TSPC_PGSM OR TSPC_EGSM]		
41	L!DL_DatRqHoCmd (TCV_Hrf := DL_DatRqHoCmd.msg.horf, TCV_Pwrlvl := DL_DatRqHoCmd.msg.pcmd.pl) START T_dly1(650)	HndOv_06(TCV_ch, TSPX_TmSltC, TSPX_TscC, TimingAdv_07iei)	
42	[TSPC_DCS]		
43	L!DL_DatRqHoCmd (TCV_Hrf := DL_DatRqHoCmd.msg.horf, TCV_Pwrlvl := DL_DatRqHoCmd.msg.pcmd.pl) START T_dly1(650)	HndOv_13(TCV_ch, TSPX_TmSltC, TSPX_TscC, TimingAdv_07iei)	
	gsmOrDcs1		
44	L!DL_UdatRqImmss	ImmAss_r10(TCV_ag ch, TCV_Rr, TCV_Fn, TSPX_SDCCH4SubB , TCV_slot, TCV_tsc, TimingAdv_r01, TCV_chdescr_arfcn)	
Detailed Comments:			
1. Cell A with BCCH, CCCH, SDCCH4 and a traffic channel.			
2. Cell B with BCCH, CCCH, SDCCH4 and a traffic channel.			

Test Case Dynamic Behaviour					
Test Case Name:		TC_26_6_5_6			
Group:		GSM_L3_MS_v4170/RR/			
Purpose:		To test that when the MS is ordered to make a pseudo synchronized handover to another cell, it sends 4 access bursts on the main DCCH and then activates the channel correctly and correctly calculates the time to transmit. To test that the MS correctly reports the time difference between the cells.			
Default:		OtherEventsFail_01			
Nr	Label	Behaviour Description	CRef	V	Comments
1		START T_guard(300)			
2		+BasicServiceMT(TSPX_MTBscSvcA,TSPX_MTChRateA,TSPX_MT_ImmConnA)			
3		(TCV_slot := C_S0, TCV_tsc := C_BCC)			
4		+IdleUpdated(C_CellA, C_Immacc, TCV_slot, TCV_tsc, TimingAdv_01, '000'B, '001'B, '011'B, '00'O)			
5		(TCV_ch := OC_SubchOfSdcch4(TSPX_SDCCH4SubDef, C_CellA), TCV_sacch := OC_SubchOfSacch4(TSPX_SDCCH4SubDef, C_CellA), TCV_sacch_B := OC_SubchOfSacch4(TSPX_SDCCH4SubDef, C_CellB), TCV_CphKey := OC_CphKeyGen(TSPX_Ki, TSPX_RANDDef))			
6		+PreEnterIdleState_Comb01(C_Immacc, TCV_slot, TCV_tsc, 5,7, 0, TimingAdv_05, '000'B, '001'B, '011'B, '00'O)			1.
7		+FullRateCh_A_1(C_Ass, TSPX_TmSlitDef, TSPX_TscDef, ChMod_speech, FreqTCHa_rg, FreqTCHa_rd, TimingAdv_05, '000'B, '001'B, '011'B)			
8		+StartCellB_21(C_Immacc, TCV_slot, TCV_tsc, 0, TimingAdv_09, '000'B, '001'B, '011'B, '00'O)			2.
9		+FullRateCh_B_1(C_Ass, TSPX_TmSlitC, TSPX_TscC, ChMod_speech, FreqTCHb, FreqTCHb, TimingAdv_09, '000'B, '001'B, '011'B)			
10		+PreEnterCCstateU10_r01(TimingAdv_05, TSPX_SDCCH4SubDef, 0, 3)			3.
11		+gsmOrDcs			4.
12		+localtree(TCV_chTch1)			
13		+localtree1			
14		localtree1 (TCV_L1Head := OM_GetL1Hd(TCV_chTch1))			
15		L?DL_EstIn CANCEL T_dly1	DLEstInd_01		
16		L?DL_DatInHoCom (TCV_Td := DL_DatInHoCom.msg.motdif.value)	HndOvCmp_02(TCV_chTch1)		5.
17		[TCV_L1Head.ta = INT_TO_BIT((TSPX_y2 - 10), 6)]		(P)	6.
18		+PostMainLinkRel(TCV_chTch1)			
19		[TCV_L1Head.ta <> INT_TO_BIT((TSPX_y2 - 10), 6)]		(F)	
20		+PostMainLinkRel(TCV_chTch1)			
21		?TIMEOUT T_dly1		F	
22		localtree(ch:LOGICCH) (TCV_Cnt := 0)			
23		REPEAT localtree2(ch) UNTIL [TCV_Cnt = 4]			
24		localtree2(ch:LOGICCH) (TCV_L1Head := OM_GetHoaccPara(ch))			
25		L?DL_RaInHoacc (TCV_Hrf := DL_RaInHoacc.msg.horf)	HndOvAcc_02(ch)		
26		[TCV_Hrf <> TSPX_horfH]		F	

27	[TCV_Hrf = TSPX_horfH]		(P)
28	[TCV_L1Head.ta = '000000'B]		(P)
29	[TCV_L1Head.mspwrlvl = '01010'B]		(P)
30	(TCV_Cnt := TCV_Cnt + 1)		
31	[TCV_L1Head.mspwrlvl <> '01010'B]		F
32	[TCV_L1Head.ta <> '000000'B]		F
gsmOrDcs			
33	[TSPC_PGSM OR TSPC_EGSM]		
34	L!DL_DatRqHoCmd START T_dly1(650)	HndOv_07(TCV_chTch, TSPX_TmSlitC, TSPX_TscC)	
35	[TSPC_DCS]		
36	L!DL_DatRqHoCmd START T_dly1(650)	HndOv_14(TCV_chTch, TSPX_TmSlitC, TSPX_TscC)	
Detailed Comments:			
<ol style="list-style-type: none"> 1. Cell A with BCCH, CCCH, SDCCH4 and a traffic channel. 2. Cell B with BCCH, CCCH, SDCCH4 and a traffic channel. 3. In cell A the timing advance = TSPX_y2. 4. pseudo-synch, rot = 1, nc1, = 0, real time difference = 2*TSPX_k2 + 10., handover reference = TSPX_horfH. 5. The Mobile Time Difference = (2*TSPX_k2 + TSPX_y2) mod 2 097 152 with tolerance of 2. 6. The time advance is correct. 			

Test Case Dynamic Behaviour					
Test Case Name:		TC_26_6_5_7			
Group:		GSM_L3_MS_v4170/RR/			
Purpose:		To verify that when the MS is ordered to make a non-synchronized handover to another cell and is ordered to report on the time difference between the cells, that it does so correctly.			
Default:		OtherEventsFail_01			
Nr	Label	Behaviour Description	CRef	V	Comments
1		START T_guard(300)			
2		+BasicServiceMT(TSPX_MTBscSvcA,TSPX_MTChRateA,TSPX_MT_ImmConnA)			
3		(TCV_slot := C_S0, TCV_tsc := C_BCC)			
4		+IdleUpdated(C_CellA, C_ImmMass, TCV_slot, TCV_tsc, TimingAdv_01, '000'B, '001'B, '011'B, '00'O)			
5		(TCV_ch := OC_SubchOfSdcch4(TSPX_SDCCH4SubDef, C_CellA), TCV_sacch := OC_SubchOfSacch4(TSPX_SDCCH4SubDef, C_CellA), TCV_sacch_B := OC_SubchOfSacch4(TSPX_SDCCH4SubDef, C_CellB), TCV_CphKey := OC_CphKeyGen(TSPX_Ki, TSPX_RANDDef))			
6		+PreEnterIdleState_Comb01(C_ImmMass, TCV_slot, TCV_tsc, 5,7, 0, TimingAdv_06, '000'B, '001'B, '011'B, '00'O)			1.
7		+FullRateCh_A_1(C_Ass, TSPX_TmSlitDef, TSPX_TscDef, ChMod_speech, FreqTCHa_rg, FreqTCHa_rd, TimingAdv_06, '000'B, '001'B, '011'B)			
8		+StartCellB_21(C_ImmMass, TCV_slot, TCV_tsc, 0, TimingAdv_10, '000'B, '001'B, '011'B, '00'O)			2.
9		+FullRateCh_B_1(C_Ass, TSPX_TmSlitC, TSPX_TscC, ChMod_speech, FreqTCHb, FreqTCHb, TimingAdv_10, '000'B, '001'B, '011'B)			
10		+PreEnterCCstateU10_r01(TimingAdv_06, TSPX_SDCCH4SubDef, 0, 3)			3.
11	body	+gsmOrDcs			4.
12		+localtree(TCV_chTch1)			
13		+localtree1			
14		localtree1 L!DL_DatRqPhyinfo	PhyInfo_01(TCV_chTch1, TimingAdv_03)		
15		(TCV_L1Head := OM_GetL1Hd(TCV_chTch1))			
16		L?DL_EstIn	DLEstInd_01		
17		L?DL_DatInHoCom(TCV_Td := DL_DatInHoCom.msg.motdif.value)	HndOvCmp_04(TCV_chTch1)		
18		[TCV_L1Head.ta = '010100'B]			
19		+PostMainLinkRel(TCV_chTch1)			
20		[TCV_L1Head.ta <> '010100'B]		(F)	
21		+PostMainLinkRel(TCV_chTch1)			
22		localtree(ch:LOGICCH) L?DL_RacInHoacc(TCV_Hrf := DL_RacInHoacc.msg.horf)	HndOvAcc_02(ch)		
23		[TCV_Hrf <> TSPX_horfB]		F	
24		[TCV_Hrf = TSPX_horfB]			
25		L?DL_RacInHoacc(TCV_Hrf := DL_RacInHoacc.msg.horf)	HndOvAcc_02(ch)		
26		[TCV_Hrf <> TSPX_horfB]		F	
27		[TCV_Hrf = TSPX_horfB]			
28		gsmOrDcs [TSPC_PGSM OR TSPC_EGSM]			

29		L!DL_DatRqHoCmd START T_dly1(650)	HndOv_08(TCV_chTch, TSPX_TmSlcC, TSPX_TscB)	
30		[TSPC_DCS]		
31		L!DL_DatRqHoCmd START T_dly1(650)	HndOv_15(TCV_chTch, TSPX_TmSlcC, TSPX_TscB)	
Detailed Comments: <ol style="list-style-type: none"> 1. Cell A with BCCH, CCCH, SDCCH4 and a traffic channel. 2. Cell B with BCCH, CCCH, SDCCH4 and a traffic channel. 3. In cell A the timing advance = TSPX_y3. 4. non-synch, rot = 1, nci = 0, handover reference = TSPX_horfB. 				

Test Case Dynamic Behaviour					
Test Case Name:		TC_26_6_5_8			
Group:		GSM_L3_MS_v4170/RR/			
Purpose:		To verify the function of timer T3124 and the contents in the message HANDOVER FAILURE			
Default:		RcvHdOvAcc			
Nr	Label	Behaviour Description	CRef	V	Comments
1		START T_guard(300)			
2		+BasicServiceMT(TSPX_MTBscSvcA,TSPX_MTChRateA,TSPX_MT_ImmConnA)			
3		(TCV_slot := C_S0, TCV_tsc := C_BCC)			
4		+IdleUpdated(C_CellA, C_ImmAss, TCV_slot, TCV_tsc, TimingAdv_01, '000'B, '001'B, '011'B, '00'O)			
5		(TCV_ch := OC_SubchOfSdcch4(TSPX_SDCCH4SubC, C_CellA), TCV_sacch := OC_SubchOfSacch4(TSPX_SDCCH4SubC, C_CellA), TCV_sacch_B := OC_SubchOfSacch4(TSPX_SDCCH4SubDef, C_CellB), TCV_CphKey := OC_CphKeyGen(TSPX_Ki, TSPX_RANDDef))			
6		+PreEnterIdleState_Comb01(C_ImmAss, TCV_slot, TCV_tsc, 5,7, 0, TimingAdv_r01, '000'B, '001'B, '011'B, '00'O)			1
7		+FullRateCh_A_1(C_Ass, TSPX_TmSlitDef, TSPX_TscDef, ChMod_speech, FreqTCHa_rg, FreqTCHa_rd, TimingAdv_r01, '000'B, '001'B, '011'B)			
8		+StartCellB_21(C_ImmAss, TCV_slot, TCV_tsc, 0, TimingAdv_r01, '000'B, '001'B, '011'B, '00'O)			2.
9		+FullRateCh_B_1(C_Ass, TSPX_TmSlitC, TSPX_TscC, ChMod_speech, FreqTCHb, FreqTCHb, TimingAdv_r01, '000'B, '001'B, '011'B)			
10		+PreEnterCCstateU10_r01(TimingAdv_r01, TSPX_SDCCH4SubC, TSPX_MSTxpwrMax, TSPX_MSTxpwrMax)			3.
11		(TCV_L1Head0 := OM_GetL1Hd(TCV_chTch))			
12	body	+gsmOrDcs			4.
13		+localtree(TCV_chTch1)			
14		L?DL_EstIn CANCEL T_dly	DLEstInd_01		
15		(TCV_L1Head := OM_GetL1Hd(TCV_chTch))			
16		L?DL_DatInHofl	HndOvFI_02(TCV_chTch)		5.
17		[TCV_L1Head.mspwrl vl = TCV_L1Head0.mspwrlvl]		(P)	6.
18		+PostMainLinkRel(TCV_chTch)			
19		[TCV_L1Head.mspwrl vl <> TCV_L1Head0.mspwrlvl]		(F)	
20		+PostMainLinkRel(TCV_chTch)			
21		?TIMEOUT T_dly		F	
22		localtree(ch:LOGICCH) (TCV_Cnt := 0)			
23		REPEAT localtree1(ch) UNTIL [TCV_Cnt = 3]			

<p>24 25 26 27 28 29 30</p> <p>31 32 33 34</p>	<p>localtree1(ch:LOGICCH) (TCV_L1Head := OM_GetHoaccPara(ch)) L?DL_RacInHoacc (TCV_Hrf := DL_RacInHoacc.msg.horf) [TCV_Hrf <> TSPX_horfC] [TCV_Hrf = TSPX_horfC] [TCV_L1Head.mspwrlvl = '01000'B] (TCV_Cnt := TCV_Cnt + 1) [TCV_L1Head.mspwrlvl <> '01000'B]</p> <p>gsmOrDcs [TSPC_PGSM OR TSPC_EGSM] L!DL_DatRqHoCmd START T_dly(3000)</p> <p>[TSPC_DCS] L!DL_DatRqHoCmd START T_dly(3000)</p>	<p>HndOvAcc_02(ch)</p> <p>HndOv_09(TCV_chTc h, TSPX_TmSlitC, TSPX_TscB)</p> <p>HndOv_16(TCV_chTc h, TSPX_TmSlitC, TSPX_TscB)</p>	<p>F (P) (P) F</p>	<p>pwrlvl = 8</p>
<p>Detailed Comments:</p> <ol style="list-style-type: none"> 1. To setup BCCH, CCCH, SDCCH4 and a full rate traffic channel for cell A. 2. To setup BCCH, CCCH, SDCCH4 and a full rate traffic channel for cell B. 3. To bring the MS into the U10 state. 4. Non-synchronized handover, power level = 8. 5. On old channel. 6. Power level is the old one (TSPX_MSTxpwrMax) 				

Test Case Dynamic Behaviour					
Test Case Name:		TC_26_6_5_9			
Group:		GSM_L3_MS_v4170/RR/			
Purpose:		To verify the function of timer T3124 and the contents in the message HANDOVER FAILURE			
Default:		RcvHdOvAcc			
Nr	Label	Behaviour Description	CRef	V	Comments
1		START T_guard(300)			
2		+BasicServiceMT(TSPX_MTBscSvcA,TSPX_MTChRateA,TSPX_MT_ImmConnA)			
3		(TCV_slot := C_S0, TCV_tsc := C_BCC)			
4		+IdleUpdated(C_CellA, C_ImmAss, TCV_slot, TCV_tsc, TimingAdv_01, '000'B, '001'B, '011'B, '00'O)			
5		(TCV_ch := OC_SubchOfSdcch4(TSPX_SDCCH4SubDef, C_CellA), TCV_sacch := OC_SubchOfSacch4(TSPX_SDCCH4SubDef, C_CellA), TCV_sacch_B := OC_SubchOfSacch4(TSPX_SDCCH4SubDef, C_CellB), TCV_CphKey := OC_CphKeyGen(TSPX_Ki, TSPX_RANDDef))			
6		+PreEnterIdleState_Comb01(C_ImmAss, TCV_slot, TCV_tsc, 5,7, 0, TimingAdv_r01, '000'B, '001'B, '011'B, '00'O)		1	
7		+FullRateCh_A_1(C_Ass, TSPX_TmSlitDef, TSPX_TscDef, ChMod_speech, FreqTCHa_rg, FreqTCHa_rd, TimingAdv_r01, '000'B, '001'B, '011'B)			
8		+StartCellB_21(C_ImmAss, TCV_slot, TCV_tsc, 0, TimingAdv_r01, '000'B, '001'B, '011'B, '00'O)			
9		+FullRateCh_B_1(C_Ass, TSPX_TmSlitC, TSPX_TscC, ChMod_speech, FreqTCHb, FreqTCHb, TimingAdv_r01, '000'B, '001'B, '011'B)			
10		+PreEnterCCstateU10_r01(TimingAdv_r01, TSPX_SDCCH4SubDef, TSPX_MSTxpwrMax, TSPX_MSTxpwrMax)		3.	
11		(TCV_L1Head0 := OM_GetL1Hd(TCV_chTch))			
12	body	+gsmOrDcs		4.	
13		+localtree(TCV_chTch1)			
14		L?DL_EstIn CANCEL T_dly	DLEstInd_01		
15		(TCV_L1Head := OM_GetL1Hd(TCV_chTch))			
16		L?DL_DatInHofl	HndOvFI_02(TCV_chTch)	5.	
17		[TCV_L1Head.mspwrl vl = TCV_L1Head0.mspwrlvl]		(P) 6.	
18		+PostMainLinkRel(TCV_chTch)			
19		[TCV_L1Head.mspwrl vl <> TCV_L1Head0.mspwrlvl]		(F)	
20		+PostMainLinkRel(TCV_chTch)			
21		?TIMEOUT T_dly		F	
22		localtree(ch:LOGICCH) (TCV_Cnt := 0)			
23		REPEAT localtree1(ch) UNTIL [TCV_Cnt = 2]			

	localtree1(ch:LOGICCH)			
24	(TCV_L1Head := OM_GetHoaccPara(ch))			
25	L?DL_RacInHoacc (TCV_Hrf := DL_RacInHoacc.msg.horf)	HndOvAcc_02(ch)		
26	[TCV_Hrf <> TSPX_horfC]		F	
27	[TCV_Hrf = TSPX_horfC]		(P)	
28	[TCV_L1Head.mspwrlvl = '01000'B]		(P)	pwrlvl = 8
29	(TCV_Cnt := TCV_Cnt + 1)			
30	[TCV_L1Head.mspwrlvl <> '01000'B]		F	
	gsmOrDcs			
31	[TSPC_PGSM OR TSPC_EGSM]			
32	L!DL_DatRqHoCmd START T_dly(3000)	HndOv_09(TCV_chTc h, TSPX_TmSlitC, TSPX_TscB)		
33	[TSPC_DCS]			
34	L!DL_DatRqHoCmd START T_dly(3000)	HndOv_16(TCV_chTc h, TSPX_TmSlitC, TSPX_TscB)		
Detailed Comments:				
1. To setup BCCH, CCCH, SDCCH4 and a full rate traffic channel for cell A.				
2. To setup BCCH, CCCH, SDCCH4 and a receiving only full rate traffic channel for cell B.				
3. To bring the MS into the U10 state.				
4. Non-synchronized handover, power level = 8.				
5. On old channel.				
6. Power level is the old one (TSPX_MSTxpwrMax)				

Test Case Dynamic Behaviour					
Test Case Name:		TC_26_6_6_1			
Group:		GSM_L3_MS_v4170/RR/			
Purpose:		To verify that the MS, after receiving a Frequency Redefinition message, starts using the new frequencies and hopping sequence at the time indicated in the message.			
Default:		OtherEventsFail			
Nr	Label	Behaviour Description	CRef	V	Comments
1		START T_guard(642)			
2		(TCV_slot := C_S0, TCV_tsc := C_BCC)			
3		+IdleUpdated(C_CellA, C_Imm, TCV_slot, TCV_tsc, TimingAdv_01, '000'B, '001'B, '011'B, '00'O)			
4		+test1			
5		+test2			
6		+test3			
7		+test4			
8		+test5			
9		+test6			
10		[TSPC_DualRate = TRUE]			
11		+test7			
12		+test8			
13		+test9			
14		[TSPC_DualRate = FALSE]			
15		test1 +sdcch8(Freq_rg18, Freq_rd18, TSPX_TmSlitA, TSPX_TscA, Ca2_g01, Ca3_g01, Ma1_g01, Ma2_g01, Ma3_g01, 6, 7, 91, ChDescr_r57)			1.
16		test2 +sdcch8(Freq_rg19, Freq_rd19, TSPX_TmSlitB, TSPX_TscB, Ca2_g02, Ca3_g02, Ma1_g02, Ma2_g02, Ma3_g02, 2, 1, 42000, ChDescr_r58)			
17		test3 +sdcch8(Freq_rg20, Freq_rd20, TSPX_TmSlitC, TSPX_TscC, Ca2_g03, Ca3_g03, Ma1_g03, Ma2_g03, Ma3_g03, 1, 3, 1000, ChDescr_r59)			
18		test4 +tchf(Freq_rg21, Freq_rd21, TSPX_TmSlitD, TSPX_TscD, Ca2_g04, Ca3_g04, Ma1_g04, Ma2_g04, Ma3_g04, 2, 3, 91, ChDescr_r60)			2.
19		test5 +tchf(Freq_rg22, Freq_rd22, TSPX_TmSlitE, TSPX_TscE, Ca2_g05, Ca3_g05, Ma1_g05, Ma2_g05, Ma3_g05, 4, 2, 42000, ChDescr_r61)			
20		test6 +tchf(Freq_rg23, Freq_rd23, TSPX_TmSlitF, TSPX_TscF, Ca2_g06, Ca3_g06, Ma1_g06, Ma2_g06, Ma3_g06, 6, 4, 15000, ChDescr_r62)			
21		test7 +tchh(Freq_rg24, Freq_rd24, TSPX_TmSlitG, TSPX_TscG, Ca2_g07, Ca3_g07, Ma1_g07, Ma2_g07, Ma3_g07, 7, 4, 91, ChDescr_r63)			3.
22		test8 +tchh(Freq_rg25, Freq_rd25, TSPX_TmSlitA, TSPX_TscA, Ca2_g08, Ca3_g08, Ma1_g08, Ma2_g08, Ma3_g08, 2, 5, 42000, ChDescr_r64)			
23		test9 +tchh(Freq_rg26, Freq_rd26, TSPX_TmSlitDef, TSPX_TscDef, Ca2_g09, Ca3_g09, Ma1_g09,			

	Ma2_g09, Ma3_g09, 5, 3, 4000, ChDescrp_r65)		
24	test(Ca2, Ca3: CCHD; Ma1, Ma2, Ma3: MA; Maio2, Maio3, tm:INTEGER; Chd: CHD)		
25	+channelass(Ma1,Chd)		
	+part1(Ca2, Ca3, Ma2, Ma3, Maio2, Maio3, tm, Chd)		
	part1(Ca2, Ca3: CCHD; Ma2, Ma3: MA; Maio2, Maio3, tm:INTEGER; Chd: CHD)		
26	(TCV_Res := OM_FHCHK(TCV_chTch))		
27	[TCV_Res = FALSE]		(F)
28	+PostMainLinkRel(TCV_chTch)		
29	[TCV_Res = TRUE]		(P)
30	(TCV_Fn := OM_ComingFn(TCV_chTch), TCV_chd1 := Chd, TCV_chd1.maio := INT_TO_BIT(Maio2, 6), TCV_Strt := OC_StartTime(TCV_Fn, tm, 0), TCV_Null := OM_SendNextOn(TCV_chTch, TCV_Fn))		
31	(TCV_Null := OM_FreqDef(TCV_Strt, Ma2, TCV_chTch, TCV_chd1, Ca2))		
32	LIDL_DatRqFrqre	FrqRedf_01(TCV_chTch, TCV_chd1, Ma2, TCV_Strt, Ca2)	
33	+part2(Ca3, Ma3, Maio3, tm, Chd)		
	part2(Ca3: CCHD; Ma3: MA; Maio3, tm:INTEGER; Chd: CHD)		
34	(TCV_Res := OM_FHCHK(TCV_sacchTch))		
35	[TCV_Res = FALSE]		(F)
36	+PostMainLinkRel(TCV_chTch)		
37	[TCV_Res = TRUE]		(P)
38	(TCV_Fn := OM_ComingFn(TCV_chTch), TCV_chd1 := Chd, TCV_chd1.maio := INT_TO_BIT(Maio3, 6), TCV_Strt := OC_StartTime(TCV_Fn, tm, 0), TCV_Null := OM_SendNextOn(TCV_chTch, TCV_Fn))		
39	+part3(Ca3, Ma3)		
	part3(Ca3: CCHD; Ma3: MA)		
40	(TCV_Null := OM_FreqDef(TCV_Strt, Ma3, TCV_chTch, TCV_chd1, Ca3))		
41	LIDL_DatRqFrqre	FrqRedf_01(TCV_chTch, TCV_chd1, Ma3, TCV_Strt, Ca3)	
42	+Check		
43	+PostMainLinkRel(TCV_chTch)		
44	(TCV_Null := OM_StopCell(C_CellA))		
	Check		
45	(TCV_Res := OM_FHCHK(TCV_chTch))		
46	[TCV_Res = FALSE]		(F)
47	[TCV_Res = TRUE]		(P)
	sdccch8(FqParag, FqParad:FRQPARA; Tmslt:SN; Tsc:TSC; Ca2, Ca3: CCHD; Ma1, Ma2, Ma3: MA; Maio2, Maio3, tm:INTEGER; Chd: CHD)		
48	(TCV_sacch:= OC_SubchOfSacch4(TSPX_SDCCH4SubDef, C_CellA))		
49	+PreEnterIdleState_r06(FqParag, FqParad, C_Immass, C_S0, C_BCC, TimingAdv_01, 0, '000'B, '000'B, '011'B, '00'O)		
50	+SDCCCH8_A_1_2_nociph(TSPX_SDCCH8SubA, C_Immass, Tmslt, Tsc, ChMod_sign, FqParag, FqParad, TimingAdv_r01, '000'B, '001'B, '011'B)		
51	+test(Ca2, Ca3, Ma1, Ma2, Ma3, Maio2, Maio3, tm, Chd)		

52	tchf(FqParag, FqParad:FRQPARA; Tmslt:SN; Tsc:TSC; Ca2, Ca3: CCHD; Ma1, Ma2, Ma3: MA; Maio2, Maio3, tm:INTEGER; Chd: CHD) (TCV_sacch:= OC_SubchOfSacch4(TSPX_SDCCH4SubDef, C_CellA))		
53	+PreEnterIdleState_r06(FqParag, FqParad, C_Immass, C_S0, C_BCC, TimingAdv_01, 0, '000'B, '000'B, '011'B, '00'O)		
54	+FullRateCh_A_1_nociph(C_Immass, Tmslt, Tsc, ChMod_sign, FqParag, FqParad, TimingAdv_r01, '000'B, '001'B, '011'B)		
55	+test(Ca2, Ca3, Ma1, Ma2, Ma3, Maio2, Maio3, tm, Chd)		
56	tchh(FqParag, FqParad:FRQPARA; Tmslt:SN; Tsc:TSC; Ca2, Ca3: CCHD; Ma1, Ma2, Ma3: MA; Maio2, Maio3, tm:INTEGER; Chd: CHD) (TCV_sacch:= OC_SubchOfSacch4(TSPX_SDCCH4SubDef, C_CellA))		
57	+PreEnterIdleState_r06(FqParag, FqParad, C_Immass, C_S0, C_BCC, TimingAdv_01, 0, '000'B, '000'B, '011'B, '00'O)		
58	+HalfRateCh_A_1_3_nociph(TSPX_TCHHSubDef, C_Immass, Tmslt, Tsc, ChMod_sign, FqParag, FqParad, TimingAdv_r01, '000'B, '001'B, '011'B)		
59	+test(Ca2, Ca3, Ma1, Ma2, Ma3, Maio2, Maio3, tm, Chd)		
60	channelass(Ma1:MA; Chd:CHD) +CCCH_group_Paging_group(TCV_Ccd0A, TSPX_IMSI)		
61	L!DL_UdatRqPg1Rq	PgReq1(TCV_PgCh, TCV_Pgg, PgReqTp1_01)	
62	L?DL_RaclnChRq (TCV_Rr := DL_RaclnChRq. msg.ecau_rrf, TCV_Fn := DL_RaclnChRq.fn)	ChReq_01	
63	ACTIVATE(OtherEventsFail_02)		To match ChReq retrans.
64	L!DL_UdatRqImmass	ImmAss_02(TCV_agc h, TCV_Rr, TCV_Fn, TimingAdv_r01, Chd, Ma1)	
65	L?DL_EstlnPgRes(TCV_Fn := DL_EstlnPgRes.fn)	PgRes_01	
66	ACTIVATE(OtherEventsFail)		Restore Normal default
Detailed Comments: <ol style="list-style-type: none"> 1. To perform test on SDCCH channel for GSM. 2. To perform test on TCH/F channel for GSM. 3. To perform test on TCH/H channel for GSM. 4. To perform test on SDCCH channel for DCS. 5. To perform test on TCH/F channel for DCS. 6. To perform test on TCH/H channel for DCS. 			

Test Case Dynamic Behaviour					
Test Case Name:		TC_26_6_7_1			
Group:		GSM_L3_MS_v4170/RR/			
Purpose:		<p>To verify that the MS, in an RR connected state, acknowledging a CHANNEL MODE MODIFY message by sending a CHANNEL MODE MODIFY ACKNOWLEDGEMENT message specifying and switching to the correct mode.</p> <ul style="list-style-type: none"> - the new mode if that mode is supported - the old mode if the new mode is not supported. <p>This shall be verified for the channel modes</p> <ul style="list-style-type: none"> - signalling only - speech full rate - data 9.6 Kb/s - data 4.8 Kb/s full rate - data 2.4 Kb/s full rate. 			
Default:		OtherEventsFail			
Comments:		apply only to the MS supporting TCH/F.			
Nr	Label	Behaviour Description	CRef	V	Comments
1		START T_guard(300)			
2		(TCV_slot := C_S0, TCV_tsc := C_BCC)			
3		+IdleUpdated(C_CellA, C_Immass, TCV_slot, TCV_tsc, TimingAdv_01, '000'B, '001'B, '011'B, '00'O)			
4		+gsmOrDcs			
5		+PreEnterIdleState_Comb01(C_Immass, TCV_slot, TCV_tsc, 5,1, 0, TimingAdv_r01, '000'B, '001'B, '011'B, '00'O)			1.
6		+FullRateCh_A_1_nociph(C_Ass, TSPX_TmSltDef, TSPX_TscDef, ChMod_speech, FreqTCHa_rg, FreqTCHa_rd, TimingAdv_r01, '000'B, '001'B, '011'B)			
7		+CCCH_group_Paging_group(TCV_Ccd0A, TSPX_IMSI)			
8		L!DL_UdatRqPg1Rq	PgReq1(TCV_PgCh, TCV_Pgg, PgReqTp1_05)		
9		L?DL_RacInChRq (TCV_Rr := DL_RacInChRq. msg.ecau_rrf, TCV_Fn := DL_RacInChRq.fn)	ChReq_01		
10		ACTIVATE(OtherEventsFail_02)			To match ChReq retrans.
11		L!DL_UdatRqImmass	ImmAss_r13(TCV_agch, TCV_Rr, TCV_Fn, TCV_chd1, TimingAdv_r01)		2.
12		L?DL_EstInPgRes	PgRes_r05		
13		ACTIVATE(OtherEventsFail)			Restore Normal default
14	body	L!DL_DatRqChmmo	ChmmoReq_01(ChMod_speech, TCV_chTch, TCV_chd1)		
15		[TSPC_FullRateSpeech = TRUE]			
16		L?DL_DatInChmmoAck	ChmmoAck_01(ChMod_speech, TCV_chTch, TCV_chd1)	(P)	
17		+localtree(ChMod_speech)			
18		[TSPC_FullRateSpeech = FALSE]			
19		L?DL_DatInChmmoAck	ChmmoAck_01(ChMod_sign, TCV_chTch, TCV_chd1)	(P)	
20		+localtree(ChMod_sign)			
		localtree(chm:CHMOD)			

21	L!DL_DatRqChmmo	ChmmoReq_01(ChMod_12k, TCV_chTch, TCV_chd1)	
22	[TSPC_96Data = TRUE]		
23	L?DL_DatInChmmoAck	ChmmoAck_01(ChMod_12k, TCV_chTch, TCV_chd1)	(P)
24	L!DL_DatRqChmmo	ChmmoReq_01(ChMod_6k, TCV_chTch, TCV_chd1)	
25	[TSPC_48DataF = TRUE]		
26	+localtree2		
27	[TSPC_48DataF = FALSE]		
28	L?DL_DatInChmmoAck	ChmmoAck_01(ChMod_12k, TCV_chTch, TCV_chd1)	(P)
29	L!DL_DatRqChmmo	ChmmoReq_01(ChMod_3k, TCV_chTch, TCV_chd1)	
30	[TSPC_24DataF = TRUE]		
31	L?DL_DatInChmmoAck	ChmmoAck_01(ChMod_3k, TCV_chTch, TCV_chd1)	(P)
32	+localtree1		
33	[TSPC_24DataF = FALSE]		
34	L?DL_DatInChmmoAck	ChmmoAck_01(ChMod_12k, TCV_chTch, TCV_chd1)	(P)
35	+localtree1		
36	[TSPC_96Data = FALSE]		
37	L?DL_DatInChmmoAck	ChmmoAck_01(chm, TCV_chTch, TCV_chd1)	(P)
38	L!DL_DatRqChmmo	ChmmoReq_01(ChMod_6k, TCV_chTch, TCV_chd1)	
39	[TSPC_48DataF = TRUE]		
40	+localtree2		
41	[TSPC_48DataF = FALSE]		
42	L?DL_DatInChmmoAck	ChmmoAck_01(chm, TCV_chTch, TCV_chd1)	(P)
43	L!DL_DatRqChmmo	ChmmoReq_01(ChMod_3k, TCV_chTch, TCV_chd1)	
44	[TSPC_24DataF = TRUE]		
45	L?DL_DatInChmmoAck	ChmmoAck_01(ChMod_3k, TCV_chTch, TCV_chd1)	(P)
46	+localtree1		
47	[TSPC_24DataF = FALSE]		
48	L?DL_DatInChmmoAck	ChmmoAck_01(chm, TCV_chTch, TCV_chd1)	(P)
49	+localtree1		
50	localtree1 L!DL_DatRqChmmo	ChmmoReq_01(ChMod_sign, TCV_chTch, TCV_chd1)	

51	L?DL_DatInChmmoAck	ChmmoAck_01(ChMod_sign, TCV_chTch, TCV_chd1)	(P)
52	+PostMainLinkRel(TCV_chTch)		
localtree2			
53	L?DL_DatInChmmoAck	ChmmoAck_01(ChMod_6k, TCV_chTch, TCV_chd1)	(P)
54	L!DL_DatRqChmmo	ChmmoReq_01(ChMod_3k, TCV_chTch, TCV_chd1)	
55	[TSPC_24DataF = TRUE]		
56	L?DL_DatInChmmoAck	ChmmoAck_01(ChMod_3k, TCV_chTch, TCV_chd1)	(P)
57	+localtree1		
58	[TSPC_24DataF = FALSE]		
59	L?DL_DatInChmmoAck	ChmmoAck_01(ChMod_6k, TCV_chTch, TCV_chd1)	(P)
60	+localtree1		
gsmOrDcs			
61	[TSPC_PGSM OR TSPC_EGSM]		
62	(TCV_ch := OC_SubchOfSdcch4(TSPX_SDCCH4SubDef, C_CellA), TCV_sacch := OC_SubchOfSacch4(TSPX_SDCCH4SubDef, C_CellA), TCV_chd1 := ChDescrp_r02(TSPX_TmSlTDef, TSPX_TscDef))		
63	[TSPC_DCS]		
64	(TCV_ch := OC_SubchOfSdcch4(TSPX_SDCCH4SubDef, C_CellA), TCV_sacch := OC_SubchOfSacch4(TSPX_SDCCH4SubDef, C_CellA), TCV_chd1 := ChDescrp_r02d(TSPX_TmSlTDef, TSPX_TscDef))		
Detailed Comments:			
1. Default system informations for RR testing.			
2. TCH/F channel.			

Test Case Dynamic Behaviour

Test Case Name:	TC_26_6_7_2
Group:	GSM_L3_MS_v4170/RR/
Purpose:	To verify that the MS, in an RR connected state, acknowledges a CHANNEL MODE MODIFY message by sending a CHANNEL MODE MODIFY ACKNOWLEDGEMENT message specifying and switches to the correct mode <ul style="list-style-type: none"> - the new mode if that mode is supported - the old mode if the new mode is not supported. <p>This shall be verified for the channel modes</p> <ul style="list-style-type: none"> - signalling only - speech half rate - data 4.8 Kb/s half rate - data 2.4 Kb/s half rate
Default:	OtherEventsFail
Comments:	apply only to the MS supporting TCH/H.

Nr	Label	Behaviour Description	CRef	V	Comments
1		START T_guard(300)			
2		(TCV_slot := C_S0, TCV_tsc := C_BCC)			
3		+IdleUpdated(C_CellA, C_Immass, TCV_slot, TCV_tsc, TimingAdv_01, '000'B, '001'B, '011'B, '00'O)			
4		+gsmOrDcs			
5		+PreEnterIdleState_Comb01(C_Immass, TCV_slot, TCV_tsc, 5, 1, 0, TimingAdv_r01, '000'B, '001'B, '011'B, '00'O)			1.
6		+HalfRateCh_A_1_nociph(TSPX_TCHHSubA, C_Immass, TSPX_TmSttDef, TSPX_TscDef, ChMod_sign, FreqTCHa_rg, FreqTCHa_rd, TimingAdv_r01, '000'B, '001'B, '011'B)			
7		+CCCH_group_Paging_group(TCV_Ccd0A, TSPX_IMSI)			
8		L!DL_UdatRqPg1Rq	PgReq1(TCV_PgCh, TCV_Pgg, PgReqTp1_05)		
9		L?DL_RaInChRq (TCV_Rr := DL_RaInChRq. msg.ecau_rrf, TCV_Fn := DL_RaInChRq.fn)	ChReq_01		
10		ACTIVATE(OtherEventsFail_02)			To match ChReq retrans.
11		L!DL_UdatRqImmass	ImmAss_r14(TCV_agch, TCV_Rr, TCV_Fn, TCV_chd1, TimingAdv_r01)		2.
12		L?DL_EstInPgRes	PgRes_r05		
13		ACTIVATE(OtherEventsFail)			Restore Normal default
14		L!DL_DatRqChmmo	ChmmoReq_02(ChMod_speech, TCV_chTch, TCV_chd1)		
15		L?DL_DatInChmmoAck	ChmmoAck_02(ChMod_speech, TCV_chTch, TCV_chd1)	(P)	
16		[TSPC_HalfRateSpeech = TRUE]			
17		L?DL_DatInChmmoAck	ChmmoAck_02(ChMod_speech, TCV_chTch, TCV_chd1)	(P)	
18		+localtree(ChMod_speech)			
19		[TSPC_HalfRateSpeech = FALSE]			
20		L?DL_DatInChmmoAck	ChmmoAck_02(ChMod_sign, TCV_chTch, TCV_chd1)	(P)	
21		+localtree(ChMod_sign)			

22	localtree(chm:CHMOD) L!DL_DatRqChmmo	ChmmoReq_02(ChMod_6k, TCV_chTch, TCV_chd1)	
23	[TSPC_48DataH = TRUE]		
24	+localtree2		
25	[TSPC_48DataH = FALSE]		
26	L?DL_DatInChmmoAck	ChmmoAck_02(chm, TCV_chTch, TCV_chd1)	(P)
27	L!DL_DatRqChmmo	ChmmoReq_02(ChMod_3k, TCV_chTch, TCV_chd1)	
28	[TSPC_24DataH = TRUE]		
29	L?DL_DatInChmmoAck	ChmmoAck_02(ChMod_3k, TCV_chTch, TCV_chd1)	(P)
30	+localtree1		
31	[TSPC_24DataH = FALSE]		
32	L?DL_DatInChmmoAck	ChmmoAck_02(chm, TCV_chTch, TCV_chd1)	(P)
33	+localtree1		
34	localtree1 L!DL_DatRqChmmo	ChmmoReq_02(ChMod_sign, TCV_chTch, TCV_chd1)	
35	L?DL_DatInChmmoAck	ChmmoAck_02(ChMod_sign, TCV_chTch, TCV_chd1)	(P)
36	+PostMainLinkRel(TCV_chTch)		
37	localtree2 L?DL_DatInChmmoAck	ChmmoAck_02(ChMod_6k, TCV_chTch, TCV_chd1)	(P)
38	L!DL_DatRqChmmo	ChmmoReq_02(ChMod_3k, TCV_chTch, TCV_chd1)	
39	[TSPC_24DataH = TRUE]		
40	L?DL_DatInChmmoAck	ChmmoAck_02(ChMod_3k, TCV_chTch, TCV_chd1)	(P)
41	+localtree1		
42	[TSPC_24DataH = FALSE]		
43	L?DL_DatInChmmoAck	ChmmoAck_02(ChMod_6k, TCV_chTch, TCV_chd1)	(P)
44	+localtree1		
45	gsmOrDcs [TSPC_PGSM OR TSPC_EGSM]		
46	(TCV_chd1 := ChDescrp_r03(TSPX_TCHHSubA, TSPX_TmSltDef, TSPX_TscDef))		
47	[TSPC_DCS]		
48	(TCV_chd1 := ChDescrp_r03d(TSPX_TCHHSubA, TSPX_TmSltDef, TSPX_TscDef))		
Detailed Comments:		1. Default system informations for RR testing. 2. TCH/H channel	

Test Case Dynamic Behaviour					
Test Case Name:		TC_26_6_8_1			
Group:		GSM_L3_MS_v4170/RR/			
Purpose:		To verify that the MS starts ciphering when it receives a CIPHERING MODE COMMAND message with Cipher Mode Setting = "Start Ciphering". To verify that it continues to use the old cipher key after it receives an AUTHENTICATION REQUEST whilst in ciphered mode.			
Default:		OtherEventsFail			
Nr	Label	Behaviour Description	CRef	V	Comments
1		START T_guard(300)			
2		(TCV_slot := C_S0, TCV_tsc := C_BCC)			
3		+IdleUpdated(C_CellA, C_Immass, TCV_slot, TCV_tsc, TimingAdv_01, '000'B, '001'B, '011'B, '00'O)			
4		(TCV_ch := OC_SubchOfSdcch4(TSPX_SDCCH4SubDef, C_CellA), TCV_sacch := OC_SubchOfSacch4(TSPX_SDCCH4SubDef, C_CellA), TCV_CphKey := OC_CphKeyGen(TSPX_Ki, TSPX_RANDA))			
5		+PreEnterIdleState_r03(C_Immass, TCV_slot, TCV_tsc, TimingAdv_r01, 0, '000'B, '001'B, '011'B, '00'O)			1.
6	body	[TSPC_Feat_A51 = TRUE]			
7		(TCV_CphAlg := '000'B)			
8		+AttmptCall			
9		+BasicServiceMO(TSPX_MO_BscSvc_AnyCall, TSPX_MO_rate_AnyCall)			
10		+localtree			2.
11		[TSPC_Feat_A52 = TRUE]			
12		(TCV_CphAlg := '001'B)			
13		+AttmptCall			
14		+BasicServiceMO(TSPX_MO_BscSvc_AnyCall, TSPX_MO_rate_AnyCall)			
15		+localtree			3.
16		[TSPC_Feat_A52 = FALSE]			
17		[TSPC_Feat_A51 = FALSE]			
18		[TSPC_Feat_A52 = TRUE]			
19		(TCV_CphAlg := '001'B)			
20		+AttmptCall			
21		+BasicServiceMO(TSPX_MO_BscSvc_AnyCall, TSPX_MO_rate_AnyCall)			
22		+localtree			3.
23		localtree L?DL_RaInChRq (TCV_Rr := DL_RaInChRq.msg.ecau_rrf, TCV_Fn := DL_RaInChRq.fn)	ChReq_04		
24		ACTIVATE(OtherEventsFail_02)			To match ChReq retrans.
25		+gsmOrDcs			
26		L?DL_EstInCmsRq	CmsReq_01		
27		ACTIVATE(OtherEventsFail)			Restore Normal default
28		L!DL_DatRqAuthRq (DL_DatRqAuthRq.msg.rand := TSPX_RANDA)	AuthReq_01(TCV_ch)		
29		L?DL_DatInAuthRes	AuthRes_01		
30		(TCV_CphMd.algid := TCV_CphAlg)			
31		(TCV_Null := OM_CphMdChg(TCV_ch, TCV_CphMd, TCV_CphKey))			
32		L!DL_DatRqCphmCmd (DL_DatRqCphmCmd.msg.cphms.algid := TCV_CphAlg)	CphCmd_01(TCV_ch)		4.
33		L?DL_DatInCphmCom	CphCmp_01	(P)	
34		L?DL_DatInSetup	SetupIn_01		
35		L!DL_DatRqAuthRq	AuthReq_01(TCV_ch)		
36		L?DL_DatInAuthRes	AuthRes_01	(P)	

37		+PostMainLinkRel(TCV_ch)		
38	gsmOrDcs L!DL_UdatRqImmss		ImmAss_r10(TCV_agch, TCV_Rr, TCV_Fn, TSPX_SDCCH4SubDef, TCV_slot, TCV_tsc, TimingAdv_r01, TCV_chdescr_arfcn)	
Detailed Comments:				
1. 1 cell with default parameters except Radio-Link-Timeout = 64. 2. Test the A5/1 algorithm. 3. Test the A5/2 algorithm. 4. Ciphering mode setting = "Start ciphering".				

Test Case Dynamic Behaviour					
Test Case Name:		TC_26_6_8_2			
Group:		GSM_L3_MS_v4170/RR/			
Purpose:		To verify that the MS does not start ciphering when it receives a CIPHERING MODE COMMAND message with Cipher Mode Setting = "No Ciphering".			
Default:		OtherEventsFail			
Nr	Label	Behaviour Description	CRef	V	Comments
1		START T_guard(300)			
2		(TCV_slot := C_S0, TCV_tsc := C_BCC)			
3		+IdleUpdated(C_CellA, C_Immss, TCV_slot, TCV_tsc, TimingAdv_01, '000'B, '001'B, '011'B, '00'O)			
4		(TCV_ch := OC_SubchOfSdcch4(TSPX_SDCCH4SubA, C_CellA), TCV_sacch := OC_SubchOfSacch4(TSPX_SDCCH4SubA, C_CellA))			
5		+PreEnterIdleState_r03(C_Immss, TCV_slot, TCV_tsc, TimingAdv_r01, 0, '000'B, '001'B, '011'B, '00'O)			1.
6	body	+AttmpCall			
7		+BasicServiceMO(TSPX_MO_BscSvc_AnyCall, TSPX_MO_rate_AnyCall)			
8		L?DL_RaInChRq (TCV_Rr := DL_RaInChRq_msg.ecau_rrf, TCV_Fn := DL_RaInChRq.fn)	ChReq_04		
9		ACTIVATE(OtherEventsFail_02)			To match ChReq retrans.
10		L!DL_UdatRqImmss	ImmAss_r10(TCV_agch, TCV_Rr, TCV_Fn, TSPX_SDCCH4SubA, TCV_slot, TCV_tsc, TimingAdv_r01, TCV_chdescr_arfcn)		
11		L?DL_EstInCmsRq	CmserReq_01		
12		ACTIVATE(OtherEventsFail)			Restore Normal default
13		L!DL_DatRqAuthRq	AuthReq_01(TCV_ch)		
14		L?DL_DatInAuthRes	AuthRes_01		
15		L!DL_DatRqCphmCmd	CphCmd_02(TCV_ch)		2.
16		L?DL_DatInCphmCom	CphCmp_01		
17		L?DL_DatInSetup	SetupIn_01	(P)	
18		+PostMainLinkRel(TCV_ch)			
Detailed Comments:					
1. 1 cell with default parameters except Radio-Link-Timeout = 64. 2. Ciphering mode setting = "no ciphering".					

Test Case Dynamic Behaviour					
Test Case Name:		TC_26_6_8_3			
Group:		GSM_L3_MS_v4170/RR/			
Purpose:		To verify that the MS uses the stored cipher key when it receives a CIPHERING MODE COMMAND without a preceding authentication procedure.			
Default:		OtherEventsFail			
Nr	Label	Behaviour Description	CRef	V	Comments
1	body	START T_guard(300)			
2		(TCV_slot := C_S0, TCV_tsc := C_BCC)			
3		+IdleUpdated(C_CellA, C_Immass, TCV_slot, TCV_tsc, TimingAdv_01, '000'B, '001'B, '011'B, '00'O)			
4		(TCV_ch := OC_SubchOfSdcch4(TSPX_SDCCH4SubB, C_CellA), TCV_sacch := OC_SubchOfSacch4(TSPX_SDCCH4SubB, C_CellA), TCV_CphKey := OC_CphKeyGen(TSPX_Ki, TSPX_RANDDef))			
5		+PreEnterIdleState_r03(C_Immass, TCV_slot, TCV_tsc, TimingAdv_r01, 0, '000'B, '001'B, '011'B, '00'O)			1.
6		+AttmpCall			
7		+BasicServiceMO(TSPX_MO_BscSvc_AnyCall, TSPX_MO_rate_AnyCall)			
8		L?DL_RaInChRq (TCV_Rr := DL_RaInChRq.msg.ecau_rrf, TCV_Fn := DL_RaInChRq.fn)	ChReq_04		
9		ACTIVATE(OtherEventsFail_02)			To match ChReq retrans.
10		+gsmOrDcs			
11		L?DL_EstInCmsRq	CmsrReq_01		
12		ACTIVATE(OtherEventsFail)			Restore Normal default
13		(TCV_CphMd.algid := TSPX_CphAlgA)			2.
14		(TCV_Null := OM_CphMdChg(TCV_ch, TCV_CphMd, TCV_CphKey))			
15		L!DL_DatRqCphmCmd (DL_DatRqCphmCmd.msg.cphms.algid := TSPX_CphAlgA)	CphCmd_01(TCV_ch)		3.
16		L?DL_DatInCphmCom	CphCmp_01	(P)	
17		L?DL_DatInSetup	SetupIn_01	(P)	
18		+PostMainLinkRel(TCV_ch)			
19		gsmOrDcs L!DL_UdatRqImmass	ImmAss_r10(TCV_agch, TCV_Rr, TCV_Fn, TSPX_SDCCH4SubB, TCV_slot, TCV_tsc, TimingAdv_r01, TCV_chdescr_arfcn)		
Detailed Comments:		<p>1. 1 cell with default parameters except Radio-Link-Timeout = 64.</p> <p>2. The ciphering algorithm is chosen arbitrarily but controllable (TSPX_CphAlgA).</p> <p>3. Ciphering mode setting = "Start ciphering", old stored Kc. (generated by TSPX_Ki and TSPX_RANDDef)</p>			

Test Case Dynamic Behaviour

Test Case Name: TC_26_6_8_4
Group: GSM_L3_MS_v4170/RR/
Purpose:

- 1 To verify that when the MS is in the "not ciphered" mode and receives the CIPHERING MODE COMMAND message with Ciphering Mode Setting information element set to "start ciphering", the MS uses the cipher key stored in the SIM to start ciphering and deciphering with the algorithm indicated by the "algorithm identifier" field and that the MS responds with a CIPHERING MODE COMPLETE message.
- 2 To verify that the MS is ready to transmit the CIPHERING MODE COMPLETE message before 500ms after the end of the CIPHERING MODE COMMAND message.
- 3 To verify that when the MS receives an ASSIGNMENT COMMAND message containing a Cipher Mode Setting IE after receipt of a CIPHERING MODE COMMAND message, the MS shall perform the assignment, use the commanded mode and/or algorithm on the new channel, and not change the ciphering key.
- 4 To verify that when the MS receives a HANDOVER COMMAND message containing a Cipher Mode Setting IE after receipt of a CIPHERING MODE COMMAND message, the MS shall perform the handover, use the commanded mode and/or algorithm on the new channel, and not change the ciphering key
- 5 To verify that when the MS is in the "ciphered" mode and receives the CIPHERING MODE COMMAND message with Cipher Mode Setting IE set to "no ciphering", the MS loads the cipher key stored in the SIM into the ME, stops ciphering and deciphering and, responds with a CIPHERING MODE COMPLETE message.
- 6 To verify that the MS responds to an AUTHENTICATION REQUEST message with an AUTHENTICATION RESPONSE message and continues to use the cipher key obtained from the previous authentication procedure.
- 7 To verify that when the MS is in the "not ciphered" mode and receives the CIPHERING MODE COMMAND message with Ciphering Mode Setting information element set to "no ciphering", the does not start ciphering or deciphering, but does respond with a CIPHERING MODE COMPLETE message.
- 8 To verify that when the MS receives a HANDOVER COMMAND message and the handover fails, the MS sends a HANDOVER FAILURE message on the old channel using the old ciphering mode and (if ciphered) the old algorithm and old key.
- 9 To verify that when the MS receives an ASSIGNMENT COMMAND message and the assignment fails, the MS sends an ASSIGNMENT FAILURE message on the old channel using the old ciphering mode and (if ciphered) the old algorithm and old key.

Default: OtherEventsFail

Nr	Label	Behaviour Description	CRef	V	Comments
1		START T_guard(300)			
2		(TCV_slot := C_S0, TCV_tsc := C_BCC)			
3		+IdleUpdated(C_CellA, C_Immass, TCV_slot, TCV_tsc, TimingAdv_01, '000'B, '001'B, '011'B, '00'O)			
4		(TCV_sacch := OC_SubchOfSacch4(TSPX_SDCCH4SubA, C_CellA), TCV_ch := OC_SubchOfSdcch4(TSPX_SDCCH4SubA, C_CellA), TCV_ch1 := OC_SubchOfSdcch4(TSPX_SDCCH4SubB, C_CellA), TCV_CphKey := OC_CphKeyGen(TSPX_Ki, TSPX_RANDDef))			
5		+PreEnterIdleState_Comb01(C_Immass, TCV_slot, TCV_tsc, 5, 7, 0, TimingAdv_r01, '000'B, '001'B, '011'B, '00'O)			1.
6		+CCCH_group_Paging_group(TCV_Ccd0A, TSPX_IMSI)			
7		+ltree_body			
8		ltree_body L!DL_UdatRqPg1Rq	PgReq1(TCV_PgCh, TCV_Pgg, PgReqTp1_01)		
9		L?DL_RaclnChRq (TCV_Rr := DL_RaclnChRq.	ChReq_01		

10	msg.ecau_rrf, TCV_Fn := DL_RaInChRq.fn)			
11	ACTIVATE(OtherEventsFail_02)			To match ChReq retrans.
12	+ltree_ImmAss			
13	L?DL_EstInPgRes	PgRes_01		
14	ACTIVATE(OtherEventsFail)			Restore Normal default
15	+localtree1			
16	+localtree2			
17	+localtree3			
18	[(TSPC_Feat_A51 AND(NOT TSPC_Feat_A52)) OR((NOT TSPC_Feat_A51) AND TSPC_Feat_A52)]			
19	+PostMainLinkRel(TCV_ch)			
20	[TSPC_Feat_A51 AND TSPC_Feat_A52] +localtree4			
21	localtree1 (TCV_Null := OM_CphMdChg(TCV_ch, CphMod_04(TSPX_CphAlgA), TCV_CphKey))			
22	L!DL_DatRqCphmCmd (DL_DatRqCphmCmd.msg.cphms.algid := TSPX_CphAlgA)	CphCmd_01(TCV_ch)		
23	START T_dly1(500)			
24	?TIMEOUT T_dly1		(F)	
25	+PostMainLinkRel(TCV_ch)			
26	L?DL_DatInCphmCom CANCEL T_dly1	CphCmp_01		
27	L!DL_DatRqAuthRq	AuthReq_02(TCV_ch)		2.
28	L?DL_DatInAuthRes	AuthRes_01		
29	+ltree_HndOv0			
30	+handoverAcc(TCV_ch1)			
31	L?DL_EstIn	DLEstInd_01		
32	L?DL_DatInHoCom	HndOvCmp_01(TCV_ch1)	(P)	
33	localtree2 (TCV_ch := OC_SubchOfSdcch4(TSPX_SDCCH4SubC, C_CellA), TCV_Null := OM_CphMd(TCV_ch, CphMod_04(TSPX_CphAlgB), TCV_CphKey))			
34	+ltree_Asgn1			
35	+AssCh_complete(TCV_ch1,TCV_ch,TCV_AssC md)			3.
36	L!DL_DatRqCphmCmd START T_dly1(500)	CphCmd_04(TCV_ch)		4.
37	?TIMEOUT T_dly1		(F)	
38	+PostMainLinkRel(TCV_ch)			
39	L?DL_DatInCphmCom CANCEL T_dly1	CphCmp_01		
40	(TCV_ch1 := OC_SubchOfSdcch4(TSPX_SDCCH4SubDef, C_CellA), TCV_CphKey := OC_CphKeyGen(TSPX_Ki, TSPX_RANDB), TCV_Null := OM_CphMd(TCV_ch1, CphMod_04(TSPX_CphAlgB), TCV_CphKey))			
41	+ltree_HndOv1			5.
42	+handoverAcc(TCV_ch1)			
43	L?DL_EstIn	DLEstInd_01		
44	L?DL_DatInHoCom	HndOvCmp_01(TCV_ch1)	(P)	
45	(TCV_ch := OC_SubchOfSdcch4(TSPX_SDCCH4SubA, C_CellA), TCV_Null := OM_CphMd(TCV_ch, CphMod_04(TSPX_CphAlgB), TCV_CphKey))			
46	+ltree_HndOv2			6.
47	+handoverAcc(TCV_ch)			
48	L?DL_EstIn	DLEstInd_01		
49	L?DL_DatInHoCom	HndOvCmp_01(TCV_ch)		

50	localtree3 (TCV_ch1 := OC_SubchOfSdcch4(TSPX_SDCCH4SubB, C_CellA), TCV_Null := OM_CphMd(TCV_ch1, CphMod_02, TCV_CphKey))			
51	+ltree_Asgn2			
52	+AssCh_complete(TCV_ch,TCV_ch1,TCV_AssC md)			
53	LIDL_DatRqCphmCmd START T_dly1(500)	CphCmd_05(TCV_ch 1)		
54	?TIMEOUT T_dly1		(F)	
55	+PostMainLinkRel(TCV_ch1)			
56	L?DL_DatInCphmCom CANCEL T_dly1	CphCmp_01		
57	LIDL_DatRqAuthRq	AuthReq_03(TCV_ch 1)		8.
58	L?DL_DatInAuthRes	AuthRes_01		
59	(TCV_ch := OC_SubchOfSdcch4(TSPX_SDCCH4SubC, C_CellA), TCV_Null := OM_CphMd(TCV_ch, CphMod_04(TSPX_CphAlgD), TCV_CphKey))			
60	+ltree_HndOv3			9.
61	+handoverAcc(TCV_ch)			
62	L?DL_EstIn	DLEstInd_01		
63	L?DL_DatInHoCom	HndOvCmp_01(TCV_ ch)	(P)	
64	(TCV_ch1 := OC_SubchOfSdcch4(TSPX_SDCCH4SubB, C_CellA))			
65	+ltree_HndOv0			10.
66	L?DL_EstIn	DLEstInd_01		
67	L?DL_DatInHofl	HndOvFI_01(TCV_ch)	(P)	
68	+ltree_Asgn2			
69	+AssCh_failure(TC V_ch,TCV_AssCmd ,TRUE)			
70	localtree4 (TCV_Null := OM_CphMd(TCV_ch1, CphMod_04(TSPX_CphAlgE), TCV_CphKey))			
71	+ltree_Asgn3			
72	+AssCh_complete(TCV_ch,TCV_ch1,TCV_AssC md)			
73	(TCV_ch := OC_SubchOfSdcch4(TSPX_SDCCH4SubA, C_CellA), TCV_Null := OM_CphMd(TCV_ch, CphMod_04(TSPX_CphAlgE), TCV_CphKey))			
74	+ltree_HndOv4			
75	+handoverAcc(TCV_ch)			
76	L?DL_EstIn	DLEstInd_01		
77	L?DL_DatInHoCom	HndOvCmp_01(TCV_ ch)	(P)	
78	+PostMainLinkRel(TCV_ch)			
79	handoverAcc(ch:LOGICCH) L?DL_RaInHoacc	HndOvAcc_02(ch)		
80	L?DL_RaInHoacc	HndOvAcc_02(ch)		
81	L?DL_RaInHoacc	HndOvAcc_02(ch)		
82	L?DL_RaInHoacc	HndOvAcc_02(ch)		
83	ltree_ImmAss LIDL_UdatRqImmss	ImmAss_r10(TCV_ag ch, TCV_Rr, TCV_Fn, TSPX_SDCCH4SubA , TCV_slot, TCV_tsc, TimingAdv_r01, TCV_chdescr_arfcn)		
	ltree_Asgn1			

84	(TCV_AssCmd := AsgnCmd_sdcch4(TSPX_SDCCH4SubC, TCV_slot, TCV_tsc, CphMod_04iei(TSPX_CphAlgB), TCV_chdescr_arfcn))		
	Itree_Asgn2		
85	(TCV_AssCmd := AsgnCmd_sdcch4(TSPX_SDCCH4SubB, TCV_slot, TCV_tsc, CphMod_02iei, TCV_chdescr_arfcn))		
	Itree_Asgn3		
86	(TCV_AssCmd := AsgnCmd_sdcch4(TSPX_SDCCH4SubB, TCV_slot, TCV_tsc, CphMod_04iei(TSPX_CphAlgE), TCV_chdescr_arfcn))		
	Itree_HndOv0		
87	[TSPC_PGSM OR TSPC_EGSM]		
88	LIDL_DatRqHoCmd	HndOv_sdcch4(TCV_ch, TSPX_SDCCH4SubB, TCV_slot, TCV_tsc, CphMod_02iei, TCV_chdescr_arfcn)	
	[TSPC_DCS]		
89	LIDL_DatRqHoCmd	HndOv_dsdccch4(TCV_ch, TSPX_SDCCH4SubB, TCV_slot, TCV_tsc, CphMod_02iei, TCV_chdescr_arfcn)	
90			
	Itree_HndOv1		
91	[TSPC_PGSM OR TSPC_EGSM]		
92	LIDL_DatRqHoCmd	HndOv_sdcch4(TCV_ch, TSPX_SDCCH4SubD ef, TCV_slot, TCV_tsc, CphMod_04iei(TSPX_CphAlgC), TCV_chdescr_arfcn)	
	[TSPC_DCS]		
93	LIDL_DatRqHoCmd	HndOv_dsdccch4(TCV_ch, TSPX_SDCCH4SubD ef, TCV_slot, TCV_tsc, CphMod_04iei(TSPX_CphAlgC), TCV_chdescr_arfcn)	
94			
	Itree_HndOv2		
95	[TSPC_PGSM OR TSPC_EGSM]		
96	LIDL_DatRqHoCmd	HndOv_sdcch4(TCV_ch1, TSPX_SDCCH4SubA, TCV_slot, TCV_tsc, CphMod_04iei(TSPX_CphAlgC), TCV_chdescr_arfcn)	
	[TSPC_DCS]		
97	LIDL_DatRqHoCmd	HndOv_dsdccch4(TCV_ch1, TSPX_SDCCH4SubA, TCV_slot, TCV_tsc, CphMod_04iei(TSPX_CphAlgC), TCV_chdescr_arfcn)	
98			
	Itree_HndOv3		
99	[TSPC_PGSM OR TSPC_EGSM]		

100	L!DL_DatRqHoCmd	HndOv_sdcch4(TCV_ch1, TSPX_SDCCH4SubC, TCV_slot, TCV_tsc, CphMod_04iei(TSPX_CphAlgD), TCV_chdescr_arfcn)
101	[TSPC_DCS]	
102	L!DL_DatRqHoCmd	HndOv_dsdccch4(TCV_ch1, TSPX_SDCCH4SubC, TCV_slot, TCV_tsc, CphMod_04iei(TSPX_CphAlgD), TCV_chdescr_arfcn)
	Itree_HndOv4	
103	[TSPC_PGSM OR TSPC_EGSM]	
104	L!DL_DatRqHoCmd (DL_DatRqHoCmd.msg.cphms.algid := TSPX_CphAlgE)	HndOv_sdcch4(TCV_ch1, TSPX_SDCCH4SubA, TCV_slot, TCV_tsc, CphMod_04iei(TSPX_CphAlgE), TCV_chdescr_arfcn)
105	[TSPC_DCS]	
106	L!DL_DatRqHoCmd (DL_DatRqHoCmd.msg.cphms.algid := TSPX_CphAlgE)	HndOv_dsdccch4(TCV_ch1, TSPX_SDCCH4SubA, TCV_slot, TCV_tsc, CphMod_04iei(TSPX_CphAlgE), TCV_chdescr_arfcn)

Detailed Comments:

1. 1 cell, default parameters.
2. New ciphering key sequence number and new ciphering key L.
3. New SDCCH4 subchannel different from the one in use, start ciphering.
4. Load new key L, no ciphering.
5. New SDCCH4 subchannel different from the one in use, start ciphering.
6. New SDCCH4 subchannel different from the one in use, start ciphering.
7. New SDCCH4 subchannel different from the one in use, no ciphering.
8. To generate new ciphering key M.
9. New SDCCH4 subchannel different from the one in use, start ciphering.
10. New SDCCH4 subchannel different from the one in use, no ciphering, new channel not activated.
11. New SDCCH4 subchannel different from the one in use, no ciphering, new channel not activated.

Test Case Dynamic Behaviour					
Test Case Name:		TC_26_6_8_5			
Group:		GSM_L3_MS_v4170/RR/			
Purpose:		To verify that the MS supplies its IMEISV in the CIPHERING MODE COMPLETE message when it receives a CIPHERING MODE COMMAND message with a Cipher Response bit set to 'IMEISV shall be included'. To verify that the MS does not supply any Mobile Identity IE in the CIPHERING MODE COMPLETE message when it receives a CIPHERING MODE COMMAND message with a Cipher Response bit set to 'IMEISV shall not be included'.			
Default:		OtherEventsFail			
Nr	Label	Behaviour Description	CRef	V	Comments
1	body	START T_guard(300)			
2		(TCV_slot := C_S0, TCV_tsc := C_BCC)			
3		+IdleUpdated(C_CellA, C_Immass, TCV_slot, TCV_tsc, TimingAdv_01, '000'B, '001'B, '011'B, '00'O)			
4		(TCV_sacch := OC_SubchOfSacch4(TSPX_SDCCH4SubB, C_CellA), TCV_ch := OC_SubchOfSdcch4(TSPX_SDCCH4SubB, C_CellA))			
5		+PreEnterIdleState_Comb01(C_Immass, TCV_slot, TCV_tsc, 5, 7, 0, TimingAdv_r01, '000'B, '001'B, '011'B, '00'O)			
6		+CCCH_group_Paging_group(TCV_Ccd0A, TSPX_IMSI)			
7		LIDL_UdatRqPg1Rq	PgReq1(TCV_PgCh, TCV_Pgg, PgReqTp1_01)		
8		L?DL_RacInChRq (TCV_Rr := DL_RacInChRq.msg.ecau_rrf, TCV_Fn := DL_RacInChRq.fn)	ChReq_01		
9		ACTIVATE(OtherEventsFail_02)			To match ChReq retrans. 2.
10		+gsmOrDcs			
11		L?DL_EstInPgRes	PgRes_01		
12		ACTIVATE(OtherEventsFail)			Restore Normal default
13		LIDL_DatRqCphmCmd	CphCmd_02(TCV_ch)		
14		L?DL_DatInCphmCom	CphCmp_02	(P)	
15		LIDL_DatRqCphmCmd	CphCmd_03(TCV_ch)		
16		L?DL_DatInCphmCom	CphCmp_03	(P)	
17		+PostMainLinkRel(TCV_ch)			
18		gsmOrDcs LIDL_UdatRqImmass	ImmAss_r10(TCV_agch, TCV_Rr, TCV_Fn, TSPX_SDCCH4SubB, TCV_slot, TCV_tsc, TimingAdv_r01, TCV_chdescr_arfcn)		
Detailed Comments:					

Test Case Dynamic Behaviour					
Test Case Name:		TC_26_6_11_1			
Group:		GSM_L3_MS_v4170/RR/			
Purpose:		To verify that if the RF power capability or any other capability indicated in a Classmark IE of the MS is changed during a call, the change is communicated on the DCCH to the network. To verify that if the RF power capability or any other capability indicated in a Classmark IE of the MS is changed in idle mode, the out of date capabilities are not communicated to the network during RR connection establishment.			
Default:		OtherEventsFail			
Nr	Label	Behaviour Description	CRef	V	Comments
1		START T_guard(300)			
2		(TCV_slot := C_S0, TCV_tsc := C_BCC)			
3		+IdleUpdated(C_CellA, C_Immass, TCV_slot, TCV_tsc, TimingAdv_01, '000'B, '001'B, '011'B, '00'O)			
4		(TCV_sacch := OC_SubchOfSacch4(TSPX_SDCCH4SubC, C_CellA), TCV_ch := OC_SubchOfSdcch4(TSPX_SDCCH4SubC, C_CellA))			
5		+PreEnterIdleState_Comb01(C_Immass, TCV_slot, TCV_tsc, 5, 1, 0, TimingAdv_r01, '000'B, '001'B, '011'B, '00'O)			1.
6		+CCCH_group_Paging_group(TCV_Ccd0A, TSPX_IMSI)			
7	body	+AddPwrAmp			
8		+AttmpCall			
9		+BasicServiceMO(TSPX_MO_BscSvc_AnyCall, TSPX_MO_rate_AnyCall)			
10		+subtree1			
11		+RemvPwrAmp			
12		+subtree2			
		subtree1			
13		L?DL_RaInChRq (TCV_Rr := DL_RaInChRq.msg.ecau_rrf, TCV_Fn := DL_RaInChRq.fn)	ChReq_04		
14		ACTIVATE(OtherEventsFail_02)			To match ChReq retrans.
15		+gsmOrDcs			
16		L?DL_EstInCmsRq	CmserReq_02	(P)	2.
17		ACTIVATE(OtherEventsFail)			Restore Normal default
18		L!DL_DatRqCmsAcp	CmserAcp_01(TCV_ch)		
19		+SetupRcvMo(SetupInd_01)			
20		L!DL_DatRqCallProc	CallProc(TCV_ch, TCV_CallProc)		
21		L!DL_DatRqAlert	Alert_01(TCV_TI, TCV_ch)		
22		+continue			
		continue			
23		[TSPX_MO_rate_AnyCall = C_Full]			3.
24		+FullRateCh_A_1_nociph(C_Ass, TSPX_TmSlitDef, TSPX_TscDef, ChMod_speech, FreqTCHa_rg, FreqTCHa_rd, TimingAdv_r01, '000'B, '001'B, '011'B)			
25		+localtree(C_Full)			
26		[TSPX_MO_rate_AnyCall = C_Half]			4.
27		+HalfRateCh_A_1_nociph(TSPX_TCHHSubDef, C_Ass, TSPX_TmSlitDef, TSPX_TscDef, ChMod_speech, FreqTCHa_rg, FreqTCHa_rd, TimingAdv_r01, '000'B, '001'B, '011'B)			
28		+localtree(C_Half)			
		localtree(rate:IA5String)			
29		(TCV_Null := OM_ChMdModi(TCV_chTch, TCV_ChMod))			
30		+AssCmdGenMO(rate)			
31		+AssCh_complete(TCV_ch, TCV_chTch, TCV_AssCmd)			

32	L!DL_DatRqConn	Conn_01(TCV_TI, TCV_chTch)		
33	L?DL_DatInConnAck	ConnAckRcv_01(TCV_T10)		
	subtree2			
34	L?DL_UdatInCImChn	ClassChg_01	(P)	5.
35	+AddPwrAmp			
36	L?DL_UdatInCImChn	ClassChg_02	(P)	6.
37	+PostMainLinkRel(TCV_chTch)			
38	+localtree3			
	localtree3			
39	+RemvPwrAmp			
40	START T_dly(12000)			
41	?TIMEOUT T_dly			
42	LIDL_UdatRqPg1Rq	PgReq1(TCV_PgCh, TCV_Pgg, PgReqTp1_01)		
43	L?DL_RacInChRq (TCV_Rr := DL_RacInChRq.msg.ecau_rrf, TCV_Fn := DL_RacInChRq.fn)	ChReq_01		
44	ACTIVATE(OtherEventsFail_02)			To match ChReq retrans.
45	+gsmOrDcs			
46	L?DL_EstInPgRes	PgRes_03	(P)	7.
47	ACTIVATE(OtherEventsFail)			Restore Normal default
48	+PostMainLinkRel(TCV_ch)			
	gsmOrDcs			
49	L!DL_UdatRqImmss	ImmAss_r10(TCV_ag ch, TCV_Rr, TCV_Fn, TSPX_SDCCH4SubC, TCV_slot, TCV_tsc, TimingAdv_r01, TCV_chdescr_arfcn)		

Detailed Comments:

1. To setup a physical channel as BCCH, CCCH and SDCCH4.
2. The power capability is the one with RF amplification.
3. To setup a physical channel as full rate traffic channel for full rate bearer capability.
4. To setup a physical channel as half rate traffic channel for half rate bearer capability.
5. The power capability is the original one without RF amplification.
6. The power capability is the one with RF amplification.
7. The power capability is the original one without RF amplification.

Test Case Dynamic Behaviour					
Test Case Name:		TC_26_6_11_2			
Group:		GSM_L3_MS_v4170/RR/			
Purpose:		To verify that if the network requests the MS to supply all its classmark information then this information is communicated on the DCCH to the network.			
Default:		OtherEventsFail			
Nr	Label	Behaviour Description	CRef	V	Comments
1		START T_guard(300)			
2		(TCV_slot := C_S0, TCV_tsc := C_BCC)			
3		+IdleUpdated(C_CellA, C_Immass, TCV_slot, TCV_tsc, TimingAdv_01, '000'B, '001'B, '011'B, '00'O)			
4		(TCV_sacch := OC_SubchOfSacch4(TSPX_SDCCH4SubA, C_CellA), TCV_ch := OC_SubchOfSdcch4(TSPX_SDCCH4SubA, C_CellA))			
5		+PreEnterIdleState_Comb01(C_Immass, TCV_slot, TCV_tsc, 5, 1, 0, TimingAdv_r01, '000'B, '001'B, '011'B, '00'O)			
6		+MM_PwrOrSimOff(C_SIMIn)			
7		+SysInfoSending_r1(5, 1, 1, '000'B, '001'B, '011'B, '00'O)		1.	
8		+CCCH_group_Paging_group(TCV_Ccd0A, TSPX_IMSI)			
9	body	+MM_PwrOrSimOn(C_SIMIn)			
10		L?DL_RaInChRq(TCV_Rr := DL_RaInChRq.msg.ecau_rrf, TCV_Fn := DL_RaInChRq.fn)	ChReq_02		
11		ACTIVATE(OtherEventsFail_02)			To match ChReq retrans.
12		+gsmOrDcs			
13		L?DL_EstInLupRq	LocUp_06(TCV_ch)		
14		ACTIVATE(OtherEventsFail)			Restore Normal default
15		L!DL_DatRqCImEnq START T_dly1(300)	ClassMkEnq_01(TCV_ch)		
16		L?DL_DatInCImChn CANCEL T_dly1	ClassChg_03	(P)	2.
17		L!DL_DatRqLupAcp	LocAcp_02(TCV_ch)		
18		+PostMainLinkRel(TCV_ch)			
19		?TIMEOUT T_dly1		(F)	3.
20		+PostMainLinkRel(TCV_ch)			
21		gsmOrDcs L!DL_UdatRqImmass	ImmAss_r10(TCV_agch, TCV_Rr, TCV_Fn, TSPX_SDCCH4SubA, TCV_slot, TCV_tsc, TimingAdv_r01, TCV_chdescr_arfcn)		
Detailed Comments:		<ol style="list-style-type: none"> 1. To change the IMSI attach/detach flag to 1. 2. The expected CLASSMARK CHANGE message received before 300 ms after the CLASSMARK ENQUIRY, pass. 3. The expected message not received with 300 ms, fail. 			

Test Case Dynamic Behaviour					
Test Case Name:		TC_26_6_12_1			
Group:		GSM_L3_MS_v4170/RR/			
Purpose:		To verify that the MS is able to correctly release an SDCCH after having received a CHANNEL RELEASE message.			
Default:		OtherEventsFail			
Nr	Label	Behaviour Description	CRef	V	Comments
1		START T_guard(300)			
2		(TCV_slot := C_S0, TCV_tsc := C_BCC)			
3		+IdleUpdated(C_CellA, C_Immass, TCV_slot, TCV_tsc, TimingAdv_01, '000'B, '001'B, '011'B, '00'O)			
4		+PreEnterIdleState_Comb01(C_Immass, TCV_slot, TCV_tsc, 5, 1, 0, TimingAdv_r01, '000'B, '001'B, '011'B, '00'O)			
5		+SDCCH8_A_1_nociph(TSPX_SDCCH8SubB, C_Immass, TSPX_TmSlitDef, TSPX_TscDef, ChMod_sign, FreqTCHa_rg, FreqTCHa_rd, TimingAdv_r01, '000'B, '001'B, '011'B)			
6		+CCCH_group_Paging_group(TCV_Ccd0A, TSPX_IMSI)			
7	body	+subtree1			
8		+subtree2			
subtree1					
9		L!DL_UdatRqPg1Rq	PgReq1(TCV_PgCh, TCV_Pgg, PgReqTp1_01)		
10		L?DL_RacInChRq (TCV_Rr := DL_RacInChRq, msg.ecau_rrf, TCV_Fn := DL_RacInChRq.fn)	ChReq_01		
11		ACTIVATE(OtherEventsFail_02)			To match ChReq retrans.
12		+gsmOrDcs			
13		L?DL_EstInPgRes	PgRes_01		
14		ACTIVATE(OtherEventsFail)			Restore Normal default
15		LIDL_DatRqChRel	ChRel_01(TCV_ch)		
16		L?DL_Relln	DLRelInd_01		
17		START T_dly(3000)			
18		L?OTHERWISE		(F)	
19		?TIMEOUT T_dly		(P)	
subtree2					
20		START T_dly(12000)			
21		?TIMEOUT T_dly			
22		LIDL_UdatRqPg1Rq	PgReq1(TCV_PgCh, TCV_Pgg, PgReqTp1_01)		
23		L?DL_RacInChRq (TCV_Rr := DL_RacInChRq, msg.ecau_rrf, TCV_Fn := DL_RacInChRq.fn)	ChReq_01		
24		ACTIVATE(OtherEventsFail_02)			To match ChReq retrans.
25		+gsmOrDcs			
26		L?DL_EstInPgRes	PgRes_01	(P)	
27		ACTIVATE(OtherEventsFail)			Restore Normal default
28		+PostMainLinkRel(TCV_ch)			
gsmOrDcs					
29		[TSPC_PGSM OR TSPC_EGSM]			
30		LIDL_UdatRqImmass	ImmAss_r02(TCV_ag ch, TCV_Rr, TCV_Fn, TSPX_SDCCH8SubB, TSPX_TmSlitDef, TSPX_TscDef, TimingAdv_r01)		
31		[TSPC_DCS]			
32		LIDL_UdatRqImmass	ImmAss_r02d(TCV_ag ch, TCV_Rr, TCV_Fn, TSPX_SDCCH8SubB)		

			, TSPX_TmSlitDef, TSPX_TscDef, TimingAdv_r01)		
Detailed Comments:		1. No any L 2 messages.			

Test Case Dynamic Behaviour					
Test Case Name:		TC_26_6_12_2			
Group:		GSM_L3_MS_v4170/RR/			
Purpose:		To verify that the MS is able to correctly release a SDCCH after having received a CHANNEL RELEASE message, even if the SS does not L2 acknowledge the L2 DISC frame.			
Default:		OtherEventsFail_01			
Nr	Label	Behaviour Description	CRef	V	Comments
1		START T_guard(300)			
2		(TCV_slot := C_S0, TCV_tsc := C_BCC)			
3		+IdleUpdated(C_CellA, C_Immass, TCV_slot, TCV_tsc, TimingAdv_01, '000'B, '001'B, '011'B, '00'O)			
4		+PreEnterIdleState_Comb01(C_Immass, TCV_slot, TCV_tsc, 5, 1, 0, TimingAdv_r01, '000'B, '001'B, '011'B, '00'O)			
5		+SDCCH8_A_1_nociph(TSPX_SDCCH8SubG, C_Immass, TSPX_TmSlitDef, TSPX_TscDef, ChMod_sign, FreqTCHa_rg, FreqTCHa_rd, TimingAdv_r01, '000'B, '001'B, '011'B)			
6		+CCCH_group_Paging_group(TCV_Ccd0A, TSPX_IMSI)			
7	body	+subtree1			
8		+subtree2			
subtree1					
9		L!DL_UdatRqPg1Rq	PgReq1(TCV_PgCh, TCV_Pgg, PgReqTp1_01)		
10		L?DL_RaInChRq (TCV_Rr := DL_RaInChRq. msg.ecau_rrf, TCV_Fn := DL_RaInChRq.fn)	ChReq_01		
11		+gsmOrDcs			
12		L?DL_EstInPgRes	PgRes_01		
13		(TCV_Res := OM_NoUAforDISC(TCV_ch))			
14		L!DL_DatRqChRel	ChRel_01(TCV_ch)		
15		L?DL_RelIn	DLRelInd_01		
16		L?DL_RelIn	DLRelInd_01		
17		START T_dly(2000)			
18		?TIMEOUT T_dly			
19		(TCV_Res := OM_ResumUAforDISC(TCV_ch))			
20		START T_dly(3000)			
21		L?OTHERWISE		(F)	
22		?TIMEOUT T_dly		(P)	
23		L!MDL_RelRq	MDLRelReq_01(TCV_ch)		Local end release
subtree2					
24		START T_dly(12000)			
25		?TIMEOUT T_dly			
26		L!DL_UdatRqPg1Rq	PgReq1(TCV_PgCh, TCV_Pgg, PgReqTp1_01)		
27		L?DL_RaInChRq (TCV_Rr := DL_RaInChRq. msg.ecau_rrf, TCV_Fn := DL_RaInChRq.fn)	ChReq_01		
28		+gsmOrDcs			
29		L?DL_EstInPgRes	PgRes_01	(P)	
30		+PostMainLinkRel(TCV_ch)			
gsmOrDcs					
31		[TSPC_PGSM OR TSPC_EGSM]			
32		L!DL_UdatRqImmass	ImmAss_r02(TCV_ag ch, TCV_Rr, TCV_Fn, TSPX_SDCCH8SubG, TSPX_TmSlitDef, TSPX_TscDef, TimingAdv_r01)		
33		[TSPC_DCS]			

34		L!DL_UdatRqImm	ImmAss_r02d(TCV_a gch, TCV_Rr, TCV_Fn, TSPX_SDCCH8SubG , TSPX_TmSltDef, TSPX_TscDef, TimingAdv_r01)		
Detailed Comments: 1. Use TSPX_SDCCH8SubG.					

Test Case Dynamic Behaviour					
Test Case Name:		TC_26_6_12_3			
Group:		GSM_L3_MS_v4170/RR/			
Purpose:		To verify that the MS is able to correctly release a full-rate TCH after having received a CHANNEL RELEASE message.			
Default:		OtherEventsFail			
Nr	Label	Behaviour Description	CRef	V	Comments
1		START T_guard(300)			
2		(TCV_slot := C_S0, TCV_tsc := C_BCC)			
3		+IdleUpdated(C_CellA, C_Immass, TCV_slot, TCV_tsc, TimingAdv_01, '000'B, '001'B, '011'B, '00'O)			
4		+gsmOrDcs			
5		+PreEnterIdleState_Comb01(C_Immass, TCV_slot, TCV_tsc, 5,1, 0, TimingAdv_r01, '000'B, '001'B, '011'B, '00'O)			
6		+FullRateCh_A_1_nociph(C_Ass, TSPX_TmSlitDef, TSPX_TscDef, ChMod_speech, FreqTCHa_rg, FreqTCHa_rd, TimingAdv_r01, '000'B, '001'B, '011'B)			
7		+CCCH_group_Paging_group(TCV_Ccd0 A, TSPX_IMSI)			
8	body	+subtree1			
9		+subtree2			
		subtree1			
10		L!DL_UdatRqPg1Rq	PgReq1(TCV_PgCh, TCV_Pgg, PgReqTp1_01)		
11		L?DL_RacInChRq (TCV_Rr := DL_RacInChRq. msg.ecau_rrf, TCV_Fn := DL_RacInChRq.fn)	ChReq_01		
12		ACTIVATE(OtherEventsFail_02)			To match ChReq retrans.
13		LIDL_UdatRqImmass	ImmAss_r13(TCV_ag ch, TCV_Rr, TCV_Fn, TCV_chd1, TimingAdv_r01)		
14		L?DL_EstInPgRes	PgRes_01		
15		ACTIVATE(OtherEventsFail)			Restore Normal default
16		LIDL_DatRqChRel	ChRel_01(TCV_chTch)		
17		L?DL_RelIn	DLRelInd_01		
18		START T_dly(3000)			
19		L?OTHERWISE		(F)	
20		?TIMEOUT T_dly		(P)	
		subtree2			
21		START T_dly(12000)			
22		?TIMEOUT T_dly			
23		LIDL_UdatRqPg1Rq	PgReq1(TCV_PgCh, TCV_Pgg, PgReqTp1_01)		
24		L?DL_RacInChRq (TCV_Rr := DL_RacInChRq. msg.ecau_rrf, TCV_Fn := DL_RacInChRq.fn)	ChReq_01		
25		ACTIVATE(OtherEventsFail_02)			To match ChReq retrans.
26		LIDL_UdatRqImmass	ImmAss_r13(TCV_ag ch, TCV_Rr, TCV_Fn, TCV_chd1, TimingAdv_r01)		
27		L?DL_EstInPgRes	PgRes_01	(P)	
28		ACTIVATE(OtherEventsFail)			Restore Normal default
29		+PostMainLinkRel(TCV_chTch)			
		gsmOrDcs			
30		[TSPC_PGSM OR TSPC_EGSM]			
31		(TCV_ch := OC_SubchOfSdcch4(TSPX_SDCCH4SubDef, C_CellA), TCV_sacch := OC_SubchOfSacch4(TSPX_SDCCH4SubDef,			

32		C_CellA), TCV_chd1 := ChDescrp_r02(TSPX_TmSlitDef, TSPX_TscDef))			
33		[TSPC_DCS] (TCV_ch := OC_SubchOfSdcch4(TSPX_SDCCH4SubDef, C_CellA), TCV_sacch := OC_SubchOfSacch4(TSPX_SDCCH4SubDef, C_CellA), TCV_chd1 := ChDescrp_r02d(TSPX_TmSlitDef, TSPX_TscDef))			
Detailed Comments:					

Test Case Dynamic Behaviour					
Test Case Name:		TC_26_6_12_4			
Group:		GSM_L3_MS_v4170/RR/			
Purpose:		To verify that the MS is able to correctly release a TCH/F after having received a CHANNEL RELEASE message, even if the SS does not L2 acknowledge the L2 DISC frame.			
Default:		OtherEventsFail_01			
Nr	Label	Behaviour Description	CRef	V	Comments
1		START T_guard(300)			
2		(TCV_slot := C_S0, TCV_tsc := C_BCC)			
3		+IdleUpdated(C_CellA, C_Immass, TCV_slot, TCV_tsc, TimingAdv_01, '000'B, '001'B, '011'B, '00'O)			
4		+gsmOrDcs			
5		+PreEnterIdleState_Comb01(C_Immass, TCV_slot, TCV_tsc, 5,1, 0, TimingAdv_r01, '000'B, '001'B, '011'B, '00'O)			
6		+FullRateCh_A_1_nociph(C_Ass, TSPX_TmSltC, TSPX_TscC, ChMod_speech, FreqTCHa_rg, FreqTCHa_rd, TimingAdv_r01, '000'B, '001'B, '011'B)			
7		+CCCH_group_Paging_group(TCV_Ccd0A, TSPX_IMSI)			
8	body	+subtree1			
9		+SDCCH8_A_1_nociph(TSPX_SDCCH8SubDef, C_Immass, TSPX_TmSltDef, TSPX_TscDef, ChMod_sign, FreqTCHa_rg, FreqTCHa_rd, TimingAdv_r01, '000'B, '001'B, '011'B)			
10		+CCCH_group_Paging_group(TCV_Ccd0A, TSPX_IMSI)			
11		+subtree2			
12		subtree1 L!DL_UdatRqPg1Rq	PgReq1(TCV_PgCh, TCV_Pgg, PgReqTp1_01) ChReq_01		
13		L?DL_RaInChRq (TCV_Rr := DL_RaInChRq.msg.ecau_rrf, TCV_Fn := DL_RaInChRq.fn)			
14		L!DL_UdatRqImmass	ImmAss_r13(TCV_agch, TCV_Rr, TCV_Fn, TCV_chd1, TimingAdv_r01)		
15		L?DL_EstInPgRes	PgRes_01		
16		(TCV_Res := OM_NoUAforDISC(TCV_chTch))			
17		L!DL_DatRqChRel	ChRel_01(TCV_chTch)		
18		L?DL_RelIn	DLRelInd_01		
19		L?DL_RelIn	DLRelInd_01		
20		START T_dly(2000)			
21		?TIMEOUT T_dly			
22		(TCV_Res := OM_ResumUAforDISC(TCV_chTch))			
23		START T_dly(3000)			
24		L?OTHERWISE		(F)	
25		?TIMEOUT T_dly		(P)	
26		L!MDL_RelRq	MDLRelReq_01(TCV_ch)		local end release
27		subtree2 START T_dly(12000)			
28		?TIMEOUT T_dly			
29		L!DL_UdatRqPg1Rq	PgReq1(TCV_PgCh, TCV_Pgg, PgReqTp1_01) ChReq_01		
30		L?DL_RaInChRq (TCV_Rr := DL_RaInChRq.			

31	msg.ecau_rrf, TCV_Fn := DL_RaInChRq.fn)		
32	+gsmOrDcs1		
33	L?DL_EstInPgRes	PgRes_01	(P)
	+PostMainLinkRel(TCV_ch)		
	gsmOrDcs		
34	[TSPC_PGSM OR TSPC_EGSM]		
35	(TCV_ch := OC_SubchOfSdcch4(TSPX_SDCCH4SubDef, C_CellA), TCV_sacch := OC_SubchOfSacch4(TSPX_SDCCH4SubDef, C_CellA), TCV_chd1 := ChDescrp_r02(TSPX_TmSlitC, TSPX_TscC))		
36	[TSPC_DCS]		
37	(TCV_ch := OC_SubchOfSdcch4(TSPX_SDCCH4SubDef, C_CellA), TCV_sacch := OC_SubchOfSacch4(TSPX_SDCCH4SubDef, C_CellA), TCV_chd1 := ChDescrp_r02d(TSPX_TmSlitC, TSPX_TscC))		
	gsmOrDcs1		
38	[TSPC_PGSM OR TSPC_EGSM]		
39	L!DL_UdatRqImm	ImmAss_r02(TCV_ag ch, TCV_Rr, TCV_Fn, TSPX_SDCCH8SubD ef, TSPX_TmSlitDef, TSPX_TscDef, TimingAdv_r01)	
40	[TSPC_DCS]		
41	L!DL_UdatRqImm	ImmAss_r02d(TCV_a gch, TCV_Rr, TCV_Fn, TSPX_SDCCH8SubD ef, TSPX_TmSlitDef, TSPX_TscDef, TimingAdv_r01)	
Detailed Comments:			

Test Case Dynamic Behaviour					
Test Case Name:		TC_26_6_13_1			
Group:		GSM_L3_MS_v4170/RR/			
Purpose:		To verify that the MS, after receiving an ASSIGNMENT COMMAND message with a starting time and channel descriptions both for before and after the starting time, and ready to access before the indicated time, performs correctly the assignment using the description for before the time, and eventually starts using the frequency parameters for after the time at the time indicated in the message.			
Default:		OtherEventsFail			
Nr	Label	Behaviour Description	CRef	V	Comments
1		START T_guard(300)			
2		(TCV_slot := C_S0, TCV_tsc := C_BCC)			
3		+IdleUpdated(C_CellA, C_Immass, TCV_slot, TCV_tsc, TimingAdv_01, '000'B, '001'B, '011'B, '00'O)			
4		+PreEnterIdleState_r01(C_Immass, TCV_slot, TCV_tsc, 5,1, 0, TimingAdv_r01, '000'B, '000'B, '011'B, '00'O)			1.
5		+SDCCH8_A_1_nociph(TSPX_SDCCH8SubA, C_Immass, TSPX_TmSltA, TSPX_TscA, ChMod_sign, FreqSDCCH8_rg1, FreqSDCCH8_rd1, TimingAdv_r01, '000'B, '000'B, '011'B)			2.
6		+CCCH_group_Paging_group(TCV_Ccd0A, TSPX_IMSI)			
7		+channelForAss			3.
8	body	+ltree_body			
9		ltree_body L!DL_UdatRqPg1Rq	PgReq1(TCV_PgCh, TCV_Pgg, PgReqTp1_01)		
10		L?DL_RaInChRq (TCV_Rr := DL_RaInChRq.msg.ecau_rrf, TCV_Fn := DL_RaInChRq.fn)	ChReq_01		
11		ACTIVATE(OtherEventsFail_02)			To match ChReq retrans.
12		L!DL_UdatRqImm	ImmAss_r27(TCV_agch, TCV_Rr, TCV_Fn, TSPX_TmSltA, TSPX_TscA, TimingAdv_r01)		4.
13		L?DL_EstInPgRes	PgRes_01		
14		ACTIVATE(OtherEventsFail)			Restore Normal default
15		(TCV_Fn := OM_ComingFn(TCV_ch), TCV_Null := OM_SendNextOn(TCV_ch, TCV_Fn))			5.
16		(TCV_AssCmd := AsgnCmd_r14(TSPX_TmSltB, TSPX_TscB, OC_StartTime(TCV_Fn, TSPX_Tm1, 1)))			
17		+AssCh_complete(TCV_ch,TCV_chTch,TCV_AssCmd)			
18		+gsmOrDcs			6.
19		gsmOrDcs [TSPC_PGSM OR TSPC_EGSM]			
20		(TCV_Res := OM_FHCHK(TCV_sacchTch1))			
21		[TCV_Res = TRUE]		(P)	
22		+PostMainLinkRel(TCV_chTch1)			
23		[TCV_Res = FALSE]		(F)	
24		+PostMainLinkRel(TCV_chTch1)			
25		[TSPC_DCS]			
26		(TCV_Res := OM_FHCHK(TCV_sacchTch1))			
27		[TCV_Res = TRUE]		(P)	
28		+PostMainLinkRel(TCV_chTch1)			
29		[TCV_Res = FALSE]		(F)	
30		+PostMainLinkRel(TCV_chTch1)			
		channelForAss			

31	(TCV_n := BIT_TO_INT(TSPX_Chtp1))		
32	[TCV_n = 1]		
33	+FullRateCh_A_1_nociph(C_Ass, TSPX_TmSltB, TSPX_TscB, ChMod_sign, Freq_rg2, Freq_rd2, TimingAdv_r01, '000'B, '000'B, '011'B)		7.
34	+FullRateCh_A_2_nociph(C_Ass, TSPX_TmSltB, TSPX_TscB, ChMod_r01, Freq_rg3, Freq_rd3, TimingAdv_r01, '000'B, '000'B, '011'B)		8.
35	[(TCV_n = 2) OR (TCV_n = 3)]		
36	+HalfRateCh_A_1_3_nociph(TSPX_Chtp1, C_Ass, TSPX_TmSltB, TSPX_TscB, ChMod_sign, Freq_rg2, Freq_rd2, TimingAdv_r01, '000'B, '000'B, '011'B)		9.
37	+HalfRateCh_A_2_nociph(TSPX_Chtp1, C_Ass, TSPX_TmSltB, TSPX_TscB, ChMod_r01, Freq_rg3, Freq_rd3, TimingAdv_r01, '000'B, '000'B, '011'B)		10.
38	[(TCV_n >= 8) AND (TCV_n <= 15)]		
39	+SDCCH8_A_2_nociph(TSPX_Chtp1, C_Ass, TSPX_TmSltB, TSPX_TscB, ChMod_r01, Freq_rg2, Freq_rd2, TimingAdv_r01, '000'B, '000'B, '011'B)		11.
40	+SDCCH8_A_3_nociph(TSPX_Chtp1, C_Ass, TSPX_TmSltB, TSPX_TscB, ChMod_r01, Freq_rg3, Freq_rd3, TimingAdv_r01, '000'B, '000'B, '011'B)		12.

Detailed Comments:

1. To setup a physical channel as BCCH, CCCH.
2. To set a physical channel as hopping SDCCH8 channel, hopping parameters defined by PIXIT.
3. To setup the before time and after time channels for ASSIGNMENT COMMAND.
4. To assign the hopping SDCCH8 channel.
5. To calculate the STARTING TIME.
6. To check whether the after time frequency hopping is correct at the RF burst level.
7. If the selected channel type is TCH/F, setup a physical channel as full rate channel for before time.
8. If the selected channel type is TCH/F, setup a physical channel as full rate channel for after time.
9. If the selected channel type is TCH/H, setup a physical channel as half rate channel for before time.
10. If the selected channel type is TCH/H, setup a physical channel as half rate channel for after time.
11. If the selected channel type is SDCCH8, setup a physical channel as SDCCH8 channel for before time.
12. If the selected channel type is SDCCH8, setup a physical channel as SDCCH8 channel for after time.

Test Case Dynamic Behaviour					
Test Case Name:		TC_26_6_13_2			
Group:		GSM_L3_MS_v4170/RR/			
Purpose:		To verify that the MS, after receiving an ASSIGNMENT COMMAND message with a starting time and channel descriptions both for before and after the starting time, performs correctly the assignment using the description for after the time if the indicated time has already elapsed when the Mobile Station is ready to transmit.			
Default:		OtherEventsFail			
Nr	Label	Behaviour Description	CRef	V	Comments
1		START T_guard(300)			
2		(TCV_slot := C_S0, TCV_tsc := C_BCC)			
3		+IdleUpdated(C_CellA, C_Immass, TCV_slot, TCV_tsc, TimingAdv_01, '000'B, '001'B, '011'B, '00'O)			
4		+PreEnterIdleState_r01(C_Immass, TCV_slot, TCV_tsc, 5, 1, 0, TimingAdv_r01, '000'B, '000'B, '011'B, '00'O)			1.
5		+SDCCH8_A_1_nociph(TSPX_SDCCH8SubC, C_Immass, TSPX_TmSltB, TSPX_TscB, ChMod_sign, FreqSDCCH8_rg2, FreqSDCCH8_rd2, TimingAdv_r01, '000'B, '000'B, '011'B)			2.
6		+CCCH_group_Paging_group(TCV_Ccd0A, TSPX_IMSI)			
7		+channelForAss			3.
8	body	L!DL_UdatRqPg1Rq	PgReq1(TCV_PgCh, TCV_Pgg, PgReqTp1_01)		
9		L?DL_RacInChRq (TCV_Rr := DL_RacInChRq.msg.ecau_rrf, TCV_Fn := DL_RacInChRq.fn)	ChReq_01		
10		ACTIVATE(OtherEventsFail_02)			To match ChReq retrans.
11		L!DL_UdatRqImmass	ImmAss_r28(TCV_Rr, TCV_Fn, TCV_agch, TSPX_TmSltB, TSPX_TscB, TimingAdv_r01)		4.
12		L?DL_EstInPgRes	PgRes_01		
13		ACTIVATE(OtherEventsFail)			Restore Normal default
14		(TCV_Fn := OM_ComingFn(TCV_ch), TCV_Null := OM_SendNextOn(TCV_ch, TCV_Fn))			5.
15		(TCV_AssCmd := AsgnCmd_r15(TSPX_TmSltC, TSPX_TscC, TSPX_TmSltB, TSPX_TscB, OC_StartTime(TCV_Fn, 5, 1)))			
16		+AssCh_complete(TCV_ch, TCV_chTch, TCV_AssCmd)			
17		+gsmOrDcs			6.
18		gsmOrDcs			
19		[TSPC_PGSM OR TSPC_EGSM]			
20		(TCV_Res := OM_FHCHK(TCV_sacchTch))			
21		[TCV_Res = TRUE]		(P)	
22		+PostMainLinkRel(TCV_chTch)			
23		[TCV_Res = FALSE]		(F)	
24		+PostMainLinkRel(TCV_chTch)			
25		[TSPC_DCS]			
26		(TCV_Res := OM_FHCHK(TCV_sacchTch))			
27		[TCV_Res = TRUE]		(P)	
28		+PostMainLinkRel(TCV_chTch)			
29		[TCV_Res = FALSE]		(F)	
30		+PostMainLinkRel(TCV_chTch)			

<p>30 31 32 33 34 35 36</p>	<p>channelForAss (TCV_n := BIT_TO_INT(TSPX_Chtp2)) [TCV_n = 1] +FullRateCh_A_1_nociph(C_Ass, TSPX_TmSlcC, TSPX_TscC, ChMod_sign, Freq_rg4, Freq_rd4, TimingAdv_r01, '000'B, '000'B, '011'B) [(TCV_n = 2) OR (TCV_n = 3)] +HalfRateCh_A_1_3_nociph(TSPX_Chtp2, C_Ass, TSPX_TmSlcC, TSPX_TscC, ChMod_sign, Freq_rg4, Freq_rd4, TimingAdv_r01, '000'B, '000'B, '011'B) [(TCV_n >= 8) AND (TCV_n <= 15)] +SDCCH8_A_2_nociph(TSPX_Chtp2, C_Ass, TSPX_TmSlcC, TSPX_TscC, ChMod_r02, Freq_rg4, Freq_rd4, TimingAdv_r01, '000'B, '000'B, '011'B)</p>			<p>7. 8. 9.</p>
<p>Detailed Comments:</p> <ol style="list-style-type: none"> 1. To setup a physical channel as BCCH, CCCH. 2. To set a physical channel as hopping SDCCH8 channel, hopping parameters defined by PIXIT. 3. To setup the after time channels for ASSIGNMENT COMMAND. 4. To assign the hopping SDCCH8 channel. 5. To calculate the STARTING TIME. 6. To check whether the after time frequency hopping is correct at the RF burst level. 7. If the selected channel type is TCH/F, setup a physical channel as full rate channel for after time. 8. If the selected channel type is TCH/H, setup a physical channel as half rate channel for after time. 9. If the selected channel type is SDCCH8, setup a physical channel as SDCCH8 channel for after time. 				

Test Case Dynamic Behaviour					
Test Case Name:		TC_26_6_13_3			
Group:		GSM_L3_MS_v4170/RR/			
Purpose:		To verify that the MS, after receiving a FREQUENCY REDEFINITION message and then an ASSIGNMENT COMMAND message with a starting time and channel descriptions both for before and after the starting time, failing the assignment and returning on the old channel, and ready to access before the time indicated in the FREQUENCY REDEFINITION, resumes transmission on the channels used at the time of the reception of the FREQUENCY REDEFINITION message and eventually starts using the frequency parameters at the time indicated in the FREQUENCY REDEFINITION message.			
Default:		OtherEventsFail			
Nr	Label	Behaviour Description	CRef	V	Comments
1		START T_guard(300)			
2		(TCV_slot := C_S0, TCV_tsc := C_BCC)			
3		+IdleUpdated(C_CellA, C_Immass, TCV_slot, TCV_tsc, TimingAdv_01, '000'B, '001'B, '011'B, '00'O)			
4		+PreEnterIdleState_r01(C_Immass, TCV_slot, TCV_tsc, 5,1, 0, TimingAdv_r01, '000'B, '000'B, '011'B, '00'O)			1.
5		+channelsetup			2.
6		+CCCH_group_Paging_group(TCV_Ccd0A, TSPX_IMSI)			
7	body	LIDL_UdatRqPg1Rq	PgReq1(TCV_PgCh, TCV_Pgg, PgReqTp1_01)		
8		L?DL_RacInChRq (TCV_Rr := DL_RacInChRq.msg.ecau_rrf, TCV_Fn := DL_RacInChRq.fn)	ChReq_01		
9		ACTIVATE(OtherEventsFail_02)			To match ChReq retrans.
10		LIDL_UdatRqImm	ImmAss_r29(TCV_Rr, TCV_Fn, TCV_agch, TSPX_TmSltd, TSPX_TscD, TimingAdv_r01)		
11		+localtree			
		localtree			
12		L?DL_EstInPgRes	PgRes_01		
13		ACTIVATE(OtherEventsFail)			Restore Normal default
14		(TCV_Fn := OM_ComingFn(TCV_ch), TCV_Strt := OC_StartTime(TCV_Fn, 5000, 0))			3.
15		+gsmOrDcs			
16		LIDL_DatRqFrqre (DL_DatRqFrqre.msg.strt := TCV_Strt)	FrqRedf_02(TCV_ch, TSPX_TmSltd, TSPX_TscD)		4.
17		(TCV_Null := OM_SendNextOn(TCV_ch, TCV_Fn))			
18		(TCV_AssCmd := AsgnCmd_r16(TSPX_TmSltdE, TSPX_TscE, OC_StartTime(TCV_Fn, 4000, 1)))			
19		+AssCh_failure(TCV_ch,TCV_AssCmd, TRUE)			
20		+gsmOrDcs1			6.
		gsmOrDcs			
21		[TSPC_PGSM OR TSPC_EGSM]			
22		(TCV_Null := OM_FreqDef(TCV_Strt, MobilAllc_r11, TCV_ch, ChDescrp_r34(TSPX_TmSltd, TSPX_TscD), CellChDes_02))			
23		[TSPC_DCS]			
24		(TCV_Null := OM_FreqDef(TCV_Strt, MobilAllc_r11, TCV_ch, ChDescrp_r34(TSPX_TmSltd, TSPX_TscD), CellChDes_03))			
		gsmOrDcs1			
25		[TSPC_PGSM OR TSPC_EGSM]			
26		(TCV_Res := OM_FHCHK(TCV_sacchTch))			
27		[TCV_Res = TRUE]		(P)	

28	+PostMainLinkRel(TCV_ch)		
29	[TCV_Res = FALSE]		(F)
30	+PostMainLinkRel(TCV_ch)		
31	[TSPC_DCS]		
32	(TCV_Res := OM_FHCHK(TCV_sacchTch))		
33	[TCV_Res = TRUE]		(P)
34	+PostMainLinkRel(TCV_ch)		
35	[TCV_Res = FALSE]		(F)
36	+PostMainLinkRel(TCV_ch)		
	channelsetup		
37	(TCV_n := BIT_TO_INT(TSPX_Chtp3))		
38	[TCV_n = 1]		
39	+FullRateCh_A_1_nociph(C_Immass, TSPX_TmSlitD, TSPX_TscD, ChMod_sign, Freq_rg5, Freq_rd5, TimingAdv_r01, '000'B, '000'B, '011'B)		7.
40	[(TCV_n = 2) OR (TCV_n = 3)]		
41	+HalfRateCh_A_1_3_nociph(TSPX_Chtp3, C_Immass, TSPX_TmSlitD, TSPX_TscD, ChMod_sign, Freq_rg5, Freq_rd5, TimingAdv_r01, '000'B, '000'B, '011'B)		8.
42	[(TCV_n >= 8) AND (TCV_n <= 15)]		
43	+SDCCH8_A_1_2_nociph(TSPX_Chtp3, C_Immass, TSPX_TmSlitD, TSPX_TscD, ChMod_sign, Freq_rg5, Freq_rd5, TimingAdv_r01, '000'B, '000'B, '011'B)		9.

Detailed Comments:

1. To setup a physical channel as BCCH, CCCH.
2. To set two physical channels, one as hopping channel for immediate assignment another one as hopping channel for after time channel, parameters defined by PIXIT.
3. To calculate the starting time for frequency redefinition.
4. To send FREQUENCY REDEFINITION message.
5. To calculate the starting time and send the ASSIGNMENT COMMAND on special frame TCV_Fn. The assigned channel not activated in the tester.
6. To check whether the after time frequency hopping is correct at the RF burst level.
7. If the selected channel type is TCH/F, setup a physical channel as full rate channel for immediate assignment.
8. If the selected channel type is TCH/H, setup a physical channel as half rate channel for immediate assignment.
9. If the selected channel type is SDCCH8, setup a physical channel as SDCCH8 channel for immediate assignment.

Test Case Dynamic Behaviour					
Test Case Name:		TC_26_6_13_4			
Group:		GSM_L3_MS_v4170/RR/			
Purpose:		To verify that the MS, after receiving a FREQUENCY REDEFINITION message and then an ASSIGNMENT COMMAND message with a starting time and channel descriptions both for before and after the starting time, failing the assignment and returning on the old channel, and ready to access after the time indicated in the FREQUENCY REDEFINITION, resumes transmission using the frequency parameters indicated in the FREQUENCY REDEFINITION message.			
Default:		OtherEventsFail			
Nr	Label	Behaviour Description	CRef	V	Comments
1		START T_guard(300)			
2		(TCV_slot := C_S0, TCV_tsc := C_BCC)			
3		+IdleUpdated(C_CellA, C_Immass, TCV_slot, TCV_tsc, TimingAdv_01, '000'B, '001'B, '011'B, '00'O)			
4		+PreEnterIdleState_r01(C_Immass, TCV_slot, TCV_tsc, 5,1, 0, TimingAdv_r01, '000'B, '000'B, '011'B, '00'O)			1.
5		+channelsetup			2.
6		+CCCH_group_Paging_group(TCV_Ccd0A, TSPX_IMSI)			
7	body	L!DL_UdatRqPg1Rq	PgReq1(TCV_PgCh, TCV_Pgg, PgReqTp1_01)		
8		L?DL_RacInChRq (TCV_Rr := DL_RacInChRq.msg.ecau_rrf, TCV_Fn := DL_RacInChRq.fn)	ChReq_01		
9		ACTIVATE(OtherEventsFail_02)			To match ChReq retrans.
10		L!DL_UdatRqImmass	ImmAss_r30(TCV_Rr, TCV_Fn, TCV_agch, TSPX_TmSlitF, TSPX_TscF, TimingAdv_r01)		
11		L?DL_EstInPgRes	PgRes_01		
12		ACTIVATE(OtherEventsFail)			Restore Normal default
13		+localtree			
14		localtree (TCV_Fn := OM_ComingFn(TCV_ch), TCV_Strt := OC_StartTime(TCV_Fn, 10, 0))			
15		+gsmOrDcs			3.
16		L!DL_DatRqFrqre (DL_DatRqFrqre.msg.strt := TCV_Strt)	FrqRedf_03(TCV_ch, TSPX_TmSlitF, TSPX_TscF)		4.
17		(TCV_Null := OM_SendNextOn(TCV_ch, TCV_Fn))			
18		(TCV_AssCmd := AsgnCmd_r17(TSPX_TmSlitF, TSPX_TscF, OC_StartTime(TCV_Fn, 5000, 1)))			
19		+AssCh_failure(TCV_ch, TCV_AssCmd, TRUE)			5.
20		+PostMainLinkRel(TCV_ch)			
21		gsmOrDcs [TSPC_PGSM OR TSPC_EGSM]			
22		(TCV_Null := OM_FreqDef(TCV_Strt, MobilAllc_r15, TCV_ch, ChDescrp_r38(TSPX_TmSlitF, TSPX_TscF), CellChDes_02))			
23		[TSPC_DCS]			
24		(TCV_Null := OM_FreqDef(TCV_Strt, MobilAllc_r15, TCV_ch, ChDescrp_r38(TSPX_TmSlitF, TSPX_TscF), CellChDes_03))			
25		channelsetup (TCV_n := BIT_TO_INT(TSPX_Chtp5))			
26		[TCV_n = 1]			
27		+FullRateCh_A_1_nociph(C_Immass, TSPX_TmSlitF, TSPX_TscF, ChMod_sign, Freq_rg7, Freq_rd7, TimingAdv_r01, '000'B,			7.

28	'000'B, '011'B)		
29	[(TCV_n = 2) OR (TCV_n = 3)] +HalfRateCh_A_1_3_nociph(TSPX_Chtp3, C_Immash, TSPX_TmSlitF, TSPX_TscF, ChMod_sign, Freq_rg7, Freq_rd7, TimingAdv_r01, '000'B, '000'B, '011'B)		8.
30	[(TCV_n >= 8) AND (TCV_n <= 15)]		
31	+SDCCH8_A_1_2_nociph(TSPX_Chtp3, C_Immash, TSPX_TmSlitF, TSPX_TscF, ChMod_sign, Freq_rg7, Freq_rd7, TimingAdv_r01, '000'B, '000'B, '011'B)		9.
Detailed Comments:			
<ol style="list-style-type: none"> 1. To setup a physical channel as BCCH, CCCH. 2. To set two physical channels, one as hopping channel for immediate assignment another one as hopping channel for after time channel, parameters defined by PIXIT. 3. To calculate the starting time for frequency redefinition. 4. To send FREQUENCY REDEFINITION message. 5. To calculate the starting time and send the ASSIGNMENT COMMAND on special frame TCV_Fn. The assigned channel not activated in the tester. 6. The expected ASSIGNMENT FAILURE message received on the channel defined by frequency redefinition. 7. If the selected channel type is TCH/F, setup a physical channel as full rate channel for immediate assignment. 8. If the selected channel type is TCH/H, setup a physical channel as half rate channel for immediate assignment. 9. If the selected channel type is SDCCH8, setup a physical channel as SDCCH8 channel for immediate assignment. 			

Test Case Dynamic Behaviour					
Test Case Name:		TC_26_6_13_5			
Group:		GSM_L3_MS_v4170/RR/			
Purpose:		To verify that the MS, after receiving a HANDOVER COMMAND message with a starting time and channel descriptions both for before and after the starting time, and ready to access before the time performs correctly the handover using the description for before the time, and then starts using the frequency parameters for after the time at the time indicated in the message.			
Default:		OtherEventsFail			
Nr	Label	Behaviour Description	CRef	V	Comments
1		START T_guard(300)			
2		(TCV_slot := C_S0, TCV_tsc := C_BCC)			
3		+IdleUpdated(C_CellA, C_Immass, TCV_slot, TCV_tsc, TimingAdv_01, '000'B, '001'B, '011'B, '00'O)			
4		+PreEnterIdleState_r01(C_Immass, TCV_slot, TCV_tsc, 5,1, 0, TimingAdv_r01, '000'B, '000'B, '011'B, '00'O)		1.	
5		(TCV_sacch_B := OC_SubchOfSacch4(TSPX_SDCCH4SubDef, C_CellB))			
6		+StartCellB_5(C_Immass, TSPX_TmSltDef, TSPX_TscDef, TimingAdv_r01, 0, '000'B, '000'B, '011'B, '00'O)		2.	
7		+channelsetup		3.	
8		+CCCH_group_Paging_group(TCV_Ccd0A, TSPX_IMSI)			
9	body	L!DL_UdatRqPg1Rq	PgReq1(TCV_PgCh, TCV_Pgg, PgReqTp1_01)		
10		L?DL_RaInChRq (TCV_Rr := DL_RaInChRq.msg.ecau_rrf, TCV_Fn := DL_RaInChRq.fn)	ChReq_01		
11		ACTIVATE(OtherEventsFail_02)			To match ChReq retrans.
12		L!DL_UdatRqImm	ImmAss_r31(TCV_Rr, TCV_Fn, TCV_agch, TSPX_TmSltG, TSPX_TscG, TimingAdv_r01)		
13		+localtree			
14		localtree			
14		L?DL_EstInPgRes	PgRes_01		
15		ACTIVATE(OtherEventsFail)			Restore Normal default
16		(TCV_Fn := OM_ComingFn(TCV_ch), TCV_Strt := OC_StartTime(TCV_Fn, TSPX_Tm2, 1), TCV_Null := OM_SendNextOn(TCV_ch, TCV_Fn))			4.
17		+gsmOrDcs			
18		L?DL_RaInHoacc	HndOvAcc_02(TCV_chTch1)		
19		L!DL_DatRqPhyinfo	PhyInfo_02(TCV_chTch1, TimingAdv_r01)		
20		L?DL_EstIn	DLEstInd_01		
21		L?DL_DatInHoCom	HndOvCmp_01(TCV_chTch1)		
22		+gsmOrDcs1			
23		gsmOrDcs1			
23		[TSPC_PGSM OR TSPC_EGSM]			
24		(TCV_Res := OM_FHCHK(TCV_sacchTch))			
25		[TCV_Res = TRUE]		(P)	
26		+PostMainLinkRel(TCV_chTch)			
27		[TCV_Res = FALSE]		(F)	
28		+PostMainLinkRel(TCV_chTch)			
29		[TSPC_DCS]			
30		(TCV_Res := OM_FHCHK(TCV_sacchTch))			
31		[TCV_Res = TRUE]		(P)	
32		+PostMainLinkRel(TCV_chTch)			
33		[TCV_Res = FALSE]		(F)	

34	+PostMainLinkRel(TCV_chTch)			
	gsmOrDcs			
35	[TSPC_PGSM OR TSPC_EGSM]			
36	(TCV_Null := OM_StartMsrReport(TCV_sacchTch1))			
37	L?DL_UdatInMsrRpt (TCV_MsrRes := DL_UdatInMsrRpt.msg.msrr)	MsrRept_02		
38	(TCV_Null := OM_StopMsrReport(TCV_sacchTch1))			
39	LIDL_DatRqHoCmd (DL_DatRqHoCmd.msg.strt := TCV_Strt)	HndOv_32(TCV_ch, TSPX_TmSlitDef, TSPX_TscDef)		
40	[TSPC_DCS]			
41	LIDL_DatRqHoCmd (DL_DatRqHoCmd.msg.strt := TCV_Strt)	HndOv_33(TCV_ch, TSPX_TmSlitDef, TSPX_TscDef)		
	channelsetup			
42	(TCV_n := BIT_TO_INT(TSPX_Chtp7))			
43	+SDCCH8_A_1_2_nociph(TSPX_SDCCH8SubB, C_Immash, TSPX_TmSlitG, TSPX_TscG, ChMod_sign, Freq_rg9, Freq_rd9, TimingAdv_r01, '000'B, '001'B, '011'B)			
44	[TCV_n = 1]			
45	+FullRateCh_B_1_nociph(C_Asynho, TSPX_TmSlitDef, TSPX_TscDef, ChMod_r03, Freq_rg10, Freq_rd10, TimingAdv_r01, '000'B, '000'B, '011'B)		5.	
46	+FullRateCh_B_2_nociph(C_Asynho, TSPX_TmSlitDef, TSPX_TscDef, ChMod_r03, Freq_rg11, Freq_rd11, TimingAdv_r01, '000'B, '000'B, '011'B)		6.	
47	[(TCV_n = 2) OR (TCV_n = 3)]			
48	+HalfRateCh_B_1_nociph(TSPX_Chtp7, C_Asynho, TSPX_TmSlitDef, TSPX_TscDef, ChMod_r03, Freq_rg10, Freq_rd10, TimingAdv_r01, '000'B, '000'B, '011'B)		7.	
49	+HalfRateCh_B_2_nociph(TSPX_Chtp7, C_Asynho, TSPX_TmSlitDef, TSPX_TscDef, ChMod_r03, Freq_rg11, Freq_rd11, TimingAdv_r01, '000'B, '000'B, '011'B)		8.	
50	[(TCV_n >= 8) AND (TCV_n <= 15)]			
51	+SDCCH8_B_1_nociph(TSPX_Chtp7, C_Asynho, TSPX_TmSlitDef, TSPX_TscDef, ChMod_sign, Freq_rg10, Freq_rd10, TimingAdv_r01, '000'B, '000'B, '011'B)		9.	
52	+SDCCH8_B_2_nociph(TSPX_Chtp7, C_Asynho, TSPX_TmSlitDef, TSPX_TscDef, ChMod_sign, Freq_rg11, Freq_rd11, TimingAdv_r01, '000'B, '000'B, '011'B)		10.	

Detailed Comments:

1. To setup a physical channel as BCCH, CCCH for cell A.
2. To setup a physical channel as BCCH, CCCH for cell B.
3. To setup a physical channel as SDCCH8 in cell A and setup 2 physical channels as hopping channels in cell B.
4. To get the future frame number for sending HANDOVER COMMAND and calculate starting time.
5. If the required channel is full rate channel, setup the after time full rate hopping channel.
6. If the required channel is full rate channel, setup the before time full rate hopping channel.
7. If the required channel is half rate channel, setup the after time half rate hopping channel.
8. If the required channel is half rate channel, setup the before time half rate hopping channel.
9. If the required channel is SDCCH8 channel, setup the after time SDCCH8 hopping channel.
10. If the required channel is SDCCH8 channel, setup the before time SDCCH8 hopping channel.

Test Case Dynamic Behaviour					
Test Case Name:		TC_26_6_13_6			
Group:		GSM_L3_MS_v4170/RR/			
Purpose:		To verify that the MS, after receiving a HANDOVER COMMAND message with a starting time and channel descriptions both for before and after the starting time, and ready to transmit after the indicated time, performs correctly the handover using the description for after the time.			
Default:		OtherEventsFail			
Nr	Label	Behaviour Description	CRef	V	Comments
1		START T_guard(300)			
2		(TCV_slot := C_S0, TCV_tsc := C_BCC)			
3		+IdleUpdated(C_CellA, C_Immass, TCV_slot, TCV_tsc, TimingAdv_01, '000'B, '001'B, '011'B, '00'O)			
4		+PreEnterIdleState_r01(C_Immass, TCV_slot, TCV_tsc, 5,1, 0, TimingAdv_r01, '000'B, '000'B, '011'B, '00'O)			1.
5		(TCV_sacch_B := OC_SubchOfSacch4(TSPX_SDCCH4SubDef, C_CellA))			
6		+StartCellB_5(C_Immass, TSPX_TmSltB, TSPX_TscB, TimingAdv_r01, 0, '000'B, '000'B, '011'B, '00'O)			2.
7		+channelsetup			3.
8		+CCCH_group_Paging_group(TCV_Ccd0A, TSPX_IMSI)			
9	body	LIDL_UdatRqPg1Rq	PgReq1(TCV_PgCh, TCV_Pgg, PgReqTp1_01)		
10		L?DL_RaInChRq (TCV_Rr := DL_RaInChRq, msg.ecau_rrf, TCV_Fn := DL_RaInChRq.fn)	ChReq_01		
11		ACTIVATE(OtherEventsFail_02)			To match ChReq retrans.
12		LIDL_UdatRqImmass	ImmAss_r32(TCV_Rr, TCV_Fn, TCV_agch, TSPX_TmSltDef, TSPX_TscDef, TimingAdv_r01)		
13		+localtree			
		localtree			
14		L?DL_EstInPgRes	PgRes_01		
15		ACTIVATE(OtherEventsFail)			Restore Normal default
16		(TCV_Fn := OM_ComingFn(TCV_ch), TCV_Strt := OC_StartTime(TCV_Fn, 5, 1), TCV_Null := OM_SendNextOn(TCV_ch, TCV_Fn))			4.
17		+gsmOrDcs			
18		L?DL_RaInHoacc	HndOvAcc_02(TCV_chTch)		
19		LIDL_DatRqPhyinfo	PhyInfo_02(TCV_chTch, TimingAdv_r01)		
20		L?DL_EstIn	DLEstInd_01		
21		L?DL_DatInHoCom	HndOvCmp_01(TCV_chTch)		
22		+PostMainLinkRel(TCV_chTch)			
		gsmOrDcs			
23		[TSPC_PGSM OR TSPC_EGSM]			
24		LIDL_DatRqHoCmd (DL_DatRqHoCmd.msg.strt := TCV_Strt)	HndOv_34(TCV_ch, TSPX_TmSltB, TSPX_TscB)		
25		[TSPC_DCS]			
26		LIDL_DatRqHoCmd (DL_DatRqHoCmd.msg.strt := TCV_Strt)	HndOv_35(TCV_ch, TSPX_TmSltB, TSPX_TscB)		
		channelsetup			
27		(TCV_n := BIT_TO_INT(TSPX_Chtp8))			
28		+SDCCH8_A_1_2_nociph(TSPX_SDCCH8SubC, C_Immass, TSPX_TmSltDef, TSPX_TscDef, ChMod_sign, Freq_rg12, Freq_rd12,			

29	TimingAdv_r01, '000'B, '001'B, '011'B)		
30	[TCV_n = 1] +FullRateCh_B_1_nociph(C_Asynho, TSPX_TmSltB, TSPX_TscB, ChMod_r04, Freq_rg13, Freq_rd13, TimingAdv_r01, '000'B, '000'B, '011'B)		5.
31	[(TCV_n = 2) OR (TCV_n = 3)]		
32	+HalfRateCh_B_1_nociph(TSPX_Chtp8, C_Asynho, TSPX_TmSltB, TSPX_TscB, ChMod_r04, Freq_rg13, Freq_rd13, TimingAdv_r01, '000'B, '000'B, '011'B)		6.
33	[(TCV_n >= 8) AND (TCV_n <= 15)]		
34	+SDCCH8_B_1_nociph(TSPX_Chtp8, C_Asynho, TSPX_TmSltB, TSPX_TscB, ChMod_sign, Freq_rg13, Freq_rd13, TimingAdv_r01, '000'B, '000'B, '011'B)		7.

Detailed Comments:

1. To setup a physical channel as BCCH, CCCH for cell A.
2. To setup a physical channel as BCCH, CCCH for cell B.
3. To setup a physical channel as SDCCH8 in cell A and setup a physical channel as hopping channels in cell B.
4. To get the future frame number for sending HANDOVER COMMAND and calculate starting time.
5. If the required channel is full rate channel, setup the after time full rate hopping channel.
6. If the required channel is half rate channel, setup the after time half rate hopping channel.
7. If the required channel is SDCCH8 channel, setup the after time SDCCH8 hopping channel.

Test Case Dynamic Behaviour					
Test Case Name:		TC_26_6_13_7			
Group:		GSM_L3_MS_v4170/RR/			
Purpose:		To verify that the MS, after receiving a FREQUENCY REDEFINITION message and then an HANDOVER COMMAND message with a starting time and channel descriptions both for before and after the starting time, failing the handover, and ready to access the old channel before the time indicated in the FREQUENCY REDEFINITION, resumes transmission on the channels used at the time of the reception of the FREQUENCY REDEFINITION message and eventually starts using the new frequency parameters at the time indicated in the FREQUENCY REDEFINITION message.			
Default:		OtherEventsFail			
Nr	Label	Behaviour Description	CRef	V	Comments
1		START T_guard(300)			
2		(TCV_slot := C_S0, TCV_tsc := C_BCC)			
3		+IdleUpdated(C_CellA, C_Immass, TCV_slot, TCV_tsc, TimingAdv_01, '000'B, '001'B, '011'B, '00'O)			
4		+PreEnterIdleState_r01(C_Immass, TCV_slot, TCV_tsc, 5,1, 0, TimingAdv_r01, '000'B, '000'B, '011'B, '00'O)			1.
5		+channelsetup			3.
6		(TCV_sacch_B := OC_SubchOfSacch4(TSPX_SDCCCH4SubDef, C_CellA))			
7		+StartCellB_5(C_Immass, TSPX_TmSltD, TSPX_TscD, TimingAdv_r01, 0, '000'B, '000'B, '011'B, '00'O)			2.
8		+CCCH_group_Paging_group(TCV_Ccd0A, TSPX_IMSI)			
9	body	L!DL_UdatRqPg1Rq	PgReq1(TCV_PgCh, TCV_Pgg, PgReqTp1_01)		
10		L?DL_RaclnChRq (TCV_Rr := DL_RaclnChRq.msg.ecau_rrf, TCV_Fn := DL_RaclnChRq.fn)	ChReq_01		
11		ACTIVATE(OtherEventsFail_02)			To match ChReq retrans.
12		L!DL_UdatRqImm	ImmAss_r33(TCV_Rr, TCV_Fn, TCV_agch, TSPX_TmSltC, TSPX_TscC, TimingAdv_r01)		
13		+localtree			
		localtree			
14		L?DL_EstInPgRes	PgRes_01		
15		ACTIVATE(OtherEventsFail)			Restore Normal default
16		(TCV_Fn := OM_ComingFn(TCV_ch), TCV_Strt := OC_StartTime(TCV_Fn, 5000, 0))			4.
17		+gsmOrDcs			
18		L!DL_DatRqFrqre (DL_DatRqFrqre.msg.strt := TCV_Strt)	FrqRedf_04(TCV_ch, TSPX_TmSltC, TSPX_TscC)		5.
19		(TCV_Null := OM_SendNextOn(TCV_ch, TCV_Fn), TCV_Strt := OC_StartTime(TCV_Fn, 4000, 1))			6.
20		+gsmOrDcs1			
21		L?DL_EstIn	DLEstInd_01		
22		L?DL_DatInHofl	HndOvFl_02(TCV_ch)		
23		+gsmOrDcs2			7.
		gsmOrDcs2			
24		[TSPC_PGSM OR TSPC_EGSM]			
25		(TCV_Res := OM_FHCHK(TCV_sacchTch))			
26		[TCV_Res = TRUE]		(P)	
27		+PostMainLinkRel(TCV_ch)			
28		[TCV_Res = FALSE]		(F)	
29		+PostMainLinkRel(TCV_ch)			
30		[TSPC_DCS]			
31		(TCV_Res := OM_FHCHK(TCV_sacchTch))			

32	[TCV_Res = TRUE]		(P)
33	+PostMainLinkRel(TCV_ch)		
34	[TCV_Res = FALSE]		(F)
35	+PostMainLinkRel(TCV_ch)		
gsmOrDcs			
36	[TSPC_PGSM OR TSPC_EGSM]		
37	(TCV_Null := OM_FreqDef(TCV_Strt, MobilAlc_r25, TCV_ch, ChDescrp_r48(TSPX_TmSlitC, TSPX_TscC), CellChDes_02))		
38	[TSPC_DCS]		
39	(TCV_Null := OM_FreqDef(TCV_Strt, MobilAlc_r25, TCV_ch, ChDescrp_r48(TSPX_TmSlitC, TSPX_TscC), CellChDes_03))		
gsmOrDcs1			
40	[TSPC_PGSM OR TSPC_EGSM]		
41	!DL_DatRqHoCmd (DL_DatRqHoCmd.msg.strt := TCV_Strt)	HndOv_36(TCV_ch, TSPX_TmSlitD, TSPX_TscD)	
42	[TSPC_DCS]		
43	!DL_DatRqHoCmd (DL_DatRqHoCmd.msg.strt := TCV_Strt)	HndOv_37(TCV_ch, TSPX_TmSlitD, TSPX_TscD)	
channelsetup			
44	(TCV_n := BIT_TO_INT(TSPX_Chtp9))		
45	[TCV_n = 1]		
46	+FullRateCh_A_1_nociph(C_Immass, TSPX_TmSlitC, TSPX_TscC, ChMod_sign, Freq_rg14, Freq_rd14, TimingAdv_r01, '000'B, '000'B, '011'B)		8.
47	[(TCV_n = 2) OR (TCV_n = 3)]		
48	+HalfRateCh_A_1_3_nociph(TSPX_Chtp9, C_Immass, TSPX_TmSlitC, TSPX_TscC, ChMod_sign, Freq_rg14, Freq_rd14, TimingAdv_r01, '000'B, '000'B, '011'B)		9.
49	[(TCV_n >= 8) AND (TCV_n <= 15)]		
50	+SDCCH8_A_1_2_nociph(TSPX_Chtp9, C_Immass, TSPX_TmSlitC, TSPX_TscC, ChMod_sign, Freq_rg14, Freq_rd14, TimingAdv_r01, '000'B, '000'B, '011'B)		10.

Detailed Comments:

1. To setup a physical channel as BCCH, CCCH.
2. To set a physical channel as BCCH, CCCH for Cell B.
3. To setup a physical channel for immediate assignment.
4. To calculate the starting time for frequency redefinition.
5. To send FREQUENCY REDEFINITION message.
6. To calculate the starting time and send the HANDOVER COMMAND on special frame TCV_Fn.
The assigned channel not activated in the tester.
7. To check whether the after time frequency hopping is correct at the RF burst level.
8. If the selected channel type is TCH/F, setup a physical channel as full rate channel for immediate assignment.
9. If the selected channel type is TCH/H, setup a physical channel as half rate channel for immediate assignment.
10. If the selected channel type is SDCCH8, setup a physical channel as SDCCH8 channel for immediate assignment.

Test Case Dynamic Behaviour					
Test Case Name:		TC_26_6_13_8			
Group:		GSM_L3_MS_v4170/RR/			
Purpose:		To verify that the MS, after receiving a FREQUENCY REDEFINITION message and then an HANDOVER COMMAND message with a starting time and channel descriptions both for before and after the starting time, failing the handover, and returning on the old channel, and ready to access after the time indicated in the FREQUENCY REDEFINITION, resumes transmission using the new frequency parameters indicated in the FREQUENCY REDEFINITION message.			
Default:		OtherEventsFail			
Nr	Label	Behaviour Description	CRef	V	Comments
1		START T_guard(300)			
2		(TCV_slot := C_S0, TCV_tsc := C_BCC)			
3		+IdleUpdated(C_CellA, C_Immass, TCV_slot, TCV_tsc, TimingAdv_01, '000'B, '001'B, '011'B, '00'O)			
4		+PreEnterIdleState_r01(C_Immass, TCV_slot, TCV_tsc, 5,1, 0, TimingAdv_r01, '000'B, '000'B, '011'B, '00'O)			1.
5		+channelsetup			3.
6		(TCV_sacch_B := OC_SubchOfSacch4(TSPX_SDCCH4SubDef, C_CellA))			
7		+StartCellB_5(C_Immass, TSPX_TmSlitE, TSPX_TscE, TimingAdv_r01, 0, '000'B, '000'B, '011'B, '00'O)			2.
8		+CCCH_group_Paging_group(TCV_Ccd0A, TSPX_IMSI)			
9	body	L!DL_UdatRqPg1Rq	PgReq1(TCV_PgCh, TCV_Pgg, PgReqTp1_01)		
10		L?DL_RaclnChRq (TCV_Rr := DL_RaclnChRq.msg.ecau_rrf, TCV_Fn := DL_RaclnChRq.fn)	ChReq_01		
11		ACTIVATE(OtherEventsFail_02)			To match ChReq retrans.
12		L!DL_UdatRqImm	ImmAss_r34(TCV_Rr, TCV_Fn, TCV_agch, TSPX_TmSlitD, TSPX_TscD, TimingAdv_r01)		
13		+localtree			
localtree					
14		L?DL_EstinPgRes	PgRes_01		
15		ACTIVATE(OtherEventsFail)			Restore Normal default
16		(TCV_Fn := OM_ComingFn(TCV_ch), TCV_Strt := OC_StartTime(TCV_Fn, 10, 0))			4.
17		+gsmOrDcs			
18		L!DL_DatRqFrqre (DL_DatRqFrqre.msg.strt := TCV_Strt)	FrqRedf_05(TCV_ch, TSPX_TmSlitD, TSPX_TscD)		5.
19		(TCV_Null := OM_SendNextOn(TCV_ch, TCV_Fn), TCV_Strt := OC_StartTime(TCV_Fn, 5000, 1))			6.
20		+gsmOrDcs1			
21		L?DL_Estin	DLEstin_01		
22		L?DL_DatInHofl	HndOvFI_02(TCV_ch)		7.
23		+PostMainLinkRel(TCV_ch)			
gsmOrDcs					
24		[TSPC_PGSM OR TSPC_EGSM]			
25		(TCV_Null := OM_FreqDef(TCV_Strt, MobilAlc_r29, TCV_ch, ChDescrp_r54(TSPX_TmSlitD, TSPX_TscD), CellChDes_02))			
26		[TSPC_DCS]			
27		(TCV_Null := OM_FreqDef(TCV_Strt, MobilAlc_r29, TCV_ch, ChDescrp_r54(TSPX_TmSlitD, TSPX_TscD), CellChDes_03))			
gsmOrDcs1					
28		[TSPC_PGSM OR TSPC_EGSM]			

29	L!DL_DatRqHoCmd (DL_DatRqHoCmd.msg.strt := TCV_Strt)	HndOv_38(TCV_ch, TSPX_TmSlitE, TSPX_TscE)	
30	[TSPC_DCS]		
31	L!DL_DatRqHoCmd (DL_DatRqHoCmd.msg.strt := TCV_Strt)	HndOv_39(TCV_ch, TSPX_TmSlitE, TSPX_TscE)	
	channelsetup		
32	(TCV_n := BIT_TO_INT(TSPX_Chtp9))		
33	[TCV_n = 1]		
34	+FullRateCh_A_1_nociph(C_Immass, TSPX_TmSlitD, TSPX_TscD, ChMod_sign, Freq_rg15, Freq_rd15, TimingAdv_r01, '000'B, '000'B, '011'B)		8.
35	[(TCV_n = 2) OR (TCV_n = 3)]		
36	+HalfRateCh_A_1_3_nociph(TSPX_Chtp9, C_Immass, TSPX_TmSlitD, TSPX_TscD, ChMod_sign, Freq_rg15, Freq_rd15, TimingAdv_r01, '000'B, '000'B, '011'B)		9.
37	[(TCV_n >= 8) AND (TCV_n <= 15)]		
38	+SDCCH8_A_1_2_nociph(TSPX_Chtp9, C_Immass, TSPX_TmSlitD, TSPX_TscD, ChMod_sign, Freq_rg15, Freq_rd15, TimingAdv_r01, '000'B, '000'B, '011'B)		10.

Detailed Comments:

1. To setup a physical channel as BCCH, CCCH.
2. To set a physical channel as BCCH, CCCH for Cell B.
3. To setup a physical channel for immediate assignment.
4. To calculate the starting time for frequency redefinition.
5. To send FREQUENCY REDEFINITION message.
6. To calculate the starting time and send the HANOVER COMMAND on special frame TCV_Fn.
The assigned channel not activated in the tester.
7. The HANOVER FAILURE message received on the channel using the after time hopping parameters of the frequency redefinition message.
8. If the selected channel type is TCH/F, setup a physical channel as full rate channel for immediate assignment.
9. If the selected channel type is TCH/H, setup a physical channel as half rate channel for immediate assignment.
10. If the selected channel type is SDCCH8, setup a physical channel as SDCCH8 channel for immediate assignment.

Test Case Dynamic Behaviour					
Test Case Name:		TC_26_6_13_9			
Group:		GSM_L3_MS_v4170/RR/			
Purpose:		To verify that the MS, after receiving an IMMEDIATE ASSIGNMENT message with a starting time and channel descriptions both for before and after the starting time, and ready to access before the indicated time, performs correctly the assignment using the description for before the time, and then starts using the frequency parameters for after the time indicated in the message.			
Default:		OtherEventsFail			
Nr	Label	Behaviour Description	CRef	V	Comments
1		START T_guard(300)			
2		(TCV_slot := C_S0, TCV_tsc := C_BCC)			
3		+IdleUpdated(C_CellA, C_Immass, TCV_slot, TCV_tsc, TimingAdv_01, '000'B, '001'B, '011'B, '00'O)			
4		+PreEnterIdleState_r01(C_Immass, TCV_slot, TCV_tsc, 5,1, 0, TimingAdv_r01, '000'B, '000'B, '011'B, '00'O)			1.
5		+channelsetup			2.
6		+CCCH_group_Paging_group(TCV_Ccd0A, TSPX_IMSI)			
7	body	LIDL_UdatRqPg1Rq	PgReq1(TCV_PgCh, TCV_Pgg, PgReqTp1_01)		
8		L?DL_RacInChRq (TCV_Rr := DL_RacInChRq.msg.ecau_rrf, TCV_Fn := DL_RacInChRq.fn)	ChReq_01		
9		ACTIVATE(OtherEventsFail_02)			To match ChReq retrans.
10		(TCV_Fn := OM_ComingFn(TCV_ch), TCV_Strt := OC_StartTime(TCV_Fn, TSPX_Tm3, 1))			3.
11		+gsmOrDcs1			4.
12		(TCV_Null := OM_SendNextOn(TCV_ch, TCV_Fn))			
13		LIDL_UdatRqImm	ImmAss_r35(TCV_Rr, TCV_Fn, TCV_agch, TSPX_TmSlfF, TSPX_TscF, TimingAdv_r01)		
14		L?DL_EstInPgRes	PgRes_02(TCV_ch)		
15		ACTIVATE(OtherEventsFail)			Restore Normal default
16		+gsmOrDcs			5.
17		gsmOrDcs [TSPC_PGSM OR TSPC_EGSM]			
18		(TCV_Res := OM_FHCHK(TCV_sacchTch))			
19		[TCV_Res = TRUE]		(P)	
20		+PostMainLinkRel(TCV_ch)			
21		[TCV_Res = FALSE]		(F)	
22		+PostMainLinkRel(TCV_ch)			
23		[TSPC_DCS]			
24		(TCV_Res := OM_FHCHK(TCV_sacchTch))			
25		[TCV_Res = TRUE]		(P)	
26		+PostMainLinkRel(TCV_ch)			
27		[TCV_Res = FALSE]		(F)	
28		+PostMainLinkRel(TCV_ch)			
29		gsmOrDcs1 [TSPC_PGSM OR TSPC_EGSM]			
30		(TCV_Null := OM_FreqDef(TCV_Strt, MobilAllc_r32, TCV_ch, ChDescrp_r55(TSPX_TmSlfF, TSPX_TscF), CellChDes_02))			
31		[TSPC_DCS]			
32		(TCV_Null := OM_FreqDef(TCV_Strt, MobilAllc_r32, TCV_ch, ChDescrp_r55(TSPX_TmSlfF, TSPX_TscF), CellChDes_03))			

	channelsetup		
33	(TCV_n := BIT_TO_INT(TSPX_Chtp13))		
34	[TCV_n = 1]		
35	+FullRateCh_A_1_nociph(C_Immass, TSPX_TmSlitF, TSPX_TscF, ChMod_sign, Freq_rg16, Freq_rd16, TimingAdv_r01, '000'B, '000'B, '011'B)	6.	
36	[(TCV_n = 2) OR (TCV_n = 3)]		
37	+HalfRateCh_A_1_3_nociph(TSPX_Chtp13, C_Immass, TSPX_TmSlitF, TSPX_TscF, ChMod_sign, Freq_rg16, Freq_rd16, TimingAdv_r01, '000'B, '000'B, '011'B)	7.	
38	[(TCV_n >= 8) AND (TCV_n <= 15)]		
39	+SDCCH8_A_1_2_nociph(TSPX_Chtp13, C_Immass, TSPX_TmSlitF, TSPX_TscF, ChMod_sign, Freq_rg16, Freq_rd16, TimingAdv_r01, '000'B, '000'B, '011'B)	8.	

Detailed Comments:

1. To setup a physical channel as BCCH, CCCH.
2. To setup a physical channel for immediate assignment.
3. To calculate the starting time for frequency parameters change.
4. To inform the test system to change frequency parameters after starting time.
5. To check whether the MS transmitting on the after time frequency parameters.
6. If the selected channel type is TCH/F, setup a physical channel as full rate channel for immediate assignment before time.
7. If the selected channel type is TCH/H, setup a physical channel as half rate channel for immediate assignment before time.
8. If the selected channel type is SDCCH8, setup a physical channel as SDCCH8 channel for immediate assignment before time.

Test Case Dynamic Behaviour					
Test Case Name:		TC_26_6_13_10			
Group:		GSM_L3_MS_v4170/RR/			
Purpose:		To verify that the MS, after receiving an IMMEDIATE ASSIGNMENT message with a starting time and channel descriptions both for before and after the starting time, performs correctly the assignment using the frequencies and hopping sequence for after the time if the indicated time has already elapsed when the Mobile Station is ready to transmit.			
Default:		OtherEventsFail			
Nr	Label	Behaviour Description	CRef	V	Comments
1		START T_guard(300)			
2		(TCV_slot := C_S0, TCV_tsc := C_BCC)			
3		+IdleUpdated(C_CellA, C_Immass, TCV_slot, TCV_tsc, TimingAdv_01, '000'B, '001'B, '011'B, '00'O)			
4		+PreEnterIdleState_r01(C_Immass, TCV_slot, TCV_tsc, 5, 1, 0, TimingAdv_r01, '000'B, '000'B, '011'B, '00'O)			1.
5		+channelsetup			2.
6		+CCCH_group_Paging_group(TCV_Ccd0A, TSPX_IMSI)			
7	body	LIDL_UdatRqPg1Rq	PgReq1(TCV_PgCh, TCV_Pgg, PgReqTp1_01)		
8		L?DL_RacInChRq (TCV_Rr := DL_RacInChRq.msg.ecau_rrf, TCV_Fn := DL_RacInChRq.fn)	ChReq_01		
9		ACTIVATE(OtherEventsFail_02)			To match ChReq retrans.
10		(TCV_Fn := OM_ComingFn(TCV_ch), TCV_Strt := OC_StartTime(TCV_Fn, 5, 1))			3.
11		+gsmOrDcs1			
12		(TCV_Null := OM_SendNextOn(TCV_ch, TCV_Fn))			
13		LIDL_UdatRqImmass	ImmAss_r36(TCV_Rr, TCV_Fn, TCV_agch, TSPX_TmSlitG, TSPX_TscG, TimingAdv_r01)		
14		L?DL_EstInPgRes	PgRes_02(TCV_ch)		4.
15		ACTIVATE(OtherEventsFail)			Restore Normal default
16		+gsmOrDcs			
17		gsmOrDcs [TSPC_PGSM OR TSPC_EGSM]			
18		(TCV_Res := OM_FHCHK(TCV_sacchTch))			
19		[TCV_Res = TRUE]		(P)	
20		+PostMainLinkRel(TCV_ch)			
21		[TCV_Res = FALSE]		(F)	
22		+PostMainLinkRel(TCV_ch)			
23		[TSPC_DCS]			
24		(TCV_Res := OM_FHCHK(TCV_sacchTch))			
25		[TCV_Res = TRUE]		(P)	
26		+PostMainLinkRel(TCV_ch)			
27		[TCV_Res = FALSE]		(F)	
28		+PostMainLinkRel(TCV_ch)			
29		gsmOrDcs1 [TSPC_PGSM OR TSPC_EGSM]			
30		(TCV_Null := OM_FreqDef(TCV_Strt, MobilAllc_r33, TCV_ch, ChDescrp_r56(TSPX_TmSlitG, TSPX_TscG), CellChDes_02))			
31		[TSPC_DCS]			
32		(TCV_Null := OM_FreqDef(TCV_Strt, MobilAllc_r33, TCV_ch, ChDescrp_r56(TSPX_TmSlitG, TSPX_TscG), CellChDes_03))			

33 34 35 36 37 38 39	channelsetup (TCV_n := BIT_TO_INT(TSPX_Chtp14)) [TCV_n = 1] +FullRateCh_A_1_nociph(C_Immass, TSPX_TmSltG, TSPX_TscG, ChMod_sign, Freq_rg17, Freq_rd17, TimingAdv_r01, '000'B, '000'B, '011'B) [(TCV_n = 2) OR (TCV_n = 3)] +HalfRateCh_A_1_3_nociph(TSPX_Chtp14, C_Immass, TSPX_TmSltG, TSPX_TscG, ChMod_sign, Freq_rg17, Freq_rd17, TimingAdv_r01, '000'B, '000'B, '011'B) [(TCV_n >= 8) AND (TCV_n <= 15)] +SDCCH8_A_1_2_nociph(TSPX_Chtp14, C_Immass, TSPX_TmSltG, TSPX_TscG, ChMod_sign, Freq_rg17, Freq_rd17, TimingAdv_r01, '000'B, '000'B, '011'B)			5. 6. 7.
Detailed Comments: <ol style="list-style-type: none"> 1. To setup a physical channel as BCCH, CCCH. 2. To setup a physical channel for immediate assignment. 3. To calculate the starting time for immediate assignment. 4. To paging response message received on the channel with after time frequency parameters. 5. If the selected channel type is TCH/F, setup a physical channel as full rate channel for immediate assignment after time. 6. If the selected channel type is TCH/H, setup a physical channel as half rate channel for immediate assignment after time. 7. If the selected channel type is SDCCH8, setup a physical channel as SDCCH8 channel for immediate assignment after time. 				

Test Group MM

Test Case Dynamic Behaviour					
Test Case Name:		TC_26_7_1			
Group:		GSM_L3_MS_v4170/MM/			
Purpose:		To verify that the MS is able to receive and acknowledge a new TMSI by means of an explicit TMSI reallocation procedure. To verify that the MS has stored the TMSI in a non-volatile memory. The implicit reallocation procedure is tested in section 26.7.4.1.			
Default:		OtherEventsFail			
Comments:		Initial Conditions of MS: The MS has valid TMSI(TMSI_01), CKSN and Kc. It is "idle updated" on cell B. The initial conditions will be arrived in procedures of PREAMBLE. Required SIM card: default Foreseen final state of the MS: The MS has valid TMSI(TMSI_01), CKSN and Kc. It is "idle updated" on cell A.			
Nr	Label	Behaviour Description	CRef	V	Comments
1		START T_guard(300)			
2		(TCV_slot := C_S0, TCV_tsc := C_BCC)			
3		+IdleUpdated(C_CellB, C_Immass, TCV_slot, TCV_tsc, TimingAdv_01, '000'B, '001'B, '011'B, '00'O)			
4		(TCV_sacch:= OC_SubchOfSacch4(TSPX_SDCCH4SubDef, C_CellA))			
5		+IdleState_2cellMM2(C_CellB, C_Immass, TCV_slot, TCV_tsc, TimingAdv_r01, 0, '000'B, '001'B, '011'B, '00'O)			
6		+PreEstRRC_MM(MiTmsi_01, TCV_cksn, TCV_Ccd0B, TSPX_IMSI, TimingAdv_r01)			
7		+Cipherring_on(TCV_ch)			
8	body	+ltree_body			
		ltree_body			
9		+TmsiReallocation(MiTmsi_02, C_lacellB)			1)
10		+ChanRel(TCV_ch)			
11		(TCV_Null := OM_CphMd(TCV_ch, CphMod_02, TCV_CphKey))			no cipherring
12		+MM_PwrOrSimOff(C_SIMIn)			
13		START T_dly(10000)			
14		?TIMEOUT T_dly			
15		+MM_PwrOrSimOn(C_SIMIn)			
16		+WaitForInService			
17		+PreEstRRC_MM(MiTmsi_02, TCV_cksn, TCV_Ccd0B, TSPX_IMSI, TimingAdv_r01)			2)
18		+ChanRel(TCV_ch)			
19		+Varinit_fixA			3)
20		+ltree_switchcell			
21		+PreEstRRC_MM(MiTmsi_01, TCV_cksn, TCV_Ccd0A, TSPX_IMSI, TimingAdv_r01)			6)
22		+ChanRel_end(TCV_ch)			
		ltree_switchcell			
23		+LowRfLev_CellNotavail(C_CellB)			4)
24		+MM_LUP_tmsirealloc(MiTmsi_01, MiTmsi_02, C_lacellB, TCV_lac, TCV_cksn, TimingAdv_r01)			5)
25		+ChanRel(TCV_ch)			
Detailed Comments:		1) new TMSI from PIXIT, test body starts from here. 2) RR connection with the new tmsi 2. 3) initialization of variables for cell A. 4) The RF level of cell B is lowered until the MS selects cell A and starts the Location Update. 5) Location Update from cell B to A. 6) RR connection with the new tmsi 1			

Test Case Dynamic Behaviour					
Test Case Name: TC_26_7_2_1 Group: GSM_L3_MS_v4170/MM/ Purpose: 1) To check that a Mobile Station correctly responds to an Authentication(TCV_ch) Request message by sending an Authentication(TCV_ch) Response message with the SRES information field set to the same value as the one produced by the authentication algorithm in the network. 2) To check that a Mobile Station indicates in a Paging Response message the ciphering key sequence number which was allocated to it through the authentication procedure. Default: OtherEventsFail Comments: Initial Conditions of MS: The MS has valid TMSI, CKSN(CKSN1) and Kc. It is "idle updated" on the cell. Foreseen final state of the MS: The MS has valid TMSI(TMSI1), CKSN and Kc. IT is "idle updated" on cell A.					
Nr	Label	Behaviour Description	CRef	V	Comments
1		START T_guard(300)			
2		(TCV_slot := C_S0, TCV_tsc := C_BCC)			
3		+IdleUpdated(C_CellA, C_Immass, TCV_slot, TCV_tsc, TimingAdv_01, '000'B, '001'B, '011'B, '00'O)			
4		(TCV_sacch:= OC_SubchOfSacch4(TSPX_SDCCH4SubDef, C_CellA))			
5		+IdleState_cellA(C_Immass, TCV_slot, TCV_tsc, TimingAdv_r01, 1, '000'B, '001'B, '011'B, '00'O, C_noRestablishment)			
6		+PreEstRRC_MM(MiTmsi_01, TCV_cksn, TCV_Ccd0A, TSPX_IMSI, TimingAdv_r01)			
7		(TCV_cksn:= TSPX_CKSNB)			
8	body	+Authentication(TCV_ch, TCV_cksn)			
9		+ChanRel(TCV_ch)			
10		+PreEstRRC_MM(MiTmsi_01, TCV_cksn, TCV_Ccd0A, TSPX_IMSI, TimingAdv_r01)			1)
11	post	+ChanRel_end(TCV_ch)			
Detailed Comments: 1) RR-Establishment with a new CKSN					

Test Case Dynamic Behaviour					
Test Case Name:		TC_26_7_2_2			
Group:		GSM_L3_MS_v4170/MM/			
Purpose:		<p>1) To check that ,after reception of an Authentication Reject message, the Mobile Station:</p> <p>1.1 does not perform normal location updating</p> <p>1.2 does not perform periodic location updating</p> <p>1.3 does not respond to paging with TMSI</p> <p>1.4 rejects any request from CM entity for MM connection except for emergency call</p> <p>1.5 does not perform IMSI detach if deactivated</p> <p>2) To check that, after reception of an Authentication Reject message the Mobile Station, if it supports speech, accepts a request for an emergency call by sending a CHANNEL REQUEST message with the establishment cause set to "emergency call" and includes an IMEI as mobile identity in the CM SERVICE REQUEST message.</p> <p>3) To check that, after reception of an Authentication Reject message and after having been deactivated and reactivated, the MS performs location updating using its IMSI as mobile identity and indicates deleted LAI and CKSN.</p>			
Default:		OtherEventsFail			
Comments:		<p>Initial Conditions of MS: The MS has valid TMSI, CKSN2 and Kc. IT is "idle updated" on cell B.</p> <p>Foreseen final state of the MS: The MS has valid TMSI, CKSN1 and Kc. IT is "idle updated" on cell A.</p>			
Nr	Label	Behaviour Description	CRef	V	Comments
1		START T_guard(700)			
2		(TCV_slot := C_S0, TCV_tsc := C_BCC)			
3		+IdleUpdated(C_CellB, C_Immass, TCV_slot, TCV_tsc, TimingAdv_01, '000'B, '001'B, '011'B, '00'O)			
4		(TCV_sacch:= OC_SubchOfSacch4(TSPX_SDCCH4SubDef, C_CellA))			1)
5		+IdleState_2cellMM2(C_CellB, C_Immass, TCV_slot, TCV_tsc, TimingAdv_r01, 1, '000'B, '001'B, '011'B, '01'O)			
6	body	+PreEstRRC_MM(MiTmsi_01, TCV_cks, TCV_Ccd0B, TSPX_IMSI, TimingAdv_r01)			
7		+Authentication(TCV_ch, TCV_cks)			
8		LIDL_DatRqAuthRej	AuthRej_01(TCV_ch)		
9		+ChanRel(TCV_ch)			
10		+MM_no_paging(MiTmsi_01,3000, TCV_Ccd0B)			2)
11		START T_dly(15000)			
12		?TIMEOUT T_dly			
13		+MM_no_cmservices(3000)			3)
14		+MM_check_ecall1(TimingAdv_r01, Milmei_01)			4)
15		+ltree_switchcelltoA			
16		+NoReaction(30000)			5)
17		+ltree_continue			
		ltree_continue			
18		+NoReaction(420000)			6)
19		+ImsiDetachNoReaction(3000, C_SIMneedRmv)			7)
20		+MM_PwrOrSimOn(C_SIMneedRmv)			
21		+MM_LUPauth2(MiTmsi_01iei, Milmsi_01, C_lacdeleted, TCV_lac, C_normal Updating, C_cks, nokey, TCV_cks, TimingAdv_r01)			8)
22	post	+ChanRel_end(TCV_ch)			
		ltree_switchcelltoA			
23		+Varinit_fixA			
24		(TCV_cks:=TSPX_CKSNA, TCV_CphKey := OC_CphKeyGen(TSPX_Ki, TSPX_RANDA))			9)
25		+LowRfLev_Cellnotavail(C_CellB)			
Detailed Comments:		1) Initial condition: CKSN2, which has the default value.			

- 2) Check of purpose 1.3
- 3) Check of purpose 1.4
- 4) Check of purpose 1.4, emergency call
- 5) Check of purpose 1.1
- 6) Check of purpose 1.2
- 7) Check of purpose 1.5
- 8) Check normal location update after SimOutIn or SwitchOnOff or PowerOnOff.
- 9) CKSN1 takes the value different from the default value.

Test Case Dynamic Behaviour

Test Case Name: TC_26_7_3_1
Group: GSM_L3_MS_v4170/MM/
Purpose: 1) To verify that the MS sends identity information as requested by the system in the following cases: IMSI and TMSI are requested in non-ciphered mode, IMEI is requested in ciphered mode.
2) To verify that the MS sends its IMEI, when requested to do so, in non-ciphered mode.
3) To verify that the MS sends its IMEISV, when requested to do so, in non-ciphered mode.
Default: OtherEventsFail
Comments: Initial Conditions of MS:
The MS has valid TMSI. It is "idle updated" on the cell.

Foreseen final state of the MS:
The MS has valid TMSI. It is "idle updated" on the cell.
In the 11.10 there are two test sequences. In TTCN they are combined to only one.

Nr	Label	Behaviour Description	CRef	V	Comments
1		START T_guard(300)			
2		(TCV_slot := C_S0, TCV_tsc := C_BCC)			
3		+IdleUpdated(C_CellA, C_Immass, TCV_slot, TCV_tsc, TimingAdv_01, '000'B, '001'B, '011'B, '00'O)			
4		+IdleState_cellA(C_Immass, TCV_slot, TCV_tsc, TimingAdv_r01, 1, '000'B, '001'B, '011'B, '00'O, C_noReestablishment)			
5	body	+PreEstRRC_MM(MiTmsi_01, TCV_cksn, TCV_Ccd0A, TSPX_IMSI, TimingAdv_r01)			
6		+IdentityRequest(C_IMSI, Milmsi_01)			
7		+IdentityRequest(C_TMSI, MiTmsi_01)			
8		+Ciphering_on(TCV_ch)			
9		+IdentityRequest(C_IMEI, Milmei_01)			
10		+Ciphering_off(TCV_ch)			
11		+IdentityRequest(C_IMEI, Milmei_01)			
12		+IdentityRequest(C_IMEISV, Milmeisv_01)			
13	post	+ChanRel_end(TCV_ch)			

Detailed Comments:

Test Case Dynamic Behaviour					
Test Case Name:		TC_26_7_3_2			
Group:		GSM_L3_MS_v4170/MM/			
Purpose:		To check that the MS behaves correctly when activated with an IMSI of length less than the maximum length. In this condition, the MS shall: <ol style="list-style-type: none"> 1. perform location updating 2. answer to paging with IMSI 3. give the correct IMSI when asked by an IDENTITY REQUEST 4. attempt CM connection establishment when requested to 5. attempt call re-establishment when needed 6. attempt IMSI detach when needed 7. erase its TMSI when the IMSI is sent by the network in a LOCATION UPDATING ACCEPT or a TMSI REALLOCATION COMMAND message. 			
Default:		OtherEventsFail			
Comments:		Initial Conditions of MS: The MS has no valid TMSI. It is "idle updated" on the cell. The IMSI has the value '001011234'. This test case shall use the SIM Card 2 with 'IMSI=001011234' and HPLMN_search_period=6min. Foreseen final state of the MS: The MS has no valid TMSI. It is "idle updated" on the cell.			
Nr	Label	Behaviour Description	CRef	V	Comments
1		START T_guard(300)			
2		+BasicServiceMT(TSPX_MTBscSvcB, TSPX_MTChRateB, TSPX_MT_ImmConnB)			
3		(TCV_Null := OO_SIM2Ins())			
4		(TCV_slot := C_S0, TCV_tsc := C_BCC)			
5		+IdleUpdated(C_CellA, C_ImmMass, TCV_slot, TCV_tsc, TimingAdv_01, '000'B, '001'B, '011'B, '00'O)			
6		+IdleState_cellA(C_ImmMass, TCV_slot, TCV_tsc, TimingAdv_r01, 1, '000'B, '001'B, '011'B, '00'O, C_Restablishment)			
7		+CCConfigTCH(C_Ass, TSPX_TmSlTDef, TSPX_TscDef, TimingAdv_r01, '000'B, '001'B, '011'B)			
8		+ltree_body			
		ltree_body			
9		+ltree_check_idreqimsi			1)
10		+ltree_EnterCCstateU10			
11		(TCV_Null := OM_Deactivate(TCV_chTch, TCV_sacchTch))			
12		+ltree_check_reestablish_imsi			2)
13		+ltree_check_tmsi_imsi			3)
14		+ImsiDetach(Milmsi_31, TimingAdv_r01, C_SIMIn)			4)
15		+ltree_check_luppoweron			5)
16		+ltree_check_luplacchange			6)
17		+ltree_check_cmservreqimsi			7)
18		+ChanRel_end(TCV_ch)			
		ltree_check_idreqimsi			
19		+PreEstRRC_MM(Milmsi_31, TCV_cksn, TCV_Ccd0A, C_shortIMSI, TimingAdv_r01)			
20		+IdentityRequest(C_IMSI, Milmsi_31)			
		ltree_check_reestablish_imsi			
21		L?DL_RaInChRq (TCV_Rr := DL_RaInChRq. msg.ecau_rrf, TCV_Fn := DL_RaInChRq.fn)	ChReq_10		
22		ACTIVATE(OtherEventsFail_02)			To match ChReq retrans.
23		LIDL_UdatRqImmMass	ImmAss_01Def(TCV_ agch, TCV_Rr,TCV_Fn, TCV_slot, TCV_tsc, TCV_chdescr_arfcn, TimingAdv_r01)		
24		L?DL_EstInCmreRq	CmreReq_03	(P)	
25		ACTIVATE(OtherEventsFail)			Restore Normal default

26	+TmsiReallocation(MiTmsi_01, C_lacCellA)		
27	+ChanRel(TCV_ch)		
	Itree_check_tmsi_imsi		
28	+PreEstRRC_MM(MiTmsi_01, TCV_cksN, TCV_Ccd0A, C_shortIMSI, TimingAdv_r01)		
29	+Authentication(TCV_ch, TCV_cksN)		
30	+TmsiReallocation(Milmsi_31, C_lacCellA)		
31	+ChanRel(TCV_ch)		
32	(TCV_Null := OM_CphMd(TCV_ch, CphMod_02, TCV_CphKey))		
	Itree_check_luppoweron		
33	+MM_PwrOrSimOn(C_SIMIn)		
34	+MM_LUP2(MiTmsi_01iei, Milmsi_31, TCV_lac, TCV_lac, TCV_cksN, TimingAdv_r01)		
	Itree_check_luplacchange		
35	(TCV_lac := C_lacCellB)		
36	(TCV_slot := C_S0, TCV_tsc := C_BCC)		
37	+StartCellA_MM2(C_ImmAss, TCV_slot, TCV_tsc, 5, 1, 1, 0, TimingAdv_r01, '000'B, '001'B, '011'B, '00'O)		
38	START T_dly(30000)		
39	?TIMEOUT T_dly	(P)	
40	+MM_LUP_imsi(Milmsi_31iei, MiTmsi_01, TCV_lac, C_normal_updating, TimingAdv_r01)		
	Itree_check_cmserveqimsi		
41	+AttmpFullRateCall		
42	+BasicServiceMO(TSPX_MO_BscSvc_FRCall, C_Full)		
43	L?DL_RacInChRq (TCV_Rr := DL_RacInChRq. msg.ecau_rrf, TCV_Fn := DL_RacInChRq.fn)	ChReq_17	
44	ACTIVATE(OtherEventsFail_02)		To match ChReq retrans.
45	LIDL_UdatRqImmAss	ImmAss_01Def(TCV_agch, TCV_Rr, TCV_Fn, TCV_slot, TCV_tsc, TCV_chdescr_arfcn, TimingAdv_r01)	
46	L?DL_EstInCmsRq	CmserReq_30(Milmsi_31)	(P)
47	ACTIVATE(OtherEventsFail)		Restore Normal default
	Itree_EnterCCstateU10		
48	LIDL_DatRqAuthRq	AuthReq(TCV_ch, AuthRequest_01)	
49	L?DL_DatInAuthRes (TCV_Sres := DL_DatInAuthRes.msg.sres)	AuthRes(AuthResponse_01)	
50	(TCV_Res := OC_ChkSRES(TCV_Sres, TSPX_Ki, TSPX_RANDDef))		
51	[TCV_Res = FALSE]		(I)
52	+PostMainLinkRel(TCV_ch)		
53	[TCV_Res = TRUE]		
54	+Cipherring_on(TCV_ch)		
55	LIDL_DatRqSetup (TCV_TI.ti_f := '0'B, TCV_TI.ti_v := '000'B)	SetupSnd(TCV_ch, TCV_Setup_mt)	
56	L?DL_DatInCallCo(TCV_CallCfm:=DL_DatInCallCo.msg)	CallCfm(CallConfirm_01)	
57	+CCAssignTCH(TSPX_TmSltDef, TSPX_TscDef)		
58	L?DL_DatInConn	ConnRcv(Connect_01)	
59	LIDL_DatRqConnAck	ConnAckSnd(TCV_chTch, ConnectAck_01)	
60	+CCstatuschk_02(TCV_chTch, C_U10, TCV_TI, TI_01)		

61		L?DL_DatInAlert	AlertRcv(AlertingInd_02(TI_01))	
62		(TCV_Null := OO_HookOff())		
63		L?DL_DatInConn	ConnRcv(Connect_01)	
64		L!DL_DatRqConnAck	ConnAckSnd(TCV_chTch, ConnectAck_01)	
65		+CCstatuschk_02(TCV_chTch, C_U10, TCV_TI, TI_01)		
Detailed Comments:		0) Initial condition: no valid TMSI, test body starts here. 1) check of purpose 2. and 3. 2) check of purpose 5. 3) check of purpose 7. 4) check of purpose 6. 5) check of purpose 1. 6) check of purpose 1. and 7. 7) check of purpose 4.		

Test Case Dynamic Behaviour	
Test Case Name:	TC_26_7_4_1
Group:	GSM_L3_MS_v4170/MM/
Purpose:	To test the behaviour of the MS if the network accepts the location updating of the MS. For the network response three different cases are identified: 1) TMSI is allocated, 2) Location updating accept contains neither TMSI nor IMSI, 3) Location updating accept contains IMSI.
Default:	OtherEventsFail
Comments:	Initial Conditions of MS: The MS has valid TMSI(TMSI1), CKSN(CKSN1) and Kc. IT is "idle updated" on cell A. Foreseen final state of the MS: The MS has no valid TMSI and no CKSN. It is "idle updated" on cell B.

Nr	Label	Behaviour Description	CRef	V	Comments
1		START T_guard(300)			
2		(TCV_slot := C_S0, TCV_tsc := C_BCC)			
3		+IdleUpdated(C_CellA, C_Immass, TCV_slot, TCV_tsc, TimingAdv_01, '000'B, '001'B, '011'B, '00'O)			
4		(TCV_sacch_B := OC_SubchOfSacch4(TSPX_SDCCH4SubDef, C_CellB))			
5		+IdleState_2cellMM2(C_CellA, C_Immass, TCV_slot, TCV_tsc, TimingAdv_r01, 1, '000'B, '001'B, '011'B, '01'O)			
6	body	+Varinit_fixB			
7		+ltree_switchcelltoB_LupPag1			
8		+Varinit_fixA			
9		+ltree_switchcelltoA_LupPag			
10		+Varinit_fixB			
11		+ltree_switchcelltoB_LupPag2			
12		+ChanRel_end(TCV_ch)			
		ltree_switchcelltoB_LupPag1			
13		+LowRfLev_Cellnotavail(C_CellA)			
14		+MM_LUP2(MiTmsi_02iei, MiTmsi_01, C_lacellA, C_lacellB, TCV_cksn, TimingAdv_r01)			
15		+WaitForInService			
16		+PreEstRRC_MM(MiTmsi_02, TCV_cksn, TCV_Ccd0B, TSPX_IMSI, TimingAdv_r01)			
17		+ChanRel(TCV_ch)			
		ltree_switchcelltoA_LupPag			
18		+ChangeRfLev_2Cells(C_CellA, 63, C_CellB, 53)			
19		L?DL_RaInChRq (TCV_Rr := DL_RaInChRq.msg.ecau_rrf, TCV_Fn := DL_RaInChRq.fn)	ChReq_09		
20		ACTIVATE(OtherEventsFail_02)			To match ChReq retrans.
21		L!DL_UdatRqImmass	ImmAss_01Def(TCV_agch, TCV_Rr, TCV_Fn, TCV_slot, TCV_tsc, TCV_chdescr_arfcn, TimingAdv_r01)		
22		L?DL_EstInLupRq	LocUp_30(MiTmsi_02, TCV_ch, C_lacellB, C_normal_updating, TCV_cksn)		
23		ACTIVATE(OtherEventsFail)			Restore Normal default
24		L!DL_DatRqLupAcp	LocAcp_32(TCV_ch, C_lacellA)	(P)	
25		+ChanRel(TCV_ch)			
26		+WaitForInService			
27		+PreEstRRC_MM(MiTmsi_02, TCV_cksn, TCV_Ccd0A, TSPX_IMSI, TimingAdv_r01)			
28		+ChanRel(TCV_ch)			

	ltree_switchcelltoB_LupPag2		
29	+LowRfLev_CellNotavail(C_CellA)		
30	L?DL_RaInChRq (TCV_Rr := DL_RaInChRq. msg.ecau_rrf, TCV_Fn := DL_RaInChRq.fn)	ChReq_09	
31	ACTIVATE(OtherEventsFail_02)		To match ChReq retrans.
32	LIDL_UdatRqImm	ImmAss_01Def(TCV_agch, TCV_Rr, TCV_Fn, TCV_slot, TCV_tsc, TCV_chdescr_arfcn, TimingAdv_r01)	
33	L?DL_EstInLupRq	LocUp_30(MiTmsi_02 , TCV_ch, C_lacellA, C_normal_updating, TCV_cksn)	
34	ACTIVATE(OtherEventsFail)		Restore Normal default
35	LIDL_DatRqLupAcp	LocAcp_30(Milmsi_0 1iei, TCV_ch, C_lacellB)	(P)
36	+ChanRel(TCV_ch)		
37	+WaitForInService		
38	+MM_no_paging(MiTmsi_02, 5000, TCV_Ccd0B)		
39	+PreEstRRC_MM(Milmsi_01, TCV_cksn, TCV_Ccd0B, TSPX_IMSI, TimingAdv_r01)		
Detailed Comments:			

Test Case Dynamic Behaviour					
Test Case Name: TC_26_7_4_2_1					
Group: GSM_L3_MS_v4170/MM/					
Purpose: To test the behaviour of the MS if the network rejects the location updating of the MS with the cause "IMSI unknown in HLR", "illegal MS" or "Illegal ME".					
Default: OtherEventsFail					
Comments: Initial Conditions of MS: The MS has no valid TMSI and no CKSN. It is "idle updated" on cell A. Foreseen final state of the MS: The MS has valid TMSI and no CKSN. It is "idle updated" on cell A.					
Nr	Label	Behaviour Description	CRef	V	Comments
1		START T_guard(2100)			
2		(TCV_slot := C_S0, TCV_tsc := C_BCC)			
3		+IdleUpdated(C_CellA, C_Immss, TCV_slot, TCV_tsc, TimingAdv_01, '000'B, '001'B, '011'B, '00'O)			
4		(TCV_sacch_B := OC_SubchOfSacch4(TSPX_SDCCH4SubDef, C_CellB))			
5		+IdleState_2cellMM2(C_CellA, C_Immss, TCV_slot, TCV_tsc, TimingAdv_r01, 1, '000'B, '001'B, '011'B, '01'O)			
6	body	+execution1			
7		+execution2			
8		+execution3			
		execution1			
9		+ltree_switchcelltoB			
10		+MM_LupRej(C_rc_imsiunknownhrl, TimingAdv_r01)			
11		+ltree_main			
12		+ChanRel(TCV_ch)			
		execution2			
13		+ltree_switchcelltoB			
14		+MM_LupRej(C_rc_illegal_ms, TimingAdv_r01)			
15		+ltree_main			
16		+ChanRel(TCV_ch)			
		execution3			
17		+ltree_switchcelltoB			
18		+MM_LupRej(C_rc_illegal_me, TimingAdv_r01)			
19		+ltree_main			
20	post	+ChanRel_end(TCV_ch)			
		ltree_main			
21		+ltree_switchcelltoA			
22		+NoReaction(30000)			
23		+NoReaction(420000)			
24		+MM_no_paging(Milmsi_01, 3000, TCV_Ccd0A)			
25		+MM_no_paging(MiTmsi_01, 3000, TCV_Ccd0A)			
26		+MM_no_cmservices(3000)			
27		+MM_check_ecall1(TimingAdv_r01, Milmei_01)			
28		+ImsiDetachNoReaction(3000, C_SIMneedRmv)			
29		+MM_PwrOrSimOn(C_SIMneedRmv)			
30		+MM_LUPauth2(MiTmsi_01iei, Milmsi_01, C_lacdeleted, TCV_lac, C_normal_updating, C_cksnokey, TCV_cksno, TimingAdv_r01)			
		ltree_switchcelltoA			
31		+Varinit_fixA			

32	+IncrRfLev_Cellavail(C_CellA)			
33	+LowRfLev_Cellnotavail(C_CellB)			
	ltree_switchcelltoB			
34	+Varinit_fixB			
35	+IncrRfLev_Cellavail(C_CellB)			
36	+LowRfLev_Cellnotavail(C_CellA)			
Detailed Comments:				

Test Case Dynamic Behaviour					
Test Case Name:		TC_26_7_4_2_2_1			
Group:		GSM_L3_MS_v4170/MM/			
Purpose:		To test the behaviour of the MS if the network rejects the location updating of the MS with the cause "PLMN not allowed".			
Default:		OtherEventsFail			
Comments:		Initial conditions for the Mobile Station: - The MS has a valid TMSI. It is "idle updated" on cell C. - The MS is in manual mode for PLMN selection. Final state of the Mobile Station: Idle Updated with TMSI on cell C. The MS is in automatic mode for PLMN selection.			
Nr	Label	Behaviour Description	CRef	V	Comments
1		START T_guard(720)			
2		(TCV_slot := C_S0, TCV_tsc := C_BCC)			
3		+IdleUpdated(C_CellC, C_Immass, TCV_slot, TCV_tsc, TimingAdv_01, '000'B, '001'B, '011'B, '00'O)			
4		+StartCellC(C_Immass, TCV_slot, TCV_tsc, TimingAdv_r01, 0, '000'B, '001'B, '011'B, '00'O)			
5		+WaitForInService			
6	body	+MM_PwrOrSimOff(C_SIMIn)			
7		(TCV_Null := OM_StopCell(C_CellC))			
8		+Varinit_fixB			
9		(TCV_sacch:= OC_SubchOfSacch4(TSPX_SDCCH4SubDef, C_CellA), TCV_slot := C_S0, TCV_tsc := C_BCC)			
10		+Start_2cellsPLMN2(C_CellB, C_Immass, TCV_slot, TCV_tsc, TimingAdv_r01, 1, '000'B, '001'B, '011'B, '01'O)			
11		+MM_PwrOrSimOn(C_SIMIn)			
12		+ltree_continue			
		ltree_continue			
13		(TCV_Null := OO_PLMNselModeMan())			
14		(TCV_Null := OO_SelPLMN(C_PLMN_2))			
15		+MM_LupRej(C_rc_plmn_not, TimingAdv_r01)			1)
16		+NoReaction(420000)			2)
17		+ImsiDetachNoReaction(3000, C_SIMneedRmv)			3)
18		+MM_PwrOrSimOn(C_SIMneedRmv)			
19		+ltree_switchcelltoA			
20		+ltree_continue1			
		ltree_continue1			
21		+NoReaction(60000)			4)
22		+MM_check_ecall1(TimingAdv_r01, Milmsi_01)			5)
23		+MM_no_cmservices(3000)			5)
24		+MM_PwrOrSimOff(C_SIMIn)			
25		(TCV_Null := OM_StopCell(C_CellA), TCV_Null := OM_StopCell(C_CellB))			
26		+ltree_continue2			
		ltree_continue2			
27		+Varinit_fixC			
28		+StartCellC(C_Immass, TCV_slot, TCV_tsc, TimingAdv_r01, 0, '000'B, '001'B, '011'B, '00'O)			6)
29		+MM_PwrOrSimOn(C_SIMIn)			
30		(TCV_Null := OO_PLMNselModeAuto())			
31		+MM_LUP2(MiTmsi_01iei, Milmsi_01, C_lacdeleted, TCV_lac, C_cksn_nokey, TimingAdv_r01)			
		ltree_switchcelltoA			

32		+Varinit_fixA			
33		+LowRfLev_Cellnotavail(C_CellB)			
Detailed Comments:					
1) Location updating rejected with cause = PLMN not allowed.					
MS shall					
2) not perform periodic updating					
3) not perform IMSI detach when switched off.					
4) not perform normal location updating after switching to a new LAC in the same PLMN and when that PLMN is not selected manually.					
5) reject any request from CM entity for MM connection other than for emergency call.					
6) switch to a new cell with a new PLMN.					
7) perform normal location updating after entering in a new PLMN					

Test Case Dynamic Behaviour					
Test Case Name: TC_26_7_4_2_2_2					
Group: GSM_L3_MS_v4170/MM/					
Purpose: To test the behaviour of the MS if the network rejects the location updating of the MS with the cause "PLMN not allowed".					
Default: OtherEventsFail					
Comments: Initial conditions for the Mobile Station: - The MS has a valid TMSI. It is "idle updated" on cell C. - The MS is in manual mode for PLMN selection.					
Final state of the Mobile Station: Idle Updated with TMSI on cell C. The MS is in automatic mode for PLMN selection.					
Nr	Label	Behaviour Description	CRef	V	Comments
1		START T_guard(720)			
2		(TCV_slot := C_S0, TCV_tsc := C_BCC)			
3		+IdleUpdated(C_CellC, C_Immass, TCV_slot, TCV_tsc, TimingAdv_01, '000'B, '001'B, '011'B, '00'O)			
4		+StartCellC(C_Immass, TCV_slot, TCV_tsc, TimingAdv_r01, 0, '000'B, '001'B, '011'B, '00'O)			
5		+WaitForInService			
6	body	+MM_PwrOrSimOff(C_SIMIn)			
7		(TCV_Null := OM_StopCell(C_CellC))			
8		+Varinit_fixB			
9		(TCV_sacch:= OC_SubchOfSacch4(TSPX_SDCCH4SubDef, C_CellA), TCV_slot := C_S0, TCV_tsc := C_BCC)			
10		+Start_2cellsPLMN2(C_CellB, C_Immass, TCV_slot, TCV_tsc, TimingAdv_r01, 1, '000'B, '001'B, '011'B, '01'O)			
11		+MM_PwrOrSimOn(C_SIMIn)			
12		+Itree_continue			
		Itree_continue			
13		(TCV_Null := OO_PLMNselModeMan())			
14		(TCV_Null := OO_SelPLMN(C_PLMN_2))			
15		+MM_LupRej(C_rc_plmn_not, TimingAdv_r01)			1)
16		(TCV_Null := OO_SelPLMN(C_PLMN_2))			2)
17		+MM_LupInIt(Milmsi_01, C_lacdeleted, C_normal_updating, C_cksn_nokey, TimingAdv_r01)			
18		+ChanRel(TCV_ch)			
19		+MM_PwrOrSimOff(C_SIMIn)			
20		(TCV_Null := OM_StopCell(C_CellA), TCV_Null := OM_StopCell(C_CellB))			
21		+Itree_continue2			
		Itree_continue2			
22		+Varinit_fixC			
23		+StartCellC(C_Immass, TCV_slot, TCV_tsc, TimingAdv_r01, 0, '000'B, '001'B, '011'B, '00'O)			6)
24		+MM_PwrOrSimOn(C_SIMIn)			
25		(TCV_Null := OO_PLMNselModeAuto())			
26		+MM_LUP2(MiTmsi_01iei, Milmsi_01, C_lacdeleted, TCV_lac, C_cksn_nokey, TimingAdv_r01)			
Detailed Comments:		1) Location updating rejected with cause = PLMN not allowed.			
		2) MS shall perform normal location updating after switching to a new LAC in the same PLMN and when that PLMN is selected manually.			

Test Case Dynamic Behaviour					
Test Case Name: TC_26_7_4_2_3					
Group: GSM_L3_MS_v4170/MM/					
Purpose: To test the behaviour of the MS if the network rejects the location updating of the MS with the cause "Location Area not allowed". To test that the MS deletes the list of forbidden location areas after switching of the MS.					
Default: OtherEventsFail					
Comments: Initial conditions for the Mobile Station: - The MS has a valid TMSI. It is "idle updated" on cell A. Initial conditions for the Mobile Station: - The MS has a valid TMSI. It is "idle updated" on cell A.					
Nr	Label	Behaviour Description	CRef	V	Comments
1		START T_guard(720)			
2		(TCV_slot := C_S0, TCV_tsc := C_BCC)			
3		+IdleUpdated(C_CellA, C_Immass, TCV_slot, TCV_tsc, TimingAdv_01, '000'B, '001'B, '011'B, '00'O)			
4		(TCV_sacch_B := OC_SubchOfSacch4(TSPX_SDCCH4SubDef, C_CellB))			
5		+IdleState_2cellMM2(C_CellA, C_Immass, TCV_slot, TCV_tsc, TimingAdv_r01, 1, '000'B, '001'B, '011'B, '01'O)			
6	body	+ltree_switchcelltoB_Auitable			
7		+MM_LupRej(C_rc_LAnotallowed, TimingAdv_r01)			1)
8		+NoReaction(420000)			2)
9		+MM_no_paging(MiTmsi_01, 3000, TCV_Ccd0B)			3)
10		+MM_no_cmsservices(3000)			4)
11		+MM_check_ecall1(TimingAdv_r01, Milmsi_01)			4)
12		+ImsiDetachNoReaction(3000, C_SIMIn)			5)
13		+MM_PwrOrSimOn(C_SIMIn)			
14		+MM_LupRej2(C_rc_LAnotallowed, Milmsi_01, C_lacdeleted, C_normal_updating, C_cksnokey, TimingAdv_r01)			6)
15		+ltree_switchcelltoA			
16		+MM_LUPauth1(MiTmsi_01iei, TCV_lac, TCV_cksno, TimingAdv_r01)			7)
17		+ChanRel_end(TCV_ch)			
		ltree_switchcelltoA			
18		+Varinit_fixA			
19		+LowRfLev_Cellnotavail(C_CellB)			
		ltree_switchcelltoB_Auitable			
20		+Varinit_fixB			
21		+ChangeRfLev_2Cells(C_CellB, 63, C_CellA, 51)			
Detailed Comments: 1) Reject of Location Updating with the cause Location Area is not allowed. MS shall 2) not perform periodic updating 3) not perform paging with TMSI 4) reject any request from CM entity for MM connection other than for emergency call. 5) not perform IMSI detach when switched off. 6) delete list of forbidden LAs after switch off and perform normal location updating 7) perform normal location updating after entering in a new Location Area.					

Test Case Dynamic Behaviour

Test Case Name:	TC_26_7_4_2_4_1
Group:	GSM_L3_MS_v4170/MM/
Purpose:	Test purpose 1 To test that on receipt of a rejection using the Roaming cause code, the MS ceases trying to update on that cell, that this situation continues for at least one periodic location interval period, and that the corresponding list is re-set by powering down the MS (the requirement in TS GSM 04.08 is that the list shall be retained for at least 12 hours. This aspect is not formally tested).
Default:	OtherEventsFail
Comments:	This testcase includes only the procedure of part 1 of GSM 11.10-1, section 26.7.4.2.4. Initial Conditions of MS: The MS has valid TMSI, CKSN and Kc. IT is "idle updated" on cell B. Foreseen final state of the MS: The MS has no valid TMSI and no CKSN. It is "idle updated" on cell A.

Nr	Label	Behaviour Description	CRef	V	Comments
1		START T_guard(720)			
2		(TCV_slot := C_S0, TCV_tsc := C_BCC)			
3		(TCV_sacch:= OC_SubchOfSacch4(TSPX_SDCCH4SubDef, C_CellA))			Initialization of TCV_sacch
4		+IdleUpdatedCellB(C_Imm, TCV_slot, TCV_tsc, TimingAdv_r01, 1, '000'B, '001'B, '011'B, '01'O)			
5	body	+tree_switchcelltoA			
6		+MM_LupRej(C_rc_roamingnot, TimingAdv_r01)			1)
7		+NoReaction(420000)			2)
8		+MM_PwrOrSimOff(C_SIMIn)			3)
9		+MM_PwrOrSimOn(C_SIMIn)			3)
10		(TCV_Null := OO_PLMNselModeAuto())			
11		+MM_LupInit2(C_normal_updating, TimingAdv_r01)			3)
12		!DL_DatRqLupAcp	LocAcp_31(TCV_ch, TCV_lac)	(P)	4)
13		+ChanRel_end(TCV_ch)			
14		!tree_switchcelltoA +Varinit_fixA			
15		+LowRfLev_Cellnotavail(C_CellB)			

Detailed Comments: 1) Reject of Location Updating with the cause Roaming is not allowed.

MS shall

2) not perform periodic updating

3) reset the list of "forbidden location areas for national roaming" when powered down.

4) Location Updating Accept with LAI belonging to PLMN2 and without Mobile Identity.

Test Case Dynamic Behaviour					
Test Case Name: TC_26_7_4_2_4_2 Group: GSM_L3_MS_v4170/MM/ Purpose: Test purpose 2 To test that if no cell is available, the MS does not answer to paging with TMSI, rejects a request from CM entity except other than emergency calls. Default: OtherEventsFail Comments: This testcase includes only the procedure of part 2 of GSM 11.10-1, section 26.7.4.2.4. Initial Conditions of MS: The MS has valid TMSI, CKSN and Kc. IT is "idle updated" on cell B. Foreseen final state of the MS: The MS has no valid TMSI and no CKSN. It is in the "limited service" state on cell A.					
Nr	Label	Behaviour Description	CRef	V	Comments
1		START T_guard(360)			
2		(TCV_slot := C_S0, TCV_tsc := C_BCC)			
3		(TCV_sacch:= OC_SubchOfSacch4(TSPX_SDCCH4SubDef, C_CellA))			
4		+IdleUpdatedCellB(C_Immass, TCV_slot, TCV_tsc, TimingAdv_r01, 1, '000'B, '001'B, '011'B, '01'O)			
5		+ltree_body			
		ltree_body			
6		+ltree_switchcelltoA_Cellavail			
7		+MM_LupRej(C_rc_roamingnot, TimingAdv_r01)			1)
8		+Varinit_fixB			
9		+MM_LupRej(C_rc_roamingnot, TimingAdv_r01)			2)
10		+NoReaction(120000)			4)
11		+MM_no_paging(Milmsi_01, 3000, TCV_Ccd0B)			3b)
12		+Varinit_fixA			
13		+MM_no_paging(Milmsi_01, 3000, TCV_Ccd0A)			3a)
14		+MM_no_cmsservices(3000)			4)
15		+MM_check_ecall1(TimingAdv_r01, Milmsi_01)			4)
16		+ChanRel_end(TCV_ch)			
		ltree_switchcelltoA_Cellavail			
17		+Varinit_fixA			
18		+LowRfLev_Cellavailable(C_CellB)			
Detailed Comments: 1) Reject of Location Updating with the cause Roaming is not allowed. MS shall 2) perform normal updating when a new location area is entered. 3a) not respond to paging with TMSI in cell a. 3b) not respond to paging with TMSI in cell b. 4) reject any request from CM entity for MM connection other than for emergency call.					

Test Case Dynamic Behaviour

Test Case Name: TC_26_7_4_2_4_3
Group: GSM_L3_MS_v4170/MM/
Purpose: Test purpose 3
 To test that at least 6 entries can be held in the list of "forbidden location areas for roaming" (the requirement in TS GSM 04.08 is to store at least 10 entries. This is not fully tested by this procedure).
Default: OtherEventsFail
Comments: This testcase includes only the procedure of part 3 of GSM 11.10-1, section 26.7.4.2.4.

Initial Conditions of MS:
 The MS has valid TMSI, CKSN and Kc. IT is "idle updated" on cell B.

Foreseen final state of the MS:
 The MS has no valid TMSI and no CKSN. It is "idle updated" on cell A.

Nr	Label	Behaviour Description	CRef	V	Comments
1		START T_guard(1020)			
2		(TCV_slot := C_S0, TCV_tsc := C_BCC)			
3		(TCV_sacch:= OC_SubchOfSacch4(TSPX_SDCCH4SubDef, C_CellA))			
4		+IdleUpdatedCellB(C_Immass, TCV_slot, TCV_tsc, TimingAdv_r01, 1, '000'B, '001'B, '011'B, '01'O)			
5	body	+Itree_switchcelltoA_Cellavail			
6		+MM_LupRej(C_rc_roamingnot, TimingAdv_r01)			1)
7		+Varinit_fixB			
8		+MM_LupRej(C_rc_roamingnot, TimingAdv_r01)			2)
9		+Varinit_fixA			
10		+ChgLAC_A(C_LAC_3,1, '000'B, '001'B, '011'B, '00'O)			
11		+MM_LupRej(C_rc_roamingnot, TimingAdv_r01)			2)
12		+Itree_continue			
		Itree_continue			
13		+Varinit_fixB			
14		+ChgLAC_B(C_LAC_4, 1, '000'B, '001'B, '011'B, '01'O)			
15		+MM_LupRej(C_rc_roamingnot, TimingAdv_r01)			2)
16		+ChgLAC_A(C_LAC_5, 1, '000'B, '001'B, '011'B, '01'O)			
17		+MM_LupRej(C_rc_roamingnot, TimingAdv_r01)			2)
18		+Varinit_fixB			
19		+ChgLAC_B(C_LAC_6, 1, '000'B, '001'B, '011'B, '01'O)			
20		+MM_LupRej(C_rc_roamingnot, TimingAdv_r01)			2)
21		START T_dly(420000)			3)
22		?TIMEOUT T_dly		P	
		Itree_switchcelltoA_Cellavail			
23		+Varinit_fixA			
24		+LowRfLev_Cellavailable(C_CellB)			

Detailed Comments: 1) Reject of Location Updating with the cause Roaming is not allowed.

MS shall

2) perform normal updating when a new location area is entered.

3) not perform periodic updating

Test Case Dynamic Behaviour					
Test Case Name:		TC_26_7_4_2_4_4			
Group:		GSM_L3_MS_v4170/MM/			
Purpose:		Test purpose 4 To test that if a cell of the Home PLMN is available then the MS returns to it in preference to any other available cell.			
Default:		OtherEventsFail			
Comments:		This testcase includes only the procedure of part 4 of GSM 11.10-1, section 26.7.4.2.4. Initial Conditions of MS: The MS has valid TMSI, CKSN and Kc. IT is "idle updated" on cell A. Foreseen final state of the MS: The MS has no valid TMSI and no CKSN. It is "idle updated" on cell C.			
Nr	Label	Behaviour Description	CRef	V	Comments
1		START T_guard(960)			
2		(TCV_slot := C_S0, TCV_tsc := C_BCC, TCV_sacch_B := OC_SubchOfSacch4(TSPX_SDCCH4SubDef, C_CellB), TCV_sacch_C := OC_SubchOfSacch4(TSPX_SDCCH4SubDef, C_CellC))			
3		+IdleState_3cellMMA(C_Immass, TCV_slot, TCV_tsc, TimingAdv_r01, 1, '000'B, '001'B, '011'B, '01'O)			
4		+MM_LUPper(TCV_lac, TimingAdv_r01)			1)
5		+ChgLAI_C(C_PLMN_Home, 1, '000'B, '001'B, '011'B, '01'O)			2)
6		+MM_LUPperrej(C_rc_roamingnot, TimingAdv_r01)			3)
7		+Varinit_fixC			
8		+MM_LUP3(C_PLMN_Home, TCV_lac, TimingAdv_r01)			4)
Detailed Comments:		1) Periodic Updating in cell A. 2) LAI change to HPLMN 3) Reject of Periodic Location Updating with the cause Roaming is not allowed in cell A. 4) MS shall periodically search to Home PLMN.			

Test Case Dynamic Behaviour

Test Case Name: TC_26_7_4_2_4_5
Group: GSM_L3_MS_v4170/MM/
Purpose: Test purpose 5
 To test that if the SIM is removed the list of "forbidden location areas for roaming" is cleared.
Default: OtherEventsFail
Comments: This testcase includes only the procedure of part 5 of GSM 11.10-1, section 26.7.4.2.4.

Initial Conditions of MS:

The MS has valid TMSI, CKSN and Kc. IT is "idle updated" on cell B.

Foreseen final state of the MS:

The MS has no valid TMSI and no CKSN. It is "idle updated" on cell A.

Nr	Label	Behaviour Description	CRef	V	Comments
1		[TSPC_SIMRmv = TRUE]			
2		START T_guard(720)			
3		(TCV_slot := C_S0, TCV_tsc := C_BCC)			
4		(TCV_sacch := OC_SubchOfSacch4(TSPX_SDCCH4SubDef, C_CellA))			
5		+IdleUpdatedCellB(C_Immss, TCV_slot, TCV_tsc, TimingAdv_r01, 1, '000'B, '001'B, '011'B, '01'O)			
6	body	+Itree_switchcelltoA_Cellavailable			
7		+MM_LupRej(C_rc_roamingnot, TimingAdv_r01)			1)
8		+NoReaction(420000)			
9		+ImsiDetachNoReaction(3000, C_SIMneedRmv)			2)
10		+MM_PwrOrSimOn(C_SIMneedRm v)			3)
11		+MM_LupInit2(C_normal_updating, TimingAdv_r01)			4)
12		!DL_DatRqLupAcp	LocAcp_32(TCV_ch, TCV_lac)	(P)	no MI
13		+ChanRel_end(TCV_ch)			
14		[TSPC_SIMRmv = FALSE]		I	
		Itree_switchcelltoA_Cellavailable			
15		+Varinit_fixA			
16		+LowRfLev_Cellavailable(C_CellB)			

Detailed Comments:

- 1) Reject of Location Updating in cell B.
- 2) The SIM is removed.
- 3) The SIM is inserted
- 4) The MS shall reset the list of "forbidden location areas for roaming" when SIM is removed.

Test Case Dynamic Behaviour					
Test Case Name:		TC_26_7_4_3_1			
Group:		GSM_L3_MS_v4170/MM/			
Purpose:		To verify that when during the RR connection establishment phase of a location updating procedure, channel requests are not answered by the network, after expiry of T3213 (= 4s in Phase 2) and when the cell reselection procedure is finished the complete procedure is repeated if still necessary.			
Default:		OtherEventsFail			
Comments:		Initial Conditions of MS: The MS has valid TMSI, CKSN and Kc. IT is "idle updated" on cell B. Foreseen final state of the MS: The MS has no valid TMSI and no CKSN. It is "idle updated" on cell A.			
Nr	Label	Behaviour Description	CRef	V	Comments
1		START T_guard(300)			
2		(TCV_slot := C_S0, TCV_tsc := C_BCC)			
3		+IdleUpdated(C_CellB, C_Immass, TCV_slot, TCV_tsc, TimingAdv_01, '000'B, '001'B, '011'B, '00'O)			
4		(TCV_sacch:= OC_SubchOfSacch4(TSPX_SDCCH4SubDef, C_CellA))			
5		+IdleState_2cellMM2(C_CellB, C_Immass, TCV_slot, TCV_tsc, TimingAdv_r01, 0, '000'B, '001'B, '011'B, '00'O)			
6	body	+Itree_switchcelltoA_Cellavailable			1)
7		(TCV_Cnt:=0)			
8		REPEAT Itree_ra UNTIL [TCV_Cnt = (TSPX_MaxRetrans+1)]			2)
9		START T_dly(4000)			
10		?TIMEOUT T_dly		(P)	3)
11		+MM_LUP_imsi1(MiTmsi_01, C_lacellB, TCV_lac, TimingAdv_r01)			4)
12		+ChanRel(TCV_ch)			
13		+Itree_switchcelltoB			5)
14		(TCV_Cnt:=0)			
15		REPEAT Itree_ra UNTIL [TCV_Cnt = (TSPX_MaxRetrans+1)]			6)
16		+Itree_cellA_available			7)
17		START T_dly(15000)			
18		?TIMEOUT T_dly		P	8)
19		Itree_switchcelltoA_Cellavailable +Varinit_fixA			
20		+LowRfLev_Cellavailable(C_CellB)			
21		Itree_cellA_available +Varinit_fixA			
22		+IncrRfLev_Cellavail(C_CellA)			
23		Itree_switchcelltoB +Varinit_fixB			
24		+LowRfLev_Cellavailable(C_CellA)			
25		+IncrRfLev_Cellavail(C_CellB)			
26		Itree_ra L?DL_RaInChRq (TCV_Rr := DL_RaInChRq, msg.ecau_rrf, TCV_Fn := DL_RaInChRq.fn, TCV_Cnt := TCV_Cnt + 1)	ChReq_09		
Detailed Comments:		1) MS shall selects cell A, cell B is not available. 2) To send Max-Retrans+1 times Channel Requests in cell A 3) MS shall not try to establish a connection during a period of a cell reselection (4 seconds). 4) MS shall perform a normal location updating procedure as it is necessary. 5) Cell A is not available and MS shall switches to cell B 6) To send Max-Retrans+1 times Channel Requests in cell B 7) Cell A is available again.			

8) MS shall not repeat the complete procedure if the original cause of the normal location updating procedure has disappeared.

Test Case Dynamic Behaviour					
Test Case Name:		TC_26_7_4_3_2			
Group:		GSM_L3_MS_v4170/MM/			
Purpose:		To verify that the MS performs normal location updating procedures when its attempt counter is smaller than 4. To check that the MS does not perform the IMSI detach procedure when "idle not updated". To verify that when "idle not updated" the MS can perform an emergency call. To verify that when "idle not updated" the MS uses requests from CM layer other than emergency call as triggering of a normal location updating procedure. To verify that the MS performs a normal location updating procedure if it enters a new cell while being "idle not updated".			
Default:		OtherEventsFail			
Comments:		Initial Conditions of MS: The MS has valid TMSI and CKSN. It is "idle updated" on cell A. Foreseen final state of the MS: The MS has valid TMSI and CKSN. It is "idle updated" on cell A.			
Nr	Label	Behaviour Description	CRef	V	Comments
1		START T_guard(360)			
2		(TCV_slot := C_S0, TCV_tsc := C_BCC)			
3		+IdleUpdated(C_CellA, C_Immass, TCV_slot, TCV_tsc, TimingAdv_01, '000'B, '001'B, '011'B, '00'O)			
4		(TCV_sacch_B := OC_SubchOfSacch4(TSPX_SDCCH4SubDef, C_CellB))			
5		+IdleState_2cellMM2(C_CellA, C_Immass, TCV_slot, TCV_tsc, TimingAdv_r01, 1, '000'B, '001'B, '011'B, '00'O)			
6	body	+ltree_confreq1			1)
7		+ltree_confreq2			2)
8		+ltree_confreq3			3)
9		+ltree_confreq4			4)
10		+ltree_confreq6			6)
11		+ChanRel_end(TCV_ch)			
		ltree_confreq1			
12		+ltree_Anotsuitable			
13		+MM_LupRej2(C_rc_protocolerror, MiTmsi_01, C_lacellA, C_normal_updating, TCV_cks, TimingAdv_r01)			1.1)
14		+NoReaction(C_T_T3211min)			1.2)
15		+MM_LupInIt(Milmsi_01, C_lacdeleted, C_normal_updating, C_cks_nokey, TimingAdv_r01)			1.2)
16		+Stopmaindcch(TCV_ch, TCV_sacch_B)			In cell B
17		(TCV_tmp := (C_T_T3211min + C_RadioLinkTimeOut))			
18		+NoReaction(TCV_tmp)			1.3)
19		(TCV_Null := OM_Reactivate(TCV_ch, TCV_sacch_B))			
20		+MM_LupInIt(Milmsi_01, C_lacdeleted, C_normal_updating, C_cks_nokey, TimingAdv_r01)			1.2)
21		+ChanRel(TCV_ch)			
22		+NoReaction(C_T_T3211min)			
23		+MM_LUPAuth2(MiTmsi_01iei, Milmsi_01, C_lacdeleted, TCV_lac, C_normal_updating, C_cks_nokey, TCV_cks, TimingAdv_r01)			1.2)
24		+ChanRel(TCV_ch)			
		ltree_confreq2			
25		+ltree_switchcelltoA_Bnotsuitable			
26		+MM_LupRej2(C_rc_conditIEerror, MiTmsi_01, C_lacellB, C_normal_updating, TCV_cks, TimingAdv_r01)			1.2)
27		(TCV_Null:=OM_PgFill(C_CellA, PgReqTp1_30(MiTmsi_01)))			
28		START T_dly(8000)			

29	loop	?TIMEOUT T_dly		(P)	
30		+ltree2_send			
31		+MM_LupRej(C_rc_conditlError, TimingAdv_r01)			2.3)
32		GOTO loop			
		ltree2_send			
33		(TCV_Null:=OM_PgFill(C_CellA, PgReqTp1Norm))			
34		START T_dly(4000)			
35	loop2	?TIMEOUT T_dly			
36		+ImsiDetachNoReaction(3000, C_SIMneedRmv)			
37		+MM_PwrOrSimOn(C_SIMneedRmv)			
38		+MM_LUPauth2(MiTmsi_01iei, Milmsi_01, C_lacdeleted, TCV_lac, C_normal_updating, C_cksnokey, TCV_cksno, TimingAdv_r01)			
39		+ChanRel(TCV_ch)			
40		+MM_LupRej(C_rc_conditlError, TimingAdv_r01)			2.3)
41		GOTO loop2			
		ltree_confreq3			
42		+ltree_switchcelltoB_Anotsuitable			
43		+MM_Luplnit(MiTmsi_01, TCV_lac, C_normal_updating, TCV_cksno, TimingAdv_r01)			
44		START T_dly(C_T_T3210)			
45		(TCV_Cntstart := FALSE)			
46		REPEAT ltree_auth UNTIL [TCV_Cntstart = TRUE]			3.1)
47		+NoReaction(3000)			
48		+MM_check_ecall2(Milmsi_01, C_cksnokey, TimingAdv_r01)			3.2)
49		+ltree_continue			
		ltree_continue			
50		START T_dly(15000)			
51		?TIMEOUT T_dly		(F)	3.3)
52		+ChanRel(TCV_ch)			
53		+MM_LUPauth2(MiTmsi_01iei, Milmsi_01, C_lacdeleted, TCV_lac, C_normal_updating, C_cksnokey, TCV_cksno, TimingAdv_r01)			
54		+ChanRel(TCV_ch)			
		ltree_auth			
55		L!DL_DatRqAuthRq	AuthReq_30(TCV_ch, TCV_cksno)		
56		L?DL_DatlnAuthRes (TCV_Sres := DL_DatlnAuthRes.msg.sres)	AuthRes_01		
57		(TCV_Res := OC_ChkSRES(TCV_Sres, TSPX_Ki, TSPX_RANDDef), TCV_Cntstart1:= TRUE)			
58		[TCV_Res = FALSE]		(F)	
59		[TCV_Res = TRUE]		(P)	
60		?TIMEOUT T_dly			
61		(TCV_Cntstart := TRUE)		(P)	
		ltree_confreq4			
62		+ltree_switchcelltoA_Bnotsuitable			
63		+MM_Luplnit(MiTmsi_01, C_lacellB, C_normal_updating, TCV_cksno, TimingAdv_r01)			
64		+Stopmaindcch(TCV_ch, TCV_sacch)			In cell A
65		+AttmPCall			
66		(TCV_Null := OM_Reactivate(TCV_ch, TCV_sacch))			
67		+BasicServiceMO(TSPX_MO_BscSvc_AnyCall, TSPX_MO_rate_AnyCall)			

68	+MM_LUPauth2(MiTmsi_01iei, Milmsi_01, C_lacdeleted, TCV_lac, C_normal_updating, C_cksnokey, TCV_cksno, TimingAdv_r01)			4.2)
69	+ChanRel(TCV_ch)			
70	START T_dly(10000)			4.3)
71	?TIMEOUT T_dly		(P)	
72	L?DL_RacInChRq (TCV_Rr := DL_RacInChRq. msg.ecau_rrf, TCV_Fn := DL_RacInChRq.fn)	ChReq_02		4.3)
73	ACTIVATE(OtherEventsFail_02)			To match ChReq retrans.
74	CANCEL T_dly			
75	LIDL_UdatRqImmass	ImmAss_01Def(TCV_agch, TCV_Rr, TCV_Fn, TCV_slot, TCV_tsc, TCV_chdescr_arfcn, TimingAdv_r01)		
76	L?DL_EstInCmsRq	CmsReq_32(MiTmsi_01, C_cksnokey)	(P)	
77	ACTIVATE(OtherEventsFail)			Restore Normal default
78	+ChanRel(TCV_ch)			
	Itree_confreq6			
79	+Itree_switchcelltoB_Anotsuitable			
80	+MM_LupInit(MiTmsi_01, C_lacellA, C_normal_updating, C_cksnokey, TimingAdv_r01)			
81	LIDL_DatRqChRel START T_dly(C_T_T3211_80)	ChRel_20(TCV_ch)		
82	L?DL_Relln	DLRellnd_01	(P)	6.1)
83	+Itree_switchcelltoA_Bnotsuitable			
84	+MM_LUPauth2(MiTmsi_01iei, Milmsi_01, C_lacdeleted, TCV_lac, C_normal_updating, C_cksnokey, TCV_cksno, TimingAdv_r01)			6.2)
85	?TIMEOUT T_dly		(P)	
86	+ChanRel(TCV_ch)			
87	?TIMEOUT T_dly		(F)	
88	+ChanRel(TCV_ch)			
	Itree_Anotsuitable			
89	+Varinit_fixB			
90	+LowRfLev_Cellnotavail(C_CellA)			
	Itree_switchcelltoB_Anotsuitable			
91	+Varinit_fixB			
92	+ChangeRfLev_2Cells(C_CellB, 63, C_CellA, 53)			
	Itree_switchcelltoA_Bnotsuitable			
93	+Varinit_fixA			
94	+ChangeRfLev_2Cells(C_CellA, 63, C_CellB, 53)			

Detailed Comments:

- 1) Test of Conformance Requirement 1
 - 1.1) Reject of Location Updating in cell B
 - 1.2) MS shall wait the period of T3211 and restart the normal location updating procedure when the attempt counter is smaller than 4.
 - 1.3) Radio Link Failure extends the period of delay for next location updating.
- 2) Test of Conformance Requirement 2
 - 2.1) Reject of Location Updating in cell A
 - 2.2) MS shall not answer to paging
 - 2.3) All of location updating requests shall be rejected.
 - 2.4) MS shall not perform the IMSI detach procedure.
- 3) Test of Conformance Requirement 3
 - 3.1) Failure during Location Updating in cell A

- 3.2) MS shall support emergency call.
- 3.3) MS shall wait at most 15 sec. for location updating

- 4) Test of Conformance Requirement 4
- 4.1) Failure during Location Updating Procedure
- 4.2) MS shall use a request from Cm entity other than emergency call as a trigger for a normal location updating procedure.
- 4.3) After the Location Updating Procedure MS can (optional) start automatically the Cm entity service again. It is optional and shall be observed only 15 sec.

- 6) Test of Conformance Requirement 6
- 6.1) Failure during Location Updating Procedure
- 6.2) MS shall start the location Updating Procedure as soon as it enters a new cell.

Test Case Dynamic Behaviour					
Test Case Name:		TC_26_7_4_3_3			
Group:		GSM_L3_MS_v4170/MM/			
Purpose:		To verify that the MS performs normal location updating after T3212 expiry when its attempt counter has reached value 4 and that the MS reset its attempt counter after a timer T3212 expiry. To verify that the MS still follows the MM-IDLE ATTEMPTING TO UPDATE state requirements after its attempt counter has reached value 4. To verify that the attempt counter is reset in the cases where it has to be done.			
Default:		OtherEventsFail			
Comments:		Initial Conditions of MS: The MS has valid TMSI and CKSN. It is "idle updated" on cell B. Foreseen final state of the MS: The MS has valid TMSI and CKSN. It is "idle updated" on cell A.			
Nr	Label	Behaviour Description	CRef	V	Comments
1		START T_guard(1200)			
2		(TCV_slot := C_S0, TCV_tsc := C_BCC)			
3		+IdleUpdated(C_CellB, C_Immass, TCV_slot, TCV_tsc, TimingAdv_01, '000'B, '001'B, '011'B, '00'O)			
4		(TCV_sacch:= OC_SubchOfSacch4(TSPX_SDCCH4SubDef, C_CellA))			
5		+IdleState_2cellMM2(C_CellB, C_Immass, TCV_slot, TCV_tsc, TimingAdv_r01, 1, '000'B, '001'B, '011'B, '01'O)			
6	body	+ltree_part1			1)
7		+ltree_part2			2)
8		+ltree_part3			3)
ltree_part1					
9		+ltree_switchcelltoA_Bnotsuitable			
10		+MM_LupRej2(C_rc_congestion, MiTmsi_01, C_lacellB, C_normal_updating,TCV_cksn, TimingAdv_r01)			
11		+NoReaction(C_T_T3211min)			
12		+ltree_LupAndStopCh(TCV_sacch)			
13		+MM_LupInit(Milmsi_01, C_lacdeleted, C_normal_updating, C_cksn_nokey, TimingAdv_r01)			
14		START T_dly(C_T_T3210)			
15		(TCV_Cntstart := FALSE)			
16		REPEAT ltree_auth UNTIL [TCV_Cntstart=TRUE]			
17		+ltree_part1_2			
ltree_part1_2					
18		+NoReaction(C_T_T3211min)			
19		+MM_LupInit(Milmsi_01, C_lacdeleted, C_normal_updating, C_cksn_nokey, TimingAdv_r01)			
20		+ChanRel(TCV_ch)			1.1)
21		+NoReaction(C_T_T3212min)			
22		+MM_LupRej2(C_rc_networkfailure, Milmsi_01, C_lacdeleted, C_normal_updating, C_cksn_nokey, TimingAdv_r01)			1.2)
23		+NoReaction(C_T_T3211min)			
24		+MM_LUPAuth2(MiTmsi_01iei, Milmsi_01, C_lacdeleted, TCV_lac, C_normal_updating, C_cksn_nokey, TCV_cksn, TimingAdv_r01)			1.3)
25		+ChanRel(TCV_ch)			
ltree_part2					
26		+ltree_switchcelltoB_Anotsuitable			
27		+ltree_increaseATcounter(C_lacellA, TCV_sacch_B)			

28	+MM_LupRej2(C_rc_notidentified, Milmsi_01, C_lacdeleted, C_normal_updating, C_cksnokey, TimingAdv_r01)		2.1)
29	+MM_check_ecall2(Milmsi_01, C_cksnokey, TimingAdv_r01)		2.2)
30	+ImsiDetachNoReaction(3000, C_SIMIn)		7)
31	+MM_PwrOrSimOn(C_SIMneedRmv)		
32	+MM_LUPauth2(MiTmsi_01iei, Milmsi_01, C_lacdeleted, TCV_lac, C_normal_updating, C_cksnokey, TCV_cksno, TimingAdv_r01)		
33	+ChanRel(TCV_ch)		
	ltree_part3		
34	+ltree_switchcelltoA_Bnotsuitable		
35	+ltree_increaseATcounter(C_lacellB, TCV_sacch)		
36	+MM_LupInit(Milmsi_01, C_lacdeleted, C_normal_updating, C_cksnokey, TimingAdv_r01)		
37	+Stopmaindcch(TCV_ch, TCV_sacch)		3.1)
38	+AttmPCall		
39	(TCV_Null := OM_Reactivate(TCV_ch, TCV_sacch))		
40	+BasicServiceMO(TSPX_MO_BscSvc_AnyCall, TSPX_MO_rate_AnyCall)		
41	+MM_LupInit(Milmsi_01, C_lacdeleted, C_normal_updating, C_cksnokey, TimingAdv_r01)		3.2)
42	+ChanRel(TCV_ch)		
43	+ltree_part3_2		
	ltree_part3_2		
44	+NoReaction(C_T_T3211min)		
45	+MM_LUPauth2(MiTmsi_01iei, Milmsi_01, C_lacdeleted, TCV_lac, C_normal_updating, C_cksnokey, TCV_cksno, TimingAdv_r01)		3.3)
46	+ChanRel(TCV_ch)		
47	START T_dly(10000)		
48	+ltree_part3_3		
49	+ltree_part3_4		
	ltree_part3_3		
50	?TIMEOUT T_dly		
51	L?DL_RacInChRq(TCV_Rr := DL_RacInChRq.msg.ecau_rrf, TCV_Fn := DL_RacInChRq.fn)	ChReq_02	
52	ACTIVATE(OtherEventsFail_02)		To match ChReq retrans.
53	CANCEL T_dly		
54	LIDL_UdatRqImmass	ImmAss_01Def(TCV_agch, TCV_Rr, TCV_Fn, TCV_slot, TCV_tsc, TCV_chdescr_arfcn, TimingAdv_r01)	
55	L?DL_EstInCmsRq	CmserReq_32(MiTmsi_01,TCV_cksno)	(P)
56	ACTIVATE(OtherEventsFail)		Restore Normal default
57	L!DL_DatRqCmsRej	CmserRej_30(C_rc_networkfailure, TCV_ch)	
58	+ChanRel(TCV_ch)		
	ltree_part3_4		
59	+ltree_switchcelltoB_Anotsuitable		
60	+ltree_increaseATcounter(C_lacella, TCV_sacch_B)		
61	+MM_LupRej2(C_rc_invalidmaninfo, MiTmsi_01, TCV_lac, C_normal_updating, TCV_cksno,		3.4)

62		TimingAdv_r01)		
63		+Itree_switchcelltoA_Bnotsuitable		3.5)
64		+MM_LupInit(Milmsi_01, C_lacdeleted,		
65		C_normal_updating, C_cksn_nokey,		
66		TimingAdv_r01)		
67	post	+Stopmaindcch(TCV_ch, TCV_sacch)		
68		(TCV_Null := OM_Reactivate(TCV_ch,		
69		TCV_sacch))		
70		+MM_LUPauth2(3.6
71		MiTmsi_01iei,Milmsi_01, C_lacdeleted,		
72		TCV_lac, C_normal_updating,		
73		C_cksn_nokey, TCV_cksn,		
74		TimingAdv_r01)		
75		+ChanRel_end(TCV_ch)		
76		Itree_increaseATcounter(lac:OCTETSTRING; par:		
77		LOGICCH)		
78		+MM_LupRej2(C_rc_notidentified, MiTmsi_01, lac,		
79		C_normal_updating, TCV_cksn, TimingAdv_r01)		
80		+NoReaction(C_T_T3211min)		
81		+Itree_LupAndStopCh(par)		
82		+MM_LupInit(Milmsi_01, C_lacdeleted,		
83		C_normal_updating, C_cksn_nokey,		
84		TimingAdv_r01)		
85		+ChanRel(TCV_ch)		
86		+NoReaction(C_T_T3211min)		
87		Itree_LupAndStopCh(par: LOGICCH)		
88		+MM_LupInit(Milmsi_01, C_lacdeleted,		
89		C_normal_updating, C_cksn_nokey, TimingAdv_r01)		
90		+Stopmaindcch(TCV_ch, par)		
91		(TCV_tmp := (C_T_T3211min +		
92		C_RadioLinkTimeOut))		
93		+NoReaction(TCV_tmp)		1.3)
94		(TCV_Null := OM_Reactivate(TCV_ch, par))		
95		Itree_auth		
96		L!DL_DatRqAuthRq	AuthReq_30(TCV_ch,	
97			TCV_cksn)	
98		L?DL_DatInAuthRes (TCV_Sres :=	AuthRes_01	
99		DL_DatInAuthRes.msg.sres)		
100		(TCV_Res := OC_ChkSRES(TCV_Sres,		
101		TSPX_Ki, TSPX_RANDDef), TCV_Cntstart1:=		
102		TRUE)		
103		[TCV_Res = FALSE]		F
104		[TCV_Res = TRUE]		(P)
105		?TIMEOUT T_dly		
106		L?DL_DatInAuthRes (TCV_Sres :=	AuthRes_01	
107		DL_DatInAuthRes.msg.sres)		
108		(TCV_Res := OC_ChkSRES(TCV_Sres,		
109		TSPX_Ki, TSPX_RANDDef), TCV_Cntstart1:=		
110		TRUE)		
111		[TCV_Res = FALSE]		F
112		[TCV_Res = TRUE]		(P)
113		(TCV_Cntstart := TRUE)		
114		Itree_switchcelltoA_Bnotsuitable		
115		+Varinit_fixA		
116		+ChangeRfLev_2Cells(C_CellA, 63, C_CellB, 53)		
117		Itree_switchcelltoB_Anotsuitable		
118		+Varinit_fixB		
119		+ChangeRfLev_2Cells(C_CellB, 63, C_CellA, 53)		

Detailed Comments:

- 1.) To test conformance requirement 1
 - 1.1) Attempt counter is now equal to 4
 - 1.2) MS shall perform location updating after T3212
 - 1.3) MS shall initiate location updating procedure, if the updating was unsuccessful.

- 2.) To test conformance requirement 2
 - 2.1) Attempt counter is now equal to 4
 - 2.2) MS shall perform request for emergency call
 - 2.3) MS shall not perform an IMSI detach procedure

- 3.) To test conformance requirement 3 and 4
 - 3.1) Attempt counter is now equal to 4
 - 3.2) MS shall use a request from CM entity for MM connection for a service other than emergency call as a trigger for a normal location updating procedure.
 - 3.3) MS shall reset the attempt counter after successful location updating procedure.
 - 3.4) Attempt counter is now equal to 4
 - 3.5) MS shall perform the normal location updating procedure after entering a new cell.
 - 3.6) If the location updating procedure unsuccessful, the MS shall trigger the location updating after T3211 again.

Test Case Dynamic Behaviour					
Test Case Name:		TC_26_7_4_3_4			
Group:		GSM_L3_MS_v4170/MM/			
Purpose:		To verify that in the case when the attempt counter is smaller than 4 and the broadcast LAI is equal to the stored LAI, the MS is in the MM-IDLE state and NORMAL SERVICE substate. To verify that timer T3211 is stopped after a MM connection establishment. To verify that the MS uses the T3211 timer. and that it enters the MM-IDLE state and NORMAL SERVICE substate when its attempt counter reaches value			
Default:		OtherEventsFail			
Comments:		Initial Conditions of MS: The MS has valid TMSI and CKSN. It is "idle updated" on cell B. Foreseen final state of the MS: The MS has valid TMSI and CKSN. It is "idle updated" on cell B.			
Nr	Label	Behaviour Description	CRef	V	Comments
1		START T_guard(2400)			
2		(TCV_slot := C_S0, TCV_tsc := C_BCC)			
3		+IdleUpdated(C_CellB, C_Immass, TCV_slot, TCV_tsc, TimingAdv_01, '000'B, '001'B, '011'B, '00'O)			
4		+Varinit_fixB			
5		+PreEnterIdleState_07(C_Immass,TCV_slot, TCV_tsc, TimingAdv_r01, 1, '000'B, '001'B, '011'B, '01'O)			
6		+ltree_confreq1			1)
7		+ltree_confreq2			2)
8		+ltree_confreq3			3)
9		+ltree_confreq4			4)
10		+ltree_confreq5			5)
11		+ltree_confreq6			6)
		ltree_confreq1			
12		+ltree_LUPperrejstart(C_rc_networkfailure, MiTmsi_01, TCV_lac, TCV_cksn)			1.1)
13		+AttmpCall			
14		+BasicServiceMO(TSPX_MO_BscSvc_AnyCall, TSPX_MO_rate_AnyCall)			
15		+ltree_cmservinit(MiTmsi_01, TCV_cksn)			1.2)
16		L?DL_DatInSetup (TCV_Mt := DL_DatInSetup.msg.mt)	SetupIn_01	(P)	
17		+ChanRel(TCV_ch)			
18		(TCV_n := 2 * C_T_T3211min)			
19		+NoReaction(TCV_n)			1.3)
20		+ImsiDetach(MiTmsi_01, TimingAdv_r01, C_SIMneedRmv)			
		ltree_confreq2			
21		+ltree_ImsiAttachAndStopCh(TCV_sacch_B, TCV_lac, TCV_cksn)			2.1)
22		+AttmpCall			
23		+BasicServiceMO(TSPX_MO_BscSvc_AnyCall, TSPX_MO_rate_AnyCall)			
24		+ltree_cmservinit(MiTmsi_01, TCV_cksn)			2.2)
25		+Cipherring_on(TCV_ch)			
26		L?DL_DatInSetup (TCV_Mt := DL_DatInSetup.msg.mt)	SetupIn_01	(P)	
27		+ChanRel(TCV_ch)			
28		(TCV_Null := OM_CphMd(TCV_ch, CphMod_02, TCV_CphKey))			
29		+ltree_ImsiAttachAndStopCh(TCV_sacch_B, TCV_lac, TCV_cksn)			2.1)
30		+AttmpCall			
31		+BasicServiceMO(TSPX_MO_BscSvc_AnyCall, TSPX_MO_rate_AnyCall)			
32		+ltree_cmservinit(MiTmsi_01, TCV_cksn)			2.2)

33	+Ciphering_on(TCV_ch)		
34	L?DL_DatInSetup (TCV_Mt := DL_DatInSetup.msg.mt)	SetupIn_01	(P)
35	+ChanRel(TCV_ch)		
36	(TCV_Null := OM_CphMd(TCV_ch, CphMod_02, TCV_CphKey))		
37	+NoReaction(TCV_n)		2.3)
ltree_confreq3			
38	(TCV_tmp := (C_T_T3212 + 15))		
39	+NoReaction(TCV_tmp)		
40	+MM_LUPperrej3(MiTmsi_01, 60000, TCV_lac, TCV_cksn, TimingAdv_r01)		3.1)
41	+NoReaction(C_T_T3211min)		
42	+MM_LUPperrej2(C_rc_networkfailure, MiTmsi_01, 15000, TCV_lac, TCV_cksn, TimingAdv_r01)		3.1)
43	+NoReaction(C_T_T3211min)		
44	+ltree_PerLupAndStopCh(TCV_sacch_B, TCV_lac, TCV_cksn)		3.1)
45	(TCV_tmp := (C_T_T3211min + C_RadioLinkTimeOut))		
46	+NoReaction(TCV_tmp)		
47	+MM_LUPperrej3(MiTmsi_01, 30000, TCV_lac, TCV_cksn, TimingAdv_r01)		3.1)
48	+MM_LUPperauth(Milmsi_01, MiTmsi_01iei, C_lacdeleted, TCV_lac, C_normalOrperiodic, C_cksn_nokey, TimingAdv_r01)		3.2)
49	+ChanRel(TCV_ch)		
ltree_confreq4			
50	+NoReaction(C_T_T3212min)		
51	+MM_LUPperrej2(C_rc_networkfailure, MiTmsi_01, 60000, TCV_lac, TCV_cksn, TimingAdv_r01)		
52	+NoReaction(C_T_T3211min)		
53	+ltree_PerLupAndStopCh(TCV_sacch_B, TCV_lac, TCV_cksn)		
54	(TCV_tmp := (C_T_T3211min + C_RadioLinkTimeOut))		
55	+NoReaction(TCV_tmp)		
56	+MM_LUPperrej3(MiTmsi_01, 15000, TCV_lac, TCV_cksn, TimingAdv_r01)		
57	+NoReaction(C_T_T3211min)		
58	+ltree_confreq4_continue		
ltree_confreq4_continue			
59	+MM_LUPperrej2(C_rc_networkfailure, MiTmsi_01, 15000, TCV_lac, TCV_cksn, TimingAdv_r01)		4.1)
60	+AttmpCall		
61	+BasicServiceMO(TSPX_MO_BscSvc_AnyCall, TSPX_MO_rate_AnyCall)		
62	+MM_LUP2(MiTmsi_01iei, Milmsi_01, C_lacdeleted, C_lacdelB, C_cksn_nokey, TimingAdv_r01)		4.2)
63	START T_dly(10000)		
64	L?DL_RaInChRq (TCV_Rr := DL_RaInChRq.msg.ecau_rrf, TCV_Fn := DL_RaInChRq.fn) CANCEL T_dly	ChReq_02	4.3)
65	ACTIVATE(OtherEventsFail_02)		To match ChReq retrans.
66	L!DL_UdatRqImm	ImmAss_01Def(TCV_agch, TCV_Rr, TCV_Fn, TCV_slot, TCV_tsc, TCV_chdescr_arfcn, TimingAdv_r01)	
67	L?DL_EstInCmsRq	CmsrReq_32((P)

68	ACTIVATE(OtherEventsFail)	MiTmsi_01, C_cksn_nokey)		
69	!DL_DatRqCmsRej			Restore Normal default
70	+ChanRel(TCV_ch)			
71	?TIMEOUT T_dly		(P)	4.3)
	ltree_confreq5			
72	+lmsiDetach(MiTmsi_01, TimingAdv_r01, C_SIMneedRmv)			
73	+ltree_lmsiAttachAndStopCh(TCV_sacch_B, C_lacdeleted, C_cksn_nokey)			5.1)
74	(TCV_tmp := (C_T_T3211min + C_RadioLinkTimeOut))			
75	+NoReaction(TCV_tmp)			
76	+ltree_luprej3(MiTmsi_01, C_lacdeleted, C_cksn_nokey)			5.1)
77	+NoReaction(C_T_T3211min)			
78	+ltree_LUPrej2(C_rc_networkfailure, MiTmsi_01, C_lacdeleted, C_cksn_nokey)			5.1)
79	+NoReaction(C_T_T3212min)			
80	+MM_LUPperauth(Milmsi_01, MiTmsi_01iei, C_lacdeleted, TCV_lac, C_norm_period_attach, C_cksn_nokey, TimingAdv_r01)			5.3)
81	+ChanRel(TCV_ch)			
	ltree_confreq6			
82	+lmsiDetach(MiTmsi_01, TimingAdv_r01, C_SIMneedRmv)			
83	+MM_PwrOrSimOn(C_SIMneedRmv)			
84	+ltree_luprej3(MiTmsi_01, TCV_lac, TCV_cksn)			
85	+NoReaction(C_T_T3211min)			
86	+ltree_LUPrej2(C_rc_networkfailure, MiTmsi_01, TCV_lac, TCV_cksn)			
87	+NoReaction(C_T_T3211min)			
88	+ltree_lmsiAttachAndStopCh(TCV_sacch_B, TCV_lac, TCV_cksn)			
89	(TCV_tmp := (C_T_T3211min + C_RadioLinkTimeOut))			
90	+NoReaction(TCV_tmp)			
91	+ltree_luprej3(MiTmsi_01, TCV_lac, TCV_cksn)			6.1)
92	+AttmpCall			
93	+BasicServiceMO(TSPX_MO_B scSvc_AnyCall, TSPX_MO_rate_AnyCall)			
94	+MM_LUPauth2(MiTmsi_01iei, Milmsi_01, C_lacdeleted, TCV_lac, C_normal_updating, C_cksn_nokey, TCV_cksn, TimingAdv_r01)			6.2)
95	+ChanRel(TCV_ch)			
96	+ltree_cmservinit(MiTmsi_01, TCV_cksn)			
97	!DL_DatRqCmsRej			
98	+ChanRel(TCV_ch)	CmsrRej_04(TCV_c h)		
	ltree_LUPperrejstart(par_rej:REJCAU; par_mi:MI; lac:OCTETSTRING; cksn: BITSTRING)			
99	(TCV_tmp := C_T_T3212 + 45000)			
100	+MM_LUPperrej2(par_rej, par_mi, TCV_tmp, lac, cksn, TimingAdv_r01)			
	ltree_lmsiAttachAndStopCh(par:LOGICCH;			

101	lac:OCTETSTRING; cksn: BITSTRING) [(TSPC_SIMRmv = TRUE) AND (TSPC_DetachOnSIMRmv=TRUE)]			
102	(TCV_Null := OO_SIMIns())			
103	+ltree_imsiattach(par, lac, cksn)			
104	[TSPC_SwitchOnOff =TRUE]			
105	(TCV_Null := OO_SwitchOn())			
106	+ltree_imsiattach(par, lac, cksn)			
107	[TSPC_DetachOnPwrDn=TRUE]			
108	(TCV_Null := OO_PowerUp())			Restore power source
109	+ltree_imsiattach(par, lac, cksn)			
110	[[[(TSPC_SIMRmv = FALSE) OR (TSPC_DetachOnSIMRmv = FALSE)] AND (TSPC_SwitchOnOff =FALSE) AND (TSPC_DetachOnPwrDn = FALSE)]]			Return
111	(TCV_Null := OO_PowerUp())			Restore power source
	ltree_imsiattach(par:LOGICCH; lac:OCTETSTRING; cksn: BITSTRING)			
112	+MM_LupInit(MiTmsi_01, lac, C_imsi_attach, cksn, TimingAdv_r01)			
113	+Stopmaindcch(TCV_ch, par)			
114	(TCV_Null := OM_Reactivate(TCV_ch, par))			
	ltree_PerLupAndStopCh(par:LOGICCH; lac:OCTETSTRING; cksn: BITSTRING)			
115	+MM_LupInit(Milmsi_01, lac, C_periodic_updating, cksn, TimingAdv_r01)			
116	+Stopmaindcch(TCV_ch, par)			
117	(TCV_Null := OM_Reactivate(TCV_ch, par))			
	ltree_cmservinit(par1: MI; par2: BITSTRING)			
118	START T_dly(15000)			
119	L?DL_RaInChRq (TCV_Rr := DL_RaInChRq. msg.ecau_rrf, TCV_Fn := DL_RaInChRq.fn) CANCEL T_dly	ChReq_02		
120	ACTIVATE(OtherEventsFail_02)			To match ChReq retrans.
121	L!DL_UdatRqImmass	ImmAss_01Def(TCV_agch, TCV_Rr, TCV_Fn, TCV_slot, TCV_tsc, TCV_chdescr_arfcn, TimingAdv_r01)		
122	L?DL_EstInCmsRq	CmserReq_32(par1, par2)	(P)	
123	ACTIVATE(OtherEventsFail)			Restore Normal default
124	?TIMEOUT T_dly		(F)	
	ltree_LUPrej2(par_rej: REJCAU; par_mi:MI; lac:OCTETSTRING; cksn: BITSTRING)			
125	+MM_LupInit(par_mi, lac, C_imsi_attach, cksn, TimingAdv_r01)			
126	L!DL_DatRqLupRej	LocRej_01(par_rej, TCV_ch)	(P)	
127	+ChanRel(TCV_ch)			
	ltree_luprej3(par_mi:MI; lac:OCTETSTRING; cksn: BITSTRING)			
128	+MM_LupInit(par_mi, lac, C_imsi_attach, cksn, TimingAdv_r01)			
129	+ChanRel(TCV_ch)			

Detailed Comments:

- 1) Test of Conformance Requirement 1
 - 1.1) failure during a periodic location updating procedure
 - 1.2) - then the MS shall be able to establish an MM connection
 - 1.3) - then the MS shall not attempt a location updating procedure
- 2) Test of Conformance Requirement 2
 - 2.1) failure during imsi attach procedure

- 2.2) - then the MS shall be able to establish an MM connection
- 2.3) - then the MS shall not attempt a location updating procedure

- 3) Test of Conformance Requirement 3
 - 3.1) When a failure during a periodic location updating procedure and the attempt counter is smaller than 4 then the MS shall execute a periodic location updating procedure after T3211 expiry.
 - 3.2) When the attempt counter reaches 4 after T3212 expiry the MS shall make a LUP any type.

- 4) Test of Conformance Requirement 4
 - 4.1) The attempt counter reaches the value 4
 - 4.2) then the MS shall use a request from CM layer for an emergency call as a trigger for a LUP.
 - 4.3) this part is optional

- 5) Test of Conformance Requirement 5
 - 5.1) When a failure during an imsi attach procedure and the attempt counter is smaller than 4 then
the MS shall execute a location updating procedure(imsi attach) after T3211 expiry.
 - 5.2) Attempt Counter reaches the value 4
 - 5.3) When the attempt counter reaches 4 after T3212 expiry the MS shall make a normal LUP.

- 6) Test of Conformance Requirement 6
 - 6.1) Failure during an imsi attach procedure and the attempt counter reaches the value 4.
 - 6.2) then the MS shall use a request from CM layer for an emergency call as a trigger for a LUP.

Test Case Dynamic Behaviour					
Test Case Name: TC_26_7_4_4 Group: GSM_L3_MS_v4170/MM/ Purpose: To verify that the MS aborts the RR-connection at the expiry of timer T3240. Default: OtherEventsFail Comments: Initial Conditions of MS: The MS has valid TMSI and CKSN. It is "idle updated" on cell A. Foreseen final state of the MS: The MS has valid TMSI and CKSN. It is "idle updated" on cell B.					
Nr	Label	Behaviour Description	CRef	V	Comments
1		START T_guard(300)			
2		(TCV_slot := C_S0, TCV_tsc := C_BCC)			
3		+IdleUpdated(C_CellA, C_Immass, TCV_slot, TCV_tsc, TimingAdv_01, '000'B, '001'B, '011'B, '00'O)			
4		(TCV_sacch_B := OC_SubchOfSacch4(TSPX_SDCCH4SubDef, C_CellB))			
5		+IdleState_2cellMM2(C_CellA, C_Immass, TCV_slot, TCV_tsc, TimingAdv_r01, 0, '000'B, '001'B, '011'B, '00'O)			
6	body	+ltree_switchcelltoB_Anotsuitable			
7		L?DL_RaInChRq (TCV_Rr := DL_RaInChRq.msg.ecau_rrf, TCV_Fn := DL_RaInChRq.fn)	ChReq_09		
8		ACTIVATE(OtherEventsFail_02)			To match ChReq retrans.
9		L!DL_UdatRqImmass	ImmAss_01Def(TCV_agch, TCV_Rr, TCV_Fn, TCV_slot, TCV_tsc, TCV_chdescr_arfcn, TimingAdv_r01)		
10		L?DL_EstInLupRq	LocUp_04(TCV_ch, C_normal_updating, MiTmsi_01)		
11		ACTIVATE(OtherEventsFail)			Restore Normal default
12		START T_dly(C_T_T3240min)			
13		?TIMEOUT T_dly			
14		START T_dly(C_T_T3240tol)			
15		L?DL_RelIn CANCEL T_dly	DLRelInd_01	P	1)
16		?TIMEOUT T_dly		F	
17		ltree_switchcelltoB_Anotsuitable +Varinit_fixB			
18		+ChangeRfLev_2Cells(C_CellB, 63, C_CellA, 53)			
Detailed Comments: 1) MS shall release the L2-Connection after expiring of T3240.					

Test Case Dynamic Behaviour					
Test Case Name:		TC_26_7_4_5_1			
Group:		GSM_L3_MS_v4170/MM/			
Purpose:		1) To check that when the location updating timer is reduced, the timer running in the MS is started with a value depending on the current timer value and the new broadcasted T3212 value. 2) To verify that when the MS is reactivated in the same cell (as the one in which it was deactivated), IMSI attach being forbidden, the MS starts the timer T3212 with a value between zero and the broadcasted value			
Default:		OtherEventsFail			
Comments:		Initial Conditions of MS: The MS is deactivated. The stored MCC, MNC and LAC correspond to the broadcasted values. The stored update status is "updated". Foreseen final state of the MS: The MS has valid TMSI and CKSN. It is "idle updated" on cell A.			
Nr	Label	Behaviour Description	CRef	V	Comments
1		START T_guard(1200)			
2		(TCV_slot := C_S0, TCV_tsc := C_BCC)			
3		+IdleUpdated(C_CellA, C_Immass, TCV_slot, TCV_tsc, TimingAdv_01, '000'B, '001'B, '011'B, '00'O)			
4		+StartCellA(63, C_Immass, TCV_slot, TCV_tsc, TimingAdv_r01, 0, '000'B, '001'B, '011'B, '00'O, C_noRestablishment)			To insure ATT = 0, no IMSI detach
5		+WaitForInService			
6		+MM_PwrOrSimOff(C_SIMIn)			
7		+StartCellA(63, C_Immass, TCV_slot, TCV_tsc, TimingAdv_r01, 1, '000'B, '001'B, '011'B, '05'O, C_noRestablishment)			ATT = 1 - IMSI attach allowed
8	body	+step1			
9		+step2			
10		+step3			
		step1			
11		+ImsiAttach(MiTmsi_01, TimingAdv_r01, C_PLMN_1, C_SIMneedRmv)			
		step2			
12		START T_dly(180000)			
13		START T_dly2(C_T_T3212min)			5min.45s.
14		?TIMEOUT T_dly			
15		+StartCellA(63, C_Immass, TCV_slot, TCV_tsc, TimingAdv_r01, 1, '000'B, '001'B, '011'B, '01'O, C_noRestablishment)			1)
16		?TIMEOUT T_dly2			2)
17		+MM_LUPper2(30000, C_PLMN_1, TCV_lac, TimingAdv_r01)			6min.15.
18		+ChanRel(TCV_ch)			
		step3			
19		+StartCellA(63, C_Immass, TCV_slot, TCV_tsc, TimingAdv_r01, 0, '000'B, '001'B, '011'B, '01'O, C_noRestablishment)			ATT = 0
20		START T_dly(5000)			
21		?TIMEOUT T_dly			
22		+MM_PwrOrSimOff(C_SIMneedRmv)			
23		+MM_PwrOrSimOn(C_SIMneedRmv)			
24		+MM_LUPper2(420000, C_PLMN_1, TCV_lac, TimingAdv_r01)			3)
25		+ChanRel_end(TCV_ch)			
Detailed Comments:		1) Reducing of the timer T3212 2) MS shall use the new value of T3212 for periodic updating. 3) MS shall start the periodic location updating between 0 sec. and 6min after switching on of MS.			

Test Case Dynamic Behaviour

Test Case Name: TC_26_7_4_5_2
Group: GSM_L3_MS_v4170/MM/
Purpose: To verify that the MS stops and resets the timer T3212 of the periodic location updating procedure when:
- the first MM-message is received in the case of MM-connection establishment, ciphering mode being not set,
- the MS has responded to paging and the first correct L3 message is received that is not an RR message
Default: OtherEventsFail
Comments: Initial Conditions of MS:
The MS has valid TMSI and CKSN. It is "idle updated" on cell A.

Foreseen final state of the MS:
The MS has valid TMSI and CKSN. It is "idle updated" on cell A.

Nr	Label	Behaviour Description	CRef	V	Comments
1		START T_guard(1800)			
2		(TCV_slot := C_S0, TCV_tsc := C_BCC)			
3		+IdleUpdated(C_CellA, C_Immass, TCV_slot, TCV_tsc, TimingAdv_01, '000'B, '001'B, '011'B, '00'O)			
4		+ltree_varinitA			
5		+IdleState_cellA(C_Immass, TCV_slot, TCV_tsc, TimingAdv_r01, 0, '000'B, '001'B, '011'B, '02'O, C_noRestablishment)			
6	body	+AttmpCall			
7		+BasicServiceMO(TSPX_MO_BscSvc_AnyCall, TSPX_MO_rate_AnyCall)			
8		START T_dly(705000)			
9		L?DL_RaInChRq (TCV_Rr := DL_RaInChRq, msg.ecau_rrf, TCV_Fn := DL_RaInChRq.fn)	ChReq_02		
10		ACTIVATE(OtherEventsFail_02)			To match ChReq retrans.
11		L!DL_UdatRqImmass	ImmAss_01Def(TCV_agch, TCV_Rr, TCV_Fn, TCV_slot, TCV_tsc, TCV_chdescr_arfcn, TimingAdv_r01)		
12		L?DL_EstInCmsRq	CmserReq_01	(P)	
13		ACTIVATE(OtherEventsFail)			Restore Normal default
14		L!DL_DatRqCmsRej	CmserRej_30(C_rc_networkfailure, TCV_ch)		
15		+ChanRel(TCV_ch)			
16		?TIMEOUT T_dly			
17		+MM_LUPper2(30000, C_PLMN_1, TCV_lac, TimingAdv_r01)			
18		+ChanRel(TCV_ch)			
19		START T_dly(60000)			
20		?TIMEOUT T_dly			
21		+ltree_continue			
22		ltree_continue +CCCH_group_Paging_group(TCV_Ccd0A, TSPX_IMSI)			
23		L!DL_UdatRqPg1Rq	PgReq1(TCV_PgCh, TCV_Pgg, PgReqTp1_30(Milmsi_01))		
24		L?DL_RaInChRq (TCV_Rr := DL_RaInChRq, msg.ecau_rrf, TCV_Fn := DL_RaInChRq.fn)	ChReq_01		
25		ACTIVATE(OtherEventsFail_02)			To match ChReq retrans.
26		L!DL_UdatRqImmass	ImmAss_01Def(

27			TCV_agch, TCV_Rr, TCV_Fn, TCV_slot, TCV_tsc, TCV_chdescr_arfcn, TimingAdv_r01)	
28	L?DL_EstInPgRes		PgRes_01	
29	ACTIVATE(OtherEventsFail)			Restore Normal default
30	+Authentication(TCV_ch, TCV_cks)			1)
31	+ChanRel(TCV_ch)			2)
32	START T_dly(705000)			
33	?TIMEOUT T_dly			
34	+MM_LUPper2(30000, C_PLMN_1, TCV_lac, TimingAdv_r01)			
35	+ChanRel_end(TCV_ch)			
	ltree_varinitA			
	+Varinit_fixA			
Detailed Comments:		1) MS shall stop the timer T3212 after receiving of the first L3-message		
		2) MS shall reset and restart the timer T3212		

Test Case Dynamic Behaviour					
Test Case Name: TC_26_7_4_5_3					
Group: GSM_L3_MS_v4170/MM/					
Purpose: To verify that the MS stops and resets the timer T3212 of the periodic location updating procedure when a Location Updating Accept or a Location Updating Reject message is received.					
Default: OtherEventsFail					
Comments: Initial Conditions of MS: The MS has valid TMSI and CKSN. It is "idle updated" on cell A.					
Foreseen final state of the MS: The MS has valid TMSI and CKSN. It is "idle updated" on cell B.					
Nr	Label	Behaviour Description	CRef	V	Comments
1		START T_guard(1200)			
2		(TCV_slot := C_S0, TCV_tsc := C_BCC)			
3		+IdleUpdated(C_CellA, C_Immss, TCV_slot, TCV_tsc, TimingAdv_01, '000'B, '001'B, '011'B, '00'O)			
4		(TCV_sacch_B := OC_SubchOfSacch4(TSPX_SDCCH4SubDef, C_CellB))			
5		+IdleState_2cellMM(C_CellA, C_Immss, TCV_slot, TCV_tsc, TimingAdv_r01, 1, '000'B, '001'B, '011'B, '01'O)			
6	body	+Itree_switchcelltoB_Anotsuitable			
7		+MM_LUP3(C_PLMN_2, TCV_lac, TimingAdv_r01)			1)
8		+NoReaction(345000)			
9		+MM_LUPper2(30000, C_PLMN_2, TCV_lac, TimingAdv_r01)			
10		+ChanRel(TCV_ch)			
11		+ImsiDetach(MiTmsi_01, TimingAdv_r01, C_SIMneedRmv)			2)
12		+ImsiAttach(MiTmsi_01, TimingAdv_r01, C_PLMN_2, C_SIMneedRmv)			
13		+NoReaction(345000)			
14		+MM_LUPper2(30000, C_PLMN_2, TCV_lac, TimingAdv_r01)			
15		+ChanRel_end(TCV_ch)			
16		Itree_switchcelltoB_Anotsuitable +Varinit_fixB			
17		+ChangeRfLev_2Cells(C_CellB, 63, C_CellA, 53)			
Detailed Comments:					
1) MS shall reset the timer T3212 after normal location updating					
2) MS shall reset the timer T3212 after IMSI attach procedure.					

Test Case Dynamic Behaviour					
Test Case Name:		TC_26_7_4_5_4_1			
Group:		GSM_L3_MS_v4170/MM/			
Purpose:		To verify that when a cell of the HPLMN becomes available, following the successful location request on the VPLMN of the home country and after the first search the mobile has failed to find its HPLMN, that the MS shall perform a location update request on the HPLMN after time T. Where T is the HPLMN Search Period stored in the SIM.			
Default:		OtherEventsFail			
Comments:		Initial Conditions of MS: The MS is switched off. The HPLMN Search Period on the SIM shall be set to 6 minutes. The Location Area Information on the SIM is deleted. Foreseen final state of the MS: The MS has valid TMSI and CKSN. It is "idle updated" on cell A.			
Nr	Label	Behaviour Description	CRef	V	Comments
1		START T_guard(1020)			
2		(TCV_slot := C_S0, TCV_tsc := C_BCC)			
3		+IdleUpdated(C_CellA, C_Immass, TCV_slot, TCV_tsc, TimingAdv_01, '000'B, '001'B, '011'B, '00'O)			
4		+IdleState_cellB3(C_Immass, TCV_slot, TCV_tsc, TimingAdv_r01, 0, '000'B, '001'B, '011'B, '00'O)			1)
5		+MM_PwrOrSimOff(C_SIMIn)			
6		+StartCellB_3(C_Immass, TCV_slot, TCV_tsc, TimingAdv_r01, 0, '000'B, '001'B, '011'B, '00'O)			
7	body	+ltree_continue_body1			
		ltree_continue_body1			
8		+MM_PwrOrSimOn(C_SIMIn)			
9		L?DL_RaChRq (TCV_Rr := DL_RaChRq.msg.ecau_rrf, TCV_Fn := DL_RaChRq.fn)	ChReq_02		
10		ACTIVATE(OtherEventsFail_02)			To match ChReq retrans.
11		LIDL_UdatRqImmass	ImmAss_01Def(TCV_agch, TCV_Rr, TCV_Fn, TCV_slot, TCV_tsc, TCV_chdescr_arfcn, TimingAdv_r01)		
12		L?DL_EstInLupRq	LocUp_01(TCV_ch, C_normal_updating)	(P)	
13		ACTIVATE(OtherEventsFail)			Restore Normal default PLMN2
14		LIDL_DatRqLupAcp	LocAcp_31(TCV_ch, TCV_lac)		
15		+ChanRel(TCV_ch)			
16		+NoReaction(480000)			
17		+ltree_continue_body2			
		ltree_continue_body2			
18		+Varinit_fixA			
19		(TCV_slot := C_S0, TCV_tsc := C_BCC)			
20		+StartCellA(63, C_Immass, TCV_slot, TCV_tsc, TimingAdv_r01, 0, '000'B, '001'B, '011'B, '00'O, C_noRestablishment)			
21		START T_dly(480000)			
22		?TIMEOUT T_dly		(F)	
23		+MM_LupInit2(C_normal_updating, TimingAdv_r01)			
24		LIDL_DatRqLupAcp	LocAcp_32(TCV_ch, TCV_lac)	(P)	PLMN1
25		+ChanRel_end(TCV_ch)			
Detailed Comments:		1) Initial condition: LAI deleted, HPLMNsearchperiod=6min			

Test Case Dynamic Behaviour					
Test Case Name: TC_26_7_4_5_4_2 Group: GSM_L3_MS_v4170/MM/ Purpose: To verify that no HPLMN Search is performed when the MS is not in automatic mode Default: OtherEventsFail Comments: Initial Conditions of MS: The MS is switched off. The HPLMN Search Period on the SIM shall be set to 6 minutes. The Location Area Information on the SIM is deleted. Foreseen final state of the MS: The MS has valid TMSI and CKSN. It is "idle updated" on cell B.					
Nr	Label	Behaviour Description	CRef	V	Comments
1		START T_guard(420)			
2		(TCV_slot := C_S0, TCV_tsc := C_BCC)			
3		+IdleUpdated(C_CellA, C_Immass, TCV_slot, TCV_tsc, TimingAdv_01, '000'B, '001'B, '011'B, '00'O)			
4		+IdleState_cellB3(C_Immass, TCV_slot, TCV_tsc, TimingAdv_r01, 0, '000'B, '001'B, '011'B, '00'O)			
5		+MM_PwrOrSimOff(C_SIMIn)			
6		+StartCellB_3(C_Immass, TCV_slot, TCV_tsc, TimingAdv_r01, 0, '000'B, '001'B, '011'B, '00'O)			
7		+ltree_continue_body			
		ltree_continue_body			
8		+MM_PwrOrSimOn(C_SIMIn)			
9		L?DL_RaInChRq (TCV_Rr := DL_RaInChRq, msg.ecau_rrf, TCV_Fn := DL_RaInChRq.fn)	ChReq_02		
10		ACTIVATE(OtherEventsFail_02)			To match ChReq retrans.
11		LIDL_UdatRqImmass	ImmAss_01Def(TCV_agch, TCV_Rr, TCV_Fn, TCV_slot, TCV_tsc, TCV_chdescr_arfcn, TimingAdv_r01)		
12		L?DL_EstInLupRq	LocUp_01(TCV_ch, C_normal_updating)	(P)	
13		ACTIVATE(OtherEventsFail)			Restore Normal default PLMN2
14		L!DL_DatRqLupAcp	LocAcp_31(TCV_ch, TCV_lac)		
15		+ChanRel(TCV_ch)			
16		(TCV_Null := OO_PLMNselModeMan())		2)	
17		+Varinit_fixA			
18		(TCV_slot := C_S0, TCV_tsc := C_BCC)			
19		+StartCellA(63, C_Immass, TCV_slot, TCV_tsc, TimingAdv_r01, 0, '000'B, '001'B, '011'B, '00'O, C_noReestablishment)		3)	
20		+NoReaction(420000)			
Detailed Comments: 1) Initial condition: LAI deleted, HPLMN searchperiod = 6min 2) MS in manual mode. 3) made cell A available.					

Test Case Dynamic Behaviour					
Test Case Name: TC_26_7_4_5_4_3					
Group: GSM_L3_MS_v4170/MM/					
Purpose: To verify that the MS waits at least 2 minutes and at most T minutes before attempting its first HPLMN Search.					
Default: OtherEventsFail					
Comments: Initial Conditions of MS: The MS is switched off. The HPLMN Search Period on the SIM shall be set to 6 minutes. The Location Area Information on the SIM is deleted. Foreseen final state of the MS: The MS has valid TMSI and CKSN. It is "idle updated" on cell A.					
Nr	Label	Behaviour Description	CRef	V	Comments
1		START T_guard(480)			
2		(TCV_slot := C_S0, TCV_tsc := C_BCC)			
3		+IdleUpdated(C_CellA, C_Immass, TCV_slot, TCV_tsc, TimingAdv_01, '000'B, '001'B, '011'B, '00'O)			
4		+IdleState_cellB3(C_Immass, TCV_slot, TCV_tsc, TimingAdv_r01, 0, '000'B, '001'B, '011'B, '00'O)			1)
5		+MM_PwrOrSimOff(C_SIMIn)			
6		+StartCellB_3(C_Immass, TCV_slot, TCV_tsc, TimingAdv_r01, 0, '000'B, '001'B, '011'B, '00'O)			
7		+ltree_continue_body			
ltree_continue_body					
8		+MM_PwrOrSimOn(C_SIMIn)			
9		L?DL_RaInChRq (TCV_Rr := DL_RaInChRq.msg.ecau_rrf, TCV_Fn := DL_RaInChRq.fn)	ChReq_02		
10		ACTIVATE(OtherEventsFail_02)			To match ChReq retrans.
11		L!DL_UdatRqImmass	ImmAss_01Def(TCV_agch, TCV_Rr, TCV_Fn, TCV_slot, TCV_tsc, TCV_chdescr_arfcn, TimingAdv_r01)		
12		L?DL_EstInLupRq	LocUp_01(TCV_ch, C_normal_updating)	(P)	
13		ACTIVATE(OtherEventsFail)			Restore Normal default
14		L!DL_DatRqLupAcp	LocAcp_31(TCV_ch, TCV_lac)		PLMN2
15		+ChanRel(TCV_ch)			
16		+Varinit_fixA			
17		(TCV_slot := C_S0, TCV_tsc := C_BCC)			
18		+StartCellA(63, C_Immass, TCV_slot, TCV_tsc, TimingAdv_r01, 0, '000'B, '001'B, '011'B, '00'O, C_noReestablishment)			2)
19		+NoReaction(120000)			
20		START T_dly(360000)			3)
21		?TIMEOUT T_dly		(F)	
22		L?DL_RaInChRq (TCV_Rr := DL_RaInChRq.msg.ecau_rrf, TCV_Fn := DL_RaInChRq.fn)	ChReq_02	(P)	
23		CANCEL T_dly ACTIVATE(OtherEventsFail_02)			To match ChReq retrans.
24		L!DL_UdatRqImmass	ImmAss_01Def(TCV_agch, TCV_Rr, TCV_Fn, TCV_slot, TCV_tsc, TCV_chdescr_arfcn, TimingAdv_r01)		
25		L?DL_EstInLupRq	LocUp_01(TCV_ch,	(P)	

26		ACTIVATE(OtherEventsFail)	C_normal_updating)	Restore Normal default
27		LIDL_DatRqLupA cp	LocAcp_32(TCV_ch, TCV_lac)	PLMN1
28		+ChanRel_end(TCV_ch)		
Detailed Comments:				
1) Initial condition: LAI deleted, HPLMNsearchperiod=6min				
2) made cell A available.				
3) MS shall send the messages on cell A within T minutes. T means HPLMN search period.				

Test Case Dynamic Behaviour					
Test Case Name: TC_26_7_4_6					
Group: GSM_L3_MS_v4170/MM/					
Purpose: 1) To check that if the PLU timer expires while the MS is out of coverage, the MS informs the network of its return to coverage. 2) To check that the PLU timer is not disturbed by cells of forbidden PLMNs. 3) To check that if the PLU timer does not expire while out of coverage and if the mobile returns to the LA where it is updated, the mobile does not inform the network of its return to coverage.					
Default: OtherEventsFail					
Comments: Initial Conditions of MS: The MS is deactivated. The PLMN of cell B is entered in the SIM's forbidden PLMN list. Foreseen final state of the MS: The MS is "idle updated". The PLMN of cell B is entered in the SIM's forbidden PLMN list.					
Nr	Label	Behaviour Description	CRef	V	Comments
1		START T_guard(2100)			
2		(TCV_slot := C_S0, TCV_tsc := C_BCC)			
3		+IdleUpdated(C_CellA, C_Immass, TCV_slot, TCV_tsc, TimingAdv_01, '000'B, '001'B, '011'B, '00'O)			
4		(TCV_sacch_B := OC_SubchOfSacch4(TSPX_SDCCH4SubDef, C_CellB))			
5		+StartCellAandB2PLMN(C_Immass, TCV_slot, TCV_tsc, TimingAdv_r01, 0, '000'B, '001'B, '011'B, '00'O, '00'O)			
6		+ltree_switchcelltoB			
7		+MM_LupRej2(C_rc_plmn_not, MiTmsi_01, C_lacellA, C_normal_updating, TCV_cksn, TimingAdv_r01)			PR 1)
8		+ltree_switchcelltoA			
9		+MM_LUP2(MiTmsi_01iei, Milmsi_01, C_lacdeleted, TCV_lac, C_cksn_nokey, TimingAdv_r01)			PR 2)
10		+MM_PwrOrSimOff(C_SIMIn)			
11		+StartCellAandB(C_Immass, TCV_slot, TCV_tsc, TimingAdv_r01, 1, '000'B, '001'B, '011'B, '02'O, '01'O)			
12		+ltree_continue_body			
		ltree_continue_body			
13		+MM_PwrOrSimOn(C_SIMneedRmv)			
14		(TCV_Null := OO_PLMNselModeAuto())			1)
15		+ltree_imsiattach			2)
16		START T_dly1(705000)			3)
17		+NoReaction(60000)			
18		(TCV_Null := OM_StopCell(C_CellA))			
19		+NoReaction(420000)			
20		+StartCellAandB(C_Immass, TCV_slot, TCV_tsc, TimingAdv_r01, 1, '000'B, '001'B, '011'B, '02'O, '01'O)			
21		?TIMEOUT T_dly1		(P)	3)
22		START T_dly1(30000)			
23		?TIMEOUT T_dly1		(F)	4)
24		L?DL_RacInChRq (TCV_Rr := DL_RacInChRq. msg.ecau_rrf, TCV_Fn := DL_RacInChRq.fn) CANCEL T_dly1	ChReq_02	(P)	4)
25		ACTIVATE(OtherEventsFail_02)			To match ChReq retrans.
26		+ltree_perluprest			4)
27		+NoReaction(180000)			
28		(TCV_Null := OM_StopCell(C_CellA))			
29		+ltree_continue			
		ltree_continue			

30	+NoReaction(660000)			5)
31	+StartCellAandB(C_Immass, TCV_slot, TCV_tsc, TimingAdv_r01, 1, '000'B, '001'B, '011'B, '02'O, '01'O)			
32	(TCV_Null := OM_StopCell(C_CellB))			
33	START T_dly1(180000)			
34	?TIMEOUT T_dly1		(F)	
35	L?DL_RaInChRq (TCV_Rr := DL_RaInChRq. msg.ecau_rrf, TCV_Fn := DL_RaInChRq.fn) CANCEL T_dly1	ChReq_02	(P)	6)
36	ACTIVATE(OtherEventsFail_02)			To match ChReq retrans.
37	+tree_perluprest			
	Itree_imsiattach			
38	L?DL_RaInChRq (TCV_Rr := DL_RaInChRq. msg.ecau_rrf, TCV_Fn := DL_RaInChRq.fn)	ChReq_02		
39	ACTIVATE(OtherEventsFail_02)			To match ChReq retrans.
40	LIDL_UdatRqImmss	ImmAss_01Def(TCV_agch, TCV_Rr, TCV_Fn, TCV_slot, TCV_tsc, TCV_chdescr_arfcn, TimingAdv_r01)		
41	L?DL_EstInLupRq	LocUp_01(TCV_ch, C_imsi_attach)	(P)	
42	ACTIVATE(OtherEventsFail)			Restore Normal default
43	LIDL_DatRqLupAcp	LocAcp_32(TCV_ch, TCV_lac)		
44	+ChanRel(TCV_ch)			
	Itree_perluprest			
45	LIDL_UdatRqImmss	ImmAss_01Def(TCV_agch, TCV_Rr, TCV_Fn, TCV_slot, TCV_tsc, TCV_chdescr_arfcn, TimingAdv_r01)		
46	L?DL_EstInLupRq	LocUp_01(TCV_ch, C_periodic_updating)	(P)	
47	ACTIVATE(OtherEventsFail)			Restore Normal default
48	LIDL_DatRqLupAcp	LocAcp_32(TCV_ch, TCV_lac)		
49	+ChanRel(TCV_ch)			
	Itree_switchcelltoA			
50	+Varinit_fixA			
51	+IncrRfLev_Cellavail(C_CellA)			
	Itree_switchcelltoB			
52	+Varinit_fixB			
53	+LowRfLev_Cellnotavail(C_CellA)			

Detailed Comments:

PR1) Initial condition: The PLMN of cell B is entered in the SIM's forbidden PLMN list.
PR2) Initial condition: Idle updated in cell A.

- 1) MS enters in automatic network selection mode.
- 2) IMSI attach procedure
- 3) Conformance Requirement 1
Delay for 11 min and 40 seconds. In this time MS may not location update in cell A.
- 4) The MS shall execute the periodic location updating after 12 min.
- 5) Conformance Requirement 5
No Reaction in 7 min. In this time MS may not location update in cell B.
- 6) The MS shall execute the periodic location updating before 17 min after last periodic LUP.

Test Case Dynamic Behaviour					
Test Case Name: TC_26_7_5_2					
Group: GSM_L3_MS_v4170/MM/					
Purpose: To verify that the MS can correctly set up an MM connection in an originating CM connection establishment when ciphering mode setting is not required.					
Default: OtherEventsFail					
Comments: Initial Conditions of MS: The MS has valid TMSI. It is "idle updated". Expected values in the SIM card: TMSI: MiTmsi_01, CKSN: TSPX_CKSNDf					
Foreseen final state of the MS: The MS has valid TMSI and CKSN. It is "idle updated".					
Nr	Label	Behaviour Description	CRef	V	Comments
1		START T_guard(300)			
2		(TCV_slot := C_S0, TCV_tsc := C_BCC)			
3		+IdleUpdated(C_CellA, C_Immass, TCV_slot, TCV_tsc, TimingAdv_01, '000'B, '001'B, '011'B, '00'O)			
4		+IdleState_cellA(C_Immass, TCV_slot, TCV_tsc, TimingAdv_r01, 0, '000'B, '001'B, '011'B, '00'O, C_noRestablishment)			
5		+AttmpCall			
6		+BasicServiceMO(TSPX_MO_BscSvc_AnyCall, TSPX_MO_rate_AnyCall)			
7		L?DL_RaInChRq (TCV_Rr := DL_RaInChRq.msg.ecau_rrf, TCV_Fn := DL_RaInChRq.fn)	ChReq_02		
8		ACTIVATE(OtherEventsFail_02)			To match ChReq retrans.
9		LIDL_UdatRqImmass	ImmAss_01Def(TCV_agch, TCV_Rr, TCV_Fn, TCV_slot, TCV_tsc, TCV_chdescr_arfcn, TimingAdv_r01)		
10		L?DL_EstInCmsRq	CmsReq_32(MiTmsi_01, TSPX_CKSNDf)	(P)	
11		ACTIVATE(OtherEventsFail)			Restore Normal default
12		+Authentication(TCV_ch, TCV_cks)			
13		(TCV_Null := OM_CphMdChg(TCV_ch, CphMod_02, TCV_CphKey))			
14		+Ciphering_off2(TCV_ch)			
15		+ltree_msgs			
16		+ChanRel_end(TCV_ch)			
17		ltree_msgs L?DL_DatInSetup (TCV_Mt := DL_DatInSetup.msg.mt)	SetupIn_01	(P)	
18		(TCV_ti_v := '000'B)			
19		+Compute_ti			
20		LIDL_DatRqRelCmp	RelCmpRq_03(TCV_ti_dest, TCV_ch)	(P)	
21		L?DL_DatInRegister	Register_01(TCV_ch, RegisterPdu_01)		
22		L?DL_EstIn	DLEstInd_02		
23		L?DL_DatInCpData	DatInCpData_01(CpDataPdu_04, TCV_ch)		
24		LIDL_DatRqCpDataAck	DatRqCpDataAck(CpDataAckPdu_03(TCV_ti_dest), TCV_ch)		
25		L?DL_DatInCpData	DatInCpData_01(CpDataPdu_04, TCV_ch)		
26		LIDL_DatRqCpDataAck	DatRqCpDataAck(CpDataAckPdu_03(TCV_ti_dest), TCV_ch)		

Detailed Comments:

Test Case Dynamic Behaviour	
Test Case Name:	TC_26_7_5_3
Group:	GSM_L3_MS_v4170/MM/
Purpose:	To verify that the MS can correctly set up an MM connection in an originating CM connection establishment when ciphering mode setting is not required.
Default:	OtherEventsFail
Comments:	Initial Conditions of MS: The MS has valid TMSI. It is "idle updated". Foreseen final state of the MS: The MS has valid TMSI. It is "idle updated".

Nr	Label	Behaviour Description	CRef	V	Comments
1		START T_guard(300)			
2		(TCV_slot := C_S0, TCV_tsc := C_BCC)			
3		+IdleUpdated(C_CellA, C_Immass, TCV_slot, TCV_tsc, TimingAdv_01, '000'B, '001'B, '011'B, '00'O)			
4		+StartCellA(63, C_Immass,TCV_slot, TCV_tsc, TimingAdv_r01, 0, '000'B, '001'B, '011'B, '00'O, C_noRestablishment)			
5		+AttmpCall			
6		+BasicServiceMO(TSPX_MO_BscSvc_Any Call, TSPX_MO_rate_AnyCall)			
7		L?DL_RaInChRq (TCV_Rr := DL_RaInChRq.msg.ecau_rrf, TCV_Fn := DL_RaInChRq.fn)	ChReq_02		
8		ACTIVATE(OtherEventsFail_02)			To match ChReq retrans.
9		LIDL_UdatRqImmass	ImmAss_01Def(TCV_agch, TCV_Rr, TCV_Fn, TCV_slot, TCV_tsc, TCV_chdescr_arfcn, TimingAdv_r01)		
10		L?DL_EstInCmsRq	CmserReq_01	(P)	
11		ACTIVATE(OtherEventsFail)			Restore Normal default
12		LIDL_DatRqCmsAcp	CmserAcp_01(TCV_ch)		
13		+ltree_msgs			
14		+ChanRel_end(TCV_ch)			
		ltree_msgs			
15		L?DL_DatInSetup (TCV_Mt := DL_DatInSetup.msg.mt)	SetupIn_01	(P)	
16		L?DL_DatInRegister	Register_01(TCV_ch, RegisterPdu_01)	(P)	
17		L?DL_DatInCpData (TCV_ti_orig := DL_DatInCpData.msg.ti, TCV_ti_dest.ti_v := TCV_ti_orig.ti_v, TCV_ti_dest.ti_f := '1'B)	DatInCpData_01(CpDataPdu_04,TCV_ch)		
18		LIDL_DatRqCpDataAck	DatRqCpDataAck(CpDataAckPdu_03(TCV_ti_dest), TCV_ch)		
19		L?DL_DatInCpData	DatInCpData_01(CpDataPdu_04,TCV_ch)		
20		LIDL_DatRqCpDataAck	DatRqCpDataAck(CpDataAckPdu_03(TCV_ti_dest), TCV_ch)		

Detailed Comments:

Test Case Dynamic Behaviour					
Test Case Name: TC_26_7_5_4					
Group: GSM_L3_MS_v4170/MM/					
Purpose: To verify that the MS does not send a layer 3 message when the service request is rejected by the SS.					
Default: OtherEventsFail					
Comments: Initial Conditions of MS: The MS has valid TMSI. It is "idle updated". Foreseen final state of the MS: The MS has valid TMSI. It is "idle updated".					
Nr	Label	Behaviour Description	CRef	V	Comments
1		START T_guard(420)			
2		(TCV_slot := C_S0, TCV_tsc := C_BCC)			
3		+IdleUpdated(C_CellA, C_Immass, TCV_slot, TCV_tsc, TimingAdv_01, '000'B, '001'B, '011'B, '00'O)			
4		+IdleState_cellA(C_Immass, TCV_slot, TCV_tsc, TimingAdv_r01, 0, '000'B, '001'B, '011'B, '00'O, C_noRestablishment)			
5		+AttmpCall			
6		+BasicServiceMO(TSPX_MO_BscSvc_Any Call, TSPX_MO_rate_AnyCall)			
7		L?DL_RaInChRq (TCV_Rr := DL_RaInChRq.msg.ecau_rrf, TCV_Fn := DL_RaInChRq.fn)	ChReq_02		
8		ACTIVATE(OtherEventsFail_02)			To match ChReq retrans.
9		LIDL_UdatRqImmass	ImmAss_01Def(TCV_agch, TCV_Rr, TCV_Fn, TCV_slot, TCV_tsc, TCV_chdescr_arfcn, TimingAdv_r01)		
10		L?DL_EstInCmsRq	CmserReq_01	(P)	
11		ACTIVATE(OtherEventsFail)			Restore Normal default
12		LIDL_DatRqCmsRej	CmserRej_30(C_rc_reqservoptnotsub, TCV_ch)		
13		+NoReaction(5000)			
14		+ChanRel_end(TCV_ch)			
Detailed Comments:					

Test Case Dynamic Behaviour					
Test Case Name: TC_26_7_5_5					
Group: GSM_L3_MS_v4170/MM/					
Purpose: To verify that the MS can correctly accept a CM SERVICE REJECT message with reject cause "IMSI unknown in VLR".					
Default: OtherEventsFail					
Comments: Initial Conditions of MS: The MS has valid TMSI. It is "idle updated". Expected values in the SIM card: TMSI: MiTmsi_01, CKSN: TSPX_CKSNDf					
Foreseen final state of the MS: The MS has valid TMSI and CKSN. It is "idle updated".					
Nr	Label	Behaviour Description	CRef	V	Comments
1		START T_guard(300)			
2		(TCV_slot := C_S0, TCV_tsc := C_BCC)			
3		+IdleUpdated(C_CellA, C_Immss, TCV_slot, TCV_tsc, TimingAdv_01, '000'B, '001'B, '011'B, '00'O)			
4		+StartCellA(63, C_Immss,TCV_slot, TCV_tsc, TimingAdv_r01, 0, '000'B, '001'B, '011'B, '00'O, C_noRestablishment)			
5		+AttmPcall			
6		+BasicServiceMO(TSPX_MO_BscSvc_Any Call, TSPX_MO_rate_AnyCall)			
7		L?DL_RaInChRq (TCV_Rr := DL_RaInChRq. msg.ecau_rrf, TCV_Fn := DL_RaInChRq.fn)	ChReq_02		
8		ACTIVATE(OtherEventsFail_02)			To match ChReq retrans.
9		LIDL_UdatRqImmss	ImmAss_01Def(TCV_agch, TCV_Rr, TCV_Fn, TCV_slot, TCV_tsc, TCV_chdescr_arfcn, TimingAdv_r01)		
10		L?DL_EstInCmsRq	CmserReq_32(MiTmsi_01, TSPX_CKSNDf)	(P)	1)
11		ACTIVATE(OtherEventsFail)			Restore Normal default
12		LIDL_DatRqCmsRej	CmserRej_30(C_rc_imsiunknownvlr, TCV_ch)		
13		+ChanRel(TCV_ch)		2)	
14		+MM_LUPauth2(MiTmsi_01iei, MiTmsi_01, C_lacdeleted, TCV_lac, C_normal_updating, C_cksnokey, TCV_cksno, TimingAdv_r01)		3)	
15		+ChanRel_end(TCV_ch)			
Detailed Comments:					
1) Conformance Requirement The MS shall be able to correctly set up an MM connection in a Mobile Originating CM connection attempt.					
2) Conformance Requirement The MS shall wait for the network to release the RR connection					
3) Conformance Requirement The MS shall be able to perform a location updating procedure.					

Test Case Dynamic Behaviour					
Test Case Name: TC_26_7_5_6 Group: GSM_L3_MS_v4170/MM/ Purpose: To verify that at T3230 expiry, the MS aborts the MM-connection establishment. Default: OtherEventsFail Comments: Initial Conditions of MS: The MS has valid TMSI. It is "idle updated". Foreseen final state of the MS: The MS has valid TMSI. It is "idle updated".					
Nr	Label	Behaviour Description	CRef	V	Comments
1		START T_guard(300)			
2		(TCV_slot := C_S0, TCV_tsc := C_BCC)			
3		+IdleUpdated(C_CellA, C_Immass, TCV_slot, TCV_tsc, TimingAdv_01, '000'B, '001'B, '011'B, '00'O)			
4		+IdleState_cellA(C_Immass, TCV_slot, TCV_tsc, TimingAdv_r01, 0, '000'B, '001'B, '011'B, '00'O, C_noRestablishment)			
5		+AttmpCall			
6		+BasicServiceMO(TSPX_MO_BscSvc_AnyCall, TSPX_MO_rate_AnyCall)			
7		L?DL_RaInChRq (TCV_Rr := DL_RaInChRq. msg.ecau_rrf, TCV_Fn := DL_RaInChRq.fn)	ChReq_02		
8		ACTIVATE(OtherEventsFail_02)			To match ChReq retrans.
9		LIDL_UdatRqImmass	ImmAss_01Def(TCV_agch, TCV_Rr, TCV_Fn, TCV_slot, TCV_tsc, TCV_chdescr_arfcn, TimingAdv_r01)		
10		L?DL_EstInCmsRq	CmserReq_01	(P)	
11		ACTIVATE(OtherEventsFail)			Restore Normal default
12		+NoReaction(C_T_T3230min)			
13		L?DL_DatInMmst	MMSSt_03(TCV_ch)	(P)	1)
14		+ChanRel_end(TCV_ch)			
Detailed Comments: 1) The MS shall abort the MM connection after T3230 expiry.					

Test Case Dynamic Behaviour

Test Case Name:	TC_26_7_5_7_1
Group:	GSM_L3_MS_v4170/MM/
Purpose:	To check that upon reception of an ABORT message with cause #6 during call establishment: <ul style="list-style-type: none"> - the MS does not send any layer 3 message. - after reception of an ABORT message and after having been deactivated and reactivated, the MS performs location updating using its IMSI as mobile identity and indicates deleted LAI and CKSN. - the MS does not perform location updating, does not answer to paging with TMSI, rejects any request for mobile originating call except emergency call, does not perform IMSI detach. - the MS accepts a request for emergency call.
Default:	OtherEventsFail
Comments:	Initial Conditions of MS: The MS has valid TMSI, CKSN and Kc. IT is "idle updated on cell B". Foreseen final state of the MS: The MS has valid TMSI. It is "idle updated" on cell A.

Nr	Label	Behaviour Description	CRef	V	Comments
1		START T_guard(600)			
2		(TCV_slot := C_S0, TCV_tsc := C_BCC)			
3		+IdleUpdated(C_CellB, C_Immass, TCV_slot, TCV_tsc, TimingAdv_01, '000'B, '001'B, '011'B, '00'O)			
4		(TCV_sacch:= OC_SubchOfSacch4(TSPX_SDCCH4SubDef, C_CellA))			
5		+IdleState_2cellMM2(C_CellB, C_Immass, TCV_slot, TCV_tsc, TimingAdv_r01, 0, '000'B, '001'B, '011'B, '00'O)			
6		+AttmpCall			
7		+BasicServiceMO(TSPX_MO_BscSvc_AnyCall, TSPX_MO_rate_AnyCall)			
8		L?DL_RaInChRq (TCV_Rr := DL_RaInChRq.msg.ecau_rrf, TCV_Fn := DL_RaInChRq.fn)	ChReq_02		
9		ACTIVATE(OtherEventsFail_02)			To match ChReq retrans.
10		L!DL_UdatRqImmass	ImmAss_01Def(TCV_agch, TCV_Rr, TCV_Fn, TCV_slot, TCV_tsc, TCV_chdescr_arfcn, TimingAdv_r01)		
11		L?DL_EstInCmsRq	CmsReq_01	(P)	
12		ACTIVATE(OtherEventsFail)			Restore Normal default
13		+Authentication(TCV_ch, TCV_cksn)			
14		L!DL_DatRqAbrt	Abort_01(TCV_ch, C_rc_illegal_me)		
15		+ltree_continue			
		ltree_continue			
16		+NoReaction(5000)		1)	
17		+ChanRel(TCV_ch)			
18		+ltree_switchcelltoA_Bavail			
19		+NoReaction(5000)		2.1)	
20		+NoReaction(420000)		2.2)	
21		+MM_no_paging(MiTmsi_01, 3000, TCV_Ccd0B)		2.3)	
22		+ltree_continue1			
		ltree_continue1			
23		+MM_no_cmsservices(3000)		2.4)	
24		+MM_check_ecall1(TimingAdv_r01, Milmei_01)		3)	
25		+ImsiDetachNoReaction(3000, C_SIMneedRmv)		7)	
26		+MM_PwrOrSimOn(C_SIMneedRmv)			
27		+MM_LUPauth2(MiTmsi_01iei, Milmsi_01, C_lacdeleted, TCV_lac, C_normal Updating,		4)	

28 29 30	<p>C_cks_noke, TCV_cks, TimingAdv_r01) (TCV_Null := OO_HookOff())</p> <p>Itree_switchcelltoA_Bavail +Varinit_fixA +LowRfLev_Cellavailable(C_CellB)</p>			
<p>Detailed Comments: After ABORT with the cause_value 'illegal_me' the MS shall</p> <ol style="list-style-type: none"> 1) Conformance requirement 1: MS shall wait for network command. 2) Conformance requirement 2: <ol style="list-style-type: none"> 2.1) not perform location updating 2.2) not perform periodic location updating 2.3) not respond to paging with TMSI 2.4) reject any request for MOC establishment with except emergency call. 2.5) not perform IMSI detach. 3) Conformance requirement 3: if it support speech, perform emergency call. 4) Conformance requirement 4: delete stored LAI, CKSN and TMSI 				

Test Case Dynamic Behaviour

Test Case Name: TC_26_7_5_7_2
Group: GSM_L3_MS_v4170/MM/
Purpose: To check that when multiple MM connections are established, the MS releases all MM connections upon reception of an ABORT message, in the case when the two MM connections are established for a mobile terminating call and a non call related supplementary service operation.
Default: OtherEventsFail
Comments: Initial Conditions of MS:
The MS is in state U10 of a mobile terminating call.

Foreseen final state of the MS:
The MS has valid TMSI. It is "idle updated" on cell A.

Nr	Label	Behaviour Description	CRef	V	Comments
1		START T_guard(300)			
2		+BasicServiceMT(TSPX_MTBscSvcC,TSPX_MTChRateC,TSPX_MT_ImmConnC)			
3		(TCV_slot := C_S0, TCV_tsc := C_BCC)			
4		+IdleUpdated(C_CellA, C_Immasc, TCV_slot, TCV_tsc, TimingAdv_01, '000'B, '001'B, '011'B, '00'O)			
5		+IdleState_cellA(C_Immasc,TCV_slot, TCV_tsc, TimingAdv_r01, 0, '000'B, '001'B, '011'B, '00'O, C_noRestablishment)			
6		+CCConfigTCH(C_Ass, TSPX_TmSlfDef, TSPX_TscDef, TimingAdv_01, '000'B, '001'B, '011'B)			
7		+PreEnterCCstateU10_late(TCV_Setup_mt, TSPX_TmSlfDef, TSPX_TscDef, TimingAdv_r01)			
8		(TCV_ti_v := '000'B)			1)
9		+Compute_ti			
10	body	+AtmpNonCallSupp			
11		+BasicServiceMO(TSPX_MO_BscSvc_NonCallSupplementarySvc, C_Full)			
12		L?DL_EstInCmsRq	CmserReq_01	(P)	
13		LIDL_DatRqCmsAcp	CmserAcp_01(TCV_ch)		
14		L?DL_DatInRegister	Register_01(TCV_ch, RegisterPdu_01)		
15		LIDL_DatRqAbrt	Abort_01(TCV_ch, C_rc_networkfailure)		2)
16		LIDL_DatRqDisc	DiscSnd(TCV_ch, Disconn_07(TCV_ti_orig))		
17		L?DL_DatInRelCmp	RelComRcv(Release Cmp_01(TCV_ti_dest))	(P)	
18		+ChanRel_end(TCV_ch)			

Detailed Comments:
1) TI-Value according to the teststep PreEnterCCstateU10(Setup_04)
2) Upon reception of an ABORT-message the MS shall release any ongoing MM connection.

Test Case Dynamic Behaviour					
Test Case Name:		TC_26_7_5_8_1			
Group:		GSM_L3_MS_v4170/MM/			
Purpose:		To check that when the network does not include the follow on proceed IE in a LOCATION UPDATING ACCEPT message, a MS that has a CM application request pending does not attempt to establish a new MM connection on that RR connection.			
Default:		OtherEventsFail			
Comments:		Initial Conditions of MS: The MS has valid TMSI and is deactivated. Foreseen final state of the MS: The MS has valid TMSI. It is "idle updated" on cell A.			
Nr	Label	Behaviour Description	CRef	V	Comments
1		START T_guard(300)			
2		(TCV_slot := C_S0, TCV_tsc := C_BCC)			
3		+IdleUpdated(C_CellA, C_Immass, TCV_slot, TCV_tsc, TimingAdv_01, '000'B, '001'B, '011'B, '00'O)			
4		+StartCellA_MM1(C_Immass,TCV_slot, TCV_tsc, 0, TimingAdv_r01, '000'B, '001'B, '011'B, '00'O)			att=0
5		+MM_PwrOrSimOff(C_SIMneedRmv)			
6		+StartCellA_MM1(C_Immass,TCV_slot, TCV_tsc, 1, TimingAdv_r01, '000'B, '001'B, '011'B, '00'O)			att=1
7	body	+ImsiAttachIni(MiTmsi_01, TimingAdv_r01, C_PLMN_1, C_SIMneedRmv)			
8		+AttmpCall			
9		+BasicServiceMO(TSPX_MO_BscSvc_AnyCall, TSPX_MO_rate_AnyCall)			
10		?TIMEOUT T_dly			
11		L!DL_DatRqLupAcp	LocAcp(TCV_ch, C_PLMN_1, TCV_lac)		2)
12		+NoReaction(8000)			3)
13	post	+ChanRel_end(TCV_ch)			
Detailed Comments:		1) Checking of parameters is not required. 2) Follow on proceed IE not included. 3) MS shall not send any layer 3 message for 8 seconds after reception of Location Updating Acc.			

Test Case Dynamic Behaviour					
Test Case Name: TC_26_7_5_8_2					
Group: GSM_L3_MS_v4170/MM/					
Purpose: To check that when the network includes the follow on proceed IE in a LOCATION UPDATING ACCEPT message, a MS that supports the follow on request procedure and that has a CM application request pending establishes successfully a new MM connection on that RR connection.					
Default: OtherEventsFail					
Comments: Initial Conditions of MS: The MS has valid TMSI and is deactivated.					
Foreseen final state of the MS: The MS has valid TMSI. It is "idle updated" on cell A.					
Nr	Label	Behaviour Description	CRef	V	Comments
1		START T_guard(300)			
2		(TCV_slot := C_S0, TCV_tsc := C_BCC)			
3		+IdleUpdated(C_CellA, C_Immass, TCV_slot, TCV_tsc, TimingAdv_01, '000'B, '001'B, '011'B, '00'O)			
4		+StartCellA_MM1(C_Immass, TCV_slot, TCV_tsc, 0, TimingAdv_r01, '000'B, '001'B, '011'B, '00'O)			att=0
5		+MM_PwrOrSimOff(C_SIMneedRmv)			
6		+StartCellA_MM1(C_Immass, TCV_slot, TCV_tsc, 1, TimingAdv_r01, '000'B, '001'B, '011'B, '00'O)			att=1
7	body	+ImsiAttachIni(MiTmsi_01, TimingAdv_r01, C_PLMN_1, C_SIMneedRmv)			
8		+AttmpCall			
9		+BasicServiceMO(TSPX_MO_BscSvc_AnyCall, TSPX_MO_rate_AnyCall)			
10		?TIMEOUT T_dly			
11		LIDL_DatRqLupAcp	LocAcp_33(TCV_ch, TCV_lac)		2)
12		[TSPC_followOnReq= FALSE]			
13		+NoReaction(8000)			
14		+ChanRel_end(TCV_ch)			
15		[TSPC_followOnReq = TRUE]			
16		+CMsrvcRq			
17	post	+ChanRel_end(TCV_ch)			
Detailed Comments:					
1) Checking of parameters is not required.					
2) Follow on proceed IE included.					
3) MS shall send a CM Service Request.					
4) According to GSM 11.10 any initial CM message is to expect.					

Test Case Dynamic Behaviour					
Test Case Name:		TC_26_7_5_8_3			
Group:		GSM_L3_MS_v4170/MM/			
Purpose:		<ol style="list-style-type: none"> 1) To check that a MS that has no CM application request pending sets the Follow-On-Request bit to No follow-on request pending in a LOCATION UPDATING REQUEST message. 2) To check that when the network includes the follow on proceed IE in a LOCATION UPDATING ACCEPT message, a MS that has no CM application request pending does not attempt to establish a new MM connection on that RR connection. 3) To check that the MS accepts establishment by the network of a new MM connection on the existing RR connection. 			
Default:		OtherEventsFail			
Comments:		Initial Conditions of MS: The MS has valid TMSI and is deactivated. Foreseen final state of the MS: The MS has valid TMSI. It is "idle updated" on cell A.			
Nr	Label	Behaviour Description	CRef	V	Comments
1		START T_guard(300)			
2		(TCV_slot := C_S0, TCV_tsc := C_BCC)			
3		+IdleUpdated(C_CellA, C_Immass, TCV_slot, TCV_tsc, TimingAdv_01, '000'B, '001'B, '011'B, '00'O)			
4		+StartCellA_MM1(C_Immass,TCV_slot, TCV_tsc, 0, TimingAdv_r01, '000'B, '001'B, '011'B, '00'O)			att=0
5		+MM_PwrOrSimOff(C_SIMneedRmv)			
6		+StartCellA_MM1(C_Immass,TCV_slot, TCV_tsc, 1, TimingAdv_r01, '000'B, '001'B, '011'B, '00'O)			att=1
7	body	+ImsiAttachIni(MiTmsi_01, TimingAdv_r01, C_PLMN_1, C_SIMneedRmv)			
8		LIDL_DatRqLupAcp CANCEL T_dly	LocAcp_33(TCV_ch, TCV_lac)		3)
9		+NoReaction(5000)			4)
10		+BasicServiceMT(TSPX_MTBscSv cC,TSPX_MTChRateC,TSPX_MT_I mmConnC)			
11		LIDL_DatRqSetup	SetupSnd(TCV_ch, TCV_Setup_mt)		
12		L?DL_DatInCallCo	CallCfm_01		
13		+ChanRel_end(TCV_ch)			
14		L?DL_DatInRelCmp	RelCmp_02(TI_01)		
15		+ChanRel_end(TCV_ch)		(P)	
Detailed Comments:		<ol style="list-style-type: none"> 1) Checking of parameters is not required. 2) The FOR bit is set to No follow-on request pending 3) Follow on proceed IE included. 4) MS shall not send any layer 3 message for 5 seconds after reception of Location Updating Acc. 			

Test Group CC

Test Case Dynamic Behaviour					
Test Case Name:		TC_26_8_1_2_1_1			
Group:		GSM_L3_MS_v4170/CC/			
Purpose:		To verify that upon initiation of an outgoing basic call by user the MS initiates establishment of an MM connection, using as first MM message a CM-SERVICE REQUEST message with CM service type "Mobile originating call establishment or packet mode connection establishment".			
Default:		OtherEventsFail			
Nr	Label	Behaviour Description	CRef	V	Comments
1		START T_guard(300)			
2		(TCV_slot := C_S0, TCV_tsc := C_BCC)			
3		+IdleUpdated(C_CellA, C_ImmMass, TCV_slot, TCV_tsc, TimingAdv_01, '000'B, '001'B, '011'B, '00'O)			
4		(TCV_ch := OC_SubchOfSdcch4(TSPX_SDCCH4SubDef, C_CellA), TCV_sacch := OC_SubchOfSacch4(TSPX_SDCCH4SubDef, C_CellA), TCV_CphKey := OC_CphKeyGen(TSPX_Ki, TSPX_RANDDef))			
5		+PreEnterIdleState_03(C_ImmMass, TCV_slot, TCV_tsc, 5, 1, 0, TimingAdv_01, '000'B, '001'B, '011'B, '00'O)		1.	
6		+FullRateCh_A_1_nociph(C_Ass, TSPX_TmSltDef, TSPX_TscDef, ChMod_speech, FreqTCHa_rg, FreqTCHa_rd, TimingAdv_01, '000'B, '001'B, '011'B)			
7	body	+AttmpCall			
8		+BasicServiceMO(TSPX_MO_BscSvc_AnyCall, TSPX_MO_rate_AnyCall)			
9		L?DL_RaInChRq (TCV_Rr := DL_RaInChRq.msg.ecau_rrf, TCV_Fn := DL_RaInChRq.fn)	ChReq(ChRequest_19)		
10		ACTIVATE(OtherEventsFail_02)			To match ChReq retrans.
11		LIDL_UdatRqImmMass	ImmAss(C_AGCH_A_1, ImmAsgn_10(TCV_Rr, TCV_Fn, '00001'B, TSPX_TmSltDef, TSPX_TscDef, TimingAdv_01))		1.
12		L?DL_EstInCmsRq	CMSerReq(CMServiceReq_04)		
13		ACTIVATE(OtherEventsFail)			Restore Normal default
14		+CheckTIsInStateU0(TRUE, TCV_chTch)			
15		+PostMainLinkRel(TCV_chTch)			
Detailed Comments:		1. To assign TCH/F channel.			

Test Case Dynamic Behaviour					
Test Case Name:		TC_26_8_1_2_2_1			
Group:		GSM_L3_MS_v4170/CC/			
Purpose:		To verify that a CC entity of the MS in CC-state U0.1, "MM-connection pending", upon the MS receiving a CM SERVICE REJECT message, returns to CC state U0, "Null".			
Default:		OtherEventsFail			
Nr	Label	Behaviour Description	CRef	V	Comments
1		START T_guard(300)			
2		+BasicServiceMOorTelephony(TSPX_MOBscSvcA, TSPX_MOChRateA)			1.
3		(TCV_slot := C_S0, TCV_tsc := C_BCC)			
4		+PreCCSetupMO(C_Immass, TCV_slot, TCV_tsc, 5, 1, 0, TimingAdv_01, '000'B, '001'B, '011'B, '00'O)			
5		+PreEnterCCstateU01_21(TimingAdv_01)			
6	body	L!DL_DatRqCmsRej	CMSerRej(TCV_ch, CMServiceRej_01)		2.
7		+CheckTlInStateU0(TRUE, TCV_ch)			
8		+PostMainLinkRel(TCV_ch)			
Detailed Comments:		1. To select a basic service and channel rate, if the MS supports telephony the selected basic service is telephony. 2. To reject the CM-SERVICE REQUEST.			

Test Case Dynamic Behaviour					
Test Case Name:		TC_26_8_1_2_2_2			
Group:		GSM_L3_MS_v4170/CC/			
Purpose:		To verify that a CC entity of the MS in CC-state U0.1, "MM-connection pending", upon the MS receiving a CM SERVICE ACCEPT message, sends a SETUP message specifying the Called party BCD number that was entered into the MS and then enters CC state U1, "Call initiated".			
Default:		OtherEventsFail			
Nr	Label	Behaviour Description	CRef	V	Comments
1		START T_guard(300)			
2		+BasicServiceMOorTelephony(TSPX_MOBscSvcB, TSPX_MOChRateB)			1.
3		(TCV_slot := C_S0, TCV_tsc := C_BCC)			
4		+PreCCSetupMO(C_Immass, TCV_slot, TCV_tsc, 5, 7, 0, TimingAdv_01, '000'B, '001'B, '011'B, '00'O)			
5		+PreEnterCCstateU01_21(TimingAdv_01)			
6	body	L!DL_DatRqCmsAcp	CMSerAcp(TCV_ch, CMServiceAcp_01)		2.
7		L?DL_DatInSetup (TCV_TI := DL_DatInSetup.msg.ti, TCV_TI.ti_f := '1'B, TCV_CalledNum := DL_DatInSetup.msg.cdpr)	SetupRcv(SetupInd_01)		
8		(TCV_Res := OO_CalledPtyNumCHK(TCV_CalledNum))			
9		[TCV_Res = FALSE]		(F)	3.
10		+PostMainLinkRel(TCV_ch)			
11		[TCV_Res = TRUE]		(P)	
12		+CCstatuschk_05(C_U1, TCV_TI, TCV_ch)			4.
13		+PostMainLinkRel(TCV_ch)			
Detailed Comments:		1. To select a basic service and channel rate, if the MS supports telephony the selected basic service is telephony. 2. To receive the SETUP message with called party BCD number. 3. The called party number contained in the SETUP message is not the one entered. 4. To check whether the MS is in state U1.			

Test Case Dynamic Behaviour					
Test Case Name:		TC_26_8_1_2_2_3			
Group:		GSM_L3_MS_v4170/CC/			
Purpose:		To verify that after the MS with a CC entity in state U0.1, "MM-connection pending", has detected a lower layer failure and has returned to idle mode, the CC entities relating to the seven mobile originating transaction identifiers are in state U0, "Null".			
Default:		OtherEventsFail			
Nr	Label	Behaviour Description	CRef	V	Comments
1	body	START T_guard(300)			1.
2		+BasicServiceMOorTelephony(TSPX_MOBscSvcC, TSPX_MOChRateC)			
3		(TCV_slot := C_S0, TCV_tsc := C_BCC)			
4		+PreCCSetupMO(C_Immass, TCV_slot, TCV_tsc, 5, 1, 0, TimingAdv_01, '000'B, '001'B, '011'B, '00'O)			
5		+PreEnterCCstateU01_21(TimingAdv_01)			
6		+LowerLayerFailure(TCV_ch)			
7		START T_dly(20000)			
8		?TIMEOUT T_dly			
9		+CCEstablishMT_SDCH4(TimingAdv_01)			
10		+CheckTIsInStateU0(TRUE, TCV_ch)			
11		+PostMainLinkRel(TCV_ch)			
Detailed Comments:		1. To select a basic service and channel rate, if the MS supports telephony the selected basic service is telephony.			

Test Case Dynamic Behaviour						
Test Case Name:		TC_26_8_1_2_3_1				
Group:		GSM_L3_MS_v4170/CC/				
Purpose:		To verify that a CC entity of the MS in CC-state U1, "Call initiated", upon receipt of a CALL PROCEEDING message, enters CC state U3, "Mobile originating call proceeding".				
Default:		OtherEventsFail				
Nr	Label	Behaviour Description	CRef	V	Comments	
1	body	START T_guard(300)			1.	
2		+BasicServiceMOorTelephony(TSPX_MOBscSvcD, TSPX_MOChRateD)				
3		(TCV_slot := C_S0, TCV_tsc := C_BCC)				
4		+PreCCSetupMO(C_Immass, TCV_slot, TCV_tsc, 5, 1, 0, TimingAdv_01, '000'B, '001'B, '011'B, '00'O)				
5		+PreEnterCCstateU1_22(C_Immass, TSPX_TmSltDef, TSPX_TscDef, TimingAdv_01, '000'B, '001'B, '011'B)				
6		(TCV_CallProc := OC_CallProcGen(TCV_Setup_mo, CallProced_03))				
7		L!DL_DatRqCallProc	CallProc(TCV_chTch, TCV_CallProc)			
8		+CCstatuschk_05(C_U3, TCV_TI, TCV_chTch)				2.
9		+PostMainLinkRel(TCV_chTch)				
Detailed Comments:		1. To select a basic service and channel rate, if the MS supports telephony the selected basic service is telephony. 2. Check that CC state is U3.				

Test Case Dynamic Behaviour					
Test Case Name:		TC_26_8_1_2_3_2			
Group:		GSM_L3_MS_v4170/CC/			
Purpose:		1) To verify that a CC entity of the MS in CC-state U1, "Call initiated", upon receipt of a RELEASE COMPLETE message with valid cause value, enters CC state U0, "Null". 2) To verify that in returning to idle mode, the CC entities relating to the seven mobile originating transaction identifiers are in state U0, "Null". 3) To verify that in releasing the MM-connection, the MS shall wait for MM layer release initiated by SS.			
Default:		OtherEventsFail			
Nr	Label	Behaviour Description	CRef	V	Comments
1		START T_guard(300)			1.
2		+BasicServiceMOorTelephony(TSPX_MOBscSvcE, TSPX_MOChRateE)			
3		(TCV_slot := C_S0, TCV_tsc := C_BCC)			
4		+PreCCSetupMO(C_Immass, TCV_slot, TCV_tsc, 5, 1, 0, TimingAdv_01, '000'B, '001'B, '011'B, '00'O)			
5		+PreEnterCCstateU1_22(C_Immass, TSPX_TmSlitDef, TSPX_TscDef, TimingAdv_01, '000'B, '001'B, '011'B)			
6	body	L!DL_DatRqRelCmp	RelComSnd(TCV_ch Tch, ReleaseCmp_04(TCV_TI))		
7		+CheckTlInStateU0(TRUE, TCV_chTch)			
8		+PostMainLinkRel(TCV_chTch)			
Detailed Comments:		1. To select a basic service and channel rate, if the MS supports telephony the selected basic service is telephony.			

Test Case Dynamic Behaviour					
Test Case Name:		TC_26_8_1_2_3_3			
Group:		GSM_L3_MS_v4170/CC/			
Purpose:		To verify that a CC entity of the MS in CC-state U1, "Call initiated", upon expiry of T303 (accuracy +/- 20% between reception of CM-SERVICE REQUEST and DISCONNECT by SS) sends a DISCONNECT message to its peer entity and enters state U11, "Disconnect request".			
Default:		OtherEventsFail			
Nr	Label	Behaviour Description	CRef	V	Comments
1		START T_guard(300)			1.
2		+BasicServiceMOorTelephony(TSPX_MOBscSvcF, TSPX_MOChRateF)			
3		(TCV_slot := C_S0, TCV_tsc := C_BCC)			
4		+PreCCSetupMO(C_Immass, TCV_slot, TCV_tsc, 5, 1, 0, TimingAdv_01, '000'B, '001'B, '011'B, '00'O)			
5		+PreEnterCCstateU1_22Timer(C_Immass, TSPX_TmSlitDef, TSPX_TscDef, TimingAdv_01, '000'B, '001'B, '011'B)			
6	body	L?DL_DatInDisc (TCV_Fn1 := DL_DatInDisc.fn) READTIMER T_dly(TCV_Time), CANCEL T_dly	DiscRcv(TCV_chTch, Disconn_05(TCV_TI0))	(P)	
7		[(TCV_Time < 24000) OR (TCV_Time >= 36000)]		(F)	
8		+PostMainLinkRel(TCV_chTch)			
9		[(TCV_Time >= 24000) AND (TCV_Time < 36000)]		(P)	
10		+CCstatuschk_05(C_U11, TCV_TI, TCV_chTch)			
11		+PostMainLinkRel(TCV_chTch)			
Detailed Comments:		1. To select a basic service and channel rate, if the MS supports telephony the selected basic service is telephony.			

Test Case Dynamic Behaviour					
Test Case Name:		TC_26_8_1_2_3_4			
Group:		GSM_L3_MS_v4170/CC/			
Purpose:		To verify that after the MS with a CC entity in state U1 "Call initiated", has detected a lower layer failure and has returned to idle mode, the CC entities relating to the seven mobile originating transaction identifiers are in state U0, "Null".			
Default:		OtherEventsFail			
Nr	Label	Behaviour Description	CRef	V	Comments
1		START T_guard(300)			
2		+BasicServiceMOorTelephony(TSPX_MOBscSvcG, TSPX_MOChRateG)			1.
3		(TCV_slot := C_S0, TCV_tsc := C_BCC)			
4		+PreCCSetupMO(C_Immass, TCV_slot, TCV_tsc, 5, 1, 0, TimingAdv_01, '000'B, '001'B, '011'B, '00'O)			
5		+PreEnterCCstateU1_24(C_Immass, TSPX_TmSltDef, TSPX_TscDef, TimingAdv_01, '000'B, '001'B, '011'B)			2.
6	body	+LowerLayerFailure(TCV_ch)			3.
7		START T_dly(20000)			
8		?TIMEOUT T_dly			4.
9		+CCEstablishMT_SDCCH4(TimingAdv_01)			
10		+CheckTIsInStateU0(TRUE, TCV_ch)			5.
11		+PostMainLinkRel(TCV_ch)			
Detailed Comments:		<ol style="list-style-type: none"> 1. To select a basic service and channel rate, if the MS supports telephony the selected basic service is telephony. 2. To bring the MS into U1 state. 3. A layer failure generated in the test system. 4. Waiting for the MS return to idle state. 5. To check that CC entities related to all transaction identifiers are return to idle. 			

Test Case Dynamic Behaviour					
Test Case Name:		TC_26_8_1_2_3_5			
Group:		GSM_L3_MS_v4170/CC/			
Purpose:		To verify that a CC entity of the MS in CC-state U1, "Call initiated", upon receipt of an ALERTING message, enters CC state U4, "Call delivered".			
Default:		OtherEventsFail			
Nr	Label	Behaviour Description	CRef	V	Comments
1		START T_guard(300)			
2		+BasicServiceMOorTelephony(TSPX_MOBscSvcH, TSPX_MOChRateH)			1.
3		(TCV_slot := C_S0, TCV_tsc := C_BCC)			
4		+PreCCSetupMO(C_Immass, TCV_slot, TCV_tsc, 5, 1, 0, TimingAdv_01, '000'B, '001'B, '011'B, '00'O)			
5		+PreEnterCCstateU1_24(C_Immass, TSPX_TmSltDef, TSPX_TscDef, TimingAdv_01, '000'B, '001'B, '011'B)			
6	body	LIDL_DatRqAlert	AlertSnd(TCV_chTch, Alerting_01(TCV_TI))		
7		+CCstatuschk_05(C_U4, TCV_TI, TCV_chTch)			
8		+PostMainLinkRel(TCV_chTch)			
Detailed Comments:		<ol style="list-style-type: none"> 1. To select a basic service and channel rate, if the MS supports telephony the selected basic service is telephony. 			

Test Case Dynamic Behaviour					
Test Case Name:		TC_26_8_1_2_3_6			
Group:		GSM_L3_MS_v4170/CC/			
Purpose:		To verify that a CC entity of the MS in CC-state U1, "Call initiated", upon receipt of a CONNECT message, sends a CONNECT ACKNOWLEDGE message to its peer entity and enters CC state U10, "Active".			
Default:		OtherEventsFail			
Nr	Label	Behaviour Description	CRef	V	Comments
1		START T_guard(300)			
2		+BasicServiceMOorTelephony(TSPX_MOBScSvcI, TSPX_MOChRateI)			1.
3		(TCV_slot := C_S0, TCV_tsc := C_BCC)			
4		+PreCCSetupMO(C_Immass, TCV_slot, TCV_tsc, 5, 1, 0, TimingAdv_01, '000'B, '001'B, '011'B, '00'O)			
5		+PreEnterCCstateU1_24(C_Immass, TSPX_TmSlitDef, TSPX_TscDef, TimingAdv_01, '000'B, '001'B, '011'B)			
6	body	L!DL_DatRqConn	ConnSnd(TCV_chTch		
7		L?DL_DatInConnAck	Connect_02(TCV_TI) ConnAckRcv(Connect Ack_02(TCV_TI0))		
8		+CCstatuschk_05(C_U10, TCV_TI, TCV_chTch)			
9		+PostMainLinkRel(TCV_chTch)			
Detailed Comments:		1. To select a basic service and channel rate, if the MS supports telephony the selected basic service is telephony.			

Test Case Dynamic Behaviour					
Test Case Name:		TC_26_8_1_2_3_7			
Group:		GSM_L3_MS_v4170/CC/			
Purpose:		To verify that a CC entity of the MS in CC-state U1, "Call initiated", upon receipt of a message with message type not defined for the protocol discriminator unknown message from its peer entity returns a STATUS message.			
Default:		OtherEventsFail			
Nr	Label	Behaviour Description	CRef	V	Comments
1		START T_guard(300)			
2		+BasicServiceMOorTelephony(TSPX_MOBScSvcJ, TSPX_MOChRateJ)			1.
3		(TCV_slot := C_S0, TCV_tsc := C_BCC)			
4		+PreCCSetupMO(C_Immass, TCV_slot, TCV_tsc, 5, 1, 0, TimingAdv_01, '000'B, '001'B, '011'B, '00'O)			
5		+PreEnterCCstateU1_21(TimingAdv_01)			
6	body	L!DL_DatRqUndefCC	Undef(TCV_ch, UndefCC_02(TCV_TI))		2.
7		L?DL_DatInCcst	CCStatusRcv(CCStat us_08(TCV_TI0, C_U1))	(P)	3.
8		+CCstatuschk_05(C_U1, TCV_TI, TCV_ch)			4.
9		+PostMainLinkRel(TCV_ch)			
Detailed Comments:		<p>1. To select a basic service and channel rate, if the MS supports telephony the selected basic service is telephony.</p> <p>2. Message type not defined for CC.</p> <p>3. The expected STATUS message received.</p> <p>4. To check whether the MS is still in CC state U1.</p>			

Test Case Dynamic Behaviour					
Test Case Name:		TC_26_8_1_2_4_1			
Group:		GSM_L3_MS_v4170/CC/			
Purpose:		To verify that a CC-entity of the MS in CC-state U3, "Mobile Originating Call Proceeding", upon receipt of a ALERTING message enters CC-state U4, "Call Delivered".			
Default:		OtherEventsFail			
Nr	Label	Behaviour Description	CRef	V	Comments
1		START T_guard(300)			
2		+BasicServiceMOorTelephony(TSPX_MOBscSvcA, TSPX_MOChRateA)			1.
3		(TCV_slot := C_S0, TCV_tsc := C_BCC)			
4		+PreCCSetupMO(C_Immass, TCV_slot, TCV_tsc, 5, 1, 0, TimingAdv_01, '000'B, '001'B, '011'B, '00'O)			
5		+PreEnterCCstateU3_22(C_Immass, TSPX_TmSitDef, TSPX_TscDef, TimingAdv_01, '000'B, '001'B, '011'B)			
6	body	L!DL_DatRqAlert	AlertSnd(TCV_chTch, Alerting_01(TCV_TI))		
7		+CCstatuschk_05(C_U4, TCV_TI, TCV_chTch)			
8		+PostMainLinkRel(TCV_chTch)			
Detailed Comments:		1. To select a circuit switched basic service for testing.			

Test Case Dynamic Behaviour					
Test Case Name:		TC_26_8_1_2_4_2			
Group:		GSM_L3_MS_v4170/CC/			
Purpose:		1) To verify that a CC-entity of the MS in CC-state U3, "Mobile Originating Call Proceeding", upon receipt of a CONNECT message returns a "CONNECT ACKNOWLEDGE" message to its peer entity and enters the CC state U10, "Active". 2) To verify that the MS stops locally generated indication, if any.			
Default:		OtherEventsFail			
Nr	Label	Behaviour Description	CRef	V	Comments
1		START T_guard(300)			
2		+BasicServiceMOorTelephony(TSPX_MOBscSvcB, TSPX_MOChRateB)			1.
3		(TCV_slot := C_S0, TCV_tsc := C_BCC)			
4		+PreCCSetupMO(C_Immass, TCV_slot, TCV_tsc, 5, 1, 0, TimingAdv_01, '000'B, '001'B, '011'B, '00'O)			
5		+PreEnterCCstateU3_22(C_Immass, TSPX_TmSitDef, TSPX_TscDef, TimingAdv_01, '000'B, '001'B, '011'B)			
6	body	L!DL_DatRqConn	ConnSnd(TCV_chTch, Connect_02(TCV_TI))		
7		(TCV_Res := OO_ToneStopCHK())			
8		[TCV_Res = TRUE]			(P)
9		L?DL_DatInConnAck	ConnAckRcv(Connect Ack_02(TCV_TI0))		
10		+CCstatuschk_05(C_U10, TCV_TI, TCV_chTch)			
11		+PostMainLinkRel(TCV_chTch)			
12		[TCV_Res = FALSE]			(F)
13		+PostMainLinkRel(TCV_chTch)			
Detailed Comments:		1. To select a circuit switched basic service for testing.			

Test Case Dynamic Behaviour					
Test Case Name:		TC_26_8_1_2_4_3			
Group:		GSM_L3_MS_v4170/CC/			
Purpose:		1) To verify that a CC-entity of the MS in CC-state U3, "Mobile Originating Call Proceeding", upon receipt of a PROGRESS message with valid cause values stays in CC-state U3. 2) To verify that after receipt of the PROGRESS message timer T310 is stopped.			
Default:		OtherEventsFail			
Nr	Label	Behaviour Description	CRef	V	Comments
1		START T_guard(300)			
2		+BasicServiceMOorTelephony(TSPX_MOBscSvcC, TSPX_MOChRateC)			1.
3		(TCV_slot := C_S0, TCV_tsc := C_BCC)			
4		+PreCCSetupMO(C_Immass, TCV_slot, TCV_tsc, 5, 1, 0, TimingAdv_01, '000'B, '001'B, '011'B, '00'O)			
5		+PreEnterCCstateU3_22(C_Immass, TSPX_TmSltDef, TSPX_TscDef, TimingAdv_01, '000'B, '001'B, '011'B)			
6	body	L!DL_DatRqProg	Progress(TCV_chTch, Progress_01(TCV_TI))		
7		+CCstatuschk_05(C_U3, TCV_TI, TCV_chTch)			2.
8		START T_dly(45000)			3.
9		L?DL_DatInDisc CANCEL T_dly	DiscRcv(TCV_chTch, Disconn_05(TCV_TI0))	(F)	
10		+PostMainLinkRel(TCV_chTch)			
11		?TIMEOUT T_dly			
12		+CCstatuschk_05(C_U3, TCV_TI, TCV_chTch)			4.
13		+PostMainLinkRel(TCV_chTch)			
Detailed Comments:		1. To select2 a circuit switched basic service for testing. 2. To check that CC state is U3 3. To check that the MS has stopped T310. 4. To check that CC state is still U3			

Test Case Dynamic Behaviour					
Test Case Name:		TC_26_8_1_2_4_4			
Group:		GSM_L3_MS_v4170/CC/			
Purpose:		To verify that a CC-entity of the MS in CC-state U3, "Mobile Originating Call Proceeding", upon receipt of a PROGRESS message indicating in-band announcement through-connects the traffic channel for speech, if TCH is in speech mode. If TCH is not in a speech mode, the MS does not through-connect the TCH.			
Default:		OtherEventsFail			
Nr	Label	Behaviour Description	CRef	V	Comments
1		START T_guard(300)			
2		+BasicServiceMOorTelephony(TSPX_MOBscSvcD, TSPX_MOChRateD)			1.
3		(TCV_slot := C_S0, TCV_tsc := C_BCC)			
4		+PreCCSetupMO(C_Immass, TCV_slot, TCV_tsc, 5, 1, 0, TimingAdv_01, '000'B, '001'B, '011'B, '00'O)			
5		+PreEnterCCstateU3_22(C_Immass, TSPX_TmSltDef, TSPX_TscDef, TimingAdv_01, '000'B, '001'B, '011'B)			
6	body	L!DL_DatRqProg	Progress(TCV_chTch, Progress_02(TCV_TI))		
7		(TCV_Res := OO_TCHThroConnCHK())			
8		[TCV_ChMod.mode = C_ChMod_r]			2.
9		[TCV_Res = TRUE]		(P)	
10		+localtree			
11		[TCV_Res = FALSE]		(F)	
12		+PostMainLinkRel(TCV_chTch)			
13		[TCV_ChMod.mode<> C_ChMod_r]			3.
14		[TCV_Res = FALSE]		(P)	
15		+localtree			
16		[TCV_Res = TRUE]		(F)	
17		+PostMainLinkRel(TCV_chTch)			
		localtree			
18		+CCstatuschk_05(C_U3, TCV_TI, TCV_chTch)			4.
19		START T_dly(45000)			5.
20		L?DL_DatInDisc CANCEL T_dly	DiscRcv(TCV_chTch, Disconn_05(TCV_TI0))	(F)	
21		+PostMainLinkRel(TCV_chTch)			
22		?TIMEOUT T_dly			
23		+CCstatuschk_05(C_U3, TCV_TI, TCV_chTch)			6.
24		(TCV_Res := OO_TCHThroConnCHK())			
25		[TCV_ChMod.mode = C_ChMod_r]			7.
26		[TCV_Res = TRUE]		(P)	
27		+PostMainLinkRel(TCV_chTch)			
28		[TCV_Res = FALSE]		(F)	
29		+PostMainLinkRel(TCV_chTch)			
30		[TCV_ChMod.mode<> C_ChMod_r]		(P)	
31		+PostMainLinkRel(TCV_chTch)			
Detailed Comments:		<ol style="list-style-type: none"> 1. To select a circuit switched basic service for testing. 2. To check if the TCH is connected through if the channel mode is speech, so that the inband information may be heard. 3. To check if the TCH is not connected through if the channel mode is not speech. 4. To check that CC is in state U3. 5. To check that the MS has stopped T310 6. To check that CC is still in state U3. 7. To check if the TCH is connected through if the channel mode is speech. 			

Test Case Dynamic Behaviour					
Test Case Name:		TC_26_8_1_2_4_5			
Group:		GSM_L3_MS_v4170/CC/			
Purpose:		To verify that a CC-entity of the MS in CC-state U3, "Mobile Originating Call Proceeding", upon receipt of a DISCONNECT with progress indicator #8 through-connects the speech channel to make in-band announcements available, if traffic channel is in speech mode. If TCH is not in speech mode, the MS sends a RELEASE message.			
Default:		OtherEventsFail			
Nr	Label	Behaviour Description	CRef	V	Comments
1		START T_guard(300)			
2		+BasicServiceMOorTelephony(TSPX_MOBscSvcE, TSPX_MOChRateE)			1.
3		(TCV_slot := C_S0, TCV_tsc := C_BCC)			
4		+PreCCSetupMO(C_Immass, TCV_slot, TCV_tsc, 5, 1, 0, TimingAdv_01, '000'B, '001'B, '011'B, '00'O)			
5		+PreEnterCCstateU3_22(C_Immass, TSPX_TmSlitDef, TSPX_TscDef, TimingAdv_01, '000'B, '001'B, '011'B)			
6	body	L!DL_DatRqDisc	DiscSnd(TCV_chTch, Disconn_04(TCV_TI))		
7		[TCV_ChMod.mode = C_ChMod_r]			
8		(TCV_Res := OO_TCHThroConnCHK())			
9		[TCV_Res = TRUE]		(P)	2.
10		+CCstatuschk_05(C_U12, TCV_TI, TCV_chTch)			3.
11		+PostMainLinkRel(TCV_chTch)			
12		[TCV_Res = FALSE]		(F)	
13		+PostMainLinkRel(TCV_chTch)			
14		[TCV_ChMod.mode <> C_ChMod_r]			
15		L?DL_DatInRel	ReleaseRcv(Release_10(TCV_TI0))	(P)	
16		+CCstatuschk_05(C_U19, TCV_TI, TCV_chTch)			4.
17		+PostMainLinkRel(TCV_chTch)			
Detailed Comments:		<ol style="list-style-type: none"> 1. To select a circuit switched basic service for testing. 2. To check that the TCH is connected through if channel mode is speech. 3. To check that CC is in state U12. 4. To check that CC is in state U19. 			

Test Case Dynamic Behaviour					
Test Case Name:		TC_26_8_1_2_4_6			
Group:		GSM_L3_MS_v4170/CC/			
Purpose:		To verify that a CC-entity of the MS in CC-state U3, "Mobile Originating Call Proceeding", upon receipt of a DISCONNECT without progress indicator returns a RELEASE message and enters the CC-state U19, "Release Request".			
Default:		OtherEventsFail			
Nr	Label	Behaviour Description	CRef	V	Comments
1		START T_guard(300)			
2		+BasicServiceMOorTelephony(TSPX_MOBscSvcF, TSPX_MOChRateF)			1.
3		(TCV_slot := C_S0, TCV_tsc := C_BCC)			
4		+PreCCSetupMO(C_Immass, TCV_slot, TCV_tsc, 5, 1, 0, TimingAdv_01, '000'B, '001'B, '011'B, '00'O)			
5		+PreEnterCCstateU3_22(C_Immass, TSPX_TmSltDef, TSPX_TscDef, TimingAdv_01, '000'B, '001'B, '011'B)			
6	body	L!DL_DatRqDisc	DiscSnd(TCV_chTch, Disconn_07(TCV_TI))		
7		L?DL_DatInRel	ReleaseRcv(Release_10(TCV_TI0))		
8		+CCstatuschk_05(C_U19, TCV_TI, TCV_chTch)			2.
9		+PostMainLinkRel(TCV_chTch)			
Detailed Comments:		1. To select a circuit switched basic service for testing. 2. To check that CC is in state U19.			

Test Case Dynamic Behaviour					
Test Case Name:		TC_26_8_1_2_4_7			
Group:		GSM_L3_MS_v4170/CC/			
Purpose:		1) To verify that a CC-entity of the MS in CC-state U3, "Mobile Originating Call Proceeding", upon receipt of a RELEASE will return a RELEASE COMPLETE and enter the CC-state U0, "Null". 2) To verify that the MS on returning to the idle mode releases the MM-connection and that the CC-entities relating to the seven mobile originating transaction identifiers are in CC-state U0, "Null". 3) To verify that in releasing the MM-connection, the MS shall wait for MM layer release initiated by SS.			
Default:		OtherEventsFail			
Nr	Label	Behaviour Description	CRef	V	Comments
1		START T_guard(300)			
2		+BasicServiceMOorTelephony(TSPX_MOBscSvcG, TSPX_MOChRateG)			1.
3		(TCV_slot := C_S0, TCV_tsc := C_BCC)			
4		+PreCCSetupMO(C_Immass, TCV_slot, TCV_tsc, 5, 1, 0, TimingAdv_01, '000'B, '001'B, '011'B, '00'O)			
5		+PreEnterCCstateU3_22(C_Immass, TSPX_TmSltDef, TSPX_TscDef, TimingAdv_01, '000'B, '001'B, '011'B)			
6	body	L!DL_DatRqRel	ReleaseSnd(TCV_chTch, Release_03(TCV_TI))		
7		L?DL_DatInRelCmp	RelComRcv(ReleaseCmp_03(TCV_TI0))	(P)	
8		+CheckTIsInStateU0(TRUE, TCV_chTch)			
9		+PostMainLinkRel(TCV_chTch)			
Detailed Comments:		1. To select a circuit switched basic service for testing.			

Test Case Dynamic Behaviour					
Test Case Name:		TC_26_8_1_2_4_8			
Group:		GSM_L3_MS_v4170/CC/			
Purpose:		To verify that a CC-entity of the MS in CC-state U3, "Mobile Originating Call Proceeding", upon request by the user to terminate will send a DISCONNECT message and enter the CC-state U11, "Disconnect Request".			
Default:		OtherEventsFail			
Nr	Label	Behaviour Description	CRef	V	Comments
1		START T_guard(300)			
2		+BasicServiceMOorTelephony(TSPX_MOBscSvcH, TSPX_MOChRateH)			1.
3		(TCV_slot := C_S0, TCV_tsc := C_BCC)			
4		+PreCCSetupMO(C_Immass, TCV_slot, TCV_tsc, 5, 1, 0, TimingAdv_01, '000'B, '001'B, '011'B, '00'O)			
5		+PreEnterCCstateU3_23(TimingAdv_01)			2.
6	body	+TermCall			
7		L?DL_DatInDisc	DiscRcv(TCV_ch, Disconn_05(TCV_TI0))	(P)	3.
8		+CCstatuschk_05(C_U11, TCV_TI, TCV_ch)			4.
9		+PostMainLinkRel(TCV_ch)			
Detailed Comments:		<ol style="list-style-type: none"> 1. To select a circuit switched basic service for testing. 2. To initiate MO call and bring the MS into U3 state. 3. The expected DISCONNECT received. 4. To check whether the MS is in CC state U11. 			

Test Case Dynamic Behaviour					
Test Case Name:		TC_26_8_1_2_4_9			
Group:		GSM_L3_MS_v4170/CC/			
Purpose:		To verify that a CC-entity of the MS in CC-state U3, "Mobile Originating Call Proceeding", when allocated a traffic channel by the network performing the assignment procedure, performs a layer 2 establishment on the FACCH without changing the state of the call in progress.			
Default:		OtherEventsFail			
Nr	Label	Behaviour Description	CRef	V	Comments
1		START T_guard(300)			
2		+BasicServiceMOorTelephony(TSPX_MOBscSvcI, TSPX_MOChRateI)			
3		(TCV_slot := C_S0, TCV_tsc := C_BCC)			
4		+PreCCSetupMO(C_Immass, TCV_slot, TCV_tsc, 5, 1, 0, TimingAdv_01, '000'B, '001'B, '011'B, '00'O)			1.
5		+PreEnterCCstateU3_23(TimingAdv_01)			
6		+CCConfigTCH(C_Ass, TSPX_TmSItDef, TSPX_TscDef, TimingAdv_01, '000'B, '001'B, '011'B)			
7	body	+CCAssignTCH(TSPX_TmSItDef, TSPX_TscDef)			
8		+CCstatuschk_05(C_U3, TCV_TI, TCV_chTch)			3.
9		+PostMainLinkRel(TCV_chTch)			
Detailed Comments:		<ol style="list-style-type: none"> 1. To setup a physical channel as BCCH, CCCH and SDCCH4. 2. The assignment procedure succeeds. 3. To check that the MS is in state U3. 			

Test Case Dynamic Behaviour						
Test Case Name:		TC_26_8_1_2_4_10				
Group:		GSM_L3_MS_v4170/CC/				
Purpose:		To verify that a CC-entity of the MS in CC-state U3, "Mobile Originating Call Proceeding" will, upon expiry of timer T310, initiate call release by sending DISCONNECT and enter the CC-state U11, "Disconnect Request".				
Default:		OtherEventsFail				
Nr	Label	Behaviour Description	CRef	V	Comments	
1	body	START T_guard(300)	DiscRcv(TCV_ch, Disconn_05(TCV_TI0)			
2		+BasicServiceMOorTelephony(TSPX_MOBscSvcJ, TSPX_MOChRateJ)				
3		(TCV_slot := C_S0, TCV_tsc := C_BCC)				
4		+PreCCSetupMO(C_Immass, TCV_slot, TCV_tsc, 5, 1, 0, TimingAdv_01, '000'B, '001'B, '011'B, '00'O)				1.
5		+PreEnterCCstateU3_23(TimingAdv_01)				2.
6		START T_dly1(45000)				
7		?TIMEOUT T_dly1				(F) 3.
8		+PostMainLinkRel(TCV_ch)				
9		L?DL_DatInDisc				
10		READTIMER T_dly1(TCV_Time), CANCEL T_dly1				
11		[TCV_Time < 29400]				(F) 4.
12		+PostMainLinkRel(TCV_ch)				
13		[TCV_Time >= 29400]				(P) 5.
14		+CCstatuschk_05(C_U11, TCV_TI, TCV_ch)				
15		+PostMainLinkRel(TCV_ch)				
Detailed Comments:		<ol style="list-style-type: none"> 1. To setup a physical channel as BCCH, CCCH and SDCCH4. 2. To initiate MO call and bring the MS into U3 state. 3. T310 >= 45 seconds, fail. 4. T310 < 29.4 seconds, fail. 5. To check that the MS is in the state U11. 				

Test Case Dynamic Behaviour					
Test Case Name:		TC_26_8_1_2_4_11			
Group:		GSM_L3_MS_v4170/CC/			
Purpose:		To verify that a CC-entity of the MS in CC-state U3, "Mobile Originating Call Proceeding" having detected a lower layer failure and having returned to idle mode, the CC entities relating to the seven mobile originating transaction identifiers are in state U0, "Null".			
Default:		OtherEventsFail			
Nr	Label	Behaviour Description	CRef	V	Comments
1		START T_guard(300)			
2		+BasicServiceMOorTelephony(TSPX_MOBscSvcA, TSPX_MOChRateA)			1.
3		(TCV_slot := C_S0, TCV_tsc := C_BCC)			
4		+PreCCSetupMO(C_Immass, TCV_slot, TCV_tsc, 5, 1, 0, TimingAdv_01, '000'B, '001'B, '011'B, '00'O)			2.
5		+PreEnterCCstateU3_24(C_Immass, TSPX_TmSlitDef, TSPX_TscDef, TimingAdv_01, '000'B, '001'B, '011'B)			
6	body	+LowerLayerFailure(TCV_ch)			
7		START T_dly(20000)			
8		?TIMEOUT T_dly			3.
9		+CCEstablishMT_SDCCH4(TimingAdv_01)			
10		+CheckTIsInStateU0(TRUE, TCV_ch)			4.
11		+PostMainLinkRel(TCV_ch)			
Detailed Comments:		<ol style="list-style-type: none"> 1. To select a basic service and channel rate, if the MS supports telephony the selected basic service is telephony. 2. To setup the full rate or half rate traffic channel and BCCH, CCCH for the test. 3. Waiting for the MS return to idle state. 4. To check that CC entities related to all transaction identifiers are return to idle. 			

Test Case Dynamic Behaviour					
Test Case Name:		TC_26_8_1_2_4_12			
Group:		GSM_L3_MS_v4170/CC/			
Purpose:		To verify that a CC-entity of the MS in CC-state U3, "Mobile Originating Call Proceeding" having received an unknown message from its peer entity returns a STATUS message.			
Default:		OtherEventsFail			
Nr	Label	Behaviour Description	CRef	V	Comments
1		START T_guard(300)			
2		+BasicServiceMOorTelephony(TSPX_MOBscSvcB, TSPX_MOChRateB)			
3		(TCV_slot := C_S0, TCV_tsc := C_BCC)			
4		+PreCCSetupMO(C_Immass, TCV_slot, TCV_tsc, 5, 1, 0, TimingAdv_01, '000'B, '001'B, '011'B, '00'O)			1.
5		+PreEnterCCstateU3_21(TimingAdv_01)			
6	body	L!DL_DatRqUndefCC	Undef(TCV_ch, UndefCC_02(TCV_TI))		2.
7		L?DL_DatInCcst	CCStatusRcv(CCStatus_08(TCV_TI0, C_U3))	(P)	3.
8		+CCstatuschk_05(C_U3, TCV_TI, TCV_ch)			4.
9		+PostMainLinkRel(TCV_ch)			
Detailed Comments:		<ol style="list-style-type: none"> 1. To setup a physical channel as BCCH, CCCH and SDCCH4. 2. To send a message which type is not defined for the CC. 3. The expected STATUS message received. 4. To check whether the MS is still in the CC state U3. 			

Test Case Dynamic Behaviour						
Test Case Name:		TC_26_8_1_2_4_13				
Group:		GSM_L3_MS_v4170/CC/				
Purpose:		To verify that if the user connection is not attached to the radio path, the MS generates internally an alerting indication when the call control entity of the MS in the "mobile originating call proceeding" state receives an ALERTING message then it enters "call delivered" state and, for speech calls, if the user connection is not attached to the radio path, the MS shall internally generate an alerting indication.				
Default:		OtherEventsFail				
Nr	Label	Behaviour Description	CRef	V	Comments	
1		START T_guard(300)				
2		(TCV_Service := C_Telephony, TCV_ChRate :=C_Full)			TC only applicable to MS which support MO telephony.	
3		(TCV_slot := C_S0, TCV_tsc := C_BCC)				
4		+PreCCSetupMO(C_Immass, TCV_slot, TCV_tsc, 5, 1, 0, TimingAdv_01, '000'B, '001'B, '011'B, '00'O)				
5		+PreEnterCCstateU3_21(TimingAdv_01)				
6	body	L!DL_DatRqAlert	AlertSnd(TCV_ch, Alerting_01(TCV_TI))			
7		(TCV_Res := OO_AltIndCHK())				
8		[TCV_Res = TRUE]		(P)		1.
9		+CCstatuschk_05(C_U4, TCV_TI, TCV_ch)				2.
10		+PostMainLinkRel(TCV_ch)				
11		[TCV_Res = FALSE]		(F)		3.
12		+PostMainLinkRel(TCV_ch)				
Detailed Comments:		<ol style="list-style-type: none"> 1. The Ms generates a alerting indication to the user. 2. To check whether the MS is in CC state U4. 3. The MS does not generate a alerting indication to the user. 				

Test Case Dynamic Behaviour					
Test Case Name:		TC_26_8_1_2_5_1			
Group:		GSM_L3_MS_v4170/CC/			
Purpose:		To verify that a CC-entity of the MS in CC-state U4, "Call Delivered", upon receipt of the CONNECT message returns a CONNECT ACKNOWLEDGE to its peer entity and enters the CC-state U10, "Active".			
Default:		OtherEventsFail			
Nr	Label	Behaviour Description	CRef	V	Comments
1		START T_guard(300)			
2		+BasicServiceMOorTelephony(TSPX_MOBscSvcC, TSPX_MOChRateC)			
3		(TCV_slot := C_S0, TCV_tsc := C_BCC)			
4		+PreCCSetupMO(C_Immass, TCV_slot, TCV_tsc, 5, 1, 0, TimingAdv_01, '000'B, '001'B, '011'B, '00'O)			1.
5		+CCConfigTCH(C_Ass, TSPX_TmSlitDef, TSPX_TscDef, TimingAdv_01, '000'B, '001'B, '011'B)			
6		+PreEnterCCstateU4_23(TSPX_TmSlitDef, TSPX_TscDef, TimingAdv_01)			
7	body	L!DL_DatRqConn	ConnSnd(TCV_chTch , Connect_02(TCV_TI))		
8		L?DL_DatInConnAck	ConnAckRcv(Connect Ack_02(TCV_TI0))	(P)	2.
9		(TCV_Res := OO_AltIndCHK())			
10		[TCV_Res = TRUE]			
11		+PostMainLinkRel(TCV_chTch)		(F)	3.
12		[TCV_Res = FALSE]		(P)	4.
13		+CCstatuschk_05(C_U10, TCV_TI, TCV_chTch)			5.
14		+PostMainLinkRel(TCV_chTch)			
Detailed Comments:		<ol style="list-style-type: none"> 1. To set a physical channel as BCCH, CCCH and SDCCH4. 2. The expected CONNECT ACKNOWLEDGE received. 3. Alerting does not stop. 4. Alerting stopped. 5. To check whether the MS is in state U10. 			

Test Case Dynamic Behaviour					
Test Case Name:		TC_26_8_1_2_5_2			
Group:		GSM_L3_MS_v4170/CC/			
Purpose:		To verify that a CC-entity of the MS in CC-state U4, "Call Delivered", upon request by the user to terminate will send a DISCONNECT message and enter the CC-state U11, "Disconnect Request".			
Default:		OtherEventsFail			
Nr	Label	Behaviour Description	CRef	V	Comments
1		START T_guard(300)			
2		+BasicServiceMOorTelephony(TSPX_MOBscSvcD, TSPX_MOChRateD)			
3		(TCV_slot := C_S0, TCV_tsc := C_BCC)			
4		+PreCCSetupMO(C_Immass, TCV_slot, TCV_tsc, 5, 1, 0, TimingAdv_01, '000'B, '001'B, '011'B, '00'O)			1.
5		+CCConfigTCH(C_Ass, TSPX_TmSlitDef, TSPX_TscDef, TimingAdv_01, '000'B, '001'B, '011'B)			
6		+PreEnterCCstateU4_23(TSPX_TmSlitDef, TSPX_TscDef, TimingAdv_01)			
7	body	+TermCall			
8		L?DL_DatInDisc	DiscRcv(TCV_chTch, Disconn_05(TCV_TI0))	(P)	2.
9		+CCstatuschk_05(C_U11, TCV_TI, TCV_chTch)			3.
10		+PostMainLinkRel(TCV_chTch)			
Detailed Comments:		1. To setup a physical channel as BCCH, CCCH and SDCCH4. 2. The expected DISCONNECT message received. 3. To check whether the MS enters into the state U11.			

Test Case Dynamic Behaviour					
Test Case Name:		TC_26_8_1_2_5_3			
Group:		GSM_L3_MS_v4170/CC/			
Purpose:		To verify that a CC-entity of the MS in CC-state U4, "Call Delivered", upon receipt of a DISCONNECT with a progress indicator indicating in-band information, through-connects the speech channel to make in-band announcements available, if traffic channel is in speech mode. If TCH is not in speech mode, the MS shall send a RELEASE message.			
Default:		OtherEventsFail			
Nr	Label	Behaviour Description	CRef	V	Comments
1		START T_guard(300)			
2		+BasicServiceMOorTelephony(TSPX_MOBscSvcE, TSPX_MOChRateE)			1.
3		(TCV_slot := C_S0, TCV_tsc := C_BCC)			
4		+PreCCSetupMO(C_Immass, TCV_slot, TCV_tsc, 5, 1, 0, TimingAdv_01, '000'B, '001'B, '011'B, '00'O)			
5		+PreEnterCCstateU4_22(C_Immass, TSPX_TmSlitDef, TSPX_TscDef, TimingAdv_01, '000'B, '001'B, '011'B)			
6	body	L!DL_DatRqDisc	DiscSnd(TCV_chTch, Disconn_04(TCV_TI))		
7		[TCV_ChMod.mode = C_ChMod_r]			
8		+CCstatuschk_05(C_U12, TCV_TI, TCV_chTch)			
9		+PostMainLinkRel(TCV_chTch)			
10		[TCV_ChMod.mode <> C_ChMod_r]			
11		L?DL_DatInRel	ReleaseRcv(Release_10(TCV_TI0))	(P)	
12		+CCstatuschk_05(C_U19, TCV_TI, TCV_chTch)			
13		+PostMainLinkRel(TCV_chTch)			
Detailed Comments:		1. To select a circuit switched basic service for testing.			

Test Case Dynamic Behaviour					
Test Case Name:		TC_26_8_1_2_5_4			
Group:		GSM_L3_MS_v4170/CC/			
Purpose:		To verify that a CC-entity of the MS in CC-state U4, "Call Delivered", upon receipt of a DISCONNECT without progress indicator, returns a RELEASE message and enters the CC-state U19, "Release Request".			
Default:		OtherEventsFail			
Nr	Label	Behaviour Description	CRef	V	Comments
1		START T_guard(300)			
2		+BasicServiceMOorTelephony(TSPX_MOBscSvcF, TSPX_MOChRateF)			1.
3		(TCV_slot := C_S0, TCV_tsc := C_BCC)			
4		+PreCCSetupMO(C_Immass, TCV_slot, TCV_tsc, 5, 1, 0, TimingAdv_01, '000'B, '001'B, '011'B, '00'O)			
5		+PreEnterCCstateU4_22(C_Immass, TSPX_TmSlitDef, TSPX_TscDef, TimingAdv_01, '000'B, '001'B, '011'B)			
6	body	L!DL_DatRqDisc	DiscSnd(TCV_chTch, Disconn_07(TCV_TI))		
7		L?DL_DatInRel	ReleaseRcv(Release_10(TCV_TI0))	(P)	
8		+CCstatuschk_05(C_U19, TCV_TI, TCV_chTch)			
9		+PostMainLinkRel(TCV_chTch)			
Detailed Comments:		1. To select a circuit switched basic service for testing.			

Test Case Dynamic Behaviour					
Test Case Name:		TC_26_8_1_2_5_5			
Group:		GSM_L3_MS_v4170/CC/			
Purpose:		1) To verify that a CC-entity of the MS in CC-state U4, "Call Delivered", upon receipt of the RELEASE message will respond with the RELEASE COMPLETE message and enter the CC-state U0, "Null" 2) To verify that the MS on returning the idle mode releases the MM-connection and that the CC-entities relating to the seven mobile originating transaction identifiers are in CC-state U0, "Null".			
Default:		OtherEventsFail			
Nr	Label	Behaviour Description	CRef	V	Comments
1		START T_guard(300)			
2		+BasicServiceMOorTelephony(TSPX_MOBscSvcG, TSPX_MOChRateG)			1.
3		(TCV_slot := C_S0, TCV_tsc := C_BCC)			
4		+PreCCSetupMO(C_Immass, TCV_slot, TCV_tsc, 5, 1, 0, TimingAdv_01, '000'B, '001'B, '011'B, '00'O)			
5		+PreEnterCCstateU4_22(C_Immass, TSPX_TmSlitDef, TSPX_TscDef, TimingAdv_01, '000'B, '001'B, '011'B)			
6	body	L!DL_DatRqRel	ReleaseSnd(TCV_chTch, Release_03(TCV_TI))		
7		L?DL_DatInRelCmp	RelComRcv(ReleaseCmp_03(TCV_TI0))	(P)	
8		+CheckTIsInStateU0(TRUE, TCV_chTch)			
9		+PostMainLinkRel(TCV_chTch)			
Detailed Comments:		1. To select a circuit switched basic service for testing.			

Test Case Dynamic Behaviour					
Test Case Name:		TC_26_8_1_2_5_6			
Group:		GSM_L3_MS_v4170/CC/			
Purpose:		To verify that a CC-entity of the MS in CC-state U4, "Call Delivered" having detected a lower layer failure and has returned to idle mode, the CC-entities relating to the seven mobile originating transaction identifiers are in CC-state U0, "Null".			
Default:		OtherEventsFail			
Nr	Label	Behaviour Description	CRef	V	Comments
1		START T_guard(300)			
2		+BasicServiceMOorTelephony(TSPX_MOBscSvcH, TSPX_MOChRateH)			1.
3		(TCV_slot := C_S0, TCV_tsc := C_BCC)			
4		+PreCCSetupMO(C_Immass, TCV_slot, TCV_tsc, 5, 1, 0, TimingAdv_01, '000'B, '001'B, '011'B, '00'O)			
5		+PreEnterCCstateU4_22(C_Immass, TSPX_TmSlitDef, TSPX_TscDef, TimingAdv_01, '000'B, '001'B, '011'B)			
6	body	+LowerLayerFailure(TCV_ch)			
7		START T_dly(20000)			
8		?TIMEOUT T_dly			
9		+CCEstablishMT_SDCCH4(TimingAdv_01)			
10		+CheckTIsInStateU0(TRUE, TCV_ch)			
11		+PostMainLinkRel(TCV_ch)			
Detailed Comments:		1. To select a circuit switched basic service for testing.			

Test Case Dynamic Behaviour					
Test Case Name:		TC_26_8_1_2_5_7			
Group:		GSM_L3_MS_v4170/CC/			
Purpose:		To verify that a CC-entity of the MS in CC-state U4, "Call Delivered", when allocated a traffic channel by the network performing the assignment procedure, shall perform a layer 2 establishment on the FACCH without changing the state of the call in progress.			
Default:		OtherEventsFail			
Nr	Label	Behaviour Description	CRef	V	Comments
1		START T_guard(300)			
2		+BasicServiceMOorTelephony(TSPX_MOBscSvcI, TSPX_MOChRateI)			
3		(TCV_slot := C_S0, TCV_tsc := C_BCC)			
4		+PreCCSetupMO(C_Immass, TCV_slot, TCV_tsc, 5, 1, 0, TimingAdv_01, '000'B, '001'B, '011'B, '00'O)			1.
5		+CCConfigTCH(C_Ass, TSPX_TmSlitDef, TSPX_TscDef, TimingAdv_01, '000'B, '001'B, '011'B)			
6		+PreEnterCCstateU4_21(TimingAdv_01)			2.
7	body	+CCAssignTCH(TSPX_TmSlitDef, TSPX_TscDef)			3.
8		+CCstatuschk_05(C_U4, TCV_TI, TCV_chTch)			4.
9		+PostMainLinkRel(TCV_chTch)			
Detailed Comments:		1. To setup a physical channel as BCCH, CCCH and SDCCH4. 2. To initiate MO call and bring the MS into U4 state. 3. The assignment procedure succeeds. 4. To check that the MS is still in state U4.			

Test Case Dynamic Behaviour					
Test Case Name:		TC_26_8_1_2_5_8			
Group:		GSM_L3_MS_v4170/CC/			
Purpose:		To verify that a CC-entity of the MS in CC-state U4, "Call Delivered", having received an unknown message from its peer entity returns a STATUS message.			
Default:		OtherEventsFail			
Nr	Label	Behaviour Description	CRef	V	Comments
1		START T_guard(300)			
2		+BasicServiceMOorTelephony(TSPX_MOBscSvcJ, TSPX_MOChRateJ)			1.
3		(TCV_slot := C_S0, TCV_tsc := C_BCC)			
4		+PreCCSetupMO(C_Immass, TCV_slot, TCV_tsc, 5, 1, 0, TimingAdv_01, '000'B, '001'B, '011'B, '00'O)			2.
5		+PreEnterCCstateU4_24(C_Immass, TSPX_TmSlitDef, TSPX_TscDef, TimingAdv_01, '000'B, '001'B, '011'B)			
6	body	L!DL_DatRqUndefCC	Undef(TCV_chTch, UndefCC_02(TCV_TI))		3.
7		L?DL_DatInCcst	CCStatusRcv(CCStatus_08(TCV_TI0, C_U4))		
8		+CCstatuschk_05(C_U4, TCV_TI, TCV_chTch)			
9		+PostMainLinkRel(TCV_chTch)			
Detailed Comments:		<ol style="list-style-type: none"> 1. To select a basic service and channel rate, if the MS supports telephony the selected basic service is telephony. 2. To setup the full rate or half rate traffic channel and BCCH, CCCH for the test. 3. To send a CC message which message type is undefined for the CC. 			

Test Case Dynamic Behaviour					
Test Case Name:		TC_26_8_1_2_6_1			
Group:		GSM_L3_MS_v4170/CC/			
Purpose:		To verify that the a CC-entity of the MS in CC-state U10, "Call Active", upon request by the user to terminate will send a DISCONNECT message and enter the CC-state U11, "Disconnect Request".			
Default:		OtherEventsFail			
Nr	Label	Behaviour Description	CRef	V	Comments
1		START T_guard(300)			
2		+BasicServiceMOorTelephony(TSPX_MOBscSvcA, TSPX_MOChRateA)			
3		(TCV_slot := C_S0, TCV_tsc := C_BCC)			
4		+PreCCSetupMO(C_Immass, TCV_slot, TCV_tsc, 5, 1, 0, TimingAdv_01, '000'B, '001'B, '011'B, '00'O)			1.
5		+CCConfigTCH(C_Ass, TSPX_TmSlitDef, TSPX_TscDef, TimingAdv_01, '000'B, '001'B, '011'B)			
6		+PreEnterCCstateU10_21(TSPX_TmSlitDef, TSPX_TscDef, TimingAdv_01)			2.
7	body	+TermCall			
8		L?DL_DatInDisc	DiscRcv(TCV_chTch, Discconn_05(TCV_TI0))	(P)	3.
9		+CCstatuschk_05(C_U11, TCV_TI, TCV_chTch)			4.
10		+PostMainLinkRel(TCV_chTch)			
Detailed Comments:		<ol style="list-style-type: none"> 1. To setup a physical channel as BCCH, CCCH and SDCCH4. 2. To bring the MS into U10 state. 3. The expected DISCONNECT message received. 4. To check whether the MS enters the state U11. 			

Test Case Dynamic Behaviour					
Test Case Name:		TC_26_8_1_2_6_2			
Group:		GSM_L3_MS_v4170/CC/			
Purpose:		1) To verify that the a CC-entity of the MS in CC-state U10, "Call Active", upon receive of the RELEASE will respond with the RELEASE COMPLETE message and enter the CC-state U0, "Null" 2) To verify that the MS on returning to the idle mode releases the MM-connection and that the CC-entities relating to the seven mobile originating transaction identifiers are in CC-state U0, "Null"			
Default:		OtherEventsFail			
Nr	Label	Behaviour Description	CRef	V	Comments
1		START T_guard(300)			
2		+BasicServiceMOorTelephony(TSPX_MOBscSvcB, TSPX_MOChRateB)			
3		(TCV_slot := C_S0, TCV_tsc := C_BCC)			
4		+PreCCSetupMO(C_Immass, TCV_slot, TCV_tsc, 5, 1, 0, TimingAdv_01, '000'B, '001'B, '011'B, '00'O)			1.
5		+CCConfigTCH(C_Ass, TSPX_TmSlitDef, TSPX_TscDef, TimingAdv_01, '000'B, '001'B, '011'B)			
6		+PreEnterCCstateU10_21(TSPX_TmSlitDef, TSPX_TscDef, TimingAdv_01)			2.
7	body	L!DL_DatRqRel	ReleaseSnd(TCV_chTch, Release_03(TCV_TI))		
8		L?DL_DatInRelCmp	RelComRcv(ReleaseCmp_03(TCV_TI0))	(P)	3.
9		+CheckTlInStateU0(TRUE, TCV_chTch)			
10		+PostMainLinkRel(TCV_chTch)			
Detailed Comments:		1. To setup a physical channel as BCCH, CCCH and SDCCH4. 2. To bring the MS into U10 state. 3. The expected RELEASE COMPLETE message received.			

Test Case Dynamic Behaviour					
Test Case Name:		TC_26_8_1_2_6_3			
Group:		GSM_L3_MS_v4170/CC/			
Purpose:		To verify that a CC-entity of the MS in CC-state U10, "Call Active", upon receipt of a DISCONNECT message with a Progress Indicator indicating in-band information, through-connects the speech channel to make in-band announcements available, if traffic channel is in speech mode. If TCH is not in speech mode, the MS sends a RELEASE message.			
Default:		OtherEventsFail			
Nr	Label	Behaviour Description	CRef	V	Comments
1		START T_guard(300)			
2		+BasicServiceMOorTelephony(TSPX_MOBscSvcC, TSPX_MOChRateC)			1.
3		(TCV_slot := C_S0, TCV_tsc := C_BCC)			
4		+PreCCSetupMO(C_Immass, TCV_slot, TCV_tsc, 5, 1, 0, TimingAdv_01, '000'B, '001'B, '011'B, '00'O)			2.
5		+PreEnterCCstateU10_22(C_Immass, TSPX_TmSlitDef, TSPX_TscDef, TimingAdv_01, '000'B, '001'B, '011'B)			
6	body	L!DL_DatRqDisc	DiscSnd(TCV_chTch, Disconn_04(TCV_TI))		3.
7		[TCV_ChMod.mode = C_ChMod_r]			
8		(TCV_Res := OO_TCHThroConnCHK())			Check that the audio path is connected for inband tones.
9		[TCV_Res = TRUE]		(P)	Inband info audible
10		+CCstatuschk_05(C_U12, TCV_TI, TCV_chTch)			
11		+PostMainLinkRel(TCV_chTch)			
12		[TCV_Res = FALSE]		(F)	No inband info audible
13		+PostMainLinkRel(TCV_chTch)			
14		[TCV_ChMod.mode <> C_ChMod_r]			
15		L?DL_DatInRel	ReleaseRcv(Release_10(TCV_TI0))	(P)	
16		+CCstatuschk_05(C_U19, TCV_TI, TCV_chTch)			
17		+PostMainLinkRel(TCV_chTch)			
Detailed Comments:		1. To select a circuit switched basic service for testing. 2. To setup BCCH, CCCH and traffic channels. 3. With progress indicator #8.			

Test Case Dynamic Behaviour					
Test Case Name:		TC_26_8_1_2_6_4			
Group:		GSM_L3_MS_v4170/CC/			
Purpose:		To verify that the a CC-entity of the MS in CC-state U10, "Call Active", upon receipt of a DISCONNECT message without progress indicator, returns a RELEASE message and enters the CC-state U19, "Release Request".			
Default:		OtherEventsFail			
Nr	Label	Behaviour Description	CRef	V	Comments
1		START T_guard(300)			
2		+BasicServiceMOorTelephony(TSPX_MOBscSvcD, TSPX_MOChRateD)			1.
3		(TCV_slot := C_S0, TCV_tsc := C_BCC)			
4		+PreCCSetupMO(C_Immass, TCV_slot, TCV_tsc, 5, 1, 0, TimingAdv_01, '000'B, '001'B, '011'B, '00'O)			2.
5		+PreEnterCCstateU10_22(C_Immass, TSPX_TmSltDef, TSPX_TscDef, TimingAdv_01, '000'B, '001'B, '011'B)			
6	body	L!DL_DatRqDisc	DiscSnd(TCV_chTch, Disconn_07(TCV_TI))		3.
7		L?DL_DatInRel	ReleaseRcv(Release_10(TCV_TI0))	(P)	
8		+CCstatuschk_05(C_U19, TCV_TI, TCV_chTch)			
9		+PostMainLinkRel(TCV_chTch)			
Detailed Comments:		1. To select a circuit switched basic service for testing. 2. To setup BCCH, CCCH and traffic channels. 3. Without progress indicator #8.			

Test Case Dynamic Behaviour					
Test Case Name:		TC_26_8_1_2_6_5			
Group:		GSM_L3_MS_v4170/CC/			
Purpose:		1) To verify that a CC entity of the MS in CC-state U10, "Call active" upon receipt of a RELEASE COMPLETE message with valid cause value, enters CC state U0, "Null". 2) To verify that in returning to idle mode, the CC entities relating to the seven mobile originating transaction identifiers are in state U0, "Null".			
Default:		OtherEventsFail			
Nr	Label	Behaviour Description	CRef	V	Comments
1		START T_guard(300)			
2		+BasicServiceMOorTelephony(TSPX_MOBscSvcE, TSPX_MOChRateE)			1.
3		(TCV_slot := C_S0, TCV_tsc := C_BCC)			
4		+PreCCSetupMO(C_Immass, TCV_slot, TCV_tsc, 5, 1, 0, TimingAdv_01, '000'B, '001'B, '011'B, '00'O)			2.
5		+PreEnterCCstateU10_22(C_Immass, TSPX_TmSltDef, TSPX_TscDef, TimingAdv_01, '000'B, '001'B, '011'B)			
6	body	L!DL_DatRqRelCmp	RelComSnd(TCV_chTch, ReleaseCmp_04(TCV_TI))		
7		+CheckTIsInStateU0(TRUE, TCV_chTch)			
8		+PostMainLinkRel(TCV_chTch)			
Detailed Comments:		1. To select a circuit switched basic service for testing. 2. To setup BCCH, CCCH and traffic channels.			

Test Case Dynamic Behaviour					
Test Case Name:		TC_26_8_1_2_6_6			
Group:		GSM_L3_MS_v4170/CC/			
Purpose:		<p>1) To verify that a Mobile Station that has a call established and receives a SETUP message answers either with a CALL CONFIRMED message with cause "user busy" if it supports call waiting, or with a RELEASE COMPLETE message with cause "user busy" otherwise.</p> <p>2) To verify that after having sent this message, the MS is still in state U10 for the established call.</p>			
Default:		OtherEventsFail			
Nr	Label	Behaviour Description	CRef	V	Comments
1		START T_guard(300)			
2		+BasicServiceMOorTelephony(TSPX_MOBscSvcF, TSPX_MOChRateF)			
3		(TCV_slot := C_S0, TCV_tsc := C_BCC)			
4		+PreCCSetupMO(C_Immass, TCV_slot, TCV_tsc, 5, 1, 0, TimingAdv_01, '000'B, '001'B, '011'B, '00'O)			1.
5		+CCConfigTCH(C_Ass, TSPX_TmSlitDef, TSPX_TscDef, TimingAdv_01, '000'B, '001'B, '011'B)			
6		+PreEnterCCstateU10_21(TSPX_TmSlitDef, TSPX_TscDef, TimingAdv_01)			2.
7	body	+BasicServiceMT(TSPX_MTBscSvcA, TSPX_MTChRateA, TSPX_MT_ImmConnA)			3.
8		(TCV_Setup_mt.sig := Signal_02, TCV_Setup_mt.ti := TCV_TI0)			4.
9		LIDL_DatRqSetup	SetupSnd(TCV_chTch, TCV_Setup_mt)		5.
10		L?DL_DatInRelCmp	RelComRcv(ReleaseCmp_10(TCV_TI))	(P)	6.
11		+CCstatuschk_05(C_U10, TCV_TI, TCV_chTch)			7.
12		+PostMainLinkRel(TCV_chTch)			
13		L?DL_DatInCallCo	CallCfm(CallConfirm_02(TCV_TI))	(P)	8.
14		L?DL_DatInAlert	AlertRcv(AlertingInd_02(TCV_TI))		
15		(TCV_Null := OO_HookOff())			
16		LIDL_DatRqRelCmp	RelComSnd(TCV_chTch, ReleaseCmp_08(TCV_TI0))		
17		+CCstatuschk_05(C_U10, TCV_TI, TCV_chTch)			7.
18		+PostMainLinkRel(TCV_chTch)			
Detailed Comments:		<p>1. To setup a physical channel as BCCH, CCCH and SDCCH4.</p> <p>2. To bring the MS into the state U10 of a MO call.</p> <p>3. Select a MT service supported by the MS, The SETUP_PDU will be stored in TCV_Setup_mt.</p> <p>4. a) add signal IE with "call waiting tone on" - b) Set TI value same as MO call and TI flag for MT.</p> <p>5. To establish a second transaction for MT call with the same TI value as that in the MO call</p> <p>6. Call waiting not supported.</p> <p>7. To check whether the MS is still in the state U10.</p> <p>8. Call waiting supported.</p>			

Test Case Dynamic Behaviour					
Test Case Name:		TC_26_8_1_2_7_1			
Group:		GSM_L3_MS_v4170/CC/			
Purpose:		To verify that the a CC-entity of the MS in CC-state U11, "Disconnect Request", upon receipt of a DISCONNECT message, returns to its peer entity the RELEASE message and enters the CC-state U19, "Release Request".			
Default:		OtherEventsFail			
Nr	Label	Behaviour Description	CRef	V	Comments
1		START T_guard(300)			
2		+BasicServiceMOorTelephony(TSPX_MOBscSvcG, TSPX_MOChRateG)			
3		(TCV_slot := C_S0, TCV_tsc := C_BCC)			
4		+PreCCSetupMO(C_Immass, TCV_slot, TCV_tsc, 5, 1, 0, TimingAdv_01, '000'B, '001'B, '011'B, '00'O)			1.
5		+CCConfigTCH(C_Ass, TSPX_TmSltDef, TSPX_TscDef, TimingAdv_01, '000'B, '001'B, '011'B)			
6		+PreEnterCCstateU11_23(TSPX_TmSltDef, TSPX_TscDef, TimingAdv_01)			2.
7	body	L!DL_DatRqDisc	DiscSnd(TCV_chTch, Disconn_07(TCV_TI))		
8		L?DL_DatInRel	ReleaseRcv(Release_10(TCV_TI0))	(P)	3.
9		+CCstatuschk_05(C_U19, TCV_TI, TCV_chTch)			4.
10		+PostMainLinkRel(TCV_chTch)			
Detailed Comments:		<ol style="list-style-type: none"> 1. To setup a physical channel as BCCH, CCCH and SDCCH4. 2. To bring the MS into the state U11. 3. The expected RELEASE message received. 4. To check whether the MS enters the state U19. 			

Test Case Dynamic Behaviour					
Test Case Name:		TC_26_8_1_2_7_2			
Group:		GSM_L3_MS_v4170/CC/			
Purpose:		<ol style="list-style-type: none"> 1) To verify that the a CC-entity of the MS in CC-state U11, "Disconnect Request", upon receipt of the RELEASE message shall return RELEASE COMPLETE and enter the CC-state U0, "Null". 2) To verify that the MS on returning to the idle mode releases the MM-connection and that the CC-entities relating to the seven mobile originating transaction identifiers are in CC-state U0, "Null". 			
Default:		OtherEventsFail			
Nr	Label	Behaviour Description	CRef	V	Comments
1		START T_guard(300)			
2		+BasicServiceMOorTelephony(TSPX_MOBscSvcH, TSPX_MOChRateH)			
3		(TCV_slot := C_S0, TCV_tsc := C_BCC)			
4		+PreCCSetupMO(C_Immass, TCV_slot, TCV_tsc, 5, 1, 0, TimingAdv_01, '000'B, '001'B, '011'B, '00'O)			1.
5		+CCConfigTCH(C_Ass, TSPX_TmSlitDef, TSPX_TscDef, TimingAdv_01, '000'B, '001'B, '011'B)			
6		+PreEnterCCstateU11_23(TSPX_TmSlitDef, TSPX_TscDef, TimingAdv_01)			2.
7	body	L!DL_DatRqRel	ReleaseSnd(TCV_ch Tch, Release_03(TCV_TI))		
8		L?DL_DatInRelCmp	RelComRcv(Release Cmp_03(TCV_TI0))	(P)	3.
9		+CheckTIsInStateU0(TRUE, TCV_chTch)			4.
10		+PostMainLinkRel(TCV_chTch)			
Detailed Comments:		<ol style="list-style-type: none"> 1. To setup a physical channel as BCCH, CCCH and SDCCH4. 2. To bring the MS into the state U11. 3. The expected RELEASE COMPLETE message received. 4. To check that the CC entities with relevant transaction identifiers are in the state U0. 			

Test Case Dynamic Behaviour					
Test Case Name:		TC_26_8_1_2_7_3			
Group:		GSM_L3_MS_v4170/CC/			
Purpose:		To verify that the a CC-entity of the MS in CC-state U11, "Disconnect Request" shall on expiry of T305, proceeds ahead with the connection release procedure by sending the RELEASE message to its peer entity and enters the CC-state U19, "Release Request".			
Default:		OtherEventsFail			
Nr	Label	Behaviour Description	CRef	V	Comments
1		START T_guard(300)			
2		+BasicServiceMOorTelephony(TSPX_MOBscSvcl, TSPX_MOChRatel)			
3		(TCV_slot := C_S0, TCV_tsc := C_BCC)			
4		+PreCCSetupMO(C_Immass, TCV_slot, TCV_tsc, 5, 1, 0, TimingAdv_01, '000'B, '001'B, '011'B, '00'O)			1.
5		+CCConfigTCH(C_Ass, TSPX_TmSlitDef, TSPX_TscDef, TimingAdv_01, '000'B, '001'B, '011'B)			
6		+PreEnterCCstateU11_23Timer(TSPX_TmSlitDef, TSPX_TscDef, TimingAdv_01)			2.
7	body	(TCV_Cau0.iei := '00001000'B)			3.
8		L?DL_DatInRel (TCV_Fn1 := DL_DatInRel.fn) READTIMER T_dly(TCV_Time), CANCEL T_dly	ReleaseRcv(Release_05(TCV_TI0, TCV_Cau0))	(P)	
9		[(TCV_Time < 27000) OR (TCV_Time >= 33000)]		(F)	4.
10		+PostMainLinkRel(TCV_chTch)			
11		[(TCV_Time >= 27000) AND(TCV_Time < 33000)]		(P)	5.
12		+CCstatuschk_05(C_U19, TCV_TI, TCV_chTch)			6.
13		+PostMainLinkRel(TCV_chTch)			
Detailed Comments:		<ol style="list-style-type: none"> 1. To setup a physical channel as BCCH, CCCH and SDCCH4. 2. To bring the MS into the state U11. 3. Cause IE is mandatory in DISCONNECT, but optional in RELEASE> 4. Fail, if the timeout value of the T305 timer is either greater than or equal to 33 seconds, or less than 27 seconds. 5. Pass, if the timeout value of T305 is OK. 6. To check whether the MS enters the state U19. 			

Test Case Dynamic Behaviour					
Test Case Name:		TC_26_8_1_2_7_4			
Group:		GSM_L3_MS_v4170/CC/			
Purpose:		To verify that the a CC-entity of the MS in CC-state U11, "Disconnect Request" having detected a lower layer failure returns to the idle mode. The CC entities relating to the seven mobile originating transaction identifiers are thus in state U0, "Null".			
Default:		OtherEventsFail			
Nr	Label	Behaviour Description	CRef	V	Comments
1		START T_guard(300)			
2		+BasicServiceMOorTelephony(TSPX_MOBscSvcJ, TSPX_MOChRateJ)			1.
3		(TCV_slot := C_S0, TCV_tsc := C_BCC)			
4		+PreCCSetupMO(C_Immass, TCV_slot, TCV_tsc, 5, 1, 0, TimingAdv_01, '000'B, '001'B, '011'B, '00'O)			2.
5		+PreEnterCCstateU11_24(C_Immass, TSPX_TmSltDef, TSPX_TscDef, TimingAdv_01, '000'B, '001'B, '011'B)			
6	body	+LowerLayerFailure(TCV_ch)			
7		START T_dly(20000)			
8		?TIMEOUT T_dly			
9		+CCEstablishMT_SDCCH4(TimingAdv_01)			
10		+CheckTlInStateU0(TRUE, TCV_ch)			
11		+PostMainLinkRel(TCV_ch)			
Detailed Comments:		1. To select a circuit switched basic service for testing. 2. To setup BCCH, CCCH and traffic channels.			

Test Case Dynamic Behaviour					
Test Case Name:		TC_26_8_1_2_7_5			
Group:		GSM_L3_MS_v4170/CC/			
Purpose:		To verify that the a CC-entity of the MS in CC-state U11, "Call Delivered" having received an unknown message from its peer entity shall return a STATUS message.			
Default:		OtherEventsFail			
Nr	Label	Behaviour Description	CRef	V	Comments
1		START T_guard(300)			
2		+BasicServiceMOorTelephony(TSPX_MOBscSvcA, TSPX_MOChRateA)			1.
3		(TCV_slot := C_S0, TCV_tsc := C_BCC)			
4		+PreCCSetupMO(C_Immass, TCV_slot, TCV_tsc, 5, 1, 0, TimingAdv_01, '000'B, '001'B, '011'B, '00'O)			2.
5		+PreEnterCCstateU11_24(C_Immass, TSPX_TmSltDef, TSPX_TscDef, TimingAdv_01, '000'B, '001'B, '011'B)			
6	body	L!DL_DatRqUndefCC	Undef(TCV_chTch, UndefCC_02(TCV_TI))		3.
7		L?DL_DatInCcst	CCStatusRcv(CCStatus_08(TCV_TI0, C_U11))	(P)	
8		+CCstatuschk_05(C_U11, TCV_TI, TCV_chTch)			
9		+PostMainLinkRel(TCV_chTch)			
Detailed Comments:		1. To select a circuit switched basic service for testing. 2. To setup BCCH, CCCH and traffic channels. 3. To send a CC message which message type is undefined for the CC.			

Test Case Dynamic Behaviour					
Test Case Name:		TC_26_8_1_2_8_1			
Group:		GSM_L3_MS_v4170/CC/			
Purpose:		To verify that a CC-entity of the MS in CC-state U12, "Disconnect Indication" being in network initiated call release phase, shall, upon receiving a call release request from the user sends a RELEASE to its peer entity and enters CC-state U19, "Release Request"			
Default:		OtherEventsFail			
Nr	Label	Behaviour Description	CRef	V	Comments
1		START T_guard(300)			
2		(TCV_Service := C_Telephony, TCV_ChRate :=C_Full)			TC only applicable for MS supporting speech.
3		(TCV_slot := C_S0, TCV_tsc := C_BCC)			
4		+PreCCSetupMO(C_Immass, TCV_slot, TCV_tsc, 5, 1, 0, TimingAdv_01, '000'B, '001'B, '011'B, '00'O)			1.
5		+CCConfigTCH(C_Ass, TSPX_TmSlitDef, TSPX_TscDef, TimingAdv_01, '000'B, '001'B, '011'B)			
6		+PreEnterCCstateU12_21(TSPX_TmSlitDef, TSPX_TscDef, TimingAdv_01)			2.
7	body	+TermCall			3.
8		L?DL_DatInRel	ReleaseRcv(Release_10(TCV_T10))		4.
9		+CCstatuschk_05(C_U19, TCV_TI, TCV_chTch)			5.
10		+PostMainLinkRel(TCV_chTch)			
Detailed Comments:		<ol style="list-style-type: none"> 1. To setup a physical channel as BCCH, CCCH and SDCHH4, and wait for the MS in service. 2. To bring the MS into the state U12. Within the step a physical channel as appropriate traffic channel is setup. 3. MMI action, "on hook". 4. The expected RELEASE message received. 5. To check whether the MS is in the state U19. 			

Test Case Dynamic Behaviour						
Test Case Name:		TC_26_8_1_2_8_2				
Group:		GSM_L3_MS_v4170/CC/				
Purpose:		<ol style="list-style-type: none"> To verify that a CC-entity of the MS in CC-state U12, "Disconnect Indication", upon receipt of a RELEASE message returns to its peer entity the RELEASE COMPLETE message and enters the CC-state U0, "Null" To verify that the MS on returning to the idle mode releases the MM-connection and that the CC-entities relating to the seven mobile originating transaction identifiers are in CC-state U0, "Null". 				
Default:		OtherEventsFail				
Nr	Label	Behaviour Description	CRef	V	Comments	
1		START T_guard(300)			TC only applicable for MS supporting speech.	
2		(TCV_Service := C_Telephony, TCV_ChRate :=C_Full)				
3		(TCV_slot := C_S0, TCV_tsc := C_BCC)				
4		+PreCCSetupMO(C_Immass, TCV_slot, TCV_tsc, 5, 1, 0, TimingAdv_01, '000'B, '001'B, '011'B, '00'O)				1.
5		+CCConfigTCH(C_Ass, TSPX_TmSlitDef, TSPX_TscDef, TimingAdv_01, '000'B, '001'B, '011'B)				2.
6		+PreEnterCCstateU12_21(TSPX_TmSlitDef, TSPX_TscDef, TimingAdv_01)				3.
7	body	L!DL_DatRqRel	ReleaseSnd(TCV_ch Tch, Release_03(TCV_TI))			4.
8		L?DL_DatInRelCmp	RelComRcv(Release Cmp_03(TCV_TIO))	(P)		
9		+CheckTIsInStateU0(TRUE, TCV_chTch)				
10		+PostMainLinkRel(TCV_chTch)				
Detailed Comments:		<ol style="list-style-type: none"> To setup a physical channel as BCCH, CCCH and SDCHH4, and wait for the MS in service. To bring the MS into the state U12. Within the step a physical channel as appropriate traffic channel is setup. The expected RELEASE COMPLETE message received. To check whether the CC entities related to the seven mobile originating transaction is in the state U0. 				

Test Case Dynamic Behaviour					
Test Case Name:		TC_26_8_1_2_8_3			
Group:		GSM_L3_MS_v4170/CC/			
Purpose:		To verify that a CC-entity of the MS in CC-state U12, "Disconnect Indication" having detected a lower layer failure returns to idle mode. The CC-entities relating to the seven mobile originating transaction identifiers are thus in state U0, "Null".			
Default:		OtherEventsFail			
Nr	Label	Behaviour Description	CRef	V	Comments
1		START T_guard(300)			TC only applicable for MS supporting speech.
2		(TCV_Service := C_Telephony, TCV_ChRate :=C_Full)			
3		(TCV_slot := C_S0, TCV_tsc := C_BCC)			
4		+PreCCSetupMO(C_Immass, TCV_slot, TCV_tsc, 5, 1, 0, TimingAdv_01, '000'B, '001'B, '011'B, '00'O)			
5		+PreEnterCCstateU12_22(C_Immass, TSPX_TmSlitDef, TSPX_TscDef, TimingAdv_01, '000'B, '001'B, '011'B)			
6	body	+LowerLayerFailure(TCV_ch)			
7		START T_dly(20000)			
8		?TIMEOUT T_dly			
9		+CCEstablishMT_SDCCH4(TimingAdv_01)			
10		+CheckTIsInStateU0(TRUE, TCV_ch)			
11		+PostMainLinkRel(TCV_ch)			
Detailed Comments:					

Test Case Dynamic Behaviour					
Test Case Name:		TC_26_8_1_2_8_4			
Group:		GSM_L3_MS_v4170/CC/			
Purpose:		To verify that a CC-entity of the MS in CC-state U12, "Disconnect Indication" having received an unknown message from its peer entity returns a STATUS message.			
Default:		OtherEventsFail			
Nr	Label	Behaviour Description	CRef	V	Comments
1		START T_guard(300)			TC only applicable for MS supporting speech.
2		(TCV_Service := C_Telephony, TCV_ChRate :=C_Full)			
3		(TCV_slot := C_S0, TCV_tsc := C_BCC)			
4		+PreCCSetupMO(C_Immass, TCV_slot, TCV_tsc, 5, 1, 0, TimingAdv_01, '000'B, '001'B, '011'B, '00'O)			
5		+CCConfigTCH(C_Ass, TSPX_TmSlitDef, TSPX_TscDef, TimingAdv_01, '000'B, '001'B, '011'B)			
6		+PreEnterCCstateU12_23(TSPX_TmSlitDef, TSPX_TscDef, TimingAdv_01)			
7	body	L!DL_DatRqUndefCC	Undef(TCV_chTch, UndefCC_02(TCV_TI))		
8		L?DL_DatInCcst	CCStatusRcv(CCStatus_08(TCV_TI0, C_U12))		
9		+CCstatuschk_05(C_U12, TCV_TI, TCV_chTch)			
10		+PostMainLinkRel(TCV_chTch)			
Detailed Comments:		<ol style="list-style-type: none"> 1. To setup a physical channel as BCCH, CCCH and SDCCH4, waiting for the MS in service. 2. To bring the MS into the state U12. 3. To send a CC message which message type is undefined for the CC. 4. The expected STATUS message with cause #97 received. 5. To check whether the MS is still in the state U12. 			

Test Case Dynamic Behaviour					
Test Case Name:		TC_26_8_1_2_9_1			
Group:		GSM_L3_MS_v4170/CC/			
Purpose:		To verify that a CC-entity of the MS in CC-state U19, "Release Request" will, upon the first expiry of timer T308 send the RELEASE message to its peer entity and remain in the CC-state U19.			
Default:		OtherEventsFail			
Nr	Label	Behaviour Description	CRef	V	Comments
1		START T_guard(300)			
2		+BasicServiceMOorTelephony(TSPX_MOBscSvcB, TSPX_MOChRateB)			
3		(TCV_slot := C_S0, TCV_tsc := C_BCC)			
4		+PreCCSetupMO(C_Immass, TCV_slot, TCV_tsc, 5, 1, 0, TimingAdv_01, '000'B, '001'B, '011'B, '00'O)			
5		+PreEnterCCstateU19_24Timer(C_Immass, TSPX_TmSlitDef, TSPX_TscDef, TimingAdv_01, '000'B, '001'B, '011'B)			
6	body	L?DL_DatInRel (TCV_Fn1 := DL_DatInRel.fn) READTIMER T_dly(TCV_Time), CANCEL T_dly	ReleaseRcv(Release_10(TCV_TI0))		Any cause value
7		[(TCV_Time < 27000) OR (TCV_Time >= 33000)]		(F)	1.
8		+PostMainLinkRel(TCV_chTch)			
9		[(TCV_Time >= 27000) AND (TCV_Time < 33000)]		(P)	2.
10		+CCstatuschk_05(C_U19, TCV_TI, TCV_chTch)			
11		+PostMainLinkRel(TCV_chTch)			
Detailed Comments:		1. Fail, if the T308 timer value is either greater than or equal to 33 seconds, or less than 27 seconds. 2. Pass, if the T308 timer value is OK.			

Test Case Dynamic Behaviour					
Test Case Name: TC_26_8_1_2_9_2					
Group: GSM_L3_MS_v4170/CC/					
Purpose: 1) To verify that a CC-entity of the MS in CC-state U19, "Release Request", upon the 2nd expiry of the timer T308, enters the CC-state U0, "Null". 2) To verify that subsequently the MS proceeds with releasing the MM-connection and enters the idle mode with the CC entities relating to the seven mobile originating transaction identifiers in state U0, "Null".					
Default: OtherEventsFail					
Nr	Label	Behaviour Description	CRef	V	Comments
1		START T_guard(300)			
2		+BasicServiceMOorTelephony(TSPX_MOBscSvcC, TSPX_MOChRateC)			1.
3		(TCV_slot := C_S0, TCV_tsc := C_BCC)			
4		+PreCCSetupMO(C_Immass, TCV_slot, TCV_tsc, 5, 1, 0, TimingAdv_01, '000'B, '001'B, '011'B, '00'O)			2.
5		+PreEnterCCstateU19_24(C_Immass, TSPX_TmSlitDef, TSPX_TscDef, TimingAdv_01, '000'B, '001'B, '011'B)			
6	body	L?DL_DatInRel	ReleaseRcv(Release_10(TCV_TI0))		3.
7		+CCstatuschk_05(C_U19, TCV_TI, TCV_chTch)			
8		START T_dly(50000)			
9		?TIMEOUT T_dly		(F)	4.
10		L?DL_Relln START T_dly(10000)	DLRelInd_01	(P)	
11		?TIMEOUT T_dly			
12		+CCEstablishMT_SDCCH4(TimingAdv_01)			
13		+CheckTIsInStateU0(TRUE, TCV_ch)			
14		+PostMainLinkRel(TCV_ch)			
Detailed Comments: 1. To select a circuit switched basic service for testing. 2. To setup BCCH, CCCH and traffic channels. 3. First timeout of T308, release with any cause value accepted. 4. Second timeout of T308 (30 seconds), timeout of T3240 (10 seconds) and 10 seconds for the MS to return to listening to paging.					

Test Case Dynamic Behaviour					
Test Case Name: TC_26_8_1_2_9_3					
Group: GSM_L3_MS_v4170/CC/					
Purpose: To verify that a CC-entity of the MS in CC-state U19, "Release Request", upon receipt of a RELEASE, shall release the MM-connection and enters the CC-state U0, "Null" with the CC entities relating to the seven mobile originating transaction identifiers in state U0, "Null".					
Default: OtherEventsFail					
Nr	Label	Behaviour Description	CRef	V	Comments
1		START T_guard(300)			
2		+BasicServiceMOorTelephony(TSPX_MOBscSvcD, TSPX_MOChRateD)			
3		(TCV_slot := C_S0, TCV_tsc := C_BCC)			
4		+PreCCSetupMO(C_Immass, TCV_slot, TCV_tsc, 5, 1, 0, TimingAdv_01, '000'B, '001'B, '011'B, '00'O)			
5		+PreEnterCCstateU19_24(C_Immass, TSPX_TmSlitDef, TSPX_TscDef, TimingAdv_01, '000'B, '001'B, '011'B)			
6	body	L!DL_DatRqRel	ReleaseSnd(TCV_chTch, Release_06(TCV_TI))		
7		+CheckTIsInStateU0(TRUE, TCV_chTch)			
8		+PostMainLinkRel(TCV_chTch)			
Detailed Comments:					

Test Case Dynamic Behaviour					
Test Case Name:		TC_26_8_1_2_9_4			
Group:		GSM_L3_MS_v4170/CC/			
Purpose:		To verify that a CC-entity of the MS in CC-state U19, "Release Request", upon receipt of a RELEASE COMPLETE, shall release the MM-connection and enters the CC-state U0, "Null" with the CC entities relating to the seven mobile originating transaction identifiers in state U0, "Null".			
Default:		OtherEventsFail			
Nr	Label	Behaviour Description	CRef	V	Comments
1		START T_guard(300)			
2		+BasicServiceMOorTelephony(TSPX_MOBscSvcE, TSPX_MOChRateE)			
3		(TCV_slot := C_S0, TCV_tsc := C_BCC)			
4		+PreCCSetupMO(C_Immass, TCV_slot, TCV_tsc, 5, 1, 0, TimingAdv_01, '000'B, '001'B, '011'B, '00'O)			1.
5		+CCConfigTCH(C_Ass, TSPX_TmSlitDef, TSPX_TscDef, TimingAdv_01, '000'B, '001'B, '011'B)			
6		+PreEnterCCstateU19_21(TSPX_TmSlitDef, TSPX_TscDef, TimingAdv_01)			2.
7	body	LIDL_DatRqRelCmp	RelComSnd(TCV_ch Tch, ReleaseCmp_08(TCV_TI))		3.
8		+CheckTIsInStateU0(TRUE, TCV_chTch)			4.
9		+PostMainLinkRel(TCV_chTch)			
Detailed Comments:		<ol style="list-style-type: none"> 1. To setup a physical channel as BCCH, CCCH and SDCCH4, waiting the MS in service. 2. To bring the MS into the state U19. 3. To send a RELEASE COMPLETE message to the MS. 4. To check whether the CC entities related to the seven mobile originating transaction identifiers are in the state U0. 			

Test Case Dynamic Behaviour					
Test Case Name:		TC_26_8_1_2_9_5			
Group:		GSM_L3_MS_v4170/CC/			
Purpose:		To verify that a CC-entity of the MS in CC-state U19, "Release Request", having detected a lower layer failure, returns to the idle mode, the CC entities relating to the seven mobile originating transaction identifiers are in state U0, "Null".			
Default:		OtherEventsFail			
Nr	Label	Behaviour Description	CRef	V	Comments
1	body	START T_guard(300)			
2		+BasicServiceMOorTelephony(TSPX_MOBscSvcF, TSPX_MOChRateF)			
3		(TCV_slot := C_S0, TCV_tsc := C_BCC)			
4		+PreCCSetupMO(C_Immass, TCV_slot, TCV_tsc, 5, 1, 0, TimingAdv_01, '000'B, '001'B, '011'B, '00'O)			1.
5		+CCConfigTCH(C_Ass, TSPX_TmSlitDef, TSPX_TscDef, TimingAdv_01, '000'B, '001'B, '011'B)			
6		+PreEnterCCstateU19_21(TSPX_TmSlitDef, TSPX_TscDef, TimingAdv_01)			2.
7		+LowerLayerFailure(TCV_ch)			3.
8		START T_dly(20000)			
9		?TIMEOUT T_dly			4.
10		+CCEstablishMT_SDCCH4(TimingAdv_01)			
11		+CheckTIsInStateU0(TRUE, TCV_ch)			5.
12		+PostMainLinkRel(TCV_ch)			
Detailed Comments:		<ol style="list-style-type: none"> 1. To setup a physical channel as BCCH, CCCH and SDCCH4, waiting the MS in service. 2. To bring the MS into the state U19. 3. To generate lower layer failure in the lower emulator. 4. To wait for the MS back to listening to paging. 5. To check whether the CC entities related to the seven mobile originating transaction identifiers are in the state U0. 			

Test Case Dynamic Behaviour					
Test Case Name:		TC_26_8_1_3_1_1			
Group:		GSM_L3_MS_v4170/CC/			
Purpose:		To verify that a CC entity of the MS, upon receipt of SETUP containing one bearer capability and this bearer capability is not supported, returns a RELEASE COMPLETE with correct cause value to its peer entity and return to the idle mode. To verify that the CC-entities relating to the seven mobile terminating transaction identifiers are then in the state U0, "NULL".			
Default:		OtherEventsFail			
Nr	Label	Behaviour Description	CRef	V	Comments
1	body	START T_guard(300)			
2		(TCV_slot := C_S0, TCV_tsc := C_BCC)			
3		+PreCCSetup(C_Immass, TCV_slot, TCV_tsc, 5, 1, 0, TimingAdv_01, '000'B, '001'B, '011'B, '00'O)			1.
4		+CCEstablishMT_SDCCH4(TimingAdv_01)			2.
5		+CCAAuthenticate(TCV_ch)			
6		+Cipherring_on(TCV_ch)			
7		L!DL_DatRqSetup	SetupSnd(TCV_ch, Setup_06)		3.
8		L?DL_DatInRelCmp	RelComRcv(Release Cmp_05)		(P) 4.
9		+CheckTIsInStateU0(FALSE, TCV_ch)			5.
10		+PostMainLinkRel(TCV_ch)			
Detailed Comments:		<ol style="list-style-type: none"> 1. To setup a physical channel as BCCH, CCCH and SDCCH4. 2. To assign SDCCH4 channel. 3. To send a SETUP message containing a bearer capability not supported by the MS. 4. The expected RELEASE COMPLETE message with cause #88 received. 5. To check that the CC entity is in state U0 with all the relevant transaction identifiers. 			

Test Case Dynamic Behaviour					
Test Case Name:		TC_26_8_1_3_2_1			
Group:		GSM_L3_MS_v4170/CC/			
Purpose:		To verify that a CC entity of the MS in CC-state U6, "Call Present", shall upon receipt of a rejection indication of the incoming call from the user, shall send RELEASE COMPLETE with the appropriate cause value to its peer entity and enter the CC-state U0, "Null". The CC entities relating to the seven mobile terminating transaction identifiers are then in state U0, "Null".			
Default:		OtherEventsFail			
Nr	Label	Behaviour Description	CRef	V	Comments
1		START T_guard(300)			
2		+BasicServiceMTorTelephony(TSPX_MTBscSvcA, TSPX_MTChRateA, TSPX_MT_ImmConnA)			1.
3		(TCV_Null := OO_SetRefuseCall())			
4		(TCV_slot := C_S0, TCV_tsc := C_BCC)			
5		+PreCCSetup(C_Imm, TCV_slot, TCV_tsc, 5, 1, 0, TimingAdv_01, '000'B, '001'B, '011'B, '00'O)			2.
6		+PreEnterCCstateU6_32(TimingAdv_01)			
7	body	L?DL_DatInRelCmp	RelComRcv(Release Cmp_06)	(P)	3.
8		+CheckTlInStateU0(FALSE, TCV_ch)			
9		+PostMainLinkRel(TCV_ch)			
Detailed Comments:		1. To select a basic service. if the MS supports telephony the selected basic service is telephony, otherwise the selected basic service is indicated by TSPX_MTBscSvcA. 2. One physical channel as BCCH, CCCH and SDCCH4. 3. The expected RELEASE COMPLETE message with cause #21 received.			

Test Case Dynamic Behaviour					
Test Case Name:		TC_26_8_1_3_3_1			
Group:		GSM_L3_MS_v4170/CC/			
Purpose:		To verify that a CC entity in CC-state U9, "MS Terminating Call Confirmed", (if signalled by the network in previous SETUP message that it may alert) will either send a ALERTING message to its peer entity and enter state U7, or send a CONNECT message to its peer entity and enter U8			
Default:		OtherEventsFail			
Nr	Label	Behaviour Description	CRef	V	Comments
1		START T_guard(300)			
2		+BasicServiceMTorTelephony(TSPX_MTBscSvcB, TSPX_MTChRateB, TSPX_MT_ImmConnB)			1.
3		(TCV_slot := C_S0, TCV_tsc := C_BCC)			
4		+PreCCSetup(C_Imm, TCV_slot, TCV_tsc, 5, 1, 0, TimingAdv_01, '000'B, '001'B, '011'B, '00'O)			2.
5		+PreEnterCCstateU9_32(TimingAdv_01)			
6	body	L?DL_DatInConn	ConnRcv(Connect_01)	(P)	3.
7		+CCstatuschk_05(C_U8, TI_02, TCV_ch)			
8		+PostMainLinkRel(TCV_ch)			
9		L?DL_DatInAlert	AlertRcv(AlertingInd_02(TI_01))	(P)	4.
10		(TCV_Null := OO_HookOff())			
11		+CCstatuschk_05(C_U7, TI_02, TCV_ch)			
12		+PostMainLinkRel(TCV_ch)			
Detailed Comments:		1. To select a basic service. 2. One physical channel as BCCH, CCCH and SDCCH4. 3. The expected CONNECT message received in case of the MS supporting immediate connect. 4. The expected ALERTING message received in case of the MS not supporting immediate connect.			

Test Case Dynamic Behaviour					
Test Case Name:		TC_26_8_1_3_3_2			
Group:		GSM_L3_MS_v4170/CC/			
Purpose:		To verify that A CC-entity of the MS in CC-state U9, "MS Terminating Call Confirmed", when allocated a traffic channel by the network performing the assignment procedure, performs a layer 2 establishment on the FACCH, sends a ALERTING message and enters state U7.			
Default:		OtherEventsFail			
Nr	Label	Behaviour Description	CRef	V	Comments
1		START T_guard(300)			
2		+BasicServiceMTNICorTelephony(TSPX_MTNIC_BscSvcA,TSPX_MTNIC_ChRateA)			1.
3		(TCV_slot := C_S0, TCV_tsc := C_BCC)			
4		+PreCCSetup(C_Immass, TCV_slot, TCV_tsc, 5, 1, 0, TimingAdv_01, '000'B, '001'B, '011'B, '00'O)			
5		+CCConfigTCH(C_Ass, TSPX_TmSlitDef, TSPX_TscDef, TimingAdv_01, '000'B, '001'B, '011'B)			
6		+PreEnterCCstateU9_34(TimingAdv_01)			2.
7	body	+CCAssignTCH(TSPX_TmSlitDef, TSPX_TscDef)			3.
8		L?DL_DatInAlert	AlertRcv(AlertingInd_02(TI_01))	(P)	4.
9		(TCV_Null := OO_HookOff())			
10		+CCstatuschk_05(C_U7, TI_02, TCV_chTch)			
11		+PostMainLinkRel(TCV_chTch)			
Detailed Comments:		<ol style="list-style-type: none"> 1. To select a basic service. if the MS supports telephony the selected basic service is telephony, and the channel rate is specified by TSPX_MTChRateA, otherwise the selected basicservice is indicated by TSPX_BCf. 2. Use SETUP message without signal IE. 3. Assign an appropriate traffic channel. 4. The expected ALERTING message received. 			

Test Case Dynamic Behaviour					
Test Case Name:		TC_26_8_1_3_3_3			
Group:		GSM_L3_MS_v4170/CC/			
Purpose:		To verify that a CC-entity of the MS in CC-state U9, "MS Terminating Call Confirmed", upon request by the user to terminate will send a DISCONNECT message and enter the CC-state U11, "Disconnect Request".			
Default:		OtherEventsFail			
Nr	Label	Behaviour Description	CRef	V	Comments
1		START T_guard(300)			
2		+BasicServiceMTNICorTelephony(TSPX_MTNIC_BscSvcB,TSPX_MTNIC_ChRateB)			1.
3		(TCV_slot := C_S0, TCV_tsc := C_BCC)			
4		+PreCCSetup(C_Immass, TCV_slot, TCV_tsc, 5, 1, 0, TimingAdv_01, '000'B, '001'B, '011'B, '00'O)			2.
5		+PreEnterCCstateU9_34(TimingAdv_01)			3.
6	body	+TermCall			4.
7		L?DL_DatInDisc	DiscRcv(TCV_ch, Disconn_05(TI_01))	(P)	5.
8		+CCstatuschk_05(C_U11, TI_02, TCV_ch)			
9		+PostMainLinkRel(TCV_ch)			
Detailed Comments:		<ol style="list-style-type: none"> 1. To select a basic service. if the MS supports telephony the selected basic service is telephony. 2. One physical channel as BCCH, CCCH and SDCCH4. 3. Bring MS to state U9. 4. To terminate the call. 5. The expected DISCONNECT received. 			

Test Case Dynamic Behaviour					
Test Case Name:		TC_26_8_1_3_3_4			
Group:		GSM_L3_MS_v4170/CC/			
Purpose:		To verify that a CC-entity of the MS in CC-state U9, "MS Terminating Call Confirmed", upon receipt of a DISCONNECT returns a RELEASE message and enters the CC-state U19, "Release Request".			
Default:		OtherEventsFail			
Nr	Label	Behaviour Description	CRef	V	Comments
1		START T_guard(300)			
2		+BasicServiceMTNICorTelephony(TSPX_MTNIC_B scSvcC,TSPX_MTNIC_ChRateC)			1.
3		(TCV_slot := C_S0, TCV_tsc := C_BCC)			
4		+PreCCSetup(C_Immass, TCV_slot, TCV_tsc, 5, 1, 0, TimingAdv_01, '000'B, '001'B, '011'B, '00'O)			2.
5		+PreEnterCCstateU9_34(TimingAdv_01)			3.
6	body	L!DL_DatRqDisc	DiscSnd(TCV_ch, Disconn_07(TI_02))		4.
7		L?DL_DatInRel	ReleaseRcv(Release _10(TI_01))	(P)	5.
8		+CCstatuschk_05(C_U19, TI_02, TCV_ch)			
9		+PostMainLinkRel(TCV_ch)			
Detailed Comments:		<ol style="list-style-type: none"> 1. To select a basic service. if the MS supports telephony the selected basic service is telephony. 2. One physical channel as BCCH, CCCH and SDCCH4. 3. Bring MS to state U9. 4. To send DISCONNECT message. 5. The expected RELEASE message received. 			

Test Case Dynamic Behaviour					
Test Case Name:		TC_26_8_1_3_3_5			
Group:		GSM_L3_MS_v4170/CC/			
Purpose:		<ol style="list-style-type: none"> 1) To verify that a CC-entity of the MS in CC-state U9, "MS Terminating Call Confirmed", upon receipt of a RELEASE will return a RELEASE COMPLETE and enter the CC-state U0, "Null". 2) To verify that the MS on returning to the idle mode releases the MM-connection and that the CC-entities relating to the seven mobile terminating transaction identifiers are in CC-state U0, "Null". 			
Default:		OtherEventsFail			
Nr	Label	Behaviour Description	CRef	V	Comments
1		START T_guard(300)			
2		+BasicServiceMTNICorTelephony(TSPX_MTNIC_B scSvcD,TSPX_MTNIC_ChRateD)			1.
3		(TCV_slot := C_S0, TCV_tsc := C_BCC)			
4		+PreCCSetup(C_Immass, TCV_slot, TCV_tsc, 5, 1, 0, TimingAdv_01, '000'B, '001'B, '011'B, '00'O)			2.
5		+PreEnterCCstateU9_34(TimingAdv_01)			3.
6	body	L!DL_DatRqRel	ReleaseSnd(TCV_ch, Release_03(TI_02))		4.
7		L?DL_DatInRelCmp	RelComRcv(Release Cmp_03(TI_01))	(P)	5.
8		+CheckTlInStateU0(FALSE, TCV_ch)			
9		+PostMainLinkRel(TCV_ch)			
Detailed Comments:		<ol style="list-style-type: none"> 1. To select a basic service. if the MS supports telephony the selected basic service is telephony. 2. One physical channel as BCCH, CCCH and SDCCH4. 3. Bring MS to state U9. 4. To send RELEASE message with cause = "normal, unspecified". 5. The expected RELEASE COMPLETE received. 			

Test Case Dynamic Behaviour					
Test Case Name:		TC_26_8_1_3_3_6			
Group:		GSM_L3_MS_v4170/CC/			
Purpose:		To verify that a CC entity of the MS in CC-state U9, "MS Terminating Call Confirmed", having detected a lower layer failure returns to idle mode with the CC entities relating to the seven mobile terminating transaction identifiers in CC-state U0, "Null".			
Default:		OtherEventsFail			
Nr	Label	Behaviour Description	CRef	V	Comments
1	body	START T_guard(300)			
2		+BasicServiceMTNICorTelephony(TSPX_MTNIC_BscSvcE,TSPX_MTNIC_ChRateE)			1.
3		(TCV_slot := C_S0, TCV_tsc := C_BCC)			
4		+PreCCSetup(C_Immass, TCV_slot, TCV_tsc, 5, 1, 0, TimingAdv_01, '000'B, '001'B, '011'B, '00'O)			2.
5		+PreEnterCCstateU9_34(TimingAdv_01)			3.
6		+LowerLayerFailure(TCV_ch)			4.
7		START T_dly(20000)			5.
8		?TIMEOUT T_dly			
9		+CCEstablishMT_SDCCH4(TimingAdv_01)			
10		+CheckTIsInStateU0(FALSE, TCV_ch)			
11		+PostMainLinkRel(TCV_ch)			
Detailed Comments:		<ol style="list-style-type: none"> 1. To select a basic service. if the MS supports telephony the selected basic service is telephony. 2. One physical channel as BCCH, CCCH and SDCCH4. 3. Bring MS to state U9. 4. To generate lower layer failure. 5. To wait 20 s for the MS to return to listening to paging. 			

Test Case Dynamic Behaviour					
Test Case Name:		TC_26_8_1_3_3_7			
Group:		GSM_L3_MS_v4170/CC/			
Purpose:		To verify that a CC-entity of the MS in CC-state U9, "MS Terminating Call Confirmed" having received an unknown message from its peer entity returns a STATUS message.			
Default:		OtherEventsFail			
Nr	Label	Behaviour Description	CRef	V	Comments
1	body	START T_guard(300)			
2		+BasicServiceMTNICorTelephony(TSPX_MTNIC_BscSvcF,TSPX_MTNIC_ChRateF)			1.
3		(TCV_slot := C_S0, TCV_tsc := C_BCC)			
4		+PreCCSetup(C_Immass, TCV_slot, TCV_tsc, 5, 1, 0, TimingAdv_01, '000'B, '001'B, '011'B, '00'O)			2.
5		+PreEnterCCstateU9_34(TimingAdv_01)			3.
6		L!DL_DatRqUndefCC	Undef(TCV_ch, UndefCC_02(TI_02))		4.
7		L?DL_DatInCcst	CCStatusRcv(CCStatus_08(TI_01, C_U9))		(P)
8		+CCstatuschk_05(C_U9, TI_02, TCV_ch)			
9		+PostMainLinkRel(TCV_ch)			
Detailed Comments:		<ol style="list-style-type: none"> 1. To select a basic service. if the MS supports telephony the selected basic service is telephony. 2. One physical channel as BCCH, CCCH and SDCCH4. 3. Bring MS to state U9. 4. To send an unknown message. 			

Test Case Dynamic Behaviour					
Test Case Name:		TC_26_8_1_3_4_1			
Group:		GSM_L3_MS_v4170/CC/			
Purpose:		To verify that a CC entity of a MS in CC-state U7, "Call Received", upon a user accepting the incoming call, shall send a CONNECT message to its peer entity and enter the CC-state U8, "Connect Request"			
Default:		OtherEventsFail			
Nr	Label	Behaviour Description	CRef	V	Comments
1		START T_guard(300)			
2		+BasicServiceMTNICorTelephony(TSPX_MTNIC_B scSvcG,TSPX_MTNIC_ChRateG)			1.
3		(TCV_slot := C_S0, TCV_tsc := C_BCC)			
4		+PreCCSetup(C_Immass, TCV_slot, TCV_tsc, 5, 1, 0, TimingAdv_01, '000'B, '001'B, '011'B, '00'O)			
5		+PreEnterCCstateU7_33(C_Immass, TSPX_TmSlitDef, TSPX_TscDef, TimingAdv_01, '000'B, '001'B, '011'B)			
6		(TCV_Null := OO_HookOff())			
7	body	L?DL_DatInConn	ConnRcv(Connect_01)	(P)	2.
8		+CCstatuschk_05(C_U8, TI_02, TCV_chTch)			3.
9		+PostMainLinkRel(TCV_chTch)			
Detailed Comments:		1. To select a basic service. if the MS supports telephony the selected basic service is telephony. 2. The expected CONNECT message received. 3. To check whether the MS is in the state U8. If not so the test case fails in the test step.			

Test Case Dynamic Behaviour					
Test Case Name:		TC_26_8_1_3_4_2			
Group:		GSM_L3_MS_v4170/CC/			
Purpose:		To verify that a CC entity of a MS in CC-state U7, "Call Received", upon request by the user to terminate will send a DISCONNECT message and enter the CC-state U11, "Disconnect Request".			
Default:		OtherEventsFail			
Nr	Label	Behaviour Description	CRef	V	Comments
1		START T_guard(300)			
2		+BasicServiceMTNICorTelephony(TSPX_MTNIC_B scSvcH,TSPX_MTNIC_ChRateH)			1.
3		(TCV_slot := C_S0, TCV_tsc := C_BCC)			
4		+PreCCSetup(C_Immass, TCV_slot, TCV_tsc, 5, 1, 0, TimingAdv_01, '000'B, '001'B, '011'B, '00'O)			
5		+PreEnterCCstateU7_33(C_Immass, TSPX_TmSlitDef, TSPX_TscDef, TimingAdv_01, '000'B, '001'B, '011'B)			
6	body	+TermCall			
7		L?DL_DatInDisc	DiscRcv(TCV_chTch, Disconn_05(TI_01))	(P)	2.
8		+CCstatuschk_05(C_U11, TI_02, TCV_chTch)			3.
9		+PostMainLinkRel(TCV_chTch)			
Detailed Comments:		1. To select a basic service. if the MS supports telephony the selected basic service is telephony. 2. The expected DISCONNECT message received. 3. To check whether the MS is in the state U11. If not so the test case fails in the test step.			

Test Case Dynamic Behaviour					
Test Case Name:		TC_26_8_1_3_4_3			
Group:		GSM_L3_MS_v4170/CC/			
Purpose:		To verify that a CC entity of a MS in CC-state U7, "Call Received", upon receipt of a DISCONNECT with a progress indicator indicating in-band information from network, if a TCH was not assigned, returns a RELEASE message and enters the CC-state U19, "Release Request".			
Default:		OtherEventsFail			
Nr	Label	Behaviour Description	CRef	V	Comments
1		START T_guard(300)			
2		+BasicServiceMTNICorTelephony(TSPX_MTNIC_BscSvcI,TSPX_MTNIC_ChRateI)			1.
3		(TCV_slot := C_S0, TCV_tsc := C_BCC)			
4		+PreCCSetup(C_Immass, TCV_slot, TCV_tsc, 5, 1, 0, TimingAdv_01, '000'B, '001'B, '011'B, '00'O)			2.
5		+PreEnterCCstateU7_31(TimingAdv_01)			
6	body	L!DL_DatRqDisc	DiscSnd(TCV_ch, Disconn_04(TI_02))		3.
7		L?DL_DatInRel	ReleaseRcv(Release_10(TI_01))	(P)	4.
8		+CCstatuschk_05(C_U19, TI_02, TCV_ch)			5.
9		+PostMainLinkRel(TCV_ch)			
Detailed Comments:		<ol style="list-style-type: none"> 1. To select a basic service. if the MS supports telephony the selected basic service is telephony. 2. To setup a physical channels as BCCH, CCCH and SDCCH4. 3. To send DISCONNECT message with progress indicator indicating cause #8. 4. The expected RELEASE message received. 5. To check whether the MS is in the state U19. 			

Test Case Dynamic Behaviour					
Test Case Name:		TC_26_8_1_3_4_4			
Group:		GSM_L3_MS_v4170/CC/			
Purpose:		<ol style="list-style-type: none"> 1) To verify that a CC entity of a MS in CC-state U7, "Call Received", upon receipt of a RELEASE will return a RELEASE COMPLETE and enter the CC-state U0, "Null". 2) To verify that the MS on returning to the idle mode releases the MM-connection and that the CC-entities relating to the seven mobile terminating transaction identifiers are in CC-state U0, "Null". 			
Default:		OtherEventsFail			
Nr	Label	Behaviour Description	CRef	V	Comments
1		START T_guard(300)			
2		+BasicServiceMTNICorTelephony(TSPX_MTNIC_BscSvcJ,TSPX_MTNIC_ChRateJ)			1.
3		(TCV_slot := C_S0, TCV_tsc := C_BCC)			
4		+PreCCSetup(C_Immass, TCV_slot, TCV_tsc, 5, 1, 0, TimingAdv_01, '000'B, '001'B, '011'B, '00'O)			2.
5		+PreEnterCCstateU7_31(TimingAdv_01)			
6	body	L!DL_DatRqRel	ReleaseSnd(TCV_ch, Release_03(TI_02))		3.
7		L?DL_DatInRelCmp	RelComRcv(Release_Cmp_03(TI_01))		4.
8		+CheckTIsInStateU0(FALSE, TCV_ch)			5.
9		+PostMainLinkRel(TCV_ch)			
Detailed Comments:		<ol style="list-style-type: none"> 1. To select a basic service. if the MS supports telephony the selected basic service is telephony. 2. To setup a physical channels as BCCH, CCCH and SDCCH4. 3. To send RELEASE message with cause "Normal, unspecified". 4. The expected RELEASE COMPLETE message received. 5. To check that the CC entity has returned to state U0 with all transaction identifiers. 			

Test Case Dynamic Behaviour					
Test Case Name:		TC_26_8_1_3_4_5			
Group:		GSM_L3_MS_v4170/CC/			
Purpose:		To verify that a CC entity of a MS in CC-state U7, "Call Received", having detected a lower layer failure returns to idle mode with the CC entities relating to the seven mobile terminating transaction identifiers in CC-state U0, "Null".			
Default:		OtherEventsFail			
Nr	Label	Behaviour Description	CRef	V	Comments
1	body	START T_guard(300)			
2		+BasicServiceMTNICorTelephony(TSPX_MTNIC_BscSvcA,TSPX_MTNIC_ChRateA)			1.
3		(TCV_slot := C_S0, TCV_tsc := C_BCC)			
4		+PreCCSetup(C_Immass, TCV_slot, TCV_tsc, 5, 1, 0, TimingAdv_01, '000'B, '001'B, '011'B, '00'O)			2.
5		+PreEnterCCstateU7_32(TimingAdv_01)			
6		+LowerLayerFailure(TCV_ch)			
7		START T_dly(20000)			
8		?TIMEOUT T_dly			
9		+CCEstablishMT_SDCCH4(TimingAdv_01)			
10		+CheckTIsInStateU0(FALSE, TCV_ch)			
11		+PostMainLinkRel(TCV_ch)			
Detailed Comments:		1. To select a basic service. if the MS supports telephony the selected basic service is telephony. 2. To setup a physical channel as BCCH, CCCH and SDCCH4.			

Test Case Dynamic Behaviour					
Test Case Name:		TC_26_8_1_3_4_6			
Group:		GSM_L3_MS_v4170/CC/			
Purpose:		To verify that a CC entity of a MS in CC-state U7, "Call Received", having received an unknown message from its peer entity returns a STATUS message.			
Default:		OtherEventsFail			
Nr	Label	Behaviour Description	CRef	V	Comments
1	body	START T_guard(300)			
2		+BasicServiceMTNICorTelephony(TSPX_MTNIC_BscSvcB,TSPX_MTNIC_ChRateB)			1.
3		(TCV_slot := C_S0, TCV_tsc := C_BCC)			
4		+PreCCSetup(C_Immass, TCV_slot, TCV_tsc, 5, 1, 0, TimingAdv_01, '000'B, '001'B, '011'B, '00'O)			
5		+PreEnterCCstateU7_33(C_Immass, TSPX_TmSlTDef, TSPX_TscDef, TimingAdv_01, '000'B, '001'B, '011'B)			
6		L!DL_DatRqUndefCC	Undef(TCV_chTch, UndefCC_02(TI_02))		2.
7		L?DL_DatInCcst	CCStatusRcv(CCStatus_08(TI_01, C_U7))		3.
8		+CCstatuschk_05(C_U7, TI_02, TCV_chTch)			4.
9		+PostMainLinkRel(TCV_chTch)			
Detailed Comments:		1. To select a basic service. if the MS supports telephony the selected basic service is telephony. 2. To send an unknown message to the MS. 3. The expected STATUS message with cause #97 and state U7 received. 4. To check that the MS remains in the state U7.			

Test Case Dynamic Behaviour					
Test Case Name:		TC_26_8_1_3_4_7			
Group:		GSM_L3_MS_v4170/CC/			
Purpose:		To verify that a CC entity of a MS in CC-state U7, "Call Received", when allocated a traffic channel by the network performing the assignment procedure, shall perform a layer 2 establishment on the FACCH without changing the state of the call in progress.			
Default:		OtherEventsFail			
Nr	Label	Behaviour Description	CRef	V	Comments
1		START T_guard(300)			
2		+BasicServiceMTNICorTelephony(TSPX_MTNIC_BscSvcC,TSPX_MTNIC_ChRateC)			1.
3		(TCV_slot := C_S0, TCV_tsc := C_BCC)			
4		+PreCCSetup(C_Immass, TCV_slot, TCV_tsc, 5, 1, 0, TimingAdv_01, '000'B, '001'B, '011'B, '00'O)			
5		+CCConfigTCH(C_Ass, TSPX_TmSlitDef, TSPX_TscDef, TimingAdv_01, '000'B, '001'B, '011'B)			
6		+PreEnterCCstateU7_31(TimingAdv_01)			
7	body	+CCAssignTCH(TSPX_TmSlitDef, TSPX_TscDef)			2.
8		+CCstatuschk_05(C_U7, TI_02, TCV_chTch)			3.
9		+PostMainLinkRel(TCV_chTch)			
Detailed Comments:		1. To select a basic service. if the MS supports telephony the selected basic service is telephony. 2. The assignment procedure succeeded. 3. To check whether the MS remains in the state U7.			

Test Case Dynamic Behaviour					
Test Case Name:		TC_26_8_1_3_4_8			
Group:		GSM_L3_MS_v4170/CC/			
Purpose:		1) To verify that a CC entity of the MS in CC-state U7, "Call received", upon receipt of a RELEASE COMPLETE message with valid cause value, enters CC state U0, "Null". 2) To verify that in returning to idle mode, the CC entities relating to the seven mobile originating transaction identifiers are in state U0, "Null".			
Default:		OtherEventsFail			
Nr	Label	Behaviour Description	CRef	V	Comments
1		START T_guard(300)			
2		+BasicServiceMTNICorTelephony(TSPX_MTNIC_BscSvcD,TSPX_MTNIC_ChRateD)			1.
3		(TCV_slot := C_S0, TCV_tsc := C_BCC)			
4		+PreCCSetup(C_Immass, TCV_slot, TCV_tsc, 5, 1, 0, TimingAdv_01, '000'B, '001'B, '011'B, '00'O)			2.
5		+PreEnterCCstateU7_31(TimingAdv_01)			
6	body	L!DL_DatRqRelCmp	RelComSnd(TCV_ch, ReleaseCmp_04(TI_02))		
7		+CheckTlIsInStateU0(FALSE, TCV_ch)			3.
8		+PostMainLinkRel(TCV_ch)			
Detailed Comments:		1. To select a basic service. if the MS supports telephony the selected basic service is telephony. 2. To setup a physical channels as BCCH, CCCH and SDCCH4. 3. To check that the CC entities relating to the seven MT transaction identifiers are in state U0.			

Test Case Dynamic Behaviour					
Test Case Name:		TC_26_8_1_3_5_1			
Group:		GSM_L3_MS_v4170/CC/			
Purpose:		To verify that a CC entity of a MS in CC-state U8, "Connect Request", upon receipt of CONNECT ACKNOWLEDGE shall enter the CC-state U10, "Call Active".			
Default:		OtherEventsFail			
Nr	Label	Behaviour Description	CRef	V	Comments
1		START T_guard(300)			
2		+BasicServiceMTorTelephony(TSPX_MTBscSvcC, TSPX_MTChRateC, TSPX_MT_ImmConnC)			1.
3		(TCV_slot := C_S0, TCV_tsc := C_BCC)			
4		+PreCCSetup(C_Imm, TCV_slot, TCV_tsc, 5, 1, 0, TimingAdv_01, '000'B, '001'B, '011'B, '00'O)			
5		+CCConfigTCH(C_Ass, TSPX_TmSlTDef, TSPX_TscDef, TimingAdv_01, '000'B, '001'B, '011'B)			
6		+PreEnterCCstateU8_32(TSPX_TmSlTDef, TSPX_TscDef, TimingAdv_01)			
7	body	L!DL_DatRqConnAck	ConnAckSnd(TCV_ch Tch, ConnectAck_01)		
8		+CCstatuschk_05(C_U10, TI_02, TCV_chTch)			2.
9		+PostMainLinkRel(TCV_chTch)			
Detailed Comments:		1. To select a basic service. if the MS supports telephony the selected basic service is telephony. 2. To check whether the MS is in U10 state. if it is not in U10 fail in the test step.			

Test Case Dynamic Behaviour					
Test Case Name:		TC_26_8_1_3_5_2			
Group:		GSM_L3_MS_v4170/CC/			
Purpose:		To verify that a CC entity of a MS in CC-state U8, "Connect Request", having waited for a reasonable length of time (e.g. expiry of timer T313) without receiving the appropriate protocol message to complete the incoming call, shall initiate the clearing of that incoming call by sending the CC message DISCONNECT and enter the CC-state U11, "Disconnect Request"			
Default:		OtherEventsFail			
Nr	Label	Behaviour Description	CRef	V	Comments
1		START T_guard(300)			
2		+BasicServiceMTorTelephony(TSPX_MTBscSvcD, TSPX_MTChRateD,TSPX_MT_ImmConnD)			1.
3		(TCV_slot := C_S0, TCV_tsc := C_BCC)			
4		+PreCCSetup(C_Immasc, TCV_slot, TCV_tsc, 5, 1, 0, TimingAdv_01, '000'B, '001'B, '011'B, '00'O)			
5		+CCConfigTCH(C_Ass, TSPX_TmSltDef, TSPX_TscDef, TimingAdv_01, '000'B, '001'B, '011'B)			
6		+PreEnterCCstateU8_32(TSPX_TmSltDef, TSPX_TscDef, TimingAdv_01)			
7	body	+localtree1			
		localtree1			
8		START T_dly(15000)			
9		?TIMEOUT T_dly			
10		START T_dly(18000)			
11		?TIMEOUT T_dly		(F)	
12		+PostMainLinkRel(TCV_chTch)			
13		L?DL_DatInDisc CANCEL T_dly	DiscRcv(TCV_chTch, Disconn_05(TI_01))	(P)	2.
14		+CCstatuschk_05(C_U11, TI_02, TCV_chTch)			3.
15		+PostMainLinkRel(TCV_chTch)			
Detailed Comments:		<ol style="list-style-type: none"> 1. To select a basic service. if the MS supports telephony the selected basic service is telephony. 2. The expected DISCONNECT message received within the time interval with any valid cause location and cause value. 3. To check whether the MS is in the expected U11 state. 			

Test Case Dynamic Behaviour					
Test Case Name:		TC_26_8_1_3_5_3			
Group:		GSM_L3_MS_v4170/CC/			
Purpose:		To verify that a CC entity of a MS in CC-state U8, "Connect Request", upon request by the user to terminate will send a DISCONNECT message and enter the CC-state U11, "Disconnect Request".			
Default:		OtherEventsFail			
Nr	Label	Behaviour Description	CRef	V	Comments
1		START T_guard(300)			
2		+BasicServiceMTorTelephony(TSPX_MTBscSvcE, TSPX_MTChRateE, TSPX_MT_ImmConnE)			1.
3		(TCV_slot := C_S0, TCV_tsc := C_BCC)			
4		+PreCCSetup(C_Imm, TCV_slot, TCV_tsc, 5, 1, 0, TimingAdv_01, '000'B, '001'B, '011'B, '00'O)			
5		+CCConfigTCH(C_Ass, TSPX_TmSltDef, TSPX_TscDef, TimingAdv_01, '000'B, '001'B, '011'B)			
6		+PreEnterCCstateU8_32(TSPX_TmSltDef, TSPX_TscDef, TimingAdv_01)			
7	body	+TermCall			2.
8		L?DL_DatInDisc	DiscRcv(TCV_chTch, Disconn_05(TI_01))	(P)	3.
9		+CCstatuschk_05(C_U11, TI_02, TCV_chTch)			4.
10		+PostMainLinkRel(TCV_chTch)			
Detailed Comments:		1. To select a basic service. if the MS supports telephony the selected basic service is telephony. 2. The user terminates the call. 3. The expected DISCONNECT message received. 4. To check whether the MS is in the expected U11 state.			

Test Case Dynamic Behaviour					
Test Case Name:		TC_26_8_1_3_5_4			
Group:		GSM_L3_MS_v4170/CC/			
Purpose:		To verify that a CC entity of a MS in CC-state U8, "Connect Request", upon receipt of a DISCONNECT with progress indicator #8 enters CC-state U12, if the traffic channel is in speech mode, and that the MS sends a RELEASE message and enters CC-state U19 if the TCH is not in speech mode.			
Default:		OtherEventsFail			
Nr	Label	Behaviour Description	CRef	V	Comments
1		START T_guard(300)			
2		+BasicServiceMTorTelephony(TSPX_MTBscSvcF, TSPX_MTChRateF, TSPX_MT_ImmConnF)			1.
3		(TCV_slot := C_S0, TCV_tsc := C_BCC)			
4		+PreCCSetup(C_Imm, TCV_slot, TCV_tsc, 5, 1, 0, TimingAdv_01, '000'B, '001'B, '011'B, '00'O)			
5		+PreEnterCCstateU8_33(C_Imm, TSPX_TmSltDef, TSPX_TscDef, TimingAdv_01, '000'B, '001'B, '011'B)			
6	body	L!DL_DatRqDisc	DiscSnd(TCV_chTch, Disconn_04(TI_02))		2.
7		[TCV_ChMod.mode = C_ChMod_r]			
8		+CCstatuschk_05(C_U12, TI_02, TCV_chTch)			
9		+PostMainLinkRel(TCV_chTch)			
10		[TCV_ChMod.mode <> C_ChMod_r]			3.
11		L?DL_DatInRel	ReleaseRcv(Release_10(TI_01))	(P)	
12		+CCstatuschk_05(C_U19, TI_02, TCV_chTch)			
13		+PostMainLinkRel(TCV_chTch)			
Detailed Comments:		1. To select a basic service. if the MS supports telephony the selected basic service is telephony. 3. TCH is in speech mode. 4. TCH is not in speech mode.			

Test Case Dynamic Behaviour					
Test Case Name:		TC_26_8_1_3_5_5			
Group:		GSM_L3_MS_v4170/CC/			
Purpose:		To verify that a CC entity of a MS in CC-state U8, "Connect Request", upon receipt of a DISCONNECT without progress indicator, returns a RELEASE message and enters the CC-state U19, "Release Request".			
Default:		OtherEventsFail			
Nr	Label	Behaviour Description	CRef	V	Comments
1		START T_guard(300)			
2		+BasicServiceMTorTelephony(TSPX_MTBscSvcG, TSPX_MTChRateG, TSPX_MT_ImmConnG)			1.
3		(TCV_slot := C_S0, TCV_tsc := C_BCC)			
4		+PreCCSetup(C_Immass, TCV_slot, TCV_tsc, 5, 1, 0, TimingAdv_01, '000'B, '001'B, '011'B, '00'O)			
5		+PreEnterCCstateU8_33(C_Immass, TSPX_TmSltDef, TSPX_TscDef, TimingAdv_01, '000'B, '001'B, '011'B)			
6	body	L!DL_DatRqDisc	DiscSnd(TCV_chTch, Disconn_07(TI_02))		
7		L?DL_DatInRel	ReleaseRcv(Release_10(TI_01))	(P)	2.
8		+CCstatuschk_05(C_U19, TI_02, TCV_chTch)			
9		+PostMainLinkRel(TCV_chTch)			
Detailed Comments:		1. To select a basic service. if the MS supports telephony the selected basic service is telephony. 2. The expected RELEASE message received.			

Test Case Dynamic Behaviour					
Test Case Name:		TC_26_8_1_3_5_6			
Group:		GSM_L3_MS_v4170/CC/			
Purpose:		1) To verify that a CC entity of a MS in CC-state U8, "Connect Request", upon receipt of a RELEASE will return a RELEASE COMPLETE and enter the CC-state U0, "Null". 2) To verify that the MS on returning to the idle mode releases the MM-connection and that the CC-entities relating to the seven mobile terminating transaction identifiers are in CC-state U0, "Null".			
Default:		OtherEventsFail			
Nr	Label	Behaviour Description	CRef	V	Comments
1		START T_guard(300)			
2		+BasicServiceMTorTelephony(TSPX_MTBscSvcH, TSPX_MTChRateH, TSPX_MT_ImmConnH)			1.
3		(TCV_slot := C_S0, TCV_tsc := C_BCC)			
4		+PreCCSetup(C_Immass, TCV_slot, TCV_tsc, 5, 1, 0, TimingAdv_01, '000'B, '001'B, '011'B, '00'O)			
5		+PreEnterCCstateU8_33(C_Immass, TSPX_TmSltDef, TSPX_TscDef, TimingAdv_01, '000'B, '001'B, '011'B)			
6	body	L!DL_DatRqRel	ReleaseSnd(TCV_chTch, Release_03(TI_02))		
7		L?DL_DatInRelCmp	RelComRcv(Release_Cmp_03(TI_01))	(P)	2.
8		+CheckTIsInStateU0(FALSE, TCV_chTch)			
9		+PostMainLinkRel(TCV_chTch)			
Detailed Comments:		1. To select a basic service. if the MS supports telephony the selected basic service is telephony. 2. The expected RELEASE COMPLETE message received.			

Test Case Dynamic Behaviour					
Test Case Name:		TC_26_8_1_3_5_7			
Group:		GSM_L3_MS_v4170/CC/			
Purpose:		To verify that a CC entity of a MS in CC-state U8, "Connect Request", having detected a lower layer failure returns to idle mode with the CC entities relating to the seven mobile terminating transaction identifiers in CC-state U0, "Null".			
Default:		OtherEventsFail			
Nr	Label	Behaviour Description	CRef	V	Comments
1		START T_guard(300)			
2		+BasicServiceMTorTelephony(TSPX_MTBscSvcI,T SPX_MTChRateI,TSPX_MT_ImmConnI)			1.
3		(TCV_slot := C_S0, TCV_tsc := C_BCC)			
4		+PreCCSetup(C_Imm, TCV_slot, TCV_tsc, 5, 1, 0, TimingAdv_01, '000'B, '001'B, '011'B, '00'O)			2.
5		+PreEnterCCstateU8_31(TimingAdv_01)			
6	body	+LowerLayerFailure(TCV_ch)			3.
7		START T_dly(20000)			
8		?TIMEOUT T_dly			
9		+CCEstablishMT_SDCCH4(TimingAdv_01)			
10		+CheckTIsInStateU0(FALSE, TCV_ch)			
11		+PostMainLinkRel(TCV_ch)			
Detailed Comments:		1. To select a basic service. if the MS supports telephony the selected teleservice is telephony. 2. To setup a physical channel as BCCH, CCCH and SDCCH4. 3. To generate lower layer failure.			

Test Case Dynamic Behaviour					
Test Case Name:		TC_26_8_1_3_5_8			
Group:		GSM_L3_MS_v4170/CC/			
Purpose:		To verify that a CC entity of a MS in CC-state U8, "Connect Request", when allocated a traffic channel by the network performing the assignment procedure, shall perform a layer 2 establishment on the FACCH without changing the state of the call in progress.			
Default:		OtherEventsFail			
Nr	Label	Behaviour Description	CRef	V	Comments
1		START T_guard(300)			
2		+BasicServiceMTorTelephony(TSPX_MTBscSvcJ,T SPX_MTChRateJ,TSPX_MT_ImmConnJ)			1.
3		(TCV_slot := C_S0, TCV_tsc := C_BCC)			
4		+PreCCSetup(C_Imm, TCV_slot, TCV_tsc, 5, 1, 0, TimingAdv_01, '000'B, '001'B, '011'B, '00'O)			
5		+CCConfigTCH(C_Ass, TSPX_TmSlTDef, TSPX_TscDef, TimingAdv_01, '000'B, '001'B, '011'B)			
6		+PreEnterCCstateU8_31(TimingAdv_01)			
7	body	+CCAssignTCH(TSPX_TmSlTDef, TSPX_TscDef)			2.
8		+CCstatuschk_05(C_U8, TI_02, TCV_chTch)			3.
9		+PostMainLinkRel(TCV_chTch)			
Detailed Comments:		1. To select a basic service. if the MS supports telephony the selected basic service is telephony. 2. To assign a suitable traffic channel. 3.. To check whether the MS is still in the state U8.			

Test Case Dynamic Behaviour					
Test Case Name:		TC_26_8_1_3_5_9			
Group:		GSM_L3_MS_v4170/CC/			
Purpose:		To verify that a CC entity of a MS in CC-state U8, "Connect Request", having received an unknown message from its peer entity returns a STATUS message.			
Default:		OtherEventsFail			
Nr	Label	Behaviour Description	CRef	V	Comments
1		START T_guard(300)			
2		+BasicServiceMTorTelephony(TSPX_MTBscSvcA, TSPX_MTChRateA, TSPX_MT_ImmConnA)			1.
3		(TCV_slot := C_S0, TCV_tsc := C_BCC)			
4		+PreCCSetup(C_ImmAss, TCV_slot, TCV_tsc, 5, 1, 0, TimingAdv_01, '000'B, '001'B, '011'B, '00'O)			2.
5		+PreEnterCCstateU8_31(TimingAdv_01)			
6	body	L!DL_DatRqUndefCC	Undef(TCV_ch, UndefCC_02(TI_02))		3.
7		L?DL_DatInCcst	CCStatusRcv(CCStat us_08(TI_01, C_U8))	(P)	4.
8		+CCstatuschk_05(C_U8, TI_02, TCV_ch)			5.
9		+PostMainLinkRel(TCV_ch)			
Detailed Comments:		<ol style="list-style-type: none"> 1. To select a basic service. if the MS supports telephony the selected basic service is telephony. 2. To setup a physical channel as BCCH, CCCH and SDCCH4. 3. To send an unknown message to the MS. 4. The expected STATUS message with cause #97 and state U8 received. 5. To check whether the MS is still in the state U8. 			

Test Case Dynamic Behaviour					
Test Case Name:		TC_26_8_1_4_1_1			
Group:		GSM_L3_MS_v4170/CC/			
Purpose:		1) To verify that an MS supporting the Mobile originating DTMF protocol control procedure, having a CC entity for speech in state U10, "Active": when made to send a DTMF tone, sends a START DTMF message on the correct DCCH. 2) To verify that an MS supporting the Mobile originating DTMF protocol control procedure, having a CC entity for speech in state U10, "Active": when made to send a DTMF tone (the corresponding IA5 character being selected from among the ones supported), sends a START DTMF message specifying the correct IA5 character in the "keypad information" field of the keypad facility information element.			
Default:		OtherEventsFail			
Comments:		The test is carried on full rate speech.			
Nr	Label	Behaviour Description	CRef	V	Comments
1		START T_guard(300)			
2		+BasicServiceMT(TSPX_MTBscSvcA,TSPX_MTChRateA,TSPX_MT_ImmConna)			
3		(TCV_slot := C_S0, TCV_tsc := C_BCC)			
4		+PreCCSetup(C_ImmAss, TCV_slot, TCV_tsc, 5, 1, 0, TimingAdv_01, '000'B, '001'B, '011'B, '00'O)			1.
5		+CCConfigTCH(C_Ass, TSPX_TmSlitDef, TSPX_TscDef, TimingAdv_01, '000'B, '001'B, '011'B)			
6		+PreEnterCCstateU10(TCV_Setup_mt, TSPX_TmSlitDef, TSPX_TscDef, TimingAdv_01)			2.
7	body	[TSPC_BasCharSet = TRUE]			3.
8		+localtree1("0")			
9		+localtree1("1")			
10		+localtree1("2")			
11		+localtree1("3")			
12		+localtree1("4")			
13		+localtree1("5")			
14		+localtree1("6")			
15		+localtree1("7")			
16		+localtree1("9")			
17		+continue			
18		[TSPC_BasCharSet = FALSE]		I	
		continue			
19		+localtree1("#")			
20		+localtree1("**")			
21		[TSPC_AddCharSet = TRUE]			4.
22		+localtree1("A")			
23		+localtree1("B")			
24		+localtree1("C")			
25		+localtree1("D")			
26		+localtree			
27		[TSPC_AddCharSet = FALSE]			
28		+localtree			5.
		localtree			
29		(TCV_Null := OO_ShortKeyDepr("0"))			
30		L?DL_DatInStartDtmf	StartDTMFRcv(StartDtmf_01(TI_01, "0"))		
31		L!DL_DatRqStartDtmfRej	StartDTMFRcv(StartDtmf_01(TI_01, "0")) StartDTMFRcvRejSnd(TCV_chTch, StartDtmfRej_01(TI_02))		
32		+CCstatuschk_05(C_U10, TI_02, TCV_chTch)			6.
33		+PostMainLinkRel(TCV_chTch)			
		localtree1(character:IA5String)			
34		(TCV_Null := OO_ShortKeyDepr(character), TCV_Char := character)			

35	L?DL_DatInStartDtmf	StartDTMFRcv(StartDtmf_01(TI_01, TCV_Char))	
36	L!DL_DatRqStartDtmfAck	StartDTMFAckSnd(TCV_chTch, StartDtmfAck_01(TI_02, TCV_Char))	
37	+CCstatuschk_05(C_U10, TI_02, TCV_chTch)		6.
38	[TSPX_DTMFInd = TRUE]		
39	(TCV_Res := OO_DTMFIndCHK(character))		
40	[TCV_Res = FALSE]		(F) 7.
41	+PostMainLinkRel(TCV_chTch)		
42	[TCV_Res = TRUE]		(P) 8.
43	+localtree2		
44	[TSPX_DTMFInd = FALSE]		
45	+localtree2		
	localtree2		
46	L?DL_DatInStopDtmf	StopDTMFRcv(StopDtmf_01(TI_01))	
47	L!DL_DatRqStopDtmfAck	StopDTMFAckSnd(TCV_chTch, StopDtmfAck_01(TI_02))	
48	+CCstatuschk_05(C_U10, TI_02, TCV_chTch)		6.

Detailed Comments:

1. To setup 2 physical channels one as BCCH, CCCH and SDCCH4, another as full rate traffic channel.
2. To bring the MS into the state U10 for speech.
3. To check the character set of "0-9, #, *".
4. To check the character set of "A, B, C, D" if it is supported by the MS.
5. To test the DTMF tone being rejected.
6. To verify that the MS is still in the state U10.
7. The DTMF indication is not correct.
8. The DTMF indication is correct.

Test Case Dynamic Behaviour					
Test Case Name:		TC_26_8_1_4_2_1			
Group:		GSM_L3_MS_v4170/CC/			
Purpose:		To verify that a CC entity of a MS in CC-state U10, "active", upon receiving of a NOTIFY message remains in the active state.			
Default:		OtherEventsFail			
Nr	Label	Behaviour Description	CRef	V	Comments
1		START T_guard(300)			
2		+BasicServiceMT(TSPX_MTBscSvcA,TSPX_MTChRateA,TSPX_MT_ImmConnA)			
3		(TCV_slot := C_S0, TCV_tsc := C_BCC)			
4		+PreCCSetup(C_ImmAss, TCV_slot, TCV_tsc, 5, 1, 0, TimingAdv_01, '000'B, '001'B, '011'B, '00'O)			1.
5		+CCConfigTCH(C_Ass, TSPX_TmSlitDef, TSPX_TscDef, TimingAdv_01, '000'B, '001'B, '011'B)			
6		+PreEnterCCstateU10(TCV_Setup_mt, TSPX_TmSlitDef, TSPX_TscDef, TimingAdv_01)			2.
7	body	L!DL_DatRqNotify	NotifySnd(TCV_chTch, NotifiReq_01(TI_02))		3.
8		+CCstatuschk_05(C_U10, TI_02, TCV_chTch)			4.
9		+PostMainLinkRel(TCV_chTch)			
Detailed Comments:		<ol style="list-style-type: none"> 1. To setup 2 physical channels one as BCCH, CCCH and SDCCH4, another as full rate traffic channel. 2. To bring the MS into the state U10 for speech by generic call setup procedure. 3. To send the NOTIFY message to the MS. 4. To verify whether the MS is still in the state U10, the verdict is assigned in the test step. 			

Test Case Dynamic Behaviour					
Test Case Name:		TC_26_8_1_4_3_1			
Group:		GSM_L3_MS_v4170/CC/			
Purpose:		To verify that the MS being in the call active state after having successfully completed a channel assignment or having completed a handover command remains in the call active state.			
Default:		OtherEventsFail			
Nr	Label	Behaviour Description	CRef	V	Comments
1		START T_guard(300)			
2		+BasicServiceMT(TSPX_MTBscSvcC,TSPX_MTChRateC,TSPX_MT_ImmConnC)			
3		(TCV_slot := C_S0, TCV_tsc := C_BCC)			
4		+PreCCSetup(C_Immacc, TCV_slot, TCV_tsc, 5, 1, 0, TimingAdv_01, '000'B, '001'B, '011'B, '00'O)			
5		+CCConfigTCH(C_Ass, TSPX_TmSltDef, TSPX_TscDef, TimingAdv_01, '000'B, '001'B, '011'B)			
6		+AssCmdGenMT(TSPX_MTChRateC)			
7		[TCV_ChRate = C_Full]			
8		+FullRateCh_A_2(C_Ass, TSPX_TmSltC, TSPX_TscC, ChMod_speech, FreqTCHa_rg, FreqTCHa_rd, TimingAdv_01, '000'B, '001'B, '011'B)		2.	
9		(TCV_Null := OM_CphMd(TCV_chTch1, CphMod_01, TCV_CphKey))			
10		+localtree			
11		[TCV_ChRate = C_Half]			
12		+HalfRateCh_A_2(TSPX_TCHHSubDef, C_Ass, TSPX_TmSltC, TSPX_TscC, ChMod_speech, FreqTCHa_rg, FreqTCHa_rd, TimingAdv_01, '000'B, '001'B, '011'B)		4.	
13		(TCV_Null := OM_CphMd(TCV_chTch1, CphMod_01, TCV_CphKey))			
14		+localtree			
15		localtree +PreEnterCCstateU10(TCV_Setup_mt, TSPX_TmSltDef, TSPX_TscDef, TimingAdv_01)		5.	
16	body	+Adjust_gsmanddcs_powerlvl(0,3,TCV_AssCmd)			
17		+AssCh_complete(TCV_ch,TCV_chTch,TCV_AssCmd)		6.	
18		+CCstatuschk_05(C_U10, TI_02, TCV_chTch1)		7.	
19		+handover			
20		L?DL_RaInHoacc	HndOvAccRcv(TCV_chTch1,HandOverAcc_02(TSPX_horfA))		
21		L?DL_RaInHoacc	HndOvAccRcv(TCV_chTch1,HandOverAcc_02(TSPX_horfA))		
22		L?DL_RaInHoacc	HndOvAccRcv(TCV_chTch1,HandOverAcc_02(TSPX_horfA))		
23		L?DL_RaInHoacc	HndOvAccRcv(TCV_chTch1,HandOverAcc_02(TSPX_horfA))		
24		L?DL_EstIn	DLEstInd_01		
25		L?DL_DatInHoCom	HndOvCmpRcv(TCV_chTch1,HandOverCmp_01)	(P)	8.
26		+CCstatuschk_05(C_U10, TI_02, TCV_chTch1)		7.	
27		+PostMainLinkRel(TCV_chTch)			
	handover				

28	[TSPC_PGSM OR TSPC_EGSM]		
29	L!DL_DatRqHoCmd	HndOvSnd(TCV_chT ch, HandOverCmd_10(T CV_slot, TCV_tsc))	
30	[TSPC_DCS]		
31	L!DL_DatRqHoCmd (DL_DatRqHoCmd.msg.pcmd := Pcmd_19('00011'B))	HndOvSnd(TCV_chT ch, HandOverCmd_10(T CV_slot, TCV_tsc))	
Detailed Comments:			
<ol style="list-style-type: none"> 1. To setup a physical channels as full rate traffic channel. 2. To setup a physical channel as second full rate traffic channel. 3. To setup a physical channels as half rate traffic channel. 4. To setup a physical channel as the second half rate traffic channel. 5. To bring the MS into U10 state by MT call generic setup procedure. 6. The assignment procedure succeeds. 7. To check whether the MS is still in the state U10. 8. The handover procedure succeeds. 			

Test Case Dynamic Behaviour					
Test Case Name:		TC_26_8_1_4_3_2			
Group:		GSM_L3_MS_v4170/CC/			
Purpose:		To verify that the MS, when returning to the old channel after handover failure and establishing correctly the link, will remain in the call active state.			
Default:		OtherEventsFail_01, RcvHdOvAcc			
Comments:		bearer capability TSPX_BCd is used in the test case. The generic MT call setup procedure is used.			
Nr	Label	Behaviour Description	CRef	V	Comments
1		START T_guard(300)			
2		+BasicServiceMT(TSPX_MTBscSvcD,TSPX_MTChRateD,TSPX_MT_ImmConnD)			
3		(TCV_slot := C_S0, TCV_tsc := C_BCC)			
4		+PreCCSetup(C_ImmMass, TCV_slot, TCV_tsc, 5, 1, 0, TimingAdv_01, '000'B, '001'B, '011'B, '00'O)			
5		+CCConfigTCH(C_Ass, TSPX_TmSltDef, TSPX_TscDef, TimingAdv_01, '000'B, '001'B, '011'B)			
6		(TCV_ch1 := OC_SubchOfSdcch4(TSPX_SDCCH4SubDef, C_CellB), TCV_sacch_B := OC_SubchOfSacch4(TSPX_SDCCH4SubDef, C_CellB))			
7		+StartCellB_1(C_ImmMass,TCV_slot, TCV_tsc, TimingAdv_01, 0, '000'B, '001'B, '011'B, '00'O)		1.	
8		(TCV_Null := OM_CphMd(TCV_ch1, CphMod_01, TCV_CphKey))			
9		+localtree			
		localtree			
10		+PreEnterCCstateU10(TCV_Setup_mt, TSPX_TmSltDef, TSPX_TscDef, TimingAdv_01)			
11	body	+handover			In case of non-sync HO the TC has to wait for the timeout T3124 and not only for 4 HO access messages
12		L?DL_EstIn	DLEstInd_01		
13		L?DL_DatInHofI	HndOvFIRcv(TCV_chTch, HandOvFail_01)	(P)	2.
14		+CCstatuschk_05(C_U10, TI_02, TCV_chTch)			3.
15		+ltree_Asgn			
16		+Adjust_gsmaddcs_powerlvl(7,3,TCV_AssCmd)			
17		+AssCh_failure(TCV_chTch,TCV_AssCmd,FALSE)			4.
18		+CCstatuschk_05(C_U10, TI_02, TCV_chTch)			3.
19		+PostMainLinkRel(TCV_chTch)			
		handover			
20		[TSPC_PGSM OR TSPC_EGSM]			
21		L!DL_DatRqHoCmd	HndOvSnd(TCV_chTch, HandOverCmd_11(TCV_slot, TCV_tsc))		Non-sync HO
22		[TSPC_DCS]			
23		L!DL_DatRqHoCmd (DL_DatRqHoCmd.msg.pcmd := Pcmd_19('00011'B))	HndOvSnd(TCV_chTch, HandOverCmd_11(TCV_slot, TCV_tsc))		Non-sync HO
		ltree_Asgn			
24		[TSPC_PGSM OR TSPC_EGSM]			
25		(TCV_AssCmd := AsgnCmd_tchf(TCV_slot, TCV_tsc))			
26		[TSPC_DCS]			
27		(TCV_AssCmd := AsgnCmd_dtchf(TCV_slot,			

	TCV_tsc))	
Detailed Comments:		
<ol style="list-style-type: none"> 1. To setup a physical channel as BCCH, CCCH and SDCCH4 used as cell B. 2. The expected HANDOVER FAILURE message received on the old channel. 3. To check whether the MS is still in the state U10, if no test case fails in the test step. 4. The expected ASSIGNMENT FAILURE message received on the old channel. 		

Test Case Dynamic Behaviour					
Test Case Name:		TC_26_8_1_4_4_1			
Group:		GSM_L3_MS_v4170/CC/			
Purpose:		<ol style="list-style-type: none"> 1) To verify that an MS supporting the network originated in-call modification procedure, after having received a MODIFY message with a new mode which is not the actual one and cannot be supported by the MS, rejects it by sending a MODIFY REJECT. 2) To verify that an MS not supporting the network originated in-call modification procedure, after having received a MODIFY message, responds with a STATUS message. 			
Default:		OtherEventsFail			
Comments:		The generic MT call setup procedure is used to bring the MS into U10 state.			
Nr	Label	Behaviour Description	CRef	V	Comments
1		START T_guard(300)			
2		+BasicServiceMT(TSPX_MTBscSvcE,TSPX_MTChRateE,TSPX_MT_ImmConnE)			
3		(TCV_slot := C_S0, TCV_tsc := C_BCC)			
4		+PreCCSetup(C_ImmMass, TCV_slot, TCV_tsc, 5, 1, 0, TimingAdv_01, '000'B, '001'B, '011'B, '00'O)			
5		+CCConfigTCH(C_Ass, TSPX_TmSlitDef, TSPX_TscDef, TimingAdv_01, '000'B, '001'B, '011'B)			
6		+PreEnterCCstateU10(TCV_Setup_mt, TSPX_TmSlitDef, TSPX_TscDef, TimingAdv_01)			
7		L!DL_DatRqModify	ModifySnd(TCV_chTch, ModifyReq_01(TI_02))		
8		[TSPC_InCallMod = TRUE]			1.
9		L?DL_DatInModifyRej	ModifyRejRcv(TCV_chTch, ModifyRj_01(TI_01, TCV_Setup_mt.bcap1))	(P)	
10		+CCstatuschk_05(C_U10, TI_02, TCV_chTch)			
11		+PostMainLinkRel(TCV_chTch)			
12		[TSPC_InCallMod = FALSE]			2.
13		L?DL_DatInCst	CCStatusRcv(CCStatus_08(TI_01, C_U10))	(P)	
14		+CCstatuschk_05(C_U10, TI_02, TCV_chTch)			
15		+PostMainLinkRel(TCV_chTch)			
Detailed Comments:		<ol style="list-style-type: none"> 1. The In-Call modification procedure is supported. 2. The In-Call modification procedure is not supported. 			

Test Case Dynamic Behaviour					
Test Case Name:		TC_26_8_1_4_5_1			
Group:		GSM_L3_MS_v4170/CC/			
Purpose:		1) To verify that the procedure is initiated by the MS in the "active" state of the call. It sends a MODIFY message including the new mode to be changed to; and enters the "mobile originating modify" state. The new mode given in the MODIFY message is one of those already negotiated and agreed during the establishment phase of the call. The MODIFY originating side stops sending Bm-channel information. 2) To verify that upon receipt of the MODIFY COMPLETE message the MS starts sending channel information according to the new call mode and enters the "active" state.			
Default:		OtherEventsFail			
Nr	Label	Behaviour Description	CRef	V	Comments
1		START T_guard(300)			
2		(TCV_slot := C_S0, TCV_tsc := C_BCC)			
3		+PreModifySetup(C_Immass, TCV_slot, TCV_tsc, 5, 1, 0, C_Ass, TSPX_TmSlitDef, TSPX_TscDef, TimingAdv_01, '000'B, '001'B, '011'B, '00'O)			1.
4	body	+CCstatuschk_05(C_U26, TCV_TI, TCV_chTch)			
5		LIDL_DatRqChmmo	ChmmoReqSnd(TCV_chTch, ChmomoReq_07(TCV_chtype, TCV_ChModb.mode, TSPX_TmSlitDef, TSPX_TscDef))		
6		L?DL_DatInChmmoAck	ChmmoAckRcv(TCV_chTch, ChmomoAck_08(TCV_chtype, TCV_ChModb.mode, TSPX_TmSlitDef, TSPX_TscDef))	(P)	2.
7		(TCV_Res := OC_RcsdPresent(TCV_Modify))			
8		[TCV_Res]			
9		LIDL_DatRqModifyCom	ModifyCmpSnd(TCV_chTch, ModifyComp_02(TCV_TI, TCV_Bcap2))		
10		+localtree			
11		[NOT TCV_Res]			
12		LIDL_DatRqModifyCom	ModifyCmpSnd(TCV_chTch, ModifyComp_03(TCV_TI, TCV_Bcap2))		
13		+localtree			
		localtree			
14		START T_dly(2000)			
15		?TIMEOUT T_dly			
16		+CCstatuschk_05(C_U10, TCV_TI, TCV_chTch)			
17		(TCV_Res := OM_BmInfo(TCV_chTch, TCV_ChModb.mode))			
18		[TCV_Res = TRUE]		(P)	3.
19		+PostMainLinkRel(TCV_chTch)			
20		[TCV_Res = FALSE]		(F)	
21		+PostMainLinkRel(TCV_chTch)			
Detailed Comments:		1. To attempt a dual mode call and initiate incall modification. 2. The expected CMM ACKNOWLEDGE message received. 3. The MS does start sending Bm channel information according to the new mode.			

Test Case Dynamic Behaviour					
Test Case Name:		TC_26_8_1_4_5_2			
Group:		GSM_L3_MS_v4170/CC/			
Purpose:		To verify that upon receipt of the MODIFY REJECT message with the old bearer capability the MS resumes sending Bm-channel information according to the present call mode; resumes interpreting received Bm-channel information according to the present call mode; and enters the "active" state.			
Default:		OtherEventsFail			
Nr	Label	Behaviour Description	CRef	V	Comments
1		START T_guard(300)			
2		(TCV_slot := C_S0, TCV_tsc := C_BCC)			
3		+PreModifySetup(C_Immass, TCV_slot, TCV_tsc, 5, 1, 0, C_Ass, TSPX_TmSltDef, TSPX_TscDef, TimingAdv_01, '000'B, '001'B, '011'B, '00'O)			1.
4	body	LIDL_DatRqModifyRej	ModifyRejRqSnd(TCV_chTch, ModifyRjRq_01(TCV_TI, TCV_Bcap1))		
5		+CCstatuschk_05(C_U10, TCV_TI, TCV_chTch)			2.
6		+PostMainLinkRel(TCV_chTch)			
Detailed Comments:		1. To attempt a dual mode call and initiate incall modification. 2. To check whether the MS is still in the state U10 and the verdict is assigned in the test step.			

Test Case Dynamic Behaviour					
Test Case Name:		TC_26_8_1_4_5_3			
Group:		GSM_L3_MS_v4170/CC/			
Purpose:		To verify that upon receipt of the MODIFY COMPLETE message indicating a call mode which does not correspond to the requested one the MS discards it and takes no action.			
Default:		OtherEventsFail			
Nr	Label	Behaviour Description	CRef	V	Comments
1		START T_guard(300)			
2		(TCV_slot := C_S0, TCV_tsc := C_BCC)			
3		+PreModifySetup(C_Immass, TCV_slot, TCV_tsc, 5, 1, 0, C_Ass, TSPX_TmSltDef, TSPX_TscDef, TimingAdv_01, '000'B, '001'B, '011'B, '00'O)			1.
4	body	LIDL_DatRqModifyCom	ModifyCmpSnd(TCV_chTch, ModifyComp_03(TCV_TI, TCV_Bcap2))		2.
5		+CCstatuschk_05(C_U26, TCV_TI, TCV_chTch)			3.
6		+PostMainLinkRel(TCV_chTch)			
Detailed Comments:		1. To attempt a dual mode call. 2. The mode (TCV_Bcap1) does not correspond to the requested one (TCV_Bcap2). 3. To check whether the MS does not take any action and the verdict is assigned in the test step.			

Test Case Dynamic Behaviour					
Test Case Name:		TC_26_8_1_4_5_4			
Group:		GSM_L3_MS_v4170/CC/			
Purpose:		To verify that upon receipt of the MODIFY REJECT message indicating a call mode which does not correspond to the actual one the MS discards it and takes no action.			
Default:		OtherEventsFail			
Nr	Label	Behaviour Description	CRef	V	Comments
1		START T_guard(300)			
2		(TCV_slot := C_S0, TCV_tsc := C_BCC)			
3		+PreModifySetup(C_Immass, TCV_slot, TCV_tsc, 5, 1, 0, C_Ass, TSPX_TmSlitDef, TSPX_TscDef, TimingAdv_01, '000'B, '001'B, '011'B, '00'O)			1.
4	body	LIDL_DatRqModifyRej	ModifyRejRqSnd(TCV_chTch, ModifyRjRq_01(TCV_TI, TCV_Bcap1))		2.
5		+CCstatuschk_05(C_U26, TCV_TI, TCV_chTch)			3.
6		+PostMainLinkRel(TCV_chTch)			
Detailed Comments:		1. To attempt a dual mode call. 2. The mode (TCV_Bcap1) does not correspond to the actual one (TCV_Bcap2). 3. To check whether the MS does not take any action and the verdict is assigned in the test step.			

Test Case Dynamic Behaviour					
Test Case Name:		TC_26_8_1_4_5_5			
Group:		GSM_L3_MS_v4170/CC/			
Purpose:		To verify that upon expiration of T323 the MS shall initiate the procedures for call clearing with cause #102 "recovery on timer expiry".			
Default:		OtherEventsFail			
Nr	Label	Behaviour Description	CRef	V	Comments
1		START T_guard(300)			
2		(TCV_slot := C_S0, TCV_tsc := C_BCC)			
3		+PreModifySetupTimer(C_Immass, TCV_slot, TCV_tsc, 5, 1, 0, C_Ass, TSPX_TmSlitDef, TSPX_TscDef, TimingAdv_01, '000'B, '001'B, '011'B, '00'O)			1.
4	body	L?DL_DatInDisc (TCV_Fn1 := DL_DatInDisc.fn) READTIMER T_dly(TCV_Time), CANCEL T_dly	DiscRcv(TCV_chTch, Disconn_08(TCV_TI0))		2.
5		[(TCV_Time < 27000) OR (TCV_Time >= 33000)]		(F)	3.
6		+PostMainLinkRel(TCV_chTch)			
7		[(TCV_Time >= 27000) AND(TCV_Time < 33000)]		(P)	4.
8		+CCstatuschk_05(C_U11, TCV_TI, TCV_chTch)			
9		+PostMainLinkRel(TCV_chTch)			
Detailed Comments:		1. To attempt a dual mode call. 2. The expected DISCONNECT message received. 3. Fail, if the T323 timer value is either greater than or equal to 33 seconds, or less than 27 seconds. 4. Pass, if the timeout value of the T323 timer is OK.			

Test Case Dynamic Behaviour					
Test Case Name:		TC_26_8_1_4_5_6			
Group:		GSM_L3_MS_v4170/CC/			
Purpose:		1. To verify that a CC-entity of the MS in CC-state U26, "Mobile Originating Modify", after successful completion of a channel assignment procedure remains in the call state U26. 2. To verify that upon receipt of the MODIFY COMPLETE message the MS start sending channel information according to the new call mode and enters the "active" state.			
Default:		OtherEventsFail			
Nr	Label	Behaviour Description	CRef	V	Comments
1		START T_guard(300)			
2		(TCV_slot := C_S0, TCV_tsc := C_BCC)			
3		+PreModifySetup(C_Immass, TCV_slot, TCV_tsc, 5, 1, 0, C_Ass, TSPX_TmSltDef, TSPX_TscDef, TimingAdv_01, '000'B, '001'B, '011'B, '00'O)			1.
4		[TCV_chtype = '00001'B]			
5		+FullRateCh_A_2(C_Ass, TSPX_TmSltC, TSPX_TscC, ChMod_speech, FreqTCHa_rg, FreqTCHa_rd, TimingAdv_01, '000'B, '001'B, '011'B)			
6		(TCV_Null := OM_CphMd(TCV_chTch1, CphMod_01, TCV_CphKey))			
7		+localtree			
8		[(TCV_chtype = '00011'B) OR (TCV_chtype = '00010'B)]			
9		+HalfRateCh_A_2(TSPX_TCHHSubDef, C_Ass, TSPX_TmSltC, TSPX_TscC, ChMod_speech, FreqTCHa_rg, FreqTCHa_rd, TimingAdv_01, '000'B, '001'B, '011'B)			
10		(TCV_Null := OM_CphMd(TCV_chTch1, CphMod_01, TCV_CphKey))			
11		+localtree			
		localtree			
12		+assign			2.
13		+CCstatuschk_05(C_U26, TCV_TI, TCV_chTch)			
14		(TCV_Res := OC_RcsdPresent(TCV_Modify))			
15		[TCV_Res]			
16		!DL_DatRqModifyCom	ModifyCmpSnd(TCV_chTch, ModifyComp_02(TCV_TI, TCV_Bcap2))		
17		+localtree1			
18		[NOT TCV_Res]			
19		!DL_DatRqModifyCom	ModifyCmpSnd(TCV_chTch, ModifyComp_03(TCV_TI, TCV_Bcap2))		
20		+localtree1			
		localtree1			
21		+CCstatuschk_05(C_U10, TCV_TI, TCV_chTch1)			3.
22		+PostMainLinkRel(TCV_chTch1)			
		assign			
23		[TSPC_PGSM OR TSPC_EGSM]			
24		(TCV_AssCmd := AsgnCmd_31(TCV_chtype, TCV_ChModb, TSPX_TmSltDef, TSPX_TscDef))			
25		+AssCh_complete(TCV_chTch, TCV_chTch1, TCV_AssCmd)			
26		[TSPC_DCS]			
27		(TCV_AssCmd := AsgnCmd_31d(TCV_chtype, TCV_ChModb, TSPX_TmSltDef, TSPX_TscDef))			
28		+AssCh_complete(TCV_chTch, TCV_chTch1, TCV_AssCmd)			
Detailed Comments:		1. To attempt a dual mode call. 2. To check whether the MS is still in the state U26. 3. TO check whether the MS is now in the state U10 and the verdict is assigned in the test step.			

Test Case Dynamic Behaviour					
Test Case Name:		TC_26_8_1_4_5_7			
Group:		GSM_L3_MS_v4170/CC/			
Purpose:		To verify that a CC-entity of the MS in CC-state U26, "Mobile Originating Modify", when returning to the old channel after handover failure and having established the link, remains in the call state U26.			
Default:		OtherEventsFail			
Nr	Label	Behaviour Description	CRef	V	Comments
1		START T_guard(300)			
2		(TCV_slot := C_S0, TCV_tsc := C_BCC)			
3		+PreModifySetup(C_Immass, TCV_slot, TCV_tsc, 5, 1, 0, C_Ass, TSPX_TmSlitDef, TSPX_TscDef, TimingAdv_01, '000'B, '001'B, '011'B, '00'O)			1.
4		(TCV_chTch1 := C_FACCHF_A_2, TCV_sacchTch1 := C_SACCHF_A_2)			
5	body	+FullRateCh_A_2(C_Rcv, TSPX_TmSlitC, TSPX_TscC, ChMod_speech, FreqTCHa_rg, FreqTCHa_rd, TimingAdv_01, '000'B, '001'B, '011'B)			2.
6		L!DL_DatRqHoCmd	HndOvSnd(TCV_chTch, HandOverCmd_31(TCV_slot, TCV_tsc))		3.
7		(TCV_Res := FALSE)			
8		REPEAT localtree UNTIL [TCV_Res]			
9		L?DL_DatInHofl	HndOvFIRcv(TCV_chTch, HandOvFail_01)	(P)	5.
10		+CCstatuschk_05(C_U26, TCV_TI, TCV_chTch)			6.
11		+PostMainLinkRel(TCV_chTch)			
12		localtree L?DL_RacInHoacc	HndOvAccRcv(TCV_chTch1, HandOverAcc_02(TSPX_horfA))	(P)	4.
13		L?DL_EstIn	DLEstInd_01	(P)	
Detailed Comments:		<ol style="list-style-type: none"> 1. To attempt a dual mode call. 2. To setup a receiving only TCH/F for handover. 3. To handover to the channel which does not respond. 4. To check that the MS sends HANDOVER ACCESS messages on the new channel. 5. The expected HANDOVER FAILURE message received. 6. To check whether the MS is still in the state U26. 			

Test Case Dynamic Behaviour					
Test Case Name:		TC_26_8_1_4_5_8			
Group:		GSM_L3_MS_v4170/CC/			
Purpose:		To verify that a CC entity of a MS in CC-state U26, "Mobile Originating Modify", having received an unknown message from its peer entity returns a STATUS message.			
Default:		OtherEventsFail			
Nr	Label	Behaviour Description	CRef	V	Comments
1		START T_guard(300)			
2		(TCV_slot := C_S0, TCV_tsc := C_BCC)			
3		+PreModifySetup(C_Immass, TCV_slot, TCV_tsc, 5, 1, 0, C_Ass, TSPX_TmSlitDef, TSPX_TscDef, TimingAdv_01, '000'B, '001'B, '011'B, '00'O)			1.
4	body	LIDL_DatRqUndefCC	Undef(TCV_chTch, UndefCC_02(TCV_TI))		2.
5		L?DL_DatInCcst	CCStatusRcv(CCStat us_08(TCV_TI0, C_U26))	(P)	3.
6		+CCstatuschk_05(C_U26, TCV_TI, TCV_chTch)			4.
7		+PostMainLinkRel(TCV_chTch)			
Detailed Comments:		1. To attempt a dual mode call. 2. To send a message which message type is not defined for CC. 3. Received expected CC STATUS message with state U26. 4. To check whether the MS is still in the state U26 and assign the verdict.			

Test Case Dynamic Behaviour					
Test Case Name:		TC_26_8_1_4_5_9			
Group:		GSM_L3_MS_v4170/CC/			
Purpose:		1) To verify that a CC entity of a MS in CC-state U26, "Mobile Originating Modify", upon receipt of a RELEASE COMPLETE message with valid cause value, shall enter CC state U0, "Null". 2) To verify that on returning to idle mode, the CC entities relating to the seven mobile originating transaction identifiers shall be in state U0, "Null".			
Default:		OtherEventsFail			
Nr	Label	Behaviour Description	CRef	V	Comments
1		START T_guard(300)			
2		(TCV_slot := C_S0, TCV_tsc := C_BCC)			
3		+PreModifySetup(C_Immass, TCV_slot, TCV_tsc, 5, 1, 0, C_Ass, TSPX_TmSlitDef, TSPX_TscDef, TimingAdv_01, '000'B, '001'B, '011'B, '00'O)			1.
4	body	+CCstatuschk_05(C_U26, TCV_TI, TCV_chTch)			
5		LIDL_DatRqRelCmp	RelComSnd(TCV_chTch, ReleaseCmp_08(TCV_TI))		2.
6		+CheckTlInStateU0(TRUE, TCV_chTch)			
7		+PostMainLinkRel(TCV_chTch)			
Detailed Comments:		1. To attempt a dual mode call and initiate incall modification. 2. To send RELEASE COMPLETE message.			

Test Case Dynamic Behaviour					
Test Case Name:		TC_26_8_2_1			
Group:		GSM_L3_MS_v4170/CC/			
Purpose:		The purpose of this test is to verify that the MS can correctly perform a call re-establishment procedure.			
Default:		OtherEventsFail			
Nr	Label	Behaviour Description	CRef	V	Comments
1		START T_guard(300)			
2		(TCV_Service := TSPX_MOBscSvcA, TCV_ChRate := TSPX_MOChRateA)			1.
3		(TCV_slot := C_S0, TCV_tsc := C_BCC)			
4		+IdleUpdated(C_CellA, C_Immass, TCV_slot, TCV_tsc, TimingAdv_01, '000'B, '001'B, '011'B, '00'O)			
5		(TCV_ch1 := OC_SubchOfSdcch4(TSPX_SDCCH4SubDef, C_CellB), TCV_sacch_B := OC_SubchOfSacch4(TSPX_SDCCH4SubDef, C_CellB), TCV_chtype := '00001'B, TCV_CphKey := OC_CphKeyGen(TSPX_Ki, TSPX_RANDDef))			
6		+PreEnterIdleState_11(C_Immass, TCV_slot, TCV_tsc, TimingAdv_01, 0, '000'B, '001'B, '011'B, '00'O)			
7		+FullRateCh_A_1(C_Ass, TSPX_TmSlitDef, TSPX_TscDef, ChMod_speech, FreqTCHa_rg, FreqTCHa_rd, TimingAdv_01, '000'B, '001'B, '011'B)			
8		+StartCellB_1re(C_Immass, TCV_slot, TCV_tsc, TimingAdv_01, 0, '000'B, '001'B, '011'B, '00'O)			
9		+FullRateCh_B_1(C_Ass, TSPX_TmSlitC, TSPX_TscC, ChMod_speech, FreqTCHb, FreqTCHb, TimingAdv_01, '000'B, '001'B, '011'B)			
10		+InitCall(TCV_Service)			A teleservice is selected. If
11		+BasicServiceMO(TCV_Service, TCV_ChRate)			
12		+CCEstablishMO_SDCCH4(TimingAdv_01)			
13		ACTIVATE(OtherEventsFail_02)			To match ChReq retrans.
14		L?DL_EstInCmsRq	CMSerReq(CMServiceReq_04)		
15		ACTIVATE(OtherEventsFail)			Restore Normal default
16		+CCAAuthenticate(TCV_ch)			
17		+Cipherring_on(TCV_ch)			
18		+localtree			
19		localtree +SetupRcvMo(SetupInd_01)			
20		L!DL_DatRqCallProc	CallProc(TCV_ch, TCV_CallProc)		
21		+AssCmdGenMO(TCV_ChRate)			
22		+AssCh_complete(TCV_ch, TCV_chTch, TCV_AssCmd)			
23		LIDL_DatRqAlert	AlertSnd(TCV_chTch, Alerting_01(TCV_TI))		
24		LIDL_DatRqConn	ConnSnd(TCV_chTch, Connect_02(TCV_TI))		
25		L?DL_DatInConnAck	ConnAckRcv(ConnectAck_02(TCV_TI))		
26	body	+LowRfLev_Cellnotavail(C_CellA)			Cell A still exists.

27	START T_dly(5000)			
28	?TIMEOUT T_dly			
29	+localtree1			
	localtree1			
30	(TCV_Null := OM_Deactivate(TCV_chTch, TCV_sacchTch))			
31	L?DL_RaInChRq (TCV_Rr := DL_RaInChRq. msg.ecau_rrf, TCV_Fn := DL_RaInChRq.fn)	ChReq(ChRequest_1 0)	(P)	1.
32	ACTIVATE(OtherEventsFail_02)			To match ChReq retrans.
33	LIDL_UdatRqImm	ImmAss(C_AGCH_B _1, ImmAsgn_06(TCV_Rr , TCV_Fn, TCV_slot, TCV_tsc, TimingAdv_01)) CmreReq_02		
34	L?DL_EstInCmreRq			
35	ACTIVATE(OtherEventsFail)			Restore Normal default
36	+Ciphering_on(TCV_ch1)			
37	+AssCmdGenMO(TCV_ChRate)			
38	+AssCh_complete(TCV_ch1, TCV_chTch1,TCV_AssCmd)			
39	(TCV_Res := OO_TCHThroConnCHK())			
40	[TCV_Res = FALSE]		(F)	2.
41	+PostMainLinkRel(TCV_chTch1)			
42	[TCV_Res = TRUE]		(P)	
43	LIDL_DatRqDisc	DiscSnd(TCV_chTch 1, Disconn_07(TCV_TI))		
44	L?DL_DatInRel	ReleaseRcv(Release _10(TCV_TI0))		
45	LIDL_DatRqRelCmp	RelComSnd(TCV_ch Tch1, ReleaseCmp_08(TCV _TI))		
46	+PostMainLinkRel(TCV_chTch1)			
Detailed Comments:		1. The expected call re-establishment is started. A supported teleservice is selected. If MS supports speech, the selected service is the speech. 2. The bearer channel is not through connected, fail.		

Test Case Dynamic Behaviour					
Test Case Name:		TC_26_8_2_2			
Group:		GSM_L3_MS_v4170/CC/			
Purpose:		The purpose of this test is to verify that the MS does not attempt call re-establishment when it is not allowed to take place because of the unavailability of a cell allowing call re-establishment.			
Default:		OtherEventsFail			
Nr	Label	Behaviour Description	CRef	V	Comments
1		START T_guard(300)			
2		(TCV_Service := TSPX_MOBscSvcB, TCV_ChRate := TSPX_MOChRateB)			1.
3		(TCV_slot := C_S0, TCV_tsc := C_BCC)			
4		+IdleUpdated(C_CellA, C_Immass, TCV_slot, TCV_tsc, TimingAdv_01, '000'B, '001'B, '011'B, '00'O)			
5		(TCV_ch := OC_SubchOfSdcch4(TSPX_SDCCH4SubDef, C_CellA), TCV_sacch := OC_SubchOfSacch4(TSPX_SDCCH4SubDef, C_CellA), TCV_CphKey := OC_CphKeyGen(TSPX_Ki, TSPX_RANDDef))			
6		+PreEnterIdleState_12(C_Immass, TCV_slot, TCV_tsc, TimingAdv_01, 0, '000'B, '001'B, '011'B, '00'O)			
7		+FullRateCh_A_1(C_Ass, TSPX_TmSltDef, TSPX_TscDef, ChMod_speech, FreqTCHa_rg, FreqTCHa_rd, TimingAdv_01, '000'B, '001'B, '011'B)			
8		+InitCall(TCV_Service)			
9		+BasicServiceMO(TCV_Service, TCV_ChRate)			
10		+CCEstablishMO_SDCCH4(TimingAdv_01)			
11		ACTIVATE(OtherEventsFail_02)			To match ChReq retrans.
12		L?DL_EstInCmsRq	CMSerReq(CMServiceReq_04)		
13		ACTIVATE(OtherEventsFail)			Restore Normal default
14		+CCAuthenticate(TCV_ch)			
15		+Ciphering_on(TCV_ch)			
16		+localtree			
17		localtree +SetupRcvMo(SetupInd_01)			
18		L!DL_DatRqCallProc	CallProc(TCV_ch, TCV_CallProc)		
19		+AssCmdGenMO(TCV_ChRate)			
20		+AssCh_complete(TCV_ch, TCV_chTch, TCV_AssCmd)			
21		L!DL_DatRqAlert	AlertSnd(TCV_chTch, Alerting_01(TCV_TI))		
22		L!DL_DatRqConn	ConnSnd(TCV_chTch, Connect_02(TCV_TI))		
23		L?DL_DatInConnAck	ConnAckRcv(ConnectAck_02(TCV_TI0))		
24		(TCV_Null := OM_Deactivate(TCV_chTch, TCV_sacchTch))			
25		START T_dly(30000)			
26		L?DL_RacInChRq CANCEL T_dly	ChReq(ChRequest_02)	F	2.
27		?TIMEOUT T_dly		P	3.
Detailed Comments:		<p>1. Default parameters, call reestablishment not allowed. A supported teleservice is selected. If MS supports speech, the selected service is the speech.</p> <p>2. Re-establishment is attempted, fail.</p> <p>3. No re-establishment attempting, pass.</p>			

Test Case Dynamic Behaviour					
Test Case Name:		TC_26_8_2_3			
Group:		GSM_L3_MS_v4170/CC/			
Purpose:		The purpose of this test is to verify that the MS does not attempt call re-establishment when it is not allowed to take place because of the call control state.			
Default:		OtherEventsFail			
Nr	Label	Behaviour Description	CRef	V	Comments
1		START T_guard(300)			
2		(TCV_Service := TSPX_MOBscSvcA, TCV_ChRate := TSPX_MOChRateA)			1.
3		(TCV_slot := C_S0, TCV_tsc := C_BCC)			
4		+IdleUpdated(C_CellA, C_Immass, TCV_slot, TCV_tsc, TimingAdv_01, '000'B, '001'B, '011'B, '00'O)			
5		(TCV_ch := OC_SubchOfSdcch4(TSPX_SDCCH4SubDef, C_CellA), TCV_sacch := OC_SubchOfSacch4(TSPX_SDCCH4SubDef, C_CellA), TCV_chtype := '00001'B, TCV_CphKey := OC_CphKeyGen(TSPX_Ki, TSPX_RANDDef))			
6		+PreEnterIdleState_11(C_Immass,TCV_slot, TCV_tsc, TimingAdv_01, 0, '000'B, '001'B, '011'B, '00'O)			
7		+FullRateCh_A_1(C_Ass, TSPX_TmSltDef, TSPX_TscDef, ChMod_speech, FreqTCHa_rg, FreqTCHa_rd, TimingAdv_01, '000'B, '001'B, '011'B)			
8		+InitCall(TCV_Service)			
9		+BasicServiceMO(TCV_Service, TCV_ChRate)			
10		+CCEstablishMO_SDCCH4(TimingAdv_01)			
11		ACTIVATE(OtherEventsFail_02)			To match ChReq retrans.
12		L?DL_EstInCmsRq	CMSerReq(CMServiceReq_04)		
13		ACTIVATE(OtherEventsFail)			Restore Normal default
14		+CCAuthenticate(TCV_ch)			
15		+Cipherring_on(TCV_ch)			
16		+localtree			
		localtree			
17		+SetupRcvMo(SetupInd_01)			
18		L!DL_DatRqCallProc	CallProc(TCV_ch, TCV_CallProc)		
19		+AssCmdGenMO(TCV_ChRate)			
20		+AssCh_complete(TCV_ch,TCV_chTch,TCV_AssCmd)			
21		L!DL_DatRqAlert	AlertSnd(TCV_chTch, Alerting_01(TCV_TI))		
22	body	(TCV_Null := OM_Deactivate(TCV_chTch, TCV_sacchTch))			
23		START T_dly(30000)			
24		L?DL_RacInChRq CANCEL T_dly	ChReq(ChRequest_02)	F	2.
25		?TIMEOUT T_dly		P	3.
Detailed Comments:		1. Default parameters, reestablishment allowed. 2. Re-establishment is attempted, fail. 3. No re-establishment attempting, pass.			

Test Case Dynamic Behaviour					
Test Case Name:		TC_26_8_3			
Group:		GSM_L3_MS_v4170/CC/			
Purpose:		To verify that inclusion of the 'user-user' information element in a either of the down link messages, SETUP or DISCONNECT causes no adverse effects on the operation of the MS.			
Default:		OtherEventsFail			
Nr	Label	Behaviour Description	CRef	V	Comments
1		START T_guard(300)			
2		+BasicServiceMT(TSPX_MTBscSvcA,TSPX_MTChRateA,TSPX_MT_ImmConnA)			
3		(TCV_Setup_mt.uu := TSPX_UuInfo, TCV_Setup_mt.sig := Signal_01)			
4		(TCV_slot := C_S0, TCV_tsc := C_BCC)			
5		+PreCCSetup(C_ImmAss, TCV_slot, TCV_tsc, 5, 1, 0, TimingAdv_01, '000'B, '001'B, '011'B, '00'O)			
6		+CCConfigTCH(C_Ass, TSPX_TmSlitDef, TSPX_TscDef, TimingAdv_01, '000'B, '001'B, '011'B)			
7		+CCEstablishMT_SDCCH4(TimingAdv_01)			
8		+CCAAuthenticate(TCV_ch)			
9		+Cipherring_on(TCV_ch)			
10	body	LIDL_DatRqSetup	SetupSnd(TCV_ch, TCV_Setup_mt)		
11		L?DL_DatInCallCo	CallCfm(CallConfirm_01)	(P)	1.
12		L?DL_DatInConn	ConnRcv(Connect_01)		
13		+localtree			
14		L?DL_DatInAlert	AlertRcv(AlertingInd_02(TI_01))		
15		(TCV_Null := OO_HookOff())			
16		L?DL_DatInConn	ConnRcv(Connect_01)		
17		+localtree			
18		localtree			
19		+CCAssignTCH(TSPX_TmSlitDef, TSPX_TscDef) LIDL_DatRqConnAck	ConnAckSnd(TCV_ch Tch, ConnectAck_01)		
20		START T_dly(30000)			
21		?TIMEOUT T_dly			
22		LIDL_DatRqDisc	DiscSnd(TCV_chTch, Disconn_09)		
23		L?DL_DatInRel	ReleaseRcv(Release_10(TI_01))	(P)	2.
24		LIDL_DatRqRelCmp	RelComSnd(TCV_ch Tch, ReleaseCmp_08(TI_02))		
25		+PostMainLinkRel(TCV_chTch)			
Detailed Comments:		1. The MS responds to the SETUP message with user-user information IE correctly. 2. The MS responds to the DISCONNECT message with user-user information IE correctly.			

Test Group StructureProc

Test Case Dynamic Behaviour					
Test Case Name:		TC_26_9_2			
Group:		GSM_L3_MS_v4170/StructureProc/			
Purpose:		<p>1) To verify that the MS in MM state "idle, updated" with a TMSI assigned, when made to initiate a call for a selected teleservice that is supported by the MS as declared in a PICS/PIXIT statement, displays the dialled number in the way described in a PICS/PIXIT statement.</p> <p>2) To verify that the MS in MM state "idle, updated" and in RR idle mode, with a TMSI assigned, when made to initiate a call for a selected teleservice that is supported by the MS as declared in a PICS/PIXIT statement, starts to initiate an immediate assignment procedure by sending the CHANNEL REQUEST message with correct establishment cause.</p> <p>3) To verify that subsequently after receipt of an IMMEDIATE ASSIGNMENT message allocating an SDCCH, after completion of establishment of the main signalling link, after having sent a CM SERVICE REQUEST message, after having successfully performed the authentication and cipher mode setting procedures, the MS sends a SETUP message with correct parameters.</p> <p>4) To verify that subsequently, after receipt of a CALL PROCEEDING message and of an ASSIGNMENT COMMAND message allocating an appropriate TCH, after having completed the traffic channel early assignment procedure by replying with the ASSIGNMENT COMPLETE message, after receipt of an ALERTING message and a CONNECT message, the MS returns a CONNECT ACKNOWLEDGE message.</p> <p>5) To verify that subsequently the MS has attached the user connection to the radio path. (This is checked by verifying that there is a point in time after transmission of the first L2 frame containing the (complete) CONNECT message, where the MS is sending appropriate speech or data frames whenever it does not have to transmit or acknowledge an I frame on layer 2 of the FACCH.)</p> <p>6) To verify that subsequently upon the network initiating call clearing by sending a DISCONNECT message, the MS proceed to release the call with RELEASE.</p> <p>7) To verify that subsequently, on receipt of a RELEASE COMPLETE message followed by a CHANNEL RELEASE message, the MS disconnects the main signalling link.</p> <p>These test purposes are tested for all rates supported by the MS (full rate/half rate).</p>			
Default:		OtherEventsFail			
Nr	Label	Behaviour Description	CRef	V	Comments
1		START T_guard(300)			
2		(TCV_slot := C_S0, TCV_tsc := C_BCC)			
3		+IdleUpdated(C_CellA, C_Immass, TCV_slot, TCV_tsc, TimingAdv_01, '000'B, '001'B, '011'B, '00'O)			
4	body	+testfullrate			1.
5		[TSPC_DualRate = TRUE]			
6		+testhalfrate			2.
7		[TSPC_DualRate = FALSE]			
		testfullrate			
8		(TCV_ch := OC_SubchOfSdcch4(TSPX_SDCCH4SubDef, C_CellA), TCV_sacch := OC_SubchOfSacch4(TSPX_SDCCH4SubDef, C_CellA), TCV_CphKey := OC_CphKeyGen(TSPX_Ki, TSPX_RANDA), TCV_ctype:= '00001'B)			
9		+PreEnterIdleState_03(C_Immass, TCV_slot, TCV_tsc, 5, 1, 0, TimingAdv_01, '000'B, '001'B, '011'B, '00'O)			
10		+FullRateCh_A_1(C_Ass, TSPX_TmSlitDef, TSPX_TscDef, ChMod_sign, FreqTCHa_rg, FreqTCHa_rd, TimingAdv_01, '000'B, '001'B, '011'B)			
11		(TCV_Null := OO_DialCalledNum())			4.
12		[TSPC_CalledNumDisp = TRUE]			
13		(TCV_Res := OO_CalledNumCHK())			5.

14	[TCV_Res = FALSE]		(F)	
15	+AttmpFullRateCall			6.
16	+BasicServiceMO(TSPX_MO_BscSv c_FRCall, C_Full)			
17	+localtree			
18	[TCV_Res = TRUE]		(P)	
19	+AttmpFullRateCall			6.
20	+BasicServiceMO(TSPX_MO_BscSv c_FRCall, C_Full)			
21	+localtree			
22	[TSPC_CalledNumDisp = FALSE]			
23	+AttmpFullRateCall			
24	+BasicServiceMO(TSPX_MO_BscSvc_F RCall, C_Full)			
25	+localtree			
	testhalfrate			
26	(TCV_ctype:=TSPX_TCHHSubDef)			
27	+HalfRateCh_A_1(TSPX_TCHHSubDef, C_Ass, TSPX_TmSltDef, TSPX_TscDef, ChMod_speech, FreqTCHa_rg, FreqTCHa_rd, TimingAdv_01, '000'B, '001'B, '011'B)			7.
28	(TCV_Null := OO_DialCalledNum())			4.
29	[TSPC_CalledNumDisp = TRUE]			
30	(TCV_Res := OO_CalledNumCHK())			5.
31	[TCV_Res = FALSE]		(F)	
32	+AttmpHalfRateCall			6.
33	+BasicServiceMO(TSPX_MO_BscSvc_ HRCall, C_Half)			
34	+localtree			
35	[TCV_Res = TRUE]		(P)	
36	+AttmpHalfRateCall			6.
37	+BasicServiceMO(TSPX_MO_BscSvc_ HRCall, C_Half)			
38	+localtree			
39	[TSPC_CalledNumDisp = FALSE]			
40	+AttmpHalfRateCall			
41	+BasicServiceMO(TSPX_MO_BscSvc_HR Call, C_Half)			
42	+localtree			
	localtree			
43	L?DL_RaInChRq (TCV_Rr := DL_RaInChRq. msg.ecau_rrf, TCV_Fn := DL_RaInChRq.fn)	ChReq_04	(P)	
44	ACTIVATE(OtherEventsFail_02)			To match ChReq retrans.
45	LIDL_UdatRqImmss	ImmAss_01Def(TCV_ agch, TCV_Rr, TCV_Fn, TCV_slot, TCV_tsc, TCV_chdescr_arfcn, TimingAdv_01)		
46	L?DL_EstInCmsRq	CmsReq_04		
47	ACTIVATE(OtherEventsFail)			Restore Normal default
48	LIDL_DatRqAuthRq	AuthReq_05(TCV_ch)		
49	L?DL_DatInAuthRes(TCV_Sres:=DL_DatI nAuthRes.msg.sres)	AuthRes_01		
50	(TCV_Res := OC_ChkSRES(TCV_Sres, TSPX_Ki, TSPX_RANDA))			
51	[TCV_Res = FALSE]		(F)	
52	+RestoreCphKey(TCV_ch)			
53	+PostMainLinkRel(TCV_ch)			
54	[TCV_Res = TRUE]		(P)	
55	+localtree1			
	localtree1			
56	+Cipherring_on(TCV_ch)			
57	+SetupRcvMo(SetupIInd_03)			

58	L!DL_DatRqCallProc	CallProc(TCV_ch, TCV_CallProc)	(P)	
59	+AssCmdGenMO(TCV_ChRate)			
60	+AssCh_complete(TCV_ch,TCV_chTch,TCV _AssCmd)			8.
61	+localtree2			
	localtree2			
62	L!DL_DatRqAlert	Alert_01(TCV_TI, TCV_chTch)		
63	[TSPC_AlertInd = TRUE]			
64	(TCV_Res := OO_AltIndCHK())			
65	[TCV_Res = FALSE]		(F)	
66	+RestoreCphKey(TCV_chTch)			
67	+PostMainLinkRel(TCV_chTch)			
68	[TCV_Res = TRUE]			
69	+localtree3			
70	[TSPC_AlertInd = FALSE]			
71	+localtree3			
	localtree3			
72	L!DL_DatRqConn	Conn_01(TCV_TI, TCV_chTch)		
73	L?DL_DatInConnAck	ConnAckRcv_01(TCV _TI0)	(P)	
74	(TCV_Res := OO_TCHThroConnCHK())			
75	[TCV_Res = FALSE]		(F)	
76	+RestoreCphKey(TCV_chTch)			
77	+PostMainLinkRel(TCV_chTch)			
78	[TCV_Res = TRUE]		(P)	
79	L!DL_DatRqDisc	DiscSnd(TCV_chTch, Disconn_07(TCV_TI))		
80	L?DL_DatInRel	ReleaseInd_06(TCV_ TI0)	(P)	
81	L!DL_DatRqRelCmp	RelCmpRq_05(TCV_ TI, TCV_chTch)		
82	+RestoreCphKey(TCV_chTch)			
83	+PostMainLinkRel(TCV_chTch)			

Detailed Comments:

1. To perform the test on full rate channel.
2. To perform the test on half rate channel.
3. To setup two physical channels, one for combined BCCH, CCch and SDCHH4, another one for full rate traffic channel.
4. To enter the called party number.
5. To check whether the MS displays the called party number correctly.
6. To initiate the call.
7. To setup the previous full rate traffic channel into half rate traffic channel.
8. Early assignment.

Test Case Dynamic Behaviour

Test Case Name:	TC_26_9_3
Group:	GSM_L3_MS_v4170/StructureProc/
Purpose:	<p>1) To verify that the MS in MM state "idle, updated" and in RR idle mode with a TMSI assigned, when made to initiate a call for a selected teleservice that is supported by the MS as declared in a PICS/PIXIT statement, starts to initiate an immediate assignment procedure by sending the CHANNEL REQUEST message.</p> <p>2) To verify that subsequently after receipt of an IMMEDIATE ASSIGNMENT message allocating an SDCCH, after completion of establishment of the main signalling link, after having sent a CM SERVICE REQUEST message, after having successfully performed authentication and cipher mode setting procedures, after having sent a SETUP message, after having received a CALL PROCEEDING message followed by an ALERTING message and an ASSIGNMENT COMMAND message allocating an appropriate TCH, the MS sends an ASSIGNMENT COMPLETE message.</p> <p>3) To verify that subsequently, after the suite of actions specified in test purposes 1 and 2, the MS after receiving a CONNECT message returns a CONNECT ACKNOWLEDGE message.</p> <p>4) To verify that after the suite of actions specified in test purposes 1 and 2, the MS after receiving a CONNECT message attaches the user connection to the radio path. (This is checked by verifying that there is a point in time after transmission of the first L2 frame containing the (complete) CONNECT message, where the MS is sending appropriate speech or data frames whenever it does not have to transmit or acknowledge an I frame on layer 2 of the FACCH.)</p> <p>These test purposes are tested for all rates supported by the MS (full rate/half rate).</p>
Default:	OtherEventsFail

Nr	Label	Behaviour Description	CRef	V	Comments
1		START T_guard(300)			
2		(TCV_slot := C_S0, TCV_tsc := C_BCC)			
3		+IdleUpdated(C_CellA, C_Immass, TCV_slot, TCV_tsc, TimingAdv_01, '000'B, '001'B, '011'B, '00'O)			
4	body	+testfullrate			1.
5		[TSPC_DualRate = TRUE]			
6		+testhalfrate			2.
7		[TSPC_DualRate = FALSE]			
8		testfullrate (TCV_ch := OC_SubchOfSdcch4(TSPX_SDCCH4SubDef, C_CellA), TCV_sacch := OC_SubchOfSacch4(TSPX_SDCCH4SubDef, C_CellA), TCV_CphKey := OC_CphKeyGen(TSPX_Ki, TSPX_RANDA), TCV_chtype:= '00001'B)			
9		+PreEnterIdleState_03(C_Immass, TCV_slot, TCV_tsc, 5, 1, 0, TimingAdv_01, '000'B, '001'B, '011'B, '00'O)			
10		+FullRateCh_A_1(C_Ass, TSPX_TmSlitDef, TSPX_TscDef, ChMod_sign, FreqTCHa_rg, FreqTCHa_rd, TimingAdv_01, '000'B, '001'B, '011'B)			
11		(TCV_Null := OO_DialCalledNum())			4.
12		[TSPC_CalledNumDisp = TRUE]			
13		(TCV_Res := OO_CalledNumCHK())			5.
14		[TCV_Res = FALSE]		(F)	
15		+AttmpFullRateCall			6.
16		+BasicServiceMO(TSPX_MO_BscSv c_FRCall, C_Full)			
17		+localtree(C_Full)			
18		[TCV_Res = TRUE]		(P)	
19		+AttmpFullRateCall			6.
20		+BasicServiceMO(TSPX_MO_BscSv c_FRCall, C_Full)			
21		+localtree(C_Full)			
22		[TSPC_CalledNumDisp = FALSE]			

23	+AttmpFullRateCall			
24	+BasicServiceMO(TSPX_MO_BscSvc_F RCall, C_Full)			
25	+localtree(C_Full)			
	testhalfrate			
26	(TCV_chtype:=TSPX_TCHHSubDef)			
27	+HalfRateCh_A_1(TSPX_TCHHSubDef, C_Ass, TSPX_TmSltDef, TSPX_TscDef, ChMod_speech, FreqTCHa_rg, FreqTCHa_rd, TimingAdv_01, '000'B, '001'B, '011'B)			7.
28	(TCV_Null := OM_ChMdModi(TCV_chTch, TCV_ChMod))			
29	(TCV_Null := OO_DialCalledNum())			4.
30	[TSPC_CalledNumDisp = TRUE]			
31	(TCV_Res := OO_CalledNumCHK())			5.
32	[TCV_Res = FALSE]		(F)	
33	+AttmpHalfRateCall			6.
34	+localtree(C_Half)			
35	[TCV_Res = TRUE]		(P)	
36	+AttmpHalfRateCall			6.
37	+localtree(C_Half)			
38	[TSPC_CalledNumDisp = FALSE]			
39	+AttmpHalfRateCall			
40	+localtree(C_Half)			
	localtree(rate:IA5String)			
41	L?DL_RaInChRq (TCV_Rr := DL_RaInChRq. msg.ecau_rrf, TCV_Fn := DL_RaInChRq.fn)	ChReq_04		(P)
42	ACTIVATE(OtherEventsFail_02)			To match ChReq retrans.
43	LIDL_UdatRqImmass	ImmAss_01Def(TCV_ agch, TCV_Rr, TCV_Fn, TCV_slot, TCV_tsc, TCV_chdescr_arfcn, TimingAdv_01)		
44	L?DL_EstInCmsRq	CmsrerReq_04		
45	ACTIVATE(OtherEventsFail)			Restore Normal default
46	L!DL_DatRqAuthRq	AuthReq_05(TCV_ch)		
47	L?DL_DatInAuthRes (TCV_Sres := DL_DatInAuthRes.msg.sres)	AuthRes_01		
48	(TCV_Res := OC_ChkSRES(TCV_Sres, TSPX_Ki, TSPX_RANDA))			
49	[TCV_Res = FALSE]			(F)
50	+RestoreCphKey(TCV_ch)			
51	+PostMainLinkRel(TCV_ch)			
52	[TCV_Res = TRUE]			
53	+localtree1(rate)			
	localtree1(rate:IA5String)			
54	+Cipherring_on(TCV_ch)			
55	+SetupRcvMo(SetupInd_03)			
56	L!DL_DatRqCallProc	CallProc(TCV_ch, TCV_CallProc)		(P)
57	LIDL_DatRqAlert	Alert_01(TCV_TI, TCV_ch)		
58	[TSPC_AlertInd = TRUE]			
59	(TCV_Res := OO_AltIndCHK())			
60	[TCV_Res = FALSE]			(F)
61	+RestoreCphKey(TCV_ch)			
62	+PostMainLinkRel(TCV_ch)			
63	[TCV_Res = TRUE]			
64	+localtree2(rate)			
65	[TSPC_AlertInd = FALSE]			
66	+localtree2(rate)			

67	localtree2(rate:IA5String)			
68	+AssCmdGenMO(rate)			
69	+AssCh_complete(TCV_ch, TCV_chTch, TCV_AssCmd)			
	+localtree3			
	localtree3			
70	L!DL_DatRqConn	Conn_01(TCV_TI, TCV_chTch)		
71	L?DL_DatInConnAck	ConnAckRcv_01(TCV _TI0)	(P)	
72	(TCV_Res := OO_TCHThroConnCHK())			
73	[TCV_Res = FALSE]		(F)	
74	+RestoreCphKey(TCV_chTch)			
75	+PostMainLinkRel(TCV_chTch)			
76	[TCV_Res = TRUE]		(P)	
77	LIDL_DatRqDisc	DiscSnd(TCV_chTch, Disconn_07(TCV_TI))		
78	L?DL_DatInRel	ReleaseInd_03(TCV_ TI0)	(P)	
79	L!DL_DatRqRelCmp	RelCmpRq_05(TCV_ TI, TCV_chTch)		
80	+RestoreCphKey(TCV_chTch)			
81	+PostMainLinkRel(TCV_chTch)			

Detailed Comments:

1. To perform the test on full rate channel.
2. To perform the test on half rate channel.
3. To setup two physical channels, one for combined BCCH, CCCh and SDCHH4, another one for full rate traffic channel.
4. To enter the called party number.
5. To check whether the MS displays the called party number correctly.
6. To initiate the call.
7. To setup the previous full rate traffic channel into half rate traffic channel.
8. Later assignment

Test Case Dynamic Behaviour

Test Case Name: TC_26_9_4

Group: GSM_L3_MS_v4170/StructureProc/

Purpose:

- 1) To verify that the MS in MM state "idle, updated" and in RR idle mode with a TMSI assigned, after being paged by the network on the correct paging subchannel, after initiating the immediate assignment procedure by sending the CHANNEL REQUEST message, after receipt of an IMMEDIATE ASSIGNMENT message allocating an SDCCH, after having sent a PAGING RESPONSE message on the allocated SDCCH, after having performed successful authentication and cipher mode setting procedures, after receipt of a SETUP message not containing a signal information element, returns a CALL CONFIRMED message.
- 2) To verify that subsequently, the SS sending an ASSIGNMENT COMMAND message, the MS successfully continues a mobile terminating call establishment with early assignment of traffic channel
 - a) by replying to the ASSIGNMENT command with an ASSIGNMENT COMPLETE message, and
 - b) by continuing the call establishment by either sending one or two CONNECT messages (with equal N(SD)) or sending an ALERTING message, steps a) and b) being performed in any permitted interleaving.
- 3) To verify that if after sending a CALL PROCEEDING message, the MS sends an ALERTING message during MTC establishment with early assignment, it generates an alerting indication.
- 4) To verify that if an ALERTING had been sent, subsequently, when the user accepts the call (possibly internal action as declared in PICS/PIXIT statement), the MS returns a CONNECT message.
- 5) To verify that the MS:
 - if the call is a speech call: after sending the CONNECT message has through connected the TCH in both directions (this is checked by verifying that after transmission of the first L2 frame containing the (complete) CONNECT message, the MS is sending appropriate speech or data frames whenever it does not have to transmit or acknowledge an I frame on layer 2 of the FACCH.)
 - if the call is a data call: after receipt of a subsequent CONNECT ACKNOWLEDGE message through connects the TCH in both directions (this is checked by verifying that there is a point in time after transmission of the first L2 frame containing the (complete) CONNECT ACKNOWLEDGE message, where the MS is sending appropriate speech or data frames whenever it does not have to transmit or acknowledge an I frame on layer 2 of the FACCH.)
- 6) To verify that subsequently, the MS can initiate call clearing by sending a DISCONNECT message.
- 7) To verify that the MS in this phase of call release, upon receipt of a RELEASE message, returns a RELEASE COMPLETE message.
- 8) To verify that subsequently the MS, upon receipt of a CHANNEL RELEASE message, disconnects the main signalling link.

Default: OtherEventsFail

Nr	Label	Behaviour Description	CRef	V	Comments
1		START T_guard(300)			
2	body	[TSPC_DualRate = TRUE]			
3		[TSPC_FullRateSpeech = TRUE]			For MS supporting speech, the test is performed for speech
4		+BasicServiceMT(TSPX_MT_BscSvc_Speech_FullRate, C_Full, FALSE)			
5		+testfullrate		1.	
6		[TSPC_HalfRateSpeech = TRUE]			
7		+BasicServiceMT(TSPX_MT_BscSvc_Speech_HalfRate, C_Half, FALSE)			
8		+testhalfrate		2.	
9		[TSPC_HalfRateSpeech = FALSE]			
10		+BasicServiceMT(TSPX_MT_BscSvc_NoSpeech_HalfRate, C_Half, FALSE)			
11		+testhalfrate		2.	
12		[TSPC_FullRateSpeech = FALSE]			For MS not supporting

13	+BasicServiceMT(TSPX_MT_BscSvc_NonSpeech_FullRate, C_Full, FALSE)		speech, a teleservice supported by the MS is chosen
14	+testfullrate		1.
15	[TSPC_HalfRateSpeech = TRUE]		
16	+BasicServiceMT(TSPX_MT_BscSvc_Speech_HalfRate, C_Half, FALSE)		2.
17	+testhalfrate		
18	[TSPC_HalfRateSpeech = FALSE]		
19	+BasicServiceMT(TSPX_MT_BscSvc_NonSpeech_HalfRate, C_Half, FALSE)		2.
20	+testhalfrate		
21	[TSPC_FullRateOnly = TRUE]		
22	[TSPC_FullRateSpeech = TRUE]		
23	+BasicServiceMT(TSPX_MT_BscSvc_Speech_FullRate, C_Full, FALSE)		1.
24	+testfullrate		
25	[TSPC_FullRateSpeech = FALSE]		
26	+BasicServiceMT(TSPX_MT_BscSvc_NonSpeech_FullRate, C_Full, FALSE)		
27	+testfullrate		
	testfullrate		
28	(TCV_slot := C_S0, TCV_tsc := C_BCC)		
29	+IdleUpdated(C_CellA, C_Immass, TCV_slot, TCV_tsc, TimingAdv_01, '000'B, '001'B, '011'B, '00'O)		
30	(TCV_ch := OC_SubchOfSdcch4(TSPX_SDCCH4SubDef, C_CellA), TCV_sacch := OC_SubchOfSacch4(TSPX_SDCCH4SubDef, C_CellA), TCV_CphKey := OC_CphKeyGen(TSPX_Ki, TSPX_RANDA), TCV_chtype:= '00001'B)		
31	+PreEnterIdleState_03(C_Immass, TCV_slot, TCV_tsc, 5, 1, 0, TimingAdv_01, '000'B, '001'B, '011'B, '00'O)		
32	+FullRateCh_A_1(C_Ass, TSPX_TmSlitDef, TSPX_TscDef, ChMod_sign, FreqTCHa_rg, FreqTCHa_rd, TimingAdv_01, '000'B, '001'B, '011'B)		
33	(TCV_Null := OM_ChMdModi(TCV_chTch, TCV_ChMod))		
34	+CCCH_group_Paging_group(TCV_Ccd0A, TSPX_IMSI)		
35	+localtree(C_Full)		
	testhalfrate		
36	(TCV_chtype:=TSPX_TCHHSubDef)		
37	+HalfRateCh_A_1(TSPX_TCHHSubDef, C_Ass, TSPX_TmSlitDef, TSPX_TscDef, ChMod_speech, FreqTCHa_rg, FreqTCHa_rd, TimingAdv_01, '000'B, '001'B, '011'B)		4.
38	(TCV_Null := OM_ChMdModi(TCV_chTch, TCV_ChMod))		
39	+localtree(C_Half)		
	localtree(rate:IA5String)		
40	L!DL_UdatRqPg1Rq	PgReq1(TCV_PgCh, TCV_Pgg, PgReqTp1_01)	
41	L?DL_RaInChRq (TCV_Rr := DL_RaInChRq.msg.ecau_rrf, TCV_Fn := DL_RaInChRq.fn)	ChReq_01	
42	ACTIVATE(OtherEventsFail_02)		To match ChReq retrans.
43	L!DL_UdatRqImmass	ImmAss_01Def(TCV_agch, TCV_Rr, TCV_Fn, TCV_slot, TCV_tsc, TCV_chdescr_arfcn,	

44	L?DL_EstInPgRes	TimingAdv_01		
45	ACTIVATE(OtherEventsFail)	PgRes_03		Restore Normal default
46	L!DL_DatRqAuthRq	AuthReq_05(TCV_ch)		
47	L?DL_DatInAuthRes(TCV_Sres := DL_DatInAuthRes.msg.sres)	AuthRes_01		
48	(TCV_Res := OC_ChkSRES(TCV_Sres, TSPX_Ki, TSPX_RANDA))			
49	[TCV_Res = FALSE]		(F)	
50	+RestoreCphKey(TCV_ch)			
51	+PostMainLinkRel(TCV_ch)			
52	[TCV_Res = TRUE]		(P)	5.
53	+localtree1(rate)			
	localtree1(rate:IA5String)			
54	+Ciphering_on(TCV_ch)			
55	L!DL_DatRqSetup	SetupRq_05(TCV_ch, TCV_Setup_mt)		6.
56	L?DL_DatInCallCo(TCV_CallCfm := DL_DatInCallCo.msg)	CallCfm_01		
57	+asstrafficch(rate)			7.
58	L?DL_DatInConn(TCV_Mt := DL_DatInConn.msg.mt, TCV_Res:= TRUE)	ConnRcv_01		
59	+localtree2			
60	+localtree2			
	localtree2			
61	L?DL_DatInConn(TCV_Mt1 := DL_DatInConn.msg.mt)	ConnRcv_03(TCV_ch Tch)		
62	[TCV_Res = TRUE]			
63	[TCV_Mt <> TCV_Mt1]		(F)	
64	+RestoreCphKey(TCV_chTch)			
65	+PostMainLinkRel(TCV_chTch)			
66	[TCV_Mt = TCV_Mt1]		(P)	
67	+localtree3			
68	[TCV_Res = FALSE]			
69	+localtree3			
70	L?DL_DatInAlert	AlertRcv_01		
71	[TSPC_AlertInd = TRUE]			
72	(TCV_Res := OO_AltIndCHK())			
73	[TCV_Res = FALSE]		(F)	8.
74	+RestoreCphKey(TCV_chTch)			
75	+PostMainLinkRel(TCV_chTch)			
76	[TCV_Res = TRUE]		(P)	
77	(TCV_Null := OO_HookOff())			9.
78	L?DL_DatInConn	ConnRcv_03(TCV_ch Tch)		
79	+localtree3			
80	[TSPC_AlertInd = FALSE]			
81	(TCV_Null := OO_HookOff())			9.
82	L?DL_DatInConn	ConnRcv_03(TCV_ch Tch)		
83	+localtree3			
	localtree3			
84	[TCV_Setup_mt.bcap1.itc = '000'B]			Speech Call
85	(TCV_Res := OO_TCHThroConnCHK())			
86	[TCV_Res = FALSE]		(F)	
87	+RestoreCphKey(TCV_chTch)			
88	+PostMainLinkRel(TCV_chTch)			
89	[TCV_Res = TRUE]		(P)	
90	+localtree4			
91	[TCV_Setup_mt.bcap1.itc <> '000'B]			Data Call
92	+localtree4			

93	localtree4 L!DL_DatRqConnAck	ConnAck_01(TCV_chTch)	
94	[TCV_Setup_mt.bcap1.itc <> '000'B]		Data Call
95	(TCV_Res := OO_TCHThroConnCHK())		
96	[TCV_Res = FALSE]		(F)
97	+RestoreCphKey(TCV_chTch)		
98	+PostMainLinkRel(TCV_chTch)		
99	[TCV_Res = TRUE]		(P)
100	+localtree5		
101	[TCV_Setup_mt.bcap1.itc = '000'B]		Speech Call
102	+localtree5		
	localtree5		
103	+TermCall		
104	L?DL_DatInDisc	DiscRcv(TCV_chTch, Disconn_05(TI_01))	
105	LIDL_DatRqRel	RelRq_04(TI_02, TCV_chTch)	
106	L?DL_DatInRelCmp	RelCmp_02(TI_01)	
107	+RestoreCphKey(TCV_chTch)		
108	+PostMainLinkRel(TCV_chTch)		
	asstrafficch(rate:IA5String)		
109	(TCV_Res := FALSE)		
110	+AssCmdGenMT(rate)		
111	+AssCh_complete(TCV_ch, TCV_chTch, TCV_AssCmd)		

Detailed Comments:

1. To perform the test on full rate channel.
2. To perform the test on half rate channel.
3. To setup two physical channels, one for combined BCCH, CCCh and SDCHH4, another one for full rate traffic channel.
4. To setup the previous full rate channel into half rate channel.
5. Authentication is OK.
6. SETUP message without signal IE.
7. Early assignment.
8. Alerting indication not correct.
9. To accept the call at the MS.

Test Case Dynamic Behaviour

Test Case Name:	TC_26_9_5
Group:	GSM_L3_MS_v4170/StructureProc/
Purpose:	<p>1) To verify that the MS in "Idle, Updated" state with a TMSI assigned, after being paged by the network on the correct paging subchannel, after initiating the immediate assignment procedure by sending the CHANNEL REQUEST message, after receipt of an IMMEDIATE ASSIGNMENT message allocating an SDCCH, after having established the main signalling link, after having sent a PAGING RESPONSE message, after having performed successful authentication and cipher mode setting procedures, after receipt of a SETUP message containing a signal information element, returns a CALL CONFIRMED message followed by</p> <ul style="list-style-type: none"> - an ALERTING message - or a CONNECT message. <p>2) To verify that in the situation of test purpose 1, if the MS sends an ALERTING message, the MS generates an alerting indication in the way described in a PICS/PIXIT statement.</p> <p>3) To verify that subsequently the MS, if it had not yet sent a CONNECT message, upon acceptance of the call, sends a CONNECT message.</p> <p>4) To verify that subsequently after receipt of an ASSIGNMENT COMMAND, the MS sends an ASSIGNMENT COMPLETE message.</p> <p>5) To verify that subsequently the MS</p> <ul style="list-style-type: none"> - if the call is a speech call: after sending the ASSIGNMENT COMPLETE message has through connected the TCH in both directions (this is checked by verifying that after transmission of the first L2 frame containing the (complete) ASSIGNMENT COMPLETE message, the MS is sending appropriate speech or data frames whenever it does not have to transmit or acknowledge an I frame on layer 2 of the FACCH.) - if the call is a data call: after receipt of a subsequent CONNECT ACKNOWLEDGE message through connects the TCH in both directions (this is checked by verifying that there is a point in time after transmission of the first L2 frame containing the (complete) CONNECT ACKNOWLEDGE message, where the MS is sending appropriate speech or data frames whenever it does not have to transmit or acknowledge an I frame on layer 2 of the FACCH.) <p>These test purposes are tested for all rates supported by the MS (full rate/half rate).</p>
Default:	OtherEventsFail

Nr	Label	Behaviour Description	CRef	V	Comments
1		START T_guard(300)			
2	body	[TSPC_DualRate = TRUE]			
3		[TSPC_FullRateSpeech = TRUE]			For MS supporting speech, the test is performed for speech
4		+BasicServiceMT(TSPX_MT_BscSvc_Speech_FullRate, C_Full, FALSE)			
5		+testfullrate			1.
6		[TSPC_HalfRateSpeech = TRUE]			
7		+BasicServiceMT(TSPX_MT_BscSvc_Speech_HalfRate, C_Half, FALSE)			
8		+testhalfrate			2.
9		[TSPC_HalfRateSpeech = FALSE]			
10		+BasicServiceMT(TSPX_MT_BscSvc_NonSpeech_HalfRate, C_Half, FALSE)			
11		+testhalfrate			2.
12		[TSPC_FullRateSpeech = FALSE]			For MS not supporting speech, a teleservice supported by the MS is chosen
13		+BasicServiceMT(TSPX_MT_BscSvc_NonSpeech_FullRate, C_Full, FALSE)			
14		+testfullrate			1.
15		[TSPC_HalfRateSpeech = TRUE]			
16		+BasicServiceMT(TSPX_MT_BscSvc_Speech_HalfRate, C_Half, FALSE)			
17		+testhalfrate			2.

18	[TSPC_HalfRateSpeech = FALSE]		
19	+BasicServiceMT(TSPX_MT_BscSvc_No nSpeech_HalfRate, C_Half, FALSE)		
20	+testhalfrate		2.
21	[TSPC_FullRateOnly = TRUE]		
22	[TSPC_FullRateSpeech = TRUE]		
23	+BasicServiceMT(TSPX_MT_BscSvc_Speech_ FullRate, C_Full, FALSE)		
24	+testfullrate		1.
25	[TSPC_FullRateSpeech = FALSE]		
26	+BasicServiceMT(TSPX_MT_BscSvc_NonSpee ch_FullRate, C_Full, FALSE)		
27	+testfullrate		
	testfullrate		
28	(TCV_slot := C_S0, TCV_tsc := C_BCC)		
29	+IdleUpdated(C_CellA, C_Immass, TCV_slot, TCV_tsc, TimingAdv_01, '000'B, '001'B, '011'B, '00'O)		
30	(TCV_ch := OC_SubchOfSdcch4(TSPX_SDCCH4SubDef, C_CellA), TCV_sacch := OC_SubchOfSacch4(TSPX_SDCCH4SubDef, C_CellA), TCV_CphKey := OC_CphKeyGen(TSPX_Ki, TSPX_RANDA), TCV_chtype:= '00001'B)		
31	+PreEnterIdleState_03(C_Immass,TCV_slot, TCV_tsc, 5, 1, 0, TimingAdv_01, '000'B, '001'B, '011'B, '00'O)		
32	+FullRateCh_A_1(C_Ass, TSPX_TmSlitDef, TSPX_TscDef, ChMod_sign, FreqTCHa_rg, FreqTCHa_rd, TimingAdv_01, '000'B, '001'B, '011'B)		
33	(TCV_Null := OM_ChMdModi(TCV_chTch, TCV_ChMod))		
34	+CCCH_group_Paging_group(TCV_Ccd0 A, TSPX_IMSI)		
35	+localtree(C_Full)		
	testhalfrate		
36	(TCV_chtype:=TSPX_TCHHSubDef)		
37	+HalfRateCh_A_1(TSPX_TCHHSubDef, C_Ass, TSPX_TmSlitDef, TSPX_TscDef, ChMod_speech, FreqTCHa_rg, FreqTCHa_rd, TimingAdv_01, '000'B, '001'B, '011'B)		4.
38	(TCV_Null := OM_ChMdModi(TCV_chTch, TCV_ChMod))		
39	+localtree(C_Half)		
	localtree(rate:IA5String)		
40	L!DL_UdatRqPg1Rq	PgReq1(TCV_PgCh, TCV_Pgg, PgReqTp1_01)	
41	L?DL_RaInChRq (TCV_Rr := DL_RaInChRq. msg.ecau_rrf, TCV_Fn := DL_RaInChRq.fn)	ChReq_01	
42	ACTIVATE(OtherEventsFail_02)		To match ChReq retrans.
43	L!DL_UdatRqImmass	ImmAss_01Def(TCV_ agch, TCV_Rr, TCV_Fn, TCV_slot, TCV_tsc, TCV_chdescr_arfcn, TimingAdv_01)	
44	L?DL_EstInPgRes	PgRes_03	
45	ACTIVATE(OtherEventsFail)		Restore Normal default
46	L!DL_DatRqAuthRq	AuthReq_05(TCV_ch)	
47	L?DL_DatInAuthRes(TCV_Sres:=DL_D atInAuthRes.msg.sres)	AuthRes_01	
48	(TCV_Res := OC_ChkSRES(TCV_Sres, TSPX_Ki, TSPX_RANDA))		
49	[TCV_Res = FALSE]		(F)

50	+RestoreCphKey(TCV_ch)			
51	+PostMainLinkRel(TCV_ch)			
52	[TCV_Res = TRUE]		(P)	5.
53	+localtree1(rate)			
	localtree1(rate:IA5String)			
54	+Cipherring_on(TCV_ch)			
55	(TCV_Setup_mt.sig := Signal_01)			
56	LIDL_DatRqSetup	SetupRq_05(TCV_ch, TCV_Setup_mt)		6.
57	L?DL_DatInCallCo (TCV_CallCfm := DL_DatInCallCo.msg)	CallCfm_01		
58	L?DL_DatInConn	ConnRcv_01		
59	+localtree2(rate)			
60	L?DL_DatInAlert	AlertRcv_01		
61	[TSPC_AlertInd = TRUE]			
62	(TCV_Res := OO_AltIndCHK())			
63	[TCV_Res = FALSE]		(F)	8.
64	+RestoreCphKey(TCV_ch)			
65	+PostMainLinkRel(TCV_ch)			
66	[TCV_Res = TRUE]		(P)	
67	(TCV_Null := OO_HookOff())			9.
68	L?DL_DatInConn	ConnRcv_01		
69	+localtree2(rate)			
70	[TSPC_AlertInd = FALSE]			
71	(TCV_Null := OO_HookOff())			9.
72	L?DL_DatInConn	ConnRcv_01		
73	+localtree2(rate)			
	localtree2(rate:IA5String)			
74	+AssCmdGenMT(rate)			
75	+AssCh_complete(TCV_ch, TCV_chTch, TCV_AssCmd)			
76	+localtree3			
	localtree3			
77	[TCV_Setup_mt.bcap1.itc = '000'B]			
78	(TCV_Res := OO_TCHThroConnCHK())			
79	[TCV_Res = FALSE]		(F)	
80	+RestoreCphKey(TCV_chTch)			
81	+PostMainLinkRel(TCV_chTch)			
82	[TCV_Res = TRUE]		(P)	
83	+localtree4			
84	[TCV_Setup_mt.bcap1.itc <> '000'B]			
85	+localtree4			
	localtree4			
86	L!DL_DatRqConnAck	ConnAck_01(TCV_ch Tch)		
87	[TCV_Setup_mt.bcap1.itc <> '000'B]			
88	(TCV_Res := OO_TCHThroConnCHK())			
89	[TCV_Res = FALSE]		(F)	
90	+RestoreCphKey(TCV_chTch)			
91	+PostMainLinkRel(TCV_chTch)			
92	[TCV_Res = TRUE]		(P)	
93	+RestoreCphKey(TCV_chTch)			
94	+PostMainLinkRel(TCV_chTch)			
95	[TCV_Setup_mt.bcap1.itc = '000'B]			
96	+RestoreCphKey(TCV_chTch)			
97	+PostMainLinkRel(TCV_chTch)			

Detailed Comments:

1. To perform the test on full rate channel.
2. To perform the test on half rate channel.
3. To setup two physical channels, one for combined BCCH, CCCh and SDCHH4, another one for full rate traffic channel.
4. To setup the previous full rate channel into half rate channel.

5. Authentication is OK.
6. SETUP message without signal IE.
7. Late assignment.
8. Alerting indication not correct.
9. To accept the call at the MS.

Test Case Dynamic Behaviour					
Test Case Name:		TC_26_9_6_1_1			
Group:		GSM_L3_MS_v4170/StructureProc/			
Purpose:		<p>1) To verify that an MS supporting speech in the MM state "idle, updated", when made to call the number 112, sends a CHANNEL REQUEST message with establishment cause "emergency call".</p> <p>2) To verify that after assignment of a dedicated channel the first layer message sent by the MS on the assigned dedicated channel is a CM SERVICE REQUEST message specifying the correct CKSN and TMSI, with CM Service Type "emergency call establishment" .</p> <p>3) To verify that authentication and cipher mode setting are performed successfully.</p> <p>4) To verify that after cipher mode setting acceptance by the SS, the MS sends an EMERGENCY SETUP message.</p> <p>5) To verify that subsequently, the SS having sent a CALL PROCEEDING message and then an ALERT message and having initiated the assignment procedure of an appropriate speech traffic channel, which, if the MS supports both TCH/FS and TCH/HS, is at the preferred rate, the MS performs correctly that assignment procedure.</p> <p>6) To verify subsequent correct performance of a connect procedure.</p> <p>7) To verify that subsequently the MS has through connected the TCH in both directions.</p> <p>8) To verify that the call is cleared correctly.</p>			
Default:		OtherEventsFail			
Nr	Label	Behaviour Description	CRef	V	Comments
1		START T_guard(300)			
2		(TCV_slot := C_S0, TCV_tsc := C_BCC)			
3		+IdleUpdated(C_CellA, C_Immass, TCV_slot, TCV_tsc, TimingAdv_01, '000'B, '001'B, '011'B, '00'O)			
4		(TCV_ch := OC_SubchOfSdcch4(TSPX_SDCCH4SubDef, C_CellA), TCV_sacch := OC_SubchOfSacch4(TSPX_SDCCH4SubDef, C_CellA), TCV_CphKey := OC_CphKeyGen(TSPX_Ki, TSPX_RANDA))			
5		+PreEnterIdleState_03(C_Immass,TCV_slot, TCV_tsc, 5, 1, 0, TimingAdv_01, '000'B, '001'B, '011'B, '00'O)			1.
6	body	+AttmpEmgCall			
7		+BasicServiceMO(C_EmgCallSRV, TSPX_MO_rate_EmergencyCall)			
8		L?DL_RaInChRq (TCV_Rr := DL_RaInChRq.msg.ecau_rrf, TCV_Fn := DL_RaInChRq.fn)	ChReq_18	(P)	2.
9		ACTIVATE(OtherEventsFail_02)			To match ChReq retrans.
10		LIDL_UdatRqImmass	ImmAss_01Def(TCV_agch, TCV_Rr, TCV_Fn, TCV_slot, TCV_tsc, TCV_chdescr_arfcn, TimingAdv_01)		
11		L?DL_EstInCmsRq	CmserReq_06	(P)	3.
12		ACTIVATE(OtherEventsFail)			Restore Normal default
13		LIDL_DatRqAuthRq	AuthReq_05(TCV_ch)		
14		L?DL_DatInAuthRes(TCV_Sres := DL_DatInAuthRes.msg.sres)	AuthRes_01		
15		+localbody			
16		localbody (TCV_Res := OC_ChkSRES(TCV_Sres, TSPX_Ki, TSPX_RANDA))			

17	[TCV_Res = FALSE]		(F)	4.
18	+RestoreCphKey(TCV_ch)			
19	+PostMainLinkRel(TCV_ch)			
20	[TCV_Res = TRUE]		(P)	5.
21	+Ciphering_on(TCV_ch)			
22	[TSPC_FullRateOnly = TRUE]			
23	+testfullratems			
24	[TSPC_DualRate = TRUE]			
25	+testdualratems			
	testfullratems			
26	L?DL_DatInESetup (TCV_TI := DL_DatInESetup.msg.ti, TCV_TI0 := TCV_TI, TCV_TI.ti_f := '1'B)	ESetupInd_02	(P)	6.
27	(TCV_chtype:= '00001'B, TCV_ChMod:=ChMod_speech)			
28	+FullRateCh_A_1(C_Ass, TSPX_TmSlitDef, TSPX_TscDef, ChMod_speech, FreqTCHa_rg, FreqTCHa_rd, TimingAdv_01, '000'B, '001'B, '011'B)			7.
29	LIDL_DatRqCallProc	CallProc_01(TCV_TI, TCV_ch)		
30	LIDL_DatRqAlert	Alert_01(TCV_TI, TCV_ch)		
31	+ltree_Asgn1			
32	+AssCh_complete(TCV_ch, TCV_chTch, TCV_AssCmd)			
33	+localtree			
	testdualratems			
34	L?DL_DatInESetup (TCV_TI := DL_DatInESetup.msg.ti, TCV_TI0 := TCV_TI, TCV_TI.ti_f := '1'B, TCV_Rchr := DL_DatInESetup.msg.bcap.rchr, TCV_Bcap1 := DL_DatInESetup.msg.bcap)	ESetupInd_03		9.
35	[TCV_Rchr = '11'B]			10.
36	(TCV_Bcap1.rchr := '01'B)			
37	(TCV_chtype:= '00001'B, TCV_ChMod:=ChMod_speech)			
38	+FullRateCh_A_1(C_Ass, TSPX_TmSlitDef, TSPX_TscDef, ChMod_speech, FreqTCHa_rg, FreqTCHa_rd, TimingAdv_01, '000'B, '001'B, '011'B)			7.
39	LIDL_DatRqCallProc (DL_DatRqCallProc.msg.bcap1 := TCV_Bcap1)	CallProc_04(TCV_TI, TCV_ch)		
40	LIDL_DatRqAlert	Alert_01(TCV_TI, TCV_ch)		
41	+ltree_Asgn1			
42	+AssCh_complete(TCV_ch, TCV_chTch, TCV_AssCmd)			
43	+localtree			
44	[TCV_Rchr = '10'B]			11.
45	(TCV_Bcap1.rchr := '01'B)			
46	(TCV_chtype:=TSPX_TCHHSubDef, TCV_ChMod:=ChMod_speech)			
47	+HalfRateCh_A_1(TSPX_TCHHSubDef, C_Ass, TSPX_TmSlitDef, TSPX_TscDef, ChMod_speech, FreqTCHa_rg, FreqTCHa_rd, TimingAdv_01, '000'B, '001'B, '011'B)			12.
48	LIDL_DatRqCallProc (DL_DatRqCallProc.msg.bcap1 := TCV_Bcap1)	CallProc_04(TCV_TI, TCV_ch)		
49	LIDL_DatRqAlert	Alert_01(TCV_TI, TCV_ch)		
50	+ltree_Asgn2			
51	+AssCh_complete(TCV_ch, TCV_chTch, TCV_AssCmd)			13.
52	+localtree			

53	localtree L!DL_DatRqConn	Conn_01(TCV_TI, TCV_chTch)		
54	L?DL_DatInConnAck	ConnAckRcv_01(TCV _TI0)	(P)	
55	(TCV_Res := OO_TCHThroConnCHK())			
56	[TCV_Res = FALSE]		(F)	14.
57	+RestoreCphKey(TCV_chTch)			
58	+PostMainLinkRel(TCV_chTch)			
59	[TCV_Res = TRUE]		(P)	15.
60	L!DL_DatRqDisc	DiscSnd(TCV_chTch, Disconn_07(TCV_TI))		
61	L?DL_DatInRel	ReleaseInd_06(TCV_ TI0)	(P)	
62	L!DL_DatRqRelCmp	RelCmpRq_05(TCV_ TI, TCV_chTch)		
63	+RestoreCphKey(TCV_chTch)			
64	+PostMainLinkRel(TCV_chTch)			
	ltree_Asgn1			
65	[TSPC_PGSM OR TSPC_EGSM]			
66	(TCV_AssCmd := AsgnCmd_tchf(TSPX_TmSlitDef, TSPX_TscDef))			
67	[TSPC_DCS]			
68	(TCV_AssCmd := AsgnCmd_dtchf(TSPX_TmSlitDef, TSPX_TscDef))			
	ltree_Asgn2			
69	[TSPC_PGSM OR TSPC_EGSM]			
70	(TCV_AssCmd := AsgnCmd_tchh(TSPX_TCHHSubDef, TSPX_TmSlitDef, TSPX_TscDef))			
71	[TSPC_DCS]			
72	(TCV_AssCmd := AsgnCmd_dtchh(TSPX_TCHHSubDef, TSPX_TmSlitDef, TSPX_TscDef))			
Detailed Comments:				
<ol style="list-style-type: none"> 1. To setup a physical channels as BCCH CCCH and SDCCH4 combined channel. 2. CHANNEL REQUEST with "emergency call establishment" cause received. 3. CM SERVICE REQUEST with "emergency call establishment" service type correct TMSI and CKSN received. 4. Authentication failed. 5. Authentication passed. 6. EMERGENCY SETUP with BC indicating "full rate channel" or without BC received. 7. To setup a physical channel as full rate traffic channel. 8. To assign a full rate channel. 9. EMERGENCY SETUP with BC indicating "dual rate / half rate preferred" or " dual rate / full rate preferred" received. 10. "dual rate / full rate preferred" case. Full rate channel is to be assigned. 11. "dual rate / half preferred" case. Half rate channel is to be assigned. 12. To setup a physical channel as full rate traffic channel. 13. To assign half rate channel. 14. The TCH channel is not through connected, fail. 15. The TCH channel is through connected. 				

Test Case Dynamic Behaviour

Test Case Name: TC_26_9_6_1_2
Group: GSM_L3_MS_v4170/StructureProc/
Purpose:

- 1) To verify that the MS in the "idle, no IMSI" state (no SIM inserted) when made to call the number 112, sends a CHANNEL REQUEST message with establishment cause "emergency call".
- 2) To verify that after assignment of a dedicated channel the first layer message sent by the MS on the assigned dedicated channel is a CM SERVICE REQUEST message specifying the correct CKSN and TMSI, with CM Service Type "emergency call establishment".
- 3) To verify that after receipt of a CM SERVICE ACCEPT message from the SS, the MS sends an EMERGENCY SETUP message.
- 4) To verify that subsequently, the SS having sent a CALL PROCEEDING message and then an ALERT message and having initiated the assignment procedure of an appropriate speech traffic channel, which, if the MS supports both TCH/FS and TCH/HS, is at the non-preferred rate, the MS performs correctly that assignment procedure.
- 5) To verify subsequent correct performance of a connect procedure.
- 6) To verify that subsequently the MS has through connected the TCH in both directions.
- 7) To verify that the call is cleared correctly.

Default: OtherEventsFail

Nr	Label	Behaviour Description	CRef	V	Comments
1		START T_guard(300)			
2		(TCV_slot := C_S0, TCV_tsc := C_BCC)			
3		+IdleUpdated(C_CellA, C_Immass, TCV_slot, TCV_tsc, TimingAdv_01, '000'B, '001'B, '011'B, '00'O)			
4		(TCV_ch := OC_SubchOfSdcch4(TSPX_SDCCH4SubDef, C_CellA), TCV_sacch := OC_SubchOfSacch4(TSPX_SDCCH4SubDef, C_CellA), TCV_CphKey := OC_CphKeyGen(TSPX_Ki, TSPX_RANDA))			
5		+PreEnterIdleState_03(C_Immass, TCV_slot, TCV_tsc, 5, 1, 0, TimingAdv_01, '000'B, '001'B, '011'B, '00'O)		1.	
6	body	+localbody			
		localbody			
7		+AttmpEmgCall			
8		+BasicServiceMO(C_EmgCallSRV, TSPX_MO_rate_EmergencyCall)			
9		L?DL_RacInChRq (TCV_Rr := DL_RacInChRq.msg.ecau_rrf, TCV_Fn := DL_RacInChRq.fn)	ChReq_18	(P)	2.
10		ACTIVATE(OtherEventsFail_02)			To match ChReq retrans.
11		LIDL_UdatRqImmass	ImmAss_01Def(TCV_agch, TCV_Rr, TCV_Fn, TCV_slot, TCV_tsc, TCV_chdescr_arfcn, TimingAdv_04)		
12		L?DL_EstInCmsRq	CmserReq_06	(P)	3.
13		ACTIVATE(OtherEventsFail)			Restore Normal default
14		LIDL_DatRqAuthRq	AuthReq_05(TCV_ch)		
15		L?DL_DatInAuthRes	AuthRes_01		
16		(TCV_Res := OC_ChkSRES(TCV_Sres, TSPX_Ki, TSPX_RANDA))			
17		[TCV_Res = FALSE]		(F)	4.
18		+RestoreCphKey(TCV_ch)			
19		+PostMainLinkRel(TCV_ch)			
20		[TCV_Res = TRUE]		(P)	5.
21		+Ciphering_on(TCV_ch)			

22	+testdualratems			
	testdualratems			
23	L?DL_DatInESetup (TCV_TI := DL_DatInESetup.msg.ti, TCV_TI0 := TCV_TI, TCV_TI.ti_f := '1'B, TCV_Rchr := DL_DatInESetup.msg.bcap.rchr, TCV_Bcap1 := DL_DatInESetup.msg.bcap)	ESetupInd_03	(P)	6.
24	[TCV_Rchr = '10'B]			7.
25	(TCV_Bcap1.rchr := '01'B)			
26	+FullRateCh_A_1(C_Ass, TSPX_TmSlitDef, TSPX_TscDef, ChMod_speech, FreqTCHa_rg, FreqTCHa_rd, TimingAdv_01, '000'B, '001'B, '011'B)			
27	L!DL_DatRqCallProc (DL_DatRqCallProc.msg.bcap1 := TCV_Bcap1)	CallProc_04(TCV_TI, TCV_ch)		8.
28	L!DL_DatRqAlert	Alert_01(TCV_TI, TCV_ch)		
29	+ltree_Asgn1			
30	+AssCh_complete(TCV_ch, TCV_chTch, TCV_AssCmd)			
31	+localtree			
32	[TCV_Rchr = '11'B]			11.
33	(TCV_Bcap1.rchr := '00'B)			
34	+HalfRateCh_A_1(TSPX_TCHHSubDef, C_Ass, TSPX_TmSlitDef, TSPX_TscDef, ChMod_speech, FreqTCHa_rg, FreqTCHa_rd, TimingAdv_01, '000'B, '001'B, '011'B)			12.
35	L!DL_DatRqCallProc (DL_DatRqCallProc.msg.bcap1 := TCV_Bcap1)	CallProc_04(TCV_TI, TCV_ch)		13.
36	L!DL_DatRqAlert	Alert_01(TCV_TI, TCV_ch)		
37	+ltree_Asgn2			
38	+AssCh_complete(TCV_ch, TCV_chTch, TCV_AssCmd)			
39	+localtree			
	localtree			
40	L!DL_DatRqConn	Conn_01(TCV_TI, TCV_chTch)		
41	L?DL_DatInConnAck	ConnAckRcv_01(TCV _TI0)	(P)	
42	(TCV_Res := OO_TCHThroConnCHK())			
43	[TCV_Res = FALSE]			(F) 15.
44	+RestoreCphKey(TCV_chTch)			
45	+PostMainLinkRel(TCV_chTch)			
46	[TCV_Res = TRUE]			(P) 16.
47	L!DL_DatRqDisc	DiscSnd(TCV_chTch, Disconn_07(TCV_TI))		
48	L?DL_DatInRel	ReleaseInd_06(TCV_ TI0)	(P)	
49	L!DL_DatRqRelCmp	RelCmpRq_05(TCV_ TI, TCV_chTch)		
50	+RestoreCphKey(TCV_chTch)			
51	+PostMainLinkRel(TCV_chTch)			
	ltree_Asgn1			
52	[TSPC_PGSM OR TSPC_EGSM]			
53	(TCV_AssCmd := AsgnCmd_tchf(TSPX_TmSlitDef, TSPX_TscDef))			
54	[TSPC_DCS]			
55	(TCV_AssCmd := AsgnCmd_dtchf(TSPX_TmSlitDef, TSPX_TscDef))			
	ltree_Asgn2			
56	[TSPC_PGSM OR TSPC_EGSM]			
57	(TCV_AssCmd :=			

58 59	AsgnCmd_tchh(TSPX_TCHHSubDef, TSPX_TmSlitDef, TSPX_TscDef)) [TSPC_DCS] (TCV_AssCmd := AsgnCmd_dtchh(TSPX_TCHHSubDef, TSPX_TmSlitDef, TSPX_TscDef))			
Detailed Comments: <ol style="list-style-type: none"> 1. To setup a physical channels as BCCH CCCH and SDCCH4 combined channel. 2. CHANNEL REQUEST with "emergency call establishment" cause received. 3. CM SERVICE REQUEST with "emergency call establishment" service type received. 4. Authentication failed. 5. Authentication passed. 6. EMERGENCY SETUP with a BC indicating "dual rate/half rate preferred" or "dual rate/full rate preferred" received. 7. "dual rate / half rate preferred" case. setup a physical channel as full rate traffic channel and the non-preferred full rate channel is to be assigned. 8. To send CALL PROCEEDING message indicating the non-preferred channel rate (full rate). 9. To assign a full rate traffic channel. 10. The assignment procedure succeeds. 11. "dual rate / full rate preferred" case. setup a physical channel as half rate traffic channel and the non-preferred half rate channel is to be assigned. 12. To setup a physical channel as half rate traffic channel. 13. To send CALL PROCEEDING message indicating the non-preferred channel rate (half rate). 14. The assignment procedure succeeds. 15. The TCH channel is not through connected, fail. 16. The TCH channel is through connected. 				

Test Case Dynamic Behaviour

Test Case Name:	TC_26_9_6_2_1
Group:	GSM_L3_MS_v4170/StructureProc/
Purpose:	<p>1) To verify that the MS in the "idle, no IMSI" state (no SIM inserted) when made to call the number 112, sends a CHANNEL REQUEST message with establishment cause "emergency call".</p> <p>2) To verify that after assignment of a dedicated channel the first layer message sent by the MS on the assigned dedicated channel is a CM SERVICE REQUEST message in which the cipher key sequence number IE indicates "no key is available", the CM service type IE indicates "emergency call establishment", and the mobile identity IE specifies the IMEI of the MS.</p> <p>3) To verify that after receipt of a CM SERVICE ACCEPT message from the SS, the MS sends an EMERGENCY SETUP message.</p> <p>4) To verify that subsequently, the SS having sent a CALL PROCEEDING message and then an ALERT message and having initiated the assignment procedure of an appropriate speech traffic channel, which, if the MS supports both TCH/FS and TCH/HS, is at the preferred rate, the MS performs correctly that assignment procedure.</p> <p>5) To verify subsequent correct performance of a connect procedure.</p> <p>6) To verify that subsequently the MS has through connected the TCH in both directions.</p> <p>7) To verify that the call is cleared correctly.</p>
Default:	OtherEventsFail
Comments:	For this test case the SIM card shall be removed from the MS.

Nr	Label	Behaviour Description	CRef	V	Comments
1		START T_guard(300)			
2		(TCV_slot := C_S0, TCV_tsc := C_BCC)			
3		+IdleUpdated(C_CellA, C_Immass, TCV_slot, TCV_tsc, TimingAdv_01, '000'B, '001'B, '011'B, '00'O)			
4		(TCV_ch := OC_SubchOfSdcch4(TSPX_SDCCH4SubDef, C_CellA), TCV_sacch := OC_SubchOfSacch4(TSPX_SDCCH4SubDef, C_CellA))			
5		+PreEnterIdleState_03(C_Immass, TCV_slot, TCV_tsc, 5, 1, 0, TimingAdv_01, '000'B, '001'B, '011'B, '00'O)			1.
6	body	+AttmptEmgCall			
7		+BasicServiceMO(C_EmgCallSRV, TSPX_MO_rate_EmergencyCall)			
8		L?DL_RaInChRq (TCV_Rr := DL_RaInChRq.msg.ecau_rrf, TCV_Fn := DL_RaInChRq.fn)	ChReq_18	(P)	2.
9		ACTIVATE(OtherEventsFail_02)			To match ChReq retrans.
10		LIDL_UdatRqImmass	ImmAss_01Def(TCV_agch, TCV_Rr, TCV_Fn, TCV_slot, TCV_tsc, TCV_chdescr_arfcn, TimingAdv_01)		
11		L?DL_EstInCmsRq	CmserReq_07	(P)	3.
12		ACTIVATE(OtherEventsFail)			Restore Normal default
13		LIDL_DatRqCmsAcp	CmserAcp_01(TCV_ch)		
14		+localtree			
15		localtree			
16		+SetupRcvE(ESetup_01)			4.
17		LIDL_DatRqCallProc	CallProc(TCV_ch, TCV_CallProc)		
18		LIDL_DatRqAlert	Alert_01(TCV_TI, TCV_ch)		
19		[TCV_ChMod.mode = C_ChMod_r]			
20		(TCV_chtype:= '00001'B)			2.
		+FullRateCh_A_1_nociph(C_Ass, TSPX_TmSltDef, TSPX_TscDef, ChMod_speech, FreqTCHa_rg,			

21	FreqTCHa_rd, TimingAdv_01, '000'B, '001'B, '011'B)			
22	+ltree_Asgn1			
23	+AssCh_complete(TCV_ch, TCV_chTch, TCV_AssCmd)			
24	+localtree1			
25	[TCV_ChMod.mode = C_ChMod2_r]			
26	(TCV_chtype:=TSPX_TCHHSubDef)			
27	+HalfRateCh_A_1_nociph(TSPX_TCHHSubDef, C_Ass, TSPX_TmSlitDef, TSPX_TscDef, ChMod_speech, FreqTCHa_rg, FreqTCHa_rd, TimingAdv_01, '000'B, '001'B, '011'B)			3.
28	+ltree_Asgn2			
29	+AssCh_complete(TCV_ch, TCV_chTch, TCV_AssCmd)			
30	+localtree1			
31	L!DL_DatRqConn	Conn_01(TCV_TI, TCV_chTch)		
32	L?DL_DatInConnAck	ConnAckRcv_01(TCV _TI0)	(P)	
33	(TCV_Res := OO_TCHThroConnCHK())			
34	[TCV_Res = FALSE]		(F)	6.
35	+PostMainLinkRel(TCV_chTch)			
36	[TCV_Res = TRUE]		(P)	7.
37	L!DL_DatRqDisc	DiscSnd(TCV_chTch, Disconn_07(TCV_TI))		
38	L?DL_DatInRel	ReleaseInd_06(TCV_ TI0)	(P)	
39	L!DL_DatRqRelCmp	RelCmpRq_05(TCV_ TI, TCV_chTch)		
40	L!DL_DatRqChRel	ChRel_01(TCV_chTc h)		
41	L?DL_Relln	DLRelInd_01	(P)	8.
42	ltree_Asgn1			
43	[TSPC_PGSM OR TSPC_EGSM]			
44	(TCV_AssCmd := AsgnCmd_tchf(TSPX_TmSlitDef, TSPX_TscDef))			
45	[TSPC_DCS]			
46	(TCV_AssCmd := AsgnCmd_dtchf(TSPX_TmSlitDef, TSPX_TscDef))			
47	ltree_Asgn2			
48	[TSPC_PGSM OR TSPC_EGSM]			
49	(TCV_AssCmd := AsgnCmd_tchh(TSPX_TCHHSubDef, TSPX_TmSlitDef, TSPX_TscDef))			
50	[TSPC_DCS]			
51	(TCV_AssCmd := AsgnCmd_dtchh(TSPX_TCHHSubDef, TSPX_TmSlitDef, TSPX_TscDef))			

Detailed Comments:

1. To setup a physical channel as BCCH CCCH and SDCCH4 combined channel.
2. CHANNEL REQUEST with "emergency call establishment" cause received.
3. CM SERVICE REQUEST with "emergency call establishment" service type received and the mobile identity IE specifies the IMEI of the MS, the classmark IE has the value specified in PIXIT.
4. EMERGENCY SETUP with BC indicating or without BC received.
5. To assign the traffic channel with preferred rate.
6. The TCH channel is not through connected, fail.
7. The TCH channel is through connected.
8. Main signalling link is released.

Test Case Dynamic Behaviour					
Test Case Name:		TC_26_9_6_2_2			
Group:		GSM_L3_MS_v4170/StructureProc/			
Purpose:		<p>1) To verify that the MS in the "idle, no IMSI" state (no SIM inserted) when made to call the number 112, sends a CHANNEL REQUEST message with establishment cause "emergency call".</p> <p>2) To verify that after assignment of a dedicated channel the first layer message sent by the MS on the assigned dedicated channel is a CM SERVICE REQUEST message in which the cipher key sequence number IE indicates "no key is available", the CM service type IE indicates "emergency call establishment", and the mobile identity IE specifies the IMEI of the MS.</p> <p>3) To verify that after receipt of a CM SERVICE REJECT message from the SS, the MS abandons the emergency call establishment.</p>			
Default:		OtherEventsFail			
Comments:		For this test case the SIM card shall be removed from the MS.			
Nr	Label	Behaviour Description	CRef	V	Comments
1		START T_guard(300)			
2		(TCV_slot := C_S0, TCV_tsc := C_BCC)			
3		+IdleUpdated(C_CellA, C_Immass, TCV_slot, TCV_tsc, TimingAdv_01, '000'B, '001'B, '011'B, '00'O)			
4		(TCV_ch := OC_SubchOfSdcch4(TSPX_SDCCH4SubDef, C_CellA), TCV_sacch := OC_SubchOfSacch4(TSPX_SDCCH4SubDef, C_CellA))			
5		+PreEnterIdleState_03(C_Immass, TCV_slot, TCV_tsc, 5, 1, 0, TimingAdv_01, '000'B, '001'B, '011'B, '00'O)			1.
6	body	+localtree			
		localtree			
7		+AttmpEmgCall			
8		+BasicServiceMO(C_EmgCallSRV, TSPX_MO_rate_EmergencyCall)			
9		L?DL_RacInChRq (TCV_Rr := DL_RacInChRq.msg.ecau_rrf, TCV_Fn := DL_RacInChRq.fn)	ChReq_18	(P)	2.
10		ACTIVATE(OtherEventsFail_02)			To match ChReq retrans.
11		LIDL_UdatRqImmass	ImmAss_01Def(TCV_agch, TCV_Rr, TCV_Fn, TCV_slot, TCV_tsc, TCV_chdescr_arfcn, TimingAdv_01)		
12		L?DL_EstInCmsRq	CmserReq_07	(P)	3.
13		ACTIVATE(OtherEventsFail)			Restore Normal default
14		LIDL_DatRqCmsRej	CmserRej_02(TCV_ch)		
15		START T_dly(5000)			4.
16		?TIMEOUT T_dly			
17		+PostMainLinkRel(TCV_ch)			
18		START T_dly(20000)			5.
19		?TIMEOUT T_dly			
Detailed Comments:		<p>1. To setup a physical channel as BCCH CCCH and SDCCH4.</p> <p>2. CHANNEL REQUEST with "emergency call" received.</p> <p>3. CM SERVICE REQUEST with "emergency call establishment", IMEI, "no key available" and classmark received.</p> <p>4. To check whether the MS sends any L 3 messages, the test case fails in the default tree if the MS does.</p> <p>5. To check whether the MS initiates an RR connection establishment, the test case fails in the default tree if the MS does.</p>			

Test Group EGSMsignalling

Test Case Dynamic Behaviour					
Test Case Name:		TC_26_10_2_1			
Group:		GSM_L3_MS_v4170/EGSMsignalling/			
Purpose:		To verify that the MS reports appropriate results when the test system gives information about neighbouring cells			
Default:		OtherEventsFail			
Nr	Label	Behaviour Description	CRef	V	Comments
1		START T_guard(300)			
2		+BasicServiceMT(TSPX_MTBscSvcA,TSPX_MTChRateA,TSPX_MT_ImmConnA)			
3		(TCV_slot := C_S0, TCV_tsc := C_BCC)			
4		+IdleUpdated(C_CellA, C_ImmAss, TCV_slot, TCV_tsc, TimingAdv_01, '000'B, '001'B, '011'B, '00'O)			
5		(TCV_Cnt:=0)			
6		REPEAT ltree_loopForC UNTIL [TCV_Cnt =6]			
7		ltree_loopForC (TCV_ch := OC_SubchOfSdcch4(TSPX_SDCCH4SubA, C_CellA), TCV_sacch := OC_SubchOfSacch4(TSPX_SDCCH4SubA, C_CellA), TCV_sacch_B := OC_SubchOfSacch4(TSPX_SDCCH4SubDef, C_CellB), TCV_CphKey := OC_CphKeyGen(TSPX_Ki, TSPX_RANDDef))			
8		+ltree_StartMultiCells			
9		+FullRateCh_A_1(C_Ass, TSPX_TmSltDef, TSPX_TscDef, ChMod_speech, FreqTCHa_rg, FreqTCHa_rd, TimingAdv_01, '000'B, '001'B, '011'B)			
10	body	+PreEnterCCstateU10_r01(TimingAdv_r01, TSPX_SDCCH4SubA, 0, 3)			
11		(TCV_Null := OM_StartMsrReport(TCV_sacchTch))			
12		+ltree_receiveMsrRept			
13		+gsmOrDcs1(1, 2)			
14		START T_dly1(960)		960 ms	
15		+ltree_receiveMsrRept2			
16		+gsmOrDcs1(1, 2)			
17		(TCV_Null := OM_StopMsrReport(TCV_sacchTch))			
18		+PostMainLinkRel(TCV_chTch)			
19		+execution2			
20		execution2 +ltree_sysinfo5and5bis		1.	
21		+PreEnterCCstateU10_r01(TimingAdv_r01, TSPX_SDCCH4SubA, 0, 3)			
22		(TCV_Null := OM_StartMsrReport(TCV_sacchTch))			
23		+ltree_receiveMsrRept			
24		+gsmOrDcs1(1, 3)			
25		START T_dly1(960)		960 ms	
26		+ltree_receiveMsrRept2			
27		+gsmOrDcs1(1, 3)			
28		(TCV_Null := OM_StopMsrReport(TCV_sacchTch))			
29		+PostMainLinkRel(TCV_chTch)			
30		(TCV_Cnt:=(TCV_Cnt +1))			
31		ltree_sysinfo5and5bis [TCV_Cnt = 1]			
32		L!DL_UdatRqSysinfo5	SysInfo5_01(TCV_sacch,		

33	LIDL_UdatRqSysinfo5bis	BcchFreqLst_e201) SysInfo5bis_01(TCV_sacch,BcchFreqLst_e207)	
34	[TCV_Cnt = 2]		
35	LIDL_UdatRqSysinfo5	SysInfo5_01(TCV_sacch, BcchFreqLst_e202)	
36	LIDL_UdatRqSysinfo5bis	SysInfo5bis_01(TCV_sacch, BcchFreqLst_e208)	
37	[TCV_Cnt = 3]		
38	LIDL_UdatRqSysinfo5	SysInfo5_01(TCV_sacch, BcchFreqLst_e203)	
39	LIDL_UdatRqSysinfo5bis	SysInfo5bis_01(TCV_sacch, BcchFreqLst_e209)	
40	[TCV_Cnt = 4]		
41	LIDL_UdatRqSysinfo5	SysInfo5_01(TCV_sacch, BcchFreqLst_e204)	
42	LIDL_UdatRqSysinfo5bis	SysInfo5bis_01(TCV_sacch, BcchFreqLst_e210)	
43	[TCV_Cnt = 5]		
44	LIDL_UdatRqSysinfo5	SysInfo5_01(TCV_sacch, BcchFreqLst_e205)	
45	LIDL_UdatRqSysinfo5bis	SysInfo5bis_01(TCV_sacch, BcchFreqLst_e211)	
46	[TCV_Cnt = 6]		
47	LIDL_UdatRqSysinfo5	SysInfo5_01(TCV_sacch, BcchFreqLst_e206)	
48	LIDL_UdatRqSysinfo5bis	SysInfo5bis_01(TCV_sacch, BcchFreqLst_e212)	
	gsmOrDcs1(in1, in2:INTEGER)		
49	[TSPC_EGSM = TRUE]		
50	(TCV_Res := OC_MsrReptChk(TCV_MsrRes, in1))		
51	[TCV_Res = FALSE]		(F)
52	[TCV_Res = TRUE]		(P)
	ltree_receiveMsrRept		
53	[TCV_Cnt = 1]		
54	L?DL_UdatInMsrRpt (TCV_MsrRes := DL_UdatInMsrRpt.msg.msrr)	MsrRept_03e(MsrRes ult_03e1)	
55	[TCV_Cnt = 2]		
56	L?DL_UdatInMsrRpt (TCV_MsrRes := DL_UdatInMsrRpt.msg.msrr)	MsrRept_03e(MsrRes ult_03e2)	
57	[TCV_Cnt = 3]		
58	L?DL_UdatInMsrRpt (TCV_MsrRes := DL_UdatInMsrRpt.msg.msrr)	MsrRept_03e(MsrRes ult_03e3)	
59	[TCV_Cnt = 4]		
60	L?DL_UdatInMsrRpt (TCV_MsrRes := DL_UdatInMsrRpt.msg.msrr)	MsrRept_03e(MsrRes ult_03e4)	
61	[TCV_Cnt = 5]		
62	L?DL_UdatInMsrRpt (TCV_MsrRes := DL_UdatInMsrRpt.msg.msrr)	MsrRept_03e(MsrRes ult_03e5)	
63	[TCV_Cnt = 6]		
64	L?DL_UdatInMsrRpt (TCV_MsrRes := DL_UdatInMsrRpt.msg.msrr)	MsrRept_04e	
	ltree_receiveMsrRept2		
65	[TCV_Cnt = 1]		
66	?TIMEOUT T_dly1		(F) 1.
67	+PostMainLinkRel(TCV_chTch)		

68	L?DL_UdatInMsrRpt (TCV_MsrRes := DL_UdatInMsrRpt.msg.msrr) CANCEL T_dly1	MsrRept_03e(MsrRes ult_03e1)		
69	[TCV_Cnt = 2]			
70	?TIMEOUT T_dly1		(F)	1.
71	+PostMainLinkRel(TCV_chTch)			
72	L?DL_UdatInMsrRpt (TCV_MsrRes := DL_UdatInMsrRpt.msg.msrr) CANCEL T_dly1	MsrRept_03e(MsrRes ult_03e2)		
73	[TCV_Cnt = 3]			
74	?TIMEOUT T_dly1		(F)	1.
75	+PostMainLinkRel(TCV_chTch)			
76	L?DL_UdatInMsrRpt (TCV_MsrRes := DL_UdatInMsrRpt.msg.msrr) CANCEL T_dly1	MsrRept_03e(MsrRes ult_03e3)		
77	[TCV_Cnt = 4]			
78	?TIMEOUT T_dly1		(F)	1.
79	+PostMainLinkRel(TCV_chTch)			
80	L?DL_UdatInMsrRpt (TCV_MsrRes := DL_UdatInMsrRpt.msg.msrr) CANCEL T_dly1	MsrRept_03e(MsrRes ult_03e4)		
81	[TCV_Cnt = 5]			
82	?TIMEOUT T_dly1		(F)	1.
83	+PostMainLinkRel(TCV_chTch)			
84	L?DL_UdatInMsrRpt (TCV_MsrRes := DL_UdatInMsrRpt.msg.msrr) CANCEL T_dly1	MsrRept_03e(MsrRes ult_03e5)		
85	[TCV_Cnt = 6]			
86	?TIMEOUT T_dly1		(F)	1.
87	+PostMainLinkRel(TCV_chTch)			
88	L?DL_UdatInMsrRpt (TCV_MsrRes := DL_UdatInMsrRpt.msg.msrr) CANCEL T_dly1	MsrRept_04e		
Itree_StartMultiCells				
89	[TCV_Cnt = 0]			
90	+StartMultiCells_02(BcchFreqLst_21, BcchFreqLst_27, C_Immass, TCV_slot, TCV_tsc, TimingAdv_r01, TimingAdv_01, 0, '000'B, '001'B, '011'B, '00'O)			
91	[TCV_Cnt = 1]			
92	+StartMultiCells_02e(BcchFreqLst_e201, BcchFreqLst_27, C_Immass, TCV_slot, TCV_tsc, TimingAdv_01, 0, '000'B, '001'B, '011'B, '00'O)			
93	[TCV_Cnt = 2]			
94	+StartMultiCells_02e(BcchFreqLst_e202, BcchFreqLst_27, C_Immass, TCV_slot, TCV_tsc, TimingAdv_01, 0, '000'B, '001'B, '011'B, '00'O)			
95	[TCV_Cnt = 3]			
96	+StartMultiCells_02e(BcchFreqLst_e203, BcchFreqLst_27, C_Immass, TCV_slot, TCV_tsc, TimingAdv_01, 0, '000'B, '001'B, '011'B, '00'O)			
97	[TCV_Cnt = 4]			
98	+StartMultiCells_02e(BcchFreqLst_e204, BcchFreqLst_27, C_Immass, TCV_slot, TCV_tsc, TimingAdv_01, 0, '000'B, '001'B, '011'B, '00'O)			
99	[TCV_Cnt = 5]			
100	+StartMultiCells_02e(BcchFreqLst_e205, BcchFreqLst_27, C_Immass, TCV_slot, TCV_tsc, TimingAdv_01, 0, '000'B, '001'B, '011'B, '00'O)			
101	[TCV_Cnt = 6]			
102	+StartMultiCells_02e(BcchFreqLst_e206, BcchFreqLst_27, C_Immass, TCV_slot, TCV_tsc, TimingAdv_01, 0, '000'B, '001'B, '011'B, '00'O)			
Detailed Comments: 1. The interval between 2 successive layer 2 frames containing MEASUREMENT REPORT exceeds one layer 2 frame, fail.				

Test Case Dynamic Behaviour					
Test Case Name:		TC_26_10_2_2			
Group:		GSM_L3_MS_v4170/EGSMsignalling/			
Purpose:		To verify that the MS can correctly set up a dedicated control channel when E-GSM frequencies are used.			
Default:		OtherEventsFail			
Nr	Label	Behaviour Description	CRef	V	Comments
1	pre	START T_guard(300)			
2		(TCV_slot := C_S0, TCV_tsc := C_BCC)			
3		+IdleUpdated(C_CellA, C_Immass, TCV_slot, TCV_tsc, TimingAdv_01, '000'B, '001'B, '011'B, '00'O)			
4		+localtree_varinit			
5		+PreEnterIdleState_22(C_Immass, TCV_slot, TCV_tsc, 5, 1, 0, TimingAdv_01, '000'B, '000'B, '011'B, '00'O)			
6		+SDCCH8_A_1_nociph(TSPX_SDCCH8SubA, C_Ass, TSPX_TmSlitNotZero, TSPX_TscDef, ChMod_sign, FreqSDCCH8_e1, FreqSDCCH8_e1, TimingAdv_01, '000'B, '000'B, '011'B)			for 1)
7		+SysInfo_5bisSending(TCV_sacch8, TCV_sysinfo5bis)			
8		+SDCCH8_A_2_nociph(TSPX_SDCCH8SubB, C_Ass, TSPX_TmSlitNotZero, TSPX_TscDef, ChMod_r01, FreqSDCCH8_e2, FreqSDCCH8_e2, TimingAdv_01, '000'B, '000'B, '011'B)			for 2)
9		+SysInfo_5bisSending(TCV_sacchTch, TCV_sysinfo5bis)			
10		+CCCH_group_Paging_group(TCV_Ccd0A, TSPX_IMSI)			
11	body	REPEAT localtree_body UNTIL [TCV_Cnt = 2]			
		localtree_body			
12		L!DL_UdatRqPg1Rq	PgReq1(TCV_PgCh, TCV_Pgg, PgReqTp1_01)		
13		L?DL_RaInChRq (TCV_Rr := DL_RaInChRq.msg.ecau_rrf, TCV_Fn := DL_RaInChRq.fn)	ChReq_01		
14		ACTIVATE(OtherEventsFail_02)			To match ChReq retrans.
15		+ltree_send_immass			
16		L?DL_EstInPgRes	PgRes_02(TCV_ch)	(P)	
17		ACTIVATE(OtherEventsFail)			Restore Normal default
18		+ChanRel(TCV_ch)			
19		(TCV_Cnt := TCV_Cnt + 1)			
		ltree_send_immass			
20		[TCV_Cnt = 1]			
21		L!DL_UdatRqImm	ImmAss_E_01(TCV_Rr, TCV_Fn, TCV_agch, TCV_ia_ts, TSPX_TscDef, TCV_chdescr_arfcn, TimingAdv_01)		1)
22		(TCV_ch := OC_SubchOfSdcch8(TSPX_SDCCH8SubA, C_CellA, 1))			
23		[TCV_Cnt = 2]			
24		L!DL_UdatRqImm	ImmAss_E_02(TCV_Rr, TCV_Fn, TCV_agch, TCV_ia_ts, TSPX_TscDef, TimingAdv_01)		2)
25		(TCV_ch := OC_SubchOfSdcch8(TSPX_SDCCH8SubB, C_CellA, 2))			

26 27	localtree_varinit +Varinit_fixcommon (TCV_cellid:=C_CellA, TCV_PgCh:= C_PCH_A_1, TCV_chdescr_arfcn:= 1015, TCV_ia_ts:= TSPX_TmSlitNotZero, TCV_Cnt:= 0)			
Detailed Comments: 1) Immediate Assignment with single RF on ARFCN=1015 2) Immediate Assignment with frequency hopping				

Test Case Dynamic Behaviour					
Test Case Name:		TC_26_10_2_3			
Group:		GSM_L3_MS_v4170/EGSMsignalling/			
Purpose:		<p>1. To verify that upon receipt of an ASSIGNMENT COMMAND, the MS switches to the channel defined in the ASSIGNMENT COMMAND, establishes the link and sends an ASSIGNMENT COMPLETE message.</p> <p>2. To verify that an MS, having received an ASSIGNMENT COMMAND, is able in case of frequency hopping to decode the mobile allocation and frequency list correctly and applies the specified frequencies.</p>			
Default:		OtherEventsFail			
Nr	Label	Behaviour Description	Cref	V	Comments
1	pre	START T_guard(300)			
2		(TCV_slot := C_S0, TCV_tsc := C_BCC)			
3		+IdleUpdated(C_CellA, C_Immass, TCV_slot, TCV_tsc, TimingAdv_01, '000'B, '001'B, '011'B, '00'O)			
4		+localtree_varinit			
5		+PreEnterIdleState_23(C_Immass, TCV_slot, TCV_tsc, 5, 1, 0, TimingAdv_01, '000'B, '001'B, '011'B, '00'O)			
6		+SDCCH8_A_1_nociph(TSPX_SDCCH8SubDef, C_Ass, TSPX_TmSltDef, TSPX_TscDef, ChMod_sign, FreqBCCHa_rg, FreqBCCHa_rd1, TimingAdv_01, '000'B, '001'B, '011'B)			
7		+SysInfo_5bisSending(TCV_sacch8, TCV_sysinfo5bis)			
8		+CCCH_group_Paging_group(TCV_Ccd0A, TSPX_IMSI)			
9	body	REPEAT localtree_body UNTIL [TCV_Cnt =2]			
		localtree_body			
10		L!DL_UdatRqPg1Rq	PgReq1(TCV_PgCh, TCV_Pgg, PgReqTp1_01)		
11		L?DL_RaInChRq (TCV_Rr := DL_RaInChRq, msg.ecau_rfr, TCV_Fn := DL_RaInChRq.fn)	ChReq_01		
12		ACTIVATE(OtherEventsFail_02)			To match ChReq retrans.
13		LIDL_UdatRqImmass	ImmAss_27(TCV_Rr, TCV_Fn, TCV_agch, TCV_ia_ts, TCV_chdescr_arfcn, TimingAdv_01)		
14		L?DL_EstInPgRes	PgRes_02(TCV_ch)		
15		ACTIVATE(OtherEventsFail)			Restore Normal default
16		+ltree_chtype			
17		+ltree_send_ch_assign			
18		+ChanRel(TCV_chTch)			
19		(TCV_Cnt := (TCV_Cnt + 1))			Loop for K
		ltree_chtype			
20		[TSPC_FullRateSpeech = TRUE]			
21		(TCV_chtype := '00001'B)			for TCH
22		[TSPC_FullRateSpeech = FALSE]			
23		(TCV_chtype := INT_TO_BIT((8 + BIT_TO_INT(TSPX_SDCCH8SubA)),5))			for SDCCH8
		ltree_send_ch_assign			
24		[TCV_Cnt = 1]			
25		(TCV_asscmd_ts :=INT_TO_BIT(((BIT_TO_INT(TSPX_TmSltA) + 1) MOD 8), 3), TCV_Cnt1 := 1)			
26		REPEAT ltree_assign1 UNTIL [TCV_Cnt1 =6]			
27		[TCV_Cnt = 2]			
28		(TCV_Cnt1 := 1)			

29	REPEAT ltree_assign2 UNTIL [TCV_Cnt1 =6]	
	ltree_assign1	
30	+ltree_assign1_setup	
31	+ltree_chnassign1	
32	(TCV_AssCmd := AsgnCmd_22_Ae1(TCV_asscmd_ts,TCV_chtype, TCV_flist, TCV_flistl))	
33	+AssCh_complete(TCV_ch,TCV_chTch,TCV_A ssCmd)	1)
34	(TCV_Cnt1 := (TCV_Cnt1 + 1))	Loop for C
	ltree_assign2	
35	+ltree_assign2_setup	
36	+ltree_asscmdsending	
37	(TCV_Cnt1 := (TCV_Cnt1 + 1))	
	ltree_asscmdsending	
38	[TCV_Cnt1 = 4]	
39	+ltree_chnassign1	3)
40	(TCV_AssCmd := AsgnCmd_22_Ae2(TCV_asscmd_ts, TCV_chtype, TCV_cchdescr,TCV_mae1))	
41	+AssCh_complete(TCV_ch,TCV_chTch,TCV_A ssCmd)	2)
42	[TCV_Cnt1 <> 4]	
43	+ltree_chnassign2	4)
44	(TCV_AssCmd := AsgnCmd_22_Ae3(TCV_asscmd_ts, TCV_chtype, TCV_cchdescr,TCV_mae1, TCV_mae2))	
45	+AssCh_complete(TCV_ch,TCV_chTch,TCV_A ssCmd)	2)
	ltree_chnassign1	
46	[TSPC_FullRateSpeech = TRUE]	1)
47	+FullRateCh_A_1_nociph(C_Ass, TCV_asscmd_ts, TCV_tsc, ChMod_speech, FreqTCH_ef1(TCV_mae1, TCV_flist, TCV_flistl), FreqTCH_ef1(TCV_mae1, TCV_flist, TCV_flistl), TimingAdv_01, '000'B, '001'B, '011'B)	
48	+SysInfo_5bisSending(TCV_sacchTch, TCV_sysinfo5bis)	
49	[TSPC_FullRateSpeech = FALSE]	2)
50	+SDCCH8_A_1_2_nociph(TSPX_SDCCH8SubA, C_Ass, TCV_asscmd_ts, TCV_tsc, ChMod_sign, FreqTCH_ef1(TCV_mae1,TCV_flist, TCV_flistl), FreqTCH_ef1(TCV_mae1,TCV_flist, TCV_flistl), TimingAdv_01, '000'B, '001'B, '011'B)	
51	+SysInfo_5bisSending(TCV_sacchTch, TCV_sysinfo5bis)	
	ltree_chnassign2	
52	[TSPC_FullRateSpeech = TRUE]	1)
53	+FullRateCh_A_1_nociph(C_Ass, TCV_asscmd_ts, TCV_tsc, ChMod_speech, FreqTCH_ef2(TCV_mae1, TCV_mae2, TCV_flist, TCV_flistl), FreqTCH_ef2(TCV_mae1, TCV_mae2, TCV_flist, TCV_flistl), TimingAdv_01, '000'B, '001'B, '011'B)	
54	+SysInfo_5bisSending(TCV_sacchTch, TCV_sysinfo5bis)	
55	[TSPC_FullRateSpeech = FALSE]	2)
56	+SDCCH8_A_1_2_nociph(TSPX_SDCCH8SubA, C_Ass, TCV_asscmd_ts, TCV_tsc, ChMod_sign, FreqTCH_ef2(TCV_mae1, TCV_mae2, TCV_flist, TCV_flistl), FreqTCH_ef2(TCV_mae1, TCV_mae2, TCV_flist, TCV_flistl), TimingAdv_01, '000'B, '001'B, '011'B)	
57	+SysInfo_5bisSending(TCV_sacchTch, TCV_sysinfo5bis)	

<p>58 59 60 61 62 63 64 65 66 67 68 69 70 71 72 73 74 75 76 77 78 79 80 81 82 83</p>	<p>ltree_assign1_setup [TCV_Cnt1 = 1] (TCV_flist := C_flist_e_401, TCV_flistl:=‘04’O, TCV_mae1:=‘00000111’B) [TCV_Cnt1 = 2] (TCV_flist := C_flist_e_402, TCV_flistl:=‘06’O, TCV_mae1:=‘00011111’B) [TCV_Cnt1 = 3] (TCV_flist := C_flist_e_403, TCV_flistl:=‘06’O, TCV_mae1:=‘00001111’B) [TCV_Cnt1 = 4] (TCV_flist := C_flist_e_404, TCV_flistl:=‘06’O, TCV_mae1:=‘00001111’B) [TCV_Cnt1 = 5] (TCV_flist := C_flist_e_405, TCV_flistl:=‘07’O, TCV_mae1:=‘00111111’B) [TCV_Cnt1 = 6] (TCV_flist := C_flist_e_406, TCV_flistl:=‘10’O, TCV_mae1:=‘00000111’B) ltree_assign2_setup [TCV_Cnt1 = 1] (TCV_cchdescr := C_cchd_e_407, TCV_mae1:=‘00011100’B, TCV_mae2:=‘00000000’B, TCV_flist:=C_flist_e_407, TCV_flistl:=‘05’O) [TCV_Cnt1 = 2] (TCV_cchdescr := C_cchd_e_408, TCV_mae1:=‘00000000’B, TCV_mae2:=‘11111000’B, TCV_flist:= C_flist_e_408, TCV_flistl:=‘0D’O) [TCV_Cnt1 = 3] (TCV_cchdescr := C_cchd_e_409, TCV_mae1:=‘00000000’B, TCV_mae2:=‘00001111’B, TCV_flist:= C_flist_e_409, TCV_flistl:=‘10’O) [TCV_Cnt1 = 4] (TCV_cchdescr := C_cchd_e_415, TCV_mae1:=‘11100011’B, TCV_flist:= C_flist_e_415, TCV_flistl:=‘09’O) [TCV_Cnt1 = 5] (TCV_cchdescr := C_cchd_e_411, TCV_mae1:=‘00000001’B, TCV_mae2:=‘11110000’B, TCV_flist:= C_flist_e_411, TCV_flistl:=‘07’O) [TCV_Cnt1 = 6] (TCV_cchdescr := C_cchd_e_412, TCV_mae1:=‘00000000’B, TCV_mae2:=‘00000111’B, TCV_flist:= C_flist_e_412, TCV_flistl:=‘10’O) localtree_varinit +Varinit_fixcommon (TCV_cellid:=C_CellA, TCV_PgCh:= C_PCH_A_1, TCV_chdescr_arfcn:= 20, TCV_ia_ts:= TSPX_TmSlitA, TCV_sacch := OC_SubchOfSacch4(TSPX_SDCCH4SubDef, C_CellA), TCV_Cnt := 0)</p>		
<p>Detailed Comments:</p>	<p>1) Assignment Command without Cell Channel Description IE 2) Assignment Command with Cell Channel Description IE 3) Length of mobile allocation contents is 1 octet 4) PDU contains Mobile Allocation with 2 octets</p>	<p>2)</p>	

Test Case Dynamic Behaviour

Test Case Name:	TC_26_10_2_4_1
Group:	GSM_L3_MS_v4170/EGSMsignalling/
Purpose:	To check that the MS correctly performs a non-synchronized handover, from a non hopping primary band SDCCH to a hopping TCH or SDCCH using E-GSM frequencies, whatever the coding used for the hopping sequence description and that it activates the new channel correctly.
	This tested in the following case: E-GSM signalling/ Handover / successful / call under establishment / non-synchronized / - from SDCCH/8 to TCH/F if the MS supports a TCH - from SDCCH/8 to SDCCH/8 if not
Default:	OtherEventsFail

Nr	Label	Behaviour Description	CRef	V	Comments
1		START T_guard(300)			
2		(TCV_slot := C_S0, TCV_tsc := C_BCC)			
3		+IdleUpdated(C_Cella, C_Immass, TCV_slot, TCV_tsc, TimingAdv_01, '000'B, '001'B, '011'B, '00'O)			
4		+ltree_timingadv_init			
5		+PreEnterIdleState_202e(C_NotCombined, C_NotCombined, C_Immass, TCV_slot, TCV_tsc, 5, 1, 0, TCV_TimingAdv, '000'B, '000'B, '000'B, '011'B, '00'O)			
6		+SDCCH8_A_1(TSPX_SDCCH8SubA, C_Ass, TCV_ia_ts, TCV_tsc, ChMod_sign, FreqTCH_ef1(TCV_mae1, TCV_flist,TCV_flist), FreqTCH_ef1(TCV_mae1, TCV_flist,TCV_flist), TCV_TimingAdv, '000'B, '000'B, '011'B)			
7	body	(TCV_Cnt2 :=0)			
8		REPEAT localtree_body UNTIL [TCV_Cnt2 =3]			Loop for k
		localtree_body			
9		(TCV_Cnt1 :=0)			
10		REPEAT ltree_execloopC UNTIL [TCV_Cnt1=6]			Loop for c
11		(TCV_Cnt2 := (TCV_Cnt2 +1))			
		ltree_execloopC			
12		+localtree_varinit			
13		(TCV_Null := OM_NotAckSetup(TCV_ch))			
14		+EstMsOrigTCHF_init(C_CHSDCCH8_FH, 1, TCV_TimingAdv)			
15		+ltree_chtype			
16		+ltree_chconfig			
17		+ltree_hoexec			
18		+ltree_hocompl			
19		L?DL_DatInSetup (TCV_Mt1 :=DL_DatInSetup.msg.mt)	SetupIn_01		3)
20		+localtree_mt			4)
21		+ChanRel(TCV_ch)			
22		(TCV_Cnt1:= (TCV_Cnt1+1))			
		localtree_mt			
23		[TCV_Mt1 = TCV_Mt]		(P)	
24		[TCV_Mt1 <> TCV_Mt]		(F)	
		ltree_chtype			
25		[TSPC_FullRateSpeech = TRUE]			
26		(TCV_chtype := '00001'B)			for TCH
27		[TSPC_FullRateSpeech = FALSE]			
28		(TCV_chtype := INT_TO_BIT((8 + BIT_TO_INT(TSPX_SDCCH8SubDef)),5))			for SDCCH8
		ltree_hoexec			
29		+ltree_varinit2			

30	[TCV_Cnt2 = 1]		
31	LIDL_DatRqHoCmd	HndOv_22_B1e(TCV_Horf, TCV_ch, TCV_ts, TCV_Pwrlvl_ho, TCV_chtype, TCV_flist, TCV_flistl, TCV_TimingAdviei)	Loop for k
32	[TCV_Cnt2 = 2]		Loop for k
33	LIDL_DatRqHoCmd	HndOv_22_B2e(TCV_Horf, TCV_ch, TCV_ts, TCV_Pwrlvl_ho, TCV_chtype, TCV_flist, TCV_flistl, TCV_TimingAdviei)	
34	[TCV_Cnt2 = 3]		Loop for k
35	LIDL_DatRqHoCmd	HndOv_22_B3e(TCV_Horf, TCV_ch, TCV_ts, TCV_Pwrlvl_ho, TCV_chtype, TCV_cchdescr, TCV_mae1, TCV_mae2, TCV_TimingAdviei)	
	ltree_hocompl		
36	[TSPC_FullRateSpeech = TRUE]		1)
37	(TCV_ch := C_FACCHF_B_1)		
38	+RR_hocomp1(500, TCV_TimingAdv)		
39	[TSPC_FullRateSpeech = FALSE]		2)
40	(TCV_ch := OC_SubchOfSdcch8(TSPX_SDCCH8SubA, C_CellB, 1))		
41	+RR_hocomp1(750, TCV_TimingAdv)		
	ltree_chconfig		
42	[TCV_Cnt2 = 1]		
43	[TCV_Cnt1 = 1]		
44	(TCV_flist := C_flist_e_401, TCV_flistl := '05'O, TCV_mae1 := '00000111'B)		
45	[TCV_Cnt1 = 2]		
46	(TCV_flist := C_flist_e_402, TCV_flistl := '06'O, TCV_mae1 := '00011111'B)		
47	[TCV_Cnt1 = 3]		
48	(TCV_flist := C_flist_e_403, TCV_flistl := '06'O, TCV_mae1 := '00001111'B)		
49	[TCV_Cnt1 = 4]		
50	(TCV_flist := C_flist_e_404, TCV_flistl := '06'O, TCV_mae1 := '00001111'B)		
51	[TCV_Cnt1 = 5]		
52	(TCV_flist := C_flist_e_405, TCV_flistl := '07'O, TCV_mae1 := '00111111'B)		
53	[TCV_Cnt1 = 6]		
54	(TCV_flist := C_flist_e_406, TCV_flistl := '00'O, TCV_mae1 := '00000000'B)		not used
55	[TCV_Cnt2 = 2]		
56	[TCV_Cnt1 = 1]		
57	(TCV_flist := C_flist_e_401, TCV_flistl := '05'O, TCV_mae1 := '00000111'B)		
58	[TCV_Cnt1 = 2]		
59	(TCV_flist := C_flist_e_402, TCV_flistl := '06'O, TCV_mae1 := '00011111'B)		
60	[TCV_Cnt1 = 3]		
61	(TCV_flist := C_flist_e_403, TCV_flistl := '06'O, TCV_mae1 := '00001111'B)		
62	[TCV_Cnt1 = 4]		
63	(TCV_flist := C_flist_e_404, TCV_flistl := '06'O, TCV_mae1 := '00001111'B)		
64	[TCV_Cnt1 = 5]		

65	(TCV_flist := C_flist_e_405, TCV_flistl:='07'O, TCV_mae1:='00111111'B)	
66	[TCV_Cnt1 = 6]	
67	(TCV_flist := C_flist_e_406, TCV_flistl:='10'O, TCV_mae1:='00000111'B)	
68	[TCV_Cnt2 = 3]	
69	[TCV_Cnt1 = 1]	
70	(TCV_cchdescr := C_cchd_e_407, TCV_mae1:='00011100'B, TCV_mae2:='00000000'B, TCV_flist:=C_flist_e_407, TCV_flistl:='05'O)	
71	[TCV_Cnt1 = 2]	
72	(TCV_cchdescr := C_cchd_e_408, TCV_mae1:='00000000'B, TCV_mae2:='11111000'B, TCV_flist:= C_flist_e_408, TCV_flistl:='0D'O)	
73	[TCV_Cnt1 = 3]	
74	(TCV_cchdescr := C_cchd_e_409, TCV_mae1:='00000000'B, TCV_mae2:='00001111'B, TCV_flist:= C_flist_e_409, TCV_flistl:='10'O)	
75	[TCV_Cnt1 = 4]	
76	(TCV_cchdescr := C_cchd_e_410, TCV_mae1:='00000110'B, TCV_mae2:='00000110'B, TCV_flist:= C_flist_e_410, TCV_flistl:='0A'O)	
77	[TCV_Cnt1 = 5]	
78	(TCV_cchdescr := C_cchd_e_411, TCV_mae1:='00000001'B, TCV_mae2:='11110000'B, TCV_flist:= C_flist_e_411, TCV_flistl:='07'O)	
79	[TCV_Cnt1 = 6]	
80	(TCV_cchdescr := C_cchd_e_412, TCV_mae1:='00000000'B, TCV_mae2:='00000111'B, TCV_flist:= C_flist_e_412, TCV_flistl:='10'O)	
	localtree_varinit	
81	+Varinit_fixcommon	
82	(TCV_cellid:=C_CellA, TCV_sacch:= OC_SubchOfSacch4(TSPX_SDCCH4SubA, C_CellA), TCV_sacch_B := OC_SubchOfSacch4(TSPX_SDCCH4SubDef, C_CellB), TCV_PgCh:= C_PCH_A_1, TCV_ia_ts:= TSPX_TmSlitNotZero, TCV_ts:= TSPX_TmSlitNotZero, TCV_Cntref:= TSPX_hoaccessA, TCV_Horf:= TSPX_horfA, TCV_Pwrlvl_ho:= TSPX_PwrlvlA, TCV_flist:= C_flist_e_414, TCV_flistl:='10'O, TCV_mae1 := '00001101'B)	
	ltree_varinit2	
83	(TCV_cellid:=C_CellB)	
84	[TSPC_FullRateSpeech = TRUE]	1)
85	[TCV_Cnt2 <> 3]	
86	+FullRateCh_B_1(C_Ass, TCV_ts, TSPX_TscDef, ChMod_speech, FreqTCH_ef1(TCV_mae1, TCV_flist, TCV_flistl), FreqTCH_ef1(TCV_mae1, TCV_flist, TCV_flistl), TCV_TimingAdv, '000'B, '000'B, '011'B)	
87	[TCV_Cnt2 = 3]	
88	+FullRateCh_B_1(C_Ass, TCV_ts, TSPX_TscDef, ChMod_speech, FreqTCH_ef2(TCV_mae1, TCV_mae2, TCV_flist, TCV_flistl), FreqTCH_ef2(TCV_mae1, TCV_mae2, TCV_flist, TCV_flistl), TCV_TimingAdv, '000'B, '000'B, '011'B)	
89	[TSPC_FullRateSpeech = FALSE]	2)
90	[TCV_Cnt2 <> 3]	
91	+SDCCH8_B_1(TSPX_SDCCH8SubDef, C_Asynho, TCV_ts, TSPX_TscDef, ChMod_sign, FreqTCH_ef1(TCV_mae1,	

92	TCV_flist, TCV_flistl), FreqTCH_ef1(TCV_mae1, TCV_flist, TCV_flistl), TCV_TimingAdv, '000'B, '000'B, '011'B)		
93	[TCV_Cnt2 = 3] +SDCCH8_B_1(TSPX_SDCCH8SubDef, C_Asynho, TCV_ts, TSPX_TscDef, ChMod_sign, FreqTCH_ef2(TCV_mae1, TCV_mae2, TCV_flist, TCV_flistl), FreqTCH_ef2(TCV_mae1, TCV_mae2, TCV_flist, TCV_flistl), TCV_TimingAdv, '000'B, '000'B, '011'B)		
94	ltree_timingadv_init +localtree_varinit		
95	[TSPC_FullRateSpeech = TRUE]		
96	(TCV_TimingAdv := TimingAdv_03, TCV_TimingAdviei := TimingAdv_03iei)		for TCH
97	[TSPC_FullRateSpeech = FALSE]		
98	(TCV_TimingAdv := TimingAdv_r02, TCV_TimingAdviei := TimingAdv_r02iei)		for SDCCH8
Detailed Comments:			
1) HO from SDCCH8 no FH to TCH/F FH			
2) HO from SDCCH8 no FH to SDCCH8 FH			

Test Case Dynamic Behaviour					
Test Case Name:		TC_26_10_2_4_2			
Group:		GSM_L3_MS_v4170/EGSMsignalling/			
Purpose:		To check that the MS correctly returns to the old channel in the case of an handover failure caused by a layer 1 failure on the target cell, even if the origin is in the P-GSM band and the targeting the E-GSM band.			
Default:		OtherEventsFail			
Nr	Label	Behaviour Description	CRef	V	Comments
1		START T_guard(300)			
2		(TCV_slot := C_S0, TCV_tsc := C_BCC)			
3		+IdleUpdated(C_CellA, C_Immass, TCV_slot, TCV_tsc, TimingAdv_01, '000'B, '001'B, '011'B, '00'O)			
4		+localtree_varinit			
5		+PreEnterIdleState_202e(C_Combined, C_NotCombined, C_Immass, TCV_slot, TCV_tsc, 5, 1, 0, TimingAdv_01, '000'B, '001'B, '000'B, '011'B, '00'O)			
6		+ltree_chtype			
7		+ltree_u10			
8		+ltree_body			
		ltree_body			
9		(TCV_flist := C_flist_e_413, TCV_flistl := '05'O, TCV_mae1 := '00000111'B)			
10		+FullRateCh_B_1(C_Ass, TCV_ts, TCV_tsc, ChMod_speech, FreqTCH_ef1(TCV_mae1, TCV_flist, TCV_flistl), FreqTCH_ef1(TCV_mae1, TCV_flist, TCV_flistl), TimingAdv_01, '000'B, '001'B, '011'B)			
11		(TCV_L1Head0 := OM_GetL1Hd(TCV_ch))			
12		+send_ho			
13		START T_dly(480000)			
14		(TCV_Cnt := 0)			
15		REPEAT ltree_hoacc UNTIL [TCV_Cnt = TCV_Cntref]			
16		(TCV_L1Head := OM_GetL1Hd(TCV_ch))			
17		L?DL_DatInHofl	HndOvFl_02(TCV_ch Tch)		
18		[TCV_L1Head.mspwrlvl = TCV_L1Head0.mspwrlvl]		(P)	
19		+ChanRel_end(TCV_ch)			
20		[TCV_L1Head.mspwrlvl <> TCV_L1Head0.mspwrlvl]			
21		+ChanRel_end(TCV_ch)			
22		?TIMEOUT T_dly		(F)	
23		+ChanRel(TCV_chTch)			
		send_ho			
24		[TSPC_FullRateSpeech = TRUE]			
25		L!DL_DatRqHoCmd	HndOv_22_B1e(TCV_Horf, TCV_ch, TCV_ts, TCV_Pwrlvl_ho, TCV_chtype, TCV_flist, TCV_flistl, TimingAdv_01iei)		
26		[TSPC_FullRateSpeech = FALSE]			
27		L!DL_DatRqHoCmd(DL_DatRqHoCmd.msg.ch1mod := TSPX_ChModsup)	HndOv_22_B1e(TCV_Horf, TCV_ch, TCV_ts, TCV_Pwrlvl_ho, TCV_chtype, TCV_flist, TCV_flistl, TimingAdv_01iei)		
		ltree_hoacc			
28		L?DL_RaInHoacc	HndOvAcc_20(TCV_c		

29	(TCV_Cnt := TCV_Cnt + 1)	hTch, TCV_Horf)	
	Itree_u10		
30	+RRmtcallprepare(TimingAdv_01)		
31	L!DL_DatRqSetup (TCV_Tl.ti.f := '0'B, TCV_Tl.ti.v := '000'B)	SetupRq_20(TCV_ch)	
32	L?DL_DatInCallCo	CallCfm_20	1)
33	L?DL_DatInConn	ConnRcv_01	
34	(TCV_chdescr_arfcn:= C_arfcnEgsm_asscmd)		
35	+localtree		
36	L?DL_DatInAlert	AlertRcv_01	
37	(TCV_Null := OO_HookOff())		
38	L?DL_DatInConn	ConnRcv_01	
39	(TCV_chdescr_arfcn:= C_arfcnEgsm_asscmd)		
40	+localtree		
	localtree		
41	(TCV_AssCmd := AsgnCmd_21(TCV_asscmd_ts, TCV_chdescr_arfcn), TCV_AssCmd.pcmd.pl := '01010'B, TCV_AssCmd.ch1d_at.cht_schn := TCV_chtype)		
42	+AssCh_complete(TCV_ch,TCV_chTch,TCV_AssCmd)		2)
43	L!DL_DatRqConnAck	ConnAck_20(TCV_ch)	
	Itree_chtype		
44	(TCV_chtype := '00001'B)		
45	+FullRateCh_A_1(C_Ass, TCV_asscmd_ts, TCV_tsc, ChMod_speech, FreqTCHa_ho, FreqTCHa_hod, TimingAdv_01, '000'B, '000'B, '011'B)		
	localtree_varinit		
46	+Varinit_fixcommon		
47	(TCV_cellid:=C_CellA, TCV_chdescr_arfcn:= C_arfcnA, TCV_ch:= OC_SubchOfSdcch4(TSPX_SDCCH4SubA, C_CellA), TCV_sacch:= OC_SubchOfSacch4(TSPX_SDCCH4SubA, C_CellA), TCV_sacch_B := OC_SubchOfSacch4(TSPX_SDCCH4SubDef, C_CellB), TCV_PgCh:= C_PCH_A_1, TCV_asscmd_ts:= TSPX_TmSlitNotZero, TCV_ts:= TSPX_TmSlitNotZero1, TCV_Cntref:= TSPX_hoaccessA, TCV_Horf:= TSPX_horfA, TCV_Pwrlvl_ho:= '01100'B)		

Detailed Comments:

1. If the MS supports the bearer capabilities, which are give in Setup message, it has to accept them. Therefor, they are no bearer capabilities expected in Call Confirm message.
2. TCH/F or SDCCH/4 with non hopping in selected cell.
Power level = 10

Test Case Dynamic Behaviour					
Test Case Name: TC_26_10_2_5					
Group: GSM_L3_MS_v4170/EGSMsignalling/					
Purpose: 1) To verify that the MS, after receiving a FREQUENCY REDEFINITION message, starts using the new frequencies and hopping sequence when some E-GSM frequencies are used.					
2) To check that the last received Cell Channel Description information element is used to decode the Mobile Allocation IE received in the FREQUENCY REDEFINITION message.					
Default: OtherEventsFail					
Nr	Label	Behaviour Description	CRef	V	Comments
1	pre	START T_guard(300)			
2		(TCV_slot := C_S0, TCV_tsc := C_BCC)			
3		+IdleUpdated(C_CellA, C_Immass, TCV_slot, TCV_tsc, TimingAdv_01, '000'B, '001'B, '011'B, '00'O)			
4		+localtree_varinit			
5		+PreEnterIdleState_23(C_Immass, TCV_slot, TCV_tsc, 5, 1, 0, TimingAdv_01, '000'B, '001'B, '011'B, '00'O)			
6		+InitRate			
7		+CCCH_group_Paging_group(TCV_Ccd0 A, TSPX_IMSI)			
8		(TCV_Cnt1 := 1)			
9	body	REPEAT localtree_body UNTIL [TCV_Cnt1 = 7]			
		localtree_body			
10		L!DL_UdatRqPg1Rq	PgReq1(TCV_PgCh, TCV_Pgg, PgReqTp1_01)		
11		L?DL_RaInChRq (TCV_Rr := DL_RaInChRq.msg.ecau_rrf, TCV_Fn := DL_RaInChRq.fn)	ChReq_01		
12		ACTIVATE(OtherEventsFail_02)			To match ChReq retrans.
13		+ltree_send_immass			
14		L?DL_EstInPgRes	PgRes_02(TCV_ch)		
15		ACTIVATE(OtherEventsFail)			Restore Normal default
16		+ltree_setnewchn			
17		+ltree_newchnassign			
18		+ltree_sendFreqRedef			
19		+ltree_checkchnafterfreqred			
20		+ChanRel(TCV_ch)			
21		(TCV_Cnt1:= (TCV_Cnt1 +1))			
		ltree_checkchnafterfreqred			
22		[(TCV_Cnt1 = 4) OR (TCV_Cnt1=6)]			Ma1)
23		(TCV_Res := OM_FHCHK(TCV_sacchTch))			
24		[TCV_Res = FALSE]		(F)	
25		[TCV_Res = TRUE]		(P)	
26		[(TCV_Cnt1 <>4) AND(TCV_Cnt1<>6)]			Ma2)
27		(TCV_Res := OM_FHCHK(TCV_sacchTch))			
28		[TCV_Res = FALSE]		(F)	
29		[TCV_Res = TRUE]		(P)	
		ltree_newchnassign			
30		(TCV_Fn := OM_ComingFn(TCV_ch), TCV_chd1 := ChDescrp_22e(TSPX_TmSitNotZero1,TCV_chtype), TCV_Strt:=OC_StartTime(TCV_Fn,100,0), TCV_Null := OM_SendNextOn(TCV_ch, TCV_Fn))			
31		[(TCV_Cnt1 = 4) OR (TCV_Cnt1=6)]			Ma1)
32		(TCV_Null := OM_FreqDef(TCV_Strt, MoblAllc_20_Be1(TCV_mae1), TCV_ch, TCV_chd1, CellChDes_20_Be(TCV_cchdescr)))			
33		[(TCV_Cnt1 <>4) AND(TCV_Cnt1<>6)]			Ma2)
34		(TCV_Null := OM_FreqDef(TCV_Strt, MoblAllc_20_Be2(TCV_mae1,TCV_mae2), TCV_ch, TCV_chd1,			

	CellChDes_20_Be(TCV_cchdescr)))		
	ltree_sendFreqRedef		
35	[TCV_Cnt1 <> 6]		
36	[TCV_Cnt1 = 4]		Ma1)
37	LIDL_DatRqFrqre	FrqRedf_20(TCV_ch, TSPX_TmSltNotZero 1, TCV_chtype, TCV_cchdescr, TCV_mae1, TCV_Strt)	
38	[TCV_Cnt1 <> 4]		Ma2)
39	LIDL_DatRqFrqre	FrqRedf_22(TCV_ch, TSPX_TmSltNotZero 1, TCV_chtype, TCV_cchdescr, TCV_mae1, TCV_mae2, TCV_Strt)	
40	[TCV_Cnt1 = 6]		Ma1)
41	LIDL_DatRqFrqre	FrqRedf_21(TCV_ch, TSPX_TmSltNotZero 1, TCV_chtype, TCV_mae1, TCV_Strt)	
	ltree_send_immass		
42	[TSPC_FullRateSpeech = TRUE]		
43	LIDL_UdatRqImmass	ImmAss_21(TCV_Rr, TCV_Fn, TCV_agch, TCV_ia_ts, TCV_chdescr_arfcn, TimingAdv_01)	
44	(TCV_ch := C_FACCHF_A_1)		
45	[TSPC_FullRateSpeech = FALSE]		
46	LIDL_UdatRqImmass	ImmAss_27(TCV_Rr, TCV_Fn, TCV_agch, TCV_ia_ts, TCV_chdescr_arfcn, TimingAdv_01)	
47	(TCV_ch := OC_SubchOfSdcch8(TSPX_SDCCH8SubDef, C_CellA, 1))		
	ltree_setnewchn		
48	[TCV_Cnt1 = 1]		
49	(TCV_cchdescr := C_cchd_e_407, TCV_mae1:='00011100'B, TCV_mae2:='00000000'B)		
50	[TCV_Cnt1 = 2]		
51	(TCV_cchdescr := C_cchd_e_408, TCV_mae1:='00000000'B, TCV_mae2:='11110000'B)		
52	[TCV_Cnt1 = 3]		
53	(TCV_cchdescr := C_cchd_e_409, TCV_mae1:='00000000'B, TCV_mae2:='00001111'B)		
54	[TCV_Cnt1 = 4]		
55	(TCV_cchdescr := C_cchd_e_415, TCV_mae1:='11000110'B)		
56	[TCV_Cnt1 = 5]		
57	(TCV_cchdescr := C_cchd_e_411, TCV_mae1:='00000001'B, TCV_mae2:='11110000'B)		
58	[TCV_Cnt1 = 6]		
59	(TCV_cchdescr := C_cchd_e_414, TCV_mae1:='00001110'B)		
	localtree_varinit		
60	+Varinit_fixcommon		
61	(TCV_cellid:=C_CellA, TCV_sacch := OC_SubchOfSacch4(TSPX_SDCCH4SubDef,		

	C_CellA), TCV_PgCh:= C_PCH_A_1, TCV_chdescr_arfcn:= 20, TCV_ia_ts:= TSPX_TmSlitNotZero)		
	InitRate		
62	[TSPC_FullRateSpeech = TRUE]		
63	(TCV_chtype := '00001'B)		
64	+FullRateCh_A_1_2_nociph(FreqTCHa6, C_Ass, TSPX_TmSlitDef, TSPX_TscDef, TimingAdv_01, '000'B, '001'B, '011'B)		
65	+SysInfo_5bisSending(TCV_sacchTch, TCV_sysinfo5bis)		
66	[TSPC_FullRateSpeech = FALSE]		
67	(TCV_chtype := INT_TO_BIT((8 + BIT_TO_INT(TSPX_SDCCH8SubDef)),5))		
68	+SDCCH8_A_1_nociph(TSPX_SDCCH8SubDef, C_Ass, TCV_slot, TCV_tsc, ChMod_sign, FreqTCHa_ho, FreqTCHa_hod, TimingAdv_01, '000'B, '001'B, '011'B)		
69	+SysInfo_5bisSending(TCV_sacch8, TCV_sysinfo5bis)		
Detailed Comments:		Ma1) Mobile Allocation with 1 octets	
		Ma2) Mobile Allocation with 2 octets	

Test Case Dynamic Behaviour

Test Case Name:	TC_26_10_3_1
Group:	GSM_L3_MS_v4170/EGSMsignalling/
Purpose:	<p>1) To verify that the MS in MM state "idle, updated" and in RR idle mode with a TMSI assigned, when made to initiate a call for a selected teleservice that is supported by the MS as declared in a PICS/PIXIT statement, starts to initiate an immediate assignment procedure by sending the CHANNEL REQUEST message.</p> <p>2) To verify that subsequently after receipt of an IMMEDIATE ASSIGNMENT message allocating an SDCCH, after completion of establishment of the main signalling link, after having sent a CM SERVICE REQUEST message, after having successfully performed authentication and cipher mode setting procedures, after having sent a SETUP message, after having received a CALL PROCEEDING message followed by an ALERTING message and an ASSIGNMENT COMMAND message allocating an appropriate TCH, the MS sends an ASSIGNMENT COMPLETE message.</p> <p>3) To verify that subsequently, after the suite of actions specified in test purposes 1 and 2, the MS after receiving a CONNECT message returns a CONNECT ACKNOWLEDGE message.</p> <p>4) To verify that after the suite of actions specified in test purposes 1 and 2, the MS after receiving a CONNECT message attaches the user connection to the radio path. (This is checked by verifying that there is a point in time after transmission of the first L2 frame containing the (complete) CONNECT message, where the MS is sending appropriate speech or data frames whenever it does not have to transmit or acknowledge an L frame on layer 2 of the FACCH.)</p>
Default:	OtherEventsFail

Nr	Label	Behaviour Description	CRef	V	Comments
1		START T_guard(300)			
2		(TCV_slot := C_S0, TCV_tsc := C_BCC)			
3		+IdleUpdated(C_CellA, C_Immass, TCV_slot, TCV_tsc, TimingAdv_01, '000'B, '001'B, '011'B, '00'O)			
4		+localtree_varinit			
5		+PreEnterIdleState_23(C_Immass, TCV_slot, TCV_tsc, 5, 1, 0, TimingAdv_01, '000'B, '001'B, '011'B, '00'O)			
6		+SDCCH8_A_1(TSPX_SDCCH8SubDef, C_Immass, TCV_ia_ts, TCV_tsc, ChMod_sign, FreqTCHa_ho, FreqTCHa_hod, TimingAdv_01, '000'B, '001'B, '011'B)			
7		+SysInfo_5bisSending(TCV_sacch8, TCV_sysinfo5bis)			
8		+FullRateCh_A_1(C_Ass, TCV_asscmd_ts, TCV_tsc, ChMod_speech, FreqTCHa_ho, FreqTCHa_hod, TimingAdv_01, '000'B, '001'B, '011'B)			
9		+SysInfo_5bisSending(TCV_sacchTc h, TCV_sysinfo5bis)			
10		+ltree_AttmpCall			
11		L?DL_RaInChRq (TCV_Rr := DL_RaInChRq. msg.ecau_rrf, TCV_Fn := DL_RaInChRq.fn)	ChReq_04		
12		ACTIVATE(OtherEventsFail_02)			To match ChReq retrans.
13		L!DL_UdatRqImmass	ImmAss_27(TCV_Rr, TCV_Fn, TCV_agch, TCV_ia_ts, TCV_chdescr_arfcn, TimingAdv_01)		
14		L?DL_EstInCmsRq	CmsReq_01		
15		ACTIVATE(OtherEventsFail)			Restore Normal default
16		+Authentication(TCV_ch, TCV_cksn)			
17		+Ciphering_on(TCV_ch)			
18		+ltree_ccest			
19		ltree_AttmpCall [(TSPC_FullRateSpeech = TRUE) OR			

20	(TSPC_HalfRateSpeech=TRUE)]		
21	+AttmpSpchCall		
22	+BasicServiceMO(TSPX_MO_BscSvc_SpeechCall, TSPX_MO_rate_SpeechCall)		
23	[(TSPC_FullRateSpeech = FALSE) AND (TSPC_HalfRateSpeech=FALSE)]		
24	+AttmpCall		
25	+BasicServiceMO(TSPX_MO_BscSvc_AnyCall, TSPX_MO_rate_AnyCall)		
26	Itree_ccest		
27	+SetupRcvMo(SetupInd_01)		
28	L!DL_DatRqCallProc	CallProc(TCV_ch, TCV_CallProc)	
29	L!DL_DatRqAlert	Alert_01(TCV_TI, TCV_ch)	
30	(TCV_AssCmd := AsgnCmd_21(TCV_asscmd_ts, C_arfcnEgsm_asscmd))		
31	+AssCh_complete(TCV_ch,TCV_chTch,TCV_AssCmd)		
32	L!DL_DatRqConn	Conn_01(TCV_TI, TCV_chTch)	
33	L?DL_DatInConnAck	ConnAckRcv_01(TCV_TI)	
34	+TermCall		
35	L?DL_DatInDisc	DiscRcv(TCV_chTch, Disconn_05(TCV_TI))	
36	L!DL_DatRqRel	RelRq_04(TCV_TI, TCV_chTch)	
37	L?DL_DatInRelCmp	RelCmp_02(TCV_TI)	
38	+PostMainLinkRel(TCV_chTch)		
39	localtree_varinit		
40	+Varinit_fixcommon		
41	(TCV_cellid:=C_CellA, TCV_chdescr_arfcn:=C_arfcnEgsm_iacmd, TCV_sacch := OC_SubchOfSacch4(TSPX_SDCCH4SubDef, C_CellA), TCV_PgCh:= C_PCH_A_1, TCV_ia_ts:=TSPX_TmSlTg, TCV_asscmd_ts:= TSPX_TmSlTc)		
Detailed Comments:			

Test Case Dynamic Behaviour

Test Case Name:	TC_26_10_3_2
Group:	GSM_L3_MS_v4170/EGSMsignalling/
Purpose:	<p>1) To verify that the MS in the "idle, no IMSI" state (no SIM inserted) when made to call the number 112, sends a CHANNEL REQUEST message with establishment cause "emergency call".</p> <p>2) To verify that after assignment of a dedicated channel the first layer message sent by the MS on the assigned dedicated channel is a CM SERVICE REQUEST message specifying the correct CKSN and TMSI, with CM Service Type "emergency call establishment".</p> <p>3) To verify that after receipt of a CM SERVICE ACCEPT message from the SS, the MS sends an EMERGENCY SETUP message.</p> <p>4) To verify that subsequently, the SS having sent a CALL PROCEEDING message and then an ALERT message and having initiated the assignment procedure, the MS performs correctly that assignment procedure.</p> <p>5) To verify subsequent correct performance of a connect procedure.</p> <p>6) To verify that subsequently the MS has through connected the TCH in both directions.</p> <p>7) To verify that the call is cleared correctly.</p>
Default:	OtherEventsFail

Nr	Label	Behaviour Description	CRef	V	Comments
1		START T_guard(300)			
2		(TCV_slot := C_S0, TCV_tsc := C_BCC)			
3		+IdleUpdated(C_CellA, C_Immasc, TCV_slot, TCV_tsc, TimingAdv_01, '000'B, '001'B, '011'B, '00'O)			
4		+Varinit_fixcommon			
5		(TCV_cellid:=C_CellA, TCV_chdescr_arfcn:=40, TCV_PgCh:=C_PCH_A_1, TCV_ia_ts:=TSPX_TmSlitG)			
6		+PreEnterIdleState_20(C_Immasc, TCV_slot, TCV_tsc, 5, 1, 0, TimingAdv_01, '000'B, '000'B, '011'B, '00'O)			
7		+SDCCH8_A_1_nociph(TSPX_SDCCH8SubDef, C_Ass, TCV_ia_ts, TCV_tsc, ChMod_sign, FreqSDCCH8_e, FreqSDCCH8_e, TimingAdv_01, '000'B, '000'B, '011'B)			1.
8	body	+AttmpEmgCall			
9		+BasicServiceMO(C_EmgCallSRV, TSPX_MO_rate_EmergencyCall)			
10		L?DL_RaInChRq (TCV_Rr := DL_RaInChRq, msg.ecau_rrf, TCV_Fn := DL_RaInChRq.fn)	ChReq_18	(P)	2.
11		ACTIVATE(OtherEventsFail_02)			To match ChReq retrans.
12		L!DL_UdatRqImmasc	ImmAss_27(TCV_Rr, TCV_Fn, TCV_agch, TCV_ia_ts, TCV_chdescr_arfcn, TimingAdv_01)		
13		L?DL_EstInCmsRq	CmserReq_06	(P)	3.
14		ACTIVATE(OtherEventsFail)			Restore Normal default
15		[TSPC_FullRateOnly=TRUE]			
16		+testfullratems			
17		[TSPC_DualRate = TRUE]			
18		+testdualratems			
19		testfullratems L?DL_DatInESetup (TCV_TI := DL_DatInESetup.msg.ti, TCV_TIO := TCV_TI, TCV_TI.ti_f := '1'B)	ESetupInd_02	(P)	6.
20		+FullRateCh_A_1_nociph(C_Ass, TSPX_TmSlitDef, TSPX_TscDef, ChMod_speech, FreqTCHa_rg,			7.

21	FreqTCHa_rd, TimingAdv_01, '000'B, '000'B, '011'B)			
22	LIDL_DatRqCallProc	CallProc_01(TCV_TI, TCV_ch)		
23	LIDL_DatRqAlert	Alert_01(TCV_TI, TCV_chTch)		
24	+assfullratech		8.	
25	+localtree			
26	testdualratems			
27	L?DL_DatInESetup (TCV_TI := DL_DatInESetup.msg.ti, TCV_TI0 := TCV_TI, TCV_TI.ti.f := '1'B, TCV_Rchr := DL_DatInESetup.msg.bcap.rchr, TCV_Bcap1 := DL_DatInESetup.msg.bcap)	ESetupInd_03		9.
28	[TCV_Rchr = '11'B]			10.
29	(TCV_Bcap1.rchr := '01'B)			
30	+FullRateCh_A_1_nociph(C_Ass, TSPX_TmSlitDef, TSPX_TscDef, ChMod_speech, FreqTCHa_rg, FreqTCHa_rd, TimingAdv_01, '000'B, '000'B, '011'B)			7.
31	LIDL_DatRqCallProc	CallProc_04(TCV_TI, TCV_ch)		
32	(DL_DatRqCallProc.msg.bcap1 := TCV_Bcap1)			
33	LIDL_DatRqAlert	Alert_01(TCV_TI, TCV_ch)		
34	+assfullratech		8.	
35	+localtree			
36	[TCV_Rchr = '10'B]			11.
37	(TCV_Bcap1.rchr := '00'B)			
38	+HalfRateCh_A_1_nociph(C_Ass, TSPX_TCHHSubDef, C_Ass, TSPX_TmSlitDef, TSPX_TscDef, ChMod_speech, FreqTCHa_rg, FreqTCHa_rd, TimingAdv_01, '000'B, '000'B, '011'B)			12.
39	LIDL_DatRqCallProc	CallProc_04(TCV_TI, TCV_ch)		
40	(DL_DatRqCallProc.msg.bcap1 := TCV_Bcap1)			
41	LIDL_DatRqAlert	Alert_01(TCV_TI, TCV_ch)		
42	+asshalftratech		13.	
43	+localtree			
44	localtree			
45	LIDL_DatRqConn	Conn_01(TCV_TI, TCV_chTch)		
46	L?DL_DatInConnAck	ConnAckRcv_01(TCV_TI0)	(P)	
47	(TCV_Res := OO_TCHThroConnCHK())			
48	[TCV_Res = FALSE]		(F)	14.
49	+RestoreCphKey(TCV_chTch)			
50	+PostMainLinkRel(TCV_chTch)			
51	[TCV_Res = TRUE]		(P)	15.
52	LIDL_DatRqDisc	DiscSnd(TCV_chTch, Disconn_07(TCV_TI))		
53	L?DL_DatInRel	ReleaseInd_06(TCV_TI0)	(P)	
54	LIDL_DatRqRelCmp	RelCmpRq_05(TCV_TI, TCV_chTch)		
55	+RestoreCphKey(TCV_chTch)			
56	+PostMainLinkRel(TCV_chTch)			
57	assfullratech			
58	+ltree_Asgn1			
59	(TCV_AssCmd.ch1d_at.arfcn := INT_TO_BIT(990, 10))			
60	+AssCh_complete(TCV_ch, TCV_chTch, TCV_AssCmd)			

<p>55 56 57 58 59 60 61 62 63 64 65</p>	<p>asshalfratech +ltree_Asgn2 (TCV_AssCmd.ch1d_at.arfcn:= INT_TO_BIT(990,10)) +AssCh_complete(TCV_ch,TCV_chTch,TCV_Ass Cmd) ltree_Asgn1 [TSPC_PGSM OR TSPC_EGSM] (TCV_AssCmd := AsgnCmd_tchf(TSPX_TmSlitDef, TSPX_TscDef)) [TSPC_DCS] (TCV_AssCmd := AsgnCmd_dtchf(TSPX_TmSlitDef, TSPX_TscDef)) ltree_Asgn2 [TSPC_PGSM OR TSPC_EGSM] (TCV_AssCmd := AsgnCmd_tchh(TSPX_TCHHSubDef, TSPX_TmSlitDef, TSPX_TscDef)) [TSPC_DCS] (TCV_AssCmd := AsgnCmd_dtchh(TSPX_TCHHSubDef, TSPX_TmSlitDef, TSPX_TscDef))</p>			
<p>Detailed Comments:</p>	<ol style="list-style-type: none"> 1. To setup a physical channel 2. CHANNEL REQUEST with "emergency call establishment" cause received. 3. CM SERVICE REQUEST with "emergency call establishment" service type correct TMSI and CKSN received. 4. Authentication failed. 5. Authentication passed. 6. EMERGENCY SETUP with BC indicating "full rate channel" or without BC received. 7. To setup a physical channel as full rate traffic channel. 8. To assign a full rate channel. 9. EMERGENCY SETUP with BC indicating "dual rate / half rate preferred" or " dual rate / full rate preferred" received. 10. "dual rate / full rate preferred" case. Full rate channel is to be assigned. 11. "dual rate / half preferred" case. Half rate channel is to be assigned. 12. To setup a physical channel as full rate traffic channel. 13. To assign half rate channel. 14. The TCH channel is not through connected, fail. 15. The TCH channel is through connected. 			

Test Group SS

Test Case Dynamic Behaviour					
Test Case Name: TC_31_2_1_1_1					
Group: GSM_L3_MS_v4170/SS/					
Purpose:					
1) To check that the MS correctly requests a supplementary service transaction for registration of call forwarding in CHANNEL REQUEST message.					
2) To check that the MS correctly requests a supplementary service transaction for registration of call forwarding in the subsequent CM-SERVICE REQUEST.					
3) To check that the MS sends a REGISTER message containing the invoke of the RegisterSS operation with the expected parameter values for registration of call forwarding.					
4) To check that upon receipt of the result of the operation (in a RELEASE COMPLETE message), the MS provides the appropriate user indication (as described by the manufacturer).					
These checks are done for :					
a) CFNRy, for basic service group speech,					
b) CFU, for basic service group all facsimile.					
Default: OtherEventsFail					
Nr	Label	Behaviour Description	CRef	V	Comments
1		START T_guard(300)			
2		(TCV_slot := C_S0, TCV_tsc := C_BCC)			
3		+IdleUpdated(C_CellA, C_Immass, TCV_slot, TCV_tsc, TimingAdv_01, '000'B, '001'B, '011'B, '00'O)			
4		(TCV_ch := OC_SubchOfSdcch4(TSPX_SDCCH4SubDef, C_CellA), TCV_sacch := OC_SubchOfSacch4(TSPX_SDCCH4SubDef, C_CellA))			
5		+PreEnterIdleState_03(C_Immass, TCV_slot, TCV_tsc, 5, 1, 0, TimingAdv_01, '000'B, '001'B, '011'B, '00'O)		1.	
6		+part1			
7		+part2			
8		part1 (TCV_Null := OO_InitSS("***61*00431234*11*5#"))			2. international prefix + Country code
9		+ChannelReqtree			
10		+localtree			
11		+Checktree(C_RegCFNRy)			
12		part2 (TCV_Null := OO_InitSS("***21*1234*13#"))		5.	
13		+ChannelReqtree			
14		+localtree1			
15		+Checktree(C_RegCFU)			
16		localtree L?DL_DatInRegister (TCV_TI := DL_DatInRegister.msg.ti, TCV_TI0 := TCV_TI, TCV_TI0.ti_f := '1'B, TCV_Comp := DL_DatInRegister.msg.fie.components_1, TCV_n := OC_PosinSet(TCV_Comp, RegisterSS_01), TCV_Invkld := OC_Asn1intToOct(TCV_Comp.[TCV_n].registerSScomponents.registerSS_InvokeComp.invokeID, 1))	Register_03(RegisterPdu_03(facilityIErcv(RegisterSS_01)))		
17		L!DL_DatRqRelCmp	RelCmpRq_10(TCV_ch, ReleaseCmp_09(TCV_TI, facilityIEtsndieI(RegisterSSrslt_01(TCV_Invkld))))	6.	

18	localtree1 L?DL_DatInRegister (TCV_TI := DL_DatInRegister.msg.ti, TCV_TI0 := TCV_TI, TCV_TI0.ti_f := '1'B, TCV_Comp := DL_DatInRegister.msg.fie.components_1, TCV_n := OC_PosinSet(TCV_Comp, RegisterSS_02), TCV_Invkld := OC_Asn1intToOct(TCV_Comp.[TCV_n].registerSSCo mponents.registerSS_InvokeComp.invokeID, 1))	Register_03(RegisterPdu_03(facilityIErcv(RegisterSS_02)))	
19	LIDL_DatRqRelCmp	RelCmpRq_10(TCV_ ch, ReleaseCmp_09(TCV_TI, facilityIEtsndiei(RegisterSSRslt_02(TCV_Invkld))))	6.
20	ChannelReqtree L?DL_RacInChRq (TCV_Rr := DL_RacInChRq. msg.ecau_rrf, TCV_Fn := DL_RacInChRq.fn)	ChReq_04	
21	ACTIVATE(OtherEventsFail_02)		To match ChReq retrans.
22	LIDL_UdatRqImmass	ImmAss_01Def(TCV_ agch, TCV_Rr, TCV_Fn, TCV_slot, TCV_tsc, TCV_chdescr_arfcn, TimingAdv_01)	
23	L?DL_EstInCmsRq	CmserReq_08	
24	ACTIVATE(OtherEventsFail)		Restore Normal default
25	LIDL_DatRqCmsAcp	CmserAcp_01(TCV_c h)	
26	Checktree(par:INTEGER) (TCV_Res := OO_SSresultCHK(par))		
27	[TCV_Res = TRUE]		(P) 3.
28	+PostMainLinkRel(TCV_ch)		
29	[TCV_Res = FALSE]		(F) 4.
30	+PostMainLinkRel(TCV_ch)		

Detailed Comments:

1. To setup a physical channel as BCCH, CCCH and SDCCH4 with default parameters.
2. To initiate a registration of call forwarding service for CFNRy (speech).
3. The user indication is correct.
4. The user indication is wrong.
5. To initiate a registration of call forwarding service for CFU (all facsimile).
6. To return the ReturnResult of SSoperation by RELEASE COMPLETE message.

Test Case Dynamic Behaviour

Test Case Name:	TC_31_2_1_1_2
Group:	GSM_L3_MS_v4170/SS/
Purpose:	<p>1) To check that the MS correctly requests the establishment of a parallel MM transaction for supplementary service transaction of registration of call forwarding, sending a CM-SERVICE REQUEST.</p> <p>2) To check that the MS sends a REGISTER message containing the invoke of the RegisterSS operation with the expected parameter values for registration of call forwarding.</p> <p>3) To check that upon receipt of the RELEASE COMPLETE message related to the present SS transaction, the first transaction remains unaffected.</p> <p>4) To check that upon receipt of the RELEASE COMPLETE message, the MS provides the appropriate user indication (as described by the Manufacturer).</p> <p>These checks are performed with a call transaction already established for :</p> <p>a) CFB, for all asynchronous services, the RELEASE COMPLETE message being sent with a facility IE containing a return_error(error) where error is "Bearer Service not provisioned".</p> <p>b) CF, for all facsimile, the RELEASE COMPLETE message being sent with a facility IE containing a reject(involve_problem) where involve_problem is "resource limitation".</p>
Default:	OtherEventsFail

Nr	Label	Behaviour Description	CRef	V	Comments
1		START T_guard(300)			
2		(TCV_slot := C_S0, TCV_tsc := C_BCC)			
3		+IdleUpdated(C_CellA, C_Immass, TCV_slot, TCV_tsc, TimingAdv_01, '000'B, '001'B, '011'B, '00'O)			
4		(TCV_ch := OC_SubchOfSdcch4(TSPX_SDCCH4SubDef, C_CellA), TCV_sacch := OC_SubchOfSacch4(TSPX_SDCCH4SubDef, C_CellA), TCV_CphKey := OC_CphKeyGen(TSPX_Ki, TSPX_RANDDef), TCV_cksn := TSPX_CKSNDf)			
5		+PreEnterIdleState_03(C_Immass, TCV_slot, TCV_tsc, 5, 1, 0, TimingAdv_01, '000'B, '001'B, '011'B, '00'O)			1.
6		+FullRateCh_A_1(C_Ass, TSPX_TmSlitDef, TSPX_TscDef, ChMod_speech, FreqTCHa_rg, FreqTCHa_rd, TimingAdv_01, '000'B, '001'B, '011'B)			
7		+EstMsOrigFullRateCall(TimingAdv_01)			2.
8		(TCV_Null := OO_InitSS("***67*00431234*21#"))			3. international prefix + Country code
9		+part1			
10		(TCV_Null := OO_InitSS("***002*00431234*13#"))			4. international prefix + Country code
11		+part2			
		part1			
12		L?DL_DatInCmsRq	CmserDatReq_08		
13		L!DL_DatRqCmsAcp	CmserAcp_01(TCV_c hTch)		
14		L?DL_DatInRegister (TCV_TI1 := DL_DatInRegister.msg.ti, TCV_TI2 := TCV_TI1, TCV_TI2.ti_f := '1'B, TCV_Comp := DL_DatInRegister.msg.fie.components_1)	Register_03(RegisterPdu_03(facilityIErcv(RegisterSS_03)))		
15		(TCV_n := OC_PosinSet(TCV_Comp, RegisterSS_03), TCV_InvkId := OC_Asn1intToOct(TCV_Comp.[TCV_n].registerSSComponents.registerSS_InvokeComp.invokeID, 1))			
16		+localtree			
		localtree			
17		L!DL_DatRqRelCmp	RelCmpRq_10(TCV_		

18	L!DL_DatRqCstEnq	chTch, ReleaseCmp_09(TCV_TI2, facilityIEtsndiei(RegisterSSerr_01(TCV_Invkld))))	
19	L?DL_DatInCst	CCStEq_01(TCV_TI, TCV_chTch)	(P)
part2			
20	L?DL_DatInCmsRq	CmserDatReq_08	
21	L!DL_DatRqCmsAcp	CmserAcp_01(TCV_c hTch)	
22	L?DL_DatInRegister (TCV_TI1 := DL_DatInRegister.msg.ti, TCV_TI2 := TCV_TI1, TCV_TI2.ti_f := '1'B, TCV_Comp := DL_DatInRegister.msg.fie.components_1)	Register_03(RegisterPdu_03(facilityIErcv(RegisterSS_04)))	
23	(TCV_n := OC_PosinSet(TCV_Comp, RegisterSS_04), TCV_Invkld := OC_Asn1intToOct(TCV_Comp.[TCV_n].register SSComponents.registerSS_InvokeComp.invoke ID, 1))		
24	+localtree1		
localtree1			
25	L!DL_DatRqRelCmp	RelCmpRq_10(TCV_ chTch, ReleaseCmp_09(TCV_TI2, facilityIEtsndiei(RegisterSSRej_01(TCV_Invkld))))	
26	(TCV_Res := OO_SSresultCHK(C_RegCF))		
27	[TCV_Res]		(P)
28	L!DL_DatRqCstEnq	CCStEq_01(TCV_TI, TCV_chTch)	
29	L?DL_DatInCst	CCSt_14(TCV_TI0, C_U10)	(P)
30	+PostMainLinkRel(TCV_chTch)		
31	[NOT TCV_Res]		(F)
32	L!DL_DatRqCstEnq	CCStEq_01(TCV_TI, TCV_chTch)	
33	L?DL_DatInCst	CCSt_14(TCV_TI0, C_U10)	(P)
34	+PostMainLinkRel(TCV_chTch)		

Detailed Comments:

1. To setup physical channels as BCCH, CCCH and SDCCH4 with default parameters and full rate traffic channel.
2. To establish a mobile originating call.
3. To initiate a registration of call forwarding service for CFB (all asynchronous service).
4. To initiate a registration of call forwarding service for CF (all facsimile).

Test Case Dynamic Behaviour

Test Case Name:	TC_31_2_1_2_1
Group:	GSM_L3_MS_v4170/SS/
Purpose:	<p>1) To check that the MS correctly requests supplementary service transaction for erasure of call forwarding in CHANNEL REQUEST message.</p> <p>2) To check that the MS correctly requests supplementary service transaction for erasure of call forwarding in the subsequent CM-SERVICE REQUEST.</p> <p>3) To check that the MS sends a REGISTER message containing the invoke of the EraseSS operation with the expected parameter values for erasure of call forwarding.</p> <p>4) To check that upon receipt of the result of the operation (in a RELEASE COMPLETE message), the MS provides the appropriate user indication (as described by the manufacturer).</p> <p>These checks are done for :</p> <p>a) CFC, for basic service group all facsimile.</p> <p>b) CFNRc, for all basic service groups.</p>
Default:	OtherEventsFail

Nr	Label	Behaviour Description	CRef	V	Comments
1		START T_guard(300)			
2		(TCV_slot := C_S0, TCV_tsc := C_BCC)			
3		+IdleUpdated(C_CellA, C_Immass, TCV_slot, TCV_tsc, TimingAdv_01, '000'B, '001'B, '011'B, '00'O)			
4		(TCV_ch := OC_SubchOfSdcch4(TSPX_SDCCH4SubDef, C_CellA), TCV_sacch := OC_SubchOfSacch4(TSPX_SDCCH4SubDef, C_CellA))			
5		+PreEnterIdleState_03(C_Immass, TCV_slot, TCV_tsc, 5, 1, 0, TimingAdv_01, '000'B, '001'B, '011'B, '00'O)		1.	
6		(TCV_Null := OO_InitSS("##004**13#"))		2.	
7		+part1			
8		(TCV_Null := OO_InitSS("##62#"))		3.	
9		+part2			
		part1			
10		L?DL_RaInChRq (TCV_Rr := DL_RaInChRq.msg.ecau_rrf, TCV_Fn := DL_RaInChRq.fn)	ChReq_04		
11		ACTIVATE(OtherEventsFail_02)			To match ChReq retrans.
12		L!DL_UdatRqImmass	ImmAss_01Def(TCV_agch, TCV_Rr, TCV_Fn, TCV_slot, TCV_tsc, TCV_chdescr_arfcn, TimingAdv_01)		
13		L?DL_EstInCmsRq	CmserReq_08		
14		ACTIVATE(OtherEventsFail)			Restore Normal default
15		L!DL_DatRqCmsAcp	CmserAcp_01(TCV_ch)		
16		+localtree			
		localtree			
17		L?DL_DatInRegister (TCV_TI := DL_DatInRegister.msg.ti, TCV_T10 := TCV_TI, TCV_T10.ti_f := '1'B, TCV_Comp := DL_DatInRegister.msg.fie.components_1, TCV_n := OC_PosinSet(TCV_Comp, EraseSS_01), TCV_Invkld := OC_Asn1intToOct(TCV_Comp.[TCV_n].eraseSSComponents.eraseSS_InvokeComp.invokeld, 1))	Register_03(RegisterPdu_03(facilityIErcv(EraseSS_01)))		
18		L!DL_DatRqRelCmp	RelCmpRq_10(TCV_ch, ReleaseCmp_09(TCV_TI, facilityIEtsndiei(EraseSSRslt_01(4.	

19	+Checktree(C_ErsCFC)	TCV_InvkId))))		
20	part2 L?DL_RacInChRq (TCV_Rr := DL_RacInChRq. msg.ecau_rrf, TCV_Fn := DL_RacInChRq.fn)	ChReq_04		
21	ACTIVATE(OtherEventsFail_02)			To match ChReq retrans.
22	LIDL_UdatRqImmss	ImmAss_01Def(TCV_ agch, TCV_Rr, TCV_Fn, TCV_slot, TCV_tsc, TCV_chdescr_arfcn, TimingAdv_01)		
23	L?DL_EstInCmsRq	CmserReq_08		
24	ACTIVATE(OtherEventsFail)			Restore Normal default
25	L!DL_DatRqCmsAcp	CmserAcp_01(TCV_c h)		
26	+localtree1			
27	localtree1 L?DL_DatInRegister (TCV_TI := DL_DatInRegister.msg.ti, TCV_TI0 := TCV_TI, TCV_TI0.ti_f := '1'B, TCV_Comp := DL_DatInRegister.msg.fie.components_1, TCV_n := OC_PosinSet(TCV_Comp, EraseSS_02), TCV_InvkId := OC_Asn1intToOct(TCV_Comp.[TCV_n].eraseSSCom ponents.eraseSS_InvokeComp.invokelD, 1))	Register_03(RegisterPdu_03(facilityIErcv(EraseSS_02)))		
28	LIDL_DatRqRelCmp	RelCmpRq_10(TCV_ ch, ReleaseCmp_09(TCV_TI, facilityIEtsndiei(EraseSSRslt_02(TCV_InvkId))))		5.
29	+Checktree(C_ErsCFNRc)			
30	Checktree(par:INTEGER) (TCV_Res := OO_SSresultCHK(par))			
31	[TCV_Res = TRUE]		(P)	6.
32	+PostMainLinkRel(TCV_ch)			
33	[TCV_Res = FALSE]		(F)	7.
34	+PostMainLinkRel(TCV_ch)			
Detailed Comments:				
1. To setup a physical channel as BCCH, CCCH and SDCCH4 with default parameters.				
2. To initiate an EraseSS operation of call forwarding service for CFC (all facsimile).				
3. To initiate an EraseSS operation of call forwarding service for CFNRc (all basic services).				
4. To return the ReturnResult of SSoperation by RELEASE COMPLETE message.				
5. To return the ReturnResult of SSoperation by RELEASE COMPLETE message.				
6. The user indication is correct.				
7. The user indication is wrong.				

Test Case Dynamic Behaviour

Test Case Name:	TC_31_2_1_2_2
Group:	GSM_L3_MS_v4170/SS/
Purpose:	<p>1) To check that the MS correctly requests the establishment of a parallel MM transaction for supplementary service transaction of erasure of call forwarding, sending a CM-SERVICE REQUEST.</p> <p>2) To check that the MS sends a REGISTER message containing the invoke of the EraseSS operation with the expected parameter values for erasure of call forwarding.</p> <p>3) To check that upon receipt of the RELEASE COMPLETE message related to the present SS transaction, the first transaction remains unaffected.</p> <p>4) To check that upon receipt of the RELEASE COMPLETE message, the MS provides the appropriate user indication (as described by the Manufacturer).</p> <p>These checks are performed with a call transaction already established for :</p> <p>a) CFU, for speech, the RELEASE COMPLETE message being sent with a facility IE containing a return_error(error) where error is "Teleservice not provisioned".</p> <p>b) CFNRy, for all facsimile, the RELEASE COMPLETE message being sent with a facility IE containing a reject(invoked_problem) where invoked_problem is "resource limitation".</p>
Default:	OtherEventsFail

Nr	Label	Behaviour Description	CRef	V	Comments
1		START T_guard(300)			
2		(TCV_slot := C_S0, TCV_tsc := C_BCC)			
3		+IdleUpdated(C_CellA, C_Immass, TCV_slot, TCV_tsc, TimingAdv_01, '000'B, '001'B, '011'B, '00'O)			
4		(TCV_ch := OC_SubchOfSdcch4(TSPX_SDCCH4SubDef, C_CellA), TCV_sacch := OC_SubchOfSacch4(TSPX_SDCCH4SubDef, C_CellA), TCV_CphKey := OC_CphKeyGen(TSPX_Ki, TSPX_RANDDef), TCV_cksn := TSPX_CKSNDef)			
5		+PreEnterIdleState_03(C_Immass, TCV_slot, TCV_tsc, 5, 1, 0, TimingAdv_01, '000'B, '001'B, '011'B, '00'O)		1.	
6		+FullRateCh_A_1(C_Ass, TSPX_TmSltDef, TSPX_TscDef, ChMod_speech, FreqTCHa_rg, FreqTCHa_rd, TimingAdv_01, '000'B, '001'B, '011'B)			
7		+EstMsOrigFullRateCall(TimingAdv_01)		2.	
8		(TCV_Null := OO_InitSS("##21**11#"))		3.	
9		+part1			
10		(TCV_Null := OO_InitSS("##61**13#"))		4.	
11		+part2			
		part1			
12		L?DL_DatInCmsRq	CmsrDatReq_08		
13		L!DL_DatRqCmsAcp	CmsrAcp_01(TCV_chTch)		
14		+localtree			
		localtree			
15		L?DL_DatInRegister (TCV_TI1 := DL_DatInRegister.msg.ti, TCV_TI2 := TCV_TI1, TCV_TI2.ti_f := '1'B, TCV_Comp := DL_DatInRegister.msg.fie.components_1, TCV_n := OC_PosinSet(TCV_Comp, EraseSS_03), TCV_Invkld := OC_Asn1intToOct(TCV_Comp.[TCV_n].eraseSSComponents.eraseSS_InvokeComp.invokedID, 1))	Register_03(RegisterPdu_03(facilityIErcv(EraseSS_03)))		
16		L!DL_DatRqRelCmp	RelCmpRq_10(TCV_chTch, ReleaseCmp_09(TCV_TI2, facilityIEtsndiei(EraseSSErr_01(

17	LIDL_DatRqCcstEnq	TCV_InvkId)))) CCStEq_01(TCV_TI, TCV_chTch)	
18	L?DL_DatInCcst	CCSt_14(TCV_TI0, C_U10)	(P)
part2			
19	L?DL_DatInCmsRq	CmserDatReq_08	
20	LIDL_DatRqCmsAcp	CmserAcp_01(TCV_c hTch)	
21	+localtree1		
localtree1			
22	L?DL_DatInRegister (TCV_TI1 := DL_DatInRegister.msg.ti, TCV_TI2 := TCV_TI1, TCV_TI2.ti_f := '1'B, TCV_Comp := DL_DatInRegister.msg.fie.components_1, TCV_n := OC_PosinSet(TCV_Comp, EraseSS_04), TCV_InvkId := OC_Asn1intToOct(TCV_Comp.[TCV_n].eraseSSCom ponents.eraseSS_InvokeComp.invokelD, 1))	Register_03(RegisterPdu_03(facilityIErcv(EraseSS_04)))	
23	LIDL_DatRqRelCmp	RelCmpRq_10(TCV_ chTch, ReleaseCmp_09(TCV_TI2, facilityIEtsndiei(EraseSSRej_01(TCV_InvkId))))	
24	(TCV_Res := OO_SSresultCHK(C_ErsCFNRy))		
25	[TCV_Res]		(P)
26	LIDL_DatRqCcstEnq	CCStEq_01(TCV_TI, TCV_chTch)	
27	L?DL_DatInCcst	CCSt_14(TCV_TI0, C_U10)	(P)
28	+PostMainLinkRel(TCV_chTch)		
29	[NOT TCV_Res]		(F)
30	+PostMainLinkRel(TCV_chTch)		

Detailed Comments:

1. To setup physical channels as BCCH, CCCH and SDCCH4 with default parameters and full rate traffic channel.
2. To establish a mobile originating call.
3. To initiate an erasure of call forwarding service for CFU (speech).
4. To initiate an erasure of call forwarding service for CFNRy (all facsimile).

Test Case Dynamic Behaviour

Test Case Name:	TC_31_2_1_3
Group:	GSM_L3_MS_v4170/SS/
Purpose:	<p>1) To check that the MS correctly requests a supplementary service transaction for activation of call forwarding in CHANNEL REQUEST message.</p> <p>2) To check that the MS correctly requests a supplementary service transaction for activation of call forwarding in the subsequent CM-SERVICE REQUEST.</p> <p>3) To check that the MS sends a REGISTER message containing the invoke of the ActivateSS operation with the expected parameter values for activation of call forwarding.</p> <p>4) To check that upon receipt of the result of the operation (in a RELEASE COMPLETE message), the MS provides the appropriate user indication (as described by the manufacturer).</p> <p>These checks are done for :</p> <p>a) CF, for basic service group "all synchronous services".</p> <p>b) CFU, for all basic service groups.</p>
Default:	OtherEventsFail

Nr	Label	Behaviour Description	CRef	V	Comments
1		START T_guard(300)			
2		(TCV_slot := C_S0, TCV_tsc := C_BCC)			
3		+IdleUpdated(C_CellA, C_Immass, TCV_slot, TCV_tsc, TimingAdv_01, '000'B, '001'B, '011'B, '00'O)			
4		(TCV_ch := OC_SubchOfSdcch4(TSPX_SDCCH4SubDef, C_CellA), TCV_sacch := OC_SubchOfSacch4(TSPX_SDCCH4SubDef, C_CellA))			
5		+PreEnterIdleState_03(C_Immass, TCV_slot, TCV_tsc, 5, 1, 0, TimingAdv_01, '000'B, '001'B, '011'B, '00'O)		1.	
6		(TCV_Null := OO_InitSS("**002**22#"))		2.	
7		+part1			
8		(TCV_Null := OO_InitSS("**21#"))		3.	
9		+part2			
		part1			
10		L?DL_RaInChRq (TCV_Rr := DL_RaInChRq.msg.ecau_rrf, TCV_Fn := DL_RaInChRq.fn)	ChReq_04		
11		ACTIVATE(OtherEventsFail_02)			To match ChReq retrans.
12		L!DL_UdatRqImm	ImmAss_01Def(TCV_agch, TCV_Rr, TCV_Fn, TCV_slot, TCV_tsc, TCV_chdescr_arfcn, TimingAdv_01)		
13		L?DL_EstInCmsRq	CmserReq_08		
14		ACTIVATE(OtherEventsFail)			Restore Normal default
15		L!DL_DatRqCmsAcp	CmserAcp_01(TCV_ch)		
16		+localtree			
		localtree			
17		L?DL_DatInRegister (TCV_TI := DL_DatInRegister.msg.ti, TCV_TI0 := TCV_TI, TCV_TI0.ti_f := '1'B, TCV_Comp := DL_DatInRegister.msg.fie.components_1, TCV_n := OC_PosinSet(TCV_Comp, ActivateSS_01), TCV_InvkId := OC_Asn1intToOct(TCV_Comp.[TCV_n].activateSSComponents.activateSS_InvokeComp.invokeID, 1))	Register_03(RegisterPdu_03(facility Ercv(ActivateSS_01)))		
18		L!DL_DatRqRelCmp	RelCmpRq_10(TCV_ch, ReleaseCmp_09(TCV_TI, facility Etsndiei(

19	+Checktree(C_ActCF)	ActivateSSRslt_01(TCV_Invkld))))	
20	part2 L?DL_RaInChRq (TCV_Rr := DL_RaInChRq. msg.ecau_rrf, TCV_Fn := DL_RaInChRq.fn)	ChReq_04	
21	ACTIVATE(OtherEventsFail_02)		To match ChReq retrans.
22	LIDL_UdatRqImmass	ImmAss_01Def(TCV_agch, TCV_Rr, TCV_Fn, TCV_slot, TCV_tsc, TCV_chdescr_arfcn, TimingAdv_01)	
23	L?DL_EstInCmsRq	CmserReq_08	
24	ACTIVATE(OtherEventsFail)		Restore Normal default
25	LIDL_DatRqCmsAcp	CmserAcp_01(TCV_ch)	
26	+localtree1		
27	localtree1 L?DL_DatInRegister (TCV_TI := DL_DatInRegister.msg.ti, TCV_TI0 := TCV_TI, TCV_TI0.ti_f := '1'B, TCV_Comp := DL_DatInRegister.msg.fie.components_1, TCV_n := OC_PosinSet(TCV_Comp, ActivateSS_02), TCV_Invkld := OC_Asn1intToOct(TCV_Comp.[TCV_n].activateSSCo mponents.activateSS_InvokeComp.invokeID, 1))	Register_03(RegisterPdu_03(facilityIErcv(ActivateSS_02)))	
28	LIDL_DatRqRelCmp	RelCmpRq_10(TCV_ch, ReleaseCmp_09(TCV_TI, facilityIEtsndiei(ActivateSSRslt_02(TCV_Invkld))))	5.
29	+Checktree(C_ActCFU)		
30	Checktree(par:INTEGER) (TCV_Res := OO_SSresultCHK(par))		6.
31	[TCV_Res = TRUE]		(P)
32	+PostMainLinkRel(TCV_ch)		
33	[TCV_Res = FALSE]		(F)
34	+PostMainLinkRel(TCV_ch)		

Detailed Comments:

1. To setup a physical channel as BCCH, CCCH and SDCCH4 with default parameters.
2. To initiate an ActivateSS operation of call forwarding service for CF (all synchronous services).
3. To initiate an ActivateSS operation of call forwarding service for CFU (all basic services).
4. To return the ReturnResult of SSoperation by FACILITY message.
5. To return the ReturnResult of SSoperation by RELEASE COMPLETE message.
6. To check whether the user indication is correct.

Test Case Dynamic Behaviour

Test Case Name:	TC_31_2_1_4
Group:	GSM_L3_MS_v4170/SS/
Purpose:	<p>1) To check that the MS correctly requests a supplementary service transaction for deactivation of call forwarding in CHANNEL REQUEST message.</p> <p>2) To check that the MS correctly requests a supplementary service transaction for deactivation of call forwarding in the subsequent CM-SERVICE REQUEST.</p> <p>3) To check that the MS sends a REGISTER message containing the invoke of the DeactivateSS operation with the expected parameter values for deactivation of call forwarding.</p> <p>4) To check that upon receipt of the result of the operation (in a RELEASE COMPLETE message), the MS provides the appropriate user indication (as described by the manufacturer).</p> <p>These checks are done for :</p> <p>a) CFC, for basic service group speech.</p> <p>b) CFNRc, for basic service group all facsimile.</p>
Default:	OtherEventsFail

Nr	Label	Behaviour Description	CRef	V	Comments
1		START T_guard(300)			
2		(TCV_slot := C_S0, TCV_tsc := C_BCC)			
3		+IdleUpdated(C_CellA, C_Immass, TCV_slot, TCV_tsc, TimingAdv_01, '000'B, '001'B, '011'B, '00'O)			
4		(TCV_ch := OC_SubchOfSdcch4(TSPX_SDCCH4SubDef, C_CellA), TCV_sacch := OC_SubchOfSacch4(TSPX_SDCCH4SubDef, C_CellA))			
5		+PreEnterIdleState_03(C_Immass, TCV_slot, TCV_tsc, 5, 1, 0, TimingAdv_01, '000'B, '001'B, '011'B, '00'O)		1.	
6		(TCV_Null := OO_InitSS("#004**11#"))		2.	
7		+part1			
8		(TCV_Null := OO_InitSS("#62**13#"))		3.	
9		+part2			
		part1			
10		L?DL_RaInChRq (TCV_Rr := DL_RaInChRq.msg.ecau_rrf, TCV_Fn := DL_RaInChRq.fn)	ChReq_04		
11		ACTIVATE(OtherEventsFail_02)			To match ChReq retrans.
12		L!DL_UdatRqImm	ImmAss_01Def(TCV_agch, TCV_Rr, TCV_Fn, TCV_slot, TCV_tsc, TCV_chdescr_arfcn, TimingAdv_01)		
13		L?DL_EstInCmsRq	CmserReq_08		
14		ACTIVATE(OtherEventsFail)			Restore Normal default
15		L!DL_DatRqCmsAcp	CmserAcp_01(TCV_ch)		
16		+localtree			
		localtree			
17		L?DL_DatInRegister (TCV_TI := DL_DatInRegister.msg.ti, TCV_TI0 := TCV_TI, TCV_TI0.ti_f := '1'B, TCV_Comp := DL_DatInRegister.msg.fie.components_1, TCV_n := OC_PosinSet(TCV_Comp, DeactivateSS_01), TCV_Invkld := OC_Asn1intToOct(TCV_Comp, [TCV_n].deactivateSS.Components.deactivateSS_InvokeComp.invokeID, 1))	Register_03(RegisterPdu_03(facilityIErcv(DeactivateSS_01)))		
18		L!DL_DatRqRelCmp	RelCmpRq_10(TCV_ch, ReleaseCmp_09(TCV_TI, facilityIEtsndiei(DeactivateSSrslt_01(

19	+Checktree(C_DeactCFC)	TCV_InvkId))))		
20	part2 L?DL_RaInChRq (TCV_Rr := DL_RaInChRq. msg.ecau_rrf, TCV_Fn := DL_RaInChRq.fn)	ChReq_04		
21	ACTIVATE(OtherEventsFail_02)			To match ChReq retrans.
22	LIDL_UdatRqImmss	ImmAss_01Def(TCV_ agch, TCV_Rr, TCV_Fn, TCV_slot, TCV_tsc, TCV_chdescr_arfcn, TimingAdv_01)		
23	L?DL_EstInCmsRq	CmserReq_08		
24	ACTIVATE(OtherEventsFail)			Restore Normal default
25	LIDL_DatRqCmsAcp	CmserAcp_01(TCV_c h)		
26	+localtree1			
27	localtree1 L?DL_DatInRegister (TCV_TI := DL_DatInRegister.msg.ti, TCV_TI0 := TCV_TI, TCV_TI0.ti_f := '1'B, TCV_Comp := DL_DatInRegister.msg.fie.components_1, TCV_n := OC_PosinSet(TCV_Comp, DeactivateSS_02), TCV_InvkId := OC_Asn1intToOct(TCV_Comp.[TCV_n].deactivateSS Components.deactivateSS_InvokeComp.invokeID, 1))	Register_03(RegisterPdu_03(facilityIErcv(DeactivateSS_02)))		
28	LIDL_DatRqRelCmp	RelCmpRq_10(TCV_ ch, ReleaseCmp_09(TCV_TI, facilityIEtsndiei(DeactivateSSRslt_02(TCV_InvkId))))		5.
29	+Checktree(C_DeactCFNRc)			
30	Checktree(par:INTEGER) (TCV_Res := OO_SSresultCHK(par))			6.
31	[TCV_Res = TRUE]		(P)	
32	+PostMainLinkRel(TCV_ch)			
33	[TCV_Res = FALSE]		(F)	
34	+PostMainLinkRel(TCV_ch)			

Detailed Comments:

1. To setup a physical channel as BCCH, CCCH and SDCCH4 with default parameters.
2. To initiate a DeactivateSS operation of call forwarding service for CFC (speech).
3. To initiate a DeactivateSS operation of call forwarding service for CFNRc (all facsimile).
4. To return the ReturnResult of SSoperation by FACILITY message.
5. To return the ReturnResult of SSoperation by RELEASE COMPLETE message.
6. To check whether the user indication is correct.

Test Case Dynamic Behaviour

Test Case Name:	TC_31_2_1_6_1
Group:	GSM_L3_MS_v4170/SS/
Purpose:	<p>1) To check that the MS correctly requests a supplementary service transaction for interrogation of a specific call forwarding in CHANNEL REQUEST message.</p> <p>2) To check that the MS correctly requests a supplementary service transaction for interrogation of call forwarding in the subsequent CM-SERVICE REQUEST.</p> <p>3) To check that the MS sends a REGISTER message containing the invoke of the InterrogateSS operation with the expected parameter values for interrogation of call forwarding.</p> <p>4) To check that upon receipt of the result of the operation (in a RELEASE COMPLETE message), the MS provides the appropriate user indication (as described by the manufacturer).</p> <p>These checks are done for :</p> <p>a) CFB, for all basic service groups.</p> <p>b) CFC, for basic service group speech.</p>
Default:	OtherEventsFail

Nr	Label	Behaviour Description	CRef	V	Comments
1		START T_guard(300)			
2		(TCV_slot := C_S0, TCV_tsc := C_BCC)			
3		+IdleUpdated(C_CellA, C_Immass, TCV_slot, TCV_tsc, TimingAdv_01, '000'B, '001'B, '011'B, '00'O)			
4		(TCV_ch := OC_SubchOfSdcch4(TSPX_SDCCH4SubDef, C_CellA), TCV_sacch := OC_SubchOfSacch4(TSPX_SDCCH4SubDef, C_CellA))			
5		+PreEnterIdleState_03(C_Immass, TCV_slot, TCV_tsc, 5, 1, 0, TimingAdv_01, '000'B, '001'B, '011'B, '00'O)		1.	
6		(TCV_Null := OO_InitSS("#67#"))		2.	
7		+part1			
8		(TCV_Null := OO_InitSS("#61**11#"))		3.	
9		+part2			
		part1			
10		L?DL_RaInChRq (TCV_Rr := DL_RaInChRq.msg.ecau_rrf, TCV_Fn := DL_RaInChRq.fn)	ChReq_04		
11		ACTIVATE(OtherEventsFail_02)			To match ChReq retrans.
12		L!DL_UdatRqImm	ImmAss_01Def(TCV_agch, TCV_Rr, TCV_Fn, TCV_slot, TCV_tsc, TCV_chdescr_arfcn, TimingAdv_01)		
13		L?DL_EstInCmsRq	CmserReq_08		
14		ACTIVATE(OtherEventsFail)			Restore Normal default
15		L!DL_DatRqCmsAcp	CmserAcp_01(TCV_ch)		
16		+localtree			
		localtree			
17		L?DL_DatInRegister (TCV_TI := DL_DatInRegister.msg.ti, TCV_TI0 := TCV_TI, TCV_TI0.ti_f := '1'B, TCV_Comp := DL_DatInRegister.msg.fie.components_1, TCV_n := OC_PosinSet(TCV_Comp, InterrogateSS_01), TCV_Invkld := OC_Asn1intToOct(TCV_Comp.[TCV_n].interrogateSSComponents.interrogateSS_InvokeComp.invokeID, 1))	Register_03(RegisterPdu_03(facilityIercv(InterrogateSS_01)))		
18		L!DL_DatRqRelCmp	RelCmpRq_10(TCV_ch, ReleaseCmp_09(TCV_TI, facilityIEtsndiei(

19	+Checktree(C_InterrogCFB)	InterrogateSSRslt_01(TCV_Invkld))))	
20	part2 L?DL_RaInChRq (TCV_Rr := DL_RaInChRq. msg.ecau_rrf, TCV_Fn := DL_RaInChRq.fn)	ChReq_04	
21	ACTIVATE(OtherEventsFail_02)		To match ChReq retrans.
22	LIDL_UdatRqImmass	ImmAss_01Def(TCV_agch, TCV_Rr, TCV_Fn, TCV_slot, TCV_tsc, TCV_chdescr_arfcn, TimingAdv_01)	
23	L?DL_EstInCmsRq	CmserReq_08	
24	ACTIVATE(OtherEventsFail)		Restore Normal default
25	LIDL_DatRqCmsAcp	CmserAcp_01(TCV_ch)	
26	+localtree1		
27	localtree1 L?DL_DatInRegister (TCV_TI := DL_DatInRegister.msg.ti, TCV_TI0 := TCV_TI, TCV_TI0.ti_f := '1'B, TCV_Comp := DL_DatInRegister.msg.fie.components_1, TCV_n := OC_PosinSet(TCV_Comp, InterrogateSS_02), TCV_Invkld := OC_Asn1intToOct(TCV_Comp.[TCV_n].interrogateSS SComponents.interrogateSS_InvokeComp.invokeID, 1))	Register_03(RegisterPdu_03(facilityIercv(InterrogateSS_02)))	
28	LIDL_DatRqRelCmp	RelCmpRq_10(TCV_ch, ReleaseCmp_09(TCV_TI, facilityIetsndiei(InterrogateSSRslt_02(TCV_Invkld))))	5.
29	+Checktree(C_InterrogCFC)		
30	Checktree(par:INTEGER) (TCV_Res := OO_SSresultCHK(par))		6.
31	[TCV_Res = TRUE]		(P)
32	+PostMainLinkRel(TCV_ch)		
33	[TCV_Res = FALSE]		(F)
34	+PostMainLinkRel(TCV_ch)		
Detailed Comments:			
<ol style="list-style-type: none"> 1. To setup a physical channel as BCCH, CCCH and SDCCH4 with default parameters. 2. To initiate a InterrogateSS operation of call forwarding service for CFB (all basic services). 3. To initiate a InterrogateSS operation of call forwarding service for CFNRy (Speech). 4. To return the ReturnResult of SSoperation by FACILITY message. 5. To return the ReturnResult of SSoperation by RELEASE COMPLETE message. 6. To check whether the user indication is correct. 			

Test Case Dynamic Behaviour

Test Case Name: TC_31_2_1_6_2
Group: GSM_L3_MS_v4170/SS/
Purpose: 1) To check that the MS correctly requests the establishment of a parallel MM transaction for supplementary service transaction of interrogation of a specific call forwarding service, sending a CM-SERVICE REQUEST.
2) To check that the MS sends a REGISTER message containing the invoke of the InterrogateSS operation with the expected parameter values for interrogation of call forwarding.
3) To check that upon receipt of the RELEASE COMPLETE message related to the present SS transaction, the first transaction remains unaffected.
4) To check that upon receipt of the RELEASE COMPLETE message, the MS provides the appropriate user indication (as described by the Manufacturer).
These checks are performed with a call transaction already established for :
a) CFNRc, for all basic service group, the RELEASE COMPLETE message being sent with a facility IE containing a return_error(error) where error is "SS not available".
b) CFB, for all facsimile, the RELEASE COMPLETE message being sent with a facility IE containing a reject(involve_problem) where involve_problem is "resource limitation".
Default: OtherEventsFail

Nr	Label	Behaviour Description	CRef	V	Comments
1		START T_guard(300)			
2		(TCV_slot := C_S0, TCV_tsc := C_BCC)			
3		+IdleUpdated(C_CellA, C_Immass, TCV_slot, TCV_tsc, TimingAdv_01, '000'B, '001'B, '011'B, '00'O)			
4		(TCV_ch := OC_SubchOfSdcch4(TSPX_SDCCH4SubDef, C_CellA), TCV_sacch := OC_SubchOfSacch4(TSPX_SDCCH4SubDef, C_CellA), TCV_CphKey := OC_CphKeyGen(TSPX_Ki, TSPX_RANDDef), TCV_cksn := TSPX_CKSNDDef)			
5		+PreEnterIdleState_03(C_Immass, TCV_slot, TCV_tsc, 5, 1, 0, TimingAdv_01, '000'B, '001'B, '011'B, '00'O)		1.	
6		+FullRateCh_A_1(C_Ass, TSPX_TmSltDef, TSPX_TscDef, ChMod_speech, FreqTCHa_rg, FreqTCHa_rd, TimingAdv_01, '000'B, '001'B, '011'B)			
7		+EstMsOrigFullRateCall(TimingAdv_01)		2.	
8		(TCV_Null := OO_InitSS("**#62#"))		3.	
9		+part1			
10		(TCV_Null := OO_InitSS("**#67**13#"))		4.	
11		+part2			
12		part1 L?DL_DatInCmsRq	CmserDatReq_08		
13		L!DL_DatRqCmsAcp	CmserAcp_01(TCV_chTch)		
14		+localtree			
15		localtree L?DL_DatInRegister (TCV_TI1 := DL_DatInRegister.msg.ti, TCV_TI2 := TCV_TI1, TCV_TI2.ti_f := '1'B, TCV_Comp := DL_DatInRegister.msg.fie.components_1, TCV_n := OC_PosinSet(TCV_Comp, InterrogateSS_03), TCV_InvkId := OC_Asn1intToOct(TCV_Comp.[TCV_n].interrogateSSComponents.interrogateSS_InvokeComp.invokeID, 1))	Register_03(RegisterPdu_03(facilityIErcv(InterrogateSS_03)))		
16		L!DL_DatRqRelCmp	RelCmpRq_10(TCV_chTch, ReleaseCmp_09(

17	L!DL_DatRqCcstEnq	TCV_TI2, facilityIEtsndiei(InterrogateSSErr_01(TCV_Invkld))))	
18	L?DL_DatInCcst	CCStEq_01(TCV_TI, TCV_chTch) CCSt_14(TCV_TI0, C_U10)	(P)
19	part2 L?DL_DatInCmsRq	CmserDatReq_08	
20	L!DL_DatRqCmsAcP	CmserAcP_01(TCV_c hTch)	
21	+localtree1		
22	localtree1 L?DL_DatInRegister (TCV_TI1 := DL_DatInRegister.msg.ti, TCV_TI2 := TCV_TI1, TCV_TI2.ti_f := '1'B, TCV_Comp := DL_DatInRegister.msg.fie.components_1, TCV_n := OC_PosinSet(TCV_Comp, InterrogateSS_04), TCV_Invkld := OC_Asn1intToOct(TCV_Comp.[TCV_n].interrogateS SComponents.interrogateSS_InvokeComp.invokeID, 1))	Register_03(RegisterPdu_03(facilityIErcv(InterrogateSS_04)))	
23	L!DL_DatRqRelCmp	RelCmpRq_10(TCV_ chTch, ReleaseCmp_09(TCV_TI2, facilityIEtsndiei(InterrogateSSRej_01(TCV_Invkld))))	
24	+Checktree(C_InterrogCFB)		
25	Checktree(par:INTEGER) (TCV_Res := OO_SSresultCHK(par))		
26	[TCV_Res]		(P)
27	L!DL_DatRqCcstEnq	CCStEq_01(TCV_TI, TCV_chTch)	
28	L?DL_DatInCcst	CCSt_14(TCV_TI0, C_U10)	(P)
29	+PostMainLinkRel(TCV_chTch)		
30	[NOT TCV_Res]		(F)
31	+PostMainLinkRel(TCV_chTch)		

Detailed Comments:

1. To setup physical channels as BCCH, CCCH and SDCCH4 with default parameters and full rate traffic channel.
2. To establish a mobile originating call.
3. To initiate an interrogation of call forwarding service for CFNRc (all basic services).
4. To initiate an interrogation of call forwarding service for CFB (all facsimile).

Test Case Dynamic Behaviour					
Test Case Name:		TC_31_2_1_7_1_1			
Group:		GSM_L3_MS_v4170/SS/			
Purpose:		<p>1) To check that, in state U7 or U10, upon receipt of a FACILITY message notifying an incoming call, the MS shall provide the appropriate user indication (which is to be described by the manufacturer).</p> <p>2) To check that when the notification of incoming call is received while the MS is in CC state U7 and U10 of another incoming call, it has no effect on its state.</p> <p>These checks are performed in the case of CFB.</p>			
Default:		OtherEventsFail			
Nr	Label	Behaviour Description	CRef	V	Comments
1		START T_guard(300)			
2		(TCV_slot := C_S0, TCV_tsc := C_BCC)			
3		+IdleUpdated(C_CellA, C_Immass, TCV_slot, TCV_tsc, TimingAdv_01, '000'B, '001'B, '011'B, '00'O)			
4		+BasicServiceMT(TSPX_MT_BscSvc_Speech_FullRate, C_Full, FALSE)			
5		(TCV_ch := OC_SubchOfSdcch4(TSPX_SDCCH4SubDef, C_CellA), TCV_sacch := OC_SubchOfSacch4(TSPX_SDCCH4SubDef, C_CellA))			
6		+PreEnterIdleState_03(C_Immass, TCV_slot, TCV_tsc, 5, 1, 0, TimingAdv_01, '000'B, '001'B, '011'B, '00'O)			1.
7		+FullRateCh_A_1_nociph(C_Ass, TSPX_TmSlitDef, TSPX_TscDef, ChMod_speech, FreqTCHa_rg, FreqTCHa_rd, TimingAdv_01, '000'B, '001'B, '011'B)			
8		+CCCH_group_Paging_group(TCV_Ccd0A, TSPX_IMSI)			
9		LIDL_UdatRqPg1Rq	PgReq1(TCV_PgCh, TCV_Pgg, PgReqTp1_01)		
10		L?DL_RacInChRq (TCV_Rr := DL_RacInChRq.msg.ecau_rrf, TCV_Fn := DL_RacInChRq.fn)	ChReq_01		
11		ACTIVATE(OtherEventsFail_02)			To match ChReq retrans.
12		LIDL_UdatRqImm	ImmAss_01Def(TCV_agch, TCV_Rr, TCV_Fn, TCV_slot, TCV_tsc, TCV_chdescr_arfcn, TimingAdv_01)		
13		L?DL_EstInPgRes	PgRes_01		
14		ACTIVATE(OtherEventsFail)			Restore Normal default
15		LIDL_DatRqSetup (TCV_TI.ti_f := '0'B, TCV_TI.ti_v := '000'B)	SetupRq_05(TCV_ch, TCV_Setup_mt)		
16		+AssCmdGenMT(C_Full)			
17		L?DL_DatInCallCo(TCV_CallCfm:=DL_DatInCallCo.msg)	CallCfm_01		
18		+AssCh_complete(TCV_ch, TCV_chTch, TCV_AssCmd)			
19		L?DL_DatInAlert	AlertRcv_01		
20		+continue			
21	continue	LIDL_DatRqFac	FacilityRq_07(TCV_chTch, FacilityPdu_25(TI_02, facilityIEtsnd(NotificationSS_01)))		2.
22		(TCV_Res := OO_SSresultCHK(C_NotifyCFB))			

23	[TCV_Res = TRUE]		(P)	
24	+localtree			
25	[TCV_Res = FALSE]		(F)	
26	+localtree			
	localtree			
27	L!DL_DatRqCcstEnq	CCStEq_01(TI_02, TCV_chTch)		
28	L?DL_DatInCcst	CCSt_14(TI_01, C_U7)	(P)	
29	(TCV_Null := OO_HookOff())			
30	L?DL_DatInConn	ConnRcv_01		
31	L!DL_DatRqConnAck	ConnAck_01(TCV_ch Tch)		
32	L!DL_DatRqFac	FacilityRq_07(TCV_c hTch, FacilityPdu_25(TI_02, facilityIEtsnd(NotificationSS_01)))		3.
33	(TCV_Res := OO_SSresultCHK(C_NotifyCFB))			
34	[TCV_Res = TRUE]		(P)	
35	+localtree1			
36	[TCV_Res = FALSE]		(F)	
37	+localtree1			
	localtree1			
38	L!DL_DatRqCcstEnq	CCStEq_01(TI_02, TCV_chTch)		
39	L?DL_DatInCcst	CCSt_14(TI_01, C_U10)	(P)	
40	L!DL_DatRqRelCmp	RelCmpRq_05(TI_02, TCV_chTch)		
41	+PostMainLinkRel(TCV_chTch)			
Detailed Comments:				
1. To setup physical channels for BCCH, CCCH, SDCCH4 and full rate traffic channels.				
2. To send a FACILITY message containing NotifySS invocation while the MS is in U7 state.				
3. To send a FACILITY message containing NotifySS invocation while the MS is in U10 state.				

Test Case Dynamic Behaviour

Test Case Name:	TC_31_2_1_7_1_2
Group:	GSM_L3_MS_v4170/SS/
Purpose:	<p>1) To check that when an outgoing call is being established, if the ALERTING message is received with the facility information element containing an SS notification, the MS correctly reaches CC state U4. This is tested for CFU.</p> <p>2) As an outgoing call is being established, if the ALERTING message is received with the facility information element containing an SS notification, the MS provides the appropriate user indication (which is to be described by the manufacturer). This is tested for CFU.</p> <p>3) As an outgoing call is being established, if the CONNECT message is received with the facility information element containing an SS notification, the MS normally sends a CONNECT ACK message and enter CC state U10. This is tested for CFC.</p> <p>4) As an outgoing call is being established, if the CONNECT message is received with the facility information element containing an SS notification (for CFU or CFC), the MS provides the appropriate user indication (which is to be described by the manufacturer). This is tested for CFC.</p>
Default:	OtherEventsFail

Nr	Label	Behaviour Description	CRef	V	Comments
1		START T_guard(300)			
2		(TCV_slot := C_S0, TCV_tsc := C_BCC)			
3		+IdleUpdated(C_CellA, C_Immass, TCV_slot, TCV_tsc, TimingAdv_01, '000'B, '001'B, '011'B, '00'O)			
4		(TCV_ch := OC_SubchOfSdcch4(TSPX_SDCCH4SubDef, C_CellA), TCV_sacch := OC_SubchOfSacch4(TSPX_SDCCH4SubDef, C_CellA))			
5		+PreEnterIdleState_03(C_Immass, TCV_slot, TCV_tsc, 5, 1, 0, TimingAdv_01, '000'B, '001'B, '011'B, '00'O)		1.	
6		+FullRateCh_A_1_nociph(C_Ass, TSPX_TmSttDef, TSPX_TscDef, ChMod_speech, FreqTCHa_rg, FreqTCHa_rd, TimingAdv_01, '000'B, '001'B, '011'B)			
7		+AttmpFullRateCall			
8		+BasicServiceMO(TSPX_MO_BscSvc_FRCall, C_Full)			
9		L?DL_RaInChRq (TCV_Rr := DL_RaInChRq.msg.ecau_rrf, TCV_Fn := DL_RaInChRq.fn)	ChReq_17		
10		ACTIVATE(OtherEventsFail_02)			To match ChReq retrans.
11		L!DL_UdatRqImmass	ImmAss_01Def(TCV_agch, TCV_Rr, TCV_Fn, TCV_slot, TCV_tsc, TCV_chdescr_arfcn, TimingAdv_01)		
12		L?DL_EstInCmsRq	CmserReq_01		
13		ACTIVATE(OtherEventsFail)			Restore Normal default
14		L!DL_DatRqCmsAcp	CmserAcp_01(TCV_ch)		
15		+SetupRcvMo(SetupInd_01)			
16		L!DL_DatRqCallProc	CallProc(TCV_ch, TCV_CallProc)		
17		+AssCmdGenMO(C_Full)			
18		+AssCh_complete(TCV_ch, TCV_chTch, TCV_AssCmd)			
19		+continue			
20	continue	L!DL_DatRqAlert	Alert_02(TCV_chTch, Alerting_04(TCV_TI, facility Etsndiei(NotificationSS_02)))	2.	

21	(TCV_Res := OO_SSresultCHK(C_NotifyCFU))			
22	[TCV_Res = TRUE]		(P)	
23	+localtree			
24	[TCV_Res = FALSE]		(F)	
25	+localtree			
	localtree			
26	L!DL_DatRqCcstEnq	CCStEq_01(TCV_TI, TCV_chTch)		
27	L?DL_DatInCcst	CCSt_14(TCV_TI0, C_U4)	(P)	
28	LIDL_DatRqConn	Conn_03(TCV_chTch , Connect_05(TCV_TI, facilityIetsndiei(NotificationSS_03)))		3.
29	L?DL_DatInConnAck	ConnAckRcv_01(TCV _TI0)		
30	(TCV_Res := OO_SSresultCHK(C_NotifyCFC))			
31	[TCV_Res = TRUE]		(P)	
32	+localtree1			
33	[TCV_Res = FALSE]		(F)	
34	+localtree1			
	localtree1			
35	L!DL_DatRqCcstEnq	CCStEq_01(TCV_TI, TCV_chTch)		
36	L?DL_DatInCcst	CCSt_14(TCV_TI0, C_U10)	(P)	
37	LIDL_DatRqRelCmp	RelCmpRq_05(TCV_ TI, TCV_chTch)		
38	+PostMainLinkRel(TCV_chTch)			
Detailed Comments:		<ol style="list-style-type: none"> 1. To setup physical channels for BCCH, CCCH, SDCCH4 and full rate traffic channels. 2. To send an ALERTING message containing NotifySS invocation while the MS is in U4 state. 3. To send a CONNECT message containing NotifySS invocation while the MS is in U10 state. 		

Test Case Dynamic Behaviour					
Test Case Name: TC_31_2_1_7_2					
Group: GSM_L3_MS_v4170/SS/					
Purpose: 1) To check that, upon receipt of the SETUP message containing a notification indication that the call is a forwarded one, the MS correctly continues call establishment and enters CC state U6. 2) Upon receipt of the SETUP message containing a notification indication that the call is a forwarded one, the MS provides the appropriate user indication (which is to be described by the manufacturer).					
Default: OtherEventsFail					
Nr	Label	Behaviour Description	CRef	V	Comments
1		START T_guard(300)			
2		(TCV_slot := C_S0, TCV_tsc := C_BCC)			
3		+IdleUpdated(C_CellA, C_Immass, TCV_slot, TCV_tsc, TimingAdv_01, '000'B, '001'B, '011'B, '00'O)			
4		(TCV_ch := OC_SubchOfSdcch4(TSPX_SDCCH4SubDef, C_CellA), TCV_sacch := OC_SubchOfSacch4(TSPX_SDCCH4SubDef, C_CellA))			
5		+PreEnterIdleState_03(C_Immass, TCV_slot, TCV_tsc, 5, 1, 0, TimingAdv_01, '000'B, '001'B, '011'B, '00'O)			1.
6		+CCCH_group_Paging_group(TCV_Ccd0A, TSPX_IMSI)			
7		L!DL_UdatRqPg1Rq	PgReq1(TCV_PgCh, TCV_Pgg, PgReqTp1_01)		
8		L?DL_RaInChRq (TCV_Rr := DL_RaInChRq.msg.ecau_rrf, TCV_Fn := DL_RaInChRq.fn)	ChReq_01		
9		ACTIVATE(OtherEventsFail_02)			To match ChReq retrans.
10		LIDL_UdatRqImmass	ImmAss_01Def(TCV_agch, TCV_Rr, TCV_Fn, TCV_slot, TCV_tsc, TCV_chdescr_arfcn, TimingAdv_01)		
11		L?DL_EstInPgRes	PgRes_01		
12		ACTIVATE(OtherEventsFail)			Restore Normal default
13		LIDL_DatRqSetup	SetupRq_05(TCV_ch, Setup_24(facilityIEtsndiei(NotificationSS_04)))		2.
14		LIDL_DatRqCstEnq	CCStEq_01(TI_02, TCV_ch)		
15		L?DL_DatInCst	CCSt_14(TI_01, C_U6)	(P)	
16		(TCV_Res := OO_SSresultCHK(C_NotifyCFNRc))			
17		[TCV_Res = TRUE]		(P)	
18		+localtree			
19		[TCV_Res = FALSE]		(F)	
20		+localtree			
21	localtree	LIDL_DatRqRelCmp	RelCmpRq_05(TI_02, TCV_ch)		
22		+PostMainLinkRel(TCV_ch)			
Detailed Comments: 1. To setup a physical channel as BCCH, CCCH and SDCCH4. 2. To send a setup message containing facility IE (notification, forwarded call).					

Test Case Dynamic Behaviour					
Test Case Name:		TC_31_6_1_1			
Group:		GSM_L3_MS_v4170/SS/			
Purpose:		1) To verify that when the MS receives the AOCC parameters in a Facility IE which is contained in the CONNECT message and when a TCH has already been assigned, the MS returns a FACILITY message containing the acknowledgement within 1 second. 2) To verify that when the MS receives the AOCC parameters in a Facility IE which is contained in a CONNECT message and when a TCH has already been assigned, the MS stores the correct value in the ACM field of the SIM. 3) To verify that the when the call has no volume related component the MS ignores non-zero AOCC e5, e6 parameters sent to it.			
Default:		OtherEventsFail			
Nr	Label	Behaviour Description	CRef	V	Comments
1		START T_guard(1800)			
2		(TCV_slot := C_S0, TCV_tsc := C_BCC)			
3		+IdleUpdated(C_CellA, C_Immass, TCV_slot, TCV_tsc, TimingAdv_01, '000'B, '001'B, '011'B, '00'O)			
4		(TCV_Null := OO_ACMReading())			1.
5		(TCV_ch := OC_SubchOfSdcch4(TSPX_SDCCH4SubDef, C_CellA), TCV_sacch := OC_SubchOfSacch4(TSPX_SDCCH4SubDef, C_CellA))			
6		+PreEnterIdleState_03(C_Immass, TCV_slot, TCV_tsc, 5, 1, 0, TimingAdv_01, '000'B, '001'B, '011'B, '00'O)			1.
7		+FullRateCh_A_1_nociph(C_Ass, TSPX_TmSlitDef, TSPX_TscDef, ChMod_speech, FreqTCHa_rg, FreqTCHa_rd, TimingAdv_01, '000'B, '001'B, '011'B)			
8		+execution1			
9		+execution2			
10		+execution3			
11		+execution4			
12		+execution5			
		execution1			
13		+start			
14		L!DL_DatRqConn START T_dly(90000), START T_dly1(1000)	Conn_03(TCV_chTch, Connect_05(TCV_TI, facilityIEtsndiei(FwdChAdvSS_01)))		2.
15		+AOC_CHK_FAC(TCV_TI0)			
16		+localtree("43")			
		execution2			
17		+start			
18		L!DL_DatRqConn START T_dly(90000), START T_dly1(1000)	Conn_03(TCV_chTch, Connect_05(TCV_TI, facilityIEtsndiei(FwdChAdvSS_02)))		
19		+AOC_CHK_FAC(TCV_TI0)			
20		+localtree("100")			
		execution3			
21		+start			
22		L!DL_DatRqConn START T_dly(90000), START T_dly1(1000)	Conn_03(TCV_chTch, Connect_05(TCV_TI, facilityIEtsndiei(FwdChAdvSS_03)))		
23		+AOC_CHK_FAC(TCV_TI0)			
24		+localtree("2000")			

25	execution4			
26	+start L!DL_DatRqConn START T_dly(90000), START T_dly1(1000)	Conn_03(TCV_chTch, Connect_05(TCV_TI, facilityIEtsndiei(FwdChAdvSS_04)))		
27	+AOC_CHK_FAC(TCV_TI0)			
28	+localtree("89 or 90")			
29	execution5			
30	+start L!DL_DatRqConn START T_dly(90000), START T_dly1(1000)	Conn_03(TCV_chTch, Connect_05(TCV_TI, facilityIEtsndiei(FwdChAdvSS_05)))		
31	+AOC_CHK_FAC(TCV_TI0)			
32	+localtree("50 or 62.5")			
33	localtree(val:IA5String)			
34	+post (TCV_Res := OO_ACMIncCHK(val))			
35	[TCV_Res]		(P)	
36	[NOT TCV_Res]		(F)	
37	start			
38	+AttmpFullRateCall +BasicServiceMO(TSPX_MO_BscSvc_FRCall, C_Full)			
39	L?DL_RacInChRq (TCV_Rr := DL_RacInChRq.msg.ecau_rrf, TCV_Fn := DL_RacInChRq.fn)	ChReq_17		
40	ACTIVATE(OtherEventsFail_02)			To match ChReq retrans.
41	LIDL_UdatRqImmss	ImmAss_01Def(TCV_agch, TCV_Rr, TCV_Fn, TCV_slot, TCV_tsc, TCV_chdescr_arfcn, TimingAdv_01)		
42	L?DL_EstInCmsRq	CmserReq_01		
43	ACTIVATE(OtherEventsFail)			Restore Normal default
44	LIDL_DatRqCmsAcp	CmserAcp_01(TCV_ch)		
45	+SetupRcvMo(SetupInd_01)			
46	LIDL_DatRqCallProc	CallProc(TCV_ch, TCV_CallProc)		
47	+AssCmdGenMO(C_Full)			
48	+AssCh_complete(TCV_ch, TCV_chTch, TCV_AssCmd)			
49	LIDL_DatRqAlert	Alert_01(TCV_TI, TCV_chTch)		
50	post			
51	?TIMEOUT T_dly L!DL_DatRqDisc	DiscSnd(TCV_chTch, Disconn_07(TCV_TI))		
52	L?DL_DatInRel	ReleaseInd_02		
53	LIDL_DatRqRelCmp	RelCmpRq_05(TCV_TI, TCV_chTch)		
54	+PostMainLinkRel(TCV_chTch)			

Detailed Comments:

1. To read and note the value of ACM on SIM at the beginning of the test,
2. To send Facility IE of ForwardChargeAdvice using definite form mixed with indefinite form.
3. To check whether the increment of the value of ACM on SIM is the expected value.

Test Case Dynamic Behaviour					
Test Case Name:		TC_31_6_1_2			
Group:		GSM_L3_MS_v4170/SS/			
Purpose:		<p>1) To verify that when the MS receives certain AOCC e-parameters in a Facility IE which is contained in a FACILITY message sent after the CONNECT message and when a TCH has already been assigned, the MS returns a FACILITY message containing the acknowledgement within 1 second.</p> <p>2) To verify that when the MS receives the AOCC parameters in a Facility IE which is contained in a FACILITY message and when a TCH has already been assigned, the MS stores the correct value in the ACM field of the SIM.</p>			
Default:		OtherEventsFail			
Nr	Label	Behaviour Description	CRef	V	Comments
1		START T_guard(1800)			
2		(TCV_slot := C_S0, TCV_tsc := C_BCC)			
3		+IdleUpdated(C_CellA, C_Immass, TCV_slot, TCV_tsc, TimingAdv_01, '000'B, '001'B, '011'B, '00'O)			
4		(TCV_Null := OO_ACMReading())			1.
5		(TCV_ch := OC_SubchOfSdcch4(TSPX_SDCCH4SubDef, C_CellA), TCV_sacch := OC_SubchOfSacch4(TSPX_SDCCH4SubDef, C_CellA))			
6		+PreEnterIdleState_03(C_Immass, TCV_slot, TCV_tsc, 5, 1, 0, TimingAdv_01, '000'B, '001'B, '011'B, '00'O)			1.
7		+FullRateCh_A_1_nociph(C_Ass, TSPX_TmSltDef, TSPX_TscDef, ChMod_speech, FreqTCHa_rg, FreqTCHa_rd, TimingAdv_01, '000'B, '001'B, '011'B)			
8		+execution1			
9		+execution2			
10		+execution3			
11		+execution4			
12		+execution5			
		execution1			
13		+start			
14		L!DL_DatRqFac START T_dly(90000), START T_dly1(1000)	FacilityRq_07(TCV_chTch, FacilityPdu_25(TCV_TI, facilityIEtsnd(FwdChAdvSS_06)))		2.
15		LIDL_DatRqConnAck	ConnAck_01(TCV_chTch)		
16		L?DL_DatInFac CANCEL T_dly1	Facility_03(FacilityPdu_26(TI_01, facilityIErcv(FwdChAdvRslt_01)))	(P)	
17		+post("0")			
18		?TIMEOUT T_dly1		(F)	3.
19		L?DL_DatInFac	Facility_03(FacilityPdu_26(TI_01, facilityIErcv(FwdChAdvRslt_01)))		
20		+post("0")			
		execution2			
21		+start			
22		L!DL_DatRqFac START T_dly(90000), START T_dly1(1000)	FacilityRq_07(TCV_chTch, FacilityPdu_25(TCV_TI, facilityIEtsnd(FwdChAdvSS_07)))		
23		LIDL_DatRqConnAck	ConnAck_01(TCV_chTch)		
24		L?DL_DatInFac CANCEL T_dly1	Facility_03(FacilityPdu_26(TI_01, facilityIErcv(FwdChAdvRslt_01)))	(P)	

25	+post("100")	TI_01, facilityIErcv(FwdChAdvRslt_01)))	
26	?TIMEOUT T_dly1		(F)
27	L?DL_DatInFac	Facility_03(FacilityPdu_26(TI_01, facilityIErcv(FwdChAdvRslt_01)))	
28	+post("100")		
	execution3		
29	+start		
30	L!DL_DatRqFac START T_dly(90000), START T_dly1(1000)	FacilityRq_07(TCV_chTch, FacilityPdu_25(TCV_TI, facilityIEtsnd(FwdChAdvSS_08)))	
31	L!DL_DatRqConnAck	ConnAck_01(TCV_chTch)	
32	L?DL_DatInFac CANCEL T_dly1	Facility_03(FacilityPdu_26(TI_01, facilityIErcv(FwdChAdvRslt_01)))	(P)
33	+post("43")		
34	?TIMEOUT T_dly1		(F)
35	L?DL_DatInFac	Facility_03(FacilityPdu_26(TI_01, facilityIErcv(FwdChAdvRslt_01)))	
36	+post("43")		
	execution4		
37	+start		
38	L!DL_DatRqFac START T_dly(90000), START T_dly1(1000)	FacilityRq_07(TCV_chTch, FacilityPdu_25(TCV_TI, facilityIEtsnd(FwdChAdvSS_09)))	
39	L!DL_DatRqConnAck	ConnAck_01(TCV_chTch)	
40	L?DL_DatInFac CANCEL T_dly1	Facility_03(FacilityPdu_26(TI_01, facilityIErcv(FwdChAdvRslt_01)))	(P)
41	+post("89 or 90")		
42	?TIMEOUT T_dly1		(F)
43	L?DL_DatInFac	Facility_03(FacilityPdu_26(TI_01, facilityIErcv(FwdChAdvRslt_01)))	
44	+post("89 or 90")		
	execution5		
45	+start		
46	L!DL_DatRqFac START T_dly(90000), START T_dly1(1000)	FacilityRq_07(TCV_chTch, FacilityPdu_25(TCV_TI, facilityIEtsnd(FwdChAdvSS_10)))	
47	L!DL_DatRqConnAck	ConnAck_01(TCV_chTch)	
48	L?DL_DatInFac CANCEL T_dly1	Facility_03(FacilityPdu_26(TI_01, facilityIErcv(FwdChAdvRslt_01)))	(P)
49	+post("50 or 62.5")		
50	?TIMEOUT T_dly1		(F)
51	L?DL_DatInFac	Facility_03(FacilityPdu_26(TI_01, facilityIErcv(FwdChAdvRslt_01)))	

52	+post("50 or 62.5")			
	start			
53	+BasicServiceMT(TSPX_MTBscSvcA,TSPX_MTChRateA,TSPX_MT_ImmConnA)			
54	+PreEstRRConn(TCV_slot, TCV_tsc, TimingAdv_01)			
55	LIDL_DatRqSetup (TCV_TI.ti_f := '0'B, TCV_TI.ti_v := '000'B)	SetupSnd(TCV_ch, TCV_Setup_mt)		
56	+AssCmdGenMT(TSPX_MTChRateA)			
57	L?DL_DatInCallCo(TCV_CallCfm:=DL_DatInCallCo.msg)	CallCfm_01		
58	+Adjust_gsmanddcs_powerlvl(0,3,TCV_AssCmd)			
59	+AssCh_complete(TCV_ch,TCV_chTch,TCV_AssCmd)			
60	L?DL_DatInAlert	AlertRcv_01		
61	(TCV_Null:=OO_HookOff())			
62	L?DL_DatInConn	ConnRcv_01		
	post(para:IA5String)			
63	?TIMEOUT T_dly			
64	LIDL_DatRqDisc	DiscSnd(TCV_chTch, Disconn_07(TCV_TI))		
65	L?DL_DatInRel	ReleaseInd_02		
66	LIDL_DatRqRelCmp	RelCmpRq_05(TCV_TI, TCV_chTch)		
67	+PostMainLinkRel(TCV_chTch)			
68	(TCV_Res := OO_ACMIncCHK(para))			
69	[TCV_Res]			(P) 4.
70	[NOT TCV_Res]			(F)
Detailed Comments:		<ol style="list-style-type: none"> 1. To read and note the value of ACM on SIM at the beginning of the test, 2. To send Facility IE of ForwardChargeAdvice using definite form mixed with indefinite form. 3. The expected FACILITY message does not return within 1 second, fail. 4. To check whether the increment of the value of ACM on SIM is correct. 		

Test Case Dynamic Behaviour

Test Case Name:	TC_31_6_1_5
Group:	GSM_L3_MS_v4170/SS/
Purpose:	<p>1) To verify that when the MS receives new AOCC parameters mid-way through a call in a Facility IE which is contained within a FACILITY message the MS returns a FACILITY message containing the acknowledgement within 1 second.</p> <p>2) To verify that when the MS receives new charging information mid-way through a call in the form of a Facility IE contained within a FACILITY message the MS correctly indicates the total charge considering both sets of charging information</p>
Default:	OtherEventsFail

Nr	Label	Behaviour Description	CRef	V	Comments
1		START T_guard(600)			
2		(TCV_slot := C_S0, TCV_tsc := C_BCC)			
3		+IdleUpdated(C_CellA, C_Immass, TCV_slot, TCV_tsc, TimingAdv_01, '000'B, '001'B, '011'B, '00'O)			
4		(TCV_Null := OO_ACMReading())		1.	
5		(TCV_ch := OC_SubchOfSdcch4(TSPX_SDCCH4SubDef, C_CellA), TCV_sacch := OC_SubchOfSacch4(TSPX_SDCCH4SubDef, C_CellA))			
6		+PreEnterIdleState_03(C_Immass, TCV_slot, TCV_tsc, 5, 1, 0, TimingAdv_01, '000'B, '001'B, '011'B, '00'O)		1.	
7		+FullRateCh_A_1_nociph(C_Ass, TSPX_TmSlitDef, TSPX_TscDef, ChMod_speech, FreqTCHa_rg, FreqTCHa_rd, TimingAdv_01, '000'B, '001'B, '011'B)			
8		+AttmpFullRateCall			
9		+BasicServiceMO(TSPX_MO_BscSvc_FRCall, C_Full)			
10		L?DL_RaInChRq (TCV_Rr := DL_RaInChRq_msg.ecau_rrf, TCV_Fn := DL_RaInChRq.fn)	ChReq_17		
11		ACTIVATE(OtherEventsFail_02)			To match ChReq retrans.
12		L!DL_UdatRqImmass	ImmAss_01Def(TCV_agch, TCV_Rr, TCV_Fn, TCV_slot, TCV_tsc, TCV_chdescr_arfcn, TimingAdv_01)		
13		L?DL_EstInCmsRq	CmserReq_01		
14		ACTIVATE(OtherEventsFail)			Restore Normal default
15		L!DL_DatRqCmsAcp	CmserAcp_01(TCV_ch)		
16		+SetupRcvMo(SetupInd_01)			
17		L!DL_DatRqCallProc	CallProc(TCV_ch, TCV_CallProc)		
18		+AssCmdGenMO(C_Full)			
19		+AssCh_complete(TCV_ch, TCV_chTch, TCV_AssCmd)			
20		L!DL_DatRqAlert	Alert_01(TCV_TI, TCV_chTch)		
21		L!DL_DatRqConn	Conn_01(TCV_TI, TCV_chTch)		
22		+continue			
23		continue L!DL_DatRqFac START T_dly(80000), START T_dly1(1000)	FacilityRq_07(TCV_chTch, FacilityPdu_25(TCV_TI, facilityIetsnd(FwdChAdvSS_11)))		

24	+AOC_CHK_FAC(TCV_TI0)			
25	+localtree			
	localtree			
26	?TIMEOUT T_dly			
27	L!DL_DatRqFac START T_dly(100000), START T_dly1(1000)	FacilityRq_07(TCV_c hTch, FacilityPdu_25(TCV_TI, facilityIEtsnd(FwdChAdvSS_12)))		2.
28	L?DL_DatInFac CANCEL T_dly1	Facility_03(FacilityPdu_26(TCV_TI0, facilityIErcv(FwdChAdvRslt_01)))	(P)	
29	+post			
30	(TCV_Res := OO_ACMIncCHK("65"))			3.
31	[TCV_Res]		(P)	
32	[NOT TCV_Res]		(F)	
33	?TIMEOUT T_dly1		(F)	
34	L?DL_DatInFac	Facility_03(FacilityPdu_26(TCV_TI0, facilityIErcv(FwdChAdvRslt_01)))		
35	+post			
36	(TCV_Res := OO_ACMIncCHK("65"))			
37	[TCV_Res]		(P)	
38	[NOT TCV_Res]		(F)	
	post			
39	?TIMEOUT T_dly			
40	L!DL_DatRqDisc	DiscSnd(TCV_chTch, Disconn_07(TCV_TI))		
41	L?DL_DatInRel	ReleaseInd_02		
42	L!DL_DatRqRelCmp	RelCmpRq_05(TCV_ TI, TCV_chTch)		
43	+PostMainLinkRel(TCV_chTch)			
Detailed Comments:		1. To read and note the value of ACM on SIM at the beginning of the test,		
		2. To send second CAI.		
		3. To check whether the increment of the value of ACM on SIM is 65.		

Test Case Dynamic Behaviour

Test Case Name:	TC_31_6_1_6
Group:	GSM_L3_MS_v4170/SS/
Purpose:	<p>1) To verify that when the MS receives a Facility IE in which certain e-parameters are set to zero the total charge accumulated is the same as that when the same e-parameters are completely omitted from the Facility IE.</p> <p>2) To verify the operation of a shortened channel release procedure where the SS does not send DISCONNECT but only the RELEASE COMPLETE and CHANNEL RELEASE messages or just the CHANNEL RELEASE message.</p>
Default:	OtherEventsFail

Nr	Label	Behaviour Description	CRef	V	Comments
1		START T_guard(1200)			
2		(TCV_slot := C_S0, TCV_tsc := C_BCC)			
3		+IdleUpdated(C_CellA, C_Immass, TCV_slot, TCV_tsc, TimingAdv_01, '000'B, '001'B, '011'B, '00'O)			
4		(TCV_Null := OO_ACMReading())		1.	
5		(TCV_ch := OC_SubchOfSdcch4(TSPX_SDCCH4SubDef, C_CellA), TCV_sacch := OC_SubchOfSacch4(TSPX_SDCCH4SubDef, C_CellA))			
6		+PreEnterIdleState_03(C_Immass, TCV_slot, TCV_tsc, 5, 1, 0, TimingAdv_01, '000'B, '001'B, '011'B, '00'O)		1.	
7		+FullRateCh_A_1_nociph(C_Ass, TSPX_TmSlitDef, TSPX_TscDef, ChMod_speech, FreqTCHa_rg, FreqTCHa_rd, TimingAdv_01, '000'B, '001'B, '011'B)			
8		+execution1			
9		+execution2			
10		+execution3			
		execution1			
11		+start			
12		L!DL_DatRqFac START T_dly(90000)	FacilityRq_07(TCV_chTch, FacilityPdu_25(TCV_TI, facilityIEtsnd(FwdChAdvSS_13)))		2.
13		+branch			
14		?TIMEOUT T_dly			
15		+localtree1			
		localtree1			
16		L!DL_DatRqDisc	DiscSnd(TCV_chTch, Disconn_07(TCV_TI))		
17		L?DL_DatInRel	ReleaseInd_02		
18		L!DL_DatRqRelCmp	RelCmpRq_05(TCV_TI, TCV_chTch)		
19		+localtree3			
		execution2			
20		+start			
21		L!DL_DatRqFac START T_dly(90000)	FacilityRq_07(TCV_chTch, FacilityPdu_25(TCV_TI, facilityIEtsnd(FwdChAdvSS_14)))		
22		+branch			
23		?TIMEOUT T_dly			
24		+localtree2			
		localtree2			
25		L!DL_DatRqRelCmp	RelCmpRq_05(TCV_TI, TCV_chTch)		
26		+localtree3			

	execution3			
27	+start			
28	L!DL_DatRqFac START T_dly(90000)	FacilityRq_07(TCV_chTch, FacilityPdu_25(TCV_TI, facilityIEtsnd(FwdChAdvSS_14)))		
29	+branch			
30	?TIMEOUT T_dly			
31	+localtree3			
	localtree3			
32	+PostMainLinkRel(TCV_chTch)			
33	(TCV_Res := OO_ACMIncCHK("20"))			4.
34	[TCV_Res]		(P)	
35	[NOT TCV_Res]		(F)	
	branch			
36	L!DL_DatRqConn	Conn_01(TCV_TI, TCV_chTch)		
37	L?DL_DatInFac	Facility_03(FacilityPdu_26(TCV_TI0, facilityIErcv(FwdChAdvRslt_01)))	(P)	3.
38	L?DL_DatInConnAck	ConnAckRcv_01(TCV_TI0)		
39	L?DL_DatInConnAck	ConnAckRcv_01(TCV_TI0)		
40	L?DL_DatInFac	Facility_03(FacilityPdu_26(TCV_TI0, facilityIErcv(FwdChAdvRslt_01)))	(P)	3.
	start			
41	+AttmpFullRateCall			
42	+BasicServiceMO(TSPX_MO_BscSvc_FRCall, C_Full)			
43	L?DL_RaclnChRq (TCV_Rr := DL_RaclnChRq.msg.ecau_rrf, TCV_Fn := DL_RaclnChRq.fn)	ChReq_17		
44	ACTIVATE(OtherEventsFail_02)			To match ChReq retrans.
45	L!DL_UdatRqImm	ImmAss_01Def(TCV_agch, TCV_Rr, TCV_Fn, TCV_slot, TCV_tsc, TCV_chdescr_arfcn, TimingAdv_01)		
46	L?DL_EstInCmsRq	CmserReq_01		
47	ACTIVATE(OtherEventsFail)			Restore Normal default
48	L!DL_DatRqCmsAcp	CmserAcp_01(TCV_ch)		
49	+SetupRcvMo(SetupInd_01)			
50	L!DL_DatRqCallProc	CallProc(TCV_ch, TCV_CallProc)		
51	+AssCmdGenMO(C_Full)			
52	+AssCh_complete(TCV_ch,TCV_chTch,TCV_AssCmd)			
53	L!DL_DatRqAlert	Alert_01(TCV_TI, TCV_chTch)		

Detailed Comments:

1. To read and note the value of ACM on SIM at the beginning of the test,
2. To send Facility IE of ForwardChargeAdvice using definite form mixed with indefinite form.
3. The expected FACILITY message received, pass.
4. To check whether the increment of the value of ACM on SIM is 20.

Test Case Dynamic Behaviour					
Test Case Name:		TC_31_6_1_7			
Group:		GSM_L3_MS_v4170/SS/			
Purpose:		<p>1) To verify that when the MS invokes a Call Hold call and hence receives Facility IEs containing AOCC e-parameters for each chargeable call the MS returns a FACILITY message containing the AOCC acknowledgement within 1 second of transmission of each set of e-parameters.</p> <p>2) To verify that when the MS invokes a Call Hold call and hence receives Facility IEs containing CAI elements for each chargeable call the CCM records the sum of all the charges for the services currently being used and hence that the ME inserts the correct charge in the ACM field of the SIM.</p>			
Default:		OtherEventsFail			
Nr	Label	Behaviour Description	CRef	V	Comments
1		START T_guard(600)			
2		(TCV_slot := C_S0, TCV_tsc := C_BCC)			
3		+IdleUpdated(C_CellA, C_Immass, TCV_slot, TCV_tsc, TimingAdv_01, '000'B, '001'B, '011'B, '00'O)			
4		(TCV_Null := OO_ACMReading())		1.	
5		(TCV_ch := OC_SubchOfSdcch4(TSPX_SDCCH4SubDef, C_CellA), TCV_sacch := OC_SubchOfSacch4(TSPX_SDCCH4SubDef, C_CellA))			
6		+PreEnterIdleState_03(C_Immass, TCV_slot, TCV_tsc, 5, 1, 0, TimingAdv_01, '000'B, '001'B, '011'B, '00'O)		1.	
7		+FullRateCh_A_1_nociph(C_Ass, TSPX_TmSlitDef, TSPX_TscDef, ChMod_speech, FreqTCHa_rg, FreqTCHa_rd, TimingAdv_01, '000'B, '001'B, '011'B)			
8		+AttmpFullRateCall			
9		+BasicServiceMO(TSPX_MO_BscSvc_FRCall, C_Full)			
10		+continue			
11		continue L?DL_RacInChRq (TCV_Rr := DL_RacInChRq.msg.ecau_rrf, TCV_Fn := DL_RacInChRq.fn)	ChReq_17		
12		ACTIVATE(OtherEventsFail_02)			To match ChReq retrans.
13		L!DL_UdatRqImmass	ImmAss_01Def(TCV_agch, TCV_Rr, TCV_Fn, TCV_slot, TCV_tsc, TCV_chdescr_arfcn, TimingAdv_01)		
14		L?DL_EstInCmsRq	CmserReq_01		
15		ACTIVATE(OtherEventsFail)			Restore Normal default
16		L!DL_DatRqCmsAcp	CmserAcp_01(TCV_ch)		
17		+SetupRcvMo(SetupInd_01)			
18		L!DL_DatRqCallProc	CallProc(TCV_ch, TCV_CallProc)		
19		+AssCmdGenMO(C_Full)			
20		+AssCh_complete(TCV_ch, TCV_chTch, TCV_AssCmd)			
21		L!DL_DatRqAlert	Alert_01(TCV_TI, TCV_chTch)		
22		L!DL_DatRqConn START T_dly(180000), START T_dly(1000)	Conn_03(TCV_chTch, Connect_05(TCV_TI, facilityIEtsndiei(FwdChAdvSS_15)))	2.	
23		+AOC_CHK_FAC(TCV_TI0)			
24		+localtree			
25		localtree (TCV_Null := OO_CallHold())			

26	L?DL_DatInHold	Hold_01(TCV_TI0)	
27	LIDL_DatRqHoldAck	HoldAck_01(TCV_TI, TCV_chTch)	
28	+AttmpFullRateCall		
29	+BasicServiceMO(TSPX_MO_BscSvc_FRCal I, C_Full)		
30	L?DL_EstInCmsRq	CmserReq_01	
31	LIDL_DatRqCmsAcp	CmserAcp_01(TCV_c hTch)	
32	+SetupRcvMo2(SetupInd_01)		
33	LIDL_DatRqCallProc	CallProc(TCV_chTch, TCV_CallProc)	
34	LIDL_DatRqAlert	Alert_01(TCV_TI2, TCV_chTch)	
35	LIDL_DatRqConn START T_dly2(90000), START T_dly1(1000)	Conn_03(TCV_chTch , Connect_05(TCV_TI2, facilityIEtsndiei(FwdChAdvSS_16)))	3.
36	+AOC_CHK_FAC(TCV_TI1)		
37	+localtree1		
	localtree1		
38	?TIMEOUT T_dly2		
39	+releasecall(TCV_TI2)		4.
40	?TIMEOUT T_dly1		
41	+releasecall(TCV_TI)		5.
42	+releaselink		
43	?TIMEOUT T_dly1		
44	+releasecall(TCV_TI)		5.
45	?TIMEOUT T_dly2		
46	+releasecall(TCV_TI2)		4.
47	+releaselink		
	releasecall(ti:TI)		
48	LIDL_DatRqDisc	DiscSnd(TCV_chTch, Disconn_07(ti))	
49	L?DL_DatInRel	ReleaseInd_02	
50	LIDL_DatRqRelCmp	RelCmpRq_05(ti, TCV_chTch)	
	releaselink		
51	+PostMainLinkRel(TCV_chTch)		
52	(TCV_Res := OO_ACMIncCHK("54"))		6.
53	[TCV_Res]		(P)
54	[NOT TCV_Res]		(F)

Detailed Comments:

1. To read and note the value of ACM on SIM at the beginning of the test,
2. To send Facility IE of ForwardChargeAdvice using definite form mixed with indefinite form.
3. To send second CAI.
4. To release call C.
5. To release call B.
6. To check whether the increment of the ACM value on SIM is 54.

Test Case Dynamic Behaviour

Test Case Name:	TC_31_6_1_8
Group:	GSM_L3_MS_v4170/SS/
Purpose:	<p>1) To verify that when the MS invokes a Multi-party call and hence receives Facility IEs containing AOCC e-parameters for each chargeable call the MS returns a FACILITY message containing the AOCC acknowledgement within 1 second of transmission of each set of e-parameters.</p> <p>2) To verify that when the MS originates a Multi-party call and hence receives Facility IEs containing CAI elements for each chargeable call the CCM records the sum of all the charges for the services currently being used and hence the ME inserts the correct charge in the ACM field of the SIM.</p>
Default:	OtherEventsFail

Nr	Label	Behaviour Description	CRef	V	Comments
1		START T_guard(600)			
2		(TCV_slot := C_S0, TCV_tsc := C_BCC)			
3		+IdleUpdated(C_CellA, C_Immass, TCV_slot, TCV_tsc, TimingAdv_01, '000'B, '001'B, '011'B, '00'O)			
4		(TCV_Null := OO_ACMReading())		1.	
5		(TCV_ch := OC_SubchOfSdcch4(TSPX_SDCCH4SubDef, C_CellA), TCV_sacch := OC_SubchOfSacch4(TSPX_SDCCH4SubDef, C_CellA))			
6		+PreEnterIdleState_03(C_Immass, TCV_slot, TCV_tsc, 5, 1, 0, TimingAdv_01, '000'B, '001'B, '011'B, '00'O)		1.	
7		+FullRateCh_A_1_nociph(C_Ass, TSPX_TmSltDef, TSPX_TscDef, ChMod_speech, FreqTCHa_rg, FreqTCHa_rd, TimingAdv_01, '000'B, '001'B, '011'B)			
8		+AttmpFullRateCall			
9		+BasicServiceMO(TSPX_MO_BscSvc_FRCall, C_Full)			
10		L?DL_RaInChRq (TCV_Rr := DL_RaInChRq, msg.ecau_rrf, TCV_Fn := DL_RaInChRq.fn)	ChReq_17		
11		ACTIVATE(OtherEventsFail_02)			To match ChReq retrans.
12		L!DL_UdatRqImmass	ImmAss_01Def(TCV_agch, TCV_Rr, TCV_Fn, TCV_slot, TCV_tsc, TCV_chdescr_arfcn, TimingAdv_01)		
13		L?DL_EstInCmsRq	CmsReq_01		
14		ACTIVATE(OtherEventsFail)			Restore Normal default
15		L!DL_DatRqCmsAcp	CmsReq_01(TCV_ch)		
16		+SetupRcvMo(SetupInd_01)			
17		+continue			
18		continue L!DL_DatRqCallProc	CallProc(TCV_ch, TCV_CallProc)		
19		+AssCmdGenMO(C_Full)			
20		+AssCh_complete(TCV_ch, TCV_chTch, TCV_AssCmd)			
21		LIDL_DatRqAlert	Alert_01(TCV_TI, TCV_chTch)		
22		LIDL_DatRqConn START T_dly(180000), START T_dly1(1000)	Conn_03(TCV_chTch, Connect_05(TCV_TI, facilityIetsndiei(FwdChAdvSS_17)))	2.	
23		+AOC_CHK_FAC(TCV_TI0)			
24		+localtree			

25	localtree (TCV_Null := OO_CallHold())			3.
26	L?DL_DatInHold	Hold_01(TCV_TI0)		
27	LIDL_DatRqHoldAck	HoldAck_01(TCV_TI, TCV_chTch)		
28	+AttmpFullRateCall			4.
29	+BasicServiceMO(TSPX_MO_BscSvc_FRCal I, C_Full)			
30	L?DL_DatInCmsRq	CmsrDatReq_01		
31	LIDL_DatRqCmsAcP	CmsrAcP_01(TCV_c hTch)		
32	+SetupRcvMo2(SetupInd_01)			
33	LIDL_DatRqCallProc	CallProc(TCV_chTch, TCV_CallProc)		
34	LIDL_DatRqAlert	Alert_01(TCV_TI2, TCV_chTch)		
35	LIDL_DatRqConn START T_dly2(90000), START T_dly1(1000)	Conn_03(TCV_chTch , Connect_05(TCV_TI2, facilityIEtsndiei(FwdChAdvSS_18)))		5.
36	+AOC_CHK_FAC(TCV_TI1)			
37	+localtree1			
38	localtree1 (TCV_Null := OO_MptyCall())			6.
39	L?DL_DatInFac (TCV_Comp := DL_DatInFac.msg.fie.components_1, TCV_n := OC_PosinSet(TCV_Comp, BldMptySS_01), TCV_Invkld := OC_Asn1intToOct(TCV_Comp.[TCV_n].registerSS Components.registerSS_InvokComp.invokeID, 1), TCV_TI3 := DL_DatInFac.msg.ti, TCV_TI3.ti_f := '1'B)	Facility_03(FacilityPdu_04(TCV_TI0, TCV_TI1, facilityIErcv(BldMptySS_01)))		
40	LIDL_DatRqFac	FacilityRq_07(TCV_ch, FacilityPdu_25(TCV_TI3, facilityIEtsnd(BuildMptySSrsit_01(TCV_Invkld))))		
41	+localtree2			
42	localtree2 ?TIMEOUT T_dly2			
43	+releasecall(TCV_TI2)			
44	?TIMEOUT T_dly1			
45	+releasecall(TCV_TI)			
46	+releaselink			
47	?TIMEOUT T_dly1			
48	+releasecall(TCV_TI)			
49	?TIMEOUT T_dly2			
50	+releasecall(TCV_TI2)			
51	+releaselink			
52	releasecall(ti: TI) LIDL_DatRqDisc	DiscSnd(TCV_chTch, Disconn_07(ti))		
53	L?DL_DatInRel	ReleaseInd_02		
54	LIDL_DatRqRelCmp	RelCmpRq_05(ti, TCV_chTch)		
55	releaselink +PostMainLinkRel(TCV_chTch)			
56	(TCV_Res := OO_ACMIncCHK("134"))			7.
57	[TCV_Res]			(P)
58	[NOT TCV_Res]			(F)

Detailed Comments:

1. To read and note the value of ACM on SIM at the beginning of the test,
2. To send Facility IE of ForwardChargeAdvice using definite form mixed with indefinite form.

3. To hold the first call.
4. To make a second call.
5. To send CAI for the second call.
6. To build the multi party call.
7. To check whether the increment of the value of ACM on SIM is 134.

Test Case Dynamic Behaviour					
Test Case Name: TC_31_6_2_1					
Group: GSM_L3_MS_v4170/SS/					
Purpose:					
1) To verify that when the SIM is removed from the ME during an active AOCC call the ME immediately terminates the call.					
2) To verify that when the SIM is removed during an active AOCC call the ME has written the total charge up to that point in the call to the ACM field of the SIM.					
Default: OtherEventsFail					
Nr	Label	Behaviour Description	CRef	V	Comments
1		START T_guard(300)			
2		(TCV_slot := C_S0, TCV_tsc := C_BCC)			
3		+IdleUpdated(C_CellA, C_Immass, TCV_slot, TCV_tsc, TimingAdv_01, '000'B, '001'B, '011'B, '00'O)			
4		(TCV_Null := OO_ACMReading())			1.
5		(TCV_ch := OC_SubchOfSdcch4(TSPX_SDCCH4SubDef, C_CellA), TCV_sacch := OC_SubchOfSacch4(TSPX_SDCCH4SubDef, C_CellA))			
6		+PreEnterIdleState_03(C_Immass, TCV_slot, TCV_tsc, 5, 1, 0, TimingAdv_01, '000'B, '001'B, '011'B, '00'O)			1.
7		+FullRateCh_A_1_nociph(C_Ass, TSPX_TmSlTDef, TSPX_TscDef, ChMod_speech, FreqTCHa_rg, FreqTCHa_rd, TimingAdv_01, '000'B, '001'B, '011'B)			
8		+AttmpFullRateCall			
9		+BasicServiceMO(TSPX_MO_BscSvc_FRCall, C_Full)			
10	body	L?DL_RaInChRq (TCV_Rr := DL_RaInChRq.msg.ecau_rrf, TCV_Fn := DL_RaInChRq.fn)	ChReq_17		
11		ACTIVATE(OtherEventsFail_02)			To match ChReq retrans.
12		LIDL_UdatRqImmass	ImmAss_01Def(TCV_agch, TCV_Rr, TCV_Fn, TCV_slot, TCV_tsc, TCV_chdescr_arfcn, TimingAdv_01)		
13		L?DL_EstInCmsRq	CmserReq_01		
14		ACTIVATE(OtherEventsFail)			Restore Normal default
15		LIDL_DatRqCmsAcp	CmserAcp_01(TCV_ch)		
16		+SetupRcvMo(SetupInd_01)			
17		+continue			
18		continue LIDL_DatRqCallProc	CallProc(TCV_ch, TCV_CallProc)		
19		+AssCmdGenMO(C_Full)			
20		+AssCh_complete(TCV_ch, TCV_chTch, TCV_AssCmd)			
21		LIDL_DatRqAlert	Alert_01(TCV_TI, TCV_chTch)		
22		LIDL_DatRqConn START T_dly(90000), START T_dly1(1000)	Conn_03(TCV_chTch, Connect_05(TCV_TI, facilityIEtsndiei(FwdChAdvSS_19)))		2.
23		+AOC_CHK_FAC(TCV_TI0)			
24		+localtree			
25		localtree ?TIMEOUT T_dly			
26		START T_dly(60000)			

27	(TCV_Null := OO_SIMRmv())			3.
28	L?DL_DatInDisc	DiscRcv(TCV_chTch, Disconn_05(TCV_TI0)		
29	LIDL_DatRqRel	RelRq_02(TCV_TI, TCV_chTch)		
30	L?DL_DatInRelCmp	RelCmp_02(TCV_TI0)	(P)	
31	+PostMainLinkRel(TCV_chTch)			
32	CANCEL T_dly			
33	+localtree1			
34	L?DL_DatInRelCmp	RelCmp_02(TCV_TI0)	(P)	
35	+PostMainLinkRel(TCV_chTch)			
36	CANCEL T_dly			
37	+localtree1			
38	L?DL_RelIn	DLRelInd_01	(P)	
39	CANCEL T_dly			
40	+localtree1			
41	?TIMEOUT T_dly		(F)	
42	+PostMainLinkRel(TCV_chTch)			
43	+localtree1			
	localtree1			
44	(TCV_Res := OO_ACMIncCHK("30"))			4.
45	[TCV_Res]		(P)	
46	[NOT TCV_Res]		(F)	

Detailed Comments:

1. To read and note the value of ACM on SIM at the beginning of the test,
2. To send Facility IE of ForwardChargeAdvice using definite form mixed with indefinite form.
3. To remove the SIM without power off and 90 seconds after CAI sent.
4. To check whether the increment of the value of ACM on SIM is 30.

Test Case Dynamic Behaviour					
Test Case Name:		TC_31_6_2_2			
Group:		GSM_L3_MS_v4170/SS/			
Purpose:		To verify that when the power supply of the MS is removed during an active AOCC call the ME has written the total charge up to that point in the call to the ACM field of the SIM.			
Default:		OtherEventsFail			
Nr	Label	Behaviour Description	CRef	V	Comments
1		START T_guard(300)			
2		(TCV_slot := C_S0, TCV_tsc := C_BCC)			
3		+IdleUpdated(C_CellA, C_Immass, TCV_slot, TCV_tsc, TimingAdv_01, '000'B, '001'B, '011'B, '00'O)			
4		(TCV_Null := OO_ACMReading())			1.
5		(TCV_ch := OC_SubchOfSdcch4(TSPX_SDCCH4SubDef, C_CellA), TCV_sacch := OC_SubchOfSacch4(TSPX_SDCCH4SubDef, C_CellA))			
6		+PreEnterIdleState_03(C_Immass, TCV_slot, TCV_tsc, 5, 1, 0, TimingAdv_01, '000'B, '001'B, '011'B, '00'O)			1.
7		+FullRateCh_A_1_nociph(C_Ass, TSPX_TmSltDef, TSPX_TscDef, ChMod_speech, FreqTCHa_rg, FreqTCHa_rd, TimingAdv_01, '000'B, '001'B, '011'B)			
8		+execution1			
9		+execution2			
		execution1			
10		+main			
11		(TCV_Null := OO_SwitchOff())			3.
12		(TCV_Res := OO_ACMIncCHK("30"))			4.
13		[TCV_Res]		(P)	
14		[NOT TCV_Res]		(F)	
		execution2			
15		(TCV_Null := OO_SwitchOn())			5.
16		START T_dly(20000)			
17		?TIMEOUT T_dly			
18		+main			
19		(TCV_Null := OO_PowerDown())			6.
20		(TCV_Res := OO_ACMIncCHK("30"))			4.
21		[TCV_Res]		(P)	
22		[NOT TCV_Res]		(F)	
		main			
23		+AttmpFullRateCall			
24		+BasicServiceMO(TSPX_MO_BscSvc_FRCall, C_Full)			
25		L?DL_RaInChRq (TCV_Rr := DL_RaInChRq.msg.ecau_rrf, TCV_Fn := DL_RaInChRq.fn)	ChReq_17		
26		ACTIVATE(OtherEventsFail_02)			To match ChReq retrans.
27		L!DL_UdatRqImmass	ImmAss_01Def(TCV_agch, TCV_Rr, TCV_Fn, TCV_slot, TCV_tsc, TCV_chdescr_arfcn, TimingAdv_01)		
28		L?DL_EstInCmsRq	CmsrReq_01		
29		ACTIVATE(OtherEventsFail)			Restore Normal default
30		L!DL_DatRqCmsAcp	CmsrAcp_01(TCV_ch)		
31		+SetupRcvMo(SetupInd_01)			
32		+continue			
		continue			
33		L!DL_DatRqCallProc	CallProc(TCV_ch,		

34	+AssCmdGenMO(C_Full)	TCV_CallProc)	
35	+AssCh_complete(TCV_ch,TCV_chTch,TCV_Ass Cmd)		
36	LIDL_DatRqAlert	Alert_01(TCV_TI, TCV_chTch)	
37	LIDL_DatRqConn START T_dly(90000), START T_dly1(1000)	Conn_03(TCV_chTch , Connect_05(TCV_TI, facilityIEtsndiei(FwdChAdvSS_19)))	2.
38	+AOC_CHK_FAC(TCV_TI0)		
39	?TIMEOUT T_dly		

Detailed Comments:

1. To read and note the value of ACM on SIM at the beginning of the test,
2. To send Facility IE of ForwardChargeAdvice using definite form mixed with indefinite form.
3. To switch off the MS 90 seconds after CAI sent.
4. To check whether the increment of the value of ACM on SIM is 30.
5. To switch on the MS and wait for the MS back to idle state.
6. To remove battery pack 90 seconds after CAI sent.

Test Case Dynamic Behaviour					
Test Case Name:		TC_31_6_2_3			
Group:		GSM_L3_MS_v4170/SS/			
Purpose:		To verify that when the MS goes out of radio coverage area and an active call is dropped the ME has written the total charge up to that point in the call to the ACM field of the SIM.			
Default:		OtherEventsFail			
Nr	Label	Behaviour Description	CRef	V	Comments
1		START T_guard(300)			
2		(TCV_slot := C_S0, TCV_tsc := C_BCC)			
3		+IdleUpdated(C_CellA, C_Immass, TCV_slot, TCV_tsc, TimingAdv_01, '000'B, '001'B, '011'B, '00'O)			
4		(TCV_Null := OO_ACMReading())			1.
5		+PreEnterIdleState_03(C_Immass, TCV_slot, TCV_tsc, 5, 1, 0, TimingAdv_01, '000'B, '001'B, '011'B, '00'O)			1.
6		+FullRateCh_A_1_nociph(C_Ass, TSPX_TmSlitDef, TSPX_TscDef, ChMod_speech, FreqTCHa_rg, FreqTCHa_rd, TimingAdv_01, '000'B, '001'B, '011'B)			
7		+AttmpFullRateCall			
8		+BasicServiceMO(TSPX_MO_BscSvc_FRCall, C_Full)			
9		L?DL_RaInChRq (TCV_Rr := DL_RaInChRq. msg.ecau_rrf, TCV_Fn := DL_RaInChRq.fn)	ChReq_17		
10		ACTIVATE(OtherEventsFail_02)			To match ChReq retrans.
11		L!DL_UdatRqImmass	ImmAss_01Def(TCV_agch, TCV_Rr, TCV_Fn, TCV_slot, TCV_tsc, TCV_chdescr_arfcn, TimingAdv_01)		
12		L?DL_EstInCmsRq	CmsrReq_01		
13		ACTIVATE(OtherEventsFail)			Restore Normal default
14		L!DL_DatRqCmsAcp	CmsrAcp_01(TCV_ch)		
15		+SetupRcvMo(SetupInd_01)			
16		+continue			
		continue			
17		L!DL_DatRqCallProc	CallProc(TCV_ch, TCV_CallProc)		
18		+AssCmdGenMO(C_Full)			
19		+AssCh_complete(TCV_ch, TCV_chTch, TCV_AssCmd)			
20		L!DL_DatRqAlert	Alert_01(TCV_TI, TCV_chTch)		
21		L!DL_DatRqConn START T_dly(90000), START T_dly1(1000)	Conn_03(TCV_chTch, Connect_05(TCV_TI, facilityIEtsndiei(FwdChAdvSS_19)))		2.
22		+AOC_CHK_FAC(TCV_TI0)			
23		+localtree			
		localtree			
24		?TIMEOUT T_dly			
25		(TCV_Null := OM_StopCell(C_CellA))			3.
26		(TCV_Res := OO_ACMIncCHK("30"))			4.
27		[TCV_Res]		(P)	
28		[NOT TCV_Res]		(F)	
Detailed Comments:		<ol style="list-style-type: none"> 1. To read and note the value of ACM on SIM at the beginning of the test, 2. To send Facility IE of ForwardChargeAdvice using definite form mixed with indefinite form. 3. To switch off the cell A 90 seconds after CAI sent. 4. To check whether the increment of the value of ACM on SIM is 30. 			

Test Case Dynamic Behaviour					
Test Case Name:		TC_31_6_2_4			
Group:		GSM_L3_MS_v4170/SS/			
Purpose:		<p>1) To verify that when the value stored in the ACM becomes equal to or exceeds its maximum value, the ACMM, any outgoing calls in progress for which a non-zero CAI exists are terminated by the ME, once the chargeable interval determined by the CAI has elapsed, with an appropriate indication given to the user.</p> <p>2) To verify that when the value stored in the ACM becomes equal to or exceeds its maximum limit, the ACMM, the making of non-emergency calls is inhibited</p> <p>3) To verify that when the value stored in the ACM becomes equal to or exceeds its maximum limit, the ACMM, the making of emergency calls is uninhibited</p>			
Default:		OtherEventsFail			
Comments:		The ACM is reset to zero and the ACMmax is set to 2 units before starting the test			
Nr	Label	Behaviour Description	CRef	V	Comments
1		START T_guard(600)			
2		(TCV_slot := C_S0, TCV_tsc := C_BCC)			
3		+IdleUpdated(C_CellA, C_Immass, TCV_slot, TCV_tsc, TimingAdv_01, '000'B, '001'B, '011'B, '00'O)			
4		(TCV_Null := OO_ACMReading())			1.
5		(TCV_ch := OC_SubchOfSdcch4(TSPX_SDCCH4SubDef, C_CellA), TCV_sacch := OC_SubchOfSacch4(TSPX_SDCCH4SubDef, C_CellA))			
6		+PreEnterIdleState_03(C_Immass, TCV_slot, TCV_tsc, 5, 1, 0, TimingAdv_01, '000'B, '001'B, '011'B, '00'O)			
7		+FullRateCh_A_1_nociph(C_Ass, TSPX_TmSlTDef, TSPX_TscDef, ChMod_speech, FreqTCHa_rg, FreqTCHa_rd, TimingAdv_01, '000'B, '001'B, '011'B)			
8		+execution1			
9		+execution2			
10		+execution3			
		execution1			
11		+AttmpFullRateCall			
12		+BasicServiceMO(TSPX_MO_BscSvc_FRCall, C_Full)			
13		L?DL_RaInChRq (TCV_Rr := DL_RaInChRq.msg.ecau_rrf, TCV_Fn := DL_RaInChRq.fn)	ChReq_17		
14		ACTIVATE(OtherEventsFail_02)			To match ChReq retrans.
15		L!DL_UdatRqImmass	ImmAss_01Def(TCV_agch, TCV_Rr, TCV_Fn, TCV_slot, TCV_tsc, TCV_chdescr_arfcn, TimingAdv_01)		
16		L?DL_EstInCmsRq	CmserReq_01		
17		ACTIVATE(OtherEventsFail)			Restore Normal default
18		L!DL_DatRqCmsAcp	CmserAcp_01(TCV_ch)		
19		+SetupRcvMo(SetupInd_01)			
20		+continue			
		continue			
21		L!DL_DatRqCallProc	CallProc(TCV_ch, TCV_CallProc)		
22		+AssCmdGenMO(C_Full)			
23		+AssCh_complete(TCV_ch, TCV_chTch, TCV_AssCmd)			
24		L!DL_DatRqAlert	Alert_01(TCV_TI, TCV_chTch)		

25	LIDL_DatRqConn START T_dly1(1000), START T_dly(100000)	Conn_03(TCV_chTch , Connect_05(TCV_TI, facility Etsndiei(FwdChAdvSS_20)))	2.
26	+AOC_CHK_FAC(TCV_TI0)		
27	+localtree		
	localtree		
28	L?DL_DatInDisc READTIMER T_dly(TCV_Time), CANCEL T_dly	DiscRcv(TCV_chTch, Disconn_05(TCV_TI0)	3.
29	[(88000 <= TCV_Time) AND (TCV_Time <= 92000)]	(P)	4.
30	+localtree1		
31	[(88000 > TCV_Time) OR(TCV_Time > 92000)]	(F)	
32	+localtree1		
	localtree1		
33	L!DL_DatRqRel	RelRq_04(TCV_TI, TCV_chTch)	
34	L?DL_DatInRelCmp	RelCmp_02(TCV_TI0)	
35	+PostMainLinkRel(TCV_chTch)		
36	(TCV_Res := OO_ACMIncCHK("2"))		5.
37	[TCV_Res]	(P)	
38	[NOT TCV_Res]	(F)	
	execution2		
39	+AttmpFullRateCall		
40	+BasicServiceMO(TSPX_MO_BscSvc_FRCall, C_Full)		
41	START T_dly(5000)		
42	?TIMEOUT T_dly	(P)	
43	L?DL_RacInChRq CANCEL T_dly	ChReq_02	(F)
	execution3		
44	+AttmpEmgCall		6.
45	L?DL_RacInChRq (TCV_Rr := DL_RacInChRq. msg.ecau_rrf, TCV_Fn := DL_RacInChRq.fn)	ChReq_18	
46	ACTIVATE(OtherEventsFail_02)		To match ChReq retrans.
47	LIDL_UdatRqImmass	ImmAss_01Def(TCV_ agch, TCV_Rr, TCV_Fn, TCV_slot, TCV_tsc, TCV_chdescr_arfcn, TimingAdv_01)	
48	L?DL_EstInCmsRq	CmserReq_01	
49	ACTIVATE(OtherEventsFail)		Restore Normal default
50	L!DL_DatRqCmsAcp	CmserAcp_01(TCV_c h)	
51	+SetupRcvE(ESetup_01)		
52	+continue1		
	continue1		
53	L!DL_DatRqCallProc	CallProc(TCV_ch, TCV_CallProc)	
54	+AssCmdGenMO(C_Full)		
55	+AssCh_complete(TCV_ch, TCV_chTch, TCV_AssCmd)		
56	LIDL_DatRqAlert	Alert_01(TCV_TI, TCV_chTch)	
57	LIDL_DatRqConn START T_dly1(1000), START T_dly(120000)	Conn_03(TCV_chTch , Connect_05(TCV_TI, facility Etsndiei(FwdChAdvSS_06)))	7.
58	+AOC_CHK_FAC(TCV_TI0)		
59	?TIMEOUT T_dly		9.

60		+TermCall			
61		+localtree2			
		localtree2			
62		L?DL_DatInDisc	DiscRcv(TCV_chTch, Disconn_05(TCV_T10)	(P)	
63		L!DL_DatRqRel	RelRq_04(TCV_TI, TCV_chTch)		
64		L?DL_DatInRelCmp	RelCmp_02(TCV_T10)		
65		+PostMainLinkRel(TCV_chTch)			
66		(TCV_Res := OO_ACMIncCHK("0"))			8.
67		[TCV_Res]		(P)	
68		[NOT TCV_Res]		(F)	

Detailed Comments:

1. To reset the ACM = 0 and set the ACMmax to 2.
2. To send Facility IE of ForwardChargeAdvice using definite form mixed with indefinite form.
3. The call is terminated when the ACM reaches the ACMmax (cause value #68).
4. The time duration is 90 +- 2 seconds, pass.
5. To check whether the ACM increment is 2.
6. To make an emergency call.
7. To send Facility IE of ForwardChargeAdvice using definite form mixed with indefinite form.
8. To check whether the value of ACM is still 2.
9. The time duration is 120 seconds.

Test Case Dynamic Behaviour

Test Case Name:	TC_31_6_2_5
Group:	GSM_L3_MS_v4170/SS/
Purpose:	<p>1) To verify that when the value stored in the ACM becomes equal to or exceeds its maximum value, the ACMM, any mobile terminating calls in progress for which a non-zero CAI exists are terminated by the ME, once the chargeable interval determined by the CAI has elapsed, with an appropriate indication given to the user.</p> <p>2) To verify that when the value stored in the ACM becomes equal to or exceeds its maximum value, the ACMM, and an incoming call is received for which subsequently a non-zero CAI is received, then the call is terminated by the ME with an appropriate indication given to the user.</p> <p>3) To verify that when the value stored in the ACM becomes equal to or exceeds its maximum limit, the ACMM, the receiving of calls for which the CAI is zero is uninhibited.</p>
Default:	OtherEventsFail

Nr	Label	Behaviour Description	CRef	V	Comments
1		START T_guard(600)			
2		(TCV_slot := C_S0, TCV_tsc := C_BCC)			
3		+IdleUpdated(C_CellA, C_Immass, TCV_slot, TCV_tsc, TimingAdv_01, '000'B, '001'B, '011'B, '00'O)			
4		(TCV_Null := OO_ACMReading())			1.
5		(TCV_ch := OC_SubchOfSdcch4(TSPX_SDCCH4SubDef, C_CellA), TCV_sacch := OC_SubchOfSacch4(TSPX_SDCCH4SubDef, C_CellA))			
6		+PreEnterIdleState_03(C_Immass, TCV_slot, TCV_tsc, 5, 1, 0, TimingAdv_01, '000'B, '001'B, '011'B, '00'O)			
7		+FullRateCh_A_1_nociph(C_Ass, TSPX_TmSlitDef, TSPX_TscDef, ChMod_speech, FreqTCHa_rg, FreqTCHa_rd, TimingAdv_01, '000'B, '001'B, '011'B)			
8		+execution1			
9		+execution2			
10		+execution3			
		execution1			
11		+init			
12		+branchA			
13		+branchF			
14		+TimerCheck			
15		+step20("2")			5.
		execution2			
16		+init			
17		+branchB			
18		+branchC			
19		+branchD			
20		+branchE			
21		+branchG			
22		+step20("0")			8.
		execution3			
23		+init			
24		+branchA			
25		+branchH			
26		+step20("0")			8.
		init			
27		+PreEstRRConn(TCV_slot, TCV_tsc, TimingAdv_01)			
28		L!DL_DatRqSetup	SetupRq_05(TCV_ch, Setup_01)		
29		L?DL_DatInCallCo(TCV_CallCfm :=	CallCfm_01		

30	DL_DatInCallCo.msg)		
31	+AssCmdGenMT(C_Full)		
32	+AssCh_complete(TCV_ch, TCV_chTch, TCV_AssCmd)		
33	L?DL_DatInAlert	AlertRcv_01	
34	(TCV_Null := OO_HookOff())		
35	L?DL_DatInConn	ConnRcv_01	
36	L!DL_DatRqConnAck	ConnAck_01(TCV_ch Tch)	
37	L?DL_DatInConn	ConnRcv_01	
38	L!DL_DatRqConnAck	ConnAck_01(TCV_ch Tch)	
	branchA		
39	L!DL_DatRqFac START T_dly(120000)	FacilityRq_07(TCV_c hTch, FacilityPdu_25(TI_02, facilityIEtsnd(FwdChAdvSS_20)))	2., 7.
40	L?DL_DatInFac	Facility_03(FacilityPdu_26(TI_01, facilityIErcv(FwdChAdvRslt_01)))	(P)
	branchB		
41	L!DL_DatRqFac	FacilityRq_07(TCV_c hTch, FacilityPdu_25(TI_02, facilityIEtsnd(FwdChAdvSS_20)))	2.
	branchC		
42	L?DL_DatInFac	Facility_03(FacilityPdu_26(TI_01, facilityIErcv(FwdChAdvRslt_01)))	(P)
43	L?DL_DatInDisc	DiscRcv(TCV_chTch, Disconn_05(TI_01))	6.
	branchD		
44	L?DL_DatInDisc	DiscRcv(TCV_chTch, Disconn_05(TI_01))	6.
45	L?DL_DatInFac	Facility_03(FacilityPdu_26(TI_01, facilityIErcv(FwdChAdvRslt_01)))	(P)
	branchE		
46	L?DL_DatInDisc	DiscRcv(TCV_chTch, Disconn_10(TI_01))	6., with ReturnResult
	branchF		
47	L?DL_DatInDisc READTIMER T_dly(TCV_Time), CANCEL T_dly	DiscRcv(TCV_chTch, Disconn_05(TI_01))	3.
48	L!DL_DatRqRel	RelRq_04(TI_02, TCV_chTch)	
49	L?DL_DatInRelCmp	RelCmp_02(TI_01)	
50	+PostMainLinkRel(TCV_chTch)		
	branchG		
51	L!DL_DatRqRel	RelRq_04(TI_02, TCV_chTch)	
52	L?DL_DatInRelCmp	RelCmp_09(TI_01)	
53	+PostMainLinkRel(TCV_chTch)		
	branchH		
54	?TIMEOUT T_dly		9.
55	+TermCall		
56	L?DL_DatInDisc (TCV_Fn1 := DL_DatInDisc.fn)	DiscRcv(TCV_chTch, Disconn_05(TI_01))	3.
	L!DL_DatRqRel	RelRq_04(TI_02, TCV_chTch)	

57	L?DL_DatInRelCmp	TCV_chTch)		
58	+PostMainLinkRel(TCV_chTch)	RelCmp_02(TI_01)		
	step20(val:IA5String)			
59	(TCV_Res := OO_ACMIncCHK(val))			
60	[TCV_Res]		(P)	
61	[NOT TCV_Res]		(F)	
	TimerCheck			
62	[(88000 <= TCV_Time) AND (TCV_Time <= 92000)]		(P)	4.
63	[(88000 > TCV_Time) OR(TCV_Time > 92000)]		(F)	4.

Detailed Comments:

1. To reset the ACM = 0 and set the ACMmax to 2.
2. To send Facility IE of ForwardChargeAdvice using definite form mixed with indefinite form.
3. The call is terminated when the ACM reaches the ACMmax.
4. To check whether the time duration is 90 +- 2 seconds.
5. To check whether the ACM increment is 2.
6. The call is unsuccessful.
7. To send Facility IE of ForwardChargeAdvice with zero CAI.
8. To check whether the value of ACM is still 2.
9. The time duration is 120 seconds.

Test Case Dynamic Behaviour

Test Case Name:	TC_31_8_1_1
Group:	GSM_L3_MS_v4170/SS/
Purpose:	<p>1) To check that the MS correctly requests a supplementary service transaction for registration of a password for all call restriction services in CHANNEL REQUEST message.</p> <p>2) To check that the MS correctly requests a supplementary service transaction for registration of a password for all call restriction services in the subsequent CM-SERVICE REQUEST.</p> <p>3) To check that the MS sends a REGISTER message containing the invoke of the RegisterPassword operation with the expected parameter values for registration of a password for all barring services.</p> <p>4) To check that when the mobile subscriber wants to register a new password, the old password the new and the repeat of the new password shall be entered into the MS before the MS sends to the network a CHANNEL REQUEST..</p> <p>5) To check that the MS is able to send a password by sending a FACILITY message in accordance to the user request (MMI actions).</p> <p>6) To check that upon receipt of the result of the procedure, contained in RELEASE COMPLETE message, the MS provides the appropriate user indication (as described by the manufacturer).</p> <p>These checks are done for: all barring services, the result of the operation being sent in a RELEASE COMPLETE message</p>
Default:	OtherEventsFail

Nr	Label	Behaviour Description	CRef	V	Comments
1		START T_guard(300)			
2		(TCV_slot := C_S0, TCV_tsc := C_BCC)			
3		+IdleUpdated(C_CellA, C_Immass, TCV_slot, TCV_tsc, TimingAdv_01, '000'B, '001'B, '011'B, '00'O)			
4		(TCV_ch := OC_SubchOfSdcch4(TSPX_SDCCH4SubDef, C_CellA), TCV_sacch := OC_SubchOfSacch4(TSPX_SDCCH4SubDef, C_CellA))			
5		+PreEnterIdleState_03(C_Immass, TCV_slot, TCV_tsc, 5, 1, 0, TimingAdv_01, '000'B, '001'B, '011'B, '00'O)		1.	
6		(TCV_Null := OO_InitSS("***03*330*1234*9876*9876#"))		2.	
7		L?DL_RaInChRq (TCV_Rr := DL_RaInChRq.msg.ecau_rrf, TCV_Fn := DL_RaInChRq.fn)	ChReq_04		
8		ACTIVATE(OtherEventsFail_02)			To match ChReq retrans.
9		LIDL_UdatRqImmass	ImmAss_01Def(TCV_agch, TCV_Rr, TCV_Fn, TCV_slot, TCV_tsc, TCV_chdescr_arfcn, TimingAdv_01)		
10		L?DL_EstInCmsRq	CmsReq_08		
11		ACTIVATE(OtherEventsFail)			Restore Normal default
12		LIDL_DatRqCmsAcp	CmsReq_01(TCV_ch)		
13		+continue			
14		continue L?DL_DatInRegister (TCV_TI := DL_DatInRegister.msg.ti, TCV_TI0 := TCV_TI, TCV_TI0.ti_f := '1'B, TCV_Comp := DL_DatInRegister.msg.fie.components_1, TCV_n := OC_PosinSet(TCV_Comp, RegPasswdSS_01), TCV_Invkld := OC_Asn1intToOct(TCV_Comp.[TCV_n].registerPasswordComponents.registerPassword_InvokeComp.invokeID, 1))	Register_03(RegisterPdu_03(facilityErcv(RegPasswdSS_01)))		
15		LIDL_DatRqFac	FacilityRq_07(TCV_ch, FacilityPdu_25_ci(TCV_TI,		

16	L?DL_DatInFac	facilityIEtsnd(GetPasswdSS_01(TCV_Invkld))) Facility_03(FacilityPdu_26_ci(TCV_TI, facilityIErcv(GetPasswdRslt_01)))	3
17	LIDL_DatRqFac	FacilityRq_07(TCV_ch, FacilityPdu_25_ci(TCV_TI, facilityIEtsnd(GetPasswdSS_02(TCV_Invkld))) Facility_03(FacilityPdu_26_ci(TCV_TI, facilityIErcv(GetPasswdRslt_02)))	4
18	L?DL_DatInFac	FacilityRq_07(TCV_ch, FacilityPdu_25_ci(TCV_TI, facilityIEtsnd(GetPasswdSS_03(TCV_Invkld))) Facility_03(FacilityPdu_26_ci(TCV_TI, facilityIErcv(GetPasswdRslt_02)))	5
19	LIDL_DatRqFac	RelCmpRq_10(TCV_ch, ReleaseCmp_09(TCV_TI, facilityIEtsndie(RegPasswdSSRslt_01(TCV_Invkld)))	(P)
20	L?DL_DatInFac		
21	LIDL_DatRqRelCmp		
22	+PostMainLinkRel(TCV_ch)		
Detailed Comments: <ol style="list-style-type: none"> 1. To set up physical channel as BCCH, CCCH and SDCCH4. 2. To initiate the Registration of password supplementary service. 3. Received the old password. 4. Received the new password. 5. Received the repeat of new password. 			

Test Case Dynamic Behaviour					
Test Case Name:		TC_31_8_1_2_1			
Group:		GSM_L3_MS_v4170/SS/			
Purpose:		<p>1) To check that, when a call transaction is already established, the MS correctly requests the establishment of a parallel MM transaction for supplementary service transaction of registration of a password for all call restriction services, sending a CM-SERVICE REQUEST.</p> <p>2) To check that the MS sends a REGISTER message containing the invoke of the RegisterPassword operation with the expected parameter values for registration of a password for all call restriction services.</p> <p>3) To check that upon receipt of the RELEASE COMPLETE message related to the present SS transaction, the first transaction remains unaffected.</p> <p>4) To check that upon receipt of the RELEASE COMPLETE message, the MS provides the appropriate user indication (as described by the Manufacturer).</p> <p>Those checks are performed with a call transaction already established for: all call restriction services, the RELEASE COMPLETE message being sent at the beginning of the procedure with a facility IE containing a return_error(error) where error is "SS subscription violation".</p>			
Default:		OtherEventsFail			
Nr	Label	Behaviour Description	CRef	V	Comments
1		START T_guard(300)			
2		(TCV_slot := C_S0, TCV_tsc := C_BCC)			
3		+IdleUpdated(C_CellA, C_Immass, TCV_slot, TCV_tsc, TimingAdv_01, '000'B, '001'B, '011'B, '00'O)			
4		(TCV_ch := OC_SubchOfSdcch4(TSPX_SDCCH4SubDef, C_CellA), TCV_sacch := OC_SubchOfSacch4(TSPX_SDCCH4SubDef, C_CellA), TCV_CphKey := OC_CphKeyGen(TSPX_Ki, TSPX_RANDDef), TCV_cksn := TSPX_CKSNDf)			
5		+PreEnterIdleState_03(C_Immass, TCV_slot, TCV_tsc, 5, 1, 0, TimingAdv_01, '000'B, '001'B, '011'B, '00'O)			1.
6		+FullRateCh_A_1(C_Ass, TSPX_TmSlitDef, TSPX_TscDef, ChMod_speech, FreqTCHa_rg, FreqTCHa_rd, TimingAdv_01, '000'B, '001'B, '011'B)			
7		+EstMsOrigFullRateCall(TimingAdv_01)			2.
8		(TCV_Null := OO_InitSS("***03*330*1234*9876*9877#""))			3.
9		L?DL_DatInCmsRq	CmserDatReq_08		
10		LIDL_DatRqCmsAcp	CmserAcp_01(TCV_chTch)		
11		+localtree			
12		localtree L?DL_DatInRegister (TCV_TI1 := DL_DatInRegister.msg.ti, TCV_TI2 := TCV_TI1, TCV_TI2.ti_f := '1'B, TCV_Comp := DL_DatInRegister.msg.fie.components_1, TCV_n := OC_PosinSet(TCV_Comp, RegPasswdSS_01), TCV_Invkld := OC_Asn1intToOct(TCV_Comp.[TCV_n].registerPasswordComponents.registerPassword_InvokeComp.invokeID, 1))	Register_03(RegisterPdu_03(facilityIErcv(RegPasswdSS_01)))	(P)	
13		LIDL_DatRqRelCmp	RelCmpRq_10(TCV_chTch, ReleaseCmp_09(TCV_TI2, facilityIEtsndiei(RegPasswdSSErr_01 (TCV_Invkld))))		4.
14		LIDL_DatRqCstEnq	CCStEq_01(TCV_TI, TCV_chTch)		
15		L?DL_DatInCst	CCSt_14(TCV_TI0,	(P)	

16	+PostMainLinkRel(TCV_chTch)	C_U10)
Detailed Comments: <ol style="list-style-type: none">1. To set up physical channels as BCCH, CCCH, SDCCH4 and full rate traffic channel.2. To establish a mobile originating call, bring the MS into state U10.3. To initiate RegisterPassword supplementary service.4. To reject the RegisterPassword supplementary service invocation.		

Test Case Dynamic Behaviour

Test Case Name:	TC_31_8_1_2_2
Group:	GSM_L3_MS_v4170/SS/
Purpose:	<p>1) To check that, when a call transaction is already established, the MS correctly requests the establishment of a parallel MM transaction for supplementary service transaction of registration of a password for all call restriction services, sending a CM-SERVICE REQUEST.</p> <p>2) To check that the MS sends a REGISTER message containing the invoke of the RegisterPassword operation with the expected parameter values for registration of a password for all call restriction services.</p> <p>3) To check that upon receipt of the RELEASE COMPLETE message related to the present SS transaction, the first transaction remains unaffected.</p> <p>4) To check that upon receipt of the RELEASE COMPLETE message, the MS provides the appropriate user indication (as described by the Manufacturer).</p> <p>Those checks are performed with a call transaction already established for :</p> <p style="padding-left: 40px;">all call restriction services, the RELEASE COMPLETE message being sent at the end of the procedure with a facility IE containing a return_error(error) where error is "NegativePasswordCheck".</p>
Default:	OtherEventsFail

Nr	Label	Behaviour Description	Cref	V	Comments
1		START T_guard(300)			
2		(TCV_slot := C_S0, TCV_tsc := C_BCC)			
3		+IdleUpdated(C_CellA, C_Immass, TCV_slot, TCV_tsc, TimingAdv_01, '000'B, '001'B, '011'B, '00'O)			
4		(TCV_ch := OC_SubchOfSdcch4(TSPX_SDCCH4SubDef, C_CellA), TCV_sacch := OC_SubchOfSacch4(TSPX_SDCCH4SubDef, C_CellA), TCV_CphKey := OC_CphKeyGen(TSPX_Ki, TSPX_RANDDef), TCV_cksn := TSPX_CKSNDDef)			
5		+PreEnterIdleState_03(C_Immass, TCV_slot, TCV_tsc, 5, 1, 0, TimingAdv_01, '000'B, '001'B, '011'B, '00'O)			1.
6		+FullRateCh_A_1(C_Ass, TSPX_TmSttDef, TSPX_TscDef, ChMod_speech, FreqTCHa_rg, FreqTCHa_rd, TimingAdv_01, '000'B, '001'B, '011'B)			
7		+EstMsOrigFullRateCall(TimingAdv_01)			2.
8	body	(TCV_Null := OO_InitSS("***03*330*1234*9876*9876#"))			3.
9		L?DL_DatInCmsRq	CmserDatReq_08		
10		L!DL_DatRqCmsAcp	CmserAcp_01(TCV_chTch)		
11		+continue			
12		continue L?DL_DatInRegister (TCV_TI1 := DL_DatInRegister.msg.ti, TCV_TI2 := TCV_TI1, TCV_TI2.ti_f := '1'B, TCV_Comp := DL_DatInRegister.msg.fie.components_1, TCV_n := OC_PosinSet(TCV_Comp, RegPasswdSS_01), TCV_Invkld := OC_Asn1intToOct(TCV_Comp.[TCV_n].registerPasswordComponents.registerPassword_InvokeComp.invokeID, 1))	Register_03(RegisterPdu_03(facilityIErcv(RegPasswdSS_01)))		
13		L!DL_DatRqFac	FacilityRq_07(TCV_chTch, FacilityPdu_25_ci(TCV_TI2, facilityIEtsnd(GetPasswdSS_01(TCV_Invkld))))		
14		L?DL_DatInFac	Facility_03(FacilityPdu_26_ci(TCV_TI1, facilityIErcv(4

15	LIDL_DatRqRelCmp	GetPasswdRslt_01))) RelCmpRq_10(TCV_ chTch, ReleaseCmp_09(TCV_TI2, facility!Etsndiei(RegPasswdSSerr_02 (TCV_Invkld))))	5.
16	+MMI_indic_chk		
17	LIDL_DatRqCstEnq	CCStEq_01(TCV_TI, TCV_chTch)	
18	L?DL_DatInCst	CCSt_14(TCV_TI0, C_U10)	(P)
19	+PostMainLinkRel(TCV_chTch)		
20	MMI_indic_chk (TCV_Res := OO_SSresultCHK(C_RegPswd))		
21	[TCV_Res]		(P)
22	[NOT TCV_Res]		(F)

Detailed Comments:

1. To set up physical channels as BCCH, CCCH, SDCCH4 and full rate traffic channel.
2. To establish a mobile originating call, bring the MS into state U10.
3. To initiate the Registration of password supplementary service.
4. Received the wrong password.
5. Negative password check, indefinite form.
6. Check whether the MS provides correct MMI user indication.

Test Case Dynamic Behaviour					
Test Case Name:		TC_31_8_1_2_3			
Group:		GSM_L3_MS_v4170/SS/			
Purpose:		<p>1) To check that, when a call transaction is already established, the MS correctly requests the establishment of a parallel MM transaction for supplementary service transaction of registration of a password for all call restriction services, sending a CM-SERVICE REQUEST.</p> <p>2) To check that the MS sends a REGISTER message containing the invoke of the RegisterPassword operation with the expected parameter values for registration of a password for all call restriction services.</p> <p>3) To check that upon receipt of the RELEASE COMPLETE message related to the present SS transaction, the first transaction remains unaffected.</p> <p>4) To check that upon receipt of the RELEASE COMPLETE message, the MS provides the appropriate user indication (as described by the Manufacturer).</p> <p>Those checks are performed with a call transaction already established for :</p> <p>all call restriction services, the RELEASE COMPLETE message being sent at the end of the procedure with a facility IE containing a return_error(error) where error is "PasswordRegistrationFailure" with diagnostic "new password mismatch".</p>			
Default:		OtherEventsFail			
Nr	Label	Behaviour Description	CRef	V	Comments
1		START T_guard(300)			
2		(TCV_slot := C_S0, TCV_tsc := C_BCC)			
3		+IdleUpdated(C_CellA, C_Immass, TCV_slot, TCV_tsc, TimingAdv_01, '000'B, '001'B, '011'B, '00'O)			
4		(TCV_ch := OC_SubchOfSdcch4(TSPX_SDCCH4SubDef, C_CellA), TCV_sacch := OC_SubchOfSacch4(TSPX_SDCCH4SubDef, C_CellA), TCV_CphKey := OC_CphKeyGen(TSPX_Ki, TSPX_RANDDef), TCV_cksn := TSPX_CKSNDf)			
5		+PreEnterIdleState_03(C_Immass, TCV_slot, TCV_tsc, 5, 1, 0, TimingAdv_01, '000'B, '001'B, '011'B, '00'O)			1.
6		+FullRateCh_A_1(C_Ass, TSPX_TmSlTDef, TSPX_TscDef, ChMod_speech, FreqTCHa_rg, FreqTCHa_rd, TimingAdv_01, '000'B, '001'B, '011'B)			
7		+EstMsOrigFullRateCall(TimingAdv_01)			2.
8		(TCV_Null := OO_InitSS("***03*330*1234*9876*9877#"))			3.
9		L?DL_DatInCmsRq	CmserDatReq_08		
10		LIDL_DatRqCmsAcp	CmserAcp_01(TCV_chTch)		
11		+continue			
12		continue L?DL_DatInRegister (TCV_TI1 := DL_DatInRegister.msg.ti, TCV_TI2 := TCV_TI1, TCV_TI2.ti_f := '1'B, TCV_Comp := DL_DatInRegister.msg.fie.components_1, TCV_n := OC_PosinSet(TCV_Comp, RegPasswdSS_01), TCV_Invkld := OC_Asn1intToOct(TCV_Comp.[TCV_n].registerPasswordComponents.registerPassword_InvokeComp.invokeID, 1))	Register_03(RegisterPdu_03(facilityIErcv(RegPasswdSS_01)))		
13		LIDL_DatRqFac	FacilityRq_07(TCV_chTch, FacilityPdu_25_ci(TCV_TI2, facilityIEtsnd(GetPasswdSS_01(TCV_Invkld))))		
14		L?DL_DatInFac	Facility_03(FacilityPdu_26_ci(TCV_TI1,		4.

15	LIDL_DatRqFac	facilityErcv(GetPasswdRslt_01))) FacilityRq_07(TCV_chTch, FacilityPdu_25_ci(TCV_TI2, facilityEtsnd(GetPasswdSS_02(TCV_Invkld))))	
16	L?DL_DatInFac	Facility_03(FacilityPdu_26_ci(TCV_TI1, facilityErcv(GetPasswdRslt_02)))	5.
17	LIDL_DatRqFac	FacilityRq_07(TCV_chTch, FacilityPdu_25_ci(TCV_TI2, facilityEtsnd(GetPasswdSS_03(TCV_Invkld))))	
18	L?DL_DatInFac	Facility_03(FacilityPdu_26_ci(TCV_TI1, facilityErcv(GetPasswdRslt_03)))	6.
19	LIDL_DatRqRelCmp	RelCmpRq_10(TCV_chTch, ReleaseCmp_09(TCV_TI2, facilityEtsndie(RegPasswdSSerr_03(TCV_Invkld))))	7.
20	+MMI_indic_chk		
21	LIDL_DatRqCcstEnq	CCStEq_01(TCV_TI, TCV_chTch)	
22	L?DL_DatInCcst	CCSt_14(TCV_TI0, C_U10)	(P)
23	+PostMainLinkRel(TCV_chTch)		
24	MMI_indic_chk (TCV_Res := OO_SSresultCHK(C_RegPswd))		
25	[TCV_Res]		(P)
26	[NOT TCV_Res]		(F)

Detailed Comments:

1. To set up physical channels as BCCH, CCCH, SDCCH4 and full rate traffic channel.
2. To establish a mobile originating call, bring the MS into state U10.
3. To initiate the Registration of password supplementary service.
4. Received the old password.
5. Received the new password.
6. TReceived a different new password.
7. New password mismatch.

Test Case Dynamic Behaviour					
Test Case Name:		TC_31_8_3_1			
Group:		GSM_L3_MS_v4170/SS/			
Purpose:		<p>1) To check that the MS correctly requests a supplementary service transaction for activation of a specific call restriction service in CHANNEL REQUEST message.</p> <p>2) To check that the MS correctly requests a supplementary service transaction for activation of call restriction service in the subsequent CM-SERVICE REQUEST.</p> <p>3) To check that the MS sends a REGISTER message containing the invoke of the ActivateSS operation with the expected parameter values for activation of a specific call restriction service.</p> <p>4) To check that upon receipt of FACILITY message requiring the password, the MS provides the appropriate user indication (as described by the manufacturer).</p> <p>5) To check that the MS is able to send a password by sending a FACILITY message in accordance to the user request (MMI actions).</p> <p>6) To check that upon receipt of the RELEASE COMPLETE message, the MS provides the appropriate user indication (which is to be described by the manufacturer).</p> <p>These checks are done for:</p> <p>a) BAOC, for basic service group "all synchronous services" the result of the operation being sent in a FACILITY message.</p> <p>b) BICRoam, for all basic service groups, the result of the operation being sent in a RELEASE COMPLETE message.</p>			
Default:		OtherEventsFail			
Nr	Label	Behaviour Description	CRef	V	Comments
1		START T_guard(300)			
2		(TCV_slot := C_S0, TCV_tsc := C_BCC)			
3		+IdleUpdated(C_CellA, C_Immass, TCV_slot, TCV_tsc, TimingAdv_01, '000'B, '001'B, '011'B, '00'O)			
4		(TCV_ch := OC_SubchOfSdcch4(TSPX_SDCCH4SubDef, C_CellA), TCV_sacch := OC_SubchOfSacch4(TSPX_SDCCH4SubDef, C_CellA))			
5		+PreEnterIdleState_03(C_Immass, TCV_slot, TCV_tsc, 5, 1, 0, TimingAdv_01, '000'B, '001'B, '011'B, '00'O)		1.	
6		(TCV_Null := OO_InitSS("**33**22#"))		2.	
7		+part1			
8		(TCV_Null := OO_InitSS("**351#"))		3.	
9		+part2			
10		part1 L?DL_RaInChRq (TCV_Rr := DL_RaInChRq.msg.ecau_rrf, TCV_Fn := DL_RaInChRq.fn)	ChReq_04	(P)	
11		ACTIVATE(OtherEventsFail_02)			To match ChReq retrans.
12		LIDL_UdatRqImmass	ImmAss_01Def(TCV_agch, TCV_Rr, TCV_Fn, TCV_slot, TCV_tsc, TCV_chdescr_arfcn, TimingAdv_01)		
13		L?DL_EstInCmsRq	CmsReq_08		
14		ACTIVATE(OtherEventsFail)			Restore Normal default
15		LIDL_DatRqCmsAcp	CmsReq_01(TCV_ch)		
16		+localtree			
17		localtree L?DL_DatInRegister (TCV_TI := DL_DatInRegister.msg.ti, TCV_TI0 := TCV_TI, TCV_TI0.ti_f := '1'B, TCV_Comp := DL_DatInRegister.msg.fie.components_1, TCV_n := OC_PosinSet(TCV_Comp, ActivateSS_03), TCV_Invkld := OC_Asn1intToOct(TCV_Comp.[TCV_n].activateSSCo	Register_03(RegisterPdu_03(facilityIErcv(ActivateSS_03)))	(P)	

18	mponents.activateSS_InvokeComp.invokeID, 1)) L!DL_DatRqFac	FacilityRq_07(TCV_ch, FacilityPdu_25_ci(TCV_TI, facilitylEtsnd(GetPasswdSS_01(TCV_Invkld))))	4.
19	(TCV_Null := OO_EnterPswd("1234"))		5.
20	L?DL_DatInFac	Facility_03(FacilityPdu_26_ci(TCV_TI0, facilitylErcv(GetPasswdRslt_01)))	(P)
21	L!DL_DatRqRelCmp	RelCmpRq_10(TCV_ch, ReleaseCmp_09(TCV_TI, facilitylEtsndiei(ActivateSSRslt_03(TCV_Invkld))))	
22	+Checktree(C_ActBOAC)		
23	+PostMainLinkRel(TCV_ch)		
24	part2 L?DL_RacInChRq (TCV_Rr := DL_RacInChRq. msg.ecau_rrf, TCV_Fn := DL_RacInChRq.fn)	ChReq_04	(P)
25	ACTIVATE(OtherEventsFail_02)		To match ChReq retrans.
26	L!DL_UdatRqImmss	ImmAss_01Def(TCV_agch, TCV_Rr, TCV_Fn, TCV_slot, TCV_tsc, TCV_chdescr_arfcn, TimingAdv_01)	
27	L?DL_EstInCmsRq	CmserReq_08	
28	ACTIVATE(OtherEventsFail)		Restore Normal default
29	L!DL_DatRqCmsAcp	CmserAcp_01(TCV_ch)	
30	+localtree1		
31	localtree1 L?DL_DatInRegister (TCV_TI := DL_DatInRegister.msg.ti, TCV_TI0 := TCV_TI, TCV_TI0.ti_f := '1'B, TCV_Comp := DL_DatInRegister.msg.fie.components_1, TCV_n := OC_PosinSet(TCV_Comp, ActivateSS_04), TCV_Invkld := OC_Asn1intToOct(TCV_Comp.[TCV_n].activateSSCo mponents.activateSS_InvokeComp.invokeID, 1))	Register_03(RegisterPdu_03(facilitylErcv(ActivateSS_04)))	(P)
32	L!DL_DatRqFac	FacilityRq_07(TCV_ch, FacilityPdu_25_ci(TCV_TI, facilitylEtsnd(GetPasswdSS_01(TCV_Invkld))))	4.
33	+Checktree(C_RegPswd)		
34	(TCV_Null := OO_EnterPswd("1234"))		5.
35	L?DL_DatInFac	Facility_03(FacilityPdu_26_ci(TCV_TI0, facilitylErcv(GetPasswdRslt_01)))	
36	L!DL_DatRqRelCmp	RelCmpRq_10(TCV_ch, ReleaseCmp_09(TCV_TI, facilitylEtsndiei(ActivateSSRslt_04(TCV_Invkld))))	
37	+Checktree(C_ActBICRoam)		
38	+PostMainLinkRel(TCV_ch)		
	Checktree(par:INTEGER)		

39	(TCV_Res := OO_SSresultCHK(par))			6.
40	[TCV_Res = TRUE]		(P)	
41	+PostMainLinkRel(TCV_ch)			
42	[TCV_Res = FALSE]		(F)	
43	+PostMainLinkRel(TCV_ch)			
Detailed Comments:				
<ol style="list-style-type: none"> 1. To setup physical channel as BCCH, CCCH and SDCCH4. 2. To initiate Activation for BAOC. 3. To initiate Activation for BICRoam. 4. To send GetPassword invocation to the MS. 5. To enter password at the MMI. 				

Test Case Dynamic Behaviour

Test Case Name:	TC_31_8_3_2_1
Group:	GSM_L3_MS_v4170/SS/
Purpose:	<p>1) To check that, when a call transaction is already established, the MS correctly requests the establishment of a parallel MM transaction for supplementary service transaction of specific call barring service, sending a CM-SERVICE REQUEST.</p> <p>2) To check that the MS sends a REGISTER message containing the invoke of the ActivateSS operation with the expected parameter values for specific call barring service.</p> <p>3) To check that upon receipt of the RELEASE COMPLETE message related to the present SS transaction, the first transaction remains unaffected.</p> <p>4) To check that upon receipt of the RELEASE COMPLETE message, the MS provides the appropriate user indication (as described by the Manufacturer).</p> <p>Those checks are performed with a call transaction already established for : BOIC, the RELEASE COMPLETE message being sent at the beginning of the procedure with a facility IE containing a return_error(error) where error is "SS subscription violation".</p>
Default:	OtherEventsFail

Nr	Label	Behaviour Description	CRef	V	Comments
1		START T_guard(300)			
2		(TCV_slot := C_S0, TCV_tsc := C_BCC)			
3		+IdleUpdated(C_CellA, C_Immass, TCV_slot, TCV_tsc, TimingAdv_01, '000'B, '001'B, '011'B, '00'O)			
4		(TCV_ch := OC_SubchOfSdcch4(TSPX_SDCCH4SubDef, C_CellA), TCV_sacch := OC_SubchOfSacch4(TSPX_SDCCH4SubDef, C_CellA), TCV_CphKey := OC_CphKeyGen(TSPX_Ki, TSPX_RANDDef), TCV_cksn := TSPX_CKSNDf)			
5		+PreEnterIdleState_03(C_Immass, TCV_slot, TCV_tsc, 5, 1, 0, TimingAdv_01, '000'B, '001'B, '011'B, '00'O)			1.
6		+FullRateCh_A_1(C_Ass, TSPX_TmSltDef, TSPX_TscDef, ChMod_speech, FreqTCHa_rg, FreqTCHa_rd, TimingAdv_01, '000'B, '001'B, '011'B)			
7		+EstMsOrigFullRateCall(TimingAdv_01)			2.
8		(TCV_Null := OO_InitSS("**331#"))			3.
9		L?DL_DatInCmsRq	CmserDatReq_08		
10		L!DL_DatRqCmsAcp	CmserAcp_01(TCV_chTch)		
11		+localtree			
12		localtree L?DL_DatInRegister (TCV_TI1 := DL_DatInRegister.msg.ti, TCV_TI2 := TCV_TI1, TCV_TI2.ti_f := '1'B, TCV_Comp := DL_DatInRegister.msg.fie.components_1, TCV_n := OC_PosinSet(TCV_Comp, ActivateSS_05), TCV_Invkld := OC_Asn1intToOct(TCV_Comp.[TCV_n].activateSSComponents.activateSS_InvokeComp.invokeID, 1))	Register_03(RegisterPdu_03(facilityIErcv(ActivateSS_05)))	(P)	
13		L!DL_DatRqRelCmp	RelCmpRq_10(TCV_chTch, ReleaseCmp_09(TCV_TI2, facilityIEtsndie(ActivateSSerr_01(TCV_Invkld))))		4.
14		(TCV_Res := OO_SSresultCHK(C_ActBOIC))			
15		[TCV_Res]		(P)	5.
16		+localtree1			
17		[NOT TCV_Res]		(F)	
18		+localtree1			
		localtree1			

19	L!DL_DatRqCcstEnq	CCStEq_01(TCV_TI, TCV_chTch)	
20	L?DL_DatInCcst	CCSt_14(TCV_TI0, C_U10)	(P)
21	+PostMainLinkRel(TCV_chTch)		
Detailed Comments:			
<ol style="list-style-type: none"> 1. To setup physical channels as BCCH, CCCH, SDCCH4 and full rate traffic channel. 2. To establish a mobile originating call to bring the MS into state U10. 3. To initiate the ActivateSS for BOIC. 4. To send ReturnError for the invocation of ActivateSS. 5. The user indication is correct, pass. 			

Test Case Dynamic Behaviour

Test Case Name:	TC_31_8_3_2_2
Group:	GSM_L3_MS_v4170/SS/
Purpose:	<p>1) To check that, when a call transaction is already established, the MS correctly requests the establishment of a parallel MM transaction for supplementary service transaction of activation of one specific call restriction service, sending a CM-SERVICE REQUEST.</p> <p>2) To check that the MS sends a REGISTER message containing the invoke of the ActivateSS operation with the expected parameter values for activation of one specific call restriction service.</p> <p>3) To check that upon receipt of the RELEASE COMPLETE message related to the present SS transaction, the first transaction remains unaffected.</p> <p>4) To check that upon receipt of the RELEASE COMPLETE message, the MS provides the appropriate user indication (as described by the Manufacturer).</p> <p>Those checks are performed with a call transaction already established for : BAIC, the RELEASE COMPLETE message being sent at the end of the procedure with a facility IE containing a return_error(error) where error is "NegativePasswordCheck".</p>
Default:	OtherEventsFail

Nr	Label	Behaviour Description	CRef	V	Comments
1		START T_guard(300)			
2		(TCV_slot := C_S0, TCV_tsc := C_BCC)			
3		+IdleUpdated(C_CellA, C_Immass, TCV_slot, TCV_tsc, TimingAdv_01, '000'B, '001'B, '011'B, '00'O)			
4		(TCV_ch := OC_SubchOfSdcch4(TSPX_SDCCH4SubDef, C_CellA), TCV_sacch := OC_SubchOfSacch4(TSPX_SDCCH4SubDef, C_CellA), TCV_CphKey := OC_CphKeyGen(TSPX_Ki, TSPX_RANDDef), TCV_cksn := TSPX_CKSNDf)			
5		+PreEnterIdleState_03(C_Immass, TCV_slot, TCV_tsc, 5, 1, 0, TimingAdv_01, '000'B, '001'B, '011'B, '00'O)			1.
6		+FullRateCh_A_1(C_Ass, TSPX_TmSlTDef, TSPX_TscDef, ChMod_speech, FreqTCHa_rg, FreqTCHa_rd, TimingAdv_01, '000'B, '001'B, '011'B)			
7		+EstMsOrigFullRateCall(TimingAdv_01)			2.
8		(TCV_Null := OO_InitSS("**35#"))			3.
9		L?DL_DatInCmsRq	CmserDatReq_08	(P)	
10		LIDL_DatRqCmsAcp	CmserAcp_01(TCV_c hTch)		
11		+localtree			
12		localtree L?DL_DatInRegister (TCV_TI1 := DL_DatInRegister.msg.ti, TCV_TI2 := TCV_TI1, TCV_TI2.ti_f := '1'B, TCV_Comp := DL_DatInRegister.msg.fie.components_1, TCV_n := OC_PosinSet(TCV_Comp, ActivateSS_06), TCV_InvkId := OC_Asn1intToOct(TCV_Comp.[TCV_n].activateSSComponents.activateSS_InvokeComp.invokeID, 1))	Register_03(RegisterPdu_03(facilityIercv(ActivateSS_06)))	(P)	
13		LIDL_DatRqFac	FacilityRq_07(TCV_c hTch, FacilityPdu_25_ci(TCV_TI2, facilityIetsnd(GetPasswdSS_01(TCV_InvkId))))		
14		(TCV_Res := OO_SSresultCHK(C_RegPswd))			
15		[TCV_Res]		(P)	
16		+localtree1			
17		[NOT TCV_Res]		(F)	
18		+localtree1			
		localtree1			

19	(TCV_Null := OO_EnterPswd("1234"))			4.
20	L?DL_DatInFac	Facility_03(FacilityPdu_26_ci(TCV_TI1, facilityIErcv(GetPasswdRslt_01)))		
21	LIDL_DatRqRelCmp	RelCmpRq_10(TCV_chTch, ReleaseCmp_09(TCV_TI2, facilityIEtsndiei(ActivateSSerr_02(TCV_Invkld))))		5.
22	(TCV_Res := OO_SSresultCHK(C_ActBAIC))			
23	[TCV_Res]		(P)	6.
24	+localtree2			
25	[NOT TCV_Res]		(F)	
26	+localtree2			
	localtree2			
27	L!DL_DatRqCstEnq	CCStEq_01(TCV_TI, TCV_chTch)		
28	L?DL_DatInCst	CCSt_14(TCV_TI0, C_U10)	(P)	
29	+PostMainLinkRel(TCV_chTch)			

Detailed Comments:

1. To setup physical channels as BCCH, CCCH, SDCCH4 and full rate traffic channel.
2. To establish a mobile originating call, bring the MS into state U10.
3. To initiate the Activation supplementary service.
4. To enter password.
5. ReturnError indication negative password checking.
6. The user indication is correct, pass.

Test Case Dynamic Behaviour

Test Case Name: TC_31_8_4_1
Group: GSM_L3_MS_v4170/SS/
Purpose:

- 1) To check that the MS correctly requests a supplementary service transaction for deactivation of a group of call barring services in CHANNEL REQUEST message.
- 2) To check that the MS correctly requests a supplementary service transaction for deactivation of a group of call barring services in the subsequent CM-SERVICE REQUEST.
- 3) To check that the MS sends a REGISTER message containing the invoke of the DeactivateSS operation with the expected parameter values for deactivation of a group of call restriction services.
- 4) To check that upon receipt of FACILITY message requiring the password, the MS provides the appropriate user indication (as described by the manufacturer).
- 5) To check that the MS is able to send a password by sending a FACILITY message in accordance to the user request (MMI actions).
- 6) To check that upon receipt of the RELEASE COMPLETE message, the MS provides the appropriate user indication (which is to be described by the manufacturer).

These checks are done for:

- a) all restrictions, for basic service group "speech".
- b) barring of outgoing calls, for all facsimile.

Default: OtherEventsFail

Nr	Label	Behaviour Description	CRef	V	Comments
1		START T_guard(300)			
2		(TCV_slot := C_S0, TCV_tsc := C_BCC)			
3		+IdleUpdated(C_CellA, C_Immass, TCV_slot, TCV_tsc, TimingAdv_01, '000'B, '001'B, '011'B, '00'O)			
4		(TCV_ch := OC_SubchOfSdcch4(TSPX_SDCCH4SubDef, C_CellA), TCV_sacch := OC_SubchOfSacch4(TSPX_SDCCH4SubDef, C_CellA))			
5		+PreEnterIdleState_03(C_Immass, TCV_slot, TCV_tsc, 5, 1, 0, TimingAdv_01, '000'B, '001'B, '011'B, '00'O)		1.	
6		(TCV_Null := OO_InitSS("#330**11#"))		2.	
7		+part1			
8		(TCV_Null := OO_InitSS("#333**13#"))		3.	
9		+part2			
10		part1 L?DL_RaInChRq (TCV_Rr := DL_RaInChRq.msg.ecau_rrf, TCV_Fn := DL_RaInChRq.fn)	ChReq_04	(P)	
11		ACTIVATE(OtherEventsFail_02)			To match ChReq retrans.
12		LIDL_UdatRqImmass	ImmAss_01Def(TCV_agch, TCV_Rr, TCV_Fn, TCV_slot, TCV_tsc, TCV_chdescr_arfcn, TimingAdv_01)		
13		L?DL_EstInCmsRq	CmserReq_08	(P)	
14		ACTIVATE(OtherEventsFail)			Restore Normal default
15		LIDL_DatRqCmsAcp	CmserAcp_01(TCV_ch)		
16		+localtree			
17		localtree L?DL_DatInRegister (TCV_TI := DL_DatInRegister.msg.ti, TCV_TI0 := TCV_TI, TCV_TI0.ti_f := '1'B, TCV_Comp := DL_DatInRegister.msg.fie.components_1, TCV_n := OC_PosinSet(TCV_Comp, DeactivateSS_03), TCV_Invkld := OC_Asn1intToOct(TCV_Comp.[TCV_n].deactivateSS	Register_03(RegisterPdu_03(facilityIercv(DeactivateSS_03)))	(P)	

18	Components.deactivateSS_InvokeComp.invokeID, 1)) L!DL_DatRqFac	FacilityRq_07(TCV_c h, FacilityPdu_25_ci(TCV_TI, facilityEtsnd(GetPasswdSS_01(TCV_Invkld))))	
19	(TCV_Res := OO_SSresultCHK(C_RegPswd))		
20	[TCV_Res]		(P)
21	+localtree1		
22	[NOT TCV_Res]		(F)
23	+localtree1		
	localtree1		
24	(TCV_Null := OO_EnterPswd("1234"))		4.
25	L?DL_DatInFac	Facility_03(FacilityPdu_26_ci(TCV_TI0, facilityErcv(GetPasswdRslt_01)))	
26	L!DL_DatRqRelCmp	RelCmpRq_10(TCV_ ch, ReleaseCmp_09(TCV_TI, facilityEtsndie(DeactivateSSRslt_03(TCV_Invkld))))	
27	+PostMainLinkRel(TCV_ch)		
	part2		
28	L?DL_RaclnChRq (TCV_Rr := DL_RaclnChRq. msg.ecau_rrf, TCV_Fn := DL_RaclnChRq.fn)	ChReq_04	(P)
29	ACTIVATE(OtherEventsFail_02)		To match ChReq retrans.
30	L!DL_UdatRqImm	ImmAss_01Def(TCV_ agch, TCV_Rr, TCV_Fn, TCV_slot, TCV_tsc, TCV_chdescr_arfcn, TimingAdv_01)	
31	L?DL_EstInCmsRq	CmsReq_08	(P)
32	ACTIVATE(OtherEventsFail)		Restore Normal default
33	L!DL_DatRqCmsAcp	CmsReq_01(TCV_c h)	
34	+localtree2		
	localtree2		
35	L?DL_DatInRegister (TCV_TI := DL_DatInRegister.msg.ti, TCV_TI0 := TCV_TI, TCV_TI0.ti_f := '1'B, TCV_Comp := DL_DatInRegister.msg.fie.components_1, TCV_n := OC_PosinSet(TCV_Comp, DeactivateSS_04), TCV_Invkld := OC_Asn1intToOct(TCV_Comp.[TCV_n].deactivateSS Components.deactivateSS_InvokeComp.invokeID, 1))	Register_03(RegisterPdu_03(facilityErcv(DeactivateSS_04)))	(P)
36	L!DL_DatRqFac	FacilityRq_07(TCV_c h, FacilityPdu_25_ci(TCV_TI, facilityEtsnd(GetPasswdSS_01(TCV_Invkld))))	
37	(TCV_Res := OO_SSresultCHK(C_RegPswd))		
38	[TCV_Res]		(P)
39	+localtree3		
40	[NOT TCV_Res]		(F)
41	+localtree3		
	localtree3		
42	(TCV_Null := OO_EnterPswd("1234"))		
43	L?DL_DatInFac	Facility_03(FacilityPdu_26_ci(TCV_TI0,	(P)

44	LIDL_DatRqRelCmp	facility!Ercv(GetPasswdRslt_01))) RelCmpRq_10(TCV_ ch, ReleaseCmp_09(TCV_TI, facility!Etsndiei(DeactivateSSRslt_04(TCV_InvkId))))	
45	(TCV_Res := OO_SSresultCHK(C_DeactBO))		
46	[TCV_Res]		(P)
47	+PostMainLinkRel(TCV_ch)		
48	[NOT TCV_Res]		(F)
49	+PostMainLinkRel(TCV_ch)		
Detailed Comments:			
<ol style="list-style-type: none"> 1. To setup physical channel as BCCH, CCCH and SDCCH4. 2. To initiate Deactivation for B. 3. To initiate Deactivation for BO. 4. To send GetPassword invocation to the MS. 5. To enter password at the MMI. 			

Test Case Dynamic Behaviour					
Test Case Name:		TC_31_8_4_2_1			
Group:		GSM_L3_MS_v4170/SS/			
Purpose:		<p>1) To check that, when a call transaction is already established, the MS correctly requests the establishment of a parallel MM transaction for supplementary service transaction of a group of call barring services, sending a CM-SERVICE REQUEST.</p> <p>2) To check that the MS sends a REGISTER message containing the invoke of the DeactivateSS operation with the expected parameter values for a group of call barring services.</p> <p>3) To check that upon receipt of the RELEASE COMPLETE message related to the present SS transaction, the first transaction remains unaffected.</p> <p>4) To check that upon receipt of the RELEASE COMPLETE message, the MS provides the appropriate user indication (as described by the Manufacturer).</p> <p>These checks are performed with a call transaction already established for :</p> <p>BI, the RELEASE COMPLETE message being sent at the beginning of the procedure with a facility IE containing a return_error(error) where error is "SS subscription violation".</p>			
Default:		OtherEventsFail			
Nr	Label	Behaviour Description	CRef	V	Comments
1		START T_guard(300)			
2		(TCV_slot := C_S0, TCV_tsc := C_BCC)			
3		+IdleUpdated(C_CellA, C_Immass, TCV_slot, TCV_tsc, TimingAdv_01, '000'B, '001'B, '011'B, '00'O)			
4		(TCV_ch := OC_SubchOfSdcch4(TSPX_SDCCH4SubDef, C_CellA), TCV_sacch := OC_SubchOfSacch4(TSPX_SDCCH4SubDef, C_CellA), TCV_CphKey := OC_CphKeyGen(TSPX_Ki, TSPX_RANDDef), TCV_cksn := TSPX_CKSNDf)			
5		+PreEnterIdleState_03(C_Immass, TCV_slot, TCV_tsc, 5, 1, 0, TimingAdv_01, '000'B, '001'B, '011'B, '00'O)			1.
6		+FullRateCh_A_1(C_Ass, TSPX_TmSlitDef, TSPX_TscDef, ChMod_speech, FreqTCHa_rg, FreqTCHa_rd, TimingAdv_01, '000'B, '001'B, '011'B)			
7		+EstMsOrigFullRateCall(TimingAdv_01)			2.
8		(TCV_Null := OO_InitSS("#353#"))			3.
9		L?DL_DatInCmsRq	CmserDatReq_08		
10		L!DL_DatRqCmsAcp	CmserAcp_01(TCV_chTch)		
11		+localtree			
12		localtree L?DL_DatInRegister (TCV_TI1 := DL_DatInRegister.msg.ti, TCV_TI2 := TCV_TI1, TCV_TI2.ti.f := '1'B, TCV_Comp := DL_DatInRegister.msg.fie.components_1, TCV_n := OC_PosinSet(TCV_Comp, DeactivateSS_05), TCV_Invkld := OC_Asn1intToOct(TCV_Comp.[TCV_n].deactivateSS Components.deactivateSS_InvokeComp.invokeID, 1))	Register_03(RegisterPdu_03(facilityIErcv(DeactivateSS_05)))	(P)	
13		L!DL_DatRqRelCmp	RelCmpRq_10(TCV_chTch, ReleaseCmp_09(TCV_TI2, facilityIEtsndie(DeactivateSSErr_01(TCV_Invkld))))		4.
14		(TCV_Res := OO_SSresultCHK(C_DeactBI))			
15		[TCV_Res]		(P)	5.
16		+localtree1			
17		[NOT TCV_Res]		(F)	
18		+localtree1			

19	localtree1 L!DL_DatRqCcstEnq	CCStEq_01(TCV_TI, TCV_chTch)	
20	L?DL_DatInCcst	CCSt_14(TCV_TI0, C_U10)	(P)
21	+PostMainLinkRel(TCV_chTch)		
Detailed Comments: <ol style="list-style-type: none">1. To setup physical channels as BCCH, CCCH, SDCCH4 and full rate traffic channel.2. To establish a mobile originating call to bring the MS into state U10.3. To initiate the DeactivateSS for BI.4. To send ReturnError for the invocation of DeactivateSS.5. The user indication is correct, pass.			

Test Case Dynamic Behaviour					
Test Case Name:		TC_31_8_4_2_2			
Group:		GSM_L3_MS_v4170/SS/			
Purpose:		<p>1) To check that, when a call transaction is already established, the MS correctly requests the establishment of a parallel MM transaction for supplementary service transaction of deactivation of a group of call restriction services, sending a CM-SERVICE REQUEST.</p> <p>2) To check that the MS sends a REGISTER message containing the invoke of the DeactivateSS operation with the expected parameter values for deactivation of a group of call restriction service.</p> <p>3) To check that upon receipt of the RELEASE COMPLETE message related to the present SS transaction, the first transaction remains unaffected.</p> <p>4) To check that upon receipt of the RELEASE COMPLETE message, the MS provides the appropriate user indication (as described by the Manufacturer).</p> <p>Those checks are performed with a call transaction already established for : BOICExHC, the RELEASE COMPLETE message being sent at the end of the procedure with a facility IE containing a return_error(error) where error is "NegativePasswordCheck".</p>			
Default:		OtherEventsFail			
Nr	Label	Behaviour Description	CRef	V	Comments
1		START T_guard(300)			
2		(TCV_slot := C_S0, TCV_tsc := C_BCC)			
3		+IdleUpdated(C_CellA, C_Immass, TCV_slot, TCV_tsc, TimingAdv_01, '000'B, '001'B, '011'B, '00'O)			
4		(TCV_ch := OC_SubchOfSdcch4(TSPX_SDCCH4SubDef, C_CellA), TCV_sacch := OC_SubchOfSacch4(TSPX_SDCCH4SubDef, C_CellA), TCV_CphKey := OC_CphKeyGen(TSPX_Ki, TSPX_RANDDef), TCV_cksn := TSPX_CKSNDf)			
5		+PreEnterIdleState_03(C_Immass, TCV_slot, TCV_tsc, 5, 1, 0, TimingAdv_01, '000'B, '001'B, '011'B, '00'O)			1.
6		+FullRateCh_A_1(C_Ass, TSPX_TmSlitDef, TSPX_TscDef, ChMod_speech, FreqTCHa_rg, FreqTCHa_rd, TimingAdv_01, '000'B, '001'B, '011'B)			
7		+EstMsOrigFullRateCall(TimingAdv_01)			2.
8		(TCV_Null := OO_InitSS("#332#"))			3.
9		L?DL_DatInCmsRq	CmsRdatReq_08	(P)	
10		!IDL_DatRqCmsAcp	CmsRacp_01(TCV_c hTch)		
11		+localtree			
12		localtree L?DL_DatInRegister (TCV_TI1 := DL_DatInRegister.msg.ti, TCV_TI2 := TCV_TI1, TCV_TI2.ti.f := '1'B, TCV_Comp := DL_DatInRegister.msg.fie.components_1, TCV_n := OC_PosinSet(TCV_Comp, DeactivateSS_06), TCV_Invkld := OC_Asn1intToOct(TCV_Comp.[TCV_n].deactivateSS Components.deactivateSS_InvokeComp.invokeID, 1))	Register_03(RegisterPdu_03(facilityIErcv(DeactivateSS_06)))	(P)	
13		!IDL_DatRqFac	FacilityRq_07(TCV_c hTch, FacilityPdu_25_ci(TCV_TI2, facilityIEtsnd(GetPasswdSS_01(TCV_Invkld))))		
14		(TCV_Res := OO_SSresultCHK(C_RegPswd))			
15		[TCV_Res]		(P)	
16		+localtree1			
17		[NOT TCV_Res]		(F)	
18		+localtree1			
		localtree1			

19	(TCV_Null := OO_EnterPswd("1234"))			4.
20	L?DL_DatInFac	Facility_03(FacilityPdu_26_ci(TCV_TI1, facilityIercv(GetPasswdRsIt_01)))		
21	LIDL_DatRqRelCmp	RelCmpRq_10(TCV_ chTch, ReleaseCmp_09(TCV_TI2, facilityIEtsndiei(DeactivateSSErr_02(TCV_InvkId))))		5.
22	(TCV_Res := OO_SSresultCHK(C_DeactBOICExHC))			
23	[TCV_Res]		(P)	6.
24	+localtree2			
25	[NOT TCV_Res]		(F)	
26	+localtree2			
	localtree2			
27	LIDL_DatRqCstEnq	CCStEq_01(TCV_TI, TCV_chTch)		
28	L?DL_DatInCst	CCSt_14(TCV_TI0, C_U10)	(P)	
29	+PostMainLinkRel(TCV_chTch)			

Detailed Comments:

1. To setup physical channels as BCCH, CCCH, SDCCH4 and full rate traffic channel.
2. To establish a mobile originating call, bring the MS into state U10.
3. To initiate the deactivation supplementary service.
4. To enter password.
5. ReturnError indication negative password checking.
6. The user indication is correct, pass.

Test Case Dynamic Behaviour					
Test Case Name:		TC_31_8_6_1			
Group:		GSM_L3_MS_v4170/SS/			
Purpose:		<p>1) To check that the MS correctly requests a supplementary service transaction for interrogation of a specific call barring service in CHANNEL REQUEST message.</p> <p>2) To check that the MS correctly requests a supplementary service transaction for interrogation of a call barring service in the subsequent CM-SERVICE REQUEST.</p> <p>3) To check that the MS sends a REGISTER message containing the invoke of the InterrogateSS operation with the expected parameter values for interrogation of one call restriction service.</p> <p>4) To check that upon receipt of FACILITY message requiring the password, the MS provides the appropriate user indication (as described by the manufacturer).</p> <p>5) To check that the MS is able to send a password by sending a FACILITY message in accordance to the user request (MMI actions).</p> <p>6) To check that upon receipt of the RELEASE COMPLETE message, the MS provides the appropriate user indication (which is to be described by the manufacturer).</p> <p>These checks are done for :</p> <p>a) BAIC, the result of the operation being a Basic Service code sent in a FACILITY message.</p> <p>b) BOICExHC, the result of the operation being a SS-status sent in a RELEASE COMPLETE message.</p>			
Default:		OtherEventsFail			
Nr	Label	Behaviour Description	CRef	V	Comments
1		START T_guard(300)			
2		(TCV_slot := C_S0, TCV_tsc := C_BCC)			
3		+IdleUpdated(C_CellA, C_Immass, TCV_slot, TCV_tsc, TimingAdv_01, '000'B, '001'B, '011'B, '00'O)			
4		(TCV_ch := OC_SubchOfSdcch4(TSPX_SDCCH4SubDef, C_CellA), TCV_sacch := OC_SubchOfSacch4(TSPX_SDCCH4SubDef, C_CellA))			
5		+PreEnterIdleState_03(C_Immass, TCV_slot, TCV_tsc, 5, 1, 0, TimingAdv_01, '000'B, '001'B, '011'B, '00'O)		1.	
6		(TCV_Null := OO_InitSS("#35#"))		2.	
7		+part1			
8		(TCV_Null := OO_InitSS("#332#"))		3.	
9		+part2			
		part1			
10		L?DL_RaInChRq (TCV_Rr := DL_RaInChRq.msg.ecau_rrf, TCV_Fn := DL_RaInChRq.fn)	ChReq_04	(P)	
11		ACTIVATE(OtherEventsFail_02)			To match ChReq retrans.
12		L!DL_UdatRqImmass	ImmAss_01Def(TCV_agch, TCV_Rr, TCV_Fn, TCV_slot, TCV_tsc, TCV_chdescr_arfcn, TimingAdv_01)		
13		L?DL_EstInCmsRq	CmsrReq_08	(P)	
14		ACTIVATE(OtherEventsFail)			Restore Normal default
15		L!DL_DatRqCmsAcp	CmsrAcp_01(TCV_ch)		
16		+localtree			
		localtree			
17		L?DL_DatInRegister (TCV_TI := DL_DatInRegister.msg.ti, TCV_TI0 := TCV_TI, TCV_TI0.ti_f := '1'B, TCV_Comp := DL_DatInRegister.msg.fie.components_1, TCV_n := OC_PosinSet(TCV_Comp, InterrogateSS_07), TCV_Invkld := OC_Asn1intToOct(TCV_Comp.[TCV_n].interrogateS	Register_03(RegisterPdu_03(facilityIErcv(InterrogateSS_07)))	(P)	

18	SComponents.interrogateSS_InvokeComp.invokeID, 1)) L!DL_DatRqFac	FacilityRq_07(TCV_ch, FacilityPdu_25_ci(TCV_TI, facilityEtsnd(GetPasswdSS_01(TCV_Invkld))))	
19	(TCV_Res := OO_SSresultCHK(C_RegPswd))		
20	[TCV_Res]		(P)
21	+localtree1		
22	[NOT TCV_Res]		(F)
23	+localtree1		
	localtree1		
24	(TCV_Null := OO_EnterPswd("1234"))		4.
25	L?DL_DatInFac	Facility_03(FacilityPdu_26_ci(TCV_TI0, facilityErcv(GetPasswdRslt_01)))	
26	L!DL_DatRqRelCmp	RelCmpRq_10(TCV_ch, ReleaseCmp_09(TCV_TI, facilityEtsndiei(InterrogateSSRslt_03(TCV_Invkld))))	
27	+PostMainLinkRel(TCV_ch)		
	part2		
28	L?DL_RacInChRq (TCV_Rr := DL_RacInChRq.msg.ecau_rrf, TCV_Fn := DL_RacInChRq.fn)	ChReq_04	(P)
29	ACTIVATE(OtherEventsFail_02)		To match ChReq retrans.
30	L!DL_UdatRqImmss	ImmAss_01Def(TCV_agch, TCV_Rr, TCV_Fn, TCV_slot, TCV_tsc, TCV_chdescr_arfcn, TimingAdv_01)	
31	L?DL_EstInCmsRq	CmserReq_08	(P)
32	ACTIVATE(OtherEventsFail)		Restore Normal default
33	L!DL_DatRqCmsAcp	CmserAcp_01(TCV_ch)	
34	+localtree2		
	localtree2		
35	L?DL_DatInRegister (TCV_TI := DL_DatInRegister.msg.ti, TCV_TI0 := TCV_TI, TCV_TI0.ti_f := '1'B, TCV_Comp := DL_DatInRegister.msg.fie.components_1, TCV_n := OC_PosinSet(TCV_Comp, InterrogateSS_08), TCV_Invkld := OC_Asn1intToOct(TCV_Comp.[TCV_n].interrogateSSComponents.interrogateSS_InvokeComp.invokeID, 1))	Register_03(RegisterPdu_03(facilityErcv(InterrogateSS_08)))	(P)
36	L!DL_DatRqFac	FacilityRq_07(TCV_ch, FacilityPdu_25_ci(TCV_TI, facilityEtsnd(GetPasswdSS_01(TCV_Invkld))))	
37	(TCV_Res := OO_SSresultCHK(C_RegPswd))		
38	[TCV_Res]		(P)
39	+localtree3		
40	[NOT TCV_Res]		(F)
41	+localtree3		
	localtree3		
42	(TCV_Null := OO_EnterPswd("1234"))		
43	L?DL_DatInFac	Facility_03((P)

<p>44</p> <p>45</p> <p>46</p> <p>47</p> <p>48</p> <p>49</p>	<p>LIDL_DatRqRelCmp</p> <p>(TCV_Res := OO_SSresultCHK(C_InterrogBOICExHC))</p> <p>[TCV_Res]</p> <p>+PostMainLinkRel(TCV_ch)</p> <p>[NOT TCV_Res]</p> <p>+PostMainLinkRel(TCV_ch)</p>	<p>FacilityPdu_26_ci(TCV_TI0, facilityIErcv(GetPasswdRslt_01)))</p> <p>RelCmpRq_10(TCV_ch, ReleaseCmp_09(TCV_TI, facilityIEtsndiei(InterrogateSSRslt_04(TCV_Invkld))))</p>	<p>(P)</p> <p>(F)</p>
<p>Detailed Comments:</p> <ol style="list-style-type: none"> 1. To setup physical channel as BCCH, CCCH and SDCCH4. 2. To initiate Interrogation for BAIC. 3. To initiate Interrogation for BOICExHC. 4. To send GetPassword invocation to the MS. 5. To enter password at the MMI. 			

Test Case Dynamic Behaviour

Test Case Name:	TC_31_8_6_2
Group:	GSM_L3_MS_v4170/SS/
Purpose:	<p>1) To check that the MS correctly requests the establishment of a parallel MM transaction for supplementary service transaction of interrogation of a specific call barring service message, sending a CM-SERVICE REQUEST.</p> <p>2) To check that the MS sends a REGISTER message containing the invoke of the InterrogateSS operation with the expected parameter values for interrogation of call barring.</p> <p>3) To check that upon receipt of the RELEASE COMPLETE message related to the present SS transaction, the first transaction remains unaffected.</p> <p>4) To check that upon receipt of the RELEASE COMPLETE message, the MS provides the appropriate user indication (as described by the Manufacturer).</p> <p>These checks are performed with a call transaction already established for :</p> <p>a) BICRoam, the RELEASE COMPLETE message being sent with a facility IE containing a return_error(error) where error is "SS not available".</p> <p>b) BOIC, the RELEASE COMPLETE message being sent with a facility IE containing a reject(invoked_problem) where invoked_problem is "resource limitation".</p>
Default:	OtherEventsFail

Nr	Label	Behaviour Description	CRef	V	Comments
1		START T_guard(300)			
2		(TCV_slot := C_S0, TCV_tsc := C_BCC)			
3		+IdleUpdated(C_CellA, C_Immass, TCV_slot, TCV_tsc, TimingAdv_01, '000'B, '001'B, '011'B, '00'O)			
4		(TCV_ch := OC_SubchOfSdcch4(TSPX_SDCCH4SubDef, C_CellA), TCV_sacch := OC_SubchOfSacch4(TSPX_SDCCH4SubDef, C_CellA), TCV_CphKey := OC_CphKeyGen(TSPX_Ki, TSPX_RANDDef), TCV_cksn := TSPX_CKSNDDef)			
5		+PreEnterIdleState_03(C_Immass, TCV_slot, TCV_tsc, 5, 1, 0, TimingAdv_01, '000'B, '001'B, '011'B, '00'O)		1.	
6		+FullRateCh_A_1(C_Ass, TSPX_TmSltDef, TSPX_TscDef, ChMod_speech, FreqTCHa_rg, FreqTCHa_rd, TimingAdv_01, '000'B, '001'B, '011'B)			
7		+EstMsOrigFullRateCall(TimingAdv_01)		2.	
8		(TCV_Null := OO_InitSS("#351#"))		3.	
9		+part1			
10		(TCV_Null := OO_InitSS("#331#"))		4.	
11		+part2			
		part1			
12		L?DL_DatInCmsRq	CmserDatReq_08		
13		L!DL_DatRqCmsAcp	CmserAcp_01(TCV_chTch)		
14		+localtree			
		localtree			
15		L?DL_DatInRegister (TCV_TI1 := DL_DatInRegister.msg.ti, TCV_TI2 := TCV_TI1, TCV_TI2.ti_f := '1'B, TCV_Comp := DL_DatInRegister.msg.fie.components_1, TCV_n := OC_PosinSet(TCV_Comp, InterrogateSS_05), TCV_Invkld := OC_Asn1intToOct(TCV_Comp.[TCV_n].interrogateSSComponents.interrogateSS_InvokeComp.invokeID, 1))	Register_03(RegisterPdu_03(facilityIercv(InterrogateSS_05)))		
16		L!DL_DatRqRelCmp	RelCmpRq_10(TCV_chTch, ReleaseCmp_09(TCV_TI2,		

17	L!DL_DatRqCcstEnq	facilityIEtsndiei(InterrogateSSErr_02(TCV_Invkld))))	
18	L?DL_DatInCcst	CCStEq_01(TCV_TI, TCV_chTch)	(P)
19	part2 L?DL_DatInCmsRq	CmserDatReq_08	
20	L!DL_DatRqCmsAcp	CmserAcp_01(TCV_chTch)	
21	+localtree1		
22	localtree1 L?DL_DatInRegister (TCV_TI1 := DL_DatInRegister.msg.ti, TCV_TI2 := TCV_TI1, TCV_TI2.ti.f := '1'B, TCV_Comp := DL_DatInRegister.msg.fie.components_1, TCV_n := OC_PosinSet(TCV_Comp, InterrogateSS_06), TCV_Invkld := OC_Asn1intToOct(TCV_Comp.[TCV_n].interrogateSComponents.interrogateSS_InvokeComp.invokeID, 1))	Register_03(RegisterPdu_03(facilityIErcv(InterrogateSS_06)))	
23	L!DL_DatRqRelCmp	RelCmpRq_10(TCV_chTch, ReleaseCmp_09(TCV_TI2, facilityIEtsndiei(InterrogateSSRej_02(TCV_Invkld))))	
24	(TCV_Res := OO_SSresultCHK(C_InterrogBOIC))		
25	[TCV_Res]		(P)
26	L!DL_DatRqCcstEnq	CCStEq_01(TCV_TI, TCV_chTch)	
27	L?DL_DatInCcst	CCSt_14(TCV_TI0, C_U10)	(P)
28	+PostMainLinkRel(TCV_chTch)		
29	[NOT TCV_Res]		(F)
30	L!DL_DatRqCcstEnq	CCStEq_01(TCV_TI, TCV_chTch)	
31	L?DL_DatInCcst	CCSt_14(TCV_TI0, C_U10)	(P)
32	+PostMainLinkRel(TCV_chTch)		
Detailed Comments:		<ol style="list-style-type: none"> 1. To setup physical channels as BCCH, CCCH and SDCCH4 with default parameters and full rate traffic channel. 2. To establish a mobile originating call. 3. To initiate an interrogation for BICRoam. 4. To initiate an interrogation for BOIC. 	

Test Case Dynamic Behaviour					
Test Case Name:		TC_31_8_7			
Group:		GSM_L3_MS_v4170/SS/			
Purpose:		To check that upon receipt of the RELEASE COMPLETE message the MS provides the appropriate user indication (as described by the manufacturer).			
Default:		OtherEventsFail			
This is tested in the case of barring of incoming calls.					
Nr	Label	Behaviour Description	CRef	V	Comments
1		START T_guard(300)			
2		(TCV_slot := C_S0, TCV_tsc := C_BCC)			
3		+IdleUpdated(C_CellA, C_Immass, TCV_slot, TCV_tsc, TimingAdv_01, '000'B, '001'B, '011'B, '00'O)			
4		(TCV_ch := OC_SubchOfSdcch4(TSPX_SDCCH4SubDef, C_CellA), TCV_sacch := OC_SubchOfSacch4(TSPX_SDCCH4SubDef, C_CellA))			
5		+PreEnterIdleState_03(C_Immass, TCV_slot, TCV_tsc, 5, 1, 0, TimingAdv_01, '000'B, '001'B, '011'B, '00'O)		1.	
6		+FullRateCh_A_1_nociph(C_Ass, TSPX_TmSttDef, TSPX_TscDef, ChMod_speech, FreqTCHa_rg, FreqTCHa_rd, TimingAdv_01, '000'B, '001'B, '011'B)			
7		+AttmpFullRateCall			
8		+BasicServiceMO(TSPX_MO_BscSvc_FRCall, C_Full)			
9		L?DL_RaInChRq (TCV_Rr := DL_RaInChRq.msg.ecau_rrf, TCV_Fn := DL_RaInChRq.fn)	ChReq_17		
10		ACTIVATE(OtherEventsFail_02)			To match ChReq retrans.
11		L!DL_UdatRqImmass	ImmAss_01Def(TCV_agch, TCV_Rr, TCV_Fn, TCV_slot, TCV_tsc, TCV_chdescr_arfcn, TimingAdv_01)		
12		L?DL_EstInCmsRq	CmserReq_01		
13		ACTIVATE(OtherEventsFail)			Restore Normal default
14		L!DL_DatRqCmsAcp	CmserAcp_01(TCV_ch)		
15		L?DL_DatInSetup (TCV_TI := DL_DatInSetup.msg.ti, TCV_TI0 := TCV_TI, TCV_TI.ti_f := '1'B)	SetupIn_01		
16		L!DL_DatRqRelCmp	RelCmpRq_10(TCV_ch, ReleaseCmp_09(TCV_TI, facility Etsndiei(NotificationSS_05)))		
17		(TCV_Res := OO_SSresultCHK(C_NotifyBl))			
18		[TCV_Res]		(P)	
19		+PostMainLinkRel (TCV_ch)			
20		[NOT TCV_Res]		(F)	
21		+PostMainLinkRel (TCV_ch)			

Detailed Comments:

Test Case Dynamic Behaviour

Test Case Name:	TC_31_9_1_1
Group:	GSM_L3_MS_v4170/SS/
Purpose:	<p>1) To verify that the mobile station invokes an USSD request by sending a REGISTER message to the network containing a ProcessUnstructuredSS-Request invoke component. This message will contain the alphabet indicator set to "SMS default alphabet" and the language indicator set to "language unspecified". The ussd-string parameter shall contain the following digits and symbols depending on the operation initiated:</p> <p>Activation *NN(N)# (no supplementary information included) *NN(N)*SI#(one field of supplementary information included) *NN(N)*SIA*SIB#(two fields of supplementary information included)</p> <p>Deactivation #NN(N)# (no supplementary information included) #NN(N)*SI#(one field of supplementary information included) #NN(N)*SIA*SIB#(two fields of supplementary information included)</p> <p>Interrogation *#NN(N)# (no supplementary information included) *#NN(N)*SI#(one field of supplementary information included) *#NN(N)*SIA*SIB#(two fields of supplementary information included)</p> <p>Registration **NN(N)# (no supplementary information included) **NN(N)*SI#(one field of supplementary information included) **NN(N)*SIA*SIB#(two fields of supplementary information included)</p> <p>Erasure ##NN(N)# (no supplementary information included) ##NN(N)*SI#(one field of supplementary information included) ##NN(N)*SIA*SIB#(two fields of supplementary information included)</p> <p>Operations not yet defined in GSM 02.30 (see 2)</p> <p>NN(N) features a set of service codes which have not yet been allocated for GSM supplementary services (see GSM 02.30 for service codes already specified). N is a digit within 1..9 and SI, SIA, SIB strings of characters.</p> <p>2) To check that the entry of 1 or 2 characters defined in the GSM 03.38 default alphabet followed by "SEND" shall be interpreted by the MS as an USSD request unless the MS is not engaged in a call and the first of the two character entry followed by "SEND " is a "1".</p> <p>3) To verify that, for supplementary service procedures independent of any call, the initiating side must establish a MM-connection between the network and the mobile station according to the rules in TS GSM 4.07 and 4.08.</p> <p>4) To verify that, within a call the MS shall transmit a USSD request if any. See TS GSM 4.07 and 4.08 for the handling of multiple MM connections.</p> <p>5) To check that upon receipt of the RELEASE COMPLETE message, the MS shall display the information contained to the user in a way described by the manufacturer.</p>
Default:	OtherEventsFail

Nr	Label	Behaviour Description	CRef	V	Comments
1		START T_guard(300)			
2		(TCV_slot := C_S0, TCV_tsc := C_BCC)			
3		+IdleUpdated(C_CellA, C_Immass, TCV_slot, TCV_tsc, TimingAdv_01, '000'B, '001'B, '011'B, '00'O)			
4		(TCV_ch := OC_SubchOfSdcch4(TSPX_SDCCH4SubDef, C_CellA), TCV_sacch := OC_SubchOfSacch4(TSPX_SDCCH4SubDef, C_CellA))			
5		+PreEnterIdleState_03(C_Immass, TCV_slot, TCV_tsc, 5, 1, 0, TimingAdv_01, '000'B, '001'B, '011'B, '00'O)		1.	
6		+FullRateCh_A_1_nociph(C_Ass, TSPX_TmSlDef, TSPX_TscDef, ChMod_speech, FreqTCHa_rg, FreqTCHa_rd, TimingAdv_01, '000'B, '001'B, '011'B)			
7		(TCV_counter_c:=1, TCV_counter_k:=1)			

8	(TCV_PreviousOctets:='A2120201'O, TCV_FollowingOctets:='300E02013B0F C6F038CD4ED3F391E712'O)		USSD String for FACILITY message (random): "Facility OK"
9	REPEAT ltree_c_loop UNTIL [TCV_counter_c>17]		
	ltree_c_loop		
10	+ltreeSetLoopParameters		
11	(TCV_Null:=OO_InitSS(TCV_UssdString))		
12	+ltree_MMConnection		
13	+ltree_UssdOperation(TCV_ch)		
14	+PostMainLinkRel(TCV_ch)		
15	+ltree_continue		
	ltree_continue		
16	+ltree_MsOrigCall		
17	(TCV_Null := OO_InitSS(TCV_UssdString))		
18	+DTMFSignalling(OC_LengthOfString(TCV_Ussd String), TCV_ti_orig, TCV_ti_dest, TCV_chTch)		
19	+ltree_UssdOperation(TCV_chTch)		
20	LIDL_DatRqDisc	DiscSnd(TCV_chTch, Disconn_07(TCV_ti_d est))	
21	L?DL_DatInRel	ReleaseInd_02	
22	LIDL_DatRqRelCmp	RelCmpRq_05(TCV_t i_dest, TCV_chTch)	
23	+PostMainLinkRel(TCV_chTch)		
24	(TCV_counter_c := TCV_counter_c+1)		
	ltree_MMConnection		
25	L?DL_RaInChRq (TCV_Rr := DL_RaInChRq. msg.ecau_rrf, TCV_Fn := DL_RaInChRq.fn)	ChReq_17	
26	ACTIVATE(OtherEventsFail_02)		To match ChReq retrans.
27	LIDL_UdatRqImmass	ImmAss_01Def(TCV_ agch, TCV_Rr, TCV_Fn, TCV_slot, TCV_tsc, TCV_chdescr_arfcn, TimingAdv_01)	
	ltree_MsOrigCall		
28	+AttmpFullRateCall		
29	+BasicServiceMO(TSPX_MO_BscSvc_FRCall, C_Full)		
30	+ltree_MMConnection		
31	L?DL_EstInCmsRq	CmserReq_01	
32	ACTIVATE(OtherEventsFail)		Restore Normal default
33	LIDL_DatRqCmsAcp	CmserAcp_01(TCV_c hTch)	
34	L?DL_DatInSetup (TCV_ti_orig := DL_DatInSetup.msg.ti, TCV_ti_dest := TCV_ti_orig, TCV_ti_dest.ti_f :='1'B, TCV_Setup_mo := DL_DatInSetup.msg, TCV_CallProc := OC_CallProcGen(TCV_Setup_mo,CallPr oced_03))	SetupIn_01	
35	LIDL_DatRqCallProc	CallProc(TCV_ch, TCV_CallProc)	
36	LIDL_DatRqAlert	Alert_01(TCV_ti_dest, TCV_chTch)	
37	LIDL_DatRqConn	Conn_01(TCV_ti_dest , TCV_chTch)	
38	L?DL_DatInConnAck	ConnAckRcv_01(TCV _ti_orig)	
	ltree_UssdOperation(ch: LOGICCH)		
39	L?DL_DatInCmsRq	CmserDatReq_08	
40	ACTIVATE(OtherEventsFail)		Restore Normal default

41	L!DL_DatRqCmsAcp	CmsrAcp_01(ch)	
42	L?DL_DatInRegister (TCV_TI := DL_DatInRegister.msg.ti, TCV_TI0 := TCV_TI, TCV_TI0.ti_f := '1'B, TCV_Comp := DL_DatInRegister.msg.fie.components_1, TCV_n := OC_PosinSet(TCV_Comp, ProcessUSSDReq_01(TCV_UssdString)), TCV_Invkld := OC_Asn1intToOct(TCV_Comp.[TCV_n].proces sUnstructuredSSRequestComponents.process UnstructuredSSRequest_InvokeComp.invokeID , 1))	Register_03(RegisterPdu_03(facilityIErcv(ProcessUSSDReq_01 (TCV_UssdString))))	(P)
43	L!DL_DatRqRelCmp	RelCmpRq_10(ch, ReleaseCmp_09(TCV_TI, facilityIEtsndiei(USSDReq_01(TCV_Invkld, TCV_PreviousOctets, TCV_FollowingOctets , TCV_UssdString))))	
treeSetLoopParameters			
44	[TCV_counter_c=1]		
45	(TCV_UssdString:="*60#", TCV_PreviousOctets:="O", TCV_FollowingOctets:="O)		activation with no supplement. information
46	[TCV_counter_c=2]		
47	(TCV_UssdString:="*201*35#", TCV_PreviousOctets:="O", TCV_FollowingOctets:="O)		activation with one field of sup. information
48	[TCV_counter_c=3]		
49	(TCV_UssdString:="*70*635*562#", TCV_PreviousOctets:="O", TCV_FollowingOctets:="O)		activation with two fields of sup. information
50	[TCV_counter_c=4]		
51	(TCV_UssdString:="*#60#", TCV_PreviousOctets:="O", TCV_FollowingOctets:="O)		deactivation with no supplement. information
52	[TCV_counter_c=5]		
53	(TCV_UssdString:="*#201*35#", TCV_PreviousOctets:="O", TCV_FollowingOctets:="O)		deactivation with one field of sup. information
54	[TCV_counter_c=6]		
55	(TCV_UssdString:="*#70*635*562#", TCV_PreviousOctets:="O", TCV_FollowingOctets:="O)		deactivation with two fields of sup. information
56	[TCV_counter_c=7]		
57	(TCV_UssdString:="*#60#", TCV_PreviousOctets:="O", TCV_FollowingOctets:="O)		interrogation with no supplement. information
58	[TCV_counter_c=8]		
59	(TCV_UssdString:="*#201*35#", TCV_PreviousOctets:="O", TCV_FollowingOctets:="O)		interrogation with one field of sup. information
60	[TCV_counter_c=9]		
61	(TCV_UssdString:="*#70*635*562#", TCV_PreviousOctets:="O", TCV_FollowingOctets:="O)		interrogation with two fields of sup. information
62	[TCV_counter_c=10]		
63	(TCV_UssdString:="**60#", TCV_PreviousOctets:="O", TCV_FollowingOctets:="O)		registration with no supplement. information
64	[TCV_counter_c=11]		
65	(TCV_UssdString:="**201*35#", TCV_PreviousOctets:="O", TCV_FollowingOctets:="O)		registration with one field of sup. information
66	[TCV_counter_c=12]		
67	(TCV_UssdString:="**70*635*562#", TCV_PreviousOctets:="O", TCV_FollowingOctets:="O)		registration with two fields of sup. information
68	[TCV_counter_c=13]		

69	(TCV_UssdString:="##60#", TCV_PreviousOctets:="O", TCV_FollowingOctets:="O)	erasure with no supplement. information
70	[TCV_counter_c=14]	
71	(TCV_UssdString:="##201*35#", TCV_PreviousOctets:="O", TCV_FollowingOctets:="O)	erasure with one field of sup. information
72	[TCV_counter_c=15]	
73	(TCV_UssdString:="##70*635*562#", TCV_PreviousOctets:="O", TCV_FollowingOctets:="O)	erasure with two fields of sup. information
74	[TCV_counter_c=16]	
75	(TCV_UssdString:="7", TCV_PreviousOctets:="O", TCV_FollowingOctets:="O)	acc. requirement 1a (GSM 11.10)
76	[TCV_counter_c=17]	
77	(TCV_UssdString:="26", TCV_PreviousOctets:="O", TCV_FollowingOctets:="O)	acc. requirement 1a (GSM 11.10)
Detailed Comments:		

Test Case Dynamic Behaviour					
Test Case Name:		TC_31_9_1_2			
Group:		GSM_L3_MS_v4170/SS/			
Purpose:		<p>1)To verify that if a mobile initiated USSD request using protocole version 2 is rejected by the network, and the reason for the rejection is indicated either by the problem code "unrecognized operation" or a cause "facility rejected", the mobile station shall assume that the network only supports protocole version 1 of USSD operation. The mobile station shall re-attempt the request by using the appropriate protocole version 1 USSD operation without a SS version indicator if the unstructured data entered by the user can be coded as an IA5 string.</p> <p>2)To check that, upon receipt of the RELEASE COMPLETE message, the MS shall provide the appropriate user indication (which is to be described by the manufacturer). If ussd-string information is included this shall be given to the user (in a way described by the manufacturer).</p>			
Default:		OtherEventsFail			
Nr	Label	Behaviour Description	CRef	V	Comments
1	body	START T_guard(300)			
2		+ltree_preamble			
3		+ltree_part1			
4		+ltree_part2			
5		+ltree_part3			
6		ltree_preamble			
7		(TCV_slot := C_S0, TCV_tsc := C_BCC)			
8		+IdleUpdated(C_CellA, C_Immass, TCV_slot, TCV_tsc, TimingAdv_01, '000'B, '001'B, '011'B, '00'O)			
9		(TCV_ch := OC_SubchOfSdcch4(TSPX_SDCCH4SubDef, C_CellA), TCV_sacch := OC_SubchOfSacch4(TSPX_SDCCH4SubDef, C_CellA))			1.
10		+PreEnterIdleState_03(C_Immass, TCV_slot, TCV_tsc, 5, 1, 0, TimingAdv_01, '000'B, '001'B, '011'B, '00'O)			
11		+FullRateCh_A_1_nociph(C_Ass, TSPX_TmSltDef, TSPX_TscDef, ChMod_speech, FreqTCHa_rg, FreqTCHa_rd, TimingAdv_01, '000'B, '001'B, '011'B)			
12	(TCV_counter_k:=1, TCV_UssdString:="*70*635*562#")				
13	ltree_part1				
14	(TCV_Null:=OO_InitSS(TCV_UssdString))				
15	+ltree_MMConnection				
16	L?DL_EstInCmsRq	CmsRReq_08			
17	ACTIVATE(OtherEventsFail)			Restore Normal default	
18	L!DL_DatRqCmsAcp	CmsRReq_01(TCV_ch)			
19	L?DL_DatInRegister (TCV_TI := DL_DatInRegister.msg.ti, TCV_TI0 := TCV_TI, TCV_TI0.ti.f := '1'B, TCV_Comp := DL_DatInRegister.msg.fie.components_1, TCV_n := OC_PosinSet(TCV_Comp, ProcessUSSDReq_01(TCV_UssdString)), TCV_Invkld := OC_Asn1intToOct(TCV_Comp.[TCV_n].processUnstructuredSSRequestComponents.processUnstructuredSSRequest_InvokeComp.invokelD, 1))	Register_03(RegisterPdu_03(facilityIErcv(ProcessUSSDReq_01 (TCV_UssdString))))	(P)	Invoke ProcessUnstructuredUSS-Request	
20	L!DL_DatRqRelCmp	RelCmpRq_10(TCV_ch, ReleaseCmp_09(TCV_TI, facilityIEtsndiei(ProcessUSSRequest_02(TCV_Invkld, TCV_PreviousOctets, TCV_FollowingOctets))))		Return result ProcessUnstructuredUSS-Data	
21	L?DL_DatInCmsRq	CmsRReq_08			

20	L!DL_DatRqCmsAcp	CmserAcp_01(TCV_ch)	
21	L?DL_DatInRegister (TCV_TI := DL_DatInRegister.msg.ti, TCV_TI0 := TCV_TI, TCV_TI0.ti_f := '1'B, TCV_Comp := DL_DatInRegister.msg.fie.components_1, TCV_n := OC_PosinSet(TCV_Comp, ProcessUSSData_01(TCV_UssdString)), TCV_Invkld := OC_Asn1intToOct(TCV_Comp.[TCV_n].processUnstructuredSSRequestComponents.processUnstructuredSSRequest_InvokeComp.invokeID, 1))	Register_03(RegisterPdu_03(facilityIErcv(ProcessUSSData_01(TCV_UssdString))))	(P) Invoke ProcessUnstructuredUSS -Data
22	L!DL_DatRqRelCmp	RelCmpRq_10(TCV_ch, ReleaseCmp_09(TCV_TI, facilityIEtsndie(ProcessUSSData_02(TCV_Invkld, TCV_PreviousOctets, TCV_FollowingOctets))))	Return result ProcessUnstructuredUSS -Data
23	+PostMainLinkRel(TCV_ch)		
24	Itree_part2 (TCV_Null:=OO_InitSS(TCV_UssdString))		
25	+Itree_MMConnection		
26	L?DL_EstInCmsRq	CmserReq_08	
27	ACTIVATE(OtherEventsFail)		Restore Normal default
28	L!DL_DatRqCmsAcp	CmserAcp_01(TCV_ch)	
29	L?DL_DatInRegister (TCV_TI := DL_DatInRegister.msg.ti, TCV_TI0 := TCV_TI, TCV_TI0.ti_f := '1'B, TCV_Comp := DL_DatInRegister.msg.fie.components_1, TCV_n := OC_PosinSet(TCV_Comp, ProcessUSSReq_01(TCV_UssdString)), TCV_Invkld := OC_Asn1intToOct(TCV_Comp.[TCV_n].processUnstructuredSSRequestComponents.processUnstructuredSSRequest_InvokeComp.invokeID, 1))	Register_03(RegisterPdu_03(facilityIErcv(ProcessUSSReq_01(TCV_UssdString))))	(P) Invoke ProcessUnstructuredUSS -Request
30	L!DL_DatRqRelCmp	RelCmpRq_37(TCV_ch, TCV_TI)	Facility rejected
31	+PostMainLinkRel(TCV_ch)		
32	+Itree_MMConnection		
33	L?DL_DatInCmsRq	CmserDatReq_08	
34	ACTIVATE(OtherEventsFail)		Restore Normal default
35	L!DL_DatRqCmsAcp	CmserAcp_01(TCV_ch)	
36	L?DL_DatInRegister (TCV_TI := DL_DatInRegister.msg.ti, TCV_TI0 := TCV_TI, TCV_TI0.ti_f := '1'B, TCV_Comp := DL_DatInRegister.msg.fie.components_1, TCV_n := OC_PosinSet(TCV_Comp, ProcessUSSData_01(TCV_UssdString)), TCV_Invkld := OC_Asn1intToOct(TCV_Comp.[TCV_n].processUnstructuredSSRequestComponents.processUnstructuredSSRequest_InvokeComp.invokeID, 1))	Register_03(RegisterPdu_03(facilityIErcv(ProcessUSSData_01(TCV_UssdString))))	(P) Invoke ProcessUnstructuredUSS -Data
37	L!DL_DatRqRelCmp	RelCmpRq_10(TCV_ch, ReleaseCmp_09(TCV_TI,	Return result ProcessUnstructuredUSS -Data

38	+PostMainLinkRel(TCV_ch)	facilityIEtsndiei(ProcessUSSData_02(TCV_Invkld, TCV_PreviousOctets, TCV_FollowingOctets))))	
39	Itree_part3 REPEAT Itree_k_loop UNTIL [TCV_counter_k>10]		
40	Itree_k_loop +ItreeSetLoopParameters		
41	+Itree_MsOrigCall		
42	(TCV_Null:=OO_InitSS(TCV_UssdString))		
43	L?DL_DatInCmsRq	CmserDatReq_08	
44	LIDL_DatRqCmsAcp	CmserAcp_01(TCV_chTch)	
45	L?DL_DatInRegister (TCV_TI := DL_DatInRegister.msg.ti, TCV_TI0 := TCV_TI, TCV_TI0.ti_f := '1'B, TCV_Comp := DL_DatInRegister.msg.fie.components_1, TCV_n := OC_PosinSet(TCV_Comp, ProcessUSSDRReq_01(TCV_UssdString)), TCV_Invkld := OC_Asn1intToOct(TCV_Comp.[TCV_n].processUnstructuredSSRequestComponents.processUnstructuredSSRequest_InvokeComp.invokelD, 1))	Register_03(RegisterPdu_03(facilityIErcv(ProcessUSSDRReq_01 (TCV_UssdString))))	(P) Invoke ProcessUnstructuredUSS-Request
46	+Itree_ReleaseCmpAccCounterK		
47	LIDL_DatRqDisc	DiscSnd(TCV_chTch, Disconn_07(TCV_ti_dest))	
48	L?DL_DatInRel	ReleaseInd_02	
49	LIDL_DatRqRelCmp	RelCmpRq_05(TCV_ti_dest, TCV_chTch)	
50	+PostMainLinkRel(TCV_chTch)		
51	(TCV_counter_k:=TCV_counter_k+1)		
52	Itree_ReleaseCmpAccCounterK [TCV_counter_k<5]		
53	LIDL_DatRqRelCmp	RelCmpRq_10(TCV_chTch, ReleaseCmp_09(TCV_TI, facilityIEtsndiei(ProcessUSSRequest_02(TCV_Invkld, TCV_PreviousOctets, TCV_FollowingOctets))))	Return error ProcessUnstructuredUSS-Request
54	[TCV_counter_k>4]		
55	LIDL_DatRqRelCmp	RelCmpRq_10(TCV_chTch, ReleaseCmp_09(TCV_TI, facilityIEtsndiei(ProcessUSSRequest_02(TCV_Invkld, TCV_PreviousOctets, TCV_FollowingOctets))))	Reject ProcessUnstructuredUSS-Request
56	Itree_MMConnection L?DL_RaInChRq (TCV_Rr := DL_RaInChRq.msg.ecau_rrf, TCV_Fn := DL_RaInChRq.fn)	ChReq_17	
57	ACTIVATE(OtherEventsFail_02)		To match ChReq retrans.
58	LIDL_UdatRqImm	ImmAss_01Def(TCV_agch, TCV_Rr,	

		TCV_Fn, TCV_slot, TCV_tsc, TCV_chdescr_arfcn, TimingAdv_01)	
	Itree_MsOrigCall		
59	+AttmpFullRateCall		
60	+BasicServiceMO(TSPX_MO_BscSvc_FRCall, C_Full)		
61	+Itree_MMConnection		
62	L?DL_EstInCmsRq	CmserReq_01	
63	ACTIVATE(OtherEventsFail)		Restore Normal default
64	L!DL_DatRqCmsAcp	CmserAcp_01(TCV_c hTch)	
65	L?DL_DatInSetup (TCV_ti_orig := DL_DatInSetup.msg.ti, TCV_ti_dest := TCV_ti_orig, TCV_ti_dest.ti_f :='1'B, TCV_Setup_mo := DL_DatInSetup.msg, TCV_CallProc := OC_CallProcGen(TCV_Setup_mo,CallPr oced_03))	SetupIn_01	
66	L!DL_DatRqCallProc	CallProc(TCV_ch, TCV_CallProc)	
67	L!DL_DatRqAlert	Alert_01(TCV_ti_dest, TCV_chTch)	
68	L!DL_DatRqConn	Conn_01(TCV_ti_dest , TCV_chTch)	
69	L?DL_DatInConnAck	ConnAckRcv_01(TCV _ti_orig)	
	ItreeSetLoopParameters		
70	[TCV_counter_k=1]		
71	(TCV_PreviousOctets:='A3060201'O, TCV_FollowingOctets:='020122'O)		RETURN ERR Error code system failure
72	[TCV_counter_k=2]		
73	(TCV_PreviousOctets:='A3060201'O, TCV_FollowingOctets:='020123'O)		RETURN ERR Error code data missing
74	[TCV_counter_k=3]		
75	(TCV_PreviousOctets:='A3060201'O, TCV_FollowingOctets:='020147'O)		RETURN ERR Error code unknown alphabet
76	[TCV_counter_k=4]		
77	(TCV_PreviousOctets:='A3060201'O, TCV_FollowingOctets:='020124'O)		RETURN ERR Error code unexpected data value
78	[TCV_counter_k=5]		
79	(TCV_PreviousOctets:='A4060201'O, TCV_FollowingOctets:='800100'O)		REJECT Gen. Problem unrecognized component
80	[TCV_counter_k=6]		
81	(TCV_PreviousOctets:='A4060201'O, TCV_FollowingOctets:='800101'O)		REJECT Gen. Problem Mistyped component
82	[TCV_counter_k=7]		
83	(TCV_PreviousOctets:='A4060201'O, TCV_FollowingOctets:='800102'O)		REJECT Gen. Problem badly structured component
84	[TCV_counter_k=8]		
85	(TCV_PreviousOctets:='A4060201'O, TCV_FollowingOctets:='800102'O)		REJECT Invoke Problem Mistyped parameter
86	[TCV_counter_k=9]		
87	(TCV_PreviousOctets:='A4060201'O, TCV_FollowingOctets:='800103'O)		REJECT Invoke Problem resource limitation
88	[TCV_counter_k=10]		
89	(TCV_PreviousOctets:='A4060201'O, TCV_FollowingOctets:='800104'O)		REJECT Invoke Problem initiating release

Detailed Comments:

Test Case Dynamic Behaviour

Test Case Name:	TC_31_9_2_1
Group:	GSM_L3_MS_v4170/SS/
Purpose:	<p>1) To verify that for a USSD request, the MS shall display the text provided and await user input. If the user enters a response, the MS shall acknowledge the operation by sending a FACILITY message containing an empty result component to the network</p> <p>2) To verify that the MS includes alphabet and language indicators in the response to the network. The alphabet indicator shall indicate "SMS default alphabet". The language indicator shall indicate "language unspecified".</p> <p>3) To check that the MS is able to process the operation during a call or out of a call.</p>
Default:	OtherEventsFail

Nr	Label	Behaviour Description	CRef	V	Comments
1		START T_guard(300)			
2		+ltree_preamble			
3	body	+ltree_body			
		ltree_preamble			
4		(TCV_slot := C_S0, TCV_tsc := C_BCC)			
5		+IdleUpdated(C_CellA, C_Immass, TCV_slot, TCV_tsc, TimingAdv_01, '000'B, '001'B, '011'B, '00'O)			
6		(TCV_cellid:=C_CellA, TCV_ch := OC_SubchOfSdcch4(TSPX_SDCCH4SubDef, C_CellA), TCV_sacch := OC_SubchOfSacch4(TSPX_SDCCH4SubDef, C_CellA), TCV_PgCh:= C_PCH_A_1, TCV_ia_ts:= '000'B, TCV_asscmd_ts := TSPX_TmSltB, TCV_chdescr_arfcn := C_arfcnA, TCV_ts := TSPX_TmSltB)			
7		+PreEnterIdleState_03(C_Immass, TCV_slot, TCV_tsc, 5, 1, 0, TimingAdv_01, '000'B, '001'B, '011'B, '00'O)			1.
8		+FullRateCh_A_1_nociph(C_Ass, TSPX_TmSltDef, TSPX_TscDef, ChMod_speech, FreqTCHa_rg, FreqTCHa_rd, TimingAdv_01, '000'B, '001'B, '011'B)			
9		(TCV_UssdString:="Transaction OK")			
		ltree_body			
10		+RRmtcallprepareNoAuthNoCiph(TimingAdv_01)			
11		L!DL_DatRqRegister(TCV_TI.ti.v:= '000'B, TCV_TI.ti.f:= '0'B, TCV_TI0.ti.v:= '000'B, TCV_TI0.ti.f:= '1'B, TCV_InvkId:= '00'O)	RegisterReq_01(TCV_ch, RegisterPdu_34(TCV_TI, facilityIEtsnd(NotificationSS_06(TCV_InvkId, TCV_UssdString))))		
12		+CheckUssdStringDisplayed(TCV_UssdString)			
13		L?DL_DatInFac	Facility_03(FacilityPdu_26_ci(TCV_TI0, facilityIErcv(NotificationSS_07(TCV_InvkId))))	(P)	
14		+CC_EstMsTermCall			
15		L!DL_DatRqRelCmp	RelCmpRq_42(TCV_chTch, TCV_TI)		
16		L!DL_DatRqRegister(TCV_TI2.ti.v:= '001'B, TCV_TI2.ti.f:= '0'B, TCV_TI3.ti.v:= '001'B, TCV_TI3.ti.f:= '1'B, TCV_InvkId:= '01'O)	RegisterReq_01(TCV_chTch, RegisterPdu_34(TCV_TI2, facilityIEtsnd(NotificationSS_06(TCV_InvkId, TCV_UssdString))))		
17		+CheckUssdStringDisplayed(TCV_UssdString)			
18		L?DL_DatInFac	Facility_03((P)	

			FacilityPdu_26_ci(TCV_TI3, facilityIErcv(NotificationSS_07(TCV_InvkId))))		
19		L!DL_DatRqRelCmp	RelCmpRq_42(TCV_ chTch, TCV_TI2)		
20		L!DL_DatRqDisc	DiscSnd(TCV_chTch, Disconn_07(TI_02))		
21		L?DL_DatInRel	ReleaseInd_02		
22		L!DL_DatRqRelCmp	RelCmpRq_05(TI_02, TCV_chTch)		
23		+ChanRel_end(TCV_chTch)			
Detailed Comments:					

Test Case Dynamic Behaviour					
Test Case Name:		TC_31_9_2_2			
Group:		GSM_L3_MS_v4170/SS/			
Purpose:		To verify that when the mobile station receives an USSD operation in parallel to any call independent supplementary transaction, it responds with a return error component in a RELEASE COMPLETE message, containing "USSD-Busy" error.			
Default:		OtherEventsFail			
Nr	Label	Behaviour Description	CRef	V	Comments
1		START T_guard(300)			
2		+ltree_preamble			
3	body	+ltree_body			
ltree_preamble					
4		(TCV_slot := C_S0, TCV_tsc := C_BCC)			
5		+IdleUpdated(C_CellA, C_Immass, TCV_slot, TCV_tsc, TimingAdv_01, '000'B, '001'B, '011'B, '00'O)			
6		(TCV_cellid:=C_CellA, TCV_ch := OC_SubchOfSdcch4(TSPX_SDCCH4SubDef, C_CellA), TCV_sacch := OC_SubchOfSacch4(TSPX_SDCCH4SubDef, C_CellA), TCV_PgCh:= C_PCH_A_1, TCV_ia_ts := '000'B, TCV_asscmd_ts := TSPX_TmSltB, TCV_chdescr_arfcn := C_arfcnA, TCV_ts := TSPX_TmSltB)			
7		+PreEnterIdleState_03(C_Immass, TCV_slot, TCV_tsc, 5, 1, 0, TimingAdv_01, '000'B, '001'B, '011'B, '00'O)			1.
8		+FullRateCh_A_1_nociph(C_Ass, TSPX_TmSltDef, TSPX_TscDef, ChMod_speech, FreqTCHa_rg, FreqTCHa_rd, TimingAdv_01, '000'B, '001'B, '011'B)			
9		(TCV_UssdString:="Transaction OK")			
ltree_body					
10		+RRmtcallprepareNoAuthNoCiph(TimingAdv_01)			
11		L!DL_DatRqRegister(TCV_TI.ti.v:='000'B, TCV_TI.ti.f:='0'B, TCV_T10.ti.v:='000'B, TCV_T10.ti.f:='1'B, TCV_Invkld0:='00'O)	RegisterReq_01(TCV_ch, RegisterPdu_34(TCV_TI, facilityIEtsnd(NotificationSS_06(TCV_Invkld0, TCV_UssdString))))		
12		+CheckUssdStringDisplayed(TCV_UssdString)			
13		L?DL_DatInFac	Facility_03(FacilityPdu_26_ci(TCV_T10, facilityIErcv(NotificationSS_07(TCV_Invkld0))))	(P)	
14		L!DL_DatRqRegister(TCV_T12.ti.v:='001'B, TCV_T12.ti.f:='0'B, TCV_T13.ti.v:='001'B, TCV_T13.ti.f:='1'B, TCV_Invkld1:='01'O)	RegisterReq_01(TCV_ch, RegisterPdu_34(TCV_T12, facilityIEtsnd(NotificationSS_06(TCV_Invkld1, TCV_UssdString))))		
15		L?DL_DatInRelCmp	RelCmp_11(TCV_T13, TCV_Invkld1)	(P)	
16		L!DL_DatRqRelCmp	RelCmpRq_10(TCV_ch, ReleaseCmp_09(TCV_TI, facilityIEtsndie(NotificationSS_08(TCV_Invkld0))))		
17		+ChanRel_end(TCV_ch)			
Detailed Comments:					

Test Case Dynamic Behaviour					
Test Case Name:		TC_31_9_2_3			
Group:		GSM_L3_MS_v4170/SS/			
Purpose:		<p>1) To verify that for a USSD notification, the MS shall display the text provided and await user input. If the user enters a response, the MS shall return the response to the network, maintaining the transaction.</p> <p>2) To verify that the MS includes alphabet and language indicators in the response to the network. The alphabet indicator shall indicate "SMS default alphabet". The language indicator shall indicate "language unspecified".</p> <p>3) To check that the MS is able to process the operation during a call or out of a call.</p>			
Default:		OtherEventsFail			
Nr	Label	Behaviour Description	CRef	V	Comments
1		START T_guard(300)			
2		+ltree_preamble			
3	body	+ltree_body			
ltree_preamble					
4		(TCV_slot := C_S0, TCV_tsc := C_BCC)			
5		+IdleUpdated(C_CellA, C_Immass, TCV_slot, TCV_tsc, TimingAdv_01, '000'B, '001'B, '011'B, '00'O)			
6		(TCV_cellid:=C_CellA, TCV_ch := OC_SubchOfSdcch4(TSPX_SDCCH4SubDef, C_CellA), TCV_sacch := OC_SubchOfSacch4(TSPX_SDCCH4SubDef, C_CellA), TCV_PgCh:= C_PCH_A_1, TCV_ia_ts := '000'B, TCV_asscmd_ts := TSPX_TmSltB, TCV_chdescr_arfcn := C_arfcnA, TCV_ts := TSPX_TmSltB)			
7		+PreEnterIdleState_03(C_Immass, TCV_slot, TCV_tsc, 5, 1, 0, TimingAdv_01, '000'B, '001'B, '011'B, '00'O)			1.
8		+FullRateCh_A_1_nociph(C_Ass, TSPX_TmSltDef, TSPX_TscDef, ChMod_speech, FreqTCHa_rg, FreqTCHa_rd, TimingAdv_01, '000'B, '001'B, '011'B)			
9		(TCV_UssdString1:="Type *70*635*562# and send", TCV_UssdString2:="**70*635*562#")			
ltree_body					
10		+RRmtcallprepareNoAuthNoCiph(TimingAdv_01)			
11		LIDL_DatRqRegister(TCV_TI.ti.v:='000'B, TCV_TI.ti.f:='0'B, TCV_TI0.ti.v:='000'B, TCV_TI0.ti.f:='1'B, TCV_Invkld:='00'O)	RegisterReq_01(TCV_ch, RegisterPdu_34(TCV_TI, facilityIEtsnd(USSDReq_03(TCV_Invkld, TCV_UssdString1))))		
12		+CheckUssdStringDisplayed(TCV_UssdString1)			
13		(TCV_Null:=OO_InitSS(TCV_UssdString2))			
14		L?DL_DatInFac	Facility_03(FacilityPdu_26_ci(TCV_TI0, facilityIErcv(USSDReq_04(TCV_Invkld, TCV_UssdString2))))	(P)	
15		+CC_EstMsTermCall			
16		LIDL_DatRqRelCmp	RelCmpRq_42(TCV_chTch, TCV_TI)		
17		LIDL_DatRqRegister(TCV_TI2.ti.v:='001'B, TCV_TI2.ti.f:='0'B, TCV_TI3.ti.v:='001'B, TCV_TI3.ti.f:='1'B, TCV_Invkld:='01'O)	RegisterReq_01(TCV_chTch, RegisterPdu_34(TCV_TI2, facilityIEtsnd(USSDReq_03(TCV_Invkld,		

18		+CheckUssdStringDisplayed(TCV_UssdString1)	TCV_UssdString1))))	
19		(TCV_Null:=OO_InitSS(TCV_UssdString2))		
20		+DTMFSignalling(OC_LengthOfString(TCV_UssdString2), TI_01, TI_02, TCV_chTch)		
21		L?DL_DatInFac	Facility_03(FacilityPdu_26_ci(TCV_TI3, facilityIrcv(USSDReq_04(TCV_InvkId, TCV_UssdString2))))	(P)
22		L!DL_DatRqRelCmp	RelCmpRq_42(TCV_chTch, TCV_TI2)	
23		L!DL_DatRqDisc	DiscSnd(TCV_chTch, Disconn_07(TI_02))	
24		L?DL_DatInRel	ReleaseInd_02	
25		L!DL_DatRqRelCmp	RelCmpRq_05(TI_02, TCV_chTch)	
26		+ChanRel_end(TCV_chTch)		
Detailed Comments:				

Test Case Dynamic Behaviour					
Test Case Name:		TC_31_9_2_4			
Group:		GSM_L3_MS_v4170/SS/			
Purpose:		To verify that when the mobile station receives an USSD operation in parallel to any call independent supplementary transaction, it responds with a return error component in a RELEASE COMPLETE message, containing "USSD-Busy" error.			
Default:		OtherEventsFail			
Nr	Label	Behaviour Description	CRef	V	Comments
1		START T_guard(300)			
2		+ltree_preamble			
3	body	+ltree_body			
ltree_preamble					
4		(TCV_slot := C_S0, TCV_tsc := C_BCC)			
5		+IdleUpdated(C_CellA, C_Immass, TCV_slot, TCV_tsc, TimingAdv_01, '000'B, '001'B, '011'B, '00'O)			
6		(TCV_cellid:=C_CellA, TCV_ch := OC_SubchOfSdcch4(TSPX_SDCCH4SubDef, C_CellA), TCV_sacch := OC_SubchOfSacch4(TSPX_SDCCH4SubDef, C_CellA), TCV_PgCh := C_PCH_A_1, TCV_ia_ts := '000'B, TCV_asscmd_ts := TSPX_TmSltB, TCV_chdescr_arfcn := C_arfcnA, TCV_ts := TSPX_TmSltB)			
7		+PreEnterIdleState_03(C_Immass, TCV_slot, TCV_tsc, 5, 1, 0, TimingAdv_01, '000'B, '001'B, '011'B, '00'O)			1.
8		+FullRateCh_A_1_nociph(C_Ass, TSPX_TmSltDef, TSPX_TscDef, ChMod_speech, FreqTCHa_rg, FreqTCHa_rd, TimingAdv_01, '000'B, '001'B, '011'B)			
9		(TCV_UssdString1:="Type *70*635*562# and send", TCV_UssdString2:="*70*635*562#")			
ltree_body					
10		+RRmtcallprepareNoAuthNoCiph(TimingAdv_01)			
11		L!DL_DatRqRegister(TCV_TI.ti_v:='000'B, TCV_TI.ti_f:='0'B, TCV_TI0.ti_v:='000'B, TCV_TI0.ti_f:='1'B, TCV_Invkld0:='00'O)	RegisterReq_01(TCV_ch, RegisterPdu_34(TCV_TI, facilityIEtsnd(NotificationSS_06(TCV_Invkld0, TCV_UssdString1))))		
12		+CheckUssdStringDisplayed(TCV_UssdString1)			
13		(TCV_Null:=OO_InitSS(TCV_UssdString2))			
14		L?DL_DatInFac	Facility_03(FacilityPdu_26_ci(TCV_TI0, facilityIErcv(USSDReq_04(TCV_Invkld0, TCV_UssdString2))))	(P)	
15		L!DL_DatRqRegister(TCV_TI2.ti_v:='001'B, TCV_TI2.ti_f:='0'B, TCV_TI3.ti_v:='001'B, TCV_TI3.ti_f:='1'B, TCV_Invkld1:='01'O)	RegisterReq_01(TCV_ch, RegisterPdu_34(TCV_TI2, facilityIEtsnd(NotificationSS_06(TCV_Invkld1, TCV_UssdString1))))		
16		L?DL_DatInRelCmp	RelCmp_12(TCV_TI3, TCV_Invkld1)	(P)	
17		LIDL_DatRqRelCmp	RelCmpRq_10(TCV_ch, ReleaseCmp_09(TCV_TI, facilityIEtsndieie(USSDReq_06(TCV_Invkld0))))		

18	+ChanRel_end(TCV_ch)	
Detailed Comments:		

Test Case Dynamic Behaviour					
Test Case Name:		TC_31_10			
Group:		GSM_L3_MS_v4170/SS/			
Purpose:		To check that the entry of two digits in the form !X (X in the set 0..9) followed by SEND is accepted by the mobile station in idle mode as a normal call establishment for the 1X number. It is checked that the MS sends a CHANNEL REQUEST, sends CM SERVICE REQUEST message for mobile originated call (after having received an IMMEDIATE ASSIGNMENT), and then sends the SETUP message containing the 1X phone number as called number (after having received the CM SERVICE ACCEPT message)			
Default:		OtherEventsFail			
Nr	Label	Behaviour Description	CRef	V	Comments
1		START T_guard(300)			
2		(TCV_slot := C_S0, TCV_tsc := C_BCC)			
3		+IdleUpdated(C_CellA, C_Immass, TCV_slot, TCV_tsc, TimingAdv_01, '000'B, '001'B, '011'B, '00'O)			
4		(TCV_ch := OC_SubchOfSdcch4(TSPX_SDCCH4SubDef, C_CellA), TCV_sacch := OC_SubchOfSacch4(TSPX_SDCCH4SubDef, C_CellA))			
5		+PreEnterIdleState_03(C_Immass, TCV_slot, TCV_tsc, 5, 1, 0, TimingAdv_01, '000'B, '001'B, '011'B, '00'O)			1.
6		+test("10")			
7		+test("11")			
8		+test("12")			
9		+test("13")			
10		+test("14")			
11		+test("15")			
12		+test("16")			
13		+test("17")			
14		+test("18")			
15		+test("19")			
		test(num:IA5String)			
16		(TCV_Null := OO_InitSS(num))			2.
17		L?DL_RaInChRq (TCV_Rr := DL_RaInChRq.msg.ecau_rrf, TCV_Fn := DL_RaInChRq.fn)	ChReq_17		
18		ACTIVATE(OtherEventsFail_02)			To match ChReq retrans.
19		LIDL_UdatRqImmass	ImmAss_01Def(TCV_agch, TCV_Rr, TCV_Fn, TCV_slot, TCV_tsc, TCV_chdescr_arfcn, TimingAdv_01)		
20		L?DL_EstInCmsRq	CmsrReq_04		
21		ACTIVATE(OtherEventsFail)			Restore Normal default
22		LIDL_DatRqCmsAcp	CmsrAcp_01(TCV_ch)		
23		L?DL_DatInSetup (TCV_TI := DL_DatInSetup.msg.ti, TCV_CalledNum := DL_DatInSetup.msg.cdprn, TCV_TI0 := TCV_TI, TCV_TI.ti_f := '1'B)	SetupIn_01		
24		LIDL_DatRqRelCmp	RelCmpRq_05(TCV_TI, TCV_ch)		
25		+PostMainLinkRel(TCV_ch)			
26		(TCV_Res := OC_CalledNumCHK(TCV_CalledNum.digits, num))			3.
27		[TCV_Res]		(P)	
28		START T_dly(10000)			
29		?TIMEOUT T_dly			
30		[NOT TCV_Res]		(F)	
31		START T_dly(10000)			
32		?TIMEOUT T_dly			
Detailed Comments:		1. To setup physical channel as BCCH, CCCH and SDCCH4. 2. To dial the two digits number.			

3. To check whether the received called party number is the same as the dialled number.

Test Group SM

Test Case Dynamic Behaviour					
Test Case Name:		TC_34_2_1			
Group:		GSM_L3_MS_v4170/SM/			
Purpose:		To verify the ability of a MS to receive and decode the SMS where provided for the point to point service.			
Default:		OtherEventsFail			
Nr	Label	Behaviour Description	CRef	V	Comments
1		START T_guard(300)			
2		+ltree_preamble			
3	body	+ltree_part1			1
4		+ltree_part2			2
5		+ltree_part3			3
6		+ltree_part4			4
ltree_part1					
7		+ltree_PrepareEnvironmentPart1			
8		+ltree_sms1(TCV_ch)			
9		+ChanRel(TCV_ch)			
10		(TCV_Res := OO_CheckMessageDisplayed(160, TCV_SMcntns))			
11		[TCV_Res =FALSE]		(F)	
12		[TCV_Res =TRUE]		(P)	
13		+ltree_PrepareEnvironmentPart1			
14		+ltree_sms3(TCV_ch)			
15		+ChanRel(TCV_ch)			
16		(TCV_Res:=OO_CheckMessageDispl ayed(160, TCV_SMcntns))			
17		[TCV_Res =FALSE]		(F)	
18		[TCV_Res =TRUE]		(P)	
19		+ltree_PrepareEnvironmentPart1			
20		+ltree_sms4(TCV_ch, 5)			
21		+ChanRel(TCV_ch)			
22		(TCV_Res:=OO_CheckMes sageDisplayed(160, TCV_SMcntns))			
23		[TCV_Res =FALSE]		(F)	
24		[TCV_Res =TRUE]		(P)	
25		(TCV_Null:=OO_Empty MessageStorage())			
ltree_part2					
26		+ltree_PrepareEnvironmentPart2			
27		+ltree_sms1(TCV_chTch)			
28		+ChanRel(TCV_chTch)			
29		(TCV_Res:=OO_CheckMessageDisplayed(160, TCV_SMcntns))			
30		[TCV_Res =FALSE]		(F)	
31		[TCV_Res =TRUE]		(P)	
32		(TCV_Null:=OO_EmptyMessageStorage())			
33		+ltree_PrepareEnvironmentPart2			
34		+ltree_sms3(TCV_chTch)			
35		+ChanRel(TCV_chTch)			
36		(TCV_Res:=OO_CheckMessageDis played(160, TCV_SMcntns))			
37		[TCV_Res =FALSE]		(F)	
38		[TCV_Res =TRUE]		(P)	
39		(TCV_Null:=OO_EmptyMessag eStorage())			
40		+ltree_PrepareEnvironmentP art2			
41		+ltree_sms4(TCV_chTch, 15)			
42		+ChanRel(TCV_chTch)			

43	(TCV_Res:=OO_Check MessageDisplayed(160, TCV_SMcntns))	
44	[TCV_Res =FALSE]	(F)
45	[TCV_Res =TRUE]	(P)
46	(TCV_Null:=OO_E mptyMessageStora ge())	
	Itree_part3	
47	+Itree_PrepareEnvironmentParts3_4	
48	+Itree_ClearSpeechChannel_SS	
49	+Itree_sms1(TCV_chTch)	
50	+ChanRel(TCV_chTch)	
51	(TCV_Res:=OO_CheckMessageDisplayed(16 0, TCV_SMcntns))	
52	[TCV_Res =FALSE]	(F)
53	[TCV_Res =TRUE]	(P)
54	(TCV_Null:=OO_EmptyMessageStorage())	
	Itree_part4	
55	+Itree_PrepareEnvironmentParts3_4	
56	START T_dly(15000)	
57	+Itree_ClearSpeechChannel_MS	
58	?TIMEOUT T_dly	
59	+Itree_sms1(TCV_chTch)	
60	+ChanRel(TCV_chTch)	
61	(TCV_Res:=OO_CheckMessageDisplaye d(160, TCV_SMcntns))	
62	[TCV_Res =FALSE]	(F)
63	[TCV_Res =TRUE]	(P)
64	(TCV_Null:=OO_EmptyMessageStora ge())	
	Itree_preamble	
65	(TCV_Null:=OO_EmptyMessageStorage())	
66	+Varinit_fixcommon	
67	(TCV_cellid:=C_CellA, TCV_ch:= OC_SubchOfSdcch4(TSPX_SDCCH4SubDef, TCV_cellid), TCV_sacch := OC_SubchOfSacch4(TSPX_SDCCH4SubDef, TCV_cellid), TCV_PgCh:= C_PCH_A_1, TCV_asscmd_ts := TSPX_TmSlitDef, TCV_RPOA_MT:='1111111111'O, TCV_TPOA1:='3333333333'O, TCV_Rpmr := '00'O, TCV_slot := C_S0, TCV_tsc := C_BCC)	
68	+IdleUpdated(C_CellA, C_Immass, TCV_slot, TCV_tsc, TimingAdv_01, '000'B, '001'B, '011'B, '00'O)	
69	[TSPC_PGSM OR TSPC_EGSM]	
70	(TCV_chdescr_arfcn := 20, TCV_tchcarrier:= TSPX_TCHcarrierA)	
71	+PreEnterIdleState_Comb01(C_Immass, TCV_slot, TCV_tsc, 5,1, 0, TimingAdv_01, '000'B, '001'B, '011'B, '00'O)	
72	+FullRateCh_A_1(C_Ass, TSPX_TmSlitDef, TSPX_TscDef, ChMod_speech, FreqTCHa_rg, FreqTCHa_rd, TimingAdv_01, '000'B, '001'B, '011'B)	
73	[TSPC_DCS]	
74	(TCV_chdescr_arfcn := 590, TCV_tchcarrier:= TSPX_TCHcarrierA)	
75	+PreEnterIdleState_Comb01(C_Immass, TCV_slot, TCV_tsc, 5,1, 0, TimingAdv_01, '000'B, '001'B, '011'B, '00'O)	
76	+FullRateCh_A_1(C_Ass,	

	TSPX_TmSlitDef, TSPX_TscDef, ChMod_speech, FreqTCHa_rg, FreqTCHa_rd, TimingAdv_01, '000'B, '001'B, '011'B)		
	Itree_PrepareEnvironmentPart1		
77	+RRmtcallprepare(TimingAdv_01)		
78	+Itree_set_sapi3_SDCCH		
79	(TCV_CPDDataRetx:=0, TCV_ti_v_2:='000'B, TCV_chSms:=TCV_ch)		
	Itree_PrepareEnvironmentPart2		
80	+EstMsTermFullRateCallNonFH(TimingAdv_01)		
81	(TCV_CPDDataRetx:=0, TCV_ti_v_2:='000'B, TCV_chSms:=C_SACCHF_A_1)		
82	+Itree_set_sapi3_SACCH		
	Itree_PrepareEnvironmentParts3_4		
83	+EstMsTermFullRateCallNonFH(TimingAdv_01)		
84	(TCV_CPDDataRetx:=0, TCV_ti_v_2:='000'B, TCV_chSms:=C_SACCHF_A_1)		
85	+Itree_set_sapi3_SACCH		
	Itree_set_sapi3_SDCCH		
86	L!DL_EstRq	DLEstRq_01(TCV_ch)	SABM(SAPI=3)
87	L?DL_EstCo	DLEstCo_01(TCV_ch)	UA(SAPI=3)
	Itree_set_sapi3_SACCH		
88	L!DL_EstRq	DLEstRq_02(TCV_ch Sms)	SABM(SAPI=3)
89	L?DL_EstCo	DLEstCo_02(TCV_ch Sms)	UA(SAPI=3)
	Itree_ClearSpeechChannel_SS		
90	L!DL_DatRqDisc	DiscSnd(TCV_chTch, Disconn_07(TI_02))	
91	L?DL_DatInRel	ReleaseInd_03(TI_01)	(P)
92	L!DL_DatRqRelCmp	RelCmpRq_05(TI_02, TCV_chTch)	
	Itree_ClearSpeechChannel_MS		
93	L?DL_DatInRel	ReleaseInd_03(TI_01)	(P)
94	L!DL_DatRqRelCmp	RelCmpRq_05(TI_02, TCV_chTch)	
	Itree_sms1(ch: LOGICCH)		
95	+Itree_sms2(ch)		
96	L!DL_DatRqCpDataAck	DatRqCpDataAck(CpDataAckPdu_02(TCV_ti_v_2), TCV_chSms)	CP-ACK n->ms
	Itree_sms2(ch: LOGICCH)		
97	L!DL_DatRqCpData (TCV_SMcntns := DL_DatRqCpData.msg.CPdata.rpdata.rpusdat.tpdeli ver.ud)	DatRqCpData(CpDataPdu_01(TCV_ti_v_2, CpData_01(TCV_TPOA1, TCV_RPOA_MT, TCV_Rpmr, C_Tzone0)), TCV_chSms)	CP-DATA including RP- Data(SMS DELIVER) n- >ms
98	START T_dly(25000)		
99	?TIMEOUT T_dly		(F)
100	+ChanRel(ch)		

101	L?DL_DatInCpDataAck CANCEL T_dly	DatInCpDataAck(CpDataAckPdu_01(TCV_ti_v_2))		CP-ACK ms->n
102	START T_dly(60000)			
103	?TIMEOUT T_dly		(F)	
104	+ChanRel(ch)			
105	L?DL_DatInCpData CANCEL T_dly	DatInCpData(CpDataPdu_02(TCV_ti_v_2, CpData_02(TCV_Rpmr)))		CP-DATA including RP-Ack ms->n
	ltree_sms3(ch: LOGICCH)			
106	+ltree_sms2(ch)			
107	START T_dly(C_T_TwiceTC1M)			
108	?TIMEOUT T_dly		(F)	First CP-DATA(Rp-Ack) not acknowledged
109	+ChanRel(ch)			
110	L?DL_DatInCpData CANCEL T_dly	DatInCpData(CpDataPdu_02(TCV_ti_v_2, CpData_02(TCV_Rpmr)))		CP-DATA(RP-Ack) retransmitted
111	LIDL_DatRqCpDataAck	DatRqCpDataAck(CpDataAckPdu_02(TCV_ti_v_2), TCV_chSms)		Second CP-DATA(Rp-Ack) acknowledged
	ltree_sms4(ch: LOGICCH; time: INTEGER)			
112	+ltree_sms2(ch)			
113	REPEAT ltree_sms5(ch) UNTIL [TCV_CPDDataRetx=TSPX_MaxCPDataRetx]			CP-DATA(RP-Ack) retransmitted
114	START T_dly(((TSPX_TC1M + time) * 1000))			
115	L?DL_DatInCpData CANCEL T_dly	DatInCpData(CpDataPdu_02(TCV_ti_v_2, CpData_02(TCV_Rpmr)))	(F)	RP-Ack shall not be sent more than TSPX_MaxCPDataRetx times
116	+ChanRel(ch)			
117	?TIMEOUT T_dly		(P)	
	ltree_sms5(ch: LOGICCH)			
118	START T_dly(C_T_TwiceTC1M)			
119	?TIMEOUT T_dly		(F)	
120	+ChanRel(ch)			
121	L?DL_DatInCpData CANCEL T_dly	DatInCpData(CpDataPdu_02(TCV_ti_v_2, CpData_02(TCV_Rpmr)))		CP-DATA (RP-Ack) ms->n
122	(TCV_CPDDataRetx:=TCV_CPDDataRetx + 1)			
Detailed Comments:				
1: Parts a) to f) of the test procedure as described in GSM 11.10, 34.2.1				
2: Parts g) to j) of the test procedure as described in GSM 11.10, 34.2.1				
3: Part k) of the test procedure as described in GSM 11.10, 34.2.1				
4: Part l) of the test procedure as described in GSM 11.10, 34.2.1				

Test Case Dynamic Behaviour					
Test Case Name:		TC_34_2_2			
Group:		GSM_L3_MS_v4170/SM/			
Purpose:		To verify the MS ability to correctly send a short message where the SMS is provided for the point to point service. It also verifies the MS capability to simultaneously receive a network originated SM whilst sending a mobile originated SM.			
Default:		OtherEventsFail			
Nr	Label	Behaviour Description	CRef	V	Comments
1		START T_guard(300)			
2		+ltree_preamble			
3	body	+ltree_part1			1
4		+ltree_part2			2
5		+ltree_part3			3
6		+ltree_part4			4
ltree_preamble					
7		(TCV_Null:=OO_EmptyMessageStorage())			
8		+Varinit_fixcommon			
9		(TCV_cellid:=C_CellA, TCV_ch:= OC_SubchOfSdcch4(TSPX_SDCCH4SubDef, TCV_cellid), TCV_sacch := OC_SubchOfSacch4(TSPX_SDCCH4SubDef, TCV_cellid), TCV_PgCh:= C_PCH_A_1, TCV_asscmd_ts := TSPX_TmSltDef, TCV_RPOA_MT:='1111111111'O, TCV_TPOA1:='5555555555'O, TCV_slot := C_S0, TCV_tsc := C_BCC)			
10		+IdleUpdated(C_CellA, C_Immass, TCV_slot, TCV_tsc, TimingAdv_01, '000'B, '001'B, '011'B, '00'O)			
11		+GsmOrDcs			
12		+PreEnterIdleState_Comb01(C_Immass, TCV_slot, TCV_tsc, 5,1, 0, TimingAdv_01, '000'B, '001'B, '011'B, '00'O)			
13		+FullRateCh_A_1(C_Ass, TSPX_TmSltDef, TSPX_TscDef, ChMod_speech, FreqTCHa_rg, FreqTCHa_rd, TimingAdv_01, '000'B, '001'B, '011'B)			
GsmOrDcs					
14		[TSPC_PGSM OR TSPC_EGSM]			
15		(TCV_chdescr_arfcn := C_arfcnA, TCV_tchcarrier:= 30)			
16		[TSPC_DCS]			
17		(TCV_chdescr_arfcn := C_arfcnAd, TCV_tchcarrier:= 650)			
ltree_part1					
18		+ltree_PrepareEnvironmentParts1_3			
19		+ltree_sms1			Initiate MO-SM
20		+ltree_sms2(TCV_ch)			Terminate MO-SM
21		+ChanRel(TCV_ch)			
22		(TCV_Null := OM_CphMd(TCV_ch, CphMod_02, TCV_CphKey))			
23		+ltree_PrepareEnvironmentParts1_3			
24		+ltree_sms1			Initiate MO-SM
25		REPEAT ltree_sms3(TCV_ch) UNTIL [TCV_CPDDataRetx =TSPX_MaxCPDataRetx]			MO-SM is retransmitted
26		START T_dly(((TSPX_TC1M + 5) * 1000))			
27		L?DL_DatInCpData(TCV_Rpmr := DL_DatInCpData.msg.CPdata.rpdata a.rpmr, TCV_ti_v:=DL_DatInCpData.msg.ti. ti_v)	DatInCpData(CpDataPdu_03(CpData_03(RpData_03)))	(F)	RP-Data(RP Data SMS SUBMIT) shall NOT be sent more than TSPX_MaxCPDataRetx times
28		+ChanRel(TCV_ch)			
29		?TIMEOUT T_dly			

30	+ChanRel(TCV_ch)			
31	(TCV_Null := OM_CphMd(TCV_ch, CphMod_02, TCV_CphKey))			
32	+ltree_PrepareEnvironmentP arts1_3			
33	+ltree_sms1			Initiate MO-SM
34	+ltree_sms4			CP-Error
35	+ChanRel(TCV_ch)			
36	(TCV_Null := OM_CphMd(TCV_ch, CphMod_02, TCV_CphKey))			
	ltree_part2			
37	+ltree_PrepareEnvironmentPart2			
38	+ltree_sms1			Initiate MO-SM
39	+ltree_sms2(TCV_chTch)			Terminate MO-SM
40	+ChanRel(TCV_chTch)			
41	(TCV_Null := OM_CphMd(TCV_ch, CphMod_02, TCV_CphKey))			
42	+ltree_PrepareEnvironmentPart2			
43	+ltree_sms1			Initiate MO-SM
44	REPEAT ltree_sms3(TCV_chTch) UNTIL [TCV_CPDataRetx = TSPX_MaxCPDataRetx]			MO-SM is retransmitted
45	START T_dly(((TSPX_TC1M + 15) * 1000))			
46	L?DL_DatInCpData(TCV_Rpmr := DL_DatInCpData.msg.Cpdata.rpd a.rpmr, TCV_ti_v := DL_DatInCpData.msg.ti.v)	DatInCpData(CpDataPdu_03(CpData_03(RpData_03)))	(F)	RP-Data(RP Data SMS SUBMIT) shall NOT be sent more than TSPX_MaxCPDataRetx times
47	+ChanRel(TCV_chTch)			
48	?TIMEOUT T_dly			
49	+ChanRel(TCV_chTch)			
50	(TCV_Null := OM_CphMd(TCV_ch, CphMod_02, TCV_CphKey))			
	ltree_part3			
51	+ltree_PrepareEnvironmentParts1_3			
52	+ltree_sms1			Initiate MO-SM
53	+ltree_sms5			MT-SM
54	+ltree_sms2(TCV_ch)			Terminate MO-SM
55	+ChanRel(TCV_ch)			
56	(TCV_Null := OM_CphMd(TCV_ch, CphMod_02, TCV_CphKey))			
57	(TCV_Res:=OO_CheckMessageDisplaye d(160, TCV_SMcntns))			
58	[TCV_Res =FALSE]		(F)	
59	[TCV_Res =TRUE]		(P)	
	ltree_part4			
60	+ltree_PrepareEnvironmentPart4			
61	+ChanRel_end(TCV_ch)			
	ltree_PrepareEnvironmentParts1_3			
62	(TCV_Null:=OO_SendMOShortMessage())			
63	L?DL_RaInChRq(TCV_Rr := DL_RaInChRq. msg.ecau_rrf, TCV_Fn := DL_RaInChRq.fn)	ChReq_04		
64	ACTIVATE(OtherEventsFail_02)			To match ChReq retrans.
65	LIDL_UdatRqImmass	ImmAss_01Def(TCV_agch, TCV_Rr, TCV_Fn, TCV_slot, TCV_tsc, TCV_chdescr_arfcn, TimingAdv_01)		
66	ACTIVATE(OtherEventsFail)			Restore normal default

67	L?DL_EstInCmsRq	CmsrReq_09	tree
68	+Authentication(TCV_ch, TCV_cks)		
69	+Ciphering_on(TCV_ch)		
70	+ltree_set_sapi3_SDCCH		
71	(TCV_CPDataRetx:=0, TCV_chSms:=TCV_ch)		
	ltree_PrepareEnvironmentPart2		
72	+EstMsTermFullRateCallNonFH(TimingAdv_01)		
73	(TCV_Null:=OO_SendMOShortMessage())		
74	L?DL_DatInCmsRq	CmsrDatReq_09	
75	L!DL_DatRqCmsAcp	CmsrAcp_01(TCV_chTch)	
76	+ltree_set_sapi3_SACCH		
77	(TCV_CPDataRetx:=0, TCV_chSms:=C_SACCHF_A_1)		
	ltree_PrepareEnvironmentPart4		
78	(TCV_Null:=OO_SendMOShortMessage())		
79	L?DL_RaInChRq (TCV_Rr := DL_RaInChRq. msg.ecau_rrf, TCV_Fn := DL_RaInChRq.fn)	ChReq_04	
80	ACTIVATE(OtherEventsFail_02)		To match ChReq retrans.
81	L!DL_UdatRqImm	ImmAss_01Def(TCV_agch, TCV_Rr, TCV_Fn, TCV_slot, TCV_tsc, TCV_chdescr_arfcn, TimingAdv_01)	
82	L?DL_EstInCmsRq	CmsrReq_09	
83	ACTIVATE(OtherEventsFail)		Restore normal default tree
84	L!DL_DatRqCmsRej	CmsrRej_03(TCV_ch)	Service Option not supported
85	START T_dly(5000)		
86	?TIMEOUT T_dly		
87	+ChanRel(TCV_ch)		
88	+ltree_set_sapi3_SDCCH_inv		SAPI-3 shall NOT be established
	ltree_sms1		
89	L?DL_DatInCpData(TCV_Rpmr := DL_DatInCpData.msg.CPdata.rpdata.rpmr, TCV_ti_v := DL_DatInCpData.msg.ti.ti_v)	DatInCpData(CpDataPdu_03(CpData_03(RpData_03)))	CP-DATA(RP-Data SMS SUBMIT)
	ltree_sms2(ch: LOGICCH)		
90	L!DL_DatRqCpDataAck	DatRqCpDataAck(CpDataAckPdu_01(TCV_ti_v), TCV_chSms)	CP-ACK n->ms
91	L!DL_DatRqCpData	DatRqCpData(CpDataPdu_02(TCV_ti_v, CpData_04(TCV_Rpmr)), TCV_chSms)	CP-DATA(RP-Ack) n->ms
92	START T_dly(25000)		
93	?TIMEOUT T_dly		(F)
94	+ChanRel(ch)		
95	L?DL_DatInCpDataAck	DatInCpDataAck(CpDataAckPdu_02(TCV_ti_v))	(P) CP-ACK ms->n
96	CANCEL T_dly		
	ltree_sms3(ch: LOGICCH)		
97	START T_dly(C_T_TwiceTC1M)		
98	?TIMEOUT T_dly		(F)
99	+ChanRel(ch)		

100	+ltree_sms1			
101	(TCV_CPDDataRetx:=TCV_CPDDataRetx + 1)			
102	CANCEL T_dly			
	ltree_sms4			
103	L!DL_DatRqCpError	DatRqCpError_01(CpErrPdu_01(TCV_ti_v), TCV_chSms)		CP error n->ms "Network Failure"
	ltree_sms5			
104	+ltree_ti			
105	L!DL_DatRqCpData (TCV_SMcntns := DL_DatRqCpData.msg.CPdata.rpdata.rpusdat.tpdeliver.ud) START T_dly(25000)	DatRqCpData(CpDataPdu_01(TCV_ti_v_2, CpData_01(TCV_TPOA1, TCV_RPOA_MT, TCV_Rpmr, C_Tzone1)), TCV_chSms)		CP-DATA(RP-Data SMS DELIVER), n->ms
106	?TIMEOUT T_dly		(F)	
107	+ChanRel(TCV_ch)			
108	L?DL_DatInCpDataAck START T_dly(60000)	DatInCpDataAck(CpDataAckPdu_01(TCV_ti_v_2))	(P)	CP-ACK ms->n
109	?TIMEOUT T_dly		(F)	
110	+ChanRel(TCV_ch)			
111	L?DL_DatInCpData CANCEL T_dly	DatInCpData(CpDataPdu_02(TCV_ti_v_2, CpData_02(TCV_Rpmr)))	(P)	CP-DATA(RP-Ack) n->ms
112	L!DL_DatRqCpDataAck	DatRqCpDataAck(CpDataAckPdu_02(TCV_ti_v_2), TCV_chSms)		
	ltree_set_sapi3_SDCCH			
113	L?DL_EstIn	DLEstInd_02		
	ltree_set_sapi3_SDCCH_inv			
114	L?DL_EstIn	DLEstInd_02	(F)	SAPI-3 shall NOT be established
115	+ChanRel(TCV_ch)			
	ltree_set_sapi3_SACCH			
116	L?DL_EstIn	DLEstInd_02		
	ltree_ti			
117	[TCV_ti_v='000'B]			
118	(TCV_ti_v_2:='001'B)			
119	[NOT(TCV_ti_v='000'B)]			
120	(TCV_ti_v_2:='000'B)			

Detailed Comments:

1: Parts a) to f) of the test procedure as described in GSM 11.10, 34.2.2.3

2: Parts g) to i) of the test procedure as described in GSM 11.10, 34.2.2.3

3: Part j) of the test procedure as described in GSM 11.10, 34.2.2.3

4: Part k) of the test procedure as described in GSM 11.10, 34.2.2.3

Test Case Dynamic Behaviour					
Test Case Name:		TC_34_2_3			
Group:		GSM_L3_MS_v4170/SM/			
Purpose:		1. To verify that the MS sends the correct acknowledgement when its memory in the SIM becomes full. 2. To verify that the MS sends the correct acknowledgement when its memory in the ME and the SIM becomes full, and sets the "memory exceeded" notification flag in the SIM. 3. To verify that the MS performs the "memory available" procedure when its message store becomes available for receiving short messages, and only at this moment.			
Default:		OtherEventsFail			
Nr	Label	Behaviour Description	CRef	V	Comments
1		START T_guard(300)			
2		+ltree_preamble			
3	body	+ltree_part1			1
4		+ltree_part2			2
5		+ltree_part3			3
6		+ltree_part4			4
ltree_preamble					
7		(TCV_Null:=OO_EmptyMessageStorage())			
8		(TCV_Null:=OO_MSSetupStoreClass1SMInMEMemory())			
9		(TCV_Null:=OO_ConnectSIMSimulator())			
10		+Varinit_fixcommon			
11		(TCV_cellid:=C_CellA, TCV_ch:=OC_SubchOfSdcch4(TSPX_SDCCH4SubDef, TCV_cellid), TCV_sacch := OC_SubchOfSacch4(TSPX_SDCCH4SubDef, TCV_cellid), TCV_PgCh:= C_PCH_A_1, TCV_RPOA_MT:= '1111111111'O, TCV_TPOA1:= '3333333333'O, TCV_Rpmr:= '00'O, TCV_slot := C_S0, TCV_tsc := C_BCC)			
12		+IdleUpdated(C_CellA, C_Immass, TCV_slot, TCV_tsc, TimingAdv_01, '000'B, '001'B, '011'B, '00'O)			
13		[TSPC_PGSM OR TSPC_EGSM]			
14		(TCV_chdescr_arfcn := 20)			
15		+PreEnterIdleState_Comb01(C_Immass, TCV_slot, TCV_tsc, 5,1, 0, TimingAdv_01, '000'B, '001'B, '011'B, '00'O)			
16		[TSPC_DCS]			
17		(TCV_chdescr_arfcn := 590)			
18		+PreEnterIdleState_Comb01(C_Immass, TCV_slot, TCV_tsc, 5,1, 0, TimingAdv_01, '000'B, '001'B, '011'B, '00'O)			
ltree_part1					
19		(TCV_ProtErrorUnspec:=FALSE, TCV_MemCapExcd:=FALSE)			
20		REPEAT ltree_sms1 UNTIL [(TCV_ProtErrorUnspec) OR(TCV_MemCapExcd)]			
ltree_part2					
21		(TCV_MemCapExcd:=FALSE)			
22		REPEAT ltree_sms2 UNTIL [TCV_MemCapExcd]			
ltree_part3					
23		+ltree_sms3			
ltree_part4					
24		+ltree_sms4			
ltree_PrepareEnvironmentParts1_2_3					
25		+RRmtcallprepare(TimingAdv_01)			

26	+ltree_set_sapi3_SDCCH_MT			
27	(TCV_ti_v_2:=000'B, TCV_chSms:=TCV_ch)			
	ltree_PrepareEnvironmentPart4			
28	L?DL_RaInChRq (TCV_Rr := DL_RaInChRq. msg.ecau_rrf, TCV_Fn := DL_RaInChRq.fn)	ChReq_04		
29	ACTIVATE(OtherEventsFail_02)			To match ChReq retrans.
30	LIDL_UdatRqImmss	ImmAss_01Def(TCV_agch, TCV_Rr, TCV_Fn, TCV_slot, TCV_tsc, TCV_chdescr_arfcn, TimingAdv_01)		
31	L?DL_EstInCmsRq	CmserReq_09		
32	ACTIVATE(OtherEventsFail)			Restore normal default tree
33	+Authentication(TCV_ch, TCV_cksn)			
34	+Cipherring_on(TCV_ch)			
35	+ltree_set_sapi3_SDCCH_MO			
36	(TCV_chSms:=TCV_ch)			
	ltree_sms1			
37	+ltree_PrepareEnvironmentParts1_2_3			
38	L!DL_DatRqCpData	DatRqCpData(CpDataPdu_01(TCV_ti_v_2, CpData_05(TCV_TPOA1, TCV_RPOA_MT, TCV_Rpmr, C_Tzone2)), TCV_chSms)		CP-DATA(RP-Data SMS DELIVER), n->ms class 2 MT-SM
39	START T_dly(25000)			
40	?TIMEOUT T_dly		(F)	
41	+ChanRel(TCV_ch)			
42	L?DL_DatInCpDataAck CANCEL T_dly	DatInCpDataAck(CpDataAckPdu_01(TCV_ti_v_2))	(P)	CP-ACK ms->n
43	START T_dly(60000)			
44	?TIMEOUT T_dly		(F)	
45	+ChanRel(TCV_ch)			
46	L?DL_DatInCpData CANCEL T_dly	DatInCpData(CpDataPdu_02(TCV_ti_v_2, CpData_02(TCV_Rpmr)))	(P)	CP-DATA(RP-Ack) ms->n
47	L!DL_DatRqCpDataAck CANCEL T_dly	DatRqCpDataAck(CpDataAckPdu_02(TCV_ti_v_2), TCV_chSms)		CP-ACK n->ms
48	+ChanRel(TCV_ch)			
49	(TCV_Null := OM_CphMd(TCV_ch, CphMod_02, TCV_CphKey))			
50	L?DL_DatInCpData CANCEL T_dly	DatInCpData(CpDataPdu_02(TCV_ti_v_2, CpData_07(TCV_Rpmr)))	(P)	CP-DATA(RP-Error: Protocol Error, unspecified)
51	L!DL_DatRqCpDataAck	DatRqCpDataAck(CpDataAckPdu_02(TCV_ti_v_2), TCV_chSms)		CP-ACK n->ms
52	(TCV_ProtErrorUnspec:=TRUE)			SMS storage in SIM full
53	+ChanRel(TCV_ch)			
54	(TCV_Null := OM_CphMd(TCV_ch, CphMod_02, TCV_CphKey))			
55	L?DL_DatInCpData CANCEL T_dly	DatInCpData(CpData Pdu_02(TCV_ti_v_2, CpData_08(TCV_Rp mr)))	(P)	CP-DATA(RP-Error: Memory Capacity Exceeded)
56	L!DL_DatRqCpDataAck	DatRqCpDataAck(CpDataAckPdu_02(TCV_ti_v_2), TCV_chSms)		CP-ACK n->ms

57	(TCV_MemCapExcd:=TRUE)	CpDataAckPdu_02(TCV_ti_v_2), TCV_chSms)		SMS storage in ME + SIM full
58	+ChanRel(TCV_ch)			
59	(TCV_Null := OM_CphMd(TCV_ch, CphMod_02, TCV_CphKey))			
60	(TCV_Res:=OO_CheckMCEFOOn SIM())			
61	[TCV_Res =FALSE]		(F)	
62	[TCV_Res =TRUE]		(P)	
Itree_sms2				
63	+Itree_PrepareEnvironmentParts1_2_3			
64	L!DL_DatRqCpData	DatRqCpData(CpDataPdu_01(TCV_ti_v_2, CpData_06(TCV_TPOA1, TCV_RPOA_MT, TCV_Rpmr, C_Tzone2)), TCV_chSms)		CP-DATA(RP-Data SMS DELIVER), n->ms, class 1 MT-SM
65	START T_dly(25000)			
66	?TIMEOUT T_dly		(F)	
67	+ChanRel(TCV_ch)			
68	L?DL_DatInCpDataAck CANCEL T_dly	DatInCpDataAck(CpDataAckPdu_01(TCV_ti_v_2))		CP-ACK ms->n
69	START T_dly(60000)			
70	?TIMEOUT T_dly		(F)	
71	+ChanRel(TCV_ch)			
72	L?DL_DatInCpData CANCEL T_dly	DatInCpData(CpDataPdu_02(TCV_ti_v_2, CpData_02(TCV_Rpmr)))		CP-DATA(RP-Ack) ms->n
73	L!DL_DatRqCpDataAck	DatRqCpDataAck(CpDataAckPdu_02(TCV_ti_v_2), TCV_chSms)		CP-ACK n->ms
74	+ChanRel(TCV_ch)			
75	(TCV_Null := OM_CphMd(TCV_ch, CphMod_02, TCV_CphKey))			
76	L?DL_DatInCpData CANCEL T_dly	DatInCpData(CpDataPdu_02(TCV_ti_v_2, CpData_08(TCV_Rpmr)))		CP-DATA(RP-Error: Memory Capacity Exceeded)
77	L!DL_DatRqCpDataAck	DatRqCpDataAck(CpDataAckPdu_02(TCV_ti_v_2), TCV_chSms)		CP-ACK n->ms
78	(TCV_MemCapExcd:=TRUE)			SMS storage in ME + SIM full
79	+ChanRel(TCV_ch)			
80	(TCV_Null := OM_CphMd(TCV_ch, CphMod_02, TCV_CphKey))			
81	(TCV_Res:=OO_CheckMCEFOOn SIM())			
82	[TCV_Res =FALSE]		(F)	
83	[TCV_Res =TRUE]		(P)	
Itree_sms3				
84	+Itree_PrepareEnvironmentParts1_2_3			
85	L!DL_DatRqCpData	DatRqCpData(CpDataPdu_01(TCV_ti_v_2, CpData_01(TCV_TPOA1,		CP-DATA(RP-Data SMS DELIVER) TP-DCS is 0

86	START T_dly(25000)	TCV_RPOA_MT, TCV_Rpmr, C_Tzone2)), TCV_chSms)		
87	?TIMEOUT T_dly		(F)	
88	+ChanRel(TCV_ch)			
89	L?DL_DatInCpDataAck CANCEL T_dly	DatInCpDataAck(CpDataAckPdu_01(TCV_ti_v_2))		CP-ACK ms->n
90	START T_dly(60000)			
91	?TIMEOUT T_dly		(F)	
92	+ChanRel(TCV_ch)			
93	L?DL_DatInCpData CANCEL T_dly	DatInCpData(CpDataPdu_02(TCV_ti_v_2, CpData_08(TCV_Rpmr)))		CP-DATA(RP-Error: Memory Capacity Exceeded)
94	L!DL_DatRqCpDataAck	DatRqCpDataAck(CpDataAckPdu_02(TCV_ti_v_2), TCV_chSms)		CP-ACK n->ms
95	+ChanRel(TCV_ch)			
96	(TCV_Null := OM_CphMd(TCV_ch, CphMod_02, TCV_CphKey))			
97	(TCV_Null:=OO_RemoveOneSM())			
	Itree_sms4			
98	+Itree_PrepareEnvironmentPart4			
99	L?DL_DatInCpData(TCV_Rpmr := DL_DatInCpData.msg.CPdata.rpdata.rpmr, TCV_ti_v:=DL_DatInCpData.msg.ti.v)	DatInCpData(CpDataPdu_02(TCV_ti_v_2, CpData_09))		CP-DATA(RP-SMMA), ms->n
100	LIDL_DatRqCpDataAck	DatRqCpDataAck(CpDataAckPdu_01(TCV_ti_v), TCV_chSms)		CP-ACK n->ms
101	LIDL_DatRqCpData	DatRqCpData(CpDataPdu_02(TCV_ti_v, CpData_04(TCV_Rpmr)), TCV_chSms)		CP-DATA(RP-Ack) n-> ms
102	START T_dly(25000)			
103	?TIMEOUT T_dly		(F)	
104	+ChanRel(TCV_ch)			
105	L?DL_DatInCpDataAck CANCEL T_dly	DatInCpDataAck(CpDataAckPdu_02(TCV_ti_v))		CP-ACK ms->n
106	+ChanRel(TCV_ch)			
107	(TCV_Null := OM_CphMd(TCV_ch, CphMod_02, TCV_CphKey))			
108	(TCV_Res:=OO_CheckMCEFOOnSIM Unset())			
109	[TCV_Res =FALSE]		(F)	
110	[TCV_Res =TRUE]		(P)	
111	(TCV_Null:=OO_RemoveOneSM())			
112	START T_dly(60000)			
113	L?DL_RacInChRq (TCV_Rr := DL_RacInChRq. msg.ecau_rrf, TCV_Fn := DL_RacInChRq.fn) CANCEL T_dly	ChReq_04	(F)	The MS shall not attempt to send RP-SSMA
114	+ChanRel(TCV_ch)			
115	?TIMEOUT T_dly		(P)	
	Itree_set_sapi3_SDCCH_MT			
116	L!DL_EstRq	DLEstRq_01(TCV_ch)		
117	L?DL_EstCo	DLEstCo_01(TCV_ch		

118	ltree_set_sapi3_SDCCH_MO L?DL_EstIn)		
Detailed Comments: 1: Part a) of the test procedure as described in GSM 11.10, 34.2.3.3 2: Parts b) to c) of the test procedure as described in GSM 11.10, 34.2.3.3 3: Parts d) to e) of the test procedure as described in GSM 11.10, 34.2.3.3 4: Parts f) to k) of the test procedure as described in GSM 11.10, 34.2.3.3				

Test Case Dynamic Behaviour					
Test Case Name:		TC_34_2_4			
Group:		GSM_L3_MS_v4170/SM/			
Purpose:		1) To verify that the MS is able to accept a SMS-STATUS-REPORT TPDU. 2) To verify that a MS able to use the SMS-COMMAND functionality correctly sends a SMS-COMMAND TPDU with the correct TP-Message-Reference.			
Default:		OtherEventsFail			
Nr	Label	Behaviour Description	CRef	V	Comments
1		START T_guard(300)			
2		START T_guard(300)			
3		+ltree_preamble			
4	body	+ltree_part1		1	
5		+ltree_part2		2	
6		+ltree_part3		3	
7		+ltree_part4		4	
ltree_preamble					
8		(TCV_slot := C_S0, TCV_tsc := C_BCC)			
9		+IdleUpdated(C_CellA, C_Immass, TCV_slot, TCV_tsc, TimingAdv_01, '000'B, '001'B, '011'B, '00'O)			
10		+IdleState_cellA(C_Immass, TCV_slot, TCV_tsc, TimingAdv_01, 0, '000'B, '001'B, '011'B, '00'O, C_noRestablishment)			
11		(TCV_RPOA_MT := '111111111'O, TCV_TPDA := '555555555'O)			
ltree_part1					
12		(TCV_Null := OO_SendMOShortMessage())			
13		+ltree_PrepareEnvironmentParts1_3_4			
14		+ltree_sms1			Initiate MO-SM, status report requested
15		+ltree_sms2			Terminate MO-SM
ltree_part2					
16		+ltree_PrepareEnvironmentPart2			
17		+ltree_sms3			MT-SM (SMS Status Report)
ltree_part3					
18		(TCV_Null := OO_SendSMSCOMMANDEnq())			
19		+ltree_PrepareEnvironmentParts1_3_4			
20		+ltree_sms4			Initiate MO-SM (SMS COMMAND, enquiry)
21		+ltree_sms2			Terminate MO-SM
ltree_part4					
22		(TCV_Null := OO_SendSMSCOMMANDDel())			
23		+ltree_PrepareEnvironmentParts1_3_4			
24		+ltree_sms5			Initiate MO-SM (SMS COMMAND, deletion)
25		+ltree_sms2			Terminate MO-SM
ltree_PrepareEnvironmentParts1_3_4					
26		(TCV_chSms := TCV_ch)			
27		L?DL_RaInChRq (TCV_Rr := DL_RaInChRq.msg.ecau_rrf, TCV_Fn := DL_RaInChRq.fn)	ChReq_04		
28		ACTIVATE(OtherEventsFail_02)			To match ChReq retrans.
29		LIDL_UdatRqImmass	ImmAss_01Def(TCV_agch, TCV_Rr, TCV_Fn, TCV_slot, TCV_tsc, TCV_chdescr_arfcn, TimingAdv_01)		
30		L?DL_EstInCmsRq	CmserReq_09		

31	ACTIVATE(OtherEventsFail)		Restore normal default tree
32	+Authentication(TCV_ch, TCV_cksn)		
33	+Ciphering_on(TCV_ch)		
34	+ltree_set_sapi3_SDCCH_MO		
	ltree_PrepareEnvironmentPart2		
35	+RRmtcallprepare(TimingAdv_01)		
36	+ltree_set_sapi3_SDCCH_MT		
37	(TCV_ti_v_2 := '000'B, TCV_chSms := TCV_ch)		
	ltree_sms1		
38	L?DL_DatInCpData(TCV_Rpmr := DL_DatInCpData.msg.CPdata.rpdata.rpmr, TCV_Tpmr := DL_DatInCpData.msg.CPdata.rpdata.rpusrdat.tpsub mit.mr, TCV_ti_v := DL_DatInCpData.msg.ti.v)	DatInCpData(CpDataPdu_03(CpData_03(RpData_08)))	RP-Data
	ltree_sms2		
39	L!DL_DatRqCpDataAck	DatRqCpDataAck(CpDataAckPdu_01(TCV_ti_v), TCV_chSms)	
40	L!DL_DatRqCpData	DatRqCpData(CpDataPdu_02(TCV_ti_v, CpData_04(TCV_Rpmr)), TCV_chSms)	RP-Ack
41	START T_dly(25000)		
42	?TIMEOUT T_dly		(F)
43	+ChanRel(TCV_ch)		
44	L?DL_DatInCpDataAck CANCEL T_dly	DatInCpDataAck(CpDataAckPdu_02(TCV_ti_v))	
45	+ChanRel_P(TCV_ch)		
46	(TCV_Null := OM_CphMd(TCV_ch, CphMod_02, TCV_CphKey))		
	ltree_sms3		
47	+ltree_PrepareEnvironmentPart2		
48	L!DL_DatRqCpData	DatRqCpData(CpDataPdu_01(TCV_ti_v_2, CpData_12(TCV_TPDA, TCV_RPOA_MT, TCV_Tpmr, TCV_Rpmr, C_Tzone3)), TCV_chSms)	RP-Data status report
49	START T_dly(25000)		
50	?TIMEOUT T_dly		(F)
51	+ChanRel(TCV_ch)		
52	L?DL_DatInCpDataAck CANCEL T_dly	DatInCpDataAck(CpDataAckPdu_01(TCV_ti_v_2))	
53	START T_dly(60000)		
54	?TIMEOUT T_dly		(F)
55	+ChanRel(TCV_ch)		
56	L?DL_DatInCpData CANCEL T_dly	DatInCpData(CpDataPdu_02(TCV_ti_v_2, CpData_02(TCV_Rpmr)))	RP-Ack
57	L!DL_DatRqCpDataAck	DatRqCpDataAck(CpDataAckPdu_02(TCV_ti_v_2), TCV_chSms)	
58	+ChanRel(TCV_ch)		

59	(TCV_Null := OM_CphMd(TCV_ch, CphMod_02, TCV_CphKey))		
60	Itree_sms4 L?DL_DatInCpData(TCV_Rpmr := DL_DatInCpData.msg.CPdata.rpdata.rpmr, TCV_Tpmr := DL_DatInCpData.msg.CPdata.rpdata.rpusrdat.tpcom mand.mr, TCV_ti_v:=DL_DatInCpData.msg.ti.v)	DatInCpData(CpDataPdu_03(CpData_03(RpData_11(TCV_Rpmr, TpCommand_01(TCV_Tpmr))))))	RP-Data, SMS COMMAND, enquiry
61	Itree_sms5 L?DL_DatInCpData(TCV_Rpmr := DL_DatInCpData.msg.CPdata.rpdata.rpmr, TCV_ti_v := DL_DatInCpData.msg.ti.v)	DatInCpData(CpDataPdu_03(CpData_03(RpData_11(TCV_Rpmr, TpCommand_02(TCV_Tpmr))))))	RP-Data, SMS COMMAND, deletion
62	Itree_set_sapi3_SDCCH_MO L?DL_EstIn	DLEstInd_02	
63	Itree_set_sapi3_SDCCH_MT L!DL_EstRq	DLEstRq_01(TCV_ch)	
64	L?DL_EstCo	DLEstCo_01(TCV_ch)	
Detailed Comments:			

Test Case Dynamic Behaviour					
Test Case Name:		TC_34_2_5_1			
Group:		GSM_L3_MS_v4170/SM/			
Purpose:		To verify that the MS will accept and display but not store a class 0 message, and that it will accept and display a class 0 message if its message store is full.			
Default:		OtherEventsFail			
Nr	Label	Behaviour Description	CRef	V	Comments
1		START T_guard(300)			
2		+ltree_preamble			
3	body	+ltree_part1			1
4		+ltree_part2			2
5		+ltree_part3			3
ltree_preamble					
6		(TCV_Null:=OO_EmptyMessageStorage())			
7		(TCV_slot := C_S0, TCV_tsc := C_BCC)			
8		+IdleUpdated(C_CellA, C_Immass, TCV_slot, TCV_tsc, TimingAdv_01, '000'B, '001'B, '011'B, '00'O)			
9		+IdleState_cellA(C_Immass,TCV_slot, TCV_tsc, TimingAdv_01, 0, '000'B, '001'B, '011'B, '00'O, C_noRestablishment)			
10		(TCV_RPOA_MT:='1111111111'O, TCV_TPOA1:='3333333333'O, TCV_Rpmr:='00'O)			
ltree_PrepareEnvironmentParts1_2_3					
11		+RRmtcallprepare(TimingAdv_01)			
12		+ltree_set_sapi3_SDCCH_MT			
13		(TCV_ti_v_2:='000'B, TCV_chSms:=TCV_ch)			
ltree_part1					
14		+ltree_sms1			
15		(TCV_Res:=OO_RecallAndDisplaySM(160,TCV_S Mcntns))			
16		[TCV_Res =TRUE]		(F)	Message store should be empty
17		[TCV_Res =FALSE]		(P)	
ltree_part2					
18		(TCV_MemCapExcd:=FALSE)			
19		REPEAT ltree_sms2 UNTIL [TCV_MemCapExcd]			
ltree_part3					
20		+ltree_sms1			
ltree_sms1					
21		+ltree_PrepareEnvironmentParts1_2_3			
22		L!DL_DatRqCpData (TCV_SMcntns := DL_DatRqCpData.msg.CPdata.rpdata.rpusrdat.tpde liver.ud)	DatRqCpData(CpDataPdu_01(TCV_ti_v_2, CpData_10(TCV_TPOA1, TCV_RPOA_MT, TCV_Rpmr, C_Tzone4)), TCV_chSms)		RP-Data Initiate class 0 MT-SM
23		START T_dly(25000)			
24		?TIMEOUT T_dly		(F)	
25		+ChanRel(TCV_chTch)			
26		L?DL_DatInCpDataAck CANCEL T_dly	DatInCpDataAck(CpDataAckPdu_01(TCV_ti_v_2))		
27		START T_dly(60000)			
28		?TIMEOUT T_dly		(F)	
29		+ChanRel(TCV_chTch)			
30		L?DL_DatInCpData CANCEL T_dly	DatInCpData(CpDataAckPdu_01(TCV_ti_v_2))		RP-Ack

31	L!DL_DatRqCpDataAck	CpDataPdu_02(TCV_ti_v_2,CpData_02(TCV_Rpmr))) DatRqCpDataAck(CpDataAckPdu_02(TCV_ti_v_2),TCV_chSms)	
32	+ChanRel(TCV_ch)		
33	(TCV_Res := OO_CheckMessageDisplayed(160, TCV_SMcntns))		
34	[TCV_Res =FALSE]		(F)
35	[TCV_Res =TRUE]		(P)
	ltree_sms2		
36	+ltree_PrepareEnvironmentParts1_2_3		
37	L!DL_DatRqCpData	DatRqCpData(CpDataPdu_01(TCV_ti_v_2,CpData_06(TCV_RPOA_MT,TCV_TPOA1,TCV_Rpmr,C_Tzone4)),TCV_chSms)	RP-Data Initiate class 1 MT-SM
38	START T_dly(25000)		
39	?TIMEOUT T_dly		(F)
40	+ChanRel(TCV_chTch)		
41	L?DL_DatInCpDataAck CANCEL T_dly	DatInCpDataAck(CpDataAckPdu_01(TCV_ti_v_2))	
42	START T_dly(60000)		
43	?TIMEOUT T_dly		(F)
44	+ChanRel(TCV_chTch)		
45	L?DL_DatInCpData CANCEL T_dly	DatInCpData(CpDataPdu_02(TCV_ti_v_2,CpData_02(TCV_Rpmr)))	RP-Ack
46	L!DL_DatRqCpDataAck	DatRqCpDataAck(CpDataAckPdu_02(TCV_ti_v_2),TCV_chSms)	
47	+ChanRel(TCV_ch)		
48	L?DL_DatInCpData CANCEL T_dly	DatInCpData(CpDataPdu_02(TCV_ti_v_2,CpData_08(TCV_Rpmr)))	RP-Error: Memory Capacity Exc.
49	L!DL_DatRqCpDataAck	DatRqCpDataAck(CpDataAckPdu_02(TCV_ti_v_2),TCV_chSms)	
50	(TCV_MemCapExcd:=TRUE)		
51	+ChanRel(TCV_ch)		No check if MCEF is set on the SIM, since not the test purpose.
	ltree_set_sapi3_SDCCH_MT		
52	L!DL_EstRq	DLEstRq_01(TCV_ch)	
53	L?DL_EstCo	DLEstCo_01(TCV_ch)	

Detailed Comments:

Test Case Dynamic Behaviour					
Test Case Name:		TC_34_2_5_2			
Group:		GSM_L3_MS_v4170/SM/			
Purpose:		To verify that the MS acts correctly on receiving a class 1 message, i.e. that it stores the message in the ME or SIM and sends an acknowledgement (at RP and CP-Layer).			
Default:		OtherEventsFail			
Nr	Label	Behaviour Description	CRef	V	Comments
1		START T_guard(300)			
2		+ltree_preamble			
3	body	+ltree_part1			1
		ltree_preamble			
4		(TCV_Null:=OO_EmptyMessageStorage())			
5		(TCV_Null:=OO_MSSetupStoreClass1SMInMEMemory())			
6		(TCV_slot := C_S0, TCV_tsc := C_BCC)			
7		+IdleUpdated(C_CellA, C_Immass, TCV_slot, TCV_tsc, TimingAdv_01, '000'B, '001'B, '011'B, '00'O)			
8		+IdleState_cellA(C_Immass,TCV_slot, TCV_tsc, TimingAdv_01, 0, '000'B, '001'B, '011'B, '00'O, C_noRestablishment)			
9		(TCV_RPOA_MT:='1111111111'O, TCV_TPOA1:= '3333333333'O, TCV_Rpmr:= '00'O)			
		ltree_part1			
10		+ltree_PrepareEnvironmentPart1			
11		+ltree_sms1			
		ltree_PrepareEnvironmentPart1			
12		+RRmtcallprepare(TimingAdv_01)			
13		+ltree_set_sapi3_SDCCH_MT			
14		(TCV_ti_v_2:='000'B, TCV_chSms:=TCV_ch)			
		ltree_sms1			
15		L!DL_DatRqCpData (TCV_SMcntns := DL_DatRqCpData.msg.CPdata.rpdata.rpusdat.tpdeliver.ud)	DatRqCpData(CpDataPdu_01(TCV_ti_v_2, CpData_06(TCV_RPOA_MT, TCV_TPOA1, TCV_Rpmr, C_Tzone5)), TCV_chSms)		RP-Data Initiate class 1 MT-SM
16		START T_dly(25000)			
17		?TIMEOUT T_dly		(F)	
18		+ChanRel(TCV_chTch)			
19		L?DL_DatInCpDataAck CANCEL T_dly	DatInCpDataAck(CpDataAckPdu_01(TCV_ti_v_2))	(P)	
20		START T_dly(60000)			
21		?TIMEOUT T_dly		(F)	
22		+ChanRel(TCV_chTch)			
23		L?DL_DatInCpData CANCEL T_dly	DatInCpData(CpDataPdu_02(TCV_ti_v_2, CpData_02(TCV_Rpmr)))	(P)	RP-Ack
24		L!DL_DatRqCpDataAck	DatRqCpDataAck(CpDataAckPdu_02(TCV_ti_v_2), TCV_chSms)		
25		+ChanRel(TCV_ch)			
26		(TCV_Res := OO_RecallAndDisplaySM(160, TCV_SMcntns))			
27		[TCV_Res =FALSE]		(F)	

28		[TCV_Res =TRUE]		(P)	
29		Itree_set_sapi3_SDCCH_MT L!DL_EstRq		DLEstRq_01(TCV_ch)	
30		L?DL_EstCo		DLEstCo_01(TCV_ch)	

Detailed Comments:

Test Case Dynamic Behaviour					
Test Case Name:		TC_34_2_5_3			
Group:		GSM_L3_MS_v4170/SM/			
Purpose:		To verify that the MS acts correctly on receiving a class 2 message, i.e. that it stores the message correctly in the SIM, and if this is not possible, returns a protocol error message, with the correct error cause, to the network. There are 2 cases. (1) If the MS supports storing of short messages in the SIM and in the ME, and storage in the ME is not full, and the short message cannot be stored in the SIM, the error cause shall be "protocol error, unspecified". (2) If the MS supports storing of short message in the SIM and not in the ME and short message cannot be stored in the SIM, the error cause shall be "memory capacity exceeded".			
Default:		OtherEventsFail			
Nr	Label	Behaviour Description	CRef	V	Comments
1		START T_guard(300)			
2		+ltree_preamble			
3	body	+ltree_part1		1	
ltree_preamble					
4		(TCV_Null:=OO_EmptyMessageStorage())			
5		(TCV_Null:=OO_MSSetupStoreClass1SMInMEMemory())			
6		(TCV_Null:=OO_ConnectSIMSimulator())			
7		+Varinit_fixcommon			
8		(TCV_cellid:=C_CellA, TCV_chdescr_arfcn:=C_arfcnA, TCV_ch:= OC_SubchOfSdcch4(TSPX_SDCCH4SubDef, TCV_cellid), TCV_sacch := OC_SubchOfSacch4(TSPX_SDCCH4SubDef, TCV_cellid), TCV_PgCh:= C_PCH_A_1, TCV_RPOA_MT := '1111111111'O, TCV_TPOA1:= '3333333333'O, TCV_Rpmr:= '00'O, TCV_slot := C_S0, TCV_tsc := C_BCC)			
9		+IdleUpdated(C_CellA, C_Immass, TCV_slot, TCV_tsc, TimingAdv_01, '000'B, '001'B, '011'B, '00'O)			
10		[TSPC_PGSM OR TSPC_EGSM]			
11		(TCV_chdescr_arfcn := 20)			
12		+PreEnterIdleState_Comb01(C_Immass, TCV_slot, TCV_tsc, 5,1, 0, TimingAdv_01, '000'B, '001'B, '011'B, '00'O)			
13		[TSPC_DCS]			
14		(TCV_chdescr_arfcn := 590)			
15		+PreEnterIdleState_Comb01(C_Immass, TCV_slot, TCV_tsc, 5,1, 0, TimingAdv_01, '000'B, '001'B, '011'B, '00'O)			
ltree_part1					
16		+ltree_PrepareEnvironmentPart1			
17		+ltree_sms1			
18		+ltree_sms2			
19		+ltree_PrepareEnvironmentPart1			
20		+ltree_sms1			
21		+ltree_sms3			
ltree_PrepareEnvironmentPart1					
22		+RRmtcallprepare(TimingAdv_01)			
23		+ltree_set_sapi3_SDCCH_MT			
24		(TCV_ti_v_2:= '000'B, TCV_chSms:=TCV_ch)			
ltree_sms1					
25		L!DL_DatRqCpData	DatRqCpData(CpDataPdu_01(TCV_ti_v_2, CpData_05(TCV_TPOA1, TCV_RPOA_MT, TCV_Rpmr, C_Tzone0)),		CP-DATA(RP-Data SMS DELIVER), n->ms class 2 MT-SM

26	START T_dly(25000)	TCV_chSms)		
27	?TIMEOUT T_dly		(F)	
28	+ChanRel(TCV_ch)			
29	L?DL_DatInCpDataAck CANCEL T_dly	DatInCpDataAck(CpDataAckPdu_01(TCV_ti_v_2))		CP-ACK ms->n
30	START T_dly(60000)			
31	Itree_sms2 (TCV_Res:=OO_SIMSimulAttIndOK())			ME attempt to store SM on SIM? Status OK (‘9000’)
32	[TCV_Res =FALSE]		(F)	
33	+ChanRel(TCV_ch)			
34	[TCV_Res =TRUE]		(F)	
35	?TIMEOUT T_dly			
36	+ChanRel(TCV_ch)			
37	L?DL_DatInCpData CANCEL T_dly	DatInCpData(CpDataPdu_02(TCV_ti_v_2, CpData_02(TCV_Rpmr)))		CP-DATA(RP-Ack) ms->n
38	LIDL_DatRqCpDataAck	DatRqCpDataAck(CpDataAckPdu_02(TCV_ti_v_2), TCV_chSms)		CP-ACK n->ms
39	+ChanRel(TCV_ch)			
40	Itree_sms3 (TCV_Res:=OO_SIMSimulAttIndMemProblem())			ME attempt to store SM on SIM? Status ‘memory problem’ (‘9240’)
41	[TCV_Res =FALSE]		(F)	
42	+ChanRel(TCV_ch)			
43	[TCV_Res =TRUE]		(F)	
44	?TIMEOUT T_dly			
45	+ChanRel(TCV_ch)			
46	[TSPC_StoreRcvSMSME]			
47	L?DL_DatInCpData CANCEL T_dly	DatInCpData(CpDataPdu_02(TCV_ti_v_2, CpData_07(TCV_Rpmr)))		CP-DATA(RP-Error: Protocol Error, unspecified)
48	LIDL_DatRqCpDataAck	DatRqCpDataAck(CpDataAckPdu_02(TCV_ti_v_2), TCV_chSms)		CP-ACK n->ms
49	+ChanRel_end(TCV_ch)			
50	[NOT TSPC_StoreRcvSMSME]			
51	L?DL_DatInCpData CANCEL T_dly	DatInCpData(CpDataPdu_02(TCV_ti_v_2, CpData_08(TCV_Rpmr)))		CP-DATA(RP-Error: Memory capacity exceeded)
52	LIDL_DatRqCpDataAck	DatRqCpDataAck(CpDataAckPdu_02(TCV_ti_v_2), TCV_chSms)		CP-ACK n->ms
53	+ChanRel_end(TCV_ch)			
54	Itree_set_sapi3_SDCCH_MT LIDL_EstRq	DLEstRq_01(TCV_ch)		
55	L?DL_EstCo	DLEstCo_01(TCV_ch)		

Detailed Comments:

Test Case Dynamic Behaviour					
Test Case Name:		TC_34_2_7			
Group:		GSM_L3_MS_v4170/SM/			
Purpose:		To verify the correct implementation of the replace mechanism for Replace Short Messages.			
Default:		OtherEventsFail			
Nr	Label	Behaviour Description	CRef	V	Comments
1		START T_guard(300)			
2		+ltree_preamble			
3	body	+ltree_part1			
		ltree_preamble			
4		(TCV_Null:=OO_EmptyMessageStorage())			
5		(TCV_slot := C_S0, TCV_tsc := C_BCC)			
6		+IdleUpdated(C_CellA, C_Immass, TCV_slot, TCV_tsc, TimingAdv_01, '000'B, '001'B, '011'B, '00'O)			
7		+IdleState_cellA(C_Immass, TCV_slot, TCV_tsc, TimingAdv_01, 0, '000'B, '001'B, '011'B, '00'O, C_noRestablishment)			
8		(TCV_TPOA1:='1111111111'O, TCV_TPOA2:='2222222222'O, TCV_RPOA1:='3333333333'O, TCV_RPOA2:='4444444444'O, TCV_Rpmr:='00'O)			
9		REPEAT ltree_RandomTypes UNTIL [NOT(TCV_SMTypeM = TCV_SMTypeN)]			
		ltree_RandomTypes			
10		(TCV_SMTypeM:=OC_Random(1, 7), TCV_SMTypeN:=OC_Random(1, 7))			
		ltree_part1			
11		+ltree_PrepareEnvironmentPart1			
12		L!DL_DatRqCpData	DatRqCpData(CpDataPdu_16(TCV_TPOA1, TCV_RPOA1, TCV_SMTypeN, "First short message. ", TCV_ti_v_2, TCV_Rpmr, C_Tzone1), TCV_chSms)		RP-Data
13		+ltree_sms1			
14		+ltree_PrepareEnvironmentPart1			
15		L!DL_DatRqCpData	DatRqCpData(CpDataPdu_16(TCV_TPOA2, TCV_RPOA1, TCV_SMTypeN, "Second short message. ", TCV_ti_v_2, TCV_Rpmr, C_Tzone1), TCV_chSms)		RP-Data
16		+ltree_sms1			
17		+ltree_PrepareEnvironmentPart1			
18		L!DL_DatRqCpData	DatRqCpData(CpDataPdu_16(TCV_TPOA2, TCV_RPOA2, TCV_SMTypeN, "Third short message. ", TCV_ti_v_2, TCV_Rpmr, C_Tzone1), TCV_chSms)		RP-Data
19		+ltree_sms1			
20		+ltree_PrepareEnvironmentPart1			

21	L!DL_DatRqCpData	DatRqCpData(CpDataPdu_16(TCV_TPOA2, TCV_RPOA2, TCV_SMTypeM, "Fourth short message. ", TCV_ti_v_2, TCV_Rpmr, C_Tzone1), TCV_chSms)	RP-Data
22	+ltree_sms1		
23	+ltree_PrepareEnvironmentPart1		
24	L!DL_DatRqCpData	DatRqCpData(CpDataPdu_16(TCV_TPOA2, TCV_RPOA2, TCV_SMTypeM, "Fifth short message." , TCV_ti_v_2, TCV_Rpmr, C_Tzone1), TCV_chSms)	RP-Data
25	+ltree_sms1		
26	(TCV_Res:=OO_Check AllSMPresentBut4th())		
27	[TCV_Res =FALSE]		(F)
28	[TCV_Res =TRUE]		P
	ltree_PrepareEnvironmentPart1		
29	+RRmtcallprepare(TimingAdv_01)		
30	+ltree_set_sapi3_SDCCH_MT		
31	(TCV_ti_v_2:='000'B, TCV_chSms:=TCV_ch)		
	ltree_sms1		
32	START T_dly(25000)		
33	?TIMEOUT T_dly		(F)
34	L?DL_DatInCpDataAck CANCEL T_dly	DatInCpDataAck(CpDataAckPdu_01(TCV_ti_v_2))	
35	START T_dly(60000)		
36	?TIMEOUT T_dly		(F)
37	L?DL_DatInCpData CANCEL T_dly	DatInCpData(CpDataPdu_02(TCV_ti_v_2, CpData_02(TCV_Rpmr)))	RP-Ack
38	L!DL_DatRqCpDataAck	DatRqCpDataAck(CpDataAckPdu_02(TCV_ti_v_2), TCV_chSms)	
39	+ChanRel(TCV_chTch)		
	ltree_set_sapi3_SDCCH_MT		
40	L!DL_EstRq	DLEstRq_01(TCV_ch)	
41	L?DL_EstCo	DLEstCo_01(TCV_ch)	

Detailed Comments:

Test Case Dynamic Behaviour					
Test Case Name:		TC_34_2_8			
Group:		GSM_L3_MS_v4170/SM/			
Purpose:		To verify that the MS is able to send a Reply Short Message back to the correct originating SME even if in the meantime it receives another Short Message.			
Default:		OtherEventsFail			
Nr	Label	Behaviour Description	CRef	V	Comments
1		START T_guard(300)			
2		+ltree_preamble			
3	body	+ltree_part1			
4		+ltree_part2			
ltree_preamble					
5		(TCV_Null := OO_EmptyMessageStorage())			
6		(TCV_slot := C_S0, TCV_tsc := C_BCC)			
7		+IdleUpdated(C_CellA, C_Immass, TCV_slot, TCV_tsc, TimingAdv_01, '000'B, '001'B, '011'B, '00'O)			
8		+IdleState_cellA(C_Immass, TCV_slot, TCV_tsc, TimingAdv_01, 0, '000'B, '001'B, '011'B, '00'O, C_noRestablishment)			
9		(TCV_RPOA1 := '1111111111'O, TCV_RPOA2 := '2222222222'O, TCV_RPDA_MT := '3333333333'O, TCV_TPOA1 := '4444444444'O, TCV_TPOA2 := '5555555555'O, TCV_RPOA_MO := TCV_RPDA_MT, TCV_RPDA_MO := TCV_RPOA1, TCV_TPDA := TCV_TPOA1, TCV_Rpmr := '00'O)			n->ms, 1st SM n->ms, 2nd SM n->ms, both n->ms, 1st SM n->ms, 2nd SM ms->n, both ms->n, 1st reply ms->n, 1st reply
ltree_PrepareEnvironmentPart1					
10		+RRmtcallprepare(TimingAdv_01)			
11		+ltree_set_sapi3_SDCCH_MT			
12		(TCV_ti_v_2 := '000'B, TCV_chSms := TCV_ch)			
ltree_part1					
13		+ltree_PrepareEnvironmentPart1			
14		L!DL_DatRqCpData (TCV_Rpmr:= '00'O, TCV_SMcntns := DL_DatRqCpData.msg.CPdata.rpdata.rpusrdat.tpdeliver.ud)	DatRqCpData(CpDataPdu_17(TCV_TPOA1, TCV_RPOA1, "The first short message.", TCV_ti_v_2, TCV_Rpmr, C_Tzone6), TCV_chSms)		RP-Data
15		+ltree_sms1			
16		[TSPC_StoreRcvSMSME OR TSPC_StoreRcvSMSSIM]			SM can be stored
17		+ltree_PrepareEnvironmentPart1			
18		L!DL_DatRqCpData (TCV_CB2 := DL_DatRqCpData.msg.CPdata.rpdata.rpusrdat.tpdeliver.ud)	DatRqCpData(CpDataPdu_17(TCV_TPOA2, TCV_RPOA2, "The second short message.", TCV_ti_v_2, TCV_Rpmr, C_Tzone6), TCV_chSms)		RP-Data
19		+ltree_sms1			
20		[NOT(TSPC_StoreRcvSMSME) AND NOT(TSPC_StoreRcvSMSSIM)]			SM cannot be stored
ltree_PrepareEnvironmentPart2					
21		(TCV_chSms:=TCV_ch)			
22		L?DL_RaInChRq (TCV_Rr := DL_RaInChRq.msg.ecau_rrf, TCV_Fn := DL_RaInChRq.fn)	ChReq_17		

23	ACTIVATE(OtherEventsFail_02)			To match ChReq retrans.
24	LIDL_UdatRqImmss	ImmAss_01Def(TCV_agch, TCV_Rr, TCV_Fn, TCV_slot, TCV_tsc, TCV_chdescr_arfcn, TimingAdv_01)		
25	L?DL_EstInCmsRq	CmserReq_09		
26	ACTIVATE(OtherEventsFail)			Restore normal default tree
27	+Authentication(TCV_ch, TCV_cks)			
28	+Cipherring_on(TCV_ch)			
29	+ltree_set_sapi3_SDCCH_MO			
	ltree_part2			
30	+ltree_PrepareEnvironmentPart2			
31	(TCV_CB3:=OO_DisplaySMAndSendReplySM(1,160, TCV_SMcntns))			TCV_CB3 holds the 1st reply data
32	L?DL_DatInCpData(TCV_Rpmr := DL_DatInCpData.msg.CPdata.rpdata.rpmr, TCV_ti_v := DL_DatInCpData.msg.ti.v)	DatInCpData(CpDataPdu_18(TCV_TPDA,TCV_RPDA_MT, TCV_CB3))		RP-Data, TP-submit
33	+ltree_sms2			Reply SM
34	+ChanRel(TCV_ch)			
35	(TCV_Null := OM_CphMd(TCV_ch, CphMod_02, TCV_CphKey))			
36	+ltree_PrepareEnvironmentPart2			
37	[TSPC_StoreRcvSMSME OR TSPC_StoreRcvSMSSIM]			SM can be stored
38	(TCV_RPDA_MO := TCV_RPOA2, TCV_TPDA := TCV_TPOA2)			
39	(TCV_CB4:=OO_DisplaySMAndSendReplySM(2,160,TCV_CB2))			
40	L?DL_DatInCpData(TCV_Rpmr := DL_DatInCpData.msg.CPdata.rpdata.rpmr, TCV_ti_v := DL_DatInCpData.msg.ti.v)	DatInCpData(CpDataPdu_18(TCV_TPDA,TCV_RPDA_MT, TCV_CB4))		RP-Data, TP-submit
41	+ltree_sms2			Reply SM
42	+ChanRel_end(TCV_ch)			
43	[NOT(TSPC_StoreRcvSMSME) AND NOT(TSPC_StoreRcvSMSSIM)]			SM cannot be stored
	ltree_sms1			
44	START T_dly(25000)			
45	?TIMEOUT T_dly			(F)
46	+ChanRel(TCV_chTch)			
47	L?DL_DatInCpDataAck CANCEL T_dly	DatInCpDataAck(CpDataAckPdu_01(TCV_ti_v_2))		(P)
48	START T_dly(60000)			
49	?TIMEOUT T_dly			(F)
50	+ChanRel(TCV_chTch)			
51	L?DL_DatInCpData CANCEL T_dly	DatInCpData(CpDataPdu_02(TCV_ti_v_2, CpData_02(TCV_Rpmr)))		(P) RP-Ack
52	LIDL_DatRqCpDataAck	DatRqCpDataAck(CpDataAckPdu_02(TCV_ti_v_2), TCV_chSms)		
53	+ChanRel(TCV_chTch)			
54	(TCV_Null := OM_CphMd(TCV_ch, CphMod_02, TCV_CphKey))			
	ltree_sms2			
55	LIDL_DatRqCpDataAck	DatRqCpDataAck(CpDataAckPdu_01(TCV_ti_v),		

56	L!DL_DatRqCpData	TCV_chSms) DatRqCpData(CpDataPdu_02(TCV_ti_v, CpData_04(TCV_Rpmr)), TCV_chSms)		RP-Ack
57	START T_dly(25000)			
58	?TIMEOUT T_dly		(F)	
59	+ChanRel(TCV_chTch)			
60	L?DL_DatInCpDataAck CANCEL T_dly	DatInCpDataAck(CpDataAckPdu_02(TCV_ti_v))	(P)	
	Itree_set_sapi3_SDCCH_MT			
61	L!DL_EstRq	DLEstRq_01(TCV_ch)		
62	L?DL_EstCo	DLEstCo_01(TCV_ch)		
	Itree_set_sapi3_SDCCH_MO			
63	L?DL_EstIn	DLEstIn_02		
Detailed Comments:				

Test Case Dynamic Behaviour					
Test Case Name:		TC_34_3			
Group:		GSM_L3_MS_v4170/SM/			
Purpose:		This test verifies that an MS is able to receive SMS-CB messages. This test verifies that a MS is able to respond to a paging requested during the transmission of a cell broadcast short message.			
Default:		OtherEventsFail			
Nr	Label	Behaviour Description	CRef	V	Comments
1		START T_guard(300)			
2		+ltree_preamble			
3		+ltree_body			
ltree_body					
4		+SendSMSCBMessage(SerialNumber_01)			Send cell broadcast message
5		(TCV_Res:=OO_CheckCBSMReceived(93,TCV_SMSCBpack))			
6		[TCV_Res =FALSE]		(F)	
7		[TCV_Res =TRUE]		(P)	
8		+SendSMSCBMessage(SerialNumber_02)			Send cell broadcast message
9		(TCV_Res:=OO_CheckCBSMReceived(93,TCV_SMSCBpack))			
10		[TCV_Res =FALSE]		(F)	
11		[TCV_Res =TRUE]		(P)	
12		+SendSMSCBMessage(SerialNumber_03)			Send cell broadcast message
13		(TCV_Res:=OO_CheckCBSMReceived(93,TCV_SMSCBpack))			
14		[TCV_Res =FALSE]		(F)	
15		[TCV_Res =TRUE]		(P)	
16		+ltree_body2			
ltree_body2					
17		+SendSMSCBMessage(SerialNumber_01)			Send cell broadcast message
18		(TCV_Res:=OO_CheckCBSMReceived(93,TCV_SMSCBpack))			
19		[TCV_Res =FALSE]		(F)	
20		[TCV_Res =TRUE]		(P)	
21		(TCV_Null:=OM_SendSMSCBWhilePaging(TCV_CBch))			Send cell broadcast message while paging
22		+SendSMSCBMessage(SerialNumber_02)			Send cell broadcast message
23		+localtree			Paging. If no answer: FAIL
24		(TCV_Res:=OO_CheckCBSMReceived(93,TCV_SMSCBpack))			
25		[TCV_Res =FALSE]		(F)	
26		[TCV_Res =TRUE]		(P)	
27		+SendSMSCBMessage(SerialNumber_03)			Send cell broadcast message
28		(TCV_Res:=OO_CheckCBSMReceived(93,TCV_SMSCBpack))			
29		[TCV_Res =FALSE]		(F)	
30		[TCV_Res =TRUE]		P	
ltree_preamble					
31		(TCV_CBch := C_CBCH_A, TCV_Ccd0A := CntrlChDscrp(0, '000'B, '001'B, '011'B, '00'O), TCV_slot := C_S0, TCV_tsc := C_BCC)			
32		+IdleUpdated(C_CellA, C_Immass, TCV_slot, TCV_tsc, TimingAdv_01, '000'B, '001'B, '011'B, '00'O)			
33		+StartCellA_CBMS(C_Immass,TCV_slot, TCV_tsc, TimingAdv_01, 0, '000'B, '001'B, '000'B, '00'O)			

34	localtree +CCCH_group_Paging_group(TCV_Ccd0A, TSPX_IMSI)			
35	LIDL_UdatRqPg1Rq	PgReq1(TCV_PgCh, TCV_Pgg, PgReqTp1_01)		
36	START T_dly(5000)			
37	?TIMEOUT T_dly		(F)	
38	L?DL_RacInChRq(TCV_Rr:=DL_RacInChRq.m sg.ecau_rrf, TCV_Fn:=DL_RacInChRq.fn) CANCEL T_dly	ChReq_01		
39	LIDL_UdatRqImmss	ImmAss_01Def(TCV_agch, TCV_Rr, TCV_Fn, TCV_slot, TCV_tsc, TCV_chdescr_arfcn, TimingAdv_01)		
40	L?DL_EstInPgRes	PgRes_01		
41	+ChanRel(TCV_ch)			
	SendSMSCBMessage(serial_number: SERIAL_NUMBER)			
42	LIDL_UdatRqSMSCBData (TCV_CB1 := DL_UdatRqSMSCBData.msg.message_contents)	SMSCBReq_01(TCV _CBch, serial_number)		First block
43	LIDL_UdatRqSMSCBData (TCV_CB2 := DL_UdatRqSMSCBData.msg.message_contents)	SMSCBReq_02(TCV _CBch, serial_number, '0001'B, '0'B, 17, 38)		Second block, message octets 17 to 38
44	LIDL_UdatRqSMSCBData (TCV_CB3 := DL_UdatRqSMSCBData.msg.message_contents)	SMSCBReq_02(TCV _CBch, serial_number, '0010'B, '0'B, 39, 60)		Third block, message octets 39 to 60
45	LIDL_UdatRqSMSCBData (TCV_CB4 := DL_UdatRqSMSCBData.msg.message_content s)	SMSCBReq_02(TCV _CBch, serial_number, '0011'B, '1'B, 61, 82)		Fourth and last block, message octets 61 to 82
46	(TCV_SMSCBpack := SMSCBdata(TCV_CB1, TCV_CB2, TCV_CB3, TCV_CB4))			4 blocks data
Detailed Comments:				

Test Step Library

Test Step Group management

Test Step Dynamic Behaviour					
Test Step Name:		ChangeRfLev_2Cells(cellid1 :CellID; bspwr1:INTEGER; cellid2 :CellID; bspwr2:INTEGER)			
Group:		GSM_L3_MS_v4170/management/			
Objective:		To change the RF level of the two cells to the corresponding levels.			
Default:		OtherEvents			
Nr	Label	Behaviour Description	CRef	V	Comments
1		(TCV_Null := OM_ChangeRFOf2Cells(cellid1, bspwr1, cellid2, bspwr2))			
Detailed Comments:					

Test Step Dynamic Behaviour					
Test Step Name: ChConfig(bspwr, mspwr:INTEGER; acttype:BITSTRING; chmod:CHMOD; ta:TA; slot:SN; tsc:TSC; rf:FRQPARA; hcmbn:LOGCH; td, fn:INTEGER; babr, cch_con, bpm:B_3; pgfil:PG1_RQ_PDU; dtxu, dtxd:BITSTRING; cell:CellID; lgch1, lgch2, lgch3, lgch4, lgch5, lgch6, lgch7, lgch8, lgch9:LOGICCH)					
Group: GSM_L3_MS_v4170/management/					
Objective: To configure a basic physical channel with various parameters and map logic channels onto the physical channel.					
Default: OtherEvents					
Nr	Label	Behaviour Description	CRef	V	Comments
1		(TCV_Null := OM_ChConf(bspwr, mspwr, acttype, chmod, ta, slot, tsc, rf, hcmbn, td, fn, babr, cch_con, bpm, pgfil, dtxu, dtxd, cell, lgch1, lgch2, lgch3, lgch4, lgch5, lgch6, lgch7, lgch8, lgch9))			
Detailed Comments:					

Test Step Dynamic Behaviour					
Test Step Name: IncrRfLev_Cellavail(cellid :CellID)					
Group: GSM_L3_MS_v4170/management/					
Objective: To increase the RF level of given cell so that the cell is suitable as defined in GSM 05.08 section 6.6.2					
Default: OtherEvents					
Nr	Label	Behaviour Description	CRef	V	Comments
1		(TCV_Null :=OM_IncrRFOfCell(cellid))			
Detailed Comments:					

Test Step Dynamic Behaviour					
Test Step Name: LowRfLev_Cellavailable(cellid :CellID)					
Group: GSM_L3_MS_v4170/management/					
Objective: To lower the RF level of cell cellid so that the MS, which is listening to cell cellid, will select another cell. The old cell is suitable during the cell selection.					
Default: OtherEvents					
Nr	Label	Behaviour Description	CRef	V	Comments
1		(TCV_Null := OM_LowerRFOfCell(cellid))			
Detailed Comments:					

Test Step Dynamic Behaviour					
Test Step Name: LowRfLev_Cellnotavail(cellid :CellID)					
Group: GSM_L3_MS_v4170/management/					
Objective: To lower the RF level of cell cellid so that the MS, which is listening to cell cellid, will select another cell. The old cell is not more suitable during the cell selection.					
Default: OtherEvents					
Nr	Label	Behaviour Description	CRef	V	Comments
1		(TCV_Null := OM_LowerRFOfCell(cellid))			
Detailed Comments:					

Test Step Dynamic Behaviour					
Test Step Name:		StopAllBCCH			
Group:		GSM_L3_MS_v4170/management/			
Objective:		To stop the RF transmission of all BCCH channels in all active cells.			
Default:		OtherEventsFail			
Nr	Label	Behaviour Description	CRef	V	Comments
1		[TSPC_PGSM OR TSPC_EGSM]			
2		(TCV_Null := OM_StopAllBCCH(C_BCCH_A_1, C_BCCH_B_1, C_BCCH_C_1, C_BCCH_D_1, C_BCCH_E_1, C_BCCH_F_1, C_BCCH_G_1, C_BCCH_H_1))			
3		[TSPC_DCS]			
4		(TCV_Null := OM_StopAllBCCH(C_BCCH_A_1, C_BCCH_B_1, C_BCCH_C_1, C_BCCH_D_1, C_BCCH_E_1, C_BCCH_F_1, C_BCCH_G_1, "dummy"))			
Detailed Comments:					

Test Step Dynamic Behaviour					
Test Step Name:		Stopmaindcch(ch_main:LOGICCH; ch_sacch:LOGICCH)			
Group:		GSM_L3_MS_v4170/management/			
Objective:		To stop the transmission of main dcch channel and wait till no more uplink SACCH frame.			
Default:		OtherEventsFail_01			
Comments:		'ch_main` identifying a main dcch channel and 'ch_sacch' a sacch channel.			
Nr	Label	Behaviour Description	CRef	V	Comments
1		(TCV_Null := OM_Deactivate(ch_main, ch_sacch))			
2		(TCV_Null := OM_StartMsrReport(ch_sacch))			1.
		START T_dly1(C_T_mrsp)			
3		(TCV_Res := FALSE)			
4		REPEAT ltree_rcvmsr UNTIL [TCV_Res]			
5		(TCV_Null := OM_StopMsrReport(ch_sacch))			
		ltree_rcvmsr			
6		L?DL_UdatInMsrRpt	MsrRept_02		2.
7		START T_dly1(C_T_mrsp)			
8		?TIMEOUT T_dly1		(P)	
9		(TCV_Res := TRUE)			
Detailed Comments:					
1. Wait until there is no more SACCH frames in the uplink direction.					
2. If any measurement report message with any contents has been received, restart the timer again. The loop is watched by the T_guard in the default test step OtherEventsFail_01.					
This test step is called by TC_26_7_4_3_2, TC_26_7_4_3_3, TC_26_7_4_3_4.					

Test Step Group ChConfig

Test Step Dynamic Behaviour					
Test Step Name: CCConfigTCH(acttype:BITSTRING; slot:SN; tsc:TSC; ta:TA; babr, cch_con, bpm:B_3)					
Group: GSM_L3_MS_v4170/management/ChConfig/					
Objective: Configure Tester for TCH/H or TCH/F depending on TCV_ChRate.					
Default: OtherEvents					
Nr	Label	Behaviour Description	CRef	V	Comments
1		[TCV_ChRate = C_Full]			1.
2		+FullRateCh_A_1(acttype, slot, tsc, ChMod_speech, FreqTCHa_rg, FreqTCHa_rd, ta, babr, cch_con, bpm)			
3		(TCV_chtype := '00001'B)			
4		[TCV_ChRate = C_Half]			2.
5		+HalfRateCh_A_1(TSPX_TCHHSubDef, acttype, slot, tsc, ChMod_speech, FreqTCHa_rg, FreqTCHa_rd, ta, babr, cch_con, bpm)			
6		[TSPX_TCHHSubDef = '0'B]			
7		(TCV_chtype := '00010'B)			
8		[TSPX_TCHHSubDef = '1'B]			
9		(TCV_chtype := '00011'B)			
Detailed Comments: 1. Full rate channel needed, to setup a physical channel as full rate traffic channel. 2. Half rate channel needed, to setup the physical channel as half rate traffic channel.					

Test Step Dynamic Behaviour					
Test Step Name: Config_CBMS_A_1(par_bspwr, par_mspwr:INTEGER; chmod:CHMOD; acttype:BITSTRING; slot:SN; tsc:TSC; rf:FRQPARA; chcmbn:LOGCH; ta:TA; babr, cch_con, bpm:B_3)					
Group: GSM_L3_MS_v4170/management/ChConfig/					
Objective: To set a physical channel and map FCCH, SCH, BCCH, CCCH, SDCCH4 and CBCH onto the physical channel which represents cell A.					
Default: OtherEvents					
Nr	Label	Behaviour Description	CRef	V	Comments
1		+ChConfig(par_bspwr, par_mspwr, acttype, chmod, ta, slot, tsc, rf, chcmbn, 0, 0, babr, cch_con, bpm, PgReqTp1Norm, '0'B, '0'B, C_CellA, C_FCCH_A, C_SCH_A, C_BCCH_A_1, C_PCH_A_1, C_AGCH_A_1, C_RACH_A_1, C_SDCCH4_A, C_SACCHC4_A, C_CBCH_A)			
2		+Assoc(C_SDCCH4_A, C_SDCCH40_A, C_SDCCH41_A, C_SDCCH42_A, C_SDCCH43_A, "dummy", "dummy", "dummy", "dummy", C_SACCHC4_A, C_SACCHC40_A, C_SACCHC41_A, C_SACCHC42_A, C_SACCHC43_A, "dummy", "dummy", "dummy", "dummy")			
Detailed Comments:					

Test Step Dynamic Behaviour					
Test Step Name: Config_FACCHF_A_1(par_bspwr, par_mspwr:INTEGER; chmod:CHMOD; acttype:BITSTRING; slot:SN; tsc:TSC; rf:FRQPARA; chcmbn:LOGCH; ta:TA; babr, cch_con, bpm:B_3)					
Group: GSM_L3_MS_v4170/management/ChConfig/					
Objective: To set one physical channel used as TCHF_ACCH's of cell A.					
Default: OtherEvents					
Nr	Label	Behaviour Description	CRef	V	Comments
1		+ChConfig(par_bspwr, par_mspwr, acttype, chmod, ta, slot, tsc, rf, chcmbn, 0, 0, babr, cch_con, bpm, PgReqTp1Norm, '0'B, '0'B, C_CellA, "dummy", "dummy", "dummy", "dummy", "dummy", C_FACCHF_A_1, C_SACCHF_A_1, "dummy")			
Detailed Comments:					

Test Step Dynamic Behaviour					
Test Step Name:		Config_FACCHF_A_2(par_bspwr, par_mspwr:INTEGER; chmod:CHMOD; actype:BITSTRING; slot:SN; tsc:TSC; rf:FRQPARA; chcmbn:LOGCH; ta:TA; babr, cch_con, bpm:B_3)			
Group:		GSM_L3_MS_v4170/management/ChConfig/			
Objective:		To set one physical channel used as TCHF_ACCH's for instance 2 of cell A.			
Default:		OtherEvents			
Nr	Label	Behaviour Description	CRef	V	Comments
1		+ChConfig(par_bspwr, par_mspwr, actype, chmod, ta, slot, tsc, rf, chcmbn, 0, 0, babr, cch_con, bpm, PgReqTp1Norm, '0'B, '0'B, C_CellA, "dummy", "dummy", "dummy", "dummy", "dummy", "dummy", C_FACCHF_A_2, C_SACCHF_A_2, "dummy")			
Detailed Comments:					

Test Step Dynamic Behaviour					
Test Step Name:		Config_FACCHF_B_1(par_bspwr, par_mspwr:INTEGER; chmod:CHMOD; actype:BITSTRING; slot:SN; tsc:TSC; rf:FRQPARA; chcmbn:LOGCH; ta:TA; babr, cch_con, bpm:B_3)			
Group:		GSM_L3_MS_v4170/management/ChConfig/			
Objective:		To set one physical channel used as TCHF_ACCH's of cell B.			
Default:		OtherEvents			
Nr	Label	Behaviour Description	CRef	V	Comments
1		+ChConfig(par_bspwr, par_mspwr, actype, chmod, ta, slot, tsc, rf, chcmbn, 0, 0, babr, cch_con, bpm, PgReqTp1Norm, '0'B, '0'B, C_CellB, "dummy", "dummy", "dummy", "dummy", "dummy", "dummy", C_FACCHF_B_1, C_SACCHF_B_1, "dummy")			
Detailed Comments:					

Test Step Dynamic Behaviour					
Test Step Name:		Config_FACCHF_B_2(par_bspwr, par_mspwr:INTEGER; chmod:CHMOD; actype:BITSTRING; slot:SN; tsc:TSC; rf:FRQPARA; chcmbn:LOGCH; ta:TA; babr, cch_con, bpm:B_3)			
Group:		GSM_L3_MS_v4170/management/ChConfig/			
Objective:		To set one physical channel used as second instance of TCHF_ACCH's of cell B.			
Default:		OtherEvents			
Nr	Label	Behaviour Description	CRef	V	Comments
1		+ChConfig(par_bspwr, par_mspwr, actype, chmod, ta, slot, tsc, rf, chcmbn, 0, 0, babr, cch_con, bpm, PgReqTp1Norm, '0'B, '0'B, C_CellB, "dummy", "dummy", "dummy", "dummy", "dummy", "dummy", C_FACCHF_B_2, C_SACCHF_B_2, "dummy")			
Detailed Comments:					

Test Step Dynamic Behaviour					
Test Step Name:		Config_FACCHF_H_1(par_bspwr, par_mspwr:INTEGER; chmod:CHMOD; actype:BITSTRING; slot:SN; tsc:TSC; rf:FRQPARA; chcmbn:LOGCH; ta:TA; babr, cch_con, bpm:B_3)			
Group:		GSM_L3_MS_v4170/management/ChConfig/			
Objective:		To set one physical channel used as TCHF_ACCH's of cell H.			
Default:		OtherEvents			
Nr	Label	Behaviour Description	CRef	V	Comments
1		+ChConfig(par_bspwr, par_mspwr, actype, chmod, ta, slot, tsc, rf, chcmbn, 0, 0, babr, cch_con, bpm, PgReqTp1Norm, '0'B, '0'B, C_CellH, "dummy", "dummy", "dummy", "dummy", "dummy", "dummy", C_FACCHF_H_1, C_SACCHF_H_1, "dummy")			
Detailed Comments:					

Test Step Dynamic Behaviour					
Test Step Name:		Config_FACCHH_A_1(par_bspwr, par_mspwr:INTEGER; chmod:CHMOD; acttype:BITSTRING; slot:SN; tsc:TSC; rf:FRQPARA; chcmbn:LOGCH; ta:TA; babr, cch_con, bpm:B_3)			
Group:		GSM_L3_MS_v4170/management/ChConfig/			
Objective:		To set one physical channel used as TCHH_ACCH's of cell A.			
Default:		OtherEvents			
Nr	Label	Behaviour Description	CRef	V	Comments
1		+ChConfig(par_bspwr, par_mspwr, acttype, chmod, ta, slot, tsc, rf, chcmbn, 0, 0, babr, cch_con, bpm, PgReqTp1Norm, '0'B, '0'B, C_CellA, "dummy", "dummy", "dummy", "dummy", "dummy", "dummy", C_FACCHH_A_1, C_SACCHH_A_1, "dummy")			
2		+Assoc(C_FACCHH_A_1, C_FACCHH0_A_1, C_FACCHH1_A_1, "dummy", "dummy", "dummy", "dummy", "dummy", "dummy", C_SACCHH_A_1, C_SACCHH0_A_1, C_SACCHH1_A_1, "dummy", "dummy", "dummy", "dummy", "dummy", "dummy", "dummy")			
Detailed Comments:					

Test Step Dynamic Behaviour					
Test Step Name:		Config_FACCHH_A_2(par_bspwr, par_mspwr:INTEGER; chmod:CHMOD; acttype:BITSTRING; slot:SN; tsc:TSC; rf:FRQPARA; chcmbn:LOGCH; ta:TA; babr, cch_con, bpm:B_3)			
Group:		GSM_L3_MS_v4170/management/ChConfig/			
Objective:		To set one physical channel used as TCHH_ACCH's of cell A.			
Default:		OtherEvents			
Nr	Label	Behaviour Description	CRef	V	Comments
1		+ChConfig(par_bspwr, par_mspwr, acttype, chmod, ta, slot, tsc, rf, chcmbn, 0, 0, babr, cch_con, bpm, PgReqTp1Norm, '0'B, '0'B, C_CellA, "dummy", "dummy", "dummy", "dummy", "dummy", "dummy", C_FACCHH_A_2, C_SACCHH_A_2, "dummy")			
2		+Assoc(C_FACCHH_A_2, C_FACCHH0_A_2, C_FACCHH1_A_2, "dummy", "dummy", "dummy", "dummy", "dummy", "dummy", C_SACCHH_A_2, C_SACCHH0_A_2, C_SACCHH1_A_2, "dummy", "dummy", "dummy", "dummy", "dummy", "dummy", "dummy")			
Detailed Comments:					

Test Step Dynamic Behaviour					
Test Step Name:		Config_FACCHH_B_1(par_bspwr, par_mspwr:INTEGER; chmod:CHMOD; acttype:BITSTRING; slot:SN; tsc:TSC; rf:FRQPARA; chcmbn:LOGCH; ta:TA; babr, cch_con, bpm:B_3)			
Group:		GSM_L3_MS_v4170/management/ChConfig/			
Objective:		To set one physical channel used as TCHH_ACCH's of cell B.			
Default:		OtherEvents			
Nr	Label	Behaviour Description	CRef	V	Comments
1		+ChConfig(par_bspwr, par_mspwr, acttype, chmod, ta, slot, tsc, rf, chcmbn, 0, 0, babr, cch_con, bpm, PgReqTp1Norm, '0'B, '0'B, C_CellB, "dummy", "dummy", "dummy", "dummy", "dummy", "dummy", C_FACCHH_B_1, C_SACCHH_B_1, "dummy")			
2		+Assoc(C_FACCHH_B_1, C_FACCHH0_B_1, C_FACCHH1_B_1, "dummy", "dummy", "dummy", "dummy", "dummy", "dummy", C_SACCHH_B_1, C_SACCHH0_B_1, C_SACCHH1_B_1, "dummy", "dummy", "dummy", "dummy", "dummy", "dummy", "dummy")			
Detailed Comments:					

Test Step Dynamic Behaviour					
Test Step Name:		Config_FACCHH_B_2(par_bspwr, par_mspwr:INTEGER; chmod:CHMOD; acttype:BITSTRING; slot:SN; tsc:TSC; rf:FRQPARA; chcmbn:LOGCH; ta:TA; babr, cch_con, bpm:B_3)			
Group:		GSM_L3_MS_v4170/management/ChConfig/			
Objective:		To set one physical channel used as TCHH_ACCH's of cell B.			
Default:		OtherEvents			
Nr	Label	Behaviour Description	CRef	V	Comments
1		+ChConfig(par_bspwr, par_mspwr, acttype, chmod, ta, slot, tsc, rf, chcmbn, 0, 0, babr, cch_con, bpm, PgReqTp1Norm, '0'B, '0'B, C_CellB, "dummy", "dummy", "dummy", "dummy", "dummy", "dummy", "dummy", "dummy")			
2		+Assoc(C_FACCHH_B_2, C_FACCHH0_B_2, C_FACCHH1_B_2, "dummy", "dummy", "dummy", "dummy", "dummy", "dummy", "dummy", "dummy", C_SACCHH_B_2, C_SACCHH0_B_2, C_SACCHH1_B_2, "dummy", "dummy", "dummy", "dummy", "dummy", "dummy", "dummy")			
Detailed Comments:					

Test Step Dynamic Behaviour					
Test Step Name:		Config_BCCH_CCCH_A_1(par_bspwr, par_mspwr:INTEGER; chmod:CHMOD; acttype:BITSTRING; slot:SN; tsc:TSC; rf:FRQPARA; chcmbn:LOGCH; ta:TA; babr, cch_con, bpm:B_3)			
Group:		GSM_L3_MS_v4170/management/ChConfig/			
Objective:		To set a physical channel and map FCCH, SCH, BCCH and CCCH onto the physical channel which represents cell A.			
Default:		OtherEvents			
Nr	Label	Behaviour Description	CRef	V	Comments
1		+ChConfig(par_bspwr, par_mspwr, acttype, chmod, ta, slot, tsc, rf, chcmbn, 0, 0, babr, cch_con, bpm, PgReqTp1Norm, '0'B, '0'B, C_CellA, C_FCCH_A, C_SCH_A, C_BCCH_A_1, C_PCH_A_1, C_AGCH_A_1, C_RACH_A_1, "dummy", "dummy", "dummy")			
Detailed Comments:					

Test Step Dynamic Behaviour					
Test Step Name:		Config_BCCH_CCCH_A_2(par_bspwr, par_mspwr:INTEGER; chmod:CHMOD; acttype:BITSTRING; slot:SN; tsc:TSC; rf:FRQPARA; chcmbn:LOGCH; ta:TA; babr, cch_con, bpm:B_3)			
Group:		GSM_L3_MS_v4170/management/ChConfig/			
Objective:		To set a physical channel and map the second BCCH, CCCH onto the physical channel which represents cell A.			
Default:		OtherEvents			
Nr	Label	Behaviour Description	CRef	V	Comments
1		+ChConfig(par_bspwr, par_mspwr, acttype, chmod, ta, slot, tsc, rf, chcmbn, 0, 0, babr, cch_con, bpm, PgReqTp1Norm, '0'B, '0'B, C_CellA, "dummy", "dummy", C_BCCH_A_2, C_PCH_A_2, C_AGCH_A_2, C_RACH_A_2, "dummy", "dummy", "dummy")			
Detailed Comments:					

Test Step Dynamic Behaviour					
Test Step Name:		Config_BCCH_CCCH_A_3(par_bspwr, par_mspwr:INTEGER; chmod:CHMOD; acttype:BITSTRING; slot:SN; tsc:TSC; rf:FRQPARA; chcmbn:LOGCH; ta:TA; babr, cch_con, bpm:B_3)			
Group:		GSM_L3_MS_v4170/management/ChConfig/			
Objective:		To set a physical channel and map the third BCCH, CCCH onto the physical channel which represents cell A.			
Default:		OtherEvents			
Nr	Label	Behaviour Description	CRef	V	Comments
1		+ChConfig(par_bspwr, par_mspwr, acttype, chmod, ta, slot, tsc, rf, chcmbn, 0, 0, babr, cch_con, bpm, PgReqTp1Norm, '0'B, '0'B, C_CellA, "dummy", "dummy", C_BCCH_A_3, C_PCH_A_3, C_AGCH_A_3, C_RACH_A_3, "dummy", "dummy", "dummy")			
Detailed Comments:					

Test Step Dynamic Behaviour					
Test Step Name:		Config_BCCH_CCCH_A_4(par_bspwr, par_mspwr:INTEGER; chmod:CHMOD; acttype:BITSTRING; slot:SN; tsc:TSC; rf:FRQPARA; chcmbn:LOGCH; ta:TA; babr, cch_con, bpm:B_3)			
Group:		GSM_L3_MS_v4170/management/ChConfig/			
Objective:		To set a physical channel and map the fourth BCCH, CCCH onto the physical channel which represents cell A.			
Default:		OtherEvents			
Nr	Label	Behaviour Description	CRef	V	Comments
1		+ChConfig(par_bspwr, par_mspwr, acttype, chmod, ta, slot, tsc, rf, chcmbn, 0, 0, babr, cch_con, bpm, PgReqTp1Norm, '0'B, '0'B, C_CellA, "dummy", "dummy", C_BCCH_A_4, C_PCH_A_4, C_AGCH_A_4, C_RACH_A_4, "dummy", "dummy", "dummy")			
Detailed Comments:					

Test Step Dynamic Behaviour					
Test Step Name:		Config_BCCH_CCCH_B_1(par_bspwr, par_mspwr:INTEGER; chmod:CHMOD; acttype:BITSTRING; slot:SN; tsc:TSC; rf:FRQPARA; chcmbn:LOGCH; ta:TA; babr, cch_con, bpm:B_3)			
Group:		GSM_L3_MS_v4170/management/ChConfig/			
Objective:		To set a physical channel and map FCCH, SCH, BCCH and CCCH onto the physical channel which represents cell B.			
Default:		OtherEvents			
Nr	Label	Behaviour Description	CRef	V	Comments
1		+ChConfig(par_bspwr, par_mspwr, acttype, chmod, ta, slot, tsc, rf, chcmbn, 0, 0, babr, cch_con, bpm, PgReqTp1Norm, '0'B, '0'B, C_CellB, C_FCCH_B, C_SCH_B, C_BCCH_B_1, C_PCH_B_1, C_AGCH_B_1, C_RACH_B_1, "dummy", "dummy", "dummy")			
Detailed Comments:					

Test Step Dynamic Behaviour					
Test Step Name:		Config_SDCCH4_A_1(par_bspwr, par_mspwr:INTEGER; chmod:CHMOD; acttype:BITSTRING; slot:SN; tsc:TSC; rf:FRQPARA; chcmbn:LOGCH; ta:TA; babr, cch_con, bpm:B_3)			
Group:		GSM_L3_MS_v4170/management/ChConfig/			
Objective:		To set a physical channel and map FCCH, SCH, BCCH, CCCH and SDCCH4 onto the physical channel which represents cell A.			
Default:		OtherEvents			
Nr	Label	Behaviour Description	CRef	V	Comments
1		+ChConfig(par_bspwr, par_mspwr, acttype, chmod, ta, slot, tsc, rf, chcmbn, 0, 0, babr, cch_con, bpm, PgReqTp1Norm, '0'B, '0'B, C_CellA, C_FCCH_A, C_SCH_A, C_BCCH_A_1, C_PCH_A_1, C_AGCH_A_1, C_RACH_A_1, C_SDCCH4_A, C_SACCHC4_A, "dummy")			
2		+Assoc(C_SDCCH4_A, C_SDCCH40_A, C_SDCCH41_A, C_SDCCH42_A, C_SDCCH43_A, "dummy", "dummy", "dummy", "dummy", C_SACCHC4_A, C_SACCHC40_A, C_SACCHC41_A, C_SACCHC42_A, C_SACCHC43_A, "dummy", "dummy", "dummy", "dummy")			
Detailed Comments:					

Test Step Dynamic Behaviour					
Test Step Name:		Config_SDCCH4_B_1(par_bspwr, par_mspwr:INTEGER; chmod:CHMOD; acttype:BITSTRING; slot:SN; tsc:TSC; rf:FRQPARA; chcmbn:LOGCH; ta:TA; babr, cch_con, bpm:B_3)			
Group:		GSM_L3_MS_v4170/management/ChConfig/			
Objective:		To set a physical channel and map FCCH, SCH, BCCH, CCCH and SDCCH4 onto the physical channel which represents cell B.			
Default:		OtherEvents			
Nr	Label	Behaviour Description	CRef	V	Comments
1		+ChConfig(par_bspwr, par_mspwr, acttype, chmod, ta, slot, tsc, rf, chcmbn, 0, 0, babr, cch_con, bpm, PgReqTp1Norm, '0'B, '0'B, C_CellB, C_FCCH_B, C_SCH_B, C_BCCH_B_1, C_PCH_B_1, C_AGCH_B_1, C_RACH_B_1, C_SDCCH4_B, C_SACCHC4_B, "dummy")			
2		+Assoc(C_SDCCH4_B, C_SDCCH40_B, C_SDCCH41_B, C_SDCCH42_B, C_SDCCH43_B, "dummy", "dummy", "dummy", "dummy", C_SACCHC4_B, C_SACCHC40_B, C_SACCHC41_B, C_SACCHC42_B, C_SACCHC43_B, "dummy", "dummy", "dummy", "dummy")			
Detailed Comments:					

Test Step Dynamic Behaviour					
Test Step Name:		Config_SDCCH4_C_1(par_bspwr, par_mspwr:INTEGER; chmod:CHMOD; acttype:BITSTRING; slot:SN; tsc:TSC; rf:FRQPARA; chcmbn:LOGCH; ta:TA; babr, cch_con, bpm:B_3)			
Group:		GSM_L3_MS_v4170/management/ChConfig/			
Objective:		To set a physical channel and map FCCH, SCH, BCCH, CCCH and SDCCH4 onto the physical channel which represents cell C.			
Default:		OtherEvents			
Nr	Label	Behaviour Description	CRef	V	Comments
1		+ChConfig(par_bspwr, par_mspwr, acttype, chmod, ta, slot, tsc, rf, chcmbn, 0, 0, babr, cch_con, bpm, PgReqTp1Norm, '0'B, '0'B, C_CellC, C_FCCH_C, C_SCH_C, C_BCCH_C_1, C_PCH_C_1, C_AGCH_C_1, C_RACH_C_1, C_SDCCH4_C, C_SACCHC4_C, "dummy")			
2		+Assoc(C_SDCCH4_C, C_SDCCH40_C, C_SDCCH41_C, C_SDCCH42_C, C_SDCCH43_C, "dummy", "dummy", "dummy", "dummy", C_SACCHC4_C, C_SACCHC40_C, C_SACCHC41_C, C_SACCHC42_C, C_SACCHC43_C, "dummy", "dummy", "dummy", "dummy")			
Detailed Comments:					

Test Step Dynamic Behaviour					
Test Step Name:		Config_SDCCH4_D_1(par_bspwr, par_mspwr:INTEGER; chmod:CHMOD; acttype:BITSTRING; slot:SN; tsc:TSC; rf:FRQPARA; chcmbn:LOGCH; ta:TA; babr, cch_con, bpm:B_3)			
Group:		GSM_L3_MS_v4170/management/ChConfig/			
Objective:		To set a physical channel and map FCCH, SCH, BCCH, CCCH and SDCCH4 onto the physical channel which represents cell D			
Default:		OtherEvents			
Nr	Label	Behaviour Description	CRef	V	Comments
1		+ChConfig(par_bspwr, par_mspwr, acttype, chmod, ta, slot, tsc, rf, chcmbn, 0, 0, babr, cch_con, bpm, PgReqTp1Norm, '0'B, '0'B, C_CellD, C_FCCH_D, C_SCH_D, C_BCCH_D_1, C_PCH_D_1, C_AGCH_D_1, C_RACH_D_1, C_SDCCH4_D, C_SACCHC4_D, "dummy")			
2		+Assoc(C_SDCCH4_D, C_SDCCH40_D, C_SDCCH41_D, C_SDCCH42_D, C_SDCCH43_D, "dummy", "dummy", "dummy", "dummy", C_SACCHC4_D, C_SACCHC40_D, C_SACCHC41_D, C_SACCHC42_D, C_SACCHC43_D, "dummy", "dummy", "dummy", "dummy")			
Detailed Comments:					

Test Step Dynamic Behaviour					
Test Step Name:		Config_SDCCH4_E_1(par_bspwr, par_mspwr:INTEGER; chmod:CHMOD; acttype:BITSTRING; slot:SN; tsc:TSC; rf:FRQPARA; chcmbn:LOGCH; ta:TA; babr, cch_con, bpm:B_3)			
Group:		GSM_L3_MS_v4170/management/ChConfig/			
Objective:		To set a physical channel and map FCCH, SCH, BCCH, CCCH and SDCCH4 onto the physical channel which represents cell E			
Default:		OtherEvents			
Nr	Label	Behaviour Description	CRef	V	Comments
1		+ChConfig(par_bspwr, par_mspwr, acttype, chmod, ta, slot, tsc, rf, chcmbn, 0, 0, babr, cch_con, bpm, PgReqTp1Norm, '0'B, '0'B, C_CellE, C_FCCH_E, C_SCH_E, C_BCCH_E_1, C_PCH_E_1, C_AGCH_E_1, C_RACH_E_1, C_SDCCH4_E, C_SACCHC4_E, "dummy")			
2		+Assoc(C_SDCCH4_E, C_SDCCH40_E, C_SDCCH41_E, C_SDCCH42_E, C_SDCCH43_E, "dummy", "dummy", "dummy", "dummy", C_SACCHC4_E, C_SACCHC40_E, C_SACCHC41_E, C_SACCHC42_E, C_SACCHC43_E, "dummy", "dummy", "dummy", "dummy")			
Detailed Comments:					

Test Step Dynamic Behaviour					
Test Step Name:		Config_SDCCH4_F_1(par_bspwr, par_mspwr:INTEGER; chmod:CHMOD; acttype:BITSTRING; slot:SN; tsc:TSC; rf:FRQPARA; chcmbn:LOGCH; ta:TA; babr, cch_con, bpm:B_3)			
Group:		GSM_L3_MS_v4170/management/ChConfig/			
Objective:		To set a physical channel and map FCCH, SCH, BCCH, CCCH and SDCCH4 onto the physical channel which represents cell F			
Default:		OtherEvents			
Nr	Label	Behaviour Description	CRef	V	Comments
1		+ChConfig(par_bspwr, par_mspwr, acttype, chmod, ta, slot, tsc, rf, chcmbn, 0, 0, babr, cch_con, bpm, PgReqTp1Norm, '0'B, '0'B, C_CellF, C_FCCH_F, C_SCH_F, C_BCCH_F_1, C_PCH_F_1, C_AGCH_F_1, C_RACH_F_1, C_SDCCH4_F, C_SACCHC4_F, "dummy")			
2		+Assoc(C_SDCCH4_F, C_SDCCH40_F, C_SDCCH41_F, C_SDCCH42_F, C_SDCCH43_F, "dummy", "dummy", "dummy", "dummy", C_SACCHC4_F, C_SACCHC40_F, C_SACCHC41_F, C_SACCHC42_F, C_SACCHC43_F, "dummy", "dummy", "dummy", "dummy")			
Detailed Comments:					

Test Step Dynamic Behaviour					
Test Step Name:		Config_SDCCH4_G_1(par_bspwr, par_mspwr:INTEGER; chmod:CHMOD; acttype:BITSTRING; slot:SN; tsc:TSC; rf:FRQPARA; chcmbn:LOGCH; ta:TA; babr, cch_con, bpm:B_3)			
Group:		GSM_L3_MS_v4170/management/ChConfig/			
Objective:		To set a physical channel and map FCCH, SCH, BCCH, CCCH and SDCCH4 onto the physical channel which represents cell G			
Default:		OtherEvents			
Nr	Label	Behaviour Description	CRef	V	Comments
1		+ChConfig(par_bspwr, par_mspwr, acttype, chmod, ta, slot, tsc, rf, chcmbn, 0, 0, babr, cch_con, bpm, PgReqTp1Norm, '0'B, '0'B, C_CellG, C_FCCH_G, C_SCH_G, C_BCCH_G_1, C_PCH_G_1, C_AGCH_G_1, C_RACH_G_1, C_SDCCH4_G, C_SACCHC4_G, "dummy")			
2		+Assoc(C_SDCCH4_G, C_SDCCH40_G, C_SDCCH41_G, C_SDCCH42_G, C_SDCCH43_G, "dummy", "dummy", "dummy", "dummy", C_SACCHC4_G, C_SACCHC40_G, C_SACCHC41_G, C_SACCHC42_G, C_SACCHC43_G, "dummy", "dummy", "dummy", "dummy")			
Detailed Comments:					

Test Step Dynamic Behaviour					
Test Step Name:		Config_SDCCH4_H_1(par_bspwr, par_mspwr:INTEGER; chmod:CHMOD; acttype:BITSTRING; slot:SN; tsc:TSC; rf:FRQPARA; chcmbn:LOGCH; ta:TA; babr, cch_con, bpm:B_3)			
Group:		GSM_L3_MS_v4170/management/ChConfig/			
Objective:		To set a physical channel and map FCCH, SCH, BCCH, CCCH and SDCCH4 onto the physical channel which represents cell H			
Default:		OtherEvents			
Nr	Label	Behaviour Description	CRef	V	Comments
1		+ChConfig(par_bspwr, par_mspwr, acttype, chmod, ta, slot, tsc, rf, chcmbn, 0, 0, babr, cch_con, bpm, PgReqTp1Norm, '0'B, '0'B, C_CellH, C_FCCH_H, C_SCH_H, C_BCCH_H_1, C_PCH_H_1, C_AGCH_H_1, C_RACH_H_1, C_SDCCH4_H, C_SACCHC4_H, "dummy")			
2		+Assoc(C_SDCCH4_H, C_SDCCH40_H, C_SDCCH41_H, C_SDCCH42_H, C_SDCCH43_H, "dummy", "dummy", "dummy", "dummy", C_SACCHC4_H, C_SACCHC40_H, C_SACCHC41_H, C_SACCHC42_H, C_SACCHC43_H, "dummy", "dummy", "dummy", "dummy", "dummy")			
Detailed Comments:					

Test Step Dynamic Behaviour					
Test Step Name:		Config_SDCCH8_A_1(par_bspwr, par_mspwr:INTEGER; chmod:CHMOD; acttype:BITSTRING; slot:SN; tsc:TSC; rf:FRQPARA; chcmbn:LOGCH; ta:TA; babr, cch_con, bpm:B_3)			
Group:		GSM_L3_MS_v4170/management/ChConfig/			
Objective:		To set one physical channel used as SDCCH8 channel for instance 1 of cell A.			
Default:		OtherEvents			
Nr	Label	Behaviour Description	CRef	V	Comments
1		+ChConfig(par_bspwr, par_mspwr, acttype, chmod, ta, slot, tsc, rf, chcmbn, 0, 0, babr, cch_con, bpm, PgReqTp1Norm, '0'B, '0'B, C_CellA, "dummy", "dummy", "dummy", "dummy", "dummy", "dummy", C_SDCCH8_A_1, C_SACCHC8_A_1, "dummy")			
2		+Assoc(C_SDCCH8_A_1, C_SDCCH80_A_1, C_SDCCH81_A_1, C_SDCCH82_A_1, C_SDCCH83_A_1, C_SDCCH84_A_1, C_SDCCH85_A_1, C_SDCCH86_A_1, C_SDCCH87_A_1, C_SACCHC8_A_1, C_SACCHC80_A_1, C_SACCHC81_A_1, C_SACCHC82_A_1, C_SACCHC83_A_1, C_SACCHC84_A_1, C_SACCHC85_A_1, C_SACCHC86_A_1, C_SACCHC87_A_1)			
Detailed Comments:					

Test Step Dynamic Behaviour					
Test Step Name:		Config_SDCCH8_A_2(par_bspwr, par_mspwr:INTEGER; chmod:CHMOD; acttype:BITSTRING; slot:SN; tsc:TSC; rf:FRQPARA; chcmbn:LOGCH; ta:TA; babr, cch_con, bpm:B_3)			
Group:		GSM_L3_MS_v4170/management/ChConfig/			
Objective:		To set one physical channel used as SDCCH8 channel for instance 2 of cell A.			
Default:		OtherEvents			
Nr	Label	Behaviour Description	CRef	V	Comments
1		+ChConfig(par_bspwr, par_mspwr, acttype, chmod, ta, slot, tsc, rf, chcmbn, 0, 0, babr, cch_con, bpm, PgReqTp1Norm, '0'B, '0'B, C_CellA, "dummy", "dummy", "dummy", "dummy", "dummy", "dummy", C_SDCCH8_A_2, C_SACCHC8_A_2, "dummy")			
2		+Assoc(C_SDCCH8_A_2, C_SDCCH80_A_2, C_SDCCH81_A_2, C_SDCCH82_A_2, C_SDCCH83_A_2, C_SDCCH84_A_2, C_SDCCH85_A_2, C_SDCCH86_A_2, C_SDCCH87_A_2, C_SACCHC8_A_2, C_SACCHC80_A_2, C_SACCHC81_A_2, C_SACCHC82_A_2, C_SACCHC83_A_2, C_SACCHC84_A_2, C_SACCHC85_A_2, C_SACCHC86_A_2, C_SACCHC87_A_2)			
Detailed Comments:					

Test Step Dynamic Behaviour					
Test Step Name:		Config_SDCCH8_A_3(par_bspwr, par_mspwr:INTEGER; chmod:CHMOD; acttype:BITSTRING; slot:SN; tsc:TSC; rf:FRQPARA; chcmbn:LOGCH; ta:TA; babr, cch_con, bpm:B_3)			
Group:		GSM_L3_MS_v4170/management/ChConfig/			
Objective:		To set one physical channel used as SDCCH8 channel for instance 3 of cell A.			
Default:		OtherEvents			
Nr	Label	Behaviour Description	CRef	V	Comments
1		+ChConfig(par_bspwr, par_mspwr, acttype, chmod, ta, slot, tsc, rf, chcmbn, 0, 0, babr, cch_con, bpm, PgReqTp1Norm, '0'B, '0'B, C_CellA, "dummy", "dummy", "dummy", "dummy", "dummy", "dummy", C_SDCCH8_A_3, C_SACCHC8_A_3, "dummy")			
2		+Assoc(C_SDCCH8_A_3, C_SDCCH80_A_3, C_SDCCH81_A_3, C_SDCCH82_A_3, C_SDCCH83_A_3, C_SDCCH84_A_3, C_SDCCH85_A_3, C_SDCCH86_A_3, C_SDCCH87_A_3, C_SACCHC8_A_3, C_SACCHC80_A_3, C_SACCHC81_A_3, C_SACCHC82_A_3, C_SACCHC83_A_3, C_SACCHC84_A_3, C_SACCHC85_A_3, C_SACCHC86_A_3, C_SACCHC87_A_3)			
Detailed Comments:					

Test Step Dynamic Behaviour					
Test Step Name:		Config_SDCCH8_B_1(par_bspwr, par_mspwr:INTEGER; chmod:CHMOD; acttype:BITSTRING; slot:SN; tsc:TSC; rf:FRQPARA; chcmbn:LOGCH; ta:TA; babr, cch_con, bpm:B_3)			
Group:		GSM_L3_MS_v4170/management/ChConfig/			
Objective:		To set one physical channel used as SDCCH8 channel for instance 1 of cell B.			
Default:		OtherEvents			
Nr	Label	Behaviour Description	CRef	V	Comments
1		+ChConfig(par_bspwr, par_mspwr, acttype, chmod, ta, slot, tsc, rf, chcmbn, 0, 0, babr, cch_con, bpm, PgReqTp1Norm, '0'B, '0'B, C_CellA, "dummy", "dummy", "dummy", "dummy", "dummy", "dummy", C_SDCCH8_B_1, C_SACCHC8_B_1, "dummy")			
2		+Assoc(C_SDCCH8_B_1, C_SDCCH80_B_1, C_SDCCH81_B_1, C_SDCCH82_B_1, C_SDCCH83_B_1, C_SDCCH84_B_1, C_SDCCH85_B_1, C_SDCCH86_B_1, C_SDCCH87_B_1, C_SACCHC8_B_1, C_SACCHC80_B_1, C_SACCHC81_B_1, C_SACCHC82_B_1, C_SACCHC83_B_1, C_SACCHC84_B_1, C_SACCHC85_B_1, C_SACCHC86_B_1, C_SACCHC87_B_1)			
Detailed Comments:					

Test Step Dynamic Behaviour					
Test Step Name:		Config_SDCCH8_B_2(par_bspwr, par_mspwr:INTEGER; chmod:CHMOD; actype:BITSTRING; slot:SN; tsc:TSC; rf:FRQPARA; chcmbn:LOGCH; ta:TA; babr, cch_con, bpm:B_3)			
Group:		GSM_L3_MS_v4170/management/ChConfig/			
Objective:		To set one physical channel used as SDCCH8 channel for instance 2 of cell B.			
Default:		OtherEvents			
Nr	Label	Behaviour Description	CRef	V	Comments
1		+ChConfig(par_bspwr, par_mspwr, actype, chmod, ta, slot, tsc, rf, chcmbn, 0, 0, babr, cch_con, bpm, PgReqTp1Norm, '0'B, '0'B, C_CellA, "dummy", "dummy", "dummy", "dummy", "dummy", "dummy", "dummy", "dummy", "dummy", C_SDCCH8_B_2, C_SACCH8_B_2, "dummy")			
2		+Assoc(C_SDCCH8_B_2, C_SDCCH80_B_2, C_SDCCH81_B_2, C_SDCCH82_B_2, C_SDCCH83_B_2, C_SDCCH84_B_2, C_SDCCH85_B_2, C_SDCCH86_B_2, C_SDCCH87_B_2, C_SACCH8_B_2, C_SACCH80_B_2, C_SACCH81_B_2, C_SACCH82_B_2, C_SACCH83_B_2, C_SACCH84_B_2, C_SACCH85_B_2, C_SACCH86_B_2, C_SACCH87_B_2)			
Detailed Comments:					

Test Step Dynamic Behaviour					
Test Step Name:		CombinedBCCH_A_CBMS(actype:BITSTRING; slot:SN; tsc:TSC; ta:TA; babr, cch_con, bpm:B_3)			
Group:		GSM_L3_MS_v4170/management/ChConfig/			
Objective:		To set a physical channel and map FCCH, SCH, BCCH, CCCH and SDCCH4 onto the physical channel which represents cell A.			
Default:		OtherEvents			
Comments:		time slot = 0, ARFCN = 20 (GSM900) or ARFCN = 590 (DCS1800) cell A for RR testing.			
Nr	Label	Behaviour Description	CRef	V	Comments
1		[TSPC_PGSM OR TSPC_EGSM]			1.
2		+Config_CBMS_A_1(63, 19, ChMod_sign, actype, slot, tsc, FreqBCCHa_rg, C_CBCH_FCCH_SCH_BCCH_CCCH_SDCCH4_S ACCH4, ta, babr, cch_con, bpm)			
3		[TSPC_DCS]			2.
4		+Config_CBMS_A_1(63, 15, ChMod_sign, actype, slot, tsc, FreqBCCHa_rd, C_CBCH_FCCH_SCH_BCCH_CCCH_SDCCH4_S ACCH4, ta, babr, cch_con, bpm)			
Detailed Comments:					
1. For P-GSM900.					
2. For DCS1800.					

Test Step Dynamic Behaviour					
Test Step Name:		CombinedBCCH_A(par_bspwr:INTEGER; frq1, frq2:FRQPARA; acttype:BITSTRING; slot:SN; tsc:TSC; ta:TA; babr, cch_con, bpm:B_3)			
Group:		GSM_L3_MS_v4170/management/ChConfig/			
Objective:		To set a physical channel and map FCCH, SCH, BCCH, CCCH and SDCCH4 onto the physical channel which represents cell A.			
Default:		OtherEvents			
Nr	Label	Behaviour Description	CRef	V	Comments
1		[TSPC_PGSM OR TSPC_EGSM]			1.
2		+Config_SDCCH4_A_1(par_bspwr, 19, ChMod_sign, acttype, slot, tsc, frq1, C_FCCH_SCH_BCCH_CCCH_SDCCH4_SACCHC 4, ta, babr, cch_con, bpm)			
3		[TSPC_DCS]			2.
4		+Config_SDCCH4_A_1(par_bspwr, 15, ChMod_sign, acttype, slot, tsc, frq2, C_FCCH_SCH_BCCH_CCCH_SDCCH4_SACCHC 4, ta, babr, cch_con, bpm)			
Detailed Comments:		1. For P-GSM900. 2. For DCS1800.			

Test Step Dynamic Behaviour					
Test Step Name:		CombinedBCCH_B(par_bspwr:INTEGER; frq1, frq2:FRQPARA; acttype:BITSTRING; slot:SN; tsc:TSC; ta:TA; babr, cch_con, bpm:B_3)			
Group:		GSM_L3_MS_v4170/management/ChConfig/			
Objective:		To set a physical channel and map FCCH, SCH, BCCH, CCCH and SDCCH4 onto the physical channel which represents cell B.			
Default:		OtherEvents			
Nr	Label	Behaviour Description	CRef	V	Comments
1		[TSPC_PGSM OR TSPC_EGSM]			1.
2		+Config_SDCCH4_B_1(par_bspwr, 19, ChMod_sign, acttype, slot, tsc, frq1, C_FCCH_SCH_BCCH_CCCH_SDCCH4_SACCHC 4, ta, babr, cch_con, bpm)			
3		[TSPC_DCS]			2.
4		+Config_SDCCH4_B_1(par_bspwr, 15, ChMod_sign, acttype, slot, tsc, frq2, C_FCCH_SCH_BCCH_CCCH_SDCCH4_SACCHC 4, ta, babr, cch_con, bpm)			
Detailed Comments:		1. For P-GSM900. 2. For DCS1800.			

Test Step Dynamic Behaviour					
Test Step Name:		CombinedBCCH_C(par_bspwr:INTEGER; frq1, frq2:FRQPARA; acttype:BITSTRING; slot:SN; tsc:TSC; ta:TA; babr, cch_con, bpm:B_3)			
Group:		GSM_L3_MS_v4170/management/ChConfig/			
Objective:		To set a physical channel and map FCCH, SCH, BCCH, CCCH and SDCCH4 onto the physical channel which represents cell C.			
Default:		OtherEvents			
Nr	Label	Behaviour Description	CRef	V	Comments
1		[TSPC_PGSM OR TSPC_EGSM]			1.
2		+Config_SDCCH4_C_1(par_bspwr, 19, ChMod_sign, acttype, slot, tsc, frq1, C_FCCH_SCH_BCCH_CCCH_SDCCH4_SACCHC 4, ta, babr, cch_con, bpm)			
3		[TSPC_DCS]			2.
4		+Config_SDCCH4_C_1(par_bspwr, 15, ChMod_sign, acttype, slot, tsc, frq2, C_FCCH_SCH_BCCH_CCCH_SDCCH4_SACCHC 4, ta, babr, cch_con, bpm)			
Detailed Comments:		1. For P-GSM900. 2. For DCS1800.			

Test Step Dynamic Behaviour					
Test Step Name:		CombinedBCCH_D(par_bspwr:INTEGER; frq1, frq2:FRQPARA; acttype:BITSTRING; slot:SN; tsc:TSC; ta:TA; babr, cch_con, bpm:B_3)			
Group:		GSM_L3_MS_v4170/management/ChConfig/			
Objective:		To set a physical channel and map FCCH, SCH, BCCH, CCCH and SDCCH4 onto the physical channel which represents cell D.			
Default:		OtherEvents			
Nr	Label	Behaviour Description	CRef	V	Comments
1		[TSPC_PGSM OR TSPC_EGSM]			1.
2		+Config_SDCCH4_D_1(par_bspwr, 19, ChMod_sign, acttype, slot, tsc, frq1, C_FCCH_SCH_BCCH_CCCH_SDCCH4_SACCHC 4, ta, babr, cch_con, bpm)			
3		[TSPC_DCS]			2.
4		+Config_SDCCH4_D_1(par_bspwr, 15, ChMod_sign, acttype, slot, tsc, frq2, C_FCCH_SCH_BCCH_CCCH_SDCCH4_SACCHC 4, ta, babr, cch_con, bpm)			
Detailed Comments:		1. For P-GSM900. 2. For DCS1800.			

Test Step Dynamic Behaviour					
Test Step Name:		CombinedBCCH_E(par_bspwr:INTEGER; frq1, frq2:FRQPARA; acttype:BITSTRING; slot:SN; tsc:TSC; ta:TA; babr, cch_con, bpm:B_3)			
Group:		GSM_L3_MS_v4170/management/ChConfig/			
Objective:		To set a physical channel and map FCCH, SCH, BCCH, CCCH and SDCCH4 onto the physical channel which represents cell E.			
Default:		OtherEvents			
Nr	Label	Behaviour Description	CRef	V	Comments
1		[TSPC_PGSM OR TSPC_EGSM]			1.
2		+Config_SDCCH4_E_1(par_bspwr, 19, ChMod_sign, acttype, slot, tsc, frq1, C_FCCH_SCH_BCCH_CCCH_SDCCH4_SACCHC 4, ta, babr, cch_con, bpm)			
3		[TSPC_DCS]			2.
4		+Config_SDCCH4_E_1(par_bspwr, 15, ChMod_sign, acttype, slot, tsc, frq2, C_FCCH_SCH_BCCH_CCCH_SDCCH4_SACCHC 4, ta, babr, cch_con, bpm)			
Detailed Comments:		1. For P-GSM900. 2. For DCS1800.			

Test Step Dynamic Behaviour					
Test Step Name:		CombinedBCCH_F(par_bspwr:INTEGER; frq1, frq2:FRQPARA; acttype:BITSTRING; slot:SN; tsc:TSC; ta:TA; babr, cch_con, bpm:B_3)			
Group:		GSM_L3_MS_v4170/management/ChConfig/			
Objective:		To set a physical channel and map FCCH, SCH, BCCH, CCCH and SDCCH4 onto the physical channel which represents cell F.			
Default:		OtherEvents			
Nr	Label	Behaviour Description	CRef	V	Comments
1		[TSPC_PGSM OR TSPC_EGSM]			1.
2		+Config_SDCCH4_F_1(par_bspwr, 19, ChMod_sign, acttype, slot, tsc, frq1, C_FCCH_SCH_BCCH_CCCH_SDCCH4_SACCHC 4, ta, babr, cch_con, bpm)			
3		[TSPC_DCS]			2.
4		+Config_SDCCH4_F_1(par_bspwr, 15, ChMod_sign, acttype, slot, tsc, frq2, C_FCCH_SCH_BCCH_CCCH_SDCCH4_SACCHC 4, ta, babr, cch_con, bpm)			
Detailed Comments:		1. For P-GSM900. 2. For DCS1800.			

Test Step Dynamic Behaviour					
Test Step Name:		CombinedBCCH_G(par_bspwr:INTEGER; frq1, frq2:FRQPARA; acttype:BITSTRING; slot:SN; tsc:TSC; ta:TA; babr, cch_con, bpm:B_3)			
Group:		GSM_L3_MS_v4170/management/ChConfig/			
Objective:		To set a physical channel and map FCCH, SCH, BCCH, CCCH and SDCCH4 onto the physical channel which represents cell G.			
Default:		OtherEvents			
Nr	Label	Behaviour Description	CRef	V	Comments
1		[TSPC_PGSM OR TSPC_EGSM]			1.
2		+Config_SDCCH4_G_1(par_bspwr, 19, ChMod_sign, acttype, slot, tsc, frq1, C_FCCH_SCH_BCCH_CCCH_SDCCH4_SACCHC 4, ta, babr, cch_con, bpm)			
3		[TSPC_DCS]			2.
4		+Config_SDCCH4_G_1(par_bspwr, 15, ChMod_sign, acttype, slot, tsc, frq2, C_FCCH_SCH_BCCH_CCCH_SDCCH4_SACCHC 4, ta, babr, cch_con, bpm)			
Detailed Comments:		1. For P-GSM900. 2. For DCS1800.			

Test Step Dynamic Behaviour					
Test Step Name:		CombinedBCCH_G_sp(par_bspwr:INTEGER; frq1, frq2, frq3:FRQPARA; acttype:BITSTRING; slot:SN; tsc:TSC; ta:TA; babr, cch_con, bpm:B_3)			
Group:		GSM_L3_MS_v4170/management/ChConfig/			
Objective:		To set a physical channel and map FCCH, SCH, BCCH, CCCH and SDCCH4 onto the physical channel which represents cell G.			
Default:		OtherEvents			
Nr	Label	Behaviour Description	CRef	V	Comments
1		[TSPC_PGSM]			1.
2		+Config_SDCCH4_G_1(par_bspwr, 19, ChMod_sign, acttype, slot, tsc, frq1, C_FCCH_SCH_BCCH_CCCH_SDCCH4_SACCHC 4, ta, babr, cch_con, bpm)			
3		[TSPC_EGSM]			1.
4		+Config_SDCCH4_G_1(par_bspwr, 19, ChMod_sign, acttype, slot, tsc, frq2, C_FCCH_SCH_BCCH_CCCH_SDCCH4_SACCHC 4, ta, babr, cch_con, bpm)			
5		[TSPC_DCS]			2.
6		+Config_SDCCH4_G_1(par_bspwr, 15, ChMod_sign, acttype, slot, tsc, frq3, C_FCCH_SCH_BCCH_CCCH_SDCCH4_SACCHC 4, ta, babr, cch_con, bpm)			
Detailed Comments:		1. For P-GSM900. 2. For DCS1800.			

Test Step Dynamic Behaviour					
Test Step Name:		CombinedBCCH_H(par_bspwr:INTEGER; frq1, frq2:FRQPARA; acttype:BITSTRING; slot:SN; tsc:TSC; ta:TA; babr, cch_con, bpm:B_3)			
Group:		GSM_L3_MS_v4170/management/ChConfig/			
Objective:		To set a physical channel and map FCCH, SCH, BCCH, CCCH and SDCCH4 onto the physical channel which represents cell H.			
Default:		OtherEvents			
Nr	Label	Behaviour Description	CRef	V	Comments
1		[TSPC_PGSM OR TSPC_EGSM]			1.
2		+Config_SDCCH4_H_1(par_bspwr, 19, ChMod_sign, acttype, slot, tsc, frq1, C_FCCH_SCH_BCCH_CCCH_SDCCH4_SACCHC4, ta, babr, cch_con, bpm)			
3		[TSPC_DCS]			2.
4		+Config_SDCCH4_H_1(par_bspwr, 15, ChMod_sign, acttype, slot, tsc, frq2, C_FCCH_SCH_BCCH_CCCH_SDCCH4_SACCHC4, ta, babr, cch_con, bpm)			
Detailed Comments:		1. For P-GSM900. 2. For DCS1800.			

Test Step Dynamic Behaviour					
Test Step Name:		NonCombinedBCCH_A(par_bspwr:INTEGER; frq1, frq2:FRQPARA; acttype:BITSTRING; slot:SN; tsc:TSC; ta:TA; babr, cch_con, bpm:B_3)			
Group:		GSM_L3_MS_v4170/management/ChConfig/			
Objective:		To set one physical channel used as FCHH_SCH_BCCH_CCCH for cell A.			
Default:		OtherEvents			
Nr	Label	Behaviour Description	CRef	V	Comments
1		[TSPC_PGSM OR TSPC_EGSM]			1.
2		+Config_BCCH_CCCH_A_1(par_bspwr, 19, ChMod_sign, acttype, slot, tsc, frq1, C_FCCH_SCH_BCCH_CCCH, ta, babr, cch_con, bpm)			
3		[TSPC_DCS]			2.
4		+Config_BCCH_CCCH_A_1(par_bspwr, 15, ChMod_sign, acttype, slot, tsc, frq2, C_FCCH_SCH_BCCH_CCCH, ta, babr, cch_con, bpm)			
Detailed Comments:		1. For P-GSM900. 2. For DCS1800.			

Test Step Dynamic Behaviour					
Test Step Name:		NonCombinedBCCH_A_2(acttype:BITSTRING; slot:SN; tsc:TSC; ta:TA; babr, cch_con, bpm:B_3)			
Group:		GSM_L3_MS_v4170/management/ChConfig/			
Objective:		To set a physical channel and map the second BCCH, CCCH onto the physical channel which represents cell A.			
Default:		OtherEvents			
Nr	Label	Behaviour Description	CRef	V	Comments
1		[TSPC_PGSM OR TSPC_EGSM]			1.
2		+Config_BCCH_CCCH_A_2(63, 19, ChMod_sign, acttype, slot, tsc, FreqBCCHa_rg, C_BCCH_CCCH_2, ta, babr, cch_con, bpm)			
3		[TSPC_DCS]			2.
4		+Config_BCCH_CCCH_A_2(63, 15, ChMod_sign, acttype, slot, tsc, FreqBCCHa_rd, C_BCCH_CCCH_2, ta, babr, cch_con, bpm)			
Detailed Comments:		1. For P-GSM900. 2. For DCS1800.			

Test Step Dynamic Behaviour					
Test Step Name:		NonCombinedBCCH_A_3(acttype:BITSTRING; slot:SN; tsc:TSC; ta:TA; babr, cch_con, bpm:B_3)			
Group:		GSM_L3_MS_v4170/management/ChConfig/			
Objective:		To set a physical channel and map the third BCCH, CCCH onto the physical channel which represents cell A.			
Default:		OtherEvents			
Comments:		time slot = 4, ARFCN = TSPX_BCCHcarrierA			
Nr	Label	Behaviour Description	CRef	V	Comments
1		[TSPC_PGSM OR TSPC_EGSM]			1.
2		+Config_BCCH_CCCH_A_3(63, 19, ChMod_sign, acttype, slot, tsc, FreqBCCHa_rg, C_BCCH_CCCH_3, ta, babr, cch_con, bpm)			
3		[TSPC_DCS]			2.
4		+Config_BCCH_CCCH_A_3(63, 15, ChMod_sign, acttype, slot, tsc, FreqBCCHa_rd, C_BCCH_CCCH_3, ta, babr, cch_con, bpm)			
Detailed Comments:		1. For P-GSM900. 2. For DCS1800.			

Test Step Dynamic Behaviour					
Test Step Name:		NonCombinedBCCH_A_4(acttype:BITSTRING; slot:SN; tsc:TSC; ta:TA; babr, cch_con, bpm:B_3)			
Group:		GSM_L3_MS_v4170/management/ChConfig/			
Objective:		To set a physical channel and map the fourth BCCH, CCCH onto the physical channel which represents cell A.			
Default:		OtherEvents			
Comments:		time slot = 6, ARFCN = TSPX_BCCHcarrierA			
Nr	Label	Behaviour Description	CRef	V	Comments
1		[TSPC_PGSM OR TSPC_EGSM]			1.
2		+Config_BCCH_CCCH_A_4(63, 19, ChMod_sign, acttype, slot, tsc, FreqBCCHa_rg, C_BCCH_CCCH_4, ta, babr, cch_con, bpm)			
3		[TSPC_DCS]			2.
4		+Config_BCCH_CCCH_A_4(63, 15, ChMod_sign, acttype, slot, tsc, FreqBCCHa_rd, C_BCCH_CCCH_4, ta, babr, cch_con, bpm)			
Detailed Comments:		1. For P-GSM900. 2. For DCS1800.			

Test Step Dynamic Behaviour					
Test Step Name:		NonCombinedBCCH_B(par_bspwr:INTEGER; frq1, frq2:FRQPARA; acttype:BITSTRING; slot:SN; tsc:TSC; ta:TA; babr, cch_con, bpm:B_3)			
Group:		GSM_L3_MS_v4170/management/ChConfig/			
Objective:		To set a physical channel and map FCCH, SCH, BCCH, CCCH onto the physical channel which represents cell B for RR testing.			
Default:		OtherEvents			
Nr	Label	Behaviour Description	CRef	V	Comments
1		[TSPC_PGSM = TRUE]			1.
2		+Config_BCCH_CCCH_B_1(par_bspwr, 19, ChMod_sign, acttype, slot, tsc, frq1, C_FCCH_SCH_BCCH_CCCH, ta, babr, cch_con, bpm)			
3		[TSPC_DCS = TRUE]			2.
4		+Config_BCCH_CCCH_B_1(par_bspwr, 15, ChMod_sign, acttype, slot, tsc, frq2, C_FCCH_SCH_BCCH_CCCH, ta, babr, cch_con, bpm)			
Detailed Comments:		1. For P-GSM900. 1.1 Frequenz and cell_id for cell B in HO cases 2. For DCS1800. 2.1 Frequenz and cell_id for cell B in HO cases			

Test Step Dynamic Behaviour					
Test Step Name:		FullRateCh_A_1(actypeT:BITSTRING; slotT:SN; tscT:TSC; chmod:CHMOD; Freqg,Freqd:FRQPARA; ta:TA; babr, cch_con, bpm:B_3)			
Group:		GSM_L3_MS_v4170/management/ChConfig/			
Objective:		To set one physical channel used as TCHF_ACCH's for instance 1 of cell A.			
Default:		OtherEvents			
Comments:		ARFCN= 124 for GSM900, ARFCN = 801 for DCS1800, different from FullRateCh_A_1			
Nr	Label	Behaviour Description	CRef	V	Comments
1		(TCV_chTch := C_FACCHF_A_1, TCV_sacchTch := C_SACCHF_A_1)			
2		[TSPC_PGSM OR TSPC_EGSM]			
3		+Config_FACCHF_A_1(63, 19, chmod, actypeT, slotT, tscT, Freqg, C_TCHF_ACCHF_1, ta, babr, cch_con, bpm)			
4		+SysInfo_SacchSending(TCV_sacchTch, TCV_sysinfo5, TCV_sysinfo6)			
5		(TCV_Null := OM_CphMd(TCV_chTch, CphMod_01, TCV_CphKey))			
6		[TSPC_DCS]			
7		+Config_FACCHF_A_1(63, 15, chmod, actypeT, slotT, tscT, Freqd, C_TCHF_ACCHF_1, ta, babr, cch_con, bpm)			
8		+SysInfo_SacchSending(TCV_sacchTch, TCV_sysinfo5, TCV_sysinfo6)			
9		(TCV_Null := OM_CphMd(TCV_chTch, CphMod_01, TCV_CphKey))			
Detailed Comments:					

Test Step Dynamic Behaviour					
Test Step Name:		FullRateCh_A_1_nociph(actypeT:BITSTRING; slotT:SN; tscT:TSC; chmod:CHMOD; Freqg,Freqd:FRQPARA; ta:TA; babr, cch_con, bpm:B_3)			
Group:		GSM_L3_MS_v4170/management/ChConfig/			
Objective:		To set one physical channel used as TCHF_ACCH's for instance 1 of cell A.			
Default:		OtherEvents			
Comments:		Used in TC_26_6_13_5 for after time channel			
Nr	Label	Behaviour Description	CRef	V	Comments
1		(TCV_chTch := C_FACCHF_A_1, TCV_sacchTch := C_SACCHF_A_1)			
2		[TSPC_PGSM OR TSPC_EGSM]			
3		+Config_FACCHF_A_1(63, 19, chmod, actypeT, slotT, tscT, Freqg, C_TCHF_ACCHF_1, ta, babr, cch_con, bpm)			
4		+SysInfo_SacchSending(TCV_sacchTch, TCV_sysinfo5, TCV_sysinfo6)			
5		[TSPC_DCS]			
6		+Config_FACCHF_A_1(63, 15, chmod, actypeT, slotT, tscT, Freqd, C_TCHF_ACCHF_1, ta, babr, cch_con, bpm)			
7		+SysInfo_SacchSending(TCV_sacchTch, TCV_sysinfo5, TCV_sysinfo6)			
Detailed Comments:					

Test Step Dynamic Behaviour					
Test Step Name: FullRateCh_A_1_2_nociph(Freq:FRQPARA; acttype:BITSTRING; TmSlt:SN; Tsc:TSC; ta:TA; babr, cch_con, bpm:B_3)					
Group: GSM_L3_MS_v4170/management/ChConfig/					
Objective: To set one physical channel used as TCHF_ACCH's for instance 1 of cell A for TC_26_6_6_1.					
Default: OtherEvents					
Comments: used as channel for immediate assignment.					
Nr	Label	Behaviour Description	CRef	V	Comments
1		(TCV_ch := C_FACCHF_A_1, TCV_sacchTch := C_SACCHF_A_1)			
2		[TSPC_PGSM OR TSPC_EGSM]			
3		+Config_FACCHF_A_1(63, 19, ChMod_sign, acttype, TmSlt, Tsc, Freq, C_TCHF_ACCHF_1, ta, babr, cch_con, bpm)			
4		+SysInfo_SacchSending(TCV_sacchTch, TCV_sysinfo5, TCV_sysinfo6)			
5		[TSPC_DCS]			
6		+Config_FACCHF_A_1(63, 15, ChMod_sign, acttype, TmSlt, Tsc, Freq, C_TCHF_ACCHF_1, ta, babr, cch_con, bpm)			
7		+SysInfo_SacchSending(TCV_sacchTch, TCV_sysinfo5, TCV_sysinfo6)			
Detailed Comments:					

Test Step Dynamic Behaviour					
Test Step Name: FullRateCh_A_2(acttypeT:BITSTRING; slotT:SN; tscT:TSC; chmod:CHMOD; Freqq,Freqd:FRQPARA; ta:TA; babr, cch_con, bpm:B_3)					
Group: GSM_L3_MS_v4170/management/ChConfig/					
Objective: To set one physical channel used as TCHF_ACCH's for instance 2 of cell A for TC_26_6_13_1.					
Default: OtherEvents					
Comments: used as after time channel.					
Nr	Label	Behaviour Description	CRef	V	Comments
1		(TCV_chTch1 := C_FACCHF_A_2, TCV_sacchTch1 := C_SACCHF_A_2)			
2		[TSPC_PGSM OR TSPC_EGSM]			
3		+Config_FACCHF_A_2(63, 19, chmod, acttypeT, slotT, tscT, Freqq, C_TCHF_ACCHF_2, ta, babr, cch_con, bpm)			
4		+SysInfo_SacchSending(TCV_sacchTch1, TCV_sysinfo5, TCV_sysinfo6)			
5		(TCV_Null := OM_CphMd(TCV_chTch1, CphMod_01, TCV_CphKey))			
6		[TSPC_DCS]			
7		+Config_FACCHF_A_2(63, 15, chmod, acttypeT, slotT, tscT, Freqd, C_TCHF_ACCHF_2, ta, babr, cch_con, bpm)			
8		+SysInfo_SacchSending(TCV_sacchTch1, TCV_sysinfo5, TCV_sysinfo6)			
9		(TCV_Null := OM_CphMd(TCV_chTch1, CphMod_01, TCV_CphKey))			
Detailed Comments:					

Test Step Dynamic Behaviour					
Test Step Name:		FullRateCh_A_2_nociph(acttypeT:BITSTRING; slotT:SN; tscT:TSC; chmod:CHMOD; Freqg,Freqd:FRQPARA; ta:TA; babr, cch_con, bpm:B_3)			
Group:		GSM_L3_MS_v4170/management/ChConfig/			
Objective:		To set one physical channel used as TCHF_ACCH's for instance 2 of cell A for TC_26_6_13_1.			
Default:		OtherEvents			
Comments:		used as after time channel.			
Nr	Label	Behaviour Description	CRef	V	Comments
1		(TCV_chTch1 := C_FACCHF_A_2, TCV_sacchTch1 := C_SACCHF_A_2)			
2		[TSPC_PGSM OR TSPC_EGSM]			
3		+Config_FACCHF_A_2(63, 19, chmod, acttypeT, slotT, tscT, Freqg, C_TCHF_ACCHF_2, ta, babr, cch_con, bpm)			
4		+SysInfo_SacchSending(TCV_sacchTch1, TCV_sysinfo5, TCV_sysinfo6)			
5		[TSPC_DCS]			
6		+Config_FACCHF_A_2(63, 15, chmod, acttypeT, slotT, tscT, Freqd, C_TCHF_ACCHF_2, ta, babr, cch_con, bpm)			
7		+SysInfo_SacchSending(TCV_sacchTch1, TCV_sysinfo5, TCV_sysinfo6)			
Detailed Comments:					

Test Step Dynamic Behaviour					
Test Step Name:		FullRateCh_B_1(acttypeT:BITSTRING; slotT:SN; tscT:TSC; chmod:CHMOD; Freqg,Freqd:FRQPARA; ta:TA; babr, cch_con, bpm:B_3)			
Group:		GSM_L3_MS_v4170/management/ChConfig/			
Objective:		To set one physical channel used as TCHF_ACCH's for instance 1 of cell B.			
Default:		OtherEvents			
Comments:		FullRateCh_B_1 uses FreqTCHb and TSPX_TmSlcC.			
Nr	Label	Behaviour Description	CRef	V	Comments
1		(TCV_chTch1 := C_FACCHF_B_1, TCV_sacchTch_B := C_SACCHF_B_1)			
2		[TSPC_PGSM OR TSPC_EGSM]			
3		+Config_FACCHF_B_1(63, 19, chmod, acttypeT, slotT, tscT, Freqg, C_TCHF_ACCHF_1, ta, babr, cch_con, bpm)			
4		+SysInfo_SacchSending(TCV_sacchTch_B, TCV_sysinfo5_B, TCV_sysinfo6_B)			
5		(TCV_Null := OM_CphMd(TCV_chTch1, CphMod_01, TCV_CphKey))			
6		[TSPC_DCS]			
7		+Config_FACCHF_B_1(63, 15, chmod, acttypeT, slotT, tscT, Freqd, C_TCHF_ACCHF_1, ta, babr, cch_con, bpm)			
8		+SysInfo_SacchSending(TCV_sacchTch_B, TCV_sysinfo5_B, TCV_sysinfo6_B)			
9		(TCV_Null := OM_CphMd(TCV_chTch1, CphMod_01, TCV_CphKey))			
Detailed Comments:					

Test Step Dynamic Behaviour					
Test Step Name: FullRateCh_B_1_nociph(acttypeT:BITSTRING; slotT:SN; tscT:TSC; chmod:CHMOD; Freqg,Freqd:FRQPARAM; ta:TA; babr, cch_con, bpm:B_3)					
Group: GSM_L3_MS_v4170/management/ChConfig/					
Objective: To set one physical channel used as TCHF_ACCH's for instance 1 of cell B.					
Default: OtherEvents					
Comments: Used in TC_26_6_13_5 for after time channel					
Nr	Label	Behaviour Description	CRef	V	Comments
1		(TCV_chTch := C_FACCHF_B_1, TCV_sacchTch := C_SACCHF_B_1)			
2		[TSPC_PGSM OR TSPC_EGSM]			
3		+Config_FACCHF_B_1(63, 19, chmod, acttypeT, slotT, tscT, Freqg, C_TCHF_ACCHF_1, ta, babr, cch_con, bpm)			
4		+SysInfo_SacchSending(TCV_sacchTch, TCV_sysinfo5_B, TCV_sysinfo6_B)			
5		[TSPC_DCS]			
6		+Config_FACCHF_B_1(63, 15, chmod, acttypeT, slotT, tscT, Freqd, C_TCHF_ACCHF_1, ta, babr, cch_con, bpm)			
7		+SysInfo_SacchSending(TCV_sacchTch, TCV_sysinfo5_B, TCV_sysinfo6_B)			
Detailed Comments:					

Test Step Dynamic Behaviour					
Test Step Name: FullRateCh_B_2_nociph(acttypeT:BITSTRING; slotT:SN; tscT:TSC; chmod:CHMOD; Freqg,Freqd:FRQPARAM; ta:TA; babr, cch_con, bpm:B_3)					
Group: GSM_L3_MS_v4170/management/ChConfig/					
Objective: To set one physical channel used as TCHF_ACCH's for instance 2 of cell B.					
Default: OtherEvents					
Comments: Used in TC_26_6_13_5 for before time channel					
Nr	Label	Behaviour Description	CRef	V	Comments
1		(TCV_chTch1 := C_FACCHF_B_2, TCV_sacchTch1 := C_SACCHF_B_2)			
2		[TSPC_PGSM OR TSPC_EGSM]			
3		+Config_FACCHF_B_2(63, 19, chmod, acttypeT, slotT, tscT, Freqg, C_TCHF_ACCHF_2, ta, babr, cch_con, bpm)			
4		+SysInfo_SacchSending(TCV_sacchTch1, TCV_sysinfo5_B, TCV_sysinfo6_B)			
5		[TSPC_DCS]			
6		+Config_FACCHF_B_2(63, 15, chmod, acttypeT, slotT, tscT, Freqd, C_TCHF_ACCHF_2, ta, babr, cch_con, bpm)			
7		+SysInfo_SacchSending(TCV_sacchTch1, TCV_sysinfo5_B, TCV_sysinfo6_B)			
Detailed Comments:					

Test Step Dynamic Behaviour					
Test Step Name:		FullRateCh_H_1(acttypeT:BITSTRING; slotT:SN; tscT:TSC; ta:TA; babr, cch_con, bpm:B_3)			
Group:		GSM_L3_MS_v4170/management/ChConfig/			
Objective:		To set one physical channel used as TCHF_ACCH's for instance 1 of cell H.			
Default:		OtherEvents			
Comments:		FullRateCh_H_1 uses FreqTCHb and TSPX_TmSlcC.			
Nr	Label	Behaviour Description	CRef	V	Comments
1		(TCV_chTch := C_FACCHF_H_1, TCV_sacchTch_H := C_SACCHF_H_1)			
2		[TSPC_PGSM OR TSPC_EGSM]			
3		+Config_FACCHF_H_1(63, 19, ChMod_speech, acttypeT, slotT, tscT, FreqTCHb, C_TCHF_ACCHF_1, ta, babr, cch_con, bpm)			
4		(TCV_Null := OM_CphMd(TCV_chTch, CphMod_01, TCV_CphKey))			
5		[TSPC_DCS]			
6		+Config_FACCHF_H_1(63, 15, ChMod_speech, acttypeT, slotT, tscT, FreqTCHb, C_TCHF_ACCHF_1, ta, babr, cch_con, bpm)			
7		(TCV_Null := OM_CphMd(TCV_chTch, CphMod_01, TCV_CphKey))			
Detailed Comments:					

Test Step Dynamic Behaviour					
Test Step Name:		HalfRateCh_A_1(sub:CH_TDMA; acttypeT:BITSTRING; slotT:SN; tscT:TSC; chmod:CHMOD; Freqq,Freqd:FRQPARA; ta:TA; babr, cch_con, bpm:B_3)			
Group:		GSM_L3_MS_v4170/management/ChConfig/			
Objective:		To set one physical channel used as TCHH_ACCH's for instance 1 of cell A.			
Default:		OtherEvents			
Nr	Label	Behaviour Description	CRef	V	Comments
1		(TCV_chTch := OC_SubchOfFacchh(sub, C_CellA, 1), TCV_sacchTch := OC_SubchOfSacchh(sub, C_CellA, 1))			
2		[TSPC_PGSM OR TSPC_EGSM]			
3		+Config_FACCHH_A_1(63, 19, chmod, acttypeT, slotT, tscT, Freqq, C_TCHH_ACCHH_1, ta, babr, cch_con, bpm)			
4		+SysInfo_SacchSending(TCV_sacchTch, TCV_sysinfo5, TCV_sysinfo6)			
5		(TCV_Null := OM_CphMd(TCV_chTch, CphMod_01, TCV_CphKey))			
6		[TSPC_DCS = TRUE]			
7		+Config_FACCHH_A_1(63, 15, chmod, acttypeT, slotT, tscT, Freqd, C_TCHH_ACCHH_1, ta, babr, cch_con, bpm)			
8		+SysInfo_SacchSending(TCV_sacchTch, TCV_sysinfo5, TCV_sysinfo6)			
9		(TCV_Null := OM_CphMd(TCV_chTch, CphMod_01, TCV_CphKey))			
Detailed Comments:					

Test Step Dynamic Behaviour					
Test Step Name: HalfRateCh_A_1_nociph(sub:CH_TDMA; acttypeT:BITSTRING; slotT:SN; tscT:TSC; chmod:CHMOD; Freqg,Freqd:FRQPARA; ta:TA; babr, cch_con, bpm:B_3)					
Group: GSM_L3_MS_v4170/management/ChConfig/					
Objective: To set one physical channel used as TCHH_ACCH's for instance 1 of cell A.					
Default: OtherEvents					
Nr	Label	Behaviour Description	CRef	V	Comments
1		(TCV_chTch := OC_SubchOfFacchh(sub, C_CellA, 1), TCV_sacchTch := OC_SubchOfSacchh(sub, C_CellA, 1))			
2		[TSPC_PGSM OR TSPC_EGSM]			
3		+Config_FACCHH_A_1(63, 19, chmod, acttypeT, slotT, tscT, Freqg, C_TCHH_ACCHH_1, ta, babr, cch_con, bpm)			
4		+SysInfo_SacchSending(TCV_sacchTch, TCV_sysinfo5, TCV_sysinfo6)			
5		[TSPC_DCS = TRUE]			
6		+Config_FACCHH_A_1(63, 15, chmod, acttypeT, slotT, tscT, Freqd, C_TCHH_ACCHH_1, ta, babr, cch_con, bpm)			
7		+SysInfo_SacchSending(TCV_sacchTch, TCV_sysinfo5, TCV_sysinfo6)			
Detailed Comments:					

Test Step Dynamic Behaviour					
Test Step Name: HalfRateCh_A_1_2(bstring:BITSTRING; acttype:BITSTRING; TmSlT: SN; Tsc:TSC; chmod:CHMOD; Freqg, Freqd:FRQPARA; ta:TA; babr, cch_con, bpm:B_3)					
Group: GSM_L3_MS_v4170/management/ChConfig/					
Objective: To set one physical channel used as TCHH_ACCH's for instance 1 of cell A.					
Default: OtherEvents					
Comments: used as channel assigned by immediate assignment.					
Nr	Label	Behaviour Description	CRef	V	Comments
1		(TCV_ch := OC_SubchOfFacchh(OC_LeastBits(bstring, 1), C_CellA, 1), TCV_sacchTch := OC_SubchOfSacchh(OC_LeastBits(bstring, 1), C_CellA, 1))			
2		[TSPC_PGSM OR TSPC_EGSM]			
3		+Config_FACCHH_A_1(63, 19, chmod, acttype, TmSlT, Tsc, Freqg, C_TCHH_ACCHH_1, ta, babr, cch_con, bpm)			
4		+SysInfo_SacchSending(TCV_sacchTch, TCV_sysinfo5, TCV_sysinfo6)			
5		(TCV_Null := OM_CphMd(TCV_sacchTch, CphMod_01, TCV_CphKey))			
6		[TSPC_DCS]			
7		+Config_FACCHH_A_1(63, 15, chmod, acttype, TmSlT, Tsc, Freqd, C_TCHH_ACCHH_1, ta, babr, cch_con, bpm)			
8		+SysInfo_SacchSending(TCV_sacchTch, TCV_sysinfo5, TCV_sysinfo6)			
9		(TCV_Null := OM_CphMd(TCV_sacchTch, CphMod_01, TCV_CphKey))			
Detailed Comments:					

Test Step Dynamic Behaviour					
Test Step Name:		HalfRateCh_A_1_3(bstring:BITSTRING; actype:BITSTRING; TmSlT: SN; Tsc:TSC; chmod:CHMOD; Freqg, Freqd:FRQPARA; ta:TA; babr, cch_con, bpm:B_3)			
Group:		GSM_L3_MS_v4170/management/ChConfig/			
Objective:		To set one physical channel used as TCHH_ACCH's for instance 1 of cell A.			
Default:		OtherEvents			
Comments:		used as channel assigned by immediate assignment.			
Nr	Label	Behaviour Description	CRef	V	Comments
1		(TCV_chTch := OC_SubchOfFacch(OC_LeastBits(bstring, 1), C_CellA, 1), TCV_sacchTch := OC_SubchOfSacch(OC_LeastBits(bstring, 1), C_CellA, 1))			
2		[TSPC_PGSM OR TSPC_EGSM]			
3		+Config_FACCHH_A_1(63, 19, chmod, actype, TmSlT, Tsc, Freqg, C_TCHH_ACCHH_1, ta, babr, cch_con, bpm)			
4		+SysInfo_SacchSending(TCV_sacchTch, TCV_sysinfo5, TCV_sysinfo6)			
5		(TCV_Null := OM_CphMd(TCV_chTch, CphMod_01, TCV_CphKey))			
6		[TSPC_DCS]			
7		+Config_FACCHH_A_1(63, 15, chmod, actype, TmSlT, Tsc, Freqd, C_TCHH_ACCHH_1, ta, babr, cch_con, bpm)			
8		+SysInfo_SacchSending(TCV_sacchTch, TCV_sysinfo5, TCV_sysinfo6)			
9		(TCV_Null := OM_CphMd(TCV_chTch, CphMod_01, TCV_CphKey))			
Detailed Comments:					

Test Step Dynamic Behaviour					
Test Step Name:		HalfRateCh_A_1_3_nociph(bstring:BITSTRING; actype:BITSTRING; TmSlT: SN; Tsc:TSC; chmod:CHMOD; Freqg, Freqd:FRQPARA; ta:TA; babr, cch_con, bpm:B_3)			
Group:		GSM_L3_MS_v4170/management/ChConfig/			
Objective:		To set one physical channel used as TCHH_ACCH's for instance 1 of cell A.			
Default:		OtherEvents			
Comments:		used as channel assigned by immediate assignment.			
Nr	Label	Behaviour Description	CRef	V	Comments
1		(TCV_chTch := OC_SubchOfFacch(OC_LeastBits(bstring, 1), C_CellA, 1), TCV_sacchTch := OC_SubchOfSacch(OC_LeastBits(bstring, 1), C_CellA, 1))			
2		[TSPC_PGSM OR TSPC_EGSM]			
3		+Config_FACCHH_A_1(63, 19, chmod, actype, TmSlT, Tsc, Freqg, C_TCHH_ACCHH_1, ta, babr, cch_con, bpm)			
4		+SysInfo_SacchSending(TCV_sacchTch, TCV_sysinfo5, TCV_sysinfo6)			
5		[TSPC_DCS]			
6		+Config_FACCHH_A_1(63, 15, chmod, actype, TmSlT, Tsc, Freqd, C_TCHH_ACCHH_1, ta, babr, cch_con, bpm)			
7		+SysInfo_SacchSending(TCV_sacchTch, TCV_sysinfo5, TCV_sysinfo6)			
Detailed Comments:					

Test Step Dynamic Behaviour					
Test Step Name: HalfRateCh_A_2(bstring:BITSTRING; acttypeT:BITSTRING; slotT:SN; tscT:TSC; chmod:CHMOD; Freqg,Freqd:FRQPARA; ta:TA; babr, cch_con, bpm:B_3)					
Group: GSM_L3_MS_v4170/management/ChConfig/					
Objective: To set one physical channel used as TCHH_ACCH's for instance 2 of cell A for TC_26_6_13_1.					
Default: OtherEvents					
Comments: used for after time channel.					
Nr	Label	Behaviour Description	CRef	V	Comments
1		(TCV_chTch1 := OC_SubchOfFacchh(OC_LeastBits(bstring, 1), C_CellA, 2), TCV_sacchTch1 := OC_SubchOfSacchh(OC_LeastBits(bstring, 1), C_CellA, 2))			
2		[TSPC_PGSM OR TSPC_EGSM]			
3		+Config_FACCHH_A_2(63, 19, chmod, acttypeT, slotT, tscT, Freqg, C_TCHH_ACCHH_2, ta, babr, cch_con, bpm)			
4		+SysInfo_SacchSending(TCV_sacchTch1, TCV_sysinfo5, TCV_sysinfo6)			
5		(TCV_Null := OM_CphMd(TCV_chTch1, CphMod_01, TCV_CphKey))			
6		[TSPC_DCS]			
7		+Config_FACCHH_A_2(63, 15, chmod, acttypeT, slotT, tscT, Freqd, C_TCHH_ACCHH_2, ta, babr, cch_con, bpm)			
8		+SysInfo_SacchSending(TCV_sacchTch1, TCV_sysinfo5, TCV_sysinfo6)			
9		(TCV_Null := OM_CphMd(TCV_chTch1, CphMod_01, TCV_CphKey))			
Detailed Comments:					

Test Step Dynamic Behaviour					
Test Step Name: HalfRateCh_A_2_nociph(bstring:BITSTRING; acttypeT:BITSTRING; slotT:SN; tscT:TSC; chmod:CHMOD; Freqg,Freqd:FRQPARA; ta:TA; babr, cch_con, bpm:B_3)					
Group: GSM_L3_MS_v4170/management/ChConfig/					
Objective: To set one physical channel used as TCHH_ACCH's for instance 2 of cell A for TC_26_6_13_1.					
Default: OtherEvents					
Comments: used for after time channel.					
Nr	Label	Behaviour Description	CRef	V	Comments
1		(TCV_chTch1 := OC_SubchOfFacchh(OC_LeastBits(bstring, 1), C_CellA, 2), TCV_sacchTch1 := OC_SubchOfSacchh(OC_LeastBits(bstring, 1), C_CellA, 2))			
2		[TSPC_PGSM OR TSPC_EGSM]			
3		+Config_FACCHH_A_2(63, 19, chmod, acttypeT, slotT, tscT, Freqg, C_TCHH_ACCHH_2, ta, babr, cch_con, bpm)			
4		+SysInfo_SacchSending(TCV_sacchTch1, TCV_sysinfo5, TCV_sysinfo6)			
5		[TSPC_DCS]			
6		+Config_FACCHH_A_2(63, 15, chmod, acttypeT, slotT, tscT, Freqd, C_TCHH_ACCHH_2, ta, babr, cch_con, bpm)			
7		+SysInfo_SacchSending(TCV_sacchTch1, TCV_sysinfo5, TCV_sysinfo6)			
Detailed Comments:					

Test Step Dynamic Behaviour					
Test Step Name:		HalfRateCh_B_1(bstring:BITSTRING; acttypeT:BITSTRING; slotT:SN; tscT:TSC; chmod:CHMOD; Freqg,Freqd:FRQPARA; ta:TA; babr, cch_con, bpm:B_3)			
Group:		GSM_L3_MS_v4170/management/ChConfig/			
Objective:		To set one physical channel used as TCHH_ACCH's for instance 1 of cell B for TC_26_6_13_5.			
Default:		OtherEvents			
Comments:		used as after time channel assigned by handover command			
Nr	Label	Behaviour Description	CRef	V	Comments
1		(TCV_chTch := OC_SubchOfFacch(OC_LeastBits(bstring, 1), C_CellB, 1), TCV_sacchTch := OC_SubchOfSacch(OC_LeastBits(bstring, 1), C_CellB, 1))			
2		[TSPC_PGSM OR TSPC_EGSM]			
3		+Config_FACCHH_B_1(63, 19, chmod, acttypeT, slotT, tscT, Freqg, C_TCHH_ACCHH_1, ta, babr, cch_con, bpm)			
4		+SysInfo_SacchSending(TCV_sacchTch, TCV_sysinfo5_B, TCV_sysinfo6_B)			
5		(TCV_Null := OM_CphMd(TCV_chTch, CphMod_01, TCV_CphKey))			
6		[TSPC_DCS]			
7		+Config_FACCHH_B_1(63, 15, chmod, acttypeT, slotT, tscT, Freqd, C_TCHH_ACCHH_1, ta, babr, cch_con, bpm)			
8		+SysInfo_SacchSending(TCV_sacchTch, TCV_sysinfo5_B, TCV_sysinfo6_B)			
9		(TCV_Null := OM_CphMd(TCV_chTch, CphMod_01, TCV_CphKey))			
Detailed Comments:					

Test Step Dynamic Behaviour					
Test Step Name:		HalfRateCh_B_1_nociph(bstring:BITSTRING; acttypeT:BITSTRING; slotT:SN; tscT:TSC; chmod:CHMOD; Freqg,Freqd:FRQPARA; ta:TA; babr, cch_con, bpm:B_3)			
Group:		GSM_L3_MS_v4170/management/ChConfig/			
Objective:		To set one physical channel used as TCHH_ACCH's for instance 1 of cell B for TC_26_6_13_5.			
Default:		OtherEvents			
Comments:		used as after time channel assigned by handover command			
Nr	Label	Behaviour Description	CRef	V	Comments
1		(TCV_chTch := OC_SubchOfFacch(OC_LeastBits(bstring, 1), C_CellB, 1), TCV_sacchTch := OC_SubchOfSacch(OC_LeastBits(bstring, 1), C_CellB, 1))			
2		[TSPC_PGSM OR TSPC_EGSM]			
3		+Config_FACCHH_B_1(63, 19, chmod, acttypeT, slotT, tscT, Freqg, C_TCHH_ACCHH_1, ta, babr, cch_con, bpm)			
4		+SysInfo_SacchSending(TCV_sacchTch, TCV_sysinfo5_B, TCV_sysinfo6_B)			
5		[TSPC_DCS]			
6		+Config_FACCHH_B_1(63, 15, chmod, acttypeT, slotT, tscT, Freqd, C_TCHH_ACCHH_1, ta, babr, cch_con, bpm)			
7		+SysInfo_SacchSending(TCV_sacchTch, TCV_sysinfo5_B, TCV_sysinfo6_B)			
Detailed Comments:					

Test Step Dynamic Behaviour					
Test Step Name: HalfRateCh_B_2_nociph(bstring:BITSTRING; acttypeT:BITSTRING; slotT:SN; tscT:TSC; chmod:CHMOD; Freqg,Freqd:FRQPARA; ta:TA; babr, cch_con, bpm:B_3)					
Group: GSM_L3_MS_v4170/management/ChConfig/					
Objective: To set one physical channel used as TCHH_ACCH's for instance 2 of cell B for TC_26_6_13_5.					
Default: OtherEvents					
Comments: used as before time channel assigned by handover command					
Nr	Label	Behaviour Description	CRef	V	Comments
1		(TCV_chTch1 := OC_SubchOfFacch(OC_LeastBits(bstring, 1), C_CellB, 2), TCV_sacchTch1 := OC_SubchOfSacch(OC_LeastBits(bstring, 1), C_CellB, 2))			
2		[TSPC_PGSM OR TSPC_EGSM]			
3		+Config_FACCHH_B_2(63, 19, chmod, acttypeT, slotT, tscT, Freqg, C_TCHH_ACCHH_2, ta, babr, cch_con, bpm)			
4		+SysInfo_SacchSending(TCV_sacchTch1, TCV_sysinfo5_B, TCV_sysinfo6_B)			
5		[TSPC_DCS]			
6		+Config_FACCHH_B_2(63, 15, chmod, acttypeT, slotT, tscT, Freqd, C_TCHH_ACCHH_2, ta, babr, cch_con, bpm)			
7		+SysInfo_SacchSending(TCV_sacchTch1, TCV_sysinfo5_B, TCV_sysinfo6_B)			
Detailed Comments:					

Test Step Dynamic Behaviour					
Test Step Name: SDCCH8_A_1(bstring:BITSTRING; acttypeT:BITSTRING; slotT:SN; tscT:TSC; chmod:CHMOD; Freqg,Freqd:FRQPARA; ta:TA; babr, cch_con, bpm:B_3)					
Group: GSM_L3_MS_v4170/management/ChConfig/					
Objective: To set one physical channel used as SDCCH8 channel for instance 1 of cell A.					
Default: OtherEvents					
Comments: default time slot TSPX_TmSlitDef and ARFCN = 20 for GSM, ARFCN = 747 for DCS.					
Nr	Label	Behaviour Description	CRef	V	Comments
1		(TCV_ch := OC_SubchOfSdcch8(OC_LeastBits(bstring, 3), C_CellA, 1), TCV_sacch8 := OC_SubchOfSacch8(OC_LeastBits(bstring, 3), C_CellA, 1))			
2		[TSPC_PGSM = TRUE]			
3		+Config_SDCCH8_A_1(63, 19, chmod, acttypeT, slotT, tscT, Freqg, C_SDCCH8_SACCHC8_1, ta, babr, cch_con, bpm)			
4		+SysInfo_SacchSending(TCV_sacch8, TCV_sysinfo5, TCV_sysinfo6)			
5		(TCV_Null := OM_CphMd(TCV_sacch8, CphMod_01, TCV_CphKey))			
6		[TSPC_DCS = TRUE]			
7		+Config_SDCCH8_A_1(63, 19, chmod, acttypeT, slotT, tscT, Freqd, C_SDCCH8_SACCHC8_1, ta, babr, cch_con, bpm)			
8		+SysInfo_SacchSending(TCV_sacch8, TCV_sysinfo5, TCV_sysinfo6)			
9		(TCV_Null := OM_CphMd(TCV_sacch8, CphMod_01, TCV_CphKey))			
Detailed Comments:					

Test Step Dynamic Behaviour					
Test Step Name:		SDCCH8_A_1_nociph(bstring:BITSTRING; acttypeT:BITSTRING; slotT:SN; tscT:TSC; chmod:CHMOD; Freqg,Freqd:FRQPARA; ta:TA; babr, cch_con, bpm:B_3)			
Group:		GSM_L3_MS_v4170/management/ChConfig/			
Objective:		To set one physical channel used as SDCCH8 channel for instance 1 of cell A.			
Default:		OtherEvents			
Comments:		default time slot TSPX_TmSlTDef and ARFCN = 20 for GSM, ARFCN = 747 for DCS.			
Nr	Label	Behaviour Description	CRef	V	Comments
1		(TCV_ch := OC_SubchOfSdcch8(OC_LeastBits(bstring, 3), C_CellA, 1), TCV_sacch8 := OC_SubchOfSacch8(OC_LeastBits(bstring, 3), C_CellA, 1))			
2		[TSPC_PGSM = TRUE]			
3		+Config_SDCCH8_A_1(63, 19, chmod, acttypeT, slotT, tscT, Freqg, C_SDCCH8_SACCHC8_1, ta, babr, cch_con, bpm)			
4		+SysInfo_SacchSending(TCV_sacch8, TCV_sysinfo5, TCV_sysinfo6)			
5		[TSPC_DCS = TRUE]			
6		+Config_SDCCH8_A_1(63, 19, chmod, acttypeT, slotT, tscT, Freqd, C_SDCCH8_SACCHC8_1, ta, babr, cch_con, bpm)			
7		+SysInfo_SacchSending(TCV_sacch8, TCV_sysinfo5, TCV_sysinfo6)			
Detailed Comments:					

Test Step Dynamic Behaviour					
Test Step Name:		SDCCH8_A_1_2_nociph(bstring:BITSTRING; acttype:BITSTRING; TmSlT:SN; Tsc:TSC; chmod:CHMOD; Freqg,Freqd:FRQPARA; ta:TA; babr, cch_con, bpm:B_3)			
Group:		GSM_L3_MS_v4170/management/ChConfig/			
Objective:		To set one physical channel used as hopping SDCCH8 channel for instance 1 of cell A.			
Default:		OtherEvents			
Comments:		hopping parameters are from PIXIT, used by immediate assignment.			
Nr	Label	Behaviour Description	CRef	V	Comments
1		(TCV_chTch := OC_SubchOfSdcch8(OC_LeastBits(bstring, 3), C_CellA, 1), TCV_sacchTch := OC_SubchOfSacch8(OC_LeastBits(bstring, 3), C_CellA, 1))			
2		[TSPC_PGSM OR TSPC_EGSM]			
3		+Config_SDCCH8_A_1(63, 19, chmod, acttype, TmSlT, Tsc, Freqg, C_SDCCH8_SACCHC8_1, ta, babr, cch_con, bpm)			
4		+SysInfo_SacchSending(TCV_sacchTch, TCV_sysinfo5, TCV_sysinfo6)			
5		[TSPC_DCS]			
6		+Config_SDCCH8_A_1(63, 15, chmod, acttype, TmSlT, Tsc, Freqd, C_SDCCH8_SACCHC8_1, ta, babr, cch_con, bpm)			
7		+SysInfo_SacchSending(TCV_sacchTch, TCV_sysinfo5, TCV_sysinfo6)			
Detailed Comments:					

Test Step Dynamic Behaviour					
Test Step Name: SDCCH8_A_2_nociph(bstring:BITSTRING; acttypeT:BITSTRING; slotT:SN; tscT:TSC; chmod:CHMOD; Freqg,Freqd:FRQPARA; ta:TA; babr, cch_con, bpm:B_3)					
Group: GSM_L3_MS_v4170/management/ChConfig/					
Objective: To set one physical channel used as hopping SDCCH8 channel for instance 2 of cell A, for TC_26_6_13_1.					
Default: OtherEvents					
Comments: hopping parameters are from PIXIT, used as before time channel.					
Nr	Label	Behaviour Description	CRef	V	Comments
1		(TCV_chTch := OC_SubchOfSdcch8(OC_LeastBits(bstring, 3), C_CellA, 2), TCV_sacchTch := OC_SubchOfSacch8(OC_LeastBits(bstring, 3), C_CellA, 2))			
2		[TSPC_PGSM OR TSPC_EGSM]			
3		+Config_SDCCH8_A_2(63, 19, chmod, acttypeT, slotT, tscT, Freqg, C_SDCCH8_SACCHC8_2, ta, babr, cch_con, bpm)			
4		+SysInfo_SacchSending(TCV_sacchTch, TCV_sysinfo5, TCV_sysinfo6)			
5		[TSPC_DCS = TRUE]			
6		+Config_SDCCH8_A_2(63, 15, chmod, acttypeT, slotT, tscT, Freqd, C_SDCCH8_SACCHC8_2, ta, babr, cch_con, bpm)			
7		+SysInfo_SacchSending(TCV_sacchTch, TCV_sysinfo5, TCV_sysinfo6)			
Detailed Comments:					

Test Step Dynamic Behaviour					
Test Step Name: SDCCH8_A_3_nociph(bstring:BITSTRING; acttypeT:BITSTRING; slotT:SN; tscT:TSC; chmod:CHMOD; Freqg,Freqd:FRQPARA; ta:TA; babr, cch_con, bpm:B_3)					
Group: GSM_L3_MS_v4170/management/ChConfig/					
Objective: To set one physical channel used as hopping SDCCH8 channel for instance 3 of cell A.					
Default: OtherEvents					
Comments: hopping parameters are from PIXIT, used as after time channel.					
Nr	Label	Behaviour Description	CRef	V	Comments
1		(TCV_chTch1 := OC_SubchOfSdcch8(OC_LeastBits(bstring, 3), C_CellA, 3), TCV_sacchTch1 := OC_SubchOfSacch8(OC_LeastBits(bstring, 3), C_CellA, 3))			
2		[TSPC_PGSM OR TSPC_EGSM]			
3		+Config_SDCCH8_A_3(63, 19, chmod, acttypeT, slotT, tscT, Freqg, C_SDCCH8_SACCHC8_3, ta, babr, cch_con, bpm)			
4		+SysInfo_SacchSending(TCV_sacchTch1, TCV_sysinfo5, TCV_sysinfo6)			
5		[TSPC_DCS]			
6		+Config_SDCCH8_A_3(63, 15, chmod, acttypeT, slotT, tscT, Freqd, C_SDCCH8_SACCHC8_3, ta, babr, cch_con, bpm)			
7		+SysInfo_SacchSending(TCV_sacchTch1, TCV_sysinfo5, TCV_sysinfo6)			
Detailed Comments:					

Test Step Dynamic Behaviour					
Test Step Name:		SDCCH8_B_1(bstring:BITSTRING; acttypeT:BITSTRING; slotT:SN; tscT:TSC; chmod:CHMOD; Freqg,Freqd:FRQPARA; ta:TA; babr, cch_con, bpm:B_3)			
Group:		GSM_L3_MS_v4170/management/ChConfig/			
Objective:		To set one physical channel used as hopping SDCCH8 channel for instance 1 of cell B For TC_26_6_13_5.			
Default:		OtherEvents			
Comments:		hopping parameters are from PIXIT, used by handover command after time channel.			
Nr	Label	Behaviour Description	CRef	V	Comments
1		(TCV_chTch := OC_SubchOfSdcch8(OC_LeastBits(bstring, 3), C_CellB, 1), TCV_sacchTch := OC_SubchOfSacch8(OC_LeastBits(bstring, 3), C_CellB, 1))			
2		[TSPC_PGSM OR TSPC_EGSM]			
3		+Config_SDCCH8_B_1(63, 19, chmod, acttypeT, slotT, tscT, Freqg, C_SDCCH8_SACCHC8_1, ta, babr, cch_con, bpm)			
4		+SysInfo_SacchSending(TCV_sacchTch, TCV_sysinfo5_B, TCV_sysinfo6_B)			
5		(TCV_Null := OM_CphMd(TCV_chTch, CphMod_01, TCV_CphKey))			
6		[TSPC_DCS]			
7		+Config_SDCCH8_B_1(63, 15, chmod, acttypeT, slotT, tscT, Freqd, C_SDCCH8_SACCHC8_1, ta, babr, cch_con, bpm)			
8		+SysInfo_SacchSending(TCV_sacchTch, TCV_sysinfo5_B, TCV_sysinfo6_B)			
9		(TCV_Null := OM_CphMd(TCV_chTch, CphMod_01, TCV_CphKey))			
Detailed Comments:					

Test Step Dynamic Behaviour					
Test Step Name:		SDCCH8_B_1_nociph(bstring:BITSTRING; acttypeT:BITSTRING; slotT:SN; tscT:TSC; chmod:CHMOD; Freqg,Freqd:FRQPARA; ta:TA; babr, cch_con, bpm:B_3)			
Group:		GSM_L3_MS_v4170/management/ChConfig/			
Objective:		To set one physical channel used as hopping SDCCH8 channel for instance 1 of cell B For TC_26_6_13_5.			
Default:		OtherEvents			
Comments:		hopping parameters are from PIXIT, used by handover command after time channel.			
Nr	Label	Behaviour Description	CRef	V	Comments
1		(TCV_chTch := OC_SubchOfSdcch8(OC_LeastBits(bstring, 3), C_CellB, 1), TCV_sacchTch := OC_SubchOfSacch8(OC_LeastBits(bstring, 3), C_CellB, 1))			
2		[TSPC_PGSM OR TSPC_EGSM]			
3		+Config_SDCCH8_B_1(63, 19, chmod, acttypeT, slotT, tscT, Freqg, C_SDCCH8_SACCHC8_1, ta, babr, cch_con, bpm)			
4		+SysInfo_SacchSending(TCV_sacchTch, TCV_sysinfo5_B, TCV_sysinfo6_B)			
5		[TSPC_DCS]			
6		+Config_SDCCH8_B_1(63, 15, chmod, acttypeT, slotT, tscT, Freqd, C_SDCCH8_SACCHC8_1, ta, babr, cch_con, bpm)			
7		+SysInfo_SacchSending(TCV_sacchTch, TCV_sysinfo5_B, TCV_sysinfo6_B)			
Detailed Comments:					

Test Step Dynamic Behaviour					
Test Step Name: SDCCH8_B_2_nociph(bstring:BITSTRING; acttypeT:BITSTRING; slotT:SN; tscT:TSC; chmod:CHMOD; Freqg,Freqd:FRQPARA; ta:TA; babr, cch_con, bpm:B_3)					
Group: GSM_L3_MS_v4170/management/ChConfig/					
Objective: To set one physical channel used as hopping SDCCH8 channel for instance 2 of cell B For TC_26_6_13_5.					
Default: OtherEvents					
Comments: hopping parameters are from PIXIT, used by handover command before time channel.					
Nr	Label	Behaviour Description	CRef	V	Comments
1		(TCV_chTch1 := OC_SubchOfSdcch8(OC_LeastBits(bstring, 3), C_CellB, 2), TCV_sacchTch1 := OC_SubchOfSacch8(OC_LeastBits(bstring, 3), C_CellB, 2))			
2		[TSPC_PGSM OR TSPC_EGSM]			
3		+Config_SDCCH8_B_2(63, 19, chmod, acttypeT, slotT, tscT, Freqg, C_SDCCH8_SACCHC8_2, ta, babr, cch_con, bpm)			
4		+SysInfo_SacchSending(TCV_sacchTch1, TCV_sysinfo5_B, TCV_sysinfo6_B)			
5		[TSPC_DCS]			
6		+Config_SDCCH8_B_2(63, 15, chmod, acttypeT, slotT, tscT, Freqd, C_SDCCH8_SACCHC8_2, ta, babr, cch_con, bpm)			
7		+SysInfo_SacchSending(TCV_sacchTch1, TCV_sysinfo5_B, TCV_sysinfo6_B)			
Detailed Comments:					

Test Step Group Miscellaneous

Test Step Dynamic Behaviour					
Test Step Name: Adjust_gsmmanddcs_powerlvl(powerlevel1,powerlevel2:INTEGER; pdu_ass: ASS_CMD_PDU)					
Group: GSM_L3_MS_v4170/Miscellaneous/					
Objective:					
Default: OtherEvents					
Nr	Label	Behaviour Description	CRef	V	Comments
1		[TSPC_PGSM OR TSPC_EGSM]			
2		[powerlevel1 <> 0]			
3		(pdu_ass.pcmd := Pcmd_19(INT_TO_BIT(powerlevel1,5)))			
4		[powerlevel1 = 0]			
5		[TSPC_DCS]			
6		(pdu_ass.pcmd := Pcmd_19(INT_TO_BIT(powerlevel2,5)))			
Detailed Comments:					

Test Step Dynamic Behaviour					
Test Step Name:		AOC_CHK_FAC(ti:TI)			
Group:		GSM_L3_MS_v4170/Miscellaneous/			
Objective:		Check the reception of FACILITY within one second at AOCC			
Default:		OtherEventsFail			
Nr	Label	Behaviour Description	CRef	V	Comments
1		L?DL_DatInConnAck	ConnAckRcv_01(ti)		
2		L?DL_DatInFac CANCEL T_dly1	Facility_03(FacilityPdu_26(ti, facilityIErcv(FwdChAdvRslt_01)))	(P)	
3		?TIMEOUT T_dly1		(F)	
4		L?DL_DatInFac	Facility_03(FacilityPdu_26(ti, facilityIErcv(FwdChAdvRslt_01)))		
5		L?DL_DatInFac CANCEL T_dly1	Facility_03(FacilityPdu_26(ti, facilityIErcv(FwdChAdvRslt_01)))	(P)	
6		L?DL_DatInConnAck	ConnAckRcv_01(ti)		
7		?TIMEOUT T_dly1		(F)	
8		L?DL_DatInConnAck	ConnAckRcv_01(ti)		
9		L?DL_DatInFac	Facility_03(FacilityPdu_26(ti, facilityIErcv(FwdChAdvRslt_01)))		
10		L?DL_DatInFac	Facility_03(FacilityPdu_26(ti, facilityIErcv(FwdChAdvRslt_01)))		
11		L?DL_DatInConnAck	ConnAckRcv_01(ti)		
Detailed Comments:					

Test Step Dynamic Behaviour					
Test Step Name:		AssCh_complete(oldch,newch:LOGICCH; pdu_ass: ASS_CMD_PDU)			
Group:		GSM_L3_MS_v4170/Miscellaneous/			
Objective:		To provide a generic test step to Assign a traffic channel. Assign complete expected and verdict is PASS.			
Default:		OtherEvents			
Nr	Label	Behaviour Description	CRef	V	Comments
1		L!DL_DatRqAssCmd START T_dlyAss	AssCmd(oldch,pdu_a ss)		1.2s delay
2		?TIMEOUT T_dlyAss		(F)	
3		+PostLinkRelEnd(oldch)			
4		L?DL_EstIn (TCV_FnAss := DL_EstIn.fn) CANCEL T_dlyAss	DLEstInd(newch)		
5		L?DL_DatInAssCom	AssCmp_02(newch)	(P)	
6		L!MDL_RelRq	MDLRelReq_01(oldch)		
7		L?DL_EstIn CANCEL T_dlyAss	DLEstInd(oldch)		
8		L?DL_DatInAssfl	AssFI_any_cau(oldch)	(F)	
9		+PostLinkRelEnd(oldch)			
Detailed Comments:					

Test Step Dynamic Behaviour					
Test Step Name: AssCh_failure(ch:LOGICCH; pdu_ass: ASS_CMD_PDU; any:BOOLEAN)					
Group: GSM_L3_MS_v4170/Miscellaneous/					
Objective: To provide a generic test step to Assign a traffic channel. Assign failure expected and verdict is PASS.					
Default: OtherEventsFail					
Nr	Label	Behaviour Description	CRef	V	Comments
1		L!DL_DatRqAssCmd START T_dlyAss(4000)	AssCmd(ch,pdu_ass)		
2		[any]			
3		?TIMEOUT T_dlyAss		(F)	
4		+PostLinkRelEnd(ch)			
5		L?DL_EstIn (TCV_FnAss := DL_EstIn.fn) CANCEL T_dlyAss	DLEstIn(ch)		
6		L?DL_DatInAssfl	AssFl_any_cau(ch)	(P)	
7		[NOT any]			
8		?TIMEOUT T_dlyAss		(F)	
9		+PostLinkRelEnd(ch)			
10		L?DL_EstIn (TCV_FnAss := DL_EstIn.fn) CANCEL T_dlyAss	DLEstIn(ch)		
11		L?DL_DatInAssfl	AssFl_02(ch)	(P)	
Detailed Comments:					

Test Step Dynamic Behaviour					
Test Step Name: AssCmdGenMO(rate:IA5String)					
Group: GSM_L3_MS_v4170/Miscellaneous/					
Objective: To generate the ASSIGNMENT COMMAND message.					
Default: OtherEvents					
Nr	Label	Behaviour Description	CRef	V	Comments
1		[rate <> C_Half]			Full rate
2		+ltree_AsgnTchF			
3		[rate = C_Half]			Half rate
4		+ltree_AsgnTchH			
ltree_AsgnTchF					
5		[TSPC_PGSM OR TSPC_EGSM]			
6		(TCV_AssCmd := AsgnCmd_tchf(TSPX_TmSlitDef, TSPX_TscDef))			
7		(TCV_AssCmd.ch1mod := TCV_ChMod, TCV_AssCmd.pcmd.pl := '00111'B)			
8		[TSPC_DCS]			
9		(TCV_AssCmd := AsgnCmd_dtchf(TSPX_TmSlitDef, TSPX_TscDef))			
10		(TCV_AssCmd.ch1mod := TCV_ChMod, TCV_AssCmd.pcmd.pl := '00011'B)			
ltree_AsgnTchH					
11		[TSPC_PGSM OR TSPC_EGSM]			
12		(TCV_AssCmd := AsgnCmd_tchh(TSPX_TCHHSubDef, TSPX_TmSlitDef, TSPX_TscDef))			
13		(TCV_AssCmd.ch1mod := TCV_ChMod, TCV_AssCmd.pcmd.pl := '00111'B)			
14		[TSPC_DCS]			
15		(TCV_AssCmd := AsgnCmd_dtchh(TSPX_TCHHSubDef, TSPX_TmSlitDef, TSPX_TscDef))			
16		(TCV_AssCmd.ch1mod := TCV_ChMod, TCV_AssCmd.pcmd.pl := '00011'B)			
Detailed Comments:					

Test Step Dynamic Behaviour					
Test Step Name:		AssCmdGenMT(rate:IA5String)			
Group:		GSM_L3_MS_v4170/Miscellaneous/			
Objective:		To generate the ASSIGNMENT COMMAND message for a mobile terminated call.			
Default:		OtherEvents			
Nr	Label	Behaviour Description	CRef	V	Comments
1		[rate <> C_Half]			Full rate
2		+ltree_AsgnTchF			
3		[rate = C_Half]			Half rate
4		+ltree_AsgnTchH			
ltree_AsgnTchF					
5		[TSPC_PGSM OR TSPC_EGSM]			
6		(TCV_AssCmd := AsgnCmd_tchf(TSPX_TmSltDef, TSPX_TscDef))			
7		(TCV_AssCmd.ch1mod := TCV_ChMod, TCV_AssCmd.pcmd.pl := '00111'B)			
8		[TSPC_DCS]			
9		(TCV_AssCmd := AsgnCmd_dtchf(TSPX_TmSltDef, TSPX_TscDef))			
10		(TCV_AssCmd.ch1mod := TCV_ChMod, TCV_AssCmd.pcmd.pl := '00011'B)			
ltree_AsgnTchH					
11		[TSPC_PGSM OR TSPC_EGSM]			
12		(TCV_AssCmd := AsgnCmd_tchh(TSPX_TCHHSubDef, TSPX_TmSltDef, TSPX_TscDef))			
13		(TCV_AssCmd.ch1mod := TCV_ChMod, TCV_AssCmd.pcmd.pl := '00111'B)			
14		[TSPC_DCS]			
15		(TCV_AssCmd := AsgnCmd_dtchh(TSPX_TCHHSubDef, TSPX_TmSltDef, TSPX_TscDef))			
16		(TCV_AssCmd.ch1mod := TCV_ChMod, TCV_AssCmd.pcmd.pl := '00011'B)			
Detailed Comments:		The test step makes the assumption that the channel rate is known when the test step is called.			

Test Step Dynamic Behaviour					
Test Step Name:		Assoc(lgch1:LOGICCH; sublgch1:LOGICCH; sublgch2:LOGICCH; sublgch3:LOGICCH; sublgch4:LOGICCH; sublgch5:LOGICCH; sublgch6:LOGICCH; sublgch7: LOGICCH; sublgch8:LOGICCH; lgch2:LOGICCH; sublgch9:LOGICCH; sublgch10:LOGICCH; sublgch11:LOGICCH; sublgch12:LOGICCH; sublgch13:LOGICCH; sublgch14:LOGICCH; sublgch15: LOGICCH; sublgch16:LOGICCH)			
Group:		GSM_L3_MS_v4170/Miscellaneous/			
Objective:		To associate the sub logic channel identifiers to the generic "parent" channel identifiers therefore the subchannel identifiers can refer to the corresponding channels configured by OM_ChConf.			
Default:		OtherEvents			
Nr	Label	Behaviour Description	CRef	V	Comments
1		(TCV_Null := OM_Assoc(lgch1, sublgch1, sublgch2, sublgch3, sublgch4, sublgch5, sublgch6, sublgch7, sublgch8, lgch2, sublgch9, sublgch10, sublgch11, sublgch12, sublgch13, sublgch14, sublgch15, sublgch16))			
Detailed Comments:					

Test Step Dynamic Behaviour					
Test Step Name:		Authentication(ch: LOGICCH; cksn: BITSTRING)			
Group:		GSM_L3_MS_v4170/Miscellaneous/			
Objective:					
Default:		OtherEventsFail			
Nr	Label	Behaviour Description	CRef	V	Comments
1		L!DL_DatRqAuthRq	AuthReq_30(ch, cksn)		
2		L?DL_DatInAuthRes (TCV_Sres := DL_DatInAuthRes.msg.sres)	AuthRes_01		
3		(TCV_Res := OC_ChkSRES(TCV_Sres, TSPX_Ki, TSPX_RANDDef))			
4		[TCV_Res = FALSE]		(F)	1)
5		[TCV_Res = TRUE]		(P)	
Detailed Comments:		Authentication fails.			

Test Step Dynamic Behaviour					
Test Step Name:		CCAAuthenticate(ch:LOGICCH)			
Group:		GSM_L3_MS_v4170/Miscellaneous/			
Objective:		Send authentication request and wait for response. This is used in CC testing.			
Default:		OtherEvents			
Nr	Label	Behaviour Description	CRef	V	Comments
1		L!DL_DatRqAuthRq	AuthReq(ch, AuthRequest_01)		
2		L?DL_DatInAuthRes	AuthRes(AuthResponse_01)		
Detailed Comments:					

Test Step Dynamic Behaviour					
Test Step Name:		CCAssignTCH(slot:SN; tsc:TSC)			
Group:		GSM_L3_MS_v4170/Miscellaneous/			
Objective:		Send assign command TCH/H or TCH/F depending on TCV_ChRate and wait for establishment indication. This is used in CC testing.			
Default:		OtherEvents			
Comments:		The calling tree prepare three variables for the step: TCV_ChRate for the type of the channel, TCV_chMod with the channel mode IE for the channel, TCV_chTch contains the identifier for the traffic channel and TCV_chtype the channel type.			
Nr	Label	Behaviour Description	CRef	V	Comments
1		(TCV_Null := OM_ChMdModi(TCV_chTch, TCV_ChMod), TCV_Null := OM_CphMd(TCV_chTch, CphMod_01, TCV_CphKey))			
2		+ltree_Asgn			1.
3		+AssCh_complete(TCV_ch, TCV_chTch, TCV_AssCmd)			2. 3.
		ltree_Asgn			
4		[TSPC_PGSM OR TSPC_EGSM]			
5		(TCV_AssCmd := AsgnCmd_31(TCV_chtype,TCV_ChMod, slot, tsc))			
6		[TSPC_DCS]			
7		(TCV_AssCmd := AsgnCmd_31d(TCV_chtype,TCV_ChMod, slot, tsc))			
Detailed Comments:		<ol style="list-style-type: none"> To assign the suitable traffic channel to the MS. ASSIGN COMMAND with channel mode, channel description and power command. The channel mode and type (TCH/H or TCH/F) and power command are supplied as parameter. Different power command for DCS. 			

Test Step Dynamic Behaviour					
Test Step Name:		CCCH_group_Paging_group(ccd: CCD; imsi: HEXSTRING)			
Group:		GSM_L3_MS_v4170/Miscellaneous/			
Objective:		To calculate the CCCH group and the Paging group from the IMSI and the Control Channel Descriptor according to GSM 05.02, subclause 6.5.2.			
Default:		OtherEvents			
Nr	Label	Behaviour Description	CRef	V	Comments
1		[ccd.ccch_con = '000'B]			
2		(TCV_bs_cc_chans := 1)			
3		+localtree1			
4		[ccd.ccch_con = '001'B]			
5		(TCV_bs_cc_chans := 1)			
6		+localtree1			
7		[ccd.ccch_con = '010'B]			
8		(TCV_bs_cc_chans := 2)			
9		+localtree1			
10		[ccd.ccch_con = '100'B]			
11		(TCV_bs_cc_chans := 3)			
12		+localtree1			
13		[ccd.ccch_con = '110'B]			
14		(TCV_bs_cc_chans := 4)			
15		+localtree1			
localtree1					
16		(TCV_bs_ag_blks_res := BIT_TO_INT(ccd.babr), TCV_bs_pa_mfrms := (2 + BIT_TO_INT(ccd.bpm)))			
17		[ccd.ccch_con = '001'B]			i.e. combined
18		[(TCV_bs_ag_blks_res < 0) OR(TCV_bs_ag_blks_res > 2)]		I	Stop! A tester error.
19		[(TCV_bs_ag_blks_res >= 0) AND (TCV_bs_ag_blks_res <= 2)]			
20		(TCV_tmp := 3 - TCV_bs_ag_blks_res)			
21		+localtree2			
22		[ccd.ccch_con <> '001'B]			i.e. not combined
23		[(TCV_bs_ag_blks_res < 0) OR(TCV_bs_ag_blks_res > 7)]		I	Stop! A tester error.
24		[(TCV_bs_ag_blks_res >= 0) AND (TCV_bs_ag_blks_res <= 7)]			
25		(TCV_tmp := 9 - TCV_bs_ag_blks_res)			
26		+localtree2			ini. TCV Pgg
localtree2					
27		(TCV_tmp := TCV_tmp * TCV_bs_pa_mfrms)			
28		(TCV_Pgg := INT_TO_BIT((((OC_BCDtoInt(imsi, 3)) MOD(TCV_bs_cc_chans * TCV_tmp)) MOD TCV_tmp), 8), TCV_Ccchg := ((((OC_BCDtoInt(imsi, 3)) MOD(TCV_bs_cc_chans * TCV_tmp)) / TCV_tmp))			
Detailed Comments:					

Test Step Dynamic Behaviour					
Test Step Name: CCEstablishMO_SDCCH4(ta:TA)					
Group: GSM_L3_MS_v4170/Miscellaneous/					
Objective: Establish a MO SDCCH/4 connection. This is used in CC testing					
Default: OtherEventsFail					
Nr	Label	Behaviour Description	CRef	V	Comments
1		L?DL_RaInChRq (TCV_Rr := DL_RaInChRq. msg.ecau_rrf, TCV_Fn := DL_RaInChRq.fn)	ChReq(ChRequest_1 9)		1.
2		LIDL_UdatRqImmss	ImmAss(TCV_agch, ImmAsgn_01Def(TCV _Rr, TCV_Fn, TCV_slot, TCV_tsc, TCV_chdescr_arfcn, ta))		
Detailed Comments: 1. To assign a SDCCH/4.					

Test Step Dynamic Behaviour					
Test Step Name: CCEstablishMO_TCH(acttype:BITSTRING; slot:SN; tsc:TSC; ta:TA; babr, cch_con, bpm:B_3)					
Group: GSM_L3_MS_v4170/Miscellaneous/					
Objective: Establish a MO TCH/F or TCH/H connection. This is used in CC testing					
Default: OtherEvents					
Comments: The calling tree shall prepare one variable for the step: TCV_ChRate for the type of the channel. TCV_chTch contains the identifier for the traffic channel and TCV_cht the channel type.					
Nr	Label	Behaviour Description	CRef	V	Comments
1		L?DL_RaInChRq (TCV_Rr := DL_RaInChRq. msg.ecau_rrf, TCV_Fn := DL_RaInChRq.fn)	ChReq(ChRequest_1 9)		To match ChReq retrans. 1.
2		ACTIVATE(OtherEvents_02)			
3		+CImmAssignTCH(acttype, slot, tsc, ta, babr, cch_con, bpm)			
Detailed Comments: 1. To assign TCH/F or TCH/H.					

Test Step Dynamic Behaviour					
Test Step Name: CCEstablishMT_SDCCH4(ta:TA)					
Group: GSM_L3_MS_v4170/Miscellaneous/					
Objective: Establish a MT SDCCH/4 connection. This is used in CC testing					
Default: OtherEvents					
Nr	Label	Behaviour Description	CRef	V	Comments
1		+CCPage			To match ChReq retrans. 1.
2		ACTIVATE(OtherEvents_02)			
3		LIDL_UdatRqImmss	ImmAss(TCV_agch, ImmAsgn_01Def(TCV _Rr, TCV_Fn, TCV_slot, TCV_tsc, TCV_chdescr_arfcn, ta))		
4		L?DL_EstInPgRes	PagingRes(PagingRe s_03)		Restore Normal default
5		ACTIVATE(OtherEvents)			
Detailed Comments: 1. To assign a SDCCH/4.					

Test Step Dynamic Behaviour					
Test Step Name:		CCEstablishMT_TCH(acttype:BITSTRING; slot:SN; tsc:TSC; ta:TA; babr, cch_con, bpm:B_3)			
Group:		GSM_L3_MS_v4170/Miscellaneous/			
Objective:		Establish a MT TCH/F or TCH/H connection. This is used in CC testing			
Default:		OtherEvents			
Comments:		The calling tree shall prepare one variable for the step: TCV_ChRate for the type of the channel. TCV_chTch contains the identifier for the traffic channel and TCV_cht the channel type.			
Nr	Label	Behaviour Description	CRef	V	Comments
1		+CCPage			To match ChReq retrans. 1. Restore Normal default
2		ACTIVATE(OtherEvents_02)			
3		+CCImmAssignTCH(acttype, slot, tsc, ta, babr, cch_con, bpm)			
4		L?DL_EstInPgRes	PagingRes(PagingRes_01)		
5		ACTIVATE(OtherEvents)			
Detailed Comments:		1. To assign TCH/F or TCH/H.			

Test Step Dynamic Behaviour					
Test Step Name:		CC_EstMsTermCall			
Group:		GSM_L3_MS_v4170/Miscellaneous/			
Objective:		To perform the CC message exchange to establish a mobile station terminating call with non hopping channel (speech or data call). (Similar to EstMsTermFullRateCallNonFH but without initial RRmtcallprepare)			
Default:		OtherEvents			
Comments:		used var's: TCV_cellid, TCV_chdescr_arfcn, TCV_Bcap1, TCV_ch			
Nr	Label	Behaviour Description	CRef	V	Comments
1		L!DL_DatRqSetup	SetupRq_20(TCV_ch)		1)
2		L?DL_DatInCallCo	CallCfm_20		
3		L?DL_DatInConn	ConnRcv_01		
4		+localtree			
5		L?DL_DatInAlert	AlertRcv_01		
6		(TCV_Null := OO_HookOff())			
7		L?DL_DatInConn	ConnRcv_01		
8		+localtree			
9		localtree (TCV_AssCmd := AsgnCmd_21(TCV_asscmd_ts, TCV_chdescr_arfcn))			
10		+AssCh_complete(TCV_ch,TCV_chTch,TCV_AssCmd)			
11		L!DL_DatRqConnAck	ConnAck_20(TCV_ch)		
Detailed Comments:		1. If the MS supports the bearer capabilities, which are give in Setup message, it has to accept them. Therefor, they are no bearer capabilities expected in Call Confirm message. 2. TCH/F with non hopping in selected cell.			

Test Step Dynamic Behaviour					
Test Step Name: CCImmAssignTCH(actype:BITSTRING; slot:SN; tsc:TSC; ta:TA; babr, cch_con, bpm:B_3)					
Group: GSM_L3_MS_v4170/Miscellaneous/					
Objective: Send immediate assign command TCH/H or TCH/F depending on TCV_ChRate. This is used in CC testing.					
Default: OtherEvents_02					
Comments: The calling tree shall prepare three variables for the step: TCV_ChRate for the type of the channel, TCV_Rr with the request reference from the channel request and TCV_Fn with the frame number of the channel request. TCV_chTch contains the identifier for the traffic channel and TCV_chtype the channel type.					
Nr	Label	Behaviour Description	CRef	V	Comments
1		[TCV_ChRate = C_Full]			1.
2		+FullRateCh_A_1_nociph(actype, slot, tsc, ChMod_sign, FreqTCHa_rg, FreqTCHa_rd, ta, babr, cch_con, bpm)			
3		(TCV_chtype := '00001'B)			
4		+localtree			
5		[TCV_ChRate = C_Half]			2.
6		+HalfRateCh_A_1_nociph(TSPX_TCHHSubDef, actype, slot, tsc, ChMod_sign, FreqTCHa_rg, FreqTCHa_rd, ta, babr, cch_con, bpm)			
7		[TSPX_TCHHSubDef = '0'B]			
8		(TCV_chtype := '00010'B)			
9		+localtree			
10		[TSPX_TCHHSubDef = '1'B]			
11		(TCV_chtype := '00011'B)			
12		+localtree			
13		localtree L!DL_UdatRqImm	ImmAss(C_AGCH_A_1, ImmAsgn_TCH(TCV_Rr, TCV_Fn, TCV_chtype, slot, tsc, ta))		3.
Detailed Comments:					

Test Step Dynamic Behaviour					
Test Step Name: CCModifyTCH(slot :SN; tsc:TSC)					
Group: GSM_L3_MS_v4170/Miscellaneous/					
Objective: Send channel mode modify command and wait for successful completion. This is used for CC testing.					
Default: OtherEvents					
Comments: The calling tree shall prepare two variables for the step: TCV_chtype for the type of the channel, TCV_ChMod with the channel mode IE for the channel.					
Nr	Label	Behaviour Description	CRef	V	Comments
1		(TCV_Null := OM_ChMdModi(TCV_chTch, TCV_ChMod))			
2		L!DL_DatRqChmmo	ChmmoReqSnd(TCV_chTch, ChmomoReq_07(TCV_chtype, TCV_ChMod.mode, slot, tsc))		
3		L?DL_DatInChmmoAck	ChmmoAckRcv(TCV_chTch, ChmomoAck_08(TCV_chtype, TCV_ChMod.mode, slot, tsc))		
Detailed Comments:					

Test Step Dynamic Behaviour					
Test Step Name:		CCPage			
Group:		GSM_L3_MS_v4170/Miscellaneous/			
Objective:		Send paging request and wait for channel request. This is used in CC testing.			
Default:		OtherEvents			
Comments:		TCV_Rr contains the request reference and TCV_Fn contains the frame number of the channel request.			
Nr	Label	Behaviour Description	CRef	V	Comments
1		+CCCH_group_Paging_group(TCV_Ccd0A, TSPX_IMSI)			
2		L!DL_UdatRqPg1Rq	PgReq1(TCV_PgCh, TCV_Pgg, PgReqTp1_01)		
3		L?DL_RaclnChRq (TCV_Rr := DL_RaclnChRq.msg.ecau_rrf, TCV_Fn := DL_RaclnChRq.fn)	ChReq(ChRequest_01)		
Detailed Comments:					

Test Step Dynamic Behaviour					
Test Step Name:		CCstatuschk_01(ch: LOGICCH; st:CCSTATE)			
Group:		GSM_L3_MS_v4170/Miscellaneous/			
Objective:		To check whether the MS under test is in the CC state `st` and cause = #30.			
Default:		OtherEventsFail			
Comments:		if the cause value is #30 and the CC state value is `st`, the preliminary verdict is pass. This is used in the case of transaction initiated by test system, the DCCH is `ch`.			
Nr	Label	Behaviour Description	CRef	V	Comments
1		L!DL_DatRqCcstEnq	CCStEq_01(TI_02, ch)		
2		L?DL_DatInCcst	CCSt_14(TI_01, st)		
Detailed Comments:					

Test Step Dynamic Behaviour					
Test Step Name:		CCstatuschk_02(ch: LOGICCH; st:CCSTATE; ti_orig, ti_dest: TI)			
Group:		GSM_L3_MS_v4170/Miscellaneous/			
Objective:		To check whether the MS under test is in the CC state `st` and cause = #30.			
Default:		OtherEvents			
Comments:		if the cause value is #30 and the CC state value is `st`, the preliminary verdict is pass.			
Nr	Label	Behaviour Description	CRef	V	Comments
1		L!DL_DatRqCcstEnq	CCStatusEnqSnd(ch, CCStatusEq_01(ti_orig))		
2		L?DL_DatInCcst (TCV_Cau := DL_DatInCcst.msg.cau, TCV_CCst := DL_DatInCcst.msg.cst)	CCStatusRcv(CCStatus_01(ti_dest))		
3		[(TCV_Cau.cau_class = '001'B) AND (TCV_Cau.cau_va = '1110'B)]			
4		[TCV_CCst.csv = INT_TO_BIT(st, 6)]			1.
5		[TCV_CCst.csv <> INT_TO_BIT(st, 6)]		(I)	2.
6		+PostLinkRelEnd(ch)			
7		[(TCV_Cau.cau_class <> '001'B) OR (TCV_Cau.cau_va <> '1110'B)]		(I)	3.
8		+PostLinkRelEnd(ch)			
Detailed Comments:					
1. Now in CC state 'st' and cause = #30.					
2. Not in CC state 'st'.					
3. Cause is not #30.					

Test Step Dynamic Behaviour					
Test Step Name:		CCstatuschk_03(st:CCSTATE; Ti:Ti)			
Group:		GSM_L3_MS_v4170/Miscellaneous/			
Objective:		To check whether the MS under test is in the CC state `st` and cause = #30.			
Default:		OtherEventsFail			
Comments:		if the cause value is #30 and the CC state value is `st`, the preliminary verdict is pass. This is used in the case of DCCH = SDCCH4 and transcation initiated by the MS. The calling tree shall prepare the variable for the step: TCV_ch.			
Nr	Label	Behaviour Description	CRef	V	Comments
1		(TCV_TI1 := Ti, TCV_TI1.ti_f := '0'B)			
2		L!DL_DatRqCcstEnq	CCStEq_01(Ti, TCV_ch)		
3		L?DL_DatInCcst	CCSt_14(TCV_TI1, st)	(P)	
Detailed Comments:					

Test Step Dynamic Behaviour					
Test Step Name:		CCstatuschk_05(st:CCSTATE; ti:Ti; ch: LOGICCH)			
Group:		GSM_L3_MS_v4170/Miscellaneous/			
Objective:		To check whether the MS under test is in the CC state `st` and cause = #30.			
Default:		OtherEventsFail			
Comments:		if the cause value is #30 and the CC state value is `st`, the preliminary verdict is pass.			
Nr	Label	Behaviour Description	CRef	V	Comments
1		(TCV_TI1.ti_v := ti.ti_v)			
2		[ti.ti_f = '0'B]			
3		(TCV_TI1.ti_f := '1'B)			
4		+localtree			
5		[ti.ti_f = '1'B]			
6		(TCV_TI1.ti_f := '0'B)			
7		+localtree			
		localtree			
8		L!DL_DatRqCcstEnq	CCStatusEnqSnd(ch, CCStatusEq_01(ti))		
9		L?DL_DatInCcst	CCStatusRcv(CCStat us_14(TCV_TI1, st))	(P)	
Detailed Comments:					

Test Step Dynamic Behaviour					
Test Step Name:		CheckTIsInStateU0(mo: BOOLEAN; ch: LOGICCH)			
Group:		GSM_L3_MS_v4170/Miscellaneous/			
Objective:		Check that all MO or MT CC entities in the MS are in state U0. This is used in CC testing.			
Default:		OtherEventsFail			
Nr	Label	Behaviour Description	CRef	V	Comments
1		[mo]			
2		(TCV_TI1.ti_f := '1'B, TCV_TI2.ti_f := '0'B)			
3		+localtree1			
4		[NOT mo]			
5		(TCV_TI1.ti_f := '0'B, TCV_TI2.ti_f := '1'B)			
6		+localtree1			
localtree1					
7		(TCV_Cnt := 0)			
8		REPEAT localtree2 UNTIL [TCV_Cnt = 7]			
localtree2					
9		(TCV_TI1.ti_v := INT_TO_BIT(TCV_Cnt, 3), TCV_TI2.ti_v := INT_TO_BIT(TCV_Cnt, 3))			
10		L!DL_DatRqCcstEnq	CCStatusEnqSnd(ch, CCStatusEq_01(TCV _TI1))		
11		L?DL_DatInRelCmp	RelComRcv(Release Cmp_01(TCV_TI2))	(P)	2.
12		(TCV_Cnt := TCV_Cnt + 1)			
Detailed Comments:					

Test Step Dynamic Behaviour					
Test Step Name:		Cipherring_off(ch: LOGICCH)			
Group:		GSM_L3_MS_v4170/Miscellaneous/			
Objective:					
Default:		OtherEventsFail			
Nr	Label	Behaviour Description	CRef	V	Comments
1		(TCV_Null := OM_CphMdChg(TCV_ch, CphMod_02, TCV_CphKey))			
2		L!DL_DatRqCphmCmd	CphCmd_02(ch)		
3		L?DL_DatInCphmCom	CphCmp_01	(P)	
Detailed Comments:					

Test Step Dynamic Behaviour					
Test Step Name:		Cipherring_off2(ch: LOGICCH)			
Group:		GSM_L3_MS_v4170/Miscellaneous/			
Objective:					
Default:		OtherEventsFail			
Nr	Label	Behaviour Description	CRef	V	Comments
1		L!DL_DatRqCphmCmd	CphCmd_02(ch)		
2		L?DL_DatInCphmCom	CphCmp_01	(P)	
Detailed Comments:					

Test Step Dynamic Behaviour					
Test Step Name: Ciphering_on(ch: LOGICCH)					
Group: GSM_L3_MS_v4170/Miscellaneous/					
Objective: Send cipher command and wait for successful completion					
Default: OtherEventsFail					
Nr	Label	Behaviour Description	CRef	V	Comments
1		(TCV_Null := OM_CphMdChg(ch, CphMod_01, TCV_CphKey))			
2		L!DL_DatRqCphmCmd	CphCmd(ch, CphModeCmd_01)		
3		L?DL_DatInCphmCom	CphCom(CphModeCmp_01)	(P)	
Detailed Comments:					

Test Step Dynamic Behaviour					
Test Step Name: CMsrvcRq					
Group: GSM_L3_MS_v4170/Miscellaneous/					
Objective:					
Default: OtherEventsFail					
Nr	Label	Behaviour Description	CRef	V	Comments
1		L?DL_DatInCmsRq	CmserDatReq_01		1)
2		L!DL_DatRqCmsAcp	CmserAcp_01(TCV_ch)		
3		L?DL_DatInSetup (TCV_Mt := DL_DatInSetup.msg.mt)	SetupIn_01	(P)	2)
4		L?DL_DatInRegister	Register_03(RegisterPdu_01)	(P)	2)
5		L?DL_DatInCpData	DatInCpData(CpDataPdu_any)	(P)	2)
Detailed Comments: 1) MS shall send a CM Service Request. 2) Any initial CM message is to expect. This test step is called in TC_26_7_4_3_4 & TC_26_7_5_8_2					

Test Step Dynamic Behaviour					
Test Step Name: Compute_ti					
Group: GSM_L3_MS_v4170/Miscellaneous/					
Objective:					
Default: OtherEventsFail					
Nr	Label	Behaviour Description	CRef	V	Comments
1		(TCV_ti_dest.ti_v := TCV_ti_v, TCV_ti_dest.ti_f := '1'B)			1.
2		(TCV_ti_orig.ti_f := '0'B, TCV_ti_orig.ti_v := TCV_ti_v)			2.
Detailed Comments: 1. (TCV_ti_dest := TCV_ti_v AND '1111'B) 2. (TCV_ti_orig := TCV_ti_v AND '0111'B)					

Test Step Dynamic Behaviour					
Test Step Name:		DTMFSignalling(n: INTEGER; ti_ms: TI; ti_ss: TI; ch: LOGICCH)			
Group:		GSM_L3_MS_v4170/Miscellaneous/			
Objective:					
Default:		OtherEventsFail			
Nr	Label	Behaviour Description	CRef	V	Comments
1		(TCV_Cnt:=0)			
2		REPEAT localtree UNTIL [TCV_Cnt=n]			
		localtree			
3		L?DL_DatInStartDtmf(TCV_Char := DL_DatInStartDtmf.msg.kpf.kpf_info)	StartDTMF_02(ti_ms)		
4		L!DL_DatRqStartDtmfAck	StartDTMFAck_01(ti_ ss, TCV_Char, ch)		
5		L?DL_DatInStopDtmf	StopDTMF_01(ti_ms)		
6		L!DL_DatRqStopDtmfAck	StopDTMFAck_01(ti_ ss, ch)		
7		(TCV_Cnt:=TCV_Cnt+1)			
Detailed Comments:					

Test Step Dynamic Behaviour					
Test Step Name:		IdentityRequest(par_int:INTEGER; par_mi:MI)			
Group:		GSM_L3_MS_v4170/Miscellaneous/			
Objective:					
Default:		OtherEventsFail			
Nr	Label	Behaviour Description	CRef	V	Comments
1		+ltree_idrequest			
2		L?DL_DatInIdRes	IDRes_30(par_mi)	(P)	
		ltree_idrequest			
3		[par_int=C_IMSI]			
4		L!DL_DatRqIdRq	IDReq(TCV_ch, IDRequest_01('0001' B))		IMSI.
5		[par_int=C_TMSI]			
6		L!DL_DatRqIdRq	IDReq(TCV_ch, IDRequest_01('0100' B))		TMSI.
7		[par_int=C_IMEI]			
8		L!DL_DatRqIdRq	IDReq(TCV_ch, IDRequest_01('0010' B))		IMEI.
9		[par_int=C_IMEISV]			
10		L!DL_DatRqIdRq	IDReq(TCV_ch, IDRequest_01('0011' B))		IMSESV.
Detailed Comments:					

Test Step Dynamic Behaviour						
Test Step Name:		ImsiAttach(par_mi:MI; ta:TA; mnc:OCTETSTRING; sim_rmvd:BOOLEAN)				
Group:		GSM_L3_MS_v4170/Miscellaneous/				
Objective:						
Default:		OtherEventsFail				
Nr	Label	Behaviour Description	CRef	V	Comments	
1		[(sim_rmvd = TRUE) AND (TSPC_SIMRmv = TRUE) AND (TSPC_DetachOnSIMRmv=TRUE)]			SIM has been removed during the test.	
2		(TCV_Null := OO_SIMIns())				
3		+ltree_imsiattach				
4		[TSPC_SwitchOnOff =TRUE]				
5		(TCV_Null := OO_SwitchOn())				
6		+ltree_imsiattach				
7		[TSPC_DetachOnPwrDn=TRUE]				
8		(TCV_Null := OO_PowerUp())				Restore power source
9		+ltree_imsiattach				
10		(((sim_rmvd = FALSE) OR (TSPC_SIMRmv = FALSE) OR (TSPC_DetachOnSIMRmv = FALSE)) AND (TSPC_SwitchOnOff =FALSE) AND (TSPC_DetachOnPwrDn = FALSE))				Restore power source
11		(TCV_Null := OO_PowerUp())				
		ltree_imsiattach				
12		L?DL_RacInChRq (TCV_Rr := DL_RacInChRq. msg.ecau_rrf, TCV_Fn := DL_RacInChRq.fn)	ChReq_09		To match ChReq retrans.	
13		ACTIVATE(OtherEventsFail_02)				
14		L!DL_UdatRqImm	ImmAss_01Def(TCV_agch, TCV_Rr, TCV_Fn, TCV_slot, TCV_tsc, TCV_chdescr_arfcn, ta)			
15		L?DL_EstInLupRq	LocUp_31(par_mi, TCV_ch, mnc, TCV_lac, C_imsi_attach, TCV_cks)	(P)		
16		ACTIVATE(OtherEventsFail)				Restore Normal default
17		L!DL_DatRqLupAcp	LocAcp(TCV_ch, mnc, TCV_lac)			No MI
18		+ChanRel(TCV_ch)				

Detailed Comments:

Test Step Dynamic Behaviour						
Test Step Name: ImsiAttachIni(par_mi:MI; ta:TA; mnc:OCTETSTRING; sim_rmvd:BOOLEAN)						
Group: GSM_L3_MS_v4170/Miscellaneous/						
Objective:						
Default: OtherEventsFail						
Nr	Label	Behaviour Description	CRef	V	Comments	
1		[(sim_rmvd = TRUE) AND (TSPC_SIMRmv = TRUE) AND (TSPC_DetachOnSIMRmv=TRUE)]			SIM has been removed during the test.	
2		(TCV_Null := OO_SIMIns())				
3		+ltree_imsiattachIni				
4		[TSPC_SwitchOnOff =TRUE]				
5		(TCV_Null := OO_SwitchOn())				
6		+ltree_imsiattachIni				
7		[TSPC_DetachOnPwrDn=TRUE]				
8		(TCV_Null := OO_PowerUp())				Restore power source
9		+ltree_imsiattachIni				
10		(((sim_rmvd = FALSE) OR (TSPC_SIMRmv = FALSE) OR (TSPC_DetachOnSIMRmv = FALSE)) AND (TSPC_SwitchOnOff =FALSE) AND (TSPC_DetachOnPwrDn = FALSE))]				Restore power source
11		(TCV_Null := OO_PowerUp())				
12		ltree_imsiattachIni L?DL_RaInChRq (TCV_Rr := DL_RaInChRq. msg.ecau_rrf, TCV_Fn := DL_RaInChRq.fn) START T_dly(15000)	ChReq_09		To match ChReq retrans.	
13		ACTIVATE(OtherEventsFail_02)				
14		LIDL_UdatRqImmass	ImmAss_01Def(TCV_agch, TCV_Rr, TCV_Fn, TCV_slot, TCV_tsc, TCV_chdescr_arfcn, ta)			
15		L?DL_EstInLupRq	LocUp_31(par_mi, TCV_ch, mnc, TCV_lac, C_imsi_attach, TCV_cksn)	(P)		
16		ACTIVATE(OtherEventsFail)			Restore Normal default	
Detailed Comments: The test step is called in TC_26_7_5_8_1, TC_26_7_5_8_2, TC_26_7_5_8_3.						

Test Step Dynamic Behaviour						
Test Step Name: ImsiAttachNoReaction(par_int: INTEGER; sim_rmvd:BOOLEAN)						
Group: GSM_L3_MS_v4170/Miscellaneous/						
Objective:						
Default: OtherEventsFail						
Nr	Label	Behaviour Description	CRef	V	Comments	
1		[(sim_rmvd = TRUE) AND (TSPC_SIMRmv = TRUE) AND (TSPC_DetachOnSIMRmv=TRUE)]			SIM has been removed during the test.	
2		(TCV_Null := OO_SIMIns())				
3		+NoReaction(par_int)				
4		[TSPC_SwitchOnOff =TRUE]				
5		(TCV_Null := OO_SwitchOn())				
6		+NoReaction(par_int)				
7		[TSPC_DetachOnPwrDn=TRUE]				
8		(TCV_Null := OO_PowerUp())				Restore power source
9		+NoReaction(par_int)				
10		(((sim_rmvd = FALSE) OR (TSPC_SIMRmv = FALSE) OR ((TSPC_SIMRmv = TRUE) AND (TSPC_DetachOnSIMRmv = FALSE))) AND (TSPC_SwitchOnOff =FALSE) AND (TSPC_DetachOnPwrDn = FALSE))]				Restore power source
11		(TCV_Null := OO_PowerUp())				
Detailed Comments:						

Test Step Dynamic Behaviour						
Test Step Name: ImsiDetach(par_mi:MI; ta:TA; sim_rmvd:BOOLEAN)						
Group: GSM_L3_MS_v4170/Miscellaneous/						
Objective:						
Default: OtherEventsFail						
Nr	Label	Behaviour Description	CRef	V	Comments	
1		[(sim_rmvd = TRUE) AND (TSPC_SIMRmv = TRUE) AND (TSPC_DetachOnSIMRmv=TRUE)]			SIM needs to be removed.	
2		(TCV_Null :=OO_SIMRmv())				
3		+ltree_imsidetach				
4		[TSPC_SwitchOnOff =TRUE]				
5		(TCV_Null := OO_SwitchOff())				
6		+ltree_imsidetach				
7		[TSPC_DetachOnPwrDn=TRUE]				
8		(TCV_Null := OO_PowerDown())				Remove power source
9		+ltree_imsidetach				
10		(((sim_rmvd = FALSE) OR (TSPC_SIMRmv = FALSE) OR (TSPC_DetachOnSIMRmv = FALSE)) AND (TSPC_SwitchOnOff =FALSE) AND (TSPC_DetachOnPwrDn = FALSE))]				Remove power source
11		(TCV_Null := OO_PowerDown())				
12		ltree_imsidetach L?DL_RacInChRq (TCV_Rr := DL_RacInChRq.msg.ecau_rrf, TCV_Fn := DL_RacInChRq.fn)	ChReq_01			To match ChReq retrans.
13		ACTIVATE(OtherEventsFail_02)				
14		LIDL_UdatRqImmass	ImmAss_01Def(TCV_agch, TCV_Rr,TCV_Fn, TCV_slot, TCV_tsc, TCV_chdescr_arfcn, ta)			
15		L?DL_EstInImsidIn	ImsiDet_30(par_mi)	(P)		
16		ACTIVATE(OtherEventsFail)				Restore normal default
17		+ChanRel(TCV_ch)				
Detailed Comments: If IMSI detach procedure has been executed, the channel will be released. If ATT=0 no detach has been executed, the channel is still connected.						

Test Step Dynamic Behaviour						
Test Step Name: ImsiDetachNoReaction(par_int: INTEGER; sim_rmvd:BOOLEAN)						
Group: GSM_L3_MS_v4170/Miscellaneous/						
Objective:						
Default: OtherEventsFail						
Nr	Label	Behaviour Description	CRef	V	Comments	
1		[(sim_rmvd = TRUE) AND (TSPC_SIMRmv = TRUE) AND (TSPC_DetachOnSIMRmv=TRUE)]			SIM needs to be removed.	
2		(TCV_Null :=OO_SIMRmv())				
3		+NoReaction(par_int)				
4		[TSPC_SwitchOnOff =TRUE]				
5		(TCV_Null := OO_SwitchOff())				
6		+NoReaction(par_int)				
7		[TSPC_DetachOnPwrDn=TRUE]				
8		(TCV_Null := OO_PowerDown())				Remove power source
9		+NoReaction(par_int)				
10		(((sim_rmvd = FALSE) OR (TSPC_SIMRmv = FALSE) OR ((TSPC_SIMRmv = TRUE) AND (TSPC_DetachOnSIMRmv = FALSE))) AND (TSPC_SwitchOnOff =FALSE) AND (TSPC_DetachOnPwrDn = FALSE))]				Remove power source
11		(TCV_Null := OO_PowerDown())				
Detailed Comments:						

Test Step Dynamic Behaviour					
Test Step Name:		InCallModi1(srv:MOSEVICES)			
Group:		GSM_L3_MS_v4170/Miscellaneous/			
Objective:		MMI action to initiate in-call modification to the basic service specified.			
Default:		OtherEvents			
Comments:		TCV_Setup_mo, TCV_CallProc have been initialized by the calling tree.			
Nr	Label	Behaviour Description	CRef	V	Comments
1		(TCV_Res := OO_InCallModi(srv), TCV_Bcap2 := OC_Bcap(TCV_Setup_mo, TCV_CallProc, 2), TCV_Bcap1 := OC_Bcap(TCV_Setup_mo, TCV_CallProc, 1))			1.
Detailed Comments:		1. MMI action to initiate in-call modification.			

Test Step Dynamic Behaviour					
Test Step Name:		LowerLayerFailure(ch:LOGICCH)			
Group:		GSM_L3_MS_v4170/Miscellaneous/			
Objective:		To force the lower layer failure.			
Default:		OtherEventsFail			
Nr	Label	Behaviour Description	CRef	V	Comments
1		(TCV_Null := OM_LowerLayerFail(ch))			
Detailed Comments:					

Test Step Dynamic Behaviour					
Test Step Name:		MM_LUP(newmi:MI; lac:OCTETSTRING; ta:TA)			
Group:		GSM_L3_MS_v4170/Miscellaneous/			
Objective:					
Default:		OtherEventsFail			
Nr	Label	Behaviour Description	CRef	V	Comments
1		L?DL_RaInChRq (TCV_Rr := DL_RaInChRq. msg.ecau_rrf, TCV_Fn := DL_RaInChRq.fn)	ChReq_09		To match ChReq retrans.
2		ACTIVATE(OtherEventsFail_02)			
3		LIDL_UdatRqImmss	ImmAss_01Def(TCV_agch, TCV_Rr, TCV_Fn, TCV_slot, TCV_tsc, TCV_chdescr_arfcn, ta)		
4		L?DL_EstInLupRq	LocUp_06(TCV_ch)		Restore Normal default
5		ACTIVATE(OtherEventsFail)			
6		L!DL_DatRqLupAcp	LocAcp_30(newmi, TCV_ch, lac)		
7		L?DL_DatInTmsireCom	TmsiReallocCmp_02(TCV_ch)	(P)	
8		+ChanRel(TCV_ch)			
Detailed Comments:					

Test Step Dynamic Behaviour					
Test Step Name: MM_LUP2(newmi:MI; lup_mi:MI; oldlac, newlac:OCTETSTRING; cksn:BITSTRING; ta:TA)					
Group: GSM_L3_MS_v4170/Miscellaneous/					
Objective:					
Default: OtherEventsFail					
Nr	Label	Behaviour Description	CRef	V	Comments
1		+MM_LupInit(lup_mi, oldlac, C_normal Updating, cksn, ta)			
2		L!DL_DatRqLupAcp	LocAcp_30(newmi, TCV_ch, newlac)		
3		L?DL_DatInTmsireCom	TmsiReallocCmp_02(TCV_ch)	(P)	
4		+ChanRel(TCV_ch)			
Detailed Comments:					

Test Step Dynamic Behaviour					
Test Step Name: MM_LUP3(mnc, lac: OCTETSTRING; ta:TA)					
Group: GSM_L3_MS_v4170/Miscellaneous/					
Objective:					
Default: OtherEventsFail					
Nr	Label	Behaviour Description	CRef	V	Comments
1		+MM_LupInit2(C_normal Updating, ta)			
2		L!DL_DatRqLupAcp	LocAcp(TCV_ch, mnc, lac)	(P)	without MI
3		+ChanRel(TCV_ch)			
Detailed Comments:					

Test Step Dynamic Behaviour					
Test Step Name: MM_LUPAuth1(newtmsi: MI; lac:OCTETSTRING; cksn: BITSTRING; ta:TA)					
Group: GSM_L3_MS_v4170/Miscellaneous/					
Objective:					
Default: OtherEventsFail					
Nr	Label	Behaviour Description	CRef	V	Comments
1		+MM_LupInit2(C_imsi_attach, ta)			
2		+Authentication(TCV_ch, cksn)			
3		LIDL_DatRqLupAcp	LocAcp_30(newtmsi, TCV_ch, lac)		
4		L?DL_DatInTmsireCom	TmsiReallocCmp_02(TCV_ch)	(P)	
Detailed Comments:					

Test Step Dynamic Behaviour					
Test Step Name: MM_LUPAuth2(newtmsi: MI; lup_mi:MI; old_lac, new_lac:OCTETSTRING; locup:B_2; old_ksn, new_ksn: BITSTRING; ta:TA)					
Group: GSM_L3_MS_v4170/Miscellaneous/					
Objective:					
Default: OtherEventsFail					
Nr	Label	Behaviour Description	CRef	V	Comments
1		+MM_LupInit(lup_mi, old_lac, locup, old_ksn, ta)			
2		+Authentication(TCV_ch, new_ksn)			
3		LIDL_DatRqLupAcp	LocAcp_30(newtmsi, TCV_ch, new_lac)		
4		L?DL_DatInTmsireCom	TmsiReallocCmp_02(TCV_ch)	(P)	
Detailed Comments:					

Test Step Dynamic Behaviour					
Test Step Name:		MM_LUP_imsi(newmi:MI; lup_mi:MI; lac:OCTETSTRING; locup:B_2; ta:TA)			
Group:		GSM_L3_MS_v4170/Miscellaneous/			
Objective:					
Default:		OtherEventsFail			
Nr	Label	Behaviour Description	CRef	V	Comments
1		+MM_Luplnit(lup_mi, lac, locup, TCV_cksn, ta)			
2		LIDL_DatRqLupAcp	LocAcp_30(newmi, TCV_ch, lac)	(P)	
Detailed Comments:					

Test Step Dynamic Behaviour					
Test Step Name:		MM_LUP_imsi1(lup_mi:MI; lac:OCTETSTRING; newlac:OCTETSTRING; ta:TA)			
Group:		GSM_L3_MS_v4170/Miscellaneous/			
Objective:					
Default:		OtherEventsFail			
Nr	Label	Behaviour Description	CRef	V	Comments
1		START T_dly(6000)			
2		L?DL_RaInChRq (TCV_Rr := DL_RaInChRq. msg.ecau_rrf, TCV_Fn1 := DL_RaInChRq.fn) READTIMER T_dly(TCV_Time), CANCEL T_dly	ChReq_09		
3		ACTIVATE(OtherEventsFail_02)			
4		LIDL_UdatRqImmass	ImmAss_01Def(TCV_agch, TCV_Rr, TCV_Fn, TCV_slot, TCV_tsc, TCV_chdescr_arfcn, ta)		To match ChReq retrans.
5		L?DL_EstInLupRq	LocUp_30(lup_mi, TCV_ch, lac, C_normal_updating, TCV_cksn)		
6		ACTIVATE(OtherEventsFail)			Restore Normal default
7		LIDL_DatRqLupAcp	LocAcp_32(TCV_ch, newlac)	(P)	
8		[TCV_Time <= 5000]		(P)	1)
9		[TCV_Time > 5000]		(F)	4+0s to 4+5 s
10		?TIMEOUT T_dly		(F)	
Detailed Comments: 1) The time difference between the channel request in the test step and the last channel request in the ltree_ra of TC_26_7_4_3_1 shall be in the range of 4-9 seconds.					

Test Step Dynamic Behaviour					
Test Step Name:		MM_Luplnit(par_mi:MI; lac:OCTETSTRING; locup:B_2; cksn:BITSTRING; ta:TA)			
Group:		GSM_L3_MS_v4170/Miscellaneous/			
Objective:					
Default:		OtherEventsFail			
Nr	Label	Behaviour Description	CRef	V	Comments
1		L?DL_RaInChRq (TCV_Rr := DL_RaInChRq. msg.ecau_rrf, TCV_Fn := DL_RaInChRq.fn)	ChReq_09		
2		ACTIVATE(OtherEventsFail_02)			
3		LIDL_UdatRqImmass	ImmAss_01Def(TCV_agch, TCV_Rr, TCV_Fn, TCV_slot, TCV_tsc, TCV_chdescr_arfcn, ta)		To match ChReq retrans.
4		L?DL_EstInLupRq	LocUp_30(par_mi, TCV_ch, lac, locup, cksn)	(P)	
5		ACTIVATE(OtherEventsFail)			Restore Normal default
Detailed Comments:					

Test Step Dynamic Behaviour					
Test Step Name: MM_LupInit2(locup:B_2; ta:TA)					
Group: GSM_L3_MS_v4170/Miscellaneous/					
Objective:					
Default: OtherEventsFail					
Nr	Label	Behaviour Description	CRef	V	Comments
1		L?DL_RacInChRq (TCV_Rr := DL_RacInChRq. msg.ecau_rrf, TCV_Fn := DL_RacInChRq.fn)	ChReq_09		To match ChReq retrans.
2		ACTIVATE(OtherEventsFail_02)			
3		LIDL_UdatRqImm	ImmAss_01Def(TCV_agch, TCV_Rr, TCV_Fn, TCV_slot, TCV_tsc, TCV_chdescr_arfcn, ta)		
4		L?DL_EstInLupRq	LocUp_01(TCV_ch, locup)		
5		ACTIVATE(OtherEventsFail)			Restore Normal default
Detailed Comments:					

Test Step Dynamic Behaviour					
Test Step Name: MM_LupInit3(par_mi:MI; lac:OCTETSTRING; locup:B_2; cksn:BITSTRING; ta:TA)					
Group: GSM_L3_MS_v4170/Miscellaneous/					
Objective:					
Default: OtherEventsFail					
Nr	Label	Behaviour Description	CRef	V	Comments
1		L?DL_RacInChRq (TCV_Rr := DL_RacInChRq. msg.ecau_rrf, TCV_Fn := DL_RacInChRq.fn)	ChReq_09		To match ChReq retrans.
2		CANCEL T_dly			
3		ACTIVATE(OtherEventsFail_02)	ImmAss_01Def(TCV_agch, TCV_Rr, TCV_Fn, TCV_slot, TCV_tsc, TCV_chdescr_arfcn, ta)		
4		L?DL_EstInLupRq	LocUp_30(par_mi, TCV_ch, lac, locup, cksn)	(P)	
5		ACTIVATE(OtherEventsFail)			Restore Normal default
Detailed Comments:					

Test Step Dynamic Behaviour					
Test Step Name: MM_LupInit4(locup:B_2; ta:TA)					
Group: GSM_L3_MS_v4170/Miscellaneous/					
Objective:					
Default: OtherEventsFail					
Nr	Label	Behaviour Description	CRef	V	Comments
1		L?DL_RacInChRq (TCV_Rr := DL_RacInChRq. msg.ecau_rrf, TCV_Fn := DL_RacInChRq.fn)	ChReq_09		To match ChReq retrans.
2		CANCEL T_dly			
3		ACTIVATE(OtherEventsFail_02)	ImmAss_01Def(TCV_agch, TCV_Rr, TCV_Fn, TCV_slot, TCV_tsc, TCV_chdescr_arfcn, ta)		
4		L?DL_EstInLupRq	LocUp_01(TCV_ch, locup)		
5		ACTIVATE(OtherEventsFail)			Restore Normal default
Detailed Comments:					

Test Step Dynamic Behaviour					
Test Step Name:		MM_LUP_tmsirealloc(newtmsi:MI; expectedlup_mi:MI; lup_lac: OCTETSTRING; lac: OCTETSTRING; lup_cks: BITSTRING; ta:TA)			
Group:		GSM_L3_MS_v4170/Miscellaneous/			
Objective:		OtherEventsFail			
Default:		OtherEventsFail			
Nr	Label	Behaviour Description	CRef	V	Comments
1		+MM_LupInit(expectedlup_mi, lup_lac, C_normal_updating, lup_cks, ta)			
2		+TmsiReallocation(newtmsi, lac)			
3		LIDL_DatRqLupAcp	LocAcp_32(TCV_ch, lac)		
Detailed Comments:					

Test Step Dynamic Behaviour					
Test Step Name:		MM_LUPper(lac: OCTETSTRING; ta:TA)			
Group:		GSM_L3_MS_v4170/Miscellaneous/			
Objective:		OtherEventsFail			
Default:		OtherEventsFail			
Nr	Label	Behaviour Description	CRef	V	Comments
1		START T_dly(C_T_T3212min)			
2		?TIMEOUT T_dly		(P)	
3		START T_dly(C_T_T3212dif*2)			
4		+MM_LupInit4(C_periodic_updating, ta)			
5		LIDL_DatRqLupAcp	LocAcp(TCV_ch, C_PLMN_2, lac)	(P)	no MI
6		?TIMEOUT T_dly		(F)	
Detailed Comments:					

Test Step Dynamic Behaviour					
Test Step Name:		MM_LUPper2(par_timetol:INTEGER; mnc, lac:OCTETSTRING; ta:TA)			
Group:		GSM_L3_MS_v4170/Miscellaneous/			
Objective:		OtherEventsFail			
Default:		OtherEventsFail			
Nr	Label	Behaviour Description	CRef	V	Comments
1		START T_dly(par_timetol)			
2		+MM_LupInit4(C_periodic_updating, ta)			
3		LIDL_DatRqLupAcp	LocAcp(TCV_ch, mnc, lac)	(P)	no MI, fop; LocAreald(mnc, lac)
4		?TIMEOUT T_dly		(F)	
Detailed Comments:					

Test Step Dynamic Behaviour					
Test Step Name:		MM_LUPperauth(oldmi, newmi: MI; oldlac, newlac:OCTETSTRING; locup:B_2; cksn: BITSTRING; ta:TA)			
Group:		GSM_L3_MS_v4170/Miscellaneous/			
Objective:		OtherEventsFail			
Default:		OtherEventsFail			
Nr	Label	Behaviour Description	CRef	V	Comments
1		START T_dly(C_T_T3212min)			
2		?TIMEOUT T_dly		(P)	
3		START T_dly(C_T_T3212dif*2)			
4		+MM_Luplnit3(oldmi, oldlac, locup, cksn, ta)			
5		+Authentication(TCV_ch, TCV_cksn)			
6		LIDL_DatRqLupAcp	LocAcp_30(newmi, TCV_ch, newlac)		
7		?TIMEOUT T_dly		(F)	
Detailed Comments:					

Test Step Dynamic Behaviour					
Test Step Name:		MM_LUPperrej(par_rej:REJCAU; ta:TA)			
Group:		GSM_L3_MS_v4170/Miscellaneous/			
Objective:		OtherEventsFail			
Default:		OtherEventsFail			
Nr	Label	Behaviour Description	CRef	V	Comments
1		START T_dly(C_T_T3212min)			
2		?TIMEOUT T_dly		(P)	
3		START T_dly(C_T_T3212dif*2)			
4		+MM_Luplnit4(C_periodic_updating, ta)			
5		LIDL_DatRqLupRej	LocRej_01(par_rej, TCV_ch)	(P)	
6		+ChanRel(TCV_ch)			
7		?TIMEOUT T_dly		(F)	
Detailed Comments:					

Test Step Dynamic Behaviour					
Test Step Name:		MM_LUPperrej2(par_rej:REJCAU; par_mi:MI; par_toleranz: INTEGER; lac: OCTETSTRING; cksn: BITSTRING; ta:TA)			
Group:		GSM_L3_MS_v4170/Miscellaneous/			
Objective:		OtherEventsFail			
Default:		OtherEventsFail			
Nr	Label	Behaviour Description	CRef	V	Comments
1		START T_dly(par_toleranz)			
2		+MM_Luplnit3(par_mi, lac, C_periodic_updating, cksn, ta)			
3		LIDL_DatRqLupRej	LocRej_01(par_rej, TCV_ch)	(P)	
4		+ChanRel(TCV_ch)			
5		?TIMEOUT T_dly		(F)	
Detailed Comments:					

Test Step Dynamic Behaviour					
Test Step Name:		MM_LUPperrej3(par_mi:MI;par_toleranz:INTEGER; lac:OCTETSTRING; cksn:BITSTRING; ta:TA)			
Group:		GSM_L3_MS_v4170/Miscellaneous/			
Objective:					
Default:		OtherEventsFail			
Nr	Label	Behaviour Description	CRef	V	Comments
1		START T_dly(par_toleranz)			
2		+MM_LupInit3(par_mi, lac, C_periodic_updating, cksn, ta)			
3		+ChanRel(TCV_ch)			
4		?TIMEOUT T_dly		(F)	
Detailed Comments:					

Test Step Dynamic Behaviour					
Test Step Name:		MM_LupRej(par_rej: REJCAU; ta:TA)			
Group:		GSM_L3_MS_v4170/Miscellaneous/			
Objective:					
Default:		OtherEventsFail			
Nr	Label	Behaviour Description	CRef	V	Comments
1		+MM_LupInit2(C_normal_updating, ta)			
2		LIDL_DatRqLupRej	LocRej_01(par_rej, TCV_ch)	(P)	
3		+ChanRel(TCV_ch)			
Detailed Comments:					

Test Step Dynamic Behaviour					
Test Step Name:		MM_LupRej2(par_rej: REJCAU; par_mi:MI; lac:OCTETSTRING; locup:B_2; cksn:BITSTRING; ta:TA)			
Group:		GSM_L3_MS_v4170/Miscellaneous/			
Objective:					
Default:		OtherEventsFail			
Nr	Label	Behaviour Description	CRef	V	Comments
1		+MM_LupInit(par_mi, lac, locup, cksn, ta)			
2		LIDL_DatRqLupRej	LocRej_01(par_rej, TCV_ch)	(P)	
3		+ChanRel(TCV_ch)			
Detailed Comments:					

Test Step Dynamic Behaviour					
Test Step Name:		MM_PwrOrSimOff(sim_rmvd:BOOLEAN)			
Group:		GSM_L3_MS_v4170/Miscellaneous/			
Objective:					
Default:		OtherEventsFail			
Nr	Label	Behaviour Description	CRef	V	Comments
1		[(sim_rmvd = TRUE) AND (TSPC_SIMRmv = TRUE)]			SIM needs to be removed.
2		(TCV_Null :=OO_SIMRmv())			
3		[TSPC_SwitchOnOff =TRUE]			
4		(TCV_Null := OO_SwitchOff())			
5		[(((sim_rmvd = FALSE) OR (TSPC_SIMRmv = FALSE)) AND (TSPC_SwitchOnOff = FALSE))]			
6		(TCV_Null := OO_PowerDown())			
Detailed Comments:					

Test Step Dynamic Behaviour					
Test Step Name:		MM_PwrOrSimOn(sim_rmvd:BOOLEAN)			
Group:		GSM_L3_MS_v4170/Miscellaneous/			
Objective:					
Default:		OtherEventsFail			
Nr	Label	Behaviour Description	CRef	V	Comments
1		[(sim_rmvd = TRUE) AND (TSPC_SIMRmv = TRUE)]			SIM has been removed
2		(TCV_Null := OO_SIMIns())			
3		[TSPC_SwitchOnOff =TRUE]			
4		(TCV_Null := OO_SwitchOn())			
5		[[[(sim_rmvd = FALSE) OR (TSPC_SIMRmv = FALSE)) AND (TSPC_SwitchOnOff = FALSE)]]			
6		(TCV_Null := OO_PowerUp())			
Detailed Comments:					

Test Step Dynamic Behaviour					
Test Step Name:		MM_check_ecall1(ta:TA; mi:MI)			
Group:		GSM_L3_MS_v4170/Miscellaneous/			
Objective:					
Default:		OtherEventsFail			
Nr	Label	Behaviour Description	CRef	V	Comments
1		[TSPC_FullRateSpeech OR TSPC_HalfRateSpeech]			To match ChReq retrans.
2		+AttmpEmgCall			
3		+BasicServiceMO(C_EmgCallSRV, TSPX_MO_rate_EmergencyCall)			
4		L?DL_RacInChRq (TCV_Rr := DL_RacInChRq. msg.ecau_rrf, TCV_Fn := DL_RacInChRq.fn)	ChReq_18		
5		ACTIVATE(OtherEventsFail_02)			
6		L!DL_UdatRqImm	ImmAss_01Def(TCV_agch, TCV_Rr, TCV_Fn, TCV_slot, TCV_tsc, TCV_chdescr_arfcn, ta)		
7		L?DL_EstInCmsRq	CmserReq_05(mi)		
8		ACTIVATE(OtherEventsFail)			
9		L!DL_DatRqCmsAcp	CmserAcp_01(TCV_ch)		
10		L?DL_DatInESetup (TCV_ti_v := DL_DatInESetup.msg.ti.v, TCV_ti_f := DL_DatInESetup.msg.ti.f)	ESetupInd_01		
11		+Compute_ti			
12		+ltree_check_ti_flag			
13		L!DL_DatRqRelCmp	RelCmpRq_03(TCV_ti_dest, TCV_ch)	(P)	
14		+ChanRel(TCV_ch)			
15		[NOT TSPC_FullRateSpeech AND NOT TSPC_HalfRateSpeech]			
16		ltree_check_ti_flag [TCV_ti_f = '1'B]		(F)	
17		L!DL_DatRqChRel	ChRel_20(TCV_ch)		
18		L?DL_RelIn	DLRelInd_01		
19		[TCV_ti_f = '0'B]		(P)	
Detailed Comments:					

Test Step Dynamic Behaviour					
Test Step Name:		MM_check_ecall2(parexpected_mi: MI; parexpected_cks: BITSTRING; ta:TA)			
Group:		GSM_L3_MS_v4170/Miscellaneous/			
Objective:					
Default:		OtherEventsFail			
Nr	Label	Behaviour Description	CRef	V	Comments
1		[TSPC_FullRateSpeech OR TSPC_HalfRateSpeech]			
2		+AttmpEmgCall			
3		+BasicServiceMO(C_EmgCallSRV, TSPX_MO_rate_EmergencyCall)			
4		L?DL_RaInChRq (TCV_Rr := DL_RaInChRq, msg.ecau_rrf, TCV_Fn := DL_RaInChRq.fn)	ChReq_18		
5		ACTIVATE(OtherEventsFail_02)			To match ChReq retrans.
6		L!DL_UdatRqImmss	ImmAss_01Def(TCV_agch, TCV_Rr, TCV_Fn, TCV_slot, TCV_tsc, TCV_chdescr_arfcn, ta)		
7		L?DL_EstInCmsRq	CmserReq_31(parexpected_mi, parexpected_cks)		
8		ACTIVATE(OtherEventsFail)			Restore Normal default
9		L!DL_DatRqCmsAcp	CmserAcp_01(TCV_c h)		
10		L?DL_DatInESetup(TCV_ti_v := DL_DatInESetup.msg.ti.ti_v, TCV_ti_f := DL_DatInESetup.msg.ti.ti_f)	ESetupInd_01		
11		+Compute_ti			
12		+ltree_check_ti_flag			
13		L!DL_DatRqRelCmp	RelCmpRq_03(TCV_t i_dest, TCV_ch)	(P)	
14		+ChanRel(TCV_ch)			
15		[NOT TSPC_FullRateSpeech AND NOT TSPC_HalfRateSpeech]		(P)	
		ltree_check_ti_flag			
16		[TCV_ti_f = '1'B]		(F)	
17		L!DL_DatRqChRel	ChRel_20(TCV_ch)		
18		L?DL_RelIn	DLRelInd_01		
19		[TCV_ti_f = '0'B]		(P)	
Detailed Comments:					

Test Step Dynamic Behaviour					
Test Step Name:		MM_no_cmservices(par_int:INTEGER)			
Group:		GSM_L3_MS_v4170/Miscellaneous/			
Objective:					
Default:		OtherEventsFail			
Nr	Label	Behaviour Description	CRef	V	Comments
1		+AttmpCall			
2		+BasicServiceMO(TSPX_MO_BscSvc_AnyCall, TSPX_MO_rate_AnyCall)			
3		START T_dly(par_int)			
4		?TIMEOUT T_dly		(P)	
Detailed Comments:					

Test Step Dynamic Behaviour					
Test Step Name: MM_no_paging(par_mi: MI; par_checktime:INTEGER; ccd: CCD)					
Group: GSM_L3_MS_v4170/Miscellaneous/					
Objective:					
Default: OtherEventsFail					
Nr	Label	Behaviour Description	CRef	V	Comments
1		+CCCH_group_Paging_group(ccd, TSPX_IMSI)			
2		L!DL_UdatRqPg1Rq	PgReq1(TCV_PgCh, TCV_Pgg, PgReqTp1_30(par_mi))		
3		START T_dly(par_checktime)			
4		?TIMEOUT T_dly		(P)	
Detailed Comments:					

Test Step Dynamic Behaviour					
Test Step Name: RR_hocomp1(time_fn1_fn2:INTEGER; ta:TA)					
Group: GSM_L3_MS_v4170/Miscellaneous/					
Objective: To finish the HO-procedure. Timing advance = 20 bits period					
Default: OtherEvents					
Comments: used var's: TCV_ch, TCV_Horf					
Nr	Label	Behaviour Description	CRef	V	Comments
1		(TCV_Cnt:=0)			
2		REPEAT localtree_hoacc UNTIL [TCV_Cnt = TCV_Cntref]			
3		L!DL_DatRqPhyinfo	PhyInfo_21(TCV_ch, ta)		
4		(TCV_Fn1:=OM_ComingFn(TCV_ch))			
5		L?DL_EstIn	DLEstInd_01		
6		L?DL_DatInHoCom	HndOvCmp_20(TCV_ch)		
7		(TCV_Fn:=OM_ComingFn(TCV_ch))			
8		+localtree_hotime			1)
localtree_hoacc					
9		L?DL_RacInHoacc	HndOvAcc_03(TCV_ch, TCV_Horf)		
10		(TCV_Cnt := TCV_Cnt + 1)			
localtree_hotime					
11		(TCV_Res := OC_TimingCHK(TCV_Fn, TCV_Fn1, time_fn1_fn2, 0, 0))			
12		[TCV_Res = FALSE]		(F)	
13		+ChanRel(TCV_ch)			
14		[TCV_Res = TRUE]			
Detailed Comments: 1) Check of HO-time					

Test Step Dynamic Behaviour					
Test Step Name:		RR_hocomp2(par_int:INTEGER; ta :TA)			
Group:		GSM_L3_MS_v4170/Miscellaneous/			
Objective:		To finish the HO-procedure. Timing advance = TSPX_rtimAdv_2			
Default:		OtherEvents			
Comments:		used var's: TCV_ch, TCV_Horf			
Nr	Label	Behaviour Description	CRef	V	Comments
1		(TCV_Cnt:=0)			
2		REPEAT localtree_hoacc UNTIL [TCV_Cnt = TCV_Cntref]			
3		LIDL_DatRqPhyinfo	PhyInfo_22(TCV_ch, ta)		
4		(TCV_Fn1:=OM_ComingFn(TCV_ch))			
5		L?DL_EstIn	DLEstInd_01		
6		L?DL_DatInHoCom	HndOvCmp_20(TCV_ch)		
7		(TCV_Fn:=OM_ComingFn(TCV_ch))			
8		+localtree_hotime			1)
		localtree_hoacc			
9		L?DL_RaInHoacc	HndOvAcc_03(TCV_ch, TCV_Horf)		
10		(TCV_Cnt := TCV_Cnt + 1)			
		localtree_hotime			
11		(TCV_Res := OC_TimingCHK(TCV_Fn, TCV_Fn1, par_int, 0, 0))			
12		[TCV_Res = FALSE]		(F)	
13		+ChanRel(TCV_ch)			
14		[TCV_Res = TRUE]			
Detailed Comments:		1) Check of HO-time			

Test Step Dynamic Behaviour					
Test Step Name:		RR_hocomp3(time_fn1_fn2:INTEGER)			
Group:		GSM_L3_MS_v4170/Miscellaneous/			
Objective:		To finish the HO-procedure. Timing advance = 20 bits period			
Default:		OtherEvents			
Comments:		used var's: TCV_ch, TCV_Horf			
Nr	Label	Behaviour Description	CRef	V	Comments
1		(TCV_Cnt:=0)			
2		REPEAT localtree_hoacc UNTIL [TCV_Cnt =4]			
3		(TCV_Fn1:= OM_ComingFn(TCV_ch))			
4		L?DL_EstIn	DLEstInd_01		
5		L?DL_DatInHoCom	HndOvCmp_20(TCV_ch)		
6		(TCV_Fn:= OM_ComingFn(TCV_ch))			
7		+localtree_hotime			1)
		localtree_hoacc			
8		L?DL_RaInHoacc	HndOvAcc_03(TCV_ch, TCV_Horf)		
9		(TCV_Cnt := TCV_Cnt + 1)			
		localtree_hotime			
10		(TCV_Res := OC_TimingCHK(TCV_Fn, TCV_Fn1, time_fn1_fn2, 0, 0))			
11		[TCV_Res = FALSE]		(F)	
12		+ChanRel(TCV_ch)			
13		[TCV_Res = TRUE]			
Detailed Comments:		1) Check of HO-time			

Test Step Dynamic Behaviour					
Test Step Name: RRmtcallprepare(ta:TA)					
Group: GSM_L3_MS_v4170/Miscellaneous/					
Objective: To prepare a mobile terminating call establishment.					
Default: OtherEvents					
Nr	Label	Behaviour Description	CRef	V	Comments
1		+CCCH_group_Paging_group(TCV_Ccd0A, TSPX_IMSI)			
2		L!DL_UdatRqPg1Rq	PgReq1(TCV_PgCh, TCV_Pgg, PgReqTp1_01)		
3		L?DL_RacInChRq (TCV_Rr := DL_RacInChRq.msg.ecau_rrf, TCV_Fn := DL_RacInChRq.fn)	ChReq_01		
4		ACTIVATE(OtherEvents_02)			To match ChReq retrans.
5		L!DL_UdatRqImm	ImmAss_01Def(TCV_agch, TCV_Rr, TCV_Fn, TCV_slot, TCV_tsc, TCV_chdescr_arfcn, ta)		
6		L?DL_EstInPgRes	PgRes_01		
7		ACTIVATE(OtherEvents)			Restore Normal default
8		+Authentication(TCV_ch, TCV_cksn)			
9		+Ciphering_on(TCV_ch)			
Detailed Comments:					

Test Step Dynamic Behaviour					
Test Step Name: RRmtcallprepareNoAuthNoCiph(ta:TA)					
Group: GSM_L3_MS_v4170/Miscellaneous/					
Objective: To prepare a mobile terminating call establishment.					
Default: OtherEvents					
Nr	Label	Behaviour Description	CRef	V	Comments
1		+CCCH_group_Paging_group(TCV_Ccd0A, TSPX_IMSI)			
2		L!DL_UdatRqPg1Rq	PgReq1(TCV_PgCh, TCV_Pgg, PgReqTp1_01)		
3		L?DL_RacInChRq (TCV_Rr := DL_RacInChRq.msg.ecau_rrf, TCV_Fn := DL_RacInChRq.fn)	ChReq_01		
4		ACTIVATE(OtherEvents_02)			To match ChReq retrans.
5		L!DL_UdatRqImm	ImmAss_01Def(TCV_agch, TCV_Rr, TCV_Fn, TCV_slot, TCV_tsc, TCV_chdescr_arfcn, ta)		
6		L?DL_EstInPgRes	PgRes_01		
7		ACTIVATE(OtherEvents)			Restore Normal default
Detailed Comments:					

Test Step Dynamic Behaviour					
Test Step Name: NoReaction(par_int:INTEGER)					
Group: GSM_L3_MS_v4170/Miscellaneous/					
Objective:					
Default: OtherEventsFail					
Nr	Label	Behaviour Description	CRef	V	Comments
1		START T_dly(par_int)			
2		?TIMEOUT T_dly		(P)	
Detailed Comments:					

Test Step Dynamic Behaviour					
Test Step Name:		SelectPagingCh(cell:CellID)			
Group:		GSM_L3_MS_v4170/Miscellaneous/			
Objective:		To assign a paging channel and an access grant channel to the variable TCV_PgCh and TCV_agch respectively, depending on the parameter 'cell' (cell ID)			
Default:		OtherEvents			
Nr	Label	Behaviour Description	CRef	V	Comments
1		[cell = C_CellA]			
2		[TCV_Ccchg=0]			
3		(TCV_PgCh := C_PCH_A_1, TCV_agch := C_AGCH_A_1)			
4		[TCV_Ccchg=1]			
5		(TCV_PgCh := C_PCH_A_2, TCV_agch := C_AGCH_A_2)			
6		[TCV_Ccchg=2]			
7		(TCV_PgCh := C_PCH_A_3, TCV_agch := C_AGCH_A_3)			
8		[TCV_Ccchg=3]			
9		(TCV_PgCh := C_PCH_A_4, TCV_agch := C_AGCH_A_4)			
10		[cell = C_CellB]			
11		[TCV_Ccchg=0]			
12		(TCV_PgCh := C_PCH_B_1, TCV_agch := C_AGCH_B_1)			
13		[TCV_Ccchg=1]			
14		(TCV_PgCh := C_PCH_B_2, TCV_agch := C_AGCH_B_2)			
15		[TCV_Ccchg=2]			
16		(TCV_PgCh := C_PCH_B_3, TCV_agch := C_AGCH_B_3)			
17		[TCV_Ccchg=3]			
18		(TCV_PgCh := C_PCH_B_4, TCV_agch := C_AGCH_B_4)			
19		[cell = C_CellC]			
20		[TCV_Ccchg=0]			
21		(TCV_PgCh := C_PCH_C_1, TCV_agch := C_AGCH_C_1)			
22		[TCV_Ccchg=1]			
23		(TCV_PgCh := C_PCH_C_2, TCV_agch := C_AGCH_C_2)			
24		[TCV_Ccchg=2]			
25		(TCV_PgCh := C_PCH_C_3, TCV_agch := C_AGCH_C_3)			
26		[TCV_Ccchg=3]			
27		(TCV_PgCh := C_PCH_C_4, TCV_agch := C_AGCH_C_4)			
Detailed Comments:					

Test Step Dynamic Behaviour					
Test Step Name:		SetupRcvMo(pdu_setup: SETUP_MO_PDU)			
Group:		GSM_L3_MS_v4170/Miscellaneous/			
Objective:		To manage Setup Mobile Originated.			
Default:		OtherEvents			
Nr	Label	Behaviour Description	CRef	V	Comments
1		L?DL_DatInSetup (TCV_Setup_mo := DL_DatInSetup.msg)	SetupRcv(pdu_setup)		
2		(TCV_TI := TCV_Setup_mo.ti, TCV_TI0 := TCV_TI, TCV_TI.ti_f := '1'B, TCV_CallProc := OC_CallProcGen(TCV_Setup_mo,CallProced_03))			
Detailed Comments:					

Test Step Dynamic Behaviour					
Test Step Name: SetupRcvMo1(pdu_setup: SETUP_MO_PDU)					
Group: GSM_L3_MS_v4170/Miscellaneous/					
Objective: To manage Setup Mobile Originated.					
Default: OtherEvents					
Nr	Label	Behaviour Description	CRef	V	Comments
1		L?DL_DatInSetup (TCV_Setup_mo := DL_DatInSetup.msg)	SetupRcv(pdu_setup)		
2		(TCV_TI := TCV_Setup_mo.ti, TCV_TI0 := TCV_TI, TCV_TI.ti_f := '1'B, TCV_CallProc := OC_CallProcGen(TCV_Setup_mo, CallProced_03))			
Detailed Comments:					

Test Step Dynamic Behaviour					
Test Step Name: SetupRcvMo2(pdu_setup: SETUP_MO_PDU)					
Group: GSM_L3_MS_v4170/Miscellaneous/					
Objective: To manage Setup Mobile Originated.					
Default: OtherEvents					
Nr	Label	Behaviour Description	CRef	V	Comments
1		L?DL_DatInSetup (TCV_Setup_mo := DL_DatInSetup.msg)	SetupRcv(pdu_setup)		
2		(TCV_TI1 := TCV_Setup_mo.ti, TCV_TI2 := TCV_TI1, TCV_TI2.ti_f := '1'B, TCV_CallProc := OC_CallProcGen(TCV_Setup_mo, CallProced_03))			
Detailed Comments:					

Test Step Dynamic Behaviour					
Test Step Name: SetupRcvE(pdu_esetup: ESETUP_PDU)					
Group: GSM_L3_MS_v4170/Miscellaneous/					
Objective: To manage Setup Mobile Originated.					
Default: OtherEvents					
Nr	Label	Behaviour Description	CRef	V	Comments
1		L?DL_DatInESetup (TCV_Esetup := DL_DatInESetup.msg)	ESetupRcv(pdu_esetup)		
2		(TCV_TI := TCV_Esetup.ti, TCV_TI0 := TCV_TI, TCV_TI.ti_f := '1'B, TCV_CallProc := OC_CallProcGenE(TCV_Esetup))			
Detailed Comments:					

Test Step Dynamic Behaviour					
Test Step Name: TmsiReallocation(par_mi:M; lac: OCTETSTRING)					
Group: GSM_L3_MS_v4170/Miscellaneous/					
Objective:					
Default: OtherEventsFail					
Nr	Label	Behaviour Description	CRef	V	Comments
1		L!DL_DatRqTmsireCmd	TmsiReallocCmd_01(par_mi, TCV_ch, lac)		
2		L?DL_DatInTmsireCom	TmsiReallocCmp_02(TCV_ch)	(P)	
Detailed Comments:					

Test Step Dynamic Behaviour					
Test Step Name:		Varinit_fixcommon			
Group:		GSM_L3_MS_v4170/Miscellaneous/			
Objective:					
Default:		OtherEventsFail			
Nr	Label	Behaviour Description	CRef	V	Comments
1		(TCV_cksn:=TSPX_CKSNDf, TCV_CphKey :=OC_CphKeyGen(TSPX_Ki, TSPX_RANDDef))			
Detailed Comments:					

Test Step Dynamic Behaviour					
Test Step Name:		Varinit_fixA			
Group:		GSM_L3_MS_v4170/Miscellaneous/			
Objective:					
Default:		OtherEventsFail			
Nr	Label	Behaviour Description	CRef	V	Comments
1		+Varinit_fixcommon			
2		(TCV_cellid:= C_CellA, TCV_ch:= OC_SubchOfSdcch4(TSPX_SDCCH4SubDef, C_CellA), TCV_sacch:= OC_SubchOfSacch4(TSPX_SDCCH4SubDef, C_CellA), TCV_PgCh:= C_PCH_A_1, TCV_agch := C_AGCH_A_1, TCV_ia_ts:= '000'B, TCV_lac:= C_lacCellA)			
3		[TSPC_PGSM OR TSPC_EGSM]			
4		(TCV_chdescr_arfcn:= C_arfcnA)			
5		[TSPC_DCS]			
6		(TCV_chdescr_arfcn:= C_arfcnAd)			
Detailed Comments:					

Test Step Dynamic Behaviour					
Test Step Name:		Varinit_fixB			
Group:		GSM_L3_MS_v4170/Miscellaneous/			
Objective:					
Default:		OtherEventsFail			
Nr	Label	Behaviour Description	CRef	V	Comments
1		+Varinit_fixcommon			
2		(TCV_cellid:=C_CellB, TCV_ch:= OC_SubchOfSdcch4(TSPX_SDCCH4SubDef, C_CellB), TCV_sacch_B := OC_SubchOfSacch4(TSPX_SDCCH4SubDef, C_CellB), TCV_PgCh:= C_PCH_B_1, TCV_agch := C_AGCH_B_1, TCV_ia_ts:= '000'B, TCV_lac:= C_lacCellB)			
3		[TSPC_PGSM OR TSPC_EGSM]			
4		(TCV_chdescr_arfcn:= C_arfcnB)			
5		[TSPC_DCS]			
6		(TCV_chdescr_arfcn:= C_arfcnBd)			
Detailed Comments:					

Test Step Dynamic Behaviour					
Test Step Name: Varinit_fixC					
Group: GSM_L3_MS_v4170/Miscellaneous/					
Objective:					
Default: OtherEventsFail					
Nr	Label	Behaviour Description	CRef	V	Comments
1		+Varinit_fixcommon			
2		(TCV_cellid:=C_CellC, TCV_ch:= OC_SubchOfSdcch4(TSPX_SDCCH4SubDef, C_CellC), TCV_sacch_C := OC_SubchOfSacch4(TSPX_SDCCH4SubDef, C_CellC), TCV_PgCh:= C_PCH_C_1, TCV_agch := C_AGCH_C_1, TCV_ia_ts:= '000'B, TCV_lac:=C_lacellC)			
3		[TSPC_PGSM OR TSPC_EGSM]			
4		(TCV_chdescr_arfcn:= C_arfcnC)			
5		[TSPC_DCS]			
6		(TCV_chdescr_arfcn:= C_arfcnCd)			
Detailed Comments:					

Test Step Dynamic Behaviour					
Test Step Name: Varinit_fixH					
Group: GSM_L3_MS_v4170/Miscellaneous/					
Objective:					
Default: OtherEventsFail					
Nr	Label	Behaviour Description	CRef	V	Comments
1		+Varinit_fixcommon			
2		(TCV_cellid:=C_CellH, TCV_ch:= OC_SubchOfSdcch4(TSPX_SDCCH4SubA, C_CellH), TCV_sacch_H := OC_SubchOfSacch4(TSPX_SDCCH4SubA, C_CellH), TCV_PgCh:= C_PCH_H_1, TCV_agch := C_AGCH_H_1, TCV_ia_ts:= '000'B, TCV_lac:=C_lacellH)			
3		[TSPC_PGSM OR TSPC_EGSM]			
4		(TCV_chdescr_arfcn:= C_arfcnH)			
5		[TSPC_DCS]			
6		(TCV_chdescr_arfcn:= C_arfcnHd)			
Detailed Comments:					

Test Step Dynamic Behaviour					
Test Step Name: WaitForInService					
Group: GSM_L3_MS_v4170/Miscellaneous/					
Objective: To wait until the MS enters the Idle and updated state.					
Default: OtherEvents					
Nr	Label	Behaviour Description	CRef	V	Comments
1		(TCV_Null:=OM_PgFill(TCV_cellid, PgReqTp1Reorg))			
2		START T_dly(5000)			
3		?TIMEOUT T_dly			
4		(TCV_Null:=OM_PgFill(TCV_cellid, PgReqTp1Norm))			
5		(TCV_Res := FALSE)			
6		REPEAT localtree UNTIL [TCV_Res = TRUE]			
7		localtree (TCV_Res := OO_InServiceCHK())			
Detailed Comments:					

Test Step Dynamic Behaviour					
Test Step Name:		WaitMainLinkDown			
Group:		GSM_L3_MS_v4170/Miscellaneous/			
Objective:		To wait until the main link going down			
Default:		OtherEventsFail			
Nr	Label	Behaviour Description	CRef	V	Comments
1		L?DL_Relln	DLRelInd_01	P	
Detailed Comments:					

Test Step Group SysInfo

Test Step Dynamic Behaviour					
Test Step Name:		SysInfoSending_01LAC(t, retr, att, neci: INTEGER; lac:OCTETSTRING; babr, cch_con, bpm:B_3; t3212:OCTETSTRING)			
Group:		GSM_L3_MS_v4170/Miscellaneous/SysInfo/			
Objective:		To send system information messages with default parameters defined for the L3 tests for which no special parameters indicated.			
Default:		OtherEvents			
Nr	Label	Behaviour Description	CRef	V	Comments
1		(TCV_Tx := OC_CnvtTx(t), TCV_Max := OC_CnvtMax(retr), TCV_Neci := INT_TO_BIT(neci,1), TCV_Ccd0A := CntrlChDscrp(att, babr, cch_con, bpm, t3212))			
2		(TCV_sysinfo6 := SysInf6(C_ci_cellA, C_PLMN_1, lac, CellOpt_01))			
3		LIDL_UdatRqSchinfo	SyncInfo(C_SCH_A)		
4		+gsmOrDcs			
		gsmOrDcs			
5		[TSPC_PGSM OR TSPC_EGSM]			1.
6		LIDL_UdatRqSysinfo4	SysInfo4(C_BCCH_A_1, C_PLMN_1, lac, C_CellReselectHys0, C_MaxPwrLvlG, TCV_Neci, TCV_Max, TCV_Tx, C_Restablishment)		
7		LIDL_UdatRqSysinfo1_nh	SysInfo1_nh(C_BCC_H_A_1, C_ci_cellA, C_PLMN_1, lac, TCV_Ccd0A, CellOpt_01, C_CellReselectHys0, C_MaxPwrLvlG, TCV_Neci, TCV_Max, TCV_Tx, C_Restablishment)		
8		LIDL_UdatRqSysinfo3	SysInfo3(C_BCCH_A_1, C_ci_cellA, C_PLMN_1, lac, TCV_Ccd0A, CellOpt_01, C_CellReselectHys0, C_MaxPwrLvlG, TCV_Neci, TCV_Max, TCV_Tx, C_Restablishment)		
9		[TSPX_AltNb = TRUE]			3.
10		LIDL_UdatRqSysinfo2	SysInfo2(C_BCCH_A_1, BcchFreqLst_02, TCV_Max, TCV_Tx, C_Restablishment)		
11		(TCV_sysinfo5 := SysInf5(BcchFreqLst_02))			
12		[TSPX_AltNb = FALSE]			4.
13		LIDL_UdatRqSysinfo2	SysInfo2(C_BCCH_A_1, BcchFreqLst_45, TCV_Max, TCV_Tx, C_Restablishment)		
14		(TCV_sysinfo5 := SysInf5(BcchFreqLst_45))			
15		[TSPC_DCS]			2.
16		LIDL_UdatRqSysinfo4	SysInfo4(C_BCCH_A_1, C_PLMN_1, lac, C_CellReselectHys0, C_MaxPwrLvlD, TCV_Neci, TCV_Max, TCV_Tx, C_Restablishment)		
17		LIDL_UdatRqSysinfo1_nh	SysInfo1_nh(C_BCC_H_A_1, C_ci_cellA,		

18	LIDL_UdatRqSysinfo3	C_PLMN_1, lac, TCV_Ccd0A, CellOpt_01, C_CellReselectHys0, C_MaxPwrLvID, TCV_Neci, TCV_Max, TCV_Tx, C_Restablishment) SysInfo3(C_BCCH_A _1, C_ci_cellA, C_PLMN_1, lac, TCV_Ccd0A, CellOpt_01, C_CellReselectHys0, C_MaxPwrLvID, TCV_Neci, TCV_Max, TCV_Tx, C_Restablishment)	
19	[TSPX_AltNb = TRUE]		3.
20	LIDL_UdatRqSysinfo2	SysInfo2(C_BCCH_A _1, BcchFreqLst_04, TCV_Max, TCV_Tx, C_Restablishment)	
21	(TCV_sysinfo5 := SysInf5(BcchFreqLst_04))		
22	[TSPX_AltNb = FALSE]		4.
23	LIDL_UdatRqSysinfo2	SysInfo2(C_BCCH_A _1, BcchFreqLst_03, TCV_Max, TCV_Tx, C_Restablishment)	
24	(TCV_sysinfo5 := SysInf5(BcchFreqLst_03))		
Detailed Comments:			
1. For GSM900 mobile station testing.			
2. For DCS1800 mobile station testing.			
3. To use alternative neighbour cells description.			
4. To use default neighbour cells description.			

Test Step Dynamic Behaviour					
Test Step Name: ChgLAC_A(par_octet:OCTETSTRING; att:INTEGER; babr, cch_con, bpm:B_3; t3212:OCTETSTRING)					
Group: GSM_L3_MS_v4170/Miscellaneous/SysInfo/					
Objective: To change the LAC of cell A and of System Information Messages according to used testcase.					
Default: OtherEvents					
Nr	Label	Behaviour Description	CRef	V	Comments
1		(TCV_Ccd0A := CntrlChDscrp(att, babr, cch_con, bpm, t3212))			
2		L!DL_UdatRqSysinfo6 (DL_UdatRqSysinfo6.msg.lai.mnc := '02'O, DL_UdatRqSysinfo6.msg.lai.lac :=par_octet)	SysInfo6_MM(TCV_s acch, C_ci_cellA, LocAreald_31(C_lacc ellA), CellOpt_01)		
3		[TSPC_PGSM OR TSPC_EGSM]			
4		L!DL_UdatRqSysinfo4 (DL_UdatRqSysinfo4.msg.lai.mnc := '02'O, DL_UdatRqSysinfo4.msg.lai.lac :=par_octet)	SysInfo4_MM(C_BCC H_A_1, LocAreald_31(C_lacc ellA), CellSelPara_01, RachCntrlPara_r01)		
5		L!DL_UdatRqSysinfo3 (DL_UdatRqSysinfo3.msg.lai.mnc := '02'O, DL_UdatRqSysinfo3.msg.lai.lac :=par_octet)	SysInfo3_MM(C_BCC H_A_1, C_ci_cellA, LocAreald_31(C_lacc ellA), CntrlChDscrp(att, babr, cch_con, bpm, t3212), CellSelPara_01, RachCntrlPara_r01)		
6		[TSPC_DCS]			
7		L!DL_UdatRqSysinfo4 (DL_UdatRqSysinfo4.msg.lai.mnc := '02'O, DL_UdatRqSysinfo4.msg.lai.lac :=par_octet)	SysInfo4_MM(C_BCC H_A_1, LocAreald_31(C_lacc ellA), CellSelPara_04, RachCntrlPara_r01)		
8		L!DL_UdatRqSysinfo3 (DL_UdatRqSysinfo3.msg.lai.mnc := '02'O, DL_UdatRqSysinfo3.msg.lai.lac :=par_octet)	SysInfo3_MM(C_BCC H_A_1, C_ci_cellA, LocAreald_31(C_lacc ellA), CntrlChDscrp(att, babr, cch_con, bpm, t3212), CellSelPara_04, RachCntrlPara_r01)		
Detailed Comments:					

Test Step Dynamic Behaviour					
Test Step Name:		ChgLAC_B(par_octet:OCTETSTRING; att:INTEGER; babr, cch_con, bpm:B_3; t3212:OCTETSTRING)			
Group:		GSM_L3_MS_v4170/Miscellaneous/SysInfo/			
Objective:		To change the LAC of cell B and of System Information Messages according to used testcase.			
Default:		OtherEvents			
Nr	Label	Behaviour Description	CRef	V	Comments
1		(TCV_Ccd0B := CntrlChDscrp(att, babr, cch_con, bpm, t3212))			
2		L!DL_UdatRqSysinfo6 (DL_UdatRqSysinfo6.msg.lai.mnc := '02'O, DL_UdatRqSysinfo6.msg.lai.lac :=par_octet)	SysInfo6_MM(TCV_s acch_B, C_ci_cellB, LocAreaId_31(C_lacc ellB), CellOpt_01)		
3		[TSPC_PGSM OR TSPC_EGSM]			
4		L!DL_UdatRqSysinfo4 (DL_UdatRqSysinfo4.msg.lai.mnc := '02'O, DL_UdatRqSysinfo4.msg.lai.lac :=par_octet)	SysInfo4_MM(C_BCC H_B_1, LocAreaId_31(C_lacc ellB), CellSelPara_01, RachCntrlPara_r01)		
5		L!DL_UdatRqSysinfo3 (DL_UdatRqSysinfo3.msg.lai.mnc := '02'O, DL_UdatRqSysinfo3.msg.lai.lac :=par_octet)	SysInfo3_MM(C_BCC H_B_1, C_ci_cellB, LocAreaId_31(C_lacc ellB), CntrlChDscrp(att, babr, cch_con, bpm, t3212), CellSelPara_01, RachCntrlPara_r01)		
6		[TSPC_DCS]			
7		L!DL_UdatRqSysinfo4 (DL_UdatRqSysinfo4.msg.lai.mnc := '02'O, DL_UdatRqSysinfo4.msg.lai.lac :=par_octet)	SysInfo4_MM(C_BCC H_B_1, LocAreaId_31(C_lacc ellB), CellSelPara_04, RachCntrlPara_r01)		
8		L!DL_UdatRqSysinfo3 (DL_UdatRqSysinfo3.msg.lai.mnc := '02'O, DL_UdatRqSysinfo3.msg.lai.lac :=par_octet)	SysInfo3_MM(C_BCC H_B_1, C_ci_cellB, LocAreaId_31(C_lacc ellB), CntrlChDscrp(att, babr, cch_con, bpm, t3212), CellSelPara_04, RachCntrlPara_r01)		
Detailed Comments:					

Test Step Dynamic Behaviour					
Test Step Name:		ChgLAI_C(par_mnc:OCTETSTRING; att:INTEGER; babr, cch_con, bpm:B_3; t3212:OCTETSTRING)			
Group:		GSM_L3_MS_v4170/Miscellaneous/SysInfo/			
Objective:		To change the LAI of cell C to HPLMN.			
Default:		OtherEvents			
Nr	Label	Behaviour Description	CRef	V	Comments
1		(TCV_Tx := '0010'B, TCV_Max := '11'B, TCV_Neci := '0'B, TCV_Ccd0C := CntrlChDscrp(att, babr, cch_con, bpm, t3212))			
2		[TSPC_PGSM OR TSPC_EGSM]			
3		LIDL_UdatRqSysinfo4	SysInfo4(C_BCCH_C_1, par_mnc, C_lacellC, C_CellReselectHys0, C_MaxPwrLvlG, TCV_Neci, TCV_Max, TCV_Tx, C_noRestablishment)		
4		LIDL_UdatRqSysinfo6	SysInfo6_01(TCV_sacch_C, C_ci_cellC, par_mnc, C_lacellC, CellOpt_01)		
5		LIDL_UdatRqSysinfo3	SysInfo3(C_BCCH_C_1, C_ci_cellC, par_mnc, C_lacellC, TCV_Ccd0C, CellOpt_01, C_CellReselectHys0, C_MaxPwrLvlG, TCV_Neci, TCV_Max, TCV_Tx, C_noRestablishment)		
6		[TSPC_DCS]			
7		LIDL_UdatRqSysinfo4	SysInfo4(C_BCCH_C_1, par_mnc, C_lacellC, C_CellReselectHys0, C_MaxPwrLvlD, TCV_Neci, TCV_Max, TCV_Tx, C_noRestablishment)		
8		LIDL_UdatRqSysinfo6	SysInfo6_01(TCV_sacch_C, C_ci_cellC, par_mnc, C_lacellC, CellOpt_01)		
9		LIDL_UdatRqSysinfo3	SysInfo3(C_BCCH_C_1, C_ci_cellC, par_mnc, C_lacellC, TCV_Ccd0C, CellOpt_01, C_CellReselectHys0, C_MaxPwrLvlD, TCV_Neci, TCV_Max, TCV_Tx, C_noRestablishment)		
Detailed Comments:					

Test Step Dynamic Behaviour					
Test Step Name:		SysInfoSending_MM_A(t, retr, neci, att:INTEGER; babr, cch_con, bpm:B_3; t3212:OCTETSTRING; ci:CI; mnc, lac:OCTETSTRING; cchd:CCHD; crh, mtmc:INTEGER; bcchfl: NCD; Re:BITSTRING)			
Group:		GSM_L3_MS_v4170/Miscellaneous/SysInfo/			
Objective:		To send system information messages for the L3 tests. The following parameters specified by input parameters: - bcch: BCCH - sacch: SACCH - bcchfl: BCCH frequency list - ci: Cell identity - lai: Location area identification - ccd: Control channel description - csp: Cell selection parameters - cchd: Cell channel description - rachpar: RACH control parameters			
Default:		OtherEvents			
Nr	Label	Behaviour Description	CRef	V	Comments
1		(TCV_Tx := OC_CnvtTx(t), TCV_Max := OC_CnvtMax(retr), TCV_Neci := INT_TO_BIT(neci,1), TCV_Ccd0A := CntrlChDscrp(att, babr, cch_con, bpm, t3212))			
2		LIDL_UdatRqSysinfo1	SysInfo1(C_BCCH_A_1, cchd, TCV_Max, TCV_Tx, Re)		
3		LIDL_UdatRqSysinfo2	SysInfo2(C_BCCH_A_1, bcchfl, TCV_Max, TCV_Tx, Re)		
4		LIDL_UdatRqSysinfo3	SysInfo3(C_BCCH_A_1, ci, mnc, lac, TCV_Ccd0A, CellOpt_01, crh, mtmc, TCV_Neci, TCV_Max, TCV_Tx, Re)		
5		LIDL_UdatRqSysinfo4	SysInfo4(C_BCCH_A_1, mnc, lac, crh, mtmc, TCV_Neci, TCV_Max, TCV_Tx, Re)		
6		(TCV_sysinfo5 := SysInf5(bcchfl))			
7		(TCV_sysinfo6 := SysInf6(ci, mnc, lac, CellOpt_01))			
Detailed Comments:		Default values/constraints for the parameters acc. to the default values indicated for the test cases/groups in GSM 11.10 (in case other values have to be used for specific test cases, which differ from the default values, other constraints have to be used for the parameters): MM test cases, GSM:			
		Cell A/GSM	Cell B/GSM	Cell C/GSM	
bcch	C_BCCH_A_1	C_BCCH_B_1	C_BCCH_C_1		
sacch	C_SACCH_A	C_SACCH_B	C_SACCH_C		
bcchfl	BcchFreqLst_01 BcchFreqLst_03 (*)	BcchFreqLst_01	BcchFreqLst_01		
ci	C_ci_cellA	C_ci_cellB	C_ci_cellC		
lai	LocAreald_01	LocAreald_02	t.b.d.		
ccd	CntrlChDscrp_01 CntrlChDscrp_02 (**)	CntrlChDscrp_01 CntrlChDscrp_02 (**)	CntrlChDscrp_01 CntrlChDscrp_02 (**)		
csp	CellSelPara_01	CellSelPara_01	CellSelPara_01		

cchd	CellChDes_02	CellChDes_03	CellChDes_04
rachcp	RachCntrlPara_r_01 RachCntrlPara_01 (***)	RachCntrlPara_r_01 RachCntrlPara_01 (***)	RachCntrlPara_r_01 RachCntrlPara_01 (***)
MM test cases, DCS:			
	Cell A/DCS	Cell B/DCS	Cell C/DCS
bcch	C_BCCH_A_1	C_BCCH_B_1	C_BCCH_C_1
sacch	C_SACCH_A	C_SACCH_B	C_SACCH_C
bcchfl	BcchFreqLst_03 BcchFreqLst_04 (*)	BcchFreqLst_03	BcchFreqLst_03
ci	C_ci_cellA	C_ci_cellB	C_ci_cellC
lai	LocAreald_01	LocAreald_02	t.b.d.
ccd	CntrlChDscrp_01 CntrlChDscrp_02 (**)	CntrlChDscrp_01 CntrlChDscrp_02 (**)	CntrlChDscrp_01 CntrlChDscrp_02 (**)
csp	CellSelPara_04	CellSelPara_04	CellSelPara_04
cchd	t.b.d.	t.b.d.	t.b.d.
rachcp	RachCntrlPara_r_01 RachCntrlPara_01 (***)	RachCntrlPara_r_01 RachCntrlPara_01 (***)	RachCntrlPara_r_01 RachCntrlPara_01 (***)

(*) If TSPX_AltNb == TRUE

(**) CCCH not combined with SDCCH

(***) General in layer 3 test cases, but not in MM, RR, ...

Test Step Dynamic Behaviour					
Test Step Name:		SysInfoSending_MM_B(t, retr, neci, att:INTEGER; babr, cch_con, bpm:B_3; t3212:OCTETSTRING; ci:CI; mnc, lac:OCTETSTRING; cchd:CCHD; crh, mtmc:INTEGER; bcchfl: NCD; Re:BITSTRING)			
Group:		GSM_L3_MS_v4170/Miscellaneous/SysInfo/			
Objective:		To send system information messages for the L3 tests. The following parameters specified by input parameters: - bcch: BCCH - sacch: SACCH - bcchfl: BCCH frequency list - ci: Cell identity - lai: Location area identification - ccd: Control channel description - csp: Cell selection parameters - cchd: Cell channel description - rachpar: RACH control parameters			
Default:		OtherEvents			
Nr	Label	Behaviour Description	CRef	V	Comments
1		(TCV_Tx := OC_CnvtTx(t), TCV_Max := OC_CnvtMax(retr), TCV_Neci := INT_TO_BIT(neci,1), TCV_Ccd0B := CntrlChDscrp(att, babr, cch_con, bpm, t3212))			
2		LIDL_UdatRqSysinfo1	SysInfo1(C_BCCH_B_1, cchd, TCV_Max, TCV_Tx, Re)		
3		LIDL_UdatRqSysinfo2	SysInfo2(C_BCCH_B_1, bcchfl, TCV_Max, TCV_Tx, Re)		
4		LIDL_UdatRqSysinfo3	SysInfo3(C_BCCH_B_1, ci, mnc, lac, TCV_Ccd0B, CellOpt_01, crh, mtmc, TCV_Neci, TCV_Max, TCV_Tx, Re)		
5		LIDL_UdatRqSysinfo4	SysInfo4(C_BCCH_B_1, mnc, lac, crh, mtmc, TCV_Neci, TCV_Max, TCV_Tx, Re)		
6		(TCV_sysinfo5_B := SysInf5(bcchfl))			
7		(TCV_sysinfo6_B := SysInf6(ci, mnc, lac, CellOpt_01))			
Detailed Comments:		Default values/constraints for the parameters acc. to the default values indicated for the test cases/groups in GSM 11.10 (in case other values have to be used for specific test cases, which differ from the default values, other constraints have to be used for the parameters):			
MM test cases, GSM:					
		Cell A/GSM	Cell B/GSM	Cell C/GSM	
bcch	C_BCCH_A_1	C_BCCH_B_1	C_BCCH_C_1		
sacch	C_SACCH_A	C_SACCH_B	C_SACCH_C		
bcchfl	BcchFreqLst_01 BcchFreqLst_03 (*)	BcchFreqLst_01	BcchFreqLst_01		
ci	C_ci_cellA	C_ci_cellB	C_ci_cellC		
lai	LocAreald_01	LocAreald_02	t.b.d.		
ccd	CntrlChDscrp_01 CntrlChDscrp_02 (**)	CntrlChDscrp_01 CntrlChDscrp_02 (**)	CntrlChDscrp_01 CntrlChDscrp_02 (**)		
csp	CellSelPara_01	CellSelPara_01	CellSelPara_01		

cchd	CellChDes_02	CellChDes_03	CellChDes_04
rachcp	RachCntrlPara_r_01 RachCntrlPara_01 (***)	RachCntrlPara_r_01 RachCntrlPara_01 (***)	RachCntrlPara_r_01 RachCntrlPara_01 (***)
MM test cases, DCS:			
	Cell A/DCS	Cell B/DCS	Cell C/DCS
bcch	C_BCCH_A_1	C_BCCH_B_1	C_BCCH_C_1
sacch	C_SACCH_A	C_SACCH_B	C_SACCH_C
bcchfl	BcchFreqLst_03 BcchFreqLst_04 (*)	BcchFreqLst_03	BcchFreqLst_03
ci	C_ci_cellA	C_ci_cellB	C_ci_cellC
lai	LocAreald_01	LocAreald_02	t.b.d.
ccd	CntrlChDscrp_01 CntrlChDscrp_02 (**)	CntrlChDscrp_01 CntrlChDscrp_02 (**)	CntrlChDscrp_01 CntrlChDscrp_02 (**)
csp	CellSelPara_04	CellSelPara_04	CellSelPara_04
cchd	t.b.d.	t.b.d.	t.b.d.
rachcp	RachCntrlPara_r_01 RachCntrlPara_01 (***)	RachCntrlPara_r_01 RachCntrlPara_01 (***)	RachCntrlPara_r_01 RachCntrlPara_01 (***)

(*) If TSPX_AltNb == TRUE

(**) CCCH not combined with SDCCH

(***) General in layer 3 test cases, but not in MM, RR, ...

Test Step Dynamic Behaviour					
Test Step Name:		SysInfoSending_MM_C(t, retr, neci, att:INTEGER; babr, cch_con, bpm:B_3; t3212:OCTETSTRING; ci:CI; mnc, lac:OCTETSTRING; cchd:CCHD; crh, mtmc:INTEGER; bcchfl: NCD; Re:BITSTRING)			
Group:		GSM_L3_MS_v4170/Miscellaneous/SysInfo/			
Objective:		To send system information messages for the L3 tests. The following parameters specified by input parameters: - bcch: BCCH - sacch: SACCH - bcchfl: BCCH frequency list - ci: Cell identity - lai: Location area identification - ccd: Control channel description - csp: Cell selection parameters - cchd: Cell channel description - rachpar: RACH control parameters			
Default:		OtherEvents			
Nr	Label	Behaviour Description	CRef	V	Comments
1		(TCV_Tx := OC_CnvtTx(t), TCV_Max := OC_CnvtMax(retr), TCV_Neci := INT_TO_BIT(neci,1), TCV_Ccd0C := CntrlChDscrp(att, babr, cch_con, bpm, t3212))			
2		LIDL_UdatRqSysinfo1	SysInfo1(C_BCCH_C_1, cchd, TCV_Max, TCV_Tx, Re)		
3		LIDL_UdatRqSysinfo2	SysInfo2(C_BCCH_C_1, bcchfl, TCV_Max, TCV_Tx, Re)		
4		LIDL_UdatRqSysinfo3	SysInfo3(C_BCCH_C_1, ci, mnc, lac, TCV_Ccd0C, CellOpt_01, crh, mtmc, TCV_Neci, TCV_Max, TCV_Tx, Re)		
5		LIDL_UdatRqSysinfo4	SysInfo4(C_BCCH_C_1, mnc, lac, crh, mtmc, TCV_Neci, TCV_Max, TCV_Tx, Re)		
6		(TCV_sysinfo5_C := SysInf5(bcchfl))			
7		(TCV_sysinfo6_C := SysInf6(ci, mnc, lac, CellOpt_01))			
Detailed Comments:		Default values/constraints for the parameters acc. to the default values indicated for the test cases/groups in GSM 11.10 (in case other values have to be used for specific test cases, which differ from the default values, other constraints have to be used for the parameters):			
MM test cases, GSM:					
		Cell A/GSM	Cell B/GSM	Cell C/GSM	
bcch	C_BCCH_A_1	C_BCCH_B_1	C_BCCH_C_1		
sacch	C_SACCH_A	C_SACCH_B	C_SACCH_C		
bcchfl	BcchFreqLst_01 BcchFreqLst_03 (*)	BcchFreqLst_01	BcchFreqLst_01		
ci	C_ci_cellA	C_ci_cellB	C_ci_cellC		
lai	LocAreald_01	LocAreald_02	t.b.d.		
ccd	CntrlChDscrp_01 CntrlChDscrp_02 (**)	CntrlChDscrp_01 CntrlChDscrp_02 (**)	CntrlChDscrp_01 CntrlChDscrp_02 (**)		
csp	CellSelPara_01	CellSelPara_01	CellSelPara_01		

cchd	CellChDes_02	CellChDes_03	CellChDes_04
rachcp	RachCntrlPara_r_01 RachCntrlPara_01 (***)	RachCntrlPara_r_01 RachCntrlPara_01 (***)	RachCntrlPara_r_01 RachCntrlPara_01 (***)
MM test cases, DCS:			
	Cell A/DCS	Cell B/DCS	Cell C/DCS
bcch	C_BCCH_A_1	C_BCCH_B_1	C_BCCH_C_1
sacch	C_SACCH_A	C_SACCH_B	C_SACCH_C
bcchfl	BcchFreqLst_03 BcchFreqLst_04 (*)	BcchFreqLst_03	BcchFreqLst_03
ci	C_ci_cellA	C_ci_cellB	C_ci_cellC
lai	LocAreald_01	LocAreald_02	t.b.d.
ccd	CntrlChDscrp_01 CntrlChDscrp_02 (**)	CntrlChDscrp_01 CntrlChDscrp_02 (**)	CntrlChDscrp_01 CntrlChDscrp_02 (**)
csp	CellSelPara_04	CellSelPara_04	CellSelPara_04
cchd	t.b.d.	t.b.d.	t.b.d.
rachcp	RachCntrlPara_r_01 RachCntrlPara_01 (***)	RachCntrlPara_r_01 RachCntrlPara_01 (***)	RachCntrlPara_r_01 RachCntrlPara_01 (***)

(*) If TSPX_AltNb == TRUE

(**) CCCH not combined with SDCCH

(***) General in layer 3 test cases, but not in MM, RR, ...

Test Step Dynamic Behaviour					
Test Step Name:		SysInfoSending_01(t, retr, att, neci:INTEGER; babr, cch_con, bpm:B_3; t3212:OCTETSTRING)			
Group:		GSM_L3_MS_v4170/Miscellaneous/SysInfo/			
Objective:		To send system information messages with default parameters defined for the L3 tests for which no special parameters indicated. The following parameters specified by input parameters: - Tx-Integer; - Max-Retrans; - ATT; - NECI.			
Default:		OtherEvents			
Nr	Label	Behaviour Description	CRef	V	Comments
1		(TCV_Tx := OC_CnvtTx(t), TCV_Max := OC_CnvtMax(retr), TCV_Neci := INT_TO_BIT(neci,1), TCV_Ccd0A := CntrlChDscrp(att, babr, cch_con, bpm, t3212))			
2		(TCV_sysinfo6 := SysInf6(C_ci_cellA, C_PLMN_1, C_lacellA, CellOpt_01))			
3		LIDL_UdatRqSchinfo	SyncInfo(C_SCH_A)		
4		+gsmOrDcs			
gsmOrDcs					
5		[TSPC_PGSM OR TSPC_EGSM]			1.
6		LIDL_UdatRqSysinfo4	SysInfo4(C_BCCH_A_1, C_PLMN_1, C_lacellA, C_CellReselectHys0, C_MaxPwrLvIG, TCV_Neci, TCV_Max, TCV_Tx, C_Restablishment)		
7		LIDL_UdatRqSysinfo1_nh	SysInfo1_nh(C_BCH_H_A_1, C_ci_cellA, C_PLMN_1, C_lacellA, TCV_Ccd0A, CellOpt_01, C_CellReselectHys0, C_MaxPwrLvIG, TCV_Neci, TCV_Max, TCV_Tx, C_Restablishment)		
8		LIDL_UdatRqSysinfo3	SysInfo3(C_BCCH_A_1, C_ci_cellA, C_PLMN_1, C_lacellA, TCV_Ccd0A, CellOpt_01, C_CellReselectHys0, C_MaxPwrLvIG, TCV_Neci, TCV_Max, TCV_Tx, C_Restablishment)		
9		[TSPX_AltNb = TRUE]			3.
10		LIDL_UdatRqSysinfo2	SysInfo2(C_BCCH_A_1, BchFreqLst_02, TCV_Max, TCV_Tx, C_Restablishment)		
11		(TCV_sysinfo5 := SysInf5(BchFreqLst_02))			
12		[TSPX_AltNb = FALSE]			4.
13		LIDL_UdatRqSysinfo2	SysInfo2(C_BCCH_A_1, BchFreqLst_45, TCV_Max, TCV_Tx, C_Restablishment)		
14		(TCV_sysinfo5 := SysInf5(BchFreqLst_45))			
15		[TSPC_DCS]			2.
16		LIDL_UdatRqSysinfo4	SysInfo4(C_BCCH_A_1, C_PLMN_1, C_lacellA, C_CellReselectHys0, C_MaxPwrLvID,		

17	LIDL_UdatRqSysinfo1_nh	TCV_Neci, TCV_Max, TCV_Tx, C_Restablishment) SysInfo1_nh(C_BCH_H_A_1, C_ci_cellA, C_PLMN_1, C_lacellA, TCV_Ccd0A, CellOpt_01, C_CellReselectHys0, C_MaxPwrLvID, TCV_Neci, TCV_Max, TCV_Tx, C_Restablishment)	
18	LIDL_UdatRqSysinfo3	SysInfo3(C_BCCH_A_1, C_ci_cellA, C_PLMN_1, C_lacellA, TCV_Ccd0A, CellOpt_01, C_CellReselectHys0, C_MaxPwrLvID, TCV_Neci, TCV_Max, TCV_Tx, C_Restablishment)	
19	[TSPX_AltNb = TRUE]		
20	LIDL_UdatRqSysinfo2	SysInfo2(C_BCCH_A_1, BcchFreqLst_04, TCV_Max, TCV_Tx, C_Restablishment)	3.
21	(TCV_sysinfo5 := SysInf5(BcchFreqLst_04))		
22	[TSPX_AltNb = FALSE]		
23	LIDL_UdatRqSysinfo2	SysInfo2(C_BCCH_A_1, BcchFreqLst_03, TCV_Max, TCV_Tx, C_Restablishment)	4.
24	(TCV_sysinfo5 := SysInf5(BcchFreqLst_03))		
Detailed Comments:			
<ol style="list-style-type: none"> 1. For GSM900 mobile station testing. 2. For DCS1800 mobile station testing. 3. To use alternative neighbour cells description. 4. To use default neighbour cells description. 			

Test Step Dynamic Behaviour					
Test Step Name:		SysInfoSending_r1(t: INTEGER; retr:INTEGER; att: INTEGER; babr, cch_con, bpm:B_3; t3212:OCTETSTRING)			
Group:		GSM_L3_MS_v4170/Miscellaneous/SysInfo/			
Objective:		To send SYNCHRONIZATION CHANNEL INFORMATION and SYSTEM INFORMATION messages with default parameters defined for RR test except CCCH_CONF, Tx-integer, Max-Retrans which are specified by input parameters.			
Default:		OtherEvents			
Comments:		The values of SYSTEM INFORMATION messages are also controlled by another test suite parameters, TSPC_GSM and TSPC_DCS.			
Nr	Label	Behaviour Description	CRef	V	Comments
1		(TCV_Tx := OC_CnvtTx(t), TCV_Max := OC_CnvtMax(retr), TCV_Neci := '0'B, TCV_Ccd0A := CntrlChDscrp(att, babr, cch_con, bpm, t3212))			
2		LIDL_UdatRqSchinfo	SyncInfo(C_SCH_A)		1.
3		(TCV_sysinfo6 := SysInf6(C_ci_cellA, C_PLMN_1, C_lacellA, CellOpt_01))			
4		+gsmOrDcs			
		gsmOrDcs			
5		[TSPC_PGSM OR TSPC_EGSM]			3.
6		LIDL_UdatRqSysinfo1	SysInfo1(C_BCCH_A_1, CellChDes_02, TCV_Max, TCV_Tx, C_noRestablishment)		
7		LIDL_UdatRqSysinfo2	SysInfo2(C_BCCH_A_1, BchFreqLst_01, TCV_Max, TCV_Tx, C_noRestablishment)		
8		LIDL_UdatRqSysinfo4	SysInfo4(C_BCCH_A_1, C_PLMN_1, C_lacellA, C_CellReselectHys0, C_MaxPwrLvIG, TCV_Neci, TCV_Max, TCV_Tx, C_noRestablishment)		
9		(TCV_sysinfo5 := SysInf5(BcchFreqLst_01))			
10		LIDL_UdatRqSysinfo3	SysInfo3(C_BCCH_A_1, C_ci_cellA, C_PLMN_1, C_lacellA, TCV_Ccd0A, CellOpt_01, C_CellReselectHys0, C_MaxPwrLvIG, TCV_Neci, TCV_Max, TCV_Tx, C_noRestablishment)		2.
11		[TSPC_DCS]			4.
12		LIDL_UdatRqSysinfo1	SysInfo1(C_BCCH_A_1, CellChDes_03, TCV_Max, TCV_Tx, C_noRestablishment)		
13		LIDL_UdatRqSysinfo2	SysInfo2(C_BCCH_A_1, BchFreqLst_48, TCV_Max, TCV_Tx, C_noRestablishment)		
14		LIDL_UdatRqSysinfo4	SysInfo4(C_BCCH_A_1, C_PLMN_1, C_lacellA, C_CellReselectHys0, C_MaxPwrLvID, TCV_Neci, TCV_Max, TCV_Tx, C_noRestablishment)		
15		(TCV_sysinfo5 := SysInf5(BcchFreqLst_48))			
16		LIDL_UdatRqSysinfo3	SysInfo3(C_BCCH_A_1, C_ci_cellA, C_PLMN_1, C_lacellA, TCV_Ccd0A,		2.

			CellOpt_01, C_CellReselectHys0, C_MaxPwrLvID, TCV_Neci, TCV_Max, TCV_Tx, C_noRestablishment)		
Detailed Comments:		The lower layer emulator shall send these SYNCHRONIZATION INFORMATION and SYSTEM INFORMATION's repeatedly. 1. To send SYNCHRONIZATION INFORMATION message with default parameter for cell A. 2. To send SYSTEM INFORMATION TYPE 3 message. 3. To send SYSTEM INFORMATION TYPE 2 and 5 messages for GSM900 testing. 4. To send SYSTEM INFORMATION TYPE 2 and 5 messages for DCS1800 testing.			

Test Step Dynamic Behaviour					
Test Step Name:		SysInfoSending_r2(t: INTEGER; retrans:INTEGER; ch:LOGICCH; att:INTEGER; babr, cch_con, bpm:B_3; t3212:OCTETSTRING)			
Group:		GSM_L3_MS_v4170/Miscellaneous/SysInfo/			
Objective:		To send system information messages in cell A with default parameters except the 5 parameters, the combined CCCH, Max-retrans, Tx-INTEGGER, control channel description and logic channel which are specified by formal parameters.			
Default:		OtherEvents			
Comments:		The test step is used for RR tests without attach/detach.			
Nr	Label	Behaviour Description	CRef	V	Comments
1		(TCV_Tx := OC_CnvtTx(t), TCV_Max := OC_CnvtMax(retrans), TCV_Neci := '0'B, TCV_Ccd0A := CntrlChDscrp(att, babr, cch_con, bpm, t3212))			
2		LIDL_UdatRqSchinfo	SynclInfo(C_SCH_A)		
3		(TCV_sysinfo6 := SysInf6(C_ci_cellA, C_PLMN_1, C_lacellA, CellOpt_01))			
4		+gsmOrDcs			
		gsmOrDcs			
5		[TSPC_PGSM OR TSPC_EGSM]			2.
6		LIDL_UdatRqSysinfo1	SysInfo1(ch, CellChDes_02, TCV_Max, TCV_Tx, C_noRestablishment)		
7		LIDL_UdatRqSysinfo2	SysInfo2(ch, BcchFreqLst_01, TCV_Max, TCV_Tx, C_noRestablishment)		
8		LIDL_UdatRqSysinfo4	SysInfo4(ch, C_PLMN_1, C_lacellA, C_CellReselectHys0, C_MaxPwrLvIG, TCV_Neci, TCV_Max, TCV_Tx, C_noRestablishment)		
9		(TCV_sysinfo5 := SysInf5(BcchFreqLst_01))			
10		LIDL_UdatRqSysinfo3	SysInfo3(ch, C_ci_cellA, C_PLMN_1, C_lacellA, TCV_Ccd0A, CellOpt_01, C_CellReselectHys0, C_MaxPwrLvIG, TCV_Neci, TCV_Max, TCV_Tx, C_noRestablishment)		1.
11		[TSPC_DCS]			3.
12		LIDL_UdatRqSysinfo1	SysInfo1(ch, CellChDes_03, TCV_Max, TCV_Tx, C_noRestablishment)		
13		LIDL_UdatRqSysinfo2	SysInfo2(ch, BcchFreqLst_48, TCV_Max, TCV_Tx, C_noRestablishment)		
14		LIDL_UdatRqSysinfo4	SysInfo4(ch, C_PLMN_1, C_lacellA, C_CellReselectHys0, C_MaxPwrLvID, TCV_Neci, TCV_Max, TCV_Tx, C_noRestablishment)		
15		(TCV_sysinfo5 := SysInf5(BcchFreqLst_48))			
16		LIDL_UdatRqSysinfo3	SysInfo3(ch, C_ci_cellA, C_PLMN_1, C_lacellA, TCV_Ccd0A, CellOpt_01,		1.

			C_CellReselectHys0, C_MaxPwrLvlD, TCV_Neci, TCV_Max, TCV_Tx, C_noRestablishment)	
Detailed Comments:		<ol style="list-style-type: none">1. CCCH combined or not with SDCCH2. For GSM900 mobile station testing.3. For DCS1800 mobile station testing.		

Test Step Dynamic Behaviour					
Test Step Name:		SysInfoSending_r4(att:INTEGER; babr, cch_con, bpm:B_3; t3212:OCTETSTRING)			
Group:		GSM_L3_MS_v4170/Miscellaneous/SysInfo/			
Objective:		To send SYNCHRONIZATION CHANNEL INFORMATION and SYSTEM INFORMATION messages with default parameters defined for cell B in RR tests.			
Default:		OtherEvents			
Comments:		The values of SYSTEM INFORMATION messages are also controlled by another test suite parameters, TSPC_GSM and TSPC_DCS.			
Nr	Label	Behaviour Description	CRef	V	Comments
1		(TCV_Tx := '0010'B, TCV_Max := '00'B, TCV_Neci := '0'B, TCV_Ccd0B := CntrlChDscrp(att, babr, cch_con, bpm, t3212))			
2		L!DL_UdatRqSchinfo	SynclInfo(C_SCH_B)		1.
3		(TCV_sysinfo6_B := SysInf6(C_ci_cellB, C_PLMN_1, C_lacellB, CellOpt_01))			
4		[TSPC_PGSM OR TSPC_EGSM]			2.
5		L!DL_UdatRqSysinfo1	SysInfo1(C_BCCH_B_1, CellChDes_04, TCV_Max, TCV_Tx, C_noRestablishment)		
6		L!DL_UdatRqSysinfo2	SysInfo2(C_BCCH_B_1, BcchFreqLst_01, TCV_Max, TCV_Tx, C_noRestablishment)		
7		(TCV_sysinfo5_B := SysInf5(BcchFreqLst_01))			
8		L!DL_UdatRqSysinfo4	SysInfo4(C_BCCH_B_1, C_PLMN_1, C_lacellB, C_CellReselectHys0, C_MaxPwrLvIG, TCV_Neci, TCV_Max, TCV_Tx, C_noRestablishment)		
9		L!DL_UdatRqSysinfo3	SysInfo3(C_BCCH_B_1, C_ci_cellB, C_PLMN_1, C_lacellB, TCV_Ccd0B, CellOpt_01, C_CellReselectHys0, C_MaxPwrLvIG, TCV_Neci, TCV_Max, TCV_Tx, C_noRestablishment)		
10		[TSPC_DCS]			3.
11		L!DL_UdatRqSysinfo1	SysInfo1(C_BCCH_B_1, CellChDes_03, TCV_Max, TCV_Tx, C_noRestablishment)		
12		L!DL_UdatRqSysinfo2	SysInfo2(C_BCCH_B_1, BcchFreqLst_48, TCV_Max, TCV_Tx, C_noRestablishment)		
13		(TCV_sysinfo5_B := SysInf5(BcchFreqLst_48))			
14		L!DL_UdatRqSysinfo4	SysInfo4(C_BCCH_B_1, C_PLMN_1, C_lacellB, C_CellReselectHys0, C_MaxPwrLvID, TCV_Neci, TCV_Max, TCV_Tx, C_noRestablishment)		
15		L!DL_UdatRqSysinfo3	SysInfo3(C_BCCH_B_1, C_ci_cellB, C_PLMN_1, C_lacellB, TCV_Ccd0B, CellOpt_01, C_CellReselectHys0, C_MaxPwrLvID, TCV_Neci, TCV_Max,		

			TCV_Tx, C_noRestablishment)		
Detailed Comments:	The lower layer emulator shall send these SYNCHRONIZATION INFORMATION and SYSTEM INFORMATION's repeatedly. 1. To send SYNCHRONIZATION INFORMATION message with default parameter for cell B. 2. To send SYSTEM INFORMATION TYPE 2 and 5 messages for GSM900 testing. 3. To send SYSTEM INFORMATION TYPE 2 and 5 messages for DCS1800 testing.				

Test Step Dynamic Behaviour					
Test Step Name:		SysInfoSending_m1(att: INTEGER; babr, cch_con, bpm:B_3; t3212:OCTETSTRING)			
Group:		GSM_L3_MS_v4170/Miscellaneous/SysInfo/			
Objective:		To send SYNCHRONIZATION CHANNEL INFORMATION and SYSTEM INFORMATION messages with default parameters defined for MM test based on RR test except CCCH_CONF, and ATT which are specified by input parameters.			
Default:		OtherEvents			
Comments:		The values of SYSTEM INFORMATION messages are also controlled by another test suite parameters, TSPC_GSM and TSPC_DCS.			
Nr	Label	Behaviour Description	CRef	V	Comments
1		(TCV_Tx := '0010'B, TCV_Max := '00'B, TCV_Neci := '0'B, TCV_Ccd0A := CntrlChDscrp(att, babr, cch_con, bpm, t3212))			
2		LIDL_UdatRqSchinfo	SynclInfo(C_SCH_A)		1.
3		(TCV_sysinfo6 := SysInf6(C_ci_cellA, C_PLMN_1, C_lacellA, CellOpt_01))			
4		+gsmOrDcs			
gsmOrDcs					
5		[TSPC_PGSM OR TSPC_EGSM]			2.
6		LIDL_UdatRqSysinfo1	SysInfo1(C_BCCH_A_1, CellChDes_02, TCV_Max, TCV_Tx, C_noRestablishment)		
7		LIDL_UdatRqSysinfo2	SysInfo2(C_BCCH_A_1, BcchFreqLst_01, TCV_Max, TCV_Tx, C_noRestablishment)		
8		LIDL_UdatRqSysinfo4	SysInfo4(C_BCCH_A_1, C_PLMN_1, C_lacellA, C_CellReselectHys0, C_MaxPwrLvIG, TCV_Neci, TCV_Max, TCV_Tx, C_noRestablishment)		
9		(TCV_sysinfo5 := SysInf5(BcchFreqLst_01))			
10		LIDL_UdatRqSysinfo3	SysInfo3(C_BCCH_A_1, C_ci_cellA, C_PLMN_1, C_lacellA, TCV_Ccd0A, CellOpt_01, C_CellReselectHys0, C_MaxPwrLvIG, TCV_Neci, TCV_Max, TCV_Tx, C_noRestablishment)		
11		[TSPC_DCS]			3.
12		LIDL_UdatRqSysinfo1	SysInfo1(C_BCCH_A_1, CellChDes_03, TCV_Max, TCV_Tx, C_noRestablishment)		
13		LIDL_UdatRqSysinfo2	SysInfo2(C_BCCH_A_1, BcchFreqLst_48, TCV_Max, TCV_Tx, C_noRestablishment)		
14		LIDL_UdatRqSysinfo4	SysInfo4(C_BCCH_A_1, C_PLMN_1, C_lacellA, C_CellReselectHys0, C_MaxPwrLvID, TCV_Neci, TCV_Max, TCV_Tx, C_noRestablishment)		
15		(TCV_sysinfo5 := SysInf5(BcchFreqLst_48))			
16		LIDL_UdatRqSysinfo3	SysInfo3(C_BCCH_A_1, C_ci_cellA, C_PLMN_1, C_lacellA, TCV_Ccd0A, CellOpt_01,		

		C_CellReselectHys0, C_MaxPwrLvlD, TCV_Neci, TCV_Max, TCV_Tx, C_noReestablishment)	
Detailed Comments:		The lower layer emulator shall send these SYNCHRONIZATION INFORMATION and SYSTEM INFORMATION's repeatedly. 1. To send SYNCHRONIZATION INFORMATION message with default parameter for cell A. 2. To send SYSTEM INFORMATION TYPE 2 and 5 messages for GSM900 testing. 3. To send SYSTEM INFORMATION TYPE 2 and 5 messages for DCS1800 testing.	

Test Step Dynamic Behaviour

Test Step Name:		SysInfoSending_1(att:INTEGER; babr, cch_con, bpm:B_3; t3212:OCTETSTRING)			
Group:		GSM_L3_MS_v4170/Miscellaneous/SysInfo/			
Objective:		To send SYNCHRONIZATION CHANNEL INFORMATION and SYSTEM INFORMATION messages in cell A for idle mode test			
Default:		OtherEvents			
Comments:		The values of SYSTEM INFORMATION messages are also controlled by test suite parameters TSPC_GSM and TSPC_DCS.			
Nr	Label	Behaviour Description	CRef	V	Comments
1		(TCV_Ccd0A := CntrlChDscrp(att, babr, cch_con, bpm, t3212))			
2		L!DL_UdatRqSchinfo (DL_UdatRqSchinfo.msg.ncc := '000'B)	SynInfo(C_SCH_A)		1.
3		(TCV_sysinfo6 := SysInf6_MM(C_ci_cellA, LocAreald_03, CellOpt_02))			
4		L!DL_UdatRqSysinfo4	SysInfo4_MM(C_BCC H_A_1, LocAreald_03, CellSelPara_03, RachCntrlPara_04)		
5		+gsmOrDcs			
6		L!DL_UdatRqSysinfo1_nh	SysInfo1_nh_07(C_BCCH_A_1, C_ci_cellA, LocAreald_03, TCV_Ccd0A, CellOpt_02, CellSelPara_03, RachCntrlPara_04)		
7		L!DL_UdatRqSysinfo3	SysInfo3_07(C_BCC H_A_1, C_ci_cellA, LocAreald_03, TCV_Ccd0A, CellOpt_02, CellSelPara_03, RachCntrlPara_04)		
8		gsmOrDcs [TSPC_PGSM OR TSPC_EGSM]			2.
9		L!DL_UdatRqSysinfo2	SysInfo2_07(C_BCC H_A_1, BcchFreqLst_05, RachCntrlPara_04)		
10		(TCV_sysinfo5 := SysInf5(BcchFreqLst_05))			
11		[TSPC_DCS]			3.
12		L!DL_UdatRqSysinfo2	SysInfo2_07(C_BCC H_A_1, BcchFreqLst_13, RachCntrlPara_04)		
13		(TCV_sysinfo5 := SysInf5(BcchFreqLst_13))			
Detailed Comments:		1. To send SYNCHRONIZATION INFORMATION message with parameters for cell A. 2. To send SYSTEM INFORMATION TYPE 2 and 5 messages for GSM900 testing. 3. To send SYSTEM INFORMATION TYPE 2 and 5 messages for DCS1800 testing.			

Test Step Dynamic Behaviour					
Test Step Name:		SysInfoSending_2(att:INTEGER; babr, cch_con, bpm:B_3; t3212:OCTETSTRING)			
Group:		GSM_L3_MS_v4170/Miscellaneous/SysInfo/			
Objective:		To send SYNCHRONIZATION CHANNEL INFORMATION and SYSTEM INFORMATION messages in cell B for idle mode test			
Default:		OtherEvents			
Comments:		The values of SYSTEM INFORMATION messages are also controlled by test suite parameters TSPC_GSM and TSPC_DCS.			
Nr	Label	Behaviour Description	CRef	V	Comments
1		(TCV_Ccd0A := CntrlChDscrp(att, babr, cch_con, bpm, t3212))			
2		L!DL_UdatRqSchinfo (DL_UdatRqSchinfo.msg.ncc := '001'B)	SynInfo(C_SCH_B)		1.
3		(TCV_sysinfo6 := SysInf6_MM(C_ci_cellB, LocAreald_04, CellOpt_02))			
4		L!DL_UdatRqSysinfo4	SysInfo4_MM(C_BCC H_B_1, LocAreald_04, CellSelPara_03, RachCntrlPara_04)		
5		+gsmOrDcs			
6		L!DL_UdatRqSysinfo1_nh	SysInfo1_nh_07(C_BCCH_B_1, C_ci_cellB, LocAreald_04, TCV_Ccd0B, CellOpt_02, CellSelPara_03, RachCntrlPara_04)		
7		L!DL_UdatRqSysinfo3	SysInfo3_07(C_BCCH_B_1, C_ci_cellB, LocAreald_04, TCV_Ccd0B, CellOpt_02, CellSelPara_03, RachCntrlPara_04)		
8		gsmOrDcs [TSPC_PGSM OR TSPC_EGSM]			2.
9		L!DL_UdatRqSysinfo2	SysInfo2_07(C_BCC H_B_1, BcchFreqLst_06, RachCntrlPara_04)		
10		(TCV_sysinfo5 := SysInf5(BcchFreqLst_06))			
11		[TSPC_DCS]			3.
12		L!DL_UdatRqSysinfo2	SysInfo2_07(C_BCC H_B_1, BcchFreqLst_14, RachCntrlPara_04)		
13		(TCV_sysinfo5 := SysInf5(BcchFreqLst_14))			
Detailed Comments:		1. To send SYNCHRONIZATION INFORMATION message with parameters for cell B. 2. To send SYSTEM INFORMATION TYPE 2 and 5 messages for GSM900 testing. 3. To send SYSTEM INFORMATION TYPE 2 and 5 messages for DCS1800 testing.			

Test Step Dynamic Behaviour					
Test Step Name:		SysInfoSending_3(att:INTEGER; babr, cch_con, bpm:B_3; t3212:OCTETSTRING)			
Group:		GSM_L3_MS_v4170/Miscellaneous/SysInfo/			
Objective:		To send SYNCHRONIZATION CHANNEL INFORMATION and SYSTEM INFORMATION messages in cell C for idle mode test			
Default:		OtherEvents			
Comments:		The values of SYSTEM INFORMATION messages are also controlled by test suite parameters TSPC_GSM and TSPC_DCS.			
Nr	Label	Behaviour Description	CRef	V	Comments
1		(TCV_Ccd0C := CntrlChDscrp(att, babr, cch_con, bpm, t3212))			
2		L!DL_UdatRqSchinfo (DL_UdatRqSchinfo.msg.ncc := '010'B)	SynInfo(C_SCH_C)		1.
3		(TCV_sysinfo6_C := SysInf6_MM(C_ci_cellC, LocAreald_05, CellOpt_02))			
4		L!DL_UdatRqSysinfo4	SysInfo4_MM(C_BCC H_C_1, LocAreald_05, CellSelPara_03, RachCntrlPara_04)		
5		+gsmOrDcs			
6		L!DL_UdatRqSysinfo1_nh	SysInfo1_nh_07(C_BCCH_C_1, C_ci_cellC, LocAreald_05, TCV_Ccd0C, CellOpt_02, CellSelPara_03, RachCntrlPara_04)		
7		L!DL_UdatRqSysinfo3	SysInfo3_07(C_BCCH_C_1, C_ci_cellC, LocAreald_05, TCV_Ccd0C, CellOpt_02, CellSelPara_03, RachCntrlPara_04)		
8		gsmOrDcs [TSPC_PGSM OR TSPC_EGSM]			2.
9		L!DL_UdatRqSysinfo2	SysInfo2_07(C_BCC H_C_1, BcchFreqLst_07, RachCntrlPara_04)		
10		(TCV_sysinfo5_C := SysInf5(BcchFreqLst_07))			
11		[TSPC_DCS]			3.
12		L!DL_UdatRqSysinfo2	SysInfo2_07(C_BCC H_C_1, BcchFreqLst_15, RachCntrlPara_04)		
13		(TCV_sysinfo5_C := SysInf5(BcchFreqLst_15))			
Detailed Comments:		<ol style="list-style-type: none"> 1. To send SYNCHRONIZATION INFORMATION message with parameters for cell C. 2. To send SYSTEM INFORMATION TYPE 2 and 5 messages for GSM900 testing. 3. To send SYSTEM INFORMATION TYPE 2 and 5 messages for DCS1800 testing. 			

Test Step Dynamic Behaviour					
Test Step Name:		SysInfoSending_4(att:INTEGER; babr, cch_con, bpm:B_3; t3212:OCTETSTRING)			
Group:		GSM_L3_MS_v4170/Miscellaneous/SysInfo/			
Objective:		To send SYNCHRONIZATION CHANNEL INFORMATION and SYSTEM INFORMATION messages in cell D for idle mode test			
Default:		OtherEvents			
Comments:		The values of SYSTEM INFORMATION messages are also controlled by test suite parameters TSPC_GSM and TSPC_DCS.			
Nr	Label	Behaviour Description	CRef	V	Comments
1		(TCV_Ccd0D := CntrlChDscrp(att, babr, cch_con, bpm, t3212))			
2		L!DL_UdatRqSchinfo (DL_UdatRqSchinfo.msg.ncc := '011'B)	SynclInfo(C_SCH_D)		1.
3		(TCV_sysinfo6_D := SysInf6_MM(C_ci_cellID, LocAreald_06, CellOpt_02))			
4		L!DL_UdatRqSysinfo4	SysInfo4_MM(C_BCC H_D_1, LocAreald_06, CellSelPara_03, RachCntrlPara_04)		
5		+gsmOrDcs			
6		L!DL_UdatRqSysinfo1_nh	SysInfo1_nh_07(C_BCCH_D_1, C_ci_cellID, LocAreald_06, TCV_Ccd0D, CellOpt_02, CellSelPara_03, RachCntrlPara_04)		
7		L!DL_UdatRqSysinfo3	SysInfo3_07(C_BCCH_D_1, C_ci_cellID, LocAreald_06, TCV_Ccd0D, CellOpt_02, CellSelPara_03, RachCntrlPara_04)		
8		gsmOrDcs [TSPC_PGSM OR TSPC_EGSM]			2.
9		L!DL_UdatRqSysinfo2	SysInfo2_07(C_BCC H_D_1, BcchFreqLst_08, RachCntrlPara_04)		
10		(TCV_sysinfo5_D := SysInf5(BcchFreqLst_08))			
11		[TSPC_DCS]			3.
12		L!DL_UdatRqSysinfo2	SysInfo2_07(C_BCC H_D_1, BcchFreqLst_16, RachCntrlPara_04)		
13		(TCV_sysinfo5_D := SysInf5(BcchFreqLst_16))			
Detailed Comments:		1. To send SYNCHRONIZATION INFORMATION message with parameters for cell D. 2. To send SYSTEM INFORMATION TYPE 2 and 5 messages for GSM900 testing. 3. To send SYSTEM INFORMATION TYPE 2 and 5 messages for DCS1800 testing.			

Test Step Dynamic Behaviour

Test Step Name: SysInfoSending_5(att:INTEGER; babr, cch_con, bpm:B_3; t3212:OCTETSTRING)
Group: GSM_L3_MS_v4170/Miscellaneous/SysInfo/
Objective: To send SYNCHRONIZATION CHANNEL INFORMATION and SYSTEM INFORMATION messages in cell E for idle mode test
Default: OtherEvents
Comments: The values of SYSTEM INFORMATION messages are also controlled by test suite parameters TSPC_GSM and TSPC_DCS.

Nr	Label	Behaviour Description	CRef	V	Comments
1		(TCV_Ccd0E := CntrlChDscrp(att, babr, cch_con, bpm, t3212))			
2		L!DL_UdatRqSchinfo (DL_UdatRqSchinfo.msg.ncc := '100'B)	SynInfo(C_SCH_E)		1.
3		(TCV_sysinfo6_E := SysInf6_MM(C_ci_cellE, LocAreald_07, CellOpt_02))			
4		L!DL_UdatRqSysinfo4	SysInfo4_MM(C_BCC H_E_1, LocAreald_07, CellSelPara_03, RachCntrlPara_04)		
5		+gsmOrDcs			
6		L!DL_UdatRqSysinfo1_nh	SysInfo1_nh_07(C_BCCH_E_1, C_ci_cellE, LocAreald_07, TCV_Ccd0E, CellOpt_02, CellSelPara_03, RachCntrlPara_04)		
7		L!DL_UdatRqSysinfo3	SysInfo3_07(C_BCCH_E_1, C_ci_cellE, LocAreald_07, TCV_Ccd0E, CellOpt_02, CellSelPara_03, RachCntrlPara_04)		
8		gsmOrDcs [TSPC_PGSM OR TSPC_EGSM]			2.
9		L!DL_UdatRqSysinfo2	SysInfo2_07(C_BCC H_E_1, BcchFreqLst_09, RachCntrlPara_04)		
10		(TCV_sysinfo5_E := SysInf5(BcchFreqLst_09))			
11		[TSPC_DCS]			3.
12		L!DL_UdatRqSysinfo2	SysInfo2_07(C_BCC H_E_1, BcchFreqLst_17, RachCntrlPara_04)		
13		(TCV_sysinfo5_E := SysInf5(BcchFreqLst_17))			

Detailed Comments:

1. To send SYNCHRONIZATION INFORMATION message with parameters for cell E.
2. To send SYSTEM INFORMATION TYPE 2 and 5 messages for GSM900 testing.
3. To send SYSTEM INFORMATION TYPE 2 and 5 messages for DCS1800 testing.

Test Step Dynamic Behaviour					
Test Step Name:		SysInfoSending_6(att:INTEGER; babr, cch_con, bpm:B_3; t3212:OCTETSTRING)			
Group:		GSM_L3_MS_v4170/Miscellaneous/SysInfo/			
Objective:		To send SYNCHRONIZATION CHANNEL INFORMATION and SYSTEM INFORMATION messages in cell F for idle mode test			
Default:		OtherEvents			
Comments:		The values of SYSTEM INFORMATION messages are also controlled by test suite parameters TSPC_GSM and TSPC_DCS.			
Nr	Label	Behaviour Description	CRef	V	Comments
1		(TCV_Ccd0F := CntrlChDscrp(att, babr, cch_con, bpm, t3212))			
2		L!DL_UdatRqSchinfo (DL_UdatRqSchinfo.msg.ncc := '101'B)	SynInfo(C_SCH_F)		1.
3		(TCV_sysinfo6_F := SysInf6_MM(C_ci_cellF, LocAreald_08, CellOpt_02))			
4		L!DL_UdatRqSysinfo4	SysInfo4_MM(C_BCC H_F_1, LocAreald_08, CellSelPara_03, RachCntrlPara_04)		
5		+gsmOrDcs			
6		L!DL_UdatRqSysinfo1_nh	SysInfo1_nh_07(C_BCCH_F_1, C_ci_cellF, LocAreald_08, TCV_Ccd0F, CellOpt_02, CellSelPara_03, RachCntrlPara_04)		
7		L!DL_UdatRqSysinfo3	SysInfo3_07(C_BCCH_F_1, C_ci_cellF, LocAreald_08, TCV_Ccd0F, CellOpt_02, CellSelPara_03, RachCntrlPara_04)		
8		gsmOrDcs [TSPC_PGSM OR TSPC_EGSM]			2.
9		L!DL_UdatRqSysinfo2	SysInfo2_07(C_BCC H_F_1, BcchFreqLst_10, RachCntrlPara_04)		
10		(TCV_sysinfo5_F := SysInf5(BcchFreqLst_10))			
11		[TSPC_DCS]			3.
12		L!DL_UdatRqSysinfo2	SysInfo2_07(C_BCC H_F_1, BcchFreqLst_18, RachCntrlPara_04)		
13		(TCV_sysinfo5_F := SysInf5(BcchFreqLst_18))			
Detailed Comments:		1. To send SYNCHRONIZATION INFORMATION message with parameters for cell F. 2. To send SYSTEM INFORMATION TYPE 2 and 5 messages for GSM900 testing. 3. To send SYSTEM INFORMATION TYPE 2 and 5 messages for DCS1800 testing.			

Test Step Dynamic Behaviour					
Test Step Name:		SysInfoSending_7(att:INTEGER; babr, cch_con, bpm:B_3; t3212:OCTETSTRING)			
Group:		GSM_L3_MS_v4170/Miscellaneous/SysInfo/			
Objective:		To send SYNCHRONIZATION CHANNEL INFORMATION and SYSTEM INFORMATION messages in cell G for idle mode test			
Default:		OtherEvents			
Comments:		The values of SYSTEM INFORMATION messages are also controlled by test suite parameters TSPC_GSM and TSPC_DCS.			
Nr	Label	Behaviour Description	CRef	V	Comments
1		(TCV_Ccd0G := CntrlChDscrp(att, babr, cch_con, bpm, t3212))			
2		L!DL_UdatRqSchinfo (DL_UdatRqSchinfo.msg.ncc := '110'B)	SynInfo(C_SCH_G)		1.
3		(TCV_sysinfo6_G := SysInf6_MM(C_ci_cellG, LocAreald_09, CellOpt_02))			
4		+gsmOrDcs			
5		gsmOrDcs			
6		[TSPC_PGSM OR TSPC_EGSM] L!DL_UdatRqSysinfo2	SysInfo2_07(C_BCC H_G_1, BcchFreqLst_11, RachCntrlPara_04)		2.
7		(TCV_sysinfo5_G := SysInf5(BcchFreqLst_11))			
8		L!DL_UdatRqSysinfo4	SysInfo4_MM(C_BCC H_G_1, LocAreald_09, CellSelPara_03, RachCntrlPara_04)		
9		L!DL_UdatRqSysinfo1_nh	SysInfo1_nh_07(C_BCCH_G_1, C_ci_cellG, LocAreald_09, TCV_Ccd0G, CellOpt_02, CellSelPara_03, RachCntrlPara_04)		
10		L!DL_UdatRqSysinfo3	SysInfo3_07(C_BCCH_G_1, C_ci_cellG, LocAreald_09, TCV_Ccd0G, CellOpt_02, CellSelPara_03, RachCntrlPara_04)		
11		[TSPC_DCS]			3.
12		L!DL_UdatRqSysinfo2	SysInfo2_07(C_BCC H_G_1, BcchFreqLst_19, RachCntrlPara_05)		
13		(TCV_sysinfo5_G := SysInf5(BcchFreqLst_19))			
14		L!DL_UdatRqSysinfo4	SysInfo4_MM(C_BCC H_G_1, LocAreald_09, CellSelPara_03, RachCntrlPara_05)		
15		L!DL_UdatRqSysinfo1_nh	SysInfo1_nh_07(C_BCCH_G_1, C_ci_cellG, LocAreald_09, TCV_Ccd0G, CellOpt_02, CellSelPara_03, RachCntrlPara_05)		
16		L!DL_UdatRqSysinfo3	SysInfo3_07(C_BCCH_G_1, C_ci_cellG, LocAreald_09, TCV_Ccd0G, CellOpt_02, CellSelPara_03, RachCntrlPara_05)		

Detailed Comments:	1. To send SYNCHRONIZATION INFORMATION message with parameters for cell G. 2. To send SYSTEM INFORMATION TYPE 2 and 5 messages for GSM900 testing. 3. To send SYSTEM INFORMATION TYPE 2 and 5 messages for DCS1800 testing.
---------------------------	---

Test Step Dynamic Behaviour					
Test Step Name:		SysInfoSending_8(att:INTEGER; babr, cch_con, bpm:B_3; t3212:OCTETSTRING)			
Group:		GSM_L3_MS_v4170/Miscellaneous/SysInfo/			
Objective:		To send SYNCHRONIZATION CHANNEL INFORMATION and SYSTEM INFORMATION messages in cell H for idle mode test			
Default:		OtherEvents			
Comments:		for GSM900 only			
Nr	Label	Behaviour Description	CRef	V	Comments
1		(TCV_Ccd0H := CntrlChDscrp(att, babr, cch_con, bpm, t3212))			
2		L!DL_UdatRqSchinfo (DL_UdatRqSchinfo.msg.ncc := '111'B)	SynclInfo(C_SCH_H)		1.
3		(TCV_sysinfo6_H := SysInf6_MM(C_ci_cellH, LocAreald_10, CellOpt_02))			
4		L!DL_UdatRqSysinfo4	SysInfo4_MM(C_BCC H_H_1, LocAreald_10, CellSelPara_03, RachCntrlPara_04)		
5		L!DL_UdatRqSysinfo1_nh	SysInfo1_nh_07(C_BCCH_H_1, C_ci_cellH, LocAreald_10, TCV_Ccd0H, CellOpt_02, CellSelPara_03, RachCntrlPara_04)		
6		L!DL_UdatRqSysinfo3	SysInfo3_07(C_BCCH_H_1, C_ci_cellH, LocAreald_10, TCV_Ccd0H, CellOpt_02, CellSelPara_03, RachCntrlPara_04)		
7		L!DL_UdatRqSysinfo2	SysInfo2_07(C_BCC H_H_1, BcchFreqLst_12, RachCntrlPara_04)		
8		(TCV_sysinfo5_H := SysInf5(BcchFreqLst_12))			
Detailed Comments:		1. To send SYNCHRONIZATION INFORMATION message with parameters for cell H.			

Test Step Dynamic Behaviour					
Test Step Name: SysInfoSending_9(t, retr, att: INTEGER; babr, cch_con, bpm:B_3; t3212:OCTETSTRING)					
Group: GSM_L3_MS_v4170/Miscellaneous/SysInfo/					
Objective: To send SYNCHRONIZATION CHANNEL INFORMATION and SYSTEM INFORMATION messages with default parameters except Tx-integer, Max-Retrans which are specified by input parameters and radio-link-timeout = 64.					
Default: OtherEvents					
Comments: The values of SYSTEM INFORMATION messages are also controlled by another two test suite parameters, TSPC_GSM and TSPX_AltNb.					
Nr	Label	Behaviour Description	CRef	V	Comments
1		(TCV_Tx := OC_CnvtTx(t), TCV_Max := OC_CnvtMax(retr), TCV_Null := OM_PgFill(C_CellA, PgReqTp1Norm), TCV_Neci := '0'B, TCV_Ccd0A := CntrlChDscrp(att, babr, cch_con, bpm, t3212))			
2		L!DL_UdatRqSchinfo	SyncInfo(C_SCH_A)		1.
3		(TCV_sysinfo6 := SysInf6(C_ci_cellA, C_PLMN_1, C_lacellA, CellOpt_01), TCV_sysinfo6.co.rlt := '1111'B)			
4		+gsmOrDcs			
		gsmOrDcs			
5		[TSPC_PGSM OR TSPC_EGSM]			2.
6		L!DL_UdatRqSysinfo4	SysInfo4(C_BCCH_A_1, C_PLMN_1, C_lacellA, C_CellReselectHys0, C_MaxPwrLvlG, TCV_Neci, TCV_Max, TCV_Tx, C_Restabishment)		
7		L!DL_UdatRqSysinfo1_nh (DL_UdatRqSysinfo1_nh.msg.co.rlt := '1111'B)	SysInfo1_nh(C_BCH_H_A_1, C_ci_cellA, C_PLMN_1, C_lacellA, TCV_Ccd0A, CellOpt_01, C_CellReselectHys0, C_MaxPwrLvlG, TCV_Neci, TCV_Max, TCV_Tx, C_Restabishment)		
8		L!DL_UdatRqSysinfo3 (DL_UdatRqSysinfo3.msg.co.rlt := '1111'B)	SysInfo3(C_BCCH_A_1, C_ci_cellA, C_PLMN_1, C_lacellA, TCV_Ccd0A, CellOpt_01, C_CellReselectHys0, C_MaxPwrLvlG, TCV_Neci, TCV_Max, TCV_Tx, C_Restabishment)		
9		[TSPX_AltNb = TRUE]			
10		L!DL_UdatRqSysinfo2	SysInfo2(C_BCCH_A_1, BchFreqLst_02, TCV_Max, TCV_Tx, C_Restabishment)		
11		(TCV_sysinfo5 := SysInf5(BcchFreqLst_02))			
12		[TSPX_AltNb = FALSE]			
13		L!DL_UdatRqSysinfo2	SysInfo2(C_BCCH_A_1, BchFreqLst_01, TCV_Max, TCV_Tx, C_Restabishment)		
14		(TCV_sysinfo5 := SysInf5(BcchFreqLst_01))			
15		[TSPC_DCS]			3.
16		L!DL_UdatRqSysinfo4	SysInfo4(C_BCCH_A_1, C_PLMN_1, C_lacellA, C_CellReselectHys0, C_MaxPwrLvlG,		

17	LIDL_UdatRqSysinfo1_nh (DL_UdatRqSysinfo1_nh.msg.co.rlt := '1111'B)	TCV_Neci, TCV_Max, TCV_Tx, C_Restablishment) SysInfo1_nh(C_BCC H_A_1, C_ci_cellA, C_PLMN_1, C_lacellA, TCV_Ccd0A, CellOpt_01, C_CellReselectHys0, C_MaxPwrLvID, TCV_Neci, TCV_Max, TCV_Tx, C_Restablishment)	
18	LIDL_UdatRqSysinfo3 (DL_UdatRqSysinfo3.msg.co.rlt := '1111'B)	SysInfo3(C_BCCH_A _1, C_ci_cellA, C_PLMN_1, C_lacellA, TCV_Ccd0A, CellOpt_01, C_CellReselectHys0, C_MaxPwrLvID, TCV_Neci, TCV_Max, TCV_Tx, C_Restablishment)	
19	[TSPX_AltNb = TRUE]		
20	LIDL_UdatRqSysinfo2	SysInfo2(C_BCCH_A _1, BcchFreqLst_04, TCV_Max, TCV_Tx, C_Restablishment)	
21	(TCV_sysinfo5 := SysInf5(BcchFreqLst_04))		
22	[TSPX_AltNb = FALSE]		
23	LIDL_UdatRqSysinfo2	SysInfo2(C_BCCH_A _1, BcchFreqLst_48, TCV_Max, TCV_Tx, C_Restablishment)	
24	(TCV_sysinfo5 := SysInf5(BcchFreqLst_48))		
Detailed Comments:		<ol style="list-style-type: none"> 1. To send SYNCHRONIZATION INFORMATION message with default parameter for cell A. 2. To send SYSTEM INFORMATION TYPE 2 and 5 messages for GSM900 testing. 3. To send SYSTEM INFORMATION TYPE 2 and 5 messages for DCS1800 testing. 	

Test Step Dynamic Behaviour					
Test Step Name:		SysInfoSending_10(bcchlst1, bcchlst2 :NCD; att:INTEGER; babr, cch_con, bpm:B_3; t3212:OCTETSTRING)			
Group:		GSM_L3_MS_v4170/Miscellaneous/SysInfo/			
Objective:		To send SYNCHRONIZATION CHANNEL INFORMATION and SYSTEM INFORMATION messages in cell A (cell S1) for measurement testing.			
Default:		OtherEvents			
Nr	Label	Behaviour Description	CRef	V	Comments
1		(TCV_Tx := '0010'B, TCV_Max := '00'B, TCV_Neci := '0'B, TCV_Ccd0A := CntrlChDscrp(att, babr, cch_con, bpm, t3212))			
2		L!DL_UdatRqSchinfo (DL_UdatRqSchinfo.msg.bcc := '011'B)	SynInfo(C_SCH_A)		
3		[TSPC_PGSM OR TSPC_EGSM]			
4		L!DL_UdatRqSysinfo1	SysInfo1(C_BCCH_A_1, CellChDes_02, TCV_Max, TCV_Tx, C_noRestablishment)		
5		L!DL_UdatRqSysinfo4	SysInfo4(C_BCCH_A_1, C_PLMN_1, C_lacellA, C_CellReselectHys0, C_MaxPwrLvlG, TCV_Neci, TCV_Max, TCV_Tx, C_noRestablishment)		
6		L!DL_UdatRqSysinfo3	SysInfo3(C_BCCH_A_1, C_ci_cellA, C_PLMN_1, C_lacellA, TCV_Ccd0A, CellOpt_01, C_CellReselectHys0, C_MaxPwrLvlG, TCV_Neci, TCV_Max, TCV_Tx, C_noRestablishment)		
7		L!DL_UdatRqSysinfo2	SysInfo2(C_BCCH_A_1, bcchlst1, TCV_Max, TCV_Tx, C_noRestablishment)		
8		(TCV_sysinfo5 := SysInf5(bcchlst1))			
9		(TCV_sysinfo6 := SysInf6(C_ci_cellA, C_PLMN_1, C_lacellA, CellOpt_01), TCV_sysinfo6.co.pwrc := '0'B)			
10		[TSPC_DCS]			
11		L!DL_UdatRqSysinfo1	SysInfo1(C_BCCH_A_1, CellChDes_03, TCV_Max, TCV_Tx, C_noRestablishment)		
12		L!DL_UdatRqSysinfo4	SysInfo4(C_BCCH_A_1, C_PLMN_1, C_lacellA, C_CellReselectHys0, C_MaxPwrLvlD, TCV_Neci, TCV_Max, TCV_Tx, C_noRestablishment)		
13		L!DL_UdatRqSysinfo3	SysInfo3(C_BCCH_A_1, C_ci_cellA, C_PLMN_1, C_lacellA, TCV_Ccd0A, CellOpt_01, C_CellReselectHys0, C_MaxPwrLvlD, TCV_Neci, TCV_Max, TCV_Tx, C_noRestablishment)		
14		L!DL_UdatRqSysinfo2	SysInfo2(C_BCCH_A_1, bcchlst2, TCV_Max, TCV_Tx,		

15		(TCV_sysinfo5 := SysInf5(bcchlst2))	C_noRestablishment)	
16		(TCV_sysinfo6 := SysInf6(C_ci_cellA, C_PLMN_1, C_lacellA, CellOpt_01), TCV_sysinfo6.co.pwrc := '1'B)		
Detailed Comments:				

Test Step Dynamic Behaviour					
Test Step Name:		SysInfoSending_11(bcchfl_gsm, bcchfl_dcs :NCD; att:INTEGER; babr, cch_con, bpm:B_3; t3212:OCTETSTRING)			
Group:		GSM_L3_MS_v4170/Miscellaneous/SysInfo/			
Objective:		To send SYNCHRONIZATION CHANNEL INFORMATION and SYSTEM INFORMATION messages in cell B (cell N1) for measurement testing.			
Default:		OtherEvents			
Nr	Label	Behaviour Description	CRef	V	Comments
1		(TCV_Tx := '0010'B, TCV_Max := '00'B, TCV_Neci := '0'B, TCV_Ccd0B := CntrlChDscrp(att, babr, cch_con, bpm, t3212))			
2		L!DL_UdatRqSchinfo (DL_UdatRqSchinfo.msg.bcc := '101'B)	SynInfo(C_SCH_B)		
3		[TSPC_PGSM OR TSPC_EGSM]			
4		LIDL_UdatRqSysinfo4	SysInfo4(C_BCCH_B_1, C_PLMN_1, C_lacellB, C_CellReselectHys0, C_MaxPwrLvlG, TCV_Neci, TCV_Max, TCV_Tx, C_noRestablishment)		
5		LIDL_UdatRqSysinfo3	SysInfo3(C_BCCH_B_1, C_ci_cellB, C_PLMN_1, C_lacellB, TCV_Ccd0B, CellOpt_01, C_CellReselectHys0, C_MaxPwrLvlG, TCV_Neci, TCV_Max, TCV_Tx, C_noRestablishment)		
6		LIDL_UdatRqSysinfo2	SysInfo2(C_BCCH_B_1, bcchfl_gsm, TCV_Max, TCV_Tx, C_noRestablishment)		
7		LIDL_UdatRqSysinfo1	SysInfo1(C_BCCH_B_1, CellChDes_05, TCV_Max, TCV_Tx, C_noRestablishment)		
8		[TSPC_DCS]			
9		LIDL_UdatRqSysinfo4	SysInfo4(C_BCCH_B_1, C_PLMN_1, C_lacellB, C_CellReselectHys0, C_MaxPwrLvlD, TCV_Neci, TCV_Max, TCV_Tx, C_noRestablishment)		
10		LIDL_UdatRqSysinfo3	SysInfo3(C_BCCH_B_1, C_ci_cellB, C_PLMN_1, C_lacellB, TCV_Ccd0B, CellOpt_01, C_CellReselectHys0, C_MaxPwrLvlD, TCV_Neci, TCV_Max, TCV_Tx, C_noRestablishment)		
11		LIDL_UdatRqSysinfo2	SysInfo2(C_BCCH_B_1, bcchfl_dcs, TCV_Max, TCV_Tx, C_noRestablishment)		
12		LIDL_UdatRqSysinfo1	SysInfo1(C_BCCH_B_1, CellChDes_05d, TCV_Max, TCV_Tx, C_noRestablishment)		
Detailed Comments:					

Test Step Dynamic Behaviour					
Test Step Name:		SysInfoSending_12(bcchfl_gsm, bcchfl_dcs :NCD; att:INTEGER; babr, cch_con, bpm:B_3; t3212:OCTETSTRING)			
Group:		GSM_L3_MS_v4170/Miscellaneous/SysInfo/			
Objective:		To send SYNCHRONIZATION CHANNEL INFORMATION and SYSTEM INFORMATION messages in cell C (cell N2) for measurement testing.			
Default:		OtherEvents			
Nr	Label	Behaviour Description	CRef	V	Comments
1		(TCV_Tx := '0010'B, TCV_Max := '00'B, TCV_Neci := '0'B, TCV_Ccd0C := CntrlChDscrp(att, babr, cch_con, bpm, t3212))			
2		LIDL_UdatRqSchinfo (DL_UdatRqSchinfo.msg.bcc := '111'B)	SyncInfo(C_SCH_C)		
3		[TSPC_PGSM OR TSPC_EGSM]			
4		LIDL_UdatRqSysinfo1	SysInfo1(C_BCCH_C_1, CellChDes_06, TCV_Max, TCV_Tx, C_noRestablishment)		
5		LIDL_UdatRqSysinfo2	SysInfo2(C_BCCH_C_1, bcchfl_gsm, TCV_Max, TCV_Tx, C_noRestablishment)		
6		LIDL_UdatRqSysinfo4	SysInfo4(C_BCCH_C_1, C_PLMN_1, C_lacellC, C_CellReselectHys0, C_MaxPwrLvIG, TCV_Neci, TCV_Max, TCV_Tx, C_noRestablishment)		
7		LIDL_UdatRqSysinfo3	SysInfo3(C_BCCH_C_1, C_ci_cellC, C_PLMN_1, C_lacellC, TCV_Ccd0C, CellOpt_01, C_CellReselectHys0, C_MaxPwrLvIG, TCV_Neci, TCV_Max, TCV_Tx, C_noRestablishment)		
8		[TSPC_DCS]			
9		LIDL_UdatRqSysinfo1	SysInfo1(C_BCCH_C_1, CellChDes_06d, TCV_Max, TCV_Tx, C_noRestablishment)		
10		LIDL_UdatRqSysinfo2	SysInfo2(C_BCCH_C_1, bcchfl_dcs, TCV_Max, TCV_Tx, C_noRestablishment)		
11		LIDL_UdatRqSysinfo4	SysInfo4(C_BCCH_C_1, C_PLMN_1, C_lacellC, C_CellReselectHys0, C_MaxPwrLvID, TCV_Neci, TCV_Max, TCV_Tx, C_noRestablishment)		
12		LIDL_UdatRqSysinfo3	SysInfo3(C_BCCH_C_1, C_ci_cellC, C_PLMN_1, C_lacellC, TCV_Ccd0C, CellOpt_01, C_CellReselectHys0, C_MaxPwrLvID, TCV_Neci, TCV_Max, TCV_Tx, C_noRestablishment)		
Detailed Comments:					

Test Step Dynamic Behaviour					
Test Step Name:		SysInfoSending_13(Ncc:BITSTRING; bcchfl_gsm, bcchfl_dcs :NCD; att:INTEGER; babr, cch_con, bpm:B_3; t3212:OCTETSTRING)			
Group:		GSM_L3_MS_v4170/Miscellaneous/SysInfo/			
Objective:		To send SYNCHRONIZATION CHANNEL INFORMATION and SYSTEM INFORMATION messages in cell D (cell N3) for measurement testing.			
Default:		OtherEvents			
Nr	Label	Behaviour Description	CRef	V	Comments
1		(TCV_Tx := '0010'B, TCV_Max := '00'B, TCV_Neci := '0'B, TCV_Ccd0D := CntrlChDscrp(att, babr, cch_con, bpm, t3212))			
2		L!DL_UdatRqSchinfo (DL_UdatRqSchinfo.msg.bcc := '001'B, DL_UdatRqSchinfo.msg.ncc := Ncc)	SynclInfo(C_SCH_D)		
3		[TSPC_PGSM OR TSPC_EGSM]			
4		LIDL_UdatRqSysinfo1	SysInfo1(C_BCCH_D_1, CellChDes_07, TCV_Max, TCV_Tx, C_noRestablishment)		
5		L!DL_UdatRqSysinfo2	SysInfo2(C_BCCH_D_1, bcchfl_gsm, TCV_Max, TCV_Tx, C_noRestablishment)		
6		L!DL_UdatRqSysinfo4	SysInfo4(C_BCCH_D_1, C_PLMN_1, C_lacellID, C_CellReselectHys0, C_MaxPwrLvlG, TCV_Neci, TCV_Max, TCV_Tx, C_noRestablishment)		
7		L!DL_UdatRqSysinfo3	SysInfo3(C_BCCH_D_1, C_ci_cellID, C_PLMN_1, C_lacellID, TCV_Ccd0D, CellOpt_01, C_CellReselectHys0, C_MaxPwrLvlG, TCV_Neci, TCV_Max, TCV_Tx, C_noRestablishment)		
8		[TSPC_DCS]			
9		LIDL_UdatRqSysinfo1	SysInfo1(C_BCCH_D_1, CellChDes_07d, TCV_Max, TCV_Tx, C_noRestablishment)		
10		LIDL_UdatRqSysinfo2	SysInfo2(C_BCCH_D_1, bcchfl_dcs, TCV_Max, TCV_Tx, C_noRestablishment)		
11		L!DL_UdatRqSysinfo4	SysInfo4(C_BCCH_D_1, C_PLMN_1, C_lacellID, C_CellReselectHys0, C_MaxPwrLvlD, TCV_Neci, TCV_Max, TCV_Tx, C_noRestablishment)		
12		L!DL_UdatRqSysinfo3	SysInfo3(C_BCCH_D_1, C_ci_cellID, C_PLMN_1, C_lacellID, TCV_Ccd0D, CellOpt_01, C_CellReselectHys0, C_MaxPwrLvlD, TCV_Neci, TCV_Max, TCV_Tx, C_noRestablishment)		
Detailed Comments:					

Test Step Dynamic Behaviour					
Test Step Name:		SysInfoSending_14(Ncc:BITSTRING; bcchfl_gsm, bcchfl_dcs :NCD;att:INTEGER; babr, cch_con, bpm:B_3; t3212:OCTETSTRING)			
Group:		GSM_L3_MS_v4170/Miscellaneous/SysInfo/			
Objective:		To send SYNCHRONIZATION CHANNEL INFORMATION and SYSTEM INFORMATION messages in cell E (cell N4) for measurement testing.			
Default:		OtherEvents			
Nr	Label	Behaviour Description	CRef	V	Comments
1		(TCV_Tx := '0010'B, TCV_Max := '00'B, TCV_Neci := '0'B, TCV_Ccd0E := CntrlChDscrp(att, babr, cch_con, bpm, t3212))			
2		L!DL_UdatRqSchinfo (DL_UdatRqSchinfo.msg.bcc := '011'B, DL_UdatRqSchinfo.msg.ncc := Ncc)	SyncInfo(C_SCH_E)		
3		[TSPC_PGSM OR TSPC_EGSM]			
4		L!DL_UdatRqSysinfo1	SysInfo1(C_BCCH_E_1, CellChDes_08, TCV_Max, TCV_Tx, C_noRestablishment)		
5		L!DL_UdatRqSysinfo2	SysInfo2(C_BCCH_E_1, bcchfl_gsm, TCV_Max, TCV_Tx, C_noRestablishment)		
6		L!DL_UdatRqSysinfo4	SysInfo4(C_BCCH_E_1, C_PLMN_1, C_lacelleE, C_CellReselectHys0, C_MaxPwrLvIG, TCV_Neci, TCV_Max, TCV_Tx, C_noRestablishment)		
7		L!DL_UdatRqSysinfo3	SysInfo3(C_BCCH_E_1, C_ci_cellE, C_PLMN_1, C_lacelleE, TCV_Ccd0E, CellOpt_01, C_CellReselectHys0, C_MaxPwrLvIG, TCV_Neci, TCV_Max, TCV_Tx, C_noRestablishment)		
8		[TSPC_DCS]			
9		L!DL_UdatRqSysinfo1	SysInfo1(C_BCCH_E_1, CellChDes_08d, TCV_Max, TCV_Tx, C_noRestablishment)		
10		L!DL_UdatRqSysinfo2	SysInfo2(C_BCCH_E_1, bcchfl_dcs, TCV_Max, TCV_Tx, C_noRestablishment)		
11		L!DL_UdatRqSysinfo4	SysInfo4(C_BCCH_E_1, C_PLMN_1, C_lacelleE, C_CellReselectHys0, C_MaxPwrLvID, TCV_Neci, TCV_Max, TCV_Tx, C_noRestablishment)		
12		L!DL_UdatRqSysinfo3	SysInfo3(C_BCCH_E_1, C_ci_cellE, C_PLMN_1, C_lacelleE, TCV_Ccd0E, CellOpt_01, C_CellReselectHys0, C_MaxPwrLvID, TCV_Neci, TCV_Max, TCV_Tx, C_noRestablishment)		
Detailed Comments:					

Test Step Dynamic Behaviour					
Test Step Name:		SysInfoSending_15(Ncc:BITSTRING; bcchfl_gsm, bcchfl_dcs :NCD; att:INTEGER; babr, cch_con, bpm:B_3; t3212:OCTETSTRING)			
Group:		GSM_L3_MS_v4170/Miscellaneous/SysInfo/			
Objective:		To send SYNCHRONIZATION CHANNEL INFORMATION and SYSTEM INFORMATION messages in cell F (cell N5) for measurement testing.			
Default:		OtherEvents			
Nr	Label	Behaviour Description	CRef	V	Comments
1		(TCV_Tx := '0010'B, TCV_Max := '00'B, TCV_Neci := '0'B, TCV_Ccd0F := CntrlChDscrp(att, babr, cch_con, bpm, t3212))			
2		L!DL_UdatRqSchinfo (DL_UdatRqSchinfo.msg.bcc := '101'B, DL_UdatRqSchinfo.msg.ncc := Ncc)	SynclInfo(C_SCH_F)		
3		[TSPC_PGSM OR TSPC_EGSM]			
4		LIDL_UdatRqSysinfo1	SysInfo1(C_BCCH_F_1, CellChDes_09, TCV_Max, TCV_Tx, C_noRestablishment)		
5		L!DL_UdatRqSysinfo2	SysInfo2(C_BCCH_F_1, bcchfl_gsm, TCV_Max, TCV_Tx, C_noRestablishment)		
6		L!DL_UdatRqSysinfo4	SysInfo4(C_BCCH_F_1, C_PLMN_1, C_lacellF, C_CellReselectHys0, C_MaxPwrLvIG, TCV_Neci, TCV_Max, TCV_Tx, C_noRestablishment)		
7		L!DL_UdatRqSysinfo3	SysInfo3(C_BCCH_F_1, C_ci_cellF, C_PLMN_1, C_lacellF, TCV_Ccd0F, CellOpt_01, C_CellReselectHys0, C_MaxPwrLvIG, TCV_Neci, TCV_Max, TCV_Tx, C_noRestablishment)		
8		[TSPC_DCS]			
9		LIDL_UdatRqSysinfo1	SysInfo1(C_BCCH_F_1, CellChDes_09d, TCV_Max, TCV_Tx, C_noRestablishment)		
10		LIDL_UdatRqSysinfo2	SysInfo2(C_BCCH_F_1, bcchfl_dcs, TCV_Max, TCV_Tx, C_noRestablishment)		
11		L!DL_UdatRqSysinfo4	SysInfo4(C_BCCH_F_1, C_PLMN_1, C_lacellF, C_CellReselectHys0, C_MaxPwrLvID, TCV_Neci, TCV_Max, TCV_Tx, C_noRestablishment)		
12		L!DL_UdatRqSysinfo3	SysInfo3(C_BCCH_F_1, C_ci_cellF, C_PLMN_1, C_lacellF, TCV_Ccd0F, CellOpt_01, C_CellReselectHys0, C_MaxPwrLvID, TCV_Neci, TCV_Max, TCV_Tx, C_noRestablishment)		
Detailed Comments:					

Test Step Dynamic Behaviour					
Test Step Name:		SysInfoSending_16(bcchfl_gsm, bcchfl_dcs :NCD; att:INTEGER; babr, cch_con, bpm:B_3; t3212:OCTETSTRING)			
Group:		GSM_L3_MS_v4170/Miscellaneous/SysInfo/			
Objective:		To send SYNCHRONIZATION CHANNEL INFORMATION and SYSTEM INFORMATION messages in cell G (cell N6) for measurement testing.			
Default:		OtherEvents			
Nr	Label	Behaviour Description	CRef	V	Comments
1		(TCV_Tx := '0010'B, TCV_Max := '00'B, TCV_Neci := '0'B, TCV_Ccd0G := CntrlChDscrp(att, babr, cch_con, bpm, t3212))			
2		LIDL_UdatRqSchinfo (DL_UdatRqSchinfo.msg.bcc := '111'B)	SyncInfo(C_SCH_G)		
3		[TSPC_PGSM OR TSPC_EGSM]			
4		LIDL_UdatRqSysinfo1	SysInfo1(C_BCCH_G_1, CellChDes_10, TCV_Max, TCV_Tx, C_noRestablishment)		
5		LIDL_UdatRqSysinfo2	SysInfo2(C_BCCH_G_1, bcchfl_gsm, TCV_Max, TCV_Tx, C_noRestablishment)		
6		LIDL_UdatRqSysinfo4	SysInfo4(C_BCCH_G_1, C_PLMN_1, C_lacellG, C_CellReselectHys0, C_MaxPwrLvIG, TCV_Neci, TCV_Max, TCV_Tx, C_noRestablishment)		
7		LIDL_UdatRqSysinfo3	SysInfo3(C_BCCH_G_1, C_ci_cellG, C_PLMN_1, C_lacellG, TCV_Ccd0G, CellOpt_01, C_CellReselectHys0, C_MaxPwrLvIG, TCV_Neci, TCV_Max, TCV_Tx, C_noRestablishment)		
8		[TSPC_DCS]			
9		LIDL_UdatRqSysinfo1	SysInfo1(C_BCCH_G_1, CellChDes_10d, TCV_Max, TCV_Tx, C_noRestablishment)		
10		LIDL_UdatRqSysinfo2	SysInfo2(C_BCCH_G_1, bcchfl_dcs, TCV_Max, TCV_Tx, C_noRestablishment)		
11		LIDL_UdatRqSysinfo4	SysInfo4(C_BCCH_G_1, C_PLMN_1, C_lacellG, C_CellReselectHys0, C_MaxPwrLvID, TCV_Neci, TCV_Max, TCV_Tx, C_noRestablishment)		
12		LIDL_UdatRqSysinfo3	SysInfo3(C_BCCH_G_1, C_ci_cellG, C_PLMN_1, C_lacellG, TCV_Ccd0G, CellOpt_01, C_CellReselectHys0, C_MaxPwrLvID, TCV_Neci, TCV_Max, TCV_Tx, C_noRestablishment)		
Detailed Comments:					

Test Step Dynamic Behaviour					
Test Step Name:		SysInfoSending_17(bcchfl_gsm, bcchfl_dcs :NCD; att:INTEGER; babr, cch_con, bpm:B_3; t3212:OCTETSTRING)			
Group:		GSM_L3_MS_v4170/Miscellaneous/SysInfo/			
Objective:		To send SYNCHRONIZATION CHANNEL INFORMATION and SYSTEM INFORMATION messages in cell H (cell N7) for measurement testing.			
Default:		OtherEvents			
Nr	Label	Behaviour Description	CRef	V	Comments
1		(TCV_Tx := '0010'B, TCV_Max := '00'B, TCV_Neci := '0'B, TCV_Ccd0H := CntrlChDscrp(att, babr, cch_con, bpm, t3212))			
2		L!DL_UdatRqSchinfo (DL_UdatRqSchinfo.msg.bcc := '001'B)	SynclInfo(C_SCH_H)		
3		[TSPC_PGSM OR TSPC_EGSM]			
4		L!DL_UdatRqSysinfo1	SysInfo1(C_BCCH_H_1, CellChDes_11, TCV_Max, TCV_Tx, C_noRestablishment)		
5		L!DL_UdatRqSysinfo2	SysInfo2(C_BCCH_H_1, bcchfl_gsm, TCV_Max, TCV_Tx, C_noRestablishment)		
6		L!DL_UdatRqSysinfo4	SysInfo4(C_BCCH_H_1, C_PLMN_1, C_lacellH, C_CellReselectHys0, C_MaxPwrLvlG, TCV_Neci, TCV_Max, TCV_Tx, C_noRestablishment)		
7		L!DL_UdatRqSysinfo3	SysInfo3(C_BCCH_H_1, C_ci_cellH, C_PLMN_1, C_lacellH, TCV_Ccd0H, CellOpt_01, C_CellReselectHys0, C_MaxPwrLvlG, TCV_Neci, TCV_Max, TCV_Tx, C_noRestablishment)		
8		[TSPC_DCS]			
9		L!DL_UdatRqSysinfo1	SysInfo1(C_BCCH_H_1, CellChDes_11d, TCV_Max, TCV_Tx, C_noRestablishment)		
10		L!DL_UdatRqSysinfo2	SysInfo2(C_BCCH_H_1, bcchfl_dcs, TCV_Max, TCV_Tx, C_noRestablishment)		
11		L!DL_UdatRqSysinfo4	SysInfo4(C_BCCH_H_1, C_PLMN_1, C_lacellH, C_CellReselectHys0, C_MaxPwrLvlD, TCV_Neci, TCV_Max, TCV_Tx, C_noRestablishment)		
12		L!DL_UdatRqSysinfo3	SysInfo3(C_BCCH_H_1, C_ci_cellH, C_PLMN_1, C_lacellH, TCV_Ccd0H, CellOpt_01, C_CellReselectHys0, C_MaxPwrLvlD, TCV_Neci, TCV_Max, TCV_Tx, C_noRestablishment)		
Detailed Comments:					

Test Step Dynamic Behaviour					
Test Step Name:		SysInfoSending_18(att:INTEGER; babr, cch_con, bpm:B_3; t3212:OCTETSTRING)			
Group:		GSM_L3_MS_v4170/Miscellaneous/SysInfo/			
Objective:		To send SYNCHRONIZATION CHANNEL INFORMATION and SYSTEM INFORMATION messages in cell A (cell S1) for measurement testing. The DTX is set to "MS shall use discontinuous transmission.			
Default:		OtherEvents			
Nr	Label	Behaviour Description	CRef	V	Comments
1		(TCV_Tx := '0010'B, TCV_Max := '00'B, TCV_Neci := '0'B, TCV_Ccd0A := CntrlChDscrp(att, babr, cch_con, bpm, t3212))			
2		LIDL_UdatRqSchinfo (DL_UdatRqSchinfo.msg.bcc := '011'B)	SyncInfo(C_SCH_A)		
3		(TCV_sysinfo6 := SysInf6(C_ci_cellA, C_PLMN_1, C_lacellA, CellOpt_03))			
4		[TSPC_PGSM OR TSPC_EGSM]			
5		LIDL_UdatRqSysinfo1	SysInfo1(C_BCCH_A_1, CellChDes_02, TCV_Max, TCV_Tx, C_noRestablishment)		
6		LIDL_UdatRqSysinfo4	SysInfo4(C_BCCH_A_1, C_PLMN_1, C_lacellA, C_CellReselectHys0, C_MaxPwrLvIG, TCV_Neci, TCV_Max, TCV_Tx, C_noRestablishment)		
7		LIDL_UdatRqSysinfo3	SysInfo3(C_BCCH_A_1, C_ci_cellA, C_PLMN_1, C_lacellA, TCV_Ccd0A, CellOpt_03, C_CellReselectHys0, C_MaxPwrLvIG, TCV_Neci, TCV_Max, TCV_Tx, C_noRestablishment)		
8		LIDL_UdatRqSysinfo2	SysInfo2(C_BCCH_A_1, BcchFreqLst_35, TCV_Max, TCV_Tx, C_noRestablishment)		
9		(TCV_sysinfo5 := SysInf5(BcchFreqLst_35))			
10		[TSPC_DCS]			
11		LIDL_UdatRqSysinfo1	SysInfo1(C_BCCH_A_1, CellChDes_03, TCV_Max, TCV_Tx, C_noRestablishment)		
12		LIDL_UdatRqSysinfo4	SysInfo4(C_BCCH_A_1, C_PLMN_1, C_lacellA, C_CellReselectHys0, C_MaxPwrLvID, TCV_Neci, TCV_Max, TCV_Tx, C_noRestablishment)		
13		LIDL_UdatRqSysinfo3	SysInfo3(C_BCCH_A_1, C_ci_cellA, C_PLMN_1, C_lacellA, TCV_Ccd0A, CellOpt_03, C_CellReselectHys0, C_MaxPwrLvID, TCV_Neci, TCV_Max, TCV_Tx, C_noRestablishment)		
14		LIDL_UdatRqSysinfo2	SysInfo2(C_BCCH_A_1, BcchFreqLst_27, TCV_Max, TCV_Tx, C_noRestablishment)		

15		(TCV_sysinfo5 := SysInf5(BcchFreqLst_27))			
Detailed Comments:					

Test Step Dynamic Behaviour					
Test Step Name:		SysInfoSending_19(Re:BITSTRING; att:INTEGER; babr, cch_con, bpm:B_3; t3212:OCTETSTRING)			
Group:		GSM_L3_MS_v4170/Miscellaneous/SysInfo/			
Objective:		To send system information messages with default parameters defined for the L3 tests except Cell-Reselect-Hysteresis = 0			
Default:		OtherEvents			
Comments:		used in TC_26_8_2_1, TCV_26_8_2_2			
Nr	Label	Behaviour Description	CRef	V	Comments
1		(TCV_Tx := '0010'B, TCV_Max := '00'B, TCV_Neci := '0'B, TCV_Ccd0A := CntrlChDscrp(att, babr, cch_con, bpm, t3212))			
2		(TCV_sysinfo6 := SysInf6(C_ci_cellA, C_PLMN_1, C_lacellA, CellOpt_01))			
3		LIDL_UdatRqSchinfo	SyncInfo(C_SCH_A)		1.
4		[TSPC_PGSM OR TSPC_EGSM]			1.
5		LIDL_UdatRqSysinfo4	SysInfo4(C_BCCH_A_1, C_PLMN_1, C_lacellA, C_CellReselectHys0, C_MaxPwrLvIG, TCV_Neci, TCV_Max, TCV_Tx, Re)		
6		LIDL_UdatRqSysinfo1_nh	SysInfo1_nh(C_BCH_H_A_1, C_ci_cellA, C_PLMN_1, C_lacellA, TCV_Ccd0A, CellOpt_01, C_CellReselectHys0, C_MaxPwrLvIG, TCV_Neci, TCV_Max, TCV_Tx, Re)		
7		LIDL_UdatRqSysinfo3	SysInfo3(C_BCCH_A_1, C_ci_cellA, C_PLMN_1, C_lacellA, TCV_Ccd0A, CellOpt_01, C_CellReselectHys0, C_MaxPwrLvIG, TCV_Neci, TCV_Max, TCV_Tx, Re)		
8		[TSPX_AltNb = TRUE]			3.
9		(TCV_sysinfo5 := SysInf5(BcchFreqLst_02))			
10		LIDL_UdatRqSysinfo2	SysInfo2(C_BCCH_A_1, BcchFreqLst_02, TCV_Max, TCV_Tx, Re)		
11		[TSPX_AltNb = FALSE]			4.
12		(TCV_sysinfo5 := SysInf5(BcchFreqLst_45))			
13		LIDL_UdatRqSysinfo2	SysInfo2(C_BCCH_A_1, BcchFreqLst_45, TCV_Max, TCV_Tx, Re)		
14		[TSPC_DCS]			2.
15		LIDL_UdatRqSysinfo4	SysInfo4(C_BCCH_A_1, C_PLMN_1, C_lacellA, C_CellReselectHys0, C_MaxPwrLvID, TCV_Neci, TCV_Max, TCV_Tx, Re)		
16		LIDL_UdatRqSysinfo1_nh	SysInfo1_nh(C_BCH_H_A_1, C_ci_cellA, C_PLMN_1, C_lacellA, TCV_Ccd0A, CellOpt_01, C_CellReselectHys0, C_MaxPwrLvID, TCV_Neci, TCV_Max,		

17		L!DL_UdatRqSysinfo3	TCV_Tx, Re) SysInfo3(C_BCCH_A_1, C_ci_cellA, C_PLMN_1, C_lacellA, TCV_Ccd0A, CellOpt_01, C_CellReselectHys0, C_MaxPwrLvlD, TCV_Neci, TCV_Max, TCV_Tx, Re)		
18		[TSPX_AltNb = TRUE]		3.	
19		(TCV_sysinfo5 := SysInf5(BcchFreqLst_04))			
20		L!DL_UdatRqSysinfo2	SysInfo2(C_BCCH_A_1, BcchFreqLst_04, TCV_Max, TCV_Tx, Re)		
21		[TSPX_AltNb = FALSE]		4.	
22		(TCV_sysinfo5 := SysInf5(BcchFreqLst_03))			
23		L!DL_UdatRqSysinfo2	SysInfo2(C_BCCH_A_1, BcchFreqLst_03, TCV_Max, TCV_Tx, Re)		
Detailed Comments:		<ol style="list-style-type: none"> 1. For GSM900 mobile station testing. 2. For DCS1800 mobile station testing. 3. To use alternative neighbour cells description. 4. To use default neighbour cells description. 			

Test Step Dynamic Behaviour					
Test Step Name:		SysInfoSending_20(t: INTEGER; retr:INTEGER; att:INTEGER; babr, cch_con, bpm:B_3; t3212:OCTETSTRING)			
Group:		GSM_L3_MS_v4170/Miscellaneous/SysInfo/			
Objective:		To send SYNCHRONIZATION CHANNEL INFORMATION and SYSTEM INFORMATION messages with default parameters except CCCH_CONF, Tx-integer, Max-Retrans which are specified by input parameters.			
Default:		OtherEvents			
Comments:		The values of SYSTEM INFORMATION messages are also controlled by another two test suite parameters, TSPC_PGSM and TSPX_AltNb.			
Nr	Label	Behaviour Description	CRef	V	Comments
1		(TCV_Tx := OC_CnvtTx(t), TCV_Max := OC_CnvtMax(retr), TCV_Null := OM_PgFill(C_CellA, PgReqTp1Norm), TCV_Neci := '0'B, TCV_Ccd0A := CntrlChDscrp(att, babr, cch_con, bpm, t3212))			
2		LIDL_UdatRqSchinfo	SynclInfo(C_SCH_A)		1.
3		(TCV_sysinfo6 := SysInf6(C_ci_cellA, C_PLMN_1, C_lacellA, CellOpt_01))			
4		LIDL_UdatRqSysinfo1	SysInfo1(C_BCCH_A_1, CellChDes_20_Aman, TCV_Max, TCV_Tx, C_noRestablishment)		2.
5		LIDL_UdatRqSysinfo2	SysInfo2(C_BCCH_A_1, BcchFreqLst_01, TCV_Max, TCV_Tx, C_noRestablishment)		
6		LIDL_UdatRqSysinfo4	SysInfo4(C_BCCH_A_1, C_PLMN_1, C_lacellA, C_CellReselectHys0, C_MaxPwrLvIG, TCV_Neci, TCV_Max, TCV_Tx, C_noRestablishment)		
7		(TCV_sysinfo5 := SysInf5(BcchFreqLst_01))			
8		LIDL_UdatRqSysinfo3	SysInfo3(C_BCCH_A_1, C_ci_cellA, C_PLMN_1, C_lacellA, TCV_Ccd0A, CellOpt_01, C_CellReselectHys0, C_MaxPwrLvIG, TCV_Neci, TCV_Max, TCV_Tx, C_noRestablishment)		
Detailed Comments:		1. To send SYNCHRONIZATION INFORMATION message with default parameter for cell A. 2. System Information Type 1 with Cell Channel Description for HO-testin in cell A (GSM900).			

Test Step Dynamic Behaviour					
Test Step Name: SysInfoSending_201(t: INTEGER; retr:INTEGER;att:INTEGER; babr, cch_con, bpm:B_3; t3212:OCTETSTRING)					
Group: GSM_L3_MS_v4170/Miscellaneous/SysInfo/					
Objective: To send SYNCHRONIZATION CHANNEL INFORMATION and SYSTEM INFORMATION messages with default parameters except CCCH_CONF, Tx-integer, Max-Retrans which are specified by input parameters.					
Default: OtherEvents					
Comments: The values of SYSTEM INFORMATION messages are also controlled by another two test suite parameters, TSPC_PGSM and TSPX_AltNb. Cell Allocation for DCS1800 coded using range 256 format.					
Nr	Label	Behaviour Description	CRef	V	Comments
1		(TCV_Tx := OC_CnvtTx(t), TCV_Max := OC_CnvtMax(retr), TCV_Neci := '0'B, TCV_Null := OM_PgFill(C_CellA, PgReqTp1Norm), TCV_Ccd0A := CntrlChDscrp(att, babr, cch_con, bpm, t3212))			
2		L!DL_UdatRqSchinfo	SynInfo(C_SCH_A)		1.
3		(TCV_sysinfo6 := SysInf6(C_ci_cellA, C_PLMN_1, C_lacellA, CellOpt_01))			
4		+gsmOrDcs			
gsmOrDcs					
5		[TSPC_PGSM OR TSPC_EGSM]			2.
6		L!DL_UdatRqSysinfo1	SysInfo1(C_BCCH_A_1, CellChDes_20_Aman, TCV_Max, TCV_Tx, C_noRestablishment)		3.
7		L!DL_UdatRqSysinfo2	SysInfo2(C_BCCH_A_1, BcchFreqLst_01, TCV_Max, TCV_Tx, C_noRestablishment)		
8		L!DL_UdatRqSysinfo4	SysInfo4(C_BCCH_A_1, C_PLMN_1, C_lacellA, C_CellReselectHys0, C_MaxPwrLvIG, TCV_Neci, TCV_Max, TCV_Tx, C_noRestablishment)		
9		L!DL_UdatRqSysinfo3	SysInfo3(C_BCCH_A_1, C_ci_cellA, C_PLMN_1, C_lacellA, TCV_Ccd0A, CellOpt_01, C_CellReselectHys0, C_MaxPwrLvIG, TCV_Neci, TCV_Max, TCV_Tx, C_noRestablishment)		
10		(TCV_sysinfo5 := SysInf5(BcchFreqLst_01))			
11		[TSPC_DCS]			4.
12		L!DL_UdatRqSysinfo1	SysInfo1(C_BCCH_A_1, CellChDes_201_Ad, TCV_Max, TCV_Tx, C_noRestablishment)		5.
13		L!DL_UdatRqSysinfo2	SysInfo2(C_BCCH_A_1, BcchFreqLst_48, TCV_Max, TCV_Tx, C_noRestablishment)		
14		L!DL_UdatRqSysinfo4	SysInfo4(C_BCCH_A_1, C_PLMN_1, C_lacellA, C_CellReselectHys0, C_MaxPwrLvID, TCV_Neci, TCV_Max, TCV_Tx, C_noRestablishment)		
15		L!DL_UdatRqSysinfo3	SysInfo3(C_BCCH_A		

16		(TCV_sysinfo5 := SysInf5(BcchFreqLst_48))	_1, C_ci_cellA, C_PLMN_1, C_lacellA, TCV_Ccd0A, CellOpt_01, C_CellReselectHys0, C_MaxPwrLvID, TCV_Neci, TCV_Max, TCV_Tx, C_noReestablishment)		
<p>Detailed Comments:</p> <ol style="list-style-type: none"> 1. To send SYNCHRONIZATION INFORMATION message with default parameter for cell A. 2. To send SYSTEM INFORMATION TYPE 2 and 5 messages for GSM900 testing. 3. System Information Type 1 with Cell Channel Description for HO-testin in cell A (GSM900). 4. To send SYSTEM INFORMATION TYPE 2 and 5 messages for DCS1800 testing. 5. System Information Type 1 with Cell Channel Description for HO-testin in cell A (DCS1800) using 256 format. 					

Test Step Dynamic Behaviour					
Test Step Name: SysInfoSending_202(bcchfl_gsm,bcchfl_dcs: NCD; t: INTEGER; retr:INTEGER; att:INTEGER; babr, cch_con, bpm:B_3; t3212:OCTETSTRING)					
Group: GSM_L3_MS_v4170/Miscellaneous/SysInfo/					
Objective: To send SYNCHRONIZATION CHANNEL INFORMATION and SYSTEM INFORMATION messages with default parameters except CCCH_CONF, Tx-integer, Max-Retrans which are specified by input parameters.					
Default: OtherEvents					
Comments: The values of SYSTEM INFORMATION messages are also controlled by another two test suite parameters, TSPC_PGSM and TSPX_AltNb. Cell Allocation for DCS1800 coded using range 512 format.					
Nr	Label	Behaviour Description	CRef	V	Comments
1		(TCV_Tx := OC_CnvtTx(t), TCV_Max := OC_CnvtMax(retr), TCV_Neci := '0'B, TCV_Null := OM_PgFill(C_CellA, PgReqTp1Norm), TCV_Ccd0A := CntrlChDscrp(att, babr, cch_con, bpm, t3212))			
2		L!DL_UdatRqSchinfo	SynInfo(C_SCH_A)		1.
3		(TCV_sysinfo6 := SysInf6(C_ci_cellA, C_PLMN_1, C_lacellA, CellOpt_01))			
4		+gsmOrDcs			
		gsmOrDcs			
5		[TSPC_PGSM OR TSPC_EGSM]			2.
6		L!DL_UdatRqSysinfo1	SysInfo1(C_BCCH_A_1, CellChDes_20_Aman, TCV_Max, TCV_Tx, C_noRestablishment)		3.
7		L!DL_UdatRqSysinfo2	SysInfo2(C_BCCH_A_1, bcchfl_gsm, TCV_Max, TCV_Tx, C_noRestablishment)		
8		L!DL_UdatRqSysinfo4	SysInfo4(C_BCCH_A_1, C_PLMN_1, C_lacellA, C_CellReselectHys0, C_MaxPwrLvlG, TCV_Neci, TCV_Max, TCV_Tx, C_noRestablishment)		
9		L!DL_UdatRqSysinfo3	SysInfo3(C_BCCH_A_1, C_ci_cellA, C_PLMN_1, C_lacellA, TCV_Ccd0A, CellOpt_01, C_CellReselectHys0, C_MaxPwrLvlG, TCV_Neci, TCV_Max, TCV_Tx, C_noRestablishment)		
10		(TCV_sysinfo5 := SysInf5(bcchfl_gsm))			
11		[TSPC_DCS]			4.
12		L!DL_UdatRqSysinfo1	SysInfo1(C_BCCH_A_1, CellChDes_202_Aman, TCV_Max, TCV_Tx, C_noRestablishment)		5.
13		L!DL_UdatRqSysinfo2	SysInfo2(C_BCCH_A_1, bcchfl_dcs, TCV_Max, TCV_Tx, C_noRestablishment)		
14		L!DL_UdatRqSysinfo4	SysInfo4(C_BCCH_A_1, C_PLMN_1, C_lacellA, C_CellReselectHys0, C_MaxPwrLvlD, TCV_Neci, TCV_Max, TCV_Tx, C_noRestablishment)		
15		L!DL_UdatRqSysinfo3	SysInfo3(C_BCCH_A_1, C_ci_cellA, C_PLMN_1, C_lacellA, TCV_Ccd0A, CellOpt_01, C_CellReselectHys0, C_MaxPwrLvlG, TCV_Neci, TCV_Max, TCV_Tx, C_noRestablishment)		

16	(TCV_sysinfo5 := SysInf5(bcchfl_dcs))	_1, C_ci_cellA, C_PLMN_1, C_lacellA, TCV_Ccd0A, CellOpt_01, C_CellReselectHys0, C_MaxPwrLvID, TCV_Neci, TCV_Max, TCV_Tx, C_noRestablishment)	
Detailed Comments:		<ol style="list-style-type: none"> 1. To send SYNCHRONIZATION INFORMATION message with default parameter for cell A. 2. To send SYSTEM INFORMATION TYPE 2 and 5 messages for GSM900 testing. 3. System Information Type 1 with Cell Channel Description for HO-testin in cell A (GSM900). 4. To send SYSTEM INFORMATION TYPE 2 and 5 messages for DCS1800 testing. 5. System Information Type 1 with Cell Channel Description for HO-testin in cell A (DCS1800). 	

Test Step Dynamic Behaviour					
Test Step Name:		SysInfoSending_211(t: INTEGER; retr:INTEGER; att:INTEGER; babr, cch_con, bpm:B_3; t3212:OCTETSTRING)			
Group:		GSM_L3_MS_v4170/Miscellaneous/SysInfo/			
Objective:		To send SYNCHRONIZATION CHANNEL INFORMATION and SYSTEM INFORMATION messages with default parameters except CCCH_CONF, Tx-integer, Max-Retrans which are specified by input parameters.			
Default:		OtherEvents			
Comments:		The values of SYSTEM INFORMATION messages are also controlled by another two test suite parameters, TSPC_PGSM and TSPX_AltNb.			
Nr	Label	Behaviour Description	CRef	V	Comments
1		(TCV_Tx := OC_CnvtTx(t), TCV_Max := OC_CnvtMax(retr), TCV_Neci := '0'B, TCV_Null := OM_PgFill(C_CellA, PgReqTp1Norm), TCV_Ccd0B := CntrlChDscrp(att, babr, cch_con, bpm, t3212))			
2		LIDL_UdatRqSchinfo	SynInfo(C_SCH_B)		1.
3		(TCV_sysinfo6_B := SysInf6(C_ci_cellB, C_PLMN_1, C_lacellB, CellOpt_01))			
4		+gsmOrDcs			
		gsmOrDcs			
5		[TSPC_PGSM OR TSPC_EGSM]			3.
6		LIDL_UdatRqSysinfo1	SysInfo1(C_BCCH_B_1, CellChDes_20_Bman, TCV_Max, TCV_Tx, C_noRestablishment)		4.
7		LIDL_UdatRqSysinfo2	SysInfo2(C_BCCH_B_1, BcchFreqLst_01, TCV_Max, TCV_Tx, C_noRestablishment)		
8		LIDL_UdatRqSysinfo4	SysInfo4(C_BCCH_B_1, C_PLMN_1, C_lacellB, C_CellReselectHys0, C_MaxPwrLvlG, TCV_Neci, TCV_Max, TCV_Tx, C_noRestablishment)		2.
9		LIDL_UdatRqSysinfo3	SysInfo3(C_BCCH_B_1, C_ci_cellB, C_PLMN_1, C_lacellB, TCV_Ccd0B, CellOpt_01, C_CellReselectHys0, C_MaxPwrLvlG, TCV_Neci, TCV_Max, TCV_Tx, C_noRestablishment)		
10		(TCV_sysinfo5_B := SysInf5(BcchFreqLst_01))			
11		[TSPC_DCS]			5.
12		LIDL_UdatRqSysinfo1	SysInfo1(C_BCCH_B_1, CellChDes_202_Bd, TCV_Max, TCV_Tx, C_noRestablishment)		6.
13		LIDL_UdatRqSysinfo2	SysInfo2(C_BCCH_B_1, BcchFreqLst_48, TCV_Max, TCV_Tx, C_noRestablishment)		
14		LIDL_UdatRqSysinfo4	SysInfo4(C_BCCH_B_1, C_PLMN_1, C_lacellB, C_CellReselectHys0, C_MaxPwrLvlD, TCV_Neci, TCV_Max, TCV_Tx, C_noRestablishment)		2.
15		LIDL_UdatRqSysinfo3 (DL_UdatRqSysinfo3.msg.lai.lac :=C_lacellB)	SysInfo3(C_BCCH_B_1, C_ci_cellB,		

16	(TCV_sysinfo5_B := SysInf5(BcchFreqLst_48))	C_PLMN_1, C_lacellB, TCV_Ccd0B, CellOpt_01, C_CellReselectHys0, C_MaxPwrLvlID, TCV_Neci, TCV_Max, TCV_Tx, C_noRestablishment)	
Detailed Comments:		<ol style="list-style-type: none"> 1. To send SYNCHRONIZATION INFORMATION message with default parameter for cell A. 2. To send SYSTEM INFORMATION TYPE 4 message for cell B with LAI_2. 3. To send SYSTEM INFORMATION TYPE 2 and 5 messages for GSM900 testing. 4. System Information Type 1 with Cell Channel Description for HO-testin in cell B (GSM900). 5. To send SYSTEM INFORMATION TYPE 2 and 5 messages for DCS1800 testing. 6. System Information Type 1 with Cell Channel Description for HO-testin in cell B (GSM1800) using 256 format for cell allocation. 	

Test Step Dynamic Behaviour					
Test Step Name: SysInfoSending_212(t: INTEGER; retr:INTEGER; att:INTEGER; babr, cch_con, bpm:B_3; t3212:OCTETSTRING)					
Group: GSM_L3_MS_v4170/Miscellaneous/SysInfo/					
Objective: To send SYNCHRONIZATION CHANNEL INFORMATION and SYSTEM INFORMATION messages with default parameters except CCCH_CONF, Tx-integer, Max-Retrans which are specified by input parameters.					
Default: OtherEvents					
Comments: The values of SYSTEM INFORMATION messages are also controlled by another two test suite parameters, TSPC_PGSM and TSPX_AltNb.					
Nr	Label	Behaviour Description	CRef	V	Comments
1		(TCV_Tx := OC_CnvtTx(t), TCV_Max := OC_CnvtMax(retr), TCV_Neci := '0'B, TCV_Null := OM_PgFill(C_CellA, PgReqTp1Norm), TCV_Ccd0B := CntrlChDscrp(att, babr, cch_con, bpm, t3212))			
2		LIDL_UdatRqSchinfo	SynInfo(C_SCH_B)		1.
3		(TCV_sysinfo6_B := SysInf6(C_ci_cellB, C_PLMN_1, C_lacellB, CellOpt_01))			
4		+gsmOrDcs			
5		gsmOrDcs			3.
6		[TSPC_PGSM] LIDL_UdatRqSysinfo1	SysInfo1(C_BCCH_B_1, CellChDes_20_Bman, TCV_Max, TCV_Tx, C_noRestablishment)		4.
7		LIDL_UdatRqSysinfo2	SysInfo2(C_BCCH_B_1, BcchFreqLst_01, TCV_Max, TCV_Tx, C_noRestablishment)		
8		LIDL_UdatRqSysinfo4	SysInfo4(C_BCCH_B_1, C_PLMN_1, C_lacellB, C_CellReselectHys0, C_MaxPwrLvlG, TCV_Neci, TCV_Max, TCV_Tx, C_noRestablishment)		2.
9		LIDL_UdatRqSysinfo3	SysInfo3(C_BCCH_B_1, C_ci_cellB, C_PLMN_1, C_lacellB, TCV_Ccd0B, CellOpt_01, C_CellReselectHys0, C_MaxPwrLvlG, TCV_Neci, TCV_Max, TCV_Tx, C_noRestablishment)		
10		(TCV_sysinfo5_B := SysInf5(BcchFreqLst_01))			
11		[TSPC_EGSM]			3.
12		LIDL_UdatRqSysinfo1	SysInfo1(C_BCCH_B_1, CellChDes_20_Bman, TCV_Max, TCV_Tx, C_noRestablishment)		4.
13		LIDL_UdatRqSysinfo2	SysInfo2(C_BCCH_B_1, BcchFreqLst_49, TCV_Max, TCV_Tx, C_noRestablishment)		
14		LIDL_UdatRqSysinfo4	SysInfo4(C_BCCH_B_1, C_PLMN_1, C_lacellB, C_CellReselectHys0, C_MaxPwrLvlG, TCV_Neci, TCV_Max, TCV_Tx, C_noRestablishment)		2.
15		LIDL_UdatRqSysinfo3	SysInfo3(C_BCCH_B_1, C_ci_cellB,		

16	(TCV_sysinfo5_B := SysInf5(BcchFreqLst_49))	C_PLMN_1, C_lacellB, TCV_Ccd0B, CellOpt_01, C_CellReselectHys0, C_MaxPwrLvIG, TCV_Neci, TCV_Max, TCV_Tx, C_noRestablishment)	
17	[TSPC_DCS]		5.
18	LIDL_UdatRqSysinfo1	SysInfo1(C_BCCH_B_1, CellChDes_201_Bd, TCV_Max, TCV_Tx, C_noRestablishment)	6.
19	LIDL_UdatRqSysinfo2	SysInfo2(C_BCCH_B_1, BcchFreqLst_48, TCV_Max, TCV_Tx, C_noRestablishment)	
20	LIDL_UdatRqSysinfo4	SysInfo4(C_BCCH_B_1, C_PLMN_1, C_lacellB, C_CellReselectHys0, C_MaxPwrLvID, TCV_Neci, TCV_Max, TCV_Tx, C_noRestablishment)	2.
21	LIDL_UdatRqSysinfo3	SysInfo3(C_BCCH_B_1, C_ci_cellB, C_PLMN_1, C_lacellB, TCV_Ccd0B, CellOpt_01, C_CellReselectHys0, C_MaxPwrLvID, TCV_Neci, TCV_Max, TCV_Tx, C_noRestablishment)	
22	(TCV_sysinfo5_B := SysInf5(BcchFreqLst_48))		

Detailed Comments:

1. To send SYNCHRONIZATION INFORMATION message with default parameter for cell A.
2. To send SYSTEM INFORMATION TYPE 4 message for cell B with LAI_2.
3. To send SYSTEM INFORMATION TYPE 2 and 5 messages for GSM900 testing.
4. System Information Type 1 with Cell Channel Description for HO-testin in cell B (GSM900).
5. To send SYSTEM INFORMATION TYPE 2 and 5 messages for DCS1800 testing.
6. System Information Type 1 with Cell Channel Description for HO-testin in cell B (GSM1800) using 512 format for cell allocation.

Test Step Dynamic Behaviour					
Test Step Name: SysInfoSending_22(t: INTEGER; retr:INTEGER; att:INTEGER; babr, cch_con, bpm:B_3; t3212:OCTETSTRING)					
Group: GSM_L3_MS_v4170/Miscellaneous/SysInfo/					
Objective: To send SYNCHRONIZATION CHANNEL INFORMATION and SYSTEM INFORMATION messages with default parameters except CCCH_CONF, Tx-integer, Max-Retrans and ATT which are specified by input parameters.					
Default: OtherEvents					
Nr	Label	Behaviour Description	CRef	V	Comments
1		(TCV_Tx := OC_CnvtTx(t), TCV_Max := OC_CnvtMax(retr), TCV_Null := OM_PgFill(C_CellA, PgReqTp1Norm), TCV_Neci := '0'B, TCV_Ccd0A := CntrlChDscrp(att, babr, cch_con, bpm, t3212))			
2		LIDL_UdatRqSchinfo	SyncInfo(C_SCH_A)		1.
3		(TCV_sysinfo6 := SysInf6(C_ci_cellA, C_PLMN_1, C_lacellA, CellOpt_01))			
4		LIDL_UdatRqSysinfo1	SysInfo1(C_BCCH_A_1, CellChDes_19, TCV_Max, TCV_Tx, C_noRestablishment)		2.
5		LIDL_UdatRqSysinfo2 (DL_UdatRqSysinfo2.msg.bcchfl.extind := '1'B)	SysInfo2(C_BCCH_A_1, BcchFreqLst_01, TCV_Max, TCV_Tx, C_noRestablishment)		
6		LIDL_UdatRqSysinfo2bis	SysInfo2bis(C_BCCH_A_1)		
7		LIDL_UdatRqSysinfo4	SysInfo4(C_BCCH_A_1, C_PLMN_1, C_lacellA, C_CellReselectHys0, C_MaxPwrLvlG, TCV_Neci, TCV_Max, TCV_Tx, C_noRestablishment)		
8		(TCV_sysinfo5 := SysInf5(BcchFreqLst_01), TCV_sysinfo5.bcchfl.extind := '1'B)			
9		(TCV_sysinfo5bis := SysInf5bis_01(BcchFreqLst_46))			
10		LIDL_UdatRqSysinfo3	SysInfo3(C_BCCH_A_1, C_ci_cellA, C_PLMN_1, C_lacellA, TCV_Ccd0A, CellOpt_01, C_CellReselectHys0, C_MaxPwrLvlG, TCV_Neci, TCV_Max, TCV_Tx, C_noRestablishment)		
Detailed Comments:					
1. To send SYNCHRONIZATION INFORMATION message with default parameter for cell A.					
2. System Information Type 1 with Cell Channel Description for HO-testin in cell A (GSM900).					

Test Step Dynamic Behaviour					
Test Step Name:		SysInfoSending_23(t: INTEGER; retr:INTEGER; att:INTEGER; babr, cch_con, bpm:B_3; t3212:OCTETSTRING)			
Group:		GSM_L3_MS_v4170/Miscellaneous/SysInfo/			
Objective:		To send SYNCHRONIZATION CHANNEL INFORMATION and SYSTEM INFORMATION messages with default parameters except CCCH_CONF, Tx-integer, Max-Retrans which are specified by input parameters.			
Default:		OtherEvents			
Nr	Label	Behaviour Description	CRef	V	Comments
1		(TCV_Tx := OC_CnvtTx(t), TCV_Max := OC_CnvtMax(retr), TCV_Null := OM_PgFill(C_CellA, PgReqTp1Norm), TCV_Neci := '0'B, TCV_Ccd0A := CntrlChDscrp(att, babr, cch_con, bpm, t3212))			
2		LIDL_UdatRqSchinfo	SyncInfo(C_SCH_A)		1.
3		(TCV_sysinfo6 := SysInf6(C_ci_cellA, C_PLMN_1, C_lacellA, CellOpt_01))			
4		LIDL_UdatRqSysinfo1	SysInfo1(C_BCCH_A_1, CellChDes_22, TCV_Max, TCV_Tx, C_noRestablishment)		2.
5		LIDL_UdatRqSysinfo2 (DL_UdatRqSysinfo2.msg.bcchfl.extind := '1'B)	SysInfo2(C_BCCH_A_1, BcchFreqLst_01, TCV_Max, TCV_Tx, C_noRestablishment)		
6		LIDL_UdatRqSysinfo2bis	SysInfo2bis(C_BCCH_A_1)		
7		LIDL_UdatRqSysinfo4	SysInfo4(C_BCCH_A_1, C_PLMN_1, C_lacellA, C_CellReselectHys0, C_MaxPwrLvIG, TCV_Neci, TCV_Max, TCV_Tx, C_noRestablishment)		
8		(TCV_sysinfo5 := SysInf5(BcchFreqLst_01), TCV_sysinfo5.bcchfl.extind := '1'B)			
9		(TCV_sysinfo5bis := SysInf5bis_01(BcchFreqLst_46))			
10		LIDL_UdatRqSysinfo3	SysInfo3(C_BCCH_A_1, C_ci_cellA, C_PLMN_1, C_lacellA, TCV_Ccd0A, CellOpt_01, C_CellReselectHys0, C_MaxPwrLvIG, TCV_Neci, TCV_Max, TCV_Tx, C_noRestablishment)		
Detailed Comments:		1. To send SYNCHRONIZATION INFORMATION message with default parameter for cell A. 2. System Information Type 1 with Cell Channel Description for HO-testin in cell A (GSM900).			

Test Step Dynamic Behaviour					
Test Step Name:		SysInfoSending_24(att:INTEGER; babr, cch_con, bpm:B_3; t3212:OCTETSTRING)			
Group:		GSM_L3_MS_v4170/Miscellaneous/SysInfo/			
Objective:		To send SYNCHRONIZATION CHANNEL INFORMATION and SYSTEM INFORMATION messages in cell B.			
Default:		OtherEvents			
Nr	Label	Behaviour Description	CRef	V	Comments
1		(TCV_Tx := '0010'B, TCV_Max := '00'B, TCV_Neci := '0'B, TCV_Ccd0B := CntrlChDscrp(att, babr, cch_con, bpm, t3212))			
2		L!DL_UdatRqSchinfo	SynInfo(C_SCH_B)		1.
3		(TCV_sysinfo6_B := SysInf6(C_ci_cellB, C_PLMN_1, C_lacellB, CellOpt_01))			
4		[TSPC_PGSM OR TSPC_EGSM]			
5		L!DL_UdatRqSysinfo2	SysInfo2(C_BCCH_B_1, BcchFreqLst_01, TCV_Max, TCV_Tx, C_noRestablishment)		
6		(TCV_sysinfo5_B := SysInf5(BcchFreqLst_01))			
7		L!DL_UdatRqSysinfo4	SysInfo4(C_BCCH_B_1, C_PLMN_1, C_lacellB, C_CellReselectHys0, C_MaxPwrLvlG, TCV_Neci, TCV_Max, TCV_Tx, C_noRestablishment)		
8		L!DL_UdatRqSysinfo1_nh	SysInfo1_nh(C_BCH_H_B_1, C_ci_cellB, C_PLMN_1, C_lacellB, TCV_Ccd0B, CellOpt_01, C_CellReselectHys0, C_MaxPwrLvlG, TCV_Neci, TCV_Max, TCV_Tx, C_noRestablishment)		
9		L!DL_UdatRqSysinfo3	SysInfo3(C_BCCH_B_1, C_ci_cellB, C_PLMN_1, C_lacellB, TCV_Ccd0B, CellOpt_01, C_CellReselectHys0, C_MaxPwrLvlG, TCV_Neci, TCV_Max, TCV_Tx, C_noRestablishment)		
10		[TSPC_DCS]			
11		L!DL_UdatRqSysinfo2	SysInfo2(C_BCCH_B_1, BcchFreqLst_48, TCV_Max, TCV_Tx, C_noRestablishment)		
12		(TCV_sysinfo5_B := SysInf5(BcchFreqLst_48))			
13		L!DL_UdatRqSysinfo4	SysInfo4(C_BCCH_B_1, C_PLMN_1, C_lacellB, C_CellReselectHys0, C_MaxPwrLvlD, TCV_Neci, TCV_Max, TCV_Tx, C_noRestablishment)		
14		L!DL_UdatRqSysinfo1_nh	SysInfo1_nh(C_BCH_H_B_1, C_ci_cellB, C_PLMN_1, C_lacellB, TCV_Ccd0B, CellOpt_01, C_CellReselectHys0, C_MaxPwrLvlD,		

15		LIDL_UdatRqSysinfo3	TCV_Neci, TCV_Max, TCV_Tx, C_noRestablishment) SysInfo3(C_BCCH_B _1, C_ci_cellB, C_PLMN_1, C_lacellB, TCV_Ccd0B, CellOpt_01, C_CellReselectHys0, C_MaxPwrLvID, TCV_Neci, TCV_Max, TCV_Tx, C_noRestablishment)	
Detailed Comments:				

Test Step Dynamic Behaviour					
Test Step Name:		SysInfoSending_24re(att:INTEGER; babr, cch_con, bpm:B_3; t3212:OCTETSTRING)			
Group:		GSM_L3_MS_v4170/Miscellaneous/SysInfo/			
Objective:		To send SYNCHRONIZATION CHANNEL INFORMATION and SYSTEM INFORMATION messages in cell B.			
Default:		OtherEvents			
Nr	Label	Behaviour Description	CRef	V	Comments
1		(TCV_Tx := '0010'B, TCV_Max := '00'B, TCV_Neci := '0'B, TCV_Ccd0B := CntrlChDscrp(att, babr, cch_con, bpm, t3212))			
2		L!DL_UdatRqSchinfo	SynInfo(C_SCH_B)		1.
3		(TCV_sysinfo6_B := SysInf6(C_ci_cellB, C_PLMN_1, C_lacellB, CellOpt_01))			
4		[TSPC_PGSM OR TSPC_EGSM]			
5		L!DL_UdatRqSysinfo2	SysInfo2(C_BCCH_B_1, BcchFreqLst_01, TCV_Max, TCV_Tx, C_Restablishment)		
6		(TCV_sysinfo5_B := SysInf5(BcchFreqLst_01))			
7		L!DL_UdatRqSysinfo4	SysInfo4(C_BCCH_B_1, C_PLMN_1, C_lacellB, C_CellReselectHys0, C_MaxPwrLvlG, TCV_Neci, TCV_Max, TCV_Tx, C_Restablishment)		
8		L!DL_UdatRqSysinfo1_nh	SysInfo1_nh(C_BCH_H_B_1, C_ci_cellB, C_PLMN_1, C_lacellB, TCV_Ccd0B, CellOpt_01, C_CellReselectHys0, C_MaxPwrLvlG, TCV_Neci, TCV_Max, TCV_Tx, C_Restablishment)		
9		L!DL_UdatRqSysinfo3	SysInfo3(C_BCCH_B_1, C_ci_cellB, C_PLMN_1, C_lacellB, TCV_Ccd0B, CellOpt_01, C_CellReselectHys0, C_MaxPwrLvlG, TCV_Neci, TCV_Max, TCV_Tx, C_Restablishment)		
10		[TSPC_DCS]			
11		L!DL_UdatRqSysinfo2	SysInfo2(C_BCCH_B_1, BcchFreqLst_48, TCV_Max, TCV_Tx, C_Restablishment)		
12		(TCV_sysinfo5_B := SysInf5(BcchFreqLst_48))			
13		L!DL_UdatRqSysinfo4	SysInfo4(C_BCCH_B_1, C_PLMN_1, C_lacellB, C_CellReselectHys0, C_MaxPwrLvlD, TCV_Neci, TCV_Max, TCV_Tx, C_Restablishment)		
14		L!DL_UdatRqSysinfo1_nh	SysInfo1_nh(C_BCH_H_B_1, C_ci_cellB, C_PLMN_1, C_lacellB, TCV_Ccd0B, CellOpt_01, C_CellReselectHys0, C_MaxPwrLvlD,		

15	LIDL_UdatRqSysinfo3	TCV_Neci, TCV_Max, TCV_Tx, C_Restablishment) SysInfo3(C_BCCH_B _1, C_ci_cellB, C_PLMN_1, C_lacellB, TCV_Ccd0B, CellOpt_01, C_CellReselectHys0, C_MaxPwrLvID, TCV_Neci, TCV_Max, TCV_Tx, C_Restablishment)	
Detailed Comments:			

Test Step Dynamic Behaviour					
Test Step Name:		SysInfoSending_25(Freqg, Freqd:FRQPARA; att:INTEGER; babr, cch_con, bpm:B_3; t3212:OCTETSTRING)			
Group:		GSM_L3_MS_v4170/Miscellaneous/SysInfo/			
Objective:		To send SYNCHRONIZATION CHANNEL INFORMATION and SYSTEM INFORMATION messages in cell A.			
Default:		OtherEvents			
Nr	Label	Behaviour Description	CRef	V	Comments
1		(TCV_Tx := '0010'B, TCV_Max := '00'B, TCV_Neci := '0'B, TCV_Ccd0A := CntrlChDscrp(att, babr, cch_con, bpm, t3212))			
2		LIDL_UdatRqSchinfo	SyncInfo(C_SCH_A)		
3		(TCV_sysinfo6 := SysInf6(C_ci_cellA, C_PLMN_1, C_lacellA, CellOpt_01))			
4		[TSPC_PGSM OR TSPC_EGSM]			
5		(TCV_CA.iei := '01100010'B, TCV_freq := Freqg, TCV_CA.rfl := TCV_freq.flst.fl)			
6		LIDL_UdatRqSysinfo4	SysInfo4(C_BCCH_A_1, C_PLMN_1, C_lacellA, C_CellReselectHys0, C_MaxPwrLvlG, TCV_Neci, TCV_Max, TCV_Tx, C_noRestablishment)		
7		LIDL_UdatRqSysinfo1	SysInfo1(C_BCCH_A_1, TCV_CA, TCV_Max, TCV_Tx, C_noRestablishment)		
8		LIDL_UdatRqSysinfo2	SysInfo2(C_BCCH_A_1, BcchFreqLst_01, TCV_Max, TCV_Tx, C_noRestablishment)		
9		(TCV_sysinfo5 := SysInf5(BcchFreqLst_01))			
10		LIDL_UdatRqSysinfo3	SysInfo3(C_BCCH_A_1, C_ci_cellA, C_PLMN_1, C_lacellA, TCV_Ccd0A, CellOpt_01, C_CellReselectHys0, C_MaxPwrLvlG, TCV_Neci, TCV_Max, TCV_Tx, C_noRestablishment)		
11		[TSPC_DCS]			
12		(TCV_CA.iei := '01100010'B, TCV_freq := Freqd, TCV_CA.rfl := TCV_freq.flst.fl)			
13		LIDL_UdatRqSysinfo4	SysInfo4(C_BCCH_A_1, C_PLMN_1, C_lacellA, C_CellReselectHys0, C_MaxPwrLvlD, TCV_Neci, TCV_Max, TCV_Tx, C_noRestablishment)		
14		LIDL_UdatRqSysinfo1	SysInfo1(C_BCCH_A_1, TCV_CA, TCV_Max, TCV_Tx, C_noRestablishment)		
15		LIDL_UdatRqSysinfo2	SysInfo2(C_BCCH_A_1, BcchFreqLst_48, TCV_Max, TCV_Tx, C_noRestablishment)		
16		(TCV_sysinfo5 := SysInf5(BcchFreqLst_48))			
17		LIDL_UdatRqSysinfo3	SysInfo3(C_BCCH_A_1, C_ci_cellA, C_PLMN_1, C_lacellA, TCV_Ccd0A, CellOpt_01,		

			C_CellReselectHys0, C_MaxPwrLvlD, TCV_Neci, TCV_Max, TCV_Tx, C_noRestablishment)		
Detailed Comments:					

Test Step Dynamic Behaviour					
Test Step Name:		SysInfo_SacchSending(ch:LOGICCH; sysinfo5_pdu:SYSINFO5_PDU; sysinfo6_pdu:SYSINFO6_PDU)			
Group:		GSM_L3_MS_v4170/Miscellaneous/SysInfo/			
Objective:		To send SYSTEM INFORMATION 5 and 6 messages defined by parameters 'sysinfo5_pdu' and 'sysinfo6_pdu' in the parameterized 'ch' channel.			
Default:		OtherEvents			
Nr	Label	Behaviour Description	CRef	V	Comments
1		[ch <> "dummy"]			
2		L!DL_UdatRqSysinfo6	SysInfo6(ch, sysinfo6_pdu)		
3		L!DL_UdatRqSysinfo5	SysInfo5(ch, sysinfo5_pdu)		
4		[ch = "dummy"]		I	
Detailed Comments:					

Test Step Dynamic Behaviour					
Test Step Name:		SysInfo_5bisSending(ch:LOGICCH; sysinfo5bis_pdu:SYSINFO5bis_PDU)			
Group:		GSM_L3_MS_v4170/Miscellaneous/SysInfo/			
Objective:		To send SYSTEM INFORMATION 5bis message defined by parameters 'sysinfo5bis_pdu' in the parameterized 'ch' channel.			
Default:		OtherEvents			
Nr	Label	Behaviour Description	CRef	V	Comments
1		[ch <> "dummy"]			
2		L!DL_UdatRqSysinfo5bis	SysInfo5bis(ch, sysinfo5bis_pdu)		
3		[ch = "dummy"]		I	
Detailed Comments:					

Test Step Dynamic Behaviour					
Test Step Name:		SetNECI(att:INTEGER; babr, cch_con, bpm:B_3; t3212:OCTETSTRING)			
Group:		GSM_L3_MS_v4170/Miscellaneous/SysInfo/			
Objective:		To set the NECI =1.			
Default:		OtherEvents			
Nr	Label	Behaviour Description	CRef	V	Comments
1		(TCV_Tx := '0010'B, TCV_Max := '11'B, TCV_Neci := '1'B, TCV_Ccd0A := CntrlChDscrp(att, babr, cch_con, bpm, t3212))			
2		[TSPC_PGSM OR TSPC_EGSM]			
3		LIDL_UdatRqSysinfo4	SysInfo4(C_BCCH_A_1, C_PLMN_1, C_lacellA, C_CellReselectHys0, C_MaxPwrLvlG, TCV_Neci, TCV_Max, TCV_Tx, C_Restablishment)		
4		LIDL_UdatRqSysinfo3	SysInfo3(C_BCCH_A_1, C_ci_cellA, C_PLMN_1, C_lacellA, TCV_Ccd0A, CellOpt_01, C_CellReselectHys0, C_MaxPwrLvlG, TCV_Neci, TCV_Max, TCV_Tx, C_Restablishment)		
5		[TSPC_DCS]			
6		LIDL_UdatRqSysinfo4	SysInfo4(C_BCCH_A_1, C_PLMN_1, C_lacellA, C_CellReselectHys0, C_MaxPwrLvlD, TCV_Neci, TCV_Max, TCV_Tx, C_Restablishment)		
7		LIDL_UdatRqSysinfo3	SysInfo3(C_BCCH_A_1, C_ci_cellA, C_PLMN_1, C_lacellA, TCV_Ccd0A, CellOpt_01, C_CellReselectHys0, C_MaxPwrLvlD, TCV_Neci, TCV_Max, TCV_Tx, C_Restablishment)		
Detailed Comments:					

Test Step Dynamic Behaviour					
Test Step Name:		SetATT(t, retr, att, neci:INTEGER; babr, cch_con, bpm:B_3; t3212:OCTETSTRING)			
Group:		GSM_L3_MS_v4170/Miscellaneous/SysInfo/			
Objective:		To set the ATT flag to "MS's in the cell should apply IMSI attach and detach procedure"			
Default:		OtherEvents			
Nr	Label	Behaviour Description	CRef	V	Comments
1		(TCV_Tx := OC_CnvtTx(t), TCV_Max := OC_CnvtMax(retr), TCV_Neci := INT_TO_BIT(neci,1), TCV_Ccd0A := CntrlChDscrp(att, babr, cch_con, bpm, t3212))			
2		[TSPC_PGSM OR TSPC_EGSM]			1.
3		LIDL_UdatRqSysinfo1_nh	SysInfo1_nh(C_BCC_H_A_1, C_ci_cellA, C_PLMN_1, C_lacellA, TCV_Ccd0A, CellOpt_01, C_CellReselectHys0, C_MaxPwrLvIG, TCV_Neci, TCV_Max, TCV_Tx, C_Restablishment)		
4		LIDL_UdatRqSysinfo3	SysInfo3(C_BCCH_A_1, C_ci_cellA, C_PLMN_1, C_lacellA, TCV_Ccd0A, CellOpt_01, C_CellReselectHys0, C_MaxPwrLvIG, TCV_Neci, TCV_Max, TCV_Tx, C_Restablishment)		
5		START T_dly(5000)			
6		?TIMEOUT T_dly			3.
7		[TSPC_DCS]			2.
8		LIDL_UdatRqSysinfo1_nh	SysInfo1_nh(C_BCC_H_A_1, C_ci_cellA, C_PLMN_1, C_lacellA, TCV_Ccd0A, CellOpt_01, C_CellReselectHys0, C_MaxPwrLvID, TCV_Neci, TCV_Max, TCV_Tx, C_Restablishment)		
9		LIDL_UdatRqSysinfo3	SysInfo3(C_BCCH_A_1, C_ci_cellA, C_PLMN_1, C_lacellA, TCV_Ccd0A, CellOpt_01, C_CellReselectHys0, C_MaxPwrLvID, TCV_Neci, TCV_Max, TCV_Tx, C_Restablishment)		
10		START T_dly(5000)			
11		?TIMEOUT T_dly			3.
Detailed Comments:		1. For P-GSM900. 2. For DCS1800. 3. Wait for 5 seconds to allow the MS read BCCH information.			

Test Step Group OperatorOP

Test Step Dynamic Behaviour					
Test Step Name:		AddPwrAmp			
Group:		GSM_L3_MS_v4170/OperatorOP/			
Objective:		To add power amplification of the MS.			
Default:		OtherEvents			
Nr	Label	Behaviour Description	CRef	V	Comments
1		(TCV_Null := OO_AddPwrAmp())			
Detailed Comments:					

Test Step Dynamic Behaviour					
Test Step Name:		AttmpCall			
Group:		GSM_L3_MS_v4170/OperatorOP/			
Objective:		To attempt any call supported by the MS at the MS under test when the mobile is in service.			
Default:		OtherEvents			
Nr	Label	Behaviour Description	CRef	V	Comments
1		(TCV_Null :=OO_InitCall(TSPX_MO_BscSvc_AnyCall))			
Detailed Comments:					

Test Step Dynamic Behaviour					
Test Step Name:		InitCall(srv: IA5String)			
Group:		GSM_L3_MS_v4170/OperatorOP/			
Objective:		To initiate a call for the basic service `srv` with channel rate `rate`.			
Default:		OtherEvents			
Nr	Label	Behaviour Description	CRef	V	Comments
1		(TCV_Null := OO_InitCall(srv))			
Detailed Comments:					

Test Step Dynamic Behaviour					
Test Step Name:		AttmpDataCall			
Group:		GSM_L3_MS_v4170/OperatorOP/			
Objective:		To attempt a data call at the MS under test.			
Default:		OtherEvents			
Nr	Label	Behaviour Description	CRef	V	Comments
1		(TCV_Null :=OO_InitCall(TSPX_MO_BscSvc_FRDataCall))			
Detailed Comments:					

Test Step Dynamic Behaviour					
Test Step Name:		AttmpDualModeCall			
Group:		GSM_L3_MS_v4170/OperatorOP/			
Objective:		To attempt a dual mode call at the MS under test.			
Default:		OtherEvents			
Nr	Label	Behaviour Description	CRef	V	Comments
1		(TCV_Null :=OO_InitCall(TSPX_MO_BscSvc_DualModeCall))			
Detailed Comments:					

Test Step Dynamic Behaviour					
Test Step Name:		AttmpEmgCall			
Group:		GSM_L3_MS_v4170/OperatorOP/			
Objective:		To attempt an emergency call at the MS under test.			
Default:		OtherEvents			
Nr	Label	Behaviour Description	CRef	V	Comments
1		(TCV_Null :=OO_InitCall(C_EmgCallSRV))			
Detailed Comments:					

Test Step Dynamic Behaviour					
Test Step Name:		AttmpFullRateCall			
Group:		GSM_L3_MS_v4170/OperatorOP/			
Objective:		To attempt any full rate call at the MS under test.			
Default:		OtherEvents			
Nr	Label	Behaviour Description	CRef	V	Comments
1		(TCV_Null :=OO_InitCall(TSPX_MO_BscSvc_FRCall))			
Detailed Comments:					

Test Step Dynamic Behaviour					
Test Step Name:		AttmpHalfRateCall			
Group:		GSM_L3_MS_v4170/OperatorOP/			
Objective:		To attempt any half rate call at the MS under test.			
Default:		OtherEvents			
Nr	Label	Behaviour Description	CRef	V	Comments
1		(TCV_Null :=OO_InitCall(TSPX_MO_BscSvc_HRCall))			
Detailed Comments:					

Test Step Dynamic Behaviour					
Test Step Name:		AttmpHalfRateDataCall			
Group:		GSM_L3_MS_v4170/OperatorOP/			
Objective:		To attempt a half rate data call at the MS under test.			
Default:		OtherEvents			
Nr	Label	Behaviour Description	CRef	V	Comments
1		(TCV_Null :=OO_InitCall(TSPX_MO_BscSvc_HRDataCall))			
Detailed Comments:					

Test Step Dynamic Behaviour					
Test Step Name:		AtmpNonCallSupp			
Group:		GSM_L3_MS_v4170/OperatorOP/			
Objective:		To attempt a non call related supplementary service at the MS under test.			
Default:		OtherEvents			
Nr	Label	Behaviour Description	CRef	V	Comments
1		(TCV_Null :=OO_InitCall(TSPX_MO_BscSvc_NonCallSupplementarySvc))			
Detailed Comments:					

Test Step Dynamic Behaviour					
Test Step Name:		AtmpShortMsg			
Group:		GSM_L3_MS_v4170/OperatorOP/			
Objective:		To attempt a short message service transaction at the MS under test.			
Default:		OtherEvents			
Nr	Label	Behaviour Description	CRef	V	Comments
1		(TCV_Null :=OO_InitCall(TSPX_MO_BscSvc_SMS))			
Detailed Comments:					

Test Step Dynamic Behaviour					
Test Step Name:		AttmpSpchCall			
Group:		GSM_L3_MS_v4170/OperatorOP/			
Objective:		To attempt a speech call at the MS under test.			
Default:		OtherEvents			
Nr	Label	Behaviour Description	CRef	V	Comments
1		(TCV_Null :=OO_InitCall(TSPX_MO_BscSvc_SpeechCall))			
Detailed Comments:					

Test Step Dynamic Behaviour					
Test Step Name:		CheckUssdStringDisplayed(strg: IA5String)			
Group:		GSM_L3_MS_v4170/OperatorOP/			
Objective:		To check whether the correct USSD String 'strg' is displayed on the MS			
Default:		OtherEvents			
Nr	Label	Behaviour Description	CRef	V	Comments
1		(TCV_Res := OO_CheckUssdStringDisplayed(strg))			
2		[TCV_Res]		(P)	
3		[NOT TCV_Res]		(F)	
Detailed Comments:					

Test Step Dynamic Behaviour					
Test Step Name:		PLMNsCHK			
Group:		GSM_L3_MS_v4170/OperatorOP/			
Objective:		To check whether the MS presents a list of available PLMNs.			
Default:		OtherEvents			
Nr	Label	Behaviour Description	CRef	V	Comments
1		(TCV_Res :=OO_PLMNsCHK())			
2		[TCV_Res = TRUE]		P	
3		[TCV_Res = FALSE]		F	
Detailed Comments:					

Test Step Dynamic Behaviour					
Test Step Name:		RemvPwrAmp			
Group:		GSM_L3_MS_v4170/OperatorOP/			
Objective:		To remove the added power amplification of the MS.			
Default:		OtherEvents			
Nr	Label	Behaviour Description	CRef	V	Comments
1		(TCV_Null := OO_RemvPwrAmp())			
Detailed Comments:					

Test Step Dynamic Behaviour					
Test Step Name:		RFtransCHK			
Group:		GSM_L3_MS_v4170/OperatorOP/			
Objective:		To check whether the MS transmits any radio signal.			
Default:		OtherEvents			
Nr	Label	Behaviour Description	CRef	V	Comments
1		(TCV_Res :=OO_RFoutputCHK())			
2		[TCV_Res = TRUE]		F	
3		[TCV_Res = FALSE]		(P)	
Detailed Comments:					

Test Step Dynamic Behaviour					
Test Step Name:		TermCall			
Group:		GSM_L3_MS_v4170/OperatorOP/			
Objective:		To terminate (clear) the call at the MS under test.			
Default:		OtherEvents			
Nr	Label	Behaviour Description	CRef	V	Comments
1		(TCV_Null :=OO_TermCall())			
Detailed Comments:					

Test Step Dynamic Behaviour					
Test Step Name:		ServiceIndCHK			
Group:		GSM_L3_MS_v4170/OperatorOP/			
Objective:		To check whether the MS gives any service indication.			
Default:		OtherEvents			
Nr	Label	Behaviour Description	CRef	V	Comments
1		(TCV_Res :=OO_InServiceCHK())			
2		[TCV_Res = TRUE]		F	
3		[TCV_Res = FALSE]		(P)	1.
Detailed Comments: 1. No any service indication.					

Test Step Group Postambles

Test Step Dynamic Behaviour					
Test Step Name:		PostLinkRelEnd(ch: LOGICCH)			
Group:		GSM_L3_MS_v4170/Postambles/			
Objective:		To release the RR connection and bring the MS back to Idle state.			
Default:		OtherEvents			
Nr	Label	Behaviour Description	CRef	V	Comments
1		L!DL_DatRqChRel START T_release	ChRel(ch, ChRelease_01)		
2		L?DL_Relln	DLRellnd_01		
3		CANCEL		R	1.
4		?TIMEOUT T_release			
5		CANCEL		R	1.
Detailed Comments: 1. Cancel of all running timers and final verdict.					

Test Step Dynamic Behaviour					
Test Step Name:		PostMainLinkRel(chnl:LOGICCH)			
Group:		GSM_L3_MS_v4170/Postambles/			
Objective:		To release the main signalling link `ch`, and bring the MS back to Idle state.			
Default:		OtherEvents			
Nr	Label	Behaviour Description	CRef	V	Comments
1		L!DL_DatRqChRel START T_release	ChRel(chnl, ChRelease_01) DLRelInd_01		
2		L?DL_RelIn			
3		?TIMEOUT T_release			
Detailed Comments:					

Test Step Dynamic Behaviour					
Test Step Name:		ChanRel(ch: LOGICCH)			
Group:		GSM_L3_MS_v4170/Postambles/			
Objective:		To release the RR connection on the channel TCV_chmaindcch and bring the MS back to Idle state.			
Default:		OtherEvents			
Nr	Label	Behaviour Description	CRef	V	Comments
1		L!DL_DatRqChRel START T_release	ChRel(ch, ChRelease_01) DLRelInd_01		
2		L?DL_RelIn CANCEL T_release			
3		?TIMEOUT T_release			(F)
Detailed Comments:					

Test Step Dynamic Behaviour					
Test Step Name:		ChanRel_P(ch: LOGICCH)			
Group:		GSM_L3_MS_v4170/Postambles/			
Objective:		To release the RR connection on the channel TCV_chmaindcch and bring the MS back to Idle state.			
Default:		OtherEvents			
Nr	Label	Behaviour Description	CRef	V	Comments
1		L!DL_DatRqChRel START T_release	ChRel(ch, ChRelease_01) DLRelInd_01		
2		L?DL_RelIn			(P)
3		?TIMEOUT T_release			
Detailed Comments:					

Test Step Dynamic Behaviour						
Test Step Name:		ChanRel_end(ch: LOGICCH)				
Group:		GSM_L3_MS_v4170/Postambles/				
Objective:		To release the RR connection and bring the MS back to Idle state.				
Default:		OtherEvents				
Nr	Label	Behaviour Description	CRef	V	Comments	
1		L!DL_DatRqChRel START T_release	ChRel(ch, ChRelease_01) DLRelInd_01			
2		L?DL_RelIn				
3		CANCEL			(P)	1.
4		?TIMEOUT T_release				
5		CANCEL			(F)	1.
Detailed Comments: 1. Cancel of all running timers.						

Test Step Dynamic Behaviour					
Test Step Name:		RestoreCphKey(chnl:LOGICCH)			
Group:		GSM_L3_MS_v4170/Postambles/			
Objective:		To restore the ciphering key and ciphering key sequence number of SIM to the default value.			
Default:		OtherEvents			
Nr	Label	Behaviour Description	CRef	V	Comments
1		L!DL_DatRqAuthRq	AuthReq_01(chnl)		
2		L?DL_DatInAuthRes	AuthRes_01		
Detailed Comments:					

Test Step Group Preambles

Test Step Dynamic Behaviour					
Test Step Name:		BasicServiceMO(svc:MOSERVICES; rate:RATE)			
Group:		GSM_L3_MS_v4170/Preambles/			
Objective:		To get a correct channel mode according to the basic service selected for initiation of an MO call.			
Default:		OtherEvents			
Nr	Label	Behaviour Description	CRef	V	Comments
1		(TCV_Service := svc, TCV_ChRate :=rate, TCV_ChMod.iei := '01100011'B, TCV_ChMod.mode := C_ChMod_12k, TCV_ChModb.iei := '01100011'B, TCV_ChModb.mode := C_ChMod_12k)			
2		[(TCV_Service = C_Telephony) OR (TCV_Service = C_EmgCallsRV)]			
3		(TCV_ChMod.mode := C_ChMod_r)			
4		[TCV_Service = C_AltSpchG3_2400]			
5		(TCV_ChMod.mode := C_ChMod_r, TCV_ChModb.mode := C_ChMod_3k)			
6		[TCV_Service = C_AltSpchG3_4800]			
7		(TCV_ChMod.mode := C_ChMod_r, TCV_ChModb.mode := C_ChMod_6k)			
8		[TCV_Service = C_AltSpchG3_9600]			
9		(TCV_ChMod.mode := C_ChMod_r, TCV_ChModb.mode := C_ChMod_12k)			
10		[TCV_Service = C_AutoG3_T_2400]			
11		(TCV_ChMod.mode := C_ChMod_3k)			
12		[TCV_Service = C_AutoG3_T_4800]			
13		(TCV_ChMod.mode := C_ChMod_6k)			
14		[TCV_Service = C_AutoG3_T_9600]			
15		(TCV_ChMod.mode := C_ChMod_12k)			
16		[TCV_Service = C_300cda_T]			
17		(TCV_ChMod.mode := C_ChMod_3k)			
18		[TCV_Service = C_1200cda_T]			
19		(TCV_ChMod.mode := C_ChMod_3k)			
20		[TCV_Service = C_120075cda_T]			
21		(TCV_ChMod.mode := C_ChMod_3k)			
22		[TCV_Service = C_2400cda_T]			
23		(TCV_ChMod.mode := C_ChMod_3k)			
24		[TCV_Service = C_4800cda_T]			
25		(TCV_ChMod.mode := C_ChMod_6k)			
26		[TCV_Service = C_2400cda_T]			
27		(TCV_ChMod.mode := C_ChMod_3k)			
28		[TCV_Service = C_4800cda_T]			
29		(TCV_ChMod.mode := C_ChMod_6k)			
30		[TCV_Service = C_PAD300_T]			
31		(TCV_ChMod.mode := C_ChMod_3k)			
32		[TCV_Service = C_PAD1200_T]			
33		(TCV_ChMod.mode := C_ChMod_3k)			
34		[TCV_Service = C_PAD120075_T]			
35		(TCV_ChMod.mode := C_ChMod_3k)			
36		[TCV_Service = C_PAD2400_T]			
37		(TCV_ChMod.mode := C_ChMod_3k)			
38		[TCV_Service = C_PAD4800_T]			
39		(TCV_ChMod.mode := C_ChMod_6k)			
40		[TCV_Service = C_AltSpchData_300]			
41		(TCV_ChMod.mode := C_ChMod_r, TCV_ChModb.mode := C_ChMod_3k)			
42		[TCV_Service = C_AltSpchData_1200]			
43		(TCV_ChMod.mode := C_ChMod_r, TCV_ChModb.mode := C_ChMod_3k)			
44		[TCV_Service = C_AltSpchData_120075]			
45		(TCV_ChMod.mode := C_ChMod_r, TCV_ChModb.mode := C_ChMod_3k)			
46		[TCV_Service = C_AltSpchData_2400]			
47		(TCV_ChMod.mode := C_ChMod_r, TCV_ChModb.mode := C_ChMod_3k)			

48	[TCV_Service = C_AltSpchData_4800]		
49	(TCV_ChMod.mode := C_ChMod_r, TCV_ChModb.mode := C_ChMod_6k)		
50	[TCV_Service = C_AltSpchData_9600]		
51	(TCV_ChMod.mode := C_ChMod_r, TCV_ChModb.mode := C_ChMod_12k)		
52	[TCV_Service = C_SpchData_300]		
53	(TCV_ChMod.mode := C_ChMod_r, TCV_ChModb.mode := C_ChMod_3k)		
54	[TCV_Service = C_SpchData_1200]		
55	(TCV_ChMod.mode := C_ChMod_r, TCV_ChModb.mode := C_ChMod_3k)		
56	[TCV_Service = C_SpchData_120075]		
57	(TCV_ChMod.mode := C_ChMod_r, TCV_ChModb.mode := C_ChMod_3k)		
58	[TCV_Service = C_SpchData_2400]		
59	(TCV_ChMod.mode := C_ChMod_r, TCV_ChModb.mode := C_ChMod_3k)		
60	[TCV_Service = C_SpchData_4800]		
61	(TCV_ChMod.mode := C_ChMod_r, TCV_ChModb.mode := C_ChMod_6k)		
62	[TCV_Service = C_SpchData_9600]		
63	(TCV_ChMod.mode := C_ChMod_r, TCV_ChModb.mode := C_ChMod_12k)		
64	[(TCV_Service <> C_Telephony) AND(TCV_Service <> C_EmgCallSRV) AND(TCV_Service <> C_AltSpchG3_2400) AND(TCV_Service <> C_AltSpchG3_4800) AND(TCV_Service <> C_AltSpchG3_9600) AND(TCV_Service <> C_AutoG3_T_2400) AND(TCV_Service <> C_AutoG3_T_4800) AND(TCV_Service <> C_AutoG3_T_9600) AND(TCV_Service <> C_300cda_T) AND(TCV_Service <> C_1200cda_T) AND(TCV_Service <> C_120075cda_T) AND(TCV_Service <> C_2400cda_T) AND(TCV_Service <> C_4800cda_T) AND(TCV_Service <> C_2400cda_T) AND(TCV_Service <> C_4800cda_T) AND(TCV_Service <> C_PAD300_T) AND(TCV_Service <> C_PAD1200_T) AND(TCV_Service <> C_PAD120075_T) AND(TCV_Service <> C_PAD2400_T) AND(TCV_Service <> C_PAD4800_T) AND(TCV_Service <> C_AltSpchData_300) AND(TCV_Service <> C_AltSpchData_1200) AND(TCV_Service <> C_AltSpchData_120075) AND(TCV_Service <> C_AltSpchData_2400) AND(TCV_Service <> C_AltSpchData_4800) AND(TCV_Service <> C_AltSpchData_9600) AND(TCV_Service <> C_SpchData_300) AND(TCV_Service <> C_SpchData_1200) AND(TCV_Service <> C_SpchData_120075) AND(TCV_Service <> C_SpchData_2400) AND(TCV_Service <> C_SpchData_4800) AND(TCV_Service <> C_SpchData_9600)]		I
Detailed Comments:		To avoid unnecessary writing Bearer services which need Channel Mode set to 12 Kbits/s on air interface are not mentioned extra in the dynamic behaviour.	

Test Step Dynamic Behaviour					
Test Step Name:		BasicServiceMOorTelephony(svc:MOSERVICES; rate:RATE)			
Group:		GSM_L3_MS_v4170/Preambles/			
Objective:		To get a MO SETUP message with right BC IE.			
Default:		OtherEvents			
Comments:		Used for CC tests			
Nr	Label	Behaviour Description	CRef	V	Comments
1		[TSPC_Serv_TS11]			
2		(TCV_Service := C_Telephony, TCV_ChRate :=C_Full)			
3		[NOT TSPC_Serv_TS11]			
4		(TCV_Service := svc, TCV_ChRate :=rate)			
Detailed Comments:					

Test Step Dynamic Behaviour					
Test Step Name:		BasicServiceMT(svc:MTSERVICES; rate:RATE; Immconn:BOOLEAN)			
Group:		GSM_L3_MS_v4170/Preambles/			
Objective:		To get a MT SETUP message with right BC IE.			
Default:		OtherEvents			
Comments:		Used for CC tests			
Nr	Label	Behaviour Description	CRef	V	Comments
1		(TCV_Service := svc, TCV_ChRate :=rate, TCV_ImmConn := Immconn, TCV_ChMod.iei := '01100011'B, TCV_ChMod.mode := C_ChMod_12k, TCV_ChModb.iei := '01100011'B, TCV_ChModb.mode := C_ChMod_12k)			
2		[TCV_Service = C_Telephony]			
3		(TCV_ChMod.mode := C_ChMod_r, TCV_Setup_mt := Setup_01)			
4		[TCV_Service = C_AltSpchG3_2400]			
5		(TCV_ChMod.mode := C_ChMod_r, TCV_ChModb.mode := C_ChMod_3k, TCV_Bcap1 := Bcap_Speech, TCV_Bcap2 := Bcap_Fax(TSPX_FAX_2400_1_strc, TSPX_FAX_2400_1_ur, TSPX_FAX_2400_1_ir, TSPX_FAX_2400_1_ce), TCV_Setup_mt := Setup_21('11010001'B, TCV_Bcap1, TCV_Bcap2))			
6		[TCV_Service = C_AltSpchG3_4800]			
7		(TCV_ChMod.mode := C_ChMod_r, TCV_ChModb.mode := C_ChMod_6k, TCV_Bcap1 := Bcap_Speech, TCV_Bcap2 := Bcap_Fax(TSPX_FAX_4800_1_strc, TSPX_FAX_4800_1_ur, TSPX_FAX_4800_1_ir, TSPX_FAX_4800_1_ce), TCV_Setup_mt := Setup_21('11010001'B, TCV_Bcap1, TCV_Bcap2))			
8		[TCV_Service = C_AltSpchG3_9600]			
9		(TCV_ChMod.mode := C_ChMod_r, TCV_ChModb.mode := C_ChMod_12k, TCV_Bcap1 := Bcap_Speech, TCV_Bcap2 := Bcap_Fax(TSPX_FAX_9600_1_strc, TSPX_FAX_9600_1_ur, TSPX_FAX_9600_1_ir, TSPX_FAX_9600_1_ce), TCV_Setup_mt := Setup_21('11010001'B, TCV_Bcap1, TCV_Bcap2))			
10		[TCV_Service = C_AutoG3_T_2400]			
11		(TCV_ChMod.mode := C_ChMod_3k, TCV_Bcap1 := Bcap_Fax(TSPX_FAX_2400_1_strc, TSPX_FAX_2400_1_ur, TSPX_FAX_2400_1_ir, TSPX_FAX_2400_1_ce), TCV_Setup_mt := Setup_20(TCV_Bcap1))			
12		[TCV_Service = C_AutoG3_T_4800]			
13		(TCV_ChMod.mode := C_ChMod_6k, TCV_Bcap1 := Bcap_Fax(TSPX_FAX_4800_1_strc, TSPX_FAX_4800_1_ur, TSPX_FAX_4800_1_ir, TSPX_FAX_4800_1_ce), TCV_Setup_mt := Setup_20(TCV_Bcap1))			
14		[TCV_Service = C_AutoG3_T_9600]			
15		(TCV_ChMod.mode := C_ChMod_12k, TCV_Bcap1 := Bcap_Fax(TSPX_FAX_9600_1_strc, TSPX_FAX_9600_1_ur, TSPX_FAX_9600_1_ir, TSPX_FAX_9600_1_ce), TCV_Setup_mt := Setup_20(TCV_Bcap1))			
16		[TCV_Service = C_300cda]			
17		(TCV_Bcap1 := Bcap_Bs2(TSPX_BS_21_1_itc, TSPX_BS_21_1_strc, TSPX_BS_21_1_ra, '0001'B, TSPX_BS_21_1_ir, TSPX_BS_21_1_ce, TSPX_BS_21_1_modemt), TCV_Setup_mt := Setup_20(TCV_Bcap1))			
18		[TSPX_BS_21_1_ce = '00'B]			transparent
19		(TCV_ChMod.mode := C_ChMod_3k)			
20		[TCV_Service = C_1200cda]			

21	(TCV_Bcap1 := Bcap_Bs2(TSPX_BS_22_1_itc, TSPX_BS_22_1_strc, TSPX_BS_22_1_ra, '0010'B, TSPX_BS_22_1_ir, TSPX_BS_22_1_ce, TSPX_BS_22_1_modemt), TCV_Setup_mt := Setup_20(TCV_Bcap1))	
22	[TSPX_BS_22_1_ce = '00'B]	transparent
23	(TCV_ChMod.mode := C_ChMod_3k)	
24	[TCV_Service = C_2400cda]	
25	(TCV_Bcap1 := Bcap_Bs2(TSPX_BS_24_1_itc, TSPX_BS_24_1_strc, TSPX_BS_24_1_ra, '0011'B, TSPX_BS_24_1_ir, TSPX_BS_24_1_ce, TSPX_BS_24_1_modemt), TCV_Setup_mt := Setup_20(TCV_Bcap1))	
26	[TSPX_BS_24_1_ce = '00'B]	transparent
27	(TCV_ChMod.mode := C_ChMod_3k)	
28	[TCV_Service = C_4800cda]	
29	(TCV_Bcap1 := Bcap_Bs2(TSPX_BS_25_1_itc, TSPX_BS_25_1_strc, TSPX_BS_25_1_ra, '0100'B, TSPX_BS_25_1_ir, TSPX_BS_25_1_ce, TSPX_BS_25_1_modemt), TCV_Setup_mt := Setup_20(TCV_Bcap1))	
30	[TSPX_BS_25_1_ce = '00'B]	transparent
31	(TCV_ChMod.mode := C_ChMod_6k)	
32	[TCV_Service = C_9600cda]	
33	(TCV_Bcap1 := Bcap_Bs2(TSPX_BS_26_1_itc, TSPX_BS_26_1_strc, TSPX_BS_26_1_ra, '0101'B, TSPX_BS_26_1_ir, TSPX_BS_26_1_ce, TSPX_BS_26_1_modemt), TCV_Setup_mt := Setup_20(TCV_Bcap1))	
34	[TCV_Service = C_1200cda]	
35	(TCV_Bcap1 := Bcap_Bs3(TSPX_BS_31_1_itc, TSPX_BS_31_1_strc, TSPX_BS_31_1_ra, TSPX_BS_31_1_sacp, '0010'B, TSPX_BS_31_1_ir, TSPX_BS_31_1_ce, TSPX_BS_31_1_modemt), TCV_Setup_mt := Setup_20(TCV_Bcap1))	
36	(TCV_ChMod.mode := C_ChMod_3k)	
37	[TCV_Service = C_2400cda]	
38	(TCV_Bcap1 := Bcap_Bs3(TSPX_BS_32_1_itc, TSPX_BS_32_1_strc, TSPX_BS_32_1_ra, TSPX_BS_32_1_sacp, '0011'B, TSPX_BS_32_1_ir, TSPX_BS_32_1_ce, TSPX_BS_32_1_modemt), TCV_Setup_mt := Setup_20(TCV_Bcap1))	
39	[TSPX_BS_32_1_ce = '00'B]	transparent
40	(TCV_ChMod.mode := C_ChMod_3k)	
41	[TCV_Service = C_4800cda]	
42	(TCV_Bcap1 := Bcap_Bs3(TSPX_BS_33_1_itc, TSPX_BS_33_1_strc, TSPX_BS_33_1_ra, TSPX_BS_33_1_sacp, '0100'B, TSPX_BS_33_1_ir, TSPX_BS_33_1_ce, TSPX_BS_33_1_modemt), TCV_Setup_mt := Setup_20(TCV_Bcap1))	
43	[TSPX_BS_33_1_ce = '00'B]	transparent
44	(TCV_ChMod.mode := C_ChMod_6k)	
45	[TCV_Service = C_9600cda]	
46	(TCV_Bcap1 := Bcap_Bs3(TSPX_BS_34_1_itc, TSPX_BS_34_1_strc, TSPX_BS_34_1_ra, TSPX_BS_34_1_sacp, '0101'B, TSPX_BS_34_1_ir, TSPX_BS_34_1_ce, TSPX_BS_34_1_modemt), TCV_Setup_mt := Setup_20(TCV_Bcap1))	
47	[TCV_Service = C_AltSpchData_300]	
48	(TCV_ChMod.mode := C_ChMod_r, TCV_ChModb.mode := C_ChMod_3k, TCV_Bcap1 := Bcap_Speech)	
49	[TSPX_BS_61_300_1_S]	synchronous Data service
50	(TCV_Bcap2 := Bcap_Bs3('010'B, '11'B, '00'B, '001'B, TSPX_BS_61_300_S_1_ur, TSPX_BS_61_300_S_1_ir, '00'B, TSPX_BS_61_300_S_1_modemt), TCV_Setup_mt := Setup_21('11010001'B,	

51	TCV_Bcap1, TCV_Bcap2)) [NOT TSPX_BS_61_300_1_S]	asynchronous Data service
52	(TCV_Bcap2 := Bcap_Bs2('010'B, TSPX_BS_61_300_A_1_strc, '00'B, TSPX_BS_61_300_A_1_ur, TSPX_BS_61_300_A_1_ir, TSPX_BS_61_300_A_1_ce, TSPX_BS_61_300_A_1_modemt), TCV_Setup_mt := Setup_21('11010001'B, TCV_Bcap1, TCV_Bcap2))	
53	[TCV_Service = C_AltSpchData_1200]	
54	(TCV_ChMod.mode := C_ChMod_r, TCV_ChModb.mode := C_ChMod_3k, TCV_Bcap1 := Bcap_Speech)	
55	[TSPX_BS_61_1200_1_S]	synchronous Data service
56	(TCV_Bcap2 := Bcap_Bs3('010'B, '11'B, '00'B, '001'B, TSPX_BS_61_1200_S_1_ur, TSPX_BS_61_1200_S_1_ir, '00'B, TSPX_BS_61_1200_S_1_modemt), TCV_Setup_mt := Setup_21('11010001'B, TCV_Bcap1, TCV_Bcap2))	
57	[NOT TSPX_BS_61_1200_1_S]	asynchronous Data service
58	(TCV_Bcap2 := Bcap_Bs2('010'B, TSPX_BS_61_1200_A_1_strc, '00'B, TSPX_BS_61_1200_A_1_ur, TSPX_BS_61_1200_A_1_ir, TSPX_BS_61_1200_A_1_ce, TSPX_BS_61_1200_A_1_modemt), TCV_Setup_mt := Setup_21('11010001'B, TCV_Bcap1, TCV_Bcap2))	
59	[TCV_Service = C_AltSpchData_2400]	
60	(TCV_ChMod.mode := C_ChMod_r, TCV_ChModb.mode := C_ChMod_3k, TCV_Bcap1 := Bcap_Speech)	
61	[TSPX_BS_61_2400_1_S]	synchronous Data service
62	(TCV_Bcap2 := Bcap_Bs3('010'B, '11'B, '00'B, '001'B, TSPX_BS_61_2400_S_1_ur, TSPX_BS_61_2400_S_1_ir, '00'B, TSPX_BS_61_2400_S_1_modemt), TCV_Setup_mt := Setup_21('11010001'B, TCV_Bcap1, TCV_Bcap2))	
63	[NOT TSPX_BS_61_2400_1_S]	asynchronous Data service
64	(TCV_Bcap2 := Bcap_Bs2('010'B, TSPX_BS_61_2400_A_1_strc, '00'B, TSPX_BS_61_2400_A_1_ur, TSPX_BS_61_2400_A_1_ir, TSPX_BS_61_2400_A_1_ce, TSPX_BS_61_2400_A_1_modemt), TCV_Setup_mt := Setup_21('11010001'B, TCV_Bcap1, TCV_Bcap2))	
65	[TCV_Service = C_AltSpchData_4800]	
66	(TCV_ChMod.mode := C_ChMod_r, TCV_ChModb.mode := C_ChMod_6k, TCV_Bcap1 := Bcap_Speech)	
67	[TSPX_BS_61_4800_1_S]	synchronous Data service
68	(TCV_Bcap2 := Bcap_Bs3('010'B, '11'B, '00'B, '001'B, TSPX_BS_61_4800_S_1_ur, TSPX_BS_61_4800_S_1_ir, '00'B, TSPX_BS_61_4800_S_1_modemt), TCV_Setup_mt := Setup_21('11010001'B, TCV_Bcap1, TCV_Bcap2))	
69	[NOT TSPX_BS_61_4800_1_S]	asynchronous Data service
70	(TCV_Bcap2 := Bcap_Bs2('010'B, TSPX_BS_61_4800_A_1_strc, '00'B, TSPX_BS_61_4800_A_1_ur, TSPX_BS_61_4800_A_1_ir, TSPX_BS_61_4800_A_1_ce, TSPX_BS_61_4800_A_1_modemt), TCV_Setup_mt := Setup_21('11010001'B, TCV_Bcap1, TCV_Bcap2))	

71	[TCV_Service = C_AltSpchData_9600]	
72	(TCV_ChMod.mode := C_ChMod_r, TCV_ChModb.mode := C_ChMod_12k, TCV_Bcap1 := Bcap_Speech)	
73	[TSPX_BS_61_9600_1_S]	synchronous Data service
74	(TCV_Bcap2 := Bcap_Bs3('010'B, '11'B, '00'B, '001'B, TSPX_BS_61_9600_S_1_ur, TSPX_BS_61_9600_S_1_ir, '00'B, TSPX_BS_61_9600_S_1_modemt), TCV_Setup_mt := Setup_21('11010001'B, TCV_Bcap1, TCV_Bcap2))	
75	[NOT TSPX_BS_61_9600_1_S]	asynchronous Data service
76	(TCV_Bcap2 := Bcap_Bs2('010'B, TSPX_BS_61_9600_A_1_strc, '00'B, TSPX_BS_61_9600_A_1_ur, TSPX_BS_61_9600_A_1_ir, TSPX_BS_61_9600_A_1_ce, TSPX_BS_61_9600_A_1_modemt), TCV_Setup_mt := Setup_21('11010001'B, TCV_Bcap1, TCV_Bcap2))	
77	[TCV_Service = C_SpchData_300]	
78	(TCV_ChMod.mode := C_ChMod_r, TCV_ChModb.mode := C_ChMod_3k, TCV_Bcap1 := Bcap_Speech)	
79	[TSPX_BS_81_300_1_S]	synchronous Data service
80	(TCV_Bcap2 := Bcap_Bs3('010'B, '11'B, '00'B, '001'B, TSPX_BS_81_300_S_1_ur, TSPX_BS_81_300_S_1_ir, '00'B, TSPX_BS_81_300_S_1_modemt), TCV_Setup_mt := Setup_21('11010011'B, TCV_Bcap1, TCV_Bcap2))	
81	[NOT TSPX_BS_81_300_1_S]	asynchronous Data service
82	(TCV_Bcap2 := Bcap_Bs2('010'B, TSPX_BS_81_300_A_1_strc, '00'B, TSPX_BS_81_300_A_1_ur, TSPX_BS_81_300_A_1_ir, TSPX_BS_81_300_A_1_ce, TSPX_BS_81_300_A_1_modemt), TCV_Setup_mt := Setup_21('11010011'B, TCV_Bcap1, TCV_Bcap2))	
83	[TCV_Service = C_SpchData_1200]	
84	(TCV_ChMod.mode := C_ChMod_r, TCV_ChModb.mode := C_ChMod_3k, TCV_Bcap1 := Bcap_Speech)	
85	[TSPX_BS_81_1200_1_S]	synchronous Data service
86	(TCV_Bcap2 := Bcap_Bs3('010'B, '11'B, '00'B, '001'B, TSPX_BS_81_1200_S_1_ur, TSPX_BS_81_1200_S_1_ir, '00'B, TSPX_BS_81_1200_S_1_modemt), TCV_Setup_mt := Setup_21('11010011'B, TCV_Bcap1, TCV_Bcap2))	
87	[NOT TSPX_BS_81_1200_1_S]	asynchronous Data service
88	(TCV_Bcap2 := Bcap_Bs2('010'B, TSPX_BS_81_1200_A_1_strc, '00'B, TSPX_BS_81_1200_A_1_ur, TSPX_BS_81_1200_A_1_ir, TSPX_BS_81_1200_A_1_ce, TSPX_BS_81_1200_A_1_modemt), TCV_Setup_mt := Setup_21('11010011'B, TCV_Bcap1, TCV_Bcap2))	
89	[TCV_Service = C_SpchData_2400]	
90	(TCV_ChMod.mode := C_ChMod_r, TCV_ChModb.mode := C_ChMod_3k, TCV_Bcap1 := Bcap_Speech)	
91	[TSPX_BS_81_2400_1_S]	synchronous Data service
92	(TCV_Bcap2 := Bcap_Bs3('010'B, '11'B, '00'B, '001'B, TSPX_BS_81_2400_S_1_ur, TSPX_BS_81_2400_S_1_ir, '00'B, TSPX_BS_81_2400_S_1_modemt), TCV_Setup_mt := Setup_21('11010011'B, TCV_Bcap1, TCV_Bcap2))	

93	[NOT TSPX_BS_81_2400_1_S]		asynchronous Data service
94	(TCV_Bcap2 := Bcap_Bs2('010'B, TSPX_BS_81_2400_A_1_strc, '00'B, TSPX_BS_81_2400_A_1_ur, TSPX_BS_81_2400_A_1_ir, TSPX_BS_81_2400_A_1_ce, TSPX_BS_81_2400_A_1_modemt), TCV_Setup_mt := Setup_21('11010011'B, TCV_Bcap1, TCV_Bcap2))		
95	[TCV_Service = C_SpchData_4800]		
96	(TCV_ChMod.mode := C_ChMod_r, TCV_ChModb.mode := C_ChMod_6k, TCV_Bcap1 := Bcap_Speech)		
97	[TSPX_BS_81_4800_1_S]		synchronous Data service
98	(TCV_Bcap2 := Bcap_Bs3('010'B, '11'B, '00'B, '001'B, TSPX_BS_81_4800_S_1_ur, TSPX_BS_81_4800_S_1_ir, '00'B, TSPX_BS_81_4800_S_1_modemt), TCV_Setup_mt := Setup_21('11010011'B, TCV_Bcap1, TCV_Bcap2))		
99	[NOT TSPX_BS_81_4800_1_S]		asynchronous Data service
100	(TCV_Bcap2 := Bcap_Bs2('010'B, TSPX_BS_81_4800_A_1_strc, '00'B, TSPX_BS_81_4800_A_1_ur, TSPX_BS_81_4800_A_1_ir, TSPX_BS_81_4800_A_1_ce, TSPX_BS_81_4800_A_1_modemt), TCV_Setup_mt := Setup_21('11010011'B, TCV_Bcap1, TCV_Bcap2))		
101	[TCV_Service = C_SpchData_9600]		
102	(TCV_ChMod.mode := C_ChMod_r, TCV_ChModb.mode := C_ChMod_12k, TCV_Bcap1 := Bcap_Speech)		
103	[TSPX_BS_81_9600_1_S]		synchronous Data service
104	(TCV_Bcap2 := Bcap_Bs3('010'B, '11'B, '00'B, '001'B, TSPX_BS_81_9600_S_1_ur, TSPX_BS_81_9600_S_1_ir, '00'B, TSPX_BS_81_9600_S_1_modemt), TCV_Setup_mt := Setup_21('11010011'B, TCV_Bcap1, TCV_Bcap2))		
105	[NOT TSPX_BS_81_9600_1_S]		asynchronous Data service
106	(TCV_Bcap2 := Bcap_Bs2('010'B, TSPX_BS_81_9600_A_1_strc, '00'B, TSPX_BS_81_9600_A_1_ur, TSPX_BS_81_9600_A_1_ir, TSPX_BS_81_9600_A_1_ce, TSPX_BS_81_9600_A_1_modemt), TCV_Setup_mt := Setup_21('11010011'B, TCV_Bcap1, TCV_Bcap2))		
107	[(TCV_Service <> C_Telephony) AND(TCV_Service <> C_AltSpchG3_2400) AND(TCV_Service <> C_AltSpchG3_4800) AND(TCV_Service <> C_AltSpchG3_9600) AND(TCV_Service <> C_AutoG3_T_2400) AND(TCV_Service <> C_AutoG3_T_4800) AND(TCV_Service <> C_AutoG3_T_9600) AND(TCV_Service <> C_300cda) AND(TCV_Service <> C_1200cda) AND(TCV_Service <> C_2400cda) AND(TCV_Service <> C_4800cda) AND(TCV_Service <> C_9600cda) AND(TCV_Service <> C_1200cda) AND(TCV_Service <> C_2400cda) AND(TCV_Service <> C_4800cda) AND(TCV_Service <> C_9600cda) AND(TCV_Service <> C_AltSpchData_300) AND(TCV_Service <> C_AltSpchData_1200) AND(TCV_Service <> C_AltSpchData_2400) AND(TCV_Service <> C_AltSpchData_4800) AND(TCV_Service <> C_AltSpchData_9600) AND(TCV_Service <> C_SpchData_300) AND(TCV_Service <> C_SpchData_1200) AND(TCV_Service <> C_SpchData_2400)	I	

		AND(TCV_Service <> C_SpchData_4800) AND(TCV_Service <> C_SpchData_9600)]			
Detailed Comments:					

Test Step Dynamic Behaviour					
Test Step Name:		BasicServiceMTbis(svc:MTSERVICES; rate:RATE; Immconn:BOOLEAN)			
Group:		GSM_L3_MS_v4170/Preambles/			
Objective:		To get a MT SETUP message with right BC IE.			
Default:		OtherEvents			
Comments:		Used for CC tests			
Nr	Label	Behaviour Description	CRef	V	Comments
1		(TCV_Service := svc, TCV_ChRate :=rate, TCV_ImmConn := Immconn, TCV_ChMod.iei := '01100011'B, TCV_ChMod.mode := C_ChMod_12k, TCV_ChModb.iei := '01100011'B, TCV_ChModb.mode := C_ChMod_12k)			
2		[TCV_Service = C_Telephony]			
3		(TCV_ChMod.mode := C_ChMod_r, TCV_Setup_mt := Setup_01)			
4		[TCV_Service = C_AltSpchG3_2400]			
5		+TS61MT(C_AltSpchG3_2400, TSPX_FAX_2400_T_NT, C_2400Kbs, TSPX_FAX_2400_1_ce)			
6		[TCV_Service = C_AltSpchG3_4800]			
7		+TS61MT(C_AltSpchG3_4800, TSPX_FAX_4800_T_NT, C_4800Kbs, TSPX_FAX_4800_1_ce)			
8		[TCV_Service = C_AltSpchG3_9600]			
9		+TS61MT(C_AltSpchG3_9600, TSPX_FAX_9600_T_NT, C_9600Kbs, TSPX_FAX_9600_1_ce)			
10		[TCV_Service = C_AutoG3_T_2400]			
11		+TS62MT(C_AutoG3_T_2400, TSPX_FAX_2400_T_NT, C_2400Kbs, TSPX_FAX_2400_1_ce)			
12		[TCV_Service = C_AutoG3_T_4800]			
13		+TS62MT(C_AutoG3_T_4800, TSPX_FAX_4800_T_NT, C_4800Kbs, TSPX_FAX_4800_1_ce)			
14		[TCV_Service = C_AutoG3_T_9600]			
15		+TS62MT(C_AutoG3_T_9600, TSPX_FAX_9600_T_NT, C_9600Kbs, TSPX_FAX_9600_1_ce)			
16		[TCV_Service = C_300cda]			
17		+BS2xMT(C_300cda, TSPX_BS21more, TSPX_BS_21_T_NT, TSPX_BS_21_1_itc, TSPX_BS_21_2_itc, C_300Kbs, C_modemt_V21, TSPX_nirr)			
18		[TCV_Service = C_1200cda]			
19		+BS2xMT(C_1200cda, TSPX_BS22more, TSPX_BS_22_T_NT, TSPX_BS_22_1_itc, TSPX_BS_22_2_itc, C_1200Kbs, C_modemt_V22, TSPX_nirr)			
20		[TCV_Service = C_2400cda]			
21		+BS2xMT(C_2400cda, TSPX_BS24more, TSPX_BS_24_T_NT, TSPX_BS_24_1_itc, TSPX_BS_24_2_itc, C_2400Kbs, C_modemt_V22bis, TSPX_nirr)			
22		[TCV_Service = C_4800cda]			
23		+BS2xMT(C_4800cda, TSPX_BS25more, TSPX_BS_25_T_NT, TSPX_BS_25_1_itc, TSPX_BS_25_2_itc, C_4800Kbs, C_modemt_V32, TSPX_nirr)			
24		[TCV_Service = C_9600cda]			
25		+BS2xMT(C_9600cda, TSPX_BS26more, TSPX_BS_26_T_NT, TSPX_BS_26_1_itc, TSPX_BS_26_2_itc, C_9600Kbs, C_modemt_V32, C_nirr_nomeaning)			
26		[TCV_Service = C_1200cda]			
27		+BS3xMT(C_1200cda, TSPX_BS31more, FALSE, TSPX_BS31more_sacp, TSPX_BS_31_1_itc, TSPX_BS_31_2_itc, TSPX_BS_31_1_sacp, TSPX_BS_31_2_sacp, C_1200Kbs)			

28	[TCV_Service = C_2400cds]		
29	+BS3xMT(C_2400cds, TSPX_BS32more, TSPX_BS_32_X32_T_NT, TSPX_BS32more_sacp, TSPX_BS_32_1_itc, TSPX_BS_32_2_itc, TSPX_BS_32_1_sacp, TSPX_BS_32_2_sacp, C_2400Kbs)		
30	[TCV_Service = C_4800cds]		
31	+BS3xMT(C_4800cds, TSPX_BS33more, TSPX_BS_33_X32_T_NT, TSPX_BS33more_sacp, TSPX_BS_33_1_itc, TSPX_BS_33_2_itc, TSPX_BS_33_1_sacp, TSPX_BS_33_2_sacp, C_4800Kbs)		
32	[TCV_Service = C_9600cds]		
33	+BS3xMT(C_9600cds, TSPX_BS34more, TSPX_BS_34_X32_T_NT, TSPX_BS34more_sacp, TSPX_BS_34_1_itc, TSPX_BS_34_2_itc, TSPX_BS_34_1_sacp, TSPX_BS_34_2_sacp, C_9600Kbs)		
34	[TCV_Service = C_AltSpchData_300]		
35	+BS61or81MT(C_AltSpchData_300, TSPX_BS_61_300_A_T_NT, C_300Kbs, TSPX_BS_61_300_ce, C_Asynchronous, C_RI_alternate)		
36	[TCV_Service = C_AltSpchData_1200]		
37	+BS61or81MT(C_AltSpchData_1200, TSPX_BS_61_1200_A_T_NT, C_1200Kbs, TSPX_BS_61_1200_ce, TSPX_BS_61_1200_sa, C_RI_alternate)		
38	[TCV_Service = C_AltSpchData_2400]		
39	+BS61or81MT(C_AltSpchData_2400, TSPX_BS_61_2400_A_T_NT, C_2400Kbs, TSPX_BS_61_2400_ce, TSPX_BS_61_2400_sa, C_RI_alternate)		
40	[TCV_Service = C_AltSpchData_4800]		
41	+BS61or81MT(C_AltSpchData_4800, TSPX_BS_61_4800_A_T_NT, C_4800Kbs, TSPX_BS_61_4800_ce, TSPX_BS_61_4800_sa, C_RI_alternate)		
42	[TCV_Service = C_AltSpchData_9600]		
43	+BS61or81MT(C_AltSpchData_9600, TSPX_BS_61_9600_A_T_NT, C_9600Kbs, TSPX_BS_61_9600_ce, TSPX_BS_61_9600_sa, C_RI_alternate)		
44	[TCV_Service = C_SpchData_300]		
45	+BS61or81MT(C_SpchData_300, TSPX_BS_81_300_A_T_NT, C_300Kbs, TSPX_BS_81_300_ce, C_Asynchronous, C_RI_follow)		
46	[TCV_Service = C_SpchData_1200]		
47	+BS61or81MT(C_SpchData_1200, TSPX_BS_81_1200_A_T_NT, C_1200Kbs, TSPX_BS_81_1200_ce, TSPX_BS_81_1200_sa, C_RI_follow)		
48	[TCV_Service = C_SpchData_2400]		
49	+BS61or81MT(C_SpchData_2400, TSPX_BS_81_2400_A_T_NT, C_2400Kbs, TSPX_BS_81_2400_ce, TSPX_BS_81_2400_sa, C_RI_follow)		
50	[TCV_Service = C_SpchData_4800]		
51	+BS61or81MT(C_SpchData_4800, TSPX_BS_81_4800_A_T_NT, C_4800Kbs, TSPX_BS_81_4800_ce, TSPX_BS_81_4800_sa, C_RI_follow)		
52	[TCV_Service = C_SpchData_9600]		
53	+BS61or81MT(C_SpchData_9600, TSPX_BS_81_9600_A_T_NT, C_9600Kbs, TSPX_BS_81_9600_ce, TSPX_BS_81_9600_sa, C_RI_follow)		
54	[(TCV_Service <> C_Telephony) AND(TCV_Service <> C_AltSpchG3_2400) AND(TCV_Service <> C_AltSpchG3_4800) AND(TCV_Service <> C_AltSpchG3_9600) AND(TCV_Service <> C_AutoG3_T_2400) AND(TCV_Service <>		I

	<p>C_AutoG3_T_4800) AND(TCV_Service <> C_AutoG3_T_9600) AND(TCV_Service <> C_300cda) AND(TCV_Service <> C_1200cda) AND(TCV_Service <> C_2400cda) AND(TCV_Service <> C_4800cda) AND(TCV_Service <> C_9600cda) AND(TCV_Service <> C_1200cda) AND(TCV_Service <> C_2400cda) AND(TCV_Service <> C_4800cda) AND(TCV_Service <> C_9600cda) AND(TCV_Service <> C_AltSpchData_300) AND(TCV_Service <> C_AltSpchData_1200) AND(TCV_Service <> C_AltSpchData_2400) AND(TCV_Service <> C_AltSpchData_4800) AND(TCV_Service <> C_AltSpchData_9600) AND(TCV_Service <> C_SpchData_300) AND(TCV_Service <> C_SpchData_1200) AND(TCV_Service <> C_SpchData_2400) AND(TCV_Service <> C_SpchData_4800) AND(TCV_Service <> C_SpchData_9600)]</p>			
--	--	--	--	--

Detailed Comments:

Test Step Dynamic Behaviour					
Test Step Name:		BS2xMT(srv:MTSERVICES; more, both:BOOLEAN; itc1, itc2:B_3; ur:B_4; modem:B_5; nirr:B_1)			
Group:		GSM_L3_MS_v4170/Preambles/			
Objective:		To get a MT SETUP message with right BC IE for BS2x service.			
Default:		OtherEvents			
Nr	Label	Behaviour Description	CRef	V	Comments
1		(TCV_Null := OO_IFsetupbis(srv, ur, itc1, C_sacp_NA, C_ce_NA, C_sa_NA))			
2		+local_bcap1			
3		[both OR more]			
4		+local_bcap2			
5		(TCV_Setup_mt := Setup_21(C_RI_alternate, TCV_Bcap1, TCV_Bcap2))			
6		+local_chmod			
7		[NOT both AND NOT more]			
8		(TCV_Setup_mt := Setup_20(TCV_Bcap1))			
9		+local_chmod			
		local_chmod			
10		[ur = C_9600Kbs]			
11		(TCV_ChMod.mode := C_ChMod_12k, TCV_ChModb.mode := C_ChMod_12k)			
12		[ur <> C_9600Kbs]			
13		(TCV_ChMod.mode := C_ChMod_6k, TCV_ChModb.mode := C_ChMod_6k)			
		local_bcap1			
14		[itc1 = C_31kHz]			31kHz
15		+BS2x_31K_NT			
16		[itc1 = C_UDI]			UDI
17		+BS2x_UDI_NT			
18		[(itc1 <> C_31kHz) AND(itc1 <> C_UDI)]		I	
		local_bcap2			
19		[more AND both AND (itc2 = C_31kHz)]			3.1 kHz
20		+BS2x_31K_T(C_transparent)			
21		[more AND both AND (itc2 = C_UDI)]			UDI
22		+BS2x_UDI_T(C_transparent)			
23		[more AND NOT both AND (itc2 = C_31kHz)]			3.1 kHz
24		+BS2x_31K_T(C_BothT)			
25		[more AND NOT both AND (itc2 = C_UDI)]			UDI
26		+BS2x_UDI_T(C_BothT)			
27		[NOT more AND (itc1 = C_31kHz)]			3.1 kHz
28		+BS2x_31K_T(C_transparent)			
29		[NOT more AND (itc1 = C_UDI)]			UDI
30		+BS2x_UDI_T(C_transparent)			
31		[[more AND((itc2 <> C_31kHz) AND(itc2 <> C_UDI)) OR(NOT more AND((itc1 <> C_31kHz) AND(itc1 <> C_UDI))]]		I	
		BS2x_31K_NT			
32		[TSPX_TE_FLCT = "Inband"]			
33		(TCV_Bcap1 := BcapX(C_31kHz, C_SDUintegrity, nirr, C_no_rate_adaption, C_I440_450, C_Asynchronous, TSPX_TE_stopbit, TSPX_TE_databit, ur, C_ir_16kbs, TSPX_TE_parity, C_BothNT, modem, C_ISO6429))			11.8.1.1.2
34		[TSPX_TE_FLCT = "Nocontrol"]			
35		(TCV_Bcap1 := BcapX(C_31kHz, C_SDUintegrity, nirr, C_no_rate_adaption, C_I440_450, C_Asynchronous, TSPX_TE_stopbit, TSPX_TE_databit, ur, C_ir_16kbs, TSPX_TE_parity, C_BothNT, modem, C_COPnoFLCT))			11.8.1.1.2
36		[(TSPX_TE_FLCT = "Outband") OR(TSPX_TE_FLCT <> "Inband") AND(TSPX_TE_FLCT <> "Nocontrol")]		I	

	<p>BS2x_UDI_NT [TSPX_TE_FLCT = "Outband"] (TCV_Bcap1 := Bcap(C_UDI, C_SDUIntegrity, nirr, C_rate_adaption_V110, C_I440_450, C_Asynchrous, TSPX_TE_stopbit, TSPX_TE_databit, ur, C_ir_16kbs, TSPX_TE_parity, C_BothNT, C_modemt_none))</p> <p>[TSPX_TE_FLCT = "Inband"] (TCV_Bcap1 := BcapX(C_UDI, C_SDUIntegrity, nirr, C_rate_adaption_V110, C_I440_450, C_Asynchrous, TSPX_TE_stopbit, TSPX_TE_databit, ur, C_ir_16kbs, TSPX_TE_parity, C_BothNT, C_modemt_none, C_ISO6429))</p> <p>[TSPX_TE_FLCT = "Nocontrol"] (TCV_Bcap1 := BcapX(C_UDI, C_SDUIntegrity, nirr, C_rate_adaption_V110, C_I440_450, C_Asynchrous, TSPX_TE_stopbit, TSPX_TE_databit, ur, C_ir_16kbs, TSPX_TE_parity, C_BothNT, C_modemt_none, C_COPnoFLCT))</p> <p>[(TSPX_TE_FLCT <> "Outband") AND(TSPX_TE_FLCT <> "Inband") AND(TSPX_TE_FLCT <> "Nocontrol")]</p> <p>BS2x_31K_T(ce:B_2) (TCV_Bcap2 := Bcap(C_31kHz, C_Unstructured, C_nirr_nomeaning, C_no_rate_adaption, C_I440_450, C_Asynchrous, TSPX_TE_stopbit, TSPX_TE_databit, ur, C_ir_16kbs, TSPX_TE_parity, ce, modem))</p> <p>BS2x_UDI_T(ce:B_2) (TCV_Bcap2 := Bcap(C_UDI, C_Unstructured, C_nirr_nomeaning, C_rate_adaption_V110, C_I440_450, C_Asynchrous, TSPX_TE_stopbit, TSPX_TE_databit, ur, C_ir_16kbs, TSPX_TE_parity, ce, C_modemt_none))</p>			<p>11.8.1.1.4</p> <p>11.8.1.1.4</p> <p>11.8.1.1.4</p> <p>11.8.1.1.4</p> <p>I</p> <p>11.8.1.1.1</p> <p>11.8.1.1.3</p>
<p>Detailed Comments:</p>				

Test Step Dynamic Behaviour					
Test Step Name:		BS3xMT(srv:MTSERVICES; more, both, more_sacp:BOOLEAN; itc1, itc2, sacp1, sacp2:B_3; ur:B_4)			
Group:		GSM_L3_MS_v4170/Preambles/			
Objective:		To get a MT SETUP message with right BC IEs for BS3x service.			
Default:		OtherEvents			
Nr	Label	Behaviour Description	CRef	V	Comments
1		+local_IFsetup			
2		+local_bcap1			
3		(TCV_Bcap1 := TCV_Bcap2)			
4		[both OR more]			
5		[more]			
6		+local_bcap2			
7		(TCV_Setup_mt := Setup_21(C_RI_alternate, TCV_Bcap1, TCV_Bcap2))			
8		+local_chmod			
9		[NOT more]			
10		[(itc1 = C_31kHz) AND (sacp1 = C_X32)]			
11		+local_31K_X32_T			
12		(TCV_Setup_mt := Setup_21(C_RI_alternate, TCV_Bcap1, TCV_Bcap2))			
13		+local_chmod			
14		[(itc1 <> C_31kHz) OR(sacp1 <> C_X32)]			
15		(TCV_Setup_mt := Setup_20(TCV_Bcap1))			
16		+local_chmod			
17		[NOT both AND NOT more]			
18		(TCV_Setup_mt := Setup_20(TCV_Bcap1))			
19		+local_chmod			
local_IFsetup					
20		[sacp1 = C_X32]			
21		(TCV_Null := OO_IFsetupbis(srv, ur, itc1, sacp1, C_nottransparent, C_sa_NA))			
22		[sacp1 <> C_X32]			
23		(TCV_Null := OO_IFsetupbis(srv, ur, itc1, sacp1, C_transparent, C_sa_NA))			
local_chmod					
24		[ur = C_9600Kbs]			
25		(TCV_ChMod.mode := C_ChMod_12k, TCV_ChModb.mode := C_ChMod_12k)			
26		[ur <> C_9600Kbs]			
27		(TCV_ChMod.mode := C_ChMod_6k, TCV_ChModb.mode := C_ChMod_6k)			
local_bcap1					
28		[(itc1 = C_31kHz)]			
29		+local_31K(sacp1)			
30		[(itc1 = C_UDI)]			
31		+local_UDI(sacp1)			
32		[((itc1 <> C_31kHz) AND(itc1 <> C_UDI))]		I	
local_bcap2					
33		[(itc2 = C_31kHz)]			
34		[more_sacp]			
35		+local_31K(sacp2)			
36		[NOT more_sacp]			
37		+local_31K(sacp1)			
38		[(itc2 = C_UDI)]			
39		[more_sacp]			
40		+local_UDI(sacp2)			
41		[NOT more_sacp]			
42		+local_UDI(sacp1)			

43	[[itc2 <> C_31kHz] AND(itc2 <> C_UDI)]]	I	
	local_31K(sacp:B_3)		
44	[sacp = C_I440_450]		
45	[ur = C_1200Kbs]		
46	+BS3x_31K_T(C_ir_8kbs, C_modemt_V22)		
47	[ur = C_2400Kbs]		
48	+BS3x_31K_T(C_ir_8kbs, C_modemt_V22bis)		
49	[ur = C_4800Kbs]		
50	+BS3x_31K_T(C_ir_8kbs, C_modemt_V32)		
51	[ur = C_9600Kbs]		
52	+BS3x_31K_T(C_ir_16kbs, C_modemt_V32)		
53	[(ur <> C_1200Kbs) AND(ur <> C_2400Kbs) AND(ur <> C_4800Kbs) AND(ur <> C_9600Kbs)]	I	
54	[sacp = C_X32]		
55	[ur = C_2400Kbs]		
56	+BS3x_31K_X32_NT(TSPX_nirr, C_modemt_V22bis)		
57	[ur = C_4800Kbs]		
58	+BS3x_31K_X32_NT(TSPX_nirr, C_modemt_V32)		
59	[ur = C_9600Kbs]		
60	+BS3x_31K_X32_NT(C_nirr_nomeaning, C_modemt_V32)		
61	[(ur <> C_2400Kbs) AND(ur <> C_4800Kbs) AND(ur <> C_9600Kbs)]	I	
62	[[(sacp <> C_I440_450) AND(sacp <> C_X32)]]	I	
	local_UDI(sacp:B_3)		
63	[sacp = C_I440_450]		
64	[ur = C_9600Kbs]		
65	+BS3x_UDI_T(C_ir_16kbs)		
66	[ur <> C_9600Kbs]		
67	+BS3x_UDI_T(C_ir_8kbs)		
68	[sacp = C_X21]		
69	[ur = C_9600Kbs]		
70	+BS3x_UDI_X21_T(C_ir_16kbs)		
71	[ur <> C_9600Kbs]		
72	+BS3x_UDI_X21_T(C_ir_8kbs)		
73	[sacp = C_X32]		
74	[ur <> C_1200Kbs]		
75	[ur = C_9600Kbs]		
76	+BS3x_UDI_X32_NT(C_ir_16kbs)		
77	[ur <> C_9600Kbs]		
78	+BS3x_UDI_X32_NT(C_ir_8kbs)		
79	[ur = C_1200Kbs]	I	
80	[[(sacp <> C_I440_450) AND(sacp <> C_X21) AND(sacp <> C_X32)]]	I	
	local_31K_X32_T		
81	[ur = C_2400Kbs]		
82	+BS3x_31K_X32_T(C_ir_8kbs, C_modemt_V22bis)		
83	[ur = C_4800Kbs]		
84	+BS3x_31K_X32_T(C_ir_8kbs, C_modemt_V32)		
85	[ur = C_9600Kbs]		
86	+BS3x_31K_X32_T(C_ir_16kbs, C_modemt_V32)		
87	[(ur <> C_2400Kbs) AND(ur <> C_4800Kbs) AND(ur <> C_9600Kbs)]	I	
	BS3x_31K_T(ir:B_2; modemt:B_5)		
88	(TCV_Bcap2 := Bcap(C_31kHz, C_Unstructured, C_nirr_nomeaning, C_no_rate_adaption, C_I440_450, C_Synchronous, C_stopbit_NA, C_databit_NA, ur, ir, C_parity_NA, C_transparent, modemt))		11.8.1.2.1.1

89	BS3x_UDI_T(ir:B_2) (TCV_Bcap2 := Bcap(C_UDI, C_Unstructured, C_nirr_nomeaning, C_rate_adaption_V110, C_l440_450, C_Synchronous, C_stopbit_NA, C_databit_NA, ur, ir, C_parity_NA, C_transparent, C_modemt_none))	11.8.1.2.1.2
90	BS3x_UDI_X21_T(ir:B_2) (TCV_Bcap2 := Bcap(C_UDI, C_Unstructured, C_nirr_nomeaning, C_rate_adaption_V110, C_X21, C_Synchronous, C_stopbit_NA, C_databit_NA, ur, ir, C_parity_NA, C_transparent, C_modemt_none))	11.8.1.2.1.2
91	BS3x_31K_X32_T(ir:B_2; modemt:B_5) (TCV_Bcap2 := Bcap(C_31kHz, C_Unstructured, C_nirr_nomeaning, C_no_rate_adaption, C_X32, C_Synchronous, C_stopbit_NA, C_databit_NA, ur, ir, C_parity_NA, C_transparent, modemt))	11.8.1.2.1.3
92	BS3x_31K_X32_NT(nirr:B_1; modemt:B_5) (TCV_Bcap2 := BcapX(C_31kHz, C_SDUIntegrity, nirr, C_no_rate_adaption, C_X32, C_Synchronous, C_stopbit_NA, C_databit_NA, ur, C_ir_16kbs, C_parity_NA, C_BothNT, modemt, C_X25_flct))	11.8.1.2.1.4
93	BS3x_UDI_X32_NT(nirr:B_1) (TCV_Bcap2 := BcapX(C_UDI, C_SDUIntegrity, nirr, C_rate_adaption_X31, C_X32, C_Synchronous, C_stopbit_NA, C_databit_NA, ur, C_ir_16kbs, C_parity_NA, C_notransparent, C_modemt_none, C_X25_flct))	11.8.1.2.1.5
Detailed Comments:		

Test Step Dynamic Behaviour					
Test Step Name:		BS61or81MT(srv:MTSERVICES; both:BOOLEAN; ur:B_4; ce:B_2; sa:B_1; ri:B_8)			
Group:		GSM_L3_MS_v4170/Preambles/			
Objective:		To get a MT SETUP message with right BC IE for BS61 or BS81 service.			
Default:		OtherEvents			
Nr	Label	Behaviour Description	CRef	V	Comments
1		(TCV_Null := OO_IFsetupbis(srv, ur, C_itc_NA, C_sacp_NA, ce, sa))			
2		(TCV_Bcap1 := Bcap_Speech)			
3		[sa = C_Asynchrous]			
4		+local_bcap2A			
5		(TCV_Setup_mt := Setup_21(ri, TCV_Bcap1, TCV_Bcap2))			
6		+local_chmod			
7		[sa = C_Synchronous]			
8		+local_bcap2S			
9		(TCV_Setup_mt := Setup_21(ri, TCV_Bcap1, TCV_Bcap2))			
10		+local_chmod			
		local_chmod			
11		[ur = C_9600Kbs]			
12		(TCV_ChMod.mode := C_ChMod_r, TCV_ChModb.mode := C_ChMod_12k)			
13		[ur <> C_9600Kbs]			
14		(TCV_ChMod.mode := C_ChMod_r, TCV_ChModb.mode := C_ChMod_6k)			
		local_bcap2A			
15		[ce = C_transparent]			
16		[ur = C_300Kbs]			
17		+BS61or81_A_T(C_ir_8kbs, C_modemt_V21)			
18		[ur = C_1200Kbs]			
19		+BS61or81_A_T(C_ir_8kbs, C_modemt_V22)			
20		[ur = C_2400Kbs]			
21		+BS61or81_A_T(C_ir_8kbs, C_modemt_V22bis)			
22		[ur = C_4800Kbs]			
23		+BS61or81_A_T(C_ir_8kbs, C_modemt_V32)			
24		[ur = C_9600Kbs]			
25		+BS61or81_A_T(C_ir_16kbs, C_modemt_V32)			
26		[(ur <> C_300Kbs) AND(ur <> C_1200Kbs) AND(ur <> C_2400Kbs) AND(ur <> C_4800Kbs) AND(ur <> C_9600Kbs)]		I	
27		[ce = C_nottransparent]			
28		[both]			
29		[ur = C_300Kbs]			
30		+BS61or81_A_NT(TSPX_nirr, C_modemt_V21, C_BothNT)			
31		[ur = C_1200Kbs]			
32		+BS61or81_A_NT(TSPX_nirr, C_modemt_V22, C_BothNT)			
33		[ur = C_2400Kbs]			
34		+BS61or81_A_NT(TSPX_nirr, C_modemt_V22bis, C_BothNT)			
35		[ur = C_4800Kbs]			
36		+BS61or81_A_NT(TSPX_nirr, C_modemt_V32, C_BothNT)			
37		[ur = C_9600Kbs]			
38		+BS61or81_A_NT(C_nirr_nomeaning, C_modemt_V32, C_BothNT)			
39		[(ur <> C_300Kbs) AND(ur <> C_1200Kbs) AND(ur <> C_2400Kbs) AND(ur <> C_4800Kbs) AND(ur <> C_9600Kbs)]		I	
40		[NOT both]			
41		[ur = C_300Kbs]			
42		+BS61or81_A_NT(TSPX_nirr,			

43	C_modemt_V21, C_nottransparent)		
44	[ur = C_1200Kbs]		
45	+BS61or81_A_NT(TSPX_nirr,		
46	C_modemt_V22, C_nottransparent)		
47	[ur = C_2400Kbs]		
48	+BS61or81_A_NT(TSPX_nirr,		
49	C_modemt_V22bis, C_nottransparent)		
50	[ur = C_4800Kbs]		
51	+BS61or81_A_NT(C_nirr_nomeaning,		
52	C_modemt_V32, C_nottransparent)		
	[(ur <> C_300Kbs) AND(ur <> C_1200Kbs)		I
	AND(ur <> C_2400Kbs) AND(ur <> C_4800Kbs)		
	AND(ur <> C_9600Kbs)]		
	[(ce <> C_nottransparent) AND(ce <> C_transparent)]		I
	local_bcap2S		
53	[ur = C_1200Kbs]		
54	+BS61or81_S_T(C_ir_8kbs, C_modemt_V22)		
55	[ur = C_2400Kbs]		
56	+BS61or81_S_T(C_ir_8kbs, C_modemt_V22bis)		
57	[ur = C_4800Kbs]		
58	+BS61or81_S_T(C_ir_8kbs, C_modemt_V32)		
59	[ur = C_9600Kbs]		
60	+BS61or81_S_T(C_ir_16kbs, C_modemt_V32)		
61	[(ur <> C_1200Kbs) AND(ur <> C_2400Kbs) AND(ur		I
	<> C_4800Kbs) AND(ur <> C_9600Kbs)]		
	BS61or81_A_T(ir:B_2; modemt:B_5)		
62	[TSPX_TE_FLCT = "Outband"]		
63	(TCV_Bcap2 := Bcap(C_31kHz, C_Unstructured,		11.8.1.3.1
	C_nirr_nomeaning, C_no_rate_adaption,		
	C_I440_450, C_Asynchrous, TSPX_TE_stopbit,		
	TSPX_TE_databit, ur, ir, TSPX_TE_parity,		
	C_transparent, modemt))		
64	[TSPX_TE_FLCT = "Inband"]		
65	(TCV_Bcap2 := BcapX(C_31kHz, C_Unstructured,		11.8.1.3.1
	C_nirr_nomeaning, C_no_rate_adaption,		
	C_I440_450, C_Asynchrous, TSPX_TE_stopbit,		
	TSPX_TE_databit, ur, ir, TSPX_TE_parity,		
	C_transparent, modemt, C_ISO6429))		
66	[TSPX_TE_FLCT = "Nocontrol"]		
67	(TCV_Bcap2 := BcapX(C_31kHz, C_Unstructured,		11.8.1.3.1
	C_nirr_nomeaning, C_no_rate_adaption,		
	C_I440_450, C_Asynchrous, TSPX_TE_stopbit,		
	TSPX_TE_databit, ur, ir, TSPX_TE_parity,		
	C_transparent, modemt, C_COPnoFLCT))		
68	[(TSPX_TE_FLCT <> "Outband")		I
	AND(TSPX_TE_FLCT <> "Inband")		
	AND(TSPX_TE_FLCT <> "Nocontrol")]		
	BS61or81_A_NT(nirr:B_1; modemt:B_5; cel:B_2)		
69	[TSPX_TE_FLCT = "Outband"]		
70	(TCV_Bcap2 := Bcap(C_31kHz, C_SDUIntegrity,		11.8.1.3.2
	nirr, C_no_rate_adaption, C_I440_450,		
	C_Asynchrous, TSPX_TE_stopbit,		
	TSPX_TE_databit, ur, C_ir_16kbs,		
	TSPX_TE_parity, cel, modemt))		
71	[TSPX_TE_FLCT = "Inband"]		
72	(TCV_Bcap2 := BcapX(C_31kHz, C_SDUIntegrity,		11.8.1.3.2
	nirr, C_no_rate_adaption, C_I440_450,		
	C_Asynchrous, TSPX_TE_stopbit,		
	TSPX_TE_databit, ur, C_ir_16kbs,		
	TSPX_TE_parity, cel, modemt, C_ISO6429))		
73	[TSPX_TE_FLCT = "Nocontrol"]		
74	(TCV_Bcap2 := BcapX(C_31kHz, C_SDUIntegrity,		11.8.1.3.2
	nirr, C_no_rate_adaption, C_I440_450,		
	C_Asynchrous, TSPX_TE_stopbit,		

75	<p>TSPX_TE_databit, ur, C_ir_16kbs, TSPX_TE_parity, cel, modemt, C_COPnoFLCT))</p> <p>[(TSPX_TE_FLCT <> "Outband") AND(TSPX_TE_FLCT <> "Inband") AND(TSPX_TE_FLCT <> "Nocontrol")]</p>		I	
76	<p>BS61or81_S_T(ir:B_2; modemt:B_5)</p> <p>(TCV_Bcap2 := Bcap(C_31kHz, C_Unstructured, C_nirr_nomeaning, C_no_rate_adaption, C_l440_450, C_Synchronous, C_stopbit_NA, C_databit_NA, ur, ir, C_parity_NA, C_transparent, modemt))</p>			11.8.1.3.3
Detailed Comments:				

Test Step Dynamic Behaviour					
Test Step Name:		TS61MT(srv:MTSERVICES; both:BOOLEAN; ur:B_4; ce:B_2)			
Group:		GSM_L3_MS_v4170/Preambles/			
Objective:		To get a MT SETUP message with right BC IE for TS61 service.			
Default:		OtherEvents			
Nr	Label	Behaviour Description	CRef	V	Comments
1		(TCV_Null := OO_IFsetupbis(srv, ur, C_itsc_NA, C_sacp_NA, ce, C_sa_NA))			
2		(TCV_Bcap1 := Bcap_Speech)			
3		+local_bcap2			
4		(TCV_Setup_mt := Setup_21(C_RI_alternate, TCV_Bcap1, TCV_Bcap2))			
5		+local_chmod			
		local_chmod			
6		[ur = C_9600Kbs]			
7		(TCV_ChMod.mode := C_ChMod_r, TCV_ChModb.mode := C_ChMod_12k)			
8		[ur <> C_9600Kbs]			
9		(TCV_ChMod.mode := C_ChMod_r, TCV_ChModb.mode := C_ChMod_6k)			
		local_bcap2			
10		[ce = C_transparent]			
11		[ur = C_2400Kbs]			
12		+TS61_FAX3_T(C_ir_8kbs)			
13		[ur = C_4800Kbs]			
14		+TS61_FAX3_T(C_ir_8kbs)			
15		[ur = C_9600Kbs]			
16		+TS61_FAX3_T(C_ir_16kbs)			
17		[(ur <> C_2400Kbs) AND(ur <> C_4800Kbs) AND(ur <> C_9600Kbs)]		I	
18		[ce = C_nottransparent]			
19		[both]			
20		+TS61_FAX3_NT(C_BothNT)			
21		[NOT both]			
22		+TS61_FAX3_NT(C_nottransparent)			
23		[(ce <> C_nottransparent) AND(ce <> C_transparent)]		I	
		TS61_FAX3_T(ir:B_2)			
24		(TCV_Bcap2 := Bcap(C_FAX3, C_Unstructured, C_nirr_nomeaning, C_no_rate_adaption, C_sacp_NA, C_Synchronous, C_stopbit_NA, C_databit_NA, ur, ir, C_parity_NA, C_transparent, C_modemt_none))			11.8.1.5.1
		TS61_FAX3_NT(ce:B_2)			
25		(TCV_Bcap2 := Bcap(C_FAX3, C_SDUIntegrity, TSPX_nirr, C_no_rate_adaption, C_sacp_NA, C_Synchronous, C_stopbit_NA, C_databit_NA, ur, C_ir_16kbs, C_parity_NA, ce, C_modemt_none))			11.8.1.5.2
Detailed Comments:					

Test Step Dynamic Behaviour					
Test Step Name:		TS62MT(srv:MTSERVICES; both:BOOLEAN; ur:B_4; ce:B_2)			
Group:		GSM_L3_MS_v4170/Preambles/			
Objective:		To get a MT SETUP message with right BC IE for TS62 service.			
Default:		OtherEvents			
Nr	Label	Behaviour Description	CRef	V	Comments
1		(TCV_Null := OO_IFsetupbis(srv, ur, C_itc_NA, C_sacp_NA, ce, C_sa_NA))			
2		[both]			
3		+TS61_FAX3_NT(C_BothNT)			
4		(TCV_Bcap1 := TCV_Bcap2)			
5		+local_bcapT			
6		(TCV_Setup_mt := Setup_21(C_RI_alterate, TCV_Bcap1, TCV_Bcap2))			
7		+local_chmod			
8		[NOT both]			
9		+local_bcapT			
10		(TCV_Setup_mt := Setup_20(TCV_Bcap2))			
11		+local_chmod			
		local_chmod			
12		[ur = C_9600Kbs]			
13		(TCV_ChMod.mode := C_ChMod_12k, TCV_ChModb.mode := C_ChMod_12k)			
14		[ur <> C_9600Kbs]			
15		(TCV_ChMod.mode := C_ChMod_6k, TCV_ChModb.mode := C_ChMod_6k)			
		local_bcapT			
16		[ur = C_2400Kbs]			
17		+TS61_FAX3_T(C_ir_8kbs)			
18		[ur = C_4800Kbs]			
19		+TS61_FAX3_T(C_ir_8kbs)			
20		[ur = C_9600Kbs]			
21		+TS61_FAX3_T(C_ir_16kbs)			
22		[(ur <> C_2400Kbs) AND(ur <> C_4800Kbs) AND(ur <> C_9600Kbs)]		I	
		TS61_FAX3_T(ir:B_2)			
23		(TCV_Bcap2 := Bcap(C_FAX3, C_Unstructured, C_nirr_nomeaning, C_no_rate_adaption, C_sacp_NA, C_Synchronous, C_stopbit_NA, C_databit_NA, ur, ir, C_parity_NA, C_transparent, C_modemt_none))			11.8.1.5.1
		TS61_FAX3_NT(ce:B_2)			
24		(TCV_Bcap2 := Bcap(C_FAX3, C_SDUintegrity, TSPX_nirr, C_no_rate_adaption, C_sacp_NA, C_Synchronous, C_stopbit_NA, C_databit_NA, ur, C_ir_16kbs, C_parity_NA, ce, C_modemt_none))			11.8.1.5.2
Detailed Comments:					

Test Step Dynamic Behaviour					
Test Step Name:		BasicServiceMTorTelephony(svc:MTSERVICES; rate:RATE; Immconn:BOOLEAN)			
Group:		GSM_L3_MS_v4170/Preambles/			
Objective:		To get a MT SETUP message with right BC IE.			
Default:		OtherEvents			
Comments:		Used for CC tests			
Nr	Label	Behaviour Description	CRef	V	Comments
1		[TSPC_Serv_TS11]			
2		+BasicServiceMT(svc,rate,TSPX_Telephony_Immconn)			
3		[NOT TSPC_Serv_TS11]			
4		+BasicServiceMT(svc,rate,Immconn)			
Detailed Comments:					

Test Step Dynamic Behaviour					
Test Step Name:		BasicServiceMTNICorTelephony(svc:MTSERVICES; rate:RATE)			
Group:		GSM_L3_MS_v4170/Preambles/			
Objective:		To get a MT SETUP message with right BC IE.			
Default:		OtherEvents			
Comments:		Used for CC tests			
Nr	Label	Behaviour Description	CRef	V	Comments
1		[TSPX_Telephony_Immconn]			
2		+BasicServiceMT(C_Telephony,rate,FALSE)			
3		[NOT TSPX_Telephony_Immconn]			
4		+BasicServiceMT(svc,rate,FALSE)			
Detailed Comments:					

Test Step Dynamic Behaviour					
Test Step Name:		EstMsOrigFullRateCall(ta:TA)			
Group:		GSM_L3_MS_v4170/Preambles/			
Objective:		To establish a full rate mobile station originating call (speech call or data call).			
Default:		OtherEvents			
Nr	Label	Behaviour Description	CRef	V	Comments
1		+AttmpFullRateCall			
2		+BasicServiceMO(TSPX_MO_BscSvc_FRCall, C_Full)			
3		L?DL_RaInChRq (TCV_Rr := DL_RaInChRq.msg.ecau_rrf, TCV_Fn := DL_RaInChRq.fn)	ChReq_17		
4		ACTIVATE(OtherEvents_02)			To match ChReq retrans.
5		L!DL_UdatRqImmss	ImmAss_01Def(TCV_agch, TCV_Rr, TCV_Fn, TCV_slot, TCV_tsc, TCV_chdescr_arfcn, ta)		
6		L?DL_EstInCmsRq	CmserReq_01		
7		ACTIVATE(OtherEvents)			Restore Normal default
8		+Authentication(TCV_ch, TCV_cks)			
9		+Cipherring_on(TCV_ch)			
10		+SetupRcvMo(SetupInd_01)			
11		L!DL_DatRqCallProc	CallProc(TCV_ch, TCV_CallProc)		
12		L!DL_DatRqAlert	Alert_01(TCV_TI, TCV_ch)		
13		+AssCmdGenMO(C_Full)			
14		+AssCh_complete(TCV_ch, TCV_chTch, TCV_AssCmd)			
15		L!DL_DatRqConn	Conn_01(TCV_TI, TCV_chTch)		
16		L?DL_DatInConnAck	ConnAckRcv_01(TCV_TI0)		
Detailed Comments:					

Test Step Dynamic Behaviour

Test Step Name:	EstMsOrigTCHF_init(par1: OCTETSTRING; par_sub: INTEGER; ta:TA)
Group:	GSM_L3_MS_v4170/Preambles/
Objective:	To initiate a mobile originating full rate call for the supported bearer capability. The channel in use is frequency hopping channel.
Default:	OtherEvents
Comments:	The test case variable TCV_TI0 holds the transaction ID used by the MS and the TCV_TI holds the transaction ID used by the test system.

Nr	Label	Behaviour Description	CRef	V	Comments
1		+AttmpFullRateCall			
2		+BasicServiceMO(TSPX_MO_BscSvc_FRCall, C_Full)			
3		L?DL_RaClnChRq (TCV_Rr := DL_RaClnChRq.msg.ecau_rrf, TCV_Fn := DL_RaClnChRq.fn)	ChReq_17		
4		ACTIVATE(OtherEvents_02)			To match ChReq retrans.
5		+localtree_ia(par1)			
6		L?DL_EstInCmsRq	CmsrerReq_01		
7		ACTIVATE(OtherEvents)			Restore Normal default
8		+CIPHERING_on(TCV_ch)			
		localtree_ia(par_chn: OCTETSTRING)			
9		[par_chn = C_CHTCHH_FH]			
10		[par_sub =1]			
11		LIDL_UdatRqImmss	ImmAss_242(TCV_Rr, TCV_Fn, TCV_agch, TCV_ia_ts, ta)		
12		[par_sub =2]			
13		LIDL_UdatRqImmss	ImmAss_243(TCV_Rr, TCV_Fn, TCV_agch, TCV_ia_ts, ta)		
14		[par_chn = C_CHTCHF_FH]			
15		LIDL_UdatRqImmss	ImmAss_221(TCV_Rr, TCV_Fn, TCV_agch, TCV_ia_ts, ta)		
16		[par_chn = C_CHTCHF_NonFH]			
17		LIDL_UdatRqImmss	ImmAss_21(TCV_Rr, TCV_Fn, TCV_agch, TCV_ia_ts, TCV_chdescr_arfcn, ta)		
18		[par_chn = C_CHSDCCH4_NonFH]			
19		LIDL_UdatRqImmss	ImmAss_01Def(TCV_agch, TCV_Rr, TCV_Fn, TCV_ia_ts, TCV_tsc, TCV_chdescr_arfcn, ta)		
20		[par_chn = C_CHSDCCH8_NonFH]			
21		LIDL_UdatRqImmss	ImmAss_27(TCV_Rr, TCV_Fn, TCV_agch, TCV_ia_ts, TCV_chdescr_arfcn, ta)		
22		[par_chn = C_CHSDCCH8_FH]			
23		[par_sub =1]			
24		[TSPC_PGSM = TRUE]			
25		LIDL_UdatRqImmss	ImmAss_281(TCV_Rr, TCV_Fn, TCV_agch, TCV_ia_ts, ta)		
26		[TSPC_DCS = TRUE]			
27		LIDL_UdatRqImmss	ImmAss_281d(TCV_Rr, TCV_Fn, TCV_agch, TCV_ia_ts, ta)		
28		[TSPC_EGSM = TRUE]			
29		LIDL_UdatRqImmss	ImmAss_281e2(TCV_Rr, TCV_Fn, TCV_agch, TCV_ia_ts, ta)		

30	[par_sub = 2]			
31	[TSPC_PGSM = TRUE]			
32	LIDL_UdatRqImm	ImmAss_282(TCV_Rr, TCV_Fn, TCV_agch, TCV_ia_ts, ta)		
33	[TSPC_DCS = TRUE]			
34	LIDL_UdatRqImm	ImmAss_282d(TCV_Rr, TCV_Fn, TCV_agch, TCV_ia_ts, ta)		
35	[par_sub = 3]			
36	[TSPC_PGSM = TRUE]			
37	LIDL_UdatRqImm	ImmAss_283(TCV_Rr, TCV_Fn, TCV_agch, TCV_ia_ts, ta)		
38	[TSPC_DCS = TRUE]			
39	LIDL_UdatRqImm	ImmAss_283d(TCV_Rr, TCV_Fn, TCV_agch, TCV_ia_ts, ta)		
Detailed Comments:				

Test Step Dynamic Behaviour					
Test Step Name:		EstMsOrigHalfRateCall(ta:TA)			
Group:		GSM_L3_MS_v4170/Preambles/			
Objective:		To establish a half rate mobile station originating call.			
Default:		OtherEvents			
Nr	Label	Behaviour Description	CRef	V	Comments
1		+AttmpHalfRateCall			
2		+BasicServiceMO(TSPX_MO_BscSvc_HRCall, C_Full)			
3		L?DL_RaInChRq (TCV_Rr := DL_RaInChRq.msg.ecau_rrf, TCV_Fn := DL_RaInChRq.fn)	ChReq_17		
4		ACTIVATE(OtherEvents_02)			To match ChReq retrans.
5		LIDL_UdatRqImm	ImmAss_01Def(TCV_agch, TCV_Rr, TCV_Fn, TCV_slot, TCV_tsc, TCV_chdescr_arfcn, ta)		
6		L?DL_EstInCmsRq	CmserReq_01		
7		ACTIVATE(OtherEvents)			Restore Normal default
8		+Authentication(TCV_ch, TCV_cks)			
9		+Cipherring_on(TCV_ch)			
10		+SetupRcvMo(SetupInd_01)			
11		LIDL_DatRqCallProc	CallProc(TCV_ch, TCV_CallProc)		
12		LIDL_DatRqAlert	Alert_01(TCV_TI, TCV_ch)		
13		+AssCmdGenMO(C_Half)			
14		+AssCh_complete(TCV_ch, TCV_chTch, TCV_AssCmd)			
15		LIDL_DatRqConn	Conn_01(TCV_TI, TCV_chTch)		
16		L?DL_DatInConnAck	ConnAckRcv_01(TCV_TI)		
Detailed Comments:					

Test Step Dynamic Behaviour					
Test Step Name:		EstMsTermFullRateCallFH(ta:TA)			
Group:		GSM_L3_MS_v4170/Preambles/			
Objective:		To establish a full rate mobile station terminating call with hopping channel (speech or data call).			
Default:		OtherEvents			
Comments:		used var's: TCV_cellid, TCV_Bcap1, TCV_ch			
Nr	Label	Behaviour Description	CRef	V	Comments
1		+RRmtcallprepare(ta)			
2		L!DL_DatRqSetup (TCV_TI.ti_f := '0'B, TCV_TI.ti_v := '000'B)	SetupRq_20(TCV_ch)		
3		L?DL_DatInCallCo	CallCfm_20		1)
4		L?DL_DatInConn	ConnRcv_01		
5		+localtree			
6		L?DL_DatInAlert	AlertRcv_01		
7		(TCV_Null := OO_HookOff())			
8		L?DL_DatInConn	ConnRcv_01		
9		+localtree			
10		L!DL_DatRqConnAck	ConnAck_20(TCV_ch Tch)		
		localtree			
11		[TCV_cellid = C_CellA]			
12		+localtreeA			
13		[TCV_cellid = C_CellB]			
14		+localtreeB			
		localtreeA			
15		[TSPC_PGSM OR TSPC_EGSM]			
16		(TCV_AssCmd := AsgnCmd_22(TCV_asscmd_ts, TSPX_TscDef, TSPX_MAIO, TSPX_HSN, Frql_20_A))			
17		+AssCh_complete(TCV_ch,TCV_chTch,TCV_AssCmd)			
18		[TSPC_DCS]			
19		(TCV_AssCmd := AsgnCmd_22d(TCV_asscmd_ts, TSPX_TscDef, TSPX_MAIO, TSPX_HSN, Frql_20_Ad))			
20		+AssCh_complete(TCV_ch,TCV_chTch,TCV_AssCmd)			
		localtreeB			
21		[TSPC_PGSM OR TSPC_EGSM]			
22		(TCV_AssCmd := AsgnCmd_22(TCV_asscmd_ts, TSPX_TscDef, TSPX_MAIO, TSPX_HSN, Frql_20_B1))			
23		+AssCh_complete(TCV_ch,TCV_chTch,TCV_AssCmd)			
24		[TSPC_DCS]			
25		(TCV_AssCmd := AsgnCmd_22d(TCV_asscmd_ts, TSPX_TscDef, TSPX_MAIO, TSPX_HSN, Frql_20_B8d))			
26		+AssCh_complete(TCV_ch,TCV_chTch,TCV_AssCmd)			2)
Detailed Comments:		1. If the MS supports the bearer capabilities, which are given in the Setup message, it has to accept them. Therefor, they are no bearer capabilities expected in Call Confirm message. 2. TCH/F with hopping in selected cell for DCS1800 or GSM900.			

Test Step Dynamic Behaviour					
Test Step Name:		EstMsTermFullRateCallNonFH(ta:TA)			
Group:		GSM_L3_MS_v4170/Preambles/			
Objective:		To establish a full rate mobile station terminating call with non hopping channel (speech or data call).			
Default:		OtherEvents			
Comments:		used var's: TCV_cellid, TCV_chdescr_arfcn, TCV_Bcap1, TCV_ch			
Nr	Label	Behaviour Description	CRef	V	Comments
1		+RRmtcallprepare(ta)			
2		L!DL_DatRqSetup (TCV_Tl.ti_f := '0'B, TCV_Tl.ti_v := '000'B)	SetupRq_20(TCV_ch)		
3		L?DL_DatInCallCo	CallCfm_20		1)
4		L?DL_DatInConn	ConnRcv_01		
5		+localtree			
6		L?DL_DatInAlert	AlertRcv_01		
7		(TCV_Null := OO_HookOff())			
8		L?DL_DatInConn	ConnRcv_01		
9		+localtree			
10		localtree (TCV_AssCmd := AsgnCmd_21(TCV_asscmd_ts,TCV_chdescr_arfcn))			
11		+AssCh_complete(TCV_ch,TCV_chTch,TCV_AssCmd)			
12		L!DL_DatRqConnAck	ConnAck_20(TCV_chTch)		
Detailed Comments:		<ol style="list-style-type: none"> 1. If the MS supports the bearer capabilities, which are give in Setup message, it has to accept them. Therefor, they are no bearer capabilities expected in Call Confirm message. 2. TCH/F with non hopping in selected cell. 			

Test Step Dynamic Behaviour					
Test Step Name:		EstMsTermHalfRateCallFH(ta:TA)			
Group:		GSM_L3_MS_v4170/Preambles/			
Objective:		To establish a half rate mobile station terminating call with hopping channel (speech or data call).			
Default:		OtherEvents			
Comments:		used var's: TCV_cellid, TCV_chdescr_arfcn, TCV_Bcap1, TCV_ch			
Nr	Label	Behaviour Description	CRef	V	Comments
1		+RRmtcallprepare(ta)			
2		L!DL_DatRqSetup (TCV_TI.ti_f := '0'B, TCV_TI.ti_v := '000'B)	SetupRq_20(TCV_ch)		
3		L?DL_DatInCallCo	CallCfm_20		1)
4		L?DL_DatInConn	ConnRcv_01		
5		+localtree			
6		L!DL_DatRqConnAck	ConnAck_20(TCV_ch Tch)		
7		L?DL_DatInAlert	AlertRcv_01		
8		(TCV_Null := OO_HookOff())			
9		L?DL_DatInConn	ConnRcv_01		
		localtree			
10		[TCV_cellid = C_CellA]			
11		+localtreeA			
12		[TCV_cellid = C_CellB]			
13		+localtreeB			
		localtreeA			
14		[TSPC_PGSM OR TSPC_EGSM]			
15		(TCV_AssCmd := AsgnCmd_24(TCV_asscmd_ts, TSPX_TscDef, TSPX_MAIO, TSPX_HSN, Frql_20_A0))			
16		+AssCh_complete(TCV_ch,TCV_chTch,TCV_Ass Cmd)			2)
17		[TSPC_DCS]			
18		(TCV_AssCmd := AsgnCmd_24d(TCV_asscmd_ts, TSPX_TscDef, TSPX_MAIO, TSPX_HSN, Frql_20_A0d))			
19		+AssCh_complete(TCV_ch,TCV_chTch,TCV_Ass Cmd)			2)
		localtreeB			
20		[TSPC_PGSM OR TSPC_EGSM]			
21		(TCV_AssCmd := AsgnCmd_24(TCV_asscmd_ts, TSPX_TscDef, TSPX_MAIO, TSPX_HSN, Frql_20_B3))			2)
22		+AssCh_complete(TCV_ch,TCV_chTch,TCV_Ass Cmd)			
23		[TSPC_DCS]			
24		(TCV_AssCmd := AsgnCmd_24d(TCV_asscmd_ts, TSPX_TscDef, TSPX_MAIO, TSPX_HSN, Frql_20_B3d))			2)
25		+AssCh_complete(TCV_ch,TCV_chTch,TCV_Ass Cmd)			
Detailed Comments:		1. If the MS supports the bearer capabilities, which are given in the Setup message, it has to accept them. Therefor, they are no bearer capabilities expected in Call Confirm message. 2. TCH/H with hopping in selected cell.			

Test Step Dynamic Behaviour					
Test Step Name:		EstMsTermHalfRateCallNonFH(ta:TA)			
Group:		GSM_L3_MS_v4170/Preambles/			
Objective:		To establish a half rate mobile station terminating call with non hopping channel (speech or data call).			
Default:		OtherEvents			
Comments:		used var's: TCV_cellid, TCV_chdescr_arfcn, TCV_Bcap1, TCV_chTch, TCV_asscmd_ts			
Nr	Label	Behaviour Description	CRef	V	Comments
1		+RRmtcallprepare(ta)			
2		LIDL_DatRqSetup (TCV_Tl.ti.f := '0'B, TCV_Tl.ti.v := '000'B)	SetupRq_20(TCV_ch)		
3		L?DL_DatInCallCo	CallCfm_20		1)
4		L?DL_DatInConn	ConnRcv_01		
5		+localtree_tchhalfrate			
6		L?DL_DatInAlert	AlertRcv_01		
7		(TCV_Null := OO_HookOff())			
8		L?DL_DatInConn	ConnRcv_01		
9		+localtree_tchhalfrate			
10		localtree_tchhalfrate (TCV_AssCmd := AsgnCmd_23(TCV_asscmd_ts, TCV_chdescr_arfcn))			
11		+Adjust_gsmanddcs_powerlvl(0,15,TCV_AssCmd)			
12		+AssCh_complete(TCV_ch,TCV_chTch,TCV_AssCmd)			2)
13		LIDL_DatRqConnAck	ConnAck_20(TCV_chTch)		
Detailed Comments:		1. If the MS supports the bearer capabilities, which are given in the Setup message, it has to accept them. Therefor, they are no bearer capabilities expected in Call Confirm message. 2. TCH/H non hopping in selected cell.			

Test Step Dynamic Behaviour					
Test Step Name:		IdleUpdated(activ_cell: CellID; acttype:BITSTRING; slot:SN; tsc:TSC; ta:TA; babr, cch_con, bpm:B_3; t3212:OCTETSTRING)			
Group:		GSM_L3_MS_v4170/Preambles/			
Objective:		To ensure that the SIM is updated to the initial conditions and the MS with CKSN valid, TMSI valid and idle updated in cell A, B or C.			
Default:		OtherEvents			
Nr	Label	Behaviour Description	CRef	V	Comments
1		[activ_cell = C_CellA]			
2		+cellA			
3		[activ_cell = C_CellB]			
4		+cellB			
5		[activ_cell = C_CellC]			
6		+cellC			
cellA					
7		(TCV_Res := OO_SwitchOff())			
8		+Varinit_fixA			
9		+CombinedBCCH_A(63, FreqBCCHa_rg, FreqBCCHa_rd, acttype,slot,tsc, ta, babr, cch_con, bpm)			
10		LIDL_UdatRqSchinfo	SyncInfo(C_SCH_A)		
11		+ltree_sysinfo(0)			ATT='0'B
12		+localtree1			
cellB					
13		(TCV_Res := OO_SwitchOff())			
14		+Varinit_fixB			
15		+CombinedBCCH_B(63, FreqBCCHb_rg, FreqBCCHb_rd, acttype,slot,tsc, ta, babr, cch_con, bpm)			
16		LIDL_UdatRqSchinfo	SyncInfo(C_SCH_B)		
17		+ltree_sysinfo(0)			ATT='0'B
18		+localtree1			
cellC					
19		(TCV_Res := OO_SwitchOff())			
20		+Varinit_fixC			
21		+CombinedBCCH_C(63, FreqBCCHc, FreqBCCHc_d, acttype,slot,tsc, ta, babr, cch_con, bpm)			
22		LIDL_UdatRqSchinfo	SyncInfo(C_SCH_C)		
23		+ltree_sysinfo(0)			ATT='0'B
24		+localtree1			
localtree1					
25		(TCV_Res:=OO_SwitchOn(), TCV_Cnt:=0, TCV_Upd:=FALSE, TCV_Res:=OO_PressKeyWhenInService())			
26		REPEAT localtree2 UNTIL [(TCV_Cnt=60) OR (TCV_Upd=TRUE)]			
27		[TCV_Upd=TRUE]			
28		[TCV_Upd=FALSE]			
29		(TCV_Res:=OO_SwitchOff())			
30		+ltree_sysinfo(1)			ATT='1'B
31		(TCV_Res:=OO_SwitchOn())			
32		+localtree_Lup_Auth(MiTmsi_01iei)			
localtree2					
33		(TCV_Res:=OO_Key())			
34		[TCV_Res=TRUE]			
35		(TCV_Upd:=TRUE)			
36		[TCV_Res=FALSE]			
37		START T_dly(1000)			
38		?TIMEOUT T_dly			
39		(TCV_Cnt:=TCV_Cnt+1)			

40	+localtree_Lup_Auth(MiTmsi_01iei)		
	localtree_Lup_Auth(newtmsi: MI)		
41	L?DL_RacInChRq (TCV_Rr := DL_RacInChRq. msg.ecau_rrf, TCV_Fn := DL_RacInChRq.fn)	ChReq_02	Any channel request PDU
42	ACTIVATE(OtherEvents_02)		To match ChReq retrans.
43	LIDL_UdatRqImm	ImmAss_01(TCV_agc h, TCV_Rr, TCV_Fn, slot, tsc, ta, TCV_chdescr_arfcn)	
44	L?DL_EstInLupRq	LocUp_01(TCV_ch, C_norm_period_attac h)	Any location update type
45	ACTIVATE(OtherEvents)		Restore Normal default
46	+CCAAuthenticate(TCV_ch)		
47	LIDL_DatRqLupAcp	LocAcp_30(newtmsi, TCV_ch, TCV_lac)	
48	L?DL_DatInTmsireCom	TmsiReallocCmp_02(TCV_ch)	(P)
49	+PostMainLinkRel(TCV_ch)		Release Channel
	ltree_sysinfo(attach:INTEGER)		
50	[activ_cell = C_CellA]		
51	[TSPC_PGSM OR TSPC_EGSM]		
52	+SysInfoSending_MM_A(5, 1, 0, attach, babr, cch_con, bpm, t3212, C_ci_cellA, C_PLMN_1, C_lacellA, CellChDes_02, C_CellReselectHys0, C_MaxPwrLvlG, BcchFreqLst_45, C_Restablishment)		
53	+SysInfo_SacchSending(TCV_sacch, TCV_sysinfo5, TCV_sysinfo6)		
54	[TSPC_DCS]		
55	+SysInfoSending_MM_A(5, 1, 0, attach, babr, cch_con, bpm, t3212, C_ci_cellA, C_PLMN_1, C_lacellA, CellChDes_03, C_CellReselectHys0, C_MaxPwrLvlD, BcchFreqLst_03, C_Restablishment)		
56	+SysInfo_SacchSending(TCV_sacch, TCV_sysinfo5, TCV_sysinfo6)		
57	[activ_cell = C_CellB]		
58	[TSPC_PGSM OR TSPC_EGSM]		
59	+SysInfoSending_MM_B(5, 1, 0, attach, babr, cch_con, bpm, t3212, C_ci_cellB, C_PLMN_1, C_lacellB, CellChDes_04, C_CellReselectHys0, C_MaxPwrLvlG, BcchFreqLst_45, C_Restablishment)		
60	+SysInfo_SacchSending(TCV_sacch_B, TCV_sysinfo5_B, TCV_sysinfo6_B)		
61	[TSPC_DCS]		
62	+SysInfoSending_MM_B(5, 1, 0, attach, babr, cch_con, bpm, t3212, C_ci_cellB, C_PLMN_1, C_lacellB, CellChDes_03, C_CellReselectHys0, C_MaxPwrLvlD, BcchFreqLst_03, C_Restablishment)		
63	+SysInfo_SacchSending(TCV_sacch_B, TCV_sysinfo5_B, TCV_sysinfo6_B)		
64	[activ_cell = C_CellC]		
65	[TSPC_PGSM OR TSPC_EGSM]		
66	+SysInfoSending_MM_C(5, 1, 0, attach, babr, cch_con, bpm, t3212, C_ci_cellC, C_PLMN_1, C_lacellC, CellChDes_02, C_CellReselectHys0, C_MaxPwrLvlG, BcchFreqLst_45, C_Restablishment)		
67	+SysInfo_SacchSending(TCV_sacch_C, TCV_sysinfo5_C, TCV_sysinfo6_C)		
68	[TSPC_DCS]		
69	+SysInfoSending_MM_C(5, 1, 0, attach, babr, cch_con, bpm, t3212, C_ci_cellC, C_PLMN_1, C_lacellC, CellChDes_03, C_CellReselectHys0, C_MaxPwrLvlD, BcchFreqLst_03, C_Restablishment)		

70		+SysInfo_SacchSending(TCV_sacch_C, TCV_sysinfo5_C, TCV_sysinfo6_C)			
Detailed Comments:					

Test Step Dynamic Behaviour					
Test Step Name:		IdleUpdatedCellB(acttype:BITSTRING; slot:SN; tsc:TSC; ta:TA; att:INTEGER; babr, cch_con, bpm:B_3; t3212:OCTETSTRING)			
Group:		GSM_L3_MS_v4170/Preambles/			
Objective:		To ensure that the SIM is updated to the initial conditions and the MS with CKSN valid, TMSI valid and idle updated in cell B with PLMN2 different from the home PLMN1. The cellA is also in the PLMN2.			
Default:		OtherEvents			
Nr	Label	Behaviour Description	CRef	V	Comments
1		(TCV_Res := OO_SwitchOff())			
2		+Varinit_fixB			
3		+cellB(63)			
4		(TCV_Res:=OO_SwitchOn())			
5		L?DL_RaInChRq (TCV_Rr := DL_RaInChRq. msg.ecau_rrf, TCV_Fn := DL_RaInChRq.fn)	ChReq_02		Any channel request PDU
6		ACTIVATE(OtherEvents_02)			To match ChReq retrans.
7		L!DL_UdatRqImm	ImmAss_01(TCV_agc h, TCV_Rr, TCV_Fn, slot, tsc, ta, TCV_chdescr_arfcn)		
8		L?DL_EstInLupRq	LocUp_01(TCV_ch, C_norm_period_attac h)		Any location update type
9		ACTIVATE(OtherEvents)			Restore Normal default
10		+CCAuthenticate(TCV_ch)			
11		L!DL_DatRqLupAcp	LocAcp_01(MiTmsi_0 1iei, TCV_ch, TCV_lac)		
12		L?DL_DatInTmsireCom	TmsiReallocCmp_02(TCV_ch)	(P)	
13		+PostMainLinkRel(TCV_ch)			Release Channel
14		+WaitForInService			
15		+cellA(53)			
cellA(par_bspwr:INTEGER)					
16		+CombinedBCCH_A(par_bspwr, FreqBCCHa_rg, FreqBCCHa_rd, acttype, slot, tsc,ta, babr, cch_con, bpm)			
17		L!DL_UdatRqSchinfo	SyncInfo(C_SCH_A)		
18		[TSPC_PGSM OR TSPC_EGSM]			
19		+SysInfoSending_MM_A(5, 1, 0, att, babr, cch_con, bpm, t3212, C_ci_cellA, C_PLMN_2, C_lacellA, CellChDes_04, C_CellReselectHys0, C_MaxPwrLvIG, BcchFreqLst_01, C_noRestablishment)			
20		+SysInfo_SacchSending(TCV_sacch, TCV_sysinfo5, TCV_sysinfo6)			
21		[TSPC_DCS]			
22		+SysInfoSending_MM_A(5, 1, 0, att, babr, cch_con, bpm, t3212, C_ci_cellA, C_PLMN_2, C_lacellA, CellChDes_03, C_CellReselectHys0, C_MaxPwrLvID, BcchFreqLst_48, C_noRestablishment)			
23		+SysInfo_SacchSending(TCV_sacch, TCV_sysinfo5, TCV_sysinfo6)			
cellB(par_bspwr:INTEGER)					
24		+CombinedBCCH_B(par_bspwr, FreqBCCHb_rg, FreqBCCHb_rd, acttype, slot, tsc, ta, babr, cch_con, bpm)			
25		L!DL_UdatRqSchinfo	SyncInfo(C_SCH_B)		
26		[TSPC_PGSM OR TSPC_EGSM]			
27		+SysInfoSending_MM_B(5, 1, 0, att, babr, cch_con, bpm, t3212, C_ci_cellB, C_PLMN_2, C_lacellB, CellChDes_04, C_CellReselectHys0, C_MaxPwrLvIG, BcchFreqLst_01, C_noRestablishment)			

28		+SysInfo_SacchSending(TCV_sacch_B, TCV_sysinfo5_B, TCV_sysinfo6_B)			
29		[TSPC_DCS]			
30		+SysInfoSending_MM_B(5, 1, 0, att, babr, cch_con, bpm, t3212, C_ci_cellB, C_PLMN_2, C_lacellB, CellChDes_03, C_CellReselectHys0, C_MaxPwrLvlID, BcchFreqLst_48, C_noRestablishment)			
31		+SysInfo_SacchSending(TCV_sacch_B, TCV_sysinfo5_B, TCV_sysinfo6_B)			

Detailed Comments:

Test Step Dynamic Behaviour

Test Step Name: PreCCSetup(acttype:BITSTRING; slot:SN; tsc:TSC; t, retr, att:INTEGER; ta:TA; babr, cch_con, bpm:B_3; t3212:OCTETSTRING)

Group: GSM_L3_MS_v4170/Preambles/

Objective: Setup tester and MS for CC testing

Default: OtherEvents

Nr	Label	Behaviour Description	CRef	V	Comments
1		+IdleUpdated(C_CellA, acttype,slot,tsc, ta, '000'B, '001'B, '011'B, '00'O)			1.
2		(TCV_ch := OC_SubchOfSdcch4(TSPX_SDCCH4SubDef, C_CellA), TCV_sacch := OC_SubchOfSacch4(TSPX_SDCCH4SubDef, C_CellA), TCV_CphKey := OC_CphKeyGen(TSPX_Ki, TSPX_RANDDef))			4.
3		+CombinedBCCH_A(63, FreqBCCHa_rg, FreqBCCHa_rd, acttype,slot,tsc, ta, babr, cch_con, bpm)			2.
4		+SysInfoSending_01(t, retr, att, 0, babr, cch_con, bpm, t3212)			3.
5		+SysInfo_SacchSending(TCV_sacch, TCV_sysinfo5, TCV_sysinfo6)			
6		+WaitForInService			

Detailed Comments:

1. Set SS default parameters (Cell A, combined BCCH and SDCCH/4) and MS initial condition (Idle updated on Cell A with allocated TMSI and CKSN).
2. CCCH combined with SDSCCH/4.
3. Tc-integer = 5, Max-retrans = 7, ATT = 0
4. Get SDCCH/4 channel identifier and ciphering key

Test Step Dynamic Behaviour

Test Step Name: PreCCSetupMO(acttype:BITSTRING; slot:SN; tsc:TSC; t, retr, att:INTEGER; ta:TA; babr, cch_con, bpm:B_3; t3212:OCTETSTRING)

Group: GSM_L3_MS_v4170/Preambles/

Objective: Setup tester for CC testing, mobile originated call establishment

Default: OtherEvents

Nr	Label	Behaviour Description	CRef	V	Comments
1		+PreCCSetup(acttype, slot, tsc, t, retr, att, ta, babr, cch_con, bpm, t3212)			
2		+InitCall(TCV_Service)			
3		+BasicServiceMO(TCV_Service, TCV_ChRate)			

Detailed Comments:

Test Step Dynamic Behaviour					
Test Step Name:		PreEnterIdleState_02(actype:BITSTRING; slot:SN; tsc:TSC; t, retr, att:INTEGER; ta:TA; babr, cch_con, bpm:B_3; t3212:OCTETSTRING)			
Group:		GSM_L3_MS_v4170/Preambles/			
Objective:		To set one physical channel used as FCHH_SCH_BCCH_CCCH for cell A and broadcast SYSTEM INFORMATION messages 2, 3, 4, 5 and 6 with default parameters, except CCCH not combined with SDCCH, then wait for the SUT (MS) entering the Idle updated state.			
Default:		OtherEvents			
Comments:		CCCH not combined with SDCCH.			
Nr	Label	Behaviour Description	CRef	V	Comments
1		+NonCombinedBCCH_A(63, FreqBCCHa_rg, FreqBCCHa_rd, actype,slot,tsc, ta, babr, cch_con, bpm)			
2		+SysInfoSending_01(t, retr, att, 0, babr, cch_con, bpm, t3212)			1.
3		+WaitForInService			
Detailed Comments:					

Test Step Dynamic Behaviour					
Test Step Name:		PreEnterIdleState_03(actype:BITSTRING; slot:SN; tsc:TSC; t, retr, att:INTEGER; ta:TA; babr, cch_con, bpm:B_3; t3212:OCTETSTRING)			
Group:		GSM_L3_MS_v4170/Preambles/			
Objective:		To set a physical channel and map FCCH, SCH, BCCH, CCCH and SDCCH4 onto the physical channel which represents cell A, then broadcast SYSTEM INFORMATION messages 2, 3, 4, 5 and 6 with default parameters for cell A, and wait for the SUT (MS) entering the Idle updated state.			
Default:		OtherEvents			
Comments:		IMSI attach/detach not allowed (ATT=0). used for initial testing.			
Nr	Label	Behaviour Description	CRef	V	Comments
1		+CombinedBCCH_A(63, FreqBCCHa_rg, FreqBCCHa_rd, actype,slot,tsc, ta, babr, cch_con, bpm)			
2		+SysInfoSending_01(t, retr, att, 0, babr, cch_con, bpm, t3212)			1.
3		+SysInfo_SacchSending(TCV_sacch, TCV_sysinfo5, TCV_sysinfo6)			
4		+WaitForInService			
Detailed Comments: 1. CCCH combined with SDCCH					

Test Step Dynamic Behaviour					
Test Step Name:		PreEnterIdleState_07(actype:BITSTRING; slot:SN; tsc:TSC; ta:TA; att:INTEGER; babr, cch_con, bpm:B_3; t3212:OCTETSTRING)			
Group:		GSM_L3_MS_v4170/Preambles/			
Objective:		To setup a physical channel as combined BCCH, CCCH and SDCCH4, then broadcast SYSTEM INFORMATION messages 2, 3, 4, 5 and 6 with default parameters in cell B, and wait for the SUT (MS) entering the Idle updated state.			
Default:		OtherEvents			
Nr	Label	Behaviour Description	CRef	V	Comments
1		+CombinedBCCH_B(53, FreqBCCHb_rg, FreqBCCHb_rd, actype,slot,tsc, ta, babr, cch_con, bpm)			
2		+SysInfoSending_24(att, babr, cch_con, bpm, t3212)			
3		+SysInfo_SacchSending(TCV_sacch_B, TCV_sysinfo5_B, TCV_sysinfo6_B)			
4		+WaitForInService			
Detailed Comments:					

Test Step Dynamic Behaviour					
Test Step Name:		PreEnterIdleState_11(actype:BITSTRING; slot:SN; tsc:TSC; ta:TA; att:INTEGER; babr, cch_con, bpm:B_3; t3212:OCTETSTRING)			
Group:		GSM_L3_MS_v4170/Preambles/			
Objective:		To set a physical channel used as full rate traffic channel for cell A and a physical channel used as combined BCCH then broadcast SYSTEM INFORMATION messages 2, 3, 4, 5 and 6 containing default parameters except Cell-Reselect-Hysteresis = 0, and wait for the SUT (MS) entering the Idle updated state.			
Default:		OtherEvents			
Nr	Label	Behaviour Description	CRef	V	Comments
1		+CombinedBCCH_A(63, FreqBCCHa_rg, FreqBCCHa_rd, actype, slot, tsc, ta, babr, cch_con, bpm)			
2		+SysInfoSending_19('0'B, att, babr, cch_con, bpm, t3212)			
3		+SysInfo_SacchSending(TCV_sacch, TCV_sysinfo5, TCV_sysinfo6)			
4		+WaitForInService			
Detailed Comments:					

Test Step Dynamic Behaviour					
Test Step Name:		PreEnterIdleState_12(actype:BITSTRING; slot:SN; tsc:TSC; ta:TA; att:INTEGER; babr, cch_con, bpm:B_3; t3212:OCTETSTRING)			
Group:		GSM_L3_MS_v4170/Preambles/			
Objective:		To set a physical channel used as full rate traffic channel for cell A and a physical channel used as combined BCCH then broadcast SYSTEM INFORMATION messages 2, 3, 4, 5 and 6 containing default parameters except Max-Retrans = 7, Cell-Reselect-Hysteresis = 0, and wait for the SUT (MS) entering the Idle updated state.			
Default:		OtherEvents			
Comments:		call re-establishment is not allowed.			
Nr	Label	Behaviour Description	CRef	V	Comments
1		+CombinedBCCH_A(63, FreqBCCHa_rg, FreqBCCHa_rd, actype,slot,tsc, ta, babr, cch_con, bpm)			
2		+SysInfoSending_19('1'B, att, babr, cch_con, bpm, t3212)			
3		+SysInfo_SacchSending(TCV_sacch, TCV_sysinfo5, TCV_sysinfo6)			
4		+WaitForInService			
Detailed Comments:					

Test Step Dynamic Behaviour					
Test Step Name:		PreEnterIdleState_r01(actype:BITSTRING; slot:SN; tsc:TSC; tx, retrans, att:INTEGER; ta:TA; babr, cch_con, bpm:B_3; t3212:OCTETSTRING)			
Group:		GSM_L3_MS_v4170/Preambles/			
Objective:		To broadcast SYSTEM INFORMATION messages 2, 3, 4, 5 and 6 containing RR testing default parameters in cell A with the following exceptions : - channel configuration can set to combined or not, - max retransmission and tx-integer can be assigned; The test system is then waiting for the SUT (MS) entering the Idle updated state.			
Default:		OtherEvents			
Comments:		The preamble is used for the RR tests.			
Nr	Label	Behaviour Description	CRef	V	Comments
1		+NonCombinedBCCH_A(63, FreqBCCHa_rg, FreqBCCHa_rd, actype, slot, tsc, ta, babr, cch_con, bpm)			
2		+SysInfoSending_r1(tx, retrans, att, babr, cch_con, bpm, t3212)			
3		+WaitForInService			
Detailed Comments:					

Test Step Dynamic Behaviour					
Test Step Name:		PreEnterIdleState_Comb01 (acttype:BITSTRING; slot:SN; tsc:TSC; tx, retrans, att:INTEGER; ta:TA; babr, cch_con, bpm:B_3; t3212:OCTETSTRING)			
Group:		GSM_L3_MS_v4170/Preambles/			
Objective:		To broadcast SYSTEM INFORMATION messages 2, 3, 4, 5 and 6 containing RR testing default parameters in cell A with the following exceptions : - channel configuration can set to combined or not, - max retransmission and tx-integer can be assigned; The test system is then waiting for the SUT (MS) entering the Idle updated state.			
Default:		OtherEvents			
Comments:		The preamble is used for the RR tests.			
Nr	Label	Behaviour Description	CRef	V	Comments
1		+CombinedBCCH_A(63, FreqBCCHa_rg, FreqBCCHa_rd, acttype, slot, tsc, ta, babr, cch_con, bpm)			
2		+SysInfoSending_r1(tx, retrans, att, babr, cch_con, bpm, t3212)			
3		+SysInfo_SacchSending(TCV_sacch, TCV_sysinfo5, TCV_sysinfo6)			
4		+WaitForInService			
Detailed Comments:					

Test Step Dynamic Behaviour

Test Step Name: PreEnterIdleState_r02(acttype:BITSTRING; slot:SN; tsc:TSC; tx, retrans:INTEGER; slot2:SN; slot3:SN; slot4:SN; ta:TA; att:INTEGER; babr, cch_con, bpm:B_3; t3212:OCTETSTRING)

Group: GSM_L3_MS_v4170/Preambles/

Objective: To broadcast SYSTEM INFORMATION messages 2, 3, 4, 5 and 6 containing default parameters in cell A with the following exceptions :
- legal combination of CCCH-CONF, BS-AG-BLKS-RES, BS-PA-MFRMS are specified by parameters
- max retransmission and tx-integer can be assigned,
The test system is then waiting for the SUT (MS) entering the Idle updated state.

Default: OtherEvents

Comments: The preamble is used for the RR tests.

Nr	Label	Behaviour Description	CRef	V	Comments
1		[cch_con = '001'B]			
2		+CombinedBCCH_A(63, FreqBCCHa_rg, FreqBCCHa_rd, acttype, slot, tsc, ta, babr, cch_con, bpm)			
3		+SysInfoSending_r2(tx, retrans, C_BCCH_A_1, att, babr, cch_con, bpm, t3212)			
4		+SysInfo_SacchSending(TCV_sacch, TCV_sysinfo5, TCV_sysinfo6)			
5		+WaitForInService			
6		[cch_con = '000'B]			
7		+localtree			
8		[cch_con = '010'B]			
9		+NonCombinedBCCH_A_2(acttype,slot2,tsc, ta, babr, cch_con, bpm)			
10		+SysInfoSending_r2(tx, retrans, C_BCCH_A_2, att, babr, cch_con, bpm, t3212)			
11		+localtree			
12		[cch_con = '100'B]			
13		+NonCombinedBCCH_A_2(acttype,slot2,tsc, ta, babr, cch_con, bpm)			
14		+NonCombinedBCCH_A_3(acttype,slot3,tsc, ta, babr, cch_con, bpm)			
15		+SysInfoSending_r2(tx, retrans, C_BCCH_A_2, att, babr, cch_con, bpm, t3212)			
16		+SysInfoSending_r2(tx, retrans, C_BCCH_A_3, att, babr, cch_con, bpm, t3212)			
17		+localtree			
18		[cch_con = '110'B]			
19		+NonCombinedBCCH_A_2(acttype,slot2,tsc, ta, babr, cch_con, bpm)			
20		+NonCombinedBCCH_A_3(acttype,slot3,tsc, ta, babr, cch_con, bpm)			
21		+NonCombinedBCCH_A_4(acttype,slot4,tsc, ta, babr, cch_con, bpm)			
22		+SysInfoSending_r2(tx, retrans, C_BCCH_A_2, att, babr, cch_con, bpm, t3212)			
23		+SysInfoSending_r2(tx, retrans, C_BCCH_A_3, att, babr, cch_con, bpm, t3212)			
24		+SysInfoSending_r2(tx, retrans, C_BCCH_A_4, att, babr, cch_con, bpm, t3212)			
25		+localtree			
26		localtree +NonCombinedBCCH_A(63, FreqBCCHa_rg, FreqBCCHa_rd, acttype,slot,tsc, ta, babr, cch_con, bpm)			
27		+SysInfoSending_r2(tx, retrans, C_BCCH_A_1, att, babr, cch_con, bpm, t3212)			
28		+WaitForInService			

Detailed Comments:

Test Step Dynamic Behaviour					
Test Step Name:		PreEnterIdleState_r03(acttype:BITSTRING; slot:SN; tsc:TSC; ta:TA; att:INTEGER; babr, cch_con, bpm:B_3; t3212:OCTETSTRING)			
Group:		GSM_L3_MS_v4170/Preambles/			
Objective:		To broadcast SYSTEM INFORMATION messages 2, 3, 4, 5 and 6 containing default parameters in cell A with the following exception : - radio-link-timeout = 64. The test system is then waiting for the SUT (MS) entering the Idle updated state.			
Default:		OtherEvents			
Comments:		The preamble is used for the RR tests.			
Nr	Label	Behaviour Description	CRef	V	Comments
1		+CombinedBCCH_A(63, FreqBCCHa_rg, FreqBCCHa_rd, acttype, slot, tsc, ta, babr, cch_con, bpm)			
2		+SysInfoSending_9(5, 1, att, babr, cch_con, bpm, t3212)			
3		+SysInfo_SacchSending(TCV_sacch, TCV_sysinfo5, TCV_sysinfo6)			
4		+WaitForInService			
Detailed Comments:					

Test Step Dynamic Behaviour					
Test Step Name:		PreEnterIdleState_r03_1(acttype:BITSTRING; slot:SN; tsc:TSC; ta:TA; att:INTEGER; babr, cch_con, bpm:B_3; t3212:OCTETSTRING)			
Group:		GSM_L3_MS_v4170/Preambles/			
Objective:		To broadcast SYSTEM INFORMATION messages 2, 3, 4, 5 and 6 containing default parameters in cell A with the following exception : - radio-link-timeout = 64. The test system is then waiting for the SUT (MS) entering the Idle updated state.			
Default:		OtherEvents			
Comments:		The preamble is used for the RR tests.			
Nr	Label	Behaviour Description	CRef	V	Comments
1		+CombinedBCCH_A(63, FreqBCCHa_rg, FreqBCCHa_rd1, acttype, slot, tsc, ta, babr, cch_con, bpm)			
2		+SysInfoSending_9(5, 1, att, babr, cch_con, bpm, t3212)			
3		+SysInfo_SacchSending(TCV_sacch, TCV_sysinfo5, TCV_sysinfo6)			
4		+WaitForInService			
Detailed Comments:					

Test Step Dynamic Behaviour					
Test Step Name:		PreEnterIdleState_r06(Freqg, Freqd:FRQPARA; acttype:BITSTRING; slot:SN; tsc:TSC; ta:TA; att:INTEGER; babr, cch_con, bpm:B_3; t3212:OCTETSTRING)			
Group:		GSM_L3_MS_v4170/Preambles/			
Objective:		To broadcast SYSTEM INFORMATION messages 2, 3, 4, 5 and 6 containing RR testing default parameters in cell A with the following exceptions : - cell allocation is controlled by formal parameter `Ca` ; The test system is then waiting for the SUT (MS) entering the Idle updated state.			
Default:		OtherEvents			
Comments:		The preamble is used for the RR tests.			
Nr	Label	Behaviour Description	CRef	V	Comments
1		+NonCombinedBCCH_A(63, FreqBCCHa_rg, FreqBCCHa_rd, acttype, slot, tsc, ta, babr, cch_con, bpm)			
2		+SysInfoSending_25(Freqg, Freqd, att, babr, cch_con, bpm, t3212)			
3		+WaitForInService			
Detailed Comments:					

Test Step Dynamic Behaviour					
Test Step Name:		PreEnterIdleState_20(actype:BITSTRING; slot:SN; tsc:TSC; tx, retrans, att:INTEGER; ta:TA; babr, cch_con, bpm:B_3; t3212:OCTETSTRING)			
Group:		GSM_L3_MS_v4170/Preambles/			
Objective:		To broadcast SYSTEM INFORMATION messages 1, 2, 3, 4, 5 and 6 containing RR testing default parameters in cell A with the following exceptions : <ul style="list-style-type: none"> - channel configuration can set to combined or not, - max retransmission and tx-integer can be assigned; The test system is then waiting for the SUT (MS) entering the Idle updated state.			
Default:		OtherEvents			
Comments:		IMSI attach/detach not allowed (ATT=0). The preamble used in HO cases.			
Nr	Label	Behaviour Description	CRef	V	Comments
1		+NonCombinedBCCH_A(63, FreqBCCHa_rg, FreqBCCHa_rd, actype, slot, tsc, ta, babr, cch_con, bpm)			
2		+SysInfoSending_20(tx, retrans, att, babr, cch_con, bpm, t3212)			
3		+WaitForInService			
Detailed Comments:					

Test Step Dynamic Behaviour					
Test Step Name:		PreEnterIdleState_201(par_bspwr1, par_bspwr2 :INTEGER; actype:BITSTRING; slot:SN; tsc:TSC; tx, retrans, att:INTEGER; ta:TA; babr, cch_con, bpm:B_3; t3212:OCTETSTRING)			
Group:		GSM_L3_MS_v4170/Preambles/			
Objective:		To broadcast SYSTEM INFORMATION messages 2, 3, 4, 5 and 6 containing RR testing default parameters in cell A and B with the following exceptions : <ul style="list-style-type: none"> - channel configuration can set to combined or not, - max retransmission and tx-integer can be assigned; The test system is then waiting for the SUT (MS) entering the Idle updated state.			
Default:		OtherEvents			
Comments:		IMSI attach/detach not allowed (ATT=0). The preamble used in HO cases. Cell Allocation for DCS1800 coded using range 256 format.			
Nr	Label	Behaviour Description	CRef	V	Comments
1		+ltree_chconfig_a			
2		+ltree_chconfig_b			
3		+WaitForInService			
ltree_chconfig_a					
4		+CombinedBCCH_A(par_bspwr1, FreqBCCHa_rg, FreqBCCHa_rd, actype, slot, tsc, ta, babr, cch_con, bpm)			
5		+SysInfoSending_201(tx, retrans, att, babr, cch_con, bpm, t3212)			
6		+SysInfo_SacchSending(TCV_sacch, TCV_sysinfo5, TCV_sysinfo6)			
ltree_chconfig_b					
7		+CombinedBCCH_B(par_bspwr2, FreqBCCHb_ho, FreqBCCHb_hod, actype, slot, tsc, ta, babr, cch_con, bpm)			
8		+SysInfoSending_211(tx, retrans, att, babr, cch_con, bpm, t3212)			
9		+SysInfo_SacchSending(TCV_sacch_B, TCV_sysinfo5_B, TCV_sysinfo6_B)			
Detailed Comments:					

Test Step Dynamic Behaviour					
Test Step Name:		PreEnterIdleState_202c(acttype:BITSTRING; slot:SN; tsc:TSC; tx, retrans, att:INTEGER; ta:TA; babr, cch_con, bpm:B_3; t3212:OCTETSTRING)			
Group:		GSM_L3_MS_v4170/Preambles/			
Objective:		To broadcast SYSTEM INFORMATION messages 2, 3, 4, 5 and 6 containing RR testing default parameters in cell A with the following exceptions : - max retransmission and tx-integer can be assigned; The test system is then waiting for the SUT (MS) entering the Idle updated state.			
Default:		OtherEvents			
Comments:		IMSI attach/detach not allowed (ATT=0). The preamble used in HO cases. Cell Allocation for DCS1800 coded using range 512 format.			
Nr	Label	Behaviour Description	CRef	V	Comments
1		+ltree_chconfig_a			
2		+ltree_chconfig_b			
3		+WaitForInService			
ltree_chconfig_a					
4		+CombinedBCCH_A(63, FreqBCCHa_rg, FreqBCCHa_rd, acttype, slot, tsc, ta, babr, cch_con, bpm)			
5		+SysInfoSending_202(BcchFreqLst_01, BcchFreqLst_48, tx, retrans, att, babr, cch_con, bpm, t3212)			
6		+SysInfo_SacchSending(TCV_sacch, TCV_sysinfo5, TCV_sysinfo6)			
ltree_chconfig_b					
7		+CombinedBCCH_B(53, FreqBCCHb_ho, FreqBCCHb_hod, acttype, slot, tsc, ta, babr, cch_con, bpm)			
8		+SysInfoSending_212(tx, retrans, att, babr, cch_con, bpm, t3212)			
9		+SysInfo_SacchSending(TCV_sacch_B, TCV_sysinfo5_B, TCV_sysinfo6_B)			
Detailed Comments:					

Test Step Dynamic Behaviour					
Test Step Name:		PreEnterIdleState_202nc(acttype:BITSTRING; slot:SN; tsc:TSC; tx, retrans, att:INTEGER; ta:TA; babr, cch_con, bpm:B_3; t3212:OCTETSTRING)			
Group:		GSM_L3_MS_v4170/Preambles/			
Objective:		To broadcast SYSTEM INFORMATION messages 2, 3, 4, 5 and 6 containing RR testing default parameters in cell A with the following exceptions : - max retransmission and tx-integer can be assigned; The test system is then waiting for the SUT (MS) entering the Idle updated state.			
Default:		OtherEvents			
Comments:		IMSI attach/detach not allowed (ATT=0). The preamble used in HO cases. Cell Allocation for DCS1800 coded using range 512 format.			
Nr	Label	Behaviour Description	CRef	V	Comments
1		+ltree_chconfig_a			
2		+ltree_chconfig_b			
3		+WaitForInService			
		ltree_chconfig_a			
4		+NonCombinedBCCH_A(63, FreqBCCHa_rg, FreqBCCHa_rd, acttype, slot, tsc, ta, babr, cch_con, bpm)			
5		+SysInfoSending_202(BcchFreqLst_01, BcchFreqLst_48, tx, retrans, att, babr, cch_con, bpm, t3212)			
		ltree_chconfig_b			
6		+NonCombinedBCCH_B(53, FreqBCCHb_ho, FreqBCCHb_hod, acttype, slot, tsc, ta, babr, cch_con, bpm)			
7		+SysInfoSending_212(tx, retrans, att, babr, cch_con, bpm, t3212)			
Detailed Comments:					

Test Step Dynamic Behaviour					
Test Step Name:		PreEnterIdleState_202e(comb_a:BOOLEAN; comb_b:BOOLEAN; acttype:BITSTRING; slot:SN; tsc:TSC; tx, retrans, att:INTEGER; ta:TA; babr, cch_con1, cch_con2, bpm:B_3; t3212:OCTETSTRING)			
Group:		GSM_L3_MS_v4170/Preambles/			
Objective:		To broadcast SYSTEM INFORMATION messages 2, 3, 4, 5 and 6 containing RR testing default parameters in cell A with the following exceptions : - channel configuration can set to combined or not, - max retransmission and tx-integer can be assigned; The test system is then waiting for the SUT (MS) entering the Idle updated state.			
Default:		OtherEvents			
Comments:		IMSI attach/detach not allowed (ATT=0). The preamble used in EGSM cases. Cell Allocation for DCS1800 coded using range 512 format.			
Nr	Label	Behaviour Description	CRef	V	Comments
1		+ltree_chconfig_a			
2		+ltree_chconfig_b			
3		+WaitForInService			
		ltree_chconfig_a			
4		[comb_a = C_Combined]			
5		+CombinedBCCH_A(63, FreqBCCHa_rg, FreqBCCHa_rd, acttype, slot, tsc, ta, babr, cch_con1, bpm)			
6		+SysInfoSending_202(BcchFreqLst_01, BcchFreqLst_48, tx, retrans, att, babr, cch_con1, bpm, t3212)			
7		+SysInfo_SacchSending(TCV_sacch, TCV_sysinfo5, TCV_sysinfo6)			
8		[comb_a = C_NotCombined]			
9		+NonCombinedBCCH_A(63, FreqBCCHa_rg, FreqBCCHa_rd, acttype, slot, tsc, ta, babr, cch_con1, bpm)			
10		+SysInfoSending_202(BcchFreqLst_01, BcchFreqLst_48, tx, retrans, att, babr, cch_con1, bpm, t3212)			
		ltree_chconfig_b			
11		[comb_b = C_Combined]			
12		+CombinedBCCH_B(53, FreqBCCHb_rg, FreqBCCHb_rd, acttype, slot, tsc, ta, babr, cch_con2, bpm)			
13		+SysInfoSending_212(tx, retrans, att, babr, cch_con2, bpm, t3212)			
14		+SysInfo_SacchSending(TCV_sacch_B, TCV_sysinfo5_B, TCV_sysinfo6_B)			
15		[comb_b = C_NotCombined]			
16		+NonCombinedBCCH_B(53, FreqBCCHb_rg, FreqBCCHb_rd, acttype, slot, tsc, ta, babr, cch_con2, bpm)			
17		+SysInfoSending_212(tx, retrans, att, babr, cch_con2, bpm, t3212)			
Detailed Comments:					

Test Step Dynamic Behaviour					
Test Step Name: PreEnterIdleState_22(actype:BITSTRING; slot:SN; tsc:TSC; tx, retrans, att:INTEGER; ta:TA; babr, cch_con, bpm:B_3; t3212:OCTETSTRING)					
Group: GSM_L3_MS_v4170/Preambles/					
Objective: To broadcast SYSTEM INFORMATION messages 1, 2, 3, 4, 5 and 6 for test case TC_26_10_2_2 in cell A with the following exceptions : - max retransmission and tx-integer can be assigned; The test system is then waiting for the SUT (MS) entering the Idle updated state.					
Default: OtherEvents					
Nr	Label	Behaviour Description	CRef	V	Comments
1		+NonCombinedBCCH_A(63, FreqBCCHa_E, FreqBCCHa_E, actype, slot, tsc, ta, babr, cch_con, bpm)			
2		+SysInfoSending_22(tx, retrans, att, babr, cch_con, bpm, t3212)			
3		+WaitForInService			
Detailed Comments:					

Test Step Dynamic Behaviour					
Test Step Name: PreEnterIdleState_23(actype:BITSTRING; slot:SN; tsc:TSC; tx, retrans, att:INTEGER; ta:TA; babr, cch_con, bpm:B_3; t3212:OCTETSTRING)					
Group: GSM_L3_MS_v4170/Preambles/					
Objective: To broadcast SYSTEM INFORMATION messages 1, 2, 3, 4, 5 and 6 containing EGSM testing default parameters in cell A with the following exceptions : - channel configuration can set to combined or not, - max retransmission and tx-integer can be assigned; The test system is then waiting for the SUT (MS) entering the Idle updated state.					
Default: OtherEvents					
Nr	Label	Behaviour Description	CRef	V	Comments
1		+CombinedBCCH_A(63, FreqBCCHa_rg, FreqBCCHa_rd, actype, slot, tsc, ta, babr, cch_con, bpm)			
2		+SysInfoSending_23(tx, retrans, att, babr, cch_con, bpm, t3212)			
3		+SysInfo_SacchSending(TCV_sacch, TCV_sysinfo5, TCV_sysinfo6)			
4		+SysInfo_5bisSending(TCV_sacch, TCV_sysinfo5bis)			
5		+WaitForInService			
Detailed Comments:					

Test Step Dynamic Behaviour					
Test Step Name: PreEnterCCstateU01_21(ta:TA)					
Group: GSM_L3_MS_v4170/Preambles/					
Objective: To bring the MS into CC state U0.1 by procedure in table 26.8.1.2/1. This is used in CC testing.					
Default: OtherEvents					
Nr	Label	Behaviour Description	CRef	V	Comments
1		+CCEstablishMO_SDCCH4(ta)			1.
2		ACTIVATE(OtherEvents_02)			To match ChReq retrans.
3		L?DL_EstInCmsRq	CMSErReq(CMServic eReq_04)		
4		ACTIVATE(OtherEvents)			Restore Normal default tree
Detailed Comments: 1. To assign SDCCH4 channel.					

Test Step Dynamic Behaviour					
Test Step Name:		PreEnterCCstateU1_21(ta:TA)			
Group:		GSM_L3_MS_v4170/Preambles/			
Objective:		To bring the MS into CC state U1 by procedure in table 26.8.1.2/1. This is used in CC testing.			
Default:		OtherEvents			
Comments:		TCV_TI0 contains the transaction identifier from the MS, and TCV_TI contains the transaction identifier for test system to send CC message. The values of them are used in test body. The calling tree shall prepare two variables for the step: TCV_ch for the SDCCH4 subchannel; TCV_CphKey for ciphering key.			
Nr	Label	Behaviour Description	CRef	V	Comments
1		+PreEnterCCstateU01_21(ta)			
2		+Ciphering_on(TCV_ch)			
3		+SetupRcvMo(SetupInd_01)			
4		+CCstatuschk_02(TCV_ch, C_U1, TCV_TI, TCV_TI0)			
Detailed Comments:					

Test Step Dynamic Behaviour					
Test Step Name:		PreEnterCCstateU1_22(acttype:BITSTRING; slot:SN; tsc:TSC; ta:TA; babr, cch_con, bpm:B_3)			
Group:		GSM_L3_MS_v4170/Preambles/			
Objective:		To bring the MS into CC state U1 by procedure in table 26.8.1.2/2. This is used in CC testing.			
Default:		OtherEvents			
Comments:		TCV_TI0 contains the transaction identifier from the MS, and TCV_TI contains the transaction identifier for test system to send CC message. The values of them are used in test body.			
Nr	Label	Behaviour Description	CRef	V	Comments
1		+CCEstablishMO_TCH(acttype, slot, tsc, ta, babr, cch_con, bpm)			1.
2		ACTIVATE(OtherEvents_02)			To match ChReq retrans.
3		L?DL_EstInCmsRq (TCV_Fn :=DL_EstInCmsRq.fn)	CMSerReq(CMServiceReq_04)		
4		ACTIVATE(OtherEvents)			Restore Normal default
5		+CCModifyTCH(slot, tsc)			
6		+Ciphering_on(TCV_chTch)			
7		L?DL_DatInSetup (TCV_TI :=DL_DatInSetup.msg.ti, TCV_Setup_mo :=DL_DatInSetup.msg, TCV_TI0 :=TCV_TI, TCV_TI.ti_f := '1'B)	SetupRcv(SetupInd_01)		
8		+CCstatuschk_02(TCV_chTch, C_U1, TCV_TI, TCV_TI0)			2.
Detailed Comments:					
1. To assign TCH/F channel or TCH/H channel.					
2. Check that CC is now state U1					

Test Step Dynamic Behaviour					
Test Step Name:		PreEnterCCstateU1_22Timer(acttype:BITSTRING; slot:SN; tsc:TSC; ta:TA; babr, cch_con, bpm:B_3)			
Group:		GSM_L3_MS_v4170/Preambles/			
Objective:		To bring the MS into CC state U1 by procedure in table 26.8.1.2/2. This is used in CC testing.			
Default:		OtherEvents			
Comments:		TCV_TI contains the transaction identifier from the MS, and TCV_TI contains the transaction identifier for test system to send CC message. The values of them are used in test body.			
Nr	Label	Behaviour Description	CRef	V	Comments
1		+CCEstablishMO_TCH(acttype, slot, tsc, ta, babr, cch_con, bpm)			1.
2		ACTIVATE(OtherEvents_02)			To match ChReq retrans.
3		L?DL_EstInCmsRq (TCV_Fn :=DL_EstInCmsRq.fn) START T_dly(45000)	CMSerReq(CMServiceReq_04)		
4		ACTIVATE(OtherEvents)			Restore Normal default
5		+CCModifyTCH(slot, tsc)			
6		+Cipherring_on(TCV_chTch)			
7		L?DL_DatInSetup (TCV_TI := DL_DatInSetup.msg.ti, TCV_Setup_mo := DL_DatInSetup.msg, TCV_TI0 := TCV_TI, TCV_TI.ti.f := '1'B)	SetupRcv(SetupInd_01)		
8		+CCstatuschk_02(TCV_chTch, C_U1, TCV_TI, TCV_TI0)			2.
Detailed Comments:		1. To assign TCH/F channel or TCH/H channel. 2. Check that CC is now state U1			

Test Step Dynamic Behaviour					
Test Step Name:		PreEnterCCstateU1_24(acttype:BITSTRING; slot:SN; tsc:TSC; ta:TA; babr, cch_con, bpm:B_3)			
Group:		GSM_L3_MS_v4170/Preambles/			
Objective:		To bring the MS into CC state U1 by procedure in table 26.8.1.2/4. This is used in CC testing.			
Default:		OtherEvents			
Comments:		TCV_TI contains the transaction identifier from the MS, and TCV_TI0 contains the transaction identifier for test system to send CC message. The values of them are used in test body.			
Nr	Label	Behaviour Description	CRef	V	Comments
1		+CCEstablishMO_TCH(acttype, slot, tsc, ta, babr, cch_con, bpm)			1.
2		ACTIVATE(OtherEvents_02)			To match ChReq retrans.
3		L?DL_EstInCmsRq	CMSerReq(CMServiceReq_04)		
4		ACTIVATE(OtherEvents)			Restore Normal default
5		LIDL_DatRqldRq	IDReq(TCV_chTch, IDRequest_01('0001'B))		IMSI.
6		L?DL_DatInIdRes	IDRes(IDResponse_30(Milmsi_01))		
7		+Cipherring_on(TCV_chTch)			
8		+SetupRcvMo(SetupInd_01)			
9		+CCstatuschk_02(TCV_chTch, C_U1, TCV_TI, TCV_TI0)			
Detailed Comments:		1. To assign TCH/F channel or TCH/H channel.			

Test Step Dynamic Behaviour					
Test Step Name:		PreEnterCCstateU1(ta:TA)			
Group:		GSM_L3_MS_v4170/Preambles/			
Objective:		To establish a mobile originating call and put the MS under test in the CC state U1.			
Default:		OtherEvents			
Comments:		test case variable TCV_TI0 holds the transaction ID used by the MS, and TCV_TI used by test system. The calling tree shall prepare two variables for the step: TCV_ch for the SDCCH4 subchannel; TCV_CphKey for ciphering key.			
Nr	Label	Behaviour Description	CRef	V	Comments
1		+AttmpCall			1.
2		+BasicServiceMO(TSPX_MO_BscSvc_AnyCall, TSPX_MO_rate_AnyCall)			
3		L?DL_RacInChRq (TCV_Rr := DL_RacInChRq. msg.ecau_rrf, TCV_Fn := DL_RacInChRq.fn)	ChReq_04		
4		ACTIVATE(OtherEvents_02)			To match ChReq retrans.
5		LIDL_UdatRqImm	ImmAss_01Def(TCV_agch, TCV_Rr, TCV_Fn, TCV_slot, TCV_tsc, TCV_chdescr_arfcn, ta)		
6		L?DL_EstInCmsRq	CmserReq_01		
7		ACTIVATE(OtherEvents)			Restore Normal default
8		LIDL_DatRqAuthRq	AuthReq_01(TCV_ch)		
9		L?DL_DatInAuthRes	AuthRes_01		
10		+Ciphering_on(TCV_ch)			
11		L?DL_DatInSetup (TCV_TI := DL_DatInSetup.msg.ti, TCV_TI0 := TCV_TI, TCV_TI.ti_f := '1'B)	SetupRcv(SetupInd_0 1)		2.
12		+CCstatuschk_02(TCV_ch, C_U1, TCV_TI, TCV_TI0)			
Detailed Comments:		1. To attempt a outgoing call at the MS. 2. In the state U1 now.			

Test Step Dynamic Behaviour					
Test Step Name: PreEnterCCstateU3(ta:TA)					
Group: GSM_L3_MS_v4170/Preambles/					
Objective: To establish a mobile originating call and put the MS under test in the CC state U3.					
Default: OtherEvents					
Comments: test case variable TCV_TI0 holds the transaction ID used by the MS, and TCV_TI is used by test system. The calling tree shall prepare two variables for the step: TCV_ch for the SDCCH4 subchannel; TCV_CphKey for ciphering key. The call setup is generic setup procedure.					
Nr	Label	Behaviour Description	CRef	V	Comments
1		+AttmpCall			1.
2		+BasicServiceMO(TSPX_MO_BscSvc_AnyCall, TSPX_MO_rate_AnyCall)			
3		L?DL_RaInChRq (TCV_Rr := DL_RaInChRq. msg.ecau_rrf, TCV_Fn := DL_RaInChRq.fn)	ChReq_04		
4		ACTIVATE(OtherEvents_02)			To match ChReq retrans.
5		L!DL_UdatRqImmss	ImmAss_01Def(TCV_agch, TCV_Rr, TCV_Fn, TCV_slot, TCV_tsc, TCV_chdescr_arfcn, ta)		
6		L?DL_EstInCmsRq	CmserReq_01		
7		ACTIVATE(OtherEvents)			Restore Normal default
8		L!DL_DatRqAuthRq	AuthReq_01(TCV_ch)		
9		L?DL_DatInAuthRes	AuthRes_01		
10		+Ciphering_on(TCV_ch)			
11		+SetupRcvMo(SetupInd_01)			
12		L!DL_DatRqCallProc	CallProc(TCV_ch, TCV_CallProc)		
13		+CCstatuschk_02(TCV_ch, C_U3, TCV_TI, TCV_TI0)			
Detailed Comments: 1. To initiate a mobile originating call at the MS. 2. Now in the state U3.					

Test Step Dynamic Behaviour					
Test Step Name: PreEnterCCstateU3_21(ta:TA)					
Group: GSM_L3_MS_v4170/Preambles/					
Objective: To bring the MS into CC state U3 by procedure in table 26.8.1.2/1. This is used in CC testing.					
Default: OtherEvents					
Comments: TCV_TI0 contains the transaction identifier from the MS, and TCV_TI contains the transaction identifier for test system to send CC message. The values of them are used in test body. The calling tree shall prepare two variables for the step: TCV_ch for the SDCCH4 subchannel; TCV_CphKey for ciphering key					
Nr	Label	Behaviour Description	CRef	V	Comments
1		+PreEnterCCstateU1_21(ta)			
2		L!DL_DatRqCallProc	CallProc(TCV_ch, TCV_CallProc)		
3		+CCstatuschk_02(TCV_ch, C_U3, TCV_TI, TCV_TI0)			
Detailed Comments: 1. To assign SDCCH4 channel.					

Test Step Dynamic Behaviour					
Test Step Name:		PreEnterCCstateU3_22(actype:BITSTRING; slot:SN; tsc:TSC; ta:TA; babr, cch_con, bpm:B_3)			
Group:		GSM_L3_MS_v4170/Preambles/			
Objective:		To bring the MS into CC state U3 by procedure in table 26.8.1.2/2. This is used in CC testing.			
Default:		OtherEvents			
Comments:		TCV_TI0 contains the transaction identifier from the MS, and TCV_TI contains the transaction identifier for test system to send CC message. The values of them are used in test body.			
Nr	Label	Behaviour Description	CRef	V	Comments
1		+PreEnterCCstateU1_22(actype, slot, tsc, ta, babr, cch_con, bpm)			
2		(TCV_CallProc := OC_CallProcGen(TCV_Setup_mo, CallProced_03), TCV_CallProc.ti := TCV_TI)			
3		LIDL_DatRqCallProc	CallProc(TCV_chTch, TCV_CallProc)		
4		+CCstatuschk_02(TCV_chTch, C_U3, TCV_TI, TCV_TI0)			
Detailed Comments:					

Test Step Dynamic Behaviour					
Test Step Name:		PreEnterCCstateU3_23(ta:TA)			
Group:		GSM_L3_MS_v4170/Preambles/			
Objective:		To bring the MS into CC state U3 by procedure in table 26.8.1.2/3. This is used in CC testing.			
Default:		OtherEvents			
Comments:		TCV_TI0 contains the transaction identifier from the MS, and TCV_TI contains the transaction identifier for test system to send CC message. Their values are used in test body. The calling tree shall prepare two variables for the step: TCV_ch for the SDCCH4 subchannel; TCV_CphKey for ciphering key.			
Nr	Label	Behaviour Description	CRef	V	Comments
1		+CCEstablishMO_SDCCH4(ta)			
2		ACTIVATE(OtherEvents_02)			To match ChReq retrans.
3		L?DL_EstInCmsRq	CMSerReq(CMServic eReq_04)		
4		ACTIVATE(OtherEvents)			Restore Normal default tree
5		+Ciphering_on(TCV_ch)			
6		+SetupRcvMo(SetupInd_01)			
7		+CCAuthenticate(TCV_ch)			
8		LIDL_DatRqCallProc	CallProc(TCV_ch, TCV_CallProc)		
9		+CCstatuschk_02(TCV_ch, C_U3, TCV_TI, TCV_TI0)			
Detailed Comments:					

Test Step Dynamic Behaviour					
Test Step Name:		PreEnterCCstateU3_24(actype:BITSTRING; slot:SN; tsc:TSC; ta:TA; babr, cch_con, bpm:B_3)			
Group:		GSM_L3_MS_v4170/Preambles/			
Objective:		To bring the MS into CC state U3 by procedure in table 26.8.1.2/4. This is used in CC testing.			
Default:		OtherEvents			
Comments:		TCV_TI0 contains the transaction identifier from the MS, and TCV_TI contains the transaction identifier for test system to send CC message. The values of them are used in test body.			
Nr	Label	Behaviour Description	CRef	V	Comments
1		+PreEnterCCstateU1_24(actype, slot, tsc, ta, babr, cch_con, bpm)			
2		+CCModifyTCH(slot, tsc)			
3		LIDL_DatRqCallProc	CallProc(TCV_chTch, TCV_CallProc)		
4		+CCstatuschk_02(TCV_chTch, C_U3, TCV_TI, TCV_TI0)			
Detailed Comments:					

Test Step Dynamic Behaviour					
Test Step Name: PreEnterCCstateU4_21(ta:TA)					
Group: GSM_L3_MS_v4170/Preambles/					
Objective: To bring the MS into CC state U4 by procedure in table 26.8.1.2/1. This is used in CC testing.					
Default: OtherEvents					
Comments: TCV_TI contains the transaction identifier from the MS, and TCV_TI0 contains the transaction identifier for test system to send CC message. The values of them are used in test body.					
Nr	Label	Behaviour Description	CRef	V	Comments
1		+PreEnterCCstateU3_21(ta)			
2		L!DL_DatRqAlert	AlertSnd(TCV_ch, Alerting_01(TCV_TI))		
3		+CCstatuschk_02(TCV_ch, C_U4, TCV_TI, TCV_TI0)			
Detailed Comments:					

Test Step Dynamic Behaviour					
Test Step Name: PreEnterCCstateU4_22(acttype:BITSTRING; slot:SN; tsc:TSC; ta:TA; babr, cch_con, bpm:B_3)					
Group: GSM_L3_MS_v4170/Preambles/					
Objective: To bring the MS into CC state U4 by procedure in table 26.8.1.2/2. This is used in CC testing.					
Default: OtherEvents					
Comments: TCV_TI0 contains the transaction identifier from the MS, and TCV_TI contains the transaction identifier for test system to send CC message. The values of them are used in test body.					
Nr	Label	Behaviour Description	CRef	V	Comments
1		+PreEnterCCstateU3_22(acttype, slot, tsc, ta, babr, cch_con, bpm)			
2		L!DL_DatRqAlert	AlertSnd(TCV_chTch, Alerting_01(TCV_TI))		
3		+CCstatuschk_02(TCV_chTch, C_U4, TCV_TI, TCV_TI0)			
Detailed Comments:					

Test Step Dynamic Behaviour					
Test Step Name: PreEnterCCstateU4_23(slot:SN; tsc:TSC; ta:TA)					
Group: GSM_L3_MS_v4170/Preambles/					
Objective: To bring the MS into CC state U4 by procedure in table 26.8.1.2/3. This is used in CC testing.					
Default: OtherEvents					
Comments: TCV_TI0 contains the transaction identifier from the MS, and TCV_TI contains the transaction identifier for test system to send CC message. The values of them are used in test body. The calling tree shall prepare two variables for the step: TCV_ch for the SDCCH4 subchannel; TCV_CphKey for ciphering key.					
Nr	Label	Behaviour Description	CRef	V	Comments
1		+PreEnterCCstateU3_23(ta)			
2		+CCAssignTCH(slot, tsc)			
3		L!DL_DatRqAlert	AlertSnd(TCV_chTch, Alerting_01(TCV_TI))		
4		+CCstatuschk_02(TCV_chTch, C_U4, TCV_TI, TCV_TI0)			
Detailed Comments:					

Test Step Dynamic Behaviour					
Test Step Name:		PreEnterCCstateU4_24(actype:BITSTRING; slot:SN; tsc:TSC; ta:TA; babr, cch_con, bpm:B_3)			
Group:		GSM_L3_MS_v4170/Preambles/			
Objective:		To bring the MS into CC state U4 by procedure in table 26.8.1.2/4. This is used in CC testing.			
Default:		OtherEvents			
Comments:		TCV_TI0 contains the transaction identifier from the MS, and TCV_TI contains the transaction identifier for test system to send CC message. The values of them are used in test body.			
Nr	Label	Behaviour Description	CRef	V	Comments
1		+PreEnterCCstateU3_24(actype, slot, tsc, ta, babr, cch_con, bpm)			
2		L!DL_DatRqAlert	AlertSnd(TCV_chTch, Alerting_01(TCV_TI))		
3		+CCstatuschk_02(TCV_chTch, C_U4, TCV_TI, TCV_TI0)			
Detailed Comments:					

Test Step Dynamic Behaviour					
Test Step Name:		PreEnterCCstateU6_32(ta:TA)			
Group:		GSM_L3_MS_v4170/Preambles/			
Objective:		To bring the MS into CC state U6 by procedure in table 26.8.1.3/2. This is used in CC testing.			
Default:		OtherEvents			
Comments:		State U6 is a transient state.			
Nr	Label	Behaviour Description	CRef	V	Comments
1		(TCV_Setup_mt.sig :=Signal_01)			
2		+CCEstablishMT_SDCCH4(ta)			1.
3		+CIPHERING_on(TCV_ch)			
4		L!DL_DatRqSetup	SetupSnd(TCV_ch, TCV_Setup_mt)		
Detailed Comments: 1. To assign SDCCH4 channel.					

Test Step Dynamic Behaviour					
Test Step Name:		PreEnterCCstateU7_31(ta:TA)			
Group:		GSM_L3_MS_v4170/Preambles/			
Objective:		To bring the MS into CC state U7 by procedure in table 26.8.1.3/1. This is used in CC testing.			
Default:		OtherEvents			
Comments:		used only for the MS not support immediate connection. State U7 is transit state if the MS supports automatic connect after a specific time. The calling tree shall prepare two variables for the step: TCV_ch for SDCCH4 subchannel, TCV_CphKey for ciphering key.			
Nr	Label	Behaviour Description	CRef	V	Comments
1		+PreEnterCCstateU9_31(ta)			
2		L?DL_DatInAlert	AlertRcv(AlertingInd_02(TI_01))		
3		+CCstatuschk_02(TCV_ch, C_U7, TI_02, TI_01)			
Detailed Comments:					

Test Step Dynamic Behaviour					
Test Step Name:		PreEnterCCstateU7_32(ta:TA)			
Group:		GSM_L3_MS_v4170/Preambles/			
Objective:		To bring the MS into CC state U7 by procedure in table 26.8.1.3/2. This is used in CC testing.			
Default:		OtherEvents			
Comments:		used only for the MS not support immediate connection. State U7 is transit state if the MS supports automatic connect after a specific time. The calling tree shall prepare two variables for the step: TCV_ch for SDCCH4 subchannel, TCV_CphKey for ciphering key.			
Nr	Label	Behaviour Description	CRef	V	Comments
1		+PreEnterCCstateU9_32(ta)			
2		L?DL_DatInAlert	AlertRcv(AlertingInd_02(TI_01))		
3		+CCstatuschk_02(TCV_ch, C_U7, TI_02, TI_01)			
Detailed Comments:					

Test Step Dynamic Behaviour					
Test Step Name:		PreEnterCCstateU7_33(actype:BITSTRING; slot:SN; tsc:TSC; ta:TA; babr, cch_con, bpm:B_3)			
Group:		GSM_L3_MS_v4170/Preambles/			
Objective:		To bring the MS into CC state U7 by procedure in table 26.8.1.3/3. This is used in CC testing.			
Default:		OtherEvents			
Comments:		used only for the MS not support immediate connection. State U7 is transit state if the MS supports automatic connect after a specific time. The calling tree shall prepare two variables for the step: TCV_chTch for traffic channel, TCV_CphKey for ciphering key.			
Nr	Label	Behaviour Description	CRef	V	Comments
1		+PreEnterCCstateU9_33(actype, slot, tsc, ta, babr, cch_con, bpm)			
2		L?DL_DatInAlert	AlertRcv(AlertingInd_02(TI_01))		
3		+CCstatuschk_02(TCV_chTch, C_U7, TI_02, TI_01)			
Detailed Comments:					

Test Step Dynamic Behaviour					
Test Step Name:		PreEnterCCstateU8_31(ta:TA)			
Group:		GSM_L3_MS_v4170/Preambles/			
Objective:		To bring the MS into CC state U8 by procedure in table 26.8.1.3/1. This is used in CC testing.			
Default:		OtherEvents			
Comments:		The calling tree shall prepare two variables for the step: TCV_ch for SDCCH4 subchannel, TCV_CphKey for ciphering key.			
Nr	Label	Behaviour Description	CRef	V	Comments
1		+PreEnterCCstateU9_31(ta)			
2		[TCV_ImmConn = FALSE]			
3		L?DL_DatInAlert	AlertRcv(AlertingInd_02(TI_01))		
4		(TCV_Null := OO_HookOff())			1.
5		L?DL_DatInConn	ConnRcv(Connect_01)		
6		+CCstatuschk_02(TCV_ch, C_U8, TI_02, TI_01)			2.
7		[TCV_ImmConn = TRUE]			
8		L?DL_DatInConn	ConnRcv(Connect_01)		
9		+CCstatuschk_02(TCV_ch, C_U8, TI_02, TI_01)			2.
Detailed Comments:					
1. To accept the call by operator.					
2. To check whether the MS is in the expected initial state U8.					

Test Step Dynamic Behaviour					
Test Step Name:		PreEnterCCstateU8_32(slot:SN; tsc:TSC; ta:TA)			
Group:		GSM_L3_MS_v4170/Preambles/			
Objective:		To bring the MS into CC state U8 by procedure in table 26.8.1.3/2. This is used in CC testing.			
Default:		OtherEvents			
Comments:		The calling tree shall prepare three variables for the step: TCV_ch for SDCCH4 subchannel, TCV_chTch for traffic channel, TCV_CphKey for ciphering key, TCV_AssCmd for ASSIGNMENT message.			
Nr	Label	Behaviour Description	CRef	V	Comments
1		+PreEnterCCstateU9_32(ta)			
2		L?DL_DatInConn	ConnRcv(Connect_01)		
3		+CCAssignTCH(slot, tsc)			
4		+CCstatuschk_02(TCV_ch, C_U8, TI_02, TI_01)			2.
5		L?DL_DatInAlert	AlertRcv(AlertingInd_02(TI_01))		
6		(TCV_Null := OO_HookOff())			1.
7		L?DL_DatInConn	ConnRcv(Connect_01)		
8		+CCAssignTCH(slot, tsc)			
9		+CCstatuschk_02(TCV_chTch, C_U8, TI_02, TI_01)			2.
Detailed Comments:		1. To accept the call by operator. 2. To verify whether the MS is in the expected initial state U8.			

Test Step Dynamic Behaviour					
Test Step Name:		PreEnterCCstateU8_33(actype:BITSTRING; slot:SN; tsc:TSC; ta:TA; babr, cch_con, bpm:B_3)			
Group:		GSM_L3_MS_v4170/Preambles/			
Objective:		To bring the MS into CC state U8 by procedure in table 26.8.1.3/3. This is used in CC testing.			
Default:		OtherEvents			
Comments:		The calling tree shall prepare three variables for the step: TCV_ch for SDCCH4 subchannel, TCV_chTch for traffic channel, TCV_CphKey for ciphering key.			
Nr	Label	Behaviour Description	CRef	V	Comments
1		+PreEnterCCstateU9_33(actype, slot, tsc, ta, babr, cch_con, bpm)			
2		L?DL_DatInAlert	AlertRcv(AlertingInd_02(TI_01))		
3		(TCV_Null := OO_HookOff())			
4		L?DL_DatInConn	ConnRcv(Connect_01)		
5		+CCstatuschk_02(TCV_chTch, C_U8, TI_02, TI_01)			3.
6		L?DL_DatInConn	ConnRcv(Connect_01)		
7		+CCstatuschk_02(TCV_chTch, C_U8, TI_02, TI_01)			3.
Detailed Comments:		1. Immediate connection is not supported. 2. Immediate connection is supported. 3. To verify whether the MS is in the expected initial state U8.			

Test Step Dynamic Behaviour					
Test Step Name: PreEnterCCstateU9_31(ta:TA)					
Group: GSM_L3_MS_v4170/Preambles/					
Objective: To bring the MS into CC state U9 by procedure in table 26.8.1.3/1. This is used in CC testing.					
Default: OtherEvents					
Comments: The state U9 is a transient state when the signal IE is included in the SETUP message. The calling tree shall prepare three variables for the test step: TCV_ChRate for the type of the channel, TCV_CphKey for the ciphering key and TCV_ChMod for the channel mode.					
Nr	Label	Behaviour Description	CRef	V	Comments
1		(TCV_Setup_mt.sig := Signal_01)			
2		+CCEstablishMT_SDCCH4(ta)			1.
3		+CCAuthenticate(TCV_ch)			2.
4		+CIPHERING_ON(TCV_ch)			3.
5		L!DL_DatRqSetup	SetupSnd(TCV_ch, TCV_Setup_mt)		
6		L?DL_DatInCallCo	CallCfm(CallConfirm_01)		
Detailed Comments:					
1. To establish a MT SDCCH/4.					
2. To initiate authentication procedure.					
3. To start ciphering on the traffic channel.					

Test Step Dynamic Behaviour					
Test Step Name: PreEnterCCstateU9_32(ta:TA)					
Group: GSM_L3_MS_v4170/Preambles/					
Objective: To bring the MS into CC state U9 by procedure in table 26.8.1.3/2. This is used in CC testing.					
Default: OtherEvents					
Comments: The state U9 in the test step is a transient state. The calling tree shall prepare two variables for the test step TCV_ch of SDCCH4 subchannel, TCV_CphKey.					
Nr	Label	Behaviour Description	CRef	V	Comments
1		+PreEnterCCstateU6_32(ta)			
2		L?DL_DatInCallCo	CallCfm(CallConfirm_01)		
Detailed Comments:					

Test Step Dynamic Behaviour					
Test Step Name: PreEnterCCstateU9_33(actype:BITSTRING; slot:SN; tsc:TSC; ta:TA; babr, cch_con, bpm:B_3)					
Group: GSM_L3_MS_v4170/Preambles/					
Objective: To bring the MS into CC state U9 by procedure in table 26.8.1.3/3. This is used in CC testing.					
Default: OtherEvents					
Comments: The state U9 is a transient state when the signal IE is included in the SETUP message. The calling tree shall prepare three variables for the test step: TCV_ChRate for the type of the channel, TCV_CphKey for the ciphering key and TCV_ChMod for the channel mode.					
Nr	Label	Behaviour Description	CRef	V	Comments
1		(TCV_Setup_mt.sig := Signal_01)			
2		+CCEstablishMT_TCH(actype, slot, tsc, ta, babr, cch_con, bpm)			1.
3		+CCAuthenticate(TCV_chTch)			2.
4		+CIPHERING_ON(TCV_chTch)			3.
5		+CCModifyTCH(slot, tsc)			4.
6		L!DL_DatRqSetup	SetupSnd(TCV_chTch, TCV_Setup_mt)		
7		L?DL_DatInCallCo	CallCfm(CallConfirm_01)		
Detailed Comments:					
1. To establish a MT TCH/F or TCH/H.					
2. To initiate authentication procedure.					
3. To start ciphering on the traffic channel.					
4. To modify the channel mode.					

Test Step Dynamic Behaviour					
Test Step Name:		PreEnterCCstateU9_34(ta:TA)			
Group:		GSM_L3_MS_v4170/Preambles/			
Objective:		To bring the MS into CC state U9 by procedure in table 26.8.1.3/4. This is used in CC testing.			
Default:		OtherEvents			
Comments:		The supported bearer capability is specified in the input parameter setup. The calling tree shall prepare two variables for the step: TCV_ch for SDCCH4 subchannel, TCV_CphKey for ciphing key. The `setup` shall contain no signal IE. The test step is used for the MS does not support immediate connect.			
Nr	Label	Behaviour Description	CRef	V	Comments
1		+CCEstablishMT_SDCCH4(ta)			1.
2		+Ciphering_on(TCV_ch)			
3		L!DL_DatRqSetup	SetupSnd(TCV_ch, TCV_Setup_mt)		2.
4		L?DL_DatInCallCo	CallCfm(CallConfirm_ 01)		
5		+CCstatuschk_02(TCV_ch, C_U9, TI_02, TI_01)			3.
Detailed Comments:		<ol style="list-style-type: none"> 1. To assign SDCCH4 channel. 2. SETUP message without SIGNAL IE. 3. To check whether the MS is in the initial state U9, if no the test step ends with inconclusive verdict in the default tree. 			

Test Step Dynamic Behaviour					
Test Step Name:		PreEnterCCstateU10(setup:SETUP_MT_PDU; slot:SN; tsc:TSC; ta:TA)			
Group:		GSM_L3_MS_v4170/Preambles/			
Objective:		To establish a mobile terminating call for the supported bearer capability and put the MS under test in the CC state U10.			
Default:		OtherEvents			
Comments:		The supported bearer capability is specified in the input parameter setup, test case variable TCV_TI holds the transaction ID and the transaction ID =0. This is generic call set up procedure. The calling tree shall prepare three variables for the step: TCV_ch for SDCCH4 subchannel, TCV_chTch for traffic channel, TCV_CphKey for ciphering key. This test step is used for non RR testing.			
Nr	Label	Behaviour Description	CRef	V	Comments
1		+CCEstablishMT_SDCCH4(ta)			
2		L!DL_DatRqAuthRq	AuthReq(TCV_ch, AuthRequest_01)		
3		L?DL_DatInAuthRes (TCV_Sres := DL_DatInAuthRes.msg.sres)	AuthRes(AuthResponse_01)		
4		(TCV_Res := OC_ChkSRES(TCV_Sres, TSPX_Ki, TSPX_RANDDef))			
5		[TCV_Res = FALSE]		(I)	1.
6		+PostLinkRelEnd(TCV_ch)			
7		[TCV_Res = TRUE]			
8		+Ciphering_on(TCV_ch)			
9		L!DL_DatRqSetup (TCV_TI.ti_f := '0'B, TCV_TI.ti_v := '000'B)	SetupSnd(TCV_ch, setup)		
10		L?DL_DatInCallCo(TCV_CallCfm:=DL_DatInCallCo.msg)	CallCfm(CallConfirm_01)		
11		+CCAssignTCH(slot, tsc)			
12		L?DL_DatInConn	ConnRcv(Connect_01)		
13		L!DL_DatRqConnAck	ConnAckSnd(TCV_chTch, ConnectAck_01)		
14		+CCstatuschk_02(TCV_chTch, C_U10, TCV_TI, TI_01)			
15		L?DL_DatInAlert	AlertRcv(AlertingInd_02(TI_01))		
16		(TCV_Null := OO_HookOff())			
17		L?DL_DatInConn	ConnRcv(Connect_01)		
18		L!DL_DatRqConnAck	ConnAckSnd(TCV_chTch, ConnectAck_01)		
19		+CCstatuschk_02(TCV_chTch, C_U10, TCV_TI, TI_01)			
Detailed Comments:		1. Authentication fails, inconclusive.			

Test Step Dynamic Behaviour					
Test Step Name:		PreEnterCCstateU10_late(setup:SETUP_MT_PDU; slot:SN; tsc:TSC; ta:TA)			
Group:		GSM_L3_MS_v4170/Preambles/			
Objective:		To establish a mobile terminating call for the supported bearer capability and put the MS under test in the CC state U10.			
Default:		OtherEvents			
Comments:		The supported bearer capability is specified in the input parameter setup, test case variable TCV_TI holds the transaction ID and the transaction ID =0. This is generic call set up procedure. The calling tree shall prepare three variables for the step: TCV_ch for SDCCH4 subchannel, TCV_chTch for traffic channel, TCV_CphKey for ciphering key. This test step is used for non RR testing.			
Nr	Label	Behaviour Description	CRef	V	Comments
1		+CCEstablishMT_SDCCH4(ta)			
2		L!DL_DatRqAuthRq	AuthReq(TCV_ch, AuthRequest_01)		
3		L?DL_DatInAuthRes (TCV_Sres := DL_DatInAuthRes.msg.sres)	AuthRes(AuthResponse_01)		
4		(TCV_Res := OC_ChkSRES(TCV_Sres, TSPX_Ki, TSPX_RANDDef))			
5		[TCV_Res = FALSE]		(I)	1.
6		+PostLinkRelEnd(TCV_ch)			
7		[TCV_Res = TRUE]			
8		+Ciphering_on(TCV_ch)			
9		(TCV_Setup_mt.sig := Signal_01)			
10		L!DL_DatRqSetup (TCV_TI.ti_f := '0'B, TCV_TI.ti_v := '000'B)	SetupSnd(TCV_ch, setup)		
11		L?DL_DatInCallCo (TCV_CallCfm := DL_DatInCallCo.msg)	CallCfm(CallConfirm_01)		
12		L?DL_DatInConn	ConnRcv(Connect_01)		
13		+localtree			
14		L?DL_DatInAlert	AlertRcv(AlertingInd_02(TI_01)		
15		(TCV_Null := OO_HookOff())			
16		L?DL_DatInConn	ConnRcv(Connect_01)		
17		+localtree			
		localtree			
18		+CCAssignTCH(slot, tsc)			
19		L!DL_DatRqConnAck	ConnAckSnd(TCV_ch Tch, ConnectAck_01)		
20		+CCstatuschk_02(TCV_chTch, C_U10, TI_02, TI_01)			
Detailed Comments:		1. Authentication fails, inconclusive.			

Test Step Dynamic Behaviour					
Test Step Name:		PreEnterCCstateU10_r01(Ta:TA; sub:BITSTRING; powerlevel1,powerlevel2:INTEGER)			
Group:		GSM_L3_MS_v4170/Preambles/			
Objective:		To establish a mobile terminating call for the supported bearer capability and put the MS in the CC state U10.			
Default:		OtherEvents			
Comments:		The supported bearer capability is specified in the input parameter setup, test case variable TCV_TI holds the transaction ID and the transaction ID =0. This is generic call set up procedure. The calling tree shall prepare three variables for the step: TCV_ch for SDCCH4 subchannel, TCV_chTch for traffic channel, TCV_CphKey for ciphering key. The timing advance is parameter. For RR testing.			
Nr	Label	Behaviour Description	CRef	V	Comments
1		+CCCH_group_Paging_group(TCV_Ccd0A, TSPX_IMSI)			
2		L!DL_UdatRqPg1Rq	PgReq1(TCV_PgCh, TCV_Pgg, PgReqTp1_01)		
3		L?DL_RacInChRq (TCV_Rr := DL_RacInChRq.msg.ecau_rrf, TCV_Fn := DL_RacInChRq.fn)	ChReq_01		
4		ACTIVATE(OtherEvents_02)			To match ChReq retrans.
5		L!DL_UdatRqImm	ImmAss_r10(TCV_agch, TCV_Rr, TCV_Fn, sub, TCV_slot, TCV_tsc, Ta, TCV_chdescr_arfcn)		
6		L?DL_EstInPgRes	PgRes_01		
7		ACTIVATE(OtherEvents)			Restore Normal default
8		L!DL_DatRqAuthRq	AuthReq(TCV_ch, AuthRequest_01)		
9		L?DL_DatInAuthRes (TCV_Sres := DL_DatInAuthRes.msg.sres)	AuthRes(AuthResponse_01)		
10		(TCV_Res := OC_ChkSRES(TCV_Sres, TSPX_Ki, TSPX_RANDDef))			
11		[TCV_Res = FALSE]		I	1.
12		[TCV_Res = TRUE]			
13		+Ciphering_on(TCV_ch)			
14		+localtree			
15		localtree (TCV_Setup_mt.sig := Signal_01)			
16		L!DL_DatRqSetup (TCV_TI.ti_f := '0'B, TCV_TI.ti_v := '000'B)	SetupSnd(TCV_ch, TCV_Setup_mt)		
17		L?DL_DatInCallCo (TCV_CallCfm:=DL_DatInCallCo.msg)	CallCfm(CallConfirm_01)		
18		L?DL_DatInConn	ConnRcv(Connect_01)		
19		+localtree1			
20		L?DL_DatInAlert	AlertRcv(AlertingInd_02(TI_01))		
21		(TCV_Null := OO_HookOff())			
22		L?DL_DatInConn	ConnRcv(Connect_01)		
23		+localtree1			
24		localtree1 +AssCmdGenMT(C_Full)			
25		+Adjust_gsmanddcs_powerlvl(powerlevel1, powerlevel2, TCV_AssCmd)			
26		+AssCh_complete(TCV_ch, TCV_chTch, TCV_AssCmd)			
27		LIDL_DatRqConnAck	ConnAckSnd(TCV_chTch, ConnectAck_01)		
28		+CCstatuschk_02(TCV_chTch, C_U10, TCV_Setup_mt.ti, OC_ReverseTfOfTi(TCV_Setup_mt.ti))			
Detailed Comments:		1. Authentication fails, inconclusive.			

Test Step Dynamic Behaviour					
Test Step Name:		PreEnterCCstateU10_21(slot:SN; tsc:TSC; ta:TA)			
Group:		GSM_L3_MS_v4170/Preambles/			
Objective:		To bring the MS into CC state U10 by procedure in table 26.8.1.2/1. This is used in CC testing.			
Default:		OtherEvents			
Comments:		TCV_TIO contains the transaction identifier from the MS, and TCV_TI contains the transaction identifier for test system to send CC message. The values of them are used in test body. The calling tree shall prepare two variables for the step: TCV_ch for the SDCCH4 subchannel; TCV_CphKey for ciphering key.			
Nr	Label	Behaviour Description	CRef	V	Comments
1		+PreEnterCCstateU4_21(ta)			1.
2		+CCAssignTCH(slot, tsc)			
3		L!DL_DatRqConn	ConnSnd(TCV_chTch		
4		L?DL_DatInConnAck	, Connect_02(TCV_TI)) ConnAckRcv(Connect Ack_02(TCV_TIO))		
5		+CCstatuschk_02(TCV_chTch, C_U10, TCV_TI, TCV_TIO)			
Detailed Comments:		1. To assign the suitable traffic channel to the MS.			

Test Step Dynamic Behaviour					
Test Step Name:		PreEnterCCstateU10_22(acttype:BITSTRING; slot:SN; tsc:TSC; ta:TA; babr, cch_con, bpm:B_3)			
Group:		GSM_L3_MS_v4170/Preambles/			
Objective:		To bring the MS into CC state U10 by procedure in table 26.8.1.2/2. This is used in CC testing.			
Default:		OtherEvents			
Comments:		TCV_TIO contains the transaction identifier from the MS, and TCV_TI contains the transaction identifier for test system to send CC message. The values of them are used in test body.			
Nr	Label	Behaviour Description	CRef	V	Comments
1		+PreEnterCCstateU4_22(acttype, slot, tsc, ta, babr, cch_con, bpm)			
2		L!DL_DatRqConn	ConnSnd(TCV_chTch		
3		L?DL_DatInConnAck	, Connect_02(TCV_TI)) ConnAckRcv(Connect Ack_02(TCV_TIO))		
4		+CCstatuschk_02(TCV_chTch, C_U10, TCV_TI, TCV_TIO)			
Detailed Comments:					

Test Step Dynamic Behaviour					
Test Step Name: PreEnterCCstateU11_23(slot:SN; tsc:TSC; ta:TA)					
Group: GSM_L3_MS_v4170/Preambles/					
Objective: To bring the MS into CC state U11 by procedure in table 26.8.1.2/3. This is used in CC testing.					
Default: OtherEvents					
Comments: TCV_TI0 contains the transaction identifier from the MS, and TCV_TI contains the transaction identifier for test system to send CC message. The values of them are used in test body. The calling tree shall prepare two variables for the step: TCV_ch for the SDCCH4 subchannel; TCV_CphKey for ciphering key.					
Nr	Label	Behaviour Description	CRef	V	Comments
1		+PreEnterCCstateU4_23(slot, tsc, ta)			
2		L!DL_DatRqConn	ConnSnd(TCV_chTch		
3		L?DL_DatInConnAck	, Connect_02(TCV_TI)) ConnAckRcv(Connect Ack_02(TCV_TI0))		
4		+TermCall			
5		L?DL_DatInDisc (TCV_Cau0 := DL_DatInDisc.msg.cau, TCV_Fn := DL_DatInDisc.fn)	DiscRcv(TCV_chTch, Disconn_05(TCV_TI0)		
6		+CCstatuschk_02(TCV_chTch, C_U11, TCV_TI, TCV_TI0)			
Detailed Comments:					
1. To assign SDCCH4 channel.					
2. Full rate channel needed, to setup a physical channel as full rate traffic channel.					
3. Half rate channel needed, to setup a physical channel as half rate traffic channel.					

Test Step Dynamic Behaviour					
Test Step Name: PreEnterCCstateU11_23Timer(slot:SN; tsc:TSC; ta:TA)					
Group: GSM_L3_MS_v4170/Preambles/					
Objective: To bring the MS into CC state U11 by procedure in table 26.8.1.2/3. This is used in CC testing.					
Default: OtherEvents					
Comments: TCV_TI0 contains the transaction identifier from the MS, and TCV_TI contains the transaction identifier for test system to send CC message. The values of them are used in test body. The calling tree shall prepare two variables for the step: TCV_ch for the SDCCH4 subchannel; TCV_CphKey for ciphering key.					
Nr	Label	Behaviour Description	CRef	V	Comments
1		+PreEnterCCstateU4_23(slot, tsc, ta)			
2		L!DL_DatRqConn	ConnSnd(TCV_chTch		
3		L?DL_DatInConnAck	, Connect_02(TCV_TI)) ConnAckRcv(Connect Ack_02(TCV_TI0))		
4		+TermCall			
5		L?DL_DatInDisc (TCV_Cau0 := DL_DatInDisc.msg.cau, TCV_Fn := DL_DatInDisc.fn) START T_dly(45000)	DiscRcv(TCV_chTch, Disconn_05(TCV_TI0)		
6		+CCstatuschk_02(TCV_chTch, C_U11, TCV_TI, TCV_TI0)			
Detailed Comments:					
1. To assign SDCCH4 channel.					
2. Full rate channel needed, to setup a physical channel as full rate traffic channel.					
3. Half rate channel needed, to setup a physical channel as half rate traffic channel.					

Test Step Dynamic Behaviour					
Test Step Name:		PreEnterCCstateU11_24(acttype:BITSTRING; slot:SN; tsc:TSC; ta:TA; babr, cch_con, bpm:B_3)			
Group:		GSM_L3_MS_v4170/Preambles/			
Objective:		To bring the MS into CC state U11 by procedure in table 26.8.1.2/4. This is used in CC testing.			
Default:		OtherEvents			
Comments:		TCV_TI0 contains the transaction identifier from the MS, and TCV_TI contains the transaction identifier for test system to send CC message. The values of them are used in test body.			
Nr	Label	Behaviour Description	CRef	V	Comments
1		+PreEnterCCstateU4_24(acttype, slot, tsc, ta, babr, cch_con, bpm)			
2		L!DL_DatRqConn	ConnSnd(TCV_chTch, Connect_02(TCV_TI))		
3		L?DL_DatInConnAck	ConnAckRcv(Connect Ack_02(TCV_TI0))		
4		+TermCall			
5		L?DL_DatInDisc	DiscRcv(TCV_chTch, Disconn_05(TCV_TI0))		
6		+CCstatuschk_02(TCV_chTch, C_U11, TCV_TI, TCV_TI0)			1.
Detailed Comments:		1. Now in CC state U11 and cause = #30.			

Test Step Dynamic Behaviour					
Test Step Name:		PreEnterCCstateU12_21(slot:SN; tsc:TSC; ta:TA)			
Group:		GSM_L3_MS_v4170/Preambles/			
Objective:		To bring the MS into CC state U12 by procedure in table 26.8.1.2/1. This is used in CC testing.			
Default:		OtherEvents			
Comments:		The DISCONNECT message containing progress indicator #8. TCV_TI0 contains the transaction identifier from the MS, and TCV_TI contains the transaction identifier for test system to send CC message. The values of them are used in test body. The calling tree shall prepare two variables for the step: TCV_ch for the SDCCH4 subchannel; TCV_CphKey for ciphering key.			
Nr	Label	Behaviour Description	CRef	V	Comments
1		+PreEnterCCstateU10_21(slot, tsc, ta)			
2		L!DL_DatRqDisc	DiscSnd(TCV_chTch, Disconn_04(TCV_TI))		1.
3		+CCstatuschk_02(TCV_chTch, C_U12, TCV_TI, TCV_TI0)			
Detailed Comments:		1. Progress indicator = #8.			

Test Step Dynamic Behaviour					
Test Step Name:		PreEnterCCstateU12_22(acttype:BITSTRING; slot:SN; tsc:TSC; ta:TA; babr, cch_con, bpm:B_3)			
Group:		GSM_L3_MS_v4170/Preambles/			
Objective:		To bring the MS into CC state U12 by procedure in table 26.8.1.2/2. This is used in CC testing.			
Default:		OtherEvents			
Comments:		The DISCONNECT message containing progress indicator #8. TCV_TI0 contains the transaction identifier from the MS, and TCV_TI contains the transaction identifier for test system to send CC message. The values of them are used in test body.			
Nr	Label	Behaviour Description	CRef	V	Comments
1		+PreEnterCCstateU10_22(acttype, slot, tsc, ta, babr, cch_con, bpm)			
2		L!DL_DatRqDisc	DiscSnd(TCV_chTch, Disconn_04(TCV_TI))		
3		+CCstatuschk_02(TCV_chTch, C_U12, TCV_TI, TCV_TI0)			1.
Detailed Comments:		1. Now in CC state U12			

Test Step Dynamic Behaviour					
Test Step Name: PreEnterCCstateU12_23(slot:SN; tsc:TSC; ta:TA)					
Group: GSM_L3_MS_v4170/Preambles/					
Objective: To bring the MS into CC state U12 by procedure in table 26.8.1.2/3. This is used in CC testing.					
Default: OtherEvents					
Comments: The DISCONNECT message containing progress indicator #8. TCV_TI0 contains the transaction identifier from the MS, and TCV_TI contains the transaction identifier for test system to send CC message. The values of them are used in test body. The calling tree shall prepare two variables for the step: TCV_ch for the SDCCH4 subchannel; TCV_CphKey for ciphering key.					
Nr	Label	Behaviour Description	CRef	V	Comments
1		+PreEnterCCstateU4_23(slot, tsc, ta)			
2		L!DL_DatRqConn	ConnSnd(TCV_chTch		
3		L?DL_DatInConnAck	Connect_02(TCV_TI)) ConnAckRcv(Connect Ack_02(TCV_TI0))		
4		LIDL_DatRqDisc	DiscSnd(TCV_chTch, Disconn_04(TCV_TI))		1.
5		+CCstatuschk_02(TCV_chTch, C_U12, TCV_TI, TCV_TI0)			
Detailed Comments: 1. Progress indicator = #8.					

Test Step Dynamic Behaviour					
Test Step Name: PreEnterCCstateU19_21(slot:SN; tsc:TSC; ta:TA)					
Group: GSM_L3_MS_v4170/Preambles/					
Objective: To bring the MS into CC state U19 by procedure in table 26.8.1.2/1.					
Default: OtherEvents					
Comments: TCV_TI0 contains the transaction identifier from the MS, and TCV_TI contains the transaction identifier for test system to send CC message. The values of them are used in test body. The calling tree shall prepare two variables for the step: TCV_ch for the SDCCH4 subchannel; TCV_CphKey for ciphering key.					
Nr	Label	Behaviour Description	CRef	V	Comments
1		+PreEnterCCstateU10_21(slot, tsc, ta)			
2		L!DL_DatRqDisc	DiscSnd(TCV_chTch, Disconn_07(TCV_TI))		
3		L?DL_DatInRel	ReleaseRcv(Release _10(TCV_TI0))		
4		+CCstatuschk_02(TCV_chTch, C_U19, TCV_TI, TCV_TI0)			
Detailed Comments:					

Test Step Dynamic Behaviour					
Test Step Name:		PreEnterCCstateU19_24(acttype:BITSTRING; slot:SN; tsc:TSC; ta:TA; babr, cch_con, bpm:B_3)			
Group:		GSM_L3_MS_v4170/Preambles/			
Objective:		To bring the MS into CC state U19 by procedure in table 26.8.1.2/4. This is used in CC testing.			
Default:		OtherEvents			
Comments:		TCV_TIO contains the transaction identifier from the MS, and TCV_TI contains the transaction identifier for test system to send CC message. The values of them are used in test body.			
Nr	Label	Behaviour Description	CRef	V	Comments
1		+PreEnterCCstateU4_24(acttype, slot, tsc, ta, babr, cch_con, bpm)			
2		L!DL_DatRqConn	ConnSnd(TCV_chTch		
3		L?DL_DatInConnAck	Connect_02(TCV_TI)) ConnAckRcv(Connect		
4		L!DL_DatRqDisc	Ack_02(TCV_TIO)) DiscSnd(TCV_chTch,		
5		L?DL_DatInRel (TCV_Fn := DL_DatInRel.fn)	Disconn_07(TCV_TI)) ReleaseRcv(Release		
6		+CCstatuschk_02(TCV_chTch, C_U19, TCV_TI, TCV_TIO)	_10(TCV_TIO))		
Detailed Comments:					

Test Step Dynamic Behaviour					
Test Step Name:		PreEnterCCstateU19_24Timer(acttype:BITSTRING; slot:SN; tsc:TSC; ta:TA; babr, cch_con, bpm:B_3)			
Group:		GSM_L3_MS_v4170/Preambles/			
Objective:		To bring the MS into CC state U19 by procedure in table 26.8.1.2/4. This is used in CC testing.			
Default:		OtherEvents			
Comments:		TCV_TIO contains the transaction identifier from the MS, and TCV_TI contains the transaction identifier for test system to send CC message. The values of them are used in test body.			
Nr	Label	Behaviour Description	CRef	V	Comments
1		+PreEnterCCstateU4_24(acttype, slot, tsc, ta, babr, cch_con, bpm)			
2		L!DL_DatRqConn	ConnSnd(TCV_chTch		
3		L?DL_DatInConnAck	Connect_02(TCV_TI)) ConnAckRcv(Connect		
4		L!DL_DatRqDisc	Ack_02(TCV_TIO)) DiscSnd(TCV_chTch,		
5		L?DL_DatInRel (TCV_Fn := DL_DatInRel.fn) START T_dly(45000)	Disconn_07(TCV_TI)) ReleaseRcv(Release		
6		+CCstatuschk_02(TCV_chTch, C_U19, TCV_TI, TCV_TIO)	_10(TCV_TIO))		
Detailed Comments:					

Test Step Dynamic Behaviour					
Test Step Name: PreEstRRConn(slot:SN; tsc:TSC; ta:TA)					
Group: GSM_L3_MS_v4170/Preambles/					
Objective: To establish a RR connection on SDCCH subchannel defined by TSPX_SDCCH4SubDef in cell A					
Default: OtherEvents					
Comments: The calling tree shall prepare variable for the step: TCV_ch for the SDCCH4 subchannel TSPX_SDCCH4SubDef. This test step is used for non RR testing.					
Nr	Label	Behaviour Description	CRef	V	Comments
1		+CCCH_group_Paging_group(TCV_Ccd0A, TSPX_IMSI)			
2		L!DL_UdatRqPg1Rq	PgReq1(TCV_PgCh, TCV_Pgg, PgReqTp1_01)		
3		L?DL_RaInChRq (TCV_Rr := DL_RaInChRq.msg.ecau_rrf, TCV_Fn := DL_RaInChRq.fn)	ChReq_01		
4		ACTIVATE(OtherEvents_02)			To match ChReq retrans.
5		L!DL_UdatRqImm	ImmAss_01Def(TCV_agch, TCV_Rr,TCV_Fn, slot, tsc, TCV_chdescr_arfcn, ta)		
6		L?DL_EstInPgRes	PgRes_01		
7		ACTIVATE(OtherEvents)			Restore Normal default
Detailed Comments:					

Test Step Dynamic Behaviour					
Test Step Name: PreEstRRC_MM(par_mi:MI; cksn: BITSTRING; ccd: CCD; imsi:HEXSTRING; ta:TA)					
Group: GSM_L3_MS_v4170/Preambles/					
Objective: To establish a RR connection on C_SDCCH4_A_1					
Default: OtherEvents					
Comments: used var's: TCV_Rr, TCV_Fn, TCV_Pgch, TCV_ia_ts, TCV_chdescr_arfcn					
Nr	Label	Behaviour Description	CRef	V	Comments
1		+CCCH_group_Paging_group(ccd, imsi)			
2		L!DL_UdatRqPg1Rq	PgReq1(TCV_PgCh, TCV_Pgg, PgReqTp1_30(par_mi))		
3		L?DL_RaInChRq (TCV_Rr := DL_RaInChRq.msg.ecau_rrf, TCV_Fn := DL_RaInChRq.fn)	ChReq_01		
4		ACTIVATE(OtherEvents_02)			To match ChReq retrans.
5		L!DL_UdatRqImm	ImmAss_01Def(TCV_agch, TCV_Rr, TCV_Fn, TCV_slot, TCV_tsc, TCV_chdescr_arfcn, ta)		
6		L?DL_EstInPgRes	PgRes_30(par_mi, cksn)	(P)	
7		ACTIVATE(OtherEvents)			Restore Normal default
Detailed Comments:					

Test Step Dynamic Behaviour					
Test Step Name:		PreModifySetup(acttype:BITSTRING; slot:SN; tsc:TSC; t, retr, att:INTEGER; acttypeT:BITSTRING; slotT:SN; tscT:TSC; ta:TA; babr, cch_con, bpm:B_3; t3212:OCTETSTRING)			
Group:		GSM_L3_MS_v4170/Preambles/			
Objective:		To setup dual mode call and initiate MO incall modification. This is used in CC test group 26.8.1.4.5.			
Default:		OtherEvents			
Nr	Label	Behaviour Description	CRef	V	Comments
1		+PreCCSetup(acttype, slot, tsc, t, retr, att, ta, babr, cch_con, bpm, t3212)			
2		+CCConfigTCH(acttypeT, slotT, tscT, ta, babr, cch_con, bpm)			
3		+AttmpDualModeCall			1.
4		+BasicServiceMO(TSPX_MO_BscSvc_DualModeCall, TSPX_MO_rate_DualModeCall)			
5		+CCEstablishMO_SDCCH4(ta)			
6		ACTIVATE(OtherEvents_02)			To match ChReq retrans.
7		L?DL_EstInCmsRq	CMServiceReq(CMServiceReq_04)		
8		ACTIVATE(OtherEvents)			Restore Normal default
9		+CIPHERING_ON(TCV_ch)			
10		+SetupRcvMo1(SetupInd_02)			
11		+CCAAuthenticate(TCV_ch)			
12		L!DL_DatRqCallProc	CallProc(TCV_ch, TCV_CallProc)		
13		+CCAssignTCH(slotT, tscT)			
14		L!DL_DatRqAlert	AlertSnd(TCV_chTch, Alerting_01(TCV_TI))		
15		L!DL_DatRqConn	ConnSnd(TCV_chTch, Connect_02(TCV_TI))		
16		L?DL_DatInConnAck	ConnAckRcv(ConnectAck_02(TCV_TI0))		
17		+InCallModi1(TSPX_MO_BscSvc_DualModeCall)			2.
18		L?DL_DatInModify(TCV_Fn := DL_DatInModify.fn, TCV_Modify := DL_DatInModify.msg)	ModifyRcv(ModifyInd_01(TCV_TI0, TCV_Bcap2))		3.
Detailed Comments:		1. To attempt a dual mode call. 2. MMI action to initiate in-call modification. 3. The expected MODIFY message received.			

Test Step Dynamic Behaviour					
Test Step Name:		PreModifySetupTimer(acttype:BITSTRING; slot:SN; tsc:TSC; t, retr, att:INTEGER; acttypeT:BITSTRING; slotT:SN; tscT:TSC; ta:TA; babr, cch_con, bpm:B_3; t3212:OCTETSTRING)			
Group:		GSM_L3_MS_v4170/Preambles/			
Objective:		To setup dual mode call and initiate MO incall modification. This is used in CC test group 26.8.1.4.5.			
Default:		OtherEvents			
Nr	Label	Behaviour Description	CRef	V	Comments
1		+PreCCSetup(acttype, slot, tsc, t, retr, att, ta, babr, cch_con, bpm, t3212)			
2		+CCConfigTCH(acttypeT, slotT, tscT, ta, babr, cch_con, bpm)			
3		+AttmpDualModeCall			1.
4		+BasicServiceMO(TSPX_MO_BscSvc_DualModeCall, TSPX_MO_rate_DualModeCall)			
5		+CCEstablishMO_SDCCH4(ta)			
6		ACTIVATE(OtherEvents_02)			To match ChReq retrans.
7		L?DL_EstInCmsRq	CMSerReq(CMServiceReq_04)		
8		ACTIVATE(OtherEvents)			Restore Normal default
9		+ltree_continue			
ltree_continue					
10		+Cipherring_on(TCV_ch)			
11		+SetupRcvMo1(SetupInd_02)			
12		+CCAuthenticate(TCV_ch)			
13		LIDL_DatRqCallProc	CallProc(TCV_ch, TCV_CallProc)		
14		+CCAssignTCH(slotT, tscT)			
15		LIDL_DatRqAlert	AlertSnd(TCV_chTch, Alerting_01(TCV_TI))		
16		LIDL_DatRqConn	ConnSnd(TCV_chTch, Connect_02(TCV_TI))		
17		L?DL_DatInConnAck	ConnAckRcv(ConnectAck_02(TCV_TI0))		
18		+InCallModi1(TSPX_MO_BscSvc_DualModeCall)			2.
19		L?DL_DatInModify (TCV_Fn := DL_DatInModify.fn, TCV_Modify := DL_DatInModify.msg) START T_dly(45000)	ModifyRcv(ModifyInd_01(TCV_TI0, TCV_Bcap2))		3.
Detailed Comments:		1. To attempt a dual mode call. 2. MMI action to initiate in-call modification. 3. The expected MODIFY message received.			

Test Step Dynamic Behaviour					
Test Step Name:		StartCellA_CBMS(acttype:BITSTRING; slot:SN; tsc:TSC; ta:TA; att:INTEGER; babr, cch_con, bpm:B_3; t3212:OCTETSTRING)			
Group:		GSM_L3_MS_v4170/Preambles/			
Objective:		To setup a physical channel as combined BCCH, CCCH and SDCCH4. CBCH replaces SDCCH number 2 for the CBSMS. Then broadcast SYSTEM INFORMATION messages 2, 3, 4, 5 and 6 with default parameters of cell A.			
Default:		OtherEvents			
Comments:		Default parameter. IMSI attach detach is not allowed. Cell A is belonging to PLMN1.			
Nr	Label	Behaviour Description	CRef	V	Comments
1		(TCV_Tx := '0010'B, TCV_Max := '00'B, TCV_Neci := '0'B, TCV_Ccd0A := CntrlChDscrp(att, babr, cch_con, bpm, t3212))			
2		+CombinedBCCH_A_CBMS(acttype, slot, tsc, ta, babr, cch_con, bpm)			
3		+sysinfo			
4		+SysInfo_SacchSending(TCV_sacch, TCV_sysinfo5, TCV_sysinfo6)			
5		+WaitForInService			
		sysinfo			
6		LIDL_UdatRqSchinfo	SynclInfo(C_SCH_A)		
7		(TCV_sysinfo6 := SysInf6(C_ci_cellA, C_PLMN_1, C_lacellA, CellOpt_01))			
8		[TSPC_PGSM OR TSPC_EGSM]			
9		LIDL_UdatRqSysinfo4	SysInfo4_CBMS(C_BCCH_A_1, C_PLMN_1, C_lacellA, C_CellReselectHys0, C_MaxPwrLvIG, TCV_Neci, TCV_Max, TCV_Tx, C_Restablishment, ChDescrp_29)		acc. GSM 11.10, 34.3.3
10		LIDL_UdatRqSysinfo2	SysInfo2(C_BCCH_A_1, BcchFreqLst_01, TCV_Max, TCV_Tx, C_Restablishment)		
11		(TCV_sysinfo5 := SysInf5(BcchFreqLst_01))			
12		LIDL_UdatRqSysinfo1_nh	SysInfo1_nh(C_BCH_A_1, C_ci_cellA, C_PLMN_1, C_lacellA, TCV_Ccd0A, CellOpt_01, C_CellReselectHys0, C_MaxPwrLvIG, TCV_Neci, TCV_Max, TCV_Tx, C_Restablishment)		
13		LIDL_UdatRqSysinfo3	SysInfo3(C_BCCH_A_1, C_ci_cellA, C_PLMN_1, C_lacellA, TCV_Ccd0A, CellOpt_01, C_CellReselectHys0, C_MaxPwrLvIG, TCV_Neci, TCV_Max, TCV_Tx, C_Restablishment)		
14		[TSPC_DCS]			
15		LIDL_UdatRqSysinfo4	SysInfo4_CBMS(C_BCCH_A_1, C_PLMN_1, C_lacellA, C_CellReselectHys0, C_MaxPwrLvID, TCV_Neci, TCV_Max,		acc. GSM 11.10, 34.3.3

16	LIDL_UdatRqSysinfo2	TCV_Tx, C_Restablishment, ChDescrp_30)
17	(TCV_sysinfo5 := SysInf5(BcchFreqLst_48))	SysInfo2(C_BCCH_A _1, BcchFreqLst_48, TCV_Max, TCV_Tx, C_Restablishment)
18	LIDL_UdatRqSysinfo1_nh	SysInfo1_nh(C_BCC H_A_1, C_ci_cellA, C_PLMN_1, C_lacellA, TCV_Ccd0A, CellOpt_01, C_CellReselectHys0, C_MaxPwrLvID, TCV_Neci, TCV_Max, TCV_Tx, C_Restablishment)
19	LIDL_UdatRqSysinfo3	SysInfo3(C_BCCH_A _1, C_ci_cellA, C_PLMN_1, C_lacellA, TCV_Ccd0A, CellOpt_01, C_CellReselectHys0, C_MaxPwrLvID, TCV_Neci, TCV_Max, TCV_Tx, C_Restablishment)
Detailed Comments:		

Test Step Dynamic Behaviour

Test Step Name: StartCellA(par_bspwr:INTEGER; acttype:BITSTRING; slot:SN; tsc:TSC; ta:TA; att:INTEGER; babr, cch_con, bpm:B_3; t3212:OCTETSTRING; Re:BITSTRING)
Group: GSM_L3_MS_v4170/Preambles/
Objective: To setup a physical channel as combined BCCH, CCCH and SDCCH4 then broadcast SYSTEM INFORMATION messages 2, 3, 4, 5 and 6 with default parameters of cell A.
Default: OtherEvents

Nr	Label	Behaviour Description	CRef	V	Comments
1		+CombinedBCCH_A(par_bspwr, FreqBCCHa_rg, FreqBCCHa_rd, acttype, slot, tsc, ta, babr, cch_con, bpm)			
2		LIDL_UdatRqSchinfo	SyncInfo(C_SCH_A)		
3		[TSPC_PGSM OR TSPC_EGSM]			1.
4		+SysInfoSending_MM_A(5, 1, 0, att, babr, cch_con, bpm, t3212, C_ci_cellA, C_PLMN_1, C_lacellA, CellChDes_02, C_CellReselectHys0, C_MaxPwrLvID, BcchFreqLst_01, Re)			
5		+SysInfo_SacchSending(TCV_sacch, TCV_sysinfo5, TCV_sysinfo6)			
6		[TSPC_DCS]			2.
7		+SysInfoSending_MM_A(5, 1, 0, att, babr, cch_con, bpm, t3212, C_ci_cellA, C_PLMN_1, C_lacellA, CellChDes_03, C_CellReselectHys0, C_MaxPwrLvID, BcchFreqLst_48, Re)			
8		+SysInfo_SacchSending(TCV_sacch, TCV_sysinfo5, TCV_sysinfo6)			
Detailed Comments:					
1. For GSM900 mobile station testing. 2. For DCS1800 mobile station testing.					

Test Step Dynamic Behaviour					
Test Step Name:		StartCellA_1(acttype:BITSTRING; slot:SN; tsc:TSC; ta:TA; att:INTEGER; babr, cch_con, bpm:B_3; t3212:OCTETSTRING)			
Group:		GSM_L3_MS_v4170/Preambles/			
Objective:		To set up a physical channel with parameters different from default and map FCCH, SCH, BCCH, CCCH and SDCCH4 onto the physical channel which represents cell A, then broadcast SYSTEM INFORMATION messages 2, 3, 4, 5 and 6 with default parameters of cell A.			
Default:		OtherEvents			
Comments:		MNC = '03'O, power level = 38 dBuV are different from defaults.			
Nr	Label	Behaviour Description	CRef	V	Comments
1		(TCV_Tx := '0010'B, TCV_Max := '00'B, TCV_Neci := '0'B, TCV_Ccd0A := CntrlChDscrp(att, babr, cch_con, bpm, t3212))			
2		+CombinedBCCH_A(38, FreqBCCHa_rg, FreqBCCHa_rd, acttype, slot, tsc, ta, babr, cch_con, bpm)			
3		+sysinfo			
4		+SysInfo_SacchSending(TCV_sacch, TCV_sysinfo5, TCV_sysinfo6)			
5		+WaitForInService			
		sysinfo			
6		LIDL_UdatRqSchinfo	SyncInfo(C_SCH_A)		
7		(TCV_sysinfo6 := SysInf6(C_ci_cellA, C_PLMN_3, C_lacellA, CellOpt_01))			
8		[TSPC_PGSM OR TSPC_EGSM]			
9		LIDL_UdatRqSysinfo4	SysInfo4(C_BCCH_A_1, C_PLMN_3, C_lacellA, C_CellReselectHys0, C_MaxPwrLvIG, TCV_Neci, TCV_Max, TCV_Tx, C_Restablishment)		
10		LIDL_UdatRqSysinfo2	SysInfo2(C_BCCH_A_1, BcchFreqLst_01, TCV_Max, TCV_Tx, C_Restablishment)		
11		(TCV_sysinfo5 := SysInf5(BcchFreqLst_45))			
12		LIDL_UdatRqSysinfo1_nh	SysInfo1_nh(C_BCH_A_1, C_ci_cellA, C_PLMN_3, C_lacellA, TCV_Ccd0A, CellOpt_01, C_CellReselectHys0, C_MaxPwrLvIG, TCV_Neci, TCV_Max, TCV_Tx, C_Restablishment)		
13		LIDL_UdatRqSysinfo3	SysInfo3(C_BCCH_A_1, C_ci_cellA, C_PLMN_3, C_lacellA, TCV_Ccd0A, CellOpt_01, C_CellReselectHys0, C_MaxPwrLvIG, TCV_Neci, TCV_Max, TCV_Tx, C_Restablishment)		
14		[TSPC_DCS]			
15		LIDL_UdatRqSysinfo4	SysInfo4(C_BCCH_A_1, C_PLMN_3, C_lacellA, C_CellReselectHys0, C_MaxPwrLvID, TCV_Neci, TCV_Max, TCV_Tx, C_Restablishment)		
16		LIDL_UdatRqSysinfo2	SysInfo2(C_BCCH_A		

17	(TCV_sysinfo5 := SysInf5(BcchFreqLst_03))	_1, BcchFreqLst_03, TCV_Max, TCV_Tx, C_Restablishment)
18	LIDL_UdatRqSysinfo1_nh	SysInfo1_nh(C_BCC H_A_1, C_ci_cellA, C_PLMN_3, C_lacellA, TCV_Ccd0A, CellOpt_01, C_CellReselectHys0, C_MaxPwrLvID, TCV_Neci, TCV_Max, TCV_Tx, C_Restablishment)
19	LIDL_UdatRqSysinfo3	SysInfo3(C_BCCH_A _1, C_ci_cellA, C_PLMN_3, C_lacellA, TCV_Ccd0A, CellOpt_01, C_CellReselectHys0, C_MaxPwrLvID, TCV_Neci, TCV_Max, TCV_Tx, C_Restablishment)
Detailed Comments:		

Test Step Dynamic Behaviour					
Test Step Name: StartCellA_2(acttype:BITSTRING; slot:SN; tsc:TSC; ta:TA; att:INTEGER; babr, cch_con, bpm:B_3; t3212:OCTETSTRING)					
Group: GSM_L3_MS_v4170/Preambles/					
Objective: To setup a physical channel as combined BCCH, CCCH and SDCCH4 then broadcast SYSTEM INFORMATION messages 2, 3, 4, 5 and 6 with default parameters of cell A.					
Default: OtherEvents					
Comments: IMSI attach/detach not allowed (ATT=0).					
Nr	Label	Behaviour Description	CRef	V	Comments
1		+CombinedBCCH_A(63, FreqBCCHa_rg, FreqBCCHa_rd, acttype,slot,tsc, ta, babr, cch_con, bpm)			
2		[TSPC_PGSM OR TSPC_EGSM]			
3		+SysInfoSending_MM_A(5, 1, 0, 0, '000'B, '001'B, '011'B, '00'O, C_ci_cellA, C_PLMN_1, C_lacellA, CellChDes_02, C_CellReselectHys0, C_MaxPwrLvIG, BcchFreqLst_45, C_noRestablishment)			
4		+SysInfo_SacchSending(TCV_sacch, TCV_sysinfo5, TCV_sysinfo6)			
5		[TSPC_DCS]			
6		+SysInfoSending_MM_A(5, 1, 0, 0, '000'B, '001'B, '011'B, '00'O, C_ci_cellA, C_PLMN_1, C_lacellA, CellChDes_03, C_CellReselectHys0, C_MaxPwrLvID, BcchFreqLst_03, C_noRestablishment)			
7		+SysInfo_SacchSending(TCV_sacch, TCV_sysinfo5, TCV_sysinfo6)			
Detailed Comments: 1. CCCH combined with SDCCH, Tx-integer = 5, Max-retrans = 1, ATT = 0.					

Test Step Dynamic Behaviour					
Test Step Name:		StartCellA_MM1(acttype:BITSTRING; slot:SN; tsc:TSC; att:INTEGER; ta:TA; babr, cch_con, bpm:B_3; t3212:OCTETSTRING)			
Group:		GSM_L3_MS_v4170/Preambles/			
Objective:		To setup a physical channel as combined BCCH, CCCH and SDCCH4 then broadcast SYSTEM INFORMATION messages 2, 3, 4, 5 and 6 with default parameters of cell A.			
Default:		OtherEvents			
Comments:		IMSI attach/detach allowed (ATT=1).			
Nr	Label	Behaviour Description	CRef	V	Comments
1		+CombinedBCCH_A(63, FreqBCCHa_rg, FreqBCCHa_rd, acttype,slot,tsc, ta, babr, cch_con, bpm)			
2		+SysInfoSending_m1(att, babr, cch_con, bpm, t3212)			
3		+SysInfo_SacchSending(TCV_sacch, TCV_sysinfo5, TCV_sysinfo6)			
4		+WaitForInService			
Detailed Comments:		1. CCCH combined with SDCCH, Tx-integer = 5, Max-retrans = 1, ATT = 1.			

Test Step Dynamic Behaviour					
Test Step Name: StartCellA_MM2(acttype:BITSTRING; slot:SN; tsc:TSC; t, retr, att, neci:INTEGER; ta:TA; babr, cch_con, bpm:B_3; t3212:OCTETSTRING)					
Group: GSM_L3_MS_v4170/Preambles/					
Objective: Exact same procedure StartCellA_MM1 with except the used LAC-value.					
Default: OtherEvents					
Comments: LAC-Change from C_lacellA to C_lacellB! with following parameters CCCH combined with SDCCH, Tx-integer = 5, Max-retrans = 1, ATT = 1.					
Nr	Label	Behaviour Description	CRef	V	Comments
1		+CombinedBCCH_A(63, FreqBCCHa_rg, FreqBCCHa_rd, acttype,slot,tsc, ta, babr, cch_con, bpm)			
2		+sysinfo			
3		+SysInfo_SacchSending(TCV_sacch, TCV_sysinfo5, TCV_sysinfo6)			
4		sysinfo (TCV_Tx := OC_CnvtTx(t), TCV_Max := OC_CnvtMax(retr), TCV_Neci := INT_TO_BIT(neci,1), TCV_Ccd0A := CntrlChDscrp(att, babr, cch_con, bpm, t3212))			
5		(TCV_sysinfo6 := SysInf6(C_ci_cellA, C_PLMN_1, C_lacellB, CellOpt_01))			
6		[TSPC_PGSM OR TSPC_EGSM]			1.
7		LIDL_UdatRqSysinfo4	SysInfo4(C_BCCH_A_1, C_PLMN_1, C_lacellB, C_CellReselectHys0, C_MaxPwrLvIG, TCV_Neci, TCV_Max, TCV_Tx, C_noRestablishment)		
8		LIDL_UdatRqSysinfo2	SysInfo2(C_BCCH_A_1, BcchFreqLst_01, TCV_Max, TCV_Tx, C_noRestablishment)		
9		(TCV_sysinfo5 := SysInf5(BcchFreqLst_01))			
10		LIDL_UdatRqSysinfo1_nh	SysInfo1_nh(C_BCH_A_1, C_ci_cellA, C_PLMN_1, C_lacellB, TCV_Ccd0A, CellOpt_01, C_CellReselectHys0, C_MaxPwrLvIG, TCV_Neci, TCV_Max, TCV_Tx, C_noRestablishment)		
11		LIDL_UdatRqSysinfo3	SysInfo3(C_BCCH_A_1, C_ci_cellA, C_PLMN_1, C_lacellB, TCV_Ccd0A, CellOpt_01, C_CellReselectHys0, C_MaxPwrLvIG, TCV_Neci, TCV_Max, TCV_Tx, C_noRestablishment)		3.
12		[TSPC_DCS]			2.
13		LIDL_UdatRqSysinfo4	SysInfo4(C_BCCH_A_1, C_PLMN_1, C_lacellB, C_CellReselectHys0, C_MaxPwrLvID, TCV_Neci, TCV_Max, TCV_Tx, C_noRestablishment)		
14		LIDL_UdatRqSysinfo2	SysInfo2(C_BCCH_A_1, BcchFreqLst_48, TCV_Max, TCV_Tx,		

15		(TCV_sysinfo5 := SysInf5(BcchFreqLst_48))	C_noRestablishment)	
16		LIDL_UdatRqSysinfo1_nh	SysInfo1_nh(C_BCC H_A_1, C_ci_cellA, C_PLMN_1, C_lacellB, TCV_Ccd0A, CellOpt_01, C_CellReselectHys0, C_MaxPwrLvID, TCV_Neci, TCV_Max, TCV_Tx, C_noRestablishment)	
17		LIDL_UdatRqSysinfo3	SysInfo3(C_BCCH_A _1, C_ci_cellA, C_PLMN_1, C_lacellB, TCV_Ccd0A, CellOpt_01, C_CellReselectHys0, C_MaxPwrLvID, TCV_Neci, TCV_Max, TCV_Tx, C_noRestablishment)	

Detailed Comments:

1. For GSM900 mobile station testing.
2. For DCS1800 mobile station testing.
3. CCCH combined with SDCCH.

Test Step Dynamic Behaviour					
Test Step Name:		StartCellAandB(acttype:BITSTRING; slot:SN; tsc:TSC; ta:TA; att:INTEGER; babr, cch_con, bpm:B_3; t3212a, t3212b:OCTETSTRING)			
Group:		GSM_L3_MS_v4170/Preambles/			
Objective:		To setup a physical channel as combined BCCH, CCCH and SDCCH4 then broadcast SYSTEM INFORMATION messages 2, 3, 4, 5 and 6 with default parameters of cell A and cell B.			
Default:		OtherEvents			
Nr	Label	Behaviour Description	CRef	V	Comments
1		+CombinedBCCH_A(63, FreqBCCHa_rg, FreqBCCHa_rd, acttype,slot,tsc, ta, babr, cch_con, bpm)			
2		+CombinedBCCH_B(53, FreqBCCHb_rg, FreqBCCHb_rd, acttype,slot,tsc, ta, babr, cch_con, bpm)			
3		LIDL_UdatRqSchinfo	SyncInfo(C_SCH_A)		
4		LIDL_UdatRqSchinfo	SyncInfo(C_SCH_B)		
5		[TSPC_PGSM OR TSPC_EGSM]			
6		+SysInfoSending_MM_A(5, 1, 0, att, babr, cch_con, bpm, t3212a, C_ci_cellA, C_PLMN_1, C_lacellA, CellChDes_01, C_CellReselectHys0, C_MaxPwrLvlG, BcchFreqLst_01, C_noRestablishment)			
7		+SysInfo_SacchSending(TCV_sacch, TCV_sysinfo5, TCV_sysinfo6)			
8		+SysInfoSending_MM_B(5, 1, 0, att, babr, cch_con, bpm, t3212b, C_ci_cellB, C_PLMN_2, C_lacellB, CellChDes_04, C_CellReselectHys0, C_MaxPwrLvlG, BcchFreqLst_01, C_noRestablishment)			
9		+SysInfo_SacchSending(TCV_sacch_B, TCV_sysinfo5_B, TCV_sysinfo6_B)			
10		[TSPC_DCS]			
11		+SysInfoSending_MM_A(5, 1, 0, att, babr, cch_con, bpm, t3212a, C_ci_cellA, C_PLMN_1, C_lacellA, CellChDes_03, C_CellReselectHys0, C_MaxPwrLvlD, BcchFreqLst_48, C_noRestablishment)			
12		+SysInfo_SacchSending(TCV_sacch, TCV_sysinfo5, TCV_sysinfo6)			
13		+SysInfoSending_MM_B(5, 1, 0, att, babr, cch_con, bpm, t3212b, C_ci_cellB, C_PLMN_2, C_lacellB, CellChDes_03, C_CellReselectHys0, C_MaxPwrLvlD, BcchFreqLst_48, C_noRestablishment)			
14		+SysInfo_SacchSending(TCV_sacch_B, TCV_sysinfo5_B, TCV_sysinfo6_B)			
Detailed Comments:					

Test Step Dynamic Behaviour					
Test Step Name:		StartCellAandB2PLMN(acttype:BITSTRING; slot:SN; tsc:TSC; ta:TA; att:INTEGER; babr, cch_con, bpm:B_3; t3212_1, t3212_2:OCTETSTRING)			
Group:		GSM_L3_MS_v4170/Preambles/			
Objective:		To setup a physical channel as combined BCCH, CCCH and SDCCH4 then broadcast SYSTEM INFORMATION messages 2, 3, 4, 5 and 6 with default parameters of cell A and cell B.			
Default:		OtherEvents			
Nr	Label	Behaviour Description	CRef	V	Comments
1		+StartCellAandB(acttype, slot, tsc, ta, att, babr, cch_con, bpm, t3212_1, t3212_2)			
2		+WaitForInService			
Detailed Comments:					

Test Step Dynamic Behaviour					
Test Step Name:		StartCellB(par_bspwr:INTEGER; acttype:BITSTRING; slot:SN; tsc:TSC; ta:TA; att:INTEGER; babr, cch_con, bpm:B_3; t3212:OCTETSTRING; Re:BITSTRING)			
Group:		GSM_L3_MS_v4170/Preambles/			
Objective:		To setup a physical channel as combined BCCH, CCCH and SDCCH4 then broadcast SYSTEM INFORMATION messages 2, 3, 4, 5 and 6 with default parameters of cell B.			
Default:		OtherEvents			
Nr	Label	Behaviour Description	CRef	V	Comments
1		+CombinedBCCH_B(par_bspwr, FreqBCCHb_rg, FreqBCCHb_rd, acttype, slot, tsc, ta, babr, cch_con, bpm)			
2		LIDL_UdatRqSchinfo	SyncInfo(C_SCH_B)		
3		[TSPC_PGSM OR TSPC_EGSM]			1.
4		+SysInfoSending_MM_B(5, 1, 0, att, babr, cch_con, bpm, t3212, C_ci_cellB, C_PLMN_1, C_lacellB, CellChDes_04, C_CellReselectHys0, C_MaxPwrLvIG, BcchFreqLst_01, Re)			
5		+SysInfo_SacchSending(TCV_sacch_B, TCV_sysinfo5_B, TCV_sysinfo6_B)			
6		[TSPC_DCS]			2.
7		+SysInfoSending_MM_B(5, 1, 0, att, babr, cch_con, bpm, t3212, C_ci_cellB, C_PLMN_1, C_lacellB, CellChDes_03, C_CellReselectHys0, C_MaxPwrLvID, BcchFreqLst_48, Re)			
8		+SysInfo_SacchSending(TCV_sacch_B, TCV_sysinfo5_B, TCV_sysinfo6_B)			
Detailed Comments:		1. For GSM900 mobile station testing. 2. For DCS1800 mobile station testing.			

Test Step Dynamic Behaviour					
Test Step Name:		StartCellB_1(acttype:BITSTRING; slot:SN; tsc:TSC; ta:TA; att:INTEGER; babr, cch_con, bpm:B_3; t3212:OCTETSTRING)			
Group:		GSM_L3_MS_v4170/Preambles/			
Objective:		To set up a physical channel and map FCCH, SCH, BCCH, CCCH and SDCCH4 onto the physical channel which represents cell B, then start transmission of default system information's for cell B.			
Default:		OtherEvents			
Comments:		The location area code is different from the cell A.			
Nr	Label	Behaviour Description	CRef	V	Comments
1		+CombinedBCCH_B(53, FreqBCCHb_rg, FreqBCCHb_rd, acttype,slot,tsc, ta, babr, cch_con, bpm)			
2		+SysInfoSending_24(att, babr, cch_con, bpm, t3212)			
3		+SysInfo_SacchSending(TCV_sacch_B, TCV_sysinfo5_B, TCV_sysinfo6_B)			
Detailed Comments:		1. To send SYNCHRONIZATION INFORMATION message with default parameter for cell B.			

Test Step Dynamic Behaviour					
Test Step Name:		StartCellB_1re(actype:BITSTRING; slot:SN; tsc:TSC; ta:TA; att:INTEGER; babr, cch_con, bpm:B_3; t3212:OCTETSTRING)			
Group:		GSM_L3_MS_v4170/Preambles/			
Objective:		To set up a physical channel and map FCCH, SCH, BCCH, CCCH and SDCCH4 onto the physical channel which represents cell B, then start transmission of default system information's for cell B.			
Default:		OtherEvents			
Comments:		The location area code is different from the cell A.			
Nr	Label	Behaviour Description	CRef	V	Comments
1		+CombinedBCCH_B(53, FreqBCCHb_rg, FreqBCCHb_rd, actype, slot, tsc, ta, babr, cch_con, bpm)			
2		+SysInfoSending_24re(att, babr, cch_con, bpm, t3212)			
3		+SysInfo_SacchSending(TCV_sacch_B, TCV_sysinfo5_B, TCV_sysinfo6_B)			
Detailed Comments:		1. To send SYNCHRONIZATION INFORMATION message with default parameter for cell B.			

Test Step Dynamic Behaviour					
Test Step Name:		StartCellB_2(actype:BITSTRING; slot:SN; tsc:TSC; ta:TA; att:INTEGER; babr, cch_con, bpm:B_3; t3212:OCTETSTRING)			
Group:		GSM_L3_MS_v4170/Preambles/			
Objective:		To setup a physical channel and start transmission of system information messages in cell B for RR testing.			
Default:		OtherEvents			
Comments:		The location area code is the same as the cell A.			
Nr	Label	Behaviour Description	CRef	V	Comments
1		+CombinedBCCH_B(53, FreqBCCHb_rg, FreqBCCHb_rd, actype, slot, tsc, ta, babr, cch_con, bpm)			
2		+SysInfoSending_r4(att, babr, cch_con, bpm, t3212)			1.
3		+SysInfo_SacchSending(TCV_sacch_B, TCV_sysinfo5_B, TCV_sysinfo6_B)			
Detailed Comments:		1. To send SYSTEM INFORMATION messages with default parameter for cell B.			

Test Step Dynamic Behaviour					
Test Step Name:		StartCellB_21(actype:BITSTRING; slot:SN; tsc:TSC; att:INTEGER; Ta:TA; babr, cch_con, bpm:B_3; t3212:OCTETSTRING)			
Group:		GSM_L3_MS_v4170/Preambles/			
Objective:		To setup a physical channel and start transmission of system information messages in cell B for RR testing with controllable timing.			
Default:		OtherEvents			
Comments:		The location area code is the same as the cell A. The timing is controllable			
Nr	Label	Behaviour Description	CRef	V	Comments
1		+CombinedBCCH_B(53, FreqBCCHb_rg, FreqBCCHb_rd, actype, slot, tsc, Ta, babr, cch_con, bpm)			
2		+SysInfoSending_r4(att, babr, cch_con, bpm, t3212)			1.
3		+SysInfo_SacchSending(TCV_sacch_B, TCV_sysinfo5_B, TCV_sysinfo6_B)			
Detailed Comments:		1. To send SYSTEM INFORMATION messages with default parameter for cell B.			

Test Step Dynamic Behaviour					
Test Step Name:		StartCellB_3(acttype:BITSTRING; slot:SN; tsc:TSC; ta:TA; att:INTEGER; babr, cch_con, bpm:B_3; t3212:OCTETSTRING)			
Group:		GSM_L3_MS_v4170/Preambles/			
Objective:		To set up a physical channel and map FCCH, SCH, BCCH, CCCH and SDCCH4 onto the physical channel which represents cell B, then start transmission of default system information's for cell B.			
Default:		OtherEvents			
Comments:		Cell B belongs to VPLMN(PLMN2). The Country Code is the same like in step StartCellA T3212 value is set to infinite.			
Nr	Label	Behaviour Description	CRef	V	Comments
1		(TCV_Tx := '0010'B, TCV_Max := '00'B, TCV_Neci := '0'B, TCV_Ccd0B := CntrlChDscrp(att, babr, cch_con, bpm, t3212))			
2		+CombinedBCCH_B(53, FreqBCCHb_rg, FreqBCCHb_rd, acttype,slot,tsc, ta, babr, cch_con, bpm)			
3		+sysinfo			
4		+SysInfo_SacchSending(TCV_sacch_B, TCV_sysinfo5_B, TCV_sysinfo6_B)			
		sysinfo			
5		L!DL_UdatRqSchinfo	SyncInfo(C_SCH_B)		1.
6		(TCV_sysinfo6_B := SysInf6(C_ci_cellB, C_PLMN_2, C_lacellB, CellOpt_01))			
7		[TSPC_PGSM OR TSPC_EGSM]			
8		L!DL_UdatRqSysinfo2	SysInfo2(C_BCCH_B_1, BcchFreqLst_01, TCV_Max, TCV_Tx, C_noRestablishment)		
9		(TCV_sysinfo5_B := SysInf5(BcchFreqLst_01))			
10		L!DL_UdatRqSysinfo4	SysInfo4(C_BCCH_B_1, C_PLMN_2, C_lacellB, C_CellReselectHys0, C_MaxPwrLvIG, TCV_Neci, TCV_Max, TCV_Tx, C_noRestablishment)		
11		L!DL_UdatRqSysinfo1_nh	SysInfo1_nh(C_BCH_H_B_1, C_ci_cellB, C_PLMN_2, C_lacellB, TCV_Ccd0B, CellOpt_01, C_CellReselectHys0, C_MaxPwrLvIG, TCV_Neci, TCV_Max, TCV_Tx, C_noRestablishment)		
12		L!DL_UdatRqSysinfo3	SysInfo3(C_BCCH_B_1, C_ci_cellB, C_PLMN_2, C_lacellB, TCV_Ccd0B, CellOpt_01, C_CellReselectHys0, C_MaxPwrLvIG, TCV_Neci, TCV_Max, TCV_Tx, C_noRestablishment)		
13		[TSPC_DCS]			
14		L!DL_UdatRqSysinfo2	SysInfo2(C_BCCH_B_1, BcchFreqLst_48, TCV_Max, TCV_Tx, C_noRestablishment)		
15		(TCV_sysinfo5_B := SysInf5(BcchFreqLst_48))			
16		L!DL_UdatRqSysinfo4	SysInfo4(C_BCCH_B_1, C_PLMN_2, C_lacellB, C_CellReselectHys0,		

17		L!DL_UdatRqSysinfo1_nh	C_MaxPwrLvID, TCV_Neci, TCV_Max, TCV_Tx, C_noRestablishment) SysInfo1_nh(C_BCC H_B_1, C_ci_cellB, C_PLMN_2, C_lacellB, TCV_Ccd0B, CellOpt_01, C_CellReselectHys0, C_MaxPwrLvID, TCV_Neci, TCV_Max, TCV_Tx, C_noRestablishment)	
18		L!DL_UdatRqSysinfo3	SysInfo3(C_BCCH_B _1, C_ci_cellB, C_PLMN_2, C_lacellB, TCV_Ccd0B, CellOpt_01, C_CellReselectHys0, C_MaxPwrLvID, TCV_Neci, TCV_Max, TCV_Tx, C_noRestablishment)	
Detailed Comments:			1. To send SYNCHRONIZATION INFORMATION message with default parameter for cell B.	

Test Step Dynamic Behaviour					
Test Step Name: StartCellB_5(acttype:BITSTRING; slot:SN; tsc:TSC; ta:TA; att:INTEGER; babr, cch_con, bpm:B_3; t3212:OCTETSTRING)					
Group: GSM_L3_MS_v4170/Preambles/					
Objective: To setup a physical channel and start transmission of default system information messages in cell B for RR testing.					
Default: OtherEvents					
Comments: The location area code is the same as the cell A. The Cell Allocation is different from default.					
Nr	Label	Behaviour Description	CRef	V	Comments
1		(TCV_Tx := '0010'B, TCV_Max := '00'B, TCV_Neci := '0'B, TCV_Ccd0A := CntrlChDscrp(att, babr, cch_con, bpm, t3212))			
2		+CombinedBCCH_B(53, FreqBCCHb_rg, FreqBCCHb_rd, acttype, slot, tsc, ta, babr, cch_con, bpm)			
3		+sysinfo			
4		+SysInfo_SacchSending(TCV_sacch_B, TCV_sysinfo5_B, TCV_sysinfo6_B)			
sysinfo					
5		LIDL_UdatRqSchinfo	SyncInfo(C_SCH_B)		
6		(TCV_sysinfo6_B := SysInf6(C_ci_cellA, C_PLMN_1, C_lacellA, CellOpt_01))			
7		+gsmOrDcs			
gsmOrDcs					
8		[TSPC_PGSM OR TSPC_EGSM]			
9		LIDL_UdatRqSysinfo4	SysInfo4(C_BCCH_B_1, C_PLMN_1, C_lacellA, C_CellReselectHys0, C_MaxPwrLvIG, TCV_Neci, TCV_Max, TCV_Tx, C_noRestablishment)		
10		LIDL_UdatRqSysinfo1	SysInfo1(C_BCCH_B_1, CellChDes_17man, TCV_Max, TCV_Tx, C_noRestablishment)		
11		LIDL_UdatRqSysinfo2	SysInfo2(C_BCCH_B_1, BchFreqLst_01, TCV_Max, TCV_Tx, C_noRestablishment)		
12		(TCV_sysinfo5_B := SysInf5(BchFreqLst_01))			
13		LIDL_UdatRqSysinfo3	SysInfo3(C_BCCH_B_1, C_ci_cellA, C_PLMN_1, C_lacellA, TCV_Ccd0A, CellOpt_01, C_CellReselectHys0, C_MaxPwrLvIG, TCV_Neci, TCV_Max, TCV_Tx, C_noRestablishment)		
14		[TSPC_DCS]			
15		LIDL_UdatRqSysinfo4	SysInfo4(C_BCCH_B_1, C_PLMN_1, C_lacellA, C_CellReselectHys0, C_MaxPwrLvID, TCV_Neci, TCV_Max, TCV_Tx, C_noRestablishment)		
16		LIDL_UdatRqSysinfo1	SysInfo1(C_BCCH_B_1, CellChDes_18man, TCV_Max, TCV_Tx, C_noRestablishment)		

17	L!DL_UdatRqSysinfo2	SysInfo2(C_BCCH_B_1, BcchFreqLst_48, TCV_Max, TCV_Tx, C_noRestablishment)
18	(TCV_sysinfo5_B := SysInf5(BcchFreqLst_48))	
19	L!DL_UdatRqSysinfo3	SysInfo3(C_BCCH_B_1, C_ci_cellA, C_PLMN_1, C_lacellA, TCV_Ccd0A, CellOpt_01, C_CellReselectHys0, C_MaxPwrLvID, TCV_Neci, TCV_Max, TCV_Tx, C_noRestablishment)
Detailed Comments:		
SYSTEM INFORMATION messages with default parameter for cell B except the Cell Allocation: 10, 80, 100, 120 for GSM and 520 600, 700, 870 for DCS. used in TC_26_6_13_5, TC_26_6_13_6, TC_26_6_13_7, TC_26_6_13_8.		

Test Step Dynamic Behaviour					
Test Step Name:		StartCellC(acttype:BITSTRING; slot:SN; tsc:TSC; ta:TA; att:INTEGER; babr, cch_con, bpm:B_3; t3212:OCTETSTRING)			
Group:		GSM_L3_MS_v4170/Preambles/			
Objective:		To setup a physical channel as combined BCCH, CCCH and SDCCH4 then broadcast SYSTEM INFORMATION messages 2, 3, 4, 5 and 6 with default parameters of cell C.			
Default:		OtherEvents			
Comments:		IMSI attach/detach not allowed (ATT=0). Cell C belongs to PLMN1.			
Nr	Label	Behaviour Description	CRef	V	Comments
1		(TCV_Tx := '0010'B, TCV_Max := '00'B, TCV_Neci := '0'B, TCV_Ccd0C := CntrlChDscrp(att, babr, cch_con, bpm, t3212))			
2		+CombinedBCCH_C(53, FreqBCCHc, FreqBCCHc_d, acttype, slot, tsc, ta, babr, cch_con, bpm)			
3		+sysinfo			
4		+SysInfo_SacchSending(TCV_sacch_C, TCV_sysinfo5_C, TCV_sysinfo6_C)			
		sysinfo			
5		LIDL_UdatRqSchinfo	SynInfo(C_SCH_C)	1.	
6		(TCV_sysinfo6_C := SysInf6(C_ci_cellC, C_PLMN_1, C_lacellC, CellOpt_01))			
7		[TSPC_PGSM OR TSPC_EGSM]			
8		LIDL_UdatRqSysinfo2	SysInfo2(C_BCCH_C_1, BcchFreqLst_07, TCV_Max, TCV_Tx, C_noRestablishment)		
9		(TCV_sysinfo5_C := SysInf5(BcchFreqLst_07))			
10		LIDL_UdatRqSysinfo4	SysInfo4(C_BCCH_C_1, C_PLMN_1, C_lacellC, C_CellReselectHys0, C_MaxPwrLvIG, TCV_Neci, TCV_Max, TCV_Tx, C_noRestablishment)		
11		LIDL_UdatRqSysinfo1_nh	SysInfo1_nh(C_BCH_C_1, C_ci_cellC, C_PLMN_1, C_lacellC, TCV_Ccd0C, CellOpt_01, C_CellReselectHys0, C_MaxPwrLvIG, TCV_Neci, TCV_Max, TCV_Tx, C_noRestablishment)		
12		LIDL_UdatRqSysinfo3	SysInfo3(C_BCCH_C_1, C_ci_cellC, C_PLMN_1, C_lacellC, TCV_Ccd0C, CellOpt_01, C_CellReselectHys0, C_MaxPwrLvIG, TCV_Neci, TCV_Max, TCV_Tx, C_noRestablishment)		
13		[TSPC_DCS]			
14		LIDL_UdatRqSysinfo2	SysInfo2(C_BCCH_C_1, BcchFreqLst_15, TCV_Max, TCV_Tx, C_noRestablishment)		
15		(TCV_sysinfo5_C := SysInf5(BcchFreqLst_15))			
16		LIDL_UdatRqSysinfo4	SysInfo4(C_BCCH_C_1, C_PLMN_1, C_lacellC, C_CellReselectHys0, C_MaxPwrLvID,		

17		L!DL_UdatRqSysinfo1_nh	TCV_Neci, TCV_Max, TCV_Tx, C_noRestablishment)		
18		L!DL_UdatRqSysinfo3	SysInfo1_nh(C_BCC H_C_1, C_ci_cellC, C_PLMN_1, C_lacellC, TCV_Ccd0C, CellOpt_01, C_CellReselectHys0, C_MaxPwrLvID, TCV_Neci, TCV_Max, TCV_Tx, C_noRestablishment)		
Detailed Comments:					

Test Step Dynamic Behaviour					
Test Step Name:		Start_2cellsPLMN2(activ_cell: CellID; acttype:BITSTRING; slot:SN; tsc:TSC; ta:TA; att:INTEGER; babr, cch_con, bpm:B_3; t3212:OCTETSTRING)			
Group:		GSM_L3_MS_v4170/Preambles/			
Objective:		To start cell A and cell B with default parameters except power level of cell A and power level of cell B and to bring the MS in Idle updated state on given cell. A and B are from different location areas belonging to PLMN2. PLMN2 is different from HPLMN. IMSI attach detach is allowed in both cells. T3212 value is 1/10 in both cells.			
Default:		OtherEvents			
Nr	Label	Behaviour Description	CRef	V	Comments
1		[activ_cell = C_CellA]			
2		+cellA(63)			
3		+cellB(53)			
4		[activ_cell = C_CellB]			
5		+cellA(53)			
6		+cellB(63)			
		cellA(par_bspwr:INTEGER)			
7		+CombinedBCCH_A(par_bspwr, FreqBCCHa_rg, FreqBCCHa_rd, acttype,slot,tsc, ta, babr, cch_con, bpm)			
8		L!DL_UdatRqSchinfo	SyncInfo(C_SCH_A)		
9		[TSPC_PGSM OR TSPC_EGSM]			
10		+SysInfoSending_MM_A(5, 1, 0, att, babr, cch_con, bpm, t3212, C_ci_cellA, C_PLMN_2, C_lacellA, CellChDes_02, C_CellReselectHys0, C_MaxPwrLvIG, BcchFreqLst_01, C_noRestablishment)			
11		+SysInfo_SacchSending(TCV_sacch, TCV_sysinfo5, TCV_sysinfo6)			
12		[TSPC_DCS]			
13		+SysInfoSending_MM_A(5, 1, 0, att, babr, cch_con, bpm, t3212, C_ci_cellA, C_PLMN_2, C_lacellA, CellChDes_03, C_CellReselectHys0, C_MaxPwrLvID, BcchFreqLst_48, C_noRestablishment)			
14		+SysInfo_SacchSending(TCV_sacch, TCV_sysinfo5, TCV_sysinfo6)			
		cellB(par_bspwr:INTEGER)			
15		+CombinedBCCH_B(par_bspwr, FreqBCCHb_rg, FreqBCCHb_rd, acttype, slot, tsc, ta, babr, cch_con, bpm)			
16		L!DL_UdatRqSchinfo	SyncInfo(C_SCH_B)		
17		[TSPC_PGSM OR TSPC_EGSM]			
18		+SysInfoSending_MM_B(5, 1, 0, att, babr, cch_con, bpm, t3212, C_ci_cellB, C_PLMN_2, C_lacellB, CellChDes_04, C_CellReselectHys0, C_MaxPwrLvIG, BcchFreqLst_01, C_noRestablishment)			
19		+SysInfo_SacchSending(TCV_sacch_B, TCV_sysinfo5_B, TCV_sysinfo6_B)			
20		[TSPC_DCS]			
21		+SysInfoSending_MM_B(5, 1, 0, att, babr, cch_con, bpm, t3212, C_ci_cellB, C_PLMN_2, C_lacellB, CellChDes_03, C_CellReselectHys0, C_MaxPwrLvID, BcchFreqLst_48, C_noRestablishment)			
22		+SysInfo_SacchSending(TCV_sacch_B, TCV_sysinfo5_B, TCV_sysinfo6_B)			
Detailed Comments:					

Test Step Dynamic Behaviour					
Test Step Name:		StartMultiCells_01(acttype:BITSTRING; slot:SN; tsc:TSC; ta:TA; att:INTEGER; babr, cch_con, bpm:B_3; t3212:OCTETSTRING)			
Group:		GSM_L3_MS_v4170/Preambles/			
Objective:		To setup 8 or 7 physical channels representing different cells then broadcast SYSTEM INFORMATION messages 2, 3, 4, 5 and 6 in multiple cells for idle mode testing.			
Default:		OtherEvents			
Comments:		The parameters for SYSTEM INFORMATION messages are defined in section 26.3.1 of GSM 11.10			
Nr	Label	Behaviour Description	CRef	V	Comments
1		+cell1			
2		+cell2			
3		+cell3			
4		+cell4			
5		+cell5			
6		+cell6			
7		+cell7			
8		[TSPC_PGSM OR TSPC_EGSM]			
9		+cell8			
10		+WaitForInService			
11		[TSPC_DCS]			
12		+WaitForInService			
13		cell1 +CombinedBCCH_A(65, FreqBCCH1(1), FreqBCCH1(520), acttype, slot, tsc, ta, babr, cch_con, bpm)			
14		+SysInfoSending_1(att, babr, cch_con, bpm, t3212)			
15		+SysInfo_SacchSending(TCV_sacch, TCV_sysinfo5, TCV_sysinfo6)			
16		cell2 +CombinedBCCH_B(63, FreqBCCH1(7), FreqBCCH1(580), acttype, slot, tsc, ta, babr, cch_con, bpm)			
17		+SysInfoSending_2(att, babr, cch_con, bpm, t3212)			
18		+SysInfo_SacchSending(TCV_sacch_B, TCV_sysinfo5_B, TCV_sysinfo6_B)			
19		cell3 +CombinedBCCH_C(61, FreqBCCH1(39), FreqBCCH1(610), acttype, slot, tsc, ta, babr, cch_con, bpm)			
20		+SysInfoSending_3(att, babr, cch_con, bpm, t3212)			
21		+SysInfo_SacchSending(TCV_sacch_C, TCV_sysinfo5_C, TCV_sysinfo6_C)			
22		cell4 +CombinedBCCH_D(55, FreqBCCH1(65), FreqBCCH1(702), acttype, slot, tsc, ta, babr, cch_con, bpm)			
23		+SysInfoSending_4(att, babr, cch_con, bpm, t3212)			
24		+SysInfo_SacchSending(TCV_sacch_D, TCV_sysinfo5_D, TCV_sysinfo6_D)			
25		cell5 +CombinedBCCH_E(59, FreqBCCH1(66), FreqBCCH1(703), acttype, slot, tsc, ta, babr, cch_con, bpm)			
26		+SysInfoSending_5(att, babr, cch_con, bpm, t3212)			
27		+SysInfo_SacchSending(TCV_sacch_E, TCV_sysinfo5_E, TCV_sysinfo6_E)			
28		cell6 +CombinedBCCH_F(57, FreqBCCH1(85), FreqBCCH1(830), acttype, slot, tsc, ta, babr, cch_con, bpm)			
29		+SysInfoSending_6(att, babr, cch_con, bpm, t3212)			

30	+SysInfo_SacchSending(TCV_sacch_F, TCV_sysinfo5_F, TCV_sysinfo6_F)			
	cell7			
31	+CombinedBCCH_G_sp(55, FreqBCCH1(97), FreqBCCH1(985), FreqBCCH1(885), acttype, slot, tsc, ta, babr, cch_con, bpm)			
32	+SysInfoSending_7(att, babr, cch_con, bpm, t3212)			
33	+SysInfo_SacchSending(TCV_sacch_G, TCV_sysinfo5_G, TCV_sysinfo6_G)			
	cell8			
34	+CombinedBCCH_H(53, FreqBCCH1(124), FreqBCCH1(124), acttype, slot, tsc, ta, babr, cch_con, bpm)			
35	+SysInfoSending_8(att, babr, cch_con, bpm, t3212)			
36	+SysInfo_SacchSending(TCV_sacch_H, TCV_sysinfo5_H, TCV_sysinfo6_H)			
Detailed Comments:				

Test Step Dynamic Behaviour					
Test Step Name:		StartMultiCells_02(bcchfl_gsm, bcchfl_dcs:NCD; acttype:BITSTRING; slot:SN; tsc:TSC; ta, ta1:TA; att:INTEGER; babr, cch_con, bpm:B_3; t3212:OCTETSTRING)			
Group:		GSM_L3_MS_v4170/Preambles/			
Objective:		To broadcast SYSTEM INFORMATION messages 1, 2, 3, 4, 5 and 6 in multiple cells for measurement testing. Neighbour cells description for cell S1 is a formal parameter.			
Default:		OtherEvents			
Comments:		The parameters for SYSTEM INFORMATION messages are defined in section 26.6.3 of GSM 11.10			
Nr	Label	Behaviour Description	CRef	V	Comments
1		+cellS1			
2		+cellN1			
3		+cellN2			
4		+cellN3			
5		+cellN4			
6		+cellN5			
7		+cellN6			
8		+cellN7			
cellS1					
9		+CombinedBCCH_A(53, FreqBCCH1(2), FreqBCCH1(514), acttype, slot, tsc, ta, babr, cch_con, bpm)			
10		+SysInfoSending_10(bcchfl_gsm, bcchfl_dcs, att, babr, cch_con, bpm, t3212)			
11		+SysInfo_SacchSending(TCV_sacch, TCV_sysinfo5, TCV_sysinfo6)			
12		+WaitForInService			
cellN1					
13		+CombinedBCCH_B(28, FreqBCCH1(8), FreqBCCH1(530), acttype, slot, tsc, ta, babr, cch_con, bpm)			
14		+SysInfoSending_11(bcchfl_gsm, bcchfl_dcs, att, babr, cch_con, bpm, t3212)			
cellN2					
15		+CombinedBCCH_C(33, FreqBCCH1(14), FreqBCCH1(602), acttype, slot, tsc, ta, babr, cch_con, bpm)			
16		+SysInfoSending_12(bcchfl_gsm, bcchfl_dcs, att, babr, cch_con, bpm, t3212)			
cellN3					
17		+CombinedBCCH_D(38, FreqBCCH1(20), FreqBCCH1(665), acttype, slot, tsc, ta, babr, cch_con, bpm)			
18		+SysInfoSending_13('001'B, bcchfl_gsm, bcchfl_dcs, att, babr, cch_con, bpm, t3212)			ncc = 1
cellN4					
19		+CombinedBCCH_E(58, FreqBCCH1(26), FreqBCCH1(762), acttype, slot, tsc, ta, babr, cch_con, bpm)			
20		+SysInfoSending_14('001'B, bcchfl_gsm, bcchfl_dcs, att, babr, cch_con, bpm, t3212)			ncc = 1
cellN5					
21		+CombinedBCCH_F(63, FreqBCCH1(32), FreqBCCH1(686), acttype, slot, tsc, ta, babr, cch_con, bpm)			
22		+SysInfoSending_15('001'B, bcchfl_gsm, bcchfl_dcs, att, babr, cch_con, bpm, t3212)			ncc = 1
cellN6					
23		+CombinedBCCH_G(68, FreqBCCH1(38), FreqBCCH1(549), acttype, slot, tsc, ta, babr, cch_con, bpm)			
24		+SysInfoSending_16(bcchfl_gsm, bcchfl_dcs, att,			

		babr, cch_con, bpm, t3212)			
25		cellN7 +CombinedBCCH_H(73, FreqBCCH1(44), FreqBCCH1(810), acttype, slot, tsc, ta, babr, cch_con, bpm)			
26		+SysInfoSending_17(bcchfl_gsm, bcchfl_dcs, att, babr, cch_con, bpm, t3212)			
Detailed Comments:					

Test Step Dynamic Behaviour					
Test Step Name:		StartMultiCells_02e(bcchfl_gsm, bcchfl_dcs:NCD; acttype:BITSTRING; slot:SN; tsc:TSC; ta:TA; att:INTEGER; babr, cch_con, bpm:B_3; t3212:OCTETSTRING)			
Group:		GSM_L3_MS_v4170/Preambles/			
Objective:		To broadcast SYSTEM INFORMATION messages 1, 2, 3, 4, 5 and 6 in multiple cells for measurement testing. Neighbour cells description for cell S1 is a formal parameter.			
Default:		OtherEvents			
Comments:		The parameters for SYSTEM INFORMATION messages are defined in section 26.10.2 of GSM 11.10			
Nr	Label	Behaviour Description	CRef	V	Comments
1		+cellS1			
2		+cellN1			
3		+cellN2			
4		+cellN3			
5		+cellN4			
6		+cellN5			
7		+cellN6			
8		+cellN7			
cellS1					
9		[TSPC_EGSM = TRUE]			
10		+CombinedBCCH_A(53, FreqBCCH1(2), FreqBCCH1(2), acttype, slot, tsc, ta, babr, cch_con, bpm)			
11		+SysInfoSending_10(bcchfl_gsm, bcchfl_dcs, att, babr, cch_con, bpm, t3212)			ncc = 1
12		+SysInfo_SacchSending(TCV_sacch, TCV_sysinfo5, TCV_sysinfo6)			
cellN1					
13		[TSPC_EGSM = TRUE]			
14		+CombinedBCCH_B(28, FreqBCCH1(990), FreqBCCH1(990), acttype, slot, tsc, ta, babr, cch_con, bpm)			
15		+SysInfoSending_11(bcchfl_gsm, bcchfl_dcs, att, babr, cch_con, bpm, t3212)			ncc = 1
cellN2					
16		[TSPC_EGSM = TRUE]			
17		+CombinedBCCH_C(33, FreqBCCH1(1005), FreqBCCH1(1005), acttype, slot, tsc, ta, babr, cch_con, bpm)			
18		+SysInfoSending_12(bcchfl_gsm, bcchfl_dcs, att, babr, cch_con, bpm, t3212)			ncc = 1
cellN3					
19		[TSPC_EGSM = TRUE]			
20		+CombinedBCCH_D(38, FreqBCCH1(0), FreqBCCH1(0), acttype, slot, tsc, ta, babr, cch_con, bpm)			
21		+SysInfoSending_13('001'B, bcchfl_gsm, bcchfl_dcs, att, babr, cch_con, bpm, t3212)			ncc = 1
cellN4					
22		[TSPC_EGSM = TRUE]			
23		+CombinedBCCH_E(58, FreqBCCH1(26), FreqBCCH1(26), acttype, slot, tsc, ta, babr, cch_con, bpm)			
24		+SysInfoSending_14('001'B, bcchfl_gsm, bcchfl_dcs, att, babr, cch_con, bpm, t3212)			ncc = 1
cellN5					
25		[TSPC_EGSM = TRUE]			
26		+CombinedBCCH_F(63, FreqBCCH1(1020), FreqBCCH1(1020), acttype, slot, tsc, ta, babr, cch_con, bpm)			
27		+SysInfoSending_15('001'B, bcchfl_gsm, bcchfl_dcs, att, babr, cch_con, bpm, t3212)			ncc = 1

28 29 30	cellN6 [TSPC_EGSM = TRUE] +CombinedBCCH_G(68, FreqBCCH1(38), FreqBCCH1(38), acttype, slot, tsc, ta, babr, cch_con, bpm) +SysInfoSending_16(bcchfl_gsm, bcchfl_dcs, att, babr, cch_con, bpm, t3212)			
31 32 33	cellN7 [TSPC_EGSM = TRUE] +CombinedBCCH_H(73, FreqBCCH1(1003), FreqBCCH1(1003), acttype, slot, tsc, ta, babr, cch_con, bpm) +SysInfoSending_17(bcchfl_gsm, bcchfl_dcs, att, babr, cch_con, bpm, t3212)			
Detailed Comments:				

Test Step Dynamic Behaviour					
Test Step Name:		StartMultiCells_03(bcchfl_gsm, bcchfl_dcs :NCD; acttype:BITSTRING; slot:SN; tsc:TSC; ta, ta1:TA; att:INTEGER; babr, cch_con, bpm:B_3; t3212:OCTETSTRING)			
Group:		GSM_L3_MS_v4170/Preambles/			
Objective:		To broadcast SYSTEM INFORMATION messages 1, 2, 3, 4, 5 and 6 in multiple cells for measurement testing. NCCs of cells N3, N4 and N5 are not to be monitored.			
Default:		OtherEvents			
Comments:		The parameters for SYSTEM INFORMATION messages are defined in section 26.6.3 of GSM 11.10			
Nr	Label	Behaviour Description	CRef	V	Comments
1		+cellS1			
2		+cellN1			
3		+cellN2			
4		+cellN3			
5		+cellN4			
6		+cellN5			
7		+cellN6			
8		+cellN7			
		cellS1			
9		+CombinedBCCH_A(53, FreqBCCH1(2), FreqBCCH1(514), acttype, slot, tsc, ta, babr, cch_con, bpm)			
10		+SysInfoSending_10(BcchFreqLst_22, BcchFreqLst_32, att, babr, cch_con, bpm, t3212)			
11		+SysInfo_SacchSending(TCV_sacch, TCV_sysinfo5, TCV_sysinfo6)			
12		+WaitForInService			
		cellN1			
13		+CombinedBCCH_B(28, FreqBCCH1(8), FreqBCCH1(530), acttype, slot, tsc, ta, babr, cch_con, bpm)			
14		+SysInfoSending_11(bcchfl_gsm, bcchfl_dcs, att, babr, cch_con, bpm, t3212)			
		cellN2			
15		+CombinedBCCH_C(33, FreqBCCH1(14), FreqBCCH1(602), acttype, slot, tsc, ta, babr, cch_con, bpm)			
16		+SysInfoSending_12(bcchfl_gsm, bcchfl_dcs, att, babr, cch_con, bpm, t3212)			
		cellN3			
17		+CombinedBCCH_D(38, FreqBCCH1(20), FreqBCCH1(665), acttype, slot, tsc, ta, babr, cch_con, bpm)			
18		+SysInfoSending_13('010'B, bcchfl_gsm, bcchfl_dcs, att, babr, cch_con, bpm, t3212)			ncc = 2
		cellN4			
19		+CombinedBCCH_E(58, FreqBCCH1(26), FreqBCCH1(762), acttype, slot, tsc, ta, babr, cch_con, bpm)			
20		+SysInfoSending_14('011'B, bcchfl_gsm, bcchfl_dcs, att, babr, cch_con, bpm, t3212)			ncc = 3
		cellN5			
21		+CombinedBCCH_F(63, FreqBCCH1(32), FreqBCCH1(686), acttype, slot, tsc, ta, babr, cch_con, bpm)			
22		+SysInfoSending_15('100'B, bcchfl_gsm, bcchfl_dcs, att, babr, cch_con, bpm, t3212)			ncc = 4
		cellN6			
23		+CombinedBCCH_G(68, FreqBCCH1(38), FreqBCCH1(549), acttype, slot, tsc, ta, babr, cch_con, bpm)			
24		+SysInfoSending_16(bcchfl_gsm, bcchfl_dcs, att,			

		babr, cch_con, bpm, t3212)			
25		cellN7 +CombinedBCCH_H(73, FreqBCCH1(44), FreqBCCH1(810), acttype, slot, tsc, ta, babr, cch_con, bpm)			
26		+SysInfoSending_17(bcchfl_gsm, bcchfl_dcs, att, babr, cch_con, bpm, t3212)			
Detailed Comments:					

Test Step Dynamic Behaviour					
Test Step Name:		StartMultiCells_04(bcchfl_gsm, bcchfl_dcs :NCD; acttype:BITSTRING; slot:SN; tsc:TSC; ta:TA; att:INTEGER; babr, cch_con, bpm:B_3; t3212:OCTETSTRING)			
Group:		GSM_L3_MS_v4170/Preambles/			
Objective:		To broadcast SYSTEM INFORMATION messages 1, 2, 3, 4, 5 and 6 in multiple cells for measurement testing. The DTX is set to "MS shall use discontinuous transmission.			
Default:		OtherEvents			
Comments:		The parameters for SYSTEM INFORMATION messages are defined in section 26.6.3 of GSM 11.10			
Nr	Label	Behaviour Description	CRef	V	Comments
1		+cellN1			
2		+cellS1			
3		+cellN2			
4		+cellN3			
5		+cellN4			
6		+cellN5			
7		+cellN6			
8		+cellN7			
cellS1					
9		+CombinedBCCH_A(53, FreqBCCH1(2), FreqBCCH1(514), acttype, slot, tsc, ta, babr, cch_con, bpm)			
10		+SysInfoSending_18(att, babr, cch_con, bpm, t3212)			
11		+SysInfo_SacchSending(TCV_sacch, TCV_sysinfo5, TCV_sysinfo6)			
cellN1					
12		+CombinedBCCH_B(28, FreqBCCH1(8), FreqBCCH1(530), acttype, slot, tsc, ta, babr, cch_con, bpm)			
13		+SysInfoSending_11(bcchfl_gsm, bcchfl_dcs, att, babr, cch_con, bpm, t3212)			
cellN2					
14		+CombinedBCCH_C(33, FreqBCCH1(14), FreqBCCH1(602), acttype, slot, tsc, ta, babr, cch_con, bpm)			
15		+SysInfoSending_12(bcchfl_gsm, bcchfl_dcs, att, babr, cch_con, bpm, t3212)			
cellN3					
16		+CombinedBCCH_D(38, FreqBCCH1(20), FreqBCCH1(665), acttype, slot, tsc, ta, babr, cch_con, bpm)			
17		+SysInfoSending_13('001'B, bcchfl_gsm, bcchfl_dcs, att, babr, cch_con, bpm, t3212)			ncc = 1
cellN4					
18		+CombinedBCCH_E(58, FreqBCCH1(36), FreqBCCH1(762), acttype, slot, tsc, ta, babr, cch_con, bpm)			
19		+SysInfoSending_14('001'B, bcchfl_gsm, bcchfl_dcs, att, babr, cch_con, bpm, t3212)			ncc = 1
cellN5					
20		+CombinedBCCH_F(63, FreqBCCH1(32), FreqBCCH1(686), acttype, slot, tsc, ta, babr, cch_con, bpm)			
21		+SysInfoSending_15('001'B, bcchfl_gsm, bcchfl_dcs, att, babr, cch_con, bpm, t3212)			ncc = 1
cellN6					
22		+CombinedBCCH_G(68, FreqBCCH1(38), FreqBCCH1(549), acttype, slot, tsc, ta, babr, cch_con, bpm)			
23		+SysInfoSending_16(bcchfl_gsm, bcchfl_dcs, att, babr, cch_con, bpm, t3212)			

24	cellN7 +CombinedBCCH_H(73, FreqBCCH1(44), FreqBCCH1(810), acttype, slot, tsc, ta, babr, cch_con, bpm)			
25	+SysInfoSending_17(bcchfl_gsm, bcchfl_dcs, att, babr, cch_con, bpm, t3212)			
26	+WaitForInService			
Detailed Comments:				

Test Step Dynamic Behaviour					
Test Step Name:		StartTwoCells(acttype:BITSTRING; slot:SN; tsc:TSC; ta:TA; att:INTEGER; babr, cch_con, bpm:B_3; t3212:OCTETSTRING)			
Group:		GSM_L3_MS_v4170/Preambles/			
Objective:		To start cell A and cell B with default parameters except power level of cell A = 28 DBuv and power level of cell B = 33 DBuv MNC of cell B = '02'O.			
Default:		OtherEvents			
Nr	Label	Behaviour Description	CRef	V	Comments
1		(TCV_Tx := '0010'B, TCV_Max := '00'B, TCV_Neci := '0'B, TCV_Ccd0A := CntrlChDscrp(att, babr, cch_con, bpm, t3212), TCV_Ccd0B := CntrlChDscrp(att, babr, cch_con, bpm, t3212))			
2		+cellA			
3		+cellB			
4		+WaitForInService			
cellA					
5		+CombinedBCCH_A(28, FreqBCCHa_rg, FreqBCCHa_rd, acttype, slot, tsc, ta, babr, cch_con, bpm)			
6		+sysinfoA			
7		+SysInfo_SacchSending(TCV_sacch, TCV_sysinfo5, TCV_sysinfo6)			
cellB					
8		+CombinedBCCH_B(33, FreqBCCHb_rg, FreqBCCHb_rd, acttype, slot, tsc, ta, babr, cch_con, bpm)			
9		+sysinfoB			
10		+SysInfo_SacchSending(TCV_sacch_B, TCV_sysinfo5_B, TCV_sysinfo6_B)			
sysinfoA					
11		LIDL_UdatRqSchinfo	SyncInfo(C_SCH_A)		
12		(TCV_sysinfo6 := SysInf6(C_ci_cellA, C_PLMN_1, C_lacellA, CellOpt_01))			
13		[TSPC_PGSM OR TSPC_EGSM]			
14		LIDL_UdatRqSysinfo2	SysInfo2(C_BCCH_A_1, BcchFreqLst_45, TCV_Max, TCV_Tx, C_Restablishment)		
15		(TCV_sysinfo5 := SysInf5(BcchFreqLst_45))			
16		LIDL_UdatRqSysinfo4	SysInfo4(C_BCCH_A_1, C_PLMN_1, C_lacellA, C_CellReselectHys0, C_MaxPwrLvlG, TCV_Neci, TCV_Max, TCV_Tx, C_Restablishment)		
17		LIDL_UdatRqSysinfo1_nh	SysInfo1_nh(C_BCH_H_A_1, C_ci_cellA, C_PLMN_1, C_lacellA, TCV_Ccd0A, CellOpt_01, C_CellReselectHys0, C_MaxPwrLvlG, TCV_Neci, TCV_Max, TCV_Tx, C_Restablishment)		
18		LIDL_UdatRqSysinfo3	SysInfo3(C_BCCH_A_1, C_ci_cellA, C_PLMN_1, C_lacellA, TCV_Ccd0A, CellOpt_01, C_CellReselectHys0, C_MaxPwrLvlG, TCV_Neci, TCV_Max, TCV_Tx,		

19	[TSPC_DCS]	C_Restablishment)
20	LIDL_UdatRqSysinfo2	SysInfo2(C_BCCH_A_1, BcchFreqLst_03, TCV_Max, TCV_Tx, C_Restablishment)
21	(TCV_sysinfo5 := SysInf5(BcchFreqLst_03))	
22	LIDL_UdatRqSysinfo4	SysInfo4(C_BCCH_A_1, C_PLMN_1, C_lacellA, C_CellReselectHys0, C_MaxPwrLvID, TCV_Neci, TCV_Max, TCV_Tx, C_Restablishment)
23	LIDL_UdatRqSysinfo1_nh	SysInfo1_nh(C_BCH_H_A_1, C_ci_cellA, C_PLMN_1, C_lacellA, TCV_Ccd0A, CellOpt_01, C_CellReselectHys0, C_MaxPwrLvID, TCV_Neci, TCV_Max, TCV_Tx, C_Restablishment)
24	LIDL_UdatRqSysinfo3	SysInfo3(C_BCCH_A_1, C_ci_cellA, C_PLMN_1, C_lacellA, TCV_Ccd0A, CellOpt_01, C_CellReselectHys0, C_MaxPwrLvID, TCV_Neci, TCV_Max, TCV_Tx, C_Restablishment)
	sysinfoB	
25	LIDL_UdatRqSchinfo	SyncInfo(C_SCH_B)
26	(TCV_sysinfo6_B := SysInf6(C_ci_cellB, C_PLMN_2, C_lacellB, CellOpt_01))	
27	[TSPC_PGSM OR TSPC_EGSM]	
28	LIDL_UdatRqSysinfo2	SysInfo2(C_BCCH_B_1, BcchFreqLst_45, TCV_Max, TCV_Tx, C_Restablishment)
29	(TCV_sysinfo5_B := SysInf5(BcchFreqLst_45))	
30	LIDL_UdatRqSysinfo4	SysInfo4(C_BCCH_B_1, C_PLMN_2, C_lacellB, C_CellReselectHys0, C_MaxPwrLvIG, TCV_Neci, TCV_Max, TCV_Tx, C_Restablishment)
31	LIDL_UdatRqSysinfo1_nh	SysInfo1_nh(C_BCH_H_B_1, C_ci_cellB, C_PLMN_2, C_lacellB, TCV_Ccd0B, CellOpt_01, C_CellReselectHys0, C_MaxPwrLvIG, TCV_Neci, TCV_Max, TCV_Tx, C_Restablishment)
32	LIDL_UdatRqSysinfo3	SysInfo3(C_BCCH_B_1, C_ci_cellB, C_PLMN_2, C_lacellB, TCV_Ccd0B, CellOpt_01, C_CellReselectHys0,

			C_MaxPwrLvIG, TCV_Neci, TCV_Max, TCV_Tx, C_Restablishment)	
33		[TSPC_DCS]		
34		LIDL_UdatRqSysinfo2	SysInfo2(C_BCCH_B _1, BcchFreqLst_03, TCV_Max, TCV_Tx, C_Restablishment)	
35		(TCV_sysinfo5_B := SysInf5(BcchFreqLst_03))		
36		LIDL_UdatRqSysinfo4	SysInfo4(C_BCCH_B _1, C_PLMN_2, C_lacellB, C_CellReselectHys0, C_MaxPwrLvID, TCV_Neci, TCV_Max, TCV_Tx, C_Restablishment)	
37		LIDL_UdatRqSysinfo1_nh	SysInfo1_nh(C_BCC H_B_1, C_ci_cellB, C_PLMN_2, C_lacellB, TCV_Ccd0B, CellOpt_01, C_CellReselectHys0, C_MaxPwrLvID, TCV_Neci, TCV_Max, TCV_Tx, C_Restablishment)	
38		LIDL_UdatRqSysinfo3	SysInfo3(C_BCCH_B _1, C_ci_cellB, C_PLMN_2, C_lacellB, TCV_Ccd0B, CellOpt_01, C_CellReselectHys0, C_MaxPwrLvID, TCV_Neci, TCV_Max, TCV_Tx, C_Restablishment)	
Detailed Comments:				

Test Step Dynamic Behaviour					
Test Step Name:		StartTwoCells_01(bcchfl_gsm, bcchfl_dcs:NCD; acttype:BITSTRING; slot:SN; tsc:TSC; ta:TA; att:INTEGER; babr, cch_con, bpm:B_3; t3212:OCTETSTRING)			
Group:		GSM_L3_MS_v4170/Preambles/			
Objective:		To broadcast SYSTEM INFORMATION messages 1, 2, 3, 4, 5 and 6 in two cells for measurement testing. Neighbour cells description for cell S1 is a formal parameter.			
Default:		OtherEvents			
Comments:		The parameters for SYSTEM INFORMATION messages are defined in section 26.6.3 of GSM 11.10			
Nr	Label	Behaviour Description	CRef	V	Comments
1		+cellS1			
2		+cellN1			
cellS1					
3		+CombinedBCCH_A(53, FreqBCCH1(2), FreqBCCH1(715), acttype, slot, tsc, ta, babr, cch_con, bpm)			
4		+SysInfoSending_10(bcchfl_gsm, bcchfl_dcs, att, babr, cch_con, bpm, t3212)			
5		+SysInfo_SacchSending(TCV_sacch, TCV_sysinfo5, TCV_sysinfo6)			
6		LIDL_UdatRqSysinfo5bis (TCV_sysinfo5bis := SysInf5bis_01(BcchFreqLst_38))	SysInfo5bis_01(TCV_sacch, BcchFreqLst_38)		
7		+WaitForInService			
cellN1					
8		+CombinedBCCH_B(28, FreqBCCH1(8), FreqBCCH1(815), acttype, slot, tsc, ta, babr, cch_con, bpm)			
9		+SysInfoSending_11(bcchfl_gsm, bcchfl_dcs, att, babr, cch_con, bpm, t3212)			
Detailed Comments:		used in TC_26_6_3_5			

Test Step Dynamic Behaviour					
Test Step Name:		IdleState_cellA(acttype:BITSTRING; slot:SN; tsc:TSC; ta:TA; att:INTEGER; babr, cch_con, bpm:B_3; t3212:OCTETSTRING; Re:BITSTRING)			
Group:		GSM_L3_MS_v4170/Preambles/			
Objective:		To setup a physical channel as combined BCCH, CCCH and SDCCH4 then broadcast SYSTEM INFORMATION messages 2, 3, 4, 5 and 6 with default parameters of cell A.			
Default:		OtherEvents			
Comments:		Default parameter. IMSI attach detach is not allowed. Cell A is belonging to PLMN1.			
Nr	Label	Behaviour Description	CRef	V	Comments
1		+StartCellA(63, acttype, slot, tsc, ta, att, babr, cch_con, bpm, t3212, Re)			
2		+WaitForInService			
Detailed Comments:					

Test Step Dynamic Behaviour					
Test Step Name: IdleState_cellB3(acttype:BITSTRING; slot:SN; tsc:TSC; ta:TA; att:INTEGER; babr, cch_con, bpm:B_3; t3212:OCTETSTRING)					
Group: GSM_L3_MS_v4170/Preambles/					
Objective: To setup a physical channel as combined BCCH, CCCH and SDCCH4 then broadcast SYSTEM INFORMATION messages 2, 3, 4, 5 and 6 with default parameters of cell B.					
Default: OtherEvents					
Comments: LAI deleted, HPLN search period = 6min, using of SIM card 2.					
Nr	Label	Behaviour Description	CRef	V	Comments
1		+IdleState_cellA(acttype, slot, tsc, ta, att, babr, cch_con, bpm, t3212, C_noRestablishment)			
2		+LowRfLev_Cellnotavail(C_CellA)			
3		(TCV_Null := OO_SIM2Ins())			1)
4		+Varinit_fixB			
5		+CombinedBCCH_B(53, FreqBCCHb_rg, FreqBCCHb_rd, acttype, slot, tsc, ta, babr, cch_con, bpm)			
6		+SysInfoSending_24(att, babr, cch_con, bpm, t3212)			
7		+SysInfo_SacchSending(TCV_sacch_B, TCV_sysinfo5_B, TCV_sysinfo6_B)			
8		+MM_LupInit2(C_imsi_attach, ta)			
9		L!DL_DatRqLupRej	LocRej_01(C_rc_LAnotallowed, TCV_ch)	(P)	1)
10		+ChanRel(TCV_ch)			
Detailed Comments: 1) SIM card 2 with the parameters IMSI= short IMSI and HPLN search period = 6min is required. 2) LAI shall be deleted.					

Test Step Dynamic Behaviour					
Test Step Name:		IdleState_2cellMM(activ_cell: CellID; acttype:BITSTRING; slot:SN; tsc:TSC; ta:TA; att:INTEGER; babr, cch_con, bpm:B_3; t3212:OCTETSTRING)			
Group:		GSM_L3_MS_v4170/Preambles/			
Objective:		To start cell A and cell B with default parameters except power level of cell A and power level of cell B and to bring the MS in Idle updated state on given cell. A and B are from different location areas belonging to PLMN2. PLMN2 is different from HPLMN. IMSI attach detach is allowed in both cells. T3212 value is 1/10 in both cells.			
Default:		OtherEvents			
Nr	Label	Behaviour Description	CRef	V	Comments
1		[activ_cell = C_CellA]			
2		+cellA(63)			
3		+cellB(53)			
4		+WaitForInService			
5		[activ_cell = C_CellB]			
6		+cellA(53)			
7		+cellB(63)			
8		+WaitForInService			
		cellA(par_bspwr:INTEGER)			
9		+CombinedBCCH_A(par_bspwr, FreqBCCHa_rg, FreqBCCHa_rd, acttype, slot, tsc,ta, babr, cch_con, bpm)			
10		LIDL_UdatRqSchinfo	SyncInfo(C_SCH_A)		
11		[TSPC_PGSM OR TSPC_EGSM]			
12		+SysInfoSending_MM_A(5, 1, 0, att, babr, cch_con, bpm, t3212, C_ci_cellA, C_PLMN_2, C_lacellA, CellChDes_04, C_CellReselectHys0, C_MaxPwrLvIG, BcchFreqLst_01, C_noRestablishment)			
13		+SysInfo_SacchSending(TCV_sacch, TCV_sysinfo5, TCV_sysinfo6)			
14		[TSPC_DCS]			
15		+SysInfoSending_MM_A(5, 1, 0, att, babr, cch_con, bpm, t3212, C_ci_cellA, C_PLMN_2, C_lacellA, CellChDes_03, C_CellReselectHys0, C_MaxPwrLvID, BcchFreqLst_48, C_noRestablishment)			
16		+SysInfo_SacchSending(TCV_sacch, TCV_sysinfo5, TCV_sysinfo6)			
		cellB(par_bspwr:INTEGER)			
17		+CombinedBCCH_B(par_bspwr, FreqBCCHb_rg, FreqBCCHb_rd, acttype, slot, tsc, ta, babr, cch_con, bpm)			
18		LIDL_UdatRqSchinfo	SyncInfo(C_SCH_B)		
19		[TSPC_PGSM OR TSPC_EGSM]			
20		+SysInfoSending_MM_B(5, 1, 0, att, babr, cch_con, bpm, t3212, C_ci_cellB, C_PLMN_2, C_lacellB, CellChDes_04, C_CellReselectHys0, C_MaxPwrLvIG, BcchFreqLst_01, C_noRestablishment)			
21		+SysInfo_SacchSending(TCV_sacch_B, TCV_sysinfo5_B, TCV_sysinfo6_B)			
22		[TSPC_DCS]			
23		+SysInfoSending_MM_B(5, 1, 0, att, babr, cch_con, bpm, t3212, C_ci_cellB, C_PLMN_2, C_lacellB, CellChDes_03, C_CellReselectHys0, C_MaxPwrLvID, BcchFreqLst_48, C_noRestablishment)			
24		+SysInfo_SacchSending(TCV_sacch_B, TCV_sysinfo5_B, TCV_sysinfo6_B)			
Detailed Comments:					

Test Step Dynamic Behaviour

Test Step Name: IdleState_2cellMM2(activ_cell: CellID; acttype:BITSTRING; slot:SN; tsc:TSC; ta:TA; att:INTEGER; babr, cch_con, bpm:B_3; t3212:OCTETSTRING)

Group: GSM_L3_MS_v4170/Preambles/

Objective: To start cell A and cell B with default parameters except power level of cell A and power level of cell B and to bring the MS in Idle updated state on given cell.

A and B are from different location areas belonging to PLMN1(HPLMN).
 IMSI attach detach is NOT allowed in both cells.
 T3212 value is set to infinite.

Default: OtherEvents

Nr	Label	Behaviour Description	CRef	V	Comments
1		[activ_cell = C_CellA]			
2		+StartCellA(63, acttype, slot, tsc, ta, att, babr, cch_con, bpm, t3212, C_noRestablishment)			
3		+StartCellB(53, acttype, slot, tsc, ta, att, babr, cch_con, bpm, t3212, C_noRestablishment)			
4		+WaitForInService			
5		[activ_cell = C_CellB]			
6		+StartCellB(63, acttype, slot, tsc, ta, att, babr, cch_con, bpm, t3212, C_noRestablishment)			
7		+StartCellA(53, acttype, slot, tsc, ta, att, babr, cch_con, bpm, t3212, C_noRestablishment)			
8		+WaitForInService			

Detailed Comments:

Test Step Dynamic Behaviour					
Test Step Name:		IdleState_3cellIMMA(acttype:BITSTRING; slot:SN; tsc:TSC; ta:TA; att:INTEGER; babr, cch_con, bpm:B_3; t3212:OCTETSTRING)			
Group:		GSM_L3_MS_v4170/Preambles/			
Objective:		To start the cells A, B and C with default parameters except power level of cell A = -40 dB = 73 dBuVemf, power level of cell B = -50 dB = 63 dBuVemf and power level of cell C = -60 dB = 53 dBuVemf and to bring the MS in Idle updated state on cell A.			
		Signal level (dBuVemf) = P (dBm) + 113			
		A, B and C are from same PLMN which differs from HPLMN with 3 different location area codes.			
		IMSI attach detach is allowed in both cells. T3212 value is 1/10 in both cells.			
Default:		OtherEvents			
Nr	Label	Behaviour Description	CRef	V	Comments
1		(TCV_Tx := '0010'B, TCV_Max := '00'B, TCV_Neci := '0'B, TCV_Ccd0A := CntrlChDscrp(att, babr, cch_con, bpm, t3212), TCV_Ccd0B := CntrlChDscrp(att, babr, cch_con, bpm, t3212), TCV_Ccd0C := CntrlChDscrp(att, babr, cch_con, bpm, t3212))			
2		+cellA			
3		(TCV_Res := OO_SwitchOff())			
4		+Varinit_fixA			
5		(TCV_Res:=OO_SwitchOn())			
6		L?DL_RaInChRq (TCV_Rr := DL_RaInChRq.msg.ecau_rrf, TCV_Fn := DL_RaInChRq.fn)	ChReq_02		Any channel request PDU
7		ACTIVATE(OtherEvents_02)			To match ChReq retrans.
8		LIDL_UdatRqImmss	ImmAss_01(TCV_agc h, TCV_Rr, TCV_Fn, slot, tsc, ta, TCV_chdescr_arfcn)		
9		L?DL_EstInLupRq	LocUp_01(TCV_ch, C_norm_period_attac h)		Any location update type
10		ACTIVATE(OtherEvents)			Restore Normal default
11		+CCAAuthenticate(TCV_ch)			
12		LIDL_DatRqLupAcp	LocAcp_30(MiTmsi_0 1iei, TCV_ch, TCV_lac)		
13		L?DL_DatInTmsireCom	TmsiReallocCmp_02(TCV_ch)	(P)	
14		+PostMainLinkRel(TCV_ch)			Release Channel
15		+WaitForInService			
16		+cellB			
17		+cellC			
		cellA			
18		+CombinedBCCH_A(73, FreqBCCHa_rg, FreqBCCHa_rd, acttype, slot, tsc, ta, babr, cch_con, bpm)			
19		+sysinfoA			
20		+SysInfo_SacchSending(TCV_sacch, TCV_sysinfo5, TCV_sysinfo6)			
		cellB			
21		+CombinedBCCH_B(63, FreqBCCHb_rg, FreqBCCHb_rd, acttype, slot, tsc, ta, babr, cch_con, bpm)			
22		+sysinfoB			
23		+SysInfo_SacchSending(TCV_sacch_B, TCV_sysinfo5_B, TCV_sysinfo6_B)			
		cellC			
24		+CombinedBCCH_C(53, FreqBCCHc, FreqBCCHc_d, acttype, slot, tsc, ta, babr, cch_con, bpm)			

25	+sysinfoC	
26	+SysInfo_SacchSending(TCV_sacch_C, TCV_sysinfo5_C, TCV_sysinfo6_C)	
	sysinfoA	
27	L!DL_UdatRqSchinfo	SyncInfo(C_SCH_A)
28	(TCV_sysinfo6 := SysInf6(C_ci_cellA, C_PLMN_2, C_lacellA, CellOpt_01))	
29	[TSPC_PGSM OR TSPC_EGSM]	
30	LIDL_UdatRqSysinfo2	SysInfo2(C_BCCH_A _1, BcchFreqLst_01, TCV_Max, TCV_Tx, C_noRestablishment)
31	(TCV_sysinfo5 := SysInf5(BcchFreqLst_01))	
32	LIDL_UdatRqSysinfo4	SysInfo4(C_BCCH_A _1, C_PLMN_2, C_lacellA, C_CellReselectHys0, C_MaxPwrLvIG, TCV_Neci, TCV_Max, TCV_Tx, C_noRestablishment)
33	LIDL_UdatRqSysinfo1_nh	SysInfo1_nh(C_BCC H_A_1, C_ci_cellA, C_PLMN_2, C_lacellA, TCV_Ccd0A, CellOpt_01, C_CellReselectHys0, C_MaxPwrLvIG, TCV_Neci, TCV_Max, TCV_Tx, C_noRestablishment)
34	LIDL_UdatRqSysinfo3	SysInfo3(C_BCCH_A _1, C_ci_cellA, C_PLMN_2, C_lacellA, TCV_Ccd0A, CellOpt_01, C_CellReselectHys0, C_MaxPwrLvIG, TCV_Neci, TCV_Max, TCV_Tx, C_noRestablishment)
35	[TSPC_DCS]	
36	LIDL_UdatRqSysinfo2	SysInfo2(C_BCCH_A _1, BcchFreqLst_48, TCV_Max, TCV_Tx, C_noRestablishment)
37	(TCV_sysinfo5 := SysInf5(BcchFreqLst_48))	
38	LIDL_UdatRqSysinfo4	SysInfo4(C_BCCH_A _1, C_PLMN_2, C_lacellA, C_CellReselectHys0, C_MaxPwrLvID, TCV_Neci, TCV_Max, TCV_Tx, C_noRestablishment)
39	LIDL_UdatRqSysinfo1_nh	SysInfo1_nh(C_BCC H_A_1, C_ci_cellA, C_PLMN_2, C_lacellA, TCV_Ccd0A, CellOpt_01, C_CellReselectHys0, C_MaxPwrLvID, TCV_Neci, TCV_Max, TCV_Tx, C_noRestablishment)
40	LIDL_UdatRqSysinfo3	SysInfo3(C_BCCH_A _1, C_ci_cellA, C_PLMN_2, C_lacellA, TCV_Ccd0A, CellOpt_01,

		C_CellReselectHys0, C_MaxPwrLvlD, TCV_Neci, TCV_Max, TCV_Tx, C_noRestablishment)
	sysinfoB	
41	L!DL_UdatRqSchinfo	SyncInfo(C_SCH_B)
42	(TCV_sysinfo6_B := SysInf6(C_ci_cellB, C_PLMN_2, C_lacellB, CellOpt_01))	
43	[TSPC_PGSM OR TSPC_EGSM]	
44	L!DL_UdatRqSysinfo2	SysInfo2(C_BCCH_B _1, BchFreqLst_01, TCV_Max, TCV_Tx, C_noRestablishment)
45	(TCV_sysinfo5_B := SysInf5(BchFreqLst_01))	
46	L!DL_UdatRqSysinfo4	SysInfo4(C_BCCH_B _1, C_PLMN_2, C_lacellB, C_CellReselectHys0, C_MaxPwrLvlG, TCV_Neci, TCV_Max, TCV_Tx, C_noRestablishment)
47	L!DL_UdatRqSysinfo1_nh	SysInfo1_nh(C_BCC H_B_1, C_ci_cellB, C_PLMN_2, C_lacellB, TCV_Ccd0B, CellOpt_01, C_CellReselectHys0, C_MaxPwrLvlG, TCV_Neci, TCV_Max, TCV_Tx, C_noRestablishment)
48	L!DL_UdatRqSysinfo3	SysInfo3(C_BCCH_B _1, C_ci_cellB, C_PLMN_2, C_lacellB, TCV_Ccd0B, CellOpt_01, C_CellReselectHys0, C_MaxPwrLvlG, TCV_Neci, TCV_Max, TCV_Tx, C_noRestablishment)
49	[TSPC_DCS]	
50	L!DL_UdatRqSysinfo2	SysInfo2(C_BCCH_B _1, BchFreqLst_48, TCV_Max, TCV_Tx, C_noRestablishment)
51	(TCV_sysinfo5_B := SysInf5(BchFreqLst_48))	
52	L!DL_UdatRqSysinfo4	SysInfo4(C_BCCH_B _1, C_PLMN_2, C_lacellB, C_CellReselectHys0, C_MaxPwrLvlD, TCV_Neci, TCV_Max, TCV_Tx, C_noRestablishment)
53	L!DL_UdatRqSysinfo1_nh	SysInfo1_nh(C_BCC H_B_1, C_ci_cellB, C_PLMN_2, C_lacellB, TCV_Ccd0B, CellOpt_01, C_CellReselectHys0, C_MaxPwrLvlD, TCV_Neci, TCV_Max, TCV_Tx, C_noRestablishment)
54	L!DL_UdatRqSysinfo3	SysInfo3(C_BCCH_B _1, C_ci_cellB,

		C_PLMN_2, C_lacellB, TCV_Ccd0B, CellOpt_01, C_CellReselectHys0, C_MaxPwrLvlD, TCV_Neci, TCV_Max, TCV_Tx, C_noRestablishment)	
	sysinfoC		
55	LIDL_UdatRqSchinfo	SyncInfo(C_SCH_C)	1.
56	(TCV_sysinfo6_C := SysInf6(C_ci_cellC, C_PLMN_2, C_lacellC, CellOpt_01))		
57	[TSPC_PGSM OR TSPC_EGSM]		
58	LIDL_UdatRqSysinfo2	SysInfo2(C_BCCH_C _1, BcchFreqLst_07, TCV_Max, TCV_Tx, C_noRestablishment)	
59	(TCV_sysinfo5_C := SysInf5(BcchFreqLst_07))		
60	LIDL_UdatRqSysinfo4	SysInfo4(C_BCCH_C _1, C_PLMN_2, C_lacellC, C_CellReselectHys0, C_MaxPwrLvlG, TCV_Neci, TCV_Max, TCV_Tx, C_noRestablishment)	
61	LIDL_UdatRqSysinfo1_nh	SysInfo1_nh(C_BCC H_C_1, C_ci_cellC, C_PLMN_2, C_lacellC, TCV_Ccd0C, CellOpt_01, C_CellReselectHys0, C_MaxPwrLvlG, TCV_Neci, TCV_Max, TCV_Tx, C_noRestablishment)	
62	LIDL_UdatRqSysinfo3	SysInfo3(C_BCCH_C _1, C_ci_cellC, C_PLMN_2, C_lacellC, TCV_Ccd0C, CellOpt_01, C_CellReselectHys0, C_MaxPwrLvlG, TCV_Neci, TCV_Max, TCV_Tx, C_noRestablishment)	
63	[TSPC_DCS]		
64	LIDL_UdatRqSysinfo2	SysInfo2(C_BCCH_C _1, BcchFreqLst_15, TCV_Max, TCV_Tx, C_noRestablishment)	
65	(TCV_sysinfo5_C := SysInf5(BcchFreqLst_15))		
66	LIDL_UdatRqSysinfo4	SysInfo4(C_BCCH_C _1, C_PLMN_2, C_lacellC, C_CellReselectHys0, C_MaxPwrLvlD, TCV_Neci, TCV_Max, TCV_Tx, C_noRestablishment)	
67	LIDL_UdatRqSysinfo1_nh	SysInfo1_nh(C_BCC H_C_1, C_ci_cellC, C_PLMN_2, C_lacellC, TCV_Ccd0C, CellOpt_01, C_CellReselectHys0, C_MaxPwrLvlD, TCV_Neci, TCV_Max,	

68		LIDL_UdatRqSysinfo3	TCV_Tx, C_noRestablishment) SysInfo3(C_BCCH_C _1, C_ci_cellC, C_PLMN_2, C_lacellC, TCV_Ccd0C, CellOpt_01, C_CellReselectHys0, C_MaxPwrLvlD, TCV_Neci, TCV_Max, TCV_Tx, C_noRestablishment)	
Detailed Comments:				

Defaults Library

Default Dynamic Behaviour					
Default Name:		OtherEvents			
Group:		GSM_L3_MS_v4170/			
Objective:		To match unexpected events and sign final verdict for preambles.			
Comments:		used in preambles.			
Nr	Label	Behaviour Description	CRef	V	Comments
1		L?DL_Relln	DLRelInd_02		4.
2		RETURN			
3		?TIMEOUT T_guard			1.
4		+ltree_SDCCH1_release			
5		+ltree_SDCCH2_release			
6		+ltree_TCH1_release			
7		+ltree_TCH2_release			
8		(TCV_Null := OO_TguardTimeOut())			
9		CANCEL		I	3.
10		L?OTHERWISE			2.
11		+ltree_SDCCH1_release			
12		+ltree_SDCCH2_release			
13		+ltree_TCH1_release			
14		+ltree_TCH2_release			
15		L?DL_Relln	DLRelInd_01		
16		CANCEL		I	3.
17		?TIMEOUT T_guard			1.
18		CANCEL		I	3.
ltree_SDCCH1_release					
19		[TCV_ch <> "dummy"]			
20		L!DL_DatRqChRel	ChRel(TCV_ch, ChRelease_01)		
21		[TCV_ch = "dummy"]			
ltree_SDCCH2_release					
22		[TCV_ch1 <> "dummy"]			
23		L!DL_DatRqChRel	ChRel(TCV_ch1, ChRelease_01)		
24		[TCV_ch1 = "dummy"]			
ltree_TCH1_release					
25		[TCV_chTch <> "dummy"]			
26		L!DL_DatRqChRel	ChRel(TCV_chTch, ChRelease_01)		
27		[TCV_chTch = "dummy"]			
ltree_TCH2_release					
28		[TCV_chTch1 <> "dummy"]			
29		L!DL_DatRqChRel	ChRel(TCV_chTch1, ChRelease_01)		
30		[TCV_chTch1 = "dummy"]			
Detailed Comments:		1. The guard timer times out, inconclusive. 2. Unexpected events, inconclusive. 3. Cancel of all running timers. 4. Local end termination request allowed.			

Default Dynamic Behaviour					
Default Name:		OtherEventsFail			
Group:		GSM_L3_MS_v4170/			
Objective:		To match unexpected events and fail the test case.			
Nr	Label	Behaviour Description	CRef	V	Comments
1		L?DL_Relln	DLRelInd_02		
2		RETURN			
3		?TIMEOUT T_guard			1.
4		+ltree_SDCCH1_release			
5		+ltree_SDCCH2_release			
6		+ltree_TCH1_release			
7		+ltree_TCH2_release			
8		(TCV_Null := OO_TguardTimeOut())			
9		CANCEL		I	3.
10		L?OTHERWISE			2.
11		+ltree_SDCCH1_release			
12		+ltree_SDCCH2_release			
13		+ltree_TCH1_release			
14		+ltree_TCH2_release			
15		L?DL_Relln	DLRelInd_01		
16		CANCEL		F	3.
17		?TIMEOUT T_guard			
18		CANCEL		F	3.
		ltree_SDCCH1_release			
19		[TCV_ch <> "dummy"]			
20		L!DL_DatRqChRel	ChRel(TCV_ch, ChRelease_01)		
21		[TCV_ch = "dummy"]			
		ltree_SDCCH2_release			
22		[TCV_ch1 <> "dummy"]			
23		L!DL_DatRqChRel	ChRel(TCV_ch1, ChRelease_01)		
24		[TCV_ch1 = "dummy"]			
		ltree_TCH1_release			
25		[TCV_chTch <> "dummy"]			
26		L!DL_DatRqChRel	ChRel(TCV_chTch, ChRelease_01)		
27		[TCV_chTch = "dummy"]			
		ltree_TCH2_release			
28		[TCV_chTch1 <> "dummy"]			
29		L!DL_DatRqChRel	ChRel(TCV_chTch1, ChRelease_01)		
30		[TCV_chTch1 = "dummy"]			
Detailed Comments:		1. The guard timer times out, inconclusive. 2. Unexpected events, fail. 3. Cancel of all running timers.			

Default Dynamic Behaviour					
Default Name:		OtherEventsFail_01			
Group:		GSM_L3_MS_v4170/			
Objective:		To match irrelevant CHANNEL REQUEST msg and MEASUREMENT REPORT msg and return or match other unexpected events and fail the test case.			
Nr	Label	Behaviour Description	CRef	V	Comments
1		L?DL_Relln	DLRelInd_01		6.
2		RETURN			
3		?TIMEOUT T_guard			1.
4		+ltree_SDCCH1_release			
5		+ltree_SDCCH2_release			
6		+ltree_TCH1_release			
7		+ltree_TCH2_release			
8		(TCV_Null := OO_TguardTimeOut())			
9		CANCEL		I	5.
10		L?DL_RacInChRq	ChReq(ChRequest_02)		2.
11		RETURN			
12		L?DL_UdatInMsrRpt	MsrRept_02		3.
13		RETURN			
14		L?OTHERWISE			4.
15		+ltree_SDCCH1_release			
16		+ltree_SDCCH2_release			
17		+ltree_TCH1_release			
18		+ltree_TCH2_release			
19		L?DL_Relln	DLRelInd_01		
20		CANCEL		F	5.
21		?TIMEOUT T_guard			
22		CANCEL		F	5.
ltree_SDCCH1_release					
23		[TCV_ch <> "dummy"]			
24		L!DL_DatRqChRel	ChRel(TCV_ch, ChRelease_01)		
25		[TCV_ch = "dummy"]			
ltree_SDCCH2_release					
26		[TCV_ch1 <> "dummy"]			
27		L!DL_DatRqChRel	ChRel(TCV_ch1, ChRelease_01)		
28		[TCV_ch1 = "dummy"]			
ltree_TCH1_release					
29		[TCV_chTch <> "dummy"]			
30		L!DL_DatRqChRel	ChRel(TCV_chTch, ChRelease_01)		
31		[TCV_chTch = "dummy"]			
ltree_TCH2_release					
32		[TCV_chTch1 <> "dummy"]			
33		L!DL_DatRqChRel	ChRel(TCV_chTch1, ChRelease_01)		
34		[TCV_chTch1 = "dummy"]			
Detailed Comments:		1. The guard timer times out, inconclusive. 2. To throw away any irrelevant channel request. 3. To throw away any measurement report. 4. Other unexpected events, fail. 5. Cancel of all running timers. 6. Cover also DLRelInd_02 for local end termination.			

Default Dynamic Behaviour					
Default Name:		OtherEventsFail_02			
Group:		GSM_L3_MS_v4170/			
Objective:		To match unexpected events and fail the test case but ignore channel request messages that are sent before the lower tester has sent (and the MS received) the Immediate Assignment message.			
Nr	Label	Behaviour Description	CRef	V	Comments
1		L?DL_Relln	DLRelInd_02		
2		RETURN			
3		L?DL_RacInChRq	ChReq(ChRequest_02)		1.
4		RETURN			
5		?TIMEOUT T_guard			2.
6		+ltree_SDCCH1_release			
7		+ltree_SDCCH2_release			
8		+ltree_TCH1_release			
9		+ltree_TCH2_release			
10		(TCV_Null := OO_TguardTimeOut())			
11		CANCEL		I	4.
12		L?OTHERWISE			3.
13		+ltree_SDCCH1_release			
14		+ltree_SDCCH2_release			
15		+ltree_TCH1_release			
16		+ltree_TCH2_release			
17		L?DL_Relln	DLRelInd_01		
18		CANCEL		F	4.
19		?TIMEOUT T_guard			
20		CANCEL		F	4.
		ltree_SDCCH1_release			
21		[TCV_ch <> "dummy"]			
22		L!DL_DatRqChRel	ChRel(TCV_ch, ChRelease_01)		
23		[TCV_ch = "dummy"]			
		ltree_SDCCH2_release			
24		[TCV_ch1 <> "dummy"]			
25		L!DL_DatRqChRel	ChRel(TCV_ch1, ChRelease_01)		
26		[TCV_ch1 = "dummy"]			
		ltree_TCH1_release			
27		[TCV_chTch <> "dummy"]			
28		L!DL_DatRqChRel	ChRel(TCV_chTch, ChRelease_01)		
29		[TCV_chTch = "dummy"]			
		ltree_TCH2_release			
30		[TCV_chTch1 <> "dummy"]			
31		L!DL_DatRqChRel	ChRel(TCV_chTch1, ChRelease_01)		
32		[TCV_chTch1 = "dummy"]			
Detailed Comments:		<ol style="list-style-type: none"> 1. To throw away any irrelevant channel request. 2. The guard timer times out, inconclusive. 3. Unexpected events, fail. 4. Cancel of all running timers. 			

Default Dynamic Behaviour					
Default Name:		OtherEvents_01			
Group:		GSM_L3_MS_v4170/			
Objective:		To match irrelevant messages and return			
Nr	Label	Behaviour Description	CRef	V	Comments
1		L?OTHERWISE			1.
2		RETURN			
Detailed Comments:		1. Cover also DLRelnd_02 for local end termination.			

Default Dynamic Behaviour					
Default Name:		OtherEvents_02			
Group:		GSM_L3_MS_v4170/			
Objective:		To match unexpected events and sign final verdict for preambles but ignore channel request messages that are sent before the lower tester has sent (and the MS received) the Immediate Assignment message.			
Comments:		used in preambles.			
Nr	Label	Behaviour Description	CRef	V	Comments
1		L?DL_Relln	DLRelInd_02		
2		RETURN			
3		L?DL_RaInChRq	ChReq(ChRequest_02)		1.
4		RETURN			
5		?TIMEOUT T_guard			2.
6		+ltree_SDCCH1_release			
7		+ltree_SDCCH2_release			
8		+ltree_TCH1_release			
9		+ltree_TCH2_release			
10		(TCV_Null := OO_TguardTimeOut())			
11		CANCEL		I	4.
12		L?OTHERWISE			3.
13		+ltree_SDCCH1_release			
14		+ltree_SDCCH2_release			
15		+ltree_TCH1_release			
16		+ltree_TCH2_release			
17		L?DL_Relln	DLRelInd_01		
18		CANCEL		I	4.
19		?TIMEOUT T_guard			2.
20		CANCEL		I	4.
ltree_SDCCH1_release					
21		[TCV_ch <> "dummy"]			
22		L!DL_DatRqChRel	ChRel(TCV_ch, ChRelease_01)		
23		[TCV_ch = "dummy"]			
ltree_SDCCH2_release					
24		[TCV_ch1 <> "dummy"]			
25		L!DL_DatRqChRel	ChRel(TCV_ch1, ChRelease_01)		
26		[TCV_ch1 = "dummy"]			
ltree_TCH1_release					
27		[TCV_chTch <> "dummy"]			
28		L!DL_DatRqChRel	ChRel(TCV_chTch, ChRelease_01)		
29		[TCV_chTch = "dummy"]			
ltree_TCH2_release					
30		[TCV_chTch1 <> "dummy"]			
31		L!DL_DatRqChRel	ChRel(TCV_chTch1, ChRelease_01)		
32		[TCV_chTch1 = "dummy"]			
Detailed Comments:		<ol style="list-style-type: none"> 1. To throw away any irrelevant channel request. 2. The guard timer times out, inconclusive. 3. Unexpected events, inconclusive. 4. Cancel of all running timers. 			

Default Dynamic Behaviour					
Default Name:		RcvHdOvAcc			
Group:		GSM_L3_MS_v4170/			
Objective:		To match any HANDOVER ACCESS then return to calling tree.			
Nr	Label	Behaviour Description	CRef	V	Comments
1		L?DL_RacInHoacc	HndOvAcc_01		
2		RETURN			
Detailed Comments:					

Annex B: Partial IXIT proforma

Notwithstanding the provisions of the copyright clause related to the text of this ETS, ETSI grants that users of this ETS may freely reproduce the PIXIT proforma in this annex so that it can be used for its intended purposes and may further publish the completed PIXIT.

Introduction

This partial IXIT proforma contained in this ETS, after augmented by the Test Realizer, is proposed to be provided to the client for completion, when the related Abstract Test Suite is to be used against client's Implementation Under Test (IUT).

Text in *italics* is comments for guidance for the production of a IXIT, and is not to be included in the actual IXIT.

The completed IXIT will normally be used in conjunction with the completed ICS, as it adds precision to the information provided by the ICS.

B.1 Identification Summary

This table is completed by the test laboratory. The item "Contract References" is optional.

Table 1: Identification Summary

IXIT Reference Number	
Test Laboratory Name	
Date of Issue	
Issued to (name of client)	
Contract References	

B.2 Abstract Test Suite Summary

In the following table the test laboratory provides the version number of the protocol specification and the version number of ATS which are used in the conformance testing.

Table 2: ATS Summary

Protocol Specification	ETS 300 557
Version of Protocol Specification	
TSS & TP Specification	ETS 300 607-1
Version of TSS & TP Specification	
ATS Specification	ETS 300 607-3
Version of ATS Specification	
Abstract Test Method	Remote Test Method

B.3 Test Laboratory

B.3.1 Test Laboratory Identification

The test laboratory provides the following information.

Table 3: Test Laboratory Identification

Name of Test Laboratory	
Postal Address	
Office address	
Telephone Number	
FAX Number	

Notwithstanding the provisions of the copyright clause related to the text of the present ETS (see the front page), ETS grants users of this ETS to freely reproduce the partial IXIT proforma in this clause so that it can be used for its intended purposes and may further publish the completed IXIT

B.3.2 Accreditation status of the test service

The test laboratory provides the following information.

Table 4: Accreditation status of the test service

Accreditation status	
Accreditation Reference	

B.3.3 Manager of Test Laboratory

The test laboratory provides the information about the manager of test laboratory in the following table.

Table 5: Manager of Test Laboratory

Name of Manager of Test Laboratory	
Telephone Number	
FAX Number	
E-mail Address	

B.3.4 Contact person of Test Laboratory

The test laboratory provides the information about the contact person of test laboratory in the following table.

Table 6: Contact person of Test Laboratory

Name of Contact of Test Laboratory	
Telephone Number	
FAX Number	
E-mail Address	

B.3.5 Means of Testing

In the table below, the test laboratory provides a statement of conformance of the Means Of Testing (MOT) to the reference standardized ATS, and identifies all restrictions for the test execution required by the MOT beyond those stated in the reference standardized ATS.

Table 7: Means of Testing

Means of Testing

B.3.6 Instructions for Completion

In this table, the test laboratory provides any specific instructions necessary for completion and return of the proforma from the client.

Table 8: Instruction for Completion

Instructions for Completion

B.4 Client

B.4.1 Client Identification

The client provides the identification in the following table.

Table 9: Client Identification

Name of Client	
Postal Address	
Office Address	
Telephone Number	
FAX Number	

B.4.2 Client Test Manager

In this table the client provides information about the test manager.

Table 10: Client Test Manager

Name of Client Test Manager	
Telephone Number	
FAX Number	
E-mail Address	

B.4.3 Client Contact person

In this table the client provides information about the test contact person.

Table 11: Client Contact person

Name of Client contact person	
Telephone Number	
FAX Number	
E-mail Address	

B.4.4 Test Facilities Required

In the following table, the client records the particular facilities required for testing, if a range of facilities is provided by the test laboratory.

Table 12: Test Facilities Required

Test Facilities Required

B.5 System Under Test

B.5.1 SUT Information

The client provides information about the SUT in the table below.

Table 13: SUT Information

System Name	
System Version	
SCS Reference	
Machine Configuration	
Operating System Identification	
IUT Identification	
ICS Reference for the IUT	

B.5.2 Limitations of the SUT

In the table below, the client provides information explaining if any of the abstract tests cannot be executed.

Table 14: Limitation of the SUT

Limitations of the SUT

B.5.3 Environmental Conditions

In the table below the client provides information about any tighter environmental conditions for the correct operation of the SUT.

Table 15: Environmental Conditions

Environmental Conditions

B.6 Ancillary Protocols

This clause is completed by the client in conjunction with the test laboratory.

In the following tables, the client identifies relevant information concerning each ancillary protocol in the SUT other than the IUT itself. One table for one ancillary protocol.

Based on the MOT the test laboratory should create question proformas for each ancillary protocol in the blank space following each table. The information required is dependent on the MOT and the SUT, and covers all the addressing, parameter values, timer values and facilities (relevant to ETSSs) as defined by the ICS for the ancillary protocol.

B.6.1 Ancillary Protocols 1

Table 16: Ancillary Protocol 1

Protocol Name	ETS 300
Version number	
ICS Reference (optional)	
IXIT Reference (optional)	
PCTR Reference (optional)	

B.6.2 Ancillary Protocols 2

Table 17: Ancillary Protocol 2

Protocol Name	ETS 300
Version number	
ICS Reference (optional)	
IXIT Reference (optional)	
PCTR Reference (optional)	

B.7 Protocol Layer Information for L3 of Mobile Station

This clause is completed by the test laboratory

B.7.1 Protocol Identification

Table 18: Protocol Identification

Specification Reference	ETS 300 557 European digital cellular telecommunications system (phase 2); Mobile radio interface layer 3 specification (GSM 04.08)
Version of Protocol	
ICS Reference	

B.7.2 Parameter Values

B.7.2.1 Parameters related to Physical Resources

B.7.2.1.1 Parameter TSPX_AltNb

In the default test condition, there are two set of ARFCNs for neighbour cells BCCH/CCCH carriers available, one set is {10, 80, 90, 100, 110, 120} for GSM 900 or {520, 600, 700, 780, 810, 870} for DCS 1 800, an alternative is {15, 85, 95, 105, 115, 122} for GSM 900 or {530, 610, 710, 790, 820, 880} for DCS 1 800. The value of TRUE selects the alternative set.

Table 19: Parameter TSPX_AltNb

Parameter Name	TSPX_AltNb
Parameter Type	BOOLEAN
Parameter Value	
References: TSPX_AltNb is used in: all test cases except RR and MM test group.	

B.7.2.1.2 Parameter TSPX_BCCHcarrierA

In the default test condition, BCCH/CCCH carrier for cell A could be one of the following ARFCNs 20, 40 and 60 for GSM 900 or one of the following ARFCNs 590, 690 and 830 for DCS 1 800. The parameter TSPX_BCCHcarrierA specifies which one is used in the test.

Table 20: Parameter TSPX_BCCHcarrierA

Parameter Name	TSPX_BCCHcarrierA
Parameter Type	INTEGER
Parameter Value	
References: TSPX_BCCHcarrierA is used in: all test cases except RR and MM test group.	

B.7.2.1.3 Parameter TSPX_BCCHcarrierB

In invalid/inopportune test, Idle mode test, and CC test group, an emulation of two cells, cell A and cell B, is needed. The parameter TSPX_BCCHcarrierB specifies the ARFCN used for BCCH/CCCH carrier of cell B. the value of TSPX_BCCHcarrierB can be selected from {10, 80, 90, 100, 110,120} for GSM 900 or {520, 600, 700, 780, 810, 870} for DCS 1 800 when the TSPX_AltNb = FALSE, or form {15, 85, 95, 105, 115, 122} for GSM 900 or {530, 610, 710, 790, 820, 880} for DCS ! 800 when the TSPX_AltNb = TRUE.

Table 21: Parameter TSPX_BCCHcarrierB

Parameter Name	TSPX_BCCHcarrierB
Parameter Type	INTEGER
Parameter Value	
References: TSPX_BCCHcarrierB is used in: TC_26_3_4, TC_26_5_4_1, TC_26_5_5_2_3, TC_26_5_6_1_1, TC_26_5_6_1_2, TC_26_7_1, TC_26_7_2_2, TC_26_7_4_1, TC_26_7_4_2_1, TC_26_7_4_2_2_1, TC_26_7_4_2_2_2, TC_26_7_4_2_3, TC_26_7_4_2_4_1, TC_26_7_4_2_4_3, TC_26_7_4_2_4_5, TC_26_7_4_3_1, TC_26_7_4_3_2, TC_26_7_4_3_3, TC_26_7_4_3_4, TC_26_7_4_4, TC_26_7_4_5_3, TC_26_7_4_5_4_1, TC_26_7_4_5_4_2, TC_26_7_4_5_3, TC_26_7_4_6, TC_26_7_5_7_1, TC_26_8_1_4_3_2, TC_26_8_2_1	

B.7.2.1.4 Parameter TSPX_BCCHcarrierA_HO

The parameter TSPX_BCCHcarrierA_HO specifies the ARFCN used for BCCH/CCCH carrier of cell A in handover test cases. If the mobile station under test is GSM mobile state, the value of the parameter shall be 20. If the MS under test is DCS mobile station the value shall be 747.

Table 22: Parameter TSPX_BCCHcarrierA_HO

Parameter Name	TSPX_BCCHcarrierA_HO
Parameter Type	INTEGER
Parameter Value	
References: TSPX_BCCHcarrierA_HO is used in: TC_26_6_5_1_2, TC_26_6_5_1_4, TC_26_6_5_1_5, TC_26_6_5_1_6, TC_26_6_5_1_7, TC_26_6_5_1_8, TC_26_6_5_2_1, TC_26_6_5_2_2, TC_26_6_5_2_3, TC_26_6_5_2_4, TC_26_6_5_2_6, TC_26_6_5_2_7, TC_26_6_5_2_9, TC_26_6_5_2_10, TC_26_6_5_4_1, TC_26_6_5_4_3.	

B.7.2.1.5 Parameter TSPX_BCCHcarrierB_HO

The parameter TSPX_BCCHcarrierB_HO specifies the ARFCN used for BCCH/CCCH carrier of cell B in handover test cases. If the mobile station under test is GSM mobile state, the value of the parameter shall be 40. If the MS under test is DCS mobile station the value shall be 764.

Table 23: Parameter TSPX_BCCHcarrierB_HO

Parameter Name	TSPX_BCCHcarrierB_HO
Parameter Type	INTEGER
Parameter Value	
References: TSPX_BCCHcarrierB_HO is used in: TC_26_6_5_1_1, TC_26_6_5_1_3, TC_26_6_5_1_5, TC_26_6_5_1_7, TC_26_6_5_2_1, TC_26_6_5_2_2, TC_26_6_5_2_3, TC_26_6_5_2_4, TC_26_6_5_2_5, TC_26_6_5_2_6, TC_26_6_5_2_7, TC_26_6_5_2_8, TC_26_6_5_2_9, TC_26_6_5_2_10, TC_26_6_5_3_1, TC_26_6_5_3_2, TC_26_6_5_4_1, TC_26_6_5_4_2, TC_26_6_5_4_3, TC_26_6_5_4_4.	

B.7.2.1.6 Parameter TSPX_TCHcarrierA

If there is no special requirement indicated, the carrier for traffic channel or SDCCH channel of cell A could be one of the following ARFCNs 30, 50 and 70 for GSM 900 or one of the following ARFCNs 650, 750 and 850 for DCS 1 800. The parameter TSPX_TCHcarrierA specifies which one is used in the cell A for the test.

Table 24: Parameter TSPX_TCHcarrierA

Parameter Name	TSPX_TCHcarrierA
Parameter Type	INTEGER
Parameter Value	
References: TSPX_TCHcarrierA is used in: all test cases except RR and MM test cases.	

B.7.2.1.7 Parameter TSPX_TCHcarrierA_ho

The parameter TSPX_TCHcarrierA_ho specifies TCH and SDCCH channel frequency number of cell A for HO cases. Its value is arbitrarily selected from cell allocation of cell A but not the carrier for BCCH. For GSM testing the cell allocation is 10, 17, 20, 26, 34, 42, 45, 46, 52, 59, 66, 73, 74, 75, 76, 108, 114. For DCS testing the cell allocation is 734, 741, 747, 754, 759, 766, 767, 773, 775, 779, 782, 791, 798, 829, 832, 844.

Table 25: Parameter TSPX_TCHcarrierA_ho

Parameter Name	TSPX_TCHcarrierA_ho
Parameter Type	INTEGER
Parameter Value	
References: TSPX_TCHcarrierA_ho is used in: TC_26_6_5_1_7, TC_26_6_5_4_4.	

B.7.2.1.8 Parameter TSPX_TCHcarrierB

The parameter TSPX_TCHcarrierB specifies the ARFCN used for the carrier of traffic channel or SDCCH channel of cell B.

Table 26: Parameter TSPX_TCHcarrierB

Parameter Name	TSPX_TCHcarrierB
Parameter Type	INTEGER
Parameter Value	
References: TSPX_TCHcarrierB is used in: TC_26_6_3_4, TC_26_6_5_4_4, TC_26_6_5_5_1, TC_26_6_5_5_2, TC_26_6_5_6, TC_26_6_5_7, TC_26_6_5_8, TC_26_6_5_9, TC_26_8_2_1.	

B.7.2.1.9 Parameter TSPX_TCHcarrierB_ho

The parameter TSPX_TCHcarrierB_ho specifies the ARFCN used for the carrier of traffic channel or SDCCH channel of cell B for handover test cases. Its value is arbitrarily selected from the cell allocation of cell B but not the carrier for BCCH. For GSM testing the cell allocation is 14, 18, 22, 24, 30, 31, 38, 40, 60, 66, 73, 74, 75, 76, 108, 114. For DCS testing the cell allocation is 739, 743, 746, 749, 756, 758, 761, 764, 771, 779, 782, 791, 798, 829, 832, 844.

Table 27: Parameter TSPX_TCHcarrierB_ho

Parameter Name	TSPX_TCHcarrierB_ho
Parameter Type	INTEGER
Parameter Value	
References: TSPX_TCHcarrierB_ho is used in: TC_26_6_5_1_1, TC_26_6_5_1_2, TC_26_6_5_1_3, TC_26_6_5_2_5, TC_26_6_5_2_8, TC_26_6_5_3_1, TC_26_6_5_3_2, TC_26_6_5_4_4.	

B.7.2.1.10 Parameter TSPX_TCHcarrierB2_ho

The parameter TSPX_TCHcarrierB2_ho specifies the ARFCN used for the carrier of traffic channel or SDCCH channel of cell B for handover test cases. It can be any value selected from cell allocation for cell B, but not BCCH carrier. For GSM testing the cell allocation is 14, 18, 22, 24, 30, 31, 38, 40, 60, 66, 73, 74, 75, 76, 108, 114. For DCS testing the cell allocation is 739, 743, 746, 749, 756, 758, 761, 764, 771, 779, 782, 791, 798, 829, 832, 844.

Table 28: Parameter TSPX_TCHcarrierB2_ho

Parameter Name	TSPX_TCHcarrierB2_ho
Parameter Type	INTEGER
Parameter Value	
References: TSPX_TCHcarrierB2_ho is used in: TC_26_6_5_2_8.	

B.7.2.1.11 Parameters for Time Slot

Parameters in the following table represent the Time Slot used. The item 1 to item 8 are used in test cases where the Time Slot values are arbitrarily selected but controllable. The parameters can have any valid values but they shall be different from each other. Item 1 is the default Time Slot used in the test cases where the Time Slot is not specifically indicated. Item 9 can be any valid value but not zero.

Table 29: Parameters for Time Slot

Item	Name	Type	Value
1	TSPX_TmSlitDef	BITSTRING[3]	
2	TSPX_TmSlitA	BITSTRING[3]	
3	TSPX_TmSlitB	BITSTRING[3]	
4	TSPX_TmSlitC	BITSTRING[3]	
5	TSPX_TmSlitD	BITSTRING[3]	
6	TSPX_TmSlitE	BITSTRING[3]	
7	TSPX_TmSlitF	BITSTRING[3]	
8	TSPX_TmSlitG	BITSTRING[3]	
9	TSPX_TmSlitNotZero	BITSTRING[3]	

References:

TSPX_TmSlitA is used in: TC_26_6_5_1_1, TC_26_6_5_1_8, TC_26_6_5_2_8, TC_26_6_5_3_1, TC_26_6_6_1, TC_26_6_13_1.

TSPX_TmSlitB is used in: TC_26_6_5_1_1, TC_26_6_5_1_2, TC_26_6_5_2_9, TC_26_6_5_3_2, TC_26_6_5_4_3, TC_26_6_6_1, TC_26_6_13_1, TC_26_6_13_2, TC_26_6_13_6.

TSPX_TmSlitC is used in: TC_26_6_3_4, TC_26_6_4_2_1, TC_26_6_5_1_3, TC_26_6_5_2_6, TC_26_6_5_2_10, TC_26_6_5_5_1, TC_26_6_5_5_2, TC_26_6_5_6, TC_26_6_5_7, TC_26_6_5_8, TC_26_6_5_9, TC_26_6_6_1, TC_26_6_12_4, TC_26_6_13_2, TC_26_6_13_7, TC_26_8_1_4_3_1, TC_26_8_1_4_3_2, TC_26_8_1_4_5_6, TC_26_8_1_4_5_7, TC_26_8_2_1.

TSPX_TmSlitD is used in: TC_26_6_5_1_3, TC_26_6_5_1_4, TC_26_6_5_2_7, TC_26_6_6_1, TC_26_6_13_3, TC_26_6_13_4, TC_26_6_13_7, TC_26_6_13_8.

TSPX_TmSlitE is used in: TC_26_6_5_1_5, TC_26_6_5_2_8, TC_26_6_6_1, TC_26_6_13_3, TC_26_6_13_8.

TSPX_TmSlitF is used in: TC_26_6_5_1_6, TC_26_6_5_2_6, TC_26_6_5_2_9, TC_26_6_6_1, TC_26_6_13_4, TC_26_6_13_9.

TSPX_TmSlitG is used in: TC_26_6_5_1_7, TC_26_6_5_2_7, TC_26_6_5_2_10, TC_26_6_6_1, TC_26_6_13_4, TC_26_6_13_5, TC_26_6_13_10.

TSPX_TmSlitDef is used in: all other test cases.

TSPX_TmSlitNotZero is used in: TC_26_6_5_1_2, TC_26_6_5_1_5, TC_26_6_5_1_6, TC_26_6_5_1_7, TC_26_6_5_1_8, TC_26_6_5_2_2, TC_26_6_5_2_4, TC_26_6_5_2_5, TC_26_6_5_3_1, TC_26_6_5_3_2, TC_26_6_5_4_1, TC_26_6_5_4_2, TC_26_6_5_4_4.

B.7.2.2 Parameters related logical channel**B.7.2.2.1 Parameters for SDDCH4 Subchannels**

The parameters TSPX_SDCCH4Sub's indicate the TDMA offset of SDCCH4 subchannels. The item 1 to item 4 in the table are used in test cases where the subchannels are arbitrarily selected but controllable. The parameters can have valid values but they shall be different from each other. Item 1 is the default TDMA offset of SDCCH4 subchannel used in the test cases where the subchannel of SDCCH4 is not specifically indicated.

Table 30: Parameters for SDCCH4 subchannels

Item	Name	Type	Value
1	TSPX_SDCCH4SubDef	BITSTRING[2]	
2	TSPX_SDCCH4SubA	BITSTRING[2]	
3	TSPX_SDCCH4SubB	BITSTRING[2]	
4	TSPX_SDCCH4SubC	BITSTRING[2]	

References:

TSPX_SDCCH4SubA is used in: TC_26_6_1_2, TC_26_6_2_2, TC_26_6_2_3_1, TC_26_6_2_3_2, TC_26_6_3_1, TC_26_6_3_2, TC_26_6_3_3, TC_26_6_3_4, TC_26_6_3_5, TC_26_6_4_2_1, TC_26_6_5_1_1, TC_26_6_5_1_3, TC_26_6_5_1_5, TC_26_6_5_1_7, TC_26_6_5_1_8, TC_26_6_5_2_1, TC_26_6_5_2_2, TC_26_6_5_2_3, TC_26_6_5_4_2, TC_26_6_5_5_1, TC_26_6_5_6, TC_26_6_5_7, TC_26_6_5_8, TC_26_6_5_9, TC_26_6_8_2, TC_26_6_8_4, TC_26_6_11_2.

TSPX_SDCCH4SubB is used in: TC_26_6_1_2, TC_26_6_1_4, TC_26_6_2_1_2, TC_26_6_2_2, TC_26_6_2_3_1, TC_26_6_2_3_2, TC_26_6_3_4, TC_26_6_4_2_2, TC_26_6_5_1_2, TC_26_6_5_1_4, TC_26_6_5_1_6, TC_26_6_5_3_1, TC_26_6_5_3_2, TC_26_6_5_5_1, TC_26_6_5_5_2, TC_26_6_5_6, TC_26_6_5_7, TC_26_6_5_8, TC_26_6_5_9, TC_26_6_8_3, TC_26_6_8_4, TC_26_6_8_5, TC_26_6_13_5, , TC_26_6_13_6, TC_26_6_13_7, TC_26_6_13_8, TC_26_8_1_4_3_1, TC_26_8_1_4_3_2, TC_26_8_1_4_5_7.

TSPX_SDCCH4SubC is used in: TC_26_6_2_1_1, TC_26_6_5_5_1, TC_26_6_5_8, TC_26_6_8_4, TC_26_6_11_1.

TSPX_SDCCH4SubDef is used in: all other test cases, which use SDCCH4 channel, not listed above.

B.7.2.2.2 Parameters for SDDCH8 Subchannels

The parameters TSPX_SDCCH8Sub's indicate the TDMA offset of SDCCH8 subchannels. The item 1 to item 8 in the table are used in test cases where the subchannels are arbitrarily selected but controllable. The parameters can have any valid values but they shall be different from each other. Item 1 is the default TDMA offset of SDCCH8 subchannel used in the test cases where the subchannel of SDCCH8 is not specifically indicated.

Table 31: Parameters for SDCCH8 subchannels

Item	Name	Type	Value
1	TSPX_SDCCH8SubDef	BITSTRING[3]	
2	TSPX_SDCCH8SubA	BITSTRING[3]	
3	TSPX_SDCCH8SubB	BITSTRING[3]	
4	TSPX_SDCCH8SubC	BITSTRING[3]	
5	TSPX_SDCCH8SubD	BITSTRING[3]	
6	TSPX_SDCCH8SubE	BITSTRING[3]	
7	TSPX_SDCCH8SubF	BITSTRING[3]	
8	TSPX_SDCCH8SubG	BITSTRING[3]	
References:			
TSPX_SDCCH8SubA is used in: TC_26_6_1_1, TC_26_6_1_4, TC_26_6_1_5, TC_26_6_2_1_1, TC_26_6_2_1_2, TC_26_6_2_1_3, TC_26_6_2_5, TC_26_6_3_1, TC_26_6_3_2, TC_26_6_3_3, TC_26_6_3_4, TC_26_6_3_5, TC_26_6_4_1, TC_26_6_4_2_1, TC_26_6_4_2_2, TC_26_6_5_2_3, TC_26_6_5_2_4, TC_26_6_5_2_8, TC_26_6_5_2_9, TC_26_6_5_2_10, TC_26_6_5_4_1, TC_26_6_5_4_2, TC_26_6_5_4_4, TC_26_6_5_5_1, TC_26_6_5_5_2, TC_26_6_5_6, TC_26_6_5_7, TC_26_6_5_8, TC_26_6_5_9, TC_26_6_6_1, TC_26_6_7_1, TC_26_6_8_1, TC_26_6_8_2, TC_26_6_8_3, TC_26_6_8_4, TC_26_6_8_5, TC_26_6_11_1, TC_26_6_11_2, TC_26_6_13_1, TC_26_6_13_2, TC_26_6_13_3, TC_26_6_13_4, TC_26_6_13_5, TC_26_6_13_6, TC_26_6_13_7, TC_26_6_13_8, TC_26_6_13_9, TC_26_6_13_10.			
TSPX_SDCCH8SubB is used in: TC_26_6_1_2, TC_26_6_6_1, TC_26_6_12_1, TC_26_6_13_2, TC_26_6_13_5.			
TSPX_SDCCH8SubC is used in: TC_26_6_1_2, TC_26_6_6_1, TC_26_6_13_2, TC_26_6_13_6.			
TSPX_SDCCH8SubD is used in: TC_26_6_1_5.			
TSPX_SDCCH8SubE is used in: TC_26_6_2_1_3.			
TSPX_SDCCH8SubF is used in: TC_26_6_2_5.			
TSPX_SDCCH8SubG is used in: TC_26_6_12_2.			
TSPX_SDCCH8SubDef is used in: TC_26_6_4_1, TC_26_6_5_2_1, TC_26_6_5_2_2, TC_26_6_5_2_3, TC_26_6_5_2_4, TC_26_6_5_2_5, TC_26_6_5_2_6, TC_26_6_5_2_7, TC_26_6_5_2_8, TC_26_6_5_2_9, TC_26_6_5_2_10, TC_26_6_5_4_1, TC_26_6_5_4_2, TC_26_6_5_4_3, TC_26_6_5_4_4, TC_26_6_12_4.			

B.7.2.2.3 Parameters for Half Rate Traffic Subchannels

The parameters TSPX_TCHHSub's indicate TDMA offset of Half rate TCH subchannels. The item 1 to item 2 in the table are used in test cases where the subchannels are arbitrarily selected but controllable. The parameters can have any valid values but they shall be different from each other. Item 2 is the default subchannel used in the test cases where the subchannel is not specifically indicated.

Table 32: Parameters for TCHH subchannels

Item	Name	Type	Value
1	TSPX_TCHHSubA	BITSTRING[1]	
2	TSPX_TCHHSubDef	BITSTRING[1]	
References:			
TSPX_TCHHSubA is used in: TC_26_6_1_1, TC_26_6_4_1, TC_26_6_4_2_1, TC_26_6_6_1, TC_26_6_7_2.			
TSPX_TCHHSubDef is used in: all other (except test cases listed above) test cases which use half rate traffic channel.			

B.7.2.3 Parameters related to Mobile Station**B.7.2.3.1 Parameter TSPX_ChModeA**

In CC test group, it is required to initiate a mobile originating call for a selected basic service supported by the MS under test. During the call setup, a CHANNEL MODE MODIFY message is used to set the channel compatible with the basic service. The parameter TSPX_ChModeA specifies the compatible Channel Mode information element for basic service TSPX_BscSrvA.

Table 33: Parameter TSPX_ChModeA

Parameter Name: TSPX_ChModeA			
Field	Type	Value	Comments
iei	BITSTRING[8]	OMIT	
mode	BITSTRING[8]		channel mode
References: TSPX_ChModeA is used with TSPX_BscSvcA.			

B.7.2.3.2 Parameter TSPX_ChModeB

In CC test group, it is required to initiate a mobile originating call for a selected basic service supported by the MS under test. During the call setup, a CHANNEL MODE MODIFY message is used to set the channel compatible with the basic service. The parameter TSPX_ChModeB specifies the compatible Channel Mode information element for basic service TSPX_BscSrvB.

Table 34: Parameter TSPX_ChModeB

Parameter Name: TSPX_ChModeB			
Field	Type	Value	Comments
iei	BITSTRING[8]	OMIT	
mode	BITSTRING[8]		channel mode
References: TSPX_ChModeB is used with TSPX_BscSvcB.			

B.7.2.3.3 Parameter TSPX_ChModeC

In CC test group, it is required to initiate a mobile originating call for a selected basic service supported by the MS under test. During the call setup, a CHANNEL MODE MODIFY message is used to set the channel compatible with the basic service. The parameter TSPX_ChModeC specifies the compatible Channel Mode information element for basic service TSPX_BscSrvC.

Table 35: Parameter TSPX_ChModeC

Parameter Name: TSPX_ChModeC			
Field	Type	Value	Comments
iei	BITSTRING[8]	OMIT	
mode	BITSTRING[8]		channel mode
References: TSPX_ChModeC is used with TSPX_BscSvcC.			

B.7.2.3.4 Parameter TSPX_ChModeD

In CC test group, it is required to initiate a mobile originating call for a selected basic service supported by the MS under test. During the call setup, a CHANNEL MODE MODIFY message is used to set the channel compatible with the basic service. The parameter TSPX_ChModeD specifies the compatible Channel Mode information element for basic service TSPX_BscSrvD.

Table 36: Parameter TSPX_ChModeD

Parameter Name: TSPX_ChModeD			
Field	Type	Value	Comments
iei	BITSTRING[8]	OMIT	
mode	BITSTRING[8]		channel mode
References: TSPX_ChModeD is used with TSPX_BscSvcD.			

B.7.2.3.5 Parameter TSPX_ChModeE

In CC test group it is required to initiate a mobile originating call for a selected basic service supported by the MS under test. During the call setup, a CHANNEL MODE MODIFY message is used to set the channel compatible with the basic service. The parameter TSPX_ChModeE specifies the compatible Channel Mode information element for basic service TSPX_BscSrvE.

Table 37: Parameter TSPX_ChModeE

Parameter Name: TSPX_ChModeE			
Field	Type	Value	Comments
iei	BITSTRING[8]	OMIT	
mode	BITSTRING[8]		channel mode
References: TSPX_ChModeE is used with TSPX_BscSvcE.			

B.7.2.3.6 Parameter TSPX_ChModeF

In CC test group, it is required to initiate a mobile originating call for a selected basic service supported by the MS under test. During the call setup, a CHANNEL MODE MODIFY message is used to set the channel compatible with the basic service. The parameter TSPX_ChModeF specifies the compatible Channel Mode information element for basic service TSPX_BscSrvF.

Table 38: Parameter TSPX_ChModeF

Parameter Name: TSPX_ChModeF			
Field	Type	Value	Comments
iei	BITSTRING[8]	OMIT	
mode	BITSTRING[8]		channel mode
References: TSPX_ChModeF is used with TSPX_BscSvcF.			

B.7.2.3.7 Parameter TSPX_ChModeG

In CC test group, it is required to initiate a mobile originating call for a selected basic service supported by the MS under test. During the call setup, a CHANNEL MODE MODIFY message is used to set the channel compatible with the basic service. The parameter TSPX_ChModeG specifies the compatible Channel Mode information element for basic service TSPX_BscSrvG.

Table 39: Parameter TSPX_ChModeG

Parameter Name: TSPX_ChModeG			
Field	Type	Value	Comments
iei	BITSTRING[8]	OMIT	
mode	BITSTRING[8]		channel mode
References: TSPX_ChModeG is used with TSPX_BscSvcG.			

B.7.2.3.8 Parameter TSPX_ChModeH

In CC test group, it is required to initiate a mobile originating call for a selected basic service supported by the MS under test. During the call setup, a CHANNEL MODE MODIFY message is used to set the channel compatible with the basic service. The parameter TSPX_ChModeH specifies the compatible Channel Mode information element for basic service TSPX_BscSrvH.

Table 40: Parameter TSPX_ChModeH

Parameter Name: TSPX_ChModeH			
Field	Type	Value	Comments
iei	BITSTRING[8]	OMIT	
mode	BITSTRING[8]		channel mode
References: TSPX_ChModeH is used in:			

B.7.2.3.9 Parameter TSPX_ChModel

In CC test group, it is required to initiate a mobile originating call for a selected basic service supported by the MS under test. During the call setup, a CHANNEL MODE MODIFY message is used to set the channel compatible with the basic service. The parameter TSPX_ChModel specifies the compatible Channel Mode information element for basic service TSPX_BscSrvI.

Table 41: Parameter TSPX_ChModel

Parameter Name: TSPX_ChModel			
Field	Type	Value	Comments
iei	BITSTRING[8]	OMIT	
mode	BITSTRING[8]		channel mode
References: TSPX_ChModel is used with TSPX_BscSrvI.			

B.7.2.3.10 Parameter TSPX_ChModeJ

In CC test group, it is required to initiate a mobile originating call for a selected basic service supported by the MS under test. During the call setup, a CHANNEL MODE MODIFY message is used to set the channel compatible with the basic service. The parameter TSPX_ChModeJ specifies the compatible Channel Mode information element for basic service TSPX_BscSrvJ.

Table 42: Parameter TSPX_ChModeJ

Parameter Name: TSPX_ChModeJ			
Field	Type	Value	Comments
iei	BITSTRING[8]	OMIT	
mode	BITSTRING[8]		channel mode
References: TSPX_ChModeJ is used with TSPX_BscSrvJ.			

B.7.2.3.11 Parameter TSPX_UuInfo

It is required to initiate a mobile terminating call with a SETUP message which contains a bearer capability supported by the MS and user-user information. The parameter TSPX_UuInfo specifies the value of the user-user information element.

Table 43: Parameter TSPX_UuInfo

Parameter Name: TSPX_UuInfo			
Field	Type	Value	Comments
iei	BITSTRING[8]	'01111110'B	
iel	OCTETSTRING[1]		length of the element
uupd	BITSTRING[8]		user-user protocol discriminator
uui	OCTETSTRING[0..64]		user-user information
References: TSPX_UuInfo is used in: test case TC_26_8_3_2.			

B.7.2.3.12 Parameters for selection of a circuit switched basic services

In CC test group, it is required that for each test, unless otherwise specified, a circuit switched basic service among those supported by the MS shall be chosen arbitrarily (but controllable). The TSPX_BscSvc's in the following tables represent 10 circuit switched basic services supported by the MS under test. If the number of circuit switched basic services supported by the MS is less than 10 duplicated values shall be used for the rest part of the table.

The possible values are as following:

- "C_Telephony": telephony teleservice (TS11);
- "C_EmgCallSvc": emergency call teleservice (TS12);
- "C_AltSpchG3": alternate speech and G3 fax teleservice (TS61);
- "C_AutoG3": automatic G3 fax teleservice (TS62);
- "C_300cda": data circuit duplex asynchronous 300 bit/s bearer service (BS21);
- "C_1200cda": data circuit duplex asynchronous 200 bit/s bearer service (BS22);
- "C_120075cda": data circuit duplex asynchronous 120075 bit/s bearer service (BS23);
- "C_2400cda": data circuit duplex asynchronous 2 400 bit/s bearer service (BS24);
- "C_4800cda": data circuit duplex asynchronous 4 800 bit/s bearer service (BS25);
- "C_9600cda": data circuit duplex asynchronous 9 600 bit/s bearer service (BS26);
- "C_1200cda": data circuit duplex synchronous 1 200 bit/s bearer service (BS31);
- "C_2400cda": data circuit duplex synchronous 2 400 bit/s bearer service (BS32);
- "C_4800cda": data circuit duplex synchronous 4 800 bit/s bearer service (BS33);
- "C_9600cda": data circuit duplex synchronous 9 600 bit/s bearer service (BS34);
- "C_PAD300": PAD access 300 bit/s bearer service (BS41);
- "C_PAD1200": PAD access 1 200 bit/s bearer service (BS42);
- "C_PAD120075": PAD access 120075 bit/s bearer service (BS43);
- "C_PAD2400": PAD access 2 400 bit/s bearer service (BS44);
- "C_PAD4800": PAD access 4 800 bit/s bearer service (BS45);
- "C_PAD9600": PAD access 9 600 bit/s bearer service (BS46);
- "C_Pkt2400": packet access 2 400 bit/s bearer service (BS51);
- "C_Pkt4800": packet access 4 800 bit/s bearer service (BS52);
- "C_Pkt9600": packet access 9 600 bit/s bearer service (BS53);
- "C_AltSpchData": alternate speech/data bearer service (BS61);
- "C_SpchData": speech followed data bearer service (BS81).

Item	Name	Type	Value	Comments
1	TSPX_BscSvcA	IA5String		
2	TSPX_BscSvcB	IA5String		
3	TSPX_BscSvcC	IA5String		
4	TSPX_BscSvcD	IA5String		
5	TSPX_BscSvcE	IA5String		
6	TSPX_BscSvcF	IA5String		
7	TSPX_BscSvcG	IA5String		
8	TSPX_BscSvcH	IA5String		
9	TSPX_BscSvcI	IA5String		
10	TSPX_BscSvcJ	IA5String		

Remarks:

TSPX_BscSvcA is used in : TC_26_8_1_2_2_1, TC_26_8_1_2_3_4, TC_26_8_1_2_4_7, TC_26_8_1_2_8_1, TC_26_8_1_2_8_4, TC_26_8_1_3_2_1, TC_26_8_1_3_4_8, TC_26_8_1_3_5_3, TC_26_8_3.

TSPX_BscSvcB is used in : TC_26_8_1_2_2_2, TC_26_8_1_2_3_1, TC_26_8_1_2_3_5, TC_26_8_1_2_8_2, TC_26_8_1_3_3_1, TC_26_8_1_3_5_4, TC_26_8_1_3_5_7.

TSPX_BscSvcC is used in : TC_26_8_1_2_2_3, TC_26_8_1_2_3_2, TC_26_8_1_2_3_6, TC_26_8_1_2_5_4, TC_26_8_1_2_9_4, TC_26_8_1_3_3_3, TC_26_8_1_3_5_5, TC_26_8_1_3_5_9, TC_26_8_1_4_3_1.

TSPX_BscSvcD is used in : TC_26_8_1_2_3_3, TC_26_8_1_2_3_7, TC_26_8_1_2_4_11, TC_26_8_1_2_5_5, TC_26_8_1_2_9_5, TC_26_8_1_3_3_2, TC_26_8_1_3_3_4, TC_26_8_1_3_5_6, TC_26_8_1_4_2_1.

TSPX_BscSvcE is used in : TC_26_8_1_2_4_1, TC_26_8_1_2_4_8, TC_26_8_1_2_4_10, TC_26_8_1_2_4_12, TC_26_8_1_2_5_6, TC_26_8_1_2_5_8, TC_26_8_1_3_3_5, TC_26_8_1_3_4_1, TC_26_8_1_3_5_8, TC_26_8_1_4_3_2.

TSPX_BscSvcF is used in : TC_26_8_1_2_4_2, TC_26_8_1_2_4_9, TC_26_8_1_2_4_13, TC_26_8_1_2_5_1, TC_26_8_1_2_6_3, TC_26_8_1_2_7_4, TC_26_8_1_3_3_6, TC_26_8_1_3_4_2, TC_26_8_1_4_4_1.

TSPX_BscSvcG is used in : TC_26_8_1_2_4_3, TC_26_8_1_2_5_2, TC_26_8_1_2_5_7,
TC_26_8_1_2_6_4, TC_26_8_1_2_7_5, TC_26_8_1_3_3_7, TC_26_8_1_3_4_6.

TSPX_BscSvcH is used in : TC_26_8_1_2_4_4, TC_26_8_1_2_6_1, TC_26_8_1_2_6_5,
TC_26_8_1_2_7_1, TC_26_8_1_2_9_1, TC_26_8_1_3_4_3, TC_26_8_1_3_4_7.

TSPX_BscSvcI is used in : TC_26_8_1_2_4_5, TC_26_8_1_2_6_2, TC_26_8_1_2_7_2,
TC_26_8_1_2_8_3, TC_26_8_1_2_9_2, TC_26_8_1_3_4_4, TC_26_8_1_3_5_1.

TSPX_BscSvcJ is used in : TC_26_8_1_2_4_6, TC_26_8_1_2_6_6, TC_26_8_1_2_7_3,
TC_26_8_1_2_9_3, TC_26_8_1_3_4_5, TC_26_8_1_3_5_2.

B.7.2.3.13 Parameters of Bearer Capability

For some non CC testing a full rate bearer capability IE supported by the MS is needed, and if the MS supports dual rate a half rate bearer capability IE supported by the MS is also needed.

B.7.2.3.13.1 Parameter TSPX_BCa

The value of the bearer capability in this table shall be any full rate bearer capability supported. The contents of this IE can be copied from the clause "Parameters for Setup message".

Table 44: Parameter TSPX_BCa

Parameter Name: TSPX_BCa			
Field	Type	Value	Comments
iei	BITSTRING[8]	'00000100'B	
iel	OCTETSTRING[1]		length of the IE in unit of OCTET
extb3	BITSTRING[1]		extension bit
rchr	BITSTRING[2]	'00'B	spare bit in the direction n -> ms
cs	BITSTRING[1]		coding standard
tm	BITSTRING[1]		transfer mode
itc	BITSTRING[3]		information transfer capability
extb4	BITSTRING[1]		extension bit
spb	BITSTRING[1]	'0'B	spare bit
strc	BITSTRING[1]		structure
dplx	BITSTRING[2]		duplex mode
config	BITSTRING[1]		configuration
nirr	BITSTRING[1]		negotiation of intermediate rate requested
est	BITSTRING[1]		establishment
extb5	BITSTRING[1]		extension bit
accid	BITSTRING[2]		access identify
ra	BITSTRING[2]		rate adaption
sacp	BITSTRING[3]		signalling access protocol
extb6	BITSTRING[1]		extension bit
l1id	BITSTRING[2]		L1 identity
uil1	BITSTRING[4]		user information L 1 protocol
sb	BITSTRING[1]		synchronous bit
extb6a	BITSTRING[1]		extension bit
nsb	BITSTRING[1]		number of stop bits
nb	BITSTRING[1]		negotiation bit
ndb	BITSTRING[1]		number of data bits
ur	BITSTRING[4]		user rate
extb6b	BITSTRING[1]		extension bit
ir	BITSTRING[2]		intermediate rate
nictx	BITSTRING[1]		network independent clock on transmission
nicrx	BITSTRING[1]		network independent clock on reception
pi	BITSTRING[3]		parity information
extb6c	BITSTRING[1]		extension bit
ce	BITSTRING[2]		connection element
modemt	BITSTRING[5]		modem type
extb7	BITSTRING[1]		extension bit
l2id	BITSTRING[2]		L2 identity
uil2	BITSTRING[5]		user information L2 protocol
References:			
TSPX_BCa is used in:TC_11_3, TC_26_5_1, TC_26_5_2_2, TC_26_5_2_3, TC_26_5_3_1, TC_26_5_3_2, TC_26_5_3_3, TC_26_5_3_4, TC_26_5_5_1_2, TC_26_5_5_2_1, TC_26_5_5_2_2, TC_26_5_5_3_1_1, TC_26_5_5_3_1_2, TC_26_5_6_2_2, TC_26_5_6_2_3, TC_26_5_6_2_4, TC_26_5_7_1_4, TC_26_6_3_1, TC_26_6_3_2, TC_26_6_3_3, TC_26_6_3_4, TC_26_6_3_5, TC_26_6_4_2_1, TC_26_6_5_1_1, TC_26_6_5_1_2, TC_26_6_5_1_3, TC_26_6_5_1_4, TC_26_6_5_1_5, TC_26_6_5_1_6, TC_26_6_5_1_7, TC_26_6_5_1_8, TC_26_6_5_3_1, TC_26_6_5_3_2, TC_26_6_5_5_1, TC_26_6_5_6, TC_26_6_5_7, TC_26_6_5_8, TC_26_6_5_9, TC_26_7_5_7_2, TC_26_8_1_2_6_6, TC_26_9_4, TC_26_9_5, TC_31_2_1_7_1_1, TC_31_2_1_7_2, TC_31_6_1_2, TC_31_6_2_5, TC_31_8_7, TC_34_2_1, TC_34_2_2.			

B.7.2.3.13.2 Parameter TSPX_BCb

The value of the bearer capability in this table shall be any half rate bearer capability supported. If the MS does not support half rate, the table is skipped.

Table 45: Parameter TSPX_BCb

Parameter Name: TSPX_BCb			
Field	Type	Value	Comments
iei	BITSTRING[8]	'00000100'B	
iel	OCTETSTRING[1]		length of the IE in unit of OCTET
extb3	BITSTRING[1]		extension bit
rchr	BITSTRING[2]	'00'B	spare bit in the direction n -> ms
cs	BITSTRING[1]		coding standard
tm	BITSTRING[1]		transfer mode
itc	BITSTRING[3]		information transfer capability
extb4	BITSTRING[1]		extension bit
spb	BITSTRING[1]	'0'B	spare bit
strc	BITSTRING[1]		structure
dplx	BITSTRING[2]		duplex mode
config	BITSTRING[1]		configuration
nirr	BITSTRING[1]		negotiation of intermediate rate requested
est	BITSTRING[1]		establishment
extb5	BITSTRING[1]		extension bit
accid	BITSTRING[2]		access identify
ra	BITSTRING[2]		rate adoption
sacp	BITSTRING[3]		signalling access protocol
extb6	BITSTRING[1]		extension bit
l1id	BITSTRING[2]		L1 identity
uil1	BITSTRING[4]		user information L 1 protocol
sb	BITSTRING[1]		synchronous bit
extb6a	BITSTRING[1]		extension bit
nsb	BITSTRING[1]		number of stop bits
nb	BITSTRING[1]		negotiation bit
ndb	BITSTRING[1]		number of data bits
ur	BITSTRING[4]		user rate
extb6b	BITSTRING[1]		extension bit
ir	BITSTRING[2]		intermediate rate
nictx	BITSTRING[1]		network independent clock on transmission
nicrx	BITSTRING[1]		network independent clock on reception
pi	BITSTRING[3]		parity information
extb6c	BITSTRING[1]		extension bit
ce	BITSTRING[2]		connection element
modemt	BITSTRING[5]		modem type
extb7	BITSTRING[1]		extension bit
l2id	BITSTRING[2]		L2 identity
uil2	BITSTRING[5]		user information L2 protocol
References:			
TSPX_BCb is used in: TC_26_6_4_2_1, TC_26_9_4, TC_26_9_5.			

B.7.2.3.14 Parameter TSPX_BC2

In some test cases, it is required to check the MS behaviour of receiving a SETUP message containing a bearer capability which is not supported by the MS. The parameter TSPX_BC2 specifies such non-supported bearer capability IE.

Table 46: Parameter TSPX_BC2

Parameter Name: TSPX_BC2			
Field	Type	Value	Comments
iei	BITSTRING[8]	'00000100'B	
iel	OCTETSTRING[1]		length of the IE in unit of OCTET
extb3	BITSTRING[1]		extension bit
rchr	BITSTRING[2]	'00'B	spare bit in the direction n -> ms
cs	BITSTRING[1]		coding standard
tm	BITSTRING[1]		transfer mode
itc	BITSTRING[3]		information transfer capability
extb4	BITSTRING[1]		extension bit
spb	BITSTRING[1]	'0'B	spare bit
strc	BITSTRING[1]		structure
dplx	BITSTRING[2]		duplex mode
config	BITSTRING[1]		configuration
nirr	BITSTRING[1]		negotiation of intermediate rate requested
est	BITSTRING[1]		establishment
extb5	BITSTRING[1]		extension bit
accid	BITSTRING[2]		access identify
ra	BITSTRING[2]		rate adaption
sacp	BITSTRING[3]		signalling access protocol
extb6	BITSTRING[1]		extension bit
l1id	BITSTRING[2]		L1 identity
uil1	BITSTRING[4]		user information L 1 protocol
sb	BITSTRING[1]		synchronous bit
extb6a	BITSTRING[1]		extension bit
nsb	BITSTRING[1]		number of stop bits
nb	BITSTRING[1]		negotiation bit
ndb	BITSTRING[1]		number of data bits
ur	BITSTRING[4]		user rate
extb6b	BITSTRING[1]		extension bit
ir	BITSTRING[2]		intermediate rate
nictx	BITSTRING[1]		network independent clock on transmission
nicrx	BITSTRING[1]		network independent clock on reception
pi	BITSTRING[3]		parity information
extb6c	BITSTRING[1]		extension bit
ce	BITSTRING[2]		connection element
modemt	BITSTRING[5]		modem type
extb7	BITSTRING[1]		extension bit
l2id	BITSTRING[2]		L2 identity
uil2	BITSTRING[5]		user information L2 protocol
References:			
TSPX_BC2 is used in: TC_26_8_1_3_1_1, TC_26_8_1_4_4_1, TC_26_8_1_4_5_4.			

B.7.2.3.15 Parameters for Low Layer Compatibility

The Lower Layer Compatibility IE which is appropriate for the corresponding BC, shall also included in the call SETUP message. The parameter TSPX_LLComp's specify the values of the information elements. If no Low Layer Compatibility IE available for the corresponding BC the box "omitted?" shall be filled with OMIT and the rest are skipped, otherwise the box "omitted?" shall be skipped. The information element shall be omitted from the setup message when the box "omitted?" is filled with OMIT.

B.7.2.3.15.1 Parameter TSPX_LLCompA

TSPX_LLCompA is the value of the low layer compatibility appropriate for the bearer capability TSPX_BCa.

Table 47: Parameter TSPX_LLCmpA

Parameter Name: TSPX_LLCmpA			
omitted?			
Field	Type	Value	Comments
iei	BITSTRING[8]	'01111100'B	
iel	OCTETSTRING[1]		length of the element
contents	OCTETSTRING[1..13]		ETS 300 102-1
References: TSPX_LLCmpA is used with TSPX_BCa			

B.7.2.3.15.2 Parameter TSPX_LLCmpB

TSPX_LLCmpB is the value of the low layer compatibility appropriate for the bearer capability TSPX_BCb.

Table 48: Parameter TSPX_LLCmpB

Parameter Name: TSPX_LLCmpB			
omitted?			
Field	Type	Value	Comments
iei	BITSTRING[8]	'01111100'B	
iel	OCTETSTRING[1]		length of the element
contents	OCTETSTRING[1..13]		ETS 300 102-1
References: TSPX_LLCmpB is used with TSPX_BCb			

B.7.2.3.16 Parameters for High Layer Compatibility

The High Layer Compatibility IE which is appropriate for the corresponding BC, shall also included in the call SETUP message. The parameter TSPX_HLCmp's specify the values of the information elements. If no High Layer Compatibility IE available for the corresponding BC the box "omitted?" shall be filled with OMIT and the rest are skipped, otherwise the box "omitted?" shall be skipped. The information element shall be omitted from the setup message when the box "omitted?" is filled with OMIT.

B.7.2.3.16.1 Parameter TSPX_HLCmpA

TSPX_HLCmpA is the value of the low layer compatibility appropriate for the bearer capability TSPX_BCa.

Table 49: Parameter TSPX_HLCmpA

Parameter Name: TSPX_HLCmpA			
omitted?			
Field	Type	Value	Comments
iei	BITSTRING[8]	'01111101'B	
iel	OCTETSTRING[1]		length of the element
extb3	BITSTRING[1]	'1'B	
cs	BITSTRING[2]		coding standard
in	BITSTRING[3]		interpretation
pmp	BITSTRING[2]		presentation method of protocol
extb4	BITSTRING[1]	'1'B	
hlci	BITSTRING[7]		high layer characteristic identification
extb4a	BITSTRING[1]	'1'B	
ehlci	BITSTRING[7]		extended high layer characteristic identification
References: TSPX_HLCmpA is used with TSPX_BCa			

B.7.2.3.16.2 Parameter TSPX_HLCmpB

TSPX_HLCmpB is the value of the low layer compatibility appropriate for the bearer capability TSPX_BCb.

Table 50: Parameter TSPX_HLCmpB

Parameter Name: TSPX_HLCmpB			
omitted?			
Field	Type	Value	Comments
iei	BITSTRING[8]	'01111101'B	
iel	OCTETSTRING[1]		length of the element
extb3	BITSTRING[1]	'1'B	
cs	BITSTRING[2]		coding standard
in	BITSTRING[3]		interpretation
pmpp	BITSTRING[2]		presentation method of protocol
extb4	BITSTRING[1]	'1'B	
hlci	BITSTRING[7]		high layer characteristic identification
extb4a	BITSTRING[1]	'1'B	
ehlci	BITSTRING[7]		extended high layer characteristic identification
References: TSPX_HLCmpB is used with TSPX_BCb			

B.7.2.3.17 Parameter TSPX_IMSI

Parameter TSPX_IMSI is the default value of IMSI which will be stored in the test SIM card. The parameter shall be a 18 Hex digits long value, the most significant 8 HEX digits shall be 08091010 the rest 10 HEX digits can any value from 0 to 9 except that IMSI mod 1 000 shall lie in one of the following ranges: 063-125, 189-251, 315-377, 441-503, 567-629, 693-755, 819-881, 945-999.

Table 51: Parameter TSPX_IMSI

Parameter Name	TSPX_IMSI
Parameter Type	HEXSTRING[18]
Parameter Value	'08091010_____H'
References: TSPX_IMSI is the default value of IMSI, used in almost all test cases.	
NOTE: The '_' in the above table means the value of this position shall be provided.	

B.7.2.3.18 Parameter TSPX_IMEI

Parameter TSPX_IMEI is the value of IMEI which belongs to the MS.

Table 52: Parameter TSPX_IMEI

Parameter Name	TSPX_IMEI
Parameter Type	HEXSTRING[15]
Parameter Value	'_____H'
References: TSPX_IMEI is used in: TC_26_7_2_2, TC_26_7_3_1, TC_26_7_4_2_1, TC_26_7_4_2_2_1, TC_26_7_4_2_3, TC_26_7_4_2_4_2, TC_26_7_5_7_1, TC_26_9_6_2_1, TC_26_9_6_2_2, TC_31_6_2_4.	
NOTE: The '_' in the above table means the value of this position shall be provided.	

B.7.2.3.19 Parameter TSPX_IMEISV

Parameter TSPX_IMEISV is the value of IMEISV which belongs to the MS.

Table 53: Parameter TSPX_IMEISV

Parameter Name	TSPX_IMEISV
Parameter Type	HEXSTRING[16]
Parameter Value	'-----"H
References: TSPX_IMEISV is used in: TC_26_6_8_5, TC_26_7_3_1.	
NOTE: The '_' in the above table means the value of this position shall be provided.	

B.7.2.3.20 Parameter TSPX_MSTxpwrMax

Parameter TSPX_MSTxpwrMax is the value of maximum output power of the MS under test.

Table 54: Parameter TSPX_MSTxpwrMax

Parameter Name	TSPX_MSTxpwrMax
Parameter Type	BITSTRING[5]
Parameter Value	
References: TSPX_MSTxpwrMax is used in: TC_26_3_2, TC_26_3_3, TC_26_6_4_2_1, TC_26_6_5_5_1, TC_26_6_5_8, TC_26_6_5_9.	

B.7.2.3.21 Parameters for Power Level

The parameters TSPX_PwrlvI's represent the power level used in Power Control Command. They are used in test cases where the power level are arbitrarily selected but controllable. The parameters can have any valid values supported by the MS but they shall be different from each other.

Table 55: Parameters for Power level

Item	Name	Type	Value
1	TSPX_PwrlvIA	BITSTRING[5]	
2	TSPX_PwrlvIB	BITSTRING[5]	
8	TSPX_PwrlvIC	BITSTRING[5]	
4	TSPX_PwrlvID	BITSTRING[5]	
References: TSPX_PwrlvIA is used in: TC_26_6_5_1_1, TC_26_6_5_1_2, TC_26_6_5_2_1, TC_26_6_5_2_2, TC_26_6_5_4_1, TC_26_6_5_4_3, TC_26_6_13_1, TC_26_6_13_5. TSPX_PwrlvIB is used in: TC_26_6_5_1_3, TC_26_6_5_1_4, TC_26_6_5_2_3, TC_26_6_5_2_4, TC_26_6_5_2_5, TC_26_6_5_4_2, TC_26_6_13_2, TC_26_6_13_6. TSPX_PwrlvIC is used in: TC_26_6_5_1_5, TC_26_6_5_1_6, TC_26_6_5_2_6, TC_26_6_5_2_7, TC_26_6_5_3_2, TC_26_6_13_3, TC_26_6_13_7, TC_34_2_1, TC_34_2_2, TC_34_2_3, TC_34_2_4, TC_34_2_5_1, TC_34_2_5_2, TC_34_2_5_3, TC_34_2_7, TC_34_3. TSPX_PwrlvID is used in: TC_26_5_1_7, TC_26_5_1_8, TC_26_5_2_8, TC_26_5_2_9, TC_26_5_2_10, TC_26_5_3_1, TC_26_5_4_4, TC_26_13_4, TC_26_13_8.			

B.7.2.3.22 Parameter TSPX_TMSI

This parameter is the default TMSI value for the MS, and is programmed into the SIM card used in the test. It can be any valid value.

Table 56: Parameter TSPX_TMSI

Parameter Name	TSPX_TMSI
Parameter Type	OCTETSTRING[4]
Parameter Value	'_____0'
Remarks:	

B.7.2.3.23 Parameter TSPX_TMSI1

This parameter is used as a newly assigned TMSI for the MS. It can be any value except that it shall not be the same as TSPX_TMSI or TSPX_TMSI + 1 or TSPX_TMSI + 2 or TSPX_TMSI + 3.

Table 57: Parameter TSPX_TMSI1

Parameter Name	TSPX_TMSI1
Parameter Type	OCTETSTRING
Parameter Value	
Remarks: TSPX_TMSI1 is used in: TC_26_2_2, TC_26_5_6_1_1, TC_26_5_6_1_2, TC_26_7_1, TC_26_7_4_1.	

B.7.2.3.24 Parameters for Basic service selection

In the CC test group, it is required that a circuit switched basic service among those supported by the MS is selected arbitrarily for each test case, and the test is against that selected basic service. Parameters in the table are used by the test laboratory to control which test cases use which basic service for testing. The test laboratory fills in the following table according to ICS answers of which circuit switched basic services are supported. If the number of supported circuit switched basic services is more than 10, select 10 of them to put in the following table. If the number of supported circuit switched basic services is less than 10, repeat some of them in the following table. The possible values for the following table are:

- C_Telephony represents teleservice "telephony";
- C_EmgCallSRV represents teleservice "emergency call";
- C_SMSMTPP represents teleservice "short message MT/PP";
- C_SMSMOPP represents teleservice "short message MO/PP";
- C_SMSCellBRD represents teleservice "SMS cell broadcast";
- C_SpchAltG3 represents teleservice "alternative speech and G3 fax";
- C_AutoG3 represents teleservice "automatic G3 fax";
- C_300cda represents bearer service "data circuit duplex async. 300 bit/s";
- C_1200cda represents bearer service "data circuit duplex async. 1 200 bit/s";
- C_120075cda represents bearer service "data circuit duplex async. 1200/75 bit/s";
- C_2400cda represents bearer service "data circuit duplex async. 2 400 bit/s";
- C_4800cda represents bearer service "data circuit duplex async. 4 800 bit/s";
- C_9600cda represents bearer service "data circuit duplex async. 9 600 bit/s";
- C_1200cda represents bearer service "data circuit duplex sync. 1 200 bit/s";
- C_2400cda represents bearer service "data circuit duplex sync. 2 400 bit/s";
- C_4800cda represents bearer service "data circuit duplex sync. 4 800 bit/s";
- C_9600cda represents bearer service "data circuit duplex sync. 9 600 bit/s";
- C_PAD300 represents bearer service "PAD access 300 bit/s";
- C_PAD1200 represents bearer service "PAD access 1 200 bit/s";
- C_PAD120075 represents bearer service "PAD access 1200/75 bit/s";
- C_PAD2400 represents bearer service "PAD access 2 400 bit/s";
- C_PAD4800 represents bearer service "PAD access 4 800 bit/s";
- C_PAD9600 represents bearer service "PAD access 9 600 bit/s";
- C_Pkt2400 represents bearer service "packet access 2 400 bit/s";
- C_Pkt4800 represents bearer service "packet access 4 800 bit/s";
- C_Pkt9600 represents bearer service "packet access 9 600 bit/s";
- C_AltSpchData represents bearer service "alternate speech/data";
- C_Pkt9600 represents bearer service "speech followed by data".

Table 58: Parameters for basic service selection

Item	Name	Type	Value
1	TSPX_BscSrvA	IA5String	
2	TSPX_BscSrvB	IA5String	
3	TSPX_BscSrvC	IA5String	
4	TSPX_BscSrvD	IA5String	
5	TSPX_BscSrvE	IA5String	
6	TSPX_BscSrvF	IA5String	
7	TSPX_BscSrvG	IA5String	
8	TSPX_BscSrvH	IA5String	
9	TSPX_BscSrvI	IA5String	
10	TSPX_BscSrvJ	IA5String	
Remarks: TSPX_BscSvcA controls the test cases: TC_26_8_1_2_2_1, TC_26_8_1_2_3_4, TC_26_8_1_2_4_7, TC_26_8_1_2_8_1, TC_26_8_1_2_8_4, TC_26_8_1_3_2_1, TC_26_8_1_3_4_8, TC_26_8_1_3_5_3, TC_26_8_3.			
TSPX_BscSvcB controls the test cases: TC_26_8_1_2_2_2, TC_26_8_1_2_3_1, TC_26_8_1_2_3_5, TC_26_8_1_2_5_3, TC_26_8_1_2_8_2, TC_26_8_1_3_3_1, TC_26_8_1_3_5_4, TC_26_8_1_3_5_7.			
TSPX_BscSvcC controls the test cases: TC_26_8_1_2_2_3, TC_26_8_1_2_3_2, TC_26_8_1_2_3_6, TC_26_8_1_2_5_4, TC_26_8_1_2_9_4, TC_26_8_1_3_3_3, TC_26_8_1_3_5_5, TC_26_8_1_3_5_9.			

TC_26_8_1_4_3_1.

TSPX_BscSvcD controls the test cases: TC_26_8_1_2_3_3, TC_26_8_1_2_3_7, TC_26_8_1_2_4_11, TC_26_8_1_2_5_5, TC_26_8_1_2_9_5, TC_26_8_1_3_3_2, TC_26_8_1_3_3_4, TC_26_8_1_3_5_6, TC_26_8_1_4_2_1.

TSPX_BscSvcE controls the test cases: TC_26_8_1_2_4_1, TC_26_8_1_2_4_8, TC_26_8_1_2_4_10, TC_26_8_1_2_4_12, TC_26_8_1_2_5_6, TC_26_8_1_2_5_8, TC_26_8_1_3_3_5, TC_26_8_1_3_4_1, TC_26_8_1_3_5_8, TC_26_8_1_4_3_2.

TSPX_BscSvcF controls the test cases: TC_26_8_1_2_4_2, TC_26_8_1_2_4_9, TC_26_8_1_2_4_13, TC_26_8_1_2_5_1, TC_26_8_1_2_6_3, TC_26_8_1_2_7_4, TC_26_8_1_3_3_6, TC_26_8_1_3_4_2, TC_26_8_1_4_4_1.

TSPX_BscSvcG controls the test cases: TC_26_8_1_2_4_3, TC_26_8_1_2_5_2, TC_26_8_1_2_5_7, TC_26_8_1_2_6_4, TC_26_8_1_2_7_5, TC_26_8_1_3_3_7, TC_26_8_1_3_4_6.

TSPX_BscSvcH controls the test cases: TC_26_8_1_2_4_4, TC_26_8_1_2_6_1, TC_26_8_1_2_6_5, TC_26_8_1_2_7_1, TC_26_8_1_2_9_1, TC_26_8_1_3_4_3, TC_26_8_1_3_4_7.

TSPX_BscSvcI controls the test cases: TC_26_8_1_2_4_5, TC_26_8_1_2_6_2, TC_26_8_1_2_7_2, TC_26_8_1_2_8_3, TC_26_8_1_2_9_2, TC_26_8_1_3_4_4, TC_26_8_1_3_5_1.

TSPX_BscSvcJ controls the test cases: TC_26_8_1_2_4_6, TC_26_8_1_2_6_6, TC_26_8_1_2_7_3, TC_26_8_1_2_9_3, TC_26_8_1_3_4_5, TC_26_8_1_4_5_2.

B.7.2.4 Test Case related Parameters

B.7.2.4.1 Parameters for extended assignment test

In the extended assignment test (TC_26_1_2), the following 6 parameters are arbitrarily chosen but controllable:

- TSPX_nPara: indicates the n'th CHANNEL REQUEST after which the test system sends IMMEDIATE ASSIGNMENT EXTENDED message in first part of the test case.

- TSPX_i1Para: indicates the i'th CHANNEL REQUEST within the last 3 CHANNEL REQUEST's which are received before the IMMEDIATE ASSIGNMENT EXTENDED.

- TSPX_kPara: indicates the k'th CHANNEL REQUEST after which the test system sends IMMEDIATE ASSIGNMENT EXTENDED message in second part of the test case.

- TSPX_i2Para: indicates the i'th CHANNEL REQUEST which is not within the last 3 CHANNEL REQUEST's which are received before the IMMEDIATE ASSIGNMENT EXTENDED.

- TSPX_rPara: indicates the r'th CHANNEL REQUEST after which the test system sends IMMEDIATE ASSIGNMENT EXTENDED message in third part of the test case.

- TSPX_i3Para: indicates the i'th CHANNEL REQUEST within the last 3 CHANNEL REQUEST's which are received before the IMMEDIATE ASSIGNMENT EXTENDED.

Table 59: Parameters for Extended assignment test

Item	Name	Type	value	allowed range
1	TSPX_nPara	INTEGER		(1 .. 8)
2	TSPX_i1Para	INTEGER		(max(1,TSPX_nPara-2) .. TSPX_nPara)
3	TSPX_kPara	INTEGER		(4 .. 8)
4	TSPX_i2Para	INTEGER		(1 .. (TSPX_kPara - 3))
5	TSPX_rPara	INTEGER		(4 .. 8)
6	TSPX_i3Para	INTEGER		(TSPX_rPara - 2, TSPX_rPara - 1, TSPX_rPara)

References: Used in the test case TC_26_1_2,

B.7.2.4.2 Parameters for assignment rejection test

In the assignment rejection test (TC_26_1_3), the following 3 parameters are arbitrarily chosen but controllable:

- TSPX_n1Para: indicates the n'th CHANNEL REQUEST after which the test system sends IMMEDIATE ASSIGNMENT EXTENDED message.
- TSPX_i4Para: indicates the i'th CHANNEL REQUEST within the last 3 CHANNEL REQUEST's which are received before the IMMEDIATE ASSIGNMENT EXTENDED.
- TSPX_xPara: indicates the value of wait indication (T3122).

Table 60: Parameters for assignment rejection test

Item	Name	Type	value	allowed range
1	TSPX_n1Para	INTEGER		(1 .. 8)
2	TSPX_i4Para	INTEGER		(max(1,TSPX_n1Para-2) .. TSPX_n1Para)
3	TSPX_xPara	INTEGER		(5 .. 255)

References: Used in the test case TC_26_1_3,

B.7.2.4.3 Parameters for paging re-organization test 1

In the paging re-organization test 1 (TC_26_2_3_1), the following 3 parameters are arbitrarily chosen but controllable:

- TSPX_AGBLKS1: indicates the value of BS-AG-BLKS-RES.
- TSPX_PAMFRMS1: indicates the value of BS-PA-MFRMS.
- TSPX_PgSubch: indicates the paging subchannel.

Table 61: Parameters for paging re-organization test 1

Item	Name	Type	value	allowed range
1	TSPX_AGBLKS1	INTEGER		(0 .. 7)
2	TSPX_PAMFRMS1	INTEGER		(2 .. 8)
3	TSPX_PgSubch	INTEGER		(0 .. N)

References: Used in the test case TC_26_2_3_1,
NOTE: The value of N in the above table = (9 - TSPX_AGBLKS1) * TSPX_PAMFRMS1 - 1.

B.7.2.4.4 Parameters for paging re-organization test 2

In the paging re-organization test 2 (TC_26_2_3_2), the following 3 parameters are arbitrarily chosen but controllable:

- TSPX_AGBLKS2: indicates the value of BS-AG-BLKS-RES.

- TSPX_PAMFRMS2: indicates the value of BS-PA-MFRMS.
- TSPX_CcchConf2: indicates the configuration of CCCH channel.

Table 62: Parameters for paging re-organization test 2

Item	Name	Type	value	allowed range
1	TSPX_AGBLKS2	INTEGER		(1 .. 2) or (1 .. 7)
2	TSPX_PAMFRMS2	INTEGER		(2 .. 9)
3	TSPX_CcchConf2	BITSTRING		('000'B, '001'B, '010'B, '100'B, '110'B)
References: Used in the test case TC_26_2_3_2,				
NOTE: The allowed range for TSPX_AGBLKS2 is (1 .. 2) if the TSPX_CcchConf2 is '001'B, otherwise is (1 .. 7).				

B.7.2.4.5 Parameters for paging as before test

In the paging re-organization test 2 (TC_26_2_4), the following 3 parameters are arbitrarily chosen but controllable:

- TSPX_AGBLKS3: indicates the value of BS-AG-BLKS-RES.
- TSPX_PAMFRMS3: indicates the value of BS-PA-MFRMS.
- TSPX_CcchConf3: indicates the configuration of CCCH channel.

Table 63: Parameters for paging as before test

Item	Name	Type	value	allowed range
1	TSPX_AGBLKS3	INTEGER		(0 .. 2) or (0 .. 7)
2	TSPX_PAMFRMS3	INTEGER		(2 .. 9)
3	TSPX_CcchConf3	BITSTRING		('000'B, '001'B, '010'B, '100'B, '110'B)
References: Used in the test case TC_26_2_4,				
NOTE: The allowed range for TSPX_AGBLKS3 is (0 .. 2) if the TSPX_CcchConf3 is '001'B, otherwise is (0 .. 7).				

B.7.2.4.6 Parameters for paging multi CCCH test

In the paging re-organization test 2 (TC_26_2_5), the following 3 parameters are arbitrarily chosen but controllable:

- TSPX_AGBLKS4: indicates the value of BS-AG-BLKS-RES.
- TSPX_PAMFRMS4: indicates the value of BS-PA-MFRMS.
- TSPX_CcchConf4: indicates the configuration of CCCH channel.

Table 64: Parameters for paging multi CCCH test

Item	Name	Type	value	allowed range
1	TSPX_AGBLKS4	INTEGER		(0 .. 7)
2	TSPX_PAMFRMS4	INTEGER		(2 .. 9)
3	TSPX_CcchConf4	BITSTRING		('010'B, '100'B, '110'B)
References: Used in the test case TC_26_2_5,				

B.7.2.4.7 Parameters for pre-synch handover no TA test

In the pre-synch handover without TA test (TC_26_6_5_5_1), it is required the BCCH of cell A is k bit periods before the BCCH of cell B. the k is arbitrarily chosen but controllable. The parameter TSPX_k1 represents the timing difference k. TSPX_k1 is in unit bit.

Table 65: Parameters for pre-synch handover no TA test

Item	Name	Type	value
1	TSPX_k1	INTEGER	
References: Used in the test case TC_26_6_5_5_1,			

B.7.2.4.8 Parameters for pre-synch handover with TA test

In the pre-synch handover with TA test (TC_26_6_5_5_2), the following 2 parameters are arbitrarily chosen but controllable:

- TSPX_k: indicates the timing difference between the BCCH of cell A and cell B.
- TSPX_y: indicates the value of the timing advance IE used in cell A.

Table 66: Parameters for pre-synch handover with TA test

Item	Name	Type	value
1	TSPX_k	INTEGER	
2	TSPX_y	INTEGER	
References: Used in the test case TC_26_6_5_5_2,			

B.7.2.4.9 Parameters for pseudo-synch handover test

In the pseudo-synch handover test (TC_26_6_5_6), the following 2 parameters are arbitrarily chosen but controllable:

- TSPX_k2: indicates the timing difference between the BCCH of cell A and cell B.
- TSPX_y2: indicates the value of the timing advance IE used in cell A.

Table 67: Parameters for pseudo-synch handover test

Item	Name	Type	value
1	TSPX_k2	INTEGER	
2	TSPX_y2	INTEGER	(11 .. 62)
References: Used in the test case TC_26_6_5_6,			

B.7.2.4.10 Parameters for non-synch handover test

In the non-synch handover test (TC_26_6_5_7) the following 2 parameters are arbitrarily chosen but controllable:

- TSPX_k3: indicates the timing difference between the BCCH of cell A and cell B, the unit of it is bit.
- TSPX_y3: indicates the value of the timing advance IE used in cell A.

Table 68: Parameters for non-synch handover test

Item	Name	Type	value
1	TSPX_k3	INTEGER	
2	TSPX_y3	INTEGER	

References: Used in the test case TC_26_6_5_7,

B.7.2.4.11 Parameters for TC_26_6_4_1

In TC_26_6_4_1, it is required to assign a full rate traffic channel with a channel mode supported by the MS. The parameter TSPX_ChModF specifies the compatible Channel Mode information element.

Table 69: Parameter TSPX_ChModF

Parameter Name: TSPX_ChModF			
Field	Type	Value	Comments
iei	BITSTRING[8]	'01100011'B	
mode	BITSTRING[8]		channel mode

References:
TSPX_ChModF is used in: TC_26_6_4_1

In TC_26_6_4_1, it is also required to assign a half rate traffic channel with a channel mode supported by the MS. The parameter TSPX_ChModH specifies the compatible Channel Mode information element. If the MS does not support half rate channel, this table is skipped.

Table 70: Parameter TSPX_ChModH

Parameter Name: TSPX_ChModH			
Field	Type	Value	Comments
iei	BITSTRING[8]	'01100011'B	
mode	BITSTRING[8]		channel mode

References:
TSPX_ChModF is used in: TC_26_6_4_1

B.7.2.4.12 Parameters for TC_26_6_13_1

In the TC_26_6_13_1, the following parameters are arbitrary and controllable:

- The hopping parameters for SDCCH8 channel used in IMMEDIATE ASSIGNMENT message.
- The channel description for the channel used in ASSIGNMENT COMMAND message after time.
- The channel description for the channel used in ASSIGNMENT COMMAND message before time.

Table 71: Parameters for SDCCH8 of TC_26_6_13_1

Item	Name	Type	value
1	TSPX_Ma1	BITSTRING[8]	'0 0 0 0 _ _ _ 'B
2	TSPX_Hsn1	BITSTRING[6]	' _ _ _ _ _ 'B
3	TSPX_Maio1	BITSTRING[6]	' _ _ _ _ _ 'B

References: Used in the test case TC_26_6_13_1,

NOTE 1: The cell allocation is ARFCNs 20, 30, 50, 70 for GSM and ARFCNs 590, 650, 750, 850 for DCS. ARFCNs 20 and 590 are the BCCH frequency for GSM and DCS respectively. The three empty positions in TSPX_Ma1 represent (from left to right) 70 (850), 50 (750) and 30 (650). The TSPX_Ma1 shall include at least one frequency.

NOTE 2: The TSPX_Maio1 is dependent on TSPX_Ma1. Its value is from 0 to the number of frequencies in TSPX_Ma1 - 1.

Table 72: Parameters for ASSIGNMENT after time of TC_26_6_13_1

Item	Name	Type	value
1	TSPX_Chtp1	BITSTRING[5]	'0 _ _ _ _ 'B
2	TSPX_ChMod1	BITSTRING[8]	'0 0 0 _ _ _ _ 'B
3	TSPX_Ma2	BITSTRING[8]	'0 0 0 0 _ _ _ _ 'B
4	TSPX_Hsn2	BITSTRING[6]	' _ _ _ _ _ 'B
5	TSPX_Maio2	BITSTRING[6]	' _ _ _ _ _ 'B
6	TSPX_Tm1	INTEGER	

References: Used in the test case TC_26_6_13_1,

NOTE 1: The cell allocation is ARFCNs 20, 30, 50, 70 for GSM and ARFCNs 590, 650, 750, 850 for DCS. ARFCNs 20 and 590 are the BCCH frequency for GSM and DCS respectively. The four empty positions in TSPX_Ma2 represent (from left to right) 70 (850), 50 (750), 30 (650) and 20 (590). The TSPX_Ma2 shall include at least one frequency. If TSPX_Ma2 includes only one frequency, the frequency shall not be BCCH carrier.

NOTE 2: The TSPX_Maio2 is dependent on TSPX_Ma2. Its value is from 0 to the number of frequencies in TSPX_Ma2 - 1.

NOTE 3: The TSPX_Chtp1 is channel type and TDMA offset (T bits indicates subchannel in binary):
- '00001'B full rate traffic channel;
- '00011'B half rate traffic channel;
- '01111'B SDCCH8 channel.

NOTE 4: The TSPX_ChMod1 is the channel mode:
- '00000000'B signalling only;
- '00000001'B full rate speech;
- '00000101'B half rate speech;
- '00000011'B data 12.0 kbit/s;
- '00001011'B data 6.0 kbit/s;
- '00001111'B data 6.0 kbit/s;
- '00010011'B 3.6 kbit/s;
- '00010111'B 3.6 kbit/s.
- The range of value of TSPX_Tm1 is from 60 to 100.

Table 73: Parameters for ASSIGNMENT before time of TC_26_6_13_1

Item	Name	Type	value
1	TSPX_Ma3	BITSTRING[8]	'0 0 0 0 _ _ _ _ 'B
2	TSPX_Hsn3	BITSTRING[6]	' _ _ _ _ _ _ 'B
3	TSPX_Maio3	BITSTRING[6]	' _ _ _ _ _ _ 'B

References: Used in the test case TC_26_6_13_1,

NOTE 1: The cell allocation is ARFCNs 20, 30, 50, 70 for GSM and ARFCNs 590, 650, 750, 850 for DCS. ARFCNs 20 and 590 are the BCCH frequency for GSM and DCS respectively. The four empty positions in TSPX_Ma3 represent (from left to right) 70 (850), 50 (750), 30 (650) and 20 (590). The TSPX_Ma3 shall include at least one frequency. If TSPX_Ma3 includes only one frequency, the frequency shall not be BCCH carrier.

NOTE 2: The TSPX_Maio3 is dependent on TSPX_Ma3. Its value is from 0 to the number of frequencies in TSPX_Ma3 - 1.

NOTE 3: Parameters in this table shall be different from the parameters for after time.

B.7.2.4.13 Parameters for TC_26_6_13_2

In the TC_26_6_13_2, the following parameters are arbitrary and controllable:

- The hopping parameters for SDCCH8 channel used in IMMEDIATE ASSIGNMENT message,
- The channel description for the channel used in ASSIGNMENT COMMAND message after time,

Table 74: Parameters for SDCCH8 of TC_26_6_13_2

Item	Name	Type	value
1	TSPX_Ma4	BITSTRING[8]	'0 0 0 0 _ _ _ _ 0'B
2	TSPX_Hsn4	BITSTRING[6]	' _ _ _ _ _ _ 'B
3	TSPX_Maio4	BITSTRING[6]	' _ _ _ _ _ _ 'B

References: Used in the test case TC_26_6_13_2,

NOTE 1: The cell allocation is ARFCNs 20, 30, 50, 70 for GSM and ARFCNs 590, 650, 750, 850 for DCS. ARFCNs 20 and 590 are the BCCH frequency for GSM and DCS respectively. The three empty positions in TSPX_Ma4 represent (from left to right) 70 (850), 50 (750) and 30 (650). The TSPX_Ma4 shall include at least one frequency.

NOTE 2: The TSPX_Maio4 is dependent on TSPX_Ma4. Its value is from 0 to the number of frequencies in TSPX_Ma4 - 1.

Table 75: Parameters for ASSIGNMENT after time of TC_26_6_13_2

Item	Name	Type	value
1	TSPX_Chtp2	BITSTRING[5]	'0_____'B
2	TSPX_ChMod2	BITSTRING[8]	'000_____'B
3	TSPX_Ma5	BITSTRING[8]	'0000_____'B
4	TSPX_Hsn5	BITSTRING[6]	'_____'B
5	TSPX_Maio5	BITSTRING[6]	'_____'B
References: Used in the test case TC_26_6_13_2,			
NOTE 1: The cell allocation is ARFCNs 20, 30, 50, 70 for GSM and ARFCNs 590, 650, 750, 850 for DCS. ARFCNs 20 and 590 are the BCCH frequency for GSM and DCS respectively. The four empty positions in TSPX_Ma5 represent (from left to right) 70 (850), 50 (750), 30 (650) and 20 (590). The TSPX_Ma5 shall include at least one frequency. If TSPX_Ma5 includes only one frequency, the frequency shall not be BCCH carrier.			
NOTE 2: The TSPX_Maio5 is dependent on TSPX_Ma5. Its value is from 0 to the number of frequencies in TSPX_Ma5 - 1.			
NOTE 3: The TSPX_Chtp2 is channel type and TDMA offset (T bits indicates subchannel in binary): - '0001'B full rate traffic channel; - '0001T'B half rate traffic channel; - '01TTT'B SDCCH8 channel.			
NOTE 4: The TSPX_ChMod2 is the channel mode: - '00000000'B signalling only; - '00000001'B full rate speech; - '00000101'B half rate speech; - '00000011'B data 12.0 kbit/s; - '00001011'B data 6.0 kbit/s; - '00001111'B data 6.0 kbit/s; - '00010011'B 3.6 kbit/s; - '00010111'B 3.6 kbit/s.			

B.7.2.4.14 Parameters for TC_26_6_13_3

In the TC_26_6_13_3, the following parameters are arbitrary and controllable:

- The channel description for the channel used in IMMEDIATE ASSIGNMENT message.
- The channel description for the channel used in FREQUENCY REDEFINITION message.
- The channel description for the channel used in ASSIGNMENT COMMAND message after time.
- The channel description for the channel used in ASSIGNMENT COMMAND message before time.

Table 76: Parameters for IMMEDIATE ASSIGNMENT of TC_26_6_13_3

Item	Name	Type	value
1	TSPX_Chtp3	BITSTRING[5]	'0_____'B
2	TSPX_Ma6	BITSTRING[8]	'0000_____'B
3	TSPX_Hsn6	BITSTRING[6]	'_____'B
4	TSPX_Maio6	BITSTRING[6]	'_____'B
References: Used in the test case TC_26_6_13_3,			
NOTE 1: The cell allocation is ARFCNs 20, 30, 50, 70 for GSM and ARFCNs 590, 650, 750, 850 for DCS. ARFCNs 20 and 590 are the BCCH frequency for GSM and DCS respectively. The four empty positions in TSPX_Ma6 represent (from left to right) 70 (850), 50 (750), 30 (650) and 20 (590). The TSPX_Ma6 shall include at least one frequency.			
NOTE 2: The TSPX_Maio6 is dependent on TSPX_Ma6. Its value is from 0 to the number of frequencies in TSPX_Ma6 - 1.			

Table 77: Parameters for FREQUENCY REDEFINITION of TC_26_6_13_3

Item	Name	Type	value
1	TSPX_Ma7	BITSTRING[8]	'0 0 0 0 _ _ _ _ 'B
2	TSPX_Hsn7	BITSTRING[6]	' _ _ _ _ _ _ 'B
3	TSPX_Maio7	BITSTRING[6]	' _ _ _ _ _ _ 'B

References: Used in the test case TC_26_6_13_3,
NOTE 1: The cell allocation is ARFCNs 20, 30, 50, 70 for GSM and ARFCNs 590, 650, 750, 850 for DCS. ARFCNs 20 and 590 are the BCCH frequency for GSM and DCS respectively. The four empty positions in TSPX_Ma7 represent (from left to right) 70 (850), 50 (750), 30 (650) and 20 (590). The TSPX_Ma7 shall include at least two frequencies.
NOTE 2: The TSPX_Maio7 is dependent on TSPX_Ma7. Its value is from 0 to the number of frequencies in TSPX_Ma7 - 1.
NOTE 3: Parameters in this table shall be different from the parameters for IMMEDIATE ASSIGNMENT.

Table 78: Parameters for ASSIGNMENT after time of TC_26_6_13_3

Item	Name	Type	value
1	TSPX_Chtp4	BITSTRING[5]	'0 _ _ _ _ 'B
2	TSPX_Ma8	BITSTRING[8]	'0 0 0 0 _ _ _ _ 'B
3	TSPX_Hsn8	BITSTRING[6]	' _ _ _ _ _ _ 'B
4	TSPX_Maio8	BITSTRING[6]	' _ _ _ _ _ _ 'B

References: Used in the test case TC_26_6_13_3,
NOTE 1: The cell allocation is ARFCNs 20, 30, 50, 70 for GSM and ARFCNs 590, 650, 750, 850 for DCS. ARFCNs 20 and 590 are the BCCH frequency for GSM and DCS respectively. The four empty positions in TSPX_Ma8 represent (from left to right) 70 (850), 50 (750), 30 (650) and 20 (590). The TSPX_Ma8 shall include at least two frequencies.
NOTE 2: The TSPX_Maio8 is dependent on TSPX_Ma8. Its value is from 0 to the number of frequencies in TSPX_Ma8 - 1.
NOTE 3: The TSPX_Chtp4 is channel type and TDMA offset (T bits indicates subchannel in binary):
- '00001'B full rate traffic channel;
- '0001T'B half rate traffic channel;
- '01TTT'B SDCCH8 channel.

Table 79: Parameters for ASSIGNMENT before time of TC_26_6_13_3

Item	Name	Type	value
1	TSPX_Ma9	BITSTRING[8]	'0 0 0 0 _ _ _ _ 'B
2	TSPX_Hsn9	BITSTRING[6]	' _ _ _ _ _ _ 'B
3	TSPX_Maio9	BITSTRING[6]	' _ _ _ _ _ _ 'B

References: Used in the test case TC_26_6_13_3,
NOTE 1: The cell allocation is ARFCNs 20, 30, 50, 70 for GSM and ARFCNs 590, 650, 750, 850 for DCS. ARFCNs 20 and 590 are the BCCH frequency for GSM and DCS respectively. The four empty positions in TSPX_Ma9 represent (from left to right) 70 (850), 50 (750), 30 (650) and 20 (590). The TSPX_Ma9 shall include at least two frequencies.
NOTE 2: The TSPX_Maio9 is dependent on TSPX_Ma9. Its value is from 0 to the number of frequencies in TSPX_Ma9 - 1.
NOTE 3: Parameters in this table shall be different from the parameters for after time.

B.7.2.4.15 Parameters for TC_26_6_13_4

In the TC_26_6_13_4, the following parameters are arbitrary and controllable:

- The channel description for the channel used in IMMEDIATE ASSIGNMENT message.
- The channel description for the channel used in FREQUENCY REDEFINITION message.
- The channel description for the channel used in ASSIGNMENT COMMAND message after time.
- The channel description for the channel used in ASSIGNMENT COMMAND message before time.

Table 80: Parameters for IMMEDIATE ASSIGNMENT of TC_26_6_13_4

Item	Name	Type	value
1	TSPX_Chtp5	BITSTRING[5]	'0 ____'B
2	TSPX_Ma10	BITSTRING[8]	'0 0 0 0 ____'B
3	TSPX_Hsn10	BITSTRING[6]	'_____'B
4	TSPX_Maio10	BITSTRING[6]	'_____'B

References: Used in the test case TC_26_6_13_4,
NOTE 1: The cell allocation is ARFCNs 20, 30, 50, 70 for GSM and ARFCNs 590, 650, 750, 850 for DCS. ARFCNs 20 and 590 are the BCCH frequency for GSM and DCS respectively. The four empty positions in TSPX_Ma10 represent (from left to right) 70 (850), 50 (750), 30 (650) and 20 (590). The TSPX_Ma10 shall include at least one frequency. If TSPX_Ma10 includes one frequency, the frequency shall not be BCCH carrier.
NOTE 2: The TSPX_Maio10 is dependent on TSPX_Ma10. Its value is from 0 to the number of frequencies in TSPX_Ma10 - 1.

Table 81: Parameters for FREQUENCY REDEFINITION of TC_26_6_13_4

Item	Name	Type	value
1	TSPX_Ma11	BITSTRING[8]	'0 0 0 0 ____'B
2	TSPX_Hsn11	BITSTRING[6]	'_____'B
3	TSPX_Maio11	BITSTRING[6]	'_____'B

References: Used in the test case TC_26_6_13_4,
NOTE 1: The cell allocation is ARFCNs 20, 30, 50, 70 for GSM and ARFCNs 590, 650, 750, 850 for DCS. ARFCNs 20 and 590 are the BCCH frequency for GSM and DCS respectively. The four empty positions in TSPX_Ma11 represent (from left to right) 70 (850), 50 (750), 30 (650) and 20 (590). The TSPX_Ma11 shall include at least two frequencies.
NOTE 2: The TSPX_Maio11 is dependent on TSPX_Ma11. Its value is from 0 to the number of frequencies in TSPX_Ma11.
NOTE 3: Parameters in this table shall be different from the parameters for IMMEDIATE ASSIGNMENT.

Table 82: Parameters for ASSIGNMENT after time of TC_26_6_13_4

Item	Name	Type	value
1	TSPX_Chtp6	BITSTRING[5]	'0 ____'B
2	TSPX_Ma12	BITSTRING[8]	'0 0 0 0 ____'B
3	TSPX_Hsn12	BITSTRING[6]	'_____'B
4	TSPX_Maio12	BITSTRING[6]	'_____'B

References: Used in the test case TC_26_6_13_4,
NOTE 1: The cell allocation is ARFCNs 20, 30, 50, 70 for GSM and ARFCNs 590, 650, 750, 850 for DCS. ARFCNs 20 and 590 are the BCCH frequency for GSM and DCS respectively. The four empty positions in TSPX_Ma12 represent (from left to right) 70 (850), 50 (750), 30 (650) and 20 (590). The TSPX_Ma12 shall include at least two frequencies.
NOTE 2: The TSPX_Maio12 is dependent on TSPX_Ma12. Its value is from 0 to the number of frequencies in TSPX_Ma12 - 1.
NOTE 3: The TSPX_Chtp6 is channel type and TDMA offset (T bits indicates subchannel in binary):
- '00001'B full rate traffic channel;
- '0001T'B half rate traffic channel;
- '01TTT'B SDCCH8 channel.

Table 83: Parameters for ASSIGNMENT before time of TC_26_6_13_4

Item	Name	Type	value
1	TSPX_Ma13	BITSTRING[8]	'0 0 0 0 _ _ _ _'B
2	TSPX_Hsn13	BITSTRING[6]	' _ _ _ _ _ _'B
3	TSPX_Maio13	BITSTRING[6]	' _ _ _ _ _ _'B

References: Used in the test case TC_26_6_13_4,

NOTE 1: The cell allocation is ARFCNs 20, 30, 50, 70 for GSM and ARFCNs 590, 650, 750, 850 for DCS. ARFCNs 20 and 590 are the BCCH frequency for GSM and DCS respectively. The four empty positions in TSPX_Ma13 represent (from left to right) 70 (850), 50 (750), 30 (650) and 20 (590). The TSPX_Ma13 shall include at least two frequencies.

NOTE 2: The TSPX_Maio13 is dependent on TSPX_Ma13. Its value is from 0 to the number of frequencies in TSPX_Ma13 - 1.

NOTE 3: Parameters in this table shall be different from the parameters for after time.

B.7.2.4.16 Parameters for TC_26_6_13_5

In the TC_26_6_13_5, the following parameters are arbitrary and controllable:

- The hopping parameters for SDCCH8 channel used in IMMEDIATE ASSIGNMENT message.
- The channel description for the channel used in HANDOVER COMMAND message after time.
- The channel description for the channel used in HANDOVER COMMAND message before time.

Table 84: Parameters for SDCCH8 of TC_26_6_13_5

Item	Name	Type	value
1	TSPX_Ma14	BITSTRING[8]	'0 0 0 0 _ _ _ _'B
2	TSPX_Hsn14	BITSTRING[6]	' _ _ _ _ _ _'B
3	TSPX_Maio14	BITSTRING[6]	' _ _ _ _ _ _'B

References: Used in the test case TC_26_6_13_5,

NOTE 1: The cell allocation is ARFCNs 20, 30, 50, 70 for GSM and ARFCNs 590, 650, 750, 850 for DCS. ARFCNs 20 and 590 are the BCCH frequency for GSM and DCS respectively. The three empty positions in TSPX_Ma14 represent (from left to right) 70 (850), 50 (750), 30 (650) and 20 (590). The TSPX_Ma14 shall include at least one frequency.

NOTE 2: The TSPX_Maio14 is dependent on TSPX_Ma14. Its value is from 0 to the number of frequencies in TSPX_Ma14 - 1.

Table 85: Parameters for HANDOVER after time of TC_26_6_13_5

Item	Name	Type	value
1	TSPX_Chtp7	BITSTRING[5]	'0_____'B
2	TSPX_ChMod4	BITSTRING[8]	'000_____'B
3	TSPX_Ma15	BITSTRING[8]	'0000_____'B
4	TSPX_Hsn15	BITSTRING[6]	'_____'B
5	TSPX_Maio15	BITSTRING[6]	'_____'B
6	TSPX_Tm2	INTEGER	

References: Used in the test case TC_26_6_13_5,

NOTE 1: The cell allocation is ARFCNs 10, 80, 100, 120 for GSM and ARFCNs 520, 600, 700, 870 for DCS. ARFCNs 10 and 520 are the BCCH frequency for GSM and DCS respectively. The four empty positions in TSPX_Ma15 represent (from left to right) 120 (870), 100 (700), 80 (600) and 10 (520). The TSPX_Ma15 shall include at least one frequency. If TSPX_Ma15 includes only one frequency, the frequency shall not be BCCH carrier.

NOTE 2: The TSPX_Maio15 is dependent on TSPX_Ma15. Its value is from 0 to the number of frequencies in TSPX_Ma15 - 1.

NOTE 3: The TSPX_Chtp7 is channel type and TDMA offset (T bits indicates subchannel in binary):

- '00001'B full rate traffic channel;
- '0001T'B half rate traffic channel;
- '01TTT'B SDCCH8 channel.

NOTE 4: The TSPX_ChMod4 is the channel mode:

- '00000000'B signalling only;
- '00000001'B full rate speech;
- '00000101'B half rate speech;
- '00000011'B data 12.0 kbit/s;
- '00001011'B data 6.0 kbit/s;
- '00001111'B data 6.0 kbit/s;
- '00010011'B 3.6 kbit/s;
- '00010111'B 3.6 kbit/s.

- The range of value of TSPX_Tm2 is from 60 to 100.

Table 86: Parameters for HANDOVER before time of TC_26_6_13_5

Item	Name	Type	value
1	TSPX_Ma16	BITSTRING[8]	'0000_____'B
2	TSPX_Hsn16	BITSTRING[6]	'_____'B
3	TSPX_Maio16	BITSTRING[6]	'_____'B

References: Used in the test case TC_26_6_13_5,

NOTE 1: The cell allocation is ARFCNs 10, 80, 100, 120 for GSM and ARFCNs 520, 600, 700, 870 for DCS. ARFCNs 10 and 520 are the BCCH frequency for GSM and DCS respectively. The four empty positions in TSPX_Ma16 represent (from left to right) 120 (870), 100 (700), 80 (600) and 10 (520). The TSPX_Ma16 shall include at least one frequency. If TSPX_Ma16 includes only one frequency, the frequency shall not be BCCH carrier.

NOTE 2: The TSPX_Maio16 is dependent on TSPX_Ma16. Its value is from 0 to the number of frequencies in TSPX_Ma16 - 1.

NOTE 3: Parameters in this table shall be different from the parameters for after time.

B.7.2.4.17 Parameters for TC_26_6_13_6

In the TC_26_6_13_6, the following parameters are arbitrary and controllable:

- The hopping parameters for SDCCH8 channel used in IMMEDIATE ASSIGNMENT message.
- The channel description for the channel used in HANDOVER COMMAND message after time.
- The channel description for the channel used in HANDOVER COMMAND message before time.

Table 87: Parameters for SDCCH8 of TC_26_6_13_6

Item	Name	Type	value
1	TSPX_Ma17	BITSTRING[8]	'0 0 0 0 _ _ _ _'B
2	TSPX_Hsn17	BITSTRING[6]	' _ _ _ _ _ _'B
3	TSPX_Maio17	BITSTRING[6]	' _ _ _ _ _ _'B

References: Used in the test case TC_26_6_13_6,
NOTE 1: The cell allocation is ARFCNs 10, 80, 100, 120 for GSM and ARFCNs 520, 600, 700, 870 for DCS. ARFCNs 10 and 520 are the BCCH frequency for GSM and DCS respectively. The four empty positions in TSPX_Ma17 represent (from left to right) 120 (870), 100 (700), 80 (600) and 10 (520). The TSPX_Ma17 shall include at least one frequency. If TSPX_Ma17 includes only one frequency, the frequency shall not be BCCH carrier.
NOTE 2: The TSPX_Maio17 is dependent on TSPX_Ma17. Its value is from 0 to the number of frequencies in TSPX_Ma17 - 1.

Table 88: Parameters for HANDOVER after time of TC_26_6_13_6

Item	Name	Type	value
1	TSPX_Chtp8	BITSTRING[5]	'0 _ _ _ _'B
2	TSPX_ChMod5	BITSTRING[8]	'0 0 0 _ _ _ _'B
3	TSPX_Ma18	BITSTRING[8]	'0 0 0 0 _ _ _ _'B
4	TSPX_Hsn18	BITSTRING[6]	' _ _ _ _ _ _'B
5	TSPX_Maio18	BITSTRING[6]	' _ _ _ _ _ _'B

References: Used in the test case TC_26_6_13_6,
NOTE 1: The cell allocation is ARFCNs 10, 80, 100, 120 for GSM and ARFCNs 520, 600, 700, 870 for DCS. ARFCNs 10 and 520 are the BCCH frequency for GSM and DCS respectively. The four empty positions in TSPX_Ma18 represent (from left to right) 120 (870), 100 (700), 80 (600) and 10 (520). The TSPX_Ma18 shall include at least one frequency. If TSPX_Ma18 includes only one frequency, the frequency shall not be BCCH carrier.
NOTE 2: The TSPX_Maio18 is dependent on TSPX_Ma18. Its value is from 0 to the number of frequencies in TSPX_Ma18 - 1.
NOTE 3: The TSPX_Chtp8 is channel type and TDMA offset (T bits indicates subchannel in binary):
- '00001'B full rate traffic channel;
- '0001T'B half rate traffic channel;
- '01TTT'B SDCCH8 channel.
NOTE 4: The TSPX_ChMod5 is the channel mode:
- '00000000'B signalling only;
- '00000001'B full rate speech;
- '00000101'B half rate speech;
- '00000011'B data 12.0 kbit/s;
- '00001011'B data 6.0 kbit/s;
- '00001111'B data 6.0 kbit/s;
- '00010011'B 3.6 kbit/s;
- '00010111'B 3.6 kbit/s.

Table 89: Parameters for HANDOVER before time of TC_26_6_13_6

Item	Name	Type	value
1	TSPX_Ma19	BITSTRING[8]	'0 0 0 0 _ _ _ _ 'B
2	TSPX_Hsn19	BITSTRING[6]	' _ _ _ _ _ 'B
3	TSPX_Maio19	BITSTRING[6]	' _ _ _ _ _ 'B
References: Used in the test case TC_26_6_13_6,			
NOTE 1: The cell allocation is ARFCNs 20, 30, 50, 70 for GSM and ARFCNs 590, 650, 750, 850 for DCS. ARFCNs 20 and 590 are the BCCH frequency for GSM and DCS respectively. The four empty positions in TSPX_Ma19 represent (from left to right) 70 (850), 50 (750), 30 (650) and 20 (590). The TSPX_Ma19 shall include at least one frequency. If TSPX_Ma19 includes only one frequency, the frequency shall not be BCCH carrier.			
NOTE 2: The TSPX_Maio19 is dependent on TSPX_Ma19. Its value is from 0 to the number of frequencies in TSPX_Ma19 - 1.			
NOTE 3: Parameters in this table shall be different from the parameters for after time.			

B.7.2.4.18 Parameters for TC_26_6_13_7

In the TC_26_6_13_7, the following parameters are arbitrary and controllable:

- The hopping parameters for the channel used in IMMEDIATE ASSIGNMENT message.
- The hopping parameters for FREQUENCY REDEFINITION message.
- The channel description for the channel used in HANDOVER COMMAND message after time.
- The channel description for the channel used in HANDOVER COMMAND message before time.

Table 90: Parameters for IMMEDIATE ASSIGNMENT of TC_26_6_13_7

Item	Name	Type	value
1	TSPX_Chtp9	BITSTRING[5]	'0 _ _ _ _ 'B
2	TSPX_Ma20	BITSTRING[8]	'0 0 0 0 _ _ _ _ 'B
3	TSPX_Hsn20	BITSTRING[6]	' _ _ _ _ _ 'B
4	TSPX_Maio20	BITSTRING[6]	' _ _ _ _ _ 'B
References: Used in the test case TC_26_6_13_7,			
NOTE 1: The cell allocation is ARFCNs 10, 80, 100, 120 for GSM and ARFCNs 520, 600, 700, 870 for DCS. ARFCNs 10 and 520 are the BCCH frequency for GSM and DCS respectively. The four empty positions in TSPX_Ma20 represent (from left to right) 120 (870), 100 (700), 80 (600) and 10 (520). The TSPX_Ma20 shall include at least one frequency. If TSPX_Ma20 includes only one frequency, the frequency shall not be BCCH carrier.			
NOTE 2: The TSPX_Maio20 is dependent on TSPX_Ma20. Its value is from 0 to the number of frequencies in TSPX_Ma20 - 1.			

Table 91: Parameters for FREQUENCY REDEFINITION of TC_26_6_13_7

Item	Name	Type	value
1	TSPX_Ma21	BITSTRING[8]	'0 0 0 0 _ _ _ _ 'B
2	TSPX_Hsn21	BITSTRING[6]	' _ _ _ _ _ 'B
3	TSPX_Maio21	BITSTRING[6]	' _ _ _ _ _ 'B
References: Used in the test case TC_26_6_13_7,			
NOTE 1: The cell allocation is ARFCNs 10, 80, 100, 120 for GSM and ARFCNs 520, 600, 700, 870 for DCS. ARFCNs 10 and 520 are the BCCH frequency for GSM and DCS respectively. The four empty positions in TSPX_Ma21 represent (from left to right) 120 (870), 100 (700), 80 (600) and 10 (520). The TSPX_Ma21 shall include at least two frequencies.			
NOTE 2: The TSPX_Maio21 is dependent on TSPX_Ma21. Its value is from 0 to the number of frequencies in TSPX_Ma21 - 1.			
NOTE 3: Parameters in this table shall be different from the parameters in the above table.			

Table 92: Parameters for HANDOVER after time of TC_26_6_13_7

Item	Name	Type	value
1	TSPX_Chtp10	BITSTRING[5]	'0_____'B
2	TSPX_ChMod6	BITSTRING[8]	'000_____'B
3	TSPX_Ma22	BITSTRING[8]	'0000_____'B
4	TSPX_Hsn22	BITSTRING[6]	'_____'B
5	TSPX_Maio22	BITSTRING[6]	'_____'B

References: Used in the test case TC_26_6_13_7,
NOTE 1: The cell allocation is ARFCNs 10, 80, 100, 120 for GSM and ARFCNs 520, 600, 700, 870 for DCS. ARFCNs 10 and 520 are the BCCH frequency for GSM and DCS respectively. The four empty positions in TSPX_Ma22 represent (from left to right) 120 (870), 100 (700), 80 (600) and 10 (520). The TSPX_Ma22 shall include at least one frequency. If TSPX_Ma22 includes only one frequency, the frequency shall not be BCCH carrier.
NOTE 2: The TSPX_Maio22 is dependent on TSPX_Ma22. Its value is from 0 to the number of frequencies in TSPX_Ma22 - 1.
NOTE 3: The TSPX_Chtp10 is channel type and TDMA offset (T bits indicates subchannel in binary):
- '00001'B full rate traffic channel;
- '0001T'B half rate traffic channel;
- '01TTT'B SDCCH8 channel.
NOTE 4: The TSPX_ChMod6 is the channel mode:
- '00000000'B signalling only;
- '00000001'B full rate speech;
- '00000101'B half rate speech;
- '00000011'B data 12.0 kbit/s;
- '00001011'B data 6.0 kbit/s;
- '00001111'B data 6.0 kbit/s;
- '00010011'B 3.6 kbit/s;
- '00010111'B 3.6 kbit/s.

Table 93: Parameters for HANDOVER before time of TC_26_6_13_7

Item	Name	Type	value
1	TSPX_Ma23	BITSTRING[8]	'0000_____'B
2	TSPX_Hsn23	BITSTRING[6]	'_____'B
3	TSPX_Maio23	BITSTRING[6]	'_____'B

References: Used in the test case TC_26_6_13_7,
NOTE 1: The cell allocation is ARFCNs 20, 30, 50, 70 for GSM and ARFCNs 590, 650, 750, 850 for DCS. ARFCNs 20 and 590 are the BCCH frequency for GSM and DCS respectively. The four empty positions in TSPX_Ma23 represent (from left to right) 70 (850), 50 (750), 30 (650) and 20 (590). The TSPX_Ma23 shall include at least one frequency. If TSPX_Ma23 includes only one frequency, the frequency shall not be BCCH carrier.
NOTE 2: The TSPX_Maio23 is dependent on TSPX_Ma23. Its value is from 0 to the number of frequencies in TSPX_Ma23 - 1.
NOTE 3: Parameters in this table shall be different from the parameters for after time.

B.7.2.4.19 Parameters for TC_26_6_13_8

In the TC_26_6_13_8, the following parameters are arbitrary and controllable:

- The hopping parameters for the channel used in IMMEDIATE ASSIGNMENT message.
- The hopping parameters for FREQUENCY REDEFINITION message.
- The channel description for the channel used in HANDOVER COMMAND message after time.
- The channel description for the channel used in HANDOVER COMMAND message before time.

Table 94: Parameters for IMMEDIATE ASSIGNMENT of TC_26_6_13_8

Item	Name	Type	value
1	TSPX_Chtp11	BITSTRING[5]	'0_____'B
2	TSPX_Ma24	BITSTRING[8]	'0 0 0 0 ____'B
3	TSPX_Hsn24	BITSTRING[6]	'_____'B
4	TSPX_Maio24	BITSTRING[6]	'_____'B

References: Used in the test case TC_26_6_13_8,

NOTE 1: The cell allocation is ARFCNs 10, 80, 100, 120 for GSM and ARFCNs 520, 600, 700, 870 for DCS. ARFCNs 10 and 520 are the BCCH frequency for GSM and DCS respectively. The four empty positions in TSPX_Ma24 represent (from left to right) 120 (870), 100 (700), 80 (600) and 10 (520). The TSPX_Ma24 shall include at least one frequency. If TSPX_Ma24 includes only one frequency, the frequency shall not be BCCH carrier.

NOTE 2: The TSPX_Maio24 is dependent on TSPX_Ma24. Its value is from 0 to the number of frequencies in TSPX_Ma24 - 1.

Table 95: Parameters for FREQUENCY REDEFINITION of TC_26_6_13_8

Item	Name	Type	value
1	TSPX_Ma25	BITSTRING[8]	'0 0 0 0 ____'B
2	TSPX_Hsn25	BITSTRING[6]	'_____'B
3	TSPX_Maio25	BITSTRING[6]	'_____'B

References: Used in the test case TC_26_6_13_8,

NOTE 1: The cell allocation is ARFCNs 10, 80, 100, 120 for GSM and ARFCNs 520, 600, 700, 870 for DCS. ARFCNs 10 and 520 are the BCCH frequency for GSM and DCS respectively. The four empty positions in TSPX_Ma25 represent (from left to right) 120 (870), 100 (700), 80 (600) and 10 (520). The TSPX_Ma25 shall include at least two frequencies.

NOTE 2: The TSPX_Maio25 is dependent on TSPX_Ma25. Its value is from 0 to the number of frequencies in TSPX_Ma25 - 1.

NOTE 3: Parameters in this table shall be different from the parameters in the above table.

Table 96: Parameters for HANDOVER after time of TC_26_6_13_8

Item	Name	Type	value
1	TSPX_Chtp12	BITSTRING[5]	'0_____'B
2	TSPX_ChMod7	BITSTRING[8]	'000_____'B
3	TSPX_Ma26	BITSTRING[8]	'0000_____'B
4	TSPX_Hsn26	BITSTRING[6]	'_____'B
5	TSPX_Maio26	BITSTRING[6]	'_____'B

References: Used in the test case TC_26_6_13_8,

NOTE 1: The cell allocation is ARFCNs 10, 80, 100, 120 for GSM and ARFCNs 520, 600, 700, 870 for DCS. ARFCNs 10 and 520 are the BCCH frequency for GSM and DCS respectively. The four empty positions in TSPX_Ma26 represent (from left to right) 120 (870), 100 (700), 80 (600) and 10 (520). The TSPX_Ma26 shall include at least one frequency. If TSPX_Ma26 includes only one frequency, the frequency shall not be BCCH carrier.

NOTE 2: The TSPX_Maio26 is dependent on TSPX_Ma26. Its value is from 0 to the number of frequencies in TSPX_Ma26 - 1.

NOTE 3: The TSPX_Chtp12 is channel type and TDMA offset (T bits indicates subchannel in binary):

- '00001'B full rate traffic channel;
- '0001T'B half rate traffic channel;
- '01TTT'B SDCCH8 channel.

NOTE 4: The TSPX_ChMod7 is the channel mode:

- '00000000'B signalling only;
- '00000001'B full rate speech;
- '00000101'B half rate speech;
- '00000011'B data 12.0 kbit/s;
- '00001011'B data 6.0 kbit/s;
- '00001111'B data 6.0 kbit/s;
- '00010011'B 3.6 kbit/s;
- '00010111'B 3.6 kbit/s.

Table 97: Parameters for HANDOVER before time of TC_26_6_13_8

Item	Name	Type	value
1	TSPX_Ma27	BITSTRING[8]	'0000_____'B
2	TSPX_Hsn27	BITSTRING[6]	'_____'B
3	TSPX_Maio27	BITSTRING[6]	'_____'B

References: Used in the test case TC_26_6_13_8,

NOTE 1: The cell allocation is ARFCNs 20, 30, 50, 70 for GSM and ARFCNs 590, 650, 750, 850 for DCS. ARFCNs 20 and 590 are the BCCH frequency for GSM and DCS respectively. The four empty positions in TSPX_Ma27 represent (from left to right) 70 (850), 50 (750), 30 (650) and 20 (590). The TSPX_Ma27 shall include at least one frequency. If TSPX_Ma27 includes only one frequency, the frequency shall not be BCCH carrier.

NOTE 2: The TSPX_Maio27 is dependent on TSPX_Ma27. Its value is from 0 to the number of frequencies in TSPX_Ma27 - 1.

NOTE 3: Parameters in this table shall be different from the parameters for after time.

B.7.2.4.20 Parameters for TC_26_6_13_9

In the TC_26_6_13_9, the following parameters are arbitrary and controllable:

- The hopping parameters for the channel used in IMMEDIATE ASSIGNMENT message after time.
- The hopping parameters for the channel used in IMMEDIATE ASSIGNMENT message before time.

Table 98: Parameters for IMMEDIATE ASSIGNMENT after time of TC_26_6_13_9

Item	Name	Type	value
1	TSPX_Chtp13	BITSTRING[5]	'0 ____'B
2	TSPX_Ma28	BITSTRING[8]	'0 0 0 0 ____'B
3	TSPX_Hsn28	BITSTRING[6]	'_____'B
4	TSPX_Maio28	BITSTRING[6]	'_____'B

References: Used in the test case TC_26_6_13_9,
NOTE 1: The cell allocation is ARFCNs 10, 80, 100, 120 for GSM and ARFCNs 520, 600, 700, 870 for DCS. ARFCNs 10 and 520 are the BCCH frequency for GSM and DCS respectively. The four empty positions in TSPX_Ma28 represent (from left to right) 120 (870), 100 (700), 80 (600) and 10 (520). The TSPX_Ma28 shall include at least one frequency. If TSPX_Ma28 includes only one frequency, the frequency shall not be BCCH carrier.
NOTE 2: The TSPX_Maio28 is dependent on TSPX_Ma28. Its value is from 0 to the number of frequencies in TSPX_Ma28 - 1.

Table 99: Parameters for IMMEDIATE ASSIGNMENT before time of TC_26_6_13_9

Item	Name	Type	value
1	TSPX_Ma29	BITSTRING[8]	'0 0 0 0 ____'B
2	TSPX_Tm3	INTEGER	
3	TSPX_Maio29	BITSTRING[6]	'_____'B

References: Used in the test case TC_26_6_13_9,
NOTE 1: The cell allocation is ARFCNs 10, 80, 100, 120 for GSM and ARFCNs 520, 600, 700, 870 for DCS. ARFCNs 10 and 520 are the BCCH frequency for GSM and DCS respectively. The four empty positions in TSPX_Ma29 represent (from left to right) 120 (870), 100 (700), 80 (600) and 10 (520). The TSPX_Ma29 shall include at least one frequency. If only one frequency to be used, the frequency shall be different from the BCCH carrier.
NOTE 2: The TSPX_Maio29 is dependent on TSPX_Ma29. Its value is from 0 to the number of frequencies in TSPX_Ma29 - 1.
NOTE 3: The value range of TSPX_Tm3 is 60 to 100.
NOTE 4: Parameters in this table shall be different from the parameters in the above table.

B.7.2.4.21 Parameters for TC_26_6_13_10

In the TC_26_6_13_10, the following parameters are arbitrary and controllable:

- The hopping parameters for the channel used in IMMEDIATE ASSIGNMENT message after time.
- The hopping parameters for the channel used in IMMEDIATE ASSIGNMENT message before time.

Table 100: Parameters for IMMEDIATE ASSIGNMENT after time of TC_26_6_13_10

Item	Name	Type	value
1	TSPX_Chtp14	BITSTRING[5]	'0 ____'B
2	TSPX_Ma30	BITSTRING[8]	'0 0 0 0 ____'B
3	TSPX_Hsn30	BITSTRING[6]	'_____'B
4	TSPX_Maio30	BITSTRING[6]	'_____'B

References: Used in the test case TC_26_6_13_10,
NOTE 1: The cell allocation is ARFCNs 10, 80, 100, 120 for GSM and ARFCNs 520, 600, 700, 870 for DCS. ARFCNs 10 and 520 are the BCCH frequency for GSM and DCS respectively. The four empty positions in TSPX_Ma30 represent (from left to right) 120 (870), 100 (700), 80 (600) and 10 (520). The TSPX_Ma30 shall include at least one frequency. If TSPX_Ma30 includes only one frequency, the frequency shall not be BCCH carrier.
NOTE 2: The TSPX_Maio30 is dependent on TSPX_Ma30. Its value is from 0 to the number of frequencies in TSPX_Ma30 - 1.

Table 101: Parameters for IMMEDIATE ASSIGNMENT before time of TC_26_6_13_10

Item	Name	Type	value
1	TSPX_Ma31	BITSTRING[8]	'0 0 0 0 _ _ _ _'B
2	TSPX_Maio31	BITSTRING[6]	'_ _ _ _ _ _'B
References: Used in the test case TC_26_6_13_10,			
NOTE 1: The cell allocation is ARFCNs 10, 80, 100, 120 for GSM and ARFCNs 520, 600, 700, 870 for DCS. ARFCNs 10 and 520 are the BCCH frequency for GSM and DCS respectively. The four empty positions in TSPX_Ma31 represent (from left to right) 120 (870), 100 (700), 80 (600) and 10 (520). The TSPX_Ma31 shall include at least one frequency. If only one frequency to be used, the frequency shall be different from the BCCH carrier.			
NOTE 2: The TSPX_Maio31 is dependent on TSPX_Ma31. Its value is from 0 to the number of frequencies in TSPX_Ma31 - 1.			
NOTE 3: Parameters in this table shall be different from the parameters in the above table.			

B.7.2.5 Parameters for Setup message

The following tables are used by the test laboratory to control the setup message used in testing. they shall be filled by the test lab according to the ICS answers from the mobile station manufacturer.

For each basic service, there are three setup messages: TSPX_Setup????_1, TSPX_Setup????_2 and TSPX_Setup????_3.

- If the MS under test supports that basic service, TSPX_Setup????_1 shall be filled. If the MS supports more than one bearer capabilities, the TSPX_????more shall be filled with TRUE and TSPX_Setup????_2 shall also be filled. Parameters in TSPX_Setup????_2 shall be different from TSPX_Setup????_1 as many as possible. The TSPX_Setup????_3 is skipped.

- If the MS does not support the basic service, TSPX_Setup????_1 and TSPX_Setup????_2 are skipped. TSPX_Setup????_3 shall be filled with values which are arbitrarily selected among those defined in GSM07.01 Annex B for the basic service.

B.7.2.5.1 Telephony

Table 102: Parameter TSPX_SetupTS11_1

Field	Type	Value	Comments
ti	BITSTRING[4]	'0000'B	
pd	BITSTRING[4]	'0011'B	
mt	BITSTRING[8]	'00000101'B	
omitted?			BC repeat indicator. If the answer is OMIT the IE is omitted in the message
bcri	BITSTRING[8]	'1101_ _ _ _'B	
omitted?			Bearer capability 1. If the answer is OMIT the IE is omitted in the message
iei	BITSTRING[8]	'00000100'B	
iel	OCTETSTRING[1]		length of the IE in unit of OCTET
extb3	BITSTRING[1]		extension bit
rchr	BITSTRING[2]	'00'B	spare bit in the direction n -> ms
cs	BITSTRING[1]		coding standard
tm	BITSTRING[1]		transfer mode
itc	BITSTRING[3]		information transfer capability
extb4	BITSTRING[1]		extension bit
spb	BITSTRING[1]	'0'B	spare bit
strc	BITSTRING[1]		structure
dplx	BITSTRING[2]		duplex mode
config	BITSTRING[1]		configuration
nirr	BITSTRING[1]		negotiation of intermediate rate requested
est	BITSTRING[1]		establishment
extb5	BITSTRING[1]		extension bit
accid	BITSTRING[2]		access identify
ra	BITSTRING[2]		rate adaption
sacp	BITSTRING[3]		signalling access protocol
extb6	BITSTRING[1]		extension bit
l1id	BITSTRING[2]		L1 identity
uil1	BITSTRING[4]		user information L 1 protocol
sb	BITSTRING[1]		synchronous bit
extb6a	BITSTRING[1]		extension bit
nsb	BITSTRING[1]		number of stop bits
nb	BITSTRING[1]		negotiation bit
ndb	BITSTRING[1]		number of data bits
ur	BITSTRING[4]		user rate
extb6b	BITSTRING[1]		extension bit
ir	BITSTRING[2]		intermediate rate
nictx	BITSTRING[1]		network independent clock on transmission
nicrx	BITSTRING[1]		network independent clock on reception
pi	BITSTRING[3]		parity information
extb6c	BITSTRING[1]		extension bit
ce	BITSTRING[2]		connection element
modemt	BITSTRING[5]		modem type
extb7	BITSTRING[1]		extension bit
l2id	BITSTRING[2]		L2 identity
uil2	BITSTRING[5]		user information L2 protocol
omitted?			Bearer capability 2. If the answer is OMIT the IE is omitted in the message
iei	BITSTRING[8]	'00000100'B	
iel	OCTETSTRING[1]		length of the IE in unit of OCTET
extb3	BITSTRING[1]		extension bit
rchr	BITSTRING[2]	'00'B	spare bit in the direction n -> ms
cs	BITSTRING[1]		coding standard

tm	BITSTRING[1]		transfer mode
itc	BITSTRING[3]		information transfer capability
extb4	BITSTRING[1]		extension bit
spb	BITSTRING[1]	'0'B	spare bit
strc	BITSTRING[1]		structure
dplx	BITSTRING[2]		duplex mode
config	BITSTRING[1]		configuration
nirr	BITSTRING[1]		negotiation of intermediate rate requested
est	BITSTRING[1]		establishment
extb5	BITSTRING[1]		extension bit
accid	BITSTRING[2]		access identify
ra	BITSTRING[2]		rate adaption
sacp	BITSTRING[3]		signalling access protocol
extb6	BITSTRING[1]		extension bit
l1id	BITSTRING[2]		L1 identity
uil1	BITSTRING[4]		user information L 1 protocol
sb	BITSTRING[1]		synchronous bit
extb6a	BITSTRING[1]		extension bit
nsb	BITSTRING[1]		number of stop bits
nb	BITSTRING[1]		negotiation bit
ndb	BITSTRING[1]		number of data bits
ur	BITSTRING[4]		user rate
extb6b	BITSTRING[1]		extension bit
ir	BITSTRING[2]		intermediate rate
nictx	BITSTRING[1]		network independent clock on transmission
nicrx	BITSTRING[1]		network independent clock on reception
pi	BITSTRING[3]		parity information
extb6c	BITSTRING[1]		extension bit
ce	BITSTRING[2]		connection element
modemt	BITSTRING[5]		modem type
extb7	BITSTRING[1]		extension bit
l2id	BITSTRING[2]		L2 identity
uil2	BITSTRING[5]		user information L2 protocol
omitted?			LLC repeat indicator. If the answer is OMIT the IE is omitted in the message
llcri	BITSTRING[8]	'1101_ _ _ _'B	
omitted?			low layer compatibility I. If the answer is OMIT the IE is omitted in the message
iei	BITSTRING[8]	'01111100'B	
iel	OCTETSTRING[1]		
contents	OCTETSTRING[1..13]		
omitted?			low layer compatibility II. If the answer is OMIT the IE is omitted in the message
iei	BITSTRING[8]	'01111100'B	
iel	OCTETSTRING[1]		
contents	OCTETSTRING[1..13]		
omitted?			HLC repeat indicator. If the answer is OMIT the IE is omitted in the message
hlcri	BITSTRING[8]	'1101_ _ _ _'B	
omitted?			high layer compatibility i. If the answer is OMIT the IE is omitted in the message
iei	BITSTRING[8]	'01111101'B	
iel	OCTETSTRING[1]		length of the element
extb3	BITSTRING[1]	'1'B	
cs	BITSTRING[2]		coding standard
in	BITSTRING[3]		interpretation
pmp	BITSTRING[2]		presentation method of protocol

extb4	BITSTRING[1]	'1'B	
hlci	BITSTRING[7]		high layer characteristic identification
extb4a	BITSTRING[1]		
ehlci	BITSTRING[7]		extended high layer characteristic identification
omitted?			high layer compatibility ii. If the answer is OMIT the IE is omitted in the message
iei	BITSTRING[8]	'01111101'B	
iel	OCTETSTRING[1]		length of the element
extb3	BITSTRING[1]	'1'B	
cs	BITSTRING[2]		coding standard
in	BITSTRING[3]		interpretation
pmpp	BITSTRING[2]		presentation method of protocol
extb4	BITSTRING[1]	'1'B	
hlci	BITSTRING[7]		high layer characteristic identification
extb4a	BITSTRING[1]		
ehlci	BITSTRING[7]		extended high layer characteristic identification

Table 103: Parameter TSPX_TS11more

Name	Type	Value	Comments
TSPX_TS11more	BOOLEAN		

Table 104: Parameter TSPX_SetupTS11_2

Field	Type	Value	Comments
ti	BITSTRING[4]	'0000'B	
pd	BITSTRING[4]	'0011'B	
mt	BITSTRING[8]	'00000101'B	
omitted?			BC repeat indicator. If the answer is OMIT the IE is omitted in the message
bcri	BITSTRING[8]	'1101_ _ _ _'B	
omitted?			Bearer capability 1. If the answer is OMIT the IE is omitted in the message
iei	BITSTRING[8]	'00000100'B	
iel	OCTETSTRING[1]		length of the IE in unit of OCTET
extb3	BITSTRING[1]		extension bit
rchr	BITSTRING[2]	'00'B	spare bit in the direction n -> ms
cs	BITSTRING[1]		coding standard
tm	BITSTRING[1]		transfer mode
itc	BITSTRING[3]		information transfer capability
extb4	BITSTRING[1]		extension bit
spb	BITSTRING[1]	'0'B	spare bit
strc	BITSTRING[1]		structure
dplxm	BITSTRING[2]		duplex mode
config	BITSTRING[1]		configuration
nirr	BITSTRING[1]		negotiation of intermediate rate requested
est	BITSTRING[1]		establishment
extb5	BITSTRING[1]		extension bit
accid	BITSTRING[2]		access identify
ra	BITSTRING[2]		rate adaption
sacp	BITSTRING[3]		signalling access protocol
extb6	BITSTRING[1]		extension bit
l1id	BITSTRING[2]		L1 identity
uil1	BITSTRING[4]		user information L 1 protocol
sb	BITSTRING[1]		synchronous bit
extb6a	BITSTRING[1]		extension bit
nsb	BITSTRING[1]		number of stop bits
nb	BITSTRING[1]		negotiation bit
ndb	BITSTRING[1]		number of data bits
ur	BITSTRING[4]		user rate
extb6b	BITSTRING[1]		extension bit
ir	BITSTRING[2]		intermediate rate
nictx	BITSTRING[1]		network independent clock on transmission
nicrx	BITSTRING[1]		network independent clock on reception
pi	BITSTRING[3]		parity information
extb6c	BITSTRING[1]		extension bit
ce	BITSTRING[2]		connection element
modemt	BITSTRING[5]		modem type
extb7	BITSTRING[1]		extension bit
l2id	BITSTRING[2]		L2 identity
uil2	BITSTRING[5]		user information L2 protocol
omitted?			Bearer capability 2. If the answer is OMIT the IE is omitted in the message
iei	BITSTRING[8]	'00000100'B	
iel	OCTETSTRING[1]		length of the IE in unit of OCTET
extb3	BITSTRING[1]		extension bit
rchr	BITSTRING[2]	'00'B	spare bit in the direction n -> ms
cs	BITSTRING[1]		coding standard
tm	BITSTRING[1]		transfer mode
itc	BITSTRING[3]		information transfer capability

extb4	BITSTRING[1]		extension bit
spb	BITSTRING[1]	'0'B	spare bit
strc	BITSTRING[1]		structure
dplx	BITSTRING[2]		duplex mode
config	BITSTRING[1]		configuration
nirr	BITSTRING[1]		negotiation of intermediate rate requested
est	BITSTRING[1]		establishment
extb5	BITSTRING[1]		extension bit
accid	BITSTRING[2]		access identify
ra	BITSTRING[2]		rate adaption
sacp	BITSTRING[3]		signalling access protocol
extb6	BITSTRING[1]		extension bit
l1id	BITSTRING[2]		L1 identity
uil1	BITSTRING[4]		user information L 1 protocol
sb	BITSTRING[1]		synchronous bit
extb6a	BITSTRING[1]		extension bit
nsb	BITSTRING[1]		number of stop bits
nb	BITSTRING[1]		negotiation bit
ndb	BITSTRING[1]		number of data bits
ur	BITSTRING[4]		user rate
extb6b	BITSTRING[1]		extension bit
ir	BITSTRING[2]		intermediate rate
nictx	BITSTRING[1]		network independent clock on transmission
nicrx	BITSTRING[1]		network independent clock on reception
pi	BITSTRING[3]		parity information
extb6c	BITSTRING[1]		extension bit
ce	BITSTRING[2]		connection element
modemt	BITSTRING[5]		modem type
extb7	BITSTRING[1]		extension bit
l2id	BITSTRING[2]		L2 identity
uil2	BITSTRING[5]		user information L2 protocol
omitted?			LLC repeat indicator. If the answer is OMIT the IE is omitted in the message
llcri	BITSTRING[8]	'1101___'B	
omitted?			low layer compatibility I. If the answer is OMIT the IE is omitted in the message
iei	BITSTRING[8]	'01111100'B	
iel	OCTETSTRING[1]		
contents	OCTETSTRING[1..13]		
omitted?			low layer compatibility II. If the answer is OMIT the IE is omitted in the message
iei	BITSTRING[8]	'01111100'B	
iel	OCTETSTRING[1]		
contents	OCTETSTRING[1..13]		
omitted?			HLC repeat indicator. If the answer is OMIT the IE is omitted in the message
hlcri	BITSTRING[8]	'1101___'B	
omitted?			high layer compatibility i. If the answer is OMIT the IE is omitted in the message
iei	BITSTRING[8]	'01111101'B	
iel	OCTETSTRING[1]		length of the element
extb3	BITSTRING[1]	'1'B	
cs	BITSTRING[2]		coding standard
in	BITSTRING[3]		interpretation
pmp	BITSTRING[2]		presentation method of protocol
extb4	BITSTRING[1]	'1'B	
hlci	BITSTRING[7]		high layer characteristic identification

extb4a	BITSTRING[1]		
ehlci	BITSTRING[7]		extended high layer characteristic identification
omitted?			high layer compatibility ii. If the answer is OMIT the IE is omitted in the message
iei	BITSTRING[8]	'01111101'B	
iel	OCTETSTRING[1]		length of the element
extb3	BITSTRING[1]	'1'B	
cs	BITSTRING[2]		coding standard
in	BITSTRING[3]		interpretation
pmp	BITSTRING[2]		presentation method of protocol
extb4	BITSTRING[1]	'1'B	
hlci	BITSTRING[7]		high layer characteristic identification
extb4a	BITSTRING[1]		
ehlci	BITSTRING[7]		extended high layer characteristic identification

Table 105: Parameter TSPX_SetupTS11_3

Field	Type	Value	Comments
ti	BITSTRING[4]	'0000'B	
pd	BITSTRING[4]	'0011'B	
mt	BITSTRING[8]	'00000101'B	
omitted?			BC repeat indicator. If the answer is OMIT the IE is omitted in the message
bcrl	BITSTRING[8]	'1101____'B	
omitted?			Bearer capability 1. If the answer is OMIT the IE is omitted in the message
iei	BITSTRING[8]	'00000100'B	
iel	OCTETSTRING[1]		length of the IE in unit of OCTET
extb3	BITSTRING[1]		extension bit
rchr	BITSTRING[2]	'00'B	spare bit in the direction n -> ms
cs	BITSTRING[1]		coding standard
tm	BITSTRING[1]		transfer mode
itc	BITSTRING[3]		information transfer capability
extb4	BITSTRING[1]		extension bit
spb	BITSTRING[1]	'0'B	spare bit
strc	BITSTRING[1]		structure
dplxm	BITSTRING[2]		duplex mode
config	BITSTRING[1]		configuration
nirr	BITSTRING[1]		negotiation of intermediate rate requested
est	BITSTRING[1]		establishment
extb5	BITSTRING[1]		extension bit
accid	BITSTRING[2]		access identify
ra	BITSTRING[2]		rate adaption
sacp	BITSTRING[3]		signalling access protocol
extb6	BITSTRING[1]		extension bit
l1id	BITSTRING[2]		L1 identity
uil1	BITSTRING[4]		user information L 1 protocol
sb	BITSTRING[1]		synchronous bit
extb6a	BITSTRING[1]		extension bit
nsb	BITSTRING[1]		number of stop bits
nb	BITSTRING[1]		negotiation bit
ndb	BITSTRING[1]		number of data bits
ur	BITSTRING[4]		user rate
extb6b	BITSTRING[1]		extension bit
ir	BITSTRING[2]		intermediate rate
nictx	BITSTRING[1]		network independent clock on transmission
nicrx	BITSTRING[1]		network independent clock on reception
pi	BITSTRING[3]		parity information
extb6c	BITSTRING[1]		extension bit
ce	BITSTRING[2]		connection element
modemt	BITSTRING[5]		modem type
extb7	BITSTRING[1]		extension bit
l2id	BITSTRING[2]		L2 identity
uil2	BITSTRING[5]		user information L2 protocol
omitted?			Bearer capability 2. If the answer is OMIT the IE is omitted in the message
iei	BITSTRING[8]	'00000100'B	
iel	OCTETSTRING[1]		length of the IE in unit of OCTET
extb3	BITSTRING[1]		extension bit
rchr	BITSTRING[2]	'00'B	spare bit in the direction n -> ms
cs	BITSTRING[1]		coding standard
tm	BITSTRING[1]		transfer mode
itc	BITSTRING[3]		information transfer capability

extb4	BITSTRING[1]		extension bit
spb	BITSTRING[1]	'0'B	spare bit
strc	BITSTRING[1]		structure
dplx	BITSTRING[2]		duplex mode
config	BITSTRING[1]		configuration
nirr	BITSTRING[1]		negotiation of intermediate rate requested
est	BITSTRING[1]		establishment
extb5	BITSTRING[1]		extension bit
accid	BITSTRING[2]		access identify
ra	BITSTRING[2]		rate adaption
sacp	BITSTRING[3]		signalling access protocol
extb6	BITSTRING[1]		extension bit
l1id	BITSTRING[2]		L1 identity
uil1	BITSTRING[4]		user information L 1 protocol
sb	BITSTRING[1]		synchronous bit
extb6a	BITSTRING[1]		extension bit
nsb	BITSTRING[1]		number of stop bits
nb	BITSTRING[1]		negotiation bit
ndb	BITSTRING[1]		number of data bits
ur	BITSTRING[4]		user rate
extb6b	BITSTRING[1]		extension bit
ir	BITSTRING[2]		intermediate rate
nictx	BITSTRING[1]		network independent clock on transmission
nicrx	BITSTRING[1]		network independent clock on reception
pi	BITSTRING[3]		parity information
extb6c	BITSTRING[1]		extension bit
ce	BITSTRING[2]		connection element
modemt	BITSTRING[5]		modem type
extb7	BITSTRING[1]		extension bit
l2id	BITSTRING[2]		L2 identity
uil2	BITSTRING[5]		user information L2 protocol
omitted?			LLC repeat indicator. If the answer is OMIT the IE is omitted in the message
llcri	BITSTRING[8]	'1101_ _ _ _'B	
omitted?			low layer compatibility I. If the answer is OMIT the IE is omitted in the message
iei	BITSTRING[8]	'01111100'B	
iel	OCTETSTRING[1]		
contents	OCTETSTRING[1..13]		
omitted?			low layer compatibility II. If the answer is OMIT the IE is omitted in the message
iei	BITSTRING[8]	'01111100'B	
iel	OCTETSTRING[1]		
contents	OCTETSTRING[1..13]		
omitted?			HLC repeat indicator. If the answer is OMIT the IE is omitted in the message
hlcri	BITSTRING[8]	'1101_ _ _ _'B	
omitted?			high layer compatibility i. If the answer is OMIT the IE is omitted in the message
iei	BITSTRING[8]	'01111101'B	
iel	OCTETSTRING[1]		length of the element
extb3	BITSTRING[1]	'1'B	
cs	BITSTRING[2]		coding standard
in	BITSTRING[3]		interpretation
pmp	BITSTRING[2]		presentation method of protocol
extb4	BITSTRING[1]	'1'B	
hlci	BITSTRING[7]		high layer characteristic identification

extb4a	BITSTRING[1]		
ehlci	BITSTRING[7]		extended high layer characteristic identification
omitted?			high layer compatibility ii. If the answer is OMIT the IE is omitted in the message
iei	BITSTRING[8]	'01111101'B	
iel	OCTETSTRING[1]		length of the element
extb3	BITSTRING[1]	'1'B	
cs	BITSTRING[2]		coding standard
in	BITSTRING[3]		interpretation
pmp	BITSTRING[2]		presentation method of protocol
extb4	BITSTRING[1]	'1'B	
hlci	BITSTRING[7]		high layer characteristic identification
extb4a	BITSTRING[1]		
ehlci	BITSTRING[7]		extended high layer characteristic identification

B.7.2.5.2 Alternate Speech and G3 Fax

Table 106: Parameter TSPX_SetupTS61_1

Field	Type	Value	Comments
ti	BITSTRING[4]	'0000'B	
pd	BITSTRING[4]	'0011'B	
mt	BITSTRING[8]	'00000101'B	
omitted?			BC repeat indicator. If the answer is OMIT the IE is omitted in the message
bcri	BITSTRING[8]	'1101_ _ _ _'B	
omitted?			Bearer capability 1. If the answer is OMIT the IE is omitted in the message
iei	BITSTRING[8]	'00000100'B	
iel	OCTETSTRING[1]		length of the IE in unit of OCTET
extb3	BITSTRING[1]		extension bit
rchr	BITSTRING[2]	'00'B	spare bit in the direction n -> ms
cs	BITSTRING[1]		coding standard
tm	BITSTRING[1]		transfer mode
itc	BITSTRING[3]		information transfer capability
extb4	BITSTRING[1]		extension bit
spb	BITSTRING[1]	'0'B	spare bit
strc	BITSTRING[1]		structure
dplx	BITSTRING[2]		duplex mode
config	BITSTRING[1]		configuration
nirr	BITSTRING[1]		negotiation of intermediate rate requested
est	BITSTRING[1]		establishment
extb5	BITSTRING[1]		extension bit
accid	BITSTRING[2]		access identify
ra	BITSTRING[2]		rate adaption
sacp	BITSTRING[3]		signalling access protocol
extb6	BITSTRING[1]		extension bit
l1id	BITSTRING[2]		L1 identity
uil1	BITSTRING[4]		user information L 1 protocol
sb	BITSTRING[1]		synchronous bit
extb6a	BITSTRING[1]		extension bit
nsb	BITSTRING[1]		number of stop bits
nb	BITSTRING[1]		negotiation bit
ndb	BITSTRING[1]		number of data bits
ur	BITSTRING[4]		user rate
extb6b	BITSTRING[1]		extension bit
ir	BITSTRING[2]		intermediate rate
nictx	BITSTRING[1]		network independent clock on transmission
nicrx	BITSTRING[1]		network independent clock on reception
pi	BITSTRING[3]		parity information
extb6c	BITSTRING[1]		extension bit
ce	BITSTRING[2]		connection element
modemt	BITSTRING[5]		modem type
extb7	BITSTRING[1]		extension bit
l2id	BITSTRING[2]		L2 identity
uil2	BITSTRING[5]		user information L2 protocol
omitted?			Bearer capability 2. If the answer is OMIT the IE is omitted in the message
iei	BITSTRING[8]	'00000100'B	
iel	OCTETSTRING[1]		length of the IE in unit of OCTET
extb3	BITSTRING[1]		extension bit
rchr	BITSTRING[2]	'00'B	spare bit in the direction n -> ms
cs	BITSTRING[1]		coding standard

tm	BITSTRING[1]		transfer mode
itc	BITSTRING[3]		information transfer capability
extb4	BITSTRING[1]		extension bit
spb	BITSTRING[1]	'0'B	spare bit
strc	BITSTRING[1]		structure
dplx	BITSTRING[2]		duplex mode
config	BITSTRING[1]		configuration
nirr	BITSTRING[1]		negotiation of intermediate rate requested
est	BITSTRING[1]		establishment
extb5	BITSTRING[1]		extension bit
accid	BITSTRING[2]		access identify
ra	BITSTRING[2]		rate adaption
sacp	BITSTRING[3]		signalling access protocol
extb6	BITSTRING[1]		extension bit
l1id	BITSTRING[2]		L1 identity
uil1	BITSTRING[4]		user information L 1 protocol
sb	BITSTRING[1]		synchronous bit
extb6a	BITSTRING[1]		extension bit
nsb	BITSTRING[1]		number of stop bits
nb	BITSTRING[1]		negotiation bit
ndb	BITSTRING[1]		number of data bits
ur	BITSTRING[4]		user rate
extb6b	BITSTRING[1]		extension bit
ir	BITSTRING[2]		intermediate rate
nictx	BITSTRING[1]		network independent clock on transmission
nicrx	BITSTRING[1]		network independent clock on reception
pi	BITSTRING[3]		parity information
extb6c	BITSTRING[1]		extension bit
ce	BITSTRING[2]		connection element
modemt	BITSTRING[5]		modem type
extb7	BITSTRING[1]		extension bit
l2id	BITSTRING[2]		L2 identity
uil2	BITSTRING[5]		user information L2 protocol
omitted?			LLC repeat indicator. If the answer is OMIT the IE is omitted in the message
llcri	BITSTRING[8]	'1101___'B	
omitted?			low layer compatibility I. If the answer is OMIT the IE is omitted in the message
iei	BITSTRING[8]	'01111100'B	
iel	OCTETSTRING[1]		
contents	OCTETSTRING[1..13]		
omitted?			low layer compatibility II. If the answer is OMIT the IE is omitted in the message
iei	BITSTRING[8]	'01111100'B	
iel	OCTETSTRING[1]		
contents	OCTETSTRING[1..13]		
omitted?			HLC repeat indicator. If the answer is OMIT the IE is omitted in the message
hlcri	BITSTRING[8]	'1101___'B	
omitted?			high layer compatibility i. If the answer is OMIT the IE is omitted in the message
iei	BITSTRING[8]	'01111101'B	
iel	OCTETSTRING[1]		length of the element
extb3	BITSTRING[1]	'1'B	
cs	BITSTRING[2]		coding standard
in	BITSTRING[3]		interpretation
pmp	BITSTRING[2]		presentation method of protocol

extb4	BITSTRING[1]	'1'B	
hlci	BITSTRING[7]		high layer characteristic identification
extb4a	BITSTRING[1]		
ehlci	BITSTRING[7]		extended high layer characteristic identification
omitted?			high layer compatibility ii. If the answer is OMIT the IE is omitted in the message
iei	BITSTRING[8]	'01111101'B	
iel	OCTETSTRING[1]		length of the element
extb3	BITSTRING[1]	'1'B	
cs	BITSTRING[2]		coding standard
in	BITSTRING[3]		interpretation
pmp	BITSTRING[2]		presentation method of protocol
extb4	BITSTRING[1]	'1'B	
hlci	BITSTRING[7]		high layer characteristic identification
extb4a	BITSTRING[1]		
ehlci	BITSTRING[7]		extended high layer characteristic identification

Table 107: Parameter TSPX_TS61more

Name	Type	Value	Comments
TSPX_TS61more	BOOLEAN		

Table 108: Parameter TSPX_SetupTS61_2

Field	Type	Value	Comments
ti	BITSTRING[4]	'0000'B	
pd	BITSTRING[4]	'0011'B	
mt	BITSTRING[8]	'00000101'B	
omitted?			BC repeat indicator. If the answer is OMIT the IE is omitted in the message
bcrl	BITSTRING[8]	'1101____'B	
omitted?			Bearer capability 1. If the answer is OMIT the IE is omitted in the message
iei	BITSTRING[8]	'00000100'B	
iel	OCTETSTRING[1]		length of the IE in unit of OCTET
extb3	BITSTRING[1]		extension bit
rchr	BITSTRING[2]	'00'B	spare bit in the direction n -> ms
cs	BITSTRING[1]		coding standard
tm	BITSTRING[1]		transfer mode
itc	BITSTRING[3]		information transfer capability
extb4	BITSTRING[1]		extension bit
spb	BITSTRING[1]	'0'B	spare bit
strc	BITSTRING[1]		structure
dplx	BITSTRING[2]		duplex mode
config	BITSTRING[1]		configuration
nirr	BITSTRING[1]		negotiation of intermediate rate requested
est	BITSTRING[1]		establishment
extb5	BITSTRING[1]		extension bit
accid	BITSTRING[2]		access identify
ra	BITSTRING[2]		rate adaption
sacp	BITSTRING[3]		signalling access protocol
extb6	BITSTRING[1]		extension bit
l1id	BITSTRING[2]		L1 identity
uil1	BITSTRING[4]		user information L 1 protocol
sb	BITSTRING[1]		synchronous bit
extb6a	BITSTRING[1]		extension bit
nsb	BITSTRING[1]		number of stop bits
nb	BITSTRING[1]		negotiation bit
ndb	BITSTRING[1]		number of data bits
ur	BITSTRING[4]		user rate
extb6b	BITSTRING[1]		extension bit
ir	BITSTRING[2]		intermediate rate
nictx	BITSTRING[1]		network independent clock on transmission
nicrx	BITSTRING[1]		network independent clock on reception
pi	BITSTRING[3]		parity information
extb6c	BITSTRING[1]		extension bit
ce	BITSTRING[2]		connection element
modemt	BITSTRING[5]		modem type
extb7	BITSTRING[1]		extension bit
l2id	BITSTRING[2]		L2 identity
uil2	BITSTRING[5]		user information L2 protocol
omitted?			Bearer capability 2. If the answer is OMIT the IE is omitted in the message
iei	BITSTRING[8]	'00000100'B	
iel	OCTETSTRING[1]		length of the IE in unit of OCTET
extb3	BITSTRING[1]		extension bit
rchr	BITSTRING[2]	'00'B	spare bit in the direction n -> ms
cs	BITSTRING[1]		coding standard
tm	BITSTRING[1]		transfer mode
itc	BITSTRING[3]		information transfer capability

extb4	BITSTRING[1]		extension bit
spb	BITSTRING[1]	'0'B	spare bit
strc	BITSTRING[1]		structure
dplx	BITSTRING[2]		duplex mode
config	BITSTRING[1]		configuration
nirr	BITSTRING[1]		negotiation of intermediate rate requested
est	BITSTRING[1]		establishment
extb5	BITSTRING[1]		extension bit
accid	BITSTRING[2]		access identify
ra	BITSTRING[2]		rate adaption
sacp	BITSTRING[3]		signalling access protocol
extb6	BITSTRING[1]		extension bit
l1id	BITSTRING[2]		L1 identity
uil1	BITSTRING[4]		user information L 1 protocol
sb	BITSTRING[1]		synchronous bit
extb6a	BITSTRING[1]		extension bit
nsb	BITSTRING[1]		number of stop bits
nb	BITSTRING[1]		negotiation bit
ndb	BITSTRING[1]		number of data bits
ur	BITSTRING[4]		user rate
extb6b	BITSTRING[1]		extension bit
ir	BITSTRING[2]		intermediate rate
nictx	BITSTRING[1]		network independent clock on transmission
nicrx	BITSTRING[1]		network independent clock on reception
pi	BITSTRING[3]		parity information
extb6c	BITSTRING[1]		extension bit
ce	BITSTRING[2]		connection element
modemt	BITSTRING[5]		modem type
extb7	BITSTRING[1]		extension bit
l2id	BITSTRING[2]		L2 identity
uil2	BITSTRING[5]		user information L2 protocol
omitted?			LLC repeat indicator. If the answer is OMIT the IE is omitted in the message
llcri	BITSTRING[8]	'1101_ _ _ _'B	
omitted?			low layer compatibility I. If the answer is OMIT the IE is omitted in the message
iei	BITSTRING[8]	'01111100'B	
iel	OCTETSTRING[1]		
contents	OCTETSTRING[1..13]		
omitted?			low layer compatibility II. If the answer is OMIT the IE is omitted in the message
iei	BITSTRING[8]	'01111100'B	
iel	OCTETSTRING[1]		
contents	OCTETSTRING[1..13]		
omitted?			HLC repeat indicator. If the answer is OMIT the IE is omitted in the message
hlcri	BITSTRING[8]	'1101_ _ _ _'B	
omitted?			high layer compatibility i. If the answer is OMIT the IE is omitted in the message
iei	BITSTRING[8]	'01111101'B	
iel	OCTETSTRING[1]		length of the element
extb3	BITSTRING[1]	'1'B	
cs	BITSTRING[2]		coding standard
in	BITSTRING[3]		interpretation
pmp	BITSTRING[2]		presentation method of protocol
extb4	BITSTRING[1]	'1'B	
hlci	BITSTRING[7]		high layer characteristic identification

extb4a	BITSTRING[1]		
ehlci	BITSTRING[7]		extended high layer characteristic identification
omitted?			high layer compatibility ii. If the answer is OMIT the IE is omitted in the message
iei	BITSTRING[8]	'01111101'B	
iel	OCTETSTRING[1]		length of the element
extb3	BITSTRING[1]	'1'B	
cs	BITSTRING[2]		coding standard
in	BITSTRING[3]		interpretation
pmp	BITSTRING[2]		presentation method of protocol
extb4	BITSTRING[1]	'1'B	
hlci	BITSTRING[7]		high layer characteristic identification
extb4a	BITSTRING[1]		
ehlci	BITSTRING[7]		extended high layer characteristic identification

Table 109: Parameter TSPX_SetupTS61_3

Field	Type	Value	Comments
ti	BITSTRING[4]	'0000'B	
pd	BITSTRING[4]	'0011'B	
mt	BITSTRING[8]	'00000101'B	
omitted?			BC repeat indicator. If the answer is OMIT the IE is omitted in the message
bcrl	BITSTRING[8]	'1101_ _ _ _'B	
omitted?			Bearer capability 1. If the answer is OMIT the IE is omitted in the message
iei	BITSTRING[8]	'00000100'B	
iel	OCTETSTRING[1]		length of the IE in unit of OCTET
extb3	BITSTRING[1]		extension bit
rchr	BITSTRING[2]	'00'B	spare bit in the direction n -> ms
cs	BITSTRING[1]		coding standard
tm	BITSTRING[1]		transfer mode
itc	BITSTRING[3]		information transfer capability
extb4	BITSTRING[1]		extension bit
spb	BITSTRING[1]	'0'B	spare bit
strc	BITSTRING[1]		structure
dplx	BITSTRING[2]		duplex mode
config	BITSTRING[1]		configuration
nirr	BITSTRING[1]		negotiation of intermediate rate requested
est	BITSTRING[1]		establishment
extb5	BITSTRING[1]		extension bit
accid	BITSTRING[2]		access identify
ra	BITSTRING[2]		rate adaption
sacp	BITSTRING[3]		signalling access protocol
extb6	BITSTRING[1]		extension bit
l1id	BITSTRING[2]		L1 identity
uil1	BITSTRING[4]		user information L 1 protocol
sb	BITSTRING[1]		synchronous bit
extb6a	BITSTRING[1]		extension bit
nsb	BITSTRING[1]		number of stop bits
nb	BITSTRING[1]		negotiation bit
ndb	BITSTRING[1]		number of data bits
ur	BITSTRING[4]		user rate
extb6b	BITSTRING[1]		extension bit
ir	BITSTRING[2]		intermediate rate
nictx	BITSTRING[1]		network independent clock on transmission
nicrx	BITSTRING[1]		network independent clock on reception
pi	BITSTRING[3]		parity information
extb6c	BITSTRING[1]		extension bit
ce	BITSTRING[2]		connection element
modemt	BITSTRING[5]		modem type
extb7	BITSTRING[1]		extension bit
l2id	BITSTRING[2]		L2 identity
uil2	BITSTRING[5]		user information L2 protocol
omitted?			Bearer capability 2. If the answer is OMIT the IE is omitted in the message
iei	BITSTRING[8]	'00000100'B	
iel	OCTETSTRING[1]		length of the IE in unit of OCTET
extb3	BITSTRING[1]		extension bit
rchr	BITSTRING[2]	'00'B	spare bit in the direction n -> ms
cs	BITSTRING[1]		coding standard
tm	BITSTRING[1]		transfer mode
itc	BITSTRING[3]		information transfer capability

extb4	BITSTRING[1]		extension bit
spb	BITSTRING[1]	'0'B	spare bit
strc	BITSTRING[1]		structure
dplxm	BITSTRING[2]		duplex mode
config	BITSTRING[1]		configuration
nirr	BITSTRING[1]		negotiation of intermediate rate requested
est	BITSTRING[1]		establishment
extb5	BITSTRING[1]		extension bit
accid	BITSTRING[2]		access identify
ra	BITSTRING[2]		rate adaption
sacp	BITSTRING[3]		signalling access protocol
extb6	BITSTRING[1]		extension bit
l1id	BITSTRING[2]		L1 identity
uil1	BITSTRING[4]		user information L 1 protocol
sb	BITSTRING[1]		synchronous bit
extb6a	BITSTRING[1]		extension bit
nsb	BITSTRING[1]		number of stop bits
nb	BITSTRING[1]		negotiation bit
ndb	BITSTRING[1]		number of data bits
ur	BITSTRING[4]		user rate
extb6b	BITSTRING[1]		extension bit
ir	BITSTRING[2]		intermediate rate
nictx	BITSTRING[1]		network independent clock on transmission
nicrx	BITSTRING[1]		network independent clock on reception
pi	BITSTRING[3]		parity information
extb6c	BITSTRING[1]		extension bit
ce	BITSTRING[2]		connection element
modemt	BITSTRING[5]		modem type
extb7	BITSTRING[1]		extension bit
l2id	BITSTRING[2]		L2 identity
uil2	BITSTRING[5]		user information L2 protocol
omitted?			LLC repeat indicator. If the answer is OMIT the IE is omitted in the message
llcri	BITSTRING[8]	'1101___'B	
omitted?			low layer compatibility I. If the answer is OMIT the IE is omitted in the message
iei	BITSTRING[8]	'01111100'B	
iel	OCTETSTRING[1]		
contents	OCTETSTRING[1..13]		
omitted?			low layer compatibility II. If the answer is OMIT the IE is omitted in the message
iei	BITSTRING[8]	'01111100'B	
iel	OCTETSTRING[1]		
contents	OCTETSTRING[1..13]		
omitted?			HLC repeat indicator. If the answer is OMIT the IE is omitted in the message
hlcri	BITSTRING[8]	'1101___'B	
omitted?			high layer compatibility i. If the answer is OMIT the IE is omitted in the message
iei	BITSTRING[8]	'01111101'B	
iel	OCTETSTRING[1]		length of the element
extb3	BITSTRING[1]	'1'B	
cs	BITSTRING[2]		coding standard
in	BITSTRING[3]		interpretation
pmpp	BITSTRING[2]		presentation method of protocol
extb4	BITSTRING[1]	'1'B	
hlci	BITSTRING[7]		high layer characteristic identification

extb4a	BITSTRING[1]		
ehlci	BITSTRING[7]		extended high layer characteristic identification
omitted?			high layer compatibility ii. If the answer is OMIT the IE is omitted in the message
iei	BITSTRING[8]	'01111101'B	
iel	OCTETSTRING[1]		length of the element
extb3	BITSTRING[1]	'1'B	
cs	BITSTRING[2]		coding standard
in	BITSTRING[3]		interpretation
pmp	BITSTRING[2]		presentation method of protocol
extb4	BITSTRING[1]	'1'B	
hlci	BITSTRING[7]		high layer characteristic identification
extb4a	BITSTRING[1]		
ehlci	BITSTRING[7]		extended high layer characteristic identification

B.7.2.5.3 Automatic G3 fax

Table 110: Parameter TSPX_SetupTS62_1

Field	Type	Value	Comments
ti	BITSTRING[4]	'0000'B	
pd	BITSTRING[4]	'0011'B	
mt	BITSTRING[8]	'00000101'B	
omitted?			BC repeat indicator. If the answer is OMIT the IE is omitted in the message
bcri	BITSTRING[8]	'1101_ _ _ _'B	
omitted?			Bearer capability 1. If the answer is OMIT the IE is omitted in the message
iei	BITSTRING[8]	'00000100'B	
iel	OCTETSTRING[1]		length of the IE in unit of OCTET
extb3	BITSTRING[1]		extension bit
rchr	BITSTRING[2]	'00'B	spare bit in the direction n -> ms
cs	BITSTRING[1]		coding standard
tm	BITSTRING[1]		transfer mode
itc	BITSTRING[3]		information transfer capability
extb4	BITSTRING[1]		extension bit
spb	BITSTRING[1]	'0'B	spare bit
strc	BITSTRING[1]		structure
dplxm	BITSTRING[2]		duplex mode
config	BITSTRING[1]		configuration
nirr	BITSTRING[1]		negotiation of intermediate rate requested
est	BITSTRING[1]		establishment
extb5	BITSTRING[1]		extension bit
accid	BITSTRING[2]		access identify
ra	BITSTRING[2]		rate adaption
sacp	BITSTRING[3]		signalling access protocol
extb6	BITSTRING[1]		extension bit
l1id	BITSTRING[2]		L1 identity
uil1	BITSTRING[4]		user information L 1 protocol
sb	BITSTRING[1]		synchronous bit
extb6a	BITSTRING[1]		extension bit
nsb	BITSTRING[1]		number of stop bits
nb	BITSTRING[1]		negotiation bit
ndb	BITSTRING[1]		number of data bits
ur	BITSTRING[4]		user rate
extb6b	BITSTRING[1]		extension bit
ir	BITSTRING[2]		intermediate rate
nictx	BITSTRING[1]		network independent clock on transmission
nicrx	BITSTRING[1]		network independent clock on reception
pi	BITSTRING[3]		parity information
extb6c	BITSTRING[1]		extension bit
ce	BITSTRING[2]		connection element
modemt	BITSTRING[5]		modem type
extb7	BITSTRING[1]		extension bit
l2id	BITSTRING[2]		L2 identity
uil2	BITSTRING[5]		user information L2 protocol
omitted?			Bearer capability 2. If the answer is OMIT the IE is omitted in the message
iei	BITSTRING[8]	'00000100'B	
iel	OCTETSTRING[1]		length of the IE in unit of OCTET
extb3	BITSTRING[1]		extension bit
rchr	BITSTRING[2]	'00'B	spare bit in the direction n -> ms
cs	BITSTRING[1]		coding standard

tm	BITSTRING[1]		transfer mode
itc	BITSTRING[3]		information transfer capability
extb4	BITSTRING[1]		extension bit
spb	BITSTRING[1]	'0'B	spare bit
strc	BITSTRING[1]		structure
dplx	BITSTRING[2]		duplex mode
config	BITSTRING[1]		configuration
nirr	BITSTRING[1]		negotiation of intermediate rate requested
est	BITSTRING[1]		establishment
extb5	BITSTRING[1]		extension bit
accid	BITSTRING[2]		access identify
ra	BITSTRING[2]		rate adaption
sacp	BITSTRING[3]		signalling access protocol
extb6	BITSTRING[1]		extension bit
l1id	BITSTRING[2]		L1 identity
uil1	BITSTRING[4]		user information L 1 protocol
sb	BITSTRING[1]		synchronous bit
extb6a	BITSTRING[1]		extension bit
nsb	BITSTRING[1]		number of stop bits
nb	BITSTRING[1]		negotiation bit
ndb	BITSTRING[1]		number of data bits
ur	BITSTRING[4]		user rate
extb6b	BITSTRING[1]		extension bit
ir	BITSTRING[2]		intermediate rate
nictx	BITSTRING[1]		network independent clock on transmission
nicrx	BITSTRING[1]		network independent clock on reception
pi	BITSTRING[3]		parity information
extb6c	BITSTRING[1]		extension bit
ce	BITSTRING[2]		connection element
modemt	BITSTRING[5]		modem type
extb7	BITSTRING[1]		extension bit
l2id	BITSTRING[2]		L2 identity
uil2	BITSTRING[5]		user information L2 protocol
omitted?			LLC repeat indicator. If the answer is OMIT the IE is omitted in the message
llcri	BITSTRING[8]	'1101_ _ _ _'B	
omitted?			low layer compatibility I. If the answer is OMIT the IE is omitted in the message
iei	BITSTRING[8]	'01111100'B	
iel	OCTETSTRING[1]		
contents	OCTETSTRING[1..13]		
omitted?			low layer compatibility II. If the answer is OMIT the IE is omitted in the message
iei	BITSTRING[8]	'01111100'B	
iel	OCTETSTRING[1]		
contents	OCTETSTRING[1..13]		
omitted?			HLC repeat indicator. If the answer is OMIT the IE is omitted in the message
hlcri	BITSTRING[8]	'1101_ _ _ _'B	
omitted?			high layer compatibility i. If the answer is OMIT the IE is omitted in the message
iei	BITSTRING[8]	'01111101'B	
iel	OCTETSTRING[1]		length of the element
extb3	BITSTRING[1]	'1'B	
cs	BITSTRING[2]		coding standard
in	BITSTRING[3]		interpretation
pmp	BITSTRING[2]		presentation method of protocol

extb4	BITSTRING[1]	'1'B	
hlci	BITSTRING[7]		high layer characteristic identification
extb4a	BITSTRING[1]		
ehlci	BITSTRING[7]		extended high layer characteristic identification
omitted?			high layer compatibility ii. If the answer is OMIT the IE is omitted in the message
iei	BITSTRING[8]	'01111101'B	
iel	OCTETSTRING[1]		length of the element
extb3	BITSTRING[1]	'1'B	
cs	BITSTRING[2]		coding standard
in	BITSTRING[3]		interpretation
pmpp	BITSTRING[2]		presentation method of protocol
extb4	BITSTRING[1]	'1'B	
hlci	BITSTRING[7]		high layer characteristic identification
extb4a	BITSTRING[1]		
ehlci	BITSTRING[7]		extended high layer characteristic identification

Table 111: Parameter TSPX_TS62more

Name	Type	Value	Comments
TSPX_TS62more	BOOLEAN		

Table 112: Parameter TSPX_SetupTS62_2

Field	Type	Value	Comments
ti	BITSTRING[4]	'0000'B	
pd	BITSTRING[4]	'0011'B	
mt	BITSTRING[8]	'00000101'B	
omitted?			BC repeat indicator. If the answer is OMIT the IE is omitted in the message
bcri	BITSTRING[8]	'1101_ _ _ _'B	
omitted?			Bearer capability 1. If the answer is OMIT the IE is omitted in the message
iei	BITSTRING[8]	'00000100'B	
iel	OCTETSTRING[1]		length of the IE in unit of OCTET
extb3	BITSTRING[1]		extension bit
rchr	BITSTRING[2]	'00'B	spare bit in the direction n -> ms
cs	BITSTRING[1]		coding standard
tm	BITSTRING[1]		transfer mode
itc	BITSTRING[3]		information transfer capability
extb4	BITSTRING[1]		extension bit
spb	BITSTRING[1]	'0'B	spare bit
strc	BITSTRING[1]		structure
dplxm	BITSTRING[2]		duplex mode
config	BITSTRING[1]		configuration
nirr	BITSTRING[1]		negotiation of intermediate rate requested
est	BITSTRING[1]		establishment
extb5	BITSTRING[1]		extension bit
accid	BITSTRING[2]		access identify
ra	BITSTRING[2]		rate adaption
sacp	BITSTRING[3]		signalling access protocol
extb6	BITSTRING[1]		extension bit
l1id	BITSTRING[2]		L1 identity
uil1	BITSTRING[4]		user information L 1 protocol
sb	BITSTRING[1]		synchronous bit
extb6a	BITSTRING[1]		extension bit
nsb	BITSTRING[1]		number of stop bits
nb	BITSTRING[1]		negotiation bit
ndb	BITSTRING[1]		number of data bits
ur	BITSTRING[4]		user rate
extb6b	BITSTRING[1]		extension bit
ir	BITSTRING[2]		intermediate rate
nictx	BITSTRING[1]		network independent clock on transmission
nicrx	BITSTRING[1]		network independent clock on reception
pi	BITSTRING[3]		parity information
extb6c	BITSTRING[1]		extension bit
ce	BITSTRING[2]		connection element
modemt	BITSTRING[5]		modem type
extb7	BITSTRING[1]		extension bit
l2id	BITSTRING[2]		L2 identity
uil2	BITSTRING[5]		user information L2 protocol
omitted?			Bearer capability 2. If the answer is OMIT the IE is omitted in the message
iei	BITSTRING[8]	'00000100'B	
iel	OCTETSTRING[1]		length of the IE in unit of OCTET
extb3	BITSTRING[1]		extension bit
rchr	BITSTRING[2]	'00'B	spare bit in the direction n -> ms
cs	BITSTRING[1]		coding standard
tm	BITSTRING[1]		transfer mode
itc	BITSTRING[3]		information transfer capability

extb4	BITSTRING[1]		extension bit
spb	BITSTRING[1]	'0'B	spare bit
strc	BITSTRING[1]		structure
dplx	BITSTRING[2]		duplex mode
config	BITSTRING[1]		configuration
nirr	BITSTRING[1]		negotiation of intermediate rate requested
est	BITSTRING[1]		establishment
extb5	BITSTRING[1]		extension bit
accid	BITSTRING[2]		access identify
ra	BITSTRING[2]		rate adaption
sacp	BITSTRING[3]		signalling access protocol
extb6	BITSTRING[1]		extension bit
l1id	BITSTRING[2]		L1 identity
uil1	BITSTRING[4]		user information L 1 protocol
sb	BITSTRING[1]		synchronous bit
extb6a	BITSTRING[1]		extension bit
nsb	BITSTRING[1]		number of stop bits
nb	BITSTRING[1]		negotiation bit
ndb	BITSTRING[1]		number of data bits
ur	BITSTRING[4]		user rate
extb6b	BITSTRING[1]		extension bit
ir	BITSTRING[2]		intermediate rate
nictx	BITSTRING[1]		network independent clock on transmission
nicrx	BITSTRING[1]		network independent clock on reception
pi	BITSTRING[3]		parity information
extb6c	BITSTRING[1]		extension bit
ce	BITSTRING[2]		connection element
modemt	BITSTRING[5]		modem type
extb7	BITSTRING[1]		extension bit
l2id	BITSTRING[2]		L2 identity
uil2	BITSTRING[5]		user information L2 protocol
omitted?			LLC repeat indicator. If the answer is OMIT the IE is omitted in the message
llcri	BITSTRING[8]	'1101___'B	
omitted?			low layer compatibility I. If the answer is OMIT the IE is omitted in the message
iei	BITSTRING[8]	'01111100'B	
iel	OCTETSTRING[1]		
contents	OCTETSTRING[1..13]		
omitted?			low layer compatibility II. If the answer is OMIT the IE is omitted in the message
iei	BITSTRING[8]	'01111100'B	
iel	OCTETSTRING[1]		
contents	OCTETSTRING[1..13]		
omitted?			HLC repeat indicator. If the answer is OMIT the IE is omitted in the message
hlcri	BITSTRING[8]	'1101___'B	
omitted?			high layer compatibility i. If the answer is OMIT the IE is omitted in the message
iei	BITSTRING[8]	'01111101'B	
iel	OCTETSTRING[1]		length of the element
extb3	BITSTRING[1]	'1'B	
cs	BITSTRING[2]		coding standard
in	BITSTRING[3]		interpretation
pmpp	BITSTRING[2]		presentation method of protocol
extb4	BITSTRING[1]	'1'B	
hlci	BITSTRING[7]		high layer characteristic identification

extb4a	BITSTRING[1]		
ehlci	BITSTRING[7]		extended high layer characteristic identification
omitted?			high layer compatibility ii. If the answer is OMIT the IE is omitted in the message
iei	BITSTRING[8]	'01111101'B	
iel	OCTETSTRING[1]		length of the element
extb3	BITSTRING[1]	'1'B	
cs	BITSTRING[2]		coding standard
in	BITSTRING[3]		interpretation
pmp	BITSTRING[2]		presentation method of protocol
extb4	BITSTRING[1]	'1'B	
hlci	BITSTRING[7]		high layer characteristic identification
extb4a	BITSTRING[1]		
ehlci	BITSTRING[7]		extended high layer characteristic identification

Table 113: Parameter TSPX_SetupTS62_3

Field	Type	Value	Comments
ti	BITSTRING[4]	'0000'B	
pd	BITSTRING[4]	'0011'B	
mt	BITSTRING[8]	'00000101'B	
omitted?			BC repeat indicator. If the answer is OMIT the IE is omitted in the message
bcrl	BITSTRING[8]	'1101____'B	
omitted?			Bearer capability 1. If the answer is OMIT the IE is omitted in the message
iei	BITSTRING[8]	'00000100'B	
iel	OCTETSTRING[1]		length of the IE in unit of OCTET
extb3	BITSTRING[1]		extension bit
rchr	BITSTRING[2]	'00'B	spare bit in the direction n -> ms
cs	BITSTRING[1]		coding standard
tm	BITSTRING[1]		transfer mode
itc	BITSTRING[3]		information transfer capability
extb4	BITSTRING[1]		extension bit
spb	BITSTRING[1]	'0'B	spare bit
strc	BITSTRING[1]		structure
dplxm	BITSTRING[2]		duplex mode
config	BITSTRING[1]		configuration
nirr	BITSTRING[1]		negotiation of intermediate rate requested
est	BITSTRING[1]		establishment
extb5	BITSTRING[1]		extension bit
accid	BITSTRING[2]		access identify
ra	BITSTRING[2]		rate adaption
sacp	BITSTRING[3]		signalling access protocol
extb6	BITSTRING[1]		extension bit
l1id	BITSTRING[2]		L1 identity
uil1	BITSTRING[4]		user information L 1 protocol
sb	BITSTRING[1]		synchronous bit
extb6a	BITSTRING[1]		extension bit
nsb	BITSTRING[1]		number of stop bits
nb	BITSTRING[1]		negotiation bit
ndb	BITSTRING[1]		number of data bits
ur	BITSTRING[4]		user rate
extb6b	BITSTRING[1]		extension bit
ir	BITSTRING[2]		intermediate rate
nictx	BITSTRING[1]		network independent clock on transmission
nicrx	BITSTRING[1]		network independent clock on reception
pi	BITSTRING[3]		parity information
extb6c	BITSTRING[1]		extension bit
ce	BITSTRING[2]		connection element
modemt	BITSTRING[5]		modem type
extb7	BITSTRING[1]		extension bit
l2id	BITSTRING[2]		L2 identity
uil2	BITSTRING[5]		user information L2 protocol
omitted?			Bearer capability 2. If the answer is OMIT the IE is omitted in the message
iei	BITSTRING[8]	'00000100'B	
iel	OCTETSTRING[1]		length of the IE in unit of OCTET
extb3	BITSTRING[1]		extension bit
rchr	BITSTRING[2]	'00'B	spare bit in the direction n -> ms
cs	BITSTRING[1]		coding standard
tm	BITSTRING[1]		transfer mode
itc	BITSTRING[3]		information transfer capability

extb4	BITSTRING[1]		extension bit
spb	BITSTRING[1]	'0'B	spare bit
strc	BITSTRING[1]		structure
dplx	BITSTRING[2]		duplex mode
config	BITSTRING[1]		configuration
nirr	BITSTRING[1]		negotiation of intermediate rate requested
est	BITSTRING[1]		establishment
extb5	BITSTRING[1]		extension bit
accid	BITSTRING[2]		access identify
ra	BITSTRING[2]		rate adaption
sacp	BITSTRING[3]		signalling access protocol
extb6	BITSTRING[1]		extension bit
l1id	BITSTRING[2]		L1 identity
uil1	BITSTRING[4]		user information L 1 protocol
sb	BITSTRING[1]		synchronous bit
extb6a	BITSTRING[1]		extension bit
nsb	BITSTRING[1]		number of stop bits
nb	BITSTRING[1]		negotiation bit
ndb	BITSTRING[1]		number of data bits
ur	BITSTRING[4]		user rate
extb6b	BITSTRING[1]		extension bit
ir	BITSTRING[2]		intermediate rate
nictx	BITSTRING[1]		network independent clock on transmission
nicrx	BITSTRING[1]		network independent clock on reception
pi	BITSTRING[3]		parity information
extb6c	BITSTRING[1]		extension bit
ce	BITSTRING[2]		connection element
modemt	BITSTRING[5]		modem type
extb7	BITSTRING[1]		extension bit
l2id	BITSTRING[2]		L2 identity
uil2	BITSTRING[5]		user information L2 protocol
omitted?			LLC repeat indicator. If the answer is OMIT the IE is omitted in the message
llcri	BITSTRING[8]	'1101_ _ _ _'B	
omitted?			low layer compatibility I. If the answer is OMIT the IE is omitted in the message
iei	BITSTRING[8]	'01111100'B	
iel	OCTETSTRING[1]		
contents	OCTETSTRING[1..13]		
omitted?			low layer compatibility II. If the answer is OMIT the IE is omitted in the message
iei	BITSTRING[8]	'01111100'B	
iel	OCTETSTRING[1]		
contents	OCTETSTRING[1..13]		
omitted?			HLC repeat indicator. If the answer is OMIT the IE is omitted in the message
hlcri	BITSTRING[8]	'1101_ _ _ _'B	
omitted?			high layer compatibility i. If the answer is OMIT the IE is omitted in the message
iei	BITSTRING[8]	'01111101'B	
iel	OCTETSTRING[1]		length of the element
extb3	BITSTRING[1]	'1'B	
cs	BITSTRING[2]		coding standard
in	BITSTRING[3]		interpretation
pmp	BITSTRING[2]		presentation method of protocol
extb4	BITSTRING[1]	'1'B	
hlci	BITSTRING[7]		high layer characteristic identification

extb4a	BITSTRING[1]		
ehlci	BITSTRING[7]		extended high layer characteristic identification
omitted?			high layer compatibility ii. If the answer is OMIT the IE is omitted in the message
iei	BITSTRING[8]	'01111101'B	
iel	OCTETSTRING[1]		length of the element
extb3	BITSTRING[1]	'1'B	
cs	BITSTRING[2]		coding standard
in	BITSTRING[3]		interpretation
pmp	BITSTRING[2]		presentation method of protocol
extb4	BITSTRING[1]	'1'B	
hlci	BITSTRING[7]		high layer characteristic identification
extb4a	BITSTRING[1]		
ehlci	BITSTRING[7]		extended high layer characteristic identification

B.7.2.5.4 Data circuit duplex async. 300 bit/s

Table 114: Parameter TSPX_SetupBS21_1

Field	Type	Value	Comments
ti	BITSTRING[4]	'0000'B	
pd	BITSTRING[4]	'0011'B	
mt	BITSTRING[8]	'00000101'B	
omitted?			BC repeat indicator. If the answer is OMIT the IE is omitted in the message
bcri	BITSTRING[8]	'1101_ _ _ _'B	
omitted?			Bearer capability 1. If the answer is OMIT the IE is omitted in the message
iei	BITSTRING[8]	'00000100'B	
iel	OCTETSTRING[1]		length of the IE in unit of OCTET
extb3	BITSTRING[1]		extension bit
rchr	BITSTRING[2]	'00'B	spare bit in the direction n -> ms
cs	BITSTRING[1]		coding standard
tm	BITSTRING[1]		transfer mode
itc	BITSTRING[3]		information transfer capability
extb4	BITSTRING[1]		extension bit
spb	BITSTRING[1]	'0'B	spare bit
strc	BITSTRING[1]		structure
dplx	BITSTRING[2]		duplex mode
config	BITSTRING[1]		configuration
nirr	BITSTRING[1]		negotiation of intermediate rate requested
est	BITSTRING[1]		establishment
extb5	BITSTRING[1]		extension bit
accid	BITSTRING[2]		access identify
ra	BITSTRING[2]		rate adaption
sacp	BITSTRING[3]		signalling access protocol
extb6	BITSTRING[1]		extension bit
l1id	BITSTRING[2]		L1 identity
uil1	BITSTRING[4]		user information L 1 protocol
sb	BITSTRING[1]		synchronous bit
extb6a	BITSTRING[1]		extension bit
nsb	BITSTRING[1]		number of stop bits
nb	BITSTRING[1]		negotiation bit
ndb	BITSTRING[1]		number of data bits
ur	BITSTRING[4]		user rate
extb6b	BITSTRING[1]		extension bit
ir	BITSTRING[2]		intermediate rate
nictx	BITSTRING[1]		network independent clock on transmission
nicrx	BITSTRING[1]		network independent clock on reception
pi	BITSTRING[3]		parity information
extb6c	BITSTRING[1]		extension bit
ce	BITSTRING[2]		connection element
modemt	BITSTRING[5]		modem type
extb7	BITSTRING[1]		extension bit
l2id	BITSTRING[2]		L2 identity
uil2	BITSTRING[5]		user information L2 protocol
omitted?			Bearer capability 2. If the answer is OMIT the IE is omitted in the message
iei	BITSTRING[8]	'00000100'B	
iel	OCTETSTRING[1]		length of the IE in unit of OCTET
extb3	BITSTRING[1]		extension bit
rchr	BITSTRING[2]	'00'B	spare bit in the direction n -> ms
cs	BITSTRING[1]		coding standard

tm	BITSTRING[1]		transfer mode
itc	BITSTRING[3]		information transfer capability
extb4	BITSTRING[1]		extension bit
spb	BITSTRING[1]	'0'B	spare bit
strc	BITSTRING[1]		structure
dplx	BITSTRING[2]		duplex mode
config	BITSTRING[1]		configuration
nirr	BITSTRING[1]		negotiation of intermediate rate requested
est	BITSTRING[1]		establishment
extb5	BITSTRING[1]		extension bit
accid	BITSTRING[2]		access identify
ra	BITSTRING[2]		rate adaption
sacp	BITSTRING[3]		signalling access protocol
extb6	BITSTRING[1]		extension bit
l1id	BITSTRING[2]		L1 identity
uil1	BITSTRING[4]		user information L 1 protocol
sb	BITSTRING[1]		synchronous bit
extb6a	BITSTRING[1]		extension bit
nsb	BITSTRING[1]		number of stop bits
nb	BITSTRING[1]		negotiation bit
ndb	BITSTRING[1]		number of data bits
ur	BITSTRING[4]		user rate
extb6b	BITSTRING[1]		extension bit
ir	BITSTRING[2]		intermediate rate
nictx	BITSTRING[1]		network independent clock on transmission
nicrx	BITSTRING[1]		network independent clock on reception
pi	BITSTRING[3]		parity information
extb6c	BITSTRING[1]		extension bit
ce	BITSTRING[2]		connection element
modemt	BITSTRING[5]		modem type
extb7	BITSTRING[1]		extension bit
l2id	BITSTRING[2]		L2 identity
uil2	BITSTRING[5]		user information L2 protocol
omitted?			LLC repeat indicator. If the answer is OMIT the IE is omitted in the message
llcri	BITSTRING[8]	'1101___'B	
omitted?			low layer compatibility I. If the answer is OMIT the IE is omitted in the message
iei	BITSTRING[8]	'01111100'B	
iel	OCTETSTRING[1]		
contents	OCTETSTRING[1..13]		
omitted?			low layer compatibility II. If the answer is OMIT the IE is omitted in the message
iei	BITSTRING[8]	'01111100'B	
iel	OCTETSTRING[1]		
contents	OCTETSTRING[1..13]		
omitted?			HLC repeat indicator. If the answer is OMIT the IE is omitted in the message
hlcri	BITSTRING[8]	'1101___'B	
omitted?			high layer compatibility i. If the answer is OMIT the IE is omitted in the message
iei	BITSTRING[8]	'01111101'B	
iel	OCTETSTRING[1]		length of the element
extb3	BITSTRING[1]	'1'B	
cs	BITSTRING[2]		coding standard
in	BITSTRING[3]		interpretation
pmp	BITSTRING[2]		presentation method of protocol

extb4	BITSTRING[1]	'1'B	
hlci	BITSTRING[7]		high layer characteristic identification
extb4a	BITSTRING[1]		
ehlci	BITSTRING[7]		extended high layer characteristic identification
omitted?			high layer compatibility ii. If the answer is OMIT the IE is omitted in the message
iei	BITSTRING[8]	'01111101'B	
iel	OCTETSTRING[1]		length of the element
extb3	BITSTRING[1]	'1'B	
cs	BITSTRING[2]		coding standard
in	BITSTRING[3]		interpretation
pmp	BITSTRING[2]		presentation method of protocol
extb4	BITSTRING[1]	'1'B	
hlci	BITSTRING[7]		high layer characteristic identification
extb4a	BITSTRING[1]		
ehlci	BITSTRING[7]		extended high layer characteristic identification

Table 115: Parameter TSPX_BS21more

Name	Type	Value	Comments
TSPX_BS21more	BOOLEAN		

Table 116: Parameter TSPX_SetupBS21_2

Field	Type	Value	Comments
ti	BITSTRING[4]	'0000'B	
pd	BITSTRING[4]	'0011'B	
mt	BITSTRING[8]	'00000101'B	
omitted?			BC repeat indicator. If the answer is OMIT the IE is omitted in the message
bcri	BITSTRING[8]	'1101____'B	
omitted?			Bearer capability 1. If the answer is OMIT the IE is omitted in the message
iei	BITSTRING[8]	'00000100'B	
iel	OCTETSTRING[1]		length of the IE in unit of OCTET
extb3	BITSTRING[1]		extension bit
rchr	BITSTRING[2]	'00'B	spare bit in the direction n -> ms
cs	BITSTRING[1]		coding standard
tm	BITSTRING[1]		transfer mode
itc	BITSTRING[3]		information transfer capability
extb4	BITSTRING[1]		extension bit
spb	BITSTRING[1]	'0'B	spare bit
strc	BITSTRING[1]		structure
dplx	BITSTRING[2]		duplex mode
config	BITSTRING[1]		configuration
nirr	BITSTRING[1]		negotiation of intermediate rate requested
est	BITSTRING[1]		establishment
extb5	BITSTRING[1]		extension bit
accid	BITSTRING[2]		access identify
ra	BITSTRING[2]		rate adaption
sacp	BITSTRING[3]		signalling access protocol
extb6	BITSTRING[1]		extension bit
l1id	BITSTRING[2]		L1 identity
uil1	BITSTRING[4]		user information L 1 protocol
sb	BITSTRING[1]		synchronous bit
extb6a	BITSTRING[1]		extension bit
nsb	BITSTRING[1]		number of stop bits
nb	BITSTRING[1]		negotiation bit
ndb	BITSTRING[1]		number of data bits
ur	BITSTRING[4]		user rate
extb6b	BITSTRING[1]		extension bit
ir	BITSTRING[2]		intermediate rate
nictx	BITSTRING[1]		network independent clock on transmission
nicrx	BITSTRING[1]		network independent clock on reception
pi	BITSTRING[3]		parity information
extb6c	BITSTRING[1]		extension bit
ce	BITSTRING[2]		connection element
modemt	BITSTRING[5]		modem type
extb7	BITSTRING[1]		extension bit
l2id	BITSTRING[2]		L2 identity
uil2	BITSTRING[5]		user information L2 protocol
omitted?			Bearer capability 2. If the answer is OMIT the IE is omitted in the message
iei	BITSTRING[8]	'00000100'B	
iel	OCTETSTRING[1]		length of the IE in unit of OCTET
extb3	BITSTRING[1]		extension bit
rchr	BITSTRING[2]	'00'B	spare bit in the direction n -> ms
cs	BITSTRING[1]		coding standard
tm	BITSTRING[1]		transfer mode
itc	BITSTRING[3]		information transfer capability

extb4	BITSTRING[1]		extension bit
spb	BITSTRING[1]	'0'B	spare bit
strc	BITSTRING[1]		structure
dplx	BITSTRING[2]		duplex mode
config	BITSTRING[1]		configuration
nirr	BITSTRING[1]		negotiation of intermediate rate requested
est	BITSTRING[1]		establishment
extb5	BITSTRING[1]		extension bit
accid	BITSTRING[2]		access identify
ra	BITSTRING[2]		rate adaption
sacp	BITSTRING[3]		signalling access protocol
extb6	BITSTRING[1]		extension bit
l1id	BITSTRING[2]		L1 identity
uil1	BITSTRING[4]		user information L 1 protocol
sb	BITSTRING[1]		synchronous bit
extb6a	BITSTRING[1]		extension bit
nsb	BITSTRING[1]		number of stop bits
nb	BITSTRING[1]		negotiation bit
ndb	BITSTRING[1]		number of data bits
ur	BITSTRING[4]		user rate
extb6b	BITSTRING[1]		extension bit
ir	BITSTRING[2]		intermediate rate
nictx	BITSTRING[1]		network independent clock on transmission
nicrx	BITSTRING[1]		network independent clock on reception
pi	BITSTRING[3]		parity information
extb6c	BITSTRING[1]		extension bit
ce	BITSTRING[2]		connection element
modemt	BITSTRING[5]		modem type
extb7	BITSTRING[1]		extension bit
l2id	BITSTRING[2]		L2 identity
uil2	BITSTRING[5]		user information L2 protocol
omitted?			LLC repeat indicator. If the answer is OMIT the IE is omitted in the message
llcri	BITSTRING[8]	'1101_ _ _ _'B	
omitted?			low layer compatibility I. If the answer is OMIT the IE is omitted in the message
iei	BITSTRING[8]	'01111100'B	
iel	OCTETSTRING[1]		
contents	OCTETSTRING[1..13]		
omitted?			low layer compatibility II. If the answer is OMIT the IE is omitted in the message
iei	BITSTRING[8]	'01111100'B	
iel	OCTETSTRING[1]		
contents	OCTETSTRING[1..13]		
omitted?			HLC repeat indicator. If the answer is OMIT the IE is omitted in the message
hlcri	BITSTRING[8]	'1101_ _ _ _'B	
omitted?			high layer compatibility i. If the answer is OMIT the IE is omitted in the message
iei	BITSTRING[8]	'01111101'B	
iel	OCTETSTRING[1]		length of the element
extb3	BITSTRING[1]	'1'B	
cs	BITSTRING[2]		coding standard
in	BITSTRING[3]		interpretation
pmp	BITSTRING[2]		presentation method of protocol
extb4	BITSTRING[1]	'1'B	
hlci	BITSTRING[7]		high layer characteristic identification

extb4a	BITSTRING[1]		
ehlci	BITSTRING[7]		extended high layer characteristic identification
omitted?			high layer compatibility ii. If the answer is OMIT the IE is omitted in the message
iei	BITSTRING[8]	'01111101'B	
iel	OCTETSTRING[1]		length of the element
extb3	BITSTRING[1]	'1'B	
cs	BITSTRING[2]		coding standard
in	BITSTRING[3]		interpretation
pmp	BITSTRING[2]		presentation method of protocol
extb4	BITSTRING[1]	'1'B	
hlci	BITSTRING[7]		high layer characteristic identification
extb4a	BITSTRING[1]		
ehlci	BITSTRING[7]		extended high layer characteristic identification

Table 117: Parameter TSPX_SetupBS21_3

Field	Type	Value	Comments
ti	BITSTRING[4]	'0000'B	
pd	BITSTRING[4]	'0011'B	
mt	BITSTRING[8]	'00000101'B	
omitted?			BC repeat indicator. If the answer is OMIT the IE is omitted in the message
bcri	BITSTRING[8]	'1101_ _ _ _'B	
omitted?			Bearer capability 1. If the answer is OMIT the IE is omitted in the message
iei	BITSTRING[8]	'00000100'B	
iel	OCTETSTRING[1]		length of the IE in unit of OCTET
extb3	BITSTRING[1]		extension bit
rchr	BITSTRING[2]	'00'B	spare bit in the direction n -> ms
cs	BITSTRING[1]		coding standard
tm	BITSTRING[1]		transfer mode
itc	BITSTRING[3]		information transfer capability
extb4	BITSTRING[1]		extension bit
spb	BITSTRING[1]	'0'B	spare bit
strc	BITSTRING[1]		structure
dplxm	BITSTRING[2]		duplex mode
config	BITSTRING[1]		configuration
nirr	BITSTRING[1]		negotiation of intermediate rate requested
est	BITSTRING[1]		establishment
extb5	BITSTRING[1]		extension bit
accid	BITSTRING[2]		access identify
ra	BITSTRING[2]		rate adaption
sacp	BITSTRING[3]		signalling access protocol
extb6	BITSTRING[1]		extension bit
l1id	BITSTRING[2]		L1 identity
uil1	BITSTRING[4]		user information L 1 protocol
sb	BITSTRING[1]		synchronous bit
extb6a	BITSTRING[1]		extension bit
nsb	BITSTRING[1]		number of stop bits
nb	BITSTRING[1]		negotiation bit
ndb	BITSTRING[1]		number of data bits
ur	BITSTRING[4]		user rate
extb6b	BITSTRING[1]		extension bit
ir	BITSTRING[2]		intermediate rate
nictx	BITSTRING[1]		network independent clock on transmission
nicrx	BITSTRING[1]		network independent clock on reception
pi	BITSTRING[3]		parity information
extb6c	BITSTRING[1]		extension bit
ce	BITSTRING[2]		connection element
modemt	BITSTRING[5]		modem type
extb7	BITSTRING[1]		extension bit
l2id	BITSTRING[2]		L2 identity
uil2	BITSTRING[5]		user information L2 protocol
omitted?			Bearer capability 2. If the answer is OMIT the IE is omitted in the message
iei	BITSTRING[8]	'00000100'B	
iel	OCTETSTRING[1]		length of the IE in unit of OCTET
extb3	BITSTRING[1]		extension bit
rchr	BITSTRING[2]	'00'B	spare bit in the direction n -> ms
cs	BITSTRING[1]		coding standard
tm	BITSTRING[1]		transfer mode
itc	BITSTRING[3]		information transfer capability

extb4	BITSTRING[1]		extension bit
spb	BITSTRING[1]	'0'B	spare bit
strc	BITSTRING[1]		structure
dplx	BITSTRING[2]		duplex mode
config	BITSTRING[1]		configuration
nirr	BITSTRING[1]		negotiation of intermediate rate requested
est	BITSTRING[1]		establishment
extb5	BITSTRING[1]		extension bit
accid	BITSTRING[2]		access identify
ra	BITSTRING[2]		rate adaption
sacp	BITSTRING[3]		signalling access protocol
extb6	BITSTRING[1]		extension bit
l1id	BITSTRING[2]		L1 identity
uil1	BITSTRING[4]		user information L 1 protocol
sb	BITSTRING[1]		synchronous bit
extb6a	BITSTRING[1]		extension bit
nsb	BITSTRING[1]		number of stop bits
nb	BITSTRING[1]		negotiation bit
ndb	BITSTRING[1]		number of data bits
ur	BITSTRING[4]		user rate
extb6b	BITSTRING[1]		extension bit
ir	BITSTRING[2]		intermediate rate
nictx	BITSTRING[1]		network independent clock on transmission
nicrx	BITSTRING[1]		network independent clock on reception
pi	BITSTRING[3]		parity information
extb6c	BITSTRING[1]		extension bit
ce	BITSTRING[2]		connection element
modemt	BITSTRING[5]		modem type
extb7	BITSTRING[1]		extension bit
l2id	BITSTRING[2]		L2 identity
uil2	BITSTRING[5]		user information L2 protocol
omitted?			LLC repeat indicator. If the answer is OMIT the IE is omitted in the message
llcri	BITSTRING[8]	'1101___'B	
omitted?			low layer compatibility I. If the answer is OMIT the IE is omitted in the message
iei	BITSTRING[8]	'01111100'B	
iel	OCTETSTRING[1]		
contents	OCTETSTRING[1..13]		
omitted?			low layer compatibility II. If the answer is OMIT the IE is omitted in the message
iei	BITSTRING[8]	'01111100'B	
iel	OCTETSTRING[1]		
contents	OCTETSTRING[1..13]		
omitted?			HLC repeat indicator. If the answer is OMIT the IE is omitted in the message
hlcri	BITSTRING[8]	'1101___'B	
omitted?			high layer compatibility i. If the answer is OMIT the IE is omitted in the message
iei	BITSTRING[8]	'01111101'B	
iel	OCTETSTRING[1]		length of the element
extb3	BITSTRING[1]	'1'B	
cs	BITSTRING[2]		coding standard
in	BITSTRING[3]		interpretation
pmpp	BITSTRING[2]		presentation method of protocol
extb4	BITSTRING[1]	'1'B	
hlci	BITSTRING[7]		high layer characteristic identification

extb4a	BITSTRING[1]		
ehlci	BITSTRING[7]		extended high layer characteristic identification
omitted?			high layer compatibility ii. If the answer is OMIT the IE is omitted in the message
iei	BITSTRING[8]	'01111101'B	
iel	OCTETSTRING[1]		length of the element
extb3	BITSTRING[1]	'1'B	
cs	BITSTRING[2]		coding standard
in	BITSTRING[3]		interpretation
pmp	BITSTRING[2]		presentation method of protocol
extb4	BITSTRING[1]	'1'B	
hlci	BITSTRING[7]		high layer characteristic identification
extb4a	BITSTRING[1]		
ehlci	BITSTRING[7]		extended high layer characteristic identification

B.7.2.5.5 Data circuit duplex async. 1 200 bit/s

Table 118: Parameter TSPX_SetupBS22_1

Field	Type	Value	Comments
ti	BITSTRING[4]	'0000'B	
pd	BITSTRING[4]	'0011'B	
mt	BITSTRING[8]	'00000101'B	
omitted?			BC repeat indicator. If the answer is OMIT the IE is omitted in the message
bcricri	BITSTRING[8]	'1101_ _ _ _'B	
omitted?			Bearer capability 1. If the answer is OMIT the IE is omitted in the message
iei	BITSTRING[8]	'00000100'B	
iel	OCTETSTRING[1]		length of the IE in unit of OCTET
extb3	BITSTRING[1]		extension bit
rchr	BITSTRING[2]	'00'B	spare bit in the direction n -> ms
cs	BITSTRING[1]		coding standard
tm	BITSTRING[1]		transfer mode
itc	BITSTRING[3]		information transfer capability
extb4	BITSTRING[1]		extension bit
spb	BITSTRING[1]	'0'B	spare bit
strc	BITSTRING[1]		structure
dplxm	BITSTRING[2]		duplex mode
config	BITSTRING[1]		configuration
nirr	BITSTRING[1]		negotiation of intermediate rate requested
est	BITSTRING[1]		establishment
extb5	BITSTRING[1]		extension bit
accid	BITSTRING[2]		access identify
ra	BITSTRING[2]		rate adaption
sacp	BITSTRING[3]		signalling access protocol
extb6	BITSTRING[1]		extension bit
l1id	BITSTRING[2]		L1 identity
uil1	BITSTRING[4]		user information L 1 protocol
sb	BITSTRING[1]		synchronous bit
extb6a	BITSTRING[1]		extension bit
nsb	BITSTRING[1]		number of stop bits
nb	BITSTRING[1]		negotiation bit
ndb	BITSTRING[1]		number of data bits
ur	BITSTRING[4]		user rate
extb6b	BITSTRING[1]		extension bit
ir	BITSTRING[2]		intermediate rate
nictx	BITSTRING[1]		network independent clock on transmission
nicrx	BITSTRING[1]		network independent clock on reception
pi	BITSTRING[3]		parity information
extb6c	BITSTRING[1]		extension bit
ce	BITSTRING[2]		connection element
modemt	BITSTRING[5]		modem type
extb7	BITSTRING[1]		extension bit
l2id	BITSTRING[2]		L2 identity
uil2	BITSTRING[5]		user information L2 protocol
omitted?			Bearer capability 2. If the answer is OMIT the IE is omitted in the message
iei	BITSTRING[8]	'00000100'B	
iel	OCTETSTRING[1]		length of the IE in unit of OCTET
extb3	BITSTRING[1]		extension bit
rchr	BITSTRING[2]	'00'B	spare bit in the direction n -> ms
cs	BITSTRING[1]		coding standard

tm	BITSTRING[1]		transfer mode
itc	BITSTRING[3]		information transfer capability
extb4	BITSTRING[1]		extension bit
spb	BITSTRING[1]	'0'B	spare bit
strc	BITSTRING[1]		structure
dplx	BITSTRING[2]		duplex mode
config	BITSTRING[1]		configuration
nirr	BITSTRING[1]		negotiation of intermediate rate requested
est	BITSTRING[1]		establishment
extb5	BITSTRING[1]		extension bit
accid	BITSTRING[2]		access identify
ra	BITSTRING[2]		rate adaption
sacp	BITSTRING[3]		signalling access protocol
extb6	BITSTRING[1]		extension bit
l1id	BITSTRING[2]		L1 identity
uil1	BITSTRING[4]		user information L 1 protocol
sb	BITSTRING[1]		synchronous bit
extb6a	BITSTRING[1]		extension bit
nsb	BITSTRING[1]		number of stop bits
nb	BITSTRING[1]		negotiation bit
ndb	BITSTRING[1]		number of data bits
ur	BITSTRING[4]		user rate
extb6b	BITSTRING[1]		extension bit
ir	BITSTRING[2]		intermediate rate
nictx	BITSTRING[1]		network independent clock on transmission
nicrx	BITSTRING[1]		network independent clock on reception
pi	BITSTRING[3]		parity information
extb6c	BITSTRING[1]		extension bit
ce	BITSTRING[2]		connection element
modemt	BITSTRING[5]		modem type
extb7	BITSTRING[1]		extension bit
l2id	BITSTRING[2]		L2 identity
uil2	BITSTRING[5]		user information L2 protocol
omitted?			LLC repeat indicator. If the answer is OMIT the IE is omitted in the message
llcri	BITSTRING[8]	'1101_ _ _ _'B	
omitted?			low layer compatibility I. If the answer is OMIT the IE is omitted in the message
iei	BITSTRING[8]	'01111100'B	
iel	OCTETSTRING[1]		
contents	OCTETSTRING[1..13]		
omitted?			low layer compatibility II. If the answer is OMIT the IE is omitted in the message
iei	BITSTRING[8]	'01111100'B	
iel	OCTETSTRING[1]		
contents	OCTETSTRING[1..13]		
omitted?			HLC repeat indicator. If the answer is OMIT the IE is omitted in the message
hlcri	BITSTRING[8]	'1101_ _ _ _'B	
omitted?			high layer compatibility i. If the answer is OMIT the IE is omitted in the message
iei	BITSTRING[8]	'01111101'B	
iel	OCTETSTRING[1]		length of the element
extb3	BITSTRING[1]	'1'B	
cs	BITSTRING[2]		coding standard
in	BITSTRING[3]		interpretation
pmp	BITSTRING[2]		presentation method of protocol

extb4	BITSTRING[1]	'1'B	
hlci	BITSTRING[7]		high layer characteristic identification
extb4a	BITSTRING[1]		
ehlci	BITSTRING[7]		extended high layer characteristic identification
omitted?			high layer compatibility ii. If the answer is OMIT the IE is omitted in the message
iei	BITSTRING[8]	'01111101'B	
iel	OCTETSTRING[1]		length of the element
extb3	BITSTRING[1]	'1'B	
cs	BITSTRING[2]		coding standard
in	BITSTRING[3]		interpretation
pmp	BITSTRING[2]		presentation method of protocol
extb4	BITSTRING[1]	'1'B	
hlci	BITSTRING[7]		high layer characteristic identification
extb4a	BITSTRING[1]		
ehlci	BITSTRING[7]		extended high layer characteristic identification

Table 119: Parameter TSPX_BS22more

Name	Type	Value	Comments
TSPX_BS22more	BOOLEAN		

Table 120: Parameter TSPX_SetupBS22_2

Field	Type	Value	Comments
ti	BITSTRING[4]	'0000'B	
pd	BITSTRING[4]	'0011'B	
mt	BITSTRING[8]	'00000101'B	
omitted?			BC repeat indicator. If the answer is OMIT the IE is omitted in the message
bcri	BITSTRING[8]	'1101_ _ _ _'B	
omitted?			Bearer capability 1. If the answer is OMIT the IE is omitted in the message
iei	BITSTRING[8]	'00000100'B	
iel	OCTETSTRING[1]		length of the IE in unit of OCTET
extb3	BITSTRING[1]		extension bit
rchr	BITSTRING[2]	'00'B	spare bit in the direction n -> ms
cs	BITSTRING[1]		coding standard
tm	BITSTRING[1]		transfer mode
itc	BITSTRING[3]		information transfer capability
extb4	BITSTRING[1]		extension bit
spb	BITSTRING[1]	'0'B	spare bit
strc	BITSTRING[1]		structure
dplx	BITSTRING[2]		duplex mode
config	BITSTRING[1]		configuration
nirr	BITSTRING[1]		negotiation of intermediate rate requested
est	BITSTRING[1]		establishment
extb5	BITSTRING[1]		extension bit
accid	BITSTRING[2]		access identify
ra	BITSTRING[2]		rate adaption
sacp	BITSTRING[3]		signalling access protocol
extb6	BITSTRING[1]		extension bit
l1id	BITSTRING[2]		L1 identity
uil1	BITSTRING[4]		user information L 1 protocol
sb	BITSTRING[1]		synchronous bit
extb6a	BITSTRING[1]		extension bit
nsb	BITSTRING[1]		number of stop bits
nb	BITSTRING[1]		negotiation bit
ndb	BITSTRING[1]		number of data bits
ur	BITSTRING[4]		user rate
extb6b	BITSTRING[1]		extension bit
ir	BITSTRING[2]		intermediate rate
nictx	BITSTRING[1]		network independent clock on transmission
nicrx	BITSTRING[1]		network independent clock on reception
pi	BITSTRING[3]		parity information
extb6c	BITSTRING[1]		extension bit
ce	BITSTRING[2]		connection element
modemt	BITSTRING[5]		modem type
extb7	BITSTRING[1]		extension bit
l2id	BITSTRING[2]		L2 identity
uil2	BITSTRING[5]		user information L2 protocol
omitted?			Bearer capability 2. If the answer is OMIT the IE is omitted in the message
iei	BITSTRING[8]	'00000100'B	
iel	OCTETSTRING[1]		length of the IE in unit of OCTET
extb3	BITSTRING[1]		extension bit
rchr	BITSTRING[2]	'00'B	spare bit in the direction n -> ms
cs	BITSTRING[1]		coding standard
tm	BITSTRING[1]		transfer mode
itc	BITSTRING[3]		information transfer capability

extb4	BITSTRING[1]		extension bit
spb	BITSTRING[1]	'0'B	spare bit
strc	BITSTRING[1]		structure
dplx	BITSTRING[2]		duplex mode
config	BITSTRING[1]		configuration
nirr	BITSTRING[1]		negotiation of intermediate rate requested
est	BITSTRING[1]		establishment
extb5	BITSTRING[1]		extension bit
accid	BITSTRING[2]		access identify
ra	BITSTRING[2]		rate adaption
sacp	BITSTRING[3]		signalling access protocol
extb6	BITSTRING[1]		extension bit
l1id	BITSTRING[2]		L1 identity
uil1	BITSTRING[4]		user information L 1 protocol
sb	BITSTRING[1]		synchronous bit
extb6a	BITSTRING[1]		extension bit
nsb	BITSTRING[1]		number of stop bits
nb	BITSTRING[1]		negotiation bit
ndb	BITSTRING[1]		number of data bits
ur	BITSTRING[4]		user rate
extb6b	BITSTRING[1]		extension bit
ir	BITSTRING[2]		intermediate rate
nictx	BITSTRING[1]		network independent clock on transmission
nicrx	BITSTRING[1]		network independent clock on reception
pi	BITSTRING[3]		parity information
extb6c	BITSTRING[1]		extension bit
ce	BITSTRING[2]		connection element
modemt	BITSTRING[5]		modem type
extb7	BITSTRING[1]		extension bit
l2id	BITSTRING[2]		L2 identity
uil2	BITSTRING[5]		user information L2 protocol
omitted?			LLC repeat indicator. If the answer is OMIT the IE is omitted in the message
llcri	BITSTRING[8]	'1101___'B	
omitted?			low layer compatibility I. If the answer is OMIT the IE is omitted in the message
iei	BITSTRING[8]	'01111100'B	
iel	OCTETSTRING[1]		
contents	OCTETSTRING[1..13]		
omitted?			low layer compatibility II. If the answer is OMIT the IE is omitted in the message
iei	BITSTRING[8]	'01111100'B	
iel	OCTETSTRING[1]		
contents	OCTETSTRING[1..13]		
omitted?			HLC repeat indicator. If the answer is OMIT the IE is omitted in the message
hlcri	BITSTRING[8]	'1101___'B	
omitted?			high layer compatibility i. If the answer is OMIT the IE is omitted in the message
iei	BITSTRING[8]	'01111101'B	
iel	OCTETSTRING[1]		length of the element
extb3	BITSTRING[1]	'1'B	
cs	BITSTRING[2]		coding standard
in	BITSTRING[3]		interpretation
pmpp	BITSTRING[2]		presentation method of protocol
extb4	BITSTRING[1]	'1'B	
hlci	BITSTRING[7]		high layer characteristic identification

extb4a	BITSTRING[1]		
ehlci	BITSTRING[7]		extended high layer characteristic identification
omitted?			high layer compatibility ii. If the answer is OMIT the IE is omitted in the message
iei	BITSTRING[8]	'01111101'B	
iel	OCTETSTRING[1]		length of the element
extb3	BITSTRING[1]	'1'B	
cs	BITSTRING[2]		coding standard
in	BITSTRING[3]		interpretation
pmp	BITSTRING[2]		presentation method of protocol
extb4	BITSTRING[1]	'1'B	
hlci	BITSTRING[7]		high layer characteristic identification
extb4a	BITSTRING[1]		
ehlci	BITSTRING[7]		extended high layer characteristic identification

Table 121: Parameter TSPX_SetupBS22_3

Field	Type	Value	Comments
ti	BITSTRING[4]	'0000'B	
pd	BITSTRING[4]	'0011'B	
mt	BITSTRING[8]	'00000101'B	
omitted?			BC repeat indicator. If the answer is OMIT the IE is omitted in the message
bcrl	BITSTRING[8]	'1101____'B	
omitted?			Bearer capability 1. If the answer is OMIT the IE is omitted in the message
iei	BITSTRING[8]	'00000100'B	
iel	OCTETSTRING[1]		length of the IE in unit of OCTET
extb3	BITSTRING[1]		extension bit
rchr	BITSTRING[2]	'00'B	spare bit in the direction n -> ms
cs	BITSTRING[1]		coding standard
tm	BITSTRING[1]		transfer mode
itc	BITSTRING[3]		information transfer capability
extb4	BITSTRING[1]		extension bit
spb	BITSTRING[1]	'0'B	spare bit
strc	BITSTRING[1]		structure
dplx	BITSTRING[2]		duplex mode
config	BITSTRING[1]		configuration
nirr	BITSTRING[1]		negotiation of intermediate rate requested
est	BITSTRING[1]		establishment
extb5	BITSTRING[1]		extension bit
accid	BITSTRING[2]		access identify
ra	BITSTRING[2]		rate adaption
sacp	BITSTRING[3]		signalling access protocol
extb6	BITSTRING[1]		extension bit
l1id	BITSTRING[2]		L1 identity
uil1	BITSTRING[4]		user information L 1 protocol
sb	BITSTRING[1]		synchronous bit
extb6a	BITSTRING[1]		extension bit
nsb	BITSTRING[1]		number of stop bits
nb	BITSTRING[1]		negotiation bit
ndb	BITSTRING[1]		number of data bits
ur	BITSTRING[4]		user rate
extb6b	BITSTRING[1]		extension bit
ir	BITSTRING[2]		intermediate rate
nictx	BITSTRING[1]		network independent clock on transmission
nicrx	BITSTRING[1]		network independent clock on reception
pi	BITSTRING[3]		parity information
extb6c	BITSTRING[1]		extension bit
ce	BITSTRING[2]		connection element
modemt	BITSTRING[5]		modem type
extb7	BITSTRING[1]		extension bit
l2id	BITSTRING[2]		L2 identity
uil2	BITSTRING[5]		user information L2 protocol
omitted?			Bearer capability 2. If the answer is OMIT the IE is omitted in the message
iei	BITSTRING[8]	'00000100'B	
iel	OCTETSTRING[1]		length of the IE in unit of OCTET
extb3	BITSTRING[1]		extension bit
rchr	BITSTRING[2]	'00'B	spare bit in the direction n -> ms
cs	BITSTRING[1]		coding standard
tm	BITSTRING[1]		transfer mode
itc	BITSTRING[3]		information transfer capability

extb4	BITSTRING[1]		extension bit
spb	BITSTRING[1]	'0'B	spare bit
strc	BITSTRING[1]		structure
dplx	BITSTRING[2]		duplex mode
config	BITSTRING[1]		configuration
nirr	BITSTRING[1]		negotiation of intermediate rate requested
est	BITSTRING[1]		establishment
extb5	BITSTRING[1]		extension bit
accid	BITSTRING[2]		access identify
ra	BITSTRING[2]		rate adaption
sacp	BITSTRING[3]		signalling access protocol
extb6	BITSTRING[1]		extension bit
l1id	BITSTRING[2]		L1 identity
uil1	BITSTRING[4]		user information L 1 protocol
sb	BITSTRING[1]		synchronous bit
extb6a	BITSTRING[1]		extension bit
nsb	BITSTRING[1]		number of stop bits
nb	BITSTRING[1]		negotiation bit
ndb	BITSTRING[1]		number of data bits
ur	BITSTRING[4]		user rate
extb6b	BITSTRING[1]		extension bit
ir	BITSTRING[2]		intermediate rate
nictx	BITSTRING[1]		network independent clock on transmission
nicrx	BITSTRING[1]		network independent clock on reception
pi	BITSTRING[3]		parity information
extb6c	BITSTRING[1]		extension bit
ce	BITSTRING[2]		connection element
modemt	BITSTRING[5]		modem type
extb7	BITSTRING[1]		extension bit
l2id	BITSTRING[2]		L2 identity
uil2	BITSTRING[5]		user information L2 protocol
omitted?			LLC repeat indicator. If the answer is OMIT the IE is omitted in the message
llcri	BITSTRING[8]	'1101_ _ _ _'B	
omitted?			low layer compatibility I. If the answer is OMIT the IE is omitted in the message
iei	BITSTRING[8]	'01111100'B	
iel	OCTETSTRING[1]		
contents	OCTETSTRING[1..13]		
omitted?			low layer compatibility II. If the answer is OMIT the IE is omitted in the message
iei	BITSTRING[8]	'01111100'B	
iel	OCTETSTRING[1]		
contents	OCTETSTRING[1..13]		
omitted?			HLC repeat indicator. If the answer is OMIT the IE is omitted in the message
hlcri	BITSTRING[8]	'1101_ _ _ _'B	
omitted?			high layer compatibility i. If the answer is OMIT the IE is omitted in the message
iei	BITSTRING[8]	'01111101'B	
iel	OCTETSTRING[1]		length of the element
extb3	BITSTRING[1]	'1'B	
cs	BITSTRING[2]		coding standard
in	BITSTRING[3]		interpretation
pmp	BITSTRING[2]		presentation method of protocol
extb4	BITSTRING[1]	'1'B	
hlci	BITSTRING[7]		high layer characteristic identification

extb4a	BITSTRING[1]		
ehlci	BITSTRING[7]		extended high layer characteristic identification
omitted?			high layer compatibility ii. If the answer is OMIT the IE is omitted in the message
iei	BITSTRING[8]	'01111101'B	
iel	OCTETSTRING[1]		length of the element
extb3	BITSTRING[1]	'1'B	
cs	BITSTRING[2]		coding standard
in	BITSTRING[3]		interpretation
pmpp	BITSTRING[2]		presentation method of protocol
extb4	BITSTRING[1]	'1'B	
hlci	BITSTRING[7]		high layer characteristic identification
extb4a	BITSTRING[1]		
ehlci	BITSTRING[7]		extended high layer characteristic identification

B.7.2.5.6 Data circuit duplex async. 1 200/75 bit/s

Table 122: Parameter TSPX_SetupBS23_1

Field	Type	Value	Comments
ti	BITSTRING[4]	'0000'B	
pd	BITSTRING[4]	'0011'B	
mt	BITSTRING[8]	'00000101'B	
omitted?			BC repeat indicator. If the answer is OMIT the IE is omitted in the message
bcri	BITSTRING[8]	'1101_ _ _ _'B	
omitted?			Bearer capability 1. If the answer is OMIT the IE is omitted in the message
iei	BITSTRING[8]	'00000100'B	
iel	OCTETSTRING[1]		length of the IE in unit of OCTET
extb3	BITSTRING[1]		extension bit
rchr	BITSTRING[2]	'00'B	spare bit in the direction n -> ms
cs	BITSTRING[1]		coding standard
tm	BITSTRING[1]		transfer mode
itc	BITSTRING[3]		information transfer capability
extb4	BITSTRING[1]		extension bit
spb	BITSTRING[1]	'0'B	spare bit
strc	BITSTRING[1]		structure
dplxm	BITSTRING[2]		duplex mode
config	BITSTRING[1]		configuration
nirr	BITSTRING[1]		negotiation of intermediate rate requested
est	BITSTRING[1]		establishment
extb5	BITSTRING[1]		extension bit
accid	BITSTRING[2]		access identify
ra	BITSTRING[2]		rate adaption
sacp	BITSTRING[3]		signalling access protocol
extb6	BITSTRING[1]		extension bit
l1id	BITSTRING[2]		L1 identity
uil1	BITSTRING[4]		user information L 1 protocol
sb	BITSTRING[1]		synchronous bit
extb6a	BITSTRING[1]		extension bit
nsb	BITSTRING[1]		number of stop bits
nb	BITSTRING[1]		negotiation bit
ndb	BITSTRING[1]		number of data bits
ur	BITSTRING[4]		user rate
extb6b	BITSTRING[1]		extension bit
ir	BITSTRING[2]		intermediate rate
nictx	BITSTRING[1]		network independent clock on transmission
nicrx	BITSTRING[1]		network independent clock on reception
pi	BITSTRING[3]		parity information
extb6c	BITSTRING[1]		extension bit
ce	BITSTRING[2]		connection element
modemt	BITSTRING[5]		modem type
extb7	BITSTRING[1]		extension bit
l2id	BITSTRING[2]		L2 identity
uil2	BITSTRING[5]		user information L2 protocol
omitted?			Bearer capability 2. If the answer is OMIT the IE is omitted in the message
iei	BITSTRING[8]	'00000100'B	
iel	OCTETSTRING[1]		length of the IE in unit of OCTET
extb3	BITSTRING[1]		extension bit
rchr	BITSTRING[2]	'00'B	spare bit in the direction n -> ms
cs	BITSTRING[1]		coding standard

tm	BITSTRING[1]		transfer mode
itc	BITSTRING[3]		information transfer capability
extb4	BITSTRING[1]		extension bit
spb	BITSTRING[1]	'0'B	spare bit
strc	BITSTRING[1]		structure
dplx	BITSTRING[2]		duplex mode
config	BITSTRING[1]		configuration
nirr	BITSTRING[1]		negotiation of intermediate rate requested
est	BITSTRING[1]		establishment
extb5	BITSTRING[1]		extension bit
accid	BITSTRING[2]		access identify
ra	BITSTRING[2]		rate adaption
sacp	BITSTRING[3]		signalling access protocol
extb6	BITSTRING[1]		extension bit
l1id	BITSTRING[2]		L1 identity
uil1	BITSTRING[4]		user information L 1 protocol
sb	BITSTRING[1]		synchronous bit
extb6a	BITSTRING[1]		extension bit
nsb	BITSTRING[1]		number of stop bits
nb	BITSTRING[1]		negotiation bit
ndb	BITSTRING[1]		number of data bits
ur	BITSTRING[4]		user rate
extb6b	BITSTRING[1]		extension bit
ir	BITSTRING[2]		intermediate rate
nictx	BITSTRING[1]		network independent clock on transmission
nicrx	BITSTRING[1]		network independent clock on reception
pi	BITSTRING[3]		parity information
extb6c	BITSTRING[1]		extension bit
ce	BITSTRING[2]		connection element
modemt	BITSTRING[5]		modem type
extb7	BITSTRING[1]		extension bit
l2id	BITSTRING[2]		L2 identity
uil2	BITSTRING[5]		user information L2 protocol
omitted?			LLC repeat indicator. If the answer is OMIT the IE is omitted in the message
llcri	BITSTRING[8]	'1101___'B	
omitted?			low layer compatibility I. If the answer is OMIT the IE is omitted in the message
iei	BITSTRING[8]	'01111100'B	
iel	OCTETSTRING[1]		
contents	OCTETSTRING[1..13]		
omitted?			low layer compatibility II. If the answer is OMIT the IE is omitted in the message
iei	BITSTRING[8]	'01111100'B	
iel	OCTETSTRING[1]		
contents	OCTETSTRING[1..13]		
omitted?			HLC repeat indicator. If the answer is OMIT the IE is omitted in the message
hlcri	BITSTRING[8]	'1101___'B	
omitted?			high layer compatibility i. If the answer is OMIT the IE is omitted in the message
iei	BITSTRING[8]	'01111101'B	
iel	OCTETSTRING[1]		length of the element
extb3	BITSTRING[1]	'1'B	
cs	BITSTRING[2]		coding standard
in	BITSTRING[3]		interpretation
pmp	BITSTRING[2]		presentation method of protocol

extb4	BITSTRING[1]	'1'B	
hlci	BITSTRING[7]		high layer characteristic identification
extb4a	BITSTRING[1]		
ehlci	BITSTRING[7]		extended high layer characteristic identification
omitted?			high layer compatibility ii. If the answer is OMIT the IE is omitted in the message
iei	BITSTRING[8]	'01111101'B	
iel	OCTETSTRING[1]		length of the element
extb3	BITSTRING[1]	'1'B	
cs	BITSTRING[2]		coding standard
in	BITSTRING[3]		interpretation
pmp	BITSTRING[2]		presentation method of protocol
extb4	BITSTRING[1]	'1'B	
hlci	BITSTRING[7]		high layer characteristic identification
extb4a	BITSTRING[1]		
ehlci	BITSTRING[7]		extended high layer characteristic identification

Table 123: Parameter TSPX_BS23more

Name	Type	Value	Comments
TSPX_BS23more	BOOLEAN		

Table 124: Parameter TSPX_SetupBS23_2

Field	Type	Value	Comments
ti	BITSTRING[4]	'0000'B	
pd	BITSTRING[4]	'0011'B	
mt	BITSTRING[8]	'00000101'B	
omitted?			BC repeat indicator. If the answer is OMIT the IE is omitted in the message
bcrl	BITSTRING[8]	'1101____'B	
omitted?			Bearer capability 1. If the answer is OMIT the IE is omitted in the message
iei	BITSTRING[8]	'00000100'B	
iel	OCTETSTRING[1]		length of the IE in unit of OCTET
extb3	BITSTRING[1]		extension bit
rchr	BITSTRING[2]	'00'B	spare bit in the direction n -> ms
cs	BITSTRING[1]		coding standard
tm	BITSTRING[1]		transfer mode
itc	BITSTRING[3]		information transfer capability
extb4	BITSTRING[1]		extension bit
spb	BITSTRING[1]	'0'B	spare bit
strc	BITSTRING[1]		structure
dplxm	BITSTRING[2]		duplex mode
config	BITSTRING[1]		configuration
nirr	BITSTRING[1]		negotiation of intermediate rate requested
est	BITSTRING[1]		establishment
extb5	BITSTRING[1]		extension bit
accid	BITSTRING[2]		access identify
ra	BITSTRING[2]		rate adaption
sacp	BITSTRING[3]		signalling access protocol
extb6	BITSTRING[1]		extension bit
l1id	BITSTRING[2]		L1 identity
uil1	BITSTRING[4]		user information L 1 protocol
sb	BITSTRING[1]		synchronous bit
extb6a	BITSTRING[1]		extension bit
nsb	BITSTRING[1]		number of stop bits
nb	BITSTRING[1]		negotiation bit
ndb	BITSTRING[1]		number of data bits
ur	BITSTRING[4]		user rate
extb6b	BITSTRING[1]		extension bit
ir	BITSTRING[2]		intermediate rate
nictx	BITSTRING[1]		network independent clock on transmission
nicrx	BITSTRING[1]		network independent clock on reception
pi	BITSTRING[3]		parity information
extb6c	BITSTRING[1]		extension bit
ce	BITSTRING[2]		connection element
modemt	BITSTRING[5]		modem type
extb7	BITSTRING[1]		extension bit
l2id	BITSTRING[2]		L2 identity
uil2	BITSTRING[5]		user information L2 protocol
omitted?			Bearer capability 2. If the answer is OMIT the IE is omitted in the message
iei	BITSTRING[8]	'00000100'B	
iel	OCTETSTRING[1]		length of the IE in unit of OCTET
extb3	BITSTRING[1]		extension bit
rchr	BITSTRING[2]	'00'B	spare bit in the direction n -> ms
cs	BITSTRING[1]		coding standard
tm	BITSTRING[1]		transfer mode
itc	BITSTRING[3]		information transfer capability

extb4	BITSTRING[1]		extension bit
spb	BITSTRING[1]	'0'B	spare bit
strc	BITSTRING[1]		structure
dplxm	BITSTRING[2]		duplex mode
config	BITSTRING[1]		configuration
nirr	BITSTRING[1]		negotiation of intermediate rate requested
est	BITSTRING[1]		establishment
extb5	BITSTRING[1]		extension bit
accid	BITSTRING[2]		access identify
ra	BITSTRING[2]		rate adaption
sacp	BITSTRING[3]		signalling access protocol
extb6	BITSTRING[1]		extension bit
l1id	BITSTRING[2]		L1 identity
uil1	BITSTRING[4]		user information L 1 protocol
sb	BITSTRING[1]		synchronous bit
extb6a	BITSTRING[1]		extension bit
nsb	BITSTRING[1]		number of stop bits
nb	BITSTRING[1]		negotiation bit
ndb	BITSTRING[1]		number of data bits
ur	BITSTRING[4]		user rate
extb6b	BITSTRING[1]		extension bit
ir	BITSTRING[2]		intermediate rate
nictx	BITSTRING[1]		network independent clock on transmission
nicrx	BITSTRING[1]		network independent clock on reception
pi	BITSTRING[3]		parity information
extb6c	BITSTRING[1]		extension bit
ce	BITSTRING[2]		connection element
modemt	BITSTRING[5]		modem type
extb7	BITSTRING[1]		extension bit
l2id	BITSTRING[2]		L2 identity
uil2	BITSTRING[5]		user information L2 protocol
omitted?			LLC repeat indicator. If the answer is OMIT the IE is omitted in the message
llcri	BITSTRING[8]	'1101_ _ _ _'B	
omitted?			low layer compatibility I. If the answer is OMIT the IE is omitted in the message
iei	BITSTRING[8]	'01111100'B	
iel	OCTETSTRING[1]		
contents	OCTETSTRING[1..13]		
omitted?			low layer compatibility II. If the answer is OMIT the IE is omitted in the message
iei	BITSTRING[8]	'01111100'B	
iel	OCTETSTRING[1]		
contents	OCTETSTRING[1..13]		
omitted?			HLC repeat indicator. If the answer is OMIT the IE is omitted in the message
hlcri	BITSTRING[8]	'1101_ _ _ _'B	
omitted?			high layer compatibility i. If the answer is OMIT the IE is omitted in the message
iei	BITSTRING[8]	'01111101'B	
iel	OCTETSTRING[1]		length of the element
extb3	BITSTRING[1]	'1'B	
cs	BITSTRING[2]		coding standard
in	BITSTRING[3]		interpretation
pmp	BITSTRING[2]		presentation method of protocol
extb4	BITSTRING[1]	'1'B	
hlci	BITSTRING[7]		high layer characteristic identification

extb4a	BITSTRING[1]		
ehlci	BITSTRING[7]		extended high layer characteristic identification
omitted?			high layer compatibility ii. If the answer is OMIT the IE is omitted in the message
iei	BITSTRING[8]	'01111101'B	
iel	OCTETSTRING[1]		length of the element
extb3	BITSTRING[1]	'1'B	
cs	BITSTRING[2]		coding standard
in	BITSTRING[3]		interpretation
pmp	BITSTRING[2]		presentation method of protocol
extb4	BITSTRING[1]	'1'B	
hlci	BITSTRING[7]		high layer characteristic identification
extb4a	BITSTRING[1]		
ehlci	BITSTRING[7]		extended high layer characteristic identification

Table 125: Parameter TSPX_SetupBS23_3

Field	Type	Value	Comments
ti	BITSTRING[4]	'0000'B	
pd	BITSTRING[4]	'0011'B	
mt	BITSTRING[8]	'00000101'B	
omitted?			BC repeat indicator. If the answer is OMIT the IE is omitted in the message
bcri	BITSTRING[8]	'1101_ _ _ _'B	
omitted?			Bearer capability 1. If the answer is OMIT the IE is omitted in the message
iei	BITSTRING[8]	'00000100'B	
iel	OCTETSTRING[1]		length of the IE in unit of OCTET
extb3	BITSTRING[1]		extension bit
rchr	BITSTRING[2]	'00'B	spare bit in the direction n -> ms
cs	BITSTRING[1]		coding standard
tm	BITSTRING[1]		transfer mode
itc	BITSTRING[3]		information transfer capability
extb4	BITSTRING[1]		extension bit
spb	BITSTRING[1]	'0'B	spare bit
strc	BITSTRING[1]		structure
dplxm	BITSTRING[2]		duplex mode
config	BITSTRING[1]		configuration
nirr	BITSTRING[1]		negotiation of intermediate rate requested
est	BITSTRING[1]		establishment
extb5	BITSTRING[1]		extension bit
accid	BITSTRING[2]		access identify
ra	BITSTRING[2]		rate adaption
sacp	BITSTRING[3]		signalling access protocol
extb6	BITSTRING[1]		extension bit
l1id	BITSTRING[2]		L1 identity
uil1	BITSTRING[4]		user information L 1 protocol
sb	BITSTRING[1]		synchronous bit
extb6a	BITSTRING[1]		extension bit
nsb	BITSTRING[1]		number of stop bits
nb	BITSTRING[1]		negotiation bit
ndb	BITSTRING[1]		number of data bits
ur	BITSTRING[4]		user rate
extb6b	BITSTRING[1]		extension bit
ir	BITSTRING[2]		intermediate rate
nictx	BITSTRING[1]		network independent clock on transmission
nicrx	BITSTRING[1]		network independent clock on reception
pi	BITSTRING[3]		parity information
extb6c	BITSTRING[1]		extension bit
ce	BITSTRING[2]		connection element
modemt	BITSTRING[5]		modem type
extb7	BITSTRING[1]		extension bit
l2id	BITSTRING[2]		L2 identity
uil2	BITSTRING[5]		user information L2 protocol
omitted?			Bearer capability 2. If the answer is OMIT the IE is omitted in the message
iei	BITSTRING[8]	'00000100'B	
iel	OCTETSTRING[1]		length of the IE in unit of OCTET
extb3	BITSTRING[1]		extension bit
rchr	BITSTRING[2]	'00'B	spare bit in the direction n -> ms
cs	BITSTRING[1]		coding standard
tm	BITSTRING[1]		transfer mode
itc	BITSTRING[3]		information transfer capability

extb4	BITSTRING[1]		extension bit
spb	BITSTRING[1]	'0'B	spare bit
strc	BITSTRING[1]		structure
dplxm	BITSTRING[2]		duplex mode
config	BITSTRING[1]		configuration
nirr	BITSTRING[1]		negotiation of intermediate rate requested
est	BITSTRING[1]		establishment
extb5	BITSTRING[1]		extension bit
accid	BITSTRING[2]		access identify
ra	BITSTRING[2]		rate adaption
sacp	BITSTRING[3]		signalling access protocol
extb6	BITSTRING[1]		extension bit
l1id	BITSTRING[2]		L1 identity
uil1	BITSTRING[4]		user information L 1 protocol
sb	BITSTRING[1]		synchronous bit
extb6a	BITSTRING[1]		extension bit
nsb	BITSTRING[1]		number of stop bits
nb	BITSTRING[1]		negotiation bit
ndb	BITSTRING[1]		number of data bits
ur	BITSTRING[4]		user rate
extb6b	BITSTRING[1]		extension bit
ir	BITSTRING[2]		intermediate rate
nictx	BITSTRING[1]		network independent clock on transmission
nicrx	BITSTRING[1]		network independent clock on reception
pi	BITSTRING[3]		parity information
extb6c	BITSTRING[1]		extension bit
ce	BITSTRING[2]		connection element
modemt	BITSTRING[5]		modem type
extb7	BITSTRING[1]		extension bit
l2id	BITSTRING[2]		L2 identity
uil2	BITSTRING[5]		user information L2 protocol
omitted?			LLC repeat indicator. If the answer is OMIT the IE is omitted in the message
llcri	BITSTRING[8]	'1101___'B	
omitted?			low layer compatibility I. If the answer is OMIT the IE is omitted in the message
iei	BITSTRING[8]	'01111100'B	
iel	OCTETSTRING[1]		
contents	OCTETSTRING[1..13]		
omitted?			low layer compatibility II. If the answer is OMIT the IE is omitted in the message
iei	BITSTRING[8]	'01111100'B	
iel	OCTETSTRING[1]		
contents	OCTETSTRING[1..13]		
omitted?			HLC repeat indicator. If the answer is OMIT the IE is omitted in the message
hlcri	BITSTRING[8]	'1101___'B	
omitted?			high layer compatibility i. If the answer is OMIT the IE is omitted in the message
iei	BITSTRING[8]	'01111101'B	
iel	OCTETSTRING[1]		length of the element
extb3	BITSTRING[1]	'1'B	
cs	BITSTRING[2]		coding standard
in	BITSTRING[3]		interpretation
pmpp	BITSTRING[2]		presentation method of protocol
extb4	BITSTRING[1]	'1'B	
hlci	BITSTRING[7]		high layer characteristic identification

extb4a	BITSTRING[1]		
ehlci	BITSTRING[7]		extended high layer characteristic identification
omitted?			high layer compatibility ii. If the answer is OMIT the IE is omitted in the message
iei	BITSTRING[8]	'01111101'B	
iel	OCTETSTRING[1]		length of the element
extb3	BITSTRING[1]	'1'B	
cs	BITSTRING[2]		coding standard
in	BITSTRING[3]		interpretation
pmp	BITSTRING[2]		presentation method of protocol
extb4	BITSTRING[1]	'1'B	
hlci	BITSTRING[7]		high layer characteristic identification
extb4a	BITSTRING[1]		
ehlci	BITSTRING[7]		extended high layer characteristic identification

B.7.2.5.7 Data circuit duplex async. 2 400 bit/s

Table 126: Parameter TSPX_SetupBS24_1

Field	Type	Value	Comments
ti	BITSTRING[4]	'0000'B	
pd	BITSTRING[4]	'0011'B	
mt	BITSTRING[8]	'00000101'B	
omitted?			BC repeat indicator. If the answer is OMIT the IE is omitted in the message
bcricri	BITSTRING[8]	'1101_ _ _ _'B	
omitted?			Bearer capability 1. If the answer is OMIT the IE is omitted in the message
iei	BITSTRING[8]	'00000100'B	
iel	OCTETSTRING[1]		length of the IE in unit of OCTET
extb3	BITSTRING[1]		extension bit
rchr	BITSTRING[2]	'00'B	spare bit in the direction n -> ms
cs	BITSTRING[1]		coding standard
tm	BITSTRING[1]		transfer mode
itc	BITSTRING[3]		information transfer capability
extb4	BITSTRING[1]		extension bit
spb	BITSTRING[1]	'0'B	spare bit
strc	BITSTRING[1]		structure
dplxm	BITSTRING[2]		duplex mode
config	BITSTRING[1]		configuration
nirr	BITSTRING[1]		negotiation of intermediate rate requested
est	BITSTRING[1]		establishment
extb5	BITSTRING[1]		extension bit
accid	BITSTRING[2]		access identify
ra	BITSTRING[2]		rate adaption
sacp	BITSTRING[3]		signalling access protocol
extb6	BITSTRING[1]		extension bit
l1id	BITSTRING[2]		L1 identity
uil1	BITSTRING[4]		user information L 1 protocol
sb	BITSTRING[1]		synchronous bit
extb6a	BITSTRING[1]		extension bit
nsb	BITSTRING[1]		number of stop bits
nb	BITSTRING[1]		negotiation bit
ndb	BITSTRING[1]		number of data bits
ur	BITSTRING[4]		user rate
extb6b	BITSTRING[1]		extension bit
ir	BITSTRING[2]		intermediate rate
nictx	BITSTRING[1]		network independent clock on transmission
nicrx	BITSTRING[1]		network independent clock on reception
pi	BITSTRING[3]		parity information
extb6c	BITSTRING[1]		extension bit
ce	BITSTRING[2]		connection element
modemt	BITSTRING[5]		modem type
extb7	BITSTRING[1]		extension bit
l2id	BITSTRING[2]		L2 identity
uil2	BITSTRING[5]		user information L2 protocol
omitted?			Bearer capability 2. If the answer is OMIT the IE is omitted in the message
iei	BITSTRING[8]	'00000100'B	
iel	OCTETSTRING[1]		length of the IE in unit of OCTET
extb3	BITSTRING[1]		extension bit
rchr	BITSTRING[2]	'00'B	spare bit in the direction n -> ms
cs	BITSTRING[1]		coding standard

tm	BITSTRING[1]		transfer mode
itc	BITSTRING[3]		information transfer capability
extb4	BITSTRING[1]		extension bit
spb	BITSTRING[1]	'0'B	spare bit
strc	BITSTRING[1]		structure
dplxm	BITSTRING[2]		duplex mode
config	BITSTRING[1]		configuration
nirr	BITSTRING[1]		negotiation of intermediate rate requested
est	BITSTRING[1]		establishment
extb5	BITSTRING[1]		extension bit
accid	BITSTRING[2]		access identify
ra	BITSTRING[2]		rate adaption
sacp	BITSTRING[3]		signalling access protocol
extb6	BITSTRING[1]		extension bit
l1id	BITSTRING[2]		L1 identity
uil1	BITSTRING[4]		user information L 1 protocol
sb	BITSTRING[1]		synchronous bit
extb6a	BITSTRING[1]		extension bit
nsb	BITSTRING[1]		number of stop bits
nb	BITSTRING[1]		negotiation bit
ndb	BITSTRING[1]		number of data bits
ur	BITSTRING[4]		user rate
extb6b	BITSTRING[1]		extension bit
ir	BITSTRING[2]		intermediate rate
nictx	BITSTRING[1]		network independent clock on transmission
nicrx	BITSTRING[1]		network independent clock on reception
pi	BITSTRING[3]		parity information
extb6c	BITSTRING[1]		extension bit
ce	BITSTRING[2]		connection element
modemt	BITSTRING[5]		modem type
extb7	BITSTRING[1]		extension bit
l2id	BITSTRING[2]		L2 identity
uil2	BITSTRING[5]		user information L2 protocol
omitted?			LLC repeat indicator. If the answer is OMIT the IE is omitted in the message
llcri	BITSTRING[8]	'1101_ _ _ _'B	
omitted?			low layer compatibility I. If the answer is OMIT the IE is omitted in the message
iei	BITSTRING[8]	'01111100'B	
iel	OCTETSTRING[1]		
contents	OCTETSTRING[1..13]		
omitted?			low layer compatibility II. If the answer is OMIT the IE is omitted in the message
iei	BITSTRING[8]	'01111100'B	
iel	OCTETSTRING[1]		
contents	OCTETSTRING[1..13]		
omitted?			HLC repeat indicator. If the answer is OMIT the IE is omitted in the message
hlcri	BITSTRING[8]	'1101_ _ _ _'B	
omitted?			high layer compatibility i. If the answer is OMIT the IE is omitted in the message
iei	BITSTRING[8]	'01111101'B	
iel	OCTETSTRING[1]		length of the element
extb3	BITSTRING[1]	'1'B	
cs	BITSTRING[2]		coding standard
in	BITSTRING[3]		interpretation
pmp	BITSTRING[2]		presentation method of protocol

extb4	BITSTRING[1]	'1'B	
hlci	BITSTRING[7]		high layer characteristic identification
extb4a	BITSTRING[1]		
ehlci	BITSTRING[7]		extended high layer characteristic identification
omitted?			high layer compatibility ii. If the answer is OMIT the IE is omitted in the message
iei	BITSTRING[8]	'01111101'B	
iel	OCTETSTRING[1]		length of the element
extb3	BITSTRING[1]	'1'B	
cs	BITSTRING[2]		coding standard
in	BITSTRING[3]		interpretation
pmp	BITSTRING[2]		presentation method of protocol
extb4	BITSTRING[1]	'1'B	
hlci	BITSTRING[7]		high layer characteristic identification
extb4a	BITSTRING[1]		
ehlci	BITSTRING[7]		extended high layer characteristic identification

Table 127: Parameter TSPX_BS24more

Name	Type	Value	Comments
TSPX_BS24more	BOOLEAN		

Table 128: Parameter TSPX_SetupBS24_2

Field	Type	Value	Comments
ti	BITSTRING[4]	'0000'B	
pd	BITSTRING[4]	'0011'B	
mt	BITSTRING[8]	'00000101'B	
omitted?			BC repeat indicator. If the answer is OMIT the IE is omitted in the message
bcri	BITSTRING[8]	'1101_ _ _ _'B	
omitted?			Bearer capability 1. If the answer is OMIT the IE is omitted in the message
iei	BITSTRING[8]	'00000100'B	
iel	OCTETSTRING[1]		length of the IE in unit of OCTET
extb3	BITSTRING[1]		extension bit
rchr	BITSTRING[2]	'00'B	spare bit in the direction n -> ms
cs	BITSTRING[1]		coding standard
tm	BITSTRING[1]		transfer mode
itc	BITSTRING[3]		information transfer capability
extb4	BITSTRING[1]		extension bit
spb	BITSTRING[1]	'0'B	spare bit
strc	BITSTRING[1]		structure
dplx	BITSTRING[2]		duplex mode
config	BITSTRING[1]		configuration
nirr	BITSTRING[1]		negotiation of intermediate rate requested
est	BITSTRING[1]		establishment
extb5	BITSTRING[1]		extension bit
accid	BITSTRING[2]		access identify
ra	BITSTRING[2]		rate adaption
sacp	BITSTRING[3]		signalling access protocol
extb6	BITSTRING[1]		extension bit
l1id	BITSTRING[2]		L1 identity
uil1	BITSTRING[4]		user information L 1 protocol
sb	BITSTRING[1]		synchronous bit
extb6a	BITSTRING[1]		extension bit
nsb	BITSTRING[1]		number of stop bits
nb	BITSTRING[1]		negotiation bit
ndb	BITSTRING[1]		number of data bits
ur	BITSTRING[4]		user rate
extb6b	BITSTRING[1]		extension bit
ir	BITSTRING[2]		intermediate rate
nictx	BITSTRING[1]		network independent clock on transmission
nicrx	BITSTRING[1]		network independent clock on reception
pi	BITSTRING[3]		parity information
extb6c	BITSTRING[1]		extension bit
ce	BITSTRING[2]		connection element
modemt	BITSTRING[5]		modem type
extb7	BITSTRING[1]		extension bit
l2id	BITSTRING[2]		L2 identity
uil2	BITSTRING[5]		user information L2 protocol
omitted?			Bearer capability 2. If the answer is OMIT the IE is omitted in the message
iei	BITSTRING[8]	'00000100'B	
iel	OCTETSTRING[1]		length of the IE in unit of OCTET
extb3	BITSTRING[1]		extension bit
rchr	BITSTRING[2]	'00'B	spare bit in the direction n -> ms
cs	BITSTRING[1]		coding standard
tm	BITSTRING[1]		transfer mode
itc	BITSTRING[3]		information transfer capability

extb4	BITSTRING[1]		extension bit
spb	BITSTRING[1]	'0'B	spare bit
strc	BITSTRING[1]		structure
dplxm	BITSTRING[2]		duplex mode
config	BITSTRING[1]		configuration
nirr	BITSTRING[1]		negotiation of intermediate rate requested
est	BITSTRING[1]		establishment
extb5	BITSTRING[1]		extension bit
accid	BITSTRING[2]		access identify
ra	BITSTRING[2]		rate adaption
sacp	BITSTRING[3]		signalling access protocol
extb6	BITSTRING[1]		extension bit
l1id	BITSTRING[2]		L1 identity
uil1	BITSTRING[4]		user information L 1 protocol
sb	BITSTRING[1]		synchronous bit
extb6a	BITSTRING[1]		extension bit
nsb	BITSTRING[1]		number of stop bits
nb	BITSTRING[1]		negotiation bit
ndb	BITSTRING[1]		number of data bits
ur	BITSTRING[4]		user rate
extb6b	BITSTRING[1]		extension bit
ir	BITSTRING[2]		intermediate rate
nictx	BITSTRING[1]		network independent clock on transmission
nicrx	BITSTRING[1]		network independent clock on reception
pi	BITSTRING[3]		parity information
extb6c	BITSTRING[1]		extension bit
ce	BITSTRING[2]		connection element
modemt	BITSTRING[5]		modem type
extb7	BITSTRING[1]		extension bit
l2id	BITSTRING[2]		L2 identity
uil2	BITSTRING[5]		user information L2 protocol
omitted?			LLC repeat indicator. If the answer is OMIT the IE is omitted in the message
llcri	BITSTRING[8]	'1101___'B	
omitted?			low layer compatibility I. If the answer is OMIT the IE is omitted in the message
iei	BITSTRING[8]	'01111100'B	
iel	OCTETSTRING[1]		
contents	OCTETSTRING[1..13]		
omitted?			low layer compatibility II. If the answer is OMIT the IE is omitted in the message
iei	BITSTRING[8]	'01111100'B	
iel	OCTETSTRING[1]		
contents	OCTETSTRING[1..13]		
omitted?			HLC repeat indicator. If the answer is OMIT the IE is omitted in the message
hlcri	BITSTRING[8]	'1101___'B	
omitted?			high layer compatibility i. If the answer is OMIT the IE is omitted in the message
iei	BITSTRING[8]	'01111101'B	
iel	OCTETSTRING[1]		length of the element
extb3	BITSTRING[1]	'1'B	
cs	BITSTRING[2]		coding standard
in	BITSTRING[3]		interpretation
pmpp	BITSTRING[2]		presentation method of protocol
extb4	BITSTRING[1]	'1'B	
hlci	BITSTRING[7]		high layer characteristic identification

extb4a	BITSTRING[1]		
ehlci	BITSTRING[7]		extended high layer characteristic identification
omitted?			high layer compatibility ii. If the answer is OMIT the IE is omitted in the message
iei	BITSTRING[8]	'01111101'B	
iel	OCTETSTRING[1]		length of the element
extb3	BITSTRING[1]	'1'B	
cs	BITSTRING[2]		coding standard
in	BITSTRING[3]		interpretation
pmp	BITSTRING[2]		presentation method of protocol
extb4	BITSTRING[1]	'1'B	
hlci	BITSTRING[7]		high layer characteristic identification
extb4a	BITSTRING[1]		
ehlci	BITSTRING[7]		extended high layer characteristic identification

Table 129: Parameter TSPX_SetupBS24_3

Field	Type	Value	Comments
ti	BITSTRING[4]	'0000'B	
pd	BITSTRING[4]	'0011'B	
mt	BITSTRING[8]	'00000101'B	
omitted?			BC repeat indicator. If the answer is OMIT the IE is omitted in the message
bcrl	BITSTRING[8]	'1101____'B	
omitted?			Bearer capability 1. If the answer is OMIT the IE is omitted in the message
iei	BITSTRING[8]	'00000100'B	
iel	OCTETSTRING[1]		length of the IE in unit of OCTET
extb3	BITSTRING[1]		extension bit
rchr	BITSTRING[2]	'00'B	spare bit in the direction n -> ms
cs	BITSTRING[1]		coding standard
tm	BITSTRING[1]		transfer mode
itc	BITSTRING[3]		information transfer capability
extb4	BITSTRING[1]		extension bit
spb	BITSTRING[1]	'0'B	spare bit
strc	BITSTRING[1]		structure
dplx	BITSTRING[2]		duplex mode
config	BITSTRING[1]		configuration
nirr	BITSTRING[1]		negotiation of intermediate rate requested
est	BITSTRING[1]		establishment
extb5	BITSTRING[1]		extension bit
accid	BITSTRING[2]		access identify
ra	BITSTRING[2]		rate adaption
sacp	BITSTRING[3]		signalling access protocol
extb6	BITSTRING[1]		extension bit
l1id	BITSTRING[2]		L1 identity
uil1	BITSTRING[4]		user information L 1 protocol
sb	BITSTRING[1]		synchronous bit
extb6a	BITSTRING[1]		extension bit
nsb	BITSTRING[1]		number of stop bits
nb	BITSTRING[1]		negotiation bit
ndb	BITSTRING[1]		number of data bits
ur	BITSTRING[4]		user rate
extb6b	BITSTRING[1]		extension bit
ir	BITSTRING[2]		intermediate rate
nictx	BITSTRING[1]		network independent clock on transmission
nicrx	BITSTRING[1]		network independent clock on reception
pi	BITSTRING[3]		parity information
extb6c	BITSTRING[1]		extension bit
ce	BITSTRING[2]		connection element
modemt	BITSTRING[5]		modem type
extb7	BITSTRING[1]		extension bit
l2id	BITSTRING[2]		L2 identity
uil2	BITSTRING[5]		user information L2 protocol
omitted?			Bearer capability 2. If the answer is OMIT the IE is omitted in the message
iei	BITSTRING[8]	'00000100'B	
iel	OCTETSTRING[1]		length of the IE in unit of OCTET
extb3	BITSTRING[1]		extension bit
rchr	BITSTRING[2]	'00'B	spare bit in the direction n -> ms
cs	BITSTRING[1]		coding standard
tm	BITSTRING[1]		transfer mode
itc	BITSTRING[3]		information transfer capability

extb4	BITSTRING[1]		extension bit
spb	BITSTRING[1]	'0'B	spare bit
strc	BITSTRING[1]		structure
dplxm	BITSTRING[2]		duplex mode
config	BITSTRING[1]		configuration
nirr	BITSTRING[1]		negotiation of intermediate rate requested
est	BITSTRING[1]		establishment
extb5	BITSTRING[1]		extension bit
accid	BITSTRING[2]		access identify
ra	BITSTRING[2]		rate adaption
sacp	BITSTRING[3]		signalling access protocol
extb6	BITSTRING[1]		extension bit
l1id	BITSTRING[2]		L1 identity
uil1	BITSTRING[4]		user information L 1 protocol
sb	BITSTRING[1]		synchronous bit
extb6a	BITSTRING[1]		extension bit
nsb	BITSTRING[1]		number of stop bits
nb	BITSTRING[1]		negotiation bit
ndb	BITSTRING[1]		number of data bits
ur	BITSTRING[4]		user rate
extb6b	BITSTRING[1]		extension bit
ir	BITSTRING[2]		intermediate rate
nictx	BITSTRING[1]		network independent clock on transmission
nicrx	BITSTRING[1]		network independent clock on reception
pi	BITSTRING[3]		parity information
extb6c	BITSTRING[1]		extension bit
ce	BITSTRING[2]		connection element
modemt	BITSTRING[5]		modem type
extb7	BITSTRING[1]		extension bit
l2id	BITSTRING[2]		L2 identity
uil2	BITSTRING[5]		user information L2 protocol
omitted?			LLC repeat indicator. If the answer is OMIT the IE is omitted in the message
llcri	BITSTRING[8]	'1101_ _ _ _'B	
omitted?			low layer compatibility I. If the answer is OMIT the IE is omitted in the message
iei	BITSTRING[8]	'01111100'B	
iel	OCTETSTRING[1]		
contents	OCTETSTRING[1..13]		
omitted?			low layer compatibility II. If the answer is OMIT the IE is omitted in the message
iei	BITSTRING[8]	'01111100'B	
iel	OCTETSTRING[1]		
contents	OCTETSTRING[1..13]		
omitted?			HLC repeat indicator. If the answer is OMIT the IE is omitted in the message
hlcri	BITSTRING[8]	'1101_ _ _ _'B	
omitted?			high layer compatibility i. If the answer is OMIT the IE is omitted in the message
iei	BITSTRING[8]	'01111101'B	
iel	OCTETSTRING[1]		length of the element
extb3	BITSTRING[1]	'1'B	
cs	BITSTRING[2]		coding standard
in	BITSTRING[3]		interpretation
pmp	BITSTRING[2]		presentation method of protocol
extb4	BITSTRING[1]	'1'B	
hlci	BITSTRING[7]		high layer characteristic identification

extb4a	BITSTRING[1]		
ehlci	BITSTRING[7]		extended high layer characteristic identification
omitted?			high layer compatibility ii. If the answer is OMIT the IE is omitted in the message
iei	BITSTRING[8]	'01111101'B	
iel	OCTETSTRING[1]		length of the element
extb3	BITSTRING[1]	'1'B	
cs	BITSTRING[2]		coding standard
in	BITSTRING[3]		interpretation
pmp	BITSTRING[2]		presentation method of protocol
extb4	BITSTRING[1]	'1'B	
hlci	BITSTRING[7]		high layer characteristic identification
extb4a	BITSTRING[1]		
ehlci	BITSTRING[7]		extended high layer characteristic identification

B.7.2.5.8 Data circuit duplex async. 4 800 bit/s

Table 130: Parameter TSPX_SetupBS25_1

Field	Type	Value	Comments
ti	BITSTRING[4]	'0000'B	
pd	BITSTRING[4]	'0011'B	
mt	BITSTRING[8]	'00000101'B	
omitted?			BC repeat indicator. If the answer is OMIT the IE is omitted in the message
bcri	BITSTRING[8]	'1101_ _ _ _'B	
omitted?			Bearer capability 1. If the answer is OMIT the IE is omitted in the message
iei	BITSTRING[8]	'00000100'B	
iel	OCTETSTRING[1]		length of the IE in unit of OCTET
extb3	BITSTRING[1]		extension bit
rchr	BITSTRING[2]	'00'B	spare bit in the direction n -> ms
cs	BITSTRING[1]		coding standard
tm	BITSTRING[1]		transfer mode
itc	BITSTRING[3]		information transfer capability
extb4	BITSTRING[1]		extension bit
spb	BITSTRING[1]	'0'B	spare bit
strc	BITSTRING[1]		structure
dplxm	BITSTRING[2]		duplex mode
config	BITSTRING[1]		configuration
nirr	BITSTRING[1]		negotiation of intermediate rate requested
est	BITSTRING[1]		establishment
extb5	BITSTRING[1]		extension bit
accid	BITSTRING[2]		access identify
ra	BITSTRING[2]		rate adaption
sacp	BITSTRING[3]		signalling access protocol
extb6	BITSTRING[1]		extension bit
l1id	BITSTRING[2]		L1 identity
uil1	BITSTRING[4]		user information L 1 protocol
sb	BITSTRING[1]		synchronous bit
extb6a	BITSTRING[1]		extension bit
nsb	BITSTRING[1]		number of stop bits
nb	BITSTRING[1]		negotiation bit
ndb	BITSTRING[1]		number of data bits
ur	BITSTRING[4]		user rate
extb6b	BITSTRING[1]		extension bit
ir	BITSTRING[2]		intermediate rate
nictx	BITSTRING[1]		network independent clock on transmission
nicrx	BITSTRING[1]		network independent clock on reception
pi	BITSTRING[3]		parity information
extb6c	BITSTRING[1]		extension bit
ce	BITSTRING[2]		connection element
modemt	BITSTRING[5]		modem type
extb7	BITSTRING[1]		extension bit
l2id	BITSTRING[2]		L2 identity
uil2	BITSTRING[5]		user information L2 protocol
omitted?			Bearer capability 2. If the answer is OMIT the IE is omitted in the message
iei	BITSTRING[8]	'00000100'B	
iel	OCTETSTRING[1]		length of the IE in unit of OCTET
extb3	BITSTRING[1]		extension bit
rchr	BITSTRING[2]	'00'B	spare bit in the direction n -> ms
cs	BITSTRING[1]		coding standard

tm	BITSTRING[1]		transfer mode
itc	BITSTRING[3]		information transfer capability
extb4	BITSTRING[1]		extension bit
spb	BITSTRING[1]	'0'B	spare bit
strc	BITSTRING[1]		structure
dplx	BITSTRING[2]		duplex mode
config	BITSTRING[1]		configuration
nirr	BITSTRING[1]		negotiation of intermediate rate requested
est	BITSTRING[1]		establishment
extb5	BITSTRING[1]		extension bit
accid	BITSTRING[2]		access identify
ra	BITSTRING[2]		rate adaption
sacp	BITSTRING[3]		signalling access protocol
extb6	BITSTRING[1]		extension bit
l1id	BITSTRING[2]		L1 identity
uil1	BITSTRING[4]		user information L 1 protocol
sb	BITSTRING[1]		synchronous bit
extb6a	BITSTRING[1]		extension bit
nsb	BITSTRING[1]		number of stop bits
nb	BITSTRING[1]		negotiation bit
ndb	BITSTRING[1]		number of data bits
ur	BITSTRING[4]		user rate
extb6b	BITSTRING[1]		extension bit
ir	BITSTRING[2]		intermediate rate
nictx	BITSTRING[1]		network independent clock on transmission
nicrx	BITSTRING[1]		network independent clock on reception
pi	BITSTRING[3]		parity information
extb6c	BITSTRING[1]		extension bit
ce	BITSTRING[2]		connection element
modemt	BITSTRING[5]		modem type
extb7	BITSTRING[1]		extension bit
l2id	BITSTRING[2]		L2 identity
uil2	BITSTRING[5]		user information L2 protocol
omitted?			LLC repeat indicator. If the answer is OMIT the IE is omitted in the message
llcri	BITSTRING[8]	'1101___'B	
omitted?			low layer compatibility I. If the answer is OMIT the IE is omitted in the message
iei	BITSTRING[8]	'01111100'B	
iel	OCTETSTRING[1]		
contents	OCTETSTRING[1..13]		
omitted?			low layer compatibility II. If the answer is OMIT the IE is omitted in the message
iei	BITSTRING[8]	'01111100'B	
iel	OCTETSTRING[1]		
contents	OCTETSTRING[1..13]		
omitted?			HLC repeat indicator. If the answer is OMIT the IE is omitted in the message
hlcri	BITSTRING[8]	'1101___'B	
omitted?			high layer compatibility i. If the answer is OMIT the IE is omitted in the message
iei	BITSTRING[8]	'01111101'B	
iel	OCTETSTRING[1]		length of the element
extb3	BITSTRING[1]	'1'B	
cs	BITSTRING[2]		coding standard
in	BITSTRING[3]		interpretation
pmp	BITSTRING[2]		presentation method of protocol

extb4	BITSTRING[1]	'1'B	
hlci	BITSTRING[7]		high layer characteristic identification
extb4a	BITSTRING[1]		
ehlci	BITSTRING[7]		extended high layer characteristic identification
omitted?			high layer compatibility ii. If the answer is OMIT the IE is omitted in the message
iei	BITSTRING[8]	'01111101'B	
iel	OCTETSTRING[1]		length of the element
extb3	BITSTRING[1]	'1'B	
cs	BITSTRING[2]		coding standard
in	BITSTRING[3]		interpretation
pmp	BITSTRING[2]		presentation method of protocol
extb4	BITSTRING[1]	'1'B	
hlci	BITSTRING[7]		high layer characteristic identification
extb4a	BITSTRING[1]		
ehlci	BITSTRING[7]		extended high layer characteristic identification

Table 131: Parameter TSPX_BS25more

Name	Type	Value	Comments
TSPX_BS25more	BOOLEAN		

Table 132: Parameter TSPX_SetupBS25_2

Field	Type	Value	Comments
ti	BITSTRING[4]	'0000'B	
pd	BITSTRING[4]	'0011'B	
mt	BITSTRING[8]	'00000101'B	
omitted?			BC repeat indicator. If the answer is OMIT the IE is omitted in the message
bcrl	BITSTRING[8]	'1101____'B	
omitted?			Bearer capability 1. If the answer is OMIT the IE is omitted in the message
iei	BITSTRING[8]	'00000100'B	
iel	OCTETSTRING[1]		length of the IE in unit of OCTET
extb3	BITSTRING[1]		extension bit
rchr	BITSTRING[2]	'00'B	spare bit in the direction n -> ms
cs	BITSTRING[1]		coding standard
tm	BITSTRING[1]		transfer mode
itc	BITSTRING[3]		information transfer capability
extb4	BITSTRING[1]		extension bit
spb	BITSTRING[1]	'0'B	spare bit
strc	BITSTRING[1]		structure
dplx	BITSTRING[2]		duplex mode
config	BITSTRING[1]		configuration
nirr	BITSTRING[1]		negotiation of intermediate rate requested
est	BITSTRING[1]		establishment
extb5	BITSTRING[1]		extension bit
accid	BITSTRING[2]		access identify
ra	BITSTRING[2]		rate adaption
sacp	BITSTRING[3]		signalling access protocol
extb6	BITSTRING[1]		extension bit
l1id	BITSTRING[2]		L1 identity
uil1	BITSTRING[4]		user information L 1 protocol
sb	BITSTRING[1]		synchronous bit
extb6a	BITSTRING[1]		extension bit
nsb	BITSTRING[1]		number of stop bits
nb	BITSTRING[1]		negotiation bit
ndb	BITSTRING[1]		number of data bits
ur	BITSTRING[4]		user rate
extb6b	BITSTRING[1]		extension bit
ir	BITSTRING[2]		intermediate rate
nictx	BITSTRING[1]		network independent clock on transmission
nicrx	BITSTRING[1]		network independent clock on reception
pi	BITSTRING[3]		parity information
extb6c	BITSTRING[1]		extension bit
ce	BITSTRING[2]		connection element
modemt	BITSTRING[5]		modem type
extb7	BITSTRING[1]		extension bit
l2id	BITSTRING[2]		L2 identity
uil2	BITSTRING[5]		user information L2 protocol
omitted?			Bearer capability 2. If the answer is OMIT the IE is omitted in the message
iei	BITSTRING[8]	'00000100'B	
iel	OCTETSTRING[1]		length of the IE in unit of OCTET
extb3	BITSTRING[1]		extension bit
rchr	BITSTRING[2]	'00'B	spare bit in the direction n -> ms
cs	BITSTRING[1]		coding standard
tm	BITSTRING[1]		transfer mode
itc	BITSTRING[3]		information transfer capability

extb4	BITSTRING[1]		extension bit
spb	BITSTRING[1]	'0'B	spare bit
strc	BITSTRING[1]		structure
dplx	BITSTRING[2]		duplex mode
config	BITSTRING[1]		configuration
nirr	BITSTRING[1]		negotiation of intermediate rate requested
est	BITSTRING[1]		establishment
extb5	BITSTRING[1]		extension bit
accid	BITSTRING[2]		access identify
ra	BITSTRING[2]		rate adaption
sacp	BITSTRING[3]		signalling access protocol
extb6	BITSTRING[1]		extension bit
l1id	BITSTRING[2]		L1 identity
uil1	BITSTRING[4]		user information L 1 protocol
sb	BITSTRING[1]		synchronous bit
extb6a	BITSTRING[1]		extension bit
nsb	BITSTRING[1]		number of stop bits
nb	BITSTRING[1]		negotiation bit
ndb	BITSTRING[1]		number of data bits
ur	BITSTRING[4]		user rate
extb6b	BITSTRING[1]		extension bit
ir	BITSTRING[2]		intermediate rate
nictx	BITSTRING[1]		network independent clock on transmission
nicrx	BITSTRING[1]		network independent clock on reception
pi	BITSTRING[3]		parity information
extb6c	BITSTRING[1]		extension bit
ce	BITSTRING[2]		connection element
modemt	BITSTRING[5]		modem type
extb7	BITSTRING[1]		extension bit
l2id	BITSTRING[2]		L2 identity
uil2	BITSTRING[5]		user information L2 protocol
omitted?			LLC repeat indicator. If the answer is OMIT the IE is omitted in the message
llcri	BITSTRING[8]	'1101_ _ _ _'B	
omitted?			low layer compatibility I. If the answer is OMIT the IE is omitted in the message
iei	BITSTRING[8]	'01111100'B	
iel	OCTETSTRING[1]		
contents	OCTETSTRING[1..13]		
omitted?			low layer compatibility II. If the answer is OMIT the IE is omitted in the message
iei	BITSTRING[8]	'01111100'B	
iel	OCTETSTRING[1]		
contents	OCTETSTRING[1..13]		
omitted?			HLC repeat indicator. If the answer is OMIT the IE is omitted in the message
hlcri	BITSTRING[8]	'1101_ _ _ _'B	
omitted?			high layer compatibility i. If the answer is OMIT the IE is omitted in the message
iei	BITSTRING[8]	'01111101'B	
iel	OCTETSTRING[1]		length of the element
extb3	BITSTRING[1]	'1'B	
cs	BITSTRING[2]		coding standard
in	BITSTRING[3]		interpretation
pmp	BITSTRING[2]		presentation method of protocol
extb4	BITSTRING[1]	'1'B	
hlci	BITSTRING[7]		high layer characteristic identification

extb4a	BITSTRING[1]		
ehlci	BITSTRING[7]		extended high layer characteristic identification
omitted?			high layer compatibility ii. If the answer is OMIT the IE is omitted in the message
iei	BITSTRING[8]	'01111101'B	
iel	OCTETSTRING[1]		length of the element
extb3	BITSTRING[1]	'1'B	
cs	BITSTRING[2]		coding standard
in	BITSTRING[3]		interpretation
pmp	BITSTRING[2]		presentation method of protocol
extb4	BITSTRING[1]	'1'B	
hlci	BITSTRING[7]		high layer characteristic identification
extb4a	BITSTRING[1]		
ehlci	BITSTRING[7]		extended high layer characteristic identification

Table 133: Parameter TSPX_SetupBS25_3

Field	Type	Value	Comments
ti	BITSTRING[4]	'0000'B	
pd	BITSTRING[4]	'0011'B	
mt	BITSTRING[8]	'00000101'B	
omitted?			BC repeat indicator. If the answer is OMIT the IE is omitted in the message
bcri	BITSTRING[8]	'1101_ _ _ _'B	
omitted?			Bearer capability 1. If the answer is OMIT the IE is omitted in the message
iei	BITSTRING[8]	'00000100'B	
iel	OCTETSTRING[1]		length of the IE in unit of OCTET
extb3	BITSTRING[1]		extension bit
rchr	BITSTRING[2]	'00'B	spare bit in the direction n -> ms
cs	BITSTRING[1]		coding standard
tm	BITSTRING[1]		transfer mode
itc	BITSTRING[3]		information transfer capability
extb4	BITSTRING[1]		extension bit
spb	BITSTRING[1]	'0'B	spare bit
strc	BITSTRING[1]		structure
dplxm	BITSTRING[2]		duplex mode
config	BITSTRING[1]		configuration
nirr	BITSTRING[1]		negotiation of intermediate rate requested
est	BITSTRING[1]		establishment
extb5	BITSTRING[1]		extension bit
accid	BITSTRING[2]		access identify
ra	BITSTRING[2]		rate adaption
sacp	BITSTRING[3]		signalling access protocol
extb6	BITSTRING[1]		extension bit
l1id	BITSTRING[2]		L1 identity
uil1	BITSTRING[4]		user information L 1 protocol
sb	BITSTRING[1]		synchronous bit
extb6a	BITSTRING[1]		extension bit
nsb	BITSTRING[1]		number of stop bits
nb	BITSTRING[1]		negotiation bit
ndb	BITSTRING[1]		number of data bits
ur	BITSTRING[4]		user rate
extb6b	BITSTRING[1]		extension bit
ir	BITSTRING[2]		intermediate rate
nictx	BITSTRING[1]		network independent clock on transmission
nicrx	BITSTRING[1]		network independent clock on reception
pi	BITSTRING[3]		parity information
extb6c	BITSTRING[1]		extension bit
ce	BITSTRING[2]		connection element
modemt	BITSTRING[5]		modem type
extb7	BITSTRING[1]		extension bit
l2id	BITSTRING[2]		L2 identity
uil2	BITSTRING[5]		user information L2 protocol
omitted?			Bearer capability 2. If the answer is OMIT the IE is omitted in the message
iei	BITSTRING[8]	'00000100'B	
iel	OCTETSTRING[1]		length of the IE in unit of OCTET
extb3	BITSTRING[1]		extension bit
rchr	BITSTRING[2]	'00'B	spare bit in the direction n -> ms
cs	BITSTRING[1]		coding standard
tm	BITSTRING[1]		transfer mode
itc	BITSTRING[3]		information transfer capability

extb4	BITSTRING[1]		extension bit
spb	BITSTRING[1]	'0'B	spare bit
strc	BITSTRING[1]		structure
dplx	BITSTRING[2]		duplex mode
config	BITSTRING[1]		configuration
nirr	BITSTRING[1]		negotiation of intermediate rate requested
est	BITSTRING[1]		establishment
extb5	BITSTRING[1]		extension bit
accid	BITSTRING[2]		access identify
ra	BITSTRING[2]		rate adaption
sacp	BITSTRING[3]		signalling access protocol
extb6	BITSTRING[1]		extension bit
l1id	BITSTRING[2]		L1 identity
uil1	BITSTRING[4]		user information L 1 protocol
sb	BITSTRING[1]		synchronous bit
extb6a	BITSTRING[1]		extension bit
nsb	BITSTRING[1]		number of stop bits
nb	BITSTRING[1]		negotiation bit
ndb	BITSTRING[1]		number of data bits
ur	BITSTRING[4]		user rate
extb6b	BITSTRING[1]		extension bit
ir	BITSTRING[2]		intermediate rate
nictx	BITSTRING[1]		network independent clock on transmission
nicrx	BITSTRING[1]		network independent clock on reception
pi	BITSTRING[3]		parity information
extb6c	BITSTRING[1]		extension bit
ce	BITSTRING[2]		connection element
modemt	BITSTRING[5]		modem type
extb7	BITSTRING[1]		extension bit
l2id	BITSTRING[2]		L2 identity
uil2	BITSTRING[5]		user information L2 protocol
omitted?			LLC repeat indicator. If the answer is OMIT the IE is omitted in the message
llcri	BITSTRING[8]	'1101___'B	
omitted?			low layer compatibility I. If the answer is OMIT the IE is omitted in the message
iei	BITSTRING[8]	'01111100'B	
iel	OCTETSTRING[1]		
contents	OCTETSTRING[1..13]		
omitted?			low layer compatibility II. If the answer is OMIT the IE is omitted in the message
iei	BITSTRING[8]	'01111100'B	
iel	OCTETSTRING[1]		
contents	OCTETSTRING[1..13]		
omitted?			HLC repeat indicator. If the answer is OMIT the IE is omitted in the message
hlcri	BITSTRING[8]	'1101___'B	
omitted?			high layer compatibility i. If the answer is OMIT the IE is omitted in the message
iei	BITSTRING[8]	'01111101'B	
iel	OCTETSTRING[1]		length of the element
extb3	BITSTRING[1]	'1'B	
cs	BITSTRING[2]		coding standard
in	BITSTRING[3]		interpretation
pmp	BITSTRING[2]		presentation method of protocol
extb4	BITSTRING[1]	'1'B	
hlci	BITSTRING[7]		high layer characteristic identification

extb4a	BITSTRING[1]		
ehlci	BITSTRING[7]		extended high layer characteristic identification
omitted?			high layer compatibility ii. If the answer is OMIT the IE is omitted in the message
iei	BITSTRING[8]	'01111101'B	
iel	OCTETSTRING[1]		length of the element
extb3	BITSTRING[1]	'1'B	
cs	BITSTRING[2]		coding standard
in	BITSTRING[3]		interpretation
pmp	BITSTRING[2]		presentation method of protocol
extb4	BITSTRING[1]	'1'B	
hlci	BITSTRING[7]		high layer characteristic identification
extb4a	BITSTRING[1]		
ehlci	BITSTRING[7]		extended high layer characteristic identification

B.7.2.5.9 Data circuit duplex async. 9 600 bit/s

Table 134: Parameter TSPX_SetupBS26_1

Field	Type	Value	Comments
ti	BITSTRING[4]	'0000'B	
pd	BITSTRING[4]	'0011'B	
mt	BITSTRING[8]	'00000101'B	
omitted?			BC repeat indicator. If the answer is OMIT the IE is omitted in the message
bcricri	BITSTRING[8]	'1101_ _ _ _'B	
omitted?			Bearer capability 1. If the answer is OMIT the IE is omitted in the message
iei	BITSTRING[8]	'00000100'B	
iel	OCTETSTRING[1]		length of the IE in unit of OCTET
extb3	BITSTRING[1]		extension bit
rchr	BITSTRING[2]	'00'B	spare bit in the direction n -> ms
cs	BITSTRING[1]		coding standard
tm	BITSTRING[1]		transfer mode
itc	BITSTRING[3]		information transfer capability
extb4	BITSTRING[1]		extension bit
spb	BITSTRING[1]	'0'B	spare bit
strc	BITSTRING[1]		structure
dplxm	BITSTRING[2]		duplex mode
config	BITSTRING[1]		configuration
nirr	BITSTRING[1]		negotiation of intermediate rate requested
est	BITSTRING[1]		establishment
extb5	BITSTRING[1]		extension bit
accid	BITSTRING[2]		access identify
ra	BITSTRING[2]		rate adaption
sacp	BITSTRING[3]		signalling access protocol
extb6	BITSTRING[1]		extension bit
l1id	BITSTRING[2]		L1 identity
uil1	BITSTRING[4]		user information L 1 protocol
sb	BITSTRING[1]		synchronous bit
extb6a	BITSTRING[1]		extension bit
nsb	BITSTRING[1]		number of stop bits
nb	BITSTRING[1]		negotiation bit
ndb	BITSTRING[1]		number of data bits
ur	BITSTRING[4]		user rate
extb6b	BITSTRING[1]		extension bit
ir	BITSTRING[2]		intermediate rate
nictx	BITSTRING[1]		network independent clock on transmission
nicrx	BITSTRING[1]		network independent clock on reception
pi	BITSTRING[3]		parity information
extb6c	BITSTRING[1]		extension bit
ce	BITSTRING[2]		connection element
modemt	BITSTRING[5]		modem type
extb7	BITSTRING[1]		extension bit
l2id	BITSTRING[2]		L2 identity
uil2	BITSTRING[5]		user information L2 protocol
omitted?			Bearer capability 2. If the answer is OMIT the IE is omitted in the message
iei	BITSTRING[8]	'00000100'B	
iel	OCTETSTRING[1]		length of the IE in unit of OCTET
extb3	BITSTRING[1]		extension bit
rchr	BITSTRING[2]	'00'B	spare bit in the direction n -> ms
cs	BITSTRING[1]		coding standard

tm	BITSTRING[1]		transfer mode
itc	BITSTRING[3]		information transfer capability
extb4	BITSTRING[1]		extension bit
spb	BITSTRING[1]	'0'B	spare bit
strc	BITSTRING[1]		structure
dplx	BITSTRING[2]		duplex mode
config	BITSTRING[1]		configuration
nirr	BITSTRING[1]		negotiation of intermediate rate requested
est	BITSTRING[1]		establishment
extb5	BITSTRING[1]		extension bit
accid	BITSTRING[2]		access identify
ra	BITSTRING[2]		rate adaption
sacp	BITSTRING[3]		signalling access protocol
extb6	BITSTRING[1]		extension bit
l1id	BITSTRING[2]		L1 identity
uil1	BITSTRING[4]		user information L 1 protocol
sb	BITSTRING[1]		synchronous bit
extb6a	BITSTRING[1]		extension bit
nsb	BITSTRING[1]		number of stop bits
nb	BITSTRING[1]		negotiation bit
ndb	BITSTRING[1]		number of data bits
ur	BITSTRING[4]		user rate
extb6b	BITSTRING[1]		extension bit
ir	BITSTRING[2]		intermediate rate
nictx	BITSTRING[1]		network independent clock on transmission
nicrx	BITSTRING[1]		network independent clock on reception
pi	BITSTRING[3]		parity information
extb6c	BITSTRING[1]		extension bit
ce	BITSTRING[2]		connection element
modemt	BITSTRING[5]		modem type
extb7	BITSTRING[1]		extension bit
l2id	BITSTRING[2]		L2 identity
uil2	BITSTRING[5]		user information L2 protocol
omitted?			LLC repeat indicator. If the answer is OMIT the IE is omitted in the message
llcri	BITSTRING[8]	'1101___'B	
omitted?			low layer compatibility I. If the answer is OMIT the IE is omitted in the message
iei	BITSTRING[8]	'01111100'B	
iel	OCTETSTRING[1]		
contents	OCTETSTRING[1..13]		
omitted?			low layer compatibility II. If the answer is OMIT the IE is omitted in the message
iei	BITSTRING[8]	'01111100'B	
iel	OCTETSTRING[1]		
contents	OCTETSTRING[1..13]		
omitted?			HLC repeat indicator. If the answer is OMIT the IE is omitted in the message
hlcri	BITSTRING[8]	'1101___'B	
omitted?			high layer compatibility i. If the answer is OMIT the IE is omitted in the message
iei	BITSTRING[8]	'01111101'B	
iel	OCTETSTRING[1]		length of the element
extb3	BITSTRING[1]	'1'B	
cs	BITSTRING[2]		coding standard
in	BITSTRING[3]		interpretation
pmp	BITSTRING[2]		presentation method of protocol

extb4	BITSTRING[1]	'1'B	
hlci	BITSTRING[7]		high layer characteristic identification
extb4a	BITSTRING[1]		
ehlci	BITSTRING[7]		extended high layer characteristic identification
omitted?			high layer compatibility ii. If the answer is OMIT the IE is omitted in the message
iei	BITSTRING[8]	'01111101'B	
iel	OCTETSTRING[1]		length of the element
extb3	BITSTRING[1]	'1'B	
cs	BITSTRING[2]		coding standard
in	BITSTRING[3]		interpretation
pmp	BITSTRING[2]		presentation method of protocol
extb4	BITSTRING[1]	'1'B	
hlci	BITSTRING[7]		high layer characteristic identification
extb4a	BITSTRING[1]		
ehlci	BITSTRING[7]		extended high layer characteristic identification

Table 135: Parameter TSPX_BS26more

Name	Type	Value	Comments
TSPX_BS26more	BOOLEAN		

Table 136: Parameter TSPX_SetupBS26_2

Field	Type	Value	Comments
ti	BITSTRING[4]	'0000'B	
pd	BITSTRING[4]	'0011'B	
mt	BITSTRING[8]	'00000101'B	
omitted?			BC repeat indicator. If the answer is OMIT the IE is omitted in the message
bcri	BITSTRING[8]	'1101_ _ _ _'B	
omitted?			Bearer capability 1. If the answer is OMIT the IE is omitted in the message
iei	BITSTRING[8]	'00000100'B	
iel	OCTETSTRING[1]		length of the IE in unit of OCTET
extb3	BITSTRING[1]		extension bit
rchr	BITSTRING[2]	'00'B	spare bit in the direction n -> ms
cs	BITSTRING[1]		coding standard
tm	BITSTRING[1]		transfer mode
itc	BITSTRING[3]		information transfer capability
extb4	BITSTRING[1]		extension bit
spb	BITSTRING[1]	'0'B	spare bit
strc	BITSTRING[1]		structure
dplxm	BITSTRING[2]		duplex mode
config	BITSTRING[1]		configuration
nirr	BITSTRING[1]		negotiation of intermediate rate requested
est	BITSTRING[1]		establishment
extb5	BITSTRING[1]		extension bit
accid	BITSTRING[2]		access identify
ra	BITSTRING[2]		rate adaption
sacp	BITSTRING[3]		signalling access protocol
extb6	BITSTRING[1]		extension bit
l1id	BITSTRING[2]		L1 identity
uil1	BITSTRING[4]		user information L 1 protocol
sb	BITSTRING[1]		synchronous bit
extb6a	BITSTRING[1]		extension bit
nsb	BITSTRING[1]		number of stop bits
nb	BITSTRING[1]		negotiation bit
ndb	BITSTRING[1]		number of data bits
ur	BITSTRING[4]		user rate
extb6b	BITSTRING[1]		extension bit
ir	BITSTRING[2]		intermediate rate
nictx	BITSTRING[1]		network independent clock on transmission
nicrx	BITSTRING[1]		network independent clock on reception
pi	BITSTRING[3]		parity information
extb6c	BITSTRING[1]		extension bit
ce	BITSTRING[2]		connection element
modemt	BITSTRING[5]		modem type
extb7	BITSTRING[1]		extension bit
l2id	BITSTRING[2]		L2 identity
uil2	BITSTRING[5]		user information L2 protocol
omitted?			Bearer capability 2. If the answer is OMIT the IE is omitted in the message
iei	BITSTRING[8]	'00000100'B	
iel	OCTETSTRING[1]		length of the IE in unit of OCTET
extb3	BITSTRING[1]		extension bit
rchr	BITSTRING[2]	'00'B	spare bit in the direction n -> ms
cs	BITSTRING[1]		coding standard
tm	BITSTRING[1]		transfer mode
itc	BITSTRING[3]		information transfer capability

extb4	BITSTRING[1]		extension bit
spb	BITSTRING[1]	'0'B	spare bit
strc	BITSTRING[1]		structure
dplx	BITSTRING[2]		duplex mode
config	BITSTRING[1]		configuration
nirr	BITSTRING[1]		negotiation of intermediate rate requested
est	BITSTRING[1]		establishment
extb5	BITSTRING[1]		extension bit
accid	BITSTRING[2]		access identify
ra	BITSTRING[2]		rate adaption
sacp	BITSTRING[3]		signalling access protocol
extb6	BITSTRING[1]		extension bit
l1id	BITSTRING[2]		L1 identity
uil1	BITSTRING[4]		user information L 1 protocol
sb	BITSTRING[1]		synchronous bit
extb6a	BITSTRING[1]		extension bit
nsb	BITSTRING[1]		number of stop bits
nb	BITSTRING[1]		negotiation bit
ndb	BITSTRING[1]		number of data bits
ur	BITSTRING[4]		user rate
extb6b	BITSTRING[1]		extension bit
ir	BITSTRING[2]		intermediate rate
nictx	BITSTRING[1]		network independent clock on transmission
nicrx	BITSTRING[1]		network independent clock on reception
pi	BITSTRING[3]		parity information
extb6c	BITSTRING[1]		extension bit
ce	BITSTRING[2]		connection element
modemt	BITSTRING[5]		modem type
extb7	BITSTRING[1]		extension bit
l2id	BITSTRING[2]		L2 identity
uil2	BITSTRING[5]		user information L2 protocol
omitted?			LLC repeat indicator. If the answer is OMIT the IE is omitted in the message
llcri	BITSTRING[8]	'1101___'B	
omitted?			low layer compatibility I. If the answer is OMIT the IE is omitted in the message
iei	BITSTRING[8]	'01111100'B	
iel	OCTETSTRING[1]		
contents	OCTETSTRING[1..13]		
omitted?			low layer compatibility II. If the answer is OMIT the IE is omitted in the message
iei	BITSTRING[8]	'01111100'B	
iel	OCTETSTRING[1]		
contents	OCTETSTRING[1..13]		
omitted?			HLC repeat indicator. If the answer is OMIT the IE is omitted in the message
hlcri	BITSTRING[8]	'1101___'B	
omitted?			high layer compatibility i. If the answer is OMIT the IE is omitted in the message
iei	BITSTRING[8]	'01111101'B	
iel	OCTETSTRING[1]		length of the element
extb3	BITSTRING[1]	'1'B	
cs	BITSTRING[2]		coding standard
in	BITSTRING[3]		interpretation
pmp	BITSTRING[2]		presentation method of protocol
extb4	BITSTRING[1]	'1'B	
hlci	BITSTRING[7]		high layer characteristic identification

extb4a	BITSTRING[1]		
ehlci	BITSTRING[7]		extended high layer characteristic identification
omitted?			high layer compatibility ii. If the answer is OMIT the IE is omitted in the message
iei	BITSTRING[8]	'01111101'B	
iel	OCTETSTRING[1]		length of the element
extb3	BITSTRING[1]	'1'B	
cs	BITSTRING[2]		coding standard
in	BITSTRING[3]		interpretation
pmp	BITSTRING[2]		presentation method of protocol
extb4	BITSTRING[1]	'1'B	
hlci	BITSTRING[7]		high layer characteristic identification
extb4a	BITSTRING[1]		
ehlci	BITSTRING[7]		extended high layer characteristic identification

Table 137: Parameter TSPX_SetupBS26_3

Field	Type	Value	Comments
ti	BITSTRING[4]	'0000'B	
pd	BITSTRING[4]	'0011'B	
mt	BITSTRING[8]	'00000101'B	
omitted?			BC repeat indicator. If the answer is OMIT the IE is omitted in the message
bcrl	BITSTRING[8]	'1101____'B	
omitted?			Bearer capability 1. If the answer is OMIT the IE is omitted in the message
iei	BITSTRING[8]	'00000100'B	
iel	OCTETSTRING[1]		length of the IE in unit of OCTET
extb3	BITSTRING[1]		extension bit
rchr	BITSTRING[2]	'00'B	spare bit in the direction n -> ms
cs	BITSTRING[1]		coding standard
tm	BITSTRING[1]		transfer mode
itc	BITSTRING[3]		information transfer capability
extb4	BITSTRING[1]		extension bit
spb	BITSTRING[1]	'0'B	spare bit
strc	BITSTRING[1]		structure
dplx	BITSTRING[2]		duplex mode
config	BITSTRING[1]		configuration
nirr	BITSTRING[1]		negotiation of intermediate rate requested
est	BITSTRING[1]		establishment
extb5	BITSTRING[1]		extension bit
accid	BITSTRING[2]		access identify
ra	BITSTRING[2]		rate adaption
sacp	BITSTRING[3]		signalling access protocol
extb6	BITSTRING[1]		extension bit
l1id	BITSTRING[2]		L1 identity
uil1	BITSTRING[4]		user information L 1 protocol
sb	BITSTRING[1]		synchronous bit
extb6a	BITSTRING[1]		extension bit
nsb	BITSTRING[1]		number of stop bits
nb	BITSTRING[1]		negotiation bit
ndb	BITSTRING[1]		number of data bits
ur	BITSTRING[4]		user rate
extb6b	BITSTRING[1]		extension bit
ir	BITSTRING[2]		intermediate rate
nictx	BITSTRING[1]		network independent clock on transmission
nicrx	BITSTRING[1]		network independent clock on reception
pi	BITSTRING[3]		parity information
extb6c	BITSTRING[1]		extension bit
ce	BITSTRING[2]		connection element
modemt	BITSTRING[5]		modem type
extb7	BITSTRING[1]		extension bit
l2id	BITSTRING[2]		L2 identity
uil2	BITSTRING[5]		user information L2 protocol
omitted?			Bearer capability 2. If the answer is OMIT the IE is omitted in the message
iei	BITSTRING[8]	'00000100'B	
iel	OCTETSTRING[1]		length of the IE in unit of OCTET
extb3	BITSTRING[1]		extension bit
rchr	BITSTRING[2]	'00'B	spare bit in the direction n -> ms
cs	BITSTRING[1]		coding standard
tm	BITSTRING[1]		transfer mode
itc	BITSTRING[3]		information transfer capability

extb4	BITSTRING[1]		extension bit
spb	BITSTRING[1]	'0'B	spare bit
strc	BITSTRING[1]		structure
dplx	BITSTRING[2]		duplex mode
config	BITSTRING[1]		configuration
nirr	BITSTRING[1]		negotiation of intermediate rate requested
est	BITSTRING[1]		establishment
extb5	BITSTRING[1]		extension bit
accid	BITSTRING[2]		access identify
ra	BITSTRING[2]		rate adaption
sacp	BITSTRING[3]		signalling access protocol
extb6	BITSTRING[1]		extension bit
l1id	BITSTRING[2]		L1 identity
uil1	BITSTRING[4]		user information L 1 protocol
sb	BITSTRING[1]		synchronous bit
extb6a	BITSTRING[1]		extension bit
nsb	BITSTRING[1]		number of stop bits
nb	BITSTRING[1]		negotiation bit
ndb	BITSTRING[1]		number of data bits
ur	BITSTRING[4]		user rate
extb6b	BITSTRING[1]		extension bit
ir	BITSTRING[2]		intermediate rate
nictx	BITSTRING[1]		network independent clock on transmission
nicrx	BITSTRING[1]		network independent clock on reception
pi	BITSTRING[3]		parity information
extb6c	BITSTRING[1]		extension bit
ce	BITSTRING[2]		connection element
modemt	BITSTRING[5]		modem type
extb7	BITSTRING[1]		extension bit
l2id	BITSTRING[2]		L2 identity
uil2	BITSTRING[5]		user information L2 protocol
omitted?			LLC repeat indicator. If the answer is OMIT the IE is omitted in the message
llcri	BITSTRING[8]	'1101_ _ _ _'B	
omitted?			low layer compatibility I. If the answer is OMIT the IE is omitted in the message
iei	BITSTRING[8]	'01111100'B	
iel	OCTETSTRING[1]		
contents	OCTETSTRING[1..13]		
omitted?			low layer compatibility II. If the answer is OMIT the IE is omitted in the message
iei	BITSTRING[8]	'01111100'B	
iel	OCTETSTRING[1]		
contents	OCTETSTRING[1..13]		
omitted?			HLC repeat indicator. If the answer is OMIT the IE is omitted in the message
hlcri	BITSTRING[8]	'1101_ _ _ _'B	
omitted?			high layer compatibility i. If the answer is OMIT the IE is omitted in the message
iei	BITSTRING[8]	'01111101'B	
iel	OCTETSTRING[1]		length of the element
extb3	BITSTRING[1]	'1'B	
cs	BITSTRING[2]		coding standard
in	BITSTRING[3]		interpretation
pmp	BITSTRING[2]		presentation method of protocol
extb4	BITSTRING[1]	'1'B	
hlci	BITSTRING[7]		high layer characteristic identification

extb4a	BITSTRING[1]		
ehlci	BITSTRING[7]		extended high layer characteristic identification
omitted?			high layer compatibility ii. If the answer is OMIT the IE is omitted in the message
iei	BITSTRING[8]	'01111101'B	
iel	OCTETSTRING[1]		length of the element
extb3	BITSTRING[1]	'1'B	
cs	BITSTRING[2]		coding standard
in	BITSTRING[3]		interpretation
pmp	BITSTRING[2]		presentation method of protocol
extb4	BITSTRING[1]	'1'B	
hlci	BITSTRING[7]		high layer characteristic identification
extb4a	BITSTRING[1]		
ehlci	BITSTRING[7]		extended high layer characteristic identification

B.7.2.5.10 Data circuit duplex sync. 1 200 bit/s

Table 138: Parameter TSPX_SetupBS31_1

Field	Type	Value	Comments
ti	BITSTRING[4]	'0000'B	
pd	BITSTRING[4]	'0011'B	
mt	BITSTRING[8]	'00000101'B	
omitted?			BC repeat indicator. If the answer is OMIT the IE is omitted in the message
bcri	BITSTRING[8]	'1101_ _ _ _'B	
omitted?			Bearer capability 1. If the answer is OMIT the IE is omitted in the message
iei	BITSTRING[8]	'00000100'B	
iel	OCTETSTRING[1]		length of the IE in unit of OCTET
extb3	BITSTRING[1]		extension bit
rchr	BITSTRING[2]	'00'B	spare bit in the direction n -> ms
cs	BITSTRING[1]		coding standard
tm	BITSTRING[1]		transfer mode
itc	BITSTRING[3]		information transfer capability
extb4	BITSTRING[1]		extension bit
spb	BITSTRING[1]	'0'B	spare bit
strc	BITSTRING[1]		structure
dplxm	BITSTRING[2]		duplex mode
config	BITSTRING[1]		configuration
nirr	BITSTRING[1]		negotiation of intermediate rate requested
est	BITSTRING[1]		establishment
extb5	BITSTRING[1]		extension bit
accid	BITSTRING[2]		access identify
ra	BITSTRING[2]		rate adaption
sacp	BITSTRING[3]		signalling access protocol
extb6	BITSTRING[1]		extension bit
l1id	BITSTRING[2]		L1 identity
uil1	BITSTRING[4]		user information L 1 protocol
sb	BITSTRING[1]		synchronous bit
extb6a	BITSTRING[1]		extension bit
nsb	BITSTRING[1]		number of stop bits
nb	BITSTRING[1]		negotiation bit
ndb	BITSTRING[1]		number of data bits
ur	BITSTRING[4]		user rate
extb6b	BITSTRING[1]		extension bit
ir	BITSTRING[2]		intermediate rate
nictx	BITSTRING[1]		network independent clock on transmission
nicrx	BITSTRING[1]		network independent clock on reception
pi	BITSTRING[3]		parity information
extb6c	BITSTRING[1]		extension bit
ce	BITSTRING[2]		connection element
modemt	BITSTRING[5]		modem type
extb7	BITSTRING[1]		extension bit
l2id	BITSTRING[2]		L2 identity
uil2	BITSTRING[5]		user information L2 protocol
omitted?			Bearer capability 2. If the answer is OMIT the IE is omitted in the message
iei	BITSTRING[8]	'00000100'B	
iel	OCTETSTRING[1]		length of the IE in unit of OCTET
extb3	BITSTRING[1]		extension bit
rchr	BITSTRING[2]	'00'B	spare bit in the direction n -> ms
cs	BITSTRING[1]		coding standard

tm	BITSTRING[1]		transfer mode
itc	BITSTRING[3]		information transfer capability
extb4	BITSTRING[1]		extension bit
spb	BITSTRING[1]	'0'B	spare bit
strc	BITSTRING[1]		structure
dplxm	BITSTRING[2]		duplex mode
config	BITSTRING[1]		configuration
nirr	BITSTRING[1]		negotiation of intermediate rate requested
est	BITSTRING[1]		establishment
extb5	BITSTRING[1]		extension bit
accid	BITSTRING[2]		access identify
ra	BITSTRING[2]		rate adaption
sacp	BITSTRING[3]		signalling access protocol
extb6	BITSTRING[1]		extension bit
l1id	BITSTRING[2]		L1 identity
uil1	BITSTRING[4]		user information L 1 protocol
sb	BITSTRING[1]		synchronous bit
extb6a	BITSTRING[1]		extension bit
nsb	BITSTRING[1]		number of stop bits
nb	BITSTRING[1]		negotiation bit
ndb	BITSTRING[1]		number of data bits
ur	BITSTRING[4]		user rate
extb6b	BITSTRING[1]		extension bit
ir	BITSTRING[2]		intermediate rate
nictx	BITSTRING[1]		network independent clock on transmission
nicrx	BITSTRING[1]		network independent clock on reception
pi	BITSTRING[3]		parity information
extb6c	BITSTRING[1]		extension bit
ce	BITSTRING[2]		connection element
modemt	BITSTRING[5]		modem type
extb7	BITSTRING[1]		extension bit
l2id	BITSTRING[2]		L2 identity
uil2	BITSTRING[5]		user information L2 protocol
omitted?			LLC repeat indicator. If the answer is OMIT the IE is omitted in the message
llcri	BITSTRING[8]	'1101____'B	
omitted?			low layer compatibility I. If the answer is OMIT the IE is omitted in the message
iei	BITSTRING[8]	'01111100'B	
iel	OCTETSTRING[1]		
contents	OCTETSTRING[1..13]		
omitted?			low layer compatibility II. If the answer is OMIT the IE is omitted in the message
iei	BITSTRING[8]	'01111100'B	
iel	OCTETSTRING[1]		
contents	OCTETSTRING[1..13]		
omitted?			HLC repeat indicator. If the answer is OMIT the IE is omitted in the message
hlcri	BITSTRING[8]	'1101____'B	
omitted?			high layer compatibility i. If the answer is OMIT the IE is omitted in the message
iei	BITSTRING[8]	'01111101'B	
iel	OCTETSTRING[1]		length of the element
extb3	BITSTRING[1]	'1'B	
cs	BITSTRING[2]		coding standard
in	BITSTRING[3]		interpretation
pmp	BITSTRING[2]		presentation method of protocol

extb4	BITSTRING[1]	'1'B	
hlci	BITSTRING[7]		high layer characteristic identification
extb4a	BITSTRING[1]		
ehlci	BITSTRING[7]		extended high layer characteristic identification
omitted?			high layer compatibility ii. If the answer is OMIT the IE is omitted in the message
iei	BITSTRING[8]	'01111101'B	
iel	OCTETSTRING[1]		length of the element
extb3	BITSTRING[1]	'1'B	
cs	BITSTRING[2]		coding standard
in	BITSTRING[3]		interpretation
pmp	BITSTRING[2]		presentation method of protocol
extb4	BITSTRING[1]	'1'B	
hlci	BITSTRING[7]		high layer characteristic identification
extb4a	BITSTRING[1]		
ehlci	BITSTRING[7]		extended high layer characteristic identification

Table 139: Parameter TSPX_BS31more

Name	Type	Value	Comments
TSPX_BS31more	BOOLEAN		

Table 140: Parameter TSPX_SetupBS31_2

Field	Type	Value	Comments
ti	BITSTRING[4]	'0000'B	
pd	BITSTRING[4]	'0011'B	
mt	BITSTRING[8]	'00000101'B	
omitted?			BC repeat indicator. If the answer is OMIT the IE is omitted in the message
bcrl	BITSTRING[8]	'1101____'B	
omitted?			Bearer capability 1. If the answer is OMIT the IE is omitted in the message
iei	BITSTRING[8]	'00000100'B	
iel	OCTETSTRING[1]		length of the IE in unit of OCTET
extb3	BITSTRING[1]		extension bit
rchr	BITSTRING[2]	'00'B	spare bit in the direction n -> ms
cs	BITSTRING[1]		coding standard
tm	BITSTRING[1]		transfer mode
itc	BITSTRING[3]		information transfer capability
extb4	BITSTRING[1]		extension bit
spb	BITSTRING[1]	'0'B	spare bit
strc	BITSTRING[1]		structure
dplxm	BITSTRING[2]		duplex mode
config	BITSTRING[1]		configuration
nirr	BITSTRING[1]		negotiation of intermediate rate requested
est	BITSTRING[1]		establishment
extb5	BITSTRING[1]		extension bit
accid	BITSTRING[2]		access identify
ra	BITSTRING[2]		rate adaption
sacp	BITSTRING[3]		signalling access protocol
extb6	BITSTRING[1]		extension bit
l1id	BITSTRING[2]		L1 identity
uil1	BITSTRING[4]		user information L 1 protocol
sb	BITSTRING[1]		synchronous bit
extb6a	BITSTRING[1]		extension bit
nsb	BITSTRING[1]		number of stop bits
nb	BITSTRING[1]		negotiation bit
ndb	BITSTRING[1]		number of data bits
ur	BITSTRING[4]		user rate
extb6b	BITSTRING[1]		extension bit
ir	BITSTRING[2]		intermediate rate
nictx	BITSTRING[1]		network independent clock on transmission
nicrx	BITSTRING[1]		network independent clock on reception
pi	BITSTRING[3]		parity information
extb6c	BITSTRING[1]		extension bit
ce	BITSTRING[2]		connection element
modemt	BITSTRING[5]		modem type
extb7	BITSTRING[1]		extension bit
l2id	BITSTRING[2]		L2 identity
uil2	BITSTRING[5]		user information L2 protocol
omitted?			Bearer capability 2. If the answer is OMIT the IE is omitted in the message
iei	BITSTRING[8]	'00000100'B	
iel	OCTETSTRING[1]		length of the IE in unit of OCTET
extb3	BITSTRING[1]		extension bit
rchr	BITSTRING[2]	'00'B	spare bit in the direction n -> ms
cs	BITSTRING[1]		coding standard
tm	BITSTRING[1]		transfer mode
itc	BITSTRING[3]		information transfer capability

extb4	BITSTRING[1]		extension bit
spb	BITSTRING[1]	'0'B	spare bit
strc	BITSTRING[1]		structure
dplx	BITSTRING[2]		duplex mode
config	BITSTRING[1]		configuration
nirr	BITSTRING[1]		negotiation of intermediate rate requested
est	BITSTRING[1]		establishment
extb5	BITSTRING[1]		extension bit
accid	BITSTRING[2]		access identify
ra	BITSTRING[2]		rate adaption
sacp	BITSTRING[3]		signalling access protocol
extb6	BITSTRING[1]		extension bit
l1id	BITSTRING[2]		L1 identity
uil1	BITSTRING[4]		user information L 1 protocol
sb	BITSTRING[1]		synchronous bit
extb6a	BITSTRING[1]		extension bit
nsb	BITSTRING[1]		number of stop bits
nb	BITSTRING[1]		negotiation bit
ndb	BITSTRING[1]		number of data bits
ur	BITSTRING[4]		user rate
extb6b	BITSTRING[1]		extension bit
ir	BITSTRING[2]		intermediate rate
nictx	BITSTRING[1]		network independent clock on transmission
nicrx	BITSTRING[1]		network independent clock on reception
pi	BITSTRING[3]		parity information
extb6c	BITSTRING[1]		extension bit
ce	BITSTRING[2]		connection element
modemt	BITSTRING[5]		modem type
extb7	BITSTRING[1]		extension bit
l2id	BITSTRING[2]		L2 identity
uil2	BITSTRING[5]		user information L2 protocol
omitted?			LLC repeat indicator. If the answer is OMIT the IE is omitted in the message
llcri	BITSTRING[8]	'1101_ _ _ _'B	
omitted?			low layer compatibility I. If the answer is OMIT the IE is omitted in the message
iei	BITSTRING[8]	'01111100'B	
iel	OCTETSTRING[1]		
contents	OCTETSTRING[1..13]		
omitted?			low layer compatibility II. If the answer is OMIT the IE is omitted in the message
iei	BITSTRING[8]	'01111100'B	
iel	OCTETSTRING[1]		
contents	OCTETSTRING[1..13]		
omitted?			HLC repeat indicator. If the answer is OMIT the IE is omitted in the message
hlcri	BITSTRING[8]	'1101_ _ _ _'B	
omitted?			high layer compatibility i. If the answer is OMIT the IE is omitted in the message
iei	BITSTRING[8]	'01111101'B	
iel	OCTETSTRING[1]		length of the element
extb3	BITSTRING[1]	'1'B	
cs	BITSTRING[2]		coding standard
in	BITSTRING[3]		interpretation
pmp	BITSTRING[2]		presentation method of protocol
extb4	BITSTRING[1]	'1'B	
hlci	BITSTRING[7]		high layer characteristic identification

extb4a	BITSTRING[1]		
ehlci	BITSTRING[7]		extended high layer characteristic identification
omitted?			high layer compatibility ii. If the answer is OMIT the IE is omitted in the message
iei	BITSTRING[8]	'01111101'B	
iel	OCTETSTRING[1]		length of the element
extb3	BITSTRING[1]	'1'B	
cs	BITSTRING[2]		coding standard
in	BITSTRING[3]		interpretation
pmp	BITSTRING[2]		presentation method of protocol
extb4	BITSTRING[1]	'1'B	
hlci	BITSTRING[7]		high layer characteristic identification
extb4a	BITSTRING[1]		
ehlci	BITSTRING[7]		extended high layer characteristic identification

Table 141: Parameter TSPX_SetupBS31_3

Field	Type	Value	Comments
ti	BITSTRING[4]	'0000'B	
pd	BITSTRING[4]	'0011'B	
mt	BITSTRING[8]	'00000101'B	
omitted?			BC repeat indicator. If the answer is OMIT the IE is omitted in the message
bcri	BITSTRING[8]	'1101_ _ _ _'B	
omitted?			Bearer capability 1. If the answer is OMIT the IE is omitted in the message
iei	BITSTRING[8]	'00000100'B	
iel	OCTETSTRING[1]		length of the IE in unit of OCTET
extb3	BITSTRING[1]		extension bit
rchr	BITSTRING[2]	'00'B	spare bit in the direction n -> ms
cs	BITSTRING[1]		coding standard
tm	BITSTRING[1]		transfer mode
itc	BITSTRING[3]		information transfer capability
extb4	BITSTRING[1]		extension bit
spb	BITSTRING[1]	'0'B	spare bit
strc	BITSTRING[1]		structure
dplx	BITSTRING[2]		duplex mode
config	BITSTRING[1]		configuration
nirr	BITSTRING[1]		negotiation of intermediate rate requested
est	BITSTRING[1]		establishment
extb5	BITSTRING[1]		extension bit
accid	BITSTRING[2]		access identify
ra	BITSTRING[2]		rate adaption
sacp	BITSTRING[3]		signalling access protocol
extb6	BITSTRING[1]		extension bit
l1id	BITSTRING[2]		L1 identity
uil1	BITSTRING[4]		user information L 1 protocol
sb	BITSTRING[1]		synchronous bit
extb6a	BITSTRING[1]		extension bit
nsb	BITSTRING[1]		number of stop bits
nb	BITSTRING[1]		negotiation bit
ndb	BITSTRING[1]		number of data bits
ur	BITSTRING[4]		user rate
extb6b	BITSTRING[1]		extension bit
ir	BITSTRING[2]		intermediate rate
nictx	BITSTRING[1]		network independent clock on transmission
nicrx	BITSTRING[1]		network independent clock on reception
pi	BITSTRING[3]		parity information
extb6c	BITSTRING[1]		extension bit
ce	BITSTRING[2]		connection element
modemt	BITSTRING[5]		modem type
extb7	BITSTRING[1]		extension bit
l2id	BITSTRING[2]		L2 identity
uil2	BITSTRING[5]		user information L2 protocol
omitted?			Bearer capability 2. If the answer is OMIT the IE is omitted in the message
iei	BITSTRING[8]	'00000100'B	
iel	OCTETSTRING[1]		length of the IE in unit of OCTET
extb3	BITSTRING[1]		extension bit
rchr	BITSTRING[2]	'00'B	spare bit in the direction n -> ms
cs	BITSTRING[1]		coding standard
tm	BITSTRING[1]		transfer mode
itc	BITSTRING[3]		information transfer capability

extb4	BITSTRING[1]		extension bit
spb	BITSTRING[1]	'0'B	spare bit
strc	BITSTRING[1]		structure
dplx	BITSTRING[2]		duplex mode
config	BITSTRING[1]		configuration
nirr	BITSTRING[1]		negotiation of intermediate rate requested
est	BITSTRING[1]		establishment
extb5	BITSTRING[1]		extension bit
accid	BITSTRING[2]		access identify
ra	BITSTRING[2]		rate adaption
sacp	BITSTRING[3]		signalling access protocol
extb6	BITSTRING[1]		extension bit
l1id	BITSTRING[2]		L1 identity
uil1	BITSTRING[4]		user information L 1 protocol
sb	BITSTRING[1]		synchronous bit
extb6a	BITSTRING[1]		extension bit
nsb	BITSTRING[1]		number of stop bits
nb	BITSTRING[1]		negotiation bit
ndb	BITSTRING[1]		number of data bits
ur	BITSTRING[4]		user rate
extb6b	BITSTRING[1]		extension bit
ir	BITSTRING[2]		intermediate rate
nictx	BITSTRING[1]		network independent clock on transmission
nicrx	BITSTRING[1]		network independent clock on reception
pi	BITSTRING[3]		parity information
extb6c	BITSTRING[1]		extension bit
ce	BITSTRING[2]		connection element
modemt	BITSTRING[5]		modem type
extb7	BITSTRING[1]		extension bit
l2id	BITSTRING[2]		L2 identity
uil2	BITSTRING[5]		user information L2 protocol
omitted?			LLC repeat indicator. If the answer is OMIT the IE is omitted in the message
llcri	BITSTRING[8]	'1101___'B	
omitted?			low layer compatibility I. If the answer is OMIT the IE is omitted in the message
iei	BITSTRING[8]	'01111100'B	
iel	OCTETSTRING[1]		
contents	OCTETSTRING[1..13]		
omitted?			low layer compatibility II. If the answer is OMIT the IE is omitted in the message
iei	BITSTRING[8]	'01111100'B	
iel	OCTETSTRING[1]		
contents	OCTETSTRING[1..13]		
omitted?			HLC repeat indicator. If the answer is OMIT the IE is omitted in the message
hlcri	BITSTRING[8]	'1101___'B	
omitted?			high layer compatibility i. If the answer is OMIT the IE is omitted in the message
iei	BITSTRING[8]	'01111101'B	
iel	OCTETSTRING[1]		length of the element
extb3	BITSTRING[1]	'1'B	
cs	BITSTRING[2]		coding standard
in	BITSTRING[3]		interpretation
pmpp	BITSTRING[2]		presentation method of protocol
extb4	BITSTRING[1]	'1'B	
hlci	BITSTRING[7]		high layer characteristic identification

extb4a	BITSTRING[1]		
ehlci	BITSTRING[7]		extended high layer characteristic identification
omitted?			high layer compatibility ii. If the answer is OMIT the IE is omitted in the message
iei	BITSTRING[8]	'01111101'B	
iel	OCTETSTRING[1]		length of the element
extb3	BITSTRING[1]	'1'B	
cs	BITSTRING[2]		coding standard
in	BITSTRING[3]		interpretation
pmp	BITSTRING[2]		presentation method of protocol
extb4	BITSTRING[1]	'1'B	
hlci	BITSTRING[7]		high layer characteristic identification
extb4a	BITSTRING[1]		
ehlci	BITSTRING[7]		extended high layer characteristic identification

B.7.2.5.11 Data circuit duplex sync. 2 400 bit/s

Table 142: Parameter TSPX_SetupBS32_1

Field	Type	Value	Comments
ti	BITSTRING[4]	'0000'B	
pd	BITSTRING[4]	'0011'B	
mt	BITSTRING[8]	'00000101'B	
omitted?			BC repeat indicator. If the answer is OMIT the IE is omitted in the message
bcric	BITSTRING[8]	'1101_ _ _ _'B	
omitted?			Bearer capability 1. If the answer is OMIT the IE is omitted in the message
iei	BITSTRING[8]	'00000100'B	
iel	OCTETSTRING[1]		length of the IE in unit of OCTET
extb3	BITSTRING[1]		extension bit
rchr	BITSTRING[2]	'00'B	spare bit in the direction n -> ms
cs	BITSTRING[1]		coding standard
tm	BITSTRING[1]		transfer mode
itc	BITSTRING[3]		information transfer capability
extb4	BITSTRING[1]		extension bit
spb	BITSTRING[1]	'0'B	spare bit
strc	BITSTRING[1]		structure
dplx	BITSTRING[2]		duplex mode
config	BITSTRING[1]		configuration
nirr	BITSTRING[1]		negotiation of intermediate rate requested
est	BITSTRING[1]		establishment
extb5	BITSTRING[1]		extension bit
accid	BITSTRING[2]		access identify
ra	BITSTRING[2]		rate adaption
sacp	BITSTRING[3]		signalling access protocol
extb6	BITSTRING[1]		extension bit
l1id	BITSTRING[2]		L1 identity
uil1	BITSTRING[4]		user information L 1 protocol
sb	BITSTRING[1]		synchronous bit
extb6a	BITSTRING[1]		extension bit
nsb	BITSTRING[1]		number of stop bits
nb	BITSTRING[1]		negotiation bit
ndb	BITSTRING[1]		number of data bits
ur	BITSTRING[4]		user rate
extb6b	BITSTRING[1]		extension bit
ir	BITSTRING[2]		intermediate rate
nictx	BITSTRING[1]		network independent clock on transmission
nicrx	BITSTRING[1]		network independent clock on reception
pi	BITSTRING[3]		parity information
extb6c	BITSTRING[1]		extension bit
ce	BITSTRING[2]		connection element
modemt	BITSTRING[5]		modem type
extb7	BITSTRING[1]		extension bit
l2id	BITSTRING[2]		L2 identity
uil2	BITSTRING[5]		user information L2 protocol
omitted?			Bearer capability 2. If the answer is OMIT the IE is omitted in the message
iei	BITSTRING[8]	'00000100'B	
iel	OCTETSTRING[1]		length of the IE in unit of OCTET
extb3	BITSTRING[1]		extension bit
rchr	BITSTRING[2]	'00'B	spare bit in the direction n -> ms
cs	BITSTRING[1]		coding standard

tm	BITSTRING[1]		transfer mode
itc	BITSTRING[3]		information transfer capability
extb4	BITSTRING[1]		extension bit
spb	BITSTRING[1]	'0'B	spare bit
strc	BITSTRING[1]		structure
dplx	BITSTRING[2]		duplex mode
config	BITSTRING[1]		configuration
nirr	BITSTRING[1]		negotiation of intermediate rate requested
est	BITSTRING[1]		establishment
extb5	BITSTRING[1]		extension bit
accid	BITSTRING[2]		access identify
ra	BITSTRING[2]		rate adaption
sacp	BITSTRING[3]		signalling access protocol
extb6	BITSTRING[1]		extension bit
l1id	BITSTRING[2]		L1 identity
uil1	BITSTRING[4]		user information L 1 protocol
sb	BITSTRING[1]		synchronous bit
extb6a	BITSTRING[1]		extension bit
nsb	BITSTRING[1]		number of stop bits
nb	BITSTRING[1]		negotiation bit
ndb	BITSTRING[1]		number of data bits
ur	BITSTRING[4]		user rate
extb6b	BITSTRING[1]		extension bit
ir	BITSTRING[2]		intermediate rate
nictx	BITSTRING[1]		network independent clock on transmission
nicrx	BITSTRING[1]		network independent clock on reception
pi	BITSTRING[3]		parity information
extb6c	BITSTRING[1]		extension bit
ce	BITSTRING[2]		connection element
modemt	BITSTRING[5]		modem type
extb7	BITSTRING[1]		extension bit
l2id	BITSTRING[2]		L2 identity
uil2	BITSTRING[5]		user information L2 protocol
omitted?			LLC repeat indicator. If the answer is OMIT the IE is omitted in the message
llcri	BITSTRING[8]	'1101___'B	
omitted?			low layer compatibility I. If the answer is OMIT the IE is omitted in the message
iei	BITSTRING[8]	'01111100'B	
iel	OCTETSTRING[1]		
contents	OCTETSTRING[1..13]		
omitted?			low layer compatibility II. If the answer is OMIT the IE is omitted in the message
iei	BITSTRING[8]	'01111100'B	
iel	OCTETSTRING[1]		
contents	OCTETSTRING[1..13]		
omitted?			HLC repeat indicator. If the answer is OMIT the IE is omitted in the message
hlcri	BITSTRING[8]	'1101___'B	
omitted?			high layer compatibility i. If the answer is OMIT the IE is omitted in the message
iei	BITSTRING[8]	'01111101'B	
iel	OCTETSTRING[1]		length of the element
extb3	BITSTRING[1]	'1'B	
cs	BITSTRING[2]		coding standard
in	BITSTRING[3]		interpretation
pmp	BITSTRING[2]		presentation method of protocol

extb4	BITSTRING[1]	'1'B	
hlci	BITSTRING[7]		high layer characteristic identification
extb4a	BITSTRING[1]		
ehlci	BITSTRING[7]		extended high layer characteristic identification
omitted?			high layer compatibility ii. If the answer is OMIT the IE is omitted in the message
iei	BITSTRING[8]	'01111101'B	
iel	OCTETSTRING[1]		length of the element
extb3	BITSTRING[1]	'1'B	
cs	BITSTRING[2]		coding standard
in	BITSTRING[3]		interpretation
pmpp	BITSTRING[2]		presentation method of protocol
extb4	BITSTRING[1]	'1'B	
hlci	BITSTRING[7]		high layer characteristic identification
extb4a	BITSTRING[1]		
ehlci	BITSTRING[7]		extended high layer characteristic identification

Table 143: Parameter TSPX_BS32more

Name	Type	Value	Comments
TSPX_BS32more	BOOLEAN		

Table 144: Parameter TSPX_SetupBS32_2

Field	Type	Value	Comments
ti	BITSTRING[4]	'0000'B	
pd	BITSTRING[4]	'0011'B	
mt	BITSTRING[8]	'00000101'B	
omitted?			BC repeat indicator. If the answer is OMIT the IE is omitted in the message
bcrl	BITSTRING[8]	'1101_ _ _ _'B	
omitted?			Bearer capability 1. If the answer is OMIT the IE is omitted in the message
iei	BITSTRING[8]	'00000100'B	
iel	OCTETSTRING[1]		length of the IE in unit of OCTET
extb3	BITSTRING[1]		extension bit
rchr	BITSTRING[2]	'00'B	spare bit in the direction n -> ms
cs	BITSTRING[1]		coding standard
tm	BITSTRING[1]		transfer mode
itc	BITSTRING[3]		information transfer capability
extb4	BITSTRING[1]		extension bit
spb	BITSTRING[1]	'0'B	spare bit
strc	BITSTRING[1]		structure
dplxm	BITSTRING[2]		duplex mode
config	BITSTRING[1]		configuration
nirr	BITSTRING[1]		negotiation of intermediate rate requested
est	BITSTRING[1]		establishment
extb5	BITSTRING[1]		extension bit
accid	BITSTRING[2]		access identify
ra	BITSTRING[2]		rate adaption
sacp	BITSTRING[3]		signalling access protocol
extb6	BITSTRING[1]		extension bit
l1id	BITSTRING[2]		L1 identity
uil1	BITSTRING[4]		user information L 1 protocol
sb	BITSTRING[1]		synchronous bit
extb6a	BITSTRING[1]		extension bit
nsb	BITSTRING[1]		number of stop bits
nb	BITSTRING[1]		negotiation bit
ndb	BITSTRING[1]		number of data bits
ur	BITSTRING[4]		user rate
extb6b	BITSTRING[1]		extension bit
ir	BITSTRING[2]		intermediate rate
nictx	BITSTRING[1]		network independent clock on transmission
nicrx	BITSTRING[1]		network independent clock on reception
pi	BITSTRING[3]		parity information
extb6c	BITSTRING[1]		extension bit
ce	BITSTRING[2]		connection element
modemt	BITSTRING[5]		modem type
extb7	BITSTRING[1]		extension bit
l2id	BITSTRING[2]		L2 identity
uil2	BITSTRING[5]		user information L2 protocol
omitted?			Bearer capability 2. If the answer is OMIT the IE is omitted in the message
iei	BITSTRING[8]	'00000100'B	
iel	OCTETSTRING[1]		length of the IE in unit of OCTET
extb3	BITSTRING[1]		extension bit
rchr	BITSTRING[2]	'00'B	spare bit in the direction n -> ms
cs	BITSTRING[1]		coding standard
tm	BITSTRING[1]		transfer mode
itc	BITSTRING[3]		information transfer capability

extb4	BITSTRING[1]		extension bit
spb	BITSTRING[1]	'0'B	spare bit
strc	BITSTRING[1]		structure
dplxm	BITSTRING[2]		duplex mode
config	BITSTRING[1]		configuration
nirr	BITSTRING[1]		negotiation of intermediate rate requested
est	BITSTRING[1]		establishment
extb5	BITSTRING[1]		extension bit
accid	BITSTRING[2]		access identify
ra	BITSTRING[2]		rate adaption
sacp	BITSTRING[3]		signalling access protocol
extb6	BITSTRING[1]		extension bit
l1id	BITSTRING[2]		L1 identity
uil1	BITSTRING[4]		user information L 1 protocol
sb	BITSTRING[1]		synchronous bit
extb6a	BITSTRING[1]		extension bit
nsb	BITSTRING[1]		number of stop bits
nb	BITSTRING[1]		negotiation bit
ndb	BITSTRING[1]		number of data bits
ur	BITSTRING[4]		user rate
extb6b	BITSTRING[1]		extension bit
ir	BITSTRING[2]		intermediate rate
nictx	BITSTRING[1]		network independent clock on transmission
nicrx	BITSTRING[1]		network independent clock on reception
pi	BITSTRING[3]		parity information
extb6c	BITSTRING[1]		extension bit
ce	BITSTRING[2]		connection element
modemt	BITSTRING[5]		modem type
extb7	BITSTRING[1]		extension bit
l2id	BITSTRING[2]		L2 identity
uil2	BITSTRING[5]		user information L2 protocol
omitted?			LLC repeat indicator. If the answer is OMIT the IE is omitted in the message
llcri	BITSTRING[8]	'1101___'B	
omitted?			low layer compatibility I. If the answer is OMIT the IE is omitted in the message
iei	BITSTRING[8]	'01111100'B	
iel	OCTETSTRING[1]		
contents	OCTETSTRING[1..13]		
omitted?			low layer compatibility II. If the answer is OMIT the IE is omitted in the message
iei	BITSTRING[8]	'01111100'B	
iel	OCTETSTRING[1]		
contents	OCTETSTRING[1..13]		
omitted?			HLC repeat indicator. If the answer is OMIT the IE is omitted in the message
hlcri	BITSTRING[8]	'1101___'B	
omitted?			high layer compatibility i. If the answer is OMIT the IE is omitted in the message
iei	BITSTRING[8]	'01111101'B	
iel	OCTETSTRING[1]		length of the element
extb3	BITSTRING[1]	'1'B	
cs	BITSTRING[2]		coding standard
in	BITSTRING[3]		interpretation
pmp	BITSTRING[2]		presentation method of protocol
extb4	BITSTRING[1]	'1'B	
hlci	BITSTRING[7]		high layer characteristic identification

extb4a	BITSTRING[1]		
ehlci	BITSTRING[7]		extended high layer characteristic identification
omitted?			high layer compatibility ii. If the answer is OMIT the IE is omitted in the message
iei	BITSTRING[8]	'01111101'B	
iel	OCTETSTRING[1]		length of the element
extb3	BITSTRING[1]	'1'B	
cs	BITSTRING[2]		coding standard
in	BITSTRING[3]		interpretation
pmp	BITSTRING[2]		presentation method of protocol
extb4	BITSTRING[1]	'1'B	
hlci	BITSTRING[7]		high layer characteristic identification
extb4a	BITSTRING[1]		
ehlci	BITSTRING[7]		extended high layer characteristic identification

Table 145: Parameter TSPX_SetupBS32_3

Field	Type	Value	Comments
ti	BITSTRING[4]	'0000'B	
pd	BITSTRING[4]	'0011'B	
mt	BITSTRING[8]	'00000101'B	
omitted?			BC repeat indicator. If the answer is OMIT the IE is omitted in the message
bcrl	BITSTRING[8]	'1101____'B	
omitted?			Bearer capability 1. If the answer is OMIT the IE is omitted in the message
iei	BITSTRING[8]	'00000100'B	
iel	OCTETSTRING[1]		length of the IE in unit of OCTET
extb3	BITSTRING[1]		extension bit
rchr	BITSTRING[2]	'00'B	spare bit in the direction n -> ms
cs	BITSTRING[1]		coding standard
tm	BITSTRING[1]		transfer mode
itc	BITSTRING[3]		information transfer capability
extb4	BITSTRING[1]		extension bit
spb	BITSTRING[1]	'0'B	spare bit
strc	BITSTRING[1]		structure
dplxm	BITSTRING[2]		duplex mode
config	BITSTRING[1]		configuration
nirr	BITSTRING[1]		negotiation of intermediate rate requested
est	BITSTRING[1]		establishment
extb5	BITSTRING[1]		extension bit
accid	BITSTRING[2]		access identify
ra	BITSTRING[2]		rate adaption
sacp	BITSTRING[3]		signalling access protocol
extb6	BITSTRING[1]		extension bit
l1id	BITSTRING[2]		L1 identity
uil1	BITSTRING[4]		user information L 1 protocol
sb	BITSTRING[1]		synchronous bit
extb6a	BITSTRING[1]		extension bit
nsb	BITSTRING[1]		number of stop bits
nb	BITSTRING[1]		negotiation bit
ndb	BITSTRING[1]		number of data bits
ur	BITSTRING[4]		user rate
extb6b	BITSTRING[1]		extension bit
ir	BITSTRING[2]		intermediate rate
nictx	BITSTRING[1]		network independent clock on transmission
nicrx	BITSTRING[1]		network independent clock on reception
pi	BITSTRING[3]		parity information
extb6c	BITSTRING[1]		extension bit
ce	BITSTRING[2]		connection element
modemt	BITSTRING[5]		modem type
extb7	BITSTRING[1]		extension bit
l2id	BITSTRING[2]		L2 identity
uil2	BITSTRING[5]		user information L2 protocol
omitted?			Bearer capability 2. If the answer is OMIT the IE is omitted in the message
iei	BITSTRING[8]	'00000100'B	
iel	OCTETSTRING[1]		length of the IE in unit of OCTET
extb3	BITSTRING[1]		extension bit
rchr	BITSTRING[2]	'00'B	spare bit in the direction n -> ms
cs	BITSTRING[1]		coding standard
tm	BITSTRING[1]		transfer mode
itc	BITSTRING[3]		information transfer capability

extb4	BITSTRING[1]		extension bit
spb	BITSTRING[1]	'0'B	spare bit
strc	BITSTRING[1]		structure
dplx	BITSTRING[2]		duplex mode
config	BITSTRING[1]		configuration
nirr	BITSTRING[1]		negotiation of intermediate rate requested
est	BITSTRING[1]		establishment
extb5	BITSTRING[1]		extension bit
accid	BITSTRING[2]		access identify
ra	BITSTRING[2]		rate adaption
sacp	BITSTRING[3]		signalling access protocol
extb6	BITSTRING[1]		extension bit
l1id	BITSTRING[2]		L1 identity
uil1	BITSTRING[4]		user information L 1 protocol
sb	BITSTRING[1]		synchronous bit
extb6a	BITSTRING[1]		extension bit
nsb	BITSTRING[1]		number of stop bits
nb	BITSTRING[1]		negotiation bit
ndb	BITSTRING[1]		number of data bits
ur	BITSTRING[4]		user rate
extb6b	BITSTRING[1]		extension bit
ir	BITSTRING[2]		intermediate rate
nictx	BITSTRING[1]		network independent clock on transmission
nicrx	BITSTRING[1]		network independent clock on reception
pi	BITSTRING[3]		parity information
extb6c	BITSTRING[1]		extension bit
ce	BITSTRING[2]		connection element
modemt	BITSTRING[5]		modem type
extb7	BITSTRING[1]		extension bit
l2id	BITSTRING[2]		L2 identity
uil2	BITSTRING[5]		user information L2 protocol
omitted?			LLC repeat indicator. If the answer is OMIT the IE is omitted in the message
llcri	BITSTRING[8]	'1101_ _ _ _'B	
omitted?			low layer compatibility I. If the answer is OMIT the IE is omitted in the message
iei	BITSTRING[8]	'01111100'B	
iel	OCTETSTRING[1]		
contents	OCTETSTRING[1..13]		
omitted?			low layer compatibility II. If the answer is OMIT the IE is omitted in the message
iei	BITSTRING[8]	'01111100'B	
iel	OCTETSTRING[1]		
contents	OCTETSTRING[1..13]		
omitted?			HLC repeat indicator. If the answer is OMIT the IE is omitted in the message
hlcri	BITSTRING[8]	'1101_ _ _ _'B	
omitted?			high layer compatibility i. If the answer is OMIT the IE is omitted in the message
iei	BITSTRING[8]	'01111101'B	
iel	OCTETSTRING[1]		length of the element
extb3	BITSTRING[1]	'1'B	
cs	BITSTRING[2]		coding standard
in	BITSTRING[3]		interpretation
pmp	BITSTRING[2]		presentation method of protocol
extb4	BITSTRING[1]	'1'B	
hlci	BITSTRING[7]		high layer characteristic identification

extb4a	BITSTRING[1]		
ehlci	BITSTRING[7]		extended high layer characteristic identification
omitted?			high layer compatibility ii. If the answer is OMIT the IE is omitted in the message
iei	BITSTRING[8]	'01111101'B	
iel	OCTETSTRING[1]		length of the element
extb3	BITSTRING[1]	'1'B	
cs	BITSTRING[2]		coding standard
in	BITSTRING[3]		interpretation
pmp	BITSTRING[2]		presentation method of protocol
extb4	BITSTRING[1]	'1'B	
hlci	BITSTRING[7]		high layer characteristic identification
extb4a	BITSTRING[1]		
ehlci	BITSTRING[7]		extended high layer characteristic identification

B.7.2.5.12 Data circuit duplex sync. 4 800 bit/s

Table 146: Parameter TSPX_SetupBS33_1

Field	Type	Value	Comments
ti	BITSTRING[4]	'0000'B	
pd	BITSTRING[4]	'0011'B	
mt	BITSTRING[8]	'00000101'B	
omitted?			BC repeat indicator. If the answer is OMIT the IE is omitted in the message
bcri	BITSTRING[8]	'1101_ _ _ _'B	
omitted?			Bearer capability 1. If the answer is OMIT the IE is omitted in the message
iei	BITSTRING[8]	'00000100'B	
iel	OCTETSTRING[1]		length of the IE in unit of OCTET
extb3	BITSTRING[1]		extension bit
rchr	BITSTRING[2]	'00'B	spare bit in the direction n -> ms
cs	BITSTRING[1]		coding standard
tm	BITSTRING[1]		transfer mode
itc	BITSTRING[3]		information transfer capability
extb4	BITSTRING[1]		extension bit
spb	BITSTRING[1]	'0'B	spare bit
strc	BITSTRING[1]		structure
dplxm	BITSTRING[2]		duplex mode
config	BITSTRING[1]		configuration
nirr	BITSTRING[1]		negotiation of intermediate rate requested
est	BITSTRING[1]		establishment
extb5	BITSTRING[1]		extension bit
accid	BITSTRING[2]		access identify
ra	BITSTRING[2]		rate adaption
sacp	BITSTRING[3]		signalling access protocol
extb6	BITSTRING[1]		extension bit
l1id	BITSTRING[2]		L1 identity
uil1	BITSTRING[4]		user information L 1 protocol
sb	BITSTRING[1]		synchronous bit
extb6a	BITSTRING[1]		extension bit
nsb	BITSTRING[1]		number of stop bits
nb	BITSTRING[1]		negotiation bit
ndb	BITSTRING[1]		number of data bits
ur	BITSTRING[4]		user rate
extb6b	BITSTRING[1]		extension bit
ir	BITSTRING[2]		intermediate rate
nictx	BITSTRING[1]		network independent clock on transmission
nicrx	BITSTRING[1]		network independent clock on reception
pi	BITSTRING[3]		parity information
extb6c	BITSTRING[1]		extension bit
ce	BITSTRING[2]		connection element
modemt	BITSTRING[5]		modem type
extb7	BITSTRING[1]		extension bit
l2id	BITSTRING[2]		L2 identity
uil2	BITSTRING[5]		user information L2 protocol
omitted?			Bearer capability 2. If the answer is OMIT the IE is omitted in the message
iei	BITSTRING[8]	'00000100'B	
iel	OCTETSTRING[1]		length of the IE in unit of OCTET
extb3	BITSTRING[1]		extension bit
rchr	BITSTRING[2]	'00'B	spare bit in the direction n -> ms
cs	BITSTRING[1]		coding standard

tm	BITSTRING[1]		transfer mode
itc	BITSTRING[3]		information transfer capability
extb4	BITSTRING[1]		extension bit
spb	BITSTRING[1]	'0'B	spare bit
strc	BITSTRING[1]		structure
dplxm	BITSTRING[2]		duplex mode
config	BITSTRING[1]		configuration
nirr	BITSTRING[1]		negotiation of intermediate rate requested
est	BITSTRING[1]		establishment
extb5	BITSTRING[1]		extension bit
accid	BITSTRING[2]		access identify
ra	BITSTRING[2]		rate adaption
sacp	BITSTRING[3]		signalling access protocol
extb6	BITSTRING[1]		extension bit
l1id	BITSTRING[2]		L1 identity
uil1	BITSTRING[4]		user information L 1 protocol
sb	BITSTRING[1]		synchronous bit
extb6a	BITSTRING[1]		extension bit
nsb	BITSTRING[1]		number of stop bits
nb	BITSTRING[1]		negotiation bit
ndb	BITSTRING[1]		number of data bits
ur	BITSTRING[4]		user rate
extb6b	BITSTRING[1]		extension bit
ir	BITSTRING[2]		intermediate rate
nictx	BITSTRING[1]		network independent clock on transmission
nicrx	BITSTRING[1]		network independent clock on reception
pi	BITSTRING[3]		parity information
extb6c	BITSTRING[1]		extension bit
ce	BITSTRING[2]		connection element
modemt	BITSTRING[5]		modem type
extb7	BITSTRING[1]		extension bit
l2id	BITSTRING[2]		L2 identity
uil2	BITSTRING[5]		user information L2 protocol
omitted?			LLC repeat indicator. If the answer is OMIT the IE is omitted in the message
llcri	BITSTRING[8]	'1101____'B	
omitted?			low layer compatibility I. If the answer is OMIT the IE is omitted in the message
iei	BITSTRING[8]	'01111100'B	
iel	OCTETSTRING[1]		
contents	OCTETSTRING[1..13]		
omitted?			low layer compatibility II. If the answer is OMIT the IE is omitted in the message
iei	BITSTRING[8]	'01111100'B	
iel	OCTETSTRING[1]		
contents	OCTETSTRING[1..13]		
omitted?			HLC repeat indicator. If the answer is OMIT the IE is omitted in the message
hlcri	BITSTRING[8]	'1101____'B	
omitted?			high layer compatibility i. If the answer is OMIT the IE is omitted in the message
iei	BITSTRING[8]	'01111101'B	
iel	OCTETSTRING[1]		length of the element
extb3	BITSTRING[1]	'1'B	
cs	BITSTRING[2]		coding standard
in	BITSTRING[3]		interpretation
pmp	BITSTRING[2]		presentation method of protocol

extb4	BITSTRING[1]	'1'B	
hlci	BITSTRING[7]		high layer characteristic identification
extb4a	BITSTRING[1]		
ehlci	BITSTRING[7]		extended high layer characteristic identification
omitted?			high layer compatibility ii. If the answer is OMIT the IE is omitted in the message
iei	BITSTRING[8]	'01111101'B	
iel	OCTETSTRING[1]		length of the element
extb3	BITSTRING[1]	'1'B	
cs	BITSTRING[2]		coding standard
in	BITSTRING[3]		interpretation
pmp	BITSTRING[2]		presentation method of protocol
extb4	BITSTRING[1]	'1'B	
hlci	BITSTRING[7]		high layer characteristic identification
extb4a	BITSTRING[1]		
ehlci	BITSTRING[7]		extended high layer characteristic identification

Table 147: Parameter TSPX_BS33more

Name	Type	Value	Comments
TSPX_BS33more	BOOLEAN		

Table 148: Parameter TSPX_SetupBS33_2

Field	Type	Value	Comments
ti	BITSTRING[4]	'0000'B	
pd	BITSTRING[4]	'0011'B	
mt	BITSTRING[8]	'00000101'B	
omitted?			BC repeat indicator. If the answer is OMIT the IE is omitted in the message
bcrl	BITSTRING[8]	'1101____'B	
omitted?			Bearer capability 1. If the answer is OMIT the IE is omitted in the message
iei	BITSTRING[8]	'00000100'B	
iel	OCTETSTRING[1]		length of the IE in unit of OCTET
extb3	BITSTRING[1]		extension bit
rchr	BITSTRING[2]	'00'B	spare bit in the direction n -> ms
cs	BITSTRING[1]		coding standard
tm	BITSTRING[1]		transfer mode
itc	BITSTRING[3]		information transfer capability
extb4	BITSTRING[1]		extension bit
spb	BITSTRING[1]	'0'B	spare bit
strc	BITSTRING[1]		structure
dplx	BITSTRING[2]		duplex mode
config	BITSTRING[1]		configuration
nirr	BITSTRING[1]		negotiation of intermediate rate requested
est	BITSTRING[1]		establishment
extb5	BITSTRING[1]		extension bit
accid	BITSTRING[2]		access identify
ra	BITSTRING[2]		rate adaption
sacp	BITSTRING[3]		signalling access protocol
extb6	BITSTRING[1]		extension bit
l1id	BITSTRING[2]		L1 identity
uil1	BITSTRING[4]		user information L 1 protocol
sb	BITSTRING[1]		synchronous bit
extb6a	BITSTRING[1]		extension bit
nsb	BITSTRING[1]		number of stop bits
nb	BITSTRING[1]		negotiation bit
ndb	BITSTRING[1]		number of data bits
ur	BITSTRING[4]		user rate
extb6b	BITSTRING[1]		extension bit
ir	BITSTRING[2]		intermediate rate
nictx	BITSTRING[1]		network independent clock on transmission
nicrx	BITSTRING[1]		network independent clock on reception
pi	BITSTRING[3]		parity information
extb6c	BITSTRING[1]		extension bit
ce	BITSTRING[2]		connection element
modemt	BITSTRING[5]		modem type
extb7	BITSTRING[1]		extension bit
l2id	BITSTRING[2]		L2 identity
uil2	BITSTRING[5]		user information L2 protocol
omitted?			Bearer capability 2. If the answer is OMIT the IE is omitted in the message
iei	BITSTRING[8]	'00000100'B	
iel	OCTETSTRING[1]		length of the IE in unit of OCTET
extb3	BITSTRING[1]		extension bit
rchr	BITSTRING[2]	'00'B	spare bit in the direction n -> ms
cs	BITSTRING[1]		coding standard
tm	BITSTRING[1]		transfer mode
itc	BITSTRING[3]		information transfer capability

extb4	BITSTRING[1]		extension bit
spb	BITSTRING[1]	'0'B	spare bit
strc	BITSTRING[1]		structure
dplx	BITSTRING[2]		duplex mode
config	BITSTRING[1]		configuration
nirr	BITSTRING[1]		negotiation of intermediate rate requested
est	BITSTRING[1]		establishment
extb5	BITSTRING[1]		extension bit
accid	BITSTRING[2]		access identify
ra	BITSTRING[2]		rate adaption
sacp	BITSTRING[3]		signalling access protocol
extb6	BITSTRING[1]		extension bit
l1id	BITSTRING[2]		L1 identity
uil1	BITSTRING[4]		user information L 1 protocol
sb	BITSTRING[1]		synchronous bit
extb6a	BITSTRING[1]		extension bit
nsb	BITSTRING[1]		number of stop bits
nb	BITSTRING[1]		negotiation bit
ndb	BITSTRING[1]		number of data bits
ur	BITSTRING[4]		user rate
extb6b	BITSTRING[1]		extension bit
ir	BITSTRING[2]		intermediate rate
nictx	BITSTRING[1]		network independent clock on transmission
nicrx	BITSTRING[1]		network independent clock on reception
pi	BITSTRING[3]		parity information
extb6c	BITSTRING[1]		extension bit
ce	BITSTRING[2]		connection element
modemt	BITSTRING[5]		modem type
extb7	BITSTRING[1]		extension bit
l2id	BITSTRING[2]		L2 identity
uil2	BITSTRING[5]		user information L2 protocol
omitted?			LLC repeat indicator. If the answer is OMIT the IE is omitted in the message
llcri	BITSTRING[8]	'1101_ _ _ _'B	
omitted?			low layer compatibility I. If the answer is OMIT the IE is omitted in the message
iei	BITSTRING[8]	'01111100'B	
iel	OCTETSTRING[1]		
contents	OCTETSTRING[1..13]		
omitted?			low layer compatibility II. If the answer is OMIT the IE is omitted in the message
iei	BITSTRING[8]	'01111100'B	
iel	OCTETSTRING[1]		
contents	OCTETSTRING[1..13]		
omitted?			HLC repeat indicator. If the answer is OMIT the IE is omitted in the message
hlcri	BITSTRING[8]	'1101_ _ _ _'B	
omitted?			high layer compatibility i. If the answer is OMIT the IE is omitted in the message
iei	BITSTRING[8]	'01111101'B	
iel	OCTETSTRING[1]		length of the element
extb3	BITSTRING[1]	'1'B	
cs	BITSTRING[2]		coding standard
in	BITSTRING[3]		interpretation
pmp	BITSTRING[2]		presentation method of protocol
extb4	BITSTRING[1]	'1'B	
hlci	BITSTRING[7]		high layer characteristic identification

extb4a	BITSTRING[1]		
ehlci	BITSTRING[7]		extended high layer characteristic identification
omitted?			high layer compatibility ii. If the answer is OMIT the IE is omitted in the message
iei	BITSTRING[8]	'01111101'B	
iel	OCTETSTRING[1]		length of the element
extb3	BITSTRING[1]	'1'B	
cs	BITSTRING[2]		coding standard
in	BITSTRING[3]		interpretation
pmp	BITSTRING[2]		presentation method of protocol
extb4	BITSTRING[1]	'1'B	
hlci	BITSTRING[7]		high layer characteristic identification
extb4a	BITSTRING[1]		
ehlci	BITSTRING[7]		extended high layer characteristic identification

Table 149: Parameter TSPX_SetupBS33_3

Field	Type	Value	Comments
ti	BITSTRING[4]	'0000'B	
pd	BITSTRING[4]	'0011'B	
mt	BITSTRING[8]	'00000101'B	
omitted?			BC repeat indicator. If the answer is OMIT the IE is omitted in the message
bcri	BITSTRING[8]	'1101_ _ _ _'B	
omitted?			Bearer capability 1. If the answer is OMIT the IE is omitted in the message
iei	BITSTRING[8]	'00000100'B	
iel	OCTETSTRING[1]		length of the IE in unit of OCTET
extb3	BITSTRING[1]		extension bit
rchr	BITSTRING[2]	'00'B	spare bit in the direction n -> ms
cs	BITSTRING[1]		coding standard
tm	BITSTRING[1]		transfer mode
itc	BITSTRING[3]		information transfer capability
extb4	BITSTRING[1]		extension bit
spb	BITSTRING[1]	'0'B	spare bit
strc	BITSTRING[1]		structure
dplx	BITSTRING[2]		duplex mode
config	BITSTRING[1]		configuration
nirr	BITSTRING[1]		negotiation of intermediate rate requested
est	BITSTRING[1]		establishment
extb5	BITSTRING[1]		extension bit
accid	BITSTRING[2]		access identify
ra	BITSTRING[2]		rate adaption
sacp	BITSTRING[3]		signalling access protocol
extb6	BITSTRING[1]		extension bit
l1id	BITSTRING[2]		L1 identity
uil1	BITSTRING[4]		user information L 1 protocol
sb	BITSTRING[1]		synchronous bit
extb6a	BITSTRING[1]		extension bit
nsb	BITSTRING[1]		number of stop bits
nb	BITSTRING[1]		negotiation bit
ndb	BITSTRING[1]		number of data bits
ur	BITSTRING[4]		user rate
extb6b	BITSTRING[1]		extension bit
ir	BITSTRING[2]		intermediate rate
nictx	BITSTRING[1]		network independent clock on transmission
nicrx	BITSTRING[1]		network independent clock on reception
pi	BITSTRING[3]		parity information
extb6c	BITSTRING[1]		extension bit
ce	BITSTRING[2]		connection element
modemt	BITSTRING[5]		modem type
extb7	BITSTRING[1]		extension bit
l2id	BITSTRING[2]		L2 identity
uil2	BITSTRING[5]		user information L2 protocol
omitted?			Bearer capability 2. If the answer is OMIT the IE is omitted in the message
iei	BITSTRING[8]	'00000100'B	
iel	OCTETSTRING[1]		length of the IE in unit of OCTET
extb3	BITSTRING[1]		extension bit
rchr	BITSTRING[2]	'00'B	spare bit in the direction n -> ms
cs	BITSTRING[1]		coding standard
tm	BITSTRING[1]		transfer mode
itc	BITSTRING[3]		information transfer capability

extb4	BITSTRING[1]		extension bit
spb	BITSTRING[1]	'0'B	spare bit
strc	BITSTRING[1]		structure
dplx	BITSTRING[2]		duplex mode
config	BITSTRING[1]		configuration
nirr	BITSTRING[1]		negotiation of intermediate rate requested
est	BITSTRING[1]		establishment
extb5	BITSTRING[1]		extension bit
accid	BITSTRING[2]		access identify
ra	BITSTRING[2]		rate adaption
sacp	BITSTRING[3]		signalling access protocol
extb6	BITSTRING[1]		extension bit
l1id	BITSTRING[2]		L1 identity
uil1	BITSTRING[4]		user information L 1 protocol
sb	BITSTRING[1]		synchronous bit
extb6a	BITSTRING[1]		extension bit
nsb	BITSTRING[1]		number of stop bits
nb	BITSTRING[1]		negotiation bit
ndb	BITSTRING[1]		number of data bits
ur	BITSTRING[4]		user rate
extb6b	BITSTRING[1]		extension bit
ir	BITSTRING[2]		intermediate rate
nictx	BITSTRING[1]		network independent clock on transmission
nicrx	BITSTRING[1]		network independent clock on reception
pi	BITSTRING[3]		parity information
extb6c	BITSTRING[1]		extension bit
ce	BITSTRING[2]		connection element
modemt	BITSTRING[5]		modem type
extb7	BITSTRING[1]		extension bit
l2id	BITSTRING[2]		L2 identity
uil2	BITSTRING[5]		user information L2 protocol
omitted?			LLC repeat indicator. If the answer is OMIT the IE is omitted in the message
llcri	BITSTRING[8]	'1101___'B	
omitted?			low layer compatibility I. If the answer is OMIT the IE is omitted in the message
iei	BITSTRING[8]	'01111100'B	
iel	OCTETSTRING[1]		
contents	OCTETSTRING[1..13]		
omitted?			low layer compatibility II. If the answer is OMIT the IE is omitted in the message
iei	BITSTRING[8]	'01111100'B	
iel	OCTETSTRING[1]		
contents	OCTETSTRING[1..13]		
omitted?			HLC repeat indicator. If the answer is OMIT the IE is omitted in the message
hlcri	BITSTRING[8]	'1101___'B	
omitted?			high layer compatibility i. If the answer is OMIT the IE is omitted in the message
iei	BITSTRING[8]	'01111101'B	
iel	OCTETSTRING[1]		length of the element
extb3	BITSTRING[1]	'1'B	
cs	BITSTRING[2]		coding standard
in	BITSTRING[3]		interpretation
pmp	BITSTRING[2]		presentation method of protocol
extb4	BITSTRING[1]	'1'B	
hlci	BITSTRING[7]		high layer characteristic identification

extb4a	BITSTRING[1]		
ehlci	BITSTRING[7]		extended high layer characteristic identification
omitted?			high layer compatibility ii. If the answer is OMIT the IE is omitted in the message
iei	BITSTRING[8]	'01111101'B	
iel	OCTETSTRING[1]		length of the element
extb3	BITSTRING[1]	'1'B	
cs	BITSTRING[2]		coding standard
in	BITSTRING[3]		interpretation
pmp	BITSTRING[2]		presentation method of protocol
extb4	BITSTRING[1]	'1'B	
hlci	BITSTRING[7]		high layer characteristic identification
extb4a	BITSTRING[1]		
ehlci	BITSTRING[7]		extended high layer characteristic identification

B.7.2.5.13 Data circuit duplex sync. 9 600 bit/s

Table 150: Parameter TSPX_SetupBS34_1

Field	Type	Value	Comments
ti	BITSTRING[4]	'0000'B	
pd	BITSTRING[4]	'0011'B	
mt	BITSTRING[8]	'00000101'B	
omitted?			BC repeat indicator. If the answer is OMIT the IE is omitted in the message
bcri	BITSTRING[8]	'1101_ _ _ _'B	
omitted?			Bearer capability 1. If the answer is OMIT the IE is omitted in the message
iei	BITSTRING[8]	'00000100'B	
iel	OCTETSTRING[1]		length of the IE in unit of OCTET
extb3	BITSTRING[1]		extension bit
rchr	BITSTRING[2]	'00'B	spare bit in the direction n -> ms
cs	BITSTRING[1]		coding standard
tm	BITSTRING[1]		transfer mode
itc	BITSTRING[3]		information transfer capability
extb4	BITSTRING[1]		extension bit
spb	BITSTRING[1]	'0'B	spare bit
strc	BITSTRING[1]		structure
dplxm	BITSTRING[2]		duplex mode
config	BITSTRING[1]		configuration
nirr	BITSTRING[1]		negotiation of intermediate rate requested
est	BITSTRING[1]		establishment
extb5	BITSTRING[1]		extension bit
accid	BITSTRING[2]		access identify
ra	BITSTRING[2]		rate adaption
sacp	BITSTRING[3]		signalling access protocol
extb6	BITSTRING[1]		extension bit
l1id	BITSTRING[2]		L1 identity
uil1	BITSTRING[4]		user information L 1 protocol
sb	BITSTRING[1]		synchronous bit
extb6a	BITSTRING[1]		extension bit
nsb	BITSTRING[1]		number of stop bits
nb	BITSTRING[1]		negotiation bit
ndb	BITSTRING[1]		number of data bits
ur	BITSTRING[4]		user rate
extb6b	BITSTRING[1]		extension bit
ir	BITSTRING[2]		intermediate rate
nictx	BITSTRING[1]		network independent clock on transmission
nicrx	BITSTRING[1]		network independent clock on reception
pi	BITSTRING[3]		parity information
extb6c	BITSTRING[1]		extension bit
ce	BITSTRING[2]		connection element
modemt	BITSTRING[5]		modem type
extb7	BITSTRING[1]		extension bit
l2id	BITSTRING[2]		L2 identity
uil2	BITSTRING[5]		user information L2 protocol
omitted?			Bearer capability 2. If the answer is OMIT the IE is omitted in the message
iei	BITSTRING[8]	'00000100'B	
iel	OCTETSTRING[1]		length of the IE in unit of OCTET
extb3	BITSTRING[1]		extension bit
rchr	BITSTRING[2]	'00'B	spare bit in the direction n -> ms
cs	BITSTRING[1]		coding standard

tm	BITSTRING[1]		transfer mode
itc	BITSTRING[3]		information transfer capability
extb4	BITSTRING[1]		extension bit
spb	BITSTRING[1]	'0'B	spare bit
strc	BITSTRING[1]		structure
dplx	BITSTRING[2]		duplex mode
config	BITSTRING[1]		configuration
nirr	BITSTRING[1]		negotiation of intermediate rate requested
est	BITSTRING[1]		establishment
extb5	BITSTRING[1]		extension bit
accid	BITSTRING[2]		access identify
ra	BITSTRING[2]		rate adaption
sacp	BITSTRING[3]		signalling access protocol
extb6	BITSTRING[1]		extension bit
l1id	BITSTRING[2]		L1 identity
uil1	BITSTRING[4]		user information L 1 protocol
sb	BITSTRING[1]		synchronous bit
extb6a	BITSTRING[1]		extension bit
nsb	BITSTRING[1]		number of stop bits
nb	BITSTRING[1]		negotiation bit
ndb	BITSTRING[1]		number of data bits
ur	BITSTRING[4]		user rate
extb6b	BITSTRING[1]		extension bit
ir	BITSTRING[2]		intermediate rate
nictx	BITSTRING[1]		network independent clock on transmission
nicrx	BITSTRING[1]		network independent clock on reception
pi	BITSTRING[3]		parity information
extb6c	BITSTRING[1]		extension bit
ce	BITSTRING[2]		connection element
modemt	BITSTRING[5]		modem type
extb7	BITSTRING[1]		extension bit
l2id	BITSTRING[2]		L2 identity
uil2	BITSTRING[5]		user information L2 protocol
omitted?			LLC repeat indicator. If the answer is OMIT the IE is omitted in the message
llcri	BITSTRING[8]	'1101___'B	
omitted?			low layer compatibility I. If the answer is OMIT the IE is omitted in the message
iei	BITSTRING[8]	'01111100'B	
iel	OCTETSTRING[1]		
contents	OCTETSTRING[1..13]		
omitted?			low layer compatibility II. If the answer is OMIT the IE is omitted in the message
iei	BITSTRING[8]	'01111100'B	
iel	OCTETSTRING[1]		
contents	OCTETSTRING[1..13]		
omitted?			HLC repeat indicator. If the answer is OMIT the IE is omitted in the message
hlcri	BITSTRING[8]	'1101___'B	
omitted?			high layer compatibility i. If the answer is OMIT the IE is omitted in the message
iei	BITSTRING[8]	'01111101'B	
iel	OCTETSTRING[1]		length of the element
extb3	BITSTRING[1]	'1'B	
cs	BITSTRING[2]		coding standard
in	BITSTRING[3]		interpretation
pmp	BITSTRING[2]		presentation method of protocol

extb4	BITSTRING[1]	'1'B	
hlci	BITSTRING[7]		high layer characteristic identification
extb4a	BITSTRING[1]		
ehlci	BITSTRING[7]		extended high layer characteristic identification
omitted?			high layer compatibility ii. If the answer is OMIT the IE is omitted in the message
iei	BITSTRING[8]	'01111101'B	
iel	OCTETSTRING[1]		length of the element
extb3	BITSTRING[1]	'1'B	
cs	BITSTRING[2]		coding standard
in	BITSTRING[3]		interpretation
pmp	BITSTRING[2]		presentation method of protocol
extb4	BITSTRING[1]	'1'B	
hlci	BITSTRING[7]		high layer characteristic identification
extb4a	BITSTRING[1]		
ehlci	BITSTRING[7]		extended high layer characteristic identification

Table 151: Parameter TSPX_BS34more

Name	Type	Value	Comments
TSPX_BS34more	BOOLEAN		

Table 152: Parameter TSPX_SetupBS34_2

Field	Type	Value	Comments
ti	BITSTRING[4]	'0000'B	
pd	BITSTRING[4]	'0011'B	
mt	BITSTRING[8]	'00000101'B	
omitted?			BC repeat indicator. If the answer is OMIT the IE is omitted in the message
bcri	BITSTRING[8]	'1101_ _ _ _'B	
omitted?			Bearer capability 1. If the answer is OMIT the IE is omitted in the message
iei	BITSTRING[8]	'00000100'B	
iel	OCTETSTRING[1]		length of the IE in unit of OCTET
extb3	BITSTRING[1]		extension bit
rchr	BITSTRING[2]	'00'B	spare bit in the direction n -> ms
cs	BITSTRING[1]		coding standard
tm	BITSTRING[1]		transfer mode
itc	BITSTRING[3]		information transfer capability
extb4	BITSTRING[1]		extension bit
spb	BITSTRING[1]	'0'B	spare bit
strc	BITSTRING[1]		structure
dplx	BITSTRING[2]		duplex mode
config	BITSTRING[1]		configuration
nirr	BITSTRING[1]		negotiation of intermediate rate requested
est	BITSTRING[1]		establishment
extb5	BITSTRING[1]		extension bit
accid	BITSTRING[2]		access identify
ra	BITSTRING[2]		rate adaption
sacp	BITSTRING[3]		signalling access protocol
extb6	BITSTRING[1]		extension bit
l1id	BITSTRING[2]		L1 identity
uil1	BITSTRING[4]		user information L 1 protocol
sb	BITSTRING[1]		synchronous bit
extb6a	BITSTRING[1]		extension bit
nsb	BITSTRING[1]		number of stop bits
nb	BITSTRING[1]		negotiation bit
ndb	BITSTRING[1]		number of data bits
ur	BITSTRING[4]		user rate
extb6b	BITSTRING[1]		extension bit
ir	BITSTRING[2]		intermediate rate
nictx	BITSTRING[1]		network independent clock on transmission
nicrx	BITSTRING[1]		network independent clock on reception
pi	BITSTRING[3]		parity information
extb6c	BITSTRING[1]		extension bit
ce	BITSTRING[2]		connection element
modemt	BITSTRING[5]		modem type
extb7	BITSTRING[1]		extension bit
l2id	BITSTRING[2]		L2 identity
uil2	BITSTRING[5]		user information L2 protocol
omitted?			Bearer capability 2. If the answer is OMIT the IE is omitted in the message
iei	BITSTRING[8]	'00000100'B	
iel	OCTETSTRING[1]		length of the IE in unit of OCTET
extb3	BITSTRING[1]		extension bit
rchr	BITSTRING[2]	'00'B	spare bit in the direction n -> ms
cs	BITSTRING[1]		coding standard
tm	BITSTRING[1]		transfer mode
itc	BITSTRING[3]		information transfer capability

extb4	BITSTRING[1]		extension bit
spb	BITSTRING[1]	'0'B	spare bit
strc	BITSTRING[1]		structure
dplxm	BITSTRING[2]		duplex mode
config	BITSTRING[1]		configuration
nirr	BITSTRING[1]		negotiation of intermediate rate requested
est	BITSTRING[1]		establishment
extb5	BITSTRING[1]		extension bit
accid	BITSTRING[2]		access identify
ra	BITSTRING[2]		rate adaption
sacp	BITSTRING[3]		signalling access protocol
extb6	BITSTRING[1]		extension bit
l1id	BITSTRING[2]		L1 identity
uil1	BITSTRING[4]		user information L 1 protocol
sb	BITSTRING[1]		synchronous bit
extb6a	BITSTRING[1]		extension bit
nsb	BITSTRING[1]		number of stop bits
nb	BITSTRING[1]		negotiation bit
ndb	BITSTRING[1]		number of data bits
ur	BITSTRING[4]		user rate
extb6b	BITSTRING[1]		extension bit
ir	BITSTRING[2]		intermediate rate
nictx	BITSTRING[1]		network independent clock on transmission
nicrx	BITSTRING[1]		network independent clock on reception
pi	BITSTRING[3]		parity information
extb6c	BITSTRING[1]		extension bit
ce	BITSTRING[2]		connection element
modemt	BITSTRING[5]		modem type
extb7	BITSTRING[1]		extension bit
l2id	BITSTRING[2]		L2 identity
uil2	BITSTRING[5]		user information L2 protocol
omitted?			LLC repeat indicator. If the answer is OMIT the IE is omitted in the message
llcri	BITSTRING[8]	'1101___'B	
omitted?			low layer compatibility I. If the answer is OMIT the IE is omitted in the message
iei	BITSTRING[8]	'01111100'B	
iel	OCTETSTRING[1]		
contents	OCTETSTRING[1..13]		
omitted?			low layer compatibility II. If the answer is OMIT the IE is omitted in the message
iei	BITSTRING[8]	'01111100'B	
iel	OCTETSTRING[1]		
contents	OCTETSTRING[1..13]		
omitted?			HLC repeat indicator. If the answer is OMIT the IE is omitted in the message
hlcri	BITSTRING[8]	'1101___'B	
omitted?			high layer compatibility i. If the answer is OMIT the IE is omitted in the message
iei	BITSTRING[8]	'01111101'B	
iel	OCTETSTRING[1]		length of the element
extb3	BITSTRING[1]	'1'B	
cs	BITSTRING[2]		coding standard
in	BITSTRING[3]		interpretation
pmpp	BITSTRING[2]		presentation method of protocol
extb4	BITSTRING[1]	'1'B	
hlci	BITSTRING[7]		high layer characteristic identification

extb4a	BITSTRING[1]		
ehlci	BITSTRING[7]		extended high layer characteristic identification
omitted?			high layer compatibility ii. If the answer is OMIT the IE is omitted in the message
iei	BITSTRING[8]	'01111101'B	
iel	OCTETSTRING[1]		length of the element
extb3	BITSTRING[1]	'1'B	
cs	BITSTRING[2]		coding standard
in	BITSTRING[3]		interpretation
pmp	BITSTRING[2]		presentation method of protocol
extb4	BITSTRING[1]	'1'B	
hlci	BITSTRING[7]		high layer characteristic identification
extb4a	BITSTRING[1]		
ehlci	BITSTRING[7]		extended high layer characteristic identification

Table 153: Parameter TSPX_SetupBS34_3

Field	Type	Value	Comments
ti	BITSTRING[4]	'0000'B	
pd	BITSTRING[4]	'0011'B	
mt	BITSTRING[8]	'00000101'B	
omitted?			BC repeat indicator. If the answer is OMIT the IE is omitted in the message
bcri	BITSTRING[8]	'1101____'B	
omitted?			Bearer capability 1. If the answer is OMIT the IE is omitted in the message
iei	BITSTRING[8]	'00000100'B	
iel	OCTETSTRING[1]		length of the IE in unit of OCTET
extb3	BITSTRING[1]		extension bit
rchr	BITSTRING[2]	'00'B	spare bit in the direction n -> ms
cs	BITSTRING[1]		coding standard
tm	BITSTRING[1]		transfer mode
itc	BITSTRING[3]		information transfer capability
extb4	BITSTRING[1]		extension bit
spb	BITSTRING[1]	'0'B	spare bit
strc	BITSTRING[1]		structure
dplx	BITSTRING[2]		duplex mode
config	BITSTRING[1]		configuration
nirr	BITSTRING[1]		negotiation of intermediate rate requested
est	BITSTRING[1]		establishment
extb5	BITSTRING[1]		extension bit
accid	BITSTRING[2]		access identify
ra	BITSTRING[2]		rate adaption
sacp	BITSTRING[3]		signalling access protocol
extb6	BITSTRING[1]		extension bit
l1id	BITSTRING[2]		L1 identity
uil1	BITSTRING[4]		user information L 1 protocol
sb	BITSTRING[1]		synchronous bit
extb6a	BITSTRING[1]		extension bit
nsb	BITSTRING[1]		number of stop bits
nb	BITSTRING[1]		negotiation bit
ndb	BITSTRING[1]		number of data bits
ur	BITSTRING[4]		user rate
extb6b	BITSTRING[1]		extension bit
ir	BITSTRING[2]		intermediate rate
nictx	BITSTRING[1]		network independent clock on transmission
nicrx	BITSTRING[1]		network independent clock on reception
pi	BITSTRING[3]		parity information
extb6c	BITSTRING[1]		extension bit
ce	BITSTRING[2]		connection element
modemt	BITSTRING[5]		modem type
extb7	BITSTRING[1]		extension bit
l2id	BITSTRING[2]		L2 identity
uil2	BITSTRING[5]		user information L2 protocol
omitted?			Bearer capability 2. If the answer is OMIT the IE is omitted in the message
iei	BITSTRING[8]	'00000100'B	
iel	OCTETSTRING[1]		length of the IE in unit of OCTET
extb3	BITSTRING[1]		extension bit
rchr	BITSTRING[2]	'00'B	spare bit in the direction n -> ms
cs	BITSTRING[1]		coding standard
tm	BITSTRING[1]		transfer mode
itc	BITSTRING[3]		information transfer capability

extb4	BITSTRING[1]		extension bit
spb	BITSTRING[1]	'0'B	spare bit
strc	BITSTRING[1]		structure
dplx	BITSTRING[2]		duplex mode
config	BITSTRING[1]		configuration
nirr	BITSTRING[1]		negotiation of intermediate rate requested
est	BITSTRING[1]		establishment
extb5	BITSTRING[1]		extension bit
accid	BITSTRING[2]		access identify
ra	BITSTRING[2]		rate adaption
sacp	BITSTRING[3]		signalling access protocol
extb6	BITSTRING[1]		extension bit
l1id	BITSTRING[2]		L1 identity
uil1	BITSTRING[4]		user information L 1 protocol
sb	BITSTRING[1]		synchronous bit
extb6a	BITSTRING[1]		extension bit
nsb	BITSTRING[1]		number of stop bits
nb	BITSTRING[1]		negotiation bit
ndb	BITSTRING[1]		number of data bits
ur	BITSTRING[4]		user rate
extb6b	BITSTRING[1]		extension bit
ir	BITSTRING[2]		intermediate rate
nictx	BITSTRING[1]		network independent clock on transmission
nicrx	BITSTRING[1]		network independent clock on reception
pi	BITSTRING[3]		parity information
extb6c	BITSTRING[1]		extension bit
ce	BITSTRING[2]		connection element
modemt	BITSTRING[5]		modem type
extb7	BITSTRING[1]		extension bit
l2id	BITSTRING[2]		L2 identity
uil2	BITSTRING[5]		user information L2 protocol
omitted?			LLC repeat indicator. If the answer is OMIT the IE is omitted in the message
llcri	BITSTRING[8]	'1101_ _ _ _'B	
omitted?			low layer compatibility I. If the answer is OMIT the IE is omitted in the message
iei	BITSTRING[8]	'01111100'B	
iel	OCTETSTRING[1]		
contents	OCTETSTRING[1..13]		
omitted?			low layer compatibility II. If the answer is OMIT the IE is omitted in the message
iei	BITSTRING[8]	'01111100'B	
iel	OCTETSTRING[1]		
contents	OCTETSTRING[1..13]		
omitted?			HLC repeat indicator. If the answer is OMIT the IE is omitted in the message
hlcri	BITSTRING[8]	'1101_ _ _ _'B	
omitted?			high layer compatibility i. If the answer is OMIT the IE is omitted in the message
iei	BITSTRING[8]	'01111101'B	
iel	OCTETSTRING[1]		length of the element
extb3	BITSTRING[1]	'1'B	
cs	BITSTRING[2]		coding standard
in	BITSTRING[3]		interpretation
pmp	BITSTRING[2]		presentation method of protocol
extb4	BITSTRING[1]	'1'B	
hlci	BITSTRING[7]		high layer characteristic identification

extb4a	BITSTRING[1]		
ehlci	BITSTRING[7]		extended high layer characteristic identification
omitted?			high layer compatibility ii. If the answer is OMIT the IE is omitted in the message
iei	BITSTRING[8]	'01111101'B	
iel	OCTETSTRING[1]		length of the element
extb3	BITSTRING[1]	'1'B	
cs	BITSTRING[2]		coding standard
in	BITSTRING[3]		interpretation
pmp	BITSTRING[2]		presentation method of protocol
extb4	BITSTRING[1]	'1'B	
hlci	BITSTRING[7]		high layer characteristic identification
extb4a	BITSTRING[1]		
ehlci	BITSTRING[7]		extended high layer characteristic identification

B.7.2.5.14 PAD Access 300 bit/s

Table 154: Parameter TSPX_SetupBS41_1

Field	Type	Value	Comments
ti	BITSTRING[4]	'0000'B	
pd	BITSTRING[4]	'0011'B	
mt	BITSTRING[8]	'00000101'B	
omitted?			BC repeat indicator. If the answer is OMIT the IE is omitted in the message
bcri	BITSTRING[8]	'1101_ _ _ _'B	
omitted?			Bearer capability 1. If the answer is OMIT the IE is omitted in the message
iei	BITSTRING[8]	'00000100'B	
iel	OCTETSTRING[1]		length of the IE in unit of OCTET
extb3	BITSTRING[1]		extension bit
rchr	BITSTRING[2]	'00'B	spare bit in the direction n -> ms
cs	BITSTRING[1]		coding standard
tm	BITSTRING[1]		transfer mode
itc	BITSTRING[3]		information transfer capability
extb4	BITSTRING[1]		extension bit
spb	BITSTRING[1]	'0'B	spare bit
strc	BITSTRING[1]		structure
dplx	BITSTRING[2]		duplex mode
config	BITSTRING[1]		configuration
nirr	BITSTRING[1]		negotiation of intermediate rate requested
est	BITSTRING[1]		establishment
extb5	BITSTRING[1]		extension bit
accid	BITSTRING[2]		access identify
ra	BITSTRING[2]		rate adaption
sacp	BITSTRING[3]		signalling access protocol
extb6	BITSTRING[1]		extension bit
l1id	BITSTRING[2]		L1 identity
uil1	BITSTRING[4]		user information L 1 protocol
sb	BITSTRING[1]		synchronous bit
extb6a	BITSTRING[1]		extension bit
nsb	BITSTRING[1]		number of stop bits
nb	BITSTRING[1]		negotiation bit
ndb	BITSTRING[1]		number of data bits
ur	BITSTRING[4]		user rate
extb6b	BITSTRING[1]		extension bit
ir	BITSTRING[2]		intermediate rate
nictx	BITSTRING[1]		network independent clock on transmission
nicrx	BITSTRING[1]		network independent clock on reception
pi	BITSTRING[3]		parity information
extb6c	BITSTRING[1]		extension bit
ce	BITSTRING[2]		connection element
modemt	BITSTRING[5]		modem type
extb7	BITSTRING[1]		extension bit
l2id	BITSTRING[2]		L2 identity
uil2	BITSTRING[5]		user information L2 protocol
omitted?			Bearer capability 2. If the answer is OMIT the IE is omitted in the message
iei	BITSTRING[8]	'00000100'B	
iel	OCTETSTRING[1]		length of the IE in unit of OCTET
extb3	BITSTRING[1]		extension bit
rchr	BITSTRING[2]	'00'B	spare bit in the direction n -> ms
cs	BITSTRING[1]		coding standard

tm	BITSTRING[1]		transfer mode
itc	BITSTRING[3]		information transfer capability
extb4	BITSTRING[1]		extension bit
spb	BITSTRING[1]	'0'B	spare bit
strc	BITSTRING[1]		structure
dplx	BITSTRING[2]		duplex mode
config	BITSTRING[1]		configuration
nirr	BITSTRING[1]		negotiation of intermediate rate requested
est	BITSTRING[1]		establishment
extb5	BITSTRING[1]		extension bit
accid	BITSTRING[2]		access identify
ra	BITSTRING[2]		rate adaption
sacp	BITSTRING[3]		signalling access protocol
extb6	BITSTRING[1]		extension bit
l1id	BITSTRING[2]		L1 identity
uil1	BITSTRING[4]		user information L 1 protocol
sb	BITSTRING[1]		synchronous bit
extb6a	BITSTRING[1]		extension bit
nsb	BITSTRING[1]		number of stop bits
nb	BITSTRING[1]		negotiation bit
ndb	BITSTRING[1]		number of data bits
ur	BITSTRING[4]		user rate
extb6b	BITSTRING[1]		extension bit
ir	BITSTRING[2]		intermediate rate
nictx	BITSTRING[1]		network independent clock on transmission
nicrx	BITSTRING[1]		network independent clock on reception
pi	BITSTRING[3]		parity information
extb6c	BITSTRING[1]		extension bit
ce	BITSTRING[2]		connection element
modemt	BITSTRING[5]		modem type
extb7	BITSTRING[1]		extension bit
l2id	BITSTRING[2]		L2 identity
uil2	BITSTRING[5]		user information L2 protocol
omitted?			LLC repeat indicator. If the answer is OMIT the IE is omitted in the message
llcri	BITSTRING[8]	'1101___'B	
omitted?			low layer compatibility I. If the answer is OMIT the IE is omitted in the message
iei	BITSTRING[8]	'01111100'B	
iel	OCTETSTRING[1]		
contents	OCTETSTRING[1..13]		
omitted?			low layer compatibility II. If the answer is OMIT the IE is omitted in the message
iei	BITSTRING[8]	'01111100'B	
iel	OCTETSTRING[1]		
contents	OCTETSTRING[1..13]		
omitted?			HLC repeat indicator. If the answer is OMIT the IE is omitted in the message
hlcri	BITSTRING[8]	'1101___'B	
omitted?			high layer compatibility i. If the answer is OMIT the IE is omitted in the message
iei	BITSTRING[8]	'01111101'B	
iel	OCTETSTRING[1]		length of the element
extb3	BITSTRING[1]	'1'B	
cs	BITSTRING[2]		coding standard
in	BITSTRING[3]		interpretation
pmp	BITSTRING[2]		presentation method of protocol

extb4	BITSTRING[1]	'1'B	
hlci	BITSTRING[7]		high layer characteristic identification
extb4a	BITSTRING[1]		
ehlci	BITSTRING[7]		extended high layer characteristic identification
omitted?			high layer compatibility ii. If the answer is OMIT the IE is omitted in the message
iei	BITSTRING[8]	'01111101'B	
iel	OCTETSTRING[1]		length of the element
extb3	BITSTRING[1]	'1'B	
cs	BITSTRING[2]		coding standard
in	BITSTRING[3]		interpretation
pmp	BITSTRING[2]		presentation method of protocol
extb4	BITSTRING[1]	'1'B	
hlci	BITSTRING[7]		high layer characteristic identification
extb4a	BITSTRING[1]		
ehlci	BITSTRING[7]		extended high layer characteristic identification

Table 155: Parameter TSPX_BS41more

Name	Type	Value	Comments
TSPX_BS41more	BOOLEAN		

Table 156: Parameter TSPX_SetupBS41_2

Field	Type	Value	Comments
ti	BITSTRING[4]	'0000'B	
pd	BITSTRING[4]	'0011'B	
mt	BITSTRING[8]	'00000101'B	
omitted?			BC repeat indicator. If the answer is OMIT the IE is omitted in the message
bcrl	BITSTRING[8]	'1101____'B	
omitted?			Bearer capability 1. If the answer is OMIT the IE is omitted in the message
iei	BITSTRING[8]	'00000100'B	
iel	OCTETSTRING[1]		length of the IE in unit of OCTET
extb3	BITSTRING[1]		extension bit
rchr	BITSTRING[2]	'00'B	spare bit in the direction n -> ms
cs	BITSTRING[1]		coding standard
tm	BITSTRING[1]		transfer mode
itc	BITSTRING[3]		information transfer capability
extb4	BITSTRING[1]		extension bit
spb	BITSTRING[1]	'0'B	spare bit
strc	BITSTRING[1]		structure
dplx	BITSTRING[2]		duplex mode
config	BITSTRING[1]		configuration
nirr	BITSTRING[1]		negotiation of intermediate rate requested
est	BITSTRING[1]		establishment
extb5	BITSTRING[1]		extension bit
accid	BITSTRING[2]		access identify
ra	BITSTRING[2]		rate adaption
sacp	BITSTRING[3]		signalling access protocol
extb6	BITSTRING[1]		extension bit
l1id	BITSTRING[2]		L1 identity
uil1	BITSTRING[4]		user information L 1 protocol
sb	BITSTRING[1]		synchronous bit
extb6a	BITSTRING[1]		extension bit
nsb	BITSTRING[1]		number of stop bits
nb	BITSTRING[1]		negotiation bit
ndb	BITSTRING[1]		number of data bits
ur	BITSTRING[4]		user rate
extb6b	BITSTRING[1]		extension bit
ir	BITSTRING[2]		intermediate rate
nictx	BITSTRING[1]		network independent clock on transmission
nicrx	BITSTRING[1]		network independent clock on reception
pi	BITSTRING[3]		parity information
extb6c	BITSTRING[1]		extension bit
ce	BITSTRING[2]		connection element
modemt	BITSTRING[5]		modem type
extb7	BITSTRING[1]		extension bit
l2id	BITSTRING[2]		L2 identity
uil2	BITSTRING[5]		user information L2 protocol
omitted?			Bearer capability 2. If the answer is OMIT the IE is omitted in the message
iei	BITSTRING[8]	'00000100'B	
iel	OCTETSTRING[1]		length of the IE in unit of OCTET
extb3	BITSTRING[1]		extension bit
rchr	BITSTRING[2]	'00'B	spare bit in the direction n -> ms
cs	BITSTRING[1]		coding standard
tm	BITSTRING[1]		transfer mode
itc	BITSTRING[3]		information transfer capability

extb4	BITSTRING[1]		extension bit
spb	BITSTRING[1]	'0'B	spare bit
strc	BITSTRING[1]		structure
dplx	BITSTRING[2]		duplex mode
config	BITSTRING[1]		configuration
nirr	BITSTRING[1]		negotiation of intermediate rate requested
est	BITSTRING[1]		establishment
extb5	BITSTRING[1]		extension bit
accid	BITSTRING[2]		access identify
ra	BITSTRING[2]		rate adaption
sacp	BITSTRING[3]		signalling access protocol
extb6	BITSTRING[1]		extension bit
l1id	BITSTRING[2]		L1 identity
uil1	BITSTRING[4]		user information L 1 protocol
sb	BITSTRING[1]		synchronous bit
extb6a	BITSTRING[1]		extension bit
nsb	BITSTRING[1]		number of stop bits
nb	BITSTRING[1]		negotiation bit
ndb	BITSTRING[1]		number of data bits
ur	BITSTRING[4]		user rate
extb6b	BITSTRING[1]		extension bit
ir	BITSTRING[2]		intermediate rate
nictx	BITSTRING[1]		network independent clock on transmission
nicrx	BITSTRING[1]		network independent clock on reception
pi	BITSTRING[3]		parity information
extb6c	BITSTRING[1]		extension bit
ce	BITSTRING[2]		connection element
modemt	BITSTRING[5]		modem type
extb7	BITSTRING[1]		extension bit
l2id	BITSTRING[2]		L2 identity
uil2	BITSTRING[5]		user information L2 protocol
omitted?			LLC repeat indicator. If the answer is OMIT the IE is omitted in the message
llcri	BITSTRING[8]	'1101_ _ _ _'B	
omitted?			low layer compatibility I. If the answer is OMIT the IE is omitted in the message
iei	BITSTRING[8]	'01111100'B	
iel	OCTETSTRING[1]		
contents	OCTETSTRING[1..13]		
omitted?			low layer compatibility II. If the answer is OMIT the IE is omitted in the message
iei	BITSTRING[8]	'01111100'B	
iel	OCTETSTRING[1]		
contents	OCTETSTRING[1..13]		
omitted?			HLC repeat indicator. If the answer is OMIT the IE is omitted in the message
hlcri	BITSTRING[8]	'1101_ _ _ _'B	
omitted?			high layer compatibility i. If the answer is OMIT the IE is omitted in the message
iei	BITSTRING[8]	'01111101'B	
iel	OCTETSTRING[1]		length of the element
extb3	BITSTRING[1]	'1'B	
cs	BITSTRING[2]		coding standard
in	BITSTRING[3]		interpretation
pmp	BITSTRING[2]		presentation method of protocol
extb4	BITSTRING[1]	'1'B	
hlci	BITSTRING[7]		high layer characteristic identification

extb4a	BITSTRING[1]		
ehlci	BITSTRING[7]		extended high layer characteristic identification
omitted?			high layer compatibility ii. If the answer is OMIT the IE is omitted in the message
iei	BITSTRING[8]	'01111101'B	
iel	OCTETSTRING[1]		length of the element
extb3	BITSTRING[1]	'1'B	
cs	BITSTRING[2]		coding standard
in	BITSTRING[3]		interpretation
pmp	BITSTRING[2]		presentation method of protocol
extb4	BITSTRING[1]	'1'B	
hlci	BITSTRING[7]		high layer characteristic identification
extb4a	BITSTRING[1]		
ehlci	BITSTRING[7]		extended high layer characteristic identification

Table 157: Parameter TSPX_SetupBS41_3

Field	Type	Value	Comments
ti	BITSTRING[4]	'0000'B	
pd	BITSTRING[4]	'0011'B	
mt	BITSTRING[8]	'00000101'B	
omitted?			BC repeat indicator. If the answer is OMIT the IE is omitted in the message
bcri	BITSTRING[8]	'1101_ _ _ _'B	
omitted?			Bearer capability 1. If the answer is OMIT the IE is omitted in the message
iei	BITSTRING[8]	'00000100'B	
iel	OCTETSTRING[1]		length of the IE in unit of OCTET
extb3	BITSTRING[1]		extension bit
rchr	BITSTRING[2]	'00'B	spare bit in the direction n -> ms
cs	BITSTRING[1]		coding standard
tm	BITSTRING[1]		transfer mode
itc	BITSTRING[3]		information transfer capability
extb4	BITSTRING[1]		extension bit
spb	BITSTRING[1]	'0'B	spare bit
strc	BITSTRING[1]		structure
dplx	BITSTRING[2]		duplex mode
config	BITSTRING[1]		configuration
nirr	BITSTRING[1]		negotiation of intermediate rate requested
est	BITSTRING[1]		establishment
extb5	BITSTRING[1]		extension bit
accid	BITSTRING[2]		access identify
ra	BITSTRING[2]		rate adaption
sacp	BITSTRING[3]		signalling access protocol
extb6	BITSTRING[1]		extension bit
l1id	BITSTRING[2]		L1 identity
uil1	BITSTRING[4]		user information L 1 protocol
sb	BITSTRING[1]		synchronous bit
extb6a	BITSTRING[1]		extension bit
nsb	BITSTRING[1]		number of stop bits
nb	BITSTRING[1]		negotiation bit
ndb	BITSTRING[1]		number of data bits
ur	BITSTRING[4]		user rate
extb6b	BITSTRING[1]		extension bit
ir	BITSTRING[2]		intermediate rate
nictx	BITSTRING[1]		network independent clock on transmission
nicrx	BITSTRING[1]		network independent clock on reception
pi	BITSTRING[3]		parity information
extb6c	BITSTRING[1]		extension bit
ce	BITSTRING[2]		connection element
modemt	BITSTRING[5]		modem type
extb7	BITSTRING[1]		extension bit
l2id	BITSTRING[2]		L2 identity
uil2	BITSTRING[5]		user information L2 protocol
omitted?			Bearer capability 2. If the answer is OMIT the IE is omitted in the message
iei	BITSTRING[8]	'00000100'B	
iel	OCTETSTRING[1]		length of the IE in unit of OCTET
extb3	BITSTRING[1]		extension bit
rchr	BITSTRING[2]	'00'B	spare bit in the direction n -> ms
cs	BITSTRING[1]		coding standard
tm	BITSTRING[1]		transfer mode
itc	BITSTRING[3]		information transfer capability

extb4	BITSTRING[1]		extension bit
spb	BITSTRING[1]	'0'B	spare bit
strc	BITSTRING[1]		structure
dplx	BITSTRING[2]		duplex mode
config	BITSTRING[1]		configuration
nirr	BITSTRING[1]		negotiation of intermediate rate requested
est	BITSTRING[1]		establishment
extb5	BITSTRING[1]		extension bit
accid	BITSTRING[2]		access identify
ra	BITSTRING[2]		rate adaption
sacp	BITSTRING[3]		signalling access protocol
extb6	BITSTRING[1]		extension bit
l1id	BITSTRING[2]		L1 identity
uil1	BITSTRING[4]		user information L 1 protocol
sb	BITSTRING[1]		synchronous bit
extb6a	BITSTRING[1]		extension bit
nsb	BITSTRING[1]		number of stop bits
nb	BITSTRING[1]		negotiation bit
ndb	BITSTRING[1]		number of data bits
ur	BITSTRING[4]		user rate
extb6b	BITSTRING[1]		extension bit
ir	BITSTRING[2]		intermediate rate
nictx	BITSTRING[1]		network independent clock on transmission
nicrx	BITSTRING[1]		network independent clock on reception
pi	BITSTRING[3]		parity information
extb6c	BITSTRING[1]		extension bit
ce	BITSTRING[2]		connection element
modemt	BITSTRING[5]		modem type
extb7	BITSTRING[1]		extension bit
l2id	BITSTRING[2]		L2 identity
uil2	BITSTRING[5]		user information L2 protocol
omitted?			LLC repeat indicator. If the answer is OMIT the IE is omitted in the message
llcri	BITSTRING[8]	'1101___'B	
omitted?			low layer compatibility I. If the answer is OMIT the IE is omitted in the message
iei	BITSTRING[8]	'01111100'B	
iel	OCTETSTRING[1]		
contents	OCTETSTRING[1..13]		
omitted?			low layer compatibility II. If the answer is OMIT the IE is omitted in the message
iei	BITSTRING[8]	'01111100'B	
iel	OCTETSTRING[1]		
contents	OCTETSTRING[1..13]		
omitted?			HLC repeat indicator. If the answer is OMIT the IE is omitted in the message
hlcri	BITSTRING[8]	'1101___'B	
omitted?			high layer compatibility i. If the answer is OMIT the IE is omitted in the message
iei	BITSTRING[8]	'01111101'B	
iel	OCTETSTRING[1]		length of the element
extb3	BITSTRING[1]	'1'B	
cs	BITSTRING[2]		coding standard
in	BITSTRING[3]		interpretation
pmpp	BITSTRING[2]		presentation method of protocol
extb4	BITSTRING[1]	'1'B	
hlci	BITSTRING[7]		high layer characteristic identification

extb4a	BITSTRING[1]		
ehlci	BITSTRING[7]		extended high layer characteristic identification
omitted?			high layer compatibility ii. If the answer is OMIT the IE is omitted in the message
iei	BITSTRING[8]	'01111101'B	
iel	OCTETSTRING[1]		length of the element
extb3	BITSTRING[1]	'1'B	
cs	BITSTRING[2]		coding standard
in	BITSTRING[3]		interpretation
pmp	BITSTRING[2]		presentation method of protocol
extb4	BITSTRING[1]	'1'B	
hlci	BITSTRING[7]		high layer characteristic identification
extb4a	BITSTRING[1]		
ehlci	BITSTRING[7]		extended high layer characteristic identification

B.7.2.5.15 PAD Access 1 200 bit/s

Table 158: Parameter TSPX_SetupBS42_1

Field	Type	Value	Comments
ti	BITSTRING[4]	'0000'B	
pd	BITSTRING[4]	'0011'B	
mt	BITSTRING[8]	'00000101'B	
omitted?			BC repeat indicator. If the answer is OMIT the IE is omitted in the message
bcri	BITSTRING[8]	'1101_ _ _ _'B	
omitted?			Bearer capability 1. If the answer is OMIT the IE is omitted in the message
iei	BITSTRING[8]	'00000100'B	
iel	OCTETSTRING[1]		length of the IE in unit of OCTET
extb3	BITSTRING[1]		extension bit
rchr	BITSTRING[2]	'00'B	spare bit in the direction n -> ms
cs	BITSTRING[1]		coding standard
tm	BITSTRING[1]		transfer mode
itc	BITSTRING[3]		information transfer capability
extb4	BITSTRING[1]		extension bit
spb	BITSTRING[1]	'0'B	spare bit
strc	BITSTRING[1]		structure
dplx	BITSTRING[2]		duplex mode
config	BITSTRING[1]		configuration
nirr	BITSTRING[1]		negotiation of intermediate rate requested
est	BITSTRING[1]		establishment
extb5	BITSTRING[1]		extension bit
accid	BITSTRING[2]		access identify
ra	BITSTRING[2]		rate adaption
sacp	BITSTRING[3]		signalling access protocol
extb6	BITSTRING[1]		extension bit
l1id	BITSTRING[2]		L1 identity
uil1	BITSTRING[4]		user information L 1 protocol
sb	BITSTRING[1]		synchronous bit
extb6a	BITSTRING[1]		extension bit
nsb	BITSTRING[1]		number of stop bits
nb	BITSTRING[1]		negotiation bit
ndb	BITSTRING[1]		number of data bits
ur	BITSTRING[4]		user rate
extb6b	BITSTRING[1]		extension bit
ir	BITSTRING[2]		intermediate rate
nictx	BITSTRING[1]		network independent clock on transmission
nicrx	BITSTRING[1]		network independent clock on reception
pi	BITSTRING[3]		parity information
extb6c	BITSTRING[1]		extension bit
ce	BITSTRING[2]		connection element
modemt	BITSTRING[5]		modem type
extb7	BITSTRING[1]		extension bit
l2id	BITSTRING[2]		L2 identity
uil2	BITSTRING[5]		user information L2 protocol
omitted?			Bearer capability 2. If the answer is OMIT the IE is omitted in the message
iei	BITSTRING[8]	'00000100'B	
iel	OCTETSTRING[1]		length of the IE in unit of OCTET
extb3	BITSTRING[1]		extension bit
rchr	BITSTRING[2]	'00'B	spare bit in the direction n -> ms
cs	BITSTRING[1]		coding standard

tm	BITSTRING[1]		transfer mode
itc	BITSTRING[3]		information transfer capability
extb4	BITSTRING[1]		extension bit
spb	BITSTRING[1]	'0'B	spare bit
strc	BITSTRING[1]		structure
dplx	BITSTRING[2]		duplex mode
config	BITSTRING[1]		configuration
nirr	BITSTRING[1]		negotiation of intermediate rate requested
est	BITSTRING[1]		establishment
extb5	BITSTRING[1]		extension bit
accid	BITSTRING[2]		access identify
ra	BITSTRING[2]		rate adaption
sacp	BITSTRING[3]		signalling access protocol
extb6	BITSTRING[1]		extension bit
l1id	BITSTRING[2]		L1 identity
uil1	BITSTRING[4]		user information L 1 protocol
sb	BITSTRING[1]		synchronous bit
extb6a	BITSTRING[1]		extension bit
nsb	BITSTRING[1]		number of stop bits
nb	BITSTRING[1]		negotiation bit
ndb	BITSTRING[1]		number of data bits
ur	BITSTRING[4]		user rate
extb6b	BITSTRING[1]		extension bit
ir	BITSTRING[2]		intermediate rate
nictx	BITSTRING[1]		network independent clock on transmission
nicrx	BITSTRING[1]		network independent clock on reception
pi	BITSTRING[3]		parity information
extb6c	BITSTRING[1]		extension bit
ce	BITSTRING[2]		connection element
modemt	BITSTRING[5]		modem type
extb7	BITSTRING[1]		extension bit
l2id	BITSTRING[2]		L2 identity
uil2	BITSTRING[5]		user information L2 protocol
omitted?			LLC repeat indicator. If the answer is OMIT the IE is omitted in the message
llcri	BITSTRING[8]	'1101_ _ _ _'B	
omitted?			low layer compatibility I. If the answer is OMIT the IE is omitted in the message
iei	BITSTRING[8]	'01111100'B	
iel	OCTETSTRING[1]		
contents	OCTETSTRING[1..13]		
omitted?			low layer compatibility II. If the answer is OMIT the IE is omitted in the message
iei	BITSTRING[8]	'01111100'B	
iel	OCTETSTRING[1]		
contents	OCTETSTRING[1..13]		
omitted?			HLC repeat indicator. If the answer is OMIT the IE is omitted in the message
hlcri	BITSTRING[8]	'1101_ _ _ _'B	
omitted?			high layer compatibility i. If the answer is OMIT the IE is omitted in the message
iei	BITSTRING[8]	'01111101'B	
iel	OCTETSTRING[1]		length of the element
extb3	BITSTRING[1]	'1'B	
cs	BITSTRING[2]		coding standard
in	BITSTRING[3]		interpretation
pmp	BITSTRING[2]		presentation method of protocol

extb4	BITSTRING[1]	'1'B	
hlci	BITSTRING[7]		high layer characteristic identification
extb4a	BITSTRING[1]		
ehlci	BITSTRING[7]		extended high layer characteristic identification
omitted?			high layer compatibility ii. If the answer is OMIT the IE is omitted in the message
iei	BITSTRING[8]	'01111101'B	
iel	OCTETSTRING[1]		length of the element
extb3	BITSTRING[1]	'1'B	
cs	BITSTRING[2]		coding standard
in	BITSTRING[3]		interpretation
pmpp	BITSTRING[2]		presentation method of protocol
extb4	BITSTRING[1]	'1'B	
hlci	BITSTRING[7]		high layer characteristic identification
extb4a	BITSTRING[1]		
ehlci	BITSTRING[7]		extended high layer characteristic identification

Table 159: Parameter TSPX_BS42more

Name	Type	Value	Comments
TSPX_BS42more	BOOLEAN		

Table 160: Parameter TSPX_SetupBS42_2

Field	Type	Value	Comments
ti	BITSTRING[4]	'0000'B	
pd	BITSTRING[4]	'0011'B	
mt	BITSTRING[8]	'00000101'B	
omitted?			BC repeat indicator. If the answer is OMIT the IE is omitted in the message
bcri	BITSTRING[8]	'1101_ _ _ _'B	
omitted?			Bearer capability 1. If the answer is OMIT the IE is omitted in the message
iei	BITSTRING[8]	'00000100'B	
iel	OCTETSTRING[1]		length of the IE in unit of OCTET
extb3	BITSTRING[1]		extension bit
rchr	BITSTRING[2]	'00'B	spare bit in the direction n -> ms
cs	BITSTRING[1]		coding standard
tm	BITSTRING[1]		transfer mode
itc	BITSTRING[3]		information transfer capability
extb4	BITSTRING[1]		extension bit
spb	BITSTRING[1]	'0'B	spare bit
strc	BITSTRING[1]		structure
dplx	BITSTRING[2]		duplex mode
config	BITSTRING[1]		configuration
nirr	BITSTRING[1]		negotiation of intermediate rate requested
est	BITSTRING[1]		establishment
extb5	BITSTRING[1]		extension bit
accid	BITSTRING[2]		access identify
ra	BITSTRING[2]		rate adaption
sacp	BITSTRING[3]		signalling access protocol
extb6	BITSTRING[1]		extension bit
l1id	BITSTRING[2]		L1 identity
uil1	BITSTRING[4]		user information L 1 protocol
sb	BITSTRING[1]		synchronous bit
extb6a	BITSTRING[1]		extension bit
nsb	BITSTRING[1]		number of stop bits
nb	BITSTRING[1]		negotiation bit
ndb	BITSTRING[1]		number of data bits
ur	BITSTRING[4]		user rate
extb6b	BITSTRING[1]		extension bit
ir	BITSTRING[2]		intermediate rate
nictx	BITSTRING[1]		network independent clock on transmission
nicrx	BITSTRING[1]		network independent clock on reception
pi	BITSTRING[3]		parity information
extb6c	BITSTRING[1]		extension bit
ce	BITSTRING[2]		connection element
modemt	BITSTRING[5]		modem type
extb7	BITSTRING[1]		extension bit
l2id	BITSTRING[2]		L2 identity
uil2	BITSTRING[5]		user information L2 protocol
omitted?			Bearer capability 2. If the answer is OMIT the IE is omitted in the message
iei	BITSTRING[8]	'00000100'B	
iel	OCTETSTRING[1]		length of the IE in unit of OCTET
extb3	BITSTRING[1]		extension bit
rchr	BITSTRING[2]	'00'B	spare bit in the direction n -> ms
cs	BITSTRING[1]		coding standard
tm	BITSTRING[1]		transfer mode
itc	BITSTRING[3]		information transfer capability

extb4	BITSTRING[1]		extension bit
spb	BITSTRING[1]	'0'B	spare bit
strc	BITSTRING[1]		structure
dplx	BITSTRING[2]		duplex mode
config	BITSTRING[1]		configuration
nirr	BITSTRING[1]		negotiation of intermediate rate requested
est	BITSTRING[1]		establishment
extb5	BITSTRING[1]		extension bit
accid	BITSTRING[2]		access identify
ra	BITSTRING[2]		rate adaption
sacp	BITSTRING[3]		signalling access protocol
extb6	BITSTRING[1]		extension bit
l1id	BITSTRING[2]		L1 identity
uil1	BITSTRING[4]		user information L 1 protocol
sb	BITSTRING[1]		synchronous bit
extb6a	BITSTRING[1]		extension bit
nsb	BITSTRING[1]		number of stop bits
nb	BITSTRING[1]		negotiation bit
ndb	BITSTRING[1]		number of data bits
ur	BITSTRING[4]		user rate
extb6b	BITSTRING[1]		extension bit
ir	BITSTRING[2]		intermediate rate
nictx	BITSTRING[1]		network independent clock on transmission
nicrx	BITSTRING[1]		network independent clock on reception
pi	BITSTRING[3]		parity information
extb6c	BITSTRING[1]		extension bit
ce	BITSTRING[2]		connection element
modemt	BITSTRING[5]		modem type
extb7	BITSTRING[1]		extension bit
l2id	BITSTRING[2]		L2 identity
uil2	BITSTRING[5]		user information L2 protocol
omitted?			LLC repeat indicator. If the answer is OMIT the IE is omitted in the message
llcri	BITSTRING[8]	'1101___'B	
omitted?			low layer compatibility I. If the answer is OMIT the IE is omitted in the message
iei	BITSTRING[8]	'01111100'B	
iel	OCTETSTRING[1]		
contents	OCTETSTRING[1..13]		
omitted?			low layer compatibility II. If the answer is OMIT the IE is omitted in the message
iei	BITSTRING[8]	'01111100'B	
iel	OCTETSTRING[1]		
contents	OCTETSTRING[1..13]		
omitted?			HLC repeat indicator. If the answer is OMIT the IE is omitted in the message
hlcri	BITSTRING[8]	'1101___'B	
omitted?			high layer compatibility i. If the answer is OMIT the IE is omitted in the message
iei	BITSTRING[8]	'01111101'B	
iel	OCTETSTRING[1]		length of the element
extb3	BITSTRING[1]	'1'B	
cs	BITSTRING[2]		coding standard
in	BITSTRING[3]		interpretation
pmpp	BITSTRING[2]		presentation method of protocol
extb4	BITSTRING[1]	'1'B	
hlci	BITSTRING[7]		high layer characteristic identification

extb4a	BITSTRING[1]		
ehlci	BITSTRING[7]		extended high layer characteristic identification
omitted?			high layer compatibility ii. If the answer is OMIT the IE is omitted in the message
iei	BITSTRING[8]	'01111101'B	
iel	OCTETSTRING[1]		length of the element
extb3	BITSTRING[1]	'1'B	
cs	BITSTRING[2]		coding standard
in	BITSTRING[3]		interpretation
pmp	BITSTRING[2]		presentation method of protocol
extb4	BITSTRING[1]	'1'B	
hlci	BITSTRING[7]		high layer characteristic identification
extb4a	BITSTRING[1]		
ehlci	BITSTRING[7]		extended high layer characteristic identification

Table 161: Parameter TSPX_SetupBS42_3

Field	Type	Value	Comments
ti	BITSTRING[4]	'0000'B	
pd	BITSTRING[4]	'0011'B	
mt	BITSTRING[8]	'00000101'B	
omitted?			BC repeat indicator. If the answer is OMIT the IE is omitted in the message
bcrl	BITSTRING[8]	'1101____'B	
omitted?			Bearer capability 1. If the answer is OMIT the IE is omitted in the message
iei	BITSTRING[8]	'00000100'B	
iel	OCTETSTRING[1]		length of the IE in unit of OCTET
extb3	BITSTRING[1]		extension bit
rchr	BITSTRING[2]	'00'B	spare bit in the direction n -> ms
cs	BITSTRING[1]		coding standard
tm	BITSTRING[1]		transfer mode
itc	BITSTRING[3]		information transfer capability
extb4	BITSTRING[1]		extension bit
spb	BITSTRING[1]	'0'B	spare bit
strc	BITSTRING[1]		structure
dplx	BITSTRING[2]		duplex mode
config	BITSTRING[1]		configuration
nirr	BITSTRING[1]		negotiation of intermediate rate requested
est	BITSTRING[1]		establishment
extb5	BITSTRING[1]		extension bit
accid	BITSTRING[2]		access identify
ra	BITSTRING[2]		rate adaption
sacp	BITSTRING[3]		signalling access protocol
extb6	BITSTRING[1]		extension bit
l1id	BITSTRING[2]		L1 identity
uil1	BITSTRING[4]		user information L 1 protocol
sb	BITSTRING[1]		synchronous bit
extb6a	BITSTRING[1]		extension bit
nsb	BITSTRING[1]		number of stop bits
nb	BITSTRING[1]		negotiation bit
ndb	BITSTRING[1]		number of data bits
ur	BITSTRING[4]		user rate
extb6b	BITSTRING[1]		extension bit
ir	BITSTRING[2]		intermediate rate
nictx	BITSTRING[1]		network independent clock on transmission
nicrx	BITSTRING[1]		network independent clock on reception
pi	BITSTRING[3]		parity information
extb6c	BITSTRING[1]		extension bit
ce	BITSTRING[2]		connection element
modemt	BITSTRING[5]		modem type
extb7	BITSTRING[1]		extension bit
l2id	BITSTRING[2]		L2 identity
uil2	BITSTRING[5]		user information L2 protocol
omitted?			Bearer capability 2. If the answer is OMIT the IE is omitted in the message
iei	BITSTRING[8]	'00000100'B	
iel	OCTETSTRING[1]		length of the IE in unit of OCTET
extb3	BITSTRING[1]		extension bit
rchr	BITSTRING[2]	'00'B	spare bit in the direction n -> ms
cs	BITSTRING[1]		coding standard
tm	BITSTRING[1]		transfer mode
itc	BITSTRING[3]		information transfer capability

extb4	BITSTRING[1]		extension bit
spb	BITSTRING[1]	'0'B	spare bit
strc	BITSTRING[1]		structure
dplx	BITSTRING[2]		duplex mode
config	BITSTRING[1]		configuration
nirr	BITSTRING[1]		negotiation of intermediate rate requested
est	BITSTRING[1]		establishment
extb5	BITSTRING[1]		extension bit
accid	BITSTRING[2]		access identify
ra	BITSTRING[2]		rate adaption
sacp	BITSTRING[3]		signalling access protocol
extb6	BITSTRING[1]		extension bit
l1id	BITSTRING[2]		L1 identity
uil1	BITSTRING[4]		user information L 1 protocol
sb	BITSTRING[1]		synchronous bit
extb6a	BITSTRING[1]		extension bit
nsb	BITSTRING[1]		number of stop bits
nb	BITSTRING[1]		negotiation bit
ndb	BITSTRING[1]		number of data bits
ur	BITSTRING[4]		user rate
extb6b	BITSTRING[1]		extension bit
ir	BITSTRING[2]		intermediate rate
nictx	BITSTRING[1]		network independent clock on transmission
nicrx	BITSTRING[1]		network independent clock on reception
pi	BITSTRING[3]		parity information
extb6c	BITSTRING[1]		extension bit
ce	BITSTRING[2]		connection element
modemt	BITSTRING[5]		modem type
extb7	BITSTRING[1]		extension bit
l2id	BITSTRING[2]		L2 identity
uil2	BITSTRING[5]		user information L2 protocol
omitted?			LLC repeat indicator. If the answer is OMIT the IE is omitted in the message
llcri	BITSTRING[8]	'1101_ _ _ _'B	
omitted?			low layer compatibility I. If the answer is OMIT the IE is omitted in the message
iei	BITSTRING[8]	'01111100'B	
iel	OCTETSTRING[1]		
contents	OCTETSTRING[1..13]		
omitted?			low layer compatibility II. If the answer is OMIT the IE is omitted in the message
iei	BITSTRING[8]	'01111100'B	
iel	OCTETSTRING[1]		
contents	OCTETSTRING[1..13]		
omitted?			HLC repeat indicator. If the answer is OMIT the IE is omitted in the message
hlcri	BITSTRING[8]	'1101_ _ _ _'B	
omitted?			high layer compatibility i. If the answer is OMIT the IE is omitted in the message
iei	BITSTRING[8]	'01111101'B	
iel	OCTETSTRING[1]		length of the element
extb3	BITSTRING[1]	'1'B	
cs	BITSTRING[2]		coding standard
in	BITSTRING[3]		interpretation
pmp	BITSTRING[2]		presentation method of protocol
extb4	BITSTRING[1]	'1'B	
hlci	BITSTRING[7]		high layer characteristic identification

extb4a	BITSTRING[1]		
ehlci	BITSTRING[7]		extended high layer characteristic identification
omitted?			high layer compatibility ii. If the answer is OMIT the IE is omitted in the message
iei	BITSTRING[8]	'01111101'B	
iel	OCTETSTRING[1]		length of the element
extb3	BITSTRING[1]	'1'B	
cs	BITSTRING[2]		coding standard
in	BITSTRING[3]		interpretation
pmp	BITSTRING[2]		presentation method of protocol
extb4	BITSTRING[1]	'1'B	
hlci	BITSTRING[7]		high layer characteristic identification
extb4a	BITSTRING[1]		
ehlci	BITSTRING[7]		extended high layer characteristic identification

B.7.2.5.16 PAD Access 1 200/75 bit/s

Table 162: Parameter TSPX_SetupBS43_1

Field	Type	Value	Comments
ti	BITSTRING[4]	'0000'B	
pd	BITSTRING[4]	'0011'B	
mt	BITSTRING[8]	'00000101'B	
omitted?			BC repeat indicator. If the answer is OMIT the IE is omitted in the message
bcri	BITSTRING[8]	'1101_ _ _ _'B	
omitted?			Bearer capability 1. If the answer is OMIT the IE is omitted in the message
iei	BITSTRING[8]	'00000100'B	
iel	OCTETSTRING[1]		length of the IE in unit of OCTET
extb3	BITSTRING[1]		extension bit
rchr	BITSTRING[2]	'00'B	spare bit in the direction n -> ms
cs	BITSTRING[1]		coding standard
tm	BITSTRING[1]		transfer mode
itc	BITSTRING[3]		information transfer capability
extb4	BITSTRING[1]		extension bit
spb	BITSTRING[1]	'0'B	spare bit
strc	BITSTRING[1]		structure
dplx	BITSTRING[2]		duplex mode
config	BITSTRING[1]		configuration
nirr	BITSTRING[1]		negotiation of intermediate rate requested
est	BITSTRING[1]		establishment
extb5	BITSTRING[1]		extension bit
accid	BITSTRING[2]		access identify
ra	BITSTRING[2]		rate adaption
sacp	BITSTRING[3]		signalling access protocol
extb6	BITSTRING[1]		extension bit
l1id	BITSTRING[2]		L1 identity
uil1	BITSTRING[4]		user information L 1 protocol
sb	BITSTRING[1]		synchronous bit
extb6a	BITSTRING[1]		extension bit
nsb	BITSTRING[1]		number of stop bits
nb	BITSTRING[1]		negotiation bit
ndb	BITSTRING[1]		number of data bits
ur	BITSTRING[4]		user rate
extb6b	BITSTRING[1]		extension bit
ir	BITSTRING[2]		intermediate rate
nictx	BITSTRING[1]		network independent clock on transmission
nicrx	BITSTRING[1]		network independent clock on reception
pi	BITSTRING[3]		parity information
extb6c	BITSTRING[1]		extension bit
ce	BITSTRING[2]		connection element
modemt	BITSTRING[5]		modem type
extb7	BITSTRING[1]		extension bit
l2id	BITSTRING[2]		L2 identity
uil2	BITSTRING[5]		user information L2 protocol
omitted?			Bearer capability 2. If the answer is OMIT the IE is omitted in the message
iei	BITSTRING[8]	'00000100'B	
iel	OCTETSTRING[1]		length of the IE in unit of OCTET
extb3	BITSTRING[1]		extension bit
rchr	BITSTRING[2]	'00'B	spare bit in the direction n -> ms
cs	BITSTRING[1]		coding standard

tm	BITSTRING[1]		transfer mode
itc	BITSTRING[3]		information transfer capability
extb4	BITSTRING[1]		extension bit
spb	BITSTRING[1]	'0'B	spare bit
strc	BITSTRING[1]		structure
dplxm	BITSTRING[2]		duplex mode
config	BITSTRING[1]		configuration
nirr	BITSTRING[1]		negotiation of intermediate rate requested
est	BITSTRING[1]		establishment
extb5	BITSTRING[1]		extension bit
accid	BITSTRING[2]		access identify
ra	BITSTRING[2]		rate adaption
sacp	BITSTRING[3]		signalling access protocol
extb6	BITSTRING[1]		extension bit
l1id	BITSTRING[2]		L1 identity
uil1	BITSTRING[4]		user information L 1 protocol
sb	BITSTRING[1]		synchronous bit
extb6a	BITSTRING[1]		extension bit
nsb	BITSTRING[1]		number of stop bits
nb	BITSTRING[1]		negotiation bit
ndb	BITSTRING[1]		number of data bits
ur	BITSTRING[4]		user rate
extb6b	BITSTRING[1]		extension bit
ir	BITSTRING[2]		intermediate rate
nictx	BITSTRING[1]		network independent clock on transmission
nicrx	BITSTRING[1]		network independent clock on reception
pi	BITSTRING[3]		parity information
extb6c	BITSTRING[1]		extension bit
ce	BITSTRING[2]		connection element
modemt	BITSTRING[5]		modem type
extb7	BITSTRING[1]		extension bit
l2id	BITSTRING[2]		L2 identity
uil2	BITSTRING[5]		user information L2 protocol
omitted?			LLC repeat indicator. If the answer is OMIT the IE is omitted in the message
llcri	BITSTRING[8]	'1101____'B	
omitted?			low layer compatibility I. If the answer is OMIT the IE is omitted in the message
iei	BITSTRING[8]	'01111100'B	
iel	OCTETSTRING[1]		
contents	OCTETSTRING[1..13]		
omitted?			low layer compatibility II. If the answer is OMIT the IE is omitted in the message
iei	BITSTRING[8]	'01111100'B	
iel	OCTETSTRING[1]		
contents	OCTETSTRING[1..13]		
omitted?			HLC repeat indicator. If the answer is OMIT the IE is omitted in the message
hlcri	BITSTRING[8]	'1101____'B	
omitted?			high layer compatibility i. If the answer is OMIT the IE is omitted in the message
iei	BITSTRING[8]	'01111101'B	
iel	OCTETSTRING[1]		length of the element
extb3	BITSTRING[1]	'1'B	
cs	BITSTRING[2]		coding standard
in	BITSTRING[3]		interpretation
pmp	BITSTRING[2]		presentation method of protocol

extb4	BITSTRING[1]	'1'B	
hlci	BITSTRING[7]		high layer characteristic identification
extb4a	BITSTRING[1]		
ehlci	BITSTRING[7]		extended high layer characteristic identification
omitted?			high layer compatibility ii. If the answer is OMIT the IE is omitted in the message
iei	BITSTRING[8]	'01111101'B	
iel	OCTETSTRING[1]		length of the element
extb3	BITSTRING[1]	'1'B	
cs	BITSTRING[2]		coding standard
in	BITSTRING[3]		interpretation
pmp	BITSTRING[2]		presentation method of protocol
extb4	BITSTRING[1]	'1'B	
hlci	BITSTRING[7]		high layer characteristic identification
extb4a	BITSTRING[1]		
ehlci	BITSTRING[7]		extended high layer characteristic identification

Table 163: Parameter TSPX_BS43more

Name	Type	Value	Comments
TSPX_BS43more	BOOLEAN		

Table 164: Parameter TSPX_SetupBS43_2

Field	Type	Value	Comments
ti	BITSTRING[4]	'0000'B	
pd	BITSTRING[4]	'0011'B	
mt	BITSTRING[8]	'00000101'B	
omitted?			BC repeat indicator. If the answer is OMIT the IE is omitted in the message
bcrl	BITSTRING[8]	'1101____'B	
omitted?			Bearer capability 1. If the answer is OMIT the IE is omitted in the message
iei	BITSTRING[8]	'00000100'B	
iel	OCTETSTRING[1]		length of the IE in unit of OCTET
extb3	BITSTRING[1]		extension bit
rchr	BITSTRING[2]	'00'B	spare bit in the direction n -> ms
cs	BITSTRING[1]		coding standard
tm	BITSTRING[1]		transfer mode
itc	BITSTRING[3]		information transfer capability
extb4	BITSTRING[1]		extension bit
spb	BITSTRING[1]	'0'B	spare bit
strc	BITSTRING[1]		structure
dplxm	BITSTRING[2]		duplex mode
config	BITSTRING[1]		configuration
nirr	BITSTRING[1]		negotiation of intermediate rate requested
est	BITSTRING[1]		establishment
extb5	BITSTRING[1]		extension bit
accid	BITSTRING[2]		access identify
ra	BITSTRING[2]		rate adaption
sacp	BITSTRING[3]		signalling access protocol
extb6	BITSTRING[1]		extension bit
l1id	BITSTRING[2]		L1 identity
uil1	BITSTRING[4]		user information L 1 protocol
sb	BITSTRING[1]		synchronous bit
extb6a	BITSTRING[1]		extension bit
nsb	BITSTRING[1]		number of stop bits
nb	BITSTRING[1]		negotiation bit
ndb	BITSTRING[1]		number of data bits
ur	BITSTRING[4]		user rate
extb6b	BITSTRING[1]		extension bit
ir	BITSTRING[2]		intermediate rate
nictx	BITSTRING[1]		network independent clock on transmission
nicrx	BITSTRING[1]		network independent clock on reception
pi	BITSTRING[3]		parity information
extb6c	BITSTRING[1]		extension bit
ce	BITSTRING[2]		connection element
modemt	BITSTRING[5]		modem type
extb7	BITSTRING[1]		extension bit
l2id	BITSTRING[2]		L2 identity
uil2	BITSTRING[5]		user information L2 protocol
omitted?			Bearer capability 2. If the answer is OMIT the IE is omitted in the message
iei	BITSTRING[8]	'00000100'B	
iel	OCTETSTRING[1]		length of the IE in unit of OCTET
extb3	BITSTRING[1]		extension bit
rchr	BITSTRING[2]	'00'B	spare bit in the direction n -> ms
cs	BITSTRING[1]		coding standard
tm	BITSTRING[1]		transfer mode
itc	BITSTRING[3]		information transfer capability

extb4	BITSTRING[1]		extension bit
spb	BITSTRING[1]	'0'B	spare bit
strc	BITSTRING[1]		structure
dplx	BITSTRING[2]		duplex mode
config	BITSTRING[1]		configuration
nirr	BITSTRING[1]		negotiation of intermediate rate requested
est	BITSTRING[1]		establishment
extb5	BITSTRING[1]		extension bit
accid	BITSTRING[2]		access identify
ra	BITSTRING[2]		rate adaption
sacp	BITSTRING[3]		signalling access protocol
extb6	BITSTRING[1]		extension bit
l1id	BITSTRING[2]		L1 identity
uil1	BITSTRING[4]		user information L 1 protocol
sb	BITSTRING[1]		synchronous bit
extb6a	BITSTRING[1]		extension bit
nsb	BITSTRING[1]		number of stop bits
nb	BITSTRING[1]		negotiation bit
ndb	BITSTRING[1]		number of data bits
ur	BITSTRING[4]		user rate
extb6b	BITSTRING[1]		extension bit
ir	BITSTRING[2]		intermediate rate
nictx	BITSTRING[1]		network independent clock on transmission
nicrx	BITSTRING[1]		network independent clock on reception
pi	BITSTRING[3]		parity information
extb6c	BITSTRING[1]		extension bit
ce	BITSTRING[2]		connection element
modemt	BITSTRING[5]		modem type
extb7	BITSTRING[1]		extension bit
l2id	BITSTRING[2]		L2 identity
uil2	BITSTRING[5]		user information L2 protocol
omitted?			LLC repeat indicator. If the answer is OMIT the IE is omitted in the message
llcri	BITSTRING[8]	'1101_ _ _ _'B	
omitted?			low layer compatibility I. If the answer is OMIT the IE is omitted in the message
iei	BITSTRING[8]	'01111100'B	
iel	OCTETSTRING[1]		
contents	OCTETSTRING[1..13]		
omitted?			low layer compatibility II. If the answer is OMIT the IE is omitted in the message
iei	BITSTRING[8]	'01111100'B	
iel	OCTETSTRING[1]		
contents	OCTETSTRING[1..13]		
omitted?			HLC repeat indicator. If the answer is OMIT the IE is omitted in the message
hlcri	BITSTRING[8]	'1101_ _ _ _'B	
omitted?			high layer compatibility i. If the answer is OMIT the IE is omitted in the message
iei	BITSTRING[8]	'01111101'B	
iel	OCTETSTRING[1]		length of the element
extb3	BITSTRING[1]	'1'B	
cs	BITSTRING[2]		coding standard
in	BITSTRING[3]		interpretation
pmp	BITSTRING[2]		presentation method of protocol
extb4	BITSTRING[1]	'1'B	
hlci	BITSTRING[7]		high layer characteristic identification

extb4a	BITSTRING[1]		
ehlci	BITSTRING[7]		extended high layer characteristic identification
omitted?			high layer compatibility ii. If the answer is OMIT the IE is omitted in the message
iei	BITSTRING[8]	'01111101'B	
iel	OCTETSTRING[1]		length of the element
extb3	BITSTRING[1]	'1'B	
cs	BITSTRING[2]		coding standard
in	BITSTRING[3]		interpretation
pmp	BITSTRING[2]		presentation method of protocol
extb4	BITSTRING[1]	'1'B	
hlci	BITSTRING[7]		high layer characteristic identification
extb4a	BITSTRING[1]		
ehlci	BITSTRING[7]		extended high layer characteristic identification

Table 165: Parameter TSPX_SetupBS43_3

Field	Type	Value	Comments
ti	BITSTRING[4]	'0000'B	
pd	BITSTRING[4]	'0011'B	
mt	BITSTRING[8]	'00000101'B	
omitted?			BC repeat indicator. If the answer is OMIT the IE is omitted in the message
bcri	BITSTRING[8]	'1101_ _ _ _'B	
omitted?			Bearer capability 1. If the answer is OMIT the IE is omitted in the message
iei	BITSTRING[8]	'00000100'B	
iel	OCTETSTRING[1]		length of the IE in unit of OCTET
extb3	BITSTRING[1]		extension bit
rchr	BITSTRING[2]	'00'B	spare bit in the direction n -> ms
cs	BITSTRING[1]		coding standard
tm	BITSTRING[1]		transfer mode
itc	BITSTRING[3]		information transfer capability
extb4	BITSTRING[1]		extension bit
spb	BITSTRING[1]	'0'B	spare bit
strc	BITSTRING[1]		structure
dplx	BITSTRING[2]		duplex mode
config	BITSTRING[1]		configuration
nirr	BITSTRING[1]		negotiation of intermediate rate requested
est	BITSTRING[1]		establishment
extb5	BITSTRING[1]		extension bit
accid	BITSTRING[2]		access identify
ra	BITSTRING[2]		rate adaption
sacp	BITSTRING[3]		signalling access protocol
extb6	BITSTRING[1]		extension bit
l1id	BITSTRING[2]		L1 identity
uil1	BITSTRING[4]		user information L 1 protocol
sb	BITSTRING[1]		synchronous bit
extb6a	BITSTRING[1]		extension bit
nsb	BITSTRING[1]		number of stop bits
nb	BITSTRING[1]		negotiation bit
ndb	BITSTRING[1]		number of data bits
ur	BITSTRING[4]		user rate
extb6b	BITSTRING[1]		extension bit
ir	BITSTRING[2]		intermediate rate
nictx	BITSTRING[1]		network independent clock on transmission
nicrx	BITSTRING[1]		network independent clock on reception
pi	BITSTRING[3]		parity information
extb6c	BITSTRING[1]		extension bit
ce	BITSTRING[2]		connection element
modemt	BITSTRING[5]		modem type
extb7	BITSTRING[1]		extension bit
l2id	BITSTRING[2]		L2 identity
uil2	BITSTRING[5]		user information L2 protocol
omitted?			Bearer capability 2. If the answer is OMIT the IE is omitted in the message
iei	BITSTRING[8]	'00000100'B	
iel	OCTETSTRING[1]		length of the IE in unit of OCTET
extb3	BITSTRING[1]		extension bit
rchr	BITSTRING[2]	'00'B	spare bit in the direction n -> ms
cs	BITSTRING[1]		coding standard
tm	BITSTRING[1]		transfer mode
itc	BITSTRING[3]		information transfer capability

extb4	BITSTRING[1]		extension bit
spb	BITSTRING[1]	'0'B	spare bit
strc	BITSTRING[1]		structure
dplx	BITSTRING[2]		duplex mode
config	BITSTRING[1]		configuration
nirr	BITSTRING[1]		negotiation of intermediate rate requested
est	BITSTRING[1]		establishment
extb5	BITSTRING[1]		extension bit
accid	BITSTRING[2]		access identify
ra	BITSTRING[2]		rate adaption
sacp	BITSTRING[3]		signalling access protocol
extb6	BITSTRING[1]		extension bit
l1id	BITSTRING[2]		L1 identity
uil1	BITSTRING[4]		user information L 1 protocol
sb	BITSTRING[1]		synchronous bit
extb6a	BITSTRING[1]		extension bit
nsb	BITSTRING[1]		number of stop bits
nb	BITSTRING[1]		negotiation bit
ndb	BITSTRING[1]		number of data bits
ur	BITSTRING[4]		user rate
extb6b	BITSTRING[1]		extension bit
ir	BITSTRING[2]		intermediate rate
nictx	BITSTRING[1]		network independent clock on transmission
nicrx	BITSTRING[1]		network independent clock on reception
pi	BITSTRING[3]		parity information
extb6c	BITSTRING[1]		extension bit
ce	BITSTRING[2]		connection element
modemt	BITSTRING[5]		modem type
extb7	BITSTRING[1]		extension bit
l2id	BITSTRING[2]		L2 identity
uil2	BITSTRING[5]		user information L2 protocol
omitted?			LLC repeat indicator. If the answer is OMIT the IE is omitted in the message
llcri	BITSTRING[8]	'1101___'B	
omitted?			low layer compatibility I. If the answer is OMIT the IE is omitted in the message
iei	BITSTRING[8]	'01111100'B	
iel	OCTETSTRING[1]		
contents	OCTETSTRING[1..13]		
omitted?			low layer compatibility II. If the answer is OMIT the IE is omitted in the message
iei	BITSTRING[8]	'01111100'B	
iel	OCTETSTRING[1]		
contents	OCTETSTRING[1..13]		
omitted?			HLC repeat indicator. If the answer is OMIT the IE is omitted in the message
hlcri	BITSTRING[8]	'1101___'B	
omitted?			high layer compatibility i. If the answer is OMIT the IE is omitted in the message
iei	BITSTRING[8]	'01111101'B	
iel	OCTETSTRING[1]		length of the element
extb3	BITSTRING[1]	'1'B	
cs	BITSTRING[2]		coding standard
in	BITSTRING[3]		interpretation
pmpp	BITSTRING[2]		presentation method of protocol
extb4	BITSTRING[1]	'1'B	
hlci	BITSTRING[7]		high layer characteristic identification

extb4a	BITSTRING[1]		
ehlci	BITSTRING[7]		extended high layer characteristic identification
omitted?			high layer compatibility ii. If the answer is OMIT the IE is omitted in the message
iei	BITSTRING[8]	'01111101'B	
iel	OCTETSTRING[1]		length of the element
extb3	BITSTRING[1]	'1'B	
cs	BITSTRING[2]		coding standard
in	BITSTRING[3]		interpretation
pmp	BITSTRING[2]		presentation method of protocol
extb4	BITSTRING[1]	'1'B	
hlci	BITSTRING[7]		high layer characteristic identification
extb4a	BITSTRING[1]		
ehlci	BITSTRING[7]		extended high layer characteristic identification

B.7.2.5.17 PAD Access 2 400 bit/s

Table 166: Parameter TSPX_SetupBS44_1

Field	Type	Value	Comments
ti	BITSTRING[4]	'0000'B	
pd	BITSTRING[4]	'0011'B	
mt	BITSTRING[8]	'00000101'B	
omitted?			BC repeat indicator. If the answer is OMIT the IE is omitted in the message
bcricri	BITSTRING[8]	'1101_ _ _ _'B	
omitted?			Bearer capability 1. If the answer is OMIT the IE is omitted in the message
iei	BITSTRING[8]	'00000100'B	
iel	OCTETSTRING[1]		length of the IE in unit of OCTET
extb3	BITSTRING[1]		extension bit
rchr	BITSTRING[2]	'00'B	spare bit in the direction n -> ms
cs	BITSTRING[1]		coding standard
tm	BITSTRING[1]		transfer mode
itc	BITSTRING[3]		information transfer capability
extb4	BITSTRING[1]		extension bit
spb	BITSTRING[1]	'0'B	spare bit
strc	BITSTRING[1]		structure
dplxmd	BITSTRING[2]		duplex mode
config	BITSTRING[1]		configuration
nirrr	BITSTRING[1]		negotiation of intermediate rate requested
est	BITSTRING[1]		establishment
extb5	BITSTRING[1]		extension bit
accid	BITSTRING[2]		access identify
ra	BITSTRING[2]		rate adaption
sacp	BITSTRING[3]		signalling access protocol
extb6	BITSTRING[1]		extension bit
l1id	BITSTRING[2]		L1 identity
uil1	BITSTRING[4]		user information L 1 protocol
sb	BITSTRING[1]		synchronous bit
extb6a	BITSTRING[1]		extension bit
nsb	BITSTRING[1]		number of stop bits
nb	BITSTRING[1]		negotiation bit
ndb	BITSTRING[1]		number of data bits
ur	BITSTRING[4]		user rate
extb6b	BITSTRING[1]		extension bit
ir	BITSTRING[2]		intermediate rate
nictx	BITSTRING[1]		network independent clock on transmission
nicrx	BITSTRING[1]		network independent clock on reception
pi	BITSTRING[3]		parity information
extb6c	BITSTRING[1]		extension bit
ce	BITSTRING[2]		connection element
modemt	BITSTRING[5]		modem type
extb7	BITSTRING[1]		extension bit
l2id	BITSTRING[2]		L2 identity
uil2	BITSTRING[5]		user information L2 protocol
omitted?			Bearer capability 2. If the answer is OMIT the IE is omitted in the message
iei	BITSTRING[8]	'00000100'B	
iel	OCTETSTRING[1]		length of the IE in unit of OCTET
extb3	BITSTRING[1]		extension bit
rchr	BITSTRING[2]	'00'B	spare bit in the direction n -> ms
cs	BITSTRING[1]		coding standard

tm	BITSTRING[1]		transfer mode
itc	BITSTRING[3]		information transfer capability
extb4	BITSTRING[1]		extension bit
spb	BITSTRING[1]	'0'B	spare bit
strc	BITSTRING[1]		structure
dplx	BITSTRING[2]		duplex mode
config	BITSTRING[1]		configuration
nirr	BITSTRING[1]		negotiation of intermediate rate requested
est	BITSTRING[1]		establishment
extb5	BITSTRING[1]		extension bit
accid	BITSTRING[2]		access identify
ra	BITSTRING[2]		rate adaption
sacp	BITSTRING[3]		signalling access protocol
extb6	BITSTRING[1]		extension bit
l1id	BITSTRING[2]		L1 identity
uil1	BITSTRING[4]		user information L 1 protocol
sb	BITSTRING[1]		synchronous bit
extb6a	BITSTRING[1]		extension bit
nsb	BITSTRING[1]		number of stop bits
nb	BITSTRING[1]		negotiation bit
ndb	BITSTRING[1]		number of data bits
ur	BITSTRING[4]		user rate
extb6b	BITSTRING[1]		extension bit
ir	BITSTRING[2]		intermediate rate
nictx	BITSTRING[1]		network independent clock on transmission
nicrx	BITSTRING[1]		network independent clock on reception
pi	BITSTRING[3]		parity information
extb6c	BITSTRING[1]		extension bit
ce	BITSTRING[2]		connection element
modemt	BITSTRING[5]		modem type
extb7	BITSTRING[1]		extension bit
l2id	BITSTRING[2]		L2 identity
uil2	BITSTRING[5]		user information L2 protocol
omitted?			LLC repeat indicator. If the answer is OMIT the IE is omitted in the message
llcri	BITSTRING[8]	'1101___'B	
omitted?			low layer compatibility I. If the answer is OMIT the IE is omitted in the message
iei	BITSTRING[8]	'01111100'B	
iel	OCTETSTRING[1]		
contents	OCTETSTRING[1..13]		
omitted?			low layer compatibility II. If the answer is OMIT the IE is omitted in the message
iei	BITSTRING[8]	'01111100'B	
iel	OCTETSTRING[1]		
contents	OCTETSTRING[1..13]		
omitted?			HLC repeat indicator. If the answer is OMIT the IE is omitted in the message
hlcri	BITSTRING[8]	'1101___'B	
omitted?			high layer compatibility i. If the answer is OMIT the IE is omitted in the message
iei	BITSTRING[8]	'01111101'B	
iel	OCTETSTRING[1]		length of the element
extb3	BITSTRING[1]	'1'B	
cs	BITSTRING[2]		coding standard
in	BITSTRING[3]		interpretation
pmp	BITSTRING[2]		presentation method of protocol

extb4	BITSTRING[1]	'1'B	
hlci	BITSTRING[7]		high layer characteristic identification
extb4a	BITSTRING[1]		
ehlci	BITSTRING[7]		extended high layer characteristic identification
omitted?			high layer compatibility ii. If the answer is OMIT the IE is omitted in the message
iei	BITSTRING[8]	'01111101'B	
iel	OCTETSTRING[1]		length of the element
extb3	BITSTRING[1]	'1'B	
cs	BITSTRING[2]		coding standard
in	BITSTRING[3]		interpretation
pmp	BITSTRING[2]		presentation method of protocol
extb4	BITSTRING[1]	'1'B	
hlci	BITSTRING[7]		high layer characteristic identification
extb4a	BITSTRING[1]		
ehlci	BITSTRING[7]		extended high layer characteristic identification

Table 167: Parameter TSPX_BS44more

Name	Type	Value	Comments
TSPX_BS44more	BOOLEAN		

Table 168: Parameter TSPX_SetupBS44_2

Field	Type	Value	Comments
ti	BITSTRING[4]	'0000'B	
pd	BITSTRING[4]	'0011'B	
mt	BITSTRING[8]	'00000101'B	
omitted?			BC repeat indicator. If the answer is OMIT the IE is omitted in the message
bcri	BITSTRING[8]	'1101_ _ _ _'B	
omitted?			Bearer capability 1. If the answer is OMIT the IE is omitted in the message
iei	BITSTRING[8]	'00000100'B	
iel	OCTETSTRING[1]		length of the IE in unit of OCTET
extb3	BITSTRING[1]		extension bit
rchr	BITSTRING[2]	'00'B	spare bit in the direction n -> ms
cs	BITSTRING[1]		coding standard
tm	BITSTRING[1]		transfer mode
itc	BITSTRING[3]		information transfer capability
extb4	BITSTRING[1]		extension bit
spb	BITSTRING[1]	'0'B	spare bit
strc	BITSTRING[1]		structure
dplxm	BITSTRING[2]		duplex mode
config	BITSTRING[1]		configuration
nirr	BITSTRING[1]		negotiation of intermediate rate requested
est	BITSTRING[1]		establishment
extb5	BITSTRING[1]		extension bit
accid	BITSTRING[2]		access identify
ra	BITSTRING[2]		rate adaption
sacp	BITSTRING[3]		signalling access protocol
extb6	BITSTRING[1]		extension bit
l1id	BITSTRING[2]		L1 identity
uil1	BITSTRING[4]		user information L 1 protocol
sb	BITSTRING[1]		synchronous bit
extb6a	BITSTRING[1]		extension bit
nsb	BITSTRING[1]		number of stop bits
nb	BITSTRING[1]		negotiation bit
ndb	BITSTRING[1]		number of data bits
ur	BITSTRING[4]		user rate
extb6b	BITSTRING[1]		extension bit
ir	BITSTRING[2]		intermediate rate
nictx	BITSTRING[1]		network independent clock on transmission
nicrx	BITSTRING[1]		network independent clock on reception
pi	BITSTRING[3]		parity information
extb6c	BITSTRING[1]		extension bit
ce	BITSTRING[2]		connection element
modemt	BITSTRING[5]		modem type
extb7	BITSTRING[1]		extension bit
l2id	BITSTRING[2]		L2 identity
uil2	BITSTRING[5]		user information L2 protocol
omitted?			Bearer capability 2. If the answer is OMIT the IE is omitted in the message
iei	BITSTRING[8]	'00000100'B	
iel	OCTETSTRING[1]		length of the IE in unit of OCTET
extb3	BITSTRING[1]		extension bit
rchr	BITSTRING[2]	'00'B	spare bit in the direction n -> ms
cs	BITSTRING[1]		coding standard
tm	BITSTRING[1]		transfer mode
itc	BITSTRING[3]		information transfer capability

extb4	BITSTRING[1]		extension bit
spb	BITSTRING[1]	'0'B	spare bit
strc	BITSTRING[1]		structure
dplxm	BITSTRING[2]		duplex mode
config	BITSTRING[1]		configuration
nirr	BITSTRING[1]		negotiation of intermediate rate requested
est	BITSTRING[1]		establishment
extb5	BITSTRING[1]		extension bit
accid	BITSTRING[2]		access identify
ra	BITSTRING[2]		rate adaption
sacp	BITSTRING[3]		signalling access protocol
extb6	BITSTRING[1]		extension bit
l1id	BITSTRING[2]		L1 identity
uil1	BITSTRING[4]		user information L 1 protocol
sb	BITSTRING[1]		synchronous bit
extb6a	BITSTRING[1]		extension bit
nsb	BITSTRING[1]		number of stop bits
nb	BITSTRING[1]		negotiation bit
ndb	BITSTRING[1]		number of data bits
ur	BITSTRING[4]		user rate
extb6b	BITSTRING[1]		extension bit
ir	BITSTRING[2]		intermediate rate
nictx	BITSTRING[1]		network independent clock on transmission
nicrx	BITSTRING[1]		network independent clock on reception
pi	BITSTRING[3]		parity information
extb6c	BITSTRING[1]		extension bit
ce	BITSTRING[2]		connection element
modemt	BITSTRING[5]		modem type
extb7	BITSTRING[1]		extension bit
l2id	BITSTRING[2]		L2 identity
uil2	BITSTRING[5]		user information L2 protocol
omitted?			LLC repeat indicator. If the answer is OMIT the IE is omitted in the message
llcri	BITSTRING[8]	'1101___'B	
omitted?			low layer compatibility I. If the answer is OMIT the IE is omitted in the message
iei	BITSTRING[8]	'01111100'B	
iel	OCTETSTRING[1]		
contents	OCTETSTRING[1..13]		
omitted?			low layer compatibility II. If the answer is OMIT the IE is omitted in the message
iei	BITSTRING[8]	'01111100'B	
iel	OCTETSTRING[1]		
contents	OCTETSTRING[1..13]		
omitted?			HLC repeat indicator. If the answer is OMIT the IE is omitted in the message
hlcri	BITSTRING[8]	'1101___'B	
omitted?			high layer compatibility i. If the answer is OMIT the IE is omitted in the message
iei	BITSTRING[8]	'01111101'B	
iel	OCTETSTRING[1]		length of the element
extb3	BITSTRING[1]	'1'B	
cs	BITSTRING[2]		coding standard
in	BITSTRING[3]		interpretation
pmpp	BITSTRING[2]		presentation method of protocol
extb4	BITSTRING[1]	'1'B	
hlci	BITSTRING[7]		high layer characteristic identification

extb4a	BITSTRING[1]		
ehlci	BITSTRING[7]		extended high layer characteristic identification
omitted?			high layer compatibility ii. If the answer is OMIT the IE is omitted in the message
iei	BITSTRING[8]	'01111101'B	
iel	OCTETSTRING[1]		length of the element
extb3	BITSTRING[1]	'1'B	
cs	BITSTRING[2]		coding standard
in	BITSTRING[3]		interpretation
pmp	BITSTRING[2]		presentation method of protocol
extb4	BITSTRING[1]	'1'B	
hlci	BITSTRING[7]		high layer characteristic identification
extb4a	BITSTRING[1]		
ehlci	BITSTRING[7]		extended high layer characteristic identification

Table 169: Parameter TSPX_SetupBS44_3

Field	Type	Value	Comments
ti	BITSTRING[4]	'0000'B	
pd	BITSTRING[4]	'0011'B	
mt	BITSTRING[8]	'00000101'B	
omitted?			BC repeat indicator. If the answer is OMIT the IE is omitted in the message
bcrl	BITSTRING[8]	'1101____'B	
omitted?			Bearer capability 1. If the answer is OMIT the IE is omitted in the message
iei	BITSTRING[8]	'00000100'B	
iel	OCTETSTRING[1]		length of the IE in unit of OCTET
extb3	BITSTRING[1]		extension bit
rchr	BITSTRING[2]	'00'B	spare bit in the direction n -> ms
cs	BITSTRING[1]		coding standard
tm	BITSTRING[1]		transfer mode
itc	BITSTRING[3]		information transfer capability
extb4	BITSTRING[1]		extension bit
spb	BITSTRING[1]	'0'B	spare bit
strc	BITSTRING[1]		structure
dplxm	BITSTRING[2]		duplex mode
config	BITSTRING[1]		configuration
nirr	BITSTRING[1]		negotiation of intermediate rate requested
est	BITSTRING[1]		establishment
extb5	BITSTRING[1]		extension bit
accid	BITSTRING[2]		access identify
ra	BITSTRING[2]		rate adaption
sacp	BITSTRING[3]		signalling access protocol
extb6	BITSTRING[1]		extension bit
l1id	BITSTRING[2]		L1 identity
uil1	BITSTRING[4]		user information L 1 protocol
sb	BITSTRING[1]		synchronous bit
extb6a	BITSTRING[1]		extension bit
nsb	BITSTRING[1]		number of stop bits
nb	BITSTRING[1]		negotiation bit
ndb	BITSTRING[1]		number of data bits
ur	BITSTRING[4]		user rate
extb6b	BITSTRING[1]		extension bit
ir	BITSTRING[2]		intermediate rate
nictx	BITSTRING[1]		network independent clock on transmission
nicrx	BITSTRING[1]		network independent clock on reception
pi	BITSTRING[3]		parity information
extb6c	BITSTRING[1]		extension bit
ce	BITSTRING[2]		connection element
modemt	BITSTRING[5]		modem type
extb7	BITSTRING[1]		extension bit
l2id	BITSTRING[2]		L2 identity
uil2	BITSTRING[5]		user information L2 protocol
omitted?			Bearer capability 2. If the answer is OMIT the IE is omitted in the message
iei	BITSTRING[8]	'00000100'B	
iel	OCTETSTRING[1]		length of the IE in unit of OCTET
extb3	BITSTRING[1]		extension bit
rchr	BITSTRING[2]	'00'B	spare bit in the direction n -> ms
cs	BITSTRING[1]		coding standard
tm	BITSTRING[1]		transfer mode
itc	BITSTRING[3]		information transfer capability

extb4	BITSTRING[1]		extension bit
spb	BITSTRING[1]	'0'B	spare bit
strc	BITSTRING[1]		structure
dplx	BITSTRING[2]		duplex mode
config	BITSTRING[1]		configuration
nirr	BITSTRING[1]		negotiation of intermediate rate requested
est	BITSTRING[1]		establishment
extb5	BITSTRING[1]		extension bit
accid	BITSTRING[2]		access identify
ra	BITSTRING[2]		rate adaption
sacp	BITSTRING[3]		signalling access protocol
extb6	BITSTRING[1]		extension bit
l1id	BITSTRING[2]		L1 identity
uil1	BITSTRING[4]		user information L 1 protocol
sb	BITSTRING[1]		synchronous bit
extb6a	BITSTRING[1]		extension bit
nsb	BITSTRING[1]		number of stop bits
nb	BITSTRING[1]		negotiation bit
ndb	BITSTRING[1]		number of data bits
ur	BITSTRING[4]		user rate
extb6b	BITSTRING[1]		extension bit
ir	BITSTRING[2]		intermediate rate
nictx	BITSTRING[1]		network independent clock on transmission
nicrx	BITSTRING[1]		network independent clock on reception
pi	BITSTRING[3]		parity information
extb6c	BITSTRING[1]		extension bit
ce	BITSTRING[2]		connection element
modemt	BITSTRING[5]		modem type
extb7	BITSTRING[1]		extension bit
l2id	BITSTRING[2]		L2 identity
uil2	BITSTRING[5]		user information L2 protocol
omitted?			LLC repeat indicator. If the answer is OMIT the IE is omitted in the message
llcri	BITSTRING[8]	'1101_ _ _ _'B	
omitted?			low layer compatibility I. If the answer is OMIT the IE is omitted in the message
iei	BITSTRING[8]	'01111100'B	
iel	OCTETSTRING[1]		
contents	OCTETSTRING[1..13]		
omitted?			low layer compatibility II. If the answer is OMIT the IE is omitted in the message
iei	BITSTRING[8]	'01111100'B	
iel	OCTETSTRING[1]		
contents	OCTETSTRING[1..13]		
omitted?			HLC repeat indicator. If the answer is OMIT the IE is omitted in the message
hlcri	BITSTRING[8]	'1101_ _ _ _'B	
omitted?			high layer compatibility i. If the answer is OMIT the IE is omitted in the message
iei	BITSTRING[8]	'01111101'B	
iel	OCTETSTRING[1]		length of the element
extb3	BITSTRING[1]	'1'B	
cs	BITSTRING[2]		coding standard
in	BITSTRING[3]		interpretation
pmp	BITSTRING[2]		presentation method of protocol
extb4	BITSTRING[1]	'1'B	
hlci	BITSTRING[7]		high layer characteristic identification

extb4a	BITSTRING[1]		
ehlci	BITSTRING[7]		extended high layer characteristic identification
omitted?			high layer compatibility ii. If the answer is OMIT the IE is omitted in the message
iei	BITSTRING[8]	'01111101'B	
iel	OCTETSTRING[1]		length of the element
extb3	BITSTRING[1]	'1'B	
cs	BITSTRING[2]		coding standard
in	BITSTRING[3]		interpretation
pmp	BITSTRING[2]		presentation method of protocol
extb4	BITSTRING[1]	'1'B	
hlci	BITSTRING[7]		high layer characteristic identification
extb4a	BITSTRING[1]		
ehlci	BITSTRING[7]		extended high layer characteristic identification

B.7.2.5.18 PAD Access 4 800 bit/s

Table 170: Parameter TSPX_SetupBS45_1

Field	Type	Value	Comments
ti	BITSTRING[4]	'0000'B	
pd	BITSTRING[4]	'0011'B	
mt	BITSTRING[8]	'00000101'B	
omitted?			BC repeat indicator. If the answer is OMIT the IE is omitted in the message
bcri	BITSTRING[8]	'1101_ _ _ _'B	
omitted?			Bearer capability 1. If the answer is OMIT the IE is omitted in the message
iei	BITSTRING[8]	'00000100'B	
iel	OCTETSTRING[1]		length of the IE in unit of OCTET
extb3	BITSTRING[1]		extension bit
rchr	BITSTRING[2]	'00'B	spare bit in the direction n -> ms
cs	BITSTRING[1]		coding standard
tm	BITSTRING[1]		transfer mode
itc	BITSTRING[3]		information transfer capability
extb4	BITSTRING[1]		extension bit
spb	BITSTRING[1]	'0'B	spare bit
strc	BITSTRING[1]		structure
dplx	BITSTRING[2]		duplex mode
config	BITSTRING[1]		configuration
nirr	BITSTRING[1]		negotiation of intermediate rate requested
est	BITSTRING[1]		establishment
extb5	BITSTRING[1]		extension bit
accid	BITSTRING[2]		access identify
ra	BITSTRING[2]		rate adaption
sacp	BITSTRING[3]		signalling access protocol
extb6	BITSTRING[1]		extension bit
l1id	BITSTRING[2]		L1 identity
uil1	BITSTRING[4]		user information L 1 protocol
sb	BITSTRING[1]		synchronous bit
extb6a	BITSTRING[1]		extension bit
nsb	BITSTRING[1]		number of stop bits
nb	BITSTRING[1]		negotiation bit
ndb	BITSTRING[1]		number of data bits
ur	BITSTRING[4]		user rate
extb6b	BITSTRING[1]		extension bit
ir	BITSTRING[2]		intermediate rate
nictx	BITSTRING[1]		network independent clock on transmission
nicrx	BITSTRING[1]		network independent clock on reception
pi	BITSTRING[3]		parity information
extb6c	BITSTRING[1]		extension bit
ce	BITSTRING[2]		connection element
modemt	BITSTRING[5]		modem type
extb7	BITSTRING[1]		extension bit
l2id	BITSTRING[2]		L2 identity
uil2	BITSTRING[5]		user information L2 protocol
omitted?			Bearer capability 2. If the answer is OMIT the IE is omitted in the message
iei	BITSTRING[8]	'00000100'B	
iel	OCTETSTRING[1]		length of the IE in unit of OCTET
extb3	BITSTRING[1]		extension bit
rchr	BITSTRING[2]	'00'B	spare bit in the direction n -> ms
cs	BITSTRING[1]		coding standard

tm	BITSTRING[1]		transfer mode
itc	BITSTRING[3]		information transfer capability
extb4	BITSTRING[1]		extension bit
spb	BITSTRING[1]	'0'B	spare bit
strc	BITSTRING[1]		structure
dplxm	BITSTRING[2]		duplex mode
config	BITSTRING[1]		configuration
nirr	BITSTRING[1]		negotiation of intermediate rate requested
est	BITSTRING[1]		establishment
extb5	BITSTRING[1]		extension bit
accid	BITSTRING[2]		access identify
ra	BITSTRING[2]		rate adaption
sacp	BITSTRING[3]		signalling access protocol
extb6	BITSTRING[1]		extension bit
l1id	BITSTRING[2]		L1 identity
uil1	BITSTRING[4]		user information L 1 protocol
sb	BITSTRING[1]		synchronous bit
extb6a	BITSTRING[1]		extension bit
nsb	BITSTRING[1]		number of stop bits
nb	BITSTRING[1]		negotiation bit
ndb	BITSTRING[1]		number of data bits
ur	BITSTRING[4]		user rate
extb6b	BITSTRING[1]		extension bit
ir	BITSTRING[2]		intermediate rate
nictx	BITSTRING[1]		network independent clock on transmission
nicrx	BITSTRING[1]		network independent clock on reception
pi	BITSTRING[3]		parity information
extb6c	BITSTRING[1]		extension bit
ce	BITSTRING[2]		connection element
modemt	BITSTRING[5]		modem type
extb7	BITSTRING[1]		extension bit
l2id	BITSTRING[2]		L2 identity
uil2	BITSTRING[5]		user information L2 protocol
omitted?			LLC repeat indicator. If the answer is OMIT the IE is omitted in the message
llcri	BITSTRING[8]	'1101___'B	
omitted?			low layer compatibility I. If the answer is OMIT the IE is omitted in the message
iei	BITSTRING[8]	'01111100'B	
iel	OCTETSTRING[1]		
contents	OCTETSTRING[1..13]		
omitted?			low layer compatibility II. If the answer is OMIT the IE is omitted in the message
iei	BITSTRING[8]	'01111100'B	
iel	OCTETSTRING[1]		
contents	OCTETSTRING[1..13]		
omitted?			HLC repeat indicator. If the answer is OMIT the IE is omitted in the message
hlcri	BITSTRING[8]	'1101___'B	
omitted?			high layer compatibility i. If the answer is OMIT the IE is omitted in the message
iei	BITSTRING[8]	'01111101'B	
iel	OCTETSTRING[1]		length of the element
extb3	BITSTRING[1]	'1'B	
cs	BITSTRING[2]		coding standard
in	BITSTRING[3]		interpretation
pmp	BITSTRING[2]		presentation method of protocol

extb4	BITSTRING[1]	'1'B	
hlci	BITSTRING[7]		high layer characteristic identification
extb4a	BITSTRING[1]		
ehlci	BITSTRING[7]		extended high layer characteristic identification
omitted?			high layer compatibility ii. If the answer is OMIT the IE is omitted in the message
iei	BITSTRING[8]	'01111101'B	
iel	OCTETSTRING[1]		length of the element
extb3	BITSTRING[1]	'1'B	
cs	BITSTRING[2]		coding standard
in	BITSTRING[3]		interpretation
pmp	BITSTRING[2]		presentation method of protocol
extb4	BITSTRING[1]	'1'B	
hlci	BITSTRING[7]		high layer characteristic identification
extb4a	BITSTRING[1]		
ehlci	BITSTRING[7]		extended high layer characteristic identification

Table 171: Parameter TSPX_BS45more

Name	Type	Value	Comments
TSPX_BS45more	BOOLEAN		

Table 172: Parameter TSPX_SetupBS45_2

Field	Type	Value	Comments
ti	BITSTRING[4]	'0000'B	
pd	BITSTRING[4]	'0011'B	
mt	BITSTRING[8]	'00000101'B	
omitted?			BC repeat indicator. If the answer is OMIT the IE is omitted in the message
bcrl	BITSTRING[8]	'1101____'B	
omitted?			Bearer capability 1. If the answer is OMIT the IE is omitted in the message
iei	BITSTRING[8]	'00000100'B	
iel	OCTETSTRING[1]		length of the IE in unit of OCTET
extb3	BITSTRING[1]		extension bit
rchr	BITSTRING[2]	'00'B	spare bit in the direction n -> ms
cs	BITSTRING[1]		coding standard
tm	BITSTRING[1]		transfer mode
itc	BITSTRING[3]		information transfer capability
extb4	BITSTRING[1]		extension bit
spb	BITSTRING[1]	'0'B	spare bit
strc	BITSTRING[1]		structure
dplxm	BITSTRING[2]		duplex mode
config	BITSTRING[1]		configuration
nirr	BITSTRING[1]		negotiation of intermediate rate requested
est	BITSTRING[1]		establishment
extb5	BITSTRING[1]		extension bit
accid	BITSTRING[2]		access identify
ra	BITSTRING[2]		rate adaption
sacp	BITSTRING[3]		signalling access protocol
extb6	BITSTRING[1]		extension bit
l1id	BITSTRING[2]		L1 identity
uil1	BITSTRING[4]		user information L 1 protocol
sb	BITSTRING[1]		synchronous bit
extb6a	BITSTRING[1]		extension bit
nsb	BITSTRING[1]		number of stop bits
nb	BITSTRING[1]		negotiation bit
ndb	BITSTRING[1]		number of data bits
ur	BITSTRING[4]		user rate
extb6b	BITSTRING[1]		extension bit
ir	BITSTRING[2]		intermediate rate
nictx	BITSTRING[1]		network independent clock on transmission
nicrx	BITSTRING[1]		network independent clock on reception
pi	BITSTRING[3]		parity information
extb6c	BITSTRING[1]		extension bit
ce	BITSTRING[2]		connection element
modemt	BITSTRING[5]		modem type
extb7	BITSTRING[1]		extension bit
l2id	BITSTRING[2]		L2 identity
uil2	BITSTRING[5]		user information L2 protocol
omitted?			Bearer capability 2. If the answer is OMIT the IE is omitted in the message
iei	BITSTRING[8]	'00000100'B	
iel	OCTETSTRING[1]		length of the IE in unit of OCTET
extb3	BITSTRING[1]		extension bit
rchr	BITSTRING[2]	'00'B	spare bit in the direction n -> ms
cs	BITSTRING[1]		coding standard
tm	BITSTRING[1]		transfer mode
itc	BITSTRING[3]		information transfer capability

extb4	BITSTRING[1]		extension bit
spb	BITSTRING[1]	'0'B	spare bit
strc	BITSTRING[1]		structure
dplxm	BITSTRING[2]		duplex mode
config	BITSTRING[1]		configuration
nirr	BITSTRING[1]		negotiation of intermediate rate requested
est	BITSTRING[1]		establishment
extb5	BITSTRING[1]		extension bit
accid	BITSTRING[2]		access identify
ra	BITSTRING[2]		rate adaption
sacp	BITSTRING[3]		signalling access protocol
extb6	BITSTRING[1]		extension bit
l1id	BITSTRING[2]		L1 identity
uil1	BITSTRING[4]		user information L 1 protocol
sb	BITSTRING[1]		synchronous bit
extb6a	BITSTRING[1]		extension bit
nsb	BITSTRING[1]		number of stop bits
nb	BITSTRING[1]		negotiation bit
ndb	BITSTRING[1]		number of data bits
ur	BITSTRING[4]		user rate
extb6b	BITSTRING[1]		extension bit
ir	BITSTRING[2]		intermediate rate
nictx	BITSTRING[1]		network independent clock on transmission
nicrx	BITSTRING[1]		network independent clock on reception
pi	BITSTRING[3]		parity information
extb6c	BITSTRING[1]		extension bit
ce	BITSTRING[2]		connection element
modemt	BITSTRING[5]		modem type
extb7	BITSTRING[1]		extension bit
l2id	BITSTRING[2]		L2 identity
uil2	BITSTRING[5]		user information L2 protocol
omitted?			LLC repeat indicator. If the answer is OMIT the IE is omitted in the message
llcri	BITSTRING[8]	'1101_ _ _ _'B	
omitted?			low layer compatibility I. If the answer is OMIT the IE is omitted in the message
iei	BITSTRING[8]	'01111100'B	
iel	OCTETSTRING[1]		
contents	OCTETSTRING[1..13]		
omitted?			low layer compatibility II. If the answer is OMIT the IE is omitted in the message
iei	BITSTRING[8]	'01111100'B	
iel	OCTETSTRING[1]		
contents	OCTETSTRING[1..13]		
omitted?			HLC repeat indicator. If the answer is OMIT the IE is omitted in the message
hlcri	BITSTRING[8]	'1101_ _ _ _'B	
omitted?			high layer compatibility i. If the answer is OMIT the IE is omitted in the message
iei	BITSTRING[8]	'01111101'B	
iel	OCTETSTRING[1]		length of the element
extb3	BITSTRING[1]	'1'B	
cs	BITSTRING[2]		coding standard
in	BITSTRING[3]		interpretation
pmp	BITSTRING[2]		presentation method of protocol
extb4	BITSTRING[1]	'1'B	
hlci	BITSTRING[7]		high layer characteristic identification

extb4a	BITSTRING[1]		
ehlci	BITSTRING[7]		extended high layer characteristic identification
omitted?			high layer compatibility ii. If the answer is OMIT the IE is omitted in the message
iei	BITSTRING[8]	'01111101'B	
iel	OCTETSTRING[1]		length of the element
extb3	BITSTRING[1]	'1'B	
cs	BITSTRING[2]		coding standard
in	BITSTRING[3]		interpretation
pmpp	BITSTRING[2]		presentation method of protocol
extb4	BITSTRING[1]	'1'B	
hlci	BITSTRING[7]		high layer characteristic identification
extb4a	BITSTRING[1]		
ehlci	BITSTRING[7]		extended high layer characteristic identification

Table 173: Parameter TSPX_SetupBS45_3

Field	Type	Value	Comments
ti	BITSTRING[4]	'0000'B	
pd	BITSTRING[4]	'0011'B	
mt	BITSTRING[8]	'00000101'B	
omitted?			BC repeat indicator. If the answer is OMIT the IE is omitted in the message
bcri	BITSTRING[8]	'1101_ _ _ _'B	
omitted?			Bearer capability 1. If the answer is OMIT the IE is omitted in the message
iei	BITSTRING[8]	'00000100'B	
iel	OCTETSTRING[1]		length of the IE in unit of OCTET
extb3	BITSTRING[1]		extension bit
rchr	BITSTRING[2]	'00'B	spare bit in the direction n -> ms
cs	BITSTRING[1]		coding standard
tm	BITSTRING[1]		transfer mode
itc	BITSTRING[3]		information transfer capability
extb4	BITSTRING[1]		extension bit
spb	BITSTRING[1]	'0'B	spare bit
strc	BITSTRING[1]		structure
dplx	BITSTRING[2]		duplex mode
config	BITSTRING[1]		configuration
nirr	BITSTRING[1]		negotiation of intermediate rate requested
est	BITSTRING[1]		establishment
extb5	BITSTRING[1]		extension bit
accid	BITSTRING[2]		access identify
ra	BITSTRING[2]		rate adaption
sacp	BITSTRING[3]		signalling access protocol
extb6	BITSTRING[1]		extension bit
l1id	BITSTRING[2]		L1 identity
uil1	BITSTRING[4]		user information L 1 protocol
sb	BITSTRING[1]		synchronous bit
extb6a	BITSTRING[1]		extension bit
nsb	BITSTRING[1]		number of stop bits
nb	BITSTRING[1]		negotiation bit
ndb	BITSTRING[1]		number of data bits
ur	BITSTRING[4]		user rate
extb6b	BITSTRING[1]		extension bit
ir	BITSTRING[2]		intermediate rate
nictx	BITSTRING[1]		network independent clock on transmission
nicrx	BITSTRING[1]		network independent clock on reception
pi	BITSTRING[3]		parity information
extb6c	BITSTRING[1]		extension bit
ce	BITSTRING[2]		connection element
modemt	BITSTRING[5]		modem type
extb7	BITSTRING[1]		extension bit
l2id	BITSTRING[2]		L2 identity
uil2	BITSTRING[5]		user information L2 protocol
omitted?			Bearer capability 2. If the answer is OMIT the IE is omitted in the message
iei	BITSTRING[8]	'00000100'B	
iel	OCTETSTRING[1]		length of the IE in unit of OCTET
extb3	BITSTRING[1]		extension bit
rchr	BITSTRING[2]	'00'B	spare bit in the direction n -> ms
cs	BITSTRING[1]		coding standard
tm	BITSTRING[1]		transfer mode
itc	BITSTRING[3]		information transfer capability

extb4	BITSTRING[1]		extension bit
spb	BITSTRING[1]	'0'B	spare bit
strc	BITSTRING[1]		structure
dplxm	BITSTRING[2]		duplex mode
config	BITSTRING[1]		configuration
nirr	BITSTRING[1]		negotiation of intermediate rate requested
est	BITSTRING[1]		establishment
extb5	BITSTRING[1]		extension bit
accid	BITSTRING[2]		access identify
ra	BITSTRING[2]		rate adaption
sacp	BITSTRING[3]		signalling access protocol
extb6	BITSTRING[1]		extension bit
l1id	BITSTRING[2]		L1 identity
uil1	BITSTRING[4]		user information L 1 protocol
sb	BITSTRING[1]		synchronous bit
extb6a	BITSTRING[1]		extension bit
nsb	BITSTRING[1]		number of stop bits
nb	BITSTRING[1]		negotiation bit
ndb	BITSTRING[1]		number of data bits
ur	BITSTRING[4]		user rate
extb6b	BITSTRING[1]		extension bit
ir	BITSTRING[2]		intermediate rate
nictx	BITSTRING[1]		network independent clock on transmission
nicrx	BITSTRING[1]		network independent clock on reception
pi	BITSTRING[3]		parity information
extb6c	BITSTRING[1]		extension bit
ce	BITSTRING[2]		connection element
modemt	BITSTRING[5]		modem type
extb7	BITSTRING[1]		extension bit
l2id	BITSTRING[2]		L2 identity
uil2	BITSTRING[5]		user information L2 protocol
omitted?			LLC repeat indicator. If the answer is OMIT the IE is omitted in the message
llcri	BITSTRING[8]	'1101___'B	
omitted?			low layer compatibility I. If the answer is OMIT the IE is omitted in the message
iei	BITSTRING[8]	'01111100'B	
iel	OCTETSTRING[1]		
contents	OCTETSTRING[1..13]		
omitted?			low layer compatibility II. If the answer is OMIT the IE is omitted in the message
iei	BITSTRING[8]	'01111100'B	
iel	OCTETSTRING[1]		
contents	OCTETSTRING[1..13]		
omitted?			HLC repeat indicator. If the answer is OMIT the IE is omitted in the message
hlcri	BITSTRING[8]	'1101___'B	
omitted?			high layer compatibility i. If the answer is OMIT the IE is omitted in the message
iei	BITSTRING[8]	'01111101'B	
iel	OCTETSTRING[1]		length of the element
extb3	BITSTRING[1]	'1'B	
cs	BITSTRING[2]		coding standard
in	BITSTRING[3]		interpretation
pmpp	BITSTRING[2]		presentation method of protocol
extb4	BITSTRING[1]	'1'B	
hlci	BITSTRING[7]		high layer characteristic identification

extb4a	BITSTRING[1]		
ehlci	BITSTRING[7]		extended high layer characteristic identification
omitted?			high layer compatibility ii. If the answer is OMIT the IE is omitted in the message
iei	BITSTRING[8]	'01111101'B	
iel	OCTETSTRING[1]		length of the element
extb3	BITSTRING[1]	'1'B	
cs	BITSTRING[2]		coding standard
in	BITSTRING[3]		interpretation
pmp	BITSTRING[2]		presentation method of protocol
extb4	BITSTRING[1]	'1'B	
hlci	BITSTRING[7]		high layer characteristic identification
extb4a	BITSTRING[1]		
ehlci	BITSTRING[7]		extended high layer characteristic identification

B.7.2.5.19 PAD Access 9 600 bit/s

Table 174: Parameter TSPX_SetupBS46_1

Field	Type	Value	Comments
ti	BITSTRING[4]	'0000'B	
pd	BITSTRING[4]	'0011'B	
mt	BITSTRING[8]	'00000101'B	
omitted?			BC repeat indicator. If the answer is OMIT the IE is omitted in the message
bcricri	BITSTRING[8]	'1101_ _ _ _'B	
omitted?			Bearer capability 1. If the answer is OMIT the IE is omitted in the message
iei	BITSTRING[8]	'00000100'B	
iel	OCTETSTRING[1]		length of the IE in unit of OCTET
extb3	BITSTRING[1]		extension bit
rchr	BITSTRING[2]	'00'B	spare bit in the direction n -> ms
cs	BITSTRING[1]		coding standard
tm	BITSTRING[1]		transfer mode
itc	BITSTRING[3]		information transfer capability
extb4	BITSTRING[1]		extension bit
spb	BITSTRING[1]	'0'B	spare bit
strc	BITSTRING[1]		structure
dplxmduplex	BITSTRING[2]		duplex mode
config	BITSTRING[1]		configuration
nirrrate	BITSTRING[1]		negotiation of intermediate rate requested
est	BITSTRING[1]		establishment
extb5	BITSTRING[1]		extension bit
accid	BITSTRING[2]		access identify
ra	BITSTRING[2]		rate adaption
sacp	BITSTRING[3]		signalling access protocol
extb6	BITSTRING[1]		extension bit
l1id	BITSTRING[2]		L1 identity
uil1	BITSTRING[4]		user information L 1 protocol
sb	BITSTRING[1]		synchronous bit
extb6a	BITSTRING[1]		extension bit
nsb	BITSTRING[1]		number of stop bits
nb	BITSTRING[1]		negotiation bit
ndb	BITSTRING[1]		number of data bits
ur	BITSTRING[4]		user rate
extb6b	BITSTRING[1]		extension bit
ir	BITSTRING[2]		intermediate rate
nictx	BITSTRING[1]		network independent clock on transmission
nicrx	BITSTRING[1]		network independent clock on reception
pi	BITSTRING[3]		parity information
extb6c	BITSTRING[1]		extension bit
ce	BITSTRING[2]		connection element
modemt	BITSTRING[5]		modem type
extb7	BITSTRING[1]		extension bit
l2id	BITSTRING[2]		L2 identity
uil2	BITSTRING[5]		user information L2 protocol
omitted?			Bearer capability 2. If the answer is OMIT the IE is omitted in the message
iei	BITSTRING[8]	'00000100'B	
iel	OCTETSTRING[1]		length of the IE in unit of OCTET
extb3	BITSTRING[1]		extension bit
rchr	BITSTRING[2]	'00'B	spare bit in the direction n -> ms
cs	BITSTRING[1]		coding standard

tm	BITSTRING[1]		transfer mode
itc	BITSTRING[3]		information transfer capability
extb4	BITSTRING[1]		extension bit
spb	BITSTRING[1]	'0'B	spare bit
strc	BITSTRING[1]		structure
dplx	BITSTRING[2]		duplex mode
config	BITSTRING[1]		configuration
nirr	BITSTRING[1]		negotiation of intermediate rate requested
est	BITSTRING[1]		establishment
extb5	BITSTRING[1]		extension bit
accid	BITSTRING[2]		access identify
ra	BITSTRING[2]		rate adaption
sacp	BITSTRING[3]		signalling access protocol
extb6	BITSTRING[1]		extension bit
l1id	BITSTRING[2]		L1 identity
uil1	BITSTRING[4]		user information L 1 protocol
sb	BITSTRING[1]		synchronous bit
extb6a	BITSTRING[1]		extension bit
nsb	BITSTRING[1]		number of stop bits
nb	BITSTRING[1]		negotiation bit
ndb	BITSTRING[1]		number of data bits
ur	BITSTRING[4]		user rate
extb6b	BITSTRING[1]		extension bit
ir	BITSTRING[2]		intermediate rate
nictx	BITSTRING[1]		network independent clock on transmission
nicrx	BITSTRING[1]		network independent clock on reception
pi	BITSTRING[3]		parity information
extb6c	BITSTRING[1]		extension bit
ce	BITSTRING[2]		connection element
modemt	BITSTRING[5]		modem type
extb7	BITSTRING[1]		extension bit
l2id	BITSTRING[2]		L2 identity
uil2	BITSTRING[5]		user information L2 protocol
omitted?			LLC repeat indicator. If the answer is OMIT the IE is omitted in the message
llcri	BITSTRING[8]	'1101_ _ _ _'B	
omitted?			low layer compatibility I. If the answer is OMIT the IE is omitted in the message
iei	BITSTRING[8]	'01111100'B	
iel	OCTETSTRING[1]		
contents	OCTETSTRING[1..13]		
omitted?			low layer compatibility II. If the answer is OMIT the IE is omitted in the message
iei	BITSTRING[8]	'01111100'B	
iel	OCTETSTRING[1]		
contents	OCTETSTRING[1..13]		
omitted?			HLC repeat indicator. If the answer is OMIT the IE is omitted in the message
hlcri	BITSTRING[8]	'1101_ _ _ _'B	
omitted?			high layer compatibility i. If the answer is OMIT the IE is omitted in the message
iei	BITSTRING[8]	'01111101'B	
iel	OCTETSTRING[1]		length of the element
extb3	BITSTRING[1]	'1'B	
cs	BITSTRING[2]		coding standard
in	BITSTRING[3]		interpretation
pmp	BITSTRING[2]		presentation method of protocol

extb4	BITSTRING[1]	'1'B	
hlci	BITSTRING[7]		high layer characteristic identification
extb4a	BITSTRING[1]		
ehlci	BITSTRING[7]		extended high layer characteristic identification
omitted?			high layer compatibility ii. If the answer is OMIT the IE is omitted in the message
iei	BITSTRING[8]	'01111101'B	
iel	OCTETSTRING[1]		length of the element
extb3	BITSTRING[1]	'1'B	
cs	BITSTRING[2]		coding standard
in	BITSTRING[3]		interpretation
pmp	BITSTRING[2]		presentation method of protocol
extb4	BITSTRING[1]	'1'B	
hlci	BITSTRING[7]		high layer characteristic identification
extb4a	BITSTRING[1]		
ehlci	BITSTRING[7]		extended high layer characteristic identification

Table 175: Parameter TSPX_BS46more

Name	Type	Value	Comments
TSPX_BS46more	BOOLEAN		

Table 176: Parameter TSPX_SetupBS46_2

Field	Type	Value	Comments
ti	BITSTRING[4]	'0000'B	
pd	BITSTRING[4]	'0011'B	
mt	BITSTRING[8]	'00000101'B	
omitted?			BC repeat indicator. If the answer is OMIT the IE is omitted in the message
bcri	BITSTRING[8]	'1101_ _ _ _'B	
omitted?			Bearer capability 1. If the answer is OMIT the IE is omitted in the message
iei	BITSTRING[8]	'00000100'B	
iel	OCTETSTRING[1]		length of the IE in unit of OCTET
extb3	BITSTRING[1]		extension bit
rchr	BITSTRING[2]	'00'B	spare bit in the direction n -> ms
cs	BITSTRING[1]		coding standard
tm	BITSTRING[1]		transfer mode
itc	BITSTRING[3]		information transfer capability
extb4	BITSTRING[1]		extension bit
spb	BITSTRING[1]	'0'B	spare bit
strc	BITSTRING[1]		structure
dplx	BITSTRING[2]		duplex mode
config	BITSTRING[1]		configuration
nirr	BITSTRING[1]		negotiation of intermediate rate requested
est	BITSTRING[1]		establishment
extb5	BITSTRING[1]		extension bit
accid	BITSTRING[2]		access identify
ra	BITSTRING[2]		rate adaption
sacp	BITSTRING[3]		signalling access protocol
extb6	BITSTRING[1]		extension bit
l1id	BITSTRING[2]		L1 identity
uil1	BITSTRING[4]		user information L 1 protocol
sb	BITSTRING[1]		synchronous bit
extb6a	BITSTRING[1]		extension bit
nsb	BITSTRING[1]		number of stop bits
nb	BITSTRING[1]		negotiation bit
ndb	BITSTRING[1]		number of data bits
ur	BITSTRING[4]		user rate
extb6b	BITSTRING[1]		extension bit
ir	BITSTRING[2]		intermediate rate
nictx	BITSTRING[1]		network independent clock on transmission
nicrx	BITSTRING[1]		network independent clock on reception
pi	BITSTRING[3]		parity information
extb6c	BITSTRING[1]		extension bit
ce	BITSTRING[2]		connection element
modemt	BITSTRING[5]		modem type
extb7	BITSTRING[1]		extension bit
l2id	BITSTRING[2]		L2 identity
uil2	BITSTRING[5]		user information L2 protocol
omitted?			Bearer capability 2. If the answer is OMIT the IE is omitted in the message
iei	BITSTRING[8]	'00000100'B	
iel	OCTETSTRING[1]		length of the IE in unit of OCTET
extb3	BITSTRING[1]		extension bit
rchr	BITSTRING[2]	'00'B	spare bit in the direction n -> ms
cs	BITSTRING[1]		coding standard
tm	BITSTRING[1]		transfer mode
itc	BITSTRING[3]		information transfer capability

extb4	BITSTRING[1]		extension bit
spb	BITSTRING[1]	'0'B	spare bit
strc	BITSTRING[1]		structure
dplx	BITSTRING[2]		duplex mode
config	BITSTRING[1]		configuration
nirr	BITSTRING[1]		negotiation of intermediate rate requested
est	BITSTRING[1]		establishment
extb5	BITSTRING[1]		extension bit
accid	BITSTRING[2]		access identify
ra	BITSTRING[2]		rate adaption
sacp	BITSTRING[3]		signalling access protocol
extb6	BITSTRING[1]		extension bit
l1id	BITSTRING[2]		L1 identity
uil1	BITSTRING[4]		user information L 1 protocol
sb	BITSTRING[1]		synchronous bit
extb6a	BITSTRING[1]		extension bit
nsb	BITSTRING[1]		number of stop bits
nb	BITSTRING[1]		negotiation bit
ndb	BITSTRING[1]		number of data bits
ur	BITSTRING[4]		user rate
extb6b	BITSTRING[1]		extension bit
ir	BITSTRING[2]		intermediate rate
nictx	BITSTRING[1]		network independent clock on transmission
nicrx	BITSTRING[1]		network independent clock on reception
pi	BITSTRING[3]		parity information
extb6c	BITSTRING[1]		extension bit
ce	BITSTRING[2]		connection element
modemt	BITSTRING[5]		modem type
extb7	BITSTRING[1]		extension bit
l2id	BITSTRING[2]		L2 identity
uil2	BITSTRING[5]		user information L2 protocol
omitted?			LLC repeat indicator. If the answer is OMIT the IE is omitted in the message
llcri	BITSTRING[8]	'1101___'B	
omitted?			low layer compatibility I. If the answer is OMIT the IE is omitted in the message
iei	BITSTRING[8]	'01111100'B	
iel	OCTETSTRING[1]		
contents	OCTETSTRING[1..13]		
omitted?			low layer compatibility II. If the answer is OMIT the IE is omitted in the message
iei	BITSTRING[8]	'01111100'B	
iel	OCTETSTRING[1]		
contents	OCTETSTRING[1..13]		
omitted?			HLC repeat indicator. If the answer is OMIT the IE is omitted in the message
hlcri	BITSTRING[8]	'1101___'B	
omitted?			high layer compatibility i. If the answer is OMIT the IE is omitted in the message
iei	BITSTRING[8]	'01111101'B	
iel	OCTETSTRING[1]		length of the element
extb3	BITSTRING[1]	'1'B	
cs	BITSTRING[2]		coding standard
in	BITSTRING[3]		interpretation
pmp	BITSTRING[2]		presentation method of protocol
extb4	BITSTRING[1]	'1'B	
hlci	BITSTRING[7]		high layer characteristic identification

extb4a	BITSTRING[1]		
ehlci	BITSTRING[7]		extended high layer characteristic identification
omitted?			high layer compatibility ii. If the answer is OMIT the IE is omitted in the message
iei	BITSTRING[8]	'01111101'B	
iel	OCTETSTRING[1]		length of the element
extb3	BITSTRING[1]	'1'B	
cs	BITSTRING[2]		coding standard
in	BITSTRING[3]		interpretation
pmp	BITSTRING[2]		presentation method of protocol
extb4	BITSTRING[1]	'1'B	
hlci	BITSTRING[7]		high layer characteristic identification
extb4a	BITSTRING[1]		
ehlci	BITSTRING[7]		extended high layer characteristic identification

Table 177: Parameter TSPX_SetupBS46_3

Field	Type	Value	Comments
ti	BITSTRING[4]	'0000'B	
pd	BITSTRING[4]	'0011'B	
mt	BITSTRING[8]	'00000101'B	
omitted?			BC repeat indicator. If the answer is OMIT the IE is omitted in the message
bcrl	BITSTRING[8]	'1101____'B	
omitted?			Bearer capability 1. If the answer is OMIT the IE is omitted in the message
iei	BITSTRING[8]	'00000100'B	
iel	OCTETSTRING[1]		length of the IE in unit of OCTET
extb3	BITSTRING[1]		extension bit
rchr	BITSTRING[2]	'00'B	spare bit in the direction n -> ms
cs	BITSTRING[1]		coding standard
tm	BITSTRING[1]		transfer mode
itc	BITSTRING[3]		information transfer capability
extb4	BITSTRING[1]		extension bit
spb	BITSTRING[1]	'0'B	spare bit
strc	BITSTRING[1]		structure
dplx	BITSTRING[2]		duplex mode
config	BITSTRING[1]		configuration
nirr	BITSTRING[1]		negotiation of intermediate rate requested
est	BITSTRING[1]		establishment
extb5	BITSTRING[1]		extension bit
accid	BITSTRING[2]		access identify
ra	BITSTRING[2]		rate adaption
sacp	BITSTRING[3]		signalling access protocol
extb6	BITSTRING[1]		extension bit
l1id	BITSTRING[2]		L1 identity
uil1	BITSTRING[4]		user information L 1 protocol
sb	BITSTRING[1]		synchronous bit
extb6a	BITSTRING[1]		extension bit
nsb	BITSTRING[1]		number of stop bits
nb	BITSTRING[1]		negotiation bit
ndb	BITSTRING[1]		number of data bits
ur	BITSTRING[4]		user rate
extb6b	BITSTRING[1]		extension bit
ir	BITSTRING[2]		intermediate rate
nictx	BITSTRING[1]		network independent clock on transmission
nicrx	BITSTRING[1]		network independent clock on reception
pi	BITSTRING[3]		parity information
extb6c	BITSTRING[1]		extension bit
ce	BITSTRING[2]		connection element
modemt	BITSTRING[5]		modem type
extb7	BITSTRING[1]		extension bit
l2id	BITSTRING[2]		L2 identity
uil2	BITSTRING[5]		user information L2 protocol
omitted?			Bearer capability 2. If the answer is OMIT the IE is omitted in the message
iei	BITSTRING[8]	'00000100'B	
iel	OCTETSTRING[1]		length of the IE in unit of OCTET
extb3	BITSTRING[1]		extension bit
rchr	BITSTRING[2]	'00'B	spare bit in the direction n -> ms
cs	BITSTRING[1]		coding standard
tm	BITSTRING[1]		transfer mode
itc	BITSTRING[3]		information transfer capability

extb4	BITSTRING[1]		extension bit
spb	BITSTRING[1]	'0'B	spare bit
strc	BITSTRING[1]		structure
dplx	BITSTRING[2]		duplex mode
config	BITSTRING[1]		configuration
nirr	BITSTRING[1]		negotiation of intermediate rate requested
est	BITSTRING[1]		establishment
extb5	BITSTRING[1]		extension bit
accid	BITSTRING[2]		access identify
ra	BITSTRING[2]		rate adaption
sacp	BITSTRING[3]		signalling access protocol
extb6	BITSTRING[1]		extension bit
l1id	BITSTRING[2]		L1 identity
uil1	BITSTRING[4]		user information L 1 protocol
sb	BITSTRING[1]		synchronous bit
extb6a	BITSTRING[1]		extension bit
nsb	BITSTRING[1]		number of stop bits
nb	BITSTRING[1]		negotiation bit
ndb	BITSTRING[1]		number of data bits
ur	BITSTRING[4]		user rate
extb6b	BITSTRING[1]		extension bit
ir	BITSTRING[2]		intermediate rate
nictx	BITSTRING[1]		network independent clock on transmission
nicrx	BITSTRING[1]		network independent clock on reception
pi	BITSTRING[3]		parity information
extb6c	BITSTRING[1]		extension bit
ce	BITSTRING[2]		connection element
modemt	BITSTRING[5]		modem type
extb7	BITSTRING[1]		extension bit
l2id	BITSTRING[2]		L2 identity
uil2	BITSTRING[5]		user information L2 protocol
omitted?			LLC repeat indicator. If the answer is OMIT the IE is omitted in the message
llcri	BITSTRING[8]	'1101_ _ _ _'B	
omitted?			low layer compatibility I. If the answer is OMIT the IE is omitted in the message
iei	BITSTRING[8]	'01111100'B	
iel	OCTETSTRING[1]		
contents	OCTETSTRING[1..13]		
omitted?			low layer compatibility II. If the answer is OMIT the IE is omitted in the message
iei	BITSTRING[8]	'01111100'B	
iel	OCTETSTRING[1]		
contents	OCTETSTRING[1..13]		
omitted?			HLC repeat indicator. If the answer is OMIT the IE is omitted in the message
hlcri	BITSTRING[8]	'1101_ _ _ _'B	
omitted?			high layer compatibility i. If the answer is OMIT the IE is omitted in the message
iei	BITSTRING[8]	'01111101'B	
iel	OCTETSTRING[1]		length of the element
extb3	BITSTRING[1]	'1'B	
cs	BITSTRING[2]		coding standard
in	BITSTRING[3]		interpretation
pmp	BITSTRING[2]		presentation method of protocol
extb4	BITSTRING[1]	'1'B	
hlci	BITSTRING[7]		high layer characteristic identification

extb4a	BITSTRING[1]		
ehlci	BITSTRING[7]		extended high layer characteristic identification
omitted?			high layer compatibility ii. If the answer is OMIT the IE is omitted in the message
iei	BITSTRING[8]	'01111101'B	
iel	OCTETSTRING[1]		length of the element
extb3	BITSTRING[1]	'1'B	
cs	BITSTRING[2]		coding standard
in	BITSTRING[3]		interpretation
pmp	BITSTRING[2]		presentation method of protocol
extb4	BITSTRING[1]	'1'B	
hlci	BITSTRING[7]		high layer characteristic identification
extb4a	BITSTRING[1]		
ehlci	BITSTRING[7]		extended high layer characteristic identification

B.7.2.5.20 Packet Access 2 400 bit/s

Table 178: Parameter TSPX_SetupBS51_1

Field	Type	Value	Comments
ti	BITSTRING[4]	'0000'B	
pd	BITSTRING[4]	'0011'B	
mt	BITSTRING[8]	'00000101'B	
omitted?			BC repeat indicator. If the answer is OMIT the IE is omitted in the message
bcri	BITSTRING[8]	'1101_ _ _ _'B	
omitted?			Bearer capability 1. If the answer is OMIT the IE is omitted in the message
iei	BITSTRING[8]	'00000100'B	
iel	OCTETSTRING[1]		length of the IE in unit of OCTET
extb3	BITSTRING[1]		extension bit
rchr	BITSTRING[2]	'00'B	spare bit in the direction n -> ms
cs	BITSTRING[1]		coding standard
tm	BITSTRING[1]		transfer mode
itc	BITSTRING[3]		information transfer capability
extb4	BITSTRING[1]		extension bit
spb	BITSTRING[1]	'0'B	spare bit
strc	BITSTRING[1]		structure
dplx	BITSTRING[2]		duplex mode
config	BITSTRING[1]		configuration
nirr	BITSTRING[1]		negotiation of intermediate rate requested
est	BITSTRING[1]		establishment
extb5	BITSTRING[1]		extension bit
accid	BITSTRING[2]		access identify
ra	BITSTRING[2]		rate adaption
sacp	BITSTRING[3]		signalling access protocol
extb6	BITSTRING[1]		extension bit
l1id	BITSTRING[2]		L1 identity
uil1	BITSTRING[4]		user information L 1 protocol
sb	BITSTRING[1]		synchronous bit
extb6a	BITSTRING[1]		extension bit
nsb	BITSTRING[1]		number of stop bits
nb	BITSTRING[1]		negotiation bit
ndb	BITSTRING[1]		number of data bits
ur	BITSTRING[4]		user rate
extb6b	BITSTRING[1]		extension bit
ir	BITSTRING[2]		intermediate rate
nictx	BITSTRING[1]		network independent clock on transmission
nicrx	BITSTRING[1]		network independent clock on reception
pi	BITSTRING[3]		parity information
extb6c	BITSTRING[1]		extension bit
ce	BITSTRING[2]		connection element
modemt	BITSTRING[5]		modem type
extb7	BITSTRING[1]		extension bit
l2id	BITSTRING[2]		L2 identity
uil2	BITSTRING[5]		user information L2 protocol
omitted?			Bearer capability 2. If the answer is OMIT the IE is omitted in the message
iei	BITSTRING[8]	'00000100'B	
iel	OCTETSTRING[1]		length of the IE in unit of OCTET
extb3	BITSTRING[1]		extension bit
rchr	BITSTRING[2]	'00'B	spare bit in the direction n -> ms
cs	BITSTRING[1]		coding standard

tm	BITSTRING[1]		transfer mode
itc	BITSTRING[3]		information transfer capability
extb4	BITSTRING[1]		extension bit
spb	BITSTRING[1]	'0'B	spare bit
strc	BITSTRING[1]		structure
dplx	BITSTRING[2]		duplex mode
config	BITSTRING[1]		configuration
nirr	BITSTRING[1]		negotiation of intermediate rate requested
est	BITSTRING[1]		establishment
extb5	BITSTRING[1]		extension bit
accid	BITSTRING[2]		access identify
ra	BITSTRING[2]		rate adaption
sacp	BITSTRING[3]		signalling access protocol
extb6	BITSTRING[1]		extension bit
l1id	BITSTRING[2]		L1 identity
uil1	BITSTRING[4]		user information L 1 protocol
sb	BITSTRING[1]		synchronous bit
extb6a	BITSTRING[1]		extension bit
nsb	BITSTRING[1]		number of stop bits
nb	BITSTRING[1]		negotiation bit
ndb	BITSTRING[1]		number of data bits
ur	BITSTRING[4]		user rate
extb6b	BITSTRING[1]		extension bit
ir	BITSTRING[2]		intermediate rate
nictx	BITSTRING[1]		network independent clock on transmission
nicrx	BITSTRING[1]		network independent clock on reception
pi	BITSTRING[3]		parity information
extb6c	BITSTRING[1]		extension bit
ce	BITSTRING[2]		connection element
modemt	BITSTRING[5]		modem type
extb7	BITSTRING[1]		extension bit
l2id	BITSTRING[2]		L2 identity
uil2	BITSTRING[5]		user information L2 protocol
omitted?			LLC repeat indicator. If the answer is OMIT the IE is omitted in the message
llcri	BITSTRING[8]	'1101___'B	
omitted?			low layer compatibility I. If the answer is OMIT the IE is omitted in the message
iei	BITSTRING[8]	'01111100'B	
iel	OCTETSTRING[1]		
contents	OCTETSTRING[1..13]		
omitted?			low layer compatibility II. If the answer is OMIT the IE is omitted in the message
iei	BITSTRING[8]	'01111100'B	
iel	OCTETSTRING[1]		
contents	OCTETSTRING[1..13]		
omitted?			HLC repeat indicator. If the answer is OMIT the IE is omitted in the message
hlcri	BITSTRING[8]	'1101___'B	
omitted?			high layer compatibility i. If the answer is OMIT the IE is omitted in the message
iei	BITSTRING[8]	'01111101'B	
iel	OCTETSTRING[1]		length of the element
extb3	BITSTRING[1]	'1'B	
cs	BITSTRING[2]		coding standard
in	BITSTRING[3]		interpretation
pmp	BITSTRING[2]		presentation method of protocol

extb4	BITSTRING[1]	'1'B	
hlci	BITSTRING[7]		high layer characteristic identification
extb4a	BITSTRING[1]		
ehlci	BITSTRING[7]		extended high layer characteristic identification
omitted?			high layer compatibility ii. If the answer is OMIT the IE is omitted in the message
iei	BITSTRING[8]	'01111101'B	
iel	OCTETSTRING[1]		length of the element
extb3	BITSTRING[1]	'1'B	
cs	BITSTRING[2]		coding standard
in	BITSTRING[3]		interpretation
pmp	BITSTRING[2]		presentation method of protocol
extb4	BITSTRING[1]	'1'B	
hlci	BITSTRING[7]		high layer characteristic identification
extb4a	BITSTRING[1]		
ehlci	BITSTRING[7]		extended high layer characteristic identification

Table 179: Parameter TSPX_BS51more

Name	Type	Value	Comments
TSPX_BS51more	BOOLEAN		

Table 180: Parameter TSPX_SetupBS51_2

Field	Type	Value	Comments
ti	BITSTRING[4]	'0000'B	
pd	BITSTRING[4]	'0011'B	
mt	BITSTRING[8]	'00000101'B	
omitted?			BC repeat indicator. If the answer is OMIT the IE is omitted in the message
bcrl	BITSTRING[8]	'1101____'B	
omitted?			Bearer capability 1. If the answer is OMIT the IE is omitted in the message
iei	BITSTRING[8]	'00000100'B	
iel	OCTETSTRING[1]		length of the IE in unit of OCTET
extb3	BITSTRING[1]		extension bit
rchr	BITSTRING[2]	'00'B	spare bit in the direction n -> ms
cs	BITSTRING[1]		coding standard
tm	BITSTRING[1]		transfer mode
itc	BITSTRING[3]		information transfer capability
extb4	BITSTRING[1]		extension bit
spb	BITSTRING[1]	'0'B	spare bit
strc	BITSTRING[1]		structure
dplx	BITSTRING[2]		duplex mode
config	BITSTRING[1]		configuration
nirr	BITSTRING[1]		negotiation of intermediate rate requested
est	BITSTRING[1]		establishment
extb5	BITSTRING[1]		extension bit
accid	BITSTRING[2]		access identify
ra	BITSTRING[2]		rate adaption
sacp	BITSTRING[3]		signalling access protocol
extb6	BITSTRING[1]		extension bit
l1id	BITSTRING[2]		L1 identity
uil1	BITSTRING[4]		user information L 1 protocol
sb	BITSTRING[1]		synchronous bit
extb6a	BITSTRING[1]		extension bit
nsb	BITSTRING[1]		number of stop bits
nb	BITSTRING[1]		negotiation bit
ndb	BITSTRING[1]		number of data bits
ur	BITSTRING[4]		user rate
extb6b	BITSTRING[1]		extension bit
ir	BITSTRING[2]		intermediate rate
nictx	BITSTRING[1]		network independent clock on transmission
nicrx	BITSTRING[1]		network independent clock on reception
pi	BITSTRING[3]		parity information
extb6c	BITSTRING[1]		extension bit
ce	BITSTRING[2]		connection element
modemt	BITSTRING[5]		modem type
extb7	BITSTRING[1]		extension bit
l2id	BITSTRING[2]		L2 identity
uil2	BITSTRING[5]		user information L2 protocol
omitted?			Bearer capability 2. If the answer is OMIT the IE is omitted in the message
iei	BITSTRING[8]	'00000100'B	
iel	OCTETSTRING[1]		length of the IE in unit of OCTET
extb3	BITSTRING[1]		extension bit
rchr	BITSTRING[2]	'00'B	spare bit in the direction n -> ms
cs	BITSTRING[1]		coding standard
tm	BITSTRING[1]		transfer mode
itc	BITSTRING[3]		information transfer capability

extb4	BITSTRING[1]		extension bit
spb	BITSTRING[1]	'0'B	spare bit
strc	BITSTRING[1]		structure
dplx	BITSTRING[2]		duplex mode
config	BITSTRING[1]		configuration
nirr	BITSTRING[1]		negotiation of intermediate rate requested
est	BITSTRING[1]		establishment
extb5	BITSTRING[1]		extension bit
accid	BITSTRING[2]		access identify
ra	BITSTRING[2]		rate adaption
sacp	BITSTRING[3]		signalling access protocol
extb6	BITSTRING[1]		extension bit
l1id	BITSTRING[2]		L1 identity
uil1	BITSTRING[4]		user information L 1 protocol
sb	BITSTRING[1]		synchronous bit
extb6a	BITSTRING[1]		extension bit
nsb	BITSTRING[1]		number of stop bits
nb	BITSTRING[1]		negotiation bit
ndb	BITSTRING[1]		number of data bits
ur	BITSTRING[4]		user rate
extb6b	BITSTRING[1]		extension bit
ir	BITSTRING[2]		intermediate rate
nictx	BITSTRING[1]		network independent clock on transmission
nicrx	BITSTRING[1]		network independent clock on reception
pi	BITSTRING[3]		parity information
extb6c	BITSTRING[1]		extension bit
ce	BITSTRING[2]		connection element
modemt	BITSTRING[5]		modem type
extb7	BITSTRING[1]		extension bit
l2id	BITSTRING[2]		L2 identity
uil2	BITSTRING[5]		user information L2 protocol
omitted?			LLC repeat indicator. If the answer is OMIT the IE is omitted in the message
llcri	BITSTRING[8]	'1101_ _ _ _'B	
omitted?			low layer compatibility I. If the answer is OMIT the IE is omitted in the message
iei	BITSTRING[8]	'01111100'B	
iel	OCTETSTRING[1]		
contents	OCTETSTRING[1..13]		
omitted?			low layer compatibility II. If the answer is OMIT the IE is omitted in the message
iei	BITSTRING[8]	'01111100'B	
iel	OCTETSTRING[1]		
contents	OCTETSTRING[1..13]		
omitted?			HLC repeat indicator. If the answer is OMIT the IE is omitted in the message
hlcri	BITSTRING[8]	'1101_ _ _ _'B	
omitted?			high layer compatibility i. If the answer is OMIT the IE is omitted in the message
iei	BITSTRING[8]	'01111101'B	
iel	OCTETSTRING[1]		length of the element
extb3	BITSTRING[1]	'1'B	
cs	BITSTRING[2]		coding standard
in	BITSTRING[3]		interpretation
pmp	BITSTRING[2]		presentation method of protocol
extb4	BITSTRING[1]	'1'B	
hlci	BITSTRING[7]		high layer characteristic identification

extb4a	BITSTRING[1]		
ehlci	BITSTRING[7]		extended high layer characteristic identification
omitted?			high layer compatibility ii. If the answer is OMIT the IE is omitted in the message
iei	BITSTRING[8]	'01111101'B	
iel	OCTETSTRING[1]		length of the element
extb3	BITSTRING[1]	'1'B	
cs	BITSTRING[2]		coding standard
in	BITSTRING[3]		interpretation
pmp	BITSTRING[2]		presentation method of protocol
extb4	BITSTRING[1]	'1'B	
hlci	BITSTRING[7]		high layer characteristic identification
extb4a	BITSTRING[1]		
ehlci	BITSTRING[7]		extended high layer characteristic identification

Table 181: Parameter TSPX_SetupBS51_3

Field	Type	Value	Comments
ti	BITSTRING[4]	'0000'B	
pd	BITSTRING[4]	'0011'B	
mt	BITSTRING[8]	'00000101'B	
omitted?			BC repeat indicator. If the answer is OMIT the IE is omitted in the message
bcri	BITSTRING[8]	'1101_ _ _ _'B	
omitted?			Bearer capability 1. If the answer is OMIT the IE is omitted in the message
iei	BITSTRING[8]	'00000100'B	
iel	OCTETSTRING[1]		length of the IE in unit of OCTET
extb3	BITSTRING[1]		extension bit
rchr	BITSTRING[2]	'00'B	spare bit in the direction n -> ms
cs	BITSTRING[1]		coding standard
tm	BITSTRING[1]		transfer mode
itc	BITSTRING[3]		information transfer capability
extb4	BITSTRING[1]		extension bit
spb	BITSTRING[1]	'0'B	spare bit
strc	BITSTRING[1]		structure
dplx	BITSTRING[2]		duplex mode
config	BITSTRING[1]		configuration
nirr	BITSTRING[1]		negotiation of intermediate rate requested
est	BITSTRING[1]		establishment
extb5	BITSTRING[1]		extension bit
accid	BITSTRING[2]		access identify
ra	BITSTRING[2]		rate adaption
sacp	BITSTRING[3]		signalling access protocol
extb6	BITSTRING[1]		extension bit
l1id	BITSTRING[2]		L1 identity
uil1	BITSTRING[4]		user information L 1 protocol
sb	BITSTRING[1]		synchronous bit
extb6a	BITSTRING[1]		extension bit
nsb	BITSTRING[1]		number of stop bits
nb	BITSTRING[1]		negotiation bit
ndb	BITSTRING[1]		number of data bits
ur	BITSTRING[4]		user rate
extb6b	BITSTRING[1]		extension bit
ir	BITSTRING[2]		intermediate rate
nictx	BITSTRING[1]		network independent clock on transmission
nicrx	BITSTRING[1]		network independent clock on reception
pi	BITSTRING[3]		parity information
extb6c	BITSTRING[1]		extension bit
ce	BITSTRING[2]		connection element
modemt	BITSTRING[5]		modem type
extb7	BITSTRING[1]		extension bit
l2id	BITSTRING[2]		L2 identity
uil2	BITSTRING[5]		user information L2 protocol
omitted?			Bearer capability 2. If the answer is OMIT the IE is omitted in the message
iei	BITSTRING[8]	'00000100'B	
iel	OCTETSTRING[1]		length of the IE in unit of OCTET
extb3	BITSTRING[1]		extension bit
rchr	BITSTRING[2]	'00'B	spare bit in the direction n -> ms
cs	BITSTRING[1]		coding standard
tm	BITSTRING[1]		transfer mode
itc	BITSTRING[3]		information transfer capability

extb4	BITSTRING[1]		extension bit
spb	BITSTRING[1]	'0'B	spare bit
strc	BITSTRING[1]		structure
dplxm	BITSTRING[2]		duplex mode
config	BITSTRING[1]		configuration
nirr	BITSTRING[1]		negotiation of intermediate rate requested
est	BITSTRING[1]		establishment
extb5	BITSTRING[1]		extension bit
accid	BITSTRING[2]		access identify
ra	BITSTRING[2]		rate adaption
sacp	BITSTRING[3]		signalling access protocol
extb6	BITSTRING[1]		extension bit
l1id	BITSTRING[2]		L1 identity
uil1	BITSTRING[4]		user information L 1 protocol
sb	BITSTRING[1]		synchronous bit
extb6a	BITSTRING[1]		extension bit
nsb	BITSTRING[1]		number of stop bits
nb	BITSTRING[1]		negotiation bit
ndb	BITSTRING[1]		number of data bits
ur	BITSTRING[4]		user rate
extb6b	BITSTRING[1]		extension bit
ir	BITSTRING[2]		intermediate rate
nictx	BITSTRING[1]		network independent clock on transmission
nicrx	BITSTRING[1]		network independent clock on reception
pi	BITSTRING[3]		parity information
extb6c	BITSTRING[1]		extension bit
ce	BITSTRING[2]		connection element
modemt	BITSTRING[5]		modem type
extb7	BITSTRING[1]		extension bit
l2id	BITSTRING[2]		L2 identity
uil2	BITSTRING[5]		user information L2 protocol
omitted?			LLC repeat indicator. If the answer is OMIT the IE is omitted in the message
llcri	BITSTRING[8]	'1101___'B	
omitted?			low layer compatibility I. If the answer is OMIT the IE is omitted in the message
iei	BITSTRING[8]	'01111100'B	
iel	OCTETSTRING[1]		
contents	OCTETSTRING[1..13]		
omitted?			low layer compatibility II. If the answer is OMIT the IE is omitted in the message
iei	BITSTRING[8]	'01111100'B	
iel	OCTETSTRING[1]		
contents	OCTETSTRING[1..13]		
omitted?			HLC repeat indicator. If the answer is OMIT the IE is omitted in the message
hlcri	BITSTRING[8]	'1101___'B	
omitted?			high layer compatibility i. If the answer is OMIT the IE is omitted in the message
iei	BITSTRING[8]	'01111101'B	
iel	OCTETSTRING[1]		length of the element
extb3	BITSTRING[1]	'1'B	
cs	BITSTRING[2]		coding standard
in	BITSTRING[3]		interpretation
pmp	BITSTRING[2]		presentation method of protocol
extb4	BITSTRING[1]	'1'B	
hlci	BITSTRING[7]		high layer characteristic identification

extb4a	BITSTRING[1]		
ehlci	BITSTRING[7]		extended high layer characteristic identification
omitted?			high layer compatibility ii. If the answer is OMIT the IE is omitted in the message
iei	BITSTRING[8]	'01111101'B	
iel	OCTETSTRING[1]		length of the element
extb3	BITSTRING[1]	'1'B	
cs	BITSTRING[2]		coding standard
in	BITSTRING[3]		interpretation
pmp	BITSTRING[2]		presentation method of protocol
extb4	BITSTRING[1]	'1'B	
hlci	BITSTRING[7]		high layer characteristic identification
extb4a	BITSTRING[1]		
ehlci	BITSTRING[7]		extended high layer characteristic identification

B.7.2.5.21 Packet Access 4 800 bit/s

Table 182: Parameter TSPX_SetupBS52_1

Field	Type	Value	Comments
ti	BITSTRING[4]	'0000'B	
pd	BITSTRING[4]	'0011'B	
mt	BITSTRING[8]	'00000101'B	
omitted?			BC repeat indicator. If the answer is OMIT the IE is omitted in the message
bcricri	BITSTRING[8]	'1101_ _ _ _'B	
omitted?			Bearer capability 1. If the answer is OMIT the IE is omitted in the message
iei	BITSTRING[8]	'00000100'B	
iel	OCTETSTRING[1]		length of the IE in unit of OCTET
extb3	BITSTRING[1]		extension bit
rchr	BITSTRING[2]	'00'B	spare bit in the direction n -> ms
cs	BITSTRING[1]		coding standard
tm	BITSTRING[1]		transfer mode
itc	BITSTRING[3]		information transfer capability
extb4	BITSTRING[1]		extension bit
spb	BITSTRING[1]	'0'B	spare bit
strc	BITSTRING[1]		structure
dplxmd	BITSTRING[2]		duplex mode
config	BITSTRING[1]		configuration
nirrr	BITSTRING[1]		negotiation of intermediate rate requested
est	BITSTRING[1]		establishment
extb5	BITSTRING[1]		extension bit
accid	BITSTRING[2]		access identify
ra	BITSTRING[2]		rate adaption
sacp	BITSTRING[3]		signalling access protocol
extb6	BITSTRING[1]		extension bit
l1id	BITSTRING[2]		L1 identity
uil1	BITSTRING[4]		user information L 1 protocol
sb	BITSTRING[1]		synchronous bit
extb6a	BITSTRING[1]		extension bit
nsb	BITSTRING[1]		number of stop bits
nb	BITSTRING[1]		negotiation bit
ndb	BITSTRING[1]		number of data bits
ur	BITSTRING[4]		user rate
extb6b	BITSTRING[1]		extension bit
ir	BITSTRING[2]		intermediate rate
nictx	BITSTRING[1]		network independent clock on transmission
nicrx	BITSTRING[1]		network independent clock on reception
pi	BITSTRING[3]		parity information
extb6c	BITSTRING[1]		extension bit
ce	BITSTRING[2]		connection element
modemt	BITSTRING[5]		modem type
extb7	BITSTRING[1]		extension bit
l2id	BITSTRING[2]		L2 identity
uil2	BITSTRING[5]		user information L2 protocol
omitted?			Bearer capability 2. If the answer is OMIT the IE is omitted in the message
iei	BITSTRING[8]	'00000100'B	
iel	OCTETSTRING[1]		length of the IE in unit of OCTET
extb3	BITSTRING[1]		extension bit
rchr	BITSTRING[2]	'00'B	spare bit in the direction n -> ms
cs	BITSTRING[1]		coding standard

tm	BITSTRING[1]		transfer mode
itc	BITSTRING[3]		information transfer capability
extb4	BITSTRING[1]		extension bit
spb	BITSTRING[1]	'0'B	spare bit
strc	BITSTRING[1]		structure
dplx	BITSTRING[2]		duplex mode
config	BITSTRING[1]		configuration
nirr	BITSTRING[1]		negotiation of intermediate rate requested
est	BITSTRING[1]		establishment
extb5	BITSTRING[1]		extension bit
accid	BITSTRING[2]		access identify
ra	BITSTRING[2]		rate adaption
sacp	BITSTRING[3]		signalling access protocol
extb6	BITSTRING[1]		extension bit
l1id	BITSTRING[2]		L1 identity
uil1	BITSTRING[4]		user information L 1 protocol
sb	BITSTRING[1]		synchronous bit
extb6a	BITSTRING[1]		extension bit
nsb	BITSTRING[1]		number of stop bits
nb	BITSTRING[1]		negotiation bit
ndb	BITSTRING[1]		number of data bits
ur	BITSTRING[4]		user rate
extb6b	BITSTRING[1]		extension bit
ir	BITSTRING[2]		intermediate rate
nictx	BITSTRING[1]		network independent clock on transmission
nicrx	BITSTRING[1]		network independent clock on reception
pi	BITSTRING[3]		parity information
extb6c	BITSTRING[1]		extension bit
ce	BITSTRING[2]		connection element
modemt	BITSTRING[5]		modem type
extb7	BITSTRING[1]		extension bit
l2id	BITSTRING[2]		L2 identity
uil2	BITSTRING[5]		user information L2 protocol
omitted?			LLC repeat indicator. If the answer is OMIT the IE is omitted in the message
llcri	BITSTRING[8]	'1101_ _ _ _'B	
omitted?			low layer compatibility I. If the answer is OMIT the IE is omitted in the message
iei	BITSTRING[8]	'01111100'B	
iel	OCTETSTRING[1]		
contents	OCTETSTRING[1..13]		
omitted?			low layer compatibility II. If the answer is OMIT the IE is omitted in the message
iei	BITSTRING[8]	'01111100'B	
iel	OCTETSTRING[1]		
contents	OCTETSTRING[1..13]		
omitted?			HLC repeat indicator. If the answer is OMIT the IE is omitted in the message
hlcri	BITSTRING[8]	'1101_ _ _ _'B	
omitted?			high layer compatibility i. If the answer is OMIT the IE is omitted in the message
iei	BITSTRING[8]	'01111101'B	
iel	OCTETSTRING[1]		length of the element
extb3	BITSTRING[1]	'1'B	
cs	BITSTRING[2]		coding standard
in	BITSTRING[3]		interpretation
pmp	BITSTRING[2]		presentation method of protocol

extb4	BITSTRING[1]	'1'B	
hlci	BITSTRING[7]		high layer characteristic identification
extb4a	BITSTRING[1]		
ehlci	BITSTRING[7]		extended high layer characteristic identification
omitted?			high layer compatibility ii. If the answer is OMIT the IE is omitted in the message
iei	BITSTRING[8]	'01111101'B	
iel	OCTETSTRING[1]		length of the element
extb3	BITSTRING[1]	'1'B	
cs	BITSTRING[2]		coding standard
in	BITSTRING[3]		interpretation
pmpp	BITSTRING[2]		presentation method of protocol
extb4	BITSTRING[1]	'1'B	
hlci	BITSTRING[7]		high layer characteristic identification
extb4a	BITSTRING[1]		
ehlci	BITSTRING[7]		extended high layer characteristic identification

Table 183: Parameter TSPX_BS52more

Name	Type	Value	Comments
TSPX_BS52more	BOOLEAN		

Table 184: Parameter TSPX_SetupBS52_2

Field	Type	Value	Comments
ti	BITSTRING[4]	'0000'B	
pd	BITSTRING[4]	'0011'B	
mt	BITSTRING[8]	'00000101'B	
omitted?			BC repeat indicator. If the answer is OMIT the IE is omitted in the message
bcri	BITSTRING[8]	'1101_ _ _ _'B	
omitted?			Bearer capability 1. If the answer is OMIT the IE is omitted in the message
iei	BITSTRING[8]	'00000100'B	
iel	OCTETSTRING[1]		length of the IE in unit of OCTET
extb3	BITSTRING[1]		extension bit
rchr	BITSTRING[2]	'00'B	spare bit in the direction n -> ms
cs	BITSTRING[1]		coding standard
tm	BITSTRING[1]		transfer mode
itc	BITSTRING[3]		information transfer capability
extb4	BITSTRING[1]		extension bit
spb	BITSTRING[1]	'0'B	spare bit
strc	BITSTRING[1]		structure
dplxm	BITSTRING[2]		duplex mode
config	BITSTRING[1]		configuration
nirr	BITSTRING[1]		negotiation of intermediate rate requested
est	BITSTRING[1]		establishment
extb5	BITSTRING[1]		extension bit
accid	BITSTRING[2]		access identify
ra	BITSTRING[2]		rate adaption
sacp	BITSTRING[3]		signalling access protocol
extb6	BITSTRING[1]		extension bit
l1id	BITSTRING[2]		L1 identity
uil1	BITSTRING[4]		user information L 1 protocol
sb	BITSTRING[1]		synchronous bit
extb6a	BITSTRING[1]		extension bit
nsb	BITSTRING[1]		number of stop bits
nb	BITSTRING[1]		negotiation bit
ndb	BITSTRING[1]		number of data bits
ur	BITSTRING[4]		user rate
extb6b	BITSTRING[1]		extension bit
ir	BITSTRING[2]		intermediate rate
nictx	BITSTRING[1]		network independent clock on transmission
nicrx	BITSTRING[1]		network independent clock on reception
pi	BITSTRING[3]		parity information
extb6c	BITSTRING[1]		extension bit
ce	BITSTRING[2]		connection element
modemt	BITSTRING[5]		modem type
extb7	BITSTRING[1]		extension bit
l2id	BITSTRING[2]		L2 identity
uil2	BITSTRING[5]		user information L2 protocol
omitted?			Bearer capability 2. If the answer is OMIT the IE is omitted in the message
iei	BITSTRING[8]	'00000100'B	
iel	OCTETSTRING[1]		length of the IE in unit of OCTET
extb3	BITSTRING[1]		extension bit
rchr	BITSTRING[2]	'00'B	spare bit in the direction n -> ms
cs	BITSTRING[1]		coding standard
tm	BITSTRING[1]		transfer mode
itc	BITSTRING[3]		information transfer capability

extb4	BITSTRING[1]		extension bit
spb	BITSTRING[1]	'0'B	spare bit
strc	BITSTRING[1]		structure
dplx	BITSTRING[2]		duplex mode
config	BITSTRING[1]		configuration
nirr	BITSTRING[1]		negotiation of intermediate rate requested
est	BITSTRING[1]		establishment
extb5	BITSTRING[1]		extension bit
accid	BITSTRING[2]		access identify
ra	BITSTRING[2]		rate adaption
sacp	BITSTRING[3]		signalling access protocol
extb6	BITSTRING[1]		extension bit
l1id	BITSTRING[2]		L1 identity
uil1	BITSTRING[4]		user information L 1 protocol
sb	BITSTRING[1]		synchronous bit
extb6a	BITSTRING[1]		extension bit
nsb	BITSTRING[1]		number of stop bits
nb	BITSTRING[1]		negotiation bit
ndb	BITSTRING[1]		number of data bits
ur	BITSTRING[4]		user rate
extb6b	BITSTRING[1]		extension bit
ir	BITSTRING[2]		intermediate rate
nictx	BITSTRING[1]		network independent clock on transmission
nicrx	BITSTRING[1]		network independent clock on reception
pi	BITSTRING[3]		parity information
extb6c	BITSTRING[1]		extension bit
ce	BITSTRING[2]		connection element
modemt	BITSTRING[5]		modem type
extb7	BITSTRING[1]		extension bit
l2id	BITSTRING[2]		L2 identity
uil2	BITSTRING[5]		user information L2 protocol
omitted?			LLC repeat indicator. If the answer is OMIT the IE is omitted in the message
llcri	BITSTRING[8]	'1101___'B	
omitted?			low layer compatibility I. If the answer is OMIT the IE is omitted in the message
iei	BITSTRING[8]	'01111100'B	
iel	OCTETSTRING[1]		
contents	OCTETSTRING[1..13]		
omitted?			low layer compatibility II. If the answer is OMIT the IE is omitted in the message
iei	BITSTRING[8]	'01111100'B	
iel	OCTETSTRING[1]		
contents	OCTETSTRING[1..13]		
omitted?			HLC repeat indicator. If the answer is OMIT the IE is omitted in the message
hlcri	BITSTRING[8]	'1101___'B	
omitted?			high layer compatibility i. If the answer is OMIT the IE is omitted in the message
iei	BITSTRING[8]	'01111101'B	
iel	OCTETSTRING[1]		length of the element
extb3	BITSTRING[1]	'1'B	
cs	BITSTRING[2]		coding standard
in	BITSTRING[3]		interpretation
pmp	BITSTRING[2]		presentation method of protocol
extb4	BITSTRING[1]	'1'B	
hlci	BITSTRING[7]		high layer characteristic identification

extb4a	BITSTRING[1]		
ehlci	BITSTRING[7]		extended high layer characteristic identification
omitted?			high layer compatibility ii. If the answer is OMIT the IE is omitted in the message
iei	BITSTRING[8]	'01111101'B	
iel	OCTETSTRING[1]		length of the element
extb3	BITSTRING[1]	'1'B	
cs	BITSTRING[2]		coding standard
in	BITSTRING[3]		interpretation
pmp	BITSTRING[2]		presentation method of protocol
extb4	BITSTRING[1]	'1'B	
hlci	BITSTRING[7]		high layer characteristic identification
extb4a	BITSTRING[1]		
ehlci	BITSTRING[7]		extended high layer characteristic identification

Table 185: Parameter TSPX_SetupBS52_3

Field	Type	Value	Comments
ti	BITSTRING[4]	'0000'B	
pd	BITSTRING[4]	'0011'B	
mt	BITSTRING[8]	'00000101'B	
omitted?			BC repeat indicator. If the answer is OMIT the IE is omitted in the message
bcrl	BITSTRING[8]	'1101____'B	
omitted?			Bearer capability 1. If the answer is OMIT the IE is omitted in the message
iei	BITSTRING[8]	'00000100'B	
iel	OCTETSTRING[1]		length of the IE in unit of OCTET
extb3	BITSTRING[1]		extension bit
rchr	BITSTRING[2]	'00'B	spare bit in the direction n -> ms
cs	BITSTRING[1]		coding standard
tm	BITSTRING[1]		transfer mode
itc	BITSTRING[3]		information transfer capability
extb4	BITSTRING[1]		extension bit
spb	BITSTRING[1]	'0'B	spare bit
strc	BITSTRING[1]		structure
dplx	BITSTRING[2]		duplex mode
config	BITSTRING[1]		configuration
nirr	BITSTRING[1]		negotiation of intermediate rate requested
est	BITSTRING[1]		establishment
extb5	BITSTRING[1]		extension bit
accid	BITSTRING[2]		access identify
ra	BITSTRING[2]		rate adaption
sacp	BITSTRING[3]		signalling access protocol
extb6	BITSTRING[1]		extension bit
l1id	BITSTRING[2]		L1 identity
uil1	BITSTRING[4]		user information L 1 protocol
sb	BITSTRING[1]		synchronous bit
extb6a	BITSTRING[1]		extension bit
nsb	BITSTRING[1]		number of stop bits
nb	BITSTRING[1]		negotiation bit
ndb	BITSTRING[1]		number of data bits
ur	BITSTRING[4]		user rate
extb6b	BITSTRING[1]		extension bit
ir	BITSTRING[2]		intermediate rate
nictx	BITSTRING[1]		network independent clock on transmission
nicrx	BITSTRING[1]		network independent clock on reception
pi	BITSTRING[3]		parity information
extb6c	BITSTRING[1]		extension bit
ce	BITSTRING[2]		connection element
modemt	BITSTRING[5]		modem type
extb7	BITSTRING[1]		extension bit
l2id	BITSTRING[2]		L2 identity
uil2	BITSTRING[5]		user information L2 protocol
omitted?			Bearer capability 2. If the answer is OMIT the IE is omitted in the message
iei	BITSTRING[8]	'00000100'B	
iel	OCTETSTRING[1]		length of the IE in unit of OCTET
extb3	BITSTRING[1]		extension bit
rchr	BITSTRING[2]	'00'B	spare bit in the direction n -> ms
cs	BITSTRING[1]		coding standard
tm	BITSTRING[1]		transfer mode
itc	BITSTRING[3]		information transfer capability

extb4	BITSTRING[1]		extension bit
spb	BITSTRING[1]	'0'B	spare bit
strc	BITSTRING[1]		structure
dplx	BITSTRING[2]		duplex mode
config	BITSTRING[1]		configuration
nirr	BITSTRING[1]		negotiation of intermediate rate requested
est	BITSTRING[1]		establishment
extb5	BITSTRING[1]		extension bit
accid	BITSTRING[2]		access identify
ra	BITSTRING[2]		rate adaption
sacp	BITSTRING[3]		signalling access protocol
extb6	BITSTRING[1]		extension bit
l1id	BITSTRING[2]		L1 identity
uil1	BITSTRING[4]		user information L 1 protocol
sb	BITSTRING[1]		synchronous bit
extb6a	BITSTRING[1]		extension bit
nsb	BITSTRING[1]		number of stop bits
nb	BITSTRING[1]		negotiation bit
ndb	BITSTRING[1]		number of data bits
ur	BITSTRING[4]		user rate
extb6b	BITSTRING[1]		extension bit
ir	BITSTRING[2]		intermediate rate
nictx	BITSTRING[1]		network independent clock on transmission
nicrx	BITSTRING[1]		network independent clock on reception
pi	BITSTRING[3]		parity information
extb6c	BITSTRING[1]		extension bit
ce	BITSTRING[2]		connection element
modemt	BITSTRING[5]		modem type
extb7	BITSTRING[1]		extension bit
l2id	BITSTRING[2]		L2 identity
uil2	BITSTRING[5]		user information L2 protocol
omitted?			LLC repeat indicator. If the answer is OMIT the IE is omitted in the message
llcri	BITSTRING[8]	'1101_ _ _ _'B	
omitted?			low layer compatibility I. If the answer is OMIT the IE is omitted in the message
iei	BITSTRING[8]	'01111100'B	
iel	OCTETSTRING[1]		
contents	OCTETSTRING[1..13]		
omitted?			low layer compatibility II. If the answer is OMIT the IE is omitted in the message
iei	BITSTRING[8]	'01111100'B	
iel	OCTETSTRING[1]		
contents	OCTETSTRING[1..13]		
omitted?			HLC repeat indicator. If the answer is OMIT the IE is omitted in the message
hlcri	BITSTRING[8]	'1101_ _ _ _'B	
omitted?			high layer compatibility i. If the answer is OMIT the IE is omitted in the message
iei	BITSTRING[8]	'01111101'B	
iel	OCTETSTRING[1]		length of the element
extb3	BITSTRING[1]	'1'B	
cs	BITSTRING[2]		coding standard
in	BITSTRING[3]		interpretation
pmp	BITSTRING[2]		presentation method of protocol
extb4	BITSTRING[1]	'1'B	
hlci	BITSTRING[7]		high layer characteristic identification

extb4a	BITSTRING[1]		
ehlci	BITSTRING[7]		extended high layer characteristic identification
omitted?			high layer compatibility ii. If the answer is OMIT the IE is omitted in the message
iei	BITSTRING[8]	'01111101'B	
iel	OCTETSTRING[1]		length of the element
extb3	BITSTRING[1]	'1'B	
cs	BITSTRING[2]		coding standard
in	BITSTRING[3]		interpretation
pmpp	BITSTRING[2]		presentation method of protocol
extb4	BITSTRING[1]	'1'B	
hlci	BITSTRING[7]		high layer characteristic identification
extb4a	BITSTRING[1]		
ehlci	BITSTRING[7]		extended high layer characteristic identification

B.7.2.5.22 Packet Access 9 600 bit/s

Table 186: Parameter TSPX_SetupBS53_1

Field	Type	Value	Comments
ti	BITSTRING[4]	'0000'B	
pd	BITSTRING[4]	'0011'B	
mt	BITSTRING[8]	'00000101'B	
omitted?			BC repeat indicator. If the answer is OMIT the IE is omitted in the message
bcri	BITSTRING[8]	'1101_ _ _ _'B	
omitted?			Bearer capability 1. If the answer is OMIT the IE is omitted in the message
iei	BITSTRING[8]	'00000100'B	
iel	OCTETSTRING[1]		length of the IE in unit of OCTET
extb3	BITSTRING[1]		extension bit
rchr	BITSTRING[2]	'00'B	spare bit in the direction n -> ms
cs	BITSTRING[1]		coding standard
tm	BITSTRING[1]		transfer mode
itc	BITSTRING[3]		information transfer capability
extb4	BITSTRING[1]		extension bit
spb	BITSTRING[1]	'0'B	spare bit
strc	BITSTRING[1]		structure
dplxm	BITSTRING[2]		duplex mode
config	BITSTRING[1]		configuration
nirr	BITSTRING[1]		negotiation of intermediate rate requested
est	BITSTRING[1]		establishment
extb5	BITSTRING[1]		extension bit
accid	BITSTRING[2]		access identify
ra	BITSTRING[2]		rate adaption
sacp	BITSTRING[3]		signalling access protocol
extb6	BITSTRING[1]		extension bit
l1id	BITSTRING[2]		L1 identity
uil1	BITSTRING[4]		user information L 1 protocol
sb	BITSTRING[1]		synchronous bit
extb6a	BITSTRING[1]		extension bit
nsb	BITSTRING[1]		number of stop bits
nb	BITSTRING[1]		negotiation bit
ndb	BITSTRING[1]		number of data bits
ur	BITSTRING[4]		user rate
extb6b	BITSTRING[1]		extension bit
ir	BITSTRING[2]		intermediate rate
nictx	BITSTRING[1]		network independent clock on transmission
nicrx	BITSTRING[1]		network independent clock on reception
pi	BITSTRING[3]		parity information
extb6c	BITSTRING[1]		extension bit
ce	BITSTRING[2]		connection element
modemt	BITSTRING[5]		modem type
extb7	BITSTRING[1]		extension bit
l2id	BITSTRING[2]		L2 identity
uil2	BITSTRING[5]		user information L2 protocol
omitted?			Bearer capability 2. If the answer is OMIT the IE is omitted in the message
iei	BITSTRING[8]	'00000100'B	
iel	OCTETSTRING[1]		length of the IE in unit of OCTET
extb3	BITSTRING[1]		extension bit
rchr	BITSTRING[2]	'00'B	spare bit in the direction n -> ms
cs	BITSTRING[1]		coding standard

tm	BITSTRING[1]		transfer mode
itc	BITSTRING[3]		information transfer capability
extb4	BITSTRING[1]		extension bit
spb	BITSTRING[1]	'0'B	spare bit
strc	BITSTRING[1]		structure
dplx	BITSTRING[2]		duplex mode
config	BITSTRING[1]		configuration
nirr	BITSTRING[1]		negotiation of intermediate rate requested
est	BITSTRING[1]		establishment
extb5	BITSTRING[1]		extension bit
accid	BITSTRING[2]		access identify
ra	BITSTRING[2]		rate adaption
sacp	BITSTRING[3]		signalling access protocol
extb6	BITSTRING[1]		extension bit
l1id	BITSTRING[2]		L1 identity
uil1	BITSTRING[4]		user information L 1 protocol
sb	BITSTRING[1]		synchronous bit
extb6a	BITSTRING[1]		extension bit
nsb	BITSTRING[1]		number of stop bits
nb	BITSTRING[1]		negotiation bit
ndb	BITSTRING[1]		number of data bits
ur	BITSTRING[4]		user rate
extb6b	BITSTRING[1]		extension bit
ir	BITSTRING[2]		intermediate rate
nictx	BITSTRING[1]		network independent clock on transmission
nicrx	BITSTRING[1]		network independent clock on reception
pi	BITSTRING[3]		parity information
extb6c	BITSTRING[1]		extension bit
ce	BITSTRING[2]		connection element
modemt	BITSTRING[5]		modem type
extb7	BITSTRING[1]		extension bit
l2id	BITSTRING[2]		L2 identity
uil2	BITSTRING[5]		user information L2 protocol
omitted?			LLC repeat indicator. If the answer is OMIT the IE is omitted in the message
llcri	BITSTRING[8]	'1101____'B	
omitted?			low layer compatibility I. If the answer is OMIT the IE is omitted in the message
iei	BITSTRING[8]	'01111100'B	
iel	OCTETSTRING[1]		
contents	OCTETSTRING[1..13]		
omitted?			low layer compatibility II. If the answer is OMIT the IE is omitted in the message
iei	BITSTRING[8]	'01111100'B	
iel	OCTETSTRING[1]		
contents	OCTETSTRING[1..13]		
omitted?			HLC repeat indicator. If the answer is OMIT the IE is omitted in the message
hlcri	BITSTRING[8]	'1101____'B	
omitted?			high layer compatibility i. If the answer is OMIT the IE is omitted in the message
iei	BITSTRING[8]	'01111101'B	
iel	OCTETSTRING[1]		length of the element
extb3	BITSTRING[1]	'1'B	
cs	BITSTRING[2]		coding standard
in	BITSTRING[3]		interpretation
pmp	BITSTRING[2]		presentation method of protocol

extb4	BITSTRING[1]	'1'B	
hlci	BITSTRING[7]		high layer characteristic identification
extb4a	BITSTRING[1]		
ehlci	BITSTRING[7]		extended high layer characteristic identification
omitted?			high layer compatibility ii. If the answer is OMIT the IE is omitted in the message
iei	BITSTRING[8]	'01111101'B	
iel	OCTETSTRING[1]		length of the element
extb3	BITSTRING[1]	'1'B	
cs	BITSTRING[2]		coding standard
in	BITSTRING[3]		interpretation
pmp	BITSTRING[2]		presentation method of protocol
extb4	BITSTRING[1]	'1'B	
hlci	BITSTRING[7]		high layer characteristic identification
extb4a	BITSTRING[1]		
ehlci	BITSTRING[7]		extended high layer characteristic identification

Table 187: Parameter TSPX_BS53more

Name	Type	Value	Comments
TSPX_BS53more	BOOLEAN		

Table 188: Parameter TSPX_SetupBS53_2

Field	Type	Value	Comments
ti	BITSTRING[4]	'0000'B	
pd	BITSTRING[4]	'0011'B	
mt	BITSTRING[8]	'00000101'B	
omitted?			BC repeat indicator. If the answer is OMIT the IE is omitted in the message
bcrl	BITSTRING[8]	'1101____'B	
omitted?			Bearer capability 1. If the answer is OMIT the IE is omitted in the message
iei	BITSTRING[8]	'00000100'B	
iel	OCTETSTRING[1]		length of the IE in unit of OCTET
extb3	BITSTRING[1]		extension bit
rchr	BITSTRING[2]	'00'B	spare bit in the direction n -> ms
cs	BITSTRING[1]		coding standard
tm	BITSTRING[1]		transfer mode
itc	BITSTRING[3]		information transfer capability
extb4	BITSTRING[1]		extension bit
spb	BITSTRING[1]	'0'B	spare bit
strc	BITSTRING[1]		structure
dplxm	BITSTRING[2]		duplex mode
config	BITSTRING[1]		configuration
nirr	BITSTRING[1]		negotiation of intermediate rate requested
est	BITSTRING[1]		establishment
extb5	BITSTRING[1]		extension bit
accid	BITSTRING[2]		access identify
ra	BITSTRING[2]		rate adaption
sacp	BITSTRING[3]		signalling access protocol
extb6	BITSTRING[1]		extension bit
l1id	BITSTRING[2]		L1 identity
uil1	BITSTRING[4]		user information L 1 protocol
sb	BITSTRING[1]		synchronous bit
extb6a	BITSTRING[1]		extension bit
nsb	BITSTRING[1]		number of stop bits
nb	BITSTRING[1]		negotiation bit
ndb	BITSTRING[1]		number of data bits
ur	BITSTRING[4]		user rate
extb6b	BITSTRING[1]		extension bit
ir	BITSTRING[2]		intermediate rate
nictx	BITSTRING[1]		network independent clock on transmission
nicrx	BITSTRING[1]		network independent clock on reception
pi	BITSTRING[3]		parity information
extb6c	BITSTRING[1]		extension bit
ce	BITSTRING[2]		connection element
modemt	BITSTRING[5]		modem type
extb7	BITSTRING[1]		extension bit
l2id	BITSTRING[2]		L2 identity
uil2	BITSTRING[5]		user information L2 protocol
omitted?			Bearer capability 2. If the answer is OMIT the IE is omitted in the message
iei	BITSTRING[8]	'00000100'B	
iel	OCTETSTRING[1]		length of the IE in unit of OCTET
extb3	BITSTRING[1]		extension bit
rchr	BITSTRING[2]	'00'B	spare bit in the direction n -> ms
cs	BITSTRING[1]		coding standard
tm	BITSTRING[1]		transfer mode
itc	BITSTRING[3]		information transfer capability

extb4	BITSTRING[1]		extension bit
spb	BITSTRING[1]	'0'B	spare bit
strc	BITSTRING[1]		structure
dplx	BITSTRING[2]		duplex mode
config	BITSTRING[1]		configuration
nirr	BITSTRING[1]		negotiation of intermediate rate requested
est	BITSTRING[1]		establishment
extb5	BITSTRING[1]		extension bit
accid	BITSTRING[2]		access identify
ra	BITSTRING[2]		rate adaption
sacp	BITSTRING[3]		signalling access protocol
extb6	BITSTRING[1]		extension bit
l1id	BITSTRING[2]		L1 identity
uil1	BITSTRING[4]		user information L 1 protocol
sb	BITSTRING[1]		synchronous bit
extb6a	BITSTRING[1]		extension bit
nsb	BITSTRING[1]		number of stop bits
nb	BITSTRING[1]		negotiation bit
ndb	BITSTRING[1]		number of data bits
ur	BITSTRING[4]		user rate
extb6b	BITSTRING[1]		extension bit
ir	BITSTRING[2]		intermediate rate
nictx	BITSTRING[1]		network independent clock on transmission
nicrx	BITSTRING[1]		network independent clock on reception
pi	BITSTRING[3]		parity information
extb6c	BITSTRING[1]		extension bit
ce	BITSTRING[2]		connection element
modemt	BITSTRING[5]		modem type
extb7	BITSTRING[1]		extension bit
l2id	BITSTRING[2]		L2 identity
uil2	BITSTRING[5]		user information L2 protocol
omitted?			LLC repeat indicator. If the answer is OMIT the IE is omitted in the message
llcri	BITSTRING[8]	'1101_ _ _ _'B	
omitted?			low layer compatibility I. If the answer is OMIT the IE is omitted in the message
iei	BITSTRING[8]	'01111100'B	
iel	OCTETSTRING[1]		
contents	OCTETSTRING[1..13]		
omitted?			low layer compatibility II. If the answer is OMIT the IE is omitted in the message
iei	BITSTRING[8]	'01111100'B	
iel	OCTETSTRING[1]		
contents	OCTETSTRING[1..13]		
omitted?			HLC repeat indicator. If the answer is OMIT the IE is omitted in the message
hlcri	BITSTRING[8]	'1101_ _ _ _'B	
omitted?			high layer compatibility i. If the answer is OMIT the IE is omitted in the message
iei	BITSTRING[8]	'01111101'B	
iel	OCTETSTRING[1]		length of the element
extb3	BITSTRING[1]	'1'B	
cs	BITSTRING[2]		coding standard
in	BITSTRING[3]		interpretation
pmp	BITSTRING[2]		presentation method of protocol
extb4	BITSTRING[1]	'1'B	
hlci	BITSTRING[7]		high layer characteristic identification

extb4a	BITSTRING[1]		
ehlci	BITSTRING[7]		extended high layer characteristic identification
omitted?			high layer compatibility ii. If the answer is OMIT the IE is omitted in the message
iei	BITSTRING[8]	'01111101'B	
iel	OCTETSTRING[1]		length of the element
extb3	BITSTRING[1]	'1'B	
cs	BITSTRING[2]		coding standard
in	BITSTRING[3]		interpretation
pmp	BITSTRING[2]		presentation method of protocol
extb4	BITSTRING[1]	'1'B	
hlci	BITSTRING[7]		high layer characteristic identification
extb4a	BITSTRING[1]		
ehlci	BITSTRING[7]		extended high layer characteristic identification

Table 189: Parameter TSPX_SetupBS53_3

Field	Type	Value	Comments
ti	BITSTRING[4]	'0000'B	
pd	BITSTRING[4]	'0011'B	
mt	BITSTRING[8]	'00000101'B	
omitted?			BC repeat indicator. If the answer is OMIT the IE is omitted in the message
bcri	BITSTRING[8]	'1101_ _ _ _'B	
omitted?			Bearer capability 1. If the answer is OMIT the IE is omitted in the message
iei	BITSTRING[8]	'00000100'B	
iel	OCTETSTRING[1]		length of the IE in unit of OCTET
extb3	BITSTRING[1]		extension bit
rchr	BITSTRING[2]	'00'B	spare bit in the direction n -> ms
cs	BITSTRING[1]		coding standard
tm	BITSTRING[1]		transfer mode
itc	BITSTRING[3]		information transfer capability
extb4	BITSTRING[1]		extension bit
spb	BITSTRING[1]	'0'B	spare bit
strc	BITSTRING[1]		structure
dplxm	BITSTRING[2]		duplex mode
config	BITSTRING[1]		configuration
nirr	BITSTRING[1]		negotiation of intermediate rate requested
est	BITSTRING[1]		establishment
extb5	BITSTRING[1]		extension bit
accid	BITSTRING[2]		access identify
ra	BITSTRING[2]		rate adaption
sacp	BITSTRING[3]		signalling access protocol
extb6	BITSTRING[1]		extension bit
l1id	BITSTRING[2]		L1 identity
uil1	BITSTRING[4]		user information L 1 protocol
sb	BITSTRING[1]		synchronous bit
extb6a	BITSTRING[1]		extension bit
nsb	BITSTRING[1]		number of stop bits
nb	BITSTRING[1]		negotiation bit
ndb	BITSTRING[1]		number of data bits
ur	BITSTRING[4]		user rate
extb6b	BITSTRING[1]		extension bit
ir	BITSTRING[2]		intermediate rate
nictx	BITSTRING[1]		network independent clock on transmission
nicrx	BITSTRING[1]		network independent clock on reception
pi	BITSTRING[3]		parity information
extb6c	BITSTRING[1]		extension bit
ce	BITSTRING[2]		connection element
modemt	BITSTRING[5]		modem type
extb7	BITSTRING[1]		extension bit
l2id	BITSTRING[2]		L2 identity
uil2	BITSTRING[5]		user information L2 protocol
omitted?			Bearer capability 2. If the answer is OMIT the IE is omitted in the message
iei	BITSTRING[8]	'00000100'B	
iel	OCTETSTRING[1]		length of the IE in unit of OCTET
extb3	BITSTRING[1]		extension bit
rchr	BITSTRING[2]	'00'B	spare bit in the direction n -> ms
cs	BITSTRING[1]		coding standard
tm	BITSTRING[1]		transfer mode
itc	BITSTRING[3]		information transfer capability

extb4	BITSTRING[1]		extension bit
spb	BITSTRING[1]	'0'B	spare bit
strc	BITSTRING[1]		structure
dplx	BITSTRING[2]		duplex mode
config	BITSTRING[1]		configuration
nirr	BITSTRING[1]		negotiation of intermediate rate requested
est	BITSTRING[1]		establishment
extb5	BITSTRING[1]		extension bit
accid	BITSTRING[2]		access identify
ra	BITSTRING[2]		rate adaption
sacp	BITSTRING[3]		signalling access protocol
extb6	BITSTRING[1]		extension bit
l1id	BITSTRING[2]		L1 identity
uil1	BITSTRING[4]		user information L 1 protocol
sb	BITSTRING[1]		synchronous bit
extb6a	BITSTRING[1]		extension bit
nsb	BITSTRING[1]		number of stop bits
nb	BITSTRING[1]		negotiation bit
ndb	BITSTRING[1]		number of data bits
ur	BITSTRING[4]		user rate
extb6b	BITSTRING[1]		extension bit
ir	BITSTRING[2]		intermediate rate
nictx	BITSTRING[1]		network independent clock on transmission
nicrx	BITSTRING[1]		network independent clock on reception
pi	BITSTRING[3]		parity information
extb6c	BITSTRING[1]		extension bit
ce	BITSTRING[2]		connection element
modemt	BITSTRING[5]		modem type
extb7	BITSTRING[1]		extension bit
l2id	BITSTRING[2]		L2 identity
uil2	BITSTRING[5]		user information L2 protocol
omitted?			LLC repeat indicator. If the answer is OMIT the IE is omitted in the message
llcri	BITSTRING[8]	'1101___'B	
omitted?			low layer compatibility I. If the answer is OMIT the IE is omitted in the message
iei	BITSTRING[8]	'01111100'B	
iel	OCTETSTRING[1]		
contents	OCTETSTRING[1..13]		
omitted?			low layer compatibility II. If the answer is OMIT the IE is omitted in the message
iei	BITSTRING[8]	'01111100'B	
iel	OCTETSTRING[1]		
contents	OCTETSTRING[1..13]		
omitted?			HLC repeat indicator. If the answer is OMIT the IE is omitted in the message
hlcri	BITSTRING[8]	'1101___'B	
omitted?			high layer compatibility i. If the answer is OMIT the IE is omitted in the message
iei	BITSTRING[8]	'01111101'B	
iel	OCTETSTRING[1]		length of the element
extb3	BITSTRING[1]	'1'B	
cs	BITSTRING[2]		coding standard
in	BITSTRING[3]		interpretation
pmp	BITSTRING[2]		presentation method of protocol
extb4	BITSTRING[1]	'1'B	
hlci	BITSTRING[7]		high layer characteristic identification

extb4a	BITSTRING[1]		
ehlci	BITSTRING[7]		extended high layer characteristic identification
omitted?			high layer compatibility ii. If the answer is OMIT the IE is omitted in the message
iei	BITSTRING[8]	'01111101'B	
iel	OCTETSTRING[1]		length of the element
extb3	BITSTRING[1]	'1'B	
cs	BITSTRING[2]		coding standard
in	BITSTRING[3]		interpretation
pmp	BITSTRING[2]		presentation method of protocol
extb4	BITSTRING[1]	'1'B	
hlci	BITSTRING[7]		high layer characteristic identification
extb4a	BITSTRING[1]		
ehlci	BITSTRING[7]		extended high layer characteristic identification

B.7.2.5.23 Alternate Speech/Data

Table 190: Parameter TSPX_SetupBS61_1

Field	Type	Value	Comments
ti	BITSTRING[4]	'0000'B	
pd	BITSTRING[4]	'0011'B	
mt	BITSTRING[8]	'00000101'B	
omitted?			BC repeat indicator. If the answer is OMIT the IE is omitted in the message
bcric	BITSTRING[8]	'1101_ _ _ _'B	
omitted?			Bearer capability 1. If the answer is OMIT the IE is omitted in the message
iei	BITSTRING[8]	'00000100'B	
iel	OCTETSTRING[1]		length of the IE in unit of OCTET
extb3	BITSTRING[1]		extension bit
rchr	BITSTRING[2]	'00'B	spare bit in the direction n -> ms
cs	BITSTRING[1]		coding standard
tm	BITSTRING[1]		transfer mode
itc	BITSTRING[3]		information transfer capability
extb4	BITSTRING[1]		extension bit
spb	BITSTRING[1]	'0'B	spare bit
strc	BITSTRING[1]		structure
dplx	BITSTRING[2]		duplex mode
config	BITSTRING[1]		configuration
nirr	BITSTRING[1]		negotiation of intermediate rate requested
est	BITSTRING[1]		establishment
extb5	BITSTRING[1]		extension bit
accid	BITSTRING[2]		access identify
ra	BITSTRING[2]		rate adaption
sacp	BITSTRING[3]		signalling access protocol
extb6	BITSTRING[1]		extension bit
l1id	BITSTRING[2]		L1 identity
uil1	BITSTRING[4]		user information L 1 protocol
sb	BITSTRING[1]		synchronous bit
extb6a	BITSTRING[1]		extension bit
nsb	BITSTRING[1]		number of stop bits
nb	BITSTRING[1]		negotiation bit
ndb	BITSTRING[1]		number of data bits
ur	BITSTRING[4]		user rate
extb6b	BITSTRING[1]		extension bit
ir	BITSTRING[2]		intermediate rate
nictx	BITSTRING[1]		network independent clock on transmission
nicrx	BITSTRING[1]		network independent clock on reception
pi	BITSTRING[3]		parity information
extb6c	BITSTRING[1]		extension bit
ce	BITSTRING[2]		connection element
modemt	BITSTRING[5]		modem type
extb7	BITSTRING[1]		extension bit
l2id	BITSTRING[2]		L2 identity
uil2	BITSTRING[5]		user information L2 protocol
omitted?			Bearer capability 2. If the answer is OMIT the IE is omitted in the message
iei	BITSTRING[8]	'00000100'B	
iel	OCTETSTRING[1]		length of the IE in unit of OCTET
extb3	BITSTRING[1]		extension bit
rchr	BITSTRING[2]	'00'B	spare bit in the direction n -> ms
cs	BITSTRING[1]		coding standard

tm	BITSTRING[1]		transfer mode
itc	BITSTRING[3]		information transfer capability
extb4	BITSTRING[1]		extension bit
spb	BITSTRING[1]	'0'B	spare bit
strc	BITSTRING[1]		structure
dplx	BITSTRING[2]		duplex mode
config	BITSTRING[1]		configuration
nirr	BITSTRING[1]		negotiation of intermediate rate requested
est	BITSTRING[1]		establishment
extb5	BITSTRING[1]		extension bit
accid	BITSTRING[2]		access identify
ra	BITSTRING[2]		rate adaption
sacp	BITSTRING[3]		signalling access protocol
extb6	BITSTRING[1]		extension bit
l1id	BITSTRING[2]		L1 identity
uil1	BITSTRING[4]		user information L 1 protocol
sb	BITSTRING[1]		synchronous bit
extb6a	BITSTRING[1]		extension bit
nsb	BITSTRING[1]		number of stop bits
nb	BITSTRING[1]		negotiation bit
ndb	BITSTRING[1]		number of data bits
ur	BITSTRING[4]		user rate
extb6b	BITSTRING[1]		extension bit
ir	BITSTRING[2]		intermediate rate
nictx	BITSTRING[1]		network independent clock on transmission
nicrx	BITSTRING[1]		network independent clock on reception
pi	BITSTRING[3]		parity information
extb6c	BITSTRING[1]		extension bit
ce	BITSTRING[2]		connection element
modemt	BITSTRING[5]		modem type
extb7	BITSTRING[1]		extension bit
l2id	BITSTRING[2]		L2 identity
uil2	BITSTRING[5]		user information L2 protocol
omitted?			LLC repeat indicator. If the answer is OMIT the IE is omitted in the message
llcri	BITSTRING[8]	'1101_ _ _ _'B	
omitted?			low layer compatibility I. If the answer is OMIT the IE is omitted in the message
iei	BITSTRING[8]	'01111100'B	
iel	OCTETSTRING[1]		
contents	OCTETSTRING[1..13]		
omitted?			low layer compatibility II. If the answer is OMIT the IE is omitted in the message
iei	BITSTRING[8]	'01111100'B	
iel	OCTETSTRING[1]		
contents	OCTETSTRING[1..13]		
omitted?			HLC repeat indicator. If the answer is OMIT the IE is omitted in the message
hlcri	BITSTRING[8]	'1101_ _ _ _'B	
omitted?			high layer compatibility i. If the answer is OMIT the IE is omitted in the message
iei	BITSTRING[8]	'01111101'B	
iel	OCTETSTRING[1]		length of the element
extb3	BITSTRING[1]	'1'B	
cs	BITSTRING[2]		coding standard
in	BITSTRING[3]		interpretation
pmp	BITSTRING[2]		presentation method of protocol

extb4	BITSTRING[1]	'1'B	
hlci	BITSTRING[7]		high layer characteristic identification
extb4a	BITSTRING[1]		
ehlci	BITSTRING[7]		extended high layer characteristic identification
omitted?			high layer compatibility ii. If the answer is OMIT the IE is omitted in the message
iei	BITSTRING[8]	'01111101'B	
iel	OCTETSTRING[1]		length of the element
extb3	BITSTRING[1]	'1'B	
cs	BITSTRING[2]		coding standard
in	BITSTRING[3]		interpretation
pmpp	BITSTRING[2]		presentation method of protocol
extb4	BITSTRING[1]	'1'B	
hlci	BITSTRING[7]		high layer characteristic identification
extb4a	BITSTRING[1]		
ehlci	BITSTRING[7]		extended high layer characteristic identification

Table 191: Parameter TSPX_BS61more

Name	Type	Value	Comments
TSPX_BS61more	BOOLEAN		

Table 192: Parameter TSPX_SetupBS61_2

Field	Type	Value	Comments
ti	BITSTRING[4]	'0000'B	
pd	BITSTRING[4]	'0011'B	
mt	BITSTRING[8]	'00000101'B	
omitted?			BC repeat indicator. If the answer is OMIT the IE is omitted in the message
bcri	BITSTRING[8]	'1101_ _ _ _'B	
omitted?			Bearer capability 1. If the answer is OMIT the IE is omitted in the message
iei	BITSTRING[8]	'00000100'B	
iel	OCTETSTRING[1]		length of the IE in unit of OCTET
extb3	BITSTRING[1]		extension bit
rchr	BITSTRING[2]	'00'B	spare bit in the direction n -> ms
cs	BITSTRING[1]		coding standard
tm	BITSTRING[1]		transfer mode
itc	BITSTRING[3]		information transfer capability
extb4	BITSTRING[1]		extension bit
spb	BITSTRING[1]	'0'B	spare bit
strc	BITSTRING[1]		structure
dplx	BITSTRING[2]		duplex mode
config	BITSTRING[1]		configuration
nirr	BITSTRING[1]		negotiation of intermediate rate requested
est	BITSTRING[1]		establishment
extb5	BITSTRING[1]		extension bit
accid	BITSTRING[2]		access identify
ra	BITSTRING[2]		rate adaption
sacp	BITSTRING[3]		signalling access protocol
extb6	BITSTRING[1]		extension bit
l1id	BITSTRING[2]		L1 identity
uil1	BITSTRING[4]		user information L 1 protocol
sb	BITSTRING[1]		synchronous bit
extb6a	BITSTRING[1]		extension bit
nsb	BITSTRING[1]		number of stop bits
nb	BITSTRING[1]		negotiation bit
ndb	BITSTRING[1]		number of data bits
ur	BITSTRING[4]		user rate
extb6b	BITSTRING[1]		extension bit
ir	BITSTRING[2]		intermediate rate
nictx	BITSTRING[1]		network independent clock on transmission
nicrx	BITSTRING[1]		network independent clock on reception
pi	BITSTRING[3]		parity information
extb6c	BITSTRING[1]		extension bit
ce	BITSTRING[2]		connection element
modemt	BITSTRING[5]		modem type
extb7	BITSTRING[1]		extension bit
l2id	BITSTRING[2]		L2 identity
uil2	BITSTRING[5]		user information L2 protocol
omitted?			Bearer capability 2. If the answer is OMIT the IE is omitted in the message
iei	BITSTRING[8]	'00000100'B	
iel	OCTETSTRING[1]		length of the IE in unit of OCTET
extb3	BITSTRING[1]		extension bit
rchr	BITSTRING[2]	'00'B	spare bit in the direction n -> ms
cs	BITSTRING[1]		coding standard
tm	BITSTRING[1]		transfer mode
itc	BITSTRING[3]		information transfer capability

extb4	BITSTRING[1]		extension bit
spb	BITSTRING[1]	'0'B	spare bit
strc	BITSTRING[1]		structure
dplxm	BITSTRING[2]		duplex mode
config	BITSTRING[1]		configuration
nirr	BITSTRING[1]		negotiation of intermediate rate requested
est	BITSTRING[1]		establishment
extb5	BITSTRING[1]		extension bit
accid	BITSTRING[2]		access identify
ra	BITSTRING[2]		rate adaption
sacp	BITSTRING[3]		signalling access protocol
extb6	BITSTRING[1]		extension bit
l1id	BITSTRING[2]		L1 identity
uil1	BITSTRING[4]		user information L 1 protocol
sb	BITSTRING[1]		synchronous bit
extb6a	BITSTRING[1]		extension bit
nsb	BITSTRING[1]		number of stop bits
nb	BITSTRING[1]		negotiation bit
ndb	BITSTRING[1]		number of data bits
ur	BITSTRING[4]		user rate
extb6b	BITSTRING[1]		extension bit
ir	BITSTRING[2]		intermediate rate
nictx	BITSTRING[1]		network independent clock on transmission
nicrx	BITSTRING[1]		network independent clock on reception
pi	BITSTRING[3]		parity information
extb6c	BITSTRING[1]		extension bit
ce	BITSTRING[2]		connection element
modemt	BITSTRING[5]		modem type
extb7	BITSTRING[1]		extension bit
l2id	BITSTRING[2]		L2 identity
uil2	BITSTRING[5]		user information L2 protocol
omitted?			LLC repeat indicator. If the answer is OMIT the IE is omitted in the message
llcri	BITSTRING[8]	'1101___'B	
omitted?			low layer compatibility I. If the answer is OMIT the IE is omitted in the message
iei	BITSTRING[8]	'01111100'B	
iel	OCTETSTRING[1]		
contents	OCTETSTRING[1..13]		
omitted?			low layer compatibility II. If the answer is OMIT the IE is omitted in the message
iei	BITSTRING[8]	'01111100'B	
iel	OCTETSTRING[1]		
contents	OCTETSTRING[1..13]		
omitted?			HLC repeat indicator. If the answer is OMIT the IE is omitted in the message
hlcri	BITSTRING[8]	'1101___'B	
omitted?			high layer compatibility i. If the answer is OMIT the IE is omitted in the message
iei	BITSTRING[8]	'01111101'B	
iel	OCTETSTRING[1]		length of the element
extb3	BITSTRING[1]	'1'B	
cs	BITSTRING[2]		coding standard
in	BITSTRING[3]		interpretation
pmp	BITSTRING[2]		presentation method of protocol
extb4	BITSTRING[1]	'1'B	
hlci	BITSTRING[7]		high layer characteristic identification

extb4a	BITSTRING[1]		
ehlci	BITSTRING[7]		extended high layer characteristic identification
omitted?			high layer compatibility ii. If the answer is OMIT the IE is omitted in the message
iei	BITSTRING[8]	'01111101'B	
iel	OCTETSTRING[1]		length of the element
extb3	BITSTRING[1]	'1'B	
cs	BITSTRING[2]		coding standard
in	BITSTRING[3]		interpretation
pmp	BITSTRING[2]		presentation method of protocol
extb4	BITSTRING[1]	'1'B	
hlci	BITSTRING[7]		high layer characteristic identification
extb4a	BITSTRING[1]		
ehlci	BITSTRING[7]		extended high layer characteristic identification

Table 193: Parameter TSPX_SetupBS61_3

Field	Type	Value	Comments
ti	BITSTRING[4]	'0000'B	
pd	BITSTRING[4]	'0011'B	
mt	BITSTRING[8]	'00000101'B	
omitted?			BC repeat indicator. If the answer is OMIT the IE is omitted in the message
bcrl	BITSTRING[8]	'1101____'B	
omitted?			Bearer capability 1. If the answer is OMIT the IE is omitted in the message
iei	BITSTRING[8]	'00000100'B	
iel	OCTETSTRING[1]		length of the IE in unit of OCTET
extb3	BITSTRING[1]		extension bit
rchr	BITSTRING[2]	'00'B	spare bit in the direction n -> ms
cs	BITSTRING[1]		coding standard
tm	BITSTRING[1]		transfer mode
itc	BITSTRING[3]		information transfer capability
extb4	BITSTRING[1]		extension bit
spb	BITSTRING[1]	'0'B	spare bit
strc	BITSTRING[1]		structure
dplx	BITSTRING[2]		duplex mode
config	BITSTRING[1]		configuration
nirr	BITSTRING[1]		negotiation of intermediate rate requested
est	BITSTRING[1]		establishment
extb5	BITSTRING[1]		extension bit
accid	BITSTRING[2]		access identify
ra	BITSTRING[2]		rate adaption
sacp	BITSTRING[3]		signalling access protocol
extb6	BITSTRING[1]		extension bit
l1id	BITSTRING[2]		L1 identity
uil1	BITSTRING[4]		user information L 1 protocol
sb	BITSTRING[1]		synchronous bit
extb6a	BITSTRING[1]		extension bit
nsb	BITSTRING[1]		number of stop bits
nb	BITSTRING[1]		negotiation bit
ndb	BITSTRING[1]		number of data bits
ur	BITSTRING[4]		user rate
extb6b	BITSTRING[1]		extension bit
ir	BITSTRING[2]		intermediate rate
nictx	BITSTRING[1]		network independent clock on transmission
nicrx	BITSTRING[1]		network independent clock on reception
pi	BITSTRING[3]		parity information
extb6c	BITSTRING[1]		extension bit
ce	BITSTRING[2]		connection element
modemt	BITSTRING[5]		modem type
extb7	BITSTRING[1]		extension bit
l2id	BITSTRING[2]		L2 identity
uil2	BITSTRING[5]		user information L2 protocol
omitted?			Bearer capability 2. If the answer is OMIT the IE is omitted in the message
iei	BITSTRING[8]	'00000100'B	
iel	OCTETSTRING[1]		length of the IE in unit of OCTET
extb3	BITSTRING[1]		extension bit
rchr	BITSTRING[2]	'00'B	spare bit in the direction n -> ms
cs	BITSTRING[1]		coding standard
tm	BITSTRING[1]		transfer mode
itc	BITSTRING[3]		information transfer capability

extb4	BITSTRING[1]		extension bit
spb	BITSTRING[1]	'0'B	spare bit
strc	BITSTRING[1]		structure
dplxm	BITSTRING[2]		duplex mode
config	BITSTRING[1]		configuration
nirr	BITSTRING[1]		negotiation of intermediate rate requested
est	BITSTRING[1]		establishment
extb5	BITSTRING[1]		extension bit
accid	BITSTRING[2]		access identify
ra	BITSTRING[2]		rate adaption
sacp	BITSTRING[3]		signalling access protocol
extb6	BITSTRING[1]		extension bit
l1id	BITSTRING[2]		L1 identity
uil1	BITSTRING[4]		user information L 1 protocol
sb	BITSTRING[1]		synchronous bit
extb6a	BITSTRING[1]		extension bit
nsb	BITSTRING[1]		number of stop bits
nb	BITSTRING[1]		negotiation bit
ndb	BITSTRING[1]		number of data bits
ur	BITSTRING[4]		user rate
extb6b	BITSTRING[1]		extension bit
ir	BITSTRING[2]		intermediate rate
nictx	BITSTRING[1]		network independent clock on transmission
nicrx	BITSTRING[1]		network independent clock on reception
pi	BITSTRING[3]		parity information
extb6c	BITSTRING[1]		extension bit
ce	BITSTRING[2]		connection element
modemt	BITSTRING[5]		modem type
extb7	BITSTRING[1]		extension bit
l2id	BITSTRING[2]		L2 identity
uil2	BITSTRING[5]		user information L2 protocol
omitted?			LLC repeat indicator. If the answer is OMIT the IE is omitted in the message
llcri	BITSTRING[8]	'1101_ _ _ _'B	
omitted?			low layer compatibility I. If the answer is OMIT the IE is omitted in the message
iei	BITSTRING[8]	'01111100'B	
iel	OCTETSTRING[1]		
contents	OCTETSTRING[1..13]		
omitted?			low layer compatibility II. If the answer is OMIT the IE is omitted in the message
iei	BITSTRING[8]	'01111100'B	
iel	OCTETSTRING[1]		
contents	OCTETSTRING[1..13]		
omitted?			HLC repeat indicator. If the answer is OMIT the IE is omitted in the message
hlcri	BITSTRING[8]	'1101_ _ _ _'B	
omitted?			high layer compatibility i. If the answer is OMIT the IE is omitted in the message
iei	BITSTRING[8]	'01111101'B	
iel	OCTETSTRING[1]		length of the element
extb3	BITSTRING[1]	'1'B	
cs	BITSTRING[2]		coding standard
in	BITSTRING[3]		interpretation
pmp	BITSTRING[2]		presentation method of protocol
extb4	BITSTRING[1]	'1'B	
hlci	BITSTRING[7]		high layer characteristic identification

extb4a	BITSTRING[1]		
ehlci	BITSTRING[7]		extended high layer characteristic identification
omitted?			high layer compatibility ii. If the answer is OMIT the IE is omitted in the message
iei	BITSTRING[8]	'01111101'B	
iel	OCTETSTRING[1]		length of the element
extb3	BITSTRING[1]	'1'B	
cs	BITSTRING[2]		coding standard
in	BITSTRING[3]		interpretation
pmp	BITSTRING[2]		presentation method of protocol
extb4	BITSTRING[1]	'1'B	
hlci	BITSTRING[7]		high layer characteristic identification
extb4a	BITSTRING[1]		
ehlci	BITSTRING[7]		extended high layer characteristic identification

B.7.2.5.24 Speech Followed by Data

Table 194: Parameter TSPX_SetupBS81_1

Field	Type	Value	Comments
ti	BITSTRING[4]	'0000'B	
pd	BITSTRING[4]	'0011'B	
mt	BITSTRING[8]	'00000101'B	
omitted?			BC repeat indicator. If the answer is OMIT the IE is omitted in the message
bcri	BITSTRING[8]	'1101_ _ _ _'B	
omitted?			Bearer capability 1. If the answer is OMIT the IE is omitted in the message
iei	BITSTRING[8]	'00000100'B	
iel	OCTETSTRING[1]		length of the IE in unit of OCTET
extb3	BITSTRING[1]		extension bit
rchr	BITSTRING[2]	'00'B	spare bit in the direction n -> ms
cs	BITSTRING[1]		coding standard
tm	BITSTRING[1]		transfer mode
itc	BITSTRING[3]		information transfer capability
extb4	BITSTRING[1]		extension bit
spb	BITSTRING[1]	'0'B	spare bit
strc	BITSTRING[1]		structure
dplx	BITSTRING[2]		duplex mode
config	BITSTRING[1]		configuration
nirr	BITSTRING[1]		negotiation of intermediate rate requested
est	BITSTRING[1]		establishment
extb5	BITSTRING[1]		extension bit
accid	BITSTRING[2]		access identify
ra	BITSTRING[2]		rate adaption
sacp	BITSTRING[3]		signalling access protocol
extb6	BITSTRING[1]		extension bit
l1id	BITSTRING[2]		L1 identity
uil1	BITSTRING[4]		user information L 1 protocol
sb	BITSTRING[1]		synchronous bit
extb6a	BITSTRING[1]		extension bit
nsb	BITSTRING[1]		number of stop bits
nb	BITSTRING[1]		negotiation bit
ndb	BITSTRING[1]		number of data bits
ur	BITSTRING[4]		user rate
extb6b	BITSTRING[1]		extension bit
ir	BITSTRING[2]		intermediate rate
nictx	BITSTRING[1]		network independent clock on transmission
nicrx	BITSTRING[1]		network independent clock on reception
pi	BITSTRING[3]		parity information
extb6c	BITSTRING[1]		extension bit
ce	BITSTRING[2]		connection element
modemt	BITSTRING[5]		modem type
extb7	BITSTRING[1]		extension bit
l2id	BITSTRING[2]		L2 identity
uil2	BITSTRING[5]		user information L2 protocol
omitted?			Bearer capability 2. If the answer is OMIT the IE is omitted in the message
iei	BITSTRING[8]	'00000100'B	
iel	OCTETSTRING[1]		length of the IE in unit of OCTET
extb3	BITSTRING[1]		extension bit
rchr	BITSTRING[2]	'00'B	spare bit in the direction n -> ms
cs	BITSTRING[1]		coding standard

tm	BITSTRING[1]		transfer mode
itc	BITSTRING[3]		information transfer capability
extb4	BITSTRING[1]		extension bit
spb	BITSTRING[1]	'0'B	spare bit
strc	BITSTRING[1]		structure
dplx	BITSTRING[2]		duplex mode
config	BITSTRING[1]		configuration
nirr	BITSTRING[1]		negotiation of intermediate rate requested
est	BITSTRING[1]		establishment
extb5	BITSTRING[1]		extension bit
accid	BITSTRING[2]		access identify
ra	BITSTRING[2]		rate adaption
sacp	BITSTRING[3]		signalling access protocol
extb6	BITSTRING[1]		extension bit
l1id	BITSTRING[2]		L1 identity
uil1	BITSTRING[4]		user information L 1 protocol
sb	BITSTRING[1]		synchronous bit
extb6a	BITSTRING[1]		extension bit
nsb	BITSTRING[1]		number of stop bits
nb	BITSTRING[1]		negotiation bit
ndb	BITSTRING[1]		number of data bits
ur	BITSTRING[4]		user rate
extb6b	BITSTRING[1]		extension bit
ir	BITSTRING[2]		intermediate rate
nictx	BITSTRING[1]		network independent clock on transmission
nicrx	BITSTRING[1]		network independent clock on reception
pi	BITSTRING[3]		parity information
extb6c	BITSTRING[1]		extension bit
ce	BITSTRING[2]		connection element
modemt	BITSTRING[5]		modem type
extb7	BITSTRING[1]		extension bit
l2id	BITSTRING[2]		L2 identity
uil2	BITSTRING[5]		user information L2 protocol
omitted?			LLC repeat indicator. If the answer is OMIT the IE is omitted in the message
llcri	BITSTRING[8]	'1101___'B	
omitted?			low layer compatibility I. If the answer is OMIT the IE is omitted in the message
iei	BITSTRING[8]	'01111100'B	
iel	OCTETSTRING[1]		
contents	OCTETSTRING[1..13]		
omitted?			low layer compatibility II. If the answer is OMIT the IE is omitted in the message
iei	BITSTRING[8]	'01111100'B	
iel	OCTETSTRING[1]		
contents	OCTETSTRING[1..13]		
omitted?			HLC repeat indicator. If the answer is OMIT the IE is omitted in the message
hlcri	BITSTRING[8]	'1101___'B	
omitted?			high layer compatibility i. If the answer is OMIT the IE is omitted in the message
iei	BITSTRING[8]	'01111101'B	
iel	OCTETSTRING[1]		length of the element
extb3	BITSTRING[1]	'1'B	
cs	BITSTRING[2]		coding standard
in	BITSTRING[3]		interpretation
pmp	BITSTRING[2]		presentation method of protocol

extb4	BITSTRING[1]	'1'B	
hlci	BITSTRING[7]		high layer characteristic identification
extb4a	BITSTRING[1]		
ehlci	BITSTRING[7]		extended high layer characteristic identification
omitted?			high layer compatibility ii. If the answer is OMIT the IE is omitted in the message
iei	BITSTRING[8]	'01111101'B	
iel	OCTETSTRING[1]		length of the element
extb3	BITSTRING[1]	'1'B	
cs	BITSTRING[2]		coding standard
in	BITSTRING[3]		interpretation
pmp	BITSTRING[2]		presentation method of protocol
extb4	BITSTRING[1]	'1'B	
hlci	BITSTRING[7]		high layer characteristic identification
extb4a	BITSTRING[1]		
ehlci	BITSTRING[7]		extended high layer characteristic identification

Table 195: Parameter TSPX_BS81more

Name	Type	Value	Comments
TSPX_BS81more	BOOLEAN		

Table 196: Parameter TSPX_SetupBS81_2

Field	Type	Value	Comments
ti	BITSTRING[4]	'0000'B	
pd	BITSTRING[4]	'0011'B	
mt	BITSTRING[8]	'00000101'B	
omitted?			BC repeat indicator. If the answer is OMIT the IE is omitted in the message
bcrl	BITSTRING[8]	'1101____'B	
omitted?			Bearer capability 1. If the answer is OMIT the IE is omitted in the message
iei	BITSTRING[8]	'00000100'B	
iel	OCTETSTRING[1]		length of the IE in unit of OCTET
extb3	BITSTRING[1]		extension bit
rchr	BITSTRING[2]	'00'B	spare bit in the direction n -> ms
cs	BITSTRING[1]		coding standard
tm	BITSTRING[1]		transfer mode
itc	BITSTRING[3]		information transfer capability
extb4	BITSTRING[1]		extension bit
spb	BITSTRING[1]	'0'B	spare bit
strc	BITSTRING[1]		structure
dplx	BITSTRING[2]		duplex mode
config	BITSTRING[1]		configuration
nirr	BITSTRING[1]		negotiation of intermediate rate requested
est	BITSTRING[1]		establishment
extb5	BITSTRING[1]		extension bit
accid	BITSTRING[2]		access identify
ra	BITSTRING[2]		rate adaption
sacp	BITSTRING[3]		signalling access protocol
extb6	BITSTRING[1]		extension bit
l1id	BITSTRING[2]		L1 identity
uil1	BITSTRING[4]		user information L 1 protocol
sb	BITSTRING[1]		synchronous bit
extb6a	BITSTRING[1]		extension bit
nsb	BITSTRING[1]		number of stop bits
nb	BITSTRING[1]		negotiation bit
ndb	BITSTRING[1]		number of data bits
ur	BITSTRING[4]		user rate
extb6b	BITSTRING[1]		extension bit
ir	BITSTRING[2]		intermediate rate
nictx	BITSTRING[1]		network independent clock on transmission
nicrx	BITSTRING[1]		network independent clock on reception
pi	BITSTRING[3]		parity information
extb6c	BITSTRING[1]		extension bit
ce	BITSTRING[2]		connection element
modemt	BITSTRING[5]		modem type
extb7	BITSTRING[1]		extension bit
l2id	BITSTRING[2]		L2 identity
uil2	BITSTRING[5]		user information L2 protocol
omitted?			Bearer capability 2. If the answer is OMIT the IE is omitted in the message
iei	BITSTRING[8]	'00000100'B	
iel	OCTETSTRING[1]		length of the IE in unit of OCTET
extb3	BITSTRING[1]		extension bit
rchr	BITSTRING[2]	'00'B	spare bit in the direction n -> ms
cs	BITSTRING[1]		coding standard
tm	BITSTRING[1]		transfer mode
itc	BITSTRING[3]		information transfer capability

extb4	BITSTRING[1]		extension bit
spb	BITSTRING[1]	'0'B	spare bit
strc	BITSTRING[1]		structure
dplx	BITSTRING[2]		duplex mode
config	BITSTRING[1]		configuration
nirr	BITSTRING[1]		negotiation of intermediate rate requested
est	BITSTRING[1]		establishment
extb5	BITSTRING[1]		extension bit
accid	BITSTRING[2]		access identify
ra	BITSTRING[2]		rate adaption
sacp	BITSTRING[3]		signalling access protocol
extb6	BITSTRING[1]		extension bit
l1id	BITSTRING[2]		L1 identity
uil1	BITSTRING[4]		user information L 1 protocol
sb	BITSTRING[1]		synchronous bit
extb6a	BITSTRING[1]		extension bit
nsb	BITSTRING[1]		number of stop bits
nb	BITSTRING[1]		negotiation bit
ndb	BITSTRING[1]		number of data bits
ur	BITSTRING[4]		user rate
extb6b	BITSTRING[1]		extension bit
ir	BITSTRING[2]		intermediate rate
nictx	BITSTRING[1]		network independent clock on transmission
nicrx	BITSTRING[1]		network independent clock on reception
pi	BITSTRING[3]		parity information
extb6c	BITSTRING[1]		extension bit
ce	BITSTRING[2]		connection element
modemt	BITSTRING[5]		modem type
extb7	BITSTRING[1]		extension bit
l2id	BITSTRING[2]		L2 identity
uil2	BITSTRING[5]		user information L2 protocol
omitted?			LLC repeat indicator. If the answer is OMIT the IE is omitted in the message
llcri	BITSTRING[8]	'1101_ _ _ _'B	
omitted?			low layer compatibility I. If the answer is OMIT the IE is omitted in the message
iei	BITSTRING[8]	'01111100'B	
iel	OCTETSTRING[1]		
contents	OCTETSTRING[1..13]		
omitted?			low layer compatibility II. If the answer is OMIT the IE is omitted in the message
iei	BITSTRING[8]	'01111100'B	
iel	OCTETSTRING[1]		
contents	OCTETSTRING[1..13]		
omitted?			HLC repeat indicator. If the answer is OMIT the IE is omitted in the message
hlcri	BITSTRING[8]	'1101_ _ _ _'B	
omitted?			high layer compatibility i. If the answer is OMIT the IE is omitted in the message
iei	BITSTRING[8]	'01111101'B	
iel	OCTETSTRING[1]		length of the element
extb3	BITSTRING[1]	'1'B	
cs	BITSTRING[2]		coding standard
in	BITSTRING[3]		interpretation
pmp	BITSTRING[2]		presentation method of protocol
extb4	BITSTRING[1]	'1'B	
hlci	BITSTRING[7]		high layer characteristic identification

extb4a	BITSTRING[1]		
ehlci	BITSTRING[7]		extended high layer characteristic identification
omitted?			high layer compatibility ii. If the answer is OMIT the IE is omitted in the message
iei	BITSTRING[8]	'01111101'B	
iel	OCTETSTRING[1]		length of the element
extb3	BITSTRING[1]	'1'B	
cs	BITSTRING[2]		coding standard
in	BITSTRING[3]		interpretation
pmp	BITSTRING[2]		presentation method of protocol
extb4	BITSTRING[1]	'1'B	
hlci	BITSTRING[7]		high layer characteristic identification
extb4a	BITSTRING[1]		
ehlci	BITSTRING[7]		extended high layer characteristic identification

Table 197: Parameter TSPX_SetupBS81_3

Field	Type	Value	Comments
ti	BITSTRING[4]	'0000'B	
pd	BITSTRING[4]	'0011'B	
mt	BITSTRING[8]	'00000101'B	
omitted?			BC repeat indicator. If the answer is OMIT the IE is omitted in the message
bcri	BITSTRING[8]	'1101_ _ _ _'B	
omitted?			Bearer capability 1. If the answer is OMIT the IE is omitted in the message
iei	BITSTRING[8]	'00000100'B	
iel	OCTETSTRING[1]		length of the IE in unit of OCTET
extb3	BITSTRING[1]		extension bit
rchr	BITSTRING[2]	'00'B	spare bit in the direction n -> ms
cs	BITSTRING[1]		coding standard
tm	BITSTRING[1]		transfer mode
itc	BITSTRING[3]		information transfer capability
extb4	BITSTRING[1]		extension bit
spb	BITSTRING[1]	'0'B	spare bit
strc	BITSTRING[1]		structure
dplx	BITSTRING[2]		duplex mode
config	BITSTRING[1]		configuration
nirr	BITSTRING[1]		negotiation of intermediate rate requested
est	BITSTRING[1]		establishment
extb5	BITSTRING[1]		extension bit
accid	BITSTRING[2]		access identify
ra	BITSTRING[2]		rate adaption
sacp	BITSTRING[3]		signalling access protocol
extb6	BITSTRING[1]		extension bit
l1id	BITSTRING[2]		L1 identity
uil1	BITSTRING[4]		user information L 1 protocol
sb	BITSTRING[1]		synchronous bit
extb6a	BITSTRING[1]		extension bit
nsb	BITSTRING[1]		number of stop bits
nb	BITSTRING[1]		negotiation bit
ndb	BITSTRING[1]		number of data bits
ur	BITSTRING[4]		user rate
extb6b	BITSTRING[1]		extension bit
ir	BITSTRING[2]		intermediate rate
nictx	BITSTRING[1]		network independent clock on transmission
nicrx	BITSTRING[1]		network independent clock on reception
pi	BITSTRING[3]		parity information
extb6c	BITSTRING[1]		extension bit
ce	BITSTRING[2]		connection element
modemt	BITSTRING[5]		modem type
extb7	BITSTRING[1]		extension bit
l2id	BITSTRING[2]		L2 identity
uil2	BITSTRING[5]		user information L2 protocol
omitted?			Bearer capability 2. If the answer is OMIT the IE is omitted in the message
iei	BITSTRING[8]	'00000100'B	
iel	OCTETSTRING[1]		length of the IE in unit of OCTET
extb3	BITSTRING[1]		extension bit
rchr	BITSTRING[2]	'00'B	spare bit in the direction n -> ms
cs	BITSTRING[1]		coding standard
tm	BITSTRING[1]		transfer mode
itc	BITSTRING[3]		information transfer capability

extb4	BITSTRING[1]		extension bit
spb	BITSTRING[1]	'0'B	spare bit
strc	BITSTRING[1]		structure
dplx	BITSTRING[2]		duplex mode
config	BITSTRING[1]		configuration
nirr	BITSTRING[1]		negotiation of intermediate rate requested
est	BITSTRING[1]		establishment
extb5	BITSTRING[1]		extension bit
accid	BITSTRING[2]		access identify
ra	BITSTRING[2]		rate adaption
sacp	BITSTRING[3]		signalling access protocol
extb6	BITSTRING[1]		extension bit
l1id	BITSTRING[2]		L1 identity
uil1	BITSTRING[4]		user information L 1 protocol
sb	BITSTRING[1]		synchronous bit
extb6a	BITSTRING[1]		extension bit
nsb	BITSTRING[1]		number of stop bits
nb	BITSTRING[1]		negotiation bit
ndb	BITSTRING[1]		number of data bits
ur	BITSTRING[4]		user rate
extb6b	BITSTRING[1]		extension bit
ir	BITSTRING[2]		intermediate rate
nictx	BITSTRING[1]		network independent clock on transmission
nicrx	BITSTRING[1]		network independent clock on reception
pi	BITSTRING[3]		parity information
extb6c	BITSTRING[1]		extension bit
ce	BITSTRING[2]		connection element
modemt	BITSTRING[5]		modem type
extb7	BITSTRING[1]		extension bit
l2id	BITSTRING[2]		L2 identity
uil2	BITSTRING[5]		user information L2 protocol
omitted?			LLC repeat indicator. If the answer is OMIT the IE is omitted in the message
llcri	BITSTRING[8]	'1101___'B	
omitted?			low layer compatibility I. If the answer is OMIT the IE is omitted in the message
iei	BITSTRING[8]	'01111100'B	
iel	OCTETSTRING[1]		
contents	OCTETSTRING[1..13]		
omitted?			low layer compatibility II. If the answer is OMIT the IE is omitted in the message
iei	BITSTRING[8]	'01111100'B	
iel	OCTETSTRING[1]		
contents	OCTETSTRING[1..13]		
omitted?			HLC repeat indicator. If the answer is OMIT the IE is omitted in the message
hlcri	BITSTRING[8]	'1101___'B	
omitted?			high layer compatibility i. If the answer is OMIT the IE is omitted in the message
iei	BITSTRING[8]	'01111101'B	
iel	OCTETSTRING[1]		length of the element
extb3	BITSTRING[1]	'1'B	
cs	BITSTRING[2]		coding standard
in	BITSTRING[3]		interpretation
pmp	BITSTRING[2]		presentation method of protocol
extb4	BITSTRING[1]	'1'B	
hlci	BITSTRING[7]		high layer characteristic identification

extb4a	BITSTRING[1]		
ehlci	BITSTRING[7]		extended high layer characteristic identification
omitted?			high layer compatibility ii. If the answer is OMIT the IE is omitted in the message
iei	BITSTRING[8]	'01111101'B	
iel	OCTETSTRING[1]		length of the element
extb3	BITSTRING[1]	'1'B	
cs	BITSTRING[2]		coding standard
in	BITSTRING[3]		interpretation
pmp	BITSTRING[2]		presentation method of protocol
extb4	BITSTRING[1]	'1'B	
hlci	BITSTRING[7]		high layer characteristic identification
extb4a	BITSTRING[1]		
ehlci	BITSTRING[7]		extended high layer characteristic identification

B.7.2.6 Other Parameters

B.7.2.6.1 Parameter TSPX_MAIO

This parameter is used in handover test cases of RR test group.

Table 198: Parameter TSPX_MAIO

Parameter Name: TSPX_MAIO		
Type	Value	Comments
BITSTRING[6]	'_ _ _ _ _ _'B	
References:		
TSPX_MAIO is used in: TC_26_6_5_1_2, TC_26_6_5_1_3, TC_26_6_5_1_4, TC_26_6_5_1_5, TC_26_6_5_1_6, TC_26_6_5_1_7, TC_26_6_5_1_8, TC_26_6_5_2_1, TC_26_6_5_2_2, TC_26_6_5_2_3, TC_26_6_5_2_4, TC_26_6_5_2_6, TC_26_6_5_2_7, TC_26_6_5_2_8, TC_26_6_5_2_9, TC_26_6_5_2_10, TC_26_6_5_3_1, TC_26_6_5_4_1, TC_26_6_5_4_2, TC_26_6_5_4_3.		

B.7.2.6.2 Parameter TSPX_Cause

In TC_26_8_1_3_4_8, it is required to check the MS behaviour of receiving a RELEASE COMPLETE message containing a valid cause value selected arbitrarily but controllable. The parameter TSPX_Cause specifies such cause IE.

Table 199: Parameter TSPX_Cause

Parameter Name: TSPX_Cause			
Field	Type	Value	Comments
iei	BITSTRING[8]	'00001000'B	
iel	OCTETSTRING[1]	'02'O	length of the IE in unit of OCTET
extb3	BITSTRING[1]	'1'B	no extension
cs	BITSTRING[2]	'11'B	standard coding
spb	BITSTRING[1]	'0'B	spare bit
location	BITSTRING[4]		location
extb3a	BITSTRING[1]	OMIT	extension bit
rec	BITSTRING[7]	OMIT	recommendation
extb4	BITSTRING[1]	'1'B	extension bit
cau_class	BITSTRING[3]		cause class
cau_va	BITSTRING[4]		cause value
cau_di	OCTETSTRING[1..28]	OMIT	diagnostic
References: TSPX_Cause is used in: TC_26_8_1_3_4_8,			

B.7.2.6.3 Parameters for Ciphering Key Sequence Number

The parameters TSPX_CKSN's represent the CKSN. The item 1 to item 7 are used in test cases where the CKSN are arbitrarily selected but controllable. The parameters can be any valid values but they shall be different from each other. Item 7 is the default CKSN used in the test cases where the CKSN is not specifically indicated, and used in all CC test cases. The default ciphering key sequence number (TSPX_CKSNDef) will be stored in the test SIM card together with the corresponding default ciphering key (Kc).

Table 200: Parameters for CKSN

Item	Name	Type	Value
1	TSPX_CKSNA	BITSTRING[3]	
2	TSPX_CKSNB	BITSTRING[3]	
3	TSPX_CKSNC	BITSTRING[3]	
4	TSPX_CKSND	BITSTRING[3]	
5	TSPX_CKSNE	BITSTRING[3]	
6	TSPX_CKSNF	BITSTRING[3]	
7	TSPX_CKSNDef	BITSTRING[3]	
References: TSPX_CKSNA is used in: TC_26_7_4_3_3, TC_26_8_2_1. TSPX_CKSNB is used in: TC_26_7_2_1, TC_26_7_2_2, TC_26_8_4. TSPX_CKSNC is used in: TC_26_8_4. TSPX_CKSND is used in: No at this moment. TSPX_CKSNE is used in: No at this moment. TSPX_CKSNF is used in: No at this moment. TSPX_CKSNDef is used in: All other test cases except cases listed above.			

B.7.2.6.4 Parameter TSPX_Txint

In test case TC_26_2_1_2, it is required to use a arbitrarily selected but controllable value for Tx-Integer. The parameters TSPX_Txint is the value of the Tx-Integer. The value shall be in the set {6, 7, 8, 9, 10, 11, 12, 14, 16, 20, 25, 32, 50}.

Table 201: Parameter TSPX_Txint

Parameter Name	TSPX_Txint
Parameter Type	INTEGER
Parameter Value	
References: TSPX_Txint is used in: TC_26_2_1_2	

B.7.2.6.5 Parameter TSPX_MaxRetrans

In test case TC_26_2_1_2, it is required to use a arbitrarily selected but controllable value for Max-Retrans. The parameters TSPX_MaxRetrans is the value of the Max-Retrans. The value shall be in the set {1, 2, 4, 7}.

Table 202: Parameter TSPX_MaxRetrans

Parameter Name	TSPX_MaxRetrans
Parameter Type	INTEGER
Parameter Value	
References: TSPX_Txint is used in: TC_26_2_1_2, TC_26_7_4_3_1.	

B.7.2.6.6 Parameters for Handover reference

The parameters TSPX_horf's represent the handover reference. They are used in test cases where the handover references are arbitrarily selected but controllable. The parameters can have any valid values but they shall be different from each other.

Table 203: Parameters for Handover reference

Item	Name	Type	Value
1	TSPX_horfA	BITSTRING[8]	
2	TSPX_horfB	BITSTRING[8]	
8	TSPX_horfC	BITSTRING[8]	
4	TSPX_horfD	BITSTRING[8]	
5	TSPX_horfE	BITSTRING[8]	
6	TSPX_horfF	BITSTRING[8]	
7	TSPX_horfG	BITSTRING[8]	
8	TSPX_horfH	BITSTRING[8]	
9	TSPX_horfI	BITSTRING[8]	
10	TSPX_horfJ	BITSTRING[8]	

References:

TSPX_horfA is used in: TC_26_6_5_1_1, TC_26_6_5_2_1, TC_26_6_5_3_1, TC_26_6_5_4_1, TC_26_6_5_4_3, TC_26_6_8_4, TC_26_8_1_4_3_1.

TSPX_horfB is used in: TC_26_6_5_1_2, TC_26_6_5_2_2, TC_26_6_5_3_2, TC_26_6_5_4_2, TC_26_6_5_7, TC_26_8_1_4_3_2.

TSPX_horfC is used in: TC_26_6_5_1_3, TC_26_6_5_2_3, TC_26_6_5_8, TC_26_6_5_9.

TSPX_horfD is used in: TC_26_6_5_1_4, TC_26_6_5_2_4, TC_26_6_5_4_4, TC_26_6_5_5_1, TC_26_6_5_5_2, TC_26_6_5_6, TC_26_6_5_7, TC_26_6_5_8, TC_26_6_5_9.

TSPX_horfE is used in: TC_26_6_5_1_5, TC_26_6_5_2_5.

TSPX_horfF is used in: TC_26_6_5_1_6, TC_26_6_5_2_6, TC_26_6_5_5_2.

TSPX_horfG is used in: TC_26_6_5_1_7, TC_26_6_5_2_7.

TSPX_horfH is used in: TC_26_6_5_1_8, TC_26_6_5_2_8, TC_26_6_5_6.

TSPX_horfI is used in: TC_26_6_5_2_9.

TSPX_horfJ is used in: TC_26_6_5_2_10.

B.7.2.6.7 Parameters for the number of Handover accesses

The parameters TSPX_hoaccess's represent the number of handover accesses occurred in an asynchronous handover. They are used in test cases where the number of handover accesses are arbitrarily selected but controllable. The parameters can have any values between 5 and 15 but they shall be different from each other.

Table 204: Parameters for Handover access

Item	Name	Type	Value
1	TSPX_hoaccessA	INTEGER	
2	TSPX_hoaccessB	INTEGER	
8	TSPX_hoaccessC	INTEGER	
4	TSPX_hoaccessD	INTEGER	
5	TSPX_hoaccessE	INTEGER	
6	TSPX_hoaccessF	INTEGER	
7	TSPX_hoaccessG	INTEGER	
8	TSPX_hoaccessH	INTEGER	
9	TSPX_hoaccessI	INTEGER	
10	TSPX_hoaccessJ	INTEGER	

References:

TSPX_hoaccessA is used in: TC_26_6_5_1_1, TC_26_6_5_2_1, TC_26_6_5_4_1.
TSPX_hoaccessB is used in: TC_26_6_5_1_2, TC_26_6_5_2_2.
TSPX_hoaccessC is used in: TC_26_6_5_1_3, TC_26_6_5_2_3.
TSPX_hoaccessD is used in: TC_26_6_5_1_4, TC_26_6_5_2_4.
TSPX_hoaccessE is used in: TC_26_6_5_1_5, TC_26_6_5_2_5.
TSPX_hoaccessF is used in: TC_26_6_5_1_6, TC_26_6_5_2_6.
TSPX_hoaccessG is used in: TC_26_6_5_1_7, TC_26_6_5_2_7.
TSPX_hoaccessH is used in: TC_26_6_5_1_8, TC_26_6_5_2_8.
TSPX_hoaccessI is used in: TC_26_6_5_2_9.
TSPX_hoaccessJ is used in: TC_26_6_5_2_10.

B.7.2.6.8 Parameter TSPX_HSN

In handover test cases, it is required to use a arbitrarily selected but controllable value for hopping sequence number. The parameters TSPX_HSN is the value of the hopping sequence number. The value shall be 0 - 63.

Table 205: Parameter TSPX_HSN

Parameter Name	TSPX_HSN
Parameter Type	BITSTRING[6]
Parameter Value	'_____'B

References:

TSPX_HSN is used in: TC_26_6_5_1_2, TC_26_6_5_1_3, TC_26_6_5_1_4, TC_26_6_5_1_5, TC_26_6_5_1_6, TC_26_6_5_1_7, TC_26_6_5_1_8, TC_26_6_5_2_1, TC_26_6_5_2_2, TC_26_6_5_2_3, TC_26_6_5_2_4, TC_26_6_5_2_5, TC_26_6_5_2_6, TC_26_6_5_2_7, TC_26_6_5_2_8, TC_26_6_5_2_9, TC_26_6_5_2_10, TC_26_6_5_3_1, TC_26_6_5_3_2, TC_26_6_5_4_1, TC_26_6_5_4_2, TC_26_6_5_4_3, TC_26_6_5_4_4.

B.7.2.6.9 Parameters for RAND

The parameters TSPX_RAND's represent the values of the RAND. These parameters can have any valid values but they shall be different from each other. The item 1 to item 4 are used in test cases where the RAND are arbitrarily selected but controllable. Item 5 is the default RAND used in the test cases where the RAND is not specifically indicated, and used in all CC test cases. The default challenge RAND (TSPX_RANDDef) is used to generate the default ciphering key (Kc) which, together with the default ciphering key sequence number (TSPX_CKSNDf), shall be stored in the test SIM card.

Table 208: Parameter TSPX_y

Parameter Name	TSPX_y
Parameter Type	INTEGER
Parameter Value	
References: TSPX_y is used in: test case TC_26_6_5_5_2.	

B.7.2.6.12 Parameter TSPX_Ki

Parameter TSPX_Ki is used as the default authentication key which value will be stored in the test SIM card or the SIM simulator and used by the tester to generate ciphering key Kc. The TSPX_Ki shall have an non-zero value

Table 209: Parameter TSPX_Ki

Parameter Name	TSPX_Ki
Parameter Type	BITSTRING[128]
Parameter Value	' ----- ----- ----- -----'B
Remarks: this parameter is used in all test cases.	

B.7.2.6.13 Parameters for Channel Type (full or half rate) of CC test

For some CC test, it is required that the selection of full rate or half rate channel is arbitrary but controllable. Parameters TSPX_ChRate's is for this purpose. The value of TSPX_ChRate is "F" for full rate channel or "H" for half rate channel.

Table 210: Parameter TSPX_ChRate's

Item	Name	Type	Value
1	TSPX_ChRateA	IA5String	
2	TSPX_ChRateB	IA5String	
3	TSPX_ChRateC	IA5String	
4	TSPX_ChRateD	IA5String	
5	TSPX_ChRateE	IA5String	
6	TSPX_ChRateF	IA5String	
7	TSPX_ChRateG	IA5String	
8	TSPX_ChRateH	IA5String	
9	TSPX_ChRateI	IA5String	
10	TSPX_ChRateJ	IA5String	
References:			
TSPX_ChRateA is used in : TC_26_8_1_2_2_1, TC_26_8_1_2_3_4, TC_26_8_1_2_4_7, TC_26_8_1_2_8_1, TC_26_8_1_2_8_4, TC_26_8_1_3_3_2, TC_26_8_1_3_5_5.			
TSPX_ChRateB is used in : TC_26_8_1_2_2_2, TC_26_8_1_2_3_1, TC_26_8_1_2_3_5, TC_26_8_1_2_5_3, TC_26_8_1_2_8_2, TC_26_8_1_3_5_6.			
TSPX_ChRateC is used in : TC_26_8_1_2_2_3, TC_26_8_1_2_3_2, TC_26_8_1_2_3_6, TC_26_8_1_2_5_4, TC_26_8_1_2_9_4, TC_26_8_1_3_4_1, TC_26_8_1_3_5_8.			
TSPX_ChRateD is used in : TC_26_8_1_2_3_3, TC_26_8_1_2_3_7, TC_26_8_1_2_4_11, TC_26_8_1_2_5_5, TC_26_8_1_2_9_5, TC_26_8_1_3_4_2.			
TSPX_ChRateE is used in : TC_26_8_1_2_4_1, TC_26_8_1_2_4_8, TC_26_8_1_2_4_10, TC_26_8_1_2_4_12, TC_26_8_1_2_5_6, TC_26_8_1_2_5_8, TC_26_8_1_3_4_6.			
TSPX_ChRateF is used in : TC_26_8_1_2_4_2, TC_26_8_1_2_4_9, TC_26_8_1_2_4_13, TC_26_8_1_2_5_1, TC_26_8_1_2_6_3, TC_26_8_1_2_7_4, TC_26_8_1_3_4_7.			
TSPX_ChRateG is used in : TC_26_8_1_2_4_3, TC_26_8_1_2_5_2, TC_26_8_1_2_5_7, TC_26_8_1_2_6_4, TC_26_8_1_2_7_5, TC_26_8_1_3_5_1.			
TSPX_ChRateH is used in : TC_26_8_1_2_4_4, TC_26_8_1_2_6_1, TC_26_8_1_2_6_5, TC_26_8_1_2_7_1, TC_26_8_1_2_9_1, TC_26_8_1_3_5_2.			
TSPX_ChRateI is used in : TC_26_8_1_2_4_5, TC_26_8_1_2_6_2, TC_26_8_1_2_7_2, TC_26_8_1_2_8_3, TC_26_8_1_2_9_2, TC_26_8_1_3_5_3.			
TSPX_ChRateJ is used in : TC_26_8_1_2_4_6, TC_26_8_1_2_6_6, TC_26_8_1_2_7_3, TC_26_8_1_2_9_3, TC_26_8_1_3_5_4.			

B.7.2.6.14 Parameters for Ciphing Algorithm

The parameters TSPX_CphAlg's represent the Ciphing Algorithm. The item 1 to item 6 are used in test cases where the Algorithm are arbitrarily selected but controllable. The parameters can have any valid values supported by the MS under test without duplication. If the number of values supported by the MS is less than 7, duplicated values can be used for some of the items, but the item 4 and the item 5 shall be different (when the number of the supported values is greater than 1). Item 7 is the default Algorithm used in the test cases where the algorithm is not specifically indicated. the meaning of the values is as following:

- '000'B represents the A5/1 algorithm;
- '001'B represents the A5/2 algorithm;
- '010'B represents the A5/3 algorithm;
- '011'B represents the A5/4 algorithm;
- '100'B represents the A5/5 algorithm;
- '101'B represents the A5/6 algorithm;
- '110'B represents the A5/7 algorithm;

Table 211: Parameters for Ciphering Algorithm

Item	Name	Type	Value
1	TSPX_CphAlgA	BITSTRING[3]	
2	TSPX_CphAlgB	BITSTRING[3]	
3	TSPX_CphAlgC	BITSTRING[3]	
4	TSPX_CphAlgD	BITSTRING[3]	
5	TSPX_CphAlgE	BITSTRING[3]	
6	TSPX_CphAlgF	BITSTRING[3]	
7	TSPX_CphAlgDef	BITSTRING[3]	
References: TSPX_CphAlgA is used in: TC_26_8_3, TC_26_8_4. TSPX_CphAlgB is used in: TC_26_8_4. TSPX_CphAlgC is used in: TC_26_8_4. TSPX_CphAlgD is used in: TC_26_8_4. TSPX_CphAlgE is used in: TC_26_8_4. TSPX_CphAlgF is used in: No at this moment. TSPX_CphAlgDef is used in: All structured procedures test cases,			

B.7.2.6.15 Parameters for Training Sequence Code

The parameters TSPX_Tsc's represent the Training Sequence Code (TSC). The item 1 to item 8 are used in test cases where the TSC are arbitrarily selected but controllable. The parameters can have any valid values but they shall be different from each other. Item 1 is the default TSC used in the test cases where the TSC is not specifically indicated.

Table 212: Parameters for Training Sequence Code

Item	Name	Type	Value
1	TSPX_TscDef	BITSTRING[3]	
2	TSPX_TscA	BITSTRING[3]	
3	TSPX_TscB	BITSTRING[3]	
4	TSPX_TscC	BITSTRING[3]	
5	TSPX_TscD	BITSTRING[3]	
6	TSPX_TscE	BITSTRING[3]	
7	TSPX_TscF	BITSTRING[3]	
8	TSPX_TscG	BITSTRING[3]	

References:

TSPX_TscA is used in: TC_26_6_1_1, TC_26_6_1_2, TC_26_6_1_4, TC_26_6_1_5, TC_26_6_2_1_1, TC_26_6_2_1_2, TC_26_6_2_1_3, TC_26_6_2_5, TC_26_6_3_1, TC_26_6_3_2, TC_26_6_3_3, TC_26_6_3_4, TC_26_6_3_5, TC_26_6_4_1, TC_26_6_4_2_1, TC_26_6_4_2_2, TC_26_6_5_5_1, TC_26_6_5_5_2, TC_26_6_5_6, TC_26_6_5_7, TC_26_6_5_8, TC_26_6_5_9, TC_26_6_6_1, TC_26_6_7_1, TC_26_6_7_2, TC_26_6_8_1, TC_26_6_8_2, TC_26_6_8_3, TC_26_6_8_4, TC_26_6_8_5, TC_26_6_11_1, TC_26_6_11_2, TC_26_6_12_1, TC_26_6_12_2, TC_26_6_12_3, TC_26_6_12_4, TC_26_6_13_1, TC_26_6_13_2, TC_26_6_13_3, TC_26_6_13_4, TC_26_6_13_5, TC_26_6_13_6, TC_26_6_13_7, TC_26_6_13_8, TC_26_6_13_9, TC_26_6_13_10, TC_26_8_1_2_3_1, TC_26_8_1_2_3_2, TC_26_8_1_2_3_3, TC_26_8_1_2_4_1, TC_26_8_1_2_4_2, TC_26_8_1_2_4_3, TC_26_8_1_2_4_4, TC_26_8_1_2_4_5, TC_26_8_1_2_4_6, TC_26_8_1_2_4_7, TC_26_8_1_2_4_11, TC_26_8_1_2_5_3, TC_26_8_1_2_5_4, TC_26_8_1_2_5_5, TC_26_8_1_2_5_6, TC_26_8_1_2_5_8, TC_26_8_1_2_6_3, TC_26_8_1_2_6_4, TC_26_8_1_2_6_5, TC_26_8_1_2_8_3, TC_26_8_1_3_5_4, TC_26_8_1_3_5_5, TC_26_8_1_3_5_6.

TSPX_TscB is used in: TC_26_6_4_1, TC_26_6_5_5_1, TC_26_6_5_5_2, TC_26_6_5_6, TC_26_6_5_7, TC_26_6_5_8, TC_26_6_5_9, TC_26_6_6_1, TC_26_6_13_1, TC_26_6_13_2, TC_26_6_13_6.

TSPX_TscC is used in: TC_26_6_4_1, TC_26_6_6_1, TC_26_6_6_1, TC_26_6_13_2, TC_26_6_13_7.

TSPX_TscD is used in: TC_26_6_4_1, TC_26_6_6_1, TC_26_6_13_3, TC_26_6_13_7, TC_26_6_13_8.

TSPX_TscE is used in: TC_26_6_4_1, TC_26_6_6_1, TC_26_6_13_3, TC_26_6_13_8.

TSPX_TscF is used in: TC_26_6_4_1, TC_26_6_6_1, TC_26_6_13_4, TC_26_6_13_9.

TSPX_TscG is used in: TC_26_6_4_1, TC_26_6_6_1, TC_26_6_13_4, TC_26_6_13_5, TC_26_6_13_10.

TSPX_TscDef is used in: TC_26_5_6_3, TC_26_6_4_2_2, TC_26_6_5_1_1, TC_26_6_5_1_2, TC_26_6_5_1_3, TC_26_6_5_1_4, TC_26_6_5_1_5, TC_26_6_5_1_6, TC_26_6_5_1_7, TC_26_6_5_1_8, TC_26_6_5_2_1, TC_26_6_5_2_2, TC_26_6_5_2_3, TC_26_6_5_2_4, TC_26_6_5_2_5, TC_26_6_5_2_6, TC_26_6_5_2_7, TC_26_6_5_2_8, TC_26_6_5_2_9, TC_26_6_5_2_10, TC_26_6_5_3_1, TC_26_6_5_3_2, TC_26_6_5_4_1, TC_26_6_5_4_2, TC_26_6_5_4_3, TC_26_6_5_4_4, TC_26_6_6_1, TC_26_6_13_5, TC_26_6_13_6, TC_26_7_4_1, TC_26_7_4_2_2_2, TC_26_7_4_2_4_1, TC_26_7_4_2_4_5, TC_26_7_4_3_2, TC_26_7_4_3_3, TC_26_7_4_3_4, TC_26_7_4_5_2, TC_26_7_4_5_4_1, TC_26_7_4_5_4_2, TC_26_7_4_5_4_3, TC_26_7_4_6, TC_26_7_5_2, TC_26_7_5_3, TC_26_7_5_4, TC_26_7_5_5, TC_26_7_5_6, TC_26_7_5_7_1, TC_26_7_5_8_1, TC_26_7_5_8_2, TC_26_7_5_8_3, TC_34_2_1, TC_34_2_2.

B.7.2.6.16 Parameters for Timing Advance

The parameters TSPX_Timadv's represent the Timing Advance (TA). The item 1 to item 8 are used in test cases where the TA are arbitrarily selected but controllable. The parameters can have any valid values but they shall be different from each other. Item 9 is the default TA used in the test cases where the TA is not specifically indicated.

Table 213: Parameters for Timing Advance

Item	Name	Type	Value
1	TSPX_TimadvA	BITSTRING[6]	
2	TSPX_TimadvB	BITSTRING[6]	
6	TSPX_TimadvC	BITSTRING[6]	
4	TSPX_TimadvD	BITSTRING[6]	
5	TSPX_TimadvE	BITSTRING[6]	
6	TSPX_TimadvF	BITSTRING[6]	
7	TSPX_TimadvG	BITSTRING[6]	
8	TSPX_TimadvH	BITSTRING[6]	
9	TSPX_TimadvDef	BITSTRING[6]	

References:

TSPX_TimadvA is used in: TC_26_9_2, TC_26_9_3, TC_26_9_4, TC_26_9_5, TC_26_9_6_1_1, TC_26_9_6_1_2, TC_26_9_6_2_1, TC_26_9_6_2_2.

TSPX_TimadvB is used in: TC_26_6_1_2, TC_26_6_2_2, TC_26_2_3_1, TC_26_6_2_3_2, TC_26_6_5_1_2, TC_26_6_5_1_4, TC_26_6_5_1_5, TC_26_6_5_1_6, TC_26_6_5_1_7, TC_26_6_5_1_8, TC_26_6_5_2_1, TC_26_6_5_2_2, TC_26_6_5_2_3, TC_26_6_5_2_4, TC_26_6_5_2_5, TC_26_6_5_2_6, TC_26_6_5_2_7, TC_26_6_5_2_8, TC_26_6_5_2_9, TC_26_6_5_2_10, TC_26_6_5_3_1, TC_26_6_5_4_1, TC_26_6_5_4_2, TC_26_6_5_4_3, TC_26_6_5_4_4.

TSPX_TimadvC is used in: TC_26_6_5_1_2, TC_26_6_5_1_5, TC_26_6_5_1_7, TC_26_6_5_1_8, TC_26_6_5_2_4.

TSPX_TimadvD is used in: No at this moment.
TSPX_TimadvE is used in: No at this moment.
TSPX_TimadvF is used in: No at this moment.
TSPX_TimadvG is used in: No at this moment.
TSPX_TimadvH is used in: No at this moment.
TSPX_TimadvDef is used in: No at this moment.

B.7.2.6.17 Parameter TSPX_WaitForFac

In test case TC_31_6_1_2, after the test system sends FACILITY message containing facility IE there are two possible execution paths, one is that the test system sends CONNECT ACKNOWLEDGE, another is that the test system waits for the FACILITY message from the MS. The parameter TSPX_WaitForFac controls the execution path. If TSPX_WaitForFac = FALSE the test system sends CONNECT ACKNOWLEDGE.

Table 214: Parameter TSPX_WaitForFac

Name	Type	Value
TSPX_WaitForFac	BOOLEAN	

B.7.2.6.18 Parameter TSPX_WaitForConnACK

In test case TC_31_6_1_5, after the test system sends CONNECT message there are two possible execution paths, one is that the test system sends FACILITY message containing facility IE, another is that the test system waits for the CONNECT ACKNOWLEDGE message from the MS. The parameter TSPX_WaitForConnACK controls the execution path. If TSPX_WaitForConnACK = FALSE the test system sends FACILITY message.

Table 215: Parameter TSPX_WaitForConnACK

Name	Type	Value
TSPX_WaitForConnACK	BOOLEAN	

B.7.2.6.19 Parameter TSPX_PathH1

In test case TC_31_6_1_7, after the second call (call C) established there are two possible execution paths, one is that the test system disconnects the call B (path I), another is that the test system disconnects the call C (path H). The parameter TSPX_PathH1 controls the execution path. If TSPX_PathH1 = FALSE the test system disconnects the call B.

Table 216: Parameter TSPX_PathH1

Name	Type	Value
TSPX_PathH1	BOOLEAN	

B.7.2.6.20 Parameter TSPX_PathH2

In test case TC_31_6_1_8, after multiparty call established there are two possible execution paths, one is that the test system disconnects the call B (path I), another is that the test system disconnects the call C (path H). The parameter TSPX_PathH2 controls the execution path. If TSPX_PathH2 = TRUE the test system disconnects the call C.

Table 217: Parameter TSPX_PathH2

Name	Type	Value
TSPX_PathH2	BOOLEAN	

B.7.2.7 Questions on antenna and power supply**B.7.2.7.1 Type of antenna****Table 218: Type of antenna**

Item	Question	Answer
1	Is the antenna an integrated one without a connector ? if so what is the position for normal use ?	
2	Is the antenna with a connector allowing the connection of an external antenna ? if so what is the in band impedance ?:	

B.7.2.7.2 Power supply**Table 219: power supply**

Item	Question	Answer
1	Which type of battery (if any) is used?	
2	What is the end-point voltage(s) of battery(ies)(if any)?	
3	Which type of power supply is used?	
4	What is the nominal voltage(s)?	
5	What are the details of MS shut-down voltage?	

B.7.2.7.3 External RF amplifier

Table 220: External RF amplifier

Item	Question	Answer
1	Does the MS support external RF amplifier?	
Detailed Description		
NOTE:	If item 1 is supported, the client should declare the TSPX_ClassMark2Amp and provide detailed description of the means to change the RF power capabilities in the Detailed Description box.	

B.7.2.7.4 SIM removal support

Table 221: SIM removal support

Item	Question	Supported(Y/N)
1	Does the MS support SIM removal without disconnection of the power supply ?	
Detailed Description		
NOTE:	If item 1 is supported, the client should provide detailed description of how to remove the SIM card.	

B.7.2.7.5 Parameter TSPX_MaxCPDataRetx

In TC_34_2_1 and TC_34_2_2 test cases, it is needed to know the Maximum CP Data retransmission times. The manufacturer shall provide the implemented value in the parameter.

Table 222: Parameter TSPX_MaxCPDataRetx

Parameter Name	TSPX_MaxCPDataRetx
Parameter Type	INTEGER
Parameter Value	
References:	TSPX_Txint is used in: TC_34_2_1, TC_34_2_2.

B.7.2.7.6 Parameter TSPX_DTMFInd

In TC_26_8_1_4_1_1 test case, it is needed to know if and the DTMF tone is indicated to the user. The manufacturer shall state whether the MS support the DTMF tone indication to user.

Table 223: Parameter TSPX_DTMFInd

Parameter Name	TSPX_DTMFInd
Parameter Type	BOOLEAN
Parameter Value	
References: TSPX_Txint is used in: TC_26_8_1_4_1_1.	

B.7.2.7.7 Parameter TSPX_CallCntrlCap

The parameter TSPX_CallCntrlCap specifies the value of Call Control Capabilities IE used in the test.

Table 224: Parameter TSPX_CallCntrlCap

Parameter Name: TSPX_CallCntrlCap			
Field	Type	Value	Comments
iei	BITSTRING[8]	'00001000'B	
iel	OCTETSTRING[1]	'01'O	length of the IE in unit of OCTET
spb	BITSTRING[7]	'_____'B	
dtmf	BITSTRING[1]	'_'B	
References:			

B.7.2.7.8 Parameter TSPX_ClassMark1

The parameter TSPX_ClassMark1 specifies the value of Class Mark 1 IE used in the test.

Table 225: Parameter TSPX_ClassMark1

Parameter Name: TSPX_ClassMark1			
Field	Type	Value	Comments
iei	BITSTRING[8]	OMIT	
spb1	BITSTRING[1]		spare bit
rl	BITSTRING[2]		revision level
spb2	BITSTRING[1]		spare bits or early sending indicator
a5_1	BITSTRING[1]		A5/1 algorithm supported
rfpc	BITSTRING[3]		RF power capability
References: TSPX_ClassMark1 is used in: TC_26_7_4_1, TC_26_7_4_3_2, TC_26_7_4_3_3.			

B.7.2.7.9 Parameter TSPX_ClassMark2

The parameter TSPX_ClassMark2 specifies the value of Class Mark 2 IE used in the test.

Table 226: Parameter TSPX_ClassMark2

Parameter Name: TSPX_ClassMark2			
Field	Type	Value	Comments
iei	BITSTRING[8]	OMIT	
iel	OCTETSTRING[1]		length of the IE in unit of OCTET
spr1	BITSTRING[1]	'_B	spare bit
rl	BITSTRING[2]	'__B	revision level
spr2	BITSTRING[1]	'_B	spare bit or early sending indicator
a5_1	BITSTRING[1]	'_B	A5/1 algorithm supported
rfpc	BITSTRING[3]	'___B	RF power capability
spr3	BITSTRING[1]	'_B	recommendation
psc	BITSTRING[1]	'_B	pseudo synchronization capability
ssi	BITSTRING[2]	'__B	SS screen indicator
smc	BITSTRING[1]	'_B	short message capability
spr4	BITSTRING[2]	'__B	spare bits
fc	BITSTRING[1]	'_B	frequency capability
cm3	BITSTRING[1]	'_B	class mark 3 indicator
spr5	BITSTRING[5]	'_____B	spare bits
a5_3	BITSTRING[1]	'_B	A5/3 algorithm supported
a5_2	BITSTRING[1]	'_B	A5/2 algorithm supported
References: TSPX_ClassMark2 is used in: TC_26_6_11_1, TC_26_6_11_2, TC_26_7_3_2, TC_26_8_2_1, TC_26_9_4, TC_26_9_5, TC_26_9_6_2_1, TC_26_9_2_2, TC_31_6_2_4.			
NOTE: RF power capability is the power capability without external RF amplifier.			

B.7.2.7.10 Parameter TSPX_ClassMark2Amp

The parameter TSPX_ClassMark2 specifies the value of Class Mark 2 IE used in the test.

Table 227: Parameter TSPX_ClassMark2Amp

Parameter Name: TSPX_ClassMark2Amp			
Field	Type	Value	Comments
iei	BITSTRING[8]	OMIT	
iel	OCTETSTRING[1]		length of the IE in unit of OCTET
spr1	BITSTRING[1]	'_B	spare bit
rl	BITSTRING[2]	'__B	revision level
spr2	BITSTRING[1]	'_B	spare bit or early sending indicator
a5_1	BITSTRING[1]	'_B	A5/1 algorithm supported
rfpc	BITSTRING[3]	'___B	RF power capability
spr3	BITSTRING[1]	'_B	recommendation
psc	BITSTRING[1]	'_B	pseudo synchronization capability
ssi	BITSTRING[2]	'__B	SS screen indicator
smc	BITSTRING[1]	'_B	short message capability
spr4	BITSTRING[2]	'__B	spare bits
fc	BITSTRING[1]	'_B	frequency capability
cm3	BITSTRING[1]	'_B	class mark 3 indicator
spr5	BITSTRING[5]	'_____B	spare bits
a5_3	BITSTRING[1]	'_B	A5/3 algorithm supported
a5_2	BITSTRING[1]	'_B	A5/2 algorithm supported
References: TSPX_ClassMark2Amp is used in: TC_26_6_11_1.			
NOTE: RF power capability is the power capability with external RF amplifier.			

B.7.2.7.11 Parameter TSPX_ClassMark3

The parameter TSPX_ClassMark3 specifies the value of Class Mark 3 IE used in the test..

Table 228: Parameter TSPX_ClassMark3

Parameter Name: TSPX_ClassMark3			
Field	Type	Value	Comments
iei	BITSTRING[8]	'00100000'B	'00100000'B
iel	OCTETSTRING[1]	'_'O	length of the IE in unit of OCTET
spr1	BITSTRING[4]	'_'_'_'_'B	spare bits
a5_7	BITSTRING[1]	'_'B	A5_7 algorithm supported
a5_6	BITSTRING[1]	'_'B	A5_6 algorithm supported
a5_5	BITSTRING[1]	'_'B	A5_5 algorithm supported
a5_4	BITSTRING[1]	'_'B	A5_4 algorithm supported
spr2	OCTETSTRING[11]		spare bits
References: TSPX_ClassMark3 is used in: TC_26_6_11_2.			

B.7.2.8 Test Suite Timer Values

The client shall specify the values for the following timers based on the explanation below.

Table 229: Test Suite Timer Values

Item	Name	Value	Comments
1	TSPX_T3122		value is coded in HEXSTRING[2]
2	TSPX_T3210		value for timer T3210 in INTEGER
3	TSPX_T3211min		90% of the value for timer T3211 in INTEGER
4	TSPX_T3211_80		80% of the value for timer T3211 in INTEGER
5	TSPX_T3213min		90% of the value for timer T3213 in INTEGER
6	TSPX_T3230min		90% of the value for timer T3230 in INTEGER
7	TSPX_T3240min		90% of the value for timer T3240 in INTEGER
8	TSPX_T3240tol		tolerance of timer T3240 in INTEGER
9	TSPX_TC1M		value for timer TC1M in INTEGER
NOTE: The unit of the above parameters is second.			

B.7.2.9 Man machine Interface

The manufacturer shall describe the man machine interface in the following tables:

- Description of manual entry and display of a called number:

- Description of the basic way to send a call manually:

- Description of the basic way to take a call manually:

- Description of the basic way to end a call manually:

- Description of the basic way to send an emergency call manually:

- Description of the basic way to send DTMF manually:

- Description of the manual PLMN selector:

- Description of the automatic PLMN selector:

- Description of the indication of the country:

- Description of the indication of the available PLMN:

- Description of the indication of the automatic registration to a PLMN:

- Description of the service indicator:

- Description of the management of the SIM by the user:
 - . keying PIN and changing PIN;
 - . indication of acceptance or rejection of keyed PIN;
 - . indication of blocked SIM;
 - . indication of successful unblocking of the SIM;
 - . storing an abbreviated number;
 - . displaying an abbreviated number.

- Description of the selection of the hands free:

- Description of the volume control:

- Description of local barring of outgoing calls:

- Description of prevention of unauthorized calls:

- Description of the auto calling management:
 - . selection of the auto calling;
 - . indication that the call failed and a re-try is attempted;
 - . indication that the call finally failed.

- Description of the way in which the MS generates an MS originated NOTIFY, if supported:

- Description of the basic procedure to display a MT SM:

- Description of the basic procedure to send a MO SM:

- Description of the basic procedure to display a cell broadcasted SM:

- Description of the user's commands and of display of the answers from the network for call forwarding:

- Description of the method of reading ACM from the SIM via the ME:

- Description of type of user indication when ACMM exceeded:

- Description of the user's commands and of display of the answers from the network for call barring:

- Description of the way to empty short message storage:

- Description of the way to control the MS so that the class 1 short message will be stored in the ME:

Annex C: PCTR Proforma

Notwithstanding the provisions of the copyright clause related to the text of this ETS, ETSI grants that users of this ETS may freely reproduce the PCTR proforma in this annex so that it can be used for its intended purposes and may further publish the completed PCTR.

PROTOCOL
Conformance Test Report
(PCTR)

Global System for Mobile Communication, GSM,
User-Network Access

Layer 3 Signalling Functions

Test Candidate	
Name :	SUT name
Model :	model
H/W version :	hw
S/W version :	sw
Serial No. :	serienr

Client	
Name :	
Street / No. :	
Postal Code / City:	
Country :	

This Test Report shall not be reproduced except in full without the written permission of TEST LAB REFERENCE, and shall not be quoted out of context.

History

Document history			
December 1995	Public Enquiry	PE 97:	1995-12-04 to 1996-03-29
May 1996	Vote	V 103:	1996-05-20 to 1996-08-23
September 1996	First Edition		
December 1995	Public Enquiry (Second Edition)	PE 97:	1995-12-04 to 1996-03-29
May 1996	Vote (Second Edition)	V 103:	1996-05-20 to 1996-07-26
August 1996	Unified Approval Procedure (Second Edition)	UAP 52	1996-08-19 to 1996-12-13
November 1996	Unified Approval Procedure (Third Edition)	UAP 58	1996-11-18 to 1997-03-14
January 1997	Second Edition		
May 1997	Third Edition		