



EUROPEAN
TELECOMMUNICATION
STANDARD

ETS 300 590

July 1995

Second Edition

Source: ETSI TC-SMG

Reference: RE/SMG-030808P

ICS: 33.060.30

Key words: European digital cellular telecommunications system, Global System for Mobile communications (GSM)

**European digital cellular telecommunications system (Phase 2);
Mobile-services Switching Centre - Base Station System
(MSC - BBS) interface
Layer 3 specification
(GSM 08.08)**

ETSI

European Telecommunications Standards Institute

ETSI Secretariat

Postal address: F-06921 Sophia Antipolis CEDEX - FRANCE

Office address: 650 Route des Lucioles - Sophia Antipolis - Valbonne - FRANCE

X.400: c=fr, a=atlas, p=etsi, s=secretariat - **Internet:** secretariat@etsi.fr

Tel.: +33 92 94 42 00 - Fax: +33 93 65 47 16

Copyright Notification: No part may be reproduced except as authorized by written permission. The copyright and the foregoing restriction extend to reproduction in all media.

© European Telecommunications Standards Institute 1995. All rights reserved.

| | | | |
|---------|-----------|--|----|
| | 3.1.8.1. | Successful Operation | 30 |
| | 3.1.8.2. | Abnormal conditions | 31 |
| 3.1.9. | | Release of Radio Resource And Terrestrial Resource | 31 |
| | 3.1.9.1. | Release Due To Transaction Completion | 31 |
| | 3.1.9.2. | Release due to BSS generated reason | 31 |
| | 3.1.9.3. | Release due to successful handover | 31 |
| 3.1.10. | | Paging | 31 |
| 3.1.11. | | Trace Invocation | 32 |
| 3.1.12. | | Flow Control | 32 |
| | 3.1.12.1. | Philosophy | 32 |
| | 3.1.12.2. | Processor Overload at the MSC | 33 |
| | 3.1.12.3. | Processor/CCCH overload at the BSS | 33 |
| | 3.1.12.4. | Message throughput congestion | 33 |
| 3.1.13. | | Classmark Handling Procedures | 33 |
| | 3.1.13.1. | Classmark request procedure | 33 |
| | 3.1.13.2. | Classmark updating procedure | 33 |
| 3.1.14. | | Cipher Mode Control | 34 |
| | 3.1.14.1. | Successful Operation | 34 |
| | 3.1.14.2. | Abnormal Conditions | 34 |
| 3.1.15. | | General SCCP Abnormal Conditions | 34 |
| 3.1.16. | | Initial MS message | 35 |
| 3.1.17. | | Queueing Indication | 35 |
| | 3.1.17.1. | Operation of the procedure in case of assignment procedure | 36 |
| | 3.1.17.2. | Operation of the procedure in case of hand-over resource allocation procedure | 36 |
| 3.1.18. | | Data Link Control SAPI not Equal to "0" | 36 |
| | 3.1.18.1. | Data link set up across the radio interface | 36 |
| | | 3.1.18.1.1. MS to MSC direction | 36 |
| | | 3.1.18.1.2. MSC to MS Direction | 36 |
| 3.1.19. | | BSSMAP Error Handling | 37 |
| | 3.1.19.1. | Definitions of Types of Information Elements | 37 |
| | 3.1.19.2. | Erroneous Events | 37 |
| | 3.1.19.3. | Non-erroneous Events | 38 |
| | 3.1.19.4. | Other Events | 38 |
| | 3.1.19.5. | Appropriate Error Message and Cause Value | 38 |
| | 3.1.19.6. | Unequipped Circuit Identification Code | 40 |
| 3.2. | | Message Formats and Coding | 40 |
| | 3.2.1. | Message Contents | 41 |
| | | 3.2.1.1. ASSIGNMENT REQUEST | 41 |
| | | 3.2.1.2. ASSIGNMENT COMPLETE | 42 |
| | | 3.2.1.3. ASSIGNMENT FAILURE | 43 |
| | | 3.2.1.4. BLOCK | 43 |
| | | 3.2.1.5. BLOCKING ACKNOWLEDGE | 44 |
| | | 3.2.1.6. UNBLOCK | 44 |
| | | 3.2.1.7. UNBLOCKING ACKNOWLEDGE | 44 |
| | | 3.2.1.8. HANDOVER REQUEST | 45 |
| | | 3.2.1.9. HANDOVER REQUIRED | 46 |
| | | 3.2.1.10. HANDOVER REQUEST ACKNOWLEDGE | 47 |
| | | 3.2.1.11. HANDOVER COMMAND | 47 |
| | | 3.2.1.12. HANDOVER COMPLETE | 47 |
| | | 3.2.1.13. [spare] | 48 |
| | | 3.2.1.14. HANDOVER CANDIDATE ENQUIRE | 48 |
| | | 3.2.1.15. HANDOVER CANDIDATE RESPONSE | 48 |
| | | 3.2.1.16. HANDOVER FAILURE | 49 |
| | | 3.2.1.17. RESOURCE REQUEST | 50 |
| | | 3.2.1.18. RESOURCE INDICATION | 50 |
| | | 3.2.1.19. PAGING | 51 |
| | | 3.2.1.20. CLEAR REQUEST | 51 |
| | | 3.2.1.21. CLEAR COMMAND | 52 |

| | | |
|-----------|--|----|
| 3.2.1.22. | CLEAR COMPLETE | 52 |
| 3.2.1.23. | RESET | 53 |
| 3.2.1.24. | RESET ACKNOWLEDGE | 53 |
| 3.2.1.25. | HANDOVER PERFORMED | 53 |
| 3.2.1.26. | OVERLOAD | 54 |
| 3.2.1.27. | MSC INVOKE TRACE | 54 |
| 3.2.1.28. | BSS INVOKE TRACE | 55 |
| 3.2.1.29. | CLASSMARK UPDATE | 55 |
| 3.2.1.30. | CIPHER MODE COMMAND | 56 |
| 3.2.1.31. | CIPHER MODE COMPLETE | 56 |
| 3.2.1.32. | COMPLETE LAYER 3 INFORMATION | 57 |
| 3.2.1.33. | QUEUEING INDICATION | 57 |
| 3.2.1.34. | SAPI "n" REJECT | 57 |
| 3.2.1.35. | [spare] | 57 |
| 3.2.1.36. | [spare] | 57 |
| 3.2.1.37. | HANDOVER REQUIRED REJECT | 58 |
| 3.2.1.38. | RESET CIRCUIT | 58 |
| 3.2.1.39. | RESET CIRCUIT ACKNOWLEDGE | 58 |
| 3.2.1.40. | HANDOVER DETECT | 58 |
| 3.2.1.41. | CIRCUIT GROUP BLOCK | 59 |
| 3.2.1.42. | CIRCUIT GROUP BLOCKING ACKNOWLEDGE | 59 |
| 3.2.1.43. | CIRCUIT GROUP UNBLOCK | 59 |
| 3.2.1.44. | CIRCUIT GROUP UNBLOCKING ACKNOWLEDGE | 60 |
| 3.2.1.45. | CONFUSION | 60 |
| 3.2.1.46. | CLASSMARK REQUEST | 61 |
| 3.2.1.47. | UNEQUIPPED CIRCUIT | 61 |
| 3.2.1.48. | CIPHER MODE REJECT | 61 |
| 3.2.2. | SIGNALLING ELEMENT CODING | 61 |
| 3.2.2.1. | MESSAGE TYPE | 63 |
| 3.2.2.2. | CIRCUIT IDENTITY CODE | 64 |
| 3.2.2.3. | [spare] | 64 |
| 3.2.2.4. | RESOURCE AVAILABLE | 64 |
| 3.2.2.5. | CAUSE | 65 |
| 3.2.2.6. | IMSI | 69 |
| 3.2.2.7. | TMSI | 69 |
| 3.2.2.8. | NUMBER OF MSs | 70 |
| 3.2.2.9. | LAYER 3 HEADER INFORMATION | 70 |
| 3.2.2.10. | ENCRYPTION INFORMATION | 70 |
| 3.2.2.11. | CHANNEL TYPE | 71 |
| 3.2.2.12. | PERIODICITY | 73 |
| 3.2.2.13. | Extended Resource Indicator | 73 |
| 3.2.2.14. | TOTAL RESOURCE ACCESSIBLE | 74 |
| 3.2.2.15. | [spare] | 75 |
| 3.2.2.16. | [spare] | 75 |
| 3.2.2.17. | CELL IDENTIFIER | 75 |
| 3.2.2.18. | PRIORITY | 76 |
| 3.2.2.19. | CLASSMARK INFORMATION TYPE 2 | 77 |
| 3.2.2.20. | CLASSMARK INFORMATION TYPE 3 | 77 |
| 3.2.2.21. | INTERFERENCE BAND TO BE USED | 78 |
| 3.2.2.22. | RR CAUSE | 78 |
| 3.2.2.23. | TRACE NUMBER | 79 |
| 3.2.2.24. | LAYER 3 INFORMATION | 79 |
| 3.2.2.25. | DLCI | 79 |
| 3.2.2.26. | DOWNLINK DTX FLAG | 79 |
| 3.2.2.27. | CELL IDENTIFIER LIST | 80 |
| 3.2.2.28. | RESPONSE REQUEST | 82 |
| 3.2.2.29. | RESOURCE INDICATION METHOD | 83 |
| 3.2.2.30. | CLASSMARK INFORMATION TYPE 1 | 83 |
| 3.2.2.31. | CIRCUIT IDENTITY CODE LIST | 83 |
| 3.2.2.32. | DIAGNOSTICS | 84 |

| | | |
|-----------|---|-----|
| 3.2.2.33. | CHOSEN CHANNEL..... | 85 |
| 3.2.2.34. | CIPHER RESPONSE MODE | 86 |
| 3.2.2.35. | LAYER 3 MESSAGE CONTENTS..... | 86 |
| 3.2.2.36. | CHANNEL NEEDED | 86 |
| 3.2.2.37. | TRACE TYPE..... | 87 |
| 3.2.2.38. | TRIGGERID..... | 87 |
| 3.2.2.39. | TRACE REFERENCE | 88 |
| 3.2.2.40. | TRANSACTIONID..... | 88 |
| 3.2.2.41. | MOBILE IDENTITY..... | 88 |
| 3.2.2.42. | OMCID | 88 |
| 3.2.2.43 | FORWARD INDICATOR | 89 |
| 3.2.2.44. | CHOSEN ENCRYPTION ALGORITHM..... | 89 |
| 3.2.2.45. | CIRCUIT POOL..... | 90 |
| 3.2.2.46. | CIRCUIT POOL LIST..... | 90 |
| 3.2.3. | List of Timers in the BSSMAP Procedures..... | 91 |
| 3.3. | SDL Representation Of The Procedures At The BSS | 91 |
| 4. | BROADCAST INFORMATION CONTROL CHANNEL..... | 92 |
| 5. | VOCABULARY..... | 93 |
| 6. | LIST OF DIAGRAMS..... | 94 |
| | History | 104 |

Foreword

This European Telecommunication Standard (ETS) has been produced by the Special Mobile Group (SMG) Technical Committee (TC) of the European Telecommunications Standards Institute (ETSI).

This ETS second edition, has been produced as a result of further updating work carried out by TC-SMG on the base document GSM 08.08.

This ETS defines the layer 3 specification for the Base Station System (BSS) to Mobile-services Switching Centre (MSC) interface. This ETS corresponds to GSM technical specification GSM 08.08 version 4.8.0. The specification from which this ETS has been derived was originally based on CEPT documentation, hence the presentation of this ETS may not be entirely in accordance with the ETSI/PNE rules.

Reference is made within this ETS to GSM-TSs (NOTE).

Reference is also made within this ETS to GSM xx.xx. series. The specifications in the series can be identified, with their full title, within the normative reference Clause of this ETS by the first two digits of their GSM reference number e.g. GSM 09.xx series, refers to GSM 09.01, GSM 09.02, etc.

NOTE: TC-SMG has produced documents which give the technical specifications for the implementation of the European digital cellular telecommunications system. Historically, these documents have been identified as GSM Technical Specifications (GSM-TSs). These TSs may have subsequently become I-ETTs (Phase 1), or ETSS (Phase 2), whilst others may become ETSI Technical Reports (ETRs). GSM-TSs are, for editorial reasons, still referred to in GSM ETSS.

| Proposed transposition dates | |
|---|-----------------|
| Date of adoption of this ETS: | 30 July 1995 |
| Date of latest announcement of this ETS (doa): | 31 October 1995 |
| Date of latest publication of new National Standard or endorsement of this ETS (dop/e): | 30 April 1996 |
| Date of withdrawal of any conflicting National Standard (dow): | 30 April 1996 |

Blank page

1. GENERAL

1.1. Scope

This Technical Specification specifies the layer 3 procedures used on the BSS to MSC interface for control of GSM services.

For the purposes of call control and mobility management, messages are not interpreted at the Base Station System (BSS) which acts as a relay function. These messages and procedures are documented in Technical Specification GSM 04.08, the only relevant issues covering these messages in this Technical Specification are those concerned with error conditions at the interface, and the headers that are required for the correct addressing of the messages. This is specified in more detail in Technical Specification GSM 08.06.

The functional split between MSC and BSS is defined in Technical Specification GSM 08.02 and states that the BSS is responsible for local radio resource allocation and in order to support this the required procedures between BSS and MSC are defined in detail in this Technical Specification.

Technical Specification GSM 08.02 also states that the BSS is responsible for the scheduling of all CCCH/BCCH messages and therefore some procedures for providing the BSS with the necessary information to be passed on these channels for individual calls (ie paging) are defined in this Technical Specification, but the scheduling is not discussed.

This interface and consequently these layer 3 procedures are designed to support BSSs providing one or more cells.

1.2. Normative references

This ETS incorporates by dated and undated reference, provisions from other publications. These normative references are cited at the appropriate places in the text and the publications are listed hereafter. For dated references, subsequent amendments to or revisions of any of these publications apply to this ETS only when incorporated in it by amendment or revision. For undated references, the latest edition of the publication referred to applies.

- [1] GSM 01.04 (ETR 100): "European digital cellular telecommunications system (Phase 2); Abbreviations and acronyms".
- [2] GSM 03.03 (ETS 300 523): "European digital cellular telecommunications system (Phase 2); Numbering, addressing and identification".
- [3] GSM 03.09 (ETS 300 527): "European digital cellular telecommunications system (Phase 2); Handover procedures".
- [4] GSM 04.08 (ETS 300 557): "European digital cellular telecommunications system (Phase 2); Mobile radio interface layer 3 specification".
- [5] GSM 04.21 (ETS 300 562): "European digital cellular telecommunications system (Phase 2); Rate adaption on the Mobile Station - Base Station System (MS - BSS) interface".
- [6] GSM 05.01 (ETS 300 573): "European digital cellular telecommunications system (Phase 2); Physical layer on the radio path General description".
- [7] GSM 05.02 (ETS 300 574): "European digital cellular telecommunications system (Phase 2); Multiplexing and multiple access on the radio path".
- [8] GSM 05.03 (ETS 300 575): "European digital cellular telecommunications system (Phase 2); Channel coding".

- [9] GSM 05.04 (ETS 300 576): "European digital cellular telecommunications system (Phase 2); Modulation".
- [10] GSM 05.05 (ETS 300 577): "European digital cellular telecommunications system (Phase 2); Radio transmission and reception".
- [11] GSM 05.08 (ETS 300 578): "European digital cellular telecommunications system (Phase 2); Radio subsystem link control".
- [12] GSM 05.90 (ETR 108): "European digital cellular telecommunications system (Phase 2); GSM Electro Magnetic Compatibility (EMC) considerations".
- [13] GSM 05.10 (ETS 300 579): "European digital cellular telecommunications system (Phase 2); Radio subsystem synchronisation".
- [14] GSM 08.02 (ETS 300 587-2): "European digital cellular telecommunications system (Phase 2); Base Station System - Mobile-services Switching Centre (BSS - MSC) interface Interface principles".
- [15] GSM 08.06 (ETS 300 589): "European digital cellular telecommunications system (Phase 2); Signalling transport mechanism specification for the Base Station System - Mobile-services Switching Centre (BSS - MSC) interface".
- [16] GSM 08.20 (ETS 300 591): "European digital cellular telecommunications system (Phase 2); Rate adaption on the Base Station System - Mobile-services Switching Centre (BSS - MSC) interface".
- [17] GSM 12.00 (prETS 300 612-1): "European digital cellular telecommunications system (Phase 2); Objectives and structure of Network Management (NM)".
- [18] GSM 12.01 (ETS 300 612-2): "European digital cellular telecommunications system (Phase 2); Common aspects of GSM Network Management (NM)".
- [19] GSM 12.07 (ETS 300 612-3): "European digital cellular telecommunications system (Phase 2); Operations and performance management".
- [20] GSM 12.02 (ETS 300 613): "European digital cellular telecommunications system (Phase 2); Subscriber, Mobile Equipment (ME) and services data administration".
- [21] GSM 12.03 (ETS 300 614): "European digital cellular telecommunications system (Phase 2); Security management".
- [22] GSM 12.04 (ETS 300 615): "European digital cellular telecommunications system (Phase 2); Performance data measurements".
- [23] GSM 12.05 (ETS 300 616): "European digital cellular telecommunications system (Phase 2); Subscriber related event and call data".
- [24] GSM 12.06 (ETS 300 617): "European digital cellular telecommunications system (Phase 2); GSM Network change control".
- [25] GSM 12.10 (ETS 300 618): "European digital cellular telecommunications system (Phase 2); Maintenance provisions for operational integrity of Mobile Stations (MS)".
- [26] GSM 12.11 (ETS 300 619): "European digital cellular telecommunications system (Phase 2); Maintenance of the Base Station System (BSS)".

- [27] GSM 12.13 (ETS 300 620): "European digital cellular telecommunications system (Phase 2); Maintenance of the Mobile-services Switching Centre (MSC)".
- [28] GSM 12.14 (ETS 300 621): "European digital cellular telecommunications system (Phase 2); Maintenance of location registers".
- [29] GSM 12.20 (ETS 300 622): "European digital cellular telecommunications system (Phase 2); Network Management (NM) procedures and messages".
- [30] GSM 12.21 (ETS 300 623): "European digital cellular telecommunications system (Phase 2); Network Management (NM) procedures and message on the A-bis interface".
- [31] GSM 12.22 (ETS 300 624): "European digital cellular telecommunications system (Phase 2); Interworking of GSM Network Management (NM) procedures and messages at the Base Station Controller (BSC)".

1.3. Definitions and abbreviations

Abbreviations used in this specification are listed in GSM 01.04, see Clause 5 for Vocabulary.

2. APPLICATION TO INTERFACE STRUCTURES

The underlying transport mechanism defined to carry signalling information between the BSS and the MSC is the Message Transfer Part (MTP), and the Signalling Connection Control Part (SCCP) of Signalling System No.7.

The MTP and SCCP are used to support communication between the MSC and two conceptual entities within the BSS, these are:

- the BSS Operation and Maintenance Application Part (BSSOMAP);
- the BSS Application Part (BSSAP).

The BSS Application Part is split into two sub application parts, these are:

- the BSS Management Application Part (BSSMAP);
- the Direct Transfer Application Part (DTAP).

Distribution of messages between the two sub application parts is described in Technical Specification GSM 08.06.

Figure 1 is a diagrammatical representation of these conceptual entities. It should be noted that this is not intended to imply a particular implementation and is only for the purposes of specifying the interface.

Differentiation between BSSAP and BSSOMAP is by addressing mechanisms within the SCCP, using the subsystem number (see Technical Specification GSM 08.06).

2.1. The BSS Operation and Maintenance Application Part

If operation and maintenance messages are transferred by means of this interface then they shall use SCCP messages. The application protocol for the Operation and Maintenance Application Part is defined in the GSM 12 series Technical Specifications. The routing and addressing is provided by the SCCP and allows the MSC and the O&M centre to be addressed directly by the BSS using, for example, two E164 numbers. The operator may also use an X.25 connection for the transfer of O&M messages between the BSS and the OMC. This option is not further discussed in this Technical Specification.

2.2. The Direct Transfer Application Part

The Direct Transfer Application Part (DTAP) is used to transfer call control and mobility management messages between the MSC and the MS. The DTAP information in these messages is not interpreted by the BSS. Technical Specification GSM 08.06 contains more detail relating to the handling of DTAP messages at the BSS, the multiplexing of the messages onto the relevant signalling channels of the radio interface, and the use of the SCCP services.

Messages received from the MS are identified as DTAP by the Protocol Discriminator Information Element as described in Technical Specification GSM 04.08, except for Initial Layer 3 messages (see section 3.1.16). The majority of radio interface messages are transferred across the BSS MSC interface by the DTAP, the exceptions being messages belonging to the Radio Resource (RR) management protocol.

2.3. The BSS Management Application Part

The BSSMAP supports all of the procedures between the MSC and the BSS that require interpretation and processing of information related to single calls, and resource management.

Some of the BSSMAP procedures result in, or are triggered by, Radio Resource (RR) management messages defined in Technical Specification GSM 04.08. The BSSMAP procedures are described in section 3.

2.4. Handling of Abnormal Events Related to the BSSAP Header

The BSSAP header is specified in Technical Specification GSM 08.06. Several abnormal events may be detected by the receiver:

- use of a reserved value in the DLCI or discriminator;
- length octet with value zero;
- length octet with a value inconsistent with that indicated by the SCCP.

In these cases the receiver may send a BSSMAP CONFUSION message as specified in section 3.2.1. If so, depending on the error in the BSSAP header, the error pointer shall be set to one of the values reserved for the BSSAP header in section 3.2.2.32.

Spare bits in the BSSAP header shall not be checked by the receiving entity.

3. THE BSS MANAGEMENT APPLICATION PART

3.1. BSSMAP Procedures

This section describes the procedures used in the BSS Management Application Part. There are the following main procedures:

| | | |
|---|--|--------------|
| * | Assignment | fig 2 |
| # | Blocking | fig 10 |
| # | Resource indication | fig 12 |
| # | Reset | fig 11 |
| * | Handover required indication | fig 4 |
| * | Handover resource allocation | fig 5 |
| * | Handover execution | fig 3 |
| # | Handover candidate enquiry | fig 13 |
| * | Release | figs 6 and 7 |
| # | Paging | fig 15 |
| # | Flow control | fig 14 |
| * | Classmark update | fig 9 |
| * | Cipher mode control | fig 17 |
| * | Trace invocation | |
| * | Initial MS message | |
| * | Queuing indication | |
| * | Data link control SAPI not equal to 0 | fig 18 |
| # | Reset circuit | |

These procedures are documented separately and are intended to be used by the operators/manufacturers to build up complete call sequences, in a flexible manner. Any sequences given where more than one procedure is shown concatenated are only for illustrative purposes.

Each of the above procedures is qualified by either an asterisk (*) or a hash symbol (#). The hash symbol (#) denotes a global procedure which concerns a complete cell or BSS, or specific terrestrial circuits. The asterisk symbol (*) denotes a dedicated procedure which concerns a single dedicated radio resource on the radio interface.

Messages used to support global procedures are sent using the connectionless services of the SCCP.

Messages used to support dedicated procedures are sent using the connection oriented services of the SCCP, on the connection which has been set up to support that call or transaction. The establishment of SCCP connections is detailed in Technical Specification GSM 08.06.

In the following description of each procedure it is explicitly stated whether the procedure is global or not, and hence the type of SCCP service used to support the procedure is defined.

The handling of unknown terrestrial circuits is defined in section 3.1.19.6 and the procedures of section 3.1.19.6 take precedence over those of the rest of section 3.1. The procedures of the rest of section 3.1 assume that the terrestrial circuit is known by the entity concerned.

3.1.1. Assignment

The purpose of the assignment procedure is to ensure that the correct dedicated radio resource can be allocated or reallocated to a MS that requires it. However, the initial random access by the MS and "Immediate Assignment" to a DCCH is handled autonomously by the BSS without reference to the MSC.

3.1.1.1. Successful Operation

The initial conditions are assumed to be that the MS is in contact with the fixed infrastructure of a PLMN by means of a dedicated radio (and possibly terrestrial) resource, and that the MSC has analysed any relevant call control information and wishes to allocate or reallocate to the MS a radio (and possibly a terrestrial) resource.

The MSC is the entity that carries out the necessary analysis on the call control information received from the MS or fixed network customer.

On the basis of this analysis a resource request is made to the appropriate BSS by sending it an ASSIGNMENT REQUEST message. This message contains details of the resource that is required (for instance channel rate, channel type, data adaptation, priority level etc.). If the requested resource is for speech or data it also indicates the terrestrial circuit that shall be used between the MSC and BSS. The description of the resource can either specify it completely, or give the BSS some freedom in the selection. The ASSIGNMENT REQUEST message may also contain CLASSMARK information in case such information is available in the MSC, but assumed not to be available in the BSS. A full description of the message is given in section 3.2.1.1.

In this specification a "pool" is a group of circuits supporting the same channel types.

The ASSIGNMENT REQUEST message is sent via the BSSMAP and is analysed within the BSS. Based on this analysis, which is not defined further in this Technical Specification, the BSS chooses an appropriate radio resource and allocates the appropriate resources for transcoding, rate adaptation etc. On the terrestrial route connecting the BSS and MSC, certain circuits can be used for different combinations of bearer capabilities. This can be modelled by grouping the circuits into "pools" supporting the same channel types. The MSC holds this information as route data and on this basis should only ever ask for resources from the BSS that it knows can be supplied on the nominated circuit. The BSS will construct and send the appropriate radio assignment messages, if required (ie if the radio resource has to be changed), as described in Technical Specification GSM 04.08 and start timer T10. The ASSIGNMENT REQUEST message includes sufficient information to allow the BSS to construct the necessary layer 3 radio messages.

In the case where several circuit pools (groups of circuits supporting the same channel types) are available on the BSS MSC interface, the MSC has to allocate an adequate terrestrial circuit taking into account the circuit pool the circuit belongs to and the required channel type.

The management of priority levels is implementation dependent, under operator control.

If queuing is managed, new requests which cannot be served immediately are put in the queuing file according to the indicated priority levels.

The priority levels and the preemption indicators may (singularly or in combination) be used to determine whether the assignment has to be performed unconditionally and immediately. This would lead to triggering of the preemption procedure which may then cause the forced release or forced handover of a lower priority connection if no free resource is immediately available.

Whilst the process and the extent of the preemption procedure is operator dependent, the preemption indicators (refer to section 3.2.2.18.), if given in the ASSIGNMENT REQUEST, shall be treated on a per connection basis as follows:

- the last received "Preemption Vulnerability" indicator and priority levels shall prevail.
- if the "Preemption Capability" bit is set to 1, then this allocation request can trigger the running of the preemption procedure.
- if the "Preemption Capability" bit is set to 0, then this allocation request cannot trigger the preemption procedure.

- if the "Preemption Vulnerability" bit is set to 1, then this connection is vulnerable and shall be included in the preemption process or procedure and as such may be subject to forced release or forced handover.
- if the "Preemption Vulnerability" bit is set to 0, then this connection is not vulnerable to preemption and shall not be included in the preemption process and as such may not be subject to forced release or forced handover.
- if no priority Information Element has been received, both "Preemption Capability" and "Preemption Vulnerability" bits shall be regarded as set to 0.

The BSS shall ignore the classmark information included in the ASSIGNMENT REQUEST message if such information has already been received from the MS.

The radio assignment procedure on the radio path is described in Technical Specification GSM 04.08. When the BSS is satisfied that the radio assignment procedure has been successfully accomplished (eg by receipt of a radio interface ASSIGNMENT COMPLETE message) it will stop timer T10 and return an ASSIGNMENT COMPLETE message over the BSS MSC interface. This will implicitly release the old dedicated radio resource at the BSS. If an intra-BSS cell change has occurred during the assignment, the new cell identity is included in the ASSIGNMENT COMPLETE message and a HANDOVER PERFORMED message is not required.

When several circuit pools are present on the BSS MSC interface, the "circuit pool" information element shall be included in the ASSIGNMENT COMPLETE. The "circuit pool" field will indicate to the MSC the circuit pool of the CIC given in the ASSIGNMENT REQUEST message.

If the assignment did not require a change of radio resource, and consequently no 04.08 radio assignment procedure had been invoked, then the ASSIGNMENT COMPLETE message shall be returned to the MSC as soon as the requested resources have been allocated within the BSS.

If the assignment requires a change of terrestrial circuit or in the case of assignment for signalling the release of a previously used terrestrial circuit, the change or release shall be performed before the ASSIGNMENT COMPLETE message is sent and the BSS shall consider that the old terrestrial circuit is idle.

After the completion of the assignment procedure, until the connection is released or the MSC performs a new assignment, any dedicated resource assigned to the mobile station, e.g. at internal handover, must be in accordance with the description in the ASSIGNMENT REQUEST message.

3.1.1.2. Assignment Failure

The following failure conditions may occur:

The BSS may not be able to use the terrestrial resource that the MSC has indicated in which case an ASSIGNMENT FAILURE message will be returned. The appropriate failure cause will be included in the message (Cause value: requested transcodingrate adaption unavailable, or requested terrestrial resource unavailable).

If, on reception of the ASSIGNMENT REQUEST by the BSS, the circuit pool implied by the CIC information element is incompatible with the channel type indicated (that is, the pool does not support any of the radio resources indicated by the channel type) an ASSIGNMENT FAILURE shall be returned to the MSC with the failure cause set to "circuit pool mismatch".

If, on reception of the ASSIGNMENT REQUEST by the BSS, the circuit pool implied by the CIC is compatible with the channel type indicated (that is, the pool supports at least one of the radio resource types indicated by the channel type), but the BSS still wishes to change the circuit pool, it sends an ASSIGNMENT FAILURE with the cause "switch circuit pool" and the "circuit pool list" information element.

The "circuit pool" information element, when present in the ASSIGNMENT FAILURE, indicates to the MSC which circuit pool the CIC indicated in the ASSIGNMENT REQUEST belongs to. This can be used by the

MSC to correct its tables (CIC/circuit pool). The "circuit pool list" information element, when present in the ASSIGNMENT FAILURE, is used when the BSS wishes to indicate to the MSC its preferred circuit pools. The circuit pools in the "circuit pool list" information element shall be given in order of preference. In the case of an ASSIGNMENT FAILURE with the cause "circuit pool mismatch", the MSC may decide to block the circuit and to send an O & M notification.

The BSS may not receive a radio interface ASSIGNMENT COMPLETE message from the MS in which case the timer T10 will expire. In this case an ASSIGNMENT FAILURE message is returned to the MSC and the assignment procedure is terminated (cause value: radio interface message failure).

If the cell for which the assignment is intended is congested, the BSS may indicate an impending directed retry attempt by sending ASSIGNMENT FAILURE (Cause value: directed retry).

If the radio channel assignment fails for any other reason then an ASSIGNMENT FAILURE message will be returned to the MSC, the procedure will terminate, and the associated references concerning the old dedicated resource should be maintained until explicitly released by the MSC. It should be noted that if the MS fails to assign after receiving a radio interface ASSIGNMENT COMMAND and returns to the old channels as detailed in Technical Specification GSM 04.08, then the radio interface ASSIGNMENT FAILURE message received from the MS will cause an ASSIGNMENT FAILURE message to be returned to the MSC (cause value: "Radio interface failure, reversion to old channel").

Other possible Cause values which may be returned with the ASSIGNMENT FAILURE message are: "equipment failure", "no radio resource available", "O&M intervention". If an unrecognised cause value is received, the Class of the cause value should be used to determine the MSC's action.

In the case where the MSC has attempted to assign a terrestrial circuit and an ASSIGNMENT FAILURE message has been returned then both the MSC and the BSS shall consider that the terrestrial circuit is idle (except as described below in section 3.1.1.3) and therefore no explicit clearing sequence is needed.

All messages concerned with an assignment are sent using the connection oriented mode of the SCCP.

3.1.1.3. Abnormal Conditions

If the BSS receives an ASSIGNMENT REQUEST message calling up a terrestrial circuit that is already assigned to another call then an ASSIGNMENT FAILURE message will be returned with a Cause value of: "terrestrial circuit already allocated" and no action will be taken on the radio interface.

If the BSS receives an ASSIGNMENT REQUEST message allocating a terrestrial circuit which has been blocked by a global block message, then an ASSIGNMENT FAILURE message shall be sent (Cause value: "requested terrestrial resource unavailable"). A single global BLOCK message (not repeated and not guarded by timer T1) shall be sent for that concerned terrestrial circuit.

If an external handover becomes necessary during an assignment, for reasons of radio conditions or congestion (directed retry), the BSS may initiate the handover whilst the assignment is in progress. In this situation, if a HANDOVER COMMAND is received by the BSS, it must not be ignored.

3.1.2. Blocking and Unblocking

As described in section 3.1.1 the assignment procedure depends upon the MSC choosing the terrestrial resource to be used. The MSC therefore needs to be informed of any terrestrial circuits that are out of service at the BSS. This is performed by using a simple blocking/unblocking procedure. The block messages used to support this procedure are sent as global messages (ie using the SCCP connectionless mode). Each message refers to one or more terrestrial circuits accessed through the BSS MSC interface. The circuit is identified by its Circuit Identity Code.

3.1.2.1. Successful Operation

The procedure operates as follows:

Initial conditions are assumed to be that all circuits are unblocked.

A BSS may block a terrestrial circuit because:

- Operation and Maintenance intervention makes the circuit unavailable for use (Cause value: "O and M intervention").
- An equipment failure makes the circuit unavailable (Cause value: "equipment failure").
- Radio resource is not accessible from the terrestrial circuit (Cause value: "no radio resource available").

When and if the BSS decides to block a terrestrial circuit, the BSS shall immediately mark that terrestrial circuit as "blocked" (to stop any future allocation of that terrestrial circuit) and shall then send a block message to the MSC and start timer T1 (T20).

The BLOCK message contains the Circuit Identity Code indicating the terrestrial circuit that is to be blocked and a Cause Information Element indicating the reason for blocking. Typical Cause values are: "no radio resources available", "O and M intervention", "equipment failure".

If the CIRCUIT GROUP BLOCK message is applied by the BSS the circuits to be blocked are indicated in the status field of the Circuit Identity Code List (3.2.2.31).

Receipt of a block message (BLOCK or CIRCUIT GROUP BLOCK) at the MSC from the BSS will indicate to the MSC that the identified circuits are unavailable for reselection. If a call is in progress on any of the identified terrestrial circuits then it will be unaffected by this procedure, the circuits will however be "camp on blocked". Such circuits shall be blocked as soon as that call is no longer in progress, or active.

An appropriate blocking acknowledge message (BLOCKING ACKNOWLEDGE or CIRCUIT GROUP BLOCKING ACKNOWLEDGE) will be returned to the BSS by the MSC to acknowledge receipt of the block message and to indicate that any necessary action has been taken.

The CIRCUIT GROUP BLOCKING ACKNOWLEDGEMENT message is accepted as the appropriate acknowledgement only if the indicated Circuit Identity Code and the returned Range field of the Circuit Identity Code List match the corresponding parameter values of the respective initiating message. Otherwise the message is considered as not expected.

On receipt of the blocking acknowledge the BSS shall stop timer T1 (T20).

The resource involved will be assumed to be blocked by the MSC until either an unblock (UNBLOCK or CIRCUIT GROUP UNBLOCK) or RESET message is received relevant to that resource.

If the BSS wishes to unblock a blocked circuit and return it to service then it shall immediately mark the circuit as "unblocked" and then send an unblock message, and start timer T1 (T20).

If an unblock message (UNBLOCK or CIRCUIT GROUP UNBLOCK) is received at the MSC for a blocked resource then the resource will be marked as available for service and an unblocking acknowledge message (UNBLOCKING ACKNOWLEDGE or CIRCUIT GROUP UNBLOCKING ACKNOWLEDGE) will be returned to the BSS. The BSS shall stop timer T1 (T20) on receipt of this unblocking acknowledge.

The CIRCUIT GROUP UNBLOCKING ACKNOWLEDGEMENT message is accepted as the appropriate acknowledgement only if the indicated Circuit Identity Code and the returned Range field of the Circuit Identity Code List match the corresponding parameter values of the respective initiating message. Otherwise the message is considered as not expected.

Figure 10 shows an overview of the blocking procedure.

It should be noted that this is a unidirectional procedure and that the MSC does not send block messages towards the BSS. If the MSC wishes to take a terrestrial circuit out of service this is achieved by local blocking within the MSC.

NOTE: Timer T1 is used to supervise a single circuit block/unblock procedure whilst T20 is used to supervise the circuit group block/unblock procedure.

3.1.2.2. Abnormal Conditions

If a blocking acknowledge message is not received for a block message within T1 (T20) seconds then the block message will be repeated. If this occurs a second time the circuits will be kept marked as blocked, and the situation must then be resolved internally within the BSS or by O&M procedures.

If an unblocking acknowledge message is not received for an unblock message before expiry of timer T1(T20) then the unblock message will be repeated. If this occurs a second time, this situation may be reflected to the O&M, which shall resolve the possible conflict. The unblocking acknowledge message is repeated at most one time. Whatever the outcome of possible repetitions, the concerned circuits remain "unblocked".

If an ASSIGNMENT REQUEST or HANDOVER REQUEST message is received allocating a circuit which is marked at the BSS as blocked then an ASSIGNMENT FAILURE message or a HANDOVER FAILURE message (respectively) followed by a BLOCK message shall be sent to the MSC.

3.1.2.2.1. ... applying to the Single Circuit Block Procedure

- i) If a BLOCK message is received by the MSC for a blocked circuit, a BLOCKING ACKNOWLEDGE message will be sent.
- ii) If an UNBLOCK message is received by the MSC for an unblocked circuit, an UNBLOCKING ACKNOWLEDGE message will be sent.
- iii) If a BLOCKING ACKNOWLEDGE message, which is not expected as an acknowledgement for a BLOCK message, is received by the BSS:
 - a) relating to a circuit which is locally blocked, the BLOCKING ACKNOWLEDGE message is discarded.
 - b) relating to a circuit, which is not locally blocked, then an UNBLOCK message will be sent.
- iv) If an UNBLOCKING ACKNOWLEDGE message, which is not expected as an acknowledgement for an UNBLOCK message, is received by the BSS:
 - a) relating to a circuit which is not locally blocked, the received UNBLOCKING ACKNOWLEDGE message is discarded.
 - b) relating to a circuit, which is locally blocked, then a BLOCK message will be sent.

3.1.2.2.2. ... applying to the Circuit Group Block Procedure

- v) If a CIRCUIT GROUP BLOCK message is received by the MSC relating to blocked circuits then blocking acknowledgement indications for those circuits are given in the status field of the corresponding CIRCUIT GROUP BLOCKING ACKNOWLEDGE message which will be sent in response.
- vi) If a CIRCUIT GROUP UNBLOCK message is received by the MSC relating to circuits which are not blocked then unblocking acknowledgement indications for those circuits are given in the status field of the corresponding CIRCUIT GROUP UNBLOCKING ACKNOWLEDGE message which will be sent in response.
- vii) When the MSC upon receipt of a CIRCUIT GROUP BLOCK (UNBLOCK) message is not able to give an appropriate blocking (unblocking) acknowledgement indication for each Circuit Identification Code (e.g. because that/those Circuit Identification Code(s) is (are) not allocated to any circuit at the receiving entity) for which a block (unblock) indication is given in the status field of the received CIRCUIT GROUP BLOCK (UNBLOCK) message, then no blocking (unblocking) acknowledgement

relating to that/those Circuit Identification Code(s) will be given in the status field of the corresponding CIRCUIT GROUP BLOCKING (UNBLOCKING) ACKNOWLEDGE message which will be sent in response.

- viii) If a CIRCUIT GROUP BLOCKING ACKNOWLEDGE message in response to a CIRCUIT GROUP BLOCK message is received by the BSS containing in the status field no blocking acknowledgement for circuits which are to be blocked due to the previously sent CIRCUIT GROUP BLOCK message, then the CIRCUIT GROUP BLOCK message will be repeated for the circuit(s) concerned. If this occurs a second time the concerned circuit(s) will be kept marked as blocked, and the situation must then be resolved internally within the BSS or by O&M procedures.
- ix) The same rule applies to the Circuit Group Unblocking procedure with the only difference that the involved terrestrial circuits are kept marked as "not blocked".
- x) If a CIRCUIT GROUP BLOCKING ACKNOWLEDGE message in response to a CIRCUIT GROUP BLOCK message is received by the BSS containing in the status field blocking acknowledgement indications for circuits which are not to be blocked, then an appropriate unblock message will be sent for the circuit(s) concerned.
- xi) If a CIRCUIT GROUP UNBLOCKING ACKNOWLEDGE message in response to a CIRCUIT GROUP UNBLOCK message is received by the BSS containing in the status field unblocking acknowledgement indications for circuits which have to remain marked as blocked then an appropriate block message will be sent for the circuit(s) concerned.
- xii) If a CIRCUIT GROUP BLOCKING ACKNOWLEDGE message which is not expected and not accepted as an acknowledgement for a CIRCUIT GROUP BLOCK message is received by the BSS:
 - a) relating to circuits which all are in the status locally blocked, then the received CIRCUIT GROUP BLOCKING ACKNOWLEDGE message will be discarded;
 - b) related to circuits part or all of which are not in the status locally blocked then an appropriate unblock message will be sent for the relevant circuit(s).
- xiii) If a CIRCUIT GROUP UNBLOCKING ACKNOWLEDGE message which is not expected and not accepted as an acknowledgement for a CIRCUIT GROUP UNBLOCK message is received by the BSS:
 - a) relating to circuits none of which is in the status blocked, then the received CIRCUIT GROUP UNBLOCKING ACKNOWLEDGE message will be discarded;
 - b) related to circuits part or all of which are locally blocked then an appropriate block message will be sent for the relevant circuit(s).

3.1.3. Resource Indication

The purpose of the resource indication procedure is:

- To inform the MSC of the amount
 - of radio resource that is spare at the BSS and available for traffic carrying purposes; and
 - of the total amount of the accessible radio resource (i.e. available for service or currently assigned).

This cannot easily be derived from the traffic that the MSC is carrying. The MSC may take these pieces of information into account for the external handover decision.

3.1.3.1. Successful Operation

The procedure relates to a single cell.

The MSC determines the resource information (i.e. the resource available information and optionally the total resource accessible information) and the manner in which the BSS transfers this resource information

to the MSC by sending a RESOURCE REQUEST message to the BSS. This message shall contain a Resource Indication Method Information Element which can be set to one of the following values:

- i) (Spontaneous resource information expected): The BSS shall send the first RESOURCE INDICATION message without any resource information to the MSC immediately as an acknowledgement to the RESOURCE REQUEST message and then any further RESOURCE INDICATION messages spontaneously every time conditions, defined by O&M, are met in the BSS for the considered cell (e.g. traffic thresholds, or time interval between two messages). If the O&M conditions for sending RESOURCE INDICATION messages are met, the BSS may use the Periodicity IE received in the RESOURCE REQUEST message to determine the time interval between indications, except that, if the MSC sets the Periodicity IE to zero then the BSS shall ignore the Periodicity IE. The BSS stays in this mode until the receipt of a new RESOURCE REQUEST message for the same cell, or a reset occurs;
- ii) (One single resource information expected): The BSS shall return a single RESOURCE INDICATION message with some resource information immediately. If the RESOURCE REQUEST message does not contain an Extended Resource indicator IE the BSS shall then cease any resource information transfer related to the cell until the receipt of either a new RESOURCE REQUEST message or a reset. If the RESOURCE REQUEST message contains an Extended Resource Indicator IE the BSS shall obey the 'Subsequent Mode' field;
- iii) (Periodic resource information expected): The BSS shall return a RESOURCE INDICATION message with some resource information immediately, and then periodically, with a period set by MSC*, until the receipt of either a new RESOURCE REQUEST message for the same cell or a reset.

* (The period shall equal the value of the periodicity parameter times 100 ms. If the value of the periodicity parameter is zero, then the message should be treated as one containing an incorrect value according to section 3.1.19.4, case 2.)
- iv) (No resource information expected): The BSS shall immediately return a single RESOURCE INDICATION message without any resource information as an acknowledgement to the RESOURCE REQUEST message and then the BSS to MSC transfer of resource information related to the cell is disabled until the receipt of either a new RESOURCE REQUEST message for the same cell or a reset.

The default mode is iv); after a reset, this mode is set for all the cells of a BSS.

The transfer of resource information related to a given cell from the BSS to the MSC occurs when the Resource Indication Method Information Element is set to one of the values i) to iii) in the BSS. The BSS sends RESOURCE INDICATION messages to the MSC, under the conditions explained above. The RESOURCE INDICATION message shall contain the Resource Indication Method Information Element with the same value as it was requested by the MSC, i.e. the BSS is not allowed to select a method different from the one requested by the MSC.

Furthermore, the RESOURCE INDICATION message may contain the Resource Available IE and the Total Resource Accessible IE dependent on the selected method and, in case of the Total Resource Accessible IE, also dependent on the request from the MSC. If the RESOURCE INDICATION message is just taken as a simple acknowledgement as stated in method i) and iv), the Total Resource Accessible IE shall not be returned independent of whether it was requested by the MSC or not.

For each idle channel the level of interference will be averaged over a period of Intave. (Intave is a parameter set by O&M command on a per cell basis). This averaging will be performed immediately before the transmission of the RESOURCE INDICATION message. The result of this averaging will be used to classify the average interference level on the idle channels into five interference bands.

The Resource Available Information Element contains two pieces of information for each of the five interference bands:

- The number of half rate TCHs available in that band.

- The number of full rate TCHs available in that band.

The levels of the five bands are defined by O&M.

3.1.4. Reset

3.1.4.1. Global Reset Procedure

The purpose of the reset procedure is to initialise the BSS and MSC in the event of a failure. The procedure is a global procedure applying to a whole BSS, and therefore all messages relating to the reset procedure are sent as global messages using the connectionless mode of the SCCP.

If only a limited part of the MSC or BSS has suffered a failure then clearing procedures can be used to clear only those affected calls.

3.1.4.1.1. Reset at the BSS

In the event of a failure at the BSS which has resulted in the loss of transaction reference information, a RESET message is sent to the MSC. This message is used by the MSC to release affected calls and erase all affected references, and to put all circuits into the idle state.

After a guard period of T2 seconds a RESET ACKNOWLEDGE message is returned to the BSS indicating that all references have been cleared.

After the sending of the RESET to the MSC the BSS shall initiate blocking procedures (Block or Circuit group block procedures) for all circuits that are blocked, the MSC shall respond as specified in section 3.1.2. The sending of block messages shall be done without waiting for the acknowledgement to the RESET message.

3.1.4.1.2. Reset at the MSC

In the event of a failure at the MSC which has resulted in the loss of transaction reference information, a RESET message is sent to the BSS. This message is used by the BSS to release affected calls and erase all affected references.

Upon receipt of a RESET message from the MSC the BSS shall send block messages (BLOCK or CIRCUIT GROUP BLOCK) for all circuits that were previously blocked, the MSC shall respond to these with blocking acknowledge messages as described in section 3.1.2.

After a guard period of T13 seconds a RESET ACKNOWLEDGE message is returned to the MSC, indicating that all MSs which were involved in a call are no longer transmitting and that all references at the BSS have been cleared.

3.1.4.1.3. Abnormal Conditions

3.1.4.1.3.1. Abnormal Condition at the BSS

If the BSS sends a RESET message to the MSC and receives no RESET ACKNOWLEDGE message within a period T4 then it shall repeat the entire reset procedure. The sending of the RESET message is repeated a maximum of "n" times where n is an operator matter. After the n-th unsuccessful repetition the procedure is stopped and the maintenance system is informed.

3.1.4.1.3.2. Abnormal Condition at the MSC

If the MSC sends a RESET message to the BSS and receives no RESET ACKNOWLEDGE message within a period T16 then it shall repeat the entire reset procedure. The sending of the RESET message is repeated a maximum of "n" times where n is an operator matter. After the n-th unsuccessful repetition the procedure is stopped and the maintenance system is informed.

3.1.4.2. Reset Circuit

The purpose of the reset circuit procedure is to restore the information in MSC/BSS in the case of a failure which has affected only a small part of the equipment (eg abnormal SCCP connection release).

3.1.4.2.1. Reset Circuit at the BSS

If a circuit has to be put to idle at the BSS due to an abnormal SCCP-connection release, a RESET CIRCUIT message will be sent to the MSC. When the MSC receives this message, it clears the possible call and puts the circuit, if known, to the idle state. If the circuit is known, a RESET CIRCUIT ACKNOWLEDGE message is returned to the BSS. If the circuit is unknown in the MSC, an UNEQUIPPED CIRCUIT message is returned to the BSS.

Timer T19 is used at the BSS to supervise the reset circuit procedure. If the timer elapses before a response (RESET, RESET CIRCUIT ACKNOWLEDGE or UNEQUIPPED CIRCUIT) is returned to the BSS, the procedure is repeated.

3.1.4.2.2. Reset Circuit at the MSC

If a circuit has to be put to idle at the MSC due to an abnormal SCCP-connection release, a RESET CIRCUIT message will be sent to the BSS. When the BSS receives a RESET CIRCUIT message, it shall respond with a RESET CIRCUIT ACKNOWLEDGE message in case the circuit can be put to idle. If the circuit is blocked at the BSS a BLOCK message shall be returned to the MSC. The MSC shall then respond with a BLOCKING ACKNOWLEDGE message, as described in section 3.1.2. If the circuit is unknown at the BSS, the BSS shall return an UNEQUIPPED CIRCUIT message to the MSC.

Timer T12 is used at the MSC to supervise the reset circuit procedure. If the Timer elapses before a response (RESET, RESET CIRCUIT ACKNOWLEDGE, UNEQUIPPED CIRCUIT or BLOCK) the reset circuit procedure is repeated.

3.1.4.2.3. Abnormal conditions

If a RESET message is received after sending of a RESET CIRCUIT message and before receipt of the corresponding response the respective reset circuit procedure is stopped, i.e. reception of the corresponding RESET CIRCUIT ACKNOWLEDGE message is not required and no repetition is necessary.

If a RESET CIRCUIT message is received immediately after a RESET CIRCUIT message has been sent for the same circuit, the corresponding acknowledgement messages are returned.

The sending of the RESET CIRCUIT message is repeated a maximum of "n" times where n is an operator matter. After the n-th unsuccessful repetition the procedure is stopped and the maintenance system is informed.

3.1.5. External Handover

The details of the radio information as far as handover is concerned are given in GSM Technical Specification GSM 04.08. The relevant network information is given in GSM Technical Specification GSM 03.09.

Using this protocol the BSS should support handover transitions to and from any combinations of the following:

| |
|---------------|
| Channel |
| SDCCH |
| Full Rate TCH |
| Half Rate TCH |

In this specification three procedures are defined which can be used for handover. They are:

- Handover Required Indication;
- Handover Resource Allocation;
- Handover Execution.

(Figure 16 shows an example of a complete handover procedure)

For any HANOVER REQUIRED message at most one HANOVER COMMAND message may be sent.

In the case of inter-MSC handover the term "the MSC" in this section is taken to mean the relevant MSC in the handover operation.

The handover procedures are specified in the following sub-sections.

All messages concerned with handover, with the exception of HANOVER CANDIDATE ENQUIRE and HANOVER CANDIDATE RESPONSE messages, are sent using the connection oriented mode of the SCCP.

3.1.5.1. Handover Required Indication

The handover required indication procedure allows a BSS to request that a handover is to be carried out for a particular MS, currently allocated a dedicated resource. This is done by generating a HANOVER REQUIRED message and sending it from the BSS to the MSC. If so required by the BSS the MSC informs the BSS if the handover cannot be carried out. This is done by a HANOVER REQUIRED REJECT message. The HANOVER REQUIRED message is sent using the BSSAP SCCP connection already set up for that transaction. As part of the BSS's functions, the BSS continually monitors all radio information, and compares it with parameters such that if the transmission quality of a given parameter (or set of parameters) passes a predetermined threshold (set by O&M) then a HANOVER REQUIRED message is generated and sent to the MSC.

3.1.5.1.1. Generation of the HANOVER REQUIRED message

Generation of the HANOVER REQUIRED message can be for the following reasons:

- The BSS has detected that a radio reason exists for a handover to occur.
- The MSC has initiated a handover candidate enquiry procedure, and this MS is currently a candidate.
- A cell change is required at call setup due to congestion, eg directed retry.

The HANOVER REQUIRED message contains the following information elements:

- Message Type;
- Cause;
- Cell Identifier List (preferred).

Sec. 3.2.1.9. gives coding details of the above message.

The "Cause" field indicates the reason for the HANOVER REQUIRED message e.g. "uplink quality poor" or "response to MSC invocation" in the case of traffic reasons indicated by the MSC.

If present the "Response Request" Information Element indicates, that the BSS requires an indication if the HANOVER REQUIRED message does not result in a HANOVER COMMAND message.

If the BSS wants to change the CIC due to a channel change, the BSS sends a HANOVER REQUIRED message with the cause "switch circuit pool" and the "circuit pool list" information element. The "circuit pool list" information element will allow the BSS to indicate to the MSC from which circuit pool or pools the new CIC should be chosen.

The "Cell Identifier List (preferred)" shall identify "n" preferred cells. The identified cells are given in order of preference. The algorithm by which the BSS produces this list is Operator dependent and is not addressed in this Technical Specification. The "n" number of preferred cells is a parameter set by O&M and shall range from 1 to 16. If "n" number of cells cannot be identified, then only as many as are available shall be encoded and sent (as specified in section 3.2.2.27).

It is mandatory for the BSS to be able to produce this "Cell Identifier List (preferred)". The sending of this list is controlled by the O&M parameter "n". It is mandatory for the MSC to be able to receive and interpret this Information Element.

The HANDOVER REQUIRED message shall be updated and repeated by the BSS with a periodicity of T7 until:

- A HANDOVER COMMAND message is received from the MSC, or;
- A RESET message is received, or;
- The reason for the original HANDOVER REQUIRED message disappears eg the MS transmission improves, or;
- All communication is lost with the MS as defined in Technical Specification GSM 04.08, and the transaction is abandoned, or;
- The transaction ends, e.g., call clearing.

3.1.5.2. Handover Resource allocation

This procedure has been defined to allow the MSC to request resources from a BSS in a manner similar to that used for the assignment case. However it does not result in the transmission of any messages over the radio interface, only in the reservation of the resource identified at the BSS, which awaits access of a MS on the reserved channel. These reserved resources are then indicated back to the MSC.

In order to support this procedure the MSC sets up a BSSAP SCCP connection to the BSS. This connection is then used to support all BSSAP messages related to this dedicated resource.

3.1.5.2.1. Operation of the procedure

The correct operation of the handover resource allocation procedure is as follows:

The MSC sends a HANDOVER REQUEST message to the new BSS (note 1) from which it requires radio resources. This message contains details of the resource that is required. If the requested resource is for speech or data it also indicates the terrestrial resource that shall be used between the MSC and the BSS. The type of channel required can be different from the type of channel in use, eg in the case of directed retry. The description of the resource can either specify it completely, or give the BSS some freedom in the selection.

On receipt of this message the new BSS shall choose a suitable idle radio resource.

The management of priority levels - relating to the Information Element "Priority" within the HANDOVER REQUEST message - is implementation dependent, under operator control.

If queueing is managed, new requests which cannot be served immediately are put in the queueing file according to the indicated priority levels.

(Refer to section 3.1.17 for Queuing Procedure)

As a further operator option, the preemption indicators may (alone or along with the priority levels) be used to manage the preemption process, which may lead to the forced release or forced handover of lower priority connections.

However, the preemption indicators (refer to section 3.2.2.18), if given in the HANDOVER REQUEST, shall be treated on a per connection basis as follows:

- the last received "Preemption Vulnerability" indicator and priority levels shall prevail.
- if the "Preemption Capability" bit is set to 1, then this allocation request can trigger the running of the preemption procedure.
- if the "Preemption Capability" bit is set to 0, then this allocation request cannot trigger the preemption procedure.
- if the "Preemption Vulnerability" bit is set to 1, then this connection is vulnerable and shall be included in the preemption process or procedure and as such may be subject to forced release or forced handover.
- if the "Preemption Vulnerability" bit is set to 0, then this connection is not vulnerable to preemption and shall not be included in the preemption process and as such may not be subject to forced release or forced handover.
- if no Priority Information Element has been received, both "Preemption Capability" and "Preemption Vulnerability" bits shall be regarded as set to 0.

If a radio resource is available then this will be reflected back to the MSC in a HANDOVER REQUEST ACKNOWLEDGE message. The HANDOVER REQUEST ACKNOWLEDGE message sent by the new BSS shall contain the radio interface message HANDOVER COMMAND within its "Layer 3 Information" Information Element. This "Layer 3 Information" (which is in fact the RR-Layer 3 HANDOVER COMMAND) is transferred by the controlling MSC to the old BSS using the BSSMAP message HANDOVER COMMAND also within the Information Element "Layer 3 Information" of that BSSMAP message. The old BSS then sends to the MS over the radio interface the RR-Layer 3 HANDOVER COMMAND message. Information about the appropriate new channels and a handover reference number chosen by the new BSS are contained in the HANDOVER COMMAND.

NOTE: The new BSS and the old BSS may be the same.

When several circuit pools are present on the BSS MSC interface, the "circuit pool" information field shall be included in the HANDOVER REQUEST ACKNOWLEDGE. The "circuit pool" field will indicate to the MSC the circuit pool of the CIC given in the HANDOVER REQUEST message.

The sending of the HANDOVER REQUEST ACKNOWLEDGE by the new BSS to the MSC ends the Handover Resource Allocation procedure. The Handover Execution procedure can now proceed and this is given in section 3.1.5.3.

The new BSS shall then take all necessary action to allow the MS to access the radio resource that the new BSS has chosen, this is detailed in the GSM 05 series of Technical Specifications. If the radio resource is a traffic channel then the new BSS shall at this point switch it through to the terrestrial resource indicated in the HANDOVER REQUEST message, and the necessary transcoding/rate adaption/encryption equipment enabled as detailed in Technical Specification GSM 04.08.

The optimum procedure for switching through to the target cell at the MSC is not defined in these Technical Specifications.

3.1.5.2.2. Handover Resource Allocation Failure

The following failure conditions of this procedure may occur:

The BSS may not be able to use the terrestrial channel that the MSC has indicated in which case a HANDOVER FAILURE message will be returned with the Cause value set to: "requested terrestrial resource unavailable".

The BSS may not be able to support the requested ciphering algorithm and in this case a HANOVER FAILURE message shall be returned to the MSC with the Cause value "Ciphering algorithm not supported".

The BSS may not be able to support the channel type or the resource that has been indicated in the HANOVER REQUEST message. In this case a HANOVER FAILURE message shall be returned to the MSC with the appropriate failure cause set.

The generation of the HANOVER FAILURE message terminates the procedure and allows all references in the new BSS to be released.

If, on reception of the HANOVER REQUEST by the BSS, the circuit pool implied by the CIC information element is incompatible with the channel type indicated (that is, the pool does not support any of the radio resources indicated by the channel type) a HANOVER FAILURE shall be returned to the MSC with the failure cause set to "circuit pool mismatch".

If, on reception of the HANOVER REQUEST by the BSS, the circuit pool implied by the CIC is compatible with the channel type indicated (that is, the pool supports at least one of the radio resource types indicated by the channel type), but the BSS still wishes to change the circuit pool, it sends a HANOVER FAILURE with the cause "switch circuit pool" and the "circuit pool list" information element.

The "circuit pool" information element, when present in the HANOVER FAILURE, indicates to the MSC which circuit pool the CIC indicated in the HANOVER REQUEST belongs to. This can be used by the MSC to correct its tables (CIC/circuit pool). The "circuit pool list" information element, when present in the HANOVER FAILURE, is used when the BSS wishes to indicate to the MSC its preferred circuit pools. The circuit pools in the "circuit pool list" information element shall be given in order of preference. In the case of a HANOVER FAILURE with the cause "circuit pool mismatch", the MSC may decide to block the circuit and to send an O & M notification.

Further actions in the MSC concerning handover depend upon the handover algorithm which is operator dependent. If an unrecognised Handover Failure cause value is received, the Class of the cause value should be used to determine the MSC's action.

3.1.5.2.3. Abnormal conditions

If after receipt of a HANOVER REQUEST message, the new BSS receives another HANOVER REQUEST message on the same SCCP connection, then the later message will be discarded.

If the BSS receives a HANOVER REQUEST for a terrestrial circuit which the BSS has marked as blocked by a previous blocking procedure, then a HANOVER FAILURE shall be returned to the MSC with the Cause set to "requested terrestrial resource unavailable". A single global BLOCK message (not repeated and not guarded by timer T1) shall be sent for that concerned terrestrial circuit.

If the BSS receives a HANOVER REQUEST message indicating a target cell which is not controlled by the BSS, then a HANOVER FAILURE message shall be returned to the MSC with the cause set to "invalid cell".

3.1.5.3. Handover execution

Handover execution in the context of the BSS/MSC interface is the process whereby an MSC instructs an MS to tune to a new dedicated radio resource which may be on a different cell.

3.1.5.3.1. Operation of the procedure

The correct operation of the procedure is as follows:

The BSSMAP HANOVER COMMAND message is generated by the MSC and transmitted over the BSSAP connection to the old BSS which is currently supporting the concerned MS. At the old BSS timer T8 is started on the receipt of the BSSMAP HANOVER COMMAND message. A radio interface HANOVER COMMAND message is then sent by the old BSS, to the concerned MS. The message contains a handover reference number, previously allocated by the new BSS.

The BSSMAP HANDOVER COMMAND message generated by the MSC may optionally contain a Cell Identifier IE which indicates to the old BSS the target cell identity to which the handover is to be performed. In case of failure, this information allows the old BSS to know on which cell the handover failed.

When the MS accesses the radio resource of the new BSS with a HANDOVER ACCESS burst which contains the received handover reference number then:

The new BSS checks the handover reference number to ensure that it is the same as expected, and hence that there is a high probability that the correct MS has been captured (if the handover reference is not as expected then the new BSS shall wait for an access by the correct MS).

If the handover reference number is as expected, the new BSS shall send a HANDOVER DETECT message to the MSC.

When the MS is successfully in communication with the network, ie the RR message HANDOVER COMPLETE has been received from the MS, then the new BSS will immediately send a BSSMAP message HANDOVER COMPLETE to the MSC and terminate the procedure. The MSC in this case will terminate the procedure with the old BSS by sending a CLEAR COMMAND with cause "Handover successful".

The old dedicated radio resource and connected terrestrial resource shall remain assigned until either the MSC instructs the old BSS to release the resource by a CLEAR COMMAND or a reset occurs.

After the completion of the handover procedure, until the connection is released or the MSC performs an assignment, any dedicated resource assigned to the mobile station, e.g. at internal handover, must be in accordance with the description in the HANDOVER REQUEST message.

If either:

a CLEAR COMMAND is received from the MSC;

or

a reset is received from the MSC.

before a MS with the correct handover reference accesses the new BSS then the radio resources shall be released and the terrestrial resources marked as idle

The relevant radio interface layer 3 procedures are described in Rec GSM 04.08.

The MSC always terminates this procedure by use of a clear sequence as follows:

The MSC sends a CLEAR COMMAND cause "Radio interface failure, reversion to old channel" to the old BSS. On receipt of a CLEAR COMMAND from the MSC the old BSS shall stop timer T8 and release all involved resources that were allocated to the MS that had been handed over and returns a CLEAR COMPLETE message to the MSC.

On receipt of the CLEAR COMPLETE, the MSC shall initiate the release of the SCCP connection to the old BSS and thereby terminate association with the old BSS for this process.

3.1.5.3.2. Handover Failure

If a HANDOVER FAILURE radio interface message is received from the MS on the old channel by the old BSS, the old BSS shall then send to the MSC the BSSMAP message HANDOVER FAILURE. If the radio interface HANDOVER FAILURE message is the result of the MS returning to the old BSS after failing to establish on the new BSS, then the cause value "radio interface failure, reversion to old channel" shall be included in the BSSMAP message HANDOVER FAILURE. Furthermore, it is recommended that the air interface RR cause be included as well in this message.

If the MSC receives the BSSMAP HANDOVER FAILURE message from the old BSC (with any cause value), the handover procedure at the target new BSS is then terminated by the MSC using a clear sequence as follows:

The MSC sends a CLEAR COMMAND to the new BSS. On receipt of this CLEAR COMMAND from the MSC the new BSS shall release all involved resources that were allocated during the handover resource allocation procedure and returns a CLEAR COMPLETE message to the MSC.

On receipt of the CLEAR COMPLETE, the MSC shall initiate the release of the SCCP connection to the new BSS and thereby terminate association with the new BSS for this process.

The call between the MS and the old BSS and between the old BSS and the MSC shall continue as if there had been no handover attempt.

Further actions in the MSC concerning handover depends on the handover algorithm which is operator dependent.

3.1.5.3.3. Abnormal Conditions

Whilst the handover execution procedure is in operation, any other messages received at the old BSS relating to this connection and concerning assignment, handover, or cipher mode control should be discarded.

Whilst the handover execution procedure is in operation the old BSS should not attempt to invoke any other procedure related to this call eg handover required indication.

If at the old BSS a CLEAR COMMAND message from the MSC or a HANDOVER FAILURE message from the MS is not received before the expiry of timer T8 then the old BSS shall release the dedicated radio resources. A BSSMAP message CLEAR REQUEST is also sent to the MSC with a cause "Radio Interface Message Failure". The terrestrial resource in the old BSS shall remain assigned until a CLEAR COMMAND is received from the MSC, at which point the old BSS shall mark the terrestrial resources as IDLE and return a CLEAR COMPLETE message to the MSC. The MSC shall subsequently release the SCCP connection to the old BSS and thereby terminate association with the old BSS for this process.

The MSC shall also initiate release of the resources allocated by the new BSS during the handover resource allocation procedure by sending a CLEAR COMMAND to the new BSS. The new BSS shall release all the resources that were assigned for that aborted handover and return a CLEAR COMPLETE to the MSC. The MSC shall subsequently release the SCCP connection to the new BSS and thereby terminate association with the new BSS for this process.

3.1.6. Internal Intra-Cell Handover Procedure

The definition of internal intra cell handover is given in section 5.

It is optional that a BSS support internal intra-cell handover. However if it is supported, it should be as follows:

It should be possible to inhibit internal intra-cell handover at an BSS that supports it by operation and maintenance command.

Internal intra-cell handover occurs between channels on the same cell. It is decided and executed autonomously by the BSS, so that no message is generated at the BSS-MSC interface, until the completion of the handover execution, when the BSS sends a HANDOVER PERFORMED message over the SCCP and terrestrial resources that are presently assigned to that call.

The decision process in the BSS is based on the internally available radio and resource parameters.

The relevant radio interface layer 3 procedures (dedicated channel assignment) are described in Technical Specification GSM 04.08.

3.1.7. Internal Inter-Cell Handover Procedure

The definition of internal inter-cell handover is given in section 5.

It should be possible to inhibit internal inter-cell handover at a BSS that supports it by operation and maintenance command.

Multi cell BSSs would normally be expected to support internal inter-cell handover, however it is optional that they do so. However if it is supported, it should be as follows:

Internal inter-cell handover occurs between channels pertaining to different cells of the same BSS. It is decided and executed autonomously by the BSS, so that no message is generated at the BSS-MSC interface, until the completion of the handover execution, when the BSS sends a HANOVER PERFORMED message over the SCCP and terrestrial resources that are presently assigned to that call.

A special case of internal handover occurs when the handover is triggered by the assignment procedure, eg directed retry. In this case the HANOVER PERFORMED message need not be sent as the equivalent response is provided by the ASSIGNMENT COMPLETE message.

The decision process in the BSS is based on the internally available radio and resource parameters.

The relevant radio interface layer 3 procedures (for handover) are described in Technical Specification GSM 04.08.

3.1.8. Handover Candidate Enquiry

The purpose of this procedure is to allow the MSC to ascertain if it is possible to handover any MSs that are currently being served by a particular cell to another nominated cell. The procedure uses both global and dedicated resource messages, and is relevant to an individual cell.

The algorithm in which a MSC decides on starting a handover enquiry procedure is operator dependent.

3.1.8.1. Successful Operation

The procedure operates as follows:

The MSC sends a HANOVER CANDIDATE ENQUIRE message to a BSS. The message indicates that the MSC wishes the BSS to identify handover candidates in a particular cell, that can be handed over to other nominated cells. The maximum number of candidates is also indicated to the BSS.

For each selected MS candidate the BSS will send to MSC a single, once only, HANOVER REQUIRED message (not guarded by timer T7), over each of the appropriate SCCP connections. If the BSS was already generating HANOVER REQUIRED messages for a selected MS then the BSS will continue to do so. However the Cause IE of the next HANOVER REQUIRED message (at the expiry of timer T7) will be set to "Response to MSC invocation" to indicate that the message is generated in response to a HANOVER CANDIDATE ENQUIRE message. But as this HANOVER REQUIRED was already being generated before the handover enquiry procedure was started, that HANOVER REQUIRED would be guarded by timer T7. So in the instance of next expiry of timer T7, the BSS shall continue sending HANOVER REQUIRED message but the Cause IE value shall revert back to the original Cause IE value.

When the last HANOVER REQUIRED message has been sent for all the selected MS candidates, the BSS returns to the MSC a HANOVER CANDIDATE RESPONSE message giving the number of candidates identified, and terminating the handover enquiry procedure.

Only one handover enquiry procedure may be invoked on any given cell at any one time.

3.1.8.2. Abnormal conditions

If at the BSS a HANDOVER CANDIDATE ENQUIRE message is received when a handover enquiry procedure has already been invoked then the new HANDOVER CANDIDATE ENQUIRE message shall be discarded.

3.1.9. Release of Radio Resource And Terrestrial Resource

3.1.9.1. Release Due To Transaction Completion

The release of an assigned radio resource at the end of a transaction will take place as follows:

Release negotiation will take place directly between the MS and MSC using transparent messages via the DTAP in the BSS (see Technical Specification 04.08). The MSC will then send a BSSMAP CLEAR COMMAND, indicating that the radio resource should be released. After the BSSMAP CLEAR COMMAND has been sent, the MSC shall not send further BSSAP connection oriented messages on this particular connection, except CLEAR COMMAND.

When the BSS receives the CLEAR COMMAND:

the guard timer defined in Technical Specification GSM 04.08 is started and clearing on the radio interface initiated.

the BSS marks any assigned terrestrial resources as idle and returns a CLEAR COMPLETE message to the MSC. (The BSS need not wait for the radio channel release to be completed or for the guard timer to expire before returning the CLEAR COMPLETE message.)

On receipt of CLEAR COMPLETE, the MSC releases any assigned terrestrial resources.

3.1.9.2. Release due to BSS generated reason

If a radio channel release is required because of a BSS generated reason (eg "O and M intervention", "equipment failure") then, the BSS shall generate a CLEAR REQUEST message towards the MSC. This message shall include a Cause Information Element, indicating the reason for the failure.

If transmission from the MS is lost then a CLEAR REQUEST message shall be sent to the MSC.

On receipt of a CLEAR REQUEST the MSC shall initiate the release, as defined above, by sending a CLEAR COMMAND message. On receipt of this message the BSS shall, if the resources are not already internally released, release the resources in the normal way. The procedure is always terminated with a CLEAR COMPLETE to the MSC.

3.1.9.3. Release due to successful handover

If a radio channel release is required because of a handover being successfully completed on another BSS, then the resources at the old BSS are released by the MSC using the clearing sequence with a Cause value; "handover successful".

3.1.10. Paging

PAGING messages for all MSs shall be sent via the BSSMAP as a connectionless message. These will include the IMSI of the MS to allow derivation of the paging population number; they may also include an indication of which combination of channels will be needed for the subsequent transaction related to the paging. This type of PAGING message will then be stored and a corresponding radio interface paging message transmitted over the radio interface at the appropriate time.

It should be noted that each PAGING message on the MSC-BSS interface relates to only one MS and therefore the BSS has to pack the pages into the relevant Technical Specification GSM 04.08 radio interface paging message.

If a radio interface PAGING RESPONSE message is received then the relevant connection is set up towards the MSC as described in Technical Specification GSM 08.06 and the radio interface PAGING RESPONSE message is passed to the MSC in a COMPLETE LAYER 3 INFORMATION message.

A single PAGING message across the MSC to BSS interface contains information on the cells in which the page shall be broadcast.

3.1.11. Trace Invocation

The purpose of the trace invocation procedure is to inform the receiving entity that it should begin producing a trace record on this particular transaction.

The trace is invoked either by the MSC sending a MSC INVOKE TRACE message to the BSS or by the BSS sending a BSS INVOKE TRACE message.

The events and parameters to be recorded are indicated in the "Trace type" information element.

A "Forwarding indicator" element may be used in the BSS INVOKE TRACE to indicate if the trace is to be continued after handover to another BSS. If thus indicated, The MSC should forward the BSS INVOKE TRACE to the BSS-B and also store it to send to any subsequent BSS during the lifetime of the call.

The remaining elements, when received, are to be passed transparently to the OMC receiving the trace record.

The element "OMCId", if present, indicates the OMC to which the record is destined.

In sending the BSS INVOKE TRACE message, the BSS may allocate and include a "BSS transaction reference". Similarly in the MSC INVOKE TRACE message, the MSC may allocate and include an "MSC transaction reference" (typically a call reference). The transaction reference is contained in the information element "TransactionId".

The message includes a trace reference which is allocated by the entity which triggered the trace.

The element "TriggerId", if present, indicates the entity which triggered the trace.

The trace reference, triggerId and transactionId Information Elements are used to tag the trace record to allow simpler construction of the total record by the entity which combines trace records.

The messages are not acknowledged and are sent as a connection oriented message on the connection on which a trace is required.

3.1.12. Flow Control

These procedures are defined to give some degree of flow control. At the BSS processor overload and CCCH scheduler overload are catered for, and at the MSC processor overload is catered for.

3.1.12.1. Philosophy

The philosophy used is to stem the traffic at source with known effect on the service. The algorithm used is:

- On receipt of the first OVERLOAD message or signalling point congested information, the traffic is reduced by one step. At the same time, timers T5(T17) and T6(T18) are started. During T5(T17) all received overload messages or signalling point congested information are ignored in order not to reduce the traffic too rapidly. Reception of an OVERLOAD message or signalling point congested information after expiry of T5(T17) but still during T6(T18) , will decrease the traffic load by one more step, and restart T5(T17) and T6(T18).
- This step by step reduction of traffic is continued until maximum reduction is obtained by arriving at the last step. If T6(T18) expires (ie no OVERLOAD message or signalling point congested

information is received during T6(T18)) the traffic will be increased by one step and T6(T18) will be started, unless full load has been resumed.

NOTE: Timers T5 and T6 are running in the MSC whilst Timers T17 and T18 are running in the BSS.

- The number of steps and the method of reducing the load is considered to be an implementation specific function.

There may be other traffic control mechanisms from O and M activities occurring simultaneously.

3.1.12.2. Processor Overload at the MSC

The MSC can indicate to the BSS that it is in a congested state by sending an OVERLOAD message. This is sent as a connectionless global message.

At the BSS receipt of this message causes the reduction of random access traffic using the method described in section 3.1.12.1.

For example, the amount of random access traffic could be reduced by using the access control class in the system information message of Technical Specification GSM 04.08.

3.1.12.3. Processor/CCCH overload at the BSS

If the CCCH scheduler at the BSS is overloaded (queue passed a predefined threshold) then the BSS sends an OVERLOAD message to the MSC with the appropriate cause (Cause value: "CCCH overload") and indicating the cell in question.

If the BSS processing is overloaded then the BSS sends an OVERLOAD message with the Cause value: "processor overload".

The MSC originated traffic is reduced in accordance with the method described in section 3.1.12.1.

3.1.12.4. Message throughput congestion

If the lower layers of the protocol become congested then it is assumed that the MTP congestion indication will take place (see Technical Specification GSM 08.06) and the source of the traffic will receive primitives from the transport protocols resulting in it reducing the generated load.

A suitable method to achieve this reduction could be based on that given in section 3.1.12.1.

3.1.13. Classmark Handling Procedures

3.1.13.1. Classmark request procedure

The purpose of this procedure is to allow the MSC to trigger a classmark updating procedure. This is done by sending a CLASSMARK REQUEST message to the BSS on the appropriate SCCP connection. When receiving this message the BSS shall initiate the appropriate actions on the radio path.

3.1.13.2. Classmark updating procedure

The purpose of the classmark updating procedure is to inform the receiving entity about classmark information received from the MS.

At any point when an SCCP connection has been established for BSSAP messages, the BSS must be able to send to the MSC a CLASSMARK UPDATE message if a classmark update is received from the MS. This message contains information on several transmission parameters relevant to the MS in communication with the network.

If the MSC has already initiated a handover for the concerned MS by sending a HANDOVER REQUEST message when the CLASSMARK UPDATE message is received, the MSC shall send a CLASSMARK UPDATE message to the target BSS when the MS is successfully in communication with the network on the new channel. If this CLASSMARK UPDATE message is received in the target BSS after a new classmark has been received from the Mobile Station the CLASSMARK UPDATE message from the MSC shall be ignored.

This message is sent as a BSSAP message over the appropriate SCCP connection

This procedure will be used where the power class of the MS changes or if the network requests the MS to send the classmark information whilst the MS has a dedicated resource.

3.1.14. Cipher Mode Control

3.1.14.1. Successful Operation

The cipher mode control procedure allows the MSC to pass cipher mode information to the BSS to select and load the user data and signalling encryption device with the appropriate key.

This is achieved by sending the BSS a CIPHER MODE COMMAND message. Receipt of the message at the BSS will cause the generation of a radio interface CIPHERING MODE COMMAND message and, if applicable, invoke the encryption device and start stream ciphering as described in Technical Specifications GSM 04.08 and GSM 03.20.

If within the CIPHER MODE COMMAND, the signalling element "Cipher response mode" is present and indicates "IMEI must be included by the Mobile Station", then the BSS shall request in the radio interface message CIPHERING MODE COMMAND the Mobile Station to include its IMEI in the radio interface CIPHERING MODE COMPLETE message (see Technical Specification GSM 04.08, section 3.4.8.0).

In the CIPHER MODE COMMAND the MSC specifies which of the ciphering algorithms may be used by the BSS. The BSS then selects an appropriate algorithm, taking into account the MS ciphering capabilities. The CIPHER MODE COMPLETE message returned to the MSC indicates the chosen ciphering algorithm. The set of permitted ciphering algorithms specified in the CIPHER MODE COMMAND shall remain applicable for subsequent Assignments and Intra-BSS Handovers.

The CIPHER MODE COMMAND and CIPHER MODE COMPLETE messages are sent as connection oriented messages via the appropriate SCCP connection.

Receipt of the radio interface CIPHERING MODE COMPLETE message (or other correctly deciphered layer 2 frame) from the radio interface is used internally within the BSS to achieve radio interface ciphering synchronisation (see Technical Specification GSM 04.08). When the BSS receives the radio interface CIPHERING MODE COMPLETE from the MS a CIPHER MODE COMPLETE message is returned to the MSC. If the CIPHERING MODE COMPLETE message received on the radio interface contained more than two octets, then the BSS shall include in the BSSMAP CIPHER MODE COMPLETE message a "Layer 3 message contents" signalling element containing octets 3 up to n (where n is the length of that CIPHERING MODE COMPLETE radio interface message) of that radio interface CIPHERING MODE COMPLETE message.

3.1.14.2. Abnormal Conditions

If the BSS is unable to support the ciphering algorithm specified in the CIPHER MODE COMMAND message then it shall return a CIPHER MODE REJECT message with Cause value "Ciphering algorithm not supported". A CIPHER MODE REJECT message shall also be returned if the MSC requests a change of ciphering algorithm when ciphering is already active.

3.1.15. General SCCP Abnormal Conditions

If a user-out-of-service information or signalling-point-inaccessible information is received by the BSSAP or BSSOMAP no new attempt to establish SCCP connections towards the affected point code will be started until the corresponding user-in-service information or signalling-point-accessible information is received.

When a user-out-of-service information or signalling-point-inaccessible is received by the BSS an optional timer may be started. When the timer expires all the SCCP connections towards the affected point code will be released. When the user-in-service or signalling-point-accessible is received, the timer is stopped.

If for any reason an SCCP connection is released, the optional timer expires or a connection refusal is received while any of the BSSAP procedures are being performed or while a dedicated resource is still allocated the following actions are taken:

At BSS:

The radio resources associated with the SCCP connection are cleared by an appropriate radio procedure.

Any BSS procedure relating to that connection is abandoned.

The resources allocated to the call associated to the connection are released.

At MSC:

The call associated with the SCCP connection is cleared as soon as possible.

At the BSS, communication over assigned radio channels shall be assumed to be continuing until either the SCCP connection is lost, a clearing sequence is received, or no signal is received from an MS for longer than the guard time defined in Technical Specification GSM 04.08. If the BSS recognises that a call has terminated then a CLEAR REQUEST message should be generated.

If a 2Mbits/s system fails and one of the standard alarms is received, no action is taken at the BSS on the calls associated with the traffic channels involved.

At the MSC, calls should be cleared if either subscriber clears, or if the BSS sends a CLEAR REQUEST message. Clearing of affected calls by the MSC may take place after loss of the traffic channels for a period defined by the operator.

For the procedures controlled by the MSC, and in particular procedures where the MSC sends a request for resources at the BSS and waits for an acknowledge, the implementation in the MSC must provide means for avoiding deadlock situations at the BSS as e.g. hanging resources.

3.1.16. Initial MS message

When the SCCP connection establishment is performed by the BSS, the radio interface initial L3 message received from the MS (piggybacked on the SABM frame) is processed as follows:

The BSS shall analyse the message to a level which allows the extraction by the BSS of the Classmark information. However, the entire radio interface initial L3 message (e.g. CM SERVICE REQUEST, PAGING RESPONSE, CM REESTABLISHMENT REQUEST, LOCATION UPDATING REQUEST, IMSI DETACH) is also passed to the MSC, using a COMPLETE LAYER 3 INFORMATION message. The BSS does not analyse the contents of the initial layer 3 message, other than the Classmark information.

The BSS may also give the MSC a description of the channel on which the initial layer 3 message was received.

3.1.17. Queuing Indication

The purpose of the QUEUING INDICATION message is to inform the MSC about a delay in the allocation of the necessary dedicated radio resources. The procedure is only relevant if the system is using a queuing procedure for traffic channels in the BSS, (§3.1.17.1) and/or for handover of traffic channels (§3.1.17.2)

3.1.17.1. Operation of the procedure in case of assignment procedure

After the ASSIGNMENT REQUEST message without having the necessary TCH available the ASSIGNMENT REQUEST message shall be put into a queue; the QUEUING INDICATION message shall be returned to the MSC and the timer T11 shall be started. The timer value T11 specifies the maximum queuing delay and is determined by the operator.

The procedure shall be terminated with a successful or unsuccessful assignment of the required traffic channel by sending an ASSIGNMENT COMPLETE or an ASSIGNMENT FAILURE message, respectively, to the MSC.

If the timer T11 expires the ASSIGNMENT REQUEST message shall be removed from the queue and a CLEAR REQUEST message shall be sent to the MSC, with the Cause "no radio resource available".

3.1.17.2. Operation of the procedure in case of hand-over resource allocation procedure

After the HANOVER REQUEST message without having the necessary TCH available the HANOVER REQUEST shall be put into a queue; the QUEUING INDICATION message shall be returned to the MSC and the timer Tqho shall be started. The timer value Tqho specifies the maximum queuing delay and is determined by the operator.

The procedure shall be terminated with a successful or unsuccessful reservation of the required traffic channel by sending a HANOVER REQUEST ACKNOWLEDGE or a HANOVER FAILURE message, respectively, to the MSC.

If the timer Tqho expires the HANOVER REQUEST shall be removed from the queue and a HANOVER FAILURE message shall be sent to the MSC with the Cause value "no radio resource available".

3.1.18. Data Link Control SAPI not Equal to "0"

The radio interface can support data links with the SAPI not equal to "0".

3.1.18.1. Data link set up across the radio interface

This section deals with the impact of data link establishment (SAPI not equal to "0") on the MSC to BSS interface.

3.1.18.1.1. MS to MSC direction

In the MS to MSC direction the receipt of a layer 3 message via a data link where SAPI does not equal "0" at the BSS will be transferred to the MSC as a DTAP message with the DLCI (Data Link Connection Identification) octet set appropriately.

3.1.18.1.2. MSC to MS Direction

Receipt of a layer 3 (DTAP) message from the MSC with the DLCI not set to "0" (ie SAPI not equal to "0") will cause one of the following actions:

- the triggering of a data link set up to support the message transfer across the radio interface if no suitable link exists;
- the transmission of the message to the MS if a suitable link has already been established;
- the sending of a BSSMAP SAPI "N" REJECT message to the MSC if for any reason the data link cannot be established, A Cause Information Element is included; typical Cause values are: "O&M intervention", "processor overload", "BSS not equipped", "MS not equipped".

3.1.19. BSSMAP Error Handling

To allow for the introduction of new functions the following rules shall be used to determine the actions of a receiving entity when it receives a message, part or all of which it is unable to understand. As the recipient is unable to tell the difference between a new, previously unspecified coding and an erroneous coding, the recipient also uses the same rules for error handling.

The robustness of a recipient in handling erroneous messages does not relax the requirement that the transmitter shall obey this Technical Specification. However, it is intended that functionality can be gradually added to an entity, and no obstacle to intermediate phase equipment is intended.

With the exception of section 3.1.19.6, the specific 'abnormal case' handling in other sections of 08.08 take precedence over this section.

3.1.19.1. Definitions of Types of Information Elements

The following definitions shall be used in section 3.1.19 and only in this section.

Essential Elements

These are the conditional elements when the condition for their reception is fulfilled, plus the Mandatory elements excluding the Cause value information element (3.2.2.5).

Mandatory Elements

These are the Information Elements marked as 'M' in section 3.2.1.

Non-Essential Elements

Non-essential elements are all the information elements that are not defined as essential.

Conditional Elements

In the indicated messages the following elements are conditional:

Circuit identity code in 3.2.1.1 and 3.2.1.8.

NOTE: A conditional IE is an IE whose presence or absence in a message can be determined by information contained in the rest of the message.

Transparent Elements

The following elements are defined as transparent:

TMSI;
RR cause;
Layer 3 information; and
Layer 3 message contents.

Non-Transparent Elements

Non-transparent elements are all the information elements that are not defined as transparent.

3.1.19.2. Erroneous Events

The following events shall be regarded as errors by the recipient:

- 1 a message whose type is non-existent, unrecognisable, not consistent with the recipient's state, or, that is sent in the wrong direction. This includes messages that should use the SCCP connectionless service but that are received on an SCCP connection, and vice versa;
- 2 a missing essential information element;
- 3 use of a reserved codepoint in an information element that is both essential and non-transparent; and

- 4 an essential and non-transparent information element which is too short (the contents of any 'Length' octet shall be used to determine the boundary of the element).

When a recipient detects one or more of these events it shall return the appropriate error message with a suitable Cause value and the message shall be discarded.

3.1.19.3. Non-erroneous Events

The following events shall not be regarded as errors by the recipient:

- 1 spare bits with an unexpected value in any information element;
- 2 the use of additional octets in any information element with a length octet;
- 3 a missing non-essential information element;
- 4 use of reserved codepoints in any non-essential information element or in any transparent information element; and
- 5 a non-essential information element or a transparent information element whose length is too short.

When the recipient detects one or more of these events the receiving entity shall ignore the information that it is unable to understand and treat the message on the basis of the information that remains.

Additionally,

all information in a message that is received after the start of an information element with an unrecognisable identifier shall be ignored. The message shall be accepted or rejected solely on the basis of the information received before the start of the unrecognisable element.

and,

when more information elements of a particular type are received than are expected, the last one(s) shall be ignored.

3.1.19.4. Other Events

The following events should be treated on a case by case basis and the outcome may depend upon the capabilities of the recipient.

- 1 The recipient may accept messages that contain information elements that do not appear to be in the correct sequence. Elements that occur more than once in a message shall be assumed to have been transmitted in the correct order. Recipients that do not accept out of sequence information elements shall regard the message as containing unexpected and/or missing information elements and follow the procedures of sections 3.1.19.1 and/or 3.1.19.2.
- 2 Where a field in an information element contains a value, which the recipient knows to be incorrect, the recipient shall either reject the message or it shall ignore that field, and treat the information that remains in the message.

(e.g. if the 'Number of MSs' in a Handover Candidate Response message is greater than the number of Handover Required messages received).

3.1.19.5. Appropriate Error Message and Cause Value

The choice of error message depends upon the received message type:

| <i>Received message type</i> | <i>Error Message</i> |
|---|------------------------------------|
| ASSIGNMENT REQUEST | ASSIGNMENT FAILURE |
| HANDOVER REQUEST | HANDOVER FAILURE |
| HANDOVER REQUIRED | |
| if "Response Request" ie is present | HANDOVER REQUIRED REJECT |
| if "Response Request" ie is not present | CONFUSION |
| CIPHER MODE COMMAND | CIPHER MODE REJECT |
| CONFUSION | an error message shall not be used |
| all other message types | CONFUSION |

When a problem is experienced with a message sent over an SCCP connection, the error message is returned over that connection. When a problem occurs in a message sent using the SCCP connectionless service, the error message is returned using the SCCP connectionless service.

To avoid overload of the A-interface, transmission of error messages may be inhibited. (However, the transmission of Assignment Failure, Handover Failure, Handover Required Reject and Cipher Mode Reject messages in the cases required by 3.1.1, 3.1.5 and 3.1.14 shall not be inhibited.) When the transmission of error messages is inhibited, they shall be replaced by some kind of notification to O+M. Several settings may be used to allow various subsets of 'error events' to trigger error messages while the remaining events only lead to O+M notification.

The Error pointer in the Diagnostics information element should be used to indicate the position of a detected error in the received message. Typical Causes are:

| <i>Cause</i> | <i>Usage</i> |
|--------------------------------------|--|
| Invalid cell | Indicated cell not controlled by the BSS or not reachable through the MSC. |
| Invalid message contents | May be used in any error message. |
| Protocol error between BSC and MSC | The received message is not consistent with the receiver's state, or the message has been sent in the wrong direction, or the message uses the wrong SCCP service (connection oriented instead of connectionless or vice versa). |
| Information element or field missing | Data missing from the area indicated by the error pointer. |
| Incorrect value | A field (that should be indicated by the error pointer) contains an incorrect or incompatible value, or uses a reserved codepoint. |
| Unknown message type | The received message was of an unknown type. |

Unknown information element An information element identifier
(that should be indicated by the
error pointer) contains an
unknown value.

3.1.19.6 Unequipped Circuit Identification Code

If a MSC or BSS receives a messages indicating one or more circuit which are unknown the following actions shall be taken:

- If an ASSIGNMENT REQUEST or a HANDOVER REQUEST Message is received containing a circuit identity code which is unknown to the BSS the appropriate failure message is returned to the MSC. In addition the UNEQUIPPED CIRCUIT Message is sent to the MSC for the circuit concerned.
- If a circuit supervision message (BLOCK, UNBLOCK or RESET CIRCUIT) is received containing a circuit identity code which is not known no respective acknowledgement is returned. Instead an UNEQUIPPED CIRCUIT Message is sent to the peer entity for the circuit concerned.
- If a circuit supervision acknowledgment message (BLOCKING ACKNOWLEDGE, UNBLOCKING ACKNOWLEDGE or RESET CIRCUIT ACKNOWLEDGE) is received containing a circuit identity code which is not known, an UNEQUIPPED CIRCUIT message is sent to the peer entity for the circuit concerned.
- If a circuit group supervision message (GROUP BLOCK, GROUP UNBLOCK) is received which affects one or more circuits which are unknown to the own entity the returned acknowledgement message shall not contain any information about these circuit(s), i.e. the respective status bit(s) in the status field shall not be set. Instead an UNEQUIPPED CIRCUIT Message is sent to the peer entity for the circuit(s) concerned.
- If a circuit group supervision acknowledgement message (CIRCUIT GROUP BLOCKING ACKNOWLEDGE or CIRCUIT GROUP UNBLOCKING ACKNOWLEDGE) is received which affects one or more circuits which are unknown to the own entity an UNEQUIPPED CIRCUIT message is sent to the peer entity for the circuit(s) concerned.
- If an UNEQUIPPED CIRCUIT Message is received indicating a circuit which is unknown in the own entity no UNEQUIPPED CIRCUIT Message will be returned.

If an UNEQUIPPED CIRCUIT Message is received indicating a circuit(s) that is known to the recipient, the indicated circuit(s) should be removed from service and the situation should be reported to the maintenance system for further intervention. The UNEQUIPPED CIRCUIT message is not to be acknowledged by the recipient.

3.2. Message Formats and Coding

This section defines the coding and format of the messages required for the BSSMAP.

For each message there is, in section 3.2.1, a table listing the signalling elements in their order of appearance in the transmitted message.

There is no general rule for the order of signalling elements: it happens that the same elements appear in various orders depending on the message.

All the BSSMAP messages are listed in the following table:

| Message name..... | Reference |
|---|-----------|
| ASSignment REQuest..... | 3.2.1.1. |
| ASSignment COMplete..... | 3.2.1.2. |
| ASSignment FAILure..... | 3.2.1.3. |
| BLOCK..... | 3.2.1.4. |
| BLocking Acknowledge..... | 3.2.1.5. |
| circuit group block..... | 3.2.1.41. |
| circuit Group blockING acknowledge..... | 3.2.1.42. |
| circuit group unblock..... | 3.2.1.43. |
| circuit group unblockING acknowledge..... | 3.2.1.44. |
| CLear command..... | 3.2.1.21. |
| CLear COMplete..... | 3.2.1.22. |
| CLear REQuest..... | 3.2.1.20. |
| UnBLOCK..... | 3.2.1.6. |
| UnBLocking Ack..... | 3.2.1.7. |
| HaNDover CaNDidate ENQuirE..... | 3.2.1.14. |
| HaNDover CaNDidate RESponse..... | 3.2.1.15. |
| HaNDover REQuest..... | 3.2.1.8. |
| HaNDover ReQuireD..... | 3.2.1.9. |
| HaNDover ReQuireD Reject..... | 3.2.1.37. |
| HaNDover ReQuest ACKnowledge..... | 3.2.1.10. |
| HaNDover COMmand..... | 3.2.1.11. |
| HaNDover CoMPlete..... | 3.2.1.12. |
| HaNDover FaiLuRe..... | 3.2.1.16. |
| HaNDover PerForMed..... | 3.2.1.25. |
| HaNDover DETect..... | 3.2.1.40. |
| RESource REQuest..... | 3.2.1.17. |
| ReSeT..... | 3.2.1.23. |
| ReSeT ACK..... | 3.2.1.24. |
| RESource indication..... | 3.2.1.18. |
| Paging..... | 3.2.1.19. |
| Overload..... | 3.2.1.26. |
| MSC Invoke trace..... | 3.2.1.27. |
| BSS Invoke trace..... | 3.2.1.28. |
| Classmark update..... | 3.2.1.29. |
| CLASSMARK REQUEST..... | 3.2.1.46. |
| Cipher Mode Command..... | 3.2.1.30. |
| Cipher Mode Complete..... | 3.2.1.31. |
| Cipher mode Reject..... | 3.2.1.48. |
| Complete layer 3 information..... | 3.2.1.32. |
| Queuing indication..... | 3.2.1.33. |
| SAPI "n" reject..... | 3.2.1.34. |
| Reset circuit..... | 3.2.1.38. |
| Reset circuit acknowledge..... | 3.2.1.39. |
| CONFUSION..... | 3.2.1.45. |
| UNEQUIPPED CIRCUIT..... | 3.2.1.47. |

3.2.1. Message Contents

3.2.1.1. ASSIGNMENT REQUEST

This message is sent from the MSC to the BSS via the relevant SCCP connection in order to request the BSS to assign radio resource, the attributes of which are defined within the message.

The message may also include the terrestrial circuit to be used.

| INFORMATION ELEMENT | REFERENCE | DIRECTION | TYPE | LEN |
|------------------------------|-----------|-----------|------|-----|
| Message type | 3.2.2.1 | MSC-BSS | M | 1 |
| Channel type | 3.2.2.11 | MSC-BSS | M | 5 |
| Layer 3 header information | 3.2.2.9 | MSC-BSS | O# | 4 |
| Priority | 3.2.2.18 | MSC-BSS | O | 3 |
| Circuit identity code | 3.2.2.2 | MSC-BSS | O* | 3 |
| Downlink DTX flag | 3.2.2.26 | MSC-BSS | O** | 2 |
| Interference band to be used | 3.2.2.21 | MSC-BSS | O | 2 |
| Classmark information 2 | 3.2.2.19 | MSC-BSS | O## | 4-5 |

- * This element is included when the channel type Information Element indicates speech or data, and only in those cases.
- ** This element may be included in the case of a speech TCH, and only in this case. If not included, this has no impact on the DTX function in the BSS.
- # This element does not serve any useful purpose. Recipients shall regard this element as optional. To ease interworking between equipment, this element shall still be transmitted unless the MSC is certain that the BSC can manage without it. It shall be expected that in future versions of 08.08, this element will be deleted from this message.
- ## These elements may be included if the information is known by the MSC.

3.2.1.2. ASSIGNMENT COMPLETE

The ASSIGNMENT COMPLETE message is sent from the BSS to the MSC and indicates that the requested assignment has been completed correctly.

The message is sent via the BSSAP SCCP connection associated with the dedicated resource.

| INFORMATION ELEMENT | REFERENCE | DIRECTION | TYPE | LEN |
|-----------------------------|-----------|-----------|------|------|
| Message type | 3.2.2.1 | BSS-MSC | M | 1 |
| RR cause | 3.2.2.22 | BSS-MSC | O | 2 |
| Cell identifier | 3.2.2.17 | BSS-MSC | O* | 3-10 |
| Chosen channel | 3.2.2.33 | BSS-MSC | O# | 2 |
| Chosen encryption algorithm | 3.2.2.44 | BSS-MSC | O## | 2 |
| Circuit pool | 3.2.2.45 | BSS-MSC | O** | 2 |

- * The cell identifier is used to indicate a new cell, if during the assignment the serving cell has changed.
- ** Shall be included when several circuit pools are present on the BSS MSC interface and a circuit was allocated by the ASSIGNMENT REQUEST message.
- # Included at least when the channel choice was done by the BSS.
- ## Included at least when the encryption algorithm has been changed by the BSS.

3.2.1.3. ASSIGNMENT FAILURE

The ASSIGNMENT FAILURE message is sent from the BSS to the MSC via the relevant SCCP connection. It indicates that there has been a failure in the assignment process at the BSS and that the assignment procedure has been aborted.

| INFORMATION ELEMENT | REFERENCE | DIRECTION | TYPE | LEN |
|---------------------|-----------|-----------|------|-----|
| Message type | 3.2.2.1 | BSS-MSC | M | 1 |
| Cause | 3.2.2.5 | BSS-MSC | M | 3-4 |
| RR cause | 3.2.2.22 | BSS-MSC | O | 2 |
| Circuit pool | 3.2.2.45 | BSS-MSC | O * | 2 |
| Circuit pool list | 3.2.2.46 | BSS-MSC | O** | V |

* Shall be included when several circuit pools are present on the BSS MSC interface.

** May be included when cause is "circuit pool mismatch" or "switch circuit pool" to indicate circuit pool preferences.

Typical Cause values are: radio interface message failure,
 O and M intervention,
 equipment failure,
 no radio resource available,
 requested terrestrial resource unavailable,
 requested transcoding/rate adaption unavailable,
 terrestrial resource already allocated,
 invalid message contents,
 radio interface failure - reversion to old channel,
 directed retry,
 circuit pool mismatch,
 switch circuit pool.

3.2.1.4. BLOCK

This message is sent from the BSS to the MSC to indicate that a particular terrestrial resource (i.e. a particular timeslot within a 2Mbit system) must be blocked at the MSC, and cannot therefore be used for traffic.

This message is sent as a connectionless SCCP message.

| INFORMATION ELEMENT | REFERENCE | DIRECTION | TYPE | LEN |
|-----------------------|-----------|-----------|------|-----|
| Message type | 3.2.2.1 | BSS-MSC | M | 1 |
| Circuit identity code | 3.2.2.2 | BSS-MSC | M | 3 |
| Cause | 3.2.2.5 | BSS-MSC | M | 3-4 |

Typical Cause values are: no radio resource available,
 O and M intervention,
 equipment failure.

3.2.1.5. BLOCKING ACKNOWLEDGE

This message is sent from the MSC to the BSS to acknowledge the receipt of an earlier BLOCK message, and to indicate that the circuit concerned has been removed from service.

This message is sent as a connectionless SCCP message.

| INFORMATION ELEMENT | REFERENCE | DIRECTION | TYPE | LEN |
|-----------------------|-----------|-----------|------|-----|
| Message type | 3.2.2.1 | MSC-BSS | M | 1 |
| Circuit identity code | 3.2.2.2 | MSC-BSS | M | 3 |

3.2.1.6. UNBLOCK

This message is sent from the BSS to the MSC to indicate that a particular terrestrial resource (ie a particular timeslot within a 2Mbit system) may be returned to service at the MSC, and can therefore be used for traffic.

This message is sent as a connectionless SCCP message.

| INFORMATION ELEMENT | REFERENCE | DIRECTION | TYPE | LEN |
|-----------------------|-----------|-----------|------|-----|
| Message type | 3.2.2.1 | BSS-MSC | M | 1 |
| Circuit identity code | 3.2.2.2 | BSS-MSC | M | 3 |

3.2.1.7. UNBLOCKING ACKNOWLEDGE

This message is sent from the MSC to the BSS to acknowledge the receipt of an earlier UNBLOCK message, and to indicate that the circuit concerned has been returned to service.

This message is sent as a connectionless SCCP message.

| INFORMATION ELEMENT | REFERENCE | DIRECTION | TYPE | LEN |
|-----------------------|-----------|-----------|------|-----|
| Message type | 3.2.2.1 | MSC-BSS | M | 1 |
| Circuit identity code | 3.2.2.2 | MSC-BSS | M | 3 |

3.2.1.8. HANDOVER REQUEST

This message is sent from the MSC to the BSS via the relevant SCCP connection to indicate that the MS is to be handed over to that BSS.

| INFORMATION ELEMENT | REFERENCE | DIRECTION | TYPE | LEN |
|---|----------------------|--------------------|----------|----------|
| Message type | 3.2.2.1 | MSC-BSS | M | 1 |
| Channel type | 3.2.2.11 | MSC-BSS | M | 5 |
| Encryption information | 3.2.2.10 | MSC-BSS | M | 3-n |
| Classmark information 1 or Classmark information 2 | 3.2.2.30 3.2.2.19 | MSC-BSS MSC-BSS | M# M# | 2 4-5 |
| Cell identifier (serving) | 3.2.2.17 | MSC-BSS | M | 5-10 |
| Priority | 3.2.2.18 | MSC-BSS | O | 3 |
| Circuit identity code | 3.2.2.2 | MSC-BSS | O## | 3 |
| Downlink DTX flag | 3.2.2.26 | MSC-BSS | O* | 2 |
| Cell identifier (target) | 3.2.2.17 | MSC-BSS | M | 3-10 |
| Interference band to be used | 3.2.2.21 | MSC-BSS | O | 2 |
| Cause | 3.2.2.5 | MSC-BSS | O | 3-4 |
| Classmark information 3 | 3.2.2.20 | MSC-BSS | O** | 3-14 |

* This element may be included in the case of a speech TCH, and only in this case. If not included, this has no impact on the DTX function in the BSS.

** This element is included if the MSC has received such information.

One of these two elements is sent.

This element is included when the channel type Information Element indicates speech or data, and only in those cases.

Typical Cause values are: uplink quality,
uplink strength,
downlink quality,
downlink strength
distance,
better cell,
response to MSC invocation
O and M intervention,
directed retry,
switch circuit pool.

3.2.1.9. HANDOVER REQUIRED

This message is sent from the BSS to the MSC to indicate that for a given MS which already has a dedicated radio resource assigned, a handover is required for the reason given by the cause element.

The message is sent via the BSSAP SCCP connection associated with the dedicated resource.

| INFORMATION ELEMENT | REFERENCE | DIRECTION | TYPE | LEN |
|-------------------------------------|-----------|-----------|------|--------------------|
| Message type | 3.2.2.1 | BSS-MSC | M | 1 |
| Cause | 3.2.2.5 | BSS-MSC | M | 3-4 |
| Response request | 3.2.2.28 | BSS-MSC | O | 1 |
| Cell identifier list (preferred) | 3.2.2.27 | BSS-MSC | M | 2n+3 to 7n+3 |
| Circuit pool list | 3.2.2.46 | BSS-MSC | O* | V |

* Shall be included when cause "switch circuit pool".

Typical Cause values are: uplink quality,
uplink strength,
downlink quality,
downlink strength,
distance,
better cell,
response to MSC invocation,
O&M intervention,
directed retry,
switch circuit pool.

3.2.1.10. HANDOVER REQUEST ACKNOWLEDGE

This message is sent from the BSS to the MSC and indicates that the request to support a handover at the target BSS can be supported by the BSS, and also to which radio channel the MS should be directed.

The message is sent via the BSSAP SCCP connection associated with the dedicated resource.

| INFORMATION ELEMENT | REFERENCE | DIRECTION | TYPE | LEN |
|-----------------------------|-----------|-----------|------|------|
| Message type | 3.2.2.1 | BSS-MSC | M | 1 |
| Layer 3 information | 3.2.2.24 | BSS-MSC | M * | 11-n |
| Chosen channel | 3.2.2.33 | BSS-MSC | O# | 2 |
| Chosen encryption algorithm | 3.2.2.44 | BSS-MSC | O## | 2 |
| Circuit pool | 3.2.2.45 | BSS-MSC | O** | 2 |

* This information field carries a radio interface HANDOVER COMMAND message.

** Shall be included when several circuit pools are present on the BSS MSC interface and a circuit was allocated by the HANDOVER REQUEST message.

Included at least when the channel choice was done by the BSS.

Included at least when the encryption algorithm has been selected by the BSS.

3.2.1.11. HANDOVER COMMAND

This message is sent from the MSC to the BSS via the relevant SCCP connection and contains the target channel to which the MS should retune.

| INFORMATION ELEMENT | REFERENCE | DIRECTION | TYPE | LEN |
|---------------------|-----------|-----------|------|------|
| Message type | 3.2.2.1 | MSC-BSS | M | 1 |
| Layer 3 information | 3.2.2.24 | MSC-BSS | M * | 11-n |
| Cell identifier | 3.2.2.17 | MSC-BSS | O | 3-10 |

* This information field carries a radio interface HANDOVER COMMAND message.

3.2.1.12. HANDOVER COMPLETE

This message is sent from the BSS to the MSC via the relevant SCCP connection.

It indicates that the correct MS has successfully accessed the target cell.

| INFORMATION ELEMENT | REFERENCE | DIRECTION | TYPE | LEN |
|---------------------|-----------|-----------|------|-----|
| Message type | 3.2.2.1 | BSS-MSC | M | 1 |
| RR cause | 3.2.2.22 | BSS-MSC | O | 2 |

3.2.1.13. [spare]

3.2.1.14. **HANDOVER CANDIDATE ENQUIRE**

This message is sent from the MSC to the BSS, using the connectionless services of the SCCP.

| INFORMATION ELEMENT | REFERENCE | DIRECTION | TYPE | LEN |
|----------------------|-----------|-----------|------|--------------------|
| Message type | 3.2.2.1 | MSC-BSS | M | 1 |
| Number of MSs | 3.2.2.8 | MSC-BSS | M | 2 |
| Cell identifier list | 3.2.2.27 | MSC-BSS | M | 2n+3 to 7n+3 |
| Cell identifier | 3.2.2.17 | MSC-BSS | M | 3-10 |

3.2.1.15. **HANDOVER CANDIDATE RESPONSE**

This message is sent from the BSS to the MSC in response to receipt of a HANDOVER CANDIDATE ENQUIRE message. It contains the number of MSs for which HANDOVER REQUIRED messages have been sent.

This message is sent as a connectionless SCCP message

| INFORMATION ELEMENT | REFERENCE | DIRECTION | TYPE | LEN |
|---------------------|-----------|-----------|------|------|
| Message type | 3.2.2.1 | BSS-MSC | M | 1 |
| Number of MSs | 3.2.2.8 | BSS-MSC | M | 2 |
| Cell identifier | 3.2.2.17 | BSS-MSC | M | 3-10 |

3.2.1.16. HANDOVER FAILURE

This message is sent from the BSS to the MSC via the relevant SCCP connection. It indicates to the MSC that there has been a failure in the resource allocation process on handover, and that the handover has been aborted.

| INFORMATION ELEMENT | REFERENCE | DIRECTION | TYPE | LEN |
|---------------------|-----------|-----------|------|-----|
| Message type | 3.2.2.1 | BSS-MSC | M | 1 |
| Cause | 3.2.2.5 | BSS-MSC | M | 3-4 |
| RR cause | 3.2.2.22 | BSS-MSC | O | 2 |
| Circuit pool | 3.2.2.45 | BSS-MSC | O * | 2 |
| Circuit pool list | 3.2.2.46 | BSS-MSC | O** | V |

* Shall be included when several circuit pools are present on the BSS MSC interface.

** May be included when cause is "circuit pool mismatch" or "switch circuit pool" to indicate circuit pool preferences.

Typical Cause values are: radio interface message failure;
O and M intervention;
Equipment failure;
no radio resource available;
requested terrestrial resource unavailable;
requested transcoding/rate adaption unavailable;
terrestrial resource already allocated;
invalid message contents;
radio interface failure - reversion to old channel;
cipherring algorithm not supported,
circuit pool mismatch,
switch circuit pool.

3.2.1.17. RESOURCE REQUEST

This message is sent from the MSC to the BSS and requests the current spare and optionally the total accessible resource on a particular cell.

This message is sent as a connectionless SCCP message.

| INFORMATION ELEMENT | REFERENCE | DIRECTION | TYPE | LEN |
|-----------------------------|-----------|-----------|------|------|
| Message type | 3.2.2.1 | MSC-BSS | M | 1 |
| Periodicity | 3.2.2.12 | MSC-BSS | M | 2 |
| Resource indication method | 3.2.2.29 | MSC-BSS | M | 2 |
| Cell identifier | 3.2.2.17 | MSC-BSS | M | 3-10 |
| Extended Resource Indicator | 3.2.2.13 | MSC-BSS | O | 2 |

3.2.1.18. RESOURCE INDICATION

This message is sent from the BSS to the MSC in response to a resource request message, the message includes an explicit indication of the cell concerned.

This message is sent as a connectionless SCCP message.

| INFORMATION ELEMENT | REFERENCE | DIRECTION | TYPE | LEN |
|----------------------------|-----------|-----------|------|------|
| Message type | 3.2.2.1 | BSS-MSC | M | 1 |
| Resource Indication Method | 3.2.2.29 | BSS-MSC | M | 2 |
| Resource available | 3.2.2.4 | BSS-MSC | O* | 21 |
| Cell identifier | 3.2.2.17 | BSS-MSC | M | 3-10 |
| Total Resource accessible | 3.2.2.14 | BSS-MSC | O** | 5 |

* This element is not included if the message is sent only as an acknowledgement to the reception of a RESOURCE REQUEST message.

** This element has to be included if requested by the Extended Resource Indicator, except when the message is sent only as an acknowledgement to the reception of the RESOURCE REQUEST message.

3.2.1.19. PAGING

This message is sent from the MSC to the BSS and contains sufficient information to allow the paging message to be transmitted by the correct cells at the correct time.

This message is sent as a connectionless SCCP message.

| INFORMATION ELEMENT | REFERENCE | DIRECTION | TYPE | LEN |
|----------------------|-----------|-----------|------|--------------|
| Message type | 3.2.2.1 | MSC-BSS | M | 1 |
| IMSI | 3.2.2.6 | MSC-BSS | M | 3-10 |
| TMSI | 3.2.2.7 | MSC-BSS | O* | 6 |
| Cell identifier list | 3.2.2.27 | MSC-BSS | M | 3 to 3+7n |
| Channel Needed | 3.2.2.36 | MSC-BSS | O# | 2 |

* This element is omitted in the exceptional case where the IMSI is used instead of the TMSI as a paging address at the radio interface.

If the channel needed element is not present, the default value is assumed to be 00 (any channel).

3.2.1.20. CLEAR REQUEST

This message is sent from the BSS to the MSC to indicate to the MSC that the BSS wishes to release the associated dedicated resource.

The message is sent via the BSSAP SCCP connection associated with the dedicated resource.

| INFORMATION ELEMENT | REFERENCE | DIRECTION | TYPE | LEN |
|---------------------|-----------|-----------|------|-----|
| Message type | 3.2.2.1 | BSS-MSC | M | 1 |
| Cause | 3.2.2.5 | BSS-MSC | M | 3-4 |

Typical Cause values are: radio interface message failure,
O and M intervention,
equipment failure,
protocol error between BSC and MSC.

3.2.1.21. CLEAR COMMAND

This message is sent from the MSC to the BSS to instruct the BSS to release the associated dedicated resource.

The message is sent via the BSSAP SCCP connection associated with the dedicated resource.

| INFORMATION ELEMENT | REFERENCE | DIRECTION | TYPE | LEN |
|----------------------------|-----------|-----------|------|-----|
| Message type | 3.2.2.1 | MSC-BSS | M | 1 |
| Layer 3 header information | 3.2.2.9 | MSC-BSS | O* | 4 |
| Cause | 3.2.2.5 | MSC-BSS | M | 3-4 |

* This element does not serve any useful purpose. Recipients shall regard this element as optional. To ease interworking between equipment, this element shall still be transmitted unless the MSC is certain that the BSC can manage without it. It shall be expected that in future versions of 08.08, this element will be deleted from this message.

Typical Cause values are: call control,

O and M intervention,
equipment failure,
handover successful,
protocol error between BSC and MSC.

3.2.1.22. CLEAR COMPLETE

This message is sent from the BSS to the MSC to inform the MSC that the associated dedicated resource has been successfully cleared.

The message is sent via the BSSAP SCCP connection associated with the dedicated resource.

| INFORMATION ELEMENT | REFERENCE | DIRECTION | TYPE | LEN |
|---------------------|-----------|-----------|------|-----|
| Message type | 3.2.2.1 | BSS-MSC | M | 1 |

3.2.1.23. RESET

This message can be sent either from the BSS to the MSC or from the MSC to the BSS. It indicates to the receiving entity that the transmitting entity has suffered a failure and has lost memory of the calls in progress, calls set up, and associated references.

This message is sent as a connectionless SCCP message.

| INFORMATION ELEMENT | REFERENCE | DIRECTION | TYPE | LEN |
|---------------------|-----------|-----------|------|-----|
| Message type | 3.2.2.1 | Both | M | 1 |
| Cause | 3.2.2.5 | Both | M | 3-4 |

Typical Cause values are: O and M intervention,
equipment failure.

3.2.1.24. RESET ACKNOWLEDGE

This message can be sent either from the BSS to the MSC or from the MSC to the BSS. It indicates to the receiving entity that the transmitting entity has cleared all calls and reset all references, and is ready to resume service.

This message is sent as a connectionless SCCP message.

| INFORMATION ELEMENT | REFERENCE | DIRECTION | TYPE | LEN |
|---------------------|-----------|-----------|------|-----|
| Message type | 3.2.2.1 | Both | M | 1 |

3.2.1.25. HANDOVER PERFORMED

This message is sent from the BSS to the MSC in order to indicate that the BSS has performed an internal handover.

The cell identifier and (if required for O and M reasons) optionally the new channel identity is included.

The message is sent via the BSSAP SCCP connection associated with the dedicated resource.

| INFORMATION ELEMENT | REFERENCE | DIRECTION | TYPE | LEN |
|-----------------------------|-----------|-----------|------|------|
| Message type | 3.2.2.1 | BSS-MSC | M | 1 |
| Cause | 3.2.2.5 | BSS-MSC | M | 3-4 |
| Cell identifier | 3.2.2.17 | BSS-MSC | M | 3-10 |
| Chosen channel | 3.2.2.33 | BSS-MSC | O# | 2 |
| Chosen encryption algorithm | 3.2.2.44 | BSS-MSC | O## | 2 |

Included at least when the type of channel has changed during the handover.

Included at least when the encryption algorithm has been changed by the BSS.

Typical Cause values: as for the handover required message, except response to MSC invocation.

3.2.1.26. OVERLOAD

This message is sent from the BSS to the MSC or from the MSC to the BSS. When sent from the BSS to the MSC it indicates either processor overload of the whole BSS (cell identifier field not present) or overload of a CCCH downlink in which case the relevant cell is identified.

This message is sent as a connectionless SCCP message.

| INFORMATION ELEMENT | REFERENCE | DIRECTION | TYPE | LEN |
|---------------------|-----------|-----------|------|------|
| Message type | 3.2.2.1 | Both | M | 1 |
| Cause | 3.2.2.5 | Both | M | 3-4 |
| Cell identifier | 3.2.2.17 | BSS-MSC | O | 3-10 |

Typical Cause values are: Processor overload,
CCCH overload,
O&M intervention.

3.2.1.27. MSC INVOKE TRACE

This message is sent from the MSC to the BSS in order to start production of a trace record at the BSS.

The message is sent via the BSSAP SCCP connection associated with the dedicated resource.

| INFORMATION ELEMENT | REFERENCE | DIRECTION | TYPE | LEN |
|---------------------|-----------|-----------|------|------|
| Message type | 3.2.2.1 | MSC-BSS | M | 1 |
| Trace type | 3.2.2.37 | MSC-BSS | M | 2 |
| TriggerId | 3.2.2.38 | MSC-BSS | O | 3-22 |
| Trace reference | 3.2.2.39 | MSC-BSS | M | 3 |
| TransactionId | 3.2.2.40 | MSC-BSS | O | 4 |
| Mobile Identity | 3.2.2.41 | MSC-BSS | O | 3-10 |
| OMCId | 3.2.2.42 | MSC-BSS | O | 3-22 |

3.2.1.28. BSS INVOKE TRACE

This message is sent from the BSS to the MSC in order to start production of a trace record at the MSC and/or from the MSC to BSS to target BSSs after a handover.

The message is sent via the BSSAP SCCP connection associated with the dedicated resource.

| INFORMATION ELEMENT | REFERENCE | DIRECTION | TYPE | LEN |
|---------------------|-----------|-----------|------|------|
| Message type | 3.2.2.1 | Both | M | 1 |
| Trace type | 3.2.2.37 | Both | M | 2 |
| Forward Indicator | 3.2.2.43 | Both | O | 2 |
| TriggerId | 3.2.2.38 | Both | O | 3-22 |
| Trace reference | 3.2.2.39 | Both | M | 3 |
| TransactionId | 3.2.2.40 | Both | O | 4 |
| OMCId | 3.2.2.42 | Both | O | 3-22 |

3.2.1.29. CLASSMARK UPDATE

This message is sent from the BSS to the MSC or from the MSC to the BSS via the relevant SCCP connection associated with that MS transaction. It updates the classmark parameters for the concerned MS.

| INFORMATION ELEMENT | REFERENCE | DIRECTION | TYPE | LEN |
|------------------------------|-----------|-----------|------|------|
| Message type | 3.2.2.1 | Both | M | 1 |
| Classmark information type 2 | 3.2.2.19 | Both | M | 4-5 |
| Classmark information type 3 | 3.2.2.20 | Both | O* | 3-14 |

- * This element shall be included by the BSS if it was received from the MS. It shall be included by the MSC if this information element has previously been received by the MSC.

3.2.1.30. CIPHER MODE COMMAND

This message is sent from the MSC to the BSS via the relevant SCCP connection associated with that MS transaction. It updates the encryption parameters for the concerned MS.

| INFORMATION ELEMENT | REFERENCE | DIRECTION | TYPE | LEN |
|----------------------------|-----------|-----------|------|-----|
| Message type | 3.2.2.1 | MSC-BSS | M | 1 |
| Layer 3 header information | 3.2.2.9 | MSC-BSS | O* | 4 |
| Encryption information | 3.2.2.10 | MSC-BSS | M | 3-n |
| Cipher response mode | 3.2.2.34 | MSC-BSS | O | 2 |

- * This element does not serve any useful purpose. Recipients shall regard this element as optional. To ease interworking between equipment, this element shall still be transmitted unless the MSC is certain that the BSC can manage without it. It shall be expected that in future versions of 08.08, this element will be deleted from this message.

3.2.1.31. CIPHER MODE COMPLETE

This message is sent from the BSS to the MSC via the relevant SCCP connection. It indicates that a successful cipher synchronisation has been achieved across the radio interface.

| INFORMATION ELEMENT | REFERENCE | DIRECTION | TYPE | LEN |
|-----------------------------|-----------|-----------|------|-----|
| Message type | 3.2.2.1 | BSS-MSC | M | 1 |
| Layer 3 message contents | 3.2.2.35 | BSS-MSC | O | 2-n |
| Chosen encryption algorithm | 3.2.2.44 | BSS-MSC | O# | 2 |

- # Included at least when the encryption algorithm has been selected by the BSS.

3.2.1.32. COMPLETE LAYER 3 INFORMATION

The message is sent from the BSS to the MSC as described in section 3.1.16 (on receipt of the initial layer 3 message on a dedicated channel, e.g. PAGING RESPONSE, LOCATION UPDATING REQUEST, CM REESTABLISHMENT REQUEST, CM SERVICE REQUEST, IMSI DETACH).

The message is sent via the BSSAP SCCP connection established for the associated dedicated resource.

| INFORMATION ELEMENT | REFERENCE | DIRECTION | TYPE | LEN |
|---------------------|-----------|-----------|------|------|
| Message type | 3.2.2.1 | BSS-MSC | M | 1 |
| Cell identifier | 3.2.2.17 | BSS-MSC | M | 3-10 |
| Layer 3 information | 3.2.2.24 | BSS-MSC | M | 3-n |
| Chosen channel | 3.2.2.33 | BSS-MSC | O* | 2 |

* This element is optionally used by the BSS to give the MSC a description of the channel on which the initial layer 3 message was received.

3.2.1.33. QUEUEING INDICATION

This message is sent from the BSS to the MSC in order to indicate a delay in the assignment of the required TCH.

The message is sent via the BSSAP SCCP connection associated with the dedicated resource.

| INFORMATION ELEMENT | REFERENCE | DIRECTION | TYPE | LEN |
|---------------------|-----------|-----------|------|-----|
| Message type | 3.2.2.1 | BSS-MSC | M | 1 |

3.2.1.34. SAPI "n" REJECT

This message is sent from the BSS to the MSC in order to indicate that a message with a SAPI value other than "0" has been rejected.

The message is sent via the BSSAP SCCP connection associated with the dedicated resource.

| INFORMATION ELEMENT | REFERENCE | DIRECTION | TYPE | LEN |
|---------------------|-----------|-----------|------|-----|
| Message type | 3.2.2.1 | BSS-MSC | M | 1 |
| DLCI | 3.2.2.25 | BSS-MSC | M | 2 |
| Cause | 3.2.2.5 | BSS-MSC | M | 3-4 |

Typical Cause values are: O&M intervention,
processor overload,
BSS not equipped,
MS not equipped.

3.2.1.35. [spare]

3.2.1.36. [spare]

3.2.1.37. HANDOVER REQUIRED REJECT

This message is sent from the MSC to the BSS via the relevant SCCP connection. It indicates to the BSS that the HANDOVER REQUIRED message has not resulted in handover.

| INFORMATION ELEMENT | REFERENCE | DIRECTION | TYPE | LEN |
|---------------------|-----------|-----------|------|-----|
| Message type | 3.2.2.1 | MSC-BSS | M | 1 |
| Cause | 3.2.2.5 | MSC-BSS | M | 3-4 |

Typical Cause values are: equipment failure,
no radio resource available,
requested terrestrial resource unavailable,
invalid message contents,
requested transcoding/rate adaptation unavailable,
O and M intervention.

3.2.1.38. RESET CIRCUIT

This message is sent either from the BSS to the MSC or from the MSC to the BSS. It indicates to the receiving entity that the state of the circuit indicated in the message is unknown, due to a failure.

This message is sent as a SCCP connectionless message.

| INFORMATION ELEMENT | REFERENCE | DIRECTION | TYPE | LEN |
|-----------------------|-----------|-----------|------|-----|
| Message type | 3.2.2.1 | Both | M | 1 |
| Circuit identity code | 3.2.2.2 | Both | M | 3 |
| Cause | 3.2.2.5 | Both | M | 3-4 |

Typical Cause values: are as for the RESET message.

3.2.1.39. RESET CIRCUIT ACKNOWLEDGE

This message is sent either from the BSS to the MSC or from the MSC to the BSS. It indicates to the receiving entity that the transmitting entity has cleared a possible call using the circuit, and is ready to resume service.

This message is sent as a connectionless SCCP message.

| INFORMATION ELEMENT | REFERENCE | DIRECTION | TYPE | LEN |
|---------------------|-----------|-----------|------|-----|
| Message type | 3.2.2.1 | Both | M | 1 |
| Circuit identity | 3.2.2.2 | Both | M | 3 |

3.2.1.40. HANDOVER DETECT

This message is sent from the BSS to the MSC via the relevant SCCP connection. It indicates that the correct MS has successfully accessed the target cell.

| INFORMATION ELEMENT | REFERENCE | DIRECTION | TYPE | LEN |
|---------------------|-----------|-----------|------|-----|
| Message type | 3.2.2.1 | BSS-MSC | M | 1 |

3.2.1.41. CIRCUIT GROUP BLOCK

This message is sent from the BSS to the MSC to indicate that a set of terrestrial resources (ie some timeslots within a system of 2Mbit PCM multiplex) must be blocked at the MSC, and cannot therefore be used for traffic.

This message is sent as a connectionless SCCP message.

| INFORMATION ELEMENT | REFERENCE | DIRECTION | TYPE | LEN |
|----------------------------|-----------|-----------|------|------|
| Message type | 3.2.2.1 | BSS-MSC | M | 1 |
| Cause | 3.2.2.5 | BSS-MSC | M | 3-4 |
| Circuit identity code | 3.2.2.2 | BSS-MSC | M | 3 |
| Circuit identity code list | 3.2.2.31 | BSS-MSC | M | 4-35 |

Typical Cause values: O & M intervention, equipment failure.

3.2.1.42. CIRCUIT GROUP BLOCKING ACKNOWLEDGE

This message is sent from the MSC to the BSS to acknowledge the receipt of an earlier CIRCUIT GROUP BLOCK message, and to indicate that the circuits indicated in the status subfield of the Circuit Identity Code List have been removed from service.

This message is sent as a connectionless SCCP message.

| INFORMATION ELEMENT | REFERENCE | DIRECTION | TYPE | LEN |
|----------------------------|-----------|-----------|------|------|
| Message type | 3.2.2.1 | MSC-BSS | M | 1 |
| Circuit identity code | 3.2.2.2 | MSC-BSS | M | 3 |
| Circuit identity code list | 3.2.2.31 | MSC-BSS | M | 4-35 |

3.2.1.43. CIRCUIT GROUP UNBLOCK

This message is sent from the BSS to the MSC to indicate that a set of terrestrial resources (ie some timeslots within a system of 2Mbit PCM multiplex) may be returned to service at the MSC, and can therefore be used for traffic.

This message is sent as a connectionless SCCP message.

| INFORMATION ELEMENT | REFERENCE | DIRECTION | TYPE | LEN |
|----------------------------|-----------|-----------|------|------|
| Message Type | 3.2.2.1 | BSS-MSC | M | 1 |
| Circuit identity code | 3.2.2.2 | BSS-MSC | M | 3 |
| Circuit identity code list | 3.2.2.31 | BSS-MSC | M | 4-35 |

3.2.1.44. CIRCUIT GROUP UNBLOCKING ACKNOWLEDGE

This message is sent from the MSC to the BSS to acknowledge the receipt of an earlier CIRCUIT GROUP UNBLOCK message, and to indicate that the circuits indicated in the status subfield of the Circuit Identity Code List have been returned to service.

This message is sent as a connectionless SCCP message.

| INFORMATION ELEMENT | REFERENCE | DIRECTION | TYPE | LEN |
|----------------------------|-----------|-----------|------|------|
| Message Type | 3.2.2.1 | MSC-BSS | M | 1 |
| Circuit identity code | 3.2.2.2 | MSC-BSS | M | 3 |
| Circuit identity code list | 3.2.2.31 | MSC-BSS | M | 4-35 |

3.2.1.45. CONFUSION

This message is sent in either direction in response to a message which cannot be treated correctly for some reason, and for which another failure message cannot substitute. The use of this message may be under operator control.

| INFORMATION ELEMENT | REFERENCE | DIRECTION | TYPE | LEN |
|---------------------|-----------|-----------|------|-----|
| Message type | 3.2.2.1 | Both | M | 1 |
| Cause | 3.2.2.5 | Both | M | 3-4 |
| Diagnostics | 3.2.2.32 | Both | M | 4-n |

Typical Cause values: Invalid message contents,
information element or field missing
incorrect value
unknown message type,
unknown information element,
protocol error between BSC and MSC, and
invalid cell.

3.2.1.46. CLASSMARK REQUEST

This message is sent from the MSC to the BSS via the relevant SCCP connection associated with that MS transaction. It requests an update of the classmark parameters for the concerned MS.

| INFORMATION ELEMENT | REFERENCE | DIRECTION | TYPE | LEN |
|---------------------|-----------|-----------|------|-----|
| Message type | 3.2.2.1 | MSC-BSS | M | 1 |

3.2.1.47. UNEQUIPPED CIRCUIT

This message is sent from the BSS to the MSC or vice versa to indicate to the partner entity that it is utilising one or several circuit identity codes which are unknown and which therefore should be locally blocked immediately and taken out of service.

This message is sent as a connectionless SCCP message.

| INFORMATION ELEMENT | REFERENCE | DIRECTION | TYPE | LEN |
|----------------------------|-----------|-----------|------|------|
| Message Type | 3.2.1.1 | both | M | 1 |
| Circuit Identity Code | 3.2.2.2 | both | M | 3 |
| Circuit Identity Code list | 3.2.2.31 | both | O | 4-35 |

3.2.1.48. CIPHER MODE REJECT

This message is sent from the BSS to the MSC via the relevant SCCP connection associated with that MS transaction. It indicates that the BSS is unable to perform the requested ciphering.

| INFORMATION ELEMENT | REFERENCE | DIRECTION | TYPE | LEN |
|---------------------|-----------|-----------|------|-----|
| Message type | 3.2.2.1 | BSS-MSC | M | 1 |
| Cause | 3.2.2.5 | BSS-MSC | M | 3-4 |

Typical Cause values are: Ciphering algorithm not supported,
Invalid message contents

3.2.2. SIGNALLING ELEMENT CODING

This paragraph contains the CODING of the signalling elements used.

The following conventions are assumed for the sequence of transmission of bits and bytes:

- Each bit position is marked as 1 to 8. Bit 1 is the least significant bit and is transmitted first.
- In an element octets are identified by number, octet 1 is transmitted first, then octet 2 etc.

When a field extends over more than one octet, the order of bit values progressively decreases as the octet number increases. The least significant bit of the field is represented by the lowest numbered bit of the highest numbered octet of the field.

- For variable length elements a length indicator is included, this indicates the number of octets following in the element.

- All fields within Information Elements are mandatory unless otherwise specified. The Information Element Identifier shall always be included.

All spare bits are set to 0.

The elements used and their CODING are:

| Element Identifier Coding | Element name | Reference |
|---------------------------|------------------------------|-----------|
| 0000 0001 | Circuit identity code | 3.2.2.2. |
| 0000 0010 | Reserved | * |
| 0000 0011 | Resource available | 3.2.2.4. |
| 0000 0100 | Cause | 3.2.2.5. |
| 0000 0101 | Cell identifier | 3.2.2.17. |
| 0000 0110 | Priority | 3.2.2.18. |
| 0000 0111 | Layer 3 header information | 3.2.2.9. |
| 0000 1000 | IMSI | 3.2.2.6. |
| 0000 1001 | TMSI | 3.2.2.7. |
| 0000 1010 | Encryption information | 3.2.2.10. |
| 0000 1011 | Channel type | 3.2.2.11. |
| 0000 1100 | Periodicity | 3.2.2.12. |
| 0000 1101 | Extended resource indicator | 3.2.2.13. |
| 0000 1110 | Number of MSs | 3.2.2.8. |
| 0000 1111 | Reserved | * |
| 0001 0000 | Reserved | * |
| 0001 0001 | Reserved | * |
| 0001 0010 | Classmark information type 2 | 3.2.2.19. |
| 0001 0011 | Classmark information type 3 | 3.2.2.20. |
| 0001 0100 | Interference band to be used | 3.2.2.21. |
| 0001 0101 | RR Cause | 3.2.2.22. |
| 0001 0110 | Reserved | * |
| 0001 0111 | Layer 3 information | 3.2.2.24. |
| 0001 1000 | DLCI | 3.2.2.25. |
| 0001 1001 | Downlink DTX flag | 3.2.2.26. |
| 0001 1010 | Cell identifier list | 3.2.2.27. |
| 0001 1011 | Response request | 3.2.2.28. |
| 0001 1100 | Resource indication method | 3.2.2.29. |
| 0001 1101 | Classmark information type 1 | 3.2.2.30. |
| 0001 1110 | Circuit identity code list | 3.2.2.31. |
| 0001 1111 | Diagnostic | 3.2.2.32. |
| 0010 0000 | Layer 3 message contents | 3.2.2.35. |
| 0010 0001 | Chosen channel | 3.2.2.33. |
| 0010 0010 | Total resource accessible | 3.2.2.14. |
| 0010 0011 | Cipher response mode | 3.2.2.34. |
| 0010 0100 | Channel needed | 3.2.2.36. |
| 0010 0101 | Trace type | 3.2.2.37. |
| 0010 0110 | TriggerId | 3.2.2.38. |
| 0010 0111 | Trace reference | 3.2.2.39. |
| 0010 1000 | TransactionId | 3.2.2.40. |
| 0010 1001 | Mobile identity | 3.2.2.41. |
| 0010 1010 | OMCId | 3.2.2.42. |
| 0010 1011 | Forward indicator | 3.2.2.43. |
| 0010 1100 | Chosen encryption algorithm | 3.2.2.44. |
| 0010 1101 | Circuit pool | 3.2.2.45. |
| 0010 1110 | Circuit pool list | 3.2.2.46. |

* Information Element codes marked as "reserved" are reserved for use by previous versions of this interface specification

3.2.2.1. MESSAGE TYPE

Message type uniquely identifies the message being sent. It is a single octet element, mandatory in all messages.

Bit 8 is reserved for future extension of the code set. All unassigned codes are spare.

| | 8 | 7 | 6 | 5 | 4 | 3 | 2 | 1 | |
|--------------------------------------|---|---|---|---|---|---|---|---|--------------------------------------|
| | 0 | 0 | 0 | 0 | 0 | 0 | 0 | 0 | Reserved. |
| ASSIGNMENT MESSAGES | | | | | | | | | |
| | 0 | 0 | 0 | 0 | 0 | 0 | 0 | 1 | Assignment request |
| | 0 | 0 | 0 | 0 | 0 | 0 | 0 | 1 | Assignment complete |
| | 0 | 0 | 0 | 0 | 0 | 0 | 0 | 1 | Assignment failure |
| HANDOVER MESSAGES | | | | | | | | | |
| | 0 | 0 | 0 | 1 | 0 | 0 | 0 | 0 | Handover request |
| | 0 | 0 | 0 | 1 | 0 | 0 | 0 | 1 | Handover required |
| | 0 | 0 | 0 | 1 | 0 | 0 | 1 | 0 | Handover request acknowledge |
| | 0 | 0 | 0 | 1 | 0 | 0 | 1 | 1 | Handover command |
| | 0 | 0 | 0 | 1 | 0 | 1 | 0 | 0 | Handover complete |
| | 0 | 0 | 0 | 1 | 0 | 1 | 1 | 0 | Handover failure |
| | 0 | 0 | 0 | 1 | 0 | 1 | 1 | 1 | Handover performed |
| | 0 | 0 | 0 | 1 | 1 | 0 | 0 | 0 | Handover candidate enquire |
| | 0 | 0 | 0 | 1 | 1 | 0 | 0 | 1 | Handover candidate response |
| | 0 | 0 | 0 | 1 | 1 | 0 | 1 | 0 | Handover required reject |
| | 0 | 0 | 0 | 1 | 1 | 0 | 1 | 1 | Handover detect |
| RELEASE MESSAGES | | | | | | | | | |
| | 0 | 0 | 1 | 0 | 0 | 0 | 0 | 0 | Clear command |
| | 0 | 0 | 1 | 0 | 0 | 0 | 0 | 1 | Clear complete |
| | 0 | 0 | 1 | 0 | 0 | 0 | 1 | 0 | Clear request |
| | 0 | 0 | 1 | 0 | 0 | 0 | 1 | 1 | reserved |
| | 0 | 0 | 1 | 0 | 0 | 1 | 0 | 0 | reserved |
| | 0 | 0 | 1 | 0 | 0 | 1 | 0 | 1 | SAPI "n" reject |
| | 0 | 0 | 1 | 0 | 0 | 1 | 1 | 0 | Confusion |
| GENERAL MESSAGES | | | | | | | | | |
| | 0 | 0 | 1 | 1 | 0 | 0 | 0 | 0 | Reset |
| | 0 | 0 | 1 | 1 | 0 | 0 | 0 | 1 | Reset acknowledge |
| | 0 | 0 | 1 | 1 | 0 | 0 | 1 | 0 | Overload |
| | 0 | 0 | 1 | 1 | 0 | 0 | 1 | 1 | Reserved |
| | 0 | 0 | 1 | 1 | 0 | 1 | 0 | 0 | Reset circuit |
| | 0 | 0 | 1 | 1 | 0 | 1 | 0 | 1 | Reset circuit acknowledge |
| | 0 | 0 | 1 | 1 | 0 | 1 | 1 | 0 | MSC invoke trace |
| | 0 | 0 | 1 | 1 | 0 | 1 | 1 | 1 | BSS invoke trace |
| TERRESTRIAL RESOURCE MESSAGES | | | | | | | | | |
| | 0 | 1 | 0 | 0 | 0 | 0 | 0 | 0 | Block |
| | 0 | 1 | 0 | 0 | 0 | 0 | 0 | 1 | Blocking acknowledge |
| | 0 | 1 | 0 | 0 | 0 | 0 | 1 | 0 | Unblock |
| | 0 | 1 | 0 | 0 | 0 | 0 | 1 | 1 | Unblocking acknowledge |
| | 0 | 1 | 0 | 0 | 0 | 1 | 0 | 0 | Circuit group block |
| | 0 | 1 | 0 | 0 | 0 | 1 | 0 | 1 | Circuit group blocking acknowledge |
| | 0 | 1 | 0 | 0 | 0 | 1 | 1 | 0 | Circuit group unblock |
| | 0 | 1 | 0 | 0 | 0 | 1 | 1 | 1 | Circuit group unblocking acknowledge |
| | 0 | 1 | 0 | 0 | 1 | 0 | 0 | 0 | Unequipped circuit |

| 8 | 7 | 6 | 5 | 4 | 3 | 2 | 1 | |
|-------------------------|---|---|---|---|---|---|---|------------------------------|
| RADIO RESOURCE MESSAGES | | | | | | | | |
| 0 | 1 | 0 | 1 | 0 | 0 | 0 | 0 | Resource request |
| 0 | 1 | 0 | 1 | 0 | 0 | 0 | 1 | Resource indication |
| 0 | 1 | 0 | 1 | 0 | 0 | 1 | 0 | Paging |
| 0 | 1 | 0 | 1 | 0 | 0 | 1 | 1 | Cipher mode command |
| 0 | 1 | 0 | 1 | 0 | 1 | 0 | 0 | Classmark update |
| 0 | 1 | 0 | 1 | 0 | 1 | 0 | 1 | Cipher mode complete |
| 0 | 1 | 0 | 1 | 0 | 1 | 1 | 0 | Queuing indication |
| 0 | 1 | 0 | 1 | 0 | 1 | 1 | 1 | Complete layer 3 information |
| 0 | 1 | 0 | 1 | 1 | 0 | 0 | 0 | Classmark request |
| 0 | 1 | 0 | 1 | 1 | 0 | 0 | 1 | Cipher mode reject |

3.2.2.2. CIRCUIT IDENTITY CODE

This element defines the terrestrial channel over which the call will pass.

If a 2048Kbits/s digital path is used then the circuit identification code contains in the 5 least significant bits a binary representation of the actual number of the timeslot which is assigned to the circuit. The remaining bits in the CIC are used where necessary, to identify one among several systems interconnecting an originating and destination point.

The element is 2 octets in length:

| 8 | 7 | 6 | 5 | 4 | 3 | 2 | 1 | |
|--------------------|---|---|---|---|---|---|---|---------|
| Element identifier | | | | | | | | octet 1 |
| a | b | c | d | e | f | g | h | octet 2 |
| i | j | k | X | X | X | X | X | octet 3 |

a-k defines the PCM multiplex in use.

XXXXX define the actual timeslot in use.

The circuit identity code defines the PCM multiplex and timeslot in use at the MSC. In cases where remultiplexing takes place between the MSC and BSS a translation may be necessary at the BSS.

3.2.2.3. [spare]

3.2.2.4. RESOURCE AVAILABLE

This element gives the number of full and half rate channels available on any given cell at the time of construction of the message.

It defines these parameters in terms of the number of channels available in five interference bands, the boundaries of these bands being set by O and M as follows:

Interference level:

0 -----
 Band 1

X1 -----
 Band 2

X2 -----
 Band 3

X3 -----
 Band 4

X4 -----
 Band 5

X5 -----

The element is coded as follows:

| 8 | 7 | 6 | 5 | 4 | 3 | 2 | 1 | |
|--|---|---|---|---|---|---|---|----------------------|
| Element identifier | | | | | | | | octet 1 |
| Number of full rate channels available in band 1 | | | | | | | | octet 2 octet 3 |
| Number of half rate channels available in band 1 | | | | | | | | octet 4 octet 5 |
| ⋮ | | | | | | | | ⋮ |
| Number of full rate channels available in band 5 | | | | | | | | octet 18 octet 19 |
| Number of half rate channels available in band 5 | | | | | | | | octet 20 octet 21 |

Octets (2,3,4,5,) are then repeated for each of the other interference bands giving a total message length of 21 octets.

Octets 2 and 3 give a 16 bit binary representation of the number of full rate channels available for service but not currently assigned.

Octets 4 and 5 give a 16 bit binary representation of the number of half rate channels available for service but not currently assigned. This will include half rate channels already counted in octets 2 and 3, if these correspond to full rate channels that can be used as half rate channels.

(eg. If there is a spare half rate channel and a spare full rate channel that can be used as two half rate channels, then the full rate count will be 1 and the half rate count will be 3).

Octets 3 and 5 are the least significant octets, and bit 1 is the least significant bit.

3.2.2.5. CAUSE

The cause element is used to indicate the reason for a particular event to have occurred and is coded as shown below.

The cause value is a single octet element if the extension bit (bit 8) is set to 0. If it is set to 1 then the cause value is a 2 octet field. If the value of the first octet of the cause field is 1XXX 0000 then the second octet is reserved for national applications, (XXX will still indicate the class).

| | | | | | | | | |
|--------------------|-------------|---|---|---|---|---|---|-------------|
| 8 | 7 | 6 | 5 | 4 | 3 | 2 | 1 | |
| Element identifier | | | | | | | | octet 1 |
| Length | | | | | | | | octet 2 |
| 0/1 ext | Cause Value | | | | | | | octet 3 |
| : | | | | | | | | :(octet 4): |

The length indicator is a binary representation of the length of the following element.

Cause Value:

| | |
|---------------|---|
| Class (000) : | Normal event |
| Class (001) : | Normal event |
| Class (010) : | Resource unavailable |
| Class (011) : | Service or option not available |
| Class (100) : | Service or option not implemented |
| Class (101) : | invalid message (eg parameter out of range) |
| Class (110) : | protocol error |
| Class (111) : | interworking |

In the following table, "reserved for international use" means that this codepoint should not be used until a meaning has been assigned to it following the process of international standardisation. "Reserved for national use" indicates codepoints that may be used by operators without the need for international standardisation.

| Cause value | | Cause Number | |
|-------------|---------|--------------|---|
| Class | Value | | |
| 7 6 5 | 4 3 2 1 | | |
| 0 0 0 | 0 0 0 0 | | Radio interface message failure |
| 0 0 0 | 0 0 0 1 | | Radio interface failure |
| 0 0 0 | 0 0 1 0 | | Uplink quality |
| 0 0 0 | 0 0 1 1 | | Uplink strength |
| 0 0 0 | 0 1 0 0 | | Downlink quality |
| 0 0 0 | 0 1 0 1 | | Downlink strength |
| 0 0 0 | 0 1 1 0 | | Distance |
| 0 0 0 | 0 1 1 1 | | O and M intervention |
| 0 0 0 | 1 0 0 0 | | Response to MSC invocation |
| 0 0 0 | 1 0 0 1 | | Call control |
| 0 0 0 | 1 0 1 0 | | Radio interface failure, reversion to old channel |
| 0 0 0 | 1 0 1 1 | | Handover successful |
| 0 0 0 | 1 1 0 0 | | Better Cell |
| 0 0 0 | 1 1 0 1 | | Directed Retry |
| 0 0 0 | 1 1 1 0 | | } |
| | to | | }Reserved for international use |
| 0 0 1 | 0 1 1 1 | | } |
| 0 0 1 | 1 0 0 0 | | } |
| | to | | }Reserved for national use |
| 0 0 1 | 1 1 1 1 | | } |
| 0 1 0 | 0 0 0 0 | | Equipment failure |
| 0 1 0 | 0 0 0 1 | | No radio resource available |
| 0 1 0 | 0 0 1 0 | | Requested terrestrial resource unavailable |
| 0 1 0 | 0 0 1 1 | | CCCH overload |
| 0 1 0 | 0 1 0 0 | | Processor overload |
| 0 1 0 | 0 1 0 1 | | BSS not equipped |

| Cause value | | Cause Number | |
|-------------|---------|--------------|--|
| Class | Value | | |
| 0 1 0 | 0 1 1 0 | | MS not equipped |
| 0 1 0 | 0 1 1 1 | | Invalid cell |
| 0 1 0 | 1 0 0 0 | | } |
| | to | | }Reserved for international use |
| 0 1 0 | 1 0 0 1 | | } |
| 0 1 0 | 1 0 1 0 | | } |
| | to | | }Reserved for national use |
| 0 1 0 | 1 1 1 1 | | } |
| 0 1 1 | 0 0 0 0 | | Requested transcoding/rate adaption unavailable |
| 0 1 1 | 0 0 0 1 | | Circuit pool mismatch |
| 0 1 1 | 0 0 1 0 | | Switch circuit pool |
| 0 1 1 | 0 0 1 1 | | } |
| | to | | }Reserved for international use |
| 0 1 1 | 1 1 1 1 | | } |
| 1 0 0 | 0 0 0 0 | | Ciphering algorithm not supported |
| 1 0 0 | 0 0 0 1 | | } |
| | to | | }Reserved for international use |
| 1 0 0 | 0 1 1 1 | | } |
| 1 0 0 | 0 1 1 1 | | } |
| | to | | }Reserved for national use |
| 1 0 0 | 1 1 1 1 | | } |
| 1 0 1 | 0 0 0 0 | | Terrestrial circuit already allocated |
| 1 0 1 | 0 0 0 1 | | Invalid message contents |
| 1 0 1 | 0 0 1 0 | | Information element or field missing |
| 1 0 1 | 0 0 1 1 | | Incorrect value |
| 1 0 1 | 0 1 0 0 | | Unknown Message type |
| 1 0 1 | 0 1 0 1 | | Unknown Information Element |
| 1 0 1 | 0 1 1 0 | | } |
| | to | | }Reserved for international use |
| 1 0 1 | 0 1 1 1 | | } |
| 1 0 1 | 1 0 0 0 | | } |
| | to | | }Reserved for national use |
| 1 0 1 | 1 1 1 1 | | } |

| Cause value | | Cause Number | |
|-------------|---------|----------------------------|------------------------------------|
| Class | Value | | |
| 1 1 0 | 0 0 0 0 | | Protocol Error between BSC and MSC |
| 1 1 0 | 0 0 0 1 | | } |
| to | | | }Reserved for international use |
| 1 1 0 | 0 1 1 1 | | } |
| 1 1 0 | 1 0 0 0 | | } |
| to | | }Reserved for national use | |
| 1 1 0 | 1 1 1 1 | } | |
| | | | |
| 1 1 1 | 0 0 0 0 | | } |
| to | | | }Reserved for international use |
| 1 1 1 | 0 1 1 1 | | } |
| 1 1 1 | 1 0 0 0 | | } |
| to | | | }Reserved for national use |
| 1 1 1 | 1 1 1 1 | } | |

3.2.2.6. IMSI

The IMSI is coded as a sequence of BCD digits, compressed two into each octet. This is a variable length element, and includes a length indicator. The remainder of this element is coded as defined in GSM Technical Specification 04.08.

The element coding is:

| 8 | 7 | 6 | 5 | 4 | 3 | 2 | 1 | |
|---|---|---|---|---|---|---|---|-------------|
| Element identifier | | | | | | | | octet 1 |
| Length | | | | | | | | octet 2 |
| Rest of element coded as in GSM 04.08, not including GSM 04.08 element identifier or GSM 04.08 octet length value | | | | | | | | octet 3 - n |

3.2.2.7. TMSI

The TMSI is a fixed length element. The TMSI is an unstructured number of 4 octets in length.

The coding is:

| 8 | 7 | 6 | 5 | 4 | 3 | 2 | 1 | |
|--------------------|---|---|---|---|---|---|---|-------------|
| Element identifier | | | | | | | | octet 1 |
| Length | | | | | | | | octet 2 |
| TMSI | | | | | | | | octet 3 - 6 |

The TMSI field is unstructured.

3.2.2.8. NUMBER OF MSs

This is a fixed length element which indicates the number of handover candidates that have been sent to the MSC.

The coding is:

| | | | | | | | | |
|-------------------------------|---|---|---|---|---|---|---|---------|
| 8 | 7 | 6 | 5 | 4 | 3 | 2 | 1 | |
| Element identifier | | | | | | | | octet 1 |
| Number of handover candidates | | | | | | | | octet 2 |

Octet 2 is a binary indication of the number of handover candidates. Bit 1 is the least significant bit.

3.2.2.9. LAYER 3 HEADER INFORMATION

This element is used to supply the BSS with information that needs to be included in the header of layer 3 messages over the radio interface.

| | | | | | | | | |
|------------------------|---|---|---|---|---|---|---|---------|
| 8 | 7 | 6 | 5 | 4 | 3 | 2 | 1 | |
| Element identifier | | | | | | | | octet 1 |
| Length | | | | | | | | octet 2 |
| Protocol discriminator | | | | | | | | octet 3 |
| Transaction identifier | | | | | | | | octet 4 |

The length indicator is a binary indication of the number of octets following in the element.

The transaction identifier and protocol discriminator fields are coded as defined in Technical Specification GSM 04.08. The protocol discriminator occupies bit 1 to 4 in octet 3 of Layer 3 header information, the Transaction identifier occupies bit 1 to 4 in octet 4 of the Layer 3 header information.

3.2.2.10. ENCRYPTION INFORMATION

This element contains the user data encryption information used to control any encryption equipment at the BSS.

It is a variable length element.

It is coded as follows:

| | | | | | | | | |
|----------------------|---|---|---|---|---|---|---|-------------|
| 8 | 7 | 6 | 5 | 4 | 3 | 2 | 1 | |
| Element identifier | | | | | | | | octet 1 |
| Length | | | | | | | | octet 2 |
| Permitted algorithms | | | | | | | | octet 3 |
| Key | | | | | | | | octet 4 - n |

The length indicator (octet 2) is a binary number indicating the absolute length of the contents after the length indicator octet.

The permitted algorithms octet is a bit map indicating the A5 encryption algorithms and no encryption. From this bit map the BSS may select an A5 algorithm or no encryption to be used.

Bit No

| | |
|---|---------------|
| 1 | No encryption |
| 2 | GSM A5/1 |
| 3 | GSM A5/2 |
| 4 | GSM A5/3 |
| 5 | GSM A5/4 |
| 6 | GSM A5/5 |
| 7 | GSM A5/6 |
| 8 | GSM A5/7 |

A bit position encoded as 1 indicates that the BSS may use the option represented by that bit position. A bit position encoded as 0 indicates that the BSS shall not use the option represented by that bit position. A permitted algorithms octet containing all bits encoded as 0 shall not be used.

The key shall be an integral number of octets. Its length is given as the value of the length indicator minus 1.

3.2.2.11. CHANNEL TYPE

This element contains all of the information that the BSS requires to determine the radio resource that is required.

It is coded as follows:

| | | | | | | | | |
|---|---|---|---|-------------------------|---|---|---|---------|
| 8 | 7 | 6 | 5 | 4 | 3 | 2 | 1 | |
| Element identifier | | | | | | | | octet 1 |
| Length | | | | | | | | octet 2 |
| Spare | | | | Speech / data indicator | | | | octet 3 |
| Channel rate and type | | | | | | | | octet 4 |
| Speech encoding algorithm / data rate + transparency indicator | | | | | | | | octet 5 |

The "speech / data indicator" field is coded as follows:

0001 Speech
 0010 Data
 0011 Signalling
 All other values are reserved.

For values 0001 and 0010 a dedicated terrestrial resource is also required.

The "channel rate and type" is coded as follows:

If octet 3 indicates speech or data then octet 4 shall be coded as:

0000 1000 Full rate TCH channel Bm
 0000 1001 Half rate TCH channel Lm

 0000 1010 Full or Half rate TCH channel, Full rate preferred, changes allowed also
 after first channel allocation as a result of the request.
 0000 1011 Full or Half rate TCH channel, Half rate preferred, changes allowed also

after first channel allocation as a result of the request.

- 0001 1010 Full or Half rate TCH channel, Full rate preferred, changes not allowed after first channel allocation as a result of the request.
- 0001 1011 Full or Half rate TCH channel. Half rate preferred, changes not allowed after first channel allocation as a result of the request.

All other values are reserved.

If octet 3 indicates signalling then octet 4 shall be coded as:

- 0000 0000 No preferences
- 0000 0001 SDCCH
- 0000 1000 Full rate TCH channel Bm
- 0000 1001 Half rate TCH channel Lm
- 0000 1010 Full or Half rate TCH channel, Full rate preferred, changes allowed also after first channel allocation as a result of the request.
- 0000 1011 Full or Half rate TCH channel, Half rate preferred, changes allowed also after first channel allocation as a result of the request.
- 0001 1010 Full or Half rate TCH channel, Full rate preferred, changes not allowed after first channel allocation as a result of the request.
- 0001 1011 Full or Half rate TCH channel. Half rate preferred, changes not allowed after first channel allocation as a result of the request.

All other values are reserved.

The "speech encoding algorithm/transparency indicator" octet is coded as follows:

If octet 3 indicates speech then octet 5 shall be coded as follows:

- 0000 0001 GSM speech algorithm version 1

All other values are reserved.

If octet 3 indicates data then octet 5 shall be coded as follows:

| | | | | | | | | |
|-----|------|------|---|---|---|---|---|---------|
| 8 | 7 | 6 | 5 | 4 | 3 | 2 | 1 | |
| ext | T/NT | Rate | | | | | | octet 5 |

Bit 8 : reserved for extension.
A coding of 0 indicates no extension

Bit 7 : 0 Transparent service
1 Non-transparent service.

For non-transparent service bits 6-1 indicate the radio interface data rate;

- 65 4321
- 00 0000 12 kbit/s if the channel is a full rate TCH, or
6 kbit/s if the channel is a half rate TCH
- 01 0000 12 kbits/s
- 01 0001 6 kbits/s

All other values are reserved.

For transparent service bits 6-1 indicate the data rate;

| | |
|---------|--|
| 65 4321 | |
| 01 0000 | 9.6kbits/s |
| 01 0001 | 4.8kbits/s |
| 01 0010 | 2.4kbits/s |
| 01 0011 | 1.2Kbits/s |
| 01 0100 | 600 bits/s |
| 01 0101 | 1200/75 bit/s (1200 network-to-MS/ (75 MS-to-network) |

All other values are reserved.

NOTE: For data services, the information in the channel type Information Element is used to set the "E-bits" and map the "D-bits" (as described in GSM 04.21 and 08.20) and to select the correct channel coding.

If octet 3 indicates signalling then octet 5 is spare.

3.2.2.12. PERIODICITY

This element defines the periodicity of a particular procedure. It is fixed length, 2 octets.

The coding is as follows:

| | | | | | | | | |
|--------------------|---|---|---|---|---|---|---|---------|
| 8 | 7 | 6 | 5 | 4 | 3 | 2 | 1 | |
| Element identifier | | | | | | | | octet 1 |
| Periodicity | | | | | | | | octet 2 |

When the Resource Indication Method IE is set to either "method i) of section 3.1.3.1" or "method iii) of section 3.1.3.1" and the periodicity parameter is not 0000 0000 then the coding of the periodicity parameter is:

0000 0001 Period
1111 1111 -

where the period is the binary value of octet 2 * 100 ms (ie 100 ms to 25,500 ms).

When the Resource Indication Method IE is set to "method i) of section 3.1.3.1" and the periodicity parameter is 0000 0000 then the BSS shall ignore this IE.

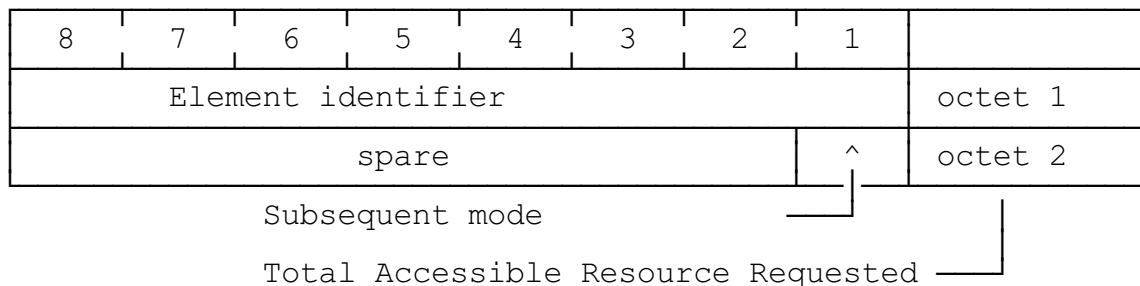
When the Resource Indication Method IE is set to "method iii) of section 3.1.3.1" and the periodicity parameter is 0000 0000 then the BSS shall treat the message according to section 3.1.19.4, case 2.

When the Resource Indication Method IE is set to either "method ii) of section 3.1.3.1" or "method iv) of section 3.1.3.1" then the Periodicity IE shall be ignored.

3.2.2.13. Extended Resource Indicator

This element defines which additional resource information related to a given cell the BSS shall transfer to the MSC. It may also indicate the subsequent reporting mode for that cell.

The coding is as follows:



The coding of the Total Accessible Resource Requested field is as follows:

- 0 no extra Resource Information is requested
- 1 The total number of accessible channels is requested

If the Resource Indication Method is not set to "method ii of section 3.1.3.1" then the Subsequent Mode field is ignored.

If the Resource Indication Method is set to "method ii of section 3.1.3.1" then the Subsequent Mode field is decoded as follows:

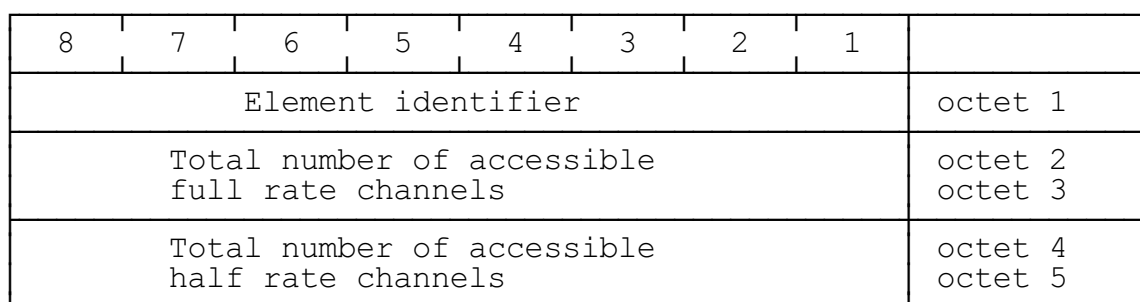
- 0 method iv) of section 3.1.3.1.
- 1 if the reporting mode prior to receipt of this IE was i) or iii) of section 3.1.3.1 then the subsequent mode shall be respectively i) or iii); otherwise the subsequent mode shall be method iv) of section 3.1.3.1.

3.2.2.14. TOTAL RESOURCE ACCESSIBLE

This element gives the total number of full and half rate channels accessible on any given cell at the time of construction of the message.

It defines these parameters in terms of the number of channels which are accessible or in use. No separation between the defined interference bands is made.

The element is coded as follows:



Octets 2 and 3 give a 16 bit binary representation of the total number of full rate channels accessible (i.e. available for service or currently assigned).

Octets 4 and 5 give a 16 bit binary representation of the number of half rate channels accessible (i.e. available for service or currently assigned). This will include half rate channels already counted in octets 2 and 3, if these correspond to full rate channels that can be used as half rate channels.

(eg. If there is an accessible half rate channel and an accessible full rate channel that can be used as two half rate channels, then the full rate count will be 1 and the half rate count will be 3).

Octets 3 and 5 are the least significant octets, and bit 1 is the least significant bit.

3.2.2.15. [spare]

3.2.2.16. [spare]

3.2.2.17. **CELL IDENTIFIER**

This element uniquely identifies a cell within a BSS and is of variable length containing the following fields:

| 8 | 7 | 6 | 5 | 4 | 3 | 2 | 1 | |
|---------------------|---|---|---|-----------------------------------|---|---|---|-------------|
| Element identifier | | | | | | | | octet 1 |
| Length | | | | | | | | octet 2 |
| Spare | | | | Cell identification discriminator | | | | octet 3 |
| Cell identification | | | | | | | | octet 4 - n |

The coding of octet 2 is a binary number indicating the length of the remaining element. The length depends on the Cell identification discriminator (octet 3).

The coding of "Cell identification discriminator" (bits 1 to 4 of octet 3) is a binary number indicating if the whole or a part of Cell Global Identification, CGI, according to Technical Specification GSM 03.03 is used for cell identification in octet 4-n. The "Cell identification discriminator" is coded as follows:

- 0000 The whole Cell Global Identification, CGI, is used to identify the cell.
 - 0001 Location Area Code, LAC, and Cell Identity, CI, is used to identify the cell.
 - 0010 Cell Identity, CI, is used to identify the cell.
 - 0011 No cell is associated with the transaction.
- All other values are reserved.

The coding of octet 4-n depends on the Cell identification discriminator (octet 3). Below the coding is shown for each Cell identification discriminator:

Note that no coding is specified for a Cell identification discriminator value of "0011" as no additional information is required.

Coding of Cell Identification for
Cell identification discriminator = 0000

| 8 | 7 | 6 | 5 | 4 | 3 | 2 | 1 | |
|---------------|---|---|---|-----------|---|---|---|----------|
| MCC dig 2 | | | | MCC dig 1 | | | | octet 4 |
| 1 | 1 | 1 | 1 | MCC dig 3 | | | | octet 5 |
| MNC dig 2 | | | | MNC dig 1 | | | | octet 6 |
| LAC | | | | | | | | octet 7 |
| LAC cont. | | | | | | | | octet 8 |
| CI value | | | | | | | | octet 9 |
| CI value cont | | | | | | | | octet 10 |

The octets 4-8 are coded as shown in Table 10.9/GSM 04.08.

The octets 9-10 are coded as shown in Table 10.7/GSM 04.08.

Coding of Cell Identification for
 Cell identification discriminator = 0001

| | | | | | | | | |
|---------------|---|---|---|---|---|---|---|---------|
| 8 | 7 | 6 | 5 | 4 | 3 | 2 | 1 | |
| LAC | | | | | | | | octet 4 |
| LAC cont. | | | | | | | | octet 5 |
| CI value | | | | | | | | octet 6 |
| CI value cont | | | | | | | | octet 7 |

Coding of Cell Identification for
 Cell identification discriminator = 0010

| | | | | | | | | |
|---------------|---|---|---|---|---|---|---|---------|
| 8 | 7 | 6 | 5 | 4 | 3 | 2 | 1 | |
| CI value | | | | | | | | octet 4 |
| CI value cont | | | | | | | | octet 5 |

The octet 4-5 are coded as shown in Table 10.7/GSM 04.08.

3.2.2.18. PRIORITY

This element indicates the priority of the request. It is coded as follows:

| | | | | | | | | |
|--------------------|---|---|---|---|---|---|---|---------|
| 8 | 7 | 6 | 5 | 4 | 3 | 2 | 1 | |
| Element identifier | | | | | | | | octet 1 |
| Length | | | | | | | | octet 2 |
| Priority | | | | | | | | octet 3 |

Octet 2 is a binary indication of the length of the rest of the element.

Octet 3 is coded as follows:

| | | | | | | | | |
|-------|-----|----------------|---|---|---|----|-----|---------|
| 8 | 7 | 6 | 5 | 4 | 3 | 2 | 1 | |
| spare | pci | priority level | | | | qa | pvi | octet 3 |

Bit 8 is spare, set to 0

pci = Preemption Capability indicator (see note)

- 0 this allocation request shall not preempt an existing connection
- 1 this allocation request may preempt an existing connection

priority level:

- 6 5 4 3
- 0 0 0 0 spare
- 0 0 0 1 priority level 1 = highest priority
- 0 0 1 0 priority level 2 = second highest priority
- :: ::
- 1 1 1 0 priority level 14 = lowest priority
- 1 1 1 1 priority not used

qa = queueing allowed indicator

- 0 queueing not allowed
- 1 queueing allowed

pvi = Preemption Vulnerability indicator (see note)

- 0 this connection shall not be preempted by another allocation request
- 1 this connection might be preempted by another allocation request

NOTE: Preemption Capability indicator applies to the allocation of resources for an event and as such it provides the trigger to the preemption procedures/processes of the BSS. Preemption Vulnerability indicator applies for the entire duration of a connection and as such indicates whether the connection is a target of the preemption procedures/processes of the BSS.

3.2.2.19. CLASSMARK INFORMATION TYPE 2

The classmark information type 2 defines certain attributes of the mobile station equipment in use on a particular transaction.

It is coded as follows:

| | | | | | | | | |
|--------------------|---|---|---|---|---|---|---|-------------|
| 8 | 7 | 6 | 5 | 4 | 3 | 2 | 1 | |
| Element identifier | | | | | | | | octet 1 |
| Length | | | | | | | | octet 2 |
| Classmark | | | | | | | | octet 3 - 5 |

Octet 2 is a binary indication of the length of the remainder of the element in octets. The length shall be determined by the length of the Mobile Station Classmark 2 element of Technical Specification GSM 04.08.

The classmark octets 3, 4 and 5 are coded in the same way as the equivalent octets in the Mobile station classmark 2 element of Technical Specification GSM 04.08.

3.2.2.20. CLASSMARK INFORMATION TYPE 3

The classmark information type 3 defines certain attributes of the mobile station equipment in use on a particular transaction.

It is coded as follows:

| | | | | | | | | |
|--------------------|---|---|---|---|---|---|---|------------|
| 8 | 7 | 6 | 5 | 4 | 3 | 2 | 1 | |
| Element identifier | | | | | | | | octet 1 |
| Length | | | | | | | | octet 2 |
| Classmark | | | | | | | | octet 3-14 |

Octet 2 is a binary indication of the length of the remainder of the element in octets. The length octet has a minimum value of 1 and a maximum of 12. The length shall be determined by the length of the Mobile Station Classmark 3 element of Technical Specification GSM 04.08.

The classmark octets 3 to 14 are coded in the same way as the equivalent octets in the Mobile station classmark 3 element of Technical Specification GSM 04.08.

3.2.2.21. INTERFERENCE BAND TO BE USED

This fixed length element is coded as follows:

| | | | | | | | | |
|--------------------|---|---|---|---|---|---|---|---------|
| 8 | 7 | 6 | 5 | 4 | 3 | 2 | 1 | |
| Element identifier | | | | | | | | octet 1 |
| Band to be used | | | | | | | | octet 2 |

Octet 2 is coded as:

Bits 876 Spare

Bits 54321 A bit map indicating which interference bands are acceptable, the LSB represents the least level of interference.

3.2.2.22. RR CAUSE

This fixed length element is passed from the radio interface to the MSC transparently, when received in a Technical Specification GSM 04.08 message.

| | | | | | | | | |
|--------------------|---|---|---|---|---|---|---|---------|
| 8 | 7 | 6 | 5 | 4 | 3 | 2 | 1 | |
| Element identifier | | | | | | | | octet 1 |
| RR cause | | | | | | | | octet 2 |

Octet 2 is coded as the equivalent field from Technical Specification GSM 04.08.

3.2.2.23. TRACE NUMBER

A fixed length element giving a 16 bit binary reference number.

| | | | | | | | | |
|--------------------|---|---|---|---|---|---|---|-------------|
| 8 | 7 | 6 | 5 | 4 | 3 | 2 | 1 | |
| Element identifier | | | | | | | | octet 1 |
| Trace number | | | | | | | | octet 2 - 3 |

Octet 2 and 3 are the 16 bit binary reference number.

3.2.2.24. LAYER 3 INFORMATION

This is a variable length element used to pass radio interface messages from one network entity to another.

| | | | | | | | | |
|---------------------|---|---|---|---|---|---|---|-------------|
| 8 | 7 | 6 | 5 | 4 | 3 | 2 | 1 | |
| Element identifier | | | | | | | | octet 1 |
| Length | | | | | | | | octet 2 |
| Layer 3 information | | | | | | | | octet 3 - n |

Octet 1 identifies the element. Octet 2 gives the length of the following layer 3 information.

Octet j ($j = 3, 4, \dots, n$) is the unchanged octet $j-2$ of a radio interface layer 3 message as defined in Technical Specification GSM 04.08, $n-2$ is equal to the length of that radio interface layer 3 message.

3.2.2.25. DLCI

This is a fixed length element indicating the radio interface SAPI.

| | | | | | | | | |
|--------------------|---|---|---|---|---|---|---|---------|
| 8 | 7 | 6 | 5 | 4 | 3 | 2 | 1 | |
| Element identifier | | | | | | | | octet 1 |
| DLCI | | | | | | | | octet 2 |

Octet 2 is coded as the DLCI octet described in 08.06.

3.2.2.26. DOWNLINK DTX FLAG

A fixed length element indicating whether the DTX function in the BSS is to be disabled on a particular radio channel.

| | | | | | | | | |
|--------------------|---|---|---|---|---|---|---|---------|
| 8 | 7 | 6 | 5 | 4 | 3 | 2 | 1 | |
| Element identifier | | | | | | | | octet 1 |
| Downlink DTX flag | | | | | | | | octet 2 |

The Downlink DTX Flag is coded as follows:

- bits 8 to 2 are spare;
- bit 1 is set to one if the MSC forbids the BSS to activate DTX in the downlink direction; it is set to 0 otherwise.

3.2.2.27. CELL IDENTIFIER LIST

This element uniquely identifies cells and is of variable length containing the following fields:

| | | | | | | | | |
|-----------------------|---|---|---|-----------------------------------|---|---|---|-------------|
| 8 | 7 | 6 | 5 | 4 | 3 | 2 | 1 | |
| Element identifier | | | | | | | | octet 1 |
| Length | | | | | | | | octet 2 |
| Spare | | | | Cell identification discriminator | | | | octet 3 |
| Cell identification 1 | | | | | | | | octet 4-4+m |
| ⋮ | | | | | | | | ⋮ |
| Cell identification n | | | | | | | | .. to 4+nm |

The coding of octet 2 is a binary number indicating the Length of the remaining element. The Length depends on the Cell identification discriminator (bits 1 to 4 of octet 3) as well as the number of cells to be identified.

The coding of the Cell identification discriminator is a binary number indicating if the whole or a part of Cell Global identification, CGI, according to GSM 03.03 is used for cell identification of the cells in the list. The Cell identification discriminator is coded as follows:

- 0000 The whole Cell Global Identification, CGI, is used to identify the cells.
- 0001 Location Area Code, LAC, and Cell Identify, CI, is used to identify the cells.
- 0010 Cell Identity, CI, is used to identify the cells.
- 0011 No cell is associated with the transaction.
- 0100 Location Area Identification, LAI, is used to identify all cells within a Location Area.
- 0101 Location Area Code, LAC, is used to identify all cells within a location area.
- 0110 All cells on the BSS are identified.

All other values are reserved.

Values 0100, 0101 and 0110 are only applicable for page message.

The coding of the Cell Identifications 1 to n (octets 4 to 4+nm) depends on the Cell identification discriminator (octet 3). Below the coding of the i-th Cell Identification is shown for each Cell identification discriminator (with "i" in the range 1 to n):

Note that no coding is specified for Cell identification discriminator values of "0011" and "0110" as no additional information is required.

Coding of the i-th Cell Identification for
 Cell identification discriminator = 0000

| 8 | 7 | 6 | 5 | 4 | 3 | 2 | 1 | |
|---------------|---|---|---|-----------|---|---|---|-----------|
| MCC dig 2 | | | | MCC dig 1 | | | | octet x+1 |
| 1 | 1 | 1 | 1 | MCC dig 3 | | | | octet x+2 |
| MNC dig 2 | | | | MNC dig 1 | | | | octet x+3 |
| LAC | | | | | | | | octet x+4 |
| LAC cont. | | | | | | | | octet x+5 |
| CI value | | | | | | | | octet x+6 |
| CI value cont | | | | | | | | octet x+7 |

Where $x = 3 + 7(i-1)$.

The octets (x+1)-(x+5) are coded as shown in Table 10.9/GSM 04.08.

The octets (x+6)-(x+7) are coded as shown in Table 10.7/GSM 04.08.

Coding of i-th Cell Identification for
Cell identification discriminator = 0001

| 8 | 7 | 6 | 5 | 4 | 3 | 2 | 1 | |
|---------------|---|---|---|---|---|---|---|-----------|
| LAC | | | | | | | | octet x+1 |
| LAC cont. | | | | | | | | octet x+2 |
| CI value | | | | | | | | octet x+3 |
| CI value cont | | | | | | | | octet x+4 |

Where $x = 3 + 4(i-1)$

The octets (x+1)-(x+2) are coded as shown in Table 10.9/GSM 04.08.

The octets (x+3)-(x+4) are coded as shown in Table 10.7/GSM 04.08.

Coding of i-th Cell Identification for
Cell identification discriminator = 0010

| 8 | 7 | 6 | 5 | 4 | 3 | 2 | 1 | |
|---------------|---|---|---|---|---|---|---|-----------|
| CI value | | | | | | | | octet x+1 |
| CI value cont | | | | | | | | octet x+2 |

Where $x = 3 + (2(i-1))$

The octet (x+1)-(x+2) are coded as shown in Table 10.7/GSM 04.08.

Coding of i-th Cell Identification for
 Cell identification discriminator = 0100

| | | | | | | | | |
|-----------|---|---|---|-----------|---|---|---|-----------|
| 8 | 7 | 6 | 5 | 4 | 3 | 2 | 1 | |
| MCC dig 2 | | | | MCC dig 1 | | | | octet x+1 |
| 1 | 1 | 1 | 1 | MCC dig 3 | | | | octet x+2 |
| MNC dig 2 | | | | MNC dig 1 | | | | octet x+3 |
| LAC | | | | | | | | octet x+4 |
| LAC cont. | | | | | | | | octet x+5 |

Where $x = 3 + 5(i-1)$

The octets (x+1)-(x+5) are coded as shown in Table 10.9/GSM 04.08.

Coding of i-th Cell Identification for
 Cell identification discriminator = 0101

| | | | | | | | | |
|-----------|---|---|---|---|---|---|---|-----------|
| 8 | 7 | 6 | 5 | 4 | 3 | 2 | 1 | |
| LAC | | | | | | | | octet x+1 |
| LAC cont. | | | | | | | | octet x+2 |

Where $x = 3 + 2(i-1)$

The octets (x+1)-(x+2) are coded as shown in Table 10.9/GSM 04.08.

The appropriate coding for not identified cells is "0" for all bits of LAC and CI for all possible Cell Identification Discriminator values.

3.2.2.28. RESPONSE REQUEST

The presence of this element indicates that a Handover Required Reject message is required by the BSS, if the Handover Required message does not result in a handover.

The element has a fixed length of one octet:

| | | | | | | | | |
|--------------------|---|---|---|---|---|---|---|---------|
| 8 | 7 | 6 | 5 | 4 | 3 | 2 | 1 | |
| Element identifier | | | | | | | | octet 1 |

3.2.2.29. RESOURCE INDICATION METHOD

This element defines the way the BSS shall transfer the resource information related to a cell to the MSC. The coding is as follows:

| | | | | | | | | |
|--------------------|---|---|---|----------------------------|---|---|---|---------|
| 8 | 7 | 6 | 5 | 4 | 3 | 2 | 1 | |
| Element identifier | | | | | | | | octet 1 |
| Spare | | | | Resource indication method | | | | octet 2 |

The coding of the Resource Indication parameter is:

0000 the method i) of section 3.1.3.1 is selected,
 0001 the method ii) of section 3.1.3.1 is selected,
 0010 the method iii) of section 3.1.3.1 is selected,
 0011 the method iv) of section 3.1.3.1 is selected.
 All other values are reserved.

3.2.2.30. CLASSMARK INFORMATION TYPE 1

The classmark information type 1 defines certain attributes of the mobile station equipment in use on a particular transaction.

It is coded as follows:

| | | | | | | | | |
|--------------------|---|---|---|---|---|---|---|---------|
| 8 | 7 | 6 | 5 | 4 | 3 | 2 | 1 | |
| Element identifier | | | | | | | | octet 1 |
| Classmark | | | | | | | | octet 2 |

The classmark octet 2 is coded in the same way as the equivalent octet in the classmark 1 element of 04.08.

3.2.2.31. CIRCUIT IDENTITY CODE LIST

This element defines in conjunction with a Circuit Identity Code (3.2.2.2.) a list of terrestrial channels.

| | | | | | | | | |
|--------------------|---|---|---|---|---|---|---|------------|
| 8 | 7 | 6 | 5 | 4 | 3 | 2 | 1 | |
| Element identifier | | | | | | | | octet 1 |
| Length | | | | | | | | octet 2 |
| Range | | | | | | | | octet 3 |
| Status | | | | | | | | octet 4-35 |

The following codes are used in the range and status fields:

Range:

A number in pure binary representation ranging from 0 to 255. The number represented by the range code +1 indicates the range of circuits affected by the message.

Status:

The Status subfield contains up to 256 Status bits numbered from 0 up to 255. Status bit 0 is located in bit position 1 of the first Status subfield octet and refers to the circuit indicated in the CIC subfield{should be "associated Circuit Identity Code Information Element" not "CIC subfield"} itself. Other Status bits follow in numerical order.

Each Status bit is associated with a circuit identification code such that Status bit n is associated with CIC m+n, where m is the CIC contained in the message.{"where m is the CIC identified in the associated Circuit Identity Code Information Element in the message"}
 Status bit n is located in bit position nb of the no-th octet of the Status subfield with:

$$nb = (n \text{ mod } 8) + 1$$

and

$$no = (n \text{ div } 8) + 1.$$

The number of relevant Status bits in a given Status subfield is equal to the range value +1.

The Status bits are coded as follows:

- in the CIRCUIT GROUP BLOCK message
 - 0 no indication
 - 1 block
- in the CIRCUIT GROUP BLOCKING ACKNOWLEDGE message
 - 0 no indication
 - 1 blocking acknowledgement
- in the CIRCUIT GROUP UNBLOCK message
 - 0 no indication
 - 1 unblock
- in the CIRCUIT GROUP UNBLOCKING ACKNOWLEDGE message
 - 0 no indication
 - 1 unblocking acknowledgement
- in the UNEQUIPPED CIRCUIT message
 - 0 no indication
 - 1 unequipped

3.2.2.32. DIAGNOSTICS

| 8 | 7 | 6 | 5 | 4 | 3 | 2 | 1 | |
|--------------------|---|---|---|---|---|---|---|-----------|
| Element identifier | | | | | | | | octet 1 |
| Length | | | | | | | | octet 2 |
| Error pointer | | | | | | | | octet 3-4 |
| Message received | | | | | | | | octet 5-n |

The coding of the error pointer field is as follows:

Octet 3 gives the number of octets between octet 4 (not included) and the first octet (included) of the part of the message received which provoked the error. Thus:

- 0000 0000 Error location not determined
- 0000 0001 The first octet of the message received (i.e. the message type) was found erroneous (unknown)
- 0000 0010 The second octet of the message received was found erroneous
- 0000 0011 The third octet of the message received was found erroneous
- etc.

The last three values are reserved for the BSSAP header:

1111 1101 The first octet of the BSSAP header (Discrimination) was found erroneous
 1111 1110 (DTAP only) The DLCI (second) octet of the BSSAP header was found erroneous
 1111 1111 The last octet of the BSSAP header (length indicator) was found erroneous

Octet 4 is coded as follows:

| | | | | | | | | |
|-----|-------|---|---|---|-------------|---|---|---|
| bit | 8 | 7 | 6 | 5 | 4 | 3 | 2 | 1 |
| | 0 | 0 | 0 | 0 | bit pointer | | | |
| | spare | | | | | | | |

The bit pointer field is coded as follows:

bits 4321

0000 No particular part of the octet is indicated
 0001 An error was provoked by the field whose most significant bit is in bit position 1
 0010 An error was provided by the field whose most significant bit is in bit position 2
 0011 An error was provided by the field whose most significant bit is in bit position 3
 0100 An error was provided by the field whose most significant bit is in bit position 4
 0101 An error was provided by the field whose most significant bit is in bit position 5
 0110 An error was provided by the field whose most significant bit is in bit position 6
 0111 An error was provided by the field whose most significant bit is in bit position 7
 1000 An error was provided by the field whose most significant bit is in bit position 8

All other values are reserved.

The "message received" field should be the contents, as far as can be determined, of the received message which provoked the error.

3.2.2.33. CHOSEN CHANNEL

This Information Element contains a description of the channel allocated to the MS.

It is coded as follows:

| | | | | | | | | |
|--------------------|---|---|---|---------|---|---|---|---------|
| 8 | 7 | 6 | 5 | 4 | 3 | 2 | 1 | |
| Element identifier | | | | | | | | octet 1 |
| spare | | | | Channel | | | | octet 2 |

The channel field is coded as follows:

- Bit 4321
- 0001 SDCCH
- 1000 Full rate TCH
- 1001 Half rate TCH

All other values are reserved.

3.2.2.34. CIPHER RESPONSE MODE

This information element is used by the MSC to indicate whether the IMEI is to be included in the CIPHERING MODE COMPLETE message to be sent by the Mobile Station.

| | | | | | | | | |
|----------------------|---|---|---|---|---|---|---|---------|
| 8 | 7 | 6 | 5 | 4 | 3 | 2 | 1 | |
| Element identifier | | | | | | | | octet 1 |
| Cipher response mode | | | | | | | | octet 2 |

Octet 2 is coded as:-

Bits 8,7,6,5,4,3,2 - Spare

Bit 1 = 0 - IMEISV must not be included by the Mobile Station

Bit 1 = 1 - IMEISV must be included by the Mobile Station

3.2.2.35. LAYER 3 MESSAGE CONTENTS

This is a variable length element used to pass the contents (from octet 3 up to the last octet) of radio interface messages from one network entity to another.

| | | | | | | | | |
|--------------------------|---|---|---|---|---|---|---|-------------|
| 8 | 7 | 6 | 5 | 4 | 3 | 2 | 1 | |
| Element identifier | | | | | | | | octet 1 |
| Length | | | | | | | | octet 2 |
| Layer 3 message contents | | | | | | | | octet 3 - n |

The length indicator (octet 2) is a binary number indicating the absolute length of the contents after the length indicator octet.

Octet j (j = 3, 4, ..., n) is the unchanged octet j of a radio interface layer 3 message as defined in Technical Specification GSM 04.08, n is equal to the length of that radio interface layer 3 message.

3.2.2.36. CHANNEL NEEDED

This information element contains an indication for the mobile station of which channel is needed for the transaction linked to the paging procedure.

It is coded as follows:

| | | | | | | | | |
|--------------------|---|---|---|---------|---|---|---|---------|
| 8 | 7 | 6 | 5 | 4 | 3 | 2 | 1 | |
| Element identifier | | | | | | | | octet 1 |
| Spare | | | | Channel | | | | octet 2 |

The Channel field is coded as follows:

| | | |
|-----|-----|----------------------------|
| Bit | 2 1 | |
| | 0 0 | Any channel |
| | 0 1 | SDCCH |
| | 1 0 | TCH/F (Full rate) |
| | 1 1 | TCH/H or TCH/F (Dual rate) |

3.2.2.37. TRACE TYPE

A fixed length element indicating the type of trace information to be recorded.

| | | | | | | | | |
|--------------------|---|---|---|---|---|---|---|---------|
| 8 | 7 | 6 | 5 | 4 | 3 | 2 | 1 | |
| Element identifier | | | | | | | | octet 1 |
| Trace type | | | | | | | | octet 2 |

Octet 2 contains the trace type.

Octet 2 is coded as follows:

| | | | | | | | | | |
|------|---|---|---|----|---|---|---|---|--|
| bits | 8 | 7 | 6 | 5 | 4 | 3 | 2 | 1 | |
| | x | x | x | RM | x | x | x | P | |
| | | | | | | | | | bit 1 indicates priority (P) and is coded as follows: 0 normal output 1 priority output |
| | | | | | | | | | bit 5 indicates the necessity of radio measurement (RM): 0 events excluding radio measurements 1 events including radio measurements |

all other values are reserved.

3.2.2.38. TRIGGERID

A variable length element indicating the identity of the entity which initiated the trace.

| | | | | | | | | |
|--------------------|---|---|---|---|---|---|---|-------------|
| 8 | 7 | 6 | 5 | 4 | 3 | 2 | 1 | |
| Element identifier | | | | | | | | octet 1 |
| Length | | | | | | | | octet 2 |
| Entity identity | | | | | | | | octets 3-22 |

Octets 3-22 may be typically an OMC identity.

3.2.2.39. TRACE REFERENCE

A fixed length element providing a trace reference number allocated by the triggering entity

| | | | | | | | | |
|--------------------|---|---|---|---|---|---|---|-----------|
| 8 | 7 | 6 | 5 | 4 | 3 | 2 | 1 | |
| Element identifier | | | | | | | | octet 1 |
| TraceReference | | | | | | | | octet 2-3 |

3.2.2.40. TRANSACTIONID

A potentially variable length element indicating a particular transaction within a trace.

| | | | | | | | | |
|--------------------|---|---|---|---|---|---|---|-----------|
| 8 | 7 | 6 | 5 | 4 | 3 | 2 | 1 | |
| Element identifier | | | | | | | | octet 1 |
| Length | | | | | | | | octet 2 |
| Transaction number | | | | | | | | octet 3-4 |

3.2.2.41. MOBILE IDENTITY

A variable length element.

| | | | | | | | | |
|--------------------|---|---|---|---|---|---|---|-----------|
| 8 | 7 | 6 | 5 | 4 | 3 | 2 | 1 | |
| Element identifier | | | | | | | | octet 1 |
| Length | | | | | | | | octet 2 |
| Mobile identity | | | | | | | | octet 3-n |

Octet 3-n contain either the IMSI, IMEISV or IMEI as coded in TS GSM 04.08, not including GSM 04.08 element identifier or GSM 04.08 octet length value.

3.2.2.42. OMCID

A variable length element indicating the destination OMC to which trace information is to be sent.

| | | | | | | | | |
|--------------------|---|---|---|---|---|---|---|-------------|
| 8 | 7 | 6 | 5 | 4 | 3 | 2 | 1 | |
| Element identifier | | | | | | | | octet 1 |
| Length | | | | | | | | octet 2 |
| OMC identity | | | | | | | | octets 3-22 |

For the OMC identity, see TS 12.20

3.2.2.43 FORWARD INDICATOR

A fixed length element indicating whether the trace is to be continued in a BSS to which the call has been handed over.

| | | | | | | | | |
|--------------------|---|---|---|-------------------|---|---|---|---------|
| 8 | 7 | 6 | 5 | 4 | 3 | 2 | 1 | |
| Element identifier | | | | | | | | octet 1 |
| spare | | | | Forward indicator | | | | octet 2 |

Octet 2 is coded as follows:

| | | |
|-----|---------|---|
| bit | 4 3 2 1 | |
| | 0 0 0 1 | forward to subsequent BSS, no trace at MSC |
| | 0 0 1 0 | forward to subsequent BSS, and trace at MSC |

All other values are reserved.
 Bits 5-8 are spare.

3.2.2.44. CHOSEN ENCRYPTION ALGORITHM

This element indicates the encryption algorithm being used by the BSS.

It is coded as follows:

| | | | | | | | | |
|----------------------|---|---|---|---|---|---|---|---------|
| 8 | 7 | 6 | 5 | 4 | 3 | 2 | 1 | |
| Element identifier | | | | | | | | octet 1 |
| Algorithm identifier | | | | | | | | octet 2 |

The algorithm identifier caters for the possible future introduction of different user data encryption algorithms. It is coded as;

- 0000 0001 No encryption used
- 0000 0010 GSM user data encryption version 1(A5/1).
- 0000 0011 GSM A5/2
- 0000 0100 GSM A5/3
- 0000 0101 GSM A5/4
- 0000 0110 GSM A5/5
- 0000 0111 GSM A5/6
- 0000 1000 GSM A5/7

All other values are Reserved for future international use.

3.2.2.45. CIRCUIT POOL

This element indicates the circuit pool of a circuit or group of circuits.

It is coded as follows:

| | | | | | | | | |
|---------------------|---|---|---|---|---|---|---|---------|
| 8 | 7 | 6 | 5 | 4 | 3 | 2 | 1 | |
| Element identifier | | | | | | | | octet 1 |
| Circuit pool number | | | | | | | | octet 2 |

The circuit pool element is coded as follows:

```

0000 0001  Circuit pool number 1   }
0000 0010  Circuit pool number 2   }   Predefined circuit pools.
0000 0011  Circuit pool number 3   }
1000 xxxx  For national/local use
    
```

Definition of predefined circuit pools:

- | | |
|------|--|
| Pool | Supported channels |
| 1 | FR speech FR data (12, 6, 3.6 kbit/s) |
| 2 | HR speech HR data (6, 3.6 kbit/s) |
| 3 | FR speech FR data (12, 6, 3.6 kbit/s) HR speech HR data (6, 3.6 kbit/s) |

3.2.2.46. CIRCUIT POOL LIST

This element defines a list of BSS preferred circuit pools in order of preference.

It is coded as follows:

| | | | | | | | | |
|-------------------------------------|---|---|---|---|---|---|---|-----------|
| 8 | 7 | 6 | 5 | 4 | 3 | 2 | 1 | |
| Element identifier | | | | | | | | octet 1 |
| Length | | | | | | | | octet 2 |
| Circuit pool number (1st preferred) | | | | | | | | octet 3 |
| ⋮ | | | | | | | | ⋮ |
| Circuit pool number (nth preferred) | | | | | | | | octet n+2 |

The Circuit pool number is coded as specified in 3.2.2.45.

3.2.3. List of Timers in the BSSMAP Procedures

| Timer | Title | Time |
|-------|--|------|
| T1 | Time to receipt of BLOCKING ACKNOWLEDGE. | O&M |
| T2 | Reset guard period at the MSC | O&M |
| T4 | Time to receipt of RESET ACKNOWLEDGE at the BSS | O&M |
| T5 | Overload timer in the MSC, see 3.1.12.1 | O&M |
| T6 | Overload timer in the MSC, see 3.1.12.1 | O&M |
| T7 | Handover required periodicity | O&M |
| T8 | Time to receipt of successful handover information | O&M |
| T10 | Time to return of ASSIGNMENT COMPLETE or ASSIGNMENT FAILURE from MS (Note) | O&M |
| T11 | Maximum allowed queuing time for assignment | O&M |
| T12 | Time to receipt of RESET CIRCUIT ACKNOWLEDGE at the MSC | O&M |
| T13 | Reset guard period at the BSS | O&M |
| T16 | Time to receipt of RESET ACKNOWLEDGE at the MSC | O&M |
| T17 | Overload timer in the BSS, see 3.1.12.1 | O&M |
| T18 | Overload timer in the BSS, see 3.1.12.1 | O&M |
| T19 | Time to receipt of RESET CIRCUIT ACKNOWLEDGE at the BSS | O&M |
| T20 | Time to receipt of CIRCUIT GROUP BLOCKING ACKNOWLEDGE. | O&M |
| Tqho | Maximum allowed queueing time for handover | O&M |

NOTE: T10 is not the same as T3107 as defined in GSM 04.08

3.3. SDL Representation Of The Procedures At The BSS

The SDL diagrams may be inserted at a later stage after updating and carefully checking of consistency with the main text.

4. BROADCAST INFORMATION CONTROL CHANNEL

Information that is transferred in the Broadcast Control Channel is stored locally at the BSS. The scheduling of this information on the BCCH is controlled autonomously by the BSS.

The set of information that is transmitted in the BCCH is derived locally or downloaded to the BSS via the BSS Operation and Maintenance Application Part.

5. VOCABULARY

This paragraph contains definition of terms:

BSS

Base Station System. This is the equipment which is accessed through the interface defined in the 08 series of Technical Specifications. It contains the functionality described in 08.02, and supports one or more cells. See GSM 01.04.

BSSAP

The Base Station System Application Part, this is the subsystem that contains the process dealing with radio resource control and management known as the Base Station System Management Application Part (BSSMAP) and transparent transfer of call control and mobility management information known as the Direct Transfer Application Part (DTAP). The BSSAPs at the BSS and the MSC are connected by means of SCCP connections.

DTAP

The DTAP, Direct Transfer Application Part is a process which allows the direct transfer of messages between individual MSs and the MSC with no interpretation of layer 3 information at the BSS.

BSSMAP

Base Station System Management Application Part. This is the process within the BSS that controls radio resources in response to instructions from the MSC.

INTERNAL HANDOVER

An internal handover is a handover which takes place between channels on a cell or cells controlled by a single BSS. This handover operates without reference to the MSC (although the MSC will be informed on completion). Handovers of this type in one cell are called internal intra cell handovers and between cells are called internal inter cell handovers.

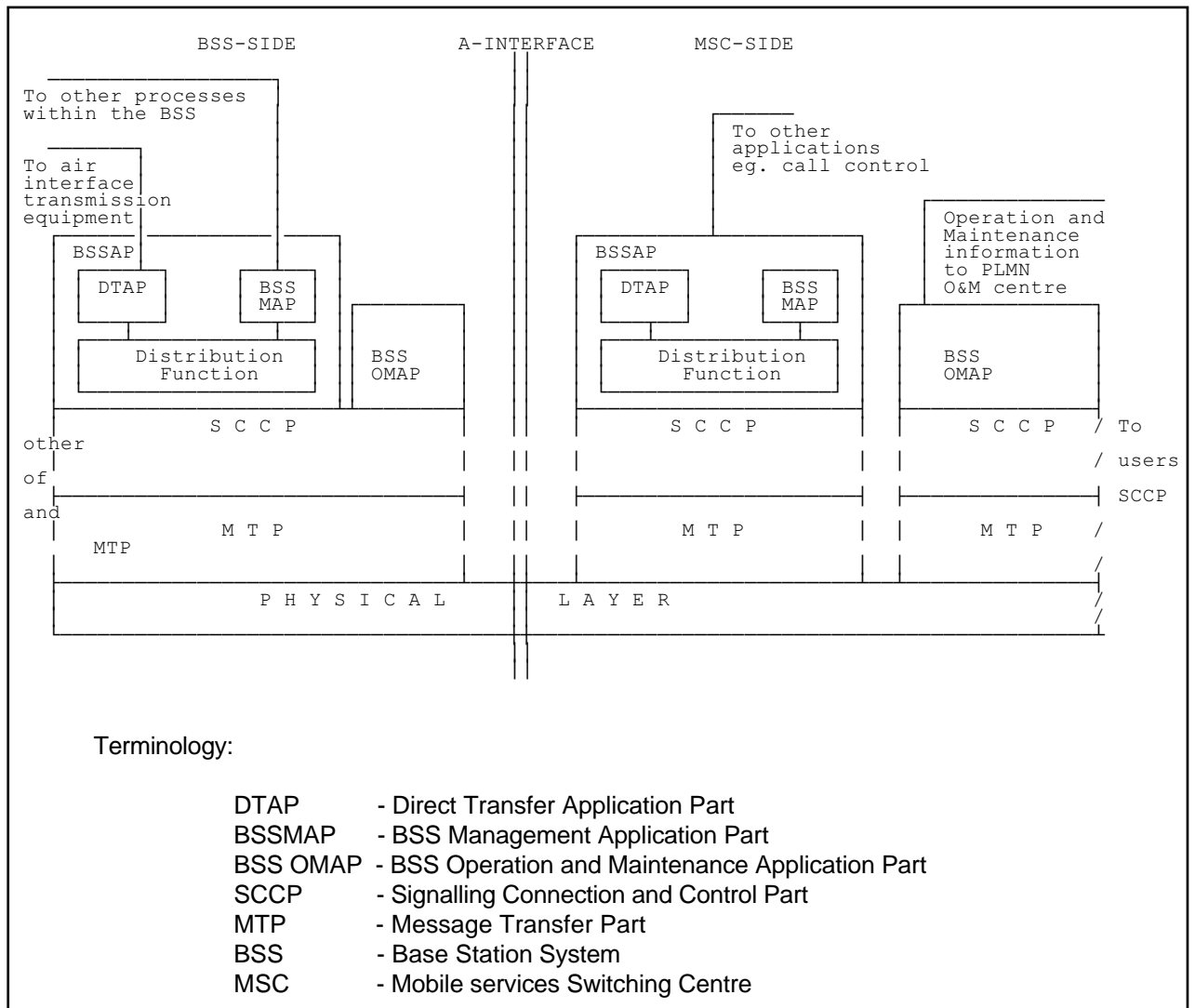
Handovers between channels on the same cell or between cells on the same BSS which are controlled by the MSC are external handovers and use identical procedures to those for inter-BSS handovers.

DIRECTED RETRY

Directed Retry is the process of assigning a Mobile Station to a TCH in a cell other than the serving cell, e.g. in situations of congestion. It is triggered by the assignment procedure and employs internal or external handover procedures.

6. LIST OF DIAGRAMS

| Figure | Title |
|---------------|--|
| 1. | Signalling protocol reference model |
| 2. | Assignment |
| 3. | Handover execution |
| 4. | Handover required indication |
| 5. | Handover resource allocation |
| 6. | Release |
| 7. | Release due to reason at the BSS |
| 8. [not used] | |
| 9. | Classmark updating |
| 10. | Blocking of terrestrial circuits |
| 11. | Reset |
| 12. | Resource indication |
| 13. | Handover candidate enquiry |
| 14. | Flow control |
| 15. | Paging |
| 16. | Overview of handover procedure between two BSS's on the same MSC |
| 17. | Cipher mode control |
| 18. | SAPI "n" rejection |



NOTE: X.25 can be used for transferring O and M information

FIGURE 1
SIGNALLING PROTOCOL REFERENCE MODEL

ASSIGNMENT

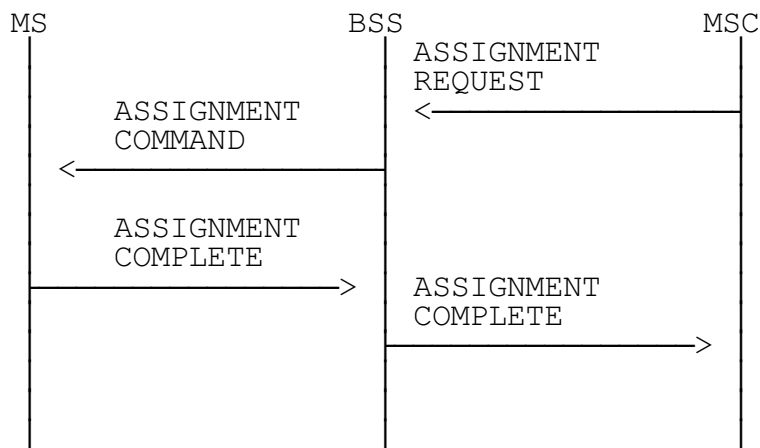


FIG 2

HANDOVER EXECUTION

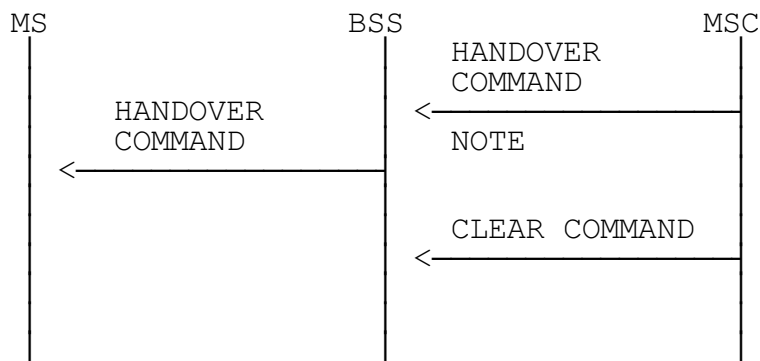


FIG 3

NOTE: A timer T8 is started to protect the overall procedure

HANDOVER REQUIRED INDICATION

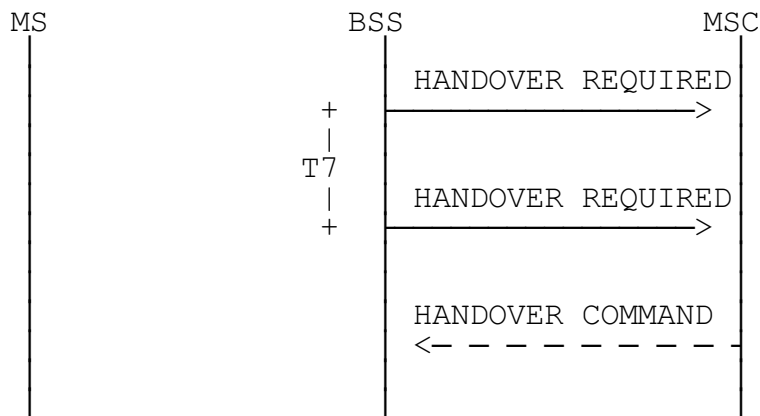


FIG 4

HANDOVER RESOURCE ALLOCATION

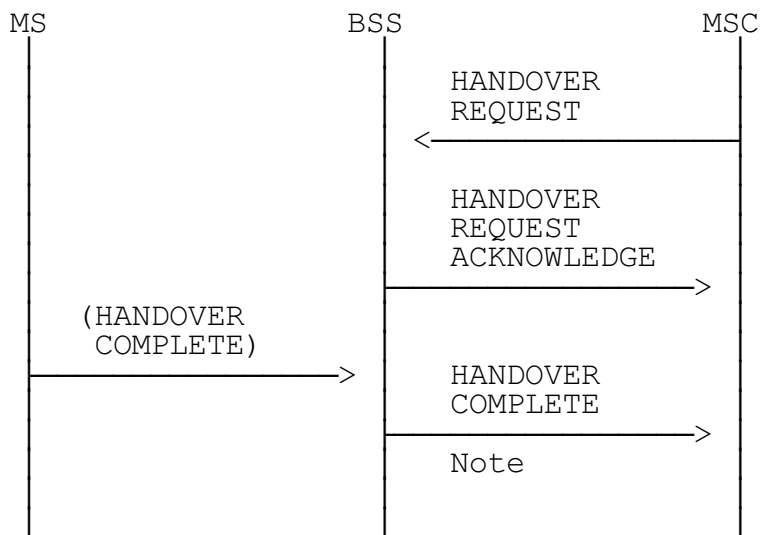


FIG 5

NOTE: The instant of generation of the Handover Complete is described in the text of Technical Specification GSM 08.08

RELEASE

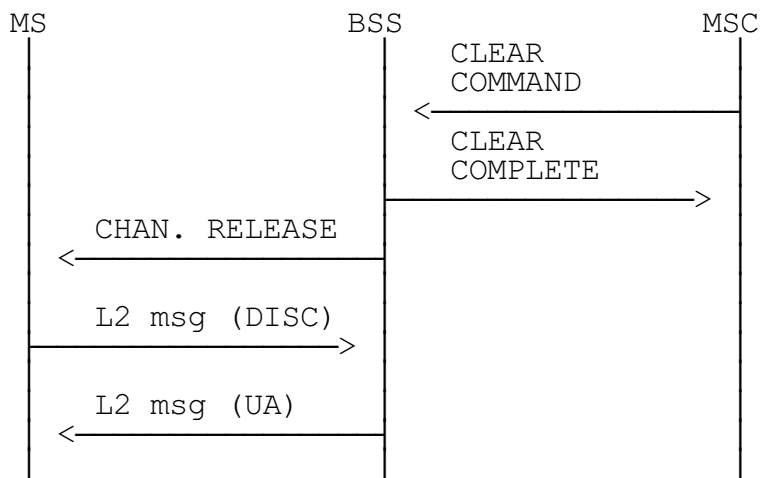


FIG 6

RELEASE DUE TO REASON AT THE BSS

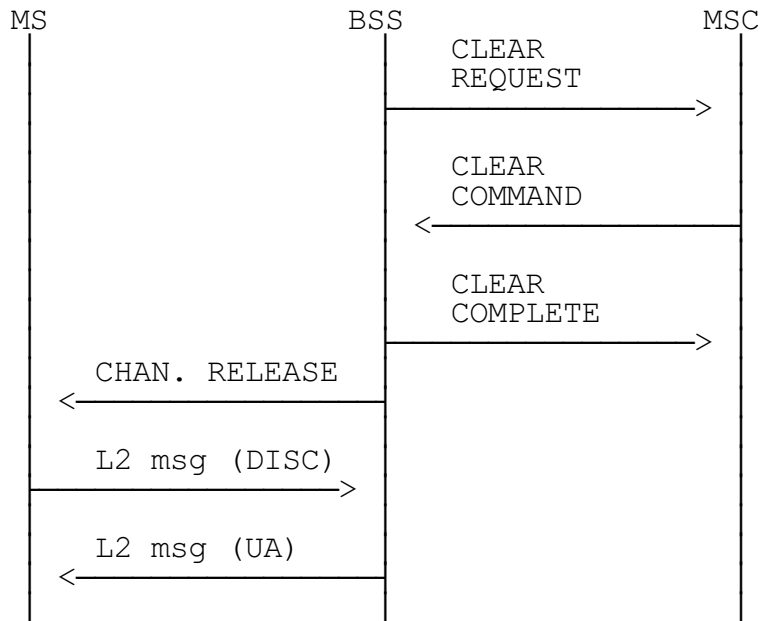


FIG 7

CLASSMARK UPDATING

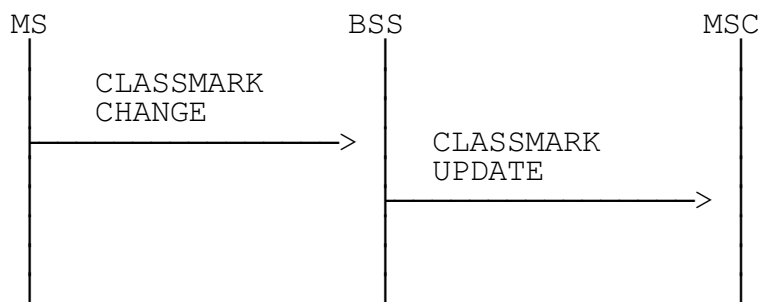


FIG 9

BLOCKING OF TERRESTRIAL CIRCUITS

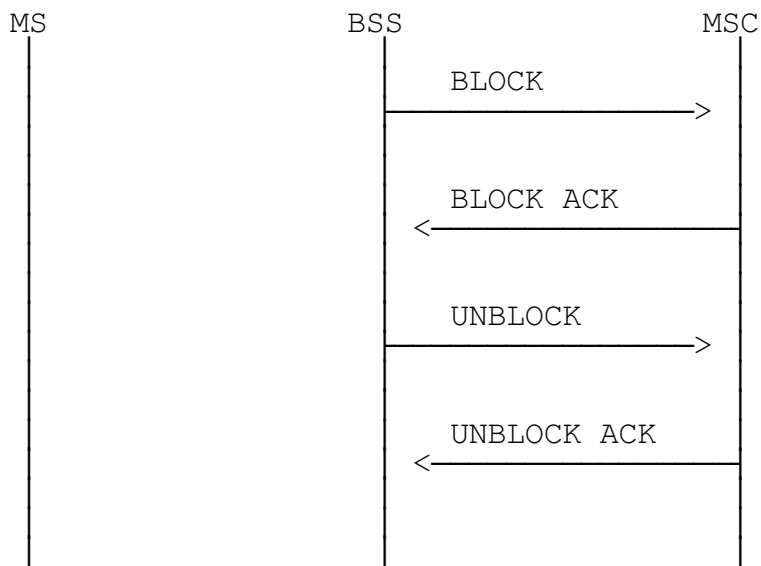


FIG 10

RESET

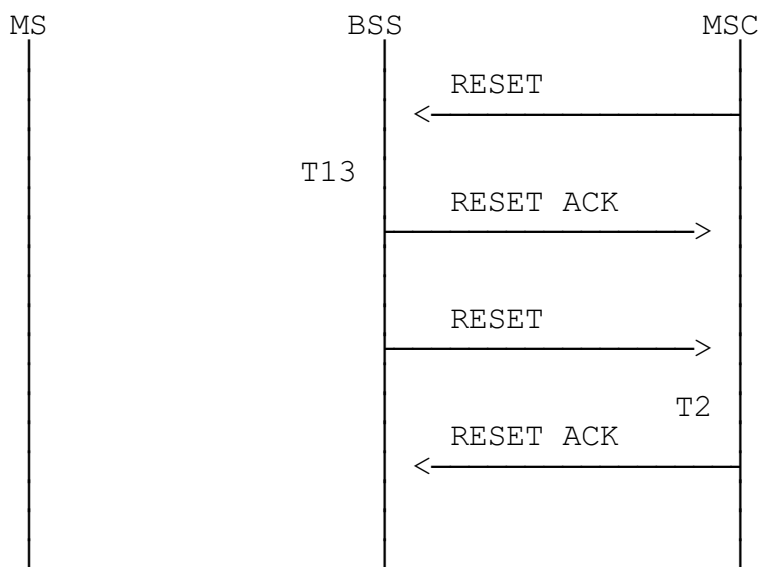


FIG 11

RESOURCE INDICATION

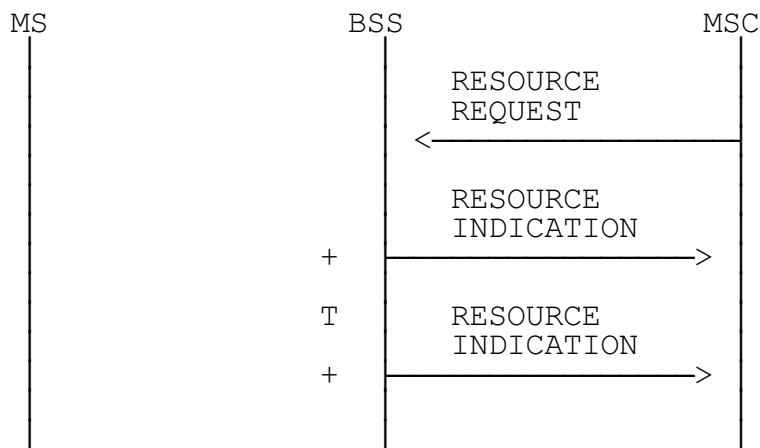


FIG 12

HANDOVER CANDIDATE ENQUIRY

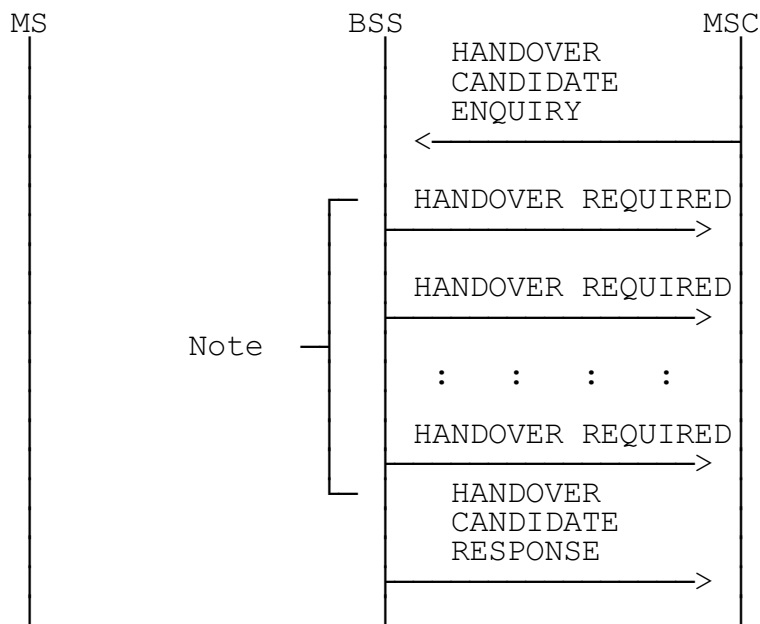


FIG 13

NOTE: Receipt of the Handover Candidate Enquiry Message causes the generation of a Handover Required message for each of candidate MS. These are sent as connection oriented messages. When all Handover Required messages have been generated a global Handover Candidate Response message is returned.

FLOW CONTROL

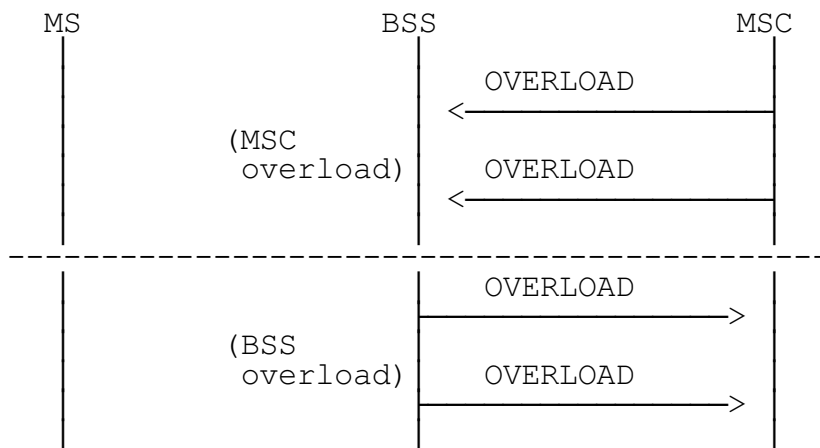


FIG 14

PAGING

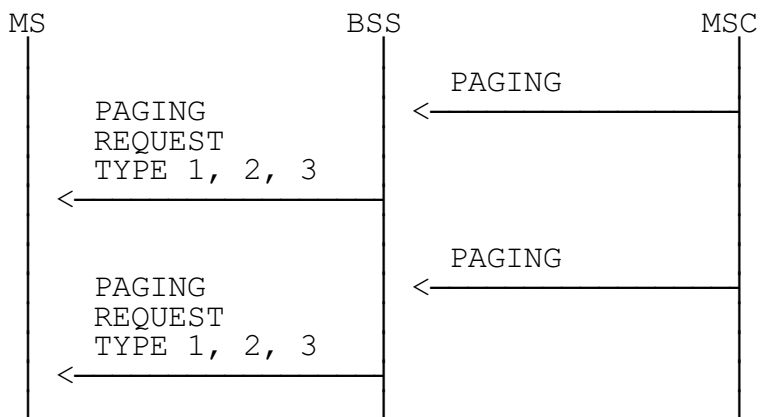


FIG 15

OVERVIEW OF THE HANDOVER PROCEDURE BETWEEN TWO BSS'S ON THE SAME MSC.

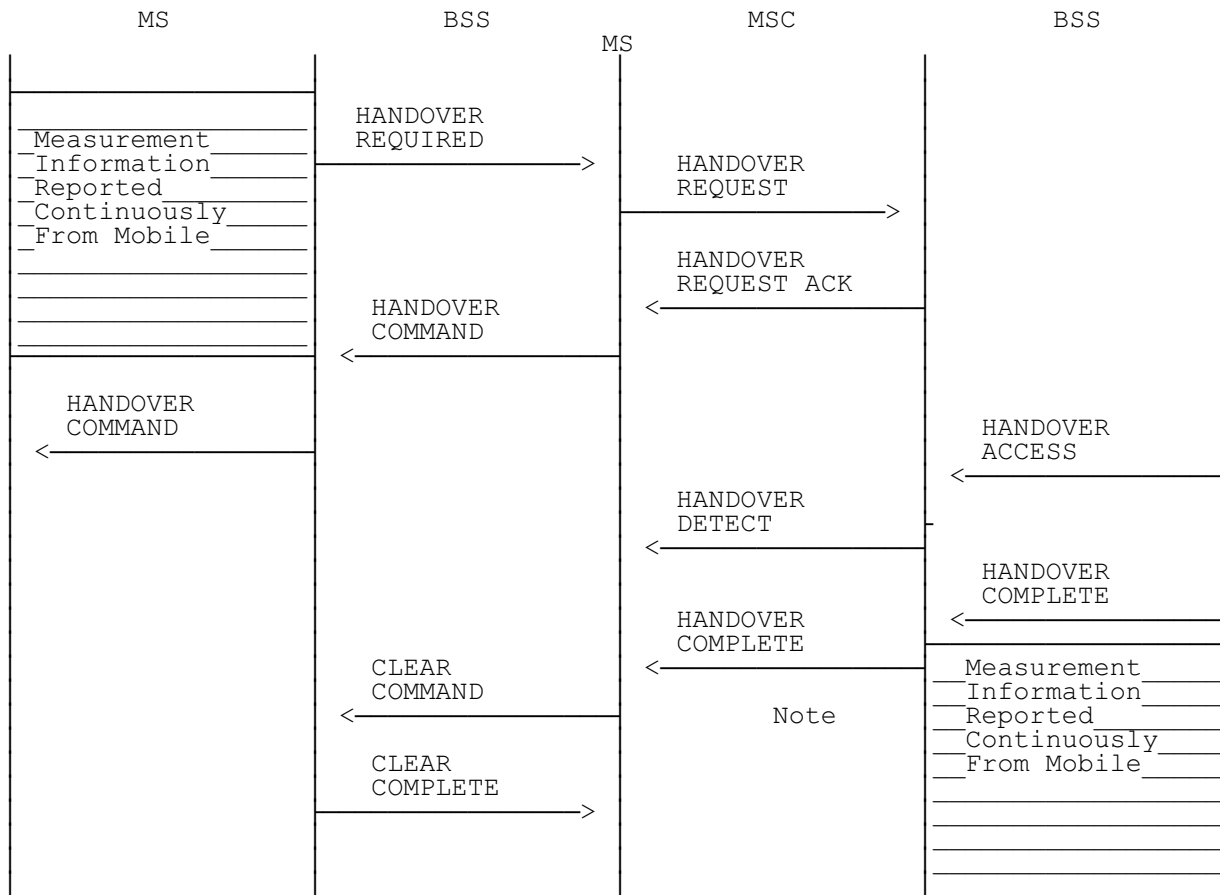


FIG 16

NOTE: The Handover Complete message can be sent as soon as the BSS is certain that the MS has successfully been captured.

CIPHER MODE CONTROL

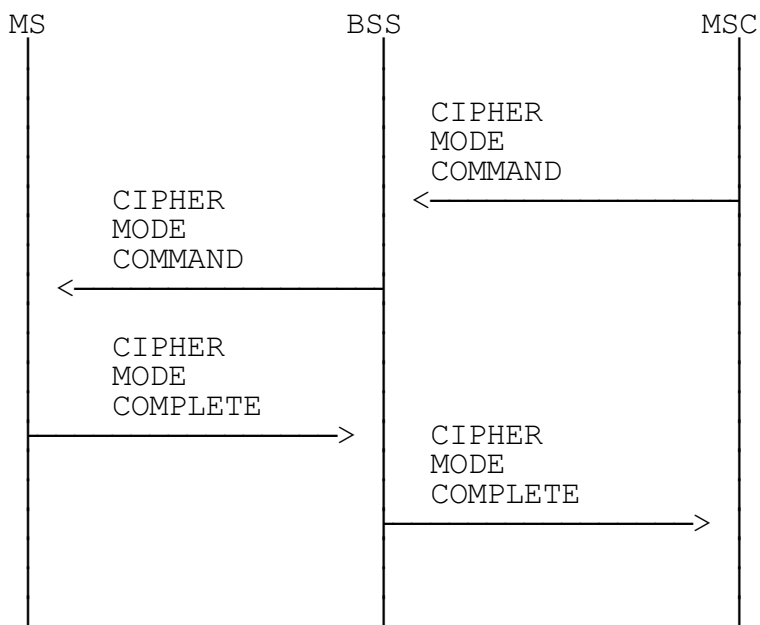


FIG 17

SAPI "n" REJECTION

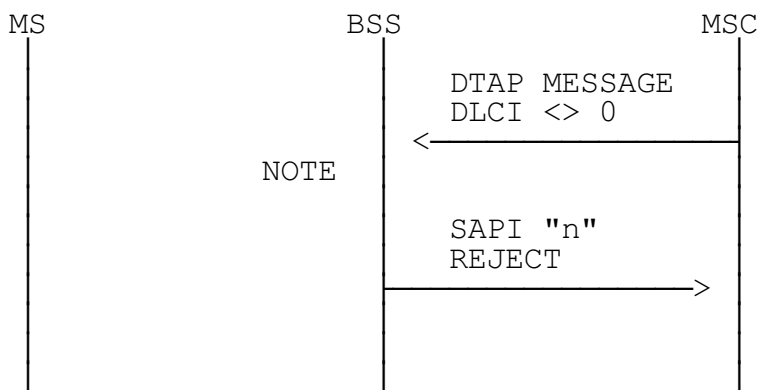


FIG 18

NOTE: The BSS or MS is not equipped for the SAPI request.

History

| Document history | |
|-------------------------|---|
| September 1994 | First Edition |
| July 1995 | Second Edition |
| November 1995 | Converted into Adobe Acrobat Portable Document Format (PDF) |
| | |
| | |