



EUROPEAN
TELECOMMUNICATION
STANDARD

FINAL DRAFT
pr **ETS 300 581-5**

August 1995

Source: ETSI TC-SMG

Reference: DE/SMG-020641

ICS: 33.060.50

Key words: European digital cellular telecommunications system, Global System for Mobile communications (GSM)

**European digital cellular telecommunications system;
Half rate speech
Part 5: Discontinuous transmission (DTX) for half rate
speech traffic channels
(GSM 06.41)**

ETSI

European Telecommunications Standards Institute

ETSI Secretariat

Postal address: F-06921 Sophia Antipolis CEDEX - FRANCE

Office address: 650 Route des Lucioles - Sophia Antipolis - Valbonne - FRANCE

X.400: c=fr, a=atlas, p=etsi, s=secretariat - **Internet:** secretariat@etsi.fr

Tel.: +33 92 94 42 00 - Fax: +33 93 65 47 16

Copyright Notification: No part may be reproduced except as authorized by written permission. The copyright and the foregoing restriction extend to reproduction in all media.

© European Telecommunications Standards Institute 1995. All rights reserved.

Contents

Foreword	5
1 Scope	7
2 Normative references	7
3 Definitions, symbols and abbreviations	8
3.1 Definitions	8
3.2 Symbols	9
3.3 Abbreviations	9
4 General	10
4.1 General Organisation	10
5 Transmit (TX) side	10
5.1 General Operation	10
5.1.1 Functions of the TX DTX handler	11
5.1.2 Functions of the TX radio subsystem	12
6 Receive (RX) side	14
6.1 General operation	14
6.1.1 Functions of the RX radio subsystem	14
6.1.2 Functions of the RX DTX handler	15
History	16

Blank page

Foreword

This final draft European Telecommunication Standard (ETS) has been produced by the Special Mobile Group (SMG) Technical Committee of the European Telecommunications Standards Institute (ETSI), and is now submitted for the Voting phase of the ETSI standards approval procedure.

This final draft ETS specifies the half rate speech traffic channels for the European digital cellular telecommunications system. This ETS corresponds to GSM technical specification, GSM 06.41, version 4.0.1 and is part 5 of a multi-part ETS covering the half rate speech traffic channels as described below:

GSM 06.02	ETS 300 581-1: "European digital cellular telecommunications system; Half rate speech Part 1: Half rate speech processing functions".
GSM 06.20	ETS 300 581-2: "European digital cellular telecommunications system; Half rate speech Part 2: Half rate speech transcoding".
GSM 06.21	ETS 300 581-3: "European digital cellular telecommunications system; Half rate speech Part 3: Substitution and muting of lost frames for half rate speech traffic channels".
GSM 06.22	ETS 300 581-4: "European digital cellular telecommunications system; Half rate speech Part 4: Comfort noise aspects for half rate speech traffic channels".
GSM 06.41	ETS 300 581-5: "European digital cellular telecommunications system; Half rate speech Part 5: Discontinuous Transmission (DTX) for half rate speech traffic channels".
GSM 06.42	ETS 300 581-6: "European digital cellular telecommunications system; Half rate speech Part 6: Voice Activity Detection (VAD) for half rate speech traffic channels".
GSM 06.06	ETS 300 581-7: "European digital cellular telecommunications system; Half rate speech Part 7: ANSI-C code for the GSM half rate speech codec".
GSM 06.07	ETS 300 581-8: "European digital cellular telecommunications system; Half rate speech Part 8: Test vectors for the GSM half rate speech codec".

NOTE: TC-SMG has produced documents which give the technical specifications for the implementation of the European digital cellular telecommunications system. Historically, these documents have been identified as GSM Technical Specifications (GSM-TS). These TSs may have subsequently become Interim European Telecommunication Standards (I-ETs), (Phase 1), or European Telecommunication Standards (ETs), (Phase 2), whilst others may become ETSI Technical Reports (ETRs).

Proposed transposition dates	
Date of latest announcement of this ETS (doa):	3 months after ETSI publication
Date of latest publication of new National Standard or endorsement of this ETS (dop/e):	6 months after doa
Date of withdrawal of any conflicting National Standard (dow):	6 months after doa

Blank page

1 Scope

Error! Reference source not found.This European Telecommunication Standard (ETS) gives a description of the general baseband operation of half rate speech traffic channels in the transmitter and in the receiver of GSM Mobile Stations (MS)s and Base Station Systems (BSS)s during Discontinuous Transmission (DTX).

For clarity, the description is structured according the block diagrams in figure 1 and 4. Except in the case described next, this structure of distributing the various functions between system entities is not mandatory for implementation, as long as the operation on the air interface and on the speech decoder output remains the same.

In the case of BSSs where the speech transcoder is located remotely in the Base Station Controller (BSC), the implementation of the interfaces between the DTX Handlers and the Radio Sub System (RSS) as described in this ETS together with all their flags is mandatory, being a part of the A-bis interface as described in GSM 08.61 (ETS 300 598) [11].

The DTX functions described in this ETS are mandatory for implementation in all GSM MSs. The receiver requirements are mandatory for implementation in all GSM BSSs, the transmitter requirements only for those where downlink DTX will be used.

2 Normative references

This ETS incorporates by dated and undated reference, provisions from other publications. These normative references are cited at the appropriate places in the text and the publications are listed hereafter. For dated references, subsequent amendments to or revisions of any of these publications apply to this ETS only when incorporated in it by amendment or revision. For undated references, the latest edition of the publication referred to applies.

- [1] GSM 01.04 (ETR 100): "European digital cellular telecommunication system (Phase 2); Abbreviations and acronyms".
- [2] GSM 04.08 (ETS 300 557): "European digital cellular telecommunications system (phase 2); Mobile radio interface layer 3 specification".
- [3] GSM 05.05 (ETS 300 577): "European digital cellular telecommunications system (phase 2); Radio transmission and reception".
- [4] GSM 05.08 (ETS 300 578): "European digital cellular telecommunications system (phase 2); Radio subsystem link control".
- [5] GSM 06.02 (ETS 300 581-1): "European digital cellular telecommunications system; Half rate speech Part 1: Half rate speech processing functions".
- [6] GSM 06.12 (ETS 300 580-4): "European digital cellular telecommunications system; Comfort noise aspects for full rate speech traffic channels".
- [7] GSM 06.20 (ETS 300 581-2): "European digital cellular telecommunications system; Half rate speech Part 2: Half rate speech transcoding".
- [8] GSM 06.21 (ETS 300 581-3): "European digital cellular telecommunications system; Half rate speech Part 3: Substitution and muting of lost frame for half rate speech traffic channels".
- [9] GSM 06.22 (ETS 300 581-4): "European digital cellular telecommunications system; Half rate speech Part 4: Comfort noise aspects for half rate speech traffic channels".
- [10] GSM 06.42 (ETS 300 581-6): "European digital cellular telecommunications system; Half rate speech Part 6: Voice Activity Detection (VAD) for half rate speech frame traffic channels".

[11] GSM 08.61 (ETS 300 598): " European digital cellular telecommunications system (phase 2); Inband control of remote transcoder and rate adaptors".

3 Definitions, symbols and abbreviations

3.1 Definitions

For the purpose of this ETS the following definitions apply.

Error! Reference source not found.Frame: Time interval of 20 ms corresponding to the time segmentation of the half rate speech transcoder defined in GSM 06.20 (ETS 300 581-2) [7]), also used as a short term for a traffic frame.

Traffic frame: Block of 112 information bits transmitted on the half rate speech traffic channel.

SID frame : Frame characterised by the SID (Silence Descriptor) code word. It conveys information on the acoustic background noise.

SID code word : Fixed bit pattern defined in GSM 06.22 (ETS 300 581-4) [9], for labelling a traffic frame as a SID frame.

SID field : The bit positions defined in GSM 06.22 (ETS 300 581-4) [9], of the SID codeword within a SID frame.

Speech frame : Traffic frame that cannot be classified as a SID frame.

Error! Reference source not found.Bad traffic frame: A traffic frame flagged BFI="1" (Bad Frame Indication) or with UFI="1" (Unreliable Frame Indication) by the Radio Subsystem.

Good traffic frame: A traffic frame flagged BFI="0" and UFI="0" by the Radio Subsystem.

Good speech frame: A good traffic frame which is not an accepted SID frame.

Accepted SID frame: A traffic frame which is flagged with SID="1" or SID="2" by the Radio Subsystem.

Valid SID frame: A good traffic frame flagged with SID="2" by the Radio Subsystem. This frame is valid for updating of comfort noise parameters at any time.

Invalid SID frame: An accepted SID frame which was not classified as valid SID frame. This frame is not valid for updating comfort noise parameters, but the frame conveys information that comfort noise generations should be started or continued.

Unusable frame: A bad traffic frame that is not an accepted SID frame.

Lost SID frame: An unusable frame received when the RX DTX Handler is generating comfort noise and a SID frame is expected (Time Alignment Flag TAF="1").

Lost speech frame: An unusable frame received when the RX DTX Handler is passing on traffic frames directly to the speech decoder.

VAD flag Boolean flag , generated by the VAD algorithm defined in GSM 06.42 (ETS 300 581-6) [10], indicating the presence ("1") or the absence ("0") of a speech frame.

SP flag Boolean flag, generated by the TX DTX handler, indicating the presence of a speech frame ("1") or the presence of a SID frame ("0").

Hangover period A period of 7 frames added at the end of a speech burst in which VAD flag = "0" and SP flag="1".

GS Averaging period The period in which the quantized energy tweak parameters GS are averaged: it corresponds to the hangover period.

3.2 Symbols

For the purpose of this ETS the following symbols apply.

GS Energy tweak parameter

N_{elapsed} Number of elapsed frames since the last updated SID frame.

3.3 Abbreviations

For the purpose of this ETS the following abbreviations apply.

BFI Bad Frame Indicator

BSC Base Station Controller

BSS Base Station System

DTX Discontinuous Transmission

ETS European Telecommunication Standard

FACCH Fast Associated Control CHannel

FEC Forward Error Correction

GSM Global System for Mobile communications

MS Mobile Station

RSS Radio Sub System

RX Receive

SACCH Slow Associated Control CHannel

SID Silence Descriptor

TAF Time Alignment Flag

TX Transmit

UFI Unreliable Frame Indicator

VAD Voice Activity Detector

For abbreviations not given in this subclause see GSM 01.04 (ETR 100) [1].

4 General

DTX is a mechanism which allows the radio transmitter to be switched off most of the time during speech pauses for the following two purposes:

- to save power in the MS;
- to reduce the overall interference level over the air interface.

DTX shall be in operation in GSM MS if commanded so by the network, see GSM 04.08 (ETS 300 557) [2].

4.1 General Organisation

Error! Reference source not found.The overall DTX mechanism described in this ETS requires the following functions:

- a Voice Activity Detector (VAD) on the transmit (TX) side;
- evaluation of the background acoustic noise on the TX side, in order to TX characteristic parameters to the receive (RX) side;
- generation on the RX side of a similar noise, called comfort noise, during periods where the radio transmission is switched off.

The VAD is defined in GSM 06.42 (ETS 300 581-6) [10], the comfort noise functions in GSM 06.22 (ETS 300 581-4) [9]. Both are based partly on the speech transcoder and its internal variables, defined in GSM 06.20 (ETS 300 581-2) [7].

In addition to these functions, if the parameters arriving at the (RX) side are detected to be corrupted by errors, the speech or comfort noise shall be generated from substituted data in order to avoid sound defects for the listener. This function is defined in GSM 06.21 (ETS 300 581-3) [8].

An overall description of the speech processing parts can be found in GSM 06.02 (ETS 300 581-1) [5].

5 Transmit (TX) side

A block diagram of the TX side DTX functions is shown in figure 1.

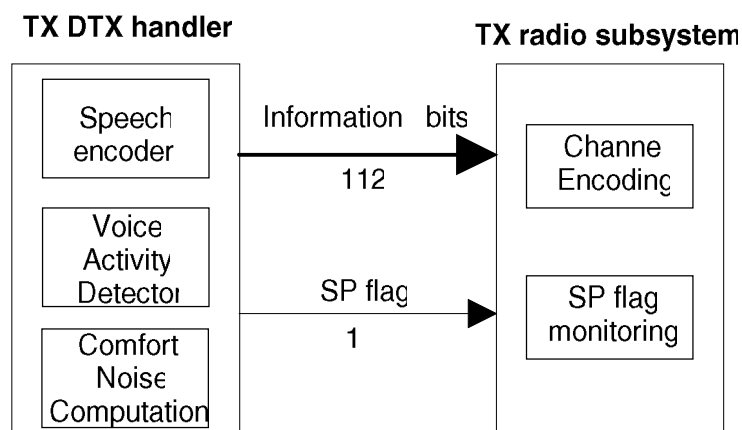


Figure 1: Block diagram of the transmit side DTX functions

5.1 General Operation

Error! Reference source not found.The TX DTX handler continuously passes traffic frames, individually marked by the SP flag, to the RSS. This binary flag is redundant to the Silence Descriptor (SID) code word labelling. SP flag = "1" indicates a speech frame, SP flag = "0" a SID frame.

The scheduling of the frames for transmission on the air interface is controlled by the RSS alone, on the basis of the SP flag as described in sub clause 5.1.1.

5.1.1 Functions of the TX DTX handler

Error! Reference source not found.To allow verification of the TX DTX handler functions, all frames before the reset of the system are treated as if they were speech frames of an infinitely long time. Therefore, the first 7 frames after the reset are marked with SP flag = "1", even if VAD flag = "0" (hangover period, see figure 2).

The VAD shall operate all the time in order to assess whether the input signal contains speech or not. The output is a binary flag (VAD flag = "1" or VAD flag = "0", respectively) on a frame by frame basis (see GSM 06.42 (ETS 300 581-6) [10]).

The VAD flag controls indirectly, via the TX DTX handler operations described below, the overall DTX operation on the TX side.

Whenever the VAD flag = "1", the speech encoder output frame shall be passed directly to the RSS, marked with SP flag = "1".

At the end of a speech burst (transition VAD flag = "1" to VAD flag = "0"), it takes 8 consecutive frames to make a new updated SID frame available (see GSM 06.22 (ETS 300 581-4) [9]). Normally, the first 7 speech encoder output frames after the end of the speech burst shall therefore be passed directly to the RSS, marked with SP flag = "1" ("hangover period"). The first new SID frame is then passed to the RSS as frame 8 after the end of the speech burst, marked with SP flag = "0" (see figure 2).

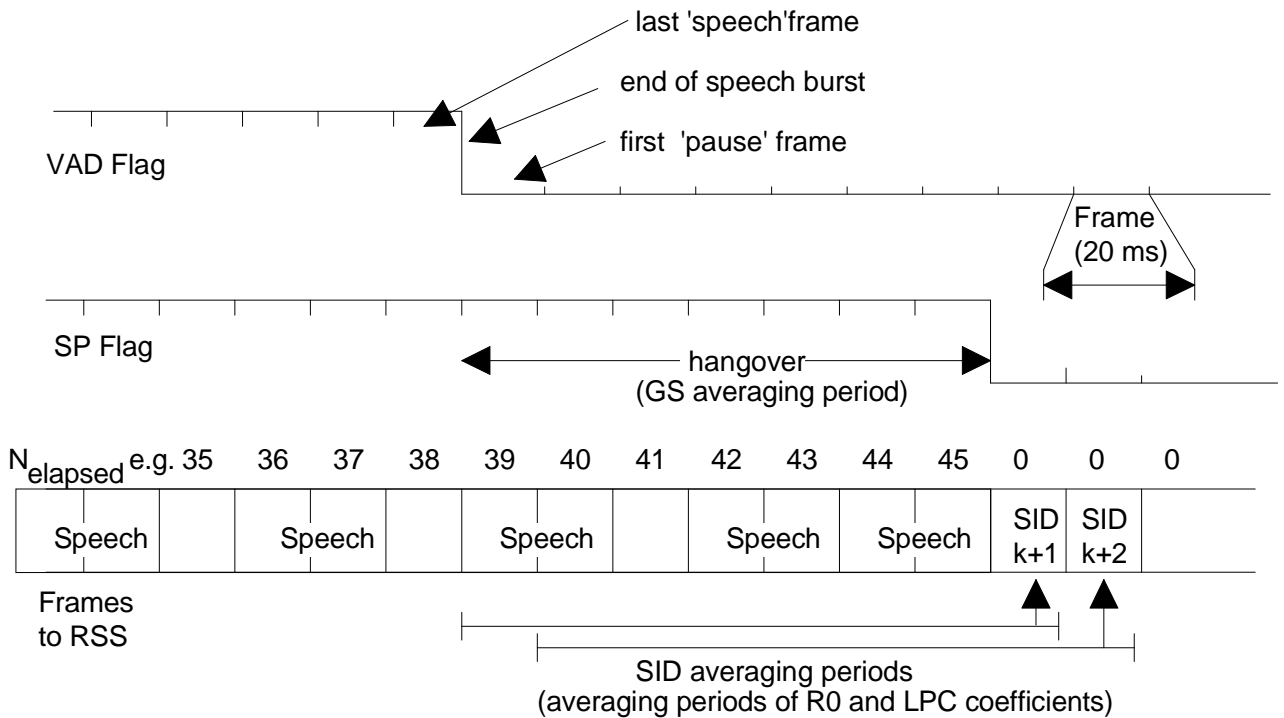


Figure 2: Normal hangover procedure ($N_{elapsed} > 23$)

If, however, at the end of the speech burst, less than 24 frames have elapsed since the last SID frame was computed and passed to the RSS, then this last SID frame shall repeatedly be passed to the RSS, until a new updated SID frame is available (8 consecutive frames marked with VAD flag = "0"). This reduces the activity on the air interface in cases where short background noise spikes are taken for speech, by avoiding the "hangover" waiting for the SID frame computation (see figure 3).

NOTE: Figure 3 shows an example of the longest possible speech burst without hangover.

Once the first SID frame after the end of a speech burst has been computed and passed to the RSS, the TX DTX Handler shall continuously compute and pass updated SID frames to the RSS, marked with SP flag = "0" as long as the VAD flag = "0".

The speech encoder is operated in full speech modality if SP flag ="1" and in a simplified mode if SP flag ="0", because not all encoder functions are required for the evaluation of comfort noise parameters (see GSM 06.22 (ETS 300 581-4) [9]).

5.1.2 Functions of the TX radio subsystem

The following traffic frames shall be scheduled for transmission:

- all frames marked with SP flag ="1";
- the first one with SP flag = "0" after one or more frames with SP flag ="1";
- those marked with SP flag ="0" and aligned with the Slow Associated Control CHannel (SACCH) multiframe structure as described in GSM 05.08 (ETS 300 578) [4].

This has the overall function, that the radio transmission is turned off after the transmission of a SID frame when the speaker stops talking. During speech pauses the transmission is resumed at regular intervals for transmission of one SID frame, in order to update the generated comfort noise on the RX side (and to improve the measurement of the link quality by the RSS).

If a SID frame (SP flag ="0"), scheduled for transmission is stolen for Fast Associated Control CHannel (FACCH) signalling purposes, then the subsequent frame shall be scheduled for transmission instead.

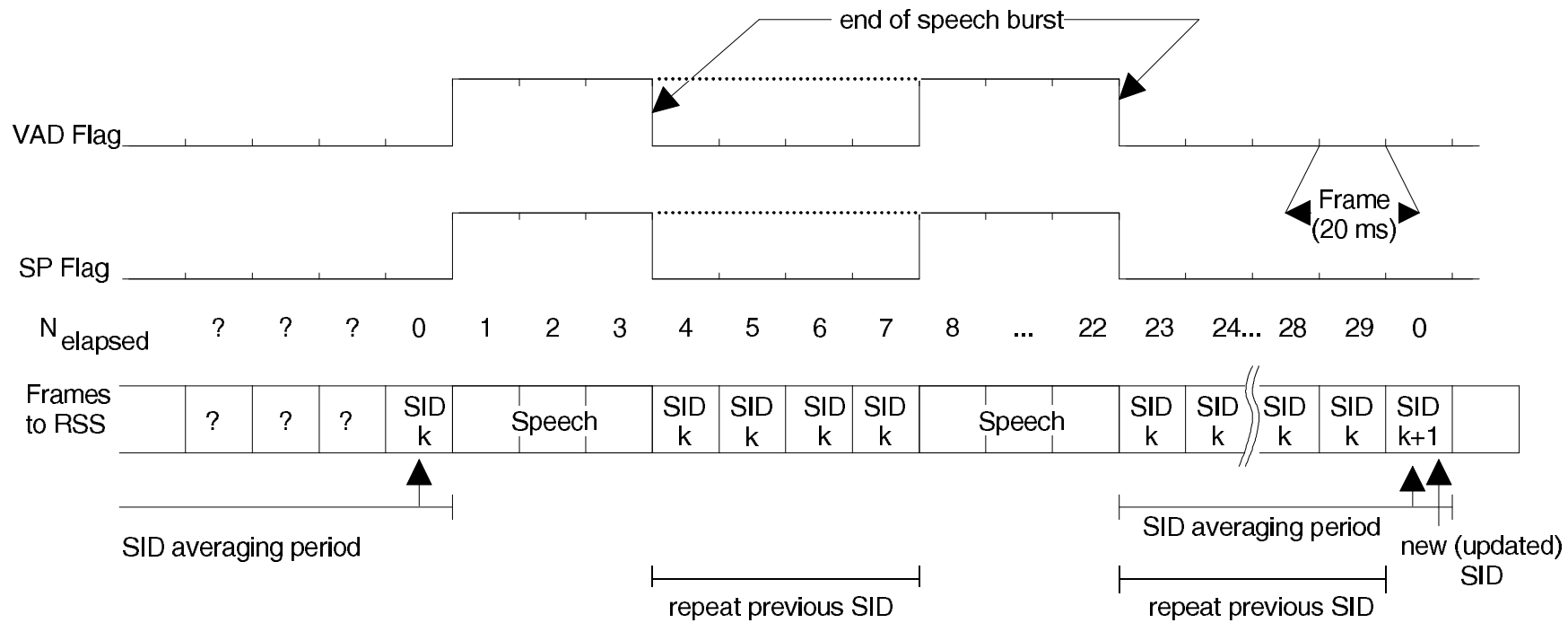


Figure 3: Handling of short speech bursts for $N_{\text{elapsed}} < 24$
(An example)

6 Receive (RX) side

A block diagram of the RX side DTX functions is shown in figure 4.

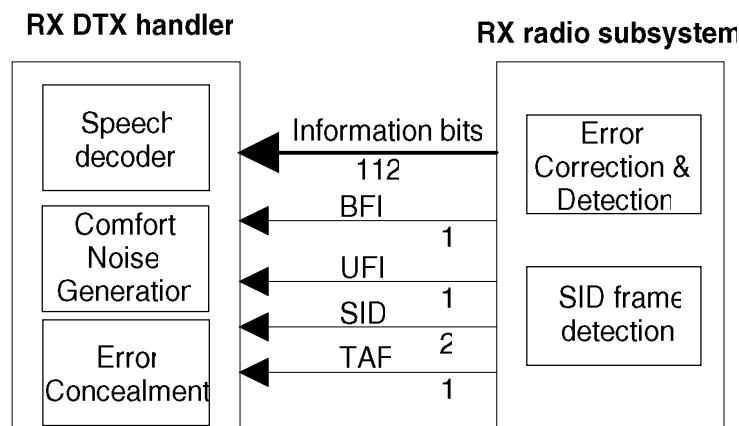


Figure 4: Block diagram of the receive side DTX functions

6.1 General operation

Error! Reference source not found. Whatever their context (speech, SID, FACCH or none), the RSS continuously passes the received traffic frames to the RX DTX handler, individually marked by various pre-processing functions with 4 flags. These are the Bad Frame Indicator (BFI) flag, the Unreliable Frame Indicator (UFI) flag, the Silence Descriptor (SID) flag and the Time Alignment Flag (TAF) described in sub clause 6.1.1 and table 1, which serve to classify the traffic frame according to the list of terms defined in subclause 3.1. This classification, summarised in table 1, allows the RX DTX handler to determine how the received frame is to be handled.

Table 1 Classification of traffic frames

BFI "OR" UFI*	SID		
	2	1	0
0	Valid SID frame		Good speech frame
1	Invalid SID frame		Unusable frame

* BFI "OR" UFI indicates a logical OR combination of the BFI and UFI flags.

6.1.1 Functions of the RX radio subsystem

Error! Reference source not found. The binary BFI flag (see GSM 05.05 (ETS 300 577) [3]) indicates whether the traffic frame is considered to contain meaningful information bits (BFI flag = "0") or not (BFI flag = "1"). In the context of this ETS, a FACCH frame is considered not to contain meaningful bits and shall be marked with BFI flag = "1". The BFI flag shall fulfil the performance requirements of GSM 05.05 (ETS 300 577) [3].

NOTE: That the BFI flag, which is generated by the channel error correction scheme, will in some cases be modified by the SID frame detection unit.

The UFI flag is the output of the Forward Error Correction (FEC) procedure and give indications about the channel performance. The UFI flag shall fulfill the performance requirements of GSM 05.05 (ETS 300 577) [3].

The SID frame detector compares bit by bit the relevant bits of the received traffic frame (the SID field) with the SID code word defined in GSM 06.22 (ETS 300 580-4) [6] and gives back the ternary SID flag. The SID flag shall fulfill the performance requirements of GSM 05.05 (ETS 300 577) [3]. The binary TAF flag marks with TAF = "1" those traffic frames that are aligned with the SACCH multiframe structure as described in GSM 05.08 (ETS 300 578) [4].

6.1.2 Functions of the RX DTX handler

The RX DTX handler shall be responsible for the overall DTX operation on the RX side.

The DTX operation on the RX side shall be as follows:

- whenever a good speech frame is detected, the DTX Handler shall pass it directly on to the speech decoder;
- when lost speech or lost SID frames are detected, the substitution and muting procedure defined in GSM 06.21 (ETS 300 581-3) [8] shall be applied;
- valid SID frames shall result in comfort noise generation, as defined in GSM 06.22 (ETS 300 581-4) [9], until the next SID frame is expected (TAF="1") or good speech frames are detected. During this period, the RX DTX handler shall ignore any unusable frames delivered by the RSS;
- an invalid SID frame shall be substituted by the last valid SID frame and the procedure for valid SID frames be applied.

NOTE: If the first SID frame after a speech burst (a series of good speech frames) is invalid, then the comfort noise parameters can be taken from the last valid SID frame or, if the series of good speech frames received was longer than 30 (23+7), from the last received good speech frame which, because of the VAD hangover time (see GSM 06.42 (ETS 300 581-6) [10]), may be supposed to contain noise only.

History

Document history			
March 1995	Public Enquiry	PE 80:	1995-03-06 to 1995-06-30
August 1995	Vote	V 86: extended:	1995-08-21 to 1995-10-13 1995-08-21 to 1995-10-27
November 1995	Converted into Adobe Acrobat Portable Document Format (PDF)		