



**E**UROPEAN  
**T**ELECOMMUNICATION  
**S**TANDARD

**FINAL DRAFT**  
pr **ETS 300 581-4**

August 1995

---

Source: ETSI TC-SMG

Reference: DE/SMG-020622

ICS: 33.060.50

**Key words:** European digital cellular telecommunications system, Global System for Mobile communications (GSM)

**European digital cellular telecommunications system;  
Half rate speech  
Part 4: Comfort noise aspects for the half rate  
speech traffic channels  
(GSM 06.22)**

**ETSI**

European Telecommunications Standards Institute

**ETSI Secretariat**

**Postal address:** F-06921 Sophia Antipolis CEDEX - FRANCE

**Office address:** 650 Route des Lucioles - Sophia Antipolis - Valbonne - FRANCE

**X.400:** c=fr, a=atlas, p=etsi, s=secretariat - **Internet:** secretariat@etsi.fr

Tel.: +33 92 94 42 00 - Fax: +33 93 65 47 16

---

**Copyright Notification:** No part may be reproduced except as authorized by written permission. The copyright and the foregoing restriction extend to reproduction in all media.

© European Telecommunications Standards Institute 1995. All rights reserved.



## Contents

Foreword .....	5
1 Scope .....	7
2 Normative references .....	7
3 Definitions, symbols and abbreviations .....	7
3.1 Definitions .....	7
3.2 Symbols .....	8
3.3 Abbreviations .....	8
4 General.....	9
5 Functions on the transmit (TX) side .....	9
5.1 Background acoustic noise evaluation .....	9
5.2 Modification of the speech encoding algorithm during SID frame generation .....	11
5.3 SID-frame encoding.....	12
6 Functions on the receive (RX) side .....	12
6.1 Averaging of the GS parameters .....	12
6.2 Comfort noise generation and updating.....	13
7 Computational details.....	14
History.....	15

Blank page

## Foreword

This final draft European Telecommunication Standard (ETS) has been produced by the Special Mobile Group (SMG) Technical Committee of the European Telecommunications Standards Institute (ETSI), and is now submitted for the Voting phase of the ETSI standards approval procedure.

This final draft ETS specifies the half rate speech traffic channels for the European digital cellular telecommunications system. This ETS corresponds to GSM technical specification, GSM 06.22, version 4.1.0 and is part 4 of a multi-part ETS covering the half rate speech traffic channels as described below:

GSM 06.02	ETS 300 581-1: "European digital cellular telecommunications system; Half rate speech Part 1: Half rate speech processing functions".
GSM 06.20	ETS 300 581-2: "European digital cellular telecommunications system; Half rate speech Part 2: Half rate speech transcoding".
GSM 06.21	ETS 300 581-3: "European digital cellular telecommunications system; Half rate speech Part 3: Substitution and muting of lost frames for half rate speech traffic channels".
GSM 06.22	ETS 300 581-4: "European digital cellular telecommunications system; Half rate speech Part 4: Comfort noise aspects for half rate speech traffic channels".
GSM 06.41	ETS 300 581-5: "European digital cellular telecommunications system; Half rate speech Part 5: Discontinuous Transmission (DTX) for half rate speech traffic channels".
GSM 06.42	ETS 300 581-6: "European digital cellular telecommunications system; Half rate speech Part 6: Voice Activity Detection (VAD) for half rate speech traffic channels".
GSM 06.06	ETS 300 581-7: "European digital cellular telecommunications system; Half rate speech Part 7: ANSI-C code for the GSM half rate speech codec".
GSM 06.07	ETS 300 581-8: "European digital cellular telecommunications system; Half rate speech Part 8: Test vectors for the GSM half rate speech codec".

NOTE: TC-SMG has produced documents which give the technical specifications for the implementation of the European digital cellular telecommunications system. Historically, these documents have been identified as GSM Technical Specifications (GSM-TS). These TSs may have subsequently become Interim European Telecommunication Standards (I-ETs), (Phase 1), or European Telecommunication Standards (ETs), (Phase 2), whilst others may become ETSI Technical Reports (ETRs).

<b>Proposed transposition dates</b>	
Date of latest announcement of this ETS (doa):	3 months after ETSI publication
Date of latest publication of new National Standard or endorsement of this ETS (dop/e):	6 months after doa
Date of withdrawal of any conflicting National Standard (dow):	6 months after doa

Blank page

## 1 Scope

This European Telecommunication Standard (ETS) gives the detailed requirements for the correct operation of the background acoustic noise evaluation, noise parameter encoding/decoding and comfort noise generation in GSM Mobile Stations (MS)s and Base Station Systems (BSS)s during Discontinuous Transmission (DTX) on half rate speech traffic channels.

The requirements described in this ETS are mandatory for implementation in all GSM MSs capable of supporting the half rate speech traffic channel.

The receiver requirements are mandatory for implementation in all GSM BSSs capable of supporting the half rate speech traffic channel, the transmitter requirements are only for those where downlink DTX will be used.

## 2 Normative references

This ETS incorporates by dated and undated reference, provisions from other publications. These normative references are cited at the appropriate places in the text and the publications are listed hereafter. For dated references, subsequent amendments to or revisions of any of these publications apply to this ETS only when incorporated in it by amendment or revision. For undated references, the latest edition of the publication referred to applies.

- [1] GSM 01.04 (ETR 100): "European digital cellular telecommunication system (Phase 2); Abbreviations and acronyms".
- [2] GSM 06.20 (ETS 300 581-2): " European digital cellular telecommunications system; Half rate speech Part 2: Half rate speech transcoding."
- [3] GSM 06.41 (ETS 300 581-5): " European digital cellular telecommunications system; Half rate speech Part 5: Discontinuous transmission (DTX) for half rate speech traffic channels".
- [4] GSM 06.42 (ETS 300 581-6): " European digital cellular telecommunications system; Half rate speech Part 6: Voice Activity Detector (VAD) for half rate speech traffic channels ".
- [5] GSM 06.06 (ETS 300 581-7): "European digital cellular telecommunications system; Half rate speech Part 7: ANSI-C code for the GSM half rate speech codec ".

## 3 Definitions, symbols and abbreviations

### 3.1 Definitions

For the purpose of this ETS the following definition apply.

Frame	Time interval of 20 ms corresponding to the time segmentation of the half rate speech transcoder, also used as a short term for a traffic frame.
SID frame	Frame characterised by the SID (Silence Descriptor) codeword. It conveys information on the acoustic background noise.
SID codeword	Fixed bit pattern for labelling a traffic frame as a SID frame.
SID field	The bit positions of the SID codeword within a SID frame.
Speech frame	Traffic frame that cannot be classified as a SID frame.
VAD flag	Voice Activity Detector flag.
SP flag	SPeech flag.

$W(z)$	Spectral weighting filter of the GSM half rate speech codec.
$H(z)$	Combination of the short term (spectral) filter $A(z)$ and the spectral weighting filter $W(z)$ .

Other definition of terms used in this ETS can be found in GSM 06.20 (ETS 300 581-2) [2] and GSM 06.41 (ETS 300 581-5) [3]. The overall operation of DTX is described in GSM 06.41 (ETS 300 581-5) [3].

### 3.2 Symbols

For the purpose of this ETS the following symbols apply.

GS	Energy tweak parameter.
$R_0$	Frame energy value.
$R(i)$	Unquantised (normalised) autocorrelation sequence.
$r_j$	Optimal reflection coefficient.
$\sum_{n=a}^b x(n)$	$= x(a) + x(a+1) + \dots + x(b-1) + x(b)$ ; (Accumulation)
GSP0 codeword	Vector quantization index, joint vector quantization of the parameters GS and P0.
P0	Power contribution of the first excitation vector as a fraction of the total excitation power at a subframe.

### 3.3 Abbreviations

For the purpose of this ETS the following abbreviations apply.

AFLAT	Autocorrelation Fixed Point Lattice Technique (used in the GSM half rate speech codec for the vector quantization of the LPC coefficients)
BSS	Base Station System
DTX	Discontinuous Transmission
ETS	European Telecommunication Standard
GSM	Global System for Mobile communications
MS	Mobile Station
SID	Silence Descriptor
RX	Receive
TX	Transmit
VAD	Voice Activity Detector
VQ	Vector Quantization

For abbreviations not given in this subclause see GSM 01.04 (ETR 100) [1].



## 4 General

A problem when using DTX is that the background acoustic noise, which is transmitted together with the speech, would disappear when the radio transmission is switched off, resulting in a modulation of the background noise. Since the DTX switching can take place rapidly, it has been found that this effect may be annoying for the listener, especially in a car environment with high background noise levels. In bad cases the speech may be hardly intelligible.

This ETS specifies a solution to overcome this problem by generating synthetic noise similar to the transmit (TX) side background noise on the receive (RX) side. The comfort noise parameters are estimated on the TX side and transmitted to the RX side before the radio transmission is switched off and at a regular low rate afterwards. This allows the comfort noise to adapt to the changes of the noise on the TX side.

## 5 Functions on the transmit (TX) side

The comfort noise evaluation algorithm uses the following parameters of the GSM half rate speech encoder, defined in GSM 06.20 (ETS 300 581-2) [2]:

- the unquantized frame energy value  $R_0$ ;
- the unquantized (normalized) autocorrelation sequence  $R(i)$  derived from the optimal reflection coefficients  $r_j$ ;
- the quantized energy tweak parameter  $GS$ .

These parameters give information on the level ( $R_0$  and  $GS$ ) and the spectrum ( $R(i)$ ) of the background noise.

Two of the evaluated comfort noise parameters ( $R_0$  and  $R(i)$ ) are encoded into a special frame, called a Silence Descriptor (SID) frame, for transmission to the RX side. While the energy tweak parameter  $GS$  can be evaluated in the encoder and decoder in the same way as given in subclause 5.1, therefore no transmission of  $GS$  is necessary.

The SID frame also serves to initiate the comfort noise generation on the RX side, as a SID frame is always sent at the end of a speech burst, i.e. before the radio transmission is terminated.

The scheduling of SID or speech frames on the radio path is described in GSM 06.41 (ETS 300 581-5) [3].

### 5.1 Background acoustic noise evaluation

The comfort noise parameters to be encoded into a SID frame are calculated over 8 consecutive frames marked with Voice Activated Detector (VAD) flag = "0", as follows:

The frame energy values shall be averaged according to the equation:

$$\text{mean}(R_0[j]) = 1/8 \sum_{n=0}^7 R_0[j-n];$$

where:

- $R_0[j]$  is the frame energy value of the current frame  $j$  ( $n=0$ );
- $R_0[j-n]$  is the frame energy of the previous frames ( $n=1, \dots, 7$ );
- $n$  is the averaging period index  $n=0, 1, \dots, 7$ ;
- $j$  is the frame index;

The averaged value  $\text{mean}(R_0[j])$  is encoded using the same encoding table that is also used by the GSM half rate speech codec for the encoding of the non-averaged  $R_0$  values in ordinary speech encoding mode.

The (normalized) autocorrelation sequence  $R(i)$  shall be averaged according to the equation:

$$\text{mean}(R[j](i)) = 1/8 \sum_{n=0}^7 R[j-n](i) \quad i = 0,1,2,\dots,10;$$

where:

$R[j](i)$  is the  $i$ 'th autocorrelation value of the current frame  $j$  ( $n=0$ );  
 $R[j-n](i)$  is the  $i$ 'th autocorrelation value of one of the previous frames ( $n=1,\dots,7$ );  
 $n$  is the averaging period index  $n=0,1,\dots,7$ ;  
 $j$  is the frame index;

The averaged values  $\text{mean}(R[j](i))$  are used as input parameters of the Autocorrelation Fixed Point Lattice Technique (AFLAT) recursion algorithm which calculates the Vector Quantization (VQ) indices of the reflection coefficients, see GSM 06.20 (ETS 300 581-2) [2].

The SID frame containing the quantization index of  $\text{mean}(R_0[j])$ , the VQ indices of  $\text{mean}(R[j](i))$  and the SID codeword is passed to the radio subsystem instead of frame number  $j$  (see subclause 5.3 SID-frame encoding).

The averaging of the energy tweak parameters GS is made on the basis of the quantized GS parameters. The quantized GS parameters can be derived from the GSP0 indices. These indices are used as pointers to the GSP0 vector quantization codebook. The GS components of the selected GSP0 vectors are the quantized GS values which will be averaged.

The quantized energy tweak parameters GS shall be averaged according to the equation:

$$\text{mean}(GS[j]) = 1/28 \sum_{n=1}^7 \left( \sum_{i=1}^4 GS[j-n](i) \right);$$

where:

$GS[j](i)$  is the quantized energy tweak parameter in subframe  $i$  of the current frame  $j$  ( $n=0$ );  
 $GS[j-n](i)$  is the quantized energy tweak parameter in subframe  $i$  of one of the last frames ( $n=1,\dots,7$ );  
 $n$  is the averaging period index  $n=1,2,\dots,7$ ;  
 $i$  is the subframe index  $i=1,2,3,4$ ;  
 $j$  is the frame index;

NOTE: The averaging of GS is made over 7 frames only.

For each comfort noise insertion period the averaging of the GS parameters is done only once before sending the first SID frame to the decoder and for the rest of the comfort noise insertion period the averaged value  $\text{mean}(GS[j])$  will be frozen.

Under normal conditions the averaging of the GS parameters is done during the hangover period, but in case of short speech bursts handling the hangover period can be skipped under certain conditions, see GSM 06.41 (ETS 300 581-5) [3]. In such cases the GS parameters of the last seven speech frames marked with SP flag="1" are averaged.

The hangover period is defined in GSM 06.41 (ETS 300 581-5) [3]. It is a period added at the end of a speech burst in which no voice activity is detected (VAD flag='0'), but the speech encoder stays for the processing of 7 speech frames in speech encoding mode (SP flag="1"). This hangover period and the first SID frame are used for averaging the comfort noise parameters contained in the first SID frame.

$\text{mean}(GS[j])$  can be evaluated at the decoder in the same way as in the encoder, because in both the encoder and decoder the GSP0 indices of the last 7 speech frames shall be kept in memory. In case of an error free transmission the GSP0 indices are identical at the encoder and decoder.

## 5.2 Modification of the speech encoding algorithm during SID frame generation

When the SP flag is equal to "0" the speech encoding algorithm is modified in the following way:

- the non-averaged reflection coefficients which are used to derive the filter coefficients of the filters  $H(z)$  and  $W(z)$  of the speech encoder are not quantized;
- the unvoiced speech encoding mode is forced. This simplifies the open loop long term prediction processing: only the integer lags have to be calculated, no determination of fractional lags is necessary and the frame lag trajectory derivation can be avoided;
- no fixed codebook search is made. In each subframe the indices of both fixed codebooks (CODE1\_1, ..., CODE1\_4 and CODE2\_1, ..., CODE2\_4) are replaced by pseudo random numbers uniformly distributed in  $[0,127]$  (7 bit random numbers);
- no GSP0 determination is made. The GSP0 codeword is selected as follows:

at the beginning of a comfort noise insertion period  $\text{mean}(\text{GS}[j])$  is calculated as defined in subclause 5.1. Then  $\text{mean}(\text{GS}[j])$  is quantized, using only the GS component of the GSP0 vector quantization codebook of the unvoiced speech encoding mode as quantization table. The P0 parameter is not averaged. For this parameter the value is used which is associated with the quantized  $\text{mean}(\text{GS}[j])$  value in the GSP0 codebook of the unvoiced speech encoding mode. For the rest of the comfort noise insertion period the GSP0 indices are frozen.

A simplified block diagram of the GSM half rate speech encoder in comfort noise insertion mode is shown in figure 1.

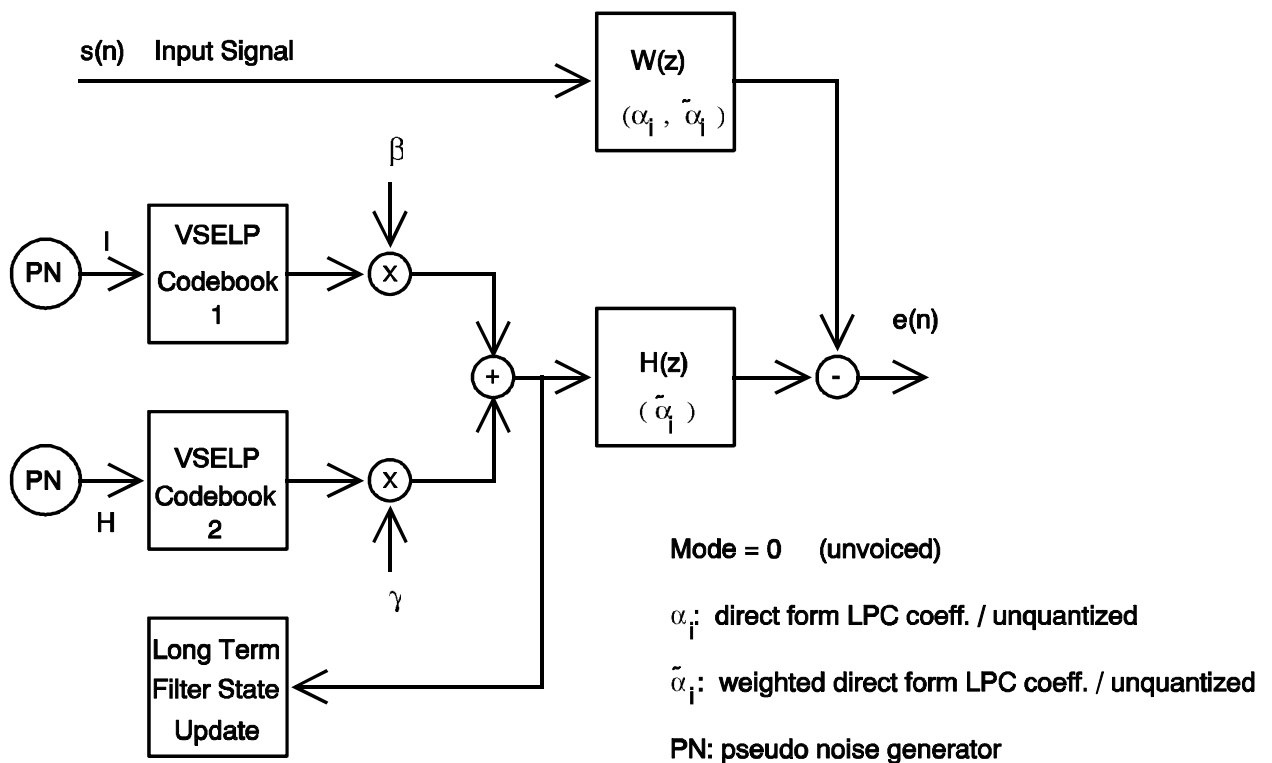


Figure 1: GSM half rate speech encoder in comfort noise insertion mode

### 5.3 SID-frame encoding

The SID frame encoding algorithm exploits the fact that only some of the 112 bits in a frame are needed to code the comfort noise parameters. The other bits can then be used to mark the SID frame by means of a fixed bit pattern, called the SID codeword.

SID frames are encoded in the encoder output format for voiced frames (MODE = 3), because the two voicing mode bits are part of the SID codeword.

The index of the frame energy value R0 is replaced by the quantization index derived from  $\text{mean}(R0[j])$ .  $\text{mean}(R0[j])$  is defined in subclause 5.1 and is encoded as described in GSM 06.20 (ETS 300 581-2) [2].

The VQ indices of the reflection coefficients are replaced by VQ indices derived from  $\text{mean}(R[j](i))$ .  $\text{mean}(R[j](i))$  is defined in subclause 5.1 and the VQ of the reflection coefficients is described in GSM 06.20 (ETS 300 581-2) [2].

The SID codeword consists of 79 bits which are all "1". To mark a frame as a SID frame the parameters in table 1 have to be set as shown.

**Table 1: SID codeword**

Parameter	Number of bits	Value (Hex)
MODE	2	0x0003
INT_LPC	1	0x0001
LAG_1	8	0x00ff
LAG_2	4	0x000f
LAG_3	4	0x000f
LAG_4	4	0x000f
CODE_1	9	0x01ff
CODE_2	9	0x01ff
CODE_3	9	0x01ff
CODE_4	9	0x01ff
GSP0_1	5	0x001f
GSP0_2	5	0x001f
GSP0_3	5	0x001f
GSP0_4	5	0x001f

The parameters in table 1 are defined in GSM 06.20 (ETS 300 581-2) [2].

## 6 Functions on the receive (RX) side

The situations in which comfort noise shall be generated on the RX side are defined in GSM 06.41 (ETS 300 581-5) [3] and may be started or updated whenever a valid SID frame is received.

### 6.1 Averaging of the GS parameters

When speech frames are received by the decoder the GS parameters of the last seven speech frames shall be kept in memory. As soon as a SID frame is received these stored GS parameters shall be averaged. The averaged GS value will be frozen and used for the actual comfort noise insertion period.

The averaging procedure works as follows:

- when a speech frame is received, the GSP0 indices are decoded and the decoded GS parts of these parameters are stored in memory;

- when the first SID frame is received the stored GS values are averaged in the same way as in the speech encoder as follows (see also subclause 5.1):

$$\text{mean}(GS[j]) = 1/28 \sum_{n=1}^7 \left( \sum_{i=1}^4 GS[j-n](i) \right);$$

where:

GS[j](i) is the quantized energy tweak parameter in subframe i of the current frame j;  
 GS[j-n](i) is the quantized energy tweak parameter in subframe i of one of the last frames;  
 n is the averaging period index n=1,2,...,7;  
 i is the subframe index i=1,2,3,4;  
 j is the frame index;

- then mean(GS[j]) is quantized, using the GS component of the GSP0 vector quantization codebook for the unvoiced speech encoding mode as quantization table. The resulting index of this quantization is used for one complete comfort noise insertion period as GSP0 codeword. The P0 parameter is not averaged. For this parameter the value is used which is associated with the quantized mean(GS[j]) value in the GSP0 codebook of the unvoiced speech encoding mode.

## 6.2 Comfort noise generation and updating

The comfort noise generation procedure uses the GSM half rate speech decoder algorithm defined in GSM 06.20 (ETS 300 581-2) [2].

When comfort noise is to be generated, then the various encoded parameters are set as in table 2.

**Table 2: Comfort noise encoded parameters**

Parameter	Value
MODE	0
R0	interpolation of the values received in the last two valid SID frames
LPC1 LPC2 LPC3	interpolation of the values received in the last two valid SID frames
INT_LPC	1
CODE1_1 CODE1_2 CODE1_3 CODE1_4 CODE2_1 CODE2_2 CODE2_3 CODE2_4	pseudo random numbers uniformly distributed in [0,127] (7 bit numbers)
GSP0_1 GSP0_2 GSP0_3 GSP0_4	index of the averaged GS parameter (calculated at the beginning of each comfort noise insertion period and frozen for the rest of the period)

With these parameters, the speech decoder now performs the standard operations described in GSM 06.20 (ETS 300 581-2) [2] and thereby synthesizes comfort noise.

Updating of the comfort noise parameters (frame energy and LPC coefficients) occurs each time a valid SID frame is received, as described in GSM 06.41 (ETS 300 581-5) [3].

NOTE: The GSP0 codewords are not updated, they are frozen during each comfort noise insertion period.

When updating the comfort noise parameters (frame energy and LPC coefficients), these parameters shall be interpolated over the SID update period to obtain smooth transitions.

## **7 Computational details**

A low level description has been prepared in form of an ANSI C source code which is part of GSM 06.06 (ETS 300 581-7) [5].

## History

Document history	
March 1995	Public Enquiry PE 80: 1995-03-06 to 1995-06-30
August 1995	Vote V 86: 1995-08-21 to 1995-10-13 extended: 1995-08-21 to 1995-10-27
November 1995	Converted into Adobe Acrobat Portable Document Format (PDF)