



**E**UROPEAN  
**T**ELECOMMUNICATION  
**S**TANDARD

**ETS 300 554**

September 1994

---

Source: ETSI TC-SMG

Reference: GSM 04.05

ICS: 33.060.30

**Key words:** European digital cellular telecommunications system, Global System for Mobile communications (GSM)

**European digital cellular telecommunications system (Phase 2);  
Data Link (DL) layer  
General aspects  
(GSM 04.05)**

**ETSI**

European Telecommunications Standards Institute

**ETSI Secretariat**

**Postal address:** F-06921 Sophia Antipolis CEDEX - FRANCE

**Office address:** 650 Route des Lucioles - Sophia Antipolis - Valbonne - FRANCE

**X.400:** c=fr, a=atlas, p=etsi, s=secretariat - **Internet:** secretariat@etsi.fr

Tel.: +33 92 94 42 00 - Fax: +33 93 65 47 16

---

**Copyright Notification:** No part may be reproduced except as authorized by written permission. The copyright and the foregoing restriction extend to reproduction in all media.

© European Telecommunications Standards Institute 1994. All rights reserved.



## Contents

|   |    |
|---|----|
| Foreword.....   | 5  |
| 1 General.....  | 7  |
| 1.1 Scope .....   | 7  |
| 1.2 Normative references .....                                  | 8  |
| 1.3 Definitions and abbreviations.....                          | 9  |
| 2 Concepts and terminology.....                                 | 10 |
| 3 Overview description of LAPDm functions and procedures.....   | 13 |
| 3.1 General.....  | 13 |
| 3.2 Unacknowledged operation .....                              | 14 |
| 3.3 Acknowledged operation.....                                 | 14 |
| 3.4 Information transfer mode.....                              | 14 |
| 3.4.1 Information transfer on the BCCH.....                     | 14 |
| 3.4.2 Information transfer on the PCH + AGCH.....               | 14 |
| 3.4.3 Information transfer on the DCCHs .....                   | 14 |
| 3.5 Release of data links.....                                  | 14 |
| 4 Service characteristics.....                                  | 15 |
| 4.1 General.....  | 15 |
| 4.2 Services provided to layer 3.....                           | 15 |
| 4.2.1 General .....   | 15 |
| 4.2.2 Priority .....  | 15 |
| 4.2.3 Segmentation.....   | 15 |
| 4.2.4 Unacknowledged information transfer service .....         | 16 |
| 4.2.5 Acknowledged information transfer services.....           | 16 |
| 4.2.6 Random access procedure .....                             | 18 |
| 4.3 Services required from the physical layer .....             | 18 |
| 4.4 Administrative services .....                               | 19 |
| 4.4.1 General description of administrative services .....      | 19 |
| 4.4.2 Definition of primitives for administrative services..... | 19 |
| 5 Overview of data link layer structure .....                   | 20 |
| 5.1 Functional composition.....                                 | 20 |
| 5.2 Identification of data link end points .....                | 20 |
| 5.3 Data link procedure .....                                   | 20 |
| 5.4 Data link distribution procedure .....                      | 21 |
| 5.5 Random access procedures.....                               | 21 |
| 6 Specific requirements .....                                   | 23 |
| 6.1 Mode of operation and allowed SAPIs .....                   | 23 |
| 6.2 Acknowledged mode of operation.....                         | 23 |
| 6.2.1 Window size .....   | 23 |
| 6.2.2 Processing capacity .....                                 | 23 |
| History.....  | 24 |

Blank page

## Foreword

This European Telecommunication Standard (ETS) has been produced by the Special Mobile Group (SMG) Technical Committee (TC) of the European Telecommunications Standards Institute (ETSI).

This ETS defines in general terms the data link layer (layer 2) of the Mobile Station (MS) - network interface within the European digital cellular telecommunications system (Phase 2).

This ETS correspond to GSM technical specification, GSM 04.05 version 4.0.3.

The specification from which this ETS has been derived was originally based on CEPT documentation, hence the presentation of this ETS may not be entirely in accordance with the ETSI/PNE rules.

Reference is made within this ETS to GSM Technical Specifications (GSM-TSs) (NOTE).

Reference is also made within this ETS to GSM 07.xx. series. The specifications in the series can be identified, with their full title, within the normative reference Clause of this ETS by the first two digits of their GSM reference number e.g. GSM 07.xx series, refers to GSM 07.01, GSM 07.02 etc.

NOTE: TC-SMG has produced documents which give the technical specifications for the implementation of the European digital cellular telecommunications system. Historically, these documents have been identified as GSM Technical Specifications (GSM-TS). These TSs may have subsequently become I-ETTs (Phase 1), or ETSS (Phase 2), whilst others may become ETSI Technical Reports (ETRs). GSM-TSs are, for editorial reasons, still referred to in GSM ETSS.

Blank page

## 1 General

### 1.1 Scope

This Technical Specification describes in general terms the Link Access Procedures on the Dm channel, LAPDm. The application of this protocol to other channel types is for further study. Details are provided in TS GSM 04.06.

The purpose of LAPDm is to convey information between layer 3 entities across the GSM PLMN radio interface (MS to network interface) using the Dm channel.

NOTE: The term Dm channel is used for convenience to designate the collection of all the various signalling channels required in the GSM system. See also TS GSM 04.03.

The definition of LAPDm is based on the principles and terminology of:

- CCITT Recommendations X.200 and X.210 : the reference model for Open Systems Interconnection (OSI);
- CCITT Recommendations Q.920 and Q.921 : the specification of LAPD for the user-network interface in ISDN;
- CCITT Recommendation X.25 LAPB : user-network interface for packet mode terminals; and
- ISO 3309 and ISO 4335 : High-level Data Link Control (HDLC) standards for frame structure and elements of procedures.

LAPDm is a protocol that operates at the data link layer of the OSI architecture. The relationship between the data link layer and other protocol layers is defined below.

NOTE 1: The interface between the mobile station and external terminal equipment/terminal adapters is defined in the Technical Specifications of the GSM 07-series.

NOTE 2: The physical layer on the radio interface is defined in TS GSM 04.04 and layer 3 is defined in TS GSM 04.07, 04.08, 04.10 and 04.11. Reference should be made to these Technical Specifications for the complete definitions of the protocols and procedures across the GSM PLMN radio interface.

NOTE 3: The term "data link layer" is used in the main text of this Technical Specification. However, mainly in figures and tables, the terms "layer 2" and "L2" are used abbreviations. Furthermore, in accordance with TS GSM 04.07 and 04.08 the term "layer 3" is used to indicate the layer above the data link layer.

LAPDm is independent of the transmission bit rate. It requires physical channels with characteristics as defined in TS GSM 04.03.

Section 2 below describes basic concepts used in this Technical Specification and TS GSM 04.06.

Section 3 gives an overview description of LAPDm functions and procedures.

Section 4 summarises the services that the data link layer provides to layer 3 and the services that the data link layer requires from the physical layer.

Section 5 provides an overview of the data link layer structure.

## 1.2 Normative references

This ETS incorporates by dated and undated reference, provisions from other publications. These normative references are cited at the appropriate places in the text and the publications are listed hereafter. For dated references, subsequent amendments to or revisions of any of these publications apply to this ETS only when incorporated in it by amendment or revision. For undated references, the latest edition of the publication referred to applies.

- [1] GSM 01.04 (ETR 100): "European digital cellular telecommunications system (Phase 2); Abbreviations and acronyms".
- [2] GSM 04.01 (prETS 300 550): "European digital cellular telecommunications system (Phase 2); Mobile Station - Base Station System (MS - BSS) interface General aspects and principles".
- [3] GSM 04.03 (prETS 300 552): "European digital cellular telecommunications system (Phase 2); Mobile Station - Base Station System (MS - BSS) interface Channel structures and access capabilities".
- [4] GSM 04.04 (prETS 300 553): "European digital cellular telecommunications system (Phase 2); Layer 1 General requirements".
- [5] GSM 04.06 (prETS 300 555): "European digital cellular telecommunications system (Phase 2); Mobile Station - Base Station System (MS - BSS) interface Data Link (DL) layer specification".
- [6] GSM 04.07 (prETS 300 556): "European digital cellular telecommunications system (Phase 2); Mobile radio interface signalling layer 3 General aspects".
- [7] GSM 04.08 (prETS 300 557): "European digital cellular telecommunications system (Phase 2); Mobile radio interface layer 3 specification".
- [8] GSM 04.10 (prETS 300 558): "European digital cellular telecommunications system (Phase 2); Mobile radio interface layer 3 Supplementary services specification General aspects".
- [9] GSM 04.11 (prETS 300 559): "European digital cellular telecommunications system (Phase 2); Point-to-Point (PP) Short Message Service (SMS) support on mobile radio interface".
- [10] GSM 07.01 (prETS 300 582): "European digital cellular telecommunications system (Phase 2); General on Terminal Adaptation Functions (TAF) for Mobile Stations (MS)".
- [11] GSM 07.02 (prETS 300 583): "European digital cellular telecommunications system (Phase 2); Terminal Adaptation Functions (TAF) for services using asynchronous bearer capabilities".
- [12] GSM 07.03 (prETS 300 584): "European digital cellular telecommunications system (Phase 2); Terminal Adaptation Functions (TAF) for services using synchronous bearer capabilities".
- [13] GSM 07.05 (prETS 300 585): "European digital cellular telecommunications system (Phase 2); Use of Data Terminal Equipment - Data Circuit terminating Equipment (DTE - DCE) interface for Short Message Service (SMS) and Cell Broadcast Service (CBS)".



- [14] GSM 07.06 (prETS 300 586): "European digital cellular telecommunications system (Phase 2); Use of the V series Data Terminal Equipment - Data Circuit terminating Equipment (DTE - DCE) interface at the Mobile Station (MS) for Mobile Termination (MT) configuration".
- [15] CCITT Recommendation X.25: "Interface between data terminal equipment (DTE) and data circuit - terminating equipment (DCE) for terminals operating in the packet mode and connected to public data networks by dedicated circuit".
- [16] CCITT Recommendation X.200: "Reference Model of Open Systems Interconnection for CCITT Applications".
- [17] CCITT Recommendation X.210: "Open Systems Interconnection layer service definition conventions".
- [18] CCITT Recommendation Q.920: "Integrated services digital network (ISDN) user-network interface - Data link layer General aspects".
- [19] CCITT Recommendation Q.921: "Integrated services digital network (ISDN) user-network interface - Data link layer specification".
- [20] ISO 3309: "Information technology - Telecommunications and information exchange between systems - High level data link control (HDLC) procedures - Frame structure".
- [21] ISO/IEC 4335: "Information technology - Telecommunications and information exchange between systems - High level data link control (HDLC) procedures - Elements of procedures".

### 1.3 Definitions and abbreviations

Abbreviations used in this specification are listed in GSM 01.04

## 2 Concepts and terminology

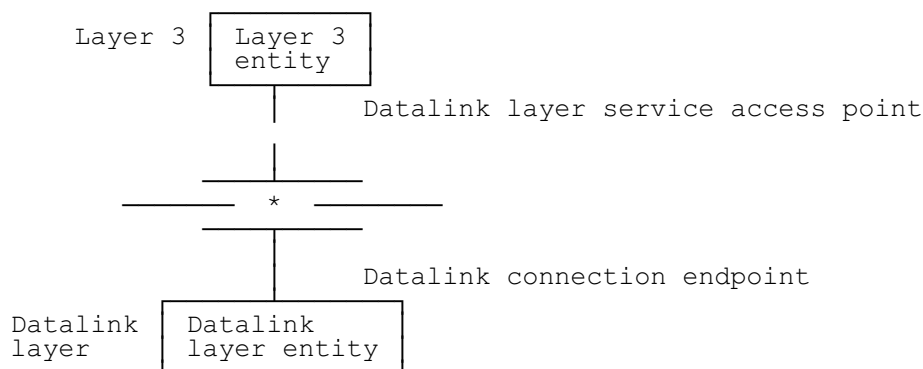
The general layering principles used in this Technical Specification and other specifications in the 04 series are given in TS GSM 04.01.

The data link layer is the next to lowest layer of the OSI reference model. The data link layer receives services from the physical layer and provides services to layer 3.

The services provided by the data link layer are the combination of the services and functions provided by both the data link layer and the physical layer.

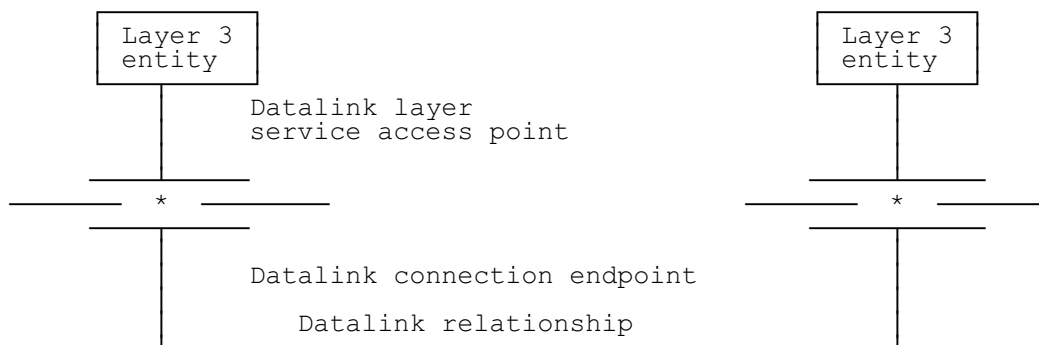
A data link layer Service Access Point (SAP) is the point at which the data link layer provides services to layer 3. The Service Access Point is identified by a Service Access Point Identifier (SAPI). One or more data link connection endpoints can be associated with each data link layer SAP. See figure 1. A data link connection endpoint is identified by a data link connection endpoint identifier (as seen from layer 3) and by a Data Link Connection Identifier DLCI (as seen from the data link layer).

SAPIs and DLCIs used by LAPDm are defined in section 5.2.



**Figure 1: Entities, service access points and endpoints**

Co-operation between data link layer entities is governed by a peer-to-peer protocol specific to the layer. For information exchange between two or more layer 3 entities, an association must be established between the layer 3 entities in the data link layer using a data link layer protocol. This association is called a data link connection. Data link connections are provided by the data link layer between two or more SAPs (see figure 2).

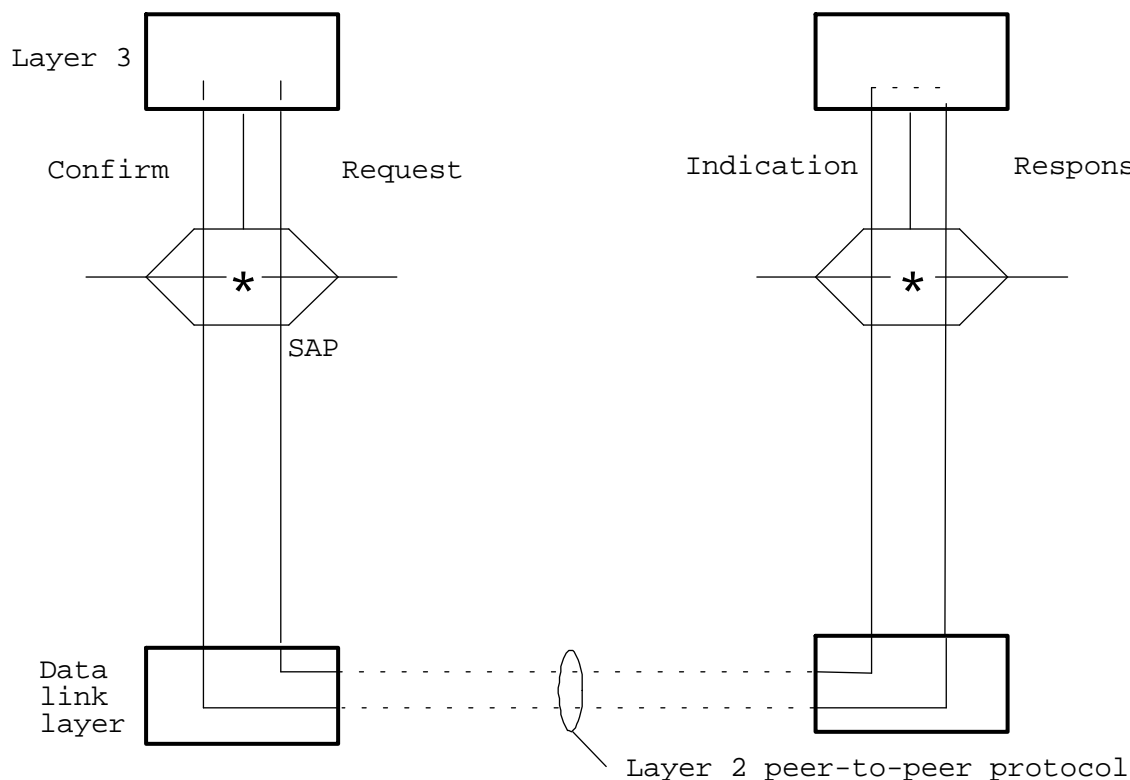


**Figure 2: Peer-to-peer relationship**

Data link layer message units are conveyed between data link layer entities by means of physical connection.

Layer 3 requests services from the data link layer via service primitives. The same applies for the interaction between the data link layer and the physical layer. The primitives represent, in an abstract way, the logical exchange of information and control between the data link layer and its adjacent layers. They do not specify or constrain implementations.

The primitives that are exchanged between the data link layer and adjacent layers are of the following four types (see also figure 3).



NOTE: The same principle applies for data link layer- physical layer interactions.

**Figure 3: Primitive action sequence**

The REQUEST primitive type is used when a higher layer is requesting a service from the next lower layer.

The INDICATION primitive type is used by a layer providing a service to notify the next higher layer of activities related to the primitive type REQUEST.

The RESPONSE primitive type is used by a layer to acknowledge receipt, from a lower layer, of the primitive type INDICATION.

The CONFIRM primitive type is used by the layer providing the requested service to confirm that the activity has been completed.

The precise specification of Layer-to-layer interactions is given in TS GSM 04.06.

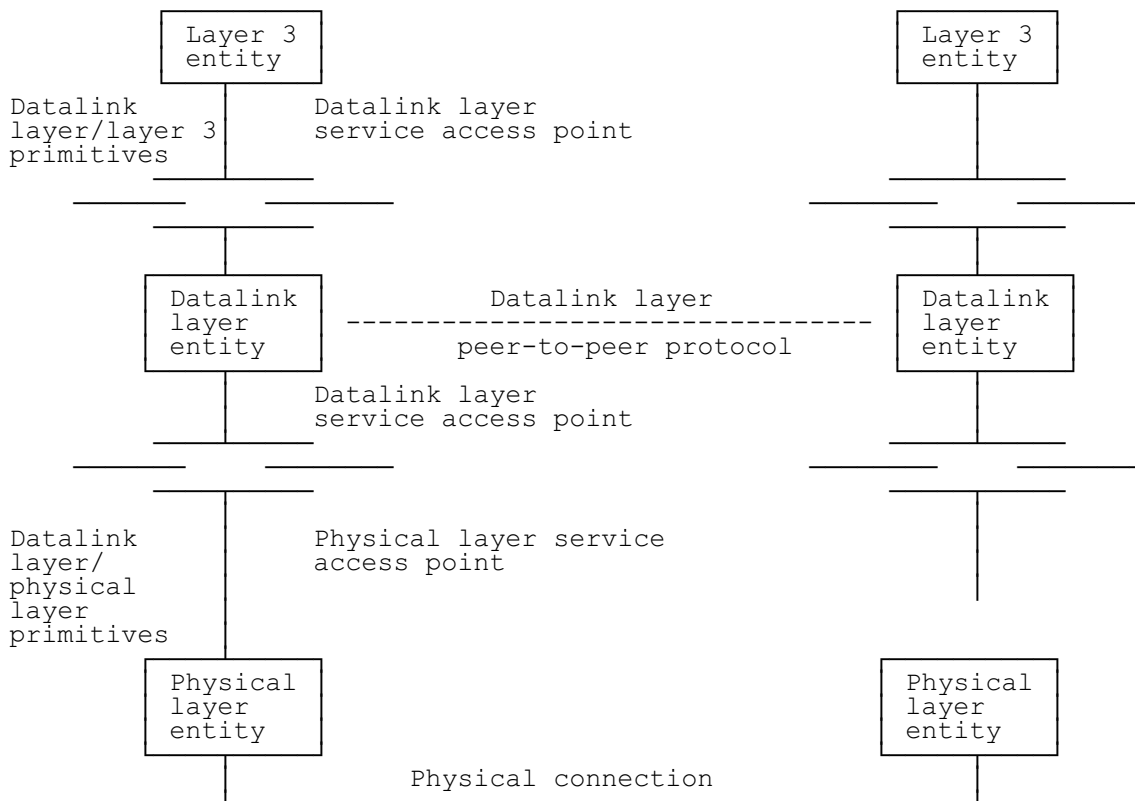
Information between peer entities and between entities in adjacent layers attached to the same SAP is transferred in two different types of message units:

- message units of a peer-to-peer protocol; and
- message units that contain layer-to-layer information concerning status and specialised service requests.

The message units of the layer 3 peer-to-peer protocol are carried by the data link connection. The message units containing layer-to-layer information concerning status and specialised service requests are never conveyed over a data link connection or a physical connection.

This Technical Specification introduces (see also figure 4):

- a) the peer-to-peer protocol for the transfer of information and control between any pair of data link layer service access points;
- b) the interactions between the data link layer and layer 3, and between the data link layer and the physical layer.



**Figure 4: Data link layer reference model**

### 3 Overview description of LAPDm functions and procedures

#### 3.1 General

The purpose of LAPDm is to convey information between layer 3 entities across the GSM PLMN radio interface using the Dm channel. Specifically LAPDm will support:

- multiple layer 3 entities;
- multiple physical layer entities;
- broadcast control channel (BCCH) signalling;
- paging channel (PCH) signalling;
- access grant channel (AGCH) signalling;
- dedicated control channel (DCCH) signalling.

NOTE: The term "DCCH" designates a number of control channels (SDCCH, FACCH and SACCH) as defined in TS GSM 04.03.

NOTE: The random access channel (RACH) does not utilise LAPDm. However, for the purpose of specification, the data link layer acts as a protocol interface between layer 3 and the physical layer also for random access.

The frame structure of data link layer messages is defined in TS GSM 04.06.

The Dm channel between a network and a specific MS may be distorted on several control channels, e.g. PCH, SDCCH and FACCH during a connection (See also TS GSM 04.03). Selection and activation of these channels is performed by layer 3.

LAPDm includes functions for:

- a) the provision of one or more data link connections on a Dm channel. Discrimination between the data link connections is by means of a data link connection identifier (DLCI);
- b) allowing recognition of frame types;
- c) allowing layer 3 message units to be passed transparently between layer 3 entities;
- d) sequence control, to maintain the sequential order of frames across a data link connections;
- e) detection of format and operational errors on a data link;
- f) notification to the layer 3 entity of unrecoverable errors.

NOTE: It is in the responsibility of layer 3 entity to recover from these errors;

- g) flow control; and
- h) contention resolution when establishing a data link after an access request has been made on the RACH.

Two types of operation of the data link layer are defined for layer 3 information transfer: unacknowledged operation and acknowledged (multiple frame) operation. They may co-exist on a Dm channel.

The BCCH and the (PCH + AGCH) will only support unacknowledged operation. The SDCCH, SACCH and FACCH will support both types of operation.

### **3.2 Unacknowledged operation**

In unacknowledged operation, layer 3 information is transmitted in Unnumbered Information (UI) frames.

At the data link layer, the UI frames are not acknowledged. Flow control mechanisms and error recovery mechanisms are not defined.

Applicability of unacknowledged operation to different types of control channels is specified in section 6.1.

### **3.3 Acknowledged operation**

In acknowledged operation, layer 3 information is transmitted in frames that are acknowledged by the receiving data link layer.

Error recovery procedures based on retransmission of unacknowledged frames are specified. In case of errors which cannot be corrected by the data link layer, a report is issued to the layer 3 entity. Flow control procedures are also defined.

Applicability of acknowledged operation to different types of control channels is specified in section 6.1.

Only one form of acknowledged information transfer is defined, ie multiple frame operation.

For multiple frame operation, layer 3 information is sent in numbered Information (I) frames. In principle, a number of I frames may be outstanding at the same time. However, for many applications (eg signalling) a window size of 1 is required. Multiple frame operation is initiated by a multiple frame establishment procedure using a Set Asynchronous Balanced Mode (SABM) command.

If an access request has been made on the RACH, the establishment procedure also contains functions for resolving any ambiguity that may arise as a result of this access method.

### **3.4 Information transfer mode**

#### **3.4.1 Information transfer on the BCCH**

The BCCH exists only in the network to MS direction and is used for broadcasting radio sub-system information to MSs. Only UI frames are sent on the BCCH.

#### **3.4.2 Information transfer on the PCH + AGCH**

These channels exist only in the network to MS direction. On the PCH + AGCH only unacknowledged operation is possible.

#### **3.4.3 Information transfer on the DCCHs**

On the DCCHs both unacknowledged operation and multiple frame operation are possible (see section 6.1). The type of operation required at any time is determined by layer 3.

### **3.5 Release of data links**

Multiple frame operation may be released in the following ways:

- normal release by exchange of commands/responses. This type of release is initiated by layer 3;
- local end release, ie without exchange of commands/responses, initiated and controlled by layer 3;
- abnormal local end release, ie without exchange of commands/responses, commanded by layer 3.

The release mode is indicated by layer 3.

No release mechanism using exchange of commands/responses is defined for unacknowledged operation.

## **4 Service characteristics**

### **4.1 General**

The data link layer provides services to layer 3 and utilises the services provided by the physical layer.

In this Technical Specification and TS GSM 04.06 the following general syntax is used for describing primitives.

XX - Generic Name - Type (Parameters).

where XX designates the layer providing the services. In this Technical Specification XX is DL and MDL for the data link layer and PH for the physical layer.

### **4.2 Services provided to layer 3**

#### **4.2.1 General**

The specification of the interactions with layer 3 (primitives) provides a description of the services that the data link layer, plus the physical layer, offer to layer 3, as viewed from layer 3.

Two forms of information transfer services are associated with layer 3. The first is based on unacknowledged information transfer at the data link layer and the second service is based on acknowledged information transfer at the data link layer using multiple frame operation. Different information transfer services may co-exist on the same data link subject to restrictions imposed by the type of channel being used (see section 3.4).

In addition, the data link layer will pass primitives between the physical layer and layer 3 for random access operation on the RACH.

#### **4.2.2 Priority**

The priority between data links shall be as follows:

On SDCCH:

Highest priority : SAPI = 0  
Lowest priority : SAPI = 3.

On SACCH:

The priority arrangement on the SACCH must ensure that if a SAPI=3 frame is awaiting transmission, two SAPI=0 frames are not sent in consecutive SACCH frames. In addition, for the mobile to network direction it must also be ensured that any SAPI=3 frame is followed by at least one SAPI=0 frame.

#### **4.2.3 Segmentation**

For the acknowledged mode of information transfer the data link layer offers segmentation at the transmitter of layer 3 message units if the message unit is longer than the information field of the data layer frames. At the receiver the segmented layer 3 message units are concatenated such that the integrity of the layer 3 message unit is restored.

For unacknowledged operation the data link layer does not offer segmentation services.

#### 4.2.4 Unacknowledged information transfer service

NOTE: In this case the information transfer is not acknowledged at the data link layer. Acknowledgement procedures may be provided at higher layers.

The characteristics of the unacknowledged information transfer service are summarised in the following:

- a) provision of a data link connection between layer 3 entities for unacknowledged information transfer of layer 3 message units;
- b) identification of data link connection endpoints to permit a layer 3 entity to identify another layer 3 entity;
- c) sending of frames in accordance with priority given to the message;
- d) no verification of message arrival within the data link layer.

The primitives associated with the unacknowledged information transfer service are:

##### DL-UNIT DATA-REQUEST/INDICATION

The DL-UNIT DATA-REQUEST primitive is used to request that a message unit be sent using the procedures for unacknowledged information transfer service; DL-UNIT DATA-INDICATION indicates the arrival of a message unit received by means of unacknowledged information transfer. Parameters associated with these primitives are the message unit, priority and the type of channel being used (BCCH, PCH + AGCH or specific type of DCCH).

#### 4.2.5 Acknowledged information transfer services

One mode of acknowledged operation is defined, ie multiple frame operation.

The characteristics of this service are summarised in the following:

- a) provision of a data link connection between layer 3 entities for acknowledged information transfer of layer 3 message units;
- b) identification of data link connection endpoints to permit a layer 3 entity to identify another layer 3 entity;
- c) sequence integrity of data link layer message units in the absence of machine malfunctions;
- d) notification to the peer entity in the case of errors, for example, loss of sequence;
- e) notification to the layer 3 entity of unrecoverable errors detected by the data link layer;
- f) flow control;
- g) sending of frames in accordance with the indicated SAPI value (see also section 4.2.2);
- h) segmentation and concatenation control functions;
- i) suspension of the service during change of dedicated channels and resumption of service on the new channel without message loss (SAPI = 0 only); duplication of messages which may occur are treated on layer 3 (SAPI = 0 only).



The following list gives an overview of the primitives associated with the multiple frame acknowledged information transfer services (for detailed specification, see TS GSM 04.06):

- a) Data transfer using I frames:

DL-DATA-REQUEST/INDICATION

The DL-DATA-REQUEST primitive is used to request that a message unit be sent using the procedures for multiframe acknowledged information transfer. The DL-DATA-INDICATION primitive indicates the arrival of a message unit received by means of acknowledged information transfer. The parameters associated with these primitives are the message unit and the type of channel being used.

- b) Establishment of multiple frame operation using the SABM command:

DL-ESTABLISH-REQUEST/INDICATION/CONFIRM

These primitives are used to request, indicate and confirm the establishment of multiple frame operation between two data link layer entities. Possible parameters are the message unit, the establish mode and the type of channel being used.

- c) Suspension of multiple frame operation:

DL-SUSPEND-REQUEST/CONFIRM

These primitives are used in a MS to request and confirm the suspension of multiple frame operation while changing a dedicated channel. A possible parameter is the type of channel to be affected.

- d) Resumption of multiple frame operation:

DL-RESUME-REQUEST/CONFIRM

These primitives are used in a MS to request and confirm the resumption of multiple frame operation after it has been suspended (see paragraph c) above). Possible parameters are the message unit and the type of channel to be affected.

- e) Restoration of multiple frame operation:

DL-RECONNECT-REQUEST/CONFIRM

These primitives are used in a MS to request and confirm the restoration of multiple frame operation on the old channel after failure of the channel change. Possible parameters are the message unit and the type of channel to be affected.

- f) Termination of multiple frame operation:

DL-RELEASE-REQUEST/INDICATION/CONFIRM

These primitives are used to request, indicate and confirm an attempt to terminate multiple frame operation between two data link layer entities or an attempt to perform local end release. The parameters associated with this primitive are the type of channel and the release mode.

#### 4.2.6 Random access procedure

The primitives associated with random access are:

DL-RANDOM ACCESS-REQUEST/INDICATION/CONFIRM

The DL-RANDOM ACCESS-REQUEST primitive is used in the MS to request the transmission of a random access burst. The DL-RANDOM ACCESS-CONFIRM primitive is used to notify layer 3 that the random access burst has been sent. The DL-RANDOM ACCESS-INDICATION primitive is used in the network to indicate the arrival of a random access burst. The parameter associated with the REQUEST primitives is the random access message unit. The parameters associated with the INDICATION primitive are the random access message unit and the time slot in which the random access burst was received. The parameter associated with the CONFIRM primitive is a message unit containing the number of the time slot in which the random access burst was sent.

#### 4.3 Services required from the physical layer

The services provided by the physical layer are described in detail in TS GSM 04.04. They are summarised in the following:

- a) physical layer connection for transparent transmission of frames. The bits of a frame are to be delivered to the peer data link entity in the same order in which they were submitted to the physical layer by the sender;
- b) indication of the physical status of the Dm channel;
- c) transmission of data link layer message units in the same order as they were issued by the data link layer;
- d) provision of frame synchronisation;
- e) provision of error protection to ensure a low residual bit error rate at the data link layer;
- f) transmission (in the MS) and reception (in the network) of random access bursts.

The primitives between the data link layer and the physical layer are:

- a) Data transfer:

PH-DATA-REQUEST/INDICATION

These primitives are used to request that a message unit be sent and to indicate the arrival of message unit. Parameters associated with these primitives are the data link layer message unit, the priority and the type of channel being used.

- b) Random access:

PH-RANDOM ACCESS-REQUEST/INDICATION/CONFIRM

The REQUEST primitive is used to request (in the MS) that a random access frame be sent and the INDICATION primitive is used to indicate (in the network) the arrival of a random access frame. A parameter associated with these primitives is the random access message unit. The CONFIRM primitive is used (in the MS) to confirm in which time slot the random access burst was sent.

- c) Connection establishment:

#### PH-CONNECT-INDICATION

This primitive is used to indicate that a specific physical resource has been established on the physical layer. The parameter associated with this primitive is the type of channel.

NOTE: Activation of a physical resource is usually initiated by the layer 3 entity without involving data link layer entities.

- d) Transmission synchronization:

#### PH-READY-TO-SEND-INDICATION

This primitive is used to enable the data link layer to synchronize to the next instant of physical transmission. The parameter associated with this primitive is the type of channel.

#### PH-EMPTY-FRAME-REQUEST

This primitive is used by the data link layer instead of the PH-DATA-REQUEST primitive when no frame has to be sent after receiving the PH-READY-TO-SEND indication. The parameter associated with this primitive is the type of channel.

### 4.4 Administrative services

#### 4.4.1 General description of administrative services

The data link layer entity supports several internal functions of the MS or the network not requiring layer 3 peer-to-peer information transfer. The functions provided by the data link layer are:

- error reporting between the data link layer and the layer 3 entity;
- abnormal release of the data link layer in case of protocol or other failures from which the data link layer cannot recover on its own.

The administrative functions and the interactions between the data link layer and the layer 3 entities are described in terms of service primitives.

#### 4.4.2 Definition of primitives for administrative services

The primitives between the layer 3 entity and the data link layer for supporting administrative services are:

- a) Error handling:

#### MDL-ERROR-INDICATION

This primitive is used by the data link layer to indicate that there is an error in the data link layer procedures that cannot be resolved by normal exception handling procedures. Parameters associated with this primitive are the reason for error reporting and the type of channel.

- b) Release:

#### MDL-RELEASE-REQUEST

This primitive is used by the layer 3 entity to initiate abnormal local end release of a data link. Parameters associated with this primitive are indications of which data links are to be released and the reason for abnormal release.

## 5 Overview of data link layer structure

### 5.1 Functional composition

Figure 5 is an example of a functional block diagram of the data link layer in the MS. In the example the data link connection for all physical channels terminates at the SAP identified by SAPI=0 but only the data link connection for a SACCH terminates at the SAP identified by SAPI=3. Other arrangements are possible depending on the capabilities of the MS.

The network will contain a similar arrangement with one (PCH + AGCH), SDCCH, SACCH, as required, for each active MS.

Figure 5 illustrates three procedural types: the data link procedure, the data link distribution procedure and the random access procedure.

### 5.2 Identification of data link end points

The data link endpoints are identified by a Data Link Connection Identifier (DLCI).

The DLCI consists of two elements:

- the Service Access Point Identifier (SAPI) which is carried in the address field of each frame;
- the type of control channel on which the data link connection is or is to be established. This information is not carried in frames between data link layer peer entities but is managed locally in each end system and is carried in primitives between the layers.

When a layer 3 message unit is to be sent, layer 3 will select the appropriate SAP and data link connection end point. Layer 3 will indicate to the data link layer which data link connection end point has been chosen.

When receiving a frame containing a layer 3 message unit, the data link layer will receive from the physical layer an indication concerning the type of channel on which the frame was received. This information together with the SAPI contained in the frame enables the data link layer to deliver the layer 3 message unit to the required data link connection end point of the indicated SAP.

The SAP takes a specific value for each of the following functions carried on the Dm channel:

- call control signalling, mobility management signalling, supplementary services signalling and radio resource management signalling information as defined in TS GSM 04.08 and 04.10: SAPI = 0;
- short message services as defined in TS GSM 04.11: SAPI = 3.

Other functions requiring specific SAPI values may be defined in the future.

### 5.3 Data link procedure

There is at most one instance of the data link layer procedure for each SAPI on each type of channel supported on that SAPI.

For some combinations of SAPI and type of channel only a subset (eg unacknowledged operation) of the overall data link layer procedure is required.

The procedure analyses the control field and the length indicator field of the received frame (see TS GSM 04.06) and provides appropriate peer-to-peer responses and layer-to-layer indications. In addition, it analyses the data link layer service primitives and transmits the appropriate peer-to-peer commands and responses.

The procedure also performs segmentation and concatenation of layer 3 message units.

#### **5.4 Data link distribution procedure**

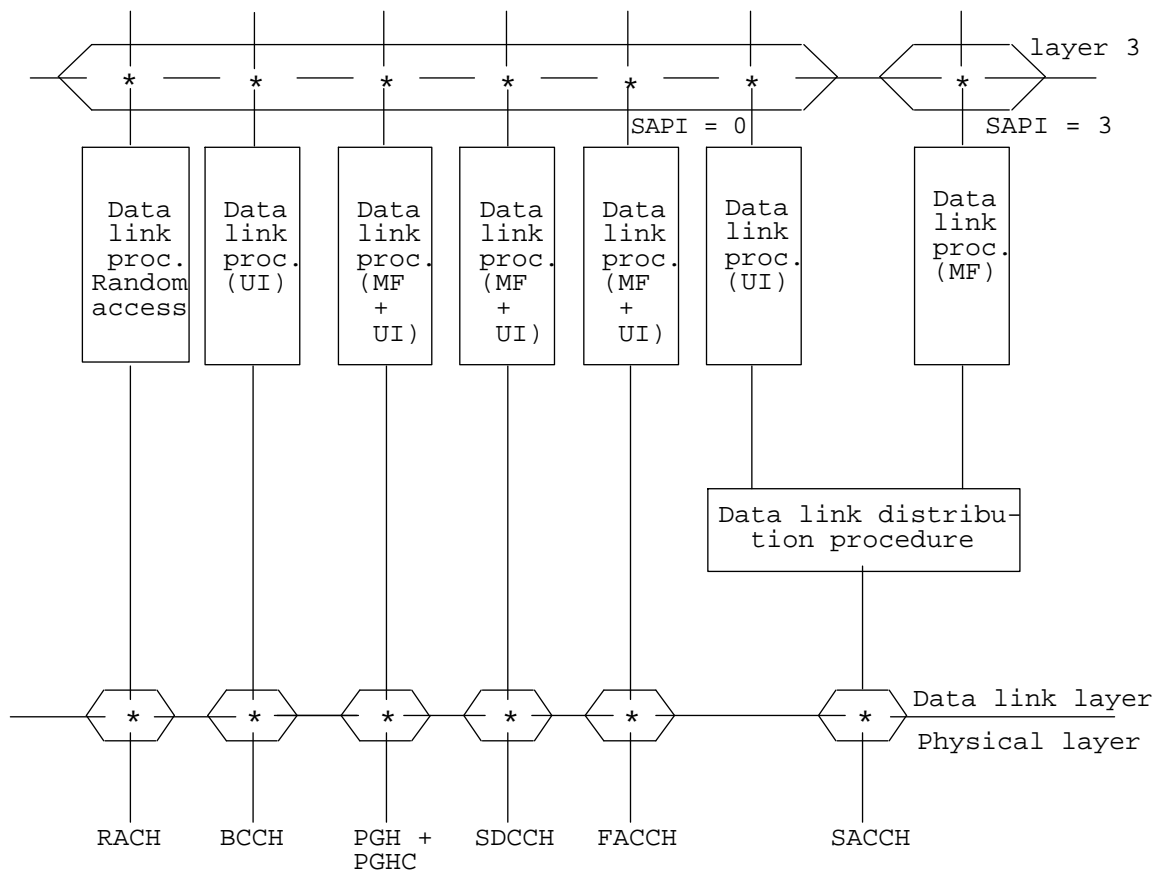
This procedure is only required if there are more than one SAPI supported on a channel associated with a specific MS.

The procedure analyses the address field of a received frame and the type of physical channel contained in the primitive received from the physical layer. It then distributes the frames to the appropriate data link procedure block.

On frame transmission, the procedure delivers the frames to the required channel after layer 3 has established the respective association between the channel and its physical parameters. The procedure also provides for resolution of conflicts between the various data link procedure blocks on the same physical channel. The conflict resolution is based on the SAPI and the priority requested by layer 3 (see also note to section 4.2.2).

#### **5.5 Random access procedures**

This procedure is used for data links on the random access channel (RACH). The procedure in the MS formats the random access frames and initiates transmission of them. The procedure in the network receives the random access frames and provides the appropriate indication to layer 3.



UI = unacknowledged  
 MF = multiple frame

Figure 5: Example of the data link layer configuration in the MS

## 6 Specific requirements

### 6.1 Mode of operation and allowed SAPIs

The various types of channels shall support SAPIs and modes of operation as follows:

| Type of channel             | SAPI=0                          | SAPI=3        |
|-----------------------------|---------------------------------|---------------|
| BCCH                        | Unacknowledged                  | Not supported |
| CCCH                        | Unacknowledged                  | Not supported |
| SDCCH                       | Unacknowledged and acknowledged | Acknowledged  |
| SACCH associated with SDCCH | Unacknowledged                  | Not Supported |
| SACCH associated with TCH   | Unacknowledged                  | Acknowledged  |
| FACCH                       | Unacknowledged and acknowledged | Not supported |

### 6.2 Acknowledged mode of operation

#### 6.2.1 Window size

The window size,  $k$  (see TS GSM 04.06), shall be:

- for SAPI = 0,  $k = 1$ ;
- for SAPI = 3,  $k = 1$ .

Other SAPIs, for further study.

#### 6.2.2 Processing capacity

The processing capacity of the MS and the network shall be big enough to avoid that the data link layer entities enter the receiver busy state for SAPI = 0.

## History

| <b>Document history</b> |   |
|-------------------------|---|
| September 1994          | First Edition   |
| October 1995            | Converted into Adobe Acrobat Portable Document Format (PDF) |
|                         |   |
|                         |   |
|                         |   |