



EUROPEAN
TELECOMMUNICATION
STANDARD

FINAL DRAFT
pr **ETS 300 496**

February 1997

Source: ETSI TC-SPS

Reference: DE/SPS-01013

ICS: 33.020

Key words: B-ISDN, SS7, B-ISUP, ISDN, ISUP, interworking

**Broadband Integrated Services Digital Network (B-ISDN);
Signalling System No.7;
Interworking between Broadband ISDN User Part (B-ISUP)
and Narrowband ISDN User Part (ISUP)**

[ITU-T Recommendation Q.2660 (1995), modified]

ETSI

European Telecommunications Standards Institute

ETSI Secretariat

Postal address: F-06921 Sophia Antipolis CEDEX - FRANCE

Office address: 650 Route des Lucioles - Sophia Antipolis - Valbonne - FRANCE

X.400: c=fr, a=atlas, p=etsi, s=secretariat - **Internet:** secretariat@etsi.fr

Tel.: +33 4 92 94 42 00 - Fax: +33 4 93 65 47 16

Copyright Notification: No part may be reproduced except as authorized by written permission. The copyright and the foregoing restriction extend to reproduction in all media.

© European Telecommunications Standards Institute 1997. All rights reserved.

Foreword

This final draft European Telecommunication Standard (ETS) has been produced by the Signalling Protocols and Switching (SPS) Technical Committee of the European Telecommunications Standards Institute (ETSI), and is now submitted for the Voting phase of the ETSI standards approval procedure.

This ETS belongs to a set of standards related to the Broadband Integrated Services Digital Network (B-ISDN) User Part (B-ISUP) Capability Set 1 (CS1) for the international interface, as described below:

ETS 300 656: "Basic services [ITU-T Recommendations Q.2761 to Q.2764 (1995), modified]";

ETS 300 657: "Supplementary services [ITU-T Recommendation Q.2730 (1995), modified]";

ETS 300 495: "B-ISUP to DSS2 interworking [ITU-T Recommendation Q.2650 (1995), modified]";

ETS 300 496: "B-ISUP to N-ISUP interworking [ITU-T Recommendation Q.2660 (1995), modified]";

ETS 300 685: "Usage of cause and location in DSS2 and B-ISUP [ITU-T Recommendation Q.2610 (1995), modified]".

Proposed transposition dates	
Date of latest announcement of this ETS (doa):	3 months after ETSI publication
Date of latest publication of new National Standard or endorsement of this ETS (dop/e):	6 months after doa
Date of withdrawal of any conflicting National Standard (dow):	6 months after doa

Endorsement notice

The text of ITU-T Recommendations Q.2660 (1995) was approved by ETSI as an ETS with agreed modifications as given below.

NOTE: New or modified text is indicated using sidebars. In addition, underlining and/or strike-out are used to highlight detailed modifications where necessary.

Page 1, clause 1, first and second paragraphs

Replace the first and second paragraphs by:

This European Telecommunication Standard (ETS) specifies the interworking between Broadband Integrated Services Digital Network (B-ISDN) User Part (B-ISUP) as used in the Broadband Capability Set 1 (CS1) network (according to ETS 300 656 [19] and ETS 300 657 [20]) and the Narrowband ISDN User Part (ISUP) version 2 as defined in ETS 300 356-1 to ETS 300 356-19 ([1] to [18]).

The interworking between the above two signalling systems may occur when the Broadband network is used as a transit network between two Narrowband networks. The scope of this ETS is limited to the interworking of the basic call and supplementary services applicable to the international interface.

Page 1

Insert the following two clauses (normative references and definitions) after clause 1:

Normative references

This ETS incorporates by dated and undated references, provisions from other publications. These normative references are cited at the appropriate places in the text and the publications are listed hereafter. For dated references, subsequent amendments to or revisions of any of these publications apply to this ETS only when incorporated in it by amendment or revision. For undated references the latest edition of the publication referred to applies.

- [1] ETS 300 356-1 (1995): "Integrated Services Digital Network (ISDN); Signalling System No.7; ISDN User Part (ISUP) version 2 for the international interface; Part 1: Basic services [ITU-T Recommendations Q.761 to Q.764 (1993), modified]".
- [2] ETS 300 356-2 (1995): "Integrated Services Digital Network (ISDN); Signalling System No.7; ISDN User Part (ISUP) version 2 for the international interface; Part 2: ISDN supplementary services [ITU-T Recommendation Q.730 (1993), modified]".
- [3] ETS 300 356-3 (1995): "Integrated Services Digital Network (ISDN); Signalling System No.7; ISDN User Part (ISUP) version 2 for the international interface; Part 3: Calling Line Identification Presentation (CLIP) supplementary service [ITU-T Recommendation Q.731, clause 3 (1993), modified]".
- [4] ETS 300 356-4 (1995): "Integrated Services Digital Network (ISDN); Signalling System No.7; ISDN User Part (ISUP) version 2 for the international interface; Part 4: Calling Line Identification Restriction (CLIR) supplementary service [ITU-T Recommendation Q.731, clause 4 (1993), modified]".
- [5] ETS 300 356-5 (1995): "Integrated Services Digital Network (ISDN); Signalling System No.7; ISDN User Part (ISUP) version 2 for the international interface; Part 5: Connected Line Identification Presentation (COLP) supplementary service [ITU-T Recommendation Q.731, clause 5 (1993), modified]".
- [6] ETS 300 356-6 (1995): "Integrated Services Digital Network (ISDN); Signalling System No.7; ISDN User Part (ISUP) version 2 for the international interface; Part 6: Connected Line Identification Restriction (COLR) supplementary service [ITU-T Recommendation Q.731, clause 6 (1993), modified]".
- [7] ETS 300 356-7 (1995): "Integrated Services Digital Network (ISDN); Signalling System No.7; ISDN User Part (ISUP) version 2 for the international interface; Part 7: Terminal Portability (TP) supplementary service [ITU-T Recommendation Q.733, clause 4 (1993), modified]".

- [8] ETS 300 356-8 (1995): "Integrated Services Digital Network (ISDN); Signalling System No.7; ISDN User Part (ISUP) version 2 for the international interface; Part 8: User-to-User Signalling (UUS) supplementary service [ITU-T Recommendation Q.737, clause 1 (1993), modified]".
- [9] ETS 300 356-9 (1995): "Integrated Services Digital Network (ISDN); Signalling System No.7; ISDN User Part (ISUP) version 2 for the international interface; Part 9: Closed User Group (CUG) supplementary service [ITU-T Recommendation Q.735, clause 1 (1993), modified]".
- [10] ETS 300 356-10 (1995): "Integrated Services Digital Network (ISDN); Signalling System No.7; ISDN User Part (ISUP) version 2 for the international interface; Part 10: Subaddressing (SUB) supplementary service [CCITT Recommendation Q.731, section 8 (1992), modified]".
- [11] ETS 300 356-11 (1995): "Integrated Services Digital Network (ISDN); Signalling System No.7; ISDN User Part (ISUP) version 2 for the international interface; Part 11: Malicious Call Identification (MCID) supplementary service".
- [12] ETS 300 356-12 (1995): "Integrated Services Digital Network (ISDN); Signalling System No.7; ISDN User Part (ISUP) version 2 for the international interface; Part 12: Conference call, add-on (CONF) supplementary service [ITU-T Recommendation Q.734, clause 1 (1993), modified]".
- [13] ETS 300 356-14 (1995): "Integrated Services Digital Network (ISDN); Signalling System No.7; ISDN User Part (ISUP) version 2 for the international interface; Part 14: Explicit Call Transfer (ECT) supplementary service".
- [14] ETS 300 356-15 (1995): "Integrated Services Digital Network (ISDN); Signalling System No.7; ISDN User Part (ISUP) version 2 for the international interface; Part 15: Diversion supplementary services [ITU-T Recommendation Q.732, clauses 2 to 5 (1993), modified]".
- [15] ETS 300 356-16 (1995): "Integrated Services Digital Network (ISDN); Signalling System No.7; ISDN User Part (ISUP) version 2 for the international interface; Part 16: Call Hold (HOLD) supplementary service [ITU-T Recommendation Q.733, clause 2 (1993), modified]".
- [16] ETS 300 356-17 (1995): "Integrated Services Digital Network (ISDN); Signalling System No.7; ISDN User Part (ISUP) version 2 for the international interface; Part 17: Call Waiting (CW) supplementary service [CCITT Recommendation Q.733, section 1 (1992), modified]".
- [17] ETS 300 356-18 (1995): "Integrated Services Digital Network (ISDN); Signalling System No.7; ISDN User Part (ISUP) version 2 for the international interface; Part 18: Completion of Calls to Busy Subscriber (CCBS) supplementary service".
- [18] ETS 300 356-19 (1995): "Integrated Services Digital Network (ISDN); Signalling System No.7; ISDN User Part (ISUP) version 2 for the international interface; Part 19: Three party (3PTY) supplementary service [ITU-T Recommendation Q.734, clause 2 (1993), modified]".
- [19] ETS 300 656: "Broadband Integrated Services Digital Network (B-ISDN); Signalling System No.7; B-ISDN User Part (B-ISUP) Capability Set 1 (CS1); Basic services [ITU-T Recommendations Q.2761 (1995) to Q.2764 (1995), modified]".
- [20] ETS 300 657: "Broadband Integrated Services Digital Network (B-ISDN); Signalling System No.7; B-ISDN User Part (B-ISUP) Capability Set 1 (CS1); Supplementary services [ITU-T Recommendation Q.2730 (1995), modified]".

- [21] ITU-T Recommendation I.112 (1993): "Vocabulary of terms for ISDNs".
- [22] ITU-T Recommendation I.210 (1993): "Principles of telecommunication services supported by an ISDN and the means to describe them".

Definitions

For the purposes of this ETS, the following definitions apply:

Integrated Services Digital Network (ISDN): See ITU-T Recommendation I.112 [21], definition 308.

service; telecommunication service: See ITU-T Recommendation I.112 [21], definition 201.

supplementary service: see ITU-T Recommendation I.210 [22], subclause 2.4.

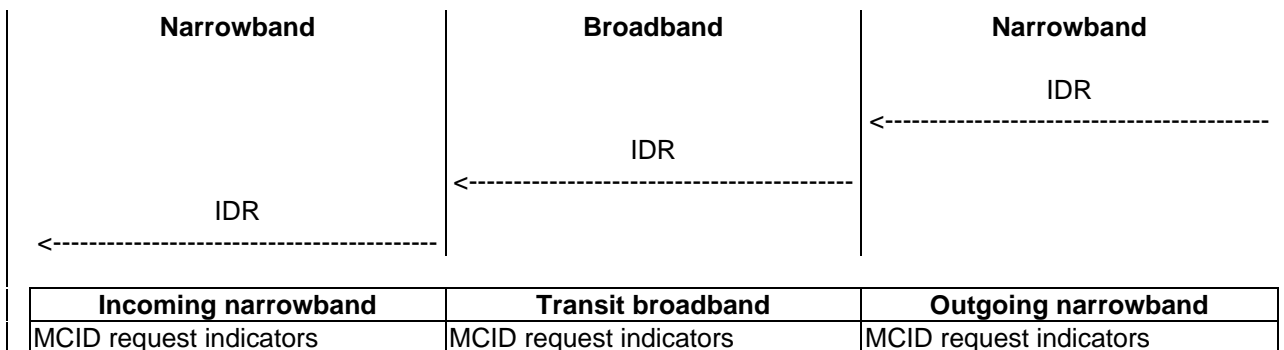
Page 2, clause 2

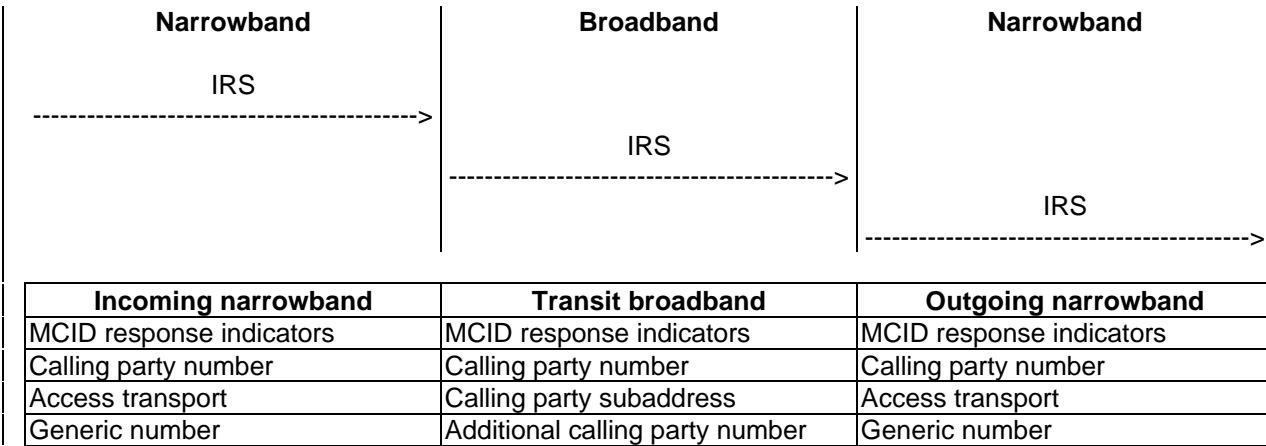
Insert the following abbreviations as appropriate:

B-ISDN	Broadband ISDN
B-ISUP	Broadband ISUP
CS1	Capability Set 1
CTM	Call Transfer Message
DSS2	Digital Subscriber Signalling System No. two
FAC	Facility message
IDR	Identification Request message
IRS	Identification Response message
ISDN	Integrated Services Digital Network
ISUP	ISDN User Part
LOP	Loop Prevention (message)

Page 14, subclause 6.7 (MCID)

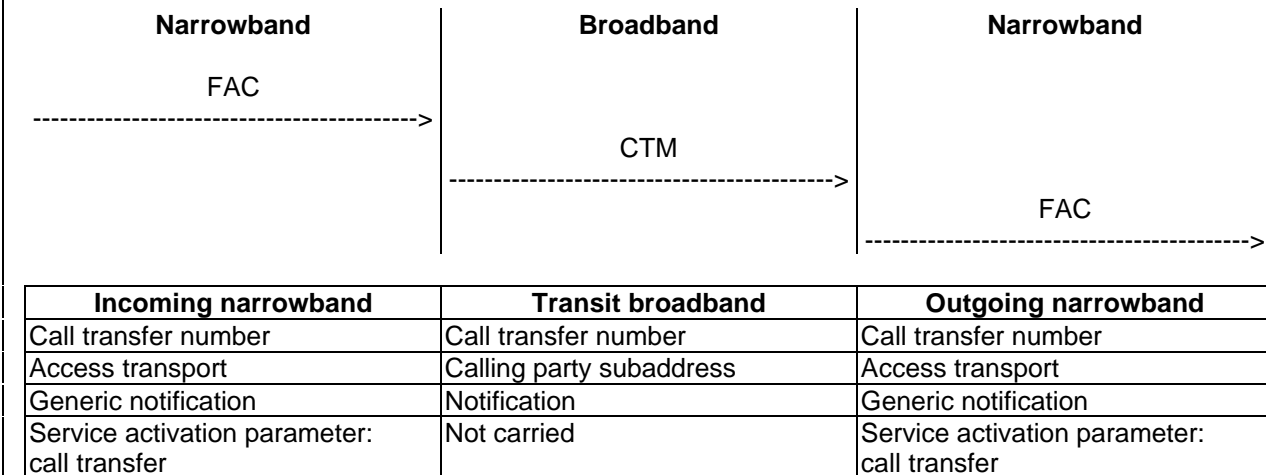
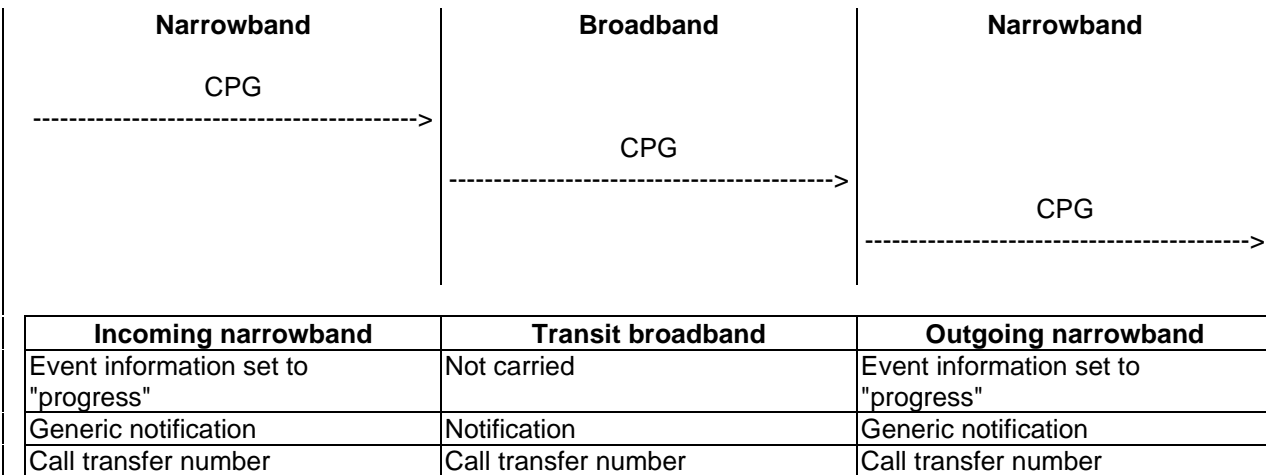
Replace the text of subclause 6.7 by the following diagrams and tables:

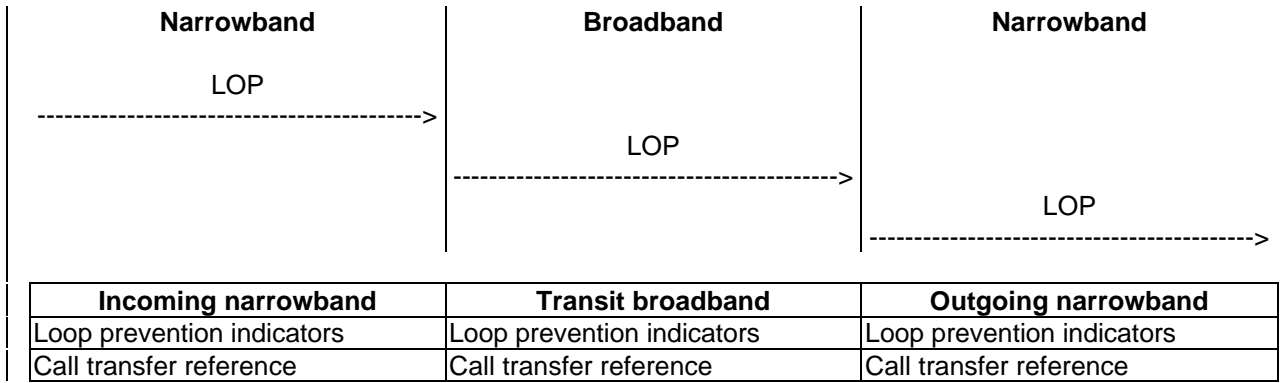




Page 17, subclause 6.15 (ECT)

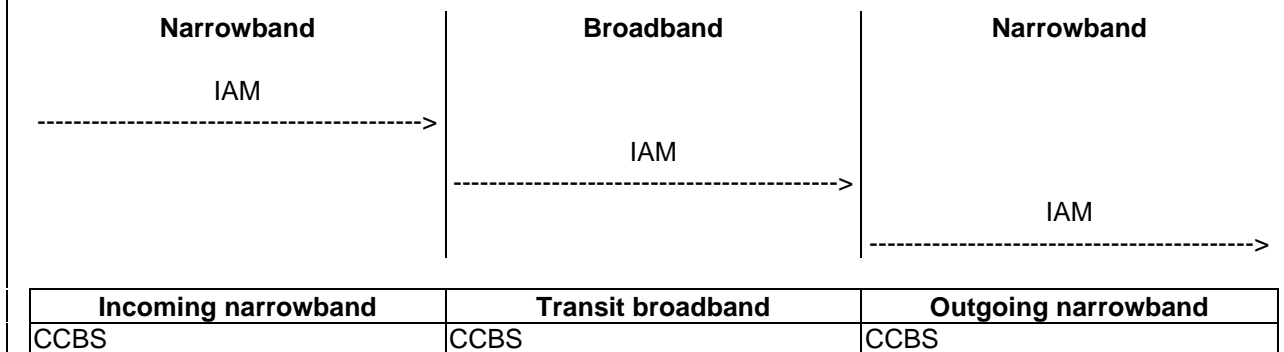
Replace the text of subclause 6.15 by the following diagrams and tables:





Page 17, subclause 6.19 (CCBS)

Replace the text of subclause 6.19 by the following diagram and table:



Page 20, subclause 6.25 (MLPP)

Delete the mapping tables for MLPP information. They are not applicable.

History

Document history			
April 1996	Public Enquiry	PE 105:	1996-04-08 to 1996-08-30
February 1997	Vote	V 9717:	1997-02-25 to 1997-04-25