



CORRIGENDUM

ETS 300 471/C1

April 1996

Source: ETSI TC-RES

Reference: DE/RES-02-14-c1

ICS: 33.060.20

Key words: access, data, mobile, protocol, radio, testing

**This corrigendum modifies
the European Telecommunication Standard ETS 300 471 (1995)**

**Radio Equipment and Systems (RES);
Land mobile service;
Access protocol, occupation rules and corresponding technical
characteristics of radio equipment for the
transmission of data on shared channels**

ETSI

European Telecommunications Standards Institute

ETSI Secretariat

Postal address: F-06921 Sophia Antipolis CEDEX - FRANCE

Office address: 650 Route des Lucioles - Sophia Antipolis - Valbonne - FRANCE

X.400: c=fr, a=atlas, p=etsi, s=secretariat - **Internet:** secretariat@etsi.fr

Tel.: +33 92 94 42 00 - Fax: +33 93 65 47 16

*

Copyright Notification: No part may be reproduced except as authorized by written permission. The copyright and the foregoing restriction extend to reproduction in all media.

© European Telecommunications Standards Institute 1996. All rights reserved.

Foreword

This Corrigendum corrects an editorial error in the first edition of ETS 300 471.

Amendments

Page 13, subclause 7

Delete figure 1 and replace with:

Sharing data/data; users operating independently.
 $t_t = 1, \dots, 10 \text{ s}$ step size 100 ms
 Observation time $t_o = t_f + nt_i$; $t_f = 60 \text{ ms}$; $t_i = 50 \text{ ms}$
 $n = \text{random number between } 1, 2, \dots, m.$
 $\Delta t_t = 0, 1, \dots, 10 \text{ s}$ step size 100 ms

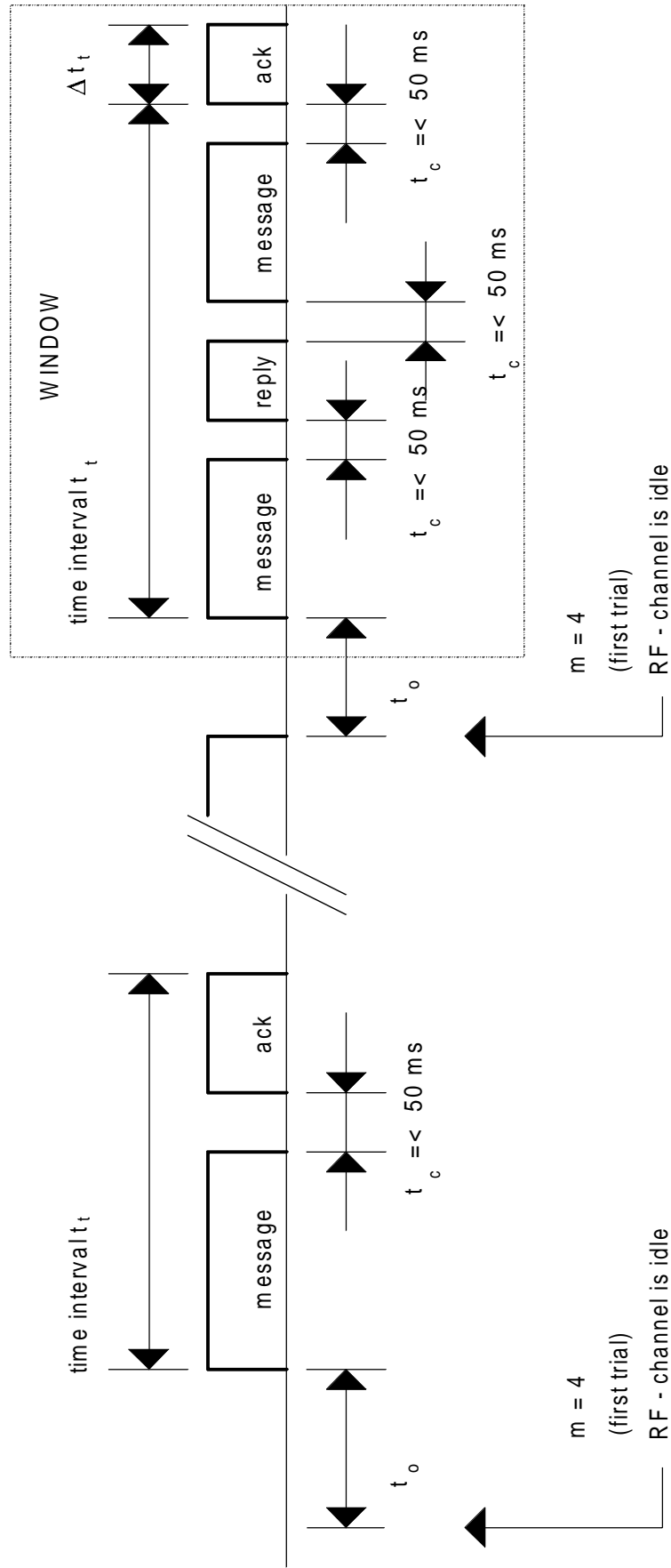


Figure 1: Access protocol sharing data/data

Page 15, subclause 7

Delete figure 3 and replace with:

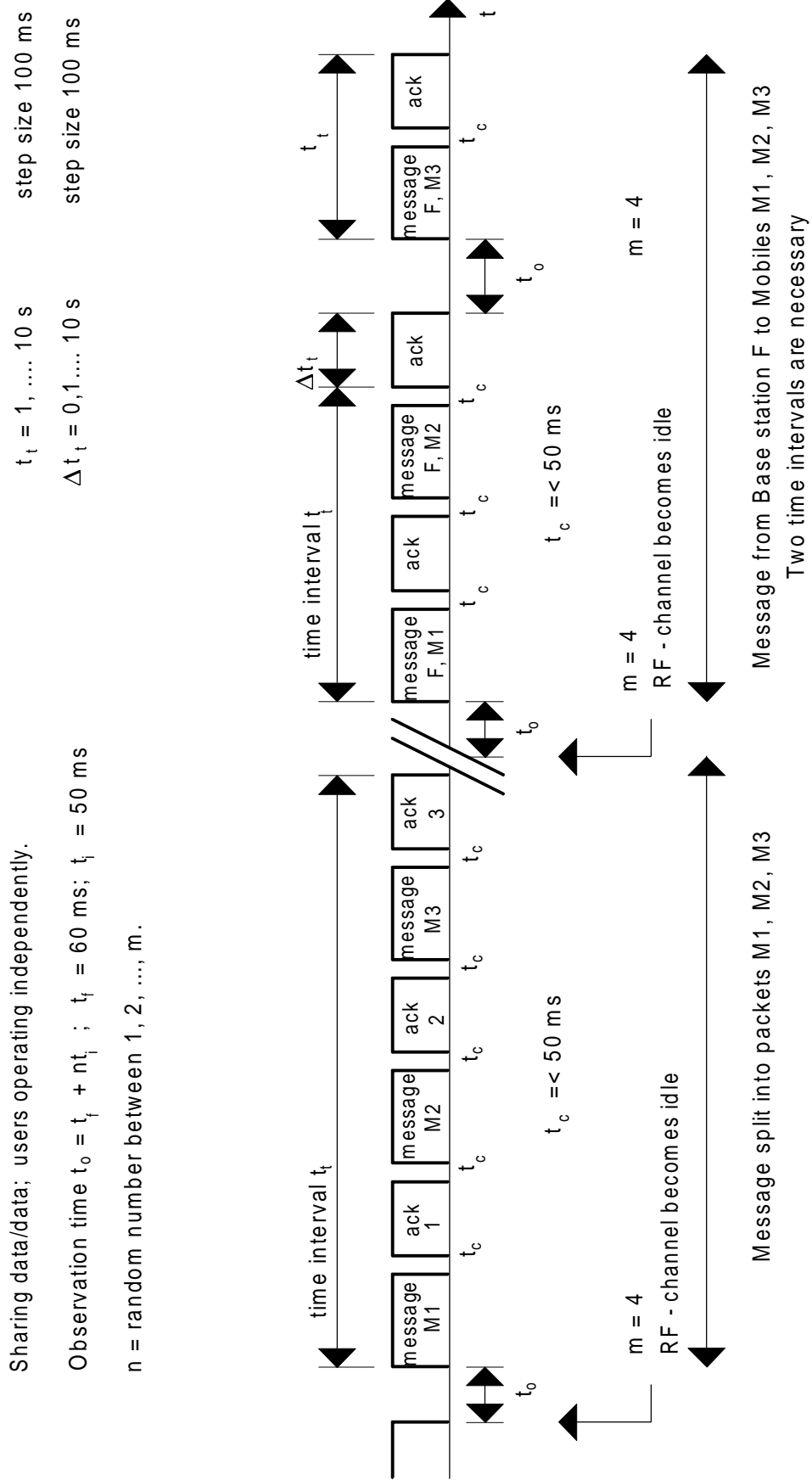


Figure 3: Access protocol sharing data/data

History

Document history			
January 1995	Public Enquiry	PE 78:	1995-01-30 to 1995-05-26
September 1995	Vote	V 87:	1995-09-11 to 1995-11-03
December 1995	First Edition		
April 1996	Corrigendum to First Edition		