

**E**UROPEAN  
**T**ELECOMMUNICATION  
**S**TANDARD

**ETS 300 468**

January 1997

Second Edition

Source: EBU/CENELEC/ETSI JTC

Reference: RE/JTC-DVB-18

ICS: 33.020

**Key words:** Digital, video, broadcasting, DVB, MPEG, TV, service

European Broadcasting Union



Union Européenne de Radio-Télévision



**Digital Video Broadcasting (DVB);  
Specification for Service Information (SI)  
in DVB systems**

**ETSI**

European Telecommunications Standards Institute

**ETSI Secretariat**

**Postal address:** F-06921 Sophia Antipolis CEDEX - FRANCE

**Office address:** 650 Route des Lucioles - Sophia Antipolis - Valbonne - FRANCE

**X.400:** c=fr, a=atlas, p=etsi, s=secretariat - **Internet:** secretariat@etsi.fr

Tel.: +33 4 92 94 42 00 - Fax: +33 4 93 65 47 16

**Copyright Notification:** No part may be reproduced except as authorized by written permission. The copyright and the foregoing restriction extend to reproduction in all media.

© European Telecommunications Standards Institute 1997.

© European Broadcasting Union 1997.

All rights reserved.



## Contents

Foreword .....	5
1 Scope .....	7
2 Normative references .....	7
3 Definitions and abbreviations .....	8
3.1 Definitions .....	8
3.2 Abbreviations .....	10
4 Service Information (SI) description .....	10
5 The SI tables .....	13
5.1 SI table mechanism .....	13
5.1.1 Explanation .....	13
5.1.2 Mapping of sections into Transport Stream packets .....	14
5.1.3 Coding of PID and table_id fields .....	14
5.1.4 Repetition rates and random access .....	15
5.1.5 Scrambling .....	15
5.2 Table definitions .....	15
5.2.1 Network Information Table (NIT) .....	16
5.2.2 Bouquet Association Table (BAT) .....	17
5.2.3 Service Description Table (SDT) .....	19
5.2.4 Event Information Table (EIT) .....	21
5.2.5 Time and Date Table (TDT) .....	24
5.2.6 Time Offset Table (TOT) .....	24
5.2.7 Running Status Table (RST) .....	25
5.2.8 Stuffing Table (ST) .....	26
6 Descriptors .....	26
6.1 Descriptor identification and location .....	26
6.2 Descriptor coding .....	27
6.2.1 Bouquet name descriptor .....	28
6.2.2 CA identifier descriptor .....	28
6.2.3 Component descriptor .....	28
6.2.4 Content descriptor .....	31
6.2.5 Country availability descriptor .....	34
6.2.6 Delivery system descriptors .....	35
6.2.6.1 Cable delivery system descriptor .....	35
6.2.6.2 Satellite delivery system descriptor .....	36
6.2.7 Extended event descriptor .....	37
6.2.8 Linkage descriptor .....	39
6.2.9 Local time offset descriptor .....	40
6.2.10 Mosaic descriptor .....	41
6.2.11 Multilingual bouquet name descriptor .....	45
6.2.12 Multilingual component descriptor .....	45
6.2.13 Multilingual network name descriptor .....	46
6.2.14 Multilingual service name descriptor .....	47
6.2.15 Near Video On Demand (NVOD) reference descriptor .....	47
6.2.16 Network name descriptor .....	48
6.2.17 Parental rating descriptor .....	49
6.2.18 Private data specifier descriptor .....	49
6.2.19 Short smoothing buffer descriptor .....	50
6.2.20 Service descriptor .....	53
6.2.21 Service list descriptor .....	54
6.2.22 Service move descriptor .....	54
6.2.23 Short event descriptor .....	55

6.2.24	Stream identifier descriptor.....	55
6.2.25	Stuffing descriptor.....	56
6.2.26	Subtitling descriptor.....	56
6.2.27	Telephone descriptor.....	57
6.2.28	Teletext descriptor.....	59
6.2.29	Time shifted event descriptor.....	60
6.2.30	Time shifted service descriptor.....	60
Annex A (normative):	Coding of text characters.....	61
A.1	Control codes.....	61
A.2	Selection of character table.....	61
Annex B (normative):	CRC decoder model.....	68
Annex C (informative):	Conversion between time and date conventions.....	69
Annex D (informative):	Bibliography.....	71
History.....		72

## Foreword

This 2nd edition of European Telecommunication Standard (ETS) has been produced by the Joint Technical Committee (JTC) of the European Broadcasting Union (EBU), Comité Européen de Normalisation ELECtrotechnique (CENELEC) and the European Telecommunications Standards Institute (ETSI).

NOTE: The EBU/ETSI JTC was established in 1990 to co-ordinate the drafting of ETSs in the specific field of broadcasting and related fields. Since 1995 the JTC became a tripartite body by including in the Memorandum of Understanding also CENELEC, which is responsible for the standardization of radio and television receivers. The EBU is a professional association of broadcasting organizations whose work includes co-ordination of its Members' activities in the technical, legal, programme-making and programme-exchange domains. The EBU has Active Members in about 60 countries in the European Broadcasting Area; its headquarters is in Geneva \*.

\* European Broadcasting Union  
Case Postale 67  
CH-1218 GRAND SACONNEX (Geneva)  
Switzerland

Tel: +41 22 717 21 11  
Fax: +41 22 717 24 81

## Digital Video Broadcasting (DVB) Project

Founded in September 1993, the DVB Project is a market-led consortium of public and private sector organizations in the television industry. Its aim is to establish the framework for the introduction of MPEG-2 based digital television services. Now comprising over 200 organizations from more than 25 countries around the world, DVB fosters market-led systems, which meet the real needs, and economic circumstances, of the consumer electronics and the broadcast industry.

Transposition dates	
Date of adoption	20 December 1996
Date of latest announcement of this ETS (doa):	30 April 1997
Date of latest publication of new National Standard or endorsement of this ETS (dop/e):	31 October 1997
Date of withdrawal of any conflicting National Standard (dow):	31 October 1997

Blank page

## 1 Scope

This 2nd edition of European Telecommunication Standard (ETS) specifies the Service Information (SI) data which forms a part of Digital Video Broadcasting (DVB) bitstreams, in order that the user can be provided with information to assist in selection of services and/or events within the bitstream, and so that the Integrated Receiver Decoder (IRD) can automatically configure itself for the selected service. SI data for automatic configuration is mostly specified within ISO/IEC 13818-1 [1] as Program Specific Information (PSI). This ETS specifies additional data which complements the PSI by providing data to aid automatic tuning of IRDs, and additional information intended for display to the user. The manner of presentation of the information is not specified in this ETS, and IRD manufacturers have freedom to choose appropriate presentation methods.

It is expected that Electronic Programme Guides (EPGs) will be a feature of Digital TV transmissions. The definition of an EPG is outside the scope of the SI specification, but the data contained within the SI specified here may be used as the basis for an EPG.

Rules of operation for the implementation of ETS 300 468 are specified in ETR 211 [7].

## 2 Normative references

This ETS incorporates by dated and undated reference, provisions from other publications. These normative references are cited at the appropriate places in the text and the publications are listed hereafter. For dated references, subsequent amendments to or revisions of any of these publications apply to this ETS only when incorporated in it by amendment or revision. For undated references the latest edition of the publication referred to applies.

- [1] ISO/IEC 13818-1: "Information Technology - Generic Coding of Moving Pictures and Associated Audio Recommendation H.222.0 (systems)".
- [2] ISO 3166: "Codes for the representation of names of countries".
- [3] ISO 639.2: "Code for the representation of names of languages".
- [4] EBU SPB 492: "Teletext specification (625 line Television Systems)".
- [5] ISO 8859: "Information processing - 8-bit single-byte coded graphic character sets, Latin alphabets".
- [6] ETR 162: "Digital broadcasting systems for television, sound and data services; Allocation of Service Information (SI) codes for Digital Video Broadcasting (DVB) systems".
- [7] ETR 211: "Digital broadcasting systems for television; Guidelines on implementation and usage of service information".
- [8] ISO/IEC 10646-1: "Information Technology - Universal Multiple-Octet Coded Character Set (UCS) - Part 1: Architecture and Basic Multilingual Plane".
- [9] ISO/IEC 6937: "Information Technology - Coded graphic character set for text communication - Latin alphabet".

### 3 Definitions and abbreviations

#### 3.1 Definitions

For the purposes of this ETS, the following definitions apply:

**bouquet:** A collection of services marketed as a single entity.

**broadcaster (SERVICE provider):** An organization which assembles a sequence of events or programmes to be delivered to the viewer based upon a schedule.

**component (ELEMENTARY stream):** One or more entities which together make up an event, e.g. video, audio, teletext.

**Conditional Access (CA) system:** A system to control subscriber access to services, programmes and events e.g. Videoguard, Eurocrypt.

**delivery system:** The physical medium by which one or more multiplexes are transmitted e.g. satellite transponder, wide-band coaxial cable, fibre optics.

**Entitlement Management Messages (EMM):** Are private Conditional Access information which specify the authorization levels or the services of specific decoders. They may be addressed to individual decoder or groups of decoders.

**event:** A grouping of elementary broadcast data streams with a defined start and end time belonging to a common service, e.g. first half of a football match, News Flash, first part of an entertainment show.

**forbidden:** The term "forbidden" when used in the clauses defining the coded bit stream, indicates that the value shall never be used.

**MPEG-2:** Refers to the standard ISO/IEC 13818 [1]. Systems coding is defined in part 1. Video coding is defined in part 2. Audio coding is defined in part 3.

**multiplex:** A stream of all the digital data carrying one or more services within a single physical channel.

**network:** A collection of MPEG-2 Transport Stream multiplexes transmitted on a single delivery system, e.g. all digital channels on a specific cable system.

**original\_network\_id:** A unique identifier of a network.

**programme:** A concatenation of one or more events under the control of a broadcaster e.g. news show, entertainment show.

**reserved:** The term "reserved" when used in the clause defining the coded bit stream, indicates that the value may be used in the future for ISO defined extensions. Unless otherwise specified within this ETS all "reserved" bits shall be set to "1".

**reserved\_future\_use:** The term "reserved\_future\_use", when used in the clause defining the coded bit stream, indicates that the value may be used in the future for ETSI defined extensions. Unless otherwise specified within this ETS all "reserved\_future\_use" bits shall be set to "1".

**section:** A section is a syntactic structure used for mapping all service information defined in this ETS into ISO/IEC 13818 [1] Transport Stream packets.

**service:** A sequence of programmes under the control of a broadcaster which can be broadcast as part of a schedule.

**service\_id:** A unique identifier of a service within a transport stream.

**Service Information (SI):** Digital data describing the delivery system, content and scheduling/timing of broadcast data streams etc. It includes MPEG-2 PSI together with independently defined extensions.



**sub\_table:** A sub\_table is collection of sections with the same value of table\_id and:

for a NIT: the same table\_id\_extension (network\_id) and version\_number;

for a BAT: the same table\_id\_extension (bouquet\_id) and version\_number;

for a SDT: the same table\_id\_extension (transport\_stream\_id), the same original\_network\_id and version\_number;

for a EIT: the same table\_id\_extension (service\_id), the same transport\_stream\_id, the same original\_network\_id and version\_number.

The table\_id\_extension field is equivalent to the fourth and fifth byte of a section when the section\_syntax\_indicator is set to a value of "1".

**table:** A table is comprised of a number of sub\_tables with the same value of table\_id.

**Transport Stream (TS):** A Transport Stream is a data structure defined in ISO/IEC 13818-1 [1]. It is the basis of the ETSI Digital Video Broadcasting (DVB) standards.

**transport\_stream\_id:** A unique identifier of a transport stream within an original network.

The relationships of some of these definitions are illustrated in the service delivery model in figure 1.

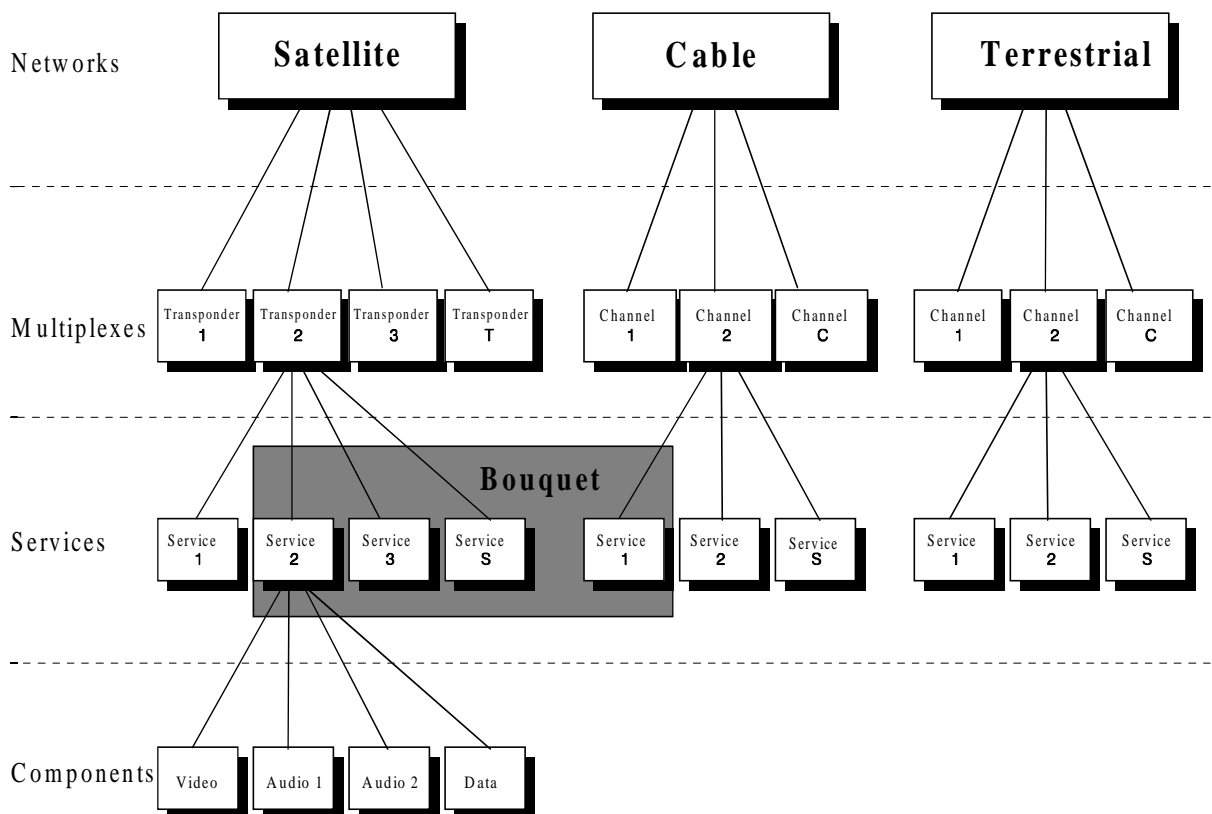


Figure 1: Digital broadcasting, service delivery model

### 3.2 Abbreviations

For the purposes of this ETS, the following abbreviations apply:

BAT	Bouquet Association Table
BCD	Binary Coded Decimal
bslbf	bit string, left bit first
CA	Conditional Access
CAT	Conditional Access Table
CRC	Cyclic Redundancy Check
DVB	Digital Video Broadcasting
EBU	European Broadcasting Union
EIT	Event Information Table
EMM	Entitlement Management Message
EPG	Electronic Programme Guide
ETS	European Telecommunication Standard
ETSI	European Telecommunications Standards Institute
FEC	Forward Error Correction
IEC	International Electrotechnical Commission
IRD	Integrated Receiver Decoder
ISO	International Organization for Standardization
JTC	Joint Technical Committee
LSB	Least Significant Bit
MJD	Modified Julian Date
MPEG	Moving Pictures Expert Group
NIT	Network Information Table
NVOD	Near Video On Demand
PAT	Program Association Table
PID	Packet Identifier
PMT	Program Map Table
PSI	Program Specific Information
PSTN	Public Switched Telephone Network
QAM	Quadrature Amplitude Modulation
QPSK	Quaternary Phase Shift Keying
rpchof	remainder polynomial coefficients, highest order first
RS	Reed Solomon
RST	Running Status Table
SDT	Service Description Table
SI	Service Information
ST	Stuffing Table
TDT	Time and Date Table
TOT	Time Offset Table
TS	Transport Stream
uimsbf	unsigned integer most significant bit first
UTC	Universal Time, Co-ordinated

## 4 Service Information (SI) description

ISO/IEC 13818 [1] specifies SI which is referred to as PSI. The PSI data provides information to enable automatic configuration of the receiver to demultiplex and decode the various streams of programs within the multiplex.

The PSI data is structured as four types of table. The tables are transmitted in sections.

### 1) Program Association Table (PAT):

- for each service in the multiplex, the PAT indicates the location (the PID values of the Transport Stream packets) of the corresponding Program Map Table (PMT). It also gives the location of the Network Information Table (NIT).

- 2) Conditional Access Table (CAT):
  - the CAT provides information on the Conditional Access (CA) systems used in the multiplex; the information is private (not defined within this ETS) and dependent on the CA system, but includes the location of the EMM stream, when applicable.
- 3) Program Map Table (PMT):
  - the PMT identifies and indicates the locations of the streams that make up each service, and the location of the Program Clock Reference fields for a service.
- 4) Network Information Table (NIT):
  - the location of the NIT is defined in this ETS in compliance with ISO/IEC 13818-1 [1] specification, but the data format is outside the scope of ISO/IEC 13818-1 [1]. It is intended to provide information about the physical network. The syntax and semantics of the NIT are defined in this ETS.

In addition to the PSI, data is needed to provide identification of services and events for the user. The coding of this data is defined in this ETS. In contrast with the PAT, CAT, and PMT of the PSI, which give information only for the multiplex in which they are contained (the actual multiplex), the additional information defined within this ETS can also provide information on services and events carried by different multiplexes, and even on other networks. This data is structured as six tables:

- 1) Bouquet Association Table (BAT):
  - the BAT provides information regarding bouquets. As well as giving the name of the bouquet, it provides a list of services for each bouquet.
- 2) Service Description Table (SDT):
  - the SDT contains data describing the services in the system e.g. names of services, the service provider, etc.
- 3) Event Information Table (EIT):
  - the EIT contains data concerning events or programmes such as event name, start time, duration, etc.;
  - the use of different descriptors allows the transmission of different kinds of event information e.g. for different service types.
- 4) Running Status Table (RST):
  - the RST gives the status of an event (running/not running). The RST updates this information and allows timely automatic switching to events.
- 5) Time and Date Table (TDT):
  - the TDT gives information relating to the present time and date. This information is given in a separate table due to the frequent updating of this information.
- 6) Time Offset Table (TOT):
  - the TOT gives information relating to the present time and date and local time offset. This information is given in a separate table due to the frequent updating of the time information.
- 7) Stuffing Table (ST):
  - the ST is used to invalidate existing sections, for example at delivery system boundaries.

Where applicable the use of descriptors allows a flexible approach to the organization of the tables and allows for future compatible extensions.

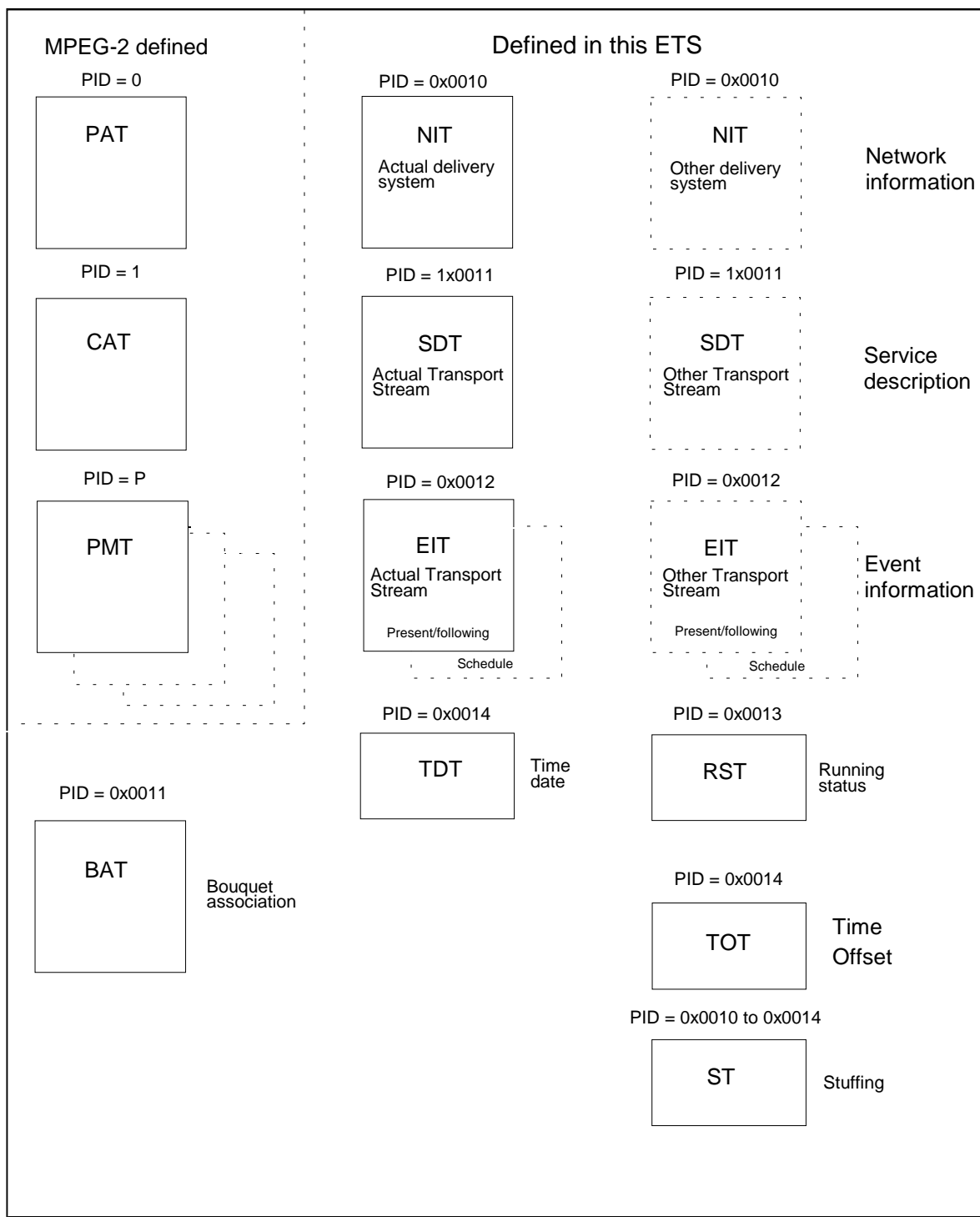


Figure 2: General organization of the SI

## 5 The SI tables

### 5.1 SI table mechanism

The SI specified in this ETS and MPEG-2 PSI tables shall be segmented into one or more sections before being inserted into Transport Stream packets. The tables listed in clause 4 are conceptual in that they need never be regenerated in a specified form within an IRD. The tables, when transmitted shall not be scrambled, with the exception of the EIT, which may be scrambled if required (see subclause 5.1.5). A section is a syntactic structure that shall be used for mapping all MPEG-2 tables and SI tables specified in this ETS, into Transport Stream packets. These SI syntactic structures conform to the private section syntax defined in ISO/IEC 13818-1 [1].

#### 5.1.1 Explanation

Sections may be variable in length. The sections within each table are limited to 1 024 bytes in length, except for sections within the EIT which are limited to 4 096 bytes. Each section is uniquely identified by the combination of the following elements:

- a) `table_id`:
  - The `table_id` identifies to which table the section belongs.
  - Some `table_ids` have been defined by ISO and others by ETSI. Other values of the `table_id` can be allocated by the user for private purposes. The list of values of `table_id` is contained in table 2.
- b) `table_id_extension`:
  - The `table_id_extension` is used for identification of a `sub_table`.
  - The interpretation of each `sub_table` is given in subclause 5.2.
- c) `section_number`:
  - The `section_number` field allows the sections of a particular `sub_table` to be reassembled in their original order by the decoder. It is recommended, that sections are transmitted in numerical order, unless it is desired to transmit some sections of the `sub_table` more frequently than others, e.g. due to random access considerations.
  - For the SI tables as specified in this ETS, section numbering applies to `sub_tables`.
- d) `version_number`:
  - When the characteristics of the Transport Stream described in the SI given in this ETS change (e.g. new events start, different composition of elementary streams for a given service), then new SI data shall be sent containing the updated information. A new version of the SI data is signalled by sending a `sub_table` with the same identifiers as the previous `sub_table` containing the relevant data, but with the next value of `version_number`.
  - For the SI tables specified in this ETS, the `version_number` applies to all sections of a `sub_table`.
- e) `Current_next_indicator`:
  - Each section shall be numbered as valid "now" (current), or as valid in the immediate future (next). This allows the transmission of a future version of the SI in advance of the change, giving the decoder the opportunity to prepare for the change. There is however, no requirement to transmit the next version of a section in advance, but if it is transmitted, then it shall be the next correct version of that section.

### 5.1.2 Mapping of sections into Transport Stream packets

Sections shall be mapped directly into Transport Stream packets. Sections may start at the beginning of the payload of a Transport Stream packet, but this is not a requirement, because the start of the first section in the payload of a Transport Stream packet is pointed to by the `pointer_field`. There is never more than one `pointer_field` in a Transport Stream packet, as the start of any other section can be identified by counting the length of the first and any subsequent sections, since no gaps between sections within a Transport Stream packet are allowed by the syntax.

Within Transport Stream packets of any single PID value, one section is finished before the next one is allowed to be started, or else it is not possible to identify to which section header the data belongs. If a section finishes before the end of a Transport Stream packet, but it is not convenient to open another section, a stuffing mechanism may be used to fill up the space.

Stuffing may be performed by filling each remaining byte of the Transport Stream packet with the value "0xFF". Consequently the value "0xFF" shall not be used for the `table_id`. If the byte immediately following the last byte of a section takes the value of "0xFF", then the rest of the Transport Stream packet shall be stuffed with "0xFF" bytes. These bytes may be discarded by a decoder. Stuffing may also be performed using the `adaptation_field` mechanism.

For a more detailed description of the mechanism and functionality, specifically refer to section 2.4.4 and annex C of ISO/IEC 13818-1 [1].

### 5.1.3 Coding of PID and `table_id` fields

Table 1 lists the PID values which shall be used for the Transport Stream packets which carry SI sections.

**Table 1: PID allocation for SI**

Table	PID value
PAT	0x0000
CAT	0x0001
reserved	0x0002 to 0x000F
NIT, ST	0x0010
SDT, BAT, ST	0x0011
EIT, ST	0x0012
RST, ST	0x0013
TDT, TOT, ST	0x0014
reserved for future use	0x0015 to 0x001F

Table 2 lists the values which shall be used for `table_id` for the service information, defined in this ETS.

**Table 2: Allocation of table\_id values**

Value	Description
0x00	program_association_section
0x01	conditional_access_section
0x02	program_map_section
0x03 to 0x3F	reserved
0x40	network_information_section - actual_network
0x41	network_information_section - other_network
0x42	service_description_section - actual_transport_stream
0x43 to 0x45	reserved for future use
0x46	service_description_section - other_transport_stream
0x47 to 0x49	reserved for future use
0x4A	bouquet_association_section
0x4B to 0x4D	reserved for future use
0x4E	event_information_section - actual_transport_stream, present/following
0x4F	event_information_section - other_transport_stream, present/following
0x50 to 0x5F	event_information_section - actual_transport_stream, schedule
0x60 to 0x6F	event_information_section - other_transport_stream, schedule
0x70	time_date_section
0x71	running_status_section
0x72	stuffing_section
0x73	time_offset_section
0x74 to 0x7F	reserved for future use
0x80 to 0xFE	user defined
0xFF	reserved

#### 5.1.4 Repetition rates and random access

In systems where random access is a consideration, it is recommended to re-transmit SI sections specified within this ETS several times, even when changes do not occur in the configuration.

For SI specified within this ETS the minimum time interval between the arrival of the last byte of a section to the first byte of the next transmitted section with the same PID, table\_id and table\_id\_extension and with the same or different section\_number shall be 25 milliseconds. This limit applies for Transport Streams with a total data rate of up to 100 Mbit/s.

#### 5.1.5 Scrambling

With the exception of the EIT carrying schedule information, all tables specified in this ETS shall not be scrambled. One method for scrambling the EIT schedule table is given in the Bibliography 2). If a scrambling method operating over Transport Stream packets is used, it may be necessary to use a stuffing mechanism to fill from the end of a section to the end of a packet so that any transitions between scrambled and unscrambled data occur at packet boundaries.

In order to identify the CA streams which control the descrambling of the EIT data, a scrambled EIT schedule table shall be identified in the PSI. Service\_id value 0xFFFF is allocated to identifying a scrambled EIT, and the program map section for this service shall describe the EIT as a private stream and shall include one or more CA\_descriptors (defined in ISO/IEC 13818-1 [1]) which give the PID values and optionally, other private data to identify the associated CA streams. Service\_id value 0xFFFF shall not be used for any other service.

#### 5.2 Table definitions

The following subclauses describe the syntax and semantics of the different types of table.

NOTE: The symbols and abbreviations, and the method of describing syntax used in this ETS are the same as those defined in sections 2.2 and 2.3 of ISO/IEC 13818-1 [1].

**5.2.1 Network Information Table (NIT)**

The NIT (see table 3) conveys information relating to the physical organization of the multiplexes/Transport Streams (TS) carried via a given network, and the characteristics of the network itself. The combination of original\_network\_id and transport\_stream\_id allow each Transport Stream to be uniquely identified throughout the ETS application area. Networks are assigned individual network\_id values, which serve as unique identification codes for networks. The allocation of these codes may be found in ETR 162 [6]. In the case that the NIT is transmitted on the network on which the Transport Stream was originated, the network\_id and the original\_network\_id shall take the same value.

Guidelines for the processing of Service Information at transitions between delivery media boundaries, e.g. from satellite to cable or SMATV systems, can be found in ETR 211 [7].

IRDs may be able to store the NIT information in non-volatile memory in order to minimize the access time when switching between channels ("channel hopping"). It is also possible to transmit a NIT for other networks in addition to the actual network. Differentiation between the NIT for the actual network and the NIT for other networks is achieved using different table\_id values (see table 2).

The NIT shall be segmented into network\_information\_sections using the syntax of table 3. Any sections forming part of an NIT shall be transmitted in Transport Stream packets with a PID value of 0x0010. Any sections of the NIT which describe the actual network (that is, the network of which the Transport Stream containing the NIT is a part) shall have the table\_id value 0x40 with the network\_id field taking the value assigned to the actual network in ETR 162 [6]. Any sections of an NIT which refer to a network other than the actual network shall take a table\_id value of 0x41 and the network\_id shall take the value allocated to the other network in ETR 162 [6].

**Table 3: Network information section**

Syntax	No. of bits	Identifier
network_information_section(){		
table_id	8	uimsbf
section_syntax_indicator	1	bslbf
reserved_future_use	1	bslbf
reserved	2	bslbf
section_length	12	uimsbf
network_id	16	uimsbf
reserved	2	bslbf
version_number	5	uimsbf
current_next_indicator	1	bslbf
section_number	8	uimsbf
last_section_number	8	uimsbf
reserved_future_use	4	bslbf
network_descriptors_length	12	uimsbf
for(i=0;i<N;i++){		
descriptor()		
}		
reserved_future_use	4	bslbf
transport_stream_loop_length	12	uimsbf
for(i=0;i<N;i++){		
transport_stream_id	16	uimsbf
original_network_id	16	uimsbf
reserved_future_use	4	bslbf
transport_descriptors_length	12	uimsbf
for(j=0;j<N;j++){		
descriptor()		
}		
}		
CRC_32	32	rpchof
}		



### Semantics for the network information section:

**table\_id:** See table 2.

**section\_syntax\_indicator:** The section\_syntax\_indicator is a 1-bit field which shall be set to "1".

**section\_length:** This is a 12-bit field, the first two bits of which shall be "00". It specifies the number of bytes of the section, starting immediately following the section\_length field and including the CRC. The section\_length shall not exceed 1 021 so that the entire section has a maximum length of 1 024 bytes.

**network\_id:** This is a 16-bit field which serves as a label to identify the delivery system, about which the NIT informs, from any other delivery system. Allocations of the value of this field are found in ETR 162 [6].

**version\_number:** This 5-bit field is the version number of the sub\_table. The version\_number shall be incremented by 1 when a change in the information carried within the sub\_table occurs. When it reaches value 31, it wraps around to 0. When the current\_next\_indicator is set to "1", then the version\_number shall be that of the currently applicable sub\_table defined by the table\_id and network\_id. When the current\_next\_indicator is set to "0", then the version\_number shall be that of the next applicable sub\_table defined by the table\_id and network\_id.

**current\_next\_indicator:** This 1-bit indicator, when set to "1" indicates that the sub\_table is the currently applicable sub\_table. When the bit is set to "0", it indicates that the sub\_table sent is not yet applicable and shall be the next sub\_table to be valid.

**section\_number:** This 8-bit field gives the number of the section. The section\_number of the first section in the sub\_table shall be "0x00". The section\_number shall be incremented by 1 with each additional section with the same table\_id and network\_id.

**last\_section\_number:** This 8-bit field specifies the number of the last section (that is, the section with the highest section\_number) of the sub\_table of which this section is part.

**network\_descriptors\_length:** This 12-bit field gives the total length in bytes of the following network descriptors.

**transport\_stream\_loop\_length:** This is a 12-bit field specifying the total length in bytes of the Transport Stream loops that follows, ending immediately before the first CRC-32 byte.

**transport\_stream\_id:** This is a 16-bit field which serves as a label for identification of this Transport Stream from any other multiplex within the delivery system.

**original\_network\_id:** This 16-bit field gives the label identifying the network\_id of the originating delivery system.

**transport\_descriptors\_length:** This is a 12-bit field specifying the total length in bytes of Transport Stream descriptors that follow.

**CRC\_32:** This is a 32-bit field that contains the CRC value that gives a zero output of the registers in the decoder defined in annex B after processing the entire section.

### 5.2.2 Bouquet Association Table (BAT)

The BAT (see table 4) provides information regarding bouquets. A bouquet is a collection of services, which may traverse the boundary of a network.

The BAT shall be segmented into bouquet\_association\_sections using the syntax of table 4. Any sections forming part of a BAT shall be transmitted in Transport Stream packets with a PID value of 0x0011. The sections of a BAT sub\_table describing a particular bouquet shall have the bouquet\_id field taking the value assigned to the bouquet described in ETR 162 [6]. All BAT sections shall take a table\_id value of 0x4A.

Table 4: Bouquet association section

Syntax	No. of bits	Identifier
bouquet_association_section(){		
table_id	8	uimsbf
section_syntax_indicator	1	bslbf
reserved_future_use	1	bslbf
reserved	2	bslbf
section_length	12	uimsbf
bouquet_id	16	uimsbf
reserved	2	bslbf
version_number	5	uimsbf
current_next_indicator	1	bslbf
section_number	8	uimsbf
last_section_number	8	uimsbf
reserved_future_use	4	bslbf
bouquet_descriptors_length	12	uimsbf
for(i=0;i<N;i++){		
descriptor()		
}		
reserved_future_use	4	bslbf
transport_stream_loop_length	12	uimsbf
for(i=0;i<N;i++){		
transport_stream_id	16	uimsbf
original_network_id	16	uimsbf
reserved_future_use	4	bslbf
transport_descriptors_length	12	uimsbf
for(j=0;j<N;j++){		
descriptor()		
}		
}		
CRC_32	32	rpchof
}		

**Semantics for the bouquet association section:**

**table\_id:** See table 2.

**section\_syntax\_indicator:** The section\_syntax\_indicator is a 1-bit field which shall be set to "1".

**section\_length:** This is a 12-bit field, the first two bits of which shall be "00". It specifies the number of bytes of the section, starting immediately following the section\_length field and including the CRC. The section\_length shall not exceed 1 021 so that the entire section has a maximum length of 1 024 bytes.

**bouquet\_id:** This is a 16-bit field which serves as a label to identify the bouquet. Allocations of the value of this field are found in ETR 162 [6].

**version\_number:** This 5-bit field is the version number of the sub\_table. The version\_number shall be incremented by 1 when a change in the information carried within the sub\_table occurs. When it reaches value 31, it wraps around to 0. When the current\_next\_indicator is set to "1", then the version\_number shall be that of the currently applicable sub\_table defined by the table\_id and bouquet\_id. When the current\_next\_indicator is set to "0", then the version\_number shall be that of the next applicable sub\_table defined by the table\_id and bouquet\_id.

**current\_next\_indicator:** This 1-bit indicator, when set to "1" indicates that the sub\_table is the currently applicable sub\_table. When the bit is set to "0", it indicates that the sub\_table sent is not yet applicable and shall be the next sub\_table to be valid.

**section\_number:** This 8-bit field gives the number of the section. The section\_number of the first section in the sub\_table shall be "0x00". The section\_number shall be incremented by 1 with each additional section with the same table\_id and bouquet\_id.

**last\_section\_number:** This 8-bit field specifies the number of the last section (that is, the section with the highest section\_number) of the sub\_table of which this section is part.

**bouquet\_descriptors\_length:** This 12-bit field gives the total length in bytes of the following descriptors.

**transport\_stream\_loop\_length:** This is a 12-bit field specifying the total length in bytes of the Transport Stream loop that follows.

**transport\_stream\_id:** This is a 16-bit field which serves as a label for identification of this Transport Stream from any other multiplex within the delivery system.

**original\_network\_id:** This 16-bit field gives the label identifying the network\_id of the originating delivery system.

**transport\_descriptors\_length:** This is a 12-bit field specifying the total length in bytes of Transport Stream descriptors that follows.

**CRC\_32:** This is a 32-bit field that contains the CRC value that gives a zero output of the registers in the decoder defined in annex B after processing the entire private section.

### 5.2.3 Service Description Table (SDT)

Each sub\_table of the SDT (see table 5) shall describe services that are contained within a particular Transport Stream. The services may be part of the actual Transport Stream or part of other Transport Streams, these being identified by means of the table\_id (see table 2).

The SDT shall be segmented into service\_description\_sections using the syntax of table 5. Any sections forming part of an SDT shall be transmitted in Transport Stream packets with a PID value of 0x0011. Any sections of the SDT which describe the actual Transport Stream (that is, the Transport Stream containing the SDT) shall have the table\_id value 0x42, and any sections of an SDT which refer to a Transport Stream other than the actual Transport Stream shall take a table\_id value of 0x46.

Table 5: Service description section

Syntax	No. of bits	Identifier
service_description_section(){		
table_id	8	uimsbf
section_syntax_indicator	1	bslbf
reserved_future_use	1	bslbf
reserved	2	bslbf
section_length	12	uimsbf
transport_stream_id	16	uimsbf
reserved	2	bslbf
version_number	5	uimsbf
current_next_indicator	1	bslbf
section_number	8	uimsbf
last_section_number	8	uimsbf
original_network_id	16	uimsbf
reserved_future_use	8	bslbf
for (i=0;i<N;i++){		
service_id	16	uimsbf
reserved_future_use	6	bslbf
EIT_schedule_flag	1	bslbf
EIT_present_following_flag	1	bslbf
running_status	3	uimsbf
free_CA_mode	1	bslbf
descriptors_loop_length	12	uimsbf
for (j=0;j<N;j++){		
descriptor()		
}		
}		
CRC_32	32	rpchof
}		

**Semantics for the service description section:**

**table\_id:** See table 2.

**section\_syntax\_indicator:** The section\_syntax\_indicator is a 1-bit field which shall be set to "1".

**section\_length:** This is a 12-bit field, the first two bits of which shall be "00". It specifies the number of bytes of the section, starting immediately following the section\_length field and including the CRC. The section\_length shall not exceed 1 021 so that the entire section has a maximum length of 1 024 bytes.

**transport\_stream\_id:** This is a 16-bit field which serves as a label for identification of the Transport Stream, about which the SDT informs, from any other multiplex within the delivery system.

**version\_number:** This 5-bit field is the version number of the sub\_table. The version\_number shall be incremented by 1 when a change in the information carried within the sub\_table occurs. When it reaches value "31", it wraps around to "0". When the current\_next\_indicator is set to "1", then the version\_number shall be that of the currently applicable sub\_table. When the current\_next\_indicator is set to "0", then the version\_number shall be that of the next applicable sub\_table.

**current\_next\_indicator:** This 1-bit indicator, when set to "1" indicates that the sub\_table is the currently applicable sub\_table. When the bit is set to "0", it indicates that the sub\_table sent is not yet applicable and shall be the next sub\_table to be valid.

**section\_number:** This 8-bit field gives the number of the section. The section\_number of the first section in the sub\_table shall be "0x00". The section\_number shall be incremented by 1 with each additional section with the same table\_id, transport\_stream\_id, and original\_network\_id.

**last\_section\_number:** This 8-bit field specifies the number of the last section (that is, the section with the highest section\_number) of the sub\_table of which this section is part.

**original\_network\_id:** This 16-bit field gives the label identifying the network\_id of the originating delivery system.

**service\_id:** This is a 16-bit field which serves as a label to identify this service from any other service within the Transport Stream. The service\_id is the same as the program\_number in the corresponding program\_map\_section.

**EIT\_schedule\_flag:** This is a 1-bit field which when set to "1" indicates that EIT schedule information for the service is present in the current Transport Stream (see Guidelines on Implementation of Service Information (see annex D: bibliography) for information on maximum time interval between occurrences of an EIT schedule sub\_table). If the flag is set to 0 then the EIT schedule information for the service should not be present in the Transport Stream.

**EIT\_present\_following\_flag:** This is a 1-bit field which when set to "1" indicates that EIT\_present\_following information for the service is present in the current Transport Stream (see Guidelines on Implementation of Service Information (see annex D: bibliography) for information on maximum time interval between occurrences of an EIT present/following sub\_table). If the flag is set to 0 then the EIT present/following information for the service should not be present in the Transport Stream.

**running\_status:** This is a 3-bit field indicating the status of the service as defined in table 6.

**Table 6: SDT running\_status**

Value	Meaning
0	undefined
1	not running
2	starts in a few seconds (e.g. for video recording)
3	pausing
4	running
5 to 7	reserved for future use

**free\_CA\_mode:** This 1-bit field, when set to "0" indicates that all the component streams of the service are not scrambled. When set to "1" it indicates that access to one or more streams may be controlled by a CA system.

**descriptors\_loop\_length:** This 12-bit field gives the total length in bytes of the following descriptors.

**CRC\_32:** This is a 32-bit field that contains the CRC value that gives a zero output of the registers in the decoder defined in annex B after processing the entire section.

#### 5.2.4 Event Information Table (EIT)

The EIT (see table 7) provides information in chronological order regarding the events contained within each service. Four classifications of EIT have been identified, distinguishable by the use of different table\_ids (see table 2):

- 1) actual Transport Stream, present/following event information = table\_id = "0x4E";
- 2) other Transport Stream, present/following event information = table\_id = "0x4F";
- 3) actual Transport Stream, event schedule information = table\_id = "0x50" to "0x5F";
- 4) other Transport Stream, event schedule information = table\_id = "0x60" to "0x6F".

The present/following table shall contain only information pertaining to the present event and the chronologically following event carried by a given service on either the actual Transport Stream or another Transport Stream, except in the case of a Near Video On Demand (NVOD) reference service where it may have more than two event descriptions. The event schedule tables for either the actual Transport Stream or other Transport Streams, contain a list of events, in the form of a schedule, namely, including events taking place at some time beyond the next event. The EIT schedule tables are optional. The event information shall be chronologically ordered.

The EIT shall be segmented into event\_information\_sections using the syntax of table 7. Any sections forming part of an EIT shall be transmitted in Transport Stream packets with a PID value of 0x0012.

**Table 7: Event information section**

Syntax	No. of Bits	Identifier
Event_Information_section(){		
table_id	8	uimsbf
section_syntax_indicator	1	bslbf
reserved_future_use	1	bslbf
reserved	2	bslbf
section_length	12	uimsbf
service_id	16	uimsbf
reserved	2	bslbf
version_number	5	uimsbf
current_next_indicator	1	bslbf
section_number	8	uimsbf
last_section_number	8	uimsbf
transport_stream_id	16	uimsbf
original_network_id	16	uimsbf
segment_last_section_number	8	uimsbf
last_table_id	8	uimsbf
for(i=0;i<N;i++){		
event_id	16	uimsbf
start_time	40	bslbf
duration	24	uimsbf
running_status	3	uimsbf
free_CA_mode	1	bslbf
descriptors_loop_length	12	uimsbf
for(i=0;i<N;i++){		
descriptor()		
}		
}		
CRC_32	32	rpchof
}		

**Semantics for the event information section:**

**table\_id:** See table 2.

**section\_syntax\_indicator:** The section\_syntax\_indicator is a 1-bit field which shall be set to "1".

**section\_length:** This is a 12-bit field. It specifies the number of bytes of the section, starting immediately following the section\_length field and including the CRC. The section\_length shall not exceed 4 093 so that the entire section has a maximum length of 4 096 bytes.

**service\_id:** This is a 16-bit field which serves as a label to identify this service from any other service within a Transport Stream. The service\_id is the same as the program\_number in the corresponding program\_map\_section.

**version\_number:** This 5-bit field is the version number of the sub\_table. The version\_number shall be incremented by 1 when a change in the information carried within the sub\_table occurs. When it reaches value 31, it wraps around to 0. When the current\_next\_indicator is set to "1", then the version\_number shall be that of the currently applicable sub\_table defined by the table\_id and service\_id. When the current\_next\_indicator is set to "0", then the version\_number shall be that of the next applicable sub\_table.

**current\_next\_indicator:** This 1-bit indicator, when set to "1" indicates that the sub\_table is the currently applicable sub\_table. When the bit is set to "0", it indicates that the sub\_table sent is not yet applicable and shall be the next sub\_table to be valid.

**section\_number:** This 8-bit field gives the number of the section. The section\_number of the first section in the sub\_table shall be "0x00". The section\_number shall be incremented by 1 with each additional section with the same table\_id, service\_id, transport\_stream\_id, and original\_network\_id. In this case, the sub\_table may be structured as a number of segments. Within each segment the section\_number shall increment by 1 with each additional section, but a gap in numbering is permitted between the last section of a segment and the first section of the adjacent segment.

**last\_section\_number:** This 8-bit field specifies the number of the last section (that is, the section with the highest section\_number) of the sub\_table of which this section is part.

**transport\_stream\_id:** This is a 16-bit field which serves as a label for identification of the Transport Stream, about which the EIT informs, from any other multiplex within the delivery system.

**original\_network\_id:** This 16-bit field gives the label identifying the network\_id of the originating delivery system.

**segment\_last\_section\_number:** This 8-bit field specifies the number of the last section of this segment of the sub\_table. For sub\_tables which are not segmented, this field shall be set to the same value as the last\_section\_number field.

**last\_table\_id:** This 8-bit field identifies the last table\_id used (see table 2). If only one table is used this is set to the table\_id of this table. The chronological order of information is maintained across successive table\_id values.

**event\_id:** This 16-bit field contains the identification number of the described event (uniquely allocated within a service definition).

**start\_time:** This 40-bit field contains the start time of the event in Universal Time, Co-ordinated (UTC) and Modified Julian Date (MJD) (see annex C). This field is coded as 16 bits giving the 16 LSBs of MJD followed by 24 bits coded as 6 digits in 4-bit Binary Coded Decimal (BCD). If the start time is undefined (e.g. for an event in a NVOD reference service) all bits of the field are set to "1".

EXAMPLE 1:                    93/10/13 12:45:00 is coded as "0xC079124500".

**duration:** A 24-bit field containing the duration of the event in hours, minutes, seconds.

**format:** 6 digits, 4-bit BCD = 24 bit.

EXAMPLE 2:                    01:45:30 is coded as "0x014530".

**running\_status:** This is a 3-bit field indicating the status of the event as defined in table 6.

**free\_CA\_mode:** This 1-bit field, when set to "0" indicates that all the component streams of the event are not scrambled. When set to "1" it indicates that access to one or more streams is controlled by a CA system.

**descriptors\_loop\_length:** This 12-bit field gives the total length in bytes of the following descriptors.

**CRC\_32:** This is a 32-bit field that contains the CRC value that gives a zero output of the registers in the decoder defined in annex B after processing the entire private section.

### 5.2.5 Time and Date Table (TDT)

The TDT (see table 8) carries only the UTC-time and date information.

The TDT shall consist of a single section using the syntax of table 8. This TDT section shall be transmitted in Transport Stream packets with a PID value of 0x0014, and the table\_id shall take the value 0x70.

**Table 8: Time and date section**

Syntax	No. of bits	Identifier
time_date_section(){		
table_id	8	uimsbf
section_syntax_indicator	1	bslbf
reserved_future_use	1	bslbf
reserved	2	bslbf
section_length	12	uimsbf
UTC_time	40	bslbf
}		

#### Semantics for the time and date section:

**table\_id:** See table 2.

**section\_syntax\_indicator:** This is a one-bit indicator which shall be set to "0".

**section\_length:** This is a 12-bit field, the first two bits of which shall be "00". It specifies the number of bytes of the section, starting immediately following the section\_length field and up to the end of the section.

**UTC\_time:** This 40-bit field contains the current time and date in UTC and MJD (see annex C). This field is coded as 16 bits giving the 16 LSBs of MJD followed by 24 bits coded as 6 digits in 4-bit BCD.

EXAMPLE:                   93/10/13 12:45:00 is coded as "0xC079124500".

### 5.2.6 Time Offset Table (TOT)

The TOT (see table 9) carries the UTC-time and date information and local time offset. The TOT shall consist of a single section using the syntax of table 9. This TOT section shall be transmitted in Transport Stream packets with a PID value of 0x0014, and the table\_id shall take the value 0x73.

**Table 9: Time offset section**

Syntax	No. of bits	Identifier
time_offset_section(){		
table_id	8	uimsbf
section_syntax_indicator = 0	1	bslbf
reserved_future_use	1	bslbf
reserved	2	bslbf
section_length	12	uimsbf
UTC_time	40	bslbf
reserved	4	bslbf
descriptors_loop_length	12	uimsbf
for(i=0;i<N;i++){		
descriptor()		
}		
CRC_32	32	rpchof
}		



**Semantics for the time offset section:**

**table\_id:** See table 2.

**section\_syntax\_indicator:** This is a one-bit indicator which shall be set to "0".

**section\_length:** This is a 12-bit field, the first two bits of which shall be "00". It specifies the number of bytes of the section, starting immediately following the section\_length field and up to the end of the section.

**UTC\_time:** This 40-bit field contains the current time and date in UTC and MJD (see annex C). This field is coded as 16 bits giving the 16 LSBs of MJD followed by 24 bits coded as 6 digits in 4-bit BCD.

EXAMPLE: 93/10/13 12:45:00 is coded as "0xC079124500".

**descriptors\_loop\_length:** This 12-bit field gives the total length in bytes of the following descriptors.

**CRC\_32:** This is a 32-bit field that contains the CRC value that gives a zero output of the registers in the decoder defined in annex B after processing the entire private section.

**5.2.7 Running Status Table (RST)**

The RST (see table 10) allows accurate and rapid updating of the timing status of one or more events. This may be necessary when an event starts early or late due to scheduling changes. The use of a separate table enables fast updating mechanism to be achieved.

The RST shall be segmented into running\_status\_sections using the syntax of table 10. Any sections forming part of an RST shall be transmitted in Transport Stream packets with a PID value of 0x0013, and the table\_id shall take the value 0x71.

**Table 10: Running status section**

Syntax	No. of bits	Identifier
running_status_section(){		
table_id	8	uimsbf
section_syntax_indicator	1	bslbf
reserved_future_use	1	bslbf
reserved	2	bslbf
section_length	12	uimsbf
for (i=0;i<N;i++){		
transport_stream_id	16	uimsbf
original_network_id	16	uimsbf
service_id	16	uimsbf
event_id	16	uimsbf
reserved_future_use	5	bslbf
running_status	3	uimsbf
}		
}		

**Semantics for the running status section:**

**table\_id:** See table 2.

**section\_syntax\_indicator:** This is a one-bit indicator which shall be set to "0".

**section\_length:** This is a 12-bit field, the first two bits of which shall be "00". It specifies the number of bytes of the section, starting immediately following the section\_length field and up to the end of the section. The section\_length shall not exceed 1 021 so that the entire section has a maximum length of 1 024 bytes.

**transport\_stream\_id:** This is a 16-bit field which serves as a label for identification of the Transport Stream, about which the RST informs, from any other multiplex within the delivery system.

**original\_network\_id:** This 16-bit field gives the label identifying the network\_id of the originating delivery system.

**service\_id:** This is a 16-bit field which serves as a label to identify this service from any other service within the Transport Stream. The service\_id is the same as the program\_number in the corresponding program\_map\_section.

**event\_id:** This 16-bit field contains the identification number of the related event.

**running\_status:** This is a 3-bit field indicating the status of the event, as defined in table 6.

### 5.2.8 Stuffing Table (ST)

The purpose of this section (see table 11) is to invalidate existing sections at a delivery system boundary e.g. at a cable head-end. When one section of a sub\_table is overwritten, then all the sections of that sub\_table shall also be overwritten (stuffed) in order to retain the integrity of the section\_number field.

Table 11: Stuffing section

Syntax	No. of bits	Identifier
stuffing_section(){		
table_id	8	uimsbf
section_syntax_indicator	1	bslbf
reserved_future_use	1	bslbf
reserved	2	bslbf
section_length	12	uimsbf
for (i=0;i<N;i++){		
data_byte	8	uimsbf
}		
}		

#### Semantics for the stuffing section:

**table\_id:** This 8-bit field shall take the value "0x72" according to table 2.

**section\_syntax\_indicator:** This 1-bit field may take either the value "1" or "0".

**section\_length:** This is a 12-bit field. It specifies the number of bytes of the section, starting immediately following the section\_length field and up to the end of the section. The section\_length shall not exceed 4 093 so that the entire section has a maximum length of 4 096 bytes.

**data\_byte:** This 8-bit field may take any value and has no meaning.

## 6 Descriptors

This clause describes the different descriptors that can be used within the SI (for further information, see annex D: bibliography).

### 6.1 Descriptor identification and location

Table 12 lists the descriptors defined within this ETS, giving the descriptors-tag values and the intended placement within the SI tables. This does not imply that their use in other tables is restricted.

Table 12: Possible locations of descriptors

Descriptor	Tag value	NIT	BAT	SDT	EIT	TOT	PMT
network_name_descriptor	0x40	*	-	-	-	-	-
service_list_descriptor	0x41	*	*	-	-	-	-
stuffing_descriptor	0x42	*	*	*	*	-	-
satellite_delivery_system_descriptor	0x43	*	-	-	-	-	-
cable_delivery_system_descriptor	0x44	*	-	-	-	-	-
reserved for future use	0x45	-	-	-	-	-	-
reserved for future use	0x46	-	-	-	-	-	-
bouquet_name_descriptor	0x47	-	*	*	-	-	-
service_descriptor	0x48	-	-	*	-	-	-
country_availability_descriptor	0x49	-	*	*	-	-	-
linkage_descriptor	0x4A	*	*	*	*	-	-
NVOD_reference_descriptor	0x4B	-	-	*	-	-	-
time_shifted_service_descriptor	0x4C	-	-	*	-	-	-
short_event_descriptor	0x4D	-	-	-	*	-	-
extended_event_descriptor	0x4E	-	-	-	*	-	-
time_shifted_event_descriptor	0x4F	-	-	-	*	-	-
component_descriptor	0x50	-	-	-	*	-	-
mosaic_descriptor	0x51	-	-	*	-	-	*
stream_identifier_descriptor	0x52	-	-	-	-	-	*
CA_identifier_descriptor	0x53	-	*	*	*	-	-
content_descriptor	0x54	-	-	-	*	-	-
parental_rating_descriptor	0x55	-	-	-	*	-	-
teletext_descriptor	0x56	-	-	-	-	-	*
telephone_descriptor	0x57	-	-	*	*	-	-
local_time_offset_descriptor	0x58	-	-	-	-	*	-
subtitling_descriptor	0x59	-	-	-	-	-	*
terrestrial_delivery_system_descriptor	0x5A	*	-	-	-	-	-
multilingual_network_name_descriptor	0x5B	*	-	-	-	-	-
multilingual_bouquet_name_descriptor	0x5C	-	*	-	-	-	-
multilingual_service_name_descriptor	0x5D	-	-	*	-	-	-
multilingual_component_descriptor	0x5E	-	-	-	*	-	-
private_data_specifier_descriptor	0x5F	*	*	*	*	-	-
service_move_descriptor	0x60	-	-	-	-	-	*
short_smoothing_buffer_descriptor	0x61	-	-	-	*	-	-
reserved for future use	0x62 to 0x7F						
user defined	0x80 to 0xFE						
forbidden	0xFF						

\* Possible location.

## 6.2 Descriptor coding

When the construct "descriptor ()" appears in the sections of subclause 5.2, this indicates that zero or more of the descriptors defined within this subclause shall occur.

The following semantics apply to all the descriptors defined in this subclause.

**descriptor\_tag:** The descriptor tag is an 8-bit field which identifies each descriptor. Those values with MPEG-2 normative meaning are described in ISO/IEC 13818-1 [1]. The values of descriptor\_tag are defined in table 12.

**descriptor\_length:** The descriptor length is an 8-bit field specifying the total number of bytes of the data portion of the descriptor following the byte defining the value of this field.

### 6.2.1 Bouquet name descriptor

The bouquet name descriptor provides the bouquet name in text form, see table 13.

**Table 13: Bouquet name descriptor**

Syntax	No. of bits	Identifier
bouquet_name_descriptor(){		
descriptor_tag	8	uimsbf
descriptor_length		
for(i=0;i<N;i++){	8	uimsbf
char		
}	8	uimsbf
}		

#### Semantics for the bouquet name descriptor:

**char:** This is an 8-bit field, a sequence of which conveys the name of the bouquet about which the BAT sub\_table informs. Text information is coded using the character sets and methods described in annex A.

### 6.2.2 CA identifier descriptor

The CA identifier descriptor (see table 14) indicates whether a particular bouquet, service, event or component is associated with a conditional access system and identifies the CA system type by means of the CA\_system\_id.

**Table 14: CA identifier descriptor**

Syntax	No. of bits	Identifier
CA_identifier_descriptor(){		
descriptor_tag	8	uimsbf
descriptor_length	8	uimsbf
for (i=0;i<N;i++){		
CA_system_id	16	uimsbf
}		
}		

#### Semantics for the CA identifier descriptor:

**CA\_system\_id:** This 16-bit field identifies the CA system. Allocations of the value of this field are found in ETR 162 [6].

### 6.2.3 Component descriptor

The component descriptor identifies the type of component stream and may be used to provide a text description of the elementary stream (see table 15).

Table 15: Component descriptor

Syntax	No. of bits	Identifier
<code>component_descriptor(){</code>		
<code>descriptor_tag</code>	8	uimsbf
<code>descriptor_length</code>	8	uimsbf
<code>reserved_future_use</code>	4	bslbf
<code>stream_content</code>	4	uimsbf
<code>component_type</code>	8	uimsbf
<code>component_tag</code>	8	uimsbf
<code>ISO_639_language_code</code>	24	bslbf
<code>for (i=0;i&lt;N;i++){</code>		
<code>text_char</code>	8	uimsbf
<code>}</code>		
<code>}</code>		

**Semantics for the component descriptor:**

**stream\_content:** This 4-bit field specifies the type (video, audio, or EBU-data) of stream. The coding of this field is specified in table 16 below.

**component\_type:** This 8-bit field specifies the type of the video, audio or EBU-data component. The coding of this field is specified in table 16 below.

**component\_tag:** This 8-bit field has the same value as the `component_tag` field in the stream identifier descriptor (if present in the PSI program map section) for the component stream.

**ISO\_639\_language\_code:** This 24-bit field identifies the language of the component (in the case of audio or EBU-data) and of the text description which may be contained in this descriptor. The `ISO_639_language_code` contains a 3-character code as specified by ISO 639 Part 2 [3]. Both ISO 639.2/B and ISO 639.2/T may be used. Each character is coded into 8 bits according to ISO 8859-1 [5] and inserted in order into the 24-bit field.

EXAMPLE:                      French has 3-character code "fre", which is coded as:  
                                  '0110 0110 0111 0010 0110 0101'.

**text\_char:** This is an 8-bit field. A string of "text\_char" fields specifies a text description of the component stream. Text information is coded using the character sets and methods described in annex A.

Table 16: Stream\_content and component\_type

Stream_content	Component_type	Description
0x00	0x00 to 0xFF	reserved for future use
0x01	0x00	reserved for future use
0x01	0x01	video, 4:3 aspect ratio
0x01	0x02	video, 16:9 aspect ratio with pan vectors
0x01	0x03	video, 16:9 aspect ratio without pan vectors
0x01	0x04	video, > 16:9 aspect ratio
0x01	0x05 to 0xFF	reserved for future use
0x02	0x00	reserved for future use
0x02	0x01	audio, single mono channel
0x02	0x02	audio, dual mono channel
0x02	0x03	audio, stereo (2 channel)
0x02	0x04	audio, multi-lingual, multi-channel
0x02	0x05	audio, surround sound
0x02	0x06 to 0x3F	reserved for future use
0x02	0x40	audio description for the visually impaired
0x02	0x41	audio for the hard of hearing
0x02	0x42 to 0xAF	reserved for future use
0x02	0xB0 to 0xFE	user-defined
0x02	0xFF	reserved for future use
0x03	0x00	reserved for future use
0x03	0x01	EBU Teletext subtitles
0x03	0x02	associated EBU Teletext
0x03	0x03 to 0x0F	reserved for future use
0x03	0x10	DVB subtitles (normal) with no monitor aspect ratio criticality
0x03	0x11	DVB subtitles (normal) for display on 4:3 aspect ratio monitor
0x03	0x12	DVB subtitles (normal) for display on 16:9 aspect ratio monitor
0x03	0x13	DVB subtitles (normal) for display on 2.21:1 aspect ratio monitor
0x03	0x14 to 0x1F	reserved for future use
0x03	0x20	DVB subtitles (for the hard of hearing) with no monitor aspect ratio criticality
0x03	0x21	DVB subtitles (for the hard of hearing) for display on 4:3 aspect ratio monitor
0x03	0x22	DVB subtitles (for the hard of hearing) for display on 16:9 aspect ratio monitor
0x03	0x23	DVB subtitles (for the hard of hearing) for display on 2.21:1 aspect ratio monitor
0x03	0x24 to 0xFF	reserved for future use
0x04 to 0x0B	0x00 to 0xFF	reserved for future use
0x0C to 0x0F	0x00 to 0xFF	user defined

### 6.2.4 Content descriptor

The intention of the content descriptor (see table 17) is to provide classification information for an event.

**Table 17: Content descriptor**

Syntax	No. of bits	Identifier
content_descriptor(){		
descriptor_tag	8	uimsbf
descriptor_length	8	uimsbf
for (i=0;i<N;i++) {		
content_nibble_level_1	4	uimsbf
content_nibble_level_2	4	uimsbf
user_nibble	4	uimsbf
user_nibble	4	uimsbf
}		
}		

#### Semantics of the content descriptor:

**content\_nibble\_level\_1:** This 4-bit field represents the first level of a content identifier. This field shall be coded according to table 18.

**content\_nibble\_level\_2:** This 4-bit field represents the second level of a content identifier. This field shall be coded according to table 18.

**user\_nibble:** This 4-bit field is defined by the broadcaster.

Table 18: Content\_nibble level 1 and 2 assignments

Content_nibble_level_1	Content_nibble_level_2	Description
0x0	0x0 to 0xF	undefined content
		<b>Movie/Drama:</b>
0x1	0x0	movie/drama (general)
0x1	0x1	detective/thriller
0x1	0x2	adventure/western/war
0x1	0x3	science fiction/fantasy/horror
0x1	0x4	comedy
0x1	0x5	soap/melodrama/folkloric
0x1	0x6	romance
0x1	0x7	serious/classical/religious/historical movie/drama
0x1	0x8	adult movie/drama
0x1	0x9 to 0xE	reserved for future use
0x1	0xF	user defined
		<b>News/Current affairs:</b>
0x2	0x0	news/current affairs (general)
0x2	0x1	news/weather report
0x2	0x2	news magazine
0x2	0x3	documentary
0x2	0x4	discussion/interview/debate
0x2	0x5 to 0xE	reserved for future use
0x2	0xF	user defined
		<b>Show/Game show:</b>
0x3	0x0	show/game show (general)
0x3	0x1	game show/quiz/contest
0x3	0x2	variety show
0x3	0x3	talk show
0x3	0x4 to 0xE	reserved for future use
0x3	0xF	user defined
		<b>Sports:</b>
0x4	0x0	sports (general)
0x4	0x1	special events (Olympic Games, World Cup etc.)
0x4	0x2	sports magazines
0x4	0x3	football/soccer
0x4	0x4	tennis/squash
0x4	0x5	team sports (excluding football)
0x4	0x6	athletics
0x4	0x7	motor sport
0x4	0x8	water sport
0x4	0x9	winter sports
0x4	0xA	equestrian
0x4	0xB	martial sports
0x4	0xC to 0xE	reserved for future use
0x4	0xF	user defined
		<b>Children's/Youth programmes:</b>
0x5	0x0	children's/youth programmes (general)
0x5	0x1	pre-school children's programmes
0x5	0x2	entertainment programmes for 6 to 14
0x5	0x3	entertainment programmes for 10 to 16
0x5	0x4	informational/educational/school programmes
0x5	0x5	cartoons/puppets
0x5	0x6 to 0xE	reserved for future use
0x5	0xF	user defined

(continued)



Table 18 (continued): Content\_nibble level 1 and 2 assignments

Content_nibble_level_1	Content_nibble_level_2	Description
		<b>Music/Ballet/Dance:</b>
0x6	0x0	music/ballet/dance (general)
0x6	0x1	rock/pop
0x6	0x2	serious music/classical music
0x6	0x3	folk/traditional music
0x6	0x4	jazz
0x6	0x5	musical/opera
0x6	0x6	ballet
0x6	0x7 to 0xE	reserved for future use
0x6	0xF	user defined
		<b>Arts/Culture (without music):</b>
0x7	0x0	arts/culture (without music, general)
0x7	0x1	performing arts
0x7	0x2	fine arts
0x7	0x3	religion
0x7	0x4	popular culture/traditional arts
0x7	0x5	literature
0x7	0x6	film/cinema
0x7	0x7	experimental film/video
0x7	0x8	broadcasting/press
0x7	0x9	new media
0x7	0xA	arts/culture magazines
0x7	0xB	fashion
0x7	0xC to 0xE	reserved for future use
0x7	0xF	user defined
		<b>Social/ Political issues/Economics:</b>
0x8	0x0	social/political issues/economics (general)
0x8	0x1	magazines/reports/documentary
0x8	0x2	economics/social advisory
0x8	0x3	remarkable people
0x8	0x4 to 0xE	reserved for future use
0x8	0xF	user defined
		<b>Education/ Science/Factual topics:</b>
0x9	0x0	education/science/factual topics (general)
0x9	0x1	nature/animals/environment
0x9	0x2	technology/natural sciences
0x9	0x3	medicine/physiology/psychology
0x9	0x4	foreign countries/expeditions
0x9	0x5	social/spiritual sciences
0x9	0x6	further education
0x9	0x7	languages
0x9	0x8 to 0xE	reserved for future use
0x9	0xF	user defined

(continued)

Table 18 (concluded): Content\_nibble level 1 and 2 assignments

Content_nibble_level_1	Content_nibble_level_2	Description
		<b>Leisure hobbies:</b>
0xA	0x0	leisure hobbies (general)
0xA	0x1	tourism/travel
0xA	0x2	handicraft
0xA	0x3	motoring
0xA	0x4	fitness & health
0xA	0x5	cooking
0xA	0x6	advertisement/shopping
0xA	0x7	gardening
0xA	0x8 to 0xE	reserved for future use
0xA	0xF	user defined
		<b>Special Characteristics</b>
0xB	0x0	original language
0xB	0x1	black & white
0xB	0x2	unpublished
0xB	0x3	live broadcast
0xB	0x4 to 0xE	reserved for future use
0xB	0xF	user defined
0xC to 0xE	0x0 to 0xF	reserved for future use
0xF	0x0 to 0xF	user defined

### 6.2.5 Country availability descriptor

In order to identify various combinations of countries efficiently, the descriptor may appear twice for each service, once giving a list of countries and/or groups of countries where the service is intended to be available, and the second giving a list of countries and/or groups where it is not. The latter list overrides the former list. If only one descriptor is used, which lists countries where the service is intended to be available, then it indicates that the service is not intended to be available in any other country. If only one descriptor is used, which lists countries where the service is not intended to be available, then it indicates that the service is intended to be available in every other country. If no descriptor is used, then it is not defined for which countries the service is intended to be available. See table 19.

Table 19: Country availability descriptor

Syntax	No. of bits	Identifier
country_availability_descriptor(){		
descriptor_tag	8	uimsbf
descriptor_length	8	uimsbf
country_availability_flag	1	bslbf
reserved_future_use	7	bslbf
for (i=0;i<N;i++){		
country_code	24	bslbf
}		
}		

#### Semantics for the country availability descriptor

**country\_availability\_flag:** This 1-bit field indicates whether the following country codes represent the countries in which the reception of the service is intended or not. If country\_availability\_flag is set to "1" the following country codes specify the countries in which the reception of the service is intended. If set to "0", the following country codes specify the countries in which the reception of the service is not intended.

**country\_code:** This 24-bit field identifies a country using the 3-character code as specified in ISO 3166 [2]. Each character is coded into 8-bits according to ISO 8859-1 [5] and inserted in order into the 24-bit field. In the case that the 3 characters represent a number in the range 900 to 999, then country\_code specifies a ETSI defined group of countries. These allocations are found in ETR 162 [6].

EXAMPLE:                   United Kingdom has 3-character code "GBR", which is coded as:  
                              '0100 0111 0100 0010 0101 0010'.

## 6.2.6           Delivery system descriptors

The delivery system descriptors all have the same overall length of 13 bytes. This facilitates the interchange of these descriptors when a Transport Stream is transcoded from one delivery system to another, e.g. satellite to cable.

### 6.2.6.1       Cable delivery system descriptor

See table 20.

**Table 20: Cable delivery system descriptor**

Syntax	No. of bits	Identifier
cable_delivery_system_descriptor(){		
descriptor_tag	8	uimsbf
descriptor_length	8	uimsbf
frequency	32	bslbf
reserved_future_use	12	bslbf
FEC_outer	4	bslbf
modulation	8	bslbf
symbol_rate	28	bslbf
FEC_inner	4	bslbf
}		

#### Semantics for cable delivery system descriptor

**frequency:** The frequency is a 32-bit field giving the 4-bit BCD values specifying 8 characters of the frequency value. For the cable\_delivery\_system\_descriptor, the frequency is coded in MHz, where the decimal occurs after the fourth character (e.g. 0312.0000 MHz).

**FEC\_outer:** The FEC\_outer is a 4-bit field specifying the outer FEC scheme used according to table 21:

**Table 21: Outer FEC scheme**

FEC_outer bit 3210	Description
0000	not defined
0001	no outer FEC coding
0010	RS(204/188)
0011 to 1111	reserved for future use

**modulation:** This is an 8-bit field. It specifies the modulation scheme used on a cable delivery system according to table 22:

**Table 22: Modulation scheme for cable**

Modulation (hex)	Description
0x00	not defined
0x01	16 QAM
0x02	32 QAM
0x03	64 QAM
0x04	128 QAM
0x05	256 QAM
0x06 to 0xFF	reserved for future use

**symbol\_rate:** The symbol\_rate is a 28-bit field giving the 4-bit BCD values specifying 7 characters of the symbol\_rate in Msymbol/s where the decimal point occurs after the third character (e.g. 027.4500).

**FEC\_inner:** The FEC\_inner is a 4-bit field specifying the inner FEC scheme used according to the following table 23:

**Table 23: Inner FEC scheme**

FEC_inner bit 3210	Description
0000	not defined
0001	1/2 conv. code rate
0010	2/3 conv. code rate
0011	3/4 conv. code rate
0100	5/6 conv. code rate
0101	7/8 conv. code rate
1111	no conv. coding
0110 to 1110	reserved for future use

**6.2.6.2 Satellite delivery system descriptor**

See table 24.

**Table 24: Satellite delivery system descriptor**

Syntax	No. of bits	Identifier
satellite_delivery_system_descriptor(){		
descriptor_tag	8	uimsbf
descriptor_length	8	uimsbf
frequency	32	bslbf
orbital_position	16	bslbf
west_east_flag	1	bslbf
polarization	2	bslbf
modulation	5	bslbf
symbol_rate	28	bslbf
FEC_inner	4	bslbf
}		

**Semantics for satellite delivery system descriptor**

**frequency:** The frequency is a 32-bit field giving the 4-bit BCD values specifying 8 characters of the frequency value. For the satellite\_delivery\_system\_descriptor the frequency is coded in GHz, where the decimal point occurs after the third character (e.g. 011.75725 GHz).

**orbital\_position:** The orbital\_position is a 16-bit field giving the 4-bit BCD values specifying 4 characters of the orbital position in degrees where the decimal point occurs after the third character (e.g. 019,2 degrees).

**west\_east\_flag:** The west\_east\_flag is a 1-bit field indicating if the satellite position is in the western or eastern part of the orbit. A value "0" indicates the western position and a value "1" indicates the eastern position.

**polarization:** The polarization is a 2-bit field specifying the polarization of the transmitted signal. The first bit defines whether the polarization is linear or circular (see table 25).

**Table 25: Polarization**

Polarization	Description
00	linear - horizontal
01	linear - vertical
10	circular - left
11	circular - right

**modulation:** This is a 5-bit field. It specifies the modulation scheme used on a satellite delivery system according to table 26:

**Table 26: Modulation scheme for satellite**

Modulation bit 4 3210	Description
0 0000	not defined
0 0001	QPSK
0 0010 to 1 1111	reserved for future use

**symbol\_rate:** The symbol\_rate is a 28-bit field giving the 4-bit BCD values specifying 7 characters of the symbol\_rate in Msymbol/s where the decimal point occurs after the third character (e.g. 027.4500).

**FEC\_inner:** The FEC\_inner is a 4-bit field specifying the inner FEC scheme used according to table 23.

### 6.2.7 Extended event descriptor

The extended event descriptor provides a detailed text description of an event, which may be used in addition to the short event descriptor. More than one extended event descriptor can be associated to allow information about one event greater in length than 256 bytes to be conveyed. Text information can be structured into two columns, one giving an item description field and the other the item text. A typical application for this structure is to give a cast list, where for example the item description field might be "Producer" and the item field would give the name of the producer.

Table 27: Extended event descriptor

Syntax	No. of bits	Identifier
extended_event_descriptor(){		
descriptor_tag	8	uimsbf
descriptor_length	8	uimsbf
descriptor_number	4	uimsbf
last_descriptor_number	4	uimsbf
ISO_639_language_code	24	bslbf
length_of_items	8	uimsbf
for ( i=0;i<N;i++){		
item_description_length	8	uimsbf
for (j=0;j<N;j++){		
item_description_char	8	uimsbf
}		
item_length	8	uimsbf
for (j=0;j<N;j++){		
item_char	8	uimsbf
}		
}		
text_length	8	uimsbf
for (i=0;i<N;i++){		
text_char	8	uimsbf
}		
}		

**Semantics for the extended event descriptor:**

**descriptor\_number:** This 4-bit field gives the number of the descriptor. It is used to associate information which cannot be fitted into a single descriptor. The descriptor\_number of the first extended\_event\_descriptor of an associated set of extended\_event\_descriptors shall be "0x00". The descriptor\_number shall be incremented by 1 with each additional extended\_event\_descriptor in this section.

**last\_descriptor\_number:** This 4-bit field specifies the number of the last extended\_event\_descriptor (that is, the descriptor with the highest value of descriptor\_number) of the associated set of descriptors of which this descriptor is part.

**ISO\_639\_language\_code:** This 24-bit field identifies the language of the following text fields. The ISO\_639\_language\_code contains a 3-character code as specified by ISO 639 Part 2 [3]. Both ISO 639.2/B and ISO 639.2/T may be used. Each character is coded into 8 bits according to ISO 8859-1 [5] and inserted in order into the 24-bit field.

EXAMPLE:                   French has 3-character code "fre", which is coded as:  
                              '0110 0110 0111 0010 0110 0101'.

**length\_of\_items:** This is an 8-bit field specifying the length in bytes of the following items.

**item\_description\_length:** This 8-bit field specifies the length in bytes of the item description.

**item\_description\_char:** This is an 8-bit field. A string of "item\_description\_char" fields specify the item description. Text information is coded using the character sets and methods described in annex A.

**item\_length:** This 8-bit field specifies the length in bytes of the item text.

**item\_char:** This is an 8-bit field. A string of "item\_char" fields specify the item text. Text information is coded using the character sets and methods described in annex A.

**text\_length:** This 8-bit field specifies the length in bytes of the non itemized extended text.

**text\_char:** This is an 8-bit field. A string of "text\_char" fields specify the non itemized extended text. Text information is coded using the character sets and methods described in annex A.

### 6.2.8 Linkage descriptor

The linkage descriptor (see table 28) identifies a service that can be presented if the consumer requests for additional information related to a specific entity described by the SI system. The location of the linkage descriptor in the syntax indicates the entity for which additional information is available. For example a linkage descriptor located within the NIT shall point to a service providing additional information on the network, a linkage descriptor in the BAT shall provide a link to a service informing about the bouquet, etc.

A CA replacement service can also be identified using the linkage descriptor. This service may be selected automatically by the IRD if the CA denies access to the specific entity described by the SI system.

**Table 28: Linkage descriptor**

Syntax	No. of bits	Identifier
linkage_descriptor(){		
descriptor_tag	8	uimsbf
descriptor_length	8	uimsbf
transport_stream_id	16	uimsbf
original_network_id	16	uimsbf
service_id	16	bslbf
linkage_type	8	uimsbf
for (i=0;i<N;i++){		
private_data_byte	8	bslbf
}		
}		

#### Semantics for the linkage descriptor:

**transport\_stream\_id:** This is a 16-bit field which identifies the Transport Stream containing the information service indicated.

**original\_network\_id:** This 16-bit field gives the label identifying the network\_id of the originating delivery system of the information service indicated.

**service\_id:** This is a 16-bit field which uniquely identifies an information service within a Transport Stream. The service\_id is the same as the program\_number in the corresponding program\_map\_section. If the linkage\_type field has the value 0x04, then the service\_id field is not relevant, and shall be set to 0x0000.

**linkage\_type:** This is an 8-bit field specifying the type of linkage e.g. to information (see table 29).

**Table 29: Linkage type coding**

Linkage_type	Description
0x00	reserved for future use
0x01	information service
0x02	Electronic Programme Guide (EPG) service
0x03	CA replacement service
0x04	transport stream containing complete Network/Bouquet SI
0x05 to 0x7F	reserved for future use
0x80 to 0xFE	user defined
0xFF	reserved for future use

**private\_data\_byte:** This is an 8-bit field, the value of which is privately defined.

### 6.2.9 Local time offset descriptor

The local time offset descriptor (see table 30) may be used in the Time Offset Table to describe country specific dynamic changes of the local time offset relative to UTC.

**Table 30: Local time offset descriptor**

Syntax	No. of bits	Identifier
local_time_offset_descriptor(){		
descriptor_tag	8	uimsbf
descriptor_length	8	uimsbf
for(i=0;i<N;i++){		
country_code	24	bslbf
country_region_id	6	bslbf
reserved	1	bslbf
local_time_offset_polarity	1	bslbf
local_time_offset	16	bslbf
time_of_change	40	bslbf
next_time_offset	16	bslbf
}		
}		

#### Semantics for the local time offset descriptor

**country\_code:** This 24-bit field identifies a country using the 3-character code as specified in ISO 3166 [2]. Each character is coded into 8-bits according to ISO 8859-1 [5] and inserted in order into the 24-bit field. In the case of that the 3 characters represent a number in the range of 900 to 999, then country code specifies a ETSI defined group of countries. These allocations are in ETR 162 [6]. Country codes for groups of countries shall be limited to those within a single time zone.

EXAMPLE:                   United Kingdom has 3-character code "GBR", which is coded as:  
                               '0100 0111 0100 0010 0101 0010'.

**country\_region\_id:** This 6-bit field identifies a zone in the country which is indicated by country\_code. This is set to "000000" when there are no different local time zones in the country.

**Table 31: Coding of country\_region\_id**

Country_region_id	Description
00 0000	no time zone extension used
00 0001	time zone 1 (most easterly region)
00 0010	time zone 2
.....	....
11 1100	time zone 60 (most westerly region)
11 1101 - 11 1111	reserved

**local\_time\_offset\_polarity:** This 1-bit information indicates the polarity of the following local\_offset\_time. If this bit is set to "0" the polarity is positive and the local time is advanced to UTC. (Usually east direction from Greenwich) If this bit is set to "1" the polarity is negative and the local time is behind UTC.

**local\_time\_offset:** This 16-bit field contains the current offset time from UTC in the range between -12hours and +12hours at the area which is indicated by the combination of country\_code and country\_region\_id in advance. These 16-bits are coded as 4-digits in 4-bit BCD in the order hour tens, hour, minute tens, and minutes.

**time\_of\_change:** This is a 40-bit field which specifies the date and time in MJD and UTC (see annex C), when the time change takes place. This 40-bit field is coded as 16 bits giving the 16 LSBs of MJD followed by 24 bits coded as 6 digits in the 4-bit BCD.



**next\_time\_offset:** This 16-bit field contains the next offset time after the change from UTC in the range between -12hours and +12hours at the area which is indicated by the combination of country\_code and country\_region\_id in advance. These 16-bits are coded as 4-digits in 4-bit BCD in the order hour tens, hour, minute tens and minutes.

#### **6.2.10 Mosaic descriptor**

A mosaic component is a collection of different video images to form a coded video component. The information is organized so that each specific information when displayed appears on a small area of a screen.

The mosaic descriptor gives a partitioning of a digital video component into elementary cells, the allocation of elementary cells to logical cells, and gives a link between the content of the logical cell and the corresponding information (e.g.: bouquet, service, event etc.); see table 32.

**Table 32: Mosaic descriptor**

Syntax	No. of bits	Identifier
mosaic_descriptor(){		
descriptor_tag	8	uimsbf
descriptor_length	8	uimsbf
mosaic_entry_point	1	bslbf
number_of_horizontal_elementary_cells	3	uimsbf
reserved_future_use	1	bslbf
number_of_vertical_elementary_cells	3	uimsbf
for (i=0,i<N; i++) {		
logical_cell_id	6	uimsbf
reserved_future_use	7	bslbf
logical_cell_presentation_info	3	uimsbf
elementary_cell_field_length	8	uimsbf
for (i=0,i<elementary_cell_field_length;i++) {		
reserved_future_use	2	bslbf
elementary_cell_id	6	uimsbf
}		
cell_linkage_info	8	uimsbf
If (cell_linkage_info ==0x01){		
bouquet_id	16	uimsbf
}		
If (cell_linkage_info ==0x02){		
original_network_id	16	uimsbf
transport_stream_id	16	uimsbf
service_id	16	uimsbf
}		
If (cell_linkage_info ==0x03){		
original_network_id	16	uimsbf
transport_stream_id	16	uimsbf
service_id	16	uimsbf
}		
If (cell_linkage_info ==0x04){		
original_network_id	16	uimsbf
transport_stream_id	16	uimsbf
service_id	16	uimsbf
event_id	16	uimsbf
}		
}		
}		

**Semantics for the Mosaic Descriptor**

**mosaic\_entry\_point:** This is a 1-bit field which when set to a value of "1" indicates that the mosaic is the highest mosaic in a hierarchy. A complete mosaic system could be organized in a tree structure, the flag being set to identify the entry point in the tree.

**number\_of\_horizontal\_elementary\_cells:** This 3-bit field indicates the number of cells of horizontal screen display, see table 33 for coding.

**Table 33: Coding of horizontal\_elementary\_cells**

Value	Meaning
0x00	one cell
0x01	two cells
0x02	three cells
0x03	four cells
0x04	five cells
0x05	six cells
0x06	seven cells
0x07	eight cells

**number\_of\_vertical\_elementary\_cells:** This 3-bit field indicates the number of cells of vertical screen display, see table 34 for coding.

**Table 34: Coding of vertical\_elementary\_cells**

Value	Meaning
0x00	one cell
0x01	two cells
0x02	three cells
0x03	four cells
0x04	five cells
0x05	six cells
0x06	seven cells
0x07	eight cells

**logical\_cell\_id:** This 6-bit field is coded in binary form.

Different adjacent (see figure 3) elementary cells may be grouped together to form a logical cell. A logical\_cell\_number is associated to such a group of adjacent elementary\_cell\_ids. The total number of logical cells shall not exceed the number of elementary cells (maximum = 64). Each elementary cell shall be allocated to one logical cell. More than one elementary cell may belong to one logical cell.

A	B	C
D	E	F
G	H	I

Cells B, D, H, F are adjacent to cell E; C is not adjacent to A or D; D is not adjacent to H.

**Figure 3: Adjacent cells**

**logical\_cell\_presentation\_info:** This 3-bit field identifies the type of presentation for a logical cell. The logical\_cell\_presentation information allows an identification of presentation styles, which are defined in table 35.

**Table 35: Coding of logical\_cell\_presentation\_info**

Value	Meaning
0x00	undefined
0x01	video
0x02	still picture (Note)
0x03	graphics/text
0x04 to 0x07	reserved for future use

NOTE 1: Still picture: A coded still picture consists of a video sequence containing exactly one coded picture which is intra-coded.

**elementary\_cell\_field\_length:** The elementary\_cell\_field\_length is an 8-bit field specifying the number of bytes following this field up to and including the last elementary\_cell\_id in this logical\_cell\_id loop.

**elementary\_cell\_id:** This 6-bit field indicates in binary form the number of the cell. The value of this field is in the range 0 to N.

NOTE 2: The elementary cells are implicitly numbered from 0 to N. The value 0 is allocated to the cell of the first row (top left corner). This number is incremented from left to right and from top to bottom in such a way that the number N is allocated to the cell of the last position of the last row (bottom right corner).

**cell\_linkage\_info:** This 8-bit field identifies the type of information carried in a logical cell, see table 36 for coding.

**Table 36: Coding of cell\_linkage\_info**

Value	Meaning
0x00	undefined
0x01	bouquet related
0x02	service related
0x03	other mosaic related
0x04	event related
0x05 to 0xFF	reserved for future use

**bouquet\_id:** This is a 16-bit field which serves as a label to identify the bouquet described by the cell.

**original\_network\_id:** This 16-bit field is a label (see subclause 5.2) which in conjunction with the following fields uniquely identifies a service, event or mosaic.

**transport\_stream\_id:** This is a 16-bit field which serves as a label identifying the transport stream which contains the service, event or mosaic described by the cell.

**service\_id:** This is a 16-bit field which identifies a service within a transport stream. The service\_id is the same as the program\_number in the corresponding program\_map\_section.

The interpretation of this field is context sensitive, dependent on the value of cell\_linkage\_info:

- when cell\_linkage\_info = "0x02", this is the service\_id of the service described by the cell.
- when cell\_linkage\_info = "0x03", this is the service\_id of the mosaic service described by the cell.
- when cell\_linkage\_info = "0x04", this is the service\_id of the service to which the event described by the cell belongs.

**event\_id:** This is a 16-bit field containing the identification number of the described event.

### 6.2.11 Multilingual bouquet name descriptor

The multilingual bouquet name descriptor (see table 37) provides the bouquet name in text form in one or more languages.

**Table 37: Multilingual bouquet name descriptor**

Syntax	No. of bits	Identifier
multilingual_bouquet_name_descriptor(){		
descriptor_tag	8	uimsbf
descriptor_length	8	uimsbf
for (i=0;i<N;i++) {		
ISO_639_language_code	24	bslbf
bouquet_name_length	8	uimsbf
for (j=0;j<N;j++){		
char	8	uimsbf
}		
}		
}		

#### Semantics for the multilingual bouquet name descriptor:

**ISO\_639\_language\_code:** This 24-bit field contains the ISO 639.2 [3] three character language code of the language of the following bouquet name. Both ISO 639.2/B and ISO 639.2/T may be used. Each character is coded into 8 bits according to ISO 8859-1 [5] and inserted in order into the 24-bit field.

EXAMPLE:                   French has 3-character code "fre", which is coded as:  
                              '0110 0110 0111 0010 0110 0101'.

**bouquet\_name\_length:** This 8-bit field specifies the length in bytes of the following bouquet name.

**char:** This is an 8-bit field. A string of char fields specify the name of the bouquet about which the BAT sub-table informs in the language specified. Text information is coded using the character sets and methods described in annex A.

### 6.2.12 Multilingual component descriptor

The multilingual component descriptor (see table 38) provides a text description of a component in one or more languages. The component is identified by its component tag value.

**Table 38: Multilingual component descriptor**

Syntax	No. of bits	Identifier
multilingual_component_descriptor(){		
descriptor_tag	8	uimsbf
descriptor_length	8	uimsbf
component_tag	8	uimsbf
for (i=0;i<N;i++) {		
ISO_639_language_code	24	bslbf
text_description_length	8	uimsbf
for (j=0;j<N;j++){		
text_char	8	uimsbf
}		
}		
}		

**Semantics for the multilingual component descriptor:**

**component\_tag:** This 8-bit field has the same value as the component\_tag field in the stream identifier descriptor (if present in the PSI program map section) for the component stream.

**ISO\_639\_language\_code:** This 24-bit field identifies the language of the following text description of the component. The ISO\_639\_language\_code contains a 3-character code as specified by ISO 639.2 [3]. Both ISO 639.2/B and ISO 639.2/T may be used. Each character is coded into 8 bits according to ISO 8859-1 [5] and inserted in order into the 24-bit field.

EXAMPLE:                    French has 3-character code "fre", which is coded as:  
                               '0110 0110 0111 0010 0110 0101'.

**text\_description\_length:** This 8-bit field specifies the length in bytes of the following text description.

**text\_char:** This is an 8-bit field. A string of "text\_char" fields specifies a text description of the component stream. Text information is coded using the character sets and methods described in annex A.

**6.2.13        Multilingual network name descriptor**

The multilingual network name descriptor (see table 39) provides the network name in text form in one or more languages.

**Table 39: Multilingual network name descriptor**

Syntax	No. of bits	Identifier
multilingual_network_name_descriptor(){		
descriptor_tag	8	uimsbf
descriptor_length	8	uimsbf
for (i=0;i<N;i++) {		
ISO_639_language_code	24	bslbf
network_name_length	8	uimsbf
for (j=0;j<N;j++){		
char	8	uimsbf
}		
}		
}		

**Semantics for the multilingual network name descriptor:**

**ISO\_639\_language\_code:** This 24-bit field contains the ISO 639.2 [3] three character language code of the language of the following network name. Both ISO 639.2/B and ISO 639.2/T may be used. Each character is coded into 8 bits according to ISO 8859-1 [5] and inserted in order into the 24-bit field.

EXAMPLE:                    French has 3-character code "fre", which is coded as:  
                               '0110 0110 0111 0010 0110 0101'.

**network\_name\_length:** This 8-bit field specifies the length in bytes of the following network name.

**char:** This is an 8-bit field. A string of char fields specify the name of the network about which the NIT informs in the language specified. Text information is coded using the character sets and methods described in annex A.

### 6.2.14 Multilingual service name descriptor

The multilingual service name descriptor (see table 40) provides the names of the service provider and service in text form in one or more languages.

**Table 40: Multilingual service name descriptor**

Syntax	No. of bits	Identifier
multilingual_service_name_descriptor(){		
descriptor_tag	8	uimsbf
descriptor_length	8	uimsbf
for (i=0;i<N;i++) {		
ISO_639_language_code	24	bslbf
service_provider_name_length	8	uimsbf
for (j=0;j<N;j++){		
char	8	uimsbf
}		
service_name_length	8	uimsbf
for (j=0;j<N;j++){		
char	8	uimsbf
}		
}		
}		

#### Semantics for the multilingual service name descriptor:

**ISO\_639\_language\_code:** This 24-bit field contains the ISO 639.2 [3] three character language code of the language of the following text fields. Both ISO 639.2/B and ISO 639.2/T may be used. Each character is coded into 8 bits according to ISO 8859-1 [5] and inserted in order into the 24-bit field.

EXAMPLE:                   French has 3-character code "fre", which is coded as:  
                              '0110 0110 0111 0010 0110 0101'.

**service\_provider\_name\_length:** This 8-bit field specifies the length in bytes of the following service provider name.

**service\_name\_length:** This 8-bit field specifies the length in bytes of the following service name.

**char:** This is an 8-bit field. A string of char fields specify the name of the service provider or service. Text information is coded using the character sets and methods described in annex A.

### 6.2.15 Near Video On Demand (NVOD) reference descriptor

This descriptor, in conjunction with the time shifted service and time shifted event descriptors, provides a mechanism for efficiently describing a number of services which carry the same sequence of events, but with the start times offset from one another. Such a group of time-shifted services is referred to as Near Video On Demand, since a user can at any time access near to the start of an event by selecting the appropriate service of the group.

The NVOD reference descriptor (see table 41) gives a list of the services which together form a NVOD service. Each service is also described in the appropriate SDT sub\_table by a time shifted service descriptor, see subclause 6.2.29. The time shifted service descriptor associates a time shifted service with a reference\_service\_id. The reference\_service\_id is the label under which a full description of the NVOD service is given, but the reference\_service\_id does not itself correspond to any program\_number in the program\_map\_section.

The time shifted event descriptor is used in the event information for each time shifted service. Instead of duplicating the full information for each event, the time shifted event descriptor points to a reference\_event\_id in the reference service. The full event information is provided in the event information for the reference service.

The services which make up an NVOD service need not all be carried in the same Transport Stream. However, a reference service shall be described in the SI in each Transport Stream which carries any services of the NVOD service.

**Table 41: NVOD reference descriptor**

Syntax	No. of bits	Identifier
NVOD_reference_descriptor(){		
descriptor_tag	8	uimsbf
descriptor_length	8	uimsbf
for (i=0;i<N;i++) {		
transport_stream_id	16	uimsbf
original_network_id	16	uimsbf
service_id	16	uimsbf
}		
}		

**Semantics for the NVOD reference descriptor:**

**transport\_stream\_id:** This is a 16-bit field which identifies the Transport Stream.

**original\_network\_id:** This 16-bit field gives the label identifying the network\_id of the originating delivery system.

**service\_id:** This is a 16-bit field which uniquely identifies a service within a Transport Stream. The service\_id is the same as the program\_number in the corresponding program\_map\_section.

**6.2.16 Network name descriptor**

The network name descriptor provides the network name in text form. See table 42.

**Table 42: Network name descriptor**

Syntax	No. of bits	Identifier
network_name_descriptor(){		
descriptor_tag	8	uimsbf
descriptor_length	8	uimsbf
for (i=0;i<N;i++){		
char	8	uimsbf
}		
}		

**Semantics for the network name descriptor:**

**char:** This is an 8-bit field. A string of char fields specify the name of the delivery system about which the NIT informs. Text information is coded using the character sets and methods described in annex A.



### 6.2.17 Parental rating descriptor

This descriptor (see table 43) gives a rating based on age and allows for extensions based on other rating criteria.

**Table 43: Parental rating descriptor**

Syntax	No. of bits	Identifier
parental_rating_descriptor(){		
descriptor_tag	8	uimsbf
descriptor_length	8	uimsbf
for (i=0;i<N;i++){		
country_code	24	bslbf
rating	8	uimsbf
}		
}		

#### Semantics for the parental rating descriptor:

**country\_code:** This 24-bit field identifies a country using the 3-character code as specified in ISO 3166 [2]. Each character is coded into 8-bits according to ISO 8859-1 [5] and inserted in order into the 24-bit field. In the case that the 3 characters represent a number in the range 900 to 999, then country\_code specifies a ETSI defined group of countries. These allocations are found in ETR 162 [6].

EXAMPLE:                   United Kingdom has 3-character code "GBR", which is coded as:  
                              '0100 0111 0100 0010 0101 0010'.

**rating:** This 8-bit field is coded according to table 44, giving the recommended minimum age in years of the end user.

**Table 44: Parental rating descriptor, rating**

Rating	Description
0x00	undefined
0x01 to 0x0F	minimum age = rating + 3 years
0x10 to 0xFF	defined by the broadcaster

EXAMPLE:                   0x04 implies that end users should be at least 7 years old.

### 6.2.18 Private data specifier descriptor

Some values of descriptor\_tag and other fields in this ETS are specified as user-defined. These values facilitate compatible private extensions to the SI data stream. However, for this private information to be interpreted reliably by the IRD, the specifier of the meaning of the user-defined values shall be known to the IRD. The private\_data\_specifier\_descriptor (see table 45) identifies the specifier to the IRD. The scope of this descriptor depends on its location in accordance with the following rules:

- 1) If this descriptor is located in the first descriptor loop of the NIT, then it shall apply to all descriptors in the NIT for that network that have private tags, as well as to all user-defined fields of DVB descriptions in the NIT for that network.
- 2) If this descriptor is located in the first descriptor loop of the BAT, then it shall apply to all descriptors in the BAT for that bouquet that have private tags, as well as to all user-defined fields of DVB descriptions in the BAT for that bouquet.
- 3) If this descriptor is located in the SDT, then it applies to all descriptors for that service\_id in both the SDT and EIT that have private tags, as well as to all user-defined fields of DVB descriptions in those tables.

- 4) Within any EIT descriptor loop, or BAT or NIT second descriptor loop, the default specifier given by the above rules is overridden by any instances of the `private_data_specifier_descriptor`. The specifier given in the descriptor applies to all following descriptors in the particular loop until the end of the loop, or until another occurrence of a `private_data_specifier_descriptor`.

**Table 45: Private data specifier descriptor**

Syntax	No. of bits	Identifier
<code>private_data_specifier_descriptor(){</code>		
<code>descriptor_tag</code>	8	uimsbf
<code>descriptor_length</code>	8	uimsbf
<code>private_data_specifier</code>	32	uimsbf
<code>}</code>		

**Semantics for the private data specifier descriptor:**

**private\_data\_specifier:** The assignment of values for this field is given in ETR 162 [6].

**6.2.19 Short smoothing buffer descriptor**

A `smoothing_buffer_descriptor` is specified in ISO/IEC 13818-1 [1] which enables the bit-rate of a service to be signalled in the PSI. For use in DVB SI Tables, a more compact and efficient descriptor, the `short_smoothing_buffer_descriptor` (table 46), is defined here. This descriptor may be included in the EIT Present/Following and EIT Schedule Tables to signal the bit-rate for each event. The bit rate is expressed in terms of a smoothing buffer size and output leak rate. The presence of the descriptor in the EIT Present/Following and EIT Schedule Tables is optional.

The data flows into and from the smoothing buffer are defined as follows:

- bytes of Transport Stream packets belonging to the associated service are input to the smoothing buffer at the time defined by equation 2 - 4 of ISO/IEC 13818-1 [1] (definition of the mathematical byte delivery schedule). The following packets belong to the service:
  - all Transport Stream packets of all elementary streams of the service, i.e. all PIDs which are listed as `elementary_PIDs` in the extended program information part of the PMT section for the service during the time that the event is transmitted;
  - all Transport Stream packets of the PID which is identified as the `program_map_PID` for the service in the PAT at the time that the event is transmitted;
  - all Transport Stream packets of the PID which is identified as the `PCR_PID` in the PMT section for the service at the time that the event is transmitted.
- all bytes that enter the buffer also exit it.

**Table 46: Short smoothing buffer descriptor**

Syntax	No. of bits	Identifier
<code>short_smoothing_buffer_descriptor(){</code>		
<code>descriptor_tag</code>	8	uimsbf
<code>descriptor_length</code>	8	uimsbf
<code>sb_size</code>	2	uimsbf
<code>sb_leak_rate</code>	6	uimsbf
for (i=0;i<N;i++){		
<code>DVB_reserved</code>	8	bslbf
}		
<code>}</code>		

**Semantics for the short smoothing buffer descriptor:**

**sb\_size:** This 2-bit field indicates the size of the smoothing buffer, and is coded according to table 47.

**Table 47: Smoothing buffer size**

<b>Value</b>	<b>Buffer size (bytes)</b>
0	DVB_reserved
1	1 536
2	DVB_reserved
3	DVB_reserved

NOTE: Due to implementation constraints, the specified buffer size value considers spare capacity that may be required in a 2 kbyte RAM for packet jitter.

**sb\_leak\_rate:** This 6-bit field indicates the value of the leak rate from the buffer, and is coded according to table 48.

**Table 48: Smoothing buffer leak rate**

Value	Leak rate (Mbit/s)
0	DVB_reserved
1	0,0009
2	0,0018
3	0,0036
4	0,0072
5	0,0108
6	0,0144
7	0,0216
8	0,0288
9	0,075
10	0,5
11	0,5625
12	0,8437
13	1,0
14	1,1250
15	1,5
16	1,6875
17	2,0
18	2,2500
19	2,5
20	3,0
21	3,3750
22	3,5
23	4,0
24	4,5
25	5,0
26	5,5
27	6,0
28	6,5
29	6,7500
30 - 32	$((\text{value}) - 16) * 0,5$ (7, 7,5, 8 Mbit/s)
33 - 37	$((\text{value}) - 24)$ (9, 10, 11, 12, 13 Mbit/s)
38	13,5
39 - 43	$((\text{value}) - 25)$ (14, 15, 16, 17, 18 Mbit/s)
44 - 47	$((\text{value}) - 34) * 2$ (20, 22, 24, 26 Mbit/s)
48	27
49 - 55	$((\text{value}) - 35) * 2$ (28, 30, 32, ... 40 Mbit/s)
56	44
57	48
58	54
59	72
60	108
61 - 63	DVB_reserved

### 6.2.20 Service descriptor

The service descriptor (see table 49) provides the names of the service provider and the service in text form together with the service\_type.

**Table 49: Service descriptor**

Syntax	No. of bits	Identifier
service_descriptor(){		
descriptor_tag	8	uimsbf
descriptor_length	8	uimsbf
service_type	8	uimsbf
service_provider_name_length	8	uimsbf
for (i=0;i<N;i++){		
char	8	uimsbf
}		
service_name_length	8	uimsbf
for (i=0;i<N;i++){		
char	8	uimsbf
}		
}		

#### Semantics for the service descriptor:

**service\_type:** This is an 8-bit field specifying the type of the service. It shall be coded according to table 50.

**Table 50: Service type coding**

Service_type	Description
0x00	reserved for future use
0x01	digital television service
0x02	digital radio sound service
0x03	teletext service
0x04	NVOD reference service
0x05	NVOD time-shifted service
0x06	mosaic service
0x07	PAL coded signal
0x08	SECAM coded signal
0x09	D/D2-MAC
0x0A	FM Radio
0x0B	NTSC coded signal
0x0C to 0x7F	reserved for future use
0x80 to 0xFE	user defined
0xFF	reserved for future use

**service\_provider\_name\_length:** This 8-bit field specifies the number of bytes that follow the service\_provider\_name\_length field for describing characters of the name of the service provider.

**char:** This is an 8-bit field. A string of char fields specify the name of the service provider or service. Text information is coded using the character sets and methods described in annex A.

**service\_name\_length:** This 8-bit field specifies the number of bytes that follow the service\_name\_length field for describing characters of the name of the service.

**6.2.21 Service list descriptor**

The service list descriptor (see table 51) provides a means of listing the services by service\_id and service type.

**Table 51: Service list descriptor**

Syntax	No. of bits	Identifier
service_list_descriptor(){		
descriptor_tag	8	uimsbf
descriptor_length	8	uimsbf
for (i=0;i<N;i++){		
service_id	16	uimsbf
service_type	8	uimsbf
}		
}		

**Semantics for the service list descriptor:**

**service\_id:** This is a 16-bit field which uniquely identifies a service within a Transport Stream. The service\_id is the same as the program\_number in the corresponding program\_map\_section, except that in the case of service\_type = 0x04 (NVOD reference service) the service\_id does not have a corresponding program\_number.

**service\_type:** This is an 8-bit field specifying the type of the service. It shall be coded according to table 50.

**6.2.22 Service move descriptor**

If it is required to move a service from one Transport Stream to another, a mechanism is provided which enables an IRD to track the service between Transport Streams by means of a service\_move\_descriptor.

**Table 52: Service move descriptor**

Syntax	No. of bits	Identifier
service_move_descriptor(){		
descriptor_tag	8	uimsbf
descriptor_length	8	uimsbf
new_original_network_id	16	uimsbf
new_transport_stream_id	16	uimsbf
new_service_id	16	uimsbf
}		

**Semantics for the service move descriptor:**

**new\_original\_network\_id:** This field contains the original\_network\_id of the Transport Stream in which the service is found after the move.

**new\_transport\_stream\_id:** This field contains the transport\_stream\_id of the Transport Stream in which the service is found after the move.

**new\_service\_id:** This field contains the service\_id of the service after the move. If the service remains within the same original network, then the new\_service\_id is the same as the previous service\_id.

### 6.2.23 Short event descriptor

The short event descriptor provides the name of the event and a short description of the event in text form (see table 53).

**Table 53: Short event descriptor**

Syntax	No. of bits	Identifier
short_event_descriptor(){		
descriptor_tag	8	uimsbf
descriptor_length	8	uimsbf
ISO_639_language_code	24	bslbf
event_name_length	8	uimsbf
for (i=0;i<event_name_length;i++){		
event_name_char	8	uimsbf
}		
text_length	8	uimsbf
for (i=0;i<text_length;i++){		
text_char	8	uimsbf
}		
}		

#### Semantics for the short event descriptor:

**ISO\_639\_language\_code:** This 24-bit field contains the ISO 639 [3] three character language code of the language of the following text fields. Both ISO 639.2/B and ISO 639.2/T may be used. Each character is coded into 8 bits according to ISO 8859-1 [5] and inserted in order into the 24-bit field.

EXAMPLE:                   French has 3-character code "fre", which is coded as:  
                              '0110 0110 0111 0010 0110 0101'.

**event\_name\_length:** An 8-bit field specifying the length in bytes of the event name.

**event\_name\_char:** This is an 8-bit field. A string of "char" fields specifies the event name. Text information is coded using the character sets and methods described in annex A.

**text\_length:** This 8-bit field specifies the length in bytes of the following text describing the event.

**text\_char:** This is an 8-bit field. A string of "char" fields specify the text description for the event. Text information is coded using the character sets and methods described in annex A.

### 6.2.24 Stream identifier descriptor

The stream identifier descriptor (see table 54) may be used in the PSI PMT to label component streams of a service so that they can be differentiated, e.g. by text descriptions given in component descriptors in the EIT if present. The stream identifier descriptor shall be located following the relevant ES\_info\_length field.

**Table 54: Stream identifier descriptor**

Syntax	No. of bits	Identifier
stream_identifier_descriptor(){		
descriptor_tag	8	uimsbf
descriptor_length	8	uimsbf
component_tag	8	uimsbf
}		

**Semantics for the stream identifier descriptor:**

**component\_tag:** This 8-bit field identifies the component stream for associating it with a description given in a component descriptor. Within a program map section each stream identifier descriptor shall have a different value for this field.

**6.2.25 Stuffing descriptor**

The stuffing descriptor provides a means of invalidating previously coded descriptors or inserting dummy descriptors for table stuffing. See table 55.

**Table 55: Stuffing descriptor**

Syntax	No. of bits	Identifier
stuffing_descriptor(){		
descriptor_tag	8	uimsbf
descriptor_length	8	uimsbf
for (i= 0;i<N;i++){		
stuffing_byte	8	bslbf
}		
}		

**Semantics for the stuffing descriptor:**

**stuffing\_byte:** This is an 8-bit field. Each occurrence of the field may be set to any value. The IRDs may discard the stuffing bytes.

**6.2.26 Subtitling descriptor**

In the ISO/IEC 13818-1 [1] Program Map Table (PMT) the value of stream\_type for any PID carrying DVB subtitle shall be "0x06" (this indicates a PES carrying private data). See table 56.

**Table 56: Subtitling descriptor**

Syntax	No. of bits	Identifier
subtitling_descriptor(){		
descriptor_tag	8	uimsbf
descriptor_length	8	uimsbf
for (i= 0;i<N;i++){		
ISO_639_language_code	24	bslbf
subtitling_type	8	bslbf
composition_page_id	16	bslbf
ancillary_page_id	16	bslbf
}		
}		

**Semantics for the subtitling descriptor:**

**ISO\_639\_language\_code:** This 24-bit field contains the ISO 639 [3] three character language code of the language of the subtitle. Both ISO 639.2/B and ISO 639.2/T may be used. Each character is coded into 8 bits according to ISO 8859-1 [5] and inserted in order into the 24-bit field.

EXAMPLE:                   French has 3-character code "fre", which is coded as:  
                               '0110 0110 0111 0010 0110 0101'.

**subtitling\_type:** This 8 bit field provides information on the content of the subtitle and the intended display. The coding of this field shall use the codes defined for component\_type when stream\_content is 0x03 in table 16 "stream\_content and component\_type".



**composition\_page\_id:** This 16-bit field identifies the composition page. DVB\_subtitling\_segments signalling this page\_id shall be decoded if the previous data in the subtitling descriptor matches the user's selection criteria.

NOTE 1: The composition\_page\_id is signalled in at least the DVB\_subtitling\_segments that define the data structure of the subtitle screen; the page\_composition\_segment and region\_composition\_segments. It may additionally be signalled in segments containing data on which the composition depends.

**ancillary\_page\_id:** This identifies the (optional) ancillary page. DVB\_subtitling\_segments signalling this page\_id shall also be decoded if the previous data in the subtitling descriptor matches the user's selection criteria. The values in the ancillary\_page\_id and the composition\_page\_id fields shall be the same if no ancillary page is provided.

NOTE 2: The ancillary\_page\_id is never signalled in a composition segment. It may be signalled in CLUT definition segments, object segments and any other type of segment.

NOTE 3: (Terminology): A segment that signals a particular page number in its page\_id field is said to be "in" that page. The page is said to "contain" that segment.

### 6.2.27 Telephone descriptor

The telephone descriptor may be used to indicate a telephone number, which may be used in conjunction with a modem (PSTN or cable) to exploit narrowband interactive channels. Further information is given in Implementation Guidelines for the use of Telecommunications Interfaces in Digital Video Broadcasting systems (see annex D: bibliography).

The telephone descriptor syntax is specified in table 57.

Table 57: Telephone descriptor

Syntax	No. of bits	Identifier
telephone_descriptor(){		
descriptor_tag	8	uimsbf
descriptor_length	8	uimsbf
reserved_future_use	2	bslbf
foreign_availability	1	bslbf
connection_type	5	uimsbf
reserved_future_use	1	bslbf
country_prefix_length	2	uimsbf
international_area_code_length	3	uimsbf
operator_code_length	2	uimsbf
reserved_future_use	1	bslbf
national_area_code_length	3	uimsbf
core_number_length	4	uimsbf
for (i=0;i<N;i++){		
country_prefix_char	8	uimsbf
}		
for (i=0;i<N;i++){		
international_area_code_char	8	uimsbf
}		
for (i=0;i<N;i++){		
operator_code_char	8	uimsbf
}		
for (i=0;i<N;i++){		
national_area_code_char	8	uimsbf
}		
for (i=0;i<N;i++){		
core_number_char	8	uimsbf
}		
}		

**Semantics for the telephone descriptor:**

**foreign\_availability:** This is a 1-bit flag. When set to "1" it indicates that the number described can be called from outside of the country specified by the country\_prefix. When set to "0" it indicates that the number can only be called from inside the country specified by the country\_prefix.

**connection\_type:** This is a 5-bit field which indicates connection types. One example of the use of the connection type is to inform the IRD that when, if an interaction is initiated, if the connection is not made within 1 minute, then the connection attempt should be aborted.

**country\_prefix\_length:** This 2-bit field specifies the number of 8-bit alphanumeric characters in the country prefix.

**international\_area\_code\_length:** This 3-bit field specifies the number of 8-bit alphanumeric characters in the international area code.

**operator\_code\_length:** This 2-bit field specifies the number of 8-bit alphanumeric characters in the operator code.

**national\_area\_code\_length:** This 3-bit field specifies the number of 8-bit alphanumeric characters in the national area code.

**core\_number\_length:** This 4-bit field specifies the number of 8-bit alphanumeric characters in the core number.

**country\_prefix\_char:** This 8-bit field which shall be coded in accordance with ISO 8859-1 [5] gives one alphanumeric character of the country prefix.

**international\_area\_code\_char:** This 8-bit field which shall be coded in accordance with ISO 8859-1 [5] gives one alphanumeric character of the international area code.

**operator\_code\_char:** This 8-bit field which shall be coded in accordance with ISO 8859-1 [5] gives one alphanumeric character of the operator code.

**national\_area\_code\_char:** This 8-bit field which shall be coded in accordance with ISO 8859-1 [5] gives one alphanumeric character of the national area code.

**core\_number\_char:** This 8-bit field which shall be coded in accordance with ISO 8859-1 [5] gives one alphanumeric character of the core number.

### 6.2.28 Teletext descriptor

The teletext descriptor (see table 58) shall be used in the PSI PMT to identify streams which carry EBU teletext data. The descriptor is to be located in a program map section following the relevant ES\_info\_length field.

**Table 58: Teletext descriptor**

Syntax	No. of bits	Identifier
teletext_descriptor(){		
descriptor_tag	8	uimsbf
descriptor_length	8	uimsbf
for (i=0;i<N;i++){		
ISO_639_language_code	24	bslbf
teletext_type	5	uimsbf
teletext_magazine_number	3	uimsbf
teletext_page_number	8	uimsbf
}		
}		

#### Semantics for the teletext descriptor:

**ISO\_639\_language\_code:** This 24-bit field contains the 3 character ISO 639 [3] language code of the language of the teletext. Both ISO 639.2/B and ISO 639.2/T may be used. Each character is coded into 8 bits according to ISO 8859-1 [5] and inserted in order into the 24-bit field.

EXAMPLE:                      French has 3-character code "fre", which is coded as:  
'0110 0110 0111 0010 0110 0101'.

**teletext\_type:** This 5-bit field indicates the type of teletext page indicated. This shall be coded according to table 59.

**Table 59: Teletext descriptor, teletext\_type**

Teletext_type	Description
0x00	reserved for future use
0x01	initial teletext page
0x02	teletext subtitle page
0x03	additional information page
0x04	programme schedule page
0x05 to 0x1F	reserved for future use

**teletext\_magazine\_number:** This is a 3-bit field which identifies the magazine number as defined in EBU SPB 492 [4].

**teletext\_page\_number:** This is an 8-bit field giving two 4-bit hex digits identifying the page number as defined in EBU SPB 492 [4].

**6.2.29 Time shifted event descriptor**

The time shifted event descriptor (see table 60) is used in place of the short\_event\_descriptor to indicate an event which is a time shifted copy of another event.

**Table 60: Time shifted event descriptor**

Syntax	No. of bits	Identifier
time_shifted_event_descriptor(){		
descriptor_tag	8	uimsbf
descriptor_length	8	uimsbf
reference_service_id	16	uimsbf
reference_event_id	16	uimsbf
}		

**Semantics for the time shifted event descriptor:**

**reference\_service\_id:** This 16-bit field identifies the reference service of a NVOD collection of services. The reference service can always be found in this Transport Stream. The service\_id here does not have a corresponding program\_number in the program\_map\_section.

**reference\_event\_id:** This 16-bit field identifies the reference event of which the event described by this descriptor is a time shifted-copy.

**6.2.30 Time shifted service descriptor**

This descriptor is used in place of the service descriptor to indicate services which are time shifted copies of other services (see table 61).

**Table 61: Time shifted service descriptor**

Syntax	No. of bits	Identifier
time_shifted_service_descriptor(){		
descriptor_tag	8	uimsbf
descriptor_length	8	uimsbf
reference_service_id	16	uimsbf
}		

**Semantics for the time shifted service descriptor:**

**reference\_service\_id:** This 16-bit field identifies the reference service of a NVOD collection of services. The reference service can always be found in this Transport Stream. The service\_id here does not have a corresponding program\_number in the program\_map\_section.

## Annex A (normative): Coding of text characters

Text items can optionally include information to select a wide range of character tables as indicated below. For the European languages a set of five character tables are available. If no character selection information is given in a text item, then a default character set is assumed.

### A.1 Control codes

The codes in the range 0x80 to 0x9F are assigned to control functions as shown in table A.1.

**Table A.1: Single Byte Control codes**

Control code	Description
0x80 to 0x85	reserved for future use
0x86	character emphasis on
0x87	character emphasis off
0x88 to 0x89	reserved for future use
0x8A	CR/LF
0x8B to 0x9F	user defined

For two-byte character tables, the codes in the range 0xE080 to 0xE09F are assigned to control functions as shown in table A.2.

**Table A.2: DVB codes within Private Use Area of ISO/IEC 10646-1 [8]**

Control code	Description
0xE080 to 0xE085	reserved for future use
0xE086	character emphasis on
0xE087	character emphasis off
0xE088 to 0xE089	reserved for future use
0xE08A	CR/LF
0xE08B to 0xE09F	reserved for future use

### A.2 Selection of character table

Text fields can optionally start with non-spacing, non-displayed data which specifies the alternative character table to be used for the remainder of the text item. The selection of character table is indicated as follows:

- if the first byte of the text field has a value in the range "0x20" to "0xFF" then this and all subsequent bytes in the text item are coded using the default character coding table (table 00 - Latin alphabet) of figure A.1;
- if the first byte of the text field has a value in the range "0x01" to "0x05" then the remaining bytes in the text item are coded in accordance with character coding tables 01 to 05 respectively, which are given in figures A.2 to A.6 respectively;
- if the first byte of the text field has a value "0x10" then the following two bytes carry a 16-bit value (uimbsf) N to indicate that the remaining data of the text field is coded using the character code table specified by ISO Standard 8859-1 to 9 [5];
- if the first byte of the text field has a value "0x11" then the remaining bytes in the text item are coded in pairs in accordance with the Basic Multilingual Plane of ISO/IEC 10646-1 [8].

Values for the first byte of "0x00", "0x06" to "0x0F", and "0x12" to "0x1F" are reserved for future use.

		First nibble →															
Second nibble ↓		0	1	2	3	4	5	6	7	8	9	A	B	C	D	E	F
					0	á	P	`	p			NBSP	º		—	Ω	K
1				!	1	A	Q	a	q			ı	±	`	´	Æ	æ
2				"	2	B	R	b	r			¢	²	´	®	Ð	ð
3				#	3	C	S	c	s			£	³	^	©	á	ö
4				\$	4	D	T	d	t				x	~	™	H	h
5				%	5	E	U	e	u			¥	μ	¯	♯		ı
6				&	6	F	V	f	v				¶	˘	¬	IJ	ij
7				'	7	G	W	g	w			§	-	·	ı	L	l
8				(	8	H	X	h	x			∕	÷	"		ł	ł
9				)	9	I	Y	i	y			‘	’			ø	ø
A				*	:	J	Z	j	z			“	”	°		Œ	œ
B				+	;	K	[	k	{			«	»	¸		º	ß
C				,	<	L	\	l				←	¼		⅛	þ	þ
D				-	=	M	]	m	}			↑	½	"	⅜	Ŧ	ŧ
E				.	>	N	^	n	~			→	¾	˘	⅝	Ŋ	ŋ
F				/	?	O	_	o				↓	˙	˘	⅞	ˆn	SHY

- NOTE 1: The SPACE character is located in position 20h of the code table.
- NOTE 2: NBSP = no-break space.
- NOTE 3: SHY = soft hyphen.
- NOTE 4: Table reproduced from ISO/IEC 6937 [9].
- NOTE 5: All characters in column C are non-spacing characters (diacritical marks).

Figure A.1: Character code table 00 - Latin alphabet

Second nibble	First nibble →															
	0	1	2	3	4	5	6	7	8	9	A	B	C	D	E	F
0			SP	0	à	P	`	p			NBSP	À	Р	а	р	№
1			!	1	À	Q	á	q			Ё	Б	С	б	с	ё
2			"	2	В	Р	б	р			Ъ	В	Т	в	т	ђ
3			#	3	С	Š	с	š			Ѓ	Г	У	г	у	ѓ
4			\$	4	Đ	Т	đ	т			Є	Д	Ф	д	ф	є
5			%	5	Е	U	e	u			Š	Е	Х	e	x	s
6			&	6	F	V	f	v			І	Ж	Ц	ж	ц	і
7			'	7	G	W	g	w			Ї	З	Ч	з	ч	ї
8			(	8	Н	Х	н	х			Ј	И	Ш	и	ш	ј
9			)	9	І	У	і	у			Љ	Ї	Ш	й	ш	љ
A			*	:	Ј	З	ј	з			Њ	К	Ъ	к	ъ	њ
B			+	;	К	Г	к	г			Ђ	Л	Ы	л	ы	ђ
C			,	<	Л	\	л	l			Ќ	М	Ь	м	ь	ќ
D			-	=	М	Ј	м	ј			ŠNY	Н	Э	н	э	š
E			.	>	Н	^	н	~			Ў	О	Ю	о	ю	ў
F			/	?	О	_	о				Ц	П	Я	п	я	ц

NOTE 1: For the Ruthenian language, the characters in code positions Ah/5h (S) and Fh/5h (s) are replaced by Г and Г, respectively.

NOTE 2: Table reproduced from ISO 8859-5 [5].

Figure A.2: Character code table 01 - Latin/Cyrillic alphabet

Second nibble ↓	First nibble →																
	0	1	2	3	4	5	6	7	8	9	A	B	C	D	E	F	
0			SP	0	·	@	P	'	p			NESP			ذ	ـ	ر
1			!	1	\	A	Q	a	q						ء	ر	ف
2			"	2	۲	B	R	b	r						آ	ز	ق
3			#	3	۳	C	S	c	s						أ	س	ك
4			\$	4	۴	D	T	d	t			۵			ؤ	ش	ل
5			%	5	۵	E	U	e	u						أ	ص	م
6			&	6	۶	F	V	f	v						ر	ض	ن
7			'	7	۷	G	W	g	w						ا	ط	ه
8			(	8	۸	H	X	h	x						ب	ظ	و
9			)	9	۹	I	Y	i	y						ة	ع	ى
A			*	:	:	J	Z	j	z						ت	غ	ي
B			+	;	;	K	[	k	[					:	ث		"
C			,	<	<	L	\	l					,		ج		"
D			-	=	=	M	]	m	]			SHY			ح		=
E			.	>	>	N	^	n	~						خ		^
F			/	?	?	O	_	o	_						؟	ذ	'

NOTE: Table reproduced from ISO 8859-6 [5].

Figure A.3: Character code table 02 - Latin/Arabic alphabet



Second nibble	First nibble →															
	0	1	2	3	4	5	6	7	8	9	A	B	C	D	E	F
0			SP	0	@	P	`	p			NBSP	°	ı̇	Π	ı̇	π
1			!	1	A	Q	a	q			'	±	A	P	α	ρ
2			"	2	B	R	b	r			,	2	B	⊗	β	ς
3			#	3	C	S	c	s			£	3	Γ	Σ	γ	σ
4			\$	4	D	T	d	t			⊗	'	Δ	T	δ	τ
5			%	5	E	U	e	u			⊗	!	E	Υ	ε	υ
6			&	6	F	V	f	v			ı̇	'A	Z	Φ	ζ	φ
7			'	7	G	W	g	w			§	·	H	X	η	χ
8			(	8	H	X	h	x			"	'E	Θ	Ψ	θ	ψ
9			)	9	I	Y	i	y			©	'H	I	Ω	ι	ω
A			*	:	J	Z	j	z			⊗	'I	K	İ	κ	ı̇
B			+	;	K	[	k	ç			«	»	Λ	ÿ	λ	ÿ
C			,	<	L	\	l				-	'O	M	ά	μ	ο
D			-	=	M	]	m	ı̇			SHY	½	N	é	ν	ı̇
E			.	>	N	^	n	~			⊗	'Υ	Ξ	ή	ξ	ώ
F			/	?	O	_	o				-	'Ω	O	ı̇	o	⊗

NOTE: Table reproduced from ISO 8859-7 [5].

Figure A.4: Character code table 03 - Latin/Greek alphabet

Second nibble ↓	First nibble →															
	0	1	2	3	4	5	6	7	8	9	A	B	C	D	E	F
0			SP	0	@	P	`	p			NBSP	°			ס	נ
1			!	1	A	Q	a	q				±			כ	ם
2			"	2	B	R	b	r			¢	²			ג	ע
3			#	3	C	S	c	s			£	³			ד	ף
4			\$	4	D	T	d	t			¤	'			ה	פ
5			%	5	E	U	e	u			¥	μ			ו	ץ
6			&	6	F	V	f	v			¡	¶			ז	צ
7			'	7	G	W	g	w			§	-			ח	ק
8			(	8	H	X	h	x			"	,			ט	ך
9			)	9	I	Y	i	y			©	¹			י	ש
A			*	:	J	Z	j	z			×	÷			ך	ת
B			+	;	K	[	k	{			<<	>>			כ	
C			,	<	L	\	l				-	¼			ל	
D			-	=	M	]	m	}			SHY	½			ם	
E			.	>	N	~	n	~			®	¾			מ	
F			/	?	O	_	o				—			=	ן	

NOTE: Table reproduced from ISO 8859-8 [5].

Figure A.5: Character code table 04 - Latin/Hebrew alphabet

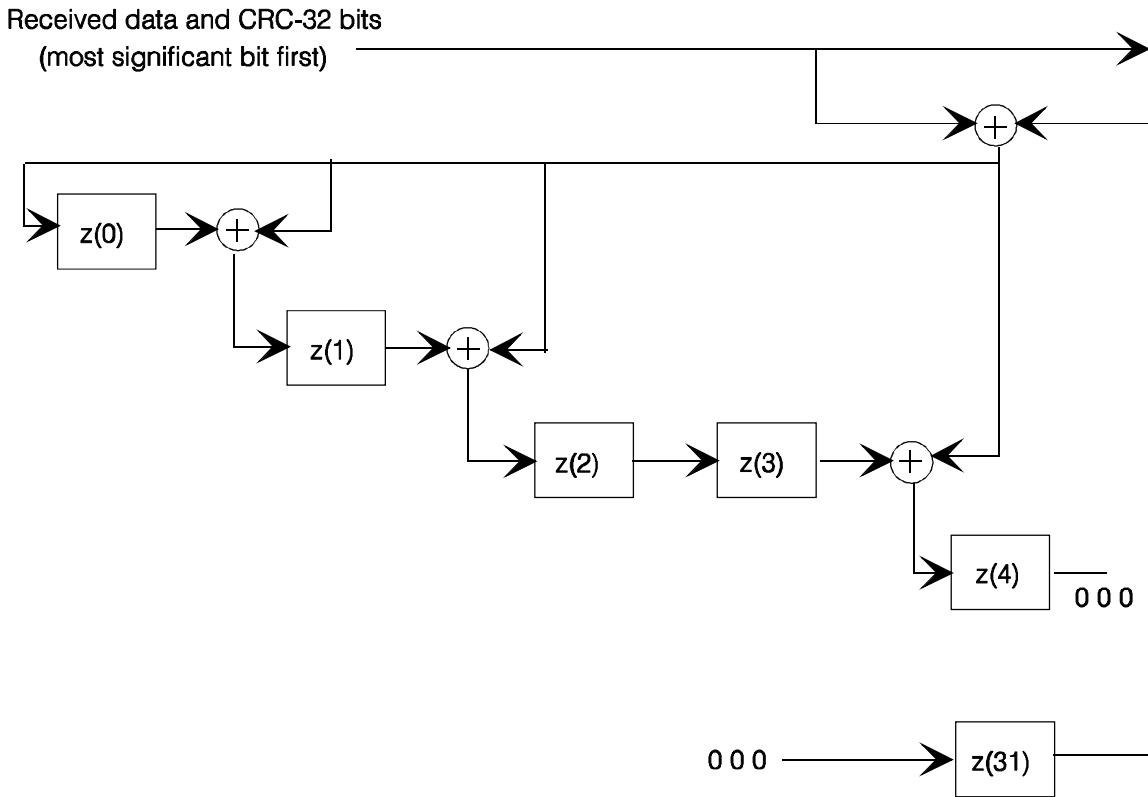
		First nibble →															
		0	1	2	3	4	5	6	7	8	9	A	B	C	D	E	F
Second nibble ↓	0			SP	0	@	P	`	p			NBSP	°	À	Ǻ	à	ǧ
	1			!	1	A	Q	a	q			ı	±	Á	Ñ	á	ñ
	2			"	2	B	R	b	r			¢	²	Â	Ò	â	ò
	3			#	3	C	S	c	s			£	³	Ã	Ó	ã	ó
	4			\$	4	D	T	d	t			¤	´	Ä	Ô	ä	ô
	5			%	5	E	U	e	u			¥	µ	Å	Õ	å	õ
	6			&	6	F	V	f	v			¦	¶	Æ	Ö	æ	ö
	7			'	7	G	W	g	w			§	·	Ç	×	ç	÷
	8			(	8	H	X	h	x			"	,	È	Ø	è	ø
	9			)	9	I	Y	i	y			©	¹	É	Ù	é	ù
	A			*	:	J	Z	j	z			ª	º	Ê	Ú	ê	ú
	B			+	;	K	[	k	{			«	»	Ë	Û	ë	û
	C			,	<	L	\	l				¬	¼	Ì	Ü	ì	ü
	D			-	=	M	]	m	}			¸	½	Í	Ý	í	ý
	E			.	>	N	^	n	~			®	¾	Î	Ş	î	ş
	F			/	?	O	_	o				¯	¿	Ï	ß	ï	ÿ

NOTE: Table reproduced from ISO 8859-9 [5].

Figure A.6: Character code table - Latin alphabet number 5

**Annex B (normative): CRC decoder model**

The 32-bit CRC decoder is specified in figure B.1.



**Figure B.1: 32-bit CRC decoder model**

The 32 bit CRC decoder operates at bit level and consists of 14 adders + and 32 delay elements  $z(i)$ . The input of the CRC decoder is added to the output of  $z(31)$ , and the result is provided to the input of  $z(0)$  and to one of the inputs of each remaining adder. The other input of each remaining adder is the output of  $z(i)$ , while the output of each remaining adder is connected to the input of  $z(i+1)$ , with  $i = 0, 1, 3, 4, 6, 7, 9, 10, 11, 15, 21, 22, \text{ and } 25$ . See figure above.

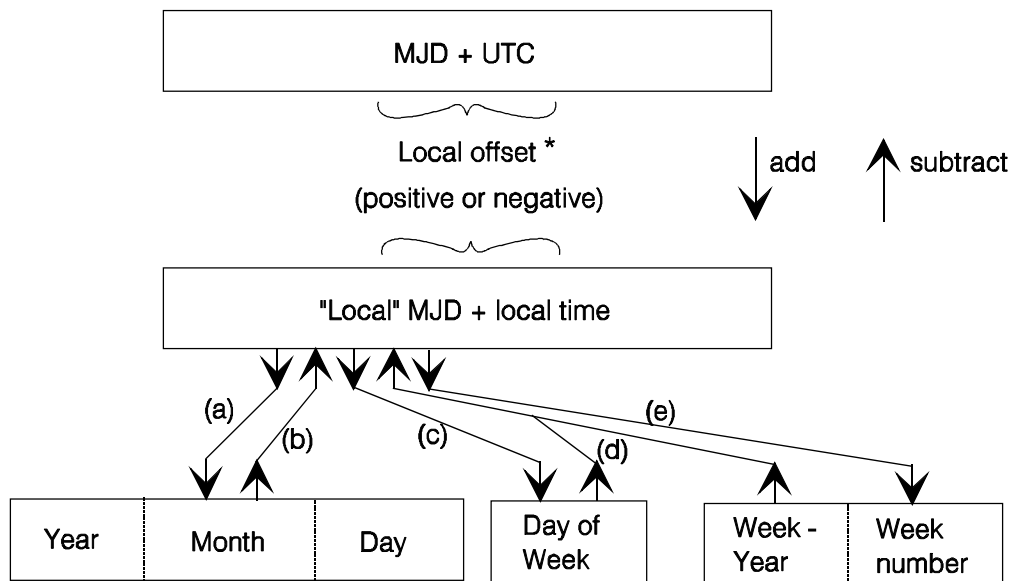
This is the CRC calculated with the polynomial:

$$x^{32} + x^{26} + x^{23} + x^{22} + x^{16} + x^{12} + x^{11} + x^{10} + x^8 + x^7 + x^5 + x^4 + x^2 + x + 1.$$

At the input of the CRC decoder bytes are received. Each byte is shifted into the CRC decoder one bit at a time, with the most significant bit (msb) first, i.e. from byte 0x01 (the last byte of the startcode prefix), first the seven "0"s enter the CRC decoder, followed by the one "1". Before the CRC processing of the data of a section the output of each delay element  $z(i)$  is set to its initial value "1". After this initialization, each byte of the section is provided to the input of the CRC decoder, including the four CRC\_32 bytes. After shifting the last bit of the last CRC\_32 byte into the decoder, i.e. into  $z(0)$  after the addition with the output of  $z(31)$ , the output of all delay elements  $z(i)$  is read. In case of no errors, each of the outputs of  $z(i)$  has to be zero. At the CRC encoder the CRC\_32 field is encoded with such value that this is ensured.

### Annex C (informative): Conversion between time and date conventions

The types of conversion which may be required are summarized in the diagram below.



\* Offsets are positive for Longitudes East of Greenwich and negative for longitudes West of Greenwich.

**Figure C.1: Conversion routes between Modified Julian Date (MJD) and Co-ordinated Universal Time (UTC)**

The conversion between MJD + UTC and the "local" MJD + local time is simply a matter of adding or subtracting the local offset. This process may, of course, involve a "carry" or "borrow" from the UTC affecting the MJD. The other five conversion routes shown on the diagram are detailed in the formulas below.

Symbols used:

MJD:	Modified Julian Day
UTC:	Co-ordinated Universal Time
Y:	Year from 1900 (e.g. for 2003, Y = 103)
M:	Month from January (= 1) to December (= 12)
D:	Day of month from 1 to 31
WY:	"Week number" Year from 1900
MN:	Week number according to ISO 2015
WD:	Day of week from Monday (= 1) to Sunday (= 7)
K, L, M', W, Y':	Intermediate variables
x:	Multiplication
int:	Integer part, ignoring remainder
mod 7:	Remainder (0-6) after dividing integer by 7

a) To find Y, M, D from MJD

$$\begin{aligned}
 Y' &= \text{int} [ (\text{MJD} - 15\,078,2) / 365,25 ] \\
 M' &= \text{int} \{ [ \text{MJD} - 14\,956,1 - \text{int} (Y' \times 365,25) ] / 30,6001 \} \\
 D &= \text{MJD} - 14\,956 - \text{int} (Y' \times 365,25) - \text{int} (M' \times 30,6001) \\
 \text{If } M' &= 14 \text{ or } M' = 15, \text{ then } K = 1; \text{ else } K = 0 \\
 Y &= Y' + K \\
 M &= M' - 1 - K \times 12
 \end{aligned}$$

b) To find MJD from Y, M, D

If M = 1 or M = 2, then L = 1; else L = 0

$$\text{MJD} = 14\,956 + D + \text{int} [ (Y - L) \times 365,25 ] + \text{int} [ (M + 1 + L \times 12) \times 30,6001 ]$$

c) To find WD from WJD

$$\text{WD} = [ (\text{MJD} + 2) \bmod 7 ] + 1$$

d) To find MJD from WY, WN, WD

$$\text{WJD} = 15\,012 + \text{WD} + 7 \times \{ \text{WN} + \text{int} [ (\text{WY} \times 1\,461 / 28) + 0,41 ] \}$$

e) To find WY, WN from MJD

$$W = \text{int} [ (\text{MJD} / 7) - 2\,144,64 ]$$

$$\text{WY} = \text{int} [ (W \times 28 / 1\,461) - 0,0079 ]$$

$$\text{WN} = W - \text{int} [ (\text{WY} \times 1\,461 / 28) + 0,41 ]$$

EXAMPLE:

MJD = 45 218  
Y = (19) 82  
M = 9 (September)  
D = 6

W = 4 315  
WY = (19) 82  
WN = 36  
WD = 1 (Monday)

NOTE: These formulas are applicable between the inclusive dates 1 900 March 1 to 2 100 February 28.

**Annex D (informative): Bibliography**

- DVB Project office: Final technical report of the Conditional access Group (TM 1244 Rev. 4).
- Implementation guidelines for use of telecommunications interfaces in the Digital Broadcasting systems.

## History

Document history			
October 1995	First Edition		
May 1996	Public Enquiry	PE 106:	1996-05-20 to 1996-09-13
October 1996	Vote	V 113:	1996-10-21 to 1996-12-13
January 1997	Second Edition		