



**E**UROPEAN  
**T**ELECOMMUNICATION  
**S**TANDARD

**ETS 300 329**

June 1997

Second Edition

---

Source: ETSI TC-RES

Reference: RE/RES-09036

ICS: 33.020

**Key words:** DECT, EMC, radio, testing

**Radio Equipment and Systems (RES);  
ElectroMagnetic Compatibility (EMC) for  
Digital Enhanced Cordless Telecommunications  
(DECT) equipment**

**ETSI**

European Telecommunications Standards Institute

**ETSI Secretariat**

**Postal address:** F-06921 Sophia Antipolis CEDEX - FRANCE

**Office address:** 650 Route des Lucioles - Sophia Antipolis - Valbonne - FRANCE

**X.400:** c=fr, a=atlas, p=etsi, s=secretariat - **Internet:** secretariat@etsi.fr

Tel.: +33 4 92 94 42 00 - Fax: +33 4 93 65 47 16

---

**Copyright Notification:** No part may be reproduced except as authorized by written permission. The copyright and the foregoing restriction extend to reproduction in all media.

© European Telecommunications Standards Institute 1997. All rights reserved.



## Contents

Foreword .....	5
1 Scope .....	7
2 Normative references .....	7
3 Definitions and abbreviations .....	8
3.1 Definitions .....	8
3.2 Abbreviations .....	9
4 General test conditions .....	9
4.1 Test conditions .....	9
4.2 Arrangements for test signals at the input of the transceiver .....	10
4.2.1 Loop back data .....	10
4.2.2 Speech equipment .....	10
4.3 Normal test modulation .....	10
4.4 Connection of test signals for transceivers .....	10
4.4.1 RF connection .....	10
4.5 Connection of test signals for receiver-only equipment .....	10
4.5.1 RF connection .....	10
4.6 Receiver test signal level .....	11
4.7 Narrow band responses on receivers or receivers which are part of transceivers .....	11
5 Performance assessment .....	11
5.1 General .....	11
5.2 Equipment classification .....	12
5.3 Ancillary equipment .....	12
5.4 Assessment of host connected equipment and plug-in cards .....	12
5.4.1 Alternative A: composite equipment .....	12
5.4.2 Alternative B: use of a test jig and three hosts .....	12
5.5 Performance assessment test procedure to verify no loss of user control functions or stored data for DECT transceivers .....	13
5.6 Performance assessment of audio breakthrough .....	13
6 Performance criteria .....	15
6.1 Performance criteria for Continuous phenomena applied to DECT Transceivers (CT) ....	15
6.2 Performance criteria for Transient phenomena applied to DECT Transceivers (TT) .....	15
6.3 Performance criteria for Continuous phenomena applied to DECT Receive-only equipment (CR) .....	15
6.4 Performance criteria for Transient phenomena applied to DECT Receive-only equipment (TR) .....	16
7 Applicability overview tables .....	16
7.1 Emission .....	16
7.2 Immunity .....	17
8 Test methods and limits for emission tests of transceivers and/or receivers and/or ancillary equipment .....	17
8.1 Test configuration .....	17
8.2 Enclosure, ancillary equipment tested in isolation .....	18
8.2.1 Definition .....	18
8.2.2 Test method .....	18
8.2.3 Test limit .....	18
8.3 DC power input/output port .....	18
8.3.1 Definition .....	18
8.3.2 Test method .....	19

8.4	8.3.3	Test limit .....	19
		AC mains power input/output port .....	19
	8.4.1	Definition .....	19
	8.4.2	Test method .....	19
	8.4.3	Test limit .....	19
9		Test methods for immunity tests of transceivers and/or receivers and/or ancillary equipment .....	20
	9.1	Test configuration .....	20
	9.2	Radio frequency electromagnetic field (80 - 1 000 MHz) .....	20
		9.2.1 Definition .....	20
		9.2.2 Test method and level .....	21
		9.2.3 Performance criteria .....	21
	9.3	Electrostatic discharge .....	21
		9.3.1 Definition .....	21
		9.3.2 Test method and levels .....	21
		9.3.3 Performance criteria .....	21
	9.4	Fast transients common mode .....	22
		9.4.1 Definition .....	22
		9.4.2 Test method and levels .....	22
		9.4.3 Performance criteria .....	22
	9.5	RF common mode, 0,15 MHz - 80 MHz .....	22
		9.5.1 Definition .....	23
		9.5.2 Test method and level .....	23
		9.5.3 Performance criteria .....	23
	9.6	Transients and surges, vehicular environment .....	23
		9.6.1 Definition .....	24
		9.6.2 Test method and level .....	24
		9.6.3 Performance criteria .....	25
	9.7	Voltage dips and interruptions .....	25
		9.7.1 Definition .....	25
		9.7.2 Test method and levels .....	25
		9.7.3 Performance criteria .....	25
	9.8	Surges, common and differential mode .....	26
		9.8.1 Definition .....	26
		9.8.2 Test method and levels .....	26
		9.8.3 Performance criteria .....	27
Annex A (normative):		Subclauses of this ETS relevant for compliance with the essential requirements of the EC Council Directives .....	28
History .....			29

## Foreword

This European Telecommunication Standard (ETS) has been produced by the European Telecommunications Standards Institute (ETSI) in response to a mandate from the European Commission issued under Council Directive 83/189/EEC (as amended) laying down a procedure for the provision of information in the field of technical standards and regulations.

This ETS is intended to become a Harmonized Standard, the reference of which will be published in the Official Journal of the European Communities referencing the Council Directive on the approximation of the laws of the Member States relating to electromagnetic compatibility ("the EMC Directive") (89/336/EEC as amended).

Technical specifications relevant to the EMC Directive are given in annex A.

This ETS is based on the considerations and guidance given in ETR 238.

<b>Transposition dates</b>	
Date of adoption:	6 June 1997
Date of latest announcement of this ETS (doa):	30 September 1997
Date of latest publication of new National Standard or endorsement of this ETS (dop/e):	31 March 1998
Date of withdrawal of any conflicting National Standard (dow):	31 March 1998

Blank page

## 1 Scope

This European Telecommunication Standard (ETS) covers the assessment of radio communication and ancillary equipment in respect of ElectroMagnetic Compatibility (EMC).

This ETS specifies the minimum performance and the methods of measurements of EMC on Digital Enhanced Cordless Telecommunications (DECT) radio and ancillary equipment.

This ETS specifies the applicable EMC tests, the limits, and the performance criteria for digital radio equipment as described in ETS 300 175-2 [4] and I-ETS 300 176 [5], operating in the frequency range 1 880 to 1 900 MHz, and for the associated ancillary equipment.

The environment classification used in this ETS refers to the environment classification used in the Generic Standards EN 50081-1 [1] and EN 50082-1 [2], except the vehicular environment class which refers to ISO 7637 [6], [7].

The EMC requirements have been selected to ensure an adequate level of compatibility for apparatus at residential, commercial, light industrial and vehicular environments. The levels, however, do not cover extreme cases which may occur in any location but with a low probability of occurrence.

This ETS may not cover those cases where a potential source of interference, which is producing individually repeated transient phenomena, or a continuous phenomena, is permanently present, e.g. a radar or broadcast site in the near vicinity. In such a case it may be necessary to use special protection applied to either the source of interference, or the interfered part, or both.

Compliance of radio equipment to the requirements of this ETS does not signify compliance to any requirement related to the use of the equipment (i.e. licensing requirements).

Compliance to this ETS does not signify compliance to any safety requirements. However, it is the responsibility of the assessor of the equipment that any observation regarding the equipment becoming dangerous or unsafe as a result of the application of the tests of this ETS, should be recorded in the test report.

## 2 Normative references

This ETS incorporates, by dated or undated reference, provisions from other publications. These normative references are cited at the appropriate places in the text and the publications listed hereafter. For dated references, subsequent amendments to or revisions of any of these publications apply to this ETS only when incorporated in it by amendment or revision. For undated references, the latest edition of the publication referred to applies.

- [1] EN 50081-1 (1992): "Electromagnetic compatibility - Generic emission standard. Part 1: Residential, commercial and light industry".
- [2] EN 50082-1 (1992): "Electromagnetic compatibility - Generic immunity standard. Part 1: Residential, commercial and light industry".
- [3] 89/336/EEC: "Council Directive on the approximation of the laws of the Member States relating to electromagnetic compatibility".
- [4] ETS 300 175-2 (1993): "Radio Equipment and Systems (RES) - Digital European Cordless Telecommunications (DECT) Common interface Part 2: Physical layer".
- [5] I-ETS 300 176: "Radio Equipment and Systems (RES) - Digital European Cordless Telecommunications (DECT) Approval test specification".
- [6] ISO 7637-1 (1990): "Road vehicles - Electrical disturbance by conduction and coupling - Part 1: Passenger cars and light commercial vehicles with nominal 12 V supply voltage - Electrical transient conduction along supply lines only".

- [7] ISO 7637-2 (1990): "Road vehicles - Electrical disturbance by conduction and coupling - Part 2: Commercial vehicles with nominal 24 V supply voltage - Electrical transient conduction along supply lines only".
- [8] ETS 300 175-3: "Radio Equipment and Systems (RES); Digital Enhanced Cordless Telecommunications (DECT); Common Interface (CI); Part 3: Medium Access Control (MAC) layer".
- [9] ITU-T Recommendation 0.153 (1988): "Basic parameters for the measurement of error performance at bit rates below the primary rate".
- [10] EN 55022 (1994): "Limits and methods of measurement of radio disturbance characteristics of information technology equipment".
- [11] CISPR 16-1 (1993): "Specification for radio disturbance and immunity measuring apparatus and methods - Part 1: Radio disturbance and immunity measuring apparatus".
- [12] EN 61000-4-3: "Electromagnetic Compatibility (EMC) - Part 4: Testing and measurements techniques - Section 3: Radiated, radio-frequency, electromagnetic field immunity test".
- [13] EN 61000-4-2: "Electromagnetic Compatibility (EMC) - Part 4: Testing and measurements techniques - Section 2: Electrostatic discharge immunity test. Basic EMC publication".
- [14] EN 61000-4-4: "Electromagnetic Compatibility (EMC); Part 4: Testing and measurements techniques - Section 4: Electrical fast transient/burst immunity test. Basic EMC publication".
- [15] EN 61000-4-6: "Electromagnetic Compatibility (EMC) - Part 4: Testing and measurements techniques - Section 6: Immunity to conducted disturbances induced by radio-frequency fields".
- [16] EN 61000-4-11: "Electromagnetic Compatibility (EMC); Part 4: Testing and measurements techniques - Section 11: Voltage dips, short interruptions and voltage variations immunity tests".
- [17] EN 61000-4-5: "Electromagnetic Compatibility (EMC) - Part 4: Testing and measurement techniques - Section 5: Surge immunity test".

### 3 Definitions and abbreviations

#### 3.1 Definitions

For the purposes of this ETS, the following definitions apply:

**ancillary equipment:** Equipment (apparatus), used in connection with a receiver or transceiver is considered as an ancillary equipment (apparatus) if:

- the equipment is intended for use in conjunction with a receiver, or transceiver to provide additional operational and/or control features to the radio equipment (e.g. to extend control to another position or location); and
- the equipment cannot be used on a stand alone basis to provide user functions independently of a receiver or transceiver; and
- the receiver or transceiver to which it is connected, is capable of providing some intended operation such as transmitting and/or receiving without the ancillary equipment (i.e. it is not a sub-unit of the main equipment essential to the main equipment basic functions).



**base station equipment:** Used to describe DECT equipment including Fixed Parts (FP) and/or Portable Parts (PP) as defined in ETS 300 175-2 [4] which are powered via an AC power input port or a DC power input port.

**DECT equipment:** Apparatus which includes one or more transceivers and/or receivers and/or parts thereof which conform to the requirements of ETS 300 175-2 [4].

**host equipment:** Any equipment which has a complete user functionality when not connected to the DECT radio equipment, and to which the DECT radio equipment provides additional functionality, and to which connection is necessary for the DECT radio equipment to offer functionality.

**integral antenna:** An antenna designed to be connected to the equipment without the use of an external connector and considered to be part of the equipment. An integral antenna may be fitted internally or externally to the equipment.

**manufacturer:** The legal entity responsible under the terms of the Council Directive 89/336/EEC [3] for placing the product on the market.

**mobile equipment:** DECT equipment powered by a vehicular power supply.

**port:** A particular interface of the specified equipment (apparatus) with the electro-magnetic environment.

**portable equipment:** DECT equipment powered by an internal battery.

NOTE: More than one of the equipment classifications may apply to certain equipment, as described in subclause 5.2, dependent upon the manufacturer's declaration of normal intended use.

### 3.2 Abbreviations

For the purposes of this ETS, the following abbreviations apply:

BER	Bit Error Ratio
BPF	Band Pass Filter
BW	Band Width
CF	Carrier Frequency
BER	Bit Error Ratio
CR	Continuous phenomena applied to DECT Receive-only equipment
CT	Continuous phenomena applied to DECT Transceivers
DECT	Digital Enhanced Cordless Telecommunications
EMC	ElectroMagnetic Compatibility
ERP	Ear Reference Point
EUT	Equipment Under Test
FP	Fixed Part
LISN	Line Impedance Stabilization Network
MRP	Mouth Reference Point
PP	Portable Part
RF	Radio Frequency
SPL	Sound Pressure Level
TR	Transient phenomena applied to DECT Receive-only equipment
TT	Transient phenomena applied to DECT Transceivers

## 4 General test conditions

### 4.1 Test conditions

The equipment shall be tested under normal test conditions contained in the relevant product and basic standards or in the information accompanying the equipment, which are within the manufacturer's declared range of humidity, temperature, and supply voltage.

The test conditions shall be recorded in the test report.

The test configuration shall be as close to normal intended use as possible, and shall be recorded in the test report.

Whenever the Equipment Under Test (EUT) is provided with a detachable antenna, the EUT shall be tested with the antenna fitted in a manner typical of normal intended use.

For DECT equipment parts for which connection to a host equipment is necessary to offer functionality the test configuration shall be as defined in subclause 5.4.

## **4.2 Arrangements for test signals at the input of the transceiver**

### **4.2.1 Loop back data**

The normal test modulation shall be transmitted by the test system and looped back in the radio equipment, as described in ETS 300 175-3 [8] and I-ETS 300 176 [5].

### **4.2.2 Speech equipment**

Audio input signals may be connected to the EUT either by a non-metallic acoustic tube or, if provided, electrical connections. The DECT equipment shall not be modified to provide any electrical connection ports for the purposes of this test. Suitable test arrangements for the acoustic tube are described in I-ETS 300 176 [5].

## **4.3 Normal test modulation**

For all types of DECT equipment the wanted input signal shall be a Radio Frequency (RF) carrier set to the nominal centre frequency of one of the DECT RF channels, using gaussian shaped frequency-shift keying ( $BT = 0,5$ ) and modulated with a 1 152 kbit/s bit sequence.

The encoding of the bit sequence shall conform to the encoding specified in ETS 300 175-2 [4] and ETS 300 175-3 [8].

The parts of the data sequence that shall transmit a bit sequence conforming to the D-M2 pattern as specified in ITU-T Recommendation 0.153 [9] are those which are looped back according to the loop back test message described in ETS 300 175-3 [8].

The burst timings of this carrier shall conform to the limits specified in ETS 300 175-2 [4].

## **4.4 Connection of test signals for transceivers**

### **4.4.1 RF connection**

Where the equipment incorporates an external antenna connector, the wanted signal to establish communications shall be delivered to that connector by a coaxial cable. Adequate measures shall be taken to minimize the effect of unwanted currents on the external conductor of the coaxial cable at the point of entry to the equipment.

The source of the wanted input signal shall be located outside of the test environment.

Where the equipment does not incorporate an external RF connector i.e. integral antenna equipment, the wanted signal to establish communications shall be delivered from the equipment to an antenna located within the test environment. Adequate measures shall be taken to protect the measuring equipment from the effect of all the radiated fields within the test environment.

## **4.5 Connection of test signals for receiver-only equipment**

### **4.5.1 RF connection**

Where the equipment incorporates an external antenna connector, the wanted signal to establish communications shall be presented to that connector by a coaxial cable. Adequate measures shall be taken to minimize the effect of unwanted currents on the external conductor of the coaxial cable at the point of entry to the equipment.

The source of the wanted input signal shall be located outside of the test environment.

Where the equipment does not incorporate an external RF connector i.e. integral antenna equipment, the wanted signal, to establish communications, shall be presented to the equipment from an antenna located within the test environment. Adequate measures shall be taken to protect the measuring equipment from the effect of all the radiated fields within the test environment.

#### **4.6 Receiver test signal level**

For tests on receivers and the receiver parts of transceivers the level of the wanted input signal shall be adjusted to approximately 40 dB above the radio receiver sensitivity limit as defined in ETS 300 175-2 [4].

The source of the wanted input signal shall be located outside of the test environment.

#### **4.7 Narrow band responses on receivers or receivers which are part of transceivers**

No immunity tests shall be carried out on frequencies of identified narrow band responses i. e. spurious responses, of the receiver parts of the DECT equipment.

The procedure by which a narrow band response is distinguished from a wide band response is as follows:

- if during testing an increase in the bit error rate of the looped back data from the EUT is observed, or there is an increase in the measured value of speech output signal level, the frequency of the unwanted signal shall be recorded and then increased by 2 MHz and the test repeated. Similarly, the frequency of the unwanted signal shall be set to the frequency recorded in the previous test, and then decreased by 2 MHz and the test repeated;
- if the bit error rate and speech output signal of the EUT as measured are within the permitted limits at the two test frequencies described in the previous paragraph, then the response observed at the recorded frequency of the unwanted signal shall be considered a narrow band response and shall not be used in determining the EMC compliance of the EUT;
- if the bit error rate or speech output signal level of the EUT as measured is outside the permitted limits at the two test frequencies, then the test shall be repeated using frequency offsets of plus and minus 2,5 MHz. If at this second set of test frequencies the bit error rate or speech output signal level as measured is still outside the permitted limits, then the response is considered to be a wide band phenomena and the EUT fails the test.

## **5 Performance assessment**

### **5.1 General**

The manufacturer shall at the time of submission of the equipment for test, declare the following information which shall be recorded in the test report:

- in the case of receive-only equipment, the primary functions of the radio equipment to be tested during and after the EMC testing;
- the intended functions of the EUT which shall be in accordance with the documentation accompanying the equipment;
- the ancillary equipment and/or host equipment to be used with the radio equipment for testing;
- the user-control functions and stored data that are required for normal operation and the method to be used to assess whether these have been lost after EMC stress;
- an exhaustive list of ports, classified as either power or signal/control. Power ports shall further be classified as AC or DC power;
- the volume setting required to provide nominal operation of the product as defined in I-ETS 300 176 [5].

## 5.2 Equipment classification

Portable equipment or combinations of equipment declared as capable of being powered for intended use by the battery in the vehicle shall additionally be considered as vehicular mobile equipment.

Portable or mobile equipment or combinations of equipment declared as capable of being powered for intended use by AC mains shall additionally be considered as base station equipment.

## 5.3 Ancillary equipment

At the manufacturer's discretion an ancillary equipment may be:

- declared compliant separately from a receiver or transceiver to all the applicable immunity and emission clauses of this ETS;
- declared compliant to another appropriate harmonized EMC standard;
- tested with it connected to a receiver or transceiver, in which case compliance shall be demonstrated to the appropriate clauses of this ETS.

In each case, compliance enables the ancillary equipment to be used with different receivers, transmitters, or transceivers.

## 5.4 Assessment of host connected equipment and plug-in cards

For DECT equipment parts for which connection to or integration with a host equipment is necessary in order to offer functionality, two alternative approaches defined in subclauses 5.4.1 and 5.4.2 may be used. The manufacturer shall declare which alternative is to be used.

### 5.4.1 Alternative A: composite equipment

A combination of DECT radio equipment part and a specific type of host equipment may be used for assessment according to this ETS.

Where more than one such combination is intended, each combination shall be tested separately.

Where a specific combination of host equipment and a DECT radio equipment part is tested as a composite system for compliance, repeat testing shall not be required for:

- those other combinations of hosts and DECT radio equipment parts which are based on substantially similar host models in the circumstance that the variations in mechanical and electrical properties between such host models are unlikely to influence significantly the intrinsic immunity and unwanted emissions of the DECT radio equipment part;
- the DECT radio equipment part which can not be used without mechanical, electrical, or software modification in variations of host equipment different from those represented by the units for which compliance to this ETS has been demonstrated.

### 5.4.2 Alternative B: use of a test jig and three hosts

Where the DECT radio equipment part is intended for use with a variety of host equipment, the manufacturer shall supply a suitable test jig to enable compliance with this ETS to be assessed.

The test jig shall be designed such that alteration of the DECT radio equipment part's intrinsic immunity and unwanted emissions is minimized.

Where connection between the DECT radio equipment part and the host equipment control and/or power ports is by cables, optical fibres, or other similar means, this connection to the host shall be considered as a suitable test jig.

The test jig shall allow the DECT radio equipment part to be powered and stimulated in a way similar to the way in which it would be powered and stimulated when connected to or inserted into the host equipment.

In addition to tests using the test jig the DECT radio equipment part shall be tested when connected to, or inserted into, three different host equipment. These hosts shall be provided by the manufacturer and shall be selected from the list of compatible hosts published by the manufacturer as part of the user documentation supplied with the DECT radio equipment part.

The selection of hosts shall be by agreement with the Notified Body.

Notified bodies have the discretion to require the manufacturer to inform them of each deletion from or addition to the list of compatible hosts published in the user documentation.

#### **5.5 Performance assessment test procedure to verify no loss of user control functions or stored data for DECT transceivers**

The test system shall send the test message "clear test modes" as described in ETS 300 175-3 [8] if the bearer was maintained.

The test system shall control the EUT so that it transmits on a specified slot and channel according to the test procedures described in ETS 300 175-3 [8].

The test system shall verify a Bit Error Ratio (BER) of  $1 \times 10^{-3}$  or better.

#### **5.6 Performance assessment of audio breakthrough**

This test is used to measure the effect of continuous EMC phenomena on the analogue speech circuits of DECT equipment so fitted.

The test system shall be arranged as shown in figure 1 such that the level of the output signals from the EUT's speech channels can be recorded on suitable test instruments, though not necessarily in each channel simultaneously. For a Portable Part (PP) with an acoustic transducer this requires the measurement of Sound Pressure Level (SPL). Pick-up of extraneous back-ground noise by the EUT's speech transducer (microphone) shall be minimized.

Prior to the test sequence, the reference level of the speech output signal shall be recorded on the test instrumentation as shown in figure 2. For a PP with an acoustic speech transducer this shall be equivalent to 0 dBPa at 1 kHz, applied to the Ear Reference Point (ERP) in the receive path, and -5 dBPa at 1 kHz applied to the Mouth Reference Point (MRP). For an Fixed Part (FP) with analogue speech circuits, and other implementations of DECT equipment with analogue speech circuits, the reference level shall be equivalent to these acoustic signals.

At each test frequency the level of the speech output signal relative to the reference level shall be measured.

Where it is necessary to interface to the acoustic transducers of the EUT, care shall be taken to ensure that the disturbance to the electromagnetic field is minimized. A non-metallic acoustic coupler, as described in I-ETS 300 176 [5], should be used.

The precise arrangements shall be recorded in the test report.

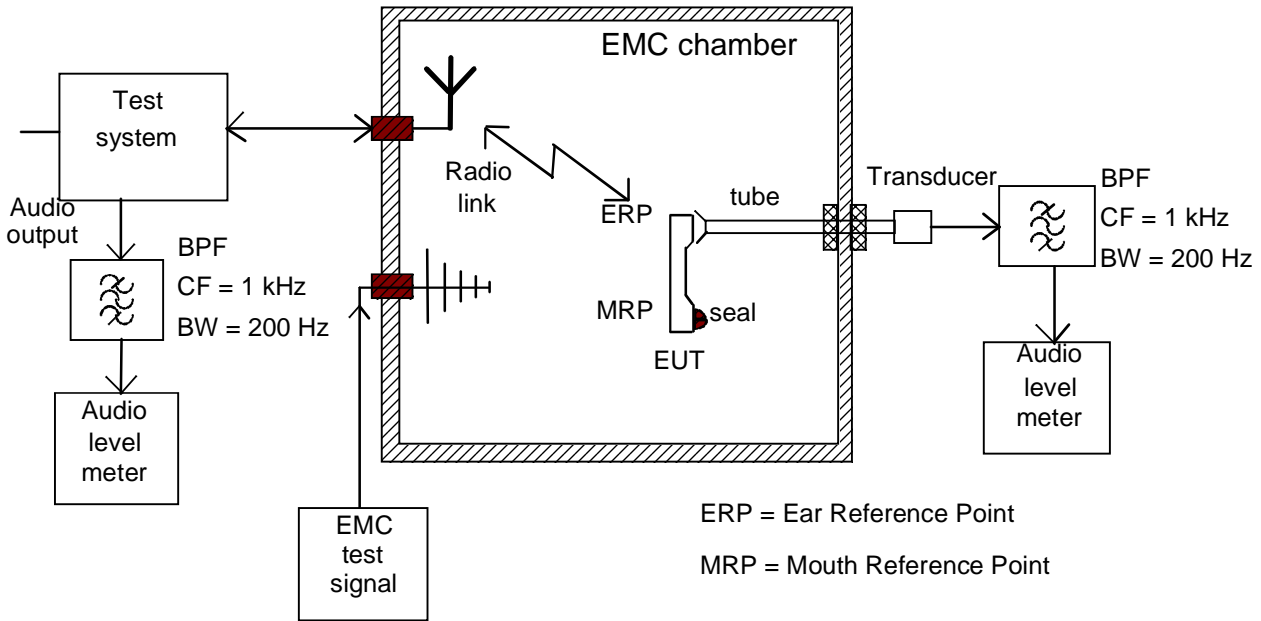
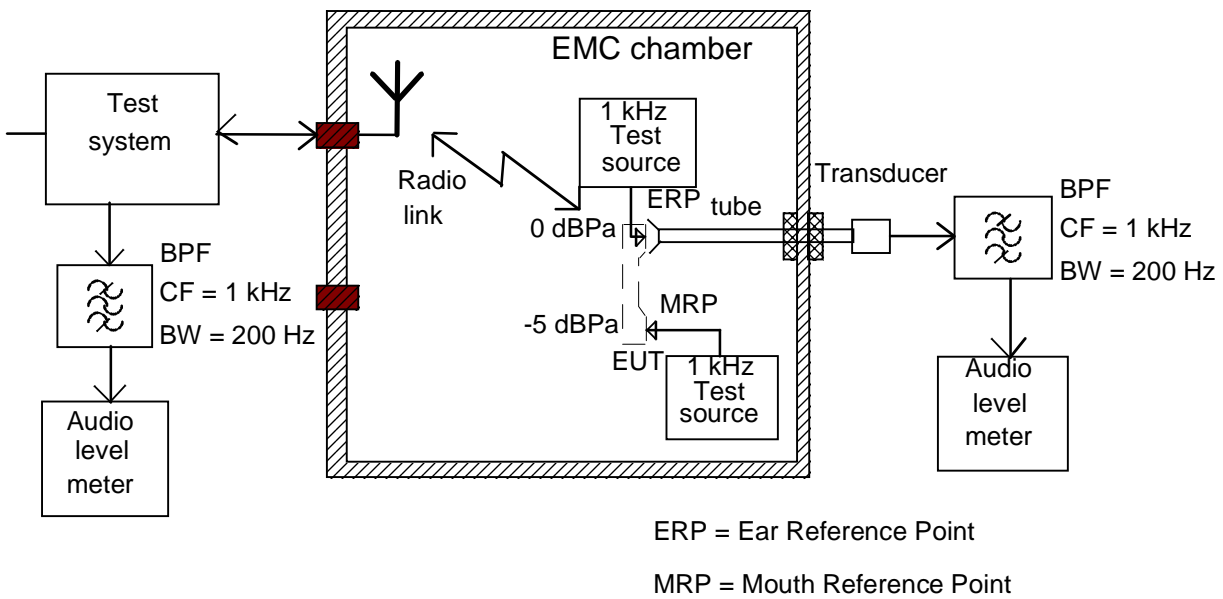


Figure 1: Audio breakthrough measurement, test set-up



NOTE: The EUT is in position during calibration of the uplink, but not during calibration of the downlink.

Figure 2: Audio breakthrough measurement, calibration set-up

## 6 Performance criteria

The definition of the primary functions to be checked during and after the EMC testing shall be declared by the manufacturer and recorded in the test report.

The equipment shall meet the minimum performance criteria as specified in subclauses 6.1, 6.2, 6.3 and 6.4 and additionally the primary functions as declared by the manufacturer.

The establishment of communications at the start of the test, the maintenance of the communication link, the assessment of BER, and in the case of equipment containing analogue speech circuits, the assessment of speech output signal level, are used as the performance criteria to ensure that the primary functions of the transceiver or receiver are evaluated during and after the test.

Equipment powered by the main battery in a vehicle shall also fulfil the applicable requirements set out in this ETS for vehicular mobile equipment.

Equipment powered by AC mains shall also fulfil the applicable requirements set out by this ETS for base station equipment, although the input/output arrangements of the equipment and the performance criteria may remain as for the original class, as appropriate.

### 6.1 Performance criteria for Continuous phenomena applied to DECT Transceivers (CT)

The BER of the signal as measured shall not exceed  $1 \times 10^{-3}$  during the test sequence.

Additionally for equipment containing analogue speech circuits the speech output signal level shall be at least 35 dB less than the previously recorded reference level. This shall be verified by the procedure in subclause 5.6.

At the conclusion of the test, the EUT shall operate as intended with no loss of user control functions or stored data and the communications link shall have been maintained during and after the tests. This shall be verified by the procedure in subclause 5.5.

Where the EUT is capable of transmission, tests shall be performed to ensure that unintentional transmission does not occur.

### 6.2 Performance criteria for Transient phenomena applied to DECT Transceivers (TT)

At the conclusion of each exposure the EUT shall operate with no user noticeable loss of the communications link.

At the conclusion of the total test comprising the series of individual exposures the EUT shall operate as intended with no loss of user control functions or stored data, as declared by the manufacturer, and the communications link shall have been maintained. This shall be verified by the procedure in subclause 5.5.

Where the EUT is capable of transmission, tests shall be performed to ensure that unintentional transmission does not occur.

### 6.3 Performance criteria for Continuous phenomena applied to DECT Receive-only equipment (CR)

The primary functions shall be verified during each individual exposure in the test sequence.

Additionally for equipment containing analogue speech circuits the speech output signal level shall be at least 35 dB less than the previously recorded reference level. This shall be verified by the procedure in subclause 5.6.

At the conclusion of the test, the EUT shall operate as intended with no loss of user control functions or stored data, as declared by the manufacturer, and the communications link shall have been maintained. This shall be verified by checking the primary functions.

#### 6.4 Performance criteria for Transient phenomena applied to DECT Receive-only equipment (TR)

At the conclusion of each exposure the EUT shall operate with no user noticeable loss of the communications link.

At the conclusion of the total test comprising the series of individual exposures the EUT shall operate as intended with no loss of user control functions or stored data, as declared by the manufacturer, and the communications link shall have been maintained. This shall be verified by checking the primary functions.

### 7 Applicability overview tables

Definitions in clause 3 define the terms "base station equipment", "mobile equipment", and "portable equipment" as they apply to this ETS.

#### 7.1 Emission

Table 1: Emission applicability

Application	Equipment test requirement			Reference clause in this ETS	Reference standard
	Base station and ancillary equipment for fixed use	Mobile and ancillary equipment for vehicular use	Portable and ancillary equipment for portable use		
Enclosure	applicable for ancillary equipment not integrated into receivers, or transceivers	applicable for ancillary equipment not integrated into receivers, or transceivers	applicable for ancillary equipment not integrated into receivers, or transceivers	8.2	EN 55022 [10]
DC power in/out	applicable	applicable	not applicable	8.3	EN 55022 [10] CISPR 16-1 [11]
AC mains	applicable	not applicable	not applicable	8.4	EN 55022 [10]



## 7.2 Immunity

Table 2: Immunity applicability

Phenomena	Application	Equipment test requirement			Reference clause in this ETS	Reference standard
		Base station and ancillary equipment for fixed use	Mobile and ancillary equipment for vehicular use	Portable and ancillary equipment for portable use		
RF electro-magnetic field (80 - 1 000 MHz)	Enclosure	applicable	applicable	applicable	9.2	EN 61000-4-3 [12]
Electrostatic discharge	Enclosure	applicable	applicable	applicable	9.3	EN 61000-4-2 [13]
Fast transients common mode	Signal and control ports, DC and AC power input ports	applicable	not applicable	not applicable	9.4	EN 61000-4-4 [14]
RF common mode 0,15 - 80 MHz	Signal and control ports, DC and AC power ports	applicable	applicable	not applicable	9.5	EN 61000-4-6 [15]
Transients and surges, vehicular environment	DC power input ports	not applicable	applicable	not applicable	9.6	ISO 7637 Part 1 [6] and Part 2 [7]
Voltage dips and interruptions	AC mains power input ports	applicable	not applicable	not applicable	9.7	EN 61000-4-11 [16]
Surges, common and differential mode	AC mains power input ports	applicable	not applicable	not applicable	9.8	EN 61000-4-5 [17]

## 8 Test methods and limits for emission tests of transceivers and/or receivers and/or ancillary equipment

### 8.1 Test configuration

This subclause defines the requirements for test configurations described in the following subclauses. The requirements are as follows:

- the measurement shall be made in the operational mode producing the largest emission in the frequency band being investigated consistent with normal applications;
- the equipment shall be configured in a manner which is representative of normal/typical operation, where practical;
- an attempt shall be made to maximize the detected radiated emission, e.g. by moving the cables of the equipment;
- if the equipment is part of a system, or can be connected to ancillary equipment, then it shall be acceptable to test the equipment while connected to the minimum configuration of ancillary equipment necessary to exercise the ports;

- for DECT equipment parts for which connection to a host equipment is necessary to offer functionality, the manufacturer shall select which of the alternative performance assessment configurations described in subclause 5.4 shall be used;
- the configuration and mode of operation during measurements shall be precisely noted in the test report;
- if the equipment has a large number of ports, then a sufficient number shall be selected to simulate actual operation conditions and to ensure that all the different types of termination are tested;
- ports which in normal operation are connected, shall be connected to an ancillary equipment or to a representative piece of cable terminated to simulate the impedance of the ancillary equipment. RF input/output ports shall be correctly terminated;
- the tests shall be carried out at a point within the specified operating environmental range and at the rated supply voltage for the equipment.

## 8.2 Enclosure, ancillary equipment tested in isolation

This test is applicable for ancillary equipment not integrated into the receiver or transceiver.

This test shall be performed on a representative configuration of the ancillary equipment or a representative configuration of the combination of radio and ancillary equipment.

### 8.2.1 Definition

This test assesses the ability of ancillary equipment to limit any spurious radiation from the enclosure.

### 8.2.2 Test method

The test method shall be in accordance with EN 55022 [10].

### 8.2.3 Test limit

The limits shall be in accordance with EN 55022 [10] class B (10 m measuring distance) (see table 3).

**Table 3: Test limits**

Frequency range	Limit (quasi-peak)
30 - 230 MHz	30 dB $\mu$ V/m
> 230 - 1 000 MHz	37 dB $\mu$ V/m

## 8.3 DC power input/output port

This test is applicable for base station, mobile, and ancillary equipment which may have DC cables longer than 3 m.

In the case of DC output ports, the ports shall be connected via a Line Impedance Stabilization Network (LISN) to a load drawing the rated current of the source.

This test shall be performed on a representative configuration of the radio equipment or a representative configuration of the combination of radio and ancillary equipment.

### 8.3.1 Definition

This test assesses the ability of receivers, transceivers and ancillary equipment to limit its internal noise from being present on the DC power input/output ports.

### 8.3.2 Test method

The test method shall be in accordance with EN 55022 [10]. The LISN specified in EN 55022 [10] shall be used connected to a DC power source.

The equipment shall be installed with a ground plane as defined in EN 55022 [10], subclause 10.3. The reference earth point of the LISNs shall be connected to the reference ground plane with a conductor as short as possible.

The measurement receiver shall be in accordance with the requirements of section one of CISPR 16-1 [11].

A measuring receiver shall be connected to each LISN measurement port in turn and the conducted emission levels recorded. The LISN measurement ports not being used for measurement shall be terminated with a 50  $\Omega$  load.

### 8.3.3 Test limit

The equipment shall meet the limits in table 4, including the average limit and the quasi-peak limit, when using, respectively, an average detector receiver and a quasi-peak detector receiver and measured in accordance with the method described in subclause 8.3.2. If the average limit is met when using a quasi-peak detector, the equipment shall be deemed to meet both limits and measurement with the average detector receiver is unnecessary.

The limits shall be in accordance with EN 55022 [10], class B (see table 4).

**Table 4: Test limits**

Frequency range	Quasi-peak	Average
0,15 - 0,5 MHz	66 - 56 dB $\mu$ V	56 - 46 dB $\mu$ V
> 0,5 - 5 MHz	56 dB $\mu$ V	46 dB $\mu$ V
> 5 - 30 MHz	60 dB $\mu$ V	50 dB $\mu$ V
NOTE: The limit decreases linearly with the logarithm of frequency in the range 0,15 MHz to 0,50 MHz.		

## 8.4 AC mains power input/output port

This test is applicable for base station and fixed ancillary equipment.

This test is not applicable to AC output ports which are connected directly (or via a switch or circuit breaker) to the AC input port.

This test shall be performed on a representative configuration of the radio equipment or a representative configuration of the combination of radio and ancillary equipment.

### 8.4.1 Definition

This test assesses the ability of receivers, transceivers and ancillary equipment to limit its internal noise from being present on the AC mains power input/output ports.

### 8.4.2 Test method

The test method shall be in accordance with EN 55022 [10].

### 8.4.3 Test limit

The limits shall be in accordance with EN 55022 [10], class B (see table 5).

Table 5: Test limits

Frequency range	Quasi-peak	Average
0,15 - 0,5 MHz	66 - 56 dB $\mu$ V	56 - 46 dB $\mu$ V
> 0,5 - 5 MHz	56 dB $\mu$ V	46 dB $\mu$ V
> 5 - 30 MHz	60 dB $\mu$ V	50 dB $\mu$ V

NOTE: The limit decreases linearly with the logarithm of frequency in the range 0,15 MHz to 0,50 MHz.

## 9 Test methods for immunity tests of transceivers and/or receivers and/or ancillary equipment

### 9.1 Test configuration

This subclause defines the requirements for test configurations described in the following subclauses. The requirements are as follows:

- for the immunity tests of receivers, the wanted input signal coupled to the receiver shall be modulated with normal test modulation, see subclauses 4.2 and 4.5. A communication link shall be established, see subclause 4.4;
- if the equipment is part of a system, or can be connected to ancillary equipment, then it shall be acceptable to test the equipment while connected to the minimum configuration of ancillary equipment necessary to exercise the ports;
- for the immunity tests of transceivers, the EUT shall have a bearer set-up with the testing system, and shall have been placed in loop back mode;
- for the immunity tests of ancillary equipment, without a separate pass/fail criteria, the receiver or transceiver coupled to the ancillary equipment shall be used to judge whether the ancillary equipment passes or fails;
- for DECT equipment parts for which connection to a host equipment is necessary to offer functionality the manufacturer shall select which of the alternative performance assessment configurations described in subclause 5.4 shall be used;
- the configuration and mode of operation during measurements shall be precisely noted in the test report;
- if the equipment has a large number of ports, then a sufficient number shall be selected to simulate actual operation conditions and to ensure that all the different types of termination are covered;
- ports which in normal operation are connected shall be connected to an ancillary equipment or to a representative piece of cable terminated to simulate the impedance of the ancillary equipment. RF input/output ports shall be correctly terminated;
- the tests shall be carried out at a point within the specified normal operating environmental range and at the rated supply voltage for the equipment.

### 9.2 Radio frequency electromagnetic field (80 - 1 000 MHz)

This test is applicable for base station, mobile, portable, and ancillary equipment.

This test shall be performed on a representative configuration of the radio equipment or a representative configuration of the combination of radio and ancillary equipment.

#### 9.2.1 Definition

This test assesses the ability of receivers, transceivers, and ancillary equipment to operate as intended in the presence of a radio frequency electro-magnetic field disturbance.

### 9.2.2 Test method and level

The test method shall be in accordance EN 61000-4-3 [12], except that the following requirements shall apply:

- the test level shall be 3 V/m amplitude modulated to a depth of 80 % by a sinusoidal audio signal of 1 kHz;
- the stepped frequency increments shall be 1 %;
- the test shall be performed over the frequency range 80 - 1 000 MHz;
- responses on receivers and receiver parts of transceivers occurring at discrete frequencies which are narrow band responses, shall be disregarded, see subclause 4.7;
- the frequencies selected during the test shall be recorded in the test report.

### 9.2.3 Performance criteria

For transceivers the general performance criteria CT shall apply, see subclause 6.1.

For stand alone receivers the general performance criteria CR shall apply, see subclause 6.3.

For ancillary equipment the pass/fail criteria supplied by the manufacturer shall apply, unless the ancillary equipment is tested in connection with receivers or transceivers in which case the corresponding performance criteria above shall apply.

## 9.3 Electrostatic discharge

This test is applicable for base station, mobile, portable, and ancillary equipment.

This test shall be performed on a representative configuration of the radio equipment or a representative configuration of the combination of radio and ancillary equipment.

### 9.3.1 Definition

This test assesses the ability of receivers, transceivers and ancillary equipment to operate as intended in the event of an electrostatic discharge.

### 9.3.2 Test method and levels

The test method shall be in accordance with EN 61000-4-2 [13].

The following requirements shall apply:

- for contact discharge, the equipment shall pass at  $\pm 2$  kV and  $\pm 4$  kV; for air discharge shall pass at  $\pm 2$  kV,  $\pm 4$  kV and  $\pm 8$  kV, see EN 61000-4-2 [13];
- electrostatic discharges shall be applied to all exposed surfaces of the EUT except where the user documentation specifically indicates a requirement for appropriate protective measures, see EN 61000-4-2 [13].

### 9.3.3 Performance criteria

For transceivers the general performance criteria TT shall apply, see subclause 6.2.

For stand alone receivers the general performance criteria TR shall apply, see subclause 6.4.

For ancillary equipment the pass/fail criteria supplied by the manufacturer shall apply, unless the ancillary equipment is tested in connection with receivers or transceivers in which case the corresponding performance criteria above shall apply.

#### 9.4 Fast transients common mode

This test is applicable for base station and fixed ancillary equipment.

This test shall be performed on AC mains power input ports.

This test shall be performed on signal ports, control ports and DC power input/output ports if the cables may be longer than 3 m.

Where this test is not carried out on any ports because the manufacturer declares that it is not intended to be used with cables longer than 3 m, a list of ports which were not tested for this reason shall be included in the test report.

This test shall be performed on a representative configuration of the radio equipment or a representative configuration of the combination of radio and ancillary equipment or host equipment.

##### 9.4.1 Definition

This test assesses the ability of receivers, transceivers, and ancillary equipment to operate as intended in the event of fast transients present on one of the input/output ports.

##### 9.4.2 Test method and levels

The test method shall be in accordance with EN 61000-4-4 [14], except that the following requirements shall apply:

For receivers, transceivers and ancillary equipment, which have cables longer than 3 m, or are connected to the AC mains:

- the test level for signal and control ports shall be severity level 2 corresponding to 0,5 kV open circuit voltage as given in EN 61000-4-4 [14];
- the test level for DC power input/output ports shall be severity level 2 corresponding to 1 kV open circuit voltage as given in EN 61000-4-4 [14];
- the test level for AC mains power input ports shall be severity level 3 corresponding to 2 kV open circuit voltage as given in EN 61000-4-4 [14];
- for AC power input and DC power input /output ports the transients shall be applied (in parallel) to all the wires in the cable with reference to the cabinet reference ground, i.e. line-to-ground, (true common mode), with a source impedance of 50  $\Omega$ .

##### 9.4.3 Performance criteria

For transceivers the general performance criteria TT shall apply, see subclause 6.2.

For stand alone receivers the general performance criteria TR shall apply, see subclause 6.4.

For ancillary equipment the pass/fail criteria supplied by the manufacturer shall apply, unless the ancillary equipment is tested in connection with receivers or transceivers in which case the corresponding performance criteria shall apply.

#### 9.5 RF common mode, 0,15 MHz - 80 MHz

This test is applicable for base station, mobile and ancillary equipment.

This test shall be performed on signal, control and DC power input/output ports of mobile and ancillary equipment, which may have cables longer than 2 m.

This test shall be performed on signal, control and DC power and AC mains power input/output ports of base station and fixed ancillary equipment which may have cables longer than 1 m.

Where this test is not carried out on any ports because the manufacturer declares that it is not intended to be used with cables longer than 2 m (mobile and ancillary equipment) or 1 m (base station and fixed ancillary), a list of ports which were not tested shall be included in the test report.

This test shall be performed on a representative configuration of the radio equipment or a representative configuration of the combination of radio and ancillary equipment or host equipment.

#### **9.5.1 Definition**

This test assesses the ability of receivers, transceivers, and ancillary equipment to operate as intended in the presence of a radio frequency electromagnetic disturbance on the input/output ports.

#### **9.5.2 Test method and level**

This test should be performed using the intrusive or direct connection method, where appropriate, see EN 61000-4-6 [15].

The test method may be the current clamp injection method in accordance with EN 61000-4-6 [15].

The following requirements shall apply:

- the test signal shall be amplitude modulated to a depth of 80 % by a sinusoidal audio signal of 1 kHz;
- the stepped frequency increments shall be 50 kHz in the frequency range 150 kHz - 5 MHz and 1 % stepped frequency increments of the momentary frequency in the frequency range 5 MHz - 80 MHz;
- the test level shall be severity level 2 as given in EN 61000-4-6 [15] corresponding to 3 V rms, at a transfer impedance of 150  $\Omega$ ;
- the test shall be performed over the frequency range 150 kHz - 80 MHz;
- responses on receivers and receiver parts of transceivers occurring at discrete frequencies which are narrow band responses, shall be disregarded, see subclause 4.6;
- the frequencies selected during the test shall be recorded in the test report;
- to enable the best test method to be used an intrusive or direct connection may be made to any of the lines of any input/output port where it is practical and the performance of the equipment is not degraded. Alternatively the current clamp injection method may be used;
- the test method used shall be recorded in the test report.

#### **9.5.3 Performance criteria**

For transceivers the general performance criteria CT shall apply, see subclause 6.1.

For stand alone receivers the general performance criteria CR shall apply, see subclause 6.3.

For ancillary equipment the pass/fail criteria supplied by the manufacturer shall apply, unless the ancillary equipment is tested in connection with receivers or transceivers in which case the corresponding performance criteria above shall apply.

### **9.6 Transients and surges, vehicular environment**

These tests are applicable to mobile and ancillary equipment intended for use in a vehicular environment.

These tests shall be performed on 12 V and 24 V DC power input ports of mobile and ancillary equipment, intended for vehicular use.

These tests shall be performed on a representative configuration of the equipment or a representative configuration of the combination of radio and ancillary equipment.

### 9.6.1 Definition

These tests assess the ability of transmitters, receivers, transceivers and ancillary equipment to operate as intended in the event of transients and surges present on the DC power input ports in a vehicular environment.

### 9.6.2 Test method and level

The test method shall be in accordance with ISO 7637-1 [6] for 12 V DC powered equipment and ISO 7637-2 [7] for 24 V DC powered equipment.

1) the following requirements shall apply for 12 V DC powered equipment:

a) where the manufacturer in his installation documentation requires the EUT to have a direct connection to the 12 V main vehicle battery the following requirements in accordance with ISO 7637-1 [6] shall apply:

- pulse 3a and 3b, level II, with the test time reduced to 5 minutes for each;
- pulse 4, level II, 5 pulses, with the characteristics as follows:

$$V_s = 5 \text{ V}, \quad V_a = 2,5 \text{ V}, \quad t_6 = 25 \text{ ms}, \quad t_8 = 5 \text{ s}, \quad t_f = 5 \text{ ms}.$$

b) where the manufacturer does not require the EUT to have a direct connection to the 12 V main vehicle battery, the following pulses apply, in addition to the pulses in 1) a):

- pulse 1, level II                       $t_1 = 2,5 \text{ s}$ ,                      10 pulses;
- pulse 2, level II                       $t_1 = 2,5 \text{ s}$ ,                      10 pulses.

Where the manufacturer declares that the EUT requires a direct connection to the vehicle battery, and therefore the tests in accordance with 1) b) are not carried out, this shall be stated in the test report.

2) the following requirements shall apply for 24 V DC powered equipment:

a) where the manufacturer in his installation documentation requires the EUT to have a direct connection to the 24 V main vehicle battery the following requirements in accordance with ISO 7637-2 [7] shall apply:

- pulse 3a and 3b, level II, with the test time reduced to 5 minutes for each;
- pulse 4, level II, 5 pulses, with the characteristics as follows:

$$V_s = 10 \text{ V}, \quad V_a = 5,0 \text{ V}, \quad t_6 = 25 \text{ ms}, \quad t_8 = 5 \text{ s}, \quad t_f = 5 \text{ ms}.$$

The test for this pulse 4 shall be carried out as specified in ISO 7637-1 [6].

b) where the manufacturer does not require the EUT to have a direct connection to the 24 V main vehicle battery, the following pulses apply, in addition to the pulses in 2) a):

- pulse 1a, level II                       $t_1 = 2,5 \text{ s}$ ,       $R_i = 25 \Omega$ ,      10 pulses;
- pulse 1b, level II                       $t_1 = 2,5 \text{ s}$ ,       $R_i = 100 \Omega$ ,      10 pulses;
- pulse 2, level II                       $t_1 = 2,5 \text{ s}$ ,                      10 pulses.

Where the manufacturer declares that the EUT requires a direct connection to the vehicle battery, and therefore the tests in accordance with 2) b) are not carried out, this shall be stated in the test report.

For radio and ancillary equipment designed to operate at both DC power voltages both requirement 1) and 2) shall apply.



For radio equipment designed to operate at 12 V DC power supply, but operating from a 24 V DC power adapter ancillary, then the radio equipment shall comply with the requirements in 1) and the configuration of the radio equipment and the power adapter shall comply with the requirements of 2).

### 9.6.3 Performance criteria

For transmitters, pulses 3a and 3b, the performance criteria CT shall apply, see subclause 6.4. For pulses 1, 1a, 1b, 2 and 4 the performance criteria TT shall apply, see subclause 6.5, with the exception that the link need not have been maintained during exposure and may have to be re-established.

For stand alone receivers or receivers which are part of transceivers, pulses 3a and 3b the performance criteria CR shall apply, see subclause 6.6. For pulses 1, 1a, 1b, 2 and 4 the performance criteria TR shall apply, see subclause 6.7, with the exception that the link need not have been maintained during exposure and may have to be re-established.

For ancillary equipment the pass/fail criteria supplied by the manufacturer shall apply, unless the ancillary equipment is tested in connection with receivers, transmitters or transceivers in which case the corresponding performance criteria above shall apply.

## 9.7 Voltage dips and interruptions

These tests are applicable for base station and fixed ancillary equipment powered by AC mains.

These tests shall be performed on AC mains power input ports.

These test shall be performed on a representative configuration of the radio equipment or a representative configuration of the combination of radio and ancillary equipment or host equipment.

### 9.7.1 Definition

These tests assess the ability of receivers, transceivers and ancillary equipment to operate as intended in the event of voltage dips and interruptions present on the AC mains power input ports.

### 9.7.2 Test method and levels

The following requirements shall apply.

The test method shall be in accordance with EN 61000-4-11 [16].

The test levels shall be:

- a voltage dip corresponding to a reduction of the supply voltage of 30 % for 10 ms;
- a voltage dip corresponding to a reduction of the supply voltage of 60 % for 100 ms;
- a voltage interruption corresponding to a reduction of the supply voltage of > 95 % for 5 000 ms.

### 9.7.3 Performance criteria

For a voltage dip corresponding to a reduction of the supply voltage of 30 % for 10 ms the following performance criteria shall apply:

- for transceivers the performance criteria CT, see subclause 6.1;
- for stand alone receivers the performance criteria CR, see subclause 6.3;
- for ancillary equipment the pass/fail criteria supplied by the manufacturer shall apply, unless the ancillary equipment is tested in connection with receivers or transceivers in which case the corresponding performance criteria above shall apply.

For a voltage dip corresponding to a reduction of the supply voltage of 60 % for 100 ms the following performance criteria shall apply:

- for transceivers the performance criteria TT, see subclause 6.2;
- for receivers the performance criteria TR, see subclause 6.4;
- for ancillary equipment the pass/fail criteria supplied by the manufacturer shall apply, unless the ancillary equipment is tested in connection with receivers or transceivers in which case the corresponding performance criteria above shall apply.

In addition, when equipment is powered solely from the AC mains supply (without the use of a parallel battery back-up) communications need not have been maintained and may have to be re-established, and volatile user data may have been lost.

In the event of loss of communications and/or user data, this fact shall be recorded in the test report, the product description and the user documentation.

For a voltage interruption corresponding to a reduction of the supply voltage of more than 95 % for 5 000 ms the following performance criteria shall apply:

- for equipment fitted with or connected to a battery back-up the performance criteria TT, see subclause 6.2, or TR, see subclause 6.4, as appropriate;
- for equipment powered solely from the AC mains supply (without the use of a parallel battery back-up) communications need not have been maintained and may have to be re-established, and volatile user data may have been lost.

In the event of loss of communications and/or user data, this fact shall be recorded in the test report, the product description and the user documentation.

## **9.8 Surges, common and differential mode**

These tests are applicable for base station and fixed ancillary equipment.

These tests shall be performed on AC mains power input ports.

These tests shall be performed on a representative configuration of the radio equipment or a representative configuration of the combination of radio and ancillary equipment or host equipment.

### **9.8.1 Definition**

These tests assess the ability of receivers, transceivers and ancillary equipment to operate as intended in the event of surges present on the AC mains power input ports.

### **9.8.2 Test method and levels**

The following requirements shall apply.

The test method shall be in accordance with EN 61000-4-5 [17]:

- the test level shall be severity level 2 corresponding to 1 kV open circuit voltage for line-to-ground and severity level 2 corresponding to 0,5 kV open circuit voltage for line-to-line;
- the transients shall be applied (in parallel) to all the wires in the cable with reference to the cabinet reference ground, for line-to-ground tests, i.e. true common mode, with a series resistance of 10  $\Omega$ .

### **9.8.3 Performance criteria**

For transceivers the general performance criteria TT shall apply, see subclause 6.2.

For receivers the general performance criteria TR shall apply, see subclause 6.4.

For ancillary equipment the pass/fail criteria supplied by the manufacturer shall apply, unless the ancillary equipment is tested in connection with receivers or transceivers in which case the corresponding performance criteria above shall apply.

**Annex A (normative): Subclauses of this ETS relevant for compliance with the essential requirements of the EC Council Directives**

**Table A.1: Subclauses of this ETS relevant for compliance with the essential requirements of the EC Council Directives**

Clause/subclause number and title		Corresponding article of Council Directive 89/336/EEC	Qualifying remarks
8	Test methods and limits for emission tests of transceivers and/or receivers and/or ancillary equipment		
8.2	Enclosure, ancillary equipment tested in isolation	4(a)	
8.3	DC power input/output port	4(a)	
8.4	AC mains	4(a)	
9	Test methods for immunity tests of transceivers and/or receivers and/or ancillary equipment		
9.2	Radio frequency electromagnetic field (80 - 1 000 MHz)	4(b)	
9.3	Electrostatic discharge	4(b)	
9.4	Fast transient common mode	4(b)	
9.5	RF common mode, 0,15 - 80 MHz	4(b)	
9.6	Transient and surges, vehicular environment	4(b)	
9.7	Voltage dips and interruptions	4(b)	
9.8	Surges, common and differential mode	4(b)	

## History

Document history	
November 1994	First Edition
January 1997	One-step Approval Procedure      OAP 9722: 1997-01-31 to 1997-05-30
June 1997	Second Edition