



EUROPEAN
TELECOMMUNICATION
STANDARD

DRAFT
pr **ETS 300 224**

May 1997

Second Edition

Source: ETSI TC-RES

Reference: RE/RES-04013

ICS: 33.020

Key words: Radio, paging, testing

**Radio Equipment and Systems (RES);
On-site paging service;
Technical and functional characteristics
for on-site paging systems,
including test methods**

ETSI

European Telecommunications Standards Institute

ETSI Secretariat

Postal address: F-06921 Sophia Antipolis CEDEX - FRANCE

Office address: 650 Route des Lucioles - Sophia Antipolis - Valbonne - FRANCE

X.400: c=fr, a=atlas, p=etsi, s=secretariat - **Internet:** secretariat@etsi.fr

Tel.: +33 4 92 94 42 00 - Fax: +33 4 93 65 47 16

Copyright Notification: No part may be reproduced except as authorized by written permission. The copyright and the foregoing restriction extend to reproduction in all media.

© European Telecommunications Standards Institute 1997. All rights reserved.

Contents

Foreword.....	9
1 Scope	11
2 Normative references	11
3 Definitions and abbreviations	11
3.1 Definitions	11
3.2 Abbreviations	12
4 Functional characteristics.....	12
4.1 On-site paging system description.....	12
4.2 On-site paging system basic services.....	12
4.3 Description of additional functional characteristics	13
5 General.....	14
5.1 Presentation of radio paging equipment for testing purposes	14
5.1.1 Choice of model for type approval.....	14
5.1.2 Definition of alignment range.....	14
5.1.3 Definition of the categories of the alignment range (AR1 and AR2).....	14
5.1.4 Choice of frequencies.....	14
5.1.5 Testing of equipment of category AR1	14
5.1.6 Testing of equipment of category AR2	15
5.1.7 Testing of equipment without an external 50 Ω antenna connector	15
5.1.7.1 Equipment with a permanent internal 50 Ω RF connector... ..	15
5.1.7.2 Equipment with a temporary 50 Ω connector	15
5.2 Mechanical and electrical design	15
5.3 Marking (equipment identification)	15
5.4 Controls.....	15
5.5 Transmitter shut-off facility.....	15
5.6 Receiver mute or squelch circuit.....	16
5.7 Declarations by the manufacturer	16
5.8 Auxiliary test equipment.....	16
5.9 Categories of emission	16
5.10 Interpretation of the measurement results	16
6 Test conditions, power sources and ambient temperatures.....	16
6.1 Normal and extreme test conditions	16
6.2 Normal operational test conditions.....	16
6.2.1 Normal temperature and humidity	16
6.2.2 Normal test power source	17
6.3 Extreme test conditions.....	17
6.3.1 Procedure for tests at extreme temperatures.....	17
6.3.2 Extreme temperature limits	18
6.3.3 Extreme test power source.....	18
6.3.4 Test power source	18
7 Electrical test conditions	19
7.1 Normal test signals and test modulation	19
7.1.1 Normal test signals for analogue speech	19
7.1.2 Normal test signals for data.....	19
7.2 Artificial load.....	19
7.3 Test fixture for transmitters with an integral antenna.....	19
7.4 Test site and general arrangements for the measurement of radiated fields	20
7.5 Arrangements for test signals applied to the receiver input.....	20

8	Transmitter requirements.....	20
8.1	Frequency error	20
8.1.1	Definition	21
8.1.2	Method of measurement	21
8.1.3	Limits	21
8.2	Carrier power	21
8.2.1	Definition	21
8.2.2	Carrier power (conducted).....	22
8.2.2.1	Method of measurement.....	22
8.2.2.2	Limits	22
8.2.3	Effective radiated power.....	22
8.2.3.1	Method of measurement.....	22
8.2.3.2	Limits	24
8.3	Adjacent channel power.....	25
8.3.1	Definition	25
8.3.2	Method of measurement	25
8.3.3	Limits	26
8.4	Frequency deviation.....	26
8.4.1	Definition	26
8.4.2	Method of measurement	27
8.4.3	Analogue signals within the audio bandwidth.....	27
8.4.3.1	Method of measurement.....	27
8.4.3.2	Limits	27
8.4.4	Analogue signals above the audio bandwidth	28
8.4.4.1	Method of measurement.....	28
8.4.4.2	Limits	28
8.5	Spurious emissions.....	29
8.5.1	Definition	29
8.5.2	Method of measurement	29
8.5.2.1	Method of measuring the spurious conducted power level	30
8.5.2.2	Method of measuring the effective radiated spurious power	level
		30
8.5.3	Limits	31
8.6	Transmitter transient behaviour	31
8.6.1	Definition	31
8.6.1.1	Keying criteria when the transmitter output power is switched	on
		32
8.6.1.2	Keying criteria when the transmitter output power is switched	off
		32
8.6.2	Method of measurement	33
8.6.3	Limits	34
9	Receiver requirements.....	34
9.1	Pocket paging receivers	34
9.1.1	Spurious emissions	34
9.1.1.1	Definition	34
9.1.1.2	Method of measurement.....	34
9.1.1.3	Limits	34
9.2	Base station receivers.....	35
9.2.1	Measured sensitivity for analogue speech	35
9.2.1.1	Definition.....	35
9.2.1.2	Method of measurement.....	35
9.2.1.3	Limits	35
9.2.2	Measured sensitivity for messages	35
9.2.2.1	Definition.....	35
9.2.2.2	Method of measurement.....	35
9.2.2.3	Limits	36
9.2.3	Co-channel rejection for analogue speech.....	36
9.2.3.1	Definition.....	36
9.2.3.2	Method of measurement.....	36
9.2.3.3	Limits	36
9.2.4	Co-channel rejection for messages.....	36

	9.2.4.1	Definition	36
	9.2.4.2	Method of measurement.....	36
	9.2.4.3	Limits	37
9.2.5		Adjacent channel selectivity for analogue speech.....	37
	9.2.5.1	Definition	37
	9.2.5.2	Method of measurement.....	37
	9.2.5.3	Limits	38
9.2.6		Adjacent channel selectivity for messages.....	38
	9.2.6.1	Definition	38
	9.2.6.2	Method of measurement.....	38
	9.2.6.3	Limits	39
9.2.7		Spurious response immunity for analogue speech	39
	9.2.7.1	Definition	39
	9.2.7.2	Method of measurement.....	39
	9.2.7.3	Limit	39
9.2.8		Spurious response immunity for messages	39
	9.2.8.1	Definition	39
	9.2.8.2	Method of measurement.....	40
	9.2.8.3	Limit	40
9.2.9		Intermodulation immunity for analogue speech.....	40
	9.2.9.1	Definition	40
	9.2.9.2	Method of measurement.....	41
	9.2.9.3	Limit	41
9.2.10		Intermodulation immunity for messages	41
	9.2.10.1	Definition	41
	9.2.10.2	Method of measurement.....	42
	9.2.10.3	Limit	42
9.2.11		Blocking immunity or desensitisation for analogue speech.....	43
	9.2.11.1	Definition	43
	9.2.11.2	Method of measurement.....	43
	9.2.11.3	Limit	43
9.2.12		Blocking immunity or desensitisation for messages.....	43
	9.2.12.1	Definition	43
	9.2.12.2	Method of measurement.....	44
	9.2.12.3	Limit	44
9.2.13		Spurious emissions	44
	9.2.13.1	Definition	44
	9.2.13.2	Method of measurement.....	44
		9.2.13.2.1 Conducted spurious components	44
		9.2.13.2.2 Radiated spurious components	45
	9.2.13.3	Limits	45
10		Inductive loop systems	45
10.1		Additional definitions for inductive systems	45
10.2		General	45
	10.2.1	Presentation of inductive loop paging equipment for testing purposes	45
	10.2.2	Choice of model for type testing	45
	10.2.3	Multi-carrier loop equipment	45
		10.2.3.1 Loop receivers	45
		10.2.3.2 Loop transmitters	46
	10.2.4	Single (modulated) carrier loop equipment	46
		10.2.4.1 Definition of alignment range	46
		10.2.4.2 Definition of the categories of the alignment range (AR1 and AR2).....	46
		10.2.4.3 Choice of frequencies	46
		10.2.4.4 Testing of equipment of category AR1	46
		10.2.4.5 Testing of equipment of category AR2	46
10.3		Loop transmitter requirements	46
	10.3.1	Transmitter carrier power	46
		10.3.1.1 Definition	46
		10.3.1.2 Measuring method	46
		10.3.1.3 Limit	47

10.3.2	Range of operating frequencies	47
10.3.2.1	Limits	47
10.3.2.2	Frequency error	47
10.3.2.2.1	Definition	47
10.3.2.2.2	Measuring method	47
10.3.2.2.3	Limits	47
10.3.2.3	Modulation bandwidth	47
10.3.2.3.1	Definition	47
10.3.2.3.2	Measuring method	48
10.3.2.3.3	Limit	48
10.3.3	Spurious emissions	48
10.3.3.1	Definition	48
10.3.3.2	Measuring methods	48
10.3.3.2.1	Method of measuring the power level ...	48
10.3.3.2.2	Method of measuring the field strength	48
10.3.3.2.3	Method of measuring spurious radiation above 25 MHz	48
10.3.3.3	Limits	49
10.4	Receiver requirements	49
10.4.1	Spurious emissions	49
10.4.1.1	Definition	49
10.4.1.2	Measuring method	49
10.4.1.3	Limits	49
11	Measurement uncertainty	50
11.1	Absolute measurement uncertainties: maximum values	50
Annex A (normative):	Radiated measurements	51
A.1	Test sites and general arrangements for measurements involving the use of radiated fields	51
A.1.1	Outdoor test site	51
A.1.1.1	Standard position	51
A.1.2	Test antenna	52
A.1.3	Substitution antenna	52
A.1.4	Optional additional indoor site	52
A.2	Guidance on the use of radiation test sites	53
A.2.1	Measuring distance	53
A.2.2	Test antenna	53
A.2.3	Substitution antenna	53
A.2.4	Artificial antenna	54
A.2.5	Auxiliary cables	54
A.3	Further optional alternative indoor test site using an anechoic chamber	54
A.3.1	Example of the construction of a shielded anechoic chamber	54
A.3.2	Influence of parasitic reflections in anechoic chambers	54
A.3.3	Calibration of the shielded RF anechoic chamber	55
Annex B (normative):	Support for pocket equipment	57
Annex C (normative):	Specification of power measuring receiver	58
C.1	IF filter	58
C.2	Attenuation indicator	59
C.3	RMS value indicator	59
C.4	Oscillator and amplifier	59
Annex D (normative):	Spurious radiation limits for loop systems	60

Annex E (normative):	Subclauses of this ETS relevant for compliance with the essential requirements of relevant EC Council Directives	61
Annex F (normative):	ERC Decision on the adoption of approval regulations based on this ETS.....	62
Annex G (informative):	Detailed on-site description	70
G.1	Characteristic features	70
G.2	On-site paging users	71
G.3	Spectrum efficiency	71
Annex H (informative):	Bibliography	72
History.....		73

Blank page

Foreword

This draft second edition European Telecommunication Standard (ETS) has been produced by the Radio Equipment and Systems (RES) Technical Committee of the European Telecommunications Standards Institute (ETSI), and is now submitted for the Public Enquiry phase of the ETSI standards approval procedure.

This ETS has been produced by ETSI in response to a mandate from the European Commission issued under Council Directive 83/189/EEC (as amended) laying down a procedure for the provision of information in the field of technical standards and regulations.

This ETS, together with ETS 300 682, is intended to become a Harmonized Standard, the reference of which will be published in the Official Journal of the European Communities referencing the Council Directive on the approximation of the laws of the Member States relating to electromagnetic compatibility ("the EMC Directive") (89/336/EEC as amended).

Annex A provides requirements concerning test sites and general arrangements for measurements involving the use of radiated fields.

Annex B provides requirements concerning measuring support for pocket equipment.

Annex C contains specifications for the adjacent channel power measuring receiver.

Annex D is a graphical representation of subclause 10.4.1.3 referring to the limits for spurious radiation from loop receivers.

Annex E contains technical specifications relevant to the EMC Directive.

Annex F contains the ERC Decision which references the technical specifications in this ETS for inclusion in national type approval regulations.

Annex G provides information concerning the on-site paging service.

Annex H contains a bibliography.

This ETS also contains text concerning type approval of the equipment to which it relates. This text should be considered only as guidance and does not make this ETS mandatory in its status as a standard. However, this ETS can be referenced, wholly or in part, for mandatory application by decisions of regulatory bodies.

This ETS is based mainly on CEPT Recommendation T/R 20-05 and ESPA publications 4.2.6 and 4.2.6.a.

The conditions for licensing as well as conditions for interfacing to Public Switched Telephone Network (PSTN) are determined by the appropriate authorities.

Proposed transposition dates	
Date of latest announcement of this ETS (doa):	3 months after ETSI publication
Date of latest publication of new National Standard or endorsement of this ETS (dop/e):	6 months after doa
Date of withdrawal of any conflicting National Standard (dow):	6 months after doa

Blank page

1 Scope

This European Telecommunication Standard (ETS) specifies the minimum performance characteristic and the related methods of measurement for on-site paging transmitters and receivers. Although this ETS covers the general operational aspects of on-site paging systems, it is restricted to the wireless (radio and loop) communications of the service. It is assumed that the radio type of system will operate in the frequency range of 25 MHz to 470 MHz, and loop systems below 146 kHz.

This ETS does not cover radiation below 25 MHz, except for the output of loop equipment.

This ETS does not include performance characteristics that may be required by the user or requirements for interfacing equipment.

Additional standards or specifications may be required for equipment intended to interface to the Public Switched Telephone Network (PSTN).

This ETS also contains instructions for the presentation of equipment for type testing purposes.

The types of equipment covered by this ETS are as follows:

- base station transmitters (radio and loop) and transcoders, with or without an external 50 Ω antenna connector;
- base station receivers, with a permanent 50 Ω connector;
- pocket unit (receiver, transceiver or transmitter), with or without an external 50 Ω antenna connector.

2 Normative references

This ETS incorporates by dated or undated reference, provisions from other publications. These normative references are cited at the appropriate places in the text and publications are listed hereafter. For dated references, subsequent amendments to or revisions of any of these publications apply to this ETS only when incorporated in it by amendment or revision. For undated references the latest edition of the publication referred to applies.

- [1] ETR 027: "Radio Equipment and Systems (RES); Methods of measurement for mobile radio equipment".
- [2] ETR 028: "Radio Equipment and Systems (RES); Uncertainties in the measurement of mobile radio equipment characteristics".

3 Definitions and abbreviations

3.1 Definitions

For the purposes of this ETS, the following definitions apply:

base station receiver: Receiver intended for use in a fixed location.

base station transmitter: Transmitter intended for use in a fixed location.

category AR1: See subclause 5.1.3.

category AR2: See subclause 5.1.3.

coded messages: The transmission of messages to a paging receiver via coded signals.

constant envelope modulation: Either phase or frequency modulation with or without pre-emphasis.

integral antenna: An antenna designed as an indispensable part of the equipment, with or without the use of an antenna connector.

Low Frequency (LF): The frequency range 30 kHz to 300 kHz.

pocket unit: Pocket size equipment fitted with an integral antenna carried on a person or held in the hand.

preamble facility: A signal, needed in a system in which a battery saving system is used, in order to activate and prepare receivers for the calls to come.

transcoder: A transmitter and encoder combined in a single housing and operated in a fixed location indoors.

Very Low Frequency (VLF): The frequency range 3 kHz to 30 kHz.

3.2 Abbreviations

For the purposes of this ETS, the following abbreviations apply:

emf	electromotive force
LF	Low Frequency
MPFD	Maximum Permissible Frequency Deviation
PBX	Private Branch eXchange
PSTN	Public Switched Telephone Network
RF	Radio Frequency
rms	root-mean-squared
SINAD	(Signal + Noise And Distortion) / (Noise + Distortion) ratio
Tx	Transmitter
VLF	Very Low Frequency
VSWR	Voltage Standing Wave Ratio

4 Functional characteristics

4.1 On-site paging system description

An on-site paging system is a privately owned and operated wireless communication system, used in a restricted and predefined area, with the primary function to alert and/or inform ambulant people. The air interface of the system, using a single radio channel, comprises at least one transmitter.

The paging system may be extended with a return frequency. This return or talk-back frequency is mainly used for call acknowledgement but may also be used to supply some of the features of a mobile radio service or other two-way radio services, without the need to use a separate system.

The radio part of an approved on-site paging system is made up exclusively from equipment that has been approved according to this ETS. Other equipment that may be connected to it shall fulfil the standards applicable to that equipment (if any).

Annex G provides a more detailed description of the on-site paging system.

4.2 On-site paging system basic services

The main services that can be obtained through an on-site paging system are a function of the capabilities of the pocket units.

The simplest and most well known paging receiver is a selective call receiver with an alerting device. When paged, the pocket unit generates a certain alerting pattern and the user should take some pre-determined actions. The receiver may also receive a spoken message after the alert signal.

When the receiver is equipped with a visual display, limited text messages can be presented to the user by additional transmission of data. If the receiver is equipped with a transmitter, the user can acknowledge a message and/or establish a speech connection.

System configurations include:

- alert only;
- alert + data one way;
- alert + data two ways;
- alert + voice one way;
- alert + voice two ways;
- alert + data + voice one way;
- alert + data + voice two ways.

Different users have different communication requirements. Therefore, most paging systems allow any mixture of pocket units. The size of an on-site paging system, in number of pocket units, may vary from one to several thousand units.

4.3 Description of additional functional characteristics

call acknowledgement facility: The feature enabling the transmission of a short signal from the pocket unit to the base station(s) to confirm the reception of a call.

dial-in facility: The facility whereby a pocket transceiver forming part of a paging system is able to initiate a call to the base station(s).

dial-out facility: The facility allowing a pocket paging transceiver to initiate a call, via a base station, to another external on-site communication network, accessible from the paging system, e.g. a Private Branch eXchange (PBX).

dial-through facility: The facility allowing a pocket paging transceiver to initiate a call to another pocket unit belonging to the same paging system via the base station.

periodic calls facility: Periodic calls are paging calls which are transmitted at regular intervals by the base station(s) e.g. "time of day" and "out of range".

preamble facility: A preamble is a signal needed in a system in which a battery saving system is used in order to activate and prepare receivers for the calls to come.

speech facility: The mode of operation allowing the transmission of speech messages from the base stations to the paging receivers.

talk-back facility: The mode of operation enabling the transmission of speech messages from the pocket units to the base stations after the reception of a selective call from the base station.

talk-through facility: The application in which a speech signal from a pocket transceiver is relayed by the base station(s) and transmitted to another pocket transceiver of the same system and site.

In order to make maximum use of the allocated radio channels (one outgoing and one return), and to give maximum flexibility to the user, the user may install and use any combination of the features of the system. In addition to normal paging calls this includes:

- call acknowledgement;
- speech;
- talk-back;
- talk-through;
- dial-in;
- dial-out;
- dial-through;

- the use of multi-transmitter systems (working on one frequency);
- the use of diversity (multi-receiver) reception for the base station receiver system;
- the transmission of periodic calls and preambles.

Where spectrum is available, there are no restrictions on the use of these functions, nor are there any time limitations. However, given the fact that frequencies for on-site paging are never exclusive, an excessive use of the possible facilities is no justification for further spectrum allocation for the same system and site.

Moreover, in order to cope with practical situations base transmitters with a maximum rated output power of more than 1 W should be set to operate between 1 W and their rated maximum output power.

5 General

5.1 Presentation of radio paging equipment for testing purposes

Each equipment submitted for type testing shall fulfil the requirements of this ETS on all frequencies over which it is intended to operate.

To simplify and harmonize the type testing procedures between the different test laboratories, measurements shall be performed according to this ETS. The following subclauses are intended to give confidence that the requirements set out in this ETS have been met.

5.1.1 Choice of model for type approval

The manufacturer shall provide one or more production models of equipment, as appropriate, for type testing.

In the case of equipment without an external antenna connector see subclause 5.1.7.

5.1.2 Definition of alignment range

The manufacturer shall, when submitting equipment for test, state the alignment range for the receiver or the transmitter. The alignment range is defined as the frequency range over which the receiver or the transmitter can be programmed and/or re-aligned to operate without any physical change of components other than programmable read only memories or crystals (for the receiver and the transmitter). For the purpose of all measurements the receiver and transmitter shall be considered separately.

5.1.3 Definition of the categories of the alignment range (AR1 and AR2)

Category AR1 corresponds to a limit of the alignment range of the receiver and transmitter which is less than, or equal to, 10 % of the highest frequency of the alignment range.

Category AR2 corresponds to a limit of the alignment range of the receiver and transmitter which is greater than 10 % of the highest frequency of the alignment range.

5.1.4 Choice of frequencies

The frequencies for testing shall be chosen by the manufacturer in accordance with subclauses 5.1.5 and 5.1.6.

5.1.5 Testing of equipment of category AR1

Full tests shall be carried out on a channel within 100 kHz of the centre frequency of the alignment range of one sample of the equipment.

5.1.6 Testing of equipment of category AR2

Full tests shall be carried out on three samples of the equipment, each sample aligned to a different channel.

The frequency of the channel of:

- the first sample shall be within 100 kHz of the lowest frequency of the alignment range;
- the second sample shall be within 100 kHz of the centre frequency of the alignment range;
- the third sample shall be within 100 kHz of the highest frequency of the alignment range.

5.1.7 Testing of equipment without an external 50 Ω antenna connector

To facilitate relative measurements, use can be made of a test fixture as described in subclause 7.3, or the equipment can be supplied with a permanent or temporary internal 50 Ω connector or a temporary external 50 Ω connector.

5.1.7.1 Equipment with a permanent internal 50 Ω RF connector

The way to access a permanent internal 50 Ω RF connector shall be stated by the manufacturer with the aid of a diagram. The fact that use has been made of a permanent internal 50 Ω Radio Frequency (RF) socket shall be recorded in the test report.

5.1.7.2 Equipment with a temporary 50 Ω connector

The applicant shall submit two sets of equipment to the test laboratory, one fitted with a temporary 50 Ω RF connector with the antenna disconnected and the other with the antenna connected. Each equipment shall be used for the appropriate tests.

The way the temporary 50 Ω RF connector is implemented shall be stated by the manufacturer with the aid of a diagram. The fact that use has been made of the temporary 50 Ω RF connector to facilitate measurements shall be stated in the test report. The addition of a temporary 50 Ω RF connector shall not influence the performance of the equipment under test.

5.2 Mechanical and electrical design

Transmitters and receivers may be individual or combination units but shall operate with the correct power source.

5.3 Marking (equipment identification)

The equipment shall be marked in a visible place. This marking shall be legible and durable.

The marking shall include as a minimum:

- the name of the manufacturer or his trademark;
- the type designation.

The type designation shall allow recognition of the multiple unit type of assembly.

5.4 Controls

Those controls, which if maladjusted can increase the capability of the equipment to cause interference, shall not be accessible without breaking a seal.

5.5 Transmitter shut-off facility

If the transmitter is fitted with an automatic shut-off facility, it should be made inoperative for the duration of the test.

5.6 Receiver mute or squelch circuit

If the receiver is equipped with a mute, squelch or battery-saving circuit, this circuit shall be made inoperative for the duration of the tests.

5.7 Declarations by the manufacturer

When submitting equipment for type testing, the manufacturer shall supply the necessary information according to the appropriate application form.

5.8 Auxiliary test equipment

All necessary test signal sources and setting up information shall accompany the equipment when it is submitted for type testing.

5.9 Categories of emission

All types of constant envelope modulation by code and speech are permitted, which shall meet the limits of this ETS.

5.10 Interpretation of the measurement results

The interpretation of the results recorded in a test report for the measurements described in this ETS shall be as follows.

The measured value related to the corresponding limit shall be used to decide whether an equipment meets the requirements of the standard.

The measurement uncertainty value for the measurement of each parameter shall be included in the test report.

The recorded value of the measurement uncertainty shall be, for each measurement, equal to or lower than the figures in the table of measurement uncertainty as published in ETR 028 [2].

6 Test conditions, power sources and ambient temperatures

6.1 Normal and extreme test conditions

Type tests shall be made under normal operational conditions and, where stated, under extreme conditions. The test conditions and procedures shall be as specified in subclauses 6.2 and 6.3.

6.2 Normal operational test conditions

6.2.1 Normal temperature and humidity

The normal temperature and humidity conditions for tests shall be any convenient combination of temperature and humidity within the following ranges:

- temperature: +15 °C to +35 °C;
- relative humidity: 20 % to 75 %.

When it is impracticable to carry out the tests under these conditions, a note to this effect, stating the ambient temperature and relative humidity during the tests, shall be added to the test report.

6.2.2 Normal test power source

a) mains supply:

The normal test voltage for equipment to be connected to the mains shall be the nominal mains voltage. For the purpose of type testing to this ETS, the nominal voltage shall be the declared voltage or any of the declared voltages for which the equipment was designed.

The frequency of the test power source corresponding to the ac mains shall be between 49 Hz and 51 Hz.

b) other power sources:

For operation from other power sources or types of battery (primary or secondary), the normal test voltage shall be that declared by the equipment manufacturer and approved by the test authority. Such values shall be stated in the test report.

In pocket equipment with integral antenna, the battery shall not be replaced with an external power source when making radiating measurements, because this external power source could influence the test results.

6.3 Extreme test conditions

6.3.1 Procedure for tests at extreme temperatures

Before measurements are made the equipment shall have reached thermal balance in the test chamber.

The equipment shall be switched to stand-by during the temperature stabilizing period.

In the case of equipment containing stabilization circuits designed to operate continuously, the temperature sterilization arrangements shall be switched on for 15 minutes after thermal balance has been obtained, and the equipment shall then meet the specified requirements. For such equipment the manufacturer shall provide for the power source circuit feeding the crystal oven to be independent of the power source to the rest of the equipment.

a) procedure for equipment designed for continuous operation:

If the manufacturer states that the equipment is designed for continuous operation, the procedure shall be as follows:

- before tests at the upper temperature, the equipment shall be placed in the test chamber and left until thermal balance is attained. The equipment shall then be switched on in the transmit condition for a period of half an hour, after which the equipment shall meet the specified requirements. For tests at the lower temperatures, the equipment shall be left in the test chamber until thermal balance is attained, after which the equipment shall meet the specified requirements.

b) procedure for equipment designed for intermittent operation:

If the applicant states that the equipment is designed for intermittent operation, the test procedure shall be as follows:

- before tests at the upper extreme temperature are made, the equipment shall be placed in the test chamber and left until thermal balance is attained in the test chamber.

The equipment shall then either:

- transmit "on" and "off", according to the duty cycle as declared by the applicant, for a period of 5 minutes; or
- if the "on" period as declared by the applicant exceeds one minute, transmit in the "on" condition for a period not exceeding one minute, followed by a period in the "off" or "standby" mode for four minutes, after which the equipment shall meet the specified requirements.

For tests at the lower extreme temperature the equipment shall be left in the test chamber until thermal balance is attained, then the equipment shall be switched to the "standby" or "receive" condition for one minute, after which the equipment shall meet the specified requirements.

6.3.2 Extreme temperature limits

For tests at extreme temperatures, measurements shall be made in accordance with procedures specified in subclause 6.3.1 over an ambient temperature range of:

- Base station equipment: -25 °C to +55 °C;
- Transcoder used in temperature-controlled environments: -10 °C to +55 °C;
- Pocket unit equipment: -10 °C to +55 °C.

6.3.3 Extreme test power source

a) Mains voltage:

the extreme source voltages for equipment to be connected to an ac mains source shall be the nominal mains voltage $\pm 10\%$.

b) Battery power source:

when the equipment is intended for operation from the usual types of battery power sources, the extreme voltages shall be as follows:

- the end point voltages indicated by the battery status indicator of the unit under test.

Where the equipment does not have a battery status indicator, and the manufacturer has not declared the end point voltages, the following end point voltages shall be used:

1) Leclanche type of battery or Lithium type of battery:

0,85 multiplied by the nominal voltage of the battery.

2) Nickel Metal Hydride or Nickel Cadmium type of battery:

0,9 multiplied by the nominal voltage of the battery;
No upper extreme test voltages apply for 1) and 2).

3) Equipment using other power sources:

For equipment using other power sources, or capable of being operated from a variety of power sources, the extreme test voltages shall be those agreed between the equipment manufacturer and the testing laboratory and shall be recorded in the test report.

6.3.4 Test power source

During type tests the power source of the equipment shall be replaced by a test power source, capable of producing normal and extreme test voltages as specified in subclauses 6.2.2 and 6.3.3. The internal impedance of the test power source shall be low enough to ensure that its effect on the test results is negligible. For the purpose of tests, the voltage of the power source shall be measured at the input terminals of the equipment.

If power to the equipment is provided from an external power source, the test voltages shall be those measured at the point of connection of the power cable to the equipment.

In battery operated equipment, the test power source shall be applied as close to the equipment battery supply terminals as practicable.

During the tests the test power source voltages shall be maintained within a tolerance $\leq 1\%$ relative to the voltage at the beginning of each test. The value of this tolerance is critical for certain measurements. Using a smaller tolerance provides a better uncertainty value for these measurements.

7 Electrical test conditions

7.1 Normal test signals and test modulation

The test modulation signal is a baseband signal which modulates a carrier and is dependent upon the type of equipment under test and also the measurement to be performed.

7.1.1 Normal test signals for analogue speech

These test signals are defined as:

A-M1: a 1 000 Hz tone;
A-M2: a 1 250 Hz tone.

The normal level of the test signals A-M1 and A-M2 shall produce a deviation of 12 % of the channel separation or any lower value as declared by the manufacturer as the normal operating level.

A-M3: a 400 Hz tone, at a level which produces a deviation of 12 % of the channel separation. This signal is used as an unwanted signal for analogue and digital measurements.

7.1.2 Normal test signals for data

This test signal is defined as:

D-M3: a test signal shall be agreed between the accredited test laboratory and the manufacturer in case selective messages are used and are generated or decoded within the equipment. The agreed test signal may be formatted and may contain error detection and correction.

The normal level of the test signal D-M3 shall produce a deviation of 20 % of the channel separation or any other value as declared by the manufacturer as the normal operating level.

For test purposes if special equipment is required to generate or indicate correct acceptance of the messages, it shall be supplied by the manufacturer.

7.2 Artificial load

Tests on the transmitters shall be carried out with a 50 Ω non-reactive non-radiating load, connected to the antenna terminal or test fixture terminal. The Voltage Standing Wave Ratio (VSWR) of the artificial load shall not exceed 1:1,2 over the frequency range of the measurements.

7.3 Test fixture for transmitters with an integral antenna

With equipment intended for use with an integral antenna, and not equipped with a 50 Ω output connection, the manufacturer may be required to supply a test fixture. This test fixture is a radio frequency coupling device for coupling the integral antenna to a 50 Ω radio frequency terminal at the working frequencies of the equipment under test. This allows certain measurements to be performed using conducted measuring methods. Only relative measurements may be performed.

If applicable the test fixture shall provide:

- a connection to an external power supply;
- an audio interface either by direct connection or by an acoustic coupler.

The performance characteristics of the test fixture shall be agreed upon with the test laboratory and shall conform to the following basic parameters:

- the circuitry associated with the RF coupling shall contain no active or non-linear devices;
- the coupling loss shall not influence the measuring results;
- the coupling loss shall be independent of the position of the test fixture and be unaffected by the proximity of surrounding objects or people;
- the coupling loss shall be reproducible when the equipment under test is removed and replaced;
- the coupling loss shall remain substantially constant when the environmental conditions are varied.

7.4 Test site and general arrangements for the measurement of radiated fields

Test sites shall be open air.

The term "open air" should be understood from an electromagnetic point of view. Such a test site may be "outdoor" (really in open air) or alternatively "indoor" with walls and ceiling transparent to the radio waves at the frequencies considered.

An alternative indoor test site is an anechoic room.

For guidance on test sites see ETR 027 [1], the relevant part of which is reproduced in annex A.

7.5 Arrangements for test signals applied to the receiver input

Sources of test signals for application to the receiver input shall be connected through a network such that the impedance presented to the receiver input is 50 Ω .

This requirement shall be met irrespective of whether one or more signals are applied to the receiver simultaneously.

The levels of the test signals shall be expressed in terms of electromotive force (emf) at the output terminals of the network prior to connection to the receiver input terminals.

The effects of any intermodulation products and noise produced in the signal generators should be negligible.

8 Transmitter requirements

In case of equipment with variable output power, all measurements shall be made using the highest power level. The equipment shall be adjusted to the lowest output power setting and the measurements repeated in the following subclauses: 8.2 (carrier power), 8.3 (adjacent channel power), 8.5 (spurious emissions) and 8.6 (transmitter transient behaviour).

When making transmitter tests on equipment designed for intermittent operation, the maximum transmit time and duty cycle, as declared by the manufacturer, shall not be exceeded. The maximum transmit time shall be noted in the test report.

8.1 Frequency error

The test in this subclause, or the test in subclause 8.3.2 under extreme conditions shall be carried out.

However, at the time of submission of the equipment for test, the applicant shall declare which test shall be applicable for the supplied equipment.

The equipment under test shall fulfil the requirements of the declared test.

8.1.1 Definition

The frequency error of the transmitter is the difference between the unmodulated carrier frequency and its nominal value.

8.1.2 Method of measurement

The carrier frequency shall be measured by one of the following methods depending on whether the transmitter is capable of providing an unmodulated carrier.

a) Method of measurement where an unmodulated carrier is available:

The carrier frequency shall be measured in the absence of modulation with the transmitter connected to an artificial load. A transmitter without a 50 Ω connector shall be placed in the test fixture (see subclause 7.3) connected to an artificial load. The measurement shall be made under normal test conditions and extreme test conditions (extreme temperature and supply voltage simultaneously).

b) Method of measurement where it is not possible to obtain an unmodulated carrier:

- 1) the transmitter output shall be connected to an artificial load. A transmitter without a 50 Ω connector shall be placed in the test fixture (see subclause 7.3) connected to an artificial load;
- 2) the emission shall be monitored by a frequency counter and the carrier frequency shall be measured with the transmitter set to continuously produce the carrier frequency representing the "space" condition;
- 3) the measurement shall be repeated with the transmitter set to continuously produce the carrier frequency representing the "mark" condition;
- 4) the unmodulated carrier frequency shall be obtained as the arithmetic mean of the two frequencies measured above.

The measurements shall be made under normal test conditions and repeated under extreme test conditions. Both extremes of voltage shall be applied at both extremes of temperature (subclauses 6.2 and 6.3 applied simultaneously).

The frequency error limits are given in table 1.

8.1.3 Limits

Table 1

Channel separation (kHz)	Frequency error limits (kHz)			
	f < 47 MHz	f = 47 to 137 MHz	f = 137 to 300 MHz	f = 300 to 470 MHz
10/12,5	±0,60	±1,00	±1,00 (B) ±1,50 (P)	±1,00 (B) ±2,50 (P)
20/25	±0,60	±1,35	±2,00	±2,00 ±2,50 (P)
NOTE:	B = Base station P = Pocket station			

8.2 Carrier power

8.2.1 Definition

The transmitter carrier power is the mean power during one unmodulated RF cycle delivered to an artificial load or, in case of a transmitter with an integral antenna, the effective radiated power in the direction of maximum field strength under specified conditions of measurement.

8.2.2 Carrier power (conducted)

8.2.2.1 Method of measurement

The following method of measurement shall be used:

- a) the transmitter shall be connected to an artificial load;
- b) the power delivered to this artificial load shall be measured. The value measured shall be compared with the rated output power;
- c) the measurement shall be made under normal test conditions and extreme test conditions (extreme temperature and supply voltage applied simultaneously (see subclauses 6.2 and 6.3).

8.2.2.2 Limits

Base transmitters: the rated carrier output power shall be less than or equal to 5 W.

Pocket transmitters: the rated carrier output power shall be less than or equal to 0,05 W.

Under normal test conditions, the measured carrier output power shall be within $\pm 1,5$ dB of the rated carrier output power. Under extreme test conditions the measured carrier output power shall be within +2,0 dB and -3,0 dB of the rated carrier output power.

8.2.3 Effective radiated power

8.2.3.1 Method of measurement

- a) Method of measurement under normal test conditions:

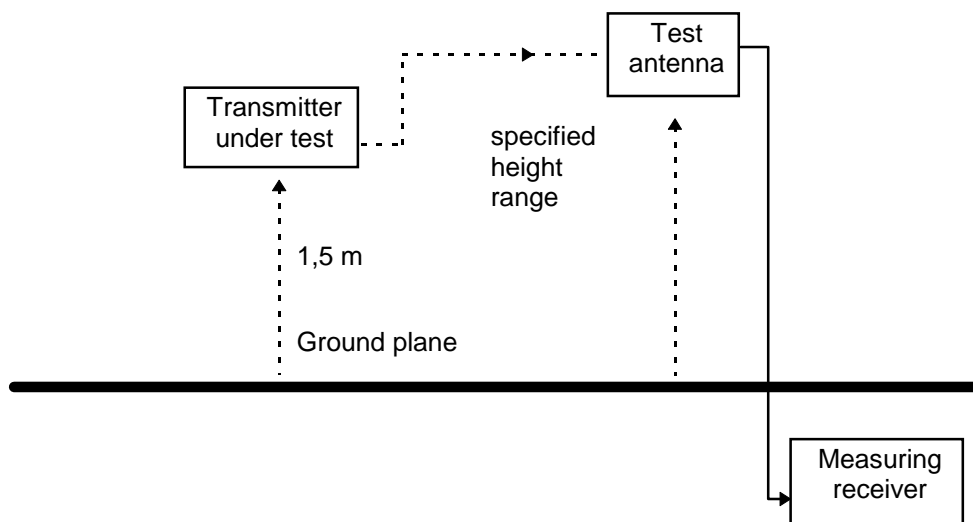


Figure 1: Measuring arrangement

Using the measuring arrangement in figure 1, on a test site fulfilling the requirements of subclause 7.4, the transmitter shall be placed at the specified height on the non-conductive support. In the case of a pocket transmitter it shall be placed on a support according to annex B.

The position shall be as follows:

- for transmitters with an internal antenna, it shall stand in the position in which it is normally used;
- for transmitters with a rigid external antenna, the antenna shall be vertical;
- for transmitters with a non-rigid external antenna, with the antenna extended vertically upwards by a non-conducting support.

The transmitter shall be switched on, if possible without modulation, and the measuring receiver shall be tuned to the frequency of the signal being measured.

The test antenna shall be orientated for vertical polarization.

The signal level shall be measured as follows:

- 1) the transmitter shall be rotated through 360° until the maximum signal is detected on the measuring receiver;
- 2) then the test antenna shall be raised or lowered over a range of 1 to 4 m, until the maximum signal is received.

NOTE: This maximum may be lower than the value obtainable at heights outside the specified limits.

Steps 1) and 2) above shall be repeated to ensure that the direction of maximum field strength is found.

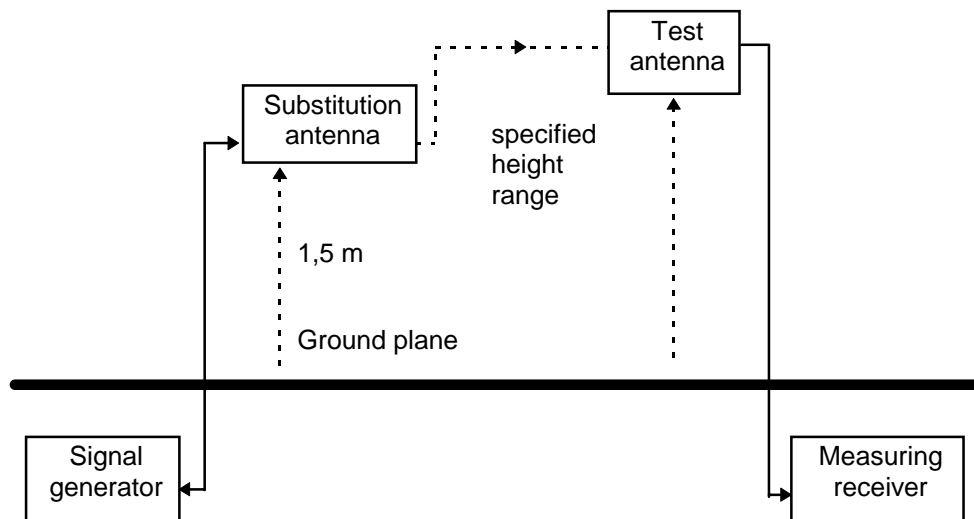


Figure 2: Measuring arrangement

Using the measuring arrangement in figure 2, the transmitter shall be replaced by the substitution antenna, as defined in subclause A.1.3 and the test antenna shall be raised or lowered as necessary to ensure that the maximum signal is still received. The input signal to the substitution antenna shall be adjusted in level until an equal, or known related, level to that detected from the transmitter is obtained on the measuring receiver.

The carrier power is equal to the power supplied to the substitution antenna, if necessary adjusted by the known relationship.

The measurement shall be repeated for any alternative antenna supplied by the manufacturer.

A check shall be made at horizontal polarization to ensure that the value obtained above is the maximum. If a larger value is obtained, it shall be recorded in the test report.

b) Method of measurement under extreme test conditions

The transmitter shall be placed in the test fixture (see subclause 7.3) and the power delivered to the artificial load shall be measured.

The measurements shall also be performed under extreme test conditions. Due to the impossibility of repeating the above measurement on a test site under extreme temperature conditions, only a relative measurement is performed, using a test fixture.

The power delivered to the artificial load is measured under normal and extreme test conditions (subclauses 6.2 and 6.3 applied simultaneously), and the difference in dB is noted. This difference is algebraically added to the carrier radiated power under normal test conditions, in order to obtain the carrier radiated power under extreme test conditions.

8.2.3.2 Limits

Base transmitters: the rated effective radiated carrier power shall be less than or equal to 5 W.

Pocket transmitters: the rated effective radiated carrier power shall be less than or equal to 0,05 W.

The measured effective radiated carrier power under normal test conditions shall be within d_f from the rated effective radiated carrier power.

The allowance for the characteristics of the equipment, being $\pm 1,5$ dB, shall be combined with the actual measurement uncertainty in order to provide d_f as follows:

$$d_f^2 = d_m^2 + d_e^2$$

where:

d_m is the actual measurement uncertainty;

d_e is the allowance for the equipment ($\pm 1,5$ dB);

d_f is the final difference.

The variation of the power due to the change of temperature and voltage for the measurement under extreme conditions shall not exceed +2 dB or -3 dB (the measurements shall be performed using the test fixture).

Example of the calculation of d_f :

d_m = 6 dB (value acceptable, being the maximum uncertainty)

= 3,98 in linear terms

d_e = 1,5 dB (fixed value for all equipment fulfilling the requirements of this ETS)

= 1,41 in linear terms

d_f^2 = $[3,98]^2 + [1,41]^2$

Therefore, d_f = 4,22 in linear terms, or 6,25 dB.

8.3 Adjacent channel power

8.3.1 Definition

The adjacent channel power is that part of the total output power of a transmitter modulated under a defined condition of modulation which falls within a specified passband centred on the nominal frequency of either of the adjacent channels. This power is the sum of the mean power produced by the modulation, hum and noise of the transmitter. It is specified either as the ratio expressed in decibels of the carrier power to the adjacent channel power or as an absolute value.

8.3.2 Method of measurement

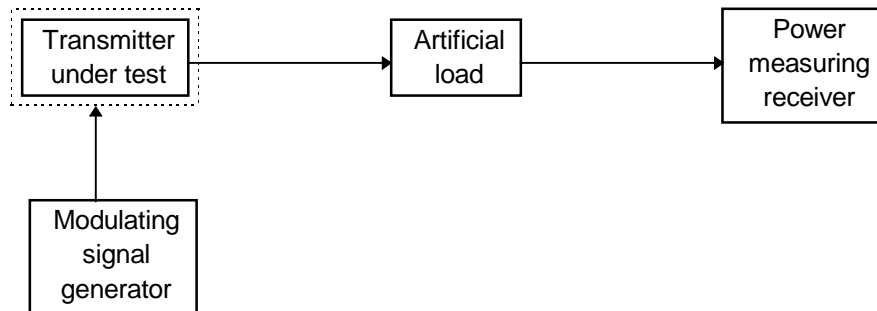


Figure 3: Measuring arrangement

Using the measuring arrangement given in figure 3, the adjacent channel power shall be measured with a power measuring receiver which conforms with annex C.

- a) The transmitter under test shall be connected via the artificial load to a measuring receiver calibrated to measure root-mean-squared (rms) power levels. The level at the input of the measuring receiver shall be within its specified limit(s). The transmitter shall be operated at the maximum operational carrier power level.

In the case of a transmitter without a 50 Ω antenna connection, the transmitter shall be placed in the test fixture, and the test fixture shall be connected to the measuring receiver.

NOTE: When using the test fixture for this measurement, it is important to ensure that direct radiation from the transmitter to the power measuring receiver does not affect the result.

- b) With the transmitter unmodulated, the tuning of the power measuring receiver shall be adjusted so that a maximum response is obtained. This is the 0 dB response point. The power measuring receiver attenuator setting and the meter reading shall be recorded.
- c) The tuning of the power measuring receiver shall be adjusted away from the carrier so that its -6 dB response nearest to the transmitter carrier frequency is located at a displacement from the nominal frequency of the carrier as given in table 2.

Table 2: Frequency displacement

Channel spacing (kHz)	Displacement (kHz)
10	5,75
12,5	8,25
20	13
25	17

The same result may be obtained by tuning the power measuring receiver (point D0 on the power measuring filter shape, given in figure C.1, annex C), to the nominal frequency of the adjacent channel, if it has been suitably calibrated.

- d) The transmitter shall be modulated in accordance with subclause 7.1.2 with the normal coded test signal D-M3 at the input level declared by the manufacturer. Additionally, where the transmitter has a speech facility, the test shall be repeated with normal test signal A-M2 according to subclause 7.1.1 increased by 20 dB. In the case of a transmitter with an integrated microphone the level shall be increased by 10 dB.
- e) The power measuring receiver variable attenuator shall be adjusted to obtain the same meter reading as in step b) or a known relation to it. This value shall be recorded.
- f) The ratio of adjacent channel power to carrier power is the difference between the attenuator settings in steps b) and e), corrected for any differences in the reading of the meter. Alternatively the absolute value of the adjacent channel power may be calculated from the above ratio and the transmitter carrier power.
- g) Steps c) to f) shall be repeated with the power measuring receiver tuned to the other side of the carrier.
- h) Steps a) to g) shall be repeated with the transmitter set to its minimum operational power level.

8.3.3 Limits

The limits for the adjacent channel power under normal conditions are given in table 3 below.

Table 3

Channel spacing (kHz)	Limit under normal conditions	Limit under extreme conditions
10	20 μ W	25 μ W
12,5	60 dB below carrier power, without the need to be below 0,2 μ W	55 dB below carrier power, without the need to be below 0,2 μ W
20/25	70 dB below carrier power, without the need to be below 0,2 μ W	65 dB below carrier power, without the need to be below 0,2 μ W

8.4 Frequency deviation

These measurements are only applicable for transmitters of analogue speech.

8.4.1 Definition

The frequency deviation is the difference between the instantaneous frequency of the modulated RF signal and the carrier frequency in the absence of modulation. For type testing purposes, only the maximum frequency deviation will be measured.

The maximum permissible frequency deviation is the maximum deviation under any conditions of modulation.

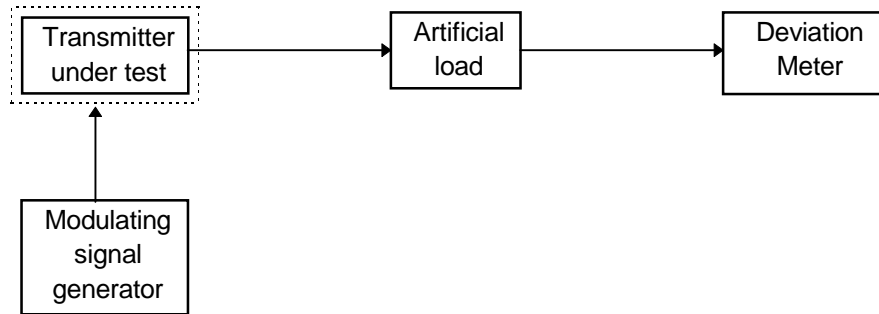


Figure 4: Measuring arrangement

8.4.2 Method of measurement

Using the measuring arrangement given in figure 4, the transmitter shall be connected to the artificial load. The frequency deviation shall be measured by means of a deviation meter capable of measuring the maximum permissible frequency deviation, including that due to any harmonics and intermodulation products which may be produced in the transmitter.

In case of transmitters without a 50 Ω connection, the transmitter shall be placed in the test fixture and the test fixture shall be connected to the artificial load.

8.4.3 Analogue signals within the audio bandwidth

8.4.3.1 Method of measurement

The following test method shall be used:

- a) the modulation frequency shall be varied between:
 - 300 and 3 000 Hz for equipment operating with 20 kHz or 25 kHz channel separation; and
 - between 300 Hz and 2 550 Hz for equipment operating with 10 kHz or 12,5 kHz channel separation.

The level of the test signal shall be 20 dB above the level of the normal signal A-M1 (see subclause 7.1.1) or 10 dB in case of a transmitter with an integrated microphone.

- b) the maximum (positive or negative) frequency deviation shall be recorded.

8.4.3.2 Limits

For transmitters with speech facility the limits are given in table 4 below.

Table 4

Channel spacing (kHz)	Maximum Permissible Frequency Deviation (MPFD) (kHz)
10	2
12,5	2,5
20	4
25	5
NOTE: All other transmitters, there are no limits (however, the provisions within subclause 8.3 still apply).	

8.4.4 Analogue signals above the audio bandwidth

8.4.4.1 Method of measurement

The following method of measurement shall be used:

- a) the modulation frequency shall be varied between:
- 3,0 kHz and 20 kHz for 20 kHz channel separation;
 - 3,0 kHz and 25 kHz for 25 kHz channel separation;
 - 2,55 kHz and 10 kHz for 10 kHz channel separation; and
 - 2,55 kHz and 12,5 kHz for 12,5 kHz channel separation.

The level of the test signal shall be equal to the level of the normal test signal A-M1 (see subclause 7.1.1).

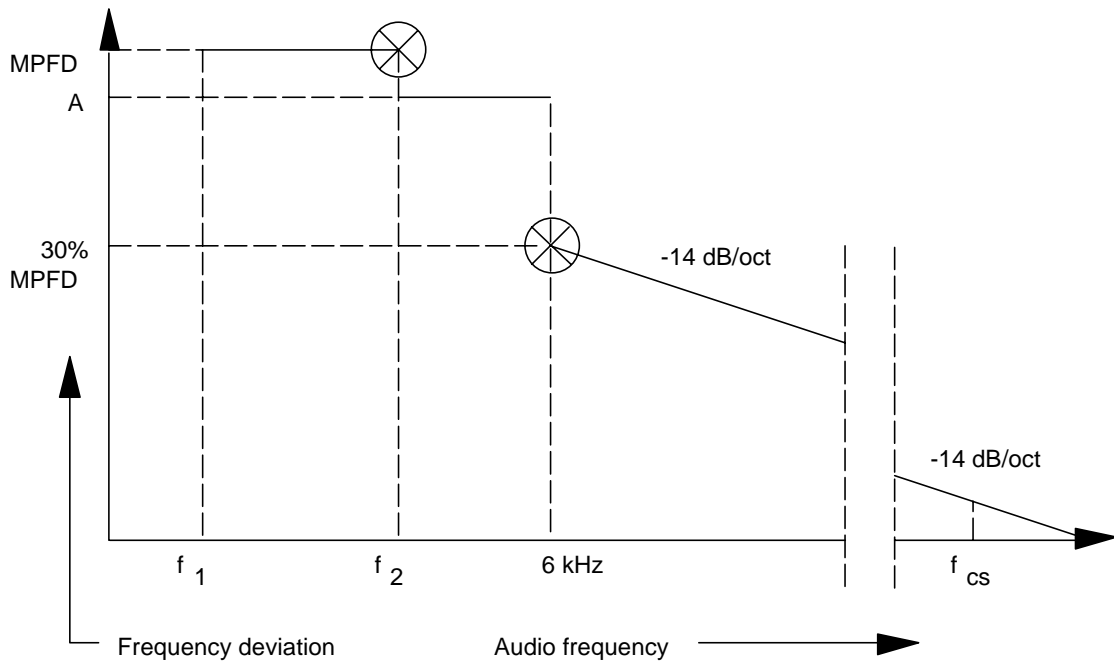
8.4.4.2 Limits

Between 3,0 kHz/2,55 kHz and 6 kHz the frequency deviation shall not exceed the frequency deviation at a modulation frequency of 3,0 kHz/2,55 kHz.

At 6 kHz the deviation shall not be more than 30 % of the maximum permissible frequency deviation (see table 4 in subclause 8.4.3.2).

The frequency deviation at modulation frequencies between 6,0 kHz and a frequency equal to the channel separation for which the equipment is intended shall not exceed the value given by linear representation of the frequency deviation (dB) relative to the modulation frequency, starting at the 6,0 kHz limit and having a slope of -14,0 dB per octave.

These limits are illustrated in figure 5.



- f1:** lowest appropriate frequency
- f2:** 3,0 kHz (for 20 kHz or 25 kHz channel separation) or
2,55 kHz (for 12,5 kHz or 10 kHz channel separation)
- MPFD:** maximum permissible frequency deviation, subclause 8.4.3.2
- A:** measured frequency deviation at f2
- fcs:** frequency equal to channel separation

Figure 5

The maximum (positive or negative) frequency deviation shall be recorded.

8.5 Spurious emissions

8.5.1 Definition

Spurious emissions are emissions at frequencies other than those of the carrier and sidebands associated with normal modulation.

The level of spurious emissions shall be measured as either:

- their power level in a specified load (conducted spurious radiation) and their effective radiated power when radiated by the cabinet and structure of the equipment (cabinet radiation); or
- their effective radiated power when radiated by the cabinet and the integral antenna, in the case of pocket equipment fitted with such an antenna and having no external RF connector.

8.5.2 Method of measurement

The bandwidth used in this measurement for each spurious radiation shall be sufficiently wide to accept all significant components of the spurious radiation concerned. The conditions used in the relevant measurements shall be reported in the test report. It is assumed that a (-6 dB) bandwidth of 120 kHz is sufficiently wide and a correct value for this measurement.

8.5.2.1 Method of measuring the spurious conducted power level

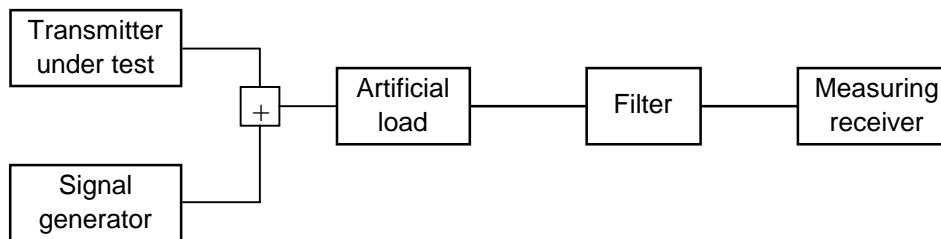


Figure 6: Measuring arrangement

This method applies only to equipment having an external connector and it is assumed that all equipment operates below 470 MHz.

Spurious emissions shall be measured as the power level of any discrete signal delivered into a 50 Ω load. This may be done by connecting the transmitter output through an attenuator to a measuring receiver, or by monitoring the relative levels of the spurious signals delivered to an artificial load.

The measurement shall be made at the highest and the lowest power level to which the transmitter can be set.

If possible the transmitter shall be unmodulated and the measurements made in the frequency range 9 kHz to 4 GHz, except for the channel on which the transmitter is intended to operate and its adjacent channels.

If an unmodulated carrier cannot be obtained, the measurement shall be made with the transmitter modulated by the normal test signal D-M3 (see subclause 7.1.2), in which case this fact shall be recorded in the test report.

The measurement shall be repeated with the transmitter in the stand-by position.

8.5.2.2 Method of measuring the effective radiated spurious power level

On a test site, fulfilling the requirements of subclause 7.4, the sample shall be placed at the specified height on the support. The transmitter shall be operated at the carrier power as specified in subclause 8.2, delivered to:

- an artificial load for equipment having an external antenna connector;
- or to the integral antenna.

If possible, the transmitter shall be unmodulated and the radiation of any spurious components shall be detected by the test antenna and receiver, over the frequency range 25 MHz - 4 GHz, except for the channel on which the transmitter is intended to operate and its adjacent channels.

At each frequency at which a component is detected, the sample shall be rotated to obtain a maximum response. The effective radiated power of that component shall be determined by a substitution measurement.

If an unmodulated carrier cannot be obtained, the measurement shall be made with the transmitter modulated by the normal test signal D-M3 (see subclause 7.1.2), in which case this fact shall be recorded in the test report.

The measurements shall be repeated with the test antenna in the orthogonal polarization plane.

The measurements shall be repeated with the transmitter in the stand-by position.

8.5.3 Limits

The limits for conducted emission are given in table 5.

Table 5: Conducted emissions

Frequency range	9 kHz to 1 GHz	above 1 GHz to 4 GHz
Tx operating	0,25 μ W	1 μ W
Tx stand-by	2 nW	20 nW

The limits for radiated emissions are given in table 6.

Table 6: Radiated emissions

Frequency range	25 MHz to 1 GHz	above 1 GHz to 4 GHz
Tx operating	0,25 μ W	1 μ W
Tx stand-by	2 nW	20 nW

NOTE: It is assumed that all equipment operates below 470 MHz.

8.6 Transmitter transient behaviour

8.6.1 Definition

The transient behaviour of transmitters is determined by the time-dependency of the transmitter frequency and the transmitter power when the transmitter output power is switched on and off. Within the scope of this ETS, only the transient behaviour of the transmitter carrier frequency shall be measured.

The following frequency tolerances and transient times are specified:

- f_0 : frequency tolerance in the steady state;
- f_1 : frequency difference which shall be less than one channel separation;
- f_2 : frequency difference which shall not be greater than half the channel separation;
- t_1 : period of time during which frequency tolerance f_1 applies;
- t_2 : period of time during which frequency tolerance f_2 applies;
- t_3 : period of time during which the frequency error on the carrier applies;
- t_{on} : period of time during which frequency tolerance f_0 applies.

According to the method of measurement described in subclause 8.6.2, the switch-on instant (T_{on}) of a transmitter is defined by the condition when the output power, measured at the antenna terminal, exceeds 10 % of the nominal power. However, this value shall not be greater than 100 mW. The switch-off instant (T_{off}) is given when the nominal power falls below this limit.

The different frequency tolerance schemes have to be applied for the following cases.

8.6.1.1 Keying criteria when the transmitter output power is switched on

The transient times and frequency tolerances are shown in figure 7 below:

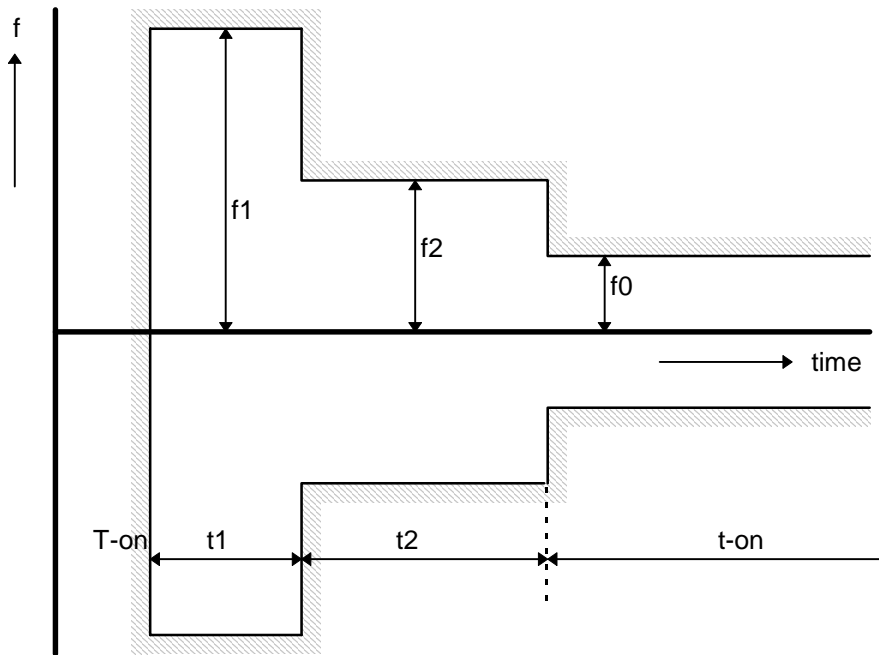


Figure 7

8.6.1.2 Keying criteria when the transmitter output power is switched off

The transient time is not subdivided; the frequency tolerance is shown in figure 8 below:

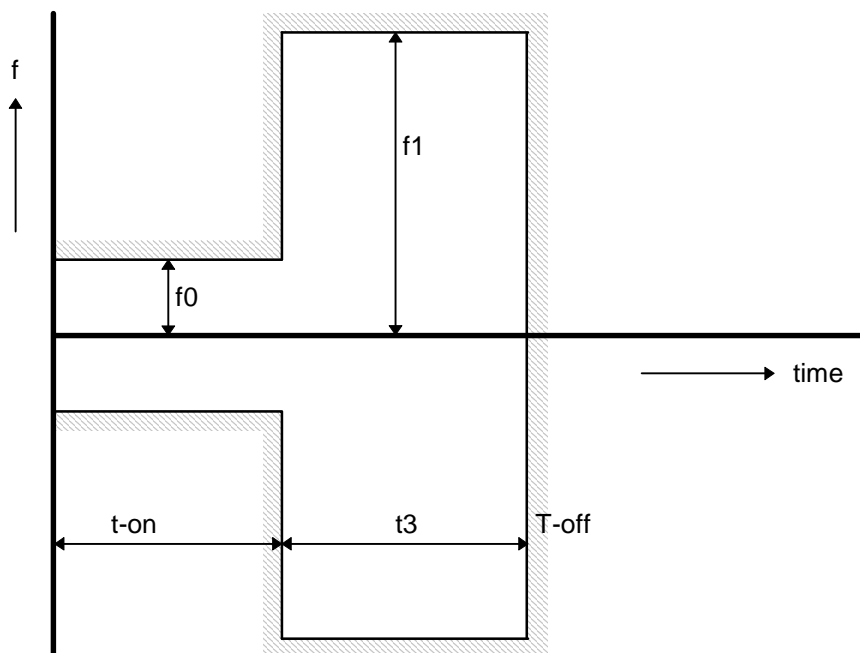


Figure 8

8.6.2 Method of measurement

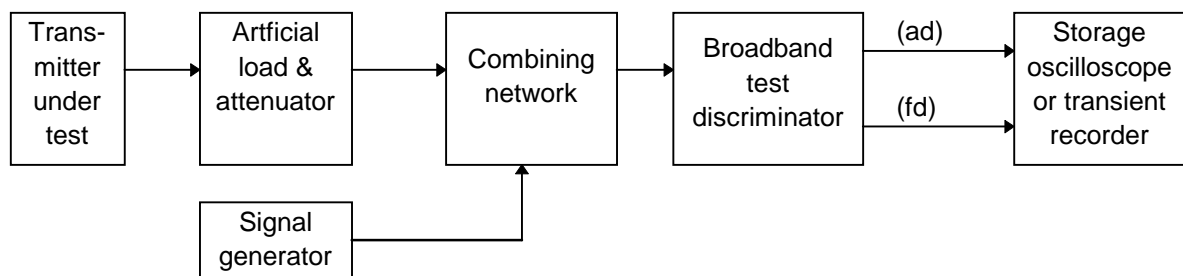


Figure 9: Measuring arrangement

Using figure 9 the signals of the transmitter under test and the signal generator shall be connected to the test discriminator via a combining network. The transmitter shall be connected to a 50 Ω power attenuator. The output of the power attenuator shall be connected to the test discriminator via one input of the combining network. A test signal generator shall be connected to the second input of the combining network.

The test signal shall be adjusted to the nominal frequency of the transmitter. The test signal shall be modulated by a frequency of 1 kHz with a deviation equal to \pm the value of the relevant channel separation. The test signal level shall be adjusted to correspond to 0,1 % of the power of the transmitter under test measured at the input of the test discriminator. This level shall be maintained throughout the measurement.

The amplitude difference (ad) and the frequency difference (fd) output of the test discriminator shall be connected to a storage oscilloscope. The storage oscilloscope shall be set to display the channel corresponding to the (fd) input up to ± 1 channel frequency difference, corresponding to the relevant channel separation, from the nominal frequency. The storage oscilloscope shall be set to a sweep rate of 10 ms/division and set so that the triggering occurs at one division from the left edge of the display. The display will show the 1 kHz test signal continuously. The storage oscilloscope shall then be set to trigger on the channel corresponding to the amplitude difference (ad) input at a low input level, rising.

The transmitter shall then be switched on, without modulation, to produce the trigger pulse and a picture on the display. The result of the change in the ratio of power between the test signal and the transmitter output will, due to the capture ratio of the test discriminator, produce two separate sides on the picture, one showing the 1 kHz test signal, the other the frequency difference of the transmitter versus time. The moment when the 1 kHz test signal is completely suppressed is considered to mark the beginning of t_{on} . The periods of time t_1 and t_2 , as defined in subclause 8.6.1, shall be used to define the appropriate template.

During the period of time t_1 and t_2 the frequency difference shall not exceed the values given in subclause 8.6.3. The frequency difference, after the end of t_2 shall be within the limits of the frequency error, subclause 8.1.3. The results shall be recorded as frequency difference versus time.

The transmitter shall remain switched on. The storage oscilloscope shall be set to trigger on the channel corresponding to the amplitude difference (ad) input at a high input level, decaying and set so that the triggering occurs at one division from the right edge of the display. The transmitter shall then be switched off.

The moment when the 1 kHz test signal starts to rise is considered to mark the beginning of t_{off} . The period of time t_3 as defined in subclause 8.6.1, shall be used to define the appropriate template. During the period of time t_3 the frequency difference shall not exceed the values given in subclause 8.6.3. Before the start of t_3 the frequency difference shall be within the limit of the frequency error, given in table 1 in subclause 8.1.3. The result shall be recorded as frequency difference versus time.

8.6.3 Limits

Table 7: Base station transmitters

Transient time	Carrier frequency ≤ 300 MHz	Carrier frequency > 300 MHz	Maximum frequency deviation
t1	5 ms	10 ms	1,0 channel separation
t2	20 ms	25 ms	0,5 channel separation
t3	5 ms	10 ms	1,0 channel separation

NOTE: For pocket transmitters there is no limit.

9 Receiver requirements

9.1 Pocket paging receivers

9.1.1 Spurious emissions

9.1.1.1 Definition

Spurious emissions from receivers are any emissions radiated from the unit. They are specified as the radiated power of any discrete signal.

9.1.1.2 Method of measurement

On a test site fulfilling the requirements of subclause 7.4, the sample receiver shall be placed at the specified height on a non-conductive support and the receiver shall be switched on.

Radiation of any spurious component shall be detected by the test antenna and measuring receiver over the frequency range 25 MHz - 4 GHz.

At each frequency at which a component is detected:

- 1) the receiver under test shall be rotated through 360° until the maximum signal is detected on the measuring receiver;
- 2) the test antenna shall be raised or lowered through the specified height range until the maximum signal is received.

NOTE: This maximum may be lower than the value obtainable at heights outside the specified limits.

Steps 1) and 2) shall be repeated to ensure that the direction of maximum field-strength is found. After that a substitution method shall be carried out to precisely define the power of the spectral component.

The measurements shall be repeated with the test antenna in the orthogonal polarization plane.

9.1.1.3 Limits

The power of any spurious component in the specified range of frequencies shall not exceed:

- 2 nW below 1 GHz; and
- 20 nW above 1 GHz.

9.2 Base station receivers

9.2.1 Measured sensitivity for analogue speech

9.2.1.1 Definition

The measured sensitivity for analogue speech of the receiver is the minimum level of signal at the nominal frequency of the receiver which produces, through a psophometric weighting network, a (Signal + Noise And Distortion) / (Noise + Distortion) ratio (SINAD) ratio of 20 dB.

9.2.1.2 Method of measurement

A signal generator shall be connected to the receiver input. The signal generator shall be at the nominal frequency and modulated with the test modulation A-M1 (see subclause 7.1.1) and the amplitude shall be adjusted until a weighted SINAD ratio of 20 dB is obtained.

The test signal input level under these conditions is the value of the measured sensitivity for analogue speech.

The measurement shall be repeated under extreme test conditions.

9.2.1.3 Limits

The measured sensitivity values shall not exceed +6 dB μ V emf under normal conditions, and +12 dB μ V emf under extreme test conditions.

9.2.2 Measured sensitivity for messages

9.2.2.1 Definition

The measured sensitivity for messages of the receiver is the minimum level of signal at the nominal frequency of the receiver which produces, after demodulation, a message acceptance ratio of 80 %.

9.2.2.2 Method of measurement

- a) A signal generator shall be connected to the receiver input. The signal generator shall be at the nominal frequency and modulated with the test signal D-M3 (see subclause 7.1.2).
- b) The amplitude of the signal generator shall be adjusted until a successful message response rate of 10 % is obtained.
- c) The test signal shall be applied repeatedly whilst observing in each case whether or not a successful response is obtained. The input level shall be increased by 2 dB for each occasion that a successful response is not obtained. The procedure shall be continued until three consecutive successful responses are observed. The level of the input signal shall be recorded.
- d) The input signal level shall be reduced by 1 dB and the new value recorded. The test signal shall then be continuously repeated. In each case, if a response is not obtained, the input level shall be increased by 1 dB and the new value recorded. If a successful response is obtained, the input level shall not be changed until three consecutive successful responses have been observed. In this case the input level shall be reduced by 1 dB and the new value recorded. No input signal levels shall be recorded unless preceded by a change in level. The measurement shall be stopped after a total of 10 values has been recorded.
- e) The measured sensitivity for messages is the average of the values recorded in steps c) and d). This value shall be recorded.
- f) The measurement shall be repeated under extreme test conditions.

9.2.2.3 Limits

The measured sensitivity value shall not exceed +3 dB μ V emf under normal test conditions, and +9 dB μ V emf under extreme test conditions.

9.2.3 Co-channel rejection for analogue speech

9.2.3.1 Definition

The co-channel rejection for analogue speech is a measure of the capability of the receiver to receive a wanted modulated signal at the nominal frequency without exceeding a given degradation due to the presence of an unwanted modulated signal, also at the nominal frequency.

It is specified as the ratio in dB of the level of the unwanted signal to the specified wanted signal level at the receiver input, which produces through a psophometric weighting network a SINAD ratio of 14 dB.

9.2.3.2 Method of measurement

Two signal generators, A and B, shall be connected to the receiver input via a combining network. The wanted signal, represented by generator A, shall be at the nominal frequency and modulated with the test signal A-M1. The signal level of generator A shall be 0 dB μ V at the receiver input under normal test conditions.

The unwanted signal, represented by generator B, shall also be at the nominal frequency and modulated with the test signal A-M3 (see subclause 7.1.1) and adjusted until the SINAD ratio of 14 dB is obtained.

The co-channel ratio for analogue speech shall be recorded as the ratio in dB of the level of the unwanted signal to the level of the wanted signal at the receiver input.

9.2.3.3 Limits

The co-channel rejection ratio shall be between:

- -8 dB and 0 dB for a channel separation of 20 kHz and 25 kHz;
- -12 dB and 0 dB for a channel separation of 10 kHz and 12,5 kHz.

9.2.4 Co-channel rejection for messages

9.2.4.1 Definition

The co-channel rejection for messages is a measure of the capability of the receiver to receive a wanted modulated signal at the nominal frequency without exceeding a given degradation due to the presence of an unwanted modulated signal, also at the nominal frequency.

It is specified as the ratio in dB of the level of the unwanted signal to the specified wanted signal level at the receiver input, for which the message acceptance ratio is 80 %.

9.2.4.2 Method of measurement

- a) Two signal generators, A and B, shall be connected to the receiver input via a combining network. The wanted signal, represented by generator A, shall be at the nominal frequency and modulated with test signal D-M3 (see subclause 7.1.2). The signal level of generator A shall be 0 dB μ V at the receiver input under normal test conditions.
- b) The unwanted signal, represented by generator B, shall also be at the nominal frequency and modulated with the test signal A-M3 (see subclause 7.1.1) and adjusted until a successful message ratio of less than 10 % is obtained.
- c) The level of the unwanted signal shall be reduced by 2 dB for each occasion that a successful response is not observed. The procedure shall be continued until three consecutive successful responses are observed. The level of the input signal shall then be recorded.

- d) The unwanted input signal shall then be increased by 1 dB and the new value recorded. The wanted signal, as determined in c) above, shall then be continuously repeated. In each case if a response is not obtained the level of the unwanted signal shall be reduced by 1 dB and the new value recorded. If a successful response is obtained, the level of the unwanted signal shall not be changed until three consecutive responses have been obtained. In this case the unwanted signal shall be increased by 1 dB and the new value recorded. No levels of the unwanted signal shall be recorded unless preceded by a change in level. The measurement shall be stopped after a total of 10 values have been recorded.
- e) The co-channel rejection ratio for messages shall be recorded as the ratio in dB of the average of the levels of the unwanted signal recorded in steps c) and d) to the level of the wanted signal, at the receiver input.

9.2.4.3 Limits

The co-channel rejection ratio shall be between:

- -8 dB and 0 dB for a channel separation of 20 kHz and 25 kHz;
- -12 dB and 0 dB for a channel separation of 10 kHz and 12,5 kHz.

9.2.5 Adjacent channel selectivity for analogue speech

9.2.5.1 Definition

The adjacent channel selectivity for analogue speech is a measure of the capability of the receiver to receive a wanted modulated signal at the nominal frequency without exceeding a given degradation due to the presence of an unwanted modulated signal which differs in frequency from the wanted signal by an amount equal to the adjacent channel separation for which the equipment is intended.

It is specified as the lower value of the ratios in dB, for the upper and lower adjacent channels, of the level of the unwanted signal to a specified level of the wanted signal which produces through a psophometric weighting network a SINAD ratio of 14 dB.

9.2.5.2 Method of measurement

Two signal generators, A and B, shall be connected to the receiver input via a combining network. The wanted signal, represented by generator A, shall be at the nominal frequency and modulated with the test signal A-M1 (see subclause 7.1.1). The signal level of generator A shall be 0 dB μ V at the receiver input under normal test conditions and +6 dB μ V at the receiver input under extreme test conditions.

The unwanted modulated signal, represented by generator B and modulated with the test signal A-M3 (see subclause 7.1.1) shall be at the channel frequency immediately above that of the wanted signal.

The level of generator B shall be adjusted until the SINAD ratio of 14 dB is obtained. The ratio in dB of the level of the unwanted signal to the level of the wanted signal at the receiver input shall be recorded.

The measurement shall be repeated with an unwanted signal at the frequency of the channel below that of the wanted signal and the ratio in dB of the level of the unwanted signal to the level of the wanted signal at the receiver input shall be recorded.

The measurement shall be repeated under extreme test conditions using the relevant value of the wanted signal.

9.2.5.3 Limits

The lower value of the ratio in dB of the upper and lower adjacent channels shall, for different channel separations, not be less than the value given in table 8.

Table 8

Conditions	Channel spacing	
	10/12,5 kHz	20 /25 kHz
normal	60 dB	70 dB
extreme	50 dB	60 dB

9.2.6 Adjacent channel selectivity for messages

9.2.6.1 Definition

The adjacent channel selectivity for messages is a measure of the capability of the receiver to receive a wanted modulated signal at the nominal frequency without exceeding a given degradation due to the presence of an unwanted modulated signal which differs in frequency from the wanted signal by an amount equal to the adjacent channel separation for which the equipment is intended.

It is specified as the lower value of the ratios in dB for the upper and lower adjacent channels of the level of the unwanted signal to a specified level of the wanted signal, for which the message acceptance rate is 80 %.

9.2.6.2 Method of measurement

- a) Two signal generators, A and B, shall be connected to the receiver input via a combining network. The wanted signal, represented by generator A, shall be at the nominal frequency and modulated with the test signal D-M3 (see subclause 7.1.2). The signal level of generator A shall be 0 dB μ V at the receiver input under normal test conditions and +6 dB μ V at the receiver input under extreme test conditions.
- b) The unwanted signal, modulated by the test signal A-M3 (see subclause 7.1.1) and represented by generator B, shall be at the channel frequency immediately above that of the wanted signal. The level of generator B shall be adjusted until a successful message ratio of less than 10 % is obtained.
- c) The level of the unwanted signal shall be reduced by 2 dB for each occasion that a successful response is not observed. The procedure shall be continued until three consecutive successful responses are observed. The level of the input signal shall then be recorded.
- d) The unwanted input signal shall then be increased by 1 dB and the new value recorded. The wanted signal, as determined in c) above, shall then be continuously repeated. In each case a response is not obtained the level of the unwanted signal shall be reduced by 1 dB and the new value recorded. If a successful response is obtained, the level of the unwanted signal shall not be changed until three consecutive successful responses have been obtained. In this case the unwanted signal shall be increased by 1 dB and the new value recorded. No levels of the unwanted signal shall be recorded unless preceded by a change in level. The measurement shall be stopped after a total of 10 values have been recorded.
- e) The measurement shall be repeated with the unwanted signal at the frequency of the channel below that of the wanted signal.
- f) The adjacent channel selectivity for messages shall be recorded for the upper and lower adjacent channels as the average of the levels of the unwanted signal, recorded in steps c) and d), to the level of the wanted input signal.

9.2.6.3 Limits

The lower value of the ratio in dB of the upper and lower adjacent channels shall, for different channel separations, not be less than the value given in table 9.

Table 9

Conditions	Channel spacing	
	10/12,5 kHz	20 /25 kHz
normal	60 dB	70 dB
extreme	50 dB	60 dB

9.2.7 Spurious response immunity for analogue speech

9.2.7.1 Definition

The spurious response immunity for analogue speech is a measure of the capability of the receiver to receive a wanted modulated signal at the nominal frequency without exceeding a given degradation due to the presence of an unwanted modulated signal at any other frequency, that differs from the wanted signal by more than one channel separation, and at which a response is obtained.

It is specified as the value of the ratio in dB of the level of the unwanted signal to a specified level of the wanted signal which produces, through a psophometric weighting network, a SINAD ratio of 14 dB.

9.2.7.2 Method of measurement

Two signal generators, A and B, shall be connected to the receiver input via a combining network. The wanted signal, represented by generator A, shall be at the nominal frequency and modulated with the normal test signal A-M1 (see subclause 7.1.1). The signal level of generator A shall be 0 dB μ V at the receiver input.

The level of the unwanted signal, modulated by the test signal A-M3 (see subclause 7.1.1) and represented by generator B, shall be adjusted to 80 dB above the level of the wanted signal, when measured at the receiver input. The frequency of the unwanted signal shall than be varied over the frequency range 100 kHz to 2 GHz plus other frequencies within the full specified frequency range at which it is calculated that a spurious response could occur. The frequencies of all responses shall be noted.

At any frequency where a response is obtained, the unwanted modulated signal level shall be adjusted until a SINAD ratio of 14 dB is obtained. The spurious response immunity shall be recorded for the frequency concerned as the ratio in dB between the unwanted modulated signal and the wanted signal at the receiver input.

9.2.7.3 Limit

The spurious response immunity for analogue speech shall not be less than 70 dB.

9.2.8 Spurious response immunity for messages

9.2.8.1 Definition

The spurious response immunity for messages is a measure of the capability of the receiver to receive a wanted signal at the nominal frequency without exceeding a given degradation due to the presence of an unwanted modulated signal at any other frequency, that differs from the wanted signal by more than one channel separation, and at which a response is obtained.

It is specified as the value of the ratios in dB of the level of the unwanted signal to a specified level of the wanted signal, for which the message acceptance rate is 80 %.

9.2.8.2 Method of measurement

- a) Two signal generators, A and B, shall be connected to the receiver input via a combining network. The wanted signal, represented by generator A, shall be at the nominal frequency and modulated with the test signal D-M3 (see subclause 7.1.2). The signal level of generator A shall be adjusted to 0 dB μ V, measured at the receiver input.
- b) The frequency of the unwanted signal, modulated by the test signal A-M3 (see subclause 7.1.1) and represented by generator B, shall be adjusted to a frequency within the specified frequency range at which it is calculated that a spurious response could occur. The level of the unwanted modulated signal shall be adjusted until a successful message ratio of less than 10 % is obtained.
- c) The level of the unwanted signal shall be reduced by 2 dB for each occasion that a successful response is not observed. The procedure shall be continued until three consecutive successful responses are observed. The level of the input signal shall then be recorded.
- d) The unwanted input signal shall then be increased by 1 dB and the new value recorded. The wanted signal shall then be continuously repeated. In each case a response is not obtained the level of the unwanted signal shall be reduced by 1 dB and the new value recorded. If a successful response is obtained, the level of the unwanted signal shall not be changed until three consecutive successful responses have been obtained. In this case the unwanted signal shall be increased by 1 dB and the new value recorded. No levels of the unwanted signal shall be recorded unless preceded by a change in level. The measurement shall be stopped after a total of 10 values has been recorded.
- e) The measurement shall be repeated at each frequency within the specified frequency range at which it is calculated that a spurious response could occur.
- f) The spurious response immunity for messages shall be recorded for the frequency concerned as the ratio in dB of the average of the levels of the unwanted signal recorded in steps c) and d) to the level of the wanted signal at the receiver input.

9.2.8.3 Limit

The spurious response immunity for messages shall not be less than 70 dB.

9.2.9 Intermodulation immunity for analogue speech

9.2.9.1 Definition

The intermodulation immunity for analogue speech is a measure of the capability of the receiver to receive a wanted signal at the nominal frequency without exceeding a given degradation due to the presence of two or more unwanted signals with a special frequency relationship to the wanted signal frequency.

It is specified as the ratio in dB of the common level of two unwanted signals to a specified level of the wanted signal, at the receiver input, which produces through a psophometric weighting network a SINAD ratio of 14 dB.

9.2.9.2 Method of measurement

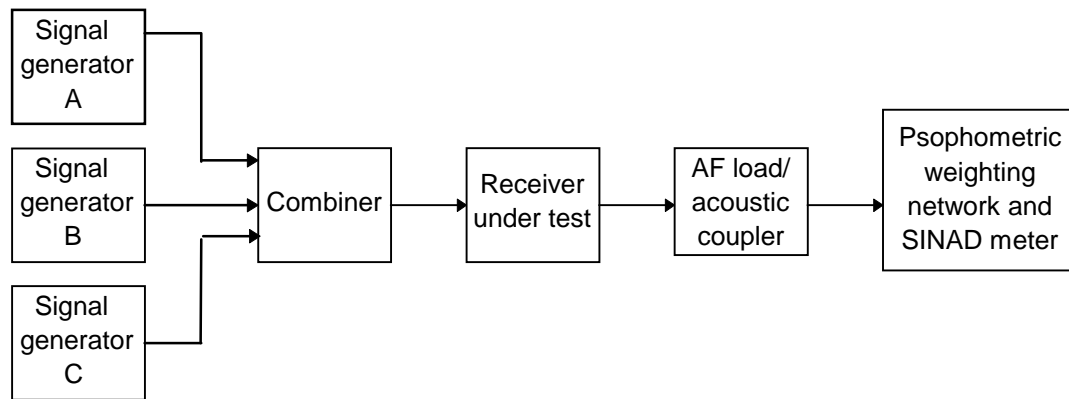


Figure 10: Measuring arrangement

Three signal generators, A, B and C, shall be connected to the receiver input via a combining network. The wanted signal, represented by generator A, shall be at the nominal frequency and modulated with the normal test signal A-M1 (see subclause 7.1.1). The signal level of generator A shall be 0 dB μ V at the receiver input.

The unwanted signal, represented by generator B, shall be unmodulated and adjusted to the frequency 50 kHz above the nominal frequency. The second unwanted signal, modulated by the test signal A-M3 (see subclause 7.1.1) and represented by signal generator C, shall be adjusted to a frequency 100 kHz above the nominal frequency.

The amplitude level of the two unwanted signals shall be maintained equal and shall be adjusted until a SINAD ratio of 14 dB is obtained. This level shall be recorded. The frequency of signal generator B shall be adjusted to produce the maximum degradation of the SINAD ratio. The level of the two unwanted signals shall be readjusted to restore the SINAD ratio of 14 dB. This level shall be recorded.

The intermodulation immunity for analogue speech shall be recorded as the ratio in dB of the level of the unwanted signals to the level of the wanted signal.

The measurements shall be repeated with the unwanted signal (generator B) at a frequency 50 kHz below the nominal frequency of the receiver and the frequency of the unwanted modulated signal (generator C) at the frequency 100 kHz below the nominal frequency.

9.2.9.3 Limit

The intermodulation immunity shall not be less than 60 dB.

9.2.10 Intermodulation immunity for messages

9.2.10.1 Definition

The intermodulation immunity for messages is a measure of the capability of the receiver to receive a wanted signal at the nominal frequency without exceeding a given degradation due to the presence of two or more unwanted signals with a special frequency relationship to the wanted signal frequency.

It is specified as the ratio in dB of the common level of the two unwanted signals to a specified level of the wanted signal, at the receiver input, for which the message acceptance ratio is 80 %.

9.2.10.2 Method of measurement

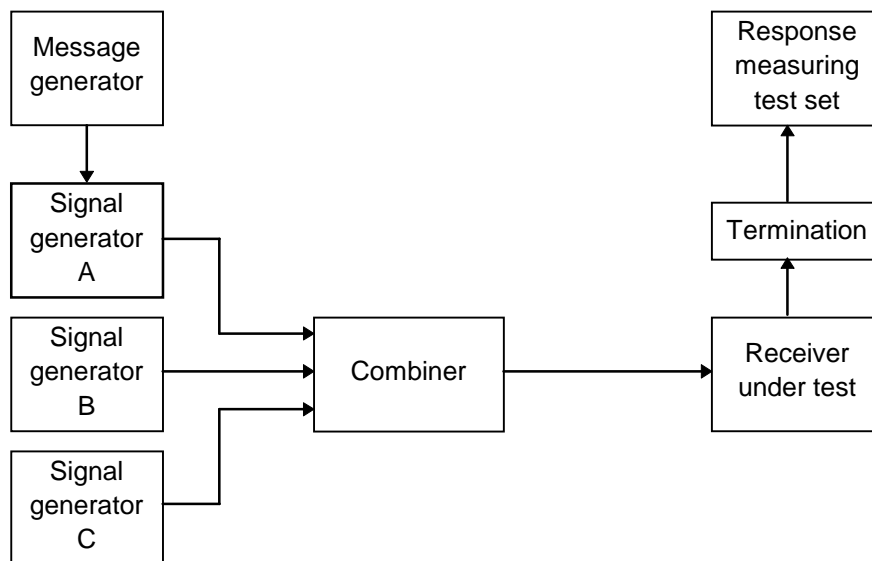


Figure 11: Measuring arrangement

- a) Three signal generators, A, B and C, shall be connected to the receiver input via a combining network. The wanted signal, represented by generator A, shall be at the nominal frequency and modulated by the test signal D-M3 (see subclause 7.1.2).

The signal level of generator A shall be 0 dB μ V at the receiver input.

- b) The unwanted signal, represented by generator B, shall be unmodulated and adjusted to the frequency 50 kHz above the nominal frequency. The second unwanted signal, modulated by the test signal A-M3 (see subclause 7.1.1) and represented by signal generator C, shall be adjusted to a frequency 100 kHz above the nominal frequency.
- c) The wanted signal shall then be transmitted repeatedly and signal generators B and C shall be switched on. The output levels of the two signal generators shall be maintained equal and adjusted to a value such that a successful message ratio of less than 10 % is obtained.
- d) The levels of the unwanted signals shall be reduced by 2 dB for each occasion that a successful response is not observed. The procedure shall be continued until three consecutive successful responses are observed. The level of the input signal shall then be recorded.
- e) The unwanted input signals shall then be increased by 1 dB and the new value recorded. The wanted signal shall then be continuously repeated. In each case a response is not obtained the level of the unwanted signal shall be reduced by 1 dB and the new value recorded. If a successful response is obtained, the level of the unwanted signal shall not be changed until three consecutive successful responses have been obtained. In this case the unwanted signals shall be increased by 1 dB and the new value recorded. No levels of the unwanted signal shall be recorded unless preceded by a change in level. The measurement shall be stopped after a total of 10 values has been recorded.
- f) The intermodulation immunity for messages shall be recorded as the ratio in dB of the average of the levels of the unwanted signals recorded in steps d) and e) to the level of the wanted input signal.
- g) The measurements shall be repeated with the unwanted signal (generator B) at a frequency 50 kHz below that of the wanted signal and the frequency of the unwanted modulated signal (generator C) at a frequency 100 kHz below that of the wanted signal.

9.2.10.3 Limit

The intermodulation immunity shall not be less than 60 dB.

9.2.11 Blocking immunity or desensitisation for analogue speech

9.2.11.1 Definition

The blocking immunity or desensitisation for analogue speech is a measure of the capability of the receiver to receive a wanted modulated signal at the nominal frequency without exceeding a given degradation due to the presence of an unwanted unmodulated high input signal, which is not a direct spurious frequency of the receiver under test.

It is specified as the ratio in dB of the level of the unwanted signal to a specified level of the wanted signal which produces through a psophometric weighting network a SINAD ratio of 14 dB (blocking immunity) or a power reduction of 3 dB in the receiver audio output power (desensitisation).

9.2.11.2 Method of measurement

The measuring arrangement shown in figure 10 shall be used.

Two signal generators, A and B, shall be connected to the receiver input via a combining network. The wanted signal, represented by generator A, shall be at the nominal frequency and modulated by the test signal AM-1 (see subclause 7.1.1). The signal level of generator A shall be 0 dB μ V at the receiver input.

The unwanted signal, represented by generator B, shall be at least 1 MHz away from the nominal frequency and the level shall be increased until a reduction of the receiver audio output power or a reduction of the SINAD ratio is observed.

The level shall be kept constant and the frequency of the unwanted signal shall be varied over the range +1 MHz to +10 MHz and -1 MHz to -10 MHz relative to the nominal frequency of the receiver. The frequency at which the greatest degradation occurs shall be noted, ensuring that it is not a spurious frequency response.

The level of the unwanted signal shall then be adjusted to give:

- a reduction of 3 dB in the receiver audio output power; or
- a reduction to 14 dB SINAD ratio at the receiver audio output, whichever occurs first.

This level shall be recorded.

The blocking ratio or desensitisation for analogue speech shall be recorded as the ratio in dB between the level of the unwanted signal to the level of the wanted signal, at the receiver input.

9.2.11.3 Limit

The blocking immunity shall not be less than 70 dB.

9.2.12 Blocking immunity or desensitisation for messages

9.2.12.1 Definition

The blocking immunity or desensitisation for messages is a measure of the capability of the receiver to receive a wanted modulated signal at the nominal frequency without exceeding a given degradation due to the presence of an unwanted unmodulated high input signal, which is not a direct spurious frequency of the receiver under test.

It is specified as the ratio in dB of the level of the unwanted signal to a specified level of the wanted signal at the receiver input for which the message acceptance ratio is 80 %.

9.2.12.2 Method of measurement

The measuring arrangement shown in figure 10 shall be used.

- a) Two signal generators A and B shall be connected to the receiver input via a combining network. The wanted signal, represented by signal generator A, shall be at the nominal frequency of the receiver and shall have test modulation D-M3.

Initially the unwanted signal, represented by the signal generator B, shall be switched off and the amplitude of signal generator A shall be adjusted to +6 dB μ V when measured at the receiver input.

- b) The wanted signal shall then be transmitted repeatedly and signal generator B shall be switched on. The unwanted signal shall be unmodulated and its frequency shall be selected in the range +1 MHz \pm 10 % relative to the nominal frequency of the receiver. This frequency shall be one at which no spurious response occur. This level shall be adjusted until a successful message ratio of less than 10 % is obtained.
- c) The level of the unwanted signal shall be reduced by 2 dB for each occasion that a successful response is not observed. The procedure shall be continued until three consecutive successful responses are observed. The level of the input signal shall then be recorded.
- d) The unwanted input signal shall then be increased by 1 dB and the new value recorded. The wanted signal shall then be continuously repeated. In each case a response is not obtained the level of the unwanted signal shall be reduced by 1 dB and the new value recorded. If a successful response is obtained, the level of the unwanted signal shall not be changed until three consecutive successful responses have been obtained. In this case the unwanted signals shall be increased by 1 dB and the new value recorded. No levels of the unwanted signal shall be recorded unless preceded by a change in level. The measurement shall be stopped after a total of 10 values have been recorded.
- e) The measurements shall be repeated at a frequency of the unwanted signal selected in the range -1,0 MHz \pm 10 % relative to the nominal frequency of the receiver.
- f) The blocking level for messages is recorded as the lower value of the ratios in dB, of the two measurements above, of the average of the levels of the unwanted signal recorded in steps c) and d) to the level of the wanted signal.

9.2.12.3 Limit

The blocking immunity shall not be less than 70 dB.

9.2.13 Spurious emissions

9.2.13.1 Definition

Spurious emissions are discrete radio frequency signals conveyed from the antenna socket by conduction or radiated by the receiver.

They are specified as the power level of any discrete signal measured by the measuring device within the specified frequency range.

9.2.13.2 Method of measurement

9.2.13.2.1 Conducted spurious components

The receiver input terminals shall be connected to a measuring receiver having an input impedance of 50 Ω and the receiver under test shall be switched on.

The frequency of the measuring receiver shall be adjusted over the specified frequency range of 9 kHz to 4 GHz. The frequency and the absolute power level of each of the spurious components found shall be recorded.

The measuring receiver used shall have sufficient dynamic range and sensitivity to achieve the required measurement accuracy at the specified limit.

9.2.13.2 Radiated spurious components

On a test site, fulfilling the requirements of subclause 7.4, the sample shall be placed at the specified height on the support. The receiver shall be switched on.

The radiation of any spurious components shall be detected by the test antenna and receiver over the frequency range of 25 MHz to 4 GHz.

At each frequency at which a component is detected, the sample shall be rotated to obtain maximum response and the effective radiated power of that component determined by a substitution measurement.

The measurements shall be repeated with the test antenna in the orthogonal plane.

9.2.13.3 Limits

The power of any spurious component shall not exceed:

- 2 nW in the range 9 kHz to 1 GHz; and
- 20 nW in the range 1 GHz to 4 GHz.

10 Inductive loop systems

Inductive loop systems are systems using frequencies in the VLF and LF range to transfer information to the pocket receivers. A typical antenna used in these systems is a loop formed by a wire(s) within or around the building or area to be covered.

10.1 Additional definitions for inductive systems

categories of emission: All classes of constant envelope modulation by code and speech are allowed, as well as multi-carrier systems.

loop frequency band: The frequency range between 16 kHz and 146 kHz.

artificial load: A non-reactive non-radiating load equal to the nominal load specified by the manufacturer.

test antenna: An electrically screened loop or equivalent antenna, with which the magnetic component of the field can be measured.

10.2 General

10.2.1 Presentation of inductive loop paging equipment for testing purposes

Each equipment submitted for type testing shall fulfil the requirements of this ETS on the loop frequency range in which it is intended to operate.

10.2.2 Choice of model for type testing

The manufacturer shall provide one or more production models of equipment, as appropriate, for type testing.

10.2.3 Multi-carrier loop equipment

10.2.3.1 Loop receivers

Full tests shall be carried out on a sample of which one channel is aligned to a frequency with 5 % of the lowest operating frequency and another channel is aligned to a frequency within 5 % of the highest operating frequency.

10.2.3.2 Loop transmitters

Full tests shall be carried out on a number of transmitters needed to cover the full operating frequency range.

10.2.4 Single (modulated) carrier loop equipment

10.2.4.1 Definition of alignment range

The manufacturer shall, when submitting equipment for test, state the alignment range for the receiver and the transmitter.

The alignment range is defined as the frequency range over which the receiver and the transmitter can be programmed and/or realigned to operate, without any physical change of components other than programmable read only memories or crystals (for the receiver and the transmitter). For the purpose of all measurements the receiver and transmitter shall be considered separately.

10.2.4.2 Definition of the categories of the alignment range (AR1 and AR2)

Category AR1 corresponds to a limit of the alignment range of the receiver and transmitter which is less than 20 % of the highest frequency of the alignment range.

Category AR2 corresponds to a limit of the alignment range of the receiver and transmitter which is greater than 20 % of the highest frequency of the alignment range.

10.2.4.3 Choice of frequencies

The frequencies for testing shall be chosen by the manufacturer in accordance with subclauses 10.2.4.4 and 10.2.4.5.

10.2.4.4 Testing of equipment of category AR1

Full tests shall be carried out on a channel within 5 % of the highest frequency of the alignment range of one samples of the equipment.

10.2.4.5 Testing of equipment of category AR2

Full tests shall be carried out on three samples of the equipment, each sample aligned to a different channel.

The frequency of the channel of:

- the first sample shall be within 5 % of the lowest frequency of the alignment range;
- the second sample shall be within 5 % of the centre frequency of the alignment range;
- the third sample shall be within 5 % of the highest frequency of the alignment range.

10.3 Loop transmitter requirements

10.3.1 Transmitter carrier power

10.3.1.1 Definition

The carrier power of the loop transmitter or amplifier is defined as the mean power delivered to an artificial load under specified conditions of measurements, in the absence of modulation.

10.3.1.2 Measuring method

The transmitter shall be connected to an artificial load according to subclause 10.1 and the power delivered to this artificial load shall be measured. The measurements shall be made under normal test conditions and extreme test conditions (extreme temperature and supply voltage simultaneously, see subclauses 6.2 and 6.3).

10.3.1.3 Limit

Maximum output power under normal and extreme test conditions shall not exceed 20 W.

10.3.2 Range of operating frequencies

The range of operating frequencies shall be stated by the manufacturer.

10.3.2.1 Limits

The lowest operating frequency shall be greater than or equal to $16 + F_e + F_b/2$ (in kHz).

The highest operating frequency shall be less than or equal to $146 - F_e - F_b/2$ (in kHz).

Where:

F_e = frequency error in kHz as determined in subclause 10.3.2.2;

F_b = modulation bandwidth in kHz as determined in subclause 10.3.2.3.

For multi-carrier (unmodulated) systems the modulation bandwidth is assumed to be zero.

10.3.2.2 Frequency error

10.3.2.2.1 Definition

The frequency error of the transmitter system is the difference between the measured unmodulated carrier and the nominal frequency declared by the manufacturer.

10.3.2.2.2 Measuring method

The transmitter shall be connected to an artificial load according to subclause 10.1. The measurement shall be made under normal test conditions and extreme test conditions (extreme temperature and supply voltage simultaneously, see subclauses 6.2 and 6.3). The carrier frequency shall be measured in the absence of modulation, for multi-carrier systems a single carrier shall be selected. If it is not possible to obtain an unmodulated carrier, the carrier frequency shall be measured as follows:

- the transmitter shall be set to continuously produce the carrier frequency representing the "space" condition and the carrier frequency shall be measured using a frequency counter;
- the measurement shall be repeated with the transmitter set to continuously produce the carrier frequency representing the "mark" condition;
- the unmodulated carrier frequency shall be obtained as the arithmetic mean of the two frequencies measured above.

10.3.2.2.3 Limits

The maximum frequency error shall be within ± 1 % of the nominal frequency.

The maximum frequency error measured shall be used to determine the range of operating frequencies (see subclause 10.3.2.1).

10.3.2.3 Modulation bandwidth

10.3.2.3.1 Definition

The modulation bandwidth of the transmitter is a measure for attenuation of the modulation products at a certain offset from the nominal carrier frequency under defined conditions of modulation.

10.3.2.3.2 Measuring method

The transmitter shall be operated at the carrier power determined in subclause 10.2.1 under normal test conditions. The signal to be measured shall be applied to the input of a measuring receiver at the appropriate level. The transmitter shall be modulated with normal test signal D-M3 according to subclause 7.1.2 with normal coded test signal at the input level specified by the manufacturer. The measuring receiver shall be adjusted to a bandwidth of 100 Hz and a frequency span that is appropriate to measure the bandwidth at which the power is -30 dB relative to the unmodulated carrier.

Additionally where the transmitter has a speech facility the test shall be repeated using normal test signal A-M1 according to subclause 7.1.1 but with the input level increased by 20 dB. The largest bandwidth measured shall be recorded.

10.3.2.3.3 Limit

No limit is specified, but the largest bandwidth measured shall be used to determine the range of operating frequencies (see subclause 10.3.2.1).

10.3.3 Spurious emissions

10.3.3.1 Definition

Spurious emissions are emissions at frequencies outside the loop frequency band as defined in subclause 10.1.

The level of spurious emissions shall be measured as:

- a) the power delivered to an artificial load;
- b) the field strength radiated by the cabinet and the structure of the transmitter.

10.3.3.2 Measuring methods

10.3.3.2.1 Method of measuring the power level

The unmodulated transmitter shall be connected through a "coupling device" to a measuring receiver. This "coupling device" shall or may have the following properties:

- 1) it shall provide a load to the loop which is equal to the nominal load specified by the manufacturer;
- 2) the load shall be configured to prevent ground loops;
- 3) it may include appropriate filters to provide overload protection for the measuring receiver.

The measurements shall be made over the frequency range of 9 kHz to 25 MHz, except the loop frequency band.

10.3.3.2.2 Method of measuring the field strength

On a suitable test site the transmitter shall be placed at a height of 1 m on a non-conducting support. The transmitter shall be placed in the attitude in which it is normally used. An artificial load according to subclause 10.1 shall be connected to the transmitter. A test antenna according to subclause 10.1 shall be placed at 3 m distance and 1 m height and a measuring receiver shall be connected to it. The transmitter shall be switched on, if possible without modulation. Radiation of any spurious emission shall be measured over the frequency range of 9 kHz to 25 MHz (except the loop frequency band). At each frequency at which a component is detected the transmitter shall be rotated through 360° in the horizontal plane until the maximum signal is detected on the measuring receiver.

10.3.3.2.3 Method of measuring spurious radiation above 25 MHz

For method of measuring the spurious radiation above 25 MHz see subclause 8.5.2.

10.3.3.3 Limits

a) Conducted emissions:

- 9 kHz - 16 kHz: 40 dB below carrier;
- 146 kHz - 1 MHz: $\leq 1 \mu\text{W}$;
- 1 MHz - 25 MHz: $\leq 250 \text{ nW}$.

b) Radiated emissions below 25 MHz:

- 9 kHz - 16 kHz: descending from 53 dB $\mu\text{A/m}$ to 48 dB $\mu\text{A/m}$;
- 146 kHz - 1 MHz: descending from 28,5 dB $\mu\text{A/m}$ to 12 dB $\mu\text{A/m}$;
- 1 MHz - 25 MHz: descending from 12 dB $\mu\text{A/m}$ to 2 dB $\mu\text{A/m}$.

The limit is decreasing linearly with the logarithm of the frequency. A graphical representation is given in annex D, figure D.1.

c) Radiated emissions above 25 MHz:

the measured values shall not exceed the limits for radiated emissions given in tables 5 and 6 in subclause 8.5.3.

10.4 Receiver requirements

10.4.1 Spurious emissions

10.4.1.1 Definition

Spurious emissions from receivers are emissions at frequencies outside the loop frequency band (see subclause 10.1), radiated from the chassis and case of the receiver. It is specified as the radiated power of a discrete signal.

10.4.1.2 Measuring method

a) For emissions below 25 MHz.

On a suitable test site the receiver shall be placed at a height of 1 m on a non-conducting support. The receiver shall be placed in the position in which it is normally used. The test antenna according to subclause 10.1 shall be placed at 3 m distance and 1 m height and a measuring receiver shall be connected to it.

The receiver shall be switched on. Radiation of any spurious emissions shall be measured over the frequency range of 9 kHz to 25 MHz (except the loop frequency band). At each frequency at which a component is detected the receiver shall be rotated through 360° in the horizontal plane until the maximum signal is detected on the measuring receiver.

b) For emissions above 25 MHz (see subclause 9.1.1.2).

10.4.1.3 Limits

The spurious components shall not exceed the following values at a distance of 3 m:

a) Radiated emissions below 25 MHz:

- 9 kHz - 16 kHz: descending from 41 dB $\mu\text{A/m}$ to 36 dB $\mu\text{A/m}$;
- 146 kHz - 1 MHz: descending from 16,5 dB $\mu\text{A/m}$ to 0 dB $\mu\text{A/m}$;

- 1 MHz - 25 MHz: descending from 0 dB μ A/m to -10 dB μ A/m.

The limit is decreasing linearly with the logarithm of the frequency.

A graphical representation is given in annex D, figure D.1.

- b) Radiated emissions above 25 MHz:

the measured values shall not exceed the limits given in subclause 9.1.1.3.

11 Measurement uncertainty

11.1 Absolute measurement uncertainties: maximum values

For the test methods according to this ETS the measuring uncertainty figures as published in ETR 028 [2] are valid to a confidence level of 95 %.

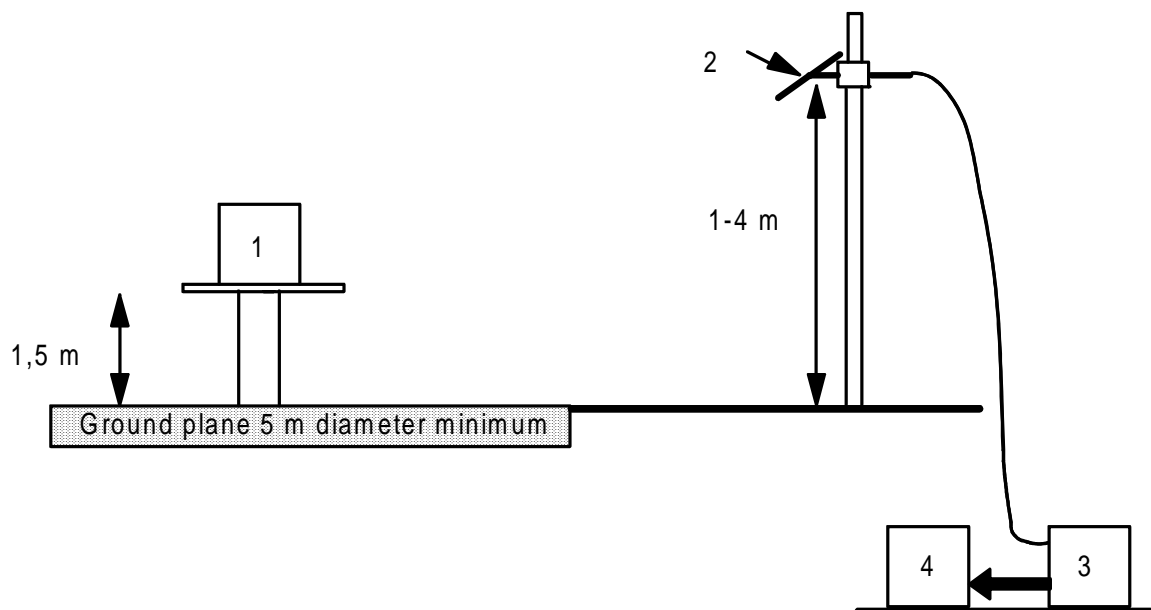
Annex A (normative): Radiated measurements

A.1 Test sites and general arrangements for measurements involving the use of radiated fields

A.1.1 Outdoor test site

The outdoor test site shall be on a reasonably level surface or ground. At one point on the site, a ground plane of at least 5 m diameter shall be provided. In the middle of this ground plane, a non-conducting support, capable of rotation through 360° in the horizontal plane, shall be used to support the test sample in its standard position, at 1,5 m above the ground plane. The test site shall be large enough to allow the erection of a measuring or transmitting antenna at a distance of $\lambda/2$ or 3 m whichever is the greater. The distance actually used shall be recorded with the results of the tests carried out on the site.

Sufficient precautions shall be taken to ensure that reflections from extraneous objects adjacent to the site do not degrade the measurements results.



- Key:
1. Equipment under test
 2. Test antenna
 3. High pass filter (may not be necessary)
 4. Spectrum analyser or measuring receiver

Figure A.1

A.1.1.1 Standard position

The standard position on all test sites, except for equipment which is intended to be worn on a person, shall be as follows:

- for equipment with an integral antenna; it shall be placed in the position closest to normal use as declared by the manufacturer;
- for equipment with a rigid external antenna; the antenna shall be vertical;
- for equipment with non-rigid external antenna, the antenna shall be extended vertically upwards by a non-conducting support.

A.1.2 Test antenna

The test antenna is used to detect the radiation from both the test sample and the substitution antenna, when the site is used for radiation measurements. Where necessary, it is used as a transmitting antenna, when the site is used for the measurement of receiver characteristics.

This antenna is mounted on a support such as to allow the antenna to be used in either horizontal or vertical polarization and for the height of its centre above ground to be varied over the range 1 m to 4 m. Preferably a test antenna with pronounced directivity should be used. The size of the test antenna along the measurement axis shall not exceed 20 % of the measuring distance.

For receiver and transmitter radiation measurements, the test antenna is connected to a measuring receiver, capable of being tuned to any frequency under investigation and of measuring accurately the relative levels of signals at its input. For receiver radiated sensitivity measurements the test antenna is connected to a signal generator.

A.1.3 Substitution antenna

When measuring in the frequency range up to 1 GHz the substitution antenna shall be a $\lambda/2$ dipole, resonant at the operating frequency, or a shortened dipole, calibrated to the $\lambda/2$ dipole. When measuring in the frequency range above 4 GHz a horn radiator shall be used. For measurements between 1 GHz and 4 GHz either a $\lambda/2$ dipole or a horn radiator may be used. The centre of this antenna shall coincide with the reference point of the test sample it has replaced. This reference point shall be the volume centre of the sample when its antenna is mounted inside the cabinet, or the point where an external antenna is connected to the cabinet.

The distance between the lower extremity of the dipole and the ground shall not be less than 0,3 m.

The substitution antenna shall be connected to a calibrated signal generator when the site is used for spurious radiation measurements and transmitter effective radiated power measurements. The substitution antenna shall be connected to a calibrated measuring receiver when the site is used for the measurement of receiver sensitivity.

The signal generator and the receiver shall operate at the frequencies under investigation and shall be connected to the antenna through suitable matching and balancing network

NOTE: The gain of a horn antenna is generally expressed relative to an isotropic radiator.

A.1.4 Optional additional indoor site

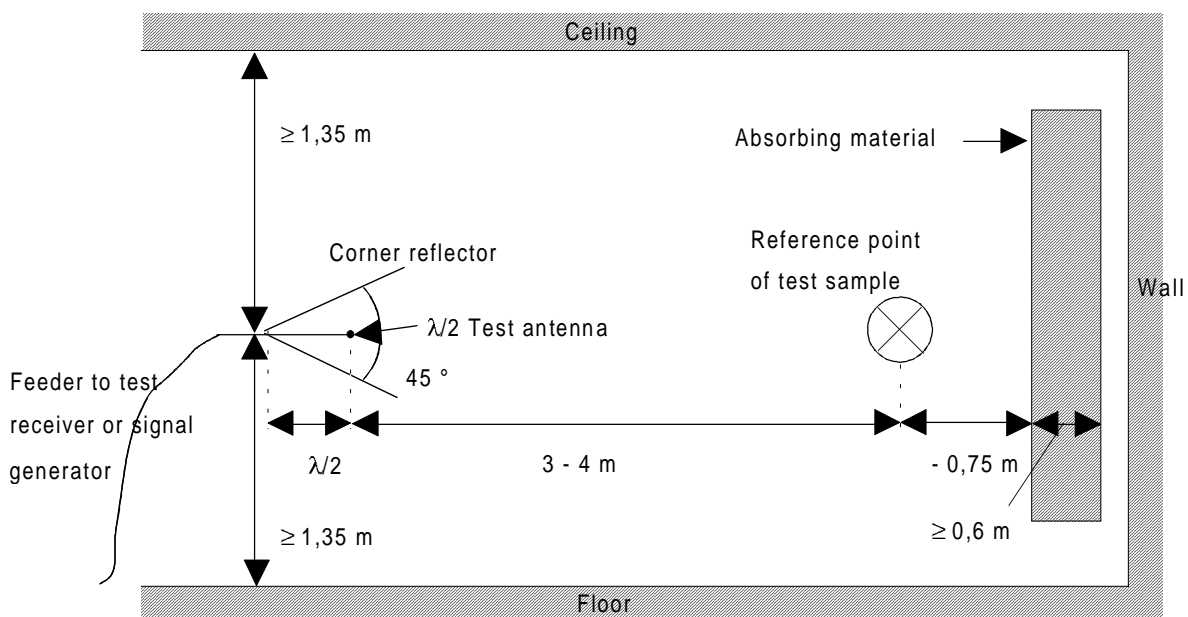


Figure A.2: Indoor site arrangement (shown for horizontal polarization)

When the frequency of the signals being measured is greater than 80 MHz, use may be made of an indoor test site. If this alternative site is used, this shall be recorded in the test report.

The measurement site may be a laboratory room with a minimum area of 6 m by 7 m and at least 2,7 m in height.

Apart from the measuring apparatus and the operator, the room shall be as free as possible from reflecting objects other than the walls, floor and ceiling.

The potential reflections from the wall behind the equipment under test are reduced by placing a barrier of absorbent material in front of it. The corner reflector around the test antenna is used to reduce the effect of reflections from the opposite wall and from the floor and ceiling, in the case of horizontally polarized measurements. Similarly, the corner reflector reduces the effects of reflections from the side walls for vertically polarized measurements. For the lower part of the frequency range (below approximately 175 MHz) no corner reflector or absorbent barrier is needed. For practical reasons, the $\lambda/2$ antenna in figure A.2 may be replaced by an antenna of constant length, provided that this length is between $\lambda/4$ and λ at the frequency of measurement, and the sensitivity of the measuring system is sufficient. In the same way the distance of $\lambda/2$ to the apex may be varied.

The test antenna, measuring receiver, substitution antenna and calibrated signal generator are used in a way similar to that of the general method. To ensure that errors are not caused by the propagation path approaching the point at which phase cancellation between the direct and the remaining reflected signals occurs, the substitution antenna shall be moved through a distance of $\pm 0,1$ m in the direction of the test antenna as well as in the two directions perpendicular to this first direction.

If these changes of distance cause a signal change of greater than 2 dB, the test sample should be resited until a change of less than 2 dB is obtained.

A.2 Guidance on the use of radiation test sites

For measurements involving the use of radiated fields, use may be made of a test site in conformity with the requirements of clause A.1 of this annex. When using such a test site, the following conditions should be observed to ensure consistency of measuring results.

A.2.1 Measuring distance

Evidence indicates that the measuring distance is not critical and does not significantly affect the measuring results, provided that the distance is not less than $\lambda/2$ at the frequency of measurement, and that the precautions described in this annex are observed. Measuring distances of 3 m, 5 m, 10 m and 30 m are in common use in European test laboratories.

A.2.2 Test antenna

Different types of test antenna may be used, since performing substitution measurements reduces the effect of the errors on the measuring results.

Height variation of the test antenna over a range of 1 m to 4 m is essential in order to find the point at which the radiation is a maximum.

Height variation of the test antenna may not be necessary at the lower frequencies below approximately 100 MHz.

A.2.3 Substitution antenna

Variations in the measuring results may occur with the use of different types of substitution antenna at the lower frequencies below approximately 80 MHz. Where a shortened dipole antenna is used at these frequencies, details of the type of antenna used should be included with the results of the tests carried out on the test site. Correction factors shall be taken into account when shortened dipole antennas are used.

A.2.4 Artificial antenna

The dimensions of the artificial antenna used during radiated measurements should be small in relation to the sample under test.

Where possible, a direct connection should be used between the artificial antenna and the test sample. In cases where it is necessary to use a connecting cable, precautions should be taken to reduce the radiation from this cable by, for example, the use of ferrite cores or double screened cables.

A.2.5 Auxiliary cables

The position of auxiliary cables (power supply and microphone cables etc.) which are not adequately decoupled, may cause variations in the measurement results. In order to get reproducible results, cables and wires of auxiliaries should be arranged vertically downwards (through a hole in the non conducting support).

A.3 Further optional alternative indoor test site using an anechoic chamber

For radiation measurements, when test frequency of the signals being measured is greater than 25 MHz, use may be made of an indoor test site being a well-shielded anechoic chamber simulating a free space environment. If such a chamber is used, this shall be recorded in the test report.

The test antenna, measuring receiver, substitution antenna and calibrated signal generator are used in a way similar to that of the general method, clause A.1. In the range 25 MHz to 100 MHz, some additional calibration may be necessary.

An example of a typical measurement site may be an electrically shielded anechoic chamber being 10 m long, 5 m broad and 5 m high. Walls and ceiling should be coated with RF absorbers of 1 m height. The base should be covered with absorbing material 1 m thick, and a wooden floor, able to carry test equipment and operators. A measuring distance of 3 m to 5 m in the long middle axis of the chamber can be used for measurements up to 12,75 GHz. The construction of the anechoic chamber is described in the following clauses.

A.3.1 Example of the construction of a shielded anechoic chamber

Free-field measurements can be simulated in a shielded measuring chamber where the walls are coated with RF absorbers. Figure A.3 shows the requirements for shielding loss and wall return loss of such a room. As dimensions and characteristics of usual absorber materials are critical below 100 MHz (height of absorbers less than 1 m, reflection attenuation < 20 dB) such a room is more suitable for measurements above 100 MHz. Figure A.4 shows the construction of an anechoic shielded measuring chamber having a base area of 5 m by 10 m and a height of 5 m.

Ceilings and walls are coated with pyramidal formed RF absorbers approximately 1 m high. The base is covered with absorbers which form a non-conducting sub-floor, or with special ground floor absorbers. The available internal dimensions of the room are 3 m × 8 m × 3 m, so that a maximum measuring distance of 5 m length in the middle axis of this room is available.

At 100 MHz the measuring distance can be extended up to a maximum of 2λ .

The floor absorbers reduce floor reflections so that the antenna height need not be changed and floor reflection influences need not be considered.

All measuring results can, therefore, be checked with simple calculations and the measurement uncertainties have the smallest possible values due to the simple measuring configuration.

A.3.2 Influence of parasitic reflections in anechoic chambers

For free-space propagation in the far field condition the correlation $E=E_0 (R_0/R)$ is valid for the dependence of the field strength E on the distance R , whereby E_0 is the reference field strength in the reference distance R_0 .

It is useful to use this correlation for comparison measurements, as all constants are eliminated with the ratio and neither cable attenuation, nor antenna mismatch, or antenna dimensions are of importance.

Deviations from the ideal curve can be seen easily if the logarithm of the above equation is used, because the ideal correlation of field strength and distance can then be shown as a straight line and the deviations occurring in practice are clearly visible. This indirect method shows the disturbances due to reflections more readily and is far less problematical than the direct measurement of reflection attenuation.

With an anechoic chamber of the dimensions suggested in clause A.3 at low frequencies up to 100 MHz, there are no far field conditions and therefore reflections are stronger so that careful calibration is necessary. In the medium frequency range from 100 MHz to 1 GHz the dependence of the field strength on the distance meets the expectations very well. In the frequency range of 1 GHz to 12,75 GHz, because more reflections will occur, the dependence of the field strength on the distance will not correlate so closely.

A.3.3 Calibration of the shielded RF anechoic chamber

Careful calibration of the chamber shall be performed over the range 25 MHz to 12,75 GHz.

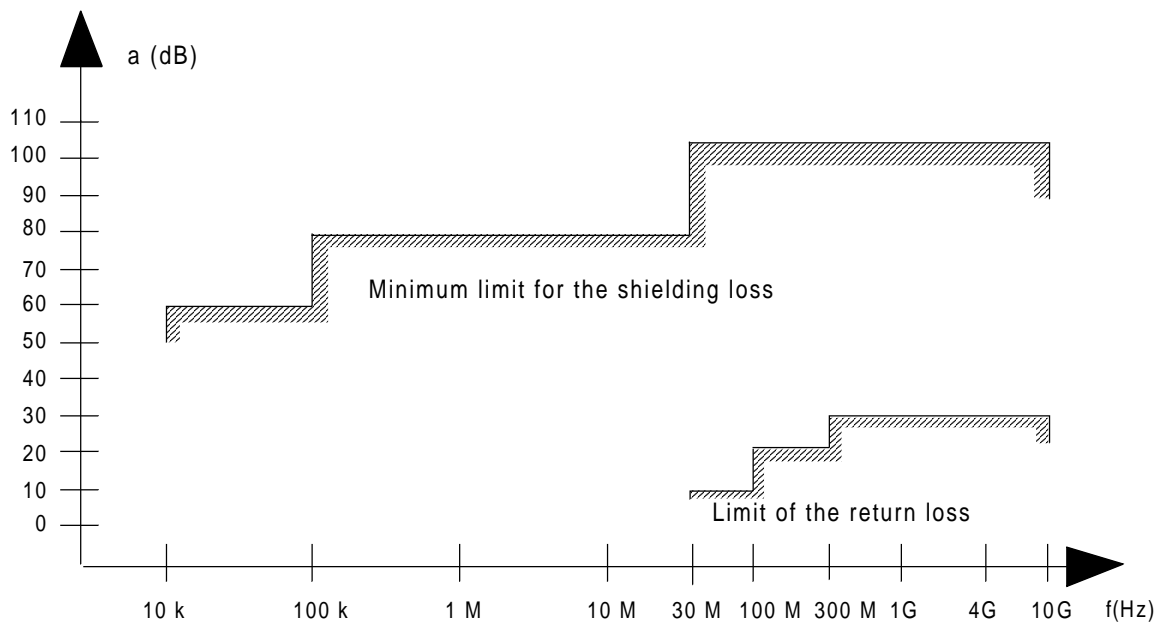
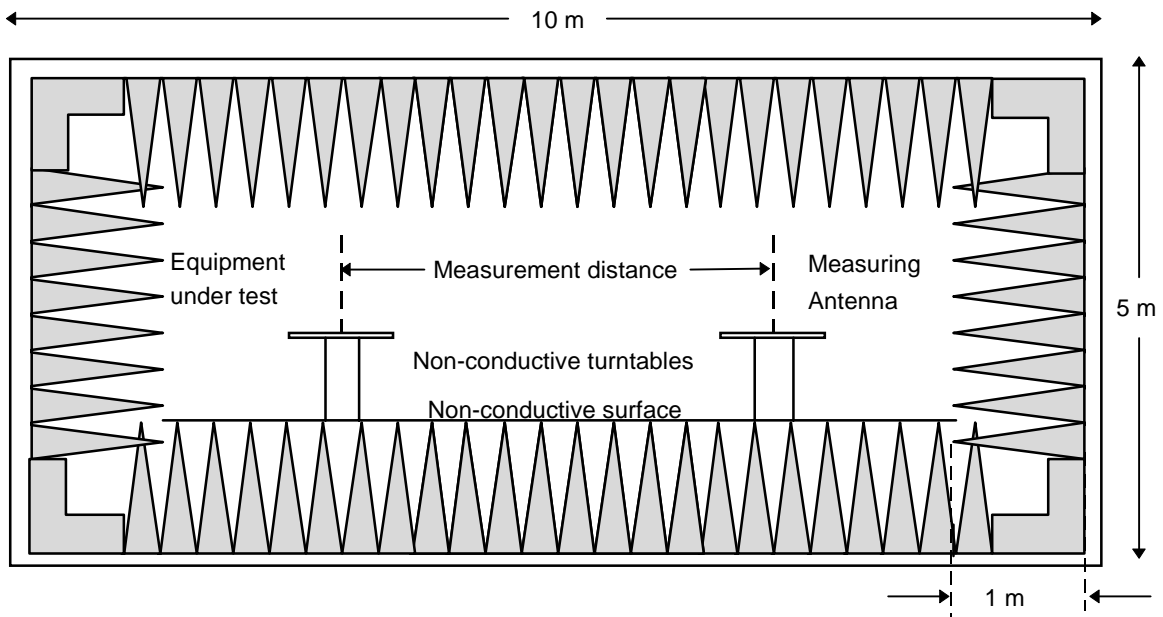


Figure A.3: Specifications for shielding and reflections



Ground plan

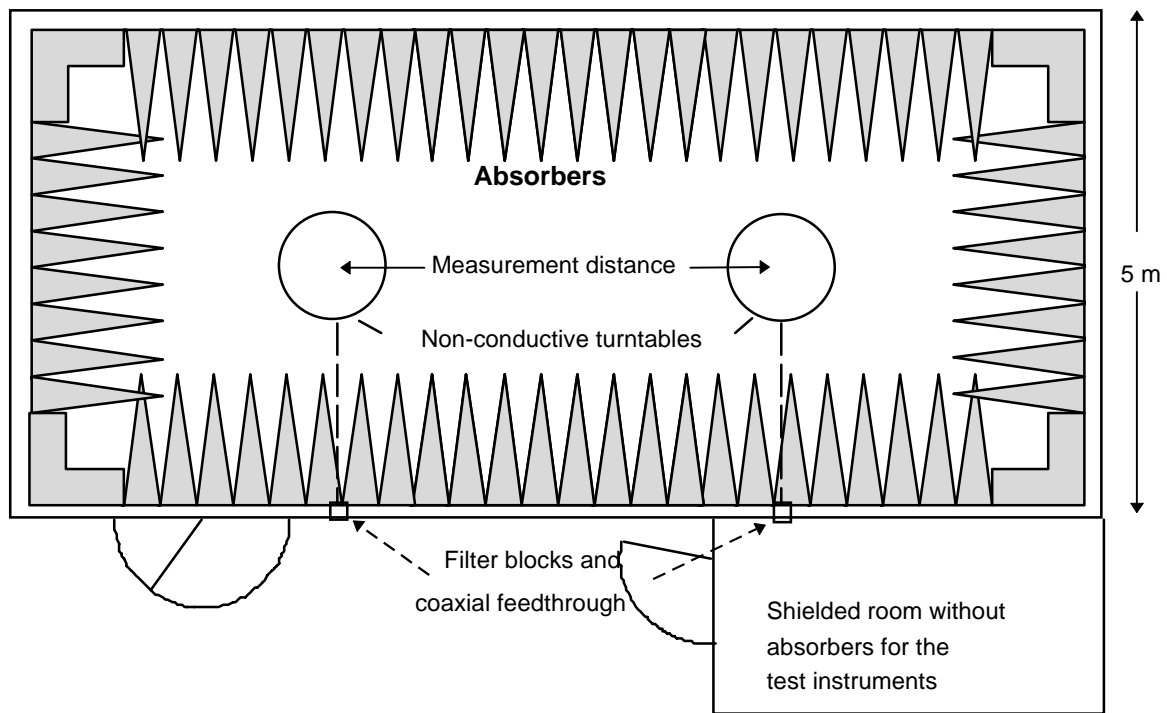


Figure A.4: Example of construction of an anechoic shielded chamber

Annex B (normative): Support for pocket equipment

This annex is not applicable for inductive loop systems.

For equipment operating at frequencies up to 50 MHz the support consists of a plastic tube, which is filled with salt water (9 grams NaCl per litre). The tube shall have a length of 1,5 m and an internal diameter of $10 \pm 0,5$ cm. The upper end of the tube is closed by a metal plate with a diameter of 15 cm, which is in contact with the water. To meet the requirements for equipment with a rigid outside antenna (the antenna has to be in a vertical position during the measurement) the metal plate shall, if necessary, be prepared in such a way that a second hinged metal plate of 10×15 cm can be fastened to its narrow side. It shall be possible to change the supporting point of the hinged metal plate as far as the centre. The position of the hinged metal plate shall be adjustable within 0° to 90° with respect to the lower metal plate.

The sample shall be fastened in such a way that:

- a) the centre of its largest area rests on the revolving metal plate; and
- b) this centre, for its part, is located above the centre of the lower metal plate by changing the supporting point of the revolving plate.

In the case of samples, whose largest area is smaller than $10 \text{ cm} \times 15 \text{ cm}$, the centre of the sample shall (deviating from point a) above) be so changed in its longitudinal axis, that the antenna base is at the edge outside the metal plate.

For equipment operating on frequencies above 50 MHz this support shall be non-conductive.

Annex C (normative): Specification of power measuring receiver

The power measuring receiver consists of a mixer, an IF filter, an oscillator, an amplifier, a variable attenuator and a rms value indicator. Instead of the variable attenuator with the rms value indicator it is also possible to use a dB-calibrated rms voltmeter.

The technical characteristics of the power measuring receiver are given in the following clauses.

C.1 IF filter

The IF filter shall be within the limits of the selectivity characteristic given in figure C.1.

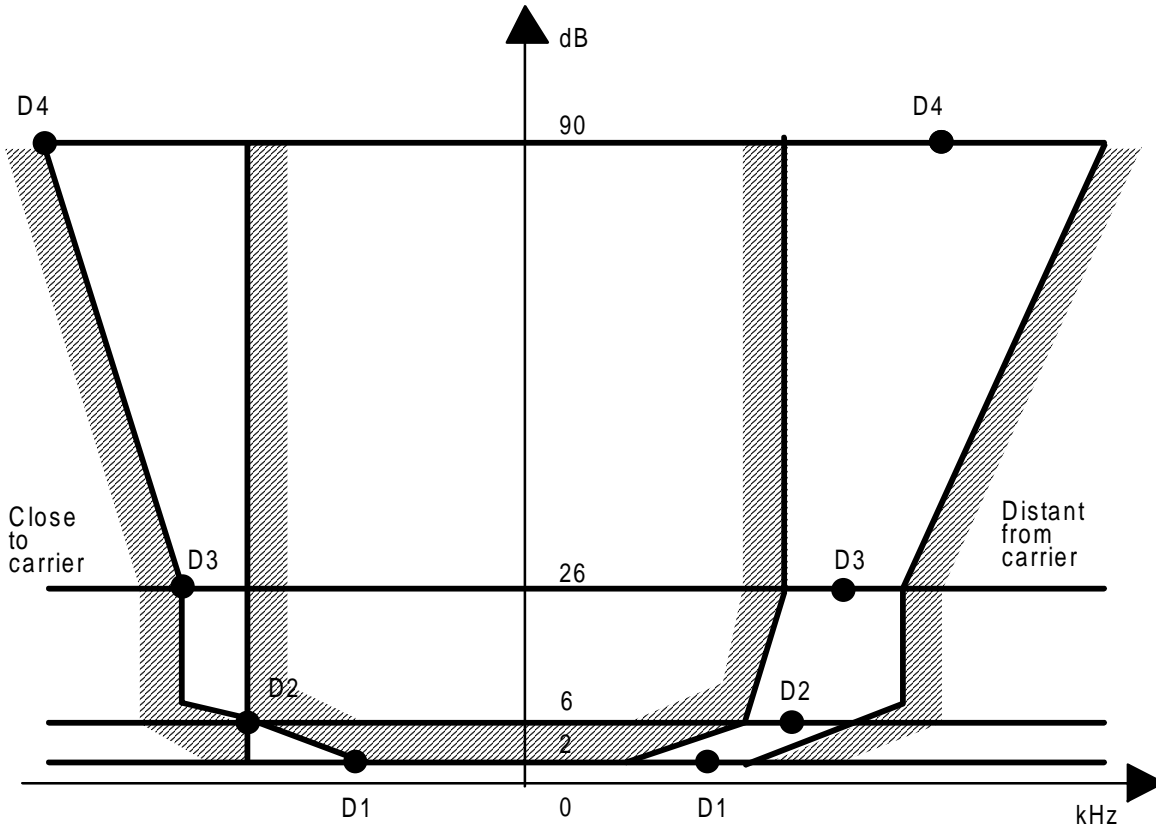


Figure C.1

The selectivity characteristic of the filter shall be defined by values of frequency separation given in table C.1.

Table C.1

Frequency separation of the filter curve from the nominal centre frequency of adjacent channel (kHz)				
Channel spacing	D1	D2	D3	D4
10/12,5 kHz	3	4,25	5,50	9,50
20 kHz	4	7,00	8,25	12,25
25 kHz	5	8,00	9,25	13,25

The attenuation points shall not exceed the tolerances given in tables C.2 and C.3.

Table C.2

Attenuation points close to carrier (kHz)				
Channel spacing	D1	D2	D3	D4
10/12,5 kHz	+1,35	±0,1	-1,35	-5,35
20 kHz	+3,10	±0,1	-1,35	-5,35
25 kHz	+3,10	±0,1	-1,35	-5,35

Table C.3

Attenuation points distant from carrier (kHz)				
Channel spacing	D1	D2	D3	D4
10/12,5 kHz	±2,0	±2,0	±2,0	+2,0 / 6,0
20 kHz	±3,0	±3,0	±3,0	+3,0 / -7,0
25 kHz	±3,5	±3,5	±3,5	+3,5 / -7,5

The minimum attenuation of the filter outside the 90 dB attenuation points shall be ≥ 90 dB.

C.2 Attenuation indicator

The attenuation indicator shall have a minimum range of 80 dB and a reading accuracy of 1 dB.

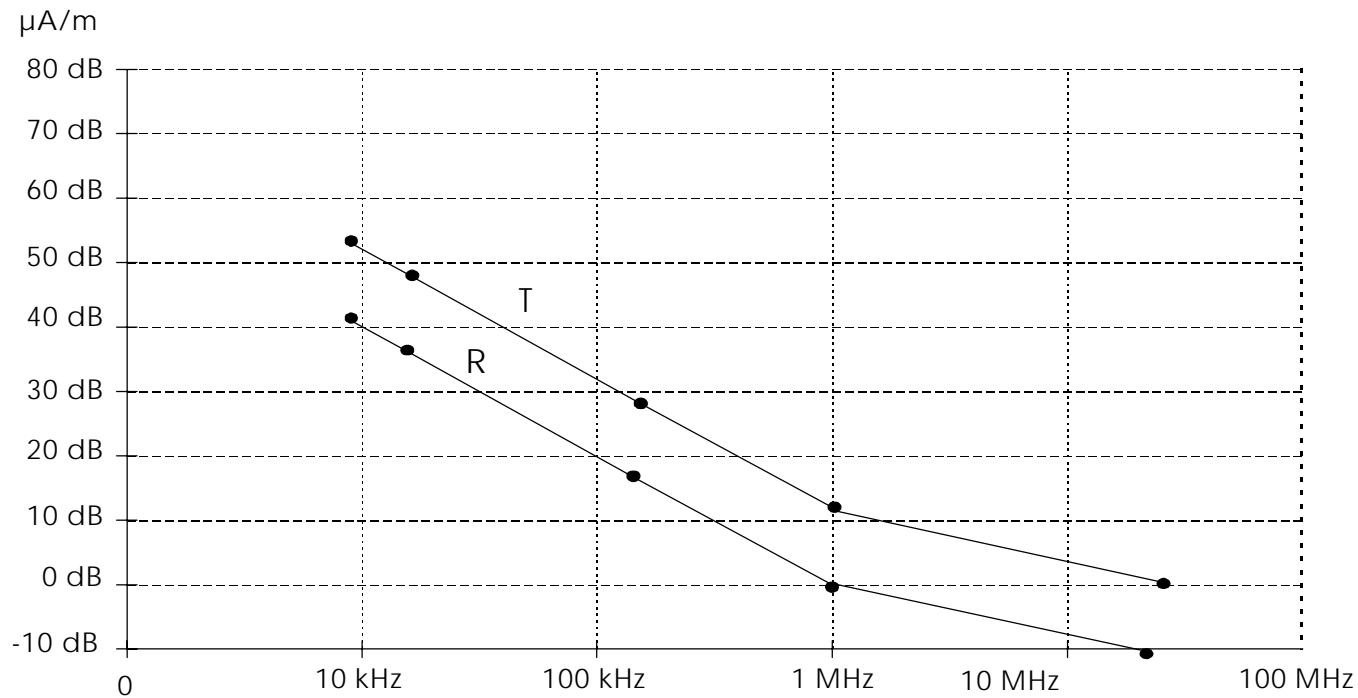
C.3 RMS value indicator

The instrument shall accurately indicate non-sinusoidal signals in a ratio of up to 10:1 between peak value and rms value.

C.4 Oscillator and amplifier

The oscillator and the amplifier shall be designed in such a way that the measurement of the adjacent channel power of a low noise unmodulated transmitter, whose self noise has a negligible influence on the measurement result, yields a measured value of ≤ -80 dB for 10 kHz and 12,5 kHz channel spacing ≤ -90 dB for 20 kHz and 25 kHz channel spacing, referred to the carrier of the oscillator.

Annex D (normative): Spurious radiation limits for loop systems



NOTE: T: spurious emissions limit for loop transmitters.
R: spurious emissions limit for loop receivers.

Figure D.1

Annex E (normative): Subclauses of this ETS relevant for compliance with the essential requirements of relevant EC Council Directives

Table E.1: Transmitters

Clause/subclause number and title		Corresponding article of Council Directive 89/336/EEC	Qualifying remarks
8.5	Spurious emissions	4(a)	

Table E.2: Pocket receivers

Clause/subclause number and title		Corresponding article of Council Directive 89/336/EEC	Qualifying remarks
9.1.1	Spurious emissions	4(a)	

Table E.3: Base station receivers

Clause/subclause number and title		Corresponding article of Council Directive 89/336/EEC	Qualifying remarks
9.2.7	Spurious response immunity for analogue speech	4(b)	
9.2.8	Spurious response immunity for messages	4(b)	
9.2.11	Blocking immunity or desensitisation for analogue speech	4(b)	
9.2.12	Blocking immunity or desensitisation for messages	4(a)	
9.2.13	Spurious emissions	4(a)	

Table E.4: Loop transmitters

Clause/subclause number and title		Corresponding article of Council Directive 89/336/EEC	Qualifying remarks
10.3.3	Spurious emissions	4(a)	

Table E.5: Loop receivers

Clause/subclause number and title		Corresponding article of Council Directive 89/336/EEC	Qualifying remarks
10.4.1	Spurious emissions	4(a)	

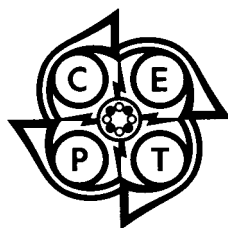
Annex F (normative): ERC Decision on the adoption of approval regulations based on this ETS

This annex contains the ERC Decision which references the technical specifications in this ETS for inclusion in national type approval regulations.

EUROPEAN RADIOCOMMUNICATIONS COMMITTEE

ERC Decision
of 1 November 1996
on the adoption of approval regulations for radio equipment
to be used for on-site paging systems, based on the
European Telecommunications Standard (ETS) 300 224

(ERC/DEC/(96)19)



EXPLANATORY MEMORANDUM

1. INTRODUCTION

The free movement of radiocommunications goods and the provision of Europe-wide services for radiocommunications are only achievable if there exist common regulations throughout Europe regarding availability of frequency bands, approval requirements and border crossing procedures. A basic requirement to fulfil these objectives is the Europe-wide implementation of national regulations based on the European Telecommunications Standards (ETSS) developed by the European Telecommunications Standards Institute (ETSI).

This Decision (ERC/DEC/(96)19) provides the necessary mechanism for CEPT Administrations to commit themselves to implement, within their national regimes, European Telecommunications Standard 300 224¹ and withdraw any conflicting national standard.

2. BACKGROUND

Both the ERC and ETSI are involved in the development of common regulations, as described in (1) above. The Memorandum of Understanding between ERC and ETSI explains the respective responsibilities of the two organisations and its annex describes the principles of co-operation. The ERC, for its part, should, *inter alia*, adopt Decisions on the introduction of ETSI standards into approval regimes.

ETS 300 224 has been prepared by the Radio Equipment and Systems (RES) Technical Committee of ETSI. The standard has undergone the ETSI standards approval procedure and is now published as an ETS. The ETS is based on and uses the limits established by CEPT Recommendation T/R 20-05.

The use of the frequency range (loop systems below 150 kHz and 25-470 MHz) covered by ETS 300 224 is not harmonised within CEPT. Administrations have adopted different arrangements, to meet national requirements, for frequency bands and channel separations (10, 12.5, 20 and 25 kHz). Further, the equipment used in this frequency range is subject to national licensing and frequency planning which requires specification of, *inter alia*, frequency of operation and equivalent isotropically radiated power (e.i.r.p.).

Nevertheless, there are a number of parameters, in particular those considered by the ERC as essential for spectrum management purposes², which can be harmonised by adopting within approval regulations the limit values and measurement methods provided in ETS 300 224.

3. REQUIREMENT FOR AN ERC DECISION

The allocation and assignment of radio frequencies and the complementary equipment approval regimes in CEPT Member countries are laid down by law, regulation or administrative action. The ERC recognises that for harmonised fixed and mobile radio services to be introduced successfully throughout Europe, manufacturers and operators must be given the confidence to make the necessary investment in the development and procurement of new systems. Commitment by CEPT Administrations to implement this ERC Decision will provide a clear indication that equipment conforming to approval regulations based on ETS 300 224 will have the benefit of a Europe-wide market.

¹ ETS 300 224: *"Radio Equipment and Systems (RES); On-site paging service; Technical and functional characteristics for on-site paging systems, including test methods" (Edition 1, 1994)*

² See Annex 1 of the Decision

**ERC Decision
of 1 November 1996**

**on the adoption of approval regulations for radio equipment to be used for on-site paging systems, based on the
European Telecommunications Standard (ETS) 300 224**

(ERC/DEC/(96)19)

The European Conference of Postal and Telecommunications Administrations,

considering:

- a) that CEPT has a long term objective to harmonise the use of frequencies and the related regulatory regimes;
- b) that such harmonisation will benefit administrations, manufacturers, operators and users;
- c) that ETSI has published ETS 300 224 for equipment to be used for on-site paging systems in the 25 MHz to 470 MHz frequency range, and loop systems below 150 kHz with channel separations of 10, 12.5, 20 and 25 kHz;
- d) that, for the foreseeable future, there will continue to be widespread use of on-site paging systems equipment having the technical characteristics described in (c) above;
- e) that, in accordance with the Memorandum of Understanding between ERC and ETSI, the ERC shall adopt ERC Decisions on the introduction of ETSI standards into approval regimes;
- f) that the use of radio equipment is subject to national licensing and frequency planning requirements, in particular for frequency of operation, and e.r.p.;
- g) that suitable transitional arrangements are given in CEPT Recommendation T/R 01-05.

DECIDES

1. to adopt, by 1 March 1997, approval regulations for on-site paging systems equipment operating in the frequency range of 25 MHz to 470 MHz with effective radiated carrier power levels of up to 5W for base transmitters and up to 0.05W for pocket transmitters, and loop systems below 150 kHz with output powers not exceeding 20 W, based on the limit values and measurement parameters contained in ETS 300 224, with the exclusion by national choice of those parameters which are subject to national licensing requirements³. A list of the spectrum management parameters to be included in approval regulations is given in Annex 1;
2. to withdraw any conflicting national approval regulation(s);
3. that CEPT Member Administrations shall communicate the national measures implementing this Decision to the ERC Chairman and the ERO when the Decision is nationally implemented.

³ Annex 2 is provided for information to show which options have been adopted by each administration in those cases where ETS 300 224 offers a choice.

ANNEX 1

Parameters to be included in approval regulations:

ETS 300 224	Section	Comments
Transmitter parameters (Section 8)		
Frequency error	8.1	
Carrier power	8.2	Subject to national licensing
Adjacent channel power	8.3	
Frequency deviation	8.4	
Spurious emissions	8.5	
Transmitter transient	8.6	
Base Receiver parameters (Section 9.1, 9.2)		
Sensitivity	9.2.1, 9.2.2	
Co-channel rejection	9.2.3, 9.2.4	
Adjacent channel selectivity	9.2.5, 9.2.6	
Spurious response	9.2.7, 9.2.8	
Intermodulation	9.2.9, 9.2.10	
Blocking	9.2.11, 9.2.12	
Spurious radiation (Base receiver)	9.2.13	
Spurious radiation (Pocket-receiver)	9.1	
Inductive Loop Transmitter parameters (Section 10) :		
Transmitter carrier power	10.3	Subject to national licensing
Range of operating frequencies: frequency limits/error	10.3.2	
Modulation bandwidth	10.3.2.3	
Transmitter spurious	10.3.3	
Inductive loop Receiver parameters (Section 10.4)		
Spurious radiation	10.4	

ANNEX 2

Adoption of ETS 300 224: National variations for channel spacing

Administration	Adoption of channel spacing options
Albania	
Andorra	
Austria	
Belgium	
Bosnia and Herzegovina	
Bulgaria	
Croatia	
Cyprus	
Czech Republic	
Denmark	
Estonia	
Finland	
France	
Germany	
Greece	
Hungary	1, 2
Iceland	
Ireland	
Italy	
Latvia	
Liechtenstein	
Lithuania	
Luxembourg	
Malta	
Moldova	
Monaco	
Netherlands	
Norway	
Poland	
Portugal	
Romania	
Russian Federation	
San Marino	
Slovak Republic	
Slovenia	
Spain	
Sweden	
Switzerland	
The Former Yugoslav Republic of Macedonia	
Turkey	
Ukraine	
United Kingdom	
Vatican City	

Key: channel spacing

- 1 = 10 kHz
- 2 = 12.5 kHz
- 3 = 20 kHz
- 4 = 25 kHz

European Radiocommunications Committee Decision

CEPT/ERC/DEC(96)19

on the adoption of approval regulations for radio equipment to be used for on-site paging systems, based on the European Telecommunications Standard (ETS) 300 224

As of 1 February 1997 the following CEPT Members have committed themselves to apply the terms of this Decision:

Austria
Croatia
Finland
Iceland
Ireland
Italy
Liechtenstein
Lithuania
Norway
Slovak Republic
Switzerland
United Kingdom

Annex G (informative): Detailed on-site description

G.1 Characteristic features

To distinguish on-site paging from other services (like wide area paging etc.) it is important to describe its characteristic features which, taken together, define on-site paging.

one channel system: All units in a system share only one narrow band frequency channel. The spectrum efficiency is mainly obtained by intelligent code signalling.

defined site coverage: The customer's site, independent of size, number of buildings, building structure etc., can get a defined coverage through a suitable combination of transmitters and antennas. Due to the unpredictable nature of radiation within buildings, the installation of almost every paging system is preceded by a site test.

real time system: In almost all situations where a person is paged, somebody else is waiting to make contact. Therefore the response time in an on-site paging system is typically a few seconds.

proprietary internal communication system: On-site paging systems are privately operated systems (normally linked to other telecommunication systems like telephones, intercoms etc.). This means that operating costs are traffic independent.

additional facilities: Call acknowledgement is sometimes important for a minor part of the users in a paging system. With a return channel a high degree of system integrity can be achieved. An on-site paging system consists of both fixed installed equipment and pocket equipment.

base station transmitting system: The transmitter system is the total number of base station transmitters all operating at the same frequency, to provide adequate coverage of a site.

pocket paging receiver: Receiver for selective coded signals with alerting device, display etc.

encoders: Equipment used to generate the coded signals.

System Interface(s): Different hardware modules to interface PBX's, computer systems etc. At least one unit of the two latter categories are a part of an on-site paging system to generate paging calls.

pocket transceiver: Paging receiver provided with transmitter for speech and/or signalling back to the base equipment, normally on a separate frequency.

base station receiver system: The base station receiver system is the total number of base station receivers needed for the reception of the signals from the pocket transceivers, forming part of the paging system. Transceivers and base receivers are optional equipment in a paging system.

antenna system: The antenna system is the electromagnetic power radiating system connected to the base station transmitter system.

call transmission time: The call transmission time is the time needed to output a signal (without the preambles and/or additional signals) to a particular receiver or group of receivers. Calls may be chained in a batch to call a number of receivers and to make full use of the battery saving system.

information transmission time: The time taken to transmit the data (information) directly associated with the call.

preamble time: The preamble time is the time needed to transmit the preamble.

speech time: The speech time is the time during which the audio channel from the base transmitter to the pocket receiver can be opened, after the transmission of a selective call.

system rest time: The system rest time is the time directly following a call or a batch of calls, during which the system may not be used to transmit another call or calls.

talk-back time: The talk-back time is the time during which the audio channel from a pocket transceiver to a base unit can be opened after the reception of a call from the base station.

talk-through time: The talk-through time is the time during which the talk-through channel can be opened.

An on-site paging system can be built of any combination of units in these categories. The numbers of units and combinations are restricted only by the need of the customer and the manufacturer's system solution. There are no limits in the use of these facilities. However, an excessive use of these features will be no justification for further spectrum allocation in the same system and site. In many installations the whole on-site paging system can be regarded as add-on system to existing communication equipment (PBX, Intercom, Nurse Call, Security Systems, etc.). generating a possible mobility to the user of the pocket units.

G.2 On-site paging users

Users of on-site paging systems can be found in all organizations where there is a need to reach ambulant people within the borders of the site. Today, typical on-site paging users are:

- hospitals;
- industry, both factory and administration;
- general administration; both private and public;
- hotel/department stores.

G.3 Spectrum efficiency

The usefulness of paging equipment depends to a large extent on the small size, the low weight and low battery consumption of the receivers. In meeting these requirements, it is not always possible to include all the circuitry that normally is necessary in radio systems working in very hostile radio environments. Instead, the pocket unit is designed to protect itself by other means, such as its inability to respond to any call other than the one addressed to it specifically. This code protection inherently protects it from adjacent channel signals and from almost all other emissions.

To a great extent, this protection extends to the co-channel condition in that the probability of a similar code being used on another nearby paging system is very low and it is this property that allows rapid re-use of a given channel and the consequent economy of frequency spectrum usage obtained by on-site paging systems.

Additionally, the level of the wanted signal on the own site or service area will be higher than signals from other sites. With even moderate protection in the radio frequency circuits, the unwanted emission would have to be excessively high to produce a response from the receiver. Thus a pager can operate in a very hostile radio environment.

In this way the use of a different code system by each manufacturer supports a more efficient use of the available frequency spectrum.

Annex H (informative): Bibliography

- CEPT Recommendation T/R 20-05: "Low power personal paging systems".
- ESPA publication 4.2.6: "On-site paging systems recommended requirements".
- ESPA publication 4.2.6.a: "On-site paging systems recommended requirements for loop systems".

History

Document history	
May 1994	First Edition
May 1997	Public Enquiry PE 9735: 1997-05-02 to 1997-08-29