



# CORRIGENDUM

**ETS 300 184**

September 1993

---

Source: ETSI TC-SPS

Reference: T/S 22-12

ICS: 33.080

**Key words:** ISDN, supplementary service

**This corrigendum modifies  
the European Telecommunication Standard ETS 300 184 (1993)**

**Integrated Services Digital Network (ISDN);  
Conference call, add-on (CONF) supplementary service  
Functional capabilities and information flows**

**ETSI**

European Telecommunications Standards Institute

**ETSI Secretariat**

**Postal address:** F-06921 Sophia Antipolis CEDEX - FRANCE

**Office address:** 650 Route des Lucioles - Sophia Antipolis - Valbonne - FRANCE

**X.400:** c=fr, a=atlas, p=etsi, s=secretariat - **Internet:** secretariat@etsi.fr

Tel.: +33 92 94 42 00 - Fax: +33 93 65 47 16

---

**Copyright Notification:** No part may be reproduced except as authorized by written permission. The copyright and the foregoing restriction extend to reproduction in all media.

© European Telecommunications Standards Institute 1993. All rights reserved.



**Foreword**

The SDL diagrams in ETS 300 184 were redrawn between adoption and publication. During this process, typing errors were accidentally introduced into some of the diagrams. This corrigendum corrects these inaccuracies.

**Amendments**

**Page 30, amendment to subclause 8.2, figure 13 (Sheet 5 of 12)**

Change relation "rb" to relation "ra" in the comment attached to the output signal "REATTACH resp.conf".

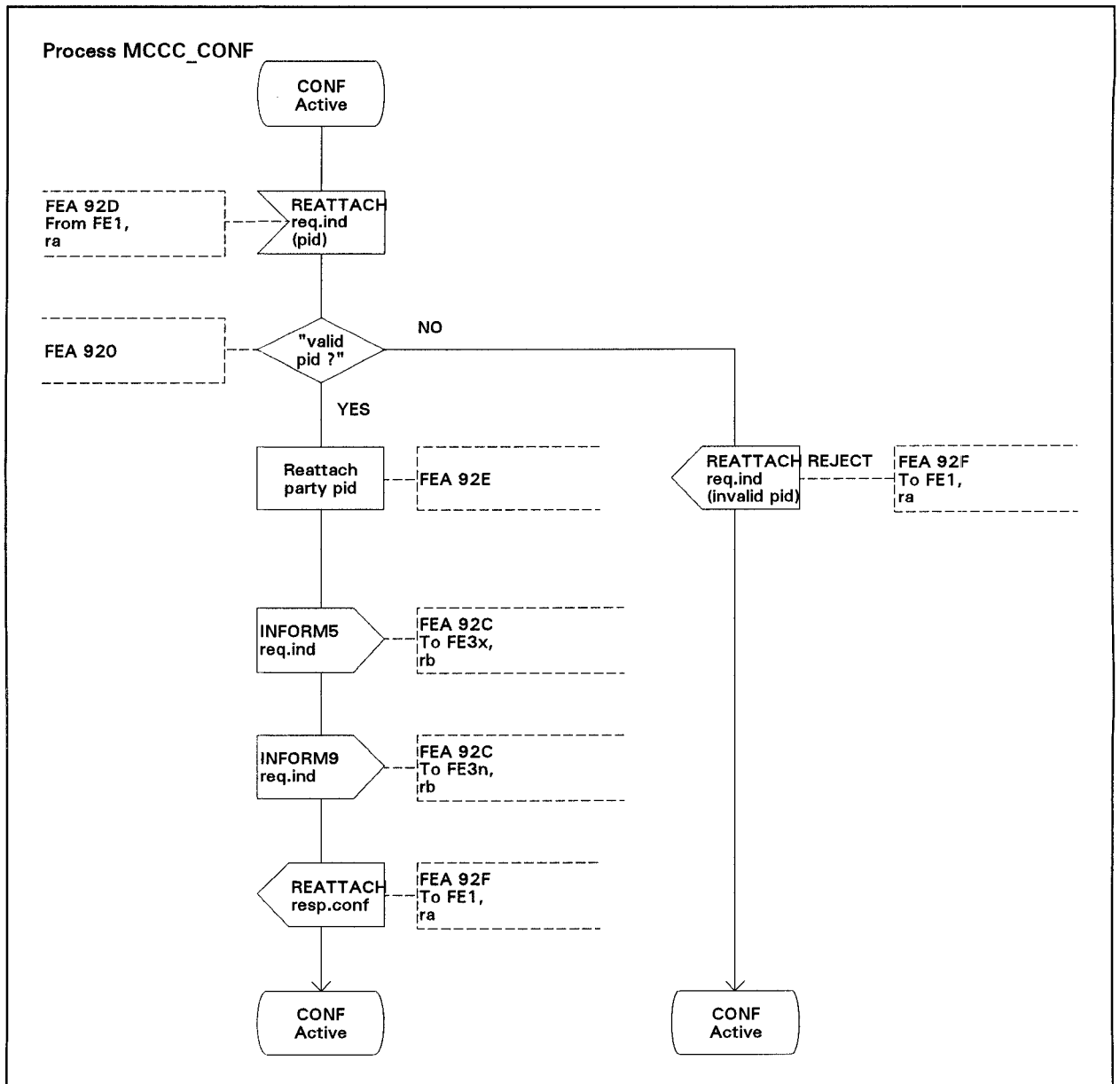


Figure 13 (Sheet 5 of 12)

Page 32, amendment to subclause 8.2, figure 13 (Sheet 7 of 12)

Change relation "rb" to relation "ra" in the comment attached to the output signal "DROP resp.conf".

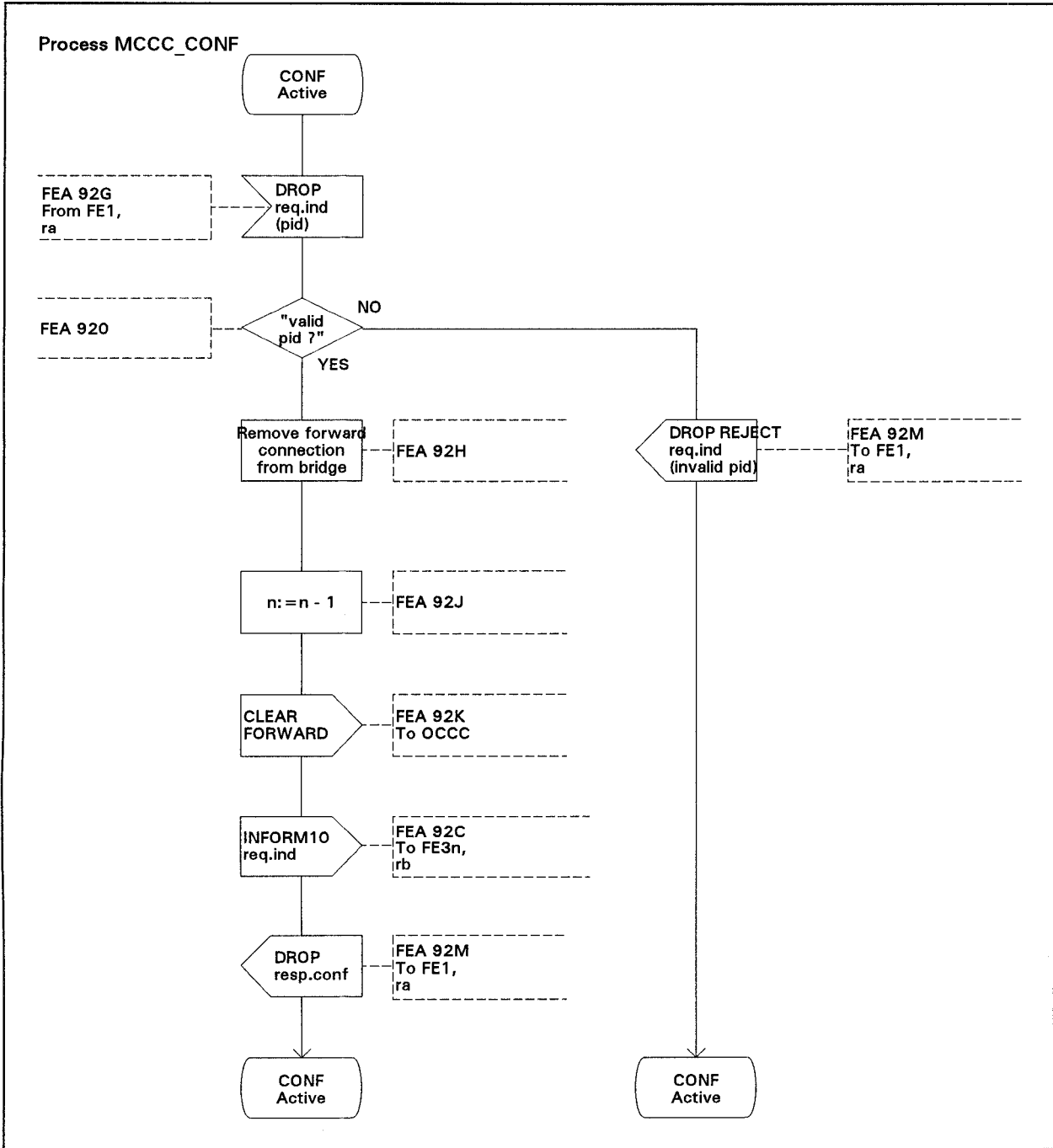


Figure 13 (Sheet 7 of 12)

**History**

<b>Document history</b>	
September 1993	Corrigendum to First Edition of ETS 300 184
March 1996	Converted into Adobe Acrobat Portable Document Format (PDF)