



AMENDMENT

ETS 300 174

A1

August 1997

Source: ETSI TC-NA

Reference: RE/NA-051106

ICS: 33.020

Key words: Coding, TV

**This amendment A1 modifies
the European Telecommunication Standard ETS 300 174 (1992)**

**Network Aspects (NA);
Digital coding of component television signals
for contribution quality applications
in the range 34 - 45 Mbit/s**

ETSI

European Telecommunications Standards Institute

ETSI Secretariat

Postal address: F-06921 Sophia Antipolis CEDEX - FRANCE

Office address: 650 Route des Lucioles - Sophia Antipolis - Valbonne - FRANCE

X.400: c=fr, a=atlas, p=etsi, s=secretariat - **Internet:** secretariat@etsi.fr

Tel.: +33 4 92 94 42 00 - Fax: +33 4 93 65 47 16

Copyright Notification: No part may be reproduced except as authorized by written permission. The copyright and the foregoing restriction extend to reproduction in all media.

© European Telecommunications Standards Institute 1997. All rights reserved.

Foreword

This amendment to ETS 300 174 (1992) has been produced by the Network Aspects (NA) Technical Committee of the European Telecommunications Standards Institute (ETSI).

| Transposition dates | |
|--|------------------|
| Date of adoption of this amendment: | 22 August 1997 |
| Date of latest announcement of this amendment (doa): | 30 November 1997 |
| Date of latest publication or endorsement of this amendment (dop/e): | 31 May 1998 |
| Date of withdrawal of any conflicting National Standard (dow): | 31 May 1998 |

Amendments

Page 33, amendment to subclause 8.1.2

Replace the SN_i by:

SN_i Stripe Number for the ith stripe 8 bits

range is from 0 to 71 {50 Hz system}:

0 to 35 {first field}
 36 to 71 {second field}
 the MSB is set to "0"

range is from 0 to 61 {60 Hz system}:

0 to 30 {first field}
 31 to 61 {second field}
 the two MSB's are set to "0"

Page 33, amendment to subclause 8.1.2

Replace CRC_i by:

CRC_i Cyclic Redundancy Code for the ith stripe 16 bits

(to be applied to all bits of the encoded stripe excluding SSW).

The generator polynomial is $1 + x^2 + x^{15} + x^{16}$

The CRC calculation registers are initialized to zero before the start of each stripe.

Page 34, amendment to subclause 8.1.3

Replace FS by:

| FS | Field sequence | Frame | Field | VA |
|---|----------------|-------|-------|----|
| | 000 | 1 | 1 | 1 |
| | 001 | 1 | 2 | 1 |
| | 010 | 2 | 3 | 0 |
| | 011 | 2 | 4 | 0 |
| | - | - | - | 1 |
| | - | - | - | 1 |
| | - | - | - | 0 |
| | 111 | 4 | 8 | 0 |
| NOTE: This table applies for PAL and SECAM. The VA information is applicable to PAL only. | | | | |

Page 34, amendment to subclause 8.1.3

Replace BA by:

BA Burst Amplitude (for PAL and NTSC only).

The peak to peak amplitude of the subcarrier burst is quantized as a CCIR Recommendation 601 luminance signal, with the MSB omitted.

Page 34, amendment to subclause 8.1.3

Replace SCP by:

SCP Subcarrier Phase (for PAL and NTSC only).

Instantaneous phase of the reference subcarrier at the field-synchronization datum respectively field start as defined in CCIR Report 624-3 [8], MSB first.

| | | | |
|--------|-----|---|---------------------|
| Scale: | 0 | = | $([360/256] * 0)$ |
| | 1 | = | $([360/256] * 1)$ |
| | ... | = | ... |
| | 255 | = | $([360/256] * 255)$ |

Page 40, amendment to subclause 9.2.4

Replace the first paragraph by:

The packets defined above (19 octets maximum) are transmitted within High-Level Data Link Control (HDLC) frames (see ISO Standard 3309-2 [11]) on the 8 kHz supervision channel provided by bit S of the container. In all packets LSB (bit 0) is sent first.

Page 43, amendment to subclause 9.3.4

Replace the first paragraph by:

Teletext messages are formed by the complete data unit specified for the system. For system B teletext in 525/60 systems, a dummy octet, set to zero, is added at the end of the data unit. The message length is therefore as shown in table 12. The first bit after the run-in sequence is MSB of the first octet of the data field.

Page 49, amendment to subclause 10.2.3, table 14

Replace in table 14; FRAME NUMBER 3, column m_3 by:

"1" if A' channel is 1544 Kbit/s (see note 3)

Page 53, amendment to subclause 11.1

Replace the sentence below Figure 18 by:

The initial value at the beginning of the first frame is:

LSB -> 001111101

Page 54, amendment to subclause 11.2

Replace K by:

K (6 bit) indicates the frames where S is a stuffing octet according to the $14 + J \cdot 15$ law with J having values between 0 and 45:

K = 111111 for frames 14, 29, 44, etc.;
K = 000000 for all other frames.

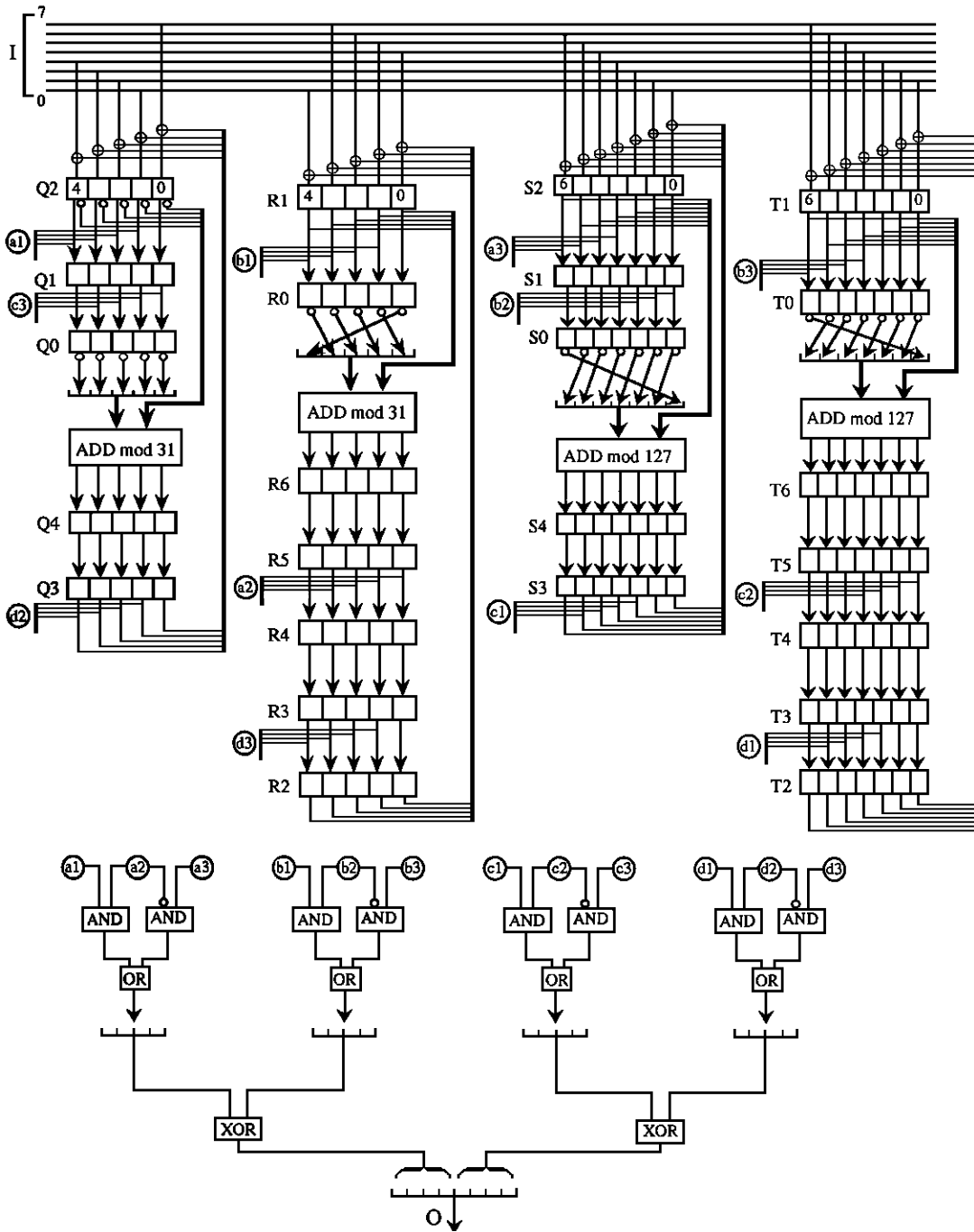
Page 59, amendment to subclause 12.2.2

Replace after the definition of function g X_{n+1} by:

$$\text{then } X_{n+1} = \begin{cases} Q1, Q2, Q3 \text{ (XOR) } QI, Q4, (16 \overline{Q2} + \overline{Q0}) \text{ mod } 31^* \\ R1, R2 \text{ (XOR) } RI, R3, R4, R5, R6, (R1 + 16 \overline{R0}) \text{ mod } 31^* \\ S1, S2, S3 \text{ (XOR) } SI, S4, (2 S2 + 2 \overline{S0}) \text{ mod } 127^* \\ T1, T2 \text{ (XOR) } TI, T3, T4, T5, T6, (2 T1 + 2 \overline{T0}) \text{ mod } 127^* \end{cases}$$

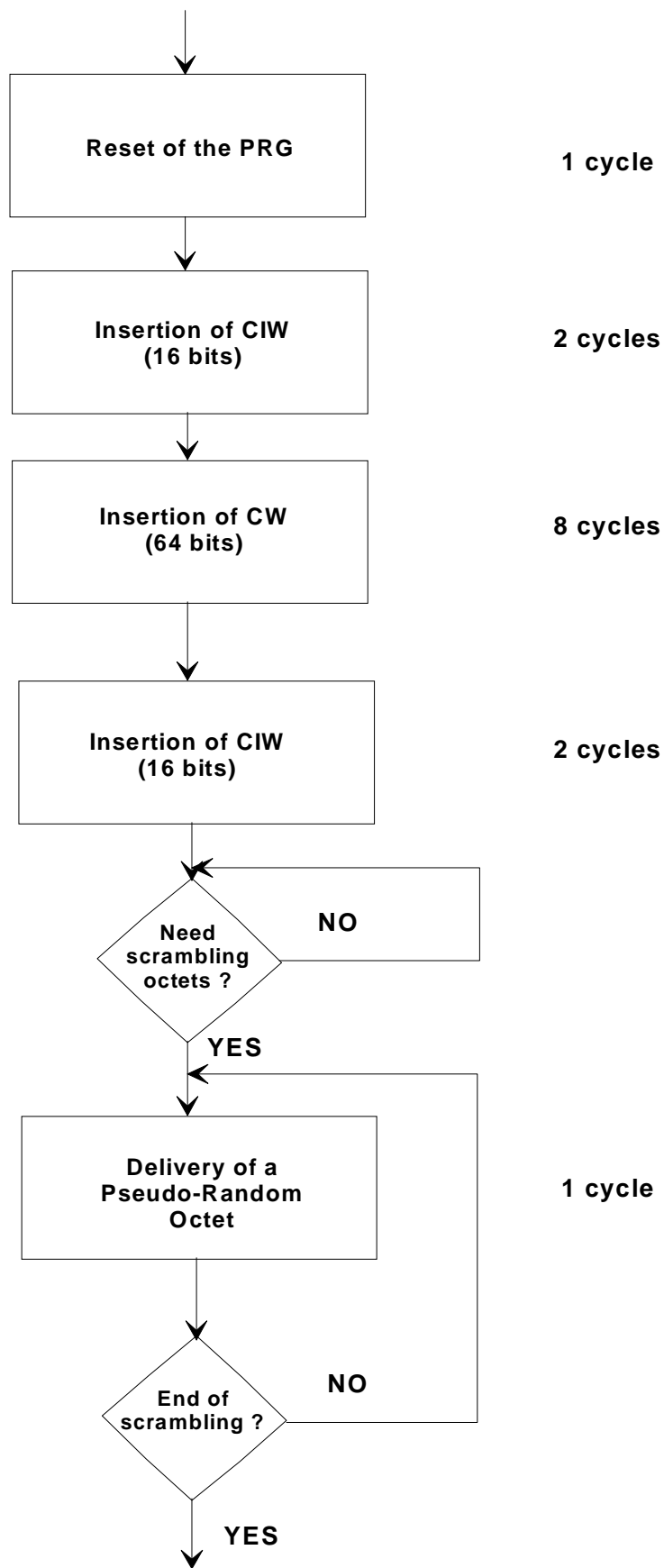
Page 60, amendment to subclause 12.2.2, figure 23

Replace figure 23 by:



Page 64, amendment to subclause 12.5

Replace the figure 26 by:



History

| Document history | |
|-------------------------|--|
| April 1997 | One-step Approval Procedure OAP 9733: 1997-04-18 to 1997-08-15 |
| August 1997 | Amendment 1 to First Edition |
| | |
| | |
| | |