



AMENDMENT

ETS 300 086

A1

November 1996

Source: ETSI TC-RES

Reference: RE/RES-02022

ICS: 33.060.20, 33.060.50

Key words: Mobile, radio, speech, testing

**This amendment A1, will modify
the European Telecommunication Standard ETS 300 086 (1991)**

**Radio Equipment and Systems (RES);
Land mobile group;
Technical characteristics and test conditions for radio
equipment with an internal or external RF connector
intended primarily for analogue speech**

ETSI

European Telecommunications Standards Institute

ETSI Secretariat

Postal address: F-06921 Sophia Antipolis CEDEX - FRANCE

Office address: 650 Route des Lucioles - Sophia Antipolis - Valbonne - FRANCE

X.400: c=fr, a=atlas, p=etsi, s=secretariat - **Internet:** secretariat@etsi.fr

Tel.: +33 4 92 94 42 00 - Fax: +33 4 93 65 47 16

Copyright Notification: No part may be reproduced except as authorized by written permission. The copyright and the foregoing restriction extend to reproduction in all media.

© European Telecommunications Standards Institute 1996. All rights reserved.

Foreword

This amendment to ETS 300 086 (1991) has been produced by the Radio Equipment and Systems (RES) Technical Committee of the European Telecommunications Standards Institute (ETSI).

| Transposition dates | |
|--|------------------|
| Date of adoption of this amendment: | 25 October 1996 |
| Date of latest announcement of this amendment (doa): | 28 February 1997 |
| Date of latest publication or endorsement of this amendment (dop/e): | 31 August 1997 |
| Date of withdrawal of any conflicting National Standard (dow): | 31 August 1997 |

Amendments

Page 7, Foreword

Replace third paragraph with:

Angle modulation is used for radio equipment covered by this ETS, but individual national administrations are free to choose the type of modulation. Channel separations, maximum transmitter output power / effective radiated power, class of transmitter intermodulation attenuation and the inclusion of automatic transmitter shut-off facility may all be conditions relating to the issue of a licence by the appropriate administration.

Page 23, subclause 5.4.1

Replace entire subclause with:

For tests at extreme temperatures, measurements shall be made in accordance with the procedures specified in subclause 5.5, at the upper and lower temperatures of the following range:

-20 °C to + 55 °C.

For the purpose of note (a) to table 1 in subclause 4.1.1, an additional reduced extreme temperature range of 0 °C to + 30 °C shall be used when appropriate.

Type test reports shall state the temperature range used.

Page 32, subclause 7.7.2

Replace figure 2 with:

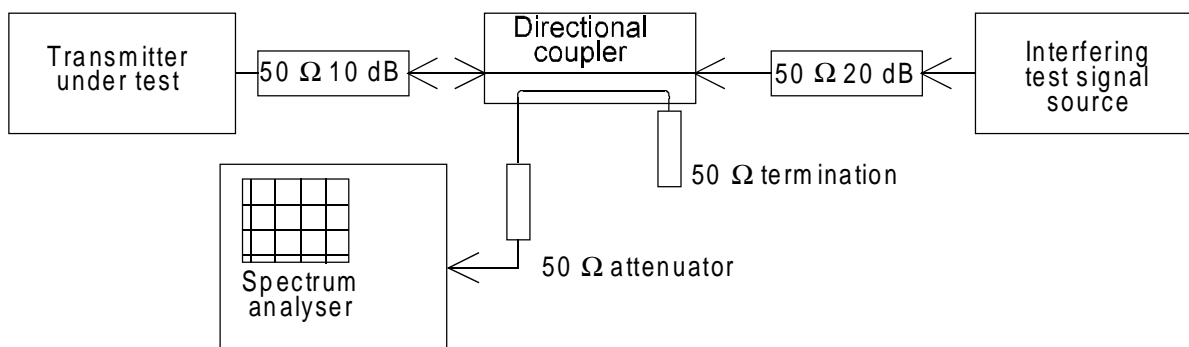


Figure 2: Measurement arrangement

History

| Document history | |
|-------------------------|------------------------------|
| January 1991 | First Edition |
| November 1996 | Amendment 1 to First Edition |
| | |
| | |
| | |