



CORRIGENDUM

ETS 300 012

August 1993

Source: ETSI TC-TM

Reference: DE/TM-3009

ICS: 33.040, 33.040.50, 33.080

Key words: ISDN, user network interface, testing

**This corrigendum modifies
the European Telecommunication Standard ETS 300 012 (1992)**

**Integrated Services Digital Network (ISDN);
Basic user-network interface
Layer 1 specification and test principles**

ETSI

European Telecommunications Standards Institute

ETSI Secretariat

Postal address: F-06921 Sophia Antipolis CEDEX - FRANCE

Office address: 650 Route des Lucioles - Sophia Antipolis - Valbonne - FRANCE

X.400: c=fr, a=atlas, p=etsi, s=secretariat - **Internet:** secretariat@etsi.fr

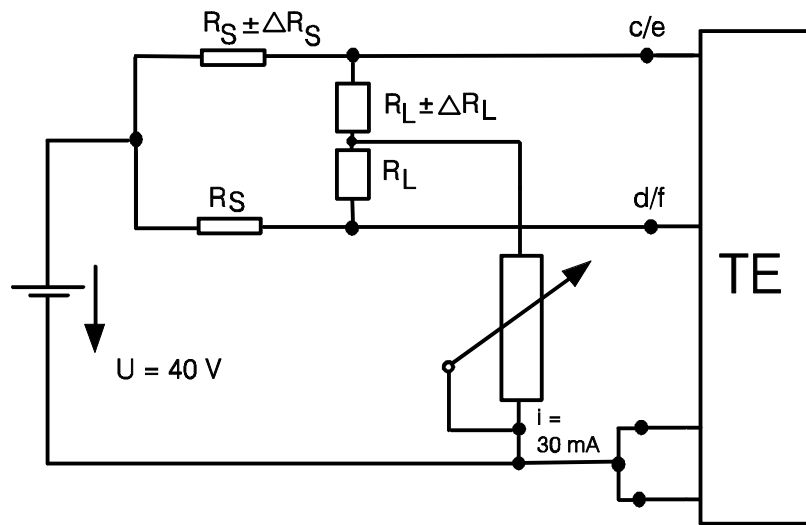
Tel.: +33 92 94 42 00 - Fax: +33 93 65 47 16

Copyright Notification: No part may be reproduced except as authorized by written permission. The copyright and the foregoing restriction extend to reproduction in all media.

© European Telecommunications Standards Institute 1993. All rights reserved.

Change to subclause 7.2.2, page 22, figure 7.

Replace figure 7 with the following figure 7.



$R_S = 6 \text{ Ohm}$	$\Delta R_S = 360 \text{ m Ohm}$
$R_L = 5 \text{ Ohm}$	$\Delta R_L = 300 \text{ m Ohm}$

$$X = \frac{\Delta R_S}{2 R_S} = \frac{\Delta R_L}{2 R_L}$$

Figure 7: Test circuit for applied current unbalance

History

Document history	
August 1993	First Edition Corrigendum of 1st Edition of ETS 300 012
October 1995	Converted into Adobe Acrobat Portable Document Format (PDF)
Note	The references to the changed pages refer to an old presentation. The clause numbering has not changed.