



**Integrated broadband cable
telecommunication networks (CABLE);
Embedded Router**

Reference

DES/CABLE-00009

Keywords

CABLE, DOCSIS, IPv4, IPv6, MODEM, router

ETSI

650 Route des Lucioles
F-06921 Sophia Antipolis Cedex - FRANCE

Tel.: +33 4 92 94 42 00 Fax: +33 4 93 65 47 16

Siret N° 348 623 562 00017 - NAF 742 C
Association à but non lucratif enregistrée à la
Sous-Préfecture de Grasse (06) N° 7803/88

Important notice

The present document can be downloaded from:
<http://www.etsi.org/standards-search>

The present document may be made available in electronic versions and/or in print. The content of any electronic and/or print versions of the present document shall not be modified without the prior written authorization of ETSI. In case of any existing or perceived difference in contents between such versions and/or in print, the only prevailing document is the print of the Portable Document Format (PDF) version kept on a specific network drive within ETSI Secretariat.

Users of the present document should be aware that the document may be subject to revision or change of status. Information on the current status of this and other ETSI documents is available at
<https://portal.etsi.org/TB/ETSIDeliverableStatus.aspx>

If you find errors in the present document, please send your comment to one of the following services:
<https://portal.etsi.org/People/CommiteeSupportStaff.aspx>

Copyright Notification

No part may be reproduced or utilized in any form or by any means, electronic or mechanical, including photocopying and microfilm except as authorized by written permission of ETSI.

The content of the PDF version shall not be modified without the written authorization of ETSI.
The copyright and the foregoing restriction extend to reproduction in all media.

© European Telecommunications Standards Institute 2017.
All rights reserved.

DECT™, **PLUGTESTS™**, **UMTS™** and the ETSI logo are Trade Marks of ETSI registered for the benefit of its Members.
3GPP™ and **LTE™** are Trade Marks of ETSI registered for the benefit of its Members and of the 3GPP Organizational Partners.
GSM® and the GSM logo are Trade Marks registered and owned by the GSM Association.

Contents

Intellectual Property Rights	7
Foreword.....	7
Modal verbs terminology.....	7
1 Scope	8
2 References	8
2.1 Normative references	8
2.2 Informative references.....	11
3 Definitions and abbreviations.....	12
3.1 Definitions	12
3.2 Abbreviations	14
4 Theory of operation	16
4.0 General	16
4.1 eDOCSIS eRouter and TR-069 architecture	18
4.2 eRouter device management.....	19
4.3 Service discovery	20
4.3.0 General.....	20
4.3.1 mDNS (multicast Domain Name System)	20
4.3.2 UPnP (Universal Plug and Play).....	21
4.4 CER-ID (Customer Edge Router - Identification).....	21
5 eRouter initialization	22
5.0 eRouter modes	22
5.1 Network Time Protocol.....	23
5.2 DNS proxy forwarding.....	24
6 IPv4 provisioning	25
6.0 General	25
6.1 DHCPv4 fields used by the eRouter.....	26
6.2 eRouter interface addressing using Link ID	27
6.3 Router DHCPv4 server Sub-element.....	28
6.3.1 DHCPv4 server function goals	28
6.3.2 DHCPv4 server function system description	28
6.3.3 DHCPv4 server function requirements	29
6.4 Operator-facing IPv4 address release behavior	30
6.5 Customer-facing IPv4 address release behavior.....	31
7 Operator-facing IPv6 provisioning.....	31
7.0 General	31
7.1 Obtain link-local address.....	32
7.2 Perform router discovery.....	32
7.3 Obtain IPv6 address and other configuration parameters	32
7.4 Use of T1 and T2 timers	35
7.5 Customer-facing IPv6 provisioning of CPE devices	35
7.5.0 Initial provisioning.....	35
7.5.1 Additional customer-facing IP interfaces enabled after initial provisioning.....	37
7.5.2 SLAAC requirements for eRouter	37
7.5.2.0 General	37
7.5.2.1 Local configuration of SLAAC options	38
7.5.3 DHCPv6 requirements for eRouter.....	38
7.5.3.0 General	38
7.5.3.1 Local configuration of DHCPv6 options.....	39
7.5.4 Prefix changes.....	39
7.6 Operator-facing IPv6 address release behavior	40
7.7 Customer-facing IPv6 address release behavior.....	40
7.8 CER-ID requirements.....	40

8	IPv4 data forwarding and NAT operation.....	41
8.0	Applicability.....	41
8.1	Introduction.....	41
8.1.1	Assumptions.....	41
8.1.2	Overview.....	41
8.2	System description.....	41
8.3	IPv4 router.....	43
8.3.0	Overview.....	43
8.3.1	Dual IP protocol and Link ID enabled mode IPv4 routing.....	44
8.4	NAPT.....	45
8.4.0	General.....	45
8.4.1	Dynamically triggered NAT translation.....	45
8.4.2	Application Layer Gateways (ALGs).....	46
8.4.2.0	General.....	46
8.4.2.1	ICMP error message ALG.....	46
8.4.2.2	FTP ALG.....	46
8.4.3	Multicast NAT.....	46
8.5	ARP.....	46
8.6	IPv4 multicast.....	47
8.6.0	General.....	47
8.6.1	IGMP proxying.....	48
8.6.1.0	Operation.....	48
8.6.1.1	IPv4 group membership database.....	48
8.6.2	IPv4 multicast forwarding.....	49
8.6.3	IPv4 multicast forwarding example.....	49
8.7	IPv4/IPv6 co-existence technologies.....	50
8.7.0	General.....	50
8.7.1	Dual-stack Lite operation.....	50
8.7.2	Mapping of Address and Port (MAP).....	51
8.7.2.0	MAP transport modes.....	51
8.7.2.1	MAP-E or MAP-T configuration via DHCP.....	51
8.7.2.2	MAP-E or MAP-T configuration via TLV202.11.....	52
8.7.3	Packet fragmentation.....	52
9	IPv6 data forwarding.....	52
9.0	Applicability.....	52
9.1	Introduction.....	52
9.1.1	Assumptions.....	52
9.1.2	Overview.....	53
9.2	System description.....	53
9.3	IPv6 multicast.....	55
9.3.0	General.....	55
9.3.1	MLD proxying.....	56
9.3.2	IPv6 group membership database.....	56
9.3.3	IPv6 multicast forwarding.....	57
9.3.4	IPv6 multicast forwarding example.....	57
10	Quality of Service.....	59
10.0	General requirements.....	59
10.1	Downstream Quality of Service operation.....	59
10.2	Upstream Quality of Service operation.....	59
11	eRouter management.....	59
11.0	General requirements.....	59
11.1	eRouter SNMP management interface requirements.....	60
11.2	eRouter TR-069 management interface requirements.....	60
11.2.0	General requirements.....	60
11.2.1	ACS discovery.....	60
11.2.1.1	eRouter TR-069 management server configuration file TLV encapsulation.....	60
11.2.1.2	TR-069 management server DHCP requirements.....	60
11.2.2	ACS selection.....	60
11.2.3	Dynamic ACS update.....	60
11.2.4	TR-069 CWMP control and credentials.....	60

12	Security.....	61
13	eRouter tunnel management and configuration.....	61
13.1	GRE requirements	61
Annex A (normative): SNMP MIB objects supported by the eRouter.....		63
A.0	List of MIB objects	63
A.1	eRouter interface numbering	63
A.2	eRouter ifTable requirements	64
A.3	eRouter ipNetToPhysicalTable requirements.....	66
A.4	CLAB-GRE-MIB	66
A.5	CLAB-GW-MIB	66
Annex B (normative): Configuration of eRouter operational parameters		68
B.1	eRouter SNMP configuration.....	68
B.1.1	eRouter SNMP modes of operation.....	68
B.1.2	eRouter SNMP access control configuration.....	68
B.1.2.1	View-based Access Control Model (VACM) profile	68
B.1.3	SNMPv1v2c Coexistence Configuration.....	68
B.1.3.0	General.....	68
B.1.3.1	Mapping SNMPv1v2c Coexistence Configuration.....	69
B.1.3.1.0	Overview	69
B.1.3.1.1	snmpCommunityTable	69
B.1.3.1.2	snmpTargetAddrTable	70
B.1.3.1.3	snmpTargetAddrExtTable	70
B.1.3.1.4	vacmSecurityToGroupTable	71
B.1.3.1.5	vacmAccessTable.....	71
B.1.3.2	Mapping SNMPv3 access view configuration.....	72
B.1.3.2.0	Overview	72
B.1.3.2.1	vacmViewTreeFamilyTable.....	72
B.2	SNMP configuration of eRouter.....	73
B.3	eCM proxy mechanism for configuration of eRouter	74
B.4	eRouter configuration encodings.....	74
B.4.1	eRouter TLV processing	74
B.4.2	eRouter initialization mode encoding	74
B.4.3	TR-069 management server	74
B.4.3.0	General.....	74
B.4.3.1	EnableCWMP	75
B.4.3.2	URL	75
B.4.3.3	Username	75
B.4.3.4	Password.....	75
B.4.3.5	ConnectionRequestUsername	75
B.4.3.6	ConnectionRequestPassword.....	75
B.4.3.7	ACS override	76
B.4.4	eRouter initialization mode override	76
B.4.5	SNMPv1v2c coexistence configuration	76
B.4.5.0	General.....	76
B.4.5.1	SNMPv1v2c community name	76
B.4.5.2	SNMPv1v2c transport address access	77
B.4.5.2.0	General	77
B.4.5.2.1	SNMPv1v2c transport address	77
B.4.5.2.2	SNMPv1v2c transport address mask.....	77
B.4.5.3	SNMPv1v2c access view type	77
B.4.5.4	SNMPv1v2c access view name	77
B.4.6	SNMPv3 access view configuration.....	78
B.4.6.0	General.....	78

B.4.6.1	SNMPv3 access view name	78
B.4.6.2	SNMPv3 access view subtree	78
B.4.6.3	SNMPv3 access view mask	78
B.4.6.4	SNMPv3 access view type	78
B.4.7	Vendor specific information	79
B.4.7.0	General	79
B.4.7.1	Vendor ID encoding	79
B.4.8	SNMP MIB object	79
B.4.9	Topology mode encoding	80
B.4.10	Router Advertisement (RA) transmission interval	80
B.4.11	IP multicast configuration server	80
B.4.12	Link ID control	80
B.5	SNMP soft reset	81
B.6	Provisioning and operational event messages	82
Annex C (normative):	eRouter initialization mode control interactions	84
C.1	Valid interactions	84
C.2	Invalid Cases	86
Annex D (normative):	TR-069 managed objects requirements	87
D.0	General	87
D.1	Profiles from TR-181 [63]	87
D.2	Extensions to TR-181 profiles	89
D.3	Management interface protocol requirements for GRE	90
Annex E (normative):	Example: Routing with Link ID	92
E.0	Addressing scheme	92
E.1	IP MIB route example	93
Annex F (normative):	Section categorizing [49] simple security recommendations	94
F.1	Summary of simple security requirements	94
F.2	Critical recommendations	94
F.3	Important recommendations	96
F.4	BCP recommendations	97
F.5	Other recommendations	99
F.6	Recommendations in conflict with MSO needs	100
Annex G (normative):	eRouter GRE tunnelling architecture	101
G.0	Architecture and interfaces	101
G.1	Use case for data traffic flow for both private and public SSIDs	102
G.1.0	Overview	102
G.1.1	Private network outbound from the LAN	103
G.1.2	Private network inbound from the WAN	103
G.1.3	Community Wi-Fi user outbound via public SSID	103
G.1.4	Community Wi-Fi user inbound via public SSID	103
Annex H (informative):	Bibliography	104
Annex I (informative):	Change history	105
History		106

Intellectual Property Rights

IPRs essential or potentially essential to the present document may have been declared to ETSI. The information pertaining to these essential IPRs, if any, is publicly available for **ETSI members and non-members**, and can be found in ETSI SR 000 314: *"Intellectual Property Rights (IPRs); Essential, or potentially Essential, IPRs notified to ETSI in respect of ETSI standards"*, which is available from the ETSI Secretariat. Latest updates are available on the ETSI Web server (<https://ipr.etsi.org>).

Pursuant to the ETSI IPR Policy, no investigation, including IPR searches, has been carried out by ETSI. No guarantee can be given as to the existence of other IPRs not referenced in ETSI SR 000 314 (or the updates on the ETSI Web server) which are, or may be, or may become, essential to the present document.

Foreword

This final draft ETSI Standard (ES) has been produced by ETSI Technical Committee Integrated broadband cable telecommunication networks (CABLE), and is now submitted for the ETSI standards Membership Approval Procedure.

"DOCSIS® is a registered Trade Mark of Cable Television Laboratories, Inc., and is used in the present document with permission".

Modal verbs terminology

In the present document "**shall**", "**shall not**", "**should**", "**should not**", "**may**", "**need not**", "**will**", "**will not**", "**can**" and "**cannot**" are to be interpreted as described in clause 3.2 of the [ETSI Drafting Rules](#) (Verbal forms for the expression of provisions).

"**must**" and "**must not**" are **NOT** allowed in ETSI deliverables except when used in direct citation.

1 Scope

The present document defines a core set of features that enable multiple subscriber devices to gain access to operator provided high-speed data service using DOCSIS. This core set of features allows for both IPv4- and IPv6-enabled devices to gain connectivity to the Internet.

The eRouter is specified as an Embedded Service/Application Functional Entity (eSAFE) device that is implemented in conjunction with a DOCSIS cable modem device.

The core set of features defined in the present document includes the ability to provision multiple CPE devices, a description of how to forward data to and from CPE devices, and also the ability to forward IP Multicast traffic to CPE devices and among CPE devices.

2 References

2.1 Normative references

References are either specific (identified by date of publication and/or edition number or version number) or non-specific. For specific references, only the cited version applies. For non-specific references, the latest version of the referenced document (including any amendments) applies.

Referenced documents which are not found to be publicly available in the expected location might be found at <https://docbox.etsi.org/Reference/>.

NOTE: While any hyperlinks included in this clause were valid at the time of publication, ETSI cannot guarantee their long term validity.

The following referenced documents are necessary for the application of the present document.

- [1] CableLabs DHCP Options Registry Specification, CL-SP-CANN-DHCP-Reg-I13-160317, March 17, 2016, Cable Television Laboratories, Inc.
- [2] CableLabs Generic Route Encapsulation MIB, CLAB-GRE-MIB.
NOTE: Available at <http://www.cablelabs.com/MIBs/common/>.
- [3] Cablelabs Wi-Fi Gateway MIB, CLAB-GW-MIB.
NOTE: Available at <http://www.cablelabs.com/MIBs/common/>.
- [4] eDOCSIS™ Specification, CM-SP-eDOCSIS-I28-150305, March 5, 2015, Cable Television Laboratories, Inc.
- [5] Universal Plug and Play Architecture Version 1.1, September 12, 2011.
- [6] DOCSIS MAC and Upper Layer Protocol Interface Specification, CM-SP-MULPIv3.0-I29-151210, December 10, 2015, Cable Television Laboratories, Inc.
- [7] DOCSIS Operations Support System Interface Specification, CM-SP-OSSIV3.0-I28-151210, December 10, 2015, Cable Television Laboratories, Inc.
- [8] IETF RFC 792: "Internet Control Message Protocol", J. Postel, September 1981.
- [9] IETF RFC 826: "An Ethernet Address Resolution Protocol", David C. Plummer, November 1982.
- [10] IETF RFC 1122: "Requirements for Internet Hosts - Communication Layers", R. Braden, October, 1989.
- [11] IETF RFC 1157: "Simple Network Management Protocol (SNMP)", J.D. Case, M. Fedor, M.L. Schoffstall, J. Davin, Simple Network Management Protocol (SNMP), May 1990.
- [12] IETF RFC 1812: "Requirements for IP Version 4 Routers", F. Baker, June 1995.

- [13] IETF RFC 1918: "Address Allocation for Private Internets", Y. Rekhter, B. Moskowitz, D. Karrenberg, G. J. de Groot, E. Lear, February 1996.
- [14] IETF RFC 2131: "Dynamic Host Configuration Protocol", R. Droms, March 1997.
- [15] IETF RFC 2132: "DHCP Options and BOOTP Vendor Extensions", S. Alexander, R. Droms, March 1997.
- [16] IETF RFC 2710: "Multicast Listener Discovery (MLD) for IPv6", S. Deering, W. Fenner, B. Haberman, October 1999.
- [17] IETF RFC 2784: "Generic Routing Encapsulation (GRE)", D. Farinacci, T. Li, S. Hanks, D. Meyer, P. Traina, March 2000.
- [18] IETF RFC 2827: "Network Ingress Filtering: Defeating Denial of Service Attacks which employ IP Source Address Spoofing", P. Ferguson, D. Senie, May 2000.
- [19] IETF RFC 2863: "The Interfaces Group MIB", K. McCloghrie, F. Kastenholz, June 2000.
- [20] IETF RFC 2890: "Key and Sequence Number Extensions to GRE", G. Dommety, September 2000.
- [21] IETF RFC 3022: "Traditional IP Network Address Translator (Traditional NAT)", P. Srisuresh, K. Egevang, January 2001.
- [22] IETF RFC 3315: "Dynamic Host Configuration Protocol for IPv6 (DHCPv6)", R. Droms, Ed., J. Bound, B. Volz, T. Lemon, C. Perkins, M. Carney, July 2003.
- [23] IETF RFC 3376: "Internet Group Management Protocol, Version 3", B. Cain, S. Deering, I. Kouvelas, B. Fenner, A. Thyagarajan, October 2002.
- [24] IETF RFC 3412: "Message Processing and Dispatching for the Simple Network Management Protocol (SNMP)", J. Case, D. Harrington, R. Presuhn, B. Wijnen, December 2002.
- [25] IETF RFC 3413: "Simple Network Management Protocol (SNMP) Applications", D. Levi, P. Meyer, B. Stewart, December 2002.
- [26] IETF RFC 3415: "View-based Access Control Model (VACM) for the Simple Network Management Protocol (SNMP)", B. Wijnen, R. Presuhn, K. McCloghrie, December 2002.
- [27] IETF RFC 3417: "Transport Mappings for the Simple Network Management Protocol (SNMP)", R. Presuhn, December 2002.
- [28] IETF RFC 3419: "Textual Conventions for Transport Addresses, M. Daniels", J. Schoenwaelder, December 2002.
- [29] IETF RFC 3584: "Coexistence between Version 1, Version 2, and Version 3 of the Internet-standard Network Management Framework", R. Frye, D. Levi, S. Routhier, B. Wijnen, August 2003.
- [30] IETF RFC 3633: "IPv6 Prefix Options for Dynamic Host Configuration Protocol (DHCP) version 6", O. Troan, R. Droms, December 2003.
- [31] IETF RFC 3646: "DNS Configuration options for Dynamic Host Configuration Protocol for IPv6 (DHCPv6)", R. Droms, December 2003.
- [32] IETF RFC 3736: "Stateless Dynamic Host Configuration Protocol (DHCP) Service for IPv6", R. Droms, April 2004.
- [33] IETF RFC 3810: "Multicast Listener Discovery Version 2 (MLDv2) for IPv6", R. Vida, Ed., L. Costa, Ed., June 2004.
- [34] IETF RFC 4075: "Simple Network Time Protocol (SNTP) Configuration Option for DHCPv6", V. Kalusivalingam, Cisco Systems, May 2005.

- [35] IETF RFC 4191: "Default Router Preferences and More-Specific Routes", R. Draves, D. Thaler, November 2005.
- [36] IETF RFC 4242: "Information Refresh Time Option for Dynamic Host Configuration Protocol for IPv6 (DHCPv6)", S. Venaas, T. Chown, B. Volz, November 2005.
- [37] IETF RFC 4291: "IP Version 6 Addressing Architecture", R. Hinden, S. Deering, February 2006.
- [38] IETF RFC 4292: "IP Forwarding Table MIB", B. Haberman, April 2006.
- [39] IETF RFC 4293: "Management Information Base for the Internet Protocol (IP)", S. Routhier, (Editor), Bill Fenner, Brian Haberman, Dave Thaler, April 2006.
- [40] IETF RFC 4361: "Node-specific Client Identifiers for Dynamic Host Configuration Protocol Version Four (DHCPv4)", T. Lemon, B. Sommerfeld, February 2006.
- [41] IETF RFC 4443: "Internet Control Message Protocol (ICMPv6) for the Internet Protocol Version 6 (IPv6) Specification", A. Conta, S. Deering, M. Gupta, Ed., March 2006.
- [42] IETF RFC 4861: "Neighbor Discovery for IP Version 6 (IPv6)", T. Narten, E. Nordmark, W. Simpson, H. Soliman, September 2007.
- [43] IETF RFC 4862: "IPv6 Stateless Address Autoconfiguration", S. Thomson, T. Narten, T. Jinmei, September 2007.
- [44] IETF RFC 4884: "Extended ICMP to Support Multi-Part Messages", R. Bonica, D. Gan, D. Tappan, C. Pignataro, April 2007.
- [45] IETF RFC 5389: "Session Traversal Utilities for NAT (STUN)", J. Rosenberg, R. Mahy, P. Matthews, D. Wing, October 2008.
- [46] IETF RFC 5905: "Network Time Protocol version 4: Protocol and Algorithms Specification", D. Mills, U. Delaware, J. Martin, Ed., J. Burbank, W. Kasch, June 2010.
- [47] IETF RFC 5908: "Network Time Protocol (NTP) Server Options for DHCPv6", R. Gayroud, B. Lourdelet, June 2010.
- [48] IETF RFC 5942: "IPv6 Subnet Model: The Relationship Between Links and Subnet Prefixes", H. Singh, W. Beebee, E. Nordmark, July 2010.
- [49] IETF RFC 6092: "Recommended Simple Security Capabilities in Customer Premises Equipment (CPE) for Providing Residential IPv6 Internet Service", J. Woodyatt, Ed., January 2011.
- [50] IETF RFC 6106: "IPv6 Router Advertisement Options for DNS Configuration", November 2010.
- [51] IETF RFC 6333: "Dual-Stack Lite Broadband Deployments Following IPv4 Exhaustion", A. Durand, R. Droms, J. Woodyatt, Y. Lee, August 2011.
- [52] IETF RFC 6634: "Dynamic Host-Configuration Protocol for IPv6 (DHCPv6) Option for Dual-Stack Lite", D. Hankins, T. Mrugalski, August 2011.
- [53] IETF RFC 6540: "IPv6 Support Required for All IP-Capable Nodes", W. George, C. Donley, C. Liljenstolpe, L. Howard, April 2012.
- [54] IETF RFC 6644: "Rebind Capability in DHCPv6 Reconfigure Messages", D. Evans, R. Droms, S. Jiang, July 2012.
- [55] IETF RFC 6762: "Multicast DNS, S. Cheshire, M. Krochmal", Apple Inc., February 2013.
- [56] IETF RFC 7083: "Modification to Default Values of SOL-MAX-RT and INF-MAX-RT, R. Droms", November 2013.
- [57] IETF RFC 7084: "Basic Requirements for IPv6 Customer Edge Routers", H. Singh, W. Beebee, C. Donley, B. Stark, November 2013.

- [58] IETF RFC 7597: "Mapping of Address and Port With Encapsulation (MAP-E)", O. Troan, W. Dec, X. Li, C. Bao, S. Matsushima, T. Murakami, T. Taylor, July 2015.
- [59] IETF RFC 7598: "DHCPv6 Options for Configuration of Software Address and Port-Mapped Clients", T. Mrugalski, O. Troan, I. Farrer, S. Perreault, W. Dec, C. Bao, L. Yeh, X. Deng, July 2015.
- [60] IETF RFC 7599: "Mapping of Address and Port Using Translation (MAP-T)", X. Li, C. Bao, W. Dec, O. Troan, S. Matsushima, T. Murakami, July 2015.
- [61] DOCSIS Security Specification, CM-SP-SECV3.0-I15-130808, August 8, 2013, Cable Television Laboratories, Inc.
- [62] TR-069: "CPE WAN Management Protocol v1", Issue 1 Amendment 5, November 2013, Broadband Forum Technical Report.
- [63] TR-181: "Device Data Model for TR-069", Issue 2 Amendment 8, November 2013, Broadband Forum Technical Report.
- [64] Wi-Fi Requirements for Cable Modem Gateways, WR-SP-WiFi-GW-I05-150515, May 15, 2015, Cable Television Laboratories, Inc.

2.2 Informative references

References are either specific (identified by date of publication and/or edition number or version number) or non-specific. For specific references, only the cited version applies. For non-specific references, the latest version of the referenced document (including any amendments) applies.

NOTE: While any hyperlinks included in this clause were valid at the time of publication, ETSI cannot guarantee their long term validity.

The following referenced documents are not necessary for the application of the present document but they assist the user with regard to a particular subject area.

- [i.1] Mapping of Address and Port (MAP) Technical Report, CL-TR-MAP-V01-160630, June 30, 2016, Cable Television Laboratories, Inc.
- [i.2] IP Multicast Controller-Client Interface Specification, OC-SP-MC-EMCI-102-160923, September 23, 2016, Cable Television Laboratories, Inc.
- [i.3] TR-069: "Deployment Scenarios", Issue 1, MR-230, August 2010, Broadband Forum Marketing Report.
- [i.4] IETF RFC 793/STD-7: "Transmission Control Protocol", Postel, J., September 1981.
- [i.5] IETF RFC 2460: "Internet Protocol, Version 6 (IPv6) Specification", Deering, S. and R. Hinden, December 1998.
- [i.6] IETF RFC 2473: "Generic Packet Tunneling in IPv6 Specification", A. Conta, S. Deering, December 1998.
- [i.7] IETF RFC 3775: "Mobility Support in IPv6", Johnson, D., Perkins, C., and J. Arkko, June 2004.
- [i.8] IETF RFC 3828: "The Lightweight User Datagram Protocol (UDP-Lite)", Larzon, L-A., Degermark, M., Pink, S., Jonsson, L-E., and G. Fairhurst, July 2004.
- [i.9] IETF RFC 3859: "Deprecating Site Local Addresses", C. Huitema, B. Carpenter, September 2004.
- [i.10] IETF RFC 4007: "IPv6 Scoped Address Architecture", Deering, S., Haberman, B., Jinmei, T., Nordmark, E., and B. Zill, March 2005.
- [i.11] IETF RFC 4193: "Unique Local IPv6 Unicast Addresses", R. Hinden, B. Haberman, October 2005.
- [i.12] IETF RFC 4302: "IP Authentication Header", Kent, S., December 2005.

- [i.13] IETF RFC 4303: "IP Encapsulating Security Payload (ESP)", S. Kent, December 2005.
- [i.14] IETF RFC 4340: "Datagram Congestion Control Protocol (DCCP)", Kohler, E., Handley, M., and S. Floyd, March 2006.
- [i.15] IETF RFC 4960: "Stream Control Transmission Protocol", Stewart, R., September 2007.
- [i.16] IETF RFC 5095: "Deprecation of Type 0 Routing Headers in IPv6", Abley, J., Savola, P., and G. Neville-Neil, December 2007.
- [i.17] IETF RFC 5156: "Special-Use IPv6 Addresses", Blanchet, M., April 2008.
- [i.18] IETF RFC 5201: "Host Identity Protocol, Moskowitz", R., Nikander, P., Jokela, P., and T. Henderson, April 2008.
- [i.19] IETF RFC 5382: "NAT Behavioral Requirements for TCP", Guha, S., Biswas, K., Ford, B., Sivakumar, S., and P. Srisuresh, October 2008.
- [i.20] IETF RFC 5625: "DNS Proxy Implementation Guidelines", R. Bellis, August 2009.
- [i.21] IETF RFC 5996: "Internet Key Exchange Protocol Version 2 (IKEv2)", C. Kaufman, P. Hoffman, Y. Nir, and P. Eronen, September 2010.
- [i.22] IETF RFC 6145: "IP/ICMP Translation Algorithm", X. Li, C. Bao, F. Baker, April 2011.
- [i.23] TR-106: "Data Model Template for TR-069-Enabled Devices", Issue 1, Amendment 5, November 2010, Broadband Forum Technical Report.
- [i.24] Wi-Fi Provisioning Framework Specification, WR-SP-WiFi-MGMT-I07-160512, May 12, 2016, Cable Television Laboratories, Inc.
- [i.25] IEEE 802.1Q-2014TM: "IEEE standard for local and metropolitan area networks -- bridges and bridged networks".

3 Definitions and abbreviations

3.1 Definitions

For the purposes of the present document, the following terms and definitions apply:

Customer Edge Router (CER): provides specific services and forwarding capabilities necessary for establishing and maintaining the customer edge on the Operator-Facing Interface (WAN)

NOTE: In this role, Router application services such as DHCP, NATP and Packet Filtering Firewall are enabled.

Customer-Facing Interface: eRouter interface used for connecting CPE devices

NOTE: As defined in [57], this is a Local Area Network (LAN) interface and is represented by a physical port.

Customer-Facing IP Interface: IP interface connected to the eRouter that is not necessarily mapped one-to-one with the number of customer-facing ports on the eRouter

NOTE: As defined in [57], this is an IP LAN interface in which one or many physical ports are associated with an IP address.

Customer-Facing Logical Interface: logical interface connected to the eRouter that is not necessarily mapped one-to-one with the number of customer-facing ports on the eRouter

NOTE: As defined in [57], this is a LAN interface in which one or more physical ports are associated with a logical interface, such as a VLAN.

DNS Proxy Forwarding: mechanism in which the DNS queries of the LAN clients are proxied by the eRouter before being transmitted to the service provider's DNS servers that the eRouter learned during DHCP

Down Interface: interface on a router that is further away from the ISP network than the 'Up' interface on that same router

eRouter: eSAFE device that is implemented in conjunction with the DOCSIS embedded cable modem

Hard Reset: full reset of the eDOCSIS device and its constituent eSAFE application elements (such as the eRouter) and embedded CM

Internet Gateway Device: remotely managed gateway device as defined in CPE WAN Management Protocol [62]

Link ID: 16 bits of both IPv4 and IPv6 addresses chosen to uniquely identify each "link" or LAN segment (Customer-Facing IP Interface) within the home network. Counting from the left, the Link ID includes bits 49 - 64 (fourth 16-bit block) in an IPv6 address and bits 9 - 24 (middle two octets) in an IPv4 address

Multicast Subscription Database: simple table of entries for the IPv4 or IPv6 Multicast Group Membership information maintained by the eRouter on respective interfaces

NOTE: Implementation details for storage of records are completely vendor-defined.

Operator-Facing Interface: eRouter interface that is connected to the embedded cable modem

NOTE: As defined in [57], this is a Wide Area Network (WAN) interface. In CPE WAN Management Protocol (CWMP) this is called an upstream interface.

Operator-Facing IP Interface: IP interface that is connected to the embedded cable modem and is provisioned with an IP address provided by the operator

NOTE: As defined in [57], this is a WAN interface.

Prefix: common address component, which defines a portion of a network

NOTE: The meanings of the terms Prefix and Subnet are interchangeable. The term Prefix is favored in the present document. See also Prefix Delegation.

Prefix Delegation: form of IPv6 address assignment allowing the operator's DHCP server to delegate a prefix of a specific length, such as /56, to a customer's router

NOTE: The delegation of one or more prefixes allows the router to further sub-divide and assign individual prefixes (which are /64 in length) to its interfaces and/or provide prefix sub-delegation to additional routers within the customer's network. Prefix Delegation occurs only between the operator's DHCP server and a router operating in the role of Customer Edge Router (CER). See also Customer Edge Router.

Reset: routine in which the operational state is interrupted by the instruction to shut down and restart

NOTE: The term is synonymous with the terms re-initialization and reboot. The term can describe either a full device reset (a Hard Reset) or the re-initialization of an individual eSAFE's software application (a Soft Reset) and any associated routines necessary to notify connected clients or other nodes of the device becoming temporarily unavailable.

Service Discovery: set of protocols and methods that are used to discover services that are made available by hosts and nodes within the customer network

Soft Reset: reset operation in which the software layer of the eRouter eSAFE application is re-initialized without impacting other eSAFEs or the embedded CM within an eDOCSIS device

Subnet: portion of a network that shares a common address component

NOTE: The meanings of the terms Prefix and Subnet are interchangeable. The term Prefix is favored in the present document.

TR-069: term used to refer to the CPE WAN Management Protocol suite defined in [62]

TR-069 CPE: term used to refer to the CPE managed using the CPE WAN Management Protocol suite defined in [62]

Up Interface: router interface that connects to another router that is closer to the ISP network

NOTE: For example, the 'Up Interface' of an internal router is the port used to connect to the CFI (down interface) of the eRouter.

3.2 Abbreviations

For the purposes of the present document, the following abbreviations apply:

ACL	Access Control List
ACS	Auto-Configuration Server
AFTR	Address Family Translation Router
AH	Authentication Header
AH	Authentication Header
ALG	Application Layer Gateway
ARP	Address Resolution Protocol
ASCII	American Standard Code for Information Interchange
ASN	Abstract Syntax Notation
ASN.1	Abstract Syntax Notation One
B4	Basic-Bridging BroadBand
BCP	Best Current Practice
BMR	Basic Mapping Rule
BR	Border Relay
CE	Consumer Electronics
CER	Customer Edge Router
CER-ID	Customer Edge Router-Identification
CFI	Customer-Facing Interface
CM	Cable Modem
CMTS	Cable Modem Termination System
CPE	Customer Premises Equipment (includes internal routers)
CPU	Central Processing Unit
CWMP	CPE WAN Management Protocol
DAD	Duplicate Address Detection
DCCP	Datagram Congestion Control Protocol
DF	Don't Fragment
DHCP	Dynamic Host Configuration Protocol
DHCPv4	Dynamic Host Configuration Protocol version 4
DHCPv6	Dynamic Host Configuration Protocol version 6
DMR	Default Mapping Rule
DNS	Domain Name Service
DNSSL	DNS Search List
DOCSIS	Data Over Cable Service Interface Specification
DUID	DHCP Unique Identifier
DUID-EN	DUID Enterprise Number
DUID-LL	DUID Link Layer address
DUID-LLT	DUID Link Layer plus Time
EA	Embedded Address
EAE	Early Authentication and Encryption
eCM	embedded Cable Modem
eSAFE	embedded Service/Application Functional Entity
ESP	Encapsulating Security Payload
ESP	Encapsulating Security Protocol
EUI	Extended Unique Identifier
FMR	Forwarding Mapping Rule
FQDN	Fully Qualified Domain Name
FTP	File Transfer Protocol
GNAP	Global Network Address Port
GRE	Generic Route Encapsulation
GUA	Global Unique Address
GW	GateWay
HIP	Host Identity Protocol

HPNA	Home Phonline Networking Alliance
IA_NA	Identity Association for Non-temporary Addresses
IA_PD	Identity Association for Prefix Delegation
IANA	Internet Assigned Numbers Authority
ICMP	Internet Control Message Protocol
ID	Identifier
IETF	Internet Engineering Task Force
IGMP	Internet Group Management Protocol
IGW	Interior GateWay
IKE	Internet Key Exchange
IP	Internet Protocol
IPTV	Internet Protocol Television
IPv4	Internet Protocol (version 4)
IPv6	Internet Protocol (version 6)
IR	Interior Router
IRT	Initial Retransmission Times
ISP	Internet Service Provider
LAN	Local Area Network
LCI	Logical CPE Interface
LLC	Logical Link Control
MAC	Media Access Control
MAP	Mapping of Address and Port
MAP-E	Mapping of Address and Port (Encapsulation)
MAP-T	Mapping of Address and Port (Translation)
mDNS	multicast Domain Name System
MIB	Management Information Base
MLD	Multicast Listener Discovery
MoCA	Multimedia over Coax Alliance
MRC	Maximum Retransmission Count
MRD	Maximum Retransmission Duration
MRT	Maximum Retransmission Time
MSO	Multiple System Operator
MSS	Maximum Segment Size
MTU	Maximum Transmission Unit
NA	Neighbor Advertisement
NAPT	Network Address Port Translation
NAT	Network Address Translation
ND	Neighbor Discovery
NTP	Network Time Protocol
NTPv4	Network Time Protocol version 4
NVRAM	Non-Volatile Random Access Memory
OFI	Operator-Facing Interface
OID	Object ID
ORCHID	Overlay Routable Cryptographic Task Identifiers
ORO	Option Request Option (DHCP)
OUI	Organization Unique Identifier
PCP	Port Control Protocol
PD	Prefix Delegation
PNAP	Private Network Address Port
QoS	Quality of Service
RA	Router Advertisement
RDNSS	Recursive DNS Server
RFC	Request For Comment
RG	Residential Gateway
RS	Router Solicitation
SCTP	Stream Control Transmission Protocol
SIP	Session Initiation Protocol
SLAAC	Stateless Address Autoconfiguration
SNMP	Simple Network Management Protocol
SNTP	Simple Network Time Protocol
SPI	Security Parameter Index
SRV	SeRVice resource record

SSDP	Simple Service Delivery Protocol
SSID	Service Set Identifier
TCP	Transmission Control Protocol
TLV	Type/Length/Value
ToS	Type of Service
TTL	Time To Live
UDP	User Datagram Protocol
ULA	Unique Local Addresses
USB	Universal Serial Bus
VACM	View-based Access Control Model
VLAN	Virtual Local Area Network
VPN	Virtual Private Network
WAN	Wide Area Network

4 Theory of operation

4.0 General

The eRouter device is intended to provide networking functionality in conjunction with an embedded DOCSIS eCM in an eDOCSIS device.

The present document defines a set of features for an eRouter that is in one of three protocol enabled modes: IPv4 protocol enabled, IPv6 protocol enabled, or dual protocol enabled.

Figure 1 through Figure 3 depict implementations of an eDOCSIS eRouter device in each of the three enabled modes.

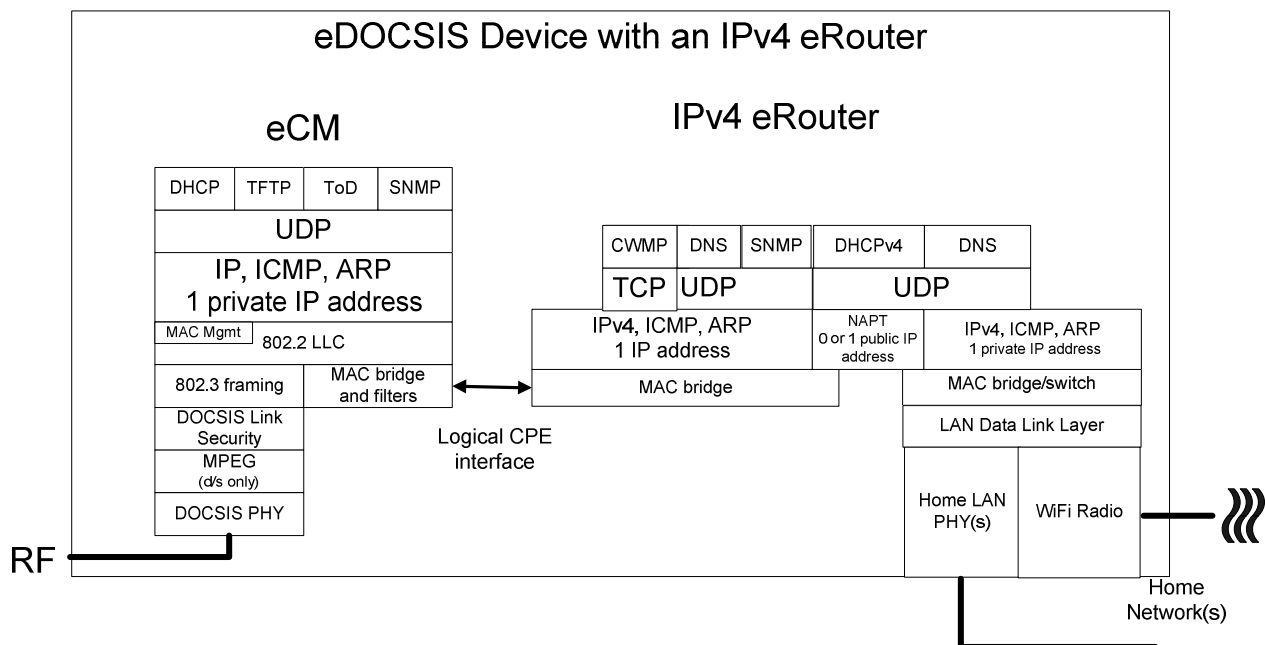


Figure 1: Logical components of an eDOCSIS device with an IPv4 protocol enabled eRouter

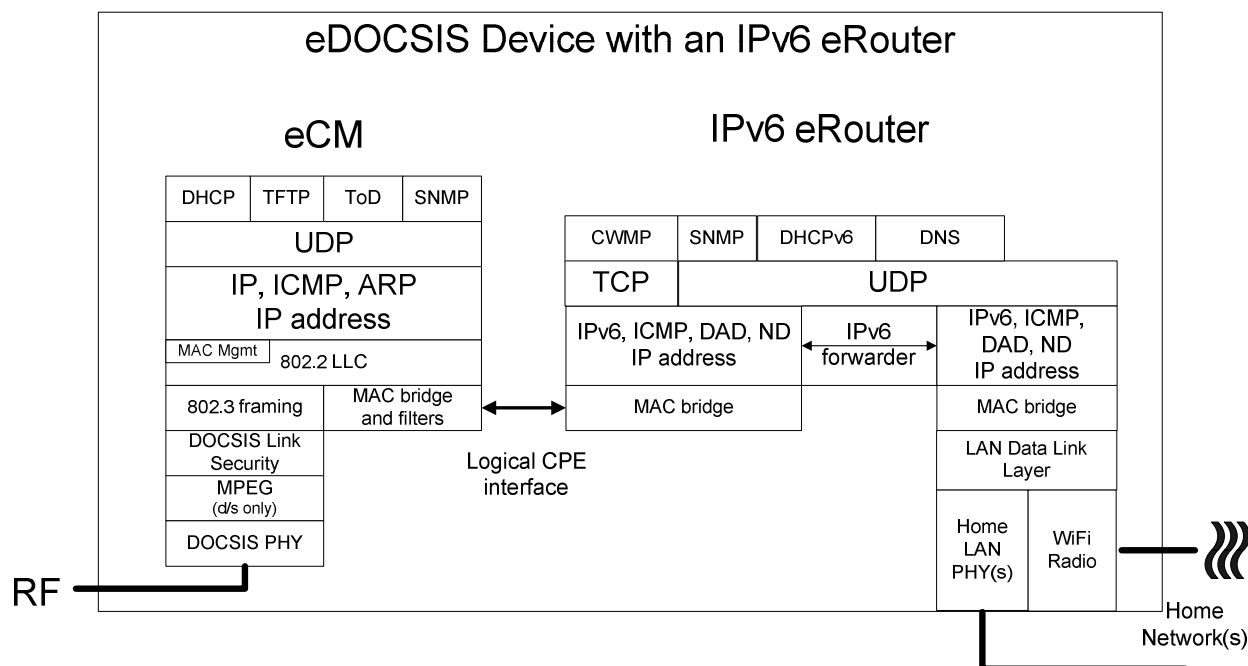


Figure 2: Logical components of an eDOCSIS device with an IPv6 protocol enabled eRouter

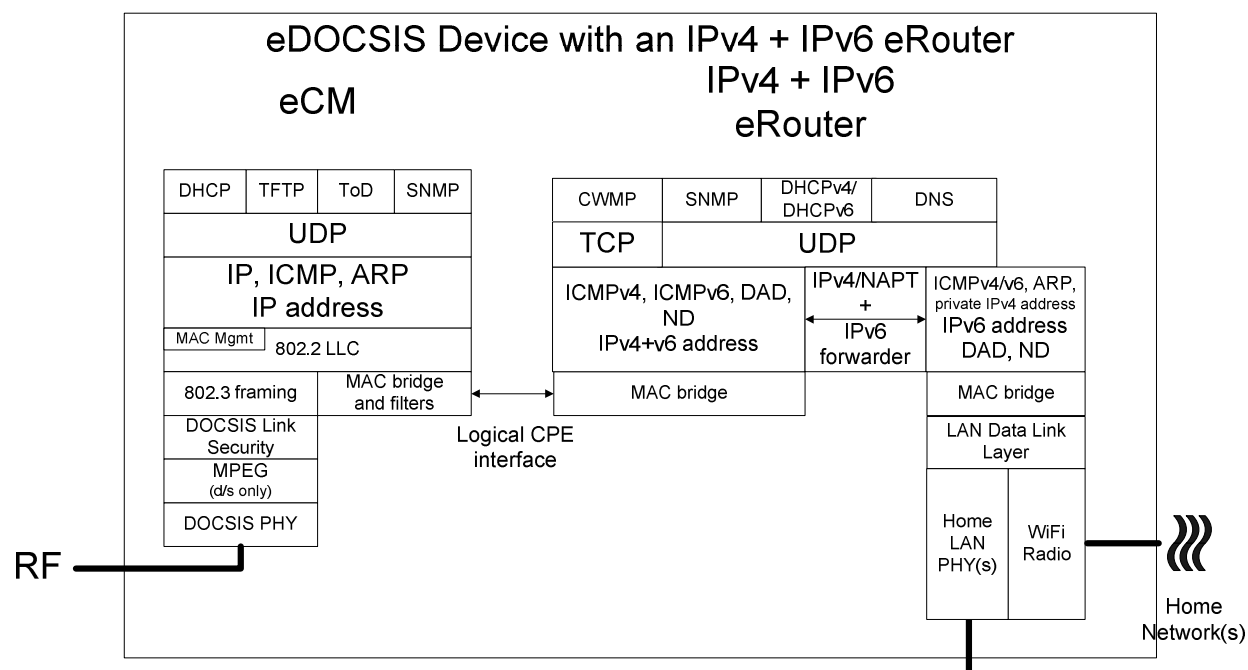


Figure 3: Logical components of an eDOCSIS device with a dual protocol enabled eRouter

The primary function of the eRouter device is to allow subscribers to connect multiple CPE devices to the operator-provided DOCSIS high-speed Internet service. DOCSIS specifications allow subscribers to directly connect multiple CPE devices to the cable modem; however, that requires operators to provide IP provisioning to each of the CPE devices. The eRouter is delegated the responsibility of provisioning multiple CPE devices at the subscriber end. Depending on which IP Protocols are enabled, the eRouter allows provisioning of IPv4 CPEs, IPv6 CPEs, or both IPv4 and IPv6 CPEs simultaneously.

The present document defines the core set of functions that are performed by the eRouter; however, in most implementations, vendors include additional features and functionality that enhance the eRouter device.

The present document defines: a) CPE provisioning with IPv4 and IPv6 addresses, b) IPv4 data forwarding with and without NAT and IPv6 data forwarding, c) ability to forward IP Multicast traffic, and d) preserving IP QoS markings on IP data to and from the CPE devices.

The eRouter specification defines two methods that an eRouter uses when assigning IP Addresses to Customer Facing Interfaces. The methods are Link ID and non Link ID. Both methods implement IPv4 addressing using IETF RFC 1918 [13] IPv4 address ranges, but in different ways.

The method, called Link ID, provides a predictable IPv4 addressing scheme, where IPv6 link bits are reflected in IPv4 octets 2 and 3, and enabling native IPv4 routing within the home. This functionality allows for routing across multiple routers without the need for routing protocols or multiple routers running NAT.

However, if Link ID is not enabled or an IPv6 prefix is not available from which to generate a Link ID, then IPv4 routing across multiple routers will not be possible without manual configuration.

One overall goal is that after a reset or reboot, CFI IPv4 addressing should follow the address scheme implemented by the eRouter before the reset/reboot event.

Another overall goal is to bring up the IPv4 LAN interfaces quickly after reboot/reset/power-cycle to provide some LAN functionality even if the OFI is non-operational for any reason.

The present document uses the terms Customer-Facing Interface and Operator-Facing Interface as defined in clause 3.

The present document defines requirements for an eRouter device with a single Operator-Facing IP Interface. The present document defines requirements for an eRouter device with a single one or more Customer-Facing logical IP Interfaces that are not necessarily mapped one-to-one with the number of Customer-Facing ports on the eRouter.

The present document defines SNMP [24] and TR-069 CWMP [62] as the Operator-Facing management interface options for eRouter.

4.1 eDOCSIS eRouter and TR-069 architecture

This clause defines TR-069 requirements for the eRouter management architecture, which are derived from the eDOCSIS specification [4].

The TR-069 specification suite [62] defines the Device 2.x entity in [63]. It refers to a CPE device management space for holding the device itself and root of other services specifications (e.g. VoIP, Storage, IPTV, etc.). See [i.3] for more details on TR-069 deployment scenarios.

Both eDOCSIS and TR-069 architectures define two equivalent components:

- Access Modem: eDOCSIS defines the eCM; TR-069 may accommodate any access technology.
- Services: eDOCSIS defines eSAFEs; TR-069 defines CPE Services.

The cable modem is not referred to as a CPE in [6] and [4]. Only devices attached to the Customer-Facing Interfaces of a cable modem are termed CPEs in [6] and [4]. In TR-069 [62], all devices located in the customer premises are considered CPEs. For the eRouter case, the term CPE has the same meaning within DOCSIS and TR-069; that is, the eRouter eSAFE is considered to be a 'CPE' under both the DOCSIS and TR-069 definitions, whereas the eCM is not. However, in the present document the eSAFE term is used when referring to the eRouter.

The main differences between both architectures are:

- A TR-069 Device 2.x [63] is a TR-069 enabled CPE such as Residential Gateways (RGs) and other type of network devices (e.g. Access Modem). Different services can be implemented on a TR-069 Device. The Access Modem could be part of the device itself, by modeling it as an upstream interface of the entire TR-069 CPE, or the device contains only CPE services. In eDOCSIS the eCM is the Access Modem and eRouter is an application or functional entity (eSAFE). DOCSIS specifications define CMs and eSAFEs such as eRouters (embedded eRouters within an eCM).
- The management of eSAFEs in eDOCSIS is separated from the eCM. In TR-069 the management of services is integrated with the CPE device management.

TR-069 [62] allows the transparent integration of access network technologies within the RG and CPE Services by combining the multiple components and their respective management data. The TR-069 device can either configure and monitor the Access Modem managed elements, simply report the Access Modem status and configuration, or do nothing with the Access Modem. The latter is the case of TR-069 in the context of eDOCSIS where the eCM is managed and provisioned independently of any eSAFE supporting TR-069 management.

Figure 4 shows the alignment of eDOCSIS, eRouter, and TR-069 device architectures where the reuse of the TR-069 protocol stack and data models for eDOCSIS devices such as eRouter can be seen. A general purpose eSAFE is shown for illustration purposes. The main difference between both models is the separation of the CM bridge of the internal WAN/LAN bridging function at the eRouter compared to the integrated TR-069 Device 2.x.

Figure 4 is based on the "Simple Router Example (Interfaces Visualized)" figure of [63]. In Figure 4, the stack layers are seen as interfaces per [63], physical interfaces (e.g. Ethernet, SSID, Wi-Fi Radio), bridges, ports, Bridges, Ethernet Link interfaces (LLC), and IP Interfaces. The Operator-Facing TR-069 Etherlink Interfaces correspond to the eDOCSIS Logical CPE Interfaces (LCI). IP additional interfaces can represent IP Tunnels and other IP forwarding models.

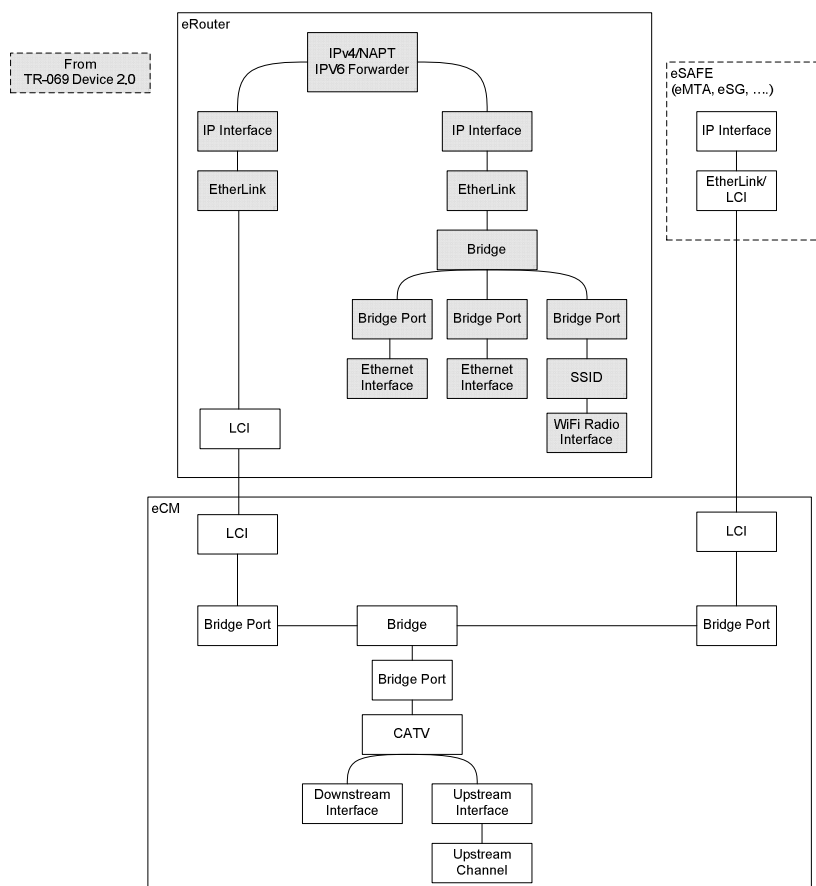


Figure 4: TR-069 interface model applied to eDOCSIS eRouter

4.2 eRouter device management

The eRouter device that supports TR-069 implies the support of dual stack management, SNMP for the eCM component, and TR-069 for the eRouter component, as shown in Figure 4.

eRouter eSAFEs can be modeled as a stack of interfaces, and, in the future, other eSAFEs might support TR-069 protocol. The present document does not address architecture requirements such those listed in section 5.1 of [4], specifically, whether two TR-069-capable eSAFEs share the same TR-069 management stack or have separate stacks (as in the SNMP model). This is outside of the scope of the present document and within the scope of [4].

4.3 Service discovery

4.3.0 General

Service discovery will allow devices with services to announce their presence and allow a query/response method for discovering and choosing a service from a list of possible candidates that provide that service. An example is a network-based printer, mDNS, as defined in [55], and UPnP, as defined by the UPnP forum and specified in [5] are used to implement Service Discovery in the eRouter.

4.3.1 mDNS (multicast Domain Name System)

The mDNS protocol provides both an announcement and a query/response mechanism to provide a list of devices that offer services on the home network. The mDNS protocol is link-scoped only but can be enhanced to provide service to multiple networks in the home. Therefore, a method to relay announcements and queries/responses between different networks is needed. The requirements to accomplish this are listed in the sections for IPv4 and IPv6 Service Discovery implementation.

The eRouter will take an announcement, query or response packet from one link/subnet and relay it onto another link/subnet but replace the IP source address from the originating link/subnet with the eRouter's egress IP address on the other link/subnet. Additionally, if the payload of the mDNS packet contains a link-local or Auto-IP resource record, those address records will be removed before the packet is placed onto the new link/subnet.

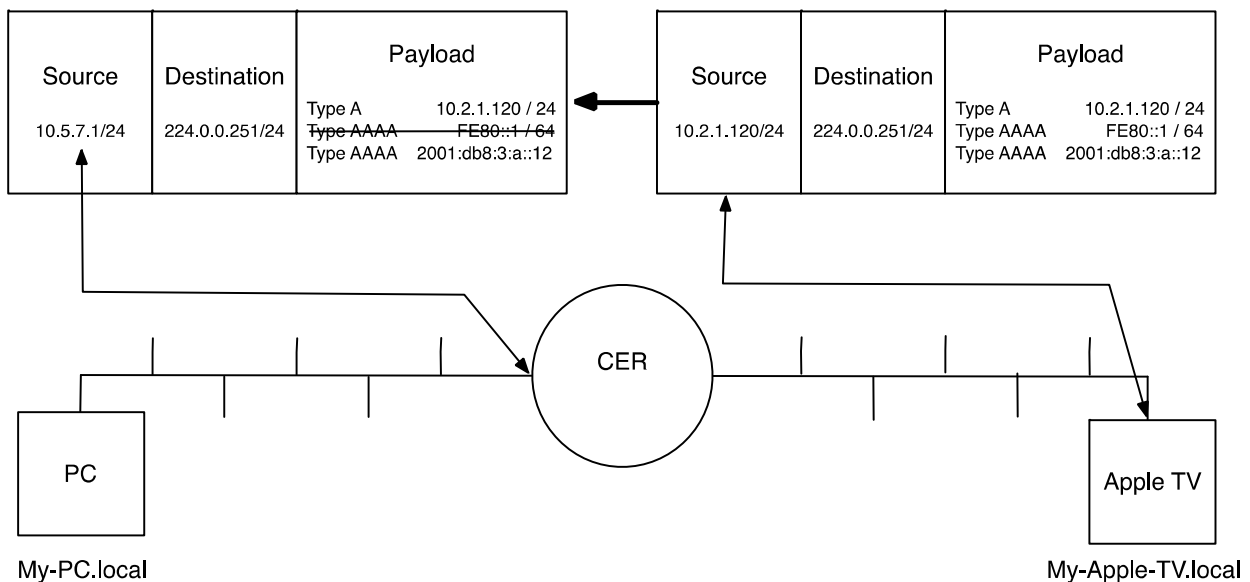


Figure 5: mDNS source IP and payload changes going through a router

Hosts implementing the mDNS protocol might silently discard any frame with a source IP address that is not part of the receiver's network. When the eRouter receives a packet with an address that is not on the receiver's network, the eRouter shall replace the source address in the packet with the IP address of the eRouter's egress interface to the receiver's network. This ensures that the packet is properly relayed to other hosts and not dropped by the host.

mDNS forwards as described above to multicast addresses (FF02::FB and 224.0.0.251).

The eRouter will not keep state information, but simply relays the packet and make the appropriate changes to the IP source address and payload.

4.3.2 UPnP (Universal Plug and Play)

The UPnP architecture makes use of a number of protocols including IP, TCP, UDP, HTML, and XML to enable peer-to-peer networking and service discovery. Most of the protocols used by UPnP will function across network segments in the home network. The one exception and the focus of this clause is the UPnP Device Discovery Protocol, which uses the Simple Service Discovery Protocol (SSDP). UPnP was designed to function in an unmanaged network environment by having UPnP controllers (control points) automatically discover UPnP devices. SSDP is used by UPnP controllers to search for UPnP devices and is also used by UPnP devices to announce themselves and their services to UPnP controllers.

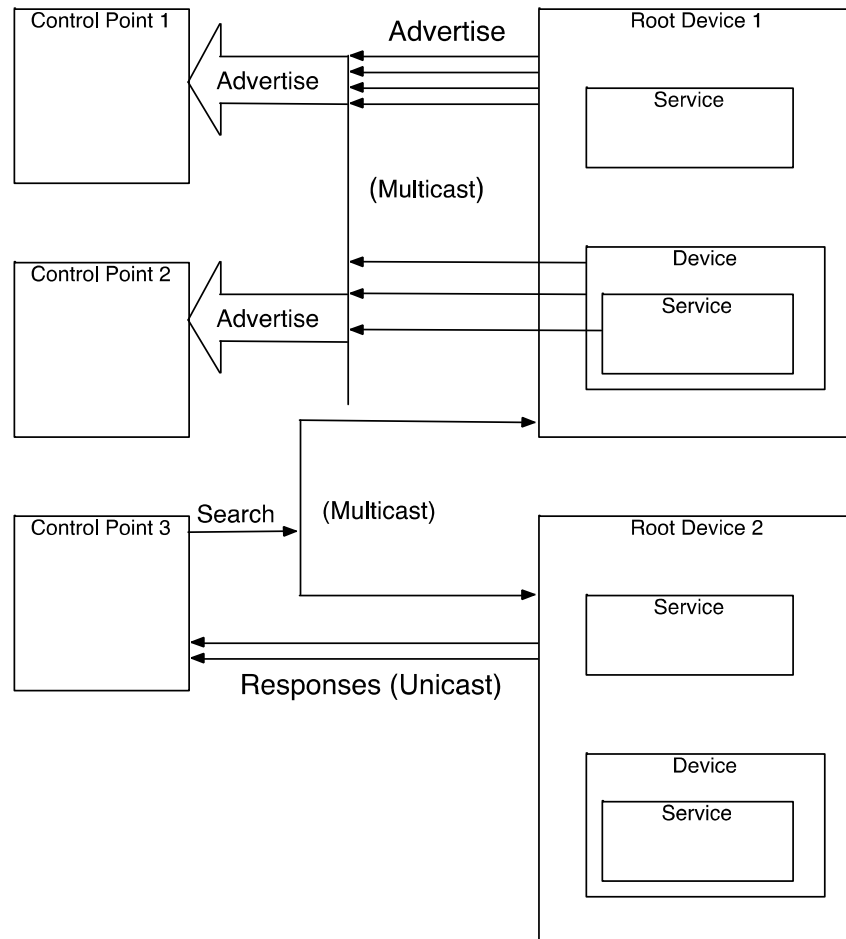


Figure 6: UPnP general architecture

UPnP forwards as described above to multicast addresses (FF02::C, FF05::C, FF02::130 and 239.255.255.250). eRouter is expected to forward to the site scoped address only.

The eRouter should not forward or listen for SSDP messages, for either IPv4 or IPv6, on the Operator Facing interface. IPv6 support was added to [5] in annex A.

4.4 CER-ID (Customer Edge Router - Identification)

A home network may contain one or more edge routers and one or more internal routers providing connectivity to home devices. An eRouter, by default, demarcates the edge of the customer network and provides a method to assist internal routers in determining which device(s) reside at the edge of the customer network using a DHCPv6 CER-ID option encoding. The CER-ID is a 128-bit string that is usually set to an IPv6 interface address that is reachable on the customer LAN, though other values can be set to establish the role of the edge router.

It is desirable to have services such as firewall functions and NAT/NAPT employed by the device(s) at the edge of the home network and not by other internal routers.

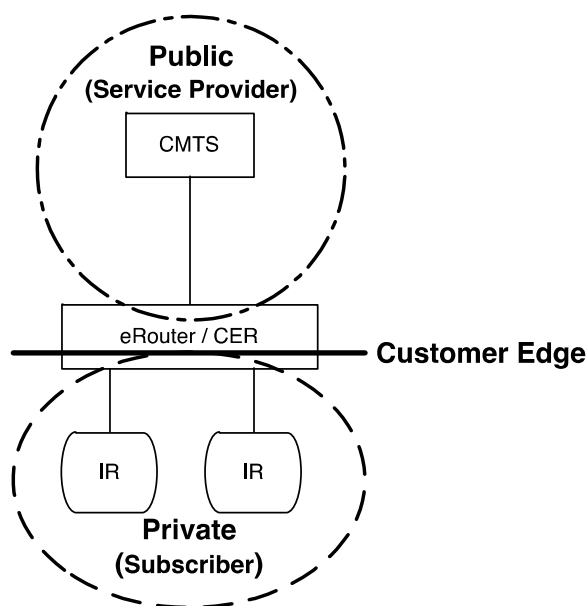


Figure 7: Example of a CER demarcation boundary

5 eRouter initialization

5.0 eRouter modes

The eRouter operates in any one of three possible modes - 'IPv4 Protocol Enabled', 'IPv6 Protocol Enabled', or 'Dual IP Protocol Enabled', as summarized in Table 1. The eRouter can also be set to 'Disabled', which turns the eRouter into a bridging device. The eRouter shall support all three modes of operation, and the ability to be set to 'Disabled'. The eRouter shall default to 'Dual IP Protocol Enabled' mode in conformance with [53].

The eRouter Mode is controlled via the eRouter Initialization Mode Encoding, the eRouter Initialization Mode Override Encoding and the `esafeErouterInitModeControl` object, all defined in annex B. Prior to its initialization, the eRouter is enabled or disabled through the eRouter Initialization and eRouter Initialization Mode Override encodings in the cable modem configuration file. The `esafeErouterInitModeControl` object is used to change (override) the eRouter Mode after eRouter initialization completes. The eRouter ignores the `esafeErouterInitModeControl` object if it is present in a DOCSIS cable modem configuration file.

There are two means of overriding the eRouter Initialization Mode Encoding, the eRouter Initialization Mode Override Encoding and the `esafeErouterInitModeControl` object.

The `esafeErouterInitModeControl` object is used to change the eRouter Mode after the eRouter has initialized. Whenever the value of `esafeErouterInitModeControl` is changed from the default of `honorRouterInitMode(5)` via an SNMP SET, the eRouter shall override the eRouter Initialization Mode encoding encapsulated in the eCM configuration file and use the value of the `esafeErouterInitModeControl`.

For an eRouter which has been set to 'Disabled', the eRouter Initialization Mode Override Encoding is used to force the eRouter to remain 'Disabled' and ignore the value of the eRouter Initialization Mode TLV. If the eRouter is 'Disabled' and the `esafeErouterInitModeControl` object is set to `honorRouterInitMode(5)`, the eRouter shall follow the eRouter Initialization Mode Override Encoding to determine whether it is to continue to remain 'Disabled' or whether it is to obey the eRouter Initialization Mode Encoding. If the eRouter is not 'Disabled' or the `esafeErouterInitModeControl` object is not set to `honorRouterInitMode(5)`, the eRouter shall ignore the eRouter Initialization Override Encoding.

The eRouter shall evaluate Initialization Mode configuration controls in the following order of precedence:

- 1) The stored `esafeErouterInitModeControl` object written via an SNMP management station SET prior to a reset.
- 2) The eRouter Initialization Mode Override [TLV 202.3 in the cable modem configuration file].
- 3) eRouter Initialization Mode [TLV 202.1 in the cable modem configuration file].

The eRouter shall persist its initialization mode across reinitializations. The eRouter shall permit an SNMP SET to the eSafeErouterInitModeControl object upon completing initialization via the TLV encodings.

When the eRouter is 'Disabled', the eRouter shall not enable either IPv4 or IPv6 services or route IP between the Customer-Facing Interfaces and Operator-Facing Interfaces. When the eRouter is 'Disabled', it transparently bridges all traffic directly between its Customer-Facing Interfaces and its Operator-Facing Interface. When configured in this way, it will appear as if there is no eRouter present. The CM bridges all traffic (regardless of IP protocol version) to the CPE ports that would have been behind the eRouter had it been enabled. When configured as 'Disabled', the eRouter specification becomes irrelevant - the interfaces become part of the cable modem. All behavior will occur according to the DOCSIS specifications.

When the eRouter is in 'IPv4 Protocol Enabled' mode, the eRouter performs IPv4 provisioning as described in clause 6 and IPv4 data forwarding and NAT according to clause 8. The eRouter operating in 'IPv4 Protocol Enabled' mode does not perform any IPv6 provisioning. When the eRouter is in 'IPv4 Protocol Enabled' mode, the eRouter shall not forward IPv6 traffic between the Operator-Facing Interface and the Customer-Facing Interfaces.

When the eRouter is in 'IPv6 Protocol Enabled' mode, the eRouter performs IPv6 provisioning according to clause 7 and IPv6 data forwarding according to clause 9. The eRouter operating in 'IPv6 Protocol Enabled' mode does not perform any IPv4 provisioning. When the eRouter is in 'IPv6 Protocol Enabled' mode, the eRouter shall not forward IPv4 traffic between the Operator-Facing Interface and the Customer-Facing Interfaces.

When the eRouter is in 'Dual IP Protocol Enabled' mode, the eRouter performs IPv4 provisioning as described in clause 6 and IPv6 provisioning according to clause 7. Once an eRouter in 'Dual IP Protocol Enabled' mode acquires an IPv4 address per clause 6, the eRouter performs IPv4 data forwarding and NAT according to clause 8. Once an eRouter in 'Dual IP Protocol Enabled' mode acquires an IPv6 address and prefix per clause 7, the eRouter performs IPv6 data forwarding according to clause 9.

When the eRouter is enabled in any of the IP Protocol Enabled Modes, the eRouter shall forward IP traffic between the Customer-Facing Interfaces, regardless of which IP Protocol Mode is enabled.

Table 1 provides a summary of the eRouter behavior based upon the configured mode of operation as well as when it is 'Disabled'.

Table 1: eRouter Modes

Mode	IPv4	IPv6
Disabled	Disables the eRouter resulting in a bridge. No IPv4 provisioning. CM bridges all traffic per [6].	Disables the eRouter resulting in a bridge. No IPv6 provisioning. CM bridges all traffic per [6].
IPv4 Protocol Enabled	IPv4 Provisioning (clause 6). IPv4 data forwarding using NAT (clause 8).	No IPv6 provisioning. No IPv6 data forwarding between Operator-Facing Interface and Customer-Facing Interfaces.
IPv6 Protocol Enabled	No IPv4 provisioning. No IPv4 data forwarding between Operator-Facing Interface and Customer-Facing Interfaces.	IPv6 Provisioning (clause 7). IPv6 data forwarding (clause 9).
Dual IP Protocol Enabled	IPv4 Provisioning (clause 6). IPv4 data forwarding using NAT (clause 8).	IPv6 Provisioning (clause 7). IPv6 data forwarding (clause 9).

5.1 Network Time Protocol

Network Time Protocol version 4 is used to provide time synchronization to the eRouter from one or more master servers. Such time synchronization is essential for correlating events in the eRouter's local log, and for providing accurate time for features that while not explicitly defined in eRouter are commonplace in current implementations. These features and applications include content/parental controls, video content controls for such features as IP video and Digital Video Recorder, voice applications such as caller ID and voicemail notification and similar applications that rely on a standard time reference to perform specific actions.

If the eRouter supports NTPv4, its implementation will be guided by [46] with the following exceptions:

- The eRouter shall act as a client per section 2, Modes of Operation.

- The eRouter shall support a minimum of three NTP servers in the NTP server list.
- The eRouter may act as a server for other clients per section 2, Modes of Operation.
- The eRouter shall support the client/server protocol mode per section 3, Protocol Modes.
- The eRouter may support the broadcast protocol mode of NTPv4 per section 3, Protocol Modes, with the provision that a filtering mechanism is provided to prevent security vulnerabilities as described in section 15, Security Considerations.
- The eRouter may support dynamic server discovery via multicast or manycast mechanisms per section 3.1, Dynamic Server Discovery.
- The eRouter may support the SNTP protocol per section 14, Simple Network Time Protocol.

5.2 DNS proxy forwarding

DNS proxy forwarding functionality provides a means by which LAN clients using DHCP can obtain one or more of the eRouter's LAN addresses as the DNS server that will handle queries. The LAN of the eRouter is assumed to be dual stack for the purpose of the DNS proxy forwarding requirements.

The eRouter implements a DNS proxy forwarding agent that is controlled by a MIB object when the eRouter is in 'Dual Protocol Enabled' mode. An eRouter in 'IPv6 Protocol Enabled' mode will always provide DNS proxy forwarding, whereas an eRouter in 'IPv4 Protocol Enabled' mode will not provide DNS proxy forwarding as defined in the present document.

When operating in a 'Dual Protocol Enabled' mode, the DNS proxy forwarding agent performs transport layer re-encapsulation of IPv4 DNS queries for transmission across an IPv6 network when the MIB object 'dnsIpv6QueryForDualProtocolEnabled' is set to 'true'. The eRouter shall not change the transport protocol (e.g. UDP, TCP) of the DNS query, nor modify the contents of the query consistent with the principles of transparency as described in [i.20]. The default value of the MIB attribute 'dnsIpv6QueryForDualProtocolEnabled' is 'true.' The list below describes the DNS proxy forwarding requirements when the eRouter is in Dual Protocol Enabled mode and an IPv4 DNS query is targeted to an eRouter customer-facing interface:

- Whenever an eRouter has successfully completed DHCPv4 and DHCPv6 address acquisition, it shall perform proxy forwarding of all IPv4 sourced DNS query types over the IPv4 protocol when the value of 'dnsIpv6QueryForDualProtocolEnabled' is set to 'false'. See clause A.5.
- Whenever an eRouter has successfully completed DHCPv4 and DHCPv6 address acquisition, it shall perform proxy forwarding of all IPv4 sourced DNS query types over the IPv6 protocol when the value of 'dnsIpv6QueryForDualProtocolEnabled' is set to 'true'. See clause A.5.
- Whenever an eRouter receives an IPv4 sourced DNS query on its Customer Facing IP Interface, its DNS proxy forwarding agent shall re-encapsulate and perform proxy forwarding of the IPv4 datagram containing the DNS query into an IPv6 datagram for transmission across the network when 'dnsIpv6QueryForDualProtocolEnabled' is set to 'true'.

The list below describes the DNS proxy forwarding requirements when the eRouter is in 'IPv6 Protocol Enabled' mode as follows.

- Whenever an eRouter has successfully completed DHCPv6 address acquisition, it shall perform DNS proxy forwarding of all IPv4 sourced DNS query types over the IPv6 protocol regardless of the setting of the 'dnsIpv6QueryForDualProtocolEnabled' attribute. See clause A.5.

For further information on DNS forwarding behaviors, please refer to [i.1].

6 IPv4 provisioning

6.0 General

The normative requirements of this clause are mandatory for an eRouter that implements the 'IPv4 Protocol Enabled' mode and/or the 'Dual IP Protocol Enabled' mode as defined in clause 5.

After the CM has reached operational state, if the eRouter is configured to route IPv4 packets, the eRouter shall use DHCPv4 [14] via its Operator-Facing Interface in order to obtain an IP address and any other parameters needed to establish IP connectivity, as illustrated in Figure 8.

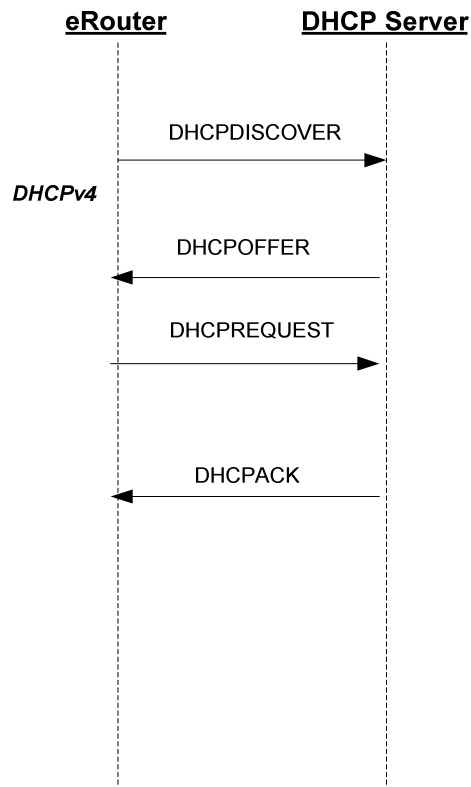


Figure 8: IPv4 provisioning message flow

The eRouter may receive multiple DHCPOFFER messages in response to its DHCPDISCOVER message. If a received DHCPOFFER message does not include all of the required DHCPv4 fields and options as described in clause 6.2, the eRouter shall discard the DHCPOFFER message and wait for another DHCPOFFER message. If none of the received DHCPOFFER messages contain all the required DHCPv4 fields and options, the eRouter shall retransmit the DHCPDISCOVER message.

The backoff values for retransmission of DHCPDISCOVER messages should be chosen according to a uniform distribution between the minimum and maximum values in the rows of Table 2.

Table 2: eRouter DHCP retransmission interval

Backoff Number	Minimum (s)	Maximum (s)
1	3	5
2	7	9
3	15	17
4	31	33
5	63	65

The eRouter should also implement a different retransmission strategy for the RENEWING and REBINDING states, as recommended in [14], which is based on one-half of the remaining lease time.

The eRouter shall limit the number of retransmissions of the DHCPDISCOVER and DHCPREQUEST messages to five or fewer. The eRouter shall not forward IPv4 traffic between its Customer-Facing Interface and its Operator-Facing Interface until it has completed IPv4 provisioning, including the successful receipt of a DHCPACK message. The eRouter shall not forward IPv4 traffic if, at any time, it does not have an IPv4 address for its Operator-Facing Interface.

The eRouter shall be able to accept a unicast response from the DHCP server/relay agent.

6.1 DHCPv4 fields used by the eRouter

The eRouter shall include the following fields in the DHCPDISCOVER and DHCPREQUEST messages:

- The hardware type (htype) shall be set to 1.
- The hardware length (hlen) shall be set to 6.
- The client hardware address (chaddr) shall be set to the 48-bit MAC address associated with the IPv4 CM-facing interface of the eRouter.
- The Broadcast bit shall not be set.
- The client-identifier option shall be included, using the format defined in [40].
- The parameter request list option shall be included.
- The following option codes (defined in [15] and [40]) shall be included in the list:
 - Option code 1 (Subnet Mask)
 - Option code 3 (Router Option)
 - Option code 6 (DNS Server Option)
 - Option code 42 (Network Time Protocol Servers Option)
 - Option code 60 (Vendor Class Identifier)
 - Option code 43 (see [4])
 - Option code 55 (Parameter Request List)

The following fields are expected in the DHCP OFFER and DHCPACK messages returned to the eRouter. The eRouter shall configure itself with the listed fields from the DHCPACK:

- The IP address to be used by the eRouter (yiaddr) (critical).
- The IP Address lease time, option 51 (critical).
- The Server identifier, option 54 (critical).
- The subnet mask to be used by the eRouter (Subnet Mask, option 1) (critical).
- A list of addresses of one or more routers is to be used for forwarding eRouter-originated IP traffic (Router Option, option 3) (critical).

NOTE: The eRouter is not required to use more than one router IP address for forwarding.

- A list of DNS Server addresses (critical).
- A list of options under the CL_V4EROUTER_CONTAINER_OPTION option which are passed on to CPE devices as defined in the [1] (non-critical).

If a critical field is missing or invalid in the DHCPACK received during initialization, the eRouter shall restart the DHCP cycle, beginning with an initial DHCPDISCOVER.

If a non-critical field is missing or invalid in the DHCPACK received during initialization, the eRouter shall ignore the field, and continue the provisioning process.

If the yiaddr, Server Address, or Lease Time field is missing or invalid in the DHCPACK received during a renew or rebind operation, the eRouter shall retry the renew or rebind operation until either: (1) it receives a response containing valid values of the yiaddr, Server Address, and Lease Time fields; or (2) the lease expires. If the lease expires, the eRouter shall restart the DHCP cycle, beginning with an initial DHCPDISCOVER.

If any field other than the yiaddr, Server Address or Lease Time is missing, or is invalid in the DHCPACK received during a renew or rebind operation, the eRouter shall ignore the field if it is invalid and remain operational.

6.2 eRouter interface addressing using Link ID

The eRouter shall support Link ID IPv4 address generation as defined below. The eRouter Link ID feature can be enabled by the operator using CM configuration file encapsulation of TLV 202.13 or TR-069 provisioning methods, see clause B.4.12. By default, the Link ID feature is disabled on the eRouter.

The eRouter shall not persist Link ID based IPv4 addressing across soft-reset or reboot. If soft-reset or reboot occurs, the eRouter waits for a valid IPv6 PD and provisioning instructions in order to enable Link ID and generate IPv4 addresses using this algorithm. When eRouter is in dual IP protocol enabled mode and Link ID is enabled, if there is a temporary loss of connectivity between the Operator-Facing Interface and the CMTS, then the eRouter shall not modify Link ID based IPv4 addressing. In other words, once Link ID IPv4 addressing has been generated, the eRouter is expected to maintain this addressing until such time as the IPv6 PD changes or the eRouter is reset.

When operating in 'Dual IP Protocol Enabled' mode and Link ID is enabled, the eRouter shall generate a unique /24 prefix for each Customer-Facing IP Interface using the 10.0.0.0/8 aggregate prefix and the Link ID generated from the appropriate IPv6 prefix assigned to the Customer-Facing IP Interface.

A unique IPv4 prefix is created using two steps:

- 1) Use the decimal value 10 for the first octet.
- 2) Convert IPv6 Link octets to their decimal equivalents for IPv4 octets 2 and 3.

Step #2 is explained in both the following text and diagram. For example, if an eRouter assigns IPv6 prefix 2001:db8:1234:5601::/64 to a Customer-Facing IP Interface, the Link ID for that interface will be hex 5601 (bits 49-64 of the IPv6 prefix). The eRouter will use this Link ID to construct the second and third octets of its /24 IPv4 prefix. The second octet for this example is decimal 86 (equivalent of 0x56, the first octet of the Link ID), and the third octet is decimal 1 (equivalent of 0x01, the second octet of the Link ID). Thus, in this example, the eRouter will assign an IPv4 prefix of 10.86.0.0/24 to the Customer-Facing IP interface. These requirements enable native routing of IPv4 without the need for a routing protocol or NAPT when the eRouter is operating in Dual IP Protocol Enabled mode. Refer to the Figure 9 and annex E for further details.

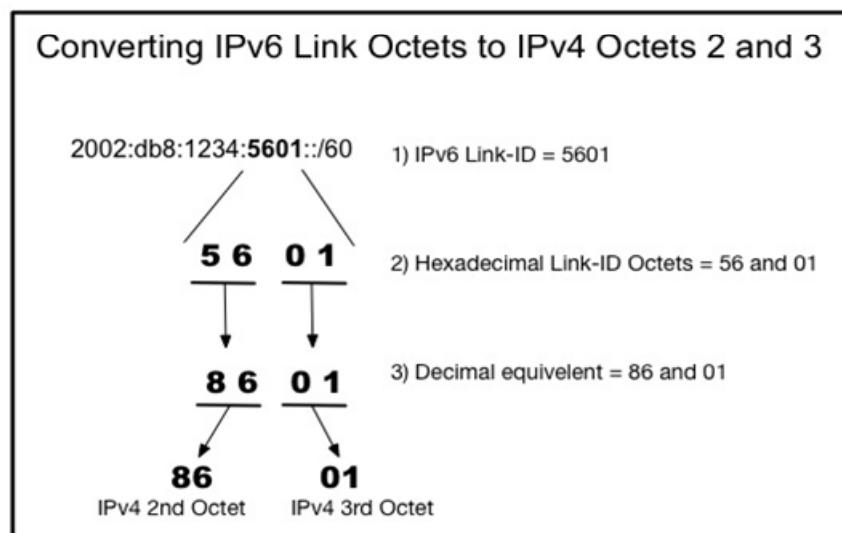


Figure 9: Example deriving IPv4 octets 2 and 3 from an IPv6 prefix

Using the above Link ID example, the IPv6 address of 2001:db8:1234:5601::1/64 results in a corresponding IPv4 address of 10.86.1.1/24.

When operating in IPv4 Protocol Enabled mode or when operating in 'Dual IP Protocol Enabled' mode with Link ID disabled, the eRouter shall generate each unique /24 IPv4 prefix from one of the three blocks of address space reserved for private internets per [13].

6.3 Router DHCPv4 server Sub-element

6.3.1 DHCPv4 server function goals

The DHCP server is responsible for assigning network address leases to LAN IP devices associated with Customer-Facing Interfaces. It is also responsible for providing LAN IP devices with configuration information via DHCP Option codes, as specified in [15].

Goals for the DHCP server include the following:

- Assign network address leases to CPE devices according to [14].
- Assign private CPE addresses according to [13].
- Assign configuration information according to [15].

6.3.2 DHCPv4 server function system description

The eRouter DHCPv4 server responsibilities include:

- Assigning IP Addresses and delivering DHCP configuration parameters to CPE Devices. The server relies on built-in default values for initial IP Address pool configuration, lease parameter configuration, and DHCP options values.
- Optional logging of DHCPv4 server errors to a local event log.

6.3.3 DHCPv4 server function requirements

eRouter Operator Facing Interface Provisioned Prefix: 2001:db8:1234:5600::/56

```
Customer-Facing IP Interface br(0)
  IPv6 Prefix:      2001:db8:1234:5600::/64
  Link ID Conversion: 56 00 -> 86 00
  IPv4 Network:    10.86.0.0/24  Gateway: 10.86.0.1
```

```
Customer-Facing IP Interface br(1)
  IPv6 Prefix:      2001:db8:1234:5600::/64
  Link ID Conversion: 56 00 -> 86 00
  IPv4 Network:    10.86.1.0/24 Gateway: 10.86.1.1
```

```
Customer-Facing IP Interface br(2)
  IPv6 Prefix:      2001:db8:1234:5601::/64
  Link ID Conversion: 56 01 -> 86 01
  IPv4 Network:    10.86.1.0/24 Gateway: 10.86.1.1
```

```
Customer-Facing IP Interface br(3)
  IPv6 Prefix:      2001:db8:1234:5601::/64
  Link ID Conversion: 56 01 -> 86 01
  IPv4 Network:    10.86.1.0/24 Gateway: 10.86.1.1
```

```
Topology Mode Encoding: Favor Width
Calculated on 3-Bit Boundary
Calculated subdelegation prefix length: /59
Number /59 available for prefix sub-delegation: 7
-- Sub-delegated prefix: 2001:db8:1234:5620::/59
-- Sub-delegated prefix: 2001:db8:1234:5640::/59
-- Sub-delegated prefix: 2001:db8:1234:5660::/59
-- Sub-delegated prefix: 2001:db8:1234:5680::/59
-- Sub-delegated prefix: 2001:db8:1234:56a0::/59
-- Sub-delegated prefix: 2001:db8:1234:56c0::/59
-- Sub-delegated prefix: 2001:db8:1234:56e0::/59
```

Sub-delegation:

The CER in this example has (4) Customer Facing IP Interfaces - represented below as br(0) -> br(3). Assume there are (4) IRs with one attached to each of those Customer Facing IP Interfaces of the CER.

Further assume each IR is assigned an IPv6: IA_NA and IA_PD and IPv4 address in the following way by the CER.

```
IR(0) on br(0) is assigned via DHCPv6 IA_NA = 2001:db8:1234:9a00::100 and IA_PD =
2001:db8:1234:9a20::/59 and via DHCPv4 IP Address = 10.154.0.100
IR(1) on br(1) is assigned via DHCPv6 IA_NA = 2001:db8:1234:9a01::100 and IA_PD =
2001:db8:1234:9a40::/59 and via DHCPv4 IP Address = 10.154.1.100
IR(2) on br(2) is assigned via DHCPv6 IA_NA = 2001:db8:1234:9a02::100 and IA_PD =
2001:db8:1234:9a60::/59 and via DHCPv4 IP Address = 10.154.2.100
IR(3) on br(3) is assigned via DHCPv6 IA_NA = 2001:db8:1234:9a03::100 and IA_PD =
2001:db8:1234:9a80::/59 and via DHCPv4 IP Address = 10.154.3.100
```

Route Table:

Network Destination	Next Hop	Interface
2001:db8:1234:9a20::/59	2001:db8:1234:9a00::100	br(0)
10.154.32.0/19	10.154.0.100	br(0)
2001:db8:1234:9a40::/59	2001:db8:1234:9a01::100	br(1)
10.154.64.0/19	10.154.1.100	br(1)
2001:db8:1234:9a60::/59	2001:db8:1234:9a02::100	br(2)
10.154.96.0/19	10.154.2.100	br(2)
2001:db8:1234:9a80::/59	2001:db8:1234:9a03::100	br(3)
10.154.128.0/19	10.154.3.100	br(3)

The eRouter shall include a DHCPv4 server compliant with [14].

In addition, the following requirements apply to the DHCPv4 Server function:

- When the DHCP server assigns an active lease for an IP address to a CPE Device, the server shall remove that IP address from the pool of IP addresses available for assignment.
- The requirements in this clause use an appropriate address space as defined in [13], and overrides the requirements in clause 8.3.1 when using IPv4-only mode (not Dual-Stack).

- The DHCP server function of the eRouter shall support the DHCP options indicated as mandatory in Table 3.
- The DHCP server function of the eRouter shall not respond to DHCP messages that are received through the Operator-Facing Interface, nor originate DHCP messages from the Operator-Facing Interface.
- The DHCP server function of the eRouter shall not deliver any DHCP option with null value to any CPE device.
- The DHCP server function should be operational independent of the eRouter Operator-Facing Interface connectivity state.
- If the eRouter Operator-Facing Interface is not successfully provisioned, the eRouter DHCP server function should assign a short lease time to CPE devices and may omit options it has not acquired.
- The DHCP server function shall assign private IP address space as defined in [13].
- The DHCP server function should log errors to a local event log.
- Whenever the eRouter is in 'Dual IP Protocol Enabled' mode and the value of 'dnsIpv6QueryForDualProtocolEnabled' attribute is 'true', the eRouter's DHCP server function shall replace the DNS server IP(s) obtained from the Service Provider's DHCP server with one or more of the eRouter's Customer-Facing IP interface addresses. The eRouter provides the DNS server list consisting of one or more of its Customer-Facing IPv4 addresses to connected clients using DHCP in order to perform DNS proxy forwarding on behalf of LAN clients. See clause 5.2.
- Whenever the eRouter is in 'Dual IP Protocol Enabled' mode and the value of 'dnsIpv6QueryForDualProtocolEnabled' attribute is 'false', the eRouter's DHCP server function provides the DNS server IP(s) obtained from the Service Provider's DHCP server to the DHCP clients on the Customer-Facing Interface as defined in the present document.

Table 3: DHCPv4 Server Options

Option Number	Option Function
0	Pad
255	End
1	Subnet Mask
3	Router Option
6	Domain Name Server
42	Network Time Protocol Servers Option
50	Requested IP Address
51	IP Address Lease Time
54	Server Identifier
55	Parameter Request List
4491.3	Option(s) acquired under CL_V4EROUTER_CONTAINER_OPTION from the Operator

6.4 Operator-facing IPv4 address release behavior

There are a number of situations in which it is desirable for eRouter to release its associated IPv4 address leases in order to protect the integrity of the DHCP database. Examples of such circumstances include situations in which the eRouter needs to be administratively reset (i.e. for configuration change, software update, or other reasons), or a change to the IPv4 address during DHCPv4 renewal. Due to the eRouter's dependency on the eCM for maintaining operator-facing connectivity, the eRouter shall release its lease information prior to an SNMP or administratively imposed re-initialization of the embedded CM in order to prevent loss of the communications path with the DHCP server.

Whenever the eRouter is instructed to reset, the eRouter shall send a DHCP_RELEASE message [14] for the IPv4 public address assigned by the DHCPv4 server to the eRouter's Operator-Facing Interface. The eRouter shall send the DHCP_RELEASE message [14] for the IPv4 public address assigned by DHCPv4 to the eRouter's Operator-Facing Interface whenever the eRouter receives a DHCPv4 server renewal response contains a different IPv4 address. The eRouter shall not wait for a confirmation of the receipt of the release by the DHCPv4 server in order to re-initialize.

6.5 Customer-facing IPv4 address release behavior

After initiating an administrative device reset in which the public address has been released, the eRouter customer-facing interfaces will be limited to inter-LAN forwarding until the device completes any necessary resets and a new address lease is acquired. Prior to the operator-facing interface acquiring an IPv4 address from the operator's DHCPv4 server, local network services and data forwarding of the customer-facing LAN interfaces will continue so long as the DHCPv4 server of the eRouter is enabled.

7 Operator-facing IPv6 provisioning

7.0 General

IPv4 address space is nearly exhausted. The IANA pool of free IPv4 address space is completely depleted and customers have yet to be fully migrated to IPv6. The features necessary to facilitate transition to IPv6 are described in the following clauses.

The normative requirements of this clause are mandatory for an eRouter that implements the IPv6 Protocol.

After the CM has completed provisioning, if the eRouter is operating in either 'IPv6 Protocol Enabled' mode or 'Dual IP Protocol Enabled' mode as defined in clause 5, the eRouter shall use DHCPv6 [22] in order to obtain an IP address for its Operator-Facing IP Interface and any other parameters needed to establish IP connectivity, as illustrated in Figure 10. The eRouter shall use DHCPv6 prefix delegation [30] in order to obtain an IPv6 prefix for the eRouter's Customer-Facing IP Interfaces and any downstream internal routers (IRs), as well as any other parameters needed to establish IPv6 connectivity within the home or office network.

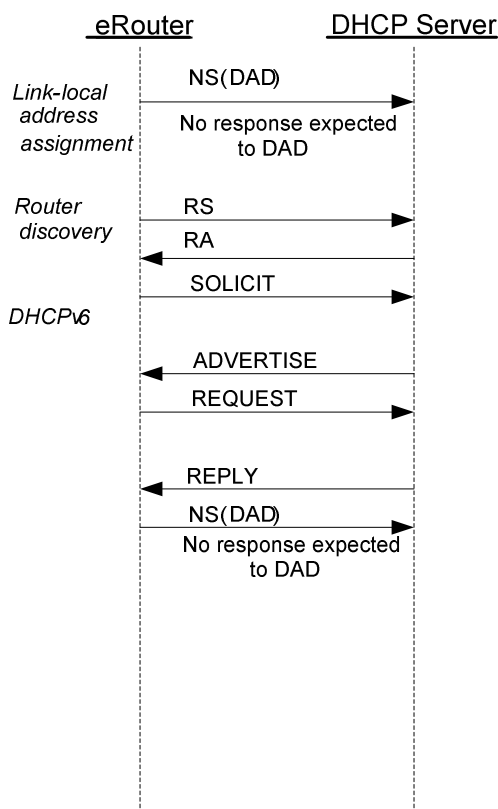


Figure 10: IPv6 Provisioning Message Flow

The eRouter establishes IPv6 connectivity including assignment of:

- Link-local IPv6 address
- IPv6 address of a Default Router

- Operator-Facing Interface IPv6 address (used for both management access to the eRouter and data forwarding)
- Other IPv6 configuration

These steps are described in the following clauses.

7.1 Obtain link-local address

The eRouter shall construct a link-local address for its Operator-Facing Interface and each of its Customer-Facing Interface(s) according to the procedure in section 5.3 of [43]. The eRouter shall use the EUI-64 identifier as a link-local address for each of its interfaces as described in [37]. For each of its interfaces, the eRouter shall join the all-nodes multicast address and the solicited-node multicast address of the corresponding link-local address [43] and [16]. The eRouter shall use Duplicate Address Detection (DAD), as described in section 5.4 of [43], to confirm that the constructed link-local addresses are not already in use prior to sending any Router Solicitations on the interface. If the eRouter determines that the constructed link-local address is already in use, the eRouter shall terminate IPv6 operation on that interface.

7.2 Perform router discovery

The eRouter shall perform router discovery as specified in section 6.3 of [42] on its Operator-Facing Interface. The source address used in the Router Solicitation shall be the link-local address on the Operator-Facing Interface. The eRouter identifies neighboring routers and default routers from the received RAs.

7.3 Obtain IPv6 address and other configuration parameters

An eRouter shall examine the contents of RAs it receives on the Operator-facing interface and obeys the following rules:

- If the M bit in the RA is set to 1, the eRouter shall use stateful DHCPv6 to obtain its IA_NA IPv6 address and other configuration information (and ignore the A and O bits).
- If the M bit is set to 1 in the RA, the eRouter shall use stateful DHCPv6 to obtain its IA_PD.
- If the M bit is set to 0 and the O bit is set to 1, then the eRouter shall perform stateful DHCPv6 to obtain its IA_NA, IA_PD and other configuration information.
- If both the M bit and the O bit in the RA are set to 0, the eRouter shall not attempt to use DHCPv6 to obtain its IPv6 address and other configuration information.
- The eRouter shall not support SLAAC on its Operator-facing interface.

If the eRouter receives an RA where the M bit is set to zero then the eRouter considers provisioning to have failed.

If an RA contains a prefix advertisement for an IPv6 network prefix on which the eRouter does not have an address and the M bit in the RA is set to 1, the eRouter shall use DHCPv6 to obtain its IPv6 address for its Operator-Facing Interface and renew any current IA_PD lease(s).

Table 4: eRouter Behavior

M Bit	O Bit	Stateful DHCPv6	Stateless DHCPv6	Prefix Delegation
1	1	Yes	No	Yes
1	0	Yes	No	Yes
0	1	Yes	No	Yes
0	0	No	No	No

Table 4 depicts eRouter behavior based on the values present in the M and O bits.

The eRouter shall follow the recommendations in section 4 of [48], and in particular the handling of the L flag in the Router Advertisement Prefix Information option.

The eRouter shall act as a requesting router for the purposes of DHCPv6 prefix delegation ([30]). DHCPv6 address assignment (IA_NA) and DHCPv6 prefix delegation (IA_PD) should be done as a single DHCPv6 session.

The eRouter sends a DHCPv6 Solicit message as described in section 17.1.1 of [22]. The Solicit message shall include:

- 1) A Client Identifier option containing the DHCP Unique Identifier (DUID) for this eRouter (as specified by [22]), the DUID should be formatted as follows:
 - The eRouter shall use a DUID that is one of DUID-LL, DUID-EN or DUID-LLT type and;
 - The eRouter shall use a DUID that is persistent across administrative reset or reboot following a loss of power per [57] W-6.
- 2) An IA_NA option to obtain its IPv6 address.
- 3) An IA_PD option (as specified in [30]) to obtain its delegated IPv6 prefix.
- 4) A Reconfigure Accept option to indicate the eRouter is willing to accept Reconfigure messages.
- 5) An Options Request option, which shall include the following options:
 - DNS Recursive Name Server option [31].
 - DNS Domain Search List option as per [31].
 - OPTION_SOL_MAX_RT (82) as per [56].
 - OPTION_NTP_SERVER (56) [47].
- 6) A Vendor Class option containing 32-bit number 4491 (the Cable Television Laboratories, Inc., enterprise number) and the string "eRouter1.0".
- 7) A DOCSIS Device Identifier Option, as defined in [1].
- 8) A Vendor-specific option, containing:
 - a) The 32-bit number 4491 (the Cable Television Laboratories, Inc., enterprise number).
 - b) A CableLabs Vendor Specific Option Request Option CL_OPTION_ORO as defined in [1].
 - c) A CL_EROUTER_CONTAINER_OPTION requested inside CL_OPTION_ORO.

The eRouter shall use the delegated prefix assigned by the most recent DHCPv6 operation even if the new prefix differs from the prefix previously assigned. This new prefix will overwrite any stored prefix information preserved across resets by the eRouter.

If the eRouter does not have a previously assigned delegated prefix, the eRouter shall indicate a non-zero prefix size as DHCPv6 "hint" information [30]. The eRouter shall ask for a prefix large enough to assign one /64 for each of its Customer-Facing Logical Interfaces rounded up to the nearest nibble. The eRouter shall be able to accept a delegated prefix length different from what was provided in the hint. If the delegated prefix is too small to address all of its interfaces, the eRouter should assign a single /64 for all Customer-Facing Logical Interfaces and log an error message.

Any packet received from the Operator-facing interface by the eRouter with a destination address in the prefix(es) delegated to the eRouter but not in the set of prefix(es) assigned by the eRouter to the Customer-facing interface shall be dropped. For example, if the delegated prefix is a /56 but only 12 /64 are in active use, the eRouter should discard all traffic destined to the 242 unused /64. This is necessary to prevent forwarding loops and is also helpful in preventing malicious (DoS, network scanning, etc.) traffic from entering the LAN or using eRouter resources.

The eRouter shall use the following values for retransmission of the Solicit message (see section 14 of [22] for details):

- IRT (Initial Retransmission Time) = SOL_TIMEOUT
- MRT (Maximum Retransmission Time) = SOL_MAX_TIMEOUT
- MRC (Maximum Retransmission Count) = 0
- MRD (Maximum Retransmission Duration) = 0

The eRouter shall use the following value for the Max Solicit timeout value as per [56] in preference to any value shown in [22]:

- SOL_MAX_RT = 3 600 s

The DHCP server responds to Solicit messages and Request messages with Advertise and Reply messages. The Advertise and Reply messages may include other configuration parameters, as requested by the eRouter, or as configured by the administrator, to be sent to the eRouter. If any of the following options are absent from the Advertise message, and the SOL_MAX_RT option is not present, the eRouter shall discard the message and wait for another Advertise message. If any of the following options are absent from the Reply message, the eRouter shall consider IPv6 provisioning to have failed, discard the Reply, and continue transmitting Solicit messages. In addition the eRouter may log an event.

- 1) The IA_NA option containing the eRouter's IPv6 address.
- 2) The IA_PD option containing the delegated IPv6 prefix for use by the eRouter.
- 3) Reconfigure Accept option.
- 4) The DNS Recursive Name Server Option.
- 5) DHCP Option 94 (MAP-E) and DHCP Option 95 (MAP-T) are both present.

When the SOL_MAX_RT option is present in an Advertise message, and one or more critical options from the list above are absent, the eRouter shall acquire the value of SOL_MAX_RT and use such value for future transmissions of Solicit messages. After the eRouter obtains an Advertise containing a new value for SOL_MAX_RT, but lacking critical options from the list above, it shall use the newly acquired value of SOL_MAX_RT for any subsequent Solicit transmissions. It is not necessary to preserve the value of SOL_MAX_RT across resets.

The eRouter may log an event if IPv6 provisioning has failed.

The eRouter interface shall join the All-Nodes multicast address and the Solicited-Node multicast address of the IPv6 address acquired through DHCPv6. The eRouter shall perform Duplicate Address Detection (DAD) with the IPv6 address acquired through DHCPv6.

If the eRouter determines through DAD that the IPv6 address assigned through DHCPv6 is already in use by another device, the eRouter shall:

- Send a DHCP Decline message to the DHCP server, indicating that it has detected that a duplicate IP address exists on the link.
- Discontinue using the duplicate IP address.
- Consider the IPv6 provisioning process to have failed, log the event in the local log, and re-initiate the DHCP process.

The eRouter shall support the Reconfigure Key Authentication Protocol, as described in section 21.5 of [22].

The eRouter shall not forward any IPv6 traffic between its Customer-Facing Interface and its Operator-Facing Interface until it has successfully completed the IPv6 provisioning process. The eRouter shall not forward any IPv6 traffic between its Customer-Facing Interface and its Operator-Facing Interface if, at any time, it does not have a Globally-assigned IPv6 address on its Operator-Facing Interface. The eRouter shall not forward any IPv6 traffic between its Customer-Facing interface and its Operator-Facing interface if it has not completed the delegated prefix acquisition process.

If DHCPv6 provisioning fails on the Operator-Facing interface for any reason, then the eRouter shall transmit a Router Advertisement on the Customer-Facing interface with the router lifetime equal to zero.

7.4 Use of T1 and T2 timers

The eRouter shall initiate the lease renewal process when timer eRouter-T1 expires. The eRouter shall initiate the lease rebinding process when timer eRouter-T2 expires. Timers eRouter-T1 and eRouter-T2 are called T1 and T2, respectively, in the DHCP specifications. If the DHCP server sends a value for eRouter-T1 to the eRouter in a DHCP message option, the eRouter shall use that value. If the DHCP server does not send a value for eRouter-T1, the CM shall set eRouter-T1 to 0,5 times the duration of the lease [22]. If the DHCP server sends a value for eRouter-T2 to the eRouter in DHCP message options, the eRouter shall use that value. If the DHCP server does not send a value for eRouter-T2, the eRouter shall set eRouter-T2 to 0,875 times the duration of the lease [22].

7.5 Customer-facing IPv6 provisioning of CPE devices

7.5.0 Initial provisioning

An eRouter that has no default routers on its Operator-Facing Interface shall not send Router Advertisements to its Customer-Facing Interfaces with Router lifetime values other than zero. If an eRouter is serving as an advertising router (acting as the Default Router for the PD) and subsequently detects loss of connectivity on its Operator-Facing Interface, it shall deprecate itself as an IPv6 default router on each of its Customer-Facing Interfaces. The eRouter shall then transmit one or more Router Advertisement messages with the Router Lifetime field set to zero.

Per [57], whenever the eRouter detects loss of connectivity on the Operator-Facing Interface the eRouter shall:

- set both the Router Lifetime and the Preferred Lifetime to zero (0) in the Router Advertisement (RA) messages for each Customer-Facing Interface that has been allocated a prefix from the delegated prefix that was provisioned on the eRouter Operator-Facing Interface;
- transmit one (1) or more Router Advertisement (RA) messages on the Customer-Facing Interfaces that have been allocated prefixes from the delegated prefix that was provisioned on the eRouter Operator-Facing Interface.

The eRouter may log an event associated with the change in link-state of the Operator Facing Interface.

The eRouter shall detect disruption of the link-state of the Operator Facing Interface which occurs when the embedded CM loses its connection with the DOCSIS network. The loss of connectivity detection between the embedded CM and the DOCSIS network is implementation dependent.

Upon detecting that connectivity has been restored on the Operator-Facing Interface, the eRouter shall send a DHCPv6 SOLICIT to the DHCP server by resetting the back off timer to its lowest value. Prompt transmission of DHCPv6 SOLICIT messages is essential to re-establishing local IPv6 networking and to allow the injection of the assigned PD into the CMTS's routing table. This insures rapid recovery after planned or unplanned outage events.

The eRouter shall divide the MSO delegated prefix acquired from the IA_PD option per clause 7.3 during the provisioning process into several sub-prefixes to be used for its Customer-Facing IP Interfaces and any downstream internal routers (IRs).

By default, the eRouter shall divide the delegated prefix based on the MSO provisioned prefix size and the configurable topology mode (clause B.4.9) as follows:

- If the provisioned MSO assigned IA_PD is smaller than a /56 (e.g. a /60) and the Topology mode is set to "favor depth", the eRouter shall divide the delegated prefix on two (2)-bit boundaries into four (4) sub-prefixes by default.
- If the provisioned MSO assigned IA_PD is smaller than a /56 (e.g. a /60) and the Topology mode is set to "favor width", the eRouter shall divide the delegated prefix on three (3)-bit boundaries into eight (8) sub-prefixes by default.
- If the provisioned MSO assigned IA_PD is a /56 or larger and the Topology mode is set to "favor depth", the eRouter shall divide the delegated prefix on three (3)-bit boundaries into eight (8) sub-prefixes by default.
- If the provisioned MSO assigned IA_PD is a /56 or larger and the Topology mode is set to "favor width", the eRouter shall divide the delegated prefix on four (4)-bit boundaries into sixteen (16) sub-prefixes by default.

- If the provisioned MSO assigned IA_PD is too small to divide in the manner described, the eRouter shall divide the delegated prefix into as many /64 sub-prefixes as possible and log an error message indicating the fault.

For example, if eRouter set to "favor width" receives a /56 IA_PD from the MSO during the provisioning process, the eRouter will split the /56 delegated prefix into sixteen /60 sub-prefixes for use within the home or office. In another scenario where an eRouter set to "favor depth" receives a /62 IA_PD from the MSO during the provisioning process, it would split that /62 delegated prefix into four /64 prefixes for use within the home or office network.

The eRouter may support other methods of dividing the provisioned MSO assigned IA_PD; any such methods would have to be configured by the MSO or its customer.

The eRouter shall generate and assign a globally unique /64 prefix for each Customer-Facing IP Interface before sub-delegating any prefixes to downstream routers within the home.

The eRouter shall allocate these /64 interface prefixes starting from the numerically lowest sub-prefix generated from the division of the MSO assigned IA_PD (as described above). If the sub-prefix is too small to address all of the Customer-Facing IP Interfaces, the eRouter shall allocate additional /64 interface prefixes from the next, numerically consecutive sub-prefix.

The eRouter may reserve additional /64 interface-prefixes for Customer-Facing Logical Interfaces that could be enabled in the future.

After all of the eRouter's Customer-Facing IP Interfaces have been assigned a globally unique /64 prefix, the eRouter shall delegate sub-prefixes to directly attached downstream routers starting from the numerically highest sub-prefix and working down in reverse numerical order. The prefix assignment in reverse order allows for the flexibility of having a contiguous Customer-Facing IP Interface prefix assignment for interfaces that may be enabled after the initial prefix assignment. This includes the most common use case of additional SSID interfaces that may be administratively disabled at the time the eRouter initializes that are later enabled.

If there are not enough sub-prefixes remaining to delegate to all downstream routers, the eRouter shall log an error message indicating the fault.

For example, if there is an eRouter set to "favor depth" configured with two (2) Customer-Facing IP Interfaces that receives a MSO provisioned prefix of 3900:1234:5678:9ab0::/60, the prefix assignment would be as follows:

- Customer-Facing Logical Interface #1 would be assigned with the prefix: 3900:1234:5678:9ab0::/64
- Customer-Facing Logical Interface #2 would be assigned with the prefix: 3900:1234:5678:9ab1::/64

The eRouter would delegate sub-prefixes to the directly attached downstream routers starting first with the 3900:1234:5678:9abc::/62 sub-prefix, and next with 3900:1234:5678:9ab8::/62 sub-prefix, and so on.

If the MSO prefix is too small to address all of its interfaces, the eRouter shall collapse the Customer-Facing IP Interfaces into a single Interface and assign a single /64, logging an error message indicating the fault. For example, if eRouter with eight (8) Customer-Facing (physical) Interfaces receives a single /64 prefix from the MSO during the provisioning process, the eRouter will be forced to bind all eight (8) interfaces into the lowest numbered, or primary LAN, creating a single flat network and a single Customer-Facing IP Interface, regardless of the existing LAN or VLAN configuration(s).

The eRouter shall assign a global IPv6 address to each Customer-Facing IP Interface. The eRouter should generate each Customer-Facing IP Interface Identifier using the Modified EUI-64 process as described per [37]. The Modified EUI-64 IPv6 Interface Identifier is created by converting the MAC address assigned to each Customer-Facing IP Interface to an EUI-64 formatted 64-bit address, and complementing the U/L bit; then, pre-pending 64 bits of the prefix acquired under IA_PD in clause 7.3 to create the 128-bit IPv6 Interface Identifier address.

This entire process can be illustrated in the following way:

- 1) The aggregate MSO prefix is acquired per clause 7.3.
- 2) The eRouter then breaks this aggregate MSO prefix into sub-prefixes, based on the topology mode (clause B.4.9).
 - a) If the MSO prefix is not large enough, it is broken into as many /64 sub-prefixes as possible and logs an error message.

- 3) The first of these sub-prefixes is further broken into /64 interface-prefixes for use one on each of the eRouter's Customer-Facing Logical Interfaces.
 - a) If the sub-prefix is too small to number all Customer-Facing Logical Interfaces, the eRouter uses additional sub-prefixes as needed (in numerical order).
 - b) If the aggregate MSO prefix is too small to number all Customer-Facing Logical Interfaces, the eRouter collapses them into a single interface, assigns a single /64 to that interface, and logs an error message.
- 4) Each Customer-Facing IP Interface is assigned an IP address from the corresponding interface-prefix.
- 5) The remaining sub-prefixes are delegated via DHCPv6 to directly downstream routers as needed, in reverse numerical order.

The eRouter shall support SLAAC [43] on all Customer-Facing Interfaces. This requirement satisfies IP address allocation on the Customer-Facing Interfaces for any host that does not implement a full DHCP client.

The eRouter shall support a DHCPv6 server [22] on all Customer-Facing Interfaces. This requirement provides the Customer-Facing Interface with the ability to allocate IP addresses to hosts that implement a DHCP client.

The eRouter shall support Delegating Router behavior for the IA_PD Option [30] on all Customer-Facing Interfaces. This requirement provides the means to delegate sub-prefixes to routers within the customer's network from the aggregate, delegated prefix assigned by the operator to the eRouter.

The eRouter shall support Neighbor Discovery for IPv6 as defined in [42].

The eRouter shall advertise itself as a router for its delegated prefix(es) using the Route Information Option, as specified in section 2.3 of [35].

The eRouter's Router Advertisement (RA) transmission period shall be configurable from 3 seconds to 1 800 seconds for each Customer Facing Logical Interface. This configuration flexibility is necessary to adapt to conditions for which the [43] defined default of a 120 second interval is inadequate. For example, when prefixes are changed and timely notification of such change is essential to maintaining network continuity.

The eRouter shall implement a 30 second Router Advertisement (RA) transmission interval by default for each of its Customer Facing Logical Interfaces. If the prefix information contained in an RA changes, the eRouter shall immediately generate and transmit an updated RA.

7.5.1 Additional customer-facing IP interfaces enabled after initial provisioning

If an eRouter Customer-Facing IP Interface is enabled after initial provisioning and the initial prefix delegation, the eRouter shall continue prefix assignment for this interface from the next available lowest numbered /64 prefix available. To illustrate using the same example as above, if an additional Customer-Facing IP Interface is enabled after the initial prefix assignment, the eRouter would assign this interface with the prefix of 3900:1234:5678:9ab2::/64.

When the eRouter has used all of its sub-prefixes for any reason, the eRouter shall not enable any new Customer-Facing IP Interfaces. When an attempt to enable a Customer-Facing IP Interface fails because there are no available prefixes, the eRouter shall log an error message indicating the fault.

7.5.2 SLAAC requirements for eRouter

7.5.2.0 General

SLAAC is required for hosts that do not implement a DHCPv6 client.

The /64 prefix length is required for the dynamic numbering of CPE devices using SLAAC [43]. The eRouter shall generate Router Advertisements (RA) on each Customer-Facing Interface as per [43].

The eRouter shall include the following in its RA by default:

- A Prefix Information Option with a prefix derived from the prefix acquired under IA_PD in clause 7.3 and both the ICMPv6 options 'flags' L-Bit (On-link) bit and A-Bit (Autonomous) bit set to 1.

- Preferred lifetimes in the Prefix Information Option set equal to or less than the Preferred lifetime communicated in the IA_PD option received on the Operator-Facing Interface. This requirement ensures prefix lifetime synchronization between the eRouter aggregate prefix and the prefix/es assigned to each Customer-Facing Interface.

The above L, and A settings in the RA will cause CPE devices to use auto-configuration by default for assigning their global IPv6 address.

Once the eRouter has completed Operator-facing DHCPv6 provisioning:

- The eRouter shall include DNS configuration option RDNSS in its RA messages as specified in [50].
- The eRouter shall include DNS configuration option DNSSL in its RA messages as specified in [50] if OPTION_DOMAIN_LIST (24) option is acquired via Operator-facing DHCPv6 provisioning.
- The eRouter shall include the list of DNS servers specified in the OPTION_DNS_SERVERS (23).
- The eRouter shall include the list of domain names specified in the OPTION_DOMAIN_LIST (24) option, if acquired via Operator-facing DHCPv6 provisioning.

7.5.2.1 Local configuration of SLAAC options

The eRouter may provide a mechanism for local configuration of SLAAC for CPE devices. If local configuration is used, the eRouter shall override the pass through of options received from the Cable Operator and provide the locally configured options to CPEs.

7.5.3 DHCPv6 requirements for eRouter

7.5.3.0 General

The eRouter shall provide a DHCPv6 server on Customer-Facing Interfaces as described in:

- [22] Dynamic Host Configuration Protocol for IPv6 (DHCPv6).
- [32] Stateless Dynamic Host Configuration Protocol (DHCP) Service for IPv6.

The eRouter DHCPv6 server shall support providing the following DHCPv6 Options:

- [31] DNS Configuration options for Dynamic Host Configuration Protocol for IPv6 (DHCPv6).
- [30] IPv6 Prefix Options for Dynamic Host Configuration Protocol (DHCP) version 6.
- [34] Simple Network Time Protocol (SNTP) Configuration Option for DHCPv6.
- [47] Network Time Protocol (SNTP) Configuration Option for DHCPv6.
- [36] Information Refresh Time Option for Dynamic Host Configuration Protocol for IPv6 (DHCPv6).

The DHCPv6 server shall be able to manage at least one IA_NA for each client, and at least one address in each IA_NA.

The DHCPv6 server shall be able to manage at least one IA_PD for each client and at least one delegated prefix in each IA_PD. The sub-prefix delegated to the client is derived from the aggregate prefix delegated to the eRouter from the Cable Operator as described in clause 7.5.

The eRouter DHCPv6 server shall derive the preferred lifetimes for Customer-facing IA_NA and IA_PD leases from the preferred lifetime acquired in the IA_PD on the Operator Facing Interface. The DHCPv6 messages sent on Customer-facing interface shall contain the lifetime value greater than zero and equal to or less than the IA_PD lifetime acquired on the Operator Facing Interface.

IA_NA and IA_PD T1 and T2 values are supplied to the Customer-facing interface(s) in accordance with [22] section 22.4 and [30] section 9, respectively.

The eRouter shall generate Router Advertisements (RA) on each Customer-Facing IP Interface as per [43]. The RA shall include the following by default:

- have the M bit set to 1;
- have the O bit set to 1;
- contain a Prefix Information Option with a prefix derived from the prefix acquired under IA_PD in clause 7.3 and both the ICMPv6 options 'flags' L-Bit (On-link) bit and A-Bit (Autonomous) bit set to 1;
- set the Preferred lifetime in the Prefix Information Option equal to the Preferred lifetimes communicated in the IA_PD option on the Operator-Facing Interface. This requirement ensures prefix lifetime synchronization between the eRouter aggregate prefix and the prefix(es) assigned to each Customer-Facing Interface.

These settings in the RA will direct CPE devices to use DHCPv6 configuration for assigning their global IPv6 address. In most scenarios, an eRouter would make DHCPv6 services available concurrently with SLAAC in order to supply address and other information to hosts of varying capability. Hosts will be presented with a Router Advertisement that includes the M-bit set to indicate DHCPv6 operation in addition to the A-bit set to indicate SLAAC operation and the O-bit set to support stateless DHCPv6 clients.

NOTE: Recent testing shows operating systems will perform both DHCPv6 and SLAAC for address acquisition when the operating system includes a DHCP client and both methods of address acquisition are made available.

The eRouter shall be able to pass the following set of options received from the Cable Operator to the DHCPv6 server for configuration of CPEs:

- DNS Recursive Name Server option as specified in [31].
- DNS Domain Search List option as specified in [31].
- The list of options under the CL_EROUTER_CONTAINER_OPTION option, as defined in [1], which are passed to the eRouter by the operator.

The eRouter may relax the requirements on non-volatile storage of assigned addresses and delegated prefixes and may glean information about assigned addresses and delegated prefixes from Advertise, Renew, and Rebind messages received from clients.

7.5.3.1 Local configuration of DHCPv6 options

The eRouter may provide a mechanism for local configuration of DHCPv6 options for CPE devices. If local configuration is used, the eRouter shall override the pass through of options received from the Cable Operator and provide the locally configured options to CPEs.

7.5.4 Prefix changes

An eRouter might receive a replacement prefix from the DHCP server (e.g. during a renewal operation on the Operator-Facing Interface). Due to the global nature of IPv6 addressing of CPEs, the eRouter is required to deprecate the previously acquired prefix and allocate addressing from the newly acquired prefix whenever this happens.

The eRouter shall perform CPE provisioning as per clause 7.5 immediately upon receiving a new prefix.

The eRouter deprecates the previously acquired prefix via routines defined in Soft Reset (clause B.5). These steps include immediately sending an RA message that indicates the prefix to be deprecated, sending a DHCP-RECONFIGURE message prompting DHCP clients to renew their IP information, shutting down and restarting all Customer-Facing Interfaces, as well as clearing of the ND cache and any other procedures that are specific to the implementation. When CPEs receive the updated RA, RECONFIGURE message, or notice a state change in the link-state of the Customer-Facing Interface, they are compelled to discard their current IPv6 addresses and restart the address acquisition process. A majority of CPEs do not yet properly respond to the DHCP-RECONFIGURE message with a 'Rebind' per [54] at the time of publication of the present document. It is anticipated that this will change as compliance improves.

When a prefix previously assigned to the eRouter is no longer available for any reason (e.g. a prefix change during renewal), the eRouter shall deprecate that prefix. When the eRouter deprecates a prefix, it shall follow Soft Reset steps 2, 3 and 6 from clause B.5. The eRouter may implement vendor-specific techniques that supplement those defined in clause B.5.

When an eRouter receives updated information for a currently assigned prefix, the eRouter shall immediately send Router Advertisements (RAs) with the updated prefix information and IPv6 DHCP RECONFIGURE (type 6, Rebind) on all Customer-Facing Interfaces.

7.6 Operator-facing IPv6 address release behavior

There are a number of situations in which it is desirable for the eRouter to release its associated IPv6 address leases in order to ensure the integrity of the DHCP database. Examples of such circumstances include situations in which the eRouter needs to be administratively reset (say for configuration change, software update or other reason) or a change to the IPv6 address during DHCPv6 renewal.

Due to the eRouter's dependency on the eCM for maintaining operator-facing connectivity, the eRouter shall release its lease information prior to an SNMP or administratively imposed re-initialization of the embedded CM in order to prevent loss of the communications path with the DHCP server. The eRouter shall not wait for confirmation of receipt of the release by the DHCPv6 server in order to re-initialize.

The eRouter shall send a DHCP_RELEASE message [22] for the IPv6 IA_NA and IA_PD assigned by the DHCPv6 server to the eRouter's Operator-Facing Interface for the following events:

- whenever the eRouter is instructed to reset;
- whenever the eRouter receives a DHCPv6 Reply message containing a different IPv6 prefix or IPv6 address;
- whenever the IA_PD is not renewed for any reason.

7.7 Customer-facing IPv6 address release behavior

After initiating an administrative device reset in which the IA_NA and IA_PD addresses have been released, the eRouter customer-facing interfaces will be limited to inter-LAN forwarding until the device completes any necessary resets and new address and prefix leases are acquired.

The eRouter shall send an ICMPv6 'destination unreachable' message (code 5) for packets forwarded to it that use an address from a prefix that has been deprecated.

After initiating a Reset in which the Operator-Facing Interface's IA_NA and IA_PD addresses have been released, the eRouter shall declare that it is no longer a Default Router by setting the Router Lifetime field to zero in the Router Advertisement.

7.8 CER-ID requirements

- The eRouter shall assign the CER-ID value for each of its Customer-Facing IP Interfaces for which an IPv6 prefix has been assigned, by using the corresponding GUA assigned to the Customer-Facing IP Interface.
- The eRouter shall include the DHCPv6 CL_CER_ID option [1] in Advertise or Reply messages containing an IA_PD.
- If the IPv6 address of the eRouter's Customer Facing IP Interface that established the CER-ID changes for any reason, the eRouter shall assign a new value for CER-ID to be included in subsequent DHCPv6 messages.
- The value of the CER-ID may be configurable by the subscriber. The exact mechanism is out of scope for the present document.

8 IPv4 data forwarding and NAPT operation

8.0 Applicability

The normative requirements of this clause are mandatory for an eRouter that implements the 'IPv4 Protocol Enabled' mode and/or the 'Dual IP Protocol Enabled' mode as defined in clause 5.

8.1 Introduction

8.1.1 Assumptions

- There is only a single Operator-Facing IP Interface on the eRouter.
- There is typically a single Customer-Facing IP interface on the eRouter.
- At least one globally-routable IPv4 address is available to the eRouter's Operator-Facing IP Interface.
- The Operator-Facing IP Interface is Ethernet encapsulated.
- The Customer-Facing IP interface is Ethernet encapsulated.

8.1.2 Overview

IPv4 Forwarding in the eRouter consists of three logical sub-elements:

- IPv4 Router
- NAPT (Network Address Port Translation)
- ARP (Address Resolution Protocol)

The IPv4 Router sub-element is responsible for forwarding packets between the Operator-Facing IP Interface and the Customer-Facing IP interfaces. This includes looking up the IPv4 Destination address to make a forwarding decision on whether to forward the packet from one of its interfaces to another one of its interface or to its internal stack.

Packet handling in the eRouter for NAPT includes:

- Providing a form of IPv4 address translation that allows for multiple IPv4 hosts on the Customer-Facing IP interfaces while presenting a small number of IPv4 addresses on the Operator-Facing IP Interface.
- Preventing unnecessary traffic on the Customer-Facing IP interfaces.
- Preventing traffic from one CPE device to another CPE device from traversing to the Operator-Facing Interface.

The ARP protocol on the eRouter provides a mechanism for converting IPv4 network addresses to Ethernet MAC addresses on both Customer-Facing IP interfaces and the Operator-Facing IP Interface.

8.2 System description

Some eRouters may have multiple customer ports that are connected to the same logical IP router interface. One scenario would be when the eRouter has a Wi-Fi port and an Ethernet port on the single Customer-Facing logical IP interface. The text in this clause uses the term "Customer-Facing IP interface" to refer to a single Customer-Facing logical IP router interface connected to the eRouter that is not necessarily mapped one-to-one with the number of Customer-Facing ports on the eRouter. This text documents the behavior of a single Customer-Facing IP interface, though it is possible that an eRouter could have multiple Customer-Facing IP interfaces. It is vendor-specific how to route between Customer-Facing Interfaces and the Operator-Facing IP Interface when there are multiple Customer-Facing IP interfaces.

Packets need to be processed by each of the three sub-elements in a very specific order (see Figure 11). The order is different depending on whether packets are received from a Customer-Facing IP interface or the Operator-Facing IP Interface.

When receiving packets from the Customer-Facing IP interface, the eRouter first attempts to route the packet through the router sub-element. If the router sub-element forwards the packet to the Operator-Facing Interface, the packet is passed to the NAPT sub-element to see if the packet requires NAPT translation. Once the NAPT sub-element has completed its work, the packet is sent to the ARP sub-element to resolve the IPv4 network address to Ethernet MAC. Then the packet is encapsulated in an Ethernet header and sent out the operator interface. If the router sub-element forwards the packet back out the Customer-Facing IP interface (perhaps because the client is on a different private subnet), the packet is sent to the ARP sub-element to resolve the IPv4 network address to Ethernet MAC. Then the packet is encapsulated in an Ethernet header and sent out the appropriate interface. No NAPT processing is necessary for packets routed back out the Customer-Facing IP interface.

When packets are received from the Operator-Facing Interface, they are immediately sent to the NAPT sub-element to translate the IPv4 network addresses back to addresses within the domain of the router sub-element. Once the NAPT has been performed on the packet, it is then sent to the router sub-element. If the router sub-element forwards the packet to the Customer-Facing IP interface, it sends the packet to the ARP sub-element to resolve the IPv4 network address to Ethernet MAC, encapsulates the packet in an Ethernet header, and sends the packet out the appropriate interface. If the router sub-element forwards the packet back to the Operator-Facing IP Interface, it is vendor-specific how to deal with the packet. Some implementations may choose to forward the packet back to the operator network; some may choose to drop the packet. Regardless, traffic should not be sent to a given eRouter from the operator network unless it is destined for a subnet known to the Customer-Facing IP interface.

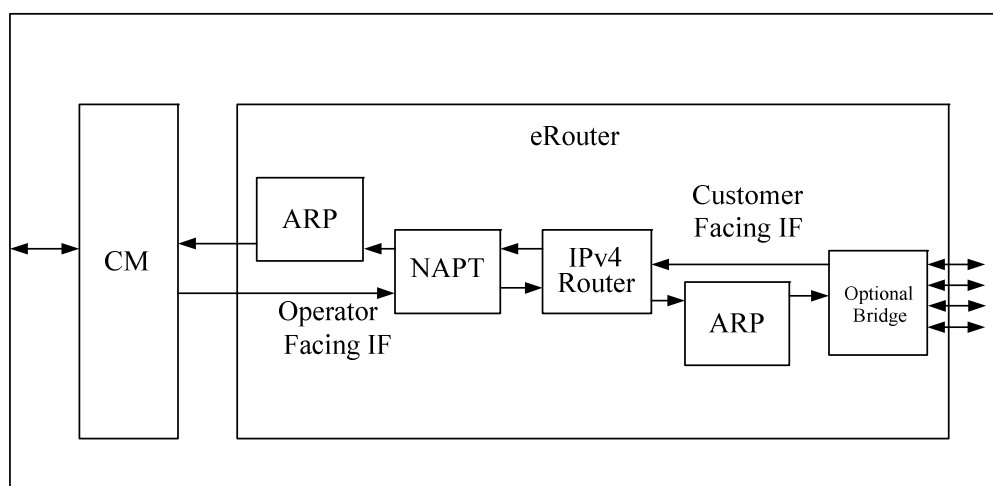


Figure 11: eRouter IPv4 forwarding block diagram

8.3 IPv4 router

8.3.0 Overview

When the eRouter's IPv4 Router sub-element receives a packet from its NAPT sub-element (received initially by its Operator-Facing IP Interface), it validates the IPv4 header in the packet. The eRouter may validate the IPv4 header in accordance with [12], section 5.2.2. As defined in [12], section 5.3.1, the eRouter shall decrement the IP TTL field by at least one when forwarding the packet either back to the Customer-Facing IP interface, or out the Operator-Facing Interface. Packets forwarded to the eRouter's local IP stack for processing, shall not decrement the TTL. Once the IPv4 header has been validated, the eRouter processes the destination IPv4 address of the packet. If the destination IPv4 address matches the eRouter's public address assigned to its Operator-Facing IP Interface, the eRouter sends the packet to its local IP stack for processing. If the destination IPv4 address does not match this address, the eRouter determines the next-hop address of the destination in order to forward the packet. The next-hop can be another router or a client directly connected to its Customer-Facing IP interface. The next-hop is determined by comparing the destination IPv4 address to the subnets assigned to its Customer-Facing IP interface. If the destination IPv4 address matches any of the prefixes assigned to the Customer-Facing IP interface, the destination is considered directly connected, or "on-link", and the next-hop to use for ARP purposes is the destination IPv4 address. If it does not match, the destination is considered remote or "not on-link", and the next-hop to use for ARP purposes is the address of the internal router. Discovering other routers on Customer-Facing IP Interfaces, aside from knowledge derived via the use of Link ID when operating in Dual IP Protocol Enabled mode clause 8.3.1 is vendor-specific. If the eRouter cannot determine the next-hop of the IPv4 destination, then it shall drop the packet.

When the eRouter's IPv4 Router sub-element receives a packet from its Customer-Facing IP interface, it validates the IPv4 header in the packet. The eRouter may validate the IPv4 header in accordance with [12], section 5.2.2. As defined in [12], section 5.3.1, the eRouter shall decrement the IP TTL field by at least one when forwarding the packet, either back to the Customer-Facing IP Interface, or out the Operator-Facing Interface. Packets forwarded to the eRouter's local IP stack for processing shall not decrement the TTL. Once the IPv4 header has been validated, the eRouter processes the destination IPv4 address of the packet. If the destination IPv4 address matches one of the private addresses assigned to the eRouter, it sends the packet to its local IP stack for processing. If the destination IPv4 address does not match one of these addresses, the eRouter determines the next-hop address of the destination in order to forward the packet. The next-hop can be another router or a client directly connected to either its Operator-Facing IP Interface, or back out its Customer-Facing IP Interface. The next-hop is determined by comparing the destination IPv4 address to the subnets assigned to the IP interface on which the eRouter is transmitting. If the destination IPv4 address matches a sub-net prefix, the destination is considered directly connected or "on-link", and the next-hop to use for ARP purposes is the destination IPv4 address. If it does not match, the destination is considered remote or "not on-link", and the next-hop to use for ARP purposes is the address of the intermediate router. The typical scenario for packets routed to the Operator-Facing IP Interface is that the next-hop router will be the eRouter's default, learned via DHCP, clause 6.2, which will be the CMTS. Discovering other routers, aside from the CMTS (or routing delegate chosen by the DHCP server if the CMTS is a bridge) on the Operator-Facing IP Interface, is vendor-specific. Discovery of other directly connected devices on the Operator-Facing IP Interface is also vendor-specific. The typical scenario for packets routed back out the Customer-Facing IP Interface is that the next-hop is a local host on a different subnet than that of the source, but directly connected to the eRouter. If the eRouter cannot determine the next-hop of the IPv4 destination address, it shall drop the packet.

Regardless of whether the packet was received from the Customer-Facing IP Interface or the Operator IP Interface, the eRouter shall generate an appropriate ICMP error message as described in [8] to identify the reason for dropping an IPv4 datagram, except in the follow cases:

- The drop is due to congestion.
- The packet is itself an ICMPv4 error message.
- The packet is destined for an IPv4 broadcast or multicast address.
- The source IPv4 address of the packet is invalid as defined by [12], section 5.3.7.
- The packet is a fragment and is not the first fragment (i.e. a packet for which the fragment offset in the IPv4 header is nonzero).

The eRouter's IPv4 router sub-element shall process and/or generate the following ICMPv4 messages when appropriate:

0	Echo Reply	8
3	Destination Unreachable	8
11	Time Exceeded	8

NOTE: It is considered inappropriate for the eRouter's IPv4 router sub-element to generate ICMPv4 Destination Unreachable messages on the operator-facing interface.

The eRouter shall have at least one MAC address for its Operator-Facing IP Interface and one MAC address for its Customer-Facing IP Interface. The eRouter shall share these source MAC addresses for IPv4 and IPv6. The eRouter shall use the MAC address assigned to its Operator-Facing IP Interface as the source MAC address for all packets that it sends out its Operator-Facing IP Interface. The eRouter shall use the MAC address assigned to the Customer-Facing IP Interface as the source MAC address for all packets that it sends out its Customer-Facing IP Interfaces.

The eRouter shall forward broadcast packets received on either interface only to the eRouter's IP stack. The eRouter shall not forward broadcast packets received on either interface to any interface other than the eRouter's IP stack.

8.3.1 Dual IP protocol and Link ID enabled mode IPv4 routing

This clause describes the requirements for IPv4 routing when the eRouter is in 'Dual IP Protocol Enabled' mode with Link ID enabled.

In order to install an IPv4 route to an IR, the eRouter does the following:

- 1) Calculates the IPv4 prefix to be used for the IR 'Down' interface(s) (LAN)
- 2) Uses the IR's DHCPv4 assigned address as the next hop route address

Using Link ID the eRouter shall construct the IR route destination prefix using the first octet from the 10.0.0.0/8 aggregate prefix, the 16-bit Link ID from the IPv6 prefix delegated to the IR, and a prefix length that aligns with the length of the IA_PD. To align an IPv4 prefix length to an IPv6 prefix length, the eRouter subtracts 40-bits from the IPv6 prefix length delegated to that link and uses the result.

A unique IPv4 prefix is created using three steps:

- 1) Use the decimal value 10 for the first octet
- 2) Convert IPv6 Link octets to their decimal equivalents for IPv4 octets 2 and 3
- 3) Determine the appropriate IPv4 prefix (subnet mask), from the given IPv6 prefix. For example, if the eRouter delegates prefix 2001:db8:1234:5601::/60 (Link ID 5601) to an internal router, the eRouter will assign the IPv4 prefix 10.86.01.0/20 for that IR. The decimal values 86 and 1 are equivalent to the values 0x56 and 0x01 from the Link ID. Setting the prefix size to /20 exactly maps the number of possible IPv6 links (16) to the number of possible IPv4 subnets (16), as illustrated in Figure 9 and in annex E.

It is expected that IRs that support operations behind an eRouter will use the same Link ID prefix calculation methods for IPv4 prefixes described for the eRouter when they receive a delegated IPv6 prefix so that the IPv4 addressing on the IR 'Down' interface(s) matches the expected values derived by the eRouter. Using methods other than those described in this clause could result in unpredictable behavior.

8.4 NAPT

8.4.0 General

The eRouter shall implement a NAPT function compliant with traditional Network Address Port Translation (NAPT) [21], section 2.2. Per [21], NAPT "is a method by which many network addresses and their TCP/UDP (Transmission Control Protocol/User Datagram Protocol) ports, are translated into a single network address and its TCP/UDP ports". Also, per [21], the purpose of NAPT functionality is to "provide a mechanism to connect a realm with private addresses to an external realm, with globally unique registered addresses". The text in the NAPT sections below uses the term "public address(es)" to refer to the addresses reachable by the eRouter on its Operator-Facing IP Interface, assuming that they are globally-unique registered addresses. Note that an IP address that the eRouter views as globally unique, may be private to the operator's network. However, from the eRouter's perspective, these addresses are unique enough to ensure proper delivery to the next router upstream, and assumed to be globally unique.

Traditional NAPT is the simplest and most straightforward version of NAPT. Other versions that allow for mixtures of public and private network addresses on the Customer-Facing IP interface, or that allow users from the Operator-Facing IP Interface to establish translations to the Customer-Facing IP Interface, are not required by the eRouter and not discussed in the present document. Traditional NAPT requires that addresses used within the private network on Customer-Facing IP Interfaces cannot overlap with any public addresses reachable by the Operator-Facing IP Interface. Therefore, the eRouter shall use any of the private IPv4 network addresses described in [13] for its Customer-Facing IP interface. The Customer-Facing IP Interface is considered to be a member of one private realm. A private realm is a single domain of private addresses. This means that an eRouter cannot connect to multiple private realms or private address domains.

The eRouter may advertise routes to destinations on the Operator-Facing IP Interface on the private network. The eRouter shall not advertise routes to private destinations on the Customer-Facing IP Interface. Destinations on the Customer-Facing IP Interface shall not be propagated onto the Operator-Facing IP Interface.

The eRouter shall create NAPT translations dynamically based on receiving a packet from a private source on the Customer-Facing IP Interface attempting to access a public address on the Operator-Facing IP Interface, as described in clause 8.4.1.

For packets that traverse the NAPT function, the eRouter shall always map a combination of private IPv4 address and port number to the same combination of public IPv4 address and port number. That is, the eRouter does not implement a symmetric Network Address Translation (NAT) as defined in [45].

The eRouter shall not create NAPT translations when public sources on the Operator-Facing IP Interface attempt to access private destinations on the Customer-Facing IP Interface. Connectivity between two devices that both live on the Customer-Facing IP Interface, but on different subnets, do not require NAPT translations, as they are required to be part of the same private realm. Therefore, the eRouter shall not create NAPT translations to allow connectivity between CPEs that live on the Customer-Facing IP Interface.

In the following clauses, the term Private Network Address Port (PNAP) refers to the network address and TCP/UDP port of a device on Customer-Facing IP interface that is using a private network address. The term Global Network Address Port (GNAP) refers to the network address and TCP/UDP port of that same device on Operator-Facing IP Interface after it has been translated by NAPT.

8.4.1 Dynamically triggered NAPT translation

Dynamically-triggered NAPT is invoked when a device on the Customer-Facing IP Interface with a private network address attempts to initiate one or more sessions to a public destination on the Operator-Facing IP Interface. In this case, the eRouter creates a mapping of source PNAP to GNAP and simultaneously creates a mapping of destination GNAP to PNAP for the return packets. The eRouter then replaces the source PNAP fields of the packet with its corresponding GNAP fields and forwards the packet out the Operator-Facing IP Interface. Once the external destination responds, the eRouter intercepts the reply and changes the previously inserted GNAP fields (now destination) back to the original PNAP values.

The eRouter shall timeout dynamically-created NAPT translations to ensure that stale entries get removed. This timeout value shall default to 300 seconds. This time value may be configurable. Other mechanisms can be used (like analyzing TCP session state) to time out the translations sooner, but the eRouter shall still time out translations based on the timeout time in case the more advanced mechanism fails (e.g. because packet loss occurred and the eRouter did not see the final packets of a TCP flow).

8.4.2 Application Layer Gateways (ALGs)

8.4.2.0 General

Many applications are hampered by NATP for various reasons. A common problem is the appearance of IPv4 address and/or port information inside the application payload that is too deep into the packet to be manipulated by NATP, which operates at the network and transport layers. ALGs can be deployed to work around some of the problems encountered, but if the payload of such packets is secured, (by secure transport or application level security) the application cannot work. Another common reason NATP causes problems is when applications exchange address/port information to establish new connections, creating interdependencies that NATP cannot know about. The following clauses describe specific ALGs required by the eRouter.

8.4.2.1 ICMP error message ALG

ICMP error messages are required for the well-known trace-route network debugging tool to work across the eRouter. This ALG is described in detail in [21], section 4.3. The ICMP error message ALG shall be implemented by the eRouter. Briefly stated, the eRouter shall translate both the outer and inner IPv4 headers in the ICMP error message in order for the protocol to work correctly, when packets traverse through the NATP sub-element.

8.4.2.2 FTP ALG

FTP is a fairly widely-used protocol, so the FTP ALG is one of the most important ALGs. The issue with FTP is that it uses the body of the control session packets to signal the data session parameters, including the new TCP ports, to use for the data session. Since NATP relies heavily on the TCP port field in order to translate between the private and public realm, this ALG is necessary to understand the new ports to be used by the ensuing data session. This ALG is described in detail in [21], section 4.4. The FTP ALG shall be implemented by the eRouter.

8.4.3 Multicast NATP

IPv4 Multicast packets are a special case for NATP and will need special handling at the eRouter. One scenario where forwarding of IP Multicast packets at the eRouter will need special handling is when a video source is using a private network address on a Customer-Facing IP Interface. In general, for video sources on the Customer-Facing IP Interface to work, the eRouter would be required to run at least one industry-standard multicast routing protocol to advertise the flows.

Since the eRouter will support IGMP proxy for IGMP v2 and v3, there is no reason to support a special translation for multicast packets in the eRouter for IGMP messages from private network addresses arriving on the Customer-Facing IP interface, as they will be consumed by the eRouter and new IGMP messages will be sent by the proxy agent from a public source network address on the Operator-Facing IP Interface.

8.5 ARP

The ARP function in the eRouter shall be compliant with the following RFCs:

- An Ethernet Address Resolution Protocol [9].
- Requirements for IP Version 4 Routers [12], section 3.3.2.
- Requirements for Internet Hosts [10], section 2.3.2.

The ARP function in the eRouter is limited to IPv4 network addresses (pln= 4) and Ethernet hardware addresses (hln=6). When the eRouter needs to forward an IPv4 packet to a given IP address on either the Operator-Facing IP Interface or the Customer-Facing IP Interface, it consults a table of IPv4 network addresses that each map to Ethernet addresses. If the corresponding IPv4 network address is found in the table, its corresponding Ethernet address shall be used as the Ethernet destination address of the packet. If the corresponding IPv4 network address is not found, the eRouter shall start the ARP protocol in hopes that it will learn the IPv4 network address to Ethernet address association. The eRouter shall use its own MAC address, as described in clause 8.3, as the source MAC address and source hardware address of all ARP packets.

The eRouter dynamically creates ARP translations based on receiving ARP requests and/or replies for any of its IPv4 network addresses.

ARP entries maintained by the eRouter need careful examination before being aged. Both voice and video present humanly noticeable negative affects when ARP entries are removed in the middle of a session. [10] suggests several different ways to age ARP entries in section 2.3.2.1. The eRouter should use option 2 - "Unicast polling", which allows for the ARP entry to stay fresh and in the ARP table as long as possible. This option is well-suited for routers that expect to have fairly small ARP tables and want long-term uninterrupted connectivity.

8.6 IPv4 multicast

8.6.0 General

The eRouter learns IP multicast group membership information received on the Customer-Facing Interfaces and proxies it on the Operator-Facing Interface towards the next upstream multicast router. The eRouter forwards IPv4 multicast packets downstream based on the information learned at each Customer-Facing Interface.

The eRouter proxies IGMP information upstream actively by implementing mutually-independent IGMPv3 router functionality on Customer-Facing Interfaces, and IGMPv3 group member functionality on the Operator-Facing Interface. On each IP interface, and independently of other IP interfaces, the eRouter generates, terminates, and processes IGMP messages according to IGMPv3 requirements. For example, the version of IGMP used on the cable network or the local area network will be defined locally at each network. The eRouter may send IGMPv2 reports on the Operator-Facing Interface while generating IGMPv3 queries on Customer-Facing Interfaces.

The following elements define the eRouter IPv4 multicast behavior (also shown in Figure 12):

- An IGMPv3 Group Member that implements the group member part of IGMPv3 [23] on the Operator-Facing Interface.
- An IGMPv3 Router that implements the router portion of IGMPv3 [23] on each Customer-Facing Interface.
- A subscription database per Customer-Facing Interface with multicast reception state of connected CPEs.
- An IPv4 Group Membership Database that merges subscription information from all the Customer-Facing Interfaces.

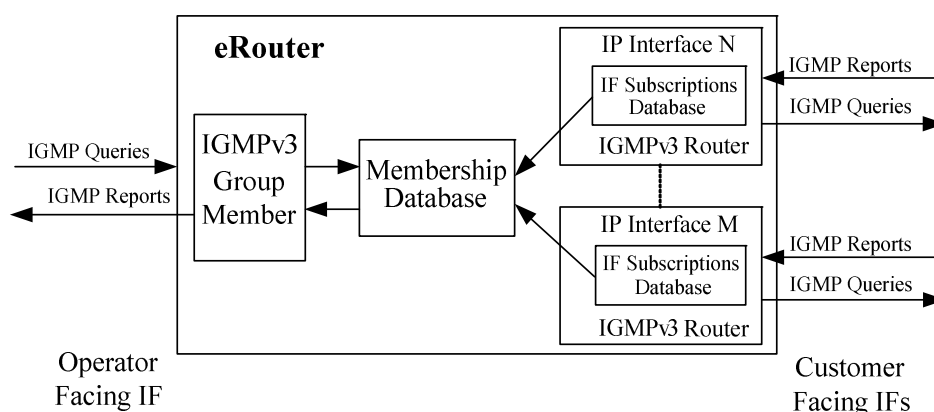


Figure 12: eRouter IPv4 multicast forwarding block diagram

Central to the operation of the IGMPv3 Router(s) and IGMPv3 Group Member is the IPv4 Group Membership Database, through which the IGMPv3 Router(s) and IGMPv3 Group Member indirectly relate. This database condenses multicast reception state collected by the IGMPv3 Router(s) from connected CPEs. This information is used by the IGMPv3 Group Member on the Operator-Facing Interface as its own multicast reception interface state.

8.6.1 IGMP proxying

8.6.1.0 Operation

The eRouter maintains the multicast reception state of CPEs on each Customer-Facing Interface in the interface's multicast subscription database. The eRouter obtains multicast reception state information of CPEs through the implementation of an IGMPv3 Router on each Customer-Facing Interface. Multicast reception state arrives at the eRouter in the form of IGMP Report messages transmitted by CPEs. The eRouter shall implement the router portion of IGMPv3 [23] on each Customer-Facing Interface. The eRouter shall maintain, for each Customer-Facing Interface, the IPv4 multicast reception state of connected CPEs.

In the event of multiple queriers on one subnet, IGMPv3 elects a single querier-based on the querier IP address. However, the querier election rules defined for IGMPv3 do not apply to the eRouter. The eRouter shall always act as an IGMP querier on its Customer-Facing Interfaces.

On the Operator-Facing Interface, the eRouter shall implement the group member portion of IGMPv3 [23]. The eRouter shall merge the multicast reception state of connected CPEs into an IPv4 group membership database as described in clause 8.6.1.1. The eRouter shall use the IPv4 group membership database as multicast reception interface state per [23], section 3.2, on the Operator-Facing Interface. Thus, when the composition of the group membership database changes, the eRouter reports the change with an unsolicited report sent on the Operator-Facing Interface. When queried by an upstream multicast router, the eRouter also responds with information from the group membership database.

The eRouter shall not perform the router portion of IGMPv3 on the Operator-Facing Interface.

8.6.1.1 IPv4 group membership database

The eRouter's Membership Database is formed by merging the multicast reception state records of Customer-Facing Interfaces. In compliance with [23], the eRouter keeps per Customer-Facing Interface and per multicast address joined one record of the form:

- (multicast address, group timer, filter-mode, (source records))

With source records of the form:

- (source address, source timer)

The eRouter keeps an IPv4 Group Membership Database with records of the form:

- (multicast-address, filter-mode, source-list)

The eRouter uses the IPv4 Group Membership Database records as the interface state for the IGMPv3 Group Member implementation on the Operator-Facing Interface. Each record of the IPv4 Group Membership Database is the result of merging all subscriptions for that record's multicast-address on Customer-Facing Interfaces. For each IPv4 multicast group joined on any Customer-Facing Interface, the eRouter shall abide by the following process to merge all customer interface records for the group, into one Group Membership Database record:

- First, the eRouter pre-processes all customer interface group records by:
 - Converting IGMPv1 and IGMPv2 records into IGMPv3 records.
 - Removing group and source timers from IGMPv3 and converted records.
 - Removing every source whose source timer is greater than zero from records with a filter mode value of EXCLUDE.
- Then the eRouter creates an IPv4 Group Membership Database record by merging the pre-processed records, using the merging rules for multiple memberships on a single interface specified in section 3.2 of the IGMPv3 specification [23].

8.6.2 IPv4 multicast forwarding

The forwarding of IPv4 multicast packets received on any interface onto a Customer-Facing Interface is determined by the known multicast reception state of the CPEs connected to the Customer-Facing Interface. The eRouter shall replicate an IPv4 multicast session on a Customer-Facing Interface, if at least one CPE device connected to the interface has joined the session. The eRouter shall not replicate an IPv4 multicast session on a Customer-Facing Interface, if no CPE device connected to the interface has joined the session.

The eRouter shall not forward IPv4 multicast packets received on any interface, i.e. any Customer-Facing or the Operator-Facing Interface, back to the same interface.

The eRouter shall not forward IGMP messages received on any IP interface onto another IP interface.

The eRouter shall forward IPv4 Local Scope multicast packets (239.255.0.0/16) to all Customer-Facing Interfaces within the same Customer-Facing IP Interface except the Customer-Facing Interface from which they were received.

Except for IGMP packets and IPv4 administratively scoped (239.0.0.0/8) packets, the eRouter shall forward all IPv4 multicast traffic received on Customer-Facing Interfaces onto the Operator-Facing Interface. Operator control of multicast traffic forwarding onto the cable network, if desired, can be done through the implementation of filters at the eCM.

8.6.3 IPv4 multicast forwarding example

The eRouter in this example has two Customer-Facing Interfaces: CFIA and CFIB, connected to one LAN segment each. On CFIA, there are two CPEs connected: CPE1 and CPE2. CPE1 is IGMPv2 capable and will attempt to join group 224.0.100.1. CPE2 is IGMPv3 capable and will attempt to join group 224.128.100.1 from all sources. On CFIB, there is one CPE connected, CPE3, which is IGMPv3 capable and that will attempt to join group 224.128.100.1, except from source 198.200.200.200.

The router upstream of the eRouter (e.g. the CMTS) supports and is configured to operate in IGMPv3 mode, and thus the eRouter works in IGMPv3 mode on the Operator-Facing Interface.

The setup is shown in Figure 13.

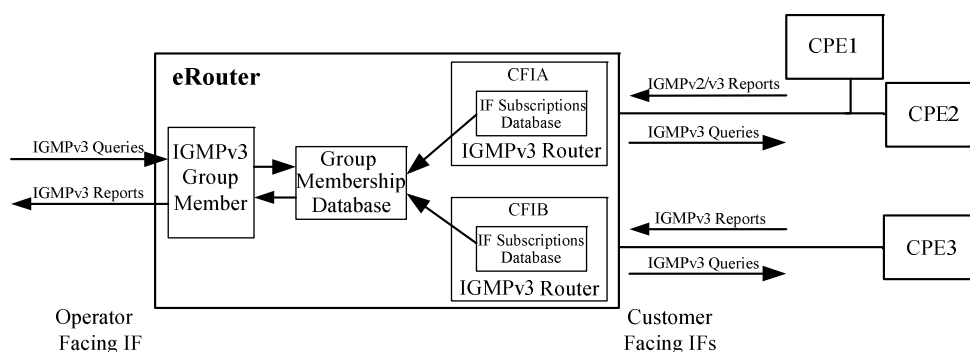


Figure 13: IPv4 multicast forwarding example

The CPEs send reports as follows:

Report From	Report Version	Multicast Address	Record Type	Source Address
CPE1	IGMPv2	224.0.100.1	N/A	N/A
CPE2	IGMPv3	224.128.100.1	EXCLUDE	Null
CPE3	IGMPv3	224.128.100.1	EXCLUDE	198.200.200.200

Because CPE1 sends an IGMPv2 report for group 224.0.100.1, CFIA operates in IGMPv2 compatibility mode for this group. On the other hand, CFIA and CFIB operate in IGMPv3 mode for group 224.128.100.1, because they receive IGMPv3 reports for this group from CPE2 and CPE3, respectively. The eRouter multicast reception state at each Customer-Facing Interface is the following:

Interface	Multicast Address	Group Timer	Filter-Mode	Source Address	Source Timer
CFIA	224.0.100.1	A	EXCLUDE	Null	0
CFIA	224.128.100.1	B	EXCLUDE	Null	0
CFIB	224.128.100.1	C	EXCLUDE	198.200.200.200	0

The interface state at the eRouter's Operator-Facing Interface, stored in the Group Membership Database, is the following:

Multicast Address	Filter-Mode	Source Address
224.0.100.1	EXCLUDE	Null
224.128.100.1	EXCLUDE	Null

The eRouter uses the information in the table above as multicast reception state at the Operator-Facing Interface. For example, in response to an IGMPv3 general query, the eRouter sends an IGMPv3 report for the two records shown.

Assuming that the CMTS is transmitting downstream four multicast streams, the eRouter forwards them as follows:

Stream #	Multicast Address	Source Address	eRouter forwards on interfaces	
			CFIA	CFIB
1	224.0.200.2	198.100.100.100	NO	NO
2	224.0.100.1	198.100.100.100	YES	NO
3	224.128.100.1	198.100.100.100	YES	YES
4	224.128.100.1	198.200.200.200	YES	NO

8.7 IPv4/IPv6 co-existence technologies

8.7.0 General

Even as operators migrate customers from IPv4 to IPv6 addressing, and deploy IPv6 more widely in their networks, a significant percentage of Internet resources and content will remain accessible only through IPv4. As a consequence of the slow transition to IPv6 on the part of content providers or CE products, operators require mechanisms to allow customers to continue to access content and resources using IPv4 even after the last IPv4 allocations have been fully depleted. This necessitates multiplexing specific groups of subscribers behind a single IPv4 address, or encapsulating or translating IPv4 into IPv6. This clause describes several technologies that solve the problem of IPv4/IPv6 co-existence for service providers.

8.7.1 Dual-stack Lite operation

Dual-Stack Lite enables an operator to share IPv4 addresses among multiple customers by combining two well-known technologies: IP in IP (IPv4-in-IPv6) tunneling and NAT. More specifically, Dual-Stack Lite encapsulates IPv4 traffic inside an IPv6 tunnel and sends it to an operator NAT device.

When Dual-Stack Lite is enabled, the eRouter acquires an IPv6 address on its Operator-Facing Interface and learns the address of the operator NAT device via DHCPv6. It encapsulates IPv4 traffic inside IPv6 sourced from its Operator-Facing Interface and destined for the operator NAT device.

To facilitate IPv4 extension over an IPv6 network, the eRouter may support Dual-Stack Lite.

If the eRouter supports Dual-Stack Lite, it shall support Dual-Stack Lite B4 functionality as specified in section 5 of [51] with the exception of section 5.3.

Requirements in section 5.3 of [51] are replaced by the following requirements:

The provisioning of Dual-Stack Lite shall be according to [52], and request option code 64 (OPTION_AFTR_NAME) for the AFTR tunnel FQDN endpoint name.

Packet fragmentation is necessary when an IPv4 packet enters the tunnel and the original packet size exceeds the tunnel MTU (which is 1 460 Bytes). The original IPv4 packet is handled as follows.

8.7.2 Mapping of Address and Port (MAP)

8.7.2.0 MAP transport modes

Mapping of Address and Port (MAP) provides a mechanism for IPv4 network domains to communicate with IPv4 network domains over an IPv6-only network. This is particularly useful for operators that have made significant progress in deploying IPv6 in their networks but are challenged in supporting IPv4-only devices within the subscriber's home network.

An operator can use MAP to share IPv4 addresses among multiple customers or operate on a many to one or one-to-one basis. MAP Border Relays interpret a defined sequence of bits in the customer's assigned IPv6 prefix, the Embedded Address (EA), to support stateless operation.

MAP defines two types of transport modes: MAP-E and MAP-T. MAP-E uses encapsulation as defined by [i.6] as a mechanism for converting the IPv4 packet within an IPv6 header. MAP-T uses stateless translation as defined by [i.22] to translate the IPv4 header into an IPv6 header.

The eRouter shall support MAP-E as defined in [58]. The eRouter shall support MAP-T as defined in [60].

The eRouter shall support configuration of MAP-E or MAP-T functionality via DHCP options as defined in [59]. The eRouter shall support configuration of MAP-E or MAP-T functionality via TLV202.11 VarBinds as defined in clause B.4. The eRouter shall prefer TLV 202.11 configuration over DHCP configuration when the eRouter receives both sets of configuration data. The eRouter is not required to support configuration of both MAP-E and MAP-T simultaneously.

In a typical MAP deployment scenario, a MAP CE installs an IPv4 Default Route that directs non-local traffic through an IPv6 encapsulation or translation process so it may be forwarded on to a MAP BR. The resulting forwarding behavior follows a hub and spoke model, where a MAP CE will send all Default Route matching IPv4 destinations through the BR. In this mode of operation, MAP traffic between MAP CEs that belong to the same MAP domain shall traverse the BR. In mesh mode, traffic may be forwarded between MAP CEs without an intervening BR.

The eRouter shall support mesh mode operation between MAP CEs.

- The eRouter shall support the use of a Basic Mapping Rule as a Forwarding Mapping Rule (FMR).
- The eRouter should support the explicit provisioning of Forwarding Mapping Rules (FMR).

If the F-flag in an S46 Rule option is set, the eRouter shall enable mesh mode for the applicable BMR.

8.7.2.1 MAP-E or MAP-T configuration via DHCP

An eRouter that provisions MAP-E or MAP-T through DHCPv6 option encodings shall issue one (1) Option Request Option (ORO) (option 6) with the appropriate container option as defined in [59]:

- Softwire46 MAP-E Container Option (IANA DHCPv6 option 94) in section 5.1
- Softwire46 MAP-T Container Option (IANA DHCPv6 option 95) in section 5.2

Each MAP transport has particular option codes that are embedded in the applicable container option as defined in [59]. These option codes shall not be requested in the DHCPv6 ORO option encoding.

For MAP-E configuration, the eRouter shall accept the following parameters per [59] at a minimum to support MAP-E:

- S46 Rule Option (IANA DHCPv6 option 89)
- S46 BR Option (IANA DHCPv6 option 90)

- S46 Port Parameters Option (IANA option 93)

For MAP-T configuration, the eRouter shall accept the following minimum parameters per [59] in order to support MAP-T:

- S46 Rule Option (IANA DHCPv6 option 89)
- S46 DMR Option (IANA DHCPv6 option 91)
- S46 Port Parameters Option (IANA option 93)

8.7.2.2 MAP-E or MAP-T configuration via TLV202.11

An eRouter that provisions MAP-E or MAP-T through the cable modem configuration file shall follow the encoding rules stated in clause B.4.8. The eRouter shall accept all required MAP-E or MAP-T parameters using the MIBs defined in annex A.

The eRouter is not required to support configuration of both MAP-E and MAP-T simultaneously. If the eRouter receives incomplete configuration information for MAP-E or MAP-T, or configuration information for both MAP-E and MAP-T, then all MAP parameters shall be ignored and MAP services are disabled.

8.7.3 Packet fragmentation

Packet fragmentation is necessary when an IPv4 packet enters the tunnel and the original packet size exceeds the negotiated tunnel MTU. The original IPv4 packet is handled as follows.

- 1) If in the original IPv4 packet header, the DF (Don't Fragment) flag is SET, the eRouter shall discard the packet. It shall return an ICMP message with type = 3 (unreachable), code = 4 (fragmentation needed and Don't Fragment was set). The next hop MTU field shall be set to the size of the tunnel MTU.
- 2) If in the original IPv4 packet header, the DF (Don't Fragment) flag is CLEAR, the eRouter shall perform fragmentation of any IPv4 packet that will exceed the negotiated tunnel MTU. The eRouter may fragment in one of two ways:
 - a) Via [51] section 5.3 where the original IPv4 packet is encapsulated into the IPv6 payload before fragmentation.
 - c) Via alternative method where the original IPv4 packet is fragmented first and then each fragment is placed into a separate IPv6 packet.
- 3) The method of fragmentation (a or b) shall be configurable.

The eRouter shall support TCP MSS clamping for IPv4 packets and shall overwrite the TCP MSS with a value supported by the negotiated tunnel MTU.

9 IPv6 data forwarding

9.0 Applicability

The normative requirements of this clause are mandatory for an eRouter that implements the 'IPv6 Protocol Enabled' Mode and/or the 'Dual IP Protocol Enabled' mode, as defined in clause 5.

9.1 Introduction

9.1.1 Assumptions

- There is only a single Operator-Facing IP Interface on the eRouter.

- There is typically a single Customer-Facing IP Interface on the eRouter.
- The Operator-Facing IP Interface is Ethernet encapsulated.
- The Customer-Facing IP Interface is Ethernet encapsulated.
- The eRouter advertises itself as a router (using ND) on all Customer-Facing Interfaces so clients and routers learn about the eRouter. The eRouter does not send Router Advertisements on its Operator-Facing Interface as they would be discarded by the eCM.
- All the eRouters are on separate links and therefore will not see each other's RAs.

9.1.2 Overview

The IPv6 eRouter is responsible for implementing IPv6 routing. This includes looking up the IPv6 Destination address to decide which of the eRouter interfaces to send the packet.

The ND protocol is required on the eRouter. Like ARP in IPv4, it provides a mechanism for converting IPv6 network addresses to Ethernet MAC addresses on both the Customer-Facing IP interfaces and the Operator-Facing IP Interface. It also provides a mechanism for the eRouter to advertise its presence, host configuration parameters, routes, and on-link preferences.

Figure 14 shows a block diagram of the IPv6 eRouter with an IPv6 Router block and an ND block. The IPv6 functionality, however, does not have the clean separation indicated by these blocks. The IPv6 Routing and Neighbor Discovery blocks are closely intertwined and, therefore, are discussed together under the same subsection.

The IPv6 eRouter uses a local IPv6 routing table to forward packets. The eRouter creates the IPv6 routing table upon initialization of the IPv6 portion of the eRouter and adds entries according to the receipt of Router Advertisement messages containing on-link prefixes and routes.

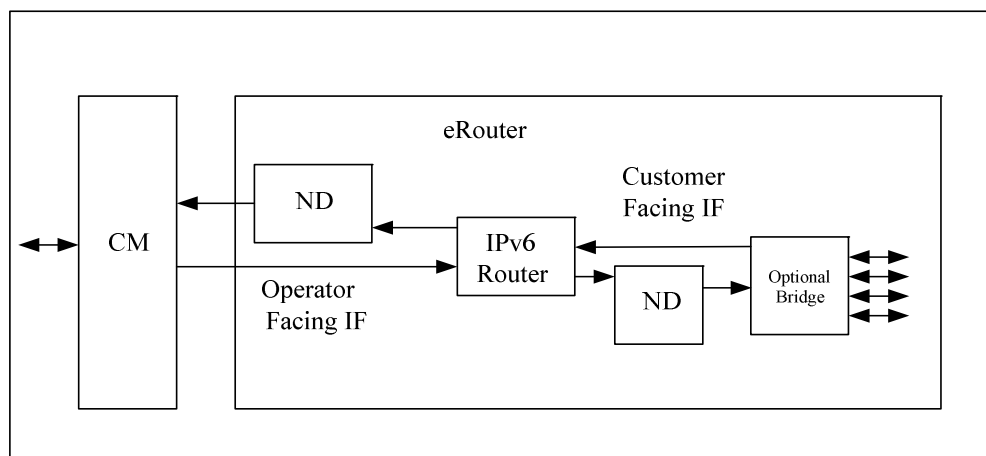


Figure 14: eRouter IPv6 forwarding block diagram

9.2 System description

Except when noted, the ND function in the eRouter shall comply with the Neighbor Discovery for IPv6 [42]. Per [42], ND is used "to determine the link-layer addresses for neighbors known to reside on attached links and to quickly purge cached values that become invalid".

Several sections of [42] do not apply to the eRouter. These sections include:

- section 6.2.7 - RA Consistency
- section 6.2.8 - Link-local Address Change
- section 7.2.8 - Proxy Neighbor Advertisements

- section 8 - Redirect Function
- section 11 - Security Considerations
- section 12 - Renumbering Considerations

The eRouter shall support the following ND messages per [42]: Router Solicitation, Router Advertisement, Neighbor Solicitation, and Neighbor Advertisement.

The eRouter receives a packet and checks the destination address of the packet. If the destination IPv6 address matches the address assigned to the eRouter's IP interface, the eRouter forwards the packet to its local IP stack for processing. If the destination IPv6 address does not match the eRouter's address, the eRouter determines the next-hop address of the destination in order to forward the packet. The next-hop can be a router, or the destination itself. The next-hop is determined by comparing the destination IPv6 address to the prefixes assigned to the IP interfaces on which the eRouter is communicating. If the destination IPv6 address matches a sub-net prefix, the destination is considered directly connected or "on-link", and the next-hop to use for ND purposes is the destination IPv6 address. If the address of the packet does not match, the destination is considered remote or "not on-link", and the next-hop to use for ND purposes is the address of the intermediate router. If there is no intermediate router, the eRouter shall immediately drop the packet.

The typical scenario for packets routed to the Operator-Facing IP Interface is that the next-hop router will be the eRouter's default router address, learned via Router Advertisement [22], from the CMTS. Discovering other routers, aside from the CMTS (or routing delegate if the CMTS is a bridge), on the Operator-Facing IP Interface is vendor-specific. Discovery of other directly-connected devices on the Operator-Facing IP Interface is also vendor-specific. The typical scenario for packets routed back out the Customer-Facing IP Interface is that the next-hop is a local host on a different subnet than that of the source, but directly connected to the eRouter. If the eRouter cannot determine the next-hop of the IPv6 destination address, then it shall immediately drop the packet.

Once a next-hop is determined, the eRouter's Neighbor Cache is consulted for the link-layer address of the next-hop address. If necessary, address resolution is performed. Address resolution is accomplished by multicasting a Neighbor Solicitation that prompts the addressed neighbor to return its link-layer address in a Neighbor Advertisement. The neighbor cache entry is then updated with this link-layer address, and the eRouter then forwards the packet to the link-layer address contained in this cache entry. If an error occurs at any point in the process, the eRouter discards the packet. Regardless of whether the packet was received from the Customer-Facing IP Interface or the Operator IP Interface, the eRouter shall generate an appropriate ICMP error message, as described in [44], to identify the reason for dropping an IPv6 datagram, except in the following cases:

- The drop is due to congestion.
- The packet is itself an ICMPv6 error message.
- The packet is destined for an IPv6 multicast address (except if the packet is the "Packet Too Big Message" or the "Parameter Problem Message", as explained in [44], section 2.4, paragraph (e)).
- The packet is destined for a link-layer multicast address.
- The source IPv6 address of the packet does not uniquely identify a single node, as explained in detail in [44], section 2.4, paragraph (e).
- The eRouter shall process and/or generate the following ICMPv6 messages when appropriate:

1	Destination Unreachable	[41]
3	Time Exceeded	[41]
129	Echo Reply	[41]
130	Multicast Listener Query	[33]
131	Multicast Listener Report	[33]
132	Multicast Listener Done	[33]
133	Router Solicitation	[42]
134	Router Advertisement	[42]
135	Neighbor Solicitation	[42]
136	Neighbor Advertisement	[42]
143	Version 2 Multicast Listener Report	[33]

NOTE: It is considered inappropriate for the eRouter to generate ICMPv6 Destination Unreachable messages on the operator-facing interface.

The IPv6 CE router shall implement ICMPv6 according to [41].

The eRouter is responsible for decrementing the Hop Limit field in the IPv6 packet that it is going to forward. If the eRouter receives an IPv6 packet with a Hop Limit of zero, or the eRouter decrements an IPv6 packet's Hop Limit to zero, it shall discard that packet and send an ICMPv6 Time Exceeded message with Code 0 to the source of that IPv6 packet.

The eRouter is also responsible for reinserting the Ethernet header of IPv6 packets. The eRouter has at least one MAC address for its Operator-Facing IP Interface and one MAC address for its Customer-Facing IP Interface that are shared for IPv4 and IPv6 (see clause 7.3). The eRouter shall use the MAC address assigned to its Operator-Facing IP Interface as the source MAC address for all IPv6 packets that it sends out its Operator-Facing IP Interface. The eRouter shall use the MAC address assigned to the Customer-Facing IP Interface as the source MAC address for all IPv6 packets that it sends out its Customer-Facing IP Interfaces. Per [42], the eRouter uses the MAC address of the next-hop address learned via Neighbor Discovery as the destination MAC address for the IPv6 packet.

The eRouter shall forward link-local multicast packets received on either interface only to the eRouter's IP stack. The eRouter shall not forward link-local multicast packets received on either interface to any interface other than the eRouter's IP stack.

By default, an eRouter shall not initiate any IPv4 or IPv6 dynamic routing protocols on its Operator-facing interface.

9.3 IPv6 multicast

9.3.0 General

The eRouter learns IP multicast group membership information received on the Customer-Facing Interfaces and proxies it on the Operator-Facing Interface towards the next upstream multicast router. The eRouter forwards IPv6 multicast packets downstream based upon the information learned at each Customer-Facing Interface.

The eRouter proxies MLD information upstream actively by implementing mutually-independent MLDv2 router functionality on Customer-Facing Interfaces and MLDv2 multicast listener functionality on the Operator-Facing Interface. On each IP interface, and independently of other IP interfaces, the eRouter generates, terminates, and processes MLD messages according to MLDv2 requirements. For example, the version of MLD used on the cable network or the local area network will be defined locally at each network. The eRouter may send MLDv1 reports on the Operator-Facing Interface while generating MLDv2 queries on Customer-Facing Interfaces.

The following elements define the eRouter IPv6 multicast behavior (also shown in Figure 15):

- An MLDv2 Multicast Listener that implements the multicast listener part of MLDv2 [33] on the Operator-Facing Interface.
- An MLDv2 Router that implements the router part of MLDv2 [33] on each Customer-Facing Interface.
- A Subscription Database per Customer-Facing Interface with multicast reception state of connected CPEs.
- An IPv6 Group Membership Database that merges subscription information from all the Customer-Facing Interfaces.

These logical sub-elements are shown in Figure 15.

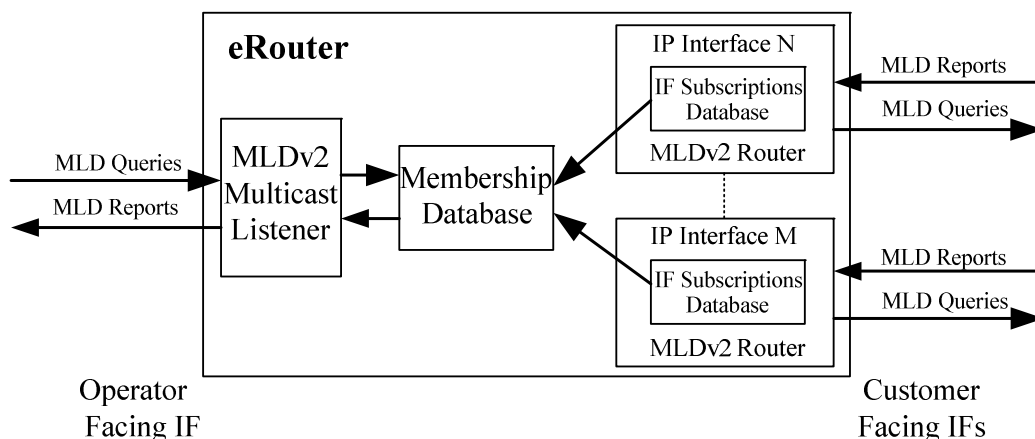


Figure 15: eRouter IPv6 multicast forwarding block diagram

9.3.1 MLD proxying

The eRouter maintains the multicast reception state of CPEs on each Customer-Facing Interface in the interface's multicast subscription database. The eRouter obtains CPE's multicast reception state information through the implementation of an MLDv2 Router on each Customer-Facing interface. Multicast reception state arrives at the eRouter in the form of MLD Report messages transmitted by CPEs. The eRouter shall implement the router portion of the MLDv2 protocol, [33], on each Customer-Facing Interface. The eRouter shall maintain, for each Customer-Facing Interface, the IPv6 multicast reception state of connected CPEs.

In the event of multiple queriers on one subnet, MLDv2 elects a single querier based on the querier IP address. However, the querier election rules defined for MLDv2 do not apply to the eRouter. The eRouter shall always act as an MLD querier on its Customer-Facing Interfaces.

On the Operator-Facing Interface, the eRouter shall implement the multicast listener portion of the MLDv2 protocol [33]. The eRouter shall merge the multicast reception state of connected CPEs into an IPv6 group membership database, as described in clause 9.3.2. The eRouter shall use the membership database as multicast reception interface state per [33], section 4.2, for the Operator-Facing Interface. Thus, when the composition of the IPv6 multicast membership database changes, the eRouter reports the change with an unsolicited report sent on the Operator-Facing Interface. When queried by an upstream multicast router, the eRouter also responds with information from the membership database.

The eRouter shall not perform the router portion of MLDv2 on the Operator-Facing Interface.

9.3.2 IPv6 group membership database

The eRouter's Membership Database is formed by merging the multicast reception state records of Customer-Facing Interfaces. In compliance with [33], the eRouter keeps per Customer-Facing Interface and per multicast address joined one record of the form:

- (multicast address, group timer, filter-mode, (source records))

With source records of the form:

- (source address, source timer)

The eRouter keeps an IPv6 Group Membership Database with records of the form:

- (multicast-address, filter-mode, source-list)

The eRouter uses the IPv6 Group Membership Database records as interface state for the MLDv2 Multicast Listener implementation on the Operator-Facing Interface. Each record of the IPv6 Group Membership Database is the result of merging all subscriptions for that record's IPv6 multicast-address on Customer-Facing Interfaces. For each IPv6 multicast group joined on any Customer-Facing Interface, the eRouter shall abide by the following process to merge all customer interface records for the group into one Group Membership Database record:

- First, the eRouter pre-processes all customer interface group records by:
 - Converting MLDv1 records into MLDv2 records.
 - Removing group and source timers from MLDv2 and converted records.
 - Removing every source whose source timer is greater than zero from records with a filter mode value of EXCLUDE.
- Then the eRouter creates an IPv6 Group Membership Database record by merging the pre-processed records, using the merging rules for multiple memberships on a single interface specified in section 4.2 of the MLDv2 specification [33].

9.3.3 IPv6 multicast forwarding

The forwarding of IPv6 multicast packets received on any interface onto a Customer-Facing Interface is determined by the known multicast reception state of the CPEs connected to the Customer-Facing Interface. The eRouter shall replicate an IPv6 multicast session on a Customer-Facing Interface if at least one CPE device connected to the interface has joined the session. The eRouter shall not replicate an IPv6 multicast session on a Customer-Facing Interface if no CPE device connected to the interface has joined the session.

The eRouter shall not forward IPv6 multicast packets received on any interface, i.e. any Customer-Facing or the Operator-Facing Interface, back to the same interface.

In compliance with IPv6 link-scope packet forwarding rules, the eRouter shall not forward MLD messages received on an IP interface onto another IP interface. Also, the eRouter shall not forward link-scoped IPv6 multicast packets received on an IP interface onto another IP interface.

The eRouter shall forward site-scoped IPv6 multicast packets to all Customer-Facing Interfaces within the same Customer-Facing IP Interface except the Customer-Facing Interface from which they were received.

The eRouter shall forward all non-link-scoped and non-site-scoped (e.g. not addressed to FF02::/16 or FF05::/16) IPv6 multicast traffic received on Customer-Facing Interfaces onto the Operator-Facing Interface. Operator control of multicast traffic forwarding onto the cable network, if desired, can be done through the implementation of filters at the eCM.

9.3.4 IPv6 multicast forwarding example

The eRouter in this example has two Customer-Facing Interfaces: CFIA and CFIB, connected to one LAN segment each. On CFIA, there are two CPEs connected: CPE1 and CPE2. CPE1 is MLDv1-capable and will attempt to join group FF1E::100. CPE2 is MLDv2-capable and will attempt to join group FF1E::128 from all sources. On CFIB, there is one CPE connected, CPE3, which is MLDv2 capable and that will attempt to join group FF1E::128, except from source 3FFE:2900::200.

The router upstream of the eRouter (e.g. the CMTS) supports and is configured to operate in MLDv2 mode, and thus the eRouter works in MLDv2 mode on the Operator-Facing Interface.

The setup is shown in Figure 16:

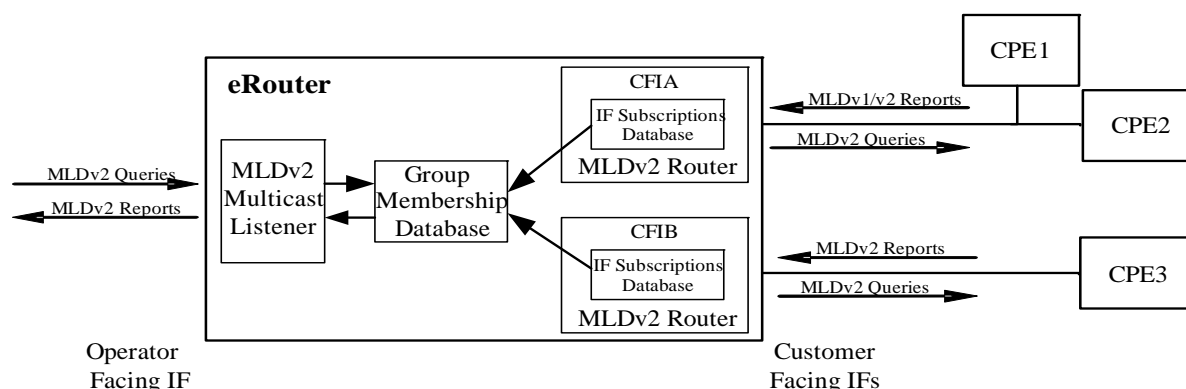


Figure 16: IPv6 Multicast Forwarding Example

The CPEs send reports as follows:

Report From	Report Version	Multicast Address	Record Type	Source Address
CPE1	MLDv1	FF1E::100	N/A	N/A
CPE2	MLDv2	FF1E::128	EXCLUDE	Null
CPE3	MLDv2	FF1E::128	EXCLUDE	3FFE:2900::200

Because CPE1 sends an MLDv1 report for group FF1E::100, CFIA operates in MLDv1 compatibility mode for this group. On the other hand, CFIA and CFIB operate in MLDv2 mode for group FF1E::128, because they receive MLDv2 reports for this group from CPE2 and CPE3, respectively. The eRouter multicast reception state at each Customer-Facing Interface is the following:

Interface	Multicast Address	Group Timer	Filter-Mode	Source Address	Source Timer
CFIA	FF1E::100	A	EXCLUDE	Null	0
CFIA	FF1E::128	B	EXCLUDE	Null	0
CFIB	FF1E::128	C	EXCLUDE	3FFE:2900::200	0

The eRouter merges the multicast reception state of connected CPEs shown above into the Group Membership Database as follows:

Multicast Address	Filter-Mode	Source Address
FF1E::100	EXCLUDE	Null
FF1E::128	EXCLUDE	Null

The eRouter uses the information in the Group Membership Database as multicast reception state at the Operator-Facing Interface. For example, in response to an MLDv2 general query, the eRouter sends an MLDv2 report for the two records shown.

Assuming that the CMTS is transmitting four multicast streams downstream, the eRouter forwards them as follows:

Stream #	Multicast Address	Source Address	eRouter forwards on interfaces	
			CFIA	CFIB
1	FF1E::200	3FFE:2900::100	NO	NO
2	FF1E::100	3FFE:2900::100	YES	NO
3	FF1E::128	3FFE:2900::100	YES	YES
4	FF1E::128	3FFE:2900::200	YES	NO

10 Quality of Service

10.0 General requirements

QoS on the eRouter is optional. The eRouter should support Layer 2 and Layer 3 QoS, as defined in this clause. The QoS functionality described herein allows the operator to selectively provide a level of differentiation among the various data streams destined for CPE behind the eRouter. Typical applications could include Internet Protocol Television (IPTV) services and other enhanced data services, though it is anticipated that overall packet counts will still be dominated by largely undifferentiated best-effort data traffic.

If the eRouter supports QoS, the eRouter shall prioritize the forwarding of IP packets based on the values marked in the IPv4 ToS byte or IPv6 Traffic Class field. This is because Layer 2 headers (e.g. as specified in [i.25]) will be removed as the packets traverse the eRouter.

10.1 Downstream Quality of Service operation

This clause deals with the requirements regarding traffic going to CPEs, through the eRouter, from the Cable network.

If the eRouter supports QoS, the eRouter shall provide two or more priority queues on each Customer-Facing Interface for traffic going to CPEs. The eRouter may provide a configuration mechanism to map ToS/Traffic Class field priority values to the high and low priority queues. As a default setting, the eRouter might use the most significant bit of the ToS/Traffic Class field to determine priority to queue mappings.

10.2 Upstream Quality of Service operation

This clause deals with traffic coming from the CPEs attached to the eRouter to the cable network.

For the purposes of applying QoS to upstream traffic sourced from CPE devices, the interface between the eRouter and the embedded CM is considered to be of infinite bandwidth per [4], and thus no congestion, control, priority, nor reservation of bandwidth resources should be expected to occur on this interface. Thus, the eRouter does not need to provide any queues in the upstream direction. The eRouter may provide a configuration mechanism to determine whether the eRouter allows CPE devices to pass QoS-tagged packets with the IP ToS/Traffic Class field intact, or whether the eRouter resets the IP ToS/Traffic Class field to 0. The eRouter may use the IP ToS/Traffic Class field to populate Layer 2 QoS headers to ensure upstream QoS treatment. Although other implementations are possible, one such implementation is to directly map the three most significant bits of the IP ToS/Traffic Class field into the IEEE 802.1Q priority field [i.25].

In the case where multiple Customer-Facing Interfaces are implemented, the eRouter may support additional QoS mechanisms to prioritize upstream traffic based on ingress interface.

11 eRouter management

11.0 General requirements

The eRouter allows the implementation of different management interfaces as described in this clause. Management interfaces in the present document refer to the protocols, data models, and semantic representation of the data exchange to perform the conventional management functions in the device.

The eRouter shall support either SNMP [24] or TR-069 [62] from the Operator-Facing management interface.

The eRouter is not required to support both management interfaces simultaneously for a given system boot instance.

User management from the Customer-Facing interface is vendor specific. Remote management of the eRouter (from the Operator-Facing interface) by the customer is outside of the scope of the present document.

Other specifications referring to the eRouter specification might add requirements to the eRouter management interface for additional functionality.

11.1 eRouter SNMP management interface requirements

The eRouter SNMP Management Interface requirements are listed in annex A and annex B. Annex A lists the management objects requirements for the eRouter to support. Annex B, clause B.1, clause B.4.5 and clause B.4.6 provide the provisioning elements to secure the SNMP access control by SNMP entities.

If SNMP is supported from the Operator-Facing Interface, the eRouter may support SNMP [24] from the Customer-Facing Interface.

11.2 eRouter TR-069 management interface requirements

11.2.0 General requirements

The eRouter TR-069 Management Interface requirements are listed in annex D.

If TR-069 [62] is supported from the Operator-Facing Interface, the eRouter may support [24] for Operator-Facing Interface management.

11.2.1 ACS discovery

11.2.1.1 eRouter TR-069 management server configuration file TLV encapsulation

The eRouter shall support the TR-069 Management Server Configuration File TLV Encapsulation as defined in clause B.4.3.2 for ACS selection. In the event that ACS configuration parameters are provided in both DHCP and TLV 202 sub-types, the eRouter shall use the values obtained in the DHCP options.

11.2.1.2 TR-069 management server DHCP requirements

The eRouter shall follow the DHCP requirements in [62] for the initial ACS discovery with the possible exception of using any CableLabs-defined DHCP options mentioned here or elsewhere in the present document.

11.2.2 ACS selection

If the TR-069 Management Server URL is present in only one of TR-069 Management Server Configuration File TLV Encapsulation or TR-069 Management Server URL DHCP Option, the eRouter shall use the present URL as the initial ACS URL. If the TR-069 Management Server URL is present in both TR-069 Management Server Configuration File TLV Encapsulation and TR-069 Management Server URL DHCP Option, the eRouter shall use the former as the ACS URL. If the TR-069 Management Server URL is present in neither the CM configuration file nor the DHCP Offer/Response, the eRouter shall not communicate with any ACS.

11.2.3 Dynamic ACS update

After the initial discovery, the ACS URL can be changed by updating the Device.ManagementServer.URL attribute value. The eRouter shall ignore the ACS URL if it is present in DHCP renew/rebind messages.

11.2.4 TR-069 CWMP control and credentials

The TR-069 Device.ManagementServer object defines controls for CWMP operations and credentials for authentication of connection requests between the CPE and ACS. All TR-069 Device.ManagementServer objects can be configured by the ACS via [62] procedures.

In addition, the parameter Device.ManagementServer.URL can be delivered via DHCP or Configuration File TLV, as specified in clause 11.2.2.

For security reasons, the TR-069 Device.ManagementServer object credential attributes (Username, Password, ConnectionRequestUsername and ConnectionRequestPassword) are also configurable via the TR-069 Management Server Configuration File TLV Encapsulation (see clause B.4.3).

To prevent dead-lock situations that would require user interventions, the Device.ManagementServer.EnableCWMP is also configurable via the TR-069 Management Server Configuration File TLV Encapsulation (see clause B.4.3.1).

12 Security

It is considered a best practice to filter obviously malicious traffic (e.g. spoofed packets, "Martian" addresses, etc.). Thus, the eRouter ought to support basic stateless egress and ingress filters. The eRouter is also expected to offer mechanisms to filter traffic entering the customer network; however, the method by which vendors implement configurable packet filtering is beyond the scope of the present document.

The eRouter shall enable a stateful firewall by default. In particular, the eRouter should support functionality sufficient for implementing the set of recommendations in [49], section 4. The eRouter shall support ingress filtering in accordance with BCP 38 [18].

[49] contains 50 "Recommended Simple Security Capabilities in Customer Premises Equipment (CPE) for Providing Residential IPv6 Internet Service." Not all of these recommendations are applicable to MSO networks. Of the applicable recommendations, not all are needed immediately. In order to ensure that vendors are able to implement "simple security" support in eRouter devices, annex F categorizes the recommendations into five requirement categories:

- Critical - Critical to network connectivity. Include in initial release.
- Important - Failure to implement could open subscribers to infosec attack.
- BCP - Security best practice / nice to have but not critical.
- Other - MSOs have indicated ambivalence to this category of recommendations.
- Conflict - Recommendation conflicts with MSO needs and requires modification or should not be implemented.

13 eRouter tunnel management and configuration

13.1 GRE requirements

Some of the applications envisioned for the eRouter rely upon the tunneling of traffic between the customer's service location and the Operator's network core. For example, a Community Wi-Fi application that utilizes one or more SSIDs to provide public Wi-Fi could be configured to tunnel its traffic to a central concentrator within the Operator's network core. While multiple tunneling protocols and techniques exist, Generic Route Encapsulation (GRE) tunneling see [17] and [20] has become the prevalent method for conveying traffic to the Operator's core. In order to support the management and configuration of these GRE tunnels, the present document defines both SNMP based MIBs and TR-181 data model elements. The SNMP MIB defined here originated from the data model profiles for GRE tunnels in [63].

An eRouter that implements GRE over IPv4 should support [17].

An eRouter that implements GRE over IPv6 should support [20].

An eRouter that supports GRE tunneling shall support:

- the TR-181 GRE data model elements found in [63];
- the CLAB-GRE-MIB defined in clause A.4.

When the eRouter is provisioned via the GRE tunneling MIB clause A.4, it shall permit the index of the Wi-Fi SSID to be set to the index numbers defined in clause A.1.

When the eRouter is provisioned via the GRE tunneling profile in [63], it shall permit the index of the Wi-Fi SSID to be set to the index numbers defined in clause A.2.

Annex A (normative): SNMP MIB objects supported by the eRouter

A.0 List of MIB objects

The eRouter shall support the following MIB objects:

- ifTable [19];
- inetCidrRouteTable [38];
- ipNetToPhysicalTable [39];
- vacmAccessTable [26];
- vacmSecurityToGroupTable [26];
- vacmViewTreeFamilyTable [26];
- vacmAccessReadViewName [26];
- vacmAccessWriteViewName [26];
- snmpCommunityTable [29];
- snmpTargetAddrTable [25];
- snmpTargetAddrTAddress [25];
- snmpTargetAddrTMask [29];
- snmpTargetAddrExtTable [29];
- esafeErouterInitModeControl [4].

Additional information for the configuration and use of the above MIB objects is defined in annex B.

A.1 eRouter interface numbering

The eRouter shall use in its MIB tables, when appropriate, an ifIndex number of '1' for the Operator-Facing Interface and an ifIndex number of '2' for the first Customer-Facing Interface. The eRouter shall use an ifIndex number in accordance with Table A.1 for any additional Customer-Facing Interfaces.

Table A.1: eRouter interface numbering

Interface	Type
1	Primary CPE interface (eRouter Operator-Facing Interface), when eRouter is enabled
2 - 4	Reserved
5 - 15	Ethernet interfaces
16 - 31	Reserved
32 - 39	USB interfaces
40 - 47	MoCA interfaces
48 - 199	Reserved
200 - 299	Customer-Facing IP interfaces
300 - 399	Operator-Facing IP interfaces
400 - 499	GRE tunnel interfaces
1xxyy	Wi-Fi and SSID interfaces (where xx corresponds to the Wi-Fi radio interface (0 - 99), and yy corresponds to the SSID logical interface for Wi-Fi radio xx with yy in the range 1 - 99)
500 - 599	Additional eRouter CPE interfaces
600 - 699	eRouter internal interfaces (optional)

eRouter devices that include one or more Wi-Fi radios shall follow the interface numbering and naming conventions specified in section 6.2.1 of [i.24].

A.2 eRouter ifTable requirements

The eRouter shall implement the row entry specified in Table A.2 for the ifTable as specified in [19].

Table A.2: eRouter ifTable row entries

ifTable [19]	Row Entry
IfIndex	1
ifDescr	"eRouter Operator-Facing Interface"
IfType	other(1)
IfMtu	0
IfSpeed	0
ifPhysAddress	eRouter MAC address
IfAdminStatus	up(1)
ifOperStatus	up(1)
IfLastChange	per [RFC 2863]
ifInOctets	0
IfInNUCastPkts	Deprecated
IfInDiscards	0
IfInErrors	0
IfUnknownProtos	0
ifOutOctets	0
ifOutUCastPkts	0
IfOutNUCastPkts	Deprecated
IfOutDiscards	0
IfOutErrors	0
IfOutQlen	Deprecated
IfSpecific	Deprecated

Additionally, for all interfaces supported the eRouter shall use the values contained in Table A.3 for the referenced objects in the ifTable. This includes modifications to the MAX-ACCESS for specific objects, which differs from [19] in some cases.

Table A.3: eRouter ifTable row entries for supported interfaces

ifTable Object	Ethernet	USB	MoCA	CFI IP	OFI IP	GRE	Wi-Fi	SSID
IfIndex	5 - 15	30 - 39	40 - 47	200 - 299	300 - 399	400 - 499	Per clause A.1	Per clause A.1
ifDescr	unspecified	unspecified	unspecified	unspecified	unspecified	unspecified	Wi-Fi radio interface	Wi-Fi SSID sub-interface
IfType	ethernetCsmacd	usb	moca	ipForward	ipForward	tunnel	ieee80211(71)	ieee80211(71)
IfMtu	0	0	0	0	0	0	0	0
IfSpeed	0	0	0	0	0	0	0	0
ifPhysAddress	Ethernet physical address	USB physical address	MoCA physical address	CFI IP MAC address	OFI IP MAC address	MAC associated with tunnel endpoint	Empty string	SSID physical address
IfAdminStatus	Per [19]	Per [19]	Per [19]	Per [19] implemented as read-only	Per [19] implemented as read-only	Per [19] implemented as read-only	Per [19]	Per [19]
ifOperStatus	Per [19]	Per [19]	Per [19]	Per [19]	Per [19]	Per [19]	Per [19]	Per [19]
IfLastChange	unspecified	unspecified	unspecified	unspecified	unspecified	unspecified	unspecified	unspecified
ifInOctets	0	0	0	0	0	0	0	0
IfInNUCastPkts	deprecated	deprecated	deprecated	deprecated	deprecated	deprecated	deprecated	deprecated
IfInDiscards	0	0	0	0	0	0	0	0
IfInErrors	0	0	0	0	0	0	0	0
IfUnknownProtos	0	0	0	0	0	0	0	0
ifOutOctets	0	0	0	0	0	0	0	0
ifOutUCastPkts	0	0	0	0	0	0	0	0
IfOutNUCastPkts	deprecated	deprecated	deprecated	deprecated	deprecated	deprecated	deprecated	deprecated
IfOutDiscards	0	0	0	0	0	0	0	0
IfOutErrors	0	0	0	0	0	0	0	0
IfOutQlen	deprecated	deprecated	deprecated	deprecated	deprecated	deprecated	deprecated	deprecated
IfSpecific	deprecated	deprecated	deprecated	deprecated	deprecated	deprecated	deprecated	deprecated

A.3 eRouter ipNetToPhysicalTable requirements

The eRouter shall implement the row entry specified in Table A.4 for the ipNetToPhysicalTable as specified in [39].

Table A.4: eRouter ipNetToPhysicalTable row entries

ipNetToPhysicalTable [39]	eRouter device
ipNetToPhysicalIfIndex	1
ipNetToPhysicalNetAddressType	ipv4(1) or ipv6(2)
ipNetToPhysicalNetAddress	eRouter IP Address
ipNetToPhysicalPhysAddress	eRouter MAC Address
ipNetToPhysicalLastUpdated	(refer to [39])
ipNetToPhysicalType	static(4)
ipNetToPhysicalState	(refer to [39])
ipNetToPhysicalRowStatus	'active'

A.4 CLAB-GRE-MIB

An eRouter that implements GRE tunneling shall support the CableLabs GRE MIB [2].

A.5 CLAB-GW-MIB

The eRouter [64] shall support the CableLabs Gateway MIB [3] as prescribed in Table A.5.

Table A.5: Gateway MIB objects

Object	Requirement
Gateway Device Information	
clabGWDeviceInfoManufacturer	shall
clabGWDeviceInfoManufacturerOUI	shall
clabGWDeviceInfoDeviceCategory	shall
clabGWDeviceInfoModelName	shall
clabGWDeviceInfoModelNumber	shall
clabGWDeviceInfoDescription	shall
clabGWDeviceInfoProductClass	shall
clabGWDeviceInfoSerialNumber	shall
clabGWDeviceInfoHardwareVersion	shall
clabGWDeviceInfoSoftwareVersion	shall
clabGWDeviceInfoAdditionalHardwareVersion	shall
clabGWDeviceInfoAdditionalSoftwareVersion	shall
clabGWDeviceInfoProvisioningCode	shall
clabGWDeviceInfoUpTime	shall
clabGWDeviceInfoFirstUseDate	shall
clabGWDevicePublicAccessEnabled	shall
DNS	
clabGWDeviceDNSIPv6QueryForDualMode	shall
MAP	
clabGWMAPEnable	shall
clabGWMAPTunnelDomainNumEntries	shall
clabGWMAPDomainTable	shall
clabGWMAPDomainEnable	shall
clabGWMAPDomainStatus	shall
clabGWMAPDomainAlias	shall
clabGWMAPDomainTransportMode	shall
clabGWMAPDomainWANInterface	shall
clabGWMAPDomainIPv6Prefix	shall
clabGWMAPDomainIPv6PrefixLen	shall
clabGWMAPDomainBRIPv6Prefix	shall

Object	Requirement
clabGWMAPDomainBRIPv6PrefixLen	shall
clabGWMAPDomainDSCPMarkPolicy	shall
clabGWMAPDomainIncludeSystemPorts	shall
clabGWMAPDomainRuleNumEntries	shall
clabGWMAPDomainRowStatus	shall
clabGWMAPDomainRuleTable	shall
clabGWMAPDomainRuleEnable	shall
clabGWMAPDomainRuleStatus	shall
clabGWMAPDomainRuleAlias	shall
clabGWMAPDomainRuleOrigin	shall
clabGWMAPDomainRuleIPv6Prefix	shall
clabGWMAPDomainRuleIPv6PrefixLen	shall
clabGWMAPDomainRuleIPv4Prefix	shall
clabGWMAPDomainRuleIPv4PrefixLen	shall
clabGWMAPDomainRuleEABitsLength	shall
clabGWMAPDomainRulesFMR	shall
clabGWMAPDomainRulePSIDOffset	shall
clabGWMAPDomainRulePSIDLength	shall
clabGWMAPDomainRulePSID	shall
clabGWMAPDomainRuleRowStatus	shall
clabGWMAPDomainIfTable	shall
clabGWMAPDomainIfEnable	shall
clabGWMAPDomainIfStatus	shall
clabGWMAPDomainIfAlias	shall
clabGWMAPDomainIfName	shall
clabGWMAPDomainIfLastChange	shall
clabGWMAPDomainIfLowerLayers	shall
clabGWMAPDomainIfRowStatus	shall
clabGWMAPDomainIfStatsTable	shall
clabGWMAPDomainIfStatsBytesSent	shall
clabGWMAPDomainIfStatsBytesRcvd	shall
clabGWMAPDomainIfStatsPktSent	shall
clabGWMAPDomainIfStatsPktRcvd	shall
clabGWMAPDomainIfStatsErrorsSent	shall
clabGWMAPDomainIfStatsErrsRcvd	shall
clabGWMAPDomainIfStatsUcastPktSent	shall
clabGWMAPDomainIfStatsUcastPktRcvd	shall
clabGWMAPDomainIfStatsDcardPktSent	shall
clabGWMAPDomainIfStatsDcardPktRcvd	shall
clabGWMAPDomainIfStatsMcastPktSent	shall
clabGWMAPDomainIfStatsMcastPktRcvd	shall
clabGWMAPDomainIfStatsBcastPktSent	shall
clabGWMAPDomainIfStatsBcastPktRcvd	shall
clabGWMAPDomainIfStatsUkwnProtoPkt	shall
clabGWMAPDomainIfStatsInvV4Pkts	shall
NOTE: Required if the eRouter supports the Cable Modem Gateway.	

Annex B (normative): Configuration of eRouter operational parameters

B.1 eRouter SNMP configuration

B.1.1 eRouter SNMP modes of operation

The eRouter shall support SNMPv1, SNMPv2c, in SNMP-coexistence mode as defined in [29]. The eRouter may support SNMPv3 as defined in [7].

B.1.2 eRouter SNMP access control configuration

B.1.2.1 View-based Access Control Model (VACM) profile

The eRouter uses the View-based Access Control Model (VACM) for configuration of SNMPv1v2c co-existence as defined in [29]. This clause addresses the default VACM profile for the eRouter.

The eRouter shall support a pre-installed entry in the vacmViewTreeFamilyTable [26] as in Table B.1.

Table B.1: vacmViewTreeFamilyTable

Column Name (* = Part of Index)	Column Value
* vacmViewTreeFamilyViewName	eRouterManagerView
* vacmViewTreeFamilySubtree	<1.3.6.1>
vacmViewTreeFamilyMask	Zero-length String
vacmViewTreeFamilyType	'included'
vacmViewTreeFamilyStorageType	volatile (2) or nonvolatile (3)
vacmViewTreeFamilyStatus	active (1)

The eRouter may also support additional views to be configured by the operator during the provisioning process, as defined in the SNMPv1v2c Access View Name encoding in clause B.4.5.4 and the SNMPv3 Access View Configuration encoding.

B.1.3 SNMPv1v2c Coexistence Configuration

B.1.3.0 General

This clause specifies eRouter handling of the SNMPv1v2c Coexistence Configuration encodings as defined in clause B.4.3.1 when included in the eRouter configuration information. The SNMPv1v2c Coexistence Configuration encoding is used to configure SNMPv3 framework tables for SNMPv1 and v2c access.

The eRouter uses the SNMPv1v2c Coexistence Configuration encodings to create entries in the following tables:

- snmpCommunityTable;
- snmpTargetAddrTable;
- vacmSecurityToGroupTable;
- vacmAccessTable;
- snmpTargetAddrExtTable.

B.1.3.1 Mapping SNMPv1v2c Coexistence Configuration

B.1.3.1.0 Overview

This clause describes the mapping of SNMPv1v2c Coexistence Configuration into SNMPv3 entries.

Table B.2 provides a Variable Name as a short-hand reference to be used in the SNMPv3 tables defined in subsections below for each of the SNMPv1v2c Coexistence Configuration encodings. The table also defines the mapping between each of the SNMPv1v2c Coexistence Configuration encodings and the associated SNMP MIB objects.

Table B.2: SNMPv1v2c coexistence configuration mapping

Encodings	Variable Name	Associated MIB Object
SNMPv1v2c Community Name	CommunityName	snmpCommunityName [29]
SNMPv1v2c Transport Address Access		
SNMPv1v2c Transport Address	TAddress	snmpTargetAddrTAddress [25]
SNMPv1v2c Transport Address Mask	TMask	snmpTargetAddrTMask [29]
SNMPv1v2c Access View Type	AccessViewType	
SNMPv1v2c Access View Name (optional, see clause B.4.5.4)	AccessViewName or eRouterManagerView	vacmAccessReadViewName and vacmAccessWriteViewName [26]

The eRouter is not required to verify the consistency across tables.

Table B.3 through Table B.7 describe the eRouter procedures to populate the SNMPv3 framework tables to conform to the "SNMP Management Framework Message Processing and Access Control Subsystems" [24].

When configuring entries in these SNMPv3 tables:

- The ReadViewName and WriteViewName may correspond to default entries as defined in clause B.1.3.1 or entries created using SNMPv3 Access View Configuration (see clause B.4.6).
- Multiple columnar objects can be configured with indexes containing the string "@eRouterRouterconfig". If these tables are configured through other mechanisms, network operators should not use values beginning with "@eRouterconfig", to avoid conflicts.

B.1.3.1.1 snmpCommunityTable

The snmpCommunityTable is defined in the "SNMP Community MIB Module" section of [29].

The eRouter shall create one row in snmpCommunityTable for each SNMPv1v2c Coexistence Configuration TLV as follows:

- The eRouter sets the value of snmpCommunityIndex to "@eRouterconfig_n" where 'n' is a sequential number starting at 0 for each TLV processed (e.g. "@eRouterconfig_0", "@eRouterconfig_1", etc.)
- The eRouter creates space separated tags in snmpCommunityTransportTag for each SNMPv1v2c Community Name sub-TLV of the SNMPv1v2c Coexistence Configuration encoding.

Table B.3: snmpCommunityTable

Column Name (* = Part of Index)	Column Value
* snmpCommunityIndex	"@eRouterconfig_n" where n is 0..m-1 and m is the number of SNMPv1v2c Community Name TLVs
snmpCommunityName	<CommunityName>
snmpCommunitySecurityName	"@eRouterconfig_n"
snmpCommunityContextEngineID	<the engineID populated by the SNMP>
snmpCommunityContextName	<Zero-length OCTET STRING>
snmpCommunityTransportTag	"@eRouterconfigTag_n" where n is 0..m-1 and m is the number of SNMPv1v2c Coexistence Configuration TLVs
snmpCommunityStorageType	volatile (2)
snmpCommunityStatus	active (1)

B.1.3.1.2 snmpTargetAddrTable

The snmpTargetAddrTable is defined in the "Definitions" section of [25].

The eRouter shall create one row in snmpTargetAddrTable for each SNMPv1v2c Transport Address Access sub-TLV of the SNMPv1v2c Coexistence Configuration encoding.

Table B.4: snmpTargetAddrTable

Column Name (* = Part of Index)	Column Value
* snmpTargetAddrName	"@eRouterconfigTag_n_i" where 'n' is 0..m-1 and 'm' is the number of SNMPv1v2c Coexistence Configuration TLVs. Where 'i' is 0..p-1 and p is the number of SNMPv1v2c Transport Address Access sub-TLV within the SNMPv1v2c Coexistence Configuration TLV n
snmpTargetAddrTDomain	IPv4: snmpUDPDomain [27] IPv6: transportDomainUdpIpv6 [28]
snmpTargetAddrTAddress (IP Address and UDP Port)	IPv4: SnmpUDPAddress [27] OCTET STRING (6) Octets 1-4: <TAddress> Octets 5-6: <TAddress> IPv6: TransportAddressIPv6 [28] OCTET STRING (18) Octets 1-16: <TAddress> Octets 17-18: <TAddress>
snmpTargetAddrTimeout	Default from MIB
snmpTargetAddrRetryCount	Default from MIB
snmpTargetAddrTagList	"@eRouterconfigTag_n" where n is 0..m-1 and m is the number of SNMPv1v2c Coexistence Configuration TLVs
snmpTargetAddrParams	'00'h (null character)
snmpTargetAddrStorageType	volatile (2)
snmpTargetAddrRowStatus	active (1)

B.1.3.1.3 snmpTargetAddrExtTable

The snmpTargetAddrExtTable is defined in the "SNMP Community MIB Module" section of [29].

The eRouter shall create one row in snmpTargetAddrExtTable for each SNMPv1v2c Transport Address Access sub-TLV of the SNMPv1v2c Coexistence Configuration encoding.

Table B.5: snmpTargetAddrExtTable

Column Name (* = Part of Index)	Column Value
* snmpTargetAddrName	"@eRouterconfigTag_n_i" where 'n' is 0..m-1 and 'm' is the number of SNMPv1v2c Coexistence Configuration TLVs. Where 'i' is 0..p-1 and p is the number of SNMPv1v2c Transport Address Access sub-TLV within the SNMPv1v2c Coexistence Configuration TLV n
snmpTargetAddrTMask	<Zero-length OCTET STRING> when <TMask> is not provided in the i-th SNMPv1v2c Transport Address Access sub-TLV IPv4: SnmpUDPAddress [27] OCTET STRING (6) Octets 1-4: <TMask> Octets 5-6: <UDP Port> IPv6: TransportAddressIPv6 [28] OCTET STRING (18) Octets 1-16: <TMask> Octets 17-18: <UDP Port>
snmpTargetAddrMMS	Maximum Message Size

B.1.3.1.4 vacmSecurityToGroupTable

The vacmSecurityToGroupTable is defined in the "Definitions" section of [26].

The eRouter shall create two rows in vacmSecurityGroupTable for each SNMPv1v2c Coexistence Configuration TLV as follows:

- The eRouter sets the value of vacmSecurityName to "@eRouterconfig_n" where 'n' is a sequential number starting at 0 for each SNMPv1v2c Coexistence Configuration TLV processed (e.g. "@eRouterconfig_0", "@eRouterconfig_1", etc.);
- The eRouter sets the value of vacmGroupName to "@eRouterconfigV1_n" for the first row and "@eRouterconfigV2_n" for the second row where 'n' is a sequential number starting at 0 for each SNMPv1v2c Coexistence Configuration TLV processed (e.g. "@eRouterconfigV1_0", "@eRouterconfigV1_1", etc.).

Table B.6: vacmSecurityToGroupTable

Column Name (* = Part of Index)	First Row Column Value	Second Row Column Value
* vacmSecurityModel	SNMPV1 (1)	SNMPV2c (2)
* vacmSecurityName	"@eRouterconfig_n"	"@eRouterconfig_n"
vacmGroupName	"@eRouterconfigV1_n"	"@eRouterconfigV2_n"
vacmSecurityToGroupStorageType	volatile (2)	volatile (2)
vacmSecurityToGroupStatus	active (1)	active (1)

B.1.3.1.5 vacmAccessTable

The vacmAccessTable is defined in the "Definitions" section of [26].

The eRouter shall create two rows in vacmAccessTable for each SNMPv1v2c Coexistence Configuration encoding as follows:

- The eRouter sets the value of vacmGroupName to "@eRouterconfigV1_n" for the first row and "@eRouterconfigV2_n" for the second row where 'n' is a sequential number starting at 0 for each SNMPv1v2c Coexistence Configuration encoding processed (e.g. "@eRouterconfigV1_0", "@eRouterconfigV1_1", etc.),
- In case the eRouter does not support the SNMPv3 Access View Name encoding in clause B.4, the eRouter shall use the default view defined in clause B.1.2.1 and ignore the Sub-TLV SNMPv1v2c Access View Name.

Table B.7: vacmAccessTable

Column Name (* = Part of Index)	Column Value	Column Value
* vacmGroupName	"@eRouterconfigV1_n"	"@eRouterconfigV2_n"
* vacmAccessContextPrefix	<zero-length string>	<zero-length string>
* vacmAccessSecurityModel	SNMPV1 (1)	SNMPV2c (2)
* vacmAccessSecurityLevel	noAuthNoPriv (1)	noAuthNoPriv (1)
vacmAccessContextMatch	exact (1)	exact (1)
vacmAccessReadViewName	Set < AccessViewName> or eRouterManagerView	Set < AccessViewName> or eRouterManagerView
vacmAccessWriteViewName	When <AccessViewType> == '2' Set < AccessViewName> or eRouterManagerView When <AccessViewType> != '2' Set <Zero-length OCTET STRING>	When <AccessViewType> == '2' Set < AccessViewName> or eRouterManagerView When <AccessViewType> != '2' Set <Zero-length OCTET STRING>
vacmAccessNotifyViewName	<Zero-length OCTET STRING>	<Zero-length OCTET STRING>
vacmAccessStorageType	volatile (2)	volatile (2)
vacmAccessStatus	active (1)	active (1)

B.1.3.2 Mapping SNMPv3 access view configuration

B.1.3.2.0 Overview

If SNMPv3 is supported by the eRouter, the SNMPv3 Access View Configuration encoding is used to configure the vacmViewTreeFamilyTable.

Table B.8 provides a Variable Name as a short-hand reference to be used in the SNMPv3 tables defined in the subsections below for each of the SNMPv3 Access View Configuration encodings. The table also defines the mapping between each of the SNMPv3 Coexistence Configuration encodings and the associated SNMP MIB objects.

Table B.8: SNMPv3 access view configuration encoding

Encodings	Variable Name	Associated MIB Object [26]
SNMPv3 Access View Name	AccessViewName	vacmViewTreeFamilyViewName
SNMPv3 Access View Subtree	AccessViewSubTree	vacmViewTreeFamilySubtree
SNMPv3 Access View Mask	AccessViewMask	vacmViewTreeFamilyMask
SNMPv3 Access View Type	AccessViewType	vacmViewTreeFamilyType

The eRouter is not required to verify the consistency across tables.

Table B.9 describes the eRouter procedures to populate the vacmViewTreeFamilyTable to conform to the "SNMP Management Framework Message Processing and Access Control Subsystems" [24].

When configuring entries in these SNMPv3 tables:

- One entry is created for each SNMPv3 Access View Configuration encoding. Some Access Views may have a number of included/excluded OID branches. Only Access View Name will be common for all these OID branches. To support such type of Access View, multiple SNMPv3 Access View Configuration encodings need to be defined.

B.1.3.2.1 vacmViewTreeFamilyTable

The vacmViewTreeFamilyTable is defined in the "Definitions" section of [26].

If the SNMPv3 Access View Configuration encoding is supported by the eRouter, then the eRouter shall:

- Create one row in vacmViewTreeFamilyTable for each SNMPv3 Access View Configuration TLV.
- Reject the configuration if two or more SNMPv3 Access View Configuration encodings have identical index components (*AccessViewName* and *AccessViewSubTree*).

- Set the object vacmViewTreeFamilySubtree to 1.3.6 when no sub-TLV SNMPv3 Access View Subtree is defined.
- Set the object vacmViewTreeFamilyMask to the default zero-length string when no sub-TLV SNMPv3 Access View Mask is defined.
- Set the object vacmViewTreeFamilyType to the default value 1 (included) when no sub-TLV SNMPv3 Access View Type is defined.

Table B.9: vacmViewTreeFamilyTable

Column Name (* = Part of Index)	Column Value
* vacmViewTreeFamilyViewName	<AccessViewName>
* vacmViewTreeFamilySubtree	<AccessViewSubTree>
vacmViewTreeFamilyMask	<AccessViewMask>
vacmViewTreeFamilyType	<AccessViewType>
vacmViewTreeFamilyStorageType	volatile (2)
vacmViewTreeFamilyStatus	active (1)

B.2 SNMP configuration of eRouter

The esafeErouterInitModeControl object is defined in the "eSAFE MIB Definition" section of [4].

This object provides a means of changing the IP Protocol Enabled Mode of the DOCSIS eRouter. The eRouter only evaluates this object when it is modified via an SNMP SET initiated from an SNMP management station after the eRouter is initialized. The eRouter shall ignore the esafeErouterInitModeControl whenever it is included in TLV202.11 in the CM configuration file.

The value of this object shall persist across cable modem reinitialization. The eRouter shall not require a reset when the eRouter Initialization mode is changed via this object from 'IPv4 Protocol Enabled' mode to 'Dual IP Protocol Enabled' mode. The eRouter shall not require a reset when the eRouter Initialization mode is changed via this object from 'IPv6 Protocol Enabled' mode to 'Dual IP Protocol Enabled' mode.

The esafeErouterInitModeControl object shall be accessible via the eCM SNMP agent through the eCM management address.

The possible values for this object are listed in Table B.10.

Table B.10: esafeErouterInitModeControl

Value	Description
ipDisabled(1)	When this object is set to ipDisabled(1), the eRouter shall switch to Disabled Mode.
ipv4Only(2)	When this object is set to ipv4Only(2), the eRouter shall switch to IPv4 Protocol Enabled Mode.
ipv6Only(3)	When this object is set to ipv6Only(3), the eRouter shall switch to IPv6 Protocol Enabled Mode.
ipv4AndIpv6(4)	When this object is set to ipv4AndIpv6(4), the eRouter shall switch to Dual IP Protocol Enabled Mode.
honoreRouterInitMode(5)	When this object is set to honoreRouterInitMode(5), the eRouter shall honor the eRouter Initialization Mode Encoding encapsulated in the eCM Config File under TLV 202.

B.3 eCM proxy mechanism for configuration of eRouter

The eRouter configuration encodings are encapsulated in the 'eCM Config File Encapsulation' encoding defined in [4]. The eCM receives the configuration file and parses its contents. The encodings in the eCM configuration file encapsulated in Type 202 are for exclusive use of the eRouter, and these TLVs are transferred from the eCM to the eRouter in a vendor specific manner. This TLV may appear multiple times. If this TLV setting appears multiple times, all sub-TLVs shall be considered by the eRouter to be part of a single configuration. In other words, the sub-TLVs from the first instance of this configuration setting would comprise the first entries; the second instance would comprise the next. After the eCM successfully completes registration, the eRouter uses these encapsulated TLVs for initialization.

The eRouter initializes per the 'eRouter Operation Mode' encoding, encapsulated under the TLV 202 in the eCM's configuration file. During the eRouter initialization process, the eCM reports the eRouter state with the Flow Step information and status in the `esafeProvisioningStatusTable` [4].

The eCM configuration download process includes certain security aspects; e.g. EAE and secure download which provide for confidentiality and authenticity of the information contained in the CM configuration file as defined in [6] and [61].

B.4 eRouter configuration encodings

B.4.1 eRouter TLV processing

The following clauses define the encodings required for eRouter configuration and how those are processed by the eRouter. All of the TLVs listed here are sub-TLVs of Type 202.

The eRouter shall disregard encodings that are not defined in this clause.

The eRouter shall ignore invalid eRouter Configuration Encodings. When the eRouter Configuration Encodings are ignored, the eRouter shall follow the behavior described in annex C.

The eRouter shall ignore the eRouter Configuration Encoding if that encoding results in an entry in the SNMP table that cannot be created because of a conflict with an existing entry.

B.4.2 eRouter initialization mode encoding

This encoding defines the eRouter initialization mode (clause 5) configured by the Operator.

A valid eRouter Initialization Mode Encoding contains exactly one instance of this TLV.

Type	Length	Value
1	1	0: Disabled 1: IPv4 Protocol Enabled 2: IPv6 Protocol Enabled 3: Dual IP Protocol Enabled 4 - 255: Invalid Default: 3 (Dual IP Protocol Enabled)

The eRouter will use 'Dual IP Protocol Enabled' mode by default per clause 5, as recommended by [53].

B.4.3 TR-069 management server

B.4.3.0 General

This encoding specifies some aspects of TR-069 Device.ManagementServer object to be used by the cable provisioning system. Whenever a TLV or sub-TLV is absent, default values from [62] and [63] apply.

Type	Length	Value
2	N	Composite

B.4.3.1 EnableCWMP

This encoding specifies the Device.ManagementServer.EnableCWMP parameter from [63].

A valid eRouter Initialization Mode Encoding contains at most one instance of this TLV.

Type	Length	Value
2.1	1	0: false 1: true

B.4.3.2 URL

This encoding specifies the Device.ManagementServer.URL parameter from [63].

A valid eRouter Initialization Mode Encoding contains at most one instance of this TLV.

Type	Length	Value
2.2	n	String

B.4.3.3 Username

This encoding specifies the Device.ManagementServer.Username parameter from [63].

A valid eRouter Initialization Mode Encoding contains at most one instance of this TLV.

Type	Length	Value
2.3	n	String

B.4.3.4 Password

This encoding specifies the Device.ManagementServer.Password parameter from [63].

A valid eRouter Initialization Mode Encoding contains at most one instance of this TLV.

Type	Length	Value
2.4	n	String

B.4.3.5 ConnectionRequestUsername

This encoding specifies the Device.ManagementServer.ConnectionRequestUsername parameter from [63].

A valid eRouter Initialization Mode Encoding contains at most one instance of this TLV.

Type	Length	Value
2.5	n	String

B.4.3.6 ConnectionRequestPassword

This encoding specifies the Device.ManagementServer.ConnectionRequestPassword parameter from [63].

A valid eRouter Initialization Mode Encoding contains at most one instance of this TLV.

Type	Length	Value
2.6	n	String

B.4.3.7 ACS override

If enabled, the CPE shall accept the ACS URL from the CM configuration file, even if the ACS has overwritten the values.

If disabled, the CPE accepts the CM configuration file values only if the ACS has not overwritten the ACS URL.

Type	Length	Value
2.7	N	0: disabled 1: enabled

B.4.4 eRouter initialization mode override

The eRouter Initialization Mode Override encoding provides a means of overriding the eRouter Initialization Mode encoding on an eRouter configured to be 'Disabled'. This encoding applies only when eRouter functionality is 'Disabled', such as when the eRouter is manually disabled by the subscriber, service technician, or installer. In all other cases, this override encoding is ignored.

The default value of this TLV encoding (when omitted) is zero (0).

Type	Length	Value
3	1	1 = Ignore eRouter Initialization Mode TLV and keep the eRouter Disabled 0 = Follow eRouter Initialization Mode TLV Default: 0

B.4.5 SNMPv1v2c coexistence configuration

B.4.5.0 General

This encoding specifies the SNMPv1v2c Coexistence Access Control configuration for the eRouter. This encoding creates entries in the SNMPv3 framework tables as specified in clause B.1.3.1.

A valid SNMPv1v2c Coexistence Configuration (Type 53) encoding contains the SNMPv1v2c Community Name and one or more instance(s) of SNMPv1v2c Transport Address Access. A valid SNMPv1v2c Coexistence Configuration (Type 53) encoding may also contain the SNMPv1v2c Access View Type and the SNMPv1v2c Access View Name.

The eRouter does not make persistent entries in the SNMP framework table.

The eRouter shall support a minimum of five (5) SNMPv1v2c Coexistence Configuration encodings.

Type	Length	Value
53	N	Composite

B.4.5.1 SNMPv1v2c community name

This sub-TLV specifies the Community Name (community string) used in SNMP requests to the eRouter.

Type	Length	Value
53.1	1..32	Text

B.4.5.2 SNMPv1v2c transport address access

B.4.5.2.0 General

This sub-TLV specifies the Transport Address and Transport Address Mask pair used by the eRouter to grant access to the SNMP entity querying the eRouter.

Type	Length	Value
53.2	N	Variable

A valid SNMPv1v2c Transport Address Access encoding contains one instance of SNMPv1v2c Transport Address and may contain one instance of SNMPv1v2c Transport Address Mask.

The eRouter accepts one or more instances of sub-TLV 53.2 SNMPv1v2c Transport Address Access within a TLV 53.

B.4.5.2.1 SNMPv1v2c transport address

This sub-TLV specifies the Transport Address to use in conjunction with the Transport Address Mask used by the eRouter to grant access to the SNMP entity querying the eRouter.

Type	Length	Value
53.2.1	6 or 18	Transport Address

Transport addresses are 6 or 18 bytes in length for IPv4 and IPv6 type addresses respectively.

B.4.5.2.2 SNMPv1v2c transport address mask

This sub-TLV specifies the Transport Address Mask to use in conjunction with the Transport Address used by the eRouter to grant access to the SNMP entity querying the eRouter. This sub-TLV is optional.

Type	Length	Value
53.2.2	6 or 18	Transport Address Mask

Transport addresses are 6 or 18 bytes in length for IPv4 and IPv6 type addresses respectively.

B.4.5.3 SNMPv1v2c access view type

The SNMPv1v2c Access View Type encoding specifies the type of access to grant to the community name specified in the SNMPv1v2c Community Name encoding. This TLV is optional. If this TLV is not present, the eRouter shall set the value of the SNMPv1v2c Access View Type to Read-Only.

Type	Length	Value
53.3	1	1: Read-only 2: Read-write

B.4.5.4 SNMPv1v2c access view name

This sub-TLV specifies the name of the view that provides the access indicated in the SNMPv1v2c Access View Type. This sub-TLV is optional.

Type	Length	Value
53.4	1.32	String

B.4.6 SNMPv3 access view configuration

B.4.6.0 General

This encoding specifies the SNMPv3 Simplified Access View configuration of the eRouter. This TLV creates entries in SNMPv3 tables.

The eRouter supports SNMPv3 Access View Configuration encoding only if the eRouter supports SNMPv3.

A valid SNMPv3 Access View Configuration encoding contains one instance of SNMPv3 Access View Name. The eRouter does not make persistent entries in the SNMP framework table.

The eRouter shall reject the eRouter Configuration Encoding if an eRouter created entry in an SNMP table is rejected due reaching the limit in the number of entries supported for that table.

Type	Length	Value
54	N	Composite

B.4.6.1 SNMPv3 access view name

This encoding specifies the administrative name of the view defined by the SNMPv3 Access View Configuration.

Type	Length	Value
54.1	1..32	Text

B.4.6.2 SNMPv3 access view subtree

This encoding specifies an ASN.1 formatted object identifier (OID) that represents the filter sub-tree included in the SNMPv3 Access View Configuration encoding.

A valid SNMPv3 Access View Subtree encoding starts with the ASN.1 Universal type 6 (OID) byte, followed by the ASN.1 length field, and then followed by the ASN.1 encoded object identifier components. For example, the sub-tree 1.3.6 is encoded as 0x06 0x03 0x01 0x03 0x06.

If this encoding is not included under the SNMPv3 Access View Name encoding, the eRouter shall use the default OID sub-tree of 1.3.6.

Type	Length	Value
54.2	N	OID

B.4.6.3 SNMPv3 access view mask

This sub-TLV specifies the bit mask to apply to the Access View Subtree of the Access View TLV.

Type	Length	Value
54.3	0..16	Bits

This sub-TLV is optional. If this sub-TLV is not present, the eRouter shall assign a zero-length string to SNMPv3 Access View Mask.

B.4.6.4 SNMPv3 access view type

This sub-TLV specifies the inclusion or exclusion of the sub-tree indicated by SNMPv3 Access View Subtree. The value of 1 indicates that the sub-tree of SNMPv3 Access View SubTree is included in the Access View. The value of 2 indicates that the sub-tree of SNMPv3 Access View Sub Tree is excluded from the Access View.

Type	Length	Value
54.4	1	1: included 2: excluded

This sub-TLV is optional. If this sub-TLV is not present, the eRouter shall assign the value 'included' to SNMPv3 Access View Type.

B.4.7 Vendor specific information

B.4.7.0 General

The Vendor Specific Information encoding is used to extend the capabilities of the eRouter specification, through the use of vendor-specific features. A valid Vendor Specific Information encoding contains only one Vendor ID field (see clause B.4.7.1) to indicate that the settings apply to a specific vendor device.

The eRouter shall ignore a Vendor Specific Information encoding that includes a Vendor ID different to the one of the eRouter.

Type	Length	Value
43	N	Variable

B.4.7.1 Vendor ID encoding

The Vendor ID encoding contains the vendor identification specified by the three-byte vendor-specific Organization Unique Identifier of the eRouter's MAC addresses.

The Vendor ID 0xFFFFFFFF is reserved.

Type	Length	Value
43.8	3	OUI

B.4.8 SNMP MIB object

If the eRouter relies upon SNMP to configure and manage the device, it shall support the ability to SET SNMP MIB objects defined in the present document via the CM's DOCSIS configuration file.

Type	Length	Value
11	N	variable binding

The value is an SNMP VarBind as defined in [11]. The VarBind is encoded in ASN.1 Basic Encoding Rules, just as it would be if part of an SNMP SET request.

The eRouter treats this encoding as if it were part of an SNMP SET request with the following caveats:

- The request is treated as fully authorized (it cannot refuse the request for lack of privilege).
- SNMP Write-Control provisions do not apply.
- No SNMP response is generated by the eRouter.

This encoding may be repeated with different VarBinds to "Set" a number of MIB objects. All such Sets are treated by the eRouter as if simultaneous.

Each VarBind is limited to 255 bytes.

B.4.9 Topology mode encoding

This encoding defines the eRouter Topology Mode used for subdividing an Operator-delegated IPv6 prefix (clause 7.5).

A valid eRouter Topology Mode Encoding contains exactly one instance of this TLV.

Type	Length	Value
42	1	1: Favor Depth 2: Favor Width

If this encoding is absent, the eRouter should set the Topology Mode as follows unless administratively reconfigured:

- If the eRouter has fewer than 8 Customer-Facing Interfaces, set the Topology Mode to "Favor Depth".
- If the eRouter has 8 or more Customer-Facing Interfaces, set the Topology Mode to "Favor Width".

Customer-Facing Interfaces (physical ports) include RJ-45 Ethernet ports, Wi-Fi radios, MoCA ports, and USB ports that are capable of supporting network interconnections. However, Customer-Facing Interfaces do not include SSIDs, VLANs, or other logical interfaces for the purposes of setting the Topology Mode.

B.4.10 Router Advertisement (RA) transmission interval

This encoding specifies the eRouter's Router Advertisement (RA) transmission period. The eRouter shall support the Router Advertisement (RA) Transmission Interval encoding.

Type	Length	Value
10	2	Integer between 3 - 1 800

The value is the number of seconds, between 3 and 1 800, to which the eRouter's RA transmission period is set. If this encoding is absent, the eRouter shall set its RA transmission period to the default of 30 seconds.

B.4.11 IP multicast configuration server

This encoding specifies the eRouter's Multicast Configuration Server IP address or FQDN as defined in [i.2]. The eRouter may support the IP Multicast Configuration Server TLV. An eRouter that conforms with [i.2] shall support the IP Multicast ConfigurationServer TLV.

Type	Length	Value
12	N	ASCII encoded IP address or DNS FQDN.

An eRouter that conforms with [i.2] shall insert the string encoded in this TLV as the <device-url> that contains its ConfigReq URL. For example, if this TLV contains "cfgsvr.cableco.com" and the MAC address of this Gateway is 01-de-ca-fb-ad-01, then the ConfigReq URL will be "<http://cfgsvr.cableco.com/mps/ConfigReq/01-de-ca-fb-ad-01>".

B.4.12 Link ID control

This encoding specifies the eRouter's Link ID control TLV defined in clause 6.2. The eRouter shall support the Link ID Control TLV. The default value of this parameter is '0' - Disabled.

A valid Link ID Control Encoding contains exactly one instance of this TLV.

Type	Length	Value
13	1	0: Disabled 1: Enabled

B.5 SNMP soft reset

The `esafeErouterSoftReset` object is defined in the "eSAFE MIB Definition" section of [4].

The Soft Reset object provides a mechanism to Soft Reset the eRouter. A "soft" reset differs from a "hard" reset in that a Soft Reset reinitializes the software layer of the eRouter eSAFE, and leaves the embedded CM and any other embedded eSAFE applications unaffected. The function of the Soft Reset control object is to clear the operational state information of the eRouter (e.g. ARP tables, NAT translation table bindings, Neighbor Discovery caches, etc.), force Operator-Facing Interface IP provisioning to be restarted, and trigger CPE IP provisioning.

The eRouter only evaluates the Soft Reset object when it is modified via an SNMP SET initiated from an SNMP management station after the eRouter has been fully initialized. The eRouter shall ignore the `esafeErouterSoftReset` whenever it is included in TLV202.11 encodings within the eCM configuration file.

The `esafeErouterSoftReset` object shall be accessible via the eCM SNMP agent through the eCM management address.

Setting `esafeErouterSoftReset` to true(1) causes the eRouter to perform a Soft Reset, without resetting the eCM or any other eSAFEs. An SNMP GET/GETNEXT (poll) of this object always returns a value of false(2).

When `esafeErouterSoftReset` is set to true(1), the eRouter shall perform a Soft Reset in the following order:

- 1) Retain all current running configuration information. This information includes any TLV202 CM configuration file TLV entries previously learned during eCM provisioning and any configuration information that would normally be saved across any form of reset.
- 2) Immediately notify CPEs on the Customer-Facing Interfaces of impending reset:
 - a) Send IPv4 IPv6 DHCP RECONFIGURE (type 6, Rebind) on all Customer-Facing Interfaces per [54]. The eRouter ignores all DHCP messages on Customer-Facing Interfaces after sending the RECONFIGURE until it has completed the reset operation and has successfully completed IPv6 provisioning on its Operator-Facing Interface.
 - b) Send Router Advertisements (RAs) with the current valid and preferred prefix lifetimes, router lifetime, and the M, A and O bits all set to zero (0) on all IPv6-enabled Customer-Facing Interfaces. The eRouter continues sending RAs with these lifetime values and provisioning bits set to 0 until the reset operation has completed and its Operator-Facing Interface has successfully completed IPv6 provisioning.
- 3) Disable all Customer Facing Interfaces. This action will shut down the physical link state of all Customer Facing Interfaces.
- 4) Release Operator-Facing Interface provisioning information as mandated in clause 6.4 and clause 7.6.
- 5) Reset the eRouter, this includes clearing all operational state information.
- 6) Enable all Customer Facing Interfaces a minimum of 100 ms after completing step 3. This action will start up the physical link state of all Customer Facing Interfaces in order to aid in the triggering of CPE re-provisioning operations.
- 7) Perform eRouter Initialization, as described in clause 5, using the running configuration information retained in step one (1) of this process.

In the event of a conflict between the eRouter's retained configuration and configuration information obtained during the provisioning of the Operator-Facing Interface, the eRouter shall prefer new information received during provisioning, which will take precedence over the retained information.

This Soft Reset capability is very useful in situations in which the customer has experienced problems with interface addressing or system faults that can typically be resolved efficiently by remotely resetting the eRouter. Because additional eSAFEs may be implemented in the same device, targeting only the eRouter prevents video streams or voice calls from being terminated as would occur when the entire device is rebooted.

B.6 Provisioning and operational event messages

This list of Event Messages will facilitate resolution of issues and is focused toward the visiting technician's use.

Device	Error Code	Event ID	Severity	Intf	Event Message Text	Variables	Message Counter	Time Stamp
eRouter	H10.1	72001001	Informational		OFI - DHCPv4 Provisioning Complete	NA	NA	<time>
eRouter	H10.2	72001002	Informational		OFI - DHCPv6 Provisioning Complete	NA	NA	<time>
eRouter	H10.3	72001003	Critical		OFI - DHCPv4 Provisioning - X Retries attempted; Last attempt at <time>	NA	<count>	<time>
eRouter	H10.4	72001004	Critical		OFI - DHCPv6 Provisioning - X Retries attempted; Last attempt at <time>	NA	<count>	<time>
eRouter	H10.5	72001005	Critical		OFI - ICMPv6 No RA message received in response to RS	NA	<count>	<time>
eRouter	H10.6	72001006	Critical		OFI - ICMPv6 RA not properly configured for DHCPv6 (M = 0)	NA	NA	<time>
eRouter	H10.7	72001007	Critical		OFI - ICMPv6 Link Local DAD issue - Duplicate IP address detected	NA	NA	<time>
eRouter	H10.8	72001008	Critical		OFI - DHCPv4 No Offer / Ack message received	NA	<count>	<time>
eRouter	H10.9	72001009	Critical		OFI - DHCPv6 No Advertise / Reply message received	NA	<count>	<time>
eRouter	H10.10	72001010	Critical		OFI - DHCPv4 Missing Required DHCP option	<option #>	NA	<time>
eRouter	H10.11	72001011	Critical		OFI - DHCPv6 Missing Required DHCP option	<option #>	NA	<time>
eRouter	H10.12	72001012	Critical		OFI - DHCPv4 Bad value in required DHCP option	<option #>	NA	<time>
eRouter	H10.13	72001013	Critical		OFI - DHCPv6 Bad value in required DHCP option	<option #>	NA	<time>
eRouter	H10.14	72001014	Critical		OFI - DHCPv6 failed - No Address Available	NA	NA	<time>
eRouter	H10.15	72001015	Critical		OFI - DHCPv6 failed - No Prefix Available	NA	NA	<time>
eRouter	H10.16	72001016	Critical		OFI - DHCPv6 GUA DAD issue - Duplicate IP address detected	NA	NA	<time>
eRouter	H10.17	72001017	Critical		OFI - DHCPv6 Failure to renew Address	NA	<count>	<time>
eRouter	H10.18	72001018	Critical		OFI - DHCPv6 Failure to renew Prefix	NA	<count>	<time>
eRouter	H10.19	72001019	Critical		OFI - DHCPv4 Failure to renew lease	NA	<count>	<time>
eRouter	H10.20	72001020	Informational		OFI - DHCPv4 IP address released	NA	NA	<time>
eRouter	H10.21	72001021	Informational		OFI - DHCPv6 IP address released	NA	NA	<time>
eRouter	H20.1	72002001	Critical		CFI - LAN Provisioning No Prefix available for eRouter interface(s)	<interface #>	NA	<time>
eRouter	H20.2	72002002	Critical		CFI - LAN Provisioning DHCPv6-PD No Prefix available - Subdelegation	NA	Client ID (duid)	<time>
eRouter	H20.3	72002003	Informational		CFI - LAN Provisioning DHCPv6-PD PD allocation mode set to width	NA	NA	<time>

Device	Error Code	Event ID	Severity	Intf	Event Message Text	Variables	Message Counter	Time Stamp
eRouter	H20.4	72002004	Informational		CFI - LAN Provisioning DHCPv6-PD PD allocation mode set to depth	NA	NA	<time>
eRouter	H20.5	72002005	Informational		CFI - LAN Provisioning DHCPv6-PD PD hint of length 'X' received	X = [Null], Range [48 - 64]	Client ID (duid)	<time>
eRouter	H20.6	72002006	Alert		CFI - LAN Provisioning DHCPv6-PD Allocated prefix size X less than requested prefix Y - Subdelegation	X, Y	Client ID (duid)	<time>
eRouter	H20.7	72002007	Critical		CFI - LAN Provisioning DHCPv6 No client addresses available	NA	Client ID (duid)	<time>
eRouter	H20.8	72002008	Critical		CFI - Link Local DAD - Duplicate IP address detected	NA	Client ID (duid)	<time>
eRouter	H20.9	72002009	Critical		CFI - GUA DAD - Duplicate IP address detected	NA	Client ID (duid)	<time>
eRouter	H20.10	72002010	Critical		CFI - DHCPv6 Reconfigure Failure	NA	Client ID (duid)	<time>
eRouter	H20.11	72002011	Critical		CFI - LAN Provisioning DHCPv4 No Address available	NA	NA	<time>
eRouter	H20.12	72002012	Informational		CFI - LAN Provisioning DHCPv4 IP Address Conflict	NA	CHADDR	<time>
eRouter	H30.1	72003001	Informational		eRouter is administratively disabled	NA	NA	<time>
eRouter	H30.2	72003002	Informational		eRouter is enabled as IPv4 Only	NA	NA	<time>
eRouter	H30.3	72003003	Informational		eRouter is enabled as IPv6 Only	NA	NA	<time>
eRouter	H30.4	72003004	Informational		eRouter is enabled as Dual Stack	NA	NA	<time>

Annex C (normative): eRouter initialization mode control interactions

C.1 Valid interactions

Table C.1 defines the interactions between the methods available for configuring the eRouter Initialization Mode, and the expected operational mode.

The table includes interactions between the following methods of configuring eRouter Initialization Mode:

- eSafeErouterInitModeControl MIB object
- eRouter Initialization Mode Encoding (TLV 202.1)
- eRouter Initialization Mode Override Encoding (TLV 202.3)
- previous initialization mode value stored in NVRAM, referred to in this annex as the "previous persistent value". This is the value previously supplied via the TLV 202.1 encoding

The value of the previous persistent mode value stored in NVRAM is condensed into two possible values:

- 1) 'Disabled'
- 2) 'Not Disabled'

There is no difference in behavior for any of the modes that fall into the 'Not Disabled' condensed value. 'Not Disabled' covers IPv4 only, IPv6 only, IPv4 and IPv6 (dual).

The following assumptions are taken into account:

- 1) The table represents eRouter initialization behavior after a reset, regardless of whether that reset was "hard" or "soft", or upon initial bootup of a factory fresh device.
- 2) It is assumed that whenever the eSafeErouterInitModeControl object is set to any value other than honorErouterInitMode(5), the value represented in the previous persistent value column is the current value of eSafeErouterInitModeControl. The value of this object is required to be persistent across resets, and would take precedence over any previously stored persistent TLV 202.1 value.
- 3) Factory fresh device cases are represented by a previous persistent value of None.

Table C.1: eRouter initialization behavior based upon mode control interactions

	eSafeErouter-InitModeControl	previous persistent value	TLV 202.3	TLV 202.1	Resulting Operational Mode
1	honorErouterInitMode(5)	None	not present	not present	Dual (see note)
2	honorErouterInitMode(5)	None	0 or not present	0 (Disabled)	Disabled (see note)
3	honorErouterInitMode(5)	None	0 or not present	1 (IPv4)	IPv4 Only (see note)
4	honorErouterInitMode(5)	None	0 or not present	2 (IPv6)	IPv6 Only (see note)
5	honorErouterInitMode(5)	None	0 or not present	3 (Dual)	Dual (see note)
6	honorErouterInitMode(5)	None	1	0 (Disabled)	Disabled (see note)
7	honorErouterInitMode(5)	None	1	1 (IPv4)	IPv4 Only (see note)
8	honorErouterInitMode(5)	None	1	2 (IPv6)	IPv6 Only (see note)
9	honorErouterInitMode(5)	None	1	3 (Dual)	Dual (see note)
10	honorErouterInitMode(5)	Disabled	0 or not present	0 (Disabled)	Disabled
11	honorErouterInitMode(5)	Disabled	0 or not present	1 (IPv4)	IPv4 Only
12	honorErouterInitMode(5)	Disabled	0 or not present	2 (IPv6)	IPv6 Only
13	honorErouterInitMode(5)	Disabled	0 or not present	3 (Dual)	Dual
14	honorErouterInitMode(5)	Disabled	0 or not present	not present	Disabled
15	honorErouterInitMode(5)	Disabled	1	0 (Disabled)	Disabled
16	honorErouterInitMode(5)	Disabled	1	1 (IPv4)	Disabled
17	honorErouterInitMode(5)	Disabled	1	2 (IPv6)	Disabled
18	honorErouterInitMode(5)	Disabled	1	3 (Dual)	Disabled

	eSafeRouter-InitModeControl	previous persistent value	TLV 202.3	TLV 202.1	Resulting Operational Mode
19	honorErouterInitMode(5)	Disabled	1	not present	Disabled
20	honorErouterInitMode(5)	Not Disabled	0 or not present	0 (Disabled)	Disabled
21	honorErouterInitMode(5)	Not Disabled	0 or not present	1 (IPv4)	IPv4 Only
22	honorErouterInitMode(5)	Not Disabled	0 or not present	2 (IPv6)	IPv6 Only
23	honorErouterInitMode(5)	Not Disabled	0 or not present	3 (Dual)	Dual
24	honorErouterInitMode(5)	Not Disabled	0 or not present	not present	Previous 'Not Disabled' Mode
25	honorErouterInitMode(5)	Not Disabled	1	0 (Disabled)	Disabled
26	honorErouterInitMode(5)	Not Disabled	1	1 (IPv4)	IPv4 Only
27	honorErouterInitMode(5)	Not Disabled	1	2 (IPv6)	IPv6 Only
28	honorErouterInitMode(5)	Not Disabled	1	3 (Dual)	Dual
29	honorErouterInitMode(5)	Not Disabled	1	not present	Previous 'Not Disabled' Mode
30	ipDisabled(1)	Disabled	0 or not present	0 (Disabled)	Disabled
31	ipDisabled(1)	Disabled	0 or not present	1 (IPv4)	Disabled
32	ipDisabled(1)	Disabled	0 or not present	2 (IPv6)	Disabled
33	ipDisabled(1)	Disabled	0 or not present	3 (Dual)	Disabled
34	ipDisabled(1)	Disabled	0 or not present	not present	Disabled
35	ipDisabled(1)	Disabled	1	0 (Disabled)	Disabled
36	ipDisabled(1)	Disabled	1	1 (IPv4)	Disabled
37	ipDisabled(1)	Disabled	1	2 (IPv6)	Disabled
38	ipDisabled(1)	Disabled	1	3 (Dual)	Disabled
39	ipv4Only(2)	IPv4Only	0 or not present	0 (Disabled)	IPv4Only
40	ipv4Only(2)	IPv4Only	0 or not present	1 (IPv4)	IPv4Only
41	ipv4Only(2)	IPv4Only	0 or not present	2 (IPv6)	IPv4Only
42	ipv4Only(2)	IPv4Only	0 or not present	3 (Dual)	IPv4Only
43	ipv4Only(2)	IPv4Only	0 or not present	not present	IPv4Only
44	ipv4Only(2)	IPv4Only	1	0 (Disabled)	IPv4Only
45	ipv4Only(2)	IPv4Only	1	1 (IPv4)	IPv4Only
46	ipv4Only(2)	IPv4Only	1	2 (IPv6)	IPv4Only
47	ipv4Only(2)	IPv4Only	1	3 (Dual)	IPv4Only
48	ipv4Only(2)	IPv4Only	1	not present	IPv4Only
49	ipv6Only(3)	IPv6Only	0 or not present	0 (Disabled)	IPv6Only
50	ipv6Only(3)	IPv6Only	0 or not present	1 (IPv4)	IPv6Only
51	ipv6Only(3)	IPv6Only	0 or not present	2 (IPv6)	IPv6Only
52	ipv6Only(3)	IPv6Only	0 or not present	3 (Dual)	IPv6Only
53	ipv6Only(3)	IPv6Only	0 or not present	not present	IPv6Only
54	ipv6Only(3)	IPv6Only	1	0 (Disabled)	IPv6Only
55	ipv6Only(3)	IPv6Only	1	1 (IPv4)	IPv6Only
56	ipv6Only(3)	IPv6Only	1	2 (IPv6)	IPv6Only
57	ipv6Only(3)	IPv6Only	1	3 (Dual)	IPv6Only
58	ipv6Only(3)	IPv6Only	1	not present	IPv6Only
59	ipv4AndIpv6(4)	Dual	0 or not present	0 (Disabled)	Dual
60	ipv4AndIpv6(4)	Dual	0 or not present	1 (IPv4)	Dual
61	ipv4AndIpv6(4)	Dual	0 or not present	2 (IPv6)	Dual
62	ipv4AndIpv6(4)	Dual	0 or not present	3 (Dual)	Dual
63	ipv4AndIpv6(4)	Dual	0 or not present	not present	Dual
64	ipv4AndIpv6(4)	Dual	1	0 (Disabled)	Dual
65	ipv4AndIpv6(4)	Dual	1	1 (IPv4)	Dual
66	ipv4AndIpv6(4)	Dual	1	2 (IPv6)	Dual
67	ipv4AndIpv6(4)	Dual	1	3 (Dual)	Dual
68	ipv4AndIpv6(4)	Dual	1	not present	Dual

NOTE: This entry in the table represents the case of a device booting up for the first time after being taken out of the box, or a device being booted up after a factory reset.

C.2 Invalid Cases

Invalid cases cannot exist. They are included in this annex for the purpose of completeness. If eSafeErouterInitModeControl was set to anything but honorErouterInitMode(5), it means the device has been previously initialized, as eSafeErouterInitModeControl can only be set via SNMP *after* provisioning is complete. This means there has to be a previous persistent value. If no Initialization Mode Encoding was present in the Cable Modem configuration file, the default would be 'Dual', so the previous persistent value would always be Dual for these cases.

Table C.2: Invalid cases

eSafeErouter-InitModeControl	previous persistent value	TLV 202.3	TLV 202.1	Resulting Operational Mode
ipDisabled(1)	None	1, 0, or not present	Any value or not present	N/A
ipv4Only(2)	None	1, 0, or not present	Any value or not present	N/A
ipv6Only(3)	None	1, 0, or not present	Any value or not present	N/A
ipv4Only(2)	None	1, 0, or not present	Any value or not present	N/A

Annex D (normative): TR-069 managed objects requirements

D.0 General

The eRouter shall support the objects associated with the Profiles and Components listed below. See [i.23] for information about Components and Profiles in TR-069 [62].

D.1 Profiles from TR-181 [63]

Table D.1: TR-181 profiles for eRouter

Profile	Requirement	Notes
Download:1	may	
DownloadTCP:1	may	
Upload:1	may	
UploadTCP:1	may	
UDPEcho:1	may	
UDPEchoPlus:1	may	
SupportedDataModel:1	shall	
SupportedDataModel:2	shall	
MemoryStatus:1	may	
ProcessStatus:1	may	
TempStatus:1	may	
TempStatusAdv:1	may	
TempStatusAdv:2	may	
User:1	shall	
UPnPDev:1	shall	Support Data model, other specs to detail UPnP functional requirements
UPnPDiscBasic:1	shall	Support Data model, other specs to detail UPnP functional requirements
UPnPDiscAdv:1	may	
UPnPDiscAdv:2	may	
SelfTestDiag:1	may	
NSLookupDiag:1	may	
SimpleFirewall:1	shall	
AdvancedFirewall:1	shall	
Baseline:3	shall	
DNSRelay:1	may	
Routing:1	shall	
Routing:2	shall	
IPv6Routing:1	shall	
IPInterface:2	shall	
IPv6Interface:1	shall	
VLANTermination:1	shall	
EthernetLink:1	shall	

Profile	Requirement	Notes
Bridge:1	shall	
VLANBridge:1	shall	
BridgeFilter:1	shall	
BridgeFilter:2	shall	
EthernetInterface:1	shall	
HPNA:1	shall if interface supported	
HPNADiagnostics:1	shall if interface supported	
HPNAQoS:1	shall if interface supported	
HomePlug:1	shall if interface supported	
MoCA:1	shall if interface supported	
WiFiRadio:1	Per [i.24]	
WiFiSSID:1	Per [i.24]	
WiFiAccessPoint:1	Per [i.24]	
WiFiEndPoint:1	Per [i.24]	
USBInterface:1	shall if interface supported	
USBPort:1	shall if interface supported	
NAT:1	shall	
QoS:2	may	
QoSDynamicFlow:1	may	
QoSStats:1	may	
NeighborDiscovery:1	shall	
RouterAdvertisement:1	shall	
IPv6rd:1	may	
DSLite:1	may	
Hosts:2	shall	
GatewayInfo:1	shall	
DeviceAssociation:1	shall	
UDPConnReq:1	may	
CaptivePortal:1	may	
Time:1	may	
IEEE8021xAuthentication:1	Per [i.24]	
IPPing:1	may	
TraceRoute:1	may	
DHCPv4Client:1	shall	
DHCPv4Server:1	shall	
DHCPv4CondServing:1	may	
DHCPv4Relay:1	shall not	
DHCPv4ServerClientInfo:1	shall	
DHCPv6Client:1	shall	
DHCPv6ClientServerIdentity:1	shall	
DHCPv6Server:1	shall	
DHCPv6ServerAdv:1	may	
DHCPv6ServerClientInfo:1	shall	
Processors:1	may	
VendorLogFiles:1	may	
DUStateChngCompIPolicy:1	may	

Profile	Requirement	Notes
SM_ExecEnvs:1	may	
SM_DeployAndExecUnits:1	may	
SM_Baseline:1	may	
Location:1	may	
FaultMgmtSupportedAlarms:1	may	
FaultMgmtActive:1	may	
FaultMgmtHistory:1	may	
FaultMgmtExpedited:1	may	
FaultMgmtQueued:1	may	
DNS_SD:1	shall	
XMPPBasic:1	may	
XMPPReconnect:1	may	
UDPEchoDiag:1	may	
ServerSelectionDiag:1	may	
InformParameters:1	may	
GRE Basic:1	shall	
CRE Adv:1	shall	
PCP	may	shall if DSLite is implemented

D.2 Extensions to TR-181 profiles

The following are the CableLabs extensions to the profiles defined in [63] for GRE tunneling.

Table D.2: CableLabs extensions to TR-181 profiles for GRE

Attribute Name	Type	Access	Type Constraints	Units	Default
KeepAliveCount	unsignedint	W			3
KeepAliveInterval	unsignedint	W		Seconds	60
KeepAliveFailureInterval	unsignedint	W		Seconds	300
KeepAliveRecoverInterval	unsignedint	W		Seconds	43 200
MSSClampingValue	unsignedint	W	Disabled(0) Clamped(1) Clamping Size(>1)		0
ConcentratorServiceName	unsignedInt	W		FQDN	
RemoteEndpointConnectivityState	String(256)	RW			

An eRouter that implements GRE and [62] shall support the data objects in Table D.2.

The GRE data object descriptions are as follows:

- KeepAliveCount - The number of keep-alive messages sent in a burst at regular intervals.
- KeepAliveInterval - Interval in seconds between keep-alive message bursts.
- KeepAliveFailureInterval - Time (in seconds) to wait after all available GRE concentrators fail to respond, before retrying the first GRE concentrator address.
- KeepAliveRecoverInterval - Time (in seconds) to remain on a secondary GRE concentrator, with clients connected, before retrying primary GRE concentrator. Zero value means no limit. Setting to a small non-zero value will cause an immediate switch from a secondary GRE concentrator back to the primary.
- MSSClampingValue - Specifies whether TCP MSS clamping is enabled on the tunnel. 0 disables clamping. 1 clamps the MSS depending on the interface MTU. A value > 1 will be used as clamping size.

- ConcentratorServiceName - FQDN of GRE tunnel concentrator/GW service. If this is set, then a DNS query of type SRV will be used for discovering the FQDN of remote endpoints on a GRE tunnel.
- RemoteEndpointConnectivityState - Comma-separated list (up to 4 items) of strings. Each item corresponds to one item in the RemoteEndpoints list, and contains one of the following strings: 'Reachable' indicates that the corresponding remote endpoint is responding to any configured KeepAlive messages. 'Unreachable' indicates that the remote endpoint has failed to adequately respond to the most recent KeepAlive attempt. 'NotInUse' indicates that the remote endpoint has not been used.

D.3 Management interface protocol requirements for GRE

Table D.3 shows the mapping between the objects in the TR-181 data model and the SNMP MIB objects for GRE. CableLabs extension objects are included for completeness.

Table D.3: GRE Data Model Objects

TR-181 Object Model	SNMP MIB Object	Requirement
Device.GRE		
TunnelNumberOfEntries	clabGRE TunnelNumberOfEntries	Mandatory
FilterNumberOfEntries	clabGRE FilterNumberOfEntries	Mandatory
Device.GRE.Tunnel.{i}		
Enable	clabGRE TunnelEnable	Mandatory
Status	clabGRE TunnelStatus	Mandatory
Alias	clabGRE TunnelAlias	Mandatory
RemoteEndpoints	clabGRE TunnelRemoteEndpoints	Mandatory
KeepAlivePolicy	clabGRE TunnelKeepAlivePolicy	Mandatory
KeepAliveTimeout	clabGRE TunnelKeepAliveTimeout	Mandatory
KeepAliveThreshold	clabGRE TunnelKeepAliveThreshold	Mandatory
DeliveryHeaderProtocol	clabGRE TunnelDeliveryHeaderProtocol	Mandatory
DefaultDSCPMark	clabGRE TunnelDefaultDscpMark	Mandatory
ConnectedRemoteEndpoint	clabGRE TunnelConnectedRemoteEndpoint	Mandatory
InterfaceNumberOfEntries	clabGRE TunnelInterfaceNumberOfEntries	Mandatory
X_CABLELABS_COM_KeepAliveCount	clabGRE TunnelKeepAliveCount	Mandatory
X_CABLELABS_COM_KeepAliveInterval	clabGRE TunnelKeepAliveInterval	Mandatory
X_CABLELABS_COM_KeepAliveFailureInterval	clabGRE TunnelKeepAliveFailureInterval	Mandatory
X_CABLELABS_COM_KeepAliveRecoverInterval	clabGRE TunnelKeepAliveRecoverInterval	Mandatory
X_CABLELABS_COM_MSSClampingValue	clabGRE TunnelTcpMssClamping	Mandatory
X_CABLELABS_COM_ConcentratorServiceName	clabGRE TunnelConcentratorServiceName	Mandatory
X_CABLELABS_COM_RemoteEndpointConnectivityState	clabGRE TunnelRemoteEndpointConnectivityState	Mandatory
Device.GRE.Tunnel.{i}.Stats		
KeepAliveSent	clabGRE TunnelStatsKeepAliveSent	Mandatory
KeepAliveReceived	clabGRE TunnelStatsKeepAliveReceived	Mandatory
BytesSent	clabGRE TunnelStatsBytesSent	Mandatory
BytesReceived	clabGRE TunnelStatsBytesReceived	Mandatory
PacketsSent	clabGRE TunnelStatsPacketsSent	Mandatory
PacketsReceived	clabGRE TunnelStatsPacketsReceived	Mandatory
ErrorsSent	clabGRE TunnelStatsErrorsSent	Mandatory
ErrorsReceived	clabGRE TunnelStatsErrorsReceived	Mandatory
Device.GRE.Tunnel.{i}.Interface.{i}		
Enable	clabGRE TunnelInterfaceEnable	Mandatory
Status	clabGRE TunnelInterfaceStatus	Mandatory
Alias	clabGRE TunnelInterfaceAlias	Mandatory
Name	clabGRE TunnelInterfaceName	Mandatory
LastChange	clabGRE TunnelInterfaceLastChange	Mandatory
LowerLayers	clabGRE TunnelInterfaceLowerLayers	Mandatory
ProtocolIdOverride	clabGRE TunnelInterfaceProtocolIdOverride	Mandatory
UseChecksum	clabGRE TunnelInterfaceUseChecksum	Mandatory
KeyIdentifierGenerationPolicy	clabGRE TunnelInterfaceKeyIdentifierGenerationPolicy	Mandatory
KeyIdentifier	clabGRE TunnelInterfaceKeyIdentifier	Mandatory
UseSequenceNumber	clabGRE TunnelInterfaceUseSequenceNumber	Mandatory

TR-181 Object Model	SNMP MIB Object	Requirement
Device.GRE.Tunnel.{i}.Interface.{j}.Stats.		
BytesSent	clabGRE TunnelInterfaceStatsBytesSent	Mandatory
BytesReceived	clabGRE TunnelInterfaceStatsBytesReceived	Mandatory
PacketsSent	clabGRE TunnelInterfaceStatsPacketsSent	Mandatory
PacketsReceived	clabGRE TunnelInterfaceStatsPacketsReceived	Mandatory
ErrorsSent	clabGRE TunnelInterfaceStatsErrorsSent	Mandatory
ErrorsReceived	clabGRE TunnelInterfaceStatsErrorsReceived	Mandatory
DiscardChecksumReceived	clabGRE TunnelInterfaceStatsDiscardChecksumReceived	Mandatory
DiscardSequenceNumberReceived	clabGRE TunnelInterfaceStatsDiscardSequenceNumberReceived	Mandatory
Device.GRE.Filter.{j}.		
Enable	clabGREFilterEnable	Mandatory
Status	clabGREFilterStatus	Mandatory
Order	clabGREFilterOrder	Mandatory
Alias	clabGREFilterAlias	Mandatory
Interface	clabGREFilterInterface	Mandatory
AllInterfaces	clabGREFilterAllInterfaces	Mandatory
VLANIDCheck	clabGREFilterVlanIdCheck	Mandatory
VLANIDExclude	clabGREFilterVlanIdExclude	Mandatory
DSCPMarkPolicy	clabGREFilterDscpMarkPolicy	Mandatory

Annex E (normative): Example: Routing with Link ID

E.0 Addressing scheme

This annex provides example IP addressing and routing using Link ID as described throughout the present document. The intention is to provide a reference example to aid in the proper application of Link ID for consistent multi-router packet forwarding without a routing protocol. In this example, an eRouter is provisioned with a /56 IPv6 prefix and (4) Customer Facing IP Interfaces.

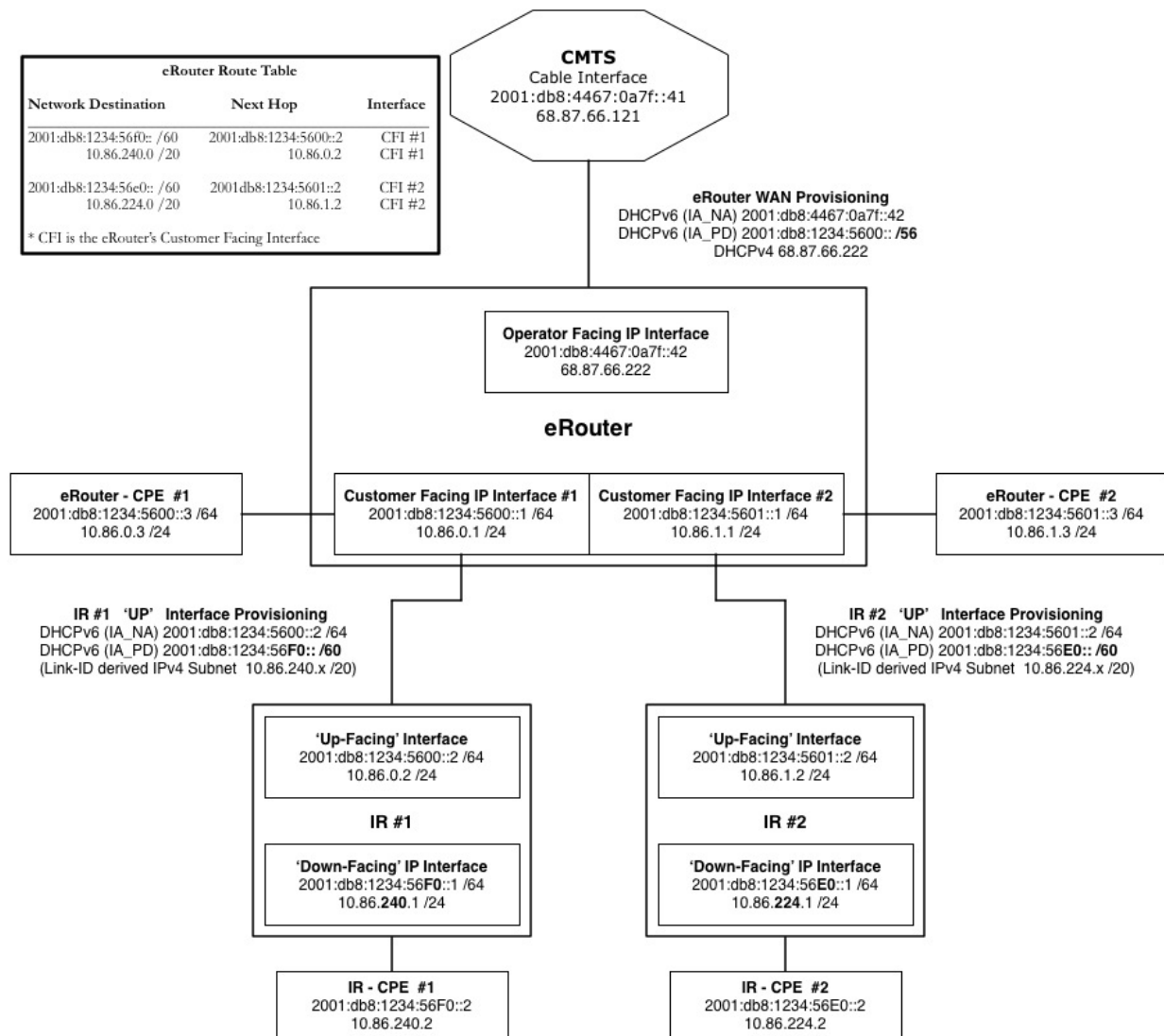


Figure E.1: Example of Link ID with prefix delegation (topology mode favors width)

E.1 IP MIB route example

Table E.1 depicts a routing table example based on the Link ID reference example in Figure E.1.

Table E.1: Routing table example based on Link ID reference examples in Figure E.1

Route Description	DestType	Dest	PfxLen	Policy	NextHop Type	NextHop	IfIndex	RouteType	Metric(x)	RowStatus
LinkID IR#1 IPv4 CPE Network Route	ipv4 (1)	10.86.240.0	20	-	ipv4 (1)	10.86.0.2	CFI#1 IfIndex	remote(4)	-	active(5)
LinkID IR#1 IPv6 CPE Network Route	ipv6 (2)	2001:db8:1234:56f0::	60	-	ipv6 (2)	Link-Local of IR #1 'Up Facing' Interface	CFI#1 IfIndex	remote(4)	-	active(5)
										-
LinkID IR#1 IPv4 CPE Network Route	ipv4 (1)	10.86.224.0	20	-	ipv4 (1)	10.86.1.2	CFI#2 IfIndex	remote(4)	-	active(5)
LinkID IR#2 IPv6 CPE Network Route	ipv6 (2)	2001:db8:1234:56e0::	60	-	ipv6 (2)	Link-Local of IR #2 'Up Facing' Interface	CFI#2 IfIndex	remote(4)	-	active(5)
Customer-Facing #1 IPv6 CPE Network Route	ipv6 (2)	2001:db8:1234:5600::	64	-	ipv6 (2)	Link-Local of CFI #1	CFI#1 IfIndex	remote(4)	-	active(5)
Customer-Facing #2 IPv6 CPE Network Route	ipv6 (2)	2001:db8:1234:5601::	64	-	ipv6 (2)	Link-Local of CFI #2	CFI#2 IfIndex	remote(4)	-	active(5)
Operating-Facing IPv4 Interface Host Route	ipv4 (1)	68.87.66.222	32	-	ipv4 (1)	-	OFI IfIndex	local (3)	-	active(5)
Customer-Facing #1 IPv4 Interface Host Route	ipv4 (1)	10.86.0.1	32	-	ipv4 (1)	-	CFI#1 IfIndex	local (3)	-	active(5)
Customer-Facing #2 IPv4 Interface Host Route	ipv4 (1)	10.86.1.1	32	-	ipv4 (1)	-	CFI#2 IfIndex	local (3)	-	active(5)
Operating-Facing IPv6 Interface Host Route	ipv6 (2)	2001:db8:4467:0a7f::42	128	-	ipv6 (2)	-	OFI IfIndex	local (3)	-	active(5)
Customer-Facing #1 IPv6 Interface Host Route	ipv6 (2)	2001:db8:1234:5600::1	128	-	ipv6 (2)	-	CFI#1 IfIndex	local (3)	-	active(5)
Customer-Facing #2 IPv6 Interface Host Route	ipv6 (2)	2001:db8:1234:5601::1	128	-	ipv6 (2)	-	CFI#2 IfIndex	local (3)	-	active(5)
eRouter IPv4 Default Route	ipv4 (1)	0.0.0.0	0	-	ipv4 (1)	68.87.66.121	OFI IfIndex	remote (4)	-	active(5)
eRouter IPv6 Default Route	ipv6 (2)	:::0	0	-	ipv6 (2)	Link-Local of CMTS Cable Interface	OFI IfIndex	remote (4)	-	active(5)

Annex F (normative): Section categorizing [49] simple security recommendations

F.1 Summary of simple security requirements

This clause categorizes the recommendations from [49] into recommendations for eRouter devices. While the RFC provides a good foundation for the development of a stateful inspection packet filtering firewall, it is not without omission and not all of its recommendations conform with best practices for cable networks. Additionally, the cable industry has developed several security mechanisms that supersede those provided in the recommendations. Where conflicts or recommendations other than those supplied by the RFC occur, they are called out explicitly.

Critical - see Table F.1:

REC-3, REC-4, REC-5, REC-7, REC-10, REC-12, REC-14, REC-16, REC-18, REC-19, REC-21, REC-22, REC-23, REC-24, REC-25, REC-31, REC-32, REC-35, REC-36, REC-37, MSO-REC.

Important - see Table F.2:

REC-1, REC-2, REC-6, REC-8, REC-9, REC-11, REC-17, REC-33, REC-47.

BCP - see Table F.3:

REC-15, REC-20, REC-26, REC-27, REC-28, REC-29, REC-30, REC-38, REC-40, REC-41, REC-42, REC-43, REC-44, REC-45, REC-46, REC-48.

Other - see Table F.4:

REC-13, REC-49, REC-50.

Conflict - see Table F.5:

REC-34, REC-39.

F.2 Critical recommendations

The following recommendations in [49] are critical to network connectivity and are to be included in all eRouter devices. All requirements in this clause should be deemed mandatory as noted. These recommendations are in compliance with MSO security requirements for the eRouter as the highest priority for development and testing.

Table F.1: Critical recommendations

REC #	IETF RFC 6092 recommendation text	Comments
REC-3	Packets bearing source and/or destination addresses forbidden to appear in the outer headers of packets transmitted over the public Internet shall not be forwarded. In particular, site-local addresses are deprecated by [i.9], and [i.17] explicitly forbids the use of addresses with IPv4-Mapped, IPv4-Compatible, Documentation and ORCHID prefixes.	This would be the equivalent of an IPv6 bogon / martians list. Due to the CPU / memory resources of the devices and the fact that once deployed, it will not likely be changed, this would not include unallocated IPv6 space like it might on the backbone.
REC-4	Packets bearing deprecated extension headers prior to their first upper-layer-protocol header should not be forwarded or transmitted on any interface. In particular, all packets with routing extension header type 0 [i.5] preceding the first upper-layer-protocol header shall not be forwarded. (See [i.16] for additional background.)	
REC-5	Outbound packets shall not be forwarded if the source address in their outer IPv6 header does not have a unicast prefix assigned for use by globally reachable nodes on the interior network.	uRPF like behavior.

REC #	IETF RFC 6092 recommendation text	Comments
REC-7	By DEFAULT, packets with unique local source and/or destination addresses [i.11] should not be forwarded to or from the exterior network.	Unique local addresses (ULA) can be forwarded between LAN interfaces on a customer premises router but as defined, should not exit the WAN interface. It is expected that ISP network will not carry routes for ULA address blocks so traffic will be dropped anyway.
REC-10	IPv6 gateways shall forward ICMPv6 "Destination Unreachable" and "Packet Too Big" messages containing IP headers that match generic upper-layer transport state records.	If not, an MTU size mismatch can prevent connectivity, causing IPv6 sessions to fail. Conversely, if there is no state table entry, drop the packets.
REC-12	Filter state records for generic upper-layer transport protocols shall not be deleted or recycled until an idle timer not less than two minutes has expired without having forwarded a packet matching the state in some configurable amount of time. By DEFAULT, the idle timer for such state records is five minutes.	If the timers are less than 2 - 5 minutes, many VPN tunnels break because the keep alive timer is often set to 360 seconds.
REC-14	A state record for a UDP flow where both source and destination ports are outside the well-known port range (ports 0 - 1 023) shall not expire in less than two minutes of idle time. The value of the UDP state record idle timer may be configurable. The DEFAULT is five minutes.	See REC-12 except this applies to low ports instead of high ports.
REC-16	A state record for a UDP flow shall be refreshed when a packet is forwarded from the interior to the exterior, and it may be refreshed when a packet is forwarded in the reverse direction.	
REC-18	If a gateway forwards a UDP flow, it shall also forward ICMPv6 "Destination Unreachable" and "Packet Too Big" messages containing UDP headers that match the flow state record.	Avoiding breaking path MTU discovery.
REC-19	Receipt of any sort of ICMPv6 message shall not terminate the state record for a UDP flow.	If not supported, this could be employed in a DOS/DDOS attack against a CPE device by causing UDP sessions to close simply by receiving unsolicited ICMP reply messages.
REC-21	In their DEFAULT operating mode, IPv6 gateways shall not prohibit the forwarding of packets, to and from legitimate node addresses, with destination extension headers of type "Authentication Header (AH)" [i.12] in their outer IP extension header chain.	This requirement applies only to IPv6 packets. IPv4 IPsec AH packets should continue to be blocked from the Internet to internal hosts by default.
REC-22	In their DEFAULT operating mode, IPv6 gateways shall not prohibit the forwarding of packets, to and from legitimate node addresses, with an upper-layer protocol of type "Encapsulating Security Payload (ESP)" [i.13] in their outer IP extension header chain.	This requirement applies only to IPv6 packets. Hosts sufficient to support IPv6 should support rejecting unrequested AH/ESP packets by any hosts within the LAN/WAN. IPv4 IPsec AH packets should continue to be blocked from the Internet to internal hosts by DEFAULT.
REC-23	If a gateway forwards an ESP flow, it shall also forward (in the reverse direction) ICMPv6 "Destination Unreachable" and "Packet Too Big" messages containing ESP headers that match the flow state record.	
REC-24	In their DEFAULT operating mode, IPv6 gateways shall not prohibit the forwarding of any UDP packets, to and from legitimate node addresses, with a destination port of 500, i.e. the port reserved by IANA for the Internet Key Exchange (IKE) Protocol [i.21].	Blocking will likely break common L3 VPN (IPsec) connectivity. The IPsec IKE service listening on UDP/500 will not respond if it does not have a corresponding IPsec policy configured. As a result, leaving UDP/500 open could expose hosts to attack but could not be used in a reflection attack. IPv4 UDP/500 packets should continue to be blocked from the Internet to internal hosts by DEFAULT.

REC #	IETF RFC 6092 recommendation text	Comments
REC-25	In all operating modes, IPv6 gateways should use filter state records for Encapsulating Security Payload (ESP) [i.13] that are indexable by a 3-tuple comprising the interior node address, the exterior node address, and the ESP protocol identifier. In particular, the IPv4/NAT method of indexing state records also by security parameters index (SPI) should not be used. Likewise, any mechanism that depends on detection of Internet Key Exchange (IKE) [i.21] initiations should not be used.	ESP protocol identifier interactions may preclude more than one tunnel per endpoint.
REC-31	All valid sequences of TCP packets (defined in [i.4]) shall be forwarded for outbound flows and explicitly permitted inbound flows. In particular, both the normal TCP 3-way handshake mode of operation and the simultaneous-open mode of operation shall be supported.	
REC-32	The TCP window invariant shall not be enforced on flows for which the filter did not detect whether the window-scale option (see [i.24]) was sent in the 3-way handshake or simultaneous-open.	Fast start support. May be more difficult for vendors, but could be necessary for high-latency connections.
REC-35	If a gateway cannot determine whether the endpoints of a TCP flow are active, then it may abandon the state record if it has been idle for some time. In such cases, the value of the "established flow idle-timeout" shall not be less than two hours four minutes, as discussed in [i.19]. The value of the "transitory flow idle-timeout" shall not be less than four minutes. The value of the idle-timeouts may be configurable by the network administrator.	
REC-36	If a gateway forwards a TCP flow, it shall also forward ICMPv6 "Destination Unreachable" and "Packet Too Big" messages containing TCP headers that match the flow state record.	Path MTU discovery and accessibility necessary for connectivity.
REC-37	Receipt of any sort of ICMPv6 message shall not terminate the state record for a TCP flow.	This will prevent DoS against router due to unsolicited ICMPv6 messages.
MSO-REC	By default an IGW shall deny any protocol received on the WAN (operator facing) interface not specifically allowed by configuration with the following exceptions: DHCP, ND, ICMP and established TCP & UDP flows.	This recommendation is not found in [49] but support is required in eRouter devices.

F.3 Important recommendations

Failure to implement these recommendations in [49] could expose subscribers to infosec attacks. All eRouter implementations should support the list below as security requirements. The requirements below should be developed and tested after all critical requirements (clause F.2) are satisfied.

Table F.2: Important recommendations

REC #	IETF RFC 6092 recommendation text	Comments
REC-1	Packets bearing in their outer IPv6 headers multicast source addresses shall not be forwarded or transmitted on any interface.	
REC-2	Packets which bear in their outer IPv6 headers multicast destination addresses of equal or narrower scope (see IPv6 Scoped Address Architecture [i.10]) than the configured scope boundary level of the gateway shall not be forwarded in any direction. The DEFAULT scope boundary level should be organization-local scope, and it should be configurable by the network administrator.	

REC #	IETF RFC 6092 recommendation text	Comments
REC-6	Inbound packets shall not be forwarded if the source address in their outer IPv6 header has a global unicast prefix assigned for use by globally reachable nodes on the interior network.	Anti-spoofing.
REC-8	By DEFAULT, inbound DNS queries received on exterior interfaces shall not be processed by any integrated DNS resolving server.	Prevents DNS reflection attacks. It will also prevent subscribers from hosting a DNS server behind a router by default.
REC-9	Inbound DHCPv6 discovery packets [22] received on exterior interfaces shall not be processed by any integrated DHCPv6 server or relay agent.	Prevent recon scans (work around for vast IPv6 address space).
REC-11	If application transparency is most important, then a stateful packet filter should have "endpoint independent filter" behavior for generic upper-layer transport protocols. If a more stringent filtering behavior is most important, then a filter should have "address dependent filtering" behavior. The filtering behavior may be an option configurable by the network administrator, and it may be independent of the filtering behavior for other protocols. Filtering behavior should be endpoint independent by DEFAULT in gateways intended for provisioning without service-provider management.	For example, this would support allowing all http but reduces ability to block access to specific http websites since the solution uses the same port on the external interface. Since most gateways are not managed, that blocking is unlikely unless the device is subscribed to a reputation like service.
REC-17	If application transparency is most important, then a stateful packet filter should have "endpoint-independent filtering" behavior for UDP. If a more stringent filtering behavior is most important, then a filter should have "address-dependent filtering" behavior. The filtering behavior may be an option configurable by the network administrator, and it may be independent of the filtering behavior for TCP and other protocols. Filtering behavior should be endpoint independent by DEFAULT in gateways intended for provisioning without service-provider management.	Similar to the REC-11 requirement but specific to UDP.
REC-33	If application transparency is most important, then a stateful packet filter should have "endpoint-independent filtering" behavior for TCP. If a more stringent filtering behavior is most important, then a filter should have "address-dependent filtering" behavior. The filtering behavior may be an option configurable by the network administrator, and it may be independent of the filtering behavior for UDP and other protocols. Filtering behavior should be endpoint independent by DEFAULT in gateways intended for provisioning without service-provider management.	Similar to the REC-11 requirement but specific to TCP.
REC-47	Valid sequences of packets bearing Shim6 payload extension headers in their outer IP extension header chains shall be forwarded for all outbound and explicitly permitted flows. The content of the Shim6 payload extension header may be ignored for the purpose of state tracking.	

F.4 BCP recommendations

The following recommendations in [49] are security best practices but are not critical to network communication. They may be supported as security requirements by eRouter devices, but are not deemed mandatory. These requirements should only be developed and tested after all requirements listed as critical (clause F.2) and important (clause F.3) have been implemented.

Table F.3: BCP recommendations

REC #	IETF RFC 6092 recommendation text	Comments
REC-15	A state record for a UDP flow where one or both of the source and destination ports are in the well-known port range (ports 0-1023) may expire after a period of idle time shorter than two minutes to facilitate the operation of the IANA- registered service assigned to the port in question.	This supports SIP, SKINNY, FTP or other parsers typically found in firewalls. By watching the control traffic, they can close a session early.
REC-20	UDP-Lite flows [i.8] should be handled in the same way as UDP flows, except that the upper-layer transport protocol identifier for UDP-Lite is not the same as UDP; therefore, UDP packets shall not match UDP-Lite state records, and vice versa.	UDP-Lite is an uncommon protocol and further implications may exist.
REC-26	In their DEFAULT operating mode, IPv6 gateways shall not prohibit the forwarding of packets, to and from legitimate node addresses, with destination extension headers of type "Host Identity Protocol (HIP)" [i.18] in their outer IP extension header chain.	Not currently a significant protocol, category approaches experimental.
REC-27	The state records for flows initiated by outbound packets that bear a Home Address destination option [i.7] are distinguished by the addition of the home address of the flow as well as the interior care-of address. IPv6 gateways shall not prohibit the forwarding of any inbound packets bearing type 2 routing headers, which otherwise match a flow state record, and where A) the address in the destination field of the IPv6 header matches the interior care-of address of the flow, and B) the Home Address field in the Type 2 Routing Header matches the home address of the flow.	This will be needed to support IPv6 mobility but its use case in home is not clear at this time.
REC-28	Valid sequences of Mobility Header [i.7] packets shall be forwarded for all outbound and explicitly permitted inbound Mobility Header flows.	
REC-29	If a gateway forwards a Mobility Header [i.7] flow, then it shall also forward, in both directions, the IPv4 and IPv6 packets that are encapsulated in IPv6 associated with the tunnel between the home agent and the correspondent node.	
REC-30	If a gateway forwards a Mobility Header [i.7] flow, then it shall also forward (in the reverse direction) ICMPv6 "Destination Unreachable" and "Packet Too Big" messages containing any headers that match the associated flow state records.	
REC-38	All valid sequences of SCTP packets (defined in [i.15]) shall be forwarded for outbound associations and explicitly permitted inbound associations. In particular, both the normal SCTP association establishment and the simultaneous- open mode of operation shall be supported.	If not implemented in first phase, SCTP should be dropped until this feature is implemented. Any unknown / unimplemented protocol shall be dropped.
REC-40	If a gateway cannot determine whether the endpoints of an SCTP association are active, then it may abandon the state record if it has been idle for some time. In such cases, the value of the "established association idle-timeout" shall not be less than two hours four minutes. The value of the "transitory association idle-timeout" shall not be less than four minutes. The value of the idle-timeouts may be configurable by the network administrator.	
REC-41	If a gateway forwards an SCTP association, it shall also forward ICMPv6 "Destination Unreachable" and "Packet Too Big" messages containing SCTP headers that match the association state record.	
REC-42	Receipt of any sort of ICMPv6 message shall not terminate the state record for an SCTP association.	

REC #	IETF RFC 6092 recommendation text	Comments
REC-43	All valid sequences of DCCP packets (defined in [i.14]) shall be forwarded for all flows to exterior servers, and for any flows to interior servers with explicitly permitted service codes.	
REC-44	A gateway may abandon a DCCP state record if it has been idle for some time. In such cases, the value of the "open flow idle-timeout" shall not be less than two hours four minutes. The value of the "transitory flow idle-timeout" shall not be less than eight minutes. The value of the idle-timeouts may be configurable by the network administrator.	
REC-45	If an Internet gateway forwards a DCCP flow, it shall also forward ICMPv6 "Destination Unreachable" and "Packet Too Big" messages containing DCCP headers that match the flowstate record.	
REC-46	Receipt of any sort of ICMPv6 message shall not terminate the state record for a DCCP flow.	
REC-48	Internet gateways with IPv6 simple security capabilities should implement a protocol to permit applications to solicit inbound traffic without advance knowledge of the addresses of exterior nodes with which they expect to communicate.	UPnP like functionality, but the protocol to do this reliably and the need to do this may not exist.

F.5 Other recommendations

These recommendations in [49] are not explicitly requirements for eRouter devices at this time. However, MSO consensus was reached for the incorporation of these requirements into eRouter to supplement and extend what is present in [49]. These requirements should only be implemented after all other requirements have been satisfied.

Table F.4: Other recommendations

REC #	IETF RFC 6092 recommendation text	Comments
REC-13	Residential IPv6 gateways should provide a convenient means to update their firmware securely, for the installation of security patches and other manufacturer-recommended changes.	This requirement applies more to home routers owned by subscribers.
REC-49	Internet gateways with IPv6 simple security capabilities shall provide an easily selected configuration option that permits a "transparent mode" of operation that forwards all unsolicited flows regardless of forwarding direction, i.e. not to use the IPv6 simple security capabilities of the gateway. The transparent mode of operation may be the default configuration.	The ability to turn off the firewall will probably be a requested feature but use case is still unclear as to who should be able to do this and when. The firewall shall be on by default.
REC-50	By DEFAULT, subscriber-managed residential gateways shall not offer management application services to the exterior network.	Common management application services that need to be controlled include http (tcp/80), https (tcp/443), ssh (tcp/22), telnet (tcp/23) & snmp (udp161/162). As a default setting, it is important these be disabled to prevent blocking. Unclear impact to our ability to manage CPE devices like the integrated home gateway router. All externally facing management application services support authentication and require changing of all default credentials. All externally facing management application services also support restricting access to trusted IP blocks via an ACL. ACL(s) block both IPv4 and IPv6 by default unless explicitly allowed.

F.6 Recommendations in conflict with MSO needs

The remaining recommendations from [49] have been found to conflict with existing or proposed MSO requirements and should not be included in eRouter devices without explicit MSO approved modifications to render them useful. Such requirements should be interpreted to be "shall not" to avoid such conflicts with MSO security policies.

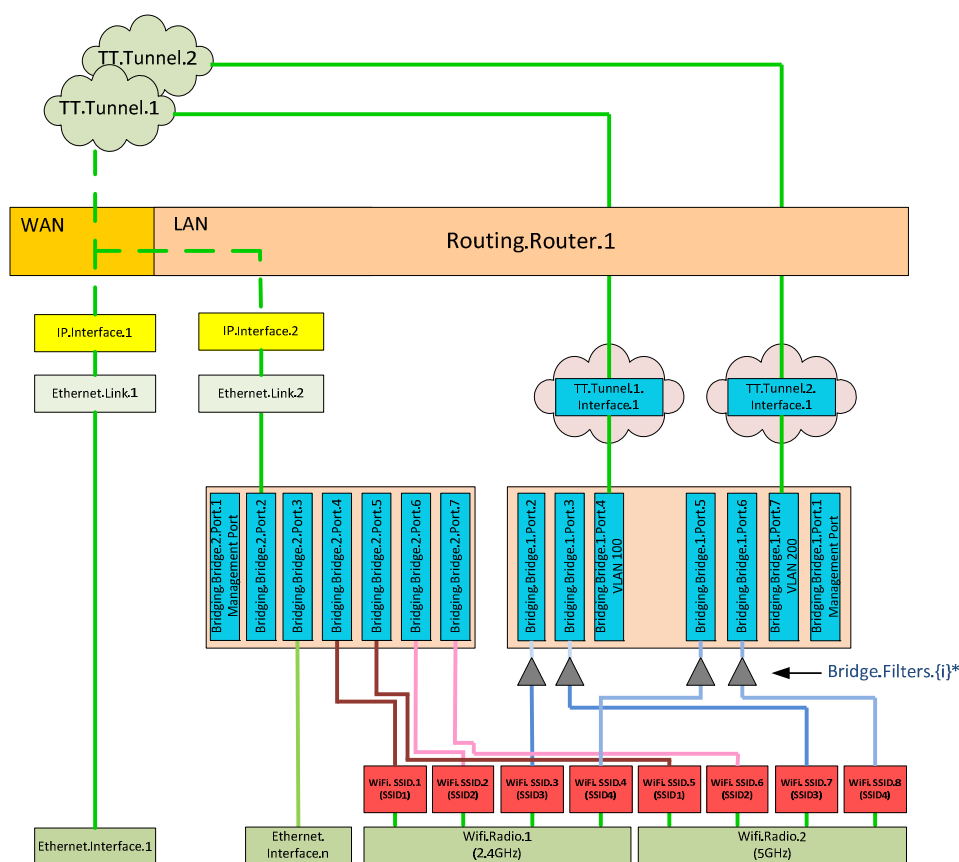
Table F.5: Recommendations in conflict with MSO needs

REC #	IETF RFC 6092 recommendation Ttext	Comments
REC-34	By DEFAULT, a gateway shall respond with an ICMPv6 "Destination Unreachable" error code 1 (Communication with destination administratively prohibited), to any unsolicited inbound SYN packet after waiting at least 6 seconds without first forwarding the associated outbound SYN or SYN/ACK from the interior peer.	Preference would be to silently drop unsolicited packets from external sources rather than generate ICMPv6 unreachable due to administratively prohibited packets.
REC-39	By DEFAULT, a gateway shall respond with an ICMPv6 "Destination Unreachable" error code 1 (Communication with destination administratively prohibited) to any unsolicited inbound INIT packet after waiting at least 6 seconds without first forwarding the associated outbound INIT from the interior peer.	Similar to syn dropping / errors. Prefer to silent drop instead of sending ICMP for DDoS protection and bounce attack protection.

Annex G (normative): eRouter GRE tunnelling architecture

G.0 Architecture and interfaces

Figure G.1 depicts a GRE forwarding model using one tunnel interface. It is included here to depict the data objects and indexing for mapping the interface, bridge ports and SSID when packets traverse the tunnel. The diagram differentiates between traffic via a private and public SSID. The configuration applies whether the configuration mechanism is SNMP or TR-069. For the purposes of this use case, it is presumed that provisioning of private and public SSIDs on the eRouter has already been completed. Data objects required for provisioning of the eRouter for private and public SSIDs is discussed elsewhere in the present document. It is also presumed that SSIDs 1 and 2 are public and SSIDs 3 and 4 are private.



*Note: Classify and assign VLAN Tags for traffic separation.

Figure G.1: eRouter GRE tunnelling architecture

Table G.1 depicts the physical and logical interfaces, bridges and SSIDs that are referenced in Figure G.1.

Table G.1: IF indices and row instances for data objects associated with GRE tunneling

Row/Instance	Higher Layer Interface	if Index	Lower Layer	if Index
1	IP.Interface.1	300	Ethernet.Link.1	
2	Ethernet.Link.1		Ethernet.Interface.1	1
3	IP.Interface.2	200	Ethernet.Link.2	
4	Ethernet.Link.2		Bridging.Bridge.1.Port.4	
5	Bridging.Bridge.1.Port.1		Bridging.Bridge.1.Port.2, Bridging.Bridge.1.Port.3, Bridging.Bridge.1.Port.4, Bridging.Bridge.1.Port.5, Bridging.Bridge.1.Port.6	
6	Bridging.Bridge.1.Port.2		Ethernet.Interface.2	
7	Bridging.Bridge.1.Port.3		WiFi.SSID.1 SSID1	10001
8	Bridging.Bridge.1.Port.4		WiFi.SSID.5 SSID1	10101
9	Bridging.Bridge.1.Port.5		WiFi.SSID.2 SSID2	10002
10	Bridging.Bridge.1.Port.6		WiFi.SSID.6 SSID2	10102
11	Bridging.Bridge.2.Port.1		Bridging.Bridge.2.Port.2 Bridging.Bridge.2.Port.3 Bridging.Bridge.2.Port.4 Bridging.Bridge.2.Port.5 Bridging.Bridge.2.Port.6 Bridging.Bridge.2.Port.7	
12	Bridging.Bridge.2.Port.2		WiFi.SSID.3 SSID3	10003
13	Bridging.Bridge.2.Port.3		WiFi.SSID.7 SSID3	10103
14	Bridging.Bridge.2.Port.5		WiFi.SSID.4 SSID4	10004
15	Bridging.Bridge.2.Port.6		WiFi.SSID.8 SSID4	10104
16	Bridging.Bridge.2.Port.4		TT.Tunnel.1.Interface.1	400
17	Bridging.Bridge.2.Port.7		TT.Tunnel.2.Interface.1	401
17	WiFi.SSID.1 WiFi.SSID.3 WiFi.SSID.5 WiFi.SSID.7	10001 10003 10101 10103	WiFi.Radio.1	10000
18	WiFi.SSID.2 WiFi.SSID.4 WiFi.SSID.6 WiFi.SSID.8	10002 10004 10102 10104	WiFi.Radio.2	10100
19	Wifi.Radio.1	10000		
20	Wifi.Radio.2	10100		

G.1 Use case for data traffic flow for both private and public SSIDs

G.1.0 Overview

An eRouter that supports both private and public SSIDs shall manage the private and public traffic separately. The following narrative describes how the private and public traffic traverses the physical and logical interfaces supported by the eRouter. There are four scenarios that will be described here: Private network outbound from the LAN, Private network inbound from the WAN, Public traffic outbound from a user on a public SSID, Public traffic inbound to a user on a public SSID. Each of these traffic flows is described below.

G.1.1 Private network outbound from the LAN

In this scenario, a user on the private network is connected via a private SSID and is attempting to connect to an outside network via the eRouter WAN interface. The following is an example of how the data traffic would flow.

G.1.2 Private network inbound from the WAN

In this scenario, traffic associated with a private SSID is routed through the eRouter WAN interface. The following is an example of how the data would flow from the Operator network through the internet gateway (i.e. eCM/eRouter/AP) to the private Wi-Fi end-user device.

Traffic enters via Ethernet.Interface.1 and Ethernet.Link.1 to IP.Interface.1 (eRouter WAN interface). From here, it is routed to IP.Interface.2 (eRouter LAN interface) and to Ethernet.Link.2. Traffic is then directed to a logical bridge (Bridging.Bridge.2.Port.1) and bridged to the private SSID (WiFi.SSID.3) where it is passed to the private user via the WiFi.Radio.1 (2.4G).

Similarly, any other private LAN traffic (e.g. Ethernet, MoCA, etc.) would travel through the same logical bridge, eRouter, etc. as the private wireless traffic—the only difference is the customer facing network interface type.

G.1.3 Community Wi-Fi user outbound via public SSID

A public user connects via WiFi.Radio.2 (5G) and associates with WiFi.SSID.2. The traffic enters a logical bridge (Bridging.Bridge.1.Port.4) and is switched to another port within the bridge (Bridging.Bridge.1.Port.2). All ingress traffic is classified based on provider provisioned packet and/or port criteria. In this example, any ingress traffic via SSID2 will be tagged with an 802.1Q service tag VLAN ID 200 and bridged to the egress port appropriate egress port. The egress port is logically connected to the GRE tunnel interface (TT.Tunnel.1.Interface.1) that, in turn, is mapped to a tunnel instance (TT.Tunnel.1). The tunnel endpoint is the eRouter WAN interface (IP.Interface.1). Traffic exits the eRouter via Ethernet.Link.1 and Ethernet.Interface.1 (eCM interface).

NOTE: This example describes a single tunnel interface for a single user. However, there can be multiple users on a single tunnel interface, or multiple interfaces, depending upon a service operator's preference for managing traffic or vendor implementation. Such differentiation of traffic management is out of scope for this use case.

G.1.4 Community Wi-Fi user inbound via public SSID

802.1Q service frames tagged with VLAN ID 200 and destined for the Community Wi-Fi end-user enters the gateway via the eCM and is passed to the Ethernet.Interface.1 and Ethernet.Link.1 to IP.Interface.1 (eRouter WAN interface). It is then placed on the tunnel (TT.Tunnel.1) and mapped to the logical tunnel interface (TT.Tunnel.1.Interface.1). Traffic then ingresses to the logical bridge (Bridging.Bridge.1.Port.2) and switched to (Bridging.Bridge.1.Port.2) where the VLAN tag is stripped and the frame is bridged to the public SSID (WiFi.SSID.2). Traffic is then transmitted to the user device using WiFi.Radio.2 (5G).

Annex H (informative): Bibliography

- IETF RFC 868: "Time Protocol", J. Postel & K. Harrenstien, May 1983.
- IETF RFC 3319: "Dynamic Host Configuration Protocol (DHCPv6) Options for Session Initiation Protocol (SIP) Servers", H. Schulzrinne, B. Volz, July 2003.
- IETF RFC 4022: "Management Information Base for the Transmission Control Protocol (TCP)", R. Raghunarayan, March 2005.
- IETF RFC 4113: "Management Information Base for the User Datagram Protocol (UDP)", B. Fenner, J. Flick, June 2005.
- IETF RFC 4632: "Classless Inter-domain Routing (CIDR): The Internet Address Assignment and Aggregation Plan", V. Fuller, T. Li, August 2006.
- IETF RFC 5494: "IANA Allocation Guidelines for the Address Resolution Protocol (ARP)", J. Arkko Ericsson, C. Pignataro, April 2009.
- IETF RFC 6298: "Computing TCP's Retransmission Timer", V. Paxson, M. Allman, J. Chu, M. Sargent, June 2011.
- IETF RFC 6633: "Deprecation of ICMP Source Quench Messages", F. Gont, May 2012.
- IETF RFC 6918: "Formally Deprecating Some ICMPv4 Message Types", F. Gont, C. Pignataro, April 2013.
- TR-064 LAN-Side DSL CPE Configuration Specification, May 2004, Broadband Forum Technical Report.
- TR-143 Enabling Network Throughput Performance Tests and Statistical Monitoring, Issue 1, Corrigendum 1, December 2008, Broadband Forum Technical Report.
- IETF RFC 1323: "TCP Extensions for High Performance", Jacobson, V., Braden, B., and D. Borman, May 1992.

Annex I (informative): Change history

Date	Version	Information about changes
April 2017	1.1.1	First publication of the ES

History

Document history		
V1.1.1	June 2017	Membership Approval Procedure MV 20170815: 2017-06-16 to 2017-08-15