



**Environmental Engineering (EE);
Monitoring and control interface for
infrastructure equipment (Power, Cooling and
environment systems used in telecommunication networks);
Part 11: Battery system with integrated control and
monitoring information model**

Reference

DES/EE-02037-11

Keywords

battery, control, interface, management, power,
system

ETSI

650 Route des Lucioles
F-06921 Sophia Antipolis Cedex - FRANCE

Tel.: +33 4 92 94 42 00 Fax: +33 4 93 65 47 16

Siret N° 348 623 562 00017 - NAF 742 C
Association à but non lucratif enregistrée à la
Sous-Préfecture de Grasse (06) N° 7803/88

Important notice

The present document can be downloaded from:

<http://www.etsi.org>

The present document may be made available in electronic versions and/or in print. The content of any electronic and/or print versions of the present document shall not be modified without the prior written authorization of ETSI. In case of any existing or perceived difference in contents between such versions and/or in print, the only prevailing document is the print of the Portable Document Format (PDF) version kept on a specific network drive within ETSI Secretariat.

Users of the present document should be aware that the document may be subject to revision or change of status. Information on the current status of this and other ETSI documents is available at

<http://portal.etsi.org/tb/status/status.asp>

If you find errors in the present document, please send your comment to one of the following services:

http://portal.etsi.org/chaicor/ETSI_support.asp

Copyright Notification

No part may be reproduced or utilized in any form or by any means, electronic or mechanical, including photocopying and microfilm except as authorized by written permission of ETSI.

The content of the PDF version shall not be modified without the written authorization of ETSI.

The copyright and the foregoing restriction extend to reproduction in all media.

© European Telecommunications Standards Institute 2014.

All rights reserved.

DECT™, **PLUGTESTS™**, **UMTS™** and the ETSI logo are Trade Marks of ETSI registered for the benefit of its Members. **3GPP™** and **LTE™** are Trade Marks of ETSI registered for the benefit of its Members and of the 3GPP Organizational Partners.

GSM® and the GSM logo are Trade Marks registered and owned by the GSM Association.

Contents

Intellectual Property Rights	4
Foreword.....	4
Modal verbs terminology.....	4
1 Scope	5
2 References	5
2.1 Normative references	5
2.2 Informative references.....	5
3 Definitions, symbols and abbreviations	6
3.1 Definitions.....	6
3.2 Symbols.....	8
3.3 Abbreviations	8
4 Integrated Battery Unit (IBU) and Integrated Battery System (IBS) control and monitoring presentation	9
Annex A (normative): Summary of mandatory monitoring/supervision information and functions.....	12
A.1 Integrated Battery Unit (IBU) and Integrated Battery System (IBS)	13
Annex B (informative): Summary of non-mandatory monitoring/supervision information and functions	14
B.1 Integrated Battery Unit (IBU) and Integrated Battery System (IBS)	14
Annex C (normative): Mandatory XML structure and elements.....	16
C.1 Structure of an XML document for Telecom/ICT IBS control and monitoring.....	16
C.2 The specific XML elements of a Telecom/ICT IBS	17
Annex D (informative): Bibliography.....	18
History	19

Intellectual Property Rights

IPRs essential or potentially essential to the present document may have been declared to ETSI. The information pertaining to these essential IPRs, if any, is publicly available for **ETSI members and non-members**, and can be found in ETSI SR 000 314: "*Intellectual Property Rights (IPRs); Essential, or potentially Essential, IPRs notified to ETSI in respect of ETSI standards*", which is available from the ETSI Secretariat. Latest updates are available on the ETSI Web server (<http://ipr.etsi.org>).

Pursuant to the ETSI IPR Policy, no investigation, including IPR searches, has been carried out by ETSI. No guarantee can be given as to the existence of other IPRs not referenced in ETSI SR 000 314 (or the updates on the ETSI Web server) which are, or may be, or may become, essential to the present document.

Foreword

This final draft ETSI Standard (ES) has been produced by ETSI Technical Committee Environmental Engineering (EE), and is now submitted for the ETSI standards Membership Approval Procedure.

The present document is part 11 of a multi-part deliverable covering Monitoring and control interface for infrastructure equipment (Power, Cooling and environment systems used in telecommunication networks), as identified below:

- Part 1: "Generic Interface";
- Part 2: "DC power system control and monitoring information model";
- Part 3: "AC UPS power system control and monitoring information model";
- Part 4: "AC distribution power system control and monitoring information model";
- Part 5: "AC diesel back-up generator system control and monitoring information model";
- Part 6: "Air Conditioning System control and monitoring information model";
- Part 7: "Other utilities system control and monitoring information model";
- Part 8: "Remote Power Feeding System control and monitoring information model".
- Part 9: "Alternative Power Systems";
- Part 10: "AC inverter power system control and monitoring information model";
- Part 11: "Battery system with integrated control and monitoring information model";**
- Part 12: "Telecom/ICT equipment control and monitoring information model".

Modal verbs terminology

In the present document "**shall**", "**shall not**", "**should**", "**should not**", "**may**", "**may not**", "**need**", "**need not**", "**will**", "**will not**", "**can**" and "**cannot**" are to be interpreted as described in clause 3.2 of the [ETSI Drafting Rules](#) (Verbal forms for the expression of provisions).

"**must**" and "**must not**" are **NOT** allowed in ETSI deliverables except when used in direct citation.

1 Scope

The present document applies to Battery Systems with integral control and monitoring for telecommunication and datacom (ICT) equipment. It applies to battery system with a dedicated monitoring and control unit.

The present document defines:

- Monitored and controlled battery system architectures.
- The minimum set of exchanged information required at the interface, described in "natural language" in text tables.
- The XML files with tags and variables corresponding to the data in the tables of the annexes.

2 References

References are either specific (identified by date of publication and/or edition number or version number) or non-specific. For specific references, only the cited version applies. For non-specific references, the latest version of the reference document (including any amendments) applies.

Referenced documents which are not found to be publicly available in the expected location might be found at <http://docbox.etsi.org/Reference>.

NOTE: While any hyperlinks included in this clause were valid at the time of publication, ETSI cannot guarantee their long term validity.

2.1 Normative references

The following referenced documents are necessary for the application of the present document.

- [1] ETSI ES 202 336-1: "Environmental Engineering (EE); Monitoring and Control Interface for Infrastructure Equipment (Power, Cooling and Building Environment Systems used in Telecommunication Networks) Part 1: Generic Interface".
- [2] ETSI EN 300 132-3-1: "Environmental Engineering (EE); Power supply interface at the input to telecommunications and datacom (ICT) equipment; Part 3: Operated by rectified current source, alternating current source or direct current source up to 400 V; Sub-part 1: Direct current source up to 400 V".

2.2 Informative references

The following referenced documents are not necessary for the application of the present document but they assist the user with regard to a particular subject area.

- [i.1] IEEE 802.1 to 11: "IEEE Standard for Local and Metropolitan Area Networks: Overview and Architecture".
- [i.2] ISO/IEC 10164 (all parts): "Information technology - Open Systems Interconnection".
- [i.3] ISO/IEC 8879: "Information processing - Text and office systems - Standard Generalized Markup Language (SGML)".
- [i.4] ETSI EN 300 132-2: "Environmental Engineering (EE); Power supply interface at the input to telecommunications and datacom (ICT) equipment; Part 2: Operated by -48 V direct current (dc)".

3 Definitions, symbols and abbreviations

3.1 Definitions

For the purposes of the present document, the following terms and definitions apply:

NOTE: Terms referring to energy interface, equipment and distribution are described in power distribution standards EN 300 132-2 [i.4], EN 300 132-3-1 [2].

alarm: any information signalling abnormal state, i.e. different to specified normal state of hardware, software, environment condition (temperature, humidity, etc.)

NOTE: The alarm signal should be understood by itself by an operator and should always have at least one severity qualification or codification (colour, level, etc.).

EXAMPLE: Rectifier failure, battery low voltage, etc.

alarm loop: electrical loop which open or closed state correspond to alarm start (set) or end (clear) state

alarm message: text parts of the alarm structure

alarm structure: organized set of information fields in an alarm data frame (time stamp, set/clear, text, etc.)

battery cell: basic electrochemical element (e.g. a 3.6 Vnominal cell for single lithium ion cell)

battery cell string: number of series and parallel interconnected cells to make a standard building block

Battery Management System (BMS): electronic components of an Integrated Battery Unit (IBU) that provides safety protection, detection and balancing, communicating status and alarms, and data acquisition and history for one IBU

client post: any device (laptop, PDA, console, etc.) connected to servers via the operation system networks to perform maintenance or supervision operations

Control form Style Sheet (CSS): simple mechanism for adding style (e.g. fonts, colours, spacing) to Web documents

EXAMPLE: Tutorials, books, mailing lists for users, etc.

Data Gathering Unit (DGU): functional unit used for several functions:

- collect serial, digital and analogue data from several equipment;
- option to send (output) serial or digital commands;
- forward/receive information to/from the Local/Remote Management Application via agreed protocols;
- mediation between interfaces and protocols.

NOTE: This function may be integrated as part of specific equipment.

Dynamic Host Control Protocol (DHCP): protocol used for self configuration of TCP/IP parameters of a workstation assigning IP address and a subnetwork mask

NOTE: DHCP may also configure DNS.

Dynamic Name Server (DNS): associates a single domain name to an IP address

dynamic synoptic: dynamic display of geographical maps, networks, installations and equipment

ethernet: LAN protocol

NOTE: Equivalent to IEEE 802.1 to 11 [i.1].

event: any information signalling a change of state which is not an alarm: e.g. battery test, change of state of battery charge

NOTE: The event signal should be understood by itself by an operator and should always have at least one severity qualification or codification (colour, level, etc.). It should be transmitted in a formatted structure with text message and other fields like for alarm, e.g. an event can be coded as an alarm with severity "0".

eXtensible Mark-up Language (XML): application profile or restricted form of SGML

NOTE: By construction, XML documents are conforming SGML the Standard Generalized Markup Language (ISO/IEC 8879 [i.3]). documents.XML is designed to describe data and focus on what data is. XML should be discerned from the well known Hypertext Transfer Mark-up Language (HTML) which was designed to display data and to focus on how data looks.

eXtensible Style sheet Language (XSL): language for expressing style sheets

NOTE: It consists of two parts, a language for transforming XML documents, and an XML vocabulary for specifying formatting semantics. An XSL style sheet specifies the presentation of a class of XML documents by describing how an instance of the class is transformed into an XML document that uses the formatting vocabulary.

infrastructure equipment: power, cooling and building environment systems used in telecommunications centres and Access Networks locations

EXAMPLE: Cabinets, shelters, underground locations, etc.

Integrated Battery System (IBS): energy storage system providing power to the telecom load composed of one or several Integrated Battery Units (IBU's) connected to the DC bus and managed by an integrated control and monitoring usually called Master Battery Management Module (MBMM)

Integrated Battery Unit (IBU): energy storage system providing power to the telecom load comprised of a battery cell string integrated with a Battery Management System (BMS)

NOTE: The standard nominal IBU voltage is typically 24V or 48V comprised of one or more battery cell strings.

intranet: internal company network generally using Ethernet protocol and extended IP addresses

logbook: chronological file that contains alarm and event messages may be paper or electronic

Management Information Base (MIB): dynamic data base that gathers all objects and should evolve to include automatic and manual configuration tools with self coherence tests

Master Battery Management Module (MBMM): electronic unit (optionally used depending on application) that manages and controls several connected Integrated Battery Units (IBU's) and provides safety control, communicating status and alarms, and data acquisition and history for the Integrated Battery System (IBS)

menu: list of possible input command choices that may be presented in different ways on a display

NOTE: Selection is normally made by a keyboard, a pointing device, a mouse or directly by finger on a sensitive screen.

object: class description of items that accept a set of properties or functions

NOTE: Generic objects can include more specific items and inherit from their properties. If correctly structured, object programming can allow the system to evolve, i.e. be more future-proof. The code should intrinsically be open and structured.

Hypertext Preprocessor (PHP): powerful tool for making dynamic and interactive Web pages

pop-up: information or command screen that appears when a menu choice is selected

NOTE: For example this may be a pop-up menu when the pointer is on a title button.

REpresentational State Transfer (REST): way to build an application for distributed system as www

Simple Object Access Protocol (SOAP): way to communicate between applications running on different operating systems, with different technologies and programming languages

NOTE 1: SOAP communicates over HTTP, because HTTP is supported by all Internet browsers and servers, SOAP traffic is not blocked by firewalls and proxy servers

NOTE 2: See <http://www.w3c.org>.

Systems Management Function (SMF): object properties or classes with projection on CMIS application context communication

NOTE: Set of ISO system management functions according to ISO/IEC 10164 [i.2].

warning: low severity alarm

World Wide Web Consortium (W3C): consortium founded in October 1994 to develop common interoperable protocols and promote World Wide Web

NOTE: See <http://www.w3c.org>.

Windows: virtual area on the display that corresponds to a specific application

web: common name for the Internet or Intranet

XCU: CU enabled to communicate using XML interface as defined in the present document

XHTML: stricter and cleaner version of HTML consisting in all the elements in HTML 4.01 combined with the syntax of XML and readable by all XML browser

NOTE: See <http://www.w3c.org>.

XML Schema Definition (XSD): new more detailed XML description compared to the previous one, the DTD

3.2 Symbols

For the purposes of the present document, the following symbols apply:

I_{Batt}	Total battery current (DC)
$I_{\text{IB}n}$	Integrated Battery Unit or System (IBU or IBS) current (DC) where n is the unit or system number
I_{Load}	Total output load current (DC)
I_{Rect}	Total rectifier output current (DC)

3.3 Abbreviations

For the purposes of the present document, the following abbreviations apply:

AC	Alternating Current
BMS	Battery Management System
CAN	Controller Area Network
CSS	Control form Style Sheet
CU	Control Unit
DC	Direct Current
DGU	Data Gathering Unit
DHCP	Dynamic Host Control Protocol
DNS	Dynamic Name Server
DTD	Document Type Definition
HTML	Hypertext Transfer Make-up Language
HTTP	HyperText Transfer Protocol
IBS	Integrated Battery System
IBU	Integrated Battery Unit
ICT	Information and Communication Technology
IP	Internet Protocol

LAN	Local Array Network
MBMM	Master Battery Management Module
MIB	Management Information Base
PHP	Hypertext Preprocessor
REST	REpresentational State Transfer
RMA	Remote Management Application
SMF	Systems Management Function
SOAP	Simple Object Access Protocol
SoC	State of Charge of the IBU or IBS
SoH	State of Health of the IBU or IBS
TCP	Transmission Control Protocol for IP
UPS	Uninterrupted Power Supply
W3C	World Wide Web Consortium
XCU	XML enabled CU
XML	eXtensible Markup Language
XSD	XML Schema Definition
XSL	eXtensible Style sheet Language

4 Integrated Battery Unit (IBU) and Integrated Battery System (IBS) control and monitoring presentation

In telecommunication or datacom (ICT) site, batteries are used to get an uninterruptible power supply. They are storing energy which is used to power equipment in the event of source or power supply failure. Battery systems provide typical standby of 10 min to 48 hours on grid connected sites. For off grid telecom site, the battery autonomy can last several days.

In most existing installation, there is no specific control/monitoring provided as part of the battery system. It is provided by the power system. With some new battery technologies, control and monitoring is incorporated in the battery system.

An Integrated Battery System (IBS) can comprise several Integrated Battery Units (IBU).

Both an IBU and an IBS store energy and deliver their stored energy like a legacy battery unit or battery system. The difference is that an IBU or IBS includes electronics combined with a battery string including several cells. In an IBU, the integrated electronics is referred to as the Battery Management System (BMS). In an IBS, an electronic unit may be optionally added to a system of connected IBU and this is referred to as the Master Battery Management Module (MBMM).

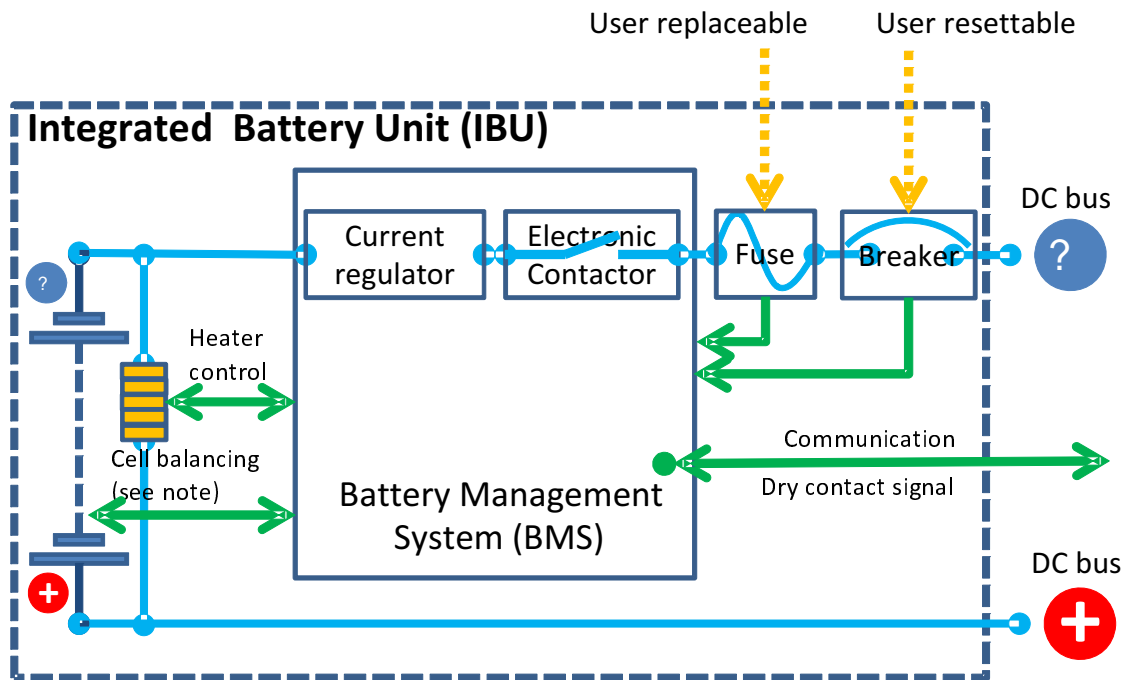
For battery technology where it is not required to monitor and control each cells individually, there can be a single electronics in the IBS, IBU being only equipped with sensors.

Integrated in an IBU, the BMS includes the primary functions of safety protection, voltage limit detection and charge balancing, communicating status and alarms, and data acquisition and history. An IBU may include features like a resettable breaker or a replaceable fuse, internal heater depending on technology, electronic contactor and current regulation. Each IBU can communicate directly with an external management application by utilizing the appropriate transmission protocol (e.g. CAN bus) or/and a dry contact alarm signal. Figures 1 and 2 show a functional schematic view of a typical IBU.

In an IBS, the IBU can be arranged in series or in parallel. For example, an IBS with eight multiple 48V IBU in series can be connected to a DC power system used to supply interface A3.

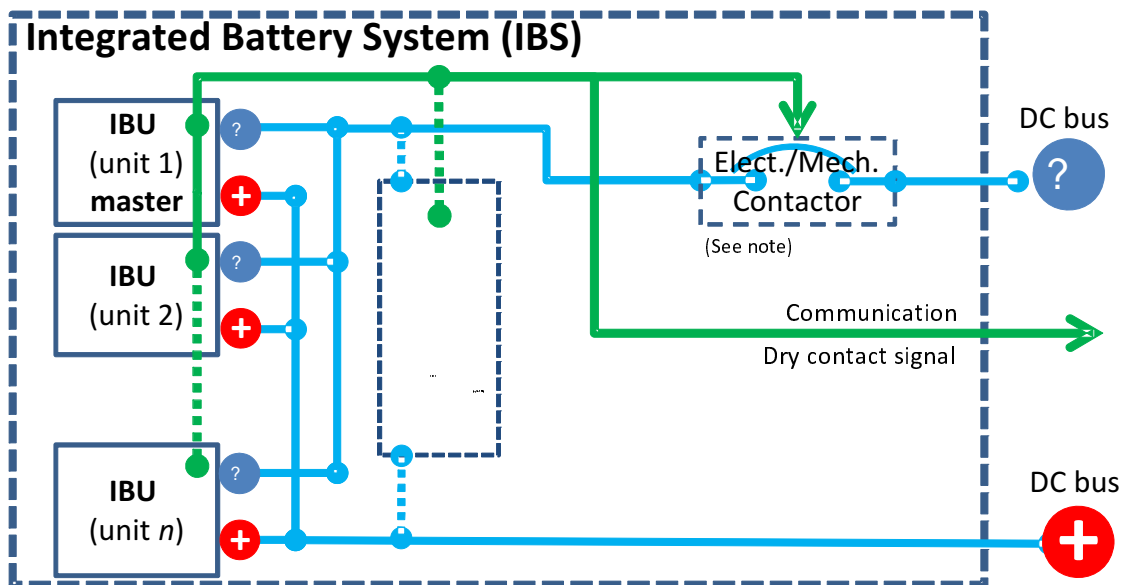
NOTE 1: There can be in some battery systems a double protection with fuse and circuit breaker in series, in case of very high fault current and risk of damage to the circuit breaker that prevent it to open. The fuse is then in this case a back-up protective device.

NOTE 2: The IBU communication bus is commonly a data bus e.g. CAN bus.



NOTE: Cell balancing is not necessarily required for all battery types e.g. NaNi Cl₂.

Figure 1: Functional schematic example of an IBU



NOTE: The contactor can be optionally installed outside of the IBS, in the application side using the IBS.

Figure 2: Functional schematic of an Integrated Battery System with IBU in parallel

IBU and IBS can operate in a wide range of Telecom/ datacom ICT applications. There are three common scenarios of operation:

- a single installed IBU. In this case, the single IBU communicates with the supervision server.
- a system of parallel connected IBU on the DC bus. In this case, each IBU communicates to a designated master IBU and the master IBU then communicates with the supervision server.

- a system of parallel connected IBU's on the DC bus combined with an optionally installed MBMM. In this case, each IBU communicates with the MBMM and the MBMM then communicates with the supervision server.

Figure 3 shows a typical functional schematic of an IBU or IBS connected in modular DC power supply system with battery backup.

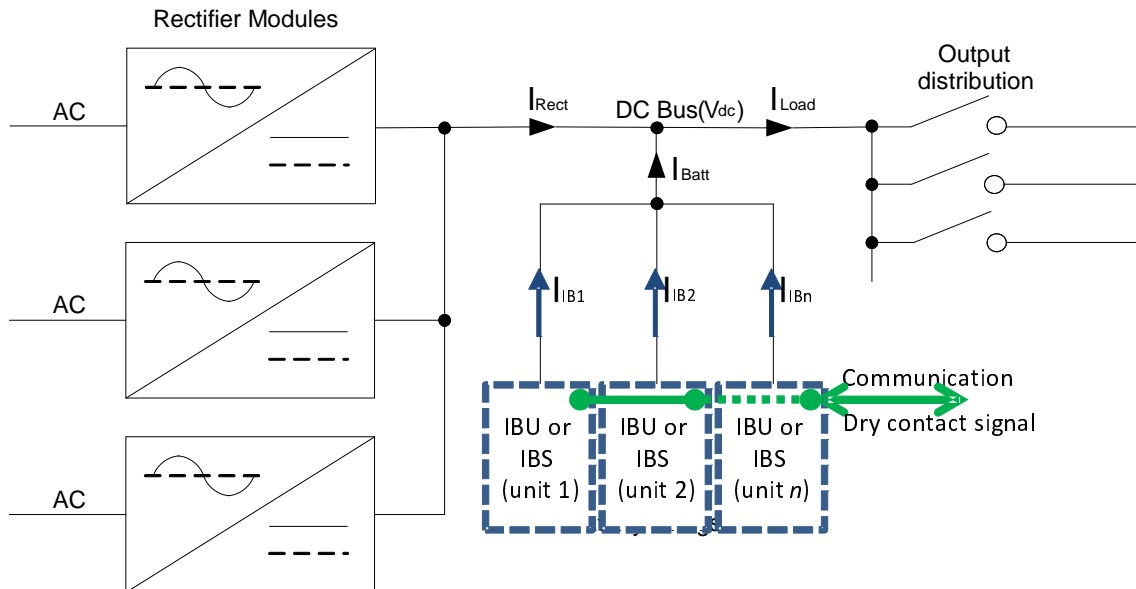


Figure 3: Functional schematic of n IBU units or IBS systems connected to a typical modular DC power supply system with battery backup

The main information that is monitored and controlled is the following:

- Installed configuration (capacity in Ah or energy in Wh, IBU output voltage, IBS output voltage)
- Charge/Discharge DC voltage and DC current
- Temperature
- State of Charge (SoC) for each IBS
- State of Health (SoH) for each IBU
- Load rate (current/max current)
- Alarms (over or under voltage, temperature, charge, ...)
- Settings (date-time, alarm thresholds, settings and program download, ...)

Table A.1 (see annex A) corresponds to mandatory data that shall be provided for IBS control/monitoring model.

Table B.1 (see annex B) corresponds to non-mandatory data that shall be provided in addition to mandatory for IBS control/monitoring model.

Annex C standardizes XML coding structures for these data.

Annex A (normative): Summary of mandatory monitoring/supervision information and functions

This annex gathers the information needed on the remote monitoring application for different types of Air conditioning systems. It specifies the mandatory requirements that shall be provided in all cases.

NOTE 1: All tables of annex A do not specify the power equipment by itself. These tables refer to subsets or devices that are not necessarily present in each equipment configuration. As a matter of fact, one alarm and its class apply only in case of the presence of this subset or device.

When an optional alarm that requires a parameter set is present, the corresponding parameter set is mandatory in the control section in order to allow remote adjustment under appropriate login procedure.

According to their types (Description, Alarm, Data, etc.), as defined in ES 202 336-1 [1] the information shall be provided by the Control Unit (XCU).

NOTE 2: If there is no XCU this data should be provided by the Data Gathering Unit (DGU).

When a CU has a field data bus connected to the DGU, at least, the DGU shall store data (record measurements, log files). The XCU which has the XML interface over Ethernet TCP/IP shall store these data.

NOTE 3: The "Explanation" column provided in the data tables of annex A has been used where necessary to further explain the statements in the "Monitored information" column. The "Type" column gives the assigned name used in XML coding and the "Monitored information" column provides details of the condition or state being monitored. The identifiers used in the "Type" column of the tables of annex A are described in ES 202 336-1 [1].

NOTE 4: Partial communication network failures e.g. XCU link fault should be detected by an upper element of the network e.g. the RMA (refer to figure 1 of ES 202 336-1 [1]).

NOTE 5: Clause 9.4.4 of ES 202 336-1 [1] details the parameters associated with XML elements e.g. time delay, severity of alarm element. The tables of annex A do not include the application of these parameters.

A table is giving minimum set of information for each type of AC distribution System.

A.1 Integrated Battery Unit (IBU) and Integrated Battery System (IBS)

Table A.1: Minimum set of monitored information

Element type	Monitored information	Explanation
alarm	Input/output and battery protective device (gathered or unitary information)	Fuse/Circuit Breaker open or tripped
	Battery discharge (e.g. due to mains loss, mains out of limits or not enough rectifier power)	
	Battery test failure	Battery failed to pass defined test criteria e.g. autonomy time, voltage threshold, state of health (SoH) threshold
	Output low voltage	Voltage of the DC bus falls below pre-set threshold, e.g. due to battery discharge
	Battery over-temperature	Battery temperature exceeds high limit setting
	State of Charge (SoC) low	SoC falls below preset minimum. Signal can be used to actuate external contactor to stop the discharge, start an auxiliary generator or other device
	State of Health (SoH) abnormal	SoH falls below present minimum with pre-defined grace period
	Safe mode actuated	Electronic contactor is open and the IBU or IBS has restricted operation
event	Alarm set and clear	
	Change of operating mode	Change of mode, e.g. charge, discharge, float charge, sleep, safe
data	DC voltage ($\pm 0,1$ V) - this precision is required for floating voltage (e.g. 54,6 V) derating detection and temperature charge compensation (around -3 mV/K/cell).	
	Charge and discharge battery current I_{Batt}	
	Battery discharge alarm duration	Time period over which battery is discharging e.g. caused by actual mains supply failure or insufficient output power from rectifiers due to failure
	Battery temperature (± 2 °C)	
	XCU program download with default to previous release	
data record	Battery temperature	Battery temperature data log at 1 hour interval limited to a defined number of records
config	IBU or IBS type	
	If IBS: Number of IBU in series and in parallel	
	IBU or IBS parameters (voltage, current, capacity in Ah and Wh)	
	Date and time	
	Sliding time window to capture maximum output DC current All XCU alarm/event/test/command parameters (time-out, counter, thresholds, etc.)	Period of time over which power data logging is carried out
control	Any forced change of operating mode e.g. battery discharge test, boost charge	
	XCU program download with default to previous release	
	Default values resetting (safe value for XCU)	

Annex B (informative): Summary of non-mandatory monitoring/supervision information and functions

According to their types (Description, Alarm, Data, etc.), as defined in ES 202 336-1 [1], the information should be provided by the Control Unit (XCU) or by the Data Gathering Unit (DGU).

The non mandatory information of tables of annex B are provided in addition to the mandatory information defined in tables of annex A.

NOTE: The "Explanation" column provided in the data tables of annex B has been used where necessary to further explain the statements in the "Monitored information" column. The "Type" column gives the assigned name used in XML coding and the "Monitored information" column provides details of the condition or state being monitored. The identifiers used in the "Type" column of the tables of annex B are described in ES 202 336-1 [1].

Table B.1 is giving a list of useful non mandatory information for Telecom/ICT equipment power, energy and environmental parameters measurements.

B.1 Integrated Battery Unit (IBU) and Integrated Battery System (IBS)

Table B.1

Element type	Monitored information	Explanation
description	additive information	
alarm	Unbalanced charge branch current	An unbalanced charge current of a certain percentage compared between battery strings
	Unbalanced discharge branch current	
	Unbalanced cell voltage	
	Battery asymmetry (midpoint voltage)	
	Battery circuit protection	Fuse or circuit breaker tripped or in open position
	Output overload	Connected equipment load is greater than DC power system capacity
	Output high voltage	Voltage of the DC bus goes above preset threshold e.g. due to voltage regulation failure
	Low Voltage Disconnect open	When there is a battery or load disconnecting device the alarm indicates the disconnection has occurred
	Battery over-charge (Ah in excess or high float current)	Measurement/ calculation of charge (current x time) alarm will be raised when threshold charge level is exceeded
	Mains supply outside of specified rectifier input limits	
	Battery replacement needed (based on time counters or specific conditions)	
	Float voltage out of limits (e.g. relative to temperature)	
	Earth leakage detection on high voltage battery (e.g. 300 V to 500 V)	Where using EN 300 132-3-1 [2]
	Battery temperature out of limits (jar or ambient lead acid batteries)	
Midpoint dc voltage deviation		
Battery temperature sensor failure	This sensor is for example placed on the battery jar or close to the battery	

Element type	Monitored information	Explanation
event	Battery test execution report	
	Status change or fast repetition (charge-discharge event)	
	Abuse	
	Cumulated Wh charge	
	Cumulated Ah charge	
	Cumulated Wh discharge	
	Cumulated Ah discharge	
	Cumulated time spent on charge	
	Cumulated time spend on discharge	
	Indication of restart with back-up or customized parameters (auto-recovery in case of Control Unit reset or replacement)	
	power interconnection	
data	Estimated remaining battery autonomy (time) during discharge	
	Battery age since date of installation	
	Estimated remaining battery capacity (due to ageing) at full charge ($\pm 5\%$)	
	Power capacity management (ratio) = Used/Installed power	
	DC output power	This value can be calculated by the DC power system controller from DC output voltage and current measurements
	Cell or block or midpoint dc voltage (± 10 mV/cell)	Cell monitoring can be performed by a separate battery analyzer
	Battery voltage	
data record	Battery string current	
	Detailed battery test data record : discharge chart, temperature, string current, cell voltages	
	Input (AC) energy consumption over preset period	
config	DC output power	This value can be calculated by the DC power system controller from DC output voltage and current measurements
	Battery discharge time out	
	Output low voltage threshold	
	Battery over-charge threshold persistent high float current	
	Battery over-temperature threshold	
	Unbalanced charge string current (persistent string branch charge current difference/mean string charge current value)	
	Unbalanced string discharge current (persistent string branch discharge current difference/mean string discharge current value)	
	Unbalanced cell voltage (persistent cell voltage difference/mean cell voltage value)	
	Persistent midpoint battery voltage asymmetry	Generally when there is not individual voltage cell monitoring
	battery test parameters	
	Output overload threshold (consumed power/ useful power where useful power is installed power without redundancy or battery recharge power).	
Battery life expectancy at 20 °C (as provided by manufacturer)		
control	Battery test on demand	
	DC power device control (rectifiers, Low Voltage Disconnection, etc.)	
	Acknowledge battery replacement	
	Acknowledge alarms	

Annex C (normative): Mandatory XML structure and elements

C.1 Structure of an XML document for Telecom/ICT IBS control and monitoring

In the site DGU XML data structure as described in ES 202 336-1 [1], an IBS is always a child of a site energy system.

The XML structure shall be as follows:

NOTE: Indicate precisely the generic mandatory XML structure and where to put the information if it exists (where it starts and stops). Every equipment and element, should be considered as a folder in the XML structure.

```

<site id="23" status = "normal">
  ....
  <integrated battery system id="1" status="normal">
    <description_table>
      ...
    </description_table>
    ...
    <integrated battery system; id="1" status="normal">
      <description_table>
        ...
      </description_table>
      <alarm_table>
        ...
      </alarm_table>
      <event_table>
        ...
      </event_table>
      <data_table>
        ...
      </data_table>
      <data_record_table>
        ...
      </data_record_table>
      <config_table>
        ...
      </config_table>
      <control_table>
        ...
      </control_table>
      ...
    </ integrated battery system >
    ...
  </energy measuring_system>
</site>

```


A Telecom-ICT Power/Energy/Environment condition metering XCU will only generate the XML document "ac_distribution_power_system.xml". This file can be downloaded by the DGU of the site and embedded in the "site.xml" document. In this case, the structure of the document is as follows:

```
< integrated battery system id="1" status="normal">
  <description_table>
  ...
  </description_table>
  <alarm_table>
  ...
  </alarm_table>
  <event_table>
  ...
  </event_table>
  <data_table>
  ...
  </data_table>
  <data_record_table>
  ...
  </data_record_table>
  <config_table>
  ...
  </config_table>
  <control_table>
  ...
  </control_table>
  ...
</integrated battery system >
```

C.2 The specific XML elements of a Telecom/ICT IBS

Here follows the specific tags for XML elements that are not detailed in ES 202 336-1 [1].

As integrated battery systems can be very complex, the manufacturer is free to add sub-equipments in the XML structure to provide more detailed information, data, control, etc.

The allowed child elements of <integrated battery system > are:

Table C.1

Child Element	Description	Datatype
<integrated battery string>	For detailed information on the child element	xs:complexType
<integrated battery unit>	For detailed information on the child element	xs:complexType
<integrated battery cell>	For detailed information on the child element	xs:complexType

Annex D (informative): Bibliography

IEC 62620: "Secondary cells and batteries containing alkaline or other non-acid electrolytes - Large format secondary lithium cells and batteries for use in industrial applications".

NOTE: Currently a working draft as of September 27th, 2011.

ETSI TR 102 336: "Environmental Engineering (EE); Power and cooling system control and monitoring guidance".

ETSI EN 302 099: "Environmental Engineering (EE); Powering of equipment in access network".

History

Document history		
V1.0.0	July 2014	Membership Approval Procedure MV 20140902: 2014-07-04 to 2014-09-02