

**Open Service Access (OSA);
Application Programming Interface (API);
Test Suite Structure and Test Purposes (TSS&TP);
Part 11: Account management SCF**



Reference

DES/SPAN-120088-11

Keywords

API, OSA, TSS&TP

ETSI

650 Route des Lucioles
F-06921 Sophia Antipolis Cedex - FRANCE

Tel.: +33 4 92 94 42 00 Fax: +33 4 93 65 47 16

Siret N° 348 623 562 00017 - NAF 742 C
Association à but non lucratif enregistrée à la
Sous-Préfecture de Grasse (06) N° 7803/88

Important notice

Individual copies of the present document can be downloaded from:

<http://www.etsi.org>

The present document may be made available in more than one electronic version or in print. In any case of existing or perceived difference in contents between such versions, the reference version is the Portable Document Format (PDF). In case of dispute, the reference shall be the printing on ETSI printers of the PDF version kept on a specific network drive within ETSI Secretariat.

Users of the present document should be aware that the document may be subject to revision or change of status. Information on the current status of this and other ETSI documents is available at

<http://portal.etsi.org/tb/status/status.asp>

If you find errors in the present document, send your comment to:

editor@etsi.org

Copyright Notification

No part may be reproduced except as authorized by written permission.
The copyright and the foregoing restriction extend to reproduction in all media.

© European Telecommunications Standards Institute 2003.
All rights reserved.

DECT™, **PLUGTESTS™** and **UMTS™** are Trade Marks of ETSI registered for the benefit of its Members.
TIPHON™ and the **TIPHON logo** are Trade Marks currently being registered by ETSI for the benefit of its Members.
3GPP™ is a Trade Mark of ETSI registered for the benefit of its Members and of the 3GPP Organizational Partners.

Contents

Intellectual Property Rights	4
Foreword.....	4
1 Scope	5
2 References	5
3 Definitions and abbreviations.....	5
3.1 Definitions	5
3.2 Abbreviations	6
4 Test Suite Structure (TSS).....	6
5 Test Purposes (TP)	6
5.1 Introduction	6
5.1.1 TP naming convention	6
5.1.2 Source of TP definition.....	6
5.1.3 Test strategy.....	7
5.2 TPs for the Account Management SCF.....	7
5.2.1 Account Management	8
History	20

Intellectual Property Rights

IPRs essential or potentially essential to the present document may have been declared to ETSI. The information pertaining to these essential IPRs, if any, is publicly available for **ETSI members and non-members**, and can be found in ETSI SR 000 314: "*Intellectual Property Rights (IPRs); Essential, or potentially Essential, IPRs notified to ETSI in respect of ETSI standards*", which is available from the ETSI Secretariat. Latest updates are available on the ETSI Web server (<http://webapp.etsi.org/IPR/home.asp>).

Pursuant to the ETSI IPR Policy, no investigation, including IPR searches, has been carried out by ETSI. No guarantee can be given as to the existence of other IPRs not referenced in ETSI SR 000 314 (or the updates on the ETSI Web server) which are, or may be, or may become, essential to the present document.

Foreword

This ETSI Standard (ES) has been produced by ETSI Technical Committee Services and Protocols for Advanced Networks (SPAN), and is now submitted for the ETSI standards Membership Approval Procedure.

The present document is part 11 of a multi-part deliverable. Full details of the entire series can be found in part 1 [6].

To evaluate conformance of a particular implementation, it is necessary to have a set of test purposes to evaluate the dynamic behaviour of the Implementation Under Test (IUT). The specification containing those test purposes is called a Test Suite Structure and Test Purposes (TSS&TP) specification.

1 Scope

The present document provides the Test Suite Structure and Test Purposes (TSS&TP) specification for the Account Management SCF of the Application Programming Interface (API) for Open Service Access (OSA) defined in ES 201 915-11 [1] in compliance with the relevant requirements, and in accordance with the relevant guidance given in ISO/IEC 9646-2 [4] and ETS 300 406 [5].

2 References

The following documents contain provisions which, through reference in this text, constitute provisions of the present document.

- References are either specific (identified by date of publication and/or edition number or version number) or non-specific.
- For a specific reference, subsequent revisions do not apply.
- For a non-specific reference, the latest version applies.

Referenced documents which are not found to be publicly available in the expected location might be found at <http://docbox.etsi.org/Reference>.

- [1] ETSI ES 201 915-11: "Open Service Access (OSA); Application Programming Interface (API); Part 11: Account Management SCF".
- [2] ETSI ES 202 170: "Open Service Access (OSA); Application Programming Interface (API); Implementation Conformance Statement (ICS) proforma specification for Framework and SCFs".
- [3] ISO/IEC 9646-1: "Information technology - Open Systems Interconnection - Conformance testing methodology and framework - Part 1: General concepts".
- [4] ISO/IEC 9646-2: "Information technology - Open Systems Interconnection - Conformance testing methodology and framework - Part 2: Abstract Test Suite specification".
- [5] ETSI ETS 300 406: "Methods for Testing and Specification (MTS); Protocol and profile conformance testing specifications; Standardization methodology".
- [6] ETSI ES 202 196-1: "Open Service Access (OSA); Application Programming Interface (API); Test Suite Structure and Test Purposes (TSS&TP); Part 1: Overview".

3 Definitions and abbreviations

3.1 Definitions

For the purposes of the present document, the terms and definitions given in ES 201 915-11 [1], ISO/IEC 9646-1 [3] and ISO/IEC 9646-2 [4] and the following apply:

abstract test case: Refer to ISO/IEC 9646-1 [3].

Abstract Test Method (ATM): Refer to ISO/IEC 9646-1 [3].

Abstract Test Suite (ATS): Refer to ISO/IEC 9646-1 [3].

Implementation Under Test (IUT): Refer to ISO/IEC 9646-1 [3].

Lower Tester (LT): Refer to ISO/IEC 9646-1 [3].

Implementation Conformance Statement (ICS): Refer to ISO/IEC 9646-1 [3].

ICS proforma: Refer to ISO/IEC 9646-1 [3].

Implementation eXtra Information for Testing (IXIT): Refer to ISO/IEC 9646-1 [3].

IXIT proforma: Refer to ISO/IEC 9646-1 [3].

Test Purpose (TP): Refer to ISO/IEC 9646-1 [3].

3.2 Abbreviations

For the purposes of the present document, the following abbreviations apply:

AM	Account Management
API	Application Programming Interface
ATM	Abstract Test Method
ATS	Abstract Test Suite
ICS	Implementation Conformance Statement
IUT	Implementation Under Test
IXIT	Implementation eXtra Information for Testing
LT	Lower Tester
OSA	Open Service Access
TP	Test Purpose
TSS	Test Suite Structure

4 Test Suite Structure (TSS)

- Account Management

5 Test Purposes (TP)

5.1 Introduction

For each test requirement a TP is defined.

5.1.1 TP naming convention

Tps are numbered, starting at 01, within each group. Groups are organized according to the TSS. Additional references are added to identify the actual test suite (see table 1).

Table 1: TP identifier naming convention scheme

Identifier:	<suite_id>_<group>_<nnn>
<suite_id>	= SCG name: "AM" for A ccount M anagement part of Account Management SCF
<group>	= group number: two character field representing the group reference according to TSS
<nn>	= sequential number: (01-99)

5.1.2 Source of TP definition

The TPs are based on ES 201 915-11 [1].

5.1.3 Test strategy

As the base standard ES 201 915-11 [1] contains no explicit requirements for testing, the TPs were generated as a result of an analysis of the base standard and the ICS specification ES 202 170 [2].

The TPs are only based on conformance requirements related to the externally observable behaviour of the IUT and are limited to conceivable situations to which a real implementation is likely to be faced (see ETS 300 406 [5]).

5.2 TPs for the Account Management SCF

All ICS items referred to in this clause are as specified in ES 202 170 [2] unless indicated otherwise by another numbered reference.

All parameters specified in method calls are valid unless specified.

The procedures to trigger the SCF to call methods in the application are dependant on the underlying network architecture and are out of the scope of this test specification. Those method calls are preceded by the words "Triggered action".

5.2.1 Account Management

Test AM_01

Summary: **IpAccountManager** all methods, successful

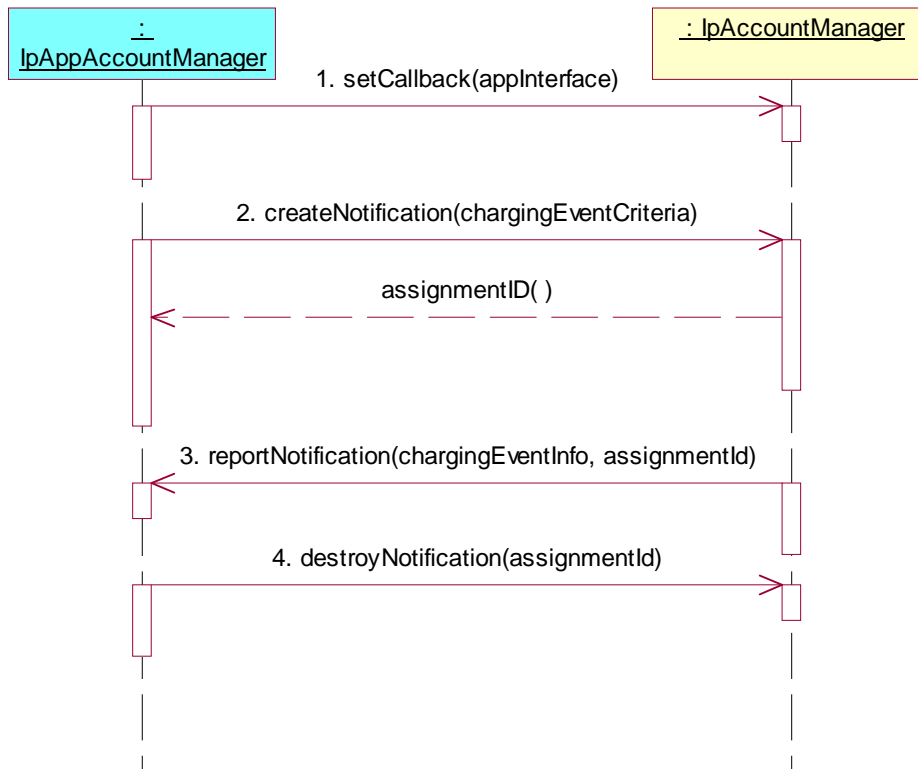
Reference: ES 201 915-11 [1], clause 8.1

Precondition: createNotification and destroyNotification supported

Preamble: Registration of the IUT (Account Manager SCF) and the tester (application) to the framework. The tester must have obtained a reference to an instance of the IpAccountManager interface through selecting that service and signing the required service agreement.

Test Sequence:

1. Method call **setCallback()**
Parameters: appInterface with value of tester's (Application's) IpAppAccountManager interface
Check: no exception is returned.
2. Method call **createNotification()**
Parameters: chargingEventCriteria
Check: valid value of TpAssignmentID is returned
3. Triggered action: cause IUT to call **reportNotification()** method on the tester's (Application) **IpAppAccountManager** interface.
Parameters: chargingEventInfo, assignmentId
4. Method call **destroyNotification()**
Parameters: assignmentID give in 2.
Check: no exception is returned



Test AM_02

Summary: **IpAccountManager** all methods, successful

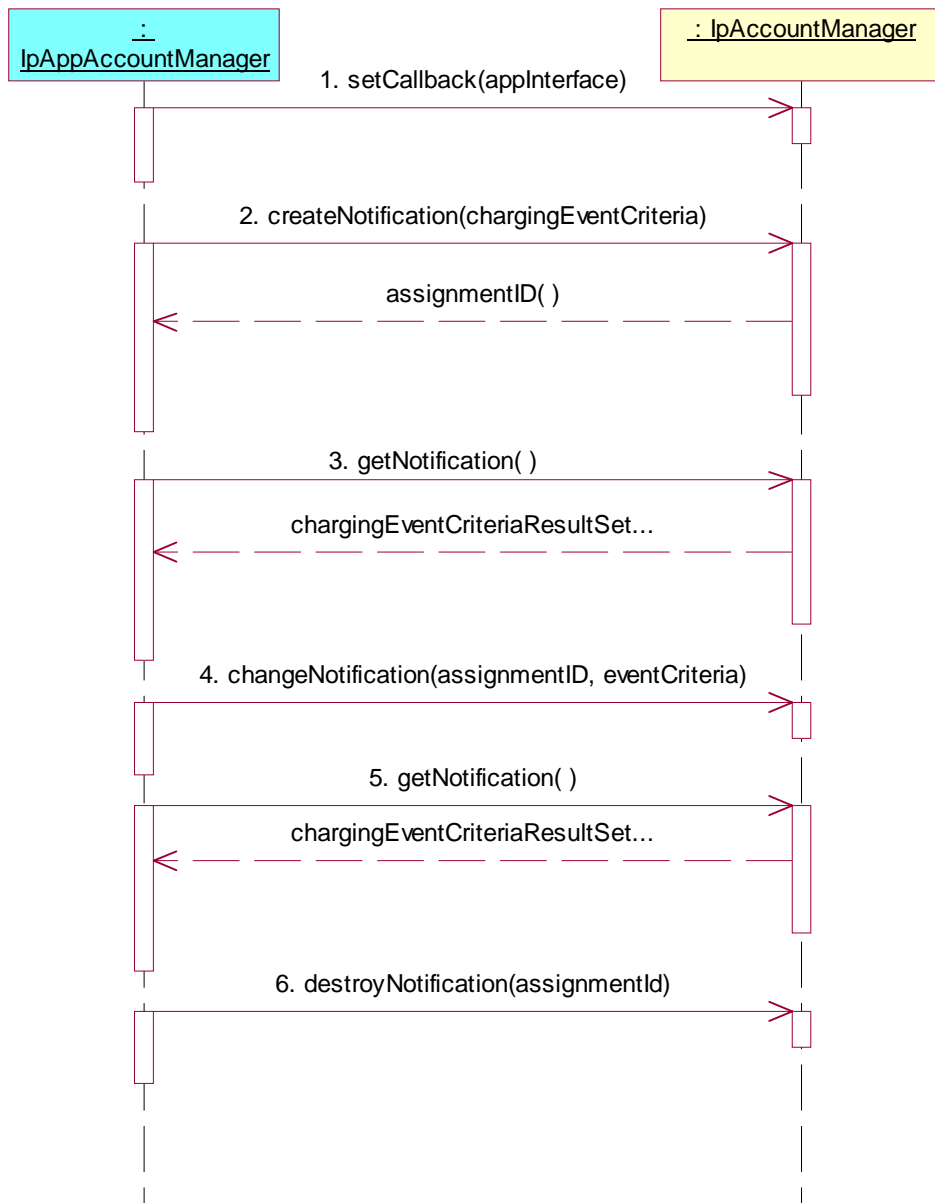
Reference: ES 201 915-11 [1], clause 8.1

Precondition: createNotification, destroyNotification, getNotification and changeNotification supported

Preamble: Registration of the IUT (Account Manager SCF) and the tester (application) to the framework. The tester must have obtained a reference to an instance of the IpAccountManager interface through selecting that service and signing the required service agreement.

Test Sequence:

1. Method call **setCallback()**
Parameters: appInterface with value of tester's (Application's) IpAppAccountManager interface
Check: no exception is returned.
2. Method call **createNotification()**
Parameters: chargingEventCriteria
Check: valid value of TpAssignmentID is returned
3. Method call **getNotification()**
Parameters: None
Check: valid value of TpChargingEventCriteriaResultSet is returned, which corresponds to notification created in 1.
4. Method call **changeNotification()**
Parameters: assignmentID give in 1., eventCriteria
Check: no exception is returned
5. Method call **getNotification()**
Parameters: None
Check: valid value of TpChargingEventCriteriaResultSet is returned, which corresponds to the change made in 3
6. Method call **destroyNotification()**
Parameters: assignmentID give in 1.
Check: no exception is returned



Test AM_03

Summary: **IpAccountManager** createNotification, P_INVALID_CRITERIA

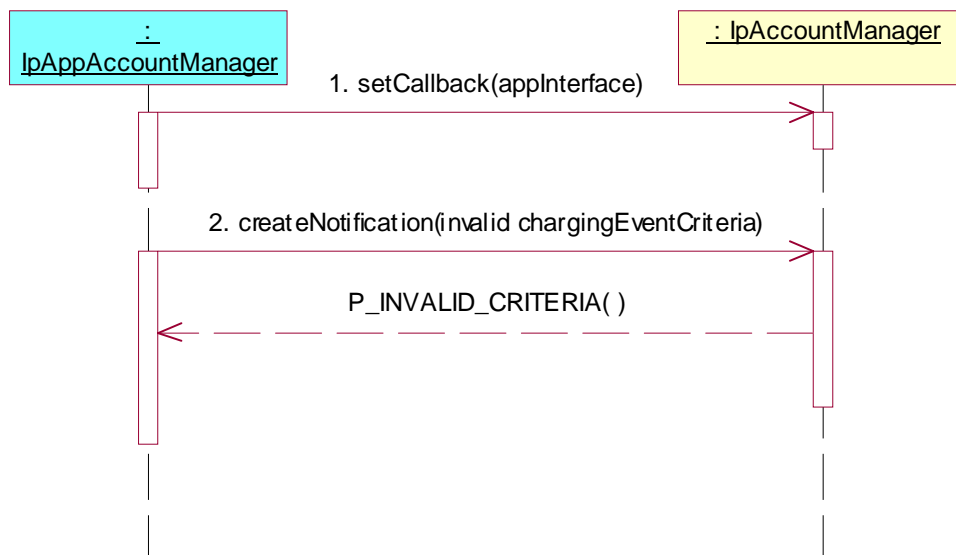
Reference: ES 201 915-11 [1], clause 8.1

Precondition: createNotification supported

Preamble: Registration of the IUT (Account Manager SCF) and the tester (application) to the framework. The tester must have obtained a reference to an instance of the IpAccountManager interface through selecting that service and signing the required service agreement.

Test Sequence:

1. Method call **setCallback()**
 Parameters: appInterface with value of tester's (Application's) IpAppAccountManager interface
 Check: no exception is returned.
2. Method call **createNotification()**
 Parameters: invalid chargingEventCriteria
 Check: P_INVALID_CRITERIA is returned



Test AM_04

Summary: **IpAccountManager** changeNotification, P_INVALID_CRITERIA

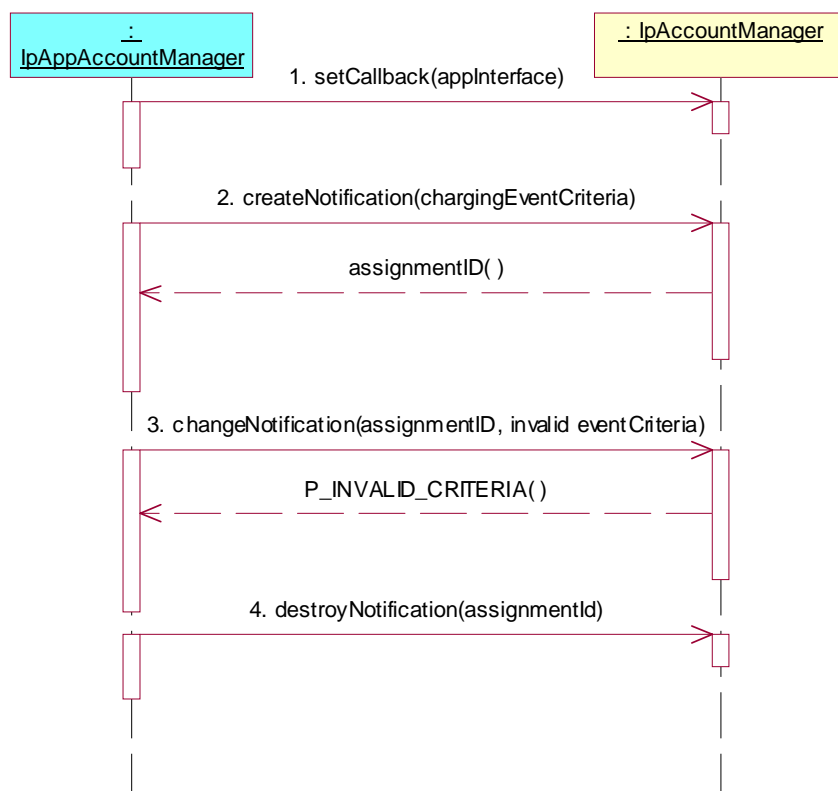
Reference: ES 201 915-11 [1], clause 8.1

Precondition: createNotification and changeNotification supported

Preamble: Registration of the IUT (Account Manager SCF) and the tester (application) to the framework. The tester must have obtained a reference to an instance of the IpAccountManager interface through selecting that service and signing the required service agreement.

Test Sequence:

1. Method call **setCallback()**
Parameters: appInterface with value of tester's (Application's) IpAppAccountManager interface
Check: no exception is returned.
2. Method call **createNotification()**
Parameters: chargingEventCriteria
Check: valid value of TpAssignmentID is returned
3. Method call **changeNotification()**
Parameters: assignmentID give in 1., invalid eventCriteria
Check: P_INVALID_CRITERIA is returned
4. Method call **destroyNotification()**
Parameters: assignmentID give in 2.
Check: no exception is returned



Test AM_05

Summary: **IpAccountManager** changeNotification, P_INVALID_ASSIGNMENT_ID

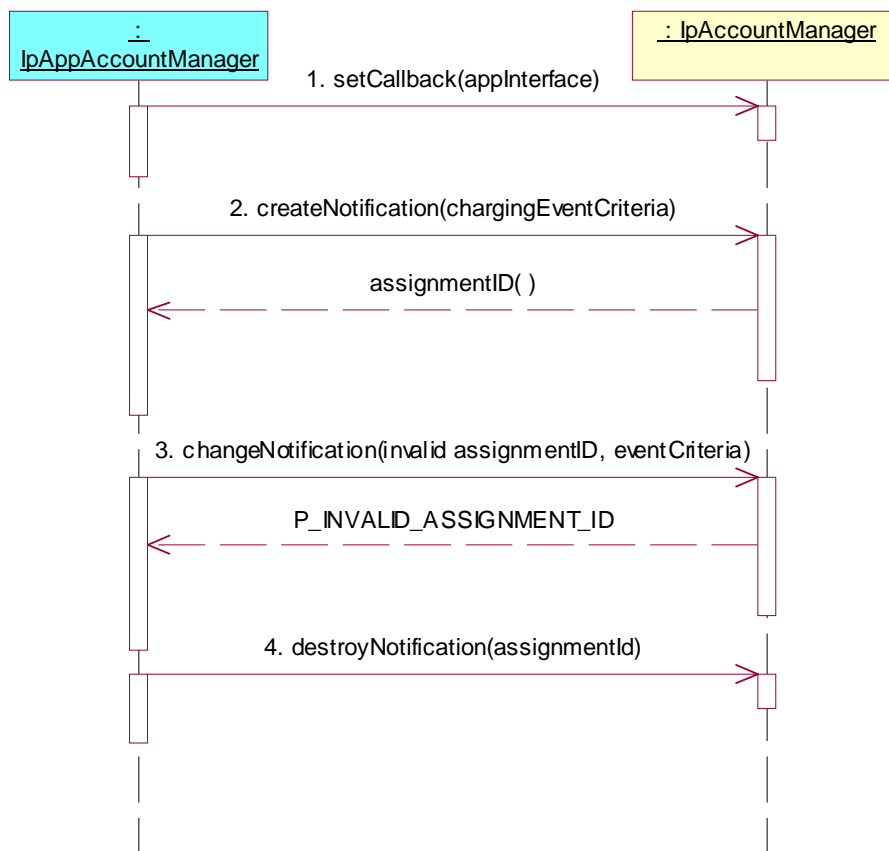
Reference: ES 201 915-11 [1], clause 8.1

Precondition: createNotification and changeNotification supported

Preamble: Registration of the IUT (Account Manager SCF) and the tester (application) to the framework. The tester must have obtained a reference to an instance of the IpAccountManager interface through selecting that service and signing the required service agreement.

Test Sequence:

1. Method call **setCallback()**
Parameters: appInterface with value of tester's (Application's) IpAppAccountManager interface
Check: no exception is returned.
2. Method call **createNotification()**
Parameters: chargingEventCriteria
Check: valid value of TpAssignmentID is returned
3. Method call **changeNotification()**
Parameters: invalid assignmentID, eventCriteria
Check: P_INVALID_ASSIGNMENT_ID is returned
4. Method call **destroyNotification()**
Parameters: assignmentID give in 2.
Check: no exception is returned



Test AM_06

Summary: **IpAccountManager** destroyNotification, P_INVALID_ASSIGNMENT_ID

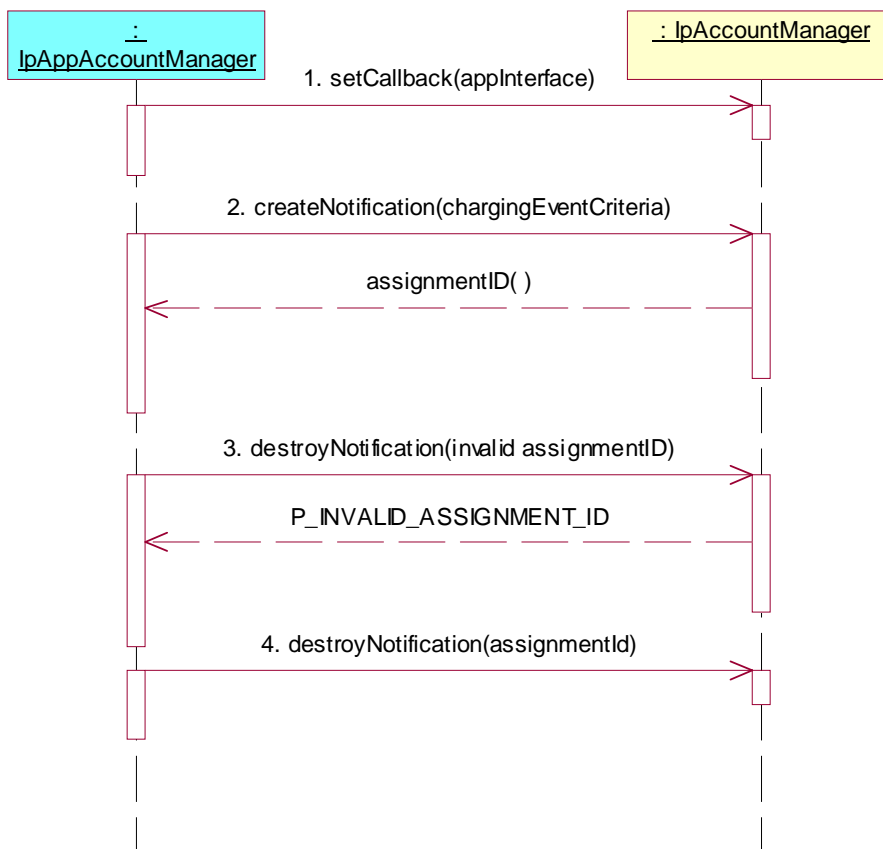
Reference: ES 201 915-11 [1], clause 8.1

Precondition: createNotification and destroyNotification supported

Preamble: Registration of the IUT (Account Manager SCF) and the tester (application) to the framework. The tester must have obtained a reference to an instance of the IpAccountManager interface through selecting that service and signing the required service agreement.

Test Sequence:

1. Method call **setCallback()**
Parameters: appInterface with value of tester's (Application's) IpAppAccountManager interface
Check: no exception is returned.
2. Method call **createNotification()**
Parameters: chargingEventCriteria
Check: valid value of TpAssignmentID is returned
3. Method call **destroyNotification()**
Parameters: invalid assignmentID
Check: P_INVALID_ASSIGNMENT_ID is returned
4. Method call **destroyNotification()**
Parameters: assignmentID give in 2.
Check: no exception is returned



Test AM_07

Summary: **IpAccountManager** all methods, successful

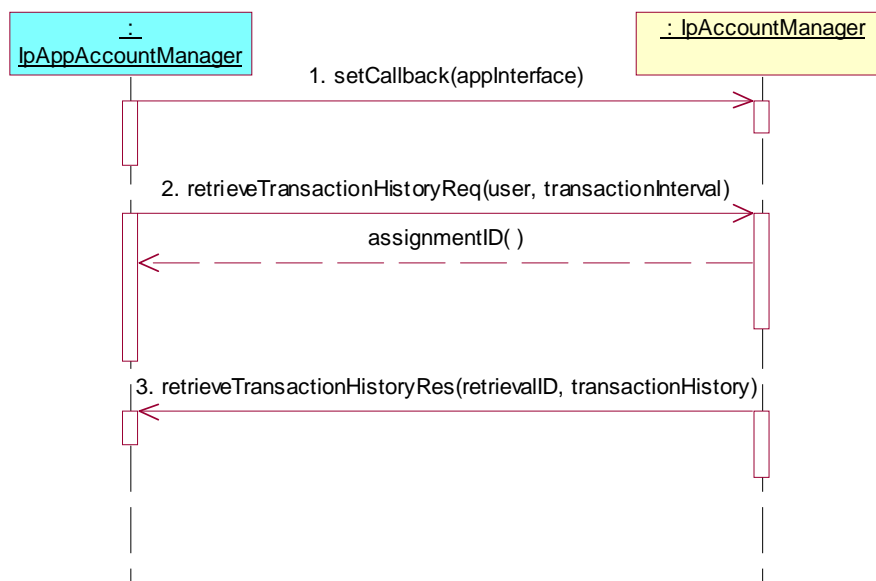
Reference: ES 201 915-11 [1], clause 8.1

Precondition: retrieveTransactionHistoryReq supported

Preamble: Registration of the IUT (Account Manager SCF) and the tester (application) to the framework. The tester must have obtained a reference to an instance of the IpAccountManager interface through selecting that service and signing the required service agreement.

Test Sequence:

1. Method call **setCallback()**
Parameters: appInterface with value of tester's (Application's) IpAppAccountManager interface
Check: no exception is returned.
2. Method call **retrieveTransactionHistoryReq()**
Parameters: user, transactionInterval
Check: valid value of TpAssignmentID is returned.
3. Triggered action: cause IUT to call **retrieveTransactionHistoryRes()** method on the tester's (Application) **IpAppAccountManager** interface.
Parameters: retrievalID, transactionHistory



Test AM_08

Summary: **IpAccountManager** retrieveTransactionHistoryReq, P_UNKNOWN_SUBSCRIBER

Reference: ES 201 915-11 [1], clause 8.1

Precondition: retrieveTransactionHistoryReq supported

Preamble: Registration of the IUT (Account Manager SCF) and the tester (application) to the framework. The tester must have obtained a reference to an instance of the IpAccountManager interface through selecting that service and signing the required service agreement.

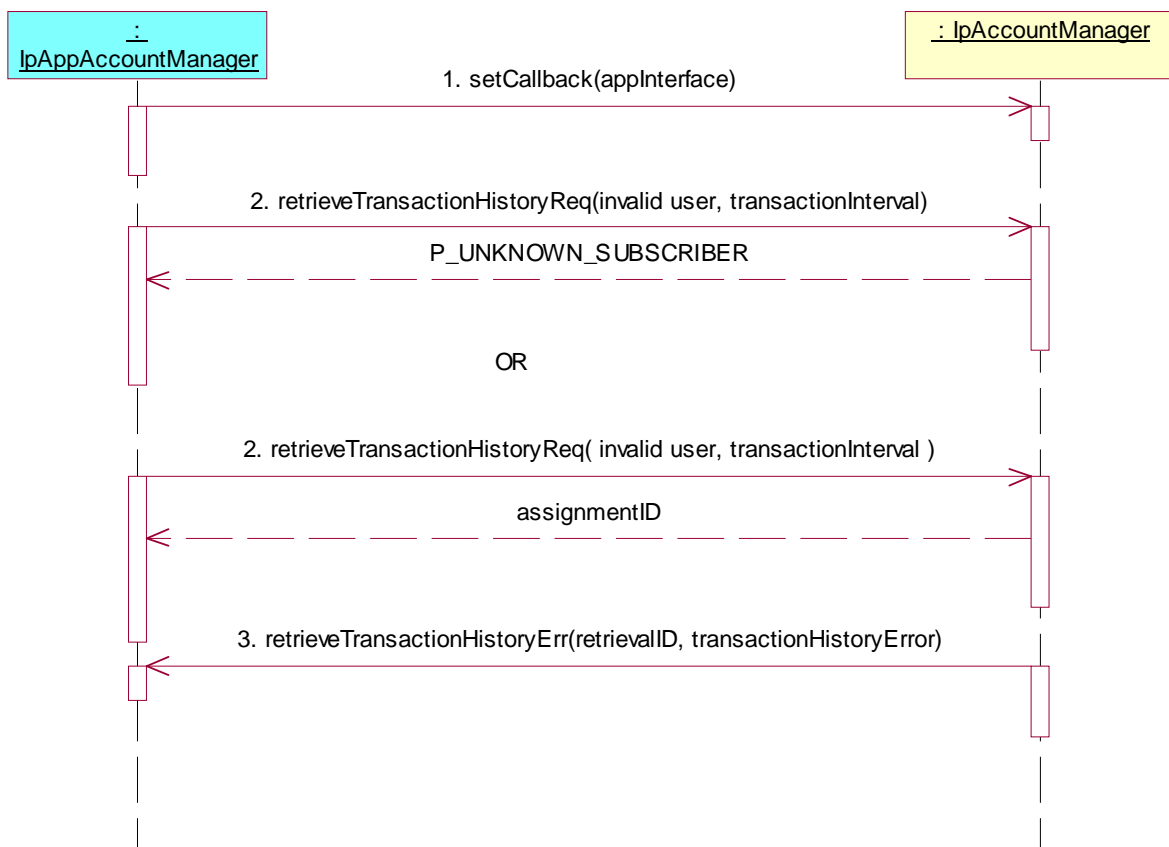
Test Sequence:

1. Method call **setCallback()**
Parameters: appInterface with value of tester's (Application's) IpAppAccountManager interface
Check: no exception is returned.
2. Method call **retrieveTransactionHistoryReq()**
Parameters: invalid user, transactionInterval
Check: P_UNKNOWN_SUBSCRIBER is returned,

OR

Check: valid value of TpAssignmentID is returned

3. Check: **retrieveTransactionHistoryErr()** method is called on the tester's (Application) **IpAppAccountManager** interface.
Parameters: retrievalID, transactionHistoryError.



Test AM_09

Summary: **IpAccountManager** retrieveTransactionHistoryReq, P_INVALID_TIME_AND_DATE_FORMAT

Reference: ES 201 915-11 [1], clause 8.1

Precondition: retrieveTransactionHistoryReq supported

Preamble: Registration of the IUT (Account Manager SCF) and the tester (application) to the framework. The tester must have obtained a reference to an instance of the IpAccountManager interface through selecting that service and signing the required service agreement.

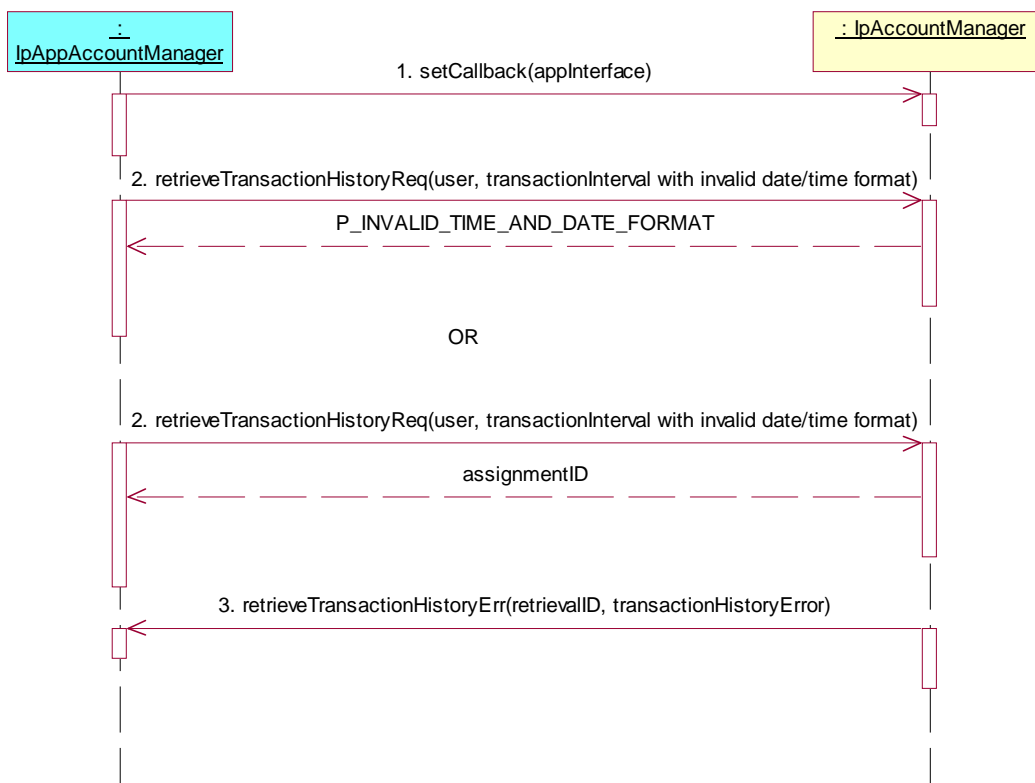
Test Sequence:

1. Method call **setCallback()**
Parameters: appInterface with value of tester's (Application's) IpAppAccountManager interface
Check: no exception is returned.
2. Method call **retrieveTransactionHistoryReq()**
Parameters: user, transactionInterval with invalid date/time format
Check: P_INVALID_TIME_AND_DATE_FORMAT is returned,

OR

Check: valid value of TpAssignmentID is returned

3. Check: **retrieveTransactionHistoryErr()** method is called on the tester's (Application) **IpAppAccountManager** interface.
Parameters: retrievalID, transactionHistoryError.



Test AM_10

Summary: **IpAccountManager** all methods, successful

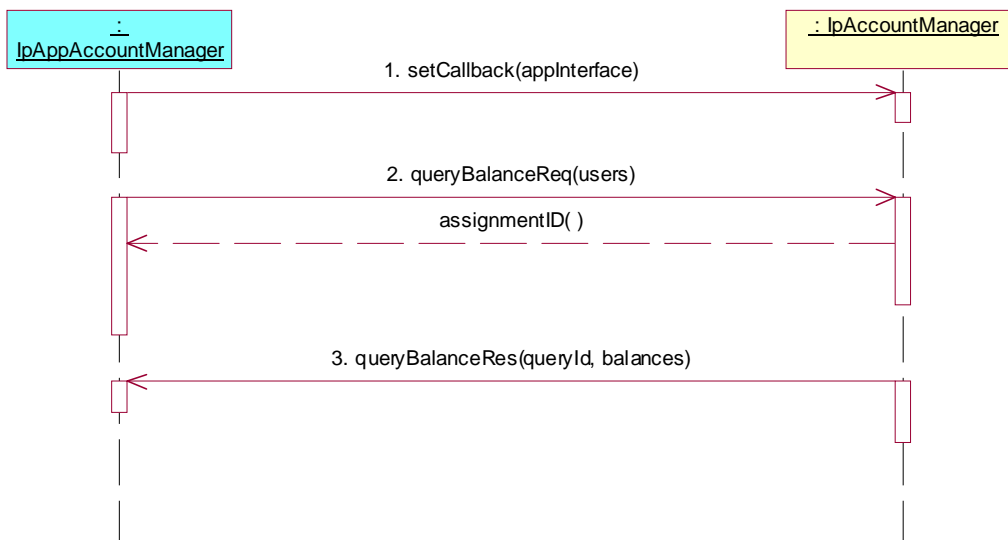
Reference: ES 201 915-11 [1], clause 8.1

Precondition: queryBalanceReq supported

Preamble: Registration of the IUT (Account Manager SCF) and the tester (application) to the framework. The tester must have obtained a reference to an instance of the IpAccountManager interface through selecting that service and signing the required service agreement.

Test Sequence:

1. Method call **setCallback()**
Parameters: appInterface with value of tester's (Application's) IpAppAccountManager interface
Check: no exception is returned.
2. Method call **queryBalanceReq()**
Parameters: users
Check: valid value of TpAssignmentID is returned
3. Triggered action: cause IUT to call **queryBalanceRes()** method on the tester's (Application) **IpAppAccountManager** interface.
Parameters: queryId, balances



Test AM_11

Summary: **IpAccountManager** queryBalanceReq, P_UNKNOWN_SUBSCRIBER

Reference: ES 201 915-11 [1], clause 8.1

Precondition: queryBalanceReq supported

Preamble: Registration of the IUT (Account Manager SCF) and the tester (application) to the framework. The tester must have obtained a reference to an instance of the IpAccountManager interface through selecting that service and signing the required service agreement.

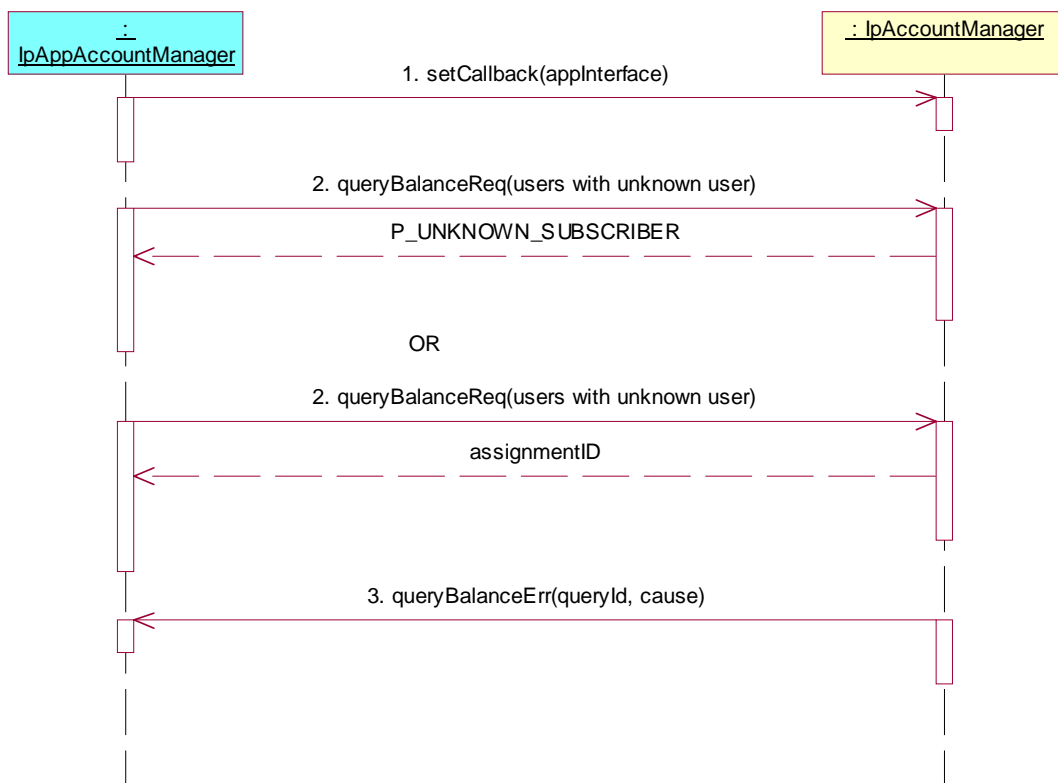
Test Sequence:

1. Method call **setCallback()**
Parameters: appInterface with value of tester's (Application's) IpAppAccountManager interface
Check: no exception is returned.
2. Method call **queryBalanceReq()**
Parameters: users, with unknown user
Check: P_UNKNOWN_SUBSCRIBER is returned,

OR

Check: valid value of TpAssignmentID is returned

3. Check: **queryBalanceErr()** method is called on the tester's (Application) **IpAppAccountManager** interface.
Parameters: queryId, cause.



History

Document history		
V1.1.1	June 2003	Membership Approval Procedure MV 20030801: 2003-06-03 to 2003-08-01