

# ES 201 071 V1.1.2 (1998-10)

---

*ETSI Standard*

## **Public Switched Telephone Network (PSTN); Protocol over the local loop for display services; Server Display and Script Services (SDSS)**

[European adaptation of Bellcore SR-INS-002461 and TR-NWT-001273]

---



---

**Reference**

DES/ATA-005062 (9x000idd.PDF)

---

**Keywords**

CLIP, PSTN, supplementary services

**ETSI**

---

**Postal address**

F-06921 Sophia Antipolis Cedex - FRANCE

---

**Office address**

650 Route des Lucioles - Sophia Antipolis  
Valbonne - FRANCE  
Tel.: +33 4 92 94 42 00 Fax: +33 4 93 65 47 16  
Siret N° 348 623 562 00017 - NAF 742 C  
Association à but non lucratif enregistrée à la  
Sous-Préfecture de Grasse (06) N° 7803/88

---

**Internet**

secretariat@etsi.fr  
<http://www.etsi.org>

---

**Copyright Notification**

---

No part may be reproduced except as authorized by written permission.  
The copyright and the foregoing restriction extend to reproduction in all media.

© European Telecommunications Standards Institute 1998.  
All rights reserved.

# Contents

Intellectual Property Rights .....	7
Foreword .....	7
Introduction .....	7
1 Scope .....	8
2 References .....	8
3 Definitions and abbreviations .....	9
3.1 Definitions .....	9
3.2 Abbreviations .....	9
4 Requirements .....	10
4.1 Access requirements .....	10
4.2 SDSS requirements .....	10
5 EMC requirements .....	10
6 Safety requirements .....	10
<b>Annex A (normative): SR-INS-002461 .....</b>	<b>11</b>
A.1 Introduction .....	11
A.1.1 Purpose .....	11
A.1.2 Definitions .....	11
A.1.3 Background .....	11
A.1.4 Related documents .....	11
A.1.5 Scope .....	11
A.2 Abstract CPE (TE) .....	12
A.2.1 Virtual Display Management .....	12
A.2.1.1 Information Display Page .....	12
A.2.1.2 Communication Display Page .....	12
A.2.1.3 Formatting Virtual Display Pages .....	12
A.2.1.4 Soft Key Tuple Information .....	12
A.2.1.5 Display Character Attributes .....	12
A.2.1.6 Global Prompt .....	12
A.2.2 Feature Key Management (FKM) .....	12
A.2.2.1 Soft Keys .....	12
A.2.2.1.1 Soft Key Definers .....	12
A.2.2.1.2 Soft Key Definer Number .....	12
A.2.2.1.3 Soft Key Label String .....	12
A.2.2.1.4 Soft Key Return String .....	13
A.2.2.2 Page/Line Up and Down Keys .....	13
A.2.2.3 Line Soft Key Tuples .....	13
A.2.3 Terminal Control Management .....	13
A.2.3.1 Display .....	13
A.2.3.2 Call Reference Buffers .....	13
A.2.3.3 Current Line Number Buffer .....	13
A.2.3.4 Active Line .....	13
A.2.3.5 Input Format Table .....	13
A.2.3.6 Input Buffer .....	13
A.2.3.7 CPE (TE) ID and CPE (TE) Configuration .....	13
A.2.4 Modem Management (MM) .....	14
A.2.5 Feature Download Management (FDM) .....	14
A.2.5.1 FDM Security .....	14
A.2.5.2 Feature Download Management (FDM) Page .....	14
A.2.5.2.1 FDM Maintenance .....	14
A.2.5.2.2 FDM Display .....	14

A.2.5.2.3	Default Service .....	14
A.2.5.3	Downloadable Data .....	14
A.2.5.3.1	Service Script.....	14
A.2.5.3.2	Tables .....	16
A.2.5.4	Service-Script Interpreter .....	16
A.2.5.5	Starting and Ending a Service Script.....	16
A.2.5.6	Service Script Example .....	16
A.2.6	Hanging Up (Call release) .....	16
A.2.7	Idle State Settings .....	16
A.2.8	Off-hook CPE Modes (On-line TE modes).....	16
A.2.9	Summary of Abstract CPE (TE) .....	16
A.3	Minimum requirements for physical CPE (TE).....	17
A.3.1	Signalling Capabilities .....	17
A.3.1.1	Signal Detection and Generation - Physical Layer.....	17
A.3.1.1.1	FSK Data Transmission Interface.....	17
A.3.1.1.1.1	Signalling levels.....	17
A.3.1.1.2	Server-CPE (TE) Handshaking Signals .....	17
A.3.1.1.2.1	Network to TE operating sequence .....	17
A.3.1.1.2.2	Timing requirements .....	18
A.3.1.1.2.3	Voice path muting.....	18
A.3.1.1.2.4	TE - Acknowledgement signal (TE-ACK).....	18
A.3.1.1.2.5	TE - ADSI Message Acknowledgement signal .....	19
A.3.1.1.2.6	Start time.....	19
A.3.1.1.2.7	End time.....	19
A.3.1.1.2.8	Timeout - FSK data transmission not received .....	19
A.3.1.1.3	Timers.....	19
A.3.1.1.4	Signal Detection and Generation .....	19
A.3.1.1.4.1	Signal Detection.....	19
A.3.1.1.4.1.1	TE Alerting Signal (TAS) .....	19
A.3.1.1.4.1.2	Call Progress Tones (Network tones).....	19
A.3.1.1.4.1.3	Power Ringing.....	20
A.3.1.1.4.1.4	On-Hook/Off-Hook .....	20
A.3.1.1.4.1.5	Extension in Use.....	20
A.3.1.1.4.2	Signal generation.....	20
A.3.1.1.4.2.1	Dual-Tone Multifrequency (DTMF) .....	20
A.3.1.1.4.2.2	Dial pulse One.....	20
A.3.1.1.4.2.3	Disconnect and Switch-hook Flash.....	20
A.3.1.2	Signalling Layer - Link protocol .....	20
A.3.1.3	Message Layer.....	20
A.3.1.3.1	Non-ADSI Message.....	20
A.3.1.3.1.1	Existing non-ADSI Messages .....	20
A.3.1.3.1.2	Future TR-NWT-000030 MDMF Parameter .....	21
A.3.1.3.2	ADSI Messages .....	21
A.3.2	Display.....	21
A.3.2.1	Display Size .....	21
A.3.2.2	Displaying Virtual Pages.....	22
A.3.2.2.1	Wrapping Indicator.....	22
A.3.2.3	Display Character Attributes .....	22
A.3.2.4	Cursor.....	22
A.3.2.5	Active Line.....	22
A.3.2.6	Display Alphanumeric Mode .....	22
A.3.2.7	Interaction between Server Display Control and Feature Download Applications .....	22
A.3.3	Soft Keys .....	22
A.3.4	Size of FDM page .....	22
A.3.5	Local Scrolling.....	22
A.3.5.1	Active Logical Section Buffer.....	22
A.3.5.2	Active Soft Key Definer.....	22
A.3.5.3	Local Global Prompt Copy .....	22
A.3.5.4	Scrolling or Page Up/Down .....	23
A.3.6	Information Automatic Select (INAS) .....	23

A.3.7	Assigning CPE (TE) ID .....	23
A.3.8	Manual Operation .....	23
A.3.9	Memory Requirements.....	23
A.3.9.1	Virtual Display Pages.....	23
A.3.9.2	Soft Key Definer Table .....	23
A.3.9.3	Call Reference Buffers .....	23
A.3.9.4	Input Buffers .....	23
A.3.9.5	Input Format Buffer .....	23
A.3.9.6	Default Soft Key Tuple .....	23
A.3.9.7	Current Line Number Buffer.....	23
A.3.9.8	Service Script and associated Tables.....	23
A.3.9.8.1	Flags .....	24
A.3.9.8.2	CPE (TE) Script Soft Key Table .....	24
A.3.9.8.3	Predefined Display Table .....	24
A.3.9.8.4	Service Script.....	24
A.3.9.9	Summary of Memory Requirement .....	24
A.3.10	Data Preservation.....	24
A.3.11	Extension Phones.....	24
A.4	Error treatment .....	24
A.4.1	User Input .....	24
A.4.2	Data Structures.....	24
A.4.3	Undefined lines in Virtual Displays.....	24
A.4.4	Data Transmission .....	24
A.4.5	Message Sequence .....	24
A.4.6	Network-CPE (TE) Signal Detection.....	25
A.4.7	Network-CPE (TE) Signal Generation.....	25
A.5	Other CPE (TE) considerations .....	25
A.5.1	CPE (TE)-based Functions .....	25
A.5.2	CPE (TE) Functionality and Impact on Services .....	25
A.5.2.1	Downloading the initial Service Script.....	25
A.5.2.2	On-hook CPE (TE) display .....	25
A.5.3	Interaction between a Server Display Session and a Call Waiting/CIDCW .....	25
A.5.4	Industry Standards and FCC Regulations .....	25
Appendix 1: Components of the abstract CPE (TE).....		25
Appendix 2: Samples of Service Scripts.....		25
<b>Annex B (normative):</b>	<b>TR-NWT-001273 .....</b>	<b>26</b>
B.1	Introduction.....	26
B.1.1	Definition.....	26
B.1.2	Background.....	26
B.1.2.1	Scope.....	26
B.1.3	Customer Perspective.....	26
B.1.4	ADSI Compatible CPE (TE).....	26
B.1.5	Requirements Technology .....	26
B.2	Interface operations.....	26
B.2.1	Introduction to categories of message.....	26
B.2.1.1	Server Display Control Messages .....	26
B.2.1.2	Feature Download Messages.....	26
B.2.2	Session Interruption Treatment.....	27
B.2.3	Errors and Retransmission .....	27
B.3	ADSI protocol .....	27
B.3.1	First Layer (Physical Layer).....	27
B.3.2	Second Layer (Datalink Layer).....	27
B.3.2.1	Message Format for Datalink Layer .....	27
B.3.2.2	Standard ADSI Protocol - Functions to support the Datalink Layer .....	27
B.3.3	Third (Message) Layer.....	27

B.4	Standard ADSI Data Message Parameters .....	28
B.4.1	ADSI Server Display Control Message Parameters .....	28
B.4.2	Feature Download Message Parameters .....	28
B.5	Call Processing Control and Transmissions .....	28
B.5.1	Connections .....	28
B.5.2	Class of Service .....	28
B.5.3	Charge treatment .....	28
B.5.4	Common Channel Signalling .....	28
B.5.5	Transmission .....	28
B.6	Administration (not applicable) .....	29
B.6.1	Services Changes to the BCC .....	29
B.6.2	Service Changes to the Customer .....	29
B.6.3	Installation and Support .....	29
B.6.4	Craftsperson/SPCS Interface .....	29
B.7	Performance and reliability .....	29
B.8	Maintenance .....	29
B.9	Limitations and restrictions .....	29
B.10	Timing and tolerances .....	29
Appendix A:	DTMF Tones .....	30
Appendix B:	Encoding of 8-bit characters in DTMF signals .....	30
Appendix C:	Acknowledge/Negative Acknowledge signals .....	30
Appendix D:	Soft Key Return String Format .....	30
Appendix E:	Additional Guidelines for Host Computer Servers .....	30
Appendix F:	Message Flow Scenarios of a typical ASDI SDC Session .....	30
<b>Annex C (informative):</b>	<b>Network Tones and Ringing signals .....</b>	<b>31</b>
History .....		45

---

## Intellectual Property Rights

IPRs essential or potentially essential to the present document may have been declared to ETSI. The information pertaining to these essential IPRs, if any, is publicly available for **ETSI members and non-members**, and can be found in SR 000 314: "*Intellectual Property Rights (IPRs); Essential, or potentially Essential, IPRs notified to ETSI in respect of ETSI standards*", which is available **free of charge** from the ETSI Secretariat. Latest updates are available on the ETSI Web server (<http://www.etsi.org/ipr>).

Pursuant to the ETSI IPR Policy, no investigation, including IPR searches, has been carried out by ETSI. No guarantee can be given as to the existence of other IPRs not referenced in SR 000 314 (or the updates on the ETSI Web server) which are, or may be, or may become, essential to the present document.

---

## Foreword

This ETSI Standard (ES) has been produced by ETSI Project Analogue Terminals and Access (ATA).

EN 301 071-1 version 1.1.1 was previously sent on Public Enquiry PE 9746. As a result of comments received during Public Enquiry it was agreed within the Technical Body to change the deliverable type to an ETSI Standard. A Technical Specification; TS 101 071 has also been published by ETSI. EN 301 071-2 has been abandoned due to lack of support.

---

## Introduction

The Server Display and Script Services protocol (SDSS) is the European equivalent of the Analogue Display Services Interface (ADSI) protocol. The SDSS protocol provides bi-directional data communication in an analogue environment between a TE and a Server. The Server may be external to the network or integral with the network. The protocol uses Frequency Shift Keying (FSK) signalling for downstream transmission of data and uses DTMF signalling for upstream transmission of data. There are many potential physical implementations of the TE and its user interfaces and it is not the intention of the present document to restrict the physical implementation in any way. However, in order that any SDSS TE may interwork correctly with an SDSS Server, it is essential that all SDSS TE have some common features. This is provided by means of the concept of an abstract TE which is the functionality the Server assumes the TE to have in order to interwork correctly and comprises a set of logical components that all physical SDSS TE provide.

The abstract TE supports two applications:

- a) Server Display Control applications (interactive ADSI session with remote Server).
- b) Feature Download applications (advanced call management service ADSI script originating from the network - no Server interaction during session).

---

# 1 Scope

The present document specifies the requirements necessary to support Server Display and Script Services (SDSS) screenphone services. The requirements are intended to ensure correct interworking between a TE and a SDSS Server using the core protocol defined in Bellcore ADSI specifications SR-INS-002461 [5], TR-NWT-001273 [6], associated Bulletins [8] and [9] and Revision 1 [13], but modified and extended to include European network signalling events and physical access requirements.

The present document is not written for regulatory purposes.

---

# 2 References

The following documents contain provisions which, through reference in this text, constitute provisions of the present document.

- References are either specific (identified by date of publication, edition number, version number, etc.) or non-specific.
- For a specific reference, subsequent revisions do not apply.
- For a non-specific reference, the latest version applies.
- A non-specific reference to an ETS shall also be taken to refer to later versions published as an EN with the same number.

- [1] ETS 300 659-1: "Public Switched Telephone Network (PSTN); Subscriber line protocol over the local loop for display (and related) services; Part 1: On hook data transmission".
- [2] ETS 300 778-1: "Public Switched Telephone Network (PSTN); Protocol over the local loop for display and related services; Terminal Equipment requirements; Part 1: Off-line data transmission".
- [3] ETS 300 659-2: "Public Switched Telephone Network (PSTN); Subscriber line protocol over the local loop for display (and related) services; Part 2: Off-hook data transmission".
- [4] ETS 300 778-2: "Public Switched Telephone Network (PSTN); Protocol over the local loop for display and related services; Terminal Equipment requirements; Part 2: On-line data transmission".
- [5] Bellcore SR-INS-002461: "Customer Premises Equipment Compatibility Considerations for ADSI, Issue 1".
- [6] Bellcore TR-NWT-001273: "Generic requirements for an SPCS to Customer Premises Equipment Data Interface for Analog Display Services" Issue 1, December 1992
- [7] Bellcore SR-TSV-002476: "CPE Compatibility Considerations for the Voiceband Data Transmission Interface". Issue 1, December 1992
- [8] Bellcore SPECIAL REPORT BULLETIN Nos. 1, 2 and 3 for SR-INS-002461: "Customer Premises Equipment Compatibility Considerations for ADSI".
- [9] Bellcore TECHNICAL REFERENCE BULLETIN Nos. 1, 2 and 3 for TR-NWT-001273: "Generic requirements for an SPCS to Customer Premises Equipment Data Interface for Analog Display Services".
- [10] TBR 21 (1998): "Terminal Equipment (TE); Attachment requirements for pan-European approval for connection to the analogue Public Switched Telephone Networks (PSTNs) of TE (excluding TE supporting the voice telephony service) in which network addressing, if provided, is by means of Dual Tone Multi Frequency (DTMF) signalling".



- [11] ETS 300 001: "Attachments to Public Switched Telephone Network (PSTN); General technical requirements for equipment connected to an analogue subscriber interface in the PSTN".
- [12] TR 101 041-1: "Human Factors (HF); European harmonization of network generated tones; Part 1: A review and recommendations".
- [13] Bellcore TR-NWT-001273: "Generic Requirements for an SPCS to Customer Premises Equipment Data Interface for Analog Display Services", Issue 1, Revision 1, June 95
- [14] Council Directive 73/23/EEC of 19 February 1973 on the harmonization of the laws of Member States relating to electrical equipment designed for use within certain voltage limits.
- [15] Directive 98/13/EC of the European Parliament and of the Council of 12 February 1998 relating to telecommunications terminal equipment and satellite earth station equipment, including the mutual recognition of their conformity.

NOTE: Bellcore documents can be purchased from:

Bellcore Customer Relations  
 8 Corporate Place  
 Room PYA - 3A184  
 Piscataway, NJ 08854-4156  
 U.S.A.

Phone: +1 908 699 5800  
 Fax: +1 908 336 2559/2692

## 3 Definitions and abbreviations

### 3.1 Definitions

For the purposes of the present document, the definitions of ETS 300 778-1 [2] apply, in addition to the following:

**SDSS:** European equivalent of the ADSI protocol.

### 3.2 Abbreviations

For the purposes of the present document, the following abbreviations apply:

ADSI	Analogue Display Services Interface
CPE	Customer Premises Equipment
DT-AS	Dual Tone Alerting Signal
DTMF	Dual Tone Multi Frequency
FDM	Feature Download Management
FKM	Feature Key Management
FSK	Frequency Shift Keying
MDMF	Multiple Data Message Format
MM	Modem Management
N/R	Not Reported
RP-AS	Ringling Pulse Alerting Signal
SDC	Server Display Control
SDSS	Server Display and Script Services
SPCS	Stored Program Controlled Switching system
TAS	TE Alerting Signal
TCM	Terminal Control Management

---

## 4 Requirements

### 4.1 Access requirements

There are no access requirements in the present document. Terminal equipment will normally be subject to the regulatory requirements identified in the appropriate ETSI or national standards.

### 4.2 SDSS requirements

The requirements necessary to support Server Display and Script services (SDSS) screenphone applications are contained in annexes A and B. Annexes A and B are structured to have clause by clause correspondence with the associated Bellcore specifications. Where the European requirements differ from those in the Bellcore standards, the additional or replacement requirements are explicitly stated. Where the European requirements are identical to the corresponding Bellcore requirements, the relevant clauses are identified "no change".

Annex A contains compatibility requirements for Terminal Equipment (TE) to operate with the SDSS protocol.

Annex B contains generic requirements for an SDSS server and associated communications protocol.

Annex C contains a summary of the network supervisory tones and ringing signals used by those network operators currently providing or intending to provide SDSS services.

The TE shall conform to the Service applicable requirements of annex A and B.

---

## 5 EMC requirements

There are no EMC requirements under the present document.

NOTE: General EMC requirements are imposed under the EMC Directive (89/336/EEC).

---

## 6 Safety requirements

There are no safety requirements under the present document.

NOTE: General safety requirements are imposed under the Low Voltage Directive (73/23/EEC) [14] and Articles 5(a) and 5(b) of Directive 98/13/EC [15].

---

## Annex A (normative): SR-INS-002461

Compatibility requirements for Terminal Equipment (TE) to operate with the SDSS protocol.

---

### A.1 Introduction

The following is based on SR-INS-002461 [5] and associated Special Report Bulletins [8] with changes made to the Bellcore text, where appropriate, to meet specific European requirements.

#### A.1.1 Purpose

No change.

#### A.1.2 Definitions

No change.

#### A.1.3 Background

The ADSI protocol provides bi-directional data communication in an analogue environment between a TE and a Server. The Server may be external to the network or integral with the network. The protocol uses FSK signalling for downstream transmission of data and uses DTMF signalling for upstream transmission of data. The ADSI protocol in Europe shall conform to the ETSI Caller Display Services requirements listed below.

#### A.1.4 Related documents

TR-NWT-001273 [6], associated Technical Reference Bulletins [9] and Revision 1 [13].

The ETSI Caller Display Services requirements are to be found in:

- ETS 300 659-1 [1];
- ETS 300 778-1 [2];
- ETS 300 659-2 [3];
- ETS 300 778-2 [4].

Figure 1 in Bellcore SR-INS-002461 [5] is not applicable.

#### A.1.5 Scope

This annex specifies the requirements necessary to support the initial phase of the Server Display and Script Services (SDSS) screenphone services. The requirements are intended to ensure correct interworking by a TE when connected to SDSS screenphone services provided either by the local exchange or a remote server. This annex contains only variations with respect to Bellcore SR-INS-002461 [5] as necessary to comply with European requirements.

---

## A.2 Abstract CPE (TE)

No change.

### A.2.1 Virtual Display Management

No change.

#### A.2.1.1 Information Display Page

No change.

#### A.2.1.2 Communication Display Page

No change.

#### A.2.1.3 Formatting Virtual Display Pages

No change.

#### A.2.1.4 Soft Key Tuple Information

No change.

#### A.2.1.5 Display Character Attributes

No change.

#### A.2.1.6 Global Prompt

No change.

## A.2.2 Feature Key Management (FKM)

No change.

### A.2.2.1 Soft Keys

No change.

#### A.2.2.1.1 Soft Key Definers

No change.

#### A.2.2.1.2 Soft Key Definer Number

No change.

#### A.2.2.1.3 Soft Key Label String

No change.

#### A.2.2.1.4 Soft Key Return String

**Requirement:** All DTMF tone timings, frequencies, levels and twists shall comply with TBR 21[10] for on-line signalling.

Changes to the return strings shall consist of:

- for x(82) minimum off-line period shall be 500 ms;
- for x(83) the Time Break Recall period shall meet the requirements of subclause 9.1.1 of ETS 300 001 [11];
- for x(84) the time-out for reception of dial tone shall be 3 seconds.

**Test:** Compliance shall be by suppliers declaration.

#### A.2.2.2 Page/Line Up and Down Keys

No change.

#### A.2.2.3 Line Soft Key Tuples

No change.

### A.2.3 Terminal Control Management

No change.

#### A.2.3.1 Display

No change.

#### A.2.3.2 Call Reference Buffers

No change except that the Call Reference Buffers shall be cleared on detection of TAS signal instead of Power Ringing.

#### A.2.3.3 Current Line Number Buffer

No change.

#### A.2.3.4 Active Line

No change.

#### A.2.3.5 Input Format Table

No change.

#### A.2.3.6 Input Buffer

No change.

#### A.2.3.7 CPE (TE) ID and CPE (TE) Configuration

No change.

## A.2.4 Modem Management (MM)

No change.

## A.2.5 Feature Download Management (FDM)

No change.

### A.2.5.1 FDM Security

No change.

### A.2.5.2 Feature Download Management (FDM) Page

No change.

#### A.2.5.2.1 FDM Maintenance

No change.

#### A.2.5.2.2 FDM Display

No change.

#### A.2.5.2.3 Default Service

No change.

### A.2.5.3 Downloadable Data

No change.

#### A.2.5.3.1 Service Script

##### **Requirement:**

During application of the signals the events shall only be generated once.

**NOTE:** Signals received from the network are continuous or cadenced. Where the signals are cadenced the event codes should only be generated once on detection of the signal. If for some reason the network removes a signal, replaces it with another signal or signals, before restoring the original signal, then the event is generated again.

The detection and generation of event codes shall consist of:

Event 1: The abstract TE shall generate this event when it receives a CLIP message in compliance with ETS 300 778-1 [2] when in the off-line state.

Event 2: The abstract TE shall generate this event when it receives a Message Waiting Indicator message with Visual Indicator parameter set to activation, when in the off-line state. See ETS 300 778-1 [2] subclause 6.2.

Event 3: The abstract TE shall generate this event when the TE goes on-line during a call arrival ringing cycle. The duration of each ringing cycle is given in table Y.2, TR 101 041-1 [12].

Event 4: The abstract TE shall generate this event on detection of an outgoing call answered by a called party e.g. (cessation of ringing tone). Timer durations as for SR-INS- 002461 [5] subclause A.2.5.3.1.

The recommendations given in Technical Reference Bulletin No. 3 for SR-INS-002461 [8] should be followed if the method of detection is as specified in Bellcore SR-INS-002461 [5].

Event 5: The abstract TE shall generate this event when it detects cessation of ringing and it does not go on-line during ringing.

Event 6: No change.

Event 7: No change.

Event 8: The abstract TE shall generate this event on detection of a DT-AS followed by a CLIP Call Setup message when in the on-line state.

Event 9: The abstract TE shall generate this event on detection of busy tone (Number engaged indication).

Event 10: The abstract TE shall generate this event on detection of ringing tone.

Event 11: The abstract TE shall generate this event on detection of dial tone. If a soft key return string is also waiting for dial tone by executing the x(84) control code, the x(84) code shall take precedence over this event. If this occurs the abstract TE will stop the waiting state of the x(84) control character and will not generate this event.

Event 12: The abstract TE shall generate this event and then event 11 when it registers a recall key operation and subsequent detection of dial tone. If a soft key return string is also waiting for dial tone by executing the x(84) control code, the x(84) code shall take precedence over this event. If this occurs the abstract TE will stop the waiting state of the x(84) control character and will not generate this event.

Event 13: The abstract TE shall generate this event and then event 11 when it detects Message Waiting Indicator tone.

If a soft key return string is also waiting for dial tone by executing the x(84) control code, the x(84) code shall take precedence over this event. If this occurs the abstract TE will stop the waiting state of the x(84) control character and will not generate this event.

Event 14: The abstract TE shall generate this event on detection of congestion tone (Path engaged indication).

Event 15: The abstract TE shall generate this event on detection of distinctive ringing as indicated in table C.12 of annex C.

Event 16: The abstract TE shall generate this event on detection of normal call arrival indication. Any call arrival pattern not covered by other events listed shall also generate this event.

Event 17: The abstract TE shall generate this event on detection of reminder ringing. This event is not currently used in Europe.

Event 18: The abstract TE shall generate this event on detection of special ringing as described in table C.13 of annex C.

Event 19: The abstract TE shall generate this event on detection of coded ringing as specified in table C.14 of annex C.

Event 20: No change.

Event 21: No change.

Event 22: No change.

Event 23: No change.

Event 24: No change.

Event 25: The abstract TE shall generate this event when it receives a Message Waiting Indicator message with Visual Indicator parameter set to deactivation, when in the off-line state. See ETS 300 778-1 [2] subclause 6.2.

New Events applicable in Europe:

Event 51: The abstract TE shall generate this event and then event 11 on detection of special dial tone as described in table C.5 of annex C. If a soft key return string is also waiting for dial tone by executing the x(84) control code, the x(84) code shall take precedence over this event. If this occurs the abstract TE will stop the waiting state of the x(84) control character and will not generate this event.

Event 52: The abstract TE shall generate this event on detection of number unobtainable tone as specified in table C.6 of annex C.

Event 53: The abstract TE shall generate this event on detection of call waiting tone as specified in table C.10 of annex C.

Event 54: The abstract TE shall generate this event on detection of special information tone as specified in table C.7 of annex C.

#### A.2.5.3.2 Tables

No changes.

#### A.2.5.4 Service-Script Interpreter

No change.

#### A.2.5.5 Starting and Ending a Service Script

No change.

NOTE: Event 17 is not required to start a service script (for further study).

#### A.2.5.6 Service Script Example

No change.

#### A.2.6 Hanging Up (Call release)

No change.

#### A.2.7 Idle State Settings

No change.

NOTE: See subclause A.2.2.1.4 for idle state timing.

#### A.2.8 Off-hook CPE Modes (On-line TE modes)

No change.

#### A.2.9 Summary of Abstract CPE (TE)

No change.



---

## A.3 Minimum requirements for physical CPE (TE)

### A.3.1 Signalling Capabilities

No change.

#### A.3.1.1 Signal Detection and Generation - Physical Layer

##### A.3.1.1.1 FSK Data Transmission Interface

Signalling format requirements described in subclause 4.1.5 of ETS 300 778-1 [2] shall apply, but with the signalling levels defined in the following subclause A.3.1.1.1.1.

###### A.3.1.1.1.1 Signalling levels

**Requirement:**

For off-line data reception, subclause 4.1.5.2 of ETS 300 778-1 [2] shall apply.

For on-line data reception, subclause 4.4.1 of ETS 300 778-2 [4] shall apply.

**Test:** Compliance shall be by suppliers declaration.

NOTE: For interworking with a remote server see subclause B.3.1.

##### A.3.1.1.2 Server-CPE (TE) Handshaking Signals

**Requirement:** Subclause 3.1.1.2 of SR-INS-002461 shall be replaced by the requirements of subclauses A.3.1.1.2.1 to A.3.1.1.2.8:

###### A.3.1.1.2.1 Network to TE operating sequence

The network starts the sequence by sending a TE Alerting Signal (TAS), (see figure A.1).

After detection of the TE Alerting signal the TE mutes voice paths, disables any manual signalling facility, and returns a TE-Acknowledgement signal (TE-ACK) to the network. DTMF "A" is a valid TE-ACK signal, (see figure A.1).

When the network recognizes a valid TE-ACK from the TE within a time-out, FSK data is transmitted to the TE, (see figure A.1).

If the FSK data is an ADSI message or a number of ADSI messages (max. 5) the TE returns a "message acknowledge" (M-ACK) to the network. DTMF D0 to D5 is a valid M-ACK signal, (see figure A.1).

After FSK data transmission or M-ACK signal the TE restores any voice paths and enables any manual signalling facility, (see figure A.1).

If the network does not recognize a valid TE-ACK within a time-out, FSK data is not transmitted, and after a time-out period, TE restores any voice paths and enables any manual signalling facility, (see figure A.1).

## A.3.1.1.2.2 Timing requirements

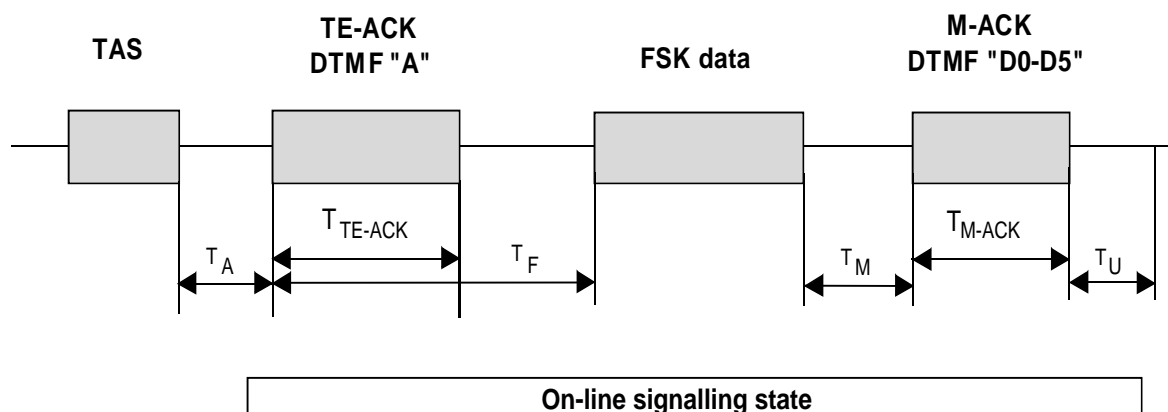


Figure A.1: Timing requirements

Table A.1: On-line timing definitions and values

Time interval	Value ETSI	Value Bellcore	Definition
$T_A$	As specified in table 2 of ETS 300 778-2 [4].		The time between end of TAS signal and start of TE-ACK signal. See subclause A.3.1.1.2.4.
$T_{TE-ACK}$	As specified in table 2 of ETS 300 778-2 [4].		Duration of DTMF "TE-ACK signal". See subclause A.3.1.1.2.4.
$T_F$	As specified in table 2 of ETS 300 778-2 [4].		The time the TE waits for FSK data. Measured from the start of the TE-ACK signal. See subclause A.3.1.1.2.8.
$T_M$	100 - 600 ms	100 - 600 ms	Time between end of ADSI message and start of M-ACK signal.
$T_{M-ACK}$	195 - 270 ms	110 - 130 ms	Duration of DTMF "M-ACK" signal- only if data is ADSI message.
$T_u$	0 - 120 ms	0 - 50 ms	Restoration time. See subclauses A.3.1.1.2.7, and A.3.1.1.2.8.
NOTE 1: A two way transmission delay of max. 15 ms between the TE and the LE has been assumed for $T_A$ and $T_F$ .			
NOTE 2: Server detection period reduced to 55 ms to allow interworking with US based ADSI TE.			

## A.3.1.1.2.3 Voice path muting

**Requirement:** The TE shall mute the voice paths and disable the manual signalling facility before the start of the TE-ACK signal. See figure A.1.

**Test:** Compliance shall be by suppliers declaration.

## A.3.1.1.2.4 TE - Acknowledgement signal (TE-ACK)

**Requirement:** The TE shall start sending to the network a TE - Acknowledgement signal, DTMF "A", within  $T_A$  from the end of a TE Alerting Signal. The TE-ACK signal shall be of duration  $T_{TE-ACK}$ . See table A.1 and figure A.1.

**Test:** Compliance shall be by suppliers declaration.

NOTE: It is recommended that sending of the TE-ACK signal is delayed so there is no possibility of overlap with the received DT-AS signal. However, it is also recommended that the delay is not made too great, as this would unnecessarily extend the signalling period.

#### A.3.1.1.2.5 TE - ADSI Message Acknowledgement signal

**Requirement:** The TE shall start sending to the network a TE-ADSI Message Acknowledgement signal, DTMF "D0 to D5". (Digit "D" followed by digit "0 - 5"), within  $T_M$  from detection of the end of the last message in an ADSI message data burst.

The M-ACK signal shall be of duration  $T_{M-ACK}$ . See table A.1 and figure A.1.

**Test:** Compliance shall be by suppliers declaration.

#### A.3.1.1.2.6 Start time

**Requirement:** The requirements of ETS 300 778-2 [4], subclause 4.3.3 shall apply.

**Test:** Compliance shall be by suppliers declaration.

#### A.3.1.1.2.7 End time

**Requirement:** The TE shall, restore voice paths and enable any manual signalling facility, within  $T_u$  from when the M-ACK signal has been completely signalled. See table A.1 and figure A.1.

**Test:** Compliance shall be by suppliers declaration.

NOTE: Since ADSI message data may contain the Information command, the voice path and any manual signalling facility should be restored according to the command.

#### A.3.1.1.2.8 Timeout - FSK data transmission not received

**Requirement:** If FSK data is not received within  $T_F$  from the start of the TE-ACK signal the TE shall restore voice paths and enable any manual signalling facility within  $T_u$  see table A.1 and table A.1.

**Test:** Compliance shall be by suppliers declaration.

#### A.3.1.1.3 Timers

No change.

#### A.3.1.1.4 Signal Detection and Generation

No change.

##### A.3.1.1.4.1 Signal Detection

The events described in subclause A.2.5.3.1 shall apply.

##### A.3.1.1.4.1.1 TE Alerting Signal (TAS)

**Requirement:** The requirements of ETS 300 778-2 [4] shall apply.

NOTE: It is recommended that TE should detect TAS in the presence of speech. Guidelines may be found in SR-TSV-002476 [7].

##### A.3.1.1.4.1.2 Call Progress Tones (Network tones)

**Requirements:** Tables 8, 9 and the ANSI references in Bellcore SR-INS-002461 [5] are not applicable. The TE shall be able to detect those Network tones specified as applicable by the events listed in Section A.2.5.3.1. See annex C.

**Test:** Compliance shall be by suppliers declaration.

#### A.3.1.1.4.1.3 Power Ringing

**Requirement:** Table 10 in Bellcore SR-INS-002461 [5] is not applicable. The TE shall distinguish between different alerting (ring) cadences within 3 seconds of their arrival at the TE. The European alerting cadences are listed in annex C.

**Test:** Compliance shall be checked by suppliers declaration.

#### A.3.1.1.4.1.4 On-Hook/Off-Hook

No change.

#### A.3.1.1.4.1.5 Extension in Use

No change.

#### A.3.1.1.4.2 Signal generation

No change.

##### A.3.1.1.4.2.1 Dual-Tone Multifrequency (DTMF)

**Requirement:** The TE shall be able to generate DTMF tone signals as specified in TBR 21 [10], subclause 4.8.2.

##### A.3.1.1.4.2.2 Dial pulse One

Not applicable.

##### A.3.1.1.4.2.3 Disconnect and Switch-hook Flash

**Requirement:** The TE shall meet the requirements of subclause 9.1.1 of ETS 300 001 [11].

NOTE 1: To ensure a disconnect signal the CPE (TE) should remain in the off-line state for at least 500 ms.

NOTE 2: Switch-hook Flash is not applicable in the EU.

### A.3.1.2 Signalling Layer - Link protocol

No change.

The Server - TE handshaking sequence requirements of subclause A.3.1.1.2 shall apply.

### A.3.1.3 Message Layer

The presentation layer requirements, described in clause 6 of ETS 300 778-1 [2] and ETS 300 778-2 [4], shall apply in addition to the ADSI data message format specified in Bellcore TR-NWT-001273 [6].

#### A.3.1.3.1 Non-ADSI Message

The requirements of ETS 300 778-1 [2] and ETS 300 778-2 [4] shall apply.

##### A.3.1.3.1.1 Existing non-ADSI Messages

The requirements of ETS 300 778-1 [2] and ETS 300 778-2 [4] shall apply.

### A.3.1.3.1.2 Future TR-NWT-000030 MDMF Parameter

No change to Bellcore CPE (TE) ID parameter.

**Requirement:** If the Bellcore CPE (TE) ID parameter is implemented the TE shall comply with the timings in table A.2. See figure A.2.

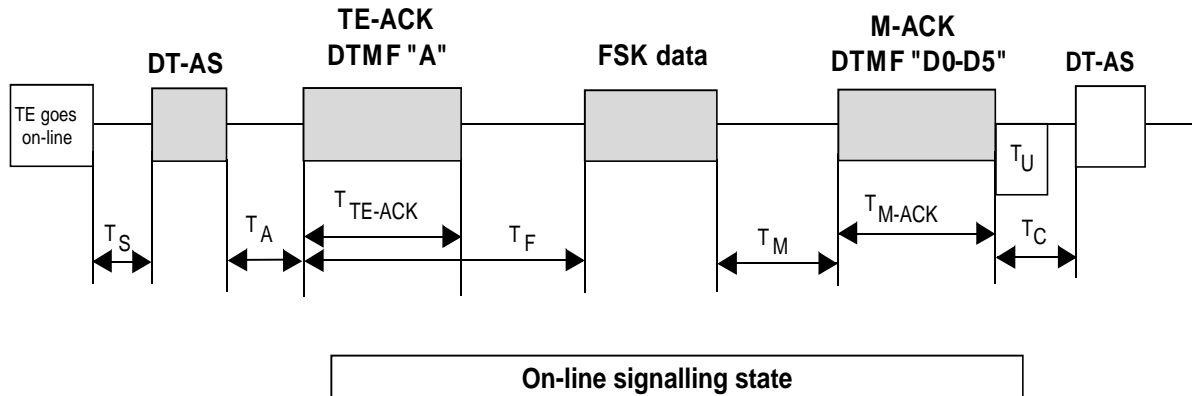


Figure A.2: Timings following reception of Future CPE(TE) ID parameter

Table A.2: Timing definitions and values

Time interval	Value ETSI	Value Bellcore	Definition
$T_S$	0 - 500 ms	0 - 500 ms	Server initiated Script updates: Time between TE going on-line and reception of DT-AS.
$T_A$	As specified in table 2 of ETS 300 778-2 [4].		The time between end of DT-AS signal and start of TE-ACK signal.
$T_{TE-ACK}$	As specified in table 2 of ETS 300 778-2 [4].		Duration of DTMF "TE-ACK signal".
$T_F$	As specified in table 2 of ETS 300 778-2 [4].		The time the TE waits for FSK data measured from the start of the TE-ACK signal.
$T_M$	100 - 600 ms	100 - 600 ms	Time between end of ADSI message and start of M-ACK signal.
$T_{M-ACK}$	195 - 270 ms	110 - 130 ms	Duration of DTMF "M-ACK" signal- only if data is ADSI message.
$T_U$	0 - 120 ms	0 - 50 ms	Restoration time.
$T_C$	0 - 2 s	0 - 2 s	Delay time before next DT-AS.

NOTE: A two way transmission delay of max. 15 ms between the TE and the LE has been assumed for  $T_{TE-ACK}$  and  $T_F$ .

### A.3.1.3.2 ADSI Messages

No change.

## A.3.2 Display

No change.

### A.3.2.1 Display Size

No change.

### A.3.2.2 Displaying Virtual Pages

No change.

#### A.3.2.2.1 Wrapping Indicator

No change.

### A.3.2.3 Display Character Attributes

No change.

#### A.3.2.4 Cursor

No change.

### A.3.2.5 Active Line

No change.

### A.3.2.6 Display Alphanumeric Mode

No change.

### A.3.2.7 Interaction between Server Display Control and Feature Download Applications

No change.

## A.3.3 Soft Keys

No change.

## A.3.4 Size of FDM page

No change.

## A.3.5 Local Scrolling

### A.3.5.1 Active Logical Section Buffer

No change.

### A.3.5.2 Active Soft Key Definer

No change.

### A.3.5.3 Local Global Prompt Copy

No change.

#### A.3.5.4 Scrolling or Page Up/Down

No change.

#### A.3.6 Information Automatic Select (INAS)

No change.

#### A.3.7 Assigning CPE (TE) ID

No change.

#### A.3.8 Manual Operation

No change except that Switch-hook Flash is replaced by Time Break Recall.

#### A.3.9 Memory Requirements

No change.

##### A.3.9.1 Virtual Display Pages

No change.

##### A.3.9.2 Soft Key Definer Table

No change.

##### A.3.9.3 Call Reference Buffers

No change.

##### A.3.9.4 Input Buffers

No change.

##### A.3.9.5 Input Format Buffer

No change.

##### A.3.9.6 Default Soft Key Tuple

No change.

##### A.3.9.7 Current Line Number Buffer

No change.

##### A.3.9.8 Service Script and associated Tables

No change.

#### A.3.9.8.1 Flags

No change.

#### A.3.9.8.2 CPE (TE) Script Soft Key Table

No change.

#### A.3.9.8.3 Predefined Display Table

No change.

#### A.3.9.8.4 Service Script

No change.

#### A.3.9.9 Summary of Memory Requirement

No change.

### A.3.10 Data Preservation

No change.

### A.3.11 Extension Phones

No change.

---

## A.4 Error treatment

No change.

### A.4.1 User Input

No change.

### A.4.2 Data Structures

No change.

### A.4.3 Undefined lines in Virtual Displays

No change.

### A.4.4 Data Transmission

No change.

### A.4.5 Message Sequence

No change.



## A.4.6 Network-CPE (TE) Signal Detection

No change.

## A.4.7 Network-CPE (TE) Signal Generation

No change.

---

## A.5 Other CPE (TE) considerations

### A.5.1 CPE (TE)-based Functions

No change.

### A.5.2 CPE (TE) Functionality and Impact on Services

No change.

#### A.5.2.1 Downloading the initial Service Script

No change.

#### A.5.2.2 On-hook CPE (TE) display

No change.

### A.5.3 Interaction between a Server Display Session and a Call Waiting/CIDCW

No change.

### A.5.4 Industry Standards and FCC Regulations

Not applicable.

## Appendix 1: Components of the abstract CPE (TE)

No change.

## Appendix 2: Samples of Service Scripts

No change.

---

## Annex B (normative): TR-NWT-001273

Generic requirements for an SDSS Server protocol.

---

### B.1 Introduction

The following is based on TR-NWT-001273 [6], associated Technical Reference Bulletins [9] and Revision 1 [13] with changes made to the Bellcore text, where appropriate, to meet specific European requirements.

#### B.1.1 Definition

References shall be replaced by the references in subclause A.1.4.

#### B.1.2 Background

References shall be replaced by the references in subclause A.1.4.

##### B.1.2.1 Scope

No change.

#### B.1.3 Customer Perspective

No change.

#### B.1.4 ADSI Compatible CPE (TE)

No change.

#### B.1.5 Requirements Technology

No change.

---

### B.2 Interface operations

No change.

#### B.2.1 Introduction to categories of message

References shall be replaced by the references in subclause A.1.4.

##### B.2.1.1 Server Display Control Messages

No change.

##### B.2.1.2 Feature Download Messages

No change.

## B.2.2 Session Interruption Treatment

Requirements related to this feature may be introduced in a later enhancement of the present document.

NOTE: Feature specific processing will determine the ability of the server to interrupt an existing ADSI session in an attempt to engage in a conversation with an incoming call (Call Waiting).

## B.2.3 Errors and Retransmission

Not applicable.

---

## B.3 ADSI protocol

No changes.

### B.3.1 First Layer (Physical Layer)

Physical layer requirements specified in ETS 300 659-1 [1] and ETS 300 659-2 [3] shall apply.

NOTE 1: For interworking with a remote server it is recommended that the send level of the remote server be increased by up to 6 dB.

NOTE 2: For interworking with a remote server it is recommended that the sensitivity level of the remote server be increased by up to 6 dB.

NOTE 3: Server interworking with US based ADSI TE is ensured by reducing server detection period for  $T_{TE-ACK}$  to 55 ms.

### B.3.2 Second Layer (Datalink Layer)

References shall be replaced by the references in subclause A.1.4.

NOTE: Message Number word is additional for ADSI protocol datalink layer.

#### B.3.2.1 Message Format for Datalink Layer

No changes except references shall be replaced by the references in subclause A.1.4

#### B.3.2.2 Standard ADSI Protocol - Functions to support the Datalink Layer

The Datalink layer requirements, described in clause 5 of ETS 300 778-1 [2] and ETS 300 778-2 [4], shall apply in addition to the ADSI datalink layer protocol specified in Bellcore TR-NWT-001273 [6].

### B.3.3 Third (Message) Layer

No change except references shall be replaced by the references in subclause A.1.4.

---

## B.4 Standard ADSI Data Message Parameters

No change.

### B.4.1 ADSI Server Display Control Message Parameters

The text of subclause 4.1 of TR-NWT-001273 [6] applies with the addition of "Switch to application parameter" as defined in revision 1 [13]. Bellcore TR-NWT-000508, LSSGR: Automatic Message Accounting, section 8.1, referred to in TR-NWT-001273 [6], is not applicable.

### B.4.2 Feature Download Message Parameters

No change.

---

## B.5 Call Processing Control and Transmissions

No change, except references shall be replaced by the references in subclause A.1.4.

### B.5.1 Connections

No change.

### B.5.2 Class of Service

No change.

### B.5.3 Charge treatment

For further study on applicability to the present document.

### B.5.4 Common Channel Signalling

For further study on applicability to the present document.

### B.5.5 Transmission

No change.

---

## B.6 Administration (not applicable)

### B.6.1 Services Changes to the BCC

There are no requirements under the present document.

### B.6.2 Service Changes to the Customer

There are no requirements under the present document.

### B.6.3 Installation and Support

There are no requirements under the present document.

### B.6.4 Craftsperson/SPCS Interface

There are no requirements under the present document.

---

## B.7 Performance and reliability

There are no requirements under the present document.

---

## B.8 Maintenance

There are no requirements under the present document.

---

## B.9 Limitations and restrictions

No change except references shall be replaced by the references in subclause A.1.4.

---

## B.10 Timing and tolerances

No change except references shall be replaced by the references in subclause A.1.4.

## Appendix A: DTMF Tones

The requirements of TBR 21 [10] shall apply.

## Appendix B: Encoding of 8-bit characters in DTMF signals

Encoded DTMF mode as revised in Technical Reference Bulletin No. 3 [9] shall apply.

## Appendix C: Acknowledge/Negative Acknowledge signals

No change.

## Appendix D: Soft Key Return String Format

No change.

## Appendix E: Additional Guidelines for Host Computer Servers

No change, except references shall be replaced by the references in subclause A.1.4.

## Appendix F: Message Flow Scenarios of a typical ASDI SDC Session

No change, except references shall be replaced by the references in subclause A.1.4.

## Annex C (informative): Network Tones and Ringing signals

NOTE: The information in the following tables are advisory and have been compiled from information obtained in a questionnaire to the Network Operators. It is recommended that specific network tones and ringer characteristics should be confirmed with the Network Operators.

**Table C.1: Ringing tone**

Tone Description		A tone advising the caller that a connection has been made and that a calling signal is being applied to a telephone number or service point.	
Bellcore ADSI event code		10	
Event code description		Audible ringing tone detected	
Freq. $f \pm \Delta f$ [Hz]	Level $l \pm \Delta l$ [dBm]	Cadence $t \pm \Delta t$ [ms]	Network Operator
400 up to 490	-6,5 to -43 (note 1)	1 000 $\pm$ 200 on 5 000 $\pm$ 1 000 off	Austria Telecom
400 + 450	0 to -37 (note 1)	350 on 220 off then start at any point in: 400 on 200 off 400 on 2 000 off. Cadence does not necessarily coincide with ringing current cadence.	British Telecom
425 $\pm$ 5	-4,5 [dBm0] $\pm$ 0,5	1 000 $\pm$ 100 on 3 000 $\pm$ 100 off	Belgium
425 $\pm$ 20	-5 +2/-3 [dBm0]	1 000 $\pm$ 100 on 4 000 $\pm$ 400 off	Czech Republic
440 $\pm$ 2	-8 $\pm$ 0,5	1 500 $\pm$ 150 on 3 500 $\pm$ 350 off repeated	France Telecom
425 or 450	0 to -47 (note 1)	250 on 4 000 off then 1 000 on 4 000 off repeated	Deutsche Telekom
425	[dB (950mV)]	500 on 4 000 off then 1 000 on 4 000 off repeated	
400 + 450 425 $\pm$ 5 modulated with 50 Hz	-12 to -28 dBm	400 on, 200 off, 400 on, 2 / 2,4 sec off, repeated	Telecom Eireann
425	-10	1 250 on 3 750 off	MATAV (Hungary)
425	-10	1 250 on 3 750 off	PANNON (Hungary)
425 $\pm$ 15	-13 $\pm$ 2	1 000 $\pm$ 100 on 4 000 $\pm$ 400 off repeated	Telecom Italia
425 $\pm$ 15	-12 $\pm$ 3	1 500 $\pm$ 150 on 3 000 $\pm$ 300 off repeated	Telefonica
425 $\pm$ 15	-10 [dBm0 ]	1 000 $\pm$ 100 on 5 000 $\pm$ 500 off repeated	Telia
425 $\pm$ 25	-15 $\pm$ 1	1 000 $\pm$ 250 on 4 000 $\pm$ 250 off repeated	Finland
425 $\pm$ 15	N/R	1 000 on 5 000 off	Telecel (Portugal)
425	N/R	1 000 on 5 000 off	Portugal Telecom
425 $\pm$ 15	-13	1 000 $\pm$ 100 on 4 000 $\pm$ 400 off	Telenor
450	250 mV	2 000 on 4 000 off	Turk Telecom

NOTE 1: Applies to sensitivity levels at TE interface Other levels apply to Local Exchange (LE) interface.  
NOTE 2: N/R = Not Reported.

Table C.2: Busy tone

Tone Description		A tone advising the caller that the telephone is busy.	
Bellcore ADSI event code		9	
Event code description		Busy tone detected	
Freq. $f \pm \Delta f$ [Hz]	Level $I \pm \Delta I$ [dBm]	Cadence $t \pm \Delta t$ [ms]	Network Operator
400 up to 490	-6,5 to -43 (note)	300 $\pm$ 60 on 300 $\pm$ 60 off or 400 $\pm$ 80 on 400 $\pm$ 80 off	Austria Telecom
400	0 to -37 dBm (note)	375 on 375 off repeated	British Telecom
425 $\pm$ 5	- 4,5 [dBm0] $\pm$ 0,5	500 $\pm$ 50 on 500 $\pm$ 50 off	Belgium
425 $\pm$ 20	-5 $\pm$ 2/-3 [dBm0]	330 $\pm$ 30 on 330 $\pm$ 30 off	Czech Republic
440 $\pm$ 2	-3,5 $\pm$ 0,5	500 $\pm$ 50 on 500 $\pm$ 50 off repeated	France Telecom
425	0 to -47 (note) [dB(950mV)]	480 on 480 off repeated	Deutsche Telekom
425 or 450		150 on 475 off repeated	
400 - 450	-12 to -28 dBm	375 on 375 off or 750 on 750 off	Telecom Eireann
425	-10	300 on 300 off	MATAV (Hungary)
425	-10	300 on 300 off	PANNON (Hungary)
425 $\pm$ 15	-13 $\pm$ 2	500 $\pm$ 50 on 500 $\pm$ 50 off repeated	Telecom Italia
425 $\pm$ 15	-12 $\pm$ 3	200 $\pm$ 20 on 200 $\pm$ 20 off repeated	Telefonica
425 $\pm$ 15	-10 [dBm0 ]	250 $\pm$ 25 on 250 $\pm$ 25 off repeated	Telia
425 $\pm$ 25	-15 $\pm$ 1	300 $\pm$ 25 on 300 $\pm$ 25 off repeated	Finland
425 $\pm$ 15	N/R	500 on 500 off	Telecel (Portugal)
425	N/R	500 on 500 off	Portugal Telecom
425 $\pm$ 15	-13 $\pm$ 2	500 $\pm$ 50 500 $\pm$ 50 off	Telenor
450	250 mV	500 on 500 off	Turk Telecom

NOTE: Applies to sensitivity levels at TE interface. Other levels apply to Local Exchange (LE) interface.



Table C.3: Congestion tone

Tone Description		A tone advising the caller that the groups of lines or switching equipment necessary for the setting-up of the required call for the use of a specific service are temporarily engaged.	
Bellcore ADSI event code		14	
Event code description		Congestion tone	
Freq. $f \pm \Delta f$ [Hz]	Level $l \pm \Delta l$ [dBm]	Cadence $t \pm \Delta t$ [ms]	Network Operator
425 ± 25	-16 to -43 (note)	200 ± 40 on 200 ± 40 off	Austria Telecom
400	-6 to -43 (note) 0 to -37 (note)	400 on 350 off 225 on 525 off. The shorter tone is 6 dBm higher than the longer one.	British Telecom
425 ± 5	- 4,5 [dBm0] ± 0,5	167 ± 12 on 167 ± 12 off repeated	Belgium
425 ± 20	-5 +2/-3 [dBm0]	165 ± 16 on 165 ± 16 off	Czech Republic
		same as for Busy tone	France Telecom
425 425 or 450 - 530	0 - 47 (note) [dB(950mV)]	240 on 240 off repeated 150 on 475 off repeated	Deutsche Telekom
400 - 450	-12 to -28 dBm	375 ms on 375 off or 750 ms on 750 off	Telecom Eireann
425	-10	300 on 300 off	MATAV (Hungary)
425	-10	300 on 300 off	PANNON (Hungary)
425 ± 15	-13 ± 2	200 ± 10 on 200 ± 10 off repeated	Telecom Italia
425 ± 15	-12 ± 3	3 × (200 ± 20) on 2 × (200 ± 20) off 600 off repeated	Telefonica
425 ± 15	-10 [dBm0]	250 ± 25 on 750 ± 75 off repeated	Telia
425 ± 25	-15 ± 1	200 ± 25 on 200 ± 25 off repeated	Finland
425 ± 15	N/R	200 on 200 off	Telecel (Portugal)
425	N/R	200 on 200 off	Portugal Telecom
425 ± 15	-13 ± 2	200 ± 20 on 200 ± 20 off	Telenor
450	250 mV	3 × (200 on 200 off) 600 on 200 off	Turk Telecom

NOTE: Applies to sensitivity levels at TE interface. Other levels apply to Local Exchange (LE) interface.

Table C.4: Dial tone

Tone Description		A tone advising that the exchange is ready to receive call information and inviting the user to start sending call information.	
Bellcore ADSI event code		11	
Event code description		Steady Dial tone detected	
Freq. $f \pm \Delta f$ [Hz]	Level $l \pm \Delta l$ [dBm]	Cadence $t \pm \Delta t$ [ms]	Network Operator
400 up to 490	-16 to -26 (note)	continuous	Austria Telecom
350 + 440	0 to -27 (note) individual tones 3 dB lower	continuous	British Telecom
425 ± 5	-11 ± 1	continuous	Belgium
425 ± 20	-5 +2/-3 [dBm0]	330 ± 30 on 330 ± 30 off 660 ± 60 on 660 ± 60 off	Czech Republic
440 ± 2	-3,5 ± 0,5	continuous	France Telecom
425	0 - 47 (note) [dB (950 mV)]	continuous	Deutsche Telekom
400 to 450 nominally 425	-12 to -28 dBm	Continuous for normal dial tone	Telecom Eireann
425	-10	continuous	MATAV (Hungary)
425	-10	continuous	PANNON (Hungary)
425 ± 15	-13 ± 2	200 ± 20 on 200 ± 20 off 600 ± 60 on 1 000 ± 100 off repeated	Telecom Italia
425 ± 15	-12 ± 3	continuous	Telefonica
425 ± 15	-5 [dBm0]	continuous	Telia
425 ± 25	-15 ± 1	continuous	Finland
425 ± 15	N/R	continuous	Telecel (Portugal)
425	N/R	continuous	Portugal Telecom
425 ± 15	-8 ± 2	continuous	Telenor
450	250 mV	continuous	Turk Telecom

NOTE: Applies to sensitivity levels at TE interface. Other levels apply to Local Exchange (LE) interface.

Table C.5: Special dial tone

Tone Description		A tone advising that the exchange is ready to receive call information and inviting the user to start sending call information, at the same time reminding the user that special conditions apply to the termination from which the call was being made	
ETSI SDSS event code		51	
Event code description		Special dial tone detected	
Freq. $f \pm \Delta f$ [Hz]	Level $l \pm \Delta l$ [dBm]	Cadence $t \pm \Delta t$ [ms]	Network Operator
340 < f1 < 425 400 < f2 < 450	-16 to -26 (note 1)	continuous	Austria Telecom
350 440	0 to -27 (note 1) individual tones 3 dB lower	continuous (440); 750 on 750 off (350) or both tones 750 on 750 off	British Telecom
425 ± 5	-11 ± 1	1 000 ± 50 on 250 ± 50 off repeated	Belgium
425 ± 20	-5 +2/-3 [dBm0]	3 × (165 ± 16 on 165 ± 16 off) 660 ± 60 on 660 + 60 off	Czech Republic
330 ± 2 + 440 ± 2	-5 ± 0,5 -8,5 ± 0,5	continuous continuous	France Telecom
425 + 400		continuous	Deutsche Telekom
Call Diversion: 400 Hz followed by 440 Hz or 425 Hz.	-12 to -28 dBm	400 Hz for 400 ms, 440 Hz / 425 Hz for 400 ms repeated (there may be pauses of up to 4 ms at the tone transition).	Telecom Eireann
350 + 375 + 400	-15	continuous	MATAV (Hungary)
350 + 375 + 400	-15	continuous	PANNON (Hungary)
425 + 25	-13 + 2	continuous	Telecom Italia
425 ± 15	-12 ± 3	1 000 ± 100 on 100 ± 10 off repeated	Telefonica
425 ± 15	-5 [dBm0]	320 ± 32 on 25 ± 15 off repeated	Telia
425 ± 25	-15 ± 1	650 ± 50 on 25 ± 10 off repeated	Finland
425 ± 15	N/R	1 000 on 200 off	Telecel (Portugal)
425	N/R	1 000 on 200 off	Portugal Telecom
425 + 470	-13 ± 2 max. 3 dB between tones	400 ± 40 on 400 ± 40 on alternating tones	Telenor
450	250 mV	1 000 on 250 off	Turk Telecom

NOTE 1: Applies to sensitivity levels at TE interface. Other levels apply to Local Exchange (LE) interface.  
NOTE 2: N/R = Not Reported.

Table C.6: Number unobtainable tone

Tone Description		A tone indicating that the number dialled has not been recognized by the network as valid	
ETSI SDSS event code		52	
Event code description		Number Unobtainable detected	
Freq. $f \pm \Delta f$ [Hz]	Level $l \pm \Delta l$ [dBm]	Cadence $t \pm \Delta t$ [ms]	Network Operator
950 ± 50 1 400 ± 50 1 800 ± 50	-9,5 to -43 (note 1)	3 × (330 ± 70 on) 1 000 ± 200 of repeated	Austria Telecom
400	0 to -37 (note 1)	continuous	British Telecom
		Announcement	Belgium
		Announcement	Czech Republic
		Announcement	France Telecom
Not available			Deutsche Telekom
		Announcement or special tone as per C.7	Telecom Eireann
950 / 1 400 / 1 800	-10	3 × 300 on 1 000 off	MATAV (Hungary)
950 / 1 400 / 1 800	-10	3 × 300 on 1 000 off	PANNON (Hungary)
		Announcement	Telecom Italia
425 ± 15	-12 ± 3	200 ± 20 on 200±20 off 200 ± 20 on 600 off repeated	Telefonica
950 ± 50 1 400 ± 50 1 800 ± 50	-25 [dBm0]	3 × (330 ± 70 on 30 off) 1 000 off + announcement repeated	Telia
N/R			Finland
N/R			Telecel (Portugal)
425	N/R	200 on 200 off	Portugal Telecom
		Voice announcement	Telenor
450	250 mV	200 on 200 off	Turk Telecom

NOTE 1: Applies to sensitivity levels at TE interface. Other levels apply to Local Exchange (LE) interface.  
NOTE 2: N/R = Not Reported.

Table C.7: Special information tone

Tone Description		A tone advising the caller that the called number cannot be reached for reasons other than "subscriber busy" or "congestion". Normally used in association with a recorded announcement	
ETSI SDSS event code		54	
Event code description		Special information tone detected	
Freq. $f \pm \Delta f$ [Hz]	Level $l \pm \Delta l$ [dBm]	Cadence $t \pm \Delta t$ [ms]	Network Operator
950 ± 50 / 1 400 ± 50 / 1 800 ± 50	-9,5 to -43 (note 1)	3 × (330 ± 70 on) 1 000 ± 200 off repeated	Austria Telecom
950 ± 50 / 1 400 ± 50 / 1 800 ± 50	no info	3 × (330 ± 70 on 30 off) repeated	British Telecom
950 ± 25 / 1 400 ± 15 / 1 800 ± 50	-4,5 [dBm0] ± 0,5	3 × (330 ± 70 on) 1 000 ± 250 off repeated	Belgium
950 ± 50 / 1 400 ± 50 / 1 800 ± 50	-5 +2/-3 [dBm0]	3 × (330 ± 70 on 30 off) 1 000 ± 250 off repeated	Czech Republic
950 / 1 400 / 1 800	no info	3 × 300 on 1 000 off	France Telecom
950 / 1 400 / 1 800	- 6 to -53 (note 1)	3 × 300 on 1 000 off	Deutsche Telekom
950 ± 5 Hz / 1 400 ± 5 Hz, 1 800 ± 5 Hz	-12 to -28	330 ± 70 per freq. then 1 000 ± 250 off, repeated	Telecom Eireann
950 / 1 400 / 1 800	-10	3 × 300 on 1 000 off	MATAV (Hungary)
950 / 1 400 / 1 800	-10	3 × 300 on 1 000 off	PANNON (Hungary)
N/R			Telecom Italia
950 ± 25 / 1 400 ± 50 / 1 800 ± 50	-12 ± 3	330 ± 10 on 1 000 off repeated	Telefonica
950 ± 50 / 1 400 ± 50 / 1 800 ± 50	-25 [dBm0]	3 × (330 ± 70 on 30 off) + announcement repeated	Telia
950 ± 25 / 1 400 ± 25 / 1 800 ± 25	-22 ± 1 (note 1)	3 × (330 ± 70 on) 1 000 ± 250 off repeated	Finland
950 ± 50 / 1 400 ± 50 / 1 800 ± 50	N/R	3 × (330 on 30 off) 1 400 off	Telecel (Portugal)
950 / 1 400 / 1 800	N/R	3 × (330 on 30 off) 1 000 off	Portugal Telecom
950 ± 50 / 1 400 ± 50 / 1 800 ± 50	-13 ± 2 max. 3 dB between tones	3 × (330 on) 1 000 off	Telenor
N/R			Turk Telecom

NOTE 1: Applies to sensitivity levels at TE interface. Other levels apply to Local Exchange (LE) interface.

NOTE 2: N/R = Not Reported.

Table C.8: Message waiting dial tone

Tone Description		A tone to replace the standard dial tone to indicate when a new message has been received	
Bellcore ADSI event code		13	
Event code description		Message waiting indicator tone detected.	
Freq. $f \pm \Delta f$ [Hz]	Level $l \pm \Delta l$ [dBm]	Cadence $t \pm \Delta t$ [ms]	Network Operator
N/R			Austria Telecom
N/R			British Telecom
425 ± 5	-4,5 ± 0,5 dBm0	40 ± 5 on 40 ± 5 off (Special Confirmation Tone, SCT)	Belgium
N/R			Czech Republic
330 ± 2 + 440 ± 2	-5 ± 0,5 dBm0	50 on 150 off 50 on 300 off repeated	France Telecom
440 ± 2	-8,5 ± 0,5 dBm0	continuous	
Not available			Deutsche Telekom
400 Hz followed by 440 Hz / 425 Hz	-12 to -28 dBm	400 Hz for 320 ms, 440 / 425 Hz for 40 ms repeated (there may be pauses of up to 4 ms at the tone transition)	Telecom Eireann
N/R			MATAV (Hungary)
N/R			PANNON (Hungary)
425 ± 15	-13 ± 2	100 ± 10 on 100 ± 10 off 100 ± 10 on 100 ± 10 off 100 ± 10 on 500 ± 50 off repeated	Telecom Italia
425 ± 15	-12 ± 3		Telefonica
N/R			Telia
N/R			Finland
N/R			Telecel (Portugal)
N/R			Portugal Telecom
N/R			Telenor
N/R			Turk Telecom

NOTE: N/R = Not Reported.

Table C.9: Recall dial tone

Tone Description		A modified dial tone indicating that an operating feature is activated that requires presentation of a second dial tone. Also known as stutter dial tone and transfer dial tone.	
Bellcore ADSI event code		12	
Event code description		Recall dial tone detected	
Freq. $f \pm \Delta f$ [Hz]	Level $l \pm \Delta l$ [dBm]	Cadence $t \pm \Delta t$ [ms]	Network Operator
N/R			Austria Telecom
N/R			British Telecom
N/R			Belgium
N/R			Czech Republic
$440 \pm 2$	$-3,5 \pm 0,5$	continuous	France Telecom
Not available			Deutsche Telekom
425 Hz nominal	-12 to -28 dBm	Same as Dial tone	Telecom Eireann
N/R			MATAV (Hungary)
N/R			PANNON (Hungary)
$425 \pm 15$	$-13 \pm 2$	Same as Dial tone	Telecom Italia
$425 \pm 15$	$-12 \pm 3$	Same as Dial tone	Telefonica
N/R			Telia
N/R			Finland
N/R			Telecel (Portugal)
N/R			Portugal Telecom
N/R			Telenor
N/R			Turk Telecom

NOTE: N/R = Not Reported.

Table C.10: Call waiting tone

Tone Description		A tone advising the user of the call waiting supplementary service who is engaged on a call that someone is attempting to call his number.	
ETSI SDSS event code		53	
Event code description		Call waiting tone detected	
Freq. $f \pm \Delta f$ [Hz]	Level $l \pm \Delta l$ [dBm]	Cadence $t \pm \Delta t$ [ms]	Network Operator
400 < $f_1$ < 450	-10 to -36	40 ± 10 on 1 950 ± 390 off	Austria Telecom
400		100 on 2 000 - 5 000 off	British Telecom
1 400 ± 50	-15 ± 2 dBm0	2 × (175 ± 75 on 175 ± 75 off)	Belgium
425 ± 20	-11 +2/-3 [dBm0]	330 ± 30 on 9 000 ± 500 off	Czech Republic
440		300 ± 50 on repeated once after 10 s and then again after 45 s	France Telecom
425	-6 to -53 [dB (950mV)]	200 on 200 off 200 on 5 000 off	Deutsche Telekom
425	-10 to -36 dBm	200 on 200 off 200 on 4 000 off	Telecom Eireann
425	-10	40 on 1 960 off	MATAV (Hungary)
N/R			PANNON (Hungary)
425 ± 15	-13 ± 2	400 ± 40 on 100 ± 10 off 250 ± 25 on 100 ± 10 off 150 ± 15 on	Telecom Italia
425 ± 15	-12 ± 3	175 ± 10 on 175 ± 10 off 175 ± 10 on 3 500 ± 100 off repeated	Telefonica
425 ± 15	-5 [dBm0]	200 on 500 off 200 on, one cycle only	Telia
425 ± 25	-22 ± 1	150 ± 25 on 150 ± 25 off 150 ± 25 on 8 000 ± 250 off repeated	Finland
425 ± 15	N/R	200 on 30 off 200 on 5 000 off	Telecel (Portugal)
425	N/R	200 on 200 off 200 on 1 000 off	Portugal Telecom
425 ± 15	-27 ± 2	200 on 600 off 200 on 1 000 on ± 10 % two cycles only	Telenor
N/R			Turk Telecom

NOTE: N/R = Not Reported.



Table C.11: Normal ringing

<b>Ringling description</b>	Signal sent over a line for the purpose of alerting a party of an incoming call	
<b>Bellcore ADSI event code</b>	16	
<b>Event code description</b>	Normal ringing detected	
<b>Freq. <math>f \pm \Delta f</math> [Hz]</b>	<b>Cadence <math>t \pm \Delta t</math> [ms]</b>	<b>Network Operator</b>
40 up to 55	1 000 $\pm$ 200 on 5 000 $\pm$ 1 000 off	Austria Telecom
25 + 1,25 to 25 - 3,25	400 on 200 off 400 on 2 000 off or	British Telecom
25 + 1 to 25 - 5	350 on 220 off then start at any point in: 400 on 200 off 400 on 2 000 off	
25 $\pm$ 1,25	1 000 $\pm$ 100 on 3 000 $\pm$ 100 off	Belgium
25 $\pm$ 2 50 $\pm$ 2	1 000 $\pm$ 100 on 4 000 $\pm$ 400 off	Czech Republic
50 $\pm$ 2	1 500 $\pm$ 150 on 3 500 $\pm$ 350 off repeated	France Telecom
25	500 on 5 000 off 1 000 on 5 000 off 1 000 on 5 000 off repeated	Deutsche Telekom
25	400 on, 200 off, 400 on, 2 000 off repeated	Telecom Eireann
25	1 250 on 3 750 off	MATAV (Hungary)
25	1 250 on 3 750 off	PANNON (Hungary)
25 $\pm$ 2,5	1 000 $\pm$ 100 on 4 000 $\pm$ 100 off repeated	Telecom Italia
25 $\pm$ 1,25	1 500 $\pm$ 150 on 3 000 $\pm$ 300 off repeated	Telefonica
25 $\pm$ 2	1 000 $\pm$ 100 on 5 000 $\pm$ 500 off repeated	Telia
25 $\pm$ 3	1 000 $\pm$ 250 on 4 000 (4 000 - 5 000) off repeated	Finland
N/R		Telecel (Portugal)
25	1 000 on 5 000 off	Portugal Telecom
25 $\pm$ 25	1 000 $\pm$ 100 on 4 000 $\pm$ 400 off	Telenor
25 + 1	2 000 on 4 000 off	Turk Telecom
NOTE: N/R = Not Reported.		

Table C.12: Distinctive ringing

Ringling description		Call Arrival Indication from particular Supplementary services.
Bellcore ADSI event code		15
Event code description		Distinctive ringing detected
Freq. $f \pm \Delta f$ [Hz]	Cadence $t \pm \Delta t$ [ms]	Network Operator
N/R		Austria Telecom
25 + 1 to 25 - 5	1 000 on 2 000 off	British Telecom
25 ± 1,25	1 000 ± 100 on 1 000 ± 100 off (second special ringing)	Belgium
N/R		Czech Republic
50 ± 2	750 on 1 500 off repeated	France Telecom
Not available		Deutsche Telekom
N/R		MATAV (Hungary)
N/R		PANNON (Hungary)
N/R		Telecom Italia
N/R		Telefonica
N/R		Telia
25 ± 3	300 ± 100 on 4 000 (4 000 - 5000) off repeated	Finland (1 <sup>st</sup> number)
25 ± 3	2 × (300 ± 100 on 300 ± 100 off) 4 000 (4 000 - 5 000) off repeated	Finland (2 <sup>nd</sup> number)
25 ± 3	3 × (300 ± 100 on 300 ± 100 off) 4 000 (4 000 - 5 000) off repeated	Finland (3 <sup>rd</sup> number)
N/R		Telecel (Portugal)
N/R		Portugal Telecom
N/R		Telenor
N/R		Turk Telecom

NOTE: N/R = Not Reported.

Table C.13: Special ringing

Ringing description		Signal sent to the initiator of a Ring Back When Free service, when the called party becomes free
Bellcore ADSI event code		18
Event code description		Special ringing detected
Freq. $f \pm \Delta f$ [Hz]	Cadence $t \pm \Delta t$ [ms]	Network Operator
N/R		Austria Telecom
25 + 1 - 5	2 × (250 on 250 off) 250 on 1 750 off	British Telecom
N/R		Belgium
N/R		Czech Republic
50 ± 2	2 000 on 1 000 off	France Telecom
Not available		Deutsche Telekom
N/R		MATAV (Hungary)
N/R		PANNON (Hungary)
25 ± 2,5	400 ± 50 on 200 ± 50 off 400 ± 50 on 200 ± 50 off 800 ± 100 on 4 000 ± 100 off repeated	Telecom Italia
N/R		Telefonica
25 ± 2	300 ± 30 on 400 ± 40 off repeated during 30 s	Telia
25 ± 3	300 ± 100 on 300 ± 100 off 3 500 ± 1 500 on 4 000 (4 000 - 5 000) off repeated	Finland
N/R		Telecel (Portugal)
N/R		Portugal Telecom
N/R		Telenor
N/R		Turk Telecom

NOTE: N/R = Not Reported.

Table C.14: Coded ringing

Ringing description		
Bellcore ADSI event code		19
Event code description		Coded ringing detected
Freq. $f \pm \Delta f$ [Hz]	Cadence $t \pm \Delta t$ [ms]	Network Operator
N/R		Austria Telecom
25	400 on 800 off	British Telecom
N/R		Belgium
N/R		Czech Republic
N/R		France Telecom
Not available		Deutsche Telekom
25	500 on 200 off 500 on 3 800 off	MATAV (Hungary)
N/R		PANNON (Hungary)
N/R		Telecom Italia
N/R		Telefonica
N/R		Telia
N/R		Finland
N/R		Telecel (Portugal)
N/R		Portugal Telecom
N/R		Telenor
N/R		Turk Telecom

NOTE: N/R = Not Reported.

**Table C.15: Progress Tones**

<b>Frequency</b>	<b>Level dBm</b>	<b>Cadence</b>	<b>Network Operator</b>
425 ± 5 Hz	-12 to -26	60 ms on, 60 ms off repeated	Telecom Eireann

## History

<b>Document history</b>				
V1.1.1	June 1997	Public Enquiry as EN 301 071-1	PE 9746:	1997-06-20 to 1997-11-14
V1.1.2	August 1998	Membership Approval Procedure	MV 9840:	1998-08-04 to 1998-10-02
V1.1.2	October 1998	Publication		