



**Electromagnetic compatibility
and Radio spectrum Matters (ERM);
Short Range Devices (SRD);
Radio equipment to be used
in the 40 GHz to 246 GHz frequency range;
Part 1: Technical characteristics and test methods**

Reference

REN/ERM-TG28-501

Keywords

radio, SRD, testing

ETSI

650 Route des Lucioles
F-06921 Sophia Antipolis Cedex - FRANCE

Tel.: +33 4 92 94 42 00 Fax: +33 4 93 65 47 16

Siret N° 348 623 562 00017 - NAF 742 C
Association à but non lucratif enregistrée à la
Sous-Préfecture de Grasse (06) N° 7803/88

Important notice

The present document can be downloaded from:

<http://www.etsi.org>

The present document may be made available in electronic versions and/or in print. The content of any electronic and/or print versions of the present document shall not be modified without the prior written authorization of ETSI. In case of any existing or perceived difference in contents between such versions and/or in print, the only prevailing document is the print of the Portable Document Format (PDF) version kept on a specific network drive within ETSI Secretariat.

Users of the present document should be aware that the document may be subject to revision or change of status. Information on the current status of this and other ETSI documents is available at

<http://portal.etsi.org/tb/status/status.asp>

If you find errors in the present document, please send your comment to one of the following services:

http://portal.etsi.org/chaicor/ETSI_support.asp

Copyright Notification

No part may be reproduced or utilized in any form or by any means, electronic or mechanical, including photocopying and microfilm except as authorized by written permission of ETSI.

The content of the PDF version shall not be modified without the written authorization of ETSI.

The copyright and the foregoing restriction extend to reproduction in all media.

© European Telecommunications Standards Institute 2014.

All rights reserved.

DECT™, **PLUGTESTS™**, **UMTS™** and the ETSI logo are Trade Marks of ETSI registered for the benefit of its Members. **3GPP™** and **LTE™** are Trade Marks of ETSI registered for the benefit of its Members and of the 3GPP Organizational Partners.

GSM® and the GSM logo are Trade Marks registered and owned by the GSM Association.

Contents

Intellectual Property Rights	6
Foreword.....	6
Modal verbs terminology.....	6
1 Scope	7
2 References	7
2.1 Normative references	8
2.2 Informative references.....	8
3 Definitions, symbols and abbreviations	9
3.1 Definitions.....	9
3.2 Symbols.....	10
3.3 Abbreviations	10
4 Technical requirements specifications	11
4.1 General requirements	11
4.1.1 Environmental profile	11
4.1.2 Receiver category	11
4.2 Presentation of equipment for testing purposes.....	11
4.2.1 Choice of model for testing	12
4.2.2 Testing of equipment with alternative power levels	12
4.3 Mechanical and electrical design.....	12
4.3.1 General.....	12
4.3.2 Controls	12
4.3.3 Transmitter shut-off facility.....	12
4.3.4 Receiver automatic switch-off	12
4.3.5 Marking (equipment identification).....	13
4.3.5.1 Equipment identification	13
4.3.5.2 Marking.....	13
4.4 Auxiliary test equipment	13
4.5 General requirements for RF cables	13
4.6 RF waveguides	14
4.7 External harmonic mixers	15
4.7.1 Introduction.....	15
4.7.2 Signal identification.....	16
4.7.3 Measurement hints.....	16
4.8 Interpretation of the measurement results	16
4.8.1 For measurement above 110 GHz.....	17
4.8.2 Conversion loss data and measurement uncertainty	17
5 Test conditions, power sources and ambient temperatures	18
5.1 Product information.....	18
5.2 Normal and extreme test conditions	18
5.3 Test power source.....	19
5.3.1 External test power source.....	19
5.3.2 Internal test power source	19
5.4 Normal test conditions.....	19
5.4.1 Normal temperature and humidity	19
5.4.2 Normal test power source	19
5.4.2.1 Mains voltage.....	19
5.4.2.2 Other power sources.....	20
5.5 Extreme test conditions	20
5.5.1 Extreme temperatures	20
5.5.2 Extreme test source voltages.....	20
5.5.2.1 Mains voltage.....	20
5.5.2.2 Regulated lead-acid battery power sources	20
5.5.2.3 Power sources using other types of batteries.....	20

5.5.2.4	Other power sources.....	20
6	General conditions.....	21
6.1	Normal test signals and test modulation.....	21
6.1.1	Normal test signals for data	21
6.1.2	Product Information.....	21
6.1.3	Testing of frequency agile or hopping equipment	22
6.2	Test sites and general arrangements for radiated measurements	22
6.2.1	Test fixture.....	22
6.2.1.1	Requirements	22
6.2.1.2	Calibration.....	23
6.2.1.3	Test Sites and general arrangement.....	23
6.2.1.3.1	Open Area Test Site (OATS).....	23
6.2.1.3.2	Other test sites	24
6.2.1.3.3	Semi-Anechoic Rooms with a conductive Ground Plane.....	24
6.2.1.3.4	Fully Anechoic Rooms (FAR).....	26
6.2.1.3.5	Minimum requirements for test sites for measurements above 18 GHz.....	28
6.3	Measuring receiver	29
6.4	Antennas.....	30
6.4.1	Test antenna	30
6.4.2	Substitution antenna.....	30
6.4.3	Signalling antenna	31
7	Methods of measurement and limits for transmitter parameters	31
7.1	Power Spectral density	31
7.1.1	Definition.....	31
7.1.2	Limit	31
7.1.3	Conformance.....	31
7.2	RF output power.....	33
7.2.1	Definition.....	33
7.2.2	Limit	33
7.2.3	Conformance.....	33
7.3	Permitted range of operating frequencies	34
7.3.1	Definition.....	34
7.3.2	Method of measurement	34
7.3.3	Method of measurement for equipment using FHSS modulation.....	34
7.3.4	Limit	35
7.4	Out-of-band emissions (OOB)	35
7.4.1	Definitions	35
7.4.2	Measuring receiver	35
7.4.3	Method of measurement	36
7.4.4	Limits.....	36
7.5	Radiated spurious emissions.....	38
7.5.1	Definition.....	38
7.5.2	Measuring receiver	38
7.5.3	Method of measurement for radiated spurious emissions.....	38
7.5.4	Limits.....	40
8	Receiver.....	40
8.1	Unwanted emissions.....	40
8.1.1	Definition.....	40
8.1.2	Method of measurement radiated unwanted components.....	40
8.1.3	Limits.....	41
Annex A (normative):	Radiated measurements	42
A.1	Substitution method.....	42
A.1.1	Principle of the substitution measurement method.....	42
A.2	Pre-Substitution method.....	43
A.2.1	Principle of radiated power measurement based on site attenuation (Pre-Substitution).....	43
Annex B (informative):	Atmospheric absorptions and material dependent attenuations.....	45

B.1 Atmospheric absorptions	45
B.2 Material dependent attenuations.....	47
Annex C (informative): Bibliography.....	49
History	50

Intellectual Property Rights

IPRs essential or potentially essential to the present document may have been declared to ETSI. The information pertaining to these essential IPRs, if any, is publicly available for **ETSI members and non-members**, and can be found in ETSI SR 000 314: *"Intellectual Property Rights (IPRs); Essential, or potentially Essential, IPRs notified to ETSI in respect of ETSI standards"*, which is available from the ETSI Secretariat. Latest updates are available on the ETSI Web server (<http://ipr.etsi.org>).

Pursuant to the ETSI IPR Policy, no investigation, including IPR searches, has been carried out by ETSI. No guarantee can be given as to the existence of other IPRs not referenced in ETSI SR 000 314 (or the updates on the ETSI Web server) which are, or may be, or may become, essential to the present document.

Foreword

This draft European Standard (EN) has been produced by ETSI Technical Committee Electromagnetic compatibility and Radio spectrum Matters (ERM), and is now submitted for the combined Public Enquiry and Vote phase of the ETSI standards EN Approval Procedure.

The present document is part 1 of a multi-part deliverable covering Electromagnetic compatibility and Radio spectrum Matters (ERM); Short Range Devices (SRD); Radio equipment to be used in the 40 GHz to 246 GHz frequency range, as identified below:

Part 1: "Technical characteristics and test methods";

Part 2: "Harmonized EN covering the essential requirements of article 3.2 of the R&TTE Directive".

For non EEA countries the present document may be used for regulatory (type approval) purposes.

Proposed national transposition dates	
Date of latest announcement of this EN (doa):	3 months after ETSI publication
Date of latest publication of new National Standard or endorsement of this EN (dop/e):	6 months after doa
Date of withdrawal of any conflicting National Standard (dow):	6 months after doa

Modal verbs terminology

In the present document **"shall"**, **"shall not"**, **"should"**, **"should not"**, **"may"**, **"may not"**, **"need"**, **"need not"**, **"will"**, **"will not"**, **"can"** and **"cannot"** are to be interpreted as described in clause 3.2 of the [ETSI Drafting Rules](#) (Verbal forms for the expression of provisions).

"must" and **"must not"** are **NOT** allowed in ETSI deliverables except when used in direct citation.

1 Scope

The present document applies to the following Short Range Device major equipment types:

- Generic Short Range Devices, including alarms, telecommand, telemetry, data transmission in general, etc.

These radio equipment types are capable of operating in frequency bands within the 40 GHz to 246 GHz range as specified in table 1:

- either with a Radio Frequency (RF) output connection and dedicated antenna or with an integral antenna;
- for all types of modulation.

Table 1 shows a list of the frequency bands as designated in the CEPT/ERC Recommendation 70-03 [i.1] as known at the date of publication of the present document.

NOTE 1: Table 1 represents the most widely implemented position within the CEPT countries [i.1], but it should not be assumed that all designated bands are available in all countries. It is also foreseen that these frequencies may be implemented in [i.2], [i.12] and [i.4] in the future.

Table 1: Short Range Devices within the 40 GHz to 246 GHz frequency range

Frequency Bands (Transmit and Receive)	Applications	Notes
57 GHz to 64 GHz	Non-specific SRD	
61,0 GHz to 61,5 GHz	Non-specific SRD	
122 GHz to 123 GHz	Non-specific SRD	
244 GHz to 246 GHz	Non-specific SRD	

NOTE 2: In addition, it should be noted that other frequency bands may be available for short range devices in a country within the frequency range 40 GHz to 246 GHz covered by the present document. See the CEPT/ERC Recommendation 70-03 [i.1] or as implemented through National Radio Interfaces (NRI) and additional NRI as relevant.

NOTE 3: On non-harmonized parameters, national administrations may impose certain conditions such as the type of modulation, frequency, channel/frequency separations, maximum transmitter radiated power, duty cycle, and the inclusion of an automatic transmitter shut-off facility, as a condition for the issue of an individual or general licence, or as a condition for the issuing of Individual Rights for use of spectrum or General Authorization, or as a condition for use "under licence exemption" as it is in most cases for Short Range Devices.

The present document covers fixed stations, mobile stations and portable stations.

2 References

References are either specific (identified by date of publication and/or edition number or version number) or non-specific. For specific references, only the cited version applies. For non-specific references, the latest version of the reference document (including any amendments) applies.

Referenced documents which are not found to be publicly available in the expected location might be found at <http://docbox.etsi.org/Reference>.

NOTE: While any hyperlinks included in this clause were valid at the time of publication ETSI cannot guarantee their long term validity.

2.1 Normative references

The following referenced documents are necessary for the application of the present document.

- [1] CISPR 16 (2006) (parts 1-1, 1-4 and 1-5): "Specification for radio disturbance and immunity measuring apparatus and methods".
- [2] Recommendation ITU-T O.153: "Basic parameters for the measurement of error performance at bit rates below the primary rate".
- [3] ETSI TR 102 273 (V1.2.1) (all parts): "Electromagnetic compatibility and Radio spectrum Matters (ERM); Improvement on Radiated Methods of Measurement (using test site) and evaluation of the corresponding measurement uncertainties".
- [4] ETSI TR 100 028 (V1.4.1) (all parts): "Electromagnetic compatibility and Radio spectrum Matters (ERM); Uncertainties in the measurement of mobile radio equipment characteristics".
- [5] ETSI TS 103 052: "Electromagnetic compatibility and Radio spectrum Matters (ERM); Radiated measurement methods and general arrangements for test sites up to 100 GHz".

2.2 Informative references

The following referenced documents are not necessary for the application of the present document but they assist the user with regard to a particular subject area.

- [i.1] CEPT/ERC Recommendation 70-03: "Relating to the use of Short Range Devices (SRD)".
- [i.2] European Commission Decision 2006/771/EC of 9 November 2006 on harmonization of the radio spectrum for use by short-range devices.
- [i.3] Void.
- [i.4] CEPT/ERC Recommendation 74-01: "Unwanted emissions in the spurious domain", Hradec Kralove, Cardiff 2011.
- [i.5] Recommendation ITU-R P.676-5 (2001): "Attenuation by atmospheric gases".
- [i.6] Void.
- [i.7] IEC 60153: "Hollow metallic waveguides".
- [i.8] ETSI TR 102 215: "Electromagnetic compatibility and Radio spectrum Matters (ERM); Recommended approach, and possible limits for measurement uncertainty for the measurement of radiated electromagnetic fields above 1 GHz".
- [i.9] Void.
- [i.10] Void.
- [i.11] Void.
- [i.12] European Commission Decision 2013/752/EU of 11 December 2013 (amending Decision 2006/771/EC on harmonisation of the radio spectrum for use by short-range devices and repealing Decision 2005/928/EC).
- [i.13] Recommendation ITU-R SM.329-12 (09/2012): "Unwanted emissions in the spurious domain, SM Series, Spectrum management".

3 Definitions, symbols and abbreviations

3.1 Definitions

For the purposes of the present document, the following terms and definitions apply:

alarm: use of radio communication for indicating an alarm condition at a distant location

artificial antenna: non-radiating dummy load equal to the nominal impedance specified by the provider

assigned frequency band: frequency band within which the device is authorized to operate and to perform the intended function of the equipment

Direct Sequence Spread Spectrum (DSSS): form of modulation where a combination of data to be transmitted and a fixed code sequence (chip sequence) is used to directly modulate a carrier, e.g. by phase shift keying

NOTE: The code rate determines the occupied bandwidth.

dedicated antenna: removable antenna supplied and tested with the radio equipment, designed as an indispensable part of the equipment

environmental profile: range of environmental conditions under which equipment within the scope of the present document is required to comply with the provisions of the present document

fixed station: equipment intended for use in a fixed location

Frequency Hopping Spread Spectrum (FHSS): spread spectrum technique in which the transmitter signal occupies a number of frequencies in time, each for some period of time, referred to as the dwell time

NOTE: Transmitter and receiver follow the same frequency hop pattern. The number of hop positions and the bandwidth per hop position determine the occupied bandwidth.

integral antenna: permanent fixed antenna, which may be built-in, designed as an indispensable part of the equipment

mobile station: equipment normally fixed in a vehicle or used as a transportable station

necessary bandwidth: width of the emitted frequency band which is just sufficient to ensure the transmission of information at the rate and with the quality required under specified conditions

NOTE: The necessary bandwidth including the frequency tolerances is accommodated within the assigned frequency band.

occupied bandwidth: width of a frequency band such that, below the lower and above the upper frequency limits, the mean powers emitted are each equal to 0,5 % of the total mean power of a given emission

NOTE: This corresponds to the -23 dBc bandwidth of the signal.

operating frequency: nominal frequency at which equipment is operated; this is also referred to as the operating centre frequency

NOTE: Equipment may be able to operate at more than one operating frequency.

operating frequency range: range of operating frequencies over which the equipment can be adjusted through tuning, switching or reprogramming

Power Spectral Density (PSD): ratio of the amount of power to the used radio measurement bandwidth

NOTE: It is expressed in units of dBm/Hz or as a power in unit dBm with respect to the used bandwidth. In case of measurement with a spectrum analyser the measurement bandwidth is equal to the RBW.

portable station: equipment intended to be carried, attached or implanted

radiated measurements: measurements which involve the absolute measurement of a radiated field

spread spectrum: modulation technique in which the energy of a transmitted signal is spread throughout a large portion of the frequency spectrum

ultra low power equipment: equipment using transmit envelope power below the receiver and idle/standby transmitter limits given in CEPT/ERC Recommendation 74-01 [i.4], see table 5

unwanted emissions: emission on a frequency or frequencies which are outside the necessary bandwidth and the level of which may be reduced without affecting the corresponding transmission of information

NOTE: Unwanted emissions include harmonic emissions, parasitic emissions, intermodulation products and frequency conversion products.

3.2 Symbols

For the purposes of the present document, the following symbols apply:

D_{ant}	Aperture dimension of the radiating antenna
dB	decibel
dB _i	gain in decibels relative to an isotropic antenna
E	Electrical field strength
E_0	Reference electrical field strength

NOTE: See annex A.

f	Frequency
P	Power
R	Distance
R_0	Reference distance

NOTE: See annex A.

t	Time
λ	wavelength

3.3 Abbreviations

For the purposes of the present document, the following abbreviations apply:

BW	BandWidth
CEPT	European Conference of Postal and Telecommunications Administrations
CISPR	Comité international spécial des perturbations radioélectriques
DC	Direct Current
DSSS	Direct Sequence Spread Spectrum
e.i.r.p.	equivalent isotropical radiated power
ECC	Electronic Communications Committee
EEA	European Economic Area
EESS	Earth Exploration Satellite Service
EIA	Electronic Industries Alliance
EIRP	Equivalent Isotropic Radiated Power
EMC	Electro Magnetic Compatibility
emf	electromagnetic field
ERC	European Radiocommunication Committee
EUT	Equipment Under Test
EUT	Equipment Under Test
FAR	Fully Anechoic Rooms
FH	Frequency Hopping
FHSS	Frequency Hopping Spread Spectrum
FMCW	Frequency Modulated Continuous-Wave radar
FSK	Frequency Shift Keying
FSL	Free Space Loss
IF	Intermediate Frequency

ITU-R	International Telecommunications Union, Radio Sector
ITU-T	International Telecommunications Union, Telecommunications Sector
LO	Local Oscillator
NRI	National Radio Interfaces
NSA	Normalized Site Attenuation
OATS	Open Area Test Site
OBW	Occupied BandWidth
OOB	Out-of-Band
OWB	Occupied bandwidth
PD	Power Density
PDL	Power Density Limit
PRF	Pulse Repetition Frequency
PSD	Power Spectral Density
R&TTE	Radio and Telecommunications Terminal Equipment
RBW	Resolution BandWidth
RCSC	Radio Components Standardization Committee
REC	Recommendation
RF	Radio Frequency
RMS	Root Mean Square
RX	Receiver
SMA	SubMiniature version A - connector
SRD	Short Range Device
SVSWR	Site Voltage Standing Wave Ratio
TX	Transmitter
VBW	Video BandWidth
VSWR	Voltage Standing Wave Ratio

4 Technical requirements specifications

4.1 General requirements

4.1.1 Environmental profile

The technical requirements of the present document apply under the environmental profile for operation of the equipment, which shall be declared by the supplier. The equipment shall comply with all the technical requirements of the present document at all times when operating within the boundary limits of the declared operational environmental profile.

4.1.2 Receiver category

For SRDs in the scope of the present document, there is no need to distinguish between different receiver categories.

4.2 Presentation of equipment for testing purposes

Equipment submitted for testing, where applicable, shall fulfil the requirements of the present document on all frequencies over which it is intended to operate.

Where appropriate, testing shall be carried out on suitable frequencies for the equipment concerned.

If equipment is designed to operate with different carrier powers, measurements of each transmitter parameter shall be performed at the highest power level at which the transmitter is intended to operate.

Additionally, technical documentation and operating manuals, sufficient to allow testing to be performed, shall be available.

A test fixture for equipment with an integral antenna may be supplied (see clause 6.2).

To simplify and harmonize the testing procedures between the different testing laboratories, measurements shall be performed, according to the present document, on samples of equipment defined in clauses 4.2.1 to 4.2.2.

These clauses are intended to give confidence that the requirements set out in the present document have been met without the necessity of performing measurements on all frequencies.

The provider shall declare the frequency range(s), the range of operation conditions and power requirements, as applicable, in order to establish the appropriate test conditions.

4.2.1 Choice of model for testing

One or more samples of the equipment, as appropriate, shall be tested.

Stand alone equipment shall be tested complete with any ancillary equipment needed for testing.

If equipment has several optional features, considered not to affect the RF parameters then the tests need only to be performed on the equipment configured with that combination of features considered to be the most complex.

4.2.2 Testing of equipment with alternative power levels

If a family of equipment has alternative output power levels provided by the use of separate power modules or add on stages, or additionally has alternative frequency coverage, then all these shall be declared. Each module or add on stage shall be tested in combination with the equipment. The necessary samples and tests shall be based on the requirements of clause 4.2. As a minimum, measurements of the radiated power (e.i.r.p.) and unwanted emissions shall be performed for each combination and shall be stated in the test report.

4.3 Mechanical and electrical design

4.3.1 General

The equipment tested shall be designed, constructed and manufactured in accordance with good engineering practice and with the aim of minimizing harmful interference to other equipment and services.

Transmitters and receivers may be individual or combination units.

4.3.2 Controls

Those controls which, if maladjusted, might increase the interfering potentialities of the equipment shall not be easily accessible to the user.

4.3.3 Transmitter shut-off facility

If the transmitter is equipped with an automatic transmitter shut-off facility, it should be made inoperative for the duration of the test. In the case this not possible, a proper test method shall be described and documented.

4.3.4 Receiver automatic switch-off

If the receiver is equipped with a battery-saving circuit for automatic switch-off, this circuit shall be made inoperative for the duration of the tests. In the case this is not possible, a proper test method shall be described and documented.

4.3.5 Marking (equipment identification)

4.3.5.1 Equipment identification

The marking shall include as a minimum:

- the name of the manufacturer or his trademark;

- the type designation.

4.3.5.2 Marking

The equipment shall be marked in a visible place. This marking shall be legible and durable. In cases where the equipment is too small to carry the marking, it is sufficient to provide the relevant information in the users' manual.

4.4 Auxiliary test equipment

All necessary test signal sources and set-up information shall accompany the equipment when it is submitted for testing.

The following product information shall be provided by the manufacturer:

- the type of modulation technology implemented in the equipment (e.g. FMCW or pulsed);
- the operating frequency range(s) of the equipment;
- the intended combination of the transmitter/transceiver and its antenna and their corresponding e.i.r.p. levels in the main beam;
- the nominal power supply voltages of the radio equipment;
- for FMCW, FH, FSK or similar carrier based modulation schemes, it is important to describe the modulation parameters in order to ensure that the right settings of the measuring receiver are used. Important parameters are the modulation period, deviation or dwell times within a modulation period, rate of modulation (Hz/s);
- the implementation of features such as gating, hopping or stepped frequency hopping;
- the implementation of any mitigation techniques such as duty cycle;
- for pulsed equipment, the Pulse Repetition Frequency (PRF) is to be stated.

4.5 General requirements for RF cables

All RF cables including their connectors at both ends used within the measurement arrangements and set-ups shall be of coaxial or waveguide type featuring within the frequency range they are used:

- a VSWR of less than 1,2 at either end;
- a shielding loss in excess of 60 dB.

When using coaxial cables for frequencies above 40 GHz attenuation features increase significantly and decrease of return loss due to mismatching caused by joints at RF connectors and impedance errors shall be considered.

All RF cables and waveguide interconnects shall be routed suitably in order to reduce impacts on antenna radiation pattern, antenna gain, antenna impedance. Table 2 provides some information about connector systems that can be used in connection with the cables.

Table 2: Connector systems

Connector System	Frequency	Recommended coupling torque
N	18 GHz	0,68 Nm to 1,13 Nm
SMA	18 GHz (some up to 26 GHz)	~0,56 Nm
3,50 mm	26,5 GHz	0,8 Nm to 1,1 Nm
2,92 mm	40 GHz (some up to 46 GHz)	0,8 Nm to 1,1 Nm
2,40 mm	50 GHz (some up to 60 GHz)	0,8 Nm to 1,1 Nm
1,85 mm	65 GHz (some up to 75 GHz)	0,8 Nm to 1,1 Nm

4.6 RF waveguides

Wired signal transmission in the millimetre range is preferably realized by means of waveguides because they offer low attenuation and high reproducibility. Unlike coaxial cables, the frequency range in which waveguides can be used is limited also towards lower frequencies (highpass filter characteristics). Wave propagation in the waveguide is not possible below a certain cut-off frequency where attenuation of the waveguide is very high. Beyond a certain upper frequency limit, several wave propagation modes are possible so that the behaviour of the waveguide is no longer unambiguous. In the unambiguous range of a rectangular waveguide, only H10 waves are capable of propagation.

The dimensions of rectangular and circular waveguides are defined by international standards such as 153-IEC [i.7] for various frequency ranges. These frequency ranges are also referred to as waveguide bands. They are designated using different capital letters depending on the standard. Table 3 provides an overview of the different waveguide bands together with the designations of the associated waveguides and flanges.

For rectangular waveguides, which are mostly used in measurements, harmonic mixers with matching flanges are available for extending the frequency coverage of measuring receivers. Table 3 provides some information on waveguides.

Table 3: Waveguide bands and associated waveguides

Band	Frequency in GHz	Designations				Internal dimensions of waveguide		Designations of frequently used flanges		
		MIL-W-85	EIA	153-IEC	RCSC (British)	in mm	in inches	MIL-F-3922	UG-XXX/U equivalent (reference)	Remarks
Ka	26,5 to 40,0	3-006	WR-28	R320	WG-22	7,11 x 3,56	0,280 x 0,140	54-006 68-002 67B-005	UG-559/U - UG-381/U	Rectangular Rectangular Round
Q	33,0 to 55,0	3-010	WR-22	R400	WG-23	5,69 x 2,84	0,224 x 0,112	67B-006	UG-383/U	Round
U	40,0 to 60,0	3-014	WR-19	R500	WG-24	4,78 x 2,388	0,188 x 0,094	67B-007	UG-383/U-M	Round
V	50,0 to 75,0	3-017	WR-15	R620	WG-25	3,759 x 1,879	0,148 x 0,074	67B-008	UG-385/U	Round
E	60,0 to 90,0	3-020	WR-12	R740	WG-26	3,099 x 1,549	0,122 x 0,061	67B-009	UG-387/U	Round
W	75,0 to 110,0	3-023	WR-10	R900	WG-27	2,540 x 1,270	0,100 x 0,050	67B-010	UG-383/U-M	Round

As waveguides are rigid, it is unpractical to set up connections between antenna and measuring receiver with waveguides. Either a waveguide transition to coaxial cable is used or - at higher frequencies - the harmonic mixer is used for frequency extension of the measuring receiver and is directly mounted at the antenna.

4.7 External harmonic mixers

4.7.1 Introduction

Measuring receivers (test receivers or spectrum analyzers) with coaxial input are commercially available up to 67 GHz. The frequency range is extended from 40/67 GHz up to 100 GHz and beyond by means of external harmonic mixers. Harmonic mixers are used because the fundamental mixing commonly employed in the lower frequency range is too complex and expensive or requires components such as preselectors which are not available. Harmonic mixers are waveguide based and have a frequency range matching the waveguide bands. They shall not be used outside these bands for calibrated measurements.

In harmonic mixers, a harmonic of the Local Oscillator (LO) is used for signal conversion to a lower Intermediate Frequency (IF). The advantage of this method is that the frequency range of the local oscillator may be much lower than with fundamental mixing, where the LO frequency shall be of the same order (with low IF) or much higher (with high IF) than the input signal (RF). The harmonics are generated in the mixer because of its nonlinearity and are used for conversion. The signal converted to the IF is coupled out of the line which is also used for feeding the LO signal.

To obtain low conversion loss of the external mixer, the order of the harmonic used for converting the input signal should be as low as possible. For this, the frequency range of the local oscillator shall be as high as possible. LO frequency ranges are for example 3 GHz to 6 GHz or 7 GHz to 15 GHz. IF frequencies are in the range from 320 MHz to about 700 MHz. If the measured air interface is wider than the IF bandwidth, then it is advisable to split the measurement in several frequency ranges, i.e. a one step total RF output power measurement should not be performed.

Because of the great frequency spacing between the LO and the IF signal, the two signals can be separated by means of a simple diplexer. The diplexer may be realized as part of the mixer or the spectrum analyzer, or as a separate component. Mixers with an integrated diplexer are also referred to as three-port mixers, mixers without diplexers as two-port mixers. Figure 1 shows an example where a diplexer is used to convey both, the IF and LO frequencies.

Coaxial cable connections to an external mixer (diplexer) shall be calibrated as well and in conjunction when calibrating the mixer and the measuring receiver. Those cables shall not be replaced in concrete measurements. In particular the cable length shall not be varied.

It shall be regarded that the mixer inputs are sufficiently insulated towards the antenna port with regard to the injected signal (mixed signal) so that the mixed signal, multiplied by the LO, is sufficiently absorbed.

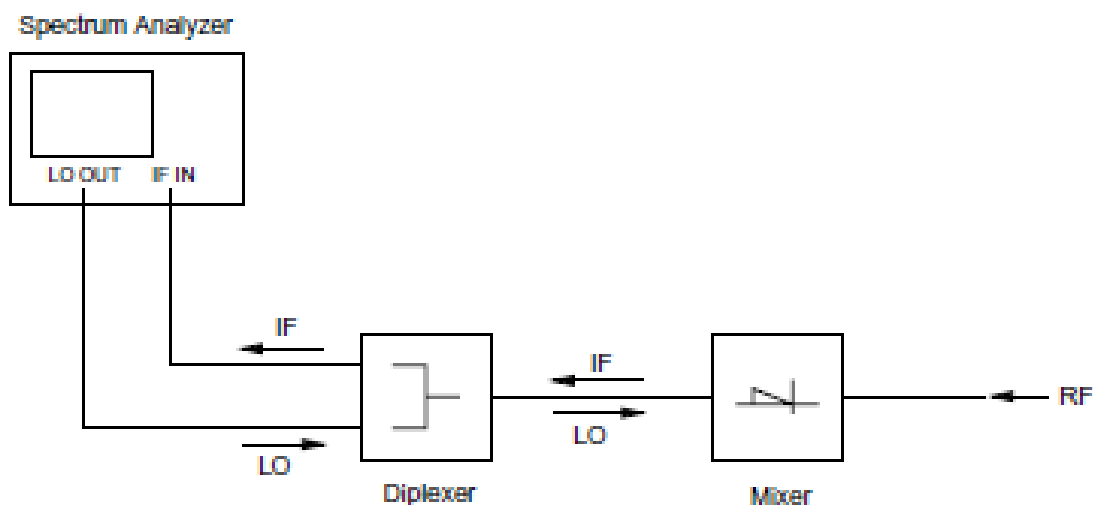


Figure 1: Set-up of measurement receiver, diplexer and mixer

4.7.2 Signal identification

A setup with Harmonic mixers without pre-selection displays always a pair of signals with a spacing of $2 \times f_{IF}$, as there is no image suppression. For a modulated signal with a bandwidth of $> 2 \times f_{IF}$ both, wanted and image response overlap and cannot be separated any more.

Depending on the width of the analyzed frequency bands additional responses created from other harmonics may be displayed. In these cases it has to be determined with good engineering practice, which of the displayed responses are false responses. Signal identification techniques implemented in spectrum analyzers are based on the fact that only responses corresponding to the selected number of harmonic show a frequency spacing of $2 \times f_{IF}$.

This can be used for automated signal identification: Apart from the actual measurement sweep, in which the lower sideband is defined as "wanted", a reference sweep is performed. For the reference sweep, the frequency of the LO signal is tuned such that the user-selected harmonic of the LO signal (order m) is shifted downwards by $2 \times f_{IF}$ relative to the measurement sweep.

Parameters which influence the signal identification routines are:

- Number of harmonic: the higher the harmonic number the more false responses will be created. A high LO frequency range which results in a lower harmonic number for a given frequency range is desirable.

- IF Frequency: the higher the IF frequency of the spectrum analyzer, the greater the spacing at which image frequency response is displayed on the frequency axis. For a single modulated or unmodulated input signal displayed on the frequency axis, an image-free range of $2 \times f_{IF}$ is obtained around this signal in which no signal identification is necessary.

4.7.3 Measurement hints

To obtain accurate and reproducible results, the following points should be observed:

- A low-loss cable with a substantially flat frequency response should be used for feeding the LO signal to the mixer. The conversion loss of the mixer is normally specified for a defined LO level. It is therefore important to maintain this level at the LO port of the mixer in order to achieve the desired accuracy. This is especially essential if the antenna/mixer combination is located away from the measuring receiver.
- In level correction on the spectrum analyzer, the insertion loss of the cable used for tapping the IF signal is to be taken into account.
- If an external diplexer is used for connecting a two-port mixer, the insertion loss of the IF path of the diplexer is to be taken into account in level correction on the spectrum analyzer.

Additional information on radiated measurements up to 100 GHz is available in TS 103 052 [5].

4.8 Interpretation of the measurement results

The interpretation of the results for the measurements described in the present document shall be as follows:

- 1) the measured value related to the corresponding limit shall be used to decide whether an equipment meets the requirements of the present document;
- 2) the measurement uncertainty value for the measurement of each parameter shall be recorded;
- 3) the recorded value of the measurement uncertainty shall be wherever possible, for each measurement, equal to or lower than the figures in table 4.

For the test methods, according to the present document, the measurement uncertainty figures shall be calculated in accordance with the guidance provided in TR 100 028 [4] and shall correspond to an expansion factor (coverage factor) $k = 1,96$ or $k = 2$ (which provide confidence levels of respectively 95 % and 95,45 % in the case where the distributions characterizing the actual measurement uncertainties are normal (Gaussian)).

Table 4 is based on such expansion factors.

Table 4: Maximum measurement uncertainties

Parameter	Maximum expanded measurement Uncertainty
Radio frequency	$\pm 1 \times 10^{-7}$
Radiated RF power (up to 40 GHz)	± 6 dB
Radiated RF power (above 40 GHz up to 66 GHz)	± 8 dB
Radiated RF power (above 66 GHz up to 100 GHz)	± 10 dB (see note 1)
Radiated RF power (above 100 GHz)	See note 2
Temperature	± 1 °C
Humidity	± 5 %
DC and low frequency voltages	± 3 %
<p>NOTE 1: Achieved sensitivity and measurement uncertainty are a direct result of the chosen test suites. The values mentioned together with the concerns should therefore be considered illustrational rather than absolute for measurements above 66 GHz, given the absence of some relevant information. For radiated emissions above 66 GHz the given measurement uncertainties are based on the assumption of the deployment of a cable based measurement set-up. In the cases of other measurement set-up (e.g. wave guides) it may not be possible to reduce measurement uncertainty to the levels specified in table 4.</p> <p>NOTE 2: For measurements above 100 GHz, the expanded measurement uncertainty shall also be recorded in the test report and a detailed calculation be added. A future revision of the present document may include a value for frequencies for expanded measurement uncertainty that is still under development.</p>	

The measurement uncertainty of measurements in the range above 40 GHz (millimetre domain) will be clearly above the initially assumed 6 dB for radiated measurements below 40 GHz. A value of 8 dB seems to be more adequate. Precise values of measurement uncertainty require calibration, and there are limitations as mentioned on above.

This maximum uncertainty value above 40 GHz is also dependent upon the maximum dimensions of the antenna of the equipment under test and is also dependent upon gain specifications of antennae.

4.8.1 For measurement above 110 GHz

"Standard" measurement equipment is only available up to a frequency range of around 110 GHz with a limited sensitivity related to measurement BWs and detectors. For higher frequencies above 110 GHz the sensitivity will further decrease.

The commercially available calibration capability is currently limited to around 110 GHz. As a consequence measurement results above 110 GHz of different laboratories are not fully comparable since the equipment will not be calibrated for the needed operational range.

4.8.2 Conversion loss data and measurement uncertainty

Calibrated conversion loss data for harmonic mixers are given for a dedicated number of harmonic, IF frequency and LO power. They cannot be used for a different number of harmonic. It is equally essential that the LO level at the harmonic mixer matches the LO level for which the conversion loss data have been derived.

The above conditions adhered to a measurement uncertainty including the measuring receiver of $< \pm 3$ dB to 5 dB at the frequency of the calibration points can be expected, depending on the waveguide band.

EXAMPLE: 75 GHz to 110 GHz 3-port harmonic mixer: $< 4,5$ dB ($K = 2,5$ °C to 45 °C).

Harmonic mixers frequently have a low return loss (typically 6 dB to 7 dB), which increases the measurement uncertainty. It is therefore expedient to insert an attenuator or isolator between the mixer and the antenna in order to improve measurement uncertainty. However, the insertion loss caused by such a component will reduce the sensitivity of the spectrum analyzer and mixer setup. This insertion loss has also to be taken into account for level measurements.

Mixers with integrated isolator are preferable, as they are already calibrated with the isolator included.

As frequency ranges increase it may be difficult to conclude a maximum allowable value for the expanded measurement uncertainty due to lack of knowledge of the new methods of test and determining the uncertainty components:

- The commercially available calibration capability is limited to around 66 GHz. Thus no such possibility is freely available on the market above that limit. As a consequence measurement results above 66 GHz of different labs are not fully comparable since the equipment will not be calibrated for the needed operational range and also for radiated unwanted emission measurements above the operational range.
- The expanded measurement uncertainty of measurements in the range between 66 GHz and 100 GHz will be clearly above the values valid for below 66 GHz. Precise values of expanded measurement uncertainty require calibration and there are limitations as mentioned above.
- In general it has to be mentioned that these values become the higher the frequency will become the more a guideline.
- Starting from around 66 GHz the limits of coaxial systems are reached and the frontend has to switch to wave guide based technologies adding an additional attenuation and also decreasing the sensitivity. Commercially available analyzers can only measure up to around 67 GHz, thus making the use of external mixers unavoidable.

Guidance is provided in TR 102 215 [i.8] and its revision that will present an evaluation of maximum acceptable measurement uncertainty for Radio Frequency (RF) electromagnetic field (emf) measurements for the frequency range from 30 MHz to 100 GHz for inclusion within ETSI documents on radio products used for compliance testing.

5 Test conditions, power sources and ambient temperatures

5.1 Product information

The product information is necessary for handheld and mobile devices working in the frequency range 122 to 122,250 GHz.

The following product information shall be provided by the manufacturer:

- orientation of the normal operation mode, in this mode the device has to fulfill the requirements for the radiation pattern in table 9;
- the operating frequency range(s) of the equipment.

This information should be also described in the device manual together with the information that direct pointing with the handheld device towards the sky should be avoided.

5.2 Normal and extreme test conditions

Tests defined in the present document shall be carried out at representative points within the boundary limits of the declared operational environmental profile.

Where technical performance varies subject to environmental conditions, tests shall be carried out under a sufficient variety of environmental conditions (within the boundary limits of the declared operational environmental profile) to give confidence of compliance for the affected technical requirements.

The test conditions and procedures shall be as specified in clauses 5.3 to 5.5.

5.3 Test power source

The equipment shall be tested using the appropriate test power source as specified in clauses 5.3.1 or 5.3.2. Where equipment can be powered using either external or internal power sources, then the equipment shall be tested using the external power source as specified in clause 5.3.1 then repeated using the internal power source as specified in clause 5.3.2.

The test power source used shall be stated in the test report.

5.3.1 External test power source

During testing, the power source of the equipment shall be replaced by an external test power source capable of producing normal and extreme test voltages as specified in clauses 5.4.2 and 5.5.2. The internal impedance of the external test power source shall be low enough for its effect on the test results to be negligible. For the purpose of the tests, the voltage of the external test power source shall be measured at the input terminals of the equipment. The external test power source shall be suitably de-coupled and applied as close to the equipment battery terminals as practicable. For radiated measurements, any external power leads should be so arranged so as not to affect the measurements.

During tests, the test power source voltages shall be within a tolerance of $< \pm 1$ % relative to the voltage at the beginning of each test. The value of this tolerance can be critical for certain measurements. Using a smaller tolerance will provide a better uncertainty value for these measurements.

5.3.2 Internal test power source

For radiated measurements on portable equipment with integral antenna, fully charged internal batteries should be used. The batteries used should be as supplied or recommended by the provider. If internal batteries are used, at the end of each test the voltage shall be within a tolerance of $< \pm 5$ % relative to the voltage at the beginning of each test. Where this is not appropriate, a note to this effect shall be appended to the test report.

Where a test fixture is used, an external power supply at the required voltage may replace the supplied or recommended internal batteries. This shall be stated on the test report.

5.4 Normal test conditions

5.4.1 Normal temperature and humidity

The normal temperature and humidity conditions for tests shall be any convenient combination of temperature and humidity within the following ranges:

- temperature $+15$ °C to $+35$ °C;
- relative humidity 20 % to 75 %.

When it is impracticable to carry out tests under these conditions, a note to this effect, stating the ambient temperature and relative humidity during the tests, shall be added to the test report.

5.4.2 Normal test power source

5.4.2.1 Mains voltage

The normal test voltage for equipment to be connected to the mains shall be the nominal mains voltage. For the purpose of the present document, the nominal voltage shall be the declared voltage, or any of the declared voltages, for which the equipment was designed.

The frequency of the test power source corresponding to the ac mains shall be between 49 Hz and 51 Hz.

5.4.2.2 Other power sources

For operation from other power sources or types of battery (primary or secondary), the normal test voltage shall be that declared by the equipment provider and agreed by the accredited test laboratory. Such values shall be stated in the test report.

5.5 Extreme test conditions

5.5.1 Extreme temperatures

No testing shall be performed at extreme temperatures, see clause 5.2.

5.5.2 Extreme test source voltages

5.5.2.1 Mains voltage

The extreme test voltages for equipment to be connected to an ac mains source shall be the nominal mains voltage $\pm 10\%$. For equipment that operates over a range of mains voltages clause 5.5.2.4 applies.

5.5.2.2 Regulated lead-acid battery power sources

When the radio equipment is intended for operation from the usual type of regulated lead-acid battery power sources the extreme test voltages shall be 1,3 and 0,9 multiplied by the nominal voltage of the battery (6 V, 12 V, etc.).

For float charge applications using "gel-cell" type batteries the extreme voltage shall be 1,15 and 0,85 multiplied by the nominal voltage of the declared battery voltage.

5.5.2.3 Power sources using other types of batteries

The lower extreme test voltages for equipment with power sources using batteries shall be as follows:

- for equipment with a battery indicator, the end point voltage as indicated;
- for equipment without a battery indicator the following end point voltages shall be used:
 - for the Leclanché or the lithium type of battery:
 - 0,85 multiplied by the nominal voltage of the battery;
 - for the nickel-cadmium type of battery:
 - 0,9 multiplied by the nominal voltage of the battery;
- for other types of battery or equipment, the lower extreme test voltage for the discharged condition shall be declared by the equipment provider.

The nominal voltage is considered to be the upper extreme test voltage in this case.

5.5.2.4 Other power sources

For equipment using other power sources, or capable of being operated from a variety of power sources, the extreme test voltages shall be those agreed between the equipment provider and the test laboratory. This shall be recorded in the test report.

6 General conditions

6.1 Normal test signals and test modulation

The test modulating signal is a signal which modulates a carrier, is dependent upon the type of equipment under test and also the measurement to be performed. Modulation test signals only apply to products with an external modulation connector. For equipment without an external modulation connector, normal operating modulation shall be used.

Where appropriate, a test signal shall be used with the following characteristics:

- representative of normal operation;
- causes greatest occupied RF bandwidth.

For equipment using intermittent transmissions the test signal shall be such that:

- the generated RF signal is the same for each transmission;
- transmissions occur regularly in time;
- sequences of transmissions can be accurately repeated.

Details of the test signal shall be recorded in the test report.

Normal operating modulation shall be used, where there is no provision for external test modulation.

6.1.1 Normal test signals for data

Where the equipment has an external connection for general data modulation, the normal test signals are specified as follows:

- D-M2: a test signal representing a pseudo-random bit sequence of at least 511 bits in accordance with Recommendation ITU-T O.153 [2]. This sequence shall be continuously repeated. If the sequence cannot be continuously repeated, the actual method used shall be stated in the test report.
- D-M3: a test signal shall be agreed between the test laboratory and the provider in case selective messages are used and are generated or decoded within the equipment.
The agreed test signal may be formatted and may contain error detection and correction.

6.1.2 Product Information

The following information shall be stated by the manufacturer in order to carry out the test suites and/or to declare compliance to technical requirements for which no conformance test is included in the present document:

- a) The channel plan(s), being the centre frequencies that the EUT is capable of tuning. If the equipment is capable of supporting multiple channel plans in the course of normal operation (e.g. offering different sizes of normal wideband operation), each distinct channel plan and its related occupied bandwidth for normal wideband operation shall be stated.
- b) The test modulation(s) used by the EUT.
- c) The medium access protocol(s) used by the EUT.
- d) The integral antenna design used by the equipment and measures to prevent the user from connecting a different antenna.

6.1.3 Testing of frequency agile or hopping equipment

Where possible, tests shall be carried out on a frequency within ± 20 ppm of the highest frequency hop and of the lowest frequency hop.

For frequency hopping equipment specifically, three different tests shall be made under the conditions stated above:

- a) The hopping sequence is stopped and the equipment is tested at two different channels as stated above.
- b) The hopping sequence is in function and the equipment is tested with two hopping channels as stated above, the channels shall be visited sequentially and the number of visits to each shall be equal.
- c) The hopping sequence is in normal function and the equipment is tested with all hopping channels as declared by the provider.

6.2 Test sites and general arrangements for radiated measurements

To reduce the errors during radiated test following method should be used:

- Substitution method, details in clause A.1;
- or
- Pre-Substitution method, details in clause A.2.

These methods are necessary to take the errors of the test site at certain frequencies, because they are constant, into account.

6.2.1 Test fixture

6.2.1.1 Requirements

The test fixture for radio equipment operating in the relevant frequency range shall enable the EUT to be physically supported, together with a wave-guide horn antenna Rx, which is used to measure the transmitted energy, in a fixed physical relationship to the EUT or calibration antenna Tx (see figure 2). The test fixture shall be designed for use in an anechoic environment and allow certain measurements to be performed in the far field, i.e. at a distance greater than $2d^2/\lambda$, where d is the largest dimension of the antenna aperture of the EUT.

The test fixture shall incorporate at least one RF connector, a device for electromagnetic coupling to the EUT and a means for repeatable positioning of the EUT. Its compactness shall enable the whole assembly to be accommodated within a test chamber, usually a climatic facility. The circuitry associated with the RF coupling device shall not contain active or non-linear components.

Only after it has been verified that the test fixture does not affect performance of the EUT, the EUT can be confidently tested.

At set-up, the EUT shall be aligned in the test fixture so that the maximum power is detected at the coupled output (see also clause 7.1). Orientation of the horn antenna will take into account the polarization of the EUT.

In addition, the test fixture shall provide a connection to an external power supply.

The test fixture shall be provided by the provider together with a full description, which shall meet the approval of the selected accredited test laboratory.

The performance characteristics of the test fixture shall be measured and shall be approved by the accredited test laboratory. It shall conform to the following basic parameters:

- the gain of the waveguide horn shall not exceed 20 dB;
- the minimum distance between the transmitting and receiving antenna shall guarantee mutual far field conditions (distance greater than $2d^2/\lambda$, where d is the largest dimension of the antenna aperture of the EUT).

NOTE 1: Information on uncertainty contributions, and verification procedures are detailed in clauses 5 and 6, respectively, of TR 102 273-6 [3].

NOTE 2: The far field conditions of the test setup have to be carefully verified in the frequency band covered by the present document. It is highly recommended that the Voltage Standing Wave Ratio (VSWR) at the waveguide flange at which measurements are made is not greater than 1,5.

- the performance of the test fixture when mounted in the anechoic chamber or in a temperature chamber, shall be unaffected by the proximity of surrounding objects or people inside the chamber. The performance shall be reproducible if the EUT is removed and then replaced;
- the performance of the test fixture shall remain within the defined limits of the calibration report, when the test conditions are varied over the limits described in clauses 5.3 and 5.4.

The characteristics and calibration of the test fixture shall be included in a calibration report.

6.2.1.2 Calibration

The calibration of the test fixture establishes the relationship between the detected output from the test fixture, and the transmitted power (as sampled at the position of the antenna) from the EUT in the test fixture. This can be achieved by using a calibrated horn with a gain of equal to or less than 20 dB, fed from an external signal source, in place of the EUT to determine the variations in detected power with temperature and over frequency.

The calibration of the test fixture shall be carried out by either the provider of the EUT or the accredited test laboratory. The results shall be approved by the accredited test laboratory.

The calibration should be carried out over the operating frequency band, at least three frequencies, for the declared polarization of the EUT.

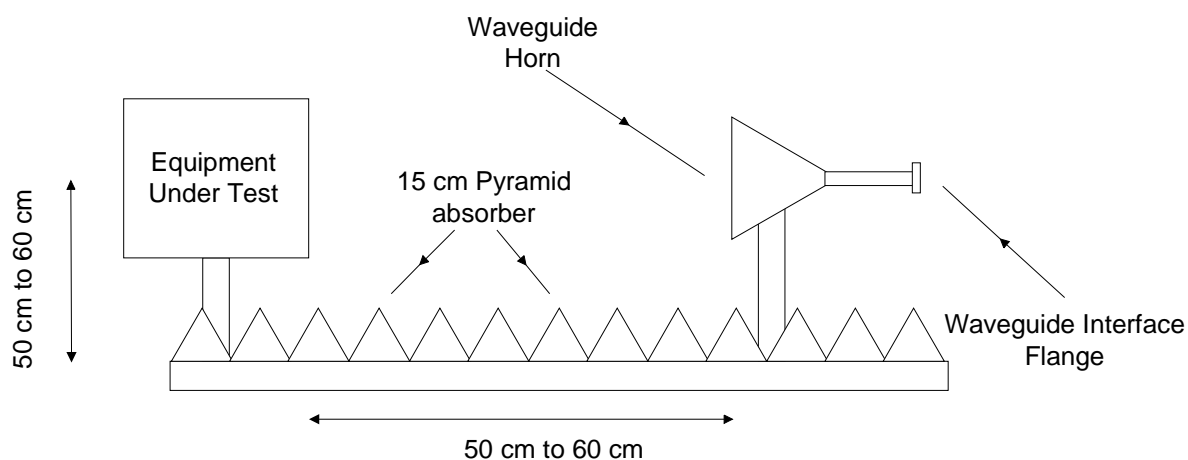


Figure 2: Example of the test fixture

More detailed information about use, validation and performance limitations of test fixtures up to 100 GHz shall be taken from TS 103 052 [5].

6.2.1.3 Test Sites and general arrangement

6.2.1.3.1 Open Area Test Site (OATS)

An Open Area Test Site comprises a turntable at one end and an antenna mast of variable height at the other set above a ground plane which, in the ideal case, is perfectly conducting and of infinite extent. In practice, whilst good conductivity can be achieved, the ground plane size has to be limited. A typical Open Area Test Site is shown in figure 3.

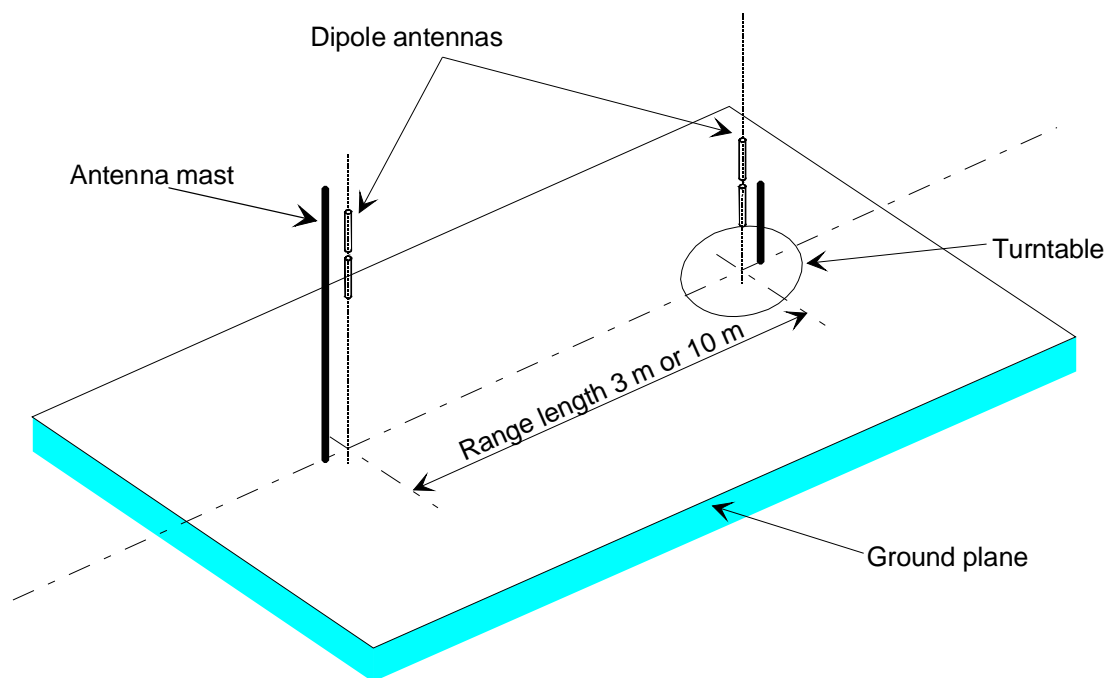


Figure 3: A typical Open Area Test Site

The ground plane creates a wanted reflection path, such that the signal received by the receiving antenna is the sum of the signals received from the direct and reflected transmission paths. The phasing of these two signals creates a unique received level for each height of the transmitting antenna (or EUT) and the receiving antenna above the ground plane.

In practice, the antenna mast provides a variable height facility so that the elevation of the test antenna can be optimized for maximum coupled signal in conjunction with the turntable for azimuth angle.

Both absolute and relative measurements can be performed on an Open Area Test Site. Where absolute measurements are to be carried out, or where the test site is to be used for accredited measurements, the Open Area Test Site should be verified. Verification involves comparison of the measured performance to that of an ideal theoretical site, with acceptability being decided on the basis of the differences not exceeding some pre-determined limits.

The Open Area Test Site has been, historically, the reference site upon which the majority, if not all, of the specification limits have been set. The ground plane was originally introduced to provide uniformity of ground conditions, between test sites, during testing.

6.2.1.3.2 Other test sites

The test sites described below are equipped with absorbers for attenuation of reflections. These absorbers' efficiency is subject to a lower and an upper cut-off frequency. For the use at higher frequencies suitability of these test sites has to be verified with regard to attenuation of reflections, resonances in connection with the chamber as well as imaging.

6.2.1.3.3 Semi-Anechoic Rooms with a conductive Ground Plane

A Semi-Anechoic Room with a conductive Ground Plane is an enclosure, usually shielded, whose internal walls and ceiling are covered with radio absorbing material, normally of the pyramidal urethane foam type. The floor, which is metallic, is not covered and forms the ground plane. The room usually contains an antenna mast at one end and a turntable at the other. A typical Semi-Anechoic Room with a conductive Ground Plane is shown in figure 4.

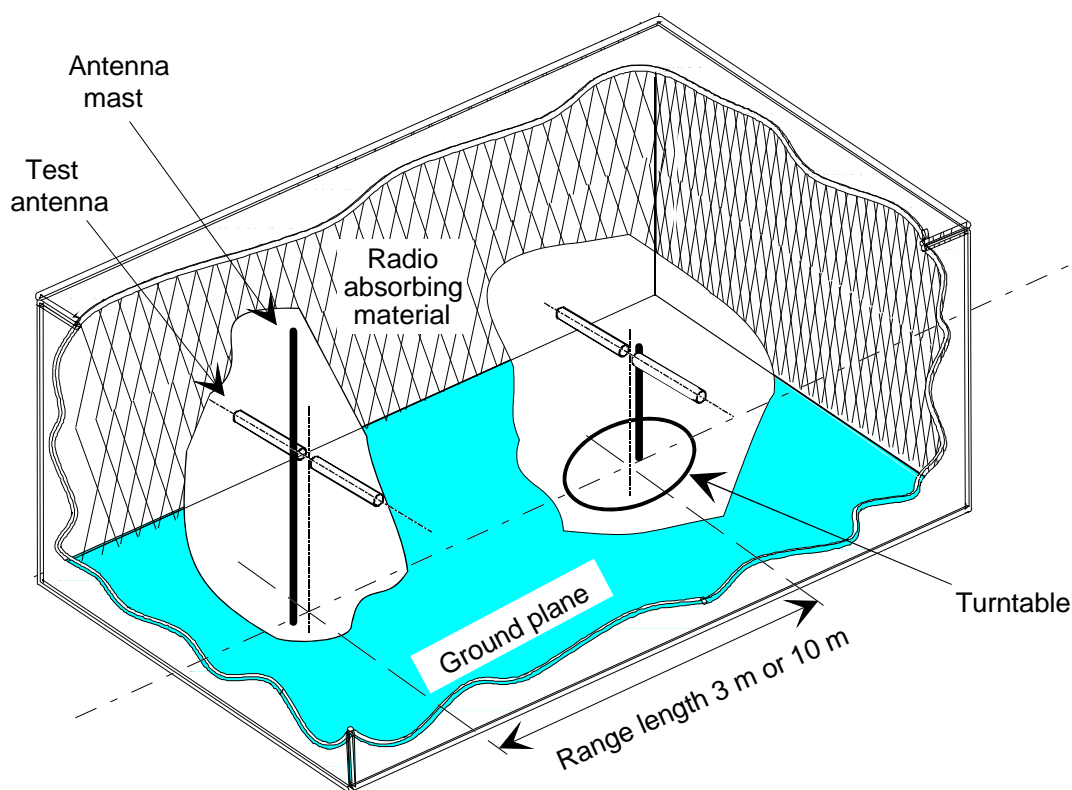


Figure 4: A typical Anechoic Chamber with a Ground Plane

This type of test room attempts to simulate an ideal Open Area Test Site (historically, the reference site upon which the majority, if not all, of the specification limits have been set) whose primary characteristic is a perfectly conducting ground plane of infinite extent.

The room shielding and radio absorbing material work together to provide a controlled environment for testing purposes. The shielding provides a test space with reduced levels of interference from ambient signals and other outside effects, whilst the radio absorbing material minimizes unwanted reflections from the walls and ceiling which can influence the measurements.

In practice whilst it is relatively easy for shielding to provide high levels (80 dB to 140 dB) of ambient interference rejection (normally making ambient interference negligible), no design of radio absorbing material satisfies the requirement of complete absorption of all the incident power. For example it cannot be perfectly manufactured and installed and its return loss (a measure of its efficiency) varies with frequency, angle of incidence and in some cases, is influenced by high power levels of incident radio energy. To improve the return loss over a broader frequency range, ferrite tiles, ferrite grids and hybrids of urethane foam and ferrite tiles are used with varying degrees of success.

The ground plane creates the wanted reflection path, such that the signal received by the receiving antenna is the sum of the signals received from the direct and reflected transmission paths. The phasing of these two signals creates a unique received signal level for each height of the transmitting antenna (or EUT) and the receiving antenna above the ground plane.

In practice, the antenna mast provides a variable height facility so that the elevation of the test antenna can be optimized for maximum coupled signal in conjunction with the turntable for azimuth angle, between antennas, or, between an EUT and a test antenna.

Both absolute and relative measurements can be performed in a Semi-Anechoic Room with a Ground Plane. Where absolute measurements are to be carried out, or where the test facility is to be used for accredited measurements, the chamber should be verified. Verification involves comparison of the measured performance to that of an ideal theoretical room, with acceptability being decided on the basis of the differences not exceeding some pre-determined limits.

6.2.1.3.4 Fully Anechoic Rooms (FAR)

A Fully Anechoic Room is an enclosure whose internal walls, floor and ceiling are covered with radio absorbing material, normally of the pyramidal urethane foam type. It is normally shielded against local ambients. The room contains an antenna support at one end and a turntable at the other. A typical Anechoic Room is shown in figure 5 with dipole antennas at both ends.

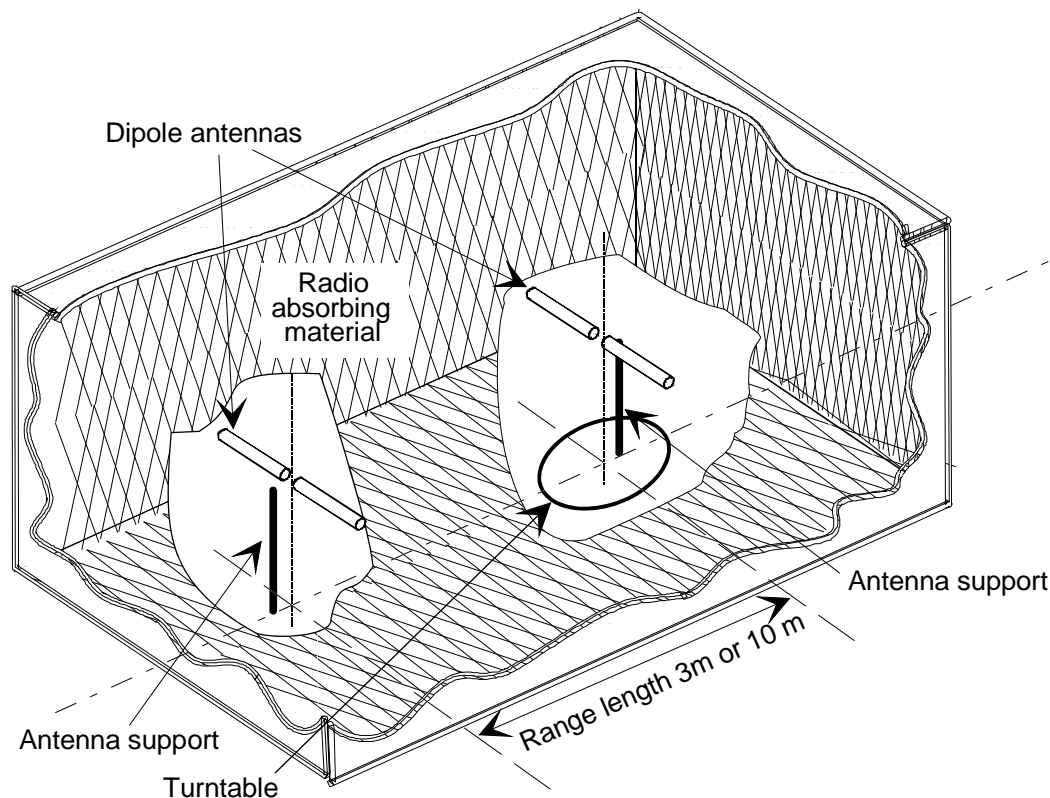


Figure 5: A typical Anechoic Chamber

The room shielding and radio absorbing material work together to provide a controlled environment for testing purposes. This type of test room attempts to simulate free space conditions. The shielding provides a test space, with reduced levels of interference from ambient signals and other outside effects, whilst the radio absorbing material minimizes unwanted reflections from the walls, floor and ceiling which could influence the measurements.

In practice whilst it is relatively easy for the shielding to provide high levels (80 dB to 140 dB) of ambient interference rejection (normally making ambient interference negligible), no design of radio absorbing material satisfies the requirement of complete absorption of all the incident power. For example it cannot be perfectly manufactured and installed and its return loss (a measure of its efficiency) varies with frequency, angle of incidence and in some cases, is influenced by high power levels of incident radio energy. To improve the return loss over a broader frequency range, ferrite tiles, ferrite grids and hybrids of urethane foam and ferrite tiles are used with varying degrees of success.

The Anechoic Room generally has several advantages over other test facilities. There is minimal ambient interference, minimal floor, ceiling and wall reflections and it is independent of the weather. It does however have some disadvantages which include limited measuring distance (due to available room size, cost, etc.) and limited lower frequency usage due to the size of the room and the pyramidal absorbers.

Both absolute and relative measurements can be performed in a Fully Anechoic Room. Where absolute measurements are to be carried out, or where the test facility is to be used for accredited measurements, the room should be verified. Verification involves comparison of the measured performance to that of an ideal theoretical chamber, with acceptability being decided on the basis of the maximum difference between the two.

A typical anechoic chamber is shown in figure 6. This type of test chamber attempts to simulate free space conditions.

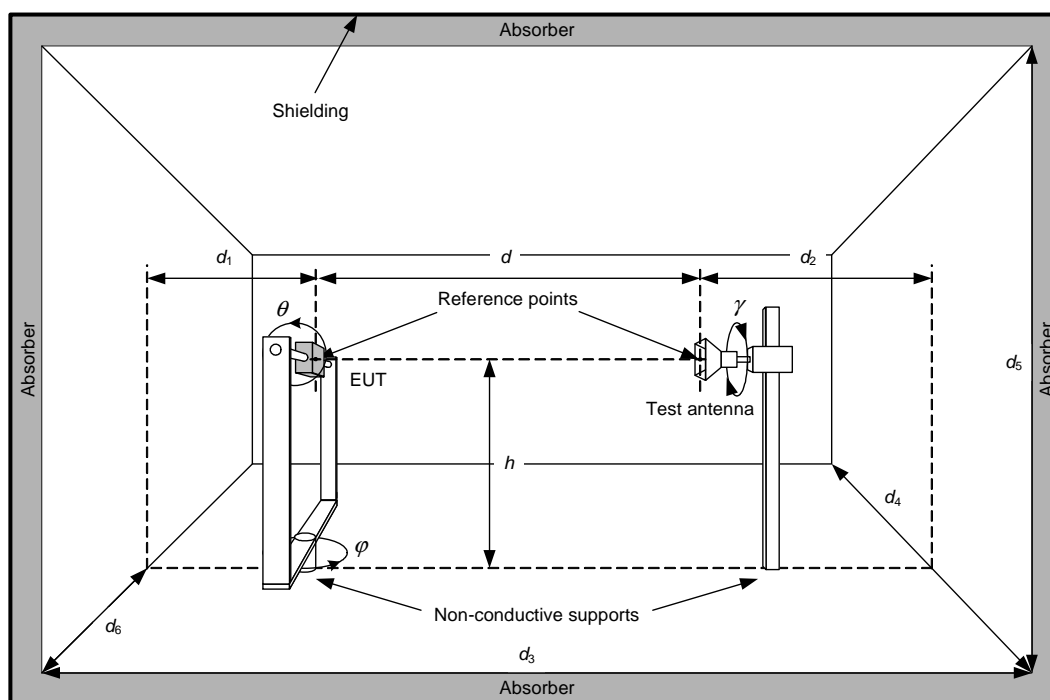


Figure 6: Typical anechoic chamber

The chamber contains suitable antenna supports on both ends.

The supports carrying the test antenna and EUT shall be made of a low micro-wave loss material featuring a low value of its relative permittivity.

The anechoic chamber shall be shielded. Internal walls, floor and ceiling shall be covered with radio absorbing material. The shielding and return loss for perpendicular wave incidence vs. frequency. In the measurement frequency range it shall meet:

- 105 dB shielding loss;
- 30 dB return loss.

Both absolute and relative measurements can be performed in an anechoic chamber. Where absolute measurements are to be carried out the chamber shall be verified.

The shielded anechoic chamber test site shall be calibrated and validated for the frequency range being applicable.

NOTE 1: Information on uncertainty contributions, and verification procedures are detailed in clauses 5 and 6, respectively, of TR 102 273-2 [3].

NOTE 2: The presented test fixture and procedures are based on the best practice in lower frequency bands. The setup might need to be adapted to the specific need of the millimetre wave systems especially above 100 GHz. The measurement reports should clearly document the used setup of the test fixture. The presented test fixture is mainly intended to be used for power measurements as defined in the scope of the present document.

When measuring in an anechoic chamber above 1 GHz and without a height scan of the "comparison antenna", instead of performing 360° increments with a turntable the EUT would have to be moved orthogonally around all its surfaces in order to measure the maximum radiated RF power due to the narrow antenna pattern occurring at high frequencies.

6.2.1.3.5 Minimum requirements for test sites for measurements above 18 GHz

Generally the test site shall be adequate to allow for testing in the far field of the EUT. The test site should therefore consist of an electromagnetic anechoic room where either at least the ground surface is covered with radio absorbing material or up to six surrounding surfaces are covered with radio absorbing material. The absorbing material shall have a minimum attenuation of 30 dB. It shall be verified that reflections are sufficiently reduced. The test site shall have the following dimensions:

- Width of 2 meters.
- Length of 3 meters.
- Height of 2 meters (only applicable for a room with more than one reflecting surface).

Highly directional receiving antennas help in reducing reflections. The use of standard gain horn antennas is recommended. It shall be noted that if the antenna aperture is smaller than the EUT, sufficient measurements in both azimuth and elevation shall be conducted in order to ensure that the maximum radiation is determined.

The measuring distance shall be selected in such way that antenna coupling effects are avoided. A distance of at least 0,5 m is therefore recommended. The EUT may be positioned at any height that minimizes reflections from the floor.

Due to high loss of coaxial cables at higher frequencies, the connection from the receiving antenna to the measuring receiver should not exceed 1 m, thus making it necessary to place the measuring receiver very close. This is especially the case when using external harmonic mixers with very short connections to the measuring receiver. Therefore the measuring receiver should somehow be covered with radio absorbing material in direction to the measuring field in order to reduce reflections. Figure 7 shows an example of a test site above 18 GHz with one reflecting surface.

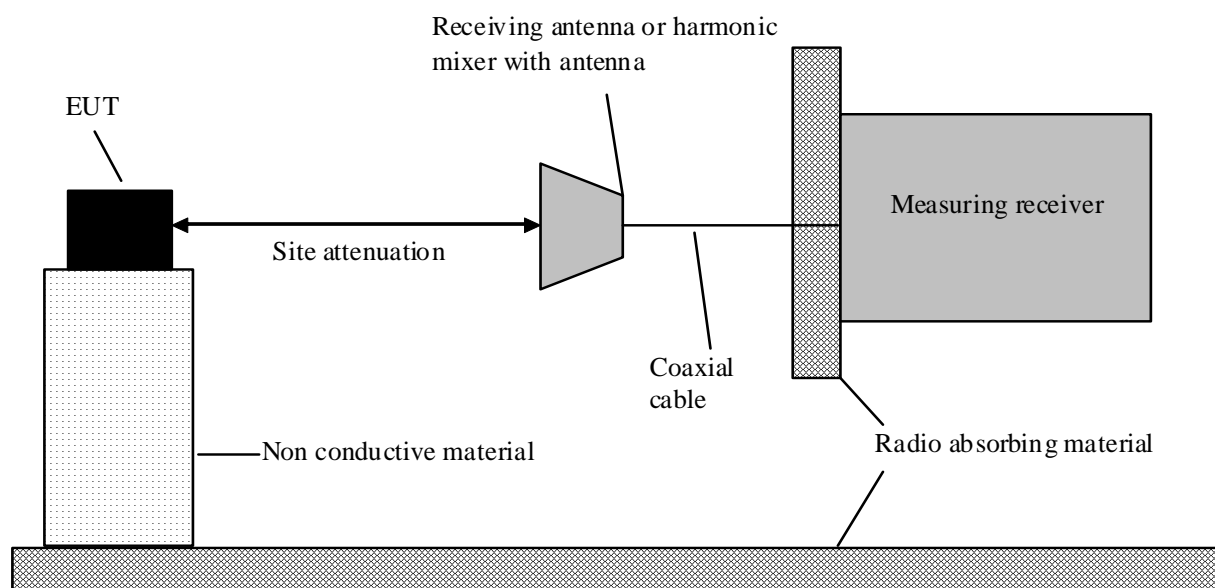


Figure 7: Example of a test site above 18 GHz with one reflecting surface

The site attenuation of the test site can be determined. Should the test site in its characteristics be nearly ideal, it may be possible to use the theoretical Free Space Loss (FSL) as site attenuation as shown in the examples in the tables 5 to 7.

Table 5: Example of Free Space Loss at 1 m distance

Measuring distance/m	f/GHz	λ / 1 m	[FSL]/dB
1	24,2	0,012397	60,12
	48,4	0,006198	66,14
	72,6	0,004132	69,66
	96,8	0,003099	72,16

Table 6: Example of Free Space Loss at 0,5 m distance

Measuring distance/m	f/GHz	λ / 1 m	[FSL]/dB
0,5	24,2	0,012397	54,1
	48,4	0,006198	60,12
	72,6	0,004132	63,64
	96,8	0,003099	66,14

Table 7: Example of Free Space Loss at 0,25 m distance

Measuring distance/m	f/GHz	λ / 1 m	[FSL]/dB
0,25	72,6	0,004132	57,62
	96,8	0,003099	60,12

Whereas:

$$\lambda = c/f$$

$$[\text{FSL}] = 10 \log (4\pi r/\lambda)^2$$

6.3 Measuring receiver

The term "measuring receiver" refers to a frequency-selective voltmeter or a spectrum analyser. Unless stated otherwise, an RMS detector shall be used. The measurement bandwidth of the measuring receiver shall, where possible, be according to CISPR 16 [1]. In order to obtain the required sensitivity, a narrower measurement bandwidth may be necessary, and in such cases, this shall be stated in the test report form. The bandwidth of the measuring receiver shall be as given in table 8.

Table 8: Measurement receiver parameters [1]

Frequency range: (f)	Measuring receiver bandwidth	Detector
$30 \text{ MHz} \leq f \leq 1\,000 \text{ MHz}$	100 kHz or 120 kHz	peak/RMS (see note 1)
$1\,000 \text{ MHz} < f \leq 40 \text{ GHz}$	1 MHz	peak/RMS
$f > 40 \text{ GHz}$	1 MHz (see note 2)	peak/RMS

NOTE 1: With the values from the peak and the RMS detector the quasi peak value can be calculated for particular measurement applications.

NOTE 2: The actual frequency accuracy shall be taken into account to determine the minimum measurement bandwidth possible.

In case a narrower measurement bandwidth was used, the following conversion formula has to be applied:

$$B = A + 10 \log \frac{BW_{ref}}{BW_{MEASURED}}$$

Where:

- A is the value at the narrower measurement bandwidth;
- B is the value referred to the reference bandwidth; or
- use the measured value, A, directly if the measured spectrum is a discrete spectral line. (A discrete spectrum line is defined as a narrow peak with a level of at least 6 dB above the average level inside the measurement bandwidth.)

6.4 Antennas

6.4.1 Test antenna

A test antenna is always used in radiated test methods. In emission tests (i.e. effective radiated power, radiated spurious emissions) the test antenna is used to detect the field from the EUT in one stage of the measurement and from the substitution antenna in the other stage. For tests of receiver parameter of EUTs with integrated or dedicated antennas (i.e. sensitivity, blocking, adjacent channel selectivity, etc.) the test antenna is used to radiate a field to the EUT or to the substitution antenna.

The test antenna should be mounted on a support capable of allowing the antenna to be used in either horizontal or vertical polarization. On ground plane sites (i.e. anechoic chambers with ground planes and Open Area Test Sites), the test antenna should additionally allow the height of its centre above the ground to be varied over the specified range (usually 1 m to 4 m).

For the test in the frequency range from 30 MHz to 1 000 MHz a biconical and a log periodical dipole array antenna or combination thereof (commonly termed "log periodic") could be used to cover the entire band. Above 1 000 MHz waveguide horns are recommended although, again, log periodic could be used.

The length of the test antenna along the measurement axis shall not exceed 20 % of the measuring distance. Furthermore the distance between the lower extremity of the measuring antenna and the ground shall be at least 300 mm.

NOTE 1: The gain of a horn antenna is generally expressed relative to an isotropic radiator.

For radiated measurements of transmitters, the test antenna is connected to a calibrated measuring receiver capable of being tuned to any frequency under investigation. The test antenna is connected to a calibrated signal generator for receiver parameter tests.

NOTE 2: The use of filters may be necessary in order to suppress certain wanted signals.

6.4.2 Substitution antenna

The substitution antenna is used to replace the EUT for tests in which transmitting parameters (i.e. effective radiated power, radiated spurious emissions) are being measured. In this case the antenna acts as a reference radiator to transmit a known radiated power.

The substitution antenna is also used to measure a certain field at the position of the EUT for receiver parameter measurements.

In the frequency band 30 MHz to 1 000 MHz, the substitution antenna should be a $\lambda/2$ dipole antenna. For frequencies of 80 MHz and above, the dipoles should have their arm lengths set for resonance at the frequency of test. Below 80 MHz, shortened arm lengths are recommended. Where a shortened dipole antenna is used at these frequencies, details of the type of antenna used shall be included with the results of the tests and correction factors shall be taken into account. For measurements above 1 000 MHz, a standard gain horn or calibrated horn antenna is recommended although, log periodic could be used.

The centre of this antenna shall coincide with the reference point of the EUT it has replaced. This reference point shall be the volume centre of the sample when its antenna is mounted inside the cabinet or the point where an outside antenna is connected to the cabinet. The distance between the lower extremity of the dipole and the ground shall be at least 300 mm. Usually the centre of a horn antenna is defined as the aperture plane.

For radiated measurements of transmitter parameters or receiver spurious emission the substitution antenna is connected to a calibrated signal generator capable to generate levels to any frequencies under investigation.

The substitution antenna shall be connected to a calibrated measuring receiver when the site is used for the measurement of receiver parameters. The signal generator and the receiver shall be connected to the antenna through suitable matching and balancing networks.

6.4.3 Signalling antenna

In certain cases the EUT requires some signalling in order to provide its operating or test modes which can be affected by a corresponding signalling antenna. It shall be ensured that this antenna has no coupling effects against the test or substitution antenna.

7 Methods of measurement and limits for transmitter parameters

Where the transmitter is designed with adjustable carrier power clause 4.2.2 applies.

When performing transmitter tests on equipment designed for intermittent operation it may be necessary to exceed the duty cycle associated with normal operation. The maximum transmit on-time shall be stated by the test laboratory where applicable. This on-time shall not be exceeded and details shall be stated in the test report.

For Frequency Hopping Spread Spectrum (FHSS) the equipment shall be programmed so that measurements can be performed on selected single carrier or hop frequencies as described in clause 6.1.3.

Only radiated measurements shall be performed.

The equipment shall fulfil the requirements of the stated measurements.

7.1 Power Spectral density

7.1.1 Definition

The power spectral density is the mean Equivalent Isotropic Radiated Power (e.i.r.p) spectral density in dBm per MHz during a transmission.

7.1.2 Limit

The maximum mean power spectral density is applicable to the system as a whole when operated at the highest stated power level. For a smart antenna system and directional antennas, the limit applies to the configuration that results in the highest PSD (e.i.r.p) and shall not exceed the values given in table 9.

Table 9: Mean Power Spectral Density Limit (PSD) (e.i.r.p)

Frequency Bands	Power Spectral Density	Application	Notes
57 GHz to 64GHz	13 dBm/MHz e.i.r.p.	Non-specific SRD	
61,0 GHz to 61,5 GHz	No limit defined yet	Non-specific SRD	
122 GHz to 122,25GHz	10 dBm / 250 MHz and -48 dBm/MHz > 30° elevation	Non-specific SRD	(Notes 1, 2 and 3)
122,25 GHz to 123 GHz	No limit defined	Non-specific SRD	
244 GHz to 246 GHz	No limit defined	Non-specific SRD	
NOTE 1: These limits should be measured with an rms detector and an averaging time of 1 ms or less.			
NOTE 2: The limit of -48 dBm/MHz applies for the normal operation mode of handheld and mobile devices and for fixed installation.			
NOTE 3: See for declaration requirements, clause 5.1.			

7.1.3 Conformance

The maximum mean power spectral density, subject to the conditions outlined in clause 5, shall be measured and recorded for conformance.

The maximum mean power spectral density shall be determined using a spectrum analyser of adequate bandwidth for the type of modulation being used in combination with a RF power meter.

For the purpose of this test, the minimum transmitter on time shall be 10 μ s. For equipment where the transmitter on time is less than 10 μ s, the method of measurement shall be documented in the test report.

The test procedure shall be as follows:

Step 1:

The spectrum analyser shall use the following settings:

- a) Centre frequency: The centre frequency of the channel under test.
- b) Resolution bandwidth: 1 MHz.
- c) Video bandwidth: 1 MHz (\geq resolution bandwidth).
- d) Frequency span: $2 \times$ Manufacturer declared channel bandwidth.
- e) Detector: Peak.
- f) Trace mode: Max hold.

Step 2:

When the trace is complete, find the peak value of the power envelope and record the frequency.

Step 3:

Make the following changes to the settings of the spectrum analyzer:

- g) Centre frequency: Equal to the frequency recorded in step 2.
- h) Resolution bandwidth: 1 MHz.
- i) Video bandwidth: 1 MHz (\geq resolution bandwidth).
- j) Frequency span: 3 MHz.
- k) Sweep time: 1 minute.
- l) Detector: RMS Average, Sample, or Average (excepting Video Average).
- m) Trace mode: Max hold.

For devices with an Occupied Bandwidth (OBW) greater than 100 MHz, a Resolution Bandwidth (RBW) other than 1 MHz as specified in step 3 may be used. This resolution bandwidth shall not be less than 1 MHz nor greater than 100 MHz. If a resolution bandwidth other than 1 MHz is employed, the Power Density Limit (PDL) that will be used in step 4 shall be $PDL(RBW) = PDL(1 \text{ MHz}) + 10 \times \log_{10}(RBW)$ where RBW is the resolution bandwidth in MHz that is employed, PDL(1 MHz) is the power density limit at 1 MHz resolution bandwidth, and PDL(RBW) is the power density limit at the resolution bandwidth used. The video bandwidth shall be at least the same as the resolution bandwidth, and the frequency span shall be three times this substitute resolution bandwidth.

Step 4:

When the trace is complete, the trace shall be captured, for example, using the "View" option on the spectrum analyser.

Find the peak value of the trace and place the analyser marker on this peak. This level is recorded as the maximum spectral power density P_D in a 1 MHz band (or other substitute resolution as noted above).

Alternatively, where a spectrum analyser is equipment with a facility to measure spectral power density, this facility may be used to display the spectral power density P_D in dBm/1 MHz (or other substitute resolution as noted above).

Where the spectrum analyser bandwidth is non-Gaussian, a suitable correction factor shall be determined, applied and recorded in the test report.

7.2 RF output power

7.2.1 Definition

The RF output power is the mean Equivalent Isotropic Radiated Power (EIRP) for the equipment during a transmission burst. The mean e.i.r.p. refers to the highest power level of the transmitter power control range during the transmission cycle if the transmitter power control is implemented.

7.2.2 Limit

The maximum RF output power is applicable to the system as a whole when operated at the highest stated power level. For a smart antenna system and directional antennas, the limit applies to the configuration which results in the highest EIRP.

The maximum RF output power in normal wideband operation shall be limited by usage as indicated in table 10.

Table 10: RF output power limit [i.12]

Frequency Bands	RF output power	Application	Notes
57 GHz to 64GHz	100 mW e.i.r.p. / 20 dBm e.i.r.p.	Non-specific SRD	Note 1
61,0 GHz to 61,5 GHz	100 mW e.i.r.p./ 20 dBm e.i.r.p.	Non-specific SRD	
122 GHz to 123 GHz	100 mW e.i.r.p./ 20 dBm e.i.r.p.	Non-specific SRD	Note 2
244 GHz to 246 GHz	100 mW e.i.r.p./ 20 dBm e.i.r.p.	Non-specific SRD	
NOTE 1: A max transmitter output power of 10 dBm.			
NOTE 2: Some countries may permit higher output power according to ERC REC 70-03 [i.1].			

7.2.3 Conformance

The RF output power, subject to the conditions outlined in clause 5, shall be measured using a test site as described in clause 6 shall be measured and recorded for conformance.

The centre frequency of all equipment shall be verified as being in the specified bands.

Step 1:

- a) Using suitable attenuators, the measurement equipment shall be coupled to a matched diode detector or equivalent thereof. The output of the diode detector shall be connected to the vertical channel of an oscilloscope or equivalent power measurement equipment.
- b) The combination of the diode detector and the oscilloscope shall be capable of faithfully reproducing the duty cycle of the transmitter output signal.
- c) The observed duty cycle of the transmitter (Tx on / (Tx on + Tx off)) shall be noted as x ($0,1 < x \leq 1$), and recorded in the test report. For the purpose of testing, the equipment shall be operated with a duty cycle that is equal to or greater than 0,1.

Step 2:

- a) The RF output power of the transmitter when operated at the highest power level shall be measured using a spectrum analyser with an integration factor that exceeds the repetition period of the transmitter by a factor of 5 or more. The used detector shall be a RMS detector with averaging. The observed value shall be noted as "A" (in dBm).
- b) The EIRP shall be calculated from the above measured power output A (in dBm) and the observed duty cycle x according to the formula below shall be recorded.
- c) $PD = A + 10 \times \log_{10} (1 / x)$.

7.3 Permitted range of operating frequencies

7.3.1 Definition

The permitted range of operating frequencies is the frequency range over which the equipment is authorized to operate.

This can also be seen as occupied bandwidth (OBW) of the device.

The permitted range of operating frequencies includes all frequencies on which the equipment may operate within an assigned frequency band. If the operating frequency range cannot be measured it shall be declared by the manufacturer.

The lowest operating frequency can be defined as f_L , the highest operating frequency can be defined as f_H . If the device can work in different modes and different frequency ranges these frequencies should be reported for each mode and frequency range.

7.3.2 Method of measurement

The method of measurement shall be documented in the test report.

The method of measurement for equipment employing FHSS and stepped frequency modulation is given in clause 7.3.3.

Using applicable measurement procedures the frequency range(s) shall be measured and recorded in the test report.

Where applicable, during these measurements the test data sequence as specified in clauses 6.1 and 6.1.1 shall be used. The transmitter power level shall be set to the rated power level.

These measurements shall be performed under both normal and extreme operating conditions except for the occupied bandwidth assessment for which measurement at normal operating conditions is sufficient.

The measurement procedure shall be as follows:

- a) Put the spectrum analyser in video averaging mode with a minimum of 50 sweeps selected.
- b) Select the lowest operating frequency of the equipment under test and activate the transmitter with modulation applied. The RF emission of the equipment shall be displayed on the spectrum analyser.
- c) Using the marker of the spectrum analyser, find the lowest frequency below the operating frequency at which the spectral power density drops below the level given in clause 7.3. This frequency shall be recorded in the test report.
- d) Select the highest operating frequency of the equipment under test and find the highest frequency at which the spectral power density drops below the value given in clause 7.3. This frequency shall be recorded in the test report.
- e) The difference between the frequencies measured in steps c) and d) is the operating frequency range. It shall be recorded in the test report.

This measurement shall be repeated for each frequency range declared by the manufacturer.

7.3.3 Method of measurement for equipment using FHSS modulation

Using an applicable measurement procedure the frequency range of the equipment shall be measured and recorded in the test report.

During these measurements the test data sequence, as specified in clause 6.1, shall be used.

The transmitter power level shall be set to the rated power level.

These measurements shall be performed under both normal and extreme operating conditions.

The measurement procedure shall be as follows:

- a) Put the spectrum analyser in video averaging mode with a minimum of 50 sweeps selected.

- b) Select the lowest hop frequency of the equipment under test and activate the transmitter with modulation applied.
- c) Find the lowest frequency below the operating frequency at which the spectral power density drops below the level given in clause 7.3. This frequency shall be recorded in the test report.
- d) Select the highest hop frequency of the equipment under test and find the highest frequency at which the spectral power density drops below the level given in clause 7.3. This frequency shall be recorded in the test report.
- e) The difference between the frequencies measured in steps c) and d) is the frequency range. It shall be recorded in the test report.

This measurement shall be repeated for each operating frequency range declared by the manufacturer.

7.3.4 Limit

The width of the power spectrum envelope is $f_H - f_L$ for a given operating frequency. In equipment that allows adjustment or selection of different operating frequencies, the power envelope takes up different positions in the allowed band. The frequency range is determined by the lowest value of f_L and the highest value of f_H resulting from the adjustment of the equipment to the lowest and highest operating frequencies.

The occupied bandwidth, the bandwidth in which 99 % of the wanted emission is contained, and the necessary bandwidth of the transmitter shall fall within the assigned frequency band.

For all equipment the frequency range shall lie within the frequency band given in tables 9 and 10. For non-harmonized frequency bands, the available frequency range may differ from tables 9 and 10.

7.4 Out-of-band emissions (OOB)

According to CEPT/ERC/REC 74-01 [i.4] and Recommendation ITU-R SM.329-12 [i.13], the boundary between the out-of-band (clause 7.4) and spurious domains (see clause 7.5) is ± 250 % of the necessary bandwidth (OBW) from the centre frequency of the emission.

7.4.1 Definitions

Emission on a frequency or frequencies immediately outside the necessary bandwidth which results from the modulation process, but excluding spurious emissions.

Out-of-band emissions are measured as mean power spectral density (e.i.r.p) under normal operating conditions.

The measurement results of f_H and f_L will be used to determine the occupied BW of the device.

The Occupied Bandwidth ($f_H - f_L$) will be used to calculate the ranges of OOB and spurious domain.

7.4.2 Measuring receiver

The term "measuring receiver" refers to either a selective voltmeter or spectrum analyser. The bandwidth of the measuring receiver shall, where possible, be according to CISPR 16 [1]. In order to obtain the required sensitivity a narrower bandwidth may be necessary, this shall be stated in the test report form.

The following spectrum analyser settings shall be used:

- Resolution bandwidth (RBW): see table 11a.
- Video bandwidth (VBW) ≥ 3 MHz.
- Detector mode: r.m.s. with an averaging time of minimum one cycle time per MHz (maximum 100 ms).

The measured spectrum curve at the spectrum analyser is recorded over an amplitude range of approximately 35 dB. Measurements of spectral mean power densities below -40 dBm/MHz (e.i.r.p.) are not required.

The bandwidth of the measuring receiver shall be less than the maximum given in table 11a, see [i.4].

Table 11a: Maximum receiver bandwidths

Frequency being measured	Maximum measuring receiver bandwidth
$f < 1\,000$ MHz	100 kHz to 120 kHz
$f \geq 1\,000$ MHz	1 MHz

7.4.3 Method of measurement

A test site such as one selected from annex A, which fulfils the requirements of the specified frequency range of this measurement shall be used. The test method employed should be as described in annex B. The bandwidth of the measuring receiver shall be set to a suitable value to correctly measure the unwanted emission. This bandwidth shall be recorded in the test report. For frequencies above 40 GHz a downconverter shall be used as shown in figure 8. The local oscillator used to downconvert the received signals shall be stable and with a phase noise of better than -80 dBc/Hz at 100 kHz offset. The local oscillator frequency shall be selected such that the downconverted signal is within the accepted band of the spectrum analyser, and maintaining an adequate IF bandwidth to capture the full spectrum of the signal. The e.i.r.p. of the EUT shall be measured and recorded.

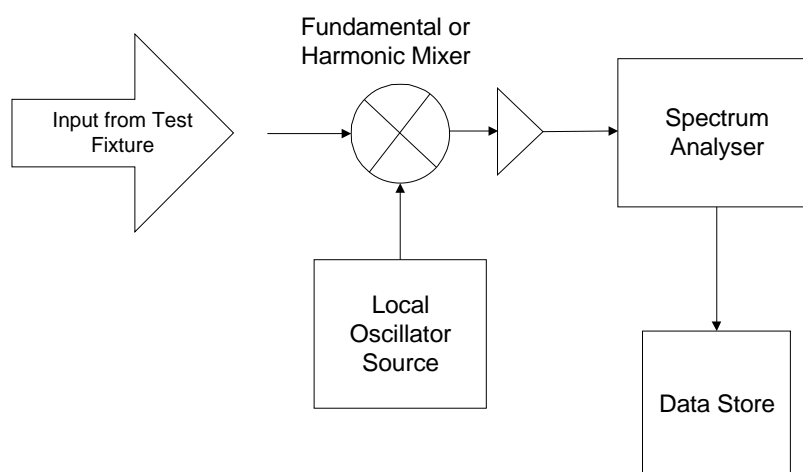


Figure 8: Principal Test setup for measuring out of band radiation above 40 GHz

The out of band emissions of the signal with normal modulation shall be measured and recorded in frequency bands adjacent to the ranges in tables 9 and 10, up to the frequencies where the emission level is 50 dB below its maximum value.

7.4.4 Limits

The borders for the OOB and spurious domain are dependent on the Occupied Bandwidth of the EUT.

- The borders are calculated as follows:

$$F_1 = \text{centre frequency of OBW [GHz]} - (2,5 * (f_H - f_L))$$

$$F_2 = \text{centre frequency of OBW [GHz]} + (2,5 * (f_H - f_L))$$

This calculation taken into account that the border between OOB and spurious will be lager/ smaller the maximum permitted range of operation (see figure 9).

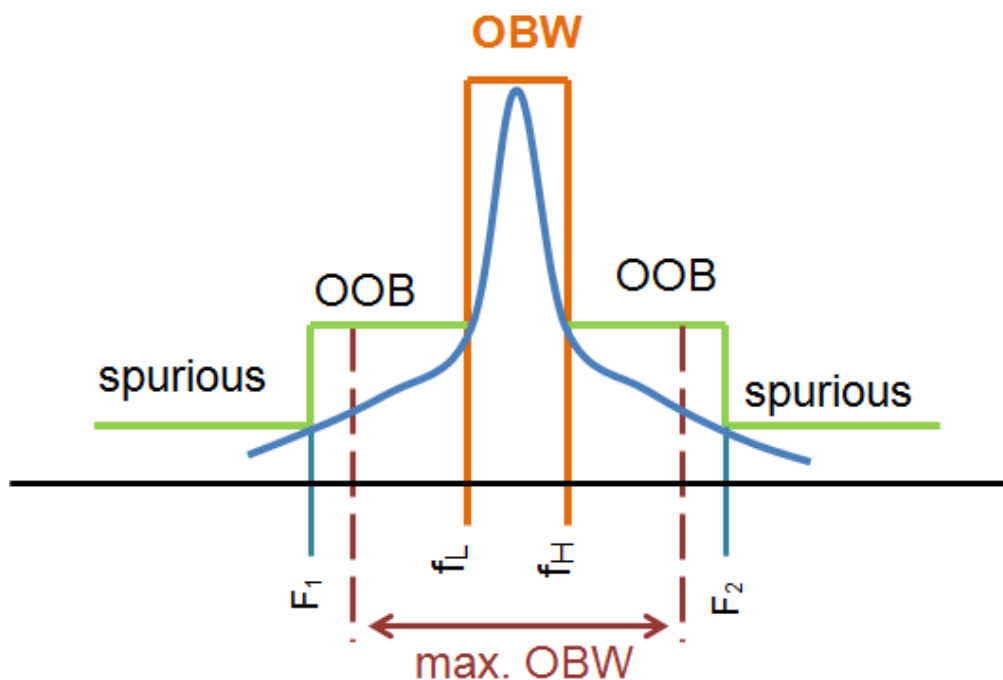


Figure 9: Overview OOB / spurious, dependent from OBW

An additional requirement introduced: if the calculated F_1/F_2 will be theoretical below or above the frequency which came out of the calculation based on 250 % of the maximum allowed OBW (see tables 9 and 10). Therefore the border between OOB / spurious will be fixed at the frequencies in table 11b (normal 250 % rule based on the Centre frequency of the signal).

Table 11b: Limits for the max. F_1 and F_2 frequency, based on the max. theoretical OBW of the EUT

Frequency Bands	Centre frequency	Max OBW	F_1	F_2
57 GHz to 64 GHz	60,5 GHz	7 GHz	43 GHz	78 GHz
61,0 GHz to 61,5 GHz	61,25 GHz	500 MHz	60 GHz	62,5 GHz
122 GHz to 123 GHz	122,5 GHz	1 GHz	120 GHz	125 GHz
244 GHz to 246 GHz	245 GHz	2 GHz	240 GHz	250 GHz

The rms power density radiated in the calculated OOB domain (between $F_1 \leq f < f_L$ and $f_H < f \leq F_2$) band shall not exceed the values shown in tables 12 and 13 [i.4].

Table 12: Out of band domain

Frequency [GHz]	rms power density [dBm/MHz]
$F_1 \leq f < f_L$	See table 13
$f_H < f \leq F_2$	See table 13

Table 13: Limits for out of band radiation

Frequency Bands	OOB limit [dBm/MHz]
57 GHz to 64GHz	-20 dBm/MHz
61,0 GHz to 61,5 GHz	-10 dBm/MHz
122 GHz to 123 GHz	-10 dBm/MHz
244 GHz to 246 GHz	-15 dBm/MHz

7.5 Radiated spurious emissions

7.5.1 Definition

Emission on a frequency or frequencies which are outside the necessary bandwidth and the level of which may be reduced without affecting the corresponding transmission of information. Spurious emissions include harmonic emissions, parasitic emissions, intermodulation products and frequency conversion products, but exclude out-of-band emissions.

Spurious emissions are measured as spectral power density under normal operating conditions.

According to CEPT/ERC/REC 74-01 [i.4] and Recommendation ITU-R SM.329-12 [i.13], the boundary between the out-of-band and spurious domains is $\pm 250\%$ of the necessary bandwidth (OBW) from the centre frequency of the emission.

For the considered frequency bands the spurious frequency domains are

- Frequencies $f < F_1$ [GHz]

and

- frequencies $f > F_2$ [GHz].

The calculations of these Frequencies is shown in clause 7.4.4, the minimum and maximum values are listed in table 11b.

7.5.2 Measuring receiver

The following spectrum analyser settings shall be used:

- For measurement below 1GHz: detector type: quasi peak
- For measurement above 1GHz: mean detector
- Resolution bandwidth (RBW): 1 MHz.
- Video bandwidth (VBW): 3 MHz.
- Detector mode: r.m.s. with an averaging time of minimum one cycle time per MHz (maximum 100 ms).

The measured spectrum curve at the spectrum analyser is recorded over an amplitude range of approximately 35 dB. Measurements of power densities below -40 dBm/MHz (e.i.r.p.) are not required.

7.5.3 Method of measurement for radiated spurious emissions

This method of measurement applies to transmitters having an integral antenna.

- a) A test site which fulfils the requirements of the specified frequency range of this measurement shall be used. The test antenna shall be oriented initially for vertical polarization and connected to a measuring receiver, through a suitable filter to avoid overloading of the measuring receiver if required. The bandwidth of the measuring receiver shall be adjusted until the sensitivity of the measuring receiver is at least 6 dB below the unwanted emission limit given in table 11b, see clause 7.4.4. This bandwidth shall be recorded in the test report.

For the measurement of unwanted emissions below the second harmonic of the carrier frequency the optional filter used shall be a high "Q" (notch) filter centred on the transmitter carrier frequency and attenuating this signal by at least 30 dB.

The transmitter under test shall be placed on the support in its standard position and shall be switched on without modulation. If modulation cannot be inhibited then the test shall be carried out with modulation (see clause 6.1) and this fact shall be recorded in the test report.

- b) The measuring receiver shall be tuned over the range 30 MHz up to 2,2 times the carrier frequency, except for the channel on which the transmitter is intended to operate. The frequency of each unwanted emission detected shall be noted. If the test site is disturbed by interference coming from outside the site, this qualitative search may be performed in a screened room, with a reduced distance between the transmitter and the test antenna.
- c) At each frequency at which an emission has been detected, the measuring receiver shall be tuned and the test antenna shall be raised or lowered through the specified height range until the maximum signal level is detected on the measuring receiver.
- d) The transmitter shall be rotated through 360° about a vertical axis, to maximize the received signal.
- e) The test antenna shall be raised or lowered again through the specified height range until a maximum is obtained. This level shall be noted.
- f) At each frequency at which an emission has been detected, the signal generator, substitution and measuring receiver shall be tuned. The test antenna shall be raised or lowered through the specified height range until the maximum signal level is detected on the measuring receiver. The level of the signal generator giving the same signal level on the measuring receiver as in item e) shall be noted. After corrections due to the gain of the substitution antenna and the cable loss between the signal generator and the substitution antenna, is the radiated unwanted emission at this frequency.
- g) The frequency and level of each unwanted emission measured and the bandwidth of the measuring receiver shall be recorded in the test report.
- h) Steps c) to g) shall be repeated with the test antenna oriented in horizontal polarization.
- i) If a user accessible power adjustment is provided then the tests in steps c) to h) shall be repeated at the lowest power setting available.
- j) Steps c) to h) shall be repeated with the transmitter in the standby condition if this option is available.

The sensitivity of the spectrum analyser should be such that the noise floor is at least 6 dB below the limits given in table 13. To improve the sensitivity of the measuring receiver, the measurement bandwidth can be reduced or the measurement distance can be reduced. If this is not practical anymore, the achievable measurement noise floor shall be recorded and reported.

In accordance with recommends 3) of CEPT/ERC Recommendation 74-01 [i.4], the spurious domain emission limits for radio equipment are considered here to be applicable for the range 9 kHz to 300 GHz. However, for practical measurement purposes only, the frequency range of spurious emissions measurements may be restricted still ensuring that the limits are met. For further guidance, refer to recommends 3 of CEPT/ERC Recommendation 74-01 [i.4].

NOTE: Testing at higher frequencies may not have a defined measurement uncertainty due to absence of primary references. In addition further simplifications of measuring techniques to achieve time/cost savings, while still guaranteeing with fair confidence the fulfilment of the requirement may be possible.

7.5.4 Limits

The effective radiated power of any radiated spurious emission shall not exceed the values given in table 14.

Table 14: Limits of radiated spurious emissions

Frequency range (MHz)	Limit values for spurious radiation (Measuring receiver bandwidths see table 2)	Detector type
47 to 74	-54 dBm e.r.p.	Quasi-Peak
87,5 to 118	-54 dBm e.r.p.	Quasi-Peak
174 to 230	-54 dBm e.r.p.	Quasi-Peak
470 to 862	-54 dBm e.r.p.	Quasi-Peak
otherwise in band 30 to 1 000	-36 dBm e.r.p.	Quasi-Peak
f > 1 000 to 300 000	-30 dBm e.i.r.p.	mean (see note)
NOTE: Parameter for measurement: - RBW: 1 MHz - VBW: 3 MHz - Detector: rms - Sweep time: minimum 1 radar cycle, maximum 100 ms.		

According to CEPT/ERC/REC 74-01 [i.4], spurious emission is measured up to the 2nd harmonic of the fundamental frequency (in this case, the upper frequency limit up to which measurements are performed is 90 GHz).

The following reference bandwidths shall be used:

- 100 kHz between 30 MHz and 1 GHz;
- 1 MHz above 1 GHz.

8 Receiver

If the receiver is equipped with a battery-saving circuit, this circuit shall be made inoperative for the duration of the tests.

8.1 Unwanted emissions

These requirements do not apply to receivers used in combination with permanently co-located transmitters continuously transmitting.

8.1.1 Definition

Unwanted radiations from the receiver are components at any frequency, radiated by the equipment and antenna.

The level of unwanted radiations shall be measured by their effective radiated power when radiated by the cabinet and the integral or dedicated antenna.

8.1.2 Method of measurement radiated unwanted components

This method of measurement applies to receivers having an integral antenna:

- A test site which fulfils the requirements of the specified frequency range of this measurement shall be used. The test antenna shall be oriented initially for vertical polarization and connected to a measuring receiver. The bandwidth of the measuring receiver shall be adjusted until the sensitivity of the measuring receiver is at least 6 dB below the unwanted emission limit given in clause 7.4.3. This bandwidth shall be recorded in the test report.

The receiver under test shall be placed on the support in its standard position.

- b) The measuring receiver shall be tuned over the range 30 MHz up to 2,2 times the carrier frequency. The frequency of each unwanted component shall be noted. If the test site is disturbed by radiation coming from outside the site, this qualitative search may be performed in a screened room with reduced distance between the transmitter and the test antenna.
- c) At each frequency at which a component has been detected, the measuring receiver shall be tuned and the test antenna shall be raised or lowered through the specified height range until the maximum signal level is detected on the measuring receiver.
- d) The receiver shall be rotated up to 360° about a vertical axis, to maximize the received signal.
- e) The test antenna shall be raised or lowered again through the specified height range until a maximum is obtained. This level shall be noted.
- f) At each frequency at which a component has been detected, the signal generator, substitution antenna and measuring receiver shall be tuned. The test antenna shall be raised or lowered through the specified height range until the maximum signal level is detected on the measuring receiver. The level of the signal generator giving the same signal level on the measuring receiver as in step e) shall be noted. This level, after correction due to the gain of the substitution antenna and the cable loss, is the radiated unwanted component at this frequency.
- g) The frequency and level of each unwanted emission measured and the bandwidth of the measuring receiver shall be recorded in the test report.
- h) Measurements b) to g) shall be repeated with the test antenna oriented in horizontal polarization.

In accordance with recommends 3) of CEPT/ERC Recommendation 74-01 [i.4], the spurious domain emission limits are applicable up to 300 GHz. However, for practical measurement purposes only, the frequency range of spurious emissions may be restricted. For further guidance, refer to recommends 3 of CEPT/ERC Recommendation 74-01 [i.4].

8.1.3 Limits

The power of any unwanted emission:

- 1) shall not exceed 2 nW (-57 dBm) in the range 30 MHz to 1 GHz;
- 2) shall not exceed 20 nW (-47 dBm in reference measurement bandwidth of 1 MHz) on frequencies above 1 GHz. The upper frequency is to include the second harmonic of the EUT or 300 GHz whichever is lower.

The measured unwanted emissions shall be stated in the test report.

Annex A (normative): Radiated measurements

A.1 Substitution method

The substitution method can be used even without proven suitability of the test site since the errors of the test site at certain frequencies are constant and become compensated by the substitution. Accuracy of the substitution predominantly depends on the accuracy of the RF source's indicator and the exact gain specification of the substitution antenna.

A.1.1 Principle of the substitution measurement method

When assessing the radiated power with the substitution method the peak power is evaluated. Due to a vast compensation of the failure impacts of the "comparison test site" the measurement uncertainty can be significantly reduced. Disadvantage of this method is that it causes increased time expenditure when a lot of values have to be determined for a EUT.

On the one hand a substitution test site comprises a suitable "comparison test site" (blue boxes). This site consists of an antenna without factors (1), whereas this antenna shall provide sufficient aperture angle, a height adjustable support (2), an antenna cable (3) as well as an indicator (4) consisting of a measuring receiver or a spectrum analyzer or a power meter.

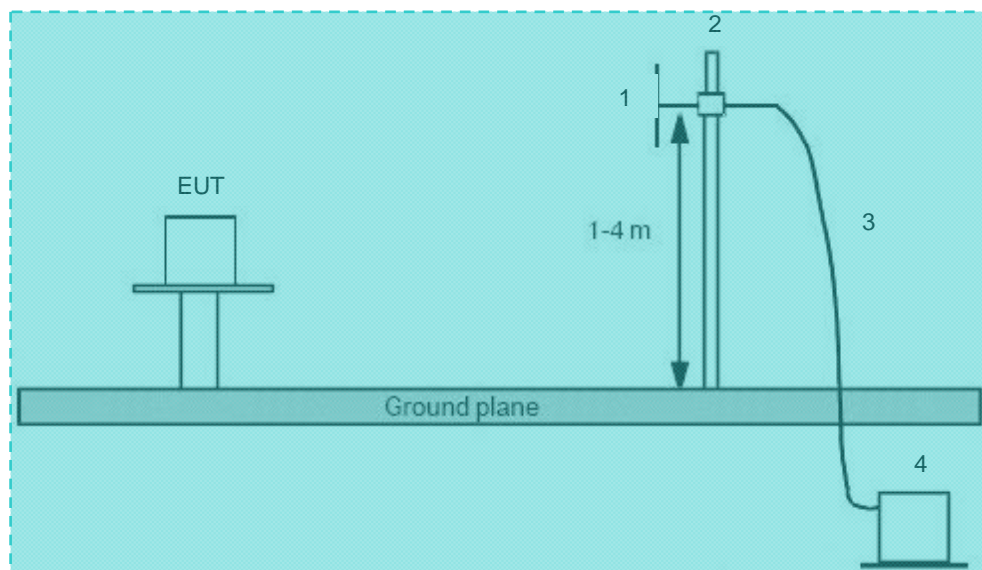


Figure A.1: Illustration of the first step of the substitution method

In the first step of the substitution method the maximum radiated level of an EUT is determined. This level has no unit and does not represent a measured value. It just shows an indication value.

The substitution test site (red box) consists of an unmodulated generator, variable in frequency and power, with a power that is traceable due to calibration or alternatively a calibrated power meter (1), a suitable 50 Ω cable with indication of the cable loss (2), a suitable, calibrated attenuator (3) for coercive adaption to the antenna, consisting of real active resistances, an antenna support without influence on the test result (4) as well as a standard dipole up to 1 GHz or respectively an antenna with indication of the calibrated, isotropic gain (5).

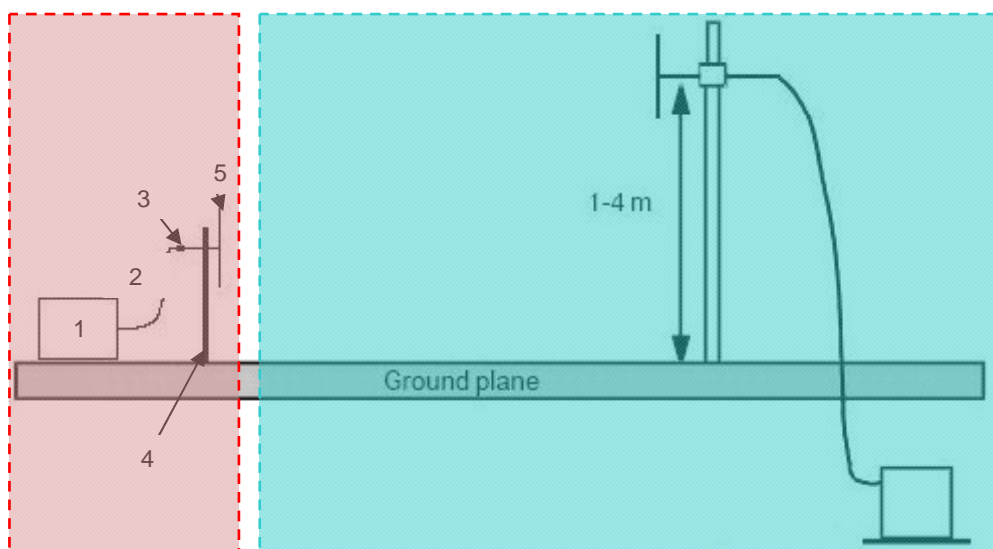


Figure A.2: Illustration of the second step of the substitution method

With respect to the frequency to be measured, in the second step the generator creates a power equivalent in the level that corresponds to the indication value of the first step.

A.2 Pre-Substitution method

The pre-substitution method is a simplified procedure which cannot replace substitution. It is only feasible when it is proven that the test site is suitable for the particular test frequency range in the 30 MHz to 100 GHz range. The corresponding verification can be effected with the NSA or S_{VSWR} procedure. This verification is more difficult on other test sites than the Open Area Test Site (OATS) due to resonance effects of the metal shielding in connection with the effects of the radio absorbing materials, since in this case there are six reflecting surfaces compared to one in the OATS.

See also clause 5 of TR 102 273-2 [3].

An additional general disadvantage is, that even with a sufficient number of frequency steps, it has to be interpolated between those frequency steps which in turn leads to greater measurement uncertainty.

A.2.1 Principle of radiated power measurement based on site attenuation (Pre-Substitution)

When assessing the radiated power by pre-substitution, besides peak power this method allows also other types of power evaluation.

Due to the influence of the test site and measurement equipment this method has an increased measurement uncertainty that can approximately be classified as for the field strength measurement as in CISPR 16 [1]. Test results close to limits need to be reassessed and rendered more precisely with the substitution method.

The determination of site attenuation requires a suitable test site that complies with the requirements of CISPR 16-1-4 [1]. In addition a RF source is required. This source comprises a standard dipole up to 1 GHz or respectively an antenna with indication of the calibrated, isotropic gain (1), an antenna support without influence on the test result (2), a suitable, calibrated attenuator (3) for coercive adaption to the antenna, consisting of real active resistances, a suitable 50 Ohm cable with indication of the cable loss (4) as well as an unmodulated generator, variable in frequency and power, with a power that is traceable due to calibration or alternatively a calibrated power meter (5).

Furthermore power measuring instruments are required. These consist of a calibrated antenna with indication of the antenna gain (6), a height adjustable support (7), a suitable 50 Ohm cable with indication of the cable loss (8) as well as a calibrated measuring receiver (9).

As far as possible the antenna (1) shall be mounted in the height in which the EUT will be placed for the actual measurement according to the test specification. It shall be regarded that the polarity of both antennas used needs to be equal. A known radiated power will then be created at the RF source (5). The measuring antenna will be adjusted to the height at which the highest power is indicated at the receiver (9). This power will be noted. The difference between transmission power and received power in dB is the site attenuation. The determination of site attenuation shall be effected with a sufficient number of frequency steps in the observed frequency range while the values shall be noted in a list.

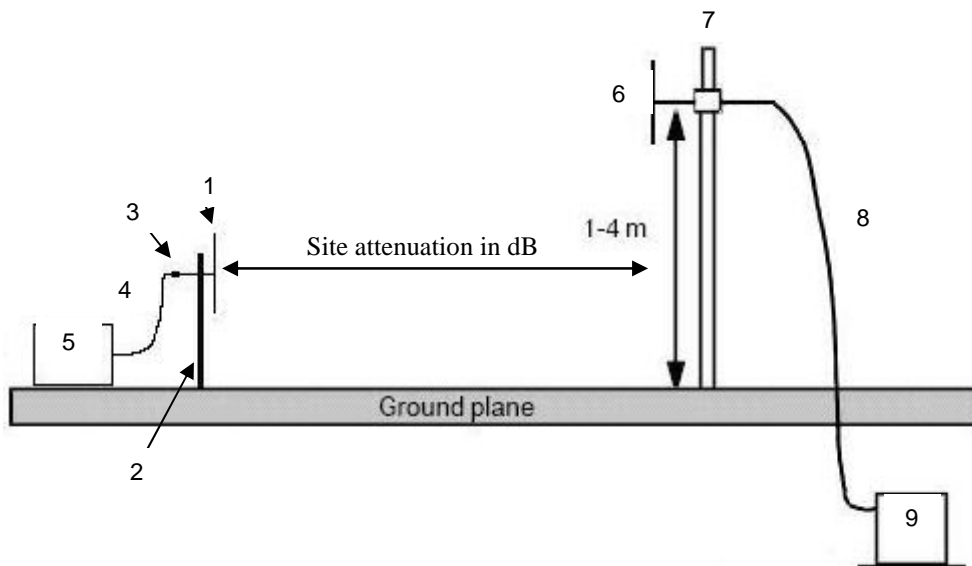


Figure A.3: Example of a test site for measurements based on site attenuation

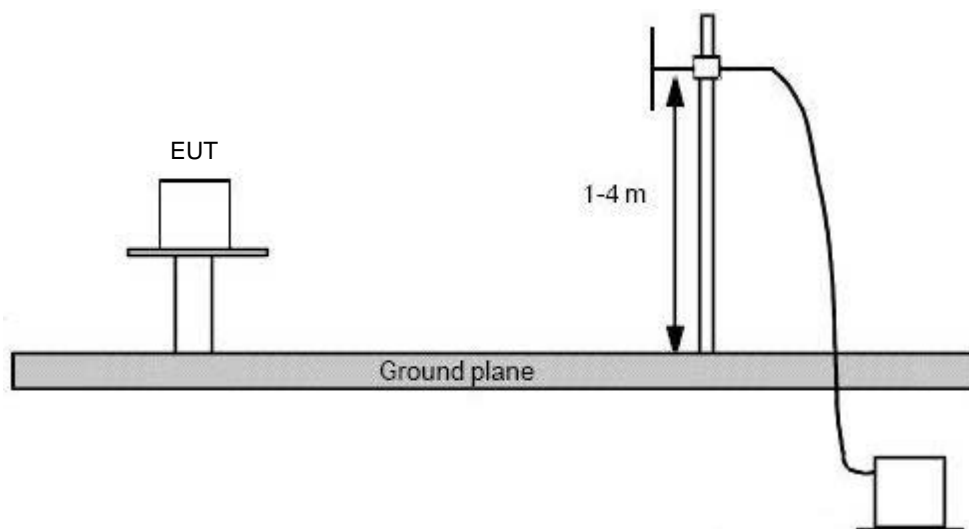


Figure A.4: Example of a test site for measurements based on site attenuation

In a real test the radiated power is determined by addition of the metered value in dB with the site attenuation in dB.

Annex B (informative): Atmospheric absorptions and material dependent attenuations

In the frequency range between 40 GHz and 246 GHz the specific absorptions and material attenuations are an important factor for the compatibility of the different services potentially sharing the same operational band. In this annex an overview over the relevant parameters will be given for different materials and the atmospheric absorption.

B.1 Atmospheric absorptions

With higher frequencies the effect of the atmospheric absorption gets more and more important in the investigation of the coexistence behaviour of short range wireless systems. In figure B.1 the specific absorption in the band between 1 GHz and 350 GHz is depicted. The diagram shows the absorption behaviour of dry air, of H₂O and the combination of both. It can be seen that under normal conditions the absorption due to H₂O is the most significant effect. Only in two spectral regions around 60 GHz and 120 GHz the dry air already shows a very significant absorption behaviour. That means these absorptions are independent of the amount of H₂O in the air. Especially the absorption peak around 60 GHz will be used to increase the isolation behaviour between different wireless systems. The absorption peak around 60 GHz originates from several oxygen absorption lines. A more detailed description of the behaviour around 60 GHz is depicted in figure B.2 for different altitudes between 0 km (see level) and 20 km. Especially the 20 km diagram shows nicely the different absorption lines. The absorption peak around 60 GHz reaches 16 dB/km.

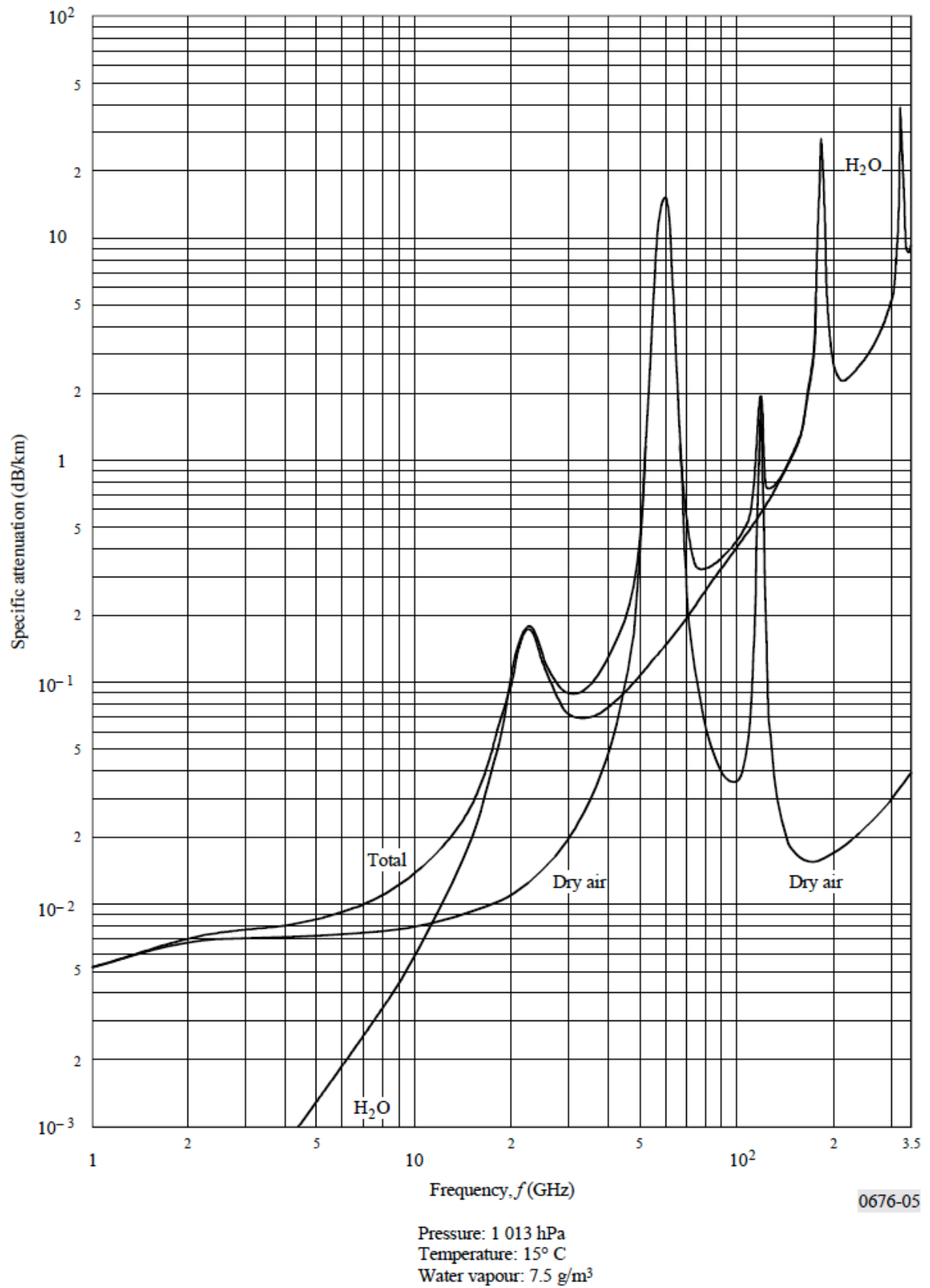


Figure B.1: Specific attenuation due to atmospheric gases in the band 1 GHz to 350 GHz in dB/km

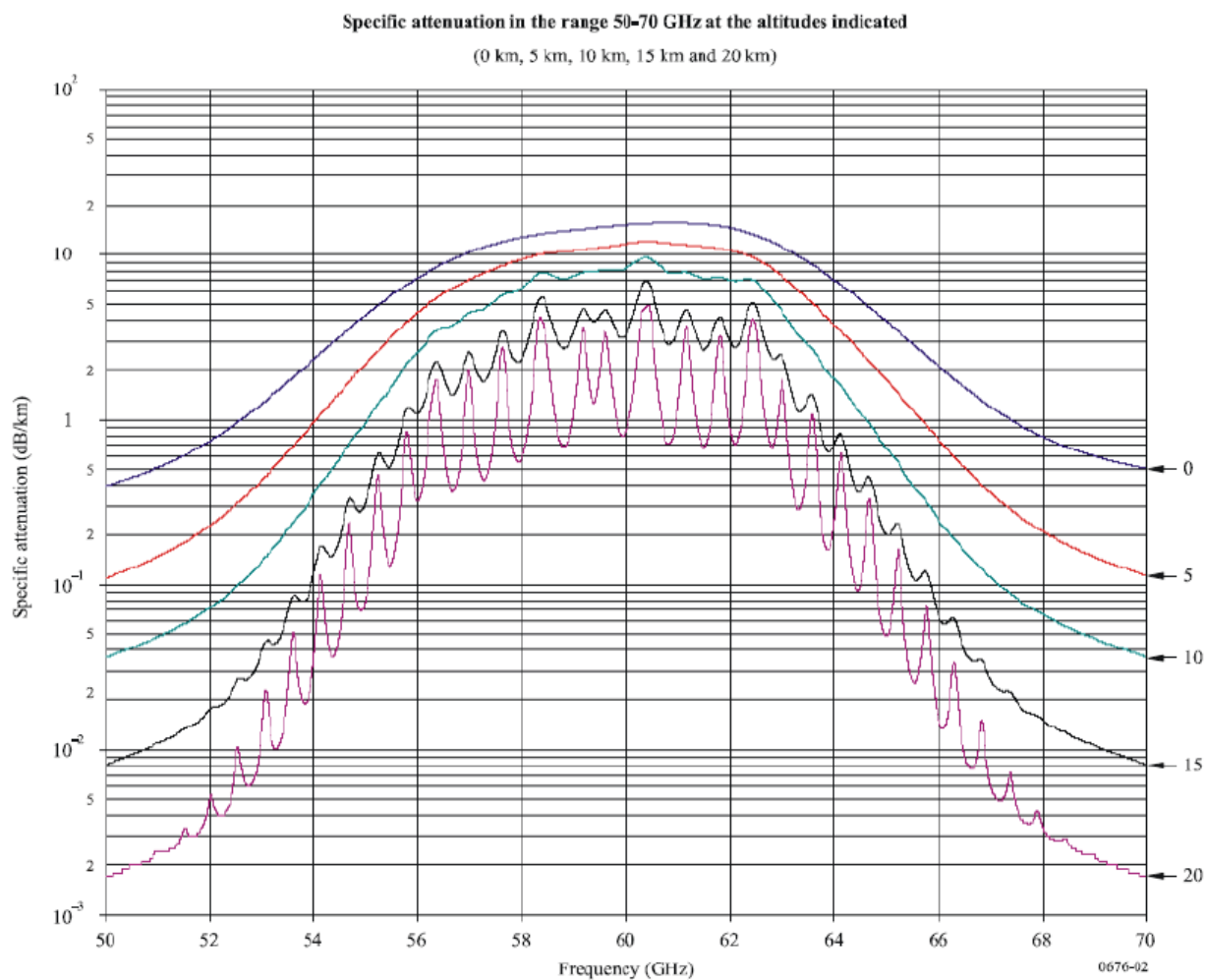


Figure B.2: Specific Atmospheric attenuation in the band 50 GHz to 70 GHz for different altitudes (0 km, 5 km, 10 km, 15 km and 20 km) [i.5]

B.2 Material dependent attenuations

The material dependent attenuation does also increase with the operational frequency. Typical attenuations for different materials are depicted in figure B.3 for the frequency range between 3 GHz and 200 GHz. These effects are important when coexistence scenarios are investigated between indoor and outdoor systems.

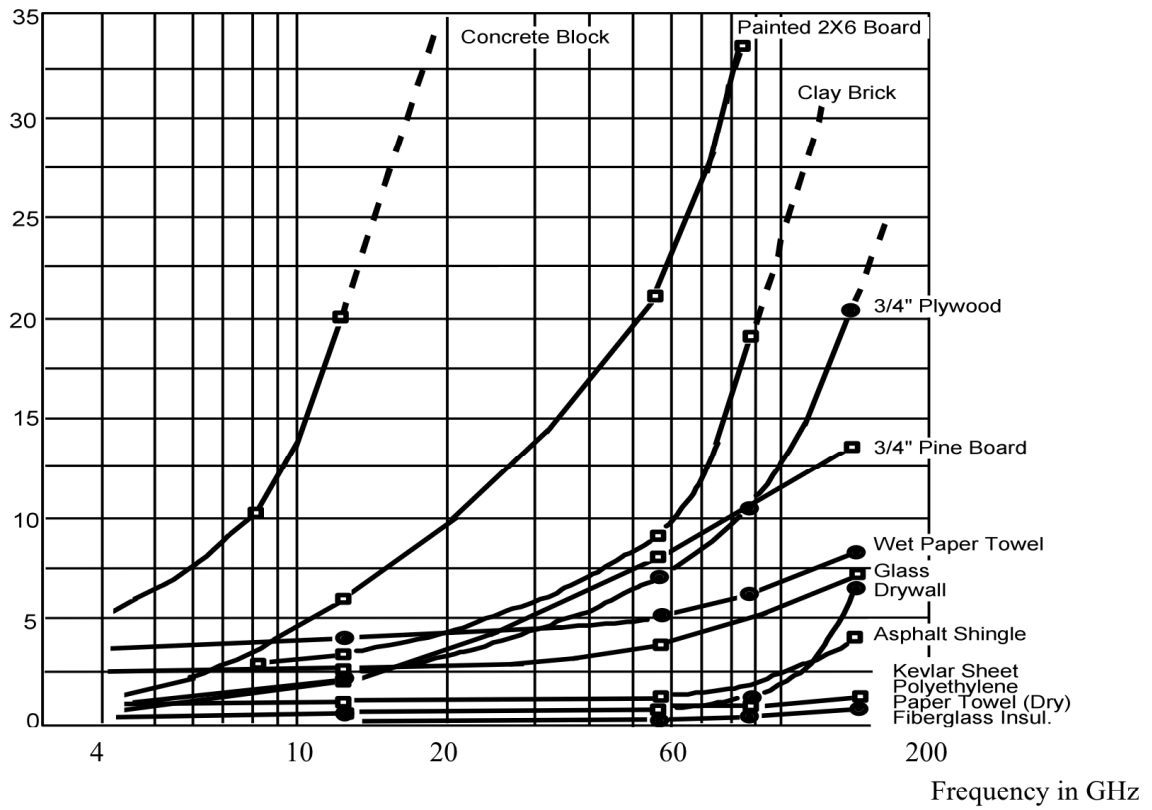


Figure B.3: Material Absorption at High Frequency in the frequency range from 3 GHz to 200 GHz in dB

Annex C (informative): Bibliography

- ETSI EN 301 489-3 (V1.2.1): "Electromagnetic compatibility and Radio spectrum Matters (ERM); ElectroMagnetic Compatibility (EMC) standard for radio equipment and services; Part 3: Specific conditions for Short-Range Devices (SRD) operating on frequencies between 9 kHz and 40 GHz".
- Recommendation ITU-T O.41: "Psophometer for use on telephone-type circuits".
- Recommendation ITU-R SM.1755: "Characteristics of ultra-wideband technology".
- Directive 1999/5/EC of the European Parliament and of the Council of 9 March 1999 on radio equipment and telecommunications terminal equipment and the mutual recognition of their conformity (R&TTE Directive).
- ETSI EN 300 440-2 (V1.3.1): "Electromagnetic compatibility and Radio spectrum Matters (ERM); Short range devices; Radio equipment to be used in the 1 GHz to 40 GHz frequency range; Part 2: Harmonized EN covering essential requirements of article 3.2 of the R&TTE Directive".
- European Commission Decision 2008/432/EC of 23 May 2008 (amending Decision 2006/771/EC) on harmonization of the radio spectrum for use by short-range devices.
- European Commission Decision 2009/381/EC of 13 May 2009 (amending Decision 2006/771/EC) on harmonization of the radio spectrum for use by short-range devices.
- European Commission Decision 2011/829/EC of 8 December 2011 (amending Decision 2006/771/EC) on harmonization of the radio spectrum for use by short-range devices.
- ECC report 176, The impact of non-specific SRDs on radio service in the band 57-66 GHz (March 2012).
- ECC report 190, Compatibility between Short-Range Devices (SRD) and EESS (passive) in the 122 to 122.25 GHz band (May 2013).
- CEPT report 44, In response to the EC Permanent Mandate on the "Annual update of the technical annex of the Commission Decision on the technical mbient tion of radio spectrum for use by short range devices", Report approved on 8 March 2013 by the ECC.

History

Document history		
V1.1.1	July 2011	Publication
V1.2.0	June 2014	EN Approval Procedure AP 20141017: 2014-06-19 to 2014-10-17