



**Short Range Devices (SRD);
Harmonised Standard for access to radio spectrum; Inductive
loop systems for robotic mowers operating within the
frequency range 100 Hz to 148,5 kHz**

ReferenceREN/ERM-TG28-552

Keywordsharmonised standard, inductive, measurement,
radio**ETSI**650 Route des Lucioles
F-06921 Sophia Antipolis Cedex - FRANCE

Tel.: +33 4 92 94 42 00 Fax: +33 4 93 65 47 16

Siret N° 348 623 562 00017 - APE 7112B
Association à but non lucratif enregistrée à la
Sous-Préfecture de Grasse (06) N° w061004871

Important notice

The present document can be downloaded from:

<http://www.etsi.org/standards-search>

The present document may be made available in electronic versions and/or in print. The content of any electronic and/or print versions of the present document shall not be modified without the prior written authorization of ETSI. In case of any existing or perceived difference in contents between such versions and/or in print, the prevailing version of an ETSI deliverable is the one made publicly available in PDF format at www.etsi.org/deliver.

Users of the present document should be aware that the document may be subject to revision or change of status.

Information on the current status of this and other ETSI documents is available at

<https://portal.etsi.org/TB/ETSIDeliverableStatus.aspx>

If you find errors in the present document, please send your comment to one of the following services:

<https://portal.etsi.org/People/CommitteeSupportStaff.aspx>

If you find a security vulnerability in the present document, please report it through our
Coordinated Vulnerability Disclosure Program:

<https://www.etsi.org/standards/coordinated-vulnerability-disclosure>

Notice of disclaimer & limitation of liability

The information provided in the present deliverable is directed solely to professionals who have the appropriate degree of experience to understand and interpret its content in accordance with generally accepted engineering or other professional standard and applicable regulations.

No recommendation as to products and services or vendors is made or should be implied.

In no event shall ETSI be held liable for loss of profits or any other incidental or consequential damages.

Any software contained in this deliverable is provided "AS IS" with no warranties, express or implied, including but not limited to, the warranties of merchantability, fitness for a particular purpose and non-infringement of intellectual property rights and ETSI shall not be held liable in any event for any damages whatsoever (including, without limitation, damages for loss of profits, business interruption, loss of information, or any other pecuniary loss) arising out of or related to the use of or inability to use the software.

Copyright Notification

No part may be reproduced or utilized in any form or by any means, electronic or mechanical, including photocopying and microfilm except as authorized by written permission of ETSI.

The content of the PDF version shall not be modified without the written authorization of ETSI.

The copyright and the foregoing restriction extend to reproduction in all media.

© ETSI 2022.
All rights reserved.

Contents

Intellectual Property Rights	5
Foreword.....	5
Modal verbs terminology.....	6
Introduction	6
1 Scope	7
2 References	7
2.1 Normative references	7
2.2 Informative references.....	8
3 Definition of terms, symbols and abbreviations.....	9
3.1 Terms.....	9
3.2 Symbols.....	11
3.3 Abbreviations	11
4 Technical requirements specifications	11
4.1 Environmental profile.....	11
4.2 General	11
4.2.1 Wanted technical performance criteria	11
4.2.2 RMI modes	12
4.2.2.1 General	12
4.2.2.2 Operational Modes.....	12
4.2.2.3 Safe Mode	12
4.2.3 Presentation of equipment for testing purposes	12
4.3 Transmitter conformance requirements.....	12
4.3.1 Operating Frequency Range (OFR).....	12
4.3.1.1 Applicability.....	12
4.3.1.2 Description	13
4.3.1.3 Limits	13
4.3.1.4 Conformance.....	13
4.3.2 Transmitter H-field requirements	13
4.3.2.1 Applicability.....	13
4.3.2.2 Description.....	13
4.3.2.3 Limits	14
4.3.2.4 Conformance.....	14
4.3.3 Transmitter spurious emissions.....	14
4.3.3.1 Applicability.....	14
4.3.3.2 Description	14
4.3.3.3 Limits	15
4.3.3.4 Conformance.....	15
4.3.4 Transmitter Out Of Band (OOB) emissions	15
4.3.4.1 Applicability.....	15
4.3.4.2 Description	15
4.3.4.3 Limits	16
4.3.4.4 Conformance.....	16
4.4 Receiver conformance requirements	16
4.4.1 Introduction.....	16
4.4.2 Receiver Spurious Emissions.....	16
4.4.2.1 Applicability.....	16
4.4.2.2 Description	16
4.4.2.3 Limits	16
4.4.2.4 Conformance.....	16
4.4.3 Receiver Baseline Sensitivity	16
4.4.3.1 Applicability.....	16
4.4.3.2 Description	17
4.4.3.3 Limits	17
4.4.3.4 Conformance.....	17

4.4.4	Receiver Baseline Resilience	17
4.4.4.1	Applicability.....	17
4.4.4.2	Description	17
4.4.4.3	Limits	17
4.4.4.4	Conformance.....	17
5	Testing for compliance with technical requirements.....	18
5.1	Environmental conditions for testing	18
5.2	General conditions for testing	18
5.3	Artificial antenna.....	18
5.4	Measuring receiver	18
5	Conformance methods of measurement for transmitters and receivers	19
6.1	General	19
6.2	Transmitter conformance methods	19
6.2.1	OFR	19
6.2.2	H-field.....	20
6.2.3	Transmitter unwanted emissions (spurious and OOB emissions).....	21
6.3	Receiver conformance methods	21
6.3.1	Receiver spurious emissions	21
6.3.2	Receiver Baseline Sensitivity	22
6.3.2.1	General.....	22
6.3.2.2	Receiver-Baseline Sensitivity Test.....	23
6.3.3	Receiver Baseline Resilience (RBR)	23
6.3.3.1	General.....	23
6.3.3.2	RBR Test 1: to test that the robotic mower can handle a lost signal	24
6.3.3.3	RBR Test 2: to test that the robotic mower can handle a passage of the boundary wire.....	25
Annex A (informative): Relationship between the present document and the essential requirements of Directive 2014/53/EU		27
Annex B (normative): Test sites and procedures		29
B.1	Boundary and dependent guidance loops.....	29
B.1.1	Artificial antenna for conducted measurements below 30 MHz	29
B.1.2	General setup and measurement procedure for the current measurement with artificial antenna	31
B.1.3	Differential mode measurement	32
B.1.4	Common mode measurement.....	33
B.1.5	The reference test garden.....	33
B.1.6	Test setup for verification artificial antenna.....	33
B.1.6.1	General.....	33
B.1.6.2	For Differential Mode Impedance verification	34
B.1.6.3	For Common Mode Impedance verification.....	34
B.2	Radiated measurements using anechoic chamber or open area test site.....	35
B.2.1	General	35
B.2.2	Radiated emission measurements < 30 MHz	35
B.2.3	Radiated emission measurements 30 MHz to 1 000 MHz.....	36
Annex C (informative): Justification for missing RX-requirements from ETSI EG 203 336		37
C.1	Justification for other RX-requirements.....	37
Annex D (informative): TX spurious emission limit assessment below 9 kHz.....		39
Annex E (informative): Change history		40
History		41

Intellectual Property Rights

Essential patents

IPRs essential or potentially essential to normative deliverables may have been declared to ETSI. The declarations pertaining to these essential IPRs, if any, are publicly available for **ETSI members and non-members**, and can be found in ETSI SR 000 314: "*Intellectual Property Rights (IPRs); Essential, or potentially Essential, IPRs notified to ETSI in respect of ETSI standards*", which is available from the ETSI Secretariat. Latest updates are available on the ETSI Web server (<https://ipr.etsi.org/>).

Pursuant to the ETSI Directives including the ETSI IPR Policy, no investigation regarding the essentiality of IPRs, including IPR searches, has been carried out by ETSI. No guarantee can be given as to the existence of other IPRs not referenced in ETSI SR 000 314 (or the updates on the ETSI Web server) which are, or may be, or may become, essential to the present document.

Trademarks

The present document may include trademarks and/or tradenames which are asserted and/or registered by their owners. ETSI claims no ownership of these except for any which are indicated as being the property of ETSI, and conveys no right to use or reproduce any trademark and/or tradename. Mention of those trademarks in the present document does not constitute an endorsement by ETSI of products, services or organizations associated with those trademarks.

DECT™, **PLUGTESTS™**, **UMTS™** and the ETSI logo are trademarks of ETSI registered for the benefit of its Members. **3GPP™** and **LTE™** are trademarks of ETSI registered for the benefit of its Members and of the 3GPP Organizational Partners. **oneM2M™** logo is a trademark of ETSI registered for the benefit of its Members and of the oneM2M Partners. **GSM®** and the GSM logo are trademarks registered and owned by the GSM Association.

Foreword

This final draft Harmonised European Standard (EN) has been produced by ETSI Technical Committee Electromagnetic compatibility and Radio spectrum Matters (ERM), and is now submitted for the Vote phase of the ETSI standards EN Approval Procedure.

The present document has been prepared under the Commission's standardisation request C(2015) 5376 final [i.6] to provide one voluntary means of conforming to the essential requirements of Directive 2014/53/EU on the harmonisation of the laws of the Member States relating to the making available on the market of radio equipment and repealing Directive 1999/5/EC [i.3].

Once the present document is cited in the Official Journal of the European Union under that Directive, compliance with the normative clauses of the present document given in table A.1 confers, within the limits of the scope of the present document, a presumption of conformity with the corresponding essential requirements of that Directive and associated EFTA regulations.

Proposed national transposition dates	
Date of latest announcement of this EN (doa):	3 months after ETSI publication
Date of latest publication of new National Standard or endorsement of this EN (dop/e):	6 months after doa
Date of withdrawal of any conflicting National Standard (dow):	18 months after doa

Modal verbs terminology

In the present document "shall", "shall not", "should", "should not", "may", "need not", "will", "will not", "can" and "cannot" are to be interpreted as described in clause 3.2 of the [ETSI Drafting Rules](#) (Verbal forms for the expression of provisions).

"must" and "must not" are **NOT** allowed in ETSI deliverables except when used in direct citation.

Introduction

The present document covers Robotic Mowers with Inductive loop systems (RMI) using the frequency range below 148,5 kHz. An RMI system includes:

- RMI docking station: charging stations for the robotic mower and the signal generator/antenna connecting point for the signals on the integral antenna and boundary wire.
- Robotic Mower: receiving part inside the RMI.
- Boundary Wire: user installed antenna.

The present document is structured as follows:

- Clauses 1, 2 and 3 provide a general description on the types of equipment covered by the present document and the definition of terms, symbols and abbreviations used.
- Clause 4 provides the technical requirements specifications, limits and conformance relative to transmitter and receiver.
- Clause 5 specifies the conditions and information for testing of the equipment and interpretation of the measurement results.
- Clause 6 specifies the required measurement methods.
- Annex A (informative) provides the relationship between the present document and the essential requirements of Directive 2014/53/EU [i.3].
- Annex B (normative) provides necessary information on used test sites and procedures.
- Annex C (informative) provides the justification for missing RX-requirements from ETSI EG 203 336 [i.5].
- Annex D (informative) provides information on TX spurious emission limit assessment below 9 kHz.
- Annex E (informative) provides information on Change history.

1 Scope

The present document specifies technical characteristics and methods of measurements for Robotic Mowers with Inductive loop systems (RMI) operating within the frequency range 100 Hz to 148,5 kHz.

The present document covers the following RMI systems:

- RMI1 systems: RMI systems without receive only mode
- RMI2 systems: RMI systems with receive only mode

NOTE 1: In RMI1 systems the robotic mower is not able to restart automatically if the boundary signal comes back after the loss of the boundary signal (safe mode, see clause 4.2.2.3), while in RMI2 systems the robotic mower is able to restart automatically after the boundary signal is back. This differentiation has been introduced to cover receiver spurious emissions for RMI2 systems.

These radio equipment types are capable of operating in all or part of the frequency bands given in table 1.

Table 1: Permitted range of operation

Permitted range of operation	
Transmit	100 Hz to 148,5 kHz
Receive	100 Hz to 148,5 kHz
NOTE:	It should be noted that the frequency range between 9 kHz and 148,5 kHz is EU wide harmonised for inductive Short Range Devices according to EC Decision 2017/1483/EU [i.2].

NOTE 2: The relationship between the present document and essential requirements of article 3.2 of Directive 2014/53/EU [i.3] is given in Annex A.

The present document only covers RMI systems with antenna sizes smaller than 1,67 km, see CEPT/ERC/REC 70-03 [i.1], Annex 9.

NOTE 3: The antenna size is described by the distance between those two points on the antenna that have the largest distance between them (e.g. for a rectangle shaped antenna the largest diagonal; for a circular shaped antenna the diameter).

2 References

2.1 Normative references

References are either specific (identified by date of publication and/or edition number or version number) or non-specific. For specific references, only the cited version applies. For non-specific references, the latest version of the referenced document (including any amendments) applies.

Referenced documents which are not found to be publicly available in the expected location might be found at <https://docbox.etsi.org/Reference/>.

NOTE: While any hyperlinks included in this clause were valid at the time of publication, ETSI cannot guarantee their long term validity.

The following referenced documents are necessary for the application of the present document.

- [1] ETSI EN 300 330 (V2.1.1) (02-2017): "Short Range Devices (SRD); Radio equipment in the frequency range 9 kHz to 25 MHz and inductive loop systems in the frequency range 9 kHz to 30 MHz; Harmonised Standard covering the essential requirements of article 3.2 of Directive 2014/53/EU".

2.2 Informative references

References are either specific (identified by date of publication and/or edition number or version number) or non-specific. For specific references, only the cited version applies. For non-specific references, the latest version of the referenced document (including any amendments) applies.

NOTE: While any hyperlinks included in this clause were valid at the time of publication, ETSI cannot guarantee their long term validity.

The following referenced documents are not necessary for the application of the present document but they assist the user with regard to a particular subject area.

- [i.1] CEPT/ERC/REC 70-03: "Relating to the use of Short Range Devices (SRD)".
- [i.2] Commission Implementing Decision (EU) 2017/1483 of 8 August 2017 amending Decision 2006/771/EC on harmonisation of the radio spectrum for use by short-range devices and repealing Decision 2006/804/EC.
- [i.3] Directive 2014/53/EU of the European Parliament and of the Council of 16 April 2014 on the harmonisation of the laws of the Member States relating to the making available on the market of radio equipment and repealing Directive 1999/5/EC.
- [i.4] CEPT/ERC/REC 74-01: "Unwanted emissions in the spurious domain".
- [i.5] ETSI EG 203 336 (V1.2.1): "Guide for the selection of technical parameters for the production of Harmonised Standards covering article 3.1(b) and article 3.2 of Directive 2014/53/EU".
- [i.6] Commission Implementing Decision C(2015) 5376 final of 4.8.2015 on a standardisation request to the European Committee for Electrotechnical Standardisation and to the European Telecommunications Standards Institute as regards radio equipment in support of Directive 2014/53/EU of the European Parliament and of the Council.
- [i.7] EGMF Robotic Mowers Boundary Wire Standard RLM003-1.1/2016.
- [i.8] EN 50636-2-107:2015: "Safety of household and similar appliances - Part 2-107: Particular requirements for robotic battery powered electrical lawnmowers", produced by CENELEC.
- [i.9] Void.
- [i.10] ETSI EN 303 454 (V1.1.1): "Short Range Devices (SRD); Metal and object detection sensors in the frequency range 1 kHz to 148,5 kHz; Harmonised Standard covering the essential requirements of article 3.2 of Directive 2014/53/EU".
- [i.11] Void.
- [i.12] Void.
- [i.13] EN 55016-1-1:2010 + A1:2010 + A2:2014: "Specification for radio disturbance and immunity measuring apparatus and methods -Part 1-1: Radio disturbance and immunity measuring apparatus - Measuring apparatus", produced by CENELEC.
- [i.14] ETSI TS 103 567 (V1.1.1): "Requirements on signal interferer handling".
- [i.15] ETSI TS 103 051 (V1.1.1) (08-2011): "Electromagnetic compatibility and Radio spectrum Matters (ERM); Expanded measurement uncertainty for the measurement of radiated electromagnetic fields".

3 Definition of terms, symbols and abbreviations

3.1 Terms

For the purposes of the present document, the terms given in ETSI EN 300 330 [1] and the following apply:

99 % OBW function: measurement function of a spectrum analyser to measure the OBW

antenna: integral antenna, boundary loop, and/or guidance loop (both dependent and independent) which are used in the RMI

NOTE 1: The inductive wire loops are installed dependent from the shape of the garden.

NOTE 2: To clarify the different loops see figure 2.

boundary loop: inductive wire loop which is defined by manufacturer and prepared by the user

NOTE 1: It can be implemented as a single or multiple turn coil installed by the user in accordance with instruction from the manufacturer for the purpose of generating magnetic fields to determine the working area.

NOTE 2: To clarify the different loops see figure 2.

dependent guidance loop: guidance loop which is connected to boundary loop (e.g. via a T-junction) and the RMI docking station

NOTE: To clarify the different loops see figure 2.

guidance loop: inductive wire loop which is defined by manufacturer and prepared by the user

NOTE: To clarify the different loops see figure 2.

inductive loop: all electrical loop either wire or coil, where current is fed in order to generate a magnetic field intended for guidance and/or communication with the robotic mower

NOTE: In figure 2 different inductive loops are shown and named based on their function within the RMI system, e.g. boundary loop, guidance loop.

integral antenna: single or multiple turn inductive loop preinstalled inside the RMI docking station

NOTE: To clarify the different loops see figure 2.

integral receiving antenna: single or multiple turn inductive loop preinstalled inside the robotic mower

Occupied BandWidth (OBW): width of a frequency band such that, below the lower and above the upper frequency limits, the mean powers emitted are each equal to 0,5 % of the total mean power of a given emission

NOTE: To clarify Occupied BandWidth (OBW), see figure 1.

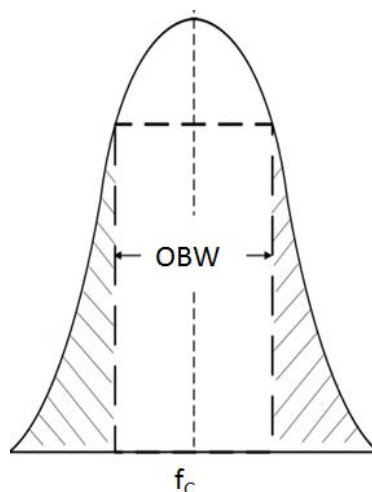


Figure 1: Occupied BandWidth (OBW)

RMI docking station: charging station for the robotic mower and the signal generator for the inductive loop(s) and, if applicable, integral antenna(s)

NOTE: The RMI docking station can be seen as the signal generator/antenna connecting point. In addition, it is the automatic battery charging facility located on or within the working area.

robotic mower: mobile part of the RMI including cutting means

NOTE: It is the receiving part inside the RMI.

Robotic Mower with Inductive loop system (RMI): system that includes robotic mower, power supply, docking station, and inductive loop(s)

working area: area in which the RMI can function

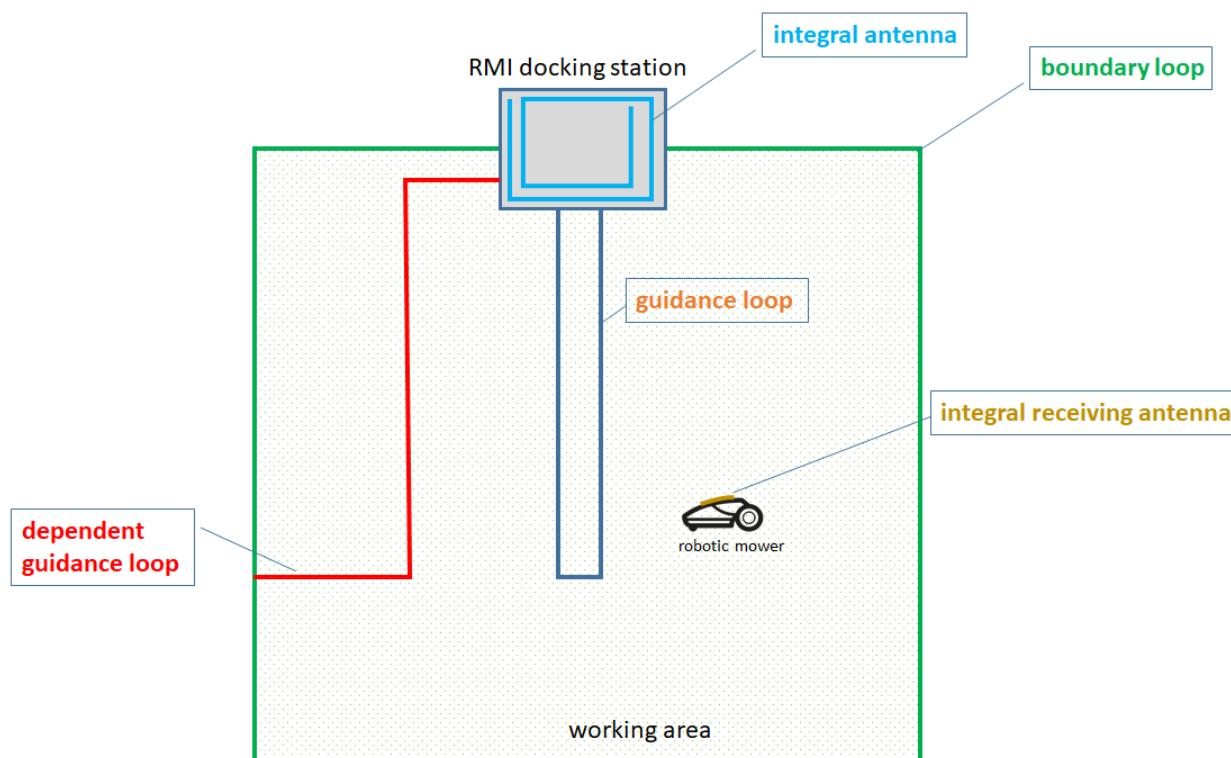


Figure 2: Overview of an RMI system, including the different possible antenna/loops

3.2 Symbols

For the purposes of the present document, the symbols given in ETSI EN 300 330 [1] and the following apply:

C_A	filtering capacitors of the artificial antenna
f_C	centre frequency of the OFR
f_H	highest frequency of the OFR
f_L	lowest frequency of the OFR
f_{SH}	higher frequency border between OOB and spurious domain
f_{SL}	lower frequency border between OOB and spurious domain
I_{CM}	common mode current
I_{DM}	differential mode current
L_A	inductive part of the artificial antenna
R_A	low frequency resistive part of the artificial antenna
R_C	common mode resistive part of the artificial antenna
R_D	high frequency resistive part of the artificial antenna
t_{SWT}	swept time for TX measurement

3.3 Abbreviations

For the purposes of the present document, the abbreviations given in ETSI EN 300 330 [1] and the following apply:

CM	Common Mode
CW	Continuous Wave
DM	Differential Mode
EGMF	European Garden Machinery industry Federation
IHR	Interferer Handling Requirements
LO	Local Oscillator
OBW	Occupied BandWidth
OFR	Operating Frequency Range
OOB	Out Of Band
RBR	Receiver Baseline Resilience
RMI	Robotic Mower with Inductive loop system
RX	Receiver
TX	Transmitter

4 Technical requirements specifications

4.1 Environmental profile

The technical requirements of the present document apply under the environmental profile for operation of the equipment, which shall be in accordance with its intended use. The equipment shall comply with all the technical requirements of the present document at all times when operating within the boundary limits of the operational environmental profile defined by its intended use.

4.2 General

4.2.1 Wanted technical performance criteria

In general, the robotic mower shall stay in its current operational mode (see clause 4.2.2.2), this is the wanted technical performance criteria of the RMI system.

For the purpose of the receiver performance tests, the RMI shall be able to handle two interference scenarios:

- Scenario 1: under the presence of an interfering signal, the robotic mower shall be able to detect a loss of the boundary loop signal (see clause 6.3.3.2).

- If the mower detects the loss of boundary signal, it shall react in the same way as required within the "safe mode" (see clause 4.2.2.3). The loss of the boundary loop signal can be based on, but not limited to, switching off the boundary loop signal, disconnection of the boundary loop, or blocking of the receiver within the mower.
- Scenario 2: under the presence of an interfering signal, the robotic mower shall be able to detect the passage of the boundary wire (see clause 6.3.3.3).

4.2.2 RMI modes

4.2.2.1 General

In this clause all general considerations for the testing of the inductive parts for the RMI in the frequency range from 100 Hz to 148,5 kHz are given.

Modes being part of an RMI are explained in the following clauses.

The manufacturer shall provide information (e.g. installation requirements), number and kind of antennas used by the RMI (e.g. boundary loop(s), guidance loop(s), integral antenna(s), etc.), see figure 2. A RMI is fabricated by one manufacturer. There is no option to swap e.g. a mower to another boundary installation. Based on the general nature (TX and RX) of an RMI, covered by the present document, the RMI shall be tested as a system.

The test set-up of the different modes shall be performed as described in clause 6.1 and Annex B.

4.2.2.2 Operational Modes

Operational modes of an RMI are when the robotic mower is travelling around, mowing grass, returning to the docking station and charging the battery in the docking station.

During the operational modes different combinations of the RMI antennas are active.

The test shall be performed for each active antenna in each operational mode, unless the transmitting signal to the same antenna is identical over different modes, the test of the active antenna shall be performed only once.

4.2.2.3 Safe Mode

If the robotic mower does not receive its boundary signal adequately, the robotic mower switches into safe mode. This loss of signal may either be caused by a stop of the signal generation or by interference.

The safe mode is indicated that after a loss of signal the robotic mower does not travel more than 1 m and the cutting means stops within 5 seconds, see EN 50636-2-107 [i.8], clause 22.104.2.

4.2.3 Presentation of equipment for testing purposes

Each RMI submitted for testing shall fulfil the requirements of the present document.

Additionally, technical documentation and operating manuals, sufficient to make the test, shall be supplied.

To simplify and harmonise the testing procedures between different testing laboratories, measurements shall be performed, according to the present document, on samples defined in clause 4.2.2 of ETSI EN 300 330 [1].

4.3 Transmitter conformance requirements

4.3.1 Operating Frequency Range (OFR)

4.3.1.1 Applicability

This requirement applies to all RMI systems.

4.3.1.2 Description

The operating frequency range is the frequency range over which the RMI is transmitting. The operating frequency range of the RMI is determined by the lowest (f_L) and highest frequency (f_H):

$$\text{OFR} = f_H - f_L$$

An RMI can have more than one operating frequency range (relating to the operational modes and antennas of the RMI system, see clause 4.2.2).

For a single frequency system the OFR is equal to the Occupied BandWidth (OBW) of the RMI system as described in figure 3.

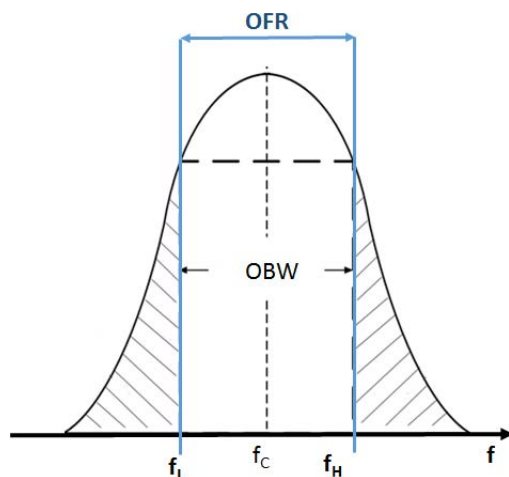


Figure 3: Operating Frequency Range (OFR)

4.3.1.3 Limits

The operating frequency range for intentional emissions shall be within the following limits:

- Upper edge of the operating frequency range: $f_H \leq 148,5$ kHz.
- Lower edge of the operating frequency range: $f_L \geq 100$ Hz.

For the spurious and OOB emission measurement procedures in clauses 4.3.3 and 4.3.4 the OFR shall be calculated as:

$$f_H - f_L$$

and the centre frequency as:

$$f_c = \frac{f_H + f_L}{2}$$

4.3.1.4 Conformance

The conformance test suite for operational frequency range shall be as defined in clause 6.2.1.

4.3.2 Transmitter H-field requirements

4.3.2.1 Applicability

This requirement applies to all RMI systems.

4.3.2.2 Description

The radiated H-field is defined in the direction of maximum field strength of the RMI.

4.3.2.3 Limits

The H-field limits for the bands 100 Hz to 148,5 kHz are provided in table 2.

Table 2: H-field limits between 0,1 kHz and 148,5 kHz

Frequency range (kHz)	H-field strength limit (H_f) dB μ A/m at 10 m
$0,1 \leq f < 9$	82
$9 \leq f < 60$	72 descending 10 dB/dec above 0,03 MHz
$60 \leq f < 90$	42
$90 \leq f < 119$	42
$119 \leq f < 135$	42
$135 \leq f < 140$	42
$140 \leq f < 148,5$	37,7

NOTE: For the range 0,1 kHz to 9 kHz the limit is in line with CEPT/ERC/REC 70-03 [i.1], Annex 9.
For the range 9 kHz to 148,5 kHz it is in line with EC Decision 2017/1483/EU [i.2].

4.3.2.4 Conformance

The conformance test suite for transmitter H-field requirements shall be as defined in clause 6.2.2.

4.3.3 Transmitter spurious emissions

4.3.3.1 Applicability

This requirement applies to all RMI systems.

4.3.3.2 Description

The transmitter spurious emissions are to be considered in frequency ranges defined by $f < f_{SL}$ and $f > f_{SH}$. For a single frequency system the ranges are illustrated in figure 4.

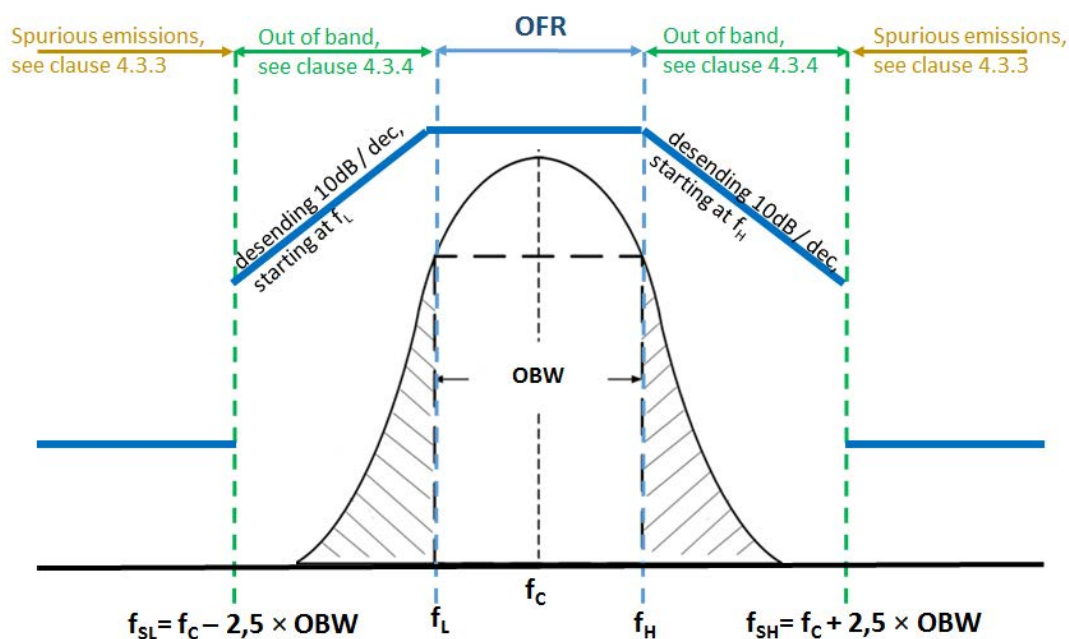


Figure 4: Out of band and spurious domain of a single frequency system

The following additional conditions applying for f_{SH} :

- 1) For systems with $f_H \leq 9$ kHz: f_{SH} shall be set to 27 kHz.
- 2) For systems with $f_H > 9$ kHz: f_{SH} is the smallest of:
 - $f = f_C + 2,5 \times OFR$; or
 - $f = 148,5$ kHz.

NOTE 1: f_{SH} under number 1) above was calculated based on an assumed f_C of 4,5 kHz and OBW of 9 kHz.

NOTE 2: Bullet two of number 2) above ensures that the spurious limits of CEPT/ERC/REC 74-01 [i.4] apply above 148,5 kHz.

The following additional conditions applying for f_{SL} :

- 1) For systems with calculated $f_{SL} < 100$ Hz: f_{SL} is set to 100 Hz.
- 2) The f_{SL} and f_{SH} shall be calculated based on the OFR result, see clause 4.3.1 (definition OFR) and figure 4 for the calculation.

4.3.3.3 Limits

The spurious emissions shall not exceed the limits given in table 3.

Table 3: TX spurious emissions

State	$100 \text{ Hz} \leq f < 10 \text{ MHz}$	$10 \text{ MHz} \leq f < 30 \text{ MHz}$	$30 \text{ MHz} \leq f < 1 \text{ GHz}$
Operating	46,5 dB μ A/m at 100 Hz descending 3 dB/oct (note 3)	-3,5 dB μ A/m (note 3)	-36 dBm (note 4)
	$100 \text{ Hz} \leq f < 4,78 \text{ MHz}$	$4,78 \text{ MHz} \leq f < 30 \text{ MHz}$	$30 \text{ MHz} \leq f < 1 \text{ GHz}$
Standby	25 dB μ A/m at 100 Hz descending 3 dB/oct (note 3)	-22 dB μ A/m (note 3)	-57 dBm (note 4)
NOTE 1: For the frequency range below 9 kHz: the limits are on voluntary basis, based on an EC request. ETSI proposed the limits to ECC to be implemented in CEPT/ERC/REC 74-01 [i.4], for more details see Annex D of the present document.			
NOTE 2: For the frequency range above 9 kHz: the limits are in line with CEPT/ERC/REC 74-01 [i.4], Annex 2.			
NOTE 3: The limit is specified at a distance of 10 m.			
NOTE 4: The limit is specified as e.r.p.			

4.3.3.4 Conformance

The conformance test suite for transmitter spurious emissions shall be as defined in clause 6.2.3.

4.3.4 Transmitter Out Of Band (OOB) emissions

4.3.4.1 Applicability

This requirement applies to all RMI systems.

4.3.4.2 Description

The transmitter Out Of Band emissions are to be considered in the frequency ranges between f_{SL} and f_L ($f_{SL} \leq f < f_L$) and between f_H and f_{SH} ($f_H > f \geq f_{SH}$). For a single frequency system, the ranges are illustrated in figure 4.

The f_{SL} and f_{SH} shall be calculated based on the OFR result, see clause 4.3.1 (definition OFR) and clause 4.3.3.2, figure 4 for the calculation.

4.3.4.3 Limits

The OOB limits are visualized in figure 4 (clause 4.3.3.2); they are descending from the limits from table 2 at f_H/f_L with 10 dB/decade.

4.3.4.4 Conformance

The conformance test suite for Transmitter out of band emissions is provided in clause 6.2.3.

4.4 Receiver conformance requirements

4.4.1 Introduction

The justification for the RX-requirements of RMI is provided in Annex C. The receiver concept on signal interferer handling in ETSI TS 103 567 [i.14] is used. The specific RMI justification for the receiver requirements is provided:

- For Receiver Baseline Sensitivity and Receiver Baseline Resilience, see clause C.1.

4.4.2 Receiver Spurious Emissions

4.4.2.1 Applicability

This requirement applies only to RMI2 systems.

4.4.2.2 Description

The receiver spurious emissions of the RMI system is in the receive only mode, e.g. if the mower is in sleep/standstill mode after the loss of the boundary signal.

4.4.2.3 Limits

The receiver spurious emissions shall not exceed the limits given in table 4a.

Table 4a: Receiver spurious emissions

State	100 Hz ≤ f < 9 kHz (note 1)	9 kHz ≤ f < 4,78 MHz	4,78 MHz ≤ f < 30 MHz	30 MHz ≤ f < 1 GHz
Operating	5,5 dBμA/m	5,5 dBμA/m at 9 kHz descending 3 dB/oct (note 3)	-22 dBμA/m (note 3)	-57 dBm (note 4)

NOTE 1: For the frequency range below 9 kHz: the limits are on voluntary basis, in CEPT/ERC/REC 74-01 [i.4], there are no limits proposed. See similar information in table 3.

NOTE 2: For the frequency range above 9 kHz: the limits are in line with CEPT/ERC/REC 74-01 [i.4], Annex 2.

NOTE 3: The limit is specified at a distance of 10 m.

NOTE 4: The limit is specified as e.r.p.

4.4.2.4 Conformance

The conformance test suite for Receiver Spurious Emission shall be as defined in clause 6.3.1.

4.4.3 Receiver Baseline Sensitivity

4.4.3.1 Applicability

This requirement applies to all RMI.

4.4.3.2 Description

The robotic mower is operating within the test garden (see clause B.1.5) without switching into a safe mode. The largest distance to the boundary wire will happen if the mower is in the middle to the test set-up, see clause 6.3.2, figures 5 and 6 and related parameter for an artificial antenna in clause B.1.1.

4.4.3.3 Limits

The robotic mower has to run longer than 60 seconds without switching into the safe mode, see clause 4.2.2.3.

4.4.3.4 Conformance

The conformance test suite for Receiver Baseline Sensitivity shall be as defined in clause 6.3.2.

4.4.4 Receiver Baseline Resilience

4.4.4.1 Applicability

This requirement applies to all RMI.

4.4.4.2 Description

Receiver Baseline Resilience is a measure of the capability of the receiver to receive a wanted modulated signal without exceeding a given degradation due to the presence of an unwanted input signal at any frequencies other than those of the receiver spurious responses.

The test shall be in the operational mode (real scenario, see clause 4.2.2.2).

The RMI shall achieve the wanted technical performance criteria, see clause 4.2.1, in the presence of the interfering signal.

4.4.4.3 Limits

The Receiver Baseline Resilience limits in table 4b shall be fulfilled.

Table 4b: Receiver Baseline Resilience requirements

	In-band signal	OOB signal	Remote-band signal
Interferer signal frequency	$f = f_c$	$f = f_c \pm \text{OFR}$	$f = f_c \pm 10 \times \text{OFR}$
Interferer signal level	98 dB μ A/m - 20log ₁₀ (f/10 kHz)	98 dB μ A/m - 20log ₁₀ (f/10 kHz)	98 dB μ A/m - 20log ₁₀ (f/10 kHz)
Kind of interferer signal	CW	CW	CW
NOTE:	The industry standard for RMI (Source: EGMF [i.7]) proposes that robotic mower installations should never be closer than 1 m and the RMS current in the wire should never exceed 500 mA. When an interfering standard garden is located at a distance of 1 m with long side to long side the H field from a 500 mA current will be 98 dB μ A/m (or 100 nT for B-field). Robotic mowers use coils as antennas and the Electromagnetic Force (EMF) generated in those antennas are proportional to the derivative of the signals. Therefore, when doubling the frequency of the interfering signal the voltage generated in the antenna will also double. The 100 nT is therefore normalized to a state of the art value for robotic mower signal centre frequency of 10 kHz.		

4.4.4.4 Conformance

The conformance test suite for Receiver Baseline Resilience shall be as defined in clause 6.3.3.

5 Testing for compliance with technical requirements

5.1 Environmental conditions for testing

Tests defined in the present document shall be carried out at representative points within the boundary limits of the operational environmental profile defined by its intended use.

Where technical performance varies subject to environmental conditions, tests shall be carried out under a sufficient variety of environmental conditions (within the boundary limits of the operational environmental profile defined by its intended use) to give confidence of compliance for the affected technical requirements.

5.2 General conditions for testing

Clause 5.3 of ETSI EN 300 330 [1] provides information on test conditions, power supply and ambient temperature. ETSI TS 103 051 [i.15] provides additional information on measurement uncertainty.

5.3 Artificial antenna

The artificial antenna is described in clause B.1.1.

5.4 Measuring receiver

The term "measuring receiver" refers to a selective voltmeter, oscilloscope, a spectrum analyser or a measurement instrument according to EN 55016-1-1:2010 + A1:2010 + A2:2014 [i.13]. The resolution bandwidth and detector type of the measuring receiver are given in tables 5 and 6.

Table 5: Resolution Bandwidth and detector type for magnetic field measurements

Frequency: (f)	Detector type	Resolution bandwidth
$100 \text{ Hz} \leq f < 500 \text{ Hz}$	Peak	10 Hz
$500 \text{ Hz} \leq f < 9 \text{ kHz}$	Peak	200 Hz
$9 \text{ kHz} \leq f < 150 \text{ kHz}$	Quasi Peak	200 Hz
$150 \text{ kHz} \leq f < 30 \text{ MHz}$	Quasi Peak	9 kHz
$30 \text{ MHz} \leq f \leq 1\,000 \text{ MHz}$	Quasi Peak	120 kHz

Table 6: Resolution Bandwidth and detector type for spurious and OOB measurements according to CEPT/ERC/REC 74-01 [i.4]

Frequency: (f)	Detector type	Resolution bandwidth
$100 \text{ Hz} \leq f < 500 \text{ Hz}$	RMS	10 Hz
$500 \text{ Hz} \leq f < 9 \text{ kHz}$	RMS	100 Hz
$9 \text{ kHz} \leq f < 150 \text{ kHz}$	RMS	1 kHz
$150 \text{ kHz} \leq f < 30 \text{ MHz}$	RMS	10 kHz
$30 \text{ MHz} \leq f \leq 1\,000 \text{ MHz}$	RMS	100 kHz

In tables 5 and 6 a resolution bandwidth of 10 Hz is requested for the measurements up to 500 Hz. If such resolution bandwidth is not available in the measurement receiver a resolution bandwidth up to 100 Hz shall be used. The measurement bandwidths and any related calculations shall be stated in the test report.

If a different detector type and resolution bandwidth will be used for the conformance test this is specified in the related subclauses of clause 6.

5 Conformance methods of measurement for transmitters and receivers

6.1 General

Table 7 gives an overview of the conformance tests.

Table 7: Overview of Conformance tests

Essential requirements	Conformance tests
OFR, clause 4.3.1	6.2.1
H-field, clause 4.3.2	6.2.2
Transmitter unwanted emission (spurious and out of band emissions), clauses 4.3.3 and 4.3.4	6.2.3
Receiver spurious emissions clause 4.4.2	6.3.1
Receiver Sensitivity, clause 4.4.3	6.3.2
Receiver Blocking, clause 4.4.4	6.3.3

6.2 Transmitter conformance methods

6.2.1 OFR

The measurement procedure depends from the used RMI antennas:

- For boundary and guidance loops the conducted setup and procedure from clause B.1 (artificial antenna) shall be used.
- For integral antennas the radiated setup and procedure from clause B.2 shall be used.

Based on the very low frequencies the test has to be performed within two steps.

Step 1:

The transmission shall be measured using a measuring receiver according to clause 5.4 with the following settings:

- Start frequency: 100 Hz
- Stop frequency: 148,5 kHz
- Resolution Bandwidth: 200 Hz
- Video Bandwidth: ≥ 300 Hz
- Detector mode: RMS
- Display mode: max hold over 10 sweeps (one measurement)
- Sweep time: increase the sweep time and reset max hold after each measurement until the difference between two consecutive measurements of the amplitude of the spectrum is less than 0,5 dB

The following values shall be recorded:

- f_{H_step1} as the right most frequency above the centre frequency f_c shall be recorded where the level is 23 dB lower as the maximum.
- f_{L_step1} as the left most frequency below the centre frequency shall be recorded where the level is 23 dB lower as the maximum.

- f_{H_step1} and f_{L_step1} shall be recorded.
- t_{SWT} : final sweep time of step 1.

Step 2:

- Start frequency: 100 Hz or $0,8 \times f_{L_step1}$ whatever is higher
- Stop frequency: 148,5 kHz or $1,5 \times f_{H_step1}$ whatever is lower
- Resolution Bandwidth:
 - 30 Hz if start frequency is below 500 Hz
 - 200 Hz if start frequency is above 500 Hz
- Video Bandwidth: larger than the resolution bandwidth
- Detector mode: RMS
- Display mode: max hold over 10 sweeps
- Sweep time: t_{SWT}

The following values shall be recorded:

- f_H as the frequency of the upper marker resulting from the "OBW"-function of a spectrum analyser, using 99 % of the power (see figure 3). Alternatively the right most frequency above the centre frequency f_c shall be recorded where the level is 23 dB lower as the maximum.
- f_L as the frequency of the lower marker resulting from the "OBW"-function of a spectrum analyser, using 99 % of the power (see figure 3). Alternatively, the left most frequency below the centre frequency shall be recorded where the level is 23 dB lower as the maximum.
- f_C is the centre frequency.
- $OFR = f_H - f_L$.

The results out of step 2 are to be compared with the limits in clause 4.3.1.3.

NOTE: Justification why a measurement below 100 Hz for TX emissions of an RMI systems is not considered:

- Some RMI are sending a DC current or voltage in the loop wire to feed slave devices. This DC signal will always have a small bandwidth, but will never create high radiated emission via the loop and the interference on radio devices at these frequencies will be low (no radio application known in the range < 100 Hz).
- State of the art power supply installation (50 Hz) and AC/DC converters may create high EMC emissions. Therefore, it is not possible to differentiate the radiated emission of an RMI system from the EMC emission from the power supply parts.

6.2.2 H-field

The measurement procedure depends from the used RMI antennas:

- For boundary and guidance loops the conducted setup and procedure from clause B.1 (artificial antenna) shall be used.
- For integral antennas the radiated setup and procedure from clause B.2 shall be used.

The transmission shall be measured using a measuring receiver according to clause 5.4 with the following settings:

- Start frequency: $0,8 \times f_L$ (see clause 6.2.1)
- Stop frequency: $1,2 \times f_H$ (see clause 6.2.1)

- Resolution Bandwidth: according to clause 5.4, table 5
- Video Bandwidth: \geq Resolution Bandwidth
- Detector mode: according to clause 5.4, table 5
- Display mode: max hold over 10 sweeps
- Sweep time: t_{SWT} (see clause 6.2.1)

The maximum H-Field results are to be compared with the limits in clause 4.3.2.3.

6.2.3 Transmitter unwanted emissions (spurious and OOB emissions)

The measurement procedure depends from the used RMI antennas:

- For boundary and guidance loops the conducted setup and procedure from clause B.1 (artificial antenna) shall be used.
- For integral antennas the radiated setup and procedure from clause B.2 shall be used.

The transmission shall be measured using a measuring receiver according to clause 5.4 with the following settings:

- Start frequency: 100 Hz
- Stop frequency: dependant from RMI antenna:
 - For boundary and guidance loops: 30 MHz
 - For integral antennas: 1 GHz

NOTE 1: Artificial antenna for boundary and guidance loops is only specified for the frequency range below 30 MHz. In a real scenario a large boundary loop is low pass filter and therefore radiates no TX unwanted emissions above 30 MHz. In addition the harmonics of the fundamental will not be present above 30 MHz (e.g. at 30 MHz it would be the 202nd harmonic of the highest fundamental frequency).

NOTE 2: For each frequency range out of table 6 one measurement is to be performed.

- Resolution Bandwidth: according to clause 5.4, table 6
- Video Bandwidth: \geq Resolution Bandwidth
- Detector mode: according to clause 5.4, table 6
- Display mode: maxhold over > 10 sweeps
- Sweep time: increase the sweep time and reset max hold after each measurement until the difference between two consecutive measurements of the amplitude of the spectrum is less than 0,5 dB

The maximum unwanted emission (spurious and OOB) results are to be compared with the limits in clause 4.3.3.3.

6.3 Receiver conformance methods

6.3.1 Receiver spurious emissions

The radiated setup and procedure from clause B.2 shall be used.

For the receiver spurious emissions, the robotic mower shall be set to the receive only mode (or sleep/idle mode).

To reach the receive only mode the same set-up and steps for the receiver baseline sensitivity (see clauses 6.3.2.1 and 6.3.2.2) shall be used. After step 4 of clause 6.3.2.2 the boundary signal shall be switched off. Now the mover is in receive only mode and the receiver spurious can be measured.

The transmission shall be measured using a measuring receiver according to clause 5.4 with the following settings:

- Start frequency: 100 Hz
- Stop frequency: 1 GHz; according to CEPT/ERC/REC 74-01 [i.4], table 1

NOTE: For each frequency range out of table 6 one measurement is to be performed.

- Resolution Bandwidth: according to clause 5.4, table 6
- Video Bandwidth: \geq Resolution Bandwidth
- Detector mode: according to clause 5.4, table 6
- Display mode: maxhold over > 10 sweeps
- Sweep time: increase the sweep time and reset max hold after each measurement until the difference between two consecutive measurements of the amplitude of the spectrum is less than 0,5 dB

The maximum receiver spurious emission results are to be compared with the limits in clause 4.4.2.3.

6.3.2 Receiver Baseline Sensitivity

6.3.2.1 General

The test setup is visualized in figures 5 and 6.

The RMI docking station shall be operated with a boundary loop according to figures 5 and 6 with an artificial antenna (or artificial load with 2Ω and $200 \mu\text{H}$, see clause B.1.1) as load in series.

The test shall be carried out on an anechoic chamber as described in clause C.1.1 of ETSI EN 300 330 [1].

The boundary wire shall lie on a non-metallic ground and the minimum distance to a metallic ground plane shall be 0,75 m.

The geometrical centre of the receiver(s) in the robotic mower shall be placed to the centre of the test-loop (e.g. $X=0$ (see figure 6)) and shall stay there during the test (e.g. the robotic mower wheels may be deactivated or lifted from the ground). Any possible switch off mechanism (e.g. if the robotic mower detects no movement) shall not affect the test.

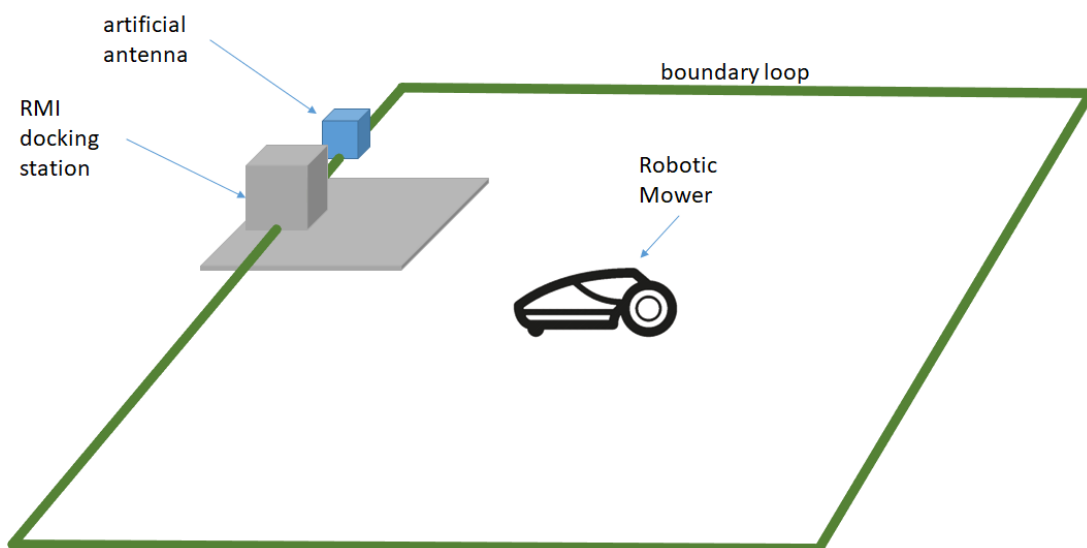


Figure 5: Schematic test set-up for RX-Sensitivity test

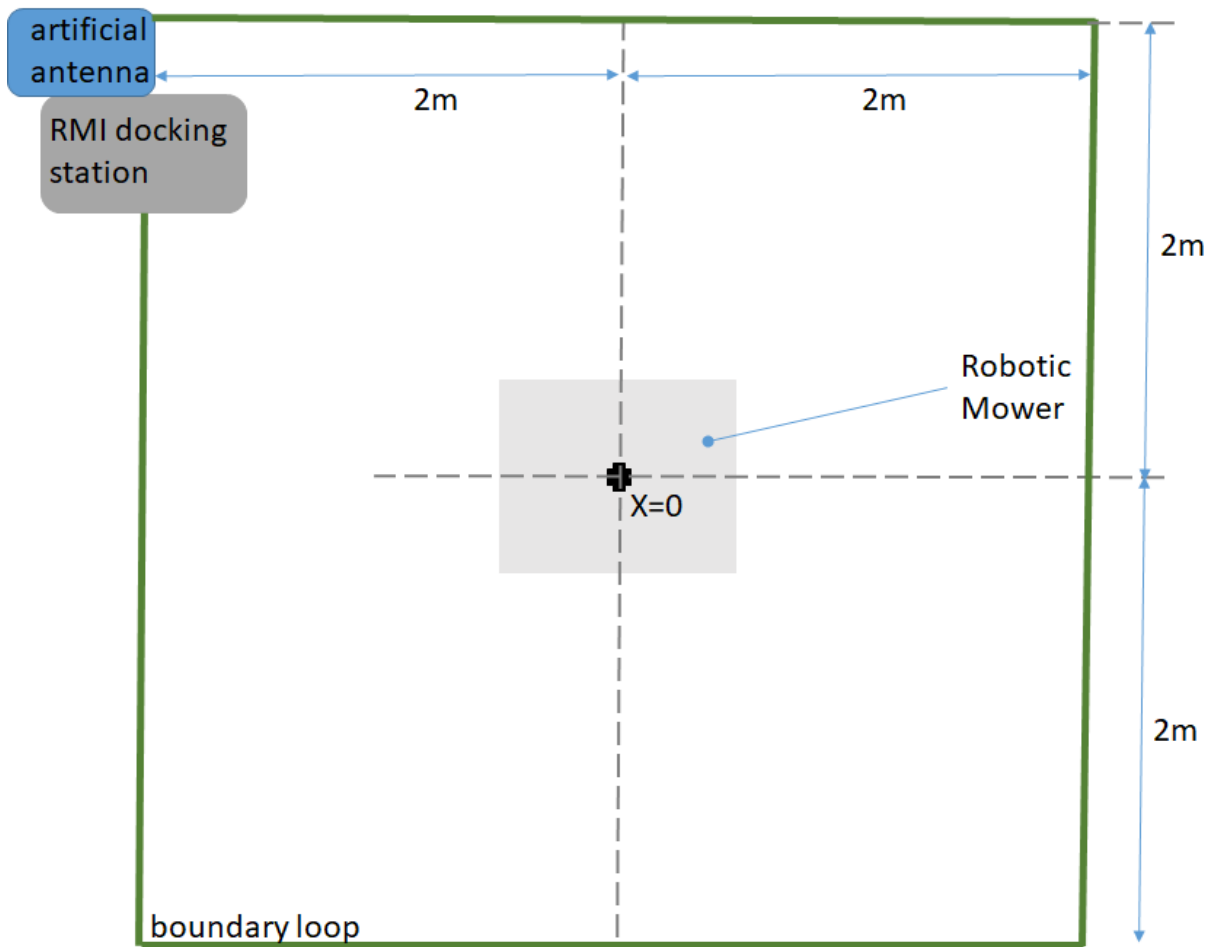


Figure 6: Schematic test set-up for RX-Sensitivity test (view from top)

6.3.2.2 Receiver-Baseline Sensitivity Test

- Step 1: Place the robotic mower in the middle of the test set-up.
- Step 2: Activate the RMI system.
- Step 3: Start the robotic mower with the operation mode. The robotic mower shall be adjusted in such a way that the robotic mower will keep the position in the middle of the test set-up (e.g. by deactivation of the wheel, lifting up).
- Step 4: If the RMI meets the wanted technical performance criteria (see clause 4.2.1) at all times, this means working longer than 60 seconds as intended, then the test shall be considered as passed.

Otherwise, the test is considered as failed.

6.3.3 Receiver Baseline Resilience (RBR)

6.3.3.1 General

The fulfilment of the RMI performance criteria in the operational mode (see clause 4.2.1) shall be tested in presence of an inference signal according to clause 4.4.4.3, table 4b (frequencies, magnetic field).

The test setup is visualized in figures 7 and 8.

The RMI docking station shall be operated with a boundary wire arrangement according to figures 7 and 8 in combination with an artificial antenna (or artificial load with $2\ \Omega$ and $200\ \mu\text{H}$, see clause B.1.1) as load in series.

The test shall be carried out on an anechoic chamber as described in clause C.1.1 of ETSI EN 300 330 [1].

A test loop with a radius R shall be used to create an interfering magnetic field. The test loop shall lie on a non-metallic ground and the minimum distance to metallic ground plane shall be 0,75 m. The test loop and the boundary wire shall be on the same horizontal level.

The geometrical centre of the receiver(s) in the robotic mower shall be placed to the centre of the test-loop (e.g. X=0 (see figure 8)) and shall stay there during the test (e.g. the robotic mower wheels may be deactivated or lifted from the ground). Any possible switch off mechanism (e.g. if the robotic mower detects no movement) shall not affect the test.

The radius R of the test-loop shall be in minimum 4 times the maximum dimension r of the robotic mower (see figure 8).

The maximum interfering H-Field at X = 0 can be calculated from the loop current I (into the test-loop) with the following formula:

$$H = \frac{I}{2R} \quad (1)$$

The required output current to achieve the magnetic field from clause 4.4.4.3, table 4b at the robotic mower shall be generated with a test signal generator at the test frequencies from table 4b.

For each test frequency the "reaction" of the RMI shall be recorded and checked against the wanted technical performance criteria from clause 4.2.1.

The RX test includes two separate test scenarios:

- Test 1: see clause 6.3.3.2, to test that the robotic mower can handle a lost signal.
- Test 2: see clause 6.3.3.3, to test that the robotic mower can handle a passage of the boundary wire.

6.3.3.2 RBR Test 1: to test that the robotic mower can handle a lost signal

Step 1.1: Initially, the test signal generator shall be switched off.

Step 1.2: The RMI system shall be configured so that the wanted technical performance criteria are met: the wanted criteria are considered to be met as long as the receiver always works as intended. Calculate the limit of the interferer current according to clause 4.4.4.3, table 4b and equation (1).

Step 1.3: The test signal generator is then switched on at f_c .

Step 1.4: The test signal generator shall then be adjusted in carrier current from zero up to the limit given in clause 4.4.4.3, table 4b.

Step 1.5: If the robotic mower goes into safe mode or into a state which is not declared then this magnetic field shall be noted.

Step 1.6: With the interferer limit according to clause 4.4.4.3, table 4b, turn off the RMI transmitter, so there is only the signal from the interferer. The robotic mower has to detect the loss of its signal and go into safe mode (see clause 4.2.1).

Step 1.7: The measurements steps 1.1 to 1.6 shall be repeated at the frequency for OOB and remote-signal as requested in clause 4.4.4.3, table 4b.

If the RMI meets the wanted technical performance criteria (see clause 4.2.1) at all times, then the test shall be considered as passed.

Otherwise, the test is considered as failed.

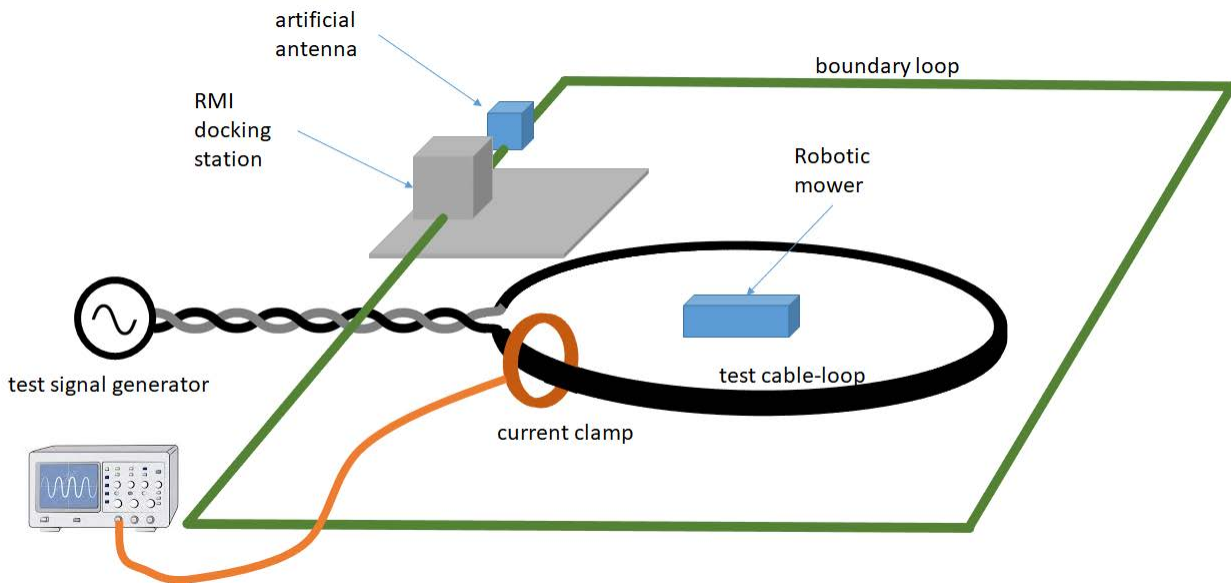


Figure 7: Schematic test set-up for the RX-blocking test 1

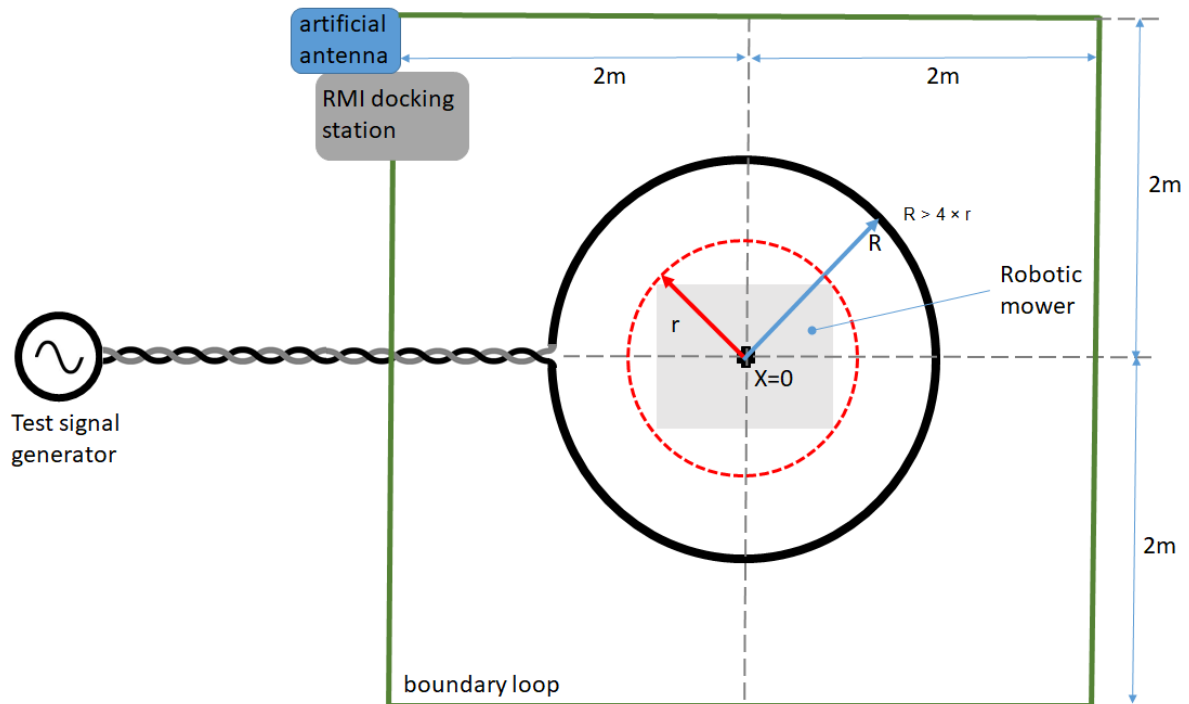


Figure 8: Schematic test set-up with dimensional specification for the RX-blocking test 1 (top view)

6.3.3.3 RBR Test 2: to test that the robotic mower can handle a passage of the boundary wire

Step 2.1: Initially, the test signal generator shall be switched off.

Step 2.2: The RMI system shall be configured so that the wanted technical performance criteria are met: the wanted criteria are considered to be met as long as the RMI system works as intended. Calculate the limit of the interferer current according to clause 4.4.4.3, table 4b and equation (1).

Step 2.3: The test signal generator is then switched on at f_c .

Step 2.4: The test signal generator should then be adjusted in carrier current from zero up to the limit given in clause 4.4.4.3, table 4b.

- Step 2.5: The boundary wire should then be moved under or over the robotic mower so that the robotic mower is outside the boundary wire (leaving the working area). The boundary wire should never be moved faster than the speed of the robotic mower so that a normal mode boundary wire passage can be observed, see figure 9.
- Step 2.6: The robotic mower shall react as intended in the RMI manual for the case "passing of the boundary wire" (e.g. the mower shall continue to operate as intended and its reaction (turning back, going to sleep, etc.) has to be noted in the test report).
- Step 2.7: The measurements steps 2.3 to 2.6 shall be repeated at the frequency for OOB and remote-signal as requested in clause 4.4.4.3, table 4b.

If the robotic mower operates in normal mode or in safe mode at all times, then the test shall be considered as passed.

If the robotic mower does not react as intended, then the test is considered as failed.

The results are to be compared with the limits in clause 4.4.3.3.

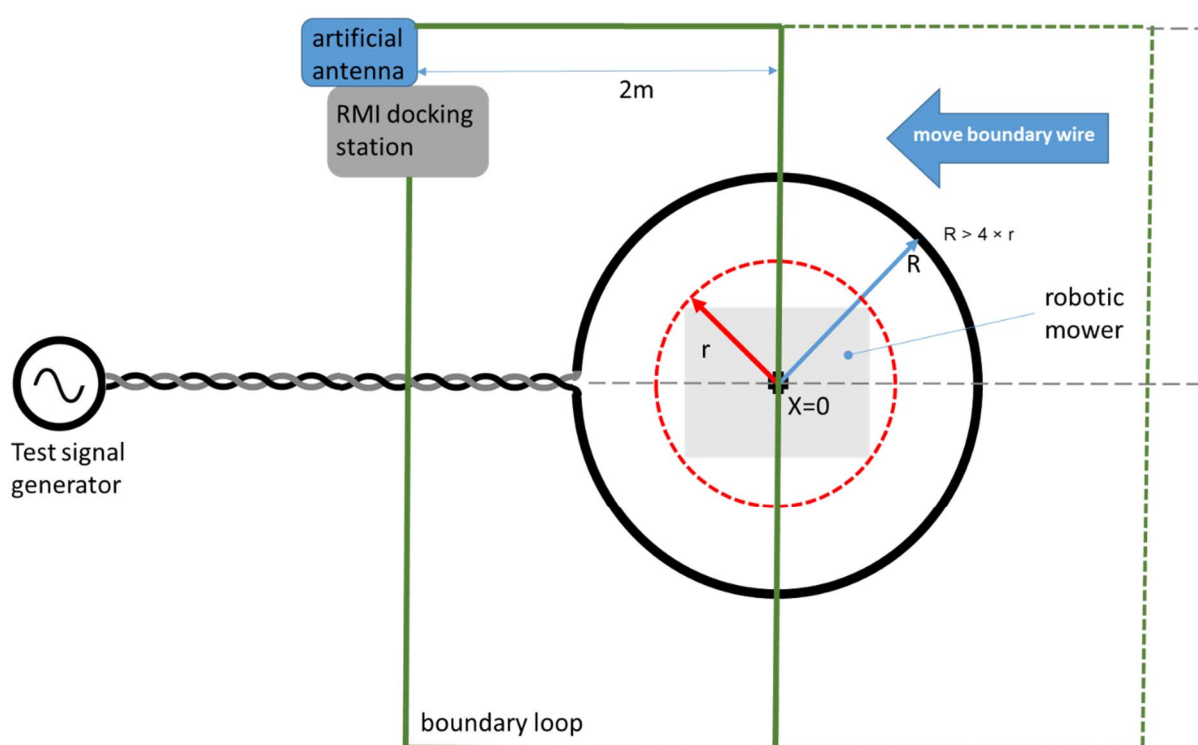


Figure 9: Schematic test set-up for the RX-blocking test 2

Annex A (informative): Relationship between the present document and the essential requirements of Directive 2014/53/EU

The present document has been prepared under the Commission's standardisation request C(2015) 5376 final [i.6] to provide one voluntary means of conforming to the essential requirements of Directive 2014/53/EU on the harmonisation of the laws of the Member States relating to the making available on the market of radio equipment and repealing Directive 1999/5/EC [i.3].

Once the present document is cited in the Official Journal of the European Union under that Directive, compliance with the normative clauses of the present document given in table A.1 confers, within the limits of the scope of the present document, a presumption of conformity with the corresponding essential requirements of that Directive and associated EFTA regulations.

Table A.1: Relationship between the present document and the essential requirements of Directive 2014/53/EU

Harmonised Standard ETSI EN 303 447					
Requirement				Requirement Conditionality	
No	Description	Essential requirements of Directive	Clause(s) of the present document	U/C	Condition
1	Operating Frequency Range (OFR)	3.2	4.3.1	U	
2	Transmitter H-field requirements	3.2	4.3.2	U	
3	Transmitter spurious emissions	3.2	4.3.3	U	
4	Transmitter Out Of Band (OOB) emissions	3.2	4.3.4	U	
5	Receiver Spurious Emissions	3.2	4.4.2	C	RMI2 systems only
6	Receiver Baseline Sensitivity	3.2	4.4.3	U	
7	Receiver Baseline Resilience	3.2	4.4.4	U	

Key to columns:

Requirement:

No A unique identifier for one row of the table which may be used to identify a requirement.

Description A textual reference to the requirement.

Essential requirements of Directive

Identification of article(s) defining the requirement in the Directive.

Clause(s) of the present document

Identification of clause(s) defining the requirement in the present document unless another document is referenced explicitly.

Requirement Conditionality:

U/C Indicates whether the requirement is unconditionally applicable (U) or is conditional upon the manufacturer's claimed functionality of the equipment (C).

Condition Explains the conditions when the requirement is or is not applicable for a requirement which is classified "conditional".

Presumption of conformity stays valid only as long as a reference to the present document is maintained in the list published in the Official Journal of the European Union. Users of the present document should consult frequently the latest list published in the Official Journal of the European Union.

Other Union legislation may be applicable to the product(s) falling within the scope of the present document.

Annex B (normative): Test sites and procedures

B.1 Boundary and dependent guidance loops

B.1.1 Artificial antenna for conducted measurements below 30 MHz

The artificial antenna (see figure B.1) is used for equipment with an antenna connector and submitted for testing without an antenna. The radiated fields are a function of the RF energy radiated by the currents. Therefore, measurements are made to determine those currents in the artificial antenna.

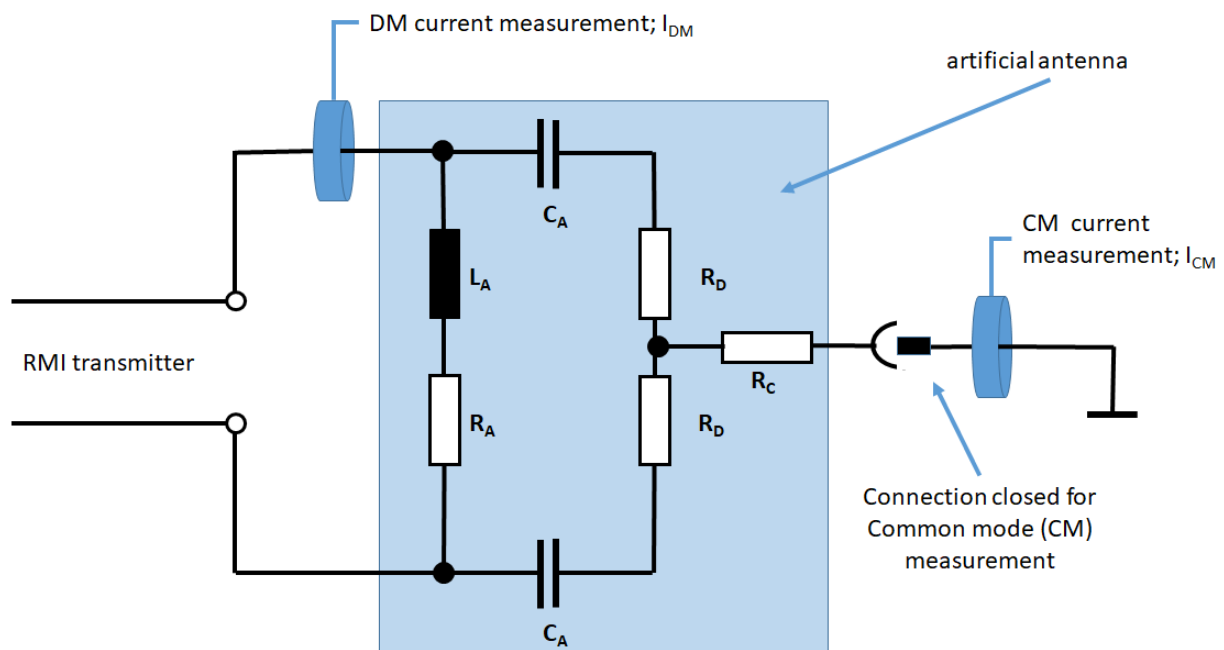


Figure B.1: Schematic of artificial antenna

The artificial antenna consists of one resistor (R_A) and one inductor (L_A) in series connected to the boundary wire connector of the RMI docking station. The total impedance shall be $R_A = 2 \Omega$ in series with $L_A = 200 \mu\text{H}$ to simulate a garden with the dimension if $10 \text{ m} \times 20 \text{ m}$ (see clause B.1.5).

The nominal value for capacitors $C_A = 40 \text{ nF}$

The nominal value for resistors $R_D = 75 \Omega$

The nominal value for resistor $R_C = 110 \Omega$

NOTE: The values for C_A , R_D and R_C have been chosen so that the high frequency current path does not affect the impedance of the artificial antenna in the operating frequency range. The high frequency differential mode impedance of 150Ω has been identified as worst case real part of the standard test garden loop in the frequency range between 150 kHz and 30 MHz.

The artificial antenna shall be put in a shielded box. It shall be taken care when choosing the layout and components to avoid resonances within the measurement frequency range. Between 150 kHz to 30 MHz both the differential mode impedance and the common mode impedance shall always be within a magnitude of $150 \Omega \pm 40 \Omega$.

All impedances for both modes (Differential Mode (DM) and Common Mode (CM)) shall be verified based on the tolerances given for DM in table B.1 and figure B.2 and for the CM in table B.2.

The validation set-up for the artificial antenna is specified in clause B.1.6.

The specific test setup for the validation of the differential mode impedance is provided in clause B.1.6.2, figure B.6.

The specific test setup for the validation of the common mode impedance is provided in clause B.1.6.3, figure B.7.

The inductance at 10 kHz shall be verified that it is within $\pm 20\%$ of 200 μH .

For the mechanical/electrical realization of the artificial antenna it shall be taken into account that the current into the antenna can be larger than 1 A. This current into 2 Ω would create a loss of power of minimum. 2 W in this resistor. This power needs to be taken into account when choosing the electronic parts for the artificial antenna.

The saturation current of the inductor shall be at least 2 A or $1,5 \times$ peak current of the RMI docking station.

Table B.1: Differential Mode Impedance for the RMI artificial antenna

Frequency [Hz]	Differential Mode Impedance [Ohm]		
	Calculated	Tolerance	
		High	Low
500	2,12	2,65	1,59
1 000	2,43	3,04	1,82
10 000	14,20	17,75	10,65
25 000	37,84	47,30	28,38
50 000	85,60	106,99	64,20
75 000	125,32	156,65	93,99
95 000	141,67	177,09	106,26
100 000	144,08	180,10	108,06
110 000	147,55	184,44	110,66
125 000	150,48	188,10	112,86
135 000	151,52	189,40	113,64
140 000	151,87	189,84	113,90
145 000	152,13	190,16	114,10
150 000	152,32	190,40	114,24
175 000	152,66	190,83	114,50
1 000 000	150,17	187,71	112,62
10 000 000	150,00	187,50	112,50
30 000 000	150,00	187,50	112,50

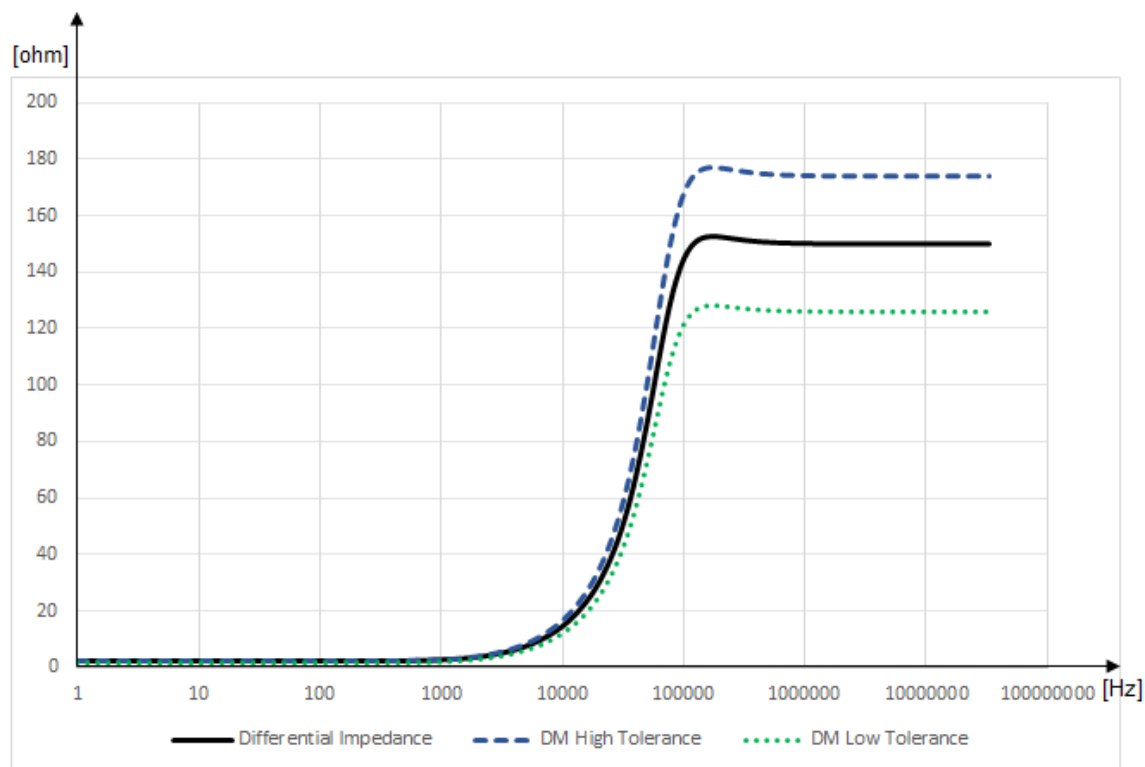


Figure B.2: Differential Mode Impedance for the RMI artificial antenna

Table B.2: Common Mode Impedance for the RMI artificial antenna

Frequency [Hz]	Common Mode Impedance [Ohm]		
	Calculated	Tolerance	
		High	Low
150 000	148,10	185,12	111,07
175 000	147,94	184,92	110,95
1 000 000	147,51	184,39	110,64
10 000 000	147,50	184,38	110,63
30 000 000	147,50	184,38	110,63

B.1.2 General setup and measurement procedure for the current measurement with artificial antenna

Mechanical setup, see figure B.3:

- The equipment shall be placed on a horizontal metal ground plane (reference ground plane), but isolated from it by a non-metallic support of $0,1 \text{ m} \pm 25 \%$ in height.
- The reference ground plane can either be separated in two directly connected parts as displayed in figure B.3 or shall extend at least $0,5 \text{ m}$ beyond the boundaries of the RMI docking station and shall have minimum dimensions of 2 m by 2 m .
- The artificial antenna shall be bonded to the reference ground plane as short as possible. The reference ground plane shall extend at least $0,5 \text{ m}$ beyond the boundaries of the RMI docking station and shall have minimum dimensions of 2 m by 2 m .
- The RMI docking station is connected as short as possible to the artificial antenna by a twisted 2 lead wire except where the current clamp is. The distance from the outer boundary of the RMI docking station to the artificial antenna shall not exceed 1 m .

- The differential mode current clamp shall be placed at one of the two lead wires a maximum of 5 cm away from the artificial antenna input port, see figure B.3.
- The common mode current clamp shall be placed on the ground wire above the non-metallic support, see figure B.3.

NOTE: If no switch is available in the artificial antenna, the common mode conductor to the ground plane can alternatively be removed during the differential mode measurement.

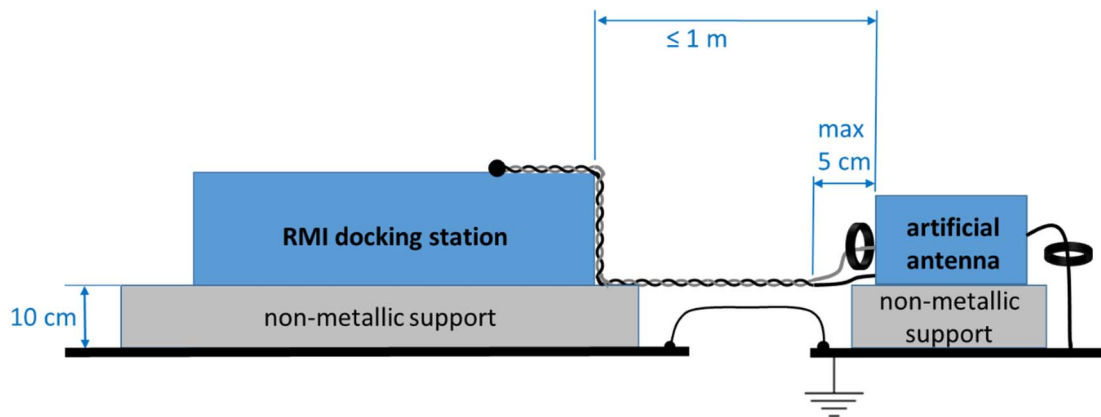


Figure B.3: Mechanical setup for measurement

The ground connection between the two ground planes in figure B.3 shall be made with a copper braiding presenting low impedance, not exceeding 10Ω on all test frequencies.

The test shall be performed for each boundary and (dependent) guidance loop separately. Boundary loops are electrically connected only inside the RMI docking station while (dependent) guidance loops are electrically connected outside the RMI docking station.

- For each boundary loop:
 - The test shall be performed for each boundary loop separately while all other loops are connected to artificial loads in order to keep the RMI system in normal operation.
 - The transmitter of the RMI shall be connected to an artificial antenna according to clause B.1.1.
- For (dependent) guidance loops:
 - The test shall be performed for each (dependent) guidance loop separately.
 - The transmitter of the RMI shall be connected to an artificial antenna according to clause B.1.1 so every combination of possible single loops is measured once. If needed for function of the RMI an artificial load shall be connected to ports that enable function of the RMI, e.g. one resistor of 2Ω and one inductor of $200 \mu\text{H}$ in series if not otherwise specified by the manufacturer.

The measuring receiver shall be connected to the current clamps of the measurement setup.

Tests shall be performed for Differential Mode (DM, see clause B.1.3) and Common Mode (CM, see clause B.1.4) separately.

B.1.3 Differential mode measurement

The differential mode current I_{DM} delivered to the artificial antenna during a transmission duty cycle shall be measured up to 30 MHz. The maximum H-field shall be calculated from the current I_{DM} using formula (B.1):

$$H/\text{dB}\mu\text{A}/\text{m at } 10 \text{ m} = I_{DM}/\text{dB}\mu\text{A} - \text{CF} \quad (\text{B.1})$$

$$\text{for } f < 1 \text{ MHz: CF} = 46$$

$$\text{for } 1 \text{ MHz} < f < 30 \text{ MHz: CF} = 39$$

NOTE: The conversion factor CF has been derived by a full Maxwell solution for the standard test garden with defined reference measurement point (see clause B.1.5) with a simulation software.

B.1.4 Common mode measurement

The common mode current I_{CM} delivered to the artificial antenna during a transmission duty cycle shall be measured between 1 MHz and 30 MHz. The maximum H-field shall be calculated from the current I_{CM} using formula (B.2):

$$H/\text{dB}\mu\text{A}/\text{m at } 10 \text{ m} = I_{CM}/\text{dB}\mu\text{A} - \text{CF} \quad (\text{B.2})$$

$$\text{CF} = 39,5 + 5,4 \times \log_{10}(f[\text{MHz}])$$

NOTE: The conversion factor CF has been derived by a full Maxwell solution for the standard test garden with defined reference measurement point (see clause B.1.5) with a simulation software.

B.1.5 The reference test garden

A reference test garden has been used as a theoretical reference to dimension the artificial antenna with the related limits. This size represents the average of garden sizes in the EU.

The measurement point A is located at a distance of 10 m from the middle of the long side (see figure B.4). The measurement antenna shall be there at a height of 1 m.

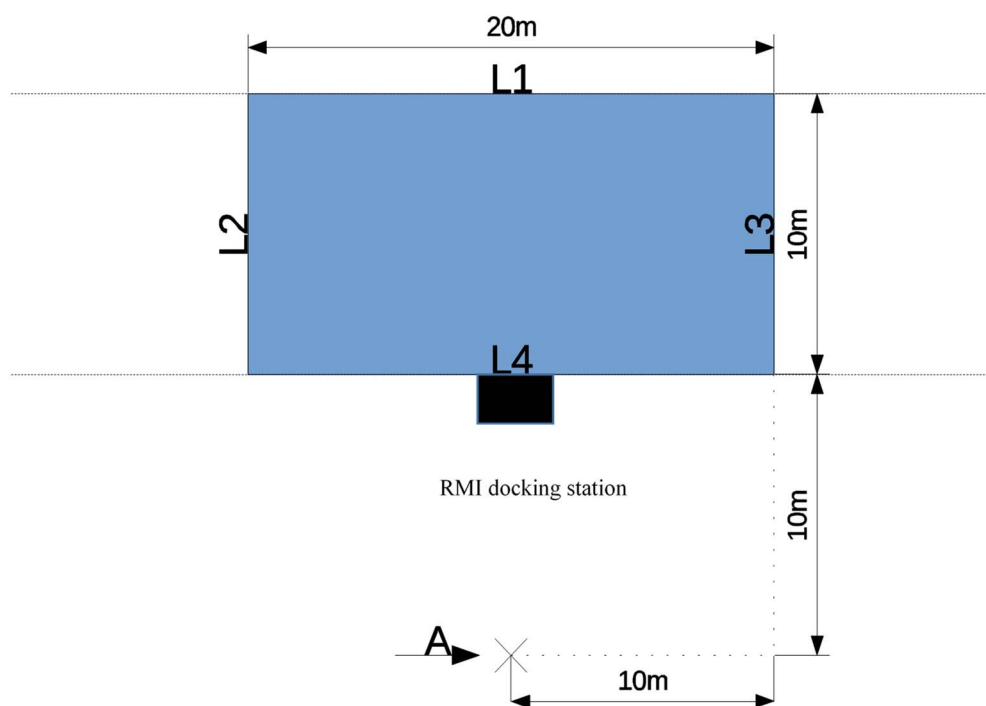


Figure B.4: The test garden

B.1.6 Test setup for verification artificial antenna

B.1.6.1 General

For the verification of the artificial antenna a calibrated impedance analyser is necessary. The analyser shall provide a symmetrical measurement solution with two cables.

To connect the artificial antenna with the impedance analyser two cables with matching connectors shall be used. For the calibration of the test setup the measurement cables and the matching connectors shall be considered in the calibration procedure, see figure B.5.

The calibration of the impedance analyser together with the measurement cables and matching connectors shall be from 100 Hz to 30 MHz.

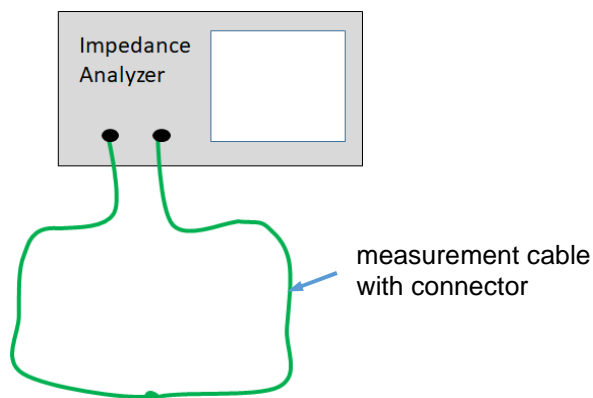


Figure B.5: Calibration of the validation set-up

For the verification of the artificial antenna, the antenna needs to be disconnected from the RMI transmitter.

The test setup for the verification of the differential mode impedance is provided in clause B.1.6.2, figure B.6.

The test setup for the verification of the common mode impedance is provided in clause B.1.6.3, figure B.7.

B.1.6.2 For Differential Mode Impedance verification

Figure B.6 shows as test setup for the verification of the differential mode impedance of the artificial antenna.

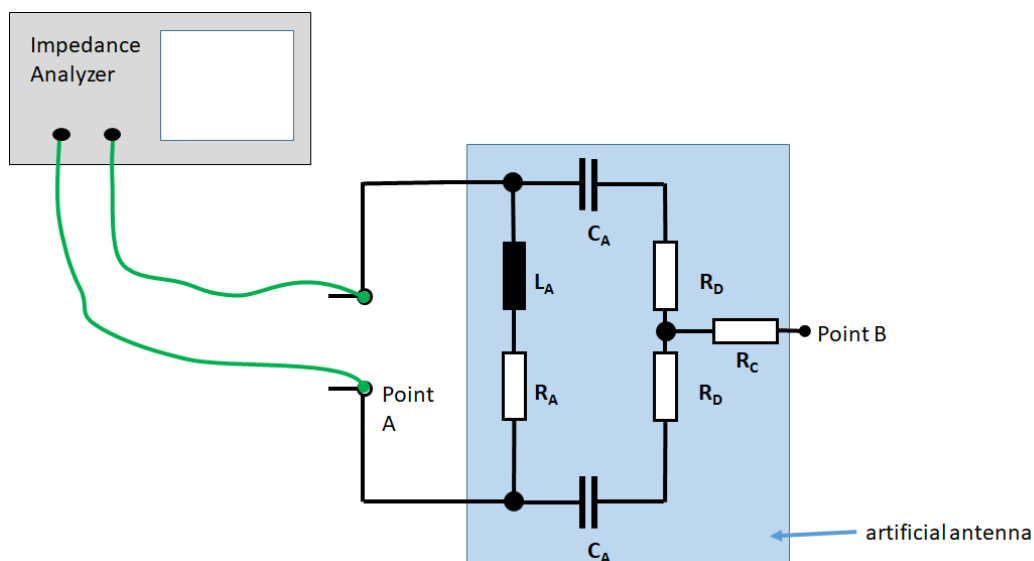


Figure B.6: Validation test setup for the differential mode impedance

B.1.6.3 For Common Mode Impedance verification

Figure B.7 shows as test setup for the verification of the common mode impedance of the artificial antenna.

To verify the common mode impedance of the artificial antenna both inputs shall be shortened and used as one terminal (Point A) and the related second terminal is Point B, see figure B.7.

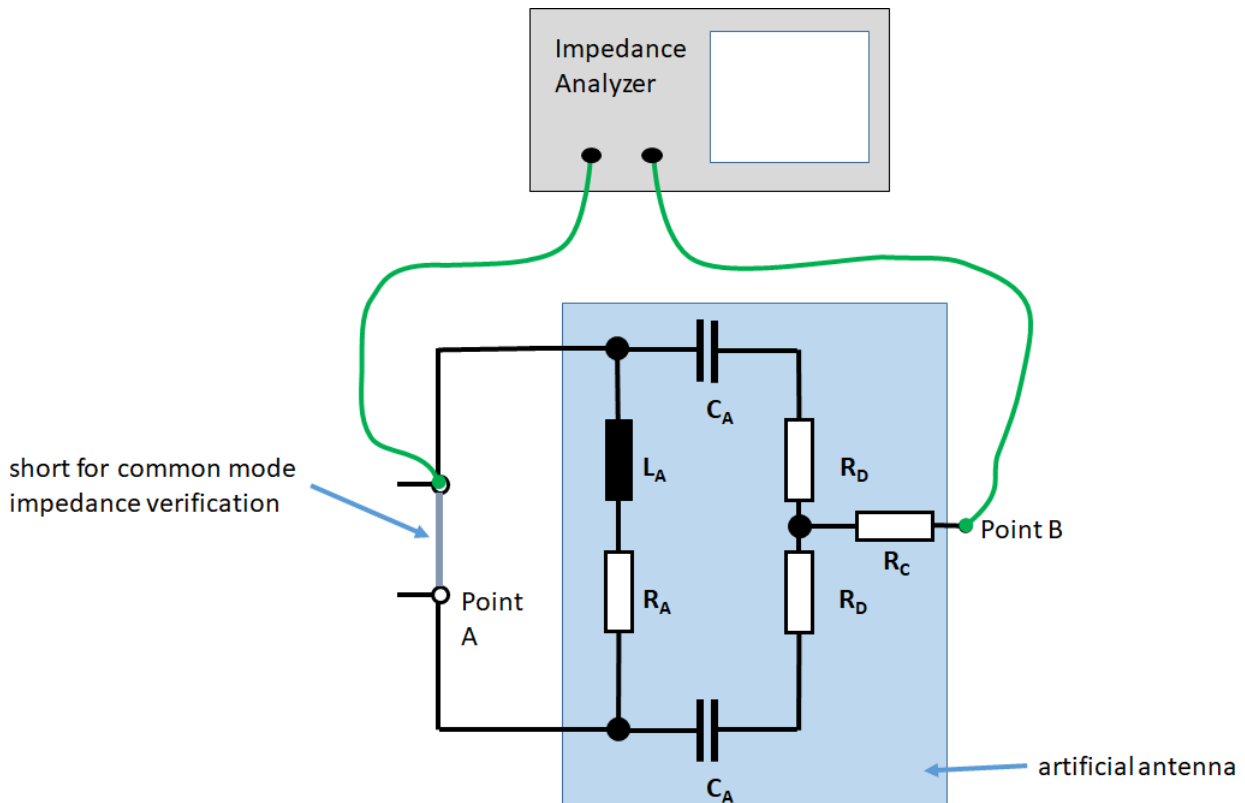


Figure B.7: Verification test setup for the common mode impedance

B.2 Radiated measurements using anechoic chamber or open area test site

B.2.1 General

This clause provides radiated measurement procedures for integral antennas, which are integral parts of the RMI docking station (transmitter antennas) and of the robotic mower (receiving antenna).

The following guidance should be taken from ETSI EN 300 330 [1]:

- For the test site according to clause C.1.1 (anechoic chamber).
- A test antenna according to clauses C.1.4, C.1.5 and C.1.6.
- Additional guidance according to clauses C.2, C.3 and C.4 as appropriate.

The equipment under test and test antenna shall be arranged according to the guidance given for the chosen test site (see ETSI EN 300 330 [1], clause C.1).

B.2.2 Radiated emission measurements < 30 MHz

The equipment under test shall be measured at a distance of 3 m or 10 m. The limit conversion factor for 3 m to 10 m measurement distance is provided in ETSI EN 300 330 [1], clause H.2.

The test antenna shall be a calibrated shielded magnetic field antenna. Measurements shall be done in all three dimensions of the test antenna. The output of the test antenna shall be connected to a measuring receiver.

A pre-scan shall be done first using a peak detector to measure the emissions around the EUT. The points and frequencies shall be noted where the limit is exceeded.

The final measurements shall then be done at the noted points and frequencies from the pre-scan.

B.2.3 Radiated emission measurements 30 MHz to 1 000 MHz

The equipment under test shall be measured at a distance between 3 m to 10 m.

The measurements shall be done with vertical and horizontal polarization of the test antenna. The output of the test antenna shall be connected to a measuring receiver.

A pre-scan shall be done first using a peak detector to measure the emissions around the EUT. The points and frequencies shall be noted where the limit is exceeded.

The final measurements shall then be done at the noted points and frequencies from the pre-scan.

For the TX spurious emission test > 30 MHz the artificial antenna according to clause B.1.1 shall be used as load.

Annex C (informative): Justification for missing RX-requirements from ETSI EG 203 336

C.1 Justification for other RX-requirements

A RMI is fabricated by one manufacturer. There is no option to use a mower at another boundary installation from another manufacturer. Based on the general functionality (TX and RX) of an RMI covered by the present document it is necessary to test the RX-requirements in combination with the specific TX-hardware (loops). The TX/RX combinations and the related signals between TX and RX are limited by the RMI itself. Based on this system peculiarities only interferences from other systems/EUT could have impact to the RX.

In addition following documents were considered for the justification of the RX parameters: RX parameters in ETSI EG 203 336 [i.5] and ETSI TS 103 567 [i.14] on Signal interferer handling.

Based on the technical nature of an RMI system and the assessment of the RX parameters the signal interferer handling concept according to ETSI TS 103 567 [i.14] is used for the RX-tests. A RX-requirement mapping is provided in table C.1.

Table C.1: RX-requirement mapping

Interferer Handling Requirements	Receiver Baseline Sensitivity	Receiver Baseline Resilience		
		In-band Interferer	Interferer in the OOB	Interferer in the Remote range
Based on the RMI nature the IHR has the same influence to RX than RX-requirement given in ETSI EG 203 336 [i.5]	Sensitivity	Co-channel rejection Indirectly cover: Intermodulation Reciprocal Mixing	Adjacent channel selectivity	Blocking Indirectly cover: Spurious response rejection
Indirectly covered	Dynamic range	Dynamic range passing the boundary wire, clause 6.3.3.3	Dynamic range passing the boundary wire, clause 6.3.3.3	Dynamic range passing the boundary wire, clause 6.3.3.3
	Desensitization	Desensitization in the middle of the test set-up, clause 6.3.3.2		

A detailed justification for RMI systems is provided in table C.2.

Table C.2: RX-requirement justification

Requirement from ETSI EG 203 336 [i.5]	Applicable/tested	Comment
Sensitivity	Yes	See clause 4.4.3.
Blocking	Yes, interferer on the Remote-band of the RX, see clause 4.4.3	See clause 4.4.4.3 with the requirements in table 4b; column named "remote band signal" according to ETSI EN 303 454 [i.10].
Co-channel rejection	Yes, interferer in the in-band of the RX, see clause 4.4.4	See clause 4.4.3 with the requirements in table 4; column named "in-band signal". Based on that there are lot of different TX signals (and related RX-concepts) used for RMI systems it is not possible to specify a generic test signal which is representative for all RMI systems. But for RMI and the used technologies it is sufficient to check the effect inside the receiver if a CW signal is used with the same energy than another RMI and/or other inductive system nearby.

Requirement from ETSI EG 203 336 [i.5]	Applicable/tested	Comment
Adjacent channel selectivity	Yes, interferer in the OOB of the RX, see clause 4.4.4	Is covered in the blocking RX test (see clause 4.4.4) if the interfering signals will be @ fc-/OBW. In the Blocking test it is named as OOB test. Based on that there are lot of different TX signals (and related RX-concepts) used for RMI systems it is not possible to specify a generic test signal which is representative for all RMI systems. But for RMI and the used technologies it is sufficient to check the effect inside the receiver if a CW signal is used with the same energy than another RMI and/or other inductive system nearby.
Intermodulation	Indirectly covered by in-band test, see clause 4.4.4.3, table 4b	RMI are single carrier transmitters and receivers. Channel separation is done using different period times (not same as frequency) or CDMA. Therefore no intermodulation can happen. But it can be noted that if an interference, based on the current radio services and applications in the range below 30 MHz, an Intermodulation effect in the OBW will take place it is not possible that such "intermodulation" result will create more energy than a direct interference by a "direct" signal from e.g. another RMI system or other SRD. Therefore an additional intermodulation requirement is not applicable, the effect is covered by the in-band test, see table 4b, clause 4.4.4.3.
Spurious response rejection	Indirectly covered by Remote-band test, see clause 4.4.4.3, table 4b	According to ETSI TS 103 567 [i.14]: The spurious response rejection is a measure of the capability of the receiver to receive a wanted signal without exceeding a given degradation into the presence of an unwanted signal at any frequency at which a response is obtained. The frequencies of the adjacent signals (channels) are excluded. Based on the definition of this RX-requirement, the effect inside the receiver is covered by the "interference test" at frequencies in the Remote-Band (see clause 4.4.4.3, table 4b) and the case that the test will be performed in the scenario that the receiver with the largest distance to the boundary, see clause 6.3.3.2.
Dynamic range	Indirectly	This requirement is indirectly covered by the two tests: 1) sensitivity in clause 6.3.2 (lowest signal present at the RX); 2) in clause 6.3.3.3, mower passing the boundary wire. At this situation the highest receiving signal will be present at the RX.
Desensitization (In-band signals)	Indirectly covered by Sensitivity test (see clause 4.4.3) and Interfering test in the in-band (see clause 4.4.4)	This receiver effect is tested based on the Sensitivity (clause 4.4.3) and see Co-channel rejection requirement, similar to in-band interferer test (clause 4.4.4). Both tests (Sensitivity and Co-channel) require that the receiver inside the mower is working at "min" sensitivity level (middle of the test garden).
Reciprocal Mixing	Indirectly covered by in-band test, see clause 4.4.4.3, table 4b	Reciprocal mixing is an phenomena that depends on the mixer and LO. Robotics mower work on baseband frequency without any mixers, so Reciprocal Mixing could never happen inside RMI RX. In addition it can be noted that if a reciprocal mixing effect will happen, based on the effect of an noise increase in the OBW will take place, it is not possible that such "noise increase" result will create more energy than a direct interference by a "direct" signal from e.g. another RMI system or other SRD. Therefore an additional Reciprocal Mixing requirement is not applicable, the effect is covered by the in-band test, see table 4b, clause 4.4.4.3.
RX spurious emission	RMI2 systems	Only mowers of RMI2 systems do continue to receive without any emission from the boundary signal. In this receive only mode (comfort function) the mower (receiver) has the function to detect the "re-covering" of the boundary signal. For RMI1 systems the RX-receiver emissions cannot be assessed because in parallel the TX emission from the boundary signal is present. The source of the spurious emissions cannot be separated for RMI1 systems.

Annex D (informative): TX spurious emission limit assessment below 9 kHz

TX spurious emissions below 9 kHz were discussed and evaluated during the revision work of ETSI EN 303 447 V1.1.1 to V1.2.1.

A proposal for spurious emission limit for < 9 kHz has been prepared based on the current knowledge of:

- the robotic mowers systems (ETSI EN 303 447 V1.1.1) and their known emissions; and
- the emission of the metal sensors below 9 kHz (ETSI EN 303 454 [i.10]).

The proposal/development of the proposal took in addition into account:

- Spurious requirement above 9 kHz.
- Possible sensitivity of measurement equipment.
- Human exposure limit.
- Discussions in ECC (WG FM and PT SRD-MG) on possible generic SRD regulation < 9 kHz.

The proposal is based on the extrapolation of the existing spurious limits for SRDs below 10 MHz to the band below 9 kHz (27 dB μ A/m @ 10 m at 9 kHz descending 3 dB/oct). The proposal is summarized in tables D.1 and D.2 and it considers a reference bandwidth of 200 Hz.

ETSI TC ERM informed ECC with a Liaison Statement in June 2018 about this assessment/proposal. ECC answered in a positive way and the ETSI proposal will be considered during a future revision of CEPT/ERC/REC 74-01 [i.4].

Table D.1: Proposal TX spurious emissions for operating mode

Frequency	Existing TX spurious limits in dB μ A/m @ 10 m	New proposal starting at 100 Hz TX spurious limits in dB μ A/m @ 10 m
100 Hz		46,6
500 Hz		39,6
1 kHz		36,6
5 kHz		29,6
9 kHz	27	27,0
10 kHz	26,5	
19 kHz	23,8	
50 kHz	19,5	
10 000 kHz	-3,5	

Table D.2: Possible change in CEPT/ERC/REC 74-01 [i.4], Annex 2 for inductive SRDs

Magnetic field limits of CEPT/ERC/REC 74-01 at 10 m distance		
State	Frequency 100 Hz \leq f < 10 MHz	Frequency 10 MHz \leq f < 30 MHz
Operating	46,5 dB μ A/m at 100 Hz descending 3 dB/oct	-3,5 dB μ A/m
Standby	25 dB μ A/m at 100 Hz descending 3 dB/oct	-3,5 dB μ A/m

Annex E (informative): Change history

Version	Information about changes
1.1.1	First version of the present document to cover the essential requirements for RMI systems in the frequency range below 148,5 kHz on article 3.2 of Directive 2014/53/EU [i.3].
1.2.1	Focus to solve points raised in EC assessment; Ares(2017)5304326 - ETSI EN 303 447 (V1.1.1) Main changes: <ul style="list-style-type: none"> • Clarification TX emissions < 9 kHz • Clarification start frequency of 100 Hz • Spurious emission requirement < 9 kHz • Clarification wanted performance requirement • Antenna dimension restriction • Conformance measurement procedures, clarification artificial antenna • Clarification RX-requirements and related test • New RX-test for sensitivity, and receiver spurious emissions for receiver only mode • Alignment of reference measurement BW for spurious emissions with CEPT/ERC/REC 74-01 • Impedance verification procedure for the artificial antenna
1.3.1	Main changes: <ul style="list-style-type: none"> • Add new category of devices with a receive only mode • New justification test for the artificial antenna

History

Document history		
V1.1.1	September 2017	Publication
V1.2.0	July 2020	EN Approval Procedure AP 20201004: 2020-07-06 to 2020-10-05
V1.3.0	September 2021	EN Approval Procedure AP 20211223: 2021-09-24 to 2021-12-23
V1.3.1	April 2022	Vote V 20220626: 2022-04-27 to 2022-06-27