



**Intelligent Transport Systems (ITS);
Vehicular Communications;
GeoNetworking;
Part 5: Transport Protocols;
Sub-part 1: Basic Transport Protocol**

Reference

REN/ITS-00356

Keywords

addressing, autonomic networking, ITS, network,
protocol

ETSI

650 Route des Lucioles
F-06921 Sophia Antipolis Cedex - FRANCE

Tel.: +33 4 92 94 42 00 Fax: +33 4 93 65 47 16

Siret N° 348 623 562 00017 - NAF 742 C
Association à but non lucratif enregistrée à la
Sous-Préfecture de Grasse (06) N° 7803/88

Important notice

The present document can be downloaded from:

<http://www.etsi.org/standards-search>

The present document may be made available in electronic versions and/or in print. The content of any electronic and/or print versions of the present document shall not be modified without the prior written authorization of ETSI. In case of any existing or perceived difference in contents between such versions and/or in print, the only prevailing document is the print of the Portable Document Format (PDF) version kept on a specific network drive within ETSI Secretariat.

Users of the present document should be aware that the document may be subject to revision or change of status.

Information on the current status of this and other ETSI documents is available at

<https://portal.etsi.org/TB/ETSIDeliverableStatus.aspx>

If you find errors in the present document, please send your comment to one of the following services:

<https://portal.etsi.org/People/CommiteeSupportStaff.aspx>

Copyright Notification

No part may be reproduced or utilized in any form or by any means, electronic or mechanical, including photocopying and microfilm except as authorized by written permission of ETSI.

The content of the PDF version shall not be modified without the written authorization of ETSI.

The copyright and the foregoing restriction extend to reproduction in all media.

© European Telecommunications Standards Institute 2017.

All rights reserved.

DECT™, **PLUGTESTS™**, **UMTS™** and the ETSI logo are Trade Marks of ETSI registered for the benefit of its Members.

3GPP™ and **LTE™** are Trade Marks of ETSI registered for the benefit of its Members and of the 3GPP Organizational Partners.

oneM2M logo is protected for the benefit of its Members

GSM® and the GSM logo are Trade Marks registered and owned by the GSM Association.

Contents

Intellectual Property Rights	4
Foreword.....	4
Modal verbs terminology.....	4
Introduction	4
1 Scope	6
2 References	6
2.1 Normative references	6
2.2 Informative references.....	6
3 Definitions and abbreviations.....	7
3.1 Definitions.....	7
3.2 Abbreviations	7
4 Services provided by the Basic Transport Protocol	8
5 Format convention.....	9
6 BTP packet structure	9
7 BTP header	10
7.1 Overview	10
7.2 BTP-A header.....	10
7.2.1 Structure of the BTP-A header	10
7.2.2 Fields of the BTP-A header	10
7.3 BTP-B header.....	11
7.3.1 Structure of the BTP-B header.....	11
7.3.2 Fields of the BTP-B header	11
8 Protocol operations.....	11
8.1 General	11
8.2 Source operations	11
8.3 Destination operations.....	12
Annex A (informative): BTP data services.....	14
A.1 General	14
A.2 BTP-Data.request	14
A.3 BTP-Data.indication.....	15
Annex B (informative): Bibliography.....	17
History	18

Intellectual Property Rights

IPRs essential or potentially essential to the present document may have been declared to ETSI. The information pertaining to these essential IPRs, if any, is publicly available for **ETSI members and non-members**, and can be found in ETSI SR 000 314: "*Intellectual Property Rights (IPRs); Essential, or potentially Essential, IPRs notified to ETSI in respect of ETSI standards*", which is available from the ETSI Secretariat. Latest updates are available on the ETSI Web server (<https://ipr.etsi.org>).

Pursuant to the ETSI IPR Policy, no investigation, including IPR searches, has been carried out by ETSI. No guarantee can be given as to the existence of other IPRs not referenced in ETSI SR 000 314 (or the updates on the ETSI Web server) which are, or may be, or may become, essential to the present document.

Foreword

This draft European Standard (EN) has been produced by ETSI Technical Committee Intelligent Transport Systems (ITS), and is now submitted for the combined Public Enquiry and Vote phase of the ETSI standards EN Approval Procedure.

The present document is part 5, sub-part 1 of a multi-part deliverable. Full details of the entire series can be found in ETSI EN 302 636-1 [2].

Proposed national transposition dates	
Date of latest announcement of this EN (doa):	3 months after ETSI publication
Date of latest publication of new National Standard or endorsement of this EN (dop/e):	6 months after doa
Date of withdrawal of any conflicting National Standard (dow):	6 months after doa

Modal verbs terminology

In the present document "**shall**", "**shall not**", "**should**", "**should not**", "**may**", "**need not**", "**will**", "**will not**", "**can**" and "**cannot**" are to be interpreted as described in clause 3.2 of the [ETSI Drafting Rules](#) (Verbal forms for the expression of provisions).

"**must**" and "**must not**" are **NOT** allowed in ETSI deliverables except when used in direct citation.

Introduction

The Basic Transport Protocol (BTP) provides an end-to-end, connection-less transport service in the ITS ad hoc network. Its main purpose is the multiplexing of messages from different processes at the ITS facilities layer, e.g. CAM and DENM from the cooperative awareness basic service and the distributed environmental notification basic service, for the transmission of packets via the GeoNetworking protocol as well as the de-multiplexing at the destination. BTP enables protocol entities at the ITS facilities layer to access services of the GeoNetworking protocol and to pass protocol control information between the ITS facilities layer and the GeoNetworking protocol.

Message multiplexing/demultiplexing is based on ports, an ITS station-internal 16 bit address. A port represents a communication endpoint that identifies the ITS station protocol entity at the source (source port) or the destination (destination port). The usage of ports is similar to the two-stage packet transport in the IP protocol suite, where the IP provides the routing of packets from source to destination and the transport protocol, such as UDP, multiplexes/demultiplexes messages from/to application processes. In the case of BTP, the GeoNetworking protocol transports the packets among the ITS stations and the BTP protocol delivers the packets to the entities at the ITS facilities layer. BTP also adopts the concept of "well-known ports" from the IP protocol suite that assigns fixed ports to specific ITS facilities layer protocols. The definition of the ports, however, is beyond the scope of the present document.

BTP is a lightweight protocol: it has a 4-byte protocol header and requires minimal processing. It provides an unreliable transport of packets, i.e. packets can arrive out-of-order, appear duplicated or can be lost. The design of BTP assumes that entities using the protocol are either tolerant against the unreliable packet transport or provide appropriate mechanisms for reliable communication in their protocols.

1 Scope

The present document specifies the Basic Transport Protocol (BTP) for the transport of packets among ITS stations. It resides on top of the GeoNetworking protocol specified in ETSI EN 302 636-4-1 [5] and ETSI TS 102 636-4-2 [i.2] and below the ITS-S facilities layer. It provides an end-to-end, connection-less and unreliable transport service.

2 References

2.1 Normative references

References are either specific (identified by date of publication and/or edition number or version number) or non-specific. For specific references, only the cited version applies. For non-specific references, the latest version of the referenced document (including any amendments) applies.

Referenced documents which are not found to be publicly available in the expected location might be found at <http://docbox.etsi.org/Reference>.

NOTE: While any hyperlinks included in this clause were valid at the time of publication, ETSI cannot guarantee their long term validity.

The following referenced documents are necessary for the application of the present document.

- [1] ETSI EN 302 665: "Intelligent Transport Systems (ITS); Communications Architecture".
- [2] ETSI EN 302 636-1: "Intelligent Transport Systems (ITS); Vehicular Communications; GeoNetworking; Part 1: Requirements".
- [3] ETSI EN 302 636-2: "Intelligent Transport Systems (ITS); Vehicular Communications; GeoNetworking; Part 2: Scenarios".
- [4] ETSI EN 302 636-3: "Intelligent Transport Systems (ITS); Vehicular Communications; GeoNetworking; Part 3: Network architecture".
- [5] ETSI EN 302 636-4-1: "Intelligent Transport Systems (ITS); Vehicular Communications; GeoNetworking; Part 4: Geographical addressing and forwarding for point-to-point and point-to-multipoint communications; Sub-part 1: Media-Independent Functionality".
- [6] ETSI TS 103 248: "Intelligent Transport Systems (ITS); GeoNetworking; Port Numbers for the Basic Transport Protocol (BTP)".

2.2 Informative references

References are either specific (identified by date of publication and/or edition number or version number) or non-specific. For specific references, only the cited version applies. For non-specific references, the latest version of the referenced document (including any amendments) applies.

NOTE: While any hyperlinks included in this clause were valid at the time of publication, ETSI cannot guarantee their long term validity.

The following referenced documents are not necessary for the application of the present document but they assist the user with regard to a particular subject area.

- [i.1] ETSI EN 302 663: "Intelligent Transport Systems (ITS); Access layer specification for Intelligent Transport Systems operating in the 5 GHz frequency band".
- [i.2] ETSI TS 102 636-4-2: "Intelligent Transport Systems (ITS); Vehicular Communications; GeoNetworking; Part 4: Geographical addressing and forwarding for point-to-point and point-to-multipoint communications; Sub-part 2: Media-dependent functionalities for ITS-G5".

- [i.3] ETSI EN 302 637-2: "Intelligent Transport Systems (ITS); Vehicular Communications; Basic Set of Applications; Part 2: Specification of Cooperative Awareness Basic Service".
- [i.4] ETSI EN 302 637-3: "Intelligent Transport Systems (ITS); Vehicular Communications; Basic Set of Applications; Part 3: Specifications of Decentralized Environmental Notification Basic Service".
- [i.5] IETF RFC 768: "User Datagram Protocol".
- [i.6] ISO/IEC 8802-2: "Information technology - Telecommunications and information exchange between systems - Local and metropolitan area networks - Specific requirements; Part 2: Logical Link Control".

3 Definitions and abbreviations

3.1 Definitions

For the purposes of the present document, the terms and definitions given in ETSI EN 302 665 [1], ETSI EN 302 636-3 [4] and the following apply:

BTP-PDU: PDU exchanged between BTP peer entities

destination: receiving BTP entity in the ITS station

destination port: port identifying the destination's protocol entity at the ITS facilities layer

NOTE: Facilities layer services that do not expect replies either do not include a source port number in the header, or they set it to a default (usually 0) to indicate no reply port available. For session-based services (client-server or peer-to-peer), the source port is often set to a value from an ephemeral (dynamically assigned) subspace of the space of all port numbers.

GN-PDU: PDU exchanged between peer entities of the GeoNetworking protocol

ITS-FPCI: control information passed from the ITS Facilities layer to the BTP

port: ITS station-internal address that identifies a protocol entity at the ITS facilities layer and represents an endpoint of a logical connection

source: originating BTP entity in the ITS station

source port: port number to be used by a facilities layer entity as the destination port in a subsequent reply to the originator

NOTE: Such an entity may be listening for a reply BTP packet.

3.2 Abbreviations

For the purposes of the present document, the abbreviations given in ETSI EN 302 665 [1], ETSI EN 302 636-3 [4] and the following apply:

BTP	Basic Transport Protocol
BTP-PDU	Basic Transport Protocol Protocol Data Unit
BTP-SAP	Basic Transport Protocol Service Access Point
GN-PDU	GeoNetworking protocol PDU exchanged between peer entities of the GeoNetworking protocol
GN-SAP	GeoNetworking Service Access Point
ITS-FPCI	ITS Facilities layer Protocol Control Information
ITS-FPDU	ITS Facilities layer Protocol Data Unit
ITS-FSDU	ITS Facilities layer Service Data Unit
LL	Link Layer
LLC	Logical Link Control
PCI	Protocol Control Information

PDU	Protocol Data Unit
SHB	Single Hop Broadcast
TSB	Topologically Scoped Broadcast

4 Services provided by the Basic Transport Protocol

The Basic Transport Protocol (BTP) provides an end-to-end, connection-less transport service in the ITS ad hoc network (ETSI EN 302 636-3 [4]). Similar to UDP (IETF RFC 768 [i.5]), it offers a minimal transport service, i.e. the non-guaranteed delivery of BTP-PDUs among BTP entities. It also allows protocol entities at the ITS facilities layer to directly access the services provided by the GeoNetworking protocol.

The BTP shall meet the requirements specified in ETSI EN 302 665 [1] and ETSI EN 302 636-1 [2] and support the use cases defined in ETSI EN 302 636-2 [3].

The BTP provides services to ITS facilities layer protocol entities (figure 1), such as cooperative awareness basic service (ETSI EN 302 637-2 [i.3]) and DEN basic service (ETSI EN 302 637-3 [i.4]). The services are provided via the BTP-SAP using service primitives of different types that carry parameters, i.e. Protocol Control Information (ITS-FPCI), and the PDU of the upper protocol entity, i.e. ITS-FPDU. In order to provide its packet transport services, BTP uses the services of the GeoNetworking protocol (ETSI EN 302 636-4-1 [5]).

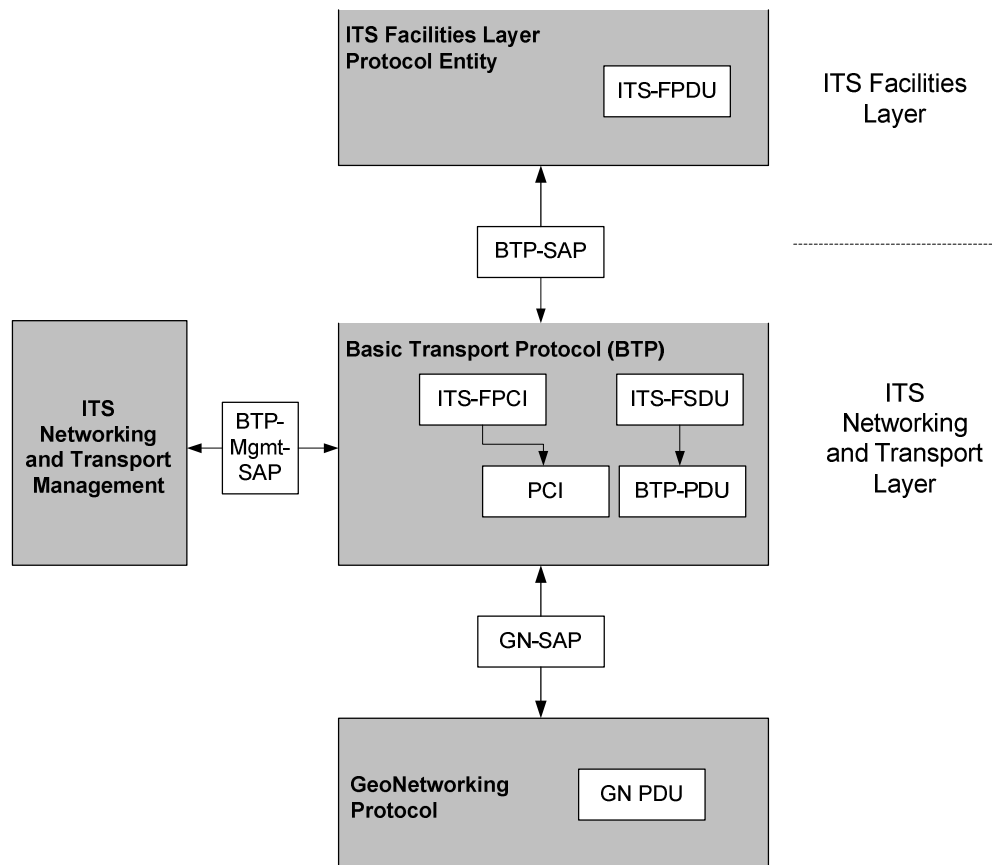


Figure 1: SAPs, SDUs and PDUs relevant for the BTP

The present document specifies the following SAPs:

- BTP-SAP between BTP and the ITS facilities layer; and
- BTP-Mgmt-SAP between the BTP and the ITS Network and Transport Management.

5 Format convention

The basic convention for the specification of packet formats is illustrated in figure 2. The bits are grouped into octets. The bits of an octet are always shown horizontally and are numbered from 0 to 7. Up to 4 octets are shown horizontally; multiple sets of 4 octets are grouped vertically. Octets are numbered from 0 to N-1.

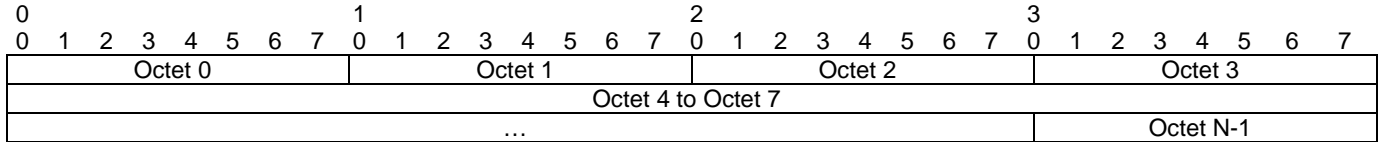


Figure 2: Format convention

When (a part of) an octet represents a numeric quantity, the leftmost bit in the diagram is the most significant bit. Similarly when a numeric value spans multiple octet fields the leftmost field is the most significant (i.e. Big Endian or Network Byte Order).

EXAMPLE: The decimal value 199 is represented as shown below:

0	1	2	3	4	5	6	7
1	1	0	0	0	1	1	1

6 BTP packet structure

As specified in ETSI EN 302 636-3 [4], the BTP is used in the GeoNetworking protocol stack (ETSI EN 302 636-3 [4], clause 7.3.2).

A BTP packet shall be comprised of the protocol headers and the payload as depicted in figure 3. A BTP packet is encapsulated in a frame comprising:

- The MAC header is the header of the MAC protocol of the ITS access technology. The MAC protocol can add additional protocol elements, such as a trailer for the MAC FCS as in ITS-G5 (ETSI EN 302 663 [i.1]).
- The LLC header is the header of 802.2 LLC/SNAP specified in ISO/IEC 8802-2 [i.6].
- The GeoNetworking header is the header of the GeoNetworking packet with an optional security header as defined in ETSI EN 302 636-4-1 [5] and extended for media-dependent GeoNetworking functionality, such as for ITS-G5 as specified in ETSI TS 102 636-4-2 [i.2].
- The BTP header is the header of the Basic Transport Protocol as defined in the present document.
- The payload represents the user data that is created by upper protocol entities, i.e. the ITS-FSDU, and passed to the BTP entity for transmission.

NOTE: The general packet structure is shown as seen by the MAC protocol of the ITS access technology layer.

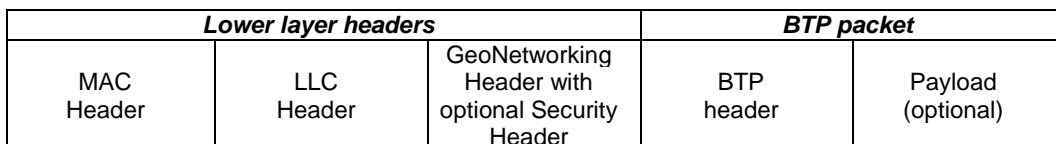


Figure 3: BTP packet structure encapsulated in a lower layer frame

7 BTP header

7.1 Overview

BTP defines two protocol headers:

- BTP-A for interactive packet transport; and
- BTP-B for non-interactive packet transport.

The headers are distinguished by the *Next Header* field in the GeoNetworking header (ETSI EN 302 636-4-1 [5]) as illustrated in table 1.

Table 1: Encoding of BTP header types in the Next Header (NH) field of the GeoNetworking Common Header

Next Header (NH)	Encoding	Description
BTP-A	1	BTP-A header
BTP-B	2	BTP-B header

NOTE: The encoding of the Next Header field is specified in ETSI EN 302 636-4-1 [5]. In case of conflict in the encoding, ETSI EN 302 636-4-1 [5] takes precedence.

7.2 BTP-A header

7.2.1 Structure of the BTP-A header

The BTP-A header carries the source and the destination ports (figure 4). The destination port identifies the protocol entity at the ITS facilities layer in the destination of a BTP-PDU. The source port indicates the port that the ITS facilities layer protocol entity in the source has used to send the ITS-FSDU. The source port represents the port to which a reply to the BTP PDU should be addressed in the absence of other information.

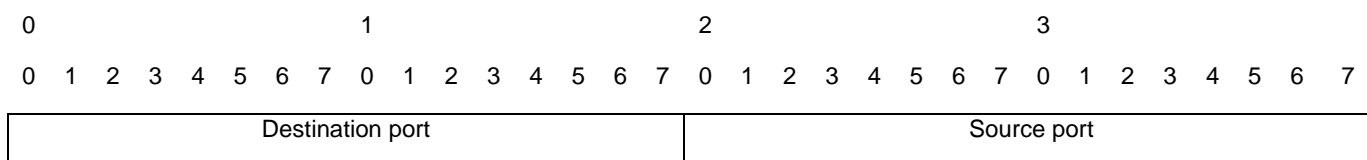


Figure 4: BTP-A header format

7.2.2 Fields of the BTP-A header

The BTP header shall carry the fields as specified in table 2.

Table 2: Fields of BTP-A header

Field #	Field name	Octet position		Type	Unit	Description
		First	Last			
1	<i>Destination port</i>	0	1	16 bit integer		It identifies the protocol entity at the destination's ITS facilities layer.
2	<i>Source port</i>	2	3	16 bit integer		It identifies the protocol entity at the source's ITS facilities layer.

7.3 BTP-B header

7.3.1 Structure of the BTP-B header

The BTP-B header carries the destination port, but no source port (figure 5). The destination port identifies the protocol entity at the ITS facilities layer in the destination of a BTP-PDU. For well-known ports, it shall be set to a value corresponding to the identified facilities layer service as specified in ETSI TS 103 248 [6]. The protocol at the source ITS facilities layer provides additional information if *Destination port* is a well-known port. If specified in ETSI TS 103 248 [6], the *Destination port info* shall be set to a value corresponding to the identified facilities layer service, as specified in ETSI TS 103 248 [6]. Default setting of the *Destination port info* is 0.

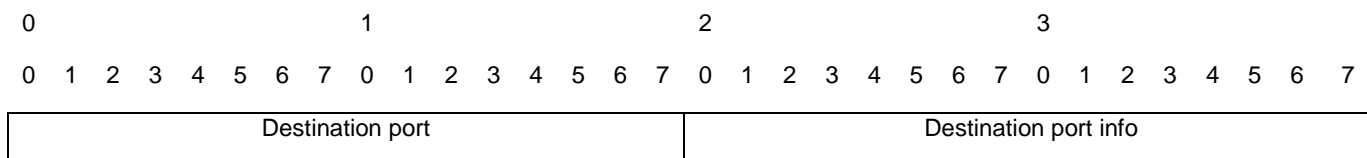


Figure 5: BTP-B header format

7.3.2 Fields of the BTP-B header

The BTP-B header shall carry the fields as specified in table 3.

Table 3: Fields of BTP-B header

Field #	Field name	Octet position		Type	Unit	Description
		First	Last			
1	<i>Destination port</i>	0	1	16 bit integer		It identifies the protocol entity at the ITS facilities layer in the destination. For well-known ports it shall be set to a value corresponding to the identified facilities layer service as specified the values in ETSI TS 103 248 [6].
2	<i>Destination port info</i>	2	3	16 bit integer		It provides additional information. If <i>Destination port</i> is a well-known port and the field value is specified in ETSI TS 103 248 [6], it shall be set to a value corresponding to the identified facilities layer service as specified in ETSI TS 103 248 [6]. Default setting is 0.

8 Protocol operations

8.1 General

This clause specifies the operations of a BTP entity for sending and receiving a BTP-PDU.

8.2 Source operations

On reception of a *BTP-Data.request* primitive, the source shall execute the following operations:

- 1) create a BTP-PDU with the ITS-FSDU as payload and a BTP packet header (clause 7):
 - a) if the BTP type parameter in the *BTP-Data.request* primitive is BTP-A, set the BTP header fields as specified in table 4;

Table 4: Field settings for the BTP-A header

Field name	Field setting	Description
Source port	Value of Source port parameter from the <i>BTP-Data.request</i> primitive	It identifies the port of the protocol entity at the source's ITS facilities layer in the source of the BTP PDU.
Destination port	Value of Destination port parameter from the <i>BTP-Data.request</i> primitive	It identifies the protocol entity at the destination ITS facilities layer.

- b) if the BTP type parameter in the *BTP-Data.request* primitive is BTP-B, set the BTP header fields as specified in table 5;

Table 5: Field settings for the BTP-B header

Field name	Field setting	Description
Destination port	Value of Destination port parameter from the <i>BTP-Data.request</i> primitive	It identifies the protocol entity at the destination ITS facilities layer. For well-known ports it shall be set to a value corresponding to the identified facilities layer service as specified the values in ETSI TS 103 248 [6].
Destination port info	Value of Destination port info parameter from the <i>BTP-Data.request</i> primitive	It provides additional information. If <i>Destination port</i> is a well-known port and the field value is specified in ETSI TS 103 248 [6], it shall be set to a value corresponding to the identified facilities layer service as specified in ETSI TS 103 248 [6]. Default setting is 0.

- 2) pass the BTP-PDU to the GeoNetworking protocol entity, as specified in ETSI EN 302 636-4-1 [5] via the GN-SAP by means of a *GN-Data.request* primitive with the parameter settings in table 6.

Table 6: Parameter settings in the *GN-Data.request* primitive to request sending a GeoNetworking packet

Parameter name	Parameter setting
<i>Upper protocol entity</i>	BTP
<i>Packet transport type</i>	Value of <i>BTP-Data.request</i> parameter <i>GN Packet transport type</i> .
<i>Destination address</i>	Value of <i>BTP-Data.request</i> parameter <i>GN Destination address</i> .
<i>Communication profile</i>	Value of <i>BTP-Data.request</i> parameter <i>GN Communication profile</i> .
<i>Security profile</i>	Value of <i>BTP-Data.request</i> parameter <i>GN Security profile</i> . Omitted if not used in <i>BTP-Data.request</i> .
<i>Maximum packet lifetime</i>	Value of <i>BTP-Data.request</i> parameter <i>GN Maximum packet lifetime</i> . Omitted if not used in <i>BTP-Data.request</i> .
<i>Maximum repetition time</i>	Value of <i>BTP-Data.request</i> parameter <i>GN Maximum repetition time</i> . Omitted if not used in <i>BTP-Data.request</i> .
<i>Repetition interval</i>	Value of <i>BTP-Data.request</i> parameter <i>GN Repetition interval</i> . Omitted if not used in <i>BTP-Data.request</i> .
<i>Maximum hop limit</i>	Value of <i>BTP-Data.request</i> parameter <i>GN Maximum hop limit</i> . Omitted if not used in <i>BTP-Data.request</i> .
<i>Traffic class</i>	Value of <i>BTP-Data.request</i> parameter <i>GN Traffic class</i> .
<i>Length</i>	Length of [ITS-FSDU + 4].
<i>Data</i>	BTP-SDU payload.

8.3 Destination operations

On reception of a BTP-PDU via the *GN-Data.indication* primitive, the destination shall pass the payload of the BTP-PDU via the BTP-SAP by means of a *BTP-Data.indication* with the parameter settings in table 7.

Table 7: Parameter settings in the *GN-Data.indication* primitive to indicate the reception of a BTP PDU

Parameter name	Parameter setting
<i>Source port</i>	If BTP header type is BTP-A, set to <i>Source port</i> in the BTP-A header. If BTP header type is BTP-B, omit this parameter.
<i>Destination port</i>	Set to <i>Destination port</i> in the BTP-A or BTP-B header.
<i>Destination port info</i>	If BTP header type is BTP-A, omit this parameter. If BTP header type is BTP-B, set to <i>Destination port info</i> in BTP-B header.
<i>GN Packet transport type</i>	Value of <i>GN-Data.indication</i> parameter <i>Packet transport type</i> .
<i>GN Destination address</i>	Value of <i>GN-Data.indication</i> parameter <i>Destination</i> .
<i>GN Source position vector</i>	Value of <i>GN-Data.indication</i> parameter <i>Source position vector</i> .
<i>GN Security report</i>	Value of <i>GN-Data.indication</i> parameter <i>Security report</i> . Omitted if not used in <i>GN-Data.indication</i> .
<i>GN Certificate id</i>	Value of <i>GN-Data.indication</i> parameter <i>Certificate id</i> . Omitted if not used in <i>GN-Data.indication</i> .
<i>GN Permissions</i>	Value of <i>GN-Data.indication</i> parameter <i>GN Permissions</i> . Omitted if not used in <i>GN-Data.indication</i> .
<i>GN Traffic class</i>	Value of <i>GN-Data.indication</i> parameter <i>Traffic class</i> . Omitted if not used in <i>GN-Data.indication</i> .
<i>GN Remaining packet lifetime</i>	Value of <i>GN-Data.indication</i> parameter <i>Remaining packet lifetime</i> . Omitted if not used in <i>GN-Data.indication</i> .
<i>Length</i>	Length of [GN-PDU payload - 4].
<i>Data</i>	BTP-PDU payload.

Annex A (informative): BTP data services

A.1 General

The BTP data service primitives allow entities of ITS Facilities protocols to send and receive PDUs via the BTP-SAP.

A.2 BTP-Data.request

The *BTP-Data.request* primitive is used by the ITS Facilities protocol entity to request sending a BTP-PDU. Upon reception of the *BTP-Data.request* primitive, the BTP protocol delivers the BTP-SDU to the GeoNetworking protocol entity via the GN-SAP.

The parameters of the *BTP-Data.request* are as follows:

```

BTP-Data.request (
    BTP type,
    Source port, (optional)
    Destination port,
    Destination port info, (optional)
    GN Packet transport type,
    GN Destination address,
    GN Communication profile,
    GN Security profile, (optional)
    GN Maximum packet lifetime, (optional)
    GN Repetition interval, (optional)
    GN Maximum repetition time, (optional)
    GN Maximum hop limit, (optional)
    GN Traffic class,
    Length,
    Data
)

```

NOTE: *GN* in the primitive parameters indicates that this parameter is passed to the GeoNetworking protocol entity via the GN-SAP without being used by BTP.

The *BTP type* parameter specifies whether the BTP is interactive (BTP-A) or non-interactive (BTP-B).

The *Source port* parameter specifies the BTP port that is used to send the ITS-FSDU and is the port to which a reply should be sent in the absence of other information. The *Source port* parameter is optional and is only used for interactive packet transport (BTP-A).

The *Destination port* parameter specifies protocol entity at the destination ITS facilities layer.

The *Destination port info* parameter specifies additional information if *Destination port* is a well-known port and the field value is specified in ETSI TS 103 248 [6]. The parameter is optional.

The *GN Packet transport type* parameter specifies the packet transport type (GeoUnicast, SHB, TSB, GeoBroadcast, GeoAnycast).

The *GN Destination address* parameter specifies the destination address for GeoUnicast or the geographical area for GeoBroadcast/GeoAnycast.

The *GN Communication profile* parameter determines the LL protocol entity (e.g. unspecified, ITS-G5).

The *GN Security profile* parameter determines the security service to invoke. The parameter is optional.

The *GN Maximum packet lifetime* parameter specifies the maximum tolerable time in [s] a GeoNetworking packet can be buffered until it reaches its destination. The parameter is optional.

The *GN Repetition interval* parameter specifies the duration between two consecutive transmissions of the same GeoNetworking packet during maximum repetition time of a packet in [ms]. The parameter is optional.

The *GN Maximum repetition time* parameter specifies the duration in [ms] for which the packet will be repeated if the Repetition interval is set. The parameter is optional.

The *GN Maximum hop limit* specifies the number of hops a packet is allowed to have in the network, i.e. how often the packet is allowed to be forwarded. The parameter is optional.

The *GN Traffic class* parameter specifies the traffic class for the message.

The *Length* parameter indicates the length of the *Data* parameter.

The *Data* parameter represents the payload of the BTP packet to be transmitted, i.e. the ITS-FPDU.

A.3 BTP-Data.indication

The *BTP-Data.indication* primitive indicates to an ITS facilities layer protocol entity that a ITS-FSDU has been received. The ITS-FSDU is processed as determined by the receiving upper protocol entity.

The parameters of the BTP-Data.indication primitive are as follows:

```

BTP-Data.indication (
    Source port, (optional)
    Destination port,
    Destination port info, (optional)
    GN Packet transport type,
    GN Destination address,
    GN Source position vector,
    GN Security report, (optional)
    GN Certificate id, (optional)
    GN Permissions, (optional)
    GN Traffic class,
    GN Remaining packet lifetime, (optional)
    Length,
    Data
)

```

NOTE: *GN* in the primitive parameters indicates that this parameter is passed to the ITS facilities layer protocol entity via the BTP-SAP without being used by BTP.

The *Source port* parameter specifies the BTP port that is used to send the ITS-FSDU and is the port to which a reply should be sent in the absence of other information. The *Source port* parameter is optional and is only used for interactive packet transport (BTP-A).

The *Destination port* parameter specifies protocol entity at the destination ITS facilities layer.

The *Destination port info* parameter specifies additional information if *Destination port* is a well-known port and the field value is specified in ETSI TS 103 248 [6]. The parameter is optional.

The *GN Packet transport type* parameter specifies the packet transport type (GeoUnicast, SHB, TSB, GeoBroadcast, GeoAnycast).

The *GN Destination address* parameter specifies the destination address for GeoUnicast or the geographical area for GeoBroadcast/GeoAnycast, with which the GeoNetworking packet was generated by the source.

The *GN Source position vector* parameter specifies the geographical position for the source of the received GeoNetworking packet.

The *GN Security report* contains result information from the security operations for decryption and verification (parameter *report* in the service primitive *SN-DECAP.confirm*). The parameter is optional.

The *GN Certificate id* contains the identification of source certificate, for example the certificate hash (parameter *certificate_id* in the service primitive *SN-DECAP.confirm*). The parameter is optional.

The *GN Permissions* parameter contains the sender permissions (parameter *permissions* in the service primitive *SN-DECAP.confirm*). The parameter is optional.

The *GN Traffic Class* parameter is the traffic class, with which the GeoNetworking packet was generated by the source.

The *GN Remaining packet lifetime* parameter is the remaining lifetime of the packet. The parameter is optional.

The *Length* parameter indicates the length of the *Data* parameter.

The *Data* parameter represents the payload of the received BTP packet, i.e. the ITS-FPDU.

Annex B (informative): Bibliography

EU FP7 GEONET Project: "Deliverable D2.2 Final GeoNet Specification", Version 1.1 January 2010.

SIM TD Project: "Deliverable D21.4 Spezifikation der Kommunikationsprotokolle", September 2009.

NOTE: Available at <http://www.simtd.de>.

DRIVE C2X Project: "DRIVE C2X Enhanced System Specification", D23.1, Version 1.0, November 2011.

NOTE: Available at <http://www.drive-c2x.eu/project>.

History

Document history		
V1.1.1	February 2011	Publication as ETSI TS 102 636-5-1
V1.2.1	August 2014	Publication
V2.1.0	May 2017	EN Approval Procedure AP 20170820: 2017-05-22 to 2017-08-21