

Final draft **ETSI EN 302 091-1** V1.1.2 (1999-08)

European Standard (Telecommunications series)

**Broadband Integrated Services Digital Network (B-ISDN) and
Broadband Private Integrated Services Network (B-PISN);
Digital Subscriber Signalling System No. two (DSS2),
Broadband Inter-Exchange Signalling (B-QSIG),
and Signalling System No. 7 (SS7);
Prenegotiation;
Part 1: Protocol specification**



Reference

DEN/SPS-05131-1 (jd090idc.PDF)

Keywords

B-ISUP, broadband, ISDN, ISPBX, protocol,
QSIG, SS7, B-ISDN, DSS2, B-QSIG

ETSI

Postal address

F-06921 Sophia Antipolis Cedex - FRANCE

Office address

650 Route des Lucioles - Sophia Antipolis
Valbonne - FRANCE
Tel.: +33 4 92 94 42 00 Fax: +33 4 93 65 47 16
Siret N° 348 623 562 00017 - NAF 742 C
Association à but non lucratif enregistrée à la
Sous-Préfecture de Grasse (06) N° 7803/88

Internet

secretariat@etsi.fr
Individual copies of this ETSI deliverable
can be downloaded from
<http://www.etsi.org>
If you find errors in the present document, send your
comment to: editor@etsi.fr

Copyright Notification

No part may be reproduced except as authorized by written permission.
The copyright and the foregoing restriction extend to reproduction in all media.

© European Telecommunications Standards Institute 1999.
All rights reserved.

Contents

Intellectual Property Rights.....	5
Foreword	5
1 Scope.....	6
2 References.....	6
3 Definitions.....	7
3.1 External definitions.....	7
3.2 Additional definitions	7
4 Abbreviations	7
5 Description.....	8
5.1 Overview.....	8
5.2 Protocol model for PRN	9
6 Operational requirements.....	9
7 Primitive definitions and state definitions	10
7.1 Service primitives	10
7.2 PRN states.....	10
7.2.1 PRN Idle.....	10
7.2.2 PRN Initiated.....	10
7.2.3 PRN Delivered	10
7.2.4 PRN Present	10
7.2.5 PRN Received	10
8 Coding requirements	10
8.1 Abstract definition of the PRN operations	10
9 PRN procedures	12
9.1 General.....	12
9.2 Procedures at an originating or terminating CC entity	12
9.2.1 Invoking the PRN operation by the initiating CC entity.....	12
9.2.1.1 Invocation of PRN - relation to call establishment	13
9.2.1.2 Invocation of PRN - relation to bearer connection establishment.....	13
9.2.1.3 Contents of the PRN proposal	13
9.2.2 Responding to the PRN invocation	15
9.2.3 Completion of PRN.....	16
9.2.4 Error handling	16
9.2.5 Crossing of bearer establishment messages with prenegotiation-related APDUs.....	16
9.3 Procedures at a transit CC entity.....	16
10 Interactions.....	16
11 Interworking with networks not supporting PRN	17
11.1 Calls from other networks to a network supporting PRN.....	17
11.2 Calls to other networks not supporting PRN.....	17

12	SDL Diagrams.....	17
Annex A (informative):	Information flow diagrams.....	23
A.1	Prenegotiation	23
A.2	PRN with optional PRN Alert.....	24
Annex B (informative):	Object identifiers defined in the present document	25
	Bibliography	26
	History	27

Intellectual Property Rights

IPRs essential or potentially essential to the present document may have been declared to ETSI. The information pertaining to these essential IPRs, if any, is publicly available for **ETSI members and non-members**, and can be found in SR 000 314: "*Intellectual Property Rights (IPRs); Essential, or potentially Essential, IPRs notified to ETSI in respect of ETSI standards*", which is available from the ETSI Secretariat. Latest updates are available on the ETSI Web server (<http://www.etsi.org/ipr>).

Pursuant to the ETSI IPR Policy, no investigation, including IPR searches, has been carried out by ETSI. No guarantee can be given as to the existence of other IPRs not referenced in SR 000 314 (or the updates on the ETSI Web server) which are, or may be, or may become, essential to the present document.

Foreword

This European Standard (Telecommunications series) has been produced by ETSI Technical Committee Signalling Protocols and Switching (SPS) in collaboration with ECMA TC32-TG15, and is now submitted for the Voting phase of the ETSI standards Two-step Approval Procedure.

The present document is part 1 of a multi-part standard covering the Digital Subscriber Signalling System No. 2 (DSS2), Broadband Inter-Exchange Signalling (B-QSIG), and Signalling System No. 7 (SS7) protocol specification for Broadband Integrated Services Digital Network (B-ISDN) and Broadband Private Integrated Services Network (B-PISN) Prenegotiation, as described below:

- Part 1: "Protocol specification";**
- Part 2: "Protocol Implementation Conformance Statement (PICS) proforma specification";
- Part 3: "Test Suite Structure and Test Purposes (TSS&TP) specification";
- Part 4: "Abstract Test Suite (ATS) and partial Protocol Implementation eXtra Information for Testing (PIXIT) proforma specification".

Proposed national transposition dates	
Date of latest announcement of this EN (doa):	3 months after ETSI publication
Date of latest publication of new National Standard or endorsement of this EN (dop/e):	6 months after doa
Date of withdrawal of any conflicting National Standard (dow):	6 months after doa

1 Scope

The present document specifies the signalling protocol for the purpose of prenegotiation at the Q_B , S_B , T_B and co-incident S_B/T_B reference points within, between and at the access to Broadband Private Integrated Services Networks and within, between and at the access to public European Broadband Integrated Services Digital Networks. The protocol operates between two adjacent call control entities. The protocol is applicable in a separated call and bearer (connection) control environment for the support of calls having none, one or multiple bearers. The protocol is applicable to a two-party call or a multi-party call. However, prenegotiation is performed between two parties. In case of multi-party connections (point-to-multipoint connections), prenegotiation may be performed between the root and the first party.

The Q_B reference point is defined in ISO/IEC 11579-1 [11]. The S_B and T_B reference points are defined in ITU-T Recommendation I.327 [12].

The present document is based on the transport capabilities as defined in ETS 300 796-1 [4] and ECMA-254 [1], and is closely related to the call control protocol specification as defined in EN 302 092-1 [5].

The purpose of prenegotiation as specified in the present document is to allow a user to check compatibility and availability at the remote user with regard to one or more connections the user intends to establish during the lifetime of the call, without reserving connection-oriented resources in the network. Reservation of connection-oriented resources at the remote user is outside the scope of the present document.

2 References

The following documents contain provisions which, through reference in this text, constitute provisions of the present document.

- References are either specific (identified by date of publication, edition number, version number, etc.) or non-specific.
- For a specific reference, subsequent revisions do not apply.
- For a non-specific reference, the latest version applies.
- A non-specific reference to an ETS shall also be taken to refer to later versions published as an EN with the same number.

- [1] ECMA-254: "B-PISN - Inter-Exchange Signalling Protocol - Generic Functional Protocol (B-QSIG-GF)".
- [2] ISO/IEC 13247: "Information technology - Telecommunications and information exchange between systems - Broadband Private Integrated Services Network - Inter-exchange signalling protocol - Basic call/connection control".
- [3] EN 300 443-1: "Broadband Integrated Services Digital Network (B-ISDN); Digital Subscriber Signalling System No. two (DSS2) protocol; B-ISDN user-network interface layer 3 specification for basic call/bearer control; Part 1: Protocol specification [ITU-T Recommendation Q.2931 (1995), modified]".
- [4] ETS 300 796-1: "Broadband Integrated Services Digital Network (B-ISDN); Digital Subscriber Signalling System No. two (DSS2) protocol; Generic functional protocol; Core aspects; Part 1: Protocol specification [ITU-T Recommendation Q.2932.1 (1996), modified]".
- [5] EN 302 092-1: "Broadband Integrated Services Digital Network (B-ISDN) and Broadband Private Integrated Services Network (B-PISN); Digital Subscriber Signalling System No. two (DSS2), Broadband Inter-Exchange Signalling (B-QSIG), and Signalling System No. 7 (SS7); Call control in a separated call and bearer control environment; Part 1: Protocol specification".
- [6] EN 302 093-1: "Broadband Integrated Services Digital Network (B-ISDN); Digital Subscriber Signalling System No. two (DSS2) protocol; Point-to-point multiconnection bearer control specification in a separated call and bearer environment; Part 1: Protocol specification".

- [7] ITU-T Recommendation X.680: "Information technology - Abstract Syntax Notation One (ASN.1): Specification of basic notation".
- [8] ITU-T Recommendation X.690: "Information technology - ASN.1 encoding rules: Specification of Basic Encoding Rules (BER), Canonical Encoding Rules (CER) and Distinguished Encoding Rules (DER)".
- [9] ITU-T Recommendation X.880: "Information technology - Remote operations: concepts, model and notation".
- [10] CCITT Recommendation Z.100: "CCITT specification and description language (SDL)".
- [11] ISO/IEC 11579-1: "Information technology -- Telecommunications and information exchange between systems -- Private integrated services network -- Part 1: Reference configuration for PISN Exchanges (PINX)".
- [12] ITU-T Recommendation I.327: "B-ISDN functional architecture".

3 Definitions

3.1 External definitions

The definitions used in ECMA-254 [1], ISO/IEC 13247 [2], EN 300 443-1 [3], ETS 300 796-1 [4] and EN 302 092-1 [5] apply.

3.2 Additional definitions

For the purposes of the present document the following additional definition applies:

Prenegotiation: the user action of checking compatibility and availability at the remote user with regard to one or more bearer connections the user intends to establish during the lifetime of the call, without already reserving bearer connection-oriented resources in the network.

4 Abbreviations

For the purposes of the present document, the abbreviations used in [1], [2], [3], [4], [5] and [6] apply. In addition, the following abbreviations are used:

CC	Call Control
PRN	Prenegotiation
mp	modification possible (9.2.1.3, figure 2)
T/F	True/False (9.2.1.3, figure 2)
UM	User Mandatory (9.2.1.3, figure 2)
UO	User Optional (9.2.1.3, figure 2)

5 Description

5.1 Overview

The present document specifies the procedures, messages, information elements and components needed for the support of Prenegotiation (PRN).

PRN is an optional procedure which may be invoked by either the calling or called user at either the S_B or the co-incident S_B/T_B reference point. In both cases, it can only be invoked in conjunction with or after call establishment. PRN does not establish connections.

PRN is performed between two users. In case of point-to-multipoint connections, it may be performed between the root and the first party.

The PRN protocol operates between two adjacent call control entities (points of call and bearer co-ordination).

It is not required that the network interprets and processes the contents of the PRN operation, except that incoming call segment identifier and bearer identifiers have to be mapped to the corresponding values on the outgoing side. The network may either relay the related information, or call control entities in the network(s) may also be involved in looking at various parameters of network relevance and may take action/possibly intervene in the PRN procedure. Possible actions/interventions of network nodes based on the interpretation of the contents of the PRN operation are outside the scope of the present document.

In general, all connection related parameters for any number of connections can be prenegotiated.

The purpose of PRN is to check compatibility and availability between the users without already reserving connection-related resources in the network. The response of a user to a PRN request may be:

- positive, if a user is fully compatible with the parameters proposed by the remote party - in this case, the connections may be established with the parameters as proposed by the remote party;
- positive, if a user is not fully compatible with the parameters proposed by the remote party, but supports a compatible alternative/subset - in this case, the connections may be established with those parameters which were proposed as an alternative;
- negative, if a user is not compatible with the parameters proposed by the remote party;
- negative, if a user is compatible with the parameters proposed by the remote party, but the negotiated resources are currently unavailable.

NOTE: If PRN is performed in combination with Call Establishment i.e. if no connections are existing/pending, the call might be released if the result of the PRN is negative.

The PRN procedures allow a user to return either only one or several alternative acceptable parameter sets per connection.

5.2 Protocol model for PRN

For PRN, the basic protocol model outlined in figure 1-1 of ETS 300 796-1 [4] applies. Figure 1 shows how PRN fits into this basic model. It should be noted that figure 1 only shows those ASEs which are directly related to PRN.

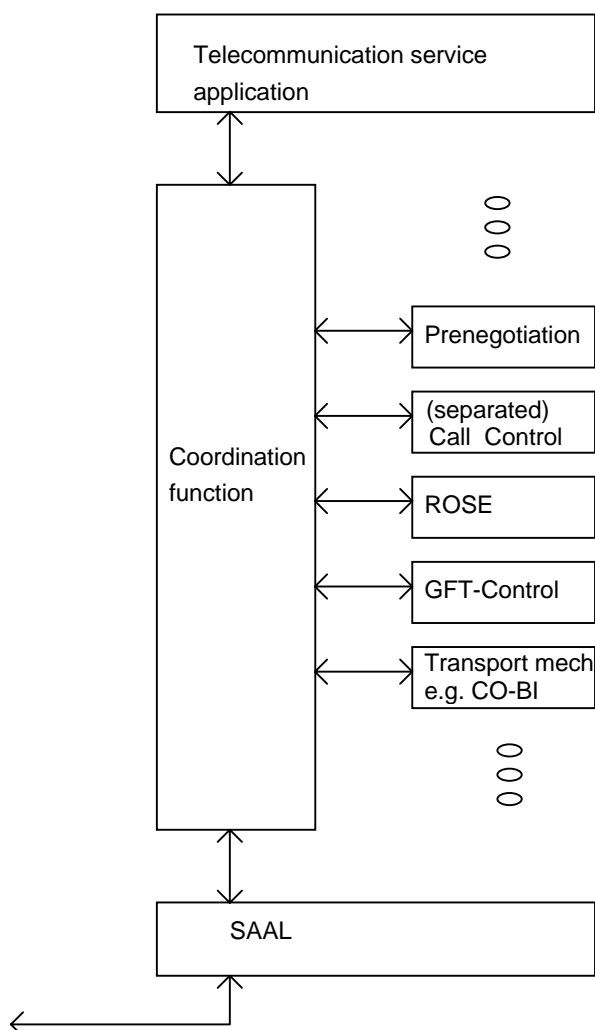


Figure 1: PRN within the B-QSIG/DSS2 protocol model

6 Operational requirements

PRN may be used within an environment of multiconnection calls. In such an environment, no specific operational requirements exist, and PRN may be invoked according to the procedures of subclause 9.2.1.

PRN is based on the transport capabilities as defined in ETS 300 796-1 [4] and ECMA-254 [1], and on the call establishment procedures as defined in EN 302 092-1 [5].

7 Primitive definitions and state definitions

7.1 Service primitives

The following services for PRN are defined:

Prenegotiate	confirmed
Prenegotiation-Alert	unconfirmed
Error	indication

7.2 PRN states

For the purpose of PRN the following additional states exist in a Call Control entity (CC entity).

7.2.1 PRN Idle

No PRN procedure invoked.

7.2.2 PRN Initiated

This state exists at a preceding CC entity when a request for PRN has been sent to the succeeding CC entity but no response has been received.

7.2.3 PRN Delivered

This state exists at a preceding CC entity when it has received an indication that PRN alerting has been initiated.

7.2.4 PRN Present

This state exists at a succeeding CC entity that has not yet responded to a received request for PRN.

7.2.5 PRN Received

This state exists at a succeeding CC entity when PRN alerting has been initiated but the PRN request has not yet been answered.

8 Coding requirements

8.1 Abstract definition of the PRN operations

Table 1 shows the definition of the operations, errors and types required for PRN using ASN.1 as defined in ITU-T Recommendations X.680 [7] and using the OPERATION and ERROR object classes as defined in ITU-T Recommendation X.880 [9].

APDUs based on these operations shall be of types `invoke`, `returnResult`, `returnError` and `reject` as defined in table B.1 of ETS 300 796-1 [4]. The Basic Encoding Rules (BER) as defined in ITU-T Recommendation X.690 [8] shall be applied to the encoding of APDUs based on these operations and errors.

Table 1: PRN operations and errors

```

Prerenegotiation-Operations-and-Errors
{itu-t identified-organization etsi 2091 prerenegotiation-operations-and-errors (1)}
DEFINITIONS AUTOMATIC TAGS ::=
BEGIN
EXPORTS preNegotiate, PrerenegotiationProposal, prerenegotiationAlert;
IMPORTS OPERATION, ERROR FROM Remote-Operations-Information-Objects
    {joint-iso-itu-t remote-operations(4) informationObjects(5) version1(0)}
    CallSegmentId FROM CC-Operations
    {itu-t identified-organization etsi 2092 cc-operations (1)}
    BearerId FROM Call-Object-Class-Definitions
    {itu-t identified-organization etsi 2092 call-object-class-definitions (5)};

PrerenegotiationOperations OPERATION ::= { preNegotiate | prerenegotiationAlert }

preNegotiationOperationsDefinitions OBJECT IDENTIFIER ::= {itu-t identified-organization etsi 2091 prerenegotiation-operations-definitions (2)}

preNegotiate OPERATION ::=
{
    ARGUMENT SEQUENCE {
        prerenegotiationProposal PrerenegotiationProposal,
        callAssociation CHOICE { callSegmentId CallSegmentId,
                                callId CallIdValue }
    }
    RESULT SEQUENCE {
        prerenegotiationProposal PrerenegotiationProposal,
        callAssociation CHOICE { callSegmentId CallSegmentId,
                                callId CallIdValue }
    }
    RETURN RESULT TRUE
    ERRORS { prerenegotiateErrorSimple | prerenegotiateErrorItemised }
    SYNCHRONOUS FALSE
    ALWAYS RESPONDS TRUE
    CODE global : { preNegotiationOperationsDefinitions 1 }
}
CallIdValue ::= OCTET STRING (SIZE (1..3))

PrerenegotiationProposal ::= SEQUENCE OF ConnectionProposal

ConnectionProposal ::= SEQUENCE {
    connectionSubject ConnectionSubject,
    connectionReference ConnectionNumber,
    connectionCallRelation UserMandatory DEFAULT FALSE,
    bearerId BearerId OPTIONAL }

ConnectionSubject ::= CHOICE {
    connectionProposal Proposal,
    connectionAccept Accept }

ConnectionNumber ::= INTEGER (1..127)

UserMandatory ::= BOOLEAN

Accept ::= SEQUENCE {
    accept BOOLEAN,
    alternativeNo INTEGER OPTIONAL }
-- TRUE if proposal is accepted and therefore no counterproposal necessary
-- FALSE if proposal is rejected and no counterproposal is possible for UserOptional Connection
-- alternativeNo specifies the accepted alternative

Proposal ::= SEQUENCE {
    bearerEstDirection BearerEstDirection,
    mostPreferredProposal MostPreferredProposal,
    alternatives SEQUENCE OF Alternative OPTIONAL }

BearerEstDirection ::= ENUMERATED {
    noSpecificRequirements (0),
    exclusiveByPrenegInvokingEntity (1),
    exclusiveByPrenegRemoteEntity (2),
    preferablyByPrenegRemoteEntity (3) }

Alternative ::= SEQUENCE {
    alternativeProposal SEQUENCE OF ProposedItem,
    alternativeNo INTEGER (1..127) }

```

```

-- alternativeNo reflects the priority of the alternatives

MostPreferredProposal ::= SEQUENCE OF ProposedItem
-- specifies one connection with minimum proposal

ProposedItem ::= SEQUENCE {
    item InformationElement,
    modificationPossible BOOLEAN OPTIONAL }

InformationElement ::= OCTET STRING (SIZE (4..4095)) -- embedded DSS2 Information Elements
-- information elements are listed in 9.2.1.3
-- maximum value depends on information element

preNegotiationOperationsErrors OBJECT IDENTIFIER ::= {itu-t identified-organization etsi 2091 prenegotiation-operations-errors (3)}

prenegotiateErrorSimple ERROR ::= {
    PARAMETER CHOICE { callSegmentId CallSegmentId,
        callId CallIdValue }
    CODE global : { preNegotiationOperationsErrors 1 } }

prenegotiateErrorItemised ERROR ::= {
    PARAMETER PrenegotiateErrorItemisedParam
    CODE global : { preNegotiationOperationsErrors 2 } }

PrenegotiateErrorItemisedParam ::= SEQUENCE {
    callAssociation CHOICE { callSegmentId CallSegmentId,
        callId CallIdValue },
    listOfConnectionErrors SEQUENCE OF ConnectionError }

ConnectionError ::= SEQUENCE {
    connectionSubject ENUMERATED {
        unspecified (0),
        compatibleAndCurrentlyUnavailable (1),
        incompatible (2),
        ... },
    connectionReference ConnectionNumber }

prenegotiationAlert OPERATION ::=
{
    RETURN RESULT FALSE
    SYNCHRONOUS FALSE
    ALWAYS RESPONDS FALSE
    CODE global : { preNegotiationOperationsDefinitions 2 }
}

END -- Prenegotiation-Operations-and-Errors

```

9 PRN procedures

9.1 General

PRN procedures are based on the transport procedures for signalling messages of ECMA-254 [1] / ETS 300 796-1 [4]. The specification of this clause shows the specific procedures for PRN that apply in addition to those specified for the underlying transport mechanism.

PRN is also closely related to call establishment as specified in EN 302 092-1 [5].

9.2 Procedures at an originating or terminating CC entity

9.2.1 Invoking the PRN operation by the initiating CC entity

PRN is defined in a fully symmetric fashion and can be initiated either by the originating or terminating call control entity, depending on the service/application requirements.

PRN may be invoked either together with call establishment or at any time during the active phase of the call, independently of the number of active bearer connections.

After invoking PRN, an application-dependent timer T1 may be started. Actions at the expiry of this timer are outside the scope of the present document.

If the PRN invoke is rejected, timer T1 shall be stopped (if running). Additional application-dependent actions on receipt of a reject APDU that is correlated to a preNegotiate invoke are outside the scope of the present document.

9.2.1.1 Invocation of PRN - relation to call establishment

PRN may be invoked either:

- a) by the originating CC entity concurrently with the call establishment; in this case the invoke component of the preNegotiate operation is transferred together with the invoke component of the call establish operation, the result of the preNegotiate operation may be transferred either together with the result of the call establish operation or at a later point in time (but not prior to the result of the call establish operation); the optional PRNAlert operation may be transferred either together with the first end-to-end response of the call establish operation or at a later point in time; or
- b) by the terminating CC entity concurrently with the first end-to-end response to call establishment; or
- c) by either the originating or the terminating CC entity after the first end-to-end response to call establishment.

PRN shall not be invoked between the sending of the invoke component of the call establish operation and the first end-to-end response.

9.2.1.2 Invocation of PRN - relation to bearer connection establishment

PRN is initiated prior to the establishment of the related bearer connections. Prenegotiated bearer connections may or may not be established.

PRN related to further bearer connections may be invoked independently from the number of already existing bearer connections within a call.

Unless specified otherwise by call control procedures taking precedence, bearer connections may be established both from the user initiating the PRN and by the remote user responding to PRN.

In order to avoid a concurrent parallel establishment of bearer connections, an indication "BearerEstDirection" shall be used, where the initiating user shall indicate one of the following alternatives:

- a) no specific requirements are specified with regard to the direction of the bearer connection establishment;
- b) bearer connections shall only be established by the user invoking the PRN;
- c) bearer connections shall only be established by the remote user receiving the preNegotiate invoke (the remote user shall not accept the PRN proposal if not possible);
- d) the initiating user would prefer the remote user to establish the bearer connections (to be either accepted or denied in the return result APDU returned in response to the invoked preNegotiate operation).

9.2.1.3 Contents of the PRN proposal

To initiate PRN, the CC entity shall use the invoke component of the preNegotiate operation containing the prenegotiationProposal. The prenegotiationProposal shall consist of a set of connection proposals referring to the connections the user intends to establish within this call at a later point in time.

For each proposed connection, the initiating user may specify a parameter "User Mandatory" (UM). By setting this parameter "true", this user indicates to the remote user to only respond positively to the preNegotiate invoke if the connection(s) marked as "user mandatory" can be accepted (possibly modified). If this parameter is absent for a proposed connection, or set to "false", the initiating user allows the remote user to respond positively to a preNegotiate invoke, even if the remote user cannot support this connection.

With regard to the "user mandatory" parameter, no specific action of the network is required. The network shall relay this information.

The initiating user may include the label "modificationPossible" for each parameter of the most preferred proposal. If this label is set to "false", or is not included, the responding user is not allowed to modify this parameter. If it is set to "true", the responding user is allowed to modify this parameter. For the parameters of the alternative proposals, this label shall not be used by the initiating user.

For each proposed connection, the initiating user shall specify a most preferred proposal, and may specify alternative proposals for the same connections as well. These alternatives shall be ordered by a parameter "alternativeNo" indicating decreasing preference by increasing numbers starting with 1; i.e. alternative No. 1 is regarded as the second best proposal, alternative No. 2 as the third best proposal, etc. The alternative proposals shall only consist of those parameters which are different from the preferred proposal.

Figure 2 gives an example illustration of a PRN proposal specified by the initiating user, where one alternative is offered for connection 1, and two alternatives are offered for connection n.

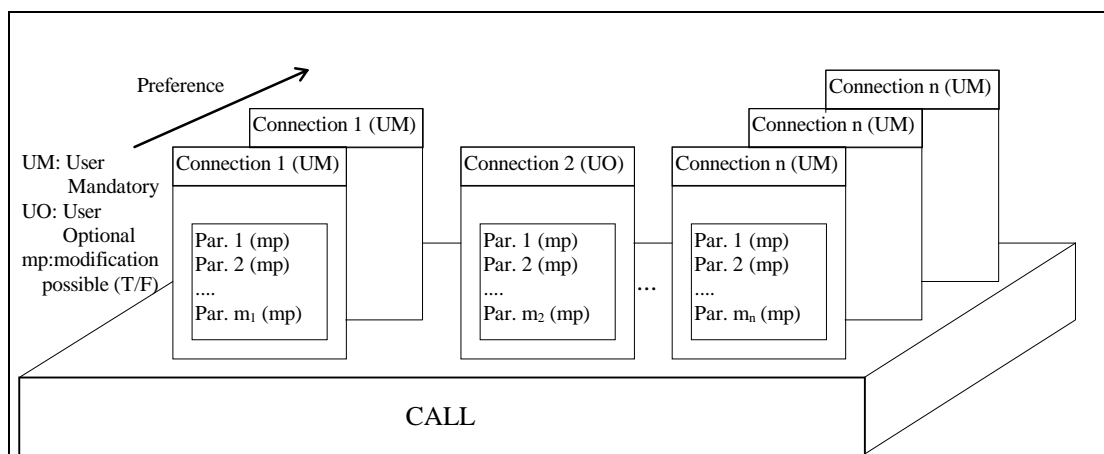


Figure 2: Example Illustration of a PRN Proposal

The negotiable parameters correspond to those service-related information elements which are specified both in ISO/IEC 13247 [2] (B-QSIG Basic Call) and EN 300 443-1 [3]. These are:

- ATM adaptation layer parameter;
- ATM traffic descriptor;
- OAM traffic descriptor;
- quality of service parameter;
- broadband bearer capability;
- broadband low layer information;
- broadband high layer information;
- end-to-end transit delay;
- narrowband bearer capability;
- narrowband low layer compatibility;
- narrowband high layer compatibility.

These information elements will be included in the SETUP message for establishment of the negotiated connection.

The Broadband repeat indicator information element shall not be used within the mostPreferredProposal, or within an alternativeProposal, in order to avoid possible ambiguities with the PRN procedures as such.

Correspondingly, information elements within the mostPreferredProposal, or within one alternativeProposal shall not be repeated.

9.2.2 Responding to the PRN invocation

Receiving a PRN proposal, the responding user shall evaluate the PRN proposal, taking into account the modification restrictions and preference indications of the initiating user.

Depending on the proposed connections and the local configuration of the responding user, the terminal equipment may process and answer the request automatically or may present the request to the human user, e.g. in those cases where voice and video connections are involved. In the latter cases, the prenegotiationAlert operation shall be invoked and transferred towards the initiating user.

If the prenegotiationAlert invoke is rejected, actions on receipt of a reject APDU that is correlated to the prenegotiationAlert invoke are outside the scope of the present document.

The local terminal equipment configuration related to PRN is outside the scope of the present document. Two examples of local terminal equipment configuration may be:

- instruction to present all PRN requests to the human user;
- instruction to present those PRN requests to the human user where at least one voice or video connection is included.

As a result of this evaluation, the responding user shall either accept the proposed values, or try to find modified descriptions, or completely reject the PRN request. If the PRN proposal is accepted by the responding user (possibly modified), the responding CC entity shall send back a preNegotiate return result, indicating for each connection proposed either:

- acceptance (set accept to "true");
- acceptance of a proposed alternative (set accept to "true" and indicate the alternative number accepted);
- a counterproposal (set accept to "true" and indicate the proposed modified parameters, if any);
- rejection (set accept to "false"; only possible for non-mandatory connections).

The responding user may send back more than one acceptable parameter set for each connection to indicate that all these sets would be acceptable.

For each indicated connection, the responding user shall also evaluate the BearerEstDirection indication (see subclause 9.2.1.2). In case c) (bearer connection establishment exclusively by responding user), the responding user shall not accept a proposed connection, if this connection establishment is not possible. In case d) (bearer connection establishment preferably by responding user), it shall indicate its acceptance or denial of the proposed bearer establishment direction in the return result of the preNegotiate operation, e.g. by selecting BearerEstDirection indications according to alternatives b) or c) in the preNegotiate return result APDU.

If the responding user cannot at all accept the proposed connection parameters and does not find acceptable modifications, or cannot at all accept the parameters for one connection marked as "user mandatory", then the responding CC entity shall send back a preNegotiate return error APDU.

NOTE: If PRN is performed in combination with Call Establishment i.e. if no connections are existing/pending, the call might be released if the result of the PRN is negative.

The responding CC entity shall also send back a preNegotiate return error APDU in case the initiating user requests BearerEstDirection exclusively from the responding user for all connections, but the responding user cannot act accordingly.

The responding CC entity shall also send back a preNegotiate return error APDU in the case that the negotiated resources are currently unavailable.

Specific errors which may be used within the preNegotiate return error are:

- generic reject of the whole PRN request (without further information);

- indications of incompatibility or temporary unavailability for specific connections.

9.2.3 Completion of PRN

If the initiating user receives an indication of the invocation of a prenegotiationAlert operation, it may start an application dependent timer T2. Actions on the expiry of this timer are outside the scope of the present document.

If the initiating user receives an indication (i.e. a preNegotiate return result APDU) that the responding user accepts the proposed connection(s), the initiating user may begin to establish these connections in accordance with EN 302 093-1 [6] (Bearer control protocol), unless specified otherwise by the BearerEstDirection indication.

If receiving a preNegotiate return result where one or more connections have been modified or have not been accepted, the initiating user may either accept the modifications and start establishing connections within this call based on the knowledge gained by the PRN, or may decide not to be able to support the counterproposal of the responding user, and may therefore either try to establish only a subset of the connections.

NOTE: If PRN is performed in combination with Call Establishment i.e. if no connections are existing/pending, the call might be released if the result of the PRN is negative.

9.2.4 Error handling

The error handling mechanisms of ECMA-254 [1] and ETS 300 796-1 [4] apply. In addition, the following applies:

If a CC entity receives invalid parameters appearing in a prenegotiationProposal, it may ignore and discard these parameters and continue processing the prenegotiationProposal.

9.2.5 Crossing of bearer establishment messages with prenegotiation-related APDUs

In case of crossing of bearer establishment messages with messages containing prenegotiation-related APDUs, or in case of the crossing of two prenegotiation-related APDUs, both flows shall be further processed independently of each other.

A user having sent or received a bearer connection establishment message, and then receiving a prenegotiation-related APDU, may take the bearer establishment process into account for providing a prenegotiation-related response. However, this does not affect the formal protocol handling of the PRN APDUs, and is therefore outside the scope of the present document.

9.3 Procedures at a transit CC entity

The contents of the PRN operations and errors need not be interpreted by transit CC entities. Transit CC entities may either relay the contents of the PRN operations and errors or transit CC entities may also be involved in looking at various parameters of network relevance and may take action/possibly intervene in the PRN procedure. Possible actions of transit CC entities based on the interpretation of the contents of the PRN operations and errors are outside the scope of the present document.

10 Interactions

The specification of interactions with peer-to-peer call control are included in the specifications of subclause 9.2.1.1. Interactions with bearer connection establishment are specified in subclause 9.2.1.2.

11 Interworking with networks not supporting PRN

11.1 Calls from other networks to a network supporting PRN

The interworking unit between both networks may decide to invoke PRN as specified above. The criteria to initiate PRN are outside the scope of the present document.

11.2 Calls to other networks not supporting PRN

The interworking unit may accept or reject a PRN request, depending on whether the capabilities being prenegotiated can be mapped on compatible services in the other network.

NOTE: It is assumed that the user is notified at call establishment level, that an interworking situation has occurred. Therefore, no need has been identified to provide any additional specific indication at PRN level beyond a generic reject.

12 SDL Diagrams

The diagrams in the present document use the Specification and Description Language defined in ITU-T Recommendation Z.100 [10].

The diagrams represent the behaviour of a PRN protocol entity within an originating or terminating call control entity. Possible actions on PRN in a transit CC entity are outside the scope of the present document.

Figures 12.2 to 12.7 show the behaviour of a PRN protocol entity when PRN is invoked during the active phase of a call. If PRN is invoked in conjunction with call establishment the same behaviour and states apply in conjunction with the appropriate call states.

Input signals from the left and output signals to the left represent primitives to and from the PRN service user. Alstimer expiry is indicated by an input signal from the left.

Input signals from the right and output signals to the right represent APDUs sent to and received from the peer call control entity.

The following abbreviations are used:

inv.	invoke APDU
res.	return result APDU
err.	return error APDU
rej.	reject APDU
PRN	Prenegotiate
PRN-Alert	Prenegotiation-Alert
req.	request primitive
ind.	indication primitive
resp.	response primitive
conf.	confirm primitive
(-)	negative response/confirmation
(+)	positive response/confirmation

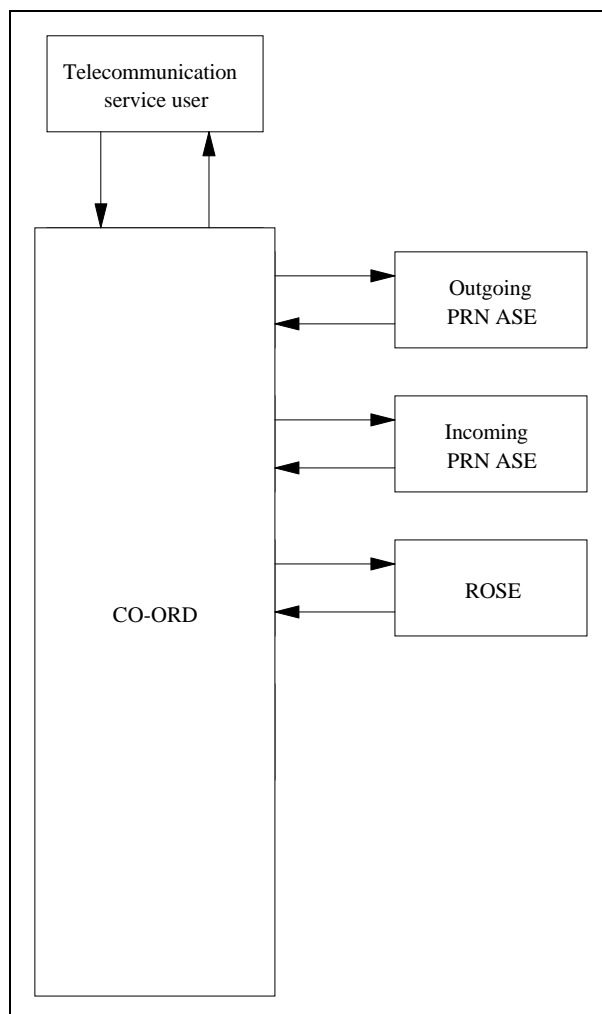


Figure 12.1: Block diagram

Table 2: Signal Routes

CO-ORD_to_Outgoing-PRN-ASE	Incoming-PRN-ASE_to_CO-ORD
Primitives: PRN_request	Primitives: PRN_indication
APDUs: prenegotiationAlert_invoke preNegotiate_return_result preNegotiate_return_error preNegotiate_reject	APDUs: prenegotiationAlert_invoke preNegotiate_return_result preNegotiate_return_error
Outgoing-PRN-ASE_to_CO-ORD	CO-ORD_to_Incoming-PRN-ASE
Primitives: PRN_confirm PRN_ALERT_indication ERROR_indication	Primitives: PRN_response PRN_ALERT_request
APDUs: preNegotiate_invoke	APDUs: preNegotiate_invoke

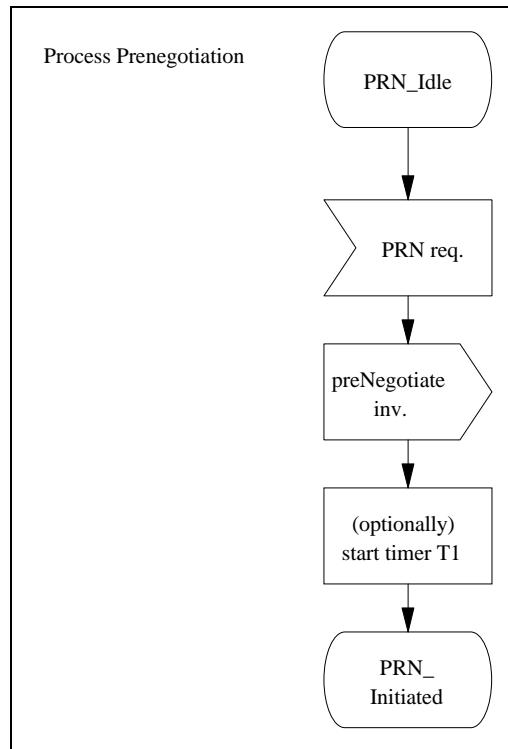
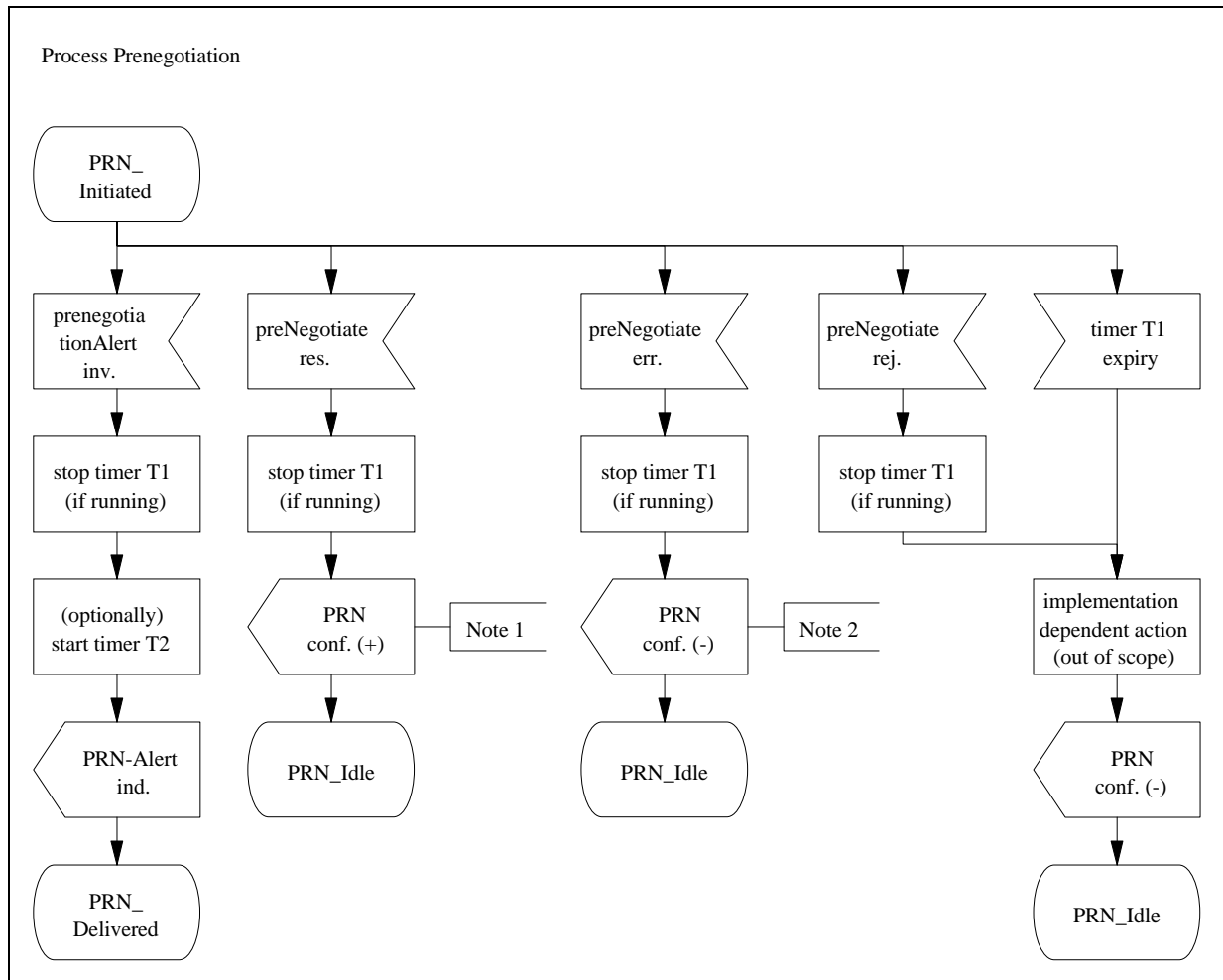


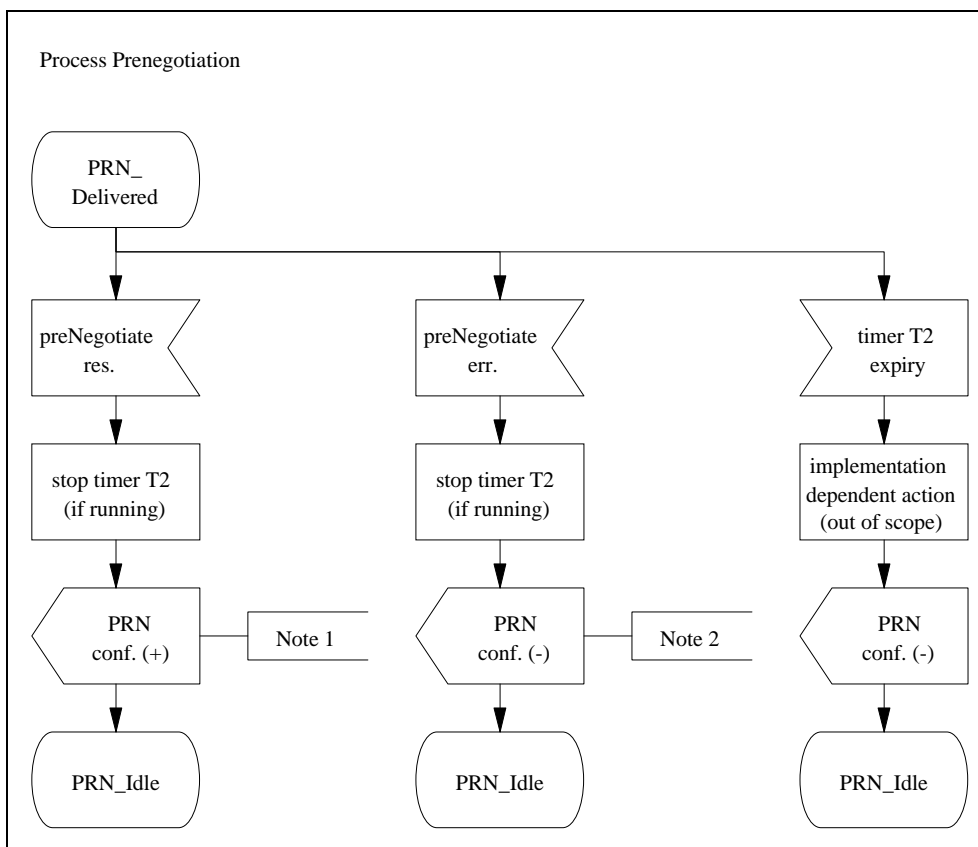
Figure 12.2: SDL for prenegotiation, outgoing direction



NOTE 1: Connections may be established with the proposed parameters or with the alternative parameters proposed by the remote party.

NOTE 2: Remote party incompatible or negotiated resources currently unavailable.

Figure 12.3: SDL for prenegotiation, outgoing direction



NOTE 1: Connections may be established with the proposed parameters or with the alternative parameters proposed by the remote party.

NOTE 2: Remote party incompatible or negotiated resources currently unavailable.

Figure 12.4: SDL for prenegotiation, outgoing direction

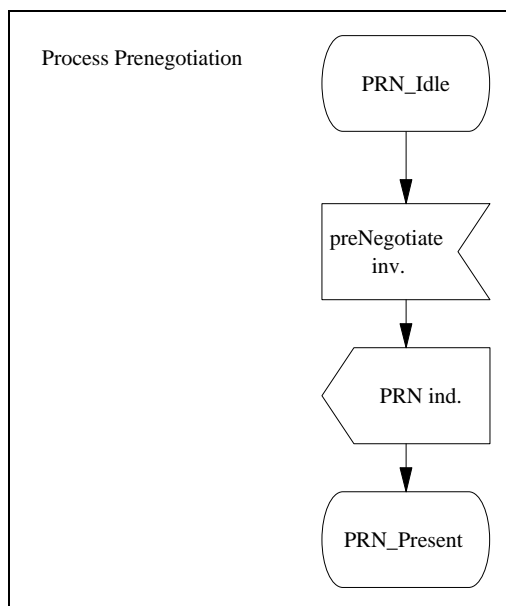
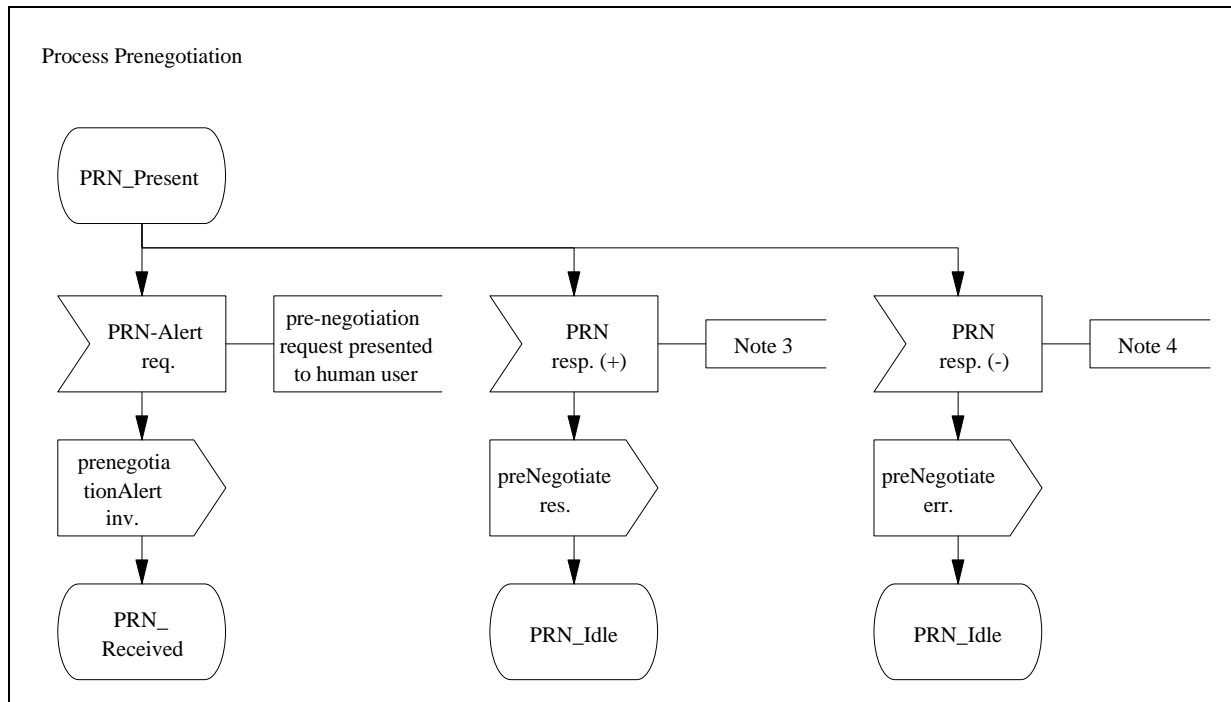


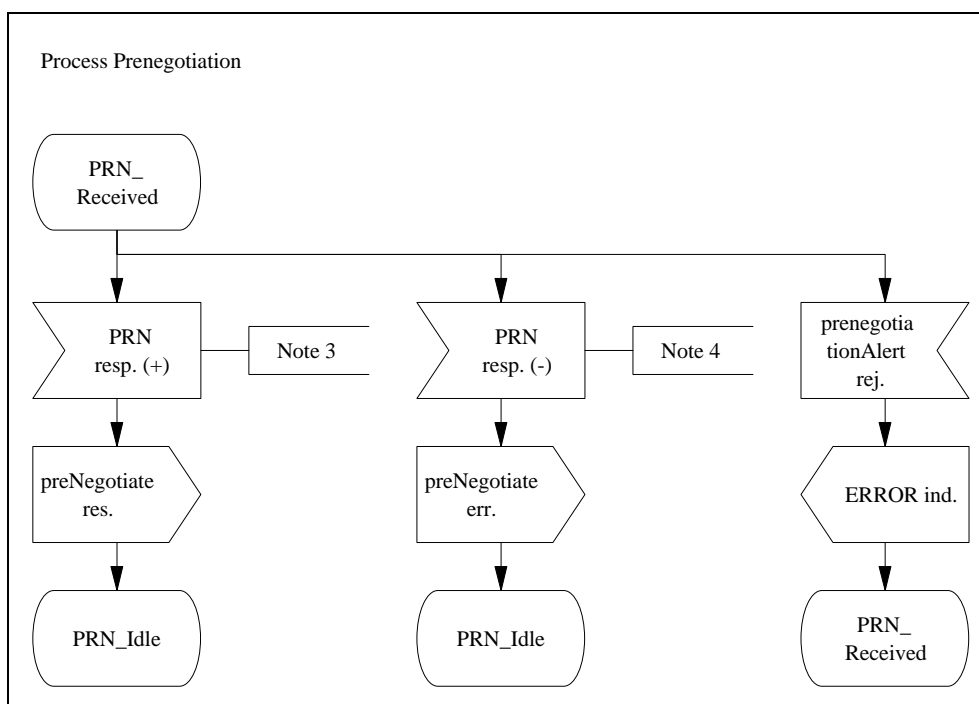
Figure 12.5: SDL for prenegotiation, incoming direction



NOTE 3: Prenegotiation request fully accepted, acceptance of a proposed alternative, or counterproposal made.

NOTE 4: Not compatible or resources currently unavailable.

Figure 12.6: SDL for prenegotiation, incoming direction



NOTE 5: Prenegotiation request fully accepted, acceptance of a proposed alternative, or counterproposal made.

NOTE 6: Not compatible or resources currently unavailable.

Figure 12.7: SDL for prenegotiation, outgoing direction

Annex A (informative): Information flow diagrams

This annex shows typical information flows for PRN. The following conventions are used in the figures of this annex:

- the figures show APDUs exchanged between CC entities involved in PRN. Only APDUs relevant to PRN are shown;
- the figures show protocol states related to PRN on the incoming and outgoing side of a CC entity;
- the figures show the primitives to and from the PRN service user within the user CC which correspond to the exchanged APDUs.

A.1 Prenegotiation

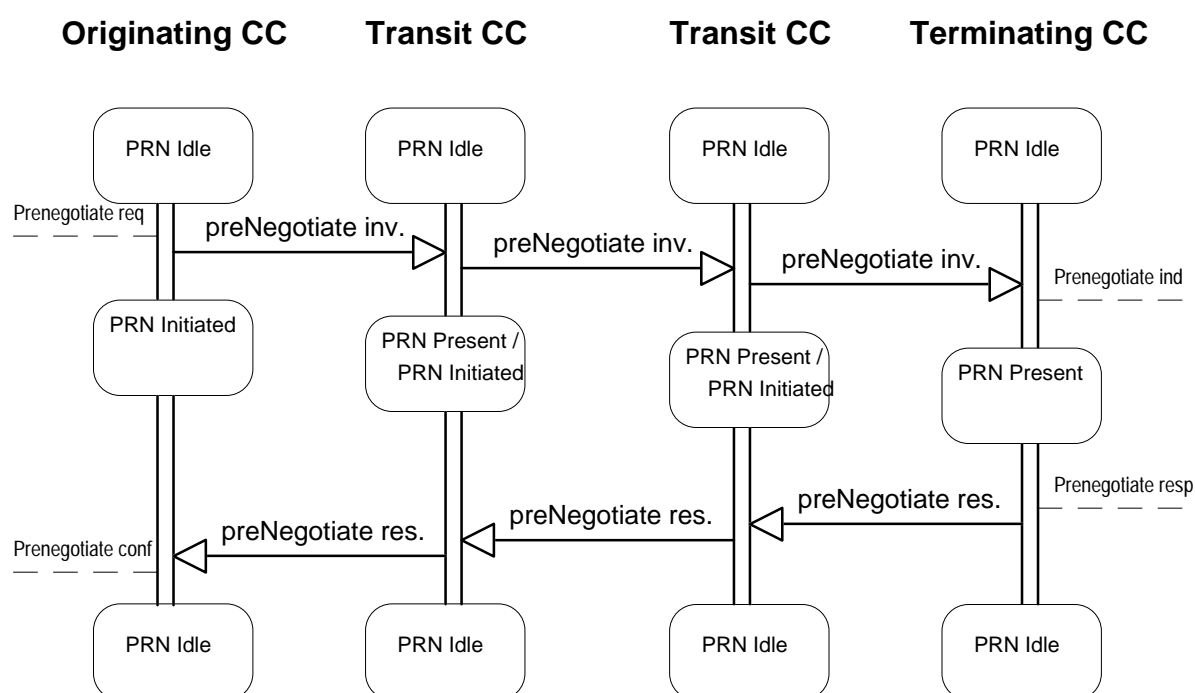


Figure A.1: Example information flow for PRN

A.2 PRN with optional PRN Alert

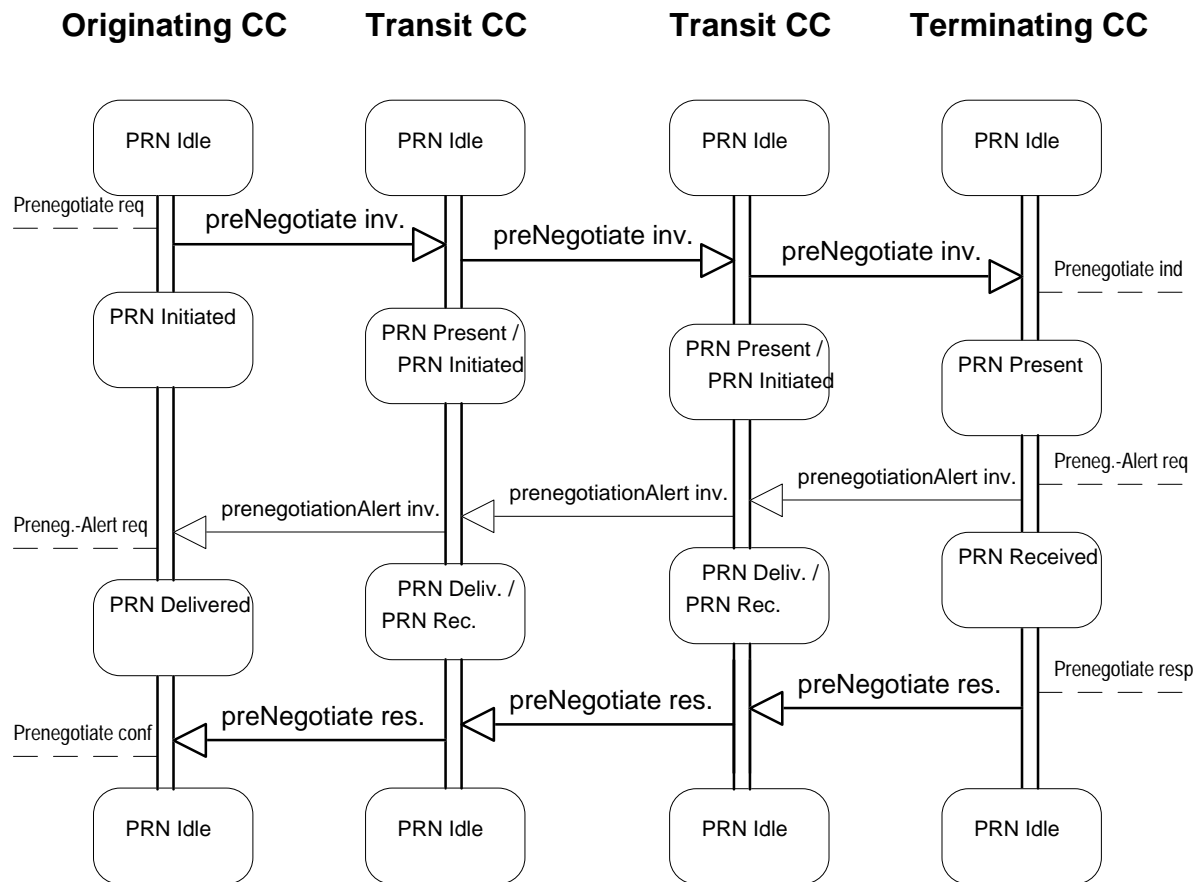


Figure A.2: Example information flow for PRN with optional PRN alert

Annex B (informative): Object identifiers defined in the present document

This annex lists the object identifier values assigned in the present document and data types, values and macros that are exported from any modules identified by those values. All the object identifiers in the present document are defined using the ITU-T object identifier tree. This means that each object identifier value is assigned in the tree:

`prnObjectIdTree ::= itu-t identified-organization etsi 2091`

Table B.1 lists the module number values and the data types, values and Macros which are exported from these modules.

Table B.1: ASN.1 Module Object identifiers used in the present document

Object Identifier	Reference	Notes
{ prnObjectIdTree prenegotiation-operations-and-errors (1) }	Table 1	Exports: preNegotiate, PrenegotiationProposal, prenegotiationAlert
{ prnObjectIdTree prenegotiation-operations-definitions (2) }	Table 1	
{ prnObjectIdTree prenegotiation-operations-errors (3) }	Table 1	

Bibliography

The following material, though not specifically referenced in the body of the present document (or not publicly available), gives supporting information.

- DEG/SPAN-05134:" Broadband Integrated Services Digital Network (B-ISDN); Digital Subscriber Signalling System No. two (DSS2) and Broadband QSIG (B-QSIG) protocols; Generic concepts for the support of multiconnection calls in a separated environment; Part 1: Protocol specification".

History

Document history				
V1.1.1	December 1998	Public Enquiry	PE 9917:	1998-12-25 to 1999-04-23
V1.1.2	August 1999	Vote	V 9946:	1999-08-31 to 1999-10-29