

# ETSI EN 301 908-3 V11.1.2 (2016-07)



**IMT cellular networks;  
Harmonised Standard covering the essential requirements  
of article 3.2 of the Directive 2014/53/EU;  
Part 3: CDMA Direct Spread (UTRA FDD) Base Stations (BS)**

---

**Reference**

---

REN/MSG-TFES-11a-3-RED

---

**Keywords**

---

3G, 3GPP, cellular, digital, E-UTRA, IMT, IMT-2000, IMT-Advanced, mobile, radio, regulation, UMTS, UTRA, WCDMA**ETSI**

---

650 Route des Lucioles  
F-06921 Sophia Antipolis Cedex - FRANCE

Tel.: +33 4 92 94 42 00 Fax: +33 4 93 65 47 16

Siret N° 348 623 562 00017 - NAF 742 C  
Association à but non lucratif enregistrée à la  
Sous-Préfecture de Grasse (06) N° 7803/88

---

**Important notice**The present document can be downloaded from:  
<http://www.etsi.org/standards-search>

The present document may be made available in electronic versions and/or in print. The content of any electronic and/or print versions of the present document shall not be modified without the prior written authorization of ETSI. In case of any existing or perceived difference in contents between such versions and/or in print, the only prevailing document is the print of the Portable Document Format (PDF) version kept on a specific network drive within ETSI Secretariat.

Users of the present document should be aware that the document may be subject to revision or change of status. Information on the current status of this and other ETSI documents is available at  
<https://portal.etsi.org/TB/ETSIDeliverableStatus.aspx>

If you find errors in the present document, please send your comment to one of the following services:  
<https://portal.etsi.org/People/CommiteeSupportStaff.aspx>

---

**Copyright Notification**

No part may be reproduced or utilized in any form or by any means, electronic or mechanical, including photocopying and microfilm except as authorized by written permission of ETSI.

The content of the PDF version shall not be modified without the written authorization of ETSI.  
The copyright and the foregoing restriction extend to reproduction in all media.

© European Telecommunications Standards Institute 2016.  
All rights reserved.

**DECT™**, **PLUGTESTS™**, **UMTS™** and the ETSI logo are Trade Marks of ETSI registered for the benefit of its Members.  
**3GPP™** and **LTE™** are Trade Marks of ETSI registered for the benefit of its Members and of the 3GPP Organizational Partners.  
**GSM®** and the GSM logo are Trade Marks registered and owned by the GSM Association.

# Contents

Intellectual Property Rights .....	6
Foreword.....	6
Modal verbs terminology.....	6
Introduction .....	6
1 Scope .....	7
2 References .....	7
2.1 Normative references .....	7
2.2 Informative references.....	8
3 Definitions, symbols and abbreviations .....	9
3.1 Definitions.....	9
3.2 Symbols.....	11
3.3 Abbreviations .....	12
4 Technical requirements specifications .....	13
4.1 Environmental profile.....	13
4.2 Conformance requirements .....	13
4.2.1 Introduction.....	13
4.2.2 Spectrum emissions mask .....	16
4.2.2.1 Definition .....	16
4.2.2.2 Limit.....	17
4.2.2.3 Conformance .....	24
4.2.3 Adjacent channel leakage power ratio (ACLR) .....	24
4.2.3.1 Definition .....	24
4.2.3.2 Limits .....	24
4.2.3.3 Cumulative ACLR test requirement in non-contiguous spectrum or multiple-bands .....	25
4.2.3.4 Conformance.....	26
4.2.4 Transmitter spurious emissions.....	26
4.2.4.1 Definition .....	26
4.2.4.2 Limits .....	27
4.2.4.2.1 Spurious emissions .....	27
4.2.4.2.2 Co-existence with other systems .....	27
4.2.4.2.3 Co-existence with services in adjacent frequency bands .....	29
4.2.4.2.4 Protection of the BS receiver of own or different BS .....	29
4.2.4.2.5 Co-existence with Home BS operating in other bands .....	30
4.2.4.3 Conformance.....	30
4.2.5 Base Station maximum output power .....	30
4.2.5.1 Definition .....	30
4.2.5.2 Limit.....	31
4.2.5.3 Conformance.....	31
4.2.6 Transmitter intermodulation .....	31
4.2.6.1 Definition .....	31
4.2.6.2 Limit.....	32
4.2.6.3 Conformance .....	32
4.2.7 Receiver spurious emissions .....	32
4.2.7.1 Definition .....	32
4.2.7.2 Limit.....	32
4.2.7.3 Conformance.....	33
4.2.8 Blocking characteristics .....	33
4.2.8.1 Definition .....	33
4.2.8.2 Limit.....	33
4.2.8.3 Conformance.....	37
4.2.9 Receiver intermodulation characteristics .....	37

4.2.9.1	Definition .....	37
4.2.9.2	Limit.....	38
4.2.9.3	Conformance.....	39
4.2.10	Receiver adjacent channel selectivity .....	39
4.2.10.1	Definition .....	39
4.2.10.2	Limit.....	39
4.2.10.3	Conformance.....	40
4.2.11	Home BS output power for adjacent channel protection .....	40
4.2.11.1	Definition .....	40
4.2.11.2	Limit.....	40
4.2.11.3	Conformance.....	41
4.2.12	Reference sensitivity level .....	41
4.2.12.1	Definition .....	41
4.2.12.2	Limit.....	41
4.2.12.3	Conformance.....	41
5	Testing for compliance with technical requirements.....	42
5.1	Environmental conditions for testing .....	42
5.2	Interpretation of the measurement results .....	42
5.3	Essential radio test suites.....	44
5.3.0	Introduction.....	44
5.3.1	Spectrum emission mask .....	44
5.3.1.0	General .....	44
5.3.1.1	Initial conditions .....	44
5.3.1.2	Procedures.....	45
5.3.1.3	Test requirement .....	45
5.3.2	Adjacent channel leakage power ratio (ACLR).....	45
5.3.2.1	Initial conditions .....	45
5.3.2.2	Procedure .....	45
5.3.2.3	Test requirement .....	46
5.3.3	Transmitter spurious emissions.....	46
5.3.3.0	General .....	46
5.3.3.1	Initial conditions .....	46
5.3.3.2	Procedure .....	46
5.3.3.3	Test requirement .....	47
5.3.4	Base Station maximum output power .....	47
5.3.4.0	General .....	47
5.3.4.1	Initial conditions .....	47
5.3.4.2	Procedure .....	47
5.3.4.3	Test requirement .....	48
5.3.5	Transmit intermodulation .....	48
5.3.5.0	General .....	48
5.3.5.1	Initial conditions .....	48
5.3.5.2	Procedures.....	48
5.3.5.3	Test requirement .....	49
5.3.6	Receiver spurious emissions .....	49
5.3.6.0	General .....	49
5.3.6.1	Initial conditions .....	49
5.3.6.2	Procedure .....	49
5.3.6.3	Test requirement .....	50
5.3.7	Blocking characteristics .....	50
5.3.7.0	General .....	50
5.3.7.1	Initial conditions .....	50
5.3.7.2	Procedure .....	51
5.3.7.3	Test requirement .....	51
5.3.8	Receiver intermodulation characteristics .....	51
5.3.8.0	General .....	51
5.3.8.1	Initial conditions .....	51
5.3.8.2	Procedures.....	52
5.3.8.3	Test requirement .....	52
5.3.9	Receiver adjacent channel selectivity (ACS).....	52
5.3.9.0	General .....	52

5.3.9.1	Initial conditions .....	52
5.3.9.2	Procedure .....	53
5.3.9.3	Test requirement .....	53
5.3.10	Home BS output power for adjacent channel protection .....	53
5.3.10.1	Initial conditions .....	53
5.3.10.2	Procedure .....	53
5.3.10.3	Test requirement .....	54
5.3.11	Reference sensitivity level .....	54
5.3.11.0	General .....	54
5.3.11.1	Initial Conditions .....	54
5.3.11.2	Procedure .....	54
5.3.11.3	Test requirement .....	55
<b>Annex A (normative):</b>	<b>Relationship between the present document and the essential requirements of Directive 2014/53/EU .....</b>	<b>56</b>
<b>Annex B (normative):</b>	<b>Base Station configurations.....</b>	<b>58</b>
B.1	Receiver diversity .....	58
B.2	Duplexers .....	58
B.3	Power supply options .....	58
B.4	Ancillary RF amplifiers.....	59
B.5	BS using antenna arrays .....	59
B.5.0	Introduction .....	59
B.5.1	Receiver tests.....	60
B.5.2	Transmitter tests .....	60
B.6	Transmit diversity and MIMO transmission .....	60
B.7	BS with integrated Luant BS modem.....	61
<b>Annex C (informative):</b>	<b>Environmental profile specification .....</b>	<b>62</b>
<b>Annex D (informative):</b>	<b>Bibliography.....</b>	<b>63</b>
History	.....	64

---

## Intellectual Property Rights

IPRs essential or potentially essential to the present document may have been declared to ETSI. The information pertaining to these essential IPRs, if any, is publicly available for **ETSI members and non-members**, and can be found in ETSI SR 000 314: "*Intellectual Property Rights (IPRs); Essential, or potentially Essential, IPRs notified to ETSI in respect of ETSI standards*", which is available from the ETSI Secretariat. Latest updates are available on the ETSI Web server (<https://ipr.etsi.org>).

Pursuant to the ETSI IPR Policy, no investigation, including IPR searches, has been carried out by ETSI. No guarantee can be given as to the existence of other IPRs not referenced in ETSI SR 000 314 (or the updates on the ETSI Web server) which are, or may be, or may become, essential to the present document.

---

## Foreword

This Harmonised European Standard (EN) has been produced by ETSI Technical Committee Mobile Standards Group (MSG).

For non EU countries the present document may be used for regulatory (Type Approval) purposes.

The present document has been prepared under the Commission's standardisation request C(2015) 5376 final [i.1] to provide one voluntary means of conforming to the essential requirements of Directive 2014/53/EU on the harmonisation of the laws of the Member States relating to the making available on the market of radio equipment and repealing Directive 1999/5/EC [i.2].

Once the present document is cited in the Official Journal of the European Union under that Directive, compliance with the normative clauses of the present document given in table A.1 confers, within the limits of the scope of the present document, a presumption of conformity with the corresponding essential requirements of that Directive, and associated EFTA regulations.

The present document is part 3 of a multi-part deliverable. Full details of the entire series can be found in part 1 [i.5].

<b>National transposition dates</b>	
Date of latest announcement of this EN (doa):	31 October 2016
Date of latest publication of new National Standard or endorsement of this EN (dop/e):	30 April 2017
Date of withdrawal of any conflicting National Standard (dow):	30 April 2018

---

## Modal verbs terminology

In the present document "**shall**", "**shall not**", "**should**", "**should not**", "**may**", "**need not**", "**will**", "**will not**", "**can**" and "**cannot**" are to be interpreted as described in clause 3.2 of the [ETSI Drafting Rules](#) (Verbal forms for the expression of provisions).

"**must**" and "**must not**" are **NOT** allowed in ETSI deliverables except when used in direct citation.

---

## Introduction

The present document is part of a set of standards developed by ETSI that are designed to fit in a modular structure to cover radio equipment within the scope of the Radio Equipment Directive [i.2]. The present document is produced following the guidance in ETSI EG 203 336 [i.3] as applicable.

# 1 Scope

The present document applies to the following equipment types:

- 1) Stations for IMT 2000 CDMA Direct Spread (UTRA FDD).

This radio equipment type is capable of operating in all or any part of the frequency bands given in table 1-1.

**Table 1-1: UTRA FDD Base Station operating bands**

UTRA FDD band	Direction of transmission	UTRA FDD Base Station operating bands
I	Transmit	2 110 MHz to 2 170 MHz
	Receive	1 920 MHz to 1 980 MHz
III	Transmit	1 805 MHz to 1 880 MHz
	Receive	1 710 MHz to 1 785 MHz
VII	Transmit	2 620 MHz to 2 690 MHz
	Receive	2 500 MHz to 2 570 MHz
VIII	Transmit	925 MHz to 960 MHz
	Receive	880 MHz to 915 MHz
XV	Transmit	2 600 MHz to 2 620 MHz
	Receive	1 900 MHz to 1 920 MHz
XVI	Transmit	2 585 MHz to 2 600 MHz
	Receive	2 010 MHz to 2 025 MHz
XX	Transmit	791 MHz to 821 MHz
	Receive	832 MHz to 862 MHz
XXII	Transmit	3 510 MHz to 3 590 MHz
	Receive	3 410 MHz to 3 490 MHz
XXXII (see note)	Transmit	1 452 MHz to 1 496 MHz
	Receive	-

NOTE: The down link frequenc(ies) of this band are paired with the uplink frequenc(ies) of the other FDD band (external) of the dual band configuration.

The present document covers requirements for UTRA FDD Base Stations for 3GPP Releases 99, 4, 5, 6, 7, 8, 9, 10 and 11. This includes the requirements for BS operating bands from 3GPP Release 12. In addition, the present document covers requirements for UTRA FDD Base Stations in the operating bands specified in ETSI TS 102 735 [i.4].

The present document contains requirements to demonstrate that Radio equipment both effectively uses and supports the efficient use of radio spectrum in order to avoid harmful interference.

## 2 References

### 2.1 Normative references

References are either specific (identified by date of publication and/or edition number or version number) or non-specific. For specific references, only the cited version applies. For non-specific references, the latest version of the referenced document (including any amendments) applies.

Referenced documents which are not found to be publicly available in the expected location might be found at <http://docbox.etsi.org/Reference>.

NOTE: While any hyperlinks included in this clause were valid at the time of publication, ETSI cannot guarantee their long term validity.

The following referenced documents are necessary for the application of the present document.

- [1] ETSI TS 125 141 (V11.12.0) (01-2016): "Universal Mobile Telecommunications System (UMTS); Base Station (BS) conformance testing (FDD) (3GPP TS 25.141 version 11.12.0 Release 11)".

- [2] ETSI TS 145 004 (V11.0.0) (10-2012): "Digital cellular telecommunications system (Phase 2+); Modulation (3GPP TS 45.004 version 11.0.0 Release 11)".
- [3] ETSI TS 125 104 (V11.12.0) (01-2016): "Universal Mobile Telecommunications System (UMTS); Base Station (BS) radio transmission and reception (FDD) (3GPP TS 25.104 version 11.12.0 Release 11)".

## 2.2 Informative references

References are either specific (identified by date of publication and/or edition number or version number) or non-specific. For specific references, only the cited version applies. For non-specific references, the latest version of the referenced document (including any amendments) applies.

NOTE: While any hyperlinks included in this clause were valid at the time of publication, ETSI cannot guarantee their long term validity.

The following referenced documents are not necessary for the application of the present document but they assist the user with regard to a particular subject area.

- [i.1] Commission implementing decision C(2015) 5376 final of 4.8.2015 on a standardisation request to the European Committee for Electrotechnical Standardisation and to the European Telecommunications Standards Institute as regards radio equipment in support of Directive 2014/53/EU of the European Parliament and of the Council.
- [i.2] Directive 2014/53/EU of the European parliament and of the council of 16 April 2014 on the harmonisation of the laws of the Member States relating to the making available on the market of radio equipment and repealing Directive 1999/5/EC.
- [i.3] ETSI EG 203 336 (V1.1.1) (08-2015): "Electromagnetic compatibility and Radio spectrum Matters (ERM); Guide for the selection of technical parameters for the production of Harmonised Standards covering article 3.1(b) and article 3.2 of Directive 2014/53/EU".
- [i.4] ETSI TS 102 735 (V7.1.0): "Universal Mobile Telecommunications System (UMTS); Band-specific requirements for UMTS Frequency Division Duplex (FDD) operation in the bands 1 900 MHz to 1 920 MHz paired with 2 600 MHz to 2 620 MHz and 2 010 MHz to 2 025 MHz paired with 2 585 MHz to 2 600 MHz".
- [i.5] ETSI EN 301 908-1 (V11.1.1): "IMT cellular networks; Harmonized EN covering the essential requirements of article 3.2 of the Directive 2014/53/EU; Part 1: Introduction and common requirements".
- [i.6] ETSI TR 100 028 (all parts): "Electromagnetic compatibility and Radio spectrum Matters (ERM); Uncertainties in the measurement of mobile radio equipment characteristics".
- [i.7] ETSI TS 136 104 (V12.8.0) (07-2015): "LTE; Evolved Universal Terrestrial Radio Access (E-UTRA); Base Station (BS) radio transmission and reception (3GPP TS 36.104 version 12.8.0 Release 12)".
- [i.8] ETSI EN 301 908-18 (V11.1.1): "IMT cellular networks; Harmonized EN covering the essential requirements of article 3.2 of the Directive 2014/53/EU; Part 18: E-UTRA, UTRA and GSM/EDGE Multi-Standard Radio (MSR) Base Station (BS)".
- [i.9] Recommendation ITU-R SM.329-12 (09-2012): "Unwanted emissions in the spurious domain".
- [i.10] Recommendation ITU-T O.153 (10-1992): "Basic parameters for the measurement of error performance at bit rates below the primary rate".



## 3 Definitions, symbols and abbreviations

### 3.1 Definitions

For the purposes of the present document, the following terms and definitions apply:

**ancillary equipment:** equipment (apparatus) used in connection with a Base Station

NOTE: This is considered as an ancillary equipment (apparatus) if:

- the equipment is intended for use in conjunction with a Base Station to provide additional operational and/or control features to the radio equipment, (e.g. to extend control to another position or location);
- the equipment cannot be used on a standalone basis to provide user functions independently of a BS; and
- the BS to which it is connected, is capable of providing some intended operation such as transmitting and/or receiving without the ancillary equipment (i.e. it is not a sub-unit of the main equipment essential to the main equipment basic functions).

**base station class:** Wide Area Base Station, Medium Range Base Station, Local Area Base Station or Home Base Station, as declared by the manufacturer

**BS RF Bandwidth:** RF bandwidth in which a Base Station transmits and/or receives single or multiple carriers simultaneously within each supported operating band

NOTE: In single carrier operation the channel bandwidth is equal to BS RF Bandwidth.

**BS RF Bandwidth edge:** frequency of one of the edges of the BS RF Bandwidth

NOTE: Base Station RF Bandwidth edges are separated by the Base Station RF Bandwidth.

**channel bandwidth:** RF bandwidth supporting a single UTRA RF carrier

NOTE: The channel bandwidth is measured in MHz and is used as a reference for transmitter and receiver RF requirements.

**chip rate:** rate of "chips" (modulated symbols after spreading) per second

NOTE: The UTRA FDD chip rate is 3,84 Mchip/s.

**contiguous spectrum:** spectrum consisting of a contiguous block of spectrum with no sub-block gap(s)

**downlink operating band:** part of the operating band designated for downlink (BS transmit)

**environmental profile:** range of environmental conditions under which equipment, within the scope of the present document, is required to comply with the provisions of the present document

**home Base Station:** base station characterized by requirements derived from femtocell scenarios

**Inter-band gap:** frequency gap between two supported consecutive operating bands

**Inter RF Bandwidth gap:** frequency gap between two consecutive BS RF Bandwidths that are placed within two supported operating bands

**Local Area Base Station:** base station characterized by requirements derived from picocell scenarios with a BS to UE minimum coupling loss equal to 45 dB

**lower sub-block edge:** frequency at the lower edge of one sub-block

NOTE: It is used as a frequency reference point for both transmitter and receiver requirements.

**maximum BS RF Bandwidth:** maximum RF bandwidth supported by a BS within each supported operating band

**maximum output power per carrier:** mean power level per carrier of the Base Station measured at the antenna connector in a specified reference condition

**Maximum Radio Bandwidth:** maximum frequency difference between the upper edge of the highest used carrier and the lower edge of the lowest used carrier

**mean power:** power (transmitted or received) in a bandwidth of at least  $(1 + \alpha)$  times the chip rate of the radio access mod, when applied to a WCDMA-modulated signal

NOTE 1: The period of measurement is at least one timeslot unless otherwise stated.

NOTE 2:  $\alpha = 0,22$  is the roll-off factor of the WCDMA signal.

**Medium Range Base Station:** base station characterized by requirements derived from microcell scenarios with a BS to UE minimum coupling loss equal to 53 dB

**MIMO mode:** downlink MIMO configuration with two transmit antennas

**MIMO mode with four transmit antennas:** downlink MIMO configuration with four transmit antennas

**multi-band Base Station:** base station characterized by the ability of its transmitter and/or receiver to process two or more carriers in common active RF components simultaneously, where at least one carrier is configured at a different non-overlapping operating band than the other carrier(s)

**multi-band receiver:** receiver characterized by the ability to process two or more carriers in common active RF components simultaneously, where at least one carrier is configured at a different non-overlapping operating band than the other carrier(s)

**multi-band transmitter:** transmitter characterized by the ability to process two or more carriers in common active RF components simultaneously, where at least one carrier is configured at a different non-overlapping operating band than the other carrier(s)

**multi-carrier transmission configuration:** set of one or more contiguous or non-contiguous carriers that a BS is able to transmit simultaneously according to the manufacturer's specification

**non-contiguous spectrum:** spectrum consisting of two or more sub-blocks separated by sub-block gap(s)

**operating band:** frequency range that is defined with a specific set of technical requirements, in which UTRA FDD operates

NOTE: The operating band(s) for a UTRA FDD BS is declared by the manufacturer according to the designations in table 1-1. Operating bands for UTRA are designated with Roman numerals, while the corresponding operating bands for E-UTRA are designated with Arabic numerals.

**output power:** mean power of one carrier of the Base Station, delivered to a load with resistance equal to the nominal load impedance of the transmitter

**rated output power:** rated output power of the Base Station is the mean power level per carrier that the manufacturer has declared to be available at the antenna connector

**rated total output power:** rated total output power of the Base Station is the mean power level that the manufacturer has declared to be available at the antenna connector

**RRC filtered mean power:** mean power as measured through a root raised cosine filter with roll-off factor  $\alpha$  and a bandwidth equal to the chip rate of the radio access mode

NOTE: The RRC filtered mean power of a perfectly modulated WCDMA signal is 0,246 dB lower than the mean power of the same signal.

**sub-block:** one contiguous allocated block of spectrum for use by the same Base Station

NOTE: There may be multiple instances of sub-blocks within a BS RF Bandwidth.

**sub-block bandwidth: RF** bandwidth of one sub-block

**sub-block gap:** frequency gap between two consecutive sub-blocks within a BS RF Bandwidth, where the RF requirements in the gap are based on co-existence for un-coordinated operation

**Total RF Bandwidth:** maximum sum of BS RF Bandwidths in all supported operating bands

**uplink operating band:** part of the operating band designated for uplink (BS receive)

**upper sub-block edge:** frequency at the higher edge of one sub-block

NOTE: It is used as a frequency reference point for both transmitter and receiver requirements.

**Wide Area Base Station:** Base Station characterized by requirements derived from Macro Cell scenarios with a BS to UE minimum coupling loss equal to 70 dB

NOTE: This Base Station class has the same requirements as the general purpose Base Station in Releases 99, 4 and 5.

## 3.2 Symbols

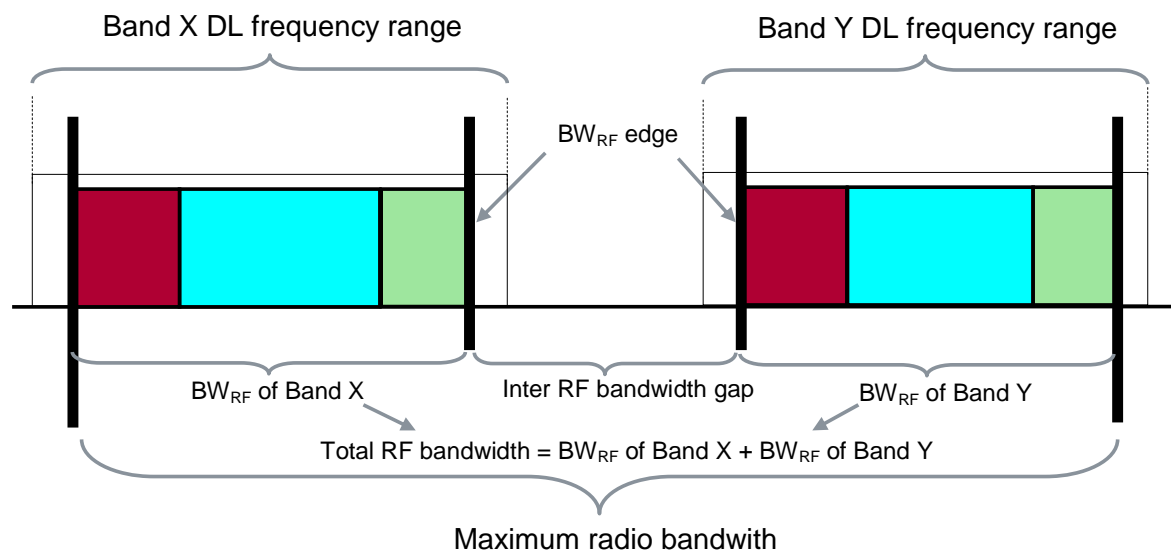
For the purposes of the present document, the following symbols apply:

$\alpha$	Roll-off factor
$\Delta f$	Frequency offset of the measurement filter -3 dB point, as defined in clause 4.2.2.2
$\Delta f_{\max}$	The largest value of $\Delta f$ used for defining the requirement
$B$	Appropriate frequency in the Bottom of the operating band of the BS
$B_{\text{RFBW}}$	Maximum BS RF Bandwidth located at the bottom of the supported frequency range in each operating band
$BW_{\max}$	Maximum Radio Bandwidth
$BW_{\text{tot}}$	Total RF Bandwidth
$\text{CPICH } \hat{E}_c$	Common Pilot Channel code power (on the adjacent channel)
$E_b$	Average energy per information bit
$E_c$	Total energy per PN chip
$F_{\text{filter}}$	Filter centre frequency
$F_{\text{high}}$	The highest BS transmit frequency of the downlink operating band
$F_{\text{low}}$	The lowest BS transmit frequency of the downlink operating band
$F_{\text{uw}}$	Frequency offset of unwanted signal
$I_{\text{oh}}$	Total received power density excluding own Home BS signal
$f$	Frequency
$F_{\text{offset}}$	Frequency offset from the centre frequency of the <i>highest</i> transmitted/received carrier to the <i>upper</i> BS RF Bandwidth edge, sub-block edge, or Inter RF Bandwidth edge, from the centre frequency of the <i>lowest</i> transmitted/received carrier to the <i>lower</i> BS RF Bandwidth edge, sub-block edge or Inter RF Bandwidth edge

NOTE:  $F_{\text{offset}}$  for UTRA FDD is 2,5 MHz.

$F_{\text{DL\_low}}$	The lowest frequency of the downlink operating band
$F_{\text{DL\_high}}$	The highest frequency of the downlink operating band
$F_{\text{DL\_Offset}}$	The offset parameter used to calculate the UARFCN
$F_{\text{UL\_low}}$	The lowest frequency of the uplink operating band
$F_{\text{UL\_high}}$	The highest frequency of the uplink operating band
$F_{\text{UL\_Offset}}$	The offset parameter used to calculate the UARFCN
$M$	Appropriate frequency in the Middle of the operating band of the BS
$M_{\text{RFBW}}$	Maximum BS RF Bandwidth located in the middle of the supported frequency range in each operating band
$P_{\text{EM,N}}$	Declared emission level for channel N
$P_{\text{EM,B32,ind}}$	Declared emission level in Band 32, ind=a, b, c, d, e
$P_{\text{max,c}}$	Maximum output power (per carrier)
$P_{\text{rated,c}}$	Rated output power (per carrier)
$P_{\text{rated,t}}$	Rated total output power
$P_{\text{out}}$	Output power
$P_{\text{REFSENS}}$	Reference sensitivity power level

Rx	Receiver
T	Appropriate frequency in the Top of the operating band of the BS
$T_{\text{RFBW}}$	Maximum BS RF Bandwidth located at the top of the supported frequency range in each operating band
Tx	Transmitter
$W_{\text{gap}}$	Sub-block gap or Inter RF Bandwidth gap size



**Figure 3.2-1: Illustration of Maximum Radio Bandwidth  $BW_{\text{max}}$  and Total RF Bandwidth for Multi-band Base Station  $BW_{\text{tot}}$**

### 3.3 Abbreviations

For the purposes of the present document, the following abbreviations apply:

ACLR	Adjacent Channel Leakage power Ratio
ACS	Adjacent Channel Selectivity
AWGN	Additive White Gaussian Noise
BER	Bit Error Ratio
BS	Base Station
BTS	Base Transceiver Station
CACLR	Cumulative ACLR
CDMA	Code Division Multiple Access
CEPT	Conférence Européenne des administrations des Postes et des Télécommunications
CPICH	Common Pilot Channel
CW	Continuous Wave
DC	Direct Current
DL	Down Link (forward link)
DPCH	Dedicated Physical Channel
DTT	Digital Terrestrial Television
DUT	Device Under Test
EC	European Commission
ECC	Electronic Communications Committee
EFTA	European Foreign Trade Association
EIRP	Effective Isotropic Radiated Power
EMC	ElectroMagnetic Compatibility
EUT	Equipment Under Test
FDD	Frequency Division Duplexing
GMSK	Gaussian Minimum Shift Keying
GSM	Global System for Mobile communications
HSDPA	High Speed Downlink Packet Access

IMT	International Mobile Telecommunications
MC	Multi-Carrier
MIMO	Multiple Input Multiple Output
MS	Mobile Station
MSR	Multi-Standard Radio
NC	Non-Contiguous
PCCPCH	Primary Common Control Physical Channel
PN	Pseudo Noise
RAT	Radio Access Technology
RBW	Resolution BandWidth (of test equipment)
RF	Radio Frequency
RMS	Root Mean Square
RRC	Root-Raised Cosine
SC	Single Carrier
SCCPCH	Secondary Common Control Physical CHannel
TDD	Time Division Duplexing
TPC	Transmitter Power Control
UARFCN	UTRA Absolute Radio Frequency Channel Number
UE	User Equipment
UL	Up Link (reverse link)
UMTS	Universal Mobile Telecommunications System
UTRA	Universal Terrestrial Radio Access
WCDMA	Wideband Code Division Multiple Access

---

## 4 Technical requirements specifications

### 4.1 Environmental profile

The technical requirements of the present document apply under the environmental profile for operation of the equipment, which shall be declared by the manufacturer. The equipment shall comply with all the technical requirements of the present document at all times when operating within the boundary limits of the declared operational environmental profile.

For guidance on how a manufacturer can declare the environmental profile, see annex C.

### 4.2 Conformance requirements

#### 4.2.1 Introduction

The requirements in the present document are based on the assumption that the operating band (see table 1-1) is shared between systems of the IMT family (for band III and VIII also GSM) or systems having compatible characteristics.

To meet the essential requirement under article 3.2 of Directive 2014/53/EU [i.2] for IMT Base Stations (BS), a set of essential parameters in addition to those in ETSI EN 301 908-1 [i.5] have been identified. Table 4.2.1-1 provides a cross reference between these essential parameters and the corresponding technical requirements for equipment within the scope of the present document.

Table 4.2.1-1: Cross references

Essential parameter	Corresponding technical requirements	Corresponding test suite
Transmitter spectrum mask	4.2.2 Spectrum emissions mask	5.3.1
	4.2.3 Adjacent Channel Leakage power Ratio (ACLR)	5.3.2
Transmitter unwanted emissions in the out of band domain	4.2.11 Home BS output power for adjacent channel protection	5.3.10
Transmitter unwanted emissions in the spurious domain	4.2.4 Transmitter spurious emissions	5.3.3
Transmitter power accuracy	4.2.5 Base Station maximum output power	5.3.4
Transmitter intermodulation attenuation	4.2.6 Transmit intermodulation	5.3.5
Receiver unwanted emissions in the spurious domain	4.2.7 Receiver spurious emissions	5.3.6
Receiver blocking	4.2.8 Blocking characteristics	5.3.7
Receiver desensitization		
Receiver radio-frequency intermodulation	4.2.9 Receiver intermodulation characteristics	5.3.8
Receiver adjacent channel selectivity	4.2.10 Receiver Adjacent Channel Selectivity (ACS)	5.3.9
Receiver sensitivity	4.2.12 Reference sensitivity level	5.3.11

NOTE: There are EC, EU and ECC Decisions for the harmonization of certain frequency bands for terrestrial systems capable of providing electronic communications services, including technical conditions and parameters related to spectrum usage of the bands. These are related to the deployment and installation of the equipment, but are not related to the conformity of the equipment with the present document.

The manufacturer shall declare the following:

- The operating band(s) supported by the Base Station according to table 1-1.
- The supported RF configurations according to clause 4.11.6 in ETSI TS 125 141 [1].

The technical requirements in the present document apply for Base Stations supporting UTRA FDD, for the declared Base Station class and operating band(s) as outlined for each requirement. For a Base Station supporting more than one operating band, conformance testing for each technical requirement in clause 5 shall be performed for each operating band.

When the BS is configured to receive multiple carriers, all the BER requirements are applicable for each received carrier. For ACS, blocking and intermodulation characteristics, the negative offsets of the interfering signal apply relative to the lower BS RF Bandwidth edge and positive offsets of the interfering signal apply relative to the upper BS RF Bandwidth edge.

For BS capable of multi-band operation, the technical requirements in present clause shall apply for each supported operating band unless otherwise stated. For some requirements it is explicitly stated that specific additions or exclusions to the requirement apply for BS capable of multi-band operation.

For BS capable of multi-band operation, various structures in terms of combinations of different transmitter and receiver implementations (multi-band or single-band) with mapping of transceivers to one or more antenna port(s) in different ways are possible. In the case where multiple bands are mapped on separate antenna connectors, the following apply:

- Single-band ACLR, spectrum emission mask, transmitter spurious emissions, transmitter intermodulation and receiver spurious emissions requirements shall apply to each antenna connector.
- If the BS is configured for single-band operation, single-band requirements shall apply to the antenna connector configured for single-band operation and no exclusions or provisions for multi-band capable BS are applicable. Single-band requirements are tested separately at the antenna connector configured for single-band operation, with all other antenna connectors terminated.

A spectrum allocation where the BS operates can either be contiguous or non-contiguous. Unless otherwise stated, the requirements in the present document apply for BS configured for both contiguous spectrum operation and non-contiguous spectrum operation.

For BS operation in non-contiguous spectrum, some requirements apply also inside the sub-block gaps. For each such requirement, it is stated how the limits apply relative to the sub-block edges.

The technical requirements also apply to the BS configurations described in annex B.

For an UTRA FDD BS additionally conforming to ETSI EN 301 908-18 [i.8], conformance with the technical requirements listed in table 4.2.1-1 can equally be demonstrated through the corresponding technical requirements and test suites in ETSI EN 301 908-18 [i.8], as listed in table 4.2.1-2.

When conformance is demonstrated through the test suites in ETSI EN 301 908-18 [i.8] for these technical requirements, the corresponding test suites in the present document need not be performed.

**Table 4.2.1-2: Alternative technical requirements and test suites in ETSI EN 301 908-18 [i.8] that can equally be used for demonstrating BS conformance**

Technical requirement in the present document	Corresponding technical requirements in ETSI EN 301 908-18 [i.8]	Corresponding test suites in ETSI EN 301 908-18 [i.8]
4.2.2 Spectrum emissions mask	4.2.2 Operating band unwanted emissions	5.3.1 Operating band unwanted emissions
4.2.3 Adjacent Channel Leakage power Ratio (ACLR)	See note 1	See note 1
4.2.4 Transmitter spurious emissions	4.2.4 Transmitter spurious emissions	5.3.3 Transmitter spurious emissions
4.2.5 Base Station maximum output power	4.2.5 Base station maximum output power	5.3.4 Base station maximum output power
4.2.6 Transmit intermodulation	4.2.6 Transmit intermodulation	5.3.5 Transmit intermodulation
4.2.7 Receiver spurious emissions	4.2.7 Receiver spurious emissions	5.3.6 Receiver spurious emissions
4.2.8 Blocking characteristics	4.2.8 In-band blocking	5.3.7 In-band blocking
	4.2.9 Out-of-band blocking	5.3.8 Out-of-band blocking
4.2.9 Receiver intermodulation characteristics	4.2.10 Receiver intermodulation characteristics	5.3.9 Receiver intermodulation characteristics
4.2.10 Receiver adjacent channel selectivity	4.2.11 Narrowband blocking	5.3.10 Narrowband blocking
4.2.12 Reference sensitivity level	See note 2	See note 2
NOTE 1: Conformance with the UTRA ACLR requirement is for an MSR BS demonstrated through the requirement in clause 4.2.3 of the present document and the corresponding test suite in clause 5.3.2.		
NOTE 2: Conformance with the UTRA ACLR requirement is for an MSR BS demonstrated through the requirement in clause 4.2.12 of the present document and the corresponding test suite in clause 5.3.11.		

For ACS, blocking and intermodulation characteristics, the negative offsets of the interfering signal apply relative to the assigned channel frequency of the lowest carrier frequency received and positive offsets of the interfering signal apply relative to the assigned channel frequency of the highest carrier frequency received.

For a BS declared to support Band XX, the manufacturer shall additionally declare the following quantities associated with the applicable test conditions of table 4.2.2.2-7 and information in annex D of ETSI TS 125 104 [3]:

$P_{EM,N}$  Declared emission level for channel N.

$P_{10\text{ MHz}}$  Maximum output Power in 10 MHz.

For a BS declared to support Band 32, the manufacturer shall additionally declare the following quantities associated with the applicable test conditions of tables 4.2.2.2.8-13 and 4.2.2.2.8-14, and information in annex H of ETSI TS 136 104 [i.7]:

$P_{EM,B32,a}$ ,  $P_{EM,B32,b}$ ,  $P_{EM,B32,c}$ ,  $P_{EM,B32,d}$  and  $P_{EM,B32,e}$

UTRA is designed to operate in multi-carrier and band combinations defined in tables 4.2.1-3 to 4.2.1-6.

**Table 4.2.1-3: Dual-Band Dual-Carrier HSDPA (DB-DC-HSDPA) configurations**

DB-DC-HSDPA Configuration	UL Band	DL Bands
1	I or VIII	I and VIII
6	I	I and XXXII

**Table 4.2.1-4: Single-band 4-Carrier HSDPA (4C-HSDPA) configurations**

Single-band 4C-HSDPA Configuration	Operating Band	Number of DL carriers
I-3	I	3
NOTE: Single-band 4C-HSDPA configuration is numbered as (X-M) where X denotes the operating band and M denotes the number of DL carriers.		

**Table 4.2.1-5: Dual band 4-Carrier HSDPA (DB-4C-HSDPA) configurations**

Dual band 4C-HSDPA Configuration	UL Band	DL Band A	Number of DL carriers in Band A	DL Band B	Number of DL carriers in Band B
I-2-VIII-1	I or VIII	I	2	VIII	1
I-3-VIII-1	I or VIII	I	3	VIII	1
I-2-VIII-2	I or VIII	I	2	VIII	2
I-1-VIII-2	I or VIII	I	1	VIII	2
I-1-XXXII-2	I	I	1	XXXII	2
I-2-XXXII-1	I	I	2	XXXII	1
NOTE: Dual band 4C-HSDPA configuration is numbered as (X-M-Y-N) where X denotes the DL Band A, M denotes the number DL carriers in the DL Band A, Y denotes the DL Band B, and N denotes the number of DL carriers in the DL Band B.					

**Table 4.2.1-6: Single-band 8C-HSDPA configurations**

Single-band 8C-HSDPA Configuration	Operating Band	Number of DL carriers
I-8	I	8
NOTE: Single-band 8C-HSDPA configuration is numbered as (X-M) where X denotes the operating band and M denotes the number of DL carriers.		

UTRA is designed to operate in non-contiguous spectrum operation configurations defined in table 4.2.1-7.

**Table 4.2.1-7: Single-band non-contiguous 4C-HSDPA (NC-4C-HSDPA) configurations**

Single-band NC-4C-HSDPA Configuration	Operating Band	Number of DL carriers in one sub-block	Sub-block gap [MHz]	Number of DL carriers in the other sub-block
I-1-5-1	I	1	5	1
I-2-5-1	I	2	5	1
I-3-10-1	I	3	10	1
NOTE: Single-band NC-4C-HSDPA configuration is numbered as (X-M-Y-N) where X denotes the operating band, M denotes the number of DL carriers in one sub-block, Y denotes the sub-block gap in MHz and N denotes the number of DL carriers in the other sub-block. M and N can be switched.				

## 4.2.2 Spectrum emissions mask

### 4.2.2.1 Definition

Out-of-band emissions are unwanted emissions immediately outside the channel bandwidth resulting from the modulation process and non-linearity in the transmitter but excluding spurious emissions. This out-of-band emission limit is specified in terms of a spectrum emission mask and adjacent channel leakage power ratio for the transmitter.

For a UTRA FDD BS additionally conforming to ETSI EN 301 908-18 [i.8], either the requirement of the present clause or the Operating band unwanted emissions requirement in clause 4.2.2 of ETSI EN 301 908-18 [i.8] can be equally applied, as listed in table 4.2.1-2.



#### 4.2.2.2 Limit

The requirement shall be met whatever the type of transmitter considered (single-carrier or multi-carrier). In addition, for a BS operating in non-contiguous spectrum, the requirements shall apply inside any sub-block gap. In addition, for a BS capable of multi-band operation, the requirements shall apply inside any Inter RF Bandwidth gap.

For BS capable of multi-band operation where multiple bands are mapped on separate antenna connectors, the single-band requirements shall apply and the cumulative evaluation of the emission limit in the Inter RF Bandwidth gap are not applicable.

Emissions shall not exceed the maximum level specified in tables 4.2.2.2-1 to 4.2.2.2-4A for the appropriate BS maximum output power, in the frequency range from  $\Delta f = 2,5$  MHz to  $\Delta f_{\max}$  from the carrier frequency, where:

- $\Delta f$  is the separation between the carrier frequency and the nominal -3 dB point of the measuring filter closest to the carrier frequency;
- $f_{\text{offset}}$  is the separation between the carrier frequency and the centre of the measurement filter;
- $f_{\text{offset}_{\max}}$  is either 12,5 MHz or the offset to the UMTS Tx band edge as defined in clause 1, whichever is the greater;
- $\Delta f_{\max}$  is equal to  $f_{\text{offset}_{\max}}$  minus half of the bandwidth of the measuring filter.

Inside any Inter RF Bandwidth gaps with  $W_{\text{gap}} < 20$  MHz for BS operating in multiple bands, emissions shall not exceed the cumulative sum of the test requirements specified at the BS RF Bandwidth edges on each side of the Inter RF Bandwidth gap. The test requirement for BS RF Bandwidth edge is specified in tables 4.2.2.2-1 to 4.2.2.2-6A below, where in this case:

- $\Delta f$  is equal to 2,5 MHz plus the separation between the BS RF Bandwidth edge frequency and the nominal -3 dB point of the measuring filter closest to the BS RF Bandwidth edge.
- $f_{\text{offset}}$  is equal to 2,5 MHz plus the separation between the BS RF Bandwidth edge frequency and the centre of the measuring filter.
- $f_{\text{offset}_{\max}}$  is either 12,5 MHz or the offset to the UMTS Tx band edge as defined in clause 5.2, whichever is the greater.
- $\Delta f_{\max}$  is equal to  $f_{\text{offset}_{\max}}$  minus half of the bandwidth of the measuring filter.

For BS capable of multi-band operation where multiple bands are mapped on the same antenna connector, the operating band unwanted emission limits apply also in a supported operating band without any carrier transmitted, in the case where there are carrier(s) transmitted in another supported operating band. In this case, no cumulative limit is applied in the Inter-band gap between a supported downlink operating band with carrier(s) transmitted and a supported downlink operating band without any carrier transmitted; and

- In case the Inter-band gap between a downlink band with carrier(s) transmitted and a downlink band without any carrier transmitted is less than 20 MHz,  $f_{\text{offset}_{\max}}$  shall be the offset to the frequency 10 MHz outside the outermost edges of the two downlink operating bands and the operating band unwanted emission limit of the band where there are carriers transmitted, as defined in the tables of the present clause, shall apply across both downlink bands.
- In other cases, the operating band unwanted emission limit of the band where there are carriers transmitted, as defined in the tables of the present clause for the largest frequency offset ( $\Delta f_{\max}$ ), shall apply from 10 MHz below the lowest frequency, up to 10 MHz above the highest frequency of the downlink operating band without any carrier transmitted.

Inside any sub-block gap for a BS operating in non-contiguous spectrum, the measurement results shall not exceed the cumulative sum of the test requirements specified for the adjacent sub-blocks on each side of the sub-block gap. The test requirement for each sub-block is specified in tables 4.2.2.2-1 to 4.2.2.2-6A below, where in this case:

- $\Delta f$  is equal to 2,5 MHz plus the separation between the sub-block edge frequency and the nominal -3 dB point of the measuring filter closest to the sub-block edge.

- $f_{\text{offset}}$  is equal to 2,5 MHz plus the separation between the sub-block edge frequency and the centre of the measuring filter.
- $f_{\text{offset}_{\text{max}}}$  is equal to the sub-block gap bandwidth minus half of the bandwidth of the measuring filter plus 2,5 MHz.
- $\Delta f_{\text{max}}$  is equal to  $f_{\text{offset}_{\text{max}}}$  minus half of the bandwidth of the measuring filter.

**Table 4.2.2-1: Spectrum emission mask values,  
BS maximum output power  $P \geq 43$  dBm for UTRA FDD bands  $\leq 3$  GHz**

Frequency offset of measurement filter -3 dB point, $\Delta f$	Frequency offset of measurement filter centre frequency, $f_{\text{offset}}$	Maximum level (Notes 1 and 2)	Measurement bandwidth (Note 4)
$2,5 \text{ MHz} \leq \Delta f < 2,7 \text{ MHz}$	$2,515 \text{ MHz} \leq f_{\text{offset}} < 2,715 \text{ MHz}$	-12,5 dBm	30 kHz
$2,7 \text{ MHz} \leq \Delta f < 3,5 \text{ MHz}$	$2,715 \text{ MHz} \leq f_{\text{offset}} < 3,515 \text{ MHz}$	$-12,5 \text{ dBm} - 15 \times \left( \frac{f_{\text{offset}}}{\text{MHz}} - 2,715 \right) \text{ dB}$	30 kHz
(Note 3)	$3,515 \text{ MHz} \leq f_{\text{offset}} < 4,0 \text{ MHz}$	-24,5 dBm	30 kHz
$3,5 \text{ MHz} \leq \Delta f \leq \Delta f_{\text{max}}$	$4,0 \text{ MHz} \leq f_{\text{offset}} < f_{\text{offset}_{\text{max}}}$	-11,5 dBm	1 MHz
<p>NOTE 1: For BS supporting non-contiguous spectrum operation the test requirement within sub-block gaps within any operating band is calculated as a cumulative sum of contributions from adjacent sub-blocks on each side of the sub-block gap, where the contribution from the far-end sub-block shall be scaled according to the measurement bandwidth of the near-end sub-block. Exception is <math>\Delta f \geq 12,5</math> MHz from both adjacent sub-blocks on each side of the sub-block gap, where the spurious emission test requirements in clause 4.2.4.2.1 shall be met.</p> <p>NOTE 2: For BS supporting multi-band operation with Inter RF Bandwidth gap <math>&lt; 20</math> MHz the minimum requirement within the Inter RF Bandwidth gaps is calculated as a cumulative sum of contributions from adjacent sub-blocks or BS RF Bandwidth on each side of the Inter RF Bandwidth gap, where the contribution from the far-end sub-block or BS RF Bandwidth shall be scaled according to the measurement bandwidth of the near-end sub-block or BS RF Bandwidth.</p> <p>NOTE 3: This frequency range ensures that the range of values of <math>f_{\text{offset}}</math> is continuous.</p> <p>NOTE 4: As a general rule, the resolution bandwidth of the measuring equipment should be equal to the measurement bandwidth. However, to improve measurement accuracy, sensitivity and efficiency, the resolution bandwidth can be smaller than the measurement bandwidth. When the resolution bandwidth is smaller than the measurement bandwidth, the result should be integrated over the measurement bandwidth in order to obtain the equivalent noise bandwidth of the measurement bandwidth.</p>			

**Table 4.2.2.2-1A: Spectrum emission mask values,  
BS maximum output power  $P \geq 43$  dBm for UTRA FDD bands  $> 3$  GHz**

Frequency offset of measurement filter -3 dB point, $\Delta f$	Frequency offset of measurement filter centre frequency, $f_{\text{offset}}$	Maximum level (Notes 1 and 2)	Measurement bandwidth (Note 4)
$2,5 \text{ MHz} \leq \Delta f < 2,7 \text{ MHz}$	$2,515 \text{ MHz} \leq f_{\text{offset}} < 2,715 \text{ MHz}$	-12,2 dBm	30 kHz
$2,7 \text{ MHz} \leq \Delta f < 3,5 \text{ MHz}$	$2,715 \text{ MHz} \leq f_{\text{offset}} < 3,515 \text{ MHz}$	$-12,2 \text{ dBm} - 15 \times \left( \frac{f_{\text{offset}}}{\text{MHz}} - 2,715 \right) \text{ dB}$	30 kHz
(Note 3)	$3,515 \text{ MHz} \leq f_{\text{offset}} < 4,0 \text{ MHz}$	-24,2 dBm	30 kHz
$3,5 \text{ MHz} \leq \Delta f \leq \Delta f_{\text{max}}$	$4,0 \text{ MHz} \leq f_{\text{offset}} < f_{\text{offset}_{\text{max}}}$	-11,2 dBm	1 MHz

NOTE 1: For BS supporting non-contiguous spectrum operation the test requirement within sub-block gaps within any operating band is calculated as a cumulative sum of contributions from adjacent sub-blocks on each side of the sub-block gap, where the contribution from the far-end sub-block shall be scaled according to the measurement bandwidth of the near-end sub-block. Exception is  $\Delta f \geq 12,5$  MHz from both adjacent sub-blocks on each side of the sub-block gap, where the spurious emission test requirements in clause 4.2.4.2.1 shall be met.

NOTE 2: For BS supporting multi-band operation with Inter RF Bandwidth gap  $< 20$  MHz the minimum requirement with the Inter RF Bandwidth gaps is calculated as a cumulative sum of contributions from adjacent sub-blocks or BS RF Bandwidth on each side of the inter-R bandwidth gap, where the contribution from the far-end sub-block or BS RF Bandwidth shall be scaled according to the measurement bandwidth of the near-end sub-block or BS RF Bandwidth.

NOTE 3: This frequency range ensures that the range of values of  $f_{\text{offset}}$  is continuous.

NOTE 4: As a general rule, the resolution bandwidth of the measuring equipment should be equal to the measurement bandwidth. However, to improve measurement accuracy, sensitivity and efficiency, the resolution bandwidth can be smaller than the measurement bandwidth. When the resolution bandwidth is smaller than the measurement bandwidth, the result should be integrated over the measurement bandwidth in order to obtain the equivalent noise bandwidth of the measurement bandwidth.

**Table 4.2.2.2-2: Spectrum emission mask values,  
BS maximum output power  $39 \text{ dBm} \leq P < 43 \text{ dBm}$  for UTRA FDD bands  $\leq 3$  GHz**

Frequency offset of measurement filter -3 dB point, $\Delta f$	Frequency offset of measurement filter centre frequency, $f_{\text{offset}}$	Maximum level (Notes 1 and 2)	Measurement bandwidth (Note 4)
$2,5 \text{ MHz} \leq \Delta f < 2,7 \text{ MHz}$	$2,515 \text{ MHz} \leq f_{\text{offset}} < 2,715 \text{ MHz}$	-12,5 dBm	30 kHz
$2,7 \text{ MHz} \leq \Delta f < 3,5 \text{ MHz}$	$2,715 \text{ MHz} \leq f_{\text{offset}} < 3,515 \text{ MHz}$	$-12,5 \text{ dBm} - 15 \times \left( \frac{f_{\text{offset}}}{\text{MHz}} - 2,715 \right) \text{ dB}$	30 kHz
(Note 3)	$3,515 \text{ MHz} \leq f_{\text{offset}} < 4,0 \text{ MHz}$	-24,5 dBm	30 kHz
$3,5 \text{ MHz} \leq \Delta f < 7,5 \text{ MHz}$	$4,0 \text{ MHz} \leq f_{\text{offset}} < 8,0 \text{ MHz}$	-11,5 dBm	1 MHz
$7,5 \text{ MHz} \leq \Delta f \leq \Delta f_{\text{max}}$	$8,0 \text{ MHz} \leq f_{\text{offset}} < f_{\text{offset}_{\text{max}}}$	$P - 54,5 \text{ dB}$	1 MHz

NOTE 1: For BS supporting non-contiguous spectrum operation the test requirement within sub-block gaps within any operating band is calculated as a cumulative sum of contributions from adjacent sub-blocks on each side of the sub-block gap, where the contribution from the far-end sub-block shall be scaled according to the measurement bandwidth of the near-end sub-block. Exception is  $\Delta f \geq 12,5$  MHz from both adjacent sub-blocks on each side of the sub-block gap, where the spurious emission test requirements in clause 4.2.4.2.1 shall be met.

NOTE 2: For BS supporting multi-band operation with Inter RF Bandwidth gap  $< 20$  MHz the minimum requirement with the Inter RF Bandwidth gaps is calculated as a cumulative sum of contributions from adjacent sub-blocks or BS RF Bandwidth on each side of the inter-R bandwidth gap, where the contribution from the far-end sub-block or BS RF Bandwidth shall be scaled according to the measurement bandwidth of the near-end sub-block or BS RF Bandwidth.

NOTE 3: This frequency range ensures that the range of values of  $f_{\text{offset}}$  is continuous.

NOTE 4: As a general rule, the resolution bandwidth of the measuring equipment should be equal to the measurement bandwidth. However, to improve measurement accuracy, sensitivity and efficiency, the resolution bandwidth can be smaller than the measurement bandwidth. When the resolution bandwidth is smaller than the measurement bandwidth, the result should be integrated over the measurement bandwidth in order to obtain the equivalent noise bandwidth of the measurement bandwidth.

**Table 4.2.2.2-A: Spectrum emission mask values,  
BS maximum output power  $39 \text{ dBm} \leq P < 43 \text{ dBm}$  for UTRA FDD bands  $> 3 \text{ GHz}$**

Frequency offset of measurement filter -3 dB point, $\Delta f$	Frequency offset of measurement filter centre frequency, $f_{\text{offset}}$	Maximum level (Notes 1 and 2)	Measurement bandwidth (Note 4)
$2,5 \text{ MHz} \leq \Delta f < 2,7 \text{ MHz}$	$2,515 \text{ MHz} \leq f_{\text{offset}} < 2,715 \text{ MHz}$	-12,2 dBm	30 kHz
$2,7 \text{ MHz} \leq \Delta f < 3,5 \text{ MHz}$	$2,715 \text{ MHz} \leq f_{\text{offset}} < 3,515 \text{ MHz}$	$-12,2 \text{ dBm} - 15 \times \left( \frac{f_{\text{offset}}}{\text{MHz}} - 2,715 \right) \text{ dB}$	30 kHz
(Note 3)	$3,515 \text{ MHz} \leq f_{\text{offset}} < 4,0 \text{ MHz}$	-24,2 dBm	30 kHz
$3,5 \text{ MHz} \leq \Delta f < 7,5 \text{ MHz}$	$4,0 \text{ MHz} \leq f_{\text{offset}} < 8,0 \text{ MHz}$	-11,2 dBm	1 MHz
$7,5 \text{ MHz} \leq \Delta f \leq \Delta f_{\text{max}}$	$8,0 \text{ MHz} \leq f_{\text{offset}} < f_{\text{offset}_{\text{max}}}$	$P - 54,2 \text{ dB}$	1 MHz
<p>NOTE 1: For BS supporting non-contiguous spectrum operation the test requirement within sub-block gaps within any operating band is calculated as a cumulative sum of contributions from adjacent sub-blocks on each side of the sub-block gap, where the contribution from the far-end sub-block shall be scaled according to the measurement bandwidth of the near-end sub-block. Exception is <math>\Delta f \geq 12,5 \text{ MHz}</math> from both adjacent sub-blocks on each side of the sub-block gap, where the spurious emission test requirements in clause 4.2.4.2.1 shall be met.</p> <p>NOTE 2: For BS supporting multi-band operation with Inter RF Bandwidth gap <math>&lt; 20 \text{ MHz}</math> the minimum requirement with the Inter RF Bandwidth gaps is calculated as a cumulative sum of contributions from adjacent sub-blocks or BS RF Bandwidth on each side of the inter-R bandwidth gap, where the contribution from the far-end sub-block or BS RF Bandwidth shall be scaled according to the measurement bandwidth of the near-end sub-block or BS RF Bandwidth.</p> <p>NOTE 3: This frequency range ensures that the range of values of <math>f_{\text{offset}}</math> is continuous.</p> <p>NOTE 4: As a general rule, the resolution bandwidth of the measuring equipment should be equal to the measurement bandwidth. However, to improve measurement accuracy, sensitivity and efficiency, the resolution bandwidth can be smaller than the measurement bandwidth. When the resolution bandwidth is smaller than the measurement bandwidth, the result should be integrated over the measurement bandwidth in order to obtain the equivalent noise bandwidth of the measurement bandwidth.</p>			

**Table 4.2.2.2-3: Spectrum emission mask values,  
BS maximum output power  $31 \text{ dBm} \leq P < 39 \text{ dBm}$  for UTRA FDD bands  $\leq 3 \text{ GHz}$**

Frequency offset of measurement filter -3 dB point, $\Delta f$	Frequency offset of measurement filter centre frequency, $f_{\text{offset}}$	Maximum level (Notes 1 and 2)	Measurement bandwidth (Note 4)
$2,5 \text{ MHz} \leq \Delta f < 2,7 \text{ MHz}$	$2,515 \text{ MHz} \leq f_{\text{offset}} < 2,715 \text{ MHz}$	$P - 51,5 \text{ dB}$	30 kHz
$2,7 \text{ MHz} \leq \Delta f < 3,5 \text{ MHz}$	$2,715 \text{ MHz} \leq f_{\text{offset}} < 3,515 \text{ MHz}$	$P - 51,5 \text{ dB} - 15 \times \left( \frac{f_{\text{offset}}}{\text{MHz}} - 2,715 \right) \text{ dB}$	30 kHz
(Note 3)	$3,515 \text{ MHz} \leq f_{\text{offset}} < 4,0 \text{ MHz}$	$P - 63,5 \text{ dB}$	30 kHz
$3,5 \text{ MHz} \leq \Delta f < 7,5 \text{ MHz}$	$4,0 \text{ MHz} \leq f_{\text{offset}} < 8,0 \text{ MHz}$	$P - 50,5 \text{ dB}$	1 MHz
$7,5 \text{ MHz} \leq \Delta f \leq \Delta f_{\text{max}}$	$8,0 \text{ MHz} \leq f_{\text{offset}} < f_{\text{offset}_{\text{max}}}$	$P - 54,5 \text{ dB}$	1 MHz
<p>NOTE 1: For BS supporting non-contiguous spectrum operation the test requirement within sub-block gaps within any operating band is calculated as a cumulative sum of contributions from adjacent sub-blocks on each side of the sub-block gap, where the contribution from the far-end sub-block shall be scaled according to the measurement bandwidth of the near-end sub-block. Exception is <math>\Delta f \geq 12,5 \text{ MHz}</math> from both adjacent sub-blocks on each side of the sub-block gap, where the spurious emission test requirements in clause 4.2.4.2.1 shall be met.</p> <p>NOTE 2: For BS supporting multi-band operation with Inter RF Bandwidth gap <math>&lt; 20 \text{ MHz}</math> the minimum requirement with the Inter RF Bandwidth gaps is calculated as a cumulative sum of contributions from adjacent sub-blocks or BS RF Bandwidth on each side of the inter-R bandwidth gap, where the contribution from the far-end sub-block or BS RF Bandwidth shall be scaled according to the measurement bandwidth of the near-end sub-block or BS RF Bandwidth.</p> <p>NOTE 3: This frequency range ensures that the range of values of <math>f_{\text{offset}}</math> is continuous.</p> <p>NOTE 4: As a general rule, the resolution bandwidth of the measuring equipment should be equal to the measurement bandwidth. However, to improve measurement accuracy, sensitivity and efficiency, the resolution bandwidth can be smaller than the measurement bandwidth. When the resolution bandwidth is smaller than the measurement bandwidth, the result should be integrated over the measurement bandwidth in order to obtain the equivalent noise bandwidth of the measurement bandwidth.</p>			

**Table 4.2.2.2-3A: Spectrum emission mask values,  
BS maximum output power  $31 \text{ dBm} \leq P < 39 \text{ dBm}$  for UTRA FDD bands  $> 3 \text{ GHz}$**

Frequency offset of measurement filter -3 dB point, $\Delta f$	Frequency offset of measurement filter centre frequency, $f_{\text{offset}}$	Maximum level (Notes 1 and 2)	Measurement bandwidth (Note 4)
$2,5 \text{ MHz} \leq \Delta f < 2,7 \text{ MHz}$	$2,515 \text{ MHz} \leq f_{\text{offset}} < 2,715 \text{ MHz}$	$P - 51,2 \text{ dB}$	30 kHz
$2,7 \text{ MHz} \leq \Delta f < 3,5 \text{ MHz}$	$2,715 \text{ MHz} \leq f_{\text{offset}} < 3,515 \text{ MHz}$	$P - 51,5 \text{ dB} - 15 \times \left( \frac{f_{\text{offset}}}{\text{MHz}} - 2,715 \right) \text{ dB}$	30 kHz
(Note 3)	$3,515 \text{ MHz} \leq f_{\text{offset}} < 4,0 \text{ MHz}$	$P - 63,2 \text{ dB}$	30 kHz
$3,5 \text{ MHz} \leq \Delta f < 7,5 \text{ MHz}$	$4,0 \text{ MHz} \leq f_{\text{offset}} < 8,0 \text{ MHz}$	$P - 50,2 \text{ dB}$	1 MHz
$7,5 \text{ MHz} \leq \Delta f \leq \Delta f_{\text{max}}$	$8,0 \text{ MHz} \leq f_{\text{offset}} < f_{\text{offset}_{\text{max}}}$	$P - 54,2 \text{ dB}$	1 MHz
<p>NOTE 1: For BS supporting non-contiguous spectrum operation the test requirement within sub-block gaps within any operating band is calculated as a cumulative sum of contributions from adjacent sub-blocks on each side of the sub-block gap, where the contribution from the far-end sub-block shall be scaled according to the measurement bandwidth of the near-end sub-block. Exception is <math>\Delta f \geq 12,5 \text{ MHz}</math> from both adjacent sub-blocks on each side of the sub-block gap, where the spurious emission test requirements in clause 4.2.4.2.1 shall be met.</p> <p>NOTE 2: For BS supporting multi-band operation with Inter RF Bandwidth gap <math>&lt; 20 \text{ MHz}</math> the minimum requirement with the Inter RF Bandwidth gaps is calculated as a cumulative sum of contributions from adjacent sub-blocks or BS RF Bandwidth on each side of the inter-R bandwidth gap, where the contribution from the far-end sub-block or BS RF Bandwidth shall be scaled according to the measurement bandwidth of the near-end sub-block or BS RF Bandwidth.</p> <p>NOTE 3: This frequency range ensures that the range of values of <math>f_{\text{offset}}</math> is continuous.</p> <p>NOTE 4: As a general rule, the resolution bandwidth of the measuring equipment should be equal to the measurement bandwidth. However, to improve measurement accuracy, sensitivity and efficiency, the resolution bandwidth can be smaller than the measurement bandwidth. When the resolution bandwidth is smaller than the measurement bandwidth, the result should be integrated over the measurement bandwidth in order to obtain the equivalent noise bandwidth of the measurement bandwidth.</p>			

**Table 4.2.2.2-4: Spectrum emission mask values,  
BS maximum output power  $P < 31 \text{ dBm}$  for UTRA FDD bands  $\leq 3 \text{ GHz}$**

Frequency offset of measurement filter -3 dB point, $\Delta f$	Frequency offset of measurement filter centre frequency, $f_{\text{offset}}$	Maximum level (Notes 1 and 2)	Measurement bandwidth (Note 4)
$2,5 \text{ MHz} \leq \Delta f < 2,7 \text{ MHz}$	$2,515 \text{ MHz} \leq f_{\text{offset}} < 2,715 \text{ MHz}$	$-20,5 \text{ dBm}$	30 kHz
$2,7 \text{ MHz} \leq \Delta f < 3,5 \text{ MHz}$	$2,715 \text{ MHz} \leq f_{\text{offset}} < 3,515 \text{ MHz}$	$-20,5 \text{ dBm} - 15 \times \left( \frac{f_{\text{offset}}}{\text{MHz}} - 2,715 \right) \text{ dB}$	30 kHz
(Note 3)	$3,515 \text{ MHz} \leq f_{\text{offset}} < 4,0 \text{ MHz}$	$-32,5 \text{ dBm}$	30 kHz
$3,5 \text{ MHz} \leq \Delta f < 7,5 \text{ MHz}$	$4,0 \text{ MHz} \leq f_{\text{offset}} < 8,0 \text{ MHz}$	$-19,5 \text{ dBm}$	1 MHz
$7,5 \text{ MHz} \leq \Delta f \leq \Delta f_{\text{max}}$	$8,0 \text{ MHz} \leq f_{\text{offset}} < f_{\text{offset}_{\text{max}}}$	$-23,5 \text{ dBm}$	1 MHz
<p>NOTE 1: For BS supporting non-contiguous spectrum operation the test requirement within sub-block gaps within any operating band is calculated as a cumulative sum of contributions from adjacent sub-blocks on each side of the sub-block gap, where the contribution from the far-end sub-block shall be scaled according to the measurement bandwidth of the near-end sub-block. Exception is <math>\Delta f \geq 12,5 \text{ MHz}</math> from both adjacent sub-blocks on each side of the sub-block gap, where the spurious emission test requirements in clause 4.2.4.2.1 shall be met.</p> <p>NOTE 2: For BS supporting multi-band operation with Inter RF Bandwidth gap <math>&lt; 20 \text{ MHz}</math> the minimum requirement with the Inter RF Bandwidth gaps is calculated as a cumulative sum of contributions from adjacent sub-blocks or BS RF Bandwidth on each side of the inter-R bandwidth gap, where the contribution from the far-end sub-block or BS RF Bandwidth shall be scaled according to the measurement bandwidth of the near-end sub-block or BS RF Bandwidth.</p> <p>NOTE 3: This frequency range ensures that the range of values of <math>f_{\text{offset}}</math> is continuous.</p> <p>NOTE 4: As a general rule, the resolution bandwidth of the measuring equipment should be equal to the measurement bandwidth. However, to improve measurement accuracy, sensitivity and efficiency, the resolution bandwidth can be smaller than the measurement bandwidth. When the resolution bandwidth is smaller than the measurement bandwidth, the result should be integrated over the measurement bandwidth in order to obtain the equivalent noise bandwidth of the measurement bandwidth.</p>			

**Table 4.2.2.2-4A: Spectrum emission mask values,  
BS maximum output power  $P < 31$  dBm for UTRA FDD bands  $> 3$  GHz**

Frequency offset of measurement filter - 3 dB point, $\Delta f$	Frequency offset of measurement filter centre frequency, $f_{\text{offset}}$	Maximum level (Notes 1 and 2)	Measurement bandwidth (Note 4)
$2,5 \text{ MHz} \leq \Delta f < 2,7 \text{ MHz}$	$2,515 \text{ MHz} \leq f_{\text{offset}} < 2,715 \text{ MHz}$	-20,2 dBm	30 kHz
$2,7 \text{ MHz} \leq \Delta f < 3,5 \text{ MHz}$	$2,715 \text{ MHz} \leq f_{\text{offset}} < 3,515 \text{ MHz}$	$-20,2 \text{ dBm} - 15 \times \left( \frac{f_{\text{offset}}}{\text{MHz}} - 2,715 \right) \text{ dB}$	30 kHz
(Note 3)	$3,515 \text{ MHz} \leq f_{\text{offset}} < 4,0 \text{ MHz}$	-32,2 dBm	30 kHz
$3,5 \text{ MHz} \leq \Delta f < 7,5 \text{ MHz}$	$4,0 \text{ MHz} \leq f_{\text{offset}} < 8,0 \text{ MHz}$	-19,2 dBm	1 MHz
$7,5 \text{ MHz} \leq \Delta f \leq \Delta f_{\text{max}}$	$8,0 \text{ MHz} \leq f_{\text{offset}} < f_{\text{offset}_{\text{max}}}$	-23,2 dBm	1 MHz
<p>NOTE 1: For BS supporting non-contiguous spectrum operation the test requirement within sub-block gaps within any operating band is calculated as a cumulative sum of contributions from adjacent sub-blocks on each side of the sub-block gap, where the contribution from the far-end sub-block shall be scaled according to the measurement bandwidth of the near-end sub-block. Exception is <math>\Delta f \geq 12,5</math> MHz from both adjacent sub-blocks on each side of the sub-block gap, where the spurious emission test requirements in clause 4.2.4.2.1 shall be met.</p> <p>NOTE 2: For BS supporting multi-band operation with Inter RF Bandwidth gap <math>&lt; 20</math> MHz the minimum requirement with the Inter RF Bandwidth gaps is calculated as a cumulative sum of contributions from adjacent sub-blocks or BS RF Bandwidth on each side of the inter-R bandwidth gap, where the contribution from the far-end sub-block or BS RF Bandwidth shall be scaled according to the measurement bandwidth of the near-end sub-block or BS RF Bandwidth.</p> <p>NOTE 3: This frequency range ensures that the range of values of <math>f_{\text{offset}}</math> is continuous.</p> <p>NOTE 4: As a general rule, the resolution bandwidth of the measuring equipment should be equal to the measurement bandwidth. However, to improve measurement accuracy, sensitivity and efficiency, the resolution bandwidth can be smaller than the measurement bandwidth. When the resolution bandwidth is smaller than the measurement bandwidth, the result should be integrated over the measurement bandwidth in order to obtain the equivalent noise bandwidth of the measurement bandwidth.</p>			

For Home BS, the requirements in tables 4.2.2.2-5 or 4.2.2.2-6 shall apply in addition to the requirements in tables 4.2.2.2-1 to 4.2.2.2-4.

**Table 4.2.2.2-5: Additional spectrum emission mask values for Home BS,  
BS maximum output power  $6 \leq P \leq 20$  dBm for UTRA FDD bands  $\leq 3$  GHz**

Frequency offset of measurement filter - 3 dB point, $\Delta f$	Frequency offset of measurement filter centre frequency, $f_{\text{offset}}$	Maximum level (additional)	Measurement bandwidth (Note)
$12,5 \text{ MHz} \leq \Delta f \leq \Delta f_{\text{max}}$	$13 \text{ MHz} \leq f_{\text{offset}} < f_{\text{offset}_{\text{max}}}$	$P - 54,5 \text{ dB}$	1 MHz
<p>NOTE: As a general rule, the resolution bandwidth of the measuring equipment should be equal to the measurement bandwidth. However, to improve measurement accuracy, sensitivity and efficiency, the resolution bandwidth can be smaller than the measurement bandwidth. When the resolution bandwidth is smaller than the measurement bandwidth, the result should be integrated over the measurement bandwidth in order to obtain the equivalent noise bandwidth of the measurement bandwidth.</p>			

**Table 4.2.2.2-5A: Additional spectrum emission mask values for Home BS,  
BS maximum output power  $6 \leq P \leq 20$  dBm for UTRA FDD bands  $> 3$  GHz**

Frequency offset of measurement filter - 3 dB point, $\Delta f$	Frequency offset of measurement filter centre frequency, $f_{\text{offset}}$	Maximum level (additional)	Measurement bandwidth (Note)
$12,5 \text{ MHz} \leq \Delta f \leq \Delta f_{\text{max}}$	$13 \text{ MHz} \leq f_{\text{offset}} < f_{\text{offset}_{\text{max}}}$	$P - 54,2 \text{ dB}$	1 MHz
<p>NOTE: As a general rule, the resolution bandwidth of the measuring equipment should be equal to the measurement bandwidth. However, to improve measurement accuracy, sensitivity and efficiency, the resolution bandwidth can be smaller than the measurement bandwidth. When the resolution bandwidth is smaller than the measurement bandwidth, the result should be integrated over the measurement bandwidth in order to obtain the equivalent noise bandwidth of the measurement bandwidth.</p>			

**Table 4.2.2.2-6: Additional spectrum emission mask values for Home BS, BS maximum output power  $P < 6$  dBm for UTRA FDD bands  $\leq 3$  GHz**

Frequency offset of measurement filter - 3 dB point, $\Delta f$	Frequency offset of measurement filter centre frequency, $f_{\text{offset}}$	Maximum level (additional)	Measurement bandwidth (Note)
$12,5 \text{ MHz} \leq \Delta f \leq \Delta f_{\text{max}}$	$13 \text{ MHz} \leq f_{\text{offset}} < f_{\text{offset}_{\text{max}}}$	-48,5 dBm	1 MHz
NOTE: As a general rule, the resolution bandwidth of the measuring equipment should be equal to the measurement bandwidth. However, to improve measurement accuracy, sensitivity and efficiency, the resolution bandwidth can be smaller than the measurement bandwidth. When the resolution bandwidth is smaller than the measurement bandwidth, the result should be integrated over the measurement bandwidth in order to obtain the equivalent noise bandwidth of the measurement bandwidth.			

**Table 4.2.2.2-6A: Additional spectrum emission mask values for Home BS, BS maximum output power  $P < 6$  dBm for UTRA FDD bands  $> 3$  GHz**

Frequency offset of measurement filter - 3 dB point, $\Delta f$	Frequency offset of measurement filter centre frequency, $f_{\text{offset}}$	Maximum level (additional)	Measurement bandwidth (Note)
$12,5 \text{ MHz} \leq \Delta f \leq \Delta f_{\text{max}}$	$13 \text{ MHz} \leq f_{\text{offset}} < f_{\text{offset}_{\text{max}}}$	-48,2 dBm	1 MHz
NOTE: As a general rule, the resolution bandwidth of the measuring equipment should be equal to the measurement bandwidth. However, to improve measurement accuracy, sensitivity and efficiency, the resolution bandwidth can be smaller than the measurement bandwidth. When the resolution bandwidth is smaller than the measurement bandwidth, the result should be integrated over the measurement bandwidth in order to obtain the equivalent noise bandwidth of the measurement bandwidth.			

The following requirement shall apply for protection of DTT. For UTRA BS operating in Band XX, the level of emissions in the band 470 MHz to 790 MHz, measured in an 8 MHz filter bandwidth on centre frequencies  $F_{\text{filter}}$  according to table 4.2.2.2-7, shall not exceed the maximum emission level  $P_{\text{EM},N}$  declared by the manufacturer.

**Table 4.2.2.2-7: Declared emissions levels for protection of DTT**

Filter centre frequency, $F_{\text{filter}}$	Measurement bandwidth	Declared emission level [dBm]
$F_{\text{filter}} = 8 \cdot N + 306$ (MHz); $21 \leq N \leq 60$	8 MHz	$P_{\text{EM},N}$

NOTE 1: Compliance with the declared emission levels above provides the characteristics of the base station needed to verify compliance with the corresponding CEPT/ECC technical condition using the method outlined in annex D of ETSI TS 125 104 [3].

For a BS operating in Band XXXII within 1 452 MHz to 1 492 MHz, the level of unwanted emissions, measured on centre frequencies  $f_{\text{offset}}$  with filter bandwidth, according to table 4.2.2.2-8, shall not exceed the maximum emission level  $P_{\text{EM},B32,a}$ ,  $P_{\text{EM},B32,b}$  nor  $P_{\text{EM},B32,c}$  declared by the manufacturer.

**Table 4.2.2.2-8: Declared frequency band XXXII unwanted emission within 1 452 MHz to 1 492 MHz**

Frequency offset of measurement filter centre frequency, $f_{\text{offset}}$	Declared emission level [dBm]	Measurement bandwidth
5 MHz	$P_{\text{EM},B32,a}$	5 MHz
10 MHz	$P_{\text{EM},B32,b}$	5 MHz
$15 \text{ MHz} \leq f_{\text{offset}} \leq f_{\text{offset}_{\text{max}, B32}}$	$P_{\text{EM},B32,c}$	5 MHz
NOTE: $f_{\text{offset}_{\text{max}, B32}}$ denotes the frequency difference between the lower channel carrier frequency and 1 454,5 MHz, and the frequency difference between the upper channel carrier frequency and 1 489,5 MHz for the set channel position.		

NOTE 2: Compliance with the declared emission levels above provides the characteristics of the base station needed to verify compliance with the corresponding CEPT/ECC technical condition using the method outlined in annex H of ETSI TS 136 104 [i.7].

For a BS operating in Band 32 within 1 452 MHz to 1 492 MHz, for the protection of services in spectrum adjacent to the frequency range 1 452 MHz to 1 492 MHz, the level of emissions measured on centre frequencies  $F_{\text{filter}}$  with filter bandwidth according to table 4.2.2.2-9, shall not exceed the maximum emission level  $P_{\text{EM,B32,d}}$  and  $P_{\text{EM,B32,e}}$  declared by the manufacturer. This requirement applies in the frequency range 1 429 MHz to 1 518 MHz even though part of the range falls in the spurious domain.

**Table 4.2.2.2-9: Frequency band XXXII declared emission outside 1 452 MHz to 1 492 MHz**

Filter centre frequency, $F_{\text{filter}}$	Declared emission level [dBm]	Measurement bandwidth
$1\,429,5\text{ MHz} \leq F_{\text{filter}} \leq 1\,448,5\text{ MHz}$	$P_{\text{EM,B32,d}}$	1 MHz
$F_{\text{filter}} = 1\,450,5\text{ MHz}$	$P_{\text{EM,B32,e}}$	3 MHz
$F_{\text{filter}} = 1\,493,5\text{ MHz}$	$P_{\text{EM,B32,e}}$	3 MHz
$1\,495,5\text{ MHz} \leq F_{\text{filter}} \leq 1\,517,5\text{ MHz}$	$P_{\text{EM,B32,d}}$	1 MHz

NOTE 3: Compliance with the declared emission levels above provides the characteristics of the base station needed to verify compliance with the corresponding CEPT/ECC technical condition using the method outlined in annex H of ETSI TS 136 104 [i.7].

### 4.2.2.3 Conformance

Conformance tests described in clause 5.3.1 shall be carried out.

## 4.2.3 Adjacent channel leakage power ratio (ACLR)

### 4.2.3.1 Definition

Adjacent Channel Leakage power Ratio (ACLR) is the ratio of the RRC filtered mean power centred on the assigned channel frequency to the RRC filtered mean power centred on an adjacent channel frequency.

The requirements shall apply outside the BS RF Bandwidth edges or Maximum Radio Bandwidth edges whatever the type of transmitter considered (single carrier or multi-carrier) and for all transmission modes foreseen by the manufacturer's specification.

For a BS operating in non-contiguous spectrum, ACLR requirement also shall apply for the first adjacent channel, inside any sub-block gap with a gap size  $W_{\text{gap}} \geq 15$  MHz. The ACLR requirement for the second adjacent channel shall apply inside any sub-block gap with a gap size  $W_{\text{gap}} \geq 20$  MHz. The ACLR requirement in clause 6.5.2.2.2 shall apply in sub-block gaps for the frequency ranges defined in table 4.2.3.2-2.

For a BS operating in multiple bands, where multiple bands are mapped onto the same antenna connector, ACLR requirement also shall apply for the first adjacent channel, inside any Inter RF Bandwidth gap with a gap size  $W_{\text{gap}} \geq 15$  MHz. The ACLR requirement for the second adjacent channel shall apply inside any Inter RF Bandwidth gap with a gap size  $W_{\text{gap}} \geq 20$  MHz. The ACLR requirement in clause 6.5.2.2.2 shall apply in Inter RF Bandwidth gaps for the frequency ranges defined in table 4.2.3.2-2.

### 4.2.3.2 Limits

For Category A Wide Area BS, either the ACLR limits in the tables below or the absolute limit of -13 dBm/MHz shall apply, whichever is less stringent.

For Category B Wide Area BS, either the ACLR limits in the tables below or the absolute limit of -15 dBm/MHz shall apply, whichever is less stringent.

For Medium Range BS, either the ACLR limits in the tables below or the absolute limit of -25 dBm/MHz shall apply, whichever is less stringent.

For Local Area BS, either the ACLR limits in the tables below or the absolute limit of -32 dBm/MHz shall apply, whichever is less stringent.

The measurement result in step 1) of clause 5.3.2.2 shall not be less than the ACLR limit specified in table 4.2.3.2-1.



Table 4.2.3.2-1: BS ACLR limits

BS channel offset below the first or above the last carrier frequency transmitted	ACLR limit
5 MHz	44,2 dB
10 MHz	49,2 dB
NOTE: For Home BS, the adjacent channel power (the RRC filtered mean power centred on an adjacent channel frequency) shall be less than or equal to -42,7 dBm/3,84 MHz for $f \leq 3,0$ GHz and -42,4 dBm/3,84 MHz for $3,0 \text{ GHz} < f \leq 4,2 \text{ GHz}$ or as specified by the ACLR limit, whichever is the higher.	

The measurement result in step 4a) of clause 5.3.2.2 shall not be less than the ACLR limit specified in table 4.2.3.2-2.

Table 4.2.3.2-2: BS ACLR in non-contiguous spectrum or multiple bands

Sub-block or Inter RF Bandwidth gap size ( $W_{\text{gap}}$ ) where the limit applies	BS adjacent channel centre frequency offset below or above the sub-block edge or the BS RF Bandwidth edge (inside the gap)	Assumed adjacent channel carrier (informative)	Filter on the adjacent channel frequency and corresponding filter bandwidth	ACLR limit
$W_{\text{gap}} \geq 15$ MHz	2,5 MHz	3,84 Mcps UTRA	RRC (3,84 Mcps)	44,2 dB
$W_{\text{gap}} \geq 20$ MHz	7,5 MHz	3,84 Mcps UTRA	RRC (3,84 Mcps)	44,2 dB
NOTE: The RRC filter shall be equivalent to the transmit pulse shape filter defined in ETSI TS 125 104 [3], with a chip rate as defined in this table.				

#### 4.2.3.3 Cumulative ACLR test requirement in non-contiguous spectrum or multiple-bands

The following test requirement shall apply for a BS operating in non-contiguous spectrum or multiple bands.

The following requirement shall apply for the sub-block or Inter RF Bandwidth gap sizes listed in table 4.2.3.3-1:

- inside a sub-block gap within an operating band for a BS operating in non-contiguous spectrum;
- inside an Inter RF Bandwidth gap for a BS capable of multi-band operation, where multiple bands are mapped on the same antenna connector.

The Cumulative Adjacent Channel Leakage power Ratio (CACLR) in a sub-block gap or Inter RF Bandwidth gap is the ratio of:

- a) the sum of the filtered mean power centred on the assigned channel frequencies for the two carriers adjacent to each side of the sub-block gap or Inter RF Bandwidth gap; and
- b) the filtered mean power centred on a frequency channel adjacent to one of the respective sub-block edges or BS RF Bandwidth edges.

The assumed filter for the adjacent channel frequency is defined in table 4.2.3.3-1 and the filters on the assigned channels are defined in table 4.2.3.3-2.

For Wide Area Category A BS, either the CACLR limits in table 4.2.3.3-1 or the absolute limit of -13 dBm/MHz shall apply, whichever is less stringent.

For Wide Area Category B BS, either the CACLR limits in table 4.2.3.3-1 or the absolute limit of -15 dBm/MHz shall apply, whichever is less stringent.

For Medium Range BS, either the CACLR limits in table 4.2.3.3-1 or the absolute limit of -25 dBm/MHz shall apply, whichever is less stringent.

For Local Area BS, either the CACLR limits in table 4.2.3.3-1 or the absolute limit of -32 dBm/MHz shall apply, whichever is less stringent.

The CACLR for UTRA carriers located on either side of the sub-block gap or Inter RF Bandwidth gap shall be higher than the value specified in table 4.2.3.3-1.

**Table 4.2.3.3-1: Base Station CACLR in non-contiguous spectrum or multiple bands**

Sub-block or Inter RF Bandwidth gap size ( $W_{\text{gap}}$ ) where the limit applies	BS adjacent channel centre frequency offset below or above the sub-block edge or the BS RF Bandwidth edge (inside the gap)	Assumed adjacent channel carrier (informative)	Filter on the adjacent channel frequency and corresponding filter bandwidth	CACLR limit
$5 \text{ MHz} \leq W_{\text{gap}} < 15 \text{ MHz}$	2,5 MHz	3,84 Mcps UTRA	RRC (3,84 Mcps)	44,2 dB
$10 \text{ MHz} < W_{\text{gap}} < 20 \text{ MHz}$	7,5 MHz	3,84 Mcps UTRA	RRC (3,84 Mcps)	44,2 dB
NOTE: The RRC filter shall be equivalent to the transmit pulse shape filter defined in ETSI TS 125 104 [3], with a chip rate as defined in this table.				

**Table 4.2.3.3-2: Filter parameters for the assigned channel**

RAT of the carrier adjacent to the sub-block or Inter RF Bandwidth gap	Filter on the assigned channel frequency and corresponding filter bandwidth
UTRA FDD	RRC (3,84 Mcps)
NOTE: The RRC filter shall be equivalent to the transmit pulse shape filter defined in ETSI TS 125 104 [3], with a chip rate as defined in this table.	

#### 4.2.3.4 Conformance

Conformance tests described in clause 5.3.2 shall be carried out.

### 4.2.4 Transmitter spurious emissions

#### 4.2.4.1 Definition

Spurious emissions are emissions which are caused by unwanted transmitter effects such as harmonics emission, parasitic emission, intermodulation products and frequency conversion products, but exclude out-of-band emissions. This is measured at the BS antenna connector.

For a UTRA FDD BS additionally conforming to ETSI EN 301 908-18 [i.8], either the requirement of the present clause or the Transmitter spurious emissions requirement in clause 4.2.4 of ETSI EN 301 908-18 [i.8] can be equally applied, as listed in table 4.2.1-2.

The requirement shall apply at frequencies within the specified frequency ranges, which are more than 12,5 MHz under the first carrier frequency transmitted or more than 12,5 MHz above the last carrier frequency transmitted.

The requirements of clause 4.2.4.2 shall apply whatever the type of transmitter considered (single carrier or multi-carrier) and for all transmission modes foreseen by the manufacturer's specification.

For BS capable of multi-band operation where multiple bands are mapped on the same antenna connector, the requirements (except exceptions in table 4.2.4.2.2-1) shall apply at frequencies within the specified frequency ranges, excluding the frequency ranges which are less than or equal to 12,5 MHz below the first carrier frequency used and less than or equal to 12,5 MHz above the last carrier frequency used for each supported operating band. For BS capable of multi-band operation where multiple bands are mapped on separate antenna connectors, the single-band requirements shall apply and the multi-band exclusions and provisions are not applicable.

Unless otherwise stated, all requirements shall be measured as mean power.

## 4.2.4.2 Limits

### 4.2.4.2.1 Spurious emissions

The power of any spurious emission shall not exceed the limit specified in tables 4.2.4.2.1-1 or 4.2.4.2.1-2 depending on the declared operating band.

**Table 4.2.4.2.1-1: BS spurious emissions limits for operating band I, III, VII, XV, XVI, and XXXII**

Frequency range	Maximum level	Measurement bandwidth	Note
9 kHz to 150 kHz	-36 dBm	1 kHz	see note 1
150 kHz to 30 MHz	-36 dBm	10 kHz	see note 1
30 MHz to 1 GHz	-36 dBm	100 kHz	see note 1
1 GHz to $F_{low} - 10$ MHz	-30 dBm	1 MHz	see note 1
$F_{low} - 10$ MHz to $F_{high} + 10$ MHz	-15 dBm	1 MHz	see note 2
$F_{high} + 10$ MHz to 12,75 GHz	-30 dBm	1 MHz	see note 3
12,75 GHz to 5 <sup>th</sup> harmonic of the upper frequency edge of the DL operating band	-30 dBm	1 MHz	see notes 3 and 4
NOTE 1: Bandwidth as in Recommendation ITU-R SM.329-12 [i.9], section 4.1.			
NOTE 2: Limit based on Recommendation ITU-R SM.329-12 [i.9], section 4.3 and annex 7.			
NOTE 3: Bandwidth as in Recommendation ITU-R SM.329-12 [i.9], section 4.1. Upper frequency as in Recommendation ITU-R SM.329-12 [i.9], section 2.5, table 1.			
NOTE 4: Applies only for Band XXII.			
Key:			
$F_{low}$ :	The lowest BS transmit frequency of the operating band as defined in table 1-1.		
$F_{high}$ :	The highest BS transmit frequency of the operating band as defined in table 1-1.		

**Table 4.2.4.2.1-2: BS spurious emissions limits for operating band VIII and XX**

Frequency range	Maximum level	Measurement bandwidth	Note
9 kHz to 150 kHz	-36 dBm	1 kHz	see note 1
150 kHz to 30 MHz	-36 dBm	10 kHz	see note 1
30 MHz to $F_{low} - 10$ MHz	-36 dBm	100 kHz	see note 1
$F_{low} - 10$ MHz to $F_{high} + 10$ MHz	-16 dBm	100 kHz	see note 2
$F_{high} + 10$ MHz to 1 GHz	-36 dBm	100 kHz	see note 1
1 GHz to 12,75 GHz	-30 dBm	1 MHz	see note 3
NOTE 1: Bandwidth as in Recommendation ITU-R SM.329-12 [i.9], section 4.1.			
NOTE 2: Limit based on Recommendation ITU-R SM.329-12 [i.9], section 4.3 and annex 7.			
NOTE 3: Bandwidth as in Recommendation ITU-R SM.329-12 [i.9], section 4.1. Upper frequency as in Recommendation ITU-R SM.329-12 [i.9], section 2.5, table 1.			
Key:			
$F_{low}$ :	The lowest BS transmit frequency of the operating band as defined in table 1-1.		
$F_{high}$ :	The highest BS transmit frequency of the operating band as defined in table 1-1.		

### 4.2.4.2.2 Co-existence with other systems

This requirement shall be applied for the protection of UE/MS and BS/BTS receivers of other systems.

The power of any spurious emission shall not exceed the limit specified in table 4.2.4.2.2-1.

Table 4.2.4.2.2-1: Spurious emissions limits for protection of other systems

Protected system	Frequency range for co-existence requirement	Maximum Level	Measurement Bandwidth	Note
GSM900	921 MHz to 960 MHz	-57 dBm	100 kHz	This requirement shall not apply to UTRA FDD BS operating in band VIII.
	876 MHz to 915 MHz	-61 dBm	100 kHz	For the frequency range 880 MHz to 915 MHz, this requirement shall not apply to UTRA FDD BS operating in band VIII, since it is already covered by the requirement in clause 4.2.4.2.4.
DCS1800	1 805 MHz to 1 880 MHz	-47 dBm	100 kHz	This requirement shall not apply to UTRA FDD BS operating in band III.
	1 710 MHz to 1 785 MHz	-61 dBm	100 kHz	This requirement shall not apply to UTRA FDD BS operating in band III, since it is already covered by the requirement in clause 4.2.4.2.4.
UTRA FDD Band I, E-UTRA Band 1	2 110 MHz to 2 170 MHz	-52 dBm	1 MHz	This requirement shall not apply to UTRA FDD BS operating in band I.
	1 920 MHz to 1 980 MHz	-49 dBm	1 MHz	This requirement shall not apply to UTRA FDD BS operating in band I, since it is already covered by the requirement in clause 4.2.4.2.4.
UTRA FDD Band III, E-UTRA Band 3	1 805 MHz to 1 880 MHz	-52 dBm	1 MHz	This requirement shall not apply to UTRA BS operating in band III.
	1 710 MHz to 1 785 MHz	-49 dBm	1 MHz	This requirement shall not apply to UTRA BS operating in band III, since it is already covered by the requirement in clause 4.2.4.2.4.
UTRA FDD Band VII, E-UTRA Band 7	2 620 MHz to 2 690 MHz	-52 dBm	1 MHz	This requirement shall not apply to UTRA FDD BS operating in band VII, XV or XVI.
	2 500 MHz to 2 570 MHz	-49 dBm	1 MHz	This requirement shall not apply to UTRA FDD BS operating in band VII, since it is already covered by the requirement in clause 4.2.4.2.4.
UTRA FDD Band VIII, E-UTRA Band 8	925 MHz to 960 MHz	-52 dBm	1 MHz	This requirement shall not apply to UTRA FDD BS operating in band VIII.
	880 MHz to 915 MHz	-49 dBm	1 MHz	This requirement shall not apply to UTRA FDD BS operating in band VIII, since it is already covered by the requirement in clause 4.2.4.2.4.
UTRA FDD Band XV	2 600 MHz to 2 620 MHz	-52 dBm	1 MHz	This requirement shall not apply to UTRA FDD BS operating in band VII, XV or XVI.
	1 900 MHz to 1 920 MHz	-49 dBm	1 MHz	This requirement shall not apply to UTRA FDD BS operating in band XV, since it is already covered by the requirement in clause 4.2.4.2.4.
UTRA FDD Band XVI	2 585 MHz to 2 600 MHz	-52 dBm	1 MHz	This requirement shall not apply to UTRA FDD BS operating in band VII, XV or XVI.
	2 010 MHz to 2 025 MHz	-49 dBm	1 MHz	This requirement shall not apply to UTRA FDD BS operating in band XVI, since it is already covered by the requirement in clause 4.2.4.2.4.
UTRA FDD Band XX, E-UTRA Band 20	791 MHz to 821 MHz	-52 dBm	1 MHz	This requirement shall not apply to UTRA FDD BS operating in band XX.
	832 MHz to 862 MHz	-49 dBm	1 MHz	This requirement shall not apply to UTRA FDD BS operating in band XX, since it is already covered by the requirement in clause 4.2.4.2.4.
UTRA FDD Band XXII, E-UTRA Band 22	3 510 MHz to 3 590 MHz	-52 dBm	1 MHz	This requirement shall not apply to UTRA FDD BS operating in band XXII.
	3 410 MHz to 3 490 MHz	-49 dBm	1 MHz	This requirement shall not apply to UTRA FDD BS operating in band XXII, since it is already covered by the requirement in clause 4.2.4.2.4.
UTRA FDD Band XXXII or E-UTRA Band 32	1 452 MHz to 1 496 MHz	-52 dBm	1 MHz	This requirement shall not apply to UTRA BS operating in Band XXXII.
UTRA TDD in Band a), E-UTRA Band 33	1 900 MHz to 1 920 MHz	-52 dBm	1 MHz	This requirement shall not apply to UTRA FDD BS operating in band XV.
UTRA TDD in Band a), E-UTRA Band 34	2 010 MHz to 2 025 MHz	-52 dBm	1 MHz	This requirement shall not apply to UTRA FDD BS operating in band XVI.

Protected system	Frequency range for co-existence requirement	Maximum Level	Measurement Bandwidth	Note
UTRA TDD in Band d), E-UTRA Band 38	2 570 MHz to 2 610 MHz	-52 dBm	1 MHz	This requirement shall not apply to UTRA FDD BS operating in band XV or XVI.
E-UTRA Band 40	2 300 MHz to 2 400 MHz	-52 dBm	1 MHz	
E-UTRA Band 42	3 400 MHz to 3 600 MHz	-52 dBm	1 MHz	
E-UTRA Band 43	3 600 MHz to 3 800 MHz	-52 dBm	1 MHz	
NOTE 1: Where the table has two entries for the same or overlapping frequency ranges, both limits shall be applied.				
NOTE 2: The co-location requirements shall not apply for the 10 MHz frequency range immediately outside the BS transmit frequency range of a downlink operating band (see table 1-1).				

#### 4.2.4.2.3 Co-existence with services in adjacent frequency bands

This requirement shall be applied for the protection in bands adjacent to Operating Bands I and VII.

The power of any spurious emission shall not exceed the limits specified in table 4.2.4.2.3-1, depending on the declared operating band.

**Table 4.2.4.2.3-1: Spurious emissions limits for protection of adjacent band services**

Operating Band	Frequency range (f)	Maximum level	Measurement bandwidth
I	2 100 MHz to 2 105 MHz	$-30 + 3,4 (f - 2\ 100\ \text{MHz})\ \text{dBm}$	1 MHz
	2 175 MHz to 2 180 MHz	$-30 + 3,4 (2\ 180\ \text{MHz} - f)\ \text{dBm}$	1 MHz

#### 4.2.4.2.4 Protection of the BS receiver of own or different BS

This requirement shall be applied in order to prevent the receivers of the BSs being desensitized by emissions from a BS transmitter.

The power of any spurious emission shall not exceed the limit specified in tables 4.2.4.2.4-1, 4.2.4.2.4-2 or 4.2.4.2.4-3 depending on the declared Base Station class and operating band.

**Table 4.2.4.2.4-1: Spurious emissions limits for protection of a Wide Area BS receiver**

Operating band	Frequency range	Maximum level	Measurement bandwidth
I	1 920 MHz to 1 980 MHz	-96 dBm	100 kHz
III	1 710 MHz to 1 785 MHz	-96 dBm	100 kHz
VII	2 500 MHz to 2 570 MHz	-96 dBm	100 kHz
VIII	880 MHz to 915 MHz	-96 dBm	100 kHz
XV	1 900 MHz to 1 920 MHz	-96 dBm	100 kHz
XVI	2 010 MHz to 2 025 MHz	-96 dBm	100 kHz
XX	832 MHz to 862 MHz	-96 dBm	100 kHz
XXII	3 410 MHz to 3 490 MHz	-96 dBm	100 kHz

**Table 4.2.4.2.4-2: Spurious emissions limits for protection of a Medium Range BS receiver**

Operating band	Frequency range	Maximum level	Measurement bandwidth
I	1 920 MHz to 1 980 MHz	-86 dBm	100 kHz
III	1 710 MHz to 1 785 MHz	-86 dBm	100 kHz
VII	2 500 MHz to 2 570 MHz	-86 dBm	100 kHz
VIII	880 MHz to 915 MHz	-86 dBm	100 kHz
XV	1 900 MHz to 1 920 MHz	-86 dBm	100 kHz
XVI	2 010 MHz to 2 025 MHz	-86 dBm	100 kHz
XX	832 MHz to 862 MHz	-86 dBm	100 kHz
XXII	3 410 MHz to 3 490 MHz	-86 dBm	100 kHz

**Table 4.2.4.2.4-3: Spurious emissions limits for protection of a Local Area BS and Home BS receiver**

Operating band	Frequency range	Maximum level	Measurement bandwidth
I	1 920 MHz to 1 980 MHz	-82 dBm	100 kHz
III	1 710 MHz to 1 785 MHz	-82 dBm	100 kHz
VII	2 500 MHz to 2 570 MHz	-82 dBm	100 kHz
VIII	880 MHz to 915 MHz	-82 dBm	100 kHz
XV	1 900 MHz to 1 920 MHz	-82 dBm	100 kHz
XVI	2 010 MHz to 2 025 MHz	-82 dBm	100 kHz
XX	832 MHz to 862 MHz	-82 dBm	100 kHz
XXII	3 410 MHz to 3 490 MHz	-82 dBm	100 kHz

#### 4.2.4.2.5 Co-existence with Home BS operating in other bands

These requirements shall be applied for the protection of Home BS receivers operating in other bands. These requirements are only applicable to Home BS.

The power of any spurious emission shall not exceed the limits of table 4.2.4.2.5-1 for a Home BS.

**Table 4.2.4.2.5-1: Spurious emissions limits for protection of a Home BS receiver**

Protected band	Frequency range	Maximum level	Measurement bandwidth
I	1 920 MHz to 1 980 MHz	-71 dBm	100 kHz
III	1 710 MHz to 1 785 MHz	-71 dBm	100 kHz
VII	2 500 MHz to 2 570 MHz	-71 dBm	100 kHz
VIII	880 MHz to 915 MHz	-71 dBm	100 kHz
XV	1 900 MHz to 1 920 MHz	-71 dBm	100 kHz
XVI	2 010 MHz to 2 025 MHz	-71 dBm	100 kHz
XX	832 MHz to 862 MHz	-71 dBm	100 kHz
XXII	3 410 MHz to 3 490 MHz	-71 dBm	100 kHz
UTRA TDD in Band a), E-UTRA Band 33	1 900 MHz to 1 920 MHz	-71 dBm	100 kHz
UTRA TDD in Band a), E-UTRA Band 34	2 010 MHz to 2 025 MHz	-71 dBm	100 kHz
UTRA TDD in Band d), E-UTRA Band 38	2 570 MHz to 2 610 MHz	-71 dBm	100 kHz
E-UTRA Band 40	2 300 MHz to 2 400 MHz	-71 dBm	100 kHz
E-UTRA Band 42	3 400 MHz to 3 600 MHz	-71 dBm	100 kHz
E-UTRA Band 43	3 600 MHz to 3 800 MHz	-71 dBm	100 kHz

#### 4.2.4.3 Conformance

Conformance tests described in clause 5.3.3 shall be carried out.

### 4.2.5 Base Station maximum output power

#### 4.2.5.1 Definition

Maximum output power,  $P_{\max,c}$  of the Base Station is the mean power level per carrier measured at the antenna connector in specified reference condition.

For a UTRA FDD BS additionally conforming to ETSI EN 301 908-18 [i.8], either the requirement of the present clause or the Base Station maximum output power requirement in clause 4.2.5 of ETSI EN 301 908-18 [i.8] can be equally applied, as listed in table 4.2.1-2.

#### 4.2.5.2 Limit

In normal conditions, the Base Station maximum output power shall remain:

- within +2,7 dB and -2,7 dB of the manufacturer's rated output power,  $P_{\text{rated,c}}$ , for carrier frequency  $f \leq 3,0$  GHz;
- within +3,0 dB and -3,0 dB of the manufacturer's rated output power,  $P_{\text{rated,c}}$ , for carrier frequency  $3,0 \text{ GHz} < f \leq 4,2$  GHz.

In extreme conditions, the Base Station maximum output power shall remain:

- within +3,2 dB and -3,2 dB of the manufacturer's rated output power,  $P_{\text{rated,c}}$ , for carrier frequency  $f \leq 3,0$  GHz;
- within +3,5 dB and -3,5 dB of the manufacturer's rated output power,  $P_{\text{rated,c}}$ , for carrier frequency  $3,0 \text{ GHz} < f \leq 4,2$  GHz.

#### 4.2.5.3 Conformance

Conformance tests described in clause 5.3.4 shall be carried out.

### 4.2.6 Transmitter intermodulation

#### 4.2.6.1 Definition

The transmitter intermodulation requirement is a measure of the capability of the transmitter to inhibit the generation of signals in its non-linear elements caused by presence of the wanted signal and an interfering signal reaching the transmitter via the antenna.

The transmitter intermodulation level is the power of the intermodulation products when a WCDMA interfering signal is injected into an antenna connector at a power level of 30 dB lower than the rated total output power in the operating band.

For a UTRA FDD BS additionally conforming to ETSI EN 301 908-18 [i.8], either the requirement of the present clause or the Transmitter intermodulation requirement in clause 4.2.6 of ETSI EN 301 908-18 [i.8] can be equally applied, as listed in table 4.2.1-2.

For BS capable of multi-band operation where multiple bands are mapped on separate antenna connectors, the single-band requirements shall apply regardless of the interfering signals position relative to the Inter RF Bandwidth gap.

For multi-carrier operation, the interfering signal offset is defined relative to the lower/upper edge of the wanted signal or sub-block edge inside a gap.

The interfering signal frequency offset shall be as in table 4.2.6.1-1.

**Table 4.2.6.1-1: Interfering signal frequency offset**

Parameter	Value
Interfering signal centre frequency offset from the wanted signal centre frequency	-5 MHz -10 MHz -15 MHz +5 MHz +10 MHz +15 MHz
Interfering signal centre frequency offset from the lower/upper edge of the wanted signal or sub-block edge inside a gap	-2,5 MHz -7,5 MHz -12,5 MHz +2,5 MHz +7,5 MHz +12,5 MHz
NOTE:	Interfering signal frequencies that are outside of any allocated frequency band for UTRA-FDD downlink specified in clause 1 are excluded from the requirement, unless the interfering signal positions fall within the frequency range of adjacent downlink operating bands in the same geographical area.

For a BS operating in non-contiguous spectrum, the requirement is also applicable inside a sub-block gap for interfering signal offsets where the interfering signal falls completely within the sub-block gap. The interfering signal offset is defined relative to the sub-block edges.

For a BS capable of multi-band operation, the requirement is also applicable inside a Inter RF Bandwidth gap for interfering signal offsets where the interfering signal falls completely within the Inter RF Bandwidth gap. The interfering signal offset is defined relative to the BS RF Bandwidth edges.

The measurements for out of band emission or spurious emission requirement due to intermodulation can be limited to the frequency ranges of all third and fifth order intermodulation products, considering the width of these products and excluding the bandwidths of the wanted and interfering signals.

#### 4.2.6.2 Limit

In the frequency range relevant for this test, the transmit intermodulation level shall not exceed the out-of-band emission or the spurious emission requirements of clauses 4.2.2.2, 4.2.3.2 and 4.2.4.2 in the presence of a WCDMA interfering signal with a power level 30 dB lower than rated total output power in the operating band.

#### 4.2.6.3 Conformance

Conformance tests described in clause 5.3.5 shall be carried out.

### 4.2.7 Receiver spurious emissions

#### 4.2.7.1 Definition

The spurious emission power is the power of the emissions, generated or amplified in a receiver, which appear at the BS antenna connector. The requirements shall apply to all BS with separate Rx and Tx antenna port. The test shall be performed when both Tx and Rx are on with the Tx port terminated.

For all BS with common Rx and Tx antenna port the transmitter spurious emission as specified in clause 4.2.4 is valid.

For a UTRA FDD BS additionally conforming to ETSI EN 301 908-18 [i.8], either the requirement of the present clause or the Receiver spurious emissions requirement in clause 4.2.7 of ETSI EN 301 908-18 [i.8] can be equally applied, as listed in table 4.2.1-2.

#### 4.2.7.2 Limit

The power of any spurious emission shall not exceed the limit specified in table 4.2.7.2-1.

For BS capable of multi-band operation, the exclusions and conditions in the Note column of table 4.2.7.2-1 shall apply for each supported operating band. For BS capable of multi-band operation where multiple bands are mapped on separate antenna connectors, the single-band requirements shall apply and the excluded frequency range is only applicable for the operating band supported on each antenna connector.

In addition to the requirements in table 4.2.7.2-1, the power of any spurious emission shall not exceed the levels specified for protection of the BS receiver of own or different BS in clause 4.2.4.2.4, for co-existence with other systems in the same geographical area in clause 4.2.4.2.2 and for co-existence with services in adjacent frequency bands in clause 4.2.4.2.3.

**Table 4.2.7.2-1: Spurious emission minimum requirement (general)**

Frequency range	Maximum level	Measurement bandwidth	Note
30 MHz to 1 GHz	-57 dBm	100 kHz	With the exception of frequencies between 12,5 MHz below the first carrier frequency and 12,5 MHz above the last carrier frequency transmitted by the BS transmitter
1 GHz to 12,75 GHz	-47 dBm	1 MHz	
12,75 GHz to 5 <sup>th</sup> harmonic of the upper frequency edge of the UL operating band	-47 dBm	1 MHz	Applies only for Band XXII



### 4.2.7.3 Conformance

Conformance tests described in clause 5.3.6 shall be carried out.

## 4.2.8 Blocking characteristics

### 4.2.8.1 Definition

The blocking characteristics are a measure of the receiver ability to receive a wanted signal at its assigned channel frequency in the presence of an unwanted interferer on frequencies other than those of the adjacent channels. The interferences are either a WCDMA signal for in-band blocking or a CW signal for out-of-band blocking.

The blocking performance requirement shall apply as specified in tables 4.2.8.2-1, 4.2.8.2-2 or 4.2.8.2-3.

The requirements shall apply to the indicated base station class, depending on which frequency band is used.

For a UTRA FDD BS additionally conforming to ETSI EN 301 908-18 [i.8], either the requirement of the present clause or the In-band and Out-of-band blocking requirements in clauses 4.2.8 and 4.2.9 of ETSI EN 301 908-18 [i.8] can be equally applied, as listed in table 4.2.1-2.

### 4.2.8.2 Limit

For each measured carrier, the BER shall not exceed 0,001 for the parameters specified in tables 4.2.8.2-1, 4.2.8.2-2 or 4.2.8.2-3 depending on the declared Base Station class and operating band.

In addition for Base Stations operating in band III or VIII, the BER shall not exceed 0,001 for the parameters specified in tables 4.2.8.2-4, 4.2.8.2-5 or 4.2.8.2-6, depending on the declared Base Station class and operating band.

For a BS operating in non-contiguous spectrum within any operating band, the blocking requirement applies in addition inside any sub-block gap, in case the sub-block gap size is at least 15 MHz. The interfering signal offset is defined relative to the lower/upper sub-block edge inside the sub-block gap and is equal to -7,5 MHz/+7,5 MHz, respectively.

For a BS operating in non-contiguous spectrum within any operating band, the narrowband blocking requirements in tables 4.2.8.4-4 to 4.2.8.4-6 shall apply in addition inside any sub-block gap, in case the sub-block gap size is at least 400 kHz or 600 kHz, depending on the operating band. The interfering signal offset is defined relative to the lower/upper sub-block edge inside the sub-block gap and is equal to -200 kHz/+200 kHz or -300 kHz/+300 kHz, respectively.

For a BS capable of multi-band operation, the requirement in the in-band blocking frequency range shall apply for each supported operating band. The requirement shall apply in addition inside any Inter RF Bandwidth gap, in case the Inter RF Bandwidth gap size is at least 15 MHz. The interfering signal offset is defined relative to lower/upper BS RF Bandwidth edges inside the Inter RF Bandwidth gap and is equal to -7,5 MHz/+7,5 MHz, respectively.

For a BS capable of multi-band operation, the requirement in the out-of-band blocking frequency ranges shall apply for each operating band, with the exception that the in-band blocking frequency ranges of all supported operating bands according to tables 4.2.8.4-1 to 4.2.8.4-3 shall be excluded from the out-of-band blocking requirement.

For a BS capable of multi-band operation, the narrowband blocking requirement shall apply in addition inside any Inter RF Bandwidth gap, in case the Inter RF Bandwidth gap size is at least 400 kHz or 600 kHz, depending on the operating band. The interfering signal offset is defined relative to lower/upper BS RF Bandwidth edges inside the Inter RF Bandwidth gap and is equal to -200 kHz/+200 kHz or -300 kHz/+300 kHz, respectively.

Table 4.2.8.2-1: Blocking characteristics for Wide Area BS

Operating band	Centre frequency of interfering signal	Interfering signal mean power	Wanted signal mean power	Minimum offset of interfering signal	Type of interfering signal
I	1 920 MHz to 1 980 MHz	-40 dBm	-115 dBm	±10 MHz	WCDMA signal (see note 1)
	1 900 MHz to 1 920 MHz 1 980 MHz to 2 000 MHz	-40 dBm	-115 dBm	±10 MHz	WCDMA signal (see note 1)
	1 MHz to 1 900 MHz 2 000 MHz to 12 750 MHz	-15 dBm	-115 dBm	-	CW carrier
III	1 710 MHz to 1 785 MHz	-40 dBm	-115 dBm	±10 MHz	WCDMA signal (see note 1)
	1 690 MHz to 1 710 MHz 1 785 MHz to 1 805 MHz	-40 dBm	-115 dBm	±10 MHz	WCDMA signal (see note 1)
	1 MHz to 1 690 MHz 1 805 MHz to 12 750 MHz	-15 dBm	-115 dBm	-	CW carrier
VII	2 500 MHz to 2 570 MHz	-40 dBm	-115 dBm	±10 MHz	WCDMA signal (see note 1)
	2 480 MHz to 2 500 MHz 2 570 MHz to 2 590 MHz	-40 dBm	-115 dBm	±10 MHz	WCDMA signal (see note 1)
	1 MHz to 2 480 MHz 2 590 MHz to 12 750 MHz	-15 dBm	-115 dBm	-	CW carrier
VIII	880 MHz to 915 MHz	-40 dBm	-115 dBm	±10 MHz	WCDMA signal (see note 1)
	860 MHz to 880 MHz 915 MHz to 925 MHz	-40 dBm	-115 dBm	±10 MHz	WCDMA signal (see note 1)
	1 MHz to 860 MHz 925 MHz to 12 750 MHz	-15 dBm	-115 dBm	-	CW carrier
XV	1 900 MHz to 1 920 MHz	-40 dBm	-115 dBm	±10 MHz	WCDMA signal (see note 1)
	1 880 MHz to 1 900 MHz 1 920 MHz to 1 940 MHz	-40 dBm	-115 dBm	±10 MHz	WCDMA signal (see note 1)
	1 MHz to 1 880 MHz 1 940 MHz to 12 750 MHz	-15 dBm	-115 dBm	-	CW carrier
XV and I (see note 2)	1 900 MHz to 1 980 MHz	-40 dBm	-115 dBm	±10 MHz	WCDMA signal (see note 1)
	1 880 MHz to 1 900 MHz 1 980 MHz to 2 000 MHz	-40 dBm	-115 dBm	±10 MHz	WCDMA signal (see note 1)
	1 MHz to 1 880 MHz 2 000 MHz to 12 750 MHz	-15 dBm	-115 dBm	-	CW carrier
XVI	2 010 MHz to 2 025 MHz	-40 dBm	-115 dBm	±10 MHz	WCDMA signal (see note 1)
	1 990 MHz to 2 010 MHz 2 025 MHz to 2 045 MHz	-40 dBm	-115 dBm	±10 MHz	WCDMA signal (see note 1)
	1 MHz to 1 990 MHz 2 045 MHz to 12 750 MHz	-15 dBm	-115 dBm	-	CW carrier
XX	832 MHz to 862 MHz	-40 dBm	-115 dBm	±10 MHz	WCDMA signal (see note 1)
	821 MHz to 832 MHz 862 MHz to 882 MHz	-40 dBm	-115 dBm	±10 MHz	WCDMA signal (see note 1)
	1 MHz to 821 MHz 882 MHz to 12 750 MHz	-15 dBm	-115 dBm	-	CW carrier
XXII	3 410 MHz to 3 490 MHz	-40 dBm	-115 dBm	±10 MHz	WCDMA signal (see note 1)
	3 390 MHz to 3 410 MHz 3 490 MHz to 3 510 MHz	-40 dBm	-115 dBm	±10 MHz	WCDMA signal (see note 1)
	1 MHz to 3 390 MHz 3 510 MHz to 12 750 MHz	-15 dBm	-115 dBm	—	CW carrier

NOTE 1: The characteristics of the WCDMA interference signal are specified in ETSI TS 125 141 [1], annex I.

NOTE 2: This requirement applies for a BS supporting both Band XV and Band I.

NOTE 3: For a BS capable of multiband operation, in case of interfering signal that is not in the in-band blocking frequency range of the operating band where the wanted signal is present, the wanted Signal mean power is equal to -119,6 dBm.

NOTE 4: Table assumes that two operating bands, where the downlink frequencies (see table 1-1) of one band would be within the in-band blocking region of the other band, are not deployed in the same geographical area.

Table 4.2.8.2-2: Blocking characteristics for Medium Range BS

Operating band	Centre frequency of interfering signal	Interfering signal mean power	Wanted signal mean power	Minimum offset of interfering signal	Type of interfering signal
I	1 920 MHz to 1 980 MHz	-35 dBm	-105 dBm	±10 MHz	WCDMA signal (see note 1)
	1 900 MHz to 1 920 MHz 1 980 MHz to 2 000 MHz	-35 dBm	-105 dBm	±10 MHz	WCDMA signal (see note 1)
	1 MHz to 1 900 MHz 2 000 MHz to 12 750 MHz	-15 dBm	-105 dBm	-	CW carrier
III	1 710 MHz to 1 785 MHz	-35 dBm	-105 dBm	±10 MHz	WCDMA signal (see note 1)
	1 690 MHz to 1 710 MHz 1 785 MHz to 1 805 MHz	-35 dBm	-105 dBm	±10 MHz	WCDMA signal (see note 1)
	1 MHz to 1 690 MHz 1 805 MHz to 12 750 MHz	-15 dBm	-105 dBm	-	CW carrier
VII	2 500 MHz to 2 570 MHz	-35 dBm	-105 dBm	±10 MHz	WCDMA signal (see note 1)
	2 480 MHz to 2 500 MHz 2 570 MHz to 2 590 MHz	-35 dBm	-105 dBm	±10 MHz	WCDMA signal (see note 1)
	1 MHz to 2 480 MHz 2 590 MHz to 12 750 MHz	-15 dBm	-105 dBm	-	CW carrier
VIII	880 MHz to 915 MHz	-35 dBm	-105 dBm	±10 MHz	WCDMA signal (see note 1)
	860 MHz to 880 MHz 915 MHz to 925 MHz	-35 dBm	-105 dBm	±10 MHz	WCDMA signal (see note 1)
	1 MHz to 860 MHz 925 MHz to 12 750 MHz	-15 dBm	-105 dBm	-	CW carrier
XV	1 900 MHz to 1 920 MHz	-35 dBm	-105 dBm	±10 MHz	WCDMA signal (see note 1)
	1 880 MHz to 1 900 MHz 1 920 MHz to 1 940 MHz	-35 dBm	-105 dBm	±10 MHz	WCDMA signal (see note 1)
	1 MHz to 1 880 MHz 1 940 MHz to 12 750 MHz	-15 dBm	-105 dBm	-	CW carrier
XV and I (see note 2)	1 900 MHz to 1 980 MHz	-35 dBm	-105 dBm	±10 MHz	WCDMA signal (see note 1)
	1 880 MHz to 1 900 MHz 1 980 MHz to 2 000 MHz	-35 dBm	-105 dBm	±10 MHz	WCDMA signal (see note 1)
	1 MHz to 1 880 MHz 2 000 MHz to 12 750 MHz	-15 dBm	-105 dBm	-	CW carrier
XVI	2 010 MHz to 2 025 MHz	-35 dBm	-105 dBm	±10 MHz	WCDMA signal (see note 1)
	1 990 MHz to 2 010 MHz 2 025 MHz to 2 045 MHz	-35 dBm	-105 dBm	±10 MHz	WCDMA signal (see note 1)
	1 MHz to 1 990 MHz 2 045 MHz to 12 750 MHz	-15 dBm	-105 dBm	-	CW carrier
XX	832 MHz to 862 MHz	-35 dBm	-105 dBm	±10 MHz	WCDMA signal (see note 1)
	821 MHz to 832 MHz 862 MHz to 882 MHz	-35 dBm	-105 dBm	±10 MHz	WCDMA signal (see note 1)
	1 MHz to 821 MHz 882 MHz to 12 750 MHz	-15 dBm	-105 dBm	-	CW carrier
XXII	3 410 MHz to 3 490 MHz	-35 dBm	-105 dBm	±10 MHz	WCDMA signal (see note 1)
	3 390 MHz to 3 410 MHz 3 490 MHz to 3 510 MHz	-35 dBm	-105 dBm	±10 MHz	WCDMA signal (see note 1)
	1 MHz to 3 390 MHz 3 510 MHz to 12 750 MHz	-15 dBm	-105 dBm	—	CW carrier

NOTE 1: The characteristics of the WCDMA interference signal are specified in ETSI TS 125 141 [1], annex I.

NOTE 2: This requirement applies for a BS supporting both Band XV and Band I.

NOTE 3: For a BS capable of multiband operation, in case of interfering signal that is not in the in-band blocking frequency range of the operating band where the wanted signal is present, the wanted signal mean power is equal to -109,6 dBm.

NOTE 4: Table assumes that two operating bands, where the downlink frequencies (see table 1-1) of one band would be within the in-band blocking region of the other band, are not deployed in the same geographical area.

Table 4.2.8.2-3: Blocking characteristics for Local Area BS and Home BS

Operating band	Centre frequency of interfering signal	Interfering signal mean power	Wanted signal mean power	Minimum offset of interfering signal	Type of interfering signal
I	1 920 MHz to 1 980 MHz	-30 dBm	-101 dBm	±10 MHz	WCDMA signal (see note 1)
	1 900 MHz to 1 920 MHz 1 980 MHz to 2 000 MHz	-30 dBm	-101 dBm	±10 MHz	WCDMA signal (see note 1)
	1 MHz to 1 900 MHz 2 000 MHz to 12 750 MHz	-15 dBm	-101 dBm	-	CW carrier
III	1 710 MHz to 1 785 MHz	-30 dBm	-101 dBm	±10 MHz	WCDMA signal (see note 1)
	1 690 MHz to 1 710 MHz 1 785 MHz to 1 805 MHz	-30 dBm	-101 dBm	±10 MHz	WCDMA signal (see note 1)
	1 MHz to 1 690 MHz 1 805 MHz to 12 750 MHz	-15 dBm	-101 dBm	-	CW carrier
VII	2 500 MHz to 2 570 MHz	-30 dBm	-101 dBm	±10 MHz	WCDMA signal (see note 1)
	2 480 MHz to 2 500 MHz 2 570 MHz to 2 590 MHz	-30 dBm	-101 dBm	±10 MHz	WCDMA signal (see note 1)
	1 MHz to 2 480 MHz 2 590 MHz to 12 750 MHz	-15 dBm	-101 dBm	-	CW carrier
VIII	880 MHz to 915 MHz	-30 dBm	-101 dBm	±10 MHz	WCDMA signal (see note 1)
	860 MHz to 880 MHz 915 MHz to 925 MHz	-30 dBm	-101 dBm	±10 MHz	WCDMA signal (see note 1)
	1 MHz to 860 MHz 925 MHz to 12 750 MHz	-15 dBm	-101 dBm	-	CW carrier
XV	1 900 MHz to 1 920 MHz	-30 dBm	-101 dBm	±10 MHz	WCDMA signal (see note 1)
	1 880 MHz to 1 900 MHz 1 920 MHz to 1 940 MHz	-30 dBm	-101 dBm	±10 MHz	WCDMA signal (see note 1)
	1 MHz to 1 880 MHz 1 940 MHz to 12 750 MHz	-15 dBm	-101 dBm	-	CW carrier
XV and I (see note 2)	1 900 MHz to 1 980 MHz	-30 dBm	-101 dBm	±10 MHz	WCDMA signal (see note 1)
	1 880 MHz to 1 900 MHz 1 980 MHz to 2 000 MHz	-30 dBm	-101 dBm	±10 MHz	WCDMA signal (see note 1)
	1 MHz to 1 880 MHz 2 000 MHz to 12 750 MHz	-15 dBm	-101 dBm	-	CW carrier
XVI	2 010 MHz to 2 025 MHz	-30 dBm	-101 dBm	±10 MHz	WCDMA signal (see note 1)
	1 990 MHz to 2 010 MHz 2 025 MHz to 2 045 MHz	-30 dBm	-101 dBm	±10 MHz	WCDMA signal (see note 1)
	1 MHz to 1 990 MHz 2 045 MHz to 12 750 MHz	-15 dBm	-101 dBm	-	CW carrier
XX	832 MHz to 862 MHz	-30 dBm	-101 dBm	±10 MHz	WCDMA signal (see note 1)
	821 MHz to 832 MHz 862 MHz to 882 MHz	-30 dBm	-101 dBm	±10 MHz	WCDMA signal (see note 1)
	1 MHz to 821 MHz 882 MHz to 12 750 MHz	-15 dBm	-101 dBm	-	CW carrier
XXII	3 410 MHz to 3 490 MHz	-30 dBm	-101 dBm	±10 MHz	WCDMA signal (see note 1)
	3 390 MHz to 3 410 MHz 3 490 MHz to 3 510 MHz	-30 dBm	-101 dBm	±10 MHz	WCDMA signal (see note 1)
	1 MHz to 3 390 MHz 3 510 MHz to 12 750 MHz	-15 dBm	-101 dBm	—	CW carrier

NOTE 1: The characteristics of the WCDMA interference signal are specified in ETSI TS 125 141 [1], annex I.

NOTE 2: This requirement applies for a BS supporting both Band XV and Band I.

NOTE 3: For a BS capable of multiband operation, in case of interfering signal that is not in the in-band blocking frequency range of the operating band where the wanted signal is present, the wanted Signal mean power is equal to -105,6 dBm.

NOTE 4: Table assumes that two operating bands, where the downlink frequencies (see table 1-1) of one band would be within the in-band blocking region of the other band, are not deployed in the same geographical area.

**Table 4.2.8.2-4: Narrowband blocking characteristics for Wide Area BS  
(operating band III and VIII)**

Operating band	Centre frequency of interfering signal	Interfering signal mean power	Wanted signal mean power	Minimum offset of interfering signal	Type of interfering signal
III	1 710 MHz to 1 785 MHz	-47 dBm	-115 dBm	±2,8 MHz	GMSK modulated (see note)
VIII	880 MHz to 915 MHz	-47 dBm	-115 dBm	±2,8 MHz	GMSK modulated (see note)

NOTE: GMSK modulation as defined in ETSI TS 145 004 [2].

**Table 4.2.8.2-5: Narrowband blocking characteristics for Medium Range BS  
(operating band III and VIII)**

Operating band	Centre frequency of interfering signal	Interfering signal mean power	Wanted signal mean power	Minimum offset of interfering signal	Type of interfering signal
III	1 710 MHz to 1 785 MHz	-42 dBm	-105 dBm	±2,8 MHz	GMSK modulated (see note)
VIII	880 MHz to 915 MHz	-42 dBm	-105 dBm	±2,8 MHz	GMSK modulated (see note)

NOTE: GMSK modulation as defined in ETSI TS 145 004 [2].

**Table 4.2.8.2-6: Narrowband blocking characteristics for Local Area BS and Home BS  
(operating band III and VIII)**

Operating band	Centre frequency of interfering signal	Interfering signal mean power	Wanted signal mean power	Minimum offset of interfering signal	Type of interfering signal
III	1 710 MHz to 1 785 MHz	-37 dBm	-101 dBm	±2,8 MHz	GMSK modulated (see note)
VIII	880 MHz to 915 MHz	-37 dBm	-101 dBm	±2,8 MHz	GMSK modulated (see note)

NOTE: GMSK modulation as defined in ETSI TS 145 004 [2].

### 4.2.8.3 Conformance

Conformance tests described in clause 5.3.7 shall be carried out.

## 4.2.9 Receiver intermodulation characteristics

### 4.2.9.1 Definition

Third and higher order mixing of the two interfering RF signals can produce an interfering signal in the band of the desired channel.

Intermodulation response rejection is a measure of the capability of the receiver to receive a wanted signal on its assigned channel frequency in the presence of two or more interfering signals which have a specific frequency relationship to the wanted signal.

For a UTRA FDD BS additionally conforming to ETSI EN 301 908-18 [i.8], either the requirement of the present clause or the Receiver intermodulation requirement in clause 4.2.10 of ETSI EN 301 908-18 [i.8] can be equally applied, as listed in table 4.2.1-2.

### 4.2.9.2 Limit

For each measured carrier, the BER shall not exceed 0,001 for the parameters specified in tables 4.2.9.2-1, 4.2.9.2-2 or 4.2.9.2-3, depending on the declared Base Station class.

In addition for Base Stations operating in band III or VIII, the BER for each measured carrier shall not exceed 0,001 for the parameters specified in tables 4.2.9.2-4, 4.2.9.2-5 or 4.2.9.2-6, depending on the declared Base Station class and operating band.

For a BS operating in non-contiguous spectrum within any operating band, the narrowband intermodulation requirement applies in addition inside any sub-block gap, in case the sub-block gap size is at least 6,8 MHz. The CW interfering signal offset is defined relative to the lower/upper sub-block edge inside the sub-block gap and is equal to -1 MHz/+1 MHz, respectively. The GMSK modulated interfering signal offset is defined relative to the lower/upper sub-block edge inside the sub-block gap and is equal to -3,4 MHz/+3,4 MHz, respectively. The requirement applies separately for both sub-blocks.

For a BS capable of multi-band operation, the narrowband intermodulation requirement applies in addition inside any Inter RF Bandwidth gap, in case the Inter RF Bandwidth gap size is at least 6,8 MHz. The CW interfering signal offset is defined relative to lower/upper BS RF Bandwidth edges inside the Inter RF Bandwidth gap and is equal to -1 MHz/+1 MHz, respectively. The GMSK modulated interfering signal offset is defined relative to lower/upper BS RF Bandwidth edges inside the Inter RF Bandwidth gap and is equal to -3,4 MHz/+3,4 MHz, respectively.

**Table 4.2.9.2-1: Wide Area BS intermodulation performance requirement**

Type of signal	Offset	Signal mean power
Wanted signal	-	-115 dBm
CW signal	±10 MHz	-48 dBm
WCDMA signal (see note)	±20 MHz	-48 dBm
NOTE: The characteristics of the WCDMA interference signal are specified in ETSI TS 125 141 [1], annex I.		

**Table 4.2.9.2-2: Medium Range BS intermodulation performance requirement**

Type of signal	Offset	Signal mean power
Wanted signal	-	-105 dBm
CW signal	±10 MHz	-44 dBm
WCDMA signal (see note)	±20 MHz	-44 dBm
NOTE: The characteristics of the WCDMA interference signal are specified in ETSI TS 125 141 [1], annex I.		

**Table 4.2.9.2-3: Local Area BS and Home BS intermodulation performance requirement**

Type of signal	Offset	Signal mean power
Wanted signal	-	-101 dBm
CW signal	±10 MHz	-38 dBm
WCDMA signal (see note)	±20 MHz	-38 dBm
NOTE: The characteristics of the WCDMA interference signal are specified in ETSI TS 125 141 [1], annex I.		

**Table 4.2.9.2-4: Wide Area BS narrowband intermodulation performance requirement (operating band III and VIII)**

Type of signal	Offset	Signal mean power
Wanted signal	-	-115 dBm
CW signal	±3,5 MHz	-47 dBm
GMSK signal (see note)	±5,9 MHz	-47 dBm
NOTE: GMSK modulation as defined in ETSI TS 145 004 [2].		

**Table 4.2.9.2-5: Medium Range BS narrowband intermodulation performance requirement (operating band III and VIII)**

Type of signal	Offset	Signal mean power
Wanted signal	-	-105 dBm
CW signal	$\pm 3,5$ MHz	-43 dBm
GMSK signal (see note)	$\pm 5,9$ MHz	-43 dBm
NOTE: GMSK modulation as defined in ETSI TS 145 004 [2].		

**Table 4.2.9.2-6: Local Area BS and Home BS narrowband intermodulation performance requirement (operating band III and VIII)**

Type of signal	Offset	Signal mean power
Wanted signal	-	-101 dBm
CW signal	$\pm 3,5$ MHz	-37 dBm
GMSK signal (see note)	$\pm 5,9$ MHz	-37 dBm
NOTE: GMSK modulation as defined in ETSI TS 145 004 [2].		

### 4.2.9.3 Conformance

Conformance tests described in clause 5.3.8 shall be carried out.

## 4.2.10 Receiver adjacent channel selectivity

### 4.2.10.1 Definition

Adjacent Channel Selectivity (ACS) is a measure of the receiver's ability to receive a wanted signal at its assigned channel frequency in the presence of an adjacent channel signal at a given frequency offset from the centre frequency of the assigned channel. ACS is the ratio of the receiver filter attenuation on the assigned channel frequency to the receive filter attenuation on the adjacent channel(s).

The interference signal is offset from the wanted signal by the frequency offset  $F_{uw}$ . The interference signal shall be a WCDMA signal as specified in ETSI TS 125 141 [1], annex I.

For a UTRA FDD BS additionally conforming to ETSI EN 301 908-18 [i.8], either the requirement of the present clause or the Narrowband blocking requirement in clause 4.2.11 of ETSI EN 301 908-18 [i.8] can be equally applied, as listed in table 4.2.1-2.

### 4.2.10.2 Limit

For each measured carrier, the BER shall not exceed 0,001 using the parameters specified in tables 4.2.10.2-1, 4.2.10.2-2, 4.2.10.2-3 and/or 4.2.10.2-4 depending on the declared Base Station class.

For multi-carrier BS the ACS requirement is applicable outside the BS RF Bandwidth or Maximum Radio Bandwidth edges. The interfering signal offset is defined relative to the lower (upper) or Maximum Radio Bandwidth edges.

For a BS operating in non-contiguous spectrum within any operating band, the requirement shall apply in addition inside any sub-block gap, in case the sub-block gap size is at least 5 MHz. The interfering signal offset is defined relative to the lower/upper sub-block edge inside the sub-block gap and is equal to -2,5 MHz/+2,5 MHz, respectively.

For a BS capable of multi-band operation, the requirement applies in addition inside any Inter RF Bandwidth gap, in case the Inter RF Bandwidth gap size is at least 5 MHz. The interfering signal offset is defined relative to lower/upper BS RF Bandwidth edges inside the Inter RF Bandwidth gap and is equal to -2,5 MHz/+2,5 MHz, respectively.

**Table 4.2.10.2-1: Adjacent channel selectivity for Wide Area BS**

Parameter	Level	Unit
Reference measurement channel data rate	12,2	kbit/s
Wanted signal mean power	-115	dBm
Interfering signal mean power	-52	dBm
$F_{uw}$ offset (modulated)	$\pm 5$	MHz

**Table 4.2.10.2-2: Adjacent channel selectivity for Medium Range BS**

Parameter	Level	Unit
Reference measurement channel data rate	12,2	kbit/s
Wanted signal mean power	-105	dBm
Interfering signal mean power	-42	dBm
$F_{uw}$ offset (modulated)	$\pm 5$	MHz

**Table 4.2.10.2-3: Adjacent channel selectivity for Local Area BS and Home BS**

Parameter	Level	Unit
Reference measurement channel data rate	12,2	kbit/s
Wanted signal mean power	-101	dBm
Interfering signal mean power	-38	dBm
$F_{uw}$ offset (modulated)	$\pm 5$	MHz

**Table 4.2.10.2-4: Adjacent channel selectivity for Home BS (additional requirement)**

Parameter	Level	Unit
Reference measurement channel data rate	12,2	kbit/s
Wanted signal mean power	-91	dBm
Interfering signal mean power	-28	dBm
$F_{uw}$ offset (modulated)	$\pm 5$	MHz
NOTE: This additional requirement for Home BS ensures the performance is met over a large dynamic range.		

### 4.2.10.3 Conformance

Conformance tests described in clause 5.3.9 shall be carried out.

## 4.2.11 Home BS output power for adjacent channel protection

### 4.2.11.1 Definition

The Home BS shall be capable of adjusting the transmitter output power to minimize the interference level on the adjacent channels while optimize the Home BS coverage, in case an adjacent channel is licensed to another operator in the same geographical area. These requirements are only applicable to Home BS. The requirements in this clause are applicable for AWGN radio propagation conditions.

### 4.2.11.2 Limit

The output power,  $P_{out}$ , of the Home BS shall be as specified in table 4.2.11.2-1 under the following input conditions:

- $CPICH \hat{E}_c$ , measured in dBm, is the code power of the Primary CPICH on one of the adjacent channels presented at the Home BS antenna connector for the CPICH received on the adjacent channels. If Tx diversity is applied on the Primary CPICH,  $CPICH \hat{E}_c$  shall be the sum (in W) of the code powers of the Primary CPICH transmitted from each antenna.



- $I_{oh}$ , measured in dBm, is the total received power density, including signals and interference but excluding the own Home BS signal, presented at the Home BS antenna connector on the Home BS operating channel.

The input conditions defined for the requirements in this clause are specified at the antenna connector of the Home BS. For Home BS receivers with diversity, the requirements apply to each antenna connector separately, with the other one(s) terminated or disabled. The requirements are otherwise unchanged. For Home BS(s) without measurement capability, a reference antenna with a gain of 0 dBi is assumed for converting these power levels into field strength requirements.

**Table 4.2.11.2-1: Home BS output power for adjacent operator channel protection**

Input Conditions	Output power, $P_{out}$ (without transmit diversity or any MIMO mode)	Output power, $P_{out}$ (with transmit diversity or MIMO mode)	Output power, $P_{out}$ (with MIMO mode with four transmit antennas)
$I_{oh} > CPICH \hat{E}_c + 43$ dB and $CPICH \hat{E}_c \geq -105$ dBm	$\leq 10$ dBm	$\leq 7$ dBm	$\leq 4$ dBm
$I_{oh} \leq CPICH \hat{E}_c + 43$ dB and $CPICH \hat{E}_c \geq -105$ dBm	$\leq \max(8 \text{ dBm}, \min(20 \text{ dBm},$ $CPICH \hat{E}_c + 100 \text{ dB}))$	$\leq \max(5 \text{ dBm}, \min(17 \text{ dBm},$ $CPICH \hat{E}_c + 97 \text{ dB}))$	$\leq \max(2 \text{ dBm},$ $\min(14 \text{ dBm}, CPICH \hat{E}_c +$ $94 \text{ dB}))$
$CPICH \hat{E}_c < -105$ dBm	$\leq 20$ dBm	$\leq 17$ dBm	$\leq 14$ dBm

In normal operating conditions, the output power,  $P_{out}$ , of the Home BS shall be equal to or less than the value specified in table 4.2.11.2-1 plus 2,7 dB.

In extreme operating conditions, the output power,  $P_{out}$ , of the Home BS shall be equal to or less than the value specified in table 4.2.11.2-1 plus 3,2 dB.

### 4.2.11.3 Conformance

Conformance tests described in clause 5.3.10 shall be carried out.

## 4.2.12 Reference sensitivity level

### 4.2.12.1 Definition

The reference sensitivity level is the minimum mean power received at the antenna connector at which the BER shall not exceed the specific value indicated by the minimum requirement.

### 4.2.12.2 Limit

The BER measurement result in step 3) of clause 5.3.11.2 shall not be greater than the limit specified in table 4.2.12.2-1.

**Table 4.2.12.2-1: BS reference sensitivity levels**

BS class	Reference measurement channel data rate	BS reference sensitivity level ( dBm)		BER
		$f \leq 3,0$ GHz	$3,0 \text{ GHz} < f \leq 4,2$ GHz	
Wide Area BS	12,2 kbps	-120,3	-120,0	BER shall not exceed 0,001
Medium Range BS	12,2 kbps	-110,3	-110,0	BER shall not exceed 0,001
Local Area BS / Home BS	12,2 kbps	-106,3	-106,0	BER shall not exceed 0,001

### 4.2.12.3 Conformance

Conformance tests described in clause 5.3.11 shall be carried out.

---

## 5 Testing for compliance with technical requirements

### 5.1 Environmental conditions for testing

Tests defined in the present document shall be carried out at representative points within the boundary limits of the declared operational environmental profile.

Where technical performance varies subject to environmental conditions, tests shall be carried out under a sufficient variety of environmental conditions (within the boundary limits of the declared operational environmental profile) to give confidence of compliance for the affected technical requirements.

Normally it should be sufficient for all tests to be conducted using normal test conditions except where otherwise stated. For guidance on the use of other test conditions to be used in order to show compliance reference can be made to ETSI TS 125 141 [1], clause 4.4.

### 5.2 Interpretation of the measurement results

The interpretation of the results recorded in a test report for the measurements described in the present document shall be as follows:

- the measured value related to the corresponding limit will be used to decide whether an equipment meets the requirements of the present document;
- the value of the measurement uncertainty for the measurement of each parameter shall be included in the test report;
- the recorded value of the measurement uncertainty shall be, for each measurement, equal to or lower than the figures in table 5.2-1.

For the test methods, according to the present document, the measurement uncertainty figures shall be calculated and shall correspond to an expansion factor (coverage factor)  $k = 1,96$  or  $k = 2$  (which provide confidence levels of respectively 95 % and 95,45 % in the case where the distributions characterising the actual measurement uncertainties are normal (Gaussian)). Principles for the calculation of measurement uncertainty are contained in ETSI TR 100 028 [i.6], in particular in annex D of the ETSI TR 100 028-2 [i.6].

Table 5.2-1 is based on such expansion factors.

In the present clause 5, all Bit Error Ratio (BER) measurements shall be carried out according to the general rules for statistical testing defined in Recommendation ITU-T O.153 [i.10] and ETSI TS 125 141 [1], annex C.

Table 5.2-1: Maximum uncertainty of the test system

Parameter	Conditions	Uncertainty
Spectrum emissions mask		$\pm 1,5$ dB, $f \leq 3,0$ GHz $\pm 1,8$ dB, $3,0$ GHz $< f \leq 4,2$ GHz
Adjacent Channel Leakage power Ratio (ACLR)	ACLR limit CAACLR Adjacent channel power limit  Absolute limit for Home BS $\pm 1,5$ dB, $f \leq 3,0$ GHz Absolute limit for Home BS $\pm 1,8$ dB, $3,0$ GHz $< f \leq 4,2$ GHz	$\pm 0,8$ dB $\pm 0,8$ dB $\pm 2,0$ dB
Transmitter spurious emissions	For general requirements: $f \leq 2,2$ GHz $2,2$ GHz $< f \leq 4$ GHz $4$ GHz $< f < 19$ GHz  For co-existence requirements for $> -60$ dBm: $f \leq 3,0$ GHz $3,0$ GHz $< f \leq 4,2$ GHz for $\leq -60$ dBm: $f \leq 3,0$ GHz $3,0$ GHz $< f \leq 4,2$ GHz  For protection of the BS receiver	$\pm 1,5$ dB $\pm 2,0$ dB $\pm 4,0$ dB  $\pm 2,0$ dB $\pm 2,5$ dB  $\pm 3,0$ dB $\pm 3,5$ dB  $\pm 3,0$ dB
Base Station maximum output power, Home BS output power for adjacent channel protection		$\pm 0,7$ dB, $f \leq 3,0$ GHz $\pm 1,0$ dB, $3,0$ GHz $< f \leq 4,2$ GHz
Transmit intermodulation	For spectrum emissions mask For ACLR For "Spurious emissions": $f \leq 2,2$ GHz $2,2$ GHz $< f \leq 4$ GHz $f > 4$ GHz For co-existence requirements Interference signal	$\pm 2,5$ dB $\pm 2,2$ dB  $\pm 2,5$ dB $\pm 2,8$ dB $\pm 4,5$ dB $\pm 2,8$ dB $\pm 1,0$ dB
Receiver spurious emissions	For BS receive bands ( $-78$ dBm) $f \leq 3,0$ GHz $3,0$ GHz $< f \leq 4,2$ GHz  Outside the BS receive bands: $f \leq 2,2$ GHz $2,2$ GHz $< f \leq 4$ GHz $4$ GHz $< f < 19$ GHz	$\pm 3,0$ dB $\pm 3,5$ dB  $\pm 2,0$ dB $\pm 2,0$ dB $\pm 4,0$ dB
Blocking characteristics	For offset $< 15$ MHz For offset $\geq 15$ MHz and: $f \leq 2,2$ GHz $2,2$ GHz $< f \leq 4$ GHz $f > 4$ GHz	$\pm 1,4$ dB  $\pm 1,1$ dB $\pm 1,8$ dB $\pm 3,2$ dB
Receiver intermodulation characteristics	$f \leq 3,0$ GHz $3,0$ GHz $< f \leq 4,2$ GHz	$\pm 1,3$ dB $\pm 2,3$ dB
Receiver Adjacent Channel Selectivity (ACS)	$f \leq 3,0$ GHz $3,0$ GHz $< f \leq 4,2$ GHz	$\pm 1,1$ dB $\pm 1,5$ dB
Reference sensitivity level	$f \leq 3,0$ GHz $3,0$ GHz $< f \leq 4,2$ GHz	$\pm 0,7$ dB $\pm 1,0$ dB
NOTE 1: For RF tests it should be noted that the uncertainties in table 5.2-1 apply to the test system operating into a nominal $50 \Omega$ load and do not include system effects due to mismatch between the EUT and the test system.		
NOTE 2: Annex G of ETSI TR 100 028-2 [i.6] provides guidance for the calculation of the uncertainty components relating to mismatch.		
NOTE 3: If the test system for a test is known to have a measurement uncertainty greater than that specified in table 5.2-1, this equipment can still be used, provided that an adjustment is made as follows: any additional uncertainty in the test system over and above that specified in table 5.2-1 is used to tighten the test requirements - making the test harder to pass (for some tests, e.g. receiver tests, this may require modification of stimulus signals). This procedure will ensure that a test system not compliant with table 5.2-1 does not increase the probability of passing an EUT that would otherwise have failed a test if a test system compliant with table 5.2-1 had been used.		

## 5.3 Essential radio test suites

### 5.3.0 Introduction

This clause describes the test suites for UTRA FDD.

The test configurations and channel spacing for multi-carrier operations shall be used for demonstrating conformance are specified in clauses 4.12 and 3.5.1 of ETSI TS 125 141 [1].

For the single carrier testing many tests in the present document are performed with appropriate frequencies in the bottom, middle and top of the operating band of the BS. These are denoted as RF channels B (bottom), M (middle) and T (top) and are defined in ETSI TS 125 141 [1], clause 4.8.

For single-band multi-carrier testing many tests in the present document are performed with the maximum BS RF Bandwidth position located at the bottom, middle and top of the supported frequency range in each operating band. These are denoted as  $B_{RFBW}$  (bottom),  $M_{RFBW}$  (middle) and  $T_{RFBW}$  (top) for non-aggregated channels and are defined in ETSI TS 125 141 [1], clause 4.8.1.

For multi-band testing many tests in the present document are performed with the BS RF Bandwidths located at bottom of the supported frequency range in the lower operating band and at the top of the supported frequency range in the upper operating band. These are denoted as  $B_{RFBW\_T'_{RFBW}}$  and  $B'_{RFBW\_T_{RFBW}}$  and are defined in ETSI TS 125 141 [1], clause 4.8.1. The measurement system required for each test is described in ETSI TS 125 141 [1], annex B.

### 5.3.1 Spectrum emission mask

#### 5.3.1.0 General

For a UTRA FDD BS additionally conforming to ETSI EN 301 908-18 [i.8], either the test suite of the present clause or the Operating band unwanted emissions test suite in clause 5.3.1 of ETSI EN 301 908-18 [i.8] can be equally applied, as listed in table 4.2.1-2.

#### 5.3.1.1 Initial conditions

Test environment: normal; see ETSI TS 125 141 [1], clause 4.4.1.

RF channels to be tested for single carrier operation: B, M and T; see clause 5.3.0.

BS RF Bandwidth positions to be tested for multi-carrier operation:

- $B_{RFBW}$ ,  $M_{RFBW}$  and  $T_{RFBW}$  in single-band operation; see clause 5.3.0.
  - $B_{RFBW\_T'_{RFBW}}$  and  $B'_{RFBW\_T_{RFBW}}$  in multi-band operation; see clause 5.3.0.
- 1) Set-up the equipment as shown in ETSI TS 125 141 [1], annex B.  
As a general rule, the resolution bandwidth of the measuring equipment should be equal to the measurement bandwidth. However, to improve measurement accuracy, sensitivity, efficiency and avoiding e.g. carrier leakage, the resolution bandwidth may be smaller than the measurement bandwidth. When the resolution bandwidth is smaller than the measurement bandwidth, the result should be integrated over the measurement bandwidth in order to obtain the equivalent noise bandwidth of the measurement bandwidth.
  - 2) Measurements with an offset from the carrier centre frequency between 2,515 MHz and 4,0 MHz shall use a 30 kHz measurement bandwidth.
  - 3) Measurements with an offset from the carrier centre frequency between 4,0 MHz and  $(f_{\text{offset}_{\text{max}}} - 500 \text{ kHz})$  shall use a 1 MHz measurement bandwidth.
  - 4) Detection mode: true RMS voltage or true average power.

### 5.3.1.2 Procedures

- 1) For a BS declared to be capable of single carrier operation only, set the base station to transmit a signal according to test model TM1, as defined in ETSI TS 125 141 [1], at manufacturer's declared rated output power,  $P_{\text{rated,c}}$ .

For a BS declared to be capable of multi-carrier operation, set the base station to transmit according to TM1 on all carriers configured using the applicable test configuration and corresponding power setting specified in ETSI TS 125 141 [1], clause 4.12.

- 2) Step the centre frequency of the measurement filter in contiguous steps and measure the emission within the specified frequency ranges with the specified measurement bandwidth. For BS operating in multiple bands or non-contiguous spectrum, the emission within the Inter RF Bandwidth or sub-block gap shall be measured using the specified measurement bandwidth from the closest RF Bandwidth or sub block edge.

In addition, for a multi-band capable BS, the following steps shall apply:

- 3) For multi-band capable BS and single-band tests, repeat the steps above per involved band where single-band test configurations and test models shall apply with no carrier activated in the other band.
- 4) For multi-band capable BS with separate antenna connector, the antenna connector not being under test in case of single-band or multi-band test shall be terminated.

### 5.3.1.3 Test requirement

The results obtained shall be compared to the limits in clause 4.2.2.2 in order to prove compliance.

## 5.3.2 Adjacent channel leakage power ratio (ACLR)

### 5.3.2.1 Initial conditions

Test environment: normal; see ETSI TS 125 141 [1], clause 4.4.1.

RF channels to be tested for single carrier operation: B, M and T; see clause 5.3.0.

BS RF Bandwidth positions to be tested for multi-carrier operation:

- $B_{\text{RFBW}}$ ,  $M_{\text{RFBW}}$  and  $T_{\text{RFBW}}$  in single-band operation; see clause 5.3.0.
- $B_{\text{RFBW}}T_{\text{RFBW}}$  and  $B'_{\text{RFBW}}T_{\text{RFBW}}$  in multi-band operation; see clause 5.3.0.

Connect measurement device to the Base Station antenna connector as shown in ETSI TS 125 141 [1], annex B.

The measurement device characteristics shall be:

- measurement filter bandwidth: defined in clause 4.2.3.1;
- detection mode: true RMS voltage or true average power.

### 5.3.2.2 Procedure

- 1) For a BS declared to be capable of single carrier operation only, set the base station to transmit a signal according to test model TM1, as defined in ETSI TS 125 141 [1], at manufacturer's declared rated output power,  $P_{\text{rated,c}}$ .

For a BS declared to be capable of multi-carrier operation, set the base station to transmit according to TM1 on all carriers configured using the applicable test configuration and corresponding power setting specified in ETSI TS 125 141 [1] clause 4.12.

- 2) Set carrier frequency within the frequency band supported by BS. Minimum carrier spacing shall be 5 MHz and maximum carrier spacing shall be specified by manufacturer.

- 3) Measure ACLR and Adjacent channel power for 5 MHz and 10 MHz offsets both side of channel frequency. In multiple carrier case only offset frequencies below the lowest and above the highest carrier frequency transmitted shall be measured.
- 4) For the ACLR requirement applied inside sub-block gap for non-contiguous spectrum operation or inside Inter RF Bandwidth gap for multi-band operation:
  - a) Measure ACLR inside sub-block gap or Inter RF Bandwidth gap as specified in clause 4.2.3.2, if applicable.
  - b) Measure Cumulative Adjacent Channel Leakage power Ratio (CACLR) inside sub-block gap or Inter RF Bandwidth gap as specified in clause 4.2.3.3, if applicable.

In addition, for a multi-band capable BS, the following steps shall apply:

- 5) For multi-band capable BS and single-band tests, repeat the steps above per involved band where single-band test configurations and test models shall apply with no carrier activated in the other band.
- 6) For multi-band capable BS with separate antenna connector, the antenna connector not being under test in case of single-band or multi-band test shall be terminated.

### 5.3.2.3 Test requirement

The results obtained shall be compared to the limits in clause 4.2.3.2 in order to prove compliance.

## 5.3.3 Transmitter spurious emissions

### 5.3.3.0 General

For a UTRA FDD BS additionally conforming to ETSI EN 301 908-18 [i.8], either the test suite of the present clause or the Transmitter spurious emissions test suite in clause 5.3.3 of ETSI EN 301 908-18 [i.8] can be equally applied, as listed in table 4.2.1-2.

### 5.3.3.1 Initial conditions

Test environment: normal; see ETSI TS 125 141 [1], clause 4.4.1.

RF channels to be tested for single carrier operation: B, M and T; see clause 5.3.0.

BS RF Bandwidth positions to be tested for multi-carrier operation:

- $B_{RFBW}$ ,  $M_{RFBW}$  and  $T_{RFBW}$  in single-band operation; see clause 5.3.0.
  - $B_{RFBW\_T_{RFBW}}$  and  $B'_{RFBW\_T_{RFBW}}$  in multi-band operation; see clause 5.3.0.
- 1) Set-up the equipment as shown in ETSI TS 125 141 [1], annex B. Connect the BS antenna connector to a measurement receiver using an attenuator or a directional coupler if necessary.
  - 2) Measurements shall use a measurement bandwidth in accordance to the tables in clause 4.2.4.2.
  - 3) Detection mode: true RMS voltage or true average power.

### 5.3.3.2 Procedure

- 1) For a BS declared to be capable of single carrier operation only, set the base station to transmit a signal according to test model TM1, as defined in ETSI TS 125 141 [1], at manufacturer's declared rated output power,  $P_{rated,c}$ .

For a BS declared to be capable of multi-carrier operation, set the base station to transmit according to TM1 on all carriers configured using the applicable test configuration and corresponding power setting specified in ETSI TS 125 141 [1], clause 4.12.

- 2) Measure the emission at the specified frequencies with specified measurement bandwidth and note that the measured value does not exceed the specified value.

In addition, for a multi-band capable BS, the following steps shall apply:

- 3) For multi-band capable BS and single-band tests, repeat the steps above per involved band where single-band test configurations and test models shall apply with no carrier activated in the other band.
- 4) For multi-band capable BS with separate antenna connector, the antenna connector not being under test in case of single-band or multi-band test shall be terminated.

### 5.3.3.3 Test requirement

The results obtained shall be compared to the limits in clause 4.2.4.2 in order to prove compliance.

## 5.3.4 Base Station maximum output power

### 5.3.4.0 General

For a UTRA FDD BS additionally conforming to ETSI EN 301 908-18 [i.8], either the test suite of the present clause or the Base Station maximum output power test suite in clause 5.3.4 of ETSI EN 301 908-18 [i.8] can be equally applied, as listed in table 4.2.1-2.

### 5.3.4.1 Initial conditions

Test environment: normal; see ETSI TS 125 141 [1], clause 4.4.1.

RF channels to be tested for single carrier operation: B, M and T; see clause 5.3.0.

BS RF Bandwidth positions to be tested for multi-carrier operation:

- $B_{RFBW}$ ,  $M_{RFBW}$  and  $T_{RFBW}$  in single-band operation; see clause 5.3.0.
- $B_{RFBW\_T_{RFBW}}$  and  $B'_{RFBW\_T_{RFBW}}$  in multi-band operation; see clause 5.3.0.

In addition, on one UARFCN only, the test shall be performed under extreme power supply as defined in ETSI TS 125 141 [1], clause 4.4.4.

NOTE: Tests under extreme power supply also test extreme temperature, see ETSI TS 125 141 [1], clause 4.4.2.

Connect the power measuring equipment to the Base Station antenna connector as shown in ETSI TS 125 141 [1], annex B.

### 5.3.4.2 Procedure

- 1) For a BS declared to be capable of single carrier operation only, set the base station to transmit a signal according to test model TM1, as defined in ETSI TS 125 141 [1], at manufacturer's declared rated output power,  $P_{rated,c}$ .

For a BS declared to be capable of multi-carrier operation, set the base station to transmit according to TM1 on all carriers configured using the applicable test configuration and corresponding power setting specified in ETSI TS 125 141 [1] clause 4.12.

- 2) Measure the mean power for each carrier,  $P_{out}$ , at the antenna connector.

In addition, for a multi-band capable BS, the following steps shall apply:

- 3) For multi-band capable BS and single-band tests, repeat the steps above per involved band where single-band test configurations and test models shall apply with no carrier activated in the other band.
- 4) For multi-band capable BS with separate antenna connector, the antenna connector not being under test in case of single-band or multi-band test shall be terminated.

### 5.3.4.3 Test requirement

The results obtained shall be compared to the limits in clause 4.2.5.2 in order to prove compliance.

## 5.3.5 Transmit intermodulation

### 5.3.5.0 General

For a UTRA FDD BS additionally conforming to ETSI EN 301 908-18 [i.8], either the test suite of the present clause or the Transmitter intermodulation test suite in clause 5.3.5 of ETSI EN 301 908-18 [i.8] can be equally applied, as listed in table 4.2.1-2.

### 5.3.5.1 Initial conditions

Test environment: normal; see ETSI TS 125 141 [1], clause 4.4.1.

RF channels to be tested for single carrier operation: B, M and T; see clause 5.3.0.

BS RF Bandwidth positions to be tested for multi-carrier operation:

- $B_{RFBW}$ ,  $M_{RFBW}$  and  $T_{RFBW}$  in single-band operation; see clause 5.3.0.
- $B'_{RFBW}$ ,  $T'_{RFBW}$  and  $B'_{RFBW}$ ,  $T'_{RFBW}$  in multi-band operation; see clause 5.3.0.

Test set-up in accordance to ETSI TS 125 141 [1], annex B.

### 5.3.5.2 Procedures

- 1) For a BS declared to be capable of single carrier operation only, set the base station to transmit a signal according to test model TM1, as defined in ETSI TS 125 141 [1], at manufacturer's declared rated output power,  $P_{rated,c}$ .

For a BS declared to be capable of multi-carrier operation, set the base station to transmit according to TM1 on all carriers configured using the applicable test configuration and corresponding power setting specified in ETSI TS 125 141 [1], clause 4.12.

- 2) Generate the interfering signal in accordance to test model TM1 in ETSI TS 125 141 [1], with a frequency offset according to the conditions of table 4.2.6.1-1, but exclude interfering signal frequencies that are outside of the allocated downlink operating band or interfering signal frequencies that are not completely within the sub-block gap or within the Inter RF Bandwidth gap.
- 3) Adjust ATT1 so the level of the WCDMA-modulated interfering signal at BS is 30 dB below the wanted signal.
- 4) Perform the out-of-band emission tests as specified in clauses 5.3.1 and 5.3.2 for all third and fifth order intermodulation products which appear in the frequency ranges defined in clauses 5.3.1 and 5.3.2. The width of the intermodulation products shall be taken into account.
- 5) Perform the spurious emission test as specified in clause 5.3.3 for all third and fifth order intermodulation products which appear in the frequency ranges defined in clause 5.3.3. The width of the intermodulation products shall be taken into account.
- 6) Verify that the emission level does not exceed the required level with the exception of interfering signal frequencies.
- 7) Repeat the test for the remaining interfering signal centre frequency offsets according to the conditions of table 4.2.6.1-1.

In addition, for a multi-band capable BS, the following steps shall apply:

- 8) For multi-band capable BS and single-band tests, repeat the steps above per involved band where single-band test configurations and test models shall apply with no carrier activated in the other band.



- 9) For multi-band capable BS with separate antenna connector, the antenna connector not being under test shall be terminated.

NOTE: The third order intermodulation products are  $(F1 \pm 2F2)$  and  $(2F1 \pm F2)$ , the fifth order intermodulation products are  $(2F1 \pm 3F2)$ ,  $(3F1 \pm 2F2)$ ,  $(4F1 \pm F2)$ , and  $(F1 \pm 4F2)$ , where  $F1$  represents the wanted signal frequency or centre frequency of each sub-block and  $F2$  represents the interfering signal centre frequency. The widths of intermodulation products are:

- $(n \times BW_{F1} + m \times 5 \text{ MHz})$  for the  $nF1 \pm mF2$  products
- $(n \times 5 \text{ MHz} + m \times BW_{F1})$  for the  $nF2 \pm mF1$  products

where  $BW_{F1}$  represents the wanted signal RF bandwidth, or channel bandwidth in case of single carrier, or sub-block bandwidth.

### 5.3.5.3 Test requirement

The results obtained shall be compared to the limits in clause 4.2.6.2 in order to prove compliance.

## 5.3.6 Receiver spurious emissions

### 5.3.6.0 General

For a UTRA FDD BS additionally conforming to ETSI EN 301 908-18 [i.8], either the test suite of the present clause or the Receiver spurious emissions test suite in clause 5.3.6 of ETSI EN 301 908-18 [i.8] can be equally applied, as listed in table 4.2.1-2.

### 5.3.6.1 Initial conditions

Test environment: normal; see ETSI TS 125 141 [1], clause 4.4.1.

RF channels to be tested for single carrier operation: M, with multi-carrier if supported; see clause 5.3.0.

BS RF Bandwidth positions to be tested for multi-carrier operation:

- $B_{RFBW}$ ,  $M_{RFBW}$  and  $T_{RFBW}$  in single-band operation; see clause 5.3.0.
- $B_{RFBW\_T_{RFBW}}$  and  $B'_{RFBW\_T_{RFBW}}$  in multi-band operation; see clause 5.3.0.

Connect a measurement receiver to the BS antenna connector as shown in ETSI TS 125 141 [1], annex B.

### 5.3.6.2 Procedure

- 1) For a BS declared to be capable of single carrier operation only, set the base station to transmit a signal according to test model TM1, as defined in ETSI TS 125 141 [1], at manufacturer's declared rated output power,  $P_{rated,c}$ .

For a BS declared to be capable of multi-carrier operation, set the base station to transmit according to TM1 on all carriers configured using the applicable test configuration and corresponding power setting for receiver tests, as specified in ETSI TS 125 141 [1] clause 4.12.

- 2) Set measurement equipment parameters as specified in table 5.3.6.2-1.

**Table 5.3.6.2-1: Measurement equipment parameters**

<b>Measurement bandwidth</b>	as in table 4.2.7.2-1
<b>Sweep frequency range</b>	30 MHz to 12,75 GHz
<b>Detection</b>	true RMS voltage or true average power

- 3) Measure the spurious emissions over each frequency range described in clause 4.2.7.2.

In addition, for a multi-band capable BS, the following steps shall apply:

- 4) For multi-band capable BS and single-band tests, repeat the steps above per involved band where single-band test configurations and test models shall apply with no carrier activated in the other band.
- 5) For multi-band capable BS with separate antenna connector, the antenna connector not being under test in case of single-band or multi-band test shall be terminated.

### 5.3.6.3 Test requirement

The results obtained shall be compared to the limits in clause 4.2.7.2 in order to prove compliance.

## 5.3.7 Blocking characteristics

### 5.3.7.0 General

For a UTRA FDD BS additionally conforming to ETSI EN 301 908-18 [i.8], either the test suite of the present clause or the In-band and Out-of-band blocking test suites in clauses 5.3.7 and 5.3.8 of ETSI EN 301 908-18 [i.8] can be equally applied, as listed in table 4.2.1-2.

### 5.3.7.1 Initial conditions

Test environment: normal; see ETSI TS 125 141 [1], clause 4.4.1.

RF channels to be tested for single carrier operation: M; see clause 5.3.0.

The BS shall be configured to operate as close to the centre of the operating band as possible.

BS RF Bandwidth positions to be tested for multi-carrier operation:

- $B_{\text{RFBW}}$ ,  $M_{\text{RFBW}}$  and  $T_{\text{RFBW}}$  in single-band operation; see clause 5.3.0.
- $B_{\text{RFBW}_T}$  and  $B'_{\text{RFBW}_T}$  in multi-band operation; see clause 5.3.0.

In addition, in multi-band operation:

- For  $B_{\text{RFBW}_T}$ , out-of-band blocking testing above the highest operating band may be omitted.
  - For  $B'_{\text{RFBW}_T}$ , out-of-band blocking testing below the lowest operating band may be omitted.
- 1) Set-up the equipment as shown in ETSI TS 125 141 [1], annex B. Connect WCDMA signal generator at the assigned channel frequency of the wanted signal and a signal generator to the antenna connector of one Rx port.
  - 2) Transmit a signal from the WCDMA signal generator to the BS. The characteristics of the signal shall be set according to the UL reference measurement channel (12,2 kbit/s) specified in ETSI TS 125 141 [1], clause A.2.1. The level of the WCDMA signal measured at the BS antenna connector shall be set to the level specified in clause 4.2.8.2. For a BS supporting multi-carrier operation, generate the wanted signal according to the applicable test configuration (see clause 4.12 in ETSI TS 125 141 [1]) using applicable reference measurement channel to the BS under test. Power settings are specified in clause 4.2.6.2.
  - 3) For a BS declared to be capable of single carrier operation only, set the base station to transmit a signal according to test model TM1, as defined in ETSI TS 125 141 [1], at manufacturer's declared rated output power,  $P_{\text{rated,c}}$ .

For a BS declared to be capable of multi-carrier operation, set the base station to transmit according to TM1 on all carriers configured using the applicable test configuration and corresponding power setting for receiver tests, as specified in ETSI TS 125 141 [1] clause 4.12.

In addition, for a multi-band capable BS with separate antenna connectors, the following steps shall apply:

- 4) For single-band tests, repeat the steps above per involved band where single-band test configurations and test models shall apply with no carrier activated in the other band.

The interfering signal shall first be applied on the same port as the wanted signal. The test shall be repeated with the interfering signal applied on the other port (if any) mapped to the same receiver as the wanted signal. Any antenna connector with no signal applied in case of single-band or multi-band test shall be terminated.

- 5) Repeat step 4) with the wanted signal for the other band(s) applied on the respective port(s).

The transmitter may be turned off for the out-of-band blocker tests when the frequency of the blocker is such that no IM2 or IM3 products fall inside the bandwidth of the wanted signal.

### 5.3.7.2 Procedure

- 1) Set the signal generator to produce an interfering signal at a frequency offset  $F_{uw}$  from the assigned channel frequency of the wanted signal which is given by:

$$F_{uw} = \pm(n \times 1 \text{ MHz});$$

where  $n$  shall be increased in integer steps from  $n = 10$  up to such a value that the centre frequency of the interfering signal covers the range from 1 MHz to 12,75 GHz. The interfering signal level measured at the antenna connector shall be set in dependency of its centre frequency, as specified in tables 4.2.8.2-1 to 4.2.8.2-6. The type of the interfering signal is either equivalent to a continuous WCDMA signal with one code of chip frequency 3,84 Mchip/s, filtered by an RRC transmit pulse-shaping filter with roll-off  $\alpha = 0,22$ , a CW signal or a GMSK modulated signal; see tables 4.2.8.2-1 to 4.2.8.2-6.

For narrowband blocking, the GMSK modulated interfering signal shall have an ACLR of at least 72 dB in order to eliminate the impact of interference signal adjacent channel leakage power on the intermodulation characteristics measurement.

- 2) Measure the BER of the wanted signal at the BS receiver. For a BS supporting multi-carrier operation the BER shall be measured for all relevant carriers specified by the test configuration.

NOTE: ETSI TS 125 141 [1], annex C describes the procedure for BER tests taking into account the statistical consequence of frequent repetition of BER measurements within the blocking test. The consequence is: a DUT exactly on the limit may fail due to the statistical nature 2,55 times (mean value) in 12 750 BER measurements using the predefined wrong decision probability of 0,02 %. If the fail cases are  $\leq 12$ , it is allowed to repeat the fail cases one time before the final verdict.

### 5.3.7.3 Test requirement

The results obtained shall be compared to the limits in clause 4.2.8.2 in order to prove compliance.

## 5.3.8 Receiver intermodulation characteristics

### 5.3.8.0 General

For a UTRA FDD BS additionally conforming to ETSI EN 301 908-18 [i.8], either the test suite of the present clause or the Receiver intermodulation test suite in clause 5.3.9 of ETSI EN 301 908-18 [i.8] can be equally applied, as listed in table 4.2.1-2.

### 5.3.8.1 Initial conditions

Test environment: normal; see ETSI TS 125 141 [1], clause 4.4.1.

RF channels to be tested for single carrier operation: B, M and T; see clause 5.3.0.

BS RF Bandwidth positions to be tested for multi-carrier operation:

- $B_{RFBW}$ ,  $M_{RFBW}$  and  $T_{RFBW}$  in single-band operation; see clause 5.3.0.
- $B_{RFBW\_T_{RFBW}}$  and  $B'_{RFBW\_T_{RFBW}}$  in multi-band operation; see clause 5.3.0.

Set-up the equipment as shown in ETSI TS 125 141 [1], annex B.

### 5.3.8.2 Procedures

- 1) Generate the wanted signal (reference signal) and adjust ATT1 to set the signal level to the BS under test to the level specified in tables 4.2.9.2-1 to 4.2.9.2-6.

For a BS supporting multi-carrier operation, generate the wanted signal according to the applicable test configuration (see clause 4.12 in ETSI TS 125 141 [1]) using applicable reference measurement channel to the BS under test. Power settings are specified in tables 4.2.9.2-1 to 4.2.9.2-6.

- 2) Adjust the signal generators to type of interfering signal and frequency offset from the frequency of the wanted signal, as specified in tables 4.2.9.2-1 to 4.2.9.2-6. The type of the interfering signal is either equivalent to a continuous WCDMA signal with one code of chip frequency 3,84 Mchip/s, filtered by an RRC transmit pulse-shaping filter with roll-off  $\alpha = 0,22$ , a CW signal or a GMSK modulated signal; see tables 4.2.9.2-1 to 4.2.9.2-6.

For narrowband blocking, the GMSK modulated interfering signal shall have an ACLR of at least 72 dB in order to eliminate the impact of interference signal adjacent channel leakage power on the intermodulation characteristics measurement.

- 3) Adjust the ATT2 and ATT3 to obtain the specified level of interference signal at the BS input.
- 4) Measure the BER of the wanted signal. For a BS supporting multi-carrier operation the BER shall be measured for all relevant carriers specified by the test configuration.

In addition, for a multi-band capable BS with separate antenna connectors, the following steps shall apply:

- 5) For single-band tests, repeat the steps above per involved band where single-band test configurations shall apply with no carrier activated in the other band.

The interfering signal shall first be applied on the same port as the wanted signal. The test shall be repeated with the interfering signal applied on the other port (if any) mapped to the same receiver as the wanted signal. Any antenna connector with no signal applied in case of single-band or multi-band test shall be terminated.

- 6) Repeat the previous step with the wanted signal for the other band(s) applied on the respective port(s).

### 5.3.8.3 Test requirement

The results obtained shall be compared to the limits in clause 4.2.9.2 in order to prove compliance.

## 5.3.9 Receiver adjacent channel selectivity (ACS)

### 5.3.9.0 General

For a UTRA FDD BS additionally conforming to ETSI EN 301 908-18 [i.8], either the test suite of the present clause or the Narrowband blocking test suite in clause 5.3.10 of ETSI EN 301 908-18 [i.8] can be equally applied, as listed in table 4.2.1-2.

### 5.3.9.1 Initial conditions

Test environment: normal; see ETSI TS 125 141 [1], clause 4.4.1.

RF channels to be tested for single carrier operation: B, M and T; see clause 5.3.0.

BS RF Bandwidth positions to be tested for multi-carrier operation:

- $B_{RFBW}$ ,  $M_{RFBW}$  and  $T_{RFBW}$  in single-band operation; see clause 5.3.0.
- $B_{RFBW\_T_{RFBW}}$  and  $B'_{RFBW\_T_{RFBW}}$  in multi-band operation; see clause 5.3.0.

Set-up the equipment as shown in ETSI TS 125 141 [1], annex B.

### 5.3.9.2 Procedure

- 1) Generate the wanted signal and adjust the ATT1 to set the input level to the Base Station under test to the level specified in tables 4.2.10.2-1 to 4.2.10.2-4.

For a BS supporting multi-carrier operation, generate the wanted signal according to the applicable test configuration (see clause 4.12 in ETSI TS 125 141 [1]) using applicable reference measurement channel to the BS under test. Power settings are specified in tables 4.2.10.2-1 to 4.2.10.2-4.

- 2) Set-up the interference signal at the adjacent channel frequency and adjust the ATT2 to obtain the specified level of interference signal at the Base Station input defined in tables 4.2.10.2-1 to 4.2.10.2-4. Note that the interference signal shall have an ACLR of at least 63 dB in order to eliminate the impact of interference signal adjacent channel leakage power on the ACS measurement.
- 3) Measure the BER of the wanted signal. For a BS supporting multi-carrier operation the BER shall be measured for all relevant carriers specified by the test configuration.

In addition, for a multi-band capable BS with separate antenna connectors, the following steps shall apply:

- 4) For single-band tests, repeat the steps above per involved band where single-band test configurations shall apply with no carrier activated in the other band.

The interfering signal shall first be applied on the same port as the wanted signal. The test shall be repeated with the interfering signal applied on the other port (if any) mapped to the same receiver as the wanted signal. Any antenna connector with no signal applied in case of single-band or multi-band test shall be terminated.

- 5) Repeat the previous step with the wanted signal for the other band(s) applied on the respective port(s).

### 5.3.9.3 Test requirement

The results obtained shall be compared to the limits in clause 4.2.10.2 in order to prove compliance.

## 5.3.10 Home BS output power for adjacent channel protection

### 5.3.10.1 Initial conditions

Test environment: normal; see ETSI TS 125 141 [1], clause 4.4.1.

RF channels to be tested: M; see clause 5.3.0.

- 1) Set-up the equipment as shown in ETSI TS 125 141 [1], annex B.
- 2) The Home BS is configured such that the adjacent channel is known to belong to another operator.

### 5.3.10.2 Procedure

- 1) Connect the combined downlink interfering signals (referred to as point D in figure B.7 of ETSI TS 125 141 [1]) to the dedicated measurement port (referred to as point 1 in figure B.7 of ETSI TS 125 141 [1]) if available, otherwise connect to point 2.
- 2) Configure the signal generator for co-channel interference to transmit AWGN over a 3,84 MHz bandwidth centred on RF channel M.
- 3) Configure the signal generator for adjacent channel DL signal to transmit test model TM1 in ETSI TS 125 141 [1] at the centre frequency equal to RF channel M + 5 MHz.
- 4) Switch on signal generators delivering co-channel and adjacent channel interferers, and adjust the ATT1 and ATT2 such that  $CPICH \hat{E}_c = -80$  dBm and  $I_{oh} = -50$  dBm.
- 5) Trigger the Home BS power adjustment mechanism.
- 6) Set the Home BS to transmit a signal in accordance to test model TM1 in ETSI TS 125 141 [1].

NOTE: The signal is transmitted with the maximum allowed output power.

- 7) Measure Home BS output power,  $P_{out}$ , and check it is below the required value according to the CPICH  $\hat{E}_c$  and  $I_{oh}$  values determined in step 4).
- 8) Repeat steps 3) to 7) with the frequency in step 3 set to RF channel M - 5 MHz.
- 9) Repeat steps 3) to 8) with different settings for ATT1 and ATT2 to arrive the CPICH  $\hat{E}_c$  and  $I_{oh}$  pairs as specified in table 5.3.10.2-1.

**Table 5.3.10.2-1: Test parameter settings**

Test Case	CPICH $\hat{E}_c$ (dBm)	$I_{oh}$ (dBm)
1	-80	-50
2	-90	-60
3	-100	-70
4	-100	-50

### 5.3.10.3 Test requirement

The results obtained shall be compared to the limits in clause 4.2.11.2 in order to prove compliance.

## 5.3.11 Reference sensitivity level

### 5.3.11.0 General

The test is set up according to figure B.7 in clause B.2 of ETSI TS 125 141 [1] and performed without interfering signal power applied to the BS antenna connector. For duplex operation, the measurement configuration principle is indicated for one duplex branch in figure B.7 (see ETSI TS 125 141 [1]). For internal BER calculation an example of the test connection is as shown in figure B.7 (see ETSI TS 125 141 [1]). The reference point for signal power is at the input of the receiver (antenna connector).

### 5.3.11.1 Initial Conditions

Test environment: normal; see ETSI TS 125 141 [1], clause 4.4.1.

RF channels to be tested: B, M and T; see clause 4.8.

The following additional tests shall be performed:

- a) On each of B, M and T, the test shall be performed under extreme power supply as defined in clause 4.4.4 of the ETSI TS 125 141 [1].

NOTE: Tests under extreme power supply also test extreme temperature; see ETSI TS 125 141 [1], clause 4.4.2.

- 1) Connect BS to be tested to RF signal source.
- 2) Start transmit 12,2kbps DPCH with reference measurement channel defined in annex A of the ETSI TS 125 104 [3] to the BS under test (PN-9 data sequence or longer).
- 3) Disable TPC function.

### 5.3.11.2 Procedure

- 1) Set the base station to transmit a signal according to TM1, as defined in ETSI TS 125 141 [1], at manufacturer's declared rated output power,  $P_{rated,c}$ .
- 2) Calculate BER according to annex C in ETSI TS 125 141 [1].
- 3) Set the test signal mean power as specified in table 4.2.12.2-1.
- 4) Measure BER.

In addition, for a multi-band capable BS, the following steps shall apply:

- 5) For multi-band capable BS and single band tests, repeat the steps above per involved band where single carrier test models shall apply with no carrier activated in the other band.
- 6) For multi-band capable BS with separate antenna connector, the antenna connector not being under test shall be terminated.

### 5.3.11.3 Test requirement

The results obtained shall be compared to the limits in clause 4.2.12.2 in order to prove compliance.

## Annex A (normative): Relationship between the present document and the essential requirements of Directive 2014/53/EU

The present document has been prepared under the Commission's standardisation request C(2015) 5376 final [i.1] to provide one voluntary means of conforming to the essential requirements of Directive 2014/53/EU on the harmonisation of the laws of the Member States relating to the making available on the market of radio equipment and repealing Directive 1999/5/EC [i.2].

Once the present document is cited in the Official Journal of the European Union under that Directive, compliance with the normative clauses of the present document given in table A.1 confers, within the limits of the scope of the present document, a presumption of conformity with the corresponding essential requirements of that Directive, and associated EFTA regulations.

**Table A.1: Relationship between the present document and the essential requirements of Directive 2014/53/EU**

Harmonised Standard ETSI EN 301 908-3				
The following requirements are relevant to the presumption of conformity under the article 3.2 of Directive 2014/53/EU [i.2]				
Requirement			Requirement Conditionality	
No	Description	Reference: Clause No	U/C	Condition
1	Spectrum emissions mask	4.2.2	U	
2	Adjacent channel leakage power ratio (ACLR)	4.2.3	U	
3	Transmitter spurious emissions	4.2.4	U	
4	Base Station maximum output power	4.2.5	U	
5	Transmit intermodulation	4.2.6	U	
6	Receiver spurious emissions	4.2.7	U	
7	Blocking characteristics	4.2.8	U	
8	Receiver intermodulation characteristics	4.2.9	U	
9	Receiver adjacent channel selectivity (ACS)	4.2.10	U	
10	Home BS output power for adjacent channel protection	4.2.11	C	Shall apply to BS declared as Home Base Station
11	Reference sensitivity level	4.2.12	U	

### Key to columns:

#### Requirement:

**No** A unique identifier for one row of the table which may be used to identify a requirement.

**Description** A textual reference to the requirement.

**Clause Number** Identification of clause(s) defining the requirement in the present document unless another document is referenced explicitly.

#### Requirement Conditionality:

**U/C** Indicates whether the requirement shall be unconditionally applicable (U) or is conditional upon the manufacturer's claimed functionality of the equipment (C).

**Condition** Explains the conditions when the requirement shall or shall not be applicable for a requirement which is classified "conditional".

Presumption of conformity stays valid only as long as a reference to the present document is maintained in the list published in the Official Journal of the European Union. Users of the present document should consult frequently the latest list published in the Official Journal of the European Union.



Other Union legislation may be applicable to the product(s) falling within the scope of the present document.

---

## Annex B (normative): Base Station configurations

### B.1 Receiver diversity

For the tests in clause 5 of the present document, the requirement shall apply at each receiver antenna connector for receivers with antenna diversity.

Receiver requirements are tested at the antenna connector, with the remaining receiver(s) disabled or their antenna connector(s) being terminated. If the manufacturer has declared the receiver paths to be equivalent, it is sufficient to apply the specified test signal at any one of the receiver antenna connectors.

For a multi-band BS, multi-band tests for ACS, blocking and intermodulation are performed with the interferer(s) applied to each antenna connector mapped to the receiver for the wanted signal(s), however only to one antenna at a time. Antenna connectors to which no signals are applied are terminated.

---

### B.2 Duplexers

The requirements of the present document shall be met with a duplexer fitted, if a duplexer is supplied as part of the BS. If the duplexer is supplied as an option by the manufacturer, sufficient tests should be repeated with and without the duplexer fitted to verify that the BS meets the requirements of the present document in both cases.

The following tests should be performed with the duplexer fitted, and without it fitted if this is an option:

- 1) clause 5.3.4, Base Station maximum output power, for the highest static power step only, if this is measured at the antenna connector;
- 2) clause 5.3.3, output RF spectrum emissions; outside the BS transmit band;
- 3) clause 5.3.5, transmit intermodulation; for the testing of conformance, the carrier frequencies should be selected to minimize intermodulation products from the transmitters falling in receive channels. The remaining tests may be performed with or without the duplexer fitted.

NOTE 1: When performing receiver tests with a duplexer fitted, it is important to ensure that the output from the transmitters does not affect the test apparatus. This can be achieved using a combination of attenuators, isolators and filters.

NOTE 2: When duplexers are used, intermodulation products will be generated, not only in the duplexer but also in the antenna system. The intermodulation products generated in the antenna system are not controlled by the specifications, and may degrade during operation (e.g. due to moisture ingress). Therefore, to ensure continued satisfactory operation of a BS, an operator will normally select UARFCNs to minimize intermodulation products falling on receive channels. For testing of complete conformance, an operator may specify the UARFCNs to be used.

---

### B.3 Power supply options

If the BS is supplied with a number of different power supply configurations, it may not be necessary to test RF parameters for each of the power supply options, provided that it can be demonstrated that the range of conditions over which the equipment is tested is at least as great as the range of conditions due to any of the power supply configurations.

This applies particularly if a BS contains a DC rail which can be supplied either externally or from an internal mains power supply. In this case, the conditions of extreme power supply for the mains power supply options can be tested by testing only the external DC supply option. The range of DC input voltages for the test should be sufficient to verify the performance with any of the power supplies, over its range of operating conditions within the BS, including variation of mains input voltage, temperature and output current.

## B.4 Ancillary RF amplifiers

The requirements of the present document shall be met with the ancillary RF amplifier fitted. At tests according to clause 5, the ancillary amplifier is connected to the BS by a connecting network (including any cable(s), attenuator(s), etc.) with applicable loss to make sure the appropriate operating conditions of the ancillary amplifier and the BS. The applicable connecting network loss range is declared by the manufacturer. Other characteristics and the temperature dependence of the attenuation of the connecting network are neglected. The actual attenuation value of the connecting network is chosen for each test as one of the applicable extreme values. The lowest value is used unless otherwise stated.

Sufficient tests should be repeated with the ancillary amplifier fitted and, if it is optional, without the ancillary RF amplifier to verify that the BS meets the requirements of the present document in both cases.

When testing, the following tests should be repeated with the optional ancillary amplifier fitted according to table B.4-1, where x denotes that the test shall apply.

**Table B.4-1: Table of tests applicable to Ancillary RF Amplifiers**

	Clause	Tx amplifier only	Rx amplifier only	Tx/Rx amplifiers combined (see note)
<b>Receiver Tests</b>	5.3.7		X	X
	5.3.8		X	X
	5.3.6		X	
	5.3.11		X	X
<b>Transmitter Tests</b>	5.3.4	X		X
	5.3.2	X		X
	5.3.3	X		X
	5.3.5	X		X

NOTE: Combining can be by duplex filters or any other network. The amplifiers can either be in Rx or Tx branch or in both. Either one of these amplifiers could be a passive network.

In test according to clause 5.3.4, the highest applicable attenuation value is applied.

## B.5 BS using antenna arrays

### B.5.0 Introduction

A BS may be configured with a multiple antenna port connection for some or all of its transceivers or with an antenna array related to one cell (not one array per transceiver). This clause applies to a BS which meets at least one of the following conditions:

- the transmitter output signals from one or more transceiver appear at more than one antenna port; or
- there is more than one receiver antenna port for a transceiver or per cell and an input signal is required at more than one port for the correct operation of the receiver thus the outputs from the transmitters as well as the inputs to the receivers are directly connected to several antennas (known as "aircombining"); or

NOTE: Diversity reception does not meet this requirement.

- transmitters and receivers are connected via duplexers to more than one antenna.

In case of diversity or MIMO, multiple antennas are not considered as an antenna array.

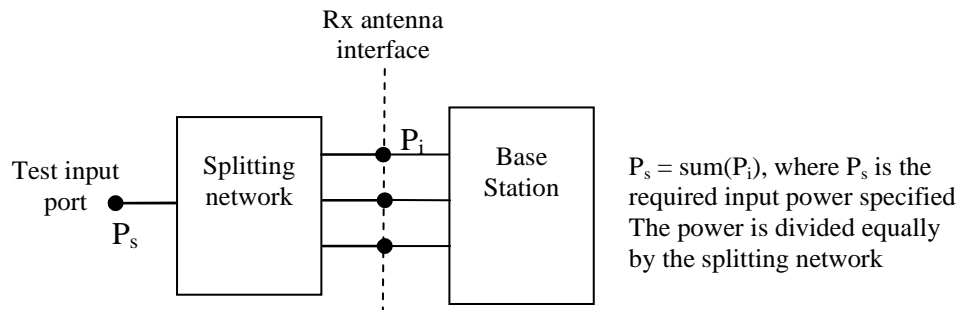
If a BS is used, in normal operation, in conjunction with an antenna system which contains filters or active elements which are necessary to meet the UTRA requirements, the conformance tests may be performed on a system comprising the BS together with these elements, supplied separately for the purposes of testing. In this case, it shall be demonstrated that the performance of the configuration under test is representative of the system in normal operation, and the conformance assessment is only applicable when the BS is used with the antenna system.

For conformance testing of such a BS, the following procedure may be used.

## B.5.1 Receiver tests

For each test, the test signals applied to the receiver antenna connectors shall be such that the sum of the powers of the signals applied equals the power of the test signal(s) specified in the test.

An example of a suitable test configuration is shown in figure B.5.1-1.



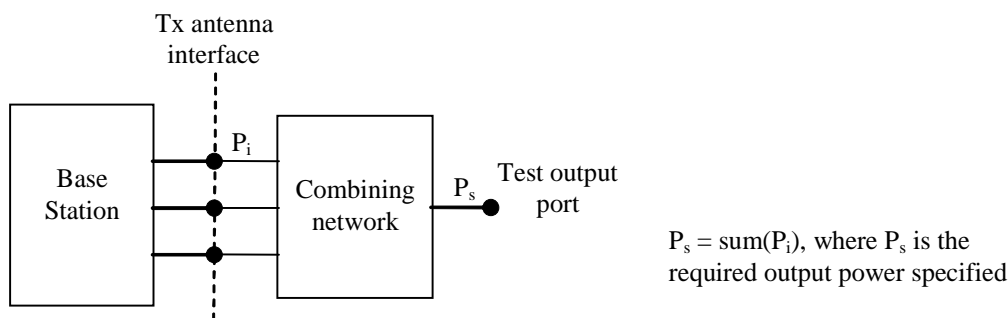
**Figure B.5.1-1: Receiver test set-up**

For spurious emissions from the receiver antenna connector, the test may be performed separately for each receiver antenna connector.

## B.5.2 Transmitter tests

For each test, the test signals applied to the transmitter antenna connectors ( $P_i$ ) shall be such that the sum of the powers of the signals applied equals the power of the test signal(s) ( $P_s$ ) specified in the test. This may be assessed by separately measuring the signals emitted by each antenna connector and summing the results, or by combining the signals and performing a single measurement. The characteristics (e.g. amplitude and phase) of the combining network should be such that the power of the combined signal is maximized.

An example of a suitable test configuration is shown in figure B.5.2-1.



**Figure B.5.2-1: Transmitter test set-up**

For intermodulation attenuation, the test may be performed separately for each transmitter antenna connector.

---

## B.6 Transmit diversity and MIMO transmission

Unless otherwise stated, for the tests in clause 5, the requirement shall apply for each transmitter antenna connector in case of transmit diversity, DB-DC-HSDPA or MIMO transmission.

Transmitter requirements are tested at the antenna connector, with the remaining antenna connector(s) being terminated. If the manufacturer has declared the transmitter paths to be equivalent, it is sufficient to measure the signal at any one of the transmitter antenna connectors.

---

## B.7 BS with integrated Iuant BS modem

Unless otherwise stated, for the tests in the present document, the integrated Iuant BS modem shall be switched off. Spurious emissions according to clauses 5.3.3 and 5.3.6 shall be measured only for frequencies above 20 MHz with the integrated Iuant BS modem switched on.

---

## Annex C (informative): Environmental profile specification

The following environmental conditions may be declared by the manufacturer:

- barometric pressure: minimum and maximum;
- temperature: minimum and maximum;
- relative humidity: minimum and maximum;
- power supply: lower and upper voltage limit.

When operating outside the boundary limits of the declared operational environmental profile the equipment should not make ineffective use of the radio frequency spectrum so as to cause harmful interference.

---

## Annex D (informative): Bibliography

- Directive 2004/108/EC of the European Parliament and of the Council of 15 December 2004 on the approximation of the laws of the Member States relating to electromagnetic compatibility and repealing Directive 89/336/EEC (EMC Directive).
- Directive 2006/95/EC of the European Parliament and of the Council of 12 December 2006 on the harmonisation of the laws of Member States relating to electrical equipment designed for use within certain voltage limits (LV Directive).
- CEPT/ERC/REC 74-01 (Siófok 1998, Nice 1999, Sesimbra 2002, Hradec Kralove 2005, Cardiff 2011): "Unwanted Emissions in the Spurious Domain".
- Commission Decision 2008/477/EC of 13 June 2008 on the harmonisation of the 2 500-2 690 MHz frequency band for terrestrial systems capable of providing electronic communications services in the Community.
- Commission Decision 2010/267/EU of 6 May 2010 on harmonised technical conditions of use in the 790-862 MHz frequency band for terrestrial systems capable of providing electronic communications services in the European Union.
- Commission Decision (EU) 2015/750 of 8 May 2015 on the harmonisation of the 1 452-1 492 MHz frequency band for terrestrial systems capable of providing electronic communications services in the Union.
- Regulation (EU) No 1025/2012 of the European Parliament and of the Council of 25 October 2012 on European standardisation amending Council Directives 89/686/EEC and 93/15/EEC and Directives 94/9/EC, 94/25/EC, 95/16/EC, 97/23/EC, 98/34/EC, 2004/22/EC, 2007/23/EC, 2009/23/EC and 2009/105/EC of the European Parliament and of the Council and repealing Council Decision 87/95/EEC and Decision No1673/2006/EC of the European Parliament and of the Council.
- ECC Decision (15)01: "Harmonised technical conditions for mobile/fixed communications networks (MFCN) in the band 694-790 MHz including a paired frequency arrangement (Frequency Division Duplex 2x30 MHz) and an optional unpaired frequency arrangement (Supplemental Downlink)", Approved 06 March 2015.
- Directive 98/34/EC of the European Parliament and of the Council of 22 June 1998 laying down a procedure for the provision of information in the field of technical standards and regulations.
- Directive 98/48/EC of the European Parliament and of the Council of 20 July 1998 amending Directive 98/34/EC laying down a procedure for the provision of information in the field of technical standards and regulations.

## History

<b>Document history</b>		
V1.1.1	January 2002	Publication
V2.2.1	October 2003	Publication
V3.2.1	May 2007	Publication
V4.2.1	March 2010	Publication
V5.2.1	July 2011	Publication
V6.2.1	October 2013	Publication
V7.1.1	July 2015	Publication
V11.1.1	May 2016	Publication
V11.1.2	July 2016	Publication