

# ETSI EN 301 841-1 V1.2.1 (2003-08)

---

*European Standard (Telecommunications series)*

**Electromagnetic compatibility  
and Radio spectrum Matters (ERM);  
VHF air-ground Digital Link (VDL) Mode 2;  
Technical characteristics and  
methods of measurement  
for ground-based equipment;  
Part 1: Physical layer and MAC sub-layer**

---



---

Reference

REN/ERM-TG25-022-1

---

Keywords

aeronautical, radio, testing

**ETSI**

650 Route des Lucioles  
F-06921 Sophia Antipolis Cedex - FRANCE

Tel.: +33 4 92 94 42 00 Fax: +33 4 93 65 47 16

Siret N° 348 623 562 00017 - NAF 742 C  
Association à but non lucratif enregistrée à la  
Sous-Préfecture de Grasse (06) N° 7803/88

---

**Important notice**

Individual copies of the present document can be downloaded from:

<http://www.etsi.org>

The present document may be made available in more than one electronic version or in print. In any case of existing or perceived difference in contents between such versions, the reference version is the Portable Document Format (PDF). In case of dispute, the reference shall be the printing on ETSI printers of the PDF version kept on a specific network drive within ETSI Secretariat.

Users of the present document should be aware that the document may be subject to revision or change of status. Information on the current status of this and other ETSI documents is available at

<http://portal.etsi.org/tb/status/status.asp>

If you find errors in the present document, send your comment to:

[editor@etsi.org](mailto:editor@etsi.org)

---

**Copyright Notification**

No part may be reproduced except as authorized by written permission.  
The copyright and the foregoing restriction extend to reproduction in all media.

© European Telecommunications Standards Institute 2003.  
All rights reserved.

**DECT™**, **PLUGTESTS™** and **UMTS™** are Trade Marks of ETSI registered for the benefit of its Members.  
**TIPHON™** and the **TIPHON logo** are Trade Marks currently being registered by ETSI for the benefit of its Members.  
**3GPP™** is a Trade Mark of ETSI registered for the benefit of its Members and of the 3GPP Organizational Partners.

# Contents

Intellectual Property Rights .....	6
Foreword.....	6
Introduction .....	6
1 Scope .....	7
2 References .....	7
3 Definitions and abbreviations.....	8
3.1 Definitions .....	8
3.1.1 Basic reference model definitions.....	8
3.1.2 Service conventions definitions .....	8
3.1.3 General definitions.....	8
3.2 Abbreviations .....	9
4 General architecture of VDL Mode 2.....	11
5 Physical layer protocols and services functional specifications .....	12
5.1 Overview .....	12
5.1.1 Functions .....	12
5.1.2 Data reception by the receiver .....	13
5.1.3 Data transmission.....	13
5.2 Transmission procedure .....	14
5.3 Modulation scheme .....	15
5.4 Training sequence.....	15
5.4.1 RF power rise time definition .....	15
5.5 Physical layer Service Access Point.....	16
5.6 Tuning range and channel increments .....	16
6 VDL MODE 2 equipment requirements .....	16
6.1 Receiver requirements .....	16
6.1.1 Sensitivity .....	16
6.1.2 First Adjacent Channel Rejection .....	16
6.1.3 Rejection of signals <b>within</b> the VHF Aeronautical band.....	17
6.1.4 Rejection of signals <b>outside</b> the VHF Aeronautical band.....	17
6.1.5 Desired signal dynamic range .....	17
6.1.6 Symbol rate capture range .....	17
6.1.7 Frequency capture range.....	18
6.1.8 Co-channel interference .....	18
6.1.9 Conducted spurious emission .....	18
6.1.10 In-band Intermodulation .....	18
6.1.11 Cabinet radiation.....	18
6.2 Transmitter requirements .....	19
6.2.1 Protection of the transmitter.....	19
6.2.2 Manufacturer's declared output power.....	19
6.2.3 RF power rise time.....	19
6.2.4 RF power release time .....	19
6.2.5 Modulation rate.....	19
6.2.6 Symbol constellation error.....	20
6.2.7 Conducted Spurious emissions .....	20
6.2.8 Adjacent channel power.....	20
6.2.9 Wide-band noise .....	20
6.2.10 Frequency Tolerance.....	20
6.2.11 Cabinet radiation.....	20
6.2.12 Load VSWR capability.....	20
6.3 Transceiver timing requirements .....	21
6.3.1 Receiver to transmitter turn-around time .....	21
6.3.2 Transmitter to receiver turn-around time .....	21

6.4	MAC sub-layer requirements .....	21
6.4.1	MAC services .....	21
6.4.1.1	Multiple Access.....	21
6.4.1.2	Channel Congestion .....	21
6.4.2	MAC System Parameters.....	21
6.4.2.1	Timer TM1 (inter-access delay timer).....	21
6.4.2.2	Timer TM2 (channel busy timer).....	21
6.4.2.3	Parameter p (persistence) .....	21
6.4.2.4	Counter M1 (maximum access attempts).....	21
6.4.3	Description of MAC Layer Procedures .....	21
6.4.3.1	Channel Sensing.....	21
6.4.3.2	Access Attempt .....	21
6.4.3.3	Signal Quality Parameter .....	22
6.4.4	Services (Part of DLS).....	22
6.4.4.1	Error Detection.....	22
6.4.4.2	Station Identification.....	22
7	General requirements .....	22
7.1	General .....	22
7.2	Controls and indicators.....	22
7.3	Class of emission and modulation characteristics .....	22
7.4	Warm up.....	22
8	Test conditions, power sources and ambient temperatures .....	23
8.1	Test power source.....	23
8.2	Test channels.....	23
8.3	General conditions of measurement .....	23
8.3.1	Receiver test signal arrangement .....	23
8.3.2	Performance check.....	23
8.4	Normal and extreme test conditions .....	24
8.4.1	Normal test conditions .....	24
8.4.1.1	Normal temperature and humidity .....	24
8.4.1.2	Normal power sources.....	24
8.4.1.2.1	Mains voltage and frequency.....	24
8.4.1.2.2	Other power sources .....	24
8.4.2	Extreme test conditions.....	24
8.4.2.1	Extreme temperatures.....	24
8.4.2.2	Procedure for tests at extreme temperatures.....	24
8.4.2.2.1	General .....	24
8.4.2.2.2	High temperature.....	25
8.4.2.2.3	Low temperature.....	25
8.4.2.3	Extreme values of test power sources .....	25
8.4.2.4	Other power sources.....	25
8.4.2.5	Performance check.....	25
9	Detailed Test Procedures for the physical layer .....	25
9.1	Receiver.....	26
9.1.1	BER test.....	26
9.1.2	Sensitivity .....	27
9.1.3	First Adjacent Channel Rejection .....	28
9.1.4	Rejection of signals <b>within</b> the VHF Aeronautical band.....	28
9.1.5	Rejection of signals <b>outside</b> the VHF Aeronautical band.....	29
9.1.6	Desired Signal dynamic range .....	30
9.1.7	Symbol rate capture range .....	31
9.1.8	Frequency capture range.....	31
9.1.9	Co-channel interference.....	32
9.1.10	Conducted spurious emission .....	32
9.1.11	In-band Intermodulation .....	33
9.2	Transmitter .....	34
9.2.1	Manufacturer's declared output power.....	34
9.2.2	RF power rise time.....	34
9.2.3	RF power release time .....	36
9.2.4	Symbol Constellation Error .....	37

9.2.5	Spurious emissions .....	37
9.2.6	Adjacent channel power.....	38
9.2.6.1	Method of measurement for the first adjacent channel .....	38
9.2.6.2	Method of measurement for the second adjacent channel.....	39
9.2.6.3	Method of measurement for the fourth adjacent channel .....	39
9.2.7	Wideband noise .....	41
9.2.8	Protection of the transmitter.....	42
9.2.8.1	Method of measurement.....	42
9.2.8.2	Requirement .....	42
9.2.9	Frequency Error .....	42
9.2.9.1	Definition .....	42
9.2.9.2	Method of measurement.....	42
9.2.9.3	Limits .....	42
9.2.10	Load VSWR capability .....	42
9.3	Physical layer, system parameters.....	43
9.3.1	Receiver to Transmitter turn-around time.....	43
9.3.2	Transmitter to Receiver turn-around time.....	44
9.4	MAC sub-layer .....	46
9.4.1	MAC services .....	46
9.4.1.1	Multiple Access.....	46
9.4.1.2	Channel Congestion .....	46
9.4.2	MAC System Parameters .....	47
9.4.2.1	Timer TM1 (inter-access delay timer).....	47
9.4.2.2	Timer TM2 (channel busy timer) .....	47
9.4.2.3	Parameter p (persistence) .....	48
9.4.2.4	Counter M1 (maximum access attempts).....	49
9.4.3	Description of MAC Layer Procedures .....	50
9.4.3.1	Channel Sensing.....	50
9.4.3.2	Access Attempt .....	50
9.4.3.3	Signal Quality Parameter .....	50
9.4.4	Services (Part of DLS).....	51
9.4.4.1	Error Detection.....	51
9.4.4.2	Station Identification.....	51
<b>Annex A (informative): Bibliography.....</b>		<b>53</b>
History .....		54

---

## Intellectual Property Rights

IPRs essential or potentially essential to the present document may have been declared to ETSI. The information pertaining to these essential IPRs, if any, is publicly available for **ETSI members and non-members**, and can be found in ETSI SR 000 314: "*Intellectual Property Rights (IPRs); Essential, or potentially Essential, IPRs notified to ETSI in respect of ETSI standards*", which is available from the ETSI Secretariat. Latest updates are available on the ETSI Web server (<http://webapp.etsi.org/IPR/home.asp>).

Pursuant to the ETSI IPR Policy, no investigation, including IPR searches, has been carried out by ETSI. No guarantee can be given as to the existence of other IPRs not referenced in ETSI SR 000 314 (or the updates on the ETSI Web server) which are, or may be, or may become, essential to the present document.

---

## Foreword

This European Standard (Telecommunications series) has been produced by ETSI Technical Committee Electromagnetic compatibility and Radio spectrum Matters (ERM).

The present document is part 1 of a multi-part deliverable covering VHF air-ground Digital Link (VDL) Mode 2; Technical characteristics and methods of measurement for ground-based equipment, as identified below:

**Part 1: "Physical layer and MAC sub-layer";**

Part 2: "Upper layers".

<b>National transposition dates</b>	
Date of adoption of this EN:	15 August 2003
Date of latest announcement of this EN (doa):	30 November 2003
Date of latest publication of new National Standard or endorsement of this EN (dop/e):	31 May 2004
Date of withdrawal of any conflicting National Standard (dow):	31 May 2004

---

## Introduction

The present document states the technical specifications for ground-based equipment implementing Very High Frequency (VHF) Digital Link (VDL) Mode 2 air interface, operating in the VHF band (117,975 MHz - 137,000 MHz) with 25 kHz channel spacing.

Manufacturers should note that in the future, all or part of the frequency band 108,000 MHz to 117,975 MHz may become available for aeronautical communications.

The present document may be used to produce tests for the assessment of the performance of the equipment. The performance of the equipment submitted for type testing should be representative of the performance of the corresponding production model.

The present document has been written on the assumption that:

- the type test measurements will be performed only once, in an accredited test laboratory, and the measurements accepted by the various authorities in order to grant type approval;
- if equipment available on the market is required to be checked it may be tested in accordance with the methods of measurement specified in the present document.

---

# 1 Scope

The present document applies to VDL Mode 2 ground-air digital communications using Differential Eight Phase Shift Keying (D8PSK), intended for channel increments of 25 kHz. The VDL Mode 2 system provides data communication exchanges between aircraft and ground-based systems. The scope of the present document is limited to ground-based stations.

The VDL Mode 2 system is designed to be a Ground/Air sub-system of the Aeronautical Telecommunication Network (ATN) using the AM(R)S band and it is organized according to the Open Systems Interconnection (OSI) model (defined by ISO). It shall provide reliable subnetwork services to the ATN system.

The present document provides functional specifications for ground-based radio equipment intended to be used for ground-air data communications. The present document is derived from the following documents:

- VDL Mode 2 SARPs version 3.0. ICAO Annex 10 Volume III part I [1].
- ED 92a [2]: "MOPS for an Airborne VDL Mode-2 Transceiver Operating in the frequency range 118-136.975 MHz" (2003), which specifies the airborne transceiver.

The present document consists of two parts:

- the first part provides functional specifications and test procedures for physical layer and MAC sub-layer;
- the second part provides functional specifications and test procedures for link and sub-network access layers.

---

# 2 References

The following documents contain provisions which, through reference in this text, constitute provisions of the present document.

- References are either specific (identified by date of publication and/or edition number or version number) or non-specific.
- For a specific reference, subsequent revisions do not apply.
- For a non-specific reference, the latest version applies.

Referenced documents which are not found to be publicly available in the expected location might be found at <http://docbox.etsi.org/Reference>.

- [1] Annex 10 to the Convention on International Civil Aviation: "Aeronautical Telecommunications".
- [2] ED 92a (2003): "MOPS for an Airborne VDL Mode-2 Transceiver Operating in the frequency range 118-136.975 MHz".
- [3] ISO/IEC 3309: "Information technology - Telecommunications and information exchange between systems - High-level data link control (HDLC) procedures - Frame structure".
- [4] ISO/IEC 8208: "Information technology - Data communications - X.25 Packet Layer Protocol for Data Terminal Equipment".
- [5] ISO/IEC 7498-1 (1994): "Information technology - Open Systems Interconnection - Basic Reference Model: The Basic Model".
- [6] ISO/IEC 10731 (1994): "Information technology - Open Systems Interconnection - Basic Reference Model - Conventions for the definition of OSI services".
- [7] ETSI EN 300 113-1: "Electromagnetic compatibility and Radio spectrum Matters (ERM); Land mobile service; Radio equipment intended for the transmission of data (and/or speech) using constant or non-constant envelope modulation and having an antenna connector; Part 1: Technical characteristics and methods of measurement".

- [8] International Civil Aviation Organization (ICAO), Doc 9776: "Manual on VHF Digital Link (VDL) Mode 2".
- 

## 3 Definitions and abbreviations

### 3.1 Definitions

#### 3.1.1 Basic reference model definitions

The present document is based on the concepts developed in the open systems interconnect basic reference model and makes use of the following terms defined in ISO/IEC 7498-1 [5]:

- layer
- sublayer
- entity
- service
- service access point
- service data unit
- physical layer
- data link layer

#### 3.1.2 Service conventions definitions

For the purposes of the present document, the terms and definitions given in ISO/IEC 10731 [6] apply:

- service provider
- service user
- service primitive
- request
- indication
- confirm

#### 3.1.3 General definitions

For the purposes of the present document, the following terms and definitions apply:

**adjacent channel power:** amount of the modulated RF signal power transmitted outside of the assigned channel

NOTE: Adjacent channel power includes discrete spurious, signal sidebands, and noise density (including phase noise) at the transmitter output.

**adjacent channel rejection:** receiver's ability to demodulate the desired signal and meet the uncorrected BER requirement in the presence of an interfering signal in an adjacent channel

NOTE: The ratio (in dB) between the adjacent interfering signal level and the desired signal level necessary to achieve the specified minimum uncorrected BER, is the adjacent channel rejection (ACR) ratio.



**aeronautical mobile service:** mobile service between aeronautical stations and aircraft stations, or between aircraft stations, in which survival craft stations may participate

**average transmitter output power:** average power supplied to the antenna transmission line by a transmitter during an interval of time sufficiently long, compared with the lowest frequency encountered in the modulation, taken under normal operating conditions

**Bit Error Rate (BER):** ratio between the number of erroneous bits received and the total number of bits received

NOTE: The uncorrected BER represents the BER without the benefit of Forward Error Correction (FEC).

**Co-Channel Interference (CCI):** capability of a receiver to demodulate the desired signal and achieve the minimum specified BER performance in the presence of an unwanted signal at the same assigned channel

NOTE: The ratio (in dB) between the wanted signal level and the unwanted signal level is the co-channel interference ratio.

**conducted measurements:** measurements which are made using a direct rf connection to the equipment under test

**data rate:** VDL Mode 2 symbol rate shall be 10 500 symbols/s, with a nominal data rate of 31 500 bits/s

**ground base station:** aeronautical station equipment, in the aeronautical mobile service, for use with an external antenna and intended for use at a fixed location

**interleaver:** creates the AVPL\_TIRS sequence made from the block segmentation of the AVLC frame and the RS encoding

NOTE: To this end one assumes the TIRS matrix made from the RS encoding of the AVLC block segmentation. The TIRS matrix is a matrix of octets made of 255 columns and c rows.

**spurious emissions:** conducted rf emissions on a frequency or frequencies which are outside the necessary bandwidth and the level of which may be reduced without affecting the corresponding transmission of information

NOTE: Spurious emissions include parasitic emissions, intermodulation products and frequency conversion products.

**X 25:** ITU-T standard for the protocols and message formats that define the interface between a terminal and a packet switching network

## 3.2 Abbreviations

For the purposes of the present document, the following abbreviations apply:

ABM	Asynchronous Balanced Mode
ACK	ACknowledge(ment)
ACR	Adjacent Channel Rejection
ADM	Asynchronous Disconnected Mode
AGC	Automatic Gain Control
AM(R)S	Aeronautical Mobile (Route) Service
AMCP	Aeronautical Mobile Communications Panel
ATN	Aeronautical Telecommunication Network
AVLC	Aviation VHF Link Control
AVLC_LI	Aviation VHF Link Control Length Indicator
AVPL	Aviation VHF Physical Layer
AVPL-Header	AVPL Header and training sequence
AVPL-RBS	AVPL Received Bit de-Scrambled sequence
AVPL-RHeader	AVPL Reception Header
AVPL-RIRS	AVPL Received Interleaved and RS encoded sequence
AVPL-RSS	AVPL Received Symbol de-Segmented sequence
AVPL-TBS	AVPL Transmitted Bit Scrambled sequence
AVPL-THeader	AVPL Transmission Header sequence
AVPL-THI	AVPL Transmitted Header appended and Interleaved sequence
AVPL-TIRS	AVPL Transmitted Interleaved RS encoded sequence
AVPL-TTS	AVPL Transmitted Ternary Symbol sequence

AWG	Arbitrary Waveform Generator
BCD	Binary Coded Decimal
BER	Bit Error Rate
C/R	Command/Response (bit)
CCI	Co Channel Interference
CMD	CoMmanD (frame)
CRC	Cyclic Redundancy Check
CSC	Common Signalling Channel
CSMA	Carrier Sense Multiple Access
CW	Continuous Wave
D8PSK	Differentially encoded 8 Phase Shift Keying
dBc	Decibels relative to the carrier
dB <sub>i</sub>	Decibels relative to isotropic radiator
D-bit	ISO/IEC 8208 delivery bit
dBm	Decibels relative to 1 milliwatt
DCE	Data Circuit-terminating Equipment
DISC	DISConnect (frame)
DLE	Data Link Entity
DLS	Data Link Service
DM	Disconnected Mode (frame)
DTE	Data Terminal Equipment
DXE	Denotes either: Data terminal Equipment <i>or</i> Data circuit-terminating Equipment
EVM	Error Vector Magnitude
FCS	Frame Check Sequence
FEC	Forward Error Correction
FM	Frequency Modulation
FRM	Frame Reject Mode
FRMR	Frame Reject (frame)
GF	Galois Field
GSIF	Ground Station Information Frame
HDLC	High-level Data Link Control
Hex	Hexadecimal
HO	Hand-Off
HTC	Highest Two-way Channel
ICAO	International Civil Aviation Organization
ID	IDentification (identifier)
INFO	INFOrmation (frame)
IS	Intermediate System
ISH	Intermediate System Hello (packet)
ISO	International Organization for Standardization
ITU-R	International Telecommunication Union - Radiocommunication Sector
LCI	Logical Channel Identifier
LCR	Link Connection Refused
LME	Link Management Entity
Lsb	Least significant bit
LTC	Lowest Two-way Channel
M/I	Maintained/Initialized status bit
MAC	Media Access Control
Msb	Most significant bit
NET	Network Entity Title
nmi	Nautical miles
OSI	Open Systems Interconnection
P/F	Poll/Final (bit)
PDU	Protocol Data Unit
PN	Pseudo Noise
ppm	parts per million
Q-bit	ISO/IEC 8208 Qualifier bit
RF/rf	Radio Frequency
RIRS matrix	Reception de-Interleaver and RS-decoding matrix
RMS	Root Mean Square
RNR	Receive Not Ready (frame)
RR	Receive Ready (frame)

RS	Reed-Solomon
RSP	ReSPonse (frame)
SAP	Service Access Point
SARPS	Standards And Recommended PracticeS (ICAO)
SDL	Specification and Description Language
SDU	Service Data Unit
SINAD	(Signal + Noise + Distortion) / (Noise + Distortion)
SME	System Management Entity
SN	SubNetwork
SNAcP	SubNetwork Access Protocol
SNDCF	SubNetwork Dependent Convergence Function
SNPA	SubNetwork Point of Attachment
SNR	Signal to Noise Ratio
SNSAP	SubNetwork Service Access Point
SQP	Signal Quality Parameter
SREJ	Selective REJect (frame)
SRM	Sent selective Reject Mode
SVC	Switched Virtual Circuit
TIRS matrix	Transmission Interleaver and RS encoding matrix
UA	Unnumbered Acknowledgment (frame)
UI	Unnumbered Information (frame)
VDL	VHF Digital Link
VHF	Very High Frequency
VME	VDL Management Entity
VSA	Vector Signal Analyser
VSWR	Voltage Standing Wave Ratio
XID	Exchange ID (frame)
XOR	Exclusive OR

---

## 4 General architecture of VDL Mode 2

The general architecture of the VHF radio equipment operating in VDL Mode 2 is depicted in figure 1. This figure presents the different functional parts of the VDL Mode 2 equipment.

The VDL system is related to the three lower layers of the OSI model providing services described as follows:

Layer 1 (Physical layer): provides transceiver frequency control, bit exchanges over the radio media, and notification functions. These functions are often known as radio and modulation functions. The physical layer handles information exchanges at the lowest level and manipulates bits. The physical layer handles modulation, data encoding and includes a forward error correction mechanism based on interleaving and Reed Solomon coding.

Layer 2 (Link Layer): is split into two sublayers and a link management entity:

- The MAC sublayer provides access to the Physical layer by a CSMA algorithm in charge of channel access. The MAC layer controls channel access and sharing.
- The DLS sublayer is composed of the AVLC derived from the HDLC protocol (ISO/IEC 3309 [3]) whose main functions are frame exchanges, frame processing, and error detection.
- The LME controls the link establishment and maintenance between DLS sublayers.

Layer 3: Only the lowest network sublayer of layer 3 (SNAcP) will be described in EN 301 841-2 (see bibliography). It is compliant with the subnetwork sublayer requirements defined in the ATN SARPs and conforms with the ISO/IEC 8208 [4] (or network layer of X.25). It provides packet exchanges over a virtual circuit, error recovery, connection flow control, packet fragmentation, and subnetwork connection management functions.

The DLS and LME part of the Layer 2 and Layer 3 are specified in EN 301 841-2 (see bibliography).

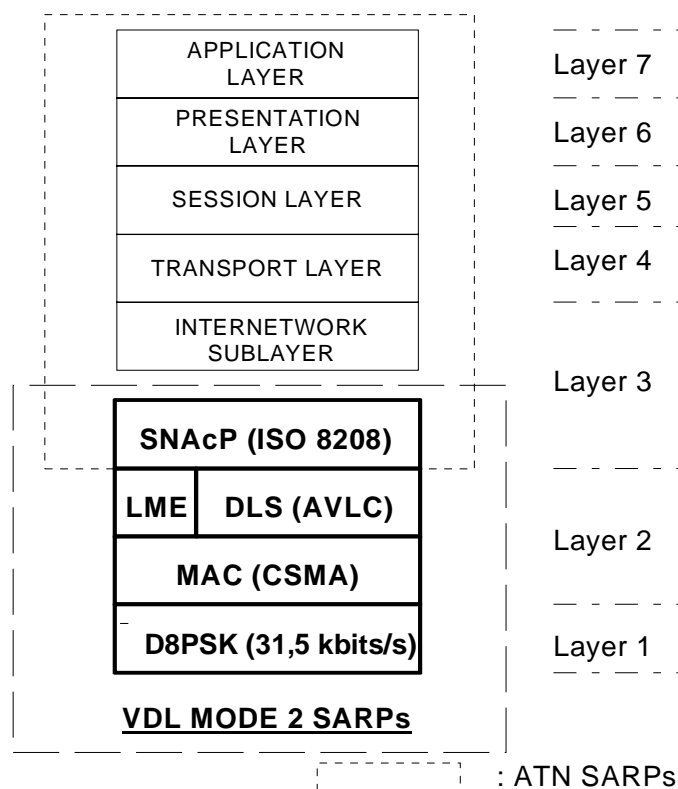


Figure 1: VDL SARPS in the ATN/OSI Organization

## 5 Physical layer protocols and services functional specifications

### 5.1 Overview

The ground stations shall access the physical layer operating in simplex mode.

#### 5.1.1 Functions

The tasks of the physical layer include the following:

- to modulate and demodulate radio carriers with a bit stream of a defined instantaneous rate to create an rf link;
- to acquire and maintain bit and burst synchronization between Transmitters and Receivers;
- to transmit or receive a defined number of bits at a requested time (packet mode) and on a particular carrier frequency;
- to add and remove a training sequence;
- to encode and decode the Forward Error Correction scheme;
- to measure received signal strength;
- to decide whether a channel is idle or busy, for the purposes of managing channel access attempts;
- to offer a notification service about the quality of link.

### 5.1.2 Data reception by the receiver

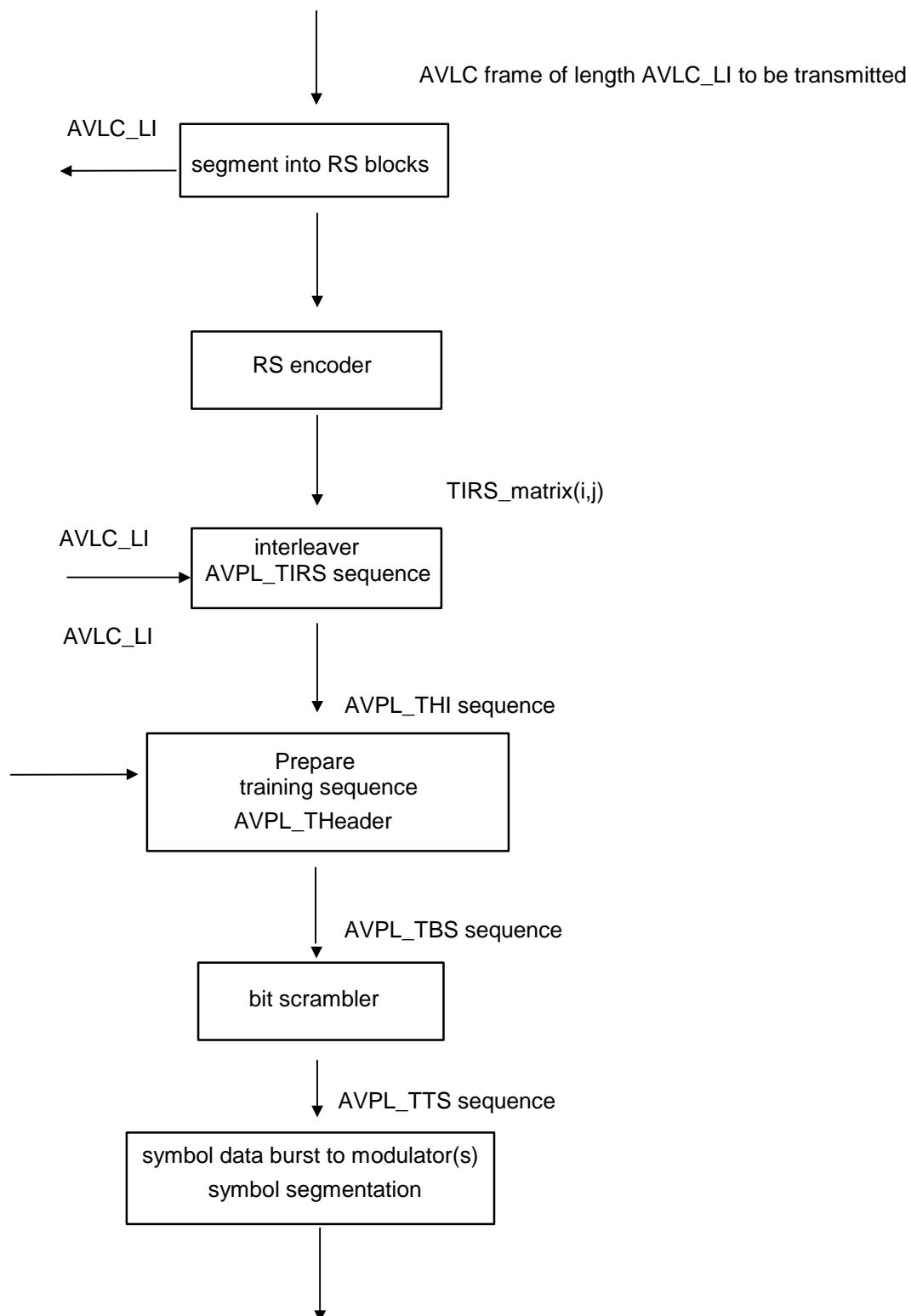
The receiver shall decode input signals and forward them to the higher layers for processing.

### 5.1.3 Data transmission

The VDL physical layer shall appropriately encode the data received from the data link layer and transmit it over the rf channel.

## 5.2 Transmission procedure

To transmit a sequence of frames, a station shall insert the bit numbers and, compute the FEC, interleave, insert the training sequence, carry out bit scrambling, and finally encode and modulate the rf signal. See figure 2.



**Figure 2: Data burst formatting procedure**

## 5.3 Modulation scheme

Mode 2 shall use D8PSK, using a raised cosine filter with  $\alpha = 0,6$  (nominal value). The information to be transmitted shall be differentially encoded with 3 bits per symbol transmitted as changes in phase rather than absolute phase. The data stream to be transmitted shall be divided into groups of 3 consecutive data bits, with the least significant bit first. Zeros shall be padded to the end of the transmissions if needed for the final channel symbol.

## 5.4 Training sequence

Data transmission shall begin with a demodulator training sequence consisting of five segments:

- Transmitter ramp up and power stabilization (5 symbols);
- synchronization and ambiguity resolution (16 symbols - the "unique word");
- reserved symbol (1 symbol);
- transmission length (a single 17 bit word);
- header FEC (5 bits).

NOTE: Immediately after these segments there is an AVLC frame.

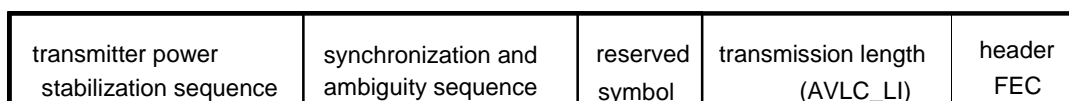
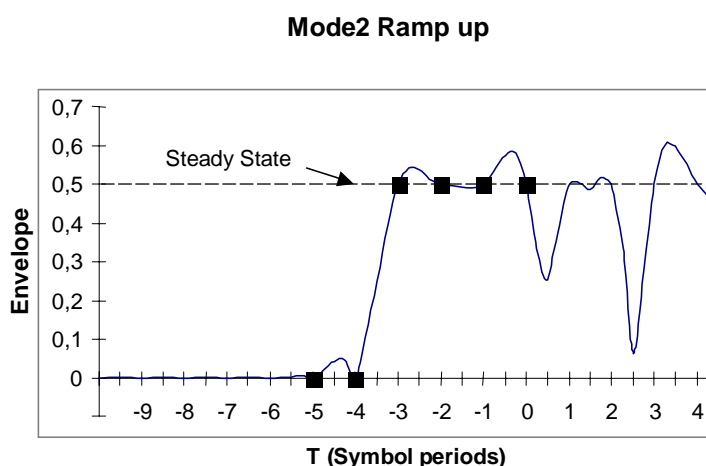


Figure 3: AVPL-header training sequence structure

### 5.4.1 RF power rise time definition

The purpose of the first segment of the training sequence, called the ramp-up, is to provide for transmitter power stabilization and receiver AGC settling and it shall immediately precede the first symbol of the unique word. The first segment also provides AGC settling time for the intended receiver. The time reference point (T), for the following specification is the centre of the first unique word symbol, a point that occurs 1/2 a symbol period after the end of the first segment. The start of the first segment is therefore defined at time  $T = -5,5$  symbol periods.



Key: ■ Symbol increment

Figure 4: Transmitter Power Stabilization

NOTE: There is a characteristic deep notch in the training sequence (see figure 4) which is located 2,5 symbol periods after the first synchronization symbol ( $T_0$ ). Therefore, the rf power level can be checked 5,5 symbol periods (524  $\mu$ s) before this "marker" at  $T_{-3}$ .

## 5.5 Physical layer Service Access Point

The Physical Layer SAP protocol is based on the following primitives:

Primitive	Parameters	Value	Comments
AVPL_DATA.req	AVLC_frame	X	From upper layers
	AVLC_LI	Length of AVLC frame	
AVPL_DATA.ind	AVLC_frame	X	To upper layers
	SQP	$0 \div 15$	
AVPL_STATUS.ind	CHANNEL STATUS	BUSY/IDLE	To upper layers

NOTE 1: Physical layer parameters (e.g.: maximum AVL length, operating frequency and test mode) are not handled by this SAP.

NOTE 2: Signal quality analysis shall be performed on the demodulator evaluation process and on the receive evaluation process; this analysis shall be normalized between a scale of 0 and 15, where 0 represents a received signal strength lower than -100 dBm and 15 for a signal strength higher than -70 dBm. SQP value between -100 dBm and -70 dBm is linear.

## 5.6 Tuning range and channel increments

The transceiver shall be capable of tuning to any of the 760 channels of 25 kHz width from 118,000 MHz to 136,975 MHz as defined in ICAO SARPS, annex 10 Volume 1, part 1 [1].

---

# 6 VDL MODE 2 equipment requirements

Unless otherwise stated all specifications shall be met under room conditions, at the nominal data rate, with the transceiver tuned to any 25 kHz channel within the range 118,000 MHz to 136,975 MHz.

## 6.1 Receiver requirements

The uncorrected BER requirement shall be equal to, or better than  $10^{-3}$ .

The reference signal level applied at the receiver input for all receiver requirements, unless otherwise stated, is -87 dBm.

### 6.1.1 Sensitivity

A maximum signal level of -98 dBm from a modulated VDL Mode 2 signal source shall produce the uncorrected BER requirement specified in clause 6.1.

### 6.1.2 First Adjacent Channel Rejection

The minimum adjacent channel rejection ratio (ACR) shall be determined in the presence of the reference signal level (see clause 6.1).

The ACR required to achieve the uncorrected BER (see clause 6.1) shall be equal to, or greater than, 44 dB. The test shall be performed on each side ( $\pm 25$  kHz) of the wanted signal.



### 6.1.3 Rejection of signals **within** the VHF Aeronautical band

The uncorrected BER requirement (see clause 6.1) shall be achieved when the wanted signal, set at the reference signal level (see clause 6.1), is combined with an unmodulated interfering signal in the following conditions:

- a) Level of the interfering signal set at -33 dBm at frequencies corresponding to second and third adjacent channels centre.
- b) Level of the interfering signal set at -27 dBm at frequencies corresponding to fourth adjacent channels centre.
- c) Level of the interfering signal set at -27 dBm at a separation of  $\pm 1$  MHz from the nominal receiver frequency.

### 6.1.4 Rejection of signals **outside** the VHF Aeronautical band

The uncorrected BER requirement (see clause 6.1) shall be achieved when one of the specified unwanted signals is applied and when the wanted signal is set at the reference signal level (see clause 6.1).

#### Unwanted signal A:

Level: -33 dBm

Modulation: None

Frequency range: 108,000 MHz to 156,000 MHz (excluding 117,950 MHz to 137,025 MHz).

#### Unwanted signal B:

Level: -7 dBm

Modulation: None

Frequency range: 50 kHz to 1 215,000 MHz (excluding the range 87,500 MHz to 156,000 MHz).

NOTE 1: A maximum interfering level of -33 dBm is permitted at the receiver IF frequencies.

#### Unwanted signal C:

Level: -5 dBm

Modulation: None

Frequency range: 87,500 MHz to 107,900 MHz.

NOTE 2: The frequency ranges shall be swept at a rate not exceeding  $1,5 \times 10^{-3}$  decades/s. Where the frequency range is swept incrementally, the step size shall not exceed 1 % of the previous frequency.

### 6.1.5 Desired signal dynamic range

The receiver shall continue to achieve the uncorrected BER requirement (see clause 6.1) when the desired signal level is increased from the reference signal level to a level of -7 dBm.

### 6.1.6 Symbol rate capture range

The uncorrected BER requirement (see clause 6.1) shall be achieved when the reference signal level is subject to a symbol rate offset of  $\pm 50$  ppm.

### 6.1.7 Frequency capture range

The receiver shall be capable of acquiring and maintaining a lock to any selected channel with the maximum permitted signal frequency offset.

The uncorrected BER requirement (see clause 6.1) shall be achieved when the reference signal level is subject to a frequency offset of  $\pm 826$  Hz. This value is composed of the maximum transmitter frequency error at 136,975 MHz ( $\pm 685$  Hz) and the maximum Doppler shift ( $\pm 141$  Hz).

### 6.1.8 Co-channel interference

The uncorrected BER requirement (see clause 6.1) shall be achieved when a VDL Mode 2 interfering signal, -20 dB below the reference level, is applied in addition to the reference signal level.

### 6.1.9 Conducted spurious emission

When the receiver input is terminated in a matched impedance, the level of any spurious emission appearing across the load shall not exceed -57 dBm over the frequency range of 9 kHz to 1 GHz and -47 dBm over the frequency range of 1 GHz to 4 GHz, with the exception of the range of 108,000 MHz to 137,000 MHz, where it shall not exceed -64 dBm.

### 6.1.10 In-band Intermodulation

The aim of the following requirement is to specify the receiver linearity in order to guarantee the third order interception point (IP3) is at least 0 dBm.

The uncorrected BER requirement (see clause 6.1) shall be achieved in the presence of two interfering signals, displaced in frequency, from the desired signal.

#### Desired signal:

Level: -75 dBm  
 Modulation: VDL Mode 2  
 Frequency: 118,000 MHz, 127,500 MHz, 136,975 MHz

#### Unwanted signal A:

Level: -32 dBm  
 Modulation: none  
 Frequency: test frequency  $\pm 1$  MHz

#### Unwanted signal B:

Level: -32 dBm  
 Modulation: VDL Mode 2 (or simulated Mode 2)  
 Frequency: test frequency  $\pm 2$  MHz

### 6.1.11 Cabinet radiation

The receiver shall meet the cabinet radiation requirements of EN 300 113-1 [7].

## 6.2 Transmitter requirements

Unless otherwise stated, these requirements are applicable to transmitters over the entire frequency range of 118,000 MHz to 136,975 MHz.

Unless otherwise stated, the reference bit sequence is specified as follows:

- The maximum "transmit" period is determined by the maximum "burst" length permitted for Mode 2 operation. The maximum burst length is 4,16 s at the nominal symbol rate of 10 500 symbols/s plus the synchronization sequence.
- The minimum "off" period is determined by the minimum transmitter "power down" time plus the minimum "channel idle" detection time plus the minimum value of the inter-access delay timer (TM1). According to ICAO SARPS, the minimum "off" period is 2 ms.
- The maximum duty cycle is therefore 4,16 s in "transmit" mode followed by 3,1 ms "off". The reference bit sequence shall not exceed 15 cycles.

### 6.2.1 Protection of the transmitter

The protection of the transmitter represents the ability of the transmitter to be protected against malfunction due to faults in the antenna system. Worst case mis-matches are represented by a short and open circuit test. The transmitter shall operate normally after the completion of the test.

### 6.2.2 Manufacturer's declared output power

The carrier power is the mean rf power delivered to the coaxial matched impedance termination during transmission. The measured power shall be  $\pm 1$  dB of the manufacturer's stated maximum output power.

The requirements of the present document shall also be met for all power output levels at which the transmitter is intended to operate into 50  $\Omega$ . For practical reasons measurements shall be performed only at the lowest and the highest power output level at which the transmitter is intended to operate.

### 6.2.3 RF power rise time

The transmitter output power shall achieve at least 90 % of the manufacturers' declared output power level in a time less than 190  $\mu$ s (two symbols).

The transmitted output power shall be less than -40 dBc prior to the start of the first segment ( $T_0$  - 5,5 symbol periods).

The transmitter power stabilization segment shall consist of 5 symbols each representing 000 (2 symbols for the rf power rise time and 3 symbols for the receiver AGC stabilization).

NOTE: In order to minimize the transient effect of power rising on an adjacent channel, attention must be paid to the profile of the rf signal during the ramp-up period.

### 6.2.4 RF power release time

The transmitter output power shall decay at least 20 dB below the manufacturers' declared output power level (see clause 6.2.2) within 300  $\mu$ s after transmitting the final information symbol.

NOTE: In order to minimize the transient effect of power decreasing on an adjacent channel, attention must be paid to the profile of the rf signal during the ramp-down period.

### 6.2.5 Modulation rate

The Mode 2 symbol rate shall be 10 500 symbols/s  $\pm$  50 ppm, resulting in a nominal bit rate of 31 500 bits/s.

## 6.2.6 Symbol constellation error

The rms Error Vector Magnitude (EVM), when measured over the first 30 symbols of the reference bit sequence, shall be less than 6 %.

## 6.2.7 Conducted Spurious emissions

When the transmitter is "active" or "idle" (or the transceiver is in receive mode) and terminated in a matched impedance load, the power of any spurious emission at the output of the transmitter shall not exceed the values given in table 1.

**Table 1**

Environmental phenomena	Frequency range	Units	Test limits, Tx Standby	Test limits Tx active mode	Reference bandwidth
Spurious conducted rf emissions	9 kHz to 150 kHz	dBm	-57 (2 nW)	-36 dBm	B = 1 kHz
Spurious conducted rf emissions	> 150 kHz to 1 GHz	dBm	-57 (2 nW)	-36 dBm for harmonics, -46 dBm for non-harmonic spurious	B = 10 kHz (see notes 1 and 2)
Spurious conducted rf emissions	> 1 GHz to 4 GHz	dBm	-47 (20 nW)	-30 dBm for harmonics -40 dBm for non-harmonic spurious	B = 10 kHz
NOTE 1: For transmitters with an rf output above 50 W a limit of -80 dBc will be applied for harmonically related spurious.					
NOTE 2: An exclusion band of $\pm 1$ MHz about the carrier shall be used in active transmit mode.					

## 6.2.8 Adjacent channel power

### First adjacent channel power:

The rf power measured over a 16 kHz channel bandwidth centred on the first adjacent channel shall not exceed -18 dBm.

### Second adjacent channel power:

The rf power measured over a 25 kHz channel bandwidth centred on the second adjacent channel shall not exceed -28 dBm.

### Fourth adjacent channel power:

The rf power measured over a 25 kHz channel bandwidth centred on the fourth adjacent channel shall not exceed -38 dBm.

## 6.2.9 Wide-band noise

The rf power measured in a 25 kHz channel bandwidth shall reduce at a minimum rate of 5 dB per octave from the fourth adjacent channel to a maximum value of -53 dBm.

## 6.2.10 Frequency Tolerance

The frequency of the rf carrier shall be within  $\pm 2$  ppm of the selected frequency.

## 6.2.11 Cabinet radiation

The transmitter shall meet the cabinet radiation requirements of EN 300 113-1 [7].

## 6.2.12 Load VSWR capability

When a 2:1 mismatch is applied to the transmitter output terminals by a length of feeder, which is varied in electrical length by up to half a wavelength, the requirements of clauses 6.2.8 and 6.2.9 shall be met. In addition, the power output shall not be less than -3 dB of the manufacturers' declared value (see clause 6.2.2).

## 6.3 Transceiver timing requirements

### 6.3.1 Receiver to transmitter turn-around time

A ground base station shall begin the transmission of the unique word portion of the training sequence within 1,25 ms after terminating the receive function.

### 6.3.2 Transmitter to receiver turn-around time

A ground base station shall be capable of receiving and demodulating an incoming signal within 1,5 ms after transmitting the final information symbol.

## 6.4 MAC sub-layer requirements

### 6.4.1 MAC services

#### 6.4.1.1 Multiple Access

The MAC sublayer shall implement the non-adaptive p-persistent CSMA algorithm defined in section 3.2.1.1 of the Manual [8].

#### 6.4.1.2 Channel Congestion

The MAC sub-layer shall notify the VME sub-layer whenever channel congestion is detected.

### 6.4.2 MAC System Parameters

#### 6.4.2.1 Timer TM1 (inter-access delay timer)

The TM1 timer shall be set to the time that a MAC sub-layer will wait between consecutive access attempts

#### 6.4.2.2 Timer TM2 (channel busy timer)

The VME shall be notified after the expiration of the Timer TM2 (channel busy timer).

#### 6.4.2.3 Parameter p (persistence)

The MAC sub-layer shall implement a p-persistent CSMA algorithm.

#### 6.4.2.4 Counter M1 (maximum access attempts)

The counter M1 shall be set to the maximum number of attempts (M1) that a MAC sub-layer will make for any transmission request.

### 6.4.3 Description of MAC Layer Procedures

#### 6.4.3.1 Channel Sensing

The MAC sub-layer shall implement a channel sensing.

#### 6.4.3.2 Access Attempt

An access attempt shall be made when the channel transitions from busy to idle.

### 6.4.3.3 Signal Quality Parameter

The SQP value shall be sent to the AVLC layer. It shall be determined from the signal strength using the definition given in part i - section [1].

## 6.4.4 Services (Part of DLS)

### 6.4.4.1 Error Detection

The DLS sublayer shall detect and discard all frames corrupted during transmission.

### 6.4.4.2 Station Identification

The DLS sublayer shall accept (over a point-to-point connection) only frames that are addressed to it.

---

# 7 General requirements

## 7.1 General

The equipment shall be able to operate on all channels in the list of assignable frequencies defined in Group F (see clause 4.1.8.1.2 of the ICAO Annex 10 Volume V clause 4.1.2.4 [1]).

It shall not be possible to transmit while any frequency synthesizer used within the transmitter is out of lock.

It shall not be possible to transmit during channel switching operations.

## 7.2 Controls and indicators

The equipment shall have the following controls and indicators as a minimum:

- a visual indication that the device is switched on;
- a visual indication that the carrier is being produced.

## 7.3 Class of emission and modulation characteristics

The equipment shall use D8PSK modulation with the emission designator 14K0G1DE. The equipment shall be designed to operate satisfactorily with a channel separation of 25 kHz.

## 7.4 Warm up

After being switched on the equipment shall be operational within five seconds and shall be able to meet the performance requirements of the present document within one minute under normal conditions.

---

## 8 Test conditions, power sources and ambient temperatures

### 8.1 Test power source

During testing, the equipment shall be supplied from a test power source capable of producing normal and extreme test voltages as specified in clauses 8.4.1.2, 8.4.2.3 and 8.4.2.4.

The internal impedance of the test power source shall be low enough for its effect on the test results to be negligible. For the purpose of testing the power source voltage shall be measured at the input terminals of the equipment.

During testing, the power source voltages shall be maintained within a tolerance of  $\pm 3\%$  relative to the voltage level at the beginning of each test.

### 8.2 Test channels

Tests shall be carried out on at least three channels:

- 118,000 MHz
- 127,500 MHz
- 136,975 MHz

### 8.3 General conditions of measurement

#### 8.3.1 Receiver test signal arrangement

Test signal sources shall be connected to the receiver input in such a way that the impedance presented to the receiver input is  $50\ \Omega \pm 2\ \Omega$ , irrespective of whether one or more test signals are applied to the receiver simultaneously.

#### 8.3.2 Performance check

Whilst the equipment is being subjected to the normal or extreme test conditions, establish compliance with the requirements of the following clauses:

- 6.1.1 Sensitivity (Rx)
- 6.2.2 Manufacturer's declared output power (Tx)
- 6.2.10 Frequency Tolerance (Tx)

## 8.4 Normal and extreme test conditions

Measurements shall be made under normal test conditions and also, where stated, under extreme test conditions.

### 8.4.1 Normal test conditions

#### 8.4.1.1 Normal temperature and humidity

The normal temperature and humidity conditions for tests shall be a combination of temperature and humidity within the following ranges:

- temperature: +15°C to +35°C;
- relative humidity: 20 % to 75 %.

When it is impracticable to carry out the tests under these conditions, a note to this effect, stating the ambient temperature and relative humidity during the tests, shall be added to the test report.

#### 8.4.1.2 Normal power sources

##### 8.4.1.2.1 Mains voltage and frequency

The normal test voltage for equipment to be connected to the mains shall be the nominal mains voltage.

For the purpose of the present document, the nominal voltage shall be the declared voltage or any of the declared voltages for which the equipment was designed.

The frequency of the test power source shall correspond to the appropriate AC mains.

##### 8.4.1.2.2 Other power sources

For operation from other power sources, the normal test voltage shall be that declared by the equipment manufacturer.

### 8.4.2 Extreme test conditions

#### 8.4.2.1 Extreme temperatures

For tests at extreme temperatures, measurements shall be made at a lower temperature of -10°C and an upper temperature of +55°C. This test shall be performed at the nominal supply voltage as defined in clause 8.4.1.2.1.

#### 8.4.2.2 Procedure for tests at extreme temperatures

##### 8.4.2.2.1 General

The equipment shall be switched off during the temperature stabilizing periods.

For tests at the upper temperature on equipment designed for continuous operation, the equipment shall be placed in the test chamber and left until thermal equilibrium is reached. The equipment shall then be switched on for 30 minutes before measurements are made. Transmitters shall be operated in the highest rated power transmit condition in that 30 minutes period before measurements are made.

For tests at the lower temperature, the equipment shall be left in the test chamber until thermal equilibrium is reached. The equipment shall then be switched on for 1 minute in the standby or receive condition before measurements are made.



#### 8.4.2.2.2 High temperature

- Place the equipment in a chamber and heat to 55°C ( $\pm 3^\circ\text{C}$ ) and allow to stabilize for 1 hour.
- Switch on the equipment (transmitters shall be keyed).
- After 30 minutes carry out a performance check as detailed in clause 8.3.2.
- Switch off the equipment and allow the chamber to cool to room temperature over a 1 hour period.
- Allow time for the equipment to stabilize to normal room temperature and humidity before carrying out the next test.

#### 8.4.2.2.3 Low temperature

- Place the equipment in a chamber and cool to -10°C ( $\pm 3^\circ\text{C}$ ) for 2 hours.
- Switch on the equipment and maintain the chamber operating temperature at -10°C ( $\pm 3^\circ\text{C}$ ).
- After 1 minute carry out a performance check as detailed in clause 8.3.2.
- Switch off the equipment and allow the chamber to rise to room temperature over a 1 hour period.
- Allow time for the equipment to stabilize to normal room temperature and for moisture to disperse before carrying out the next test.

#### 8.4.2.3 Extreme values of test power sources

##### Mains voltage

- The extreme test voltages shall be  $\pm 10\%$  of the value declared in clause 8.4.1.2.1.
- The frequency of the test voltage shall be the nominal frequency of the supply as declared in clause 8.4.1.2.1.
- This test shall be performed at the normal temperature and humidity as defined in clause 8.4.1.1.

#### 8.4.2.4 Other power sources

For equipment using other power sources, or capable of being operated from a variety of power sources, the extreme test voltages shall be those agreed between the equipment manufacturer and the testing laboratory and shall be recorded in the test report.

#### 8.4.2.5 Performance check

Whilst the equipment is being subjected to the extreme test conditions, establish compliance with the requirements of clause 8.3.2.

---

## 9 Detailed Test Procedures for the physical layer

The following test procedures provide a satisfactory means of establishing compliance with the requirements of clause 6 of the present document. However, alternative test procedures, which provide equivalent information, may be used.

Signal quality analysis shall be performed on the demodulator evaluation process and on the receive evaluation process; this analysis shall be normalized between a scale of 0 and 15, where 0 represents a received signal strength lower than -100 dBm and 15 for a signal strength higher than -70 dBm. SQP value between -100 dBm and -70 dBm is linear.

## 9.1 Receiver

### 9.1.1 BER test

A BER test shall use a VHF signal generator representing the desired source signal and external BER test equipment (e.g. a computer and test software or Arbitrary Waveform Generator (AWG) interfaced to the VHF signal generator in vector modulation mode) which receives each burst payload from the receiver.

#### Uncorrected BER mode

A method for placing the receiver into the uncorrected BER mode shall be provided by manufacturers. The uncorrected BER mode is distinct from the operational mode.

The uncorrected BER mode is used to measure the uncorrected BER requirement.

- 1) The receiver shall forward each burst payload to the external BER test equipment without error detection or correction procedures.
- 2) The test payload shall be forwarded to the external BER test equipment only if the burst was successfully detected via the standard 16 symbols synchronization sequence.

#### VHF signal generators

Receiver test procedures require the use of a high performance VHF signal generator in order to permit high precision measurement. This VHF signal generator shall be capable of the specified modulation format and transmission waveform.

- 1) The VHF signal generator shall support transmission of VDL test bursts consisting of the ramp up period plus the standard 16 symbols synchronization sequence followed by a variable length test message, up to the maximum length of 43 771 symbols.
- 2) An external interface to the VHF signal generator shall be provided in order that the test payload can be provided via the external BER test equipment.

#### External BER test equipment

- 1) The test payload provided by the external BER test equipment shall be mapped directly into the burst payload in Mode-2 format. The formatting shall include Cyclic Redundancy Check (CRC), interleaving, scrambling and header.

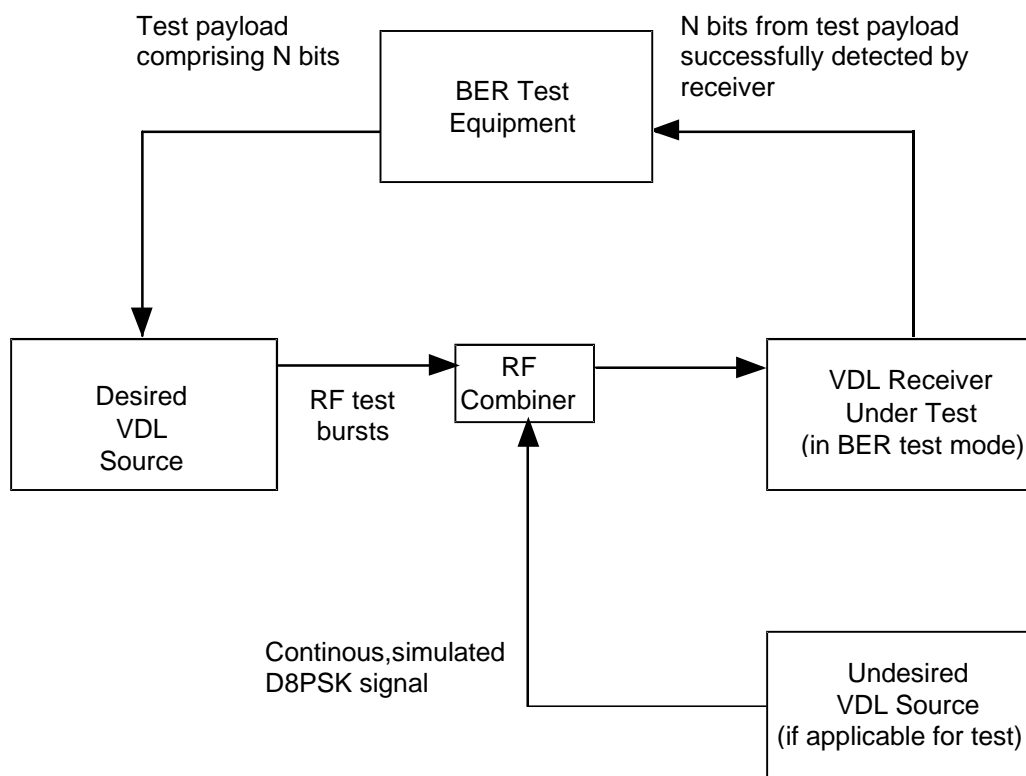
NOTE: Forward Error Correction (FEC) may be encoded or left null, as this information will not be used when the receiver is configured to output "uncorrected" BER messages.

- 2) Unless otherwise stated, tests shall be conducted with maximum length Mode-2 messages.
- 3) The external BER test equipment generating the test payload for transmission by the VHF signal generator, and receiving/processing the received test payload must be synchronized either explicitly (via a direct connection) or implicitly (by knowledge of the test payload).
- 4) Calculation of cumulative BER statistics shall begin once synchronization of the external BER test equipment between the transmitting and receiving burst payload has been accomplished. The receiving external BER test equipment shall detect the loss of an entire burst implicitly by lack of a burst payload message in the given burst period. Each test should include a running count of synchronization failures in addition to the cumulative BER.

#### Interfering (or undesired) source

Tests for CCI and ACR with the VDL waveform as the interfering signal shall be performed with the interfering signal applied in a continuous (non-pulsed) manner. The waveform shall simulate a VDL Mode-2 signal. Tests have shown that a suitable interfering source is a VHF signal generator configured to produce a narrow-band FM signal modulated with a 400 Hz tone at a peak frequency deviation of 5,25 kHz.

Figure 5 shows the basic test setup for receiver BER tests.



**Figure 5: Receiver BER measurement**

## 9.1.2 Sensitivity

The equipment requirements are specified in clause 6.1.1.

The following equipment is required:

### VHF Signal Generator

- External BER test equipment.
- The measurement procedure consists of the following steps:

- Step 1: Connect the equipment as shown in figure 5 but notice that the rf combiner is not required for this test. Set the receiver under test into the uncorrected BER mode.
- Step 2: Set the desired VDL source, (a VHF signal generator) to generate an input signal to the receiver at one of the test frequencies (see clause 8.2).
- Step 3: Modulate the desired signal with the test payload (maximum burst length of symbols) provided by the external BER test equipment. Adjust the level of the signal generator to the maximum signal level (see clause 6.1.1) at the receiver input terminals.
- Step 4: Repeat Steps 2 and 3 at the two remaining test frequencies (see clause 8.2).
- Step 5: Using the external BER test equipment, determine the uncorrected BER of the demodulated data at the receiver output. Check the sensitivity requirement (see clause 6.1.1) is achieved at all three test frequencies.

### 9.1.3 First Adjacent Channel Rejection

The equipment requirements are specified in clause 6.1.2.

The following equipment is required:

- 2 VHF Signal Generators
- External BER test equipment
- RF combiner

The measurement procedure consists in the following steps:

- Step 1: Connect the equipment as shown in figure 5 and set the receiver to the uncorrected BER mode.
- Step 2: Adjust the Desired VDL Source (generator A), to produce an input signal to the receiver at one of the test frequencies (see clause 8.2).
- Step 3: Modulate generator A with the test payload (maximum burst length of symbols) provided by the external BER test equipment. Adjust signal generator A to produce the reference signal level (see clause 6.1) at the receiver input terminals.
- Step 4: Use the second VHF signal generator (named B), to generate an adjacent channel interfering input signal to the receiver.
- Step 5: Tune generator B to the first upper adjacent channel frequency. Set generator B to produce a narrow-band FM signal (to simulate a second VDL Mode-2 source). Apply the desired input signal and the adjacent interfering signal to the receiver input via the rf combiner.
- Step 6: Adjust the level of signal generator B until the uncorrected BER is reduced to the minimum requirement (see clause 6.1). Record the interfering signal level at the receiver input terminals.
- Step 7: Repeat Step 5 and 6 for the lower adjacent channel.
- Step 8: Determine the ratio between the interfering and desired signal levels for both upper and lower adjacent channels. Record these two ratios.
- Step 9: Repeat Steps 4 to 8 at the two remaining test frequencies (see clause 8.2).
- Step 10: Check that the ACR requirement (defined in clause 6.1.2) is achieved in all cases.

NOTE: The noise sidebands of the interfering signal must not interfere with the desired signal in the receiver passband. The isolation offered by the rf combiner must be sufficient to prevent intermodulation between the VHF generators.

### 9.1.4 Rejection of signals **within** the VHF Aeronautical band

The equipment requirements are specified in clause 6.1.3.

The following equipment is required:

- 2 VHF Signal Generators
- External BER test equipment
- RF combiner

NOTE: The noise sidebands of the interfering signal must not interfere with the desired signal in the receiver passband. The isolation offered by the rf combiner must be sufficient to prevent intermodulation between the VHF generators.

The measurement procedure consists in the following steps:

- Step 1: Connect the equipment as shown in figure 5 - and set the receiver to the uncorrected BER mode.
- Step 2: Adjust the Desired VDL Source, generator A, to produce an input signal to the receiver at one of the test frequencies (see clause 8.2).
- Step 3: Modulate generator A with the test payload (maximum burst length of symbols) using the external BER test equipment. Adjust signal generator A to provide the reference signal level (see clause 6.1) at the receiver input terminals.
- Step 4: Set the second signal generator (named B), to produce an unmodulated (cw) interfering signal to the receiver input.
- Step 5: Tune generator B to the upper second adjacent channel and adjust the signal generator to the level defined in clause 6.1.3 a).
- Step 6: Apply the wanted input signal and the unmodulated interfering signal to the receiver input via the rf combiner and determine the uncorrected BER of the demodulated data with the external BER test equipment.
- Step 7: Repeat Step 5 and 6 for the lower second adjacent channel and the upper and lower third adjacent channels.
- Step 8: Tune generator B to the upper fourth adjacent channel and adjust the signal generator to the level stated in 6.1.3 b).
- Step 9: Apply the wanted input signal and the unmodulated interfering signal to the receiver input via the rf combiner and determine the uncorrected BER of the demodulated data with the external BER test equipment.
- Step 10: Repeat steps 8 and 9 for the lower fourth adjacent channel.
- Step 11: Tune generator B to +1 MHz from the nominal receiver frequency and adjust the signal generator to the level stated in 6.1.3 c).
- Step 12: Apply the wanted input signal and the unmodulated interfering signal to the receiver input via the rf combiner and determine the uncorrected BER of the demodulated data with the external BER test equipment.
- Step 13: Repeat steps 11 and 12 for -1 MHz from the nominal receiver frequency.
- Step 14: Set the second signal generator (named B), to produce an unmodulated (cw) interfering signal to the receiver input.
- Step 15: Repeat steps 5 to 14 at the other test frequencies (see clause 8.2).

### 9.1.5 Rejection of signals **outside** the VHF Aeronautical band

The equipment requirements are specified in clause 6.1.4.

The following equipment is required:

- 2 VHF Signal Generators
- External BER test equipment
- RF combiner

The measurement procedure consists in the following steps:

- Step 1: Connect the equipment as shown in figure 5 - and set the receiver to the uncorrected BER mode.
- Step 2: Use the Desired VDL Source (generator A), to produce an input signal to the receiver at one of the test frequencies (see clause 8.2).
- Step 3: Modulate generator A with the test payload (maximum burst length of symbols) using the external BER test equipment. Adjust signal generator A to provide the reference signal level (see clause 6.1) at the receiver input terminals.
- Step 4: Use the second signal generator (named B), to generate one of the specified interfering signals at the receiver input.
- Step 5: Tune generator B to any frequency defined in clause 6.1.4. Adjust the level of generator B to provide the interfering signal level also defined in clause 6.1.4, at the receiver input terminals.
- Step 6: Apply the desired input signal and the interfering signal to the receiver input via the rf combiner and determine the uncorrected BER with the external BER test equipment.
- Step 7: Repeat Step 5 and 6 for all other frequencies.
- Step 8: Check that the uncorrected BER requirement (see clause 6.1) is achieved in all cases.

NOTE 1: The noise sidebands of the interfering signal must not interfere with the desired signal in the receiver passband. The isolation offered by the rf combiner must be sufficient to prevent intermodulation between the VHF generators.

NOTE 2: Any interfering signal found to reduce the uncorrected BER below the minimum requirement should be investigated using a spectrum analyser connected to the combiner output. This should determine whether the rf combiner/test setup is producing an on-channel signal into the receiver under test.

NOTE 3: Alternative procedures or theoretical calculation of susceptible frequencies may be used to reduce the number of discrete frequencies which need to be tested.

### 9.1.6 Desired Signal dynamic range

The equipment requirements are specified in clause 6.1.5.

The following equipment is required:

- VHF Signal Generator
- External BER test equipment

The measurement procedure consists in the following steps:

- Step 1: Connect the equipment as shown in figure 5 - but notice that the rf combiner is not needed for this test. Set the receiver to the uncorrected BER mode.
- Step 2: Adjust the Desired VDL Source (generator A) to generate an input signal, to the receiver, at one of the test frequencies (see clause 8.2).
- Step 3: Modulate generator A with the test payload (maximum burst length of symbols) using the external BER test equipment. Adjust generator A to provide the maximum reference signal level (see clause 6.1.5) at the receiver input terminals.
- Step 4: Apply the modulated signal to the receiver and determine the uncorrected BER of the demodulated data at the receiver output with the external BER test equipment.
- Step 5: Check that the uncorrected BER requirement (see clause 6.1) is achieved in all cases.

### 9.1.7 Symbol rate capture range

The equipment requirements are specified in clause 6.1.6.

The following equipment is required:

- VHF Signal Generator
- External BER test equipment

The measurement procedure consists in the following steps:

- Step 1: Connect the equipment as shown in figure 5 - but notice that the rf combiner is not needed for this test. Set the receiver to the uncorrected BER mode.
- Step 2: Tune the Desired VDL Source (generator A) to generate an input signal to the receiver at one of the test frequencies (see clause 8.2). Adjust generator A to provide the reference signal level (see clause 6.1) at the receiver input terminals.
- Step 3: Tune the VHF signal generator to the receiver channel frequency and modulate it with the test payload (maximum burst length of symbols) provided by the external BER test equipment.
- Step 4: Adjust the transmitted data clock offset of the external BER test equipment to the maximum offset specified in clause 6.1.6.
- Step 5: Apply the modulated signal to the receiver and determine the uncorrected BER of the demodulated data at the receiver output with the external BER test equipment.
- Step 6: Repeat Steps 4 and 5 after adjusting the transmitted data clock offset to the minimum offset specified in clause 6.1.6.
- Step 7: Check that the uncorrected BER requirement (see clause 6.1) is achieved in all cases.

### 9.1.8 Frequency capture range

The equipment requirements are specified in clause 6.1.7.

The following equipment is required:

- VHF Signal Generator
- External BER test equipment

The measurement procedure consists in the following steps:

- Step 1: Connect the equipment as shown in figure 5 - but notice that the rf combiner is not needed for this test. Set the receiver to the uncorrected BER mode.
- Step 2: Set the Desired VDL Source (generator A) and the external BER test equipment to generate a receiver input signal.
- Step 3: Tune generator A to one of the test frequencies (see clause 8.2) plus the frequency offset (defined in clause 6.1.7) and modulate it with the test payload (maximum burst length of symbols) provided by the external BER test equipment. Adjust generator A to provide the reference signal level (see clause 6.1) at the receiver input terminals.
- Step 4: Apply the modulated signal to the receiver and determine the uncorrected BER of the demodulated data at the receiver output with the external BER test equipment.
- Step 5: Repeat Steps 3 to 5 for the negative frequency offset (see clause 6.1.7).
- Step 6: Check that the uncorrected BER requirement (see clause 6.1) is achieved in all cases.

### 9.1.9 Co-channel interference

The equipment requirements are specified in clause 6.1.8.

The following equipment is required:

- 2 VHF Signal Generators
- External BER test equipment
- RF combiner

The measurement procedure consists in the following steps:

- Step 1: Connect the equipment as shown in figure 5, and set the receiver to the uncorrected BER mode.
- Step 2: Use the Desired VDL Source (named A), to generate a desired input signal to the receiver.
- Step 3: Tune the generator A to one of the test frequencies (see clause 8.2) and modulate the carrier with the test payload (maximum burst length of symbols) provided by the external BER test equipment. Adjust generator A to provide the reference signal level (see clause 6.1) at the receiver input terminals.
- Step 4: Use the second signal generator (named B), to generate a co-channel interfering input signal to the receiver.
- Step 5: Tune the signal generator B to the receiver channel frequency and configure it to produce a narrow band FM signal with a maximum peak deviation of  $\pm 5,25$  kHz. Modulate generator B with a 400 Hz sine wave. Adjust generator B to produce an interfering signal level 20 dB below the reference signal level (see clause 6.1) at the receiver input terminals.
- Step 6: Apply the desired signal and the co-channel interfering FM modulated signal to the receiver input via the rf combiner and measure the uncorrected BER of the demodulated data at the receiver output with the external BER test equipment.
- Step 7: Repeat Steps 2 to 6 at the two remaining test frequencies (see clause 8.2).
- Step 8: Check that the uncorrected BER requirement (see clause 6.1) is achieved in all cases.

### 9.1.10 Conducted spurious emission

The equipment requirements are specified in clause 6.1.9.

The following equipment is required:

- Resistive load equal to the nominal input impedance of the receiver
- Calibrated spectrum analyser to cover the frequency range defined in clause 6.1.9

The measurement procedure consists in the following steps:

- Step 1: Connect the rf output of the equipment under test directly into the rf input of the spectrum analyser. Exercise caution does not allow the transmitter to radiate.
- Step 2: Tune the transceiver to one of the test channels (see clause 8.2).
- Step 3: Using the calibrated spectrum analyser, measure the power level of any spurious emissions across the matching resistive load at the input of the receiver over the frequency range defined in clause 6.1.9.
- Step 4: Record the frequency and power level of all signals which exceed the limit specified in clause 6.1.9.
- Step 5: Repeat Steps 2 to 4 at the two remaining test channels (see clause 8.2).
- Step 6: Check that the requirements of clause 6.1.9 are achieved.



### 9.1.11 In-band Intermodulation

The equipment requirements are specified in clause 6.1.10.

The following equipment is required:

- 3 VHF Signal Generator
- External BER test equipment
- RF combiner

The measurement procedure consists in the following steps:

- Step 1: Connect the equipment as shown in figure 6.
- Step 2: Use a signal generator (named A), to generate the desired input signal to the receiver.
- Step 3: Tune generator A to one of the test frequencies (see clause 8.2.) and modulate the carrier with the test payload (maximum burst length of symbols) provided by the external BER test equipment. Adjust generator A to provide a level of -75 dBm at the receiver input terminals.
- Step 4: Tune interfering signal generator B to a frequency 1 MHz above the selected test frequency. Set signal generator B to produce an unmodulated carrier, input to the receiver input terminals at a level of -32 dBm.
- Step 5: Tune interfering signal generator C to a frequency 2 MHz above the selected test frequency. Set signal generator C to produce a simulated Mode 2 signal, input to the receiver input terminals at a level of -32 dBm.
- Step 6: Apply the desired signal and the two interfering signals to the receiver input via the rf combiner and determine the uncorrected BER of the demodulated data at the receiver output with the external BER test equipment.
- Step 7: Repeat Steps 3 to 6 for the remaining frequency combinations by retuning generators B and C.
- Step 8: Check that the uncorrected BER requirement (see clause 6.1) is achieved in every case.

NOTE: In the absence of the desired signal (i.e. Generator A switched "off"), the intermodulation products produced by any interaction between the interfering signal generators B and C, must be less than -105 dBm at the receiver input. Additional band-pass filters, inserted between each generator and the rf combiner, may be necessary to reduce the intermodulation product.

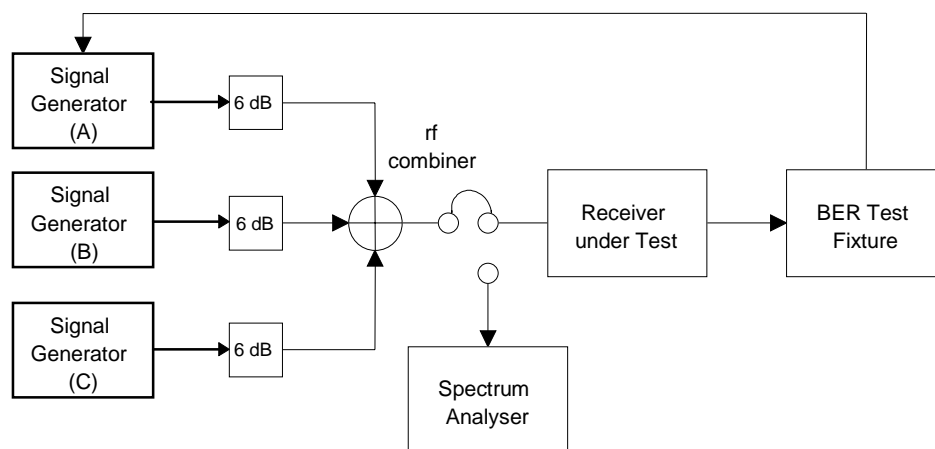


Figure 6: Intermodulation measurement

## 9.2 Transmitter

### 9.2.1 Manufacturer's declared output power

The equipment requirements are specified in clause 6.2.2.

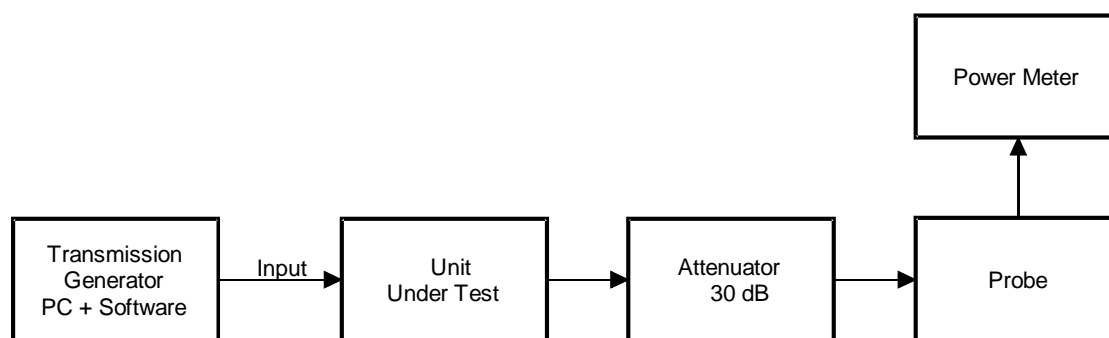
The following equipment is required:

- Transmission generator, PC with suitable software
- Attenuator 30 dB
- Power meter, with pulse power measurement facility or vector signal analyser

The measurement procedure consists in the following steps:

- Step 1: Connect the equipment as shown in figure 7.
- Step 2: Tune the transmitter to one of the test frequencies (see clause 8.2).
- Step 3: Key the transmitter under test "on" and modulate the carrier with continuous maximum length Mode 2 messages from the transmission generator.
- Step 4: Set the power meter (or VSA) to capture the Mode 2 transmitted signal and determine the average transmitter output power during the message period.
- Step 5: Repeat Steps 2 to 4 at the two remaining test channels.
- Step 6: Check that the measured output power is consistent with the manufacturer's declared output power according to clause 6.2.2, and remains so at all three test channels.

NOTE: Output power delivered into a 50  $\Omega$  load shall be measured during signal transmission and shall not be averaged over the time intervals between signal transmissions.



**Figure 7: Output power measurement**

### 9.2.2 RF power rise time

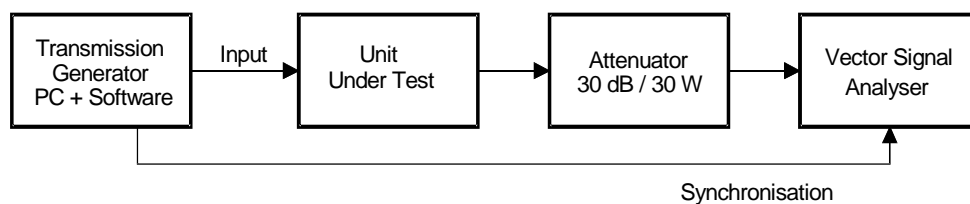
The equipment requirements are specified in clause 6.2.3.

The following equipment is required:

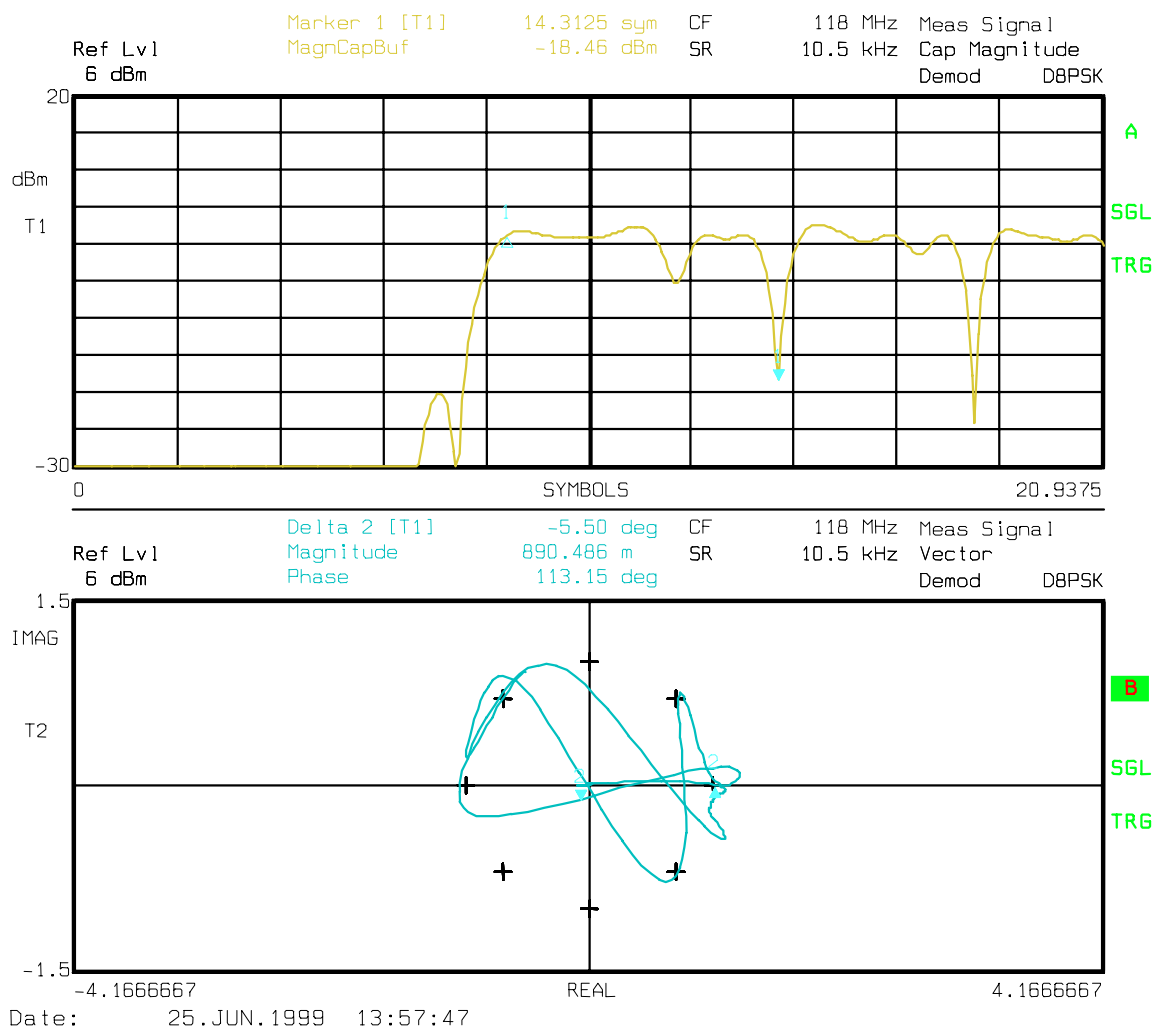
- Transmission Generator, PC with suitable software
- Attenuator 30 dB
- VSA

The measurement procedure shall be carried out at 127,500 MHz and consists of the following steps:

- Step 1: Connect the equipment as shown in figure 8.
- Step 2: Configure the vector analyser to display both constellation diagram and power versus time charts shown in figure 9.
- Step 3: Use the transmission generator to produce a Mode 2 message and capture the start of this message.
- Step 4: Using both constellation and power versus time display identify the first symbol of the synchronization sequence.
- Step 5: At a time 3 symbol periods before the first synchronization symbol (defined in clause 5.4.1) record the rf power level.
- Step 6: Check that the rf power rise time (defined in clause 6.2.3) is achieved.



**Figure 8: RF power rise and release time measurement also suitable for symbol constellation error**



**Figure 9: VSA displays constellation diagram illustrating rf rise-time**

NOTE: There is a characteristic notch in the synchronization sequence which is located 2,5 symbol periods after the first synchronization symbol. Therefore, it is easy to check the rf power level 5,5 symbol periods (524  $\mu$ s) before this "marker". This could constitute an alternative method using a standard spectrum analyser or fast storage oscilloscope (see figure 9a).

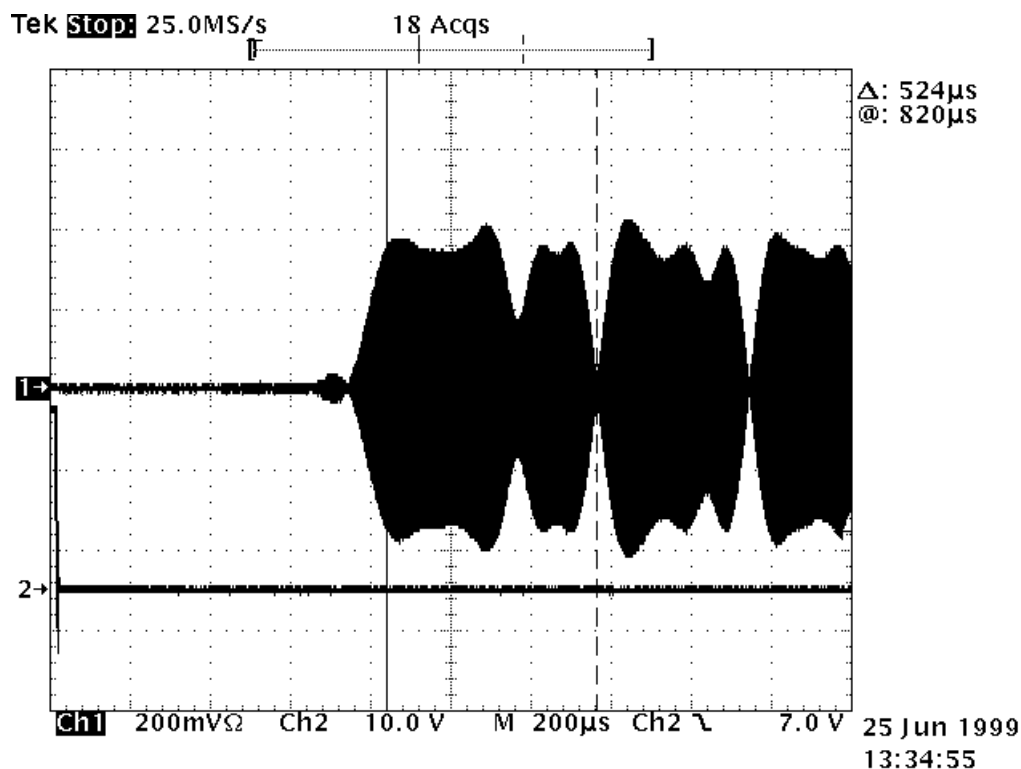


Figure 9a: Oscilloscope displays illustrating rf rise-time

### 9.2.3 RF power release time

The equipment requirements are specified in clause 6.2.4.

The following equipment is required:

- Transmission Generator, PC with suitable software
- Attenuator 30 dB
- VSA

The measurement procedure shall be carried out at 127,500 MHz and consists of the following steps:

- Step 1: Connect the equipment as shown in figure 8.
- Step 2: Configure the vector signal analyser in digital demodulation mode, to display log magnitude of I and Q vectors, with normalization disabled. Set the Y axis to read "dBm" The symbol times are displayed on the resultant profile of power versus time. Use of the trigger hold off function will aid signal acquisition.
- Step 3: Using the transmission generator to produce a Mode 2 message. Capture the end of this message on the vector signal analyser.
- Step 4: Use the power versus time display to determine the corresponding profile for each symbol of the "power down" ramp.
- Step 5: Check that the rf power release time (defined in clause 6.2.4) is achieved.

## 9.2.4 Symbol Constellation Error

The equipment requirements are specified in clause 6.2.6.

The following equipment is required:

- Transmission generator, PC with suitable software
- Attenuator 30 dB
- Vector Signal analyser

The measurement procedure consists in the following steps:

- Step 1: Connect the equipment as shown in figure 8.
- Step 2: Tune the transmitter to one of the test frequencies.
- Step 3: Tune the vector signal analyser to the correct channel frequency and modulation scheme, select a suitable level range.
- Step 4: Key the transmitter under test "on" and modulate it with continuous maximum length Mode 2 messages produced by the transmission generator.
- Step 5: Record the rms EVM error at symbol centres.
- Step 6: Check that the results are within the limits specified in clause 6.2.6.
- Step 7: Repeat Steps 2 to 6 at the two remaining test frequencies.

## 9.2.5 Spurious emissions

The equipment requirements are specified in clause 6.2.7.

The following equipment is required:

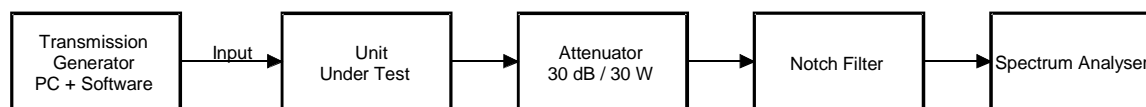
- Transmission Generator, PC with suitable software
- Attenuator 30 dB
- Notch filters or bandpass filters, to suppress the on-channel signal by at least 60 dB
- Spectrum analyser with power band marker function

The measurement procedure consists in the following steps:

- Step 1: Connect the equipment as shown in figure 10.
- Step 2: Tune the transmitter to one of the test frequencies.
- Step 3: Use the filters to reject the on-channel signal in order to increase the dynamic range of the measurement without overloading the spectrum analyser.
- Step 4: Set the transmission generator to produce continuous maximum length Mode 2 messages and key the transmitter under test "on".
- Step 5: Adjust the spectrum analyser reference level to provide the maximum dynamic range for display and set the input attenuator to minimum required to ensure that no signal at the analyser input exceeds the maximum allowable level.
- Step 6: Measure the power level at each visible spurious signal using power band markers appropriate to the bandwidths specified in (see clause 6.2.7).

Step 7: Measure the frequency response of the filter and take this into account when presenting spurious measurement results. If a bandpass filter is used, it will need to be tuned to several measurement frequencies, covering the overall measured frequency range.

Step 8: Check that the results do not exceed the limits specified in clause 6.2.7.



**Figure 10: Spurious emissions measurement**

## 9.2.6 Adjacent channel power

The equipment requirements are specified in clause 6.2.8.

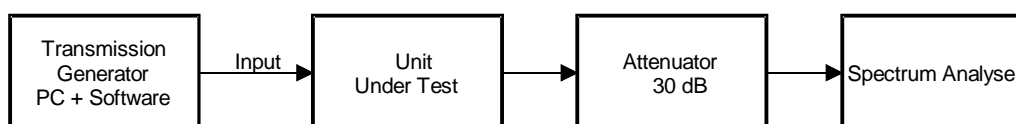
### 9.2.6.1 Method of measurement for the first adjacent channel

The following equipment is required:

- Transmission Generator, PC with suitable software
- Attenuator 30 dB
- Spectrum analyser with power band marker function

The measurement procedure consists in the following steps:

- Step 1: Connect the equipment as shown in figure 11.
- Step 2: Tune the transmitter to one of the test frequencies.
- Step 3: Key the transmitter under test "on" and modulate it with the transmission generator to produce continuous maximum length Mode 2 messages.
- Step 4: Adjust the attenuator in the analyser to the minimum value which does not overload the input stage of the unit.
- Step 5: Using 100 kHz span display the Mode 2 signal envelope. Use the analyser IF signal power as the trigger source for the display and set averaging to 10.
- Step 6: Using the power band marker function of the analyser measure the power in a 16 kHz bandwidth, of the first upper adjacent channel.
- Step 7: Repeat Steps 3 to 6 for the first lower adjacent channel.
- Step 8: Record the highest of the two measured values. Check that the first adjacent channel power is lower than the first adjacent channel power requirement (defined in clause 6.2.8).
- Step 9: Repeat Steps 2 to 8 at the two remaining test frequencies.



**Figure 11: First adjacent channel power measurement**

### 9.2.6.2 Method of measurement for the second adjacent channel

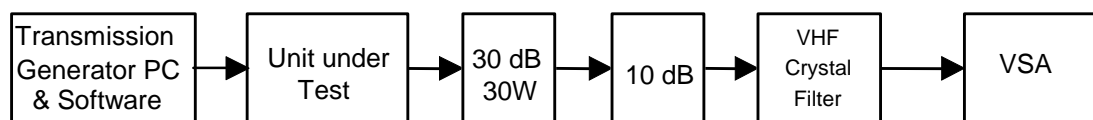
The following equipment is required:

- Transmission Generator, PC with suitable software
- Attenuator 30 dB
- VHF crystal filter with a 3 dB bandwidth of 25 kHz and, with attenuation in excess of 50 dB at  $\pm 50$  kHz
- Spectrum analyser with power band marker function

The measurement procedure consists in the following steps:

- Step 1: Connect the equipment as shown in figure 12.
- Step 2: Tune the transmitter to one of the test frequencies.
- Step 3: Offset the tuned frequency of the transmitter under test to 50 kHz above the VHF crystal filter centre frequency. Key the transmitter under test "on". Use the transmission generator to produce continuous maximum length Mode 2 messages.
- Step 4: Set the analyser span to 50 kHz and centre frequency to the centre frequency of the VHF crystal filter. Decrease the analyser input attenuator to the minimum level at which the attenuated rf signal from the transmitter under test does not overload the analyser. Use the analyser IF signal power as the trigger source for the display and set averaging to 10.
- Step 5: Set analyser's power band marker function to 40 kHz. Notice that the measurement bandwidth is defined by the VHF crystal filter and setting the power band marker to the same bandwidth will give an erroneous result.
- Step 6: Determine the second lower adjacent channel power.
- Step 7: Repeat Steps 3 to 6 with the transmitter under test tuned to 50 kHz below the crystal filter. Determine the second upper adjacent channel power.
- Step 8: Record the second adjacent channel power as the highest of the two measured values.
- Step 9: Check that the second adjacent channel power is less than the second adjacent channel power requirement (defined in clause 6.2.8).
- Step 10: Repeat Steps 2 to 9 at the two remaining test frequencies.

NOTE: To protect the analyser, ensure that the transmitter cannot be keyed "on", at the frequency of the crystal filter used for this test.



**Figure 12: Second and fourth adjacent channel power measurement**

### 9.2.6.3 Method of measurement for the fourth adjacent channel

The following equipment is required:

- Transmission Generator, PC with suitable software
- Attenuator 30 dB
- VHF crystal filter with a 3 dB bandwidth of 25 kHz and, with attenuation in excess of 50 dB at  $\pm 50$  kHz
- Spectrum analyser with power band marker function

The measurement procedure consists in the following steps:

- Step 1: Connect the equipment as shown in figure 12.
- Step 2: Tune the transmitter to one of the test frequencies.
- Step 3: Offset the tuned frequency of the transmitter under test to 100 kHz above the VHF crystal filter centre frequency. Key the transmitter under test "on". Use the transmission generator to produce continuous maximum length Mode 2 messages.
- Step 4: Set the analyser span to 50 kHz and centre frequency to the centre frequency of the VHF crystal filter. Decrease the analyser input attenuator to the minimum level at which the attenuated rf signal from the transmitter under test does not overload the analyser. Use the analyser IF signal power as the trigger source for the display and set averaging to 10.
- Step 5: Set analyser's power band marker function set to 40 kHz. Notice that the measurement bandwidth is defined by the VHF crystal filter and setting the power band marker to the same bandwidth will give an erroneous result.
- Step 6: Determine the fourth lower adjacent channel power.
- Step 7: Repeat Steps 3 to 6 with the transmitter under test tuned to 100 kHz below the crystal filter. Determine the fourth upper adjacent channel power.
- Step 8: Record the fourth adjacent channel power as the highest of the two measured values.
- Step 9: Check that the fourth adjacent channel power is less than the fourth adjacent channel power requirement (defined in clause 6.2.8).
- Step 10: Repeat Steps 2 to 9 at the two remaining test frequencies.

An alternative Measurement Procedure for Adjacent Channel Power (ACP) consists in the following steps:

- Step 1: Connect the equipment as shown in figure 12.
- Step 2: Tune the transmitter to one of the test frequencies.
- Step 3: Start the transmission generator that produces transmit blocks and simulates the transmit/receive duty cycle.
- Step 4: Use an attenuator to protect the measurement equipment and a notch filter centred on the carrier frequency, if the dynamic range of the spectrum analyser is not sufficient. Set the spectrum analyser resolution bandwidth ( $B_r$ ) much narrower than the channel bandwidth and the video bandwidth ( $B_v$ ) equal to ten times  $B_r$  in order to avoid errors due to video averaging of noise.
- Step 5: Measure and store the rf signal spectrum centred on the carrier frequency with a frequency span wide enough to display all the modulation spectrum between the -80 dB points, referred to the peak value.
- Step 6: Convert the logarithmic trace values from the spectrum analyser to linear spectral power densities by the relation:

$$P_i = \frac{10^{\frac{P_{idBm}}{10}}}{B_n}$$

where  $P_{idBm}$  = Trace values (dBm)

$B_n$  = Effective noise bandwidth of the spectrum analyser (Hz)

$P_i$  = Spectral power densities (mW/Hz)

NOTE:  $B_n = k \times B_r$ , where  $k$  is a constant specified for each spectrum analyser.



Step 7: Perform an integration of the linear spectral power densities. For computation of the linear spectral power values in the first, second and fourth adjacent channels, use the formula:

$$P_{ch} = B_{ch} \times \frac{1}{N} \times \sum_{i=1}^N P_i$$

where  $P_{ch}$  = power in the considered channel

$B_{ch}$  = assigned bandwidth of the first, second or third adjacent channel.

$N$  = Number of power samples within the limits of the assigned bandwidth,  $B_{ch}$ .

Step 8: Perform the adjacent channel measurement for the first, second and fourth adjacent channels on both sides of the carrier frequency (lower and upper adjacent channels).

Step 9: Check that the adjacent channel power on either side of the carrier for the first, second and fourth adjacent channels are lower than the respective adjacent channel power requirements (defined in clause 6.2.8).

Step 10: Repeat Steps 2 to 9 at the two remaining test frequencies.

## 9.2.7 Wideband noise

The equipment requirements are specified in clause 6.2.9.

The following equipment is required:

- Transmission Generator, PC with suitable software
- Attenuator 30 dB
- Notch filter with a minimum of 30 dB on-channel attenuation
- Spectrum analyser with power band marker function

The measurement procedure consists in the following steps:

Step 1: Connect the equipment as shown in figure 13.

Step 2: Tune the transmitter to one of the test frequencies.

Step 3: Use the filter to attenuate the carrier in order to increase the dynamic range of the measurement without overloading the spectrum analyser. Measure the frequency response of the filter and take this into account when presenting noise measurement results.

Step 4: Key the transmitter under test using the transmission generator with repetitive maximum length Mode 2 messages.

Step 5: Adjust the spectrum analyser reference level to provide the maximum dynamic range for display and set the input attenuator to minimum. Ensure that no signal at the analyser input exceeds the maximum allowable level.

Step 6: Record the transmitter noise level versus the frequency displacement using the power band marker function of the analyser.

Step 7: Check that the wide-band noise does not exceed the limit specified in clause 6.2.9.

Step 8: Repeat Steps 2 to 7 at the two remaining test frequencies.

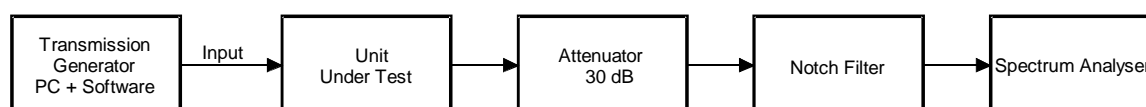


Figure 13: Wideband noise measurement

## 9.2.8 Protection of the transmitter

The equipment requirements are specified in clause 6.2.1.

### 9.2.8.1 Method of measurement

While the transmitter is transmitting at the rated output power, the antenna port shall first be short-circuited and then open-circuited, in each case for a period of 1 minute. This test shall be performed on the centre test frequency only.

### 9.2.8.2 Requirement

This test shall not result in any damage to the transmitter. After removal of the short-circuit and open-circuit conditions, the transmitter shall meet the requirements of the Performance check (see clause 8.3.2).

## 9.2.9 Frequency Error

The equipment requirements are specified in clause 6.2.10.

### 9.2.9.1 Definition

The frequency error is the difference between the measured carrier frequency and its nominal value.

### 9.2.9.2 Method of measurement

The carrier frequency shall be measured in the absence of modulation, with the transmitter connected to a coaxial termination. Measurements shall be made under extreme test conditions.

### 9.2.9.3 Limits

The frequency error shall be within the limits defined by clause 6.2.10.

## 9.2.10 Load VSWR capability

The equipment requirements are specified in clause 6.2.12.

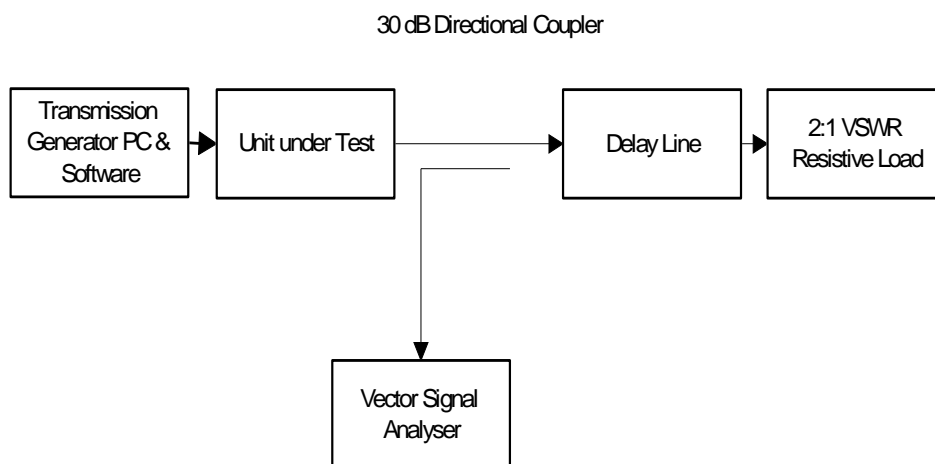
The following equipment is required:

- Transmission Generator, PC with suitable software
- 30 dB directional coupler
- Adjustable delay line
- 2:1 VSWR Resistive load
- Vector signal analyser with power band marker function

The measurement procedure consists in the following steps:

- Step 1: Connect the equipment as shown in figure 14.
- Step 2: Tune the transmitter to one of the test frequencies.
- Step 3: Key the transmitter under test with the transmission generator with repetitive maximum length Mode 2 messages.
- Step 4: Vary the VSWR phase angle of the load with the delay line and measure the minimum average forward rf output power from the Transmitter using the vector signal analyser power band marker function.

- Step 5: Check that the minimum average forward rf output power is greater than the limit defined in clause 6.2.12.
- Step 6: Repeat Steps 2 to 5 at the two remaining test frequencies.



**Figure 14: LOAD VSWR CAPABILITY**

## 9.3 Physical layer, system parameters

### 9.3.1 Receiver to Transmitter turn-around time

The equipment requirements are specified in clause 6.3.1.

The following equipment is required:

- Transmission Generator or PC with suitable software
- 20 dB directional couplers
- 30 dB attenuators
- Pin diode attenuator
- VHF signal generator
- RF combiner
- Vector signal analyser with power band marker function

The measurement procedure consists in the following steps:

- Step 1: Connect the equipment as shown in figure 15.
- Step 2: Tune the transmitter to one of the test frequencies.
- Step 3: Configure the VSA to display Power versus Time, external trigger enabled.
- Step 4: Set the VHF signal generator to produce an on-channel CW signal of -80 dBm at the input to the equipment under test. Set the PIN diode attenuator to 0 dB.

- Step 5: Use the transmission generator to set the MAC parameters for the equipment under test:
- TM1 (Inter-access delay) = 0,5 ms
- TM2 (Channel busy) = 120 s
- P (Persistence) = 1
- M1 (Maximum number of attempts) = 65 535
- Step 6: Use the transmission generator to load the equipment under test with a Mode-2 message and request transmission of the message by the equipment under test.
- Step 7: Use the computer control to set the pin diode attenuator to 20 dB and trigger the VSA.
- Step 8: Use the VSA to confirm the -20 dB signal attenuation "step" occurred in an insignificant time. Measure the time interval until between the step and commencement of transmission, determined by the transmitter output achieving 90 % of manufacturers declared output power (see clause 6.2.2).
- Step 9: After accounting for the minimum Inter-access time (TM1) calculate the "turn-around" time. Check that the maximum receive to transmit turn-around time (see clause 6.3.1) has not been exceeded.

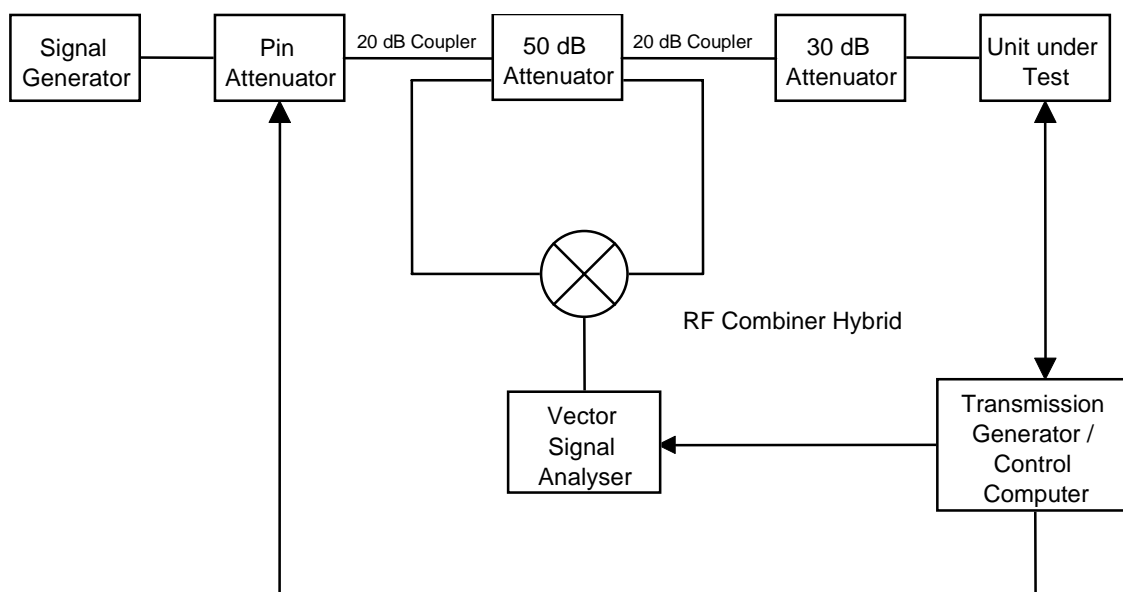


Figure 15: Receiver to transmitter turn-around measurement

### 9.3.2 Transmitter to Receiver turn-around time

The equipment requirements are specified in clause 6.3.2.

#### Equipment Required

- Transmission Generator or PC with suitable software
- Arbitrary waveform generator (AWG)
- 20 dB directional couplers
- 30 dB attenuators
- VHF signal generator suitable for digital modulation

- RF combiner
- Vector signal analyser with power band marker function

The measurement procedure consists of the following steps:

- Step 1: Connect the equipment as shown in figure 16.
- Step 2: Tune the transceiver to one of the test frequencies.
- Step 3: Configure the VSA to display Power versus Time, external trigger enabled.
- Step 4: Set the signal generator to provide a signal of -60 dBm at the input of the equipment under test.
- Step 5: Load the AWG with a valid Mode 2 message.
- Step 6: Use the transmission generator to set the MAC parameters for the equipment under test:
- TM1 (Inter-access delay) = 0,5 ms
  - TM2 (Channel busy) = 120 s
  - P (Persistence) = 1
  - M1 (Maximum number of attempts) = 65 535
- Step 7: Load a Mode 2 message into the equipment under test. Request transmission of this message and trigger the VSA.
- Step 8: Record the time interval between the trigger event and the end of transmission from the equipment under test. Use the result to calculate the minimum time between the transmit request and the trigger event for the AWG.
- Step 9: Load the equipment under test with a Mode 2 message, request transmission and, after the delay calculated in Step 8, trigger the AWG to send its Mode 2 message.
- Step 10: Check whether the equipment under test had successfully received the transmission from the AWG.
- Step 11: If the AWG transmission was not correctly received, increase the AWG time delay and repeat step 9 to 10 until the equipment under test has successfully received the messages from the AWG.
- Step 13: Repeat steps 3 to 11 at the two remaining test frequencies.
- Step 13: Check that the maximum transmit to receive turn-around time (see clause 6.3.2) has not been exceeded.

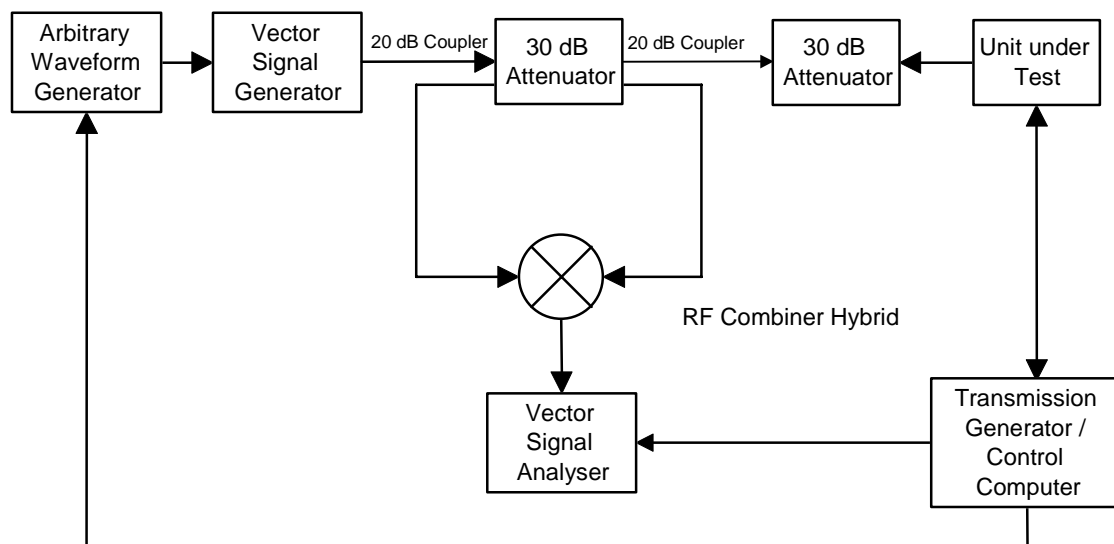


Figure 16: Transmitter to receiver turn-around time measurement

## 9.4 MAC sub-layer

The proper overall functioning of the MAC sublayer is confirmed by the tests within this clause.

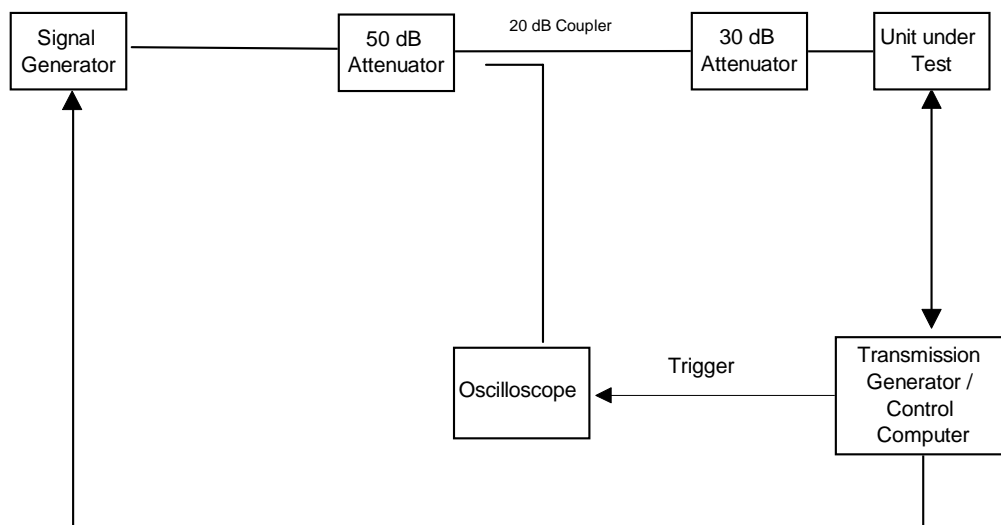


Figure 17: MAC Test

### 9.4.1 MAC services

#### 9.4.1.1 Multiple Access

Proper operation of a non-adaptive p persistent CSMA protocol is verified by means of the tests in clause 9.4.2.3

#### 9.4.1.2 Channel Congestion

This requirement is verified by the test of clause 9.4.2.2

## 9.4.2 MAC System Parameters

Compliance with the requirements is verified by the following clauses.

### 9.4.2.1 Timer TM1 (inter-access delay timer)

The following equipment is required:

- Transmission Generator, or PC with suitable software
- Attenuators
- Coupler
- VHF signal generator
- Oscilloscope

The measurement procedure consists in the following steps:

- |         |  |
|---------|--|
| Step 1  | Connect the equipment as shown in figure 17  |
| Step 2  | Configure the test setup to have "channel idle". No RF signal at the output of the VHF generator   |
| Step 3  | Use the transmission generator to set the MAC parameters for the equipment under test:<br>TM1 (Inter-access delay) = 50 ms<br>TM2 (Channel busy) = 60 s<br>p (Persistence) = 1/256<br>M1 (Maximum number of attempts) = 10 |
| Step 4  | Use the transmission generator to load the equipment under test with a minimum length Mode-2 message and request transmission of the message by the equipment under test.  |
| Step 5  | Trigger the oscilloscope on the data message   |
| Step 6  | Use the oscilloscope to measure the delay between the trigger reference and the beginning of transmission of the message   |
| Step 7  | Repeat step 4 ten times and record the values  |
| Step 8  | Verify that the maximum value correspond to $M1 \times TM1$ (see note)   |
| Step 9  | Use the transmission generator to set the MAC parameters for the equipment under test:<br>TM1 (Inter-access delay) = 100 ms.   |
| Step 10 | Repeat step 4 to 8   |

NOTE: The propagation delay between the data interface and the MAC sublayer has to be taken into account. For  $p = 1/256$  and  $M1 = 10$ , more than 95% of the values are equal to  $M1 \times TM1$ .

### 9.4.2.2 Timer TM2 (channel busy timer)

The following equipment is required:

- Transmission Generator, or PC with suitable software
- Attenuators
- Coupler

- VHF signal generator
- Oscilloscope

The measurement procedure consists in the following steps:

- Step 1            Connect the equipment as shown in figure 17
- Step 2            Set the VHF signal generator to produce an on-channel CW signal of minus 80 dBm at the input to the equipment under test. (Channel busy)
- Step 3            Use the transmission generator to set the MAC parameters for the equipment under test:
- TM1 (Inter-access delay) = 50 ms
- TM2 (Channel busy) = 6 s
- p (Persistence) = 1/256
- M1 (Maximum number of attempts) = 20
- Step 4            Use the transmission generator to load the equipment under test with a minimum length Mode-2 message and request transmission of the message by the equipment under test.
- Step 5            Use the oscilloscope to verify that no message is transmitted, and that the VME is notified of channel congestion after TM2.
- Step 6            Repeat the test with no RF signal on the channel. Use the oscilloscope to verify that the message has been transmitted and that no channel congestion occurs.

#### 9.4.2.3        Parameter p (persistence)

The following equipment is required:

- Transmission Generator, or PC with suitable software
- Attenuators
- Coupler
- VHF signal generator
- Oscilloscope

The measurement procedure consists in the following steps:

- Step 1            Connect the equipment as shown in figure 17
- Step 2            Configure the test setup to have "channel idle". No RF signal at the output of the VHF generator
- Step 3            Use the transmission generator to set the MAC parameters for the equipment under test:
- TM1 (Inter-access delay) = 50 ms
- TM2 (Channel busy) = 60 s
- p (Persistence) = 10/256
- M1 (Maximum number of attempts) = 17
- Step 4            Use the transmission generator to load the equipment under test with a minimum length Mode-2 message and request transmission of the message by the equipment under test.
- Step 5            Trigger the oscilloscope on the data message
- Step 6            Use the oscilloscope to measure the delay between the trigger reference and the beginning of transmission of the message



- Step 7 Repeat step 4 five hundred times
- Step 8 Verify that between 40% and 60% of the messages have been transmitted within  $M1 \times TM1$  (see note)
- Step 9 Use the transmission generator to set the MAC parameters for the equipment under test:
- TM1 (Inter-access delay) = 50 ms
- TM2 (Channel busy) = 60 s
- p (Persistence) = 5/256
- M1 (Maximum number of attempts) = 35
- Step 10 Repeat step 4 to 8

NOTE: The propagation delay between the data interface and the MAC sublayer has to be taken into account. The acceptance criteria in step 8 assures that more than 95 % of the tests will be successful.

#### 9.4.2.4 Counter M1 (maximum access attempts)

The following equipment is required:

- Transmission Generator, or PC with suitable software
- Attenuators
- Coupler
- VHF signal generator
- Oscilloscope

The measurement procedure consists in the following steps:

- Step 1 Connect the equipment as shown in figure 17
- Step 2 Configure the test setup to have "channel idle". No RF signal at the output of the VHF generator
- Step 3 Use the transmission generator to set the MAC parameters for the equipment under test:
- TM1 (Inter-access delay) = 50 ms
- TM2 (Channel busy) = 60 s
- p (Persistence) = 1/256
- M1 (Maximum number of attempts) = 10
- Step 4 Use the transmission generator to load the equipment under test with a minimum length Mode-2 message and request transmission of the message by the equipment under test.
- Step 5 Trigger the oscilloscope on the data message
- Step 6 Use the oscilloscope to measure the delay between the trigger reference and the beginning of transmission of the message
- Step 7 Repeat step 4 ten times and record the values
- Step 8 Verify that the maximum value corresponds to  $M1 \times TM1$  (see note)
- Step 9 Use the transmission generator to set the MAC parameters for the equipment under test:
- M1 (Maximum number of attempts) = 5
- Step 10 Repeat step 4 to 8

NOTE: The propagation delay between the data interface and the MAC sublayer has to be taken into account. For  $p = 1/256$  and  $M1 = 10$ , more than 95% of the values are equal to  $M1 \times TM1$ , For  $p = 1/256$  and  $M = 5$ , more than 97 % of the values are equal to  $M1 \times TM1$ .

### 9.4.3 Description of MAC Layer Procedures

Compliance with the requirements is verified by the following clauses.

#### 9.4.3.1 Channel Sensing

This requirement is verify by the tests of clause 9.4.2.2

#### 9.4.3.2 Access Attempt

The following equipment is required:

- Transmission Generator, or PC with suitable software
- Attenuators
- Coupler
- VHF signal generator
- Oscilloscope

The measurement procedure consists in the following steps:

- |        |   |
|--------|---|
| Step 1 | Connect the equipment as shown in figure 17   |
| Step 2 | Set the VHF signal generator to produce an on-channel CW signal of minus 80 dBm at the input to the equipment under test. (Channel busy)  |
| Step 3 | Use the transmission generator to set the MAC parameters for the equipment under test:<br>$TM1$ (Inter-access delay) = 50 ms<br>$TM2$ (Channel busy) = 6 s<br>$p$ (Persistence) = 256/256<br>$M1$ (Maximum number of attempts) = 65 535 |
| Step 4 | Use the transmission generator to load the equipment under test with a minimum length Mode-2 message and request transmission of the message by the equipment under test.   |
| Step 5 | Use the oscilloscope to verify that no message is transmitted   |
| Step 6 | Prior to the expiration of the Timer $TM2$ , release the RF channel   |
| Step 7 | Use the oscilloscope to verify that the message is being transmitted  |

#### 9.4.3.3 Signal Quality Parameter

The following equipment is required:

- VHF Signal Generator
- External BER test fixture

The measurement procedure consists in the following steps:

- Step 1 Connect the equipment as shown in figure 17 but notice that the RF combiner is not required for this test. Set the receiver under test into the operational mode.
- Step 2 Set the Desired VDL Source, (a VHF signal generator) to generate an input signal to the receiver at one of the test frequencies (see clause 8.2).
- Step 3 Adjust the level of the signal generator to -98 dBm at the receiver input terminals.
- Step 4 Modulate the Desired signal with the test payload (maximum burst length of symbols) provided by the external BER test fixture.
- Step 5 Verify that the SQP value is in the limits defined.
- Step 6 Adjust the level of the signal generator to -60 dBm.
- Step 7 Repeat steps 4 and 5.
- Step 8 Adjust the level of the signal generator to -27 dBm.
- Step 9 Repeat Steps 2 and 3
- Step 10 Repeat Steps 2 to 9 at the two remaining test frequencies (see clause 8.2).

## 9.4.4 Services (Part of DLS)

### 9.4.4.1 Error Detection

The following equipment is required:

- PC with suitable software
- VHF signal generator

The measurement procedure consists in the following steps:

- Step 1 Connect the equipment as shown in figure 17 but notice that the RF combiner is not required for this test. Set the receiver under test into the operational mode.
- Step 2 Set the Desired VDL Source, (a VHF signal generator) to generate an input signal to the receiver at one of the test frequencies (see clause 8.2).
- Step 3 Adjust the level of the signal generator to -60 dBm at the receiver input terminals.
- Step 4 Send a properly addressed frame
- Step 5 Verify that the frame is received
- Step 6 Send a properly addressed frame with a corrupted FCS
- Step 7 Verify that the frame has been discarded

### 9.4.4.2 Station Identification

The following equipment is required:

- PC with suitable software
- VHF signal generator

The measurement procedure consists in the following steps:

- Step 1            Connect the equipment as shown in figure 17 but notice that the RF combiner is not required for this test. Set the receiver under test into the operational mode.
- Step 2            Set the Desired VDL Source, (a VHF signal generator) to generate an input signal to the receiver at one of the test frequencies (see clause 8.2).
- Step 3            Adjust the level of the signal generator to -60 dBm at the receiver input terminals.
- Step 4            Send a properly addressed frame
- Step 5            Verify that the frame is received
- Step 6            Send an erroneously addressed frame
- Step 7            Verify that nothing was received after T2
- Step 8            Send a properly addressed frame
- Step 9            Verify that the frame is received

---

## Annex A (informative): Bibliography

- ETSI EN 301 841-2: "ElectroMagnetic Compatibility and Radio Spectrum Matters (ERM); VHF air-ground Digital Link (VDL) Mode 2; Technical characteristics and methods of measurement for ground-based equipment; Part 2: Data link layer".
- ETSI ETR 028: "Radio Equipment and Systems (RES); Uncertainties in the measurement of mobile radio equipment characteristics".
- ITU-T Recommendation P.53: "Psophometer for use on telephone-type circuits".
- "Error Control Coding Fundamental and Applications", (S. Lin, D. Costello, Prentice Hall, 1983).
- International Radio Consultative Committee (CCIR) Report 384-3, Annex III, Section 3, Method 1.
- CCSDS 101.0-B.3 (1992): "Recommendation for Space Data System Standards Telemetry Channel Coding".
- ISO 10039: "Information technology - Open Systems Interconnection - Local area networks - Medium Access Control (MAC) service definition".
- RTCA/DO-224A: "Signal in Space Minimum Aviation System Performance Standards (MASPS) for Advanced VHF Digital Data Communications including Compatibility with Digital Voice Techniques".
- ISO 13239: "Information technology - Telecommunications and information exchange between systems - High-level data link control (HDLC) procedures - General purpose XID frame information field content and format. Amendment 9: Extension of HDLC sequence number modulus beyond 128".

---

## History

<b>Document history</b>		
V1.1.1	January 2002	Publication
V1.2.1	April 2003	One-step Approval Procedure OAP 20030815: 2003-04-16 to 2003-08-15
V1.2.1	August 2003	Publication