

**Satellite Earth Stations and Systems (SES);  
Harmonized EN for Mobile Earth Stations (MES)  
providing Low Bit Rate Data Communications (LBRDC)  
using Low Earth Orbiting (LEO) satellites  
operating below 1 GHz covering essential requirements  
under Article 3.2 of the R&TTE directive**

---



---

**Reference**

DEN/SES-00052

---

**Keywords**satellite, mobile, earth station, MES, MSS, LEO,  
regulation**ETSI**

---

**Postal address**

F-06921 Sophia Antipolis Cedex - FRANCE

---

**Office address**650 Route des Lucioles - Sophia Antipolis  
Valbonne - FRANCE  
Tel.: +33 4 92 94 42 00 Fax: +33 4 93 65 47 16  
Siret N° 348 623 562 00017 - NAF 742 C  
Association à but non lucratif enregistrée à la  
Sous-Préfecture de Grasse (06) N° 7803/88

---

**Internet**

secretariat@etsi.fr

Individual copies of this ETSI deliverable  
can be downloaded from  
<http://www.etsi.org>If you find errors in the present document, send your  
comment to: editor@etsi.fr

---

**Important notice**

This ETSI deliverable may be made available in more than one electronic version or in print. In any case of existing or perceived difference in contents between such versions, the reference version is the Portable Document Format (PDF). In case of dispute, the reference shall be the printing on ETSI printers of the PDF version kept on a specific network drive within ETSI Secretariat.

---

**Copyright Notification**

No part may be reproduced except as authorized by written permission.  
The copyright and the foregoing restriction extend to reproduction in all media.

© European Telecommunications Standards Institute 1999.  
All rights reserved.

# Contents

Intellectual Property Rights .....	6
Foreword.....	6
Introduction .....	6
1 Scope .....	9
2 References .....	9
3 Definitions and abbreviations .....	10
3.1 Definitions .....	10
3.2 Abbreviations .....	11
4 Technical requirements specifications .....	12
4.1 Environmental profile.....	12
4.1.1 General.....	12
4.1.2 Temperature.....	12
4.1.3 Voltage.....	12
4.1.4 Vibration.....	12
4.2 Conformance requirements.....	12
4.2.1 Unwanted emission outside the bands 148 MHz to 150,05 MHz, 235 MHz to 322 MHz, 335,4 MHz to 399,9 MHz and 399,9 MHz to 400,05 MHz.....	12
4.2.1.1 Justification .....	12
4.2.1.2 Technical requirements .....	13
4.2.1.3 Conformance test.....	13
4.2.1.4 Test Condition.....	14
4.2.1.5 Test requirements .....	14
4.2.2 Unwanted emission within the bands 148 MHz to 150,05 MHz, 235 MHz to 322 MHz, 335,4 MHz to 399,9 MHz and 399,9 MHz to 400,05 MHz.....	15
4.2.2.1 Justification .....	15
4.2.2.2 Technical requirements .....	15
4.2.2.3 Conformance test.....	15
4.2.2.4 Test condition.....	16
4.2.2.5 Test requirements .....	16
4.2.3 EIRP density within the operational band.....	16
4.2.3.1 Justification .....	16
4.2.3.2 Technical requirements .....	17
4.2.3.3 Conformance test.....	17
4.2.3.4 Test condition.....	17
4.2.3.5 Test requirements .....	18
4.2.4 Unwanted emissions in carrier-off state.....	18
4.2.4.1 Justification .....	18
4.2.4.2 Technical requirements .....	18
4.2.4.3 Conformance test.....	18
4.2.4.4 Test condition.....	18
4.2.4.5 Test requirements .....	19
4.2.5 MES Control and Monitoring Functions (CMF).....	19
4.2.5.1 Justification .....	19
4.2.5.2 Special Test Equipment (STE).....	19
4.2.5.3 Technical requirements .....	19
4.2.5.3.1 Self-monitoring functions .....	19
4.2.5.3.1.1 Processor monitoring .....	19
4.2.5.3.1.2 Transmit frequency generation sub-system monitoring.....	19
4.2.5.3.1.3 Conformance test .....	19
4.2.5.3.2 Network control authorization and reception - Network control authorization .....	20
4.2.5.3.2.1 Requirements .....	20
4.2.5.3.2.2 Conformance test .....	20

4.2.5.3.2.3	Test procedure and requirements .....	20
4.2.5.3.3	Network control authorization and reception - Network control reception .....	20
4.2.5.3.3.1	Transmission disable/enable .....	20
4.2.5.3.3.2	Conformance test .....	21
4.2.5.3.3.3	Test procedure and requirements .....	21
4.2.5.3.4	Transmit frequency control.....	21
4.2.5.3.4.1	Requirements .....	21
4.2.5.3.4.2	Conformance test .....	21
4.2.5.3.4.3	Test procedure and requirements .....	21
4.2.6	Equipment identity.....	22
4.2.6.1	Justification .....	22
4.2.6.2	Technical requirements .....	22
4.2.6.3	Conformance test.....	22
4.2.6.4	Test procedure.....	22
4.2.6.5	Test requirements.....	22
4.2.7	Protection of the Radio Astronomy Service (RAS) from emissions produced by the MES in the bands 150,05 MHz to 153 MHz, 322 MHz to 328,6 MHz and 406,1 MHz to 410 MHz .....	23
4.2.7.1	Justification .....	23
4.2.7.2	Technical requirements .....	23
4.2.7.3	Conformance test.....	23
4.2.7.4	Test procedure.....	23
4.2.7.5	Test requirement.....	23
5	Testing for compliance with technical requirements .....	23
5.1	Environmental conditions for testing.....	23
5.1.1	General.....	23
5.1.2	Specification of the environmental test conditions .....	23
5.1.3	Tests under extreme voltage conditions .....	24
5.2	Essential radio test suites.....	24
5.2.1	Presentation of equipment for testing purposes .....	24
5.2.2	Description of equipment.....	24
5.2.3	Host-connected equipment.....	25
5.2.4	General test requirements.....	25
5.2.4.1	MES test modes.....	25
5.2.4.2	Special Test Equipment (STE) .....	25
5.2.4.2.1	STE description .....	25
5.2.4.2.2	Use of STE for control and monitoring functions tests.....	26
5.2.4.2.3	Test modulating signal.....	26
5.2.4.3	Laboratory Test Equipment (LTE).....	26
5.2.4.4	Methods of test for MES RF emissions.....	27
5.2.4.5	Interpretation of the measurement results.....	27
5.2.4.6	Test report .....	27
5.2.5	Testing of host-connected equipment and plug-in modules .....	27
5.2.5.1	Alternative approaches.....	27
5.2.5.2	Alternative A: combined equipment.....	27
5.2.5.3	Alternative B: use of a test jig.....	28
5.2.6	Procedures for measurement of radiated emissions .....	28
5.2.6.1	General .....	28
5.2.6.2	Test site .....	28
5.2.6.3	Test set up for radiated emissions of the MES.....	28
5.2.6.4	Reference position of the MES.....	29
5.2.6.5	Measurement procedure for radiated emissions (average) .....	29
5.2.6.5.1	Measurement procedure for average radiated emissions of the MES .....	29
5.2.6.5.2	Measurement procedure for average radiated emissions of the cabinet.....	31
5.2.7	Procedures for measurement of conducted emissions .....	32
5.2.7.1	General .....	32
5.2.7.2	Test site.....	32
5.2.7.3	Test set-up .....	32
5.2.7.4	Measurement procedure for conducted emissions (average).....	32

<b>Annex A (normative):</b>	<b>The EN Requirements Table (EN-RT)</b> .....	<b>33</b>
Bibliography .....		35
History .....		36

---

## Intellectual Property Rights

IPRs essential or potentially essential to the present document may have been declared to ETSI. The information pertaining to these essential IPRs, if any, is publicly available for **ETSI members and non-members**, and can be found in SR 000 314: "*Intellectual Property Rights (IPRs); Essential, or potentially Essential, IPRs notified to ETSI in respect of ETSI standards*", which is available from the ETSI Secretariat. Latest updates are available on the ETSI Web server (<http://www.etsi.org/ipr>).

Pursuant to the ETSI IPR Policy, no investigation, including IPR searches, has been carried out by ETSI. No guarantee can be given as to the existence of other IPRs not referenced in SR 000 314 (or the updates on the ETSI Web server) which are, or may be, or may become, essential to the present document.

---

## Foreword

This Candidate Harmonized European Standard (Telecommunications series) has been produced by ETSI Technical Committee Satellite Earth Stations and Systems (SES), and is now submitted for the ETSI standards One-step Approval Procedure.

The present document has been produced by ETSI in response to a mandate from the European Commission issued under Council Directive 98/34/EC [5] (as amended) laying down a procedure for the provision of information in the field of technical standards and regulations.

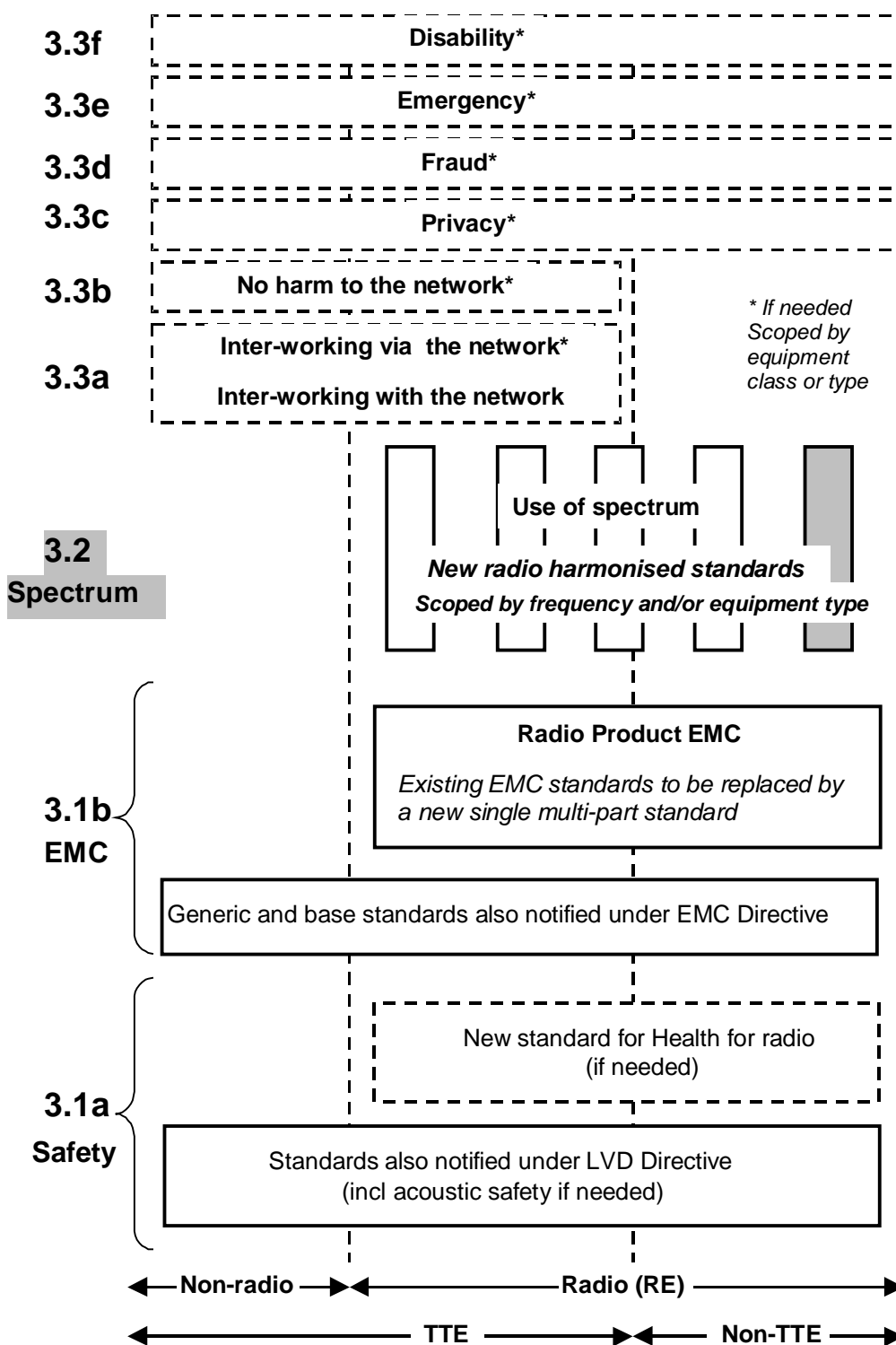
The present document is intended to become a Harmonized Standard, the reference of which will be published in the Official Journal of the European Communities referencing the Directive 1999/5/EC [1] of the European Parliament and of the Council of 9 March 1999 on radio equipment and telecommunications terminal equipment and the mutual recognition of their conformity ("the R&TTE Directive").

<b>Proposed national transposition dates</b>	
Date of latest announcement of this EN (doa):	3 months after ETSI publication
Date of latest publication of new National Standard or endorsement of this EN (dop/e):	6 months after doa
Date of withdrawal of any conflicting National Standard (dow):	6 months after doa

---

## Introduction

ETSI has designed a modular structure for the standards. Each standard is a module in the structure. The modular structure is shown in figure 1.



**Figure 1: Modular structure for the various standards used under the R&TTE Directive**

The left hand edge of the figure shows the different subclauses of Article 3 of the Directive.

For article 3.3 various horizontal boxes are shown. Their dotted lines indicate that no essential requirements in these areas have yet been adopted by the Commission. If such essential requirements are adopted, they will be elaborated in individual standards whose scope is likely to be specified by function or interface type.

The vertical boxes show the standards under article 3.2 for the use of the radio spectrum. The scopes of these standards are specified either by frequency (normally in the case where frequency bands are harmonized) or by radio equipment type.

For article 3.1(b), the diagram shows the new single multi-part product EMC standard for radio, and the existing collection of generic and base standards currently used under the EMC Directive. The parts of this new standard will become available in the second half of 2000, and the existing separate EMC standards will be used until it is available.

For article 3.1(a) the diagram shows the existing safety standards currently used under the LVD Directive and the possibility of a new standard on health relating to radio emissions

The bottom of the figure shows the relationship of the standards to radio equipment and telecommunications terminal equipment. A particular equipment may be radio equipment, telecommunications terminal equipment or both.

The modular approach has been taken because:

- it minimizes the number of standards needed. Because equipment may have multiple interfaces and functions it is not practicable to produce a single standard for each possible combination of functions that may occur in an equipment;
- it provides scope for standards to be added:
  - under article 3.2 when new frequency bands are agreed; or
  - under article 3.3 should the Commission take the necessary decisions;without requiring alteration of standards that are already published.

The present document is based on EN 300 721 [6] .

The requirements of the present document have been selected to ensure an adequate level of compatibility with other radio services.

The present document does not contain any requirement, recommendation, or information about the installation of the MESSs.

The determination of the parameters of the user earth stations using a given satellite constellation for the protection of the spectrum allocated to that satellite constellation, is considered to be under the responsibility of the satellite operator or the satellite network operators.



# 1 Scope

The present document applies to Mobile Earth Stations (MES) providing Low Bit Rate Data Communications (LBRDC) using Low Earth Orbiting (LEO) satellites and which have the following characteristics:

- the MES could be a Based MES (BMES), a Vehicle mounted MES (VMES), or a Portable MES (PMES);
- the MESs operate through satellites in Low Earth Orbit (LEO) as part of a network providing Low Bit Rate Data Communications (LBRDC);
- these radio equipment types are capable of operating in all or any part of the frequency bands given in table 1.

**Table 1: Frequency Ranges**

MES Transmit frequencies and Service allocations (MHz)		MES Receive frequencies and Service allocations (MHz)	
148 to 149,9	MSS	137 to 137,025	MSS
149,9 to 150,05	LMSS	137,025 to 137,175	MSS
235 to 322	MSS	137,175 to 137,825	MSS
335,4 to 399,9	MSS	137,825 to 138	MSS
399,9 to 400,05	LMSS	235 to 322	MSS
		335,4 to 399,9	MSS
		400,15 to 401	MSS

The present document is intended to cover the provisions of Article 3.2, which states that "... radio equipment shall be so constructed that it effectively uses the spectrum allocated to terrestrial/space radio communications and orbital resources so as to avoid harmful interference." of Directive 1999/5/EC [1] (R&TTE Directive).

In addition to the present document, other ENs that specify technical requirements in respect of essential requirements under other parts of Article 3 of the R&TTE Directive [1] may apply to equipment within the scope of the present document.

NOTE 1: A list of such ENs is included on the ETSI web site.

NOTE 2: The MESs are controlled and monitored by a Network Control Facility (NCF). The NCF is outside the scope of the present document.

# 2 References

The following documents contain provisions which, through reference in this text, constitute provisions of the present document.

- References are either specific (identified by date of publication, edition number, version number, etc.) or non-specific.
- For a specific reference, subsequent revisions do not apply.
- For a non-specific reference, the latest version applies.
- A non-specific reference to an ETS shall also be taken to refer to later versions published as an EN with the same number.

[1] Directive 1999/5/EC of the European Parliament and of the Council of 9 March 1999 on radio equipment and telecommunications equipment and the mutual recognition of their conformity.

[2] IEC Publication 68-2-1: "Environmental testing - Part 2: Tests. Tests A: Cold".

[3] IEC Publication 68-2-2: "Environmental testing - Part 2: Tests. Tests B: Dry heat".

- [4] IEC Publication 68-2-36: "Environmental testing. Part 2: Tests. Test Fdb: Random vibration wide band - Reproducibility Medium".
- [5] Directive 98/34/EC of the European Parliament and of the Council of 22 June 1998 laying down a procedure for the provision of information in the field of technical standards and regulations.
- [6] EN 300 721: "Satellite Earth Stations and Systems (SES); Mobile Earth Stations (MES) providing Low Bit Rate Data Communications (LBRDC) using Low Earth Orbiting (LEO) satellites operating below 1 GHz".

---

## 3 Definitions and abbreviations

### 3.1 Definitions

For the purposes of the present document, the terms and definitions in the R&TTE Directive [1], and the following terms and definitions apply:

**applicant:** manufacturer or his authorized representative within the European Community or the person responsible for placing the apparatus on the market.

**BMES:** MES intended to be installed in a fixed location, and which is powered either by DC or AC supply.

**carrier-off state:** MES is in this state when it is not transmitting a signal, i.e. not in the carrier-on state.

**carrier-on state:** MES is in this state when it is transmitting a signal in a continuous or non-continuous mode.

**control channel:** control channel may be either a command to a particular MES or a signal from the satellite containing control information to appropriately enable or disable transmissions from a MES.

**conducted measurement:** measurement of emissions from an antenna port of the MES made by direct wired connection to the port.

**environmental profile:** range of environmental conditions under which equipment within the scope of the present document is required to comply with the provisions of the present document.

**Equivalent Isotropically Radiated Power (EIRP):** product of transmitter power and antenna gain, equivalent to an isotropic source radiating uniformly in all directions.

**host-connected:** indicates an MES for which connection to or integration with host equipment is necessary to offer functionality.

**host equipment:** is any equipment which has a complete user functionality when not connected to the MES, and to which the MES provides additional functionality, and to which connection is necessary for the MES to offer functionality.

**Installable Equipment (IE), Internally Mounted Equipment (IME) And Externally Mounted Equipment (EME):** Installable Equipment (IE) is an equipment which is intended to be installed in a vehicle. An IE may consist of one or several interconnected modules.

The IE is composed of modules intended to be externally mounted as declared by the applicant, and defined as Externally Mounted Equipment (EME) and the remaining modules(s) as Internally Mounted Equipment (IME).

**Laboratory Test Equipment (LTE):** logical grouping that contains the standard test equipment.

**MSS band:** continuous range of frequencies allocated by the ITU to the MSS (Mobile Satellite Service).

**narrow-band system:** narrow-band system is one in which the nominal carrier frequency spacing for MESs in the Earth-to-space direction is less than 300 kHz .

**network control channel:** channel by which an MES receives general control information from the NCF.

**NCF control message:** message, normally originating from a network, to a specified terminal or set of terminals of the network which indicates to the terminal or set of terminals that it/they should carry out some specific action or should enter or maintain some specific state. For test purposes NCF control messages may originate from Special Test Equipment (STE).

**nominated bandwidth:** bandwidth of the MES radio frequency transmission is nominated by the applicant. The nominated bandwidth is wide enough to encompass all spectral elements of the transmission which have a level greater than the specified unwanted emissions limits. The nominated bandwidth is wide enough to take account of the transmit carrier frequency stability. The nominated bandwidth is within the MSS transmit frequency band within which the MES operates.

NOTE: For FDMA/DCAA systems the Nominated Bandwidth does not exceed 25 kHz.

**PMES:** MES intended to be portable, and which is powered by a stand alone battery, and generally intended to be self-contained and free standing. A PMES would normally consist of a single module, but may consist of several interconnected modules. In some cases different specifications apply to PMES and this is noted in the relevant text

**radiated measurement:** measurement of an actual radiated field.

**Special Test Equipment (STE):** equipment which permits control of the MES so that the tests required by the present document can be performed.

**test load:** test load is a substantially non-reactive, non-radiating power attenuator which is capable of safely dissipating the power from the transmitter(s).

**unwanted emissions:** unwanted emissions are those falling outside the nominated bandwidth in the carrier-on state, and those generated in the carrier-off state.

**VMES:** MES intended to be installed on a vehicle.

**wide-band system:** wide-band system is one in which the nominal carrier frequency spacing for MESs in the Earth-to-space direction is equal to or greater than 300 kHz.

## 3.2 Abbreviations

For the purposes of the present document, the following abbreviations apply:

AC	Alternating Current
ASD	Acceleration Spectral Density
BMES	Base MES
CMF	Control and Monitoring Function
DC	Direct Current
DCAA	Dynamic Channel Activity Assignment
DS-SSMA	Direct Sequence Spread Spectrum Multiple Access
EIRP	Equivalent Isotropically Radiated Power
EMC	Electro-Magnetic Compatibility
EME	Externally Mounted Equipment
FDMA	Frequency Division Multiple Access
IE	Installable Equipment
IEC	International Electrotechnical Commission/Committee
IME	Internally Mounted Equipment
LBRDC	Low Bit Rate Data Communications
LMSS	Land Mobile Satellite Service
LTE	Laboratory Test Equipment
MES	Mobile Earth Station
MIC	MES Identification Code
MSS	Mobile Satellite Service
NCF	Network Control Facility
PMES	Portable MES
ppm	parts per million
R&TTE	Radio and Telecommunications Terminal Equipment
RAS	Radio Astronomy Service

RF	Radio Frequency
STE	Special Test Equipment
VMES	Vehicle Mounted MES

## 4 Technical requirements specifications

### 4.1 Environmental profile

#### 4.1.1 General

The technical requirements of the present document apply under the environmental profile specified below for operation of the equipment. The equipment shall comply with all the technical requirements of the present document at all times when operating within the boundary limits of the specified operational environmental profile.

#### 4.1.2 Temperature

The MES shall fulfil all the requirements in the full temperature ranges of:

-10°C to +55°C;

taken from IEC publications 68-2-1 [2] and 68-2-2 [3].

For MESs expected to operate in an environment outside this temperature range the applicant will take the necessary actions to ensure proper operation.

#### 4.1.3 Voltage

The applicant shall declare the nominal, lower and the higher extreme voltages.

The MES shall fulfil all the requirements in the full voltage range between the extreme voltages.

#### 4.1.4 Vibration

The MES shall fulfil all the requirements when vibrated at the frequency/amplitudes given in table 2.

**Table 2: Vibration characteristics**

Frequency range	ASD (Acceleration Spectral Density) random vibration
5 Hz to 20 Hz	0,96 m <sup>2</sup> /s <sup>3</sup> (+0/-5 %)
20 Hz to 500 Hz	0,96 m <sup>2</sup> /s <sup>3</sup> (+0/-5 %) at 20 Hz, thereafter -3 dB/Octave (+0/-5 %) (taken from IEC Publication 68-2-36 [4])

## 4.2 Conformance requirements

### 4.2.1 Unwanted emission outside the bands 148 MHz to 150,05 MHz, 235 MHz to 322 MHz, 335,4 MHz to 399,9 MHz and 399,9 MHz to 400,05 MHz

#### 4.2.1.1 Justification

To protect other terrestrial services, space radio communications services and the radio astronomy services from emissions caused by MESs outside the bands 148 MHz to 150,05 MHz, 235 MHz to 322 MHz, 335,4 MHz to 399,9 MHz and 399,9 MHz to 400,05 MHz.

#### 4.2.1.2 Technical requirements

The unwanted emissions from the MES outside the uplink bands 148 MHz to 150,05 MHz, 235 MHz to 322 MHz, 335,4 MHz to 399,9 MHz and 399,9 MHz to 400,05 MHz, within which the MES is designed to operate, shall not exceed the limits shown in tables 3, 4 and 5.

**Table 3: Unwanted emissions for FDMA MESs outside the operational band 148 MHz to 150,05 MHz, 235 MHz to 322 MHz, 335,4 MHz to 399,9 MHz and 399,9 MHz to 400,05 MHz**

Frequency (MHz)	Maximum EIRP density (dBpW)	Measurement Bandwidth
	FDMA	
0,1 to 148	54	100 kHz
150,05 to 235	54	100 kHz
322 to 335,4	54	100 kHz
400,05 to 1 000	54	100 kHz
1 000 to 1 559	60	1 MHz
1 559 to 1 626,5	50	1 MHz
1 626,5 to 12 750	60	1 MHz

**Table 4: Unwanted emissions for DS-SSMA MESs outside the operational band 148 MHz to 150,05 MHz**

Frequency (MHz)	Maximum EIRP density (dBpW)	Measurement bandwidth
	DS-SSMA	
0,1 to 146	54	100 kHz
146 to 147,5	70	100 kHz
147,5 to 148	70 - 105 (see note)	100 kHz
150,05 to 151,15	70	100 kHz
151,15 to 1 000	54	100 kHz
1 000 to 1 559	60	1 MHz
1 559 to 1 626,5	50	1 MHz
1 626,5 to 12 750	60	1 MHz

NOTE: Linearly interpolated in dBpW vs. Frequency.

**Table 5: Unwanted emissions for DS-SSMA MESs outside the operational bands 235 MHz to 322 MHz, 335,4 MHz to 399,9 MHz and 399,9 MHz to 400,05 MHz**

Frequency (MHz)	Maximum EIRP density (dBpW)	Measuring bandwidth
0,1 to 30	54	100 kHz
30 to 235	54	100 kHz
322 to 335,4	54	100 kHz
400,05 to 1 000	54	100 kHz
1 000 to 1 559	60	1 MHz
1 559 to 1 626,5	50	1 MHz
1 626,5 to 12 750	60	1 MHz

In tables 3, 4 and 5, whenever a change of limit between adjacent frequency bands occurs, the lower of the two limits shall apply at the transition frequency.

The technical requirements apply for the full range of environmental conditions corresponding to the type of equipment as specified in subclause 5.1.2 (see subclause 5.2.2).

#### 4.2.1.3 Conformance test

This test shall be carried out for two MES frequencies if available, the minimum and the maximum MES transmit frequencies for which the MES is designed to operate, as specified by the applicant.

The environmental test conditions are given in subclause 5.1.2.

For each test, the MES shall be set to transmit (carrier-on state) on one of the specified transmitting frequencies to be tested at its maximum power for that transmit frequency, by means of the STE or by another test facility provided by the applicant.

If there is a handover function in the MES (to allow change of frequency channel during a transmission), this function shall be disabled.

The transmitted carrier shall be modulated by a pseudo-random bit sequence generated by the MES or by the STE. For a MES operational in short burst mode, this sequence will be of length compatible with the maximum burst length duration. Otherwise the transmitted carrier shall be modulated by a test signal at maximum rate as specified in subclause 5.2.4.2.3.

In the test equipment, the spectrum analyser noise floor shall be at least 6 dB below the appropriate limits given in tables 3, 4 and 5.

The measurements are performed with the radiated or with the conducted method according to the cases defined in subclause 5.2.4.4.

For measurements of radiated unwanted emissions, subclause 5.2.6 applies.

For measurements of conducted unwanted emissions, subclause 5.2.7 applies.

#### 4.2.1.4 Test Condition

The spectrum analyzer shall be set in sweep mode and shall be operated under the following conditions:

frequency sweep:	as required for frequency range to be assessed;
resolution bandwidth:	measurement bandwidth specified in tables 3, 4 and 5;
display bandwidth:	equal to the measurement bandwidth;
averaging:	yes;
peak hold:	no.

The measurement time shall be such that the difference of the measured levels, averaged over subsequent measurement samples, is less than 1 dB, or a measurement time of 100 ms may be used if the measured values comply with the applicable limits.

For a MES operating in a non-continuous carrier mode, the measurement shall be performed over the active part of the transmitted bursts. The total sample time used for measurement shall be not less than 40 % of the duration of the active part of the transmitted burst. The measurement shall be made over the random part of the burst, excluding any preambles or synchronization sequences. These measurements may be performed with the MES operating in continuous mode if the MES is capable of such operation.

#### 4.2.1.5 Test requirements

For measurements of radiated unwanted emissions of the MES, the measured values shall not exceed the limits given in tables 3, 4 and 5, as applicable.

For measurements of conducted unwanted emissions of the MES, the measured values plus the declared maximum antenna gain (or the declared antenna gain at the frequency of the measured spurious emission - in accordance with subclause 5.2.2) shall in no case exceed the limits given in tables 3, 4 and 5.

#### Verification:

By measurement of unwanted emissions generated by an operating MES.

All RF tests in this subclause shall be carried out at environmental conditions as specified in subclause 5.1.2.

All tests in the carrier-on state shall be undertaken with the transmitter operating at full power and with the maximum transmit burst rate where applicable.

To enable the performance tests to be carried out, the use of Special Test Equipment (STE), supplied by the applicant, may be necessary. Since this STE will be specific for the particular system, it is not possible to provide detailed specifications in the present document.

However, the following baseline is provided:

- if the MES requires to receive a modulated carrier from the satellite in order to transmit, then special test arrangements are required to simulate the satellite signal, thus enabling the MES to transmit allowing measurement of transmission parameters;
- any specification of these special test arrangements which may have direct or indirect effects on any requirement or recommendation of the present document shall be clearly stated by the applicant.

#### 4.2.2 Unwanted emission within the bands 148 MHz to 150,05 MHz, 235 MHz to 322 MHz, 335,4 MHz to 399,9 MHz and 399,9 MHz to 400,05 MHz

##### 4.2.2.1 Justification

To protect other terrestrial and space radio communications services operating in the above frequency bands.

##### 4.2.2.2 Technical requirements

For each transmit band 148 MHz to 150,05 MHz, 235 MHz to 322 MHz, 335,4 MHz to 399,9 MHz and 399,9 MHz to 400,05 MHz, within which the MES is designed to operate, the unwanted emissions EIRP in any 4 kHz band within that transmit band and outside the nominated bandwidth shall in the carrier-on state not exceed the limits given in table 6.

**Table 6: Unwanted emissions EIRP within the operational bands but outside the nominated bandwidth**

Offset from the edge of the nominated bandwidth	Maximum EIRP density (dBpW/4 kHz)	
	DS-SSMA	FDMA
0 to 50 % of the nominated bandwidth	90 - 56 (note)	70
50 % to 250 % of the nominated bandwidth	56	65
>250 % of the nominated bandwidth up to 5 MHz	56	65
if applicable, to the edge of the operational band	56	65

NOTE: Linearly interpolated in dBpW vs. Frequency.

The technical requirements apply for the full range of environmental conditions corresponding to the type of equipment as specified in subclause 5.1.2 (see subclause 5.2.2).

##### 4.2.2.3 Conformance test

This test shall be carried out for two MES frequencies, if available, the minimum and the maximum transmit frequency for which the MES is designed to operate, as specified by the applicant.

Two additional transmit frequencies shall be tested if available. These frequencies shall be equally spaced between the lowest and highest transmit frequencies. The transmit frequencies used for the test shall be entered in the test report.

The environmental test conditions are given in subclause 5.1.2.

For each test, the MES shall be set to transmit (carrier-on state) on one of the specified transmit frequencies to be tested, at its maximum power for that transmit frequency, by means of the STE or by another test facility provided by the applicant.

If there is a handover function in the MES (to allow change of frequency channel during a transmission), this function shall be disabled.

The transmitted carrier shall be modulated by a test signal at maximum rate as specified in subclause 5.2.4.2.3.

In the test equipment, the spectrum analyzer noise floor shall be at least 6 dB below the appropriate limits given in table 6 as applicable.

The measurements are performed with the radiated or with the conducted method according to the cases defined in subclause 5.2.4.4.

For measurements of radiated unwanted emissions, subclause 5.2.6 applies.

For measurements of conducted unwanted emissions, subclause 5.2.7 applies.

#### 4.2.2.4 Test condition

The spectrum analyzer shall be set in sweep mode and shall be operated under the following conditions:

frequency sweep:	as required for frequency range to be assessed;
resolution bandwidth:	measurement bandwidth specified in subclause 4.2.2.2;
display bandwidth:	equal to the measurement bandwidth;
averaging:	yes;
peak hold:	no.

The measurement time shall be such that the difference of the measured levels, averaged over subsequent measurement samples, is less than 1 dB, or a measurement time of 100 ms may be used if the measured values comply with the applicable limits.

For a MES operating in a non-continuous carrier mode, the measurement shall be performed over the active part of the transmitted bursts. The total sample time used for measurement shall be not less than 40 % of the duration of the active part of the transmitted burst. The measurement shall be made over the random part of the burst, excluding any preambles or synchronization sequences.

#### 4.2.2.5 Test requirements

For measurements of radiated unwanted emissions of the MES, the measured values shall in no case exceed the limits given in table 6 as applicable.

For measurements of conducted unwanted emissions, the measured values plus the maximum antenna gain, shall in no case exceed the limits given in table 6 as applicable.

### 4.2.3 EIRP density within the operational band

#### 4.2.3.1 Justification

To protect other services which use the same frequency band.



### 4.2.3.2 Technical requirements

The EIRP density in any 4 kHz band radiated from the MES shall not exceed the limits in table 7.

**Table 7: EIRP Limits**

<b>DS-SSMA</b>	<b>FDMA</b>
106 dBpW	130 dBpW

These requirements apply to all types of MES, for every transmit channel of the MES in its operational band.

The technical requirements apply for the full range of environmental conditions corresponding to the type of equipment as described in subclause 5.1.2 (see subclause 5.2.2).

### 4.2.3.3 Conformance test

If available minimum two MES transmit frequencies shall be used for this test. These frequencies shall be the minimum and the maximum frequencies of the band for which the MES is designed to operate, as specified by the applicant. Where available, the EIRP density shall also be tested at two additional transmit frequencies. These frequencies shall be equally spaced between the minimum and maximum frequencies. The measured EIRP densities and the corresponding transmit frequencies used for the test shall be entered in the test report.

The environmental test conditions are given in subclause 5.1.2.

For each test, the MES shall be set to transmit (carrier-on state) at its maximum power on the specified transmitting frequency to be tested, by means of the STE or by another test facility provided by the applicant.

If there is a handover function in the MES (to allow change of frequency channel during a transmission), this function shall be disabled.

The transmitted carrier shall be modulated by a test signal at maximum rate as specified in subclause 5.2.4.2.3.

In the test equipment, the spectrum analyzer noise floor shall be at least 6 dB below the appropriate values to be measured.

The measurements are performed with the conducted or with the radiated method according to the cases defined in subclause 5.2.4.4.

For radiated measurements of transmitted EIRP density, subclause 5.2.6 applies.

For assessment of transmitted EIRP density by conducted measurements, subclause 5.2.7 applies.

### 4.2.3.4 Test condition

The spectrum analyzer shall be set in sweep mode and shall be operated under the following conditions:

frequency sweep:	from the lower to the upper limits of the nominated bandwidth of the transmit channel under test;
resolution bandwidth:	measurement bandwidth specified in subclause 4.2.3.2
display bandwidth:	equal to the measurement bandwidth;
averaging:	yes;
peak hold:	no.

The measurement time shall be such that the difference of the measured levels, averaged over subsequent measurement samples, is less than 1 dB, or a measurement time of 100 ms may be used if the measured values comply with the applicable limits. These measurements may be performed with the MES operating in continuous mode if the MES is capable of such operation.

Alternatively, a power meter may be used with a correction factor to account for the duty cycle.

### 4.2.3.5 Test requirements

For measurements of radiated EIRP, the measured values shall not exceed the appropriate values given in subclause 4.2.3.2, for each specific frequency sub-band and operating condition for which the limit applies, as specified by the applicant.

For assessment of EIRP by conducted measurement, the measured values plus the maximum antenna gain, shall not exceed the appropriate values given in subclause 4.2.3.2, for each specific frequency band and operating condition for which the limit applies, as specified by the applicant.

## 4.2.4 Unwanted emissions in carrier-off state

### 4.2.4.1 Justification

To protect other radio services and systems from unwanted emissions caused by MESs in the carrier-off state.

### 4.2.4.2 Technical requirements

The maximum EIRP of the unwanted emissions from the MESs in the carrier-off state shall not exceed 33 dBpW in any 100 kHz.

The technical requirements apply for the full range of environmental conditions corresponding to the type of equipment as specified in subclause 5.1.2 (see subclause 5.2.2).

### 4.2.4.3 Conformance test

The MES shall be in the power-on state and set in a non-transmitting (carrier-off state) mode.

If there is a periodic automatic transmission of bursts (e.g. for location updating), the STE shall provide a means to inhibit it, or to trigger the measurement in order to analyse only the non-transmitting periods.

The environmental test conditions are given in subclause 5.1.2.

In the test equipment, the spectrum analyzer noise floor shall be at least 6 dB below the appropriate limits given in subclause 4.2.4.2.

The measurements are performed with the radiated or with the conducted method according to the cases defined in subclause 5.2.4.4.

For measurements of radiated unwanted emissions, subclause 5.2.6 applies as modified by the spectrum analyser operating conditions specified in subclause 4.2.4.4.

For measurements of conducted unwanted emissions, subclause 5.2.7 applies as modified by the spectrum analyser operating conditions specified in subclause 4.2.4.4.

### 4.2.4.4 Test condition

The spectrum analyzer shall be set in sweep mode and shall be operated under the following conditions:

frequency sweep:	as required for frequency range to be assessed;
resolution bandwidth:	100 kHz;
display bandwidth:	at least 3 times the measurement bandwidth;
averaging:	no;
peak hold:	yes.

The sweep time shall be the shortest possible time consistent with proper calibration and ease of operation.

The spectrum analyzer shall be stepped over the frequency ranges specified.

#### 4.2.4.5 Test requirements

For measurements of radiated unwanted emissions of the MES, the measured values shall in no case exceed the limits given in subclause 4.2.4.2.

For measurements of conducted unwanted emissions of the MES, the measured values plus the maximum antenna gain shall in no case exceed the limits given in subclause 4.2.4.2.

### 4.2.5 MES Control and Monitoring Functions (CMF)

#### 4.2.5.1 Justification

To protect radio services and systems from uncontrolled RF transmissions from the MES.

#### 4.2.5.2 Special Test Equipment (STE)

Many of the tests in this clause require that the MES be situated in an environment where receipt of a network control channel and of NCF commands is ensured. This will require the provision of STE (see subclause 5.2.4.2). This STE shall provide the means to generate and to communicate to the MES, either radiated via its antenna or conducted via direct connection to its antenna port, the network control channel and the required NCF commands. The STE shall also provide means to interface the test equipment with the MES for the purpose of monitoring the MES responses.

#### 4.2.5.3 Technical requirements

##### 4.2.5.3.1 Self-monitoring functions

###### 4.2.5.3.1.1 Processor monitoring

The MES shall incorporate a processor monitoring function for each of its processors involved in the manipulation of traffic and in control and monitoring functions.

The processor monitoring function shall detect failure of the processor hardware and software.

Not later than 1 s after any detectable fault condition occurs, the transmissions shall be suppressed (carrier-off state) until the processor monitoring function has determined that all fault conditions have been cleared.

The fault conditions which cause transmission shutdown shall be specified and declared by the applicant.

The technical requirements apply for the environmental conditions as specified in subclause 5.1.2 (see subclause 5.2.2).

###### 4.2.5.3.1.2 Transmit frequency generation sub-system monitoring

The MES shall incorporate a transmit frequency generation sub-system monitoring function.

If a failure of the transmit frequency generation sub-system for a cumulative period of more than 5 seconds occurs, the transmissions shall be suppressed (carrier-off state) until the transmit frequency generation sub-system monitoring function has determined that all fault conditions have been cleared.

The fault conditions which cause transmission shutdown shall be specified and declared by the applicant.

The technical requirements apply for the environmental conditions as specified in subclause 5.1.2 (see subclause 5.2.2).

###### 4.2.5.3.1.3 Conformance test

As it is considered impracticable to artificially induce processor or transmit frequency generation sub-system faults in an MES, no test is given for these sub-system monitoring functions.

### 4.2.5.3.2 Network control authorization and reception - Network control authorization

#### 4.2.5.3.2.1 Requirements

Following POWER-ON the MES shall enter a controlled, non-transmitting state (carrier-off state). This state shall be maintained whilst the MES is not synchronized with the appropriate network control channel(s).

Without synchronizing to the appropriate network control channel(s), it shall not be possible to initiate carrier-on state.

Within 30 s of having lost the appropriate network control channel(s) the MES shall suppress transmissions (carrier-off state).

The technical requirements apply for the environmental conditions as specified in subclause 5.1.2 (see subclause 5.2.2).

#### 4.2.5.3.2.2 Conformance test

The MES shall be cycled through its power-on and power-off states. Attempts shall be made to initiate transmissions using normal operational procedures. The transmitting state of the MES shall be monitored to ensure compliance with the test requirements.

The environmental test conditions are given in subclause 5.1.2.

#### 4.2.5.3.2.3 Test procedure and requirements

**Table 8: Network control authorization - Test procedure and requirements**

Step	Procedure	Requirements
	The MES shall be situated in an environment where receipt of the appropriate network control channel(s) is controlled by the test facility.	
1	The MES shall be in a power-off state, situated such that it is not in receipt of a network control channel	The MES shall remain in power-off state.
2	The MES shall be powered-on.	No transmissions shall occur (carrier-off state).
3	An attempt shall be made, using normal operational procedures, to initiate a transmission.	No transmissions shall occur (carrier-off state).
4	A network control channel shall be activated and a transmission shall be initiated using normal operational procedures.	The MES shall transmit (carrier-on state).
5	The network control channel shall then be deactivated.	Within 30 s the MES transmissions shall cease (carrier-off state).
6	An attempt shall be made, using normal operational procedures, to initiate a transmission.	No transmissions shall occur (carrier-off state).
7	The network control channel shall be reactivated and a transmission shall be initiated using normal operational procedures.	The MES shall be transmitting (carrier-on state).

Throughout this procedure, the transmission state of the MES shall be monitored.

### 4.2.5.3.3 Network control authorization and reception - Network control reception

#### 4.2.5.3.3.1 Transmission disable/enable

A MES which is transmitting (carrier-on state) shall not continue transmissions for a period of time longer than 1 second after receipt of a transmission disable command from its NCF. After ceasing transmissions the MES shall then not transmit until it receives a transmission enable command from its NCF.

A MES which is powered-on but not transmitting (carrier-off state) when it is in receipt of a transmission disable command from its NCF shall then not transmit until it receives a transmission enable command from its NCF.

The technical requirements apply for the environmental conditions as specified in subclause 5.1.2 (see subclause 5.2.2).

#### 4.2.5.3.3.2 Conformance test

The MES shall be sent transmission enable and transmission disable commands. Attempts shall be made to initiate transmissions using normal operational procedures. The transmitting state of the MES shall be monitored to ensure compliance with the test requirements.

The environmental test conditions are given in subclause 5.1.2.

#### 4.2.5.3.3.3 Test procedure and requirements

**Table 9: Network control reception - Test procedure and requirements**

Step	Procedure	Requirements
	The MES shall be situated in an environment where receipt of the appropriate network control channel(s) and NCF commands are controlled by the test facility.	
1	A network control channel shall be activated, the MES shall be powered-on, and a transmission shall be initiated using normal operational procedures.	The MES transmit (carrier-on state).
2	A NCF command to disable transmissions shall be sent to the MES.	Within 1 s of receipt of the NCF command to disable transmissions, MES transmissions shall cease (carrier-off state).
3	Whilst the disable command applies an attempt shall be made to initiate a transmission using normal operational procedures.	No transmissions shall occur (carrier-off state).
4	An NCF command to enable transmissions shall be sent to the MES and a transmission shall be initiated using normal operational procedures.	The MES shall be transmitting (carrier-on state).
5	The MES shall be set in carrier-off state mode, a NCF command to disable transmissions shall be sent to the MES.	No transmissions shall occur (carrier-off state).
6	Whilst the disable command applies an attempt shall be made to initiate a transmission using normal operational procedures.	No transmissions shall occur (carrier-off state).
7	A NCF command to enable transmissions shall be sent to the MES and a transmission shall be initiated using normal operational procedures.	The MES shall be transmitting (carrier-on state).

Throughout this procedure, the transmission state of the MES shall be monitored.

#### 4.2.5.3.4 Transmit frequency control

##### 4.2.5.3.4.1 Requirements

The MES shall set the carrier frequency of its transmission according to the command of the NCF. The carrier frequency has to be controlled such, that the entire nominated bandwidth of the terminal falls completely within the operational frequency band(s) specified and declared by the applicant.

The technical requirements apply for the environmental conditions as specified in subclause 5.1.2 (see subclause 5.2.2).

##### 4.2.5.3.4.2 Conformance test

The nominated bandwidth of the MES shall be monitored relative to the carrier frequency commanded, and relative to the operational frequency bands for the MES specified by the applicant.

The environmental test conditions are given in subclause 5.1.2.

##### 4.2.5.3.4.3 Test procedure and requirements

This test shall be carried out for the minimum and for the maximum MES transmit frequency for which the MES is designed to operate, as specified by the applicant.

Where available, two additional transmit frequencies shall also be tested. These frequencies shall be equally spaced between the minimum and maximum frequencies. The commanded transmit frequencies used for the test shall be entered in the test report.

**Table 10: Transmit frequency control - Test procedure and requirements**

Step	Procedure	Requirements
	The MES shall be situated in an environment where receipt of a network control channel and of NCF commands is ensured.	
1	A network control channel shall be activated with the MES powered-on.	
2	The MES shall be set to transmit on the frequency to be tested.	The entire nominated bandwidth for each transmit frequency tested shall be contained completely within the operational frequency band(s) specified by the applicant.
3	The test shall be repeated for the other transmit frequencies to be tested.	

The carrier mask for the transmit frequency under test shall be monitored on a spectrum analyzer, using the procedures given in subclause 4.2.2.4.

## 4.2.6 Equipment identity

### 4.2.6.1 Justification

To identify MESs causing uncontrolled RF transmissions.

### 4.2.6.2 Technical requirements

Each MES shall have a unique MES Identification Code (MIC) within its network.

It shall not be possible for the user to alter the MIC using any normally accessible procedure.

The technical requirements apply for the environmental conditions as specified in subclause 5.1.2 (see subclause 5.2.2).

### 4.2.6.3 Conformance test

It is impracticable to test that each MES has a unique MES identification code (MIC) within its network, and that it is not possible for the user to alter the MIC using any normally accessible procedure. Consequently, no tests are given for these requirements.

The transmissions of the MES in response to an NCF command to send its identification code shall be monitored and the identification code received shall be verified.

The environmental test conditions are given in subclause 5.1.2.

### 4.2.6.4 Test procedure

The MES shall be situated in an environment where receipt of a network control channel and of NCF commands is ensured.

- a) A network control channel shall be activated and the MES powered-on.
- b) An appropriate NCF control message shall be sent, commanding the MES to transmit its identification code.
- c) The message sent by the MES shall be analysed.

### 4.2.6.5 Test requirements

The MES identification code in the message sent in step c) of subclause 4.2.6.4 shall be verified against that supplied by the applicant for the MES under test.

## 4.2.7 Protection of the Radio Astronomy Service (RAS) from emissions produced by the MES in the bands 150,05 MHz to 153 MHz, 322 MHz to 328,6 MHz and 406,1 MHz to 410 MHz

### 4.2.7.1 Justification

To protect the radio astronomy observations taking place in the frequency bands 150,05 MHz to 153 MHz, 322 MHz to 328,6 MHz and 406,1 MHz to 410 MHz.

### 4.2.7.2 Technical requirements

The MES shall provide means of suppressing transmission in order to reduce unwanted emissions in the adjacent bands 150,05 MHz to 153 MHz, 322 MHz to 328,6 MHz and 406,1 MHz to 410 MHz.

Covered by subclause 4.2.5.3.3.1.

### 4.2.7.3 Conformance test

Covered by subclause 4.2.5.

### 4.2.7.4 Test procedure

Covered by subclause 4.2.5.

### 4.2.7.5 Test requirement

Covered by subclause 4.2.5.

## 5 Testing for compliance with technical requirements

### 5.1 Environmental conditions for testing

#### 5.1.1 General

Tests defined in the present document shall be carried out at representative points within the boundary limits of the required operational environmental profile.

#### 5.1.2 Specification of the environmental test conditions

The tests in clause 5 shall be performed under the conditions given in table 11.

**Table 11: Environmental test conditions**

Equipment Category	Temperature	Voltage
Handheld	Normal	Normal condition voltage ( $\pm 1$ %)
other than handheld	Normal	Higher extreme voltage (+0/-2 %)
other than handheld	Normal	Lower extreme voltage (-0/+2 %)

Normal temperature shall be between +15°C and +35°C.

All other tests shall be performed under normal conditions for temperature and voltage, and without vibration.

### 5.1.3 Tests under extreme voltage conditions

During tests under extreme voltage conditions, the power source of the equipment shall be replaced by a test power source, capable of producing extreme test voltages as specified in subclause 5.1.2. The internal impedance of the test power source shall be low enough for its effect on the test results to be negligible. For the test purposes, the voltage of the power source shall be measured at the input terminals of the equipment.

If the equipment is provided with a permanently connected power cable, the test voltage shall be measured at the point of connection of the power cable to the equipment.

In equipment with incorporated batteries, the test power source shall be applied as close to the battery terminals as is practical. In each case connections shall be made readily available by the applicant.

During tests, the power source voltages shall be maintained within a tolerance of  $\pm 3\%$  relative to the voltage at the beginning of each test.

## 5.2 Essential radio test suites

### 5.2.1 Presentation of equipment for testing purposes

The applicant may provide, for testing purposes one or more preliminary or production models of the MES equipment, as appropriate. If the MES is intended for use with an active antenna, this shall be provided as part of the MES.

### 5.2.2 Description of equipment

The applicant shall provide for testing purposes a statement which contains all of the information related to the MES and its testing environment. This will enable an appropriate test suite to be constructed against which the MES can be tested.

This shall include:

- self contained or host-connected;
- antenna:
  - active; or
  - passive, with an antenna port available; or
  - passive, no antenna port available.

NOTE 1: If the MES has an active antenna, the antenna is regarded as an integral part of the MES.

NOTE 2: If the MES is intended for use with a passive antenna, the maximum gain of any antenna intended to be used with the equipment is to be stated.

- the method by which the equipment can be switched into its test modes.

NOTE 3: If Special Test Equipment (STE) is required see subclause 5.2.4.2.

- the fault conditions which cause transmission shut-down;
- the nominal, the minimum and maximum electrical operation voltages;
- if the conducted emission measurements are to be performed:
  - the maximum antenna gain or the antenna gain at the frequency of the measured spurious emission, according to the choice of the applicant.
- in an information leaflet:
  - 1) the name of the network;
  - 2) the maximum value of nominated bandwidth for that network, as defined by the network operator;



- 3) the maximum value of nominated bandwidth for the MES, as defined by the applicant;
- 4) the operating frequency range(s) of the MES;
- 5) the maximum gross data rate at which the MES is designed to operate;
- 6) the applicant's declaration of full environmental conformity with subclause 5.1.2.
- 7) the agreement of the network operator to the above information.

### 5.2.3 Host-connected equipment

For testing of equipment for which connection to, or integration with, host equipment is required to offer functionality, the applicant shall supply a statement indicating which of the test configurations detailed in subclause 5.2.5 shall be used.

### 5.2.4 General test requirements

#### 5.2.4.1 MES test modes

The MES is required to be placed in a number of different test modes in order for the various tests specified within the present document to be carried out:

- 1) power-off;
- 2) power-on (applies to all the following test modes);
- 3) carrier-off state;
- 4) carrier-on state, maximum transmit power, in a specified channel in an operational band, modulated with the test modulating signal;
- 5) carrier-on state, maximum transmit power, in a specified channel in an operational band, set by NCF command, modulated with the test modulating signal;

NOTE: If mode 5 is available for all tests, mode 4 is not required separately.

- 6) carrier-on state (detectable).

The MES may be placed into test modes 4 and 5 either by means of a special facility existing internally in the MES, or by means of a Special Test Equipment (STE) provided by the applicant.

If the MES has been modified by the applicant for these tests, then full documentation showing such modification(s) shall be provided to demonstrate that the modification(s) will not cause the test results to deviate from normal operational performance.

#### 5.2.4.2 Special Test Equipment (STE)

##### 5.2.4.2.1 STE description

The STE shall provide the necessary facilities for tests which require that the MES be operated in its normal operating manner, situated in an environment where receipt of a network control channel and NCF commands is under the control of the test facility.

The STE shall also provide means to interface its test equipment with the MES for the purpose of monitoring the MES responses.

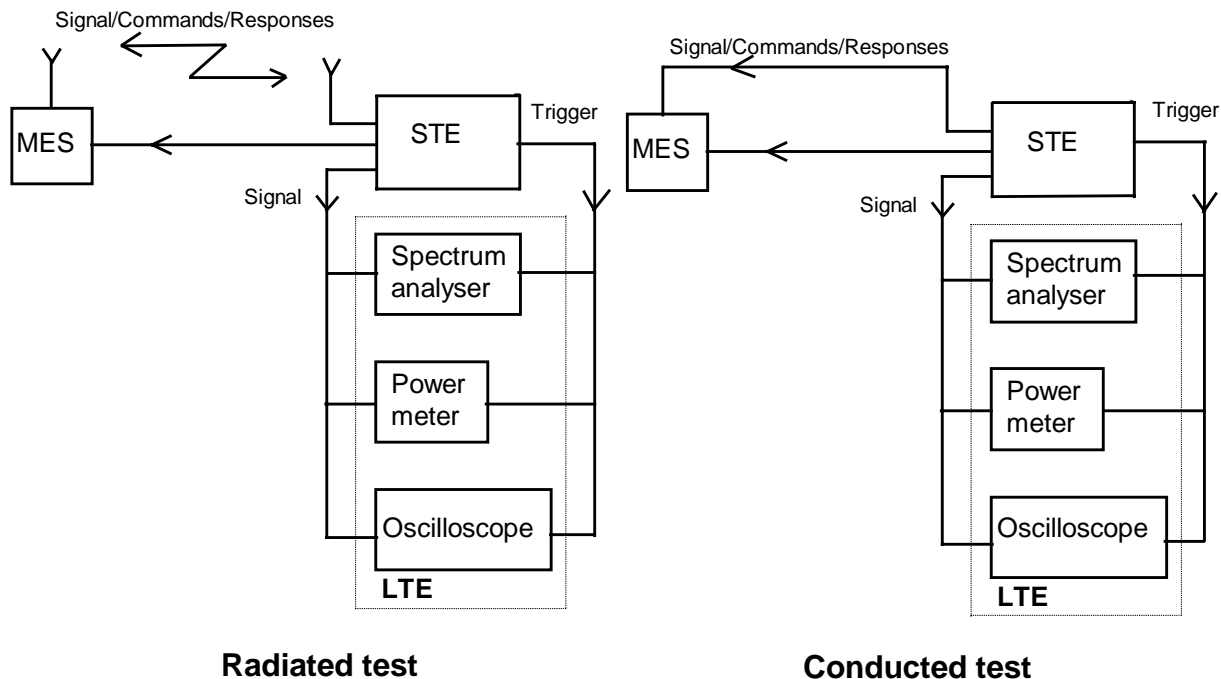
For other tests, where the required test mode cannot be, or is not, provided by a special test facility within the MES, then the STE shall also provide the facility to put the MES into these required test modes.

The STE, together with full documentation and technical notice to operate it, shall be provided by the applicant.

### 5.2.4.2.2 Use of STE for control and monitoring functions tests

The test arrangement shall be as shown in figure 2 for radiated and conducted measurements.

This test arrangement assumes that the STE is responsible for simulating for the MES the NCF commands or network control channel in the same way as they are received by the MES in normal operating mode. The response received by the STE from the MES shall be routed to the LTE without modification that would significantly affect the measurement.



**Figure 2: General test arrangement for control and monitoring tests**

The dual trace storage oscilloscope, or other suitable method, may be used to monitor the response of the MES to the simulated events by measuring the time difference between the event or command reception, and the compliance with that event.

The power meter and spectrum analyzer shall be used to monitor the MES output signal during all the test procedure.

### 5.2.4.2.3 Test modulating signal

The test modulating signal is a baseband signal which modulates the carrier-of the MES and is dependent upon the type of equipment under test. It is a signal representing a pseudo-random bit sequence. If not internally generated by the MES, this test modulating signal shall be provided by the STE.

### 5.2.4.3 Laboratory Test Equipment (LTE)

The Laboratory Test Equipment (LTE) is a logical grouping that contains the measurement equipment. It shall be verified that the responses of the LTE, including any test antenna, to a constant amplitude sine wave signal remain within  $\pm 1$  dB of calibration across the frequency range of interest.

The maximum values of measurement uncertainty for the LTE associated with each measurement parameter given in table 12 for a 95 % confidence level, shall apply as appropriate to the test cases described in the present document.

**Table 12: Measurement uncertainties**

Measured parameter	Measurement uncertainty
Radio Frequency above 1 MHz	$\pm 0,1$ ppm
EIRP density within the operational band	$\pm 0,75$ dB
Unwanted radiated emissions	$\pm 6$ dB
Unwanted conducted emissions	$\pm 4$ dB

#### 5.2.4.4 Methods of test for MES RF emissions

Measurements shall be performed according to the equipment type:

**Table 13: Options for testing**

Equipment with passive antenna port available (external, internal or temporary)	Radiated from cabinet from 30 MHz to 4 GHz (passive antenna port connected to a dummy load), and conducted from the passive antenna port, from 100 kHz to 12,75 GHz.
Equipment with no passive antenna port available	Radiated from complete MES, including its antenna, from 30 MHz to 4 GHz.

The methods of measurement for radiated emissions are described in subclause 5.2.6.

The methods of measurement for conducted emissions are described in subclause 5.2.7.

#### 5.2.4.5 Interpretation of the measurement results

The interpretation of the results for the measurements described in the present document shall be as follows:

- a) the measured value related to the corresponding limit shall be used to decide whether an equipment meets the minimum requirements of the standard;
- b) the actual measurement uncertainty of the test suite being used for carrying out the measurement, for each particular measurement, shall be included in the test report;
- c) the values of the actual measurement uncertainty shall be, for each measurement, equal to or lower than the figures in subclause 5.2.4.3.

#### 5.2.4.6 Test report

All results of the tests performed shall be recorded in a test report.

For each test, the test report shall also include the test conditions (status of the MES, frequency of operation), the measurement uncertainties and the environmental test conditions.

### 5.2.5 Testing of host-connected equipment and plug-in modules

#### 5.2.5.1 Alternative approaches

For equipment for which connection to or integration with host equipment is required to offer functionality, two alternative approaches are permitted. The applicant shall declare which alternative shall be used.

#### 5.2.5.2 Alternative A: combined equipment

Under alternative A, a combination of MES and a specific type of host equipment shall be used for testing according to the present document.

Where more than one such combination is intended, testing shall not be repeated for combinations of MES and other host equipment where the latter are substantially similar, in particular such that the host models are unlikely to significantly influence the emissions of the MES.

Where more than one such combination is intended and host equipment are not substantially similar, one combination shall be tested against the full set of requirements of the present document; other combinations shall be tested separately for radiated emissions only.

### 5.2.5.3 Alternative B: use of a test jig

Under alternative B, where the MES is intended for use with a variety of host equipment, the applicant shall supply a suitable test jig that is representative of the range of host equipment in which the MES may be used. In particular, the test jig shall be designed such that any alteration of the MES's emissions is minimized. The test jig shall allow the MES part to be powered and stimulated in a way similar to the way it would be powered and stimulated when connected to or inserted into the host equipment.

The MES shall be tested against the full set of requirements of the present document.

## 5.2.6 Procedures for measurement of radiated emissions

### 5.2.6.1 General

This clause contains methods for tests involving the measurement of a radiated field. This field may be radiated by an antenna and/or by the cabinet of the equipment itself.

It is recognized that for some parameters, alternative test methods may exist. It should be ensured that any alternative test method used yields results identical to those described in the present document.

### 5.2.6.2 Test site

The standard test site shall be a calibrated open air test site, whose dimensions are appropriate to the frequency range of measurements.

All radiated measurement tests shall be conducted in such a way as to ensure that there is no interference to operational satellite and terrestrial systems. In some cases operating on a test site may produce electromagnetic perturbation or, conversely, external radiation may disturb the measurement. For these reasons, and also in order to reduce the space required, or to perform tests under extreme environmental conditions, other arrangements may be used, such as:

- anechoic chamber;
- indoor test site.

In addition, it shall be verified that the test site shall be suitable with respect to ambient noise which shall be at least 6 dB lower than the lowest specification value being measured.

The methods of measurement described in this clause are based on an open air test site. If an anechoic chamber or an indoor test site are used, some changes may apply to the method of measurement. For each radiated measurement, the nature and the dimensions of the test arrangement used shall be recorded in the test report.

### 5.2.6.3 Test set up for radiated emissions of the MES

The tests shall be carried out with the MES at the specified environmental conditions and for the specified power supply voltages.

For IE, EME and IME the MES shall be installed with a separation of approximately 0,5 m, between the two equipment, the maximum length connection cable specified by the applicant shall be installed. The height of the cable shall be between 0,5 m and 1 m. The cable shall be maintained in that position by non-metallic means. The EME shall be set, in its normal operating configuration on a non-conducting support at a height between 0,5 m and 1 m. The IME shall be set on a non-conducting support at a height between 0,5 m and 1 m. Any associated equipment, if required for normal operation of the MES, shall be placed next to, and at the same height as the IME.

For PMES and VMES, the equipment shall be arranged in its normal operating configuration as recommended by the applicant on a non-metallic table at a height between 0,5 m and 1 m.

The MES under test shall be placed on the support in its standard position and shall be switched-on.

Each antenna (MES antenna and test antenna) shall be positioned to be outside the near field of the other antenna.

The spectrum analyzer noise floor shall be at least 6 dB below the minimum value to be measured.

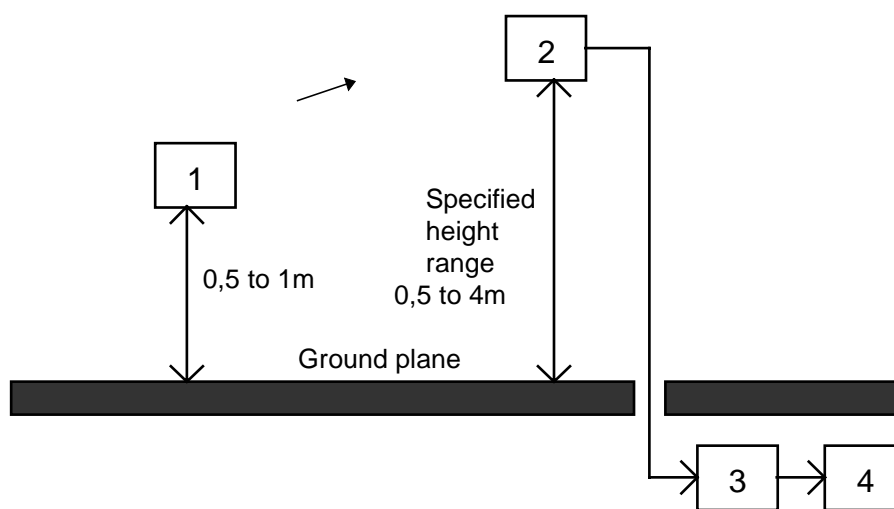
### 5.2.6.4 Reference position of the MES

During radiated measurements, the MES is required to be oriented specifically in relation to the test antenna connected to the LTE. This position is called the reference position and is determined as follows:

- the MES shall be placed in a mode whereby it is transmitting;
- the MES shall be rotated in both horizontal and vertical planes in order to locate the direction of maximum field strength that is detected by the test antenna. This orientation shall be called the reference position.

### 5.2.6.5 Measurement procedure for radiated emissions (average)

#### 5.2.6.5.1 Measurement procedure for average radiated emissions of the MES



- 1) MES under test (with antenna);
- 2) Test antenna;
- 3) Input filter (if necessary);
- 4) Spectrum analyzer.

**Figure 3: Measurement arrangement No.1**

Measurement arrangement no. 1 of figure 3 shall be used.

- a) For each measurement bandwidth, the following actions shall be performed:

The MES shall be placed in the reference position as described in subclause 5.2.6.4..

The test antenna shall have the same polarization as the MES and connected to a spectrum analyzer, eventually through a suitable entry filter to avoid overloading of the spectrum analyzer.

Precautions may be required to ensure that the filter does not attenuate the harmonics of the carrier.

The test antenna and the entry filter shall be suitable for the measured frequency band, and replaced by other each time it will be necessary.

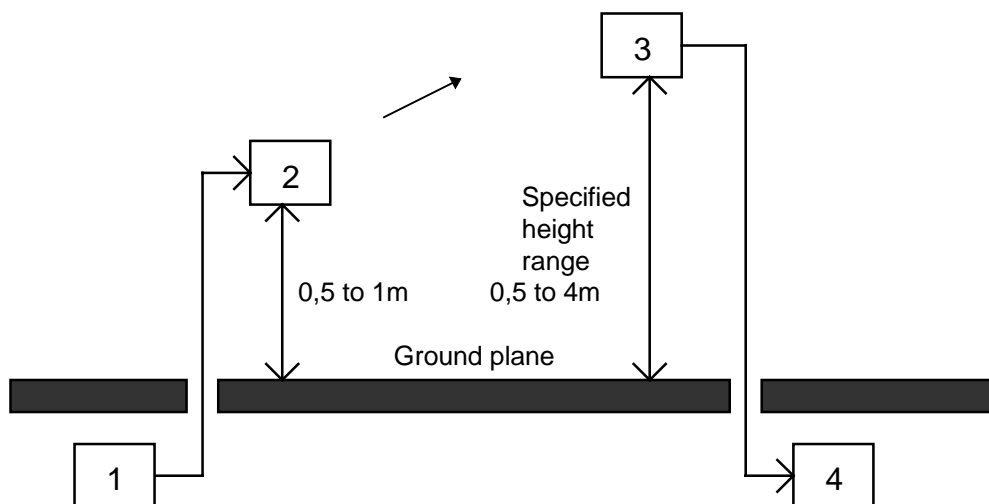
The spectrum analyzer shall be tuned to the measurement bandwidth to analyse.

The resolution bandwidth of the spectrum analyzer shall be set to a suitable value to correctly perform the measurement, and the average function shall be activated. The video bandwidth shall be set to the same value as the resolution bandwidth.

- b) The test antenna shall be raised or lowered through the specified height range to look for the maximum received signal on the spectrum analyzer (this step may not be necessary if the test site is an anechoic chamber or an indoor test site).

The EIRP shall be averaged until the variance over the measured bandwidth is less than 1 dB. The averaged value shall be recorded.

- c) The procedure shall be repeated from a) to b) with the other measurement bandwidths to cover the whole frequency range to be analysed.
- d) In the case where the test site has been calibrated before, the absolute measurement is sufficient to determine the actual value of EIRP of the radiated emissions. The precise knowledge of distance between the MES and the test antenna, the characteristics of the test antenna and the input filter allow the determination of the EIRP radiated by the MES.
- e) In the case where the test site cannot be calibrated, a relative measurement can be done according to the following procedure:



- 1) Sinusoidal RF signal generator;  
 2) Substitution antenna;  
 3) Test antenna;  
 4) Spectrum analyzer.

**Figure 4: Measurement arrangement No.2**

Using measurement arrangement No. 2 of figure 4, a substitution antenna shall replace the MES in the same position where was the MES antenna. It shall be connected to the signal generator.

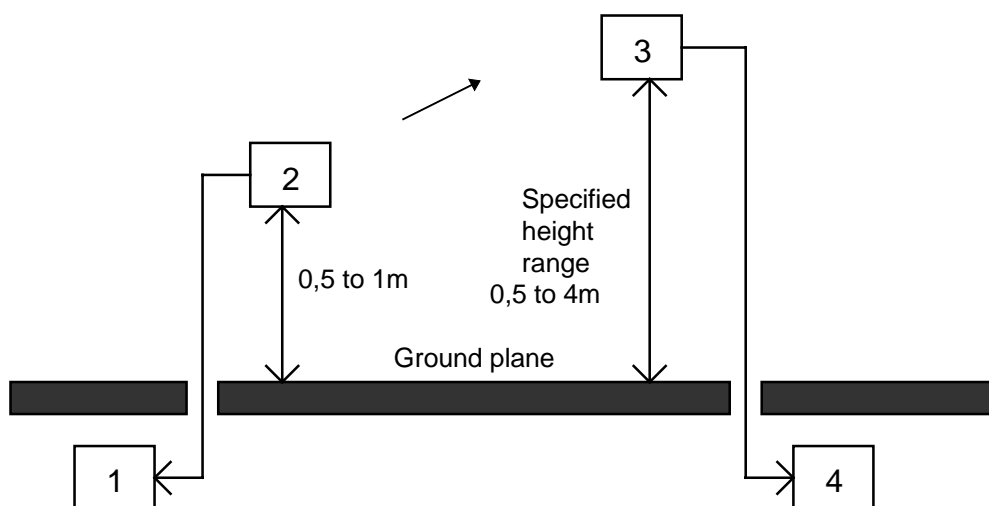
- f) The signal generator shall be tuned to the centre frequency of each measurement bandwidth. The substitution antenna shall be suitable for this frequency.

The spectrum analyzer shall be tuned to the measurement bandwidth to analyse and put in the same conditions as for the measurement with the MES with the average function activated.

The level of the signal generator shall be adjusted to give the same signal level on the spectrum analyzer as in b) when averaged until the variance over the measured bandwidth is less than 1 dB. The output level of the signal generator shall be recorded.

This value, after corrections due to the gain of the substitution antenna and the cable loss between the signal generator and the substitution antenna, is the radiated emission level of the MES.

- g) The f) procedure shall be repeated with the other measurement bandwidths to cover the whole frequency range to be analysed.
- h) a) to g) shall be repeated with test antennas of the opposite polarization for the unwanted emission measurements.



- 1) Test load;
- 2) MES under test (antenna port connected to the test load);
- 3) Test antenna;
- 4) Spectrum analyzer.

**Figure 5: Measurement arrangement No.3**

#### 5.2.6.5.2 Measurement procedure for average radiated emissions of the cabinet

This method of measurement applies to transmitters having an antenna socket and has to be performed in addition to conducted measurements of the MES for unwanted emissions.

Measurement arrangement No. 3 of figure 5 shall be used for measurement of radiated emissions of the cabinet.

The procedure is an average measurement as in subclause 5.2.6.5.1

The same method as in subclause 5.2.6.5.1 shall be applied with the exception that measurement arrangement No. 3 replaces measurement arrangement No. 1 (measurement arrangement No. 2 remains the same for the relative measurement).

## 5.2.7 Procedures for measurement of conducted emissions

### 5.2.7.1 General

This clause contains the procedure for conducted emission measurements.

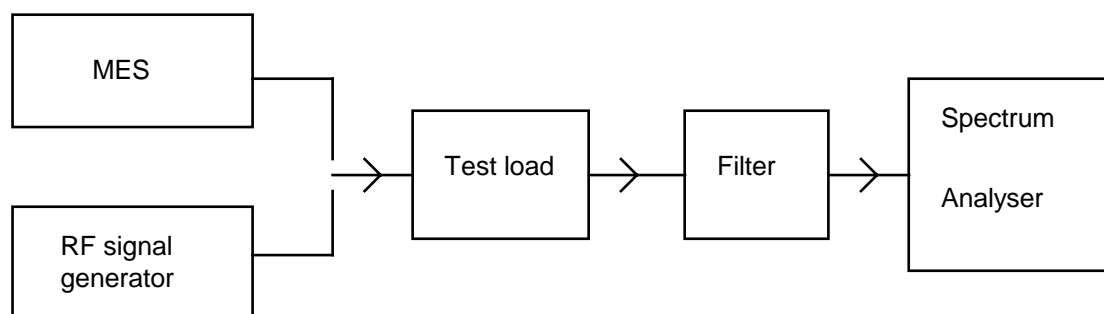
It is recognized that for some parameters, alternative test methods may exist. It should be ensured that any alternative test method used yields results identical to those described in the present document.

### 5.2.7.2 Test site

There are no specific requirements for the test site for conducted measurements except that they shall be performed in such a way as to ensure that there is no interference to operational satellite and terrestrial systems.

### 5.2.7.3 Test set-up

Measurement arrangement of figure 6 shall be used.



**Figure 6: Measurement arrangement for conducted emissions**

The antenna port of the MES shall be connected to a spectrum analyzer through a test load and eventually an appropriate filter to avoid overloading of the spectrum analyzer.

Precautions may be required to ensure that the test load does not generate or that the filter does not attenuate, the harmonics of the carrier. The entry filter shall be suitable for the measured frequency band, and replaced by another each time it will be necessary.

The spectrum analyzer noise floor shall be at least 6 dB below the minimum value to be measured.

### 5.2.7.4 Measurement procedure for conducted emissions (average)

For each measurement bandwidth, the following actions shall be performed:

- the resolution bandwidth of the spectrum analyzer shall be set to a suitable value to correctly perform the measurement, and the average function shall be activated. The display (video) bandwidth shall be set to the same value as the resolution bandwidth;
- the measurement time should be such that the difference of the measured levels, averaged over subsequent measurement samples, is less than 1 dB, or a measurement time of 100 ms may be used if the measured values comply with the applicable limits;
- the averaged power density value within the measured bandwidth shall be recorded.

The actual value of EIRP of the radiated emissions in each measurement bandwidth shall be derived by adding the MES maximum antenna gain measured at the normal operating frequency to the power spectral density value read from the spectrum analyzer.



## Annex A (normative): The EN Requirements Table (EN-RT)

Notwithstanding the provisions of the copyright clause related to the text of the present document, ETSI grants that users of the present document may freely reproduce the EN-RT proforma in this annex so that it can be used for its intended purposes and may further publish the completed EN-RT.

The EN Requirements Table (EN-RT) serves a number of purposes, as follows:

- it provides a tabular summary of all the requirements;
- it shows the status of each EN-Requirement, whether it is essential to implement in all circumstances (Mandatory), or whether the requirement is dependent on the applicant having chosen to support a particular optional service or functionality (Optional). In particular it enables the EN-Rs associated with a particular optional service or functionality to be grouped and identified;
- when completed in respect of a particular equipment it provides a means to undertake the static assessment of conformity with the EN.

The EN-RT is placed in an annex of the EN in order that it may be photocopied and used as a proforma.

**Table A.1: EN Requirements Table (EN-RT)**

EN Reference		EN 301 721				Comment
No.	Reference	EN-Requirement (note)	Status			
1	4.2.1	Unwanted emission outside the bands 148 MHz to 150,05 MHz, 235 MHz to 322 MHz, 335,4 MHz to 399,9 MHz and 399,9 MHz to 400,05 MHz (carrier-on state)	M			
2	4.2.2	Unwanted emission within the bands 148 MHz to 150,05 MHz, 235 MHz to 322 MHz, 335,4 MHz to 399,9 MHz and 399,9 MHz to 400,05 MHz (carrier-on state)	M			
3	4.2.3	EIRP density within the operational band	M			
4	4.2.4	Unwanted emissions in carrier-off state	M			
5	4.2.5.3.1	Processor monitoring	M			
6	4.2.5.3.1.2	Transmit frequency generation subsystem monitoring	M			
7	4.2.5.3.2	Network control authorization	M			
8	4.2.5.3.3.1	Transmission disable/enable	M			
9	4.2.5.3.4	Transmit frequency control	M			
10	4.2.6	Equipment identity	M			
11	4.2.7	Protection of the Radio Astronomy Service (RAS) from emissions produced by the MES in the bands 150,05 MHz to 153 MHz, 322 MHz to 328,6 MHz and 406,1 MHz to 410 MHz	M			

NOTE: These EN-Requirements are justified under Article 3.2 of the R&TTE Directive.

**Key to columns:**

<b>No</b>	Table entry number;
<b>Reference</b>	Subclause reference number of conformance requirement within the present document;
<b>Status</b>	Status of the entry as follows:
M	Mandatory, shall be implemented under all circumstances;
O	Optional, may be provided, but if provided shall be implemented in accordance with the requirements;
<b>Comments</b>	To be completed as required.

---

## Bibliography

The following material, though not specifically referenced in the body of the present document (or not publicly available), gives supporting information.

- Directive 98/13/EC of the European Parliament and of the Council of 12 February 1998 relating to telecommunications terminal equipment and satellite earth station equipment, including the mutual recognition of their conformity.
- ETS 300 722: "Satellite Earth Stations and Systems (SES); Network Control Facilities (NCF) for Mobile Earth Stations (MES) providing Low Bit Rate Data Communications (LBRDC) using LEO satellites operating below 1 GHz".
- EN 300 832: "Electromagnetic compatibility and Radio spectrum Matters (ERM); ElectroMagnetic Compatibility (EMC) for Mobile Earth Stations (MES) providing Low Bit Rate Data Communications (LBRDC) using satellites in Low Earth Orbits (LEO) operating in frequency bands below 1 GHz".
- Council Directive 73/23/EEC of 19 February 1973 on the harmonization of the laws of Member States relating to electrical equipment designed for use within certain voltage limits (Low Voltage Directive).
- Council Directive 92/31/EEC of 28 April 1992 amending Directive 89/336/EEC on the approximation of the laws of the Member States relating to electromagnetic compatibility (EMC Directive).
- EN 55022 (1994): "Satellite Earth Stations and Systems (SES); Network Control Facilities (NCF) for Land Mobile Earth Stations (LMES) operating in the 1,5/1,6 GHz bands and 11/12/14 GHz bands providing Low Bit Rate Data Communications (LBRDC)".

---

## History

<b>Document history</b>			
V1.1.1	December 1999	One-step Approval Procedure	OAP 200017: 1999-12-29 to 2000-04-28