

EN 301 614-3 V1.1.2 (1999-02)

European Standard (Telecommunications series)

**Digital Enhanced Cordless Telecommunications (DECT);
Integrated Services Digital Network (ISDN);
DECT/ISDN interworking for
intermediate system configuration;
Part 3: Profile Specific Test Specification (PSTS) for
Fixed radio Termination (FT)**



Reference

DEN/DECT-040104-3 (eyOr0idc.PDF)

Keywords

DECT, ICS, ISDN, profile

ETSI

Postal address

F-06921 Sophia Antipolis Cedex - FRANCE

Office address

650 Route des Lucioles - Sophia Antipolis
Valbonne - FRANCE
Tel.: +33 4 92 94 42 00 Fax: +33 4 93 65 47 16
Siret N° 348 623 562 00017 - NAF 742 C
Association à but non lucratif enregistrée à la
Sous-Préfecture de Grasse (06) N° 7803/88

Internet

secretariat@etsi.fr
Individual copies of this ETSI deliverable
can be downloaded from
<http://www.etsi.org>
If you find errors in the present document, send your
comment to: editor@etsi.fr

Copyright Notification

No part may be reproduced except as authorized by written permission.
The copyright and the foregoing restriction extend to reproduction in all media.

© European Telecommunications Standards Institute 1999.
All rights reserved.

Contents

Intellectual Property Rights.....	7
Foreword	7
1 Scope.....	8
2 Normative references	8
3 Definitions and abbreviations	10
3.1 Definitions	10
3.2 Abbreviations.....	11
4 DECT NWK layer protocol	12
4.1 Additional test purposes.....	12
4.1.1 Additional test purposes for IIP CC specific behaviours.....	13
4.1.1.1 Test group FT/CC/BV/IS.....	13
4.2 Abstract test method	13
4.3 Relevant test cases	13
4.4 Additional test cases	15
4.5 Modified test cases.....	15
5 DECT DLC layer protocol.....	16
5.1 Additional test purposes.....	16
5.1.1 Additional test purposes for C-plane Class B procedures	17
5.1.1.1 Test group CA	17
5.1.1.2 Test group BV	19
5.1.1.3 Test group BI.....	20
5.1.1.4 Test group BO	21
5.1.2 Additional test purposes for U-plane LU7 procedures	22
5.1.2.1 Test group BV	22
5.1.3 Additional test purposes for U-plane LU8 procedures	22
5.1.3.1 Test group BV	22
5.2 Abstract test method	23
5.3 Relevant test cases	23
5.4 Additional test cases	23
5.4.1 Additional test cases for C-plane Class B	23
5.4.2 Additional test cases for U-plane LU7	23
5.4.3 Additional test cases for U-plane LU8	23
5.5 Modified test cases.....	23
6 DECT MAC layer protocol.....	24
6.1 Additional test purposes.....	24
6.1.1 Additional test purposes for advanced symmetric connections	25
6.1.2 Additional test purposes for C-plane switching procedures	25
6.1.2.1 Dynamic switching C_F to C_S : DIFS initiated.....	25
6.1.2.2 Dynamic switching C_S to C_F : DIFS initiated.....	26
6.1.2.3 Dynamic switching C_S to C_F : DIFS initiated.....	26
6.1.2.4 Dynamic switching C_{Sx} to C_{Sy} : DIFS initiated	27
6.1.3 Additional test purposes for U-plane switching procedures	27
6.1.3.1 Connection handover procedure	27
6.1.3.2 Release of part of double slot procedure	27
6.2 Abstract test method	28
6.3 Relevant test cases	28
6.4 Additional test cases	29
6.4.1 Additional test cases for advanced symmetric connections.....	29
6.4.2 Additional test cases for C-plane switching procedures	29
6.4.3 Additional test cases for U-plane switching procedures.....	29
6.5 Modified test cases.....	29

7	DECT PHL layer protocol	29
7.1	Additional test purposes.....	29
7.2	Abstract test method	29
7.3	Relevant test cases	29
7.4	Additional test cases	30
7.5	Modified test cases.....	30
8	ISDN basic access protocols	30
8.1	Applicability of ATS.....	30
8.2	Additional test purposes.....	30
8.3	Abstract test method	30
8.4	Relevant test cases	30
9	DECT/ISDN IIP profile	31
9.1	Profile test suite structure.....	31
9.1.1	Test groups.....	31
9.1.1.1	Functional modules.....	31
9.1.1.2	Main test groups	31
9.1.1.2.1	Capability (CA) tests.....	32
9.1.1.2.2	Valid Behaviour (BV) tests.....	32
9.1.1.2.3	Inopportune Behaviour (BO) tests	32
9.1.1.2.4	Invalid Behaviour (BI) tests	32
9.2	Profile test purposes.....	32
9.2.1	TP definition conventions	32
9.2.2	TP naming conventions	33
9.2.3	Sources of TP definitions	34
9.2.4	Test purposes for IWU Link Association Entity	34
9.2.5	Test purposes for IWU missing resource management	35
9.2.6	Test purposes for IWU Call Control specific procedures.....	35
9.2.7	Test purposes for call release procedures.....	36
9.3	Profile Abstract Test Method (ATM)	37
9.4	Profile Untestable test purposes.....	38
9.5	Profile ATS Conventions	38
9.5.1	Declarations part naming conventions.....	38
9.5.1.1	Type and structured type definitions.....	38
9.5.1.2	Operations definitions.....	38
9.5.1.3	Parameter declarations.....	38
9.5.1.4	Selection expression definitions	39
9.5.1.5	Constant declarations.....	39
9.5.1.6	Test suite variable declarations.....	39
9.5.1.7	Test case variable declarations	39
9.5.1.8	PCO declarations	39
9.5.1.9	Timer declarations	39
9.5.1.10	ASP type definitions	40
9.5.1.11	PDU type definitions	40
9.5.1.12	Alias definitions.....	40
9.5.2	Constraints part naming conventions.....	40
9.5.3	Dynamic part naming conventions	40
9.5.3.1	Test Case identifier.....	41
9.5.3.2	Test step identifier	41
9.5.3.3	Default identifier.....	41
9.5.3.4	General aspects	41
9.5.3.5	ATS abbreviations	42
9.5.4	Declaration part implementation conventions	42
9.5.5	Constraint part implementation conventions	42
9.5.6	Dynamic part implementation conventions	42
9.5.7	Documentation implementation conventions	43
9.6	Test case and test purpose mapping.....	43

Annex A (normative):	Profile Implementation eXtra Information for Testing (IXIT) proforma.....	44
A.1	Identification summary	44
A.2	ATS summary	44
A.3	Test laboratory	44
A.4	Client identification	45
A.5	SUT	45
A.6	Profile information.....	46
A.6.1	NWK layer.....	46
A.6.2	DLC layer	48
A.6.3	MAC layer	50
Annex B (normative):	Profile Conformance Test Report (Profile CTR) proforma	52
B.1	Identification summary	52
B.1.1	Protocol conformance test report.....	52
B.1.2	IUT identification	52
B.1.3	Testing environment	53
B.1.4	Limits and reservation.....	53
B.1.5	Comments	53
B.2	IUT conformance status	53
B.3	Static conformance summary	54
B.4	Dynamic conformance summary.....	54
B.5	Static conformance review report	54
B.6	Test campaign report.....	55
B.7	Observations.....	55
Annex C (normative):	System Conformance Test Report (SCTR) proforma	56
C.1	Identification summary	56
C.1.1	System conformance test report	56
C.1.2	Test laboratory	56
C.1.3	Client identification	57
C.1.4	System Under Test (SUT).....	57
C.1.5	Profile identification	57
C.1.6	Nature of conformance testing	58
C.1.7	Limits and reservations	58
C.1.8	Record of agreement	58
C.1.9	Comments	59
C.2	System report summary for DECT/ISDN IIP FT.....	59
C.2.1	Profile testing summary for DECT NWK layer protocol.....	59
C.2.2	Profile testing summary for DECT DLC layer protocol	60
C.2.3	Profile testing summary for DECT MAC layer protocol	61
C.2.4	Profile testing summary for DECT PHL layer protocol.....	62
C.2.5	Profile testing summary for ISDN L2, L1 basic access protocol	63
C.2.6	Profile testing summary for DECT/ISDN IIP profile.....	64
Annex D (normative):	Profile eXtra Requirement List (XRL) proforma	65
D.1	Profile eXtra Requirement List for IIP - FT part	65
D.1.1	Parameters for IWU layer	65
D.1.2	Specific parameters for NWK layer.....	66
D.1.3	Specific parameters for DLC layer	67
D.1.4	Specific parameters for MAC layer	67

Annex E (normative):	Modifications of the DECT CI PCTR proforma	68
E.1	Modifications of DECT NWK layer PCTR proforma.....	68
E.2	Modifications of DECT DLC layer PCTR proforma.....	71
E.3	Modifications of DECT MAC layer PCTR proforma	74
E.4	Observations.....	76
Annex F (normative):	Abstract Test Suite (ATS) - NWK layer	77
F.1	The TTCN Graphical form (TTCN.GR).....	77
F.2	The TTCN Machine Processable form (TTCN.MP)	77
Annex G (normative):	Abstract Test Suite (ATS) - DLC layer	78
G.1	The TTCN Graphical form (TTCN.GR).....	78
G.2	The TTCN Machine Processable form (TTCN.MP)	78
Annex H (normative):	Abstract Test Suite (ATS) - MAC layer	79
H.1	The TTCN Graphical form (TTCN.GR).....	79
H.2	The TTCN Machine Processable form (TTCN.MP)	79
Annex J (normative):	Abstract Test Suite (ATS) - Interworking Unit	80
J.1	The TTCN Graphical form (TTCN.GR).....	80
J.2	The TTCN Machine Processable form (TTCN.MP)	80
	History	81

Intellectual Property Rights

IPRs essential or potentially essential to the present document may have been declared to ETSI. The information pertaining to these essential IPRs, if any, is publicly available for **ETSI members and non-members**, and can be found in SR 000 314: "*Intellectual Property Rights (IPRs); Essential, or potentially Essential, IPRs notified to ETSI in respect of ETSI standards*", which is available **free of charge** from the ETSI Secretariat. Latest updates are available on the ETSI Web server (<http://www.etsi.org/ipr>).

Pursuant to the ETSI IPR Policy, no investigation, including IPR searches, has been carried out by ETSI. No guarantee can be given as to the existence of other IPRs not referenced in SR 000 314 (or the updates on the ETSI Web server) which are, or may be, or may become, essential to the present document.

Foreword

This European Standard (Telecommunications series) has been produced by ETSI Project Digital Enhanced Cordless Telecommunications (DECT).

The present document is part 3 of a multi-part EN covering the DECT/ISDN interworking for intermediate system configuration, as identified below:

- Part 1: "Profile Test Specification (PTS) summary";
- Part 2: "Profile Specific Test Specification (PSTS) for Portable radio Termination (PT)";
- Part 3: "Profile Specific Test Specification (PSTS) for Fixed radio Termination (FT)".**

National transposition dates	
Date of adoption of this EN:	25 December 1998
Date of latest announcement of this EN (doa):	31 March 1999
Date of latest publication of new National Standard or endorsement of this EN (dop/e):	30 September 1999
Date of withdrawal of any conflicting National Standard (dow):	30 September 1999

1 Scope

The present document contains the test specification for Digital Enhanced Cordless Telecommunications/Integrated Services Digital Network (DECT/ISDN) Interworking for Intermediate system Profile (IIP) Fixed Part (FP) applications as specified in ETS 300 822 [6].

This test specification provides conformance tests for DECT/ISDN terminal equipment conforming to ETS 300 822 [6]. The main objective is to perform a high probability of inter-operability between the DECT/ISDN terminal equipment and an ISDN network. The DECT/ISDN terminal equipment contains Fixed Parts (FPs) and Portable Parts (PPs) that may be supplied by different manufacturers.

The ISO standard for the methodology of conformance testing ISO/IEC 9646 [19] to [25] is used as the basis for the test methodology, and as the basis for test case specification.

The test cases if listed in the present document have been derived from the corresponding ATS. Additional DECT/ISDN IIP specific test cases are included where required.

Annex A provides Profile Implementation eXtra Information for Testing (IXIT) proforma part of the present document.

Annex B provides Profile Conformance Test Report (Profile CTR) proforma part of the present document.

Annex C provides System Conformance Test Report (SCTR) proforma part of the present document.

Annex D provides the Profile X Requirement List (XRL) proforma part of the present document.

Annex E provides modifications of DECT layer PCTR proforma of the present document.

Annex F provides the Tree and Tabular Combined Notation (TTCN) part for DECT NWK layer conforming to the requirements of the present document.

Annex G provides the TTCN part for DECT DLC layer conforming to the requirements of the present document.

Annex H provides the TTCN part for DECT MAC layer conforming to the requirements of the present document.

Annex I provides the TTCN part for DECT/ISDN IWU - IIP profile.

2 Normative references

References may be made to:

- a) specific versions of publications (identified by date of publication, edition number, version number, etc.), in which case, subsequent revisions to the referenced document do not apply; or
- b) all versions up to and including the identified version (identified by "up to and including" before the version identity); or
- c) all versions subsequent to and including the identified version (identified by "onwards" following the version identity); or
- d) publications without mention of a specific version, in which case the latest version applies.

A non-specific reference to an ETS shall also be taken to refer to later versions published as an EN with the same number.

- | | |
|-----|--|
| [1] | EN 300 175-2: "Digital Enhanced Cordless Telecommunications (DECT); Common Interface (CI); Part 2: Physical Layer (PHL)". |
| [2] | EN 300 175-3: "Digital Enhanced Cordless Telecommunications (DECT); Common Interface (CI); Part 3: Medium Access Control (MAC) layer". |
| [3] | EN 300 175-4: "Digital Enhanced Cordless Telecommunications (DECT); Common Interface (CI); Part 4: Data Link Control (DLC) layer". |

- [4] EN 300 175-5: "Digital Enhanced Cordless Telecommunications (DECT); Common Interface (CI); Part 5: Network (NWK) layer".
- [5] EN 300 444 (1997): "Digital Enhanced Cordless Telecommunications (DECT); Generic Access Profile (GAP)".
- [6] ETS 300 822: "Digital Enhanced Cordless Telecommunications (DECT); Integrated Services Digital Network (ISDN); DECT/ISDN interworking for intermediate system configuration; Interworking and profile specification".
- [7] EN 300 176: "Digital Enhanced Cordless Telecommunications (DECT); Approval test specification".
- [8] ETS 300 476-4: "Digital Enhanced Cordless Telecommunications (DECT); Common Interface (CI); Protocol Implementation Conformance Statement (PICS) proforma; Part 4: Network (NWK) layer - Fixed radio Termination (FT)".
- [9] ETS 300 476-5: "Digital Enhanced Cordless Telecommunications (DECT); Common Interface (CI); Protocol Implementation Conformance Statement (PICS) proforma; Part 5: Data Link Control (DLC) layer - Fixed radio Termination (FT)".
- [10] ETS 300 476-6: "Digital Enhanced Cordless Telecommunications (DECT); Common Interface (CI); Protocol Implementation Conformance Statement (PICS) proforma; Part 6: Medium Access Control (MAC) layer - Fixed radio Termination (FT)".
- [11] ETS 300 476-7: "Digital Enhanced Cordless Telecommunications (DECT); Common Interface (CI); Protocol Implementation Conformance Statement (PICS) proforma; Part 7: Physical layer".
- [12] EN 301 241-2: "Digital Enhanced Cordless Telecommunications (DECT)/Integrated Services Digital Network (ISDN); DECT/ISDN interworking for intermediate system configuration; Profile Implementation Conformance Statement (ICS); Part 2: Fixed radio Termination (FT)".
- [13] EN 300 497-1: "Digital Enhanced Cordless Telecommunications (DECT); Common Interface (CI) Test Case Library (TCL); Part 1: Test Suite Structure (TSS) and Test Purposes (TP) for Medium Access Control (MAC) layer".
- [14] EN 300 497-3: "Digital Enhanced Cordless Telecommunications (DECT); Common Interface (CI) Test Case Library (TCL); Part 3: Abstract Test Suite (ATS) for Medium Access Control (MAC) layer - Fixed radio Termination (FT)".
- [15] EN 300 497-4: "Digital Enhanced Cordless Telecommunications (DECT); Common Interface (CI) Test Case Library (TCL); Part 4: Test Suite Structure (TSS) and Test Purposes (TP) - Data Link Control (DLC) layer".
- [16] EN 300 497-5: "Digital Enhanced Cordless Telecommunications (DECT); Common Interface (CI) Test Case Library (TCL); Part 5: Abstract Test Suite (ATS) - Data Link Control (DLC) layer".
- [17] EN 300 497-8: "Digital Enhanced Cordless Telecommunications (DECT); Common Interface (CI) Test Case Library (TCL); Part 8: Test Suite Structure (TSS) and Test Purposes (TP) - Network (NWK) layer - Fixed radio Termination (FT)".
- [18] EN 300 497-9: "Digital Enhanced Cordless Telecommunications (DECT); Common Interface (CI) Test Case Library (TCL); Part 9: Abstract Test Suite (ATS) for Network (NWK) layer - Fixed radio Termination (FT)".
- [19] ISO/IEC 9646-1 (1991): "Information technology - Open Systems Interconnection - Conformance testing methodology and framework - Part 1: General concepts". (See also CCITT Recommendation X.290 (1991)).
- [20] ISO/IEC 9646-2 (1991): "Information technology - Open Systems Interconnection - Conformance testing methodology and framework - Part 2: Abstract Test Suite specification". (See also CCITT Recommendation X.291 (1991)).

- [21] ISO/IEC 9646-3 (1991): "Information technology - Open Systems Interconnection - Conformance testing methodology and framework - Part 3: The Tree and Tabular Combined Notation". (See also CCITT Recommendation X.292 (1992)).
- [22] ISO/IEC 9646-4 (1991): "Information technology - Open Systems Interconnection - Conformance testing methodology and framework - Part 4: Test realization". (See also CCITT Recommendation X.292 (1992)).
- [23] ISO/IEC 9646-5 (1991): "Information technology - Open Systems Interconnection - Conformance testing methodology and framework - Part 5: Requirements on test laboratories and clients for the conformance assessment process". (See also CCITT Recommendation X.292 (1992)).
- [24] ISO/IEC 9646-6 (1991): "Information technology - Open Systems Interconnection - Conformance testing methodology and framework - Part 6: Protocol profile test specification".
- [25] ISO/IEC 9646-7 (1991): "Information technology - Open Systems Interconnection - Conformance testing methodology and framework - Part 7: Implementation Conformance Statement".
- [26] ETS 300 402-2: "Integrated Services Digital Network (ISDN); Digital Subscriber Signalling System No. one (DSS1) protocol; Data link layer; Part 2: General protocol specification [ITU-T Recommendation Q.921 (1993), modified]".
- [27] ETS 300 402-4: "Integrated Services Digital Network (ISDN); Digital Subscriber Signalling System No. one (DSS1) protocol; Data link layer; Part 4: Protocol Implementation Conformance Statement (PICS) proforma specification for the general protocol".
- [28] ETS 300 012 (1992) including Amendment 2 (1996): "Integrated Services Digital Network (ISDN); Basic user-network interface; Layer 1 specification and test principles".
- [29] Void.
- [30] TBR 3: "Integrated Services Digital Network (ISDN); Attachment requirements for terminal equipment to connect to an ISDN using ISDN basic access".
- [31] TBR 22: "Radio Equipment and Systems (RES); Attachment requirements for terminal equipment for Digital Enhanced Cordless Telecommunications (DECT) Generic Access Profile (GAP) applications".
- [32] EN 300 497-2: "Digital Enhanced Cordless Telecommunications (DECT); Common Interface (CI) Test Case Library (TCL); Part 2: Abstract Test Suite (ATS) for Medium Access Control (MAC) layer - Portable radio Termination (PT)".

3 Definitions and abbreviations

3.1 Definitions

For the purposes of the present document, the following terms and definitions apply:

- a) The terms defined in ISO/IEC 9646-7 [25]; and
- b) The definitions in ETS 300 822 [6].

3.2 Abbreviations

For the purposes of the present document, the abbreviations defined in ISO/IEC 9646-1 [19], ISO/IEC 9646-6 [24], ISO/IEC 9646-7 [25] and the abbreviations defined in ETS 300 822 [6], apply. In particular, the following abbreviations apply:

ASP	Abstract Service Primitive
ATM	Abstract Test Method
ATS	Abstract Test Suite
BI	Invalid Behaviour
BO	Inopportune Behaviour
BV	Valid Behaviour
CA	Capability tests
CC	Call Control entity
CI	Common Interface
DECT	Digital Enhanced Cordless Telecommunications
DLC	Data Link Control layer
FT	Fixed radio Termination
GAP	Generic Access Profile
ICS	Implementation Conformance Statement
ISDN	Integrated Services Digital Network
ISO	International Organization for Standardization
IUT	Implementation Under Test
IXIT	Implementation eXtra Information for Testing
IWP	Interworking Profile
LCE	Link Control Entity
LT	Lower Tester
MAC	Medium Access Control layer
MM	Mobility Management entity
MTC	Main Test Component
NWK	Network layer
PDU	Protocol Data Unit
PHL	Physical layer
PICS	Protocol Implementation Conformance Statement
PIXIT	Protocol Implementation eXtra Information for Testing
PSTS	Profile Specific Test Specification
PT	Portable radio Termination
PTS	Profile Test Specification
SAP	Service Access Point
SCS	System Conformance Statement
SDU	Service Data Unit
SUT	System Under Test
TP	Test Purpose
TSS	Test Suite Structure
XRL	IXIT Requirements list

4 DECT NWK layer protocol

4.1 Additional test purposes

Figure 1 shows the Network (NWK) Test Suite Structure (TSS) defined in EN 300 497-8 [17] for the conformance testing.

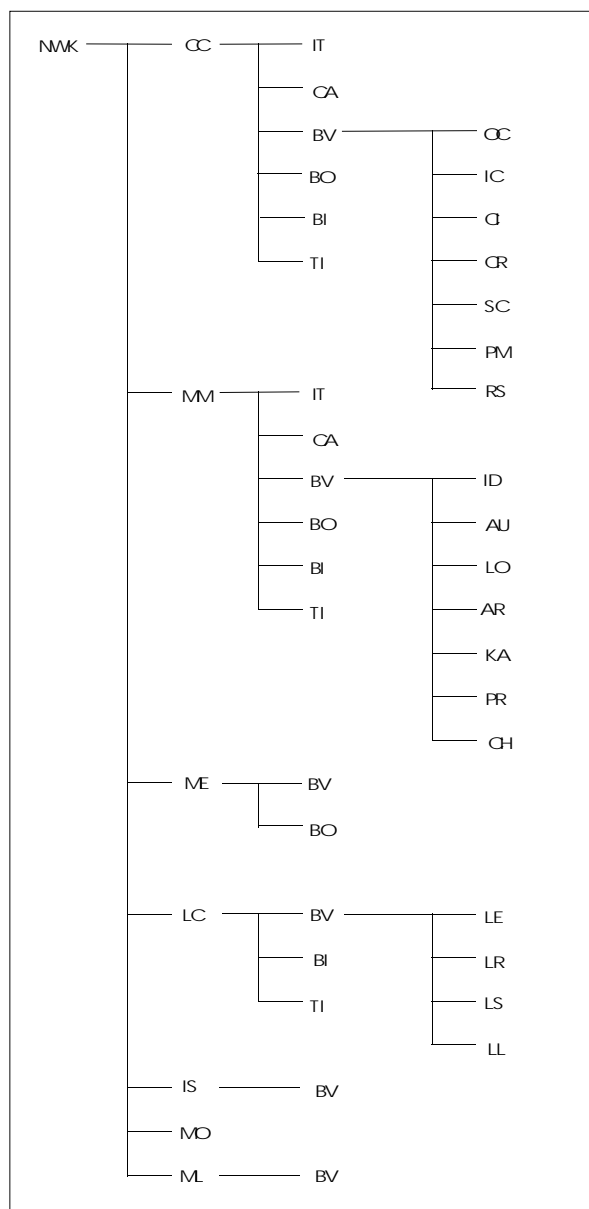


Figure 1: NWK TSS

No test purpose for CC entity of the NWK layer as specified in EN 300 497-8 [17] applies without modification.

Some of the test purposes for LCE entity of the NWK layer as specified in EN 300 497-8 [17] apply with no modifications.

No test purpose for CISS entity of the NWK layer is relevant.

4.1.1 Additional test purposes for IIP CC specific behaviours

4.1.1.1 Test group FT/CC/BV/IS

TP_FT_CC_BV_IS_01	ETS 300 822 [6], subclause 6.5 Initial condition: CC is idle, no link is established Check that, upon receipt of a correct {IWU_INFO} message containing a ISDN {SET-UP} requesting a U-plane, the IUT will reply by sending a {CC_SETUP} for an outgoing call
TP_FT_CC_BV_IS_02	ETS 300 822 [6], subclause 6.5 Initial condition: CC is idle, no link is established Check that, upon receipt of a {IWU_INFO} message containing an invalid ISDN {SET-UP}, the IUT will not reply by sending a {CC_SETUP} for an outgoing call
TP_FT_CC_BV_IS_05	ETS 300 822 [6], subclause 12.2.1 Initial condition: a link is established, using a LU1 service U-plane Check that the IUT after detecting the switching request (evaluating ISDN layer 3 messages) starts the switching procedure from LU1 to LU7.
TP_FT_CC_BV_IS_06	ETS 300 822 [6], subclause 12.2.2 Initial condition: a link is established, using a LU7 service U-plane Check that the IUT after detecting the switching request (evaluating ISDN layer 3 messages) starts the switching procedure from LU7 to LU1.
TP_FT_CC_BV_IS_07	ETS 300 822 [6], subclause 12.2.3 Initial condition: a link is established, using a LU1 service U-plane Check that the IUT after detecting the switching request (detecting the 2 100 Hz modem tone over the U-plane link) starts the switching procedure from LU1 full slot to LU8 double slot.
TP_FT_CC_BV_IS_08	ETS 300 822 [6], subclause 12.2.4 Initial condition: a link is established, using a LU8 service U-plane Check that the IUT after detecting the switching request starts the switching procedure from LU8 double slot to LU1 full slot.
TP_FT_CC_BV_IS_09	ETS 300 822 [6], subclause 12.2.4.1 Initial condition: a link is established, using a LU7 service U-plane Check that the IUT after detecting the switching request (evaluating ISDN layer 3 messages) starts the switching procedure from LU7 to LU8.
TP_FT_CC_BV_IS_10	ETS 300 822 [6], subclause 12.2.4.1 Initial condition: a link is established, using a LU8 service U-plane Check that the IUT after detecting the switching request (evaluating ISDN layer 3 messages) starts the switching procedure from LU8 to LU7.
TP_FT_CC_BV_IS_11	ETS 300 822 [6], subclause 6.7.3 Initial condition: one link is established point to point configuration. Verify that the IUT, upon receipt of a DISCONNECT in the <<IWU-to-IWU>> a {IWU-INFO}, initiates a disconnection from the network.

4.2 Abstract test method

As stated in EN 300 497-9 [18], the ATM used for the DECT NWK layer is the remote embedded test method.

The DECT/ISDN IIP implies no modification for the definition and the use of the ATM.

4.3 Relevant test cases

The test cases defined for the test group "FT/CC/BV/OC" in EN 300 497-9 [18] are not relevant for the IIP profile.

The test cases defined for the test group "FT/CC/BV/IC" in EN 300 497-9 [18] are not relevant for the IIP profile.

The test cases defined for the test group "FT/CC/BV/CI" in EN 300 497-9 [18] are not relevant for the IIP profile.

The test cases defined for the test group "FT/CC/BV/CR" in EN 300 497-9 [18] are not relevant for the IIP profile.

The test cases defined for the test group "FT/CC/BV/RS" in EN 300 497-9 [18] are not relevant for the IIP profile.

The test cases defined for the test group "FT/CC/BV/BO" in EN 300 497-9 [18] are not relevant for the IIP profile.

The test cases defined for the test group "FT/CC/BI" in EN 300 497-9 [18] are not relevant for the IIP profile.

The test cases defined for the test group "FT/CC/TI" in EN 300 497-9 [18] are not relevant for the IIP profile.

The test cases defined for the test group "FT/MM/BV/ID" in EN 300 497-9 [18] relevant for the profile according to their own selection rules are:

- TC-FT-MM-BV-ID-01.

The test cases defined for the test group "FT/MM/BV/AU" in EN 300 497-9 [18] relevant for the profile according to their own selection rules are:

TC-FT-MM-BV-AU-01, TC-FT-MM-BV-AU-04, TC-FT-MM-BV-AU-05, TC-FT-MM-BV-AU-06.

The test cases defined for the test group "FT/MM/BV/LO" in EN 300 497-9 [18] relevant for the profile according to their own selection rules are:

TC-FT-MM-BV-LO-01, TC-FT-MM-BV-LO-02, TC-FT-MM-BV-LO-03, TC-FT-MM-BV-LO-05,
TC-FT-MM-BV-LO-06.

The test cases defined for the test group "FT/MM/BV/AR" in EN 300 497-9 [18] relevant for the profile according to their own selection rules are:

TC-FT-MM-BV-AR-01, TC-FT-MM-BV-AR-03, TC-FT-MM-BV-AR-06.

The test cases defined for the test group "FT/MM/BV/KA" in EN 300 497-9 [18] relevant for the profile according to their own selection rules are:

TC-FT-MM-BV-KA-01, TC-FT-MM-BV-KA-02.

The test cases defined for the test group "FT/MM/BV/CH" in EN 300 497-9 [18] relevant for the profile according to their own selection rules are:

TC-FT-MM-BV-CH-01, TC-FT-MM-BV-CH-02, TC-FT-MM-BV-CH-03, TC-FT-MM-BV-CH-04,
TC-FT-MM-BV-CH-05, TC-FT-MM-BV-CH-08, TC-FT-MM-BV-CH-09, TC-FT-MM-BV-CH-10,
TC-FT-MM-BV-CH-11, TC-FT-MM-BV-CH-12, TC-FT-MM-BV-CH-13, TC-FT-MM-BV-CH-14,
TC-FT-MM-BV-CH-15.

The test cases defined for the test group "FT/MM/BO" in EN 300 497-9 [18] relevant for the profile according to their own selection rules are: TC-FT-MM-BO-01.

The test cases defined for the test group "FT/MM/BI" in EN 300 497-9 [18] relevant for the profile according to their own selection rules are:

TC-FT-MM-BI-02, TC-FT-MM-BI-03.

The test cases defined for the test group "FT/MM/TI" in EN 300 497-9 [18] relevant for the profile according to their own selection rules are:

TC-FT-MM-TI-01, TC-FT-MM-TI-02, TC-FT-MM-TI-04, TC-FT-MM-TI-05, TC-FT-MM-TI-06,
TC-FT-MM-TI-07.

The test cases defined for the test group "FT/ME/BV" in EN 300 497-9 [18] relevant for the profile according to their own selection rules are:

TC-FT-ME-BV-01, TC-FT-ME-BV-02, TC-FT-ME-BV-03.

The test cases defined for the test group "FT/LC/BV/LE" in EN 300 497-9 [18] relevant for the profile according to their own selection rules are:

TC-FT-LC-BV-LE-01, TC-FT-LC-BV-LE-02, TC-FT-LC-BV-LE-03.

The test cases defined for the test group "FT/LC/BV/LR" in EN 300 497-9 [18] relevant for the profile according to their own selection rules are:

TC-FT-LC-BV-LR-02, TC-FT-LC-BV-LR-03, TC-FT-LC-BV-LR-04.

The test cases defined for the test group "FT/LC/BI" in EN 300 497-9 [18] relevant for the profile according to their own selection rules are:

- TC-FT-LC-BI-01, TC-FT-LC-BI-04, TC-FT-LC-BI-05, TC-FT-LC-BI-07.

The test cases defined for the test group "FT/LC/II" in EN 300 497-9 [18] relevant for the profile according to their own selection rules are:

TC-FT-LC-II-02.

4.4 Additional test cases

For covering the new defined test purposes of the test group "FT/CC/BV/IS", the additional test cases are:

- TC-FT-CC-BV-IS-01, TC-FT-CC-BV-IS-02, TC-FT-CC-BV-IS-05, TC-FT-CC-BV-IS-06, TC-FT-CC-BV-IS-07, TC-FT-CC-BV-IS-08, TC-FT-CC-BV-IS-09, TC-FT-CC-BV-IS-10, TC-FT-CC-BV-IS-11.

4.5 Modified test cases

Test cases, where preamble PR_goto_fxx is used, are considered as modified since the operation of these preambles is different.

The tests using the messages {CIPHER_REQUEST} and {CIPHER_SUGGEST} because a new IE <<Connection Identity>> should be added to the message.

The tests using the messages {CC_RELEASE} and {CC_RELEASE_COM} because a new IE <<IWU-TO-IWU>> should be added to the message.

5 DECT DLC layer protocol

5.1 Additional test purposes

Figure 2 shows the Data Link Control Test Suite Structure (TSS) defined in EN 300 497-4 [15] for the conformance testing.

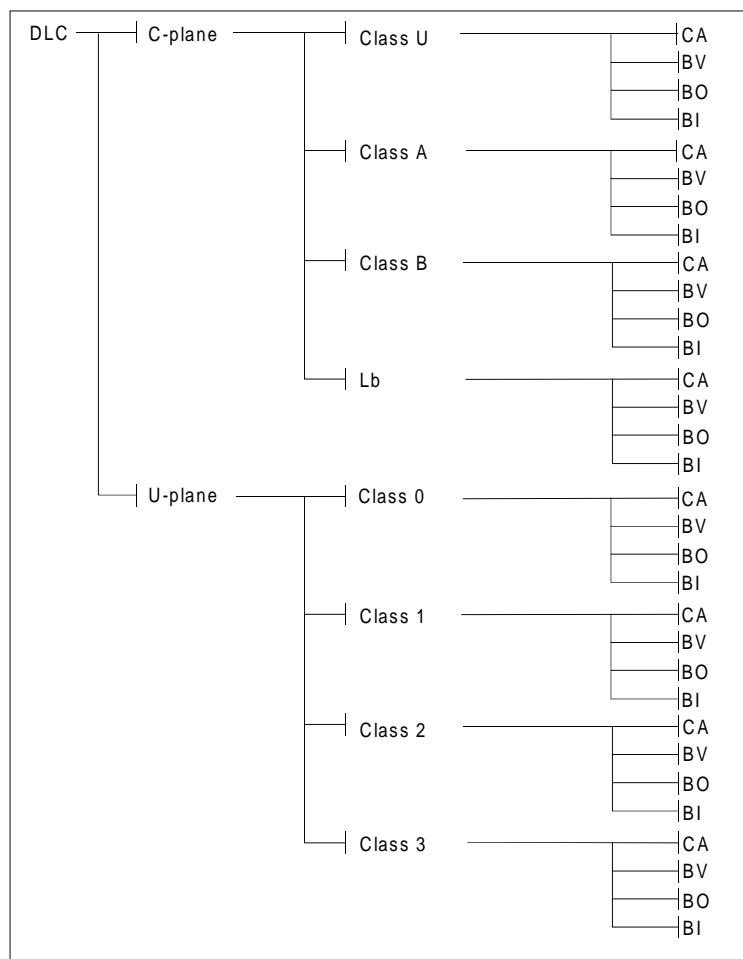


Figure 2: DLC TSS

Additional test purposes for C-plane Class B procedures are added in the functional module "Class B" and in the corresponding standard main test group CA, BV, BO and BI. According to the TP naming convention and the existing TP defined in EN 300 497-4 [15], the identifiers used for the additional test purpose start at "DLC/C-Plane/ClassB/TPBC-000" for CA test group, "DLC/C-Plane/ClassB/TPBV-000" for BV test group, "DLC/C-Plane/ClassB/TPBO-000" for BO test group, and "DLC/C-Plane/ClassB/TPBI-000" for BI test group.

NOTE: As the IUT enters into the receiver busy state only in case of its own internal events, there are no test purposes defined for this state.
 As the link suspension and resumption procedures are not used in this profile, no test purposes are provided for these procedures.
 As connection handover procedures are (for test and tester complexity reasons) not testable, no test purposes are provided for these procedures.

Additional test purposes for LU7 are added in the functional module "Class 0" and in the corresponding standard main test group BV. According to the TP naming convention and the existing TP defined in EN 300 497-4 [15], the identifiers used for the additional test purpose start at "DLC/U-Plane/Class0/TP0V-100" for BV test group.

Additional test purposes for LU8 are added in the functional module "Class 0" and in the corresponding standard main test group BV. According to the TP naming convention and the existing TP defined in EN 300 497-4 [15], the identifiers used for the additional test purpose start at "DLC/U-Plane/Class0/TP0V-200" for BV test group.

5.1.1 Additional test purposes for C-plane Class B procedures

5.1.1.1 Test group CA

DLC/C-Plane/ClassB/TPBC-000	<p>ETS 300 175-4 [3], subclause 9.2.4.2. Only for IUT that is able to send the Class B establishment request of the data link. Initial condition: The IUT has sent the Class B link establishment request and is now in establishment pending state. Verify that the IUT re-transmits the same link establishment I-Frame request N250 times if, at each request, the timer <DL-02> expires and the expected RR response frame with the NLF bit set to "1" is not received and enters established state, if in the last re-transmission it receives the expected RR with the NLF bit set to "1".</p>
DLC/C-Plane/ClassB/TPBC-001	<p>ETS 300 175-4 [3], subclauses 9.2.4.3.1, 9.2.4.3.2. Only for IUT that is able to send the Class B establishment request of the data link. Initial condition: The IUT has sent the Class B link establishment request and is now in establishment pending state. Verify that the IUT, on receipt of a RR frame response to the link establishment request it has sent, and containing a valid assignable value of LLN, enters Class B established state.</p>
DLC/C-Plane/ClassB/TPBC-002	<p>ETS 300 175-4 [3], subclauses 9.2.4.3.1, 9.2.4.3.2. Only for IUT that is able to send the Class B establishment request of the data link. Initial condition: The IUT has sent the Class B link establishment request and is now in establishment pending state. Verify that the IUT, on receipt of a RR frame response to the link establishment request it has sent, and containing the Class A operation value of LLN, either enters Class A established state or releases the link.</p>
DLC/C-Plane/ClassB/TPBC-003	<p>ETS 300 175-4 [3], subclauses 9.2.4.3.1, 9.2.4.3.2. Only for IUT that is able to send the Class B establishment request of the data link. Initial condition: The IUT has sent the Class B link establishment request and is now in establishment pending state. Verify that the IUT, on receipt of a RR frame response to the link establishment request it has sent, and containing the LLN unassigned value of LLN, releases the link.</p>
DLC/C-Plane/ClassB/TPBC-004	<p>ETS 300 175-4 [3], subclause 9.2.8.2. Only for IUT that is able to send the Class B re-establishment request of the data link. Initial condition: The IUT has sent the Class B link re-establishment request to re-establish the link and is now in re-establishment pending state. Verify that the IUT re-transmits the same link re-establishment SABM request N250 times if, at each request, the timer <DL-02> expires and the expected (UA or DM) response frame with the NLF bit set to "1" is not received and either enters established state, if in the last re-transmission it receives an UA with the NLF bit set to "1" or releases the link, if in the last re-transmission it receives a DM with the NLF bit set to "1".</p>

DLC/C-Plane/ClassB/TPBC-005	ETS 300 175-4 [3], subclause 9.2.8.2. Only for IUT that is able to send the Class B re-establishment request of the data link. Initial condition: The IUT has sent the Class B link re-establishment request to re-establish the link and is now in re-establishment pending state. Verify that the IUT, on receipt of a valid UA frame response with the NLF bit set to "1" to the link re-establishment request it has sent, re-enters established state.
DLC/C-Plane/ClassB/TPBC-006	ETS 300 175-4 [3], subclause 9.2.5.2. Initial condition: The IUT is in Class B multiple frame operation. Verify that the IUT acknowledges rightly a valid received I-Frame within timer <DL-04>.
DLC/C-Plane/ClassB/TPBC-007	ETS 300 175-4 [3], subclause 9.2.5.7. Initial condition: The IUT is in Class B multiple frame operation. Verify that the IUT re-transmits N250 times either the same I-Frame with P bit set to "1" or appropriate S frame with P bit set to "1" if, at each transmission, the timer <DL-04> expires and the expected acknowledgement is not received and remains in established state, if in the last re-transmission it receives the expected acknowledgement.
DLC/C-Plane/ClassB/TPBC-008	ETS 300 175-4 [3], subclause 9.2.6. Initial condition: The IUT is in Class B multiple frame operation. Verify that the IUT, on receipt of a valid DISC command frame with P and NLF bits set to "1", responds with a UA response frame with the F bit set to "1" and enters into the ULI state.
DLC/C-Plane/ClassB/TPBC-009	ETS 300 175-4 [3], subclause 9.2.7.1.1. Initial condition: The IUT is in Class B multiple frame operation. Verify that the IUT, on receipt of a valid DISC command frame with P bit set to "1" and NLF bit set to "0", responds with either a UA response frame with the F bit set to "1", NLF bit cleared to accept the suspension or a UA response frame with the F bit set to "1", NLF bit set to "1" to reject the suspension and either enters into the ALI state in case of acceptance or remains in the ASM state in case of rejection.
DLC/C-Plane/ClassB/TPBC-010	ETS 300 175-4 [3], subclause 9.2.7.1.1. Initial condition: The IUT is in ULI state. Verify that the IUT, on receipt of a valid DISC command frame with P bit set to "1" and NLF bit set to "0", responds with a UA response frame with the F bit set to "1", NLF bit set to "1" to reject the suspension and remains in the ULI state.

5.1.1.2 Test group BV

DLC/C-Plane/ClassB/TPBV-000	ETS 300 175-4 [3], subclause 9.2.5.2. Initial condition: The IUT is in Class B multiple frame operation and has sent an I-Frame. Verify that the IUT accepts as an acknowledgement for a previously transmitted I-Frame, a RR response frame with correct N(R) value.
DLC/C-Plane/ClassB/TPBV-001	ETS 300 175-4 [3], subclause 9.2.5.2. Initial condition: The IUT is in Class B multiple frame operation and has sent an I-Frame. Verify that the IUT accepts as an acknowledgement for a previously transmitted I-Frame, an I-Frame command with correct N(S) and N(R) values.
DLC/C-Plane/ClassB/TPBV-002	ETS 300 175-4 [3], subclause 9.2.5.2. Initial condition: The IUT is in Class B multiple frame operation and has sent an I-Frame. Verify that the IUT accepts as an acknowledgement for a previously transmitted I-Frame, an RNR response frame with correct N(R) values and after expiry of <DL-04> timer transmits an RR command frame with P bit set to "1".
DLC/C-Plane/ClassB/TPBV-003	ETS 300 175-4 [3], subclause 9.2.5.4. Initial condition: The IUT is in Class B multiple frame operation and has sent an I-Frame. Verify that the IUT, on receipt of a REJ command frame with P bit set to "1" and N(R) indicating the last I-Frame sent, transmit an RR response frame with F bit set to "1" and then re-transmits the rejected I-Frame.
DLC/C-Plane/ClassB/TPBV-004	ETS 300 175-4 [3], subclause 9.2.5.4. Initial condition: The IUT is in Class B multiple frame operation and has sent an I-Frame. Verify that the IUT ignores an REJ response frame with F bit set to "1", and then after expiry of <DL-04> timer either re-transmits the unacknowledged I-Frame with P bit set to "1" or transmits an RR command frame with P bit set to "1".
DLC/C-Plane/ClassB/TPBV-005	ETS 300 175-4 [3], subclause 9.2.5.5. Initial condition: The IUT is in Class B multiple frame operation. Verify that the IUT accepts as an indication of peer busy condition, an RNR command frame with P bit set to "1", answers with an RR response frame with F bit set to "1" and after expiry of <DL-04> timer transmit an RR command frame with P bit set to "1".
DLC/C-Plane/ClassB/TPBV-006	ETS 300 175-4 [3], subclause 9.2.5.5. Initial condition: The IUT is in peer receiver busy condition with an I-Frame not acknowledged. Verify that the IUT, after expiry of <DL-04> timer transmits an RR command frame with P bit set to "1". Then after receiving a correct RR response frame with F bit set to "1", the IUT re-transmits the I-Frame not acknowledged.
DLC/C-Plane/ClassB/TPBV-007	ETS 300 175-4 [3], subclause 9.2.5.7. Initial condition: The IUT is in timer recovery phase. Verify that the IUT accepts as an acknowledgement for a previously transmitted I-Frames, a RR response frame with correct N(R) value and leaves the timer recovery phase.
DLC/C-Plane/ClassB/TPBV-008	ETS 300 175-4 [3], subclause 9.2.5.7. Initial condition: The IUT is in timer recovery phase. Verify that the IUT accepts as an acknowledgement for a previously transmitted I-Frames, an I-Frame with correct N(S) and N(R) values and leaves the timer recovery phase.
DLC/C-Plane/ClassB/TPBV-009	ETS 300 175-4 [3], subclause 9.2.5.5. Initial condition: The IUT is in timer recovery phase Verify that the IUT accepts as an acknowledgement for a previously transmitted I-Frame, an RNR response frame with correct N(R) values and after expiry of <DL-04> timer transmits an RR command frame with P bit set to "1".
DLC/C-Plane/ClassB/TPBV-010	ETS 300 175-4 [3], subclause 9.2.5.4. Initial condition: The IUT is in timer recovery phase Verify that the IUT, on receipt of a REJ response frame with F bit set to "1" and N(R) indicating the last I-Frame sent, re-transmits the rejected I-Frame.

DLC/C-Plane/ClassB/TPBV-011	ETS 300 175-4 [3], subclause 9.2.5.5. Initial condition: The IUT is in timer recovery phase. Verify that the IUT accepts as an indication of peer busy condition, an RNR command frame with P bit set to "1", answers with an RR response frame with F bit set to "1" and after expiry of <DL-04> timer transmit an RR command frame with P bit set to "1".
DLC/C-Plane/ClassB/TPBV-012	ETS 300 175-4 [3], subclause 9.2.5.5. Initial condition: The IUT is in timer recovery phase and in peer receiver busy condition. Verify that the IUT, after expiry of <DL-04> timer transmits an RR command frame with P bit set to "1". Then after receiving a correct RR response frame with F bit set to "1", the IUT re-transmits the I-Frame not acknowledged.
DLC/C-Plane/ClassB/TPBV-013	ETS 300 175-4 [3], subclause 9.2.5. Initial condition: The IUT is in Class B multiple frame operation. Verify that the IUT manages properly the sequence numbering operation within the window size.
DLC/C-Plane/ClassB/TPBV-014	ETS 300 175-4 [3], subclause 9.2.5.5. Initial condition: The IUT is in Class B multiple frame operation. Verify that the IUT manages properly a multiple exchange of frames (sequence numbering within window size and modulus in both sides).
DLC/C-Plane/ClassB/TPBV-015	ETS 300 175-4 [3], subclause 7.7.2. Initial condition: The IUT is in Class B multiple frame operation. Verify that the IUT manages properly the DLC more data bit to recombine a NWK message contained in more than one DLC I-Frame.
DLC/C-Plane/ClassB/TPBV-016	ETS 300 175-4 [3], subclause 7.7.2. Initial condition: The IUT is in Class B multiple frame operation. Verify that the IUT is able to segment a NWK message in more than one DLC I-Frame by using the DLC more data bit.
DLC/C-Plane/ClassB/TPBV-017	ETS 300 175-4 [3], subclause 7.7.2. Initial condition: The IUT is in Class B multiple frame operation. Verify that the IUT manages properly the DLC more data bit to recombine a NWK message contained in a number of DLC I-Frame exceeding the window size.

5.1.1.3 Test group BI

DLC/C-Plane/ClassB/TPBI-000	ETS 300 175-4 [3], subclause 9.2.4.2. Only for IUT that is able to send the Class B establishment request of the data link. Initial condition: The IUT has sent the Class B link establishment request and is now in establishment pending state. Verify that the IUT, on receipt of a RR response frame with NLF bit set to "1" and F set to "0", discards the received RR response frame and, on expiry of the timer <DL-02>, re-transmits the establishment request.
DLC/C-Plane/ClassB/TPBI-001	ETS 300 175-4 [3], subclause 9.2.9.2.2. Only for IUT that is able to send the Class B establishment request of the data link. Initial condition: The IUT has sent the Class B link establishment request and is now in establishment pending state. Verify that the IUT, on receipt of a RR response frame with NLF bit set to "1", F set to "1" and invalid N(R), transmits immediately the re-establishment request (SABM with NLF and P bits set to "1").
DLC/C-Plane/ClassB/TPBI-002	ETS 300 175-4 [3], subclause 9.2.9.2.2. Initial condition: The IUT, in Class B multiple frame operation, has sent an I-Frame and is waiting for the adequate acknowledgement. Verify that the IUT, on receipt of a RR response frame with NLF bit set to "0", F bit set accordingly with the P bit of the unacknowledged I-Frame and invalid N(R), transmits immediately the re-establishment request (SABM with NLF and P bits set to "1").
DLC/C-Plane/ClassB/TPBI-003	ETS 300 175-4 [3], subclause 9.2.9.2.1. Initial condition: The IUT, in Class B multiple frame operation, has sent an I-Frame and is waiting for the adequate acknowledgement. Verify that the IUT rejects an I-Frame with invalid N(S) by sending a REJ response frame and on expiry of <DL-04> timer, polls the tester by sending a RR command frame with P bit set to "1".

5.1.1.4 Test group BO

DLC/C-Plane/ClassB/TPBO-000	ETS 300 175-4 [3], subclause 9.2.4.1. Initial condition: The IUT, in Class B multiple frame operation. Verify that the IUT, on receipt of an UA frame with F bit set to "0", ignores the received frame.
DLC/C-Plane/ClassB/TPBO-001	ETS 300 175-4 [3], subclause 9.2.4.1. Initial condition: The IUT, in Class B multiple frame operation. Verify that the IUT, on receipt of an UA frame with F bit set to "1", ignores the received frame.
DLC/C-Plane/ClassB/TPBO-002	ETS 300 175-4 [3], subclause 9.2.4.1. Initial condition: The IUT, in Class B multiple frame operation. Verify that the IUT, on receipt of a DM frame with F bit set to "0", transmits the Class B re-establishment request.
DLC/C-Plane/ClassB/TPBO-003	ETS 300 175-4 [3], subclause 9.2.4.1. Initial condition: The IUT, in Class B multiple frame operation. Verify that the IUT, on receipt of a DM frame with F bit set to "1", ignores the received frame.
DLC/C-Plane/ClassB/TPBO-004	ETS 300 175-4 [3], subclauses 9.2.8, 9.2.9.2.4. Only for IUT that is able to send the Class B re-establishment request of the data link. Initial condition: The IUT has sent the Class B link re-establishment request to re-establish the link and is now in re-establishment pending state. Verify that the IUT, on receipt of a SABM command frame with P and NLF bits set to "1", answers with the appropriate UA response frame (P and NLF bits set to "1") and, then on receipt of the awaited UA response frame (P and NLF bits set to "1") re-enters into Class B multiple frame operation.
DLC/C-Plane/ClassB/TPBO-005	ETS 300 175-4 [3], subclauses 9.2.6, 9.2.9.2.4. Only for IUT that is able to send the Class B release request of the data link. Initial condition: The IUT has sent the Class B link release request to release the link and is now in release pending state. Verify that the IUT, on receipt of a DISC command frame with P and NLF bits set to "1", answers with the appropriate UA response frame (P and NLF bits set to "1") and, then on receipt of the awaited UA response frame (P and NLF bits set to "1") enters into ULI state.

5.1.2 Additional test purposes for U-plane LU7 procedures

5.1.2.1 Test group BV

DLC/U-Plane/Class0/TP0V-100	ETS 300 175-4 [3], subclause E.4.3.2.1 Only for an IUT, that transmits a stream of data frames after the establishment of the LU7 service. Initial condition: The LU7 service is established. The IUT received a frame with incorrect checksum, and the IUT's V(O) = 0. Check that the IUT uses the first time transmission procedure with a 64 kbit/s frame format to transmit the next frames.
DLC/U-Plane/Class0/TP0V-101	ETS 300 175-4 [3], subclause E.4.3.2.1 Only for an IUT, that transmits a stream of data frames after the establishment of the LU7 service. Initial condition: The LU7 service is established. The IUT received a frame with incorrect checksum, and the IUT's V(O) = (Max. VO value - 8). Check that the IUT uses the 72 kbit/s frame format to transmit the next frames.
DLC/U-Plane/Class0/TP0V-102	ETS 300 175-4 [3], subclause E.4.3.2.2 Only for an IUT, that transmits a stream of data frames after the establishment of the LU7 service. Initial condition: The LU7 service is established. The IUT received a re-transmit request, and the IUT's V(O) < (Max. VO value). Check that the IUT re-transmits the requested frame with the same frame speed format as the initial sending of this frame.
DLC/U-Plane/Class0/TP0V-103	ETS 300 175-4 [3], subclause E.4.3.2.4 Only for an IUT, that transmits a stream of data frames after the establishment of the LU7 service. Initial condition: The LU7 service is established. The IUT received 64 kbit/s frames, and the IUT's V(O) = 0. Check that the IUT acknowledges the received frames by transmitting a frame with N(R) set to the correct value.
DLC/U-Plane/Class0/TP0V-104	ETS 300 175-4 [3], subclause E.4.3.2.5 Only for an IUT, that transmits a stream of data frames after the establishment of the LU7 service. Initial condition: The LU7 service is established. The IUT received 64 kbit/s frames, and the IUT's V(O) = 0. Check that the IUT treats the N(R) value contained in a received frame as an acknowledgement for all frames it has transmitted with an N(S) up to this value.

5.1.3 Additional test purposes for U-plane LU8 procedures

5.1.3.1 Test group BV

DLC/U-Plane/Class0/TP0V-200	ETS 300 822 [6], subclause 9.2.3. Only for an IUT, that transmits a stream of data frames after the establishment of the LU8 service. Initial condition: The LU8 service is established. Verify that the IUT is able to transmit a correct LU8 U-plane Class 0 In normal delay frame.
DLC/U-Plane/Class0/TP0V-201	ETS 300 822 [6], subclause 9.2.3. Only for an IUT, that transmits a stream of data frames after the establishment of the LU8 service. Initial condition: The LU8 service is established. Verify that the IUT is able to receive a correct LU8 U-plane Class 0 In normal delay frame.

5.2 Abstract test method

As stated in EN 300 497-5 [16], the ATM used for the DECT DLC layer is the remote embedded test method. The fragmentation and recombination of the C_F and C_S channels (subset of Lc entity) are considered as a part of the lower layer under the PCO.

The DECT/ISDN IIP implies no modification for the definition and the use of the ATM.

5.3 Relevant test cases

All test cases defined for the test group "DLC/U-Plane/Class0" in EN 300 497-5 [16] are relevant for the profile according to their own selection rules. All other test cases defined in other test group are not relevant for the profile.

5.4 Additional test cases

5.4.1 Additional test cases for C-plane Class B

For covering the new test purposes, the derived test cases are:

TC-B-CA-000, TC-B-CA-001, TC-B-CA-002, TC-B-CA-003, TC-B-CA-004, TC-B-CA-005, TC-B-CA-006, TC-B-CA-007, TC-B-CA-008, TC-B-CA-009, TC-B-CA-010, TC-B-BV-000, TC-B-BV-001, TC-B-BV-002, TC-B-BV-003, TC-B-BV-004, TC-B-BV-005, TC-B-BV-006, TC-B-BV-007, TC-B-BV-008, TC-B-BV-009, TC-B-BV-010, TC-B-BV-011, TC-B-BV-012, TC-B-BV-013, TC-B-BV-014, TC-B-BV-015, TC-B-BV-016, TC-B-BV-017, TC-B-BI-000, TC-B-BI-001, TC-B-BI-002, TC-B-BI-003, TC-B-BO-000, TC-B-BO-001, TC-B-BO-002, TC-B-BO-003, TC-B-BO-004, TC-B-BO-005.

5.4.2 Additional test cases for U-plane LU7

For covering the new test purposes, the derived test cases are:

TC-0-BV-100, TC-0-BV-101, TC-0-BV-102, TC-0-BV-103, TC-0-BV-104.

5.4.3 Additional test cases for U-plane LU8

For covering the new test purposes, the derived test cases are:

TC-0-BV-200, TC-0-BV-201.

5.5 Modified test cases

No modified test cases derived from test cases specified in EN 300 497-5 [16] are needed for the requirements of this profile.

6 DECT MAC layer protocol

6.1 Additional test purposes

Figure 3 shows the MAC Test Suite Structure (TSS) defined in EN 300 497-1 [13] for the conformance testing.

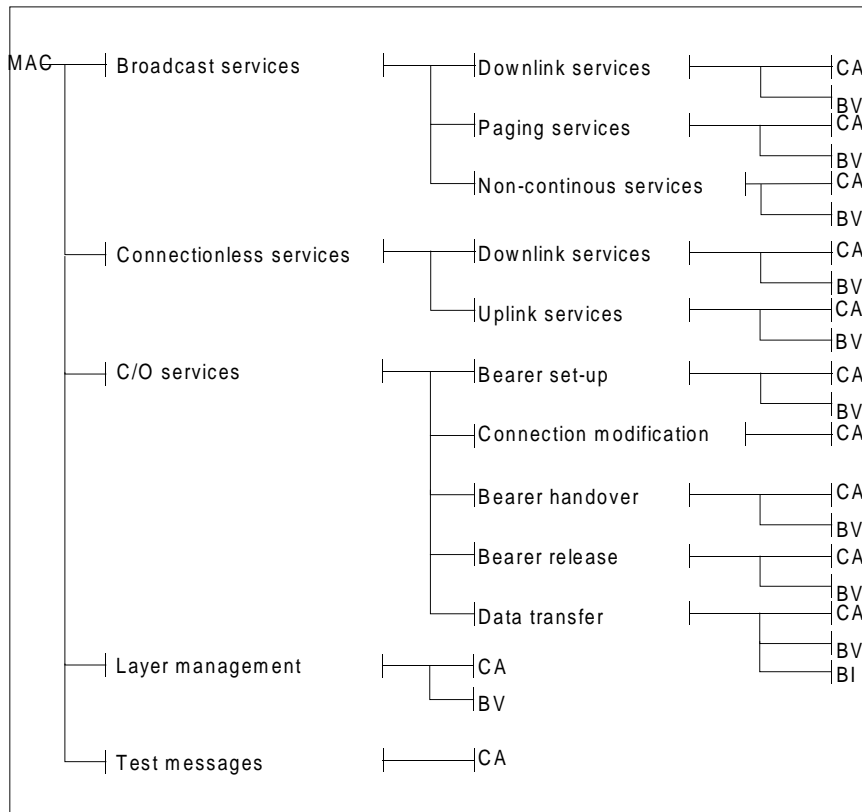


Figure 3: TSS for DECT MAC layer (layer 2a of DECT protocol stack)

Additional test purposes are added in the functional modules "BS/CA" and "BS/BV" for testing set-up of advanced symmetric connections (PT initiated - B field single bearer set-up procedure). According to the TP naming convention and the existing TP defined in EN 300 497-2 [32], the identifiers used for the additional test purpose start at "TP/BS/CA-10" for CA test group and "TP/BS/BV-10" for BV test group.

Additional test purposes are added in the functional modules "BR/CA" for testing release of advanced symmetric connections (Unacknowledged bearer release procedure). According to the TP naming convention and the existing TP defined in EN 300 497-2 [32], the identifiers used for the additional test purpose start at "TP/BR/CA-10" for CA test group.

Additional test purposes are added in the functional modules "BS/CA" and "BS/BV" for testing C-plane switching procedures. According to the TP naming convention and the existing TP defined in EN 300 497-2 [32], the identifiers used for the additional test purpose start at "TP/BS/CA-20" for CA test group and "TP/BS/BV-20" for BV test group.

Additional test purposes are added in the functional modules "BS/CA" and "BS/BV" for testing connection handover procedure. According to the TP naming convention and the existing TP defined in EN 300 497-2 [32], the identifiers used for the additional test purpose start at "TP/BS/CA-30" for CA test group and "TP/BS/BV-40" for BV test group.

Additional test purposes are added in the functional module "CM/CA" for testing release of part of double slot procedure. According to the TP naming convention and the existing TP defined in EN 300 497-2 [32], the identifiers used for the additional test purpose start at "TP/CM/CA-10" for CA test group.

6.1.1 Additional test purposes for advanced symmetric connections

TP/BS/CA-10	ETS 300 822 [6], subclauses 8.1.2.2, 8.1.2.31 Initial state: Active_idle. Check that the IUT manages rightly the PT initiated B field single bearer set-up procedure.
TP/BR/CA-10	ETS 300 822 [6], subclause 8.1.3. Initial state: Active_traffic or Active_traffic_and_idle Check that the IUT manages rightly an unacknowledged release procedure of an advanced duplex bearer when receiving a B-field release message.
TP/BR/CA-11	ETS 300 822 [6], subclause 8.3.2. Initial state: Active_idle. Check that the IUT, after establishment of an advanced symmetric connection, releases this connection, if timer T201 expires without receiving a correct RFPI handshake on that bearer.

6.1.2 Additional test purposes for C-plane switching procedures

6.1.2.1 Dynamic switching C_F to C_S: DIFS initiated

TP/BS/CA-20	ETS 300 822 [6], subclause 8.1.4.1. Initial state: Two connections are established. One with C _F signalling and the other one with a LU service. Check that the IUT manages rightly the Dynamic switching C _F to C _S procedure. At the end of the procedure, the C _S signalling channel is on the A-field of the bearer that carries the LU service on its B-field and the bearer that carried the C _F signalling channel is released.
TP/BS/BV-20	ETS 300 822 [6], subclause 8.1.4.1. Initial state: Two connections are established. One with C _F signalling and the other one with a LU service. Check that the IUT re-transmits N204 times the request of signalling switching in case of no response (A-CRC fails or no message received). Then, upon receipt of the good response, the IUT terminates properly the procedure to switch the signalling channel. At the end of the procedure, the C _S signalling channel is on the A-field of the bearer that carries the LU service on its B-field and the bearer that carried the C _F signalling channel is released.
TP/BS/BV-21	ETS 300 822 [6], subclause 8.1.4.1. Initial state: Two connections are established. One with C _F signalling and the other one with a LU service. Check that the IUT, in case of timer T217 expiry (due to no response: A-CRC fail or no message received), stops to send the ATTRIBUTES_T_REQ (if it is not already done: max re-transmission = N204 + 1) and stops the signalling switching procedure. The two old connections remain unchanged.

6.1.2.2 Dynamic switching C_S to C_F : DIPS initiated

TP/BS/CA-21	<p>ETS 300 822 [6], subclause 8.1.4.2. Initial state: One connection is established with the C_S signalling channel on the A-field and a LU service on the B-field. Stimulus: The DIPS detects that the C_F signalling channel is required. Check that the IUT manages rightly the Dynamic switching C_S to C_F DIPS initiated procedure. At the end of the procedure, the C_S signalling channel on the A-field of the bearer, that carries the LU service on its B-field, has been stopped and a new bearer with the C_F signalling channel is active.</p>
TP/BS/BV-22	<p>ETS 300 822 [6], subclause 8.1.4.2. Initial state: One connection is established with the C_S signalling channel on the A-field and a LU service on the B-field. Stimulus: The DIPS detects that the C_F signalling channel is required. Check that the IUT re-transmits N204 times the confirmation of signalling switching in case of no response (A-CRC fails or no message received). Then, upon receipt of the good response, the IUT terminates properly the procedure to switch the signalling channel. At the end of the procedure, the C_S signalling channel on the A-field of the bearer, that carries the LU service on its B-field, has been stopped and a new bearer with the C_F signalling channel is active.</p>
TP/BS/BV-23	<p>ETS 300 822 [6], subclause 8.1.4.2. Initial state: One connection is established with the C_S signalling channel on the A-field and a LU service on the B-field. Stimulus: The DIPS detects that the C_F signalling channel is required. Check that the IUT, in case of timer T217 expiry (due to no response: A-CRC fail or no message received), stops to send the ATTRIBUTES_T_REQ (if it is not already done: max re-transmission = N204 + 1) and stops the signalling switching procedure. The old connection remains with the C_S signalling channel on the A-field and a LU service on the B-field.</p>

6.1.2.3 Dynamic switching C_S to C_F : DIFS initiated

TP/BS/CA-22	<p>ETS 300 822 [6], subclause 8.1.4.3. Initial state: One connection is established with the C_S signalling channel on the A-field and a LU service on the B-field. Check that the IUT manages rightly the Dynamic switching C_S to C_F DIFS initiated procedure. At the end of the procedure, the C_S signalling channel on the A-field of the bearer, that carries the LU service on its B-field, has been stopped and a new bearer with the C_F signalling channel is active.</p>
TP/BS/BV-24	<p>ETS 300 822 [6], subclause 8.1.4.3. Initial state: One connection is established with the C_S signalling channel on the A-field and a LU service on the B-field. Check that the IUT re-transmits N204 times the request of signalling switching in case of no response (A-CRC fails or no message received). Then, upon receipt of the good response, the IUT terminates properly the procedure to switch the signalling channel. At the end of the procedure, the C_S signalling channel on the A-field of the bearer, that carries the LU service on its B-field, has been stopped and a new bearer with the C_F signalling channel is active.</p>
TP/BS/BV-25	<p>ETS 300 822 [6], subclause 8.1.4.3. Initial state: One connection is established with the C_S signalling channel on the A-field and a LU service on the B-field. Check that the IUT, in case of timer T217 expiry (due to no response: A-CRC fail or no message received), stops to send the ATTRIBUTES_T_REQ (if it is not already done: max re-transmission = N204 + 1) and stops the signalling switching procedure. The old connection remains unchanged.</p>

6.1.2.4 Dynamic switching C_{Sx} to C_{Sy} : DIFS initiated

TP/BS/CA-23	<p>ETS 300 822 [6], subclause 8.1.4.4. Initial state: Two connections are established. One with the C_S signalling channel on the A-field and a LUX service on the B-field and the other one with only LUY service on the B-field. Check that the IUT manages rightly the Dynamic switching C_{Sx} to C_{Sy} DIFS initiated procedure. At the end of the procedure, the C_S signalling channel is on the A-field of the second bearer, that carries the LUY service on its B-field, and the C_S signalling channel on the A-field of the first bearer supporting LUX service has been stopped.</p>
TP/BS/BV-26	<p>ETS 300 822 [6], subclause 8.1.4.4. Initial state: Two connections are established. One with the C_S signalling channel on the A-field and a LUX service on the B-field and the other one with only LUY service on the B-field. Check that the IUT re-transmits N204 times the request of signalling switching in case of no response (A-CRC fails or no message received). Then, upon receipt of the good response, the IUT terminates properly the procedure to switch the signalling channel. At the end of the procedure, the C_S signalling channel is on the A-field of the second bearer, that carries the LUY service on its B-field, and the C_S signalling channel on the A-field of the first bearer supporting LUX service has been stopped.</p>
TP/BS/BV-27	<p>ETS 300 822 [6], subclause 8.1.4.4. Initial state: Two connections are established. One with the C_S signalling channel on the A-field and a LUX service on the B-field and the other one with only LUY service on the B-field. Check that the IUT, in case of timer T217 expiry (due to no response: A-CRC fail or no message received), stops to send the ATTRIBUTES_T_REQ (if it is not already done: max re-transmission = N204 + 1) and stops the signalling switching procedure. The two old connections remain unchanged.</p>

6.1.3 Additional test purposes for U-plane switching procedures

6.1.3.1 Connection handover procedure

TP/BS/CA-30	<p>ETS 300 822 [6], subclause 12.2.2.1.1. Initial state: A connection is established. Check that the IUT manages rightly the PT initiated B field connection handover procedure.</p>
TP/BS/BV-30	<p>ETS 300 822 [6], subclause 8.1.2.6.1. Initial state: A connection is established. Check that the IUT releases a duplex bearer in case the timer T200 expires during PT initiated B-field connection handover procedure.</p>

6.1.3.2 Release of part of double slot procedure

TP/CM/CA-10	<p>ETS 300 822 [6], subclause 12.2.2.1.2. Initial state: A double slot connection is established. Check that the IUT manages rightly a connection modification from double slot connection to full slot connection.</p>
TP/CM/CA-11	<p>ETS 300 822 [6], subclause 12.2.2.1.2. Initial state: A double slot connection is established. Check that the IUT re-transmits N205 times the confirmation for connection modification in case of no response (other message error free). Then, upon receipt of the good response, the IUT terminates properly the procedure to switch from double slot connection to full slot connection.</p>
TP/CM/CA-12	<p>ETS 300 822 [6], subclause 12.2.2.1.2. Initial state: A double slot connection is established. Check that the IUT re-transmits N205 + 1 times the confirmation for connection modification in case of no response (other message error free). Then the IUT terminates the switching procedure (connection remains in double slot).</p>

6.2 Abstract test method

As stated in EN 300 497-3 [14], the ATM used for the DECT MAC layer is a specific test method using specific MAC layer implementation on the tester.

The DECT/ISDN IIP implies no modification for the definition and the use of the ATM.

6.3 Relevant test cases

The test cases defined for the test group "DB/CA" in EN 300 497-3 [14] relevant for the profile according to their own selection rules are:

TC-FT-DB-CA-00, TC-FT-DB-CA-01, TC-FT-DB-CA-02, TC-FT-DB-CA-03, TC-FT-DB-CA-04,
TC-FT-DB-CA-05, TC-FT-DB-CA-06, TC-FT-DB-CA-07.

The test cases defined for the test group "DB/BV" in EN 300 497-3 [14] relevant for the profile according to their own selection rules are:

TC-FT-DB-BV-03.

The test cases defined for the test group "PG/CA" in EN 300 497-3 [14] relevant for the profile according to their own selection rules are:

TC-FT-PG-CA-00, TC-FT-PG-CA-01.

The test cases defined for the test group "PG/BV" in EN 300 497-3 [14] relevant for the profile according to their own selection rules are:

TC-FT-PG-BV-01.

The test cases defined for the test group "BS/CA" in EN 300 497-3 [14] relevant for the profile according to their own selection rules are:

TC-FT-BS-CA-00.

The test cases defined for the test group "BS/BV" in EN 300 497-3 [14] relevant for the profile according to their own selection rules are:

TC-FT-BS-BV-00.

The test cases defined for the test group "BH/CA" in EN 300 497-3 [14] relevant for the profile according to their own selection rules are:

TC-FT-BH-CA-00, TC-FT-BH-CA-01.

The test cases defined for the test group "BR/CA" in EN 300 497-3 [14] relevant for the profile according to their own selection rules are:

TC-FT-BR-CA-00.

The test cases defined for the test group "DT/CA" in EN 300 497-3 [14] relevant for the profile according to their own selection rules are:

TC-FT-DT-CA-00, TC-FT-DT-CA-01, TC-FT-DT-CA-02.

The test cases defined for the test group "DT/BI" in EN 300 497-3 [14] relevant for the profile according to their own selection rules are:

TC-FT-DT-BI-00, TC-FT-DT-BI-01.

The test cases defined for the test group "LM/CA" in EN 300 497-3 [14] relevant for the profile according to their own selection rules are:

TC-FT-LM-CA-05.

6.4 Additional test cases

6.4.1 Additional test cases for advanced symmetric connections

For covering the new defined test purposes of the test group "BS/CA", the additional test cases are:

TC-FT-BS-CA-10.

For covering the new defined test purposes of the test group "BR/CA", the additional test cases are:

TC-FT-BR-CA-10, TC-FT-BR-CA-11.

6.4.2 Additional test cases for C-plane switching procedures

For covering the new defined test purposes of the test group "BS/CA", the additional test cases are:

TC-FT-BS-CA-20, TC-FT-BS-CA-21, TC-FT-BS-CA-22, TC-FT-BS-CA-23.

For covering the new defined test purposes of the test group "BS/BV", the additional test cases are:

TC-FT-BS-BV-20, TC-FT-BS-BV-21, TC-FT-BS-BV-22, TC-FT-BS-BV-23, TC-FT-BS-BV-24, TC-FT-BS-BV-25, TC-FT-BS-BV-26, TC-FT-BS-BV-27.

6.4.3 Additional test cases for U-plane switching procedures

For covering the new defined test purposes of the test group "BS/CA", the additional test cases are:

TC-FT-BS-CA-30.

For covering the new defined test purposes of the test group "BS/BV", the additional test cases are:

TC-FT-BS-BV-30.

For covering the new defined test purposes of the test group "CM/CA", the additional test cases are:

TC-FT-CM-CA-10, TC-FT-CM-CA-11, TC-FT-CM-CA-12.

6.5 Modified test cases

No modified test cases derived from test cases specified in EN 300 497-3 [14] are needed for the requirements of this profile.

7 DECT PHL layer protocol

7.1 Additional test purposes

All requirements for PHL layer as specified in TBR 22 [31] apply.

7.2 Abstract test method

The ATM and the applicability of the ATS for PHL layer as defined in TBR 22 [31] apply.

7.3 Relevant test cases

All test cases for PHL layer as specified in TBR 22 [31] apply.

7.4 Additional test cases

No other test cases as test cases specified in TBR 22 [31] need to be provided for the requirements of this profile.

7.5 Modified test cases

No modified test cases derived from test cases specified in TBR 22 [31] need to be provided for the requirements of this profile.

8 ISDN basic access protocols

8.1 Applicability of ATS

The user side ATS for ISDN protocols are designed for ISDN terminal equipment. For DECT/ISDN IIP profile, FT part and PT part joined is the ISDN terminal equipment. Figure 4 indicates how to test FT for ISDN protocols.

The tested FT has first to be conformant to ISDN protocols before all other parts of IIP profile. If not, testing for all other parts of IIP profile is not relevant.

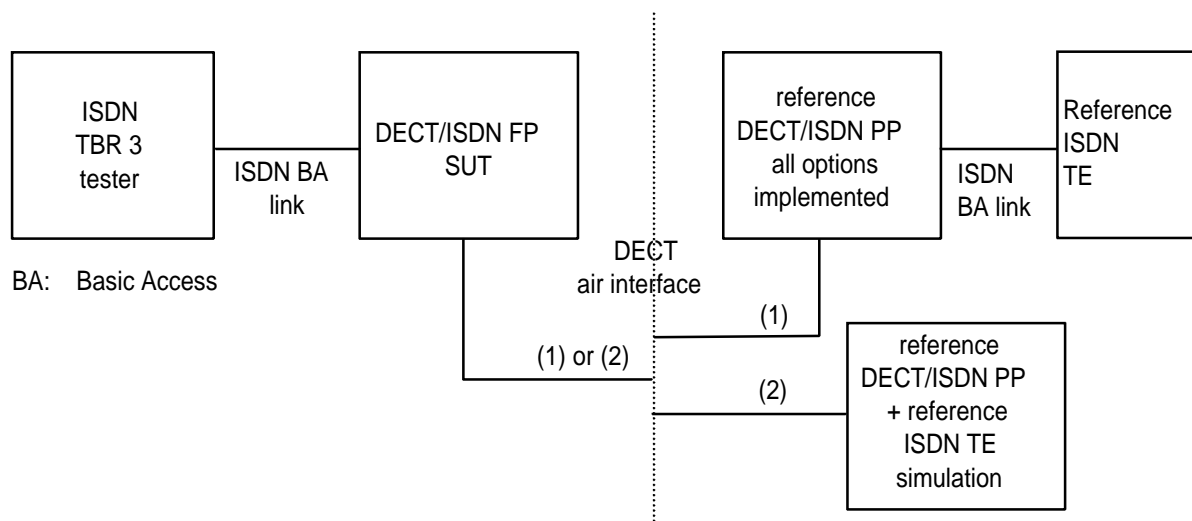


Figure 4: ISDN protocols testing at FT

8.2 Additional test purposes

All requirements for all layer of the ISDN basic access protocols as specified in TBR 3 [30] apply with no required addition.

8.3 Abstract test method

The ATM for all layer of the ISDN basic access protocols as defined in TBR 3 [30] apply.

8.4 Relevant test cases

All test cases for all layer of the ISDN basic access protocols as specified in TBR 3 [30] apply with no required addition.

9 DECT/ISDN IIP profile

9.1 Profile test suite structure

The test suite is structured as a tree with a first level defined as IIP representing the profile IWU group "DECT/ISDN IWU IIP".

Figure 5 shows the DECT/ISDN IWU Test Suite Structure (TSS) defined for the conformance testing.

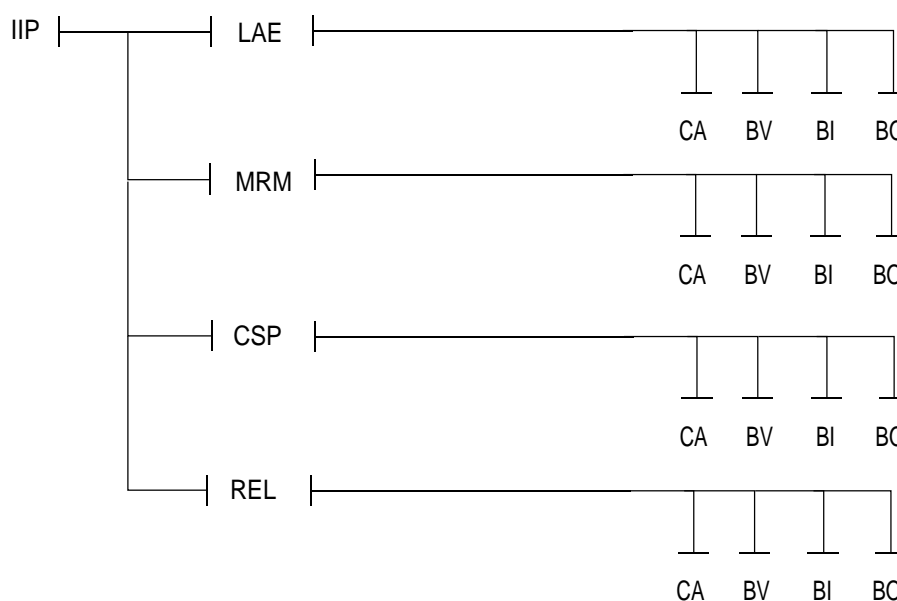


Figure 5: TSS for DECT IIP profile - Fixed Termination (FT)

9.1.1 Test groups

The test groups are organized in two levels. The first level creates four functional modules representing the main functions of the profile. The second and last level contains the standard ISO subgroups CA, BV, BO and BI.

9.1.1.1 Functional modules

The four functional modules are:

- the Link Association Entity (LAE) functional module: this group is designed to test the specific statements and procedures of the link association entity of the IUT;
- the Missing Resource Management (MRM) functional module: this group is designed to test the behaviour of the IUT in case of missing resources either at establishment or during a call;
- the Call control Specific Procedures (CSP) functional module: this group is designed to test specific procedure related to the ISDN functions like restart procedures, hold/retrieve procedures, suspend/resume procedures, and fall back procedures;
- the RELease (REL) functional module: this group is designed to test the release operations of the protocol.

9.1.1.2 Main test groups

The main test groups are the capability group (CA), the valid behaviour group (BV), the inopportune behaviour group (BO) and the invalid behaviour group (BI).

9.1.1.2.1 Capability (CA) tests

This test sub-group shall provide limited testing of the major IUT capabilities aiming to assure that the claimed capabilities are correctly supported, in accordance with the PICS.

9.1.1.2.2 Valid Behaviour (BV) tests

This test sub-group shall verify that the IUT reacts in conformity with the standard, on receipt or exchange of a valid PDUs. Valid PDUs, means, that the exchange of messages and the content of the exchanged messages are considered as valid.

9.1.1.2.3 Inopportune Behaviour (BO) tests

This test sub-group shall verify that the IUT is capable of a valid reaction, when an inopportune protocol event occurs. Such an event is syntactically correct but it occurs when it is not expected.

9.1.1.2.4 Invalid Behaviour (BI) tests

This test sub-group shall verify that the IUT reacts in conformity with the standard, on receipt of a syntactically invalid PDU.

9.2 Profile test purposes

9.2.1 TP definition conventions

The TPs are defined following particular rules as shown in table 1.

Table 1: TP definition rules

TP Id according to the TP naming conventions	Reference. Initial condition. Stimulus. Expected behaviour.
TP Id Reference Condition Stimulus Expected behaviour	The TP Id is a unique identifier it shall be specified according to the TP naming conventions defined in the subclause below. The reference should contain the references of the subject to be validated by the actual TP (specification reference, clause, paragraph). The condition defines in which initial state the IUT has to be to apply the actual TP. The stimulus defines the test event to which the TP is related. Definition of the events that are expected from the IUT to conform to the base specification.

9.2.2 TP naming conventions

The identifier of the TP is built according to table 2.

Table 2: TP naming convention

Identifier:	TP-<fm>-x-<nnn>		
	<fm> = functional module	LAE	Link Association Entity
		MRM	Missing Resource Management
		CSP	IWU Cc-Specific Procedures
		REL	Release procedures
	x = Type of testing	C	CA, Capability Tests
		V	BV, Valid Behaviour Tests
		O	BO, Inopportune Behaviour Tests
		I	BI, Invalid Behaviour Tests
	<nnn> = sequential number	(000-999)	Test Purpose Number

9.2.3 Sources of TP definitions

All TPs are specified according to ETS 300 822 [6].

9.2.4 Test purposes for IWU Link Association Entity

TP-LAE-V-000	ETS 300 822 [6], subclause 11.1.2.1 Initial condition: no LA is active, the CC is idle. Check that, when forwarding a broadcasted L3 message, the IUT starts a timer. Upon TLAE1 expiry check that the C-plane channel is released if no LA is active.
TP-LAE-V-003	ETS 300 822 [6], subclause 11.1.2.2.1 Initial condition: The LA is not established, the CC is idle. In a point to point configuration Check that, when the LAE detects that a LA needs to be established, it forwards the L2 command "L2 estab.req" in a NWK-data-req. primitive to the NWK.
TP-LAE-V-004	ETS 300 822 [6], subclause 11.1.2.2.3 Initial condition: one LA is established. Check that the IUT is able to release the LA if the IWU detects that the corresponding ISDN L2 link has been released by forwarding a L2 command "L2 release req.". As no further LA is in use, the release of the C-plane channel shall be initiated.
TP-LAE-V-005	ETS 300 822 [6], subclause 11.1.3.3 a) Initial condition: one LA is established. Check that when a L2 command is received with an unidentified LA-CEI, the IUT returns a "release required" command containing the cause "error", the unidentified LA-CEI and the conflicted command type.
TP-LAE-V-006	ETS 300 822 [6], subclause 11.1.3.3 b) Initial condition: one LA is established. Check that when a L2 command "establish request" is received with an already used LA-CEI, the IUT ignores the command.
TP-LAE-V-007	ETS 300 822 [6], subclause 11.1.3.3 c) Initial condition: one LA has been established and has been released. Check that the IUT upon receipt of a "release req." indicating the cause "normal" for the already released LA, the command is ignored.
TP-LAE-V-008	ETS 300 822 [6], subclause 11.1.3.3 c) Initial condition: one LA has been established and has been released. Check that the IUT upon receipt of a "release req." indicating the cause "error" for the already released link, the receiving LAE releases the DLC and MAC connection for the C-plane channel DIFS shall release all L3 transactions with non dummy call references by returning corresponding {RELEASE-COM} messages to the network (cause = #47 resources unavailable, unspecified), then all the L2 links are released toward the network.
TP-LAE-V-009	ETS 300 822 [6], subclause 11.1.3.4 Initial condition: one LA is established. Check that receipt of a L2 command containing unidentified command coding is rejected toward the sending LAE sending a L2-command "L2 release req" using the LA-CEI of the unidentified command and indicating the cause "error".

9.2.5 Test purposes for IWU missing resource management

TP-MRM-V-000	ETS 300 822 [6], subclause 11.4.2.1.1 Initial condition: missing resources conditions, point-to-point configuration. Check that when the C-plane channel can not be established, the release of the L2 link towards the network occurs.
TP-MRM-V-001	ETS 300 822 [6], subclause 11.4.2.2 Initial condition: missing resources conditions, C-plane channel is lost. Check that when C-plane channel is lost, the IWU releases all L3 transactions with non-dummy call references by returning corresponding {RELEASE-COM} messages to the network and all L2 links are released toward the network.
TP-MRM-V-002	ETS 300 822 [6], subclause 11.4.2.3.1 Initial condition: missing resources conditions, U-plane channel can not be established in point-to-point configuration. Check that when U-plane channel can not be established upon receipt of {SETUP} from the network, the IUT returns a {RELEASE-COM} message (cause = #47) to the network and also forward this message to the other side (DIPS).

9.2.6 Test purposes for IWU Call Control specific procedures

TP-CSP-V-000	ETS 300 822 [6], subclause 11.5.1 Initial condition: Call Hold is supported Check that the IUT can put a ISDN call on hold and then retrieve the call.
TP-CSP-V-001	ETS 300 822 [6], subclause 11.5.1 Initial condition: Call Hold is not supported Check that the IUT rejects an {HOLD} message returning a {HOLD_REJECT} containing an appropriate cause (# 69 = requested facility not implemented) and that the {HOLD} message is discarded.
TP-CSP-V-002	ETS 300 822 [6], subclause 11.5.2 Initial condition: Check that when the IUT is sent a {SETUP} with <<bearer capability>> peculiar to LU1 DLC services, the U-Plane requested in the {CC_SETUP} is a LU1.
TP-CSP-V-003	ETS 300 822 [6], subclause 11.5.2 Initial condition: Check that when the IUT is sent a {SETUP} with <<bearer capability>> peculiar to LU7 DLC services, the U-Plane requested in the {CC_SETUP} is a LU7.
TP-CSP-V-004	ETS 300 822 [6], subclause 11.5.2 Initial condition: Check that when the IUT is sent a {SETUP} with <<bearer capability>> peculiar to LU8 DLC services, the U-Plane requested in the {CC_SETUP} is a LU8.
TP-CSP-V-005	ETS 300 822 [6], subclause 11.5.3 Initial condition: a call is pending terminal portability is supported by the network. Check that, upon request from the terminal to initiate the terminal portability service, the U-plane is actually retained until the call is resumed by the terminal.
TP-CSP-V-006	ETS 300 822 [6], subclause 11.5.3 Initial condition: a call is pending terminal portability is supported by the network. Check that, upon request from the terminal to initiate the terminal portability service, the U-plane is actually retained until the timer T307 expires.
TP-CSP-V-007	ETS 300 822 [6], subclause 11.3 Initial condition: IWU10 Check that upon each expiry of TIWU1 the IWU, if no response to this {SETUP} has been received from the network, at the first expiry sends once again the {SETUP} then upon the second expiry sends a {RELEASE_COM} and releases the call.

TP-CSP-V-008	ETS 300 822 [6], subclause 11.3 Initial condition: IWU17 Check that upon expiry of TIWU2 +5 % the IWU upon receipt of {RESUME} from the DIPS, sends to the DIPS a "release required" command containing the cause "error" since the internal call has been cleared (as described in ETS 300 822 subclause 11.1.3.3).
TP-CSP-V-009	ETS 300 822 [6], subclause 11.3 Initial condition: IWU10. Check that upon receipt of a {RELEASE} from the network and after expiry of TIWU3 +10 % the IWU on receipt of {RELEASE_COM} from the DIPS, sends to the DIPS a "release required" command containing the cause "error" since the internal call has been cleared (as described in ETS 300 822 subclause 11.1.3.3).
TP-CSP-V-010	ETS 300 822 [6], subclause 11.3 Initial condition: in a point to point configuration, IWU6. Check that upon receipt of a {RESTART} and after expiry of TIWU4 +10 % the IWU on receipt of {RESTART_ACK} from the DIPS, sends to the DIPS a "release required" command containing the cause "error" since the internal call has been cleared (as described in ETS 300 822 [6] subclause 11.1.3.3).

9.2.7 Test purposes for call release procedures

TP- REL-V-000	ETS 300 822 [6], subclause 6.7.1 Initial condition: one call is established using one bearer only in the system Verify that the IUT performs the release from the ISDN network as described by the figure 17 of ETS 300 822 [6]. the DECT bearer shall not be released.
TP- REL-V-001	ETS 300 822 [6], subclause 6.7.1 Initial condition: one call is established, the call is held Verify that the IUT performs the release from the ISDN network as described by the figure 17 of ETS 300 822 [6]. but the U-plane is not released.
TP- REL-V-002	ETS 300 822 [6], subclause 6.7.1 Initial condition: one ISDN link is established Verify that the IUT performs the release from the ISDN terminal as described by the figure 19 of ETS 300 822 [6].

9.3 Profile Abstract Test Method (ATM)

Figure 6 shows the ATM used for testing the DECT/ISDN IWU part.

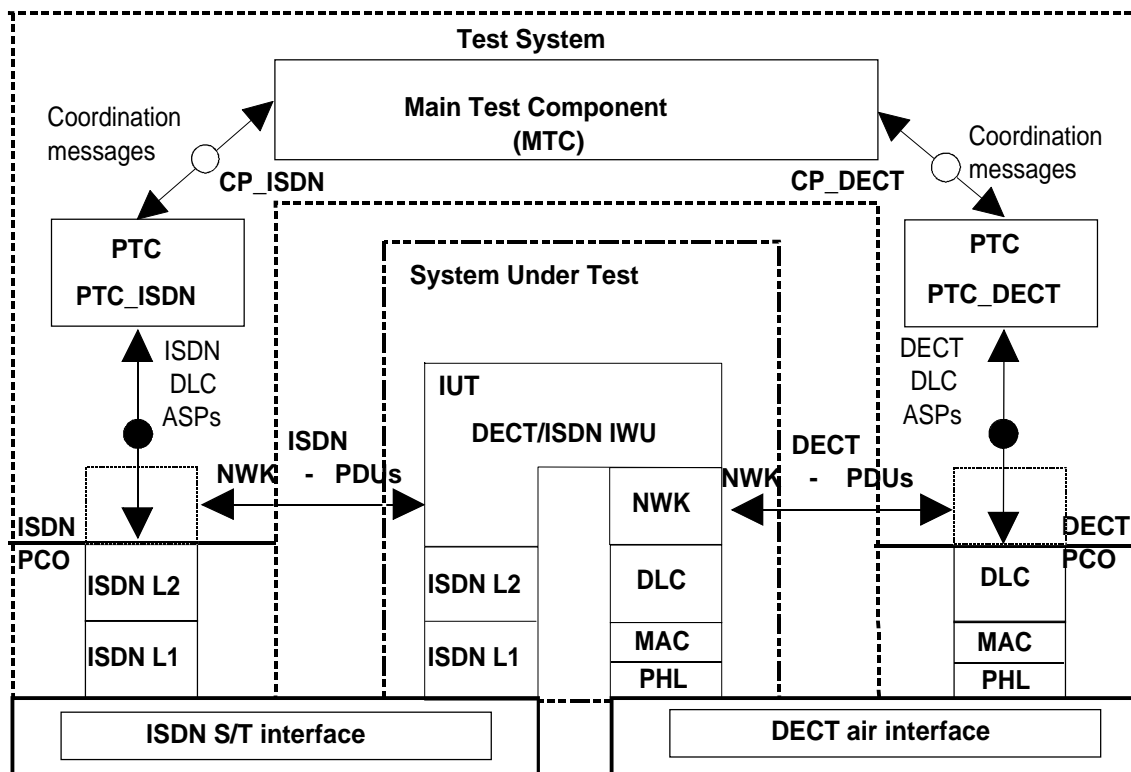


Figure 6: Multiparty testing for IIP

A multiparty testing concept is used, which consists of the following testing components:

- PCOs:** There are two PCOs in the test system. The first PCO, called PC_IS, is on the SAP of the ISDN L2 layer. The second PCO, called PC_DE, is on the SAP of the DECT DLC layer. All test events sent or received through these PCOs are specified as ASPs with embedded NPDU.
- CP_ISDN:** Co-ordination Point for ISDN interface is located between the MTC master test component and the PTC_ISDN parallel test component in the test system. It is used for passing co-ordination messages between these two testing functions.
- CP_DECT:** Co-ordination Point for DECT interface is located between the master test component (MTC) and the parallel test component PTC_DECT in the test system. It is used for passing co-ordination messages between these two testing functions.
- PTC_ISDN:** This Parallel Test Component is the upper-layer of the ISDN L3 layer in the test system. While the execution of each test case, it guides and verifies the ISDN part behaviour of the IUT by the related PCO.
- PTC_DECT:** This Parallel Test Component is the upper-layer of the DECT NWK layer in the test system. While the execution of each test case, it guides and verifies the DECT part behaviour of the IUT by the related PCO.
- MTC:** The Main Test Component (MTC) is located in the test system. It leads the beginning, execution and completion of both PTCs. It manages the CP_ISDN and CP_DECT co-ordination points. It computes the final verdict of the test case.

In figure 6, all layers under the PCOs are parts of the test system and are considered as global layer including layer protocol part and layer management part. To avoid complexity of the ISDN Parallel Test Component, the ISDN TEI management is considered as an integral part of ISDN L2.

9.4 Profile Untestable test purposes

Due to the ATMs chosen for this ATS or other restrictions, the test purposes in table 3 have been identified as being in the untestable category, and therefore have not been derived into final test case:

Table 3: Untestable TPs

Test purpose	Reason
No untestable TPs identified	

9.5 Profile ATS Conventions

This clause describes the conventions applied to define the ATS and gives the naming conventions chosen for the different elements of the ATS.

The ATS conventions are intended to give a better understanding of the ATS but they describe also the conventions made for the development of the ATS, thus for any later maintenance purposes or further development of the ATS the conventions described in this clause shall be considered.

The ATS conventions contain two parts, the naming conventions and the implementation conventions. The naming conventions describe the structure of the naming of all ATS elements. The implementation conventions describe the functional structure of the ATS.

9.5.1 Declarations part naming conventions

This subclause describes the naming conventions chosen for the elements of the ATS declaration part.

9.5.1.1 Type and structured type definitions

The test suite type and test suite structured type identifiers describe the information elements, and are written in uppercase:

EXAMPLE: PROTOCOL_DISCRIMINATOR simple type.
 FILLSTRING structured type.

9.5.1.2 Operations definitions

The test suite operation identifiers are composed of string in lowercase letters starting by the uppercase string "TSO_".

EXAMPLE: TSO_compute_checksum.

9.5.1.3 Parameter declarations

The test suite parameter identifiers are composed of string in lowercase letters starting by the uppercase string "TSP_".

EXAMPLE 1: TSP_window_size.

If the test suite parameter references an ICS item, the letter "C" is added to the standard prefix.

EXAMPLE 2: TSPC_pics_item_s23.

If the test suite parameter references an IXIT item, the letter "X" is added to the standard prefix.

EXAMPLE 3: TSPX_pixit_item_2.

If it is possible, complete names as defined in the specifications are used.

9.5.1.4 Selection expression definitions

The naming conventions for the test case selection expression definitions use free text starting with an uppercase letter. The name of the expression shall explain clearly the selection rule. The test case selection expressions are logical combinations of the test suite parameter definitions.

9.5.1.5 Constant declarations

The test suite constant identifiers are composed of string in lowercase letters starting by the uppercase string "TSC_".

EXAMPLE: TSC_retry.

Complete names as defined in the specifications are used.

9.5.1.6 Test suite variable declarations

The test suite variable identifiers are composed of string in lowercase letters starting by the uppercase string "TSV_".

EXAMPLE 1: TSV_count.

Exception: If the test suite variable represents a system parameter or value, the name defined in the specifications is used.

EXAMPLE 2: VR, VS.

9.5.1.7 Test case variable declarations

The test case variable identifiers are composed of string in lowercase letters starting by the uppercase string "TCV_".

EXAMPLE: TCV_cr_value.

9.5.1.8 PCO declarations

The point of control and observation identifiers are composed of two or four capital letters, beginning with "P".

EXAMPLE: PISDN represents a PCO on ISDN interface in the test equipment.
PDECT represents a PCO on DECT interface in the test equipment.

9.5.1.9 Timer declarations

Two kinds of timers can be distinguished:

1) standardized:

Those defined in the standard, e.g. DL_04, use exactly the same name as in the standard, beginning with a capital "T".

As there is a tolerance margin accepted for these timers, three values are needed:

- the maximum value allowed, which will use the suffix "_max";
- the minimum value allowed, which will use the suffix "_min";
- the value actually implemented, with no suffix.

EXAMPLE 1: TDL_04_max, TDL_04_min, and TDL_04.

2) not standardized:

Those not defined in the standard, i.e. for execution use, e.g. a timer waiting for a response.

These timers begin with the prefix "T_", followed by a string in lowercase letters.

EXAMPLE 2: T_resp represents a timer for controlling the response time of the IUT.

9.5.1.10 ASP type definitions

The identifier of an ASP uses exactly the nearest name as the name defined in the specifications. It is written in uppercases, finishing by an underscore character ("_"), and three capital letters indicating whether it is a request, an indication, a response or a confirmation primitive.

EXAMPLE: DL_RELEASE_REQ for an ASP containing a layer 3 release request passed to layer 2.
MAC_DATA_REQ for an ASP containing a layer 2b PDU passed to layer 2a.

9.5.1.11 PDU type definitions

The identifier of a PDU is given in a string in uppercase letters, which represents the layer message.

EXAMPLE 1: RR for the Receive Ready layer 2 message.
DISCONNECT for the DISCONNECT layer 3 message.

Where the message is a composite word, an underscore character ("_") appears in the string.

EXAMPLE 2: RELEASE_COMPLETE is the RELEASE COMPLETE layer 3 message.

9.5.1.12 Alias definitions

These are used to make the sending and receiving of PDUs within ASPs more understandable when writing the dynamic part of the test suite. This is done by giving the ASP an alias. The alias name indicates the PDU carried by the ASP and whether it is sent or received by the tester.

No aliases are used in the test suite.

9.5.2 Constraints part naming conventions

This subclause describes the naming conventions chosen for the elements of the ATS constraint part.

Constraint identifiers commence with uppercase. The remaining part of the Id name is written in lowercase.

Identifier names of elements concerning the same subject have equivalent names in the declaration and the constraint part:

Declaration Part: CC_SETUP
Constraint Part: Cc_setup

The name of the modified constraint describes the particularity of the modified constraint:

e.g. Cc_setup_mand_only (modified Cc_setup with only the mandatory Information Elements).

If formal parameter lists are used, the variable names are written in lowercase. The variable name is the same as the name of the element it is representing.

9.5.3 Dynamic part naming conventions

This subclause describes the naming conventions chosen for the elements of the ATS dynamic part.

9.5.3.1 Test Case identifier

The identifier of a test case is built according to table 4:

Table 4: TC naming convention

Identifier:	TC-<fm>-x-<nnn>		
	<fm>	= functional module	
			LAE Link Association Entity
			MRM Missing Resource Management
			CSP IWU Cc-Specific Procedures
			REL Release procedures
	x	= Type of testing	
			CA CA, Capability tests
			BV BV, Valid Behaviour tests
			BO BO, Inopportune Behaviour tests
			BI BI, Invalid Behaviour tests
	<nnn>	= sequential number	(000-999) test case Number

9.5.3.2 Test step identifier

The test step identifier is built with a string of lowercase letters led by a string of capital letter and joined by an underscore character. The first string indicates the main function of the test step; e.g. PR for preamble, PO for postamble, LTS for local tree name and STP for general step. The second string indicates the meaning of the step.

EXAMPLES: PR_name
 PO_name
 LTS_name
 STP_name

9.5.3.3 Default identifier

The Default identifiers begin with the prefix "DF_", followed by a string in lowercase letters.

9.5.3.4 General aspects

All verdict assignments are labelled. To allow an exact identification in which table the verdict was assigned, the following name convention is applied:

TB	test Body
DF	Default
EH	Error handling test steps
PO	POstamble
PR	PReamble
TS	test step

9.5.3.5 ATS abbreviations

These abbreviations are used to shorten identifier names:

addr	address
ack	acknowledgement
cau	cause
cc	call control
chn	channel
est	establish
ind	indication
mety	message type
mod	modified
par	parameter
pd	protocol discriminator
req	request
rsp	response

9.5.4 Declaration part implementation conventions

The comment line of single element TTCN tables (e.g. test suite constants) is used to give a reference where the format and content of the element are described in the relevant protocol specifications. Any particularity of the element format or content is described in the comment line.

The comment line in the header of multi-element TTCN tables (e.g. ASPs) is used to reference to the protocol specification.

The detailed comments are used to describe any particularity of the table.

In the ASP and PDU declarations, the comment column is used to identify if an element is mandatory or optional:

M: mandatory.

In the ASP and PDU declarations the comment column is further used to give information about the element value, in particular if the element contains a fixed spare value.

9.5.5 Constraint part implementation conventions

The ASPs and PDUs are defined in a way that all relevant elements are parametrized. That improves the transparency of the constraints in the dynamic part, as all values which are relevant for the test are always present.

Generally no modified constraints are used, this allows an easier reuse and adaptation of constraints if they are reused in other DECT profile test specifications.

The Comment line of a constraint contains always the reference to the used specifications.

The detailed comment sector is used to describe any particularity of the table.

9.5.6 Dynamic part implementation conventions

Some TCs need a particular initialization of the IUT environment conditions to run the actual test, e.g. for testing re-provisioning procedures. Such message sequence can be quite complicated and long. In cases where a local test step (LTS) facilitates the TC structure, the preamble and the condition setting are described in a LTS called LTS_pre_step. All LTS_pre_steps are described in the detailed comment part of the TTCN table.

Some TCs need after the actual test a particular re-initialization of the IUT, e.g. after re-provisioning. Such message sequence can be quite complicated and long. In cases where a local test step (LTS) facilitates the TC structure, the postamble and the re-initialization are described in a LTS called LTS_post_step. All LTS_post_steps are described in the detailed comment part of the TTCN table.

All events which are defined as a conformance requirement by the TP, cause a preliminary verdict PASS if the requirement is met.

All invalid events are handled in the default tree. Only FAIL verdicts can be assigned in the default tree.

The preamble, the test body and the postamble have different defaults, which allows a specific verdict handling, e.g. only INCONC verdicts are assigned in the preamble.

Test steps do not contain a default. That allows them to be applied with no restrictions regarding the error handling.

All verdict assignments are labelled. According to ISO 9646-3 [21], annex E.2, labels should be written to the conformance log. This allows to identify where the test failed. To allow an exact identification in which table the verdict was assigned, the naming convention as described in subclause 10.5.1.3.4 applied.

The labels of the same type are numbered sequentially if they are in the same TC, test step or default.

TPs which are listed in the untestable TP list, or which reference to an other TP, e.g. BV TPs which were already defined as CA TPs, are not considered in the ATS, thus these TC identifiers are missing in the ATS and the numbering of the TCs is not always continuous.

9.5.7 Documentation implementation conventions

The comment line of the TC or test step header contains a reference to the relevant protocol specification.

The comment column of the dynamic behaviour part is used to number the test events which are relevant for the particular test or test operation.

Based on the numbering in the comment column all for the TC relevant events are described in the detailed comment part of each TTCN table.

Test procedures which cover a conformance requirement and lead to a preliminary or final verdict assignment are described as follows in the detailed comment part:

expected event: a specific receive event is expected.

expected behaviour: no event or a timer expiry is expected.

expected status: the IUT is expected to be in a particular status.

9.6 Test case and test purpose mapping

There is a one-to-one mapping between the test case identifiers and the test purpose identifiers. The correspondence rule is given by the following examples in table 5:

Table 5: Examples of mapping between test cases and test purposes

Test purpose identifier	Test case identifier
TP- LAE-C-000	TC- LAE-CA-000
TP-CSP-O-002	TC-CSP-BO-002
TP-MRM-V-003	TC-MRM-BV-003
TP-REL-I-001	TC-REL-BI-001

Annex A (normative): Profile Implementation eXtra Information for Testing (IXIT) proforma

Notwithstanding the provisions of the copyright clause related to the text of the present document, ETSI grants users of the present document to freely reproduce the Profile IXIT proforma in this annex so that it can be used for its intended purposes and may further publish the completed Profile IXIT.
--

The PIXIT Proforma is based on ISO/IEC 9646-6 [24]. Any additional information needed can be found in this international standard document.

A.1 Identification summary

Table A.1: Identification summary

PIXIT Number:	
Test Laboratory Name:	
Date of Issue:	
Issued to:	

A.2 ATS summary

Table A.2: ATS summary

Protocol Specification:	
Protocol to be tested:	
ATS Specification:	
Abstract Test Method:	

A.3 Test laboratory

Table A.3: Test laboratory

Test Laboratory Identification:	
Test Laboratory Manager:	
Means of Testing:	
SAP Address:	

A.4 Client identification

Table A.4: Client identification

Client Identification:	
Client Test manager:	
Test Facilities required:	

A.5 SUT

Table A.5: SUT

Name:	
Version:	
SCS Number:	
Machine configuration:	
Operating System Identification:	
IUT Identification:	
PICS Reference for IUT:	
Limitations of the SUT:	
Environmental Conditions:	

A.6 Profile information

A.6.1 NWK layer

Table A.6: General Configuration

Item	Parameter	Explanation and answer
1	TSPX_mmproc_aupt_ccstate CCSTATE_TYPE (INTEGER 0, 1, 2, 3, 4, 6, 7, 10, 19)	Indicates the FT cc state, the authentication of PT test cases shall be tested in. Value:
2	TSPX_mmproc_auus_ccstate CCSTATE_TYPE (INTEGER 0, 1, 2, 3, 4, 6, 7, 10, 19)	Indicates the FT cc state, the User authentication test cases shall be tested in. Value:
3	TSPX_mmproc_cift_ccstate CCSTATE_TYPE (INTEGER 0, 1, 2, 3, 4, 6, 7, 10, 19)	Indicates the FT cc state, the FT init. ciphering test cases shall be tested in. Value:
4	TSPX_mmproc_idpt_ccstate CCSTATE_TYPE (INTEGER 0, 1, 2, 3, 4, 6, 7, 10, 19)	Indicates the FT cc state, the Identification of PT test cases shall be tested in. Value:
5	TSPX_mmproc_loup_ccstate CCSTATE_TYPE (INTEGER 0, 1, 2, 3, 4, 6, 7, 10, 19)	Indicates the FT cc state, the location update test cases shall be tested in. Value:
6	TSPX_mmproc_keal_ccstate CCSTATE_TYPE (INTEGER 0, 1, 2, 3, 4, 6, 7, 10, 19)	Indicates the FT cc state, the key allocation test cases shall be tested in. Value:
7	TSPX_mmproc_arte_invoke MMPROC_TYPE (INTEGER 0 .. 10)	Indicates the way of invoking the access rights terminate proc. Value:
8	TSPX_mmproc_aupt_invoke MMPROC_TYPE (INTEGER 0 .. 10)	Indicates the way of invoking the authentication of PT proc. Value:
9	TSPX_mmproc_auus_invoke MMPROC_TYPE (INTEGER 0 .. 10)	Indicates the way of invoking the authentication of user proc. Value:
10	TSPX_mmproc_cift_invoke MMPROC_TYPE (INTEGER 0 .. 10)	Indicates the way of invoking the FT initiated ciphering proc. Value:
11	TSPX_mmproc_idpt_invoke MMPROC_TYPE (INTEGER 0 .. 10)	Indicates the way of invoking the identification of PT proc. Value:
12	TSPX_mmproc_loup_invoke MMPROC_TYPE (INTEGER 0 .. 10)	Indicates the way of invoking the location update proc. Value:
13	TSPX_mmproc_keal_invoke MMPROC_TYPE (INTEGER 0 .. 10)	Indicates the way of invoking the key allocation proc. Value:
14	TSPX_nr_of_digits_in_cpn CPN_LENGTH_TYPE	This parameter is related to parameter TSPX_called_party_number. It specifies the actual number of digits present in the cpn. Value:
15	TSPX_access_rights_uak BOOLEAN	TRUE if IUT supports Obtain of access rights procedure with Auth_Key_Type = 1 (UAK). Value:

Item	Parameter	Explanation and answer
16	TSPX_set_bit_a38 BOOLEAN	Can "higher layer capabilities" bit a38 be set dynamically on the IUT by the test operator. Value:
17	TSPX_lce_02_min INTEGER	Value of Timer <LCE_02> min in seconds. Value:
18	TSPX_mmproc_arte_revoke MMPROC_TYPE	Indicates the way of revoking the access rights of a PT. Value:

Table A.7: Addresses

Item	Address name	Explanation and answer
1	TSPX_decimal_ac_value OCT_4 (OCTETSTRING[4])	Value of Authentication Code (AC) to be used. The AC will be entered as maximal 8 decimal digits. The AC to bitstring mapping will be done with operator TSO_cinft_convert_ac_to_bitstring. Value:
2	TSPX_complete_fixed_id_ari_value (or TSPX_ari_value) FIXED_ID_VALUE_TYPE (BITSTRING[8..72])	Value of fixed_id to be used in case of ARI. Value:
3	TSPX_complete_fixed_id_ari_rpn_value (or TSPX_ari_rpn_value) FIXED_ID_VALUE_TYPE (BITSTRING[8..72])	Value of fixed_id to be used in case of ARI + RPN, 40 bits long including fill bits. Value:
4	TSPX_dlei_value DATA_LINK_ENDPOINT_IDENTIFIER (INTEGER)	Value of data link endpoint identifier to be used in the test system (local test system matter). Value:
5	TSPX_ipei_value PORT_ID_VALUE_TYPE (BITSTRING[8..104])	Value of International Portable Equipment Identity (IPEI) (IPEI-N) to be expected from the IUT (before subscription), 40 bits value is required including fill bits. Value:
6	TSPX_ipui_value PORT_ID_VALUE_TYPE (BITSTRING[8..104])	Value of International Portable User Identity (IPUI) to be used by the PT (LT) (after subscription). The 4 first bits represent the type of IPUI. The following bits are the IPUI coded in BCD or in binary depending on the type. Value:
7	TSPX_location_area_level BIT_6 (BITSTRING[6])	The location area level that is going to be used. Value:
8	TSPX_complete_fixed_id_park_value (or TSPX_park_value) FIXED_ID_VALUE_TYPE (BITSTRING[8..72])	Value of fixed_id to be used in case of Portable Access Rights Key (PARK). Value:
9	TSPX_tpui_value PORT_ID_VALUE_TYPE (BITSTRING[8..104])	Value of tpui to be used by the PT(LT). 20 bits value is required. Value:
10	TSPX_decimal_upi_value OCT_4 (OCTETSTRING[4])	Value of UPI to be used. The UPI will be entered as maximal 8 decimal digits. The UPI to bitstring mapping will be done with operation TSO_cinft_convert_upi_to_bitstring. Value:
11	TSPX_park_length_indicator INTEGER	The number of significant bits of the PARK value(PLI).(specified in TSPX_complete_fixed_id_park_value). Value:

Item	Address name	Explanation and answer
13	TSPX_called_party_number OCT_1_14	The called party number to be dialled by the PT (LT) in order to get connection to the network. For practical reasons, the number is limited to 14 digits. Value:
14	TSPX_calling_party_number DECT_1_14	Calling party number which IUT is expected to include in incoming call to tester. For practical reasons the number is limited to 14 digits. Value:

A.6.2 DLC layer

Table A.8: Addresses

Item	Parameter	Explanation and answer
1	TSPX_ari ARI	Access Rights Identity. Value:
2	TSPX_fid FIXED_IDENTITY	Fixed Identity. Value:
3	TSPX_pid PORTABLE_IDENTITY	Portable Identity. Value:

Table A.9: Parameter values

Item	Parameter	Explanation and answer
1	TSPX_n250 INTEGER	Indicate the value of the re-transmission counter. Value:
2	TSPX_rpn RPN	FT's Radio fixed Part Number. Value:

Table A.10: General configuration

Item	Parameter	Explanation and answer
1	TSPX_pt BOOLEAN	Indicate the IUT type (PT = TRUE - FT = FALSE). Value:
2	TSPX_chn BOOLEAN	Indicate the desired signalling channel for testing signalling procedure (For I _N or I _P testing only C _S channel is used). For C _S write FALSE and write TRUE for C _F . Value:
3	TSPX_slot SLOT_TYPE	Indicate the slot type to be use in MAC connection for the test suite (Half = 0 - Full = 1 - Double = 2). Value:

Table A.11: Timer values

Item	Parameter	Explanation and answer
1	TSPX_dI04_value INTEGER	Indicate the value of the re-transmission timer. Value:

Table A.12: Class B procedural information

Item	Parameter	Explanation and answer
1	TSPX_cb_segment_invoke BOOLEAN	TRUE = IUT supports invocation of long NWK message (segmentation) Value:
2	TSPX_cb_release BOOLEAN	TRUE = IUT supports invocation of Class B link release Value:
3	TSPX_cb_initiate_est BOOLEAN	TRUE = Class B link establishment supported Value:
4	TSPX_nwkmsg1_part1 OCT_1_50	Part 1 of a long NWK message that shall be segmented in 3 DLC I-Frame Value:
5	TSPX_nwkmsg1_part2 OCT_1_50	Part 2 of a long NWK message that shall be segmented in 3 DLC I-Frame Value:
6	TSPX_nwkmsg1_part3 OCT_1_50	Part 3 of a long NWK message that shall be segmented in 3 DLC I-Frame Value:
7	TSPX_nwkmsg2_part1 OCT_1_50	Part 1 of a very long NWK message that shall be segmented in 3 DLC I-Frame Value:
8	TSPX_nwkmsg2_part2 OCT_1_50	Part 2 of a very long NWK message that shall be segmented in 3 DLC I-Frame Value:
9	TSPX_nwkmsg2_part3 OCT_1_50	Part 3 of a very long NWK message that shall be segmented in 3 DLC I-Frame Value:
10	TSPX_nwkmsg2_part4 OCT_1_50	Part 4 of a very long NWK message that shall be segmented in 3 DLC I-Frame Value:
11	TSPX_nwkmsg2_part5 OCT_1_50	Part 5 of a very long NWK message that shall be segmented in 3 DLC I-Frame Value:
12	TSPX_nwkmsg2_part6 OCT_1_50	Part 6 of a very long NWK message that shall be segmented in 3 DLC I-Frame Value:
13	TSPX_nwkmsg2_part7 OCT_1_50	Part 7 of a very long NWK message that shall be segmented in 3 DLC I-Frame Value:
14	TSPX_nwkmsg2_part8 OCT_1_50	Part 8 of a very long NWK message that shall be segmented in 3 DLC I-Frame Value:
15	TSPX_nwkmsg2_part9 OCT_1_50	Part 9 of a very long NWK message that shall be segmented in 3 DLC I-Frame Value:

Table A.13: Class 0 procedural information

Item	Parameter	Explanation	Value
1	TSPX_in_rec_proc_defined BOOLEAN	Is it possible to determine if the IUT received a Class 0 FU1 IN frame?	TRUE FALSE
2	TSPX_in_pdu OCTETSTRING	If item 1 is TRUE: Indicate in the following lines the desired information field for the FU1 frame.	
3	TSPX_iut_in_received Test suite Operation	If item 1 is TRUE: Indicate in the following lines the procedure to determine the reception of the FU1 frame.	
3	TSPX_fu1_snd_pr_defined BOOLEAN	Is it possible to force the IUT to transmit a Class 0 FU1 frame?	TRUE FALSE
4	STP_invoke_fu1_frame Implicit Send	If item 3 is TRUE: Indicate in the following lines the procedure to force the IUT to transmit the FU1 frame.	

A.6.3 MAC layer

Table A.14: Addresses

Item	Parameter	Explanation and answer
1	TSPX_pmid B_20 - (Bitstring[20])	PMID for RFP. Value:
2	TSPX_rfpi1 B_40 - (Bitstring[40])	RFPI for RFP number 1. Value:
	TSPX_rfpi1_invalid B_40 - (Bitstring[40])	derived from item 2 RFPI for RFP number 1 with bit a16 to a23 inverted. Value:
	TSPX_rfpi2 B_40 - (Bitstring[40])	RFPI for RFP number 2. Value:

Table A.15: Timer values

Item	Parameter	Explanation and answer
1	TSPX_t_implicit_send INT_0_99 - INTEGER (0..99)	Max. time to wait after request for invocation of an implicit send event (In second). Value:

Table A.16: Parameter values

Item	Parameter	Explanation
1	TSPX_blind_slot BOOLEAN	TRUE for IUT that have blind slot. Value: TRUE / FALSE
2	TSPX_extended_rf BOOLEAN	Does the IUT support extended RF carrier. Value: TRUE / FALSE
3	TSPX_sari BOOLEAN	Does the IUT support Secondary Access Rights Identity (SARI) list. Value: TRUE / FALSE
4	TSPX_intercell_handover BOOLEAN	Does the IUT support intercell handover. Value: TRUE / FALSE
5	TSPX_intracell_handover BOOLEAN	Does the IUT support intracell handover. Value: TRUE / FALSE
6	TSPX_bearer_handover BOOLEAN	Does the IUT support bearer handover withing the whole FT? Value: TRUE / FALSE

Annex B (normative): Profile Conformance Test Report (Profile CTR) proforma

Notwithstanding the provisions of the copyright clause related to the text of the present document, ETSI grants users of the present document to freely reproduce the Profile CTR proforma in this annex so that it can be used for its intended purposes and may further publish the completed Profile CTR.

The Profile CTR proforma is based on ISO/IEC 9646-5 [23] Any additional information needed can be found in the present document.

B.1 Identification summary

B.1.1 Protocol conformance test report

Table B.1: Protocol conformance test report

PCTR Number:	
PCTR Date:	
Test Laboratory Identification:	
Accreditation Status:	
Accreditation Reference:	
Technical Authority:	
Job Title:	
Signature:	
Test Laboratory Manager:	
Signature:	

B.1.2 IUT identification

Table B.2: IUT identification

Name:	
Version:	
Protocol specification:	
Profile Specific ICS:	

B.1.3 Testing environment

Table B.3: Testing environment

Profile specific IXIT:	
ATS Specification:	
Abstract Test Method:	
Means of Testing identification:	
Period of testing:	
Conformance Log reference(s):	
Retention Date for Log reference(s):	

B.1.4 Limits and reservation

The test results presented in this test report apply only to the particular IUT declared in subclause B.1.2, as presented for test in the period declared in subclauses B.1.3, and configured as declared in the relevant IXIT attached to this Profile CTR.

NOTE: *Additional information relevant to the technical contents or further use of the test report, or the rights and obligations of the test laboratory and the client, may be given here. Such information may include restriction on the publication of the report.*

.....

B.1.5 Comments

NOTE: *Additional comments may be given by either the client or the test laboratory on any of the contents of the Profile CTR, for example, to note disagreement between the two parties.*

.....

B.2 IUT conformance status

This IUT has or has not been shown by conformance assessment to be non conforming to the specified profile specification.

Strike the appropriate words in this sentence. If the PICS for this IUT is consistent with the static conformance requirements (as specified in clause 3 in this report) and there are no "FAIL" verdicts to be recorded (in clause 6), strike the words "has or". otherwise strike the words "or has not".

NOTE: *For further details see ISO 9646-5 [23].*

B.3 Static conformance summary

The Profile specific ICS for this IUT is or is not consistent with the static conformance requirements in the specified profile.

Strike the appropriate words in this sentence.

NOTE: For further details see ISO 9646-5 [23].

B.4 Dynamic conformance summary

The test campaign did or did not reveal errors in the IUT.

Strike the appropriate words in this sentence. If there are no "FAIL" verdicts to be recorded (in clause 6 of this report), strike the words "did or". otherwise strike the words "or did not".

Summary of the results of groups of test:

.....

NOTE: For further details see ISO 9646-5 [23].

B.5 Static conformance review report

If clause B.3 indicates non-conformance, this clause itemizes the mismatches between the PICS and the static conformance requirements of the referenced base and profile specification.

.....

B.6 Test campaign report

B.4: Test campaign report

ATS Reference	Selected?	Run?	Verdict	Observations (Reference to any observations made in clause B.7)
TC-LAE-BV-000	Yes/No	Yes/No		
TC-LAE-BV-003	Yes/No	Yes/No		
TC-LAE-BV-004	Yes/No	Yes/No		
TC-LAE-BV-005	Yes/No	Yes/No		
TC-LAE-BV-006	Yes/No	Yes/No		
TC-LAE-BV-007	Yes/No	Yes/No		
TC-LAE-BV-008	Yes/No	Yes/No		
TC-LAE-BV-009	Yes/No	Yes/No		
TC-MRM-BV-000	Yes/No	Yes/No		
TC-MRM-BV-001	Yes/No	Yes/No		
TC-MRM-BV-002	Yes/No	Yes/No		
TC-CSP-BV-000	Yes/No	Yes/No		
TC-CSP-BV-001	Yes/No	Yes/No		
TC-CSP-BV-002	Yes/No	Yes/No		
TC-CSP-BV-003	Yes/No	Yes/No		
TC-CSP-BV-005	Yes/No	Yes/No		
TC-CSP-BV-006	Yes/No	Yes/No		
TC-CSP-BV-007	Yes/No	Yes/No		
TC-CSP-BV-008	Yes/No	Yes/No		
TC-CSP-BV-009	Yes/No	Yes/No		
TC-CSP-BV-010	Yes/No	Yes/No		
TC-REL-BV-000	Yes/No	Yes/No		
TC-REL-BV-001	Yes/No	Yes/No		
TC-REL-BV-002	Yes/No	Yes/No		

B.7 Observations

NOTE: Additional information relevant to the technical content of the PCTR are given here.

.....

.....

.....

.....

.....

.....

.....

.....

.....

.....

Annex C (normative): System Conformance Test Report (SCTR) proforma

Notwithstanding the provisions of the copyright clause related to the text of the present document, ETSI grants that users of the present document may freely reproduce the SCTR proforma in this annex so that it can be used for its intended purposes and may further publish the completed SCTR.

C.1 Identification summary

C.1.1 System conformance test report

Table C.1: System conformance test report

SCTR Number:	
SCTR Date:	
Test Laboratory Manager:	
Signature:	

C.1.2 Test laboratory

Table C.2: Test laboratory

Identification:	
Address:	
Postal code/city:	
Country:	
Telephone:	
Telefax:	
Telex:	
Teletex:	
E-Mail:	

C.1.3 Client identification

Table C.3: Client identification

Identification:	
Address:	
Postal code/city:	
Country:	
Telephone:	
Telefax:	
Telex:	
Teletex:	
E-Mail:	

C.1.4 System Under Test (SUT)

Table C.4: System Under Test (SUT)

Name:	
Version:	
Supplier:	
Dates of testing:	
Date of receipt of SUT:	
Location of SUT for Testing:	
SCS Identifier:	

C.1.5 Profile identification

Table C.5: Profile identification

Profile Identification:	
Profile Version:	
Profile ICS:	EN 301 241-2 [12], annex C
Profile Specific IXIT:	Annex A of the present document (EN 301 614-3)
PTS-Summary:	EN 301 614-1
PSTS:	The present document (EN 301 614-3)

C.1.6 Nature of conformance testing

The purpose of conformance testing is to increase the probability that different implementations can interwork in different environments. However, the complexity of OSI protocols makes exhaustive testing impractical on both technical and economic grounds. Furthermore, there is no guarantee that an SUT which has passed all the relevant test cases conforms to a specification. Neither is there any guarantee that such an SUT will interwork with other real open systems. Rather, the passing of the test cases gives confidence that the SUT has the stated capabilities and that its behaviour conforms consistently in representative instances of communication.

C.1.7 Limits and reservations

The test results presented in this test report apply only to the particular SUT and component IUTs declared in subclause C.1.4 and C.1.8, for the functionality described in the referenced SCS and in the ICS referenced in each PCTR, as presented for test in the period declared in subclause C.1.4 and configured as declared in the relevant IXIT referenced in each PCTR. This SCTR may not be reproduced except in full together with its SCS.

Table C.6: Limits and reservations

--

NOTE: *Additional information relevant to the technical contents or further use of the test report, or to the rights and obligations of the test laboratory and the client, may be given here. Such information may include restrictions on the publication of the report.*

C.1.8 Record of agreement

A definition of what parts of the SUT were considered to be the IUT during testing, and of the abstract test method and abstract test suite that were used:

Table C.7: Record of agreement

IUT Definition Reference	Protocol	ATM	ATS
	DECT NWK layer		EN 300 497-9 [18]
	DECT DLC layer		EN 300 497-5 [16]
	DECT MAC layer		EN 300 497-3 [14]
	DECT PH layer		EN 300 176 [7]
	ISDN L2 basic access		TBR 3 [30], annex C
	ISDN L1 basic access		TBR 3 [30], annex B
	IIP Profile		Main part of the present document (EN 301 614-3)

C.1.9 Comments

Table C.8: Comments

Additional comments reference in annex:	
---	--

NOTE: *Additional comments may be given by either the client or test laboratory on any of the contents of the SCTR, for example, to note disagreement between the two parties.*

C.2 System report summary for DECT/ISDN IIP FT

C.2.1 Profile testing summary for DECT NWK layer protocol

Table C.9: DECT NWK layer protocol

Accreditation status:	
Accreditation reference:	
Implementation identifier:	
IUT definition reference:	
Protocol specification:	ETS 300 175-5 [4]
ICS:	ETS 300 476-4 [8]
IXIT:	EN 300 497-9 [18]
PCTR Number:	
PCTR Date:	
ATS specification:	EN 300 497-9 [18]
ATM:	Remote
Means of Testing identifier:	
Conformance Status: Static conformance errors?	Yes/No
Conformance Status: Dynamic conformance errors?	Yes/No
Number of Test cases run:	
Number of Test cases Passed:	
Number of Test cases Inconclusive:	
Number of Test cases Failed:	
Observations:	

C.2.2 Profile testing summary for DECT DLC layer protocol

Table C.10: DECT DLC layer protocol

Accreditation status:	
Accreditation reference:	
Implementation identifier:	
IUT definition reference:	
Protocol specification:	ETS 300 175-4 [3]
ICS:	ETS 300 476-5 [9]
IXIT:	EN 300 497-5 [16]
PCTR Number:	
PCTR Date:	
ATS specification:	EN 300 497-5 [16]
ATM:	EN 300 497-5 [16]
Means of Testing identifier:	
Conformance Status: Static conformance errors?	Yes/No
Conformance Status: Dynamic conformance errors?	Yes/No
Number of Test cases run:	
Number of Test cases Passed:	
Number of Test cases Inconclusive:	
Number of Test cases Failed:	
Observations:	

C.2.3 Profile testing summary for DECT MAC layer protocol

Table C.11: DECT MAC layer protocol

Accreditation status:	
Accreditation reference:	
Implementation identifier:	
IUT definition reference:	
Protocol specification:	ETS 300 175-3 [2]
ICS:	ETS 300 476-6 [10]
IXIT:	EN 300 497-3 [14]
PCTR Number:	
PCTR Date:	
ATS specification:	EN 300 497-3 [14]
ATM:	EN 300 497-3 [14]
Means of Testing identifier:	
Conformance Status: Static conformance errors?	Yes/No
Conformance Status: Dynamic conformance errors?	Yes/No
Number of Test cases run:	
Number of Test cases Passed:	
Number of Test cases Inconclusive:	
Number of Test cases Failed:	
Observations:	

C.2.4 Profile testing summary for DECT PHL layer protocol

Table C.12: DECT PHL layer protocol

Accreditation status:	
Accreditation reference:	
Implementation identifier:	
IUT definition reference:	
Protocol specification:	ETS 300 175-2 [1]
ICS:	ETS 300 476-7 [11]
IXIT:	-
PCTR Number:	
PCTR Date:	
ATS specification:	EN 300 176 [7]
ATM:	-
Means of Testing identifier:	
Conformance Status: Static conformance errors?	Yes/No
Conformance Status: Dynamic conformance errors?	Yes/No
Number of Test cases run:	
Number of Test cases Passed:	
Number of Test cases Inconclusive:	
Number of Test cases Failed:	
Observations:	

C.2.5 Profile testing summary for ISDN L2, L1 basic access protocol

Table C.13: ISDN L3, L2, L1 basic access protocol

Accreditation status:	
Accreditation reference:	
Implementation identifier:	
IUT definition reference:	
Protocol specification:	L2 - ETS 300 402-2 [26] L1 - ETS 300 012 [28]
ICS:	L2 - ETS 300 402-4 [27] L1 - ETS 300 012/A2 [28]
IXIT:	TBR 3 [30]
PCTR Number:	
PCTR Date:	
ATS specification:	TBR 3 [30]
ATM:	TBR 3 [30]
Means of Testing identifier:	
Conformance Status: Static conformance errors?	Yes/No
Conformance Status: Dynamic conformance errors?	Yes/No
Number of Test cases run:	
Number of Test cases Passed:	
Number of Test cases Inconclusive:	
Number of Test cases Failed:	
Observations:	

C.2.6 Profile testing summary for DECT/ISDN IIP profile

Table C.14: DECT/ISDN IIP profile

Accreditation status:	
Accreditation reference:	
Implementation identifier:	
IUT definition reference:	
Protocol specification:	ETS 300 822 [6]
ICS:	EN 301 241-2 [12], annex C
IXIT:	The present document (EN 301 614-3)
PCTR Number:	
PCTR Date:	
ATS specification:	The present document (EN 301 614-3)
ATM:	The present document (EN 301 614-3)
Means of Testing identifier:	
Conformance Status: Static conformance errors?	Yes/No
Conformance Status: Dynamic conformance errors?	Yes/No
Number of Test cases run:	
Number of Test cases Passed:	
Number of Test cases Inconclusive:	
Number of Test cases Failed:	
Observations:	

Annex D (normative): Profile eXtra Requirement List (XRL) proforma

Notwithstanding the provisions of the copyright clause related to the text of the present document, ETSI grants that users of the present document may freely reproduce the XRL proforma in this annex so that it can be used for its intended purposes and may further publish the completed XRL.

D.1 Profile eXtra Requirement List for IIP - FT part

D.1.1 Parameters for IWU layer

Table D.1: Parameter values

Item	Parameter	Explanation and answer
1	TSPX_i_bearer_LU1 OCT_0_10	Value of Bearer capability requesting LU1 services. Value:
2	TSPX_i_bearer_LU7 OCT_0_10	Value of Bearer capability requesting LU7 services. Value:
3	TSPX_i_bearer_LU8 OCT_0_10	Value of Bearer capability requesting LU8 services. Value:

D.1.2 Specific parameters for NWK layer

Table D.2: Specific parameters for NWK layer

Item	Parameter	Explanation and answer
1	TSPX_setup OCTETSTRING	ISDN SETUP for a U-plane LU1 Value:
2	TSPX_setup_length OCT_1	Length of the previous TSPX_setup +4 Value:
3	TSPX_setup_invalid OCTETSTRING	Invalid ISDN SETUP for a U-plane give the same length than the valid one Value:
4	TSPX_disconnect OCTETSTRING	ISDN DISCONNECT message Value:
5	TSPX_disconnect_length OCT_1	Length of the previous TSPX_disconnect +4 Value:
6	TSPX_release_com OCTETSTRING	ISDN RELEASE_COM message Value:
7	TSPX_release_com_length OCT_1	Length of the previous TSPX_release_com +4 Value:
8	TSPX_invoke_lu1_to_lu7 INTEGER	Indicates the way the switching from LU1 to LU7 is done Value:
9	TSPX_invoke_lu1_to_lu8 INTEGER	Indicates the way the switching from LU1 to LU7 is done Value:
10	TSPX_invoke_lu7_to_lu1 INTEGER	Indicates the way the switching from LU7 to LU1 is done Value:
11	TSPX_invoke_lu7_to_lu8 INTEGER	indicates the way the switching from LU7 to LU1 is done Value:
12	TSPX_invoke_lu8_to_lu1 INTEGER	indicates the way the switching from LU8 to LU1 is done Value:
13	TSPX_invoke_lu8_to_lu7 INTEGER	Indicates the way the switching from LU8 to LU1 is done Value:

D.1.3 Specific parameters for DLC layer

Table D.3: Specific parameters for DLC layer

Item	Parameter	Explanation and answer
1	TSPX_i_setup_lu1 OCT_1_50	An ISDN SETUP message to ensure that the IUT as FT part, starts the signalling procedure to establish a LU1 U-plane service. Value:
2	TSPX_i_setup_lu7 OCT_1_50	An ISDN SETUP message to ensure that the IUT as FT part, starts the signalling procedure to establish a LU7 U-plane service. Value:
3	TSPX_i_setup_lu8 OCT_1_50	An ISDN SETUP message to ensure that the IUT as FT part, starts the signalling procedure to establish a LU8 U-plane service. Value:
4	TSPX_dl00_value INTEGER	Value of DL-00 timer. Value:
5	TSPX_dl01_value INTEGER	Value of DL-01 timer. Value:
6	TSPX_dl02_value INTEGER	Value of DL-02 timer. Value:

D.1.4 Specific parameters for MAC layer

No specific XRL table for MAC layer parameter is needed for the requirements of the FT part of this profile.

Annex E (normative): Modifications of the DECT CI PCTR proforma

E.1 Modifications of DECT NWK layer PCTR proforma

For the requirements of the DECT/ISDN IIP the following modifications shall be applied to the PCTR proforma furnished in EN 300 497-9 [18], annex C.

Table E.1 is the replacement table for table C.2 of EN 300 497-9 [18], subclause C.1.2.

Table E.1

Name:	
Version:	
Protocol specification:	ETS 300 175-5 [4]
PICS:	ETS 300 476-4 [8]
Profile RL:	EN 301 241-2 [12]
Previous PCTR if any:	

Table E.2 is the replacement table for table C.3 of EN 300 497-9 [18], subclause C.1.3.

Table E.2

PIXIT:	EN 300 497-9 [18]
Profile XRL:	Annex D of the present document (EN 301 614-3)
ATS Specification:	EN 300 497-9 [18]
Abstract Test Method:	Remote test method, Embedded variant with no UT
Means of Testing identification:	
Date of testing:	
Conformance Log reference(s):	
Retention Date for Log reference(s):	

Table E.3 is the replacement table for table C.4 of EN 300 497-9 [18], clause C.6.

The new column "St" indicates the origin of the test case. The value "O" indicates an original unmodified test case. The value "A" indicates an additional test case. The value "R" indicates a replacement test case. The value "M" indicates a test case in which one or more components, such as constraint, behaviour line, etc., are modified. The values "A, R, M" are due to the requirements of the DECT/ISDN IIP profile.

For the values "O" and "M", the corresponding test purposes can be found in the relevant part of the respective standard. For the other values, the corresponding test purposes can be found in this PSTS.

Table E.3

ATS Reference	St.	Selected?	Run?	Verdict	Observations (Reference to any observations made in clause E.4)
TC-FT-CC-BV-OC-01	O	No	No	-	
TC-FT-CC-BV-OC-02	O	No	No	-	
TC-FT-CC-BV-OC-03	O	No	No	-	
TC-FT-CC-BV-OC-04	O	No	No	-	
TC-FT-CC-BV-OC-05	O	No	No	-	
TC-FT-CC-BV-IC-01	O	No	No	-	
TC-FT-CC-BV-IC-02	O	No	No	-	
TC-FT-CC-BV-CI-01	O	No	No	-	
TC-FT-CC-BV-CI-02	O	No	No	-	
TC-FT-CC-BV-CI-03	O	No	No	-	
TC-FT-CC-BV-CI-04	O	No	No	-	
TC-FT-CC-BV-CI-05	O	No	No	-	
TC-FT-CC-BV-CI-06	O	No	No	-	
TC-FT-CC-BV-CI-07	O	No	No	-	
TC-FT-CC-BV-CI-08	O	No	No	-	
TC-FT-CC-BV-CI-09	O	No	No	-	
TC-FT-CC-BV-CI-10	O	No	No	-	
TC-FT-CC-BV-CR-01	O	No	No	-	
TC-FT-CC-BV-CR-02	O	No	No	-	
TC-FT-CC-BV-CR-03	O	No	No	-	
TC-FT-CC-BV-CR-04	O	No	No	-	
TC-FT-CC-BV-CR-05	O	No	No	-	
TC-FT-CC-BV-CR-06	O	No	No	-	
TC-FT-CC-BV-CR-07	O	No	No	-	
TC-FT-CC-BV-CR-08	O	No	No	-	
TC-FT-CC-BV-CR-09	O	No	No	-	
TC-FT-CC-BV-CR-10	O	No	No	-	
TC-FT-CC-BV-CR-11	O	No	No	-	
TC-FT-CC-BV-CR-12	O	No	No	-	
TC-FT-CC-BV-RS-07	O	No	No	-	
TC-FT-CC-BV-BO-01	O	No	No	-	
TC-FT-CC-BV-BO-02	O	No	No	-	
TC-FT-CC-BI-01	O	No	No	-	
TC-FT-CC-BI-02	O	No	No	-	
TC-FT-CC-BI-03	O	No	No	-	
TC-FT-CC-BI-04	O	No	No	-	
TC-FT-CC-TI-01	O	No	No	-	
TC-FT-CC-TI-02	O	No	No	-	
TC-FT-CC-TI-03	O	No	No	-	
TC-FT-CC-TI-04	O	No	No	-	
TC-FT-MM-BV-ID-01	M	Yes/No	Yes/No		
TC-FT-MM-BV-AU-01	M	Yes/No	Yes/No		
TC-FT-MM-BV-AU-02	O	No	No	-	
TC-FT-MM-BV-AU-03	O	No	No	-	
TC-FT-MM-BV-AU-04	M	Yes/No	Yes/No		
TC-FT-MM-BV-AU-05	M	Yes/No	Yes/No		
TC-FT-MM-BV-AU-06	M	Yes/No	Yes/No		
TC-FT-MM-BV-LO-01	M	Yes/No	Yes/No		
TC-FT-MM-BV-LO-02	M	Yes/No	Yes/No		
TC-FT-MM-BV-LO-03	M	Yes/No	Yes/No		
TC-FT-MM-BV-LO-05	M	Yes/No	Yes/No		
TC-FT-MM-BV-LO-06	M	Yes/No	Yes/No		
TC-FT-MM-BV-AR-01	M	Yes/No	Yes/No		
TC-FT-MM-BV-AR-02	O	No	No	-	
TC-FT-MM-BV-AR-03	M	Yes/No	Yes/No		
TC-FT-MM-BV-AR-06	M	Yes/No	Yes/No		
TC-FT-MM-BV-AR-07	O	No	No	-	

ATS Reference	St.	Selected?	Run?	Verdict	Observations (Reference to any observations made in clause E.4)
TC-FT-MM-BV-KA-01	M	Yes/No	Yes/No		
TC-FT-MM-BV-KA-02	M	Yes/No	Yes/No		
TC-FT-MM-BV-CH-01	M	Yes/No	Yes/No		
TC-FT-MM-BV-CH-02	M	Yes/No	Yes/No		
TC-FT-MM-BV-CH-03	M	Yes/No	Yes/No		
TC-FT-MM-BV-CH-04	M	Yes/No	Yes/No		
TC-FT-MM-BV-CH-05	M	Yes/No	Yes/No		
TC-FT-MM-BV-CH-08	M	Yes/No	Yes/No		
TC-FT-MM-BV-CH-09	M	Yes/No	Yes/No		
TC-FT-MM-BV-CH-10	M	Yes/No	Yes/No		
TC-FT-MM-BV-CH-11	M	Yes/No	Yes/No		
TC-FT-MM-BV-CH-12	M	Yes/No	Yes/No		
TC-FT-MM-BV-CH-13	M	Yes/No	Yes/No		
TC-FT-MM-BV-CH-14	M	Yes/No	Yes/No		
TC-FT-MM-BV-CH-15	M	Yes/No	Yes/No		
TC-FT-MM-BO-01	M	Yes/No	Yes/No		
TC-FT-MM-BI-02	M	Yes/No	Yes/No		
TC-FT-MM-BI-03	M	Yes/No	Yes/No		
TC-FT-MM-TI-01	M	Yes/No	Yes/No		
TC-FT-MM-TI-02	M	Yes/No	Yes/No		
TC-FT-MM-TI-03	O	No	No	-	
TC-FT-MM-TI-04	M	Yes/No	Yes/No		
TC-FT-MM-TI-05	M	Yes/No	Yes/No		
TC-FT-MM-TI-06	M	Yes/No	Yes/No		
TC-FT-MM-TI-07	M	Yes/No	Yes/No		
TC-FT-ME-BV-01	M	Yes/No	Yes/No		
TC-FT-ME-BV-02	M	Yes/No	Yes/No		
TC-FT-ME-BV-03	M	Yes/No	Yes/No		
TC-FT-LC-BV-LE-01	O	Yes/No	Yes/No		
TC-FT-LC-BV-LE-02	O	Yes/No	Yes/No		
TC-FT-LC-BV-LE-03	O	Yes/No	Yes/No		
TC-FT-LC-BV-LR-01	O	No	No	-	
TC-FT-LC-BV-LR-02	O	Yes/No	Yes/No		
TC-FT-LC-BV-LR-03	O	Yes/No	Yes/No		
TC-FT-LC-BV-LR-04	O	Yes/No	Yes/No		
TC-FT-LC-BI-01	O	Yes/No	Yes/No		
TC-FT-LC-BI-04	O	Yes/No	Yes/No		
TC-FT-LC-BI-05	O	Yes/No	Yes/No		
TC-FT-LC-BI-07	O	Yes/No	Yes/No		
TC-FT-LC-TI-02	O	Yes/No	Yes/No		
TC-FT-CC-BV-IS-01	A	Yes/No	Yes/No		
TC-FT-CC-BV-IS-02	A	Yes/No	Yes/No		
TC-FT-CC-BV-IS-05	A	Yes/No	Yes/No		
TC-FT-CC-BV-IS-06	A	Yes/No	Yes/No		
TC-FT-CC-BV-IS-07	A	Yes/No	Yes/No		
TC-FT-CC-BV-IS-08	A	Yes/No	Yes/No		
TC-FT-CC-BV-IS-09	A	Yes/No	Yes/No		
TC-FT-CC-BV-IS-10	A	Yes/No	Yes/No		
TC-FT-CC-BV-IS-11	A	Yes/No	Yes/No		

E.2 Modifications of DECT DLC layer PCTR proforma

For the requirements of the DECT/ISDN IIP the following modifications shall be applied to the PCTR proforma furnished in EN 300 497-5 [16], annex C.

Table E.4 is the replacement table for table C.2 of EN 300 497-5 [16], subclause C.1.2.

Table E.4

Name:	
Version:	
Protocol specification:	ETS 300 175-4 [3]
PICS:	ETS 300 476-5 [9]
Profile RL:	EN 301 241-2 [12]
Previous PCTR if any:	

Table E.5 is the replacement table for table C.3 of EN 300 497-5 [16], subclause C.1.3.

Table E.5

PIXIT:	EN 300 497-5 [16]
Profile XRL:	Annex D of the present document (EN 301 614-3)
ATS Specification:	EN 300 497-5 [16]
Abstract Test Method:	Remote test method, Embedded variant with no UT
Means of Testing identification:	
Date of testing:	
Conformance Log reference(s):	
Retention Date for Log reference(s):	

Table E.6 is the replacement table for table C.4 of EN 300 497-5 [16], clause C.6.

The new column "St" indicates the origin of the test case. The value "O" indicates an original unmodified test case. The value "A" indicates an additional test case. The value "R" indicates a replacement test case. The value "M" indicates a test case in which one or more components, such as constraint, behaviour line, etc., are modified. The values "A, R, M" are due to the requirements of the DECT/ISDN IIP profile.

For the values "O" and "M", the corresponding test purposes can be found in the relevant part of the respective standard. For the other values, the corresponding test purposes can be found in this PSTS.

Table E.6

ATS Reference	St.	Selected?	Run?	Verdict	Observations (Reference to any observations made in clause E.4)
TC-U-CA-000	O	No	No	-	
TC-U-CA-001	O	No	No	-	
TC-U-CA-002	O	No	No	-	
TC-U-CA-003	O	No	No	-	
TC-U-BI-000	O	No	No	-	
TC-U-BI-001	O	No	No	-	
TC-U-BI-002	O	No	No	-	
TC-U-BI-003	O	No	No	-	
TC-U-BI-004	O	No	No	-	
TC-U-BI-005	O	No	No	-	
TC-U-BI-006	O	No	No	-	
TC-U-BI-007	O	No	No	-	
TC-A-CA-000	O	No	No	-	
TC-A-CA-001	O	No	No	-	
TC-A-CA-002	O	No	No	-	
TC-A-CA-003	O	No	No	-	
TC-A-CA-004	O	No	No	-	
TC-A-CA-005	O	No	No	-	
TC-A-CA-006	O	No	No	-	
TC-A-CA-007	O	No	No	-	
TC-A-CA-008	O	No	No	-	
TC-A-BV-000	O	No	No	-	
TC-A-BV-002	O	No	No	-	
TC-A-BV-003	O	No	No	-	
TC-A-BV-004	O	No	No	-	
TC-A-BV-005	O	No	No	-	
TC-A-BV-006	O	No	No	-	
TC-A-BI-000	O	No	No	-	
TC-A-BI-001	O	No	No	-	
TC-A-BI-002	O	No	No	-	
TC-A-BI-003	O	No	No	-	
TC-A-BI-004	O	No	No	-	
TC-A-BI-005	O	No	No	-	
TC-A-BI-006	O	No	No	-	
TC-A-BI-007	O	No	No	-	
TC-A-BI-008	O	No	No	-	
TC-A-BI-009	O	No	No	-	
TC-A-BI-011	O	No	No	-	
TC-A-BI-012	O	No	No	-	
TC-A-BI-013	O	No	No	-	
TC-A-BO-000	O	No	No	-	
TC-A-BO-001	O	No	No	-	
TC-A-BO-002	O	No	No	-	
TC-A-BO-003	O	No	No	-	
TC-B-CA-000	A	Yes/No	Yes/No		
TC-B-CA-001	A	Yes/No	Yes/No		
TC-B-CA-002	A	Yes/No	Yes/No		
TC-B-CA-003	A	Yes/No	Yes/No		
TC-B-CA-004	A	Yes/No	Yes/No		
TC-B-CA-005	A	Yes/No	Yes/No		
TC-B-CA-006	A	Yes/No	Yes/No		
TC-B-CA-007	A	Yes/No	Yes/No		
TC-B-CA-008	A	Yes/No	Yes/No		
TC-B-CA-009	A	Yes/No	Yes/No		
TC-B-CA-010	A	Yes/No	Yes/No		
TC-B-BV-000	A	Yes/No	Yes/No		
TC-B-BV-001	A	Yes/No	Yes/No		

ATS Reference	St.	Selected?	Run?	Verdict	Observations (Reference to any observations made in clause E.4)
TC-B-BV-002	A	Yes/No	Yes/No		
TC-B-BV-003	A	Yes/No	Yes/No		
TC-B-BV-004	A	Yes/No	Yes/No		
TC-B-BV-005	A	Yes/No	Yes/No		
TC-B-BV-006	A	Yes/No	Yes/No		
TC-B-BV-007	A	Yes/No	Yes/No		
TC-B-BV-008	A	Yes/No	Yes/No		
TC-B-BV-009	A	Yes/No	Yes/No		
TC-B-BV-010	A	Yes/No	Yes/No		
TC-B-BV-011	A	Yes/No	Yes/No		
TC-B-BV-012	A	Yes/No	Yes/No		
TC-B-BV-013	A	Yes/No	Yes/No		
TC-B-BV-014	A	Yes/No	Yes/No		
TC-B-BV-015	A	Yes/No	Yes/No		
TC-B-BV-016	A	Yes/No	Yes/No		
TC-B-BV-017	A	Yes/No	Yes/No		
TC-B-BI-000	A	Yes/No	Yes/No		
TC-B-BI-001	A	Yes/No	Yes/No		
TC-B-BI-002	A	Yes/No	Yes/No		
TC-B-BI-003	A	Yes/No	Yes/No		
TC-B-BO-000	A	Yes/No	Yes/No		
TC-B-BO-001	A	Yes/No	Yes/No		
TC-B-BO-002	A	Yes/No	Yes/No		
TC-B-BO-003	A	Yes/No	Yes/No		
TC-B-BO-004	A	Yes/No	Yes/No		
TC-B-BO-005	A	Yes/No	Yes/No		
TC-L-CA-000	O	No	No	-	
TC-L-CA-001	O	No	No	-	
TC-0-CA-000	O	Yes/No	Yes/No		
TC-0-CA-001	O	Yes/No	Yes/No		
TC-0-BV-100	A	Yes/No	Yes/No		
TC-0-BV-101	A	Yes/No	Yes/No		
TC-0-BV-102	A	Yes/No	Yes/No		
TC-0-BV-103	A	Yes/No	Yes/No		
TC-0-BV-104	A	Yes/No	Yes/No		
TC-1-CA-000	O	No	No	-	
TC-1-CA-001	O	No	No	-	
TC-1-CA-002	O	No	No	-	
TC-1-BV-000	O	No	No	-	
TC-1-BV-001	O	No	No	-	
TC-1-BV-002	O	No	No	-	
TC-1-BI-000	O	No	No	-	
TC-1-BI-001	O	No	No	-	
TC-1-BI-002	O	No	No	-	

E.3 Modifications of DECT MAC layer PCTR proforma

For the requirements of the DECT/ISDN IIP the following modifications shall be applied to the PCTR proforma furnished in EN 300 497-3 [14], annex D.

Table E.7 is the replacement table for table D.2 of EN 300 497-3 [14], subclause D.1.2.

Table E.7

Name:	
Version:	
Protocol specification:	ETS 300 175-3 [2]
PICS:	ETS 300 476-6 [10]
Profile RL:	EN 301 241-2 [12]
Previous PCTR if any:	

Table E.8 is the replacement table for table D.3 of EN 300 497-3 [14], subclause D.1.3.

Table E.8

PIXIT:	EN 300 497-3 [14]
Profile XRL:	Annex D of the present document (EN 301 614-3)
ATS Specification:	EN 300 497-3 [14]
Abstract Test Method:	Remote test method, Embedded variant with no UT
Means of Testing identification:	
Date of testing:	
Conformance Log reference(s):	
Retention Date for Log reference(s):	

Table E.9 is the replacement table for table D.4 of EN 300 497-3 [14], clause D.6.

The new column "St" indicates the origin of the test case. The value "O" indicates an original unmodified test case. The value "A" indicates an additional test case. The value "R" indicates a replacement test case. The value "M" indicates a test case in which one or more components, such as constraint, behaviour line, etc., are modified. The values "A, R, M" are due to the requirements of the DECT/ISDN IIP profile.

For the values "O" and "M", the corresponding test purposes can be found in the relevant part of the respective standard. For the other values, the corresponding test purposes can be found in this PSTS.

Table E.9

ATS Reference	St.	Selected?	Run?	Verdict	Observations (Reference to any observations made in clause E.4)
TC-FT-BH-CA-00	O	Yes/No	Yes/No		
TC-FT-BH-CA-01	O	Yes/No	Yes/No		
TC-FT-BR-CA-00	O	Yes/No	Yes/No		
TC-FT-BR-CA-10	A	Yes/No	Yes/No		
TC-FT-BR-CA-11	A	Yes/No	Yes/No		
TC-FT-BS-BV-00	O	Yes/No	Yes/No		
TC-FT-BS-BV-20	A	Yes/No	Yes/No		
TC-FT-BS-BV-21	A	Yes/No	Yes/No		
TC-FT-BS-BV-22	A	Yes/No	Yes/No		
TC-FT-BS-BV-23	A	Yes/No	Yes/No		
TC-FT-BS-BV-24	A	Yes/No	Yes/No		
TC-FT-BS-BV-25	A	Yes/No	Yes/No		
TC-FT-BS-BV-26	A	Yes/No	Yes/No		
TC-FT-BS-BV-27	A	Yes/No	Yes/No		
TC-FT-BS-BV-30	A	Yes/No	Yes/No		
TC-FT-BS-CA-00	O	Yes/No	Yes/No		
TC-FT-BS-CA-10	A	Yes/No	Yes/No		
TC-FT-BS-CA-20	A	Yes/No	Yes/No		
TC-FT-BS-CA-21	A	Yes/No	Yes/No		
TC-FT-BS-CA-22	A	Yes/No	Yes/No		
TC-FT-BS-CA-23	A	Yes/No	Yes/No		
TC-FT-BS-CA-30	A	Yes/No	Yes/No		
TC-FT-CM-CA-10	A	Yes/No	Yes/No		
TC-FT-CM-CA-11	A	Yes/No	Yes/No		
TC-FT-CM-CA-12	A	Yes/No	Yes/No		
TC-FT-DB-BV-03	O	Yes/No	Yes/No		
TC-FT-DB-CA-00	O	Yes/No	Yes/No		
TC-FT-DB-CA-01	O	Yes/No	Yes/No		
TC-FT-DB-CA-02	O	Yes/No	Yes/No		
TC-FT-DB-CA-03	O	Yes/No	Yes/No		
TC-FT-DB-CA-04	O	Yes/No	Yes/No		
TC-FT-DB-CA-05	O	Yes/No	Yes/No		
TC-FT-DB-CA-06	O	Yes/No	Yes/No		
TC-FT-DB-CA-07	O	Yes/No	Yes/No		
TC-FT-DT-BI-00	O	Yes/No	Yes/No		
TC-FT-DT-BI-01	O	Yes/No	Yes/No		
TC-FT-DT-CA-00	O	Yes/No	Yes/No		
TC-FT-DT-CA-01	O	Yes/No	Yes/No		
TC-FT-DT-CA-02	O	Yes/No	Yes/No		
TC-FT-LM-CA-05	O	Yes/No	Yes/No		
TC-FT-PG-BV-01	O	Yes/No	Yes/No		
TC-FT-PG-CA-00	O	Yes/No	Yes/No		
TC-FT-PG-CA-01	O	Yes/No	Yes/No		

E.4 Observations

NOTE: *Additional information relevant to the technical content of the PCTR are given here.*

.....

.....

.....

.....

.....

.....

.....

.....

.....

.....

Annex F (normative): Abstract Test Suite (ATS) - NWK layer

This ATS has been produced using the Tree and Tabular Combined Notation (TTCN) according to ISO/IEC 9646-3 [21].

The ATS was developed on a separate TTCN software tool and therefore the TTCN tables are not completely referenced in the table of contents. The ATS itself contains a test suite overview part which provides additional information and references.

F.1 The TTCN Graphical form (TTCN.GR)

The TTCN.GR representation of this ATS is contained in an Adobe Portable Document Format™ file (DE01043F.PDF contained in archive ey0r0idc.ZIP) which accompanies the present document.

F.2 The TTCN Machine Processable form (TTCN.MP)

The TTCN.MP representation corresponding to this ATS is contained in an ASCII file (DE01043F.MP contained in archive ey0r0idc.ZIP) which accompanies the present document.

NOTE: According to ISO/IEC 9646-3 [21], in case of a conflict in interpretation of the operational semantics of TTCN.GR and TTCN.MP, the operational semantics of the TTCN.GR representation takes precedence.

Annex G (normative): Abstract Test Suite (ATS) - DLC layer

This ATS has been produced using the Tree and Tabular Combined Notation (TTCN) according to ISO/IEC 9646-3 [21].

The ATS was developed on a separate TTCN software tool and therefore the TTCN tables are not completely referenced in the table of contents. The ATS itself contains a test suite overview part which provides additional information and references.

G.1 The TTCN Graphical form (TTCN.GR)

The TTCN.GR representation of this ATS is contained in an Adobe Portable Document Format™ file (DE01043G.PDF contained in archive ey0r0idc.ZIP) which accompanies the present document.

G.2 The TTCN Machine Processable form (TTCN.MP)

The TTCN.MP representation corresponding to this ATS is contained in an ASCII file (DE01043G.MP contained in archive ey0r0idc.ZIP) which accompanies the present document.

NOTE: According to ISO/IEC 9646-3 [21], in case of a conflict in interpretation of the operational semantics of TTCN.GR and TTCN.MP, the operational semantics of the TTCN.GR representation takes precedence.

Annex H (normative): Abstract Test Suite (ATS) - MAC layer

This ATS has been produced using the Tree and Tabular Combined Notation (TTCN) according to ISO/IEC 9646-3 [21].

The ATS was developed on a separate TTCN software tool and therefore the TTCN tables are not completely referenced in the table of contents. The ATS itself contains a test suite overview part which provides additional information and references.

H.1 The TTCN Graphical form (TTCN.GR)

The TTCN.GR representation of this ATS is contained in an Adobe Portable Document Format™ file (DE01043H.PDF contained in archive ey0r0idc.ZIP) which accompanies the present document.

H.2 The TTCN Machine Processable form (TTCN.MP)

The TTCN.MP representation corresponding to this ATS is contained in an ASCII file (DE01043H.MP contained in archive ey0r0idc.ZIP) which accompanies the present document.

NOTE: According to ISO/IEC 9646-3 [21], in case of a conflict in interpretation of the operational semantics of TTCN.GR and TTCN.MP, the operational semantics of the TTCN.GR representation takes precedence.

Annex J (normative): Abstract Test Suite (ATS) - Interworking Unit

This ATS has been produced using the Tree and Tabular Combined Notation (TTCN) according to ISO/IEC 9646-3 [21].

The ATS was developed on a separate TTCN software tool and therefore the TTCN tables are not completely referenced in the table of contents. The ATS itself contains a test suite overview part which provides additional information and references.

J.1 The TTCN Graphical form (TTCN.GR)

The TTCN.GR representation of this ATS is contained in an Adobe Portable Document Format™ file (DE01043J.PDF contained in archive ey0r0idc.ZIP) which accompanies the present document.

J.2 The TTCN Machine Processable form (TTCN.MP)

The TTCN.MP representation corresponding to this ATS is contained in an ASCII file (DE01043J.MP contained in archive ey0r0idc.ZIP) which accompanies the present document.

NOTE: According to ISO/IEC 9646-3 [21], in case of a conflict in interpretation of the operational semantics of TTCN.GR and TTCN.MP, the operational semantics of the TTCN.GR representation takes precedence.

History

Document history				
V1.1.1	April 1998	Public Enquiry	PE 9833:	1998-04-17 to 1998-08-14
V1.1.2	October 1998	Vote	V 9851:	1998-10-20 to 1998-12-18
V1.1.2	February 1999	Publication		