

Final draft **EN 301 614-2** V1.1.2 (1998-10)

---

*European Standard (Telecommunications series)*

**Digital Enhanced Cordless Telecommunications (DECT);  
Integrated Services Digital Network (ISDN);  
DECT/ISDN interworking for  
intermediate system configuration;  
Part 2: Profile Specific Test Specification (PSTS) for  
Portable radio Termination (PT)**

---



---

**Reference**

DEN/DECT-040104-2 (ey0i0idc.PDF)

---

**Keywords**

DECT, ICS, ISDN, profile

**ETSI**

---

**Postal address**

F-06921 Sophia Antipolis Cedex - FRANCE

---

**Office address**

650 Route des Lucioles - Sophia Antipolis  
Valbonne - FRANCE  
Tel.: +33 4 92 94 42 00 Fax: +33 4 93 65 47 16  
Siret N° 348 623 562 00017 - NAF 742 C  
Association à but non lucratif enregistrée à la  
Sous-Préfecture de Grasse (06) N° 7803/88

---

**Internet**

secretariat@etsi.fr  
<http://www.etsi.org>

---

**Copyright Notification**

---

No part may be reproduced except as authorized by written permission.  
The copyright and the foregoing restriction extend to reproduction in all media.

© European Telecommunications Standards Institute 1998.  
All rights reserved.

# Contents

Intellectual Property Rights.....	7
Foreword .....	7
1 Scope.....	8
2 Normative references .....	8
3 Definitions and abbreviations .....	11
3.1 Definitions .....	11
3.2 Abbreviations.....	11
4 DECT NWK layer protocol .....	12
4.1 Additional Test Purposes (TPs).....	12
4.1.1 Additional TPs for IIP CC specific behaviours .....	13
4.1.1.1 Test group PT/CC/BV/IS .....	13
4.1.1.2 Test group PT/CC/BI/IS .....	13
4.1.1.3 Test group PT/CC/BO/IS .....	14
4.1.1.4 Test group PT/CC/BI/IS .....	14
4.1.2 Additional TPs for IIP LCE specific behaviours.....	14
4.1.2.1 Test group PT/LC/BV/IS.....	14
4.2 Abstract Test Method (ATM).....	14
4.3 Relevant test cases .....	14
4.4 Additional test cases .....	16
4.5 Modified test cases.....	16
5 DECT Data Link Control layer (DLC) layer protocol.....	17
5.1 Additional TPs.....	17
5.1.1 Additional TPs for C-plane class B procedures .....	19
5.1.1.1 Test group CA .....	19
5.1.1.2 Test group BV .....	21
5.1.1.3 Test group BI.....	22
5.1.1.4 Test group BO .....	23
5.1.2 Additional TPs for U-plane LU7 procedures .....	24
5.1.2.1 Test group BV .....	24
5.1.3 Additional TPs for U-plane LU8 procedures .....	24
5.1.3.1 Test group BV .....	24
5.2 ATM.....	25
5.3 Relevant test cases .....	25
5.4 Additional test cases .....	25
5.4.1 Additional test cases for C-plane class B .....	25
5.4.2 Additional test cases for U-plane LU7 .....	25
5.4.3 Additional test cases for U-plane LU8 .....	25
5.5 Modified test cases.....	25
6 DECT MAC layer protocol.....	26
6.1 Additional TPs.....	26
6.1.1 Additional TPs for advanced symmetric connections .....	27
6.1.2 Additional TPs for C-plane switching procedures.....	27
6.1.2.1 Dynamic switching C <sub>F</sub> to C <sub>S</sub> : DIFS initiated .....	27
6.1.2.2 Dynamic switching C <sub>S</sub> to C <sub>F</sub> : DIFS initiated.....	28
6.1.2.3 Dynamic switching C <sub>S</sub> to C <sub>F</sub> : DIFS initiated.....	28
6.1.2.4 Dynamic switching C <sub>Sx</sub> to C <sub>Sy</sub> : DIFS initiated .....	29
6.1.3 Additional TPs for U-plane switching procedures .....	29
6.1.3.1 Connection handover procedure .....	29
6.1.3.2 Release of part of double slot procedure .....	30
6.2 ATM .....	30
6.3 Relevant test cases .....	30
6.4 Additional test cases .....	31

6.4.1	Additional test cases for advanced symmetric connections.....	31
6.4.2	Additional test cases for C-plane switching procedures.....	31
6.4.3	Additional test cases for U-plane switching procedures.....	31
6.5	Modified test cases.....	32
7	DECT PHL protocol.....	32
7.1	Additional TPs.....	32
7.2	ATM.....	32
7.3	Relevant test cases.....	32
7.4	Additional test cases.....	32
7.5	Modified test cases.....	32
8	ISDN basic access protocols.....	33
8.1	Applicability of ATS.....	33
8.2	Additional TPs.....	33
8.3	ATM.....	33
8.4	Relevant test cases.....	33
9	DECT/ISDN IIP profile.....	34
9.1	Profile TSS.....	34
9.1.1	Test groups.....	34
9.1.1.1	Functional modules.....	34
9.1.1.2	Main test groups.....	34
9.1.1.2.1	Capability (CA) tests.....	34
9.1.1.2.2	BV tests.....	35
9.1.1.2.3	BO tests.....	35
9.1.1.2.4	BI tests.....	35
9.2	Profile TPs.....	35
9.2.1	TP definition conventions.....	35
9.2.2	TP naming conventions.....	36
9.2.3	Sources of TP definitions.....	36
9.2.4	TPs for IWU Link Association Entity.....	37
9.2.5	TPs for IWU missing resource management.....	37
9.2.6	TPs for IWU Call Control specific procedures.....	38
9.3	Profile ATM.....	38
9.4	Profile untestable TPs.....	39
9.5	Profile ATS conventions.....	40
9.5.1	Declarations part naming conventions.....	40
9.5.1.1	Type and structured type definitions.....	40
9.5.1.2	Operations definitions.....	40
9.5.1.3	Parameter declarations.....	40
9.5.1.4	Selection expression definitions.....	40
9.5.1.5	Constant declarations.....	40
9.5.1.6	Test suite variable declarations.....	41
9.5.1.7	Test case variable declarations.....	41
9.5.1.8	PCO declarations.....	41
9.5.1.9	Timer declarations.....	41
9.5.1.10	ASP type definitions.....	41
9.5.1.11	PDU type definitions.....	42
9.5.1.12	Alias definitions.....	42
9.5.2	Constraints part naming conventions.....	42
9.5.3	Dynamic part naming conventions.....	42
9.5.3.1	Test Case identifier.....	43
9.5.3.2	Test Step identifier.....	43
9.5.3.3	Default identifier.....	43
9.5.3.4	General aspects.....	43
9.5.3.5	ATS abbreviations.....	44
9.5.4	Declaration part implementation conventions.....	44
9.5.5	Constraint part implementation conventions.....	44
9.5.6	Dynamic part implementation conventions.....	45
9.5.7	Documentation implementation conventions.....	45

9.6	Test case and TP mapping .....	46
<b>Annex A (normative): Profile IXIT proforma .....</b>		<b>47</b>
A.1	Identification summary .....	47
A.2	ATS summary .....	47
A.3	Test laboratory .....	47
A.4	Client identification .....	48
A.5	System Under Test (SUT).....	48
A.6	Profile information.....	49
A.6.1	NWK layer.....	49
A.6.2	DLC layer .....	51
A.6.3	MAC layer .....	53
<b>Annex B (normative): Profile Conformance Test Report (Profile CTR) proforma .....</b>		<b>55</b>
B.1	Identification summary .....	55
B.1.1	Protocol conformance test report.....	55
B.1.2	IUT identification .....	55
B.1.3	Testing environment .....	56
B.1.4	Limits and reservation.....	56
B.1.5	Comments .....	56
B.2	IUT conformance status .....	56
B.3	Static conformance summary .....	57
B.4	Dynamic conformance summary.....	57
B.5	Static conformance review report .....	57
B.6	Test campaign report.....	58
B.7	Observations.....	58
<b>Annex C (normative): System Conformance Test Report (SCTR) proforma .....</b>		<b>59</b>
C.1	Identification summary .....	59
C.1.1	System conformance test report .....	59
C.1.2	Test laboratory .....	59
C.1.3	Client identification .....	60
C.1.4	SUT.....	60
C.1.5	Profile identification .....	60
C.1.6	Nature of conformance testing .....	61
C.1.7	Limits and reservations .....	61
C.1.8	Record of agreement .....	61
C.1.9	Comments .....	62
C.2	System report summary for DECT/ISDN IIP PT.....	62
C.2.1	Profile testing summary for DECT NWK layer protocol.....	62
C.2.2	Profile testing summary for DECT DLC layer protocol .....	63
C.2.3	Profile testing summary for DECT MAC layer protocol .....	64
C.2.4	Profile testing summary for DECT PHL protocol.....	65
C.2.5	Profile testing summary for ISDN L2, L1 basic access protocol .....	66
C.2.6	Profile testing summary for DECT/ISDN IIP Profile .....	67
<b>Annex D (normative): Profile IXIT Requirements List (XRL) proforma .....</b>		<b>68</b>
D.1	Profile eXtra Requirement List for IIP - PT part .....	68
D.1.1	Parameters for IWU layer .....	68
D.1.2	Specific parameters for NWK layer.....	68
D.1.3	Specific parameters for DLC layer .....	69

D.1.4	Specific parameters for MAC layer .....	69
<b>Annex E (normative): Modifications of DECT Common Interface (CI) PCTR proforma .....</b>		<b>70</b>
E.1	Modifications of DECT NWK layer PCTR proforma .....	70
E.2	Modifications of DECT DLC layer PCTR proforma.....	73
E.3	Modifications of DECT MAC layer PCTR proforma .....	77
E.4	Observations.....	78
<b>Annex F (normative): Abstract Test Suite (ATS) - NWK layer .....</b>		<b>79</b>
F.1	The TTCN Graphical form (TTCN.GR).....	79
F.2	The TTCN Machine Processable form (TTCN.MP) .....	79
<b>Annex G (normative): Abstract Test Suite (ATS) - DLC layer .....</b>		<b>80</b>
G.1	The TTCN Graphical form (TTCN.GR).....	80
G.2	The TTCN Machine Processable form (TTCN.MP) .....	80
<b>Annex H (normative): Abstract Test Suite (ATS) - MAC layer .....</b>		<b>81</b>
H.1	The TTCN Graphical form (TTCN.GR).....	81
H.2	The TTCN Machine Processable form (TTCN.MP) .....	81
<b>Annex J (normative): Abstract Test Suite (ATS) - Interworking Unit (IWU).....</b>		<b>82</b>
J.1	The TTCN Graphical form (TTCN.GR).....	82
J.2	The TTCN Machine Processable form (TTCN.MP) .....	82
History .....		83

---

## Intellectual Property Rights

IPRs essential or potentially essential to the present document may have been declared to ETSI. The information pertaining to these essential IPRs, if any, is publicly available for **ETSI members and non-members**, and can be found in SR 000 314: "*Intellectual Property Rights (IPRs); Essential, or potentially Essential, IPRs notified to ETSI in respect of ETSI standards*", which is available **free of charge** from the ETSI Secretariat. Latest updates are available on the ETSI Web server (<http://www.etsi.org/ipr>).

Pursuant to the ETSI IPR Policy, no investigation, including IPR searches, has been carried out by ETSI. No guarantee can be given as to the existence of other IPRs not referenced in SR 000 314 (or the updates on the ETSI Web server) which are, or may be, or may become, essential to the present document.

---

## Foreword

This European Standard (Telecommunications series) has been produced by ETSI Project Digital Enhanced Cordless Telecommunications (DECT), and is now submitted for the Voting phase of the ETSI standards Two-step Approval Procedure.

The present document is part 2 of a multi-part EN covering the DECT/ISDN interworking for intermediate system configuration, as identified below:

Part 1: "Profile Test Specification (PTS) summary";

**Part 2: "Profile Specific Test Specification (PSTS) for Portable radio Termination (PT)";**

Part 3: "Profile Specific Test Specification (PSTS) for Fixed radio Termination (FT)".

<b>Proposed national transposition dates</b>	
Date of latest announcement of this EN (doa):	3 months after ETSI publication
Date of latest publication of new National Standard or endorsement of this EN (dop/e):	6 months after doa
Date of withdrawal of any conflicting National Standard (dow):	6 months after doa

---

# 1 Scope

The present document contains the test specification for Digital Enhanced Cordless Telecommunications/Integrated Services Digital Network (DECT/ISDN) Interworking for Intermediate system Profile (IIP) Portable Part (PP) applications as specified in ETS 300 822 [22].

This test specification provides conformance tests for DECT/ISDN terminal equipment conforming to ETS 300 822 [22]. The main objective is to perform a high probability of inter-operability between the DECT/ISDN terminal equipment and an ISDN network. The DECT/ISDN terminal equipment contains Fixed Parts (FPs) and PPs that may be supplied by different manufacturers.

The International Organization for Standardization (ISO) standard for the methodology of conformance testing ISO/IEC 9646 [23] to [29] is used as the basis for the test methodology, and as the basis for test case specification.

The test cases if listed in the present document have been derived from the corresponding ATS. Additional DECT/ISDN IIP specific test cases are included where required.

Annex A provides Profile Implementation eXtra Information for Testing (IXIT) proforma part of this specification.

Annex B provides Profile Conformance Test Report (Profile CTR) proforma part of this specification.

Annex C provides System Conformance Test Report proforma (SCTR) part of this specification.

Annex D provides the Profile IXIT Requirements List (XRL) proforma part of this specification.

Annex E provides modifications of DECT layer PCTR proforma of this specification.

Annex F provides the Tree and Tabular Combined Notation (TTCN) part for DECT Network (NWK) layer conforming to the requirements of this specification.

Annex G provides the Tree and Tabular Combined Notation (TTCN) part for DECT DLC layer conforming to the requirements of this specification.

Annex H provides the Tree and Tabular Combined Notation (TTCN) part for DECT Medium Access Control (MAC) layer conforming to the requirements of this specification.

Annex J provides the Tree and Tabular Combined Notation (TTCN) part for DECT/ISDN IWU - IIP profile.

---

# 2 Normative references

References may be made to:

- a) specific versions of publications (identified by date of publication, edition number, version number, etc.), in which case, subsequent revisions to the referenced document do not apply; or
- b) all versions up to and including the identified version (identified by "up to and including" before the version identity); or
- c) all versions subsequent to and including the identified version (identified by "onwards" following the version identity); or
- d) publications without mention of a specific version, in which case the latest version applies.

A non-specific reference to an ETS shall also be taken to refer to later versions published as an EN with the same number.

- [1] EN 301 241-1: "Digital Enhanced Cordless Telecommunications (DECT); Integrated Services Digital Network (ISDN); DECT/ISDN interworking for intermediate system configuration; Profile Implementation Conformance Statement (ICS); Part 1: Portable radio Termination (PT)".



- [2] EN 301 614-2: "Digital Enhanced Cordless Telecommunications (DECT); Integrated Services Digital Network (ISDN); DECT/ISDN interworking for intermediate system configuration; Part 2: Profile Specific Test Specification (PSTS) for Portable radio Termination (PT)".
- [3] ETS 300 012 (1992) including Amendment 2 (1996): "Integrated Services Digital Network (ISDN); Basic user-network interface; Layer 1 specification and test principles".
- [4] Void.
- [5] EN 300 175-2: "Digital European Cordless Telecommunications (DECT); Common Interface (CI); Part 2: Physical Layer (PHL)".
- [6] EN 300 175-3: "Digital European Cordless Telecommunications (DECT); Common Interface (CI); Part 3: Medium Access Control (MAC) layer".
- [7] EN 300 175-4: "Digital European Cordless Telecommunications (DECT); Common Interface (CI); Part 4: Data Link Control (DLC) layer".
- [8] EN 300 175-5: "Digital European Cordless Telecommunications (DECT); Common Interface (CI); Part 5: Network (NWK) layer".
- [9] EN 300 176-1: "Digital Enhanced Cordless Telecommunications (DECT); Approval test specification (ATS); Part 1: Radio".
- [10] ETS 300 402-2: "Integrated Services Digital Network (ISDN); Digital Subscriber Signalling System No. one (DSS1) protocol; Data link layer; Part 2: General protocol specification [ITU-T Recommendation Q.921 (1993), modified]".
- [11] ETS 300 402-4: "Integrated Services Digital Network (ISDN); Digital Subscriber Signalling System No. one (DSS1) protocol; Data link layer; Part 4: Protocol Implementation Conformance Statement (PICS) proforma specification for the general protocol".
- [12] ETS 300 476-1: "Digital Enhanced Cordless Telecommunications (DECT); Common Interface (CI); Protocol Implementation Conformance Statement (PICS) proforma; Part 1: Network (NWK) layer - Portable radio Termination (PT)".
- [13] ETS 300 476-2: "Digital Enhanced Cordless Telecommunications (DECT); Common Interface (CI); Protocol Implementation Conformance Statement (PICS) proforma; Part 2: Data Link Control (DLC) layer - Portable radio Termination (PT)".
- [14] ETS 300 476-3: "Digital Enhanced Cordless Telecommunications (DECT); Common Interface (CI); Protocol Implementation Conformance Statement (PICS) proforma; Part 3: Medium Access Control (MAC) layer - Portable radio Termination (PT)".
- [15] ETS 300 476-7: "Digital Enhanced Cordless Telecommunications (DECT); Common Interface (CI); Protocol Implementation Conformance Statement (PICS) proforma; Part 7: Physical layer".
- [16] EN 300 497-1: "Digital Enhanced Cordless Telecommunications (DECT); Common Interface (CI) Test Case Library (TCL); Part 1: Test Suite Structure (TSS) and Test Purposes (TP) for Medium Access Control (MAC) layer".
- [17] EN 300 497-2: "Digital Enhanced Cordless Telecommunications (DECT); Common Interface (CI) Test Case Library (TCL); Part 2: Abstract Test Suite (ATS) for Medium Access Control (MAC) layer - Portable radio Termination (PT)".
- [18] ETS 300 497-4: "Digital Enhanced Cordless Telecommunications (DECT); Common Interface (CI) Test Case Library (TCL); Part 4: Test Suite Structure (TSS) and Test Purposes (TP) - Data Link Control (DLC) layer".
- [19] ETS 300 497-5: "Digital Enhanced Cordless Telecommunications (DECT); Common Interface (CI) Test Case Library (TCL); Part 5: Abstract Test Suite (ATS) - Data Link Control (DLC) layer".

- [20] ETS 300 497-6: "Digital Enhanced Cordless Telecommunications (DECT); Common Interface (CI) Test Case Library (TCL); Part 6: Test Suite Structure (TSS) and Test Purposes (TP) - Network (NWK) layer - Portable radio Termination (PT)".
- [21] ETS 300 497-7: "Digital Enhanced Cordless Telecommunications (DECT); Common Interface (CI) Test Case Library (TCL); Part 7: Abstract Test Suite (ATS) for Network (NWK) layer - Portable radio Termination (PT)".
- [22] ETS 300 822: "Digital Enhanced Cordless Telecommunications (DECT); Integrated Services Digital Network (ISDN); DECT/ISDN interworking for intermediate system configuration; Interworking and profile specification".
- [23] ISO/IEC 9646-1 (1991): "Information technology - Open Systems Interconnection - Conformance testing methodology and framework - Part 1: General concepts". (See also CCITT Recommendation X.290 (1991)).
- [24] ISO/IEC 9646-2 (1991): "Information technology - Open Systems Interconnection - Conformance testing methodology and framework - Part 2: Abstract test suite specification". (See also CCITT Recommendation X.291 (1991)).
- [25] ISO/IEC 9646-3 (1991): "Information technology - Open Systems Interconnection - Conformance testing methodology and framework - Part 3: The Tree and Tabular Combined Notation TTCN)". (See also CCITT Recommendation X.292 (1992)).
- [26] ISO/IEC 9646-4 (1991): "Information technology - Open Systems Interconnection - Conformance testing methodology and framework - Part 4: Test realization". (See also CCITT Recommendation X.292 (1992)).
- [27] ISO/IEC 9646-5 (1991): "Information technology - Open Systems Interconnection - Conformance testing methodology and framework - Part 5: Requirements on test laboratories and clients for the conformance assessment process". (See also CCITT Recommendation X.292 (1992)).
- [28] ISO/IEC 9646-6 (1991): "Information technology - Open Systems Interconnection - Conformance testing methodology and framework - Part 6: Protocol profile test specification".
- [29] ISO/IEC 9646-7 (1991): "Information technology - Open Systems Interconnection - Conformance testing methodology and framework - Part 7: Implementation Conformance Statement".
- [30] TBR 3: "Integrated Services Digital Network (ISDN); Attachment requirements for terminal equipment to connect to an ISDN using ISDN basic access".
- [31] TBR 22: "Radio Equipment and Systems (RES); Attachment requirements for terminal equipment for Digital Enhanced Cordless Telecommunications (DECT) Generic Access Profile (GAP) applications".

## 3 Definitions and abbreviations

### 3.1 Definitions

For the purposes of the present document, the following terms and definitions apply:

- a) the terms defined in ISO/IEC 9646-7 [29]; and
- b) the definitions in ETS 300 822 [22].

### 3.2 Abbreviations

For the purposes of the present document, the abbreviations defined in ISO/IEC 9646-1 [23], ISO/IEC 9646-6 [28], ISO/IEC 9646-7 [29], ETS 300 822 [22] apply. In particular, the following abbreviations apply:

ASP	Abstract Service Primitive
ATM	Abstract Test Method
ATS	Abstract Test Suite
BI	Invalid Behaviour
BO	Inopportune Behaviour
BV	Valid Behaviour
CA	CApability tests
CC	Call Control entity
CI	Common Interface
DECT	Digital Enhanced Cordless Telecommunications
DLC	Data Link Control layer
FP	Fixed Part
FT	Fixed radio Termination
ICS	Implementation Conformance Statement
ISDN	Integrated Services Digital Network
ISO	International Organization for Standardization
IUT	Implementation Under Test
IXIT	Implementation Extra Information for Testing
LCE	Link Control Entity
MAC	Medium Access Control layer
MM	Mobility Management entity
MTC	Main Text Component
NWK	NetWorK
PDU	Protocol Data Unit
PHL	Physical Layer
PICS	Protocol Implementation Conformance Statement
PIXIT	Protocol Implementation eXtra Information for Testing
PP	Portable Part
PSTS	Profile Specific Test Specification
PT	Portable radio Termination
PTS	Profile Test Specification
SAP	Service Access Point
SCS	System Conformance Statement
SUT	System Under Test
TP	Test Purpose
TSS	Test Suite Structure
XRL	IXIT Requirements list

## 4 DECT NWK layer protocol

### 4.1 Additional Test Purposes (TPs)

Figure 1 shows the Network (NWK) Test Suite Structure (TSS) defined in ETS 300 497-6 [20] for the conformance testing.

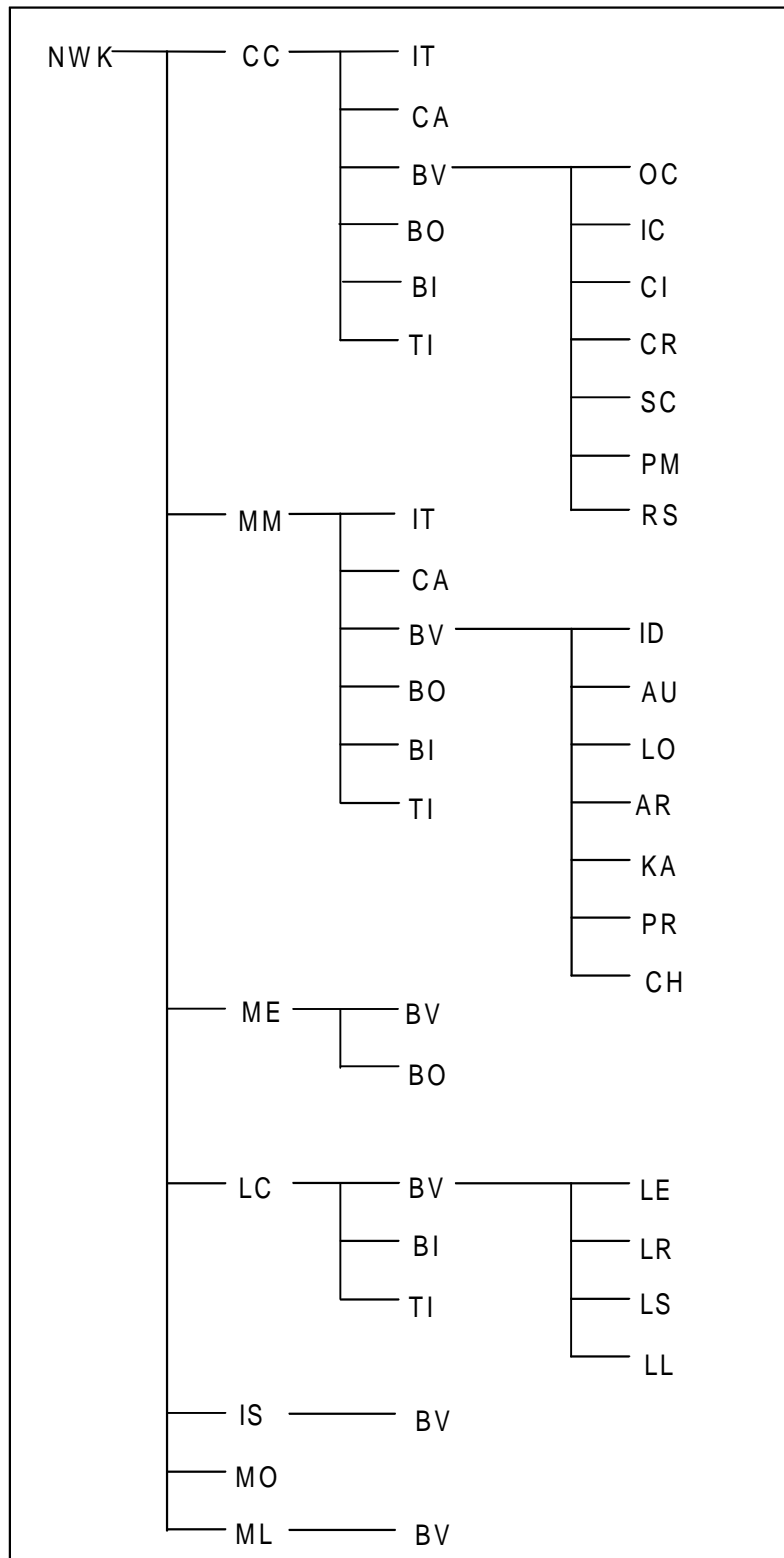


Figure 1: NWK TSS

No TP for Call Control entity (CC) entity of the NWK layer as specified in ETS 300 497-6 [20] applies without modification. The test groups "Portable radio Termination (PT)/CC/Valid Behaviour (BV)/IS", "PT/CC/Inopportune Behaviour (BO)/IS", "PT/CC/Invalid Behaviour (BI)/IS" and "PT/CC/TI/IS" have been added to test the intermediate system profile specific behaviours.

All TPs for Link Control Entity (LCE) entity of the NWK layer as specified in ETS 300 497-6 [20] apply. The test groups "PT/LC/BV/IS", has been added to test the intermediate system profile specific behaviours.

No TP for CISS entity of the NWK layer is relevant.

## 4.1.1 Additional TPs for IIP CC specific behaviours

### 4.1.1.1 Test group PT/CC/BV/IS

<b>TP-PT-CC-BV-IS-01</b>	ETS 300 822 [22], subclause 10.1.3 and annex C Initial condition: The signalling link is established, the CC state is t10. Check that the Implementation Under Test (IUT) supports segmentation of long ISDN messages into two <<IWU-TO-IWU>> with a <<REPEAT-INDICATOR>> sent in five or more consecutive messages
<b>TP-PT-CC-BV-IS-02</b>	ETS 300 822 [22], subclause 10.1.3 and annex C Initial condition: The signalling link is established, the CC state is t10. Check that the IUT supports segmentation of medium sized ISDN messages into one <<IWU-TO-IWU>> in two consecutive messages
<b>TP-PT-CC-BV-IS-03</b>	ETS 300 822 [22], subclause 10.2.1 and 6.3.2 Initial condition: The link is not established, the CC is idle. Check that the IUT can switch the ISDN channel B1 separately.
<b>TP-PT-CC-BV-IS-04</b>	ETS 300 822 [22], subclause 10.2.1 and 6.3.2 Initial condition: The link is not established, the CC is idle. Check that the IUT can switch the ISDN channel B2 separately.
<b>TP-PT-CC-BV-IS-05</b>	ETS 300 822 [22], subclause 10.2.1 and 6.3.2 Initial condition: The link is not established, the CC is idle. Check that the IUT can switch both the ISDN channels B1 and B2.
<b>TP-PT-CC-BV-IS-06</b>	ETS 300 822 [22], subclause 10.2.2 Initial condition: a first link supports the U-plane for B1 channel and Cs signalling data, the second one supports only the U-plane for B2 and is in state t10 Check that the U-plane for B2 when no longer needed, the IUT supports its release using the normal release procedure.
<b>TP-PT-CC-BV-IS-07</b>	ETS 300 822 [22], subclause 10.2.2 Initial condition: a first link supports the U-plane for B1 channel and Cs signalling data, the second one supports only the U-plane for B2 and is in state t08. Check that the U-plane for B2 when no longer needed, the IUT supports its release using the normal release procedure.
<b>TP-PT-CC-BV-IS-08</b>	ETS 300 822 [22], subclause 10.2.3 Initial condition: The U-plane is connected, the CC is in state t10. Check that the IUT supports disconnection/connection of the U-plane link by means of {IWU-INFO} messages

### 4.1.1.2 Test group PT/CC/BI/IS

<b>TP-PT-CC-BI-IS-01</b>	EN 300 175-5 [8], subclause 17.6.1 Initial condition: The link is not established, the CC is in state t00 Verify that the IUT sends a {CC_RELEASE_COM} on receipt of a {CC_SETUP} message with a mandatory information element missing.
<b>TP-PT-CC-BI-IS-02</b>	EN 300 175-5 [8], subclause 17.6.2 Initial condition: The link is not established, the CC is in state t00 Verify that the IUT sends a {CC_RELEASE_COM} on receipt of a {CC_SETUP} message containing a mandatory information element with wrong content.
<b>TP-PT-CC-BI-IS-03</b>	EN 300 175-5 [8], subclause 17.4.1 Initial condition: The link is not established, the CC is in state t00 Verify that the IUT ignores an unrecognized message, when it is constructed as a {CC_SETUP} with one bit wrong in the <<message type>>

#### 4.1.1.3 Test group PT/CC/BO/IS

<b>TP-PT-CC-B0-IS-01</b>	EN 300 175-5 [8], subclause 9.3.2.8 Initial condition: The link is established, the CC is in state t08 Verify that the IUT ignores an unexpected message {CC_CALL_PROC} in state t08.
--------------------------	---

#### 4.1.1.4 Test group PT/CC/TI/IS

<b>TP-PT-CC-TI-IS-01</b>	EN 300 175-5 [8], subclause 9.3.2.8 Initial condition: The link is established, the CC is in state t08 Verify that the IUT, after having started timer P-<CC.05>, releases the call using the normal procedure when the timer expires after the defined time. The {CC_RELEASE} message should arrive within the allowed margin time of +-5%
--------------------------	---

### 4.1.2 Additional TPs for IIP LCE specific behaviours

#### 4.1.2.1 Test group PT/LC/BV/IS

<b>TP-PT-LC-BV-IS-01</b>	ETS 300 822 [22], subclause 10.1.2.1 Initial condition: The link is not established, the CC is idle. Check that the IUT is able to handle an indirect DIFS initiated link establishment.
<b>TP-PT-LC-BV-IS-02</b>	ETS 300 822 [22], subclause 10.1.2.2 Initial condition: The link is not established, the CC is idle. Check that the IUT is able to perform a direct DIPS initiated link establishment.

## 4.2 Abstract Test Method (ATM)

As stated in ETS 300 497-7 [21], the ATM used for the DECT NWK layer is the remote embedded test method.

The DECT/ISDN IIP implies no modification for the definition and the use of the ATM.

## 4.3 Relevant test cases

The test cases defined for the test groups "PT/CC/BV/OC", "PT/CC/BV/IC", "PT/CC/BV/CI", "PT/CC/BV/CR", "PT/CC/BV/RS", "PT/CC/BO", "PT/CC/BI", and "PT/CC/TI" in ETS 300 497-7 [21] are not relevant for the IIP profile.

The test cases defined for the test group "PT/Mobility Management entity (MM)/BV/ID" in ETS 300 497-7 [21] relevant for the profile according to their own selection rules are:

- TC-PT-MM-BV-ID-01, TC-PT-MM-BV-ID-02, TC-PT-MM-BV-ID-03, TC-PT-MM-BV-ID-04, TC-PT-MM-BV-ID-08.

The test cases defined for the test group "PT/MM/BV/AU" in ETS 300 497-7 [21] relevant for the profile according to their own selection rules are:

- TC-PT-MM-BV-AU-01, TC-PT-MM-BV-AU-02, TC-PT-MM-BV-AU-03, TC-PT-MM-BV-AU-04, TC-PT-MM-BV-AU-05, TC-PT-MM-BV-AU-06, TC-PT-MM-BV-AU-08, TC-PT-MM-BV-AU-09.

The test cases defined for the test group "PT/MM/BV/LO" in ETS 300 497-7 [21] relevant for the profile according to their own selection rules are:

- TC-PT-MM-BV-LO-01, TC-PT-MM-BV-LO-02, TC-PT-MM-BV-LO-03, TC-PT-MM-BV-LO-04, TC-PT-MM-BV-LO-05, TC-PT-MM-BV-LO-06, TC-PT-MM-BV-LO-07, TC-PT-MM-BV-LO-08, TC-PT-MM-BV-LO-09.

The test cases defined for the test group "PT/MM/BV/AR" in ETS 300 497-7 [21] relevant for the profile according to their own selection rules are:

- TC-PT-MM-BV-AR-01, TC-PT-MM-BV-AR-03, TC-PT-MM-BV-AR-05, TC-PT-MM-BV-AR-06, TC-PT-MM-BV-AR-09, TC-PT-MM-BV-AR-10.

The test cases defined for the test group "PT/MM/BV/KA" in ETS 300 497-7 [21] relevant for the profile according to their own selection rules are:

- TC-PT-MM-BV-KA-01, TC-PT-MM-BV-KA-02, TC-PT-MM-BV-KA-03.

The test cases defined for the test group "PT/MM/BV/CH" in ETS 300 497-7 [21] relevant for the profile according to their own selection rules are:

- TC-PT-MM-BV-CH-01, TC-PT-MM-BV-CH-02, TC-PT-MM-BV-CH-03, TC-PT-MM-BV-CH-04, TC-PT-MM-BV-CH-05, TC-PT-MM-BV-CH-08, TC-PT-MM-BV-CH-09, TC-PT-MM-BV-CH-10, TC-PT-MM-BV-CH-11, TC-PT-MM-BV-CH-12, TC-PT-MM-BV-CH-13, TC-PT-MM-BV-CH-14, TC-PT-MM-BV-CH-15.

The test cases defined for the test group "PT/MM/BO" in ETS 300 497-7 [21] relevant for the profile according to their own selection rules are:

- TC-PT-MM-BO-01.

The test cases defined for the test group "PT/MM/BI" in ETS 300 497-7 [21] relevant for the profile according to their own selection rules are:

- TC-PT-MM-BI-01, TC-PT-MM-BI-02, TC-PT-MM-BI-03, TC-PT-MM-BI-04.

The test cases defined for the test group "PT/MM/BI" in ETS 300 497-7 [21] relevant for the profile according to their own selection rules are:

- TC-PT-MM-TI-01, TC-PT-MM-TI-02, TC-PT-MM-TI-03, TC-PT-MM-TI-04, TC-PT-MM-TI-05.

The test cases defined for the test group "PT/ME/BV" in ETS 300 497-7 [21] relevant for the profile according to their own selection rules are:

- TC-PT-ME-BV-01, TC-PT-ME-BV-02, TC-PT-ME-BV-04, TC-PT-ME-BV-09, TC-PT-ME-BV-10, TC-PT-ME-BV-13.

The test cases defined for the test group "PT/ME/BO" in ETS 300 497-7 [21] relevant for the profile according to their own selection rules are:

- TC-PT-ME-BO-01.

The test cases defined for the test group "PT/LC/BV/LE" in ETS 300 497-7 [21] relevant for the profile according to their own selection rules are:

- TC-PT-LC-BV-LE-01, TC-PT-LC-BV-LE-02.

The test cases defined for the test group "PT/LC/BV/LR" in ETS 300 497-7 [21] relevant for the profile according to their own selection rules are:

- TC-PT-LC-BV-LR-01, TC-PT-LC-BV-LR-02, TC-PT-LC-BV-LR-03.

The test cases defined for the test group "PT/LC/BI" in ETS 300 497-7 [21] relevant for the profile according to their own selection rules are:

- TC-PT-LC-BI-01, TC-PT-LC-BI-03.

## 4.4 Additional test cases

For covering the new defined TPs of the test group "PT/CC/BV/IS", the additional test cases are:

- TC-PT-CC-BV-IS-01, TC-PT-CC-BV-IS-02, TC-PT-CC-BV-IS-03, TC-PT-CC-BV-IS-04, TC-PT-CC-BV-IS-05, TC-PT-CC-BV-IS-06, TC-PT-CC-BV-IS-07, TC-PT-CC-BV-IS-08.

For covering the new defined TPs of the test group "PT/CC/BI/IS", the additional test cases are:

- TC-PT-CC-BI-IS-01, TC-PT-CC-BI-IS-02, TC-PT-CC-BI-IS-03.

For covering the new defined TPs of the test group "PT/CC/BO/IS", the additional test cases are:

- TC-PT-CC-BO-IS-01.

For covering the new defined TPs of the test group "PT/CC/BI/IS", the additional test cases are:

- TC-PT-CC-TI-IS-01.

For covering the new defined TPs of the test group "PT/LC/BV/IS", the additional test cases are:

- TC-PT-LC-BV-IS-01, TC-PT-LC-BV-IS-02.

## 4.5 Modified test cases

Test cases, where preambles PR\_goto\_txx and PR\_select\_state are used, are considered as modified since the operation of these preambles is different.

Test cases, in which STP\_invoke\_outgoing\_call is used are also modified since the operation of this test step is different.

The tests using the messages {CIPHER\_REQUEST} and {CIPHER\_SUGGEST} because a new IE <<Connection Identity>> should be added to the message.

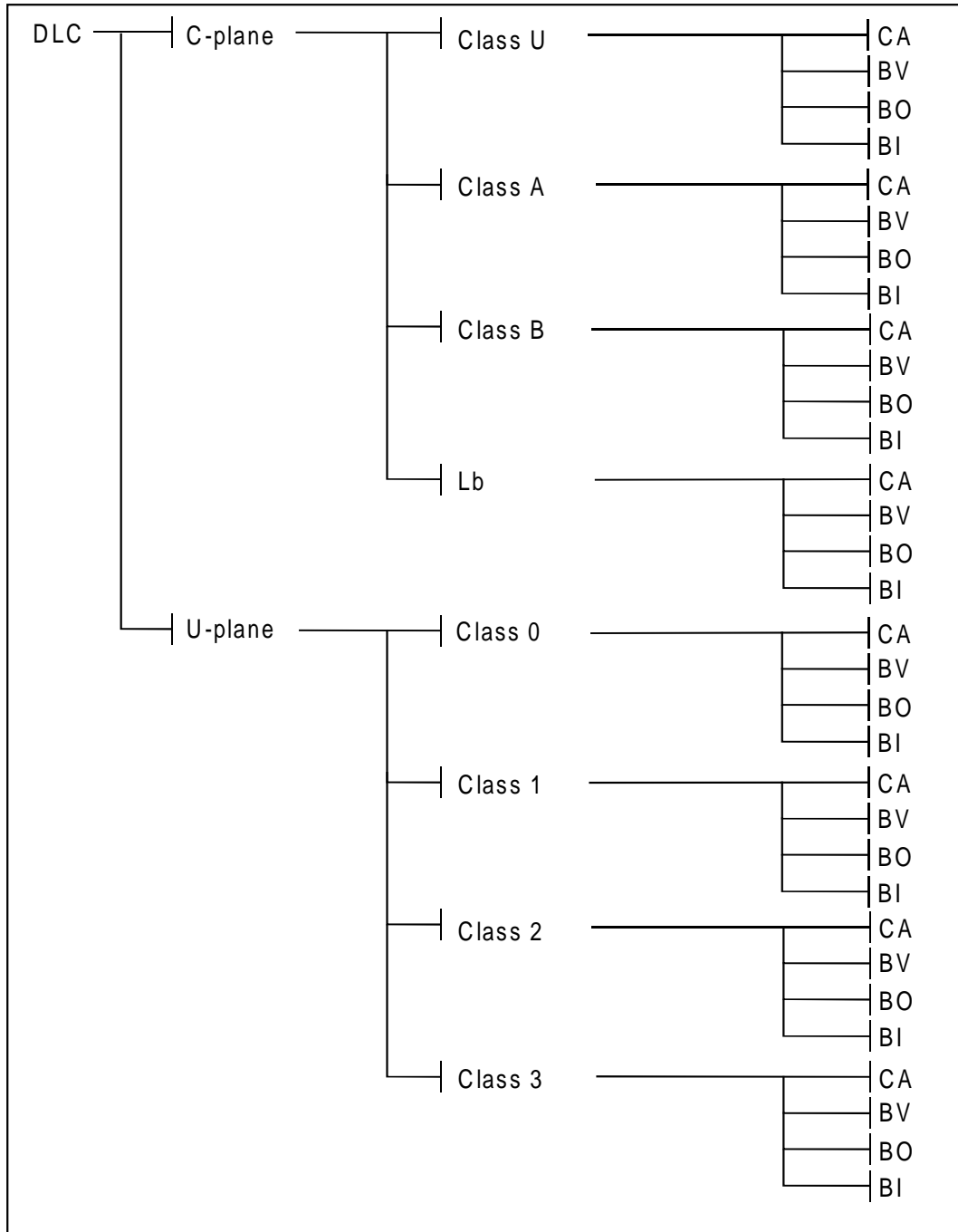
The tests using the messages {CC\_RELEASE} and {CC\_RELEASE\_COM} because a new IE <<IWU-TO-IWU>> should be added to the message.



## 5 DECT Data Link Control layer (DLC) layer protocol

### 5.1 Additional TPs

Figure 2 shows the DLC TSS defined in ETS 300 497-4 [18] for the conformance testing.



**Figure 2: DLC TSS**

Additional TPs for C-plane class B procedures are added in the functional module "class B" and in the corresponding standard main test groups CApability tests (CA), BV, BO and BI. According to the TP naming convention and the existing TP defined in ETS 300 497-4 [18], the identifiers used for the additional TP start at "DLC/C-Plane/ClassB/TPBC-000" for CA test group, "DLC/C-Plane/ClassB/TPBV-000" for BV test group, "DLC/C-Plane/ClassB/TPBO-000" for BO test group, and "DLC/C-Plane/ClassB/TPBI-000" for BI test group.

NOTE: As the IUT enters into the receiver busy state only in case of its own internal events, there are no TPs defined for this state.

As the link suspension and resumption procedures are not used in this profile, no TPs are provided for these procedures.

Additional TPs for LU7 are added in the functional module "class 0" and in the corresponding standard main test group BV. According to the TP naming convention and the existing TP defined in ETS 300 497-4 [18], the identifiers used for the additional TP start at "DLC/U-Plane/Class0/TP0V-100" for BV test group.

Additional TPs for LU8 are added in the functional module "class 0" and in the corresponding standard main test group BV. According to the TP naming convention and the existing TP defined in ETS 300 497-4 [18], the identifiers used for the additional TP start at "DLC/U-Plane/Class0/TP0V-200" for BV test group.

## 5.1.1 Additional TPs for C-plane class B procedures

### 5.1.1.1 Test group CA

<b>DLC/C-Plane/ClassB/TPBC-000</b>	<p>EN 300 175-4 [7], subclause 9.2.4.2.</p> <p>Only for IUT that is able to send the class B establishment request of the data link.</p> <p>Initial condition: The IUT has sent the class B link establishment request and is now in establishment pending state.</p> <p>Verify that the IUT re-transmits the same link establishment I-Frame request N250 times if, at each request, the timer &lt;DL-02&gt; expires and the expected RR response frame with the NLF bit set to "1" is not received and enters established state, if in the last re-transmission it receives the expected RR with the NLF bit set to "1".</p>
<b>DLC/C-Plane/ClassB/TPBC-001</b>	<p>EN 300 175-4 [7], subclauses 9.2.4.3.1, 9.2.4.3.2.</p> <p>Only for IUT that is able to send the class B establishment request of the data link.</p> <p>Initial condition: The IUT has sent the class B link establishment request and is now in establishment pending state.</p> <p>Verify that the IUT, on receipt of a RR frame response to the link establishment request it has sent, and containing the PT chosen assignable value of LLN, enters class B established state.</p>
<b>DLC/C-Plane/ClassB/TPBC-002</b>	<p>EN 300 175-4 [7], subclauses 9.2.4.3.1, 9.2.4.3.2.</p> <p>Only for IUT that is able to send the class B establishment request of the data link.</p> <p>Initial condition: The IUT has sent the class B link establishment request and is now in establishment pending state.</p> <p>Verify that the IUT, on receipt of a RR frame response to the link establishment request it has sent, and containing the class A operation value of LLN, either enters class A established state or releases the link.</p>
<b>DLC/C-Plane/ClassB/TPBC-003</b>	<p>EN 300 175-4 [7], subclauses 9.2.4.3.1, 9.2.4.3.2.</p> <p>Only for IUT that is able to send the class B establishment request of the data link.</p> <p>Initial condition: The IUT has sent the class B link establishment request and is now in establishment pending state.</p> <p>Verify that the IUT, on receipt of a RR frame response to the link establishment request it has sent, and containing the LLN unassigned value of LLN, releases the link.</p>
<b>DLC/C-Plane/ClassB/TPBC-004</b>	<p>EN 300 175-4 [7], subclause 9.2.8.2.</p> <p>Only for IUT that is able to send the class B re-establishment request of the data link.</p> <p>Initial condition: The IUT has sent the class B link re-establishment request to re-establish the link and is now in re-establishment pending state.</p> <p>Verify that the IUT re-transmits the same link re-establishment SABM request N250 times if, at each request, the timer &lt;DL-02&gt; expires and the expected (UA or DM) response frame with the NLF bit set to "1" is not received and either enters established state, if in the last re-transmission it receives an UA with the NLF bit set to "1" or releases the link, if in the last re-transmission it receives a DM with the NLF bit set to "1".</p>
<b>DLC/C-Plane/ClassB/TPBC-005</b>	<p>EN 300 175-4 [7], subclause 9.2.8.2.</p> <p>Only for IUT that is able to send the class B re-establishment request of the data link.</p> <p>Initial condition: The IUT has sent the class B link re-establishment request to re-establish the link and is now in re-establishment pending state.</p> <p>Verify that the IUT, on receipt of a valid UA frame response with the NLF bit set to "1" to the link re-establishment request it has sent, re-enters established state.</p>

<b>DLC/C-Plane/ClassB/TPBC-006</b>	EN 300 175-4 [7], subclause 9.2.5.2. Initial condition: The IUT is in class B multiple frame operation. Verify that the IUT acknowledges rightly a valid received I-Frame within timer <DL-04>.
<b>DLC/C-Plane/ClassB/TPBC-007</b>	EN 300 175-4 [7], subclause 9.2.5.7. Initial condition: The IUT is in class B multiple frame operation. Verify that the IUT re-transmits N250 times either the same I-Frame with P bit set to "1" or appropriate S frame with P bit set to "1" if, at each transmission, the timer <DL-04> expires and the expected acknowledgement is not received and remains in established state, if in the last re-transmission it receives the expected acknowledgement.
<b>DLC/C-Plane/ClassB/TPBC-008</b>	EN 300 175-4 [7], subclause 9.2.6. Initial condition: The IUT is in class B multiple frame operation. Verify that the IUT, on receipt of a valid DISC command frame with P and NLF bits set to "1", responds with a UA response frame with the F bit set to "1" and enters into the ULI state.
<b>DLC/C-Plane/ClassB/TPBC-009</b>	EN 300 175-4 [7], subclause 9.2.7.1.1. Initial condition: The IUT is in class B multiple frame operation. Verify that the IUT, on receipt of a valid DISC command frame with P bit set to "1" and NLF bit set to "0", responds with either a UA response frame with the F bit set to "1", NLF bit cleared to accept the suspension or a UA response frame with the F bit set to "1", NLF bit set to "1" to reject the suspension and either enters into the ALI state in case of acceptance or remains in the ASM state in case of rejection.
<b>DLC/C-Plane/ClassB/TPBC-010</b>	EN 300 175-4 [7], subclause 9.2.7.1.1. Initial condition: The IUT is in ULI state. Verify that the IUT, on receipt of a valid DISC command frame with P bit set to "1" and NLF bit set to "0", responds with a UA response frame with the F bit set to "1", NLF bit set to "1" to reject the suspension and remains in the ULI state.

## 5.1.1.2 Test group BV

<b>DLC/C-Plane/ClassB/TPBV-000</b>	EN 300 175-4 [7], subclause 9.2.5.2. Initial condition: The IUT is in class B multiple frame operation and has sent an I-Frame. Verify that the IUT accepts as an acknowledgement for a previously transmitted I-Frame, a RR response frame with correct N(R) value.
<b>DLC/C-Plane/ClassB/TPBV-001</b>	EN 300 175-4 [7], subclause 9.2.5.2. Initial condition: The IUT is in class B multiple frame operation and has sent an I-Frame. Verify that the IUT accepts as an acknowledgement for a previously transmitted I-Frame, an I-Frame command with correct N(S) and N(R) values.
<b>DLC/C-Plane/ClassB/TPBV-002</b>	EN 300 175-4 [7], subclause 9.2.5.2. Initial condition: The IUT is in class B multiple frame operation and has sent an I-Frame. Verify that the IUT accepts as an acknowledgement for a previously transmitted I-Frame, an RNR response frame with correct N(R) values and after expiry of <DL-04> timer transmits an RR command frame with P bit set to "1".
<b>DLC/C-Plane/ClassB/TPBV-003</b>	EN 300 175-4 [7], subclause 9.2.5.4. Initial condition: The IUT is in class B multiple frame operation and has sent an I-Frame. Verify that the IUT, on receipt of a REJ command frame with P bit set to "1" and N(R) indicating the last I-Frame sent, transmit an RR response frame with F bit set to "1" and then re-transmits the rejected I-Frame.
<b>DLC/C-Plane/ClassB/TPBV-004</b>	EN 300 175-4 [7], subclause 9.2.5.4. Initial condition: The IUT is in class B multiple frame operation and has sent an I-Frame. Verify that the IUT ignores an REJ response frame with F bit set to "1", and then after expiry of <DL-04> timer either re-transmits the unacknowledged I-Frame with P bit set to "1" or transmits an RR command frame with P bit set to "1".
<b>DLC/C-Plane/ClassB/TPBV-005</b>	EN 300 175-4 [7], subclause 9.2.5.5. Initial condition: The IUT is in class B multiple frame operation. Verify that the IUT accepts as an indication of peer busy condition, an RNR command frame with P bit set to "1", answers with an RR response frame with F bit set to "1" and after expiry of <DL-04> timer transmit an RR command frame with P bit set to "1".
<b>DLC/C-Plane/ClassB/TPBV-006</b>	EN 300 175-4 [7], subclause 9.2.5.5. Initial condition: The IUT is in peer receiver busy condition with an I-Frame not acknowledged. Verify that the IUT, after expiry of <DL-04> timer transmits an RR command frame with P bit set to "1". Then after receiving a correct RR response frame with F bit set to "1", the IUT re-transmits the I-Frame not acknowledged.
<b>DLC/C-Plane/ClassB/TPBV-007</b>	EN 300 175-4 [7], subclause 9.2.5.7. Initial condition: The IUT is in timer recovery phase. Verify that the IUT accepts as an acknowledgement for a previously transmitted I-Frames, a RR response frame with correct N(R) value and leaves the timer recovery phase.
<b>DLC/C-Plane/ClassB/TPBV-008</b>	EN 300 175-4 [7], subclause 9.2.5.7. Initial condition: The IUT is in timer recovery phase. Verify that the IUT accepts as an acknowledgement for a previously transmitted I-Frames, an I-Frame with correct N(S) and N(R) values and leaves the timer recovery phase.
<b>DLC/C-Plane/ClassB/TPBV-009</b>	EN 300 175-4 [7], subclause 9.2.5.5. Initial condition: The IUT is in timer recovery phase Verify that the IUT accepts as an acknowledgement for a previously transmitted I-Frame, an RNR response frame with correct N(R) values and after expiry of <DL-04> timer transmits an RR command frame with P bit set to "1".
<b>DLC/C-Plane/ClassB/TPBV-010</b>	EN 300 175-4 [7], subclause 9.2.5.4. Initial condition: The IUT is in timer recovery phase Verify that the IUT, on receipt of a REJ response frame with F bit set to "1" and N(R) indicating the last I-Frame sent, re-transmits the rejected I-Frame.

<b>DLC/C-Plane/ClassB/TPBV-011</b>	EN 300 175-4 [7], subclause 9.2.5.5. Initial condition: The IUT is in timer recovery phase. Verify that the IUT accepts as an indication of peer busy condition, an RNR command frame with P bit set to "1", answers with an RR response frame with F bit set to "1" and after expiry of <DL-04> timer transmit an RR command frame with P bit set to "1".
<b>DLC/C-Plane/ClassB/TPBV-012</b>	EN 300 175-4 [7], subclause 9.2.5.5. Initial condition: The IUT is in timer recovery phase and in peer receiver busy condition. Verify that the IUT, after expiry of <DL-04> timer transmits an RR command frame with P bit set to "1". Then after receiving a correct RR response frame with F bit set to "1", the IUT re-transmits the I-Frame not acknowledged.
<b>DLC/C-Plane/ClassB/TPBV-013</b>	EN 300 175-4 [7], subclause 9.2.5. Initial condition: The IUT is in class B multiple frame operation. Verify that the IUT manages properly the sequence numbering operation within the window size.
<b>DLC/C-Plane/ClassB/TPBV-014</b>	EN 300 175-4 [7], subclause 9.2.5.5. Initial condition: The IUT is in class B multiple frame operation. Verify that the IUT manages properly a multiple exchange of frames (sequence numbering within window size and modulus in both sides).
<b>DLC/C-Plane/ClassB/TPBV-015</b>	EN 300 175-4 [7], subclause 7.7.2. Initial condition: The IUT is in class B multiple frame operation. Verify that the IUT manages properly the DLC more data bit to recombine a NWK message contained in more than one DLC I-Frame.
<b>DLC/C-Plane/ClassB/TPBV-016</b>	EN 300 175-4 [7], subclause 7.7.2. Initial condition: The IUT is in class B multiple frame operation. Verify that the IUT is able to segment a NWK message in more than one DLC I-Frame by using the DLC more data bit.
<b>DLC/C-Plane/ClassB/TPBV-017</b>	EN 300 175-4 [7], subclause 7.7.2. Initial condition: The IUT is in class B multiple frame operation. Verify that the IUT manages properly the DLC more data bit to recombine a NWK message contained in a number of DLC I-Frame exceeding the window size.

### 5.1.1.3 Test group BI

<b>DLC/C-Plane/ClassB/TPBI-000</b>	EN 300 175-4 [7], subclause 9.2.4.2. Only for IUT that is able to send the class B establishment request of the data link. Initial condition: The IUT has sent the class B link establishment request and is now in establishment pending state. Verify that the IUT, on receipt of a RR response frame with NLF bit set to "1" and F set to "0", discards the received RR response frame and, on expiry of the timer <DL-02>, re-transmits the establishment request.
<b>DLC/C-Plane/ClassB/TPBI-001</b>	EN 300 175-4 [7], subclause 9.2.9.2.2. Only for IUT that is able to send the class B establishment request of the data link. Initial condition: The IUT has sent the class B link establishment request and is now in establishment pending state. Verify that the IUT, on receipt of a RR response frame with NLF bit set to "1", F set to "1" and invalid N(R), transmits immediately the re-establishment request (SABM with NLF and P bits set to "1").
<b>DLC/C-Plane/ClassB/TPBI-002</b>	EN 300 175-4 [7], subclause 9.2.9.2.2. Initial condition: The IUT, in class B multiple frame operation, has sent an I-Frame and is waiting for the adequate acknowledgement. Verify that the IUT, on receipt of a RR response frame with NLF bit set to "0", F bit set accordingly with the P bit of the unacknowledged I-Frame and invalid N(R), transmits immediately the re-establishment request (SABM with NLF and P bits set to "1").
<b>DLC/C-Plane/ClassB/TPBI-003</b>	EN 300 175-4 [7], subclause 9.2.9.2.1. Initial condition: The IUT, in class B multiple frame operation, has sent an I-Frame and is waiting for the adequate acknowledgement. Verify that the IUT rejects an I-Frame with invalid N(S) by sending a REJ response frame and on expiry of <DL-04> timer, polls the tester by sending a RR command frame with P bit set to "1".

## 5.1.1.4 Test group BO

<b>DLC/C-Plane/ClassB/TPBO-000</b>	EN 300 175-4 [7], subclause 9.2.4.1. Initial condition: The IUT, in class B multiple frame operation. Verify that the IUT, on receipt of an UA frame with F bit set to "0", ignores the received frame.
<b>DLC/C-Plane/ClassB/TPBO-001</b>	EN 300 175-4 [7], subclause 9.2.4.1. Initial condition: The IUT, in class B multiple frame operation. Verify that the IUT, on receipt of an UA frame with F bit set to "1", ignores the received frame.
<b>DLC/C-Plane/ClassB/TPBO-002</b>	EN 300 175-4 [7], subclause 9.2.4.1. Initial condition: The IUT, in class B multiple frame operation. Verify that the IUT, on receipt of a DM frame with F bit set to "0", transmits the Class B re-establishment request.
<b>DLC/C-Plane/ClassB/TPBO-003</b>	EN 300 175-4 [7], subclause 9.2.4.1. Initial condition: The IUT, in class B multiple frame operation. Verify that the IUT, on receipt of a DM frame with F bit set to "1", ignores the received frame.
<b>DLC/C-Plane/ClassB/TPBO-004</b>	EN 300 175-4 [7], subclauses 9.2.8, 9.2.9.2.4. Only for IUT that is able to send the class B re-establishment request of the data link. Initial condition: The IUT has sent the class B link re-establishment request to re-establish the link and is now in re-establishment pending state. Verify that the IUT, on receipt of a SABM command frame with P and NLF bits set to "1", answers with the appropriate UA response frame (P and NLF bits set to "1") and, then on receipt of the awaited UA response frame (P and NLF bits set to "1") re-enters into class B multiple frame operation.
<b>DLC/C-Plane/ClassB/TPBO-005</b>	EN 300 175-4 [7], subclauses 9.2.6, 9.2.9.2.4. Only for IUT that is able to send the Class B release request of the data link. Initial condition: The IUT has sent the class B link release request to release the link and is now in release pending state. Verify that the IUT, on receipt of a DISC command frame with P and NLF bits set to "1", answers with the appropriate UA response frame (P and NLF bits set to "1") and, then on receipt of the awaited UA response frame (P and NLF bits set to "1") enters into ULI state.

## 5.1.2 Additional TPs for U-plane LU7 procedures

### 5.1.2.1 Test group BV

<b>DLC/U-Plane/Class0/TP0V-100</b>	EN 300 175-4 [7], subclause E.4.3.2.1 Only for an IUT, that transmits a stream of data frames after the establishment of the LU7 service. Initial condition: The LU7 service is established. The IUT received a frame with incorrect checksum, and the IUT's $V(O) = 0$ . Check that the IUT uses the first time transmission procedure with a 64 kbit/s frame format to transmit the next frames.
<b>DLC/U-Plane/Class0/TP0V-101</b>	EN 300 175-4 [7], subclause E.4.3.2.1 Only for an IUT, that transmits a stream of data frames after the establishment of the LU7 service. Initial condition: The LU7 service is established. The IUT received a frame with incorrect checksum, and the IUT's $V(O) = (\text{Max. VO value} - 8)$ . Check that the IUT uses the 72 kbit/s frame format to transmit the next frames.
<b>DLC/U-Plane/Class0/TP0V-102</b>	EN 300 175-4 [7], subclause E.4.3.2.2 Only for an IUT, that transmits a stream of data frames after the establishment of the LU7 service. Initial condition: The LU7 service is established. The IUT received a re-transmit request, and the IUT's $V(O) < (\text{Max. VO value})$ . Check that the IUT re-transmits the requested frame with the same frame speed format as the initial sending of this frame.
<b>DLC/U-Plane/Class0/TP0V-103</b>	EN 300 175-4 [7], subclause E.4.3.2.4 Only for an IUT, that transmits a stream of data frames after the establishment of the LU7 service. Initial condition: The LU7 service is established. The IUT received 64 kbit/s frames, and the IUT's $V(O) = 0$ . Check that the IUT acknowledges the received frames by transmitting a frame with $N(R)$ set to the correct value.
<b>DLC/U-Plane/Class0/TP0V-104</b>	EN 300 175-4 [7], subclause E.4.3.2.5 Only for an IUT, that transmits a stream of data frames after the establishment of the LU7 service. Initial condition: The LU7 service is established. The IUT received 64 kbit/s frames, and the IUT's $V(O) = 0$ . Check that the IUT treats the $N(R)$ value contained in a received frame as an acknowledgement for all frames it has transmitted with an $N(S)$ up to this value.

## 5.1.3 Additional TPs for U-plane LU8 procedures

### 5.1.3.1 Test group BV

<b>DLC/U-Plane/Class0/TP0V-200</b>	ETS 300 822 [22], subclause 9.2.3. Only for an IUT, that transmits a stream of data frames after the establishment of the LU8 service. Initial condition: The LU8 service is established. Verify that the IUT is able to transmit a correct LU8 U-plane class 0 In normal delay frame
<b>DLC/U-Plane/Class0/TP0V-201</b>	ETS 300 822 [22], subclause 9.2.3. Only for an IUT, that transmits a stream of data frames after the establishment of the LU8 service. Initial condition: The LU8 service is established. Verify that the IUT is able to receive a correct LU8 U-plane class 0 In normal delay frame.



## 5.2 ATM

As stated in ETS 300 497-5 [19], the ATM used for the DECT DLC layer is the remote embedded test method. The fragmentation and recombination of the CF and CS channels (subset of Lc entity) are considered as a part of the lower layer under the PCO.

The DECT/ISDN IIP implies no modification for the definition and the use of the ATM.

## 5.3 Relevant test cases

All test cases defined for the test group "DLC/U-Plane/Class0" in ETS 300 497-5 [19] are relevant for the profile according to their own selection rules. All other test cases defined in other test group are not relevant for the profile.

## 5.4 Additional test cases

### 5.4.1 Additional test cases for C-plane class B

For covering the new TPs, the derived test cases are:

- TC-B-CA-000, TC-B-CA-001, TC-B-CA-002, TC-B-CA-003, TC-B-CA-004, TC-B-CA-005, TC-B-CA-006, TC-B-CA-007, TC-B-CA-008, TC-B-CA-009, TC-B-CA-010, TC-B-BV-000, TC-B-BV-001, TC-B-BV-002, TC-B-BV-003, TC-B-BV-004, TC-B-BV-005, TC-B-BV-006, TC-B-BV-007, TC-B-BV-008, TC-B-BV-009, TC-B-BV-010, TC-B-BV-011, TC-B-BV-012, TC-B-BV-013, TC-B-BV-014, TC-B-BV-015, TC-B-BV-016, TC-B-BV-017, TC-B-BI-000, TC-B-BI-001, TC-B-BI-002, TC-B-BI-003, TC-B-BO-000, TC-B-BO-001, TC-B-BO-002, TC-B-BO-003, TC-B-BO-004, TC-B-BO-005.

### 5.4.2 Additional test cases for U-plane LU7

For covering the new TPs, the derived test cases are:

- TC-0-BV-100, TC-0-BV-101, TC-0-BV-102, TC-0-BV-103, TC-0-BV-104.

### 5.4.3 Additional test cases for U-plane LU8

For covering the new TPs, the derived test cases are:

- TC-0-BV-200, TC-0-BV-201.

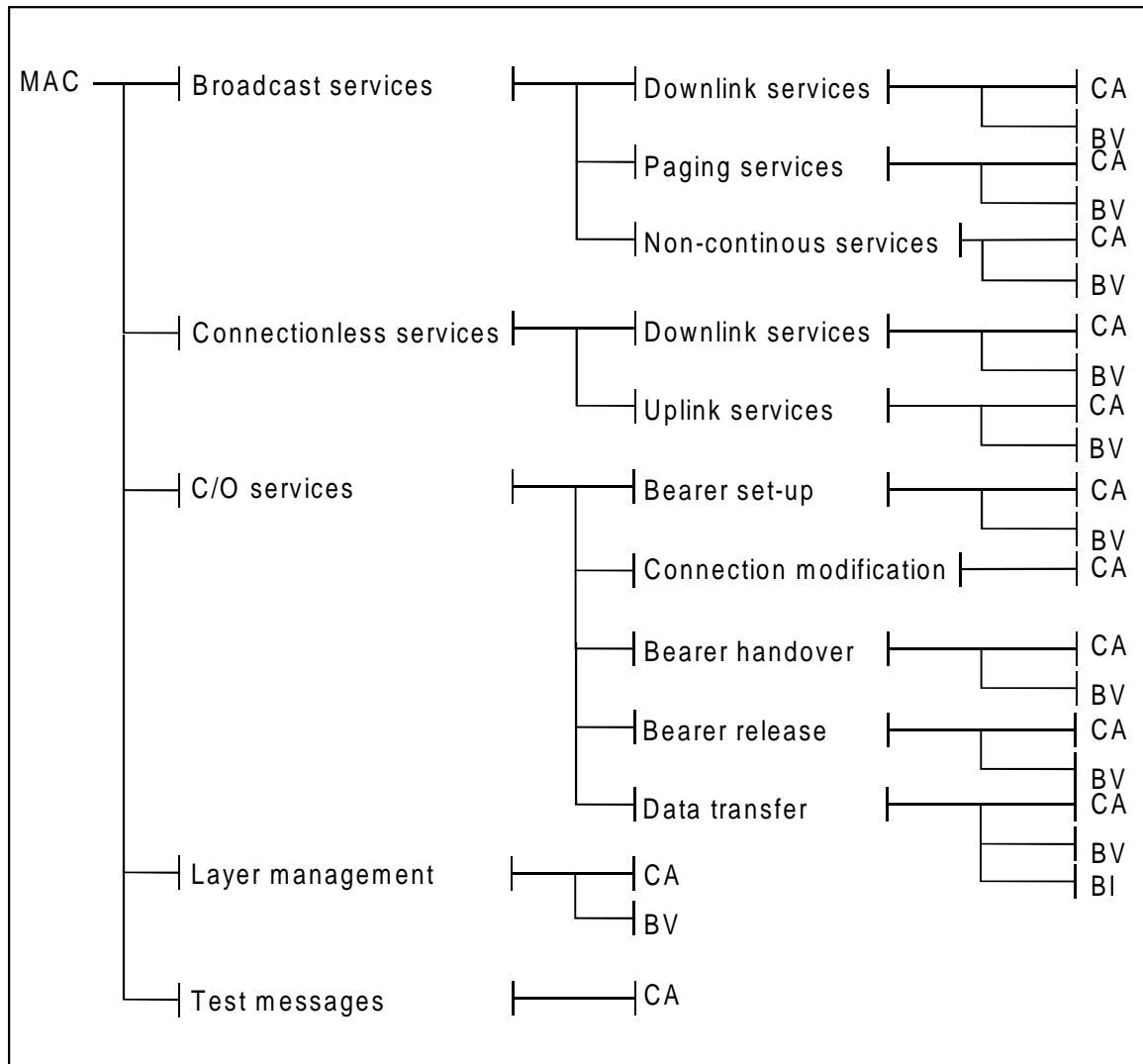
## 5.5 Modified test cases

No modified test cases derived from test cases specified in ETS 300 497-5 [19] are needed for the requirements of this profile.

## 6 DECT MAC layer protocol

### 6.1 Additional TPs

Figure 3 shows the MAC TSS defined in EN 300 497-1 [16] for the conformance testing.



**Figure 3: TSS for DECT MAC layer (layer 2a of DECT protocol stack)**

Additional TPs are added in the functional modules "BS/CA" and "BS/BV" for testing set-up of advanced symmetric connections (PT initiated - B field single bearer set-up procedure). According to the TP naming convention and the existing TP defined in EN 300 497-2 [17], the identifiers used for the additional TP start at "TP/BS/CA-10" for CA test group and "TP/BS/BV-10" for BV test group.

Additional TPs are added in the functional modules "BR/CA" for testing release of advanced symmetric connections (Unacknowledged bearer release procedure). According to the TP naming convention and the existing TP defined in EN 300 497-2 [17], the identifiers used for the additional TP start at "TP/BR/CA-10" for CA test group.

Additional TPs are added in the functional modules "BS/CA" and "BS/BV" for testing C-plane switching procedures. According to the TP naming convention and the existing TP defined in EN 300 497-2 [17], the identifiers used for the additional TP start at "TP/BS/CA-20" for CA test group and "TP/BS/BV-20" for BV test group.

Additional TPs are added in the functional modules "BS/CA" and "BS/BV" for testing connection handover procedure. According to the TP naming convention and the existing TP defined in EN 300 497-2 [17], the identifiers used for the additional TP start at "TP/BS/CA-30" for CA test group and "TP/BS/BV-40" for BV test group.

Additional TPs are added in the functional module "CM/CA" for testing release of part of double slot procedure. According to the TP naming convention and the existing TP defined in EN 300 497-2 [17], the identifiers used for the additional TP start at "TP/CM/CA-10" for CA test group.

### 6.1.1 Additional TPs for advanced symmetric connections

<b>TP/BS/CA-10</b>	ETS 300 822 [22], subclauses 8.1.2.2, 8.1.2.3. Initial state: Idle_locked. Check that the IUT manages rightly the PT initiated B field single bearer set-up procedure without wait messages.
<b>TP/BS/CA-11</b>	ETS 300 822 [22], subclauses 8.1.2.2, 8.1.2.3. Initial state: Idle_locked. Check that the IUT manages rightly the PT initiated B field single bearer set-up procedure with wait messages.
<b>TP/BS/BV-10</b>	ETS 300 822 [22], subclause 8.1.2.6.1. Initial state: Active_locked Check that the IUT manages rightly a failure of an B-field advanced bearer set-up procedure (T200, N200).
<b>TP/BR/CA-10</b>	ETS 300 822 [22], subclause 8.1.3. Initial state: Active_locked Check that the IUT manages rightly an unacknowledged release procedure of an advanced duplex bearer when receiving a B-field release message.
<b>TP/BR/CA-11</b>	ETS 300 822 [22], subclause 8.3.2. Initial state: Active_locked Check that the IUT, after establishment of an advanced symmetric connection, releases this connection, if timer T201 expires without receiving a correct RFPI handshake on that bearer.

### 6.1.2 Additional TPs for C-plane switching procedures

#### 6.1.2.1 Dynamic switching C<sub>F</sub> to C<sub>S</sub>: DIFS initiated

<b>TP/BS/CA-20</b>	ETS 300 822 [22], subclause 8.1.4.1. Initial state: Two connections are established. One with C <sub>F</sub> signalling and the other one with a LU service. Check that the IUT manages rightly the Dynamic switching C <sub>F</sub> to C <sub>S</sub> procedure. At the end of the procedure, the C <sub>S</sub> signalling channel is on the A-field of the bearer that carries the LU service on its B-field and the bearer that carried the C <sub>F</sub> signalling channel is released
<b>TP/BS/BV-20</b>	ETS 300 822 [22], subclause 8.1.4.1. Initial state: Two connections are established. One with C <sub>F</sub> signalling and the other one with a LU service. Check that the IUT re-transmits N204 times the confirmation of signalling switching in case of no response (A-CRC fails or no message received). Then, upon receipt of the good response, the IUT terminates properly the procedure to switch the signalling channel. At the end of the procedure, the C <sub>S</sub> signalling channel is on the A-field of the bearer that carries the LU service on its B-field and the bearer that carried the C <sub>F</sub> signalling channel is released.
<b>TP/BS/BV-21</b>	ETS 300 822 [22], subclause 8.1.4.1. Initial state: Two connections are established. One with C <sub>F</sub> signalling and the other one with a LU service. Check that the IUT, in case of timer T217 expiry (due to no response: A-CRC fail or no message received), stops to send the ATTRIBUTES_T_CFM (if it is not already done: max re-transmission = N204 + 1) and stops the signalling switching procedure. The two old connections remain unchanged.

6.1.2.2 Dynamic switching  $C_S$  to  $C_F$ : DIPS initiated

<b>TP/BS/CA-21</b>	ETS 300 822 [22], subclause 8.1.4.2. Initial state: One connection is established with the $C_S$ signalling channel on the A-field and a LU service on the B-field. Stimulus: The DIPS detects that the $C_F$ signalling channel is required. Check that the IUT manages rightly the Dynamic switching $C_S$ to $C_F$ DIPS initiated procedure. At the end of the procedure, the $C_S$ signalling channel on the A-field of the bearer, that carries the LU service on its B-field, has been stopped and a new bearer with the $C_F$ signalling channel is active.
<b>TP/BS/BV-22</b>	ETS 300 822 [22], subclause 8.1.4.2. Initial state: One connection is established with the $C_S$ signalling channel on the A-field and a LU service on the B-field. Stimulus: The DIPS detects that the $C_F$ signalling channel is required. Check that the IUT re-transmits N204 times the request for signalling switching in case of no response (A-CRC fails or no message received). Then, upon receipt of the good response, the IUT terminates properly the procedure to switch the signalling channel. At the end of the procedure, the $C_S$ signalling channel on the A-field of the bearer, that carries the LU service on its B-field, has been stopped and a new bearer with the $C_F$ signalling channel is active.
<b>TP/BS/BV-23</b>	ETS 300 822 [22], subclause 8.1.4.2. Initial state: One connection is established with the $C_S$ signalling channel on the A-field and a LU service on the B-field. Stimulus: The DIPS detects that the $C_F$ signalling channel is required. Check that the IUT, in case of timer T217 expiry (due to no response: A-CRC fail or no message received), stops to send the ATTRIBUTES_T_CFM (if it is not already done: max re-transmission = N204 + 1) and stops the signalling switching procedure. The old connection remains with the $C_S$ signalling channel on the A-field and a LU service on the B-field.

6.1.2.3 Dynamic switching  $C_S$  to  $C_F$ : DIFS initiated

<b>TP/BS/CA-22</b>	ETS 300 822 [22], subclause 8.1.4.3. Initial state: One connection is established with the $C_S$ signalling channel on the A-field and a LU service on the B-field. Check that the IUT manages rightly the Dynamic switching $C_S$ to $C_F$ DIFS initiated procedure. At the end of the procedure, the $C_S$ signalling channel on the A-field of the bearer, that carries the LU service on its B-field, has been stopped and a new bearer with the $C_F$ signalling channel is active.
<b>TP/BS/BV-24</b>	ETS 300 822 [22], subclause 8.1.4.3. Initial state: One connection is established with the $C_S$ signalling channel on the A-field and a LU service on the B-field. Check that the IUT re-transmits N204 times the confirmation of signalling switching in case of no response (A-CRC fails or no message received). Then, upon receipt of the good response, the IUT terminates properly the procedure to switch the signalling channel. At the end of the procedure, the $C_S$ signalling channel on the A-field of the bearer, that carries the LU service on its B-field, has been stopped and a new bearer with the $C_F$ signalling channel is active.
<b>TP/BS/BV-25</b>	ETS 300 822 [22], subclause 8.1.4.3. Initial state: One connection is established with the $C_S$ signalling channel on the A-field and a LU service on the B-field. Check that the IUT, in case of timer T217 expiry (due to no response: A-CRC fail or no message received), stops to send the ATTRIBUTES_T_CFM (if it is not already done: max re-transmission = N204 + 1) and stops the signalling switching procedure. The old connection remains unchanged.

### 6.1.2.4 Dynamic switching $C_{Sx}$ to $C_{Sy}$ : DIFS initiated

<b>TP/BS/CA-23</b>	<p>ETS 300 822 [22], subclause 8.1.4.4.  Initial state: Two connections are established. One with the <math>C_S</math> signalling channel on the A-field and a LUX service on the B-field and the other one with only LUY service on the B-field.  Check that the IUT manages rightly the Dynamic switching <math>C_{SX}</math> to <math>C_{SY}</math> DIFS initiated procedure. At the end of the procedure, the <math>C_S</math> signalling channel is on the A-field of the second bearer, that carries the LUY service on its B-field, and the <math>C_S</math> signalling channel on the A-field of the first bearer supporting LUX service has been stopped.</p>
<b>TP/BS/BV-26</b>	<p>ETS 300 822 [22], subclause 8.1.4.4.  Initial state: Two connections are established. One with the <math>C_S</math> signalling channel on the A-field and a LUX service on the B-field and the other one with only LUY service on the B-field.  Check that the IUT re-transmits N204 times the confirmation of signalling switching in case of no response (A-CRC fails or no message received). Then, upon receipt of the good response, the IUT terminates properly the procedure to switch the signalling channel. At the end of the procedure, the <math>C_S</math> signalling channel is on the A-field of the second bearer, that carries the LUY service on its B-field, and the <math>C_S</math> signalling channel on the A-field of the first bearer supporting LUX service has been stopped.</p>
<b>TP/BS/BV-27</b>	<p>ETS 300 822 [22], subclause 8.1.4.4.  Initial state: Two connections are established. One with the <math>C_S</math> signalling channel on the A-field and a LUX service on the B-field and the other one with only LUY service on the B-field.  Check that the IUT, in case of timer T217 expiry (due to no response: A-CRC fail or no message received), stops to send the ATTRIBUTES_T_CFM (if it is not already done: max re-transmission = N204 + 1) and stops the signalling switching procedure. The two old connections remain unchanged.</p>

### 6.1.3 Additional TPs for U-plane switching procedures

#### 6.1.3.1 Connection handover procedure

<b>TP/BS/CA-30</b>	<p>ETS 300 822 [22], subclause 12.2.2.1.1.  Initial state: A connection is established.  Check that the IUT manages rightly the PT initiated B field connection handover procedure without wait messages..</p>
<b>TP/BS/CA-31</b>	<p>ETS 300 822 [22], subclause 12.2.2.1.1.  Initial state: A connection is established.  Check that the IUT manages rightly the PT initiated B field connection handover procedure with wait messages..</p>
<b>TP/BS/BV-30</b>	<p>ETS 300 822 [22], subclause 8.1.2.6.1.  Initial state: A connection is established.  Check that the IUT releases a duplex bearer in case of the timer T200 expires during PT initiated B-field connection handover procedure.</p>

### 6.1.3.2 Release of part of double slot procedure

<b>TP/CM/CA-10</b>	ETS 300 822 [22], subclause 12.2.2.1.2. Initial state: A double slot connection is established. Check that the IUT manages rightly a connection modification from double slot connection to full slot connection.
<b>TP/CM/CA-11</b>	ETS 300 822 [22], subclause 12.2.2.1.2. Initial state: A double slot connection is established. Check that the IUT re-transmits N205 times the request for connection modification in case of no response. Then, upon receipt of the good response, the IUT terminates properly the procedure to switch from double slot connection to full slot connection.
<b>TP/CM/CA-12</b>	ETS 300 822 [22], subclause 12.2.2.1.2. Initial state: A double slot connection is established. Check that the IUT re-transmits N205 + 1 times the request for connection modification in case of no response. Then, the IUT terminates the switching procedure (connection remains in double slot).

## 6.2 ATM

As stated in EN 300 497-2 [17], the ATM used for the DECT MAC layer is a specific test method using specific MAC layer implementation on the tester.

The DECT/ISDN IIP implies no modification for the definition and the use of the ATM.

## 6.3 Relevant test cases

The test cases defined for the test group "DB/BV" in EN 300 497-2 [17] relevant for the profile according to their own selection rules are:

- TC-PT-DB-BV-01.

The test cases defined for the test group "PG/CA" in EN 300 497-2 [17] relevant for the profile according to their own selection rules are:

- TC-PT-PG-CA-00, TC-PT-PG-CA-01.

The test cases defined for the test group "PG/BV" in EN 300 497-2 [17] relevant for the profile according to their own selection rules are:

- TC-PT-PG-BV-02, TC-PT-PG-BV-03.

The test cases defined for the test group "BS/CA" in EN 300 497-2 [17] relevant for the profile according to their own selection rules are:

- TC-PT-BS-CA-00, TC-PT-BS-CA-01.

The test cases defined for the test group "BS/BV" in EN 300 497-2 [17] relevant for the profile according to their own selection rules are:

- TC-PT-BS-BV-00.

The test cases defined for the test group "BH/CA" in EN 300 497-2 [17] relevant for the profile according to their own selection rules are:

- TC-PT-BH-CA-00, TC-PT-BH-CA-01.

The test cases defined for the test group "BR/CA" in EN 300 497-2 [17] relevant for the profile according to their own selection rules are:

- TC-PT-BR-CA-00.

The test cases defined for the test group "DT/CA" in EN 300 497-2 [17] relevant for the profile according to their own selection rules are:

- TC-PT-DT-CA-00, TC-PT-DT-CA-01, TC-PT-DT-CA-02.

The test cases defined for the test group "DT/BI" in EN 300 497-2 [17] relevant for the profile according to their own selection rules are:

- TC-PT-DT-BI-00.

The test cases defined for the test group "LM/CA" in EN 300 497-2 [17] relevant for the profile according to their own selection rules are:

- TC-PT-LM-CA-00, TC-PT-LM-CA-01, TC-PT-LM-CA-02, TC-PT-LM-CA-03, TC-PT-LM-CA-04.

## 6.4 Additional test cases

### 6.4.1 Additional test cases for advanced symmetric connections

For covering the new defined TPs of the test group "BS/CA", the additional test cases are:

- TC-PT-BS-CA-10, TC-PT-BS-CA-11.

For covering the new defined TPs of the test group "BS/BV", the additional test cases are:

- TC-PT-BS-BV-10.

For covering the new defined TPs of the test group "BR/CA", the additional test cases are:

- TC-PT-BR-CA-10, TC-PT-BR-CA-11.

### 6.4.2 Additional test cases for C-plane switching procedures

For covering the new defined TPs of the test group "BS/CA", the additional test cases are:

- TC-PT-BS-CA-20, TC-PT-BS-CA-21, TC-PT-BS-CA-22, TC-PT-BS-CA-23.

For covering the new defined TPs of the test group "BS/BV", the additional test cases are:

- TC-PT-BS-BV-20, TC-PT-BS-BV-21, TC-PT-BS-BV-22, TC-PT-BS-BV-23, TC-PT-BS-BV-24, TC-PT-BS-BV-25, TC-PT-BS-BV-26, TC-PT-BS-BV-27.

### 6.4.3 Additional test cases for U-plane switching procedures

For covering the new defined TPs of the test group "BS/CA", the additional test cases are:

- TC-PT-BS-CA-30, TC-PT-BS-CA-31.

For covering the new defined TPs of the test group "BS/BV", the additional test cases are:

- TC-PT-BS-BV-30.

For covering the new defined TPs of the test group "CM/CA", the additional test cases are:

- TC-PT-CM-CA-10, TC-PT-CM-CA-11, TC-PT-CM-CA-12.

## 6.5 Modified test cases

No modified test cases derived from test cases specified in EN 300 497-2 [17] are needed for the requirements of this profile.

---

## 7 DECT PHL protocol

### 7.1 Additional TPs

All requirements for PHL as specified in TBR 22 [31] apply.

### 7.2 ATM

The ATM and the applicability of the ATS for PHL as defined in TBR 22 [31] apply.

### 7.3 Relevant test cases

All test cases for PHL as specified in TBR 22 [31] apply.

### 7.4 Additional test cases

No other test cases as test cases specified in TBR 22 [31] need to be provided for the requirements of this profile.

### 7.5 Modified test cases

No modified test cases derived from test cases specified in TBR 22 [31] need to be provided for the requirements of this profile.



## 8 ISDN basic access protocols

### 8.1 Applicability of ATS

The network side ATS for ISDN protocols are designed for ISDN network. For DECT/ISDN IIP profile, the ISDN terminal sees the PT part as the ISDN network. Figure 4, indicate how to test PT for ISDN protocols.

The tested PT has first to be conformant to ISDN protocols before all other parts of IIP profile. If not, testing for all other parts of IIP profile is not relevant.

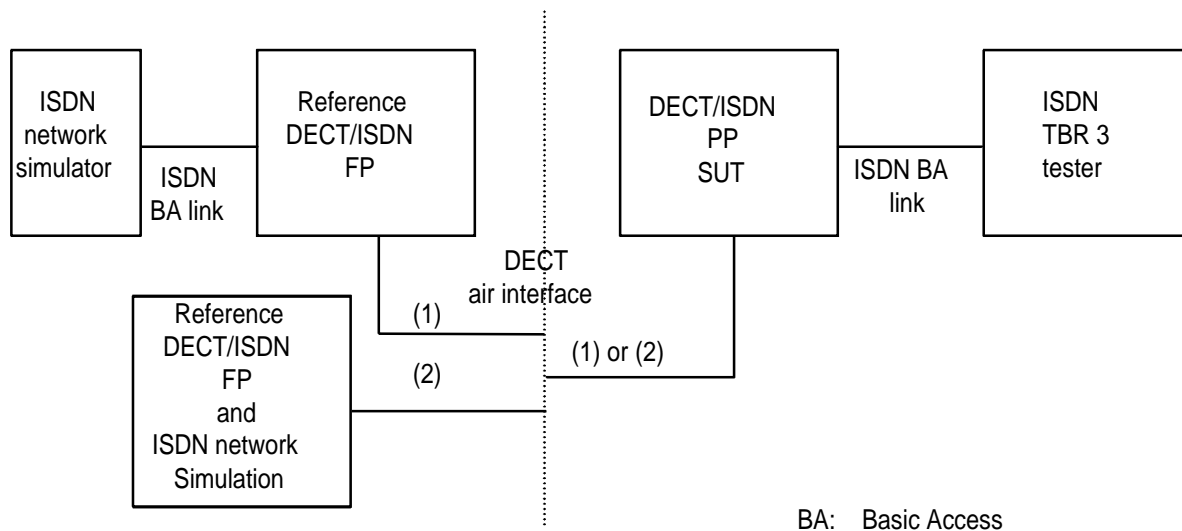


Figure 4: ISDN protocols testing at PT

### 8.2 Additional TPs

All requirements for all layer of the ISDN basic access protocols as specified in TBR 3 [30] apply with no required addition.

### 8.3 ATM

The ATM for all layer of the ISDN basic access protocols as defined in TBR 3 [30] apply.

### 8.4 Relevant test cases

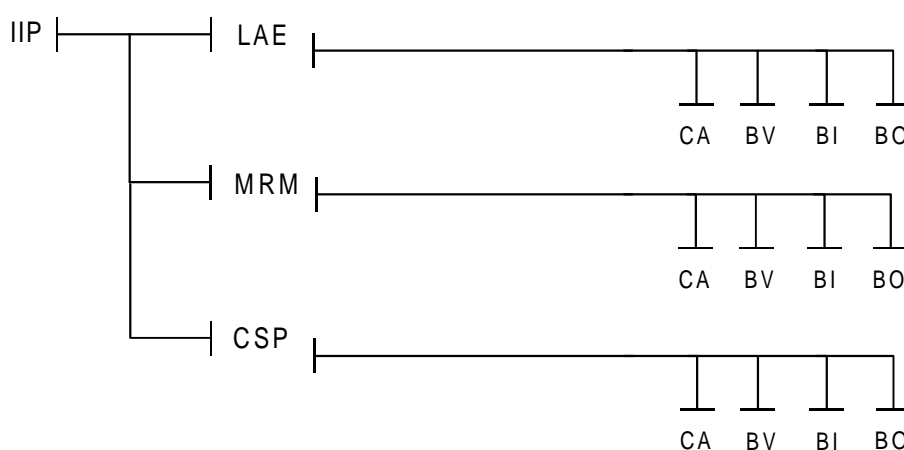
All test cases for all layer of the ISDN basic access protocols as specified in TBR 3 [30] apply with no required addition and/or modification.

## 9 DECT/ISDN IIP profile

### 9.1 Profile TSS

The test suite is structured as a tree with a first level defined as IIP representing the profile IWU group "DECT/ISDN IWU IIP".

Figure 5 shows the DECT/ISDN IWU TSS defined for the Conformance Testing.



**Figure 5: TSS for DECT IIP profile - Portable Termination (PT)**

#### 9.1.1 Test groups

The test groups are organized in two levels. The first level creates three functional modules representing the main functions of the profile. The second and last level contains the standard ISO subgroups CA, BV, BO and BI.

##### 9.1.1.1 Functional modules

The three functional modules are:

- The Link Association Entity (LAE) functional module: this group is designed to test the specific statements and procedures of the link association entity of the IUT;
- The Missing Resource Management (MRM) functional module: this group is designed to test the behaviour of the IUT in case of missing resources either at establishment or during a call;
- The Call control Specific Procedures (CSP) functional module: this group is designed to test specific procedure related to the ISDN functions like restart procedures, hold/retrieve procedures, suspend/resume procedures, and fall back procedures.

##### 9.1.1.2 Main test groups

The main test groups are the Capability group (CA), the BV group, the BO group and the BI group.

###### 9.1.1.2.1 Capability (CA) tests

This test sub group shall provide limited testing of the major IUT capabilities aiming to assure that the claimed capabilities are correctly supported, in accordance with the Protocol Implementation Conformance Statement (PICS).

### 9.1.1.2.2 BV tests

This test sub group shall verify that the IUT reacts in conformity with the standard, on receipt or exchange of a valid Protocol Data Units (PDUs). Valid PDUs, means, that the exchange of messages and the content of the exchanged messages are considered as valid.

### 9.1.1.2.3 BO tests

This test sub group shall verify that the IUT is capable of a valid reaction, when an inopportune protocol event occurs. Such an event is syntactically correct but it occurs when it is not expected.

### 9.1.1.2.4 BI tests

This test sub group shall verify that the IUT reacts in conformity with the standard, on receipt of a syntactically invalid PDU.

## 9.2 Profile TPs

### 9.2.1 TP definition conventions

The TPs are defined following particular rules as shown in the table 1.

**Table 1: TP definition rules**

TP Id according to the TP naming conventions	Reference. Initial condition. Stimulus. Expected behaviour.
TP Id	The TP Id is a unique identifier it shall be specified according to the TP naming conventions defined in subclause 10.2.2.
Reference	The reference should contain the references of the subject to be validated by the actual TP (specification reference, clause, paragraph).
Condition	The condition defines in which initial state the IUT has to be to apply the actual TP.
Stimulus	The stimulus defines the test event to which the TP is related.
Expected behaviour	Definition of the events that are expected from the IUT to conform to the base specification.

## 9.2.2 TP naming conventions

The identifier of the TP is built according to table 2:

**Table 2: TP naming convention**

Identifier:	<b>TP-&lt;fm&gt;-x-&lt;nnn&gt;</b>		
	<fm> = functional module	LAE	Link Association Entity
		MRM	Missing Resource Management
		CSP	IWU Cc-Specific Procedures
	x = Type of testing	C	CA, Capability Tests
		V	BV, Valid Behaviour Tests
		O	BO, Inopportune Behaviour Tests
		I	BI, Invalid Behaviour Tests
	<nnn> = sequential number	(000-999)	TP Number

## 9.2.3 Sources of TP definitions

All TPs are specified according to ETS 300 822 [22].

## 9.2.4 TPs for IWU Link Association Entity

<b>TP-LAE-V-000</b>	ETS 300 822 [22], subclause 11.1.2.1 Initial condition: The LA is not established, the CC is idle. Check that the IUT is able to handle a ISDN-L3 message broadcasted. Check that a message contained in an <<IWU-TO-IWU>> with "unnumbered info transfer" passes through the system and is emitted in an UI frame.
<b>TP-LAE-V-001</b>	ETS 300 822 [22], subclause 11.1.2.2.1 Initial condition: The LA is not established, the CC is idle. Check that, when the LAE detects that a LA needs to be established, it forwards the L2 command "L2 estab.req" in a NWK-data.req. primitive to the NWK.
<b>TP-LAE-V-002</b>	ETS 300 822 [22], subclause 11.1.2.2.2 Initial condition: The LA is established. Check that a LAE receiving in its IWU L3 messages identified by an ISDN L2 address, maps this address to the corresponding LA-CEI, and then forwards the message and the LA-CEI in a L2-command "numbered info. transfer".
<b>TP-LAE-V-003</b>	ETS 300 822 [22], subclause 11.1.2.2.3 Initial condition: one LA is established. Check that the IUT is able to release the LA if the IWU detects that the corresponding ISDN L2 link has been released by forwarding a L2 command "L2 release req.". As no further LA is in use, the release of the C-plane channel shall be initiated.
<b>TP-LAE-V-004</b>	ETS 300 822 [22], subclause 11.1.3.3 a) Initial condition: one LA is established. Check that when a L2 command is received with an unidentified LA-CEI, the IUT returns a "release required" command containing the cause "error", the unidentified LA-CEI and the conflicted command type.
<b>TP-LAE-V-005</b>	ETS 300 822 [22], subclause 11.1.3.3 b) Initial condition: one LA is established. Check that when a L2 command "establish request" is received with an already used LA-CEI, the IUT ignores the command.
<b>TP-LAE-V-006</b>	ETS 300 822 [22], subclause 11.1.3.3 c) Initial condition: one LA has been established and has been released. Check that the IUT upon receipt of a "release req." indicating the cause "normal" for the already released link, the command is ignored.
<b>TP-LAE-V-007</b>	ETS 300 822 [22], subclause 11.1.3.3 c) Initial condition: one LA has been established and has been released. Check that the IUT upon receipt of a "release req." indicating the cause "error" for the already released link, the receiving LAE releases the DLC and MAC connection for the C-plane channel DIPS shall release the ISDN L1 towards the TE1.
<b>TP-LAE-V-009</b>	ETS 300 822 [22], subclause 11.1.3.4 Initial condition: one LA is established. Check that receipt of a L2 command containing unidentified command coding is rejected toward the sending LAE sending a L2-command "L2 release req" using the LA-CEI of the unidentified command and indicating the cause "error"

## 9.2.5 TPs for IWU missing resource management

<b>TP-MRM-V-000</b>	ETS 300 822 [22], subclause 11.4.3.2 Initial condition: missing resources conditions, An u-plane channel cannot be established. Check that the IUT supports the rejection of the {CC_SETUP} message by a {CC_RELEASE_COM} message
<b>TP-MRM-V-001</b>	ETS 300 822 [22], subclause 11.4.3.3 Initial condition: missing resources conditions, An u-plane channel is lost. Check that the IUT supports that the U-NWK concerned is released towards the IUT by sending a {CC_RELEASE_COM} message to the IUT

## 9.2.6 TPs for IWU Call Control specific procedures

TP-CSP-V-000	ETS 300 822 [22], subclause 11.5.1 Initial condition: a call is pending, Call Hold is supported Check that the IUT can put a ISDN call on hold and then retrieve the call
TP-CSP-V-001	ETS 300 822 [22], subclause 11.5.1 Initial condition: a call is pending, Call Hold is not supported Check that the IUT rejects an {HOLD} message returning a {HOLD_REJECT} containing an appropriate cause (# 69 = requested facility not implemented) and that the {HOLD} message is discarded
TP-CSP-V-002	ETS 300 822 [22], subclause 9.2.1 Initial condition: Check that when the IUT is sent a {CC_SETUP} with <<Connection Attributes>> and <<call attributes>> indicating LU1 DLC services, the U-Plane set-up is a LU1
TP-CSP-V-003	ETS 300 822 [22], subclause 9.2.2 Initial condition: Check that when the IUT is sent a {CC_SETUP} with <<Connection Attributes>> and <<call attributes>> indicating LU7 DLC services, the U-Plane set-up is a LU7
TP-CSP-V-004	ETS 300 822 [22], subclause 9.2.3 Initial condition: Check that when the IUT is sent a {CC_SETUP} with <<Connection Attributes>> and <<call attributes>> indicating LU8 DLC services, the U-Plane set-up is a LU8
TP-CSP-V-005	ETS 300 822 [22], subclause 11.5.3 Initial condition: a call is pending terminal portability is supported by the network. Check that, upon request from the terminal to initiate the terminal portability service, the U-plane is actually retained until the call is resumed by the terminal.
TP-CSP-V-006	ETS 300 822 [22], subclause 11.5.3 Initial condition: a call is pending terminal portability is supported by the network. Check that, upon request from the terminal to initiate the terminal portability service, the U-plane is actually retained until the timer T307 expires.

## 9.3 Profile ATM

The figure 6 shows the ATM used for testing the DECT/ISDN IWU of the PP.

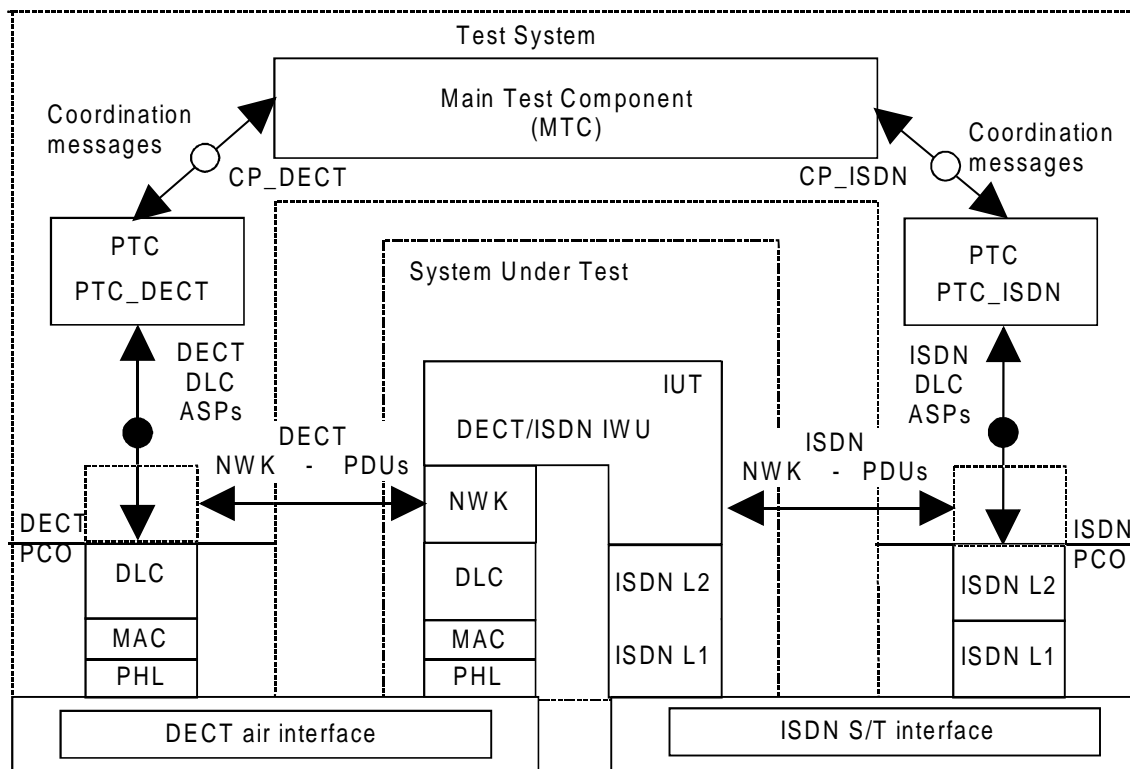


Figure 6: ATM for IWU IIP on PT part

A multiparty testing concept is used, which consists of the following testing components:

- PCOs:** There are two PCOs in the test system. The first PCO, called PC\_IS, is on the SAP of the ISDN L2 layer. The second PCO, called PC\_DE, is on the SAP of the DECT DLC layer. All test events sent or received through these PCOs are specified as Abstract Service Primitives (ASPs) with embedded NPDUs.
- CP\_ISDN:** Co-ordination Point for ISDN interface is located between the MTC master test component and the PTC\_ISDN parallel test component in the test system. It is used for passing co-ordination messages between these two testing functions.
- CP\_DECT:** Co-ordination Point for DECT interface is located between the master test component (MTC) and the parallel test component PTC\_DECT in the test system. It is used for passing co-ordination messages between these two testing functions.
- PTC\_ISDN:** This Parallel Test Component is the upper-layer of the ISDN L3 layer in the test system. While the execution of each test case, it guides and verifies the ISDN part behaviour of the IUT by the related PCO.
- PTC\_DECT:** This Parallel Test Component is the upper-layer of the DECT NWK layer in the test system. While the execution of each test case, it guides and verifies the DECT part behaviour of the IUT by the related PCO.
- MTC:** The Main Test Component (MTC) is located in the test system. It leads the beginning, execution and completion of both PTCs. It manages the CP\_ISDN and CP\_DECT co-ordination points. It computes the final verdict of the test case.

In figure 6, all layers under the PCOs are parts of the test system and are considered as global layer including layer protocol part and layer management part. To avoid complexity of the ISDN Parallel Test Component, the ISDN TEI management is considered as an integral part of ISDN L2.

## 9.4 Profile untestable TPs

Due to the ATMs chosen for this ATS or other restrictions, the TPs in table 3 have been identified as being in the untestable category, and therefore have not been derived into final test case:

**Table 3: Untestable TPs**

Test purpose	Reason
No untestable TPs identified	

## 9.5 Profile ATS conventions

This clause describes the conventions applied to define the ATS and gives the naming conventions chosen for the different elements of the ATS.

The ATS conventions are intended to give a better understanding of the ATS but they describe also the conventions made for the development of the ATS, thus for any later maintenance purposes or further development of the ATS the conventions described in this clause shall be considered.

The ATS conventions contain two parts, the naming conventions and the implementation conventions. The naming conventions describe the structure of the naming of all ATS elements. The implementation conventions describe the functional structure of the ATS.

### 9.5.1 Declarations part naming conventions

This subclause describes the naming conventions chosen for the elements of the ATS declaration part.

#### 9.5.1.1 Type and structured type definitions

The test suite type and test suite structured type identifiers describe the information elements, and are written in uppercase:

EXAMPLE:     PROTOCOL\_DISCRIMINATOR simple type. FILLSTRING structured type.

#### 9.5.1.2 Operations definitions

The test suite operation identifiers are composed of string in lowercase letters starting by the uppercase string 'TSO\_'.

EXAMPLE:     TSO\_compute\_checksum.

#### 9.5.1.3 Parameter declarations

The test suite parameter identifiers are composed of string in lowercase letters starting by the uppercase string 'TSP\_'.

EXAMPLE 1:   TSP\_window\_size.

If the test suite parameter references an Implementation Conformance Statement (ICS) item, the letter "C" is added to the standard prefix.

EXAMPLE 2:   TSPC\_pics\_item\_s23.

If the test suite parameter references an Implementation Extra Information for Testing (IXIT) item, the letter "X" is added to the standard prefix.

EXAMPLE 3:   TSPX\_pixit\_item\_2.

If it is possible, complete names as defined in the specifications are used.

#### 9.5.1.4 Selection expression definitions

The naming conventions for the test case selection expression definitions use free text starting with an uppercase letter. The name of the expression shall explain clearly the selection rule. The test case selection expressions are logical combinations of the test suite parameter definitions.

#### 9.5.1.5 Constant declarations

The test suite constant identifiers are composed of string in lowercase letters starting by the uppercase string "TSC\_".

EXAMPLE:     TSC\_retry.

Complete names as defined in the specifications are used.



### 9.5.1.6 Test suite variable declarations

The test suite variable identifiers are composed of string in lowercase letters starting by the uppercase string "TSV\_".

EXAMPLE 1: TSV\_count.

Exception: If the test suite variable represents a system parameter or value, the name defined in the specifications is used.

EXAMPLE 2: VR,VS.

### 9.5.1.7 Test case variable declarations

The test case variable identifiers are composed of string in lowercase letters starting by the uppercase string 'TCV\_'.

EXAMPLE: TCV\_cr\_value.

### 9.5.1.8 PCO declarations

The point of control and observation identifiers are composed of two or four capital letters, beginning with 'P'.

EXAMPLE: PISDN represents a PCO on ISDN interface in the test equipment. PDECT represents a PCO on DECT interface in the test equipment.

### 9.5.1.9 Timer declarations

Two kinds of timers can be distinguished:

1) standardized:

Those defined in the standard, e.g. DL\_04, use exactly the same name as in the standard, beginning with a capital 'T'.

As there is a tolerance margin accepted for these timers, three values are needed:

- the maximum value allowed, which will use the suffix '\_max';
- the minimum value allowed, which will use the suffix '\_min';
- the value actually implemented, with no suffix.

EXAMPLE 1: TDL\_04\_max, TDL\_04\_min, and TDL\_04.

2) not standardized:

Those not defined in the standard, i.e. for execution use, e.g. a timer waiting for a response. These timers begin with the prefix 'T\_', followed by a string in lowercase letters.

EXAMPLE 2: T\_resp represents a timer for controlling the response time of the IUT.

### 9.5.1.10 ASP type definitions

The identifier of an ASP uses exactly the nearest name as the name defined in the specifications. It is written in uppercases, finishing by an underscore character ('\_'), and three capital letters indicating whether it is a request, an indication, a response or a confirmation primitive.

EXAMPLE: DL\_RELEASE\_REQ for an ASP containing a layer 3 release request passed to layer 2.  
MAC\_DATA\_REQ for an ASP containing a layer 2b PDU passed to layer 2a.

### 9.5.1.11 PDU type definitions

The identifier of a PDU is given in a string in uppercase letters, which represents the layer message.

EXAMPLE 1: RR for the Receive Ready layer 2 message. DISCONNECT for the DISCONNECT layer 3 message.

Where the message is a composite word, an underscore character ('\_') appears in the string.

EXAMPLE 2: RELEASE\_COMPLETE is the RELEASE COMPLETE layer 3 message.

### 9.5.1.12 Alias definitions

These are used to make the sending and receiving of PDUs within ASPs more understandable when writing the dynamic part of the test suite. This is done by giving the ASP an alias. The alias name indicates the PDU carried by the ASP and whether it is sent or received by the tester.

No aliases are used in the test suite.

## 9.5.2 Constraints part naming conventions

This subclause describes the naming conventions chosen for the elements of the ATS constraint part.

Constraint identifiers commence with uppercase. The remaining part of the Id name is written in lowercase.

Identifier names of elements concerning the same subject have equivalent names in the declaration and the constraint part:

- Declaration Part: CC\_SETUP
- Constraint Part: Cc\_setup

The name of the modified constraint describes the particularity of the modified constraint:

E.g. Cc\_setup\_mand\_only (modified Cc\_setup with only the mandatory Information Elements).

If formal parameter lists are used, the variable names are written in lowercase. The variable name is the same as the name of the element it is representing.

## 9.5.3 Dynamic part naming conventions

This subclause describes the naming conventions chosen for the elements of the ATS dynamic part.

### 9.5.3.1 Test Case identifier

The identifier of a test case is built according to table 4:

**Table 4: TC naming convention**

Identifier:	<b>TC-&lt;fm&gt;-x-&lt;nnn&gt;</b>		
	<fm>	= functional module	LAE      Link Association Entity
			MRM      Missing Resources Management
			CSP      IWU Cc Specific Procedures
	x	= Type of testing	CA      CA, Capability tests
			BV      BV, Valid Behaviour tests
			BO      BO, Inopportune Behaviour tests
			BI      BI, Invalid Behaviour tests
	<nnn>	= sequential number	(000-999)      test case Number

### 9.5.3.2 Test Step identifier

The test step identifier is built with a string of lowercase letters led by a string of capital letter and joined by an underscore character. The first string indicates the main function of the test step; e.g. PR for preamble, PO for postamble, LTS for local tree name and STP for general step. The second string indicates the meaning of the step.

EXAMPLES:    PR\_name;  
                   PO\_name;  
                   LTS\_name;  
                   STP\_name.

### 9.5.3.3 Default identifier

The Default identifiers begin with the prefix 'DF\_', followed by a string in lowercase letters.

### 9.5.3.4 General aspects

All verdict assignments are labelled. To allow an exact identification in which table the verdict was assigned, the following name convention is applied:

TB    test Body;  
 DF    Default;  
 EH    Error handling test steps;  
 PO    Postamble;  
 PR    Preamble;  
 TS    test step.

### 9.5.3.5 ATS abbreviations

These abbreviations are used to shorten identifier names:

addr	address
ack	acknowledgement
cau	cause
cc	call control
chn	channel
est	establish
ind	indication
mety	message type
mod	modified
par	parameter
pd	protocol discriminator
req	request
rsp	response

### 9.5.4 Declaration part implementation conventions

The comment line of single element TTCN table (e.g. test suite constants) is used to give a reference where the format and content of the element are described in the relevant protocol specifications. Any particularity of the element format or content is described in the comment line.

The comment line in the header of multi element TTCN table (e.g. ASPs) is used to reference to the protocol specification.

The detailed comments are used to describe any particularity of the table.

In the ASP and PDU declarations, the comment column is used to identify if an element is mandatory or optional:

M: mandatory.

In the ASP and PDU declarations the comment column is further used to give information about the element value, in particular if the element contains a fixed spare value.

### 9.5.5 Constraint part implementation conventions

The ASPs and PDUs are defined in a way that all relevant elements are parametrized. That improves the transparency of the constraints in the dynamic part, as all values which are relevant for the test are always present.

Generally no modified constraints are used, this allows an easier reuse and adaptation of constraints if they are reused in other DECT Profile Test Specifications (PTSs).

The Comment line of a constraint contains always the reference to the used specifications.

The detailed comment sector is used to describe any particularity of the table.

## 9.5.6 Dynamic part implementation conventions

Some TCs need a particular initialization of the IUT environment conditions to run the actual test, e.g. for testing re-provisioning procedures. Such message sequence can be quite complicated and long. In cases where a local test step (LTS) facilitates the TC structure, the preamble and the condition setting are described in a LTS called `LTS_pre_step`. All `LTS_pre_steps` are described in the detailed comment part of the TTCN table.

Some TCs need after the actual test a particular re-initialization of the IUT, e.g. after re-provisioning. Such message sequence can be quite complicated and long. In cases where a local test step (LTS) facilitates the TC structure, the postamble and the re-initialization are described in a LTS called `LTS_post_step`. All `LTS_post_steps` are described in the detailed comment part of the TTCN table.

All events which are defined as a conformance requirement by the TP, cause a preliminary verdict PASS if the requirement is met.

All invalid events are handled in the default tree. Only FAIL verdicts can be assigned in the default tree.

The preamble, the test body and the postamble have different defaults, which allows a specific verdict handling, e.g. only INCONC verdicts are assigned in the preamble.

Test steps do not contain a default. That allows to apply them with no restrictions regarding the error handling.

All verdict assignments are labelled. According to ISO 9646-3 [25], annex E.2, labels should be written to the conformance log. This allows to identify where the test failed. To allow an exact identification in which table the verdict was assigned, the naming convention as described in subclause 10.5.1.3.4 applies.

The labels of the same type are numbered sequentially if they are in the same TC, test step or default.

Tps which are listed in the untestable TP list, or which reference to an other TP, e.g. BV Tps which were already defined as CA Tps, are not considered in the ATS, thus these TC identifiers are missing in the ATS and the numbering of the TCs is not always continuous.

## 9.5.7 Documentation implementation conventions

The comment line of the TC or test step header contains a reference to the relevant protocol specification.

The comment column of the dynamic behaviour part is used to number the test events which are relevant for the particular test or test operation.

Based on the numbering in the comment column all for the TC relevant events are described in the detailed comment part of each TTCN table.

Test procedures which cover a conformance requirement and lead to a preliminary or final verdict assignment are described as follows in the detailed comment part:

- Expected event: a specific receive event is expected.
- Expected behaviour: no event or a timer expiry is expected.
- Expected status: the IUT is expected to be in a particular status.

## 9.6 Test case and TP mapping

There is a one-to-one mapping between the test case identifiers and the TP identifiers. The correspondence rule is given by the following examples in table 5:

**Table 5: Examples of mapping between test cases and TPs**

<b>Test purpose identifier</b>	<b>Test case identifier</b>
TP-LAE-C-000	TC-LAE-CA-000
TP-MRM-V-001	TC-MRM-BV-001
TP-CSP-I-002	TC-CSP-BI-002
TP-LAE-O-003	TC-LAE-BO-003

---

## Annex A (normative): Profile IXIT proforma

Notwithstanding the provisions of the copyright clause related to the text of the present document, ETSI grants users of the present document to freely reproduce the Profile IXIT Proforma in this annex so that it can be used for its intended purposes and may further publish the completed Profile IXIT.

The PIXIT Proforma is based on ISO/IEC 9646-6 [28]. Any additional information needed can be found in the present document.

---

### A.1 Identification summary

**Table A.1: Identification summary**

PIXIT Number:	
Test Laboratory Name:	
Date of Issue:	
Issued to:	

---

### A.2 ATS summary

**Table A.2: ATS summary**

Protocol Specification:	
Protocol to be tested:	
ATS Specification:	
ATM:	

---

### A.3 Test laboratory

**Table A.3: Test laboratory**

Test Laboratory Identification:	
Test Laboratory Manager:	
Means of Testing:	
SAP Address:	

---

## A.4 Client identification

**Table A.4: Client identification**

Client Identification:	
Client Test manager:	
Test Facilities required:	

---

## A.5 System Under Test (SUT)

**Table A.5: SUT**

Name:	
Version:	
System Conformance Statement (SCS) Number:	
Machine configuration:	
Operating System Identification:	
IUT Identification:	
PICS Reference for IUT:	
Limitations of the SUT:	
Environmental Conditions:	



## A.6 Profile information

### A.6.1 NWK layer

**Table A.6: General Configuration**

Item	Parameter	Explanation and answer
1	TSPX_mmproc_auft_ccstate CCSTATE_TYPE (INTEGER 1, 2, 3, 4, 5, 6, 7, 10, 19)	Indicates the PT cc state, the authentication of Fixed radio Termination (FT) test cases shall be tested. <b>Value:</b>
2	TSPX_mmproc_cipt_ccstate CCSTATE_TYPE (INTEGER 1, 2, 3, 4, 5, 6, 7, 10, 19)	Indicates the PT cc state, the PT initiated ciphering test cases shall be tested. <b>Value:</b>
3	TSPX_mmproc_auft_invoke MMPROC_TYPE (INTEGER 0 .. 10)	Indicates the way of invoking the authentication of FT procedure. <b>Value:</b>
4	TSPX_mmproc_cipt_invoke MMPROC_TYPE (INTEGER 0 .. 10)	Indicates the way of invoking the PT initiated ciphering procedure. <b>Value:</b>
5	TSPX_nr_of_digits_in_cpn CPN_LENGTH_TYPE	In order to facilitate testing, a number of digits less than 10 is advised. This parameter really indicates the number of CC_INFO messages to be expected during call setup. <b>Value:</b>
6	TSPX_lce_02_min INTEGER	Value of Timer T_P_LCE_02 min in seconds <b>Value:</b>

Table A.7: Addresses

Item	Address name	Explanation and answer
1	TSPX_decimal_ac_value OCT_4 (OCTETSTRING[4])	Value of Authentication Code (AC) to be used. The AC will be entered as maximal 8 decimal digits. The AC to bitstring mapping will be done with operation TSO_cinpt_convert_ac_to_bitstring. <b>Value:</b>
2	TSPX_complete_fixed_id_ari_rpn_value or TSPX_ari_rpn_value FIXED_ID_VALUE_TYPE (BITSTRING[8..72])	Value of fixed_id to be used in case of ARI + RPN (Radio FP Number). 40 bits starting with 0 <b>Value:</b>
3	TSPX_dlei_value DATA_LINK_ENDPOINT_IDENTIFIER (INTEGER)	Value of data link endpoint identifier to be used in the test system (local test system matter). <b>Value:</b>
4	TSPX_ipei_value PORT_ID_VALUE_TYPE (BITSTRING[8..104])	Value of International Portable Equipment Identity (IPEI) (IPUI-N) to be expected from the IUT (before subscription). Fill up to 40 bits with leading 0s. <b>Value:</b>
5	TSPX_ipui_value PORT_ID_VALUE_TYPE (BITSTRING[8..104])	Value of portable_id to be used in case of a International Portable User Identity (IPUI) (after subscription). <b>Value:</b>
6	TSPX_ipui_value_2 PORT_ID_VALUE_TYPE (BITSTRING[8..104])	Value of portable_id to be used in case of a second IPUI (after subscription). <b>Value:</b>
7	TSPX_location_area_level BIT_6 (BITSTRING[6])	The location area level that is going to be used. <b>Value:</b>
8	TSPX_complete_fixed_id_park_value or TSPX_park_value FIXED_ID_VALUE_TYPE (BITSTRING[8..72])	Value of fixed_id to be used in case of Portable Access Rights Key (PARK). PARK A 36 bits, PARK B, C, D - 31 bits <b>Value:</b>
9	TSPX_complete_fixed_id_park_value_2 FIXED_ID_VALUE_TYPE (BITSTRING[8..72])	Value of fixed_id to be used in case of a second PARK. PARK A 36 bits, PARK B, C, D - 31 bits. <b>Value:</b>
10	TSPX_tpui_value PORT_ID_VALUE_TYPE (BITSTRING[8..104])	Value of tpui to be used, when assigning a tpui to the IUT Procedure. <b>Value:</b>
11	TSPX_park_length_indicator INTEGER	Number of significant bits in TSPX_park_value (PLI) <b>Value:</b>
12	TSPX_park_length_indicator_2 INTEGER	Number of significant bits in TSPX_park_value_2(PLI) <b>Value:</b>

## A.6.2 DLC layer

**Table A.8: Addresses**

Item	Parameter	Explanation and answer
1	TSPX_ari ARI	Access Rights Identity <b>Value:</b>
2	TSPX_fid FIXED_IDENTITY	Fixed Identity <b>Value:</b>
3	TSPX_pid PORTABLE_IDENTITY	Portable Identity <b>Value:</b>

**Table A.9: Parameter values**

Item	Parameter	Explanation and answer
1	TSPX_n250 INTEGER	Indicate the value of the re-transmission counter. <b>Value:</b>
2	TSPX_rpn RPN	FT's Radio FP Number <b>Value:</b>

**Table A.10: General configuration**

Item	Parameter	Explanation and answer
1	TSPX_pt BOOLEAN	Indicate the IUT type (PT = TRUE - FT = FALSE) <b>Value:</b>
2	TSPX_chn BOOLEAN	Indicate the desired signalling channel for testing signalling procedure (For I <sub>N</sub> or I <sub>P</sub> testing only C <sub>S</sub> channel is used). For C <sub>S</sub> write FALSE and write TRUE for C <sub>F</sub> <b>Value:</b>
3	TSPX_slot SLOT_TYPE	Indicate the slot type to be use in MAC connection for the test suite (Half = 0 - Full = 1 - Double = 2) <b>Value:</b>

**Table A.11: Timer values**

Item	Parameter	Explanation and answer
1	TSPX_dI04_value INTEGER	Indicate the value of the re-transmission timer <b>Value:</b>

Table A.12: Class B procedural information

Item	Parameter	Explanation and answer
1	TSPX_cb_segment_invoke BOOLEAN	TRUE = IUT supports invocation of long NWK message (segmentation) <b>Value:</b>
2	TSPX_cb_release BOOLEAN	TRUE = IUT supports invocation of class B link release <b>Value:</b>
3	TSPX_cb_initiate_est BOOLEAN	TRUE = Class B link establishment supported <b>Value:</b>
4	TSPX_nwkmsg1_part1 OCT_1_50	Part 1 of a long NWK message that shall be segmented in 3 DLC I-Frame <b>Value:</b>
5	TSPX_nwkmsg1_part2 OCT_1_50	Part 2 of a long NWK message that shall be segmented in 3 DLC I-Frame <b>Value:</b>
6	TSPX_nwkmsg1_part3 OCT_1_50	Part 3 of a long NWK message that shall be segmented in 3 DLC I-Frame <b>Value:</b>
7	TSPX_nwkmsg2_part1 OCT_1_50	Part 1 of a very long NWK message that shall be segmented in 3 DLC I-Frame <b>Value:</b>
8	TSPX_nwkmsg2_part2 OCT_1_50	Part 2 of a very long NWK message that shall be segmented in 3 DLC I-Frame <b>Value:</b>
9	TSPX_nwkmsg2_part3 OCT_1_50	Part 3 of a very long NWK message that shall be segmented in 3 DLC I-Frame <b>Value:</b>
10	TSPX_nwkmsg2_part4 OCT_1_50	Part 4 of a very long NWK message that shall be segmented in 3 DLC I-Frame <b>Value:</b>
11	TSPX_nwkmsg2_part5 OCT_1_50	Part 5 of a very long NWK message that shall be segmented in 3 DLC I-Frame <b>Value:</b>
12	TSPX_nwkmsg2_part6 OCT_1_50	Part 6 of a very long NWK message that shall be segmented in 3 DLC I-Frame <b>Value:</b>
13	TSPX_nwkmsg2_part7 OCT_1_50	Part 7 of a very long NWK message that shall be segmented in 3 DLC I-Frame <b>Value:</b>
14	TSPX_nwkmsg2_part8 OCT_1_50	Part 8 of a very long NWK message that shall be segmented in 3 DLC I-Frame <b>Value:</b>
15	TSPX_nwkmsg2_part9 OCT_1_50	Part 9 of a very long NWK message that shall be segmented in 3 DLC I-Frame <b>Value:</b>

Table A.13: Class 0 procedural information

Item	Parameter	Explanation	Value
1	TSPX_in_rec_proc_defined BOOLEAN	Is it possible to determine if the IUT received a class 0 FU1 IN frame?	TRUE FALSE
2	TSPX_in_pdu OCTETSTRING	If item 1 is TRUE: Indicate in the following lines the desired information field for the FU1 frame. ..... .....	
	TSO_iut_in_received Test suite Operation	If item 1 is TRUE: Indicate in the following lines the procedure to determine the reception of the FU1 frame. ..... ..... ..... .....	
3	TSPX_fu1_snd_pr_defined BOOLEAN	Is it possible to force the IUT to transmit a class 0 FU1 frame?	TRUE FALSE
	STP_invoke_fu1_frame Implicit Send	If item 3 is TRUE: Indicate in the following lines the procedure to force the IUT to transmit the FU1 frame. ..... ..... ..... .....	

### A.6.3 MAC layer

Table A.14: Addresses

Item	Parameter	Explanation and answer
1	TSPX_ipui Bitstring	International Portable User Identity. <b>Value:</b>
2	TSPX_rfp1 B_40 - (Bitstring[40])	RFPI for RFP number 1. <b>Value:</b>
3	TSPX_rfp1_invalid B_40 - (Bitstring[40])	derived from item 2 RFPI for RFP number 1 with bit a16 to a23 inverted. <b>Value:</b>
4	TSPX_rfp2 B_40 - (Bitstring[40])	RFPI for RFP number 2. <b>Value:</b>

Table A.15: Parameter values

Item	Parameter	Explanation and answer
1	TSPX_dummy_bearer_duration INTEGER	Value of wait timer used to delay the test case after setting up a second dummy bearer in case of intercell handover testing. <b>Value:</b>
2	TSPX_intracell_behaviour INTEGER	Value 0,1 for handling intracell bearer handover 0 = Normal tester behaviour 1 = force tester to ignore all intracell handover request <b>Value:</b>

## Annex B (normative): Profile Conformance Test Report (Profile CTR) proforma

Notwithstanding the provisions of the copyright clause related to the text of the present document (see the front page), ETSI grants users of the present document to freely reproduce the Profile CTR proforma in this annex so that it can be used for its intended purposes and may further publish the completed Profile CTR.

The Profile CTR proforma is based on ISO/IEC 9646-5 [27]. Any additional information needed can be found in the present document.

### B.1 Identification summary

#### B.1.1 Protocol conformance test report

**Table B.1: Protocol conformance test report**

PCTR Number:	
PCTR Date:	
Test Laboratory Identification:	
Accreditation Status	
Accreditation Reference	
Technical Authority	
Job Title	
Signature	
Test Laboratory Manager:	
Signature:	

#### B.1.2 IUT identification

**Table B.2: IUT identification**

Name:	
Version:	
Protocol specification:	
Profile Specific ICS	

## B.1.3 Testing environment

**Table B.3: Testing environment**

Profile specific IXIT:	
ATS Specification:	
ATM:	
Means of Testing identification:	
Period of testing:	
Conformance Log reference(s):	
Retention Date for Log reference(s):	

## B.1.4 Limits and reservation

The test results presented in this test report apply only to the particular IUT declared in subclause B.1.2, as presented for test in the period declared in subclauses B.1.3, and configured as declared in the relevant IXIT attached to this Profile CTR.

NOTE: *Additional information relevant to the technical contents or further use of the test report, or the rights and obligations of the test laboratory and the client, may be given here. Such information may include restriction on the publication of the report.*

.....  
 .....  
 .....  
 .....

## B.1.5 Comments

NOTE: *Additional comments may be given by either the client or the test laboratory on any of the contents of the Profile CTR, for example, to note disagreement between the two parties.*

.....  
 .....  
 .....  
 .....

---

## B.2 IUT conformance status

This IUT has or has not been shown by conformance assessment to be non conforming to the specified profile specification.

***Strike the appropriate words in this sentence. If the PICS for this IUT is consistent with the static conformance requirements (as specified in clause 3 in this report) and there are no "FAIL" verdicts to be recorded (in clause 6) strike the words "has or". otherwise strike the words "or has not".***

NOTE: *For further details see ISO 9646-5 [27].*



---

## B.3 Static conformance summary

The Profile specific ICS for this IUT is or is not consistent with the static conformance requirements in the specified profile.

*Strike the appropriate words in this sentence.*

NOTE: For further details see ISO 9646-5 [27].

---

## B.4 Dynamic conformance summary

The test campaign did or did not reveal errors in the IUT.

*Strike the appropriate words in this sentence. If there are no "FAIL" verdicts to be recorded (in clause 6 of this report) strike the words "did or". otherwise strike the words "or did not".*

Summary of the results of groups of test:

.....  
 .....  
 .....  
 .....

NOTE: For further details see ISO 9646-5 [27].

---

## B.5 Static conformance review report

*If section 3 indicates non-conformance, this section itemizes the mismatches between the PICS and the static conformance requirements of the referenced base and profile specification.*

.....  
 .....  
 .....  
 .....  
 .....  
 .....  
 .....

## B.6 Test campaign report

Table B.4: Test campaign report

ATS Reference	Selected?	Run?	Verdict	Observations (Reference to any observations made in <i>clause B.7</i> )
TC-LAE-BV-000	Yes/No	Yes/No		
TC-LAE-BV-001	Yes/No	Yes/No		
TC-LAE-BV-002	Yes/No	Yes/No		
TC-LAE-BV-003	Yes/No	Yes/No		
TC-LAE-BV-004	Yes/No	Yes/No		
TC-LAE-BV-005	Yes/No	Yes/No		
TC-LAE-BV-006	Yes/No	Yes/No		
TC-LAE-BV-007	Yes/No	Yes/No		
TC-LAE-BV-009	Yes/No	Yes/No		
TC-MRM-BV-000	Yes/No	Yes/No		
TC-MRM-BV-001	Yes/No	Yes/No		
TC-CSP-BV-000	Yes/No	Yes/No		
TC-CSP-BV-001	Yes/No	Yes/No		
TC-CSP-BV-002	Yes/No	Yes/No		
TC-CSP-BV-003	Yes/No	Yes/No		
TC-CSP-BV-004	Yes/No	Yes/No		
TC-CSP-BV-005	Yes/No	Yes/No		
TC-CSP-BV-006	Yes/No	Yes/No		

## B.7 Observations

NOTE: Additional information relevant to the technical content of the PCTR are given here.

.....

.....

.....

.....

.....

.....

.....

.....

.....

.....

## Annex C (normative): System Conformance Test Report (SCTR) proforma

Notwithstanding the provisions of the copyright clause related to the text of the present document, ETSI grants that users of the present document may freely reproduce the SCTR proforma in this annex so that it can be used for its intended purposes and may further publish the completed SCTR.

### C.1 Identification summary

#### C.1.1 System conformance test report

**Table C.1: System conformance test report**

SCTR Number	
SCTR Date	
Test Laboratory Manager	
Signature	

#### C.1.2 Test laboratory

**Table C.2: Test laboratory**

Identification	
Address	
Postal code/city	
Country	
Telephone	
Telefax	
Telex	
Teletex	
E-Mail	

### C.1.3 Client identification

**Table C.3: Client identification**

Identification	
Address	
Postal code/city	
Country	
Telephone	
Telefax	
Telex	
Teletex	
E-Mail	

### C.1.4 SUT

**Table C.4: System Under Test (SUT)**

Name	
Version	
Supplier	
Dates of testing	
Date of receipt of SUT	
Location of SUT for Testing	
SCS Identifier	

### C.1.5 Profile identification

**Table C.5: Profile identification**

Profile Identification	
Profile Version	
Profile ICS	EN 301 241-1 [1] annex C
Profile Specific IXIT	Annex A of this specification (EN 301 614-2 [2])
PTS-Summary	Part 1 of this specification (EN 301 614-2 [2])
Profile Specific Test Specification (PSTS)	This specification (EN 301 614-2 [2])

## C.1.6 Nature of conformance testing

The purpose of Conformance Testing is to increase the probability that different implementations can interwork in different environments. However, the complexity of OSI protocols makes exhaustive testing impractical on both technical and economic grounds. Furthermore, there is no guarantee that an SUT which has passed all the relevant test cases conforms to a specification. Neither is there any guarantee that such an SUT will interwork with other real open systems. Rather, the passing of the test cases gives confidence that the SUT has the stated capabilities and that its behaviour conforms consistently in representative instances of communication.

## C.1.7 Limits and reservations

The test results presented in this test report apply only to the particular SUT and component IUTs declared in subclause C.1.4 and C.1.8, for the functionality described in the referenced System Conformance Statement (SCS) and in the ICS referenced in each PCTR, as presented for test in the period declared in section C.1.4 and configured as declared in the relevant IXIT referenced in each PCTR. This SCTR may not be reproduced except in full together with its SCS.

**Table C.6: Limits and reservations**

--

NOTE: *Additional information relevant to the technical contents or further use of the test report, or to the rights and obligations of the test laboratory and the client, may be given here. Such information may include restrictions on the publication of the report.*

## C.1.8 Record of agreement

A definition of what parts of the SUT were considered to be the IUT during testing, and of the ATM and abstract test suite that were used:

**Table C.7: Record of agreement**

IUT Definition Reference	Protocol	ATM	ATS
	DECT NWK layer		ETS 300 497-7 [21]
	DECT DLC layer		ETS 300 497-5 [19]
	DECT MAC layer		EN 300 497-2 [17]
	DECT PHL		EN 300 176 [9]
	ISDN L2 basic access		TBR 3 [30] annex C
	ISDN L1 basic access		TBR 3 [30] annex B
	IIP Profile		Main part of the present document (EN 301 614-2 [2])

## C.1.9 Comments

**Table C.8: Comments**

Additional comments reference in annex:	
---	--

NOTE: *Additional comments may be given by either the client or test laboratory on any of the contents of the SCTR, for example, to note disagreement between the two parties.*

---

## C.2 System report summary for DECT/ISDN IIP PT

### C.2.1 Profile testing summary for DECT NWK layer protocol

**Table C.9: DECT NWK layer protocol**

Accreditation status	
Accreditation reference	
Implementation identifier	
IUT definition reference	
Protocol specification	EN 300 175-5 [8]
ICS	ETS 300 476-1 [12]
IXIT	ETS 300 497-7 [21]
PCTR Number	
PCTR Date	
ATS specification	ETS 300 497-7 [21]
ATM	Remote
Means of Testing identifier	
Conformance Status: Static conformance errors?	Yes/No
Conformance Status: Dynamic conformance errors?	Yes/No
Number of Test cases run:	
Number of Test cases Passed:	
Number of Test cases Inconclusive:	
Number of Test cases Failed:	
Observations:	

## C.2.2 Profile testing summary for DECT DLC layer protocol

**Table C.10: DECT DLC layer protocol**

Accreditation status	
Accreditation reference	
Implementation identifier	
IUT definition reference	
Protocol specification	EN 300 175-4 [7]
ICS	ETS 300 476-2 [13]
IXIT	ETS 300 497-5 [19]
PCTR Number	
PCTR Date	
ATS specification	ETS 300 497-5 [19]
ATM	ETS 300 497-5 [19]
Means of Testing identifier	
Conformance Status: Static conformance errors?	Yes/No
Conformance Status: Dynamic conformance errors?	Yes/No
Number of Test cases run:	
Number of Test cases Passed:	
Number of Test cases Inconclusive:	
Number of Test cases Failed:	
Observations:	

## C.2.3 Profile testing summary for DECT MAC layer protocol

**Table C.11: DECT MAC layer protocol**

Accreditation status	
Accreditation reference	
Implementation identifier	
IUT definition reference	
Protocol specification	EN 300 175-3 [6]
ICS	ETS 300 476-3 [14]
IXIT	EN 300 497-2 [17]
PCTR Number	
PCTR Date	
ATS specification	EN 300 497-2 [17]
ATM	EN 300 497-2 [17]
Means of Testing identifier	
Conformance Status: Static conformance errors?	Yes/No
Conformance Status: Dynamic conformance errors?	Yes/No
Number of Test cases run:	
Number of Test cases Passed:	
Number of Test cases Inconclusive:	
Number of Test cases Failed:	
Observations:	



## C.2.4 Profile testing summary for DECT PHL protocol

**Table C.12: DECT PHL protocol**

Accreditation status	
Accreditation reference	
Implementation identifier	
IUT definition reference	
Protocol specification	EN 300 175-2 [5]
ICS	ETS 300 476-7 [15]
IXIT	-
PCTR Number	
PCTR Date	
ATS specification	EN 300 176 [9]
ATM	-
Means of Testing identifier	
Conformance Status: Static conformance errors?	Yes/No
Conformance Status: Dynamic conformance errors?	Yes/No
Number of Test cases run:	
Number of Test cases Passed:	
Number of Test cases Inconclusive:	
Number of Test cases Failed:	
Observations:	

## C.2.5 Profile testing summary for ISDN L2, L1 basic access protocol

**Table C.13: ISDN L3, L2, L1 basic access protocol**

Accreditation status	
Accreditation reference	
Implementation identifier	
IUT definition reference	
Protocol specification	L2 - ETS 300 402-2 [10] L1 - ETS 300 012 [3]
ICS	L2 - ETS 300 402-4 [11] L1 - ETS 300 012/A2 [4]
IXIT	TBR 3 [30]
PCTR Number	
PCTR Date	
ATS specification	TBR 3 [30]
ATM	TBR 3 [30]
Means of Testing identifier	
Conformance Status: Static conformance errors?	Yes/No
Conformance Status: Dynamic conformance errors?	Yes/No
Number of Test cases run:	
Number of Test cases Passed:	
Number of Test cases Inconclusive:	
Number of Test cases Failed:	
Observations:	

## C.2.6 Profile testing summary for DECT/ISDN IIP Profile

**Table C.14: DECT/ISDN IIP Profile**

Accreditation status	
Accreditation reference	
Implementation identifier	
IUT definition reference	
Protocol specification	ETS 300 822 [22]
ICS	EN 301 241-1 [1] annex C
IXIT	This specification (EN 301 614-2 [2])
PCTR Number	
PCTR Date	
ATS specification	This specification (EN 301 614-2 [2])
ATM	This specification (EN 301 614-2 [2])
Means of Testing identifier	
Conformance Status: Static conformance errors?	Yes/No
Conformance Status: Dynamic conformance errors?	Yes/No
Number of Test cases run:	
Number of Test cases Passed:	
Number of Test cases Inconclusive:	
Number of Test cases Failed:	
Observations:	

## Annex D (normative): Profile IXIT Requirements List (XRL) proforma

Notwithstanding the provisions of the copyright clause related to the text of the present document, ETSI grants that users of the present document may freely reproduce the XRL proforma in this annex so that it can be used for its intended purposes and may further publish the completed XRL.

The XRL Proforma is based on ISO/IEC 9646-6 [28]. Any additional information needed can be found in the present document.

### D.1 Profile eXtra Requirement List for IIP - PT part

#### D.1.1 Parameters for IWU layer

Table D.1: Parameter values

Item	Parameter	Explanation and answer
1	TSPX_i_bearer_LU1 OCT_0_10	Value of Bearer capability requesting LU1 services. <b>Value:</b>
2	TSPX_i_bearer_LU7 OCT_0_10	Value of Bearer capability requesting LU7 services. <b>Value:</b>
3	TSPX_i_bearer_UUS OCT_0_10	Value of Bearer capability requesting a user signalling services (no U-plane). <b>Value:</b>
4	TSPX_i_bearer_LU8 OCT_0_10	Value of Bearer capability requesting LU8 services. <b>Value:</b>

#### D.1.2 Specific parameters for NWK layer

Table D.2: Specific parameters for NWK layer

Item	Parameter	Explanation and answer
1	TSPX_medium_sized_msg OCTETSTRING	ISDN message of about 63 bytes long. <b>Value:</b>
2	TSPX_long_sized_msg OCTETSTRING	ISDN message of about 315 bytes long (more than 254, less than 508). <b>Value:</b>
3	TSPX_setup_channel_b1 OCTETSTRING	an ISDN setup using B1 channel. <b>Value:</b>
4	TSPX_setup_chan_b1_l OCTETSTRING	4+length of the message TSPX_setup_channel_b1. <b>Value:</b>
5	TSPX_con_ack OCTETSTRING	an ISDN connect ack. <b>Value:</b>
6	TSPX_con_ack_l OCTETSTRING	4+length of the message TSPX_con_ack. <b>Value:</b>

### D.1.3 Specific parameters for DLC layer

**Table D.3: Specific parameters for DLC layer**

Item	Parameter	Explanation and answer
1	TSPX_i_setup_lu1 OCT_1_50	An ISDN SETUP message to ensure that the IUT as FT part, starts the signalling procedure to establish a LU1 U-plane service. <b>Value:</b>
2	TSPX_i_setup_lu7 OCT_1_50	An ISDN SETUP message to ensure that the IUT as FT part, starts the signalling procedure to establish a LU7 U-plane service. <b>Value:</b>
3	TSPX_i_setup_lu8 OCT_1_50	An ISDN SETUP message to ensure that the IUT as FT part, starts the signalling procedure to establish a LU8 U-plane service. <b>Value:</b>
4	TSPX_dl00_value INTEGER	Value of DL-00 timer. <b>Value:</b>
5	TSPX_dl01_value INTEGER	Value of DL-01 timer. <b>Value:</b>
6	TSPX_dl02_value INTEGER	Value of DL-02 timer. <b>Value:</b>

### D.1.4 Specific parameters for MAC layer

No specific XRL table for MAC layer parameter is needed for the requirements of the PT part of this profile.

# Annex E (normative): Modifications of DECT Common Interface (CI) PCTR proforma

## E.1 Modifications of DECT NWK layer PCTR proforma

For the requirements of the DECT/ISDN IIP the following modifications shall be applied to the PCTR proforma furnished in ETS 300 497-7 [21], annex C.

Table E.1 is the replacement table for table C.2 of ETS 300 497-7 [21], subclause C.1.2.

**Table E.1**

Name:	
Version:	
Protocol specification:	EN 300 175-5 [8]
PICS:	ETS 300 476-1 [12]
Profile RL:	EN 301 241-1 [1]
Previous PCTR if any:	

Table E.2 is the replacement table for table C.3 of ETS 300 497-7 [21], subclause C.1.3.

**Table E.2**

PIXIT:	ETS 300 497-7 [21]
Profile XRL:	Annex D of this specification (EN 301 614-2 [2])
ATS Specification:	ETS 300 497-7 [21]
ATM:	Remote test method, Embedded variant with no UT
Means of Testing identification:	
Date of testing:	
Conformance Log reference(s):	
Retention Date for Log reference(s):	

Table E.3 is the replacement table for table C.4 of ETS 300 497-7 [21], clause C.6.

The new column "St" indicates the origin of the test case. The value "O" indicates an original unmodified test case. The value "A" indicates an additional test case. The value "R" indicates a replacement test case. The value "M" indicates a test case in which one or more components, such as constraint, behaviour line, etc., are modified. The values "A, R, M" are due to the requirements of the DECT/ISDN IIP profile.

For the values "O" and "M", the corresponding TPs can be found in the relevant part of the respective standard. For the other values, the corresponding TPs can be found in this Profile Specific Test Specification (PSTS).

Table E.3

ATS Reference	St.	Selected?	Run?	Verdict	Observations (Reference to any observations made in clause E.4)
TC-PT-CC-BV-OC-01	O	No	No	-	
TC-PT-CC-BV-OC-02	O	No	No	-	
TC-PT-CC-BV-OC-03	O	No	No	-	
TC-PT-CC-BV-OC-04	O	No	No	-	
TC-PT-CC-BV-IC-01	O	No	No	-	
TC-PT-CC-BV-IC-02	O	No	No	-	
TC-PT-CC-BV-IC-03	O	No	No	-	
TC-PT-CC-BV-IC-04	O	No	No	-	
TC-PT-CC-BV-CI-01	O	No	No	-	
TC-PT-CC-BV-CI-02	O	No	No	-	
TC-PT-CC-BV-CI-03	O	No	No	-	
TC-PT-CC-BV-CI-04	O	No	No	-	
TC-PT-CC-BV-CI-05	O	No	No	-	
TC-PT-CC-BV-CI-06	O	No	No	-	
TC-PT-CC-BV-CI-07	O	No	No	-	
TC-PT-CC-BV-CI-08	O	No	No	-	
TC-PT-CC-BV-CI-09	O	No	No	-	
TC-PT-CC-BV-CI-10	O	No	No	-	
TC-PT-CC-BV-CI-11	O	No	No	-	
TC-PT-CC-BV-CI-12	O	No	No	-	
TC-PT-CC-BV-CI-13	O	No	No	-	
TC-PT-CC-BV-CI-14	O	No	No	-	
TC-PT-CC-BV-CR-01	O	No	No	-	
TC-PT-CC-BV-CR-02	O	No	No	-	
TC-PT-CC-BV-CR-03	O	No	No	-	
TC-PT-CC-BV-CR-04	O	No	No	-	
TC-PT-CC-BV-CR-05	O	No	No	-	
TC-PT-CC-BV-CR-06	O	No	No	-	
TC-PT-CC-BV-CR-07	O	No	No	-	
TC-PT-CC-BV-CR-08	O	No	No	-	
TC-PT-CC-BV-CR-09	O	No	No	-	
TC-PT-CC-BV-CR-10	O	No	No	-	
TC-PT-CC-BV-CR-11	O	No	No	-	
TC-PT-CC-BV-RS-01	O	No	No	-	
TC-PT-CC-BO-01	O	No	No	-	
TC-PT-CC-BO-02	O	No	No	-	
TC-PT-CC-BI-01	O	No	No	-	
TC-PT-CC-BI-02	O	No	No	-	
TC-PT-CC-BI-03	O	No	No	-	
TC-PT-CC-TI-01	O	No	No	-	
TC-PT-CC-TI-02	O	No	No	-	
TC-PT-CC-TI-03	O	No	No	-	
TC-PT-CC-TI-04	O	No	No	-	

(continued)

Table E.3 (continued)

ATS Reference	St.	Selected?	Run?	Verdict	Observations (Reference to any observations made in clause E.4)
TC-PT-MM-BV-ID-01	M	Yes/No	Yes/No		
TC-PT-MM-BV-ID-02	M	Yes/No	Yes/No		
TC-PT-MM-BV-ID-03	M	Yes/No	Yes/No		
TC-PT-MM-BV-ID-04	M	Yes/No	Yes/No		
TC-PT-MM-BV-ID-08	M	Yes/No	Yes/No		
TC-PT-MM-BV-AU-01	M	Yes/No	Yes/No		
TC-PT-MM-BV-AU-02	M	Yes/No	Yes/No		
TC-PT-MM-BV-AU-03	M	Yes/No	Yes/No		
TC-PT-MM-BV-AU-04	M	Yes/No	Yes/No		
TC-PT-MM-BV-AU-05	M	Yes/No	Yes/No		
TC-PT-MM-BV-AU-06	M	Yes/No	Yes/No		
TC-PT-MM-BV-AU-07	O	No	No	-	
TC-PT-MM-BV-AU-08	M	Yes/No	Yes/No		
TC-PT-MM-BV-AU-09	M	Yes/No	Yes/No		
TC-PT-MM-BV-LO-01	M	Yes/No	Yes/No		
TC-PT-MM-BV-LO-02	M	Yes/No	Yes/No		
TC-PT-MM-BV-LO-03	M	Yes/No	Yes/No		
TC-PT-MM-BV-LO-04	M	Yes/No	Yes/No		
TC-PT-MM-BV-LO-05	M	Yes/No	Yes/No		
TC-PT-MM-BV-LO-06	M	Yes/No	Yes/No		
TC-PT-MM-BV-LO-07	M	Yes/No	Yes/No		
TC-PT-MM-BV-LO-08	M	Yes/No	Yes/No		
TC-PT-MM-BV-LO-09	M	Yes/No	Yes/No		
TC-PT-MM-BV-AR-01	M	Yes/No	Yes/No		
TC-PT-MM-BV-AR-03	M	Yes/No	Yes/No		
TC-PT-MM-BV-AR-05	M	Yes/No	Yes/No		
TC-PT-MM-BV-AR-06	M	Yes/No	Yes/No		
TC-PT-MM-BV-AR-09	M	Yes/No	Yes/No		
TC-PT-MM-BV-AR-10	M	Yes/No	Yes/No		
TC-PT-MM-BV-KA-01	M	Yes/No	Yes/No		
TC-PT-MM-BV-KA-02	M	Yes/No	Yes/No		
TC-PT-MM-BV-KA-03	M	Yes/No	Yes/No		
TC-PT-MM-BV-CH-01	M	Yes/No	Yes/No		
TC-PT-MM-BV-CH-02	M	Yes/No	Yes/No		
TC-PT-MM-BV-CH-03	M	Yes/No	Yes/No		
TC-PT-MM-BV-CH-04	M	Yes/No	Yes/No		
TC-PT-MM-BV-CH-05	M	Yes/No	Yes/No		
TC-PT-MM-BV-CH-08	M	Yes/No	Yes/No		
TC-PT-MM-BV-CH-09	M	Yes/No	Yes/No		
TC-PT-MM-BV-CH-10	M	Yes/No	Yes/No		
TC-PT-MM-BV-CH-11	M	Yes/No	Yes/No		
TC-PT-MM-BV-CH-12	M	Yes/No	Yes/No		
TC-PT-MM-BV-CH-13	M	Yes/No	Yes/No		
TC-PT-MM-BV-CH-14	M	Yes/No	Yes/No		
TC-PT-MM-BV-CH-15	M	Yes/No	Yes/No		
TC-PT-MM-BO-01	M	Yes/No	Yes/No		
TC-PT-MM-BI-01	M	Yes/No	Yes/No		
TC-PT-MM-BI-02	M	Yes/No	Yes/No		
TC-PT-MM-BI-03	M	Yes/No	Yes/No		
			(continued)		



Table E.3 (concluded)

ATS Reference	St.	Selected?	Run?	Verdict	Observations (Reference to any observations made in clause E.4)
TC-PT-MM-BI-04	M	Yes/No	Yes/No		
TC-PT-MM-TI-01	M	Yes/No	Yes/No		
TC-PT-MM-TI-05	M	Yes/No	Yes/No		
TC-PT-ME-BV-01	M	Yes/No	Yes/No		
TC-PT-ME-BV-02	M	Yes/No	Yes/No		
TC-PT-ME-BV-03	O	No	No	-	
TC-PT-ME-BV-04	M	Yes/No	Yes/No		
TC-PT-ME-BV-05	O	No	No	-	
TC-PT-ME-BV-06	O	No	No	-	
TC-PT-ME-BV-07	O	No	No	-	
TC-PT-ME-BV-09	M	Yes/No	Yes/No		
TC-PT-ME-BV-10	M	Yes/No	Yes/No		
TC-PT-ME-BV-11	O	No	No	-	
TC-PT-ME-BV-12	O	No	No	-	
TC-PT-ME-BV-13	M	Yes/No	Yes/No		
TC-PT-ME-BO-01	M	Yes/No	Yes/No		
TC-PT-LC-BV-LE-01	O	Yes/No	Yes/No		
TC-PT-LC-BV-LE-02	O	Yes/No	Yes/No		
TC-PT-LC-BV-LR-01	O	Yes/No	Yes/No		
TC-PT-LC-BV-LR-02	O	Yes/No	Yes/No		
TC-PT-LC-BV-LR-03	O	Yes/No	Yes/No		
TC-PT-LC-BI-01	O	Yes/No	Yes/No		
TC-PT-LC-BI-03	O	Yes/No	Yes/No		
TC-PT-LC-TI-02	O	No	No	-	
TC-PT-CC-BV-IS-01	A	Yes/No	Yes/No		
TC-PT-CC-BV-IS-02	A	Yes/No	Yes/No		
TC-PT-CC-BV-IS-03	A	Yes/No	Yes/No		
TC-PT-CC-BV-IS-04	A	Yes/No	Yes/No		
TC-PT-CC-BV-IS-05	A	Yes/No	Yes/No		
TC-PT-CC-BV-IS-06	A	Yes/No	Yes/No		
TC-PT-CC-BV-IS-07	A	Yes/No	Yes/No		
TC-PT-CC-BV-IS-08	A	Yes/No	Yes/No		
TC-PT-CC-BI-IS-01	A	Yes/No	Yes/No		
TC-PT-CC-BI-IS-02	A	Yes/No	Yes/No		
TC-PT-CC-BI-IS-03	A	Yes/No	Yes/No		
TC-PT-CC-BO-IS-01	A	Yes/No	Yes/No		
TC-PT-CC-TI-IS-01	A	Yes/No	Yes/No		
TP-PT-LC-BV-IS-01	A	Yes/No	Yes/No		
TP-PT-LC-BV-IS-02	A	Yes/No	Yes/No		

## E.2 Modifications of DECT DLC layer PCTR proforma

For the requirements of the DECT/ISDN IIP the following modifications shall be applied to the PCTR proforma furnished in ETS 300 497-5 [19], annex C.

Table E.4 is the replacement table for table C.2 of ETS 300 497-5 [19], subclause C.1.2.

Table E.4

Name:	
Version:	
Protocol specification:	EN 300 175-4 [7]
PICS:	ETS 300 476-2 [13]
Profile RL:	EN 301 241-1 [1]
Previous PCTR if any:	

Table E.5 is the replacement table for table C.3 of ETS 300 497-5 [19], subclause C.1.3.

**Table E.5**

PIXIT:	ETS 300 497-5 [19]
Profile XRL:	Annex D of this specification (EN 301 614-2 [2])
ATS Specification:	ETS 300 497-5 [19]
ATM:	Remote test method, Embedded variant with no UT
Means of Testing identification:	
Date of testing:	
Conformance Log reference(s):	
Retention Date for Log reference(s):	

Table E.6 is the replacement table for table C.4 of ETS 300 497-5 [19], clause C.6.

The new column "St" indicates the origin of the test case. The value "O" indicates an original unmodified test case. The value "A" indicates an additional test case. The value "R" indicates a replacement test case. The value "M" indicates a test case in which one or more components, such as constraint, behaviour line, etc., are modified. The values "A, R, M" are due to the requirements of the DECT/ISDN IIP profile.

For the values "O" and "M", the corresponding TPs can be found in the relevant part of the respective standard. For the other values, the corresponding TPs can be found in this PSTS.

Table E.6

ATS Reference	St.	Selected?	Run?	Verdict	Observations (Reference to any observations made in clause E.4)
TC-U-CA-000	O	No	No	-	
TC-U-CA-001	O	No	No	-	
TC-U-CA-002	O	No	No	-	
TC-U-CA-003	O	No	No	-	
TC-U-BI-000	O	No	No	-	
TC-U-BI-001	O	No	No	-	
TC-U-BI-002	O	No	No	-	
TC-U-BI-003	O	No	No	-	
TC-U-BI-004	O	No	No	-	
TC-U-BI-005	O	No	No	-	
TC-U-BI-006	O	No	No	-	
TC-U-BI-007	O	No	No	-	
TC-A-CA-000	O	No	No	-	
TC-A-CA-001	O	No	No	-	
TC-A-CA-002	O	No	No	-	
TC-A-CA-003	O	No	No	-	
TC-A-CA-004	O	No	No	-	
TC-A-CA-005	O	No	No	-	
TC-A-CA-006	O	No	No	-	
TC-A-CA-007	O	No	No	-	
TC-A-CA-008	O	No	No	-	
TC-A-BV-000	O	No	No	-	
TC-A-BV-001	O	No	No	-	
TC-A-BV-002	O	No	No	-	
TC-A-BV-003	O	No	No	-	
TC-A-BV-004	O	No	No	-	
TC-A-BV-005	O	No	No	-	
TC-A-BV-006	O	No	No	-	
TC-A-BI-000	O	No	No	-	
TC-A-BI-001	O	No	No	-	
TC-A-BI-002	O	No	No	-	
TC-A-BI-003	O	No	No	-	
TC-A-BI-004	O	No	No	-	
TC-A-BI-005	O	No	No	-	
TC-A-BI-006	O	No	No	-	
TC-A-BI-007	O	No	No	-	
TC-A-BI-008	O	No	No	-	
TC-A-BI-009	O	No	No	-	
TC-A-BI-010	O	No	No	-	
TC-A-BI-011	O	No	No	-	
TC-A-BI-012	O	No	No	-	
TC-A-BI-013	O	No	No	-	
TC-A-BO-000	O	No	No	-	
TC-A-BO-001	O	No	No	-	
TC-A-BO-002	O	No	No	-	

(continued)

Table E.6 (concluded)

ATS Reference	St.	Selected?	Run?	Verdict	Observations (Reference to any observations made in clause E.4)
TC-A-BO-003	O	No	No		
TC-B-CA-000	A	Yes/No	Yes/No		
TC-B-CA-001	A	Yes/No	Yes/No		
TC-B-CA-002	A	Yes/No	Yes/No		
TC-B-CA-003	A	Yes/No	Yes/No		
TC-B-CA-004	A	Yes/No	Yes/No		
TC-B-CA-005	A	Yes/No	Yes/No		
TC-B-CA-006	A	Yes/No	Yes/No		
TC-B-CA-007	A	Yes/No	Yes/No		
TC-B-CA-008	A	Yes/No	Yes/No		
TC-B-CA-009	A	Yes/No	Yes/No		
TC-B-CA-010	A	Yes/No	Yes/No		
TC-B-BV-000	A	Yes/No	Yes/No		
TC-B-BV-001	A	Yes/No	Yes/No		
TC-B-BV-002	A	Yes/No	Yes/No		
TC-B-BV-003	A	Yes/No	Yes/No		
TC-B-BV-004	A	Yes/No	Yes/No		
TC-B-BV-005	A	Yes/No	Yes/No		
TC-B-BV-006	A	Yes/No	Yes/No		
TC-B-BV-007	A	Yes/No	Yes/No		
TC-B-BV-008	A	Yes/No	Yes/No		
TC-B-BV-009	A	Yes/No	Yes/No		
TC-B-BV-010	A	Yes/No	Yes/No		
TC-B-BV-011	A	Yes/No	Yes/No		
TC-B-BV-012	A	Yes/No	Yes/No		
TC-B-BV-013	A	Yes/No	Yes/No		
TC-B-BV-014	A	Yes/No	Yes/No		
TC-B-BV-015	A	Yes/No	Yes/No		
TC-B-BV-016	A	Yes/No	Yes/No		
TC-B-BV-017	A	Yes/No	Yes/No		
TC-B-BI-000	A	Yes/No	Yes/No		
TC-B-BI-001	A	Yes/No	Yes/No		
TC-B-BI-002	A	Yes/No	Yes/No		
TC-B-BI-003	A	Yes/No	Yes/No		
TC-B-BO-000	A	Yes/No	Yes/No		
TC-B-BO-001	A	Yes/No	Yes/No		
TC-B-BO-002	A	Yes/No	Yes/No		
TC-B-BO-003	A	Yes/No	Yes/No		
TC-B-BO-004	A	Yes/No	Yes/No		
TC-B-BO-005	A	Yes/No	Yes/No		
TC-L-CA-000	O	No	No	-	
TC-L-CA-001	O	No	No	-	
TC-0-CA-000	O	Yes/No	Yes/No		
TC-0-CA-001	O	Yes/No	Yes/No		
TC-0-BV-100	A	Yes/No	Yes/No		
TC-0-BV-101	A	Yes/No	Yes/No		
TC-0-BV-102	A	Yes/No	Yes/No		
TC-0-BV-103	A	Yes/No	Yes/No		
TC-0-BV-104	A	Yes/No	Yes/No		
TC-1-CA-000	O	No	No	-	
TC-1-CA-001	O	No	No	-	
TC-1-CA-002	O	No	No	-	
TC-1-BV-000	O	No	No	-	
TC-1-BV-001	O	No	No	-	
TC-1-BV-002	O	No	No	-	
TC-1-BI-000	O	No	No	-	
TC-1-BI-001	O	No	No	-	
TC-1-BI-002	O	No	No	-	

## E.3 Modifications of DECT MAC layer PCTR proforma

For the requirements of the DECT/ISDN IIP the following modifications shall be applied to the PCTR proforma furnished in EN 300 497-2 [17] annex D.

Table E.7 is the replacement table for table D.2 of EN 300 497-2 [17], subclause D.1.2.

**Table E.7**

Name:	
Version:	
Protocol specification:	EN 300 175-3 [6]
PICS:	ETS 300 476-3 [14]
Profile RL:	EN 301 241-1 [1]
Previous PCTR if any:	

Table E.8 is the replacement table for table D.3 of EN 300 497-2 [17], subclause D.1.3.

**Table E.8**

PIXIT:	EN 300 497-2 [17]
Profile XRL:	Annex D of this specification (EN 301 614-2 [2])
ATS Specification:	EN 300 497-2 [17]
ATM:	Remote test method, Embedded variant with no UT
Means of Testing identification:	
Date of testing:	
Conformance Log reference(s):	
Retention Date for Log reference(s):	

Table E.9 is the replacement table for table D.4 of EN 300 497-2 [17], clause D.6.

The new column "St" indicates the origin of the test case. The value "O" indicates an original unmodified test case. The value "A" indicates an additional test case. The value "R" indicates a replacement test case. The value "M" indicates a test case in which one or more components, such as constraint, behaviour line, etc., are modified. The values "A, R, M" are due to the requirements of the DECT/ISDN IIP profile.

For the values "O" and "M", the corresponding TPs can be found in the relevant part of the respective standard. For the other values, the corresponding TPs can be found in this PSTS.

Table E.9

ATS Reference	St.	Selected?	Run?	Verdict	Observations (Reference to any observations made in clause E.4)
TC-PT-BH-CA-00	O	Yes/No	Yes/No		
TC-PT-BH-CA-01	O	Yes/No	Yes/No		
TC-PT-BR-CA-00	O	Yes/No	Yes/No		
TC-PT-BR-CA-10	A	Yes/No	Yes/No		
TC-PT-BR-CA-11	A	Yes/No	Yes/No		
TC-PT-BS-CA-00	O	Yes/No	Yes/No		
TC-PT-BS-CA-01	O	Yes/No	Yes/No		
TC-PT-BS-CA-10	A	Yes/No	Yes/No		
TC-PT-BS-CA-11	A	Yes/No	Yes/No		
TC-PT-BS-CA-20	A	Yes/No	Yes/No		
TC-PT-BS-CA-21	A	Yes/No	Yes/No		
TC-PT-BS-CA-22	A	Yes/No	Yes/No		
TC-PT-BS-CA-23	A	Yes/No	Yes/No		
TC-PT-BS-CA-30	A	Yes/No	Yes/No		
TC-PT-BS-CA-31	A	Yes/No	Yes/No		
TC-PT-BS-BV-00	O	Yes/No	Yes/No		
TC-PT-DB-BV-01	O	Yes/No	Yes/No		
TC-PT-BS-BV-10	A	Yes/No	Yes/No		
TC-PT-BS-BV-20	A	Yes/No	Yes/No		
TC-PT-BS-BV-21	A	Yes/No	Yes/No		
TC-PT-BS-BV-22	A	Yes/No	Yes/No		
TC-PT-BS-BV-23	A	Yes/No	Yes/No		
TC-PT-BS-BV-24	A	Yes/No	Yes/No		
TC-PT-BS-BV-25	A	Yes/No	Yes/No		
TC-PT-BS-BV-26	A	Yes/No	Yes/No		
TC-PT-BS-BV-27	A	Yes/No	Yes/No		
TC-PT-BS-BV-30	A	Yes/No	Yes/No		
TC-PT-CM-CA-10	A	Yes/No	Yes/No		
TC-PT-CM-CA-11	A	Yes/No	Yes/No		
TC-PT-CM-CA-12	A	Yes/No	Yes/No		
TC-PT-DT-CA-00	O	Yes/No	Yes/No		
TC-PT-DT-CA-01	O	Yes/No	Yes/No		
TC-PT-DT-CA-02	O	Yes/No	Yes/No		
TC-PT-DT-BI-00	O	Yes/No	Yes/No		
TC-PT-LM-CA-00	O	Yes/No	Yes/No		
TC-PT-LM-CA-01	O	Yes/No	Yes/No		
TC-PT-LM-CA-02	O	Yes/No	Yes/No		
TC-PT-LM-CA-03	O	Yes/No	Yes/No		
TC-PT-LM-CA-04	O	Yes/No	Yes/No		
TC-PT-PG-CA-00	O	Yes/No	Yes/No		
TC-PT-PG-CA-01	O	Yes/No	Yes/No		
TC-PT-PG-BV-02	O	Yes/No	Yes/No		
TC-PT-PG-BV-03	O	Yes/No	Yes/No		

## E.4 Observations

NOTE: Additional information relevant to the technical content of the PCTR are given here.

.....

.....

.....

.....

.....

.....

.....

.....

.....

.....

.....

---

## Annex F (normative): Abstract Test Suite (ATS) - NWK layer

This ATS has been produced using the Tree and Tabular Combined Notation (TTCN) according to ISO/IEC 9646-3 [25].

The ATS was developed on a separate TTCN software tool and therefore the TTCN tables are not completely referenced in the table of contents. The ATS itself contains a test suite overview part which provides additional information and references.

---

### F.1 The TTCN Graphical form (TTCN.GR)

The TTCN.GR representation of this ATS is contained in an Adobe Portable Document Format™ file (DE01042F.PDF contained in archive ey0i0idc.ZIP) which accompanies the present document.

---

### F.2 The TTCN Machine Processable form (TTCN.MP)

The TTCN.MP representation corresponding to this ATS is contained in an ASCII file (DE01042F.MP contained in archive ey0i0idc.ZIP) which accompanies the present document.

NOTE: According to ISO/IEC 9646-3 [25], in case of a conflict in interpretation of the operational semantics of TTCN.GR and TTCN.MP, the operational semantics of the TTCN.GR representation takes precedence.

---

## Annex G (normative): Abstract Test Suite (ATS) - DLC layer

This ATS has been produced using the Tree and Tabular Combined Notation (TTCN) according to ISO/IEC 9646-3 [25].

The ATS was developed on a separate TTCN software tool and therefore the TTCN tables are not completely referenced in the table of contents. The ATS itself contains a test suite overview part which provides additional information and references.

---

### G.1 The TTCN Graphical form (TTCN.GR)

The TTCN.GR representation of this ATS is contained in an Adobe Portable Document Format™ file (DE01042G.PDF contained in archive ey0i0idc.ZIP) which accompanies the present document.

---

### G.2 The TTCN Machine Processable form (TTCN.MP)

The TTCN.MP representation corresponding to this ATS is contained in an ASCII file (DE01042G.MP contained in archive ey0i0idc.ZIP) which accompanies the present document.

NOTE: According to ISO/IEC 9646-3 [25], in case of a conflict in interpretation of the operational semantics of TTCN.GR and TTCN.MP, the operational semantics of the TTCN.GR representation takes precedence.



---

## Annex H (normative): Abstract Test Suite (ATS) - MAC layer

This ATS has been produced using the Tree and Tabular Combined Notation (TTCN) according to ISO/IEC 9646-3 [25].

The ATS was developed on a separate TTCN software tool and therefore the TTCN tables are not completely referenced in the table of contents. The ATS itself contains a test suite overview part which provides additional information and references.

---

### H.1 The TTCN Graphical form (TTCN.GR)

The TTCN.GR representation of this ATS is contained in an Adobe Portable Document Format™ file (DE01042H.PDF contained in archive ey0i0idc.ZIP) which accompanies the present document.

---

### H.2 The TTCN Machine Processable form (TTCN.MP)

The TTCN.MP representation corresponding to this ATS is contained in an ASCII file (DE01042H.MP contained in archive ey0i0idc.ZIP) which accompanies the present document.

NOTE: According to ISO/IEC 9646-3 [25], in case of a conflict in interpretation of the operational semantics of TTCN.GR and TTCN.MP, the operational semantics of the TTCN.GR representation takes precedence.

---

## Annex J (normative): Abstract Test Suite (ATS) - Interworking Unit (IWU)

This ATS has been produced using the Tree and Tabular Combined Notation (TTCN) according to ISO/IEC 9646-3 [25].

The ATS was developed on a separate TTCN software tool and therefore the TTCN tables are not completely referenced in the table of contents. The ATS itself contains a test suite overview part which provides additional information and references.

---

### J.1 The TTCN Graphical form (TTCN.GR)

The TTCN.GR representation of this ATS is contained in an Adobe Portable Document Format™ file (DE01042J.PDF contained in archive ey0i0idc.ZIP) which accompanies the present document.

---

### J.2 The TTCN Machine Processable form (TTCN.MP)

The TTCN.MP representation corresponding to this ATS is contained in an ASCII file (DE01042J.MP contained in archive ey0i0idc.ZIP) which accompanies the present document.

NOTE: According to ISO/IEC 9646-3 [25], in case of a conflict in interpretation of the operational semantics of TTCN.GR and TTCN.MP, the operational semantics of the TTCN.GR representation takes precedence.

---

## History

<b>Document history</b>				
V1.1.1	April 1998	Public Enquiry	PE 9833:	1998-04-17 to 1998-08-14
V1.1.2	October 1998	Vote	V 9851:	1998-10-20 to 1998-12-18